

Intelligent Drivesystems, Worldwide Services



EN

G1000

Constant speeds




DRIVESYSTEMS

Contents

INTRODUCTION

GEAR UNIT DESCRIPTION

GEAR UNIT SELECTION

OPTIONS

LUBRICANTS

STANDARDS, REGULATIONS

NOMENCLATURE

OIL FILL VOLUMES

PAINTING

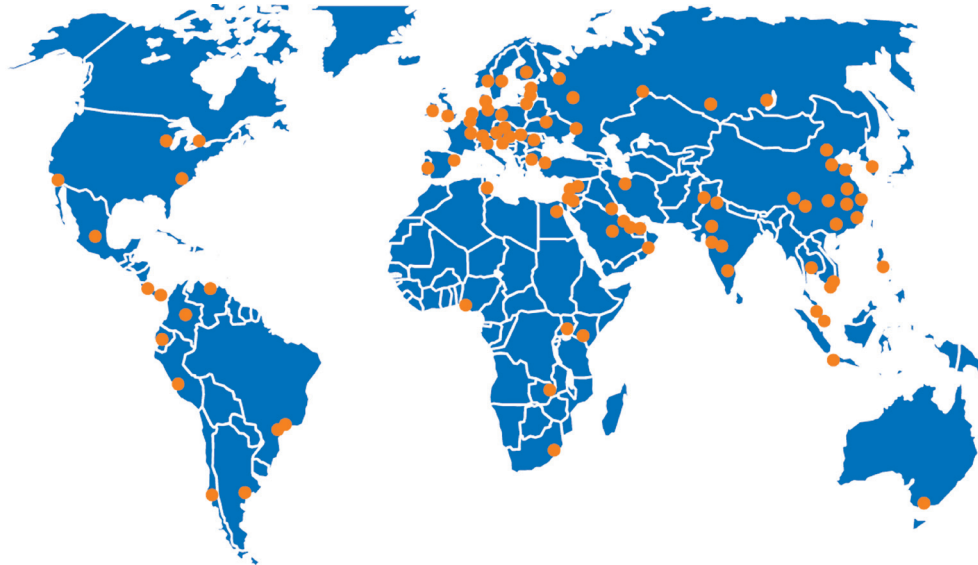
OVERVIEW OF POWERS AND SPEEDS

POWER AND SPEED TABLES

DIMENSIONED DRAWINGS

APPENDIX





Global presence

- **NORD** has subsidiaries in 35 countries
- **NORD** has sales agencies in 52 countries
- Service and sales partner
- Technical support
- Support for installation and commissioning
- Spare parts management

NORD DRIVESYSTEMS with its headquarters in Bargteheide near Hamburg and subsidiaries in 35 countries is a global company with an extensive range of products and services for electrical, mechanical and electronic drive technology.

With a staff of approx. 3000 in its German factories and international production facilities, **NORD** produces and distributes drive technology for the global market.

The design of user-specific drive solutions with close customer support from the planning phase right up to commissioning is what makes **NORD** a strong and dependable partner.

We consider 24-hour service, fast availability and being close to our customers as both a responsibility and an obligation, just as you can expect from a leading drive manufacturer such as **NORD**.

PRODUCTION FACILITIES



NORD headquarters
Bargteheide



NORD Electronic DRIVESYSTEMS
Aurich



NORD Gear factory
Glinde



NORD Production technology
Gadebusch

SOME OF OUR OVERSEAS PRODUCTION FACILITIES



Vieux Thann
France



Nowa Sol
Poland



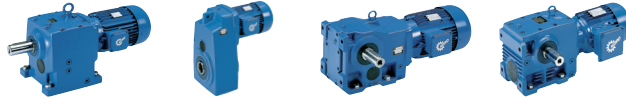
Waunakee, Wisconsin
USA



Suzhou
China



Introduction



Catalogue G1000 IE2 - Introduction

European Ecodesign Directive

The EU Directive 2009/125/EC, otherwise known as the Ecodesign Directive, came into effect in October 2009. It forms the framework for the improved environmental performance of products relevant to energy consumption. The directive 640/2009/EC applies to industrial electric motors.

According to this directive, from 16 June 2011, all 2-, 4- and 6-pole electric induction motors sold for continuous (S1) operation applications in the 0.75 to 375 kW power range, must at least comply with the IE2 energy efficiency class.

The new IE efficiency scale

In Part 30 of the IEC standard 60034, a 3-level IE scale (International Energy Efficiency Class) is defined for rotating electrical machines. IE replaces the earlier EFF designation and furthermore provides a single international efficiency rating and testing scheme that harmonises motor efficiency levels around the world. Further information is provided in our motor catalogue M7000 and online at www.nord.com/IE2.

Catalogue G1000 IE2 - Contents

The motors listed in this catalogue comply with energy efficiency class IE2. This includes motors with powers of 0.55 kW, although class IE2 is not mandatory for this power range.

For the sake of completeness, motors with powers from 0.12 to 0.37 kW, which are not subject to the IE2 standard are also listed. The directive does not apply to motors with these powers.

Changes compared with previous catalogues

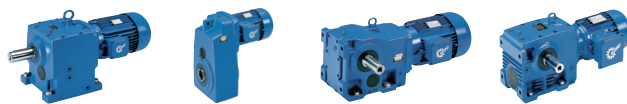
The efficiency classes have increased the number of types of electric motors as well as the extent of their descriptions. For motors as well as brake motors and brakes, a separate and revised electric motor catalogue M7000 is now available.

In addition, the general spare parts list is available as a separate brochure for each series of gear units. These brochures have been revised and supplemented with exploded drawings.

If you require these, please request the catalogue and the individual brochures.






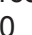


You can find the catalogues and brochures on the **NORD** homepage under www.nord.com
- Heading: **DOCUMENTATION**



Important technical improvements

In this G1000 IE2 catalogue you will essentially find the same range of products as in catalogue G1000 IE1. The following feature enhancements are possible for motors of efficiency classes IE2 and IE1 as well as for motors which are subject to other regulations.

- For the bevel gear unit SK 9052.1, a new foot housing with larger bearing holes now also means that the foot-mounted version AX and the foot flange versions AXZ and AXF can now be supplied with a larger hollow output shaft diameter of 70 mm.
Because of the new foot housing, the B14 hole pattern for the output side has now changed for the foot flange versions SK 9052.1 AXZ and VXZ.
For some speeds, the larger shaft collar diameters required for the solid output shaft versions results in a slight reduction of the maximum permissible radial force F_R . The permissible radial force can be increased above the original level by means of optional, larger diameter output shaft journals. These extensions also apply to the 4-stage bevel gear unit SK 9053.1 ⇒  D90.
- For the bevel gear unit SK 9016.1, the hollow output shaft diameter of 35 mm is also available as a standard catalogue item. These extensions also apply to the 4-stage bevel gear unit SK 9017.1 (⇒  D75).
- For the large parallel shaft gear units SK 10282 to SK 12382 and the large bevel gear units SK9092.1 and SK9096.1, hollow drive shafts with parallel keys are also available as a standard catalogue item in addition to the shrink disc version. (Parallel shaft gear unit ⇒  C96-100, Bevel gear unit ⇒  D98-101)
- For the parallel shaft gear unit SK 4282, an output flange with a flange diameter of 250 mm is also available as a standard catalogue item. These extensions also apply to the 3-stage parallel shaft gear unit SK 4382 (⇒  C84-85).
- For the larger parallel shaft gear units SK 10282 to SK 12382, normal shaft bearings are available as standard catalogue items in addition to the reinforced output shaft bearing versions.
Please note the technical explanation on ⇒  A30
- For the single-stage helical gear units SK11E to SK51E, reinforced output shaft versions are optionally available in addition to the normal version.
- In the lists of powers and speeds, the power range of some geared motors has been extended upwards, so that additional motor/gear unit combinations are available.
- For some speeds, the operating factor has been increased by means of optimisation.

Efficiency class IE1 motors which are not subject to the new regulation and special motors

Naturally, NORD continues to supply the proven and low cost motors for all individual cases which are not subject to the regulations described above. These motors are listed in the catalogue **G1000 IE1**.

We will be glad to help you if you require special motors that must comply with efficiency class IE2 in the power range from 0.12 to 0.37 kW.

We can also supply other optimised solutions. Please contact us!



Helical gear unit (Catalogue G1000)

- ✓ Foot or flange-mounted
- ✓ UNICASE



Sizes	11
kW	0.12 – 160
Nm	23 – 23,160
i	1.24:1 – 14,340.31:1

Parallel shaft gear unit (Catalogue G1000)

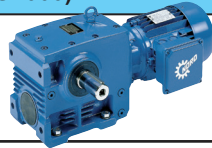
- ✓ Shaft, foot or flange mounted
- ✓ Hollow or solid shaft
- ✓ Compact design
- ✓ UNICASE



Sizes	15
kW	0.12 – 200
Nm	65 – 90,000
i	4.03:1 – 6,616.79:1

Helical worm gear unit (Catalogue G1000)

- ✓ Shaft, foot or flange mounted
- ✓ Hollow or solid shaft
- ✓ UNICASE



Sizes	6
kW	0.12 – 15
Nm	46 – 3,090
i	4.40:1 – 7,095.12:1

NORDBLOC Helical gear unit (Catalogue G1012)

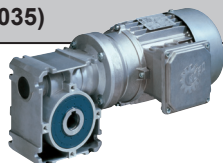
- ✓ Foot or flange mounted
- ✓ Die-cast aluminium housing (5 sizes)
- ✓ UNICASE
- ✓ Dimensions according to industrial standards



Sizes	8
kW	0.12 – 37
Nm	55 – 3,300
i	2.10:1 – 456.77:1

SI worm gear unit (Catalogue G1035)

- ✓ Modular
- ✓ Universal mounting
- ✓ IEC versions



Sizes	5
kW	0.12 – 4.0
Nm	21 – 427
i	5.00:1 – 3,000.00:1

More power, less weight - the new bevel gear units from NORD DRIVESYSTEMS

2-stage bevel gear units (Catalogue G1014)

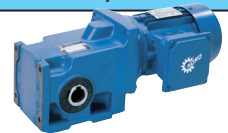
- ✓ Up to 97% efficiency
- ✓ Shaft, foot or flange mounted
- ✓ Hollow or solid shaft
- ✓ UNICASE
- ✓ Die-cast aluminium housing
- ✓ From the end of 2011



Sizes	5
kW	0.12 – 9.2
Nm	90 – 660
i	3.55:1 – 70:1

2-stage bevel gear units (Catalogue G1000)

- ✓ Up to 97% efficiency
- ✓ Shaft, foot or flange mounted
- ✓ Hollow or solid shaft
- ✓ Alternative to worm gear motors
- ✓ UNICASE



Sizes	5
kW	0.12 – 9.2
Nm	45 – 650
i	3.85:1 – 72.31:1

3-stage bevel gear units (Catalogue G1000)

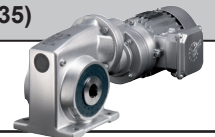
- ✓ Up to 95 % efficiency
- ✓ Shaft, foot or flange mounted
- ✓ Hollow or solid shaft
- ✓ UNICASE



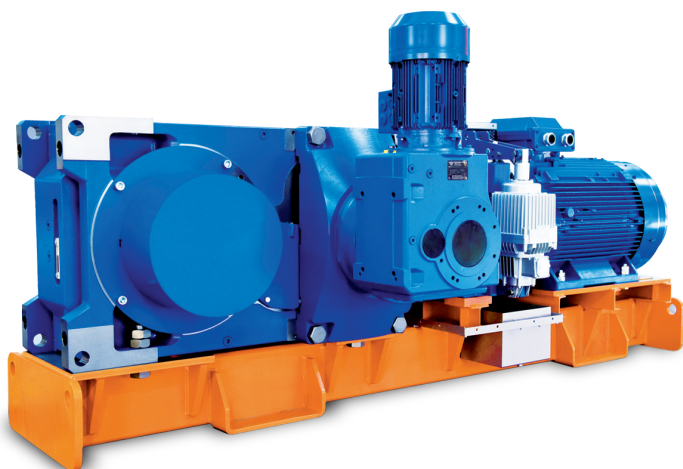
Sizes	11
kW	0.12 – 200
Nm	180 – 50,000
i	8.04:1 – 13,432.68:1

SMI worm gear unit (Catalogue G1035)

- ✓ Smooth surfaces
- ✓ Lifetime oil filling



Sizes	4
kW	0.12 – 1.5
Nm	21 – 246
i	5.00:1 – 540.0:1



Industrial gear units (Catalogue G1050)

- ✓ All bearing points and sealing surfaces are machined in one operation
- ✓ No separating joints in the housing, no sealing surfaces subject to torque
- ✓ High-precision axis alignment, quiet running
- ✓ Long life, low maintenance service
- ✓ Short, compact design
- ✓ Ratio range from 5.54 to 400 : 1 with the same foot dimensions
- ✓ Parallel axis and right-angled gear units

Sizes	4
kW	2.2 – 1,000
kNm	60/90/135/200
i	5.54: 1 – 1,600.00: 1

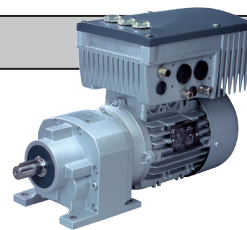


IE2/IE3 motors and components for decentralised drive control (Catalogue M7000)

Single and 3-phase electric motors up to 200 kW.
Further range of starters and components for decentralised drive control.

SK 200E (F3020)

- ✓ "Safe stop" as per EN 954-1
- ✓ Commissioning via integrated DIP switches and potentiometer possible
- ✓ Energy-saving function
- ✓ Ethernet-based BUS systems
- ✓ Performance grading according to application
- ✓ Decentralised modules combined as a system
- ✓ Integrated "Posicon" positioning control
- ✓ On board AS interface versions



Sizes	4
U[V]	1~100 ... 120 ± 10% 1~200 ... 240 ± 10% 3~200 ... 240 ± 10% 3~380 ... 500 -20% / +10%
P[kW]	0.25 – 22

SK 500E (F3050)

- ✓ Compact design
- ✓ Energy-saving function
- ✓ Performance grading according to application (e.g. "Posicon" positioning control)
- ✓ Plug-in modules for control and communication (field bus)
- ✓ Ethernet-based BUS systems



Sizes	10
U[V]	1~110 ... 120 ± 10% 1/3~200 ... 240 ± 10% 3~200 ... 240 ± 10% 3~380 ... 480 -20% / +10%
P[kW]	0.25 – 132

SK 700E (F3070)

- ✓ Flexible due to interchangeable modular expansion cards (e.g. "Posicon" positioning control)
- ✓ Plug-in modules for control and communication (field bus)
- ✓ Self-detecting modules
- ✓ Various field bus systems



Sizes	8
U[V]	3~380 ... 480 -20% / +10%
P[kW]	1.5 – 160

Contents

DESCRIPTION OF GEAR UNITS

Helical gear units	A 8 (8)
Parallel shaft gear units	A 8 (8)
Bevel gear unit	A 9 (9)
Helical worm gear units	A 9 (9)
W- and IEC-Adapter	A10 (10)
Maximum permitted motor weights	A10 (10)
MK motor bracket	A10 (10)

VERTICAL MOUNTING POSITIONS

Outdoor installation, tropical use	A11 (11)
Special ambient conditions	A11 (11)
Storage before commissioning	A11 (11)
Vent	A11 (11)
Double gear units	A11 (11)
Drives for ventilators, agitators, mixers and fans	A11 (11)

SELECTION OF GEAR UNITS

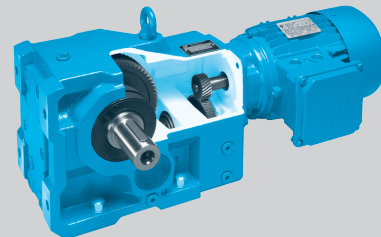
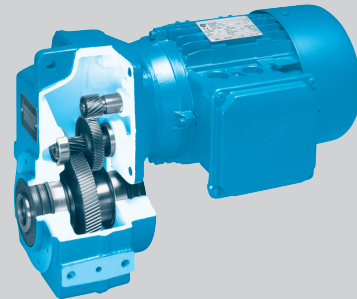
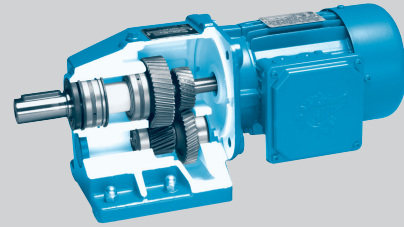
Criteria	A12 (12)
Input power and operating factor	A12 (12)
Classification of uniformity of operation	A13 (13)
Radial and axial forces	A15 (15)
Radial and axial force - Input shaft W.	A16 (16)

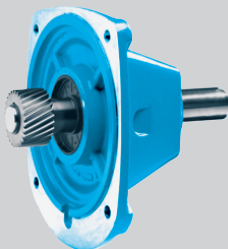
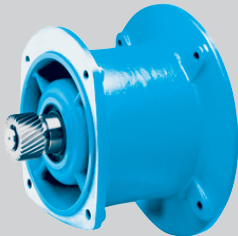
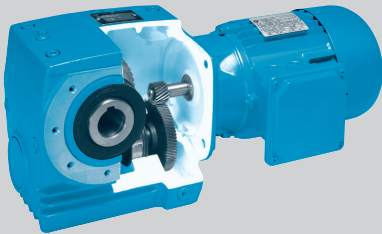
OPTIONS

Overview	A18 (18)
Mounting options	A19 (19)
Shaft options	A20 (20)
Rubber buffer	A21 (21)
Shrink discs	A22 (22)
Fastening elements	A27 (27)
Reinforced output shaft bearing VL2/VL3	A30 (30)
Back stop, direction of rotation	A31 (31)
Adapter for mounting servo motors	A33 (33)
Attachment adapter with free input shaft	A34 (34)
Motor brackets	A39 (39)
Water cooling	A42 (42)

LUBRICANTS

Oil cooler	A43 (43)
Oil expansion vessel	A44 (44)
Oil storage tank	A45 (45)
Lubricants	A47 (47)





STANDARDS, REGULATIONS, NOMENCLATURE

Nomenclature	A 48 (48)
Information about the dimensioned drawings	A 52 (52)
Tolerances	A 53 (53)
Abbreviations	A 53 (53)
Structure of the power and gear ratio tables.	A 54 (54)
Position of the shafts, flanges, torque arms and shrink discs for angular gear units.	A 56 (56)
Terminal box and cable gland	A 57 (57)
Installation positions	A 59 (59)
Symbols for oil screw plugs in the mounting positions	A 60 (60)

OIL FILLING QUANTITIES

Helical gear units	A 66 (66)
Parallel shaft gear units	A 68 (68)
Bevel gear units	A 70 (70)
Helical worm gear units	A 72 (72)

PAINTING

A 74 (74)

HELICAL GEAR UNITS

Enquiry form	B 2 (76)
Available versions.	B 3 (77)
Geared motor data	B 4 (78)
Dimensioned drawings	B 63 (137)
Options	B 98 (172)

PARALLEL SHAFT GEAR UNITS

Enquiry form	C 2 (174)
Available versions.	C 3 (175)
Geared motor data	C 4 (176)
Dimensioned drawings	C 70 (242)
Options	C110 (282)

BEVEL GEAR UNITS

Enquiry form	D 2 (292)
Available versions.	D 3 (293)
Geared motor data	D 4 (294)
Dimensioned drawings	D 58 (348)
Options	D110 (400)

HELICAL WORM GEAR UNITS

Enquiry form	E 2 (410)
Available versions.	E 3 (411)
Geared motor data	E 4 (412)
Dimensioned drawings	E 32 (440)
Options	E 58 (466)

APPENDIX

General enquiry forms	F 2 (470)
Motor overview	F 4 (472)



NORD gear units in the tried-and-tested Unibase series were developed according to the UNICASE principle. This applies to all versions, such as foot, flange and shaft mounted gear units.

“UNICASE” designates a unitary housing block in which all bearing seats are integrated. The UNICASE is machined in a single setup on the very latest CNC machines. The unibase concept features extreme precision, rigidity and strength. There are no joints between the output side and the gear unit housing which are subject to radial or torque loads.

The housings are made of cast iron or cast aluminium. Ductile cast iron housings are available on request.

The pinions and gears are made of the highest quality alloyed steel; the teeth are case-hardened. (except for worm gear units).

Optimised geometries and precise shaft alignment due to the UNICASE provide excellent load-bearing capacity, long operating life and low noise. The gears, bearings and shafts are calculated according to DIN 3990, DIN ISO 281 or Niemann for all powers and speeds shown in the catalogue. All NORD gear units therefore provide the very highest levels of safety and reliability.

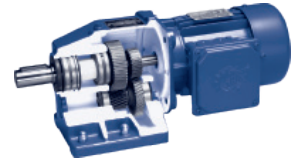
Bearings and gears run in an oil bath. In addition to the positive locking keyed connection, the gears in the gear unit also have a pressed connection between the shaft and hub.

Normally, shaft seals made of NBR material are used. Shaft seals made of FKM (Viton) are available as an option.

Helical gear units

2-stage helical gear units with coaxial motor and drive shafts are available in 11 sizes (SK 02 ... SK102).

The 6 smaller versions can also be supplied as 3-stage gear units with an add-on housing (SK 03 ... SK 53) for higher gear ratios. The 5 larger sizes can be optionally supplied as 2- or 3-stage units with the same housing (SK 62/63 ... SK 102/103). Double gear units with 4-, 5- and 6-stages are available for very high gear ratios.



Helical gear units are available in both foot and flange versions. For flange version helical gear units, the flange is cast on; therefore there are no screw connections between the flange and the housing.

Helical gear units

- from 0.12 - 200 kW
- up to 23,000 Nm
- in 11 sizes

Parallel shaft gear units

The parallel axle offset for parallel shaft gear units leads to a shorter design in comparison with helical gear units. In shaft mounted versions with a continuous hollow shaft, the gear unit can be mounted directly onto the drive shaft of the machine. SK 0182NB ... SK 5282 are available as 2-stage versions. SK 1382NB ... SK 5382 are 3-stage versions for higher gear ratios. With the SK 2382 ... SK 5382, this is implemented with an additional add-on housing. For parallel shaft gear unit sizes SK 6282/SK 6382 and above, the gear units are built as 2- and 3-stage versions with the same housing.



The parallel shaft gear units are available in three versions, with hollow or solid shafts as required:

- 1) With torque arm, without machined recesses
- 2) Flanged version, with machined B14 flange or screw-on B5 flange
- 3) Foot mounted version

Parallel shaft gear units

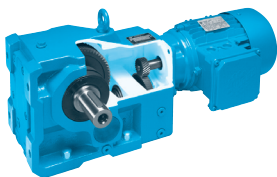
- from 0.12 - 200 kW
- up to 90,000 Nm
- in 15 sizes



Bevel gear units

Bevel gear units are angular gear units in which the motor shaft and the output shaft form a 90° angle. This results in a favourable spatial arrangement of the drive unit.

NORD bevel gear units always have multiple gear stages.



The configuration of stages is as follows:

	2-stage	3-stage	4-stage
Helical gear stage	--	--	1st stage
Helical gear stage	1st stage	1st stage	2nd stage
Bevel gear stage	2nd stage	2nd stage	3rd stage
Helical gear stage	--	3rd stage	4th stage

Bevel gear units are available with an integrated backstop.

The bevel gear can be placed to the left or right of the bevel pinion, in order to reverse the direction of rotation between the drive shaft and output shaft.

Bevel gear units

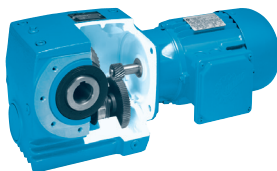
- from 0.12 - 200 kW
- up to 50,000 Nm
- in 16 sizes

Efficiency η :

The great advantage of a bevel gear unit is the almost constant efficiency over the entire gear ratio range, which practically equals that of helical and parallel shaft gear units.

Helical worm gear units

Helical worm gear units are angular gear units in which the motor shaft and the output shaft form a 90° angle. This results in a favourable spatial arrangement of the drive unit. The helical worm gear units listed in this catalogue have multiple stages. NORD also supplies single-stage worm gear series which are listed in catalogue G1035. Please request our catalogue G1035.



The helical gears of helical worm gear units are made of highly alloyed steel with case-hardened teeth. Optimised geometries and precise shaft alignment due to the UNICASE principle provide excellent load-bearing capacity, long operating life and low noise.

The worm stage has a hardened cylinder worm as well as a worm gear with a welded-on rim made of special bronze. This combination ensures a long operating life. We provide the highest possible, constantly high quality thanks to the use of the very latest CNC machine tools and constant monitoring.

The helical worm gear unit series is lubricated for life at the factory with a high-quality, synthetic long-life lubricant with a polyglycol base. This synthetic lubricant prevents friction and provides a very high degree of efficiency and a long service life.

The helical worm gear units SK 02040 ... SK 42125 are available as 2-stage versions and can also be produced with add-on housings as SK 13050 ... SK 43125 with 3-stages for higher gear ratios.

Helical worm gear units

- from 0.12 - 15 kW
- up to 3,000 Nm
- in 6 sizes

Efficiency η :

NORD worm gear units achieve efficiencies up to 92%.

Because the worm gear set in new gear units must be run in, the friction coefficient is larger before running in than it is afterwards. Because of this, the efficiency is slightly lower than before running in. This effect is increased at lower incline angles, i.e. with a lower number of starts in the worm.

Based on experience, the following allowances should be made:

- Single startup to approx. 12%
- 2-starts up to approx. 6%
- 3-starts up to approx. 3%
- 6-starts up to approx. 2%

The number of worm threads is listed in the output and gear ratio tables. The run-in procedure is completed after approx. 25 hours operating time at maximum load.

The following conditions must be met in order to achieve the efficiencies shown in the tables:

- Gear unit is fully run-in
- Gear unit has reached constant temperature
- The specified lubricant is filled
- The gear unit outputs the specified rated torque



W- and IEC-Adapter

With type W gear units (with free input shafts), the maximum drive output listed in the output and gear ratio tables applies. With type IEC gear units, the standard power for each size according to DIN EN 50347 applies, but with the maximum power listed in the output and gear ratio tables.

For higher speeds than those stated in the power and ratio tables, special measures may be necessary. Please contact us.

With type W gear units, with free drive shafts, the input shaft bearings must be lubricated regularly (for two-stage gear units sizes SK 62 and SK 6282 and above and three-stage gear units sizes SK 73, SK 7382 and SK 9072.1 and above). We recommend that the exterior roller bearings of the input shaft are lubricated, using the lubricating nipple provided, with approx. 20 to 25 g of grease approx. every 2,500 operating hours. Recommended grease: Petamo GHY 133 N (Klüber Lubrication).

An automatic lubricator is available if required. Fans on the drive shaft for better cooling of the gear unit are also included in the scope of delivery. Please contact us.

Gear units with IEC adapters ≥ 160 for two stage gear units of sizes SK 62 and SK 6282 and larger, as well as three-stage gear units of sizes SK 73, SK 7382 and SK 9072.1 and larger normally have an automatic lubricator which supplies the external roller bearings of the drive shaft with lubricant. The lubricator continuously supplies lubricant to the bearings. The lubricator is filled with 120 cm³ of grease. Before commissioning the gear unit, the automatic lubricator should be activated and then exchanged every 12 months. This applies for an average running time ≤ 8 hours/day. For longer running times, the interval between exchanging is reduced to 6 months.

The lubricator is designed for normal use at ambient temperatures from 0°C to 40°C. If the ambient temperature differs from the specified standard value for longer periods of time, special lubricators should be used. Please enquire.

Under certain operating conditions, the IEC adapter with motor size ≥ 160 with the automatic lubricator is normally not suitable for mounting positions in which the motor is vertically upright. In this case, direct mounting of the motor is recommended.

The vertical IEC adapter with motor size ≥ 160 (mounting position M2 or M4) must be checked and approved by NORD according to the actual operating conditions. Please note:

For vertical arrangements with the motor facing downwards (mounting position M2), the service life of the seal may be reduced. In this case, we recommend shorter maintenance intervals.

The smaller gear units with IEC adapters up to size SK 52 and SK 5282 (for two-stage gear units) and up to size SK 63, SK 6382 and SK 9052.1 (for three-stage gear units) have bearings which are specially sealed and lubricated for their service life. These are maintenance-free.

The IEC adapter coupling for motor sizes 63 to 180 is not fail-safe. (**Exception:** IEC motor sizes 160 and 180 if the automatic lubricator is used. From IEC 200 and higher, the couplings used are fail-safe.) With hoists, lifts and other applications where there is a danger of personal injury, special measures are required. Please enquire.

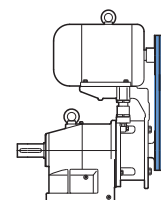
In contrast to the directly mounted motors, the IEC adapter has an additional shaft coupling and additional bearing seats. This results in higher no-load losses in comparison with directly mounted motors. We recommend direct mounting of the motor, as this not only provides technical advantages, but also offers price advantages.

Maximum permitted motor weights

IEC-BG	63	71	80	90	100	112	132
kg	25	30	40	50	60	80	100
IEC-BG	160	180	200	225	250	280	315
kg	200	250	350	500	700	1000	1500

MK motor bracket

By using the MK motor bracket, the designer has further constructional possibilities for the design of machines and systems. The MK motor bracket is designed so that it can be combined with all versions of NORD UNICASE gear units.



Decisive advantages of the NORD motor bracket for users:

- Light, vibration-damping aluminium construction
- Corrosion resistant, easy-to-use height adjustment for optimal belt tension
- Corrosion resistant fixing elements
- Can be used for all versions
- Pivotal in all directions up to 90°
- Suggestion for gear ratio $i = 1.0$ according to Table \Rightarrow A41
- Motor bracket with holes for several sizes of motor

Five MK sizes cover all motor-gear unit combinations. See the selection tables for the respective arrangements \Rightarrow A41, which are also valid for the corresponding double gear units.



Notes on gear units and geared motors

Vertical installation of gear units and geared motors

Gear units and gear motors may be mounted in positions with vertical shafts. (Exception: IEC adapters with certain sizes). For these versions, the gear units are filled with increased amounts of lubricant. Some gearbox types are also equipped with specially sealed, grease-lubricated bearings. This results in higher oil losses due to splashing, which causes greater heating of the gear unit (note the limiting thermal power \Rightarrow A12).

For vertical and top mounted motors (installation position M4) and gear ratios <20 , oil expansion chambers are **strongly** recommended, in order to prevent the escape of oil through the air vent. Please contact us, so that we can suggest a solution adapted to your particular drive application.

Outdoor installation, use in the tropics

When installed outdoors, in damp rooms, or when used in the tropics, special seals and anti-corrosion measures are required. Please inform us of such use when ordering.

Special ambient conditions

Special ambient conditions include, e.g.:

- aggressive or corrosive materials (contaminated air, gases, acids, bases, salts, etc.) in the surroundings
- very high relative humidity or contact between the gear unit motor and liquids
- severe dirt, dust or sand deposits on the gear unit motor
- severe atmospheric pressure variations
- Radiation
- extremely high or low ambient temperature or temperature changes
- Vibrations, accelerations, shocks, impacts or other abnormal ambient conditions

In case of special ambient conditions, including during transport or storage prior to commissioning, these should be taken into account in the planning stage of the project. Please contact us.

Storage before commissioning

The gear units and gear unit motors should only be stored in a dry area before commissioning. For longer periods of storage, special measures are necessary. Please request the "Operating and Assembly Instructions B1000", which are available for download on the Internet at www.nord.com.

Ventilation

The gear units (except for SK 0182NB, SK 0282NB and SK 1382NB) are normally equipped with a vent

which compensates for harmful air pressure differences between the inner space of the gear unit and the atmosphere. This vent is closed on delivery, in order to avoid oil leakage during transport. Prior to commissioning, the vent must be activated by removing the sealing plug. Pressure relief vents are available as an option.

Double gear units

With 4-, 5- and 6-stage double gear units, there is a relevant no-load loss due to the many rotating parts and the relatively small drive input power. Therefore a no-load loss of approx. 40 watts for 4-pole motors up to 0.75 kW is taken into account in the performance tables.

Drives for ventilators, agitators, mixers and fans

Drives for ventilators, agitators and mixers in sewage treatment plants, in anaerobic digesters for biogas and in process engineering as well as fan drives (e.g. in cooling towers) are normally subject to extremely harsh operating conditions:

- 24-hour continuous operation at nominal torque or nominal power
- large inertia at the output with low gear ratios
- Vibrations in the drive chain, and with direct positioning of the mixer or ventilator shaft in the gear unit, high oscillating bending moments and forces on the drive shaft
- Vertical configuration
- Outdoor installation, i.e. humidity and aggressive media, as well as severe changes in temperature with the formation of condensation
- High environmental protection is required, i.e. complete sealing, reliable oil servicing and a low noise level.

Based on experience, NORD has developed a package of special measures in order to meet the requirements of special operating conditions. Therefore NORD urgently recommends that these special measures are provided. Please contact us.

A minimum operating factor of f_B 1.7 must be selected for agitator and mixer drives due to the heavy loads. NORD recommends an operating factor f_B greater than 2.0. For drives running on frequency inverters care must be taken that no control-induced vibrations are generated e.g. by means of slip-compensation. Please note that a possible speed increase via frequency inverter will increase the absorbed power by a power of three.

Therefore the operating factor f_B must always relate to the maximum speed.



Selecting a suitable gear unit

The selection of a gear unit assumes the use of NORD three-phase asynchronous AC-motors or single phase AC-motors and also applies for technically comparable motors. For the use of other motors, e.g. servo motors, please contact NORD.

The following important instructions on selection of gear units must be strictly observed otherwise overloading of the drive is probable. In this case the warranty is void.

If in doubt, please contact the responsible NORD sales office, so that we can check the gear unit design together with you. In our mutual interests, problems caused by overloading the gear units should be avoided under all circumstances.

Criteria

Selection criteria are:

1. The mechanically transferable power P - this is considered by the operating factor f_B in the relevant table in the catalogue. The next chapter describes the determination of the required operating factor.
2. The thermally transferable power (**thermal limit**)- this should not be exceeded over a longer time period (3 hours) so that the gear unit does not overheat. The thermally transferable power only represents a possible limit for larger gear units of size SK 62 and SK 6282 and larger (for two-stage gear units) and of size SK 73, SK 7382 and SK 9072.1 and larger (for three-stage gear units).

We recommend consultation with NORD and precise examination of the application if two or more of the following points apply:

- vertical installation (installation position M2 or M4, \Rightarrow [A59](#))
- Type IEC motor mounting, or type W free drive shaft
- Drive power $P_1 > 100$ kW
- Gear ratio $i_{ges} < 20$
(for bevel gear units $i_{ges} < 40$)
- Drive speed $n_1 > 1500$ min⁻¹
- High ambient ambient temperature $> 40^\circ\text{C}$

In general, please consult NORD if there are special installation conditions, e.g. enclosing of the gear unit, heat radiation, installation in confined spaces etc. Special measures are available to prevent thermal overload (oil coolers etc).

Input power and operating factor

The required drive power for each application is determined by measurement or calculation. The rated power of the motor P_1 must be selected according to this. It is normally slightly higher than the required power because safety factors for special operating conditions of the specific application must be observed, and rated motor powers are generally available in standard power ranges. Brief and infrequent torque impulses do not need to be taken into account when selecting the rated power of a three-phase AC-motor. When operating a three-phase AC-motor on a frequency inverter, additional factors influence the selection of the rated output; in this case, please make a detailed enquiry.

In contrast to the motor, short-term and infrequent torque impulses significantly influence the load and selection of the gear unit.

The gear unit operating factor f_B takes this and further effects on the gear unit into account with sufficient accuracy. Diagram 1 shows the required minimum operating factor f_{Bmin} dependent on the daily operational time, the number of switching cycles Z , and the application load classification A, B, or C.

* Running time hours/day

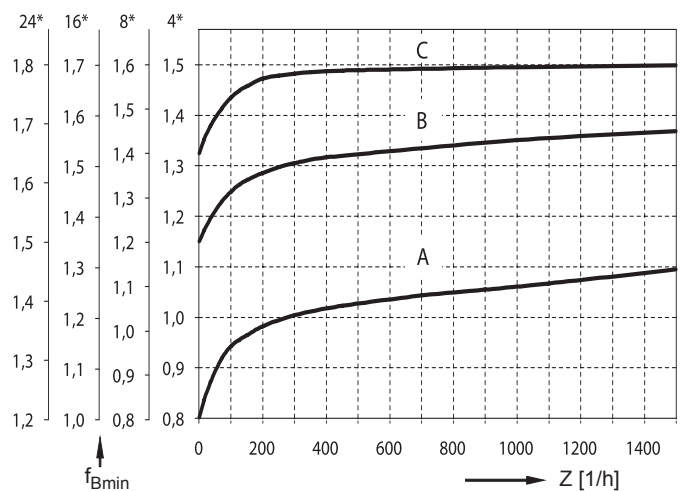


Diagram 1: Minimum operating factor f_{Bmin}

Depending on the uniformity of operation and the mass acceleration factor, three load classifications are differentiated (\Rightarrow [A13](#)). While impacts from the machine that is being driven are described in the classification of uniformity of the operation, the mass acceleration factor determines the load peaks on switching. The following listing of typical application examples takes into account long experience in the classification of the uniformity of operation.



Classification of uniformity of operation

A) uniform operation

Light screw conveyors, fans, assembly belts, light conveyor belts, small agitators, elevators, cleaning machines, filling machines, controlling machines and belt conveyors.

B) non-uniform operation

Decoilers, feed drives for wood processing machines, hoists, balancing machines, tapping units, heavy conveyor belts, winches, sliding doors, dung removal machines, packaging machines, cement mixers, crane travelling mechanisms, mills, bending machines and gear pumps.

C) severely non-uniform operation

Agitators and mixers, shears, presses, centrifuges, rolling stands, heavy winches and lifts, grinding mills, stone crushers, bucket elevators, punching machines, hammer mills, eccentric presses, roller tables, tumbling barrels, folding machines, shredders, choppers and vibrators.

The load classification results from the uniformity of operation and from the mass acceleration factor m_{af} according to the following table. Here, the higher load classification from either operation or mass acceleration factor applies.

Example: non-uniform operation and $m_{af} = 0.2$ results in load classification B

Mass acceleration factor m_{af}

Load classification	Operation	Mass acceleration factor
A	uniform operation	$m_{af} \leq 0,25$
B	non-uniform operation	$0,25 < m_{af} \leq 3$
C	severely non-uniform operation	$3 < m_{af} \leq 10$

Whereby m_{af} is the mass acceleration factor:

$$m_{af} = \frac{J_{ex.red.}}{J_{Mot.}} = \frac{J_{ex.}}{J_{Mot.}} \cdot \left(\frac{1}{i_{ges}} \right)^2$$

$J_{ex.}$ all external mass moments of inertia

$J_{ex.red.}$ all external mass moments of inertia on the drive motor, reduced

$J_{Mot.}$ mass moments of inertia of the motor (\Rightarrow F4)

i_{ges} gear ratio

The mass acceleration factor m_{af} represents the relationship between external output-side and high-speed input-side masses. The mass acceleration factor significantly influences the level of torque impulses in the gear unit during start-up and braking procedures, and with vibration. The external mass moments of inertia also include the load, such as the material transported on conveyor belts. Please consult NORD if the $m_{af} > 10$, if there is large play in transfer elements, vibration in the system, or there is ambiguity regarding the load classification, or if you are in doubt. The operating factor f_B of the gear unit is listed for the relevant speed in the overview of powers and speeds.

The operating factor is the relationship between the maximum output torque of the gear unit M_{2max} and the output torque M_2 resulting from the installed motor power P_1 , output speed n_2 and the efficiency of the gear unit η .

$$M_2 = \frac{9550 \cdot P_1 \cdot \eta}{n_2} \text{ [Nm]} \quad P_1 \text{ [kW]}, n_2 [\text{min}^{-1}]$$

$$f_B = \frac{M_{2max}}{M_2}$$

$$P_1 = \frac{M_2 \cdot n_2}{\eta \cdot 9550} \text{ [kW]} \quad M_2 \text{ [Nm]}, n_2 [\text{min}^{-1}]$$

For correct selection of the gear unit, the operating factor f_B , from the output and speed overview, is larger or the same as the minimum operating factor f_{Bmin} according to diagram 1.

$$f_B \geq f_{Bmin}$$

Helical, parallel shaft and bevel gear units have a very high level of efficiency (approx. 98% or $\eta = 0.98$ for each gear stage). Therefore, the simplified gear unit efficiency $\eta = 1.0$ usually produces sufficiently accurate results. The gear unit efficiency η for helical worm gears is listed in the power and gear ratio tables for each output speed n_2 .

For type W gear units (with free drive shafts), the installed drive output P_1 may, at the most, be:

$$P_1 = \frac{M_{2max} \cdot n_2}{9550 \cdot f_{Bmin} \cdot \eta} \text{ [kW]} \quad M_{2max} \text{ [Nm]}, n_2 [\text{min}^{-1}]$$

Here, the maximum drive power P_{1max} must not be exceeded.

$$P_1 \leq P_{1max}$$



The power and gear ratio tables list the relevant output speed n_2 , the maximum output torque of the gear unit M_{2max} and the maximum motor power P_{1max} .

With brakes attached to the drive side, e.g. braking motors, the brake torque must also be considered when selecting a gear unit. For applications with a relatively high external moment of inertia ($m_{af} > 2$), as is often the case with travelling drives, slewing gear, turntables, gate drives, agitators and surface ventilators it is recommended that a brake torque is selected, which is no greater than 1.2 times the nominal torque of the motor. If higher brake torques are to be used, this should be taken into account in the selection of the gear unit. In this case, please contact us.

Energy-saving motors with the classification IE2 have higher breakdown torques and performance reserves. If required by the application and not limited electrically, they may also provide a permanently impermissible power. This should be considered when selecting a gear unit.

Especially unusual applications and extraordinary modes of operation, such as blockages, movements against solid limit stops, reversing while in motion, changing standstill loads, and gear ratios into fast speeds must be particularly considered when selecting a gear unit. Please enquire.

Special considerations for worm gear units:

When designing worm gear units, it should be considered that multi-start worms (to reduce the possibility of self-locking) should be used when torque impulses, backward output torques or large mass acceleration factors m_{af} can occur.

The number of worm threads z_1 is listed in the output and gear ratio tables. In these:

$m_{af} \leq 0.25$	all numbers of worm threads are possible
$0.25 < m_{af} \leq 3.00$	numbers of worm threads $z_1 \geq 3$ is recommended
$3.00 < m_{af} \leq 10.00$	numbers of worm threads $z_1 \geq 6$ is recommended

With worm gear units, in addition to the service factor f_{Bmin} from diagram 1 (\Rightarrow A12), the operating factor f_{B1} for the ambient temperature T_u as well as the operating factor f_{B2} for the duration of switch-on per hour, ED, must be taken into account. Factors f_{B1} and f_{B2} can be obtained from diagrams 2 and 3.

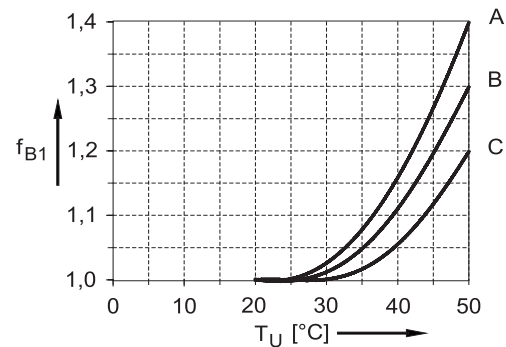


Diagram 2: Operating factor f_{B1}

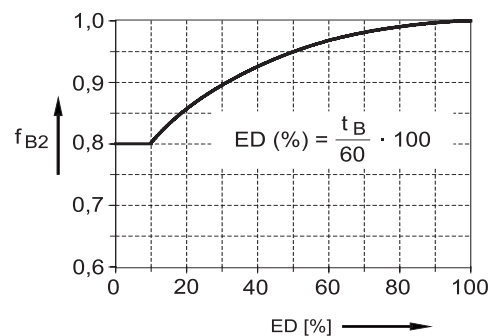


Diagram 3: Operating factor f_{B2}
ED = Duration of switch-on
 t_B = Load time in min/h

For correctly selection of the gear unit, the operating factor f_B , obtained from the output and speed overview, is larger or the same as the product of the minimum operating factor f_{Bmin} and factors f_{B1} and f_{B2} .

$$f_B \geq f_{Bmin} \cdot f_{B1} \cdot f_{B2}$$

With type W worm gear units (with free drive shafts), the installed drive output P_1 must not exceed:

$$P_1 = \frac{M_{2max} \cdot n_2}{9550 \cdot f_{Bmin} \cdot f_{B1} \cdot f_{B2} \cdot \eta} \text{ [kW]} \quad \begin{matrix} M_{2max} \text{ [Nm]} \\ n_2 \text{ [min}^{-1}] \end{matrix}$$

Here, the maximum drive power P_{1max} must not be exceeded.

$$P_1 \leq P_{1max}$$

For the relevant output speed n_2 , the power and gear ratio tables contain

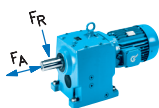
- The maximum gear unit output torque M_{2max}
- The efficiency of the gear unit η
- The maximum motor power P_{1max}

The gear unit efficiency η should be included in the above formula as a factor, e.g. 0.9 = 90%.



Radial forces F_R and axial forces F_A

The tables in the output and speed overviews list the permitted radial forces F_R and axial forces F_A , which may be applied to the final journal output shaft.



Many gear unit types are available with optionally reinforced output shaft bearings VL

In particular we wish to point out the reinforced versions VL2/VL3 for parallel shaft and bevel gear units. This version, which is particularly suitable for agitators, is described on page A30. Please provide us with the load data. We will be glad to carry out a service life calculation for the bearings.

The reinforced VL version includes stronger roller bearings and in addition, a higher quality of steel for the output shaft if this is necessary for the safety of the shaft. For parallel shaft gear units, bevel gear units and worm gear units, the VL version has roller bearings instead of ball bearings for the output shaft and is therefore more suitable for larger radial and axial forces than the normal version.

With the larger parallel shaft gear units of size SK10282 and larger, as well as bevel gear units of size SK9052.1 and larger, the normal bearings for the output shaft are heavy duty conical roller bearings. For these gear unit types, the VL version with floating roller bearings on the output side, provides further reinforcement especially for very large radial forces. Therefore, for these types of gear unit, normal bearings with conical roller bearings should be selected if no large radial forces need to be absorbed. If in doubt, please contact the responsible NORD sales office, so that we can make the optimum gear unit selection together with you.

The radial and axial forces with reinforced bearings are identified with VL in the tables. The forces listed apply for foot-mounted and flange-mounted gear units with solid shafts. The forces stated refer to cases in which the radial and axial forces are not applied simultaneously. Please contact us if radial and axial forces apply simultaneously due to the type of application. We will be glad to carry out a calculation.

The output bearings of hollow shaft gear units are designed to absorb the reaction forces from torque arms or torque brackets. Please contact us if considerably larger forces act on the hollow shaft.

The forces stated in the overview tables for power and speed are based on an operating factor for the radial and axial forces $f_{BF}=1$.

For suddenly applied forces and long running periods (> 8 hours/day) an appropriate operating factor $f_{BF} > 1$ must be considered for the radial and axial forces. Please contact us.

The radial forces refer to a point of action of the force at the midpoint of the shaft length. For the determination of the permissible radial forces, the most unfavourable direction of application of the force and direction of rotation were assumed. For the determination of the axial forces, the most unfavourable direction of force and rotation was also assumed. Higher radial and axial forces may be possible - for a precise calculation, please state the actual direction of the force and the rotation as well as the required operating life.

If transfer elements are attached to the output shaft, a corresponding factor (f_z) should be considered in determining the radial force.

Radial force factor f_z

Transfer elements	f_z	Notes
Gear wheels	1.1	$z \leq 17$ teeth
Chain wheels	1.4	$z \leq 13$ teeth
Chain wheels	1.2	$z \leq 20$ teeth
Narrow V-belt pulleys	1.7	by pretensioning force
Flat belt pulleys	2.5	

The radial force on the output shaft is determined as follows:

$$F_{R\text{vorh}} = \frac{2 \cdot M_2}{d_o} \cdot f_z \leq F_R$$

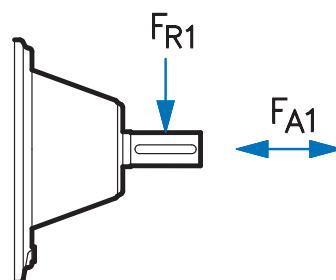
$F_{R\text{vorh}}$	Radial force on gear unit output shaft	[kN]
F_R	Permissible radial force according to speed and power tables	[kN]
M_2	Gear unit output torque	[Nm]
f_z	Radial force factor from the table	
d_o	Effective diameter of the transfer element	[mm]







Radial force F_{R1} / Axial force F_{A1} Gear unit input shaft - W



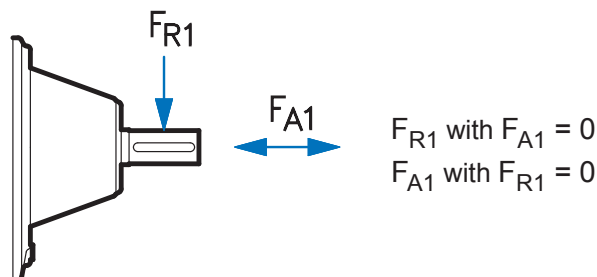
W - Adapter



F_{R1} with $F_{A1} = 0$
 F_{A1} with $F_{R1} = 0$

Gear unit type				Maximum radial force F_{R1} and axial force F_{A1}																							
Helical	Parallel shaft	Bevel gear	Helical worm																								
																											
	SK 0182NB SK 0282NB	SK 92072 SK 92172																									
				P_1 [kW]																							
				0.12	0.18	0.25	0.37	0.55	0.75	1.10	1.50																
				F_{R1} [kN]																							
				0.55	0.54	0.53	0.50	0.47	0.44	0.37	0.30																
				F_{A1} [kN]																							
				1.2	1.1	1.0	0.89	0.77	0.58	0.35	0.29																
	SK 1382NB	SK 92372	SK 02040																								
				P_1 [kW]																							
				0.12	0.18	0.25	0.37	0.55	0.75	1.10	1.50	2.20	3.00														
				F_{R1} [kN]																							
				0.85	0.82	0.78	0.75	0.72	0.70	0.61	0.43	0.42	0.23														
				F_{A1} [kN]																							
				1.2	1.1	1.0	0.89	0.77	0.58	0.35	0.29	0.20	0.15														
		SK 92672																									
				P_1 [kW]																							
				0.12	0.18	0.25	0.37	0.55	0.75	1.10	1.50	2.20	3.00	4.00	5.50	7.50	9.20										
				F_{R1} [kN]																							
				2.13	2.1	2.1	2.1	2.0	1.9	1.8	1.8	1.7	1.6	1.1	1.0	1.0	0.74										
				F_{A1} [kN]																							
				2.9	2.9	2.8	2.6	2.5	2.3	2.1	2.0	1.7	1.5	0.98	0.66	0.45	0.28										
		SK 92772																									
				P_1 [kW]																							
				0.12	0.18	0.25	0.37	0.55	0.75	1.10	1.50	2.20	3.00	4.00	5.50	7.50	9.20										
				F_{R1} [kN]																							
				2.3	2.2	2.1	2.1	2.2	2.0	1.9	1.9	1.8	1.8	1.6	1.5	1.3	1.0										
				F_{A1} [kN]																							
				3.7	3.5	3.2	3.1	3.0	2.8	2.6	2.4	2.2	2.0	1.9	1.8	1.5	1.1										

W - Adapter



Gear unit type				Maximum radial force F_{R1} and axial force F_{A1}																								
Helical	Parallel shaft	Bevel gear	Helical worm																									
 SK 11E SK 02 SK 12 SK 13 SK 23 SK 33N	 SK 1282 SK 2382 SK 3382	 SK 9012.1 SK 9016.1 SK 9022.1 SK 9013.1 SK 9017.1 SK 9023.1 SK 9033.1	 SK 02050 SK 12063 SK 12080 SK 13050 SK 13063 SK 13080 SK 33100	P_1 [kW] 0.12 0.18 0.25 0.37 0.55 0.75 1.10 1.50 2.20 3.00																								
				F_{R1} [kN] 0.85 0.82 0.78 0.75 0.72 0.70 0.61 0.43 0.42 0.23																								
				F_{A1} [kN] 1.2 1.1 1.0 0.89 0.77 0.58 0.35 0.29 0.20 0.15																								
SK 21E SK 31E SK 22 SK 32 SK 43 SK 53	SK 2282 SK 3282 SK 4382 SK 5382	SK 9032.1 SK 9043.1 SK 9053.1	SK 32100 SK 43125	P_1 [kW] 0.12 0.18 0.25 0.37 0.55 0.75 1.10 1.50 2.20 3.00 4.00 5.50 7.50																								
				F_{R1} [kN] 2.1 2.1 2.1 2.1 2.0 1.9 1.8 1.8 1.7 1.6 1.1 1.0 1.0																								
				F_{A1} [kN] 2.9 2.9 2.8 2.6 2.5 2.3 2.1 2.0 1.7 1.5 0.98 0.65 0.27																								
SK 41E SK 51E SK 42 SK 52 SK 63	SK 4282 SK 5282 SK 6382	SK 9042.1 SK 9052.1	SK 42125	P_1 [kW] 0.37 0.55 0.75 1.10 1.50 2.20 3.00 4.00 5.50 7.50 9.20 11.0																								
				F_{R1} [kN] 2.1 2.8 2.4 2.7 2.6 2.4 2.3 2.1 1.8 1.3 0.98 0.47																								
				F_{A1} [kN] 4.1 3.9 3.8 3.5 3.3 2.7 2.5 2.3 1.6 1.4 1.0 0.59																								
SK 62 SK 72 SK 73 SK 83 SK 93	SK 6282 SK 7282 SK 7382 SK 8382 SK 9382	SK 9072.1		P_1 [kW] 0.75 1.10 1.50 2.20 3.00 4.00 5.50 7.50 9.20 11.0 15.0 18.5 22.0 30.0 37.0																								
				F_{R1} [kN] 4.4 4.3 4.2 4.1 3.9 3.7 3.4 3.4 3.1 2.7 2.7 2.3 1.8 1.2 0.87																								
				F_{A1} [kN] 6.1 5.9 5.8 5.5 5.2 4.9 4.4 4.3 3.9 3.3 3.3 2.7 2.2 1.1 0.74																								
SK 82 SK 92 SK 102 SK 103	SK 8282 SK 9282 SK 10382	SK 9082.1 SK 9086.1 SK 9092.1 SK 9096.1		P_1 [kW] 3.00 4.00 5.50 7.50 9.20 11.0 15.0 18.5 22.0 30.0 37.0 45.0 55.0 75.0 90.0																								
				F_{R1} [kN] 11.0 10.9 10.8 10.4 10.1 9.9 9.5 9.3 9.3 8.4 8.1 8.3 7.4 4.6 5.2																								
				F_{A1} [kN] 4.3 4.2 4.1 3.8 3.6 3.4 3.1 3.0 2.9 2.3 2.0 2.2 1.5 0.78 0.24																								
	SK 10282 SK 10382 SK 11282 SK 11382 SK 12382			P_1 [kW] 11.0 15.0 18.5 22.0 30.0 37.0 45.0 55.0 75.0 90.0 110 132 160 200																								
				F_{R1} [kN] 17.3 17.1 16.9 11.7 16.1 15.7 15.2 14.5 13.2 12.1 10.7 9.0 6.9 3.6																								
				F_{A1} [kN] 13.4 13.7 13.4 13.1 12.5 12.0 11.7 11.0 9.6 8.5 7.2 6.8 5.0 2.6																								



Overview of available versions

Abbreviation	Meaning	Standard helical gear units	Parallel shaft gear units	Bevel gear units	Worm gear units
without	Solid shaft, foot mounting	✓		✓	✓
A	Hollow shaft		✓		
AF	Hollow shaft, flange B5		✓	✓ ⁵⁾	✓
AX	Hollow shaft, foot mounting		✓ ¹⁾	✓	
AXF	Hollow shaft, foot mounting, flange B5			✓	
AXZ	Hollow shaft, foot mounting, flange B14			✓	
AZ	Hollow shaft, flange B14		✓ ¹⁾	✓ ⁵⁾	✓
AZD	Hollow shaft, flange B14, with torque arm			✓ ²⁾⁵⁾	✓
AZK	Hollow shaft, flange B14, with torque console			✓	
B	Fixing elements for hollow shaft		✓	✓	✓
E	Single stage	✓			
EA	Splined hollow shaft, DIN 5480		✓ ⁴⁾	✓ ⁴⁾	
EF	Single stage, flange B5	✓			
F	Solid shaft, flange B5	✓			
G	Rubber buffer for torque arm		✓		
H	Cover as a touch guard		✓	✓	✓
IEC	Adapter for fitting B5 IEC standard motors	✓	✓	✓	✓
LX	Solid shaft - both sides, foot mounting			✓	✓
MK	Motor bracket	✓	✓	✓	✓
R	Integrated backstop			✓	
RLS	Backstop in W adapter	✓	✓	✓	✓
S	Hollow shaft with shrink disc		✓	✓	✓
SEK	Servo adapter with clamp coupling	✓	✓	✓	✓
SEP	Servo adapter with parallel key coupling	✓	✓	✓	✓
V	Solid shaft		✓		
VF	Solid shaft, flange B5		✓	✓ ⁵⁾	✓
VL	Reinforced bearings	✓	✓	✓	✓
VL2	Agitator design		✓	✓	
VL3	Agitator design with "Drywell"		✓	✓	
VX	Solid shaft, foot mounting		✓ ¹⁾		
VXF	Solid shaft, foot mounting, flange B5			✓	
VXZ	Solid shaft, foot mounting, flange B14			✓	
VZ	Solid shaft, flange B14		✓ ¹⁾	✓ ⁵⁾	
W	Drive cylinder with free input shaft	✓	✓	✓	✓
XF	Solid shaft, foot mounting, flange B5	✓ ³⁾			
XZ	Solid shaft, foot mounting, flange B14	✓ ³⁾			

✓ Available designs are marked with a tick

- 1) SK xx82NB and higher incl. SK 9282 with machined side footrails for base plate
- 2) Available up to SK 9072.1 (inclusive)
- 3) Available up to SK 52 (inclusive)
- 4) Not available for types SK xx82NB... and SK 92xxx...
- 5) Versions have additional threaded holes in the underside of the housing. These are not suitable for mounting the gear unit, but rather for mounting a torque bracket ⇒ D118



Drive types

The modular NORD concept enables gear units with various types of drive to be added. All drives are bolted on and have turned mating surfaces for simple and precise mounting.

NORD supplies the following drive types:

- Directly mounted motor / brake motor
- Free drive shaft (Optional B14 flange on the input side)
- Motor adapter for IEC B5 motors / NEMA C-flange motor adapter
- Servo motor adapter
- Motor bracket
- User-defined motor attachment

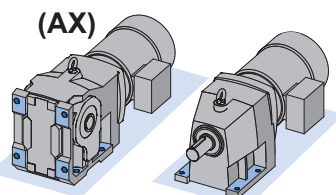
Mounting options

Among others, NORD provides the mounting options:

- Foot (X)
- B5 flange (F)
- B14 flange (Z)
- Hollow shaft (A)
- Foot and B5 flange (XF)
- Foot and B14 flange (XZ)

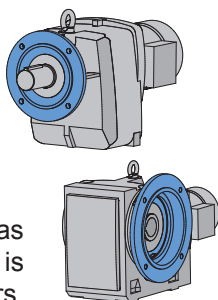
Foot-mounted housings

Gear units are usually designed for foot mounting. They are mounted on a mounting plate by means of bolts or studs. The majority of gear units is equipped with mounting feet with through holes.



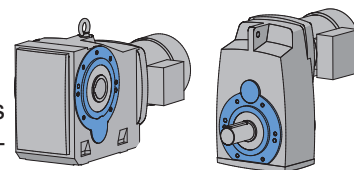
B5 flange (F)

A B5 flange is a simple mounting flange with a large diameter, through holes and a centred mating surface, with which the gear unit can be securely attached to the application. The B5 flange has metric dimensions as standard and is available for all NORD geared motors.



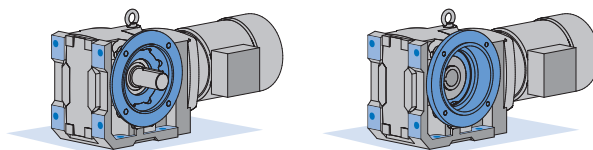
B14 flange (Z)

The NORD B14 flange has threaded holes and a centred mating surface in the housing of the geared motor. Usually, this is used to attach the geared motor to the base of the application or to attach a wide range of add-on components, such as a B5 flange, torque arm or shaft cover. As standard, the B14 flange has metric dimensions and is a compact method of attaching the geared motor.



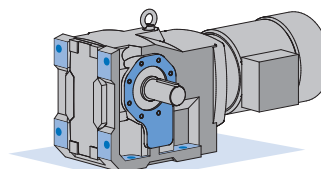
Foot mounted housing with B5 flange (.XF)

NORD can supply a wide range of geared motors with foot-mounted housings and additional B5 flange. These type XF geared motors are generally equipped for foot mounting. The B5 flange is usually intended for mounting auxiliary equipment on the geared motor. An additional support must be used if the B5 flange is used to attach the geared motor.



Foot mounted housing with B14 flange (.XZ)

NORD can supply a wide range of geared motors with foot-mounted housings and additional B14 flange. These type XZ geared motors are generally equipped for foot mounting. The B14 flange is usually intended for mounting auxiliary equipment on the geared motor. An additional support must be used if the B14 flange is used to attach the geared motor.

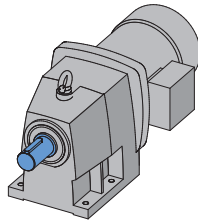




Shaft options

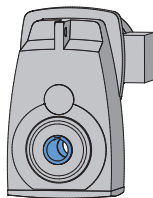
Solid shaft (V)

NORD standard shafts with parallel keys have a threaded hole in the face side. The shafts are available in metric dimensions and in inch dimensions on request. The standard material is C45.



Hollow shaft (A)

Standard hollow shafts with parallel keys are made from C45. Many NORD geared motors are available with various shaft diameters.

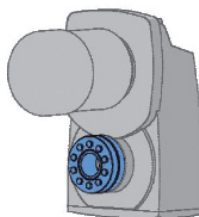


Hollow shaft with internal spline (EA)

Hollow shafts with metric spline profiles as per DIN 5480 are available for many NORD geared motors with hollow shafts. These splined shafts are often used for crane travel drives.

Shrink disc (S)

The shrink disc is based on a tried-and-tested clamping principle and enables torque transfer by friction, by converting the tightening force of the clamping screws into a radial pressure between the shaft and the hub, which results in shrinking onto the customer's shaft. Shrink discs enable a force fit which is completely free of play, and which can transfer large torques, in contrast with other types of mounting. Shrink discs do not wear, even with frequent changes of load or direction of rotation.



Shrink discs provide the following advantages:

- No corrosion of the mating surface, in contrast with parallel key couplings
- Easy assembly and dismantling
- Often, larger hole diameters are possible than for hollow shafts with parallel keys

Details ⇒ A22

Reinforced shrink disc (VS)

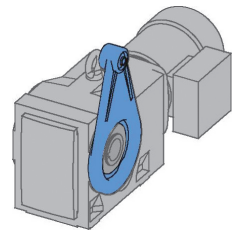
The NORD reinforced shrink disc provides greater clamping force and therefore greater safety. Details ⇒ 22

Reinforced output bearings (VL)

The use of reinforced output bearings with increased load bearing enables higher external loads (radial/axial) to be absorbed. Please consult us in case of predominantly greater axial loads.

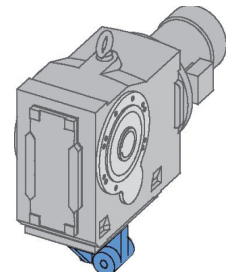
Torque arm (D)

A torque arm is a compact, simple solution to secure a geared motor with a hollow shaft. It is bolted to the B14 flange of the geared motor. The torque arm has a rubber bushing on the attachment hole which absorbs the load impulses.



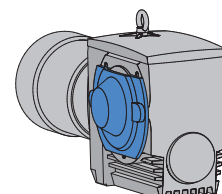
Torque bracket (K)

A torque bracket is a compact, simple solution to secure a shaft-mounted geared motor. It is bolted to the underside of the gear unit. The torque bracket has a rubber bushing on the attachment hole which absorbs the load impulses.



Hollow shaft cover (H)

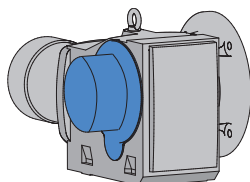
An optional cover for the rotating hollow shaft is available. This also protects the output shaft against dust and dirt.





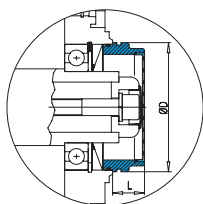
Shrink disc cover (SH)

A shrink disc cover is required for all shrink disc gear units and provides protection from the rotating shrink disk.



IP66 Hollow shaft cover (H66)

NORD supplies hollow shaft covers in protection class IP66 (protection against dust and splashed water). The rotating hollow shaft is completely sealed against dampness and foreign bodies.

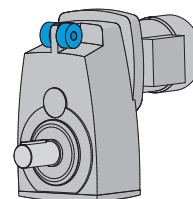


Fastening element (B)

As small vibrations occur with all shafts, NORD supplies an optional fastening kit. This prevents the geared motor from changing its position in an axial direction. The fastening kit can be mounted in two different ways. Details ⇒ [A27](#)

Rubber buffer (G)

Two rubber buffers are mounted on the torque bracket and on the torque arm. They are used to damp torsional load impulses which act on the geared motor. As the rubber buffers reduce the overall torsional load impulses, their use can increase the service life of the geared motor. The damping effect can be increased by the use of several buffers in series. The permissible temperature range for the use of rubber buffers is from -40°C ... $+80^{\circ}\text{C}$.



Rubber buffers are supplied in pairs.

For further damping, several rubber buffers may be used in series.

Total damping travel: $S_{FD\ tot} = n \times S_{FD}$ [mm]

S_{FD} travel of one rubber buffer [mm]

n number of rubber buffers used in series

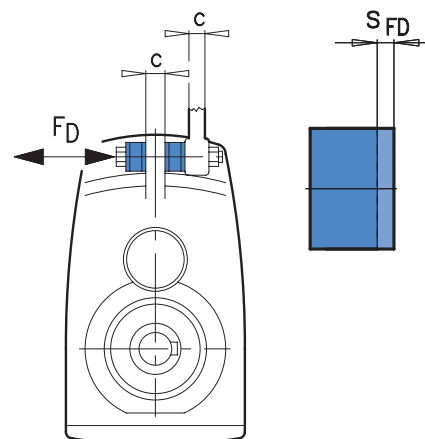
! During installation, the rubber buffer may **only** be tightened until the play between the contact surfaces is eliminated. Pre-tensioning of the rubber buffer is not permissible.

Technical data ⇒ [C118](#), [D95](#), [D97](#), [D99](#), [D101](#)

Reinforced rubber buffer (VG)

Rubber buffers are optionally available as reinforced type VG versions for parallel shaft gear units with shaft-mounted designs.

Bevel helical gearboxes from size SK 9082.1 are supplied in the AZK version with rubber buffers.



F_D pressure acting on the rubber buffer [kN]

c width

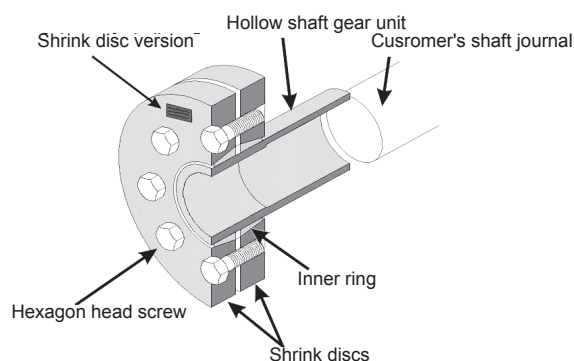
S_{FD} travel of one rubber buffer



Shrink discs

For gearbox versions with hollow shafts the use of shrink discs is especially advisable for better and easier assembly. In this case, the length of the customer's shaft journal which is inserted into the hollow shaft of the gear unit must correspond to the length of the hollow shaft (mH). The diameter of the shaft journal can be according to ISO h6 or f6. (f6 = easier assembly) The material of the customer's journal must have a yield strength of at least $Re = 360 \text{ N/mm}^2$ so that the pressing to create the frictional coupling can be built up and no permanent deformation occurs.

Observe the operating and maintenance instructions B1000 when mounting the shrink disc.



M_{2max} max. permissible output torque (gear unit)
s Safety of the shrink disc with fits h6 or f6 with M_{2max}
Zs number of tensioning screws
 M_A required tightening torque

Parallel shaft gear units

Gear unit type	Shrink disc					Hexagonal head screw DIN 931 / DIN 933* 10.9 Vz		
	Type	M_{2max} [Nm]	s h6	s f6	d x l	Zs	M_A [Nm]	
SK 0282 NB	ASH	SN 30 / 40 V	165	5,9	5,2	M6 x 35*	8	12
SK 1382 NB	ASH	SN 35 / 46 V	370	3,8	3,4	M6 x 35*	10	12
SK 1282	ASH	SN 30 / 40 V	296	3,3	2,9	M6 x 35*	8	12
SK 2282	ASH	SN 35 / 46 V	563	2,6	2,2	M6 x 35*	10	12
SK 3282	ASH	SN 40 / 55 V	1039	2,3	2,0	M8 x 40	8	30
SK 4282	ASH	SN 50 / 62 V	2000	2,2	2,0	M8 x 40	10	30
SK 5282	ASH	SN 60 / 76 V	3235	2,5	2,3	M10 x 50	10	59
SK 6282	ASH	SN 70 / 90 V	6000	2,3	2,2	M12 x 70*	10	100
SK 7282	ASH	SN 80 / 108 V	8300	2,5	2,4	M12 x 70*	14	100
SK 8282	ASH	SN 100 / 128 V	13200	2,3	2,2	M16 x 80*	8	250
SK 9282	ASH	SN 125 / 158 V	25400	2,3	2,2	M16 x 80*	12	250
SK 10282	ASH	SN 160 / 210 V	37200	3,6	3,4	M20 x 100	14	490
SK 11282	ASH	SN 180 / 230 V	69000	1,9	1,8	M20 x 100*	12	490
SK 12382	ASH	SN 180 / 230 VV	90000	4,5	4,4	M30 x 200	16	1700

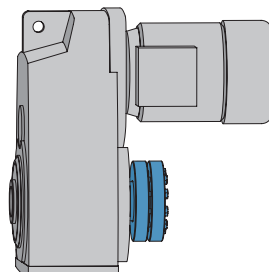
Shrink discs in reinforced design type VS (shredder)

Gear unit type	Shrink disc					Hexagonal head screw DIN 931 10.9 Vz		
	Type	M_{2max} [Nm]	s h6	s f6	d x l	Zs	M_A [Nm]	
SK 7282	AVSH	SN 85 / 108 VS	8300	3,90	3,65	M16 x 90	10	250
SK 8282	AVSH	SN 100 / 128 VS	13200	3,57	3,35	M20 x 100	8	490
SK 9282	AVSH	SN 130 / 158 VS	25400	3,89	3,71	M20 x 130	12	490
SK 11282	AVSH	SN 180 / 230 VS	69000	3,69	3,57	M24 x 150	16	840

The data listed also applies to parallel shaft gear units with a higher number of stages \Rightarrow A49



Shrink discs



Available parallel shaft geared motors with shrink disc

Gear unit type	Motor														
	63	71	80	90	100	112	132	160	180	200	225	250	280	315	315
SK 0282 NB ASH	✓														
SK 1282 ASH	✓	✓	✓												
SK 1382 NB ASH	✓														
SK 2282 ASH		✓	✓	✓	✓										
SK 3282 ASH		✓	✓	✓	✓	✓									
SK 3382 ASH			✓	✓											
SK 4282 ASH				✓	✓	✓	✓								
SK 5282 ASH				✓	✓	✓	✓	✓	*						
SK 6282 ASH					✓	✓	✓	✓	✓						
SK 6382 ASH				✓	✓	✓	✓	✓	✓						
SK 7282 ASH							✓	✓	✓	✓	*				
SK 7382 ASH					✓	✓	✓	✓	✓	✓	*				
SK 8282 ASH							✓	✓	✓	✓	✓				
SK 8382 ASH					✓	✓	✓	✓	✓	✓	✓				
SK 9282 ASH										✓	✓	✓	✓		
SK 9382 ASH							✓	✓	✓	✓	✓	✓	✓		
SK 10282 ASH													✓	✓	✓
SK 10382 ASH								✓	✓	✓	✓	✓	✓	✓	✓
SK 11282 ASH													✓	✓	✓
SK 11382 ASH								✓	✓	✓	✓	✓	✓	✓	✓
SK 12382 ASH										✓	✓	✓	✓	✓	✓

Shrink discs in reinforced design type VS

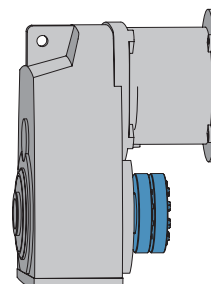
SK 7282 AVSH							✓	✓	✓						
SK 7382 AVSH					✓	✓	✓	✓	✓						
SK 8282 AVSH							✓	✓	✓	✓	*				
SK 8382 AVSH					✓	✓	✓	✓	✓	✓	*				
SK 9282 AVSH										✓	✓	✓	✓		
SK 9382 AVSH								✓	✓	✓	✓	✓	✓		
SK 11282 AVSH													✓	✓	✓
SK 11382 AVSH								✓	✓	✓	✓	✓	✓	✓	✓

* on request

All parallel shaft multi-stage geared motors are available with shrink disc



Shrink discs



Available parallel shaft gear units with shrink disc and IEC adapter

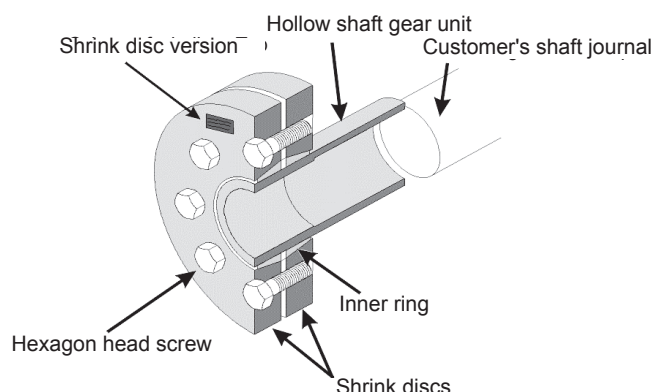
Gear units	IEC adapter													
	IEC 63	IEC 71	IEC 80	IEC 90	IEC 100	IEC 112	IEC 132	IEC 160	IEC 180	IEC 200	IEC 225	IEC 250	IEC 280	IEC 315
SK 0282 NB ASH	✓	✓	✓	✓										
SK 1282 ASH	✓	✓	✓	✓										
SK 1382 NB ASH	✓	✓	✓	✓										
SK 2282 ASH		✓	✓	✓	✓	✓								
SK 3282 ASH		✓	✓	✓	✓	✓	✓							
SK 3382 ASH	✓	✓	✓	✓										
SK 4282 ASH				✓	✓	✓	✓	✓						
SK 5282 ASH				✓	✓	✓	✓	✓	✓					
SK 6282 ASH					✓	✓	✓	✓	✓	✓	✓			
SK 6382 ASH				✓	✓	✓	✓	✓	✓					
SK 7282 ASH							✓	✓	✓	✓	✓			
SK 7382 ASH					✓	✓	✓	✓	✓	✓	✓			
SK 8282 ASH							✓	✓	✓	✓	✓	✓	✓	
SK 8382 ASH					✓	✓	✓	✓	✓	✓	✓			
SK 9282 ASH									✓	✓	✓	✓	✓	✓
SK 9382 ASH							✓	✓	✓	✓	✓	✓	✓	
SK 10282 ASH												✓	✓	✓
SK 10382 ASH								✓	✓	✓	✓	✓	✓	✓
SK 11282 ASH												✓	✓	✓
SK 11382 ASH								✓	✓	✓	✓	✓	✓	✓
SK 12382 ASH								✓	✓	✓	✓	✓	✓	✓

Shrink discs in reinforced design type VS

SK 7282 AVSH							✓	✓	✓	✓	✓			
SK 7382 AVSH					✓	✓	✓	✓	✓	✓	✓			
SK 8282 AVSH							✓	✓	✓	✓	✓			
SK 8382 AVSH					✓	✓	✓	✓	✓	✓	✓			
SK 9282 AVSH									✓	✓	✓	✓	✓	✓
SK 9382 AVSH							✓	✓	✓	✓	✓	✓	✓	
SK 11282 AVSH												✓	✓	✓
SK 11382 AVSH								✓	✓	✓	✓	✓	✓	✓

All parallel shaft double gear units SK 2282/02 and higher are available in the IEC and W design with shrink disc.

Shrink discs



Bevel gear unit

Gear unit type		Shrink disc				Hexagonal head screw DIN 931 / DIN 933* 10.9 Vz		
		Type	M _{2max} [Nm]	s ^{h6}	s ^{f6}	d x l	Zs	M _A [Nm]
SK 92072	AZSH	SN 25 / 34 V	90	4,19	3,28	M5 x 25	6	7
SK 92172	AZSH	SN 25 / 35 V	120	4,23	3,43	M5 x 25	8	7
SK 92372	AZSH	SN 30 / 40 V	230	4,26	3,73	M6 x 35*	8	12
SK 92672	AZSH	SN 35 / 46 V	380	3,77	3,27	M6 x 35*	10	12
SK 92772	AZSH	SN 40 / 55 V	660	3,53	3,09	M8 x 40	8	30
SK 9012.1	AZSH	SN 35 / 46 V	400	3,58	3,11	M6 x 35*	10	12
SK 9016.1	AZSH	SN 40 / 46 V	610	3,40	3,19	M6 x 35*	10	12
SK 9022.1	AZSH	SN 40 / 55 V	860	2,71	2,37	M8 x 40	8	30
SK 9032.1	AZSH	SN 50 / 62 V	1550	2,83	2,63	M8 x 40	10	30
SK 9042.1	AZSH	SN 60 / 76 V	2800	2,90	2,69	M10 x 50	10	59
SK 9052.1	AZSH	SN 70 / 90 V	4800	2,87	2,69	M12 x 70*	10	100
SK 9072.1	AZSH	SN 95 / 108 V	8500	3,70	3,56	M12 x 70*	14	100
SK 9082.1	AZSH	SN 110 / 138 V	13000	2,66	2,54	M16 x 70	8	250
SK 9086.1	AZSH	SN 125 / 158 V	20000	2,91	2,77	M16 x 80*	12	250
SK 9092.1	AZSH	SN 150 / 185 V	32000	2,66	2,56	M16 x 80*	14	250
SK 9096.1	AZSH	SN 150 / 195 V	50000	2,71	2,61	M20 x 100*	14	490

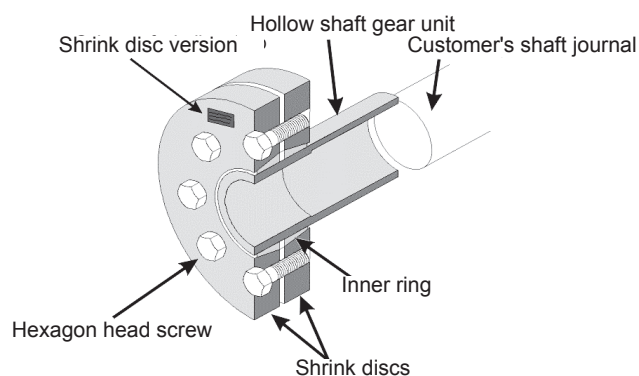
Shrink discs in reinforced design type VS (shredder)

Gear unit type		Shrink disc				Hexagonal head screw DIN 931 10.9 Vz		
		Type	M _{2max} [Nm]	s ^{h6}	s ^{f6}	d x l	Zs	M _A [Nm]
SK 9072.1	AZVSH	SN 95 / 108 VS	8500	4,95	4,80	M16 x 90	10	250
SK 9082.1	AZVSH	SN 110 / 138 VS	13000	6,26	5,99	M20 x 130	12	490
SK 9086.1	AZVSH	SN 130 / 158 VS	20000	4,95	4,71	M20 x 130	12	490
SK 9092.1	AZVSH	SN 150 / 195 VS	32000	3,93	3,70	M20 x 100	14	490
SK 9096.1	AZVSH	SN 155 / 195 VS	50000	3,80	3,70	M24 x 180	14	835

The data listed also applies to bevel gear units with a higher number of stages ⇒ A50



Shrink discs



Helical worm gear units

Gear unit type		Shrink disc				Hexagonal head screw DIN 931 / DIN 933* 10.9 Vz		
		Type	M_{2max} [Nm]	s_{h6}	s_{f6}	$d \times l$	Zs	M_A [Nm]
SK 02050	AZSH	SN 25 / 35 V	182	2,8	2,3	M5 x 25	8	7
SK 02050	AZSH	SN 30 / 40 V	182	5,4	4,7	M6 x 35*	8	12
SK 12063	AZSH	SN 30 / 40 V	383	2,6	2,2	M6 x 35*	8	12
SK 12063	AZSH	SN 35 / 46 V	383	3,0	3,2	M6 x 35*	10	12
SK 12080	AZSH	SN 40 / 55 V	779	3,0	2,6	M8 x 40	8	30
SK 12080	AZSH	SN 45 / 55 V	779	4,1	3,8	M8 x 40	8	30
SK 32100	AZSH	SN 50 / 62 V	1604	2,7	2,6	M8 x 40	10	30
SK 32100	AZSH	SN 60 / 76 V	1604	5,1	4,7	M10 x 50	10	59
SK 42125	AZSH	SN 60 / 76 V	3120	2,6	2,4	M10 x 50	10	59
SK 42125	AZSH	SN 70 / 90 V	3120	4,4	4,1	M12 x 70*	10	100

The data listed also applies to helical worm gear units with a higher number of stages ⇒ A51

Fastening elements

Fastening elements for plug-on gearboxes are available as an option.

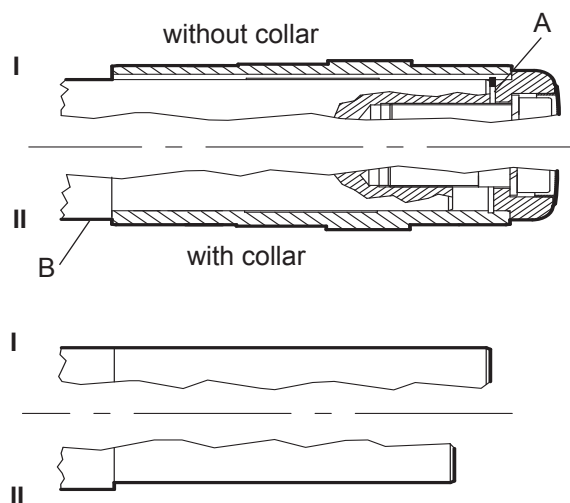
Prerequisites for use:

The solid shaft which is used must be equipped with a face-side thread as per DIN 332/2.

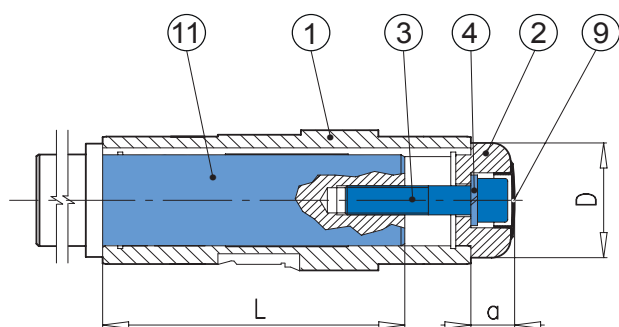
The fastening elements are suitable for solid shafts without collars (I) and for solid shafts with collars (II).

For attachment according to I, the solid shaft is fixed by means of a securing ring located in the hollow shaft (Item A).

For attachment according to II, the collar of the solid shaft is in direct contact with the hollow shaft (Item B).



The **fastening element** consists of items 2, 3, 4 and 9



1. Hollow shaft
2. Washer
3. Cylindrical screw DIN 912
4. Split washer DIN 127
5. Thrust washer
6. Thrust nut
7. Circlip DIN 473

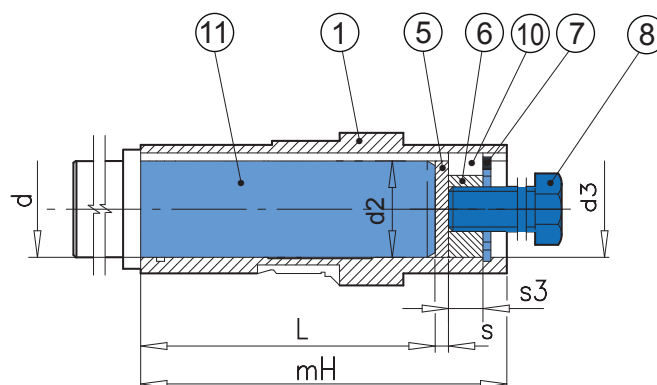
Assembly:

1. Insert the customer's shaft into the hollow shaft (Item 1)
2. Insert the disc (Item 2) into the hollow shaft
3. Fasten the disc with cylindrical screws (Item 3) and the split washer (Item 4)
4. Insert the sealing cap (Item 9)

Requirement:

- The customer's shaft must be equipped with a centring hole as per DIN 332/2
- When using variant II, the inserted shaft must not exceed dimension "L"; as otherwise it will not be possible to use the thrust elements (Items 5, 6, 7, 10)

The **thrust element** consists of items 5, 6, 7 and 10



8. Thrust screw
9. Sealing cap
10. Parallel key, type B
11. Customer's shaft

L length of customer's shaft

Dismantling:

1. Remove the sealing cap (Item 9)
2. Loosen the cylindrical-head screw (Item 3)
3. Remove the disc (Item 2)
4. Insert the thrust washer (Item 5)
5. Insert the thrust nut (Item 6) and the parallel keys (Item 10)
6. Insert the circlip (Item 7)
7. Detach the customer's shaft from the hollow shaft by screwing in the thrust screw (Item 8)

Requirement:

- The thrust elements are available as a disassembly kit on request
- The dimensions for disassembly can be obtained from the requested factory standard
- Disassembly can only be used for series-production hollow shafts with plug-in shafts whose size does not exceed "L"



Fastening elements

Parallel shaft gear units

Type	1		2		3	4	5		6		7	8	9
	d x mH	a	D			d2	s	d3	s3				L
SK 0182 NB ..B	25 x 100	19	38	M10 x 45	A 10	24,9	3	24,9	12	M10	l 25 x 1.5	M10	79
SK 0282 NB ..B	30 x 122	19	40	M10 x 45	A 10	29,9	3	29,9	12	M12	l 30 x 1.5	M12	100
SK 1382 NB ..B	35 x 176	23,5	45	M12 x 55	A 12	34,9	3	34,9	16	M16	l 35 x 1.75	M16	149
SK 1282 ..B	30 x 122	19	40	M10 x 45	A 10	29,9	3	29,9	12	M12	l 30 x 1.2	M12	100
SK 2282 ..B	35 x 139	23,5	45	M12 x 55	A 12	34,9	3	34,9	16	M16	l 35 x 1.5	M16	110
SK 3282 ..B	40 x 174	23,7	55	M16 x 70	A 16	39,9	4	39,9	16	M16	l 40 x 1.75	M16	140
SK 4282 ..B	50 x 195	24,7	65	M16 x 70	A 16	49,9	4	49,9	20	M20	l 50 x 2.0	M20	160
SK 5282 ..B	60 x 230	29	75	M20 x 90	A20	59,9	5	59,9	24	M24	l 60 x 2.0	M24	185
SK 6282 ..B	70 x 290	29,3	95	M20 x 90	A20	69,9	5	69,9	24	M24	l 70 x 2,5	M24	245
SK 7282 ..B	80 x 310	29	102	M20 x 100	A20	79,9	8	79,9	30	M30	l 80 x 2,5	M30	250
SK 8282 ..B	100 x 366	34,5	120	M24 x 110	A24	99,9	8	99,9	30	M30	l 100 x 3.0	M30	310
SK 9282 ..B	120 x 430	34,5	150	M24 x 110	A24	119,9	10	119,9	32	M36	l 120 x 4.0	M36	370
SK 10282 ..B	160 x 516	34	200	M24 x 110	A24	159,9	10	159,9	31	M36	l 160 x 4.0	M36	450
SK 11282 ..B	180 x 546	34	240	M24 x 110	A24	179,9	10	179,9	31	M36	l 180 x 5.0	M36	480
SK 12382 ..B	180 x 546	34	240	M24 x 110	A24	179,9	10	179,9	31	M36	l 180 x 5.0	M36	480

The data listed also applies to parallel shaft gear units with a higher number of stages ⇨ A49

Bevel gear unit

Type	1		2		3	4	5		6		7	8	9
	d x mH	a	D			d2	s	d3	s3				L
SK 92072 AXB	25 x 116	19	38	M10 x 45	A10	24,9	3	24,9	12	M12	l 25 x 1.5	M12	94
SK 92072 A..B	25 x 116	19	38	M10 x 45	A10	24,9	3	24,9	12	M12	l 25 x 1.5	M12	94
SK 92172 AXB	20 x 134	14	30	M6 x 30	A 6	19,9	3	19,9	10	M10	l 20 x 1.5	M10	110
SK 92172 A..B	25 x 138	19	38	M10 x 45	A10	24,9	3	24,9	12	M12	l 25 x 1.5	M12	115
SK 92372 AXB	30 x 164	19	40	M10 x 45	A10	29,0	3	29,0	12	M12	l 30 x 1.5	M12	140
SK 92372 A..B	30 x 164	19	40	M10 x 45	A10	29,0	3	29,0	12	M12	l 30 x 1.5	M12	140
SK 92672 AXB	35 x 170	23,5	45	M12 x 55	A12	34,9	3	34,9	16	M16	l 35 x 1.75	M12	140
SK 92672 A..B	35 x 170	23,5	45	M12 x 55	A12	34,9	3	34,9	16	M16	l 35 x 1.75	M12	140
SK 92772 AXB	40 x 192	24	55	M16 x 70	A16	39,9	4	39,9	16	M16	l 40 x 2.0	M16	160
SK 92772 A..B	40 x 192	24	55	M16 x 70	A16	39,9	4	39,9	16	M16	l 40 x 2.0	M16	160
SK 9012.1 AXB	30 x 148	19	40	M10 x 45	A10	29,0	3	29,0	12	M12	l 30 x 1.5	M12	120
SK 9012.1 A..B	35 x 148	23,5	45	M12 x 55	A12	34,9	3	34,9	16	M16	l 35 x 1.5	M16	120
SK 9016.1 AXB	30 x 148	19	40	M10 x 45	A10	29,0	3	29,0	12	M12	l 30 x 1.5	M12	120
SK 9016.1 A..B	40 x 148	24	55	M16 x 70	A16	39,9	4	39,9	16	M16	l 40 x 2.0	M16	120
SK 9022.1 AXB	35 x 180	23,5	45	M12 x 55	A12	34,9	3	34,9	16	M16	l 35 x 1.5	M12	150
SK 9022.1 A..B	40 x 180	24	55	M16 x 70	A16	39,9	4	29,9	16	M16	l 40 x 2.0	M16	150
SK 9032.1 AXB	40 x 210	24	55	M16 x 70	A16	39,9	4	39,9	16	M16	l 40 x 2.0	M16	170
SK 9032.1 A..B	50 x 210	25	65	M16 x 70	A16	49,9	4	49,9	20	M20	l 50 x 2,5	M20	170
SK 9042.1 AXB	50 x 240	25	65	M16 x 70	A16	49,9	4	49,9	20	M20	l 50 x 2,5	M20	200
SK 9042.1 A..B	60 x 240	29	75	M20 x 90	A20	59,9	5	59,9	24	M24	l 60 x 3.0	M24	195
SK 9052.1 AXB	60 x 300	29	75	M20 x 90	A20	59,9	5	59,9	24	M24	l 60 x 3.0	M24	255
SK 9052.1 A..B	70 x 300	29,5	95	M20 x 90	A20	69,9	5	69,9	24	M24	l 70 x 3.0	M24	255
SK 9072.1 AXB	90 x 350	34	102	M24 x 110	A24	89,9	8	89,9	30	M30	l 90 x 4.0	M30	290
SK 9072.1 A..B	90 x 350	34	102	M24 x 110	A24	89,9	8	89,9	30	M30	l 90 x 4.0	M30	290
SK 9082.1 AXB	100 x 420	34,5	120	M24 x 110	A24	99,9	8	99,9	30	M30	l 100 x 4.0	M30	365
SK 9082.1 A..B	110 x 420	34,5	135	M24 x 110	A24	109,9	10	109,9	30	M30	l 110 x 5.0	M30	360
SK 9086.1 AXB	110 x 500	34	135	M24 x 110	A24	109,9	10	109,9	30	M30	l 110 x 5.0	M30	440
SK 9086.1 A..B	120 x 500	34,5	150	M24 x 110	A24	119,9	10	119,9	32	M36	l 120 x 5.0	M36	440
SK 9092.1 AXB	120 x 610	34	150	M24 x 110	A24	119,9	10	119,9	35	M36	l 120 x 5.0	M36	550
SK 9092.1 A..B	150 x 610	34	200	M24 x 110	A24	149,9	10	149,9	35	M36	l 150 x 5.0	M36	550
SK 9096.1 AXB	160 x 674	34	200	M24 x 110	A24	159,9	10	159,9	34	M36	l 160 x 4.0	M36	605
SK 9096.1 A..B	160 x 674	34	200	M24 x 110	A24	159,9	10	159,9	34	M36	l 160 x 4.0	M36	605

The data listed also applies to bevel gear units with a higher number of stages ⇨ A50



Fastening elements

Helical worm gear units

Type	1	2		3	4	5		6			7	8	9
	d x mH	a	D			d2	s	d3	s3				L
SK 02040 AZB	20 x 120	14	30	M6 x 30	A 6	19,9	3	19,9	10	M10	l 20 x 1.5	M10	100
SK 02050 AZB	25 x 132	19	38	M10 x 45	A10	24,9	3	24,9	12	M12	l 25 x 1.2	M12	110
	30 x 132	19	40	M10 x 45	A10	29,9	3	29,9	12	M12	l 30 x 1.2	M12	110
SK 12063 AZB	30 x 148	19	40	M10 x 45	A10	29,9	3	12	12	M12	l 35 x 1.5	M12	125
	35 x 148	23,5	45	M12 x 55	A12	34,9	3	16	16	M16	l 40 x 1.75	M16	120
SK 12080 AZB	40 x 168	24	55	M16 x 70	A16	39,9	4	39,9	16	M16	l 40 x 1.75	M16	135
	45 x 168	25	60	M16 x 70	A16	44,9	4	44,9	16	M16	l 45 x 2.0	M16	135
SK 32100 AZB	50 x 202	25	65	M16 x 70	A16	49,9	4	49,9	20	M20	l 50 x 2.0	M20	165
	60 x 202	29	75	M20 x 70	A20	59,9	5	59,9	24	M24	l 60 x 2.0	M24	155
SK 42125 AZB	60 x 250	29	75	M20 x 90	A20	59,9	5	59,9	24	M24	l 60 x 2.0	M24	205
	70 x 250	29	95	M20 x 90	A20	69,9	5	69,9	24	M24	l 70 x 2,5	M24	205

The data listed also applies to helical worm gear units with a higher number of stages ⇒  A51



Reinforced output shaft bearing VL2/VL3

VL2

Especially for agitators, NORD offers reinforced output shaft bearings with increased bearing spacing, to cope with high axial and radial forces and provide a longer operating life.

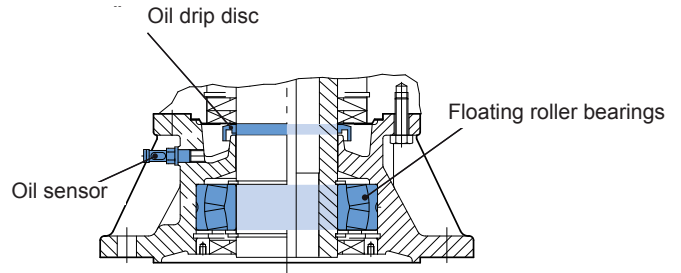
The **floating roller bearings** are particularly suitable for longer agitator shafts, as errors in alignment are partially compensated.

Option VL3

"DRYWELL" version, as for VL2 and with additional **oil drip disc** and oil leakage indicator or **oil sensor**.

Safety function

In case of any leakage in the lower sealing rings of the output shaft, the oil drips into a collecting space of the "DRYWELL" flange via the oil drip disc, and is detected by an oil sensor. The sealing rings must then be replaced in order to prevent escape into the agitator space.

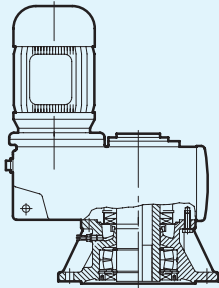


Calculation of the bearing life on request.

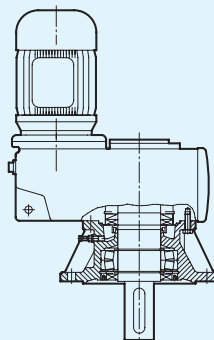
For the calculation we require the following data:

- Nominal power **P** [kW]
- Output speed **n₂** [min⁻¹]
- Axial force **F_A** [N]
- Radial force **F_R** [N]
- Distance of the point of action of the radial force from the flange support **C** [mm]
- Required bearing life **L_h** [h]
- Bending moments **M_b** [Nm]

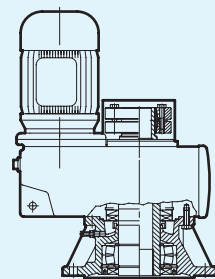
Parallel geared motors



SK ...82 AF(B) VL2 mm ⇒ D115
SK ...82 AF(B) VL3

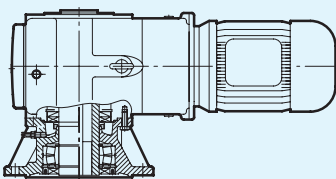


SK ..82 VF VL2 mm ⇒ D116
SK ..82 VF VL3

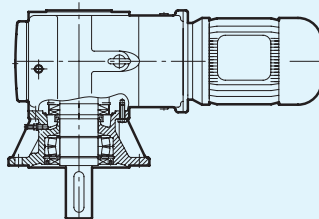


SK ..82 AFSH VL2 mm ⇒ D117
SK ..82 AFSH VL3

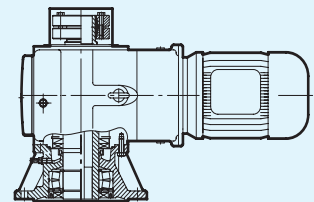
Bevel geared motors



SK 90 ...1 AF(B) VL2 mm ⇒ D115
SK 90...1 AF(B) VL3



SK 90...1 VF VL2 mm ⇒ D116
SK 90...1 VF VL3



SK 90...1 AFSH VL2 mm ⇒ D117
SK 90...1 AFSH VL3



Backstops

Backstops are available as an option. These allow rotation in only one direction; the other direction of rotation is stopped.

Three-phase AC-motors size 80 and above and mounting adapters with free input shafts (⇒ A37, labelled as RLS) may be equipped with a lubricated backstop. These backstops lift off due to centrifugal force at a rotation speed $n_1 > \text{approx. } 900 \text{ min}^{-1}$ and then run without wear.

Bevel gear units SK 9012.1, SK 9022.1 ... SK 9096.1 are available with a back stop which is integrated into the gear unit as standard. For these, the backstop is lubricated through the gear unit oil filling.

The add-on adapters IEC 132 ... 315 for gear units of size SK 62/6282/9072.1 and above can be equipped with a back stop as a special version. Smaller gear units with smaller IEC adapters are available as special versions with a back stop in the IEC adapter. Please contact us.

For drive units with a backstop, the direction of rotation of the output shaft must be stated. The **direction of rotation** is stated with a view onto the drive shaft.

For angular gear units, the output shaft position (A or B, ⇒ A56) determines the direction of rotation for the defined viewing direction. The direction of view for the statement of direction of rotation is always towards the output shaft journal. For hollow shaft drive units with shrink discs, the output shaft end is located on the side opposite from the shrink disc side. For hollow shaft gear units with locking keys or a splined hub profile and with hollow shafts on both sides, the direction of view is towards the A side of the angular gear unit.

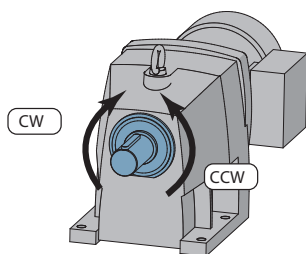
Attention! Danger of fracture. Before starting up the system, check the direction of rotation of the motor and gear unit. Arrows on the gearbox indicate the direction of rotation.

Previously, the blocking direction was given instead of the direction of rotation:

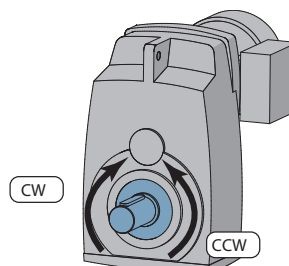
Blocking direction: Links = I → Direction of rotation CW
 Blocking direction: Right = II → Direction of rotation CCW

CW = Clockwise rotation, right hand running
CCW = Rotation counterclockwise, left hand running

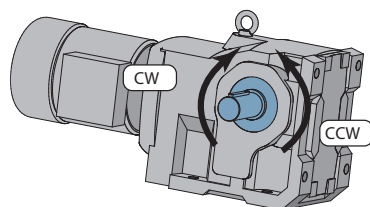
(Clockwise rotation)
 (Counter-clockwise rotation)



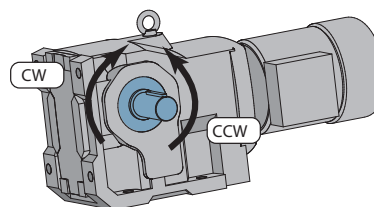
Helical gear unit motor



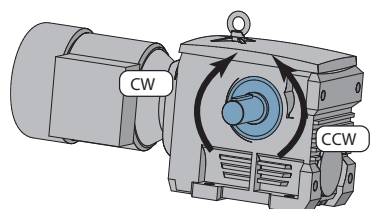
Parallel shaft gear unit motors



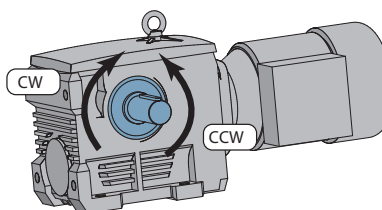
B side bevel gear unit motor



A side bevel gear unit motor



B side worm gear motor



A side worm gear motor



Direction of rotation of the motor or input shaft

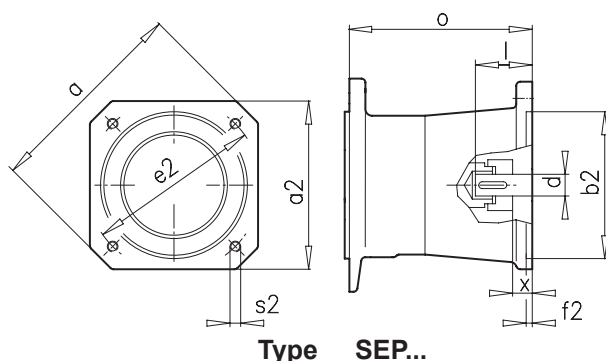
Direction of rotation of the motor looking towards the fan cover or the input shaft looking towards the input shaft journal.

Gear unit type	Direction of rotation of output shaft CW	Direction of rotation of output shaft CCW
Single stage helical gear units: SK11E to SK51E	Direction of rotation of motor CW	Direction of rotation of motor CCW
2-stage helical gear units: SK02 to SK102	Direction of rotation of motor CCW	Direction of rotation of motor CW
3-stage helical gear units: SK03 to SK103	Direction of rotation of motor CW	Direction of rotation of motor CCW
2-stage parallel shaft gear units: SK0182NB to SK11282	Direction of rotation of motor CCW	Direction of rotation of motor CW
3-stage parallel shaft gear units: SK1382NB to SK12382	Direction of rotation of motor CW	Direction of rotation of motor CCW
2-stage bevel gear units: SK92072 to SK92772	Direction of rotation of motor CCW	Direction of rotation of motor CW
3-stage bevel gear units: SK9012.1 to SK9096.1	Direction of rotation of motor CW	Direction of rotation of motor CCW
4-stage bevel gear units: SK9013.1 to SK9053.1	Direction of rotation of motor CCW	Direction of rotation of motor CW
2-stage helical worm gear units: SK02040 to SK42125 Output shaft position A or Shrink disc at B	Direction of rotation of motor CW	Direction of rotation of motor CCW
2-stage helical worm gear units: SK02040 to SK42125 Output shaft position B or shrink disc at A	Direction of rotation of motor CCW	Direction of rotation of motor CW
3-stage helical worm gear units: SK13050 to SK43125 Output shaft position A or shrink disc at B	Direction of rotation of motor CCW	Direction of rotation of motor CW
3-stage helical worm gear units: SK13050 to SK43125 Output shaft position B or shrink disc at A	Direction of rotation of motor CW	Direction of rotation of motor CCW

⇒ A31 - Direction of rotation

If required, in deviation from the standard designs listed in the table above, the direction of rotation of the output shaft in bevel gear units may be changed, as the bevel gear may be mounted left or right of the bevel pinion. To do this, a special output shaft is required for one-sided solid shaft designs and shrink disc designs.

Adapter for mounting servo motors



The maximum permissible servo motor speed is 4000 min⁻¹. The correct selection of the gear unit which is driven by a servo motor requires specific knowledge about the application. Please contact us, so that we can select the gear unit together.

Available adapter

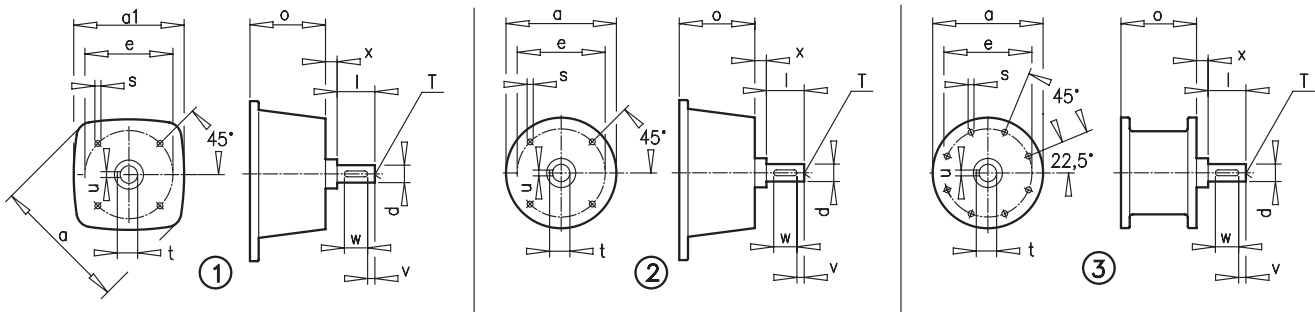
Gear unit type	Motor size						Shaft size			Cylinder o	Motor-type E.g.:	M _{knenn} [Nm]	Adapter type
	a	a2	b2	e2	f2	s2	x	d	l				
SK 02, SK 12 SK 1282 SK 9012.1, SK 9016.1, SK 9022.1 SK 02050, SK 12063, SK 12080	120	96	80	100	4	M6	15	19	40	125	HJ96 1 FK6 04 1 FK7 04	17	Servo 100 / 160 S
SK 02, SK 12 SK 1282 SK 9012.1, SK 9016.1, SK 9022.1 SK 02050, SK 12063, SK 12080	165	126	110	130	4	M8	20	24	50	137	HJ116 1 FK6 06 1 FK7 06	60	Servo 130 / 160 S
SK 22, SK 32 SK 2282, SK 3282 SK 9032.1 SK 32100	155	126	110	130	4	M8	20	24	50	151	HJ116 1 FK6 06 1 FK7 06	60	Servo 130 / 250 S
SK 02, SK 12 SK 1282 SK 9012.1, SK 9016.1, SK 9022.1 SK 02050, SK 12063, SK 12080	186	155	130	165	5	M10	23	32	58	152	MSK070 MSK071 1 FK6 08 1 FK7 08 HJ 155	160	Servo 165 / 160 S
SK 22, SK 32 SK 2282, SK 3282 SK 9032.1 SK 32100	186	155	130	165	5	M10	23	32	58	167	MSK070 MSK071 1 FK6 08 1 FK7 08 HJ155	160	Servo 165 / 250 S
SK 22, SK 32 SK 2282, SK 3282 SK 9032.1 SK 32100	240	192	180	215	5	M12	45	38	80	188	MSK101 1 FK6 10 1 FK7 10	160	Servo 215 / 250 S
SK 42, SK 52 SK 4282, SK 5282 SK 9042.1, SK 9052.1 SK 42125	240	192	180	215	5	M12	24	38	80	230	MSK101 1 FK6 10 1 FK7 10	525	Servo 215 / 300 S
SK 42, SK 52 SK 4282, SK 5282 SK 9042.1, SK 9052.1 SK 42125	350	260	250	300	5	M16	26	48	82	232	1 FT6 13 1 FK7 10	525	Servo 300 / 300 S
SK 62, SK 72, SK 82, SK 92 SK 6282, SK 7282, SK 8282, SK 9282 SK 9072.1, SK 9082.1, SK 9086.1, SK 9092.1, SK 9096.1	350	260	250	300	5	M16	26	48	82	250	1 FT6 13 1 FK7 10	525	Servo 300 / 350

The coupling for servo motors is equipped with parallel keys for the servo adapter type SEP shown above. For servo motors without parallel keys, the servo adapter type SEK is available with a clamp coupling sleeve.

It is possible to mount a large number of other servo motor types on the IEC adapter using an intermediate flange. We will be pleased to process your enquiry.



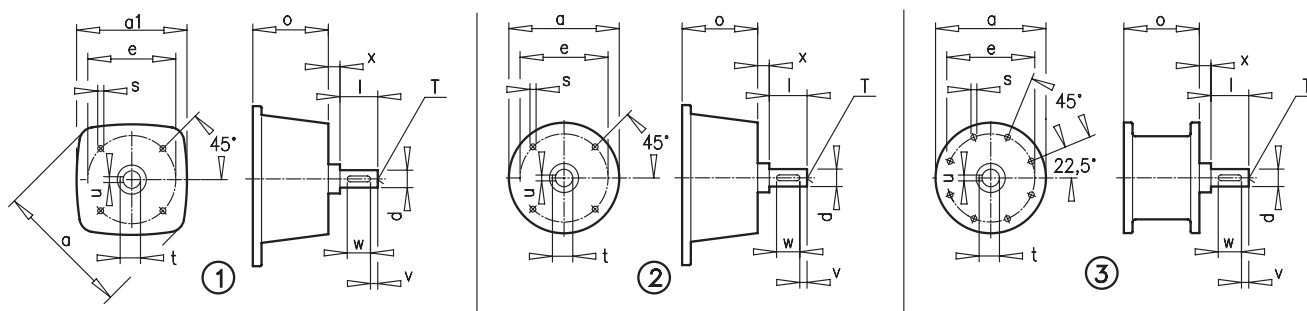
Add-on adapter with free input shaft - Helical gear units



					① ② ③	a a1	e o	s	d l	t u	v w	x D
					2	90 --	75 70,5	M5 x 13	14 38,5	16 5	5 30	2 M5
				RLS	2	120 --	100 74,0	M8 x 13	16 40	18 5	4 32	8 M5
					2	120 --	100 113,5	M8 x 13	16 40	18 5	4 32	8 M5
					2	150 --	125 119,5	M8 x 13	24 50	27 8	5 40	8 M8
					1	180 140	125 113,5	M8 x 13	24 50	27 8	5 40	8 M8
					1	180 140	125 124	M8 x 13	24 50	27 8	5 40	8 M8
				RLS	1	180 140	150 113,5	M10 x 18	28 60	31 8	5 50	9 M10
					1	180 140	150 124	M10 x 16	28 60	31 8	5 50	9 M10
					2	180 --	150 124	M10 x 18	28 60	31 8	5 50	9 M10
				RLS	1	290 250	215 125	M12 x 20	38 80	41 10	5 70	8 M12
					1	290 250	215 170	M12 x 25	38 80	41 10	5 70	8 M12
					1	290 250	250 125	M16 x 25	38 80	41 10	5 70	8 M12
					1	290 250	250 170	M16 x 25	38 80	41 10	5 70	8 M12



Add-on adapter with free input shaft - Helical gear units

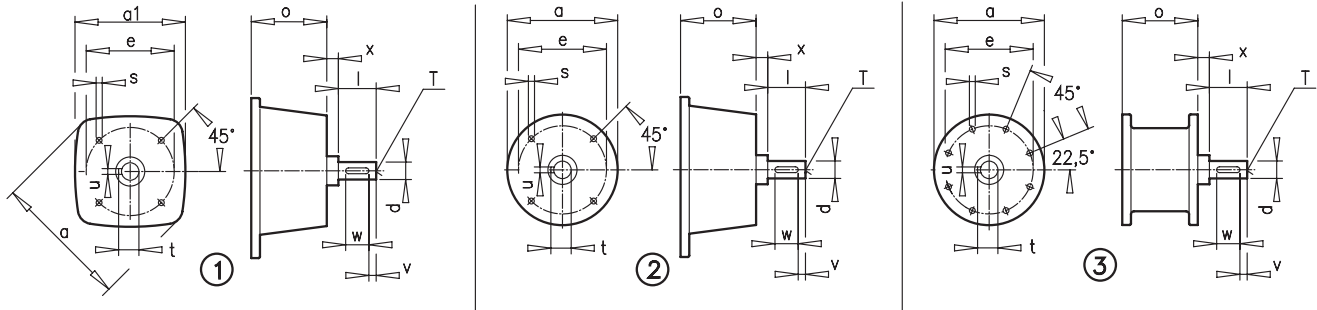


					① ② ③	a a1	e o	s	d l	t u	v w	x D
	SK 62 WIII SK 72 WIII	SK 73 WIII SK 83 WIII SK 93 WIII		RLS	1	290 250	250 170	M16 x 25	42 110	45 12	10 90	8 M16
	SK 62 WIV SK 72 WIV SK 82 WV SK 92 WV	SK 73 WIV SK 83 WIV SK 93 WIV SK 103 WIV			1	350 300	300 252	M20 x 30	65 140	69 18	15 110	8 M20
	SK 82 WI SK 92 WI SK 102 WI	SK 103 WI			1	350 300	250 236	M16 x 25	42 110	45 12	10 90	8 M16
	SK 82 WIII SK 92 WIII SK 102 WIII	SK 103 WIII		RLS	1	350 300	300 236	M20 x 30	65 140	69 18	15 110	8 M20

RLS ⇨ A31 - A32



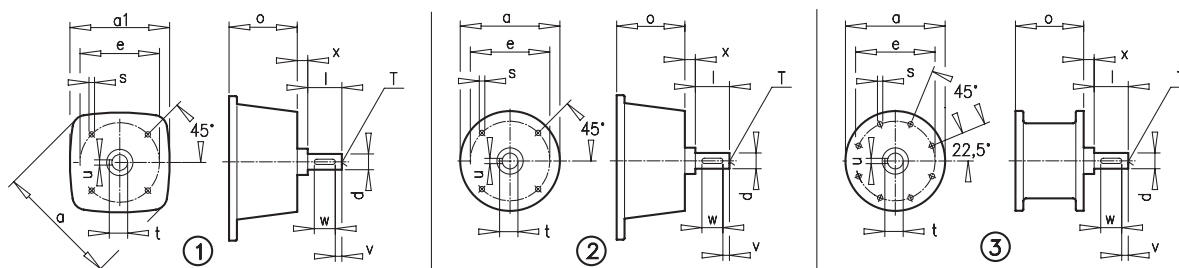
Add-on adapter with free input shaft - Parallel shaft gear units



				① ② ③	a a1	e o	s	d l	t u	v w	x D
SK 0182NB W0 SK 0282NB W0	SK 1382NB W0			2	120 --	75 61,5	M5 x 11	14 40	16 5	5 30	8 M5
SK 0182NB WII SK 0282NB WII	SK 1382NB WII			2	120 --	100 61,5	M8 x 11	16 40	18 5	4 32	8 M5
SK 1282 W0	SK 2382 W0 SK 3382 W0	SK ../02 W0 SK ../12 W0		2	90 --	75 70,5	M5 x 13	14 38,5	16 5	5 30	2 M5
SK 1282 WII	SK 2382 WII SK 3382 WII	SK ../02 WII SK ../12 WII	RLS	2	120 --	100 74	M8 x 13	16 40	18 5	4 32	8 M5
SK 2282 WIII SK 3282 WIII	SK 4382 WIII SK 5382 WIII	SK ../22 WIII SK ../32 WIII		2	120 --	100 113,5	M8 x 13	16 40	18 5	4 32	8 M5
SK 1282 WII	SK 2382 WIII SK 3382 WIII	SK ../02 WIII SK ../12 WIII		2	150 --	125 119,5	M8 x 13	24 50	27 8	5 40	8 M8
SK 2282 WI SK 3282 WI	SK 4382 WI SK 5382 WI	SK ../22 WI SK ../32 WI		1	180 140	125 113,5	M8 x 13	24 50	27 8	5 40	8 M8
SK 4282 WIV SK 5282 WIV	SK 6382 WIV	SK ../42 WIV SK ../52 WIV		1	180 140	125 124	M8 x 13	24 50	27 8	5 40	8 M8
SK 2282 WII SK 3282 WII	SK 4382 WII SK 5382 WII	SK ../22 WII SK ../32 WII	RLS	1	180 140	150 113,5	M10 x 18	28 60	31 8	5 50	9 M10
SK 4282 WI SK 5282 WI	SK 6382 WI	SK ../42 WI SK ../52 WI		1	180 140	150 124	M10 x 16	28 60	31 8	5 50	9 M10
SK 6282 W0 SK 7282 W0	SK 7382 W0 SK 8382 W0 SK 9382 W0			2	180 --	150 124	M10 x 18	28 60	31 8	5 50	9 M10
SK 4282 WII SK 5282 WII	SK 6382 WII	SK ../42 WII SK ../52 WII	RLS	1	290 250	215 125	M12 x 20	38 80	41 10	5 70	8 M12
SK 6282 WI SK 7282 WI	SK 7382 WI SK 8382 WI SK 9382 WI			1	290 250	215 170	M12 x 25	38 80	41 10	5 70	8 M12
SK 4282 WIII SK 5282 WIII	SK 6382 WIII	SK ../42 WIII SK ../52 WIII		1	290 250	250 125	M16 x 25	38 80	41 10	5 70	8 M12
SK 6282 WII SK 7282 WII SK 8282 WII	SK 7382 WII SK 8382 WII SK 9382 WII	SK 10382 WII SK 11382 WII		1	290 250	250 170	M16 x 25	38 80	41 10	5 70	8 M12
SK 6282 WIII SK 7282 WIII	SK 7382 WIII SK 8382 WIII SK 9382 WIII		RLS	1	290 250	250 170	M16 x 25	42 110	45 12	10 90	8 M16
SK 6282 WIV SK 7282 WIV SK 8282 WV	SK 7382 WIV SK 8282 WIV SK 9382 WIV SK 10382 WV			1	350 300	300 252	M20 x 30	65 140	69 18	15 11	8 M20
SK 8282 WI SK 9282 WI	SK 10382 WI SK 11382 WI SK 12382 WI			1	350 300	250 236	M16 x 25	42 110	45 12	10 90	8 M16
SK 8282 WIII SK 9282 WIII	SK 11382 WIII SK 10382 WIII SK 12382 WIII		RLS	1	350 300	250 236	M20 x 30	65 140	69 18	15 11	8 M20
SK 8282 WIV SK 9282 WIV	SK 11382 WIV SK 10382 WIV SK 12382 WIV			3	550 --	500 245	∅ 17,5	65 140	69 18	15 11	12 M20

RLS ⇒ A31 - A32

Add-on adapter with free input shaft - Bevel gear units

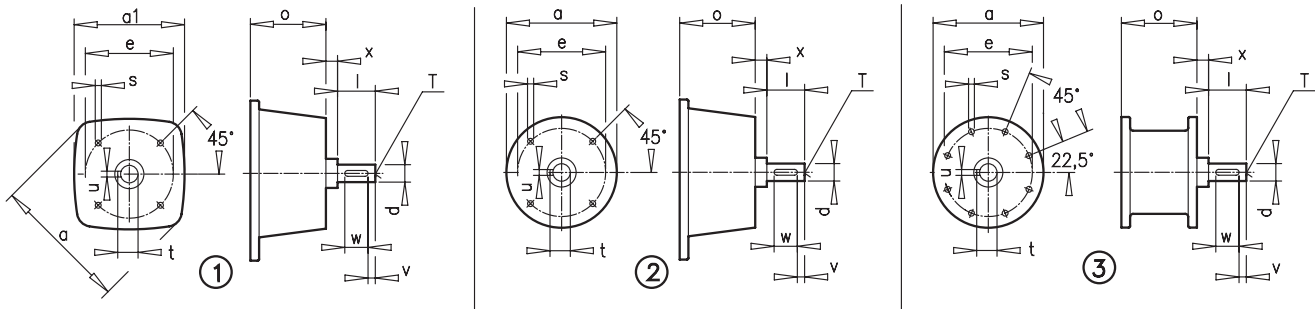


				① ② ③	a a1	e o	s	d l	t u	v w	x D
SK 92072 W0 SK 92172 W0 SK 92372 W0 SK 92672 W0 SK 92772 W0				2	120 --	75 61,5	M5 x 11	14 40	16 5	5 30	56 M5
SK 92072 WII SK 92172 WII SK 92372 WII SK 92672 WII SK 92772 WII				2	120 --	100 61,5	M8 x 11	16 40	18 5	4 32	8 M5
SK 9012.1 W0 SK 9016.1 W0 SK 9022.1 W0	SK 9013.1 W0 SK 9017.1 W0 SK 9023.1 W0 SK 9033.1 W0			2	90 --	75 70,5	M5 x 13	14 38,5	16 5	5 30	2 M5
SK 9012.1 WII SK 9016.1 WII SK 9022.1 WII	SK 9013.1 WII SK 9017.1 WII SK 9023.1 WII SK 9033.1 WII		RLS	2	120 --	100 74	M8 x 13	16 40	18 5	4 32	8 M5
SK 9032.1 WIII	SK 9043.1 WIII SK 9053.1 WIII	SK ../32 WIII		2	120 --	100 113,5	M8 x 13	16 40	15 8	4 32	8 M5
SK 9012.1 WIII SK 9016.1 WIII SK 9022.1 WIII	SK 9013.1 WIII SK 9017.1 WIII SK 9023.1 WIII SK 9033.1 WIII			2	150 --	125 119,5	M8 x 13	24 50	27 8	5 40	8 M8
SK 9032.1 WI	SK 9043.1 WI SK 9053.1 WI	SK ../32 WI		1	180 140	125 113,5	M8 x 13	24 50	27 8	5 40	8 M8
SK 9042.1 WIV SK 9052.1 WIV		SK ../42 WIV SK ../52 WIV		1	180 140	125 124	M8 x 13	24 50	27 8	5 40	8 M8
SK 9032.1 WII	SK 9043.1 WII SK 9053.1 WII	SK ../32 WII	RLS	1	180 140	150 113,5	M10 x 18	28 60	31 8	5 50	9 M10
SK 9042.1 WI SK 9052.1 WI		SK ../42 WI SK ../52 WI		1	180 140	150 124	M10 x 16	28 60	31 8	5 50	9 M10
SK 9072.1 W0				2	180 --	150 124	M10 x 18	28 60	31 8	5 50	9 M10
SK 9042.1 WII SK 9052.1 WII		SK ../42 WII SK ../52 WII	RLS	1	290 250	215 125	M12 x 20	38 80	41 10	5 70	8 M12
SK 9072.1 WI				1	290 250	215 170	M12 x 25	38 80	41 10	5 70	8 M12
SK 9042.1 WIII SK 9052.1 WIII		SK ../42 WIII SK ../52 WIII		1	290 250	250 125	M16 x 25	38 80	41 10	5 70	8 M12
SK 9072.1 WII SK 9082.1 WII SK 9086.1 WII				1	290 250	250 170	M16 x 25	38 80	41 10	5 70	8 M12
SK 9072.1 WIII			RLS	1	290 250	250 170	M16 x 25	42 110	45 12	10 90	8 M16
SK 9072.1 WIV SK 9082.1 WIV SK 9086.1 WIV				1	350 300	300 252	M20 x 30	65 140	69 18	15 110	8 M20
SK 9082.1 WI SK 9086.1 WI SK 9092.1 WI SK 9096.1 WI				1	350 300	250 236	M16 x 25	42 110	45 12	10 90	8 M16
SK 9082.1 WIII SK 9086.1 WIII SK 9092.1 WIII SK 9096.1 WIII			RLS	1	350 300	300 236	M20 x 30	65 140	69 18	15 110	8 M20
SK 9082.1 WIV SK 9086.1 WIV SK 9092.1 WIV SK 9096.1 WIV				3	550 --	500 245	∅ 17,5	65 140	69 18	15 110	12 M20

RLS ⇒ A31 - A32

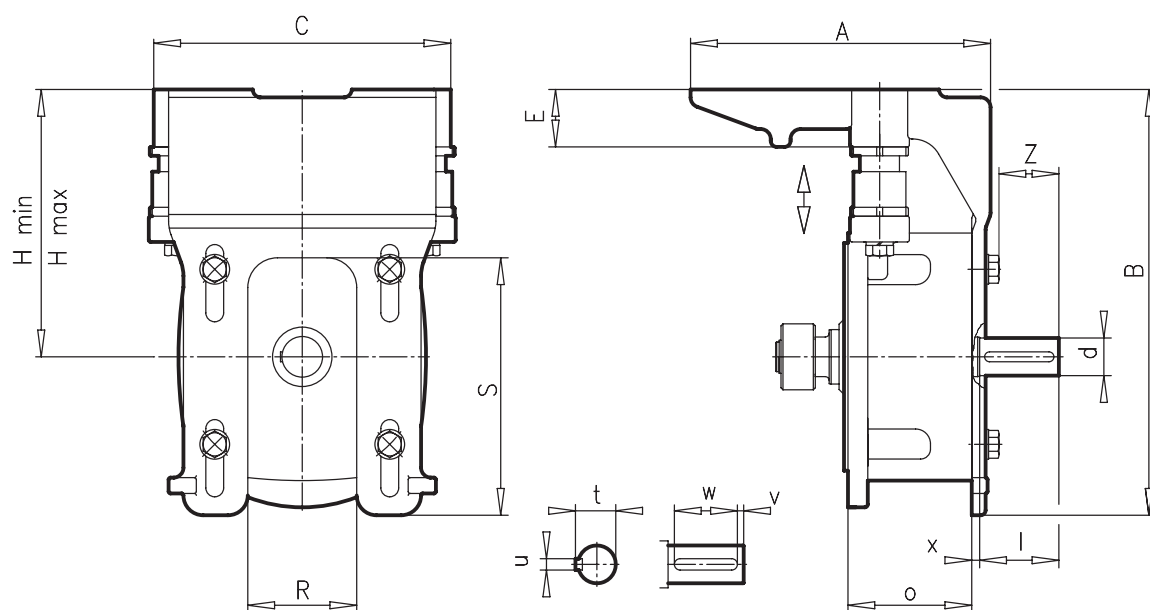


Add-on adapter with free input shaft - Helical worm gear units



			① ② ③	a	a1	e	o	s	d	l	t	u	v	w	x	D
SK 02040 W0			2	120	--	75	61,5	M5 x 11	14	40	16	5	30	5	8	M5
SK 02040 WII			2	120	--	100	61,5	M8 x 11	16	40	18	5	32	4	8	M5
SK 02050 W0 SK 12063 W0 SK 12080 W0	SK 13050 W0 SK 13063 W0 SK 13080 W0 SK 33100 W0		2	90	--	75	70,5	M5 x 13	14	38,5	16	5	30	5	2	M5
SK 02050 WII SK 12063 WII SK 12080 WII	SK 13050 WII SK 13063 WII SK 13080 WII SK 33100 WII	RLS	2	120	--	100	74	M8 x 13	16	40	18	5	32	4	8	M5
SK 32100 WIII	SK 43125 WIII		2	120	--	100	113,5	M8 x 13	16	4	18	5	32	4	8	M5
SK 02050 WIII SK 12063 WIII SK 12080 WIII	SK 13050 WIII SK 13063 WIII SK 13080 WIII SK 33100 WIII		2	150	--	125	119,5	M8 x 13	24	50	27	8	40	5	8	M8
SK 32100 WI	SK 43125 WI		1	180	140	125	113,5	M8 x 13	24	50	27	8	40	5	8	M8
SK 42125 WIV			1	180	140	125	124	M8 x 13	24	50	27	8	40	5	8	M8
SK 32100 WII	SK 43125 WII	RLS	1	180	140	150	113,5	M10 x 8	28	60	31	8	50	5	9	M10
SK 42125 WI			1	180	140	150	124	M10 x 16	28	60	31	8	50	5	9	M10
SK 42125 WII		RLS	1	290	250	215	125	M12 x 20	38	80	41	10	70	5	8	M12
SK 42125 WIII			1	290	250	250	125	M16 x 25	38	80	41	10	70	5	8	M12

RLS ⇒ A31 - A32

Motor brackets - dimensions


Type	Volume and connection dimensions										Shaft dimensions				Flange
	A	B	C	E	R	S	H Min.	H Max.	Z	o	d l	t u	v w	x	
MK I 63 S - 100 AH	222	253	204	45	60	140	153	173	41	119,5	24 50	27 8	5 40	8	160 S
MK II 80 SH - 112 MH	236	320	250	50	66	145	199	224	48	113,5	28 60	31 8	5 50	9	250 S
MK III - 1 90 SH - 132 MH	303	430	300	58	110	260	254	286	61	125	38 80	41 10	5 70	8	300 S
MK III - 2 90 SH - 132 MH	303	430	300	58	110	260	254	286	91	170	42 110	45 12	10 90	8	Ø 250
MK IV 112 MH - 200 LH	476	530	400	75	130	315	315	355	116	252	65 140	69 18	15 110	8	Ø 350
MK V 200 LH - 280 MH	662	690	570	105	382	369	465	515	119	245	65 140	69 18	15 110	12	Ø 450



Motor brackets - assignment

					63 S 63 L	71 S 71 L	80 SH 80 LH	90 SH 90 LH	100 LH 100 AH	112 MH	132 SH 132 MH
SK 11 E SK 12	SK 1282	SK 9012.1 SK 9016.1 SK 9022.1	SK 02050 SK 12063 SK 12080	W III	MK I	MK I	MK I	MK I	MK I		
SK 21 E SK 31 E SK 22 SK 32	SK 2282 SK 3282	SK 9032.1	SK 32100	W II			MK II	MK II	MK II	MK II	
SK 41 E SK 51 E SK 42 SK 52 SK 63	SK 4282 SK 5282 SK 6382	SK 9042.1 SK 9052.1	SK 42125	W III				MK III-1	MK III-1	MK III-1	MK III-1
SK 62 SK 72 SK 73 SK 83	SK 6282 SK 7282 SK 7382 SK 8382 SK 9382	SK 9072.1		W III				MK III-2	MK III-2	MK III-2	MK III-2
							112 MH	132 SH 132 MH	160 MH 160 LH 160 SH	180 MH 180 LH	200 LH
SK 62 SK 72 SK 73 SK 83	SK 6282 SK 7282 SK 7382 SK 8382 SK 9382	SK 9072.1		W IV					MK IV	MK IV	MK IV
SK 93				W IV			MK IV	MK IV	MK IV	MK IV	MK IV
SK 82 SK 92 SK 103	SK 8282 SK 9282 SK 10382	SK 9082.1		W V			MK IV	MK IV	MK IV	MK IV	MK IV
		SK 9086.1		W V			MK IV	MK IV	MK IV	MK IV**	MK IV**
					200 LH	225 SH 225 MH	250 MH	280 SH 280 MH			
SK 93	SK 9382			W V		MK V	MK V	MK V			
SK 82 SK 92 SK 103	SK 8282 SK 9282 SK 10382	SK 9082.1 SK 9086.1		W IV		MK V	MK V	MK V			
SK 102	SK 11382 SK 12382	SK 9092.1 SK 9096.1		W IV	MK V	MK V	MK V	MK V			

** Limited adjustment range

Selection example:

Determine the basic type of gear unit required from the output and speed overview table or the output and gear ratio table based on the required output and output speed.

E.g.: Page B4 – B40 helical gear units

4 kW, 86 min⁻¹, i = 16,66

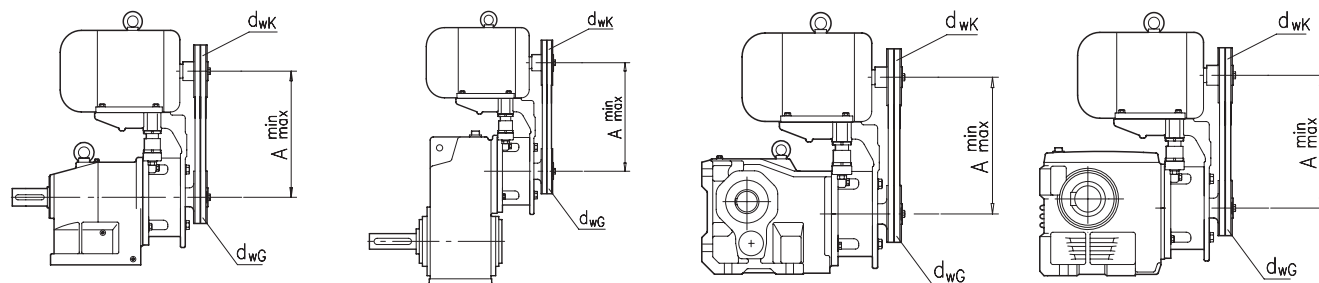
results in the basic gear unit type **SK 32 - 112 M/4** or **SK 32 - IEC 112**.

For this basic gear unit type, you can determine from the table (see above) that the motor bracket **MK II** is assigned. Therefore, the complete type designation is **SK 32 - MK II - 112**.

The **MK II** table (⇒ A41), contains more information concerning the belt pulley and the belt type. The basic dimensions can be seen in the table (⇒ A39).

Motor brackets

Suggestion for selecting V-belts and belt pulleys (not supplied by NORD)



MK I			Belt type SPZ			
Motor	Power	Adjustment range		Belt length	Shaft centre distance	Number of belts
	[kW]	A_{min}	A_{max}	($d_{wg} = 80$) ($i=1$) Lw	A	
63 S/4	0,12	216	236	697	223	1
63 L/4	0,18	216	236	697	223	1
71 S/4	0,25	224	244	710	229	1
71 L/4	0,37	224	244	710	229	1
80 SH/4	0,55	233	253	737	243	1
80 LH/4	0,75	233	253	737	243	1
90 SH/4	1,10	243	263	750	249	1
90 LH/4	1,50	243	263	750	249	2
100 LH/4	2,20	253	273	772	260	2
110 AH/4	3,00	253	273	772	260	3
MK II			Belt type XPZ			
	[kW]	A_{min}	A_{max}	($d_{wg} = 112$) ($i=1$) Lw	A	
80 SH/4	0,55	279	304	930	289	1
80 LH/4	0,75	279	304	930	289	1
90 SH/4	1,10	289	314	950	299	1
90 LH/4	1,50	289	314	950	299	1
100 LH/4	2,20	299	324	980	314	1
100 AH/4	3,00	299	324	980	314	2
112 MH/4	4,00	311	336	1000	324	2
MK III			Belt type SPZ			
	[kW]	A_{min}	A_{max}	($d_{wg} = 160$) ($i=1$) Lw	A	
90 SH/4	1,10	344	376	1222	360	1
90 LH/4	1,50	344	376	1222	360	1
100 LH/4	2,20	354	386	1250	374	1
100 AH/4	3,00	354	386	1250	374	1
112 MH/4	4,00	366	398	1262	380	2
132 SH/4	5,50	386	418	1312	405	2
132 MH/4	7,50	386	418	1312	405	3
MK IV			Belt type XPA			
	[kW]	A_{min}	A_{max}	($d_{wg} = 200$) ($i=1$) Lw	A	
112 MH/4	4,00	427	467	1500	436	1
132 SH/4	5,50	447	487	1550	461	1
132 MH/4	7,50	447	487	1550	461	2
160 SH/4	9,20	475	515	1600	486	2
160 MH/4	11,0	475	515	1600	486	2
160 LH/4	15,0	475	515	1600	486	3
180 MH/4	18,5	495	535	1650	511	3
180 LH/4	22,0	495	535	1650	511	4
200 LH/4	30,0	515	555	1700	536	4
MK V			Belt type SPA			
	[kW]	A_{min}	A_{max}	($d_{wg} = 250$) ($i=1$) Lw	A	
200 LH/4	30,0	665	715	2182	698	4
225 SH/4	37,0	690	740	2207	710	4
225 MH/4	45,0	690	740	2207	710	5
MK V			Belt type SPB			
	[kW]	A_{min}	A_{max}	($d_{wg} = 250$) ($i=1$) Lw	A	
250 MH/4	55,0	715	765	2240	727	4
280 SH/4	75,0	745	795	2310	762	5
280 MH/4	90,0	745	795	2310	762	5



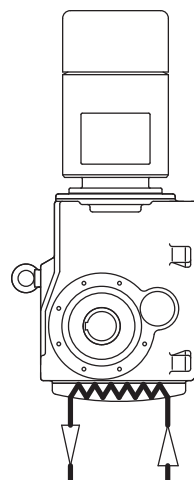
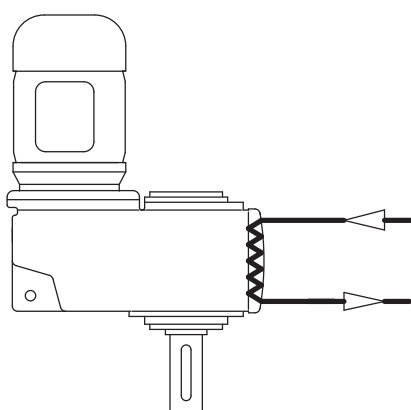
Water cooling

An integrated heat exchanger is optionally available for parallel shaft gear units and bevel gear units. The cooling water flows through the heat exchanger, which cools the gear unit. Monitoring of the temperature or the cooling water flow is recommended. As the cooling coil is not located in the oil space, the NORD water cooling is very reliable (German industrial design registration 20 2005 005 452.6).

Water cooling is also suitable for use in areas with potentially explosive atmospheres (ATEX).

In low temperature areas, the heat exchanger may also be used to heat the gear unit.

An internal cooling coil in the gear unit is available on request.



Possible mounting position for water cooling

Parallel shaft gear units	Installation orientation					
	M1	M2	M3	M4	M5	M6
SK 6282 / SK 6382	✓	✓		✓	✓	✓
SK 7282 / SK 7382	✓	✓		✓	✓	✓
SK 8282 / SK 8382	✓	✓		✓	✓	✓
SK 9282 / SK 9382	✓	✓		✓	✓	✓
SK 10282 / SK 10382	✓	✓		✓	✓	✓
SK 11282 / SK 11382 / SK 12382	✓	✓		✓	✓	✓

Bevel gear unit	Installation orientation					
	M1	M2	M3	M4	M5	M6
SK 9072.1 *			✓	✓		
SK 9082.1			✓	✓		
SK 9086.1			✓	✓		
SK 9092.1			✓	✓		
SK 9096.1			✓	✓		

* Only available as version AF(B), AZ... and VF, VZ ⇒ D92, D93, D110



Lubricants

The closure of the vent plug should be removed before commissioning and longer storage in order to prevent excess pressure in the gear unit, which could result in leaks developing in the gear unit.

On delivery, gear units and geared motors, with the exception of types SK 11282, SK11382 and SK12382, are factory-filled with lubricant. This initial filling corresponds to a lubricant from the column for the ambient temperatures (normal version) in the lubricant table. The corresponding lubricants for other ambient temperatures are available at an additional charge.

With mineral oil filling, the lubricant should be replaced every 10,000 operating hours or after two years. These periods are doubled for synthetic products.

It is advantageous to replace the lubricants more frequently if the unit is operated in extreme conditions, such as high humidity, aggressive environment and high temperature.

We recommend that replacement of the lubricants is combined with a thorough cleaning.

After changing the lubricant, and in particular after the initial filling, the oil level may change during the first few hours of operation, as the oil galleries and the hollow spaces only fill gradually during operation. The oil level is still within the permissible tolerance.

If at the express request of the customer, an oil inspection glass is installed at an additional charge, we recommend that the customer corrects the oil level after an operating period of approx. 2 hours, so that the oil level is visible in the inspection glass when the gear unit is at a standstill and has cooled down. Only then, is it possible to check the oil level by means of the inspection glass.

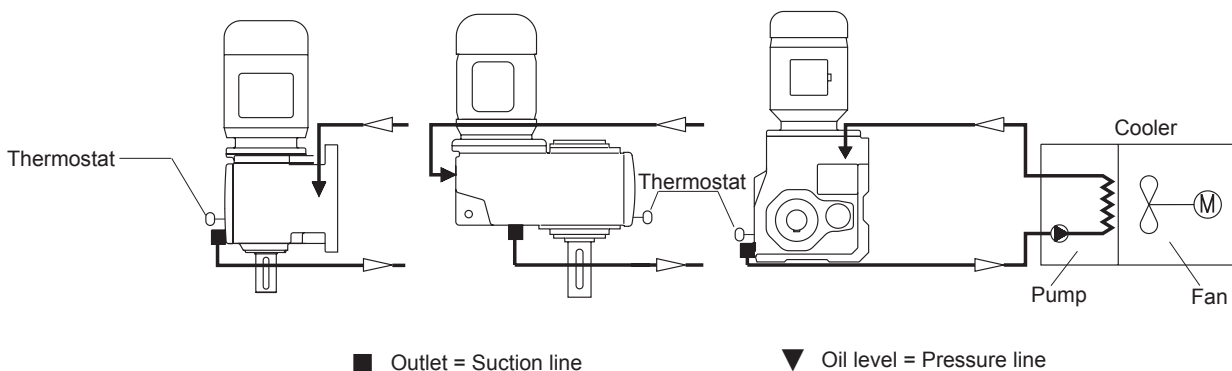
The gear unit is normally filled with mineral oil. Synthetic oil is available at an additional charge.

Comment: Do not mix synthetic and mineral lubricants!
This also applies to disposal.

The stated filling quantities are for guidance only. The precise quantities vary depending on the exact gear ratio. When filling, always use the oil level screw as an indicator of the precise quantity of oil. The tables on pages ⇨ A66-A73 show guideline amounts for the oil filling volume in litres, depending on the mounting position or configuration.

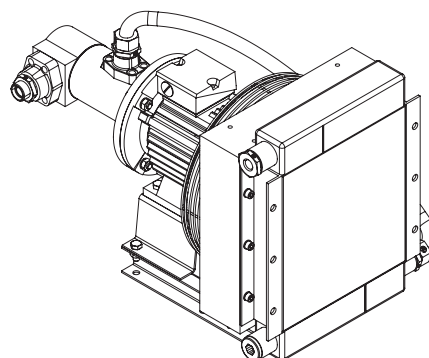
Gear unit types SK 11282, SK 11382, SK 12382 and SK 9096.1 are normally supplied without oil.

Oil cooler



The gear unit oil is drawn in by a pump and flows through a heat exchanger. The oil is cooled by an air stream which is generated by a fan. The oil is then returned to the housing from the heat exchanger.

The temperature is controlled by a thermostat. Temperature monitoring is recommended.



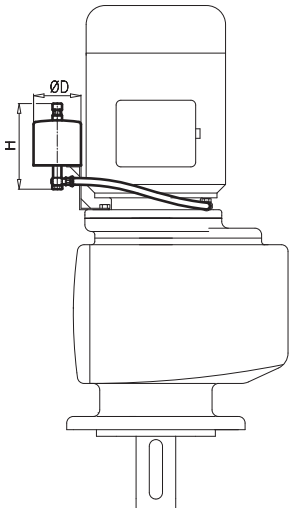


Oil tank with mounting position M4, with the motor mounted vertically upright

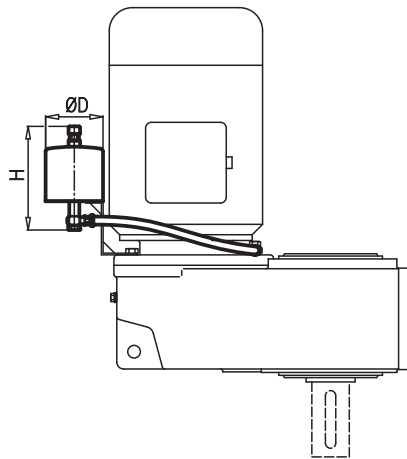
Gear units with a motor or input shaft mounted vertically upright have a high oil level for lubricating the 1st gear unit stage. The use of an optional oil expansion chamber for the vertical mounting position M4 (⇒ [A59](#)) prevents the possible leakage of oil from the vent plug if oil foaming occurs.

NORD therefore strongly recommends that oil expansion chamber be used for gear ratios $i_{ges} < 20$ and for helical gear units size SK 42 and higher, for parallel shaft gear units SK 4282 to SK 8282 and higher, and for bevel gear units size SK 9042.1 and higher is the vertical mounting position M4 is used. Otherwise, no warranty is accepted.

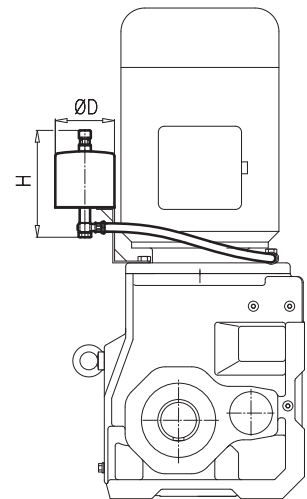
Even for smaller size gear units and other gear unit types such as helical worm gear units sNORD strongly recommends the use of an oil expansion vessel for gear ratios $i_{ges} < 20$ and motor speed greater 1800 min^{-1} (87 Hz characteristic curve).



Helical gear unit



Parallel shaft gear units



Bevel gear unit

Helical gear unit	Parallel shaft gear units	Bevel gear unit	Size	D [mm]	H [mm]	[kg]
SK 42 / SK 43 SK 52 / SK 53 SK 63	SK 4282 / SK 4382 SK 5282 / SK 5382 SK 6382	SK 9042.1 / SK 9043.1 SK 9052.1 / SK 9053.1	I	100	180	5
SK 62 SK 72 / SK 73	SK 6282 SK 7282 / SK 7382	SK 9072.1 SK 9082.1	II	150	300	6
SK 82 / SK 83 SK 92 / SK 93 SK 102 / SK 103	SK 8282 / SK 8382	SK 9086.1 SK 9092.1 SK 9096.1	III	180	300	7

As standard in the installation position M4, large parallel shaft gear units of size SK9282 and larger are equipped with an oil level tank (⇒ [A45](#)).



Oil storage tank with mounting position M4, with the motor mounted vertically upright

Oil storage tanks are located above the gearbox and increase the overall gearbox oil level. As all rotating components are completely below the surface of the oil, oil foaming is prevented. In addition, even with vertical designs, all bearings are lubricated in an oil bath.

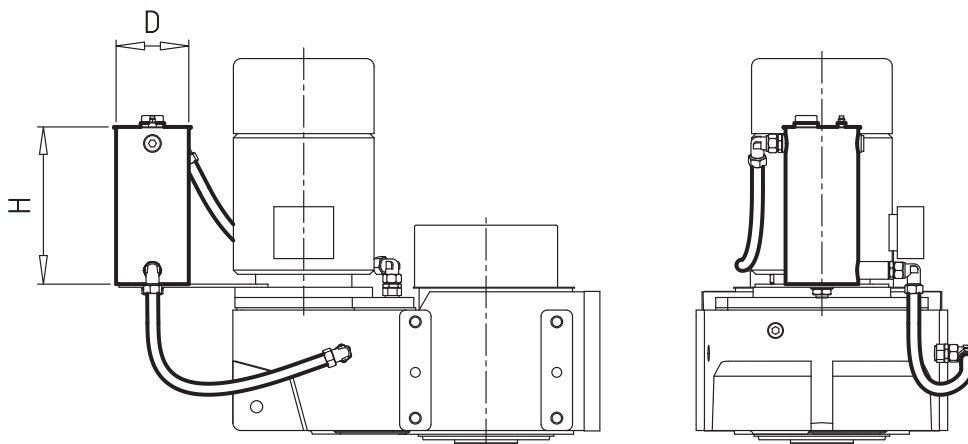
Oil storage tanks are larger than oil expansion chambers and due to the additional vent pipes have two oil pipes which connect the oil storage tank to the gearbox. The oil level should be checked in the oil storage tank.

NORD strongly recommends that oil storage tanks are used for large parallel shaft gear units SK 9282 to SK 2382 when the vertical mounting position M4 is used (⇒ [A59](#)). Otherwise, no warranty is accepted.

As standard, the oil storage tank is included as a kit which comprises the necessary oil lines, fixing material and assembly instructions. This enables the gear unit to be transported more cheaply and safely. In addition, the position of the oil storage tank can be determined on site during assembly. We will be glad to provide detailed information regarding the positioning possibilities and dimensions of the oil storage tank on request (WN 0-521 31).

As standard, the parallel shaft gear unit types SK9282 / SK9382 and SK10282 / SK10382 are supplied filled with the quantity of oil stated on page A60. On commissioning, the oil storage tank requires an additional quantity of approx. 30 litres of oil in order to maintain its recommended level. The standard delivery is made without this additional quantity of oil. However, a suitable container of oil can be supplied on request, subject to an extra charge.

As standard, the parallel shaft gear unit types SK11282 / SK11382 and SK12382 are supplied without oil. With the use of an oil storage tank, the necessary quantity of oil is increased by approx. 40 litres compared with the quantity stated on page ⇒ [A68-69](#)



Gear unit type	Size	D [mm]	H [mm]	Additional oil quantity [L]	Tank volume [L]
SK 9282 / SK 9382 SK 10282 / SK 10382	I	185	390	Approx. 30	10
SK 11282 / SK 11382 SK 12382	II	320	390	Approx. 40	30



Lubricants

Note:

This table shows comparable lubricants from various manufacturers. The manufacturer can be changed within a particular viscosity or lubricant type. We must be contacted in case of change of viscosity or lubricant type, as otherwise no warranty for the functionality of our gearboxes can be accepted.

Lubricant type	Details on type plate	Ambient temperature	 Energol GR-XP 680	 Alpha EP 680 Alpha SP 680 Optigear BM 680 Tribol 1100/680	 Renolin CLP 680 CLP 680 Plus	 Klüberoil GEM 1-680N	 Mobilgear 600 XP 680	 Omala S2 G 680
Mineral oil	CLP 220	ISO VG 220 -10...40°C Standard version	Energol GR-XP 220	Alpha EP 220 Alpha SP 220 Optigear BM 220 Tribol 1100/220	Renolin CLP 220 CLP 220 Plus	Klüberoil GEM 1-220N	Mobilgear 600 XP 220	Omala S2 G 220
	CLP 100	ISO VG 100 -15...25°C	Energol GR-XP 100	Alpha EP 100 Alpha SP 100 Optigear BM 100 Tribol 1100/100	Renolin CLP 100 CLP 100 Plus	Klüberoil GEM 1-100N	Mobilgear 600 XP 100	Omala S2 G 100
	CLP PG 680	Worm gear units ISO VG 680 -20...40°C Standard version	-	Alphasyn GS 680 Tribol 800/680	Renolin PG 680	Klübersynth GH 6-680	Mobil Glygoyle HE220	Omala S4 WE 680
Synthetic oil (Polyglycol)	CLP PG 220	ISO VG 220 -25...80°C	Enersyn SG-XP 220	Alphasyn GS 220 Alphasyn PG 220 Tribol 800/220	Renolin PG 220	Klübersynth GH 6-220	Mobil Glygoyle 220	Omala S4 WE 220
	CLP HC 460	Worm gear units ISO VG 460 * -30...80°C	-	Alphasyn EP 460 Tribol 1510/460 Optigear Synthetic X 460	Renolin Unisyn CLP 460	Klübersynth GEM 4-460N	Mobil SHC 634	Omala 460 S4 GX
Synthetic oil (hydrocarbons)	CLP HC 220	ISO VG 220 * -40...80°C	-	Alphasyn EP 220 Tribol 1510/220 Optigear Synthetic X 220	Renolin Unisyn CLP 220	Klübersynth GEM 4-220N	Mobil SHC 630	Omala S4 GX 220
	CLP E 680	I Worm gear units SO VG 680 -5...40°C	-	-	Plantogear 680 S	-	-	-
Biodegradable oil	CLP E 220	ISO VG 220 -5...40°C	-	Tribol Bio Top 1418/220	Plantogear 220 S	Klübersynth GEM 2-220	-	Naturelle Gear Fluid EP 220
	CLP PG H1 680	Worm gear units ISO VG 680 -5...40°C	-	Tribol FoodPoof 1800/680	-	Klüberoil UH1-680N	Mobil Glygoyle 680	Cassida Fluid WG 680
Food compatible oil 1)	CLP PG H1 220	ISO VG 220 -25...40°C	-	Tribol FoodPoof 1800/220	-	Klübersynth UH1 6-220	Mobil Glygoyle 220	Cassida Fluid WG 220
	CLP PG H1 680	ISO VG 680 -5...40°C	-	Optileb GT680	Gerallyn SF 680	Klüberoil 4 UH1-680N	-	Cassida Fluid GL 680
	CLP PG H1 220	ISO VG 220 -25...40°C	-	Optileb GT 220	Gerallyn SF 220	Klüberoil 4 UH1-220N	Mobil SHC Cibus 220	Cassida Fluid GL 220
Gear unit liquid grease GP 00 K-30			Ener-grease LS-EP 00	Longtime PD 00 Tribol 3020/1000-00**	Renolit Duraplex EP00	Microlobe GB 00 (-20...90/150°C)	Mobil Chassis Grease LBZ	Alvania EP(LF)2
Polyglycol-based GP PG 00 K-30			-	-	Renolit LST 00	Klübersynth GE 46-1200	Mobil Glygoyle Grease 00	
Polyalphaolefine-based GP HC 00 K-30			-	-	-	Klübersynth UH1 14-1600 1)	Mobilith SHC 007	Cassida RLS 00

* Above 60°C shaft sealing rings made from special materials must be used.

** At very low speeds

1) Food compatible oils and greases according to regulation H1 / FDA 178.3570

Bearing lubricant types

Lubricant type according to DIN 51502	Ambient temperature	Operating temperature						
Mineral oil-based grease								
K2K-20 or KP2K-20	-20 to 60°C	-20 ...120°C	Energrease LS2-EP2	Spheerol EPL 2	Renolit GP 2	-	-	Alvania EP(LF)2 Alvania RL2 (K2N-20)
K 2 K -30 or KP 2 K -30 Mineral oil based	-30 to 60°C (normal)	-30 ...120 °C	-	Longtime PD 2	Renolit GP 2 Renolit LZR 2H	-	Mobilux EP 2	-
K 2 G -50 or KP 2 G -50 Low temperature grease**	*-50 ... 40°C	-50 ...100 °C	-	-	Renocal FN 745/94	Isoflex Topas L152	-	-
KP 1 K -50	-	-50 ...120°C	-	-	Renolit JP 1619	-	-	-
K 2 K -50	-	-50 ...120°C	-	Optitemp LG2	-	-	-	-
Synthetic greases								
KP PG 2 N-30 Polyglycol-based	*-25...80SDgrC	-30 ...140°C	-	-	Renolit LST 2	-	-	-
KP HC 2 K-30	-	-30 ...120°C	-	-	-	Petamo GHY 133N (K HC 2P-30)	-	Cassida EPS2
KP HC 2 N-40 Polyalphaolefine-based	-25 ... 80°C	-40 ...140°C	-	Spheerol SY 2202	Renolit HLT 2	Isoflex Topas NCA 52 Klüberplex BEM 41-132	Mobilith SHC 220	-
KP HC 2 P-40	-	-40 ...160°C	Energrease SY2202	Tribol 4747	-	-	-	-
K HC 1 E-50	-50 ...80°C	-50 ...80°C	-	-	-	-	-	Cassida LTS1 (PAO, HSF H1)
Rapidly biodegradable grease								
KP E 2 K-30 or K E 2 K-30	-25...40SDgrC	-30 ...120°C	Biogrease EP 2	-	-	-	-	Naturelle Grease EP2
KP E 2 K-40	-	-40 ...120°C	-	-	Plantogel 2 S	-	Mobil SHC Grease 102 EAL	-
KP E 2 N -40	-	-40 ...140°C	-	-	-	Klüberbio M 72-82	-	-
Foodstuff compatible grease as per H1/FDA								
K 2 K -30 or KP 2 K -30	-25...40SDgrC	-30 ...120°C	-	Obeen UF2	-	Klübersynth UH1 14-151(222)	Mobilgrease FM 222	Cassida RLS 2
K 2 N -20 or KP 2 N -20	-	-20 ...140°C	-	-	Renolit G7 FG1	-	-	-
KP HC 2 K-30	-25...40SDgrC	-30 ...120°C	-	-	-	-	-	Cassida RLS 2 Cassida EPS 2

* For ambient temperatures below -30°C and above 60°C shaft sealing rings with special material qualities must be used.

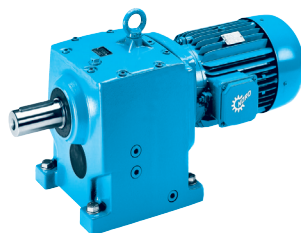
** Greases based on mineral oil or basic oils which can be mixed with mineral oil (PAO, HC, ester)

Please note that some greases which have different soap bases may not be mixed. The lubricant supplier should be consulted if the type of grease is changed.



Nomenclature

Helical gear unit

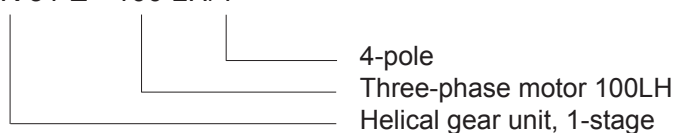


Sizes

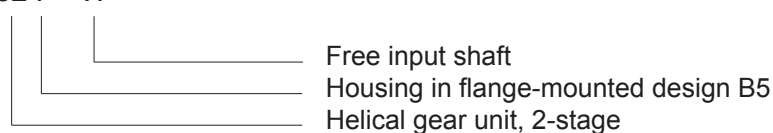
single-stage	2-stage	3-stage	4-stage	5-stage	6-stage
			Double gear units		
	SK 02	SK 03			
SK 11 E	SK 12	SK 13	SK 12/02		
SK 21 E	SK 22	SK 23	SK 22/02		
SK 31 E	SK 32	SK 33 N	SK 32 / 12		
SK 41 E	SK 42	SK 43	SK 42 / 12		
SK 51 E	SK 52	SK 53	SK 52 / 12		
	SK 62	SK 63		SK 63 / 22	SK 63 / 23
	SK 72	SK 73		SK 73/22, SK 73/32	SK 73 / 23
	SK 82	SK 83		SK 83/32, SK 83/42	SK 83/33 N
	SK 92	SK 93		SK 93/42, SK 93/52	SK 93 / 43
	SK 102	SK 103		SK 103 / 52	SK 103 / 53

Order examples:

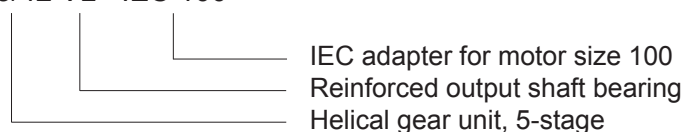
SK 31 E - 100 LH/4



SK 52 F - W



SK 93/42 VL - IEC 100



Nomenclature

Parallel shaft gear units

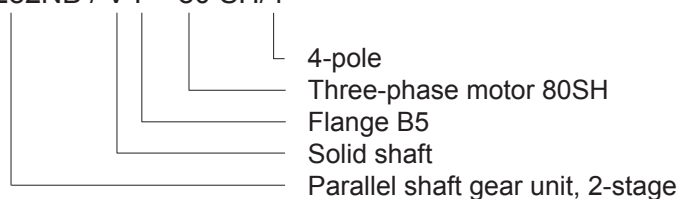


Sizes

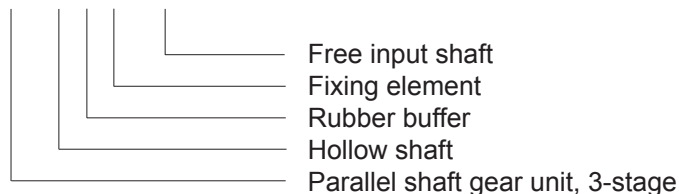
2-stage	3-stage	4-stage	5-stage
		Double gear units	
SK 0182 NB			
SK 0282 NB			
SK 1282	SK 1382 NB	SK 1282/02	
SK 2282	SK 2382	SK 2282/02	
SK 3282	SK 3382	SK 3282/12	
SK 4282	SK 4382	SK 4282 / 12	
SK 5282	SK 5382	SK 5282 / 12	
SK 6282	SK 6382		SK 6382/22, SK 6382/32
SK 7282	SK 7382		SK 7382/22, SK 7382/32
SK 8282	SK 8382		SK 8382/32, SK 8382/42
SK 9282	SK 9382		SK 9382/42, SK 9382/52
SK 10282	SK 10382		SK 10382 / 52
SK 11282	SK 11382		SK 11382 / 52
	SK 12382		

Order examples:

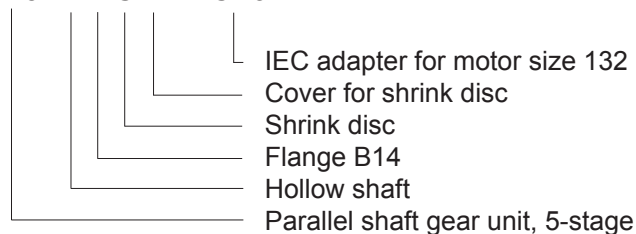
SK 0282NB / V F - 80 SH/4



SK 8382 A G B - W



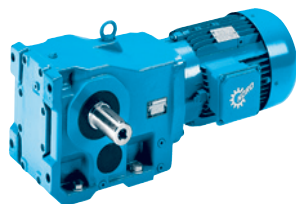
SK 10382/52 A Z S H - IEC 132





Nomenclature

Bevel gear unit

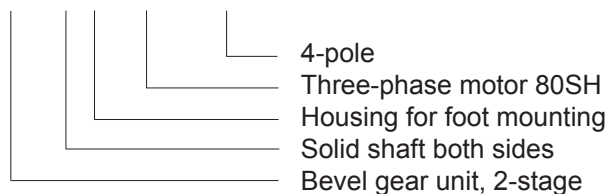


Sizes

2-stage	3-stage	4-stage	5-stage	6-stage
			Double gear units	
SK 92072	SK 9012.1	SK 9013.1		
SK 92172	SK 9016.1	SK 9017.1		
SK 92372	SK 9022.1	SK 9023.1		
SK 92672	SK 9032.1	SK 9033.1		
SK 92772	SK 9042.1	SK 9043.1		
	SK 9052.1	SK 9053.1		
	SK 9072.1		SK 9072.1/32, SK 9072.1/42	
	SK 9082.1		SK 9082.1/42, SK 9082.1/52	
	SK 9086.1		SK 9086.1 / 52	
	SK 9092.1		SK 9092.1 / 52	
	SK 9096.1		SK 9096.1 / 62	SK 9096.1 / 63

Order examples:

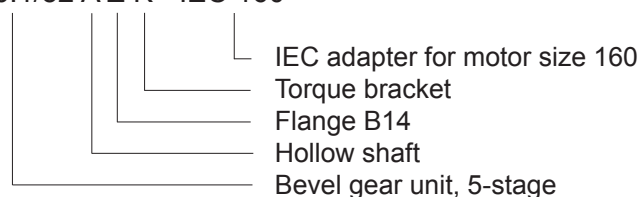
SK 92372 L X - 80 SH/4



SK 9033.1 A F - W



SK 9086.1/52 A Z K - IEC 160



Nomenclature

Helical worm gear units

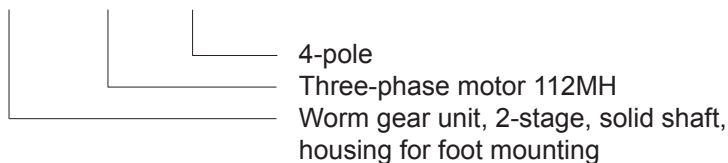


Sizes

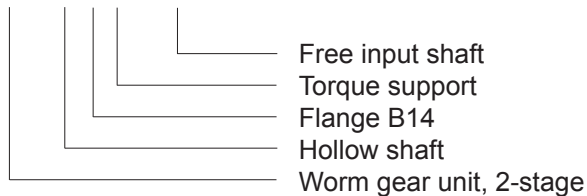
2-stage	3-stage
SK 02040	
SK 02050	SK 13050
SK 12063	SK 13063
SK 12080	SK 13080
SK 32100	SK 33100
SK 42125	SK 43125

Order examples:

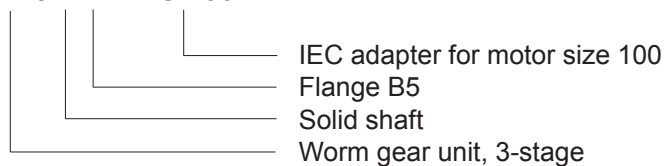
SK 12080 - 112 MH/4



SK 32100 A Z D - W



SK 43125 V F - IEC 100





Information for dimensioned drawings, geared motors and gear units

CAD drawings (dimension drawings, outline drawings, and 3D models) may be easily produced online using NORD's NORDCAD software.

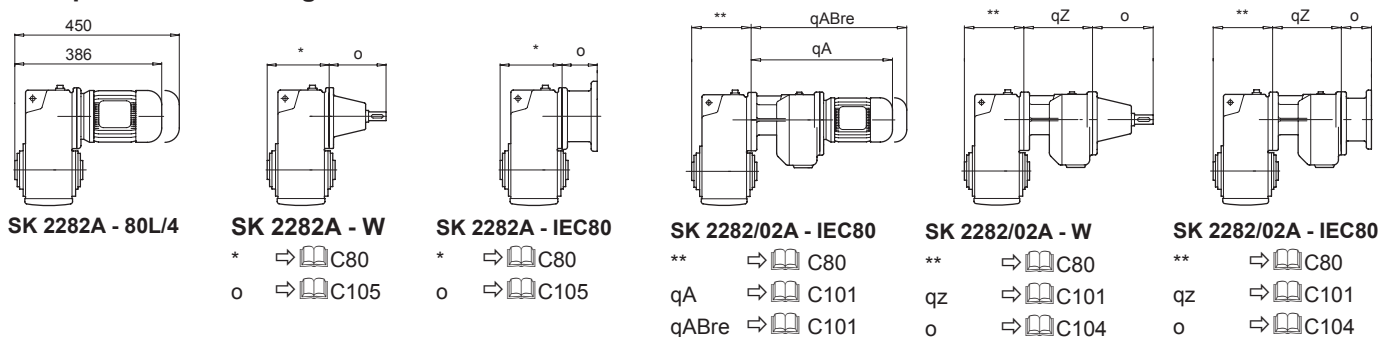
Addition example for dimension drawings

The gear unit motors are dimensioned directly in the dimension drawings.

- For gear units - with add-on housing
- as double gear units
- with free drive shaft (W)
- for mounting IEC standard motors (IEC)

the overall dimension must be added together from the individual dimension drawings.

Example: Parallel shaft gear unit SK 2282A



General information regarding * and **

) With the versions W or IEC, if there are several values given for “” in the dimensional drawings, the value without brackets generally applies. The value listed in the following table must be added/subtracted for the respective gear- W or gear - IEC combinations.



Type	[mm]										
	W	IEC 100	IEC 112	IEC 132	IEC 160	IEC 180	IEC 200	IEC 225	IEC 250	IEC 280	IEC 315
SK 82	16	-	-	-	-	-	-	-	16	16	-
SK 92	14	-	-	-	-	-	-	-	14	14	14
SK 93	0	-	-	-	-	-	-	-	14	14	-
SK 103	16	-	-	-	-	-	-	-	16	16	16
SK 8282	15	-	-	-	-	-	-	-	15	15	-
SK 9282	15	-	-	-	-	-	-	-	15	15	15
SK 9382	0	-	-	-	-	-	-	-	15	15	-
SK 10382	16	-	-	-	-	-	-	-	16	16	16
SK 11382	9	-	-	-	-	-	-	-	-	-	9
SK 12382	9	-	-	-	-	-	-	-	-	-	9
SK 9072.1	-18	-18	-18	-18	-18	-18	-18	-18	-	-	-
SK 9082.1	-20	-	-	-	-	-	-	-	-20	-20	8
SK 9086.1	-20	-	-	-	-	-	-	-	-20	-20	8
SK 9092.1	16	-	-	-	-	-	-	-	-16	-16	-11
SK 9096.1	0	-	-	-	-	-13	-13	-13	-	-	-

) With double gear units, if there are several values given for “” in the dimensional drawings, the value without brackets generally applies. The value listed in the following table must be added or subtracted for the respective double gear unit combination.


Type	[mm]
SK 63 /22, 23	4
SK 73 /22, 23	-22
SK 73 / 32	-22
SK 6382 / 22	4
SK 7382 / 22	-22
SK 7382 / 32	-22
SK 9092.1 / 52	16
SK 9096.1 / 62	-13
SK 9096.1 / 63	-13



Tolerances

Output and input shafts	Hollow shafts	Customer' shafts
Shaft tolerance - \emptyset (DIN 748) $\emptyset 14 - \emptyset 50 \text{ mm} = \text{ISO k6}$ $> \emptyset 50 \text{ mm} = \text{ISO m6}$	Hollow shaft tolerances - \emptyset (DIN 748) according to ISO H7	Tolerance of customer's shaft journal as per ISO h6 with load classification "C" (see table page A7) as per ISO k6
Threaded holes according to DIN 332, Sheet 2: = $\emptyset 13 - \emptyset 16 \Rightarrow \text{M5}$ > $\emptyset 16 - \emptyset 21 \Rightarrow \text{M6}$ > $\emptyset 21 - \emptyset 24 \Rightarrow \text{M8}$ > $\emptyset 24 - \emptyset 30 \Rightarrow \text{M10}$ > $\emptyset 30 - \emptyset 38 \Rightarrow \text{M12}$ > $\emptyset 38 - \emptyset 50 \Rightarrow \text{M16}$ > $\emptyset 50 - \emptyset 85 \Rightarrow \text{M20}$ > $\emptyset 85 - \emptyset 130 \Rightarrow \text{M24}$	Splined hub section DIN 5480 9H	L = length of plug-in shaft DIN 5480 recommended fitting 8f Tolerance of customer's shaft journal with shrink disc as per ISO h6 or f6
Parallel keys according to DIN 6885, sheets 1 and 3	Parallel keys according to DIN 6885, sheets 1 and 3	Parallel keys according to DIN 6885, sheets 1 and 3
* SK 9016.1 \Rightarrow  D72 SK 9017.1 \Rightarrow  D74	Hollow shaft with groove according to DIN 6885, sheet 3	
Frame size	Flanges	IEC and servo-adapter
Shaft height "h" according to DIN 747	Tolerance of hole circle - \emptyset (DIN 42 948)	Tolerance of hole circle - \emptyset (DIN 42 948)
	Tolerance of flange centring - \emptyset (DIN 42 948) $\leq \emptyset 230 \text{ mm}$ according to ISO j6 $> \emptyset 230 \text{ mm}$ according to ISO h6,	Tolerance of flange centring according to ISO H7
g1Bre kBre k1Bre k2Bre mBre nBre pBre qABre	Some motor dimensions may change under certain circumstances. Thread: Fastening threads in cast components for use by customers (housing /IEC attachment adapter) are produced as standard threads according to DIN 13-1.	The housings are made of cast materials. Due to the manufacturing process, the unmachined surfaces may therefore deviate slightly from the nominal dimensions.

Abbreviations in the power and selection tables

Abbreviation	Description	Unit
f_B	Operating factor (M_{2max} / M_2)	
$F_A^{1)}$	Permitted axial force on output side	[kN]
$F_R^{1)}$	Permitted radial load, force applied at the middle of the output shaft	[kN]
F_D	Pressure on rubber buffer	[N]
i_{ges}	Total gear ratio	
z_1	Number of worm threads	
z_2/z_1	Gear unit reduction ratio of worm gear unit	
i_1	Gear unit reduction ratio of helical gear unit	
M_2	Output torque	[Nm]
M_{2max}	Maximum permissible output torque	[Nm]
n_2	Output speed	[min ⁻¹]
P_1	Input power of gear unit	[kW]
P_{1max}	Maximum drive power	[kW]
VL	Reinforced bearings	
η	Efficiency	[%]
	Total weight of the geared motor	[kg]
1)	If a "-" is shown in the tables, no reinforced bearing is possible.	



Structure of the power and gear ratio tables for geared motor types

0.55 kW → Geared motor power

Nominal power of motor

P_1 [kW]	n_2 [min ⁻¹]	M_2 [Nm]	f_B	i_{ges}	F_R [kN]	F_A [kN]	$F_{R VL}$ [kN]	$F_{A VL}$ [kN]		kg	mm
0,55	1.6	3261	0.9	881.60	18.7	40.0	28.0	40.0	SK 9043.1 - 80 SH/4	129	D86-87
	2.2	2386	1.2	645.18	23.6	40.0	28.0	40.0			
	2.5	2101	1.3	568.04	24.7	40.0	28.0	39.7			
	4.0	1297	2.2	350.72	27.0	40.0	28.0	36.2			
	5.1	1034	2.7	# 279.60	27.4	40.0	28.0	34.5			

Applies for worm geared motors
- only available in version .Z or.F

Permissible radial force on output side

Normal bearings

The listed values for F_R
are calculated for $F_A = 0$

Permissible axial force on output side

Normal bearings

The listed values for F_R
are calculated for $F_A = 0$

Permissible axial force on output side

Reinforced bearings

(Except for SK 9072.1, bevel gear units are only available in the foot mounted version). The listed values for F_A are calculated for $F_R = 0$

Permissible radial force on output side

Reinforced bearings

(Except for SK 9072.1, bevel gear units are only available in the foot mounted version). The listed values for F_R are calculated for $F_A = 0$



Structure of the gear ratio tables: Type W and type IEC

SK 9072.1 → Gear unit type

Operating factors f_B with the IEC version are identical to the those of the same motor output with direct motor mounting. The f_B values are listed on the pages specified. IEC motor sizes and IEC standard outputs as per DIN EN 50347

i _{ges}	n ₂ n ₁ = 1400min ⁻¹ [min ⁻¹]	M _{2max} f _B = 1 [Nm]	W			IEC									
			P _{1max}			f _B ⇒ D4 - D42									
			n ₁ = 1400min ⁻¹	n ₁ = 930min ⁻¹	n ₁ = 700min ⁻¹	IEC 100	IEC 112	IEC 132	IEC 160	IEC 180	IEC 200	IEC 225			
SK 9072.1	# 245.76	5.7	8500	5.07	3.35	2.54			*						
	206.84	6.8	8500	6.05	3.99	3.03			*						
	186.86	7.5	8500	6.68	4.41	3.34			*	*	*				
	157.27	8.9	8500	7.92	5.23	3.96			*	*	*				
⋮															
	10.19	137	4700	45.00	29.70	22.50									
	9.16	153	4700	45.00	29.70	22.50									

Applies for worm geared motors - only available in version .Z or.F

Italics mean: with P_{1max} i the operating factor is f_B > 1

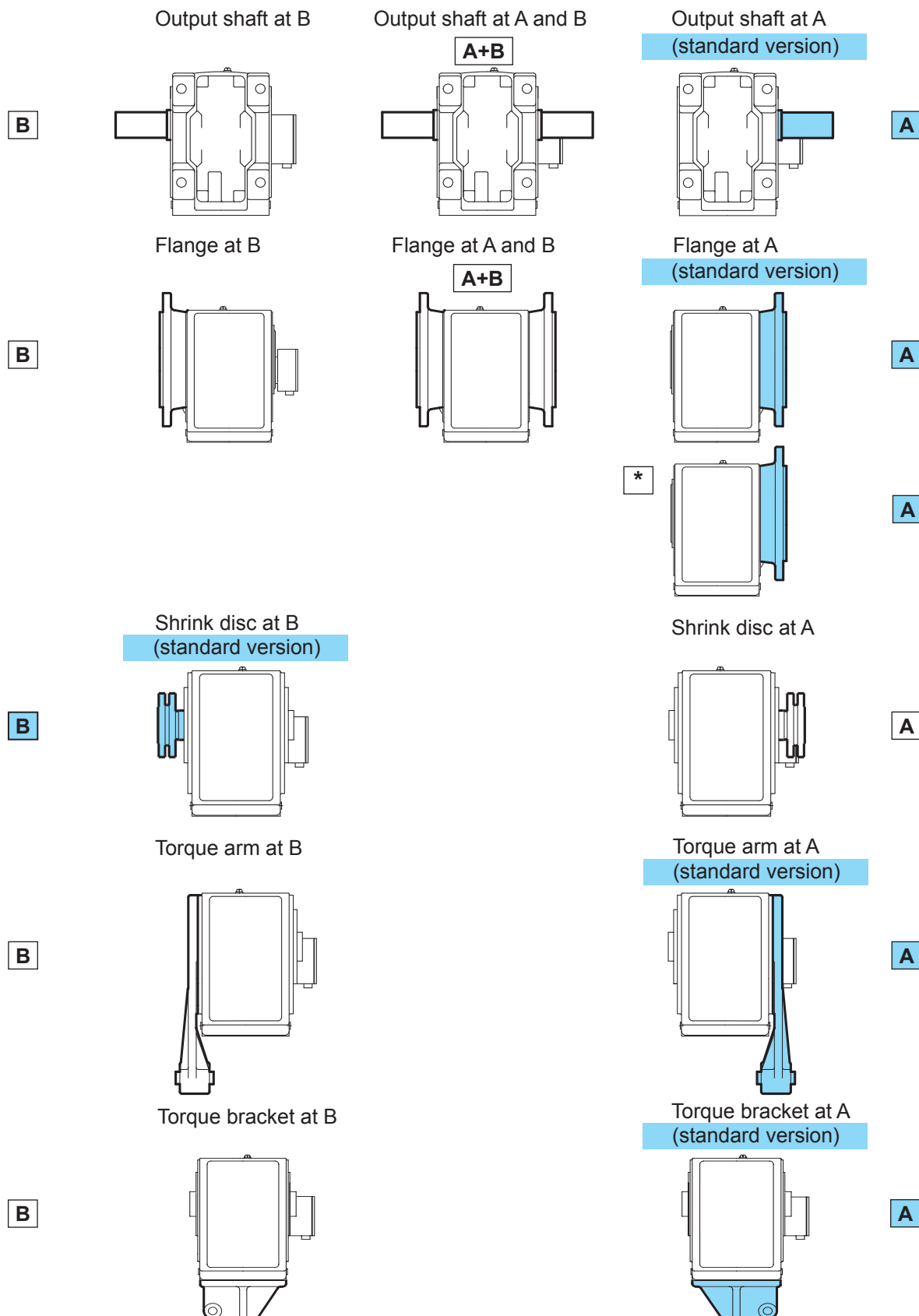
Asterisk indicates: Caution, do not exceed the maximum drive power P_{1max} according to the Typ W column

Shaded field means: IEC adapter is available for this IEC motor size and this reduction ratio



Position of the shafts, flanges, torque arms and shrink discs for angular gear units

For bevel gear units and helical worm gear units*, the position of the output shaft, the B5 flange, the torque arm and the shrink disc are defined as follows:



The definitions of sides A and B relate to mounting position M1. Further information about mounting positions M1-M6 ⇒ A59

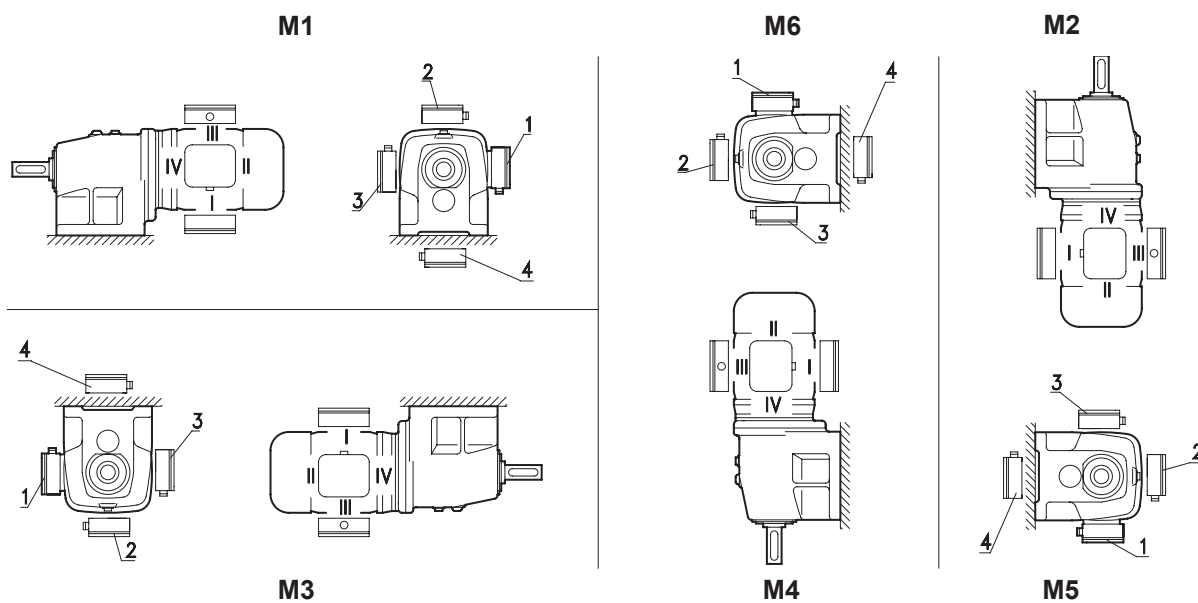
Terminal box and cable gland

Standard version: Terminal box at 1 and cable gland at I.

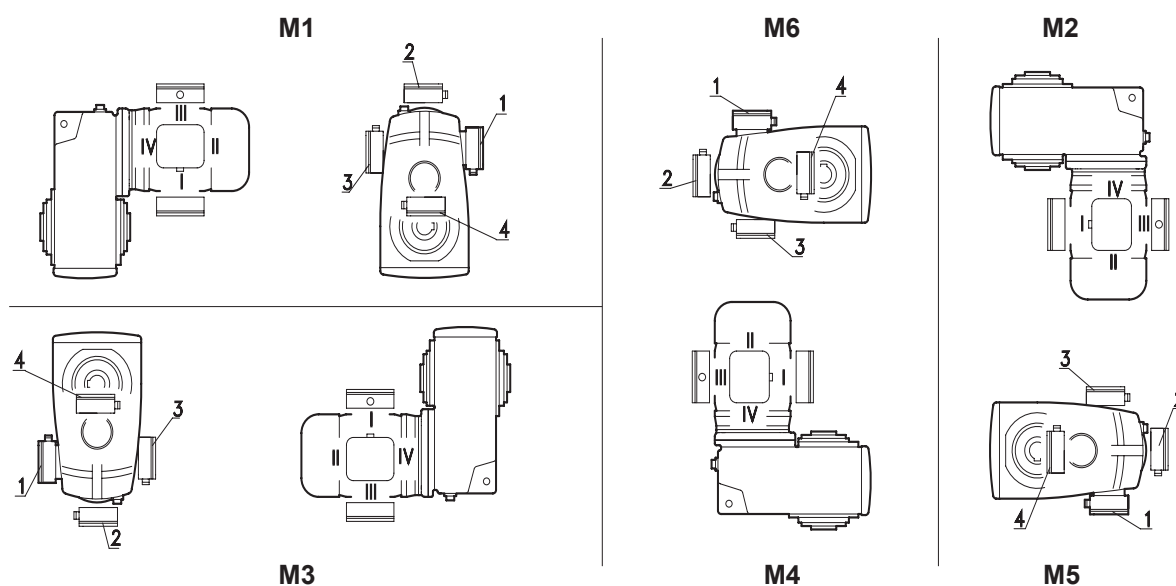
If other configurations are required, these must be explicitly stated on the order.
Please always contact us in case cable gland IV is required.

For size 63 to 132 brake motors, the cable gland at I and III are standard.

Helical gear unit



Parallel shaft gear units





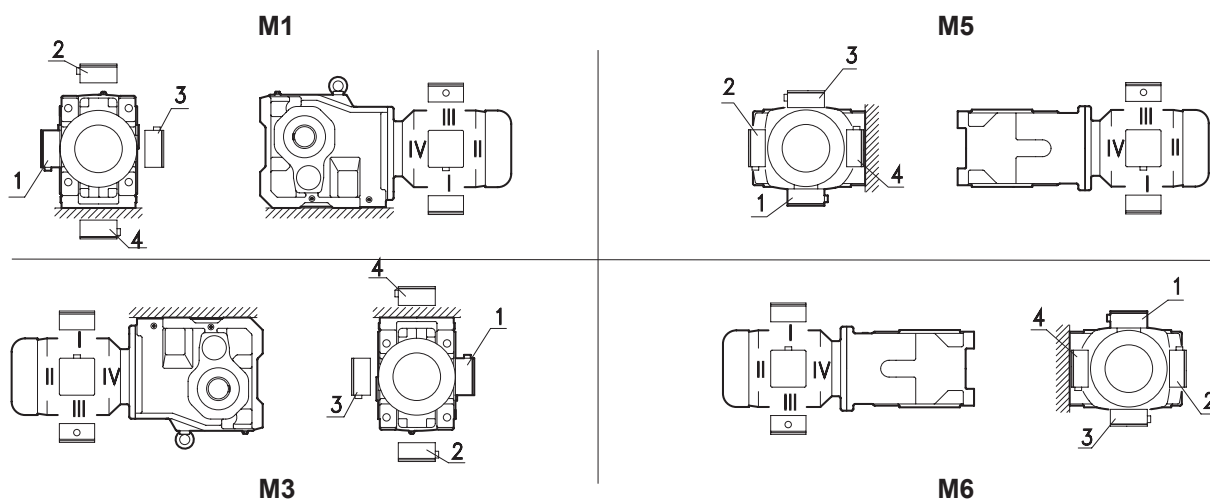
Terminal box and cable gland

Standard version: Terminal box at 1 and cable entry at I.

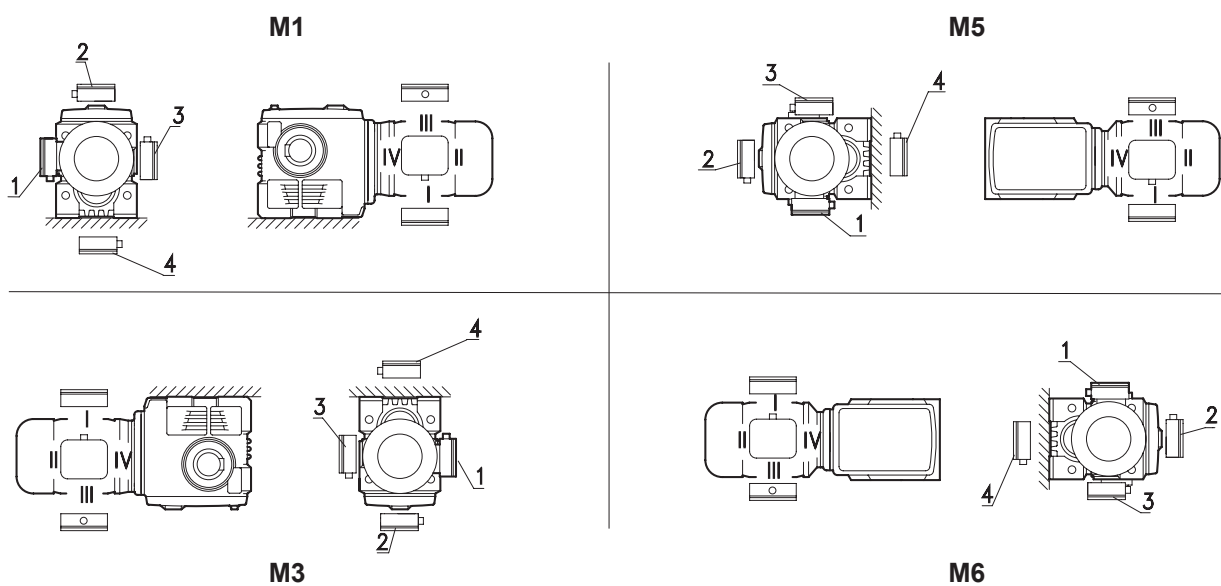
If other configurations are required, these must be explicitly stated on the order.
Please always contact us in case cable gland IV is required.

For size 63 to 132 brake motors, the cable gland at I and III are standard.

Bevel gear unit



Helical worm gear units



Further information about versions M1 M6 ⇒ A59

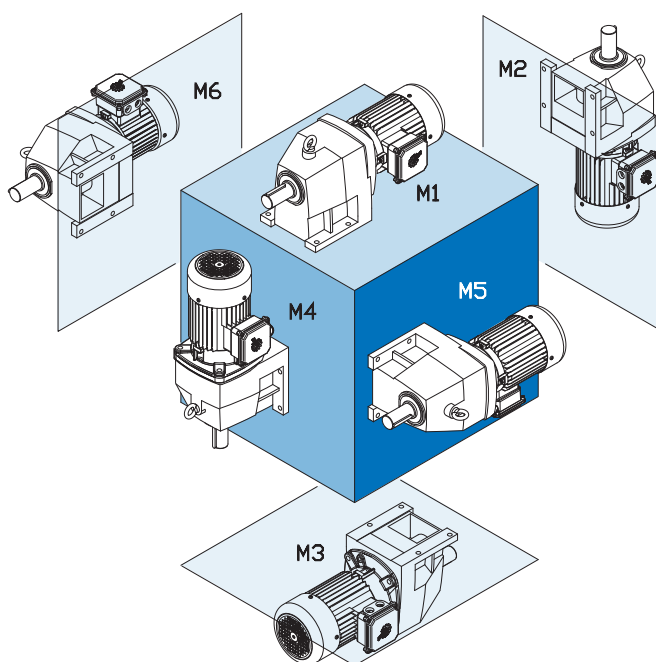
Installation positions - nomenclature

For gear units and geared motors, NORD specifies six installation positions from M1 to M6 as shown in the following diagrams. The relevant installation position must be stated when ordering.

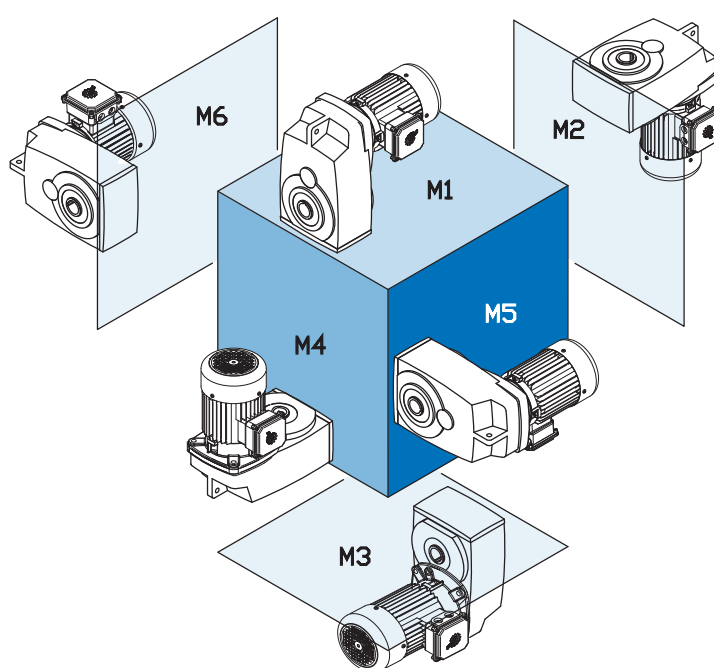
Changes to the installation position require adjustment of the quantity of oil, and often other measures such as the installation of encapsulated roller bearings. Damage may result if the necessary measures are not observed. Tilted installation positions between the 6 basic positions are possible. Please contact us.

The versions, with the position of the oil level plug, the vent plug and the oil drain plug can be found on [⇨ A60](#)

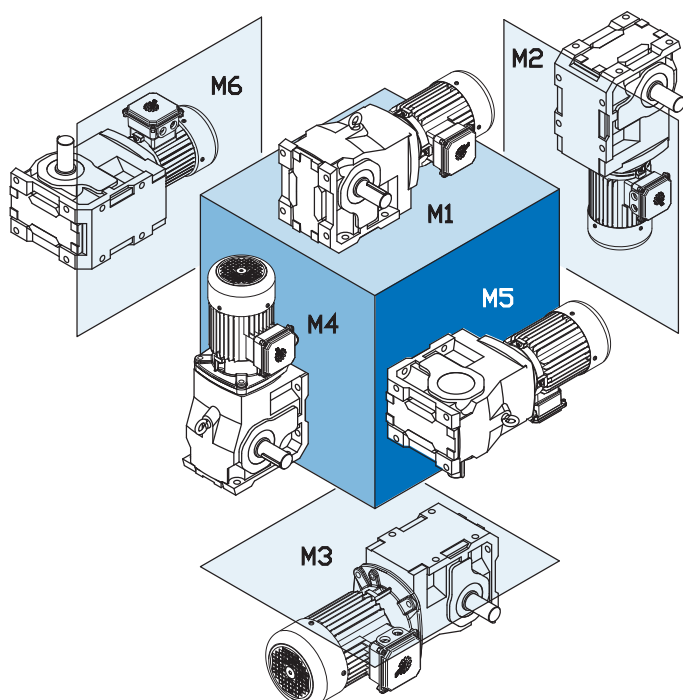
Helical gear unit



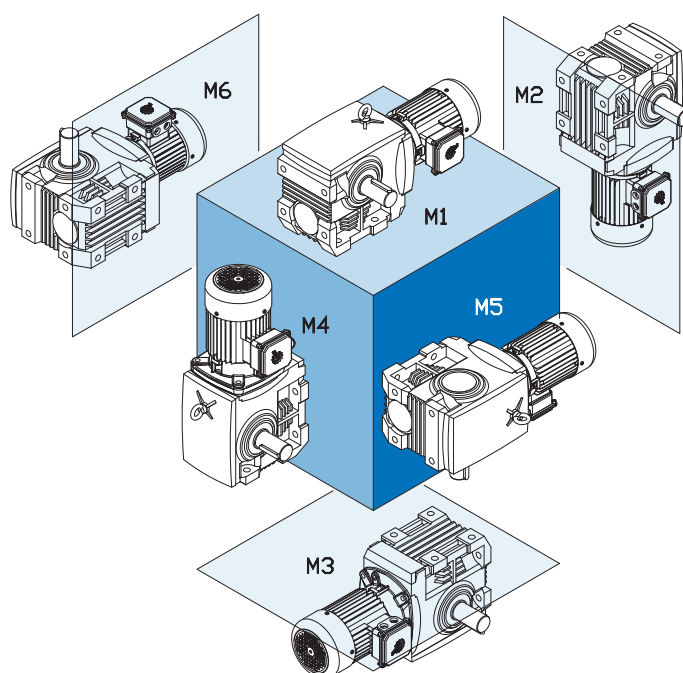
Parallel shaft gear units



Bevel gear unit



Helical worm gear units



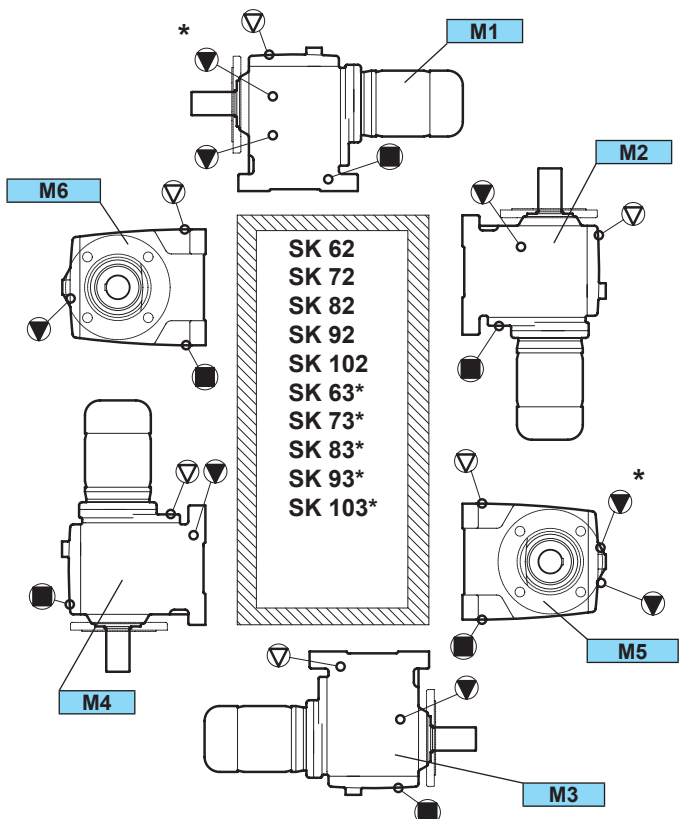
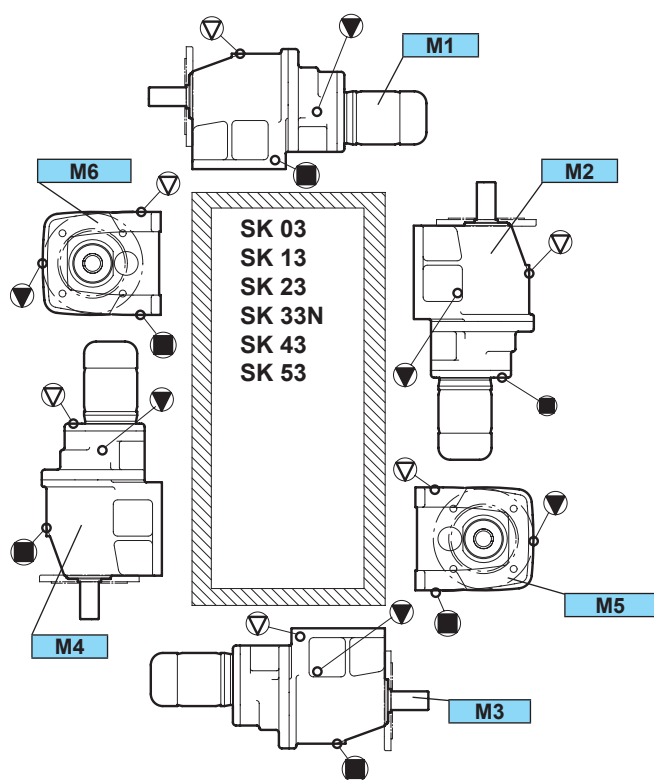
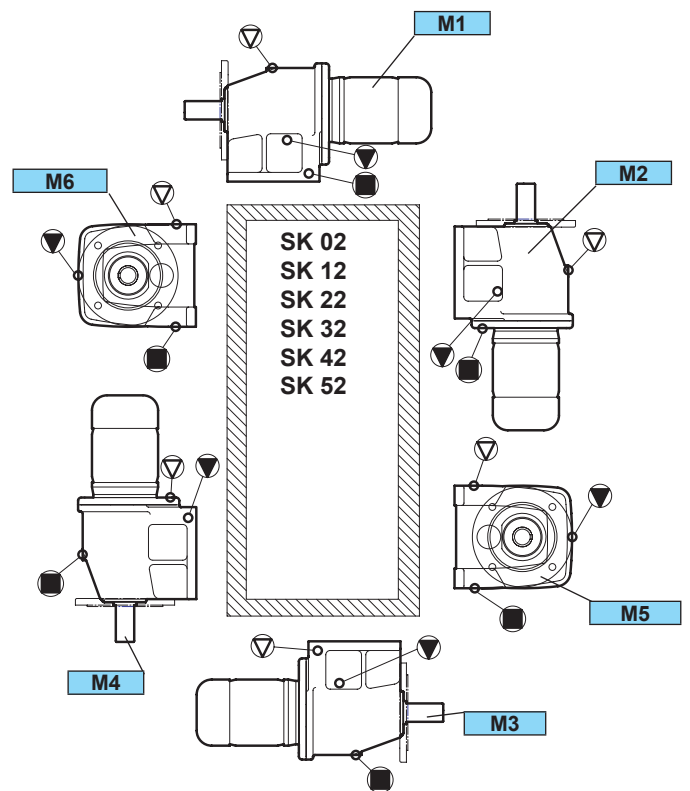
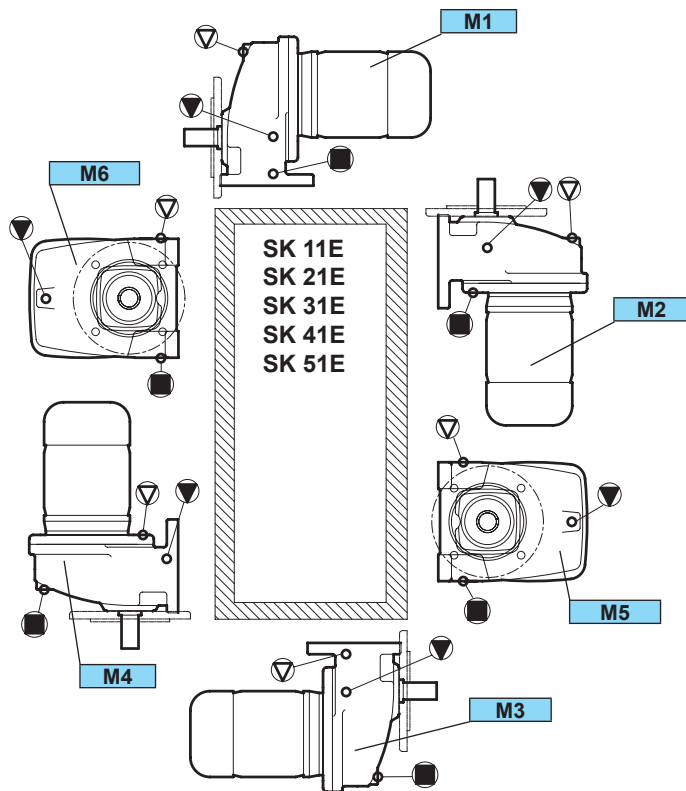


Standards Regulations Nomenclature



Symbols for oil screw plugs in the mounting positions - helical gear units

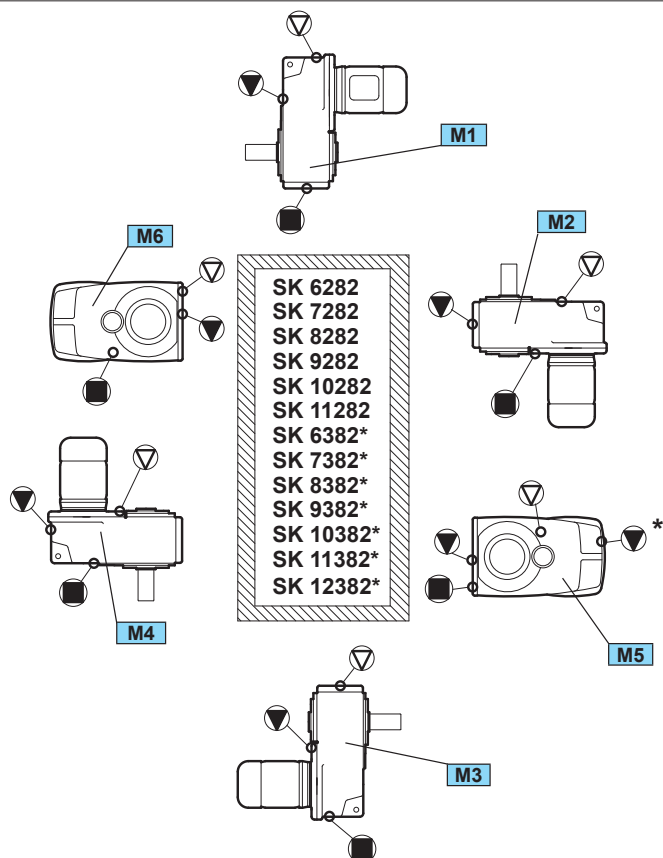
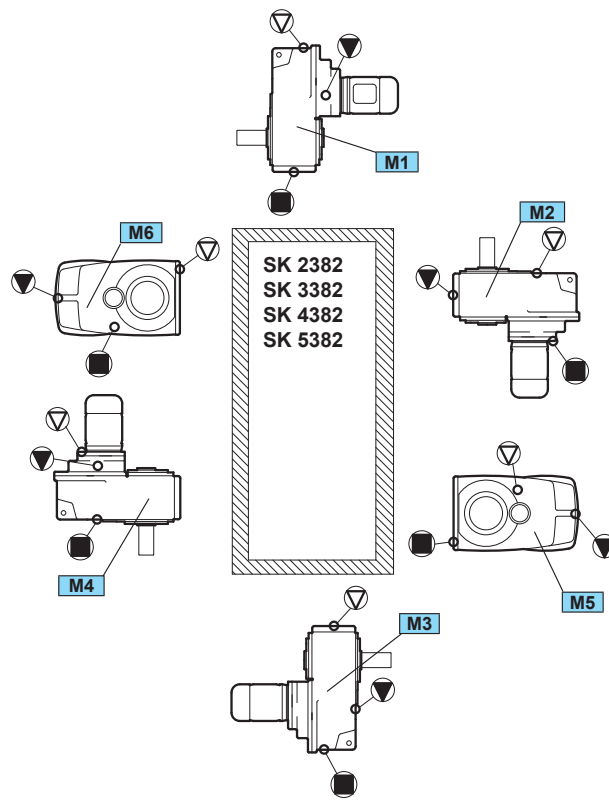
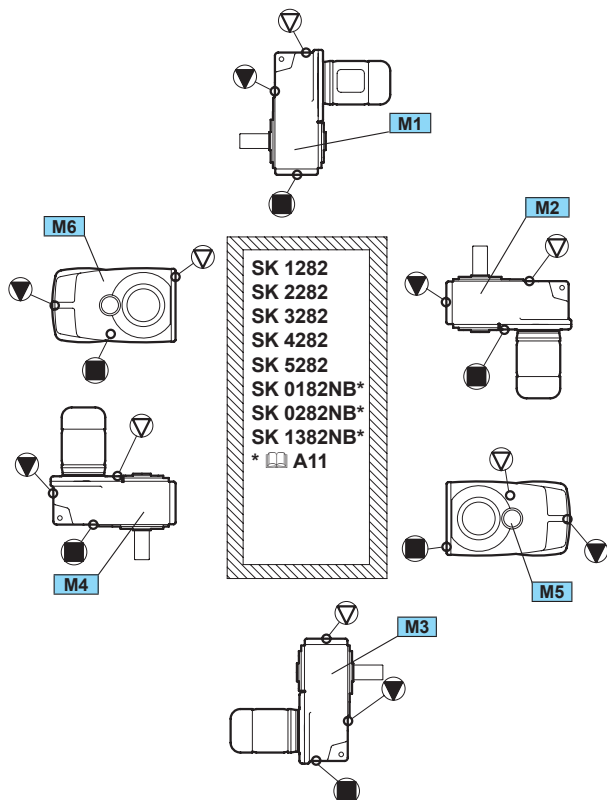
Vent	Oil level	Oil drain





Symbols for oil screw plugs in the mounting positions - parallel shaft gear units

Vent	Oil level	Oil drain





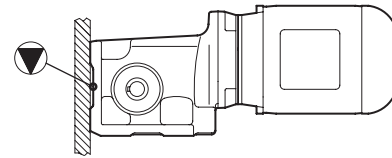
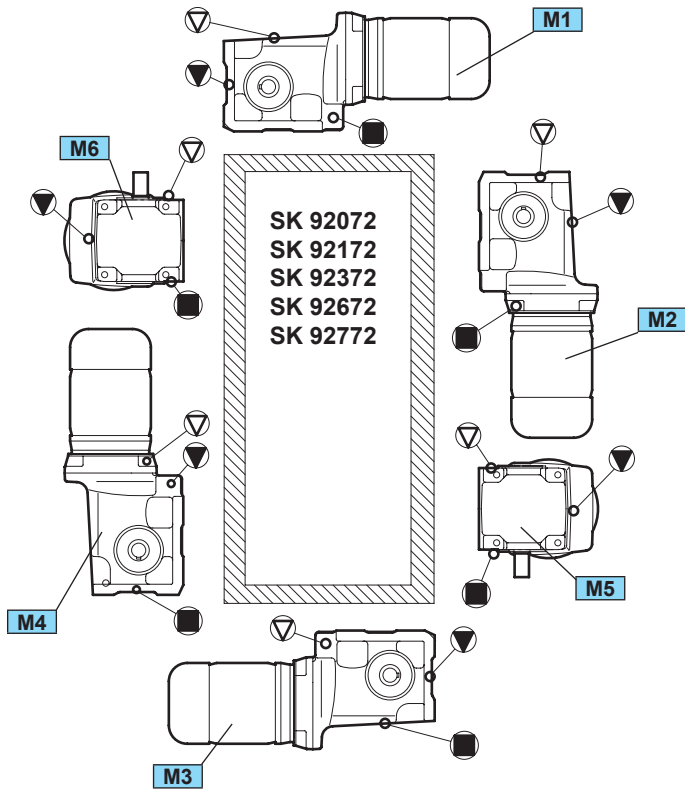
Standards Regulations Nomenclature



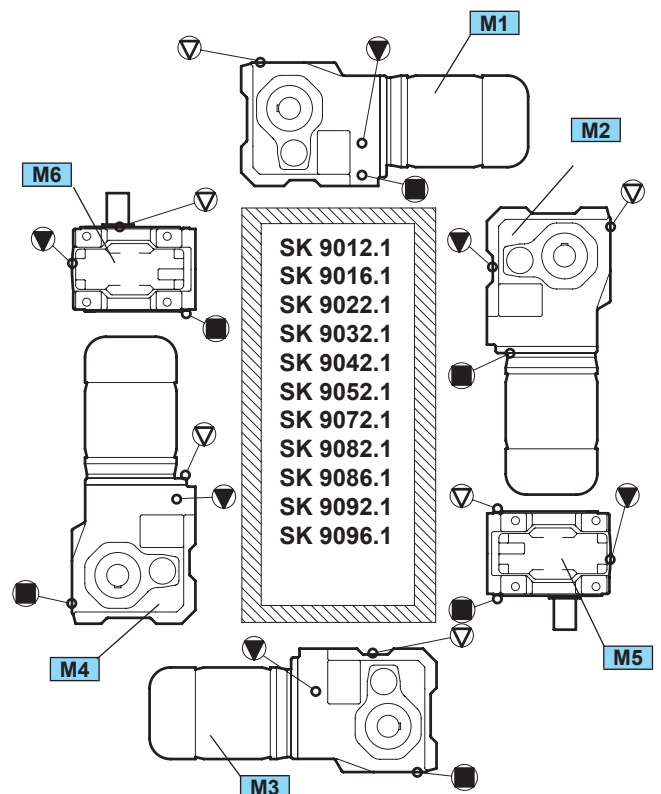
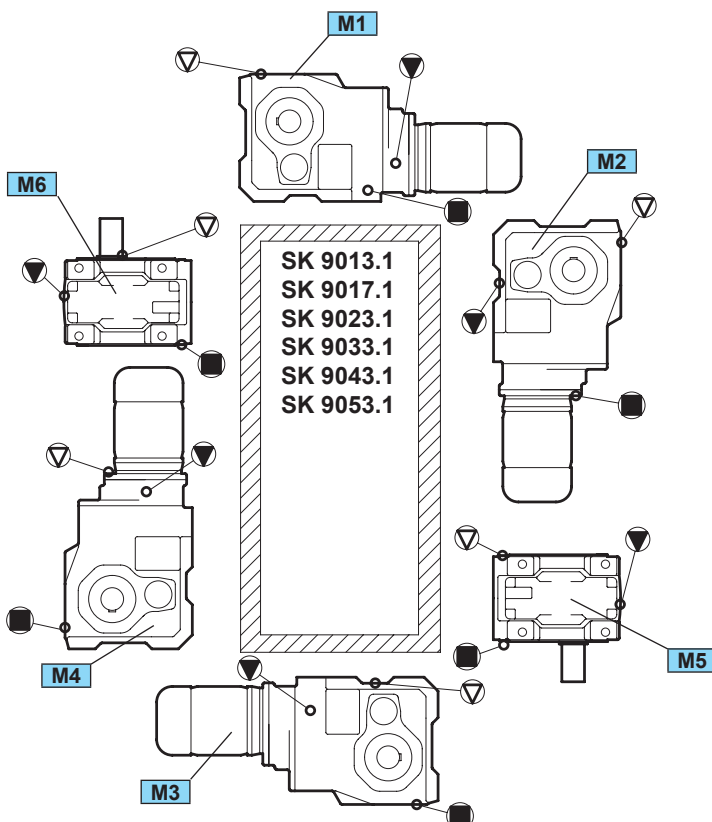
Symbols for oil screw plugs in the mounting positions - bevel gear units

Vent	Oil level	Oil drain

Foot-mounted version



With the foot mounted versions of bevel gear units **SK 92072 - SK 92772**, the oil level indicator is located in the face of the housing cover (opposite to the motor) for installation position M1. If a gear unit of this version is mounted on the vertical footrails, accessibility of the oil level plug must be ensured. Depending on the way that the gear unit is mounted, the plug could be covered.

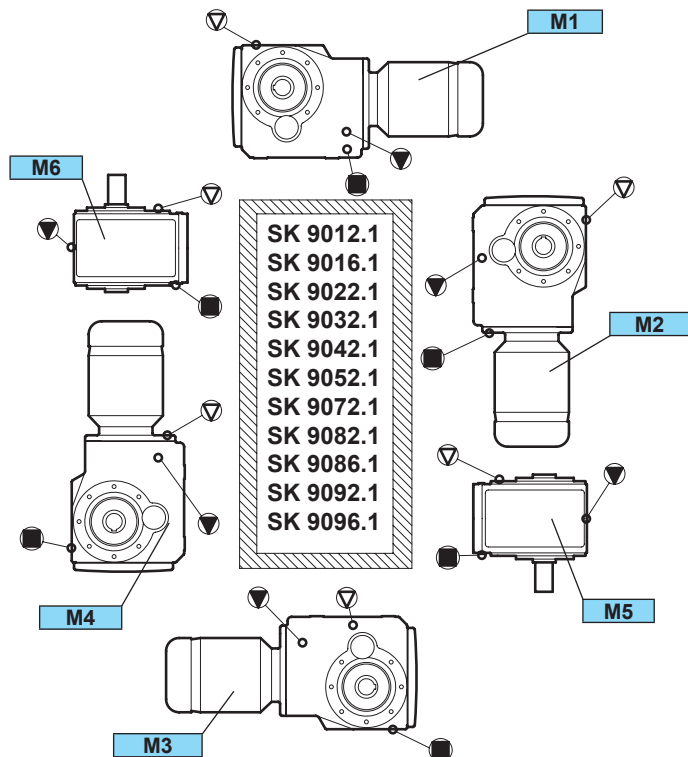
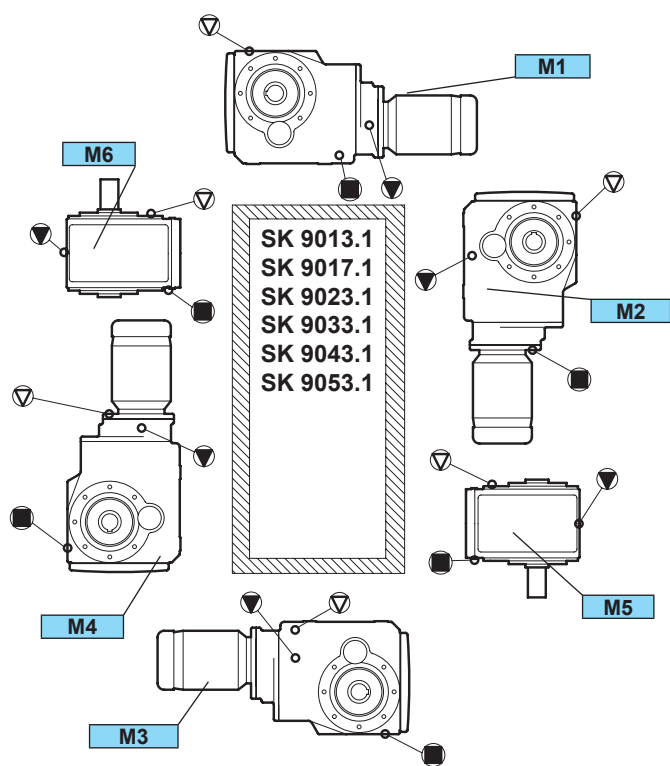
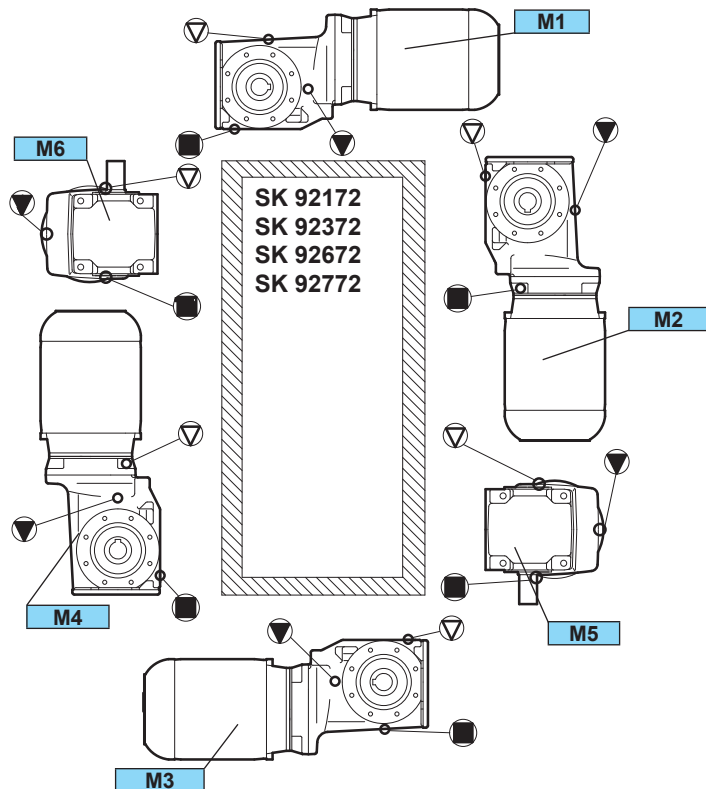




Symbols for oil screw plugs in the mounting positions - bevel gear units

Vent	Oil level	Oil drain

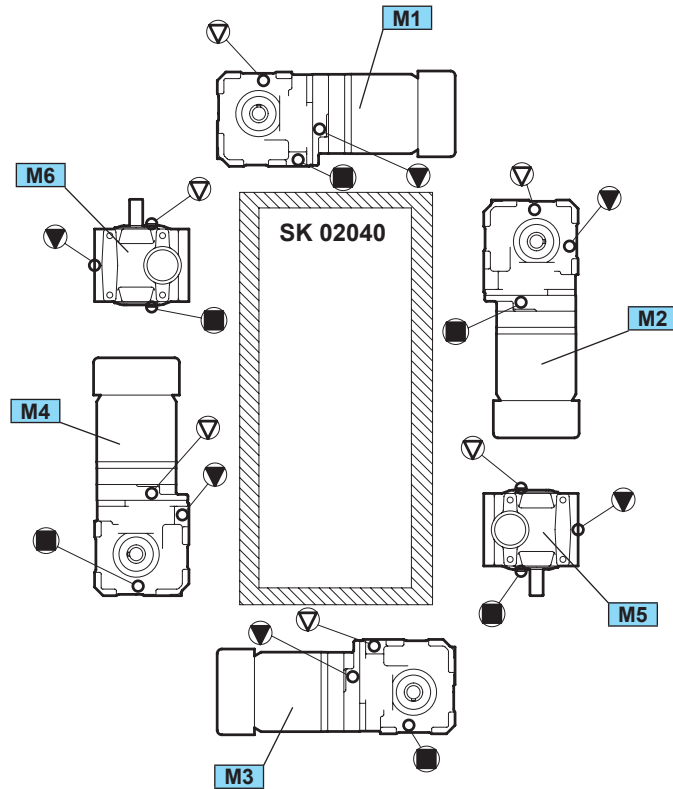
Plug-on and flange version





Symbols for oil screw plugs in the mounting positions - helical worm gear units

		
Vent	Oil level	Oil drain

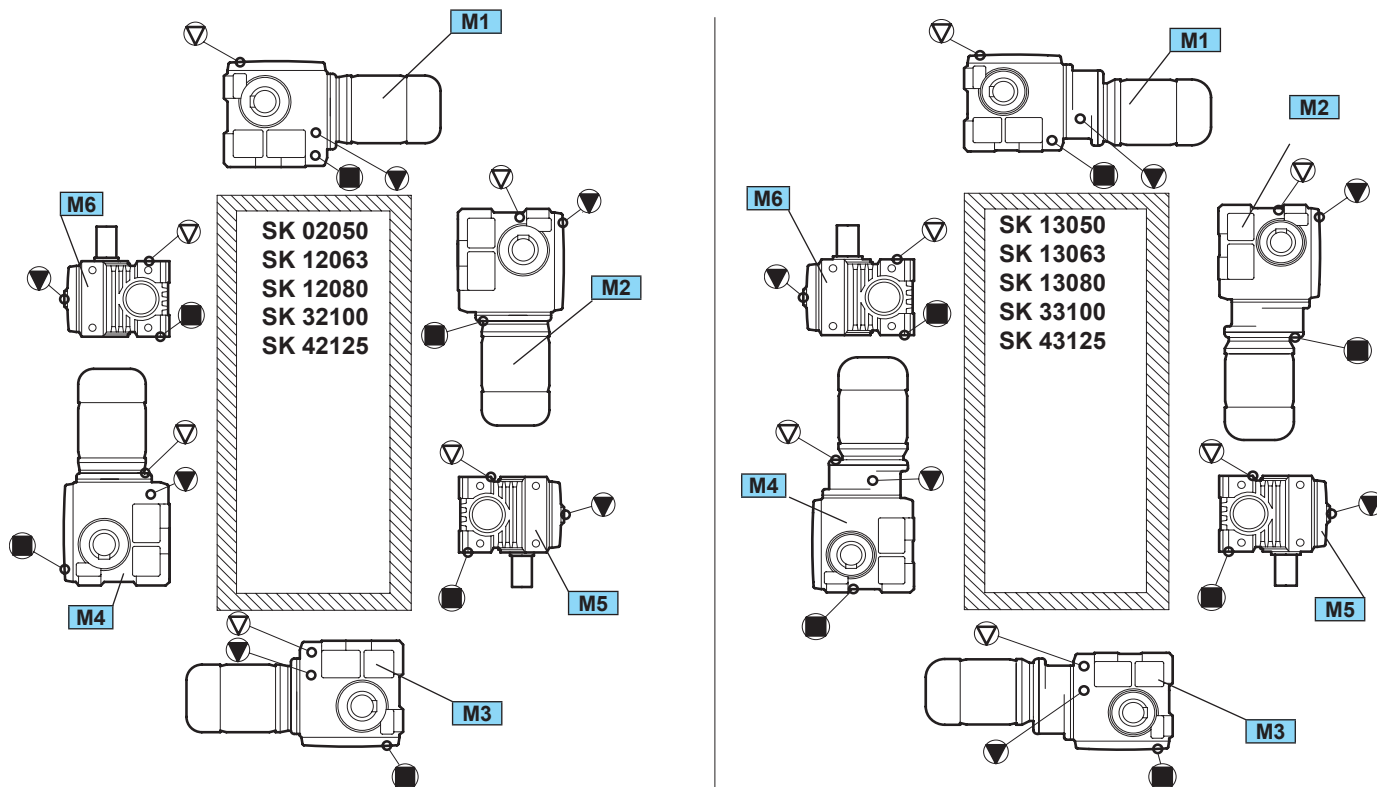




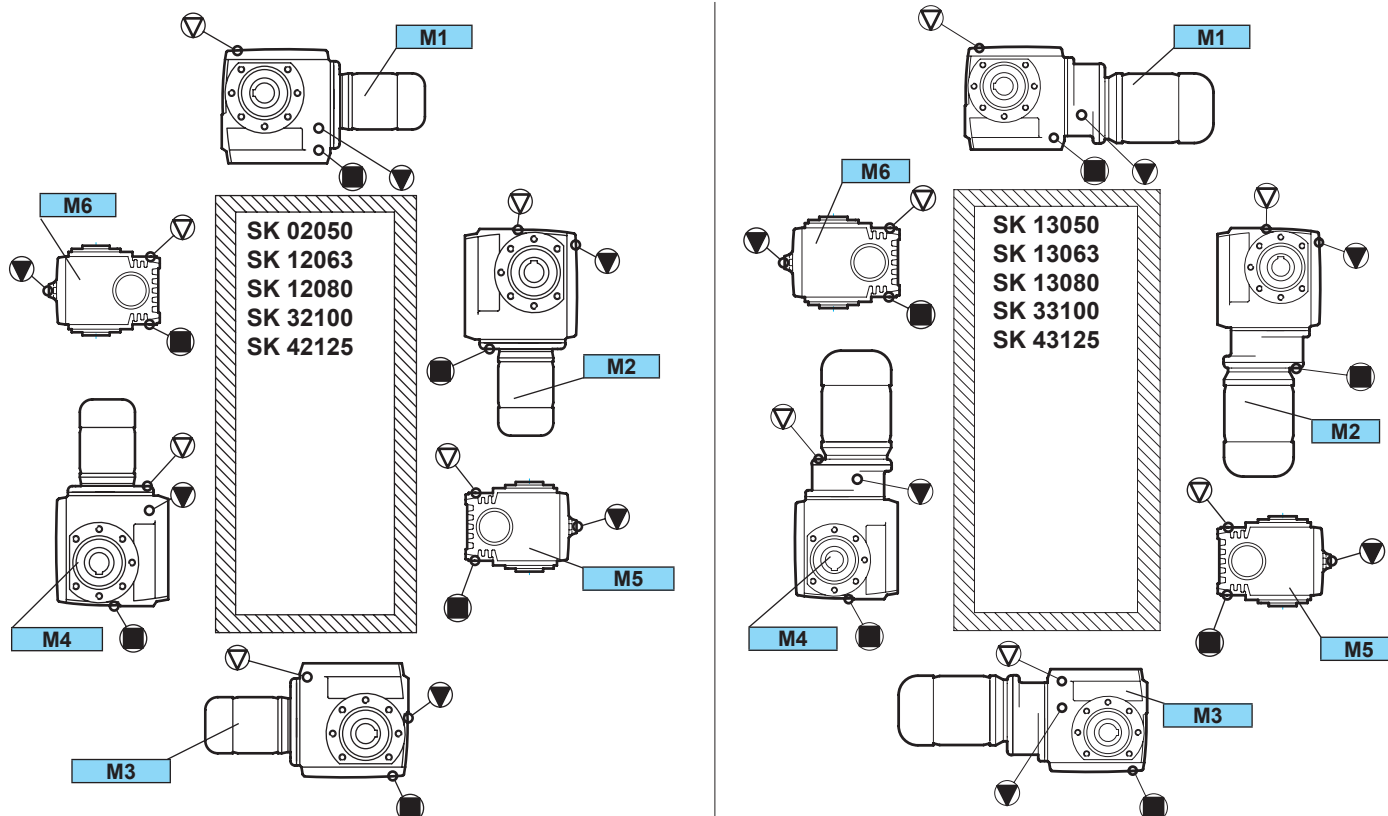
Symbols for oil screw plugs in the mounting positions - helical worm gear units

Vent	Oil level	Oil drain

Foot-mounted version

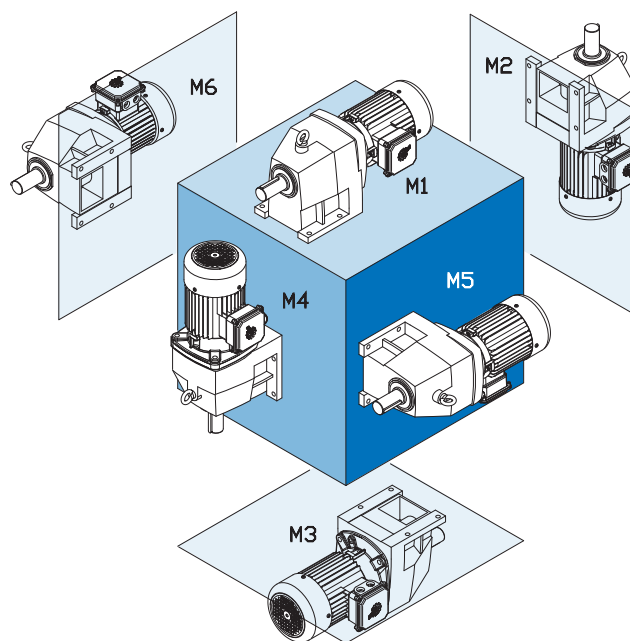


Plug-on and flange version

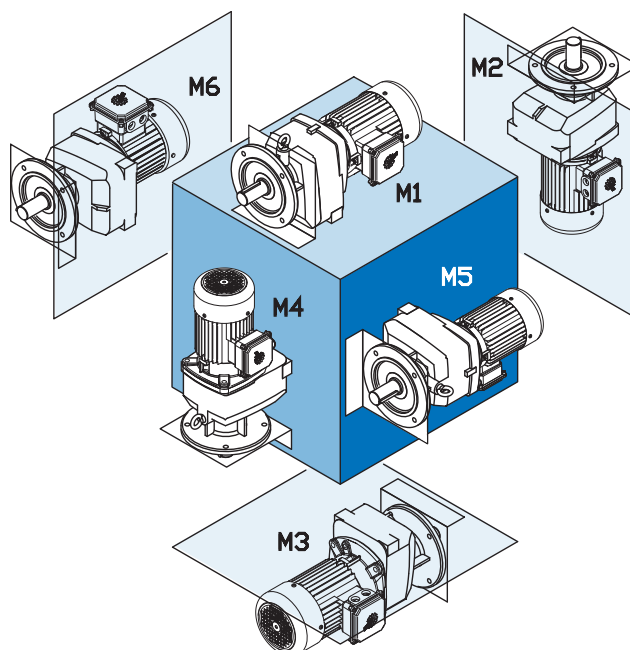




Helical gear unit



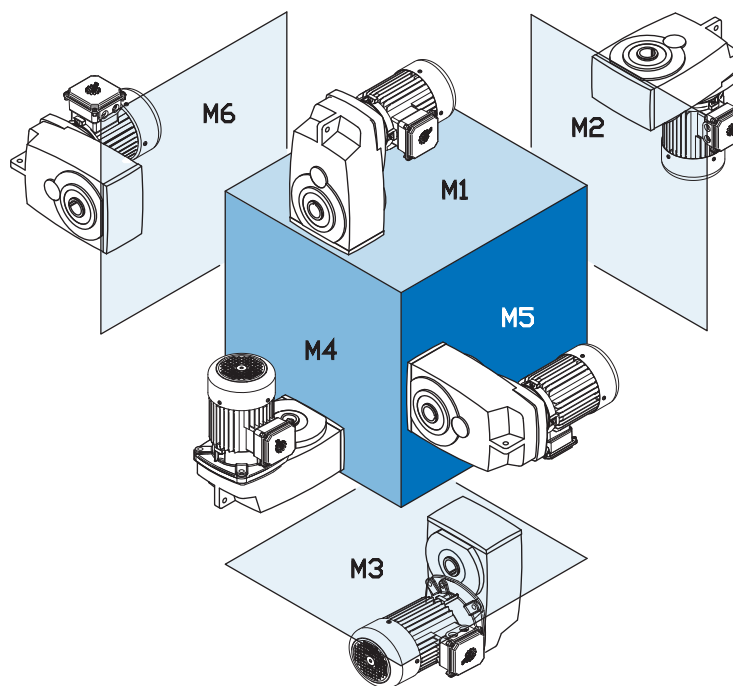
Type		 [L]					
		M1	M2	M3	M4	M5	M6
	SK 11E	0,25	0,50	0,65	0,50	0,40	0,40
	SK 21E	0,60	1,20	1,30	1,00	1,00	1,00
	SK 31E	1,10	2,00	2,20	1,70	1,50	1,50
	SK 41E	1,60	2,60	3,30	2,80	2,30	2,30
	SK 51E	1,80	3,50	4,10	4,00	3,80	3,80
	SK 02	0,20	0,75	0,75	0,65	0,60	0,60
	SK 12	0,25	0,80	0,85	0,75	0,55	0,55
	SK 22	0,50	1,90	2,10	1,80	1,40	1,40
	SK 32	0,90	2,50	3,10	3,10	2,00	2,00
	SK 42	1,40	4,50	4,50	4,30	3,20	3,20
	SK 52	2,50	7,00	6,80	6,80	5,10	5,10
	SK 62	6,50	15,00	13,00	16,00	15,00	15,00
	SK 72	10,00	23,00	18,00	26,00	23,00	23,00
	SK 82	14,00	35,00	27,00	44,00	32,00	32,00
	SK 92	25,00	73,00	47,00	76,00	52,00	52,00
	SK 102	36,00	79,00	66,00	102,00	71,00	71,00
	SK 03	0,35	1,20	0,80	1,00	0,70	0,70
	SK 13	0,75	1,30	1,30	1,20	0,75	0,75
	SK 23	1,20	2,00	1,90	2,40	1,60	1,60
	SK 33N	1,75	3,00	3,40	4,00	2,30	2,30
	SK 43	3,00	5,60	5,20	6,60	3,60	3,60
	SK 53	4,50	8,70	7,70	8,70	6,00	6,00
	SK 63	13,00	14,50	14,50	16,00	13,00	13,00
	SK 73	20,50	20,00	22,50	27,00	20,00	20,00
	SK 83	30,00	31,00	34,00	37,00	33,00	33,00
	SK 93	53,00	70,00	59,00	72,00	49,00	49,00
	SK 103	74,00	71,00	74,00	97,00	67,00	67,00



Type		 [L]					
		M1	M2	M3	M4	M5	M6
	SK 11EF	0,30	0,50	0,50	0,45	0,40	0,40
	SK 21EF	0,70	1,40	1,40	1,40	1,00	1,00
	SK 31EF	0,90	1,80	1,65	1,30	1,25	1,25
	SK 41EF	1,20	2,30	2,70	2,00	1,90	1,90
	SK 51EF	1,80	3,50	4,10	3,00	3,80	3,80
	SK 02F	0,25	0,70	0,70	0,70	0,50	0,50
	SK 12F	0,35	0,85	0,90	0,90	0,70	0,70
	SK 22F	0,70	1,80	1,80	1,80	1,40	1,40
	SK 32F	1,20	2,80	3,10	3,10	2,20	2,20
	SK 42F	1,80	4,40	4,50	4,00	3,70	3,70
	SK 52F	3,00	6,80	6,20	7,40	5,60	5,60
	SK 62F	7,00	15,00	14,00	18,50	16,00	16,00
	SK 72F	10,00	23,00	18,50	28,00	23,00	23,00
	SK 82F	15,00	37,00	29,00	45,00	34,50	34,50
	SK 92F	26,00	73,00	47,00	78,00	52,00	52,00
	SK 102F	40,00	81,00	66,00	104,00	72,00	72,00
	SK 03F	0,55	0,95	0,90	1,20	0,90	0,90
	SK 13F	1,00	1,30	1,30	1,20	1,00	1,00
	SK 23F	1,40	2,60	2,30	2,80	2,80	2,80
	SK 33NF	2,20	3,00	3,40	4,20	2,30	2,30
	SK 43F	3,50	5,70	5,00	6,10	4,10	4,10
	SK 53F	5,20	8,40	7,00	8,90	6,70	6,70
	SK 63F	13,50	14,00	15,50	18,00	14,00	14,00
	SK 73F	22,00	22,50	23,00	27,50	20,00	20,00
	SK 83F	31,00	34,00	35,00	40,00	34,00	34,00
	SK 93F	53,00	70,00	59,00	74,00	49,00	49,00
	SK 103F	69,00	78,00	78,00	99,00	67,00	67,00

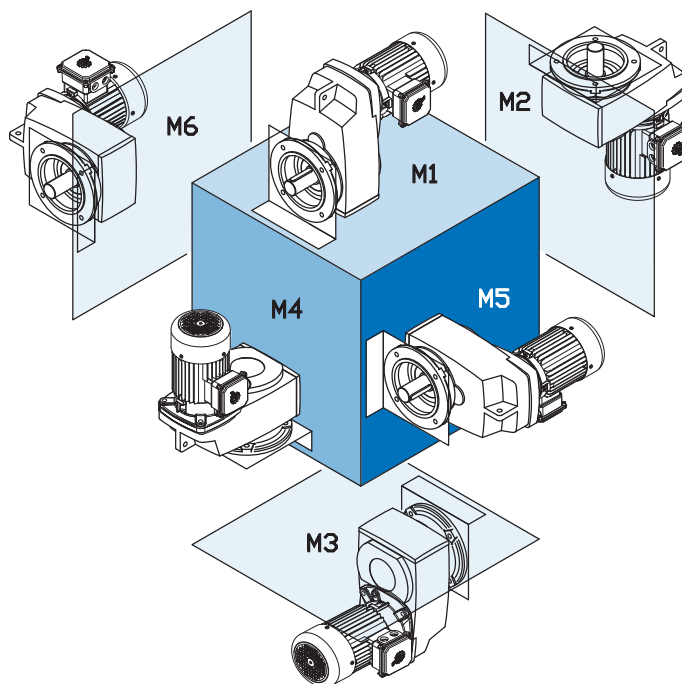


Parallel shaft gear unit



Type		 [L]					
		M1	M2	M3	M4	M5	M6
	SK 0182NB	0,40	0,55	0,55	0,40	0,40	0,40
	SK 0282NB	0,70	1,10	0,80	1,10	0,90	0,90
	SK 1382NB	1,40	2,30	2,20	2,20	2,00	2,00
	SK 1282	0,95	1,30	0,90	1,30	1,00	1,00
	SK 2282	1,70	2,30	1,70	2,20	1,90	1,90
	SK 3282	2,80	4,00	3,30	3,80	3,00	3,00
	SK 4282	4,20	5,40	4,40	5,00	4,20	4,20
	SK 5282	7,50	8,80	7,50	8,80	7,20	7,20
	SK 2382	2,30	2,70	2,10	3,20	2,00	2,00
	SK 3382	3,80	4,30	3,00	5,50	3,00	3,00
	SK 4382	6,10	6,90	4,90	8,40	5,00	5,00
	SK 5382	12,50	12,00	6,70	14,00	8,30	8,30
	SK 1382	1,45	1,60	1,15	1,70	1,10	1,10
	SK 6282	17,00	15,50	12,50	17,50	11,00	14,00
	SK 7282	25,50	21,00	20,50	27,00	16,00	21,00
	SK 8282	37,50	33,00	30,50	44,00	31,00	31,00
	SK 9282	74,50	70,00	56,00	80,00	65,00	59,00
	SK 6382	16,00	13,00	10,00	18,00	14,00	12,50
	SK 7382	22,00	21,00	16,00	25,00	23,00	22,00
	SK 8382	34,50	32,50	25,00	38,00	35,00	30,00
	SK 9382	73,50	70,00	43,00	74,50	65,00	60,00
	SK 10282	90,00	90,00	40,00	90,00	60,00	82,00
	SK 11282*	165,0	160,0	145,0	195,0	100,0	140,0
	SK 10382	85,00	100,0	73,00	100,0	80,00	80,00
	SK 11382*	160,0	155,0	140,0	210,0	155,0	135,0
	SK 12382*	160,0	155,0	140,0	210,0	155,0	135,0

* ⇔ A47

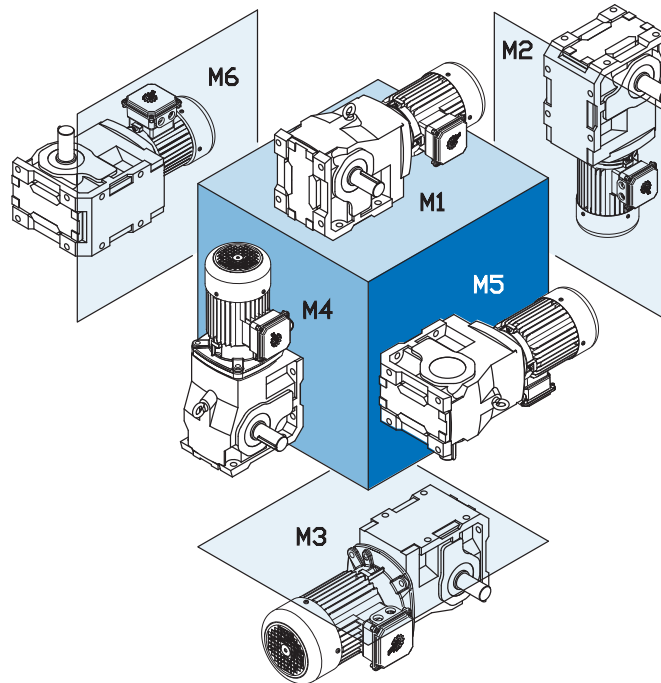


Type		 [L]					
		M1	M2	M3	M4	M5	M6
	SK 0182NB/F	0,40	0,55	0,55	0,40	0,40	0,40
	SK 0282NB/F	0,70	1,10	0,80	1,10	0,90	0,90
	SK 1382NB/F	1,40	2,30	2,20	2,20	2,00	2,00
	SK 1282.F	0,95	1,30	0,90	1,30	1,00	1,00
	SK 2282.F	1,70	2,30	1,70	2,20	1,90	1,90
	SK 3282.F	2,80	4,00	3,30	3,80	3,00	3,00
	SK 4282.F	4,20	5,40	4,40	5,00	4,20	4,20
	SK 5282.F	7,50	8,80	7,50	8,80	7,20	7,20
	SK 2382.F	2,30	2,70	2,10	3,20	2,00	2,00
	SK 3382.F	3,80	4,30	3,00	5,50	3,00	3,00
	SK 4382.F	6,10	6,90	4,90	8,40	5,00	5,00
	SK 5382.F	12,50	12,00	6,70	14,00	8,30	8,30
	SK 1382.F	1,45	1,60	1,15	1,70	1,10	1,10
	SK 6282.F	17,00	15,50	12,50	17,50	11,00	14,00
	SK 7282.F	25,50	21,00	20,50	27,00	16,00	21,00
	SK 8282.F	37,50	33,00	30,50	44,00	31,00	31,00
	SK 9282.F	74,50	70,00	56,00	80,00	65,00	59,00
	SK 6382.F	16,00	13,00	10,00	18,00	14,00	12,50
	SK 7382.F	22,00	21,00	16,00	25,00	23,00	22,00
	SK 8382.F	34,50	32,50	25,00	38,00	35,00	30,00
	SK 9382.F	73,50	70,00	43,00	74,50	65,00	60,00
	SK 10282.F	90,00	90,00	40,00	90,00	60,00	82,00
	SK 11282.F*	165,0	160,0	145,0	195,0	100,0	140,0
	SK 10382.F	85,00	100,0	73,00	100,0	80,00	80,00
	SK 11382.F*	160,0	155,0	140,0	210,0,0	155,0	135,0
	SK 12382.F*	160,0	155,0	140,0	210	155,0	135,0

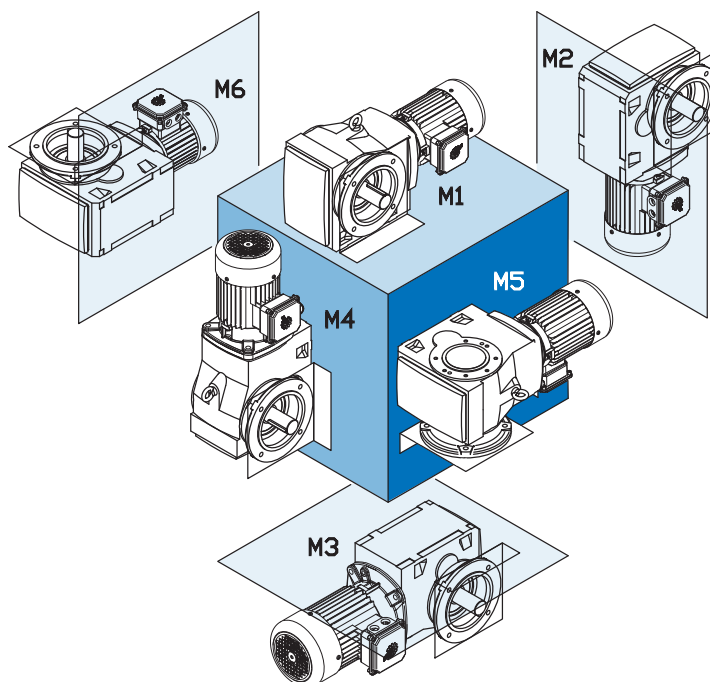
* ⇨ A47



Bevel gear unit



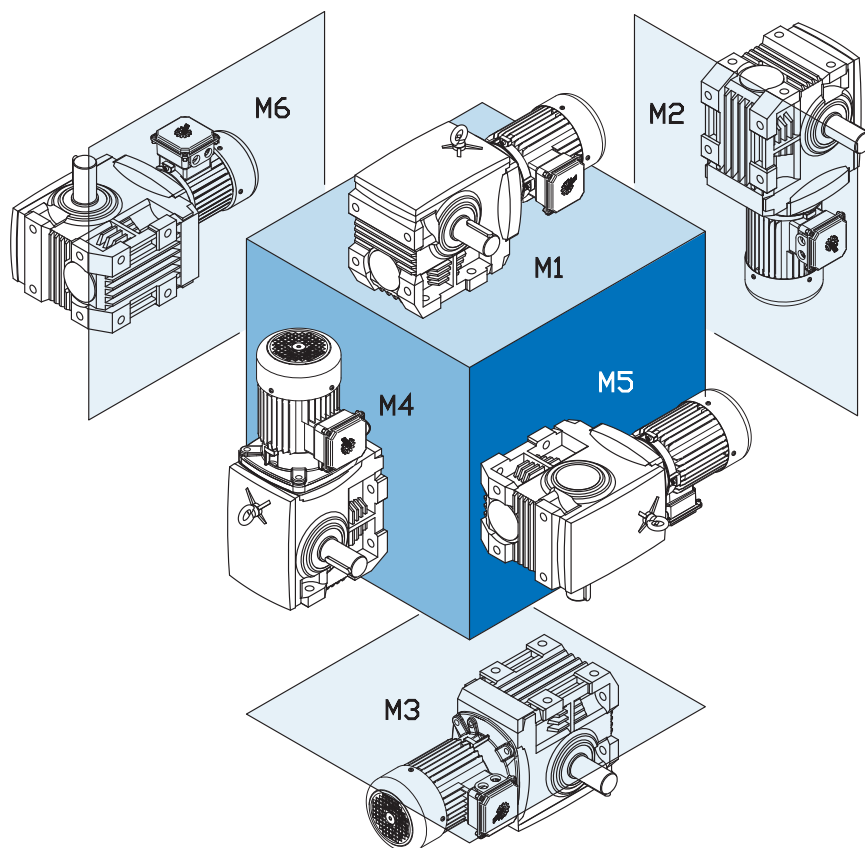
Type		 [L]					
		M1	M2	M3	M4	M5	M6
	SK 92072	0,40	0,60	0,50	0,55	0,40	0,40
	SK 92172	0,60	0,90	1,00	1,10	1,10	0,80
	SK 92372	0,90	1,60	1,50	1,90	1,50	0,90
	SK 92672	1,80	3,50	3,60	3,40	2,60	2,60
	SK 92772	2,30	4,50	4,60	5,30	4,10	4,10
	SK9x072.1	0,39	0,93	0,79	1,02	0,49	0,62
	SK9x172.1	0,60	1,17	0,94	1,37	0,65	0,85
	SK9x372.1	1,00	1,97	1,65	2,14	1,12	1,34
	SK9x672.1	1,80	3,23	2,71	4,20	2,02	2,45
	SK9x772.1	2,72	4,63	3,70	5,40	2,93	3,25
	SK 9012.1	0,70	1,70	1,90	2,10	1,10	1,50
	SK 9016.1	0,70	1,70	1,90	2,10	1,10	1,50
	SK 9022.1	1,30	2,90	3,30	3,80	1,70	2,80
	SK 9032.1	1,80	5,40	6,10	6,80	3,00	4,60
	SK 9042.1	2,70	9,00	10,00	10,70	5,20	7,70
	SK 9052.1	6,50	16,00	19,00	21,50	11,00	15,50
	SK 9072.1	10,00	27,50	32,00	36,00	18,00	24,00
	SK 9082.1	17,00	51,50	62,50	71,50	33,00	46,50
	SK 9086.1	29,00	73,00	85,00	102,00	48,00	62,00
	SK 9092.1	41,00	157,00	170,00	172,00	80,00	90,00
	SK 9096.1	70,00	187,00	194,00	254,00	109,00	152,00
	SK 9013.1	1,35	2,10	2,15	2,75	1,00	1,80
	SK 9017.1	1,30	2,00	2,10	2,70	1,00	1,70
	SK 9023.1	2,20	3,20	3,60	4,70	2,20	2,90
	SK 9033.1	3,10	5,70	6,30	8,00	3,40	4,80
	SK 9043.1	5,00	10,10	11,00	13,30	5,70	8,10
	SK 9053.1	10,00	17,00	20,00	24,50	11,50	16,50


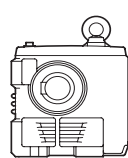
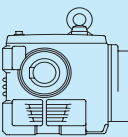


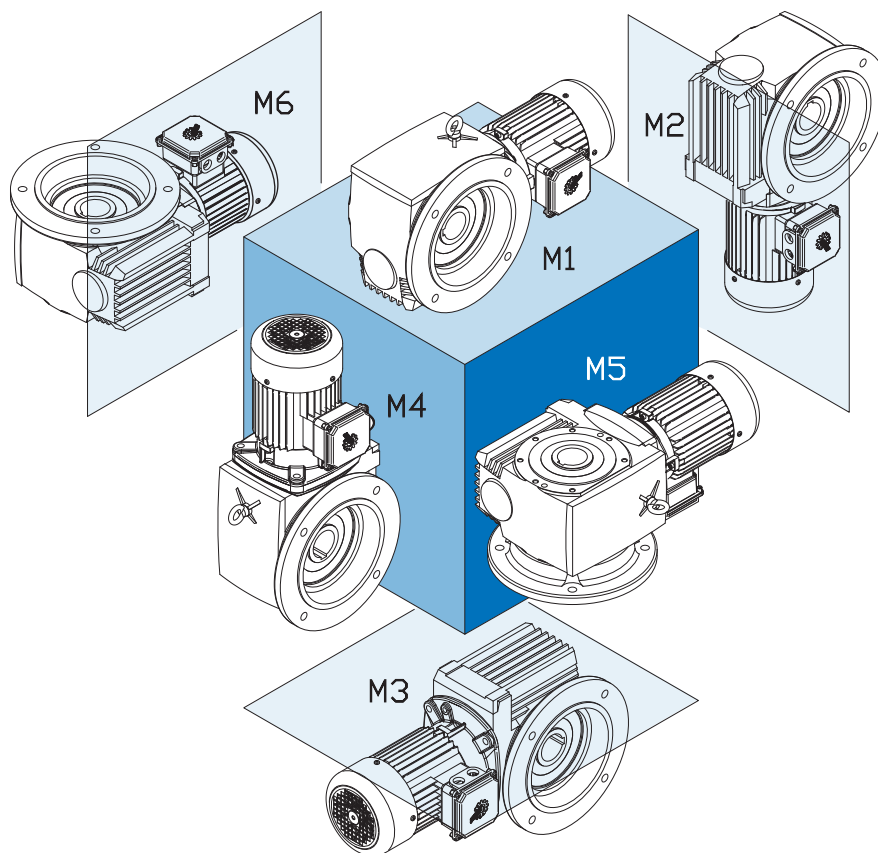
Type		 [L]					
		M1	M2	M3	M4	M5	M6
	SK 92072	0,40	0,60	0,55	0,55	0,40	0,40
	SK 92172	0,50	1,00	0,90	1,05	0,90	0,60
	SK 92372	1,20	1,60	1,50	1,90	1,30	1,30
	SK 92672	1,60	2,80	2,50	3,30	2,40	2,40
	SK 92772	2,80	4,40	4,50	5,50	3,50	3,50
	SK9x072.1	0,39	0,93	0,79	1,02	0,49	0,62
	SK9x172.1	0,60	1,17	0,94	1,37	0,65	0,85
	SK9x372.1	1,00	1,97	1,65	2,14	1,12	1,34
	SK9x672.1	1,80	3,23	2,71	4,20	2,02	2,45
	SK9x772.1	2,72	4,63	3,70	5,40	2,93	3,25
	SK 9012.1	1,00	1,90	1,90	2,20	1,20	1,70
	SK 9016.1	1,00	1,90	1,90	2,20	1,20	1,70
	SK 9022.1	1,60	3,50	3,50	4,20	2,30	2,80
	SK 9032.1	2,10	4,80	6,40	7,10	3,30	5,10
	SK 9042.1	4,50	10,00	10,00	11,50	6,50	8,20
	SK 9052.1	7,50	16,50	20,00	23,50	11,50	18,00
	SK 9072.1	12,00	27,50	33,00	38,50	19,00	26,00
	SK 9082.1	21,00	54,00	66,00	80,00	38,00	52,00
	SK 9086.1	36,00	78,00	91,00	107,00	53,00	76,00
	SK 9092.1	40,00	130,00	154,00	175,00	82,00	91,00
SK 9096.1	80,00	187,00	193,00	257,00	113,00	156,00	
	SK 9013.1	1,45	2,30	2,10	2,80	1,05	1,80
	SK 9017.1	1,45	2,30	2,10	2,80	1,05	1,80
	SK 9023.1	2,30	3,50	3,80	5,30	2,20	3,40
	SK 9033.1	3,70	5,70	6,70	8,60	3,60	5,30
	SK 9043.1	6,50	10,50	11,90	14,70	6,70	9,30
	SK 9053.1	13,00	18,00	21,50	26,50	13,00	17,00



Helical worm gear unit



Type		 [L]					
		M1	M2	M3	M4	M5	M6
	SK 02040	0,40	0,80	0,75	0,65	0,50	0,50
	SK 02050	0,40	1,40	1,10	1,30	0,70	0,70
	SK 12063	0,60	1,80	1,20	1,60	1,00	1,00
	SK 12080	0,90	3,10	2,40	3,00	1,80	1,80
	SK 32100	1,50	6,30	5,60	5,50	3,60	3,60
	SK 42125	2,80	11,80	10,20	10,00	6,20	6,20
	SK 13050	0,75	1,75	1,30	1,75	0,75	0,75
	SK 13063	1,00	2,30	1,50	2,20	1,10	1,10
	SK 13080	1,70	3,50	3,50	3,50	2,00	2,00
	SK 33100	2,40	6,40	5,40	6,50	3,40	3,40
	SK 43125	4,25	13,00	10,50	13,50	7,20	7,20



Type		 [L]					
		M1	M2	M3	M4	M5	M6
	SK 02040	0,40	0,70	0,65	0,65	0,55	0,55
	SK 02050	0,40	1,50	1,25	1,20	0,90	0,75
	SK 12063	0,50	1,95	1,70	1,75	1,20	0,95
	SK 12080	0,90	3,70	3,20	3,40	2,50	2,30
	SK 32100	1,40	6,30	6,10	6,10	4,00	3,60
	SK 42125	3,00	11,50	11,50	11,00	8,40	7,30
	SK 02040	0,40	0,70	0,65	0,65	0,55	0,55
	SK 02050	0,45	1,40	1,15	1,10	0,75	0,75
	SK 12063	0,55	1,85	1,60	1,60	1,10	1,10
	SK 12080	0,80	3,10	3,20	2,80	1,80	1,80
	SK 32100	1,50	6,50	5,60	5,30	4,00	4,00
	SK 42125	3,00	12,50	10,80	10,80	6,50	6,50
	SK 13050	0,75	1,80	1,50	1,70	1,05	0,90
	SK 13063	1,00	2,30	1,90	2,20	1,35	1,10
	SK 13080	1,60	3,80	3,50	3,90	2,70	2,50
	SK 33100	2,65	7,20	6,40	7,60	4,30	3,80
	SK 43125	4,70	15,00	13,00	16,00	9,00	7,70
	SK 13050	0,90	1,80	1,30	1,65	1,30	1,30
	SK 13063	1,05	2,10	1,80	2,10	1,40	1,40
	SK 13080	1,60	3,60	2,90	3,75	2,00	2,00
	SK 33100	2,60	6,00	5,80	6,50	3,50	3,50
	SK 43125	4,60	13,60	11,40	14,30	7,60	7,60



Type	Version	TFD [μm]	TFD total [μm]	EN 12944 Corro.-Cat.	Recommended use
F1	1 x 1-K dip-primed, red-brown (cast iron components) and 1 x Two-shot polyurethane primer (2-K-PUR primer)	40 60	60-100		For top-coat to be applied by customer
F2 Series	1 x 1-K dip-primed, red-brown (cast iron components) and 1 x 2-K polyurethane (2-K-PUR)HS finishing coat	40 50	50-90	C2	For indoor installation
F3.0	1 x 1-K dip-primed, red-brown (cast iron components) and 1 x Two-shot polyurethane primer (2-K-PUR primer) and 1 x 2-K polyurethane (2-K PUR)HS finishing coat	40 60 50	110-150	C2	For indoor and protected outdoor installation with low environmental contamination, e.g. open, unheated halls
F3.1	1 x 1-K dip-primed, red-brown (cast iron components) and 1 x Two-shot polyurethane primer (2-K-PUR primer) and 2 x 2-K polyurethane (2-K PUR)HS finishing coat	40 60 2x50	160-200	C3	For outdoor installation, city and industrial atmosphere with low contamination
F3.2	1 x 1-K dip-primed, red-brown (cast iron components) and 2 x Two-shot polyurethane primer (2-K-PUR primer) and 2 x 2-K polyurethane (2-K PUR)HS finishing coat	40 2x60 2x50	220-260	C4	For outdoor installation, urban and industrial atmospheres with moderate environmental pollution
F3.3	1 x 1-K dip-primed, red-brown (cast iron components) and 2 x Two-shot EP zinc phosphate epoxy primer and 2 x 2-K polyurethane (2-K PUR)HS finishing coat	40 2x50 2x50	200-240	C5	For outdoor installation, urban and industrial atmospheres with high environmental pollution
F3.4	1 x 1-K dip-primed, red-brown (cast iron components) and 1 x Two-shot EP zinc phosphate epoxy primer and 1 x ALEXIT chemical resistant final coat	40 50 50	100-140		For normal chemical exposure
F3.5	1 x 1-K dip-primed, red-brown (cast iron components) and 1 x Two-shot EP zinc phosphate epoxy primer and 1 x ALEXIT final coat	40 50 50	100-140		Machinery for the packaging of foods
A	Additional anti-microbial coating for all paints types except F3.4 and F3.5	25			
Z	Compensation of contour depressions and crevices with seam sealer on polyurethane basis				

1-K = single component 2-K = two-component, TFD = Dry film thickness max. [μm], HS = high solids

Helical gear unit



ENQUIRY FORM B - 2

AVAILABLE VERSIONS B - 3

GEAR UNIT/MOTOR DATA

Power and speed tables B - 4

Power and speed tables

W- and IEC adapters B - 41

DIMENSIONED DRAWINGS

Helical geared motors B - 63

Helical gear units, W- and IEC adapters B - 93

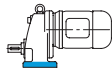
OPTIONS

XZ Foot and flange-mounted versions, B14 flange B - 98

XF Foot and flange-mounted versions, B5 flange . B - 98

Beispiele - lieferbare Ausführungen Gehäuse mit Fußbefestigung

SK 11 E - 90 SH/4
einstuf g



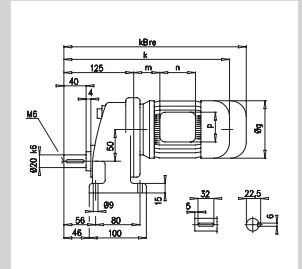
SK 12 - 90 LH/4
zweistuf g



SK 13 - 71 S/4
dreistuf g



P_1 [kW]	n_2 [min ⁻¹]	M_2 [Nm]	f_B	i_{ge}
0,55	2,1	2365	0,8	689
	2,6	1859	1,0	542
	2,9	1685	1,1	491
	4,0	1214	1,5	354
2,3	2246	0,8	607	
2,6	2030	0,9	548	
2,8	1845	1,0	498	
3,6	1451	1,3	392	
3,8	1364	1,4	374	
4,8	1088	2,0	294	
5,8	908	2,0	245	
6,0	874	2,2	236	
7,6	687	2,6	185	
8,0	656	2,9	177	



Enquiry form



This general enquiry form can be found in the attachment as well as on the **NORD** homepage under www.nord.com - Heading DOCUMENTATION / FORMS.

General enquiry form



Company	<input type="text"/>	 	NORD DRIVESYSTEMS Rudolf-Diesel-Straße 1 D-22941 Bargteheide Tel.: +49(0) 4532/401-0 Fax: +49(0)4532/401-254 E-Mail info@nord.com www.nord.com
Street	<input type="text"/>		
Town	<input type="text"/>	Post-code	<input type="text"/>
Contact	<input type="text"/>		
Tel.:	<input type="text"/>	Customer No.	<input type="text"/>
Fax:	<input type="text"/>	Application	<input type="text"/>
Email	<input type="text"/>	Project	<input type="text"/>

Components required			
<input type="radio"/> Gear unit motor	<input type="radio"/> IEC - Gear unit motor	<input type="radio"/> Gear unit with free shaft end	<input type="radio"/> Stand-alone motor

Quantity	<input type="text"/>	Type	<input type="text"/>
----------	----------------------	------	----------------------



Parameters specific to the gear unit	
Version <input type="text"/>	Gear ratio <input type="text"/>
Flange <input type="radio"/> B14 <input type="radio"/> B5 \varnothing <input type="text"/>	[mm]
<input type="radio"/> Hollow shaft <input type="radio"/> Solid shaft \varnothing <input type="text"/>	x <input type="text"/>
	[mm]
Output speed at mains frequency n_2	<input type="text"/>
	[min ⁻¹]
Output torque M_2	<input type="text"/>
	[Nm]
Min. operating factor f_b	<input type="text"/>
Min. bearing life L_h	<input type="text"/>
	[h]
Radial forces on output shaft F_{R2}	<input type="text"/>
	[N]
Axial forces on output shaft F_{A2}	<input type="text"/>
	[N]
Dist. from shaft collar to point of action of force	<input type="text"/>
	[mm]

Parameters specific to gear unit	
Bearings <input type="radio"/> Normal <input type="radio"/> VL <input type="radio"/> VL2 <input type="radio"/> VL3 <input type="radio"/> AL	
For bevel gear or worm gear units	Shaft at <input type="radio"/> A <input type="radio"/> B
<input type="radio"/> Mineral <input type="radio"/> Synthetic <input type="radio"/> Foodstuff-compatible oil	
Oil type	<input type="radio"/> Special oil type <input type="text"/>
Parameters specific to motor	
Effective motor power	<input type="text"/>
	[kW]
Motor speed n_1	<input type="text"/>
	[min ⁻¹]
Temperature sensor (PTC) <input type="radio"/> Bi-metal temperature monitor <input type="radio"/>	
Mains voltage <input type="text"/>	[V] +/- <input type="text"/>
	[%]
Mains frequency <input type="text"/>	[Hz]

Page 1 of 2

<input type="radio"/> Control cabinet inverter <input type="radio"/> Motor-mounted inverter
Adjustment range from <input type="text"/>
[Hz] to <input type="text"/>
[Hz]
<input type="checkbox"/> Constant torque within adjustment range <input type="text"/>
[Nm]
<input type="checkbox"/> External fan
<input type="checkbox"/> Increase in motor size (with constant torque)
<input type="checkbox"/> Positioning <input type="radio"/> Incremental <input type="radio"/> Absolute
<input type="checkbox"/> Speed feedback
<input type="checkbox"/> Generator operation for power feedback <input type="text"/>
[kW]
<input type="checkbox"/> Bus system- type of bus system <input type="text"/>
<input type="checkbox"/> Control via <input type="radio"/> PC <input type="radio"/> Control box

Comments	<input type="text"/>
----------	----------------------

Page 2 of 2

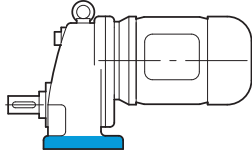


Outline conditions	
Ambient temperatures	<input type="text"/>
	from <input type="text"/>
	[°C]
<input type="checkbox"/> Buffer mounting for travelling drives	<input type="text"/>
	[Nm]
<input type="checkbox"/> Relative humidity	<input type="text"/>
	[%]
<input type="checkbox"/> Exposure to direct sunlight	
<input type="checkbox"/> Aggressive media (e.g.: salty air)	
<input type="checkbox"/> Increased installation altitude	<input type="text"/>
	[m]
<input type="checkbox"/> Precipitation	
<input type="checkbox"/> ATEX (explosive mixtures in the vicinity)	Zone <input type="text"/>
Painting	
<input type="radio"/> Not painted	
<input type="radio"/> Paint 1.0 - Primer	
<input type="radio"/> Paint 2.0 - standard	
<input type="radio"/> Paint 3.0 - normal environmental contamination	
<input type="radio"/> Paint 3.1 - moderate environmental contamination	
<input type="radio"/> Paint 3.2 - severe environmental contamination	
<input type="radio"/> Other painting (e.g.: Z, 3.4 or 3.5)	<input type="text"/>
<input type="checkbox"/> Special colour (Standard RAL7031) RAL	<input type="text"/>
<input type="checkbox"/> Regulations DIN EN, etc., please state	<input type="text"/>
General conditions	
Quote by	<input type="text"/>
Purchasing conditions	known <input type="radio"/> not known <input type="radio"/>
Purchasing conditions attached	<input type="checkbox"/>
Delivery time after receipt of order	<input type="text"/>
Delivery carriage paid	<input type="checkbox"/>

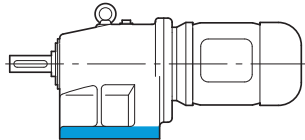
Examples - available helical gear unit versions

Housing with foot mounting

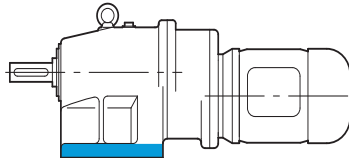
SK 11 E - 90 SH/4
Single stage



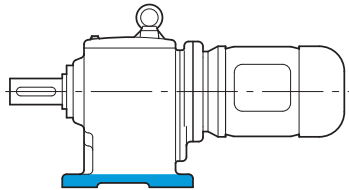
SK 12 - 90 LH/4
Two-stage



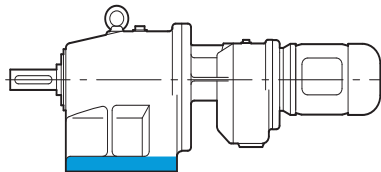
SK 13 - 71 S/4
Three-stage



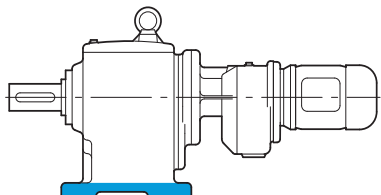
SK 62 - 160 LH/4
SK 63 - 160 LH/4
Two- and three-stage



SK 12/02 - 63 S/4
Four-stage

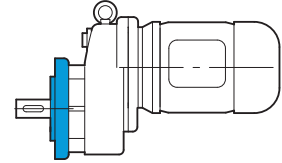


SK 63/22 - 80 SH/4
Five- and six-stage

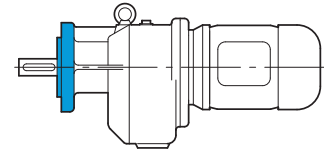


Housing with B5 - flange mounting

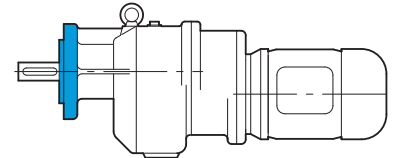
SK 11 EF - 90 SH/4
Single stage



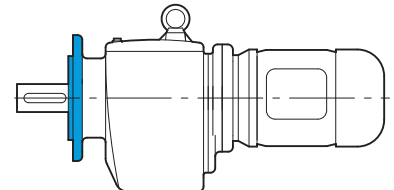
SK 12 F - 90 LH/4
Two-stage



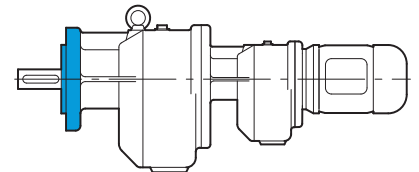
SK 13 F - 71 S/4
Three-stage



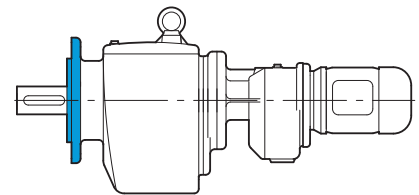
SK 62 F - 100 AH/4
SK 63 F - 100 AH/4
Two- and three-stage



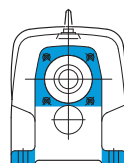
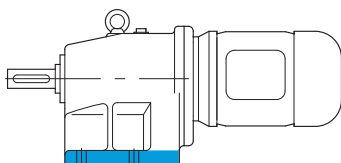
SK 12/02 F - 63 S/4
Four-stage



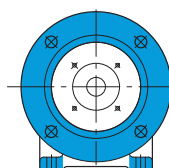
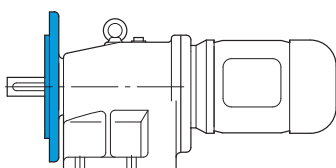
SK 63/22 F - 80 SH/4
Five- and six-stage



Housing options for foot and flange-mounting



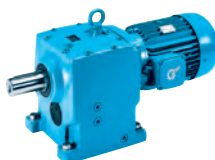
SK 12 XZ - 80 LH/4
Foot-mounting & B14 flange
Two-stage



SK 12 XF - 80 LH/4
Foot-mounting & B5 flange
Two-stage

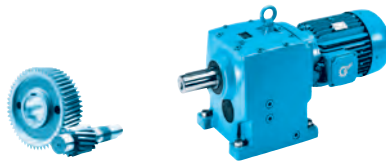
All helical gear units are also available: - with free drive shaft (Type suffix W)
- for mounting IEC standard motors (Type suffix IEC)

0,12 kW



P_1 [kW]	n_2 [min ⁻¹]	M_2 [Nm]	f_B	i_{ges}	F_R [kN]	F_A [kN]	$F_{R VL}$ [kN]	$F_{A VL}$ [kN]		kg	mm
0,12	1,5	526	3,5	918,83	14,1	23,8	19,8	40,0	SK 52/12 - 63 S/4	88	B90
	1,0	797	1,5	1393,38	7,4	12,0	10,9	30,0	SK 42/12 - 63 S/4	59	B90
	1,2	638	1,9	1114,65	7,8	12,0	11,1	30,0			
	1,8	429	2,8	750,33	8,1	12,0	11,4	29,1			
	1,0	*775	0,8	1305,66	5,4	9,0	8,5	25,0	SK 32/12 - 63 S/4	47	B90
	1,2	618	1,0	1080,05	6,0	9,0	8,9	25,0			
	1,5	497	1,2	869,04	6,3	9,0	9,1	25,0			
	1,9	400	1,5	699,55	6,5	9,0	9,2	25,0			
	2,4	317	2,0	554,68	6,7	9,0	9,3	25,0			
	3,0	255	2,4	446,31	6,7	9,0	9,4	25,0			
	3,7	208	3,0	363,06	6,8	9,0	9,4	25,0			
	1,2	*712	0,8	740,37	5,7	9,0	8,6	25,0	SK 33N - 63 L/6	43	B75
	1,3	*700	0,8	662,81	5,7	9,0	8,7	25,0			
	1,5	*792	0,8	585,41	5,4	9,0	8,4	25,0			
	1,7	694	1,0	524,08	5,8	9,0	8,7	25,0			
2,1	558	1,2	421,32	6,2	9,0	9,0	25,0				
1,8	636	0,9	740,37	5,9	9,0	8,8	25,0	SK 33N - 63 S/4	43	B75	
2,0	569	1,0	662,81	6,2	9,0	9,0	25,0				
2,3	503	1,3	585,41	6,3	9,0	9,1	25,0				
2,5	450	1,5	524,08	6,4	9,0	9,2	25,0				
3,2	362	1,9	421,32	6,6	9,0	9,3	25,0				
3,9	291	2,2	339,15	6,7	9,0	9,4	25,0				
5,4	213	3,2	248,17	6,8	9,0	9,4	23,5				
6,4	178	3,8	207,10	6,8	9,0	9,4	22,4				
1,2	*425	0,8	1159,34	3,9	5,6	6,4	20,0	SK 22/02 - 63 S/4	34	B90	
1,5	*425	0,8	881,66	3,9	5,6	6,4	20,0				
1,7	*342	0,8	516,65	4,5	5,6	6,8	20,0	SK 23 - 63 L/6	31	B73	
2,1	*425	0,8	417,95	3,9	5,6	6,4	20,0				
2,7	*425	0,8	323,70	3,9	5,6	6,4	20,0				
2,6	*342	0,8	516,65	4,5	5,6	6,8	20,0	SK 23 - 63 S/4	31	B73	
3,2	359	0,9	417,95	4,4	5,6	6,8	19,4				
4,1	278	1,2	323,70	4,8	5,6	7,1	18,4				
5,1	225	1,5	262,24	5,1	5,6	7,2	17,5				
6,1	187	1,8	217,73	5,2	5,6	7,3	16,8				
7,4	154	2,0	179,50	5,3	5,6	7,4	15,9				
8,8	130	2,3	151,44	5,3	5,6	7,4	15,2				
11	107	3,2	124,17	5,4	5,6	7,4	14,6				
13	86	3,9	100,60	5,4	5,6	7,5	13,8				
15	76	4,5	88,45	5,4	5,6	7,5	13,3				
1,0	*225	0,8	1280,32	2,8	4,0	4,5	14,5				SK 12/02 - 63 S/4
1,3	*225	0,8	1054,29	2,8	4,0	4,5	14,5				
1,5	*225	0,8	886,11	2,8	4,0	4,5	14,5				
2,1	*209	0,8	420,83	3,0	4,0	4,6	14,5	SK 13 - 63 L/6	19	B71	
2,3	*220	0,8	369,34	2,9	4,0	4,6	14,5				
2,8	*209	0,8	313,48	3,0	4,0	4,6	14,5				
3,1	*220	0,8	275,12	2,9	4,0	4,6	14,5				
3,5	*221	0,8	244,62	2,9	4,0	4,6	14,5				
3,2	*209	0,8	420,83	3,0	4,0	4,6	14,5	SK 13 - 63 S/4	19	B71	
3,6	*220	0,8	369,34	2,9	4,0	4,6	14,5				
4,3	*209	0,8	313,48	3,0	4,0	4,6	14,5				
4,9	*220	0,8	275,12	2,9	4,0	4,6	14,5				
5,5	*221	0,8	244,62	2,9	4,0	4,6	14,0				
6,8	168	1,2	195,78	3,2	4,0	4,8	13,4				
8,4	137	1,2	159,36	3,4	4,0	4,9	12,7				
10	114	1,3	132,45	3,5	4,0	5,0	12,1				
12	93	1,9	108,72	3,6	4,0	5,0	11,7				
16	73	2,4	85,47	3,6	4,0	5,0	11,0				

* maximales Abtriebsdrehmoment bei $f_B = 0,8$
maximum output torque with $f_B = 0,8$

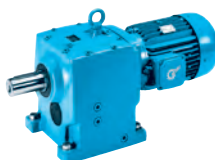


0,12 kW
0,18 kW

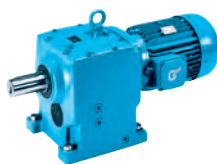
P_1 [kW]	n_2 [min ⁻¹]	M_2 [Nm]	f_B	i_{ges}	F_R [kN]	F_A [kN]	$F_{R VL}$ [kN]	$F_{A VL}$ [kN]		kg	mm
0,12	12	96	1,4	72,63	3,5	4,0	5,0	11,8	SK 12 - 63 L/6	14	B70
	14	81	1,9	61,35	3,6	4,0	5,0	11,3			
	18	62	2,2	72,63	3,6	4,0	5,1	10,6	SK 12 - 63 S/4	14	B70
	22	53	2,9	61,35	3,7	4,0	5,1	10,1			
	25	46	3,8	53,84	3,7	4,0	5,1	9,8			
	31	37	4,4	43,09	3,7	4,0	5,1	9,2			
	38	30	4,9	35,07	3,7	4,0	5,1	8,6			
	46	25	5,0	29,15	3,7	4,0	5,1	8,2			
	63	18	9,1	21,28	3,5	4,0	5,1	7,5			
	71	16	10,0	18,79	3,3	4,0	5,1	7,3			
80	14	10,7	16,73	3,2	4,0	5,1	7,0				
100	11	13,0	13,39	3,0	4,0	5,1	6,6				
4,3	*111	0,8	313,11	2,0	3,3	3,0	6,2	SK 03 - 63 S/4	16	B69	
4,9	*111	0,8	274,28	2,0	3,3	3,0	6,2				
6,3	*132	0,8	212,47	1,7	3,3	2,9	6,2				
7,8	*135	0,8	170,75	1,7	3,3	2,9	6,2				
8,8	*138	0,8	151,33	1,7	3,3	2,9	6,2				
11	107	1,0	124,62	2,0	3,3	3,1	6,2				
13	90	1,1	104,77	2,1	3,3	3,2	6,2				
16	70	1,5	81,50	2,2	3,3	3,2	6,2				
12	97	0,9	73,06	2,1	3,3	3,1	6,2	SK 02 - 63 L/6	12	B68	
14	81	1,1	61,27	2,2	3,3	3,2	6,2				
16	71	1,2	53,68	2,2	3,3	3,2	6,2				
18	63	1,4	73,06	2,3	3,3	3,3	6,2	SK 02 - 63 S/4	12	B68	
22	53	1,7	61,27	2,3	3,3	3,3	6,2				
25	46	1,9	53,68	2,3	3,3	3,3	6,2				
32	36	2,8	41,58	2,4	3,3	3,3	6,2				
40	29	3,3	33,42	2,4	3,3	3,3	6,2				
49	24	3,7	27,52	2,4	3,3	3,3	6,2				
58	20	3,9	23,13	2,4	3,3	3,3	6,2				
65	18	4,2	20,59	2,4	3,3	3,3	6,2				
84	14	5,3	15,95	2,4	3,3	3,3	5,8				
104	11	6,4	12,82	2,4	3,3	3,3	5,4				
118	10	6,9	11,27	2,4	3,3	3,3	5,2				
134	9	7,5	9,95	2,4	3,3	3,3	5,0				
144	8	8,2	9,28	2,4	3,3	3,3	4,8				
163	7	9,0	8,19	2,3	3,3	3,3	4,7				
171	7	9,4	7,80	2,3	3,3	3,2	4,6				
194	6	10,3	6,89	2,2	3,3	3,1	4,4				
219	5	10,9	6,10	2,1	3,3	3,0	4,2				
240	5	11,9	5,57	2,0	3,3	2,9	4,1				
277	4	13,8	4,82	1,9	3,3	2,8	3,9				
316	4	14,4	4,22	1,9	3,3	2,6	3,8				
343	3	15,9	3,89	1,8	3,3	2,6	3,7				
395	3	17,6	3,38	1,7	3,1	2,5	3,5				
453	3	18,2	2,95	1,6	2,9	2,3	3,3				
472	2	22,2	2,83	-	3,5	2,0	5,2	SK 11E - 63 S/4	10	B63	
575	2	28,1	2,32	-	3,2	2,0	4,7				
654	2	33,1	2,04	-	3,0	2,0	4,5				
738	2	35,4	1,81	-	2,8	2,0	4,3				
0,18	1,0	1385	2,3	1408,77	19,7	45,0	27,9	45,0	SK 63/23 - 63 L/4	160	B91
	1,3	1046	3,1	1064,04	20,0	45,0	28,1	45,0			
	1,0	1401	1,3	1425,44	12,9	23,8	18,9	40,0	SK 52/12 - 63 L/4	88	B90
	1,5	903	2,0	918,83	13,7	23,8	19,5	40,0			
	2,0	678	2,7	689,41	14,0	23,8	19,7	40,0			
	1,0	1370	0,9	1393,38	5,0	12,0	9,4	30,0	SK 42/12 - 63 L/4	59	B90
	1,2	1096	1,1	1114,65	6,4	12,0	10,2	29,3			
	1,8	738	1,6	750,33	7,6	12,0	11,0	27,3			
	2,5	541	2,2	550,73	8,0	12,0	11,3	25,6			
	3,1	426	2,8	433,49	8,1	12,0	11,4	24,2			
3,9	341	3,5	346,53	8,2	12,0	11,4	22,9				
4,9	272	4,4	276,92	8,3	12,0	11,5	21,6				

* maximales Abtriebsdrehmoment bei $f_B = 0,8$
maximum output torque with $f_B = 0,8$

0,18 kW



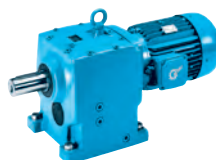
P_1 [kW]	n_2 [min ⁻¹]	M_2 [Nm]	f_B	i_{ges}	F_R [kN]	F_A [kN]	$F_{R VL}$ [kN]	$F_{A VL}$ [kN]		kg	mm 		
0,18	1,9	688	0,9	699,55	5,8	9,0	8,7	25,0	SK 32/12 - 63 L/4	48	B90		
	2,5	545	1,1	554,68	6,2	9,0	9,0	25,0					
	3,0	439	1,4	446,31	6,4	9,0	9,2	25,0					
	3,7	357	1,7	363,06	6,6	9,0	9,3	25,0					
	5,1	263	2,4	267,79	6,7	9,0	9,4	23,7					
	2,2	796	0,8	421,32	5,3	9,0	8,4	25,0	SK 33N - 71 S/6	44	B75		
	2,3	740	0,9	585,41	5,6	9,0	8,6	25,0	SK 33N - 63 L/4	43	B75		
	2,6	662	1,0	524,08	5,9	9,0	8,8	25,0					
	3,2	533	1,3	421,32	6,2	9,0	9,0	25,0					
	4,0	429	1,5	339,15	6,5	9,0	9,2	24,4					
5,5	314	2,1	248,17	6,7	9,0	9,3	22,8						
6,6	262	2,6	207,10	6,7	9,0	9,4	21,8						
8,2	210	3,2	166,49	6,8	9,0	9,4	20,7						
10	169	3,8	134,02	6,8	9,0	9,4	19,4						
11	154	3,4	81,27	6,8	9,0	9,4	19,0	SK 32 - 71 S/6	35	B74			
3,1	437	0,8	444,73	3,8	5,6	6,4	19,1	SK 22/02 - 63 L/4	35	B90			
3,9	339	1,0	345,17	4,5	5,6	6,8	18,2						
4,2	409	0,8	323,70	4,0	5,6	6,5	17,3	SK 23 - 63 L/4	31	B73			
5,2	331	1,0	262,24	4,6	5,6	6,9	16,6						
6,2	275	1,2	217,73	4,8	5,6	7,1	15,9						
7,6	227	1,4	179,50	5,1	5,6	7,2	15,2						
9,0	191	1,5	151,44	5,2	5,6	7,3	14,6						
11	163	1,5	86,30	5,2	5,6	7,4	14,3	SK 22 - 71 S/6	24	B72			
13	132	2,0	69,81	5,3	5,6	7,4	13,6						
16	104	3,1	55,28	5,4	5,6	7,4	12,8						
20	87	3,4	45,90	5,4	5,6	7,5	12,1						
6,4	210	0,9	213,39	3,0	4,0	4,6	13,3	SK 12/02 - 63 L/4	22	B90			
6,9	247	0,8	195,78	2,6	4,0	4,4	12,5	SK 13 - 63 L/4	19	B71			
8,5	201	0,8	159,36	3,0	4,0	4,6	12,0						
10	167	0,9	132,45	3,2	4,0	4,8	11,5						
13	137	1,3	108,72	3,4	4,0	4,9	11,2						
13	137	1,0	72,63	3,4	4,0	4,9	11,2	SK 12 - 71 S/6	15	B70			
15	116	1,3	61,35	3,5	4,0	4,9	10,8						
19	92	1,5	72,63	3,6	4,0	5,0	10,2	SK 12 - 63 L/4	14	B70			
22	78	2,0	61,35	3,6	4,0	5,0	9,8						
25	68	2,6	53,84	3,6	4,0	5,1	9,5						
32	54	3,0	43,09	3,6	4,0	5,1	8,9						
39	44	3,4	35,07	3,7	4,0	5,1	8,5						
47	37	3,4	29,15	3,7	4,0	5,1	8,0						
64	27	6,2	21,28	3,4	4,0	5,1	7,4						
72	24	6,8	18,79	3,3	4,0	5,1	7,2						
81	21	7,3	16,73	3,2	4,0	5,1	6,9						
102	17	8,8	13,39	3,0	4,0	5,1	6,5						
17	103	1,0	81,50	2,0	3,3	3,1	6,2				SK 03 - 63 L/4	16	B69
21	83	1,3	65,50	2,2	3,3	3,2	6,2						
15	116	0,8	61,27	1,9	3,3	3,0	6,2	SK 02 - 71 S/6	13	B68			
17	101	0,9	53,68	2,0	3,3	3,1	6,2						
19	92	1,0	73,06	2,1	3,3	3,1	6,2	SK 02 - 63 L/4	12	B68			
22	77	1,1	61,27	2,2	3,3	3,2	6,2						
25	68	1,3	53,68	2,2	3,3	3,2	6,2						
33	53	1,9	41,58	2,3	3,3	3,3	6,2						
41	42	2,3	33,42	2,3	3,3	3,3	6,2						
49	35	2,5	27,52	2,4	3,3	3,3	6,2						
59	29	2,7	23,13	2,4	3,3	3,3	6,2						
66	26	2,8	20,59	2,4	3,3	3,3	6,1						



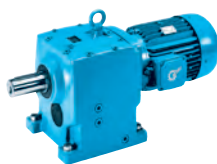
0,18 kW
0,25 kW

P_1 [kW]	n_2 [min ⁻¹]	M_2 [Nm]	f_B	i_{ges}	F_R [kN]	F_A [kN]	$F_{R VL}$ [kN]	$F_{A VL}$ [kN]		kg	mm 				
0,18	85	20	3,6	15,95	2,4	3,3	3,3	5,6	SK 02 - 63 L/4	12	B68				
	106	16	4,3	12,82	2,4	3,3	3,3	5,3							
	121	14	4,7	11,27	2,4	3,3	3,3	5,1							
	137	13	5,1	9,95	2,4	3,3	3,3	4,9							
	147	12	5,5	9,28	2,3	3,3	3,3	4,8							
	166	10	6,1	8,19	2,3	3,3	3,2	4,6							
	174	10	6,4	7,80	2,2	3,3	3,2	4,5							
	197	9	7,0	6,89	2,1	3,3	3,0	4,3							
	223	8	7,4	6,10	2,1	3,3	2,9	4,2							
	244	7	8,1	5,57	2,0	3,3	2,8	4,1							
	282	6	9,4	4,82	1,9	3,3	2,7	3,9							
	322	5	9,7	4,22	1,8	3,3	2,6	3,7							
	350	5	10,8	3,89	1,8	3,2	2,5	3,6							
	402	4	11,9	3,38	1,7	3,0	2,4	3,5							
	461	4	12,3	2,95	1,6	2,9	2,3	3,3							
		481	4	15,1	2,83	-	3,4	2,0				5,1	SK 11E - 63 L/4	10	B63
		586	3	19,1	2,32	-	3,1	2,0				4,7			
		667	3	22,5	2,04	-	2,9	2,0				4,4			
751		2	24,0	1,81	-	2,8	2,0	4,2							
0,25	1,0	2047	1,6	1408,77	18,8	45,0	27,2	45,0	SK 63/23 - 71 S/4	161	B91				
	1,3	1546	2,1	1064,04	19,5	45,0	27,7	45,0							
	1,0	2072	0,9	1425,44	11,1	23,8	17,7	40,0	SK 52/12 - 71 S/4	89	B90				
	1,2	1663	1,1	1144,36	12,3	23,8	18,5	40,0							
	1,5	1335	1,4	918,83	13,0	23,8	19,0	40,0							
	2,0	1002	1,8	689,41	13,6	23,8	19,4	40,0							
	2,5	788	2,3	542,09	13,9	23,8	19,6	40,0							
	2,8	714	2,6	491,28	13,9	23,8	19,6	40,0							
	1,8	1090	1,1	750,33	6,4	12,0	10,2	25,3	SK 42/12 - 71 S/4	60	B90				
	2,1	975	1,2	670,81	6,9	12,0	10,5	24,8							
	2,5	800	1,5	550,73	7,4	12,0	10,9	24,1							
	3,2	630	1,9	433,49	7,8	12,0	11,1	23,0							
	1,8	1322	0,8	764,03	5,3	12,0	9,5	24,6	SK 43 - 71 S/4	65	B77				
	2,2	1070	1,0	618,76	6,5	12,0	10,3	23,8							
	2,6	914	1,1	528,37	7,1	12,0	10,6	23,1							
	3,3	729	1,6	421,11	7,6	12,0	11,0	22,3							
	3,8	622	2,1	359,59	7,8	12,0	11,2	21,6							
	4,6	517	2,2	298,80	8,0	12,0	11,3	20,8							
	5,2	457	2,8	263,93	8,1	12,0	11,4	20,2							
	6,3	379	3,2	219,32	8,2	12,0	11,4	19,4							
7,6	316	3,2	182,76	8,3	12,0	11,5	18,5								
	2,5	806	0,8	554,68	5,3	9,0	8,4	25,0	SK 32/12 - 71 S/4	49	B90				
	3,1	649	1,0	446,31	5,9	9,0	8,8	25,0							
	3,3	729	0,9	421,32	5,6	9,0	8,6	24,4	SK 33N - 71 S/4	44	B75				
	4,1	587	1,1	339,15	6,1	9,0	8,9	23,3							
	5,6	429	1,6	248,17	6,5	9,0	9,2	22,0							
	6,7	358	1,9	207,10	6,6	9,0	9,3	21,1							
	8,3	288	2,3	166,49	6,7	9,0	9,4	20,0							
	10	232	2,8	134,02	6,8	9,0	9,4	19,0							
	11	211	2,4	81,27	6,8	9,0	9,4	18,6	SK 32 - 71 L/6	36	B74				
	13	189	3,0	72,76	6,8	9,0	9,4	18,1							
	4,9	413	0,8	284,11	4,0	5,6	6,5	16,4	SK 22/02 - 71 S/4	36	B90				
	5,8	347	1,0	239,01	4,5	5,6	6,8	15,9							
	6,3	377	0,9	217,73	4,3	5,6	6,7	15,1	SK 23 - 71 S/4	32	B73				
	7,7	311	1,0	179,50	4,7	5,6	7,0	14,5							
	9,1	262	1,1	151,44	4,9	5,6	7,1	14,0							
	11	215	1,6	124,17	5,1	5,6	7,2	13,6							
	14	174	2,0	100,60	5,2	5,6	7,3	13,0							
	16	153	2,2	88,45	5,3	5,6	7,4	12,6							

0,25 kW
0,37 kW



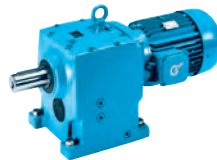
P_1 [kW]	n_2 [min ⁻¹]	M_2 [Nm]	f_B	i_{ges}	F_R [kN]	F_A [kN]	$F_{R VL}$ [kN]	$F_{A VL}$ [kN]		kg	mm
0,25	11	224	1,1	86,30	5,1	5,6	7,2	13,8	SK 22 - 71 L/6	25	B72
	13	181	1,5	69,81	5,2	5,6	7,3	13,1			
	17	143	2,2	55,28	5,3	5,6	7,4	12,4			
	20	119	2,5	45,90	5,3	5,6	7,4	11,8			
	16	149	1,7	86,30	5,3	5,6	7,4	12,5			
	25	96	3,3	55,28	5,4	5,6	7,4	11,2	SK 22 - 71 S/4	24	B72
	10	194	0,8	133,23	3,1	4,0	4,7	11,3	SK 12/02 - 71 S/4	23	B90
	13	159	1,0	109,66	3,3	4,0	4,8	10,9			
	13	188	0,9	108,72	3,1	4,0	4,7	10,7	SK 13 - 71 S/4	20	B71
	16	148	1,2	85,47	3,3	4,0	4,9	10,2			
	15	159	1,0	61,35	3,3	4,0	4,8	10,3	SK 12 - 71 L/6	16	B70
	19	126	1,1	72,63	3,5	4,0	4,9	9,8	SK 12 - 71 S/4	15	B70
	22	106	1,5	61,35	3,5	4,0	5,0	9,5			
	26	93	1,9	53,84	3,6	4,0	5,0	9,2			
	29	83	2,1	47,87	3,6	4,0	5,0	8,9			
32	75	2,2	43,09	3,6	4,0	5,0	8,7				
36	66	2,8	38,31	3,6	4,0	5,1	8,5				
39	61	2,5	35,07	3,6	4,0	5,1	8,2				
44	54	3,1	31,19	3,7	4,0	5,1	8,0				
47	50	2,5	29,15	3,6	4,0	5,1	7,9				
53	45	3,1	25,92	3,5	4,0	5,1	7,6				
65	37	4,5	21,28	3,3	4,0	5,1	7,3				
73	33	5,0	18,79	3,2	4,0	5,1	7,1				
82	29	5,3	16,73	3,1	4,0	5,1	6,8				
103	23	6,4	13,39	2,9	4,0	5,1	6,4				
17	141	0,8	81,50	1,6	3,3	2,8	6,2	SK 03 - 71 S/4	17	B69	
21	113	1,0	65,50	1,9	3,3	3,0	6,2				
23	106	0,8	61,27	2,0	3,3	3,1	6,2	SK 02 - 71 S/4	13	B68	
26	93	1,0	53,68	2,1	3,3	3,1	6,2				
33	72	1,4	41,58	2,2	3,3	3,2	6,2				
41	58	1,7	33,42	2,3	3,3	3,3	6,2				
47	51	1,8	29,61	2,3	3,3	3,3	6,2				
50	48	1,8	27,52	2,3	3,3	3,3	6,2				
57	42	2,1	24,39	2,3	3,3	3,3	6,1				
60	40	1,9	23,13	2,4	3,3	3,3	6,0				
67	36	2,1	20,59	2,4	3,3	3,3	5,9				
87	28	2,6	15,95	2,4	3,3	3,3	5,5				
108	22	3,2	12,82	2,4	3,3	3,3	5,2				
122	19	3,4	11,27	2,4	3,3	3,3	4,9				
139	17	3,7	9,95	2,4	3,3	3,3	4,8				
149	16	4,0	9,28	2,3	3,3	3,3	4,7				
168	14	4,4	8,19	2,2	3,3	3,2	4,5				
177	13	4,7	7,80	2,2	3,3	3,1	4,4				
200	12	5,1	6,89	2,1	3,3	3,0	4,3				
226	11	5,4	6,10	2,0	3,3	2,9	4,1				
248	10	5,9	5,57	2,0	3,3	2,8	4,0				
286	8	6,8	4,82	1,9	3,3	2,7	3,8				
327	7	7,1	4,22	1,8	3,3	2,6	3,7				
355	7	7,9	3,89	1,8	3,2	2,5	3,6				
408	6	8,7	3,38	1,7	3,0	2,4	3,4				
468	5	9,0	2,95	1,6	2,8	2,3	3,3				
488	5	11,0	2,83	-	3,4	2,0	5,1	SK 11E - 71 S/4	11	B63	
595	4	14,0	2,32	-	3,1	2,0	4,6				
676	4	16,4	2,04	-	2,9	2,0	4,4				
762	3	17,6	1,81	-	2,7	2,0	4,2				
0,37	1,2	2639	3,0	1155,49	44,6	65,0	62,6	65,0	SK 83/32 - 71 L/4	353	B90
	1,1	2864	1,7	1254,07	26,5	45,9	38,8	50,0	SK 73/22 - 71 L/4	235	B90
	1,3	2512	2,0	1099,84	26,9	44,7	39,2	50,0			
	1,6	2028	2,5	888,16	27,4	42,6	39,5	50,0			
	1,9	1684	3,0	737,61	27,7	40,8	39,7	50,0			
	2,4	1294	3,9	566,77	28,0	38,3	39,9	50,0			



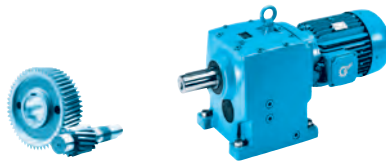
0,37 kW

P ₁ [kW]	n ₂ [min ⁻¹]	M ₂ [Nm]	f _B	i _{ges}	F _R [kN]	F _A [kN]	F _{R VL} [kN]	F _{A VL} [kN]		kg	mm																																																																																																																																																																																																																																																																																																																																																																																																																																																																																							
0,37	1,0	3217	1,0	1408,77	16,1	45,0	25,5	45,0	SK 63/23 - 71 L/4	162	B91																																																																																																																																																																																																																																																																																																																																																																																																																																																																																							
	1,3	2430	1,3	1064,04	18,1	45,0	26,8	45,0				1,6	1941	1,6	849,73	19,0	44,8	27,4	45,0	SK 63/22 - 71 L/4	154	B90	1,9	1661	1,9	727,45	19,4	43,3	27,6	45,0	2,5	1262	2,5	552,45	19,9	40,6	28,0	45,0	1,5	2098	0,9	918,83	11,0	23,8	17,7	40,0	SK 52/12 - 71 L/4	90	B90	2,0	1574	1,2	689,41	12,5	23,8	18,7	40,0	2,5	1238	1,5	542,09	13,2	23,8	19,1	40,0	2,8	1122	1,6	491,28	13,4	23,8	19,3	40,0	1,5	2307	0,8	607,30	10,2	23,8	17,2	40,0	SK 53 - 80 S/6	101	B79	1,7	2085	0,9	548,89	11,0	23,8	17,7	40,0	1,9	1895	1,0	498,82	11,7	23,8	18,1	40,0	2,4	1490	1,2	392,20	12,7	23,8	18,8	40,0	2,5	1422	1,4	374,25	12,9	23,8	18,9	40,0	3,2	1118	2,0	294,26	13,4	23,8	19,3	40,0	8,8	402	5,5	105,87	14,2	23,8	19,8	40,0	9,7	363	6,1	95,49	14,2	23,8	19,8	40,0	5,8	605	3,2	236,21	14,0	23,8	19,7	40,0	SK 53 - 71 L/4	99	B79	7,4	476	3,8	185,72	14,1	23,8	19,8	40,0	7,8	454	4,2	177,22	14,1	23,8	19,8	40,0	9,9	357	6,3	139,34	14,2	23,8	19,8	40,0	2,1	1532	0,8	670,81	3,6	12,0	8,7	22,0	SK 42/12 - 71 L/4	61	B90	2,5	1258	1,0	550,73	5,6	12,0	9,8	21,7	3,2	990	1,2	433,49	6,8	12,0	10,5	21,1	3,3	1078	1,1	421,11	6,5	12,0	10,3	20,5	SK 43 - 71 L/4	66	B77	3,8	921	1,4	359,59	7,1	12,0	10,6	20,0	4,6	765	1,5	298,80	7,5	12,0	10,9	19,4	5,2	676	1,9	263,93	7,7	12,0	11,1	19,1	6,3	562	2,1	219,32	7,9	12,0	11,2	18,5	7,6	468	2,2	182,76	8,1	12,0	11,3	17,7	11	331	3,7	129,38	8,2	12,0	11,5	16,5	5,2	612	1,0	267,79	6,0	9,0	8,9	21,4	SK 32/12 - 71 L/4	50	B90	5,6	635	1,1	248,17	5,9	9,0	8,8	20,7	SK 33N - 71 L/4	45	B75	6,7	530	1,3	207,10	6,2	9,0	9,0	20,0	8,3	426	1,6	166,49	6,5	9,0	9,2	19,3	10	343	1,9	134,02	6,6	9,0	9,3	18,3	12	287	1,9	112,18	6,7	9,0	9,4	17,5	11	309	1,7	81,27	6,7	9,0	9,3	18,0	SK 32 - 80 S/6	38	B74	13	276	2,0	72,76	6,7	9,0	9,4	17,5	14	244	2,6	64,26	6,8	9,0	9,4	17,0	17	208	2,5	81,27	6,8	9,0	9,4	16,4	SK 32 - 71 L/4	36	B74	19	186	3,0	72,76	6,8	9,0	9,4	15,9	8,3	382	0,9	167,21	4,2	5,6	6,7	13,7	SK 22/02 - 71 L/4	37	B90	9,1	388	0,8	151,44	4,2	5,6	6,6	12,9	SK 23 - 71 L/4	33	B73	11	318	1,1	124,17	4,6	5,6	6,9	12,8	14	258	1,3	100,60	4,9	5,6	7,1	12,4	16	226	1,5	88,45	5,1	5,6	7,2	12,0	18	200	1,7	78,05	5,2	5,6	7,3	11,8	21	166	2,0	64,80	5,2	5,6	7,3	11,2	11	328	0,8	86,30	4,6	5,6	6,9	12,9	SK 22 - 80 S/6	27	B72	13	265	1,0	69,81	4,9	5,6	7,1	12,4	17	210	1,5	55,28	5,1	5,6	7,3	11,9	20	174	1,7	45,90	5,2	5,6	7,3	11,4	16	221	1,1	86,30	5,1	5,6	7,2	12,0	SK 22 - 71 L/4	25	B72	25	142	2,3	55,28	5,3	5,6	7,4	10,9	30	118	2,5	45,90	5,3
	1,6	1941	1,6	849,73	19,0	44,8	27,4	45,0	SK 63/22 - 71 L/4	154	B90																																																																																																																																																																																																																																																																																																																																																																																																																																																																																							
	1,9	1661	1,9	727,45	19,4	43,3	27,6	45,0																																																																																																																																																																																																																																																																																																																																																																																																																																																																																										
	2,5	1262	2,5	552,45	19,9	40,6	28,0	45,0				1,5	2098	0,9	918,83	11,0	23,8	17,7	40,0	SK 52/12 - 71 L/4	90	B90	2,0	1574	1,2	689,41	12,5	23,8	18,7	40,0	2,5	1238	1,5	542,09	13,2	23,8	19,1	40,0	2,8	1122	1,6	491,28	13,4	23,8	19,3	40,0				1,5	2307	0,8	607,30	10,2	23,8	17,2	40,0	SK 53 - 80 S/6	101	B79	1,7	2085	0,9	548,89	11,0	23,8	17,7	40,0	1,9	1895	1,0	498,82	11,7	23,8	18,1	40,0	2,4	1490	1,2	392,20	12,7				23,8	18,8	40,0	2,5	1422	1,4	374,25	12,9	23,8	18,9	40,0	3,2	1118	2,0	294,26	13,4	23,8	19,3	40,0	8,8	402	5,5	105,87	14,2	23,8	19,8	40,0	9,7	363	6,1	95,49	14,2	23,8	19,8	40,0	5,8	605	3,2	236,21	14,0	23,8	19,7	40,0	SK 53 - 71 L/4	99	B79	7,4	476	3,8	185,72	14,1	23,8	19,8	40,0	7,8	454	4,2	177,22	14,1	23,8	19,8	40,0	9,9	357				6,3	139,34	14,2	23,8	19,8	40,0	2,1	1532	0,8	670,81	3,6	12,0	8,7	22,0	SK 42/12 - 71 L/4	61	B90	2,5	1258	1,0	550,73	5,6	12,0	9,8	21,7	3,2	990	1,2	433,49	6,8	12,0	10,5	21,1	3,3	1078	1,1	421,11	6,5	12,0	10,3	20,5	SK 43 - 71 L/4	66	B77	3,8	921	1,4	359,59	7,1	12,0	10,6	20,0	4,6	765	1,5	298,80	7,5	12,0	10,9				19,4	5,2	676	1,9	263,93	7,7	12,0	11,1	19,1	6,3	562	2,1	219,32	7,9	12,0	11,2	18,5	7,6	468	2,2	182,76	8,1	12,0	11,3	17,7	11	331	3,7	129,38	8,2	12,0	11,5	16,5	5,2	612	1,0	267,79	6,0	9,0	8,9	21,4	SK 32/12 - 71 L/4	50	B90	5,6	635	1,1	248,17	5,9	9,0	8,8	20,7	SK 33N - 71 L/4	45	B75	6,7	530	1,3	207,10	6,2	9,0	9,0	20,0	8,3	426	1,6	166,49				6,5	9,0	9,2	19,3	10	343	1,9	134,02	6,6	9,0	9,3	18,3	12	287	1,9	112,18	6,7	9,0	9,4	17,5	11	309	1,7	81,27	6,7	9,0	9,3	18,0	SK 32 - 80 S/6	38	B74	13	276	2,0	72,76	6,7	9,0	9,4	17,5	14	244	2,6	64,26	6,8	9,0	9,4	17,0	17	208	2,5	81,27	6,8	9,0	9,4	16,4	SK 32 - 71 L/4	36	B74	19	186	3,0	72,76	6,8	9,0	9,4	15,9	8,3	382	0,9	167,21	4,2	5,6	6,7	13,7	SK 22/02 - 71 L/4	37	B90	9,1	388	0,8	151,44	4,2	5,6	6,6	12,9	SK 23 - 71 L/4	33	B73	11	318	1,1	124,17	4,6	5,6	6,9	12,8	14				258	1,3	100,60	4,9	5,6	7,1	12,4	16	226	1,5	88,45	5,1	5,6	7,2	12,0	18	200	1,7	78,05	5,2	5,6	7,3	11,8	21	166	2,0	64,80	5,2	5,6	7,3	11,2	11	328	0,8	86,30	4,6	5,6	6,9	12,9	SK 22 - 80 S/6	27	B72	13	265	1,0	69,81	4,9	5,6				7,1	12,4	17	210	1,5	55,28	5,1	5,6	7,3	11,9	20	174	1,7	45,90	5,2	5,6	7,3	11,4	16	221	1,1	86,30	5,1	5,6	7,2	12,0	SK 22 - 71 L/4	25	B72	25	142	2,3	55,28	5,3	5,6	7,4	10,9	30	118	2,5	45,90	5,3	5,6	7,4	10,4			
	1,5	2098	0,9	918,83	11,0	23,8	17,7	40,0	SK 52/12 - 71 L/4	90	B90																																																																																																																																																																																																																																																																																																																																																																																																																																																																																							
	2,0	1574	1,2	689,41	12,5	23,8	18,7	40,0																																																																																																																																																																																																																																																																																																																																																																																																																																																																																										
	2,5	1238	1,5	542,09	13,2	23,8	19,1	40,0																																																																																																																																																																																																																																																																																																																																																																																																																																																																																										
	2,8	1122	1,6	491,28	13,4	23,8	19,3	40,0																																																																																																																																																																																																																																																																																																																																																																																																																																																																																										
	1,5	2307	0,8	607,30	10,2	23,8	17,2	40,0				SK 53 - 80 S/6	101	B79																																																																																																																																																																																																																																																																																																																																																																																																																																																																																				
1,7	2085	0,9	548,89	11,0	23,8	17,7	40,0																																																																																																																																																																																																																																																																																																																																																																																																																																																																																											
1,9	1895	1,0	498,82	11,7	23,8	18,1	40,0																																																																																																																																																																																																																																																																																																																																																																																																																																																																																											
2,4	1490	1,2	392,20	12,7	23,8	18,8	40,0																																																																																																																																																																																																																																																																																																																																																																																																																																																																																											
2,5	1422	1,4	374,25	12,9	23,8	18,9	40,0																																																																																																																																																																																																																																																																																																																																																																																																																																																																																											
3,2	1118	2,0	294,26	13,4	23,8	19,3	40,0																																																																																																																																																																																																																																																																																																																																																																																																																																																																																											
8,8	402	5,5	105,87	14,2	23,8	19,8	40,0																																																																																																																																																																																																																																																																																																																																																																																																																																																																																											
9,7	363	6,1	95,49	14,2	23,8	19,8	40,0	5,8	605	3,2	236,21				14,0	23,8	19,7	40,0	SK 53 - 71 L/4	99	B79	7,4	476	3,8	185,72	14,1	23,8	19,8	40,0	7,8	454	4,2	177,22	14,1	23,8	19,8	40,0	9,9	357	6,3	139,34	14,2	23,8	19,8	40,0	2,1	1532	0,8	670,81	3,6	12,0	8,7	22,0	SK 42/12 - 71 L/4	61	B90	2,5	1258	1,0	550,73	5,6	12,0	9,8	21,7	3,2	990	1,2	433,49	6,8	12,0	10,5	21,1	3,3	1078	1,1	421,11	6,5	12,0	10,3	20,5	SK 43 - 71 L/4	66	B77	3,8	921	1,4	359,59	7,1	12,0	10,6	20,0	4,6	765	1,5	298,80	7,5	12,0	10,9	19,4	5,2	676	1,9	263,93	7,7	12,0	11,1	19,1	6,3	562	2,1	219,32	7,9	12,0	11,2	18,5	7,6	468	2,2	182,76	8,1	12,0	11,3	17,7	11	331	3,7	129,38	8,2	12,0	11,5	16,5	5,2	612	1,0	267,79	6,0	9,0	8,9	21,4	SK 32/12 - 71 L/4	50	B90	5,6	635	1,1	248,17	5,9	9,0	8,8	20,7	SK 33N - 71 L/4	45	B75	6,7	530	1,3	207,10	6,2	9,0	9,0	20,0	8,3	426	1,6	166,49	6,5	9,0	9,2	19,3	10	343	1,9	134,02	6,6	9,0	9,3	18,3	12	287	1,9	112,18	6,7	9,0	9,4	17,5	11	309	1,7	81,27	6,7	9,0	9,3	18,0	SK 32 - 80 S/6	38	B74	13	276	2,0	72,76	6,7	9,0	9,4	17,5	14	244	2,6	64,26	6,8	9,0	9,4	17,0	17	208	2,5	81,27	6,8	9,0	9,4	16,4	SK 32 - 71 L/4	36	B74	19	186	3,0	72,76	6,8	9,0	9,4	15,9	8,3	382	0,9	167,21	4,2	5,6	6,7	13,7	SK 22/02 - 71 L/4	37	B90	9,1	388	0,8	151,44	4,2	5,6	6,6	12,9	SK 23 - 71 L/4	33	B73	11	318	1,1	124,17	4,6	5,6	6,9	12,8	14	258	1,3	100,60	4,9	5,6	7,1	12,4	16	226	1,5	88,45	5,1	5,6	7,2	12,0	18	200	1,7	78,05	5,2	5,6	7,3	11,8	21	166	2,0	64,80	5,2	5,6	7,3	11,2	11	328	0,8	86,30	4,6	5,6	6,9	12,9	SK 22 - 80 S/6	27	B72	13	265	1,0	69,81	4,9	5,6	7,1	12,4	17	210	1,5	55,28	5,1	5,6	7,3	11,9	20	174	1,7	45,90	5,2	5,6	7,3	11,4	16	221	1,1	86,30	5,1	5,6	7,2	12,0	SK 22 - 71 L/4	25	B72	25	142	2,3	55,28	5,3	5,6	7,4	10,9	30	118	2,5	45,90	5,3	5,6	7,4	10,4																																																																																																																															
5,8	605	3,2	236,21	14,0	23,8	19,7	40,0	SK 53 - 71 L/4	99	B79																																																																																																																																																																																																																																																																																																																																																																																																																																																																																								
7,4	476	3,8	185,72	14,1	23,8	19,8	40,0																																																																																																																																																																																																																																																																																																																																																																																																																																																																																											
7,8	454	4,2	177,22	14,1	23,8	19,8	40,0																																																																																																																																																																																																																																																																																																																																																																																																																																																																																											
9,9	357	6,3	139,34	14,2	23,8	19,8	40,0				2,1	1532	0,8	670,81	3,6	12,0	8,7	22,0	SK 42/12 - 71 L/4	61	B90	2,5	1258	1,0	550,73	5,6	12,0	9,8	21,7	3,2	990	1,2	433,49	6,8	12,0	10,5	21,1	3,3	1078	1,1	421,11	6,5	12,0	10,3	20,5	SK 43 - 71 L/4	66	B77	3,8	921	1,4	359,59	7,1	12,0	10,6	20,0	4,6	765	1,5	298,80	7,5	12,0	10,9	19,4	5,2	676	1,9	263,93	7,7	12,0	11,1	19,1	6,3	562	2,1	219,32	7,9	12,0	11,2	18,5				7,6	468	2,2	182,76	8,1	12,0	11,3	17,7	11	331	3,7	129,38	8,2	12,0	11,5	16,5	5,2	612	1,0	267,79	6,0	9,0	8,9	21,4	SK 32/12 - 71 L/4	50	B90	5,6	635	1,1	248,17	5,9	9,0	8,8	20,7	SK 33N - 71 L/4	45	B75	6,7	530	1,3	207,10	6,2	9,0	9,0	20,0	8,3	426	1,6	166,49	6,5	9,0	9,2	19,3	10	343	1,9	134,02	6,6	9,0	9,3	18,3	12	287	1,9	112,18	6,7				9,0	9,4	17,5	11	309	1,7	81,27	6,7	9,0	9,3	18,0	SK 32 - 80 S/6	38	B74	13	276	2,0	72,76	6,7	9,0	9,4	17,5	14	244	2,6	64,26	6,8	9,0	9,4	17,0	17	208	2,5	81,27	6,8	9,0	9,4	16,4	SK 32 - 71 L/4	36	B74	19	186	3,0	72,76	6,8	9,0	9,4	15,9	8,3	382	0,9	167,21	4,2	5,6	6,7	13,7	SK 22/02 - 71 L/4	37	B90	9,1	388	0,8	151,44	4,2	5,6	6,6	12,9	SK 23 - 71 L/4	33	B73	11	318	1,1	124,17	4,6	5,6	6,9	12,8	14	258	1,3	100,60	4,9	5,6	7,1	12,4	16	226	1,5	88,45	5,1	5,6	7,2	12,0	18	200				1,7	78,05	5,2	5,6	7,3	11,8	21	166	2,0	64,80	5,2	5,6	7,3	11,2	11	328	0,8	86,30	4,6	5,6	6,9	12,9	SK 22 - 80 S/6	27	B72	13	265	1,0	69,81	4,9	5,6	7,1	12,4	17	210	1,5	55,28	5,1	5,6	7,3	11,9	20	174	1,7	45,90	5,2	5,6	7,3	11,4	16	221	1,1	86,30	5,1	5,6	7,2	12,0	SK 22 - 71 L/4	25	B72	25	142	2,3	55,28	5,3	5,6	7,4	10,9	30	118	2,5	45,90	5,3	5,6	7,4	10,4																																																																																																																																																									
2,1	1532	0,8	670,81	3,6	12,0	8,7	22,0	SK 42/12 - 71 L/4	61	B90																																																																																																																																																																																																																																																																																																																																																																																																																																																																																								
2,5	1258	1,0	550,73	5,6	12,0	9,8	21,7																																																																																																																																																																																																																																																																																																																																																																																																																																																																																											
3,2	990	1,2	433,49	6,8	12,0	10,5	21,1				3,3	1078	1,1	421,11	6,5	12,0	10,3	20,5	SK 43 - 71 L/4	66	B77	3,8	921	1,4	359,59	7,1	12,0	10,6	20,0	4,6	765	1,5	298,80	7,5	12,0	10,9	19,4	5,2	676	1,9	263,93	7,7	12,0	11,1	19,1				6,3	562	2,1	219,32	7,9	12,0	11,2	18,5	7,6	468	2,2	182,76	8,1	12,0	11,3	17,7	11	331	3,7	129,38	8,2	12,0	11,5	16,5	5,2	612	1,0	267,79	6,0	9,0	8,9	21,4				SK 32/12 - 71 L/4	50	B90	5,6	635	1,1	248,17	5,9	9,0	8,8	20,7	SK 33N - 71 L/4	45	B75	6,7	530	1,3	207,10	6,2	9,0	9,0	20,0	8,3	426	1,6	166,49	6,5	9,0	9,2	19,3	10	343	1,9	134,02	6,6				9,0	9,3	18,3	12	287	1,9	112,18	6,7	9,0	9,4	17,5	11	309	1,7	81,27	6,7	9,0	9,3	18,0	SK 32 - 80 S/6	38	B74	13	276	2,0	72,76	6,7	9,0	9,4	17,5	14	244	2,6	64,26	6,8	9,0	9,4	17,0	17	208	2,5	81,27	6,8	9,0	9,4	16,4	SK 32 - 71 L/4	36	B74	19	186	3,0	72,76	6,8	9,0	9,4	15,9	8,3	382	0,9	167,21	4,2	5,6	6,7	13,7	SK 22/02 - 71 L/4	37	B90	9,1	388	0,8	151,44	4,2	5,6	6,6	12,9	SK 23 - 71 L/4	33	B73	11	318	1,1	124,17	4,6	5,6	6,9	12,8	14	258	1,3	100,60	4,9	5,6	7,1	12,4	16	226	1,5	88,45	5,1				5,6	7,2	12,0	18	200	1,7	78,05	5,2	5,6	7,3	11,8	21	166	2,0	64,80	5,2	5,6	7,3	11,2	11	328	0,8	86,30	4,6	5,6	6,9	12,9	SK 22 - 80 S/6	27	B72	13	265	1,0	69,81	4,9	5,6	7,1	12,4	17	210	1,5	55,28	5,1	5,6	7,3	11,9	20	174	1,7	45,90	5,2				5,6	7,3	11,4	16	221	1,1	86,30	5,1	5,6	7,2	12,0	SK 22 - 71 L/4	25	B72	25	142	2,3	55,28	5,3	5,6	7,4	10,9	30	118	2,5	45,90	5,3	5,6	7,4	10,4																																																																																																																																																																														
3,3	1078	1,1	421,11	6,5	12,0	10,3	20,5	SK 43 - 71 L/4	66	B77																																																																																																																																																																																																																																																																																																																																																																																																																																																																																								
3,8	921	1,4	359,59	7,1	12,0	10,6	20,0																																																																																																																																																																																																																																																																																																																																																																																																																																																																																											
4,6	765	1,5	298,80	7,5	12,0	10,9	19,4																																																																																																																																																																																																																																																																																																																																																																																																																																																																																											
5,2	676	1,9	263,93	7,7	12,0	11,1	19,1																																																																																																																																																																																																																																																																																																																																																																																																																																																																																											
6,3	562	2,1	219,32	7,9	12,0	11,2	18,5																																																																																																																																																																																																																																																																																																																																																																																																																																																																																											
7,6	468	2,2	182,76	8,1	12,0	11,3	17,7																																																																																																																																																																																																																																																																																																																																																																																																																																																																																											
11	331	3,7	129,38	8,2	12,0	11,5	16,5																																																																																																																																																																																																																																																																																																																																																																																																																																																																																											
5,2	612	1,0	267,79	6,0	9,0	8,9	21,4				SK 32/12 - 71 L/4	50	B90																																																																																																																																																																																																																																																																																																																																																																																																																																																																																					
5,6	635	1,1	248,17	5,9	9,0	8,8	20,7	SK 33N - 71 L/4	45	B75																																																																																																																																																																																																																																																																																																																																																																																																																																																																																								
6,7	530	1,3	207,10	6,2	9,0	9,0	20,0																																																																																																																																																																																																																																																																																																																																																																																																																																																																																											
8,3	426	1,6	166,49	6,5	9,0	9,2	19,3																																																																																																																																																																																																																																																																																																																																																																																																																																																																																											
10	343	1,9	134,02	6,6	9,0	9,3	18,3																																																																																																																																																																																																																																																																																																																																																																																																																																																																																											
12	287	1,9	112,18	6,7	9,0	9,4	17,5				11	309	1,7	81,27	6,7	9,0	9,3	18,0	SK 32 - 80 S/6	38	B74	13	276	2,0	72,76	6,7	9,0	9,4	17,5	14	244	2,6	64,26	6,8	9,0	9,4	17,0	17	208	2,5	81,27	6,8	9,0	9,4	16,4	SK 32 - 71 L/4	36	B74	19	186	3,0	72,76	6,8	9,0	9,4	15,9	8,3	382	0,9	167,21	4,2	5,6	6,7	13,7	SK 22/02 - 71 L/4	37	B90	9,1	388	0,8	151,44	4,2	5,6	6,6	12,9	SK 23 - 71 L/4	33	B73	11	318	1,1	124,17	4,6	5,6	6,9	12,8	14	258	1,3	100,60	4,9	5,6	7,1	12,4	16	226	1,5	88,45	5,1	5,6	7,2	12,0	18	200	1,7	78,05	5,2	5,6	7,3	11,8	21	166	2,0	64,80	5,2	5,6	7,3	11,2	11	328	0,8	86,30	4,6	5,6	6,9	12,9	SK 22 - 80 S/6	27	B72	13	265	1,0	69,81	4,9	5,6	7,1	12,4	17	210	1,5	55,28	5,1	5,6	7,3	11,9	20	174	1,7	45,90	5,2	5,6	7,3	11,4	16	221	1,1	86,30	5,1	5,6	7,2	12,0	SK 22 - 71 L/4	25	B72	25	142	2,3	55,28	5,3	5,6	7,4	10,9	30	118	2,5	45,90	5,3	5,6	7,4	10,4																																																																																																																																																																																																																																																																																																														
11	309	1,7	81,27	6,7	9,0	9,3	18,0	SK 32 - 80 S/6	38	B74																																																																																																																																																																																																																																																																																																																																																																																																																																																																																								
13	276	2,0	72,76	6,7	9,0	9,4	17,5																																																																																																																																																																																																																																																																																																																																																																																																																																																																																											
14	244	2,6	64,26	6,8	9,0	9,4	17,0				17	208	2,5	81,27	6,8	9,0	9,4	16,4	SK 32 - 71 L/4	36	B74	19	186	3,0	72,76	6,8	9,0	9,4	15,9	8,3	382	0,9	167,21	4,2	5,6	6,7	13,7	SK 22/02 - 71 L/4	37	B90	9,1	388	0,8	151,44	4,2	5,6	6,6	12,9	SK 23 - 71 L/4	33	B73	11	318	1,1	124,17	4,6	5,6	6,9	12,8	14	258	1,3	100,60	4,9	5,6	7,1	12,4	16	226	1,5	88,45	5,1	5,6	7,2	12,0				18	200	1,7	78,05	5,2	5,6	7,3	11,8	21	166	2,0	64,80	5,2	5,6	7,3	11,2	11	328	0,8	86,30	4,6	5,6	6,9	12,9	SK 22 - 80 S/6	27	B72	13	265	1,0	69,81	4,9	5,6	7,1	12,4	17	210	1,5	55,28	5,1	5,6	7,3	11,9	20	174	1,7	45,90	5,2				5,6	7,3	11,4	16	221	1,1	86,30	5,1	5,6	7,2	12,0	SK 22 - 71 L/4	25	B72	25	142	2,3	55,28	5,3	5,6	7,4	10,9	30	118	2,5	45,90	5,3	5,6	7,4	10,4																																																																																																																																																																																																																																																																																																																																			
17	208	2,5	81,27	6,8	9,0	9,4	16,4	SK 32 - 71 L/4	36	B74																																																																																																																																																																																																																																																																																																																																																																																																																																																																																								
19	186	3,0	72,76	6,8	9,0	9,4	15,9				8,3	382	0,9	167,21	4,2	5,6	6,7	13,7	SK 22/02 - 71 L/4	37	B90	9,1	388	0,8	151,44	4,2	5,6	6,6	12,9	SK 23 - 71 L/4	33	B73	11	318	1,1	124,17	4,6	5,6	6,9	12,8	14	258	1,3	100,60	4,9	5,6	7,1	12,4				16	226	1,5	88,45	5,1	5,6	7,2	12,0	18	200	1,7	78,05	5,2	5,6	7,3	11,8	21	166	2,0	64,80	5,2	5,6	7,3	11,2				11	328	0,8	86,30	4,6	5,6	6,9	12,9	SK 22 - 80 S/6	27	B72	13	265	1,0	69,81	4,9	5,6	7,1	12,4	17	210	1,5	55,28	5,1				5,6	7,3	11,9	20	174	1,7	45,90	5,2	5,6	7,3	11,4	16	221	1,1	86,30	5,1	5,6	7,2	12,0	SK 22 - 71 L/4	25	B72	25	142	2,3	55,28	5,3	5,6	7,4	10,9	30	118	2,5	45,90	5,3				5,6	7,4	10,4																																																																																																																																																																																																																																																																																																																																																
8,3	382	0,9	167,21	4,2	5,6	6,7	13,7	SK 22/02 - 71 L/4	37	B90																																																																																																																																																																																																																																																																																																																																																																																																																																																																																								
9,1	388	0,8	151,44	4,2	5,6	6,6	12,9	SK 23 - 71 L/4	33	B73																																																																																																																																																																																																																																																																																																																																																																																																																																																																																								
11	318	1,1	124,17	4,6	5,6	6,9	12,8																																																																																																																																																																																																																																																																																																																																																																																																																																																																																											
14	258	1,3	100,60	4,9	5,6	7,1	12,4																																																																																																																																																																																																																																																																																																																																																																																																																																																																																											
16	226	1,5	88,45	5,1	5,6	7,2	12,0																																																																																																																																																																																																																																																																																																																																																																																																																																																																																											
18	200	1,7	78,05	5,2	5,6	7,3	11,8																																																																																																																																																																																																																																																																																																																																																																																																																																																																																											
21	166	2,0	64,80	5,2	5,6	7,3	11,2				11	328	0,8	86,30	4,6	5,6	6,9	12,9	SK 22 - 80 S/6	27	B72	13	265	1,0	69,81	4,9	5,6	7,1	12,4	17	210	1,5	55,28	5,1	5,6	7,3	11,9	20	174	1,7	45,90	5,2	5,6	7,3	11,4	16	221	1,1	86,30	5,1	5,6	7,2	12,0	SK 22 - 71 L/4	25	B72	25	142	2,3	55,28	5,3	5,6	7,4	10,9	30	118	2,5	45,90	5,3	5,6	7,4	10,4																																																																																																																																																																																																																																																																																																																																																																																																																										
11	328	0,8	86,30	4,6	5,6	6,9	12,9	SK 22 - 80 S/6	27	B72																																																																																																																																																																																																																																																																																																																																																																																																																																																																																								
13	265	1,0	69,81	4,9	5,6	7,1	12,4																																																																																																																																																																																																																																																																																																																																																																																																																																																																																											
17	210	1,5	55,28	5,1	5,6	7,3	11,9																																																																																																																																																																																																																																																																																																																																																																																																																																																																																											
20	174	1,7	45,90	5,2	5,6	7,3	11,4				16	221	1,1	86,30	5,1	5,6	7,2	12,0	SK 22 - 71 L/4	25	B72	25	142	2,3	55,28	5,3	5,6	7,4	10,9	30	118	2,5	45,90	5,3	5,6	7,4	10,4																																																																																																																																																																																																																																																																																																																																																																																																																																																													
16	221	1,1	86,30	5,1	5,6	7,2	12,0	SK 22 - 71 L/4	25	B72																																																																																																																																																																																																																																																																																																																																																																																																																																																																																								
25	142	2,3	55,28	5,3	5,6	7,4	10,9																																																																																																																																																																																																																																																																																																																																																																																																																																																																																											
30	118	2,5	45,90	5,3	5,6	7,4	10,4																																																																																																																																																																																																																																																																																																																																																																																																																																																																																											

0,37 kW



P_1 [kW]	n_2 [min ⁻¹]	M_2 [Nm]	f_B	i_{ges}	F_R [kN]	F_A [kN]	$F_{R VL}$ [kN]	$F_{A VL}$ [kN]		kg	mm
0,37	15	212	0,8	92,89	3,0	4,0	4,6	9,8	SK 12/02 - 71 L/4	24	B90
	16 20	219 175	0,8 1,1	85,47 68,40	2,9 3,2	4,0 4,0	4,6 4,8	9,5 9,1	SK 13 - 71 L/4	21	B71
	22 26 29 32 36 39 44 47 53 65 73 82 103	157 138 123 110 98 90 80 75 66 54 48 43 34	1,0 1,3 1,4 1,5 1,9 1,7 2,1 1,7 2,1 3,1 3,3 3,6 4,3	61,35 53,84 47,87 43,09 38,31 35,07 31,19 29,15 25,92 21,28 18,79 16,73 13,39	3,3 3,4 3,5 3,5 3,5 3,6 3,6 3,5 3,4 3,3 3,2 3,0 2,8	4,0 4,0 4,0 4,0 4,0 4,0 4,0 4,0 4,0 4,0 4,0 4,0 4,0	4,8 4,9 4,9 5,0 5,0 5,0 5,0 5,0 5,1 5,1 5,1 5,1 5,1	9,0 8,8 8,6 8,3 8,1 7,9 7,8 7,6 7,4 7,1 6,9 6,7 6,3	SK 12 - 71 L/4	16	B70
	33 41 47 50 57 60 67 87 108 122 139 149 168 177 200 226 248 286 327 355 408 468	106 86 76 70 62 59 53 41 33 29 25 24 21 20 18 16 14 12 11 10 9 8	0,9 1,1 1,2 1,2 1,4 1,3 1,4 1,8 2,1 2,3 2,5 2,7 3,0 3,2 3,5 3,6 4,0 4,6 4,8 5,3 5,9 6,1	41,58 33,42 29,61 27,52 24,39 23,13 20,59 15,95 12,82 11,27 9,95 9,28 8,19 7,80 6,89 6,10 5,57 4,82 4,22 3,89 3,38 2,95	2,0 2,2 2,2 2,2 2,3 2,3 2,3 2,4 2,4 2,4 2,3 2,3 2,2 2,2 2,1 2,0 2,0 1,9 1,8 1,7 1,7 1,6	3,3 3,3 3,3 3,3 3,3 3,3 3,3 3,3 3,3 3,3 3,3 3,3 3,3 3,3 3,3 3,3 3,3 3,3 3,2 3,2 3,1 2,9 2,8	3,1 3,2 3,2 3,2 3,3 3,3 3,3 3,3 3,3 3,3 3,2 3,1 3,0 2,9 2,8 2,8 2,6 2,5 2,5 2,4 2,4 2,3	6,2 6,2 6,1 5,9 5,8 5,7 5,7 5,3 5,0 4,8 4,6 4,5 4,4 4,3 4,2 4,0 3,9 3,7 3,6 3,5 3,4 3,2	SK 02 - 71 L/4	14	B68
	488 595 676 762	7 6 5 5	7,5 9,4 11,1 11,9	2,83 2,32 2,04 1,81	- - - -	3,3 3,0 2,9 2,7	1,9 2,0 2,0 2,0	5,0 4,6 4,3 4,1	SK 11E - 71 L/4	12	B63



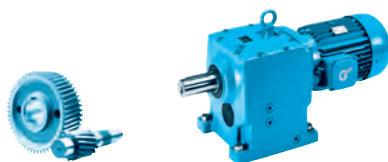
0,55 kW

P_1 [kW]	n_2 [min ⁻¹]	M_2 [Nm]	f_B	i_{ges}	F_R [kN]	F_A [kN]	$F_{R VL}$ [kN]	$F_{A VL}$ [kN]		kg	mm																																																																																																																																																																																																																																																																																																																																																																																																																																																																																																																																																																												
0,55	1,2	3963	2,0	1155,49	43,6	65,0	61,9	65,0	SK 83/32 - 80 SH/4	356	B90																																																																																																																																																																																																																																																																																																																																																																																																																																																																																																																																																																												
	1,6	3089	2,6	900,50	44,3	65,0	62,4	65,0				1,1	4301	1,2	1254,07	23,9	42,2	37,1	50,0	SK 73/22 - 80 SH/4	238	B90	1,3	3772	1,3	1099,84	25,0	41,3	37,9	50,0	1,6	3046	1,6	888,16	26,2	39,9	38,7	50,0	1,9	2530	2,0	737,61	26,9	38,5	39,1	50,0	2,5	1944	2,6	566,77	27,5	36,5	39,6	50,0	3,1	1570	3,2	457,68	27,8	34,9	39,8	50,0	1,3	3650	0,9	1064,04	14,7	43,0	24,6	45,0	SK 63/23 - 80 SH/4	165	B91	1,7	2915	1,1	849,73	17,0	41,6	26,0	45,0	SK 63/22 - 80 SH/4	157	B90	2,0	2495	1,3	727,45	18,0	40,5	26,7	45,0	2,6	1895	1,7	552,45	19,1	38,5	27,4	45,0	3,3	1476	2,2	430,19	19,6	36,4	27,8	45,0	3,9	1263	2,5	368,29	19,9	35,2	28,0	45,0	2,1	2365	0,8	689,41	9,9	23,8	17,0	40,0	SK 52/12 - 80 SH/4	93	B90	2,6	1859	1,0	542,09	11,8	23,8	18,2	40,0	2,9	1685	1,1	491,28	12,3	23,8	18,5	40,0	4,0	1214	1,5	354,06	13,3	23,8	19,2	40,0	2,3	2246	0,8	607,30	10,4	23,8	17,3	40,0	SK 53 - 80 SH/4	102	B79	2,6	2030	0,9	548,89	11,2	23,8	17,8	40,0	2,8	1845	1,0	498,82	11,8	23,8	18,2	40,0	3,6	1451	1,3	392,20	12,8	23,8	18,9	40,0	3,8	1384	1,4	374,25	12,9	23,8	19,0	40,0	4,8	1088	2,0	294,26	13,5	23,8	19,3	40,0	5,8	908	2,0	245,56	13,7	23,8	19,5	40,0	6,0	874	2,2	236,21	13,8	23,8	19,5	40,0	7,6	687	2,6	185,72	13,9	23,8	19,6	40,0	8,0	656	2,9	177,22	14,0	23,8	19,7	40,0	3,3	1487	0,8	433,49	4,0	12,0	8,9	18,3	SK 42/12 - 80 SH/4	64	B90	3,4	1558	0,8	421,11	3,3	12,0	8,6	17,9	SK 43 - 80 SH/4	69	B77	3,9	1330	1,0	359,59	5,2	12,0	9,5	17,7	4,8	1105	1,0	298,80	6,4	12,0	10,2	17,4	5,1	1030	1,2	278,51	6,7	12,0	10,4	17,4	5,4	976	1,3	263,93	6,9	12,0	10,5	17,4	6,1	856	1,3	231,43	7,3	12,0	10,8	17,0	6,5	811	1,5	219,32	7,4	12,0	10,9	16,9	6,9	756	1,7	204,42	7,5	12,0	10,9	16,9	7,8	676	1,5	182,76	7,7	12,0	11,1	16,4	8,4	628	1,9	169,86	7,8	12,0	11,1	16,3	10	524	2,0	141,55	8,0	12,0	11,3	15,7	11	479	2,6	129,38	8,1	12,0	11,3	15,6	13	398	2,8	107,51	8,2	12,0	11,4	15,0	15	351	3,5	94,96	8,2	12,0	11,4	14,7	18	296	4,2	79,96	8,3	12,0	11,5	14,1	6,6	739	0,8	215,56	5,6	9,0	8,6	18,7	SK 32/12 - 80 SH/4	53	B90	6,9	766	0,9	207,10	5,5	9,0	8,5	18,4	SK 33N - 80 SH/4	48	B75	8,5	616	1,1	166,49	6,0	9,0	8,9	17,9	11	496	1,3	134,02	6,3	9,0	9,1	17,1	13	415	1,3	112,18	6,5	9,0	9,2	16,5	16	326	1,6	88,18	6,7	9,0	9,3	15,7	17	301	1,7	81,27	6,7	9,0	9,3	15,6	SK 32 - 80 SH/4	39	B74	20	269	2,1	72,76	6,7	9,0	9,4	15,2	22	238	2,7	64,26	6,8	9,0	9,4	14,8	25	213	2,9	57,53	6,8	9,0	9,4	14,4	31	171	3,1	46,31	6,8	9,0	9,4	13,6	12	402	0,8	117,25	4,1	5,6	6,6	11,8	SK 22/02 - 80 SH/4	40	B90	14	372	0,9	100,60	4,3	5,6	6,7	11,3	SK 23 - 80 SH/4	36	B73	16	327	1,0	88,45	4,6	5,6	6,9	11,2	18	289	1,2	78,05	4,8	5,6	7,0	10,9	16	319	0,8	86,30	4,6	5,6	6,9	11,2	SK 22 - 80 SH/4	28	B72	20	258	1,0	69,81	4,9	5,6	7,1	10,7	26	204	1,6	55,28	5,1	5,6	7,3	10,3	31	170	1,7	45,90	5,2	5,6	7,3	9,9	33	158	2,1	42,82	5,3	5,6	7,4	9,8	40	131	2,5	35,55	5,3	5,6	7,4	9,3	48	108	2,7	29,31	5,0	5,6	7,4	8,9	57	91	2,7	24,73	4,8
	1,1	4301	1,2	1254,07	23,9	42,2	37,1	50,0	SK 73/22 - 80 SH/4	238	B90																																																																																																																																																																																																																																																																																																																																																																																																																																																																																																																																																																												
	1,3	3772	1,3	1099,84	25,0	41,3	37,9	50,0																																																																																																																																																																																																																																																																																																																																																																																																																																																																																																																																																																															
	1,6	3046	1,6	888,16	26,2	39,9	38,7	50,0																																																																																																																																																																																																																																																																																																																																																																																																																																																																																																																																																																															
	1,9	2530	2,0	737,61	26,9	38,5	39,1	50,0																																																																																																																																																																																																																																																																																																																																																																																																																																																																																																																																																																															
	2,5	1944	2,6	566,77	27,5	36,5	39,6	50,0																																																																																																																																																																																																																																																																																																																																																																																																																																																																																																																																																																															
	3,1	1570	3,2	457,68	27,8	34,9	39,8	50,0				1,3	3650	0,9	1064,04	14,7	43,0	24,6	45,0	SK 63/23 - 80 SH/4	165	B91	1,7	2915	1,1	849,73	17,0	41,6	26,0	45,0	SK 63/22 - 80 SH/4	157	B90	2,0	2495	1,3	727,45	18,0	40,5	26,7	45,0	2,6	1895	1,7	552,45	19,1	38,5	27,4	45,0	3,3	1476	2,2	430,19	19,6	36,4	27,8	45,0	3,9	1263	2,5	368,29	19,9	35,2	28,0	45,0	2,1	2365	0,8	689,41	9,9	23,8	17,0	40,0	SK 52/12 - 80 SH/4	93	B90	2,6	1859	1,0	542,09	11,8	23,8	18,2	40,0	2,9	1685	1,1	491,28	12,3	23,8	18,5	40,0	4,0	1214	1,5	354,06	13,3	23,8	19,2	40,0	2,3	2246	0,8	607,30	10,4	23,8	17,3	40,0	SK 53 - 80 SH/4	102	B79	2,6	2030	0,9	548,89	11,2	23,8	17,8	40,0	2,8	1845	1,0	498,82	11,8	23,8	18,2	40,0	3,6	1451	1,3	392,20	12,8	23,8	18,9	40,0	3,8	1384	1,4	374,25	12,9	23,8	19,0	40,0	4,8	1088	2,0	294,26	13,5	23,8	19,3	40,0	5,8	908	2,0	245,56	13,7	23,8	19,5	40,0				6,0	874	2,2	236,21	13,8	23,8	19,5	40,0	7,6	687	2,6	185,72	13,9	23,8	19,6	40,0	8,0	656	2,9	177,22	14,0	23,8	19,7	40,0	3,3	1487	0,8	433,49	4,0	12,0	8,9	18,3	SK 42/12 - 80 SH/4	64	B90	3,4	1558	0,8	421,11	3,3	12,0	8,6	17,9	SK 43 - 80 SH/4	69	B77	3,9	1330	1,0	359,59	5,2	12,0	9,5	17,7	4,8	1105	1,0	298,80	6,4	12,0	10,2	17,4	5,1	1030	1,2	278,51	6,7	12,0	10,4	17,4	5,4	976	1,3	263,93	6,9	12,0	10,5	17,4	6,1	856	1,3	231,43	7,3	12,0	10,8	17,0	6,5	811	1,5	219,32	7,4				12,0	10,9	16,9	6,9	756	1,7	204,42	7,5	12,0	10,9	16,9	7,8	676	1,5	182,76	7,7	12,0	11,1	16,4	8,4	628	1,9	169,86	7,8	12,0	11,1	16,3	10	524	2,0	141,55	8,0	12,0	11,3	15,7	11	479	2,6	129,38	8,1	12,0	11,3	15,6	13	398	2,8	107,51	8,2	12,0	11,4	15,0	15	351	3,5	94,96	8,2	12,0	11,4	14,7	18	296	4,2	79,96	8,3	12,0	11,5	14,1	6,6	739	0,8	215,56	5,6	9,0	8,6	18,7	SK 32/12 - 80 SH/4	53	B90	6,9	766	0,9	207,10	5,5	9,0	8,5	18,4	SK 33N - 80 SH/4	48	B75	8,5	616	1,1	166,49	6,0	9,0	8,9	17,9	11	496	1,3	134,02	6,3	9,0	9,1	17,1	13	415	1,3	112,18	6,5	9,0	9,2	16,5	16	326	1,6	88,18	6,7	9,0	9,3	15,7	17	301	1,7	81,27	6,7	9,0	9,3	15,6	SK 32 - 80 SH/4	39	B74	20	269	2,1	72,76	6,7	9,0	9,4	15,2	22	238	2,7	64,26	6,8	9,0	9,4	14,8	25	213	2,9	57,53	6,8	9,0	9,4	14,4	31	171	3,1	46,31	6,8	9,0	9,4	13,6	12	402	0,8	117,25	4,1	5,6	6,6	11,8	SK 22/02 - 80 SH/4	40	B90	14	372	0,9	100,60	4,3	5,6	6,7	11,3	SK 23 - 80 SH/4	36	B73	16	327	1,0	88,45	4,6	5,6	6,9	11,2	18	289	1,2	78,05	4,8	5,6	7,0	10,9	16	319	0,8	86,30	4,6	5,6	6,9	11,2	SK 22 - 80 SH/4	28	B72	20	258	1,0	69,81	4,9	5,6	7,1	10,7	26	204	1,6	55,28	5,1	5,6	7,3	10,3	31	170	1,7	45,90	5,2	5,6	7,3	9,9	33	158	2,1	42,82	5,3	5,6	7,4	9,8	40	131	2,5	35,55	5,3	5,6	7,4	9,3	48	108				2,7	29,31	5,0	5,6	7,4	8,9	57	91	2,7	24,73	4,8	5,6	7,5	8,5																																							
	1,3	3650	0,9	1064,04	14,7	43,0	24,6	45,0	SK 63/23 - 80 SH/4	165	B91																																																																																																																																																																																																																																																																																																																																																																																																																																																																																																																																																																												
	1,7	2915	1,1	849,73	17,0	41,6	26,0	45,0	SK 63/22 - 80 SH/4	157	B90																																																																																																																																																																																																																																																																																																																																																																																																																																																																																																																																																																												
2,0	2495	1,3	727,45	18,0	40,5	26,7	45,0																																																																																																																																																																																																																																																																																																																																																																																																																																																																																																																																																																																
2,6	1895	1,7	552,45	19,1	38,5	27,4	45,0																																																																																																																																																																																																																																																																																																																																																																																																																																																																																																																																																																																
3,3	1476	2,2	430,19	19,6	36,4	27,8	45,0																																																																																																																																																																																																																																																																																																																																																																																																																																																																																																																																																																																
3,9	1263	2,5	368,29	19,9	35,2	28,0	45,0	2,1				2365	0,8	689,41	9,9	23,8	17,0	40,0	SK 52/12 - 80 SH/4	93	B90	2,6	1859	1,0	542,09	11,8	23,8	18,2	40,0	2,9	1685	1,1	491,28	12,3	23,8	18,5	40,0	4,0	1214	1,5	354,06	13,3	23,8	19,2	40,0	2,3	2246	0,8	607,30	10,4	23,8	17,3	40,0	SK 53 - 80 SH/4	102	B79	2,6	2030	0,9	548,89	11,2	23,8	17,8	40,0	2,8	1845	1,0	498,82	11,8	23,8	18,2	40,0	3,6	1451	1,3	392,20	12,8	23,8	18,9	40,0	3,8	1384	1,4	374,25	12,9	23,8	19,0	40,0	4,8	1088	2,0	294,26	13,5	23,8	19,3	40,0	5,8	908	2,0	245,56	13,7	23,8	19,5	40,0	6,0	874	2,2	236,21				13,8	23,8	19,5	40,0	7,6	687	2,6	185,72	13,9	23,8	19,6	40,0	8,0	656	2,9	177,22	14,0	23,8	19,7	40,0	3,3	1487	0,8	433,49	4,0	12,0	8,9	18,3	SK 42/12 - 80 SH/4	64	B90	3,4	1558	0,8	421,11	3,3	12,0	8,6	17,9	SK 43 - 80 SH/4	69	B77	3,9	1330	1,0	359,59	5,2	12,0	9,5	17,7	4,8	1105	1,0	298,80	6,4	12,0	10,2	17,4	5,1	1030	1,2	278,51	6,7	12,0	10,4	17,4	5,4	976	1,3	263,93	6,9	12,0	10,5	17,4	6,1	856	1,3	231,43	7,3	12,0	10,8	17,0	6,5	811	1,5	219,32	7,4	12,0	10,9	16,9	6,9	756	1,7	204,42				7,5	12,0	10,9	16,9	7,8	676	1,5	182,76	7,7	12,0	11,1	16,4	8,4	628	1,9	169,86	7,8	12,0	11,1	16,3	10	524	2,0	141,55	8,0	12,0	11,3	15,7	11	479	2,6	129,38	8,1	12,0	11,3	15,6	13	398	2,8	107,51	8,2	12,0	11,4	15,0	15				351	3,5	94,96	8,2	12,0	11,4	14,7	18	296	4,2	79,96	8,3	12,0	11,5	14,1	6,6	739	0,8	215,56	5,6	9,0	8,6	18,7	SK 32/12 - 80 SH/4	53	B90	6,9	766	0,9	207,10	5,5	9,0	8,5	18,4	SK 33N - 80 SH/4	48	B75	8,5	616	1,1	166,49	6,0	9,0	8,9	17,9	11	496	1,3	134,02	6,3	9,0	9,1	17,1	13	415	1,3	112,18	6,5	9,0	9,2	16,5	16	326	1,6	88,18	6,7	9,0	9,3	15,7	17	301	1,7	81,27	6,7	9,0	9,3	15,6	SK 32 - 80 SH/4	39	B74	20	269	2,1	72,76	6,7	9,0	9,4	15,2	22	238	2,7	64,26	6,8	9,0	9,4	14,8	25	213	2,9	57,53	6,8	9,0	9,4	14,4	31	171	3,1	46,31	6,8	9,0	9,4	13,6	12	402	0,8	117,25	4,1	5,6	6,6	11,8	SK 22/02 - 80 SH/4	40	B90	14	372	0,9	100,60	4,3	5,6	6,7	11,3	SK 23 - 80 SH/4	36	B73	16	327	1,0	88,45	4,6	5,6	6,9	11,2	18	289	1,2	78,05	4,8	5,6	7,0	10,9	16	319	0,8	86,30	4,6	5,6	6,9	11,2	SK 22 - 80 SH/4	28	B72	20	258	1,0	69,81	4,9	5,6	7,1	10,7	26	204	1,6	55,28	5,1	5,6	7,3	10,3	31	170	1,7	45,90	5,2	5,6	7,3	9,9	33	158	2,1	42,82	5,3	5,6	7,4	9,8	40	131	2,5	35,55	5,3	5,6	7,4	9,3	48	108	2,7	29,31	5,0	5,6	7,4	8,9	57				91	2,7	24,73	4,8	5,6	7,5	8,5																																																																																											
2,1	2365	0,8	689,41	9,9	23,8	17,0	40,0	SK 52/12 - 80 SH/4	93	B90																																																																																																																																																																																																																																																																																																																																																																																																																																																																																																																																																																													
2,6	1859	1,0	542,09	11,8	23,8	18,2	40,0																																																																																																																																																																																																																																																																																																																																																																																																																																																																																																																																																																																
2,9	1685	1,1	491,28	12,3	23,8	18,5	40,0																																																																																																																																																																																																																																																																																																																																																																																																																																																																																																																																																																																
4,0	1214	1,5	354,06	13,3	23,8	19,2	40,0				2,3	2246	0,8	607,30	10,4	23,8	17,3	40,0	SK 53 - 80 SH/4	102	B79	2,6	2030	0,9	548,89	11,2	23,8	17,8	40,0	2,8	1845	1,0	498,82	11,8	23,8	18,2	40,0	3,6	1451	1,3	392,20	12,8	23,8	18,9	40,0	3,8	1384	1,4	374,25	12,9	23,8	19,0	40,0				4,8	1088	2,0	294,26	13,5	23,8	19,3	40,0	5,8	908	2,0	245,56	13,7	23,8	19,5	40,0	6,0	874	2,2	236,21	13,8	23,8	19,5	40,0	7,6	687	2,6	185,72	13,9	23,8	19,6	40,0	8,0	656	2,9	177,22	14,0	23,8	19,7	40,0	3,3	1487	0,8	433,49	4,0	12,0	8,9	18,3	SK 42/12 - 80 SH/4	64	B90	3,4				1558	0,8	421,11	3,3	12,0	8,6	17,9	SK 43 - 80 SH/4	69	B77	3,9	1330	1,0	359,59	5,2	12,0	9,5	17,7	4,8	1105	1,0	298,80	6,4	12,0	10,2	17,4	5,1	1030	1,2	278,51	6,7	12,0	10,4	17,4	5,4	976	1,3	263,93	6,9				12,0	10,5	17,4	6,1	856	1,3	231,43	7,3	12,0	10,8	17,0	6,5	811	1,5	219,32	7,4	12,0	10,9	16,9	6,9	756	1,7	204,42	7,5	12,0	10,9	16,9	7,8	676	1,5	182,76	7,7	12,0	11,1	16,4	8,4	628	1,9	169,86	7,8	12,0	11,1	16,3	10	524	2,0	141,55	8,0	12,0	11,3	15,7	11				479	2,6	129,38	8,1	12,0	11,3	15,6	13	398	2,8	107,51	8,2	12,0	11,4	15,0	15	351	3,5	94,96	8,2	12,0	11,4	14,7	18	296	4,2	79,96	8,3	12,0	11,5	14,1	6,6	739	0,8	215,56	5,6	9,0	8,6	18,7	SK 32/12 - 80 SH/4	53	B90	6,9	766	0,9	207,10	5,5	9,0	8,5	18,4	SK 33N - 80 SH/4	48	B75	8,5	616	1,1	166,49	6,0	9,0	8,9	17,9	11	496	1,3	134,02	6,3	9,0	9,1	17,1	13	415	1,3	112,18	6,5	9,0	9,2	16,5	16	326	1,6	88,18	6,7				9,0	9,3	15,7	17	301	1,7	81,27	6,7	9,0	9,3	15,6	SK 32 - 80 SH/4	39	B74	20	269	2,1	72,76	6,7	9,0	9,4	15,2	22	238	2,7	64,26	6,8	9,0	9,4	14,8	25	213	2,9	57,53	6,8	9,0	9,4	14,4	31	171				3,1	46,31	6,8	9,0	9,4	13,6	12	402	0,8	117,25	4,1	5,6	6,6	11,8	SK 22/02 - 80 SH/4	40	B90	14	372	0,9	100,60	4,3	5,6	6,7	11,3	SK 23 - 80 SH/4	36	B73	16	327	1,0	88,45	4,6	5,6	6,9	11,2	18	289	1,2	78,05	4,8	5,6	7,0	10,9	16	319	0,8	86,30	4,6	5,6	6,9	11,2	SK 22 - 80 SH/4	28	B72	20	258	1,0	69,81	4,9	5,6	7,1	10,7	26	204	1,6	55,28	5,1	5,6	7,3	10,3	31	170	1,7	45,90	5,2	5,6	7,3				9,9	33	158	2,1	42,82	5,3	5,6	7,4	9,8	40	131	2,5	35,55	5,3	5,6	7,4	9,3	48	108	2,7	29,31	5,0	5,6	7,4	8,9	57	91	2,7	24,73	4,8	5,6	7,5	8,5																																																																																																																					
2,3	2246	0,8	607,30	10,4	23,8	17,3	40,0	SK 53 - 80 SH/4	102	B79																																																																																																																																																																																																																																																																																																																																																																																																																																																																																																																																																																													
2,6	2030	0,9	548,89	11,2	23,8	17,8	40,0																																																																																																																																																																																																																																																																																																																																																																																																																																																																																																																																																																																
2,8	1845	1,0	498,82	11,8	23,8	18,2	40,0																																																																																																																																																																																																																																																																																																																																																																																																																																																																																																																																																																																
3,6	1451	1,3	392,20	12,8	23,8	18,9	40,0																																																																																																																																																																																																																																																																																																																																																																																																																																																																																																																																																																																
3,8	1384	1,4	374,25	12,9	23,8	19,0	40,0																																																																																																																																																																																																																																																																																																																																																																																																																																																																																																																																																																																
4,8	1088	2,0	294,26	13,5	23,8	19,3	40,0																																																																																																																																																																																																																																																																																																																																																																																																																																																																																																																																																																																
5,8	908	2,0	245,56	13,7	23,8	19,5	40,0																																																																																																																																																																																																																																																																																																																																																																																																																																																																																																																																																																																
6,0	874	2,2	236,21	13,8	23,8	19,5	40,0																																																																																																																																																																																																																																																																																																																																																																																																																																																																																																																																																																																
7,6	687	2,6	185,72	13,9	23,8	19,6	40,0																																																																																																																																																																																																																																																																																																																																																																																																																																																																																																																																																																																
8,0	656	2,9	177,22	14,0	23,8	19,7	40,0																																																																																																																																																																																																																																																																																																																																																																																																																																																																																																																																																																																
3,3	1487	0,8	433,49	4,0	12,0	8,9	18,3				SK 42/12 - 80 SH/4	64	B90																																																																																																																																																																																																																																																																																																																																																																																																																																																																																																																																																																										
3,4	1558	0,8	421,11	3,3	12,0	8,6	17,9	SK 43 - 80 SH/4	69	B77																																																																																																																																																																																																																																																																																																																																																																																																																																																																																																																																																																													
3,9	1330	1,0	359,59	5,2	12,0	9,5	17,7																																																																																																																																																																																																																																																																																																																																																																																																																																																																																																																																																																																
4,8	1105	1,0	298,80	6,4	12,0	10,2	17,4																																																																																																																																																																																																																																																																																																																																																																																																																																																																																																																																																																																
5,1	1030	1,2	278,51	6,7	12,0	10,4	17,4																																																																																																																																																																																																																																																																																																																																																																																																																																																																																																																																																																																
5,4	976	1,3	263,93	6,9	12,0	10,5	17,4																																																																																																																																																																																																																																																																																																																																																																																																																																																																																																																																																																																
6,1	856	1,3	231,43	7,3	12,0	10,8	17,0																																																																																																																																																																																																																																																																																																																																																																																																																																																																																																																																																																																
6,5	811	1,5	219,32	7,4	12,0	10,9	16,9																																																																																																																																																																																																																																																																																																																																																																																																																																																																																																																																																																																
6,9	756	1,7	204,42	7,5	12,0	10,9	16,9																																																																																																																																																																																																																																																																																																																																																																																																																																																																																																																																																																																
7,8	676	1,5	182,76	7,7	12,0	11,1	16,4																																																																																																																																																																																																																																																																																																																																																																																																																																																																																																																																																																																
8,4	628	1,9	169,86	7,8	12,0	11,1	16,3																																																																																																																																																																																																																																																																																																																																																																																																																																																																																																																																																																																
10	524	2,0	141,55	8,0	12,0	11,3	15,7																																																																																																																																																																																																																																																																																																																																																																																																																																																																																																																																																																																
11	479	2,6	129,38	8,1	12,0	11,3	15,6																																																																																																																																																																																																																																																																																																																																																																																																																																																																																																																																																																																
13	398	2,8	107,51	8,2	12,0	11,4	15,0																																																																																																																																																																																																																																																																																																																																																																																																																																																																																																																																																																																
15	351	3,5	94,96	8,2	12,0	11,4	14,7																																																																																																																																																																																																																																																																																																																																																																																																																																																																																																																																																																																
18	296	4,2	79,96	8,3	12,0	11,5	14,1																																																																																																																																																																																																																																																																																																																																																																																																																																																																																																																																																																																
6,6	739	0,8	215,56	5,6	9,0	8,6	18,7	SK 32/12 - 80 SH/4	53	B90																																																																																																																																																																																																																																																																																																																																																																																																																																																																																																																																																																													
6,9	766	0,9	207,10	5,5	9,0	8,5	18,4	SK 33N - 80 SH/4	48	B75																																																																																																																																																																																																																																																																																																																																																																																																																																																																																																																																																																													
8,5	616	1,1	166,49	6,0	9,0	8,9	17,9																																																																																																																																																																																																																																																																																																																																																																																																																																																																																																																																																																																
11	496	1,3	134,02	6,3	9,0	9,1	17,1																																																																																																																																																																																																																																																																																																																																																																																																																																																																																																																																																																																
13	415	1,3	112,18	6,5	9,0	9,2	16,5																																																																																																																																																																																																																																																																																																																																																																																																																																																																																																																																																																																
16	326	1,6	88,18	6,7	9,0	9,3	15,7																																																																																																																																																																																																																																																																																																																																																																																																																																																																																																																																																																																
17	301	1,7	81,27	6,7	9,0	9,3	15,6	SK 32 - 80 SH/4	39	B74																																																																																																																																																																																																																																																																																																																																																																																																																																																																																																																																																																													
20	269	2,1	72,76	6,7	9,0	9,4	15,2																																																																																																																																																																																																																																																																																																																																																																																																																																																																																																																																																																																
22	238	2,7	64,26	6,8	9,0	9,4	14,8																																																																																																																																																																																																																																																																																																																																																																																																																																																																																																																																																																																
25	213	2,9	57,53	6,8	9,0	9,4	14,4																																																																																																																																																																																																																																																																																																																																																																																																																																																																																																																																																																																
31	171	3,1	46,31	6,8	9,0	9,4	13,6																																																																																																																																																																																																																																																																																																																																																																																																																																																																																																																																																																																
12	402	0,8	117,25	4,1	5,6	6,6	11,8	SK 22/02 - 80 SH/4	40	B90																																																																																																																																																																																																																																																																																																																																																																																																																																																																																																																																																																													
14	372	0,9	100,60	4,3	5,6	6,7	11,3	SK 23 - 80 SH/4	36	B73																																																																																																																																																																																																																																																																																																																																																																																																																																																																																																																																																																													
16	327	1,0	88,45	4,6	5,6	6,9	11,2																																																																																																																																																																																																																																																																																																																																																																																																																																																																																																																																																																																
18	289	1,2	78,05	4,8	5,6	7,0	10,9																																																																																																																																																																																																																																																																																																																																																																																																																																																																																																																																																																																
16	319	0,8	86,30	4,6	5,6	6,9	11,2	SK 22 - 80 SH/4	28	B72																																																																																																																																																																																																																																																																																																																																																																																																																																																																																																																																																																													
20	258	1,0	69,81	4,9	5,6	7,1	10,7																																																																																																																																																																																																																																																																																																																																																																																																																																																																																																																																																																																
26	204	1,6	55,28	5,1	5,6	7,3	10,3																																																																																																																																																																																																																																																																																																																																																																																																																																																																																																																																																																																
31	170	1,7	45,90	5,2	5,6	7,3	9,9																																																																																																																																																																																																																																																																																																																																																																																																																																																																																																																																																																																
33	158	2,1	42,82	5,3	5,6	7,4	9,8																																																																																																																																																																																																																																																																																																																																																																																																																																																																																																																																																																																
40	131	2,5	35,55	5,3	5,6	7,4	9,3																																																																																																																																																																																																																																																																																																																																																																																																																																																																																																																																																																																
48	108	2,7	29,31	5,0	5,6	7,4	8,9																																																																																																																																																																																																																																																																																																																																																																																																																																																																																																																																																																																
57	91	2,7	24,73	4,8	5,6	7,5	8,5																																																																																																																																																																																																																																																																																																																																																																																																																																																																																																																																																																																

0,55 kW
0,75 kW



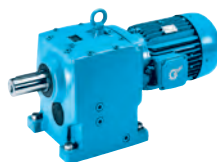
P_1 [kW]	n_2 [min ⁻¹]	M_2 [Nm]	f_B	i_{ges}	F_R [kN]	F_A [kN]	$F_{R VL}$ [kN]	$F_{A VL}$ [kN]		kg	mm				
0,55	26	199	0,9	53,84	2,0	4,0	4,7	8,1	SK 12 - 80 SH/4	19	B70				
	30	177	1,0	47,87	2,6	4,0	4,8	8,0							
	33	159	1,0	43,09	2,7	4,0	4,8	7,8							
	37	142	1,3	38,31	3,2	4,0	4,9	7,6							
	40	130	1,1	35,07	3,2	4,0	4,9	7,5							
	46	115	1,4	31,19	3,3	4,0	4,9	7,3							
	49	108	1,2	29,15	3,3	4,0	5,0	7,2							
	55	96	1,4	25,92	3,2	4,0	5,0	7,0							
	67	79	2,1	21,28	3,1	4,0	5,0	6,8							
	76	70	2,3	18,79	3,0	4,0	5,1	6,6							
	85	62	2,5	16,73	2,9	4,0	5,1	6,5							
	106	50	3,0	13,39	2,7	4,0	5,1	6,1							
	133	40	3,4	10,70	2,6	4,0	5,1	5,8							
	147	36	3,8	9,65	2,5	4,0	5,1	5,6							
	166	32	4,1	8,56	2,4	4,0	5,1	5,4							
		42	124	0,8	33,42	1,6	3,3	3,0				5,6	SK 02 - 80 SH/4	17	B68
		48	110	0,8	29,61	2,0	3,3	3,0				5,5			
		52	102	0,9	27,52	2,0	3,3	3,1				5,4			
		58	90	1,0	24,39	2,1	3,3	3,2				5,3			
	61	86	0,9	23,13	2,2	3,3	3,2	5,2							
	69	76	1,0	20,59	2,2	3,3	3,2	5,3							
	89	59	1,2	15,95	2,3	3,3	3,3	5,0							
	111	47	1,5	12,82	2,3	3,3	3,3	4,7							
	126	42	1,6	11,27	2,3	3,3	3,2	4,6							
	143	37	1,7	9,95	2,2	3,3	3,1	4,4							
	153	34	1,9	9,28	2,2	3,3	3,1	4,3							
	173	30	2,1	8,19	2,1	3,3	3,0	4,2							
	182	29	2,2	7,80	2,1	3,3	2,9	4,1							
	206	25	2,4	6,89	2,0	3,3	2,8	4,0							
	233	23	2,5	6,10	1,9	3,3	2,8	3,9							
	255	21	2,8	5,57	1,9	3,3	2,7	3,8							
	295	18	3,2	4,82	1,8	3,2	2,5	3,6							
	336	16	3,3	4,22	1,7	3,1	2,5	3,5							
	365	14	3,7	3,89	1,7	3,0	2,4	3,4							
	420	13	4,1	3,38	1,6	2,8	2,3	3,3							
	481	11	4,2	2,95	1,5	2,7	2,2	3,1							
	502	10	5,2	2,83	-	3,2	1,9	4,9	SK 11E - 80 SH/4	15	B63				
	612	9	6,5	2,32	-	2,9	1,9	4,5							
	696	8	7,7	2,04	-	2,8	1,9	4,2							
	785	7	8,2	1,81	-	2,6	2,0	4,0							
0,75	1,2	5537	1,4	1155,49	41,7	65,0	60,6	65,0	SK 83/32 - 80 LH/4	357	B90				
	1,6	4315	1,9	900,50	43,2	65,0	61,7	65,0							
	2,0	3473	2,3	724,73	44,0	65,0	62,2	65,0							
		1,1	6009	0,8	1254,07	18,6	38,3	34,0	50,0	SK 73/22 - 80 LH/4	239	B90			
		1,3	5270	0,9	1099,84	21,3	38,0	35,5	50,0						
		1,6	4256	1,2	888,16	24,0	37,2	37,2	50,0						
		1,9	3535	1,4	737,61	25,4	36,4	38,2	50,0						
		2,5	2716	1,8	566,77	26,7	34,8	39,0	50,0						
		3,1	2193	2,3	457,68	27,3	33,4	39,4	50,0						
		4,1	1658	3,0	345,90	27,7	31,5	39,7	50,0						
		1,7	4072	0,8	849,73	12,9	38,5	23,5	45,0	SK 63/22 - 80 LH/4	158	B90			
		1,9	3486	0,9	727,45	15,3	37,8	24,9	45,0						
		2,6	2647	1,2	552,45	17,7	36,4	26,5	45,0						
		3,3	2061	1,6	430,19	18,8	34,8	27,2	45,0						
		3,8	1765	1,8	368,29	19,3	33,8	27,5	45,0						
	2,8	2525	0,8	498,82	9,2	23,8	16,6	40,0	SK 53 - 80 LH/4	103	B79				
	3,6	1985	0,9	392,20	11,4	23,8	17,9	40,0							
	3,8	1894	1,0	374,25	11,7	23,8	18,1	40,0							
	4,8	1489	1,5	294,26	12,7	23,8	18,8	40,0							
	5,8	1243	1,5	245,56	13,2	23,8	19,1	40,0							
	6,0	1196	1,6	236,21	13,3	23,8	19,2	40,0							
	7,6	940	1,9	185,72	13,7	23,8	19,5	40,0							
	8,0	897	2,1	177,22	13,7	23,8	19,5	40,0							
	10	705	3,2	139,34	13,9	23,8	19,6	40,0							
	13	536	4,2	105,87	14,1	23,8	19,7	40,0							
	15	483	4,6	95,49	14,1	23,8	19,8	40,0							
	18	403	4,6	79,69	14,2	23,8	19,8	40,0							



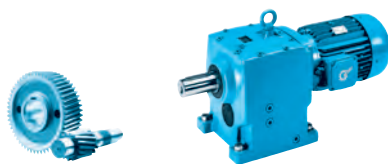
0,75 kW

P_1 [kW]	n_2 [min ⁻¹]	M_2 [Nm]	f_B	i_{ges}	F_R [kN]	F_A [kN]	$F_{R VL}$ [kN]	$F_{A VL}$ [kN]		kg	mm			
0,75	5,1	1410	0,9	278,51	4,7	12,0	9,2	15,5	SK 43 - 80 LH/4	70	B77			
	5,4	1336	0,9	263,93	5,2	12,0	9,5	15,5						
	6,1	1171	1,0	231,43	6,1	12,0	10,0	15,4						
	6,5	1110	1,1	219,32	6,4	12,0	10,2	15,4						
	6,9	1035	1,2	204,42	6,7	12,0	10,4	15,4						
	7,7	925	1,1	182,76	7,1	12,0	10,6	15,0						
	8,3	860	1,4	169,86	7,2	12,0	10,8	15,1						
	10	717	1,5	141,55	7,6	12,0	11,0	14,7						
	8,5	843	0,8	166,49	5,1	9,0	8,3	16,5				SK 33N - 80 LH/4	49	B75
	11	678	1,0	134,02	5,8	9,0	8,7	16,0						
13	568	1,0	112,18	6,2	9,0	9,0	15,5							
17	411	1,3	81,27	6,5	9,0	9,2	15,0	SK 32 - 80 LH/4	40	B74				
19	368	1,5	72,76	6,6	9,0	9,3	14,6							
22	325	2,0	64,26	6,7	9,0	9,3	14,3							
25	291	2,1	57,53	6,7	9,0	9,4	13,9							
31	234	2,3	46,31	6,6	9,0	9,4	13,2							
37	196	2,3	38,76	6,3	9,0	9,4	12,7							
43	167	2,3	33,05	6,0	9,0	9,4	12,2							
47	154	4,1	30,43	5,9	9,0	9,4	12,1							
16	448	0,8	88,45	1,0	5,6	6,3	10,2	SK 23 - 80 LH/4	37	B73				
18	395	0,9	78,05	2,4	5,6	6,6	10,1							
22	328	1,0	64,80	3,6	5,6	6,9	9,9							
26	280	1,1	55,28	4,8	5,6	7,1	9,7	SK 22 - 80 LH/4	29	B72				
31	232	1,3	45,90	5,0	5,6	7,2	9,4							
33	217	1,6	42,82	5,1	5,6	7,2	9,3							
40	180	1,8	35,55	5,1	5,6	7,3	9,0							
48	148	2,0	29,31	4,8	5,6	7,4	8,6							
57	125	2,0	24,73	4,6	5,6	7,4	8,2							
84	85	4,0	16,75	4,2	5,6	7,5	7,6							
96	74	4,5	14,69	4,1	5,6	7,5	7,4							
37	194	0,9	38,31	0,8	4,0	4,7	7,1	SK 12 - 80 LH/4	20	B70				
40	178	0,8	35,07	0,9	4,0	4,8	7,0							
45	158	1,0	31,19	1,5	4,0	4,8	6,9							
49	148	0,8	29,15	1,5	4,0	4,9	6,8							
55	131	1,0	25,92	2,0	4,0	4,9	6,6							
66	108	1,6	21,28	3,0	4,0	5,0	6,6							
75	95	1,7	18,79	2,9	4,0	5,0	6,4							
85	85	1,8	16,73	2,8	4,0	5,0	6,2							
106	68	2,2	13,39	2,6	4,0	5,1	5,9							
132	54	2,5	10,70	2,5	4,0	5,1	5,7							
147	49	2,8	9,65	2,4	4,0	5,1	5,5							
165	43	3,0	8,56	2,4	4,0	5,1	5,3							
180	40	3,3	7,85	2,3	4,0	5,1	5,2							
194	37	3,4	7,28	2,3	4,0	5,1	5,1							
217	33	3,8	6,53	2,2	3,9	5,1	5,0							
244	29	4,2	5,79	2,1	3,8	5,1	4,8							
89	81	0,9	15,95	2,2	3,3	3,2	4,6	SK 02 - 80 LH/4	18	B68				
110	65	1,1	12,82	2,2	3,3	3,2	4,4							
126	57	1,2	11,27	2,2	3,3	3,1	4,3							
142	50	1,3	9,95	2,1	3,3	3,0	4,2							
152	47	1,4	9,28	2,1	3,3	3,0	4,1							
173	41	1,5	8,19	2,0	3,3	2,9	4,0							
181	39	1,6	7,80	2,0	3,3	2,8	4,0							
205	35	1,7	6,89	1,9	3,3	2,7	3,8	SK 02 - 80 LH/4	18	B68				
232	31	1,8	6,10	1,9	3,3	2,7	3,8							
254	28	2,0	5,57	1,8	3,2	2,6	3,7							
294	24	2,3	4,82	1,8	3,1	2,5	3,5							
335	21	2,4	4,22	1,7	3,0	2,4	3,4							
364	20	2,7	3,89	1,6	2,8	2,3	3,3							
419	17	3,0	3,38	1,6	2,7	2,2	3,2							
480	15	3,1	2,95	1,5	2,6	2,2	3,1							
500	14	3,8	2,83	-	3,1	1,9	4,8				SK 11E - 80 LH/4	16	B63	
610	12	4,8	2,32	-	2,8	1,9	4,4							
694	10	5,6	2,04	-	2,7	1,9	4,2							
782	9	6,0	1,81	-	2,6	1,9	4,0							

1,10 kW



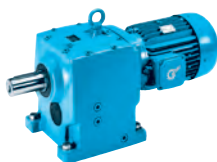
P_1 [kW]	n_2 [min ⁻¹]	M_2 [Nm]	f_B	i_{ges}	F_R [kN]	F_A [kN]	$F_{R VL}$ [kN]	$F_{A VL}$ [kN]		kg	mm
1,10	1,0	10342	1,9	1412,72	99,4	120,0	120,0	120,0	SK 103/52 - 90 SH/4	804	B91
	1,2	8408	2,4	1148,61	100,5	120,0	120,0	120,0			
	1,5	6907	2,9	943,57	101,1	120,0	120,0	120,0			
	1,1	9506	1,3	1298,54	61,8	80,0	90,0	80,0	SK 93/42 - 90 SH/4	556	B91
	1,3	7990	1,5	1091,47	63,3	80,0	91,0	80,0			
	1,8	5955	2,0	813,46	64,8	80,0	92,1	80,0			
	1,9	5540	2,2	756,82	65,1	80,0	92,3	80,0			
	2,6	4017	3,0	548,76	65,9	80,0	92,8	80,0			
	1,0	10019	0,8	1368,62	31,8	65,0	54,3	65,0	SK 83/32 - 90 SH/4	362	B90
	1,2	8459	0,9	1155,49	36,2	65,0	57,0	65,0			
1,6	6592	1,2	900,50	40,1	64,4	59,5	65,0				
2,0	5305	1,5	724,73	42,0	62,2	60,8	65,0				
2,7	3846	2,1	525,40	43,7	58,5	62,0	65,0	SK 83/42 - 90 SH/4	377	B91	
3,3	3205	2,5	437,84	44,2	56,3	62,4	65,0				
3,8	2745	2,9	374,99	44,5	54,3	62,6	65,0				
1,6	6502	0,8	888,16	16,4	31,8	32,8	50,0	SK 73/22 - 90 SH/4	244	B90	
1,9	5400	0,9	737,61	20,9	31,8	35,3	50,0				
2,5	4149	1,2	566,77	24,2	31,3	37,3	50,0				
3,1	3350	1,5	457,68	25,7	30,6	38,4	50,0				
4,1	2532	2,0	345,90	26,9	29,4	39,1	50,0				
5,1	2045	2,4	279,33	27,4	28,3	39,5	50,0				
2,6	4044	0,8	552,45	13,0	32,4	23,6	45,0	SK 63/22 - 90 SH/4	163	B90	
3,3	3149	1,0	430,19	16,4	31,8	25,6	45,0				
3,9	2696	1,2	368,29	17,5	31,1	26,4	45,0				
5,1	2070	1,5	282,73	18,8	29,9	27,2	45,0				
6,4	1647	1,9	224,97	19,4	28,7	27,6	45,0				
3,9	2725	1,2	372,21	17,5	31,1	26,3	45,0	SK 63 - 90 SH/4	144	B81	
4,8	2199	1,5	300,34	18,6	30,2	27,1	45,0				
5,4	1942	1,9	265,32	19,0	29,6	27,4	45,0				
6,7	1567	2,3	214,10	19,5	28,4	27,7	45,0				
4,9	2154	1,0	294,26	10,8	23,8	17,5	40,0	SK 53 - 90 SH/4	108	B79	
5,8	1798	1,0	245,56	11,9	23,8	18,3	40,0				
6,1	1729	1,1	236,21	12,1	23,8	18,4	40,0				
7,7	1360	1,3	185,72	13,0	23,8	19,0	40,0				
8,1	1297	1,5	177,22	13,1	23,8	19,1	40,0				
10	1020	2,2	139,34	13,6	23,8	19,4	40,0				
14	775	2,9	105,87	13,9	23,8	19,6	40,0				
15	699	3,2	95,49	13,9	23,8	19,6	40,0				
17	636	2,7	86,92	14,0	23,8	19,7	40,0	SK 52 - 90 SH/4	89	B78	
18	575	2,8	78,56	14,0	23,8	19,7	40,0				
7,0	1496	0,9	204,42	4,0	12,0	8,9	12,9	SK 43 - 90 SH/4	75	B77	
7,9	1338	0,8	182,76	5,2	12,0	9,5	12,7				
8,4	1243	0,9	169,86	5,7	12,0	9,8	13,0				
10	1036	1,0	141,55	6,7	12,0	10,4	12,9				
11	947	1,3	129,38	7,0	12,0	10,6	13,1				
14	769	1,1	105,08	7,5	12,0	10,9	13,1	SK 42 - 90 SH/4	60	B76	
17	623	1,3	85,10	7,8	12,0	11,2	12,7				
19	548	2,0	74,87	8,0	12,0	11,2	12,6				
24	444	2,3	60,66	8,1	12,0	11,4	12,1				
16	646	0,8	88,18	5,9	9,0	8,8	13,6	SK 33N - 90 SH/4	54	B75	
18	595	0,9	81,27	6,1	9,0	8,9	13,8	SK 32 - 90 SH/4	45	B74	
20	533	1,1	72,76	6,2	9,0	9,0	13,6				
22	470	1,4	64,26	6,4	9,0	9,1	13,4				
25	421	1,5	57,53	6,5	9,0	9,2	13,1				
31	339	2,0	46,25	6,2	9,0	9,3	12,6				
37	284	1,6	38,76	5,9	9,0	9,4	12,1				
39	273	2,2	37,23	5,9	9,0	9,4	12,0				
43	242	1,6	33,05	5,7	9,0	9,4	11,6				
46	228	2,2	31,16	5,7	9,0	9,4	11,5				
47	223	2,9	30,43	5,7	9,0	9,4	11,6				
53	199	3,0	27,24	5,5	9,0	9,4	11,3				
54	195	2,2	26,57	5,4	9,0	9,4	11,1				
62	169	3,7	23,12	5,3	9,0	9,4	10,9				
69	152	4,3	20,70	5,1	9,0	9,4	10,6				
77	137	4,6	18,67	5,0	9,0	9,4	10,3				



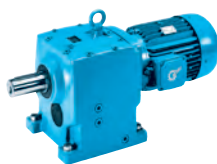
1,10 kW
1,50 kW

P_1 [kW]	n_2 [min ⁻¹]	M_2 [Nm]	f_B	i_{ges}	F_R [kN]	F_A [kN]	$F_{R VL}$ [kN]	$F_{A VL}$ [kN]		kg	mm				
1,10	26	405	0,8	55,28	0,1	5,6	6,6	8,7	SK 22 - 90 SH/4	34	B72				
	31	336	0,9	45,90	1,3	5,6	6,9	8,5							
	34	313	1,1	42,82	2,3	5,6	6,9	8,5							
		40	260	1,3	35,55	3,2	5,6	7,1	8,3	SK 22 - 90 SH/4	34	B72			
		41	254	1,3	34,69	3,7	5,6	7,1	8,3						
		49	215	1,4	29,31	3,9	5,6	7,2	8,0						
		50	211	1,8	28,80	4,3	5,6	7,3	8,1						
		58	181	1,4	24,73	4,3	5,6	7,3	7,7						
		60	174	1,9	23,74	4,3	5,6	7,3	7,7						
		72	147	1,9	20,03	4,1	5,6	7,4	7,5						
		86	123	2,8	16,75	4,0	5,6	7,4	7,3						
		98	108	3,1	14,69	3,9	5,6	7,4	7,1						
		118	89	3,7	12,20	3,7	5,6	7,5	6,8						
132		80	4,0	10,89	3,6	5,6	7,5	6,6							
		67	156	1,1	21,28	1,0	4,0	4,8	6,1				SK 12 - 90 SH/4	25	B70
		76	138	1,2	18,79	1,5	4,0	4,9	6,0						
	86	122	1,3	16,73	1,9	4,0	4,9	5,8							
	107	98	1,5	13,39	2,3	4,0	5,0	5,6							
	134	78	1,7	10,70	2,4	4,0	5,0	5,4							
	149	71	1,9	9,65	2,3	4,0	5,0	5,3							
	168	63	2,1	8,56	2,2	4,0	5,1	5,1							
	183	57	2,3	7,85	2,2	3,9	5,1	5,0							
	197	53	2,3	7,28	2,2	3,8	5,1	4,9							
	220	48	2,6	6,53	2,1	3,7	5,1	4,8							
	248	42	2,9	5,79	2,0	3,5	5,1	4,7							
	291	36	3,2	4,93	1,9	3,4	5,1	4,5							
	320	33	3,6	4,49	1,9	3,2	5,1	4,3							
	332	32	3,5	4,32	1,9	3,2	5,1	4,3							
	361	29	3,9	3,98	1,8	3,1	5,1	4,2							
423	25	4,4	3,39	1,7	2,9	5,1	4,1								
	127	83	0,8	11,27	1,3	3,3	2,8	3,9	SK 02 - 90 SH/4	23	B68				
	144	73	0,9	9,95	1,6	3,3	2,8	3,8							
	155	68	1,0	9,28	1,6	3,3	2,7	3,8							
	175	60	1,1	8,19	1,8	3,3	2,7	3,7							
	184	57	1,1	7,80	1,8	3,2	2,6	3,7							
	208	50	1,2	6,89	1,8	3,1	2,5	3,6							
	235	45	1,3	6,10	1,8	3,1	2,5	3,5							
	258	41	1,4	5,57	1,7	3,0	2,5	3,4							
	298	35	1,6	4,82	1,7	2,8	2,3	3,3							
	340	31	1,7	4,22	1,6	2,8	2,3	3,2							
	369	28	1,9	3,89	1,6	2,7	2,2	3,1							
	425	25	2,1	3,38	1,5	2,5	2,2	3,0							
	486	22	2,1	2,95	1,5	2,4	2,1	2,9							
		507	21	2,6	2,83	-	2,9	1,8				4,6	SK 11E - 90 SH/4	21	B63
		619	17	3,3	2,32	-	2,7	1,8				4,3			
703		15	3,9	2,04	-	2,6	1,9	4,1							
793		13	4,2	1,81	-	2,4	1,9	3,9							
1,50	1,0	14302	1,4	1412,72	96,6	120,0	120,0	120,0	SK 103/52 - 90 LH/4	806	B91				
	1,2	11628	1,7	1148,61	98,6	120,0	120,0	120,0							
	1,5	9552	2,1	943,57	99,9	120,0	120,0	120,0							
	1,7	8266	2,4	816,55	100,5	120,0	120,0	120,0							
	2,2	6503	3,1	642,31	101,2	120,0	120,0	120,0							
	1,1	13146	0,9	1298,54	56,8	80,0	86,6	80,0	SK 93/42 - 90 LH/4	558	B91				
	1,3	11050	1,1	1091,47	59,9	80,0	88,7	80,0							
	1,7	8235	1,5	813,46	63,0	80,0	90,8	80,0							
	1,9	7662	1,6	756,82	63,6	80,0	91,2	80,0							
	2,6	5555	2,2	548,76	65,1	80,0	92,3	80,0							
	3,1	4630	2,6	457,30	65,6	80,0	92,7	80,0							
	1,6	9116	0,9	900,50	34,5	59,5	55,9	65,0	SK 83/32 - 90 LH/4	364	B90				
	2,0	7337	1,1	724,73	38,7	58,3	58,6	65,0							
	2,7	5319	1,5	525,40	42,0	55,7	60,8	65,0	SK 83/42 - 90 LH/4	379	B91				
	3,2	4433	1,8	437,84	43,1	54,0	61,6	65,0							
	3,8	3796	2,1	374,99	43,7	52,5	62,0	65,0							
	5,1	2790	2,9	275,58	44,5	49,2	62,6	65,0							
	6,0	2388	3,3	235,92	44,8	47,5	62,8	65,0							

1,50 kW

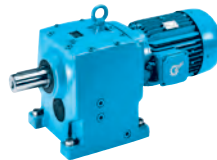


P_1 [kW]	n_2 [min ⁻¹]	M_2 [Nm]	f_B	i_{ges}	F_R [kN]	F_A [kN]	$F_{R VL}$ [kN]	$F_{A VL}$ [kN]		kg	mm 	
1,50	2,5	5738	0,9	566,77	19,7	27,9	34,6	50,0	SK 73/22 - 90 LH/4	246	B90	
	3,1	4633	1,1	457,68	23,1	27,9	36,6	50,0				
	4,1	3502	1,4	345,90	25,5	27,3	38,2	50,0				
	5,1	2828	1,8	279,33	26,5	26,7	38,9	50,0				
	6,2	2295	2,2	226,73	27,2	25,9	39,3	50,0				
	8,3	1733	2,9	171,23	27,7	24,7	39,7	50,0	SK 73/32 - 90 LH/4	257	B90	
	3,8	3,8	3728	0,9	368,29	14,4	28,4	24,4	45,0	SK 63/22 - 90 LH/4	165	B90
		5,0	2862	1,1	282,73	17,1	27,8	26,1	45,0			
		6,3	2278	1,4	224,97	18,4	27,1	27,0	45,0			
		8,2	1750	1,8	172,85	19,3	26,0	27,6	45,0			
	3,8	3,8	3768	0,8	372,21	14,2	28,4	24,3	45,0	SK 63 - 90 LH/4	146	B81
		4,7	3041	1,1	300,34	16,7	28,0	25,8	45,0			
		5,3	2686	1,4	265,32	17,6	27,6	26,4	45,0			
		6,6	2167	1,7	214,10	18,6	26,9	27,1	45,0			
	6,0	6,0	2391	0,8	236,21	9,8	23,8	17,0	40,0	SK 53 - 90 LH/4	110	B79
7,6		1880	1,0	185,72	11,7	23,8	18,1	40,0				
8,0		1794	1,1	177,22	12,0	23,8	18,3	40,0				
10		1411	1,6	139,34	12,9	23,8	18,9	40,0				
13		1072	2,1	105,87	13,5	23,8	19,3	40,0				
15		967	2,3	95,49	13,6	23,8	19,4	40,0				
16	16	880	2,0	86,92	13,8	23,8	19,5	40,0	SK 52 - 90 LH/4	91	B78	
	18	795	2,0	78,56	13,8	23,8	19,6	40,0				
	20	723	2,2	71,39	13,9	23,8	19,6	40,0				
	39	365	3,8	36,03	14,2	23,8	19,8	40,0				
	43	330	3,8	32,56	14,2	23,8	19,8	39,9				
10	1421	0,8	140,40	4,6	12,0	9,2	11,0	SK 42/12 - 90 LH/4	72	B90		
11	11	1310	0,9	129,38	5,3	12,0	9,6	11,3	SK 43 - 90 LH/4	77	B77	
	13	1088	1,0	107,51	6,4	12,0	10,2	11,4				
	15	961	1,3	94,96	6,9	12,0	10,6	11,5				
	18	809	1,5	79,96	7,4	12,0	10,9	11,5				
	20	710	1,8	70,12	7,6	12,0	11,0	11,4				
	24	590	2,0	58,27	7,9	12,0	11,2	11,1				
	29	492	2,1	48,56	8,1	12,0	11,3	10,8				
	35	415	2,5	40,98	8,1	12,0	11,4	10,7				
13	13	1064	0,8	105,08	6,6	12,0	10,3	11,7	SK 42 - 90 LH/4	62	B76	
	17	862	0,9	85,10	7,2	12,0	10,8	11,6				
	19	758	1,4	74,87	7,5	12,0	10,9	11,6				
	23	614	1,6	60,66	7,8	12,0	11,2	11,3				
	46	308	3,5	30,46	7,6	12,0	11,5	10,2				
	57	250	3,6	24,67	7,2	12,0	11,5	9,7				
22	22	651	1,0	64,26	5,9	9,0	8,8	12,4	SK 32 - 90 LH/4	47	B74	
	25	582	1,1	57,53	6,0	9,0	8,9	12,2				
	31	468	1,4	46,25	5,8	9,0	9,1	11,9				
	37	392	1,1	38,76	5,6	9,0	9,2	11,4				
	38	377	1,6	37,23	5,6	9,0	9,3	11,4				
	43	335	1,1	33,05	5,4	9,0	9,3	11,0				
	45	315	1,6	31,16	5,4	9,0	9,3	11,0				
	47	308	2,1	30,43	5,4	9,0	9,3	11,1				
	52	276	2,2	27,24	5,3	9,0	9,4	10,9				
	53	269	1,6	26,57	5,2	9,0	9,4	10,6				
	61	234	2,7	23,12	5,1	9,0	9,4	10,6				
	68	210	3,1	20,70	5,0	9,0	9,4	10,3				
	76	189	3,3	18,67	4,9	9,0	9,4	10,1				
	33	33	433	0,8	42,82	0,1	5,6	6,4				7,7
40		360	0,9	35,55	0,2	5,6	6,8	7,5				
41		351	1,0	34,69	0,3	5,6	6,8	7,6				
48		297	1,0	29,31	0,4	5,6	7,0	7,4				
49		292	1,3	28,80	1,0	5,6	7,0	7,4				
57		250	1,0	24,73	1,3	5,6	7,2	7,2				
60		240	1,4	23,74	2,0	5,6	7,2	7,2				
71		203	1,4	20,03	2,6	5,6	7,3	7,0				
84		170	2,0	16,75	3,8	5,6	7,3	7,0				
96		149	2,3	14,69	3,7	5,6	7,4	6,8				
116		124	2,7	12,20	3,6	5,6	7,4	6,6				

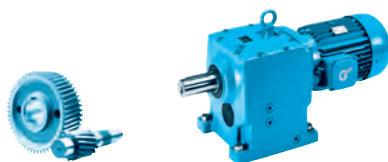


1,50 kW
2,20 kW

P_1 [kW]	n_2 [min ⁻¹]	M_2 [Nm]	f_B	i_{ges}	F_R [kN]	F_A [kN]	$F_{R VL}$ [kN]	$F_{A VL}$ [kN]		kg	mm
1,50	130	110	2,9	10,89	3,5	5,6	7,4	6,4	SK 22 - 90 LH/4	36	B72
	167	86	3,0	8,48	3,2	5,5	7,5	6,0			
	187	77	3,2	7,57	3,1	5,3	7,5	5,9			
	206	69	3,7	6,86	3,1	5,2	7,5	5,8			
	217	66	3,5	6,51	3,0	5,1	7,5	5,7			
	66	215	0,8	21,28	0,1	0,3	4,6	5,5	SK 12 - 90 LH/4	27	B70
	75	190	0,8	18,79	0,3	0,9	4,7	5,5			
	85	169	0,9	16,73	0,5	1,5	4,8	5,4			
	106	136	1,1	13,39	0,6	3,9	4,9	5,2			
	132	108	1,2	10,70	1,5	3,9	5,0	5,1			
	147	98	1,4	9,65	1,6	3,8	5,0	5,0			
	165	87	1,5	8,56	1,9	3,7	5,0	4,9			
	180	79	1,6	7,85	1,9	3,5	5,0	4,8			
	194	74	1,7	7,28	2,1	3,5	5,0	4,8			
	217	66	1,9	6,53	2,0	3,4	5,1	4,6			
244	59	2,1	5,79	1,9	3,3	5,1	4,5				
287	50	2,3	4,93	1,9	3,1	5,1	4,3				
315	45	2,6	4,49	1,8	3,0	5,1	4,2				
328	44	2,6	4,32	1,8	3,0	5,1	4,2				
356	40	2,8	3,98	1,8	2,9	5,1	4,1				
417	34	3,2	3,39	1,7	2,8	5,1	4,0				
478	30	3,5	2,96	1,6	2,7	5,1	3,8				
173	83	0,8	8,19	0,5	2,9	2,4	3,4	SK 02 - 90 LH/4	25	B68	
181	79	0,8	7,80	0,5	2,8	2,4	3,3				
205	70	0,9	6,89	0,8	2,8	2,4	3,3				
232	62	0,9	6,10	1,4	2,8	2,4	3,3				
254	56	1,0	5,57	1,3	2,7	2,3	3,2				
294	49	1,2	4,82	1,2	2,5	2,2	3,0				
335	43	1,2	4,22	1,5	2,5	2,2	3,0				
364	39	1,3	3,89	1,5	2,4	2,1	3,0				
419	34	1,5	3,38	1,5	2,4	2,0	2,9				
480	30	1,5	2,95	1,4	2,3	2,0	2,8				
522	27	2,8	2,71	-	4,1	2,4	5,8	SK 21E - 90 LH/4	29	B64	
585	24	3,0	2,42	-	3,9	2,4	5,5				
500	29	1,9	2,83	-	2,8	1,7	4,5	SK 11E - 90 LH/4	23	B63	
610	23	2,4	2,32	-	2,6	1,7	4,2				
694	21	2,8	2,04	-	2,5	1,8	4,0				
782	18	3,0	1,81	-	2,3	1,8	3,8				
2,20	1,0	20541	1,0	1412,72	90,0	120,0	117,9	120,0	SK 103/52 - 100 LH/4	814	B91
	1,3	16701	1,2	1148,61	94,4	120,0	120,0	120,0			
	1,5	13719	1,5	943,57	97,1	120,0	120,0	120,0			
	1,8	11872	1,7	816,55	98,5	120,0	120,0	120,0			
	2,2	9339	2,1	642,31	100,0	120,0	120,0	120,0			
	3,1	6802	2,9	467,81	101,1	120,0	120,0	120,0			
	4,2	4945	4,0	340,13	101,8	120,0	120,0	120,0			
	1,3	15870	0,8	1091,47	51,6	80,0	83,3	80,0	SK 93/42 - 100 LH/4	566	B91
	1,8	11828	1,0	813,46	58,8	80,0	88,0	80,0			
	1,9	11004	1,1	756,82	60,0	80,0	88,7	80,0			
	2,6	7979	1,5	548,76	63,3	80,0	91,0	80,0			
	3,2	6649	1,8	457,30	64,4	80,0	91,8	80,0			
	4,3	4842	2,5	333,02	65,5	80,0	92,6	80,0			
	5,0	4185	2,9	287,83	65,8	79,8	92,8	80,0			
	2,0	10537	0,8	724,73	30,0	51,1	53,2	65,0	SK 83/32 - 100 LH/4	372	B90
2,8	7639	1,0	525,40	38,1	50,5	58,2	65,0	SK 83/42 - 100 LH/4	387	B91	
3,3	6366	1,3	437,84	40,5	49,6	59,8	65,0				
3,9	5452	1,5	374,99	41,8	48,6	60,7	65,0				
5,2	4007	2,0	275,58	43,5	46,3	61,9	65,0				
6,1	3430	2,3	235,92	44,0	45,0	62,2	65,0				
6,7	3149	2,8	216,61	44,2	44,3	62,4	65,0	SK 83 - 100 LH/4	342	B85	
11	1989	3,7	136,78	45,0	40,1	62,9	65,0				
3,2	6655	0,8	457,68	15,6	23,0	32,4	50,0	SK 73/22 - 100 LH/4	254	B90	
4,2	5029	1,0	345,90	22,0	23,6	36,0	50,0				
5,2	4061	1,2	279,33	24,4	23,7	37,5	50,0				

2,20 kW**IE2**

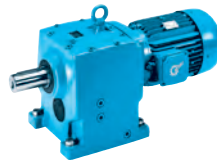
P_1 [kW]	n_2 [min ⁻¹]	M_2 [Nm]	f_B	i_{ges}	F_R [kN]	F_A [kN]	$F_{R VL}$ [kN]	$F_{A VL}$ [kN]		kg	mm																																																																																																																																																																																																																																																																																																																																																																																																																																																																																																																																																					
2,20	6,4	3297	1,5	226,73	25,8	23,4	38,4	50,0	SK 73/32 - 100 LH/4	265	B90																																																																																																																																																																																																																																																																																																																																																																																																																																																																																																																																																					
	8,4	2490	2,0	171,23	26,9	22,8	39,2	50,0					7,0	2990	1,8	205,61	26,3	23,2	38,7	50,0	SK 73 - 100 LH/4	235	B83		8,7	2414	2,3	166,03	27,0	22,7	39,2	50,0		12	1809	2,8	124,41	27,6	21,7	39,7	50,0		14	1461	2,7	100,46	27,9	20,9	39,8	50,0		16	1329	4,0	91,38	28,0	20,5	39,9	50,0		5,1	4111	0,8	282,73	12,7	24,1	23,4	45,0	SK 63/22 - 100 LH/4	173	B90		5,4	3858	0,9	265,32	13,9	24,2	24,1	45,0	SK 63 - 100 LH/4	154	B81		6,7	3113	1,2	214,10	16,5	24,1	25,7	45,0		8,0	2625	1,4	180,57	17,7	23,8	26,5	45,0		9,9	2119	1,7	145,71	18,7	23,3	27,2	45,0		13	1569	2,3	107,89	19,5	22,2	27,7	45,0		17	1266	2,5	87,06	19,8	21,4	28,0	45,0		19	1126	3,3	77,46	20,0	21,0	28,0	44,8					9,9	2123	0,9	146,03	10,9	23,8	17,6	40,0	SK 52/12 - 100 LH/4	109	B90		10	2026	1,1	139,34	11,2	23,8	17,8	40,0	SK 53 - 100 LH/4	118	B79		14	1539	1,4	105,87	12,6	23,8	18,7	40,0		15	1388	1,6	95,49	12,9	23,8	19,0	40,0		18	1159	1,6	79,69	13,4	23,8	19,2	40,0		22	950	2,0	65,35	13,7	23,8	19,5	40,0		17	1264	1,4	86,92	13,2	23,8	19,1	40,0	SK 52 - 100 LH/4	99	B78		18	1142	1,4	78,56	13,4	23,8	19,2	40,0		20	1038	1,5	71,39	13,5	23,8	19,4	40,0		24	866	2,2	59,54	13,8	23,8	19,5	40,0		27	782	2,4	53,81	13,9	23,8	19,6	40,0		30	711	2,7	48,90	13,9	23,8	19,6	40,0		15	1381	0,9	94,96	4,9	12,0	9,3	9,2	SK 43 - 100 LH/4	85	B77		18	1163	1,1	79,96	6,1	12,0	10,0	9,6		21	1020	1,2	70,12	6,7	12,0	10,4	9,7		19	1089	1,0	74,87	6,4	12,0	10,2	9,9	SK 42 - 100 LH/4	70	B76		24	882	1,1	60,66	7,2	12,0	10,7	9,9		28	741	1,5	50,98	7,6	12,0	11,0	9,9		35	600	2,0	41,29	7,5	12,0	11,2	9,7		41	513	2,4	35,25	7,2	12,0	11,3	9,5		47	443	2,4	30,46	7,1	12,0	11,4	9,5		49	426	2,4	29,29	6,9	12,0	11,4	9,3		59	359	2,5	24,67	6,7	12,0	11,4	9,1		66	318	3,4	21,87	6,6	12,0	11,5	9,0		31	672	1,0	46,25	3,2	9,0	8,8	10,6	SK 32 - 100 LH/4	55	B74		39	541	1,1	37,23	4,4	9,0	9,0	10,2		46	453	1,1	31,16	4,8	9,0	9,1	10,0		47	442	1,4	30,43	4,9	9,0	9,2	10,2		53	396	1,5	27,24	4,8	9,0	9,2	10,1		54	386	1,1	26,57	4,7	9,0	9,2	9,8		62	336	1,9	23,12	4,7	9,0	9,3	9,9		70	301	2,2	20,70	4,6	9,0	9,3	9,7		77	271	2,3	18,67	4,5	9,0	9,4	9,5		87	242	2,2	16,66	4,4	8,6	9,4	9,2		89	236	2,7	16,25	4,4	8,7	9,4	9,3		96	219	2,3	15,03	4,3	8,4	9,4	9,1		99	212	3,2	14,55	4,3	8,5	9,4	9,1		123	170	4,2	11,71	4,1	7,9	9,4	8,6		50	419	0,9	28,80	0,1	1,1	6,5	6,4	SK 22 - 100 LH/4	44	B72		61	345	0,9	23,74	0,5	2,1	6,8	6,3		72	291	1,0	20,03	0,7	4,0	7,0	6,2		86	244	1,4	16,75	1,0	5,6	7,2	6,4		98	214	1,6	14,69
	7,0	2990	1,8	205,61	26,3	23,2	38,7	50,0	SK 73 - 100 LH/4	235	B83																																																																																																																																																																																																																																																																																																																																																																																																																																																																																																																																																					
	8,7	2414	2,3	166,03	27,0	22,7	39,2	50,0																																																																																																																																																																																																																																																																																																																																																																																																																																																																																																																																																								
	12	1809	2,8	124,41	27,6	21,7	39,7	50,0																																																																																																																																																																																																																																																																																																																																																																																																																																																																																																																																																								
	14	1461	2,7	100,46	27,9	20,9	39,8	50,0																																																																																																																																																																																																																																																																																																																																																																																																																																																																																																																																																								
	16	1329	4,0	91,38	28,0	20,5	39,9	50,0																																																																																																																																																																																																																																																																																																																																																																																																																																																																																																																																																								
	5,1	4111	0,8	282,73	12,7	24,1	23,4	45,0	SK 63/22 - 100 LH/4	173	B90																																																																																																																																																																																																																																																																																																																																																																																																																																																																																																																																																					
	5,4	3858	0,9	265,32	13,9	24,2	24,1	45,0	SK 63 - 100 LH/4	154	B81																																																																																																																																																																																																																																																																																																																																																																																																																																																																																																																																																					
	6,7	3113	1,2	214,10	16,5	24,1	25,7	45,0																																																																																																																																																																																																																																																																																																																																																																																																																																																																																																																																																								
	8,0	2625	1,4	180,57	17,7	23,8	26,5	45,0																																																																																																																																																																																																																																																																																																																																																																																																																																																																																																																																																								
	9,9	2119	1,7	145,71	18,7	23,3	27,2	45,0																																																																																																																																																																																																																																																																																																																																																																																																																																																																																																																																																								
	13	1569	2,3	107,89	19,5	22,2	27,7	45,0																																																																																																																																																																																																																																																																																																																																																																																																																																																																																																																																																								
	17	1266	2,5	87,06	19,8	21,4	28,0	45,0																																																																																																																																																																																																																																																																																																																																																																																																																																																																																																																																																								
	19	1126	3,3	77,46	20,0	21,0	28,0	44,8																																																																																																																																																																																																																																																																																																																																																																																																																																																																																																																																																								
	9,9	2123	0,9	146,03	10,9	23,8	17,6	40,0	SK 52/12 - 100 LH/4	109	B90																																																																																																																																																																																																																																																																																																																																																																																																																																																																																																																																																					
	10	2026	1,1	139,34	11,2	23,8	17,8	40,0	SK 53 - 100 LH/4	118	B79																																																																																																																																																																																																																																																																																																																																																																																																																																																																																																																																																					
	14	1539	1,4	105,87	12,6	23,8	18,7	40,0																																																																																																																																																																																																																																																																																																																																																																																																																																																																																																																																																								
	15	1388	1,6	95,49	12,9	23,8	19,0	40,0																																																																																																																																																																																																																																																																																																																																																																																																																																																																																																																																																								
	18	1159	1,6	79,69	13,4	23,8	19,2	40,0																																																																																																																																																																																																																																																																																																																																																																																																																																																																																																																																																								
	22	950	2,0	65,35	13,7	23,8	19,5	40,0																																																																																																																																																																																																																																																																																																																																																																																																																																																																																																																																																								
	17	1264	1,4	86,92	13,2	23,8	19,1	40,0	SK 52 - 100 LH/4	99	B78																																																																																																																																																																																																																																																																																																																																																																																																																																																																																																																																																					
	18	1142	1,4	78,56	13,4	23,8	19,2	40,0																																																																																																																																																																																																																																																																																																																																																																																																																																																																																																																																																								
	20	1038	1,5	71,39	13,5	23,8	19,4	40,0																																																																																																																																																																																																																																																																																																																																																																																																																																																																																																																																																								
	24	866	2,2	59,54	13,8	23,8	19,5	40,0																																																																																																																																																																																																																																																																																																																																																																																																																																																																																																																																																								
	27	782	2,4	53,81	13,9	23,8	19,6	40,0																																																																																																																																																																																																																																																																																																																																																																																																																																																																																																																																																								
	30	711	2,7	48,90	13,9	23,8	19,6	40,0																																																																																																																																																																																																																																																																																																																																																																																																																																																																																																																																																								
	15	1381	0,9	94,96	4,9	12,0	9,3	9,2	SK 43 - 100 LH/4	85	B77																																																																																																																																																																																																																																																																																																																																																																																																																																																																																																																																																					
	18	1163	1,1	79,96	6,1	12,0	10,0	9,6																																																																																																																																																																																																																																																																																																																																																																																																																																																																																																																																																								
	21	1020	1,2	70,12	6,7	12,0	10,4	9,7																																																																																																																																																																																																																																																																																																																																																																																																																																																																																																																																																								
	19	1089	1,0	74,87	6,4	12,0	10,2	9,9	SK 42 - 100 LH/4	70	B76																																																																																																																																																																																																																																																																																																																																																																																																																																																																																																																																																					
	24	882	1,1	60,66	7,2	12,0	10,7	9,9																																																																																																																																																																																																																																																																																																																																																																																																																																																																																																																																																								
	28	741	1,5	50,98	7,6	12,0	11,0	9,9																																																																																																																																																																																																																																																																																																																																																																																																																																																																																																																																																								
	35	600	2,0	41,29	7,5	12,0	11,2	9,7																																																																																																																																																																																																																																																																																																																																																																																																																																																																																																																																																								
	41	513	2,4	35,25	7,2	12,0	11,3	9,5																																																																																																																																																																																																																																																																																																																																																																																																																																																																																																																																																								
	47	443	2,4	30,46	7,1	12,0	11,4	9,5																																																																																																																																																																																																																																																																																																																																																																																																																																																																																																																																																								
	49	426	2,4	29,29	6,9	12,0	11,4	9,3																																																																																																																																																																																																																																																																																																																																																																																																																																																																																																																																																								
	59	359	2,5	24,67	6,7	12,0	11,4	9,1																																																																																																																																																																																																																																																																																																																																																																																																																																																																																																																																																								
	66	318	3,4	21,87	6,6	12,0	11,5	9,0																																																																																																																																																																																																																																																																																																																																																																																																																																																																																																																																																								
	31	672	1,0	46,25	3,2	9,0	8,8	10,6				SK 32 - 100 LH/4	55	B74																																																																																																																																																																																																																																																																																																																																																																																																																																																																																																																																																		
	39	541	1,1	37,23	4,4	9,0	9,0	10,2																																																																																																																																																																																																																																																																																																																																																																																																																																																																																																																																																								
	46	453	1,1	31,16	4,8	9,0	9,1	10,0																																																																																																																																																																																																																																																																																																																																																																																																																																																																																																																																																								
	47	442	1,4	30,43	4,9	9,0	9,2	10,2																																																																																																																																																																																																																																																																																																																																																																																																																																																																																																																																																								
	53	396	1,5	27,24	4,8	9,0	9,2	10,1																																																																																																																																																																																																																																																																																																																																																																																																																																																																																																																																																								
	54	386	1,1	26,57	4,7	9,0	9,2	9,8																																																																																																																																																																																																																																																																																																																																																																																																																																																																																																																																																								
	62	336	1,9	23,12	4,7	9,0	9,3	9,9																																																																																																																																																																																																																																																																																																																																																																																																																																																																																																																																																								
	70	301	2,2	20,70	4,6	9,0	9,3	9,7																																																																																																																																																																																																																																																																																																																																																																																																																																																																																																																																																								
	77	271	2,3	18,67	4,5	9,0	9,4	9,5																																																																																																																																																																																																																																																																																																																																																																																																																																																																																																																																																								
	87	242	2,2	16,66	4,4	8,6	9,4	9,2																																																																																																																																																																																																																																																																																																																																																																																																																																																																																																																																																								
	89	236	2,7	16,25	4,4	8,7	9,4	9,3																																																																																																																																																																																																																																																																																																																																																																																																																																																																																																																																																								
	96	219	2,3	15,03	4,3	8,4	9,4	9,1																																																																																																																																																																																																																																																																																																																																																																																																																																																																																																																																																								
	99	212	3,2	14,55	4,3	8,5	9,4	9,1																																																																																																																																																																																																																																																																																																																																																																																																																																																																																																																																																								
	123	170	4,2	11,71	4,1	7,9	9,4	8,6																																																																																																																																																																																																																																																																																																																																																																																																																																																																																																																																																								
	50	419	0,9	28,80	0,1	1,1	6,5	6,4	SK 22 - 100 LH/4	44	B72																																																																																																																																																																																																																																																																																																																																																																																																																																																																																																																																																					
	61	345	0,9	23,74	0,5	2,1	6,8	6,3																																																																																																																																																																																																																																																																																																																																																																																																																																																																																																																																																								
	72	291	1,0	20,03	0,7	4,0	7,0	6,2																																																																																																																																																																																																																																																																																																																																																																																																																																																																																																																																																								
	86	244	1,4	16,75	1,0	5,6	7,2	6,4																																																																																																																																																																																																																																																																																																																																																																																																																																																																																																																																																								
	98	214	1,6	14,69	1,8	5,6	7,2	6,3																																																																																																																																																																																																																																																																																																																																																																																																																																																																																																																																																								



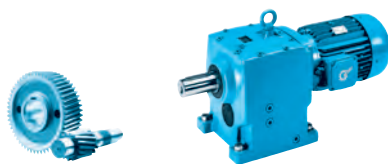
2,20 kW
3,00 kW

P_1 [kW]	n_2 [min ⁻¹]	M_2 [Nm]	f_B	i_{ges}	F_R [kN]	F_A [kN]	$F_{R VL}$ [kN]	$F_{A VL}$ [kN]		kg	mm
2,20	118	177	1,9	12,20	2,4	5,5	7,3	6,1	SK 22 - 100 LH/4	44	B72
	133	158	2,0	10,89	2,9	5,4	7,4	6,0			
	170	123	2,1	8,48	3,0	5,0	7,4	5,7			
	191	110	2,2	7,57	3,0	4,8	7,4	5,6			
	211	100	2,6	6,86	2,9	4,8	7,4	5,5			
	222	95	2,4	6,51	2,9	4,7	7,4	5,4			
	250	84	2,6	5,79	2,8	4,5	7,5	5,3			
	279	75	2,1	5,18	2,7	4,2	7,5	5,1			
	313	67	2,2	4,62	2,6	4,1	7,5	4,9			
		108	195	0,8	13,39	0,1	0,8	4,7			
135		156	0,9	10,70	0,1	1,3	4,8	4,6			
150		140	1,0	9,65	0,1	2,1	4,9	4,6			
169		124	1,0	8,56	0,1	3,0	4,9	4,5			
184		114	1,1	7,85	0,2	3,0	5,0	4,4			
198		106	1,2	7,28	0,7	3,0	5,0	4,4			
221		95	1,3	6,53	0,6	2,9	5,0	4,3			
250		84	1,4	5,79	0,9	2,8	5,0	4,2			
293		72	1,6	4,93	1,3	2,8	5,0	4,1			
322		65	1,8	4,49	1,2	2,6	5,1	4,0			
334		63	1,8	4,32	1,5	2,7	5,1	4,0			
363		58	2,0	3,98	1,4	2,6	5,1	3,9			
426		49	2,2	3,39	1,6	2,5	5,1	3,8			
488		43	2,4	2,96	1,5	2,4	5,1	3,7			
	300	70	0,8	4,82	0,1	0,3	1,9	2,6	SK 02 - 100 LH/4	33	B68
	342	61	0,8	4,22	0,5	2,2	2,0	2,7			
	371	57	0,9	3,89	0,4	2,0	1,9	2,6			
	428	49	1,0	3,38	0,7	2,0	1,9	2,6			
	490	43	1,1	2,95	0,9	2,0	1,8	2,5			
	533	39	2,0	2,71	-	3,8	2,2	5,5	SK 21E - 100 LH/4	37	B64
	597	35	2,1	2,42	-	3,7	2,3	5,3			
	695	30	2,2	2,08	-	3,5	2,3	5,0			
	511	41	1,3	2,83	-	2,5	1,5	4,2	SK 11E - 100 LH/4	31	B63
	623	34	1,7	2,32	-	2,3	1,6	3,9			
	708	30	2,0	2,04	-	2,2	1,6	3,7			
	798	26	2,1	1,81	-	2,1	1,7	3,6			
3,00	1,2	23093	0,9	1148,61	86,4	120,0	115,4	120,0	SK 103/52 - 100 AH/4	814	B91
	1,5	18971	1,1	943,57	91,9	120,0	119,2	120,0			
	1,7	16417	1,2	816,55	94,7	120,0	120,0	120,0			
	2,2	12914	1,5	642,31	97,7	120,0	120,0	120,0			
	3,0	9405	2,1	467,81	99,9	120,0	120,0	120,0			
	4,2	6838	2,9	340,13	101,1	119,7	120,0	120,0			
	4,8	5965	3,4	296,69	101,4	115,9	120,0	120,0			
	1,9	15216	0,8	756,82	53,0	80,0	84,2	80,0			
2,6	11033	1,1	548,76	59,9	80,0	88,7	80,0				
3,1	9194	1,3	457,30	62,1	80,0	90,2	80,0				
4,3	6695	1,8	333,02	64,3	79,4	91,7	80,0				
5,0	5787	2,1	287,83	65,0	77,2	92,2	80,0				
5,9	4820	2,5	239,74	65,5	74,3	92,6	80,0				
	2,7	10563	0,8	525,40	29,9	44,6	53,2	65,0	SK 83/42 - 100 AH/4	387	B91
	3,3	8803	0,9	437,84	35,3	44,8	56,4	65,0			
	3,8	7539	1,1	374,99	38,3	44,5	58,3	65,0			
	5,2	5541	1,4	275,58	41,7	43,3	60,6	65,0			
	6,0	4743	1,7	235,92	42,7	42,6	61,3	65,0			
	6,6	4355	2,0	216,61	43,2	42,0	61,6	65,0	SK 83 - 100 AH/4	342	B85
	10	2750	2,7	136,78	44,5	38,7	62,6	65,0			
	5,1	5616	0,9	279,33	20,1	20,3	34,8	50,0	SK 73/22 - 100 AH/4	254	B90
	6,3	4558	1,1	226,73	23,3	20,6	36,7	50,0	SK 73/32 - 100 AH/4	265	B90
	8,3	3443	1,5	171,23	25,6	20,7	38,2	50,0			
	10	2837	1,8	141,11	26,5	20,5	38,9	50,0			

3,00 kW



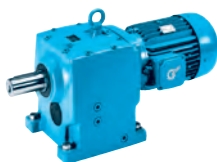
P ₁ [kW]	n ₂ [min ⁻¹]	M ₂ [Nm]	f _B	i _{ges}	F _R [kN]	F _A [kN]	F _{R VL} [kN]	F _{A VL} [kN]		kg	mm
3,00	6,9	4134	1,3	205,61	24,2	20,8	37,4	50,0	SK 73 - 100 AH/4	235	B83
	8,6	3338	1,7	166,03	25,8	20,6	38,4	50,0			
	11	2501	2,0	124,41	26,9	20,2	39,2	50,0			
	14	2020	2,0	100,46	27,4	19,7	39,5	50,0			
	16	1837	2,9	91,38	27,6	19,4	39,6	50,0			
	6,7	4305	0,8	214,10	11,7	20,9	22,9	45,0	SK 63 - 100 AH/4	154	B81
	7,9	3630	1,0	180,57	14,8	21,2	24,6	45,0			
	9,8	2930	1,3	145,71	17,0	21,2	26,0	45,0			
	13	2169	1,7	107,89	18,6	20,7	27,1	45,0			
	16	1750	1,8	87,06	19,3	20,2	27,6	44,6			
	18	1557	2,4	77,46	19,5	19,9	27,7	43,6			
	23	1264	2,9	62,87	19,9	19,2	28,0	41,5			
	26	1082	3,4	53,82	20,0	18,7	28,1	40,0			
	28	1020	3,6	50,73	20,1	18,5	28,1	39,5			
	33	873	4,2	43,43	20,2	17,9	28,2	38,0			
	29	980	2,6	48,73	20,1	18,4	28,1	39,2	SK 62 - 100 AH/4	156	B80
	10	2801	0,8	139,34	7,5	23,8	15,8	40,0	SK 53 - 100 AH/4	118	B79
	13	2129	1,0	105,87	10,9	23,8	17,6	40,0			
	15	1920	1,2	95,49	11,6	23,8	18,1	40,0			
	18	1602	1,2	79,69	12,5	23,8	18,6	40,0			
	22	1314	1,5	65,35	13,1	23,8	19,0	40,0			
	24	1185	1,6	58,94	13,3	23,8	19,2	40,0			
	16	1748	1,0	86,92	12,1	23,8	18,4	40,0	SK 52 - 100 AH/4	99	B78
	18	1579	1,0	78,56	12,5	23,8	18,7	40,0			
	20	1435	1,1	71,39	12,8	23,8	18,9	40,0			
	24	1197	1,6	59,54	13,3	23,8	19,2	40,0			
	26	1082	1,8	53,81	13,5	23,8	19,3	40,0			
	29	983	2,0	48,90	13,6	23,8	19,4	40,0			
	37	773	2,2	38,45	13,9	23,8	19,6	40,0			
	40	724	1,9	36,03	13,9	23,8	19,6	39,8			
	44	645	2,2	32,09	14,0	23,8	19,7	38,4			
	54	532	3,6	26,46	14,1	23,8	19,7	36,7			
	60	481	4,0	23,92	14,1	23,8	19,8	35,7			
	18	1608	0,8	79,96	0,2	3,2	8,4	7,3	SK 43 - 100 AH/4	85	B77
	20	1410	0,9	70,12	2,5	12,0	9,2	7,7			
	24	1172	1,0	58,27	5,7	12,0	10,0	8,0			
	29	976	1,1	48,56	6,6	12,0	10,5	8,1			
	35	824	1,3	40,98	6,7	12,0	10,8	8,5			
	23	1220	0,8	60,66	5,8	12,0	9,9	8,2	SK 42 - 100 AH/4	70	B76
	28	1025	1,1	50,98	6,7	12,0	10,4	8,6			
	35	830	1,4	41,29	6,8	12,0	10,8	8,6			
	40	709	1,7	35,25	6,6	12,0	11,0	8,5			
	47	612	1,8	30,46	6,6	12,0	11,2	8,7			
	49	589	1,7	29,29	6,4	12,0	11,2	8,4			
	58	496	1,8	24,67	6,3	12,0	11,3	8,4			
	65	440	2,5	21,87	6,2	11,8	11,4	8,4			
	80	356	3,3	17,71	6,0	11,2	11,4	8,1			
	94	304	4,1	15,12	5,7	10,7	11,5	7,9			
	99	289	4,0	14,38	5,7	10,6	11,5	7,9			
	116	247	4,8	12,28	5,5	10,1	11,5	7,6			
	140	205	5,7	10,20	5,2	9,5	11,5	7,3			
	168	171	6,3	8,50	4,9	8,9	11,6	7,0			
	196	146	7,4	7,28	4,8	8,5	11,6	6,8			
	47	612	1,0	30,43	2,4	8,2	8,9	9,3			
	52	548	1,1	27,24	3,1	8,1	9,0	9,2			
	62	465	1,4	23,12	4,3	8,2	9,1	9,1			
	69	416	1,6	20,70	4,2	8,1	9,2	9,0			
	76	375	1,7	18,67	4,2	8,0	9,3	8,9			
	86	335	1,6	16,66	4,1	7,7	9,3	8,7			
	88	327	2,0	16,25	4,1	7,8	9,3	8,8			
	95	302	1,7	15,03	4,0	7,6	9,3	8,6			
	98	293	2,3	14,55	4,1	7,7	9,4	8,6			
	122	235	3,0	11,71	3,8	7,2	9,4	8,2			
	145	197	3,3	9,80	3,7	6,9	9,4	7,9			
	170	168	3,6	8,36	3,6	6,6	9,4	7,7			
	180	159	4,1	7,90	3,5	6,5	9,4	7,6			
	202	142	1,7	7,05	3,4	6,1	9,4	7,3			
	211	136	4,5	6,74	3,4	6,2	9,4	7,3			



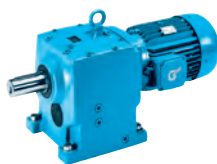
3,00 kW
4,00 kW

P_1 [kW]	n_2 [min ⁻¹]	M_2 [Nm]	f_B	i_{ges}	F_R [kN]	F_A [kN]	$F_{R VL}$ [kN]	$F_{A VL}$ [kN]		kg	mm 			
3,00	250	115	5,3	5,70	3,2	5,9	9,4	7,1	SK 32 - 100 AH/4	55	B74			
	259	111	4,1	5,50	3,2	5,7	9,4	6,9						
	270	106	6,0	5,28	3,2	5,8	9,4	7,0						
	322	89	5,2	4,43	3,0	5,4	9,4	6,6						
	380	75	6,1	3,75	2,9	5,1	9,4	6,3						
	481	60	7,3	2,96	2,7	4,7	9,4	6,0						
	85	337	1,0	16,75	0,1	0,7	6,9	5,7				SK 22 - 100 AH/4	44	B72
	97	295	1,1	14,69	0,2	1,5	7,0	5,7						
	117	245	1,3	12,20	0,3	3,1	7,2	5,6						
	131	219	1,4	10,89	0,4	4,6	7,2	5,5						
168	170	1,5	8,48	1,1	4,4	7,3	5,3							
188	152	1,6	7,57	1,6	4,3	7,4	5,2							
208	138	1,8	6,86	2,2	4,3	7,4	5,2							
219	131	1,7	6,51	2,1	4,2	7,4	5,1							
246	116	1,8	5,79	2,5	4,1	7,4	5,0							
275	104	1,5	5,18	2,1	3,9	7,4	4,8							
308	93	1,6	4,62	2,4	3,8	7,5	4,7							
359	80	1,7	3,97	2,4	3,7	7,5	4,6							
404	71	1,8	3,53	2,3	3,5	7,5	4,5							
511	56	2,1	2,79	2,2	3,3	7,4	4,3							
166	172	0,8	8,56	0,1	0,2	4,8	4,1	SK 12 - 100 AH/4	35	B70				
182	158	0,8	7,85	0,1	0,7	4,8	4,0							
196	146	0,8	7,28	0,1	0,9	4,9	4,0							
218	131	1,0	6,53	0,2	1,3	4,9	3,9							
246	116	1,0	5,79	0,2	1,5	4,9	3,9							
289	99	1,2	4,93	0,2	1,5	5,0	3,8							
317	90	1,3	4,49	0,3	1,7	5,0	3,7							
330	87	1,3	4,32	0,3	2,3	5,0	3,8							
358	80	1,4	3,98	0,2	2,2	5,0	3,6							
420	68	1,6	3,39	0,6	2,2	5,1	3,6							
481	60	1,8	2,96	0,9	2,2	5,1	3,5							
552	52	3,6	2,58	-	4,3	3,4	6,2				SK 31E - 100 AH/4	42	B65	
685	42	3,9	2,08	-	4,0	3,4	5,7							
526	54	1,4	2,71	-	3,6	1,9	5,3	SK 21E - 100 AH/4	37	B64				
589	49	1,5	2,42	-	3,5	2,0	5,0							
685	42	1,6	2,08	-	3,3	2,1	4,8							
770	37	1,7	1,85	-	3,1	2,2	4,6							
504	57	0,9	2,83	-	2,1	1,2	3,9	SK 11E - 100 AH/4	31	B63				
614	47	1,2	2,32	-	2,0	1,4	3,6							
699	41	1,4	2,04	-	2,0	1,5	3,5							
787	36	1,5	1,81	-	1,9	1,5	3,4							
4,00	1,5	25031	0,8	943,57	83,3	120,0	113,3	120,0	SK 103/52 - 112 MH/4	825	B91			
	1,8	21661	0,9	816,55	88,5	120,0	116,8	120,0						
	2,2	17039	1,2	642,31	94,1	120,0	120,0	120,0						
	3,1	12410	1,6	467,81	98,1	120,0	120,0	120,0						
	4,2	9023	2,2	340,13	100,2	115,9	120,0	120,0						
	4,9	7871	2,5	296,69	100,7	112,4	120,0	120,0						
	5,9	6493	3,1	244,77	101,3	107,7	120,0	120,0						
	7,8	4898	4,1	184,62	101,8	100,7	120,0	120,0						
	2,6	14557	0,8	548,76	54,3	79,8	85,0	80,0				SK 93/42 - 112 MH/4	577	B91
	3,1	12131	1,0	457,30	58,4	78,6	87,7	80,0						
	4,3	8834	1,4	333,02	62,5	75,3	90,4	80,0						
	5,0	7635	1,6	287,83	63,6	73,6	91,2	80,0						
	6,0	6360	1,9	239,74	64,6	71,3	91,9	80,0						
	7,9	4806	2,5	181,16	65,5	67,2	92,6	80,0						
	3,8	9948	0,8	374,99	32,0	39,3	54,4	65,0	SK 83/42 - 112 MH/4	398	B91			
5,2	7311	1,1	275,58	38,8	39,5	58,6	65,0							
6,1	6258	1,3	235,92	40,6	39,2	59,9	65,0							
7,2	5315	1,5	200,37	42,0	38,7	60,8	65,0							
9,7	3951	2,0	148,94	43,6	37,3	61,9	65,0							
6,6	5746	1,5	216,61	41,4	38,9	60,4	65,0	SK 83 - 112 MH/4	353	B85				
11	3628	2,0	136,78	43,9	36,8	62,1	65,0							
6,4	6015	0,8	226,73	18,6	17,3	34,0	50,0	SK 73/32 - 112 MH/4	276	B90				

4,00 kW

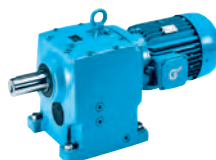


P_1 [kW]	n_2 [min ⁻¹]	M_2 [Nm]	f_B	i_{ges}	F_R [kN]	F_A [kN]	$F_{R VL}$ [kN]	$F_{A VL}$ [kN]		kg	mm			
4,00	7,0	5454	1,0	205,61	20,7	17,7	35,2	50,0	SK 73 - 112 MH/4	246	B83			
	8,7	4404	1,3	166,03	23,6	18,1	37,0	50,0						
	12	3300	1,5	124,41	25,8	18,3	38,4	50,0						
	14	2665	1,5	100,46	26,7	18,2	39,0	50,0						
	16	2424	2,2	91,38	27,0	18,0	39,2	50,0						
19	1986	2,7	74,87	27,5	17,7	39,5	49,8							
	8,0	4790	0,8	180,57	8,4	17,8	21,4	45,0	SK 63 - 112 MH/4	165	B81			
	9,9	3865	1,0	145,71	13,8	18,4	24,1	45,0						
	11	3516	1,1	132,54	15,2	18,6	24,9	45,0						
	13	2862	1,3	107,89	17,1	18,7	26,1	44,1						
	17	2310	1,4	87,06	18,4	18,6	26,9	42,5						
	19	2055	1,8	77,46	18,8	18,4	27,2	41,7						
	23	1668	2,2	62,87	19,4	18,0	27,6	40,0						
	27	1428	2,6	53,82	19,7	17,6	27,8	38,8						
	28	1346	2,7	50,73	19,8	17,5	27,9	38,3						
	33	1152	3,2	43,43	20,0	17,1	28,0	37,0						
	40	958	3,9	36,11	20,1	16,5	28,1	35,4						
	47	820	4,4	30,91	20,2	16,0	28,2	34,2						
	30	1293	1,9	48,73	19,8	17,5	27,9	38,0	SK 62 - 112 MH/4	167	B80			
	14	2808	0,8	105,87	7,5	23,8	15,7	40,0	SK 53 - 112 MH/4	129	B79			
	15	2533	0,9	95,49	9,1	23,8	16,6	40,0						
	18	2114	0,9	79,69	10,9	23,8	17,6	40,0						
	22	1734	1,1	65,35	12,1	23,8	18,4	40,0						
	24	1564	1,2	58,94	12,6	23,8	18,7	40,0						
	18	2084	0,8	78,56	11,1	23,8	17,7	40,0	SK 52 - 112 MH/4	110	B78			
	20	1894	0,8	71,39	11,7	23,8	18,1	40,0						
	24	1579	1,2	59,54	12,5	23,8	18,7	40,0						
	27	1427	1,3	53,81	12,9	23,8	18,9	40,0						
	29	1297	1,5	48,90	13,1	23,8	19,1	40,0						
	36	1071	1,8	40,37	13,5	23,8	19,3	39,9						
	37	1020	1,6	38,45	13,6	23,8	19,4	39,3						
	39	973	2,0	36,69	13,6	23,8	19,4	39,0						
	40	956	1,5	36,03	13,6	23,8	19,4	38,9						
	44	864	1,5	32,56	13,8	23,8	19,5	37,9						
	45	851	1,6	32,09	13,8	23,8	19,5	37,5						
	50	765	2,6	28,85	13,9	23,8	19,6	36,6						
	54	702	2,7	26,46	13,9	23,8	19,6	36,0						
	60	635	3,0	23,92	14,0	23,8	19,7	35,1						
	66	575	3,3	21,68	14,0	23,8	19,7	34,2						
	25	1546	0,8	58,27	0,2	1,7	8,7	6,0	SK 43 - 112 MH/4	96	B77			
	30	1288	0,8	48,56	0,9	4,1	9,6	6,3						
	35	1087	1,0	40,98	4,8	10,0	10,2	7,1						
	28	1352	0,8	50,98	1,9	9,9	9,4	6,9	SK 42 - 112 MH/4	81	B76			
	35	1095	1,1	41,29	5,1	10,2	10,2	7,2						
	41	935	1,3	35,25	5,8	10,3	10,6	7,3						
	47	808	1,3	30,46	5,9	10,7	10,9	7,7						
	49	777	1,3	29,29	5,8	10,3	10,9	7,4						
	56	687	1,8	25,88	5,8	10,4	11,1	7,6						
	58	654	1,4	24,67	5,8	10,4	11,1	7,6						
	59	648	1,3	24,41	5,6	10,0	11,1	7,4						
	66	580	1,9	21,87	5,8	10,5	11,2	7,7						
	67	570	2,0	21,50	5,7	10,1	11,2	7,5						
	80	475	2,1	17,92	5,5	9,8	11,3	7,3						
	81	470	2,5	17,71	5,6	10,1	11,3	7,5						
	95	401	3,1	15,12	5,4	9,7	11,4	7,4						
	100	381	3,0	14,38	5,4	9,7	11,4	7,4						
	117	326	3,7	12,28	5,2	9,3	11,5	7,2						
	141	271	4,3	10,20	5,0	8,8	11,5	7,0						
	169	225	4,8	8,50	4,8	8,4	11,5	6,7						
	198	193	5,6	7,28	4,6	8,0	11,5	6,6						
	47	807	0,8	30,43	0,1	0,7	8,4	8,1	SK 32 - 112 MH/4	66	B74			
	53	723	0,8	27,24	0,3	2,1	8,6	8,1						
	62	613	1,0	23,12	0,8	6,6	8,9	8,2						
	70	549	1,2	20,70	1,6	6,6	9,0	8,2						
	77	495	1,3	18,67	2,4	6,6	9,1	8,1						
	86	442	1,2	16,66	2,6	6,5	9,2	8,0						
	89	431	1,5	16,25	3,5	6,7	9,2	8,1						
	96	399	1,3	15,03	3,3	6,5	9,2	7,9						
	99	386	1,7	14,55	3,7	6,6	9,2	8,0						

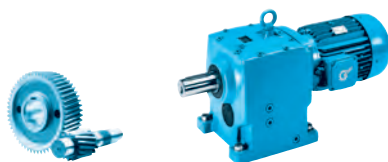


4,00 kW
5,50 kW

P_1 [kW]	n_2 [min ⁻¹]	M_2 [Nm]	f_B	i_{ges}	F_R [kN]	F_A [kN]	$F_{R VL}$ [kN]	$F_{A VL}$ [kN]		kg	mm				
4,00	123	311	2,3	11,71	3,6	6,4	9,3	7,7	SK 32 - 112 MH/4	66	B74				
	147	260	2,5	9,80	3,4	6,1	9,4	7,5							
	172	222	2,7	8,36	3,3	5,9	9,4	7,3							
	182	210	3,1	7,90	3,3	5,9	9,4	7,2							
	204	187	1,3	7,05	3,2	5,5	9,4	6,9							
	214	179	3,4	6,74	3,2	5,7	9,4	7,0							
	253	151	4,0	5,70	3,1	5,5	9,4	6,8							
	262	146	3,1	5,50	3,0	5,3	9,4	6,6							
	273	140	4,6	5,28	3,1	5,4	9,4	6,7							
	325	118	3,9	4,43	2,9	5,0	9,4	6,4							
	384	99	4,6	3,75	2,8	4,8	9,4	6,1							
	486	79	5,6	2,96	2,6	4,5	9,4	5,8							
		86	444	0,8	16,75	0,1	0,5	6,3				4,8	SK 22 - 112 MH/4	55	B72
		98	390	0,9	14,69	0,1	0,8	6,6				4,9			
	118	324	1,0	12,20	0,2	1,2	6,9	4,9							
	132	289	1,1	10,89	0,2	1,3	7,0	5,0							
	170	225	1,2	8,48	0,3	1,6	7,2	4,8							
	190	201	1,2	7,57	0,3	2,2	7,3	4,8							
	210	182	1,4	6,86	0,2	3,7	7,3	4,8							
	221	173	1,3	6,51	0,2	3,6	7,3	4,8							
	249	154	1,4	5,79	0,8	3,6	7,4	4,7							
	278	137	1,2	5,18	0,4	3,3	7,4	4,5							
	312	123	1,2	4,62	0,9	3,3	7,4	4,4							
	363	105	1,3	3,97	1,4	3,3	7,4	4,3							
	408	94	1,4	3,53	1,7	3,2	7,5	4,3							
	516	74	1,6	2,79	2,1	3,0	7,1	4,1							
	249	154	0,8	5,79	0,2	1,5	4,8	3,5	SK 12 - 112 MH/4	46	B70				
	292	131	0,9	4,93	0,2	1,5	4,9	3,5							
	321	119	1,0	4,49	0,3	1,7	4,9	3,3							
	333	115	1,0	4,32	0,5	1,8	5,0	3,5							
	362	106	1,1	3,98	0,5	1,8	5,0	3,3							
	425	90	1,2	3,39	0,5	1,8	5,0	3,3							
	486	79	1,3	2,96	0,5	1,8	5,0	3,3							
	558	68	2,7	2,58	-	4,0	3,2	6,0	SK 31E - 112 MH/4	53	B65				
	692	55	3,0	2,08	-	3,8	3,3	5,5							
	531	72	1,1	2,71	-	3,3	1,6	4,9	SK 21E - 112 MH/4	48	B64				
	595	64	1,1	2,42	-	3,2	1,8	4,7							
	692	55	1,2	2,08	-	3,0	1,9	4,5							
	778	49	1,3	1,85	-	2,9	2,0	4,3							
	621	62	0,9	2,32	-	1,7	1,1	3,3	SK 11E - 112 MH/4	42	B63				
	706	54	1,1	2,04	-	1,7	1,2	3,2							
	796	48	1,1	1,81	-	1,6	1,3	3,1							
5,50	2,3	23108	0,9	642,31	86,4	120,0	115,4	120,0	SK 103/52 - 132 SH/4	844	B91				
	3,1	16830	1,2	467,81	94,3	115,9	120,0	120,0							
	4,3	12237	1,6	340,13	98,2	110,1	120,0	120,0							
	4,9	10674	1,9	296,69	99,2	107,5	120,0	120,0							
	6,0	8806	2,3	244,77	100,3	103,4	120,0	120,0							
		7,0	7464	3,1	207,47	100,9	100,0	120,0	120,0	SK 103 - 132 SH/4	770	B91			
		4,4	11981	1,0	333,02	58,6	69,3	87,8	80,0	SK 93/42 - 132 SH/4	596	B91			
		5,1	10355	1,2	287,83	60,8	68,3	89,3	80,0						
		6,1	8625	1,4	239,74	62,7	66,8	90,6	80,0						
		7,8	6760	2,1	187,89	64,3	64,3	91,7	80,0	SK 93 - 132 SH/4	551	B87			
		13	3926	2,9	109,14	65,9	57,9	92,9	80,0						
		16	3358	4,2	93,34	66,2	55,9	93,0	80,0						
		5,3	9914	0,8	275,58	32,1	33,9	54,5	65,0	SK 83/42 - 132 SH/4	417	B91			
		6,2	8487	0,9	235,92	36,2	34,4	56,9	65,0						
	7,3	7209	1,1	200,37	39,0	34,5	58,8	65,0							
	9,8	5358	1,5	148,94	42,0	34,1	60,8	65,0							
	12	4551	1,8	126,50	43,0	33,7	61,5	65,0							

5,50 kW**IE2**

P_1 [kW]	n_2 [min ⁻¹]	M_2 [Nm]	f_B	i_{ges}	F_R [kN]	F_A [kN]	$F_{R VL}$ [kN]	$F_{A VL}$ [kN]		kg	mm
5,50	6,7	7793	1,1	216,61	37,8	34,5	58,0	65,0	SK 83 - 132 SH/4	372	B85
	8,9	5925	1,5	164,70	41,2	34,4	60,2	65,0			
	11	4921	1,5	136,78	42,5	33,9	61,2	65,0			
	14	3742	2,5	104,00	43,8	32,8	62,0	65,0			
	18	2900	3,1	80,62	44,4	31,7	62,5	65,0			
21	2527	3,5	70,24	44,7	30,9	62,7	65,0				
8,5	6160	0,8	171,23	18,0	14,3	33,7	50,0	SK 73/32 - 132 SH/4	295	B90	
8,8	5973	0,9	166,03	18,8	14,4	34,1	50,0	SK 73 - 132 SH/4	265	B83	
12	4482	1,3	124,57	23,5	15,5	36,9	50,0				
15	3614	1,1	100,46	25,3	15,9	38,0	49,8				
16	3287	1,6	91,38	25,8	16,0	38,4	49,0				
20	2694	2,0	74,87	26,7	16,0	39,0	47,4				
24	2175	2,6	60,46	27,3	15,8	39,4	45,5				
28	1879	3,0	52,24	27,6	15,6	39,6	44,1				
11	4768	0,8	132,54	8,5	15,0	21,5	40,8	SK 63 - 132 SH/4	184	B81	
14	3848	1,0	106,95	13,9	15,8	24,1	40,3				
17	3132	1,0	87,06	16,4	16,2	25,6	39,5				
19	2787	1,3	77,46	17,3	16,3	26,2	39,0				
23	2262	1,6	62,87	18,5	16,3	27,0	37,8				
27	1936	1,9	53,82	19,0	16,2	27,4	36,8				
29	1825	2,0	50,73	19,2	16,1	27,5	36,5				
34	1562	2,4	43,43	19,5	15,9	27,7	35,4				
40	1299	2,8	36,11	19,8	15,5	27,9	34,2				
47	1112	3,2	30,91	20,0	15,1	28,0	33,0				
30	1753	1,4	48,73	19,3	16,1	27,5	36,3	SK 62 - 132 SH/4	186	B80	
39	1333	2,3	37,05	19,8	15,6	27,9	34,4				
25	2142	0,9	59,54	10,8	23,8	17,6	40,0	SK 52 - 132 SH/4	129	B78	
27	1936	1,0	53,81	11,5	23,8	18,0	40,0				
30	1759	1,1	48,90	12,1	23,8	18,4	39,9				
36	1452	1,3	40,37	12,8	23,8	18,9	38,5				
38	1383	1,2	38,45	12,9	23,8	19,0	37,7				
40	1320	1,5	36,69	13,1	23,8	19,0	37,6				
41	1296	1,1	36,03	13,1	23,8	19,1	37,6				
45	1154	1,2	32,09	13,4	23,8	19,2	36,1				
51	1038	2,0	28,85	13,5	23,8	19,4	35,5				
55	952	2,0	26,46	13,7	23,8	19,5	35,0				
61	861	2,2	23,92	13,8	23,8	19,5	34,1				
67	780	2,4	21,68	13,8	23,8	19,6	33,4				
74	705	2,7	19,60	13,4	23,8	19,6	32,5				
82	641	3,0	17,81	13,0	23,8	19,7	31,8				
35	1485	0,8	41,29	0,9	0,5	8,9	5,1				SK 42 - 132 SH/4
41	1268	1,0	35,25	1,0	0,6	9,7	5,5				
48	1096	1,0	30,46	3,0	8,0	10,2	6,2				
50	1054	1,0	29,29	2,0	7,5	10,3	5,9				
56	931	1,3	25,88	4,4	8,0	10,6	6,2				
59	888	1,0	24,67	5,0	8,2	10,7	6,4				
60	878	1,0	24,41	4,0	7,7	10,7	6,1				
67	787	1,4	21,87	5,1	8,5	10,9	6,6				
68	773	1,5	21,50	4,9	8,2	10,9	6,4				
81	645	1,5	17,92	4,8	8,1	11,1	6,4				
82	637	1,9	17,71	5,0	8,4	11,1	6,6				
97	544	2,3	15,12	4,9	8,3	11,3	6,6				
102	517	2,2	14,38	4,9	8,4	11,3	6,6				
119	442	2,7	12,28	4,8	8,2	11,4	6,6				
143	367	3,2	10,20	4,7	7,9	11,4	6,4				
172	306	3,5	8,50	4,5	7,5	11,5	6,2				
201	262	4,1	7,28	4,3	7,3	11,5	6,1				
63	832	0,8	23,12	0,1	0,7	8,3	6,9	SK 32 - 132 SH/4	85	B74	
71	745	0,9	20,70	0,2	0,7	8,6	6,9				
78	672	0,9	18,67	0,3	0,7	8,8	7,0				
88	599	0,9	16,66	0,5	0,7	8,9	6,9				
90	585	1,1	16,25	0,5	0,7	8,9	7,2				
97	541	0,9	15,03	0,5	0,7	9,0	7,0				
100	523	1,3	14,55	0,4	5,2	9,0	7,1				



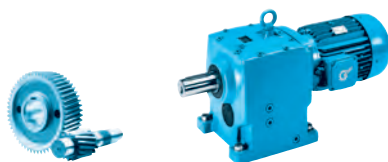
5,50 kW
7,50 kW

P_1 [kW]	n_2 [min ⁻¹]	M_2 [Nm]	f_B	i_{ges}	F_R [kN]	F_A [kN]	$F_{R VL}$ [kN]	$F_{A VL}$ [kN]		kg	mm				
5,50	125	421	1,7	11,71	1,5	5,2	9,2	7,0	SK 32 - 132 SH/4	85	B74				
	149	353	1,8	9,80	2,3	5,1	9,3	6,8							
	175	301	2,0	8,36	2,8	5,0	9,3	6,7							
	185	284	2,3	7,90	3,0	5,1	9,4	6,7							
	207	254	0,9	7,05	2,7	4,7	9,4	6,4							
	217	242	2,5	6,74	2,9	4,9	9,4	6,5							
	256	205	2,9	5,70	2,9	4,8	9,4	6,4							
	265	198	2,3	5,50	2,8	4,6	9,4	6,2							
	277	190	3,4	5,28	2,9	4,8	9,4	6,4							
	330	159	2,9	4,43	2,7	4,4	9,4	6,0							
	389	135	3,4	3,75	2,6	4,3	9,4	5,8							
	493	106	4,1	2,96	2,5	4,1	9,2	5,6							
		134	392	0,8	10,89	0,2	0,3	6,6				4,1	SK 22 - 132 SH/4	74	B72
		172	305	0,8	8,48	0,2	0,5	7,0				4,1			
193		272	0,9	7,57	0,3	0,9	7,1	4,2							
213		247	1,0	6,86	0,3	1,1	7,2	4,3							
224		234	1,0	6,51	0,4	1,6	7,2	4,2							
252		208	1,0	5,79	0,4	1,6	7,3	4,2							
282		186	0,9	5,18	0,5	1,7	7,2	4,0							
316		166	0,9	4,62	0,6	1,8	7,1	4,0							
368		143	1,0	3,97	0,7	2,1	7,0	4,0							
414		127	1,0	3,53	0,8	2,7	6,9	3,9							
523		100	1,1	2,79	0,9	2,7	6,7	3,8							
		566	93	2,0	2,58	-	3,7	2,9	5,6	SK 31E - 132 SH/4	72	B65			
		702	75	2,2	2,08	-	3,5	3,0	5,2						
7,50		3,1	22950	0,9	467,81	86,7	106,3	115,5	120,0	SK 103/52 - 132 MH/4	851	B91			
	4,3	16686	1,2	340,13	94,4	103,1	120,0	120,0							
	4,9	14555	1,4	296,69	96,4	101,3	120,0	120,0							
	6,0	12008	1,7	244,77	98,4	98,4	120,0	120,0							
	7,0	10178	2,3	207,47	99,5	95,6	120,0	120,0	SK 103 - 132 MH/4	777	B89				
	5,1	14120	0,9	287,83	55,1	61,6	85,5	80,0	SK 93/42 - 132 MH/4	603	B91				
	6,1	11761	1,0	239,74	58,9	61,3	88,0	80,0							
	8,1	8887	1,4	181,16	62,4	59,6	90,4	80,0							
	9,1	7914	1,5	161,32	63,3	58,9	91,1	80,0	SK 93/52 - 132 MH/4	632	B91				
	11	6255	2,0	127,50	64,7	56,8	92,0	80,0							
	7,8	9218	1,5	187,89	62,1	60,0	90,2	80,0	SK 93 - 132 MH/4	558	B87				
	13	5354	2,2	109,14	65,2	55,4	92,4	80,0							
	16	4579	3,1	93,34	65,6	53,7	92,7	80,0							
	7,3	9830	0,8	200,37	32,4	29,1	54,6	65,0	SK 83/42 - 132 MH/4	424	B91				
8,9	8080	1,1	164,70	37,1	29,9	57,5	65,0	SK 83 - 132 MH/4	379	B85					
14	5102	1,8	104,00	42,3	30,0	61,0	65,0								
18	3955	2,3	80,62	43,6	29,5	61,9	65,0								
21	3446	2,6	70,24	44,0	29,0	62,2	65,0								
24	3036	3,0	61,89	44,3	28,5	62,5	65,0								
12	6111	0,9	124,57	18,2	11,8	33,8	46,2	SK 73 - 132 MH/4	272	B83					
15	4928	0,8	100,46	22,3	12,9	36,1	45,9								
16	4483	1,2	91,38	23,4	13,2	36,9	45,4								
20	3673	1,5	74,87	25,2	13,7	38,0	44,5								
24	2966	1,9	60,46	26,3	14,0	38,8	43,2								
28	2563	2,2	52,24	26,9	14,0	39,1	42,1								
32	2240	2,4	45,66	27,2	13,9	39,4	41,1								
39	1846	2,7	37,63	27,6	13,8	39,6	39,6								
33	2144	1,9	43,71	27,3	14,1	39,4	41,1	SK 72 - 132 MH/4	262	B82					
19	3800	1,0	77,46	14,1	13,5	24,2	35,6	SK 63 - 132 MH/4	191	B81					
23	3084	1,2	62,87	16,5	14,0	25,7	35,0								
27	2640	1,4	53,82	17,7	14,2	26,5	34,5								
29	2489	1,5	50,73	18,0	14,2	26,7	34,2								
34	2131	1,7	43,43	18,7	14,3	27,1	33,5								

7,50 kW
9,20 kW



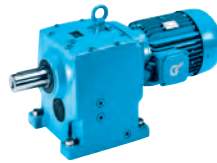
P_1 [kW]	n_2 [min ⁻¹]	M_2 [Nm]	f_B	i_{ges}	F_R [kN]	F_A [kN]	$F_{R VL}$ [kN]	$F_{A VL}$ [kN]		kg	mm
7,50	40	1771	2,1	36,11	19,2	14,2	27,5	32,5	SK 63 - 132 MH/4	191	B81
	47	1516	2,4	30,91	19,6	14,0	27,8	31,6			
	56	1289	2,5	26,28	19,8	13,8	27,9	30,6			
	66	1078	3,0	21,98	20,0	13,4	28,1	29,4			
	70	1019	3,1	20,77	20,1	13,3	28,1	29,1			
	39	1818	1,7	37,05	19,2	14,3	27,5	32,8	SK 62 - 132 MH/4	193	B80
	36	1980	1,0	40,37	11,4	23,8	17,9	36,6	SK 52 - 132 MH/4	136	B78
	40	1800	1,1	36,69	11,9	23,8	18,3	35,9			
	41	1768	0,8	36,03	12,0	23,8	18,4	35,9			
	45	1597	0,8	32,56	12,5	23,8	18,6	35,2			
	51	1415	1,4	28,85	12,9	23,8	18,9	34,1			
	55	1298	1,5	26,46	13,1	23,8	19,1	33,8			
	61	1173	1,6	23,92	13,3	23,8	19,2	33,0			
	67	1064	1,8	21,68	13,1	23,8	19,3	32,4			
	74	962	2,0	19,60	12,8	23,8	19,4	31,6			
	82	874	2,2	17,81	12,6	23,8	19,5	30,9			
	104	687	2,8	14,00	11,8	23,3	19,6	29,1			
	109	660	2,8	13,45	11,7	23,3	19,7	28,9			
	56	1270	1,0	25,88	0,7	0,5	9,7	4,5			
67	1073	1,0	21,87	0,8	6,0	10,3	5,2				
68	1055	1,1	21,50	1,0	6,0	10,3	4,9				
81	879	1,1	17,92	1,7	5,8	10,7	5,1				
82	869	1,4	17,71	3,4	6,3	10,7	5,5				
97	742	1,7	15,12	4,2	6,5	11,0	5,6				
102	705	1,6	14,38	4,3	6,7	11,0	5,7				
119	602	2,0	12,28	4,2	6,7	11,2	5,7				
143	500	2,3	10,20	4,2	6,7	11,3	5,7				
172	417	2,6	8,50	4,1	6,5	11,4	5,6				
201	357	3,0	7,28	4,0	6,4	11,4	5,6				
220	326	3,6	6,65	4,0	6,4	11,5	5,6				
236	304	3,5	6,19	3,9	6,3	11,5	5,5				
254	282	4,0	5,75	3,9	6,3	11,5	5,6				
273	262	3,1	5,35	3,7	5,8	11,2	5,3				
90	797	0,8	16,25	0,1	0,1	8,4	5,9	SK 32 - 132 MH/4	92	B74	
100	714	0,9	14,55	0,3	0,8	8,6	5,9				
125	574	1,2	11,71	0,4	1,6	8,9	6,0				
149	481	1,3	9,80	0,5	2,2	9,1	6,0				
175	410	1,5	8,36	0,6	3,0	9,2	5,9				
185	388	1,7	7,90	0,6	4,0	9,2	6,1				
217	331	1,8	6,74	1,2	4,0	9,3	5,9				
256	280	2,2	5,70	2,0	4,0	9,4	5,9				
265	270	1,7	5,50	1,4	3,7	9,4	5,7				
277	259	2,5	5,28	2,6	4,1	9,4	5,9				
330	217	2,1	4,43	2,3	3,8	9,4	5,6				
389	184	2,5	3,75	2,4	3,7	9,2	5,5				
493	145	3,0	2,96	2,3	3,6	8,8	5,3				
213	337	0,8	6,86	0,2	0,9	6,7	3,5	SK 22 - 132 MH/4	81	B72	
252	284	0,8	5,79	0,3	1,0	6,6	3,6				
414	173	0,8	3,53	0,4	1,1	6,3	3,5				
523	137	0,8	2,79	0,6	1,2	6,2	3,5				
584	123	2,2	2,50	-	4,2	3,8	7,1	SK 41E - 132 MH/4	88	B66	
682	105	2,4	2,14	-	4,0	3,7	6,7				
566	127	1,5	2,58	-	3,2	2,4	5,2	SK 31E - 132 MH/4	79	B65	
702	102	1,6	2,08	-	3,1	2,5	4,8				
9,20	4,3	20670	1,0	340,13	89,8	97,5	117,1	120,0	SK 103/52 - 132 LH/4	851	B91
	4,9	17970	1,1	296,69	93,1	96,4	119,4	120,0			
	5,9	14820	1,3	244,77	96,2	94,4	120,0	120,0			
	7,8	11200	1,8	184,62	98,9	90,7	120,0	120,0			
	9,4	9378	2,1	154,63	100,0	87,9	120,0	120,0			
	12	7437	2,7	122,42	100,9	84,1	120,0	120,0			
	14	6392	3,1	105,36	101,3	81,5	120,0	120,0			



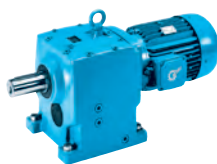
9,20 kW

P_1 [kW]	n_2 [min ⁻¹]	M_2 [Nm]	f_B	i_{ges}	F_R [kN]	F_A [kN]	$F_{R VL}$ [kN]	$F_{A VL}$ [kN]		kg	mm		
9,20	7,0	12560	1,8	207,47	98,0	92,3	120,0	120,0	SK 103 - 132 LH/4	777	B89		
	18	4936	4,2	81,40	101,8	77,0	120,0	120,0					
	6,0	14580	0,8	239,74	54,3	55,9	84,5	80,0	SK 93/42 - 132 LH/4	603	B91		
	7,7	11390	1,2	187,89	59,5	55,7	87,9	80,0	SK 93 - 132 LH/4	558	B87		
	13	6619	1,7	109,14	64,4	52,8	91,3	80,0					
	16	5661	2,5	93,34	65,0	51,5	91,8	80,0					
	20	4388	3,1	72,47	65,7	49,3	92,3	80,0					
	8,8	9978	0,9	164,70	31,9	26,1	54,3	65,0					
	14	6299	1,5	104,00	40,6	27,7	59,8	65,0	SK 83 - 132 LH/4	379	B85		
	18	4885	1,8	80,62	42,6	27,6	61,2	65,0					
21	4252	2,1	70,24	43,3	27,4	61,7	65,0						
23	3744	2,4	61,89	43,8	27,1	62,1	65,0						
28	3122	2,9	51,51	44,3	26,5	62,4	64,4						
33	2687	3,3	44,38	44,6	26,0	62,6	62,3						
37	2363	3,8	39,08	44,8	25,5	62,8	60,6						
30	2954	1,8	48,82	44,4	26,5	62,5	63,8	SK 82 - 132 LH/4				371	B84
36	2450	1,7	40,45	44,7	25,6	62,7	61,1						
16	5534	1,0	91,38	20,4	10,9	34,8	43,2	SK 73 - 132 LH/4	272	B83			
19	4532	1,2	74,87	23,3	11,8	36,6	42,8						
24	3661	1,5	60,46	25,2	12,4	37,8	41,9						
28	3168	1,8	52,24	26,0	12,6	38,4	41,2						
32	2767	1,9	45,66	26,6	12,8	38,8	40,4						
38	2283	2,2	37,63	27,2	12,8	39,2	39,1						
44	2016	2,5	33,24	27,4	12,8	39,3	38,2						
51	1718	2,9	28,32	27,7	12,6	39,5	37,1						
33	2648	1,5	43,71	26,8	13,0	38,9	40,4				SK 72 - 132 LH/4	262	B82
44	2005	1,6	33,04	27,5	12,7	39,3	38,1						
19	4695	0,8	77,46	9,1	11,6	21,7	33,3	SK 63 - 132 LH/4	191	B81			
23	3814	1,0	62,87	14,0	12,6	24,2	33,3						
27	3262	1,1	53,82	16,0	13,0	25,4	33,1						
29	3080	1,2	50,73	16,6	13,2	25,7	33,0						
33	2634	1,4	43,43	17,7	13,4	26,5	32,5						
40	2190	1,7	36,11	18,6	13,5	27,1	31,8						
47	1872	1,9	30,91	19,1	13,5	27,4	31,1						
55	1595	2,0	26,28	19,5	13,4	27,7	30,2						
66	1331	2,4	21,98	19,8	13,0	27,9	29,1						
70	1261	2,5	20,77	19,9	13,1	28,0	29,0						
39	2247	1,3	37,05	18,5	13,6	27,0	32,0				SK 62 - 132 LH/4	193	B80
80	1100	2,8	18,14	20,0	12,9	28,1	28,2						
92	958	3,1	15,80	20,1	12,7	28,1	27,4						
36	2444	0,8	40,37	3,4	23,8	16,7	35,1	SK 52 - 132 LH/4	136	B78			
39	2224	0,9	36,69	5,3	23,8	17,3	34,5						
50	1748	1,2	28,85	8,5	23,8	18,3	32,9						
55	1602	1,2	26,46	12,3	23,8	18,5	32,9						
60	1460	1,2	24,07	10,6	23,8	18,8	31,7						
61	1448	1,3	23,92	12,2	23,8	18,8	32,2						
67	1312	1,4	21,68	12,1	23,8	19,0	31,6						
74	1186	1,6	19,60	11,8	23,8	19,1	30,9						
81	1079	1,8	17,81	11,6	23,8	19,2	30,3						
104	848	2,3	14,00	11,0	22,9	19,4	28,5						
108	816	2,3	13,45	11,0	22,9	19,5	28,4						
137	641	2,7	10,58	10,4	21,5	19,6	26,7						
164	535	3,1	8,83	9,9	20,3	19,7	25,5						
56	1568	0,8	25,88	0	2,7	4,6	3,0				SK 42 - 132 LH/4	107	B76
66	1324	0,8	21,87	0	4,5	9,3	4,0						
67	1302	0,9	21,50	0	3,8	7,7	3,6						
81	1086	0,9	17,92	0	4,4	9,4	4,0						
82	1072	1,1	17,71	0	5,2	10,2	4,5						
96	915	1,4	15,12	0,7	5,5	10,5	4,7						

9,20 kW



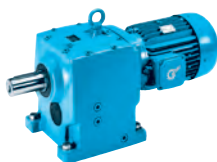
P ₁ [kW]	n ₂ [min ⁻¹]	M ₂ [Nm]	f _B	i _{ges}	F _R [kN]	F _A [kN]	F _{R VL} [kN]	F _{A VL} [kN]		kg	mm		
9,20	101	871	1,3	14,38	1,8	5,8	10,7	4,9	SK 42 - 132 LH/4	107	B76		
	118	744	1,6	12,28	3,3	6,0	10,9	5,0					
	142	618	1,9	10,20	3,4	6,1	11,1	5,2					
	171	515	2,1	8,50	3,4	6,0	11,0	5,2					
	199	440	2,4	7,28	3,4	6,0	11,0	5,2					
	218	403	2,9	6,65	3,5	6,1	11,1	5,3					
	234	375	2,9	6,19	3,4	6,0	10,9	5,2					
	252	349	3,2	5,75	3,4	6,0	10,9	5,3					
	271	325	2,5	5,35	3,3	5,5	10,4	4,9					
	284	309	3,2	5,10	3,4	5,8	10,7	5,2					
	302	291	3,3	4,79	3,3	5,8	10,6	5,1					
	317	278	2,8	4,58	3,2	5,4	10,2	4,9					
	372	236	3,0	3,89	3,2	5,3	10,1	4,9					
	100	880	0,8	14,55	0	1,8	6,4	4,5				SK 32 - 132 LH/4	92
124	709	1,0	11,71	0	2,4	7,8	4,7						
148	593	1,1	9,80	0	2,7	8,2	4,8						
174	505	1,2	8,36	0	3,0	8,3	4,9						
184	478	1,4	7,90	0	3,2	8,5	5,0						
216	407	1,5	6,74	0	3,3	8,4	5,0						
255	345	1,8	5,70	0,3	3,5	8,4	5,1						
264	333	1,3	5,50	0	3,2	8,1	4,8						
274	321	2,0	5,28	0,9	3,7	8,5	5,2						
328	268	1,7	4,43	0,7	3,3	8,1	4,9						
387	227	2,0	3,75	1,4	3,4	8,0	4,8						
489	180	2,4	2,96	2,0	3,4	7,8	4,7						
507	173	2,6	2,86	0	5,8	5,4	8,9	SK 51E - 132 LH/4	97	B67			
580	151	2,8	2,50	0	5,6	5,2	8,5						
703	125	3,1	2,06	0	5,3	4,9	8,0						
580	151	1,8	2,50	0	3,8	3,4	6,7	SK 41E - 132 LH/4	88	B66			
678	130	1,9	2,14	0	3,7	3,3	6,4						
796	110	2,0	1,82	0	3,6	3,3	6,1						
563	156	1,2	2,58	0	2,9	1,9	4,8	SK 31E - 132 LH/4	79	B65			
698	126	1,3	2,08	0	2,7	2,1	4,5						
4,3	20399	1,0	340,13	90,2	97,0	118,0	120,0	SK 103/52 - 160 SH/4	882	B91			
4,9	17793	1,1	296,69	93,3	95,9	120,0	120,0						
6,0	14680	1,4	244,77	96,3	94,1	120,0	120,0						
7,9	11072	1,8	184,62	99,0	90,3	120,0	120,0						
9,5	9274	2,2	154,63	100,0	87,6	120,0	120,0						
7,1	12443	1,9	207,47	98,1	91,9	120,0	120,0	SK 103 - 160 SH/4	808	B89			
11	8187	2,8	136,51	100,6	85,5	120,0	120,0						
18	4882	4,2	81,40	101,8	76,5	120,0	120,0						
6,1	14378	0,8	239,74	54,6	56,5	85,2	80,0	SK 93/42 - 160 SH/4	634	B91			
7,8	11268	1,2	187,89	59,6	56,2	88,5	80,0	SK 93 - 160 SH/4	589	B87			
12	7380	1,9	123,05	63,8	54,0	91,4	80,0						
13	6545	1,8	109,14	64,4	53,1	91,8	80,0						
16	5598	2,5	93,34	65,1	51,9	92,3	80,0						
20	4346	3,1	72,47	65,8	49,6	92,8	80,0						
8,9	9878	0,9	164,70	32,2	26,2	54,5	65,0	SK 83 - 160 SH/4	410	B85			
14	6237	1,5	104,00	40,7	27,6	59,9	65,0						
18	4835	1,9	80,62	42,6	27,6	61,2	65,0						
21	4212	2,1	70,24	43,3	27,3	61,7	65,0						
24	3712	2,4	61,89	43,8	27,0	62,1	65,0						
28	3089	2,9	51,51	44,3	26,5	62,4	65,0						
30	2928	1,8	48,82	44,4	26,4	62,5	64,9	SK 82 - 160 SH/4	402	B84			
12	7471	0,8	124,57	9,8	8,7	30,1	42,0	SK 73 - 160 SH/4	303	B83			
16	5480	1,0	91,38	20,6	11,0	35,1	42,3						
20	4490	1,2	74,87	23,4	11,8	36,8	41,9						
24	3626	1,6	60,46	25,2	12,4	38,0	41,1						
28	3133	1,8	52,24	26,1	12,7	38,6	40,3						
32	2738	2,0	45,66	26,6	12,8	39,0	39,5						
39	2257	2,2	37,63	27,2	12,8	39,4	38,3						
44	1993	2,5	33,24	27,5	12,8	39,5	37,5						
52	1698	2,9	28,32	27,7	12,6	39,7	36,4						



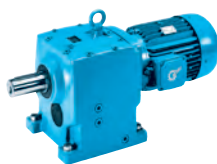
9,20 kW

P_1 [kW]	n_2 [min ⁻¹]	M_2 [Nm]	f_B	i_{ges}	F_R [kN]	F_A [kN]	$F_{R VL}$ [kN]	$F_{A VL}$ [kN]		kg	mm
9,20	34	2621	1,5	43,71	26,8	13,0	39,1	39,5	SK 72 - 160 SH/4	293	B82
	44	1981	1,6	33,04	27,5	12,7	39,5	37,3			
	51	1717	2,4	28,63	27,7	12,8	39,7	36,5			
	19	4645	0,8	77,46	9,5	11,2	21,9	32,6	SK 63 - 160 SH/4	222	B81
	23	3770	1,0	62,87	14,2	12,1	24,3	32,7			
	27	3228	1,1	53,82	16,1	12,6	25,5	32,5			
	29	3042	1,2	50,73	16,7	12,7	25,8	32,3			
	34	2605	1,4	43,43	17,8	12,9	26,5	31,8			
	41	2166	1,7	36,11	18,6	13,1	27,1	31,2			
	47	1854	1,9	30,91	19,1	13,1	27,5	30,4			
	56	1576	2,0	26,28	19,5	13,0	27,7	29,7			
	67	1318	2,4	21,98	19,8	12,6	27,9	28,5			
	71	1246	2,6	20,77	19,9	12,7	28,0	28,4			
	40	2222	1,4	37,05	18,5	13,2	27,0	31,4	SK 62 - 160 SH/4	224	B80
	81	1088	2,8	18,14	20,0	12,5	28,1	27,6			
	93	948	3,2	15,80	20,1	12,3	28,1	26,9			
	55	1587	1,2	26,46	12,5	23,8	18,6	32,8	SK 52 - 160 SH/4	167	B78
	61	1435	1,3	23,92	12,7	23,8	18,9	32,1			
	68	1300	1,5	21,68	12,6	23,8	19,1	31,5			
	75	1175	1,6	19,60	12,3	23,8	19,2	30,9			
	82	1068	1,8	17,81	12,1	23,8	19,3	30,2			
	105	840	2,3	14,00	11,4	22,3	19,5	28,5			
	109	807	2,3	13,45	11,4	22,3	19,6	28,4			
	138	635	2,8	10,58	10,7	20,6	19,7	26,7			
	166	530	3,2	8,83	10,1	19,3	19,7	25,5			
	67	1312	0,8	21,87	0,2	0,6	9,6	4,0			
	83	1062	1,1	17,71	0,7	1,2	10,3	4,5			
	97	907	1,4	15,12	0,9	5,0	10,7	4,7			
	102	862	1,3	14,38	2,1	5,3	10,8	4,9			
	119	736	1,6	12,28	3,7	5,5	11,0	5,0			
	144	612	1,9	10,20	3,8	5,6	11,2	5,1			
	172	510	2,1	8,50	3,7	5,6	11,3	5,1			
	201	437	2,5	7,28	3,7	5,7	11,3	5,2			
	220	399	2,9	6,65	3,8	5,8	11,4	5,2			
	237	371	2,9	6,19	3,7	5,6	11,2	5,2			
	255	345	3,3	5,75	3,7	5,7	11,2	5,2			
	274	321	2,5	5,35	3,5	5,2	10,6	4,9			
	287	306	3,2	5,10	3,6	5,6	10,9	5,1			
	306	287	3,3	4,79	3,6	5,5	10,8	5,1			
	320	275	2,8	4,58	3,4	5,2	10,5	4,9			
	377	233	3,0	3,89	3,3	5,1	10,2	4,8			
	101	873	0,8	14,55	0,2	0,5	6,6	5,0	SK 32 - 160 SH/4	123	B74
	125	702	1,0	11,71	0,2	1,0	8,0	5,2			
	149	588	1,1	9,80	0,2	1,6	8,9	5,3			
	175	501	1,2	8,36	0,2	2,2	9,1	5,3			
	185	474	1,4	7,90	0,3	2,8	9,1	5,5			
	217	404	1,5	6,74	0,3	3,0	9,2	5,4			
	257	342	1,8	5,70	0,3	3,3	9,3	5,4			
	266	330	1,4	5,50	0,9	3,4	9,0	5,2			
	277	317	2,0	5,28	1,1	3,5	9,3	5,5			
	331	266	1,7	4,43	0,8	3,2	8,9	5,2			
	391	225	2,0	3,75	1,6	3,2	8,8	5,1			
	495	178	2,5	2,96	2,2	3,3	8,5	5,0			
	512	172	2,7	2,86	-	5,8	5,4	8,9			
	586	150	2,8	2,50	-	5,6	5,2	8,5			
	711	124	3,1	2,06	-	5,3	4,9	8,0			
	586	150	1,8	2,50	-	3,8	3,4	6,7	SK 41E - 160 SH/4	119	B66
	685	128	1,9	2,14	-	3,7	3,3	6,4			

11,0 kW



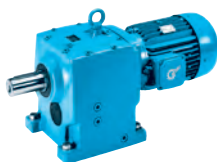
P_1 [kW]	n_2 [min ⁻¹]	M_2 [Nm]	f_B	i_{ges}	F_R [kN]	F_A [kN]	$F_{R VL}$ [kN]	$F_{A VL}$ [kN]		kg	mm			
11,0	4,3	24390	0,8	340,13	84,4	90,7	114,0	120,0	SK 103/52 - 160 MH/4	882	B91			
	4,9	21275	0,9	296,69	89,0	90,4	117,2	120,0						
	6,0	17552	1,1	244,77	93,5	89,4	120,0	120,0						
	7,9	13238	1,5	184,62	97,5	86,7	120,0	120,0						
	9,5	11088	1,8	154,63	99,0	84,5	120,0	120,0						
	7,1	14877	1,6	207,47	96,1	88,0	120,0	120,0				SK 103 - 160 MH/4	808	B89
	11	9789	2,3	136,51	99,8	82,9	120,0	120,0						
	18	5837	3,5	81,40	101,5	75,2	120,0	120,0						
	7,8	13473	1,0	187,89	56,3	52,2	86,3	80,0				SK 93 - 160 MH/4	589	B87
	12	8823	1,6	123,05	62,5	51,5	90,4	80,0						
13	7826	1,5	109,14	63,4	50,8	91,1	80,0							
16	6693	2,1	93,34	64,3	50,0	91,7	80,0							
20	5197	2,6	72,47	65,3	48,0	92,4	80,0							
8,9	11810	0,8	164,70	24,5	22,1	50,3	65,0	SK 83 - 160 MH/4	410	B85				
14	7457	1,2	104,00	38,5	25,1	58,4	65,0							
18	5781	1,6	80,62	41,4	25,6	60,4	65,0							
21	5037	1,8	70,24	42,4	25,6	61,1	65,0							
24	4438	2,0	61,89	43,1	25,5	61,6	65,0							
28	3694	2,4	51,51	43,8	25,2	62,1	63,8							
33	3182	2,8	44,38	44,2	24,9	62,4	62,1							
37	2802	3,2	39,08	44,5	24,5	62,6	60,3							
30	3501	1,5	48,82	44,0	25,2	62,2	63,4	SK 82 - 160 MH/4	402	B84				
36	2901	1,4	40,45	44,4	24,6	62,5	60,9							
16	6553	0,8	91,38	16,1	8,5	32,7	39,1	SK 73 - 160 MH/4	303	B83				
20	5369	1,0	74,87	21,0	9,8	35,3	39,2							
24	4335	1,3	60,46	23,8	10,9	37,1	39,0							
28	3746	1,5	52,24	25,0	11,3	37,9	38,5							
32	3274	1,6	45,66	25,9	11,6	38,4	37,9							
39	2698	1,9	37,63	26,7	11,8	39,0	36,9							
44	2384	2,1	33,24	27,1	11,9	39,3	36,2							
52	2031	2,5	28,32	27,4	11,9	39,5	35,3							
63	1674	3,0	23,34	27,7	11,7	39,7	34,0							
34	3134	1,3	43,71	26,1	11,9	38,6	38,0				SK 72 - 160 MH/4	293	B82	
44	2369	1,4	33,04	27,1	11,8	39,3	36,1							
51	2053	2,0	28,63	27,4	12,0	39,5	35,6							
23	4508	0,8	62,87	10,5	10,1	22,3	30,2	SK 63 - 160 MH/4	222	B81				
27	3859	1,0	53,82	13,9	10,8	24,1	30,3							
29	3638	1,0	50,73	14,7	11,1	24,6	30,2							
34	3114	1,2	43,43	16,5	11,5	25,7	30,1							
41	2589	1,4	36,11	17,8	11,9	26,5	29,7							
47	2216	1,6	30,91	18,5	12,1	27,0	29,2							
56	1884	1,7	26,28	19,1	12,1	27,4	28,6							
67	1576	2,0	21,98	19,5	11,9	27,7	27,6							
71	1489	2,1	20,77	19,6	12,0	27,8	27,6							
40	2657	1,1	37,05	17,6	12,0	26,4	30,0				SK 62 - 160 MH/4	224	B80	
81	1301	2,4	18,14	19,8	12,0	27,9	26,9							
93	1133	2,7	15,80	20,0	11,8	28,0	26,3							
105	998	3,1	13,92	20,1	11,6	28,1	25,6							
126	831	3,7	11,59	20,2	11,3	28,2	24,6							
55	1897	1,0	26,46	8,0	23,8	18,1	31,8	SK 52 - 160 MH/4	167	B78				
61	1715	1,1	23,92	9,5	23,8	18,4	31,1							
68	1555	1,2	21,68	11,5	23,8	18,7	30,7							
75	1405	1,4	19,60	11,8	23,5	18,9	30,1							
82	1277	1,5	17,81	11,6	23,0	19,1	29,5							
105	1004	1,9	14,00	11,0	21,3	19,4	27,8							
109	964	1,9	13,45	11,0	21,5	19,4	27,8							
138	759	2,3	10,58	10,4	19,8	19,6	26,2							
166	633	2,6	8,83	9,9	18,6	19,7	25,0							
190	552	2,9	7,70	9,6	18,0	19,7	24,4							



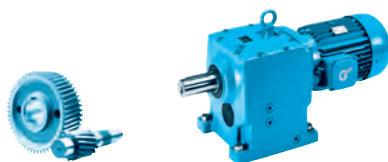
11,0 kW
15,0 kW

P_1 [kW]	n_2 [min ⁻¹]	M_2 [Nm]	f_B	i_{ges}	F_R [kN]	F_A [kN]	$F_{R VL}$ [kN]	$F_{A VL}$ [kN]		kg	mm				
11,0	83	1270	0,9	17,71	0,1	0,3	9,1	3,4	SK 42 - 160 MH/4	138	B76				
	97	1084	1,1	15,12	0,1	0,9	9,6	3,8							
	102	1031	1,1	14,38	0,2	1,2	10,1	4,0							
	119	881	1,4	12,28	0,2	4,2	10,3	4,2							
	144	731	1,6	10,20	2,3	4,6	10,5	4,5							
	172	610	1,8	8,50	3,4	4,7	10,5	4,6							
	201	522	2,1	7,28	3,4	4,9	10,5	4,7							
	220	477	2,4	6,65	3,5	5,1	10,7	4,8							
	237	444	2,4	6,19	3,4	5,0	10,5	4,8							
	255	412	2,8	5,75	3,5	5,1	10,6	4,8							
	274	384	2,1	5,35	3,2	4,6	10,0	4,5							
	287	366	2,7	5,10	3,4	5,0	10,4	4,8							
	306	343	2,8	4,79	3,4	5,0	10,4	4,8							
	320	328	2,4	4,58	3,2	4,6	9,9	4,5							
	377	279	2,5	3,89	3,2	4,6	9,8	4,5							
	419	251	2,6	3,50	3,1	4,6	9,7	4,5							
	456	230	2,7	3,21	3,1	4,5	9,6	4,5							
	485	217	2,8	3,02	3,1	4,5	9,5	4,5							
	11,0	512	205	2,2	2,86	-	5,5	5,3				8,6	SK 51E - 160 MH/4	128	B67
		586	179	2,4	2,50	-	5,3	5,1				8,2			
711		148	2,6	2,06	-	5,0	4,8	7,7							
11,0	586	179	1,5	2,50	-	3,5	3,0	6,4	SK 41E - 160 MH/4	119	B66				
	685	153	1,6	2,14	-	3,4	3,0	6,1							
15,0	6,0	23934	0,8	244,77	85,1	79,2	114,5	120,0	SK 103/52 - 160 LH/4	911	B91				
	7,9	18052	1,1	184,62	93,0	79,2	120,0	120,0							
	9,5	15120	1,3	154,63	95,9	78,1	120,0	120,0							
	12	11970	1,7	122,42	98,4	76,3	120,0	120,0							
	14	10302	1,9	105,36	99,4	74,7	120,0	120,0							
	15,0	7,1	20287	1,1	207,47	90,3	79,3	118,1	120,0	SK 103 - 160 LH/4	837	B89			
		11	13348	1,7	136,51	97,4	77,3	120,0	120,0						
		18	7959	2,6	81,40	100,7	71,7	120,0	120,0						
		21	6882	2,9	70,38	101,1	69,7	120,0	119,1						
	15,0	7,8	18372	0,8	187,89	45,3	43,4	79,6	80,0	SK 93 - 160 LH/4	618	B87			
		12	12032	1,2	123,05	58,5	45,7	87,8	80,0						
		13	10672	1,1	109,14	60,4	45,7	89,0	80,0						
		16	9127	1,5	93,34	62,2	45,6	90,2	80,0						
		20	7086	1,9	72,47	64,0	44,8	91,5	80,0						
24		6026	2,1	61,63	64,8	43,8	92,1	80,0							
27		5261	2,3	53,80	65,3	43,0	92,4	80,0							
31		4554	2,7	46,57	65,7	42,1	92,7	80,0							
15,0	14	10169	0,9	104,00	31,3	19,5	54,0	63,6	SK 83 - 160 LH/4	439	B85				
	18	7883	1,1	80,62	37,6	21,2	57,8	63,1							
	21	6868	1,3	70,24	39,6	21,8	59,2	62,4							
	24	6052	1,5	61,89	41,0	22,2	60,1	61,6							
	28	5037	1,8	51,51	42,4	22,5	61,1	60,2							
	33	4340	2,0	44,38	43,2	22,5	61,6	58,8							
	37	3821	2,4	39,08	43,7	22,3	62,0	57,6							
	45	3180	2,7	32,52	44,2	22,0	62,4	55,7							
	52	2741	3,0	28,03	44,5	21,7	62,6	54,0							
15,0	30	4774	1,1	48,82	42,7	22,7	61,3	60,0	SK 82 - 160 LH/4	431	B84				
	36	3955	1,0	40,45	43,6	22,4	61,9	58,0							
	46	3141	2,1	32,12	44,3	22,1	62,4	55,7							
	55	2603	2,4	26,62	44,6	21,6	62,7	53,5							
15,0	24	5912	1,0	60,46	19,0	7,2	34,2	34,2	SK 73 - 160 LH/4	332	B83				
	28	5108	1,1	52,24	21,8	8,2	35,8	34,3							
	32	4465	1,2	45,66	23,5	8,9	36,9	34,3							
	39	3680	1,4	37,63	25,1	9,6	38,0	34,0							
	44	3250	1,5	33,24	25,9	9,9	38,5	33,6							
	52	2769	1,8	28,32	26,6	10,2	38,9	33,0							
	63	2282	2,2	23,34	27,2	10,4	39,3	32,2							
	71	2016	2,5	20,62	27,4	10,4	39,3	31,6							
	81	1760	2,8	18,00	27,7	10,4	38,7	30,9							

15,0 kW



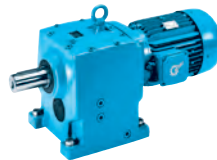
P_1 [kW]	n_2 [min ⁻¹]	M_2 [Nm]	f_B	i_{ges}	F_R [kN]	F_A [kN]	$F_{R VL}$ [kN]	$F_{A VL}$ [kN]		kg	mm
15,0	34	4274	0,9	43,71	23,9	9,4	37,2	34,7	SK 72 - 160 LH/4	322	B82
	44	3231	1,0	33,04	25,9	9,8	38,5	33,5			
	51	2799	1,4	28,63	26,5	10,4	38,9	33,4			
	67	2124	1,9	21,72	27,3	10,6	39,5	32,0			
	68	2116	2,1	21,64	27,3	10,3	39,1	31,7			
	87	1649	2,5	16,86	27,8	10,5	38,5	30,6			
102	1401	2,9	14,33	27,9	10,4	37,2	29,7				
	34	4247	0,9	43,43	12,0	8,4	23,1	26,3	SK 63 - 160 LH/4	251	B81
	41	3531	1,0	36,11	15,1	9,3	24,8	26,5			
	47	3022	1,2	30,91	16,7	9,8	25,8	26,5			
	56	2570	1,2	26,28	17,8	10,2	26,6	26,3			
	67	2149	1,5	21,98	18,6	10,3	27,1	25,6			
	71	2031	1,6	20,77	18,9	10,5	27,3	25,7			
	84	1698	1,9	17,37	19,4	10,4	27,6	25,0			
	40	3623	0,8	37,05	14,8	9,4	24,6	26,8	SK 62 - 160 LH/4	253	B80
	81	1774	1,7	18,14	19,2	10,7	27,5	25,4			
	93	1545	1,9	15,80	19,5	10,7	27,7	24,9			
	105	1361	2,3	13,92	19,8	10,6	27,9	24,4			
	126	1133	2,7	11,59	20,0	10,5	28,0	23,5			
	139	1032	3,0	10,55	20,0	10,2	28,1	23,0			
	167	859	3,5	8,78	20,2	10,0	28,2	22,1			
	61	2339	0,8	23,92	0,6	1,5	12,2	29,0	SK 52 - 160 LH/4	196	B78
	68	2120	0,9	21,68	1,8	20,8	14,7	28,8			
	75	1917	1,0	19,60	3,8	20,5	15,8	28,4			
	82	1741	1,1	17,81	5,3	20,2	16,8	27,8			
	105	1369	1,4	14,00	8,0	19,1	18,2	26,5			
	109	1315	1,4	13,45	9,9	19,4	19,0	26,6			
	138	1035	1,7	10,58	9,7	18,1	19,4	25,2			
	166	863	1,9	8,83	9,3	17,2	19,5	24,2			
	190	753	2,1	7,70	9,2	16,8	19,6	23,6			
	202	711	2,2	7,27	9,0	16,4	19,6	23,2			
	228	628	2,4	6,42	8,8	15,8	19,7	22,6			
	241	595	2,5	6,09	8,7	15,7	19,7	22,4			
	253	566	2,5	5,79	8,6	15,4	19,7	22,0			
	262	548	2,1	5,60	8,3	14,9	19,7	21,6			
	288	497	2,7	5,08	8,3	14,8	19,8	21,4			
	318	451	2,7	4,61	8,0	14,0	19,8	20,7			
	359	399	2,8	4,08	7,8	13,5	19,8	20,1			
	399	359	2,9	3,67	7,6	13,1	19,8	19,6			
	431	332	3,0	3,40	7,4	12,8	19,6	19,2			
	454	316	3,0	3,23	7,3	12,5	19,5	19,0			
	97	1478	0,8	15,12	0,1	0,2	2,8	1,7	SK 42 - 160 LH/4	167	B76
	102	1406	0,8	14,38	0,1	0,6	4,6	2,1			
	119	1201	1,0	12,28	0,1	1,1	7,1	2,6			
	144	997	1,2	10,20	0,2	1,5	8,1	3,1			
	172	831	1,3	8,50	0,2	1,9	8,4	3,3			
	201	712	1,5	7,28	0,2	3,1	8,8	3,6			
	220	650	1,8	6,65	1,9	3,5	9,2	3,9			
	237	605	1,8	6,19	2,0	3,5	9,1	3,9			
	255	562	2,0	5,75	2,9	3,8	9,3	4,1			
	274	523	1,6	5,35	1,7	3,2	8,6	3,7			
	287	499	2,0	5,10	2,9	3,8	9,2	4,1			
	306	468	2,0	4,79	2,9	3,8	9,2	4,1			
	320	448	1,7	4,58	2,7	3,4	8,7	3,8			
	377	380	1,8	3,89	2,8	3,6	8,8	3,9			
	419	342	1,9	3,50	2,8	3,7	8,8	4,0			
	456	314	2,0	3,21	2,8	3,7	8,7	4,0			
	485	295	2,0	3,02	2,8	3,7	8,7	4,0			
	512	280	1,6	2,86	-	4,8	4,8	7,9	SK 51E - 160 LH/4	157	B67
	586	244	1,7	2,50	-	4,7	4,8	7,6			
	711	201	1,9	2,06	-	4,5	4,6	7,2			
	586	244	1,1	2,50	-	2,7	2,0	5,6	SK 41E - 160 LH/4	148	B66
	685	209	1,2	2,14	-	2,7	2,1	5,4			



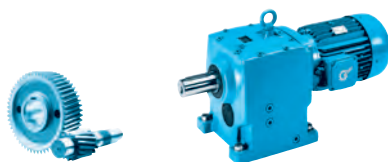
18,5 kW

P_1 [kW]	n_2 [min ⁻¹]	M_2 [Nm]	f_B	i_{ges}	F_R [kN]	F_A [kN]	$F_{R VL}$ [kN]	$F_{A VL}$ [kN]		kg	mm
18,5	8,0	22114	0,9	184,62	87,9	72,3	116,4	120,0	SK 103/52 - 180 MH/4	926	B91
	9,5	18522	1,1	154,63	92,5	72,5	119,6	120,0			
	12	14663	1,4	122,42	96,3	71,8	120,0	120,0			
	14	12620	1,6	105,36	97,9	70,9	120,0	120,0			
	18	9750	2,1	81,40	99,8	68,6	120,0	118,9	SK 103 - 180 MH/4	852	B89
	21	8430	2,4	70,38	100,4	67,1	120,0	115,9			
	24	7272	2,8	60,71	101,0	65,5	120,0	112,5			
	28	6346	3,2	52,98	101,3	64,0	120,0	109,1			
	12	15272	0,8	127,50	52,9	40,5	84,1	80,0	SK 93/52 - 180 MH/4	707	B91
	14	12727	1,0	106,25	57,5	41,4	87,1	80,0			
	16	11180	1,3	93,34	59,7	41,7	88,6	80,0	SK 93 - 180 MH/4	633	B87
	20	8680	1,5	72,47	62,6	41,7	90,6	80,0			
24	7382	1,7	61,63	63,8	41,3	91,4	80,0				
27	6444	1,9	53,80	64,5	40,8	91,9	80,0				
32	5578	2,2	46,57	65,1	40,1	92,3	80,0				
37	4736	2,6	39,54	65,6	39,2	92,6	80,0				
18	9657	0,9	80,62	32,9	17,5	54,9	58,1	SK 83 - 180 MH/4	454	B85	
21	8413	1,1	70,24	36,3	18,5	57,0	58,1				
24	7413	1,2	61,89	38,5	19,3	58,5	57,9				
29	6170	1,4	51,51	40,8	20,0	60,0	57,0				
33	5316	1,7	44,38	42,0	20,3	60,8	56,2				
38	4681	1,9	39,08	42,8	20,5	61,4	55,2				
45	3895	2,2	32,52	43,6	20,5	62,0	53,6				
53	3357	2,4	28,03	44,1	20,4	62,3	52,3				
60	2925	2,7	24,42	44,4	20,1	62,5	50,9				
70	2520	3,2	21,04	44,7	19,9	62,1	49,5				
24	7242	0,8	60,46	11,8	4,2	25,4	30,0				SK 73 - 180 MH/4
28	6257	0,9	52,24	17,5	5,6	29,0	30,7				
32	5469	1,0	45,66	20,6	6,5	31,5	31,2				
39	4507	1,1	37,63	23,4	7,6	34,0	31,4				
44	3981	1,3	33,24	24,6	8,2	35,0	31,3				
52	3392	1,5	28,32	25,7	8,7	35,8	31,1				
63	2796	1,8	23,34	26,3	9,1	36,3	30,6				
72	2470	2,0	20,62	26,6	9,3	36,4	30,1				
82	2156	2,3	18,00	26,6	9,4	36,2	29,6				
68	2602	1,6	21,72	26,8	9,5	37,0	30,6	SK 72 - 180 MH/4	337	B82	
87	2019	2,0	16,86	27,0	9,6	36,5	29,5				
103	1716	2,4	14,33	26,7	9,6	36,0	28,7				
118	1500	2,7	12,52	26,4	9,6	35,1	28,0				
41	4325	0,9	36,11	11,6	7,1	21,3	23,7	SK 63 - 180 MH/4	266	B81	
48	3702	1,0	30,91	14,5	7,9	23,7	24,1				
56	3148	1,0	26,28	16,4	8,6	25,6	24,2				
67	2633	1,2	21,98	17,7	8,8	26,2	23,8				
71	2488	1,3	20,77	18,0	9,2	26,7	24,1				
85	2081	1,5	17,37	18,8	9,3	27,2	23,5				
81	2173	1,4	18,14	18,6	9,6	27,1	24,0	SK 62 - 180 MH/4	268	B80	
93	1893	1,6	15,80	19,1	9,7	27,4	23,7				
106	1667	1,8	13,92	19,4	9,8	27,6	23,3				
127	1388	2,2	11,59	19,7	9,8	27,9	22,7				
140	1264	2,4	10,55	19,9	9,5	27,4	22,1				
168	1052	2,9	8,78	20,0	9,4	27,0	21,4				
195	906	3,4	7,56	20,1	9,3	26,6	20,8				
232	761	2,5	6,35	20,2	8,8	25,3	19,8				
279	634	3,0	5,29	20,3	8,6	24,6	19,1				
75	2348	0,8	19,60	0,2	1,0	9,2	26,8				SK 52 - 180 MH/4
83	2133	0,9	17,81	0,5	1,3	10,8	26,5				
105	1677	1,1	14,00	2,1	1,7	13,2	25,4				
110	1611	1,1	13,45	4,7	1,7	15,2	25,5				
139	1267	1,4	10,58	7,1	1,7	16,6	24,3				
167	1058	1,6	8,83	8,6	1,6	17,3	23,4				
192	922	1,7	7,70	8,7	1,5	18,6	22,9				

18,5 kW 22,0 kW



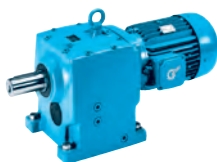
P_1 [kW]	n_2 [min ⁻¹]	M_2 [Nm]	f_B	i_{ges}	F_R [kN]	F_A [kN]	$F_{R VL}$ [kN]	$F_{A VL}$ [kN]		kg	mm				
18,5	203	871	1,8	7,27	8,5	15,4	18,4	22,5	SK 52 - 180 MH/4	211	B78				
	230	769	1,9	6,42	8,4	14,9	18,8	22,0							
	242	729	2,0	6,09	8,4	14,9	19,3	21,8							
	255	694	2,1	5,79	8,2	14,6	19,1	21,5							
	263	671	1,7	5,60	7,9	14,0	17,8	21,1							
	290	608	2,2	5,08	8,0	14,1	19,2	20,9							
	320	552	2,2	4,61	7,7	13,3	18,2	20,2							
	362	489	2,3	4,08	7,5	12,9	18,3	19,7							
	402	440	2,4	3,67	7,3	12,5	18,3	19,2							
	434	407	2,5	3,40	7,2	12,2	18,3	18,9							
	457	387	2,5	3,23	7,1	12,1	18,3	18,6							
	531	333	2,7	2,78	6,8	11,5	18,1	18,0							
		120	1471	0,8	12,28	0,1	0,1	0,6				1,1	SK 42 - 180 MH/4	182	B76
		145	1222	1,0	10,20	0,1	0,5	4,1				1,9			
174		1018	1,1	8,50	0,1	0,8	6,3	2,3							
203		872	1,2	7,28	0,1	1,2	7,3	2,7							
222		797	1,5	6,65	0,1	1,8	7,8	3,1							
238		741	1,4	6,19	0,1	2,3	7,8	3,1							
257		689	1,6	5,75	0,1	2,7	8,2	3,4							
276		641	1,3	5,35	0,8	2,7	7,3	2,9							
289		611	1,6	5,10	0,9	2,8	8,2	3,4							
308		574	1,7	4,79	1,5	2,9	8,2	3,5							
322		549	1,4	4,58	0,2	2,4	7,7	3,2							
379		466	1,5	3,89	1,8	2,8	7,9	3,4							
421		419	1,6	3,50	2,4	2,9	7,9	3,5							
460		384	1,6	3,21	2,5	3,0	8,0	3,5							
488	362	1,7	3,02	2,5	3,0	8,0	3,6								
	516	343	1,3	2,86	-	4,2	4,0	7,2	SK 51E - 180 MH/4	172	B67				
	590	299	1,4	2,50	-	4,1	4,1	7,0							
	716	247	1,5	2,06	-	3,9	4,1	6,7							
22,0	8,0	26297	0,8	184,62	81,1	65,9	111,8	120,0	SK 103/52 - 180 LH/4	944	B91				
	9,5	22026	0,9	154,63	88,0	66,9	116,5	120,0							
	12	17438	1,1	122,42	93,6	67,3	120,0	120,0							
	14	15008	1,3	105,36	96,0	67,0	120,0	119,5							
		18	11595	1,8	81,40	98,6	65,7	120,0	115,2	SK 103 - 180 LH/4	870	B89			
		21	10025	2,0	70,38	99,6	64,6	120,0	112,5						
		24	8648	2,3	60,71	100,3	63,3	120,0	109,6						
		28	7547	2,7	52,98	100,8	62,0	120,0	106,8						
		33	6445	3,1	45,25	101,3	60,3	120,0	103,3						
		39	5399	3,7	37,90	101,6	58,4	120,0	99,6						
		16	13295	1,1	93,34	56,6	38,0	86,5	80,0	SK 93 - 180 LH/4	651	B87			
		20	10323	1,3	72,47	60,8	38,8	89,3	80,0						
		24	8779	1,4	61,63	62,5	38,8	90,5	80,0						
		27	7663	1,6	53,80	63,6	38,6	91,2	80,0						
32		6633	1,8	46,57	64,4	38,2	91,8	80,0							
37		5632	2,2	39,54	65,1	37,6	92,2	80,0							
47		4451	2,7	31,25	65,7	36,5	90,2	79,6							
	18	11484	0,8	80,62	26,1	13,7	51,1	53,3	SK 83 - 180 LH/4	472	B85				
	21	10005	0,9	70,24	31,8	15,3	54,3	53,9							
	24	8816	1,0	61,89	35,3	16,4	56,4	53,9							
	29	7337	1,2	51,51	38,7	17,6	58,6	53,9							
	33	6322	1,4	44,38	40,5	18,2	59,8	53,3							
	38	5567	1,6	39,08	41,7	18,6	60,6	52,8							
	45	4632	1,8	32,52	42,9	19,0	61,4	51,7							
	53	3993	2,0	28,03	43,5	19,0	61,9	50,6							
	60	3478	2,3	24,42	44,0	19,0	61,6	49,5							
	70	2997	2,7	21,04	44,4	18,9	60,6	48,2							
89	2359	2,8	16,56	44,8	18,5	57,9	46,1	SK 82 - 180 LH/4	464	B84					



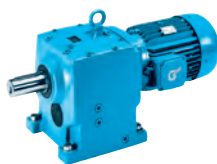
22,0 kW

P_1 [kW]	n_2 [min ⁻¹]	M_2 [Nm]	f_B	i_{ges}	F_R [kN]	F_A [kN]	$F_{R VL}$ [kN]	$F_{A VL}$ [kN]		kg	mm			
22,0	32	6504	0,8	45,66	15,6	4,2	24,5	28,0	SK 73 - 180 LH/4	365	B83			
	39	5360	0,9	37,63	19,0	5,7	28,3	28,8						
	44	4735	1,1	33,24	20,6	6,5	30,1	29,0						
	52	4034	1,2	28,32	22,3	7,2	31,8	29,1						
	63	3325	1,5	23,34	23,6	7,9	33,0	29,0						
72	2937	1,7	20,62	24,1	8,2	33,5	28,8							
82	2564	2,0	18,00	24,5	8,5	33,8	28,3							
	68	3094	1,3	21,72	24,5	8,4	34,0	29,1	SK 72 - 180 LH/4	355	B82			
	87	2402	1,7	16,86	25,0	8,8	34,3	28,4						
	103	2041	2,0	14,33	25,1	8,9	34,1	27,7						
	118	1783	2,3	12,52	25,0	9,0	33,8	27,1						
	136	1544	3,0	10,84	24,3	8,8	32,8	26,3						
	48	4403	0,8	30,91	11,1	6,0	18,3	21,7	SK 63 - 180 LH/4	284	B81			
	56	3743	0,9	26,28	14,3	6,9	20,9	22,2						
	67	3131	1,0	21,98	16,4	7,4	22,3	22,1						
	71	2958	1,1	20,77	16,9	7,9	23,7	22,5						
	85	2474	1,3	17,37	18,0	8,2	24,2	22,1						
	81	2584	1,2	18,14	17,8	8,5	25,0	22,6	SK 62 - 180 LH/4	286	B80			
	93	2251	1,3	15,80	18,5	8,7	25,7	22,4						
	106	1983	1,6	13,92	18,9	8,9	26,0	22,2						
	127	1651	1,9	11,59	19,4	9,0	26,3	21,8						
	140	1503	2,1	10,55	19,6	8,8	25,6	21,2						
	168	1251	2,4	8,78	19,9	8,9	25,6	20,7						
	195	1077	2,9	7,56	20,0	8,8	25,4	20,2						
	232	904	2,1	6,35	20,1	8,4	24,0	19,2						
	279	754	2,5	5,29	19,7	8,2	23,6	18,6						
	323	650	3,2	4,56	19,3	8,1	23,2	18,0						
	364	577	3,3	4,05	19,0	8,0	22,8	17,6						
	377	557	3,6	3,91	18,9	7,9	22,6	17,5						
	397	530	3,8	3,72	18,7	7,9	22,4	17,3						
	83	2537	0,8	17,81	0,1	1,0	4,3	25,0				SK 52 - 180 LH/4	229	B78
	105	1994	1,0	14,00	0,4	1,2	8,1	24,1						
	110	1916	1,0	13,45	1,3	1,2	10,7	24,4						
	139	1507	1,2	10,58	2,6	15,2	12,8	23,4						
	167	1258	1,3	8,83	4,8	14,8	14,1	22,6						
	192	1097	1,5	7,70	7,5	14,7	15,9	22,3						
	203	1036	1,5	7,27	7,4	14,3	15,7	21,9						
	230	914	1,6	6,42	8,0	14,0	16,5	21,4						
	242	867	1,7	6,09	8,0	14,1	17,3	21,4						
	255	825	1,7	5,79	7,9	13,7	17,0	21,0						
	263	798	1,5	5,60	7,6	13,1	15,5	20,5						
	290	724	1,9	5,08	7,7	13,4	17,4	20,5						
	320	657	1,8	4,61	7,4	12,7	16,4	19,8						
	362	581	1,9	4,08	7,2	12,3	16,7	19,3						
	402	523	2,0	3,67	7,1	11,9	16,9	18,8						
	434	484	2,1	3,40	7,0	11,7	17,0	18,5						
	457	460	2,1	3,23	6,9	11,6	17,0	18,4						
	531	396	2,2	2,78	6,7	11,1	17,0	17,7						
	145	1453	0,8	10,20	0,1	0,1	0,3	0,4	SK 42 - 180 LH/4	200	B76			
	174	1211	0,9	8,50	0,1	0,1	1,5	1,2						
	203	1037	1,0	7,28	0,1	0,2	4,4	1,8						
	222	947	1,2	6,65	0,2	0,2	6,4	2,3						
	238	882	1,2	6,19	0,2	0,2	6,5	2,3						
	257	819	1,4	5,75	0,4	0,4	7,0	2,7						
	276	762	1,1	5,35	0,1	0,2	6,0	2,2						
	289	726	1,4	5,10	0,4	0,4	7,1	2,8						
	308	682	1,4	4,79	0,4	0,4	7,2	2,9						
	322	652	1,2	4,58	0,3	0,3	6,6	2,5						
	379	554	1,3	3,89	0,1	0,3	6,9	2,8						
	421	499	1,3	3,50	0,4	2,1	7,1	3,0						
	460	457	1,4	3,21	1,2	2,3	7,2	3,1						
	488	430	1,4	3,02	1,7	2,4	7,3	3,1						
	516	407	1,1	2,86	-	3,6	3,2	6,6	SK 51E - 180 LH/4	190	B67			
	590	356	1,2	2,50	-	3,5	3,3	6,5						
	716	293	1,3	2,06	-	3,4	3,5	6,1						

37,0 kW



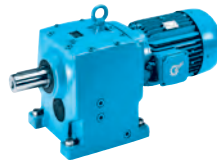
P_1 [kW]	n_2 [min ⁻¹]	M_2 [Nm]	f_B	i_{ges}	F_R [kN]	F_A [kN]	$F_{R VL}$ [kN]	$F_{A VL}$ [kN]		kg	mm
37,0	18	15919	1,3	81,40	95,2	58,9	120,0	106,8	SK 103 - 200 LH/4	940	B89
	21	13764	1,5	70,38	97,1	58,9	120,0	105,3			
	24	11873	1,7	60,71	98,5	58,4	120,0	103,3			
	28	10361	1,9	52,98	99,4	57,6	120,0	101,2			
	32	8849	2,3	45,25	100,2	56,6	120,0	98,6			
39	7412	2,7	37,90	100,9	55,2	120,0	95,7				
	20	14172	0,9	72,47	55,0	32,0	79,7	80,0	SK 93 - 200 LH/4	721	B87
	24	12053	1,1	61,63	58,5	33,0	82,6	80,0			
	27	10521	1,2	53,80	60,6	33,6	83,9	80,0			
	31	9107	1,3	46,57	62,2	33,9	84,4	80,0			
	37	7733	1,6	39,54	63,5	34,0	84,4	79,0			
	47	6111	2,0	31,25	64,8	33,6	83,3	76,2			
	54	5290	2,3	27,05	65,3	33,2	82,2	74,1			
	64	4492	2,7	22,97	65,7	32,6	80,6	71,8			
	77	3739	3,3	19,12	66,0	31,8	78,4	69,1			
	28	10073	0,9	51,51	31,6	12,0	46,5	46,5	SK 83 - 200 LH/4	542	B85
	33	8679	1,0	44,38	35,7	13,4	49,8	47,2			
	37	7643	1,2	39,08	38,1	14,4	52,1	47,2			
	45	6360	1,3	32,52	40,5	15,4	53,8	47,2			
	52	5482	1,5	28,03	41,8	16,0	54,8	46,8			
	60	4776	1,7	24,42	42,7	16,4	55,0	46,0			
	70	4115	1,9	21,04	43,1	16,6	55,0	45,4			
	88	3239	2,0	16,56	43,1	16,8	54,7	44,0	SK 82 - 200 LH/4	534	B84
	103	2795	2,4	14,29	42,5	16,7	53,7	42,8			
	124	2315	3,1	11,84	41,4	16,3	51,8	41,2			
	44	6501	0,8	33,24	10,9	2,5	18,4	23,8	SK 73 - 200 LH/4	435	B83
	52	5538	0,9	28,32	14,1	3,9	22,0	24,7			
	63	4564	1,1	23,34	17,0	5,2	25,2	25,3			
	71	4033	1,2	20,62	18,4	5,8	26,6	25,5			
	81	3520	1,4	18,00	19,6	6,3	27,9	25,5			
	87	3297	1,2	16,86	20,7	6,9	29,0	25,8	SK 72 - 200 LH/4	425	B82
	102	2802	1,4	14,33	21,3	7,3	29,6	25,5			
	117	2448	1,7	12,52	21,7	7,5	30,0	25,3			
	135	2120	2,2	10,84	21,3	7,5	29,4	24,5			
	155	1850	2,5	9,46	21,5	7,6	29,3	24,1			
	179	1602	2,9	8,19	21,5	7,6	29,1	23,6			
	211	1359	3,2	6,95	21,3	7,7	28,8	23,0			
	228	1256	2,2	6,42	20,2	7,2	27,4	22,1			
	262	1095	2,6	5,60	20,0	7,2	27,0	21,6			
	302	948	3,1	4,85	19,8	7,2	26,4	21,0			
	105	2722	1,1	13,92	17,5	6,9	20,6	19,8			
	126	2267	1,4	11,59	18,4	7,4	21,8	19,8			
	139	2063	1,5	10,55	18,2	7,3	21,4	19,4			
	167	1717	1,8	8,78	18,7	7,5	22,1	19,1			
	194	1478	2,1	7,56	18,9	7,7	22,4	18,8			
	231	1242	1,6	6,35	17,9	7,3	21,3	17,9			
	277	1035	1,8	5,29	17,9	7,4	21,4	17,5			
	321	892	2,3	4,56	17,8	7,3	21,2	17,1			
	362	792	2,4	4,05	17,6	7,3	21,0	16,8			
	375	765	2,6	3,91	17,6	7,3	21,0	16,7			
	394	727	2,8	3,72	17,4	7,3	20,9	16,6			
	444	645	3,1	3,30	17,2	7,2	20,6	16,2			
	493	581	3,4	2,97	17,0	7,1	20,3	15,9			
	138	2069	0,9	10,58	0,1	0,9	3,5	21,4	SK 52 - 200 LH/4	299	B78
	166	1727	1,0	8,83	0,3	1,0	6,2	20,9			
	190	1506	1,1	7,70	0,4	1,1	9,4	20,8			
	202	1422	1,1	7,27	0,4	1,1	9,4	20,5			
	228	1256	1,2	6,42	2,2	12,0	10,9	20,2			
	241	1191	1,2	6,09	3,9	12,3	12,2	20,2			
	253	1132	1,3	5,79	3,8	11,9	12,1	19,9			
	262	1095	1,1	5,60	1,6	11,2	10,1	19,3			
	288	993	1,4	5,08	5,5	11,8	13,1	19,5			
	318	902	1,3	4,61	4,4	11,1	12,0	18,8			
	359	798	1,4	4,08	5,8	10,9	12,8	18,4			
	399	718	1,5	3,67	6,5	10,8	13,4	18,1			
	431	665	1,5	3,40	6,5	10,6	13,8	17,8			
	454	632	1,5	3,23	6,4	10,6	14,0	17,6			
	527	544	1,6	2,78	6,3	10,2	14,4	17,1			



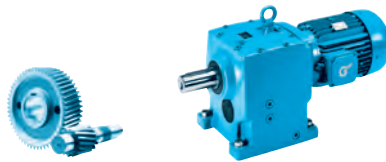
37,0 kW

P_1 [kW]	n_2 [min ⁻¹]	M_2 [Nm]	f_B	i_{ges}	F_R [kN]	F_A [kN]	$F_{R VL}$ [kN]	$F_{A VL}$ [kN]		kg	mm 			
37,0	18	19434	1,1	81,40	91,4	53,3	118,8	99,6	SK 103 - 225 SH/4	1005	B89			
	21	16803	1,2	70,38	94,3	53,8	120,0	98,6						
	24	14495	1,4	60,71	96,4	53,9	120,0	97,5						
	28	12649	1,6	52,98	97,9	53,8	120,0	96,3						
	33	10803	1,9	45,25	99,2	53,3	118,6	94,6						
	39	9049	2,2	37,90	100,1	52,4	115,5	91,9						
	50	7072	2,8	29,62	101,0	50,8	110,5	88,2						
	58	6040	3,3	25,30	101,4	49,6	107,2	85,5						
	20	17302	0,8	72,47	48,2	26,1	64,6	76,2				SK 93 - 225 SH/4	786	B87
	24	14714	0,9	61,63	54,0	28,1	70,0	76,5						
28	12845	1,0	53,80	57,3	29,3	72,8	76,3							
32	11119	1,1	46,57	59,8	30,1	75,4	75,7							
37	9440	1,3	39,54	61,8	30,8	76,6	74,8							
47	7461	1,6	31,25	63,7	31,0	77,2	72,6							
55	6458	1,9	27,05	64,5	31,0	76,9	71,2							
64	5484	2,2	22,97	65,2	30,7	76,2	69,2							
77	4565	2,7	19,12	65,7	30,1	74,9	66,9							
90	3932	2,7	16,47	65,9	29,8	73,6	65,2	SK 92 - 225 SH/4	775	B86				
103	3428	3,1	14,36	65,8	29,2	72,0	63,5							
119	2958	3,6	12,39	64,0	28,4	70,2	61,3							
33	10596	0,8	44,38	28,6	9,4	38,8	41,8	SK 83 - 225 SH/4	607	B85				
38	9330	1,0	39,08	31,6	10,8	42,2	42,5							
46	7764	1,1	32,52	34,9	12,5	46,0	43,1							
53	6692	1,2	28,03	36,8	13,4	48,0	43,2							
61	5830	1,4	24,42	37,9	14,1	49,3	43,1							
70	5023	1,6	21,04	38,8	14,7	49,9	42,7							
89	3954	1,7	16,56	39,8	15,3	50,7	41,8	SK 82 - 225 SH/4	599	B84				
104	3412	1,9	14,29	39,7	15,3	50,4	41,0							
125	2827	2,5	11,84	39,0	15,2	49,3	39,8							
143	2466	2,8	10,33	38,5	15,1	48,7	38,8							
168	2106	3,1	8,82	37,8	14,9	47,3	37,6							
200	1764	3,5	7,39	36,9	14,7	45,5	36,3							
239	1478	2,9	6,19	35,0	13,9	43,2	34,5							
63	5572	0,9	23,34	11,2	2,8	18,2	22,1				SK 73 - 225 SH/4	500	B83	
72	4923	1,0	20,62	13,3	3,7	20,5	22,7							
82	4298	1,2	18,00	15,2	4,5	22,6	23,0							
88	4025	1,0	16,86	16,6	5,2	24,3	23,6	SK 72 - 225 SH/4	490	B82				
103	3421	1,2	14,33	18,0	5,8	25,8	23,7							
118	2989	1,4	12,52	18,8	6,3	26,6	23,6							
137	2588	1,8	10,84	18,7	6,3	26,3	23,0							
156	2259	2,1	9,46	19,2	6,6	26,6	22,8							
181	1955	2,4	8,19	19,5	6,8	26,8	22,4							
213	1659	2,6	6,95	19,6	6,9	26,8	22,0							
231	1533	1,8	6,42	18,4	6,5	25,3	21,0							
264	1337	2,1	5,60	18,5	6,5	25,3	20,7							
305	1158	2,5	4,85	18,4	6,6	25,1	20,2							
359	984	2,7	4,12	18,3	6,6	24,7	19,7							
106	3323	0,9	13,92	14,2	5,3	15,8	17,7				SK 62 - 225 SH/4	421	B80	
128	2767	1,1	11,59	15,7	6,0	17,9	18,0							
140	2519	1,2	10,55	15,4	5,9	17,8	17,7							
169	2096	1,4	8,78	16,3	6,4	19,1	17,7							
196	1805	1,7	7,56	16,8	6,7	19,7	17,7							
233	1516	1,3	6,35	16,0	6,4	18,8	16,8							
280	1263	1,5	5,29	16,3	6,6	19,3	16,5							
325	1089	1,9	4,56	16,3	6,7	19,5	16,3							
365	967	1,9	4,05	16,3	6,7	19,5	16,0							
379	934	2,2	3,91	16,3	6,7	19,5	16,0							
398	888	2,3	3,72	16,3	6,7	19,5	15,9							
448	788	2,5	3,30	16,2	6,7	19,4	15,6							
498	709	2,8	2,97	16,1	6,7	19,2	15,3							

45,0 kW 55,0 kW



P_1 [kW]	n_2 [min ⁻¹]	M_2 [Nm]	f_B	i_{ges}	F_R [kN]	F_A [kN]	$F_{R VL}$ [kN]	$F_{A VL}$ [kN]		kg	mm 			
45,0	21	20436	1,0	70,38	90,1	47,9	107,7	91,3	SK 103 - 225 MH/4	1045	B89			
	24	17628	1,1	60,71	93,4	48,8	110,5	91,2						
	28	15384	1,3	52,98	95,7	49,4	112,5	90,9						
	33	13139	1,5	45,25	97,5	49,6	112,7	89,6						
	39	11005	1,8	37,90	99,0	49,2	110,6	88,2						
	50	8601	2,3	29,62	100,4	48,4	106,7	84,9						
	58	7346	2,7	25,30	100,9	47,6	103,9	82,9						
	70	6153	3,3	21,19	101,4	46,3	100,5	80,1						
	28	15622	0,8	53,80	52,2	24,3	60,0	70,2				SK 93 - 225 MH/4	826	B87
	32	13523	0,9	46,57	56,2	25,9	64,3	70,3						
	37	11481	1,1	39,54	59,3	27,2	67,4	70,2						
	47	9074	1,3	31,25	62,2	28,1	70,1	69,0						
	55	7855	1,6	27,05	63,4	28,4	70,8	68,1						
	64	6670	1,8	22,97	64,3	28,6	71,0	66,7						
77	5552	2,2	19,12	65,1	28,4	70,5	64,7							
90	4782	2,2	16,47	64,5	28,2	70,1	63,3	SK 92 - 225 MH/4	815	B86				
103	4170	2,6	14,36	63,2	27,8	69,0	61,7							
119	3598	2,9	12,39	61,9	27,3	67,6	59,9							
46	9443	0,9	32,52	26,9	8,9	36,5	38,6	SK 83 - 225 MH/4	647	B85				
53	8139	1,0	28,03	29,9	10,4	39,9	39,3							
61	7091	1,1	24,42	32,1	11,5	42,3	39,6							
70	6109	1,3	21,04	33,8	12,4	44,3	39,8							
89	4809	1,4	16,56	35,9	13,5	46,3	39,6	SK 82 - 225 MH/4	639	B84				
104	4149	1,6	14,29	36,4	13,8	46,6	39,0							
125	3438	2,1	11,84	36,3	13,9	46,2	38,0							
143	3000	2,3	10,33	36,2	14,0	45,9	37,3							
168	2561	2,6	8,82	35,8	14,0	45,3	36,4							
200	2146	2,9	7,39	35,2	13,8	44,3	35,3							
239	1797	2,4	6,19	33,4	13,1	42,0	33,5							
280	1536	3,1	5,29	32,7	12,9	40,8	32,5							
72	5987	0,8	20,62	5,9	1,3	13,2	19,4				SK 73 - 225 MH/4	540	B83	
82	5227	1,0	18,00	10,0	2,4	16,3	20,2							
103	4161	1,0	14,33	14,1	4,3	21,0	21,5	SK 72 - 225 MH/4	530	B82				
118	3635	1,1	12,52	15,5	4,9	22,5	21,7							
137	3148	1,5	10,84	15,7	5,0	22,6	21,2							
156	2747	1,7	9,46	16,5	5,4	23,5	21,2							
181	2378	2,0	8,19	17,2	5,8	24,1	21,1							
213	2018	2,1	6,95	17,7	6,1	24,5	20,9							
231	1864	1,5	6,42	16,4	5,6	22,9	19,9							
264	1626	1,7	5,60	16,7	5,8	23,2	19,6							
305	1408	2,1	4,85	16,9	5,9	23,3	19,4							
359	1196	2,2	4,12	17,0	6,0	23,2	19,0							
383	1121	2,3	3,86	17,0	6,1	23,1	18,8							
431	996	2,4	3,43	17,0	6,1	22,9	18,4							
128	3365	0,9	11,59	12,2	4,4	13,3	16,0				SK 62 - 225 MH/4	461	B80	
169	2549	1,2	8,78	13,6	5,1	15,4	16,1							
196	2195	1,4	7,56	14,4	5,6	16,6	16,3							
280	1536	1,2	5,29	14,4	5,7	16,9	15,5							
325	1324	1,6	4,56	14,8	5,9	17,5	15,4							
365	1176	1,6	4,05	14,9	6,1	17,7	15,2							
379	1135	1,8	3,91	15,0	6,1	17,8	15,2							
398	1080	1,9	3,72	15,0	6,1	17,8	15,1							
448	958	2,1	3,30	15,0	6,2	17,9	14,9							
498	862	2,3	2,97	15,0	6,2	17,9	14,7							
55,0	21	24894	0,8	70,38	83,6	40,9	89,2	82,1	SK 103 - 250 MH/4	1175				B89
	24	21473	0,9	60,71	88,8	42,6	95,0	83,3						
	28	18739	1,1	52,98	92,2	44,0	98,7	83,7						
	33	16005	1,2	45,25	95,1	44,9	101,5	83,7						
	39	13405	1,5	37,90	97,3	45,4	103,2	82,9						
	50	10477	1,9	29,62	99,3	45,3	101,9	81,2						
	59	8949	2,2	25,30	99,2	44,9	99,8	79,4						
	70	7495	2,7	21,19	97,2	44,1	97,1	77,3						
	77	6851	2,5	19,37	96,8	44,1	96,3	76,7			SK 102 - 250 MH/4	1166	B88	
	89	5882	3,0	16,63	94,6	43,1	93,6	74,5						
	38	13985	0,9	39,54	55,4	22,6	55,9	64,3			SK 93 - 250 MH/4	956	B87	
	48	11053	1,1	31,25	59,3	24,6	61,1	64,4						
	55	9568	1,3	27,05	60,2	25,3	63,1	64,1						
	65	8125	1,5	22,97	60,9	25,9	64,5	63,2						
78	6763	1,8	19,12	60,9	26,1	65,1	61,9							
90	5826	1,8	16,47	60,8	26,4	65,5	60,9	SK 92 - 250 MH/4	945	B86				
103	5079	2,1	14,36	60,2	26,2	65,1	59,7							
120	4382	2,4	12,39	59,1	25,9	64,3	58,0							
141	3714	2,7	10,50	57,9	25,5	63,0	56,3							



55,0 kW
75,0 kW
90,0 kW

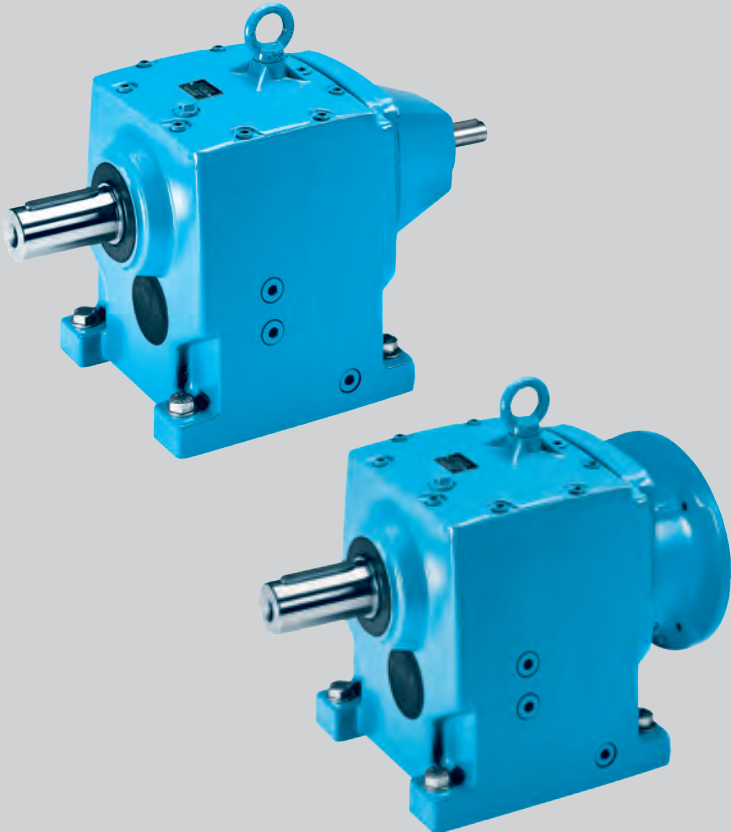
P_1 [kW]	n_2 [min ⁻¹]	M_2 [Nm]	f_B	i_{ges}	F_R [kN]	F_A [kN]	$F_{R VL}$ [kN]	$F_{A VL}$ [kN]		kg	mm		
55,0	90	5857	1,1	16,56	31,2	11,4	40,7	36,7	SK 82 - 250 MH/4	769	B84		
	104	5054	1,3	14,29	32,3	12,0	42,0	36,7					
	125	4188	1,7	11,84	32,8	12,4	42,2	36,0					
	144	3654	1,9	10,33	33,1	12,6	42,4	35,5					
	168	3120	2,1	8,82	33,3	12,8	42,5	34,8					
	201	2614	2,4	7,39	33,1	12,9	42,0	33,9					
	240	2189	2,0	6,19	31,3	12,2	39,8	32,2					
	281	1871	2,6	5,29	31,0	12,1	39,2	31,4					
	335	1567	2,8	4,43	30,4	12,0	38,2	30,4					
	410	1280	3,1	3,62	29,6	11,7	36,6	29,2					
	514	1022	3,1	2,89	28,5	11,4	34,9	27,9					
75,0	28	25553	0,8	52,98	68,7	33,0	70,7	70,0	SK 103 - 280 SH/4	1290	B89		
	33	21825	0,9	45,25	77,4	35,6	78,0	71,9					
	39	18280	1,1	37,90	83,8	37,7	84,1	73,1					
	50	14286	1,4	29,62	89,2	39,3	88,7	73,4					
	59	12203	1,6	25,30	89,2	39,7	90,4	72,7					
	70	10220	2,0	21,19	89,1	39,8	90,3	71,9					
	77	9343	1,8	19,37	89,5	40,2	90,4	71,9	SK 102 - 280 SH/4	1281	B88		
	89	8021	2,2	16,63	88,2	39,8	88,5	70,3					
	104	6892	2,4	14,29	86,4	39,3	86,5	68,8					
	125	5730	2,8	11,88	84,2	38,3	83,6	66,6					
	149	4804	3,1	9,96	81,6	37,3	80,9	64,4					
198	3617	3,1	7,50	75,5	34,6	74,7	59,5						
238	3010	3,8	6,24	73,1	33,5	71,8	57,3						
284	2523	4,2	5,23	70,3	32,4	69,0	55,1						
48	15073	0,8	31,25	44,4	17,4	42,3	55,2	SK 93 - 280 SH/4	1071	B87			
55	13047	0,9	27,05	47,7	19,1	47,2	56,2						
65	11079	1,1	22,97	50,4	20,7	51,2	56,5						
78	9222	1,3	19,12	52,3	21,8	54,3	56,3						
90	7944	1,3	16,47	53,5	22,6	56,5	56,2	SK 92 - 280 SH/4	1060	B86			
103	6926	1,6	14,36	53,8	23,0	57,2	55,6						
120	5976	1,8	12,39	53,7	23,1	57,5	54,5						
141	5064	2,0	10,50	53,2	23,1	57,5	53,4						
191	3752	1,6	7,78	49,5	21,6	53,7	49,3						
222	3232	2,4	6,70	48,8	21,4	52,9	48,1						
261	2740	2,6	5,68	47,7	21,0	52,0	46,6						
90	7987	0,8	16,56	21,4	7,1	29,0	31,2				SK 82 - 280 SH/4	884	B84
104	6892	1,0	14,29	23,9	8,2	31,9	31,8						
125	5711	1,2	11,84	25,8	9,2	33,9	31,8						
144	4982	1,4	10,33	27,0	9,9	35,3	31,9						
168	4254	1,5	8,82	28,1	10,4	36,4	31,8						
201	3564	1,8	7,39	28,8	10,9	37,0	31,5						
240	2986	1,4	6,19	27,2	10,3	35,0	29,8						
281	2551	1,9	5,29	27,5	10,5	35,2	29,3						
335	2137	2,0	4,43	27,6	10,6	35,0	28,6						
410	1746	2,3	3,62	27,2	10,6	34,5	27,8						
514	1394	2,2	2,89	26,7	10,5	33,5	26,7						
90,0	33	26173	0,8	45,25	57,6	28,7	59,8	63,0	SK 103 - 280 MH/4	1390	B89		
	39	21921	0,9	37,90	67,8	31,8	68,9	65,6					
	50	17132	1,2	29,62	76,9	34,8	77,3	67,7					
	59	14633	1,4	25,30	81,1	35,8	80,8	67,9					
	70	12256	1,6	21,19	82,7	36,6	82,7	67,7					
	77	11204	1,5	19,37	84,1	37,4	84,9	68,1	SK 102 - 280 MH/4	1381	B88		
	89	9619	1,8	16,63	83,4	37,4	84,6	67,2					
	104	8265	2,0	14,29	82,4	37,1	83,1	66,1					
	125	6871	2,3	11,88	80,9	36,6	80,8	64,4					
	149	5761	2,6	9,96	78,8	35,8	78,5	62,5					
	198	4338	2,6	7,50	73,1	33,4	72,7	57,9					
55	15646	0,8	27,05	35,5	14,5	34,6	50,2	SK 93 - 280 MH/4				1171	B87
65	13286	0,9	22,97	42,3	16,7	40,8	51,4						
78	11059	1,1	19,12	45,5	18,5	45,9	52,1						
90	9526	1,1	16,47	48,0	19,9	49,5	52,6						
103	8306	1,3	14,36	49,0	20,5	51,1	52,4	SK 92 - 280 MH/4	1160	B86			
120	7166	1,5	12,39	49,7	21,0	52,4	51,8						
142	6073	1,7	10,50	49,8	21,3	53,2	51,0						
191	4500	1,4	7,78	46,5	20,0	49,9	47,3						
222	3875	2,0	6,70	46,3	20,0	49,8	46,4						
262	3285	2,2	5,68	45,6	19,9	49,3	45,2						
423	2030	2,7	3,51	42,6	18,9	46,6	41,2						

110 kW
132 kW
160 kW
200 kW



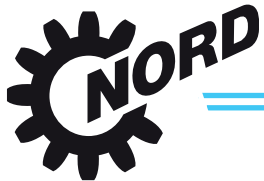
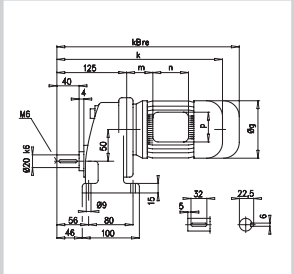
P_1 [kW]	n_2 [min ⁻¹]	M_2 [Nm]	f_B	i_{ges}	F_R [kN]	F_A [kN]	$F_{R VL}$ [kN]	$F_{A VL}$ [kN]		kg	mm				
110	50	20911	1,0	29,62	60,2	28,7	62,0	59,9	SK 103 - 315 SH/4	1525	B89				
	59	17861	1,1	25,30	66,7	30,6	67,3	61,3							
	70	14960	1,3	21,19	71,8	32,2	72,1	62,0							
110	77	13675	1,2	19,37	76,1	33,6	75,6	63,2	SK 102 - 315 SH/4	1516	B88				
	89	11740	1,5	16,63	77,2	34,1	77,2	63,0							
	104	10088	1,6	14,29	76,9	34,3	78,2	62,5							
	125	8387	1,9	11,88	76,4	34,2	77,1	61,3							
	149	7032	2,1	9,96	75,0	33,9	75,4	59,9							
	198	5295	2,1	7,50	69,8	31,6	70,1	55,8							
	238	4405	2,6	6,24	68,1	31,1	68,1	54,1							
	285	3692	2,9	5,23	66,3	30,2	65,8	52,5							
	110	90	11628	0,9	16,47	40,6	16,2	39,9				47,9	SK 92 - 315 SH/4	1295	B86
		104	10138	1,1	14,36	42,5	17,3	43,1				48,3			
120		8747	1,2	12,39	44,0	18,3	45,4	48,3							
142		7413	1,4	10,50	45,2	18,9	47,3	48,0							
191		5493	1,1	7,78	42,5	18,0	44,9	44,9							
222		4730	1,6	6,70	42,8	18,3	45,5	44,2							
262		4010	1,8	5,68	42,6	18,4	45,8	43,3							
424		2478	2,2	3,51	40,9	17,9	44,5	40,0							
132		89	14089	1,2	16,63	68,6	30,5	68,3	58,5	SK 102 - 315 MH/4	1671	B88			
		104	12106	1,4	14,29	71,1	31,2	70,5	58,5						
	125	10064	1,6	11,88	71,2	31,7	72,1	58,1							
	149	8438	1,8	9,96	70,9	31,7	72,0	57,2							
	198	6354	1,8	7,50	66,1	29,8	67,2	53,4							
	238	5286	2,2	6,24	65,1	29,4	65,4	52,1							
	285	4431	2,4	5,23	63,9	29,0	63,8	50,7							
	348	3626	2,6	4,28	61,9	28,2	61,6	49,0							
	132	120	10497	1,0	12,39	37,8	15,1	37,3	44,5				SK 92 - 315 MH/4	1450	B86
		142	8895	1,1	10,50	40,0	16,4	40,5	44,7						
222		5676	1,4	6,70	38,9	16,4	40,8	41,8							
262		4812	1,5	5,68	39,5	16,8	41,9	41,2							
424		2974	1,9	3,51	38,9	16,9	42,2	38,8							
160		90	17054	1,0	16,63	56,0	25,9	56,5	52,6	SK 102 - 315 RH/4	1811	B88			
	104	14654	1,1	14,29	60,4	27,3	60,7	53,6							
	125	12183	1,3	11,88	64,1	28,4	64,0	53,9							
	150	10214	1,5	9,96	65,7	29,0	65,8	53,7							
	199	7691	1,5	7,50	61,5	27,4	62,3	50,5							
	239	6399	1,8	6,24	61,2	27,5	62,3	49,6							
	285	5363	2,0	5,23	60,5	27,3	61,1	48,6							
	348	4389	2,1	4,28	59,3	26,9	59,3	47,2							
	160	120	12706	0,8	12,39	27,4	11,2	26,9	39,4				SK 92 - 315 RH/4	1590	B86
		142	10768	0,9	10,50	33,1	13,1	31,9	40,6						
222		6871	1,1	6,70	34,0	13,9	34,6	38,6							
262		5825	1,2	5,68	35,3	14,7	36,6	38,6							
425		3600	1,5	3,51	36,3	15,6	38,9	37,1							
200	104	18318	0,9	14,29	44,6	21,7	46,1	46,5	SK 102 - 315 LH/4	2011	B88				
	125	15229	1,0	11,88	51,2	23,7	52,0	47,9							
	150	12768	1,2	9,96	55,6	25,1	55,9	48,7							
	199	9614	1,2	7,50	53,8	23,9	53,8	46,0							
	239	7999	1,4	6,24	55,9	24,6	55,8	46,0							
	285	6704	1,6	5,23	55,9	24,9	56,7	45,6							
	348	5486	1,7	4,28	55,5	24,9	56,2	44,8							

Helical gear unit

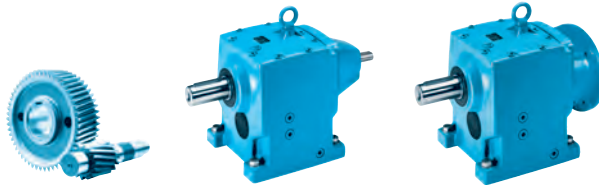


**SK 02
SK 03**

	i_{ges}	n_2	M_{2max}		P_{1max}		W
			$n_1 = 1400 \text{ min}^{-1}$	$n_1 = 930 \text{ min}^{-1}$	$n_1 = 1400 \text{ min}^{-1}$	$n_1 = 930 \text{ min}^{-1}$	
	[min^{-1}]		[Nm]	[Nm]	[kW]	[kW]	
SK 03	313,11	4,5	89	0,04	0,03		
	274,28	5,1	89	0,05	0,03		
W	212,47	6,6	108	0,07	0,05		
	170,75	8,2	108	0,09	0,06		
+	151,33	9,3	110	0,11	0,07		
IEC	124,82	11	108	0,12	0,08		
	104,77	13	95	0,13	0,09		
T mm \Rightarrow B69	81,50	17	108	0,19	0,12		
	65,50	21	110	0,24	0,16		



SK 02 SK 03

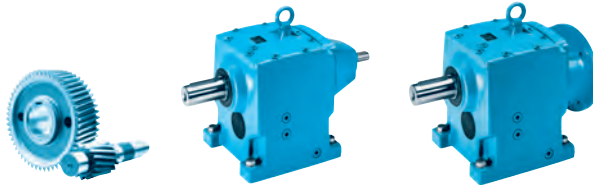


	i_{ges}	n_2 $n_1 = 1400 \text{ min}^{-1}$ [min^{-1}]	M_{2max} $f_B = 1$ [Nm]	W $f_B \geq 1$			IEC $f_B \Rightarrow$ B4 - B40							
				P_{1max} $n_1 = 1400 \text{ min}^{-1}$ [kW]	$n_1 = 930 \text{ min}^{-1}$ [kW]	$n_1 = 700 \text{ min}^{-1}$ [kW]	IEC 63	IEC 71						
SK 03	313,11	4,5	89	0,04	0,03	0,02	*	*						
	274,28	5,1	89	0,05	0,03	0,02	*	*						
	212,47	6,6	106	0,07	0,05	0,04	*	*						
	W 170,75	8,2	108	0,09	0,06	0,05	*	*						
	+ 151,33	9,3	110	0,11	0,07	0,05	*	*						
	IEC 124,62	11	106	0,12	0,08	0,06	*	*						
	104,77	13	95	0,13	0,09	0,06	*	*						
	mm \Rightarrow B69 81,50	17	106	0,19	0,12	0,09		*						
	65,50	21	110	0,24	0,16	0,12		*						

	i_{ges}	n_2	M_{2max}	W			IEC 63	IEC 71	IEC 80	IEC 90				
				P_{1max}	$n_1 = 930 \text{ min}^{-1}$	$n_1 = 700 \text{ min}^{-1}$								
SK 02	73,06	19	89	0,18	0,12	0,09		*						
	61,27	23	89	0,21	0,14	0,11		*						
	53,68	26	89	0,24	0,16	0,12		*						
	41,58	34	99	0,35	0,23	0,18		*						
	W 33,42	42	96	0,42	0,28	0,21			*					
	29,61	47	92	0,45	0,30	0,23			*					
	+ 27,52	51	87	0,46	0,31	0,23			*					
	24,39	57	89	0,53	0,35	0,27			*					
	IEC 23,13	61	78	0,50	0,33	0,25				*				
	20,59	68	74	0,53	0,35	0,26			*	*				
mm \Rightarrow B68 15,95	88	72	0,66	0,44	0,33			*	*					
12,82	109	70	0,80	0,53	0,40				*					
11,27	124	67	0,87	0,57	0,43				*					
9,95	141	64	0,94	0,62	0,47				*					
9,28	151	65	1,03	0,68	0,51				*					
8,19	171	63	1,13	0,74	0,56				*					
7,80	179	63	1,18	0,78	0,59				*					
6,89	203	61	1,30	0,86	0,65				*					
6,10	230	57	1,37	0,91	0,68				*					
5,57	251	57	1,50	0,99	0,75									
4,82	290	57	1,50	0,99	0,75									
4,22	332	52	1,50	0,99	0,75									
3,89	360	53	1,50	0,99	0,75									
3,38	414	51	1,50	0,99	0,75									
2,95	475	46	1,50	0,99	0,75									

* \Rightarrow A55

kg	[kg]				
	W	IEC 63	IEC 71	IEC 80	IEC 90
SK 03	16	17	18		
SK 02	12	13	14	17	17



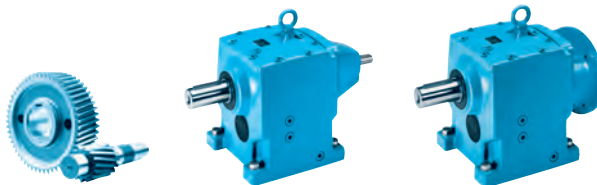
SK 12/02 SK 13

	i_{ges}	n_2 $n_1 = 1400 \text{ min}^{-1}$ [min^{-1}]	M_{2max} $f_B = 1$ [Nm]	W $f_B \geq 1$			IEC $f_B \Rightarrow B4 - B40$									
				P_{1max}			IEC 63	IEC 71	IEC 80	IEC 90						
				$n_1 = 1400 \text{ min}^{-1}$	$n_1 = 930 \text{ min}^{-1}$	$n_1 = 700 \text{ min}^{-1}$	[kW]	[kW]	[kW]	[kW]						
SK 12/02	2798,93	0,50	180	0,05	0,03	0,02	*	*								
	2056,68	0,68	180	0,05	0,03	0,03	*	*								
	1592,93	0,88	180	0,06	0,04	0,03	*	*								
	1280,32	1,1	180	0,06	0,04	0,03	*	*								
	1054,29	1,3	180	0,06	0,04	0,03	*	*								
	W	886,11	1,6	180	0,07	0,05	0,04	*	*							
		619,86	2,3	180	0,08	0,06	0,04	*	*							
	+	537,49	2,6	180	0,09	0,06	0,04	*	*	*	*					
		431,75	3,2	180	0,10	0,07	0,05	*	*	*	*					
	IEC	339,81	4,1	180	0,12	0,08	0,06	*	*	*	*					
		263,96	5,3	180	0,14	0,09	0,07	*	*	*	*					
	mm \Rightarrow B90	213,39	6,6	180	0,16	0,11	0,08	*	*	*	*					
		165,77	8,4	180	0,20	0,13	0,10		*	*	*					
		133,23	11	164	0,23	0,15	0,11		*	*	*					
		109,66	13	164	0,26	0,17	0,13		*	*	*					
	92,89	15	164	0,30	0,20	0,15		*	*	*						
SK 13	420,83	3,3	167	0,06	0,04	0,03	IEC 63	IEC 71								
	369,34	3,8	176	0,07	0,05	0,04	*	*								
	313,48	4,5	167	0,08	0,05	0,04	*	*								
	W	275,12	5,1	176	0,09	0,06	0,05	*	*							
		244,62	5,7	177	0,11	0,07	0,05	*	*							
	+	195,78	7,2	194	0,15	0,10	0,07	*	*							
		159,36	8,8	167	0,15	0,10	0,08	*	*							
	IEC	132,45	11	148	0,17	0,11	0,09	*	*							
		108,72	13	177	0,24	0,16	0,12		*							
	mm \Rightarrow B71	85,47	16	176	0,29	0,19	0,15		*							
		68,40	20	196	0,37	0,24	0,19		*							

* \Rightarrow A55

	[kg]				
	W	IEC 63	IEC 71	IEC 80	IEC 90
SK 12/02	22	23	24	27	27
SK 13	19	20	21		

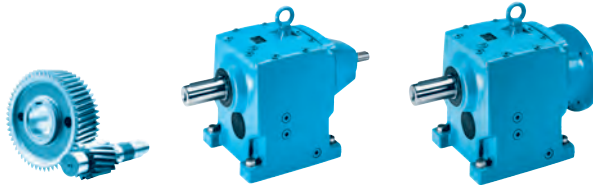
SK 12 SK 11E



	i_{ges}	n_2 <small>$n_1 = 1400 \text{ min}^{-1}$</small> [min ⁻¹]	M_{2max} fB=1 [Nm]	W $f_B \geq 1$			IEC $f_B \Rightarrow$ B4 - B40									
				P_{1max}			IEC 63	IEC 71	IEC 80	IEC 90	IEC 100	IEC 112				
				<small>$n_1 = 1400 \text{ min}^{-1}$</small> [kW]	<small>$n_1 = 930 \text{ min}^{-1}$</small> [kW]	<small>$n_1 = 700 \text{ min}^{-1}$</small> [kW]										
SK 12	72,63	19	139	0,28	0,18	0,14		*								
	61,35	23	154	0,37	0,24	0,19										
	53,84	26	176	0,48	0,32	0,24										
	47,87	29	177	0,54	0,35	0,27			*							
	W	43,09	32	162	0,54	0,36	0,27									
		38,31	37	184	0,71	0,47	0,36			*						
	+	35,07	40	149	0,62	0,41	0,31									
		31,19	45	165	0,78	0,51	0,39									
	IEC	29,15	48	124	0,62	0,41	0,31									
		25,92	54	137	0,77	0,51	0,39									
	mm \Rightarrow B70	21,28	66	167	1,15	0,76	0,58				*					
		18,79	75	161	1,26	0,83	0,63				*					
		16,73	84	154	1,35	0,89	0,68				*	*	*			
		13,39	105	149	1,64	1,08	0,82					*	*			
		10,70	131	134	1,84	1,21	0,92					*	*			
		9,65	145	135	2,05	1,35	1,02					*	*			
		7,85	178	131	2,44	1,61	1,22					*	*			
		7,28	192	124	2,49	1,65	1,25					*	*			
		6,53	214	126	2,82	1,86	1,41					*	*			
		5,79	242	122	3,09	2,04	1,55						*	*		
4,93		284	116	3,45	2,28	1,72							*	*		
4,49		312	118	3,86	2,54	1,93								*	*	
4,32	324	112	3,80	2,51	1,90									*		
3,98	352	114	4,00	2,64	2,00											
3,39	413	109	4,00	2,64	2,00											
2,96	473	105	4,00	2,64	2,00											
SK 11E	9,11	154	23	0,37	0,24	0,19	IEC 63	IEC 71	IEC 80	IEC 90	IEC 100	IEC 112				
	8,10	173	30	0,54	0,36	0,27			*							
	3,60	389	42	1,71	1,13	0,86										
	W	3,18	440	40	1,84	1,22	0,92									
		2,83	495	54	2,80	1,85	1,40				*	*				
	+	2,32	603	56	3,00	1,98	1,50						*	*		
		2,04	686	58	3,00	1,98	1,50							*	*	
	IEC	1,81	773	55	3,00	1,98	1,50							*	*	
		1,54	909	50	3,00	1,98	1,50							*	*	
		1,35	1037	50	3,00	1,98	1,50							*	*	

* \Rightarrow A55

kg	[kg]						
	W	IEC 63	IEC 71	IEC 80	IEC 90	IEC 100	IEC 112
SK 12	14	15	16	19	19	26	26
SK 11E	10	11	12	15	15	22	22



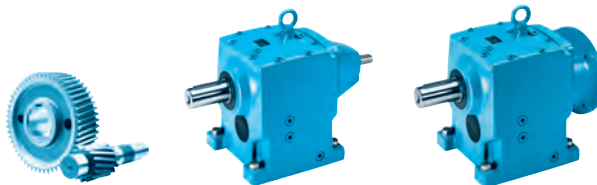
SK 22/02 SK 23

	i_{ges}	n_2 <small>$n_1 = 1400 \text{ min}^{-1}$</small> [min ⁻¹]	M_{2max} fB=1 [Nm]	W $f_B \geq 1$			IEC $f_B \Rightarrow$ B4 - B40						
				P_{1max}		$f_B \geq 1$							
				<small>$n_1 = 1400 \text{ min}^{-1}$</small>	<small>$n_1 = 930 \text{ min}^{-1}$</small>		<small>$n_1 = 700 \text{ min}^{-1}$</small>	IEC 63	IEC 71	IEC 80	IEC 90		
SK 22/02	2534,45	0,55	340	0,06	0,04	0,03	*	*					
	2125,46	0,66	340	0,06	0,04	0,03	*	*					
	1780,46	0,79	340	0,07	0,04	0,03	*	*					
	W	1442,41	0,97	340	0,07	0,05	0,04	*	*				
		1159,34	1,2	340	0,08	0,05	0,04	*	*				
	+	881,66	1,6	340	0,10	0,06	0,05	*	*	*	*		
		682,98	2,0	340	0,11	0,07	0,06	*	*	*	*		
	IEC	553,31	2,5	340	0,13	0,09	0,06	*	*	*	*		
		444,73	3,1	340	0,15	0,10	0,08	*	*	*	*		
	mm \Rightarrow B90 <small>$\left[\begin{smallmatrix} \leftarrow \\ \rightarrow \end{smallmatrix} \right]$</small>	345,17	4,1	340	0,19	0,12	0,09		*	*	*		
		284,11	4,9	340	0,21	0,14	0,11		*	*	*		
		239,01	5,9	340	0,25	0,17	0,13		*	*	*		
167,21		8,4	340	0,34	0,22	0,17		*	*	*			
134,94		10	340	0,40	0,26	0,20			*	*			
117,25		12	340	0,47	0,31	0,23			*	*			
SK 23	516,65	2,7	274	0,08	0,05	0,04	IEC 63	IEC 71	IEC 80	IEC 90			
	417,95	3,3	340	0,12	0,08	0,06	*	*					
	323,70	4,3	340	0,15	0,10	0,08	*	*					
	W	262,24	5,3	340	0,19	0,12	0,09		*				
		217,73	6,4	340	0,23	0,15	0,11		*				
	+	179,50	7,8	312	0,25	0,17	0,13		*				
		151,44	9,2	294	0,28	0,19	0,14		*				
	IEC	124,17	11	340	0,39	0,26	0,20			*	*		
		100,60	14	340	0,50	0,33	0,25			*	*		
	mm \Rightarrow B73 <small>$\left[\begin{smallmatrix} \leftarrow \\ \rightarrow \end{smallmatrix} \right]$</small>	88,45	16	340	0,57	0,38	0,28			*	*		
		78,05	18	340	0,64	0,42	0,32			*	*		
		64,80	22	340	0,75	0,50	0,38			*	*		

* \Rightarrow A55

	[kg]				
	W	IEC 63	IEC 71	IEC 80	IEC 90
SK 22/02	35	36	37	40	40
SK 23	31	32	33	36	36

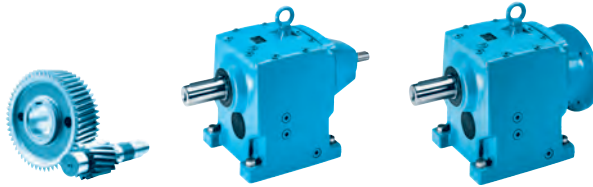
SK 22 SK 21E



	i_{ges}	n_2 $n_1=1400\text{ min}^{-1}$ [min ⁻¹]	M_{2max} $f_B=1$ [Nm]	W $f_B \geq 1$			IEC $f_B \Rightarrow$ B4 - B40							
				P_{1max} $n_1=1400\text{ min}^{-1}$ [kW]	$n_1=930\text{ min}^{-1}$ [kW]	$n_1=700\text{ min}^{-1}$ [kW]	IEC 71	IEC 80	IEC 90	IEC 100	IEC 112			
SK 22	86,30	16	250	0,42	0,28	0,21		*						
	55,28	25	320	0,84	0,55	0,42			*					
	45,90	31	292	0,95	0,63	0,47			*					
	42,82	33	340	1,17	0,78	0,59			*					
	35,55	39	330	1,35	0,89	0,67			*					
	W	34,69	40	340	1,42	0,94	0,71			*	*	*		
		29,31	48	292	1,47	0,97	0,73			*				
		24,73	57	246	1,47	0,97	0,73			*				
	+	28,80	49	374	1,92	1,27	0,96			*	*			
		23,74	59	326	2,01	1,33	1,01			*	*			
	IEC	20,03	70	285	2,09	1,38	1,04			*	*			
		16,75	84	339	2,98	1,97	1,49			*	*			
		mm \Rightarrow B72	14,69	95	337	3,35	2,21	1,68			*	*		
			12,20	115	329	3,96	2,61	1,98			*	*		
			10,89	129	317	4,00	2,64	2,00						
			8,48	165	259	4,00	2,64	2,00						
7,57			185	246	4,00	2,64	2,00							
6,86			204	255	4,00	2,64	2,00							
6,51			215	228	4,00	2,64	2,00							
5,79			242	215	4,00	2,64	2,00							
5,18			270	159	4,00	2,64	2,00							
4,62			303	150	4,00	2,64	2,00							
3,97			353	139	4,00	2,64	2,00							
3,53			397	131	4,00	2,64	2,00							
2,79			502	115	4,00	2,64	2,00							
SK 21E			10,20	137	40	0,57	0,38	0,29	IEC 71	IEC 80	IEC 90	IEC 100	IEC 112	
	7,90		177	60	1,11	0,73	0,56		*	*				
	6,40		219	65	1,49	0,98	0,75			*	*	*		
	W	4,60	304	56	1,78	1,18	0,89							
		3,67	381	68	2,71	1,79	1,36			*	*			
	+	3,09	453	62	2,94	1,94	1,47			*	*			
		2,71	517	77	4,00	2,64	2,00							
	IEC	2,42	579	73	4,00	2,64	2,00							
		2,08	673	68	4,00	2,64	2,00							
		1,85	757	64	4,00	2,64	2,00							
1,46		959	60	4,00	2,64	2,00								

* \Rightarrow A55

kg	[kg]					
	W	IEC 71	IEC 80	IEC 90	IEC 100	IEC 112
SK22	29	27	31	31	35	35
SK 21E	22	20	24	24	28	28



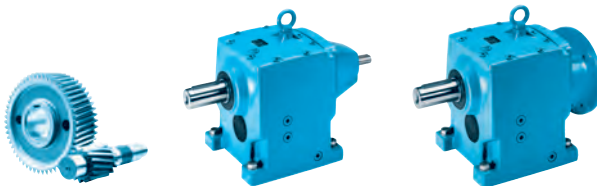
SK 32/12 SK 33N

	i_{ges}	n_2 n1= 1400 min ⁻¹ [min ⁻¹]	M_{2max} fB=1 [Nm]	W			IEC										
				P_{1max}	$f_B \geq 1$			$f_B \Rightarrow$ B4 - B40									
					n1= 1400 min ⁻¹	n1= 930 min ⁻¹	n1= 700 min ⁻¹	IEC 63	IEC 71	IEC 80	IEC 90	IEC 100	IEC 112				
				[kW]	[kW]	[kW]											
SK 32/12	2704,02	0,52	620	0,07	0,05	0,04	*	*									
	2004,46	0,70	620	0,09	0,06	0,04	*	*									
	1604,24	0,87	620	0,10	0,06	0,05	*	*									
	1305,66	1,1	620	0,11	0,07	0,06	*	*									
	W	1080,05	1,3	620	0,12	0,08	0,06	*	*	*	*						
		869,04	1,6	620	0,14	0,09	0,07	*	*	*	*						
		699,55	2,0	620	0,17	0,11	0,08	*	*	*	*						
	+	554,68	2,5	620	0,20	0,13	0,10		*	*	*	*	*	*	*	*	*
		446,31	3,1	620	0,24	0,16	0,12		*	*	*	*	*	*	*	*	*
	IEC	363,06	3,9	620	0,29	0,19	0,15		*	*	*	*	*	*	*	*	*
		mm \Rightarrow B90	267,79	5,2	620	0,38	0,25	0,19			*	*	*	*	*	*	*
		215,56	6,5	620	0,46	0,30	0,23			*	*	*	*	*	*	*	*
		167,16	8,4	620	0,59	0,39	0,29			*	*	*	*	*	*	*	*
		148,18	9,4	620	0,65	0,43	0,33			*	*	*	*	*	*	*	*
		126,21	11	620	0,75	0,50	0,38				*	*	*	*	*	*	*
	82,39	17	620	1,10	0,73	0,55				*	*	*	*	*	*	*	
SK 33N	740,37	1,9	570	0,11	0,07	0,06	IEC 63	IEC 71	IEC 80	IEC 90	IEC 100	IEC 112					
	662,81	2,1	560	0,12	0,08	0,06	*	*									
	585,41	2,4	634	0,16	0,11	0,08	*	*									
	524,08	2,7	672	0,19	0,13	0,09		*									
	421,32	3,3	672	0,23	0,15	0,12		*									
	+	339,15	4,1	651	0,28	0,18	0,14		*								
		248,17	5,6	672	0,39	0,26	0,20										
	IEC	207,10	6,8	672	0,48	0,32	0,24			*	*						
		mm \Rightarrow B75	166,49	8,4	672	0,59	0,39	0,30			*	*					
		134,02	10	651	0,68	0,45	0,34			*	*						
		112,18	12	548	0,69	0,45	0,34			*	*						
		88,18	16	537	0,90	0,59	0,45				*	*	*	*	*	*	*

* \Rightarrow A55

	[kg]						
	W	IEC 63	IEC 71	IEC 80	IEC 90	IEC 100	IEC 112
SK 32/12	40	49	50	53	53	60	60
SK 33N	27	44	45	48	48	55	55

SK 32 SK 31E



	i _{ges}	n ₂ n1= 1400 min ⁻¹ [min ⁻¹]	M _{2max} f _B =1 [Nm]	W f _B ≥ 1			IEC f _B ⇒ B4 - B40						
				P _{1max}			IEC 71	IEC 80	IEC 90	IEC 100	IEC 112	IEC 132	
				n1= 1400 min ⁻¹	n1= 930 min ⁻¹	n1= 700 min ⁻¹	[kW]	[kW]	[kW]	[kW]	[kW]	[kW]	
SK 32	81,27	17	515	0,92	0,61	0,46			*				
	72,76	19	560	1,11	0,74	0,56			*				
	64,26	22	640	1,47	0,97	0,74			*				
	57,53	24	613	1,54	1,02	0,77							
	46,31	30	533	1,67	1,11	0,84							
	W	46,25	30	672	2,11	1,39	1,06				*	*	
		38,76	36	446	1,68	1,11	0,84						
	+	37,23	38	589	2,34	1,55	1,17				*	*	
		33,05	42	380	1,67	1,10	0,84						
	IEC	31,16	45	512	2,41	1,59	1,21				*	*	
		30,43	46	639	3,08	2,03	1,54				*	*	
		27,24	51	602	3,21	2,12	1,61				*	*	
		26,57	53	436	2,42	1,60	1,21				*	*	
		23,12	61	630	4,02	2,66	2,01						
		20,70	68	658	4,69	3,09	2,34						
		18,67	75	631	4,96	3,27	2,48						
		16,66	84	530	4,66	3,08	2,33						
		16,25	86	639	5,75	3,80	2,88						*
		15,03	93	508	4,95	3,27	2,47						
		14,55	96	672	6,76	4,46	3,38						*
		11,71	120	710	8,92	5,89	4,46						*
		9,80	143	647	9,20	6,07	4,60						
7,90		177	655	9,20	6,07	4,60							
6,74		208	604	9,20	6,07	4,60							
5,70		246	604	9,20	6,07	4,60							
5,50		255	448	9,20	6,07	4,60							
5,28		265	639	9,20	6,07	4,60							
4,43	316	463	9,20	6,07	4,60								
3,75	373	459	9,20	6,07	4,60								
2,96	473	436	9,20	6,07	4,60								

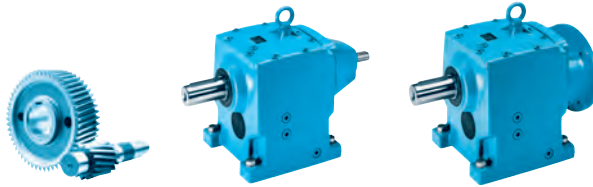
mm ⇒ B74

mm ⇒ B65

* ⇒ A55

	i _{ges}	n ₂ n1= 1400 min ⁻¹ [min ⁻¹]	M _{2max} f _B =1 [Nm]	W f _B ≥ 1			IEC f _B ⇒ B4 - B40						
				P _{1max}			IEC 71	IEC 80	IEC 90	IEC 100	IEC 112	IEC 132	
				n1= 1400 min ⁻¹	n1= 930 min ⁻¹	n1= 700 min ⁻¹	[kW]	[kW]	[kW]	[kW]	[kW]	[kW]	
SK 31E	10,20	137	90	1,29	0,85	0,65			*				
	8,20	171	105	1,88	1,24	0,94				*	*		
	4,83	290	98	2,98	1,96	1,49				*	*		
	W	3,67	381	110	4,39	2,90	2,19						
		3,31	423	105	4,65	3,07	2,33						
	+	2,58	543	185	9,20	6,07	4,60						
		2,08	673	165	9,20	6,07	4,60						
	IEC	1,76	795	150	9,20	6,07	4,60						
		1,39	1007	143	9,20	6,07	4,60						

	[kg]						
	W	IEC 71	IEC 80	IEC 90	IEC 100	IEC 112	IEC 132
SK 32	40	38	42	42	46	46	55
SK 31E	27	25	29	29	33	33	42



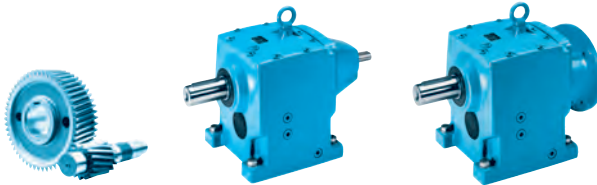
SK 42/12 SK 43

	i_{ges}	n_2 $n_1 = 1400 \text{ min}^{-1}$ [min^{-1}]	M_{2max} $f_B = 1$ [Nm]	W $f_B \geq 1$			IEC $f_B \Rightarrow B4 - B40$												
				P_{1max}			IEC 63	IEC 71	IEC 80	IEC 90	IEC 100	IEC 112							
				$n_1 = 1400 \text{ min}^{-1}$	$n_1 = 930 \text{ min}^{-1}$	$n_1 = 700 \text{ min}^{-1}$	[kW]	[kW]	[kW]										
SK 42/12	2560,21	0,55	1200	0,11	0,07	0,05	*	*											
	2163,20	0,65	1200	0,12	0,08	0,06	*	*											
	1561,55	0,90	1200	0,15	0,10	0,08	*	*											
	1393,38	1,0	1200	0,17	0,11	0,08	*	*											
	1114,65	1,3	1200	0,20	0,13	0,10		*											
	W	750,33	1,9	1200	0,28	0,18	0,14		*	*	*								
		670,81	2,1	1200	0,30	0,20	0,15		*	*									
	+	550,73	2,5	1200	0,35	0,23	0,18		*	*	*								
		433,49	3,2	1200	0,44	0,29	0,22			*	*	*	*						
	IEC $\text{mm} \Rightarrow B90$	346,53	4,0	1200	0,54	0,36	0,27			*	*	*	*						
		276,92	5,1	1200	0,68	0,45	0,34			*	*	*	*						
		230,05	6,1	1200	0,77	0,51	0,38				*	*	*	*					
		169,00	8,3	1200	1,04	0,69	0,52				*	*	*	*					
		140,40	10	1200	1,26	0,83	0,63				*	*	*	*					
		116,20	12	1200	1,51	1,00	0,75					*	*	*					
													*	*	*				
		87,73	16	1200	2,01	1,33	1,01						*	*	*				
	SK 43	1071,82	1,3	960	0,13	0,09	0,07		IEC 71	IEC 80	IEC 90	IEC 100	IEC 112						
		868,02	1,6	860	0,14	0,10	0,07	*	*	*									
764,03		1,8	1031	0,19	0,13	0,10	*	*	*										
618,76		2,3	1112	0,27	0,18	0,13	*	*	*										
528,37		2,6	990	0,27	0,18	0,13	*	*	*										
421,11		3,3	1186	0,41	0,27	0,20		*	*										
359,59		3,9	1286	0,53	0,35	0,26		*	*										
W		298,80	4,7	1118	0,55	0,36	0,28		*	*									
		278,51	5,0	1279	0,67	0,44	0,33		*	*									
+		263,93	5,3	1267	0,70	0,46	0,35		*	*									
		231,43	6,0	1116	0,70	0,46	0,35		*	*									
IEC $\text{mm} \Rightarrow B77$		219,32	6,4	1200	0,80	0,53	0,40			*									
		204,42	6,8	1289	0,92	0,61	0,46			*									
		182,76	7,7	1017	0,82	0,54	0,41			*									
		169,86	8,2	1166	1,00	0,66	0,50			*									
		141,55	9,9	1053	1,09	0,72	0,55			*									
		129,38	11	1240	1,43	0,94	0,71			*	*	*							
		107,51	13	1116	1,52	1,00	0,76				*	*	*						
		94,96	15	1240	1,95	1,29	0,97				*	*	*						
		79,96	18	1230	2,32	1,53	1,16				*	*	*						
		70,12	20	1260	2,64	1,74	1,32				*	*	*						
		58,27	24	1166	2,93	1,93	1,47				*	*	*						
48,56		29	1045	3,17	2,09	1,59					*	*	*						
40,98	34	1041	3,71	2,45	1,85						*	*	*						

* $\Rightarrow B A55$

kg	[kg]						
	W	IEC 63	IEC 71	IEC 80	IEC 90	IEC 100	IEC 112
SK 42/12	65	66	67	70	70	77	77
SK 43	70		68	72	72	76	76

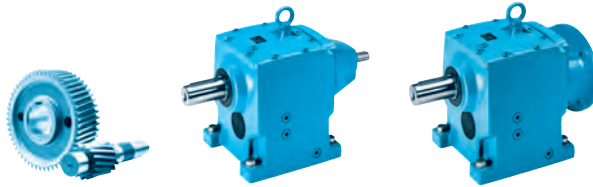
SK 42 SK 41E



	i_{ges}	n_2 $n_1 = 1400 \text{ min}^{-1}$ [min^{-1}]	M_{2max} $f_B=1$ [Nm]	W $f_B \geq 1$			IEC $f_B \Rightarrow$ B4 - B40							
				P_{1max} $n_1 = 1400 \text{ min}^{-1}$ [kW]	$n_1 = 930 \text{ min}^{-1}$ [kW]	$n_1 = 700 \text{ min}^{-1}$ [kW]	IEC 90	IEC 100	IEC 112	IEC 132	IEC 160			
SK 42	105,08	13	862	1,17	0,77	0,59	*							
	85,10	16	796	1,33	0,88	0,67	*							
	74,87	19	1080	2,15	1,42	1,07		*	*					
	60,66	23	1004	2,42	1,60	1,21		*	*					
	50,98	27	1098	3,10	2,05	1,55			*	*				
	41,29	34	1186	4,22	2,79	2,11				*	*			
	35,25	40	1228	5,14	3,39	2,57				*	*			
	30,46	46	1078	5,19	3,43	2,60				*	*			
	W	29,29	48	1021	5,13	3,39	2,57				*	*		
		25,88	54	1243	7,03	4,64	3,51				*	*		
	+	24,67	57	891	5,32	3,51	2,66				*	*		
		24,41	57	858	5,12	3,38	2,56				*	*		
	IEC	21,87	64	1096	7,34	4,85	3,67				*	*		
		21,50	65	1163	7,92	5,22	3,96				*	*		
	mm \Rightarrow B76	17,92	78	998	8,15	5,38	4,08				*	*		
		17,71	79	1186	9,81	6,48	4,91				*	*		
		15,12	93	1244	12,11	8,00	6,06				*	*		
		14,38	97	1158	11,76	7,76	5,88				*	*		
		12,28	114	1196	14,28	9,42	7,14				*	*		
		10,20	137	1167	15,00	9,90	7,50				*	*		
	8,50	165	1076	15,00	9,90	7,50				*	*			
	7,28	192	1076	15,00	9,90	7,50				*	*			
	6,19	226	1075	15,00	9,90	7,50				*	*			
	5,35	262	817	15,00	9,90	7,50				*	*			
	4,58	306	772	15,00	9,90	7,50				*	*			
	3,89	360	700	15,00	9,90	7,50				*	*			
	3,50	400	665	15,00	9,90	7,50				*	*			
	3,21	436	620	15,00	9,90	7,50				*	*			
	3,02	464	604	15,00	9,90	7,50				*	*			
SK 41E	14,80	95	133	1,32	0,87	0,66	IEC 90	IEC 100	IEC 112	IEC 132	IEC 160			
	10,55	133	190	2,65	1,75	1,32		*	*					
	7,18	195	190	3,88	2,56	1,94			*	*				
	5,27	266	195	5,43	3,58	2,72			*	*				
	W	4,29	326	155	5,29	3,49	2,65			*	*			
		3,88	361	145	5,48	3,62	2,74			*	*			
	+	3,42	409	140	6,00	3,96	3,00			*	*			
		3,08	455	290	13,82	9,12	6,91			*	*			
	IEC	2,50	560	271	15,00	9,90	7,50			*	*			
		2,14	654	248	15,00	9,90	7,50			*	*			
	mm \Rightarrow B66	1,82	769	223	15,00	9,90	7,50			*	*			
		1,63	859	200	15,00	9,90	7,50			*	*			
		1,50	933	190	15,00	9,90	7,50			*	*			
	1,41	993	180	15,00	9,90	7,50			*	*				

* \Rightarrow A55

kg	[kg]					
	W	IEC 90	IEC 100	IEC 112	IEC 132	IEC 160
SK 42	65	60	67	67	81	91
SK 41E	46	41	48	48	62	72



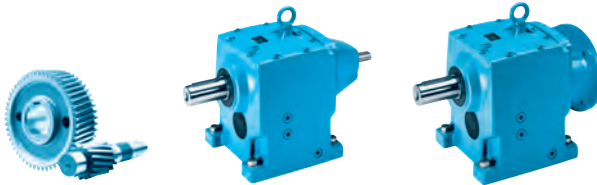
SK 52/12 SK 53

	i _{ges}	n ₂ n ₁ = 1400 min ⁻¹ [min ⁻¹]	M _{2max} f _B =1 [Nm]	W f _B ≥ 1			IEC f _B ⇨ B4 - B40								
				P _{1max}			IEC 63	IEC 71	IEC 80	IEC 90	IEC 100	IEC 112			
				n ₁ = 1400 min ⁻¹ [kW]	n ₁ = 930 min ⁻¹ [kW]	n ₁ = 700 min ⁻¹ [kW]									
SK 52/12	2632,78	0,53	1830	0,14	0,09	0,07	*	*							
	2107,10	0,66	1830	0,17	0,11	0,08	*	*							
	1714,92	0,82	1830	0,20	0,13	0,10		*							
	1425,44	0,98	1830	0,23	0,15	0,11		*							
	W	1144,36	1,2	1830	0,27	0,18	0,13		*						
		918,83	1,5	1830	0,33	0,22	0,16		*	*					
	+	689,41	2,0	1830	0,42	0,28	0,21		*	*	*				
		542,09	2,6	1830	0,54	0,36	0,27			*	*				
	IEC	491,28	2,8	1830	0,58	0,38	0,29			*	*	*			
		354,06	4,0	1830	0,77	0,51	0,38			*	*	*	*		
	mm ⇨ B90	283,13	4,9	1830	0,94	0,62	0,47			*	*	*	*		
		219,56	6,4	1830	1,23	0,81	0,61			*	*	*	*		
		194,62	7,2	1830	1,38	0,91	0,69			*	*	*	*		
		146,03	9,6	1830	1,84	1,21	0,92				*	*	*		
124,38		11	1830	2,11	1,39	1,05				*	*	*			
97,80		14	1830	2,68	1,77	1,34				*	*	*			
SK 53	728,20	1,9	1595	0,32	0,21	0,16	IEC 71	IEC 80	IEC 90	IEC 100	IEC 112				
	607,30	2,3	1882	0,45	0,30	0,23		*	*						
	548,89	2,6	1911	0,52	0,34	0,26		*	*						
	498,82	2,8	1920	0,56	0,37	0,28		*	*						
	W	392,20	3,6	1823	0,69	0,45	0,34		*	*					
		374,25	3,7	1920	0,74	0,49	0,37		*	*					
	+	294,26	4,8	2227	1,12	0,74	0,56			*					
		245,56	5,7	1859	1,11	0,73	0,55			*					
	IEC	236,21	5,9	1920	1,19	0,78	0,59			*	*	*			
		185,72	7,5	1820	1,43	0,94	0,71			*	*	*	*		
	mm ⇨ B79	177,22	7,9	1920	1,59	1,05	0,79			*	*	*	*		
		139,34	10	2232	2,34	1,54	1,17			*	*	*	*		
		105,87	13	2224	3,03	2,00	1,51				*	*	*		
		95,49	15	2231	3,50	2,31	1,75					*	*		
79,69		18	1862	3,51	2,32	1,75					*	*			
65,35		21	1920	4,00	2,64	2,00									
58,94		24	1920	4,00	2,64	2,00									

* ⇨ A55

kg	[kg]						
	W	IEC 63	IEC 71	IEC 80	IEC 90	IEC 100	IEC 112
SK 52/12	94	95	96	99	99	106	106
SK 53	103		101	105	105	109	109

SK 52 SK 51E

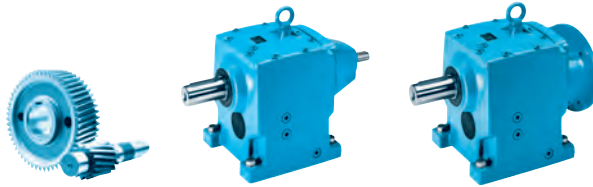


	i_{ges}	n_2 n1= 1400 min ⁻¹ [min ⁻¹]	M_{2max} fB=1 [Nm]	W $f_B \geq 1$			IEC $f_B \Rightarrow$ B4 - B40									
				P_{1max} n1= 1400 min ⁻¹ [kW]	n1= 930 min ⁻¹ [kW]	n1= 700 min ⁻¹ [kW]	IEC 90	IEC 100	IEC 112	IEC 132	IEC 160	IEC 180				
SK 52	86,92	16	1721	2,88	1,90	1,44		*	*							
	78,56	18	1596	3,01	1,99	1,50			*							
	71,39	20	1588	3,33	2,19	1,66			*							
	59,54	24	1893	4,76	3,14	2,38				*						
	53,81	26	1911	5,20	3,43	2,60				*						
	48,90	29	1920	5,83	3,85	2,92				*						
	W	40,37	35	1911	7,00	4,62	3,50				*					
		38,45	36	1668	6,29	4,15	3,14				*					
	+	36,03	39	1394	5,69	3,76	2,85									
		36,69	38	1920	7,64	5,04	3,82				*					
	IEC mm \Rightarrow B78 h-h	32,56	43	1260	5,67	3,74	2,84									
		32,09	44	1393	6,42	4,24	3,21				*					
		28,85	49	2024	10,38	6,85	5,19									
		26,46	53	1893	10,51	6,93	5,25					*				
		24,07	58	1689	10,26	6,77	5,13									
		23,92	59	1911	11,81	7,79	5,90					*				
		21,68	65	1893	12,88	8,50	6,44					*				
		19,60	71	1911	14,21	9,38	7,10					*				
		17,81	79	1920	15,88	10,48	7,94									
		14,00	100	1920	20,10	13,27	10,05									
13,45		104	1851	20,16	13,30	10,08							*			
10,58		132	1761	22,00	14,52	11,00										
8,83		159	1676	22,00	14,52	11,00										
7,27		193	1565	22,00	14,52	11,00										
6,42		218	1498	22,00	14,52	11,00										
5,60		250	1170	22,00	14,52	11,00										
4,61		304	1195	22,00	14,52	11,00										
4,08		343	1127	22,00	14,52	11,00										
3,67	381	1057	22,00	14,52	11,00											
3,40	412	1009	22,00	14,52	11,00											
3,23	433	959	22,00	14,52	11,00											
2,78	504	888	22,00	14,52	11,00											

	i_{ges}	n_2	M_{2max}	W			IEC							
				P_{1max}	n1=930 min ⁻¹	n1=700 min ⁻¹	90	100	112	132	160	180		
SK 51E	13,27	106	290	3,22	2,12	1,61			*					
	9,09	154	320	5,16	3,41	2,58				*				
W	6,82	205	400	8,59	5,67	4,29				*				
	5,50	255	220	5,87	3,88	2,94								
+	4,04	347	410	14,90	9,83	7,45				*				
	3,31	423	492	21,79	14,38	10,90								
IEC	2,86	490	456	22,00	14,52	11,00								
	2,50	560	426	22,00	14,52	11,00								
mm \Rightarrow B67 h-h	2,06	680	382	22,00	14,52	11,00								
	1,82	769	341	22,00	14,52	11,00								
	1,64	854	325	22,00	14,52	11,00								
	1,52	921	310	22,00	14,52	11,00								
	1,44	972	305	22,00	14,52	11,00								
1,24	1129	275	22,00	14,52	11,00									

* \Rightarrow A55

kg	[kg]						
	W	IEC 90	IEC 100	IEC 112	IEC 132	IEC 160	IEC 180
SK 52	94	89	96	96	110	120	120
SK 51E	55	50	57	57	71	81	81



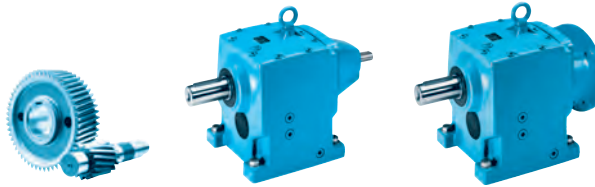
SK 63/23 SK 63/22

	i_{ges}	n_2 $n_1 = 1400 \text{ min}^{-1}$ [min^{-1}]	M_{2max} $f_B=1$ [Nm]	W $f_B \geq 1$			IEC $f_B \Rightarrow$ B4 - B40										
				P_{1max} $n_1 = 1400 \text{ min}^{-1}$ [kW]	$n_1 = 930 \text{ min}^{-1}$ [kW]	$n_1 = 700 \text{ min}^{-1}$ [kW]	IEC 63	IEC 71	IEC 80	IEC 90							
SK 63/23	13304,45	0,11	3200	0,08	0,05	0,04	*	*									
	11045,44	0,13	3200	0,08	0,06	0,04	*	*									
	8150,78	0,17	3200	0,10	0,06	0,05	*	*									
	W	6683,37	0,21	3200	0,11	0,07	0,06	*	*	*	*						
		5393,14	0,26	3200	0,13	0,08	0,06	*	*	*	*						
	+	4369,06	0,32	3200	0,15	0,10	0,07	*	*	*	*						
		3389,71	0,41	3200	0,18	0,12	0,09		*	*	*						
	IEC	2814,26	0,50	3200	0,21	0,14	0,10		*	*	*						
		mm \Rightarrow B91	2161,10	0,65	3200	0,26	0,17	0,13		*	*	*					
	mm \Rightarrow B91	1676,63	0,84	3200	0,32	0,21	0,16		*	*	*						
1408,77		0,99	3200	0,37	0,25	0,19			*	*							
	1064,04	1,3	3200	0,48	0,31	0,24			*	*							
SK 63/22	849,73	1,6	3200	0,58	0,38	0,29		IEC 71	IEC 80	IEC 90	IEC 100	IEC 112					
	727,45	1,9	3200	0,68	0,45	0,34		*	*	*	*	*					
	W	552,45	2,5	3200	0,84	0,55	0,42			*	*	*	*				
		430,19	3,3	3200	1,11	0,73	0,55			*	*	*	*				
	+	368,29	3,8	3200	1,27	0,84	0,64			*	*	*	*				
		mm \Rightarrow B90	282,73	5,0	3200	1,68	1,11	0,84			*	*	*	*			
	mm \Rightarrow B90	224,97	6,2	3200	2,08	1,37	1,04				*	*	*				
		172,85	8,1	3200	2,71	1,79	1,36				*	*	*				
		153,31	9,1	3200	3,05	2,01	1,52					*	*				

* \Rightarrow A55

	[kg]						
	W	IEC 63	IEC 71	IEC 80	IEC 90	IEC 100	IEC 112
SK 63/23	160	161	162	165	165		
SK 63/22	158		156	160	160	164	164

SK 63 SK 62

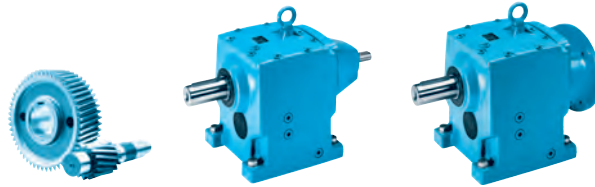


	i_{ges}	n_2 <small>$n_1 = 1400 \text{ min}^{-1}$</small> [min^{-1}]	M_{2max} fB=1 [Nm]	W $f_B \geq 1$			IEC $f_B \Rightarrow$ B4 - B40										
				P_{1max}	n_1			IEC 90	IEC 100	IEC 112	IEC 132	IEC 160	IEC 180				
					[kW]	1400 min^{-1}	930 min^{-1}							700 min^{-1}			
SK 63	372,21	3,8	3200	1,27	0,84	0,64	*										
	300,34	4,7	3200	1,57	1,04	0,79											
	265,32	5,3	3640	2,02	1,33	1,01		*	*								
	214,10	6,5	3640	2,48	1,64	1,24		*	*								
	W	180,57	7,8	3660	2,99	1,97	1,49		*	*	*						
		145,71	9,6	3700	3,72	2,45	1,86		*	*	*						
	+	132,54	11	3700	4,26	2,81	2,13				*						
		107,89	13	3650	4,97	3,28	2,48										
	IEC	106,95	13	3700	5,04	3,32	2,52				*						
		87,06	16	3200	5,36	3,54	2,68										
		77,46	18	3700	6,97	4,60	3,49					*	*				
		62,87	22	3670	8,45	5,58	4,23					*	*				
		53,82	26	3700	10,07	6,65	5,04					*	*				
		50,73	28	3700	10,85	7,16	5,42					*	*				
		43,43	32	3680	12,33	8,14	6,17					*	*				
		36,11	39	3690	15,07	9,95	7,53										
30,91		45	3590	16,92	11,16	8,46											
26,28		53	3200	17,76	11,72	8,88								*			
21,98		64	3200	21,45	14,15	10,72								*			
20,77		67	3200	22,00	14,52	11,00											
17,37		81	3200	22,00	14,52	11,00											

	i_{ges}	n_2	M_{2max}	P_{1max}	n_1	n_1	n_1	IEC								
								100	112	132	160	180	200	225		
SK 62	48,73	29	2510	7,62	5,03	3,81			*							
	37,05	38	3010	11,98	7,90	5,99				*	*					
	18,14	77	3077	24,81	16,37	12,40										
	15,80	89	3004	28,00	18,48	14,00										
	W	13,92	101	3080	32,57	21,50	16,29								*	
		11,59	121	3077	38,99	25,73	19,49								*	
	+	10,55	133	3093	43,08	28,43	21,54								*	
		8,78	159	3012	45,00	29,70	22,50									
	IEC	7,56	185	3120	45,00	29,70	22,50									
		6,35	220	1930	44,46	29,34	22,23									
		5,29	265	1882	45,00	29,70	22,50									
		4,56	307	2081	45,00	29,70	22,50									
		4,05	346	1885	45,00	29,70	22,50									
		3,91	358	2009	45,00	29,70	22,50									
		3,72	376	2030	45,00	29,70	22,50									
		3,30	424	1980	45,00	29,70	22,50									
2,97		471	1960	45,00	29,70	22,50										

* \Rightarrow A55

	[kg]								
	W	IEC 90	IEC 100	IEC 112	IEC 132	IEC 160	IEC 180	IEC 200	IEC 225
SK 63	149	144	151	151	165	175	175		
SK 62	171		159	159	172	197	197	211	226



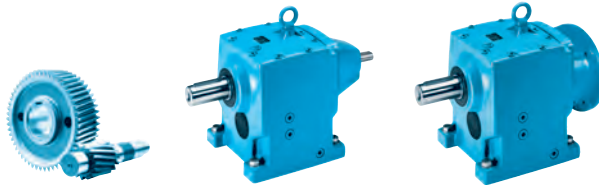
SK 73/23 SK 73/22 SK 73/32

	i_{ges}	n_2 $n_1 = 1400 \text{ min}^{-1}$ [min ⁻¹]	M_{2max} $f_B=1$ [Nm]	W $f_B \geq 1$			IEC $f_B \Rightarrow$ B4 - B40										
				P_{1max}			IEC 63	IEC 71	IEC 80	IEC 90							
				$n_1 = 1400 \text{ min}^{-1}$	$n_1 = 930 \text{ min}^{-1}$	$n_1 = 700 \text{ min}^{-1}$	[kW]	[kW]	[kW]								
SK 73/23	13436,92	0,10	5000	0,09	0,06	0,05	*	*									
	11337,56	0,12	5000	0,10	0,07	0,05	*	*									
W	8186,29	0,17	5000	0,13	0,09	0,06	*	*	*	*							
+	6623,00	0,21	5000	0,15	0,10	0,07	*	*	*	*							
IEC	5498,45	0,25	5000	0,17	0,11	0,09	*	*	*	*							
mm \Rightarrow B92	4440,18	0,32	5000	0,21	0,14	0,10		*	*	*	*						
SK 73/22	3436,53	0,41	5000	0,25	0,17	0,13	IEC 71	IEC 80	IEC 90	IEC 100	IEC 112						
	2775,11	0,50	5000	0,30	0,20	0,15	*	*	*								
	2194,44	0,64	5000	0,38	0,25	0,19	*	*	*								
W	1772,08	0,79	5000	0,45	0,30	0,23		*	*								
	1254,07	1,1	5000	0,62	0,41	0,31		*	*	*	*						
+	1099,84	1,3	5000	0,72	0,48	0,36		*	*	*	*						
	888,16	1,6	5000	0,84	0,55	0,42			*	*	*						
IEC	737,61	1,9	5000	0,99	0,66	0,50			*	*	*						
mm \Rightarrow B90	566,77	2,5	5000	1,31	0,86	0,65			*	*	*						
	457,68	3,1	5000	1,62	1,07	0,81				*	*						
	345,90	4,0	5000	2,09	1,38	1,05				*	*						
	279,33	5,0	5000	2,62	1,73	1,31				*	*						
SK 73/32	226,73	6,2	5000	3,25	2,14	1,62	IEC 90	IEC 100	IEC 112	IEC 132							
	171,23	8,2	5000	4,29	2,83	2,15				*							
W + IEC	141,11	9,9	5000	5,18	3,42	2,59				*							
mm \Rightarrow B90	124,65	11	5000	5,76	3,80	2,88				*							

* \Rightarrow A55

	[kg]							
	W	IEC 63	IEC 71	IEC 80	IEC 90	IEC 100	IEC 112	IEC 132
SK 73/23	241	242	243	246	246			
SK 73/22	239		237	241	241	245	245	
SK 73/32	250				252	256	256	265

SK 73 SK 72



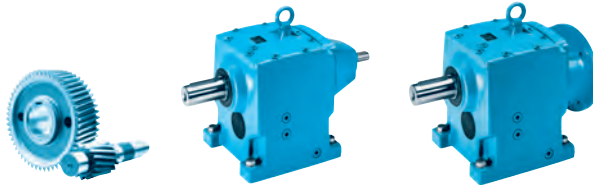
	i_{ges}	n_2 $n_1=1400 \text{ min}^{-1}$ [min^{-1}]	M_{2max} $f_B=1$ [Nm]	W $f_B \geq 1$			IEC $f_B \Rightarrow$ B4 - B40										
				P_{1max} $n_1=1400 \text{ min}^{-1}$ [kW]	$n_1=930 \text{ min}^{-1}$ [kW]	$n_1=700 \text{ min}^{-1}$ [kW]	IEC 100	IEC 112	IEC 132	IEC 160	IEC 180	IEC 200	IEC 225				
SK 73	205,61	6,8	5330	3,80	2,50	1,90		*	*								
	166,03	8,4	5630	4,95	3,27	2,48			*								
	124,57	11	5620	6,47	4,27	3,24				*	*						
	124,41	11	5000	5,76	3,80	2,88			*								
	W	100,46	14	4000	5,86	3,87	2,93			*							
		91,38	15	5330	8,37	5,53	4,19			*							
	+	74,87	19	5330	10,60	7,00	5,30				*	*					
		60,46	23	5650	13,61	8,98	6,80				*	*					
	IEC	52,24	27	5560	15,72	10,37	7,86					*	*				
		45,66	31	5370	17,43	11,50	8,72					*	*	*	*		
37,63		37	5000	19,37	12,79	9,69					*	*	*	*			
33,24		42	5000	21,99	14,51	10,99					*	*	*	*			
28,32		49	5000	25,65	16,93	12,83					*	*	*	*			
23,34		60	5000	31,41	20,73	15,71					*	*	*	*			
20,62		68	5000	35,60	23,50	17,80					*	*	*	*			
18,00		78	5000	40,84	26,95	20,42					*	*	*	*			

mm \Rightarrow B83

	i_{ges}	n_2	M_{2max}	W			IEC							
				P_{1max}	$n_1=930 \text{ min}^{-1}$	$n_1=700 \text{ min}^{-1}$	IEC 132	IEC 160	IEC 180	IEC 200	IEC 225			
SK 72	43,71	32	4050	13,57	8,96	6,79		*	*					
	33,04	42	3217	14,15	9,34	7,07		*	*					
	28,63	49	4053	20,80	13,73	10,40			*	*				
	21,64	65	4492	30,57	20,18	15,29								
	W	21,72	64	4053	27,16	17,93	13,58							
		16,86	83	4053	35,23	23,25	17,61				*			
	+	14,33	98	4053	41,59	27,45	20,80				*			
		12,52	112	4053	47,53	31,37	23,77							
	IEC	10,84	129	4677	55,00	36,30	27,50							
		9,46	148	4708	55,00	36,30	27,50							
8,19		171	4657	55,00	36,30	27,50								
6,95		201	4292	55,00	36,30	27,50								
6,42		218	2770	55,00	36,30	27,50								
5,60		250	2831	55,00	36,30	27,50								
4,85		289	2910	55,00	36,30	27,50								
4,12		340	2673	55,00	36,30	27,50								
3,86		363	2589	55,00	36,30	27,50								
3,43		408	2423	55,00	36,30	27,50								
3,26	429	2333	55,00	36,30	27,50									
2,76	507	2135	55,00	36,30	27,50									

* \Rightarrow A55

	[kg]							
	W	IEC 100	IEC 112	IEC 132	IEC 160	IEC 180	IEC 200	IEC 225
SK 73	250	238	238	251	276	276	290	305
SK 72	240			241	266	266	280	295



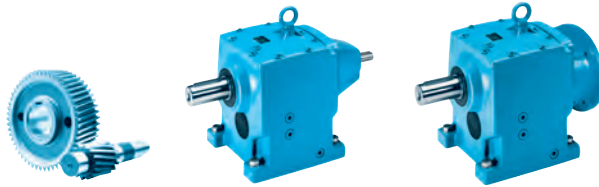
SK 83/33N SK 83/32 SK 83/42

i _{ges}	n ₂ n ₁ = 1400 min ⁻¹ [min ⁻¹]	M _{2max} f _B =1 [Nm]	W f _B ≥ 1			IEC f _B ⇨ B4 - B40										
			P _{1max} n ₁ = 1400 min ⁻¹ [kW]	n ₁ = 930 min ⁻¹ [kW]	n ₁ = 700 min ⁻¹ [kW]	IEC 63	IEC 71	IEC 80	IEC 90							
SK 83/33N 12783,24 10860,37 8575,90 W + IEC 6942,82 5427,09 mm ⇨ B92 4542,15	0,11	8000	0,13	0,09	0,07	*	*									
	0,13	8000	0,15	0,10	0,07	*	*	*	*							
	0,16	8000	0,17	0,11	0,09	*	*	*	*							
	0,20	8000	0,21	0,14	0,10		*	*	*							
	0,26	8000	0,26	0,17	0,13		*	*	*							
	0,31	8000	0,30	0,20	0,15		*	*	*							
SK 83/32 3560,53 2866,13 2045,46 W + IEC 1687,12 1368,62 mm ⇨ B90 1155,49 900,50 724,73	0,39	8000	0,37	0,24	0,18											
	0,49	8000	0,45	0,30	0,23											
	0,68	8000	0,61	0,40	0,30											
	0,83	8000	0,74	0,49	0,37											
	1,0	8000	0,84	0,55	0,42											
	1,2	8000	1,01	0,66	0,50											
	1,6	8000	1,34	0,88	0,67											
	1,9	8000	1,59	1,05	0,80											
SK 83/42 525,40 437,84 374,99 W + IEC 275,58 235,92 mm ⇨ B91 200,37 148,94 126,50	2,7	8000	2,26	1,49	1,13											
	3,2	8000	2,68	1,77	1,34											
	3,7	8000	3,10	2,05	1,55											
	5,1	8000	4,27	2,82	2,14											
	5,9	8000	4,94	3,26	2,47											
	7,0	8000	5,86	3,87	2,93											
	9,4	8000	7,87	5,20	3,94											
	11	8000	9,21	6,08	4,61											

* ⇨ A55

kg	[kg]								
	W	IEC 63	IEC 71	IEC 80	IEC 90	IEC 100	IEC 112	IEC 132	IEC 160
SK 83/33N	360	361	362	365	365				
SK 83/32	357		355	359	359	363	363	372	
SK 83/42	382				377	384	384	398	408

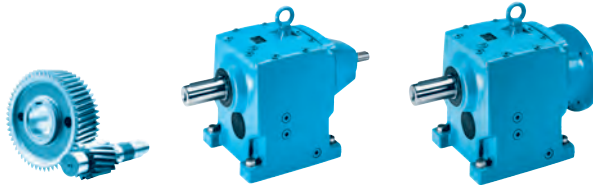
SK 83 SK 82



	i_{ges}	n_2 $n_1 = 1400 \text{ min}^{-1}$ [min^{-1}]	M_{2max} $f_B=1$ [Nm]	W $f_B \geq 1$			IEC $f_B \Rightarrow$ B4 - B40										
				P_{1max} [kW]	$n_1 = 1400 \text{ min}^{-1}$		IEC 100	IEC 112	IEC 132	IEC 160	IEC 180	IEC 200	IEC 225				
					$n_1 = 930 \text{ min}^{-1}$	$n_1 = 700 \text{ min}^{-1}$								IEC 132	IEC 160	IEC 180	IEC 200
SK 83	216,61	6,5	8890	6,05	3,99	3,03			*								
	164,70	8,5	8930	7,95	5,25	3,97			*	*	*						
	136,78	10	7380	7,73	5,10	3,86			*								
	W	104,00	13	9180	12,50	8,25	6,25				*	*					
		80,62	17	8980	15,99	10,55	7,99					*					
	+	70,24	20	8960	18,76	12,38	9,38					*					
		61,89	23	9000	21,68	14,31	10,84					*	*	*			
	IEC	51,51	27	8930	25,25	16,66	12,62						*	*			
		44,38	32	8890	29,79	19,66	14,89						*	*	*		
	mm \Rightarrow B85	39,08	36	9000	33,93	22,39	16,96							*	*		
32,52		43	8550	38,50	25,41	19,25								*			
28,03		50	8130	42,57	28,09	21,28								*			
24,42		57	8000	45,00	29,70	22,50											
21,04		67	8000	45,00	29,70	22,50											
SK 82	48,82	29	5320	16,15	10,66	8,08											
	40,45	35	4144	15,19	10,02	7,59				*							
	32,12	44	6591	30,37	20,04	15,18											
	W	26,62	53	6357	35,28	23,28	17,64										
		26,48	53	6591	36,58	24,14	18,29				*						
	+	21,94	64	7246	48,56	32,05	24,28										
		16,56	85	6579	58,56	38,65	29,28										
	IEC	14,29	98	6581	67,53	44,57	33,77									*	
		11,84	118	7135	75,00	49,50	37,50									*	
	mm \Rightarrow B84	10,33	136	6866	75,00	49,50	37,50									*	
		8,82	159	6569	75,00	49,50	37,50									*	
		7,39	189	6256	75,00	49,50	37,50									*	
		6,19	226	4304	75,00	49,50	37,50									*	
		5,29	265	4784	75,00	49,50	37,50									*	
		4,43	316	4344	75,00	49,50	37,50									*	
		3,62	387	3950	75,00	49,50	37,50									*	
2,89		484	3127	75,00	49,50	37,50									*		

* \Rightarrow A55

	[kg]									
	W	IEC 100	IEC 112	IEC 132	IEC 160	IEC 180	IEC 200	IEC 225	IEC 250	IEC 280
SK 83	357	345	345	358	383	383	397	412		
SK 82	424			350	375	375	389	404	459	459



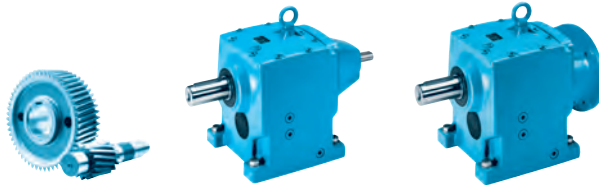
SK 93/43 SK 93/42 SK 93/52

	i_{ges}	n_2 <small>$n_1 = 1400 \text{ min}^{-1}$</small> [min ⁻¹]	M_{2max} fB=1 [Nm]	W $f_B \geq 1$			IEC $f_B \Rightarrow$ B4 - B40							
				P_{1max} [kW]	$n_1 = 1400 \text{ min}^{-1}$		IEC 71	IEC 80	IEC 90	IEC 100	IEC 112			
					$n_1 = 930 \text{ min}^{-1}$	$n_1 = 700 \text{ min}^{-1}$								
SK 93/43	13913,25	0,10	12200	0,17	0,11	0,08	*	*	*					
	11264,73	0,12	12200	0,19	0,13	0,10	*	*	*					
W	8512,06	0,16	12200	0,24	0,16	0,12	*	*	*					
	6961,72	0,20	12200	0,30	0,20	0,15	*	*	*	*	*			
+	5782,96	0,24	12200	0,35	0,23	0,17	*	*	*	*	*			
	4302,39	0,33	12200	0,46	0,30	0,23		*	*	*	*			
IEC	3724,20	0,38	12200	0,53	0,35	0,26		*	*	*	*			
<small>mm</small> \Rightarrow B92	2713,63	0,52	12200	0,70	0,46	0,35		*	*	*	*			
<small>mm</small>	2204,72	0,64	12200	0,82	0,54	0,41			*	*	*			
SK 93/42	1641,59	0,85	12200	1,09	0,72	0,54	IEC 90	IEC 100	IEC 112	IEC 132	IEC 160			
	1298,54	1,1	12200	1,41	0,93	0,70	*	*	*	*	*			
	1091,47	1,3	12200	1,66	1,10	0,83		*	*	*	*			
W	813,46	1,7	12200	2,17	1,43	1,09		*	*	*	*			
	756,82	1,8	12200	2,30	1,52	1,15		*	*	*	*			
+	548,76	2,6	12200	3,32	2,19	1,66			*	*	*			
	457,30	3,1	12200	3,96	2,61	1,98			*	*	*			
IEC	333,02	4,2	12200	5,37	3,54	2,68				*	*			
<small>mm</small> \Rightarrow B91	287,83	4,9	12200	6,26	4,13	3,13				*	*			
<small>mm</small>	239,74	5,8	12200	7,41	4,89	3,70				*	*			
	181,16	7,7	12200	9,84	6,49	4,92					*			
SK 93/52	161,32	8,7	12200	11,11	7,34	5,56	IEC 100	IEC 112	IEC 132	IEC 160	IEC 180			
W + IEC	127,50	11	12200	14,05	9,27	7,03				*	*			
<small>mm</small> \Rightarrow B91	106,25	13	12200	16,61	10,96	8,30					*			

* \Rightarrow A55

	[kg]								
	W	IEC 71	IEC 80	IEC 90	IEC 100	IEC 112	IEC 132	IEC 160	IEC 180
SK 93/43	566	564	568	568	572	572			
SK 93/42	561			556	563	563	577	587	
SK 93/52	590				592	592	606	616	616

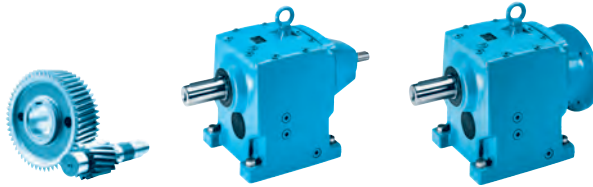
SK 93 SK 92



	i_{ges}	n_2 $n_1 = 1400 \text{ min}^{-1}$ [min^{-1}]	M_{2max} $f_B=1$ [Nm]	W $f_B \geq 1$			IEC $f_B \Rightarrow$ B4 - B40										
				P_{1max} [kW]	$n_1 = 1400 \text{ min}^{-1}$		IEC 132	IEC 160	IEC 180	IEC 200	IEC 225	IEC 250	IEC 280				
					[kW]	$n_1 = 930 \text{ min}^{-1}$								$n_1 = 700 \text{ min}^{-1}$			
SK 93 W + IEC mm \Rightarrow B87 mm \Rightarrow B87	187,89	7,5	13980	10,98	7,25	5,49		*	*								
	123,05	11	13950	16,07	10,60	8,03			*	*							
	109,14	13	11560	15,74	10,39	7,87			*								
	93,34	15	14000	21,99	14,51	10,99			*								
	72,47	19	13400	26,66	17,60	13,33				*	*						
	61,63	23	12700	30,59	20,19	15,29					*	*					
	53,80	26	12250	33,35	22,01	16,68					*	*	*				
	46,57	30	12200	38,32	25,29	19,16					*	*	*				
	39,54	35	12200	44,71	29,51	22,36					*	*	*				
	31,25	45	12200	57,49	37,94	28,74							*				
	27,05	52	12200	66,43	43,84	33,21								*			
	22,97	61	12200	75,00	49,50	37,50									*		
19,12	73	12200	75,00	49,50	37,50										*		
SK 92 W + IEC mm \Rightarrow B86 mm \Rightarrow B86	35,47	39	9640	39,37	25,98	19,68	IEC 160	IEC 180	IEC 200	IEC 225	IEC 250	IEC 280	IEC 315				
	29,30	48	10775	54,16	35,74	27,08											
	16,47	85	10613	94,46	62,34	47,23											
	14,36	97	10774	109,43	72,23	54,72											
	12,39	113	10592	125,33	82,72	62,66								*			
	10,50	133	10112	140,83	92,95	70,41								*			
	7,78	180	6085	114,69	75,70	57,35											
	6,70	209	7012	153,46	101,28	76,73								*			
	5,68	246	7212	160,00	105,60	80,00								*			
	3,51	399	5572	160,00	105,60	80,00								*			

* \Rightarrow A55

	[kg]								
	W	IEC 132	IEC 160	IEC 180	IEC 200	IEC 225	IEC 250	IEC 280	IEC 315
SK 93	536	537	562	562	576	591	646	646	
SK 92	575		551	551	565	580	635	635	715



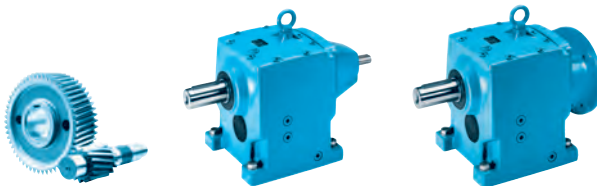
SK 103/53 SK 103/52

	i _{ges}	n ₂ n ₁ = 1400 min ⁻¹ [min ⁻¹]	M _{2max} f _B =1 [Nm]	W f _B ≥ 1			IEC f _B ⇨ B4 - B40								
				P _{1max}			IEC 71	IEC 80	IEC 90	IEC 100	IEC 112				
				n ₁ = 1400 min ⁻¹	n ₁ = 930 min ⁻¹	n ₁ = 700 min ⁻¹	[kW]	[kW]	[kW]						
SK 103/53	14340,31	0,10	20000	0,25	0,16	0,12	*	*	*	*	*				
	11277,49	0,12	20000	0,29	0,19	0,15	*	*	*	*	*				
	W	8459,94	0,17	20000	0,40	0,26	0,20								
	+	7149,21	0,20	20000	0,46	0,30	0,23		*	*	*	*			
	IEC	5797,20	0,24	20000	0,54	0,36	0,27		*	*	*	*			
	mm ⇨ B92	4220,92	0,33	20000	0,73	0,48	0,37		*	*	*	*			
	mm ⇨ B92	3462,24	0,40	20000	0,84	0,55	0,42			*	*	*			
	2722,11	0,51	20000	1,07	0,70	0,53			*	*	*				
SK 103/52	2037,08	0,69	20000	1,45	0,95	0,72		IEC 90	IEC 100	IEC 112	IEC 132	IEC 160	IEC 180		
	1701,72	0,82	20000	1,72	1,13	0,86			*	*	*				
	1412,72	0,99	20000	2,07	1,37	1,04			*	*					
	1148,61	1,2	20000	2,51	1,66	1,26			*	*	*	*			
	W	943,57	1,5	20000	3,14	2,07	1,57			*	*	*			
	816,55	1,7	20000	3,56	2,35	1,78				*	*	*	*		
	+	642,31	2,2	20000	4,61	3,04	2,30				*	*	*		
	467,81	3,0	20000	6,28	4,15	3,14				*	*	*	*		
	IEC	340,13	4,1	20000	8,59	5,67	4,29				*	*	*	*	
	mm ⇨ B91	296,69	4,7	20000	9,84	6,50	4,92				*	*	*	*	
	mm ⇨ B91	244,77	5,7	20000	11,94	7,88	5,97				*	*	*	*	
	184,62	7,6	20000	15,92	10,50	7,96						*	*	*	
	154,63	9,1	20000	19,06	12,58	9,53							*	*	
	122,42	11	20000	22,00	14,52	11,00								*	
	105,36	13	20000	22,00	14,52	11,00								*	

* ⇨ A55

kg	[kg]								
	W	IEC 71	IEC 80	IEC 90	IEC 100	IEC 112	IEC 132	IEC 160	IEC 180
SK 103/53	818	816	820	820	824	824			
SK 103/52	809			804	811	811	825	835	835

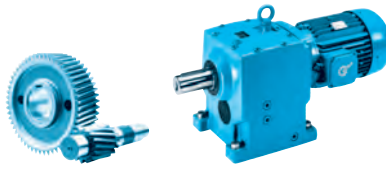
SK 103 SK 102



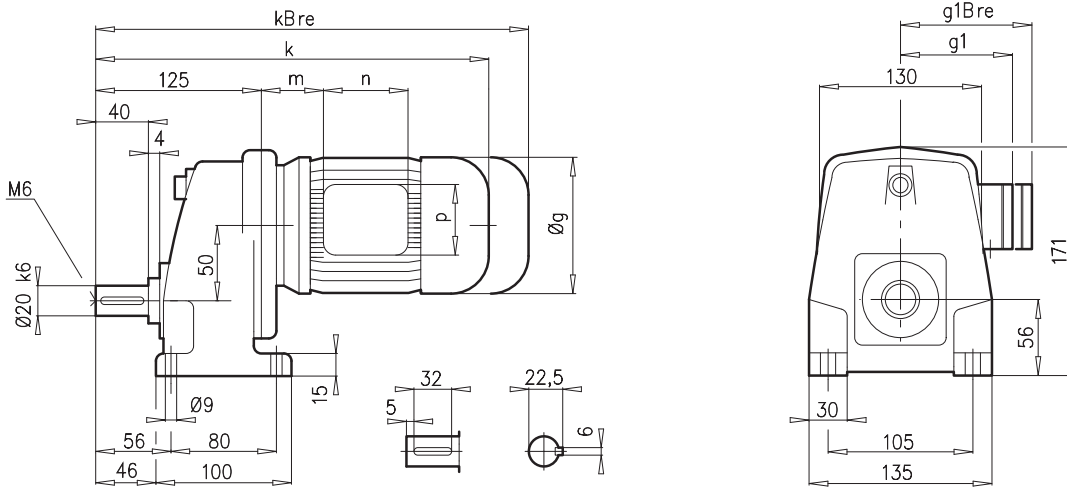
	i_{ges}	n_2 <small>n1= 1400 min⁻¹</small> [min ⁻¹]	M_{2max} fB=1 [Nm]	W $f_B \geq 1$			IEC $f_B \Rightarrow$ B4 - B40											
				P_{1max} n1= 1400 min ⁻¹ [kW]	n1= 930 min ⁻¹ [kW]	n1= 700 min ⁻¹ [kW]	IEC	IEC	IEC	IEC	IEC	IEC	IEC	IEC				
							132	160	180	200	225	250	280	315				
SK 103	207,47	6,7	23160	16,25	10,72	8,12			*									
	136,51	10	23000	24,08	15,90	12,04				*								
	112,53	12	23160	29,10	19,21	14,55				*	*							
	W	81,40	17	20500	36,49	24,08	18,25				*							
		70,38	20	20000	41,88	27,64	20,94				*	*						
		60,71	23	20000	48,17	31,79	24,08				*	*	*					
	IEC	52,98	26	20000	54,45	35,94	27,23				*	*	*	*				*
		45,25	31	20000	64,92	42,85	32,46				*	*	*	*	*			*
		37,90	37	20000	77,49	51,14	38,74				*	*	*	*	*	*		*
		mm \Rightarrow B89	29,62	47	20000	98,43	64,96	49,21				*	*	*	*	*	*	
25,30		55	20000	110,00	72,60	55,00				*	*	*	*	*	*	*	*	
21,19		66	20000	110,00	72,60	55,00				*	*	*	*	*	*	*	*	
SK 102	38,81	36	16059	60,54	39,95	30,27												
	19,37	72	16808	126,72	83,64	63,36												
	W	16,63	84	17367	152,76	100,82	76,38				*							
		14,29	98	16620	170,55	112,56	85,28				*							
	+	11,88	118	15773	194,89	128,63	97,45				*							
		9,96	141	15004	200,00	132,00	100,00				*							
	IEC	7,50	187	11270	200,00	132,00	100,00				*							
		mm \Rightarrow B88	6,24	224	11491	200,00	132,00	100,00				*						
		5,23	268	10602	200,00	132,00	100,00				*							
		4,28	327	9387	200,00	132,00	100,00				*							

* \Rightarrow A55

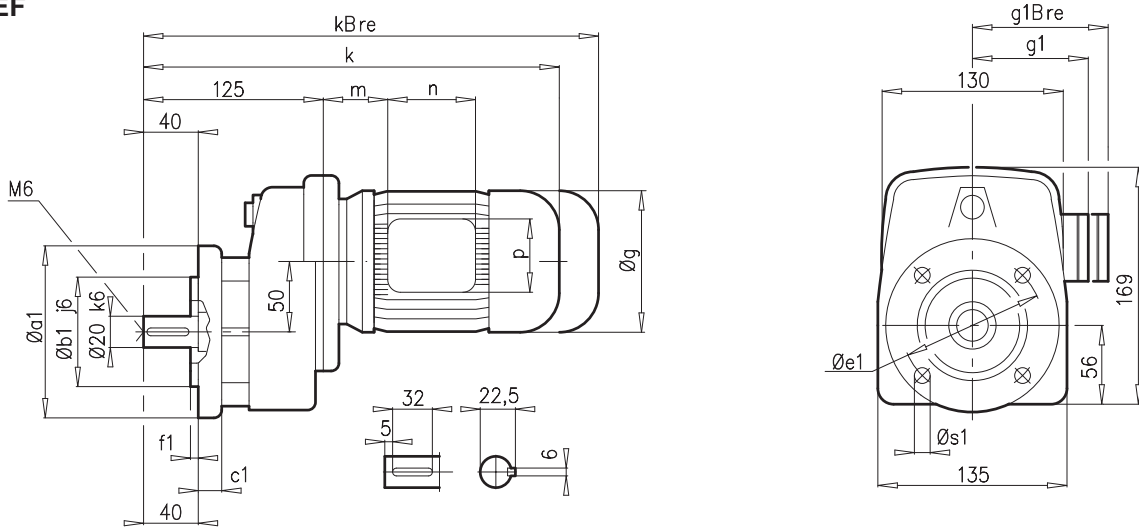
	[kg]								
	W	IEC 132	IEC 160	IEC 180	IEC 200	IEC 225	IEC 250	IEC 280	IEC 315
SK 103	830	756	781	781	795	810	865	865	945
SK 102	821						856	856	936



SK11E



SK11EF

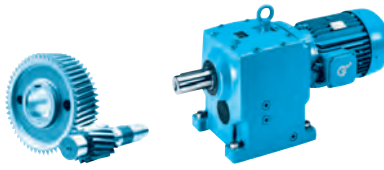


a1	b1	c1	e1	f1	s1
120	80	10	100	3,0	7
140	95	10	115	3,0	9

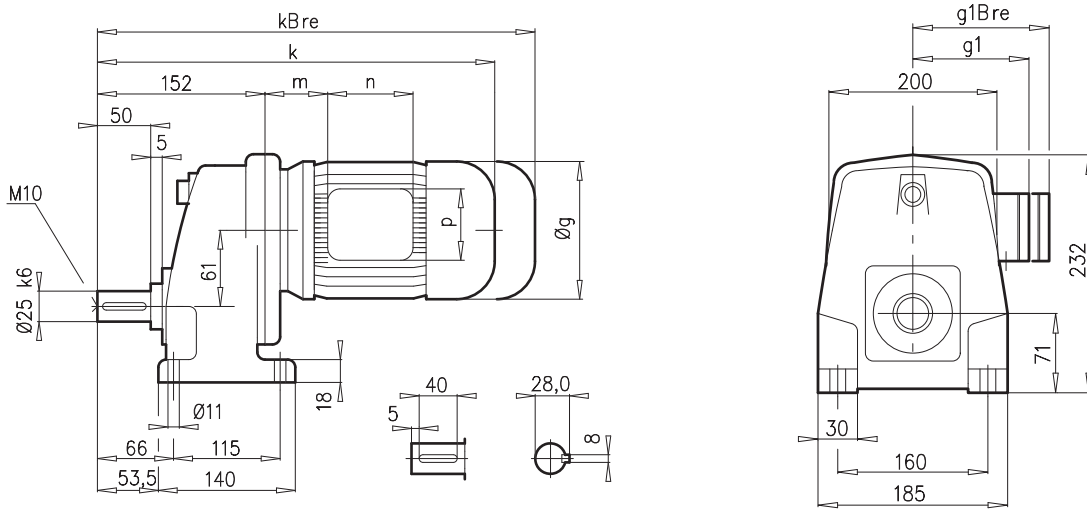
± A53	63 S/L	71 S/L	80 SH/LH	90 SH/LH	100 LH/AH	112 MH	
g	130	145	165	183	201	228	
g1 / g1Bre	115 / 123	124 / 132	142 / 142	147 / 147	169 / 173	179 / 182	
k / kBre	321 / 377	361 / 419	386 / 450	427 / 502	457 / 548	505 / 598	
m / mBre	16 / 22	42 / 43	47 / 51	52 / 56	58 / 62	74 / 78	
n / nBre	100 / 134	100 / 134	114 / 153	114 / 153	114 / 153	114 / 153	
p / pBre	100 / 89	100 / 89	114 / 108	114 / 108	114 / 108	114 / 108	

B93

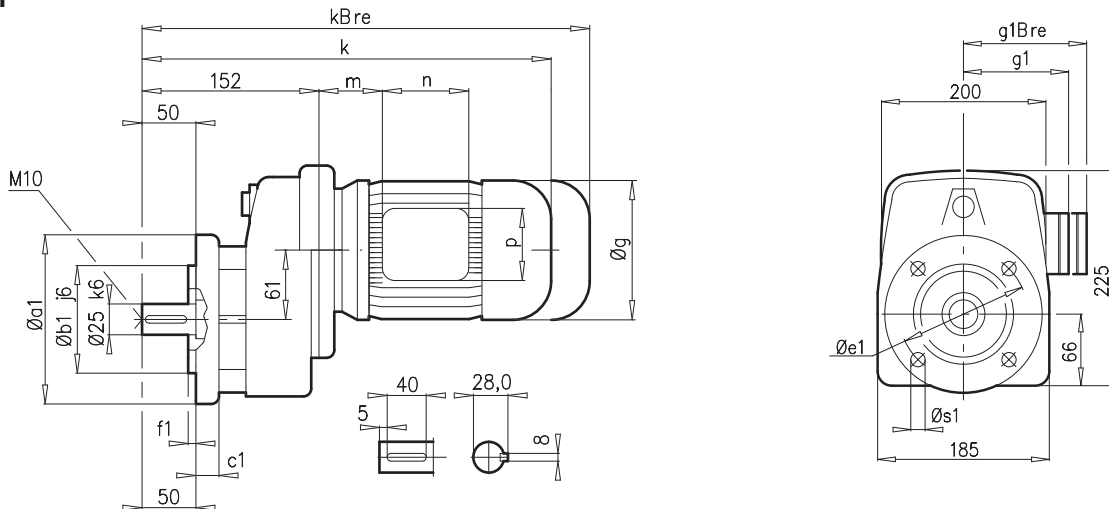
SK 21 E SK 21 EF



SK21E



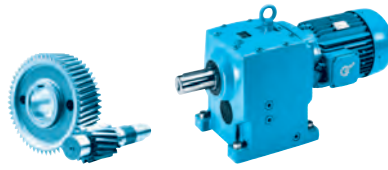
SK21EF



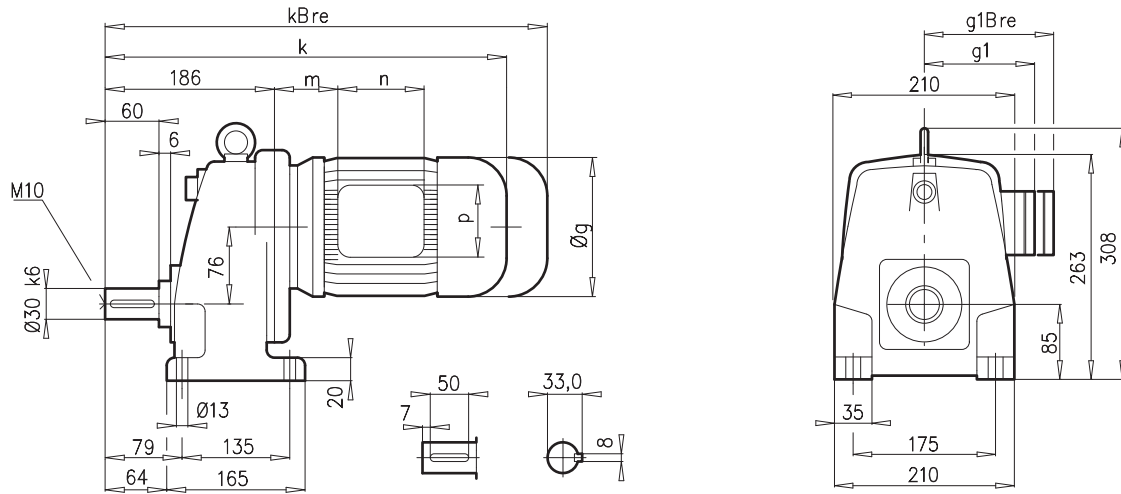
a1	b1	c1	e1	f1	s1
140	95	10	115	3,0	9
160	110	10	130	3,5	9

± A53	90 LH	100 LH/AH	112 MH				
g	183	201	228				
g1 / g1Bre	147 / 147	169 / 173	179 / 182				
k / kBre	448 / 523	478 / 569	526 / 619				
m / mBre	46 / 50	52 / 56	68 / 72				
n / nBre	114 / 153	114 / 153	114 / 153				
p / pBre	114 / 108	114 / 108	114 / 108				

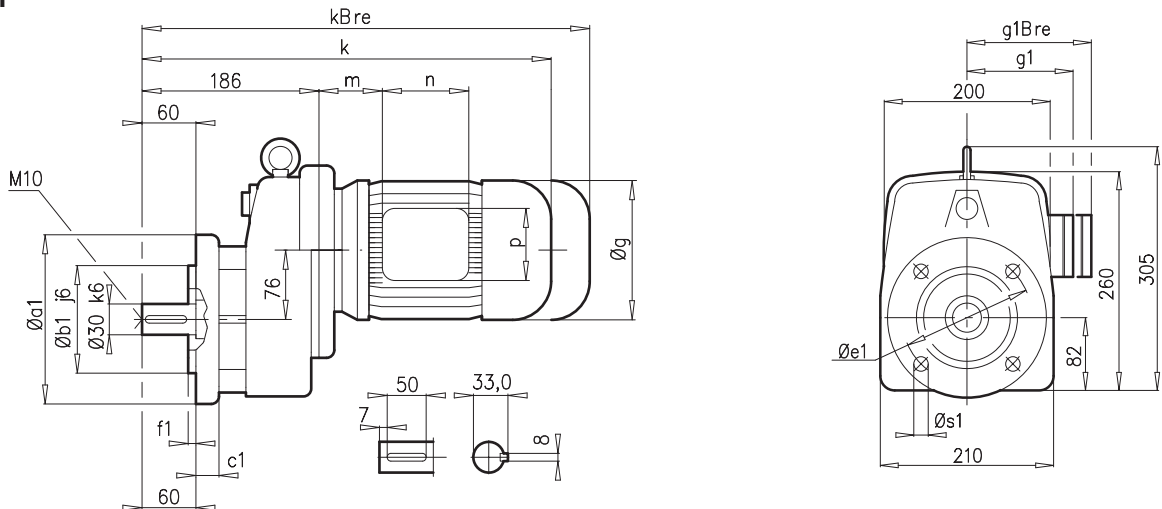
B94



SK31E



SK31EF

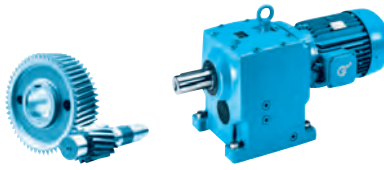


a1	b1	c1	e1	f1	s1
200	130	12	165	3,5	11

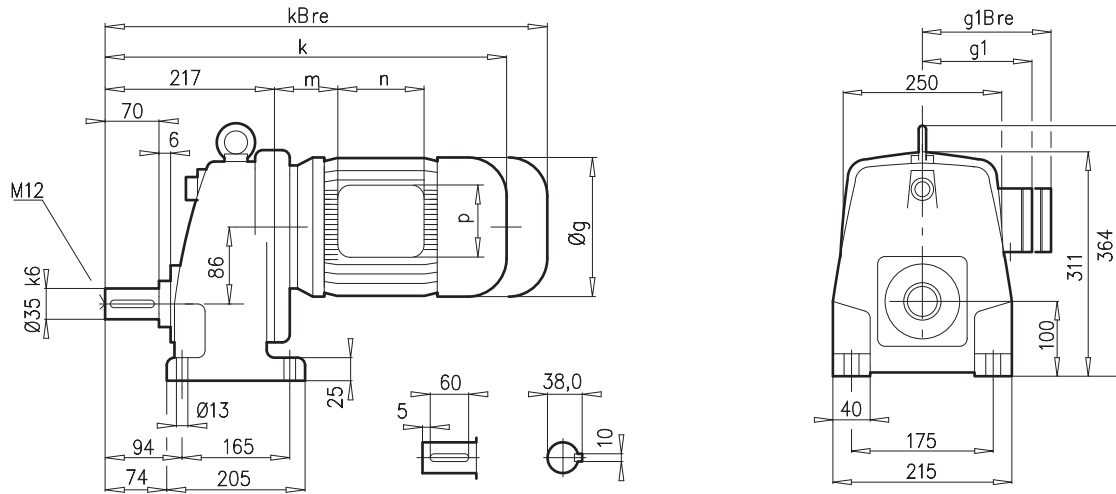
$\pm \Rightarrow$ A53	100 LH/AH	112 MH	132 SH/MH/LH				
g	201	228	266				
g1 / g1Bre	169 / 173	179 / 182	204 / 201				
k / kBre	512 / 603	560 / 653	621 / 728				
m / mBre	52 / 56	68 / 72	71 / 51				
n / nBre	114 / 153	114 / 153	122 / 185				
p / pBre	114 / 108	114 / 108	122 / 139				

B94

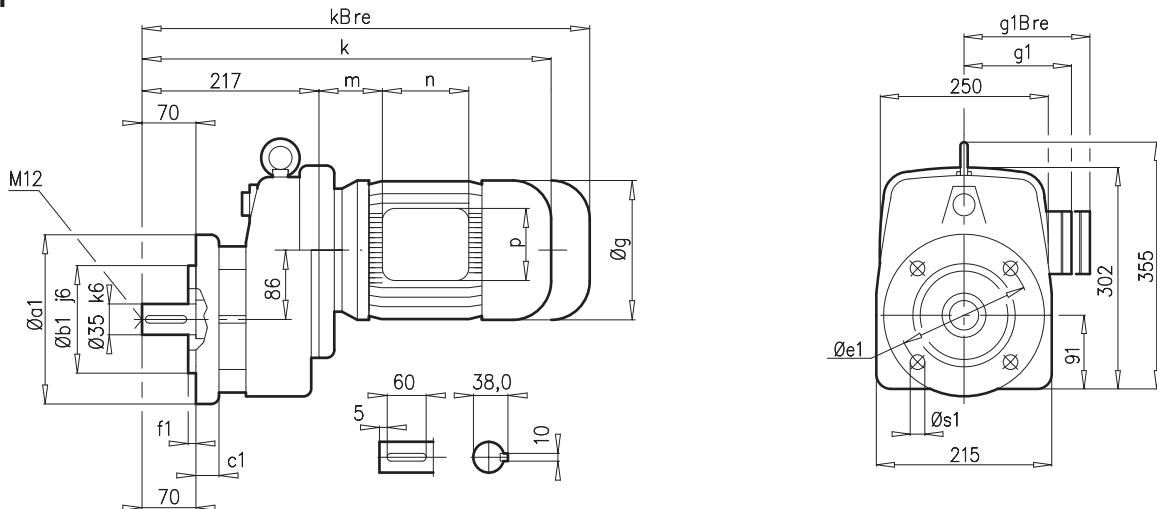
SK 41 E SK 41 EF



SK41E



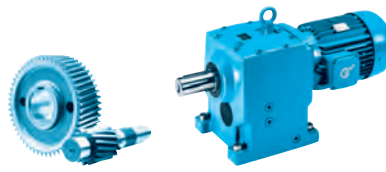
SK41EF



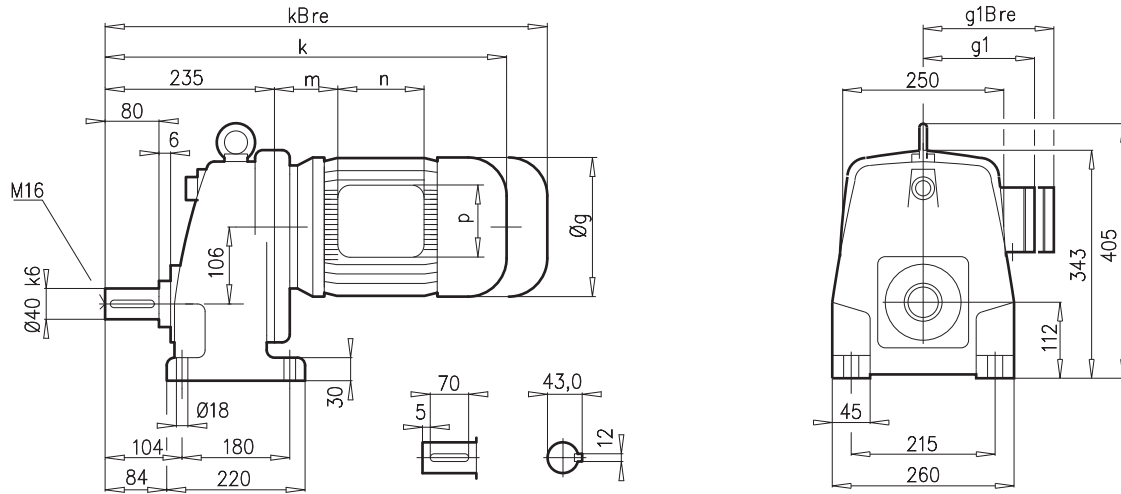
a1	b1	c1	e1	f1	s1
200	130	14	162	3,5	11
250	180	16	215	3,5	14

$\pm \Rightarrow$ A53	112 MH	132 SH/MH/LH	160 SH/MH	160 LH			
g	228	266	320	320			
g1 / g1Bre	179 / 182	204 / 201	242 / 242	242 / 242			
k / kBre	571 / 664	632 / 739	709 / 844	753 / 888			
m / mBre	48 / 52	51 / 44	52 / 52	52 / 52			
n / nBre	114 / 153	122 / 185	186 / 186	186 / 186			
p / pBre	114 / 108	122 / 139	186 / 186	186 / 186			

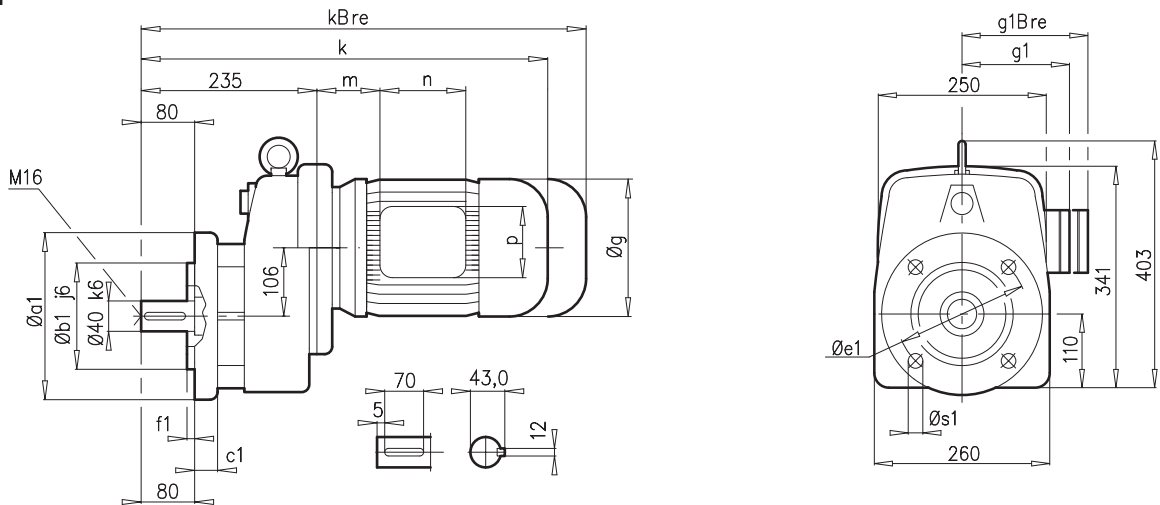
\square B95



SK51E



SK51EF

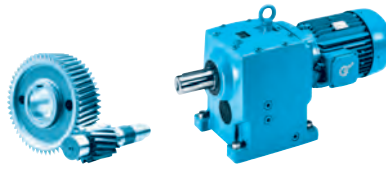


a1	b1	c1	e1	f1	s1
250	180	16	215	4,0	14
300	230	20	265	3,5	14

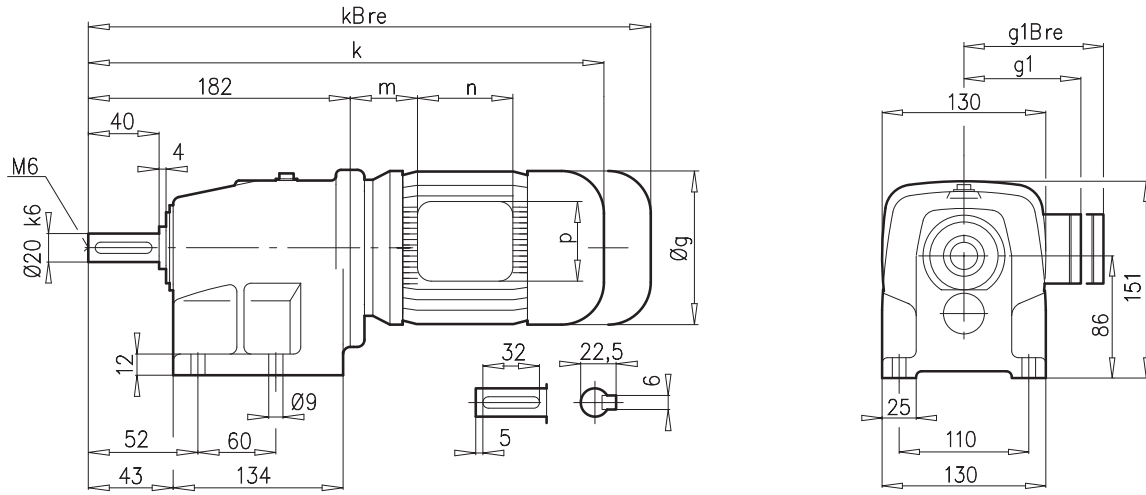
$\pm \Rightarrow$ A53	112 MH	132 SH/MH/LH	160 SH/MH	160 LH	180 MH/LH		
g	228	266	320	320	358		
g1 / g1Bre	179 / 182	204 / 201	242 / 242	242 / 242	259 / 259		
k / kBre	589 / 682	650 / 757	727 / 862	771 / 906	869 / 996		
m / mBre	48 / 52	51 / 44	52 / 52	52 / 52	74 / 74		
n / nBre	114 / 153	122 / 185	186 / 186	186 / 186	186 / 186		
p / pBre	114 / 108	122 / 139	186 / 186	186 / 186	186 / 186		

B95

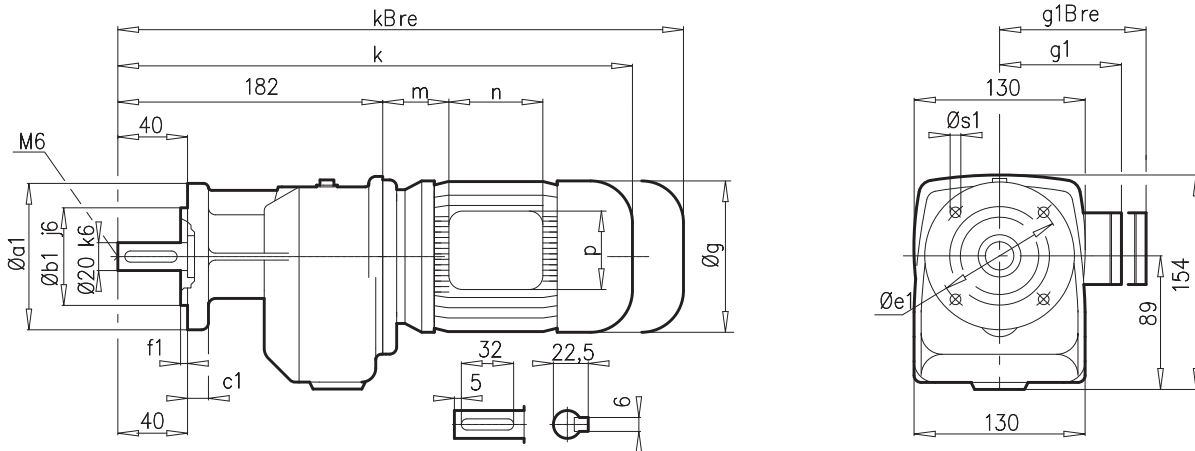
SK 02 SK 02F



SK02





SK02F



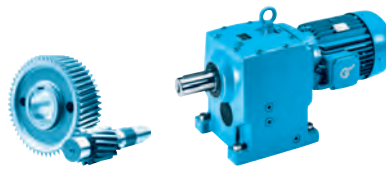
a1	b1	c1	e1	f1	s1
120	80	10	100	3,0	7
140	95	10	115	3,0	9
160	110	10	130	3,5	9

± ⇨ A53	63 S/L	71 S/L	80 SH/LH	90 SH/LH	100 LH		
g	130	145	165	183	201		
g1 / g1Bre	115 / 123	124 / 132	142 / 142	147 / 147	169 / 173		
k / kBre	378 / 434	418 / 476	443 / 507	484 / 559	514 / 605		
m / mBre	16 / 22	42 / 43	47 / 51	52 / 56	52 / 56		
n / nBre	100 / 134	100 / 134	114 / 153	114 / 153	114 / 153		
p / pBre	100 / 89	100 / 89	114 / 108	114 / 108	114 / 108		

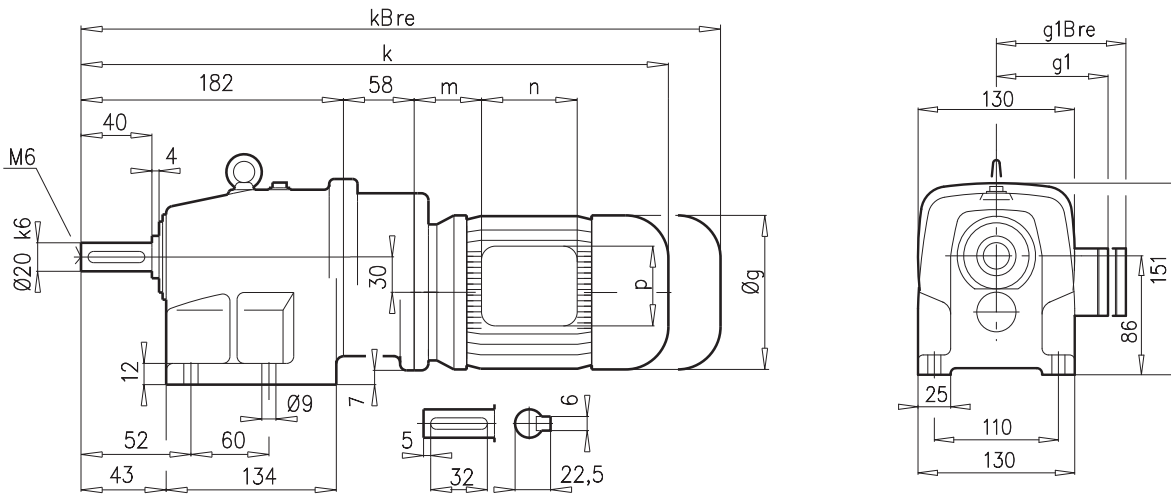




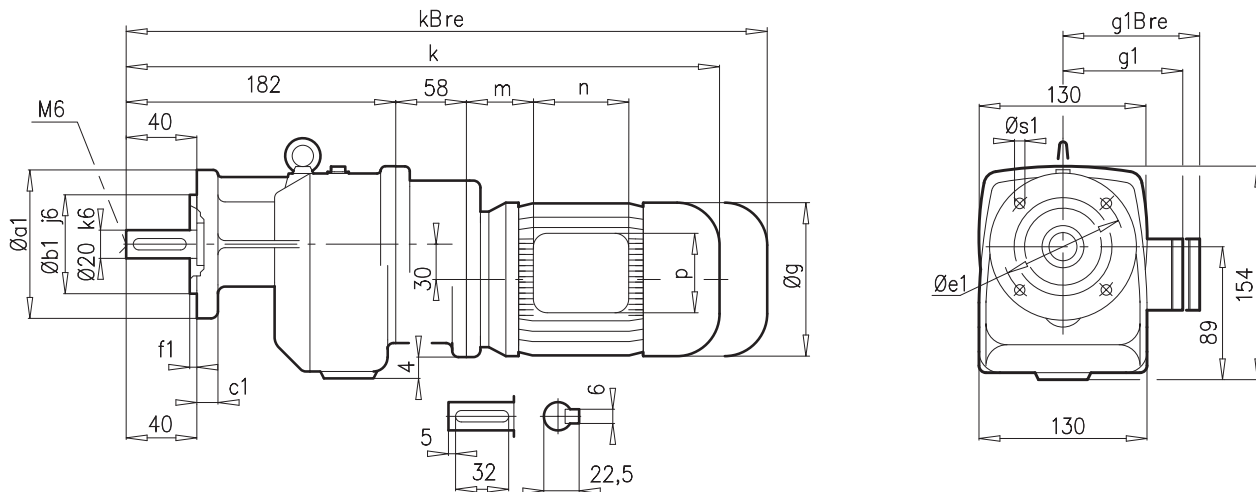
⊠ B93



SK03



SK03F

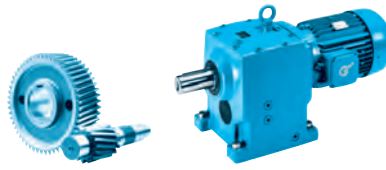


a1	b1	c1	e1	f1	s1
120	80	10	100	3,0	7
140	95	10	115	3,0	9
160	110	10	130	3,5	9

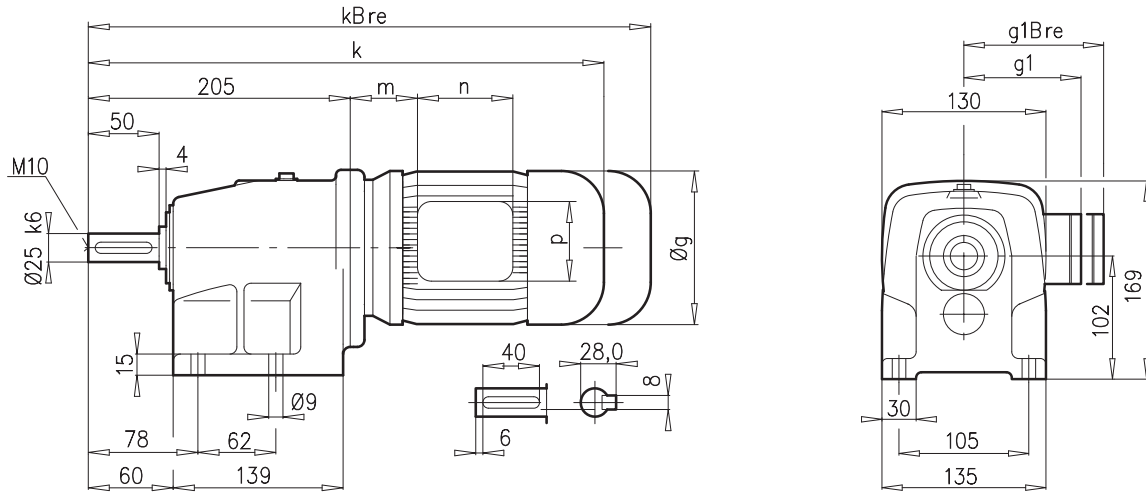
$\pm \Rightarrow$ A53	63 S/L	71 S/L					
g	130	145					
g1 / g1Bre	115 / 123	124 / 132					
k / kBre	436 / 492	476 / 534					
m / mBre	16 / 22	42 / 43					
n / nBre	100 / 134	100 / 134					
p / pBre	100 / 89	100 / 89					

B93

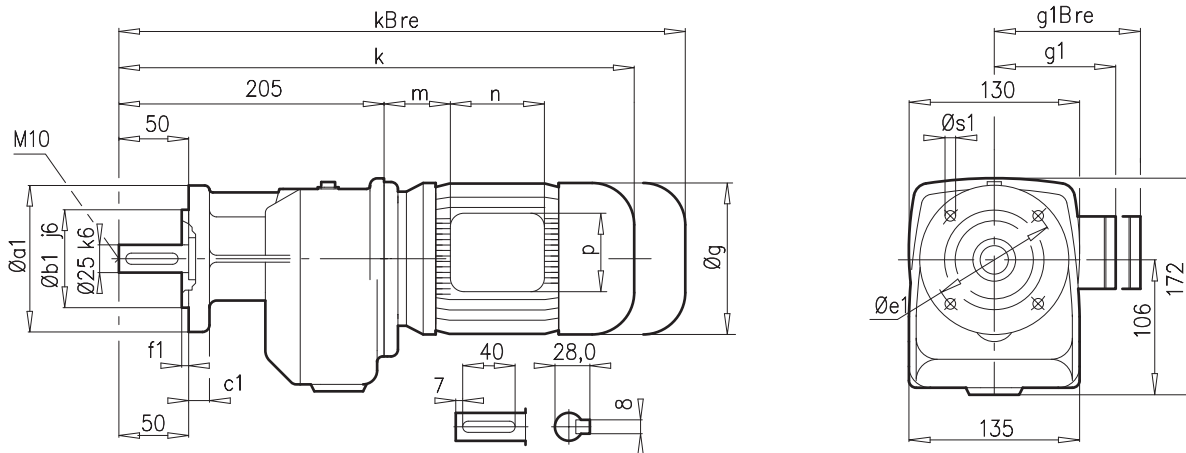
SK 12 SK 12F



SK12



SK12F

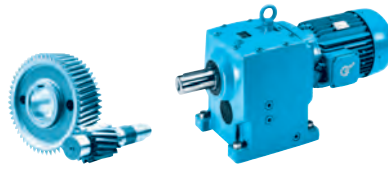


a1	b1	c1	e1	f1	s1
120	80	10	100	3,0	7
140	95	10	115	3,0	9
160	110	10	130	3,5	9

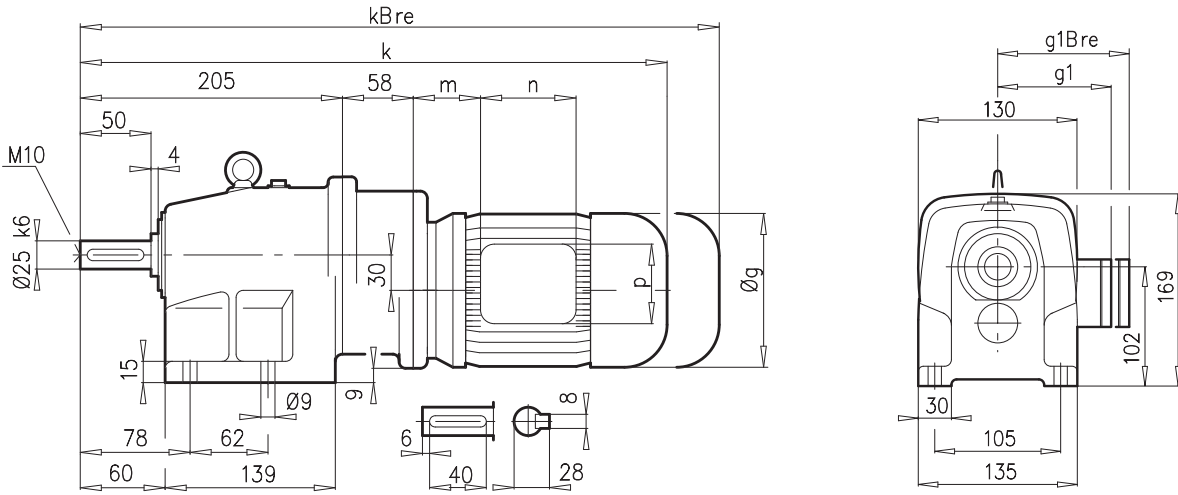
± ↗ A53	63 S/L	71 S/L	80 SH/LH	90 SH/LH	100 LH/AH	112 MH	
g	130	145	165	183	201	228	
g1 / g1Bre	115 / 123	124 / 132	142 / 142	147 / 147	169 / 173	179 / 182	
k / kBre	401 / 457	441 / 499	466 / 530	507 / 582	537 / 628	585 / 678	
m / mBre	16 / 22	42 / 43	47 / 51	52 / 56	58 / 62	74 / 78	
n / nBre	100 / 134	100 / 134	114 / 153	114 / 153	114 / 153	114 / 153	
p / pBre	100 / 89	100 / 89	114 / 108	144 / 108	144 / 108	144 / 108	



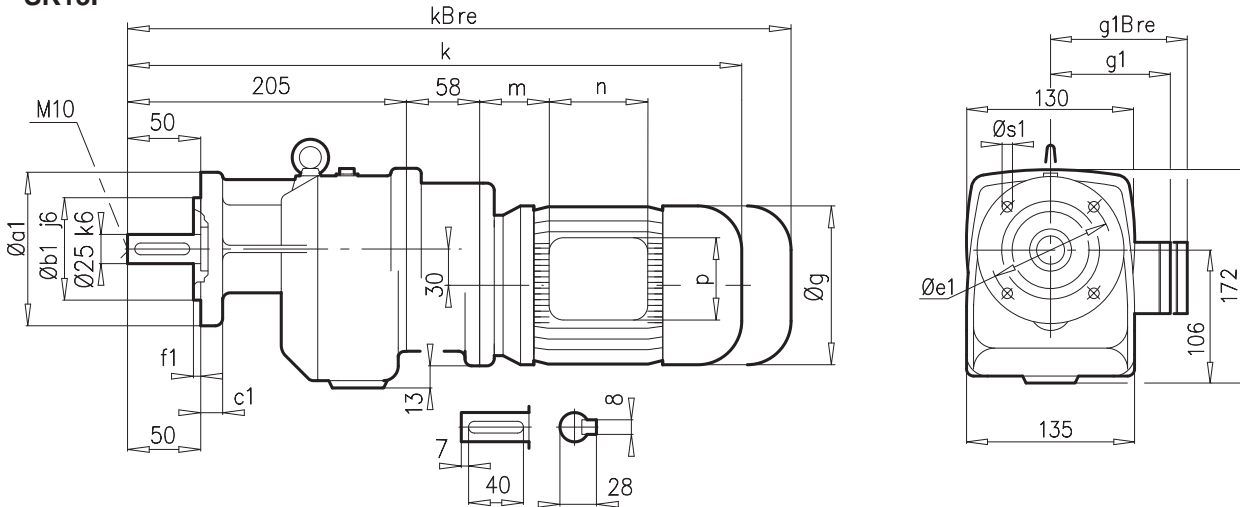
B93



SK13



SK13F

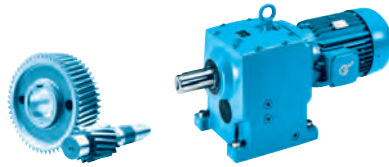


a1	b1	c1	e1	f1	s1
120	80	10	100	3,0	7
140	95	10	115	3,0	9
160	110	10	130	3,5	9

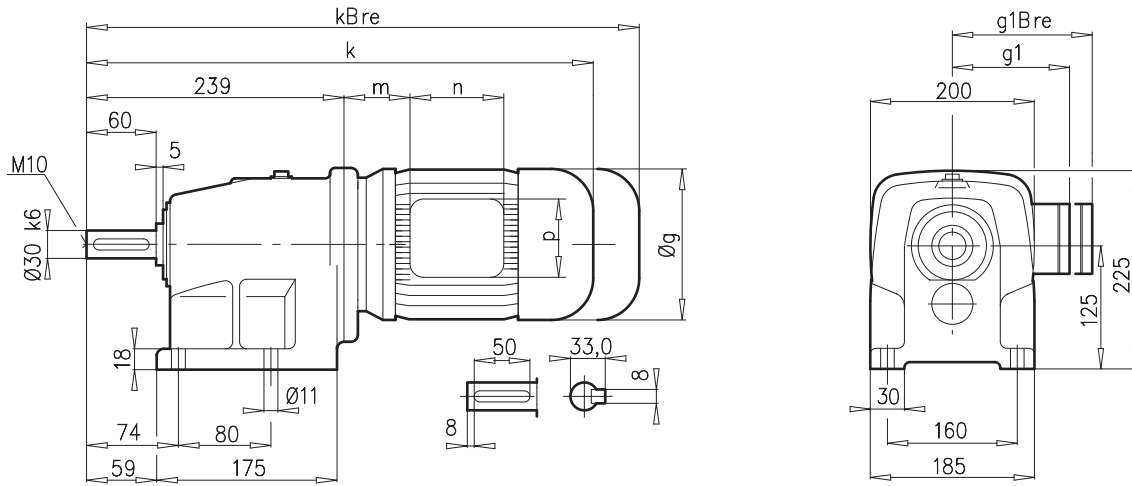
$\pm \Rightarrow \square$ A53	63 S/L	71 S/L					
g	130	145					
g1 / g1Bre	115 / 123	124 / 132					
k / kBre	459 / 515	499 / 557					
m / mBre	16 / 22	42 / 43					
n / nBre	100 / 134	100 / 134					
p / pBre	100 / 89	100 / 89					

\square B93

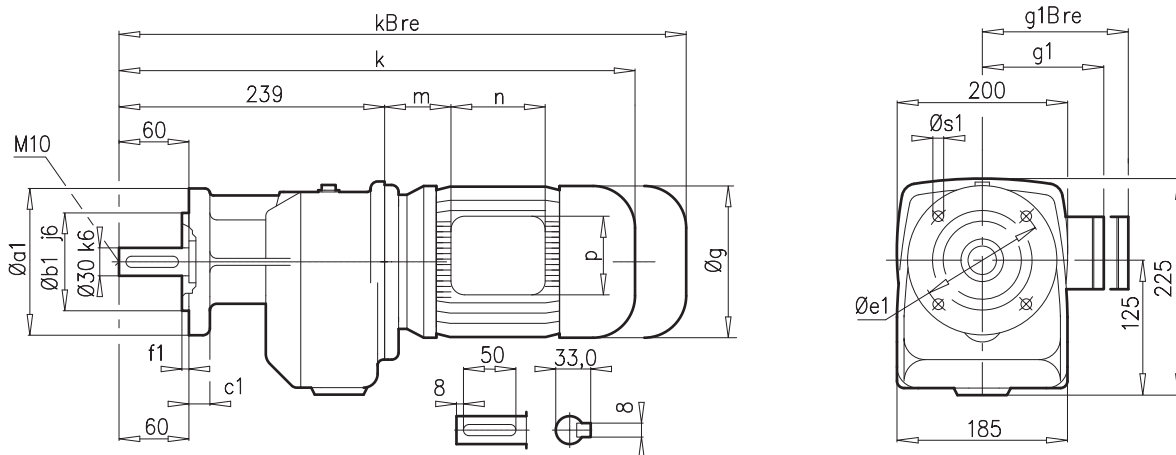
SK 22 SK 22F



SK22



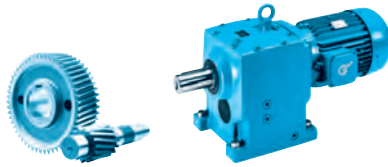
SK22F



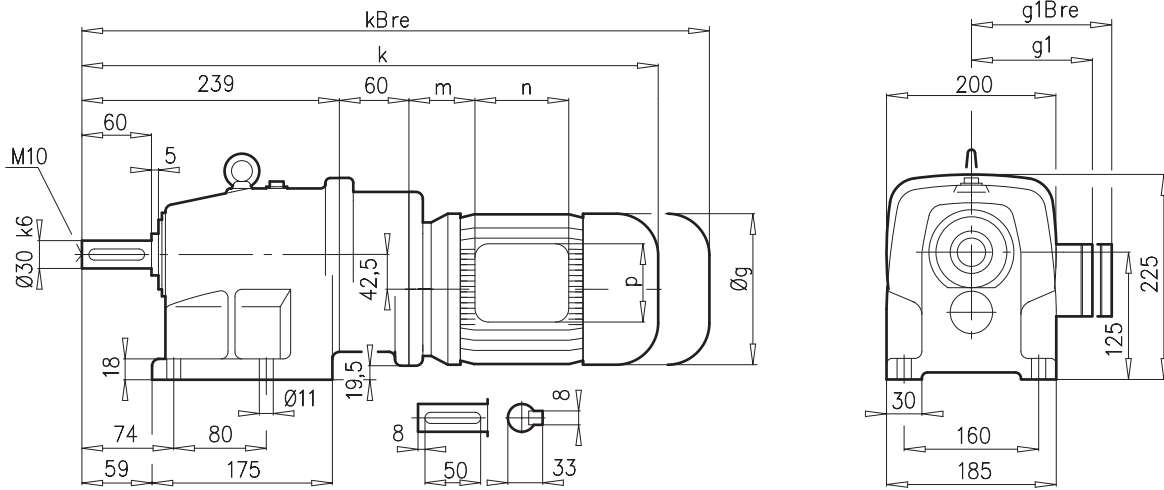
a1	b1	c1	e1	f1	s1
160	110	10	130	3,5	9
200	130	12	165	3,5	11

± 0 A53	71 S/L	80 SH/LH	90 SH/LH	100 LH/AH	112 MH	132 SH/MH	
g	145	165	183	201	228	266	
g1 / g1Bre	124 / 132	142 / 142	147 / 147	169 / 173	179 / 182	204 / 201	
k / kBre	469 / 527	494 / 558	535 / 610	565 / 656	613 / 706	674 / 781	
m / mBre	36 / 42	41 / 45	46 / 50	52 / 56	68 / 72	71 / 64	
n / nBre	100 / 134	114 / 153	114 / 153	114 / 153	114 / 153	122 / 185	
p / pBre	100 / 89	114 / 108	114 / 108	114 / 108	114 / 108	122 / 139	

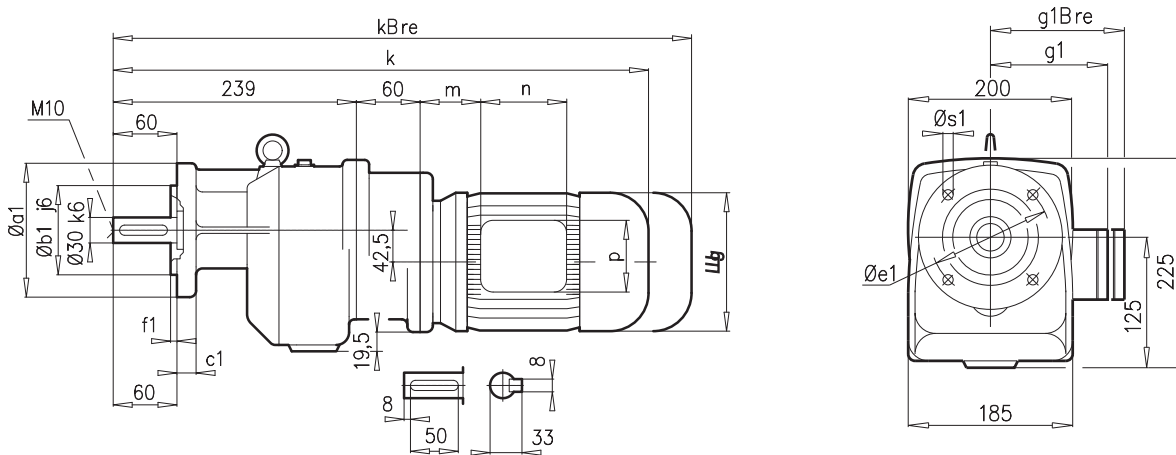
☰ B94



SK23



SK23F

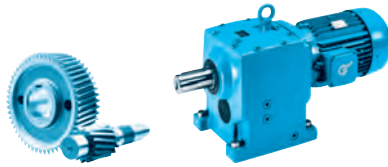


a1	b1	c1	e1	f1	s1
160	110	10	130	3,5	9
200	130	12	165	3,5	11

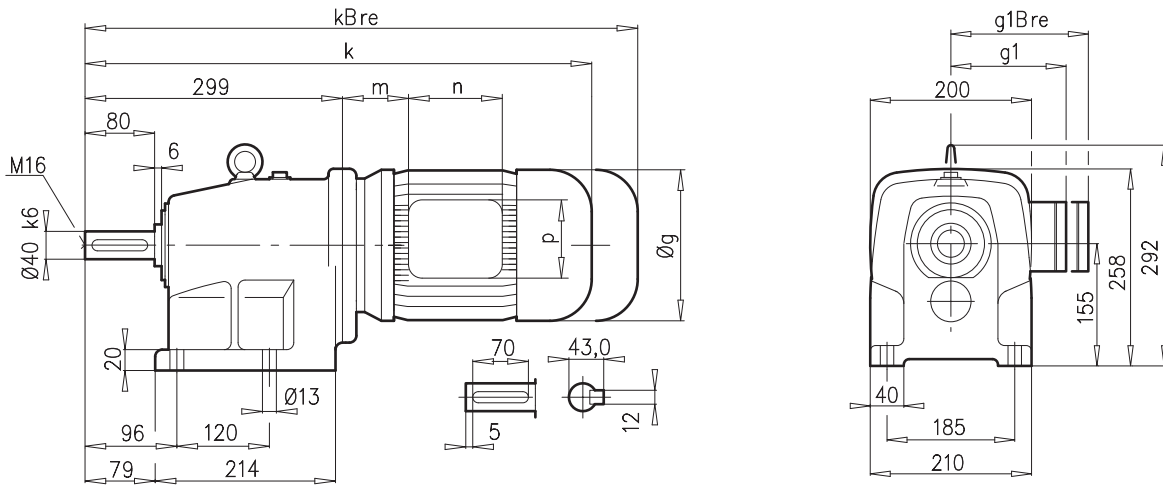
± ⇨ A53	63 S/L	71 S/L	80 SH/LH				
g	130	145	165				
g1 / g1Bre	115 / 123	124 / 132	142 / 142				
k / kBre	495 / 551	535 / 593	560 / 624				
m / mBre	16 / 22	42 / 43	47 / 51				
n / nBre	100 / 134	100 / 134	114 / 153				
p / pBre	100 / 89	100 / 89	114 / 108				

B93

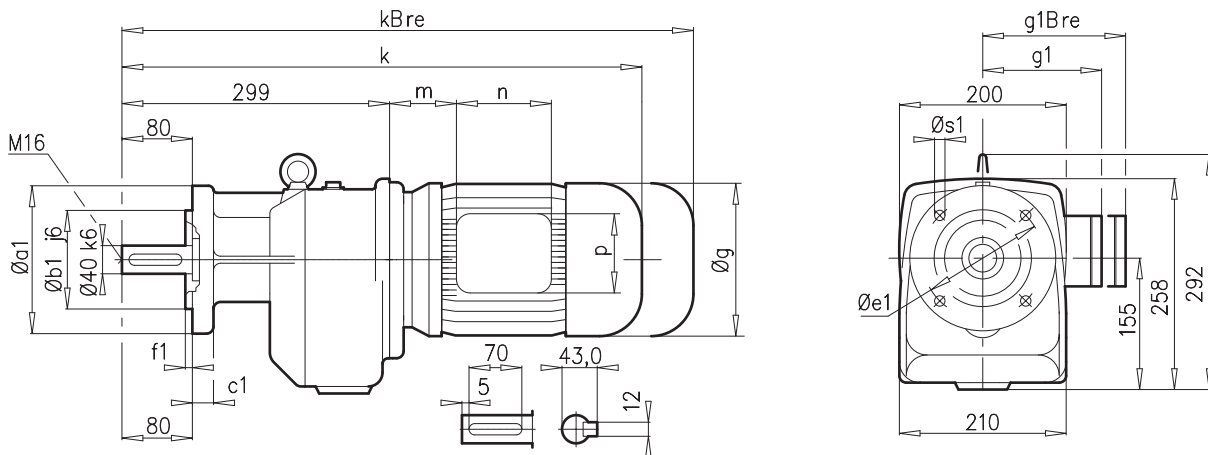
SK 32 SK 32F



SK32

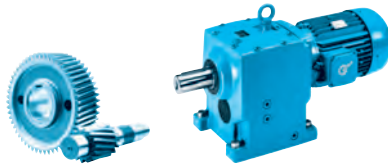


SK32F

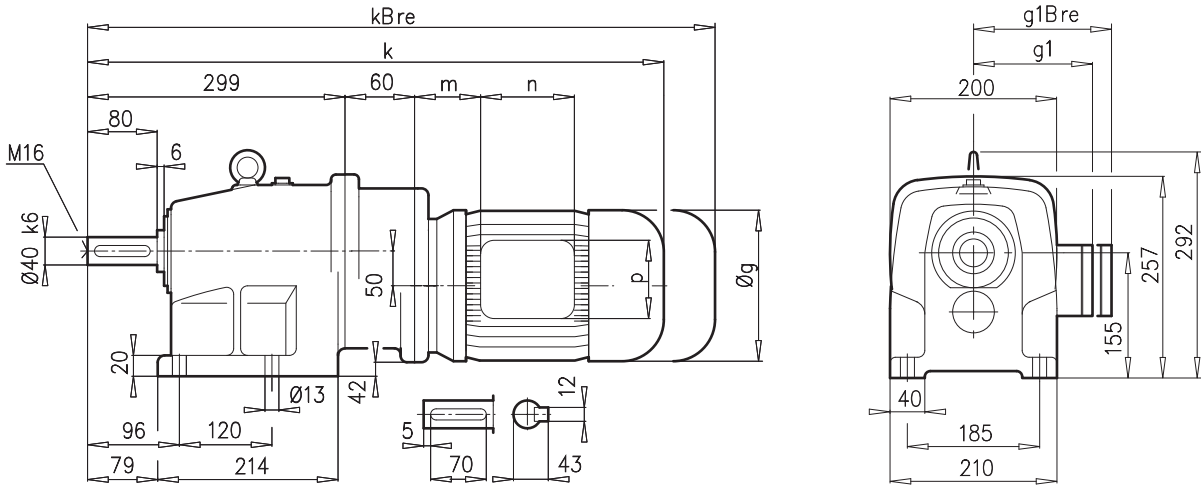


a1	b1	c1	e1	f1	s1
200	130	12	165	3,5	11
250	180	16	215	4,0	14

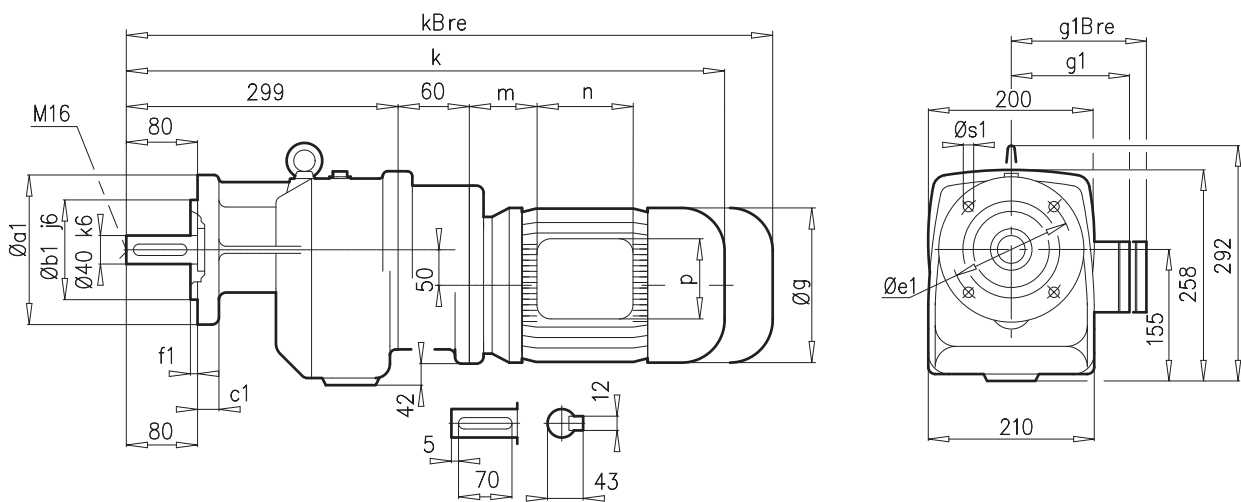
± ⇒ A53	71 S/L	80 SH/LH	90 SH/LH	100 LH/AH	112 MH	132 SH/MH/LH	160 SH	
g	145	165	183	201	228	266	320	
g1 / g1Bre	124 / 132	142 / 142	147 / 147	169 / 173	179 / 182	204 / 201	242 / 242	
k / kBre	529 / 587	554 / 618	595 / 670	625 / 716	673 / 766	734 / 841	811 / 946	
m / mBre	36 / 42	41 / 45	46 / 50	52 / 56	68 / 72	71 / 64	72 / 72	
n / nBre	100 / 134	114 / 153	114 / 153	114 / 153	114 / 153	122 / 185	186 / 186	
p / pBre	100 / 89	114 / 108	114 / 108	114 / 108	114 / 108	122 / 139	186 / 186	



SK33N



SK33NF



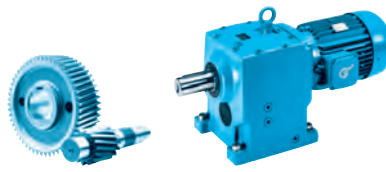
a1	b1	c1	e1	f1	s1
200	130	12	165	3,5	11
250	180	16	215	4,0	14

± ⇒ A53	63 S/L	71 S/L	80 SH/LH			
g	130	145	165			
g1 / g1Bre	115 / 123	124 / 132	142 / 142			
k / kBre	555 / 611	595 / 653	620 / 684			
m / mBre	16 / 22	42 / 43	47 / 51			
n / nBre	100 / 134	100 / 134	114 / 153			
p / pBre	100 / 89	100 / 89	114 / 108			

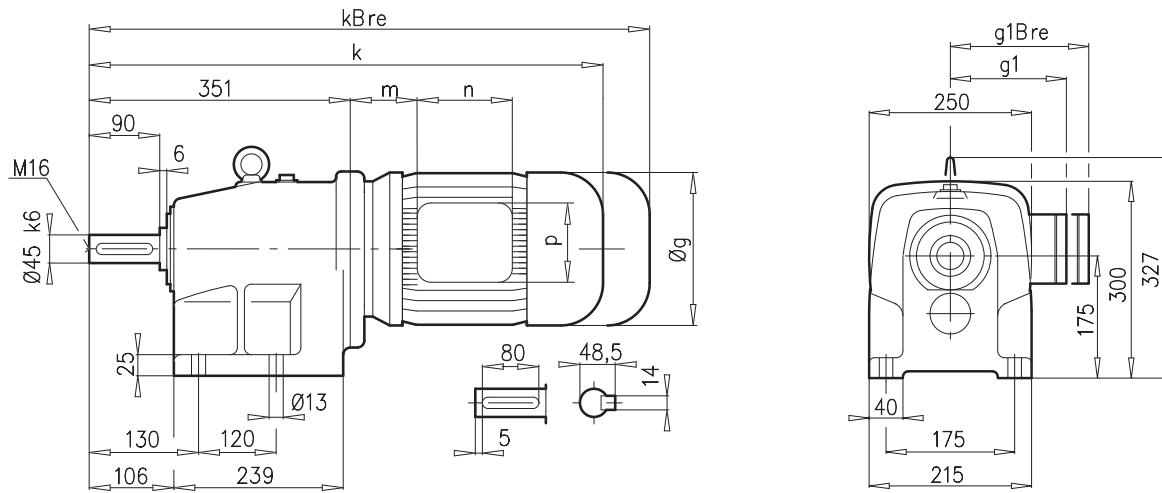


B93

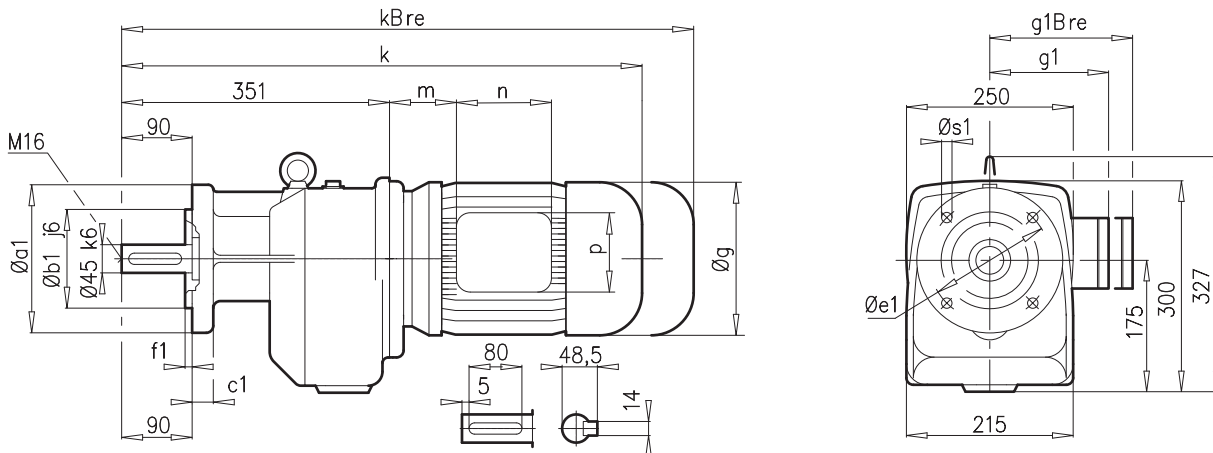
SK 42 SK 42F



SK42

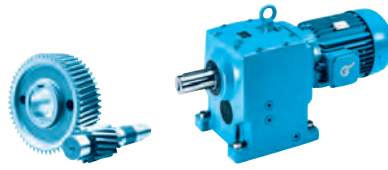


SK42F

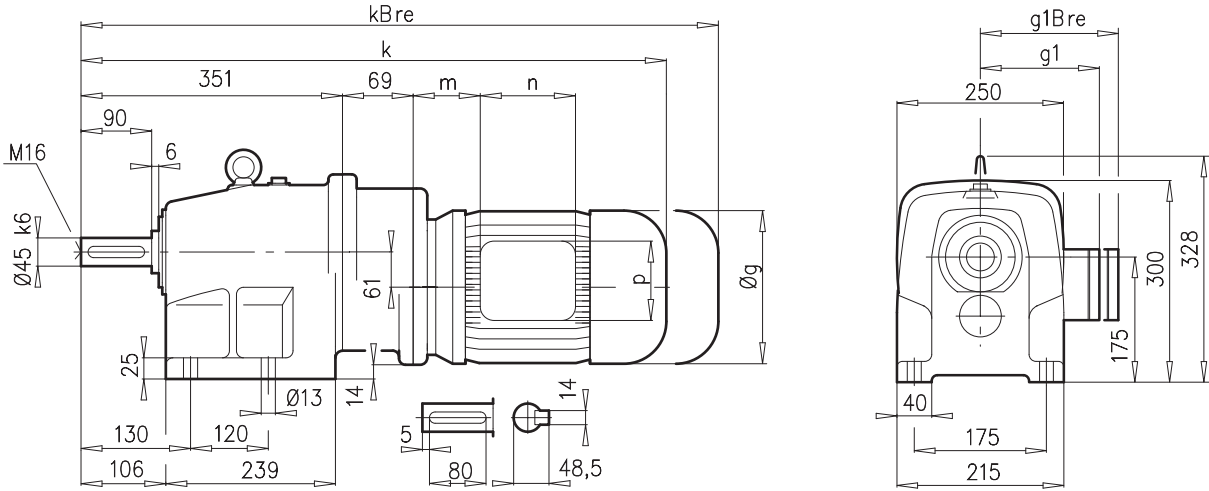


a1	b1	c1	e1	f1	s1
200	130	14	165	3,5	11
250	180	16	215	4,0	14

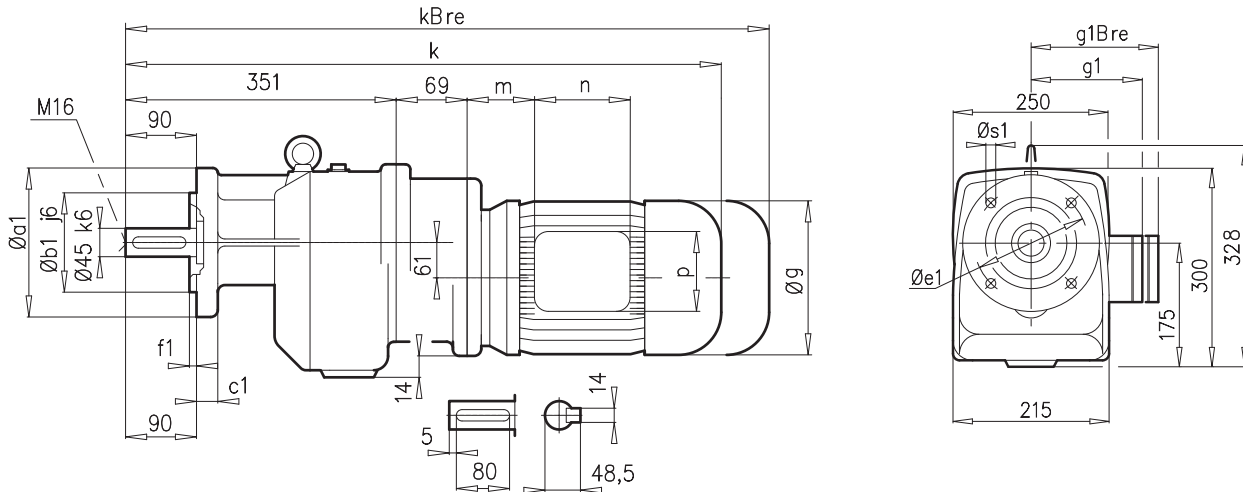
± ⇒ A53	90 SH/LH	100 LH/AH	112 MH	132 SH/MH/LH	160 SH/MH	160 LH	180 MH/LH	
g	183	201	228	266	320	320	358	 B95
g1 / g1Bre	147 / 147	169 / 173	179 / 182	204 / 201	242 / 242	242 / 242	259 / 259	
k / kBre	627 / 702	657 / 748	705 / 798	766 / 873	843 / 978	887 / 1022	985 / 1112	
m / mBre	26 / 30	32 / 36	48 / 52	51 / 44	52 / 52	52 / 52	74 / 74	
n / nBre	114 / 153	114 / 153	114 / 153	122 / 185	186 / 186	186 / 186	186 / 186	
p / pBre	114 / 108	114 / 108	114 / 108	122 / 139	186 / 186	186 / 186	186 / 186	



SK43



SK43F



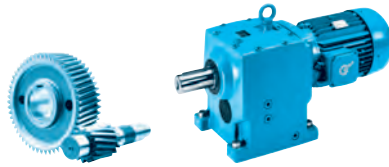
a1	b1	c1	e1	f1	s1
200	130	14	165	3,5	11
250	180	16	215	4,0	14

±⇔ A53	71 S/L	80 SH/LH	90 SH/LH	100 LH/AH	112 MH		
g	145	165	183	201	228		
g1 / g1Bre	124 / 132	142 / 142	147 / 147	169 / 172	179 / 182		
k / kBre	650 / 708	675 / 739	716 / 791	746 / 837	794 / 887		
m / mBre	36 / 42	41 / 45	46 / 50	52 / 56	68 / 72		
n / nBre	100 / 134	114 / 153	114 / 153	114 / 153	114 / 153		
p / pBre	100 / 89	114 / 108	114 / 108	114 / 108	114 / 108		

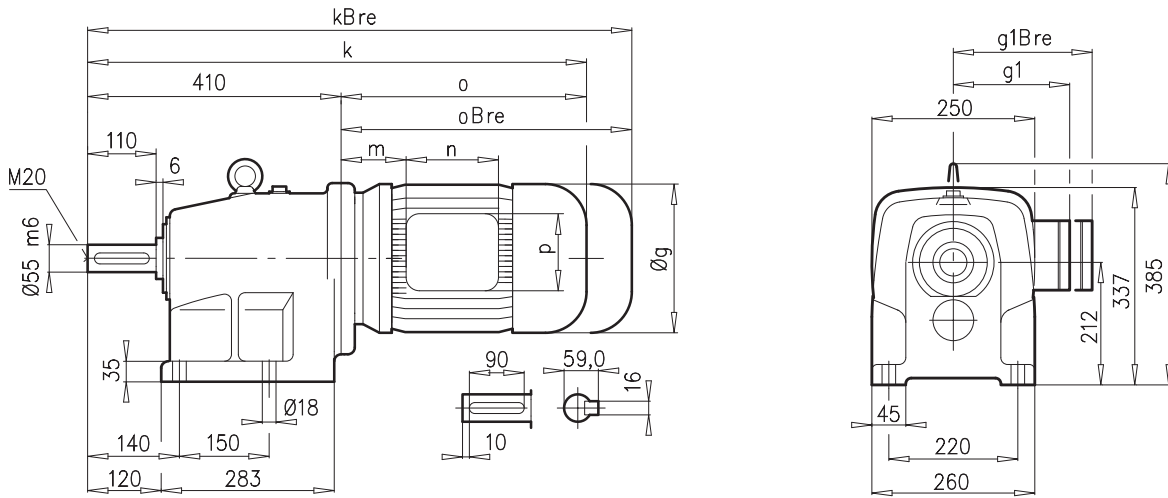


B94

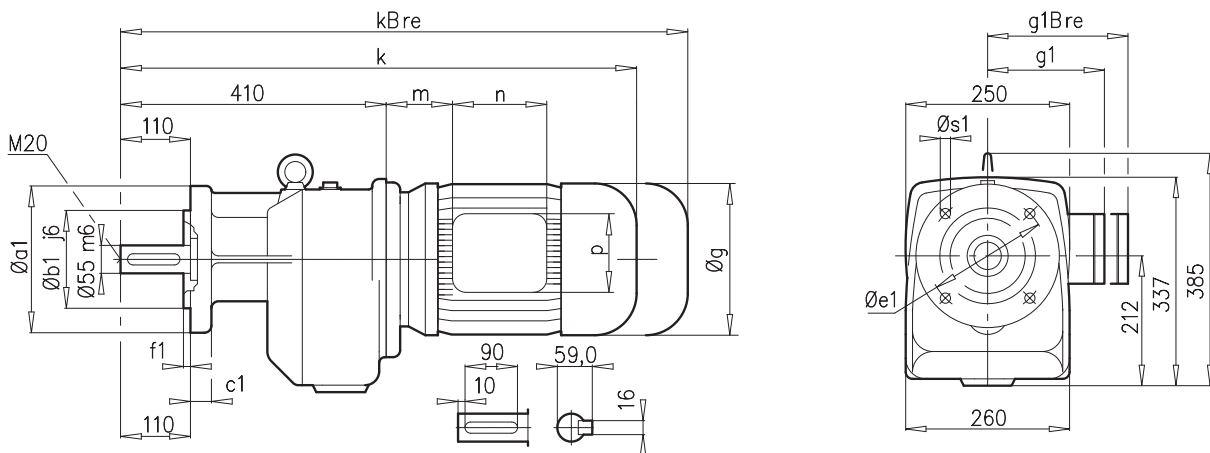
SK 52 SK 52 F



SK52



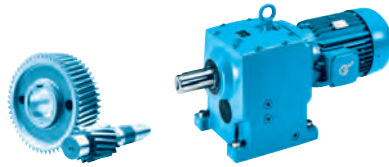
SK52F



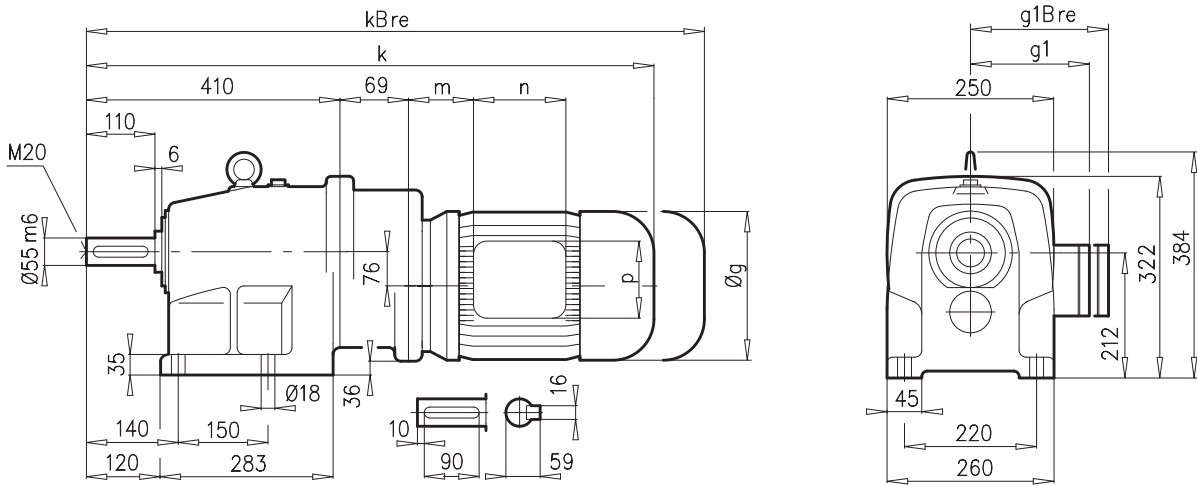
a1	b1	c1	e1	f1	s1
250	180	16	215	4,0	14
300	230	20	265	4,0	14

± ⇒ A53	90 SH/LH	100 LH/AH	112 MH	132 SH/MH/LH	160 SH/MH	160 LH	180 MH/LH	200 LH	
g	183	201	228	266	320	320	358	402	
g1 / g1Bre	147 / 147	169 / 172	179 / 182	204 / 201	242 / 242	242 / 242	259 / 259	305 / 305	
k / kBre	686 / 761	716 / 807	764 / 857	825 / 932	902 / 1037	946 / 1081	1044 / 1171	1098 / 1264	
m / mBre	26 / 30	32 / 36	48 / 52	51 / 44	52 / 52	52 / 52	74 / 74	110 / 110	
n / nBre	114 / 153	114 / 153	114 / 153	122 / 185	186 / 186	186 / 186	186 / 186	192 / 192	
p / pBre	114 / 108	114 / 108	114 / 108	122 / 139	186 / 186	186 / 186	186 / 186	260 / 260	

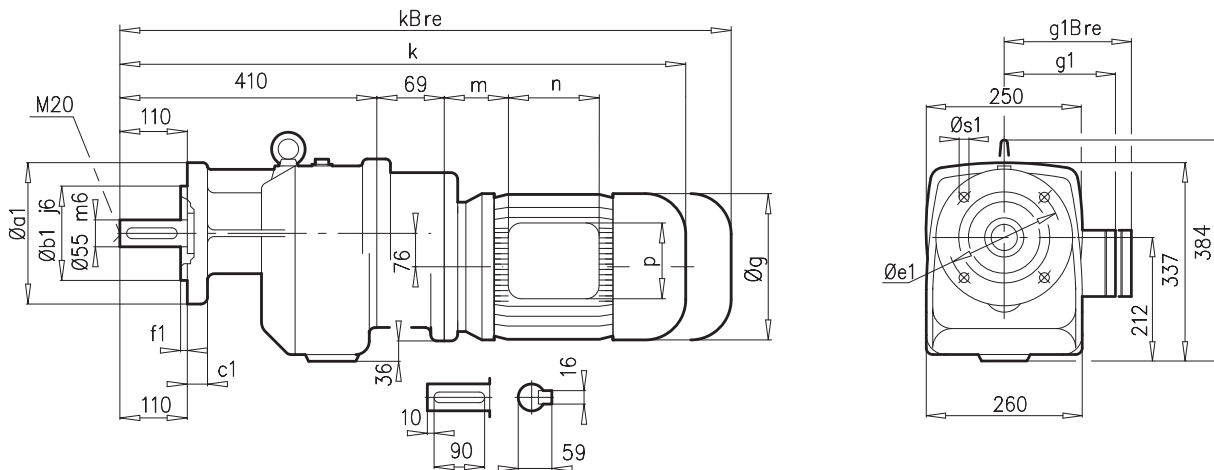




SK53



SK53F

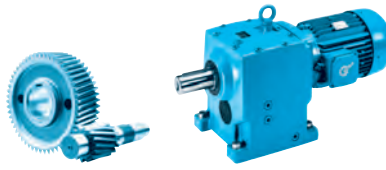


a1	b1	c1	e1	f1	s1
250	180	16	215	4,0	14
300	230	20	265	4,0	14

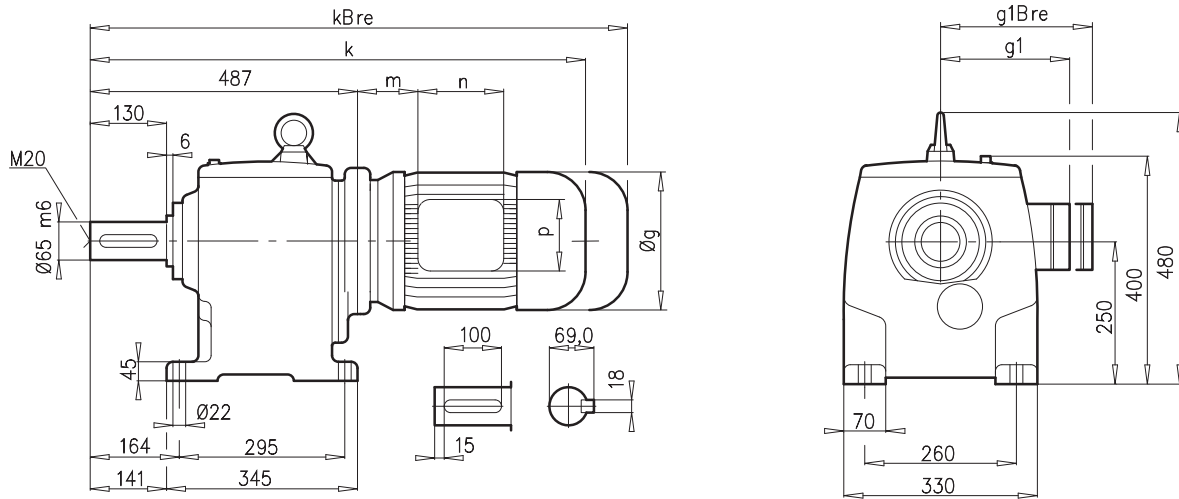
± ⇄ A53	71 S/L	80 SH/LH	90 SH/LH	100 LH/AH	112 MH		
g	145	165	183	201	228		
g1 / g1Bre	124 / 132	142 / 142	147 / 147	169 / 172	179 / 182		
k / kBre	709 / 767	734 / 798	775 / 850	805 / 896	853 / 946		
m / mBre	36 / 42	41 / 45	46 / 50	52 / 56	68 / 72		
n / nBre	100 / 134	114 / 153	114 / 153	114 / 153	114 / 153		
p / pBre	100 / 89	114 / 108	114 / 108	114 / 108	114 / 108		

B94

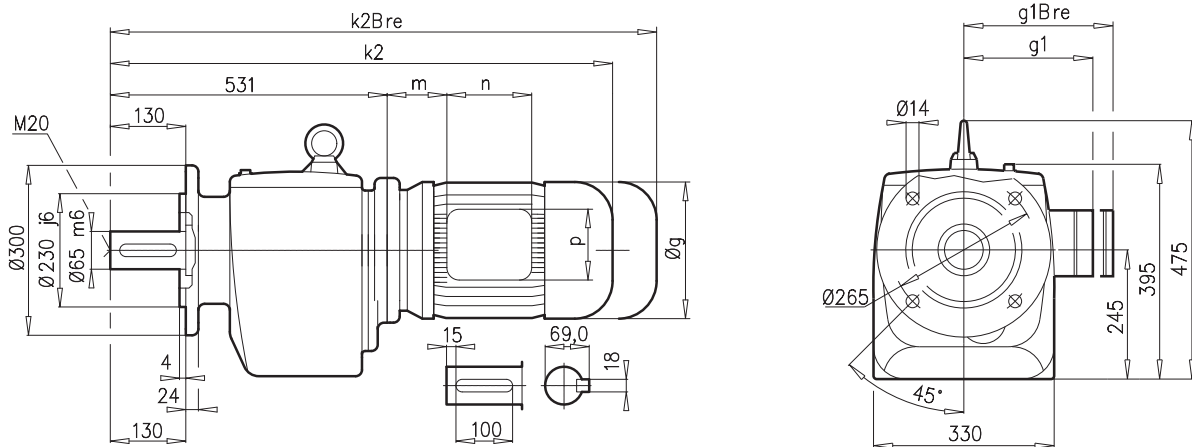
SK 62 SK 62F



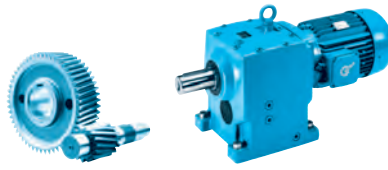
SK62



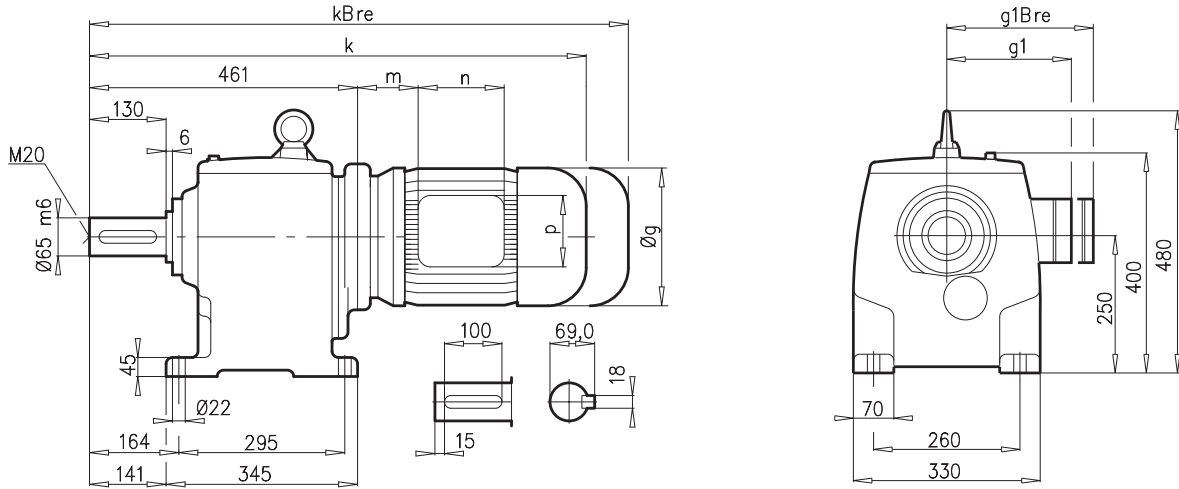
SK62F



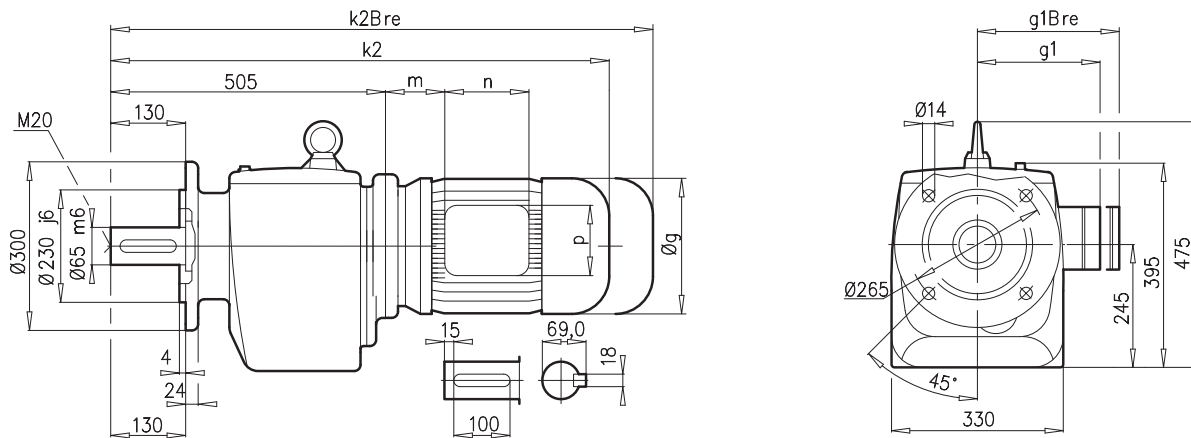
± ⇨ A53	112 MH	132 SH/MH/LH	160 SH/MH	160 LH	180 MH/LH	200 LH	225 SH	225 MH	
g	228	266	320	320	358	402	442	442	
g1 / g1Bre	179 / 182	204 / 201	242 / 242	242 / 242	259 / 259	305 / 305	325 / 325	325 / 325	
k / kBre	838 / 931	922 / 1029	979 / 1114	1023 / 1158	1101 / 1228	1175 / 1341	1172 / 1352	1232 / 1412	
k2 / k2Bre	882 / 975	966 / 1073	1023 / 1158	1067 / 1202	1145 / 1272	1219 / 1385	1216 / 1396	1276 / 1456	
m / mBre	45 / 49	71 / 64	52 / 52	52 / 52	54 / 54	110 / 110	145 / 145	145 / 145	
n / nBre	114 / 153	122 / 185	186 / 186	186 / 186	186 / 186	192 / 192	192 / 192	192 / 192	
p / pBre	114 / 108	122 / 139	186 / 186	186 / 186	186 / 186	260 / 260	260 / 260	260 / 260	



SK63

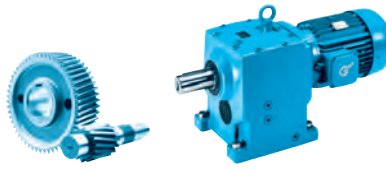


SK63F

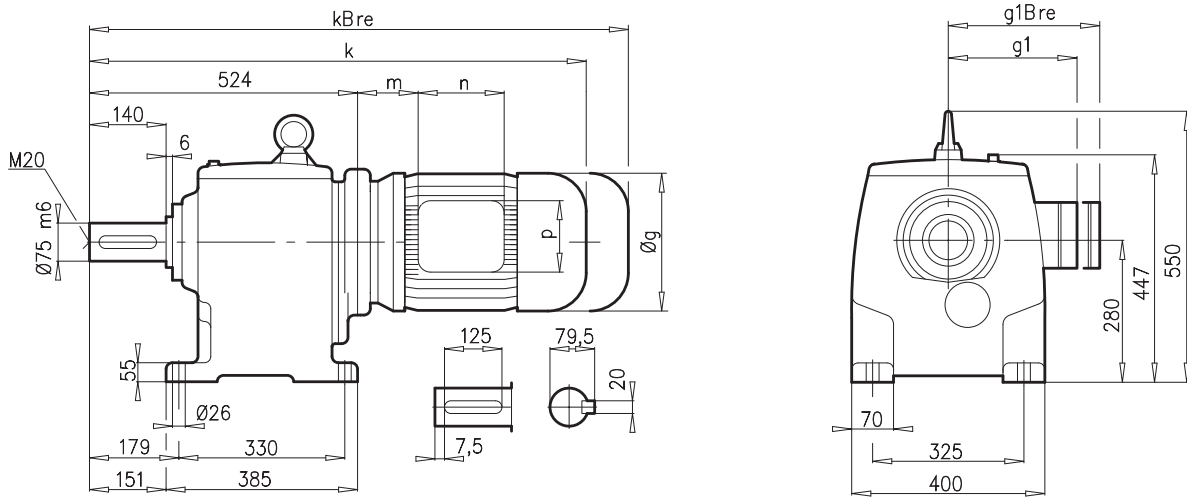


± ⇨ A53	90 SH/LH	100 LH/AH	112 MH	132 SH/MH/LH	160 SH/MH	160 LH	180 MH/LH	
g	183	201	228	266	320	320	358	
g1 / g1Bre	147 / 147	169 / 173	179 / 182	204 / 201	242 / 242	242 / 242	259 / 259	W = B95 W VL = B96
k / kBre	737 / 812	767 / 858	815 / 908	876 / 983	953 / 1088	997 / 1132	1095 / 1222	
k2 / k2Bre	781 / 856	811 / 902	859 / 952	920 / 1027	997 / 1132	1041 / 1176	1139 / 1266	
m / mBre	26 / 30	32 / 36	48 / 52	51 / 44	52 / 52	52 / 52	74 / 74	B95
n / nBre	114 / 153	114 / 153	114 / 153	122 / 185	186 / 186	186 / 186	186 / 186	
p / pBre	114 / 108	114 / 108	114 / 108	122 / 139	186 / 186	186 / 186	186 / 186	

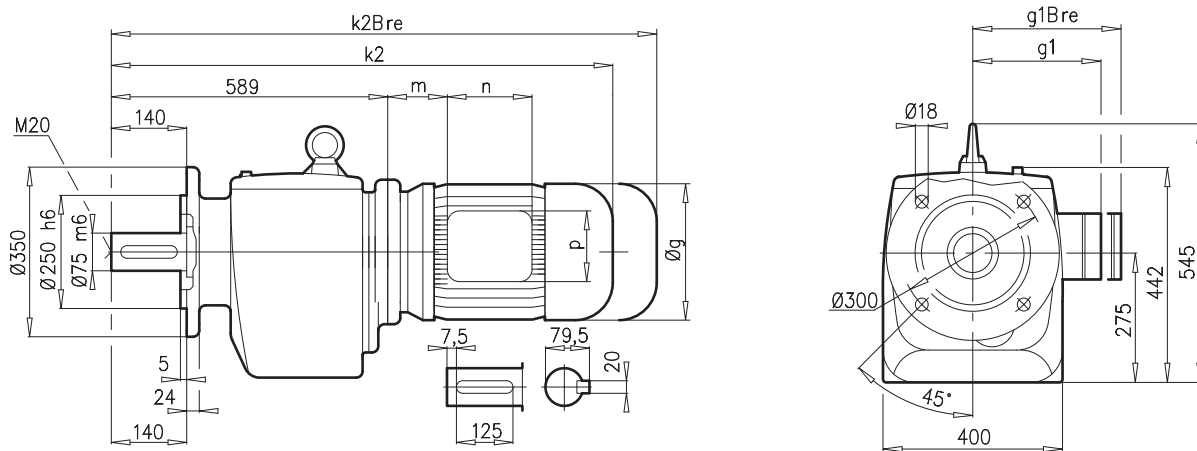
SK 72 SK 72F



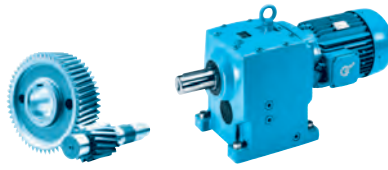
SK72



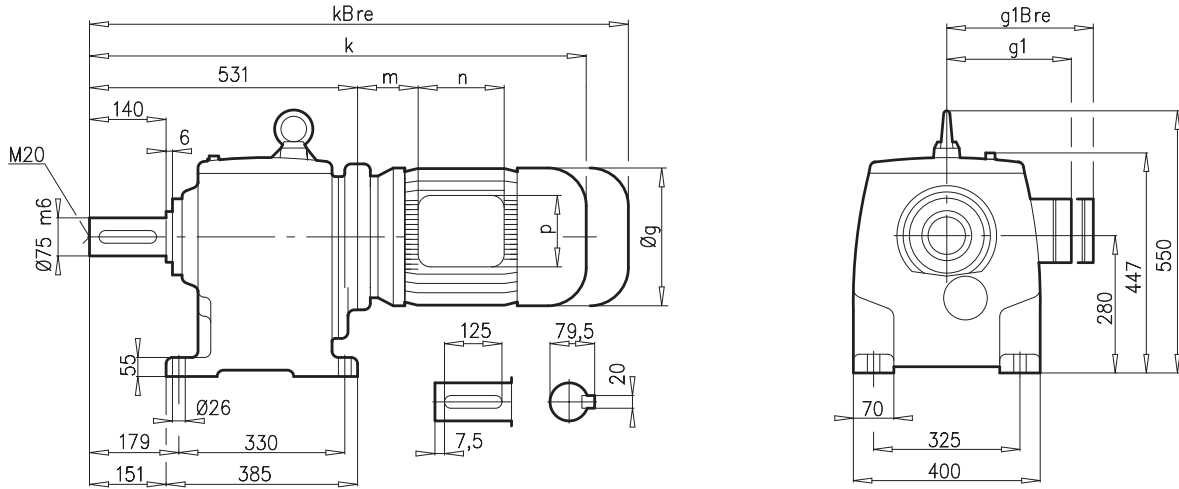
SK72F



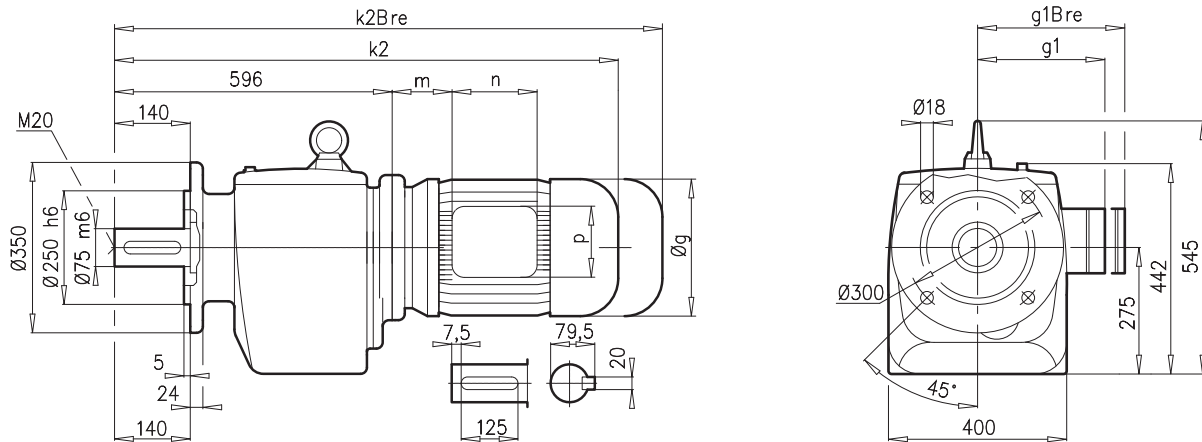
± ⇨ A53	132 MH/LH	160 SH/MH	160 LH	180 MH/LH	200 LH	225 SH	225 MH	
g	266	320	320	358	402	442	442	
g1 / g1Bre	204 / 201	242 / 242	242 / 242	259 / 259	305 / 305	325 / 325	325 / 325	
k / kBre	959 / 1066	1016 / 1151	1060 / 1195	1138 / 1265	1212 / 1378	1209 / 1389	1269 / 1449	
k2 / k2Bre	1024 / 1131	1081 / 1216	1125 / 1260	1203 / 1330	1277 / 1443	1274 / 1454	1334 / 1514	
m / mBre	71 / 64	52 / 52	52 / 52	54 / 54	110 / 110	145 / 145	145 / 145	
n / nBre	122 / 185	186 / 186	186 / 186	186 / 186	192 / 192	192 / 192	192 / 192	
p / pBre	122 / 139	186 / 186	186 / 186	186 / 186	260 / 260	260 / 260	260 / 260	



SK73

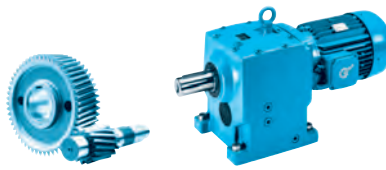


SK73F

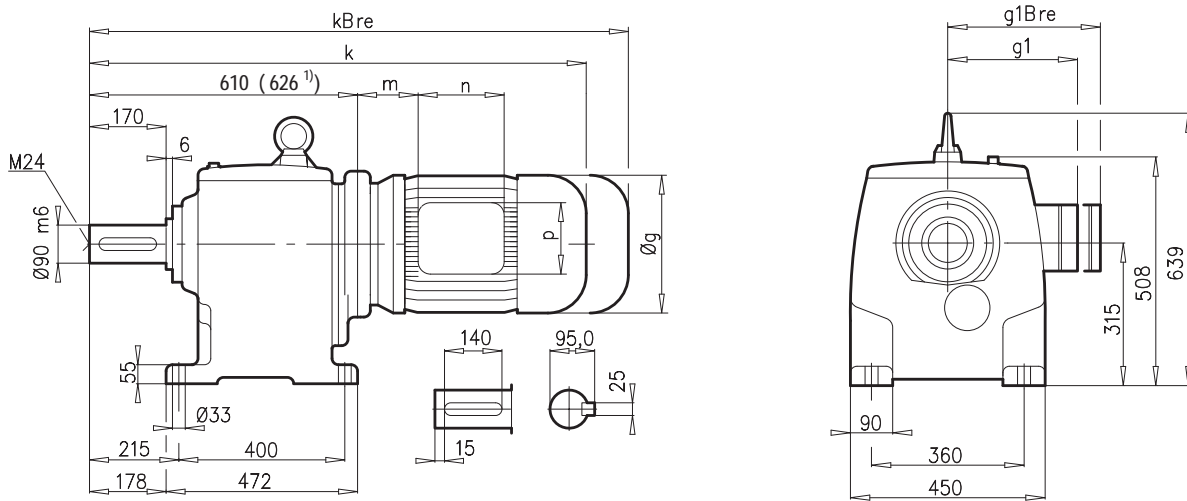


± ⇨ A53	100 LH/AH	112 MH	132 SH/MH/LH	160 SH/MH	160 LH	180 MH/LH	200 LH	225 SH	225 MH	
g	201	228	266	320	320	358	402	442	442	
g1 / g1Bre	169 / 173	179 / 182	204 / 201	242 / 242	242 / 242	259 / 259	305 / 305	325 / 325	325 / 325	
k / kBre	837 / 928	882 / 975	966 / 1073	1023 / 1158	1067 / 1202	1145 / 1272	1219 / 1385	1216 / 1396	1276 / 1456	
k2 / k2Bre	902 / 993	947 / 1040	1031 / 1138	1088 / 1223	1132 / 1267	1210 / 1337	1284 / 1450	1281 / 1461	1341 / 1521	
m / mBre	32 / 36	45 / 49	71 / 64	52 / 52	52 / 52	54 / 54	110 / 110	145 / 145	145 / 145	
n / nBre	114 / 153	114 / 153	122 / 185	186 / 186	186 / 186	186 / 186	192 / 192	192 / 192	192 / 192	
p / pBre	114 / 108	114 / 108	122 / 139	186 / 186	186 / 186	186 / 186	260 / 260	260 / 260	260 / 260	

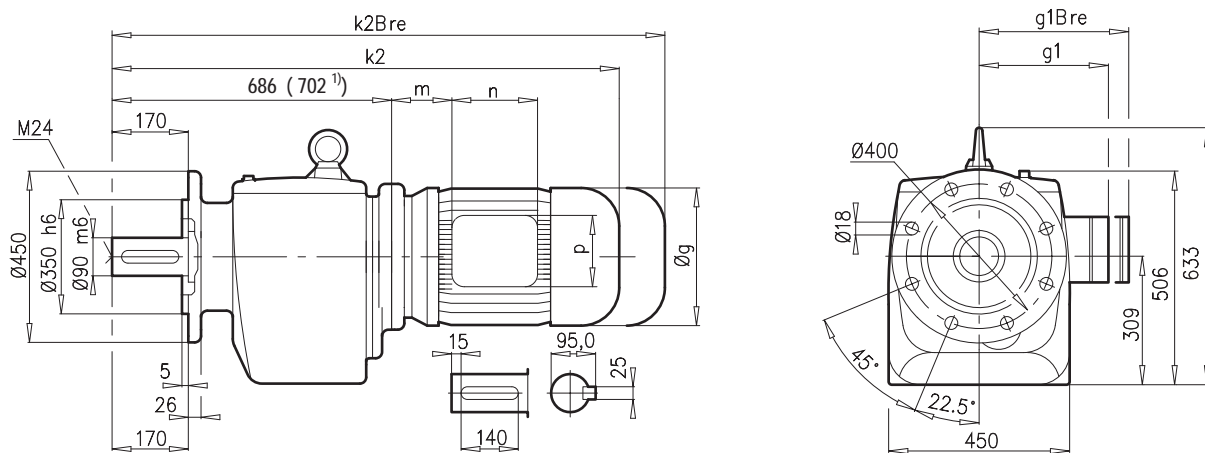
SK 82 SK 82F




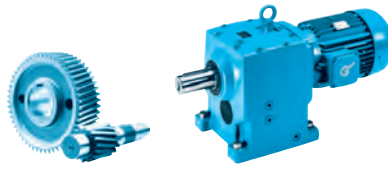
SK82



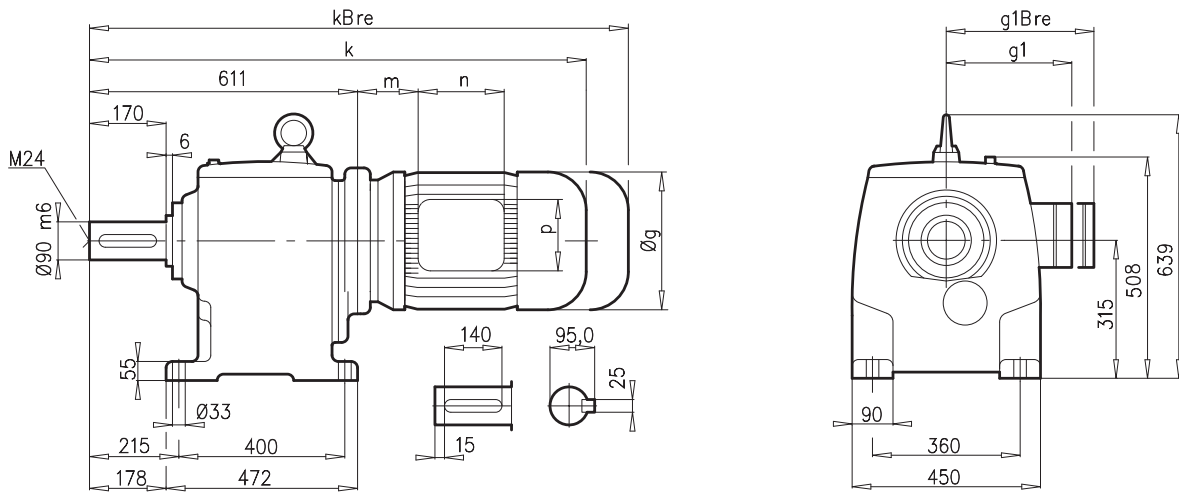
SK82F



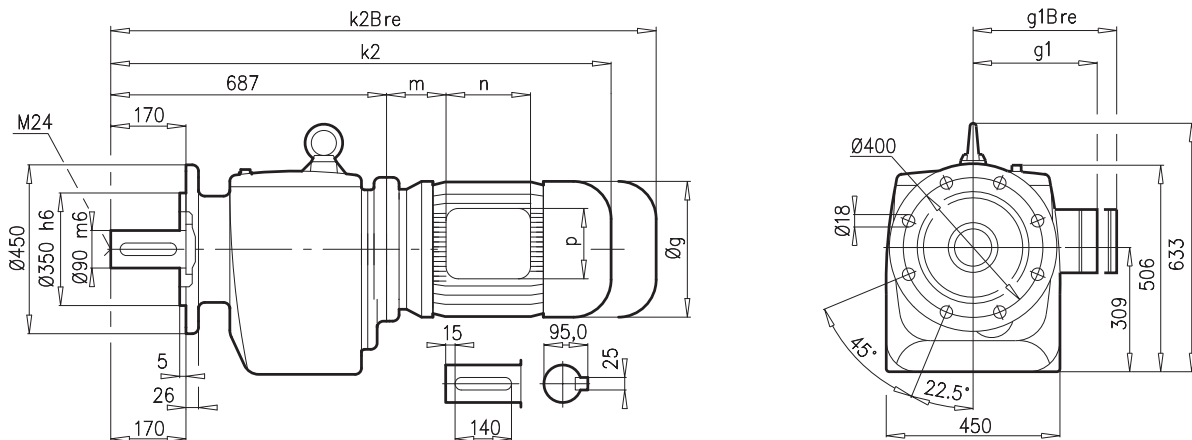
± ⇨ A53	132 MH/LH	160 SH/MH	160 LH	180 MH/LH	200 LH	225 SH	225 MH	250 MH ¹⁾	280 SH ¹⁾	 
g	266	320	320	358	402	442	442	495	555	
g1 / g1Bre	204 / 201	242 / 242	242 / 242	259 / 259	305 / 305	325 / 325	325 / 325	392 / 392	432 / 432	
k / k2Bre	1045 / 1152	1102 / 1237	1146 / 1281	1224 / 1351	1298 / 1464	1295 / 1475	1355 / 1535	1456 / 1636	1456 / 1636	
k2 / k2Bre	1121 / 1228	1178 / 1313	1222 / 1357	1300 / 1427	1374 / 1540	1371 / 1551	1431 / 1611	1532 / 1712	1532 / 1712	
m / mBre	71 / 64	52 / 52	52 / 52	54 / 54	110 / 110	145 / 145	145 / 145	129 / 129	144 / 144	
n / nBre	122 / 185	186 / 186	186 / 186	186 / 186	192 / 192	192 / 192	192 / 192	236 / 236	236 / 236	
p / pBre	122 / 139	186 / 186	186 / 186	186 / 186	260 / 260	260 / 260	260 / 260	300 / 300	300 / 300	



SK83

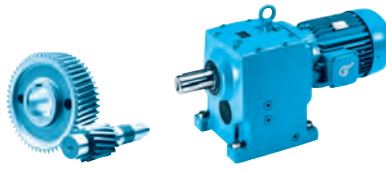


SK83F

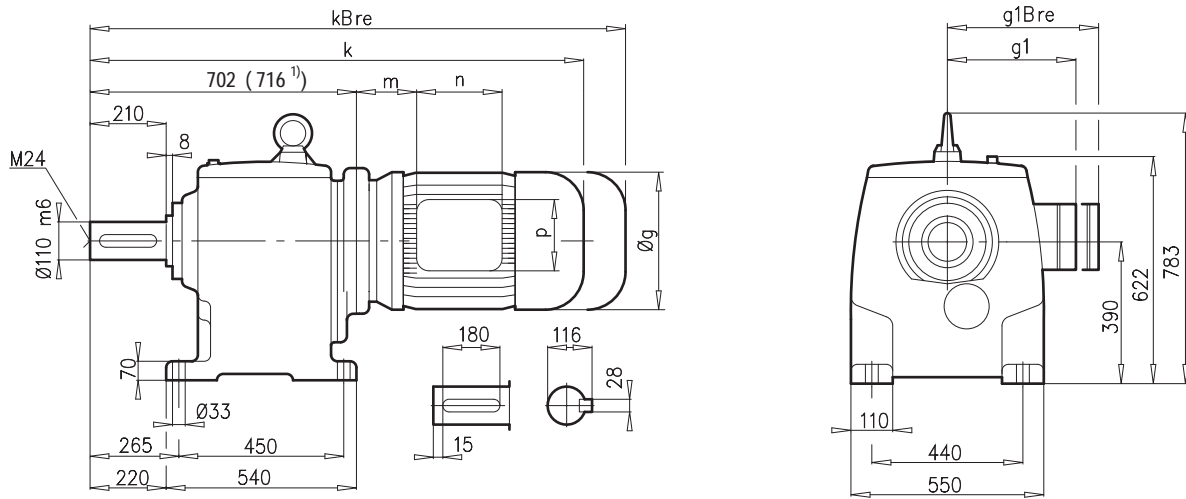


± ⇔ A53	100 LH/AH	112 MH	132 SH/MH/LH	160 SH/MH	160 LH	180 MH/LH	200 LH	225 SH	225 MH	
g	201	228	266	320	320	358	402	442	442	
g1 / g1Bre	169 / 173	179 / 182	204 / 201	242 / 242	242 / 242	259 / 259	305 / 305	325 / 325	325 / 325	W =
k / kBre	917 / 1008	962 / 1055	1046 / 1153	1103 / 1238	1147 / 1282	1225 / 1352	1299 / 1465	1296 / 1476	1356 / 1536	W VL =
k2 / k2Bre	993 / 1084	1038 / 1131	1122 / 1229	1179 / 1314	1223 / 1358	1301 / 1428	1375 / 1541	1372 / 1552	1432 / 1612	
m / mBre	32 / 36	45 / 49	71 / 64	52 / 52	52 / 52	54 / 54	110 / 110	145 / 145	145 / 145	
n / nBre	114 / 153	114 / 153	122 / 185	186 / 186	186 / 186	186 / 186	192 / 192	192 / 192	192 / 192	
p / pBre	114 / 108	114 / 108	122 / 139	186 / 186	186 / 186	186 / 186	260 / 260	260 / 260	260 / 260	

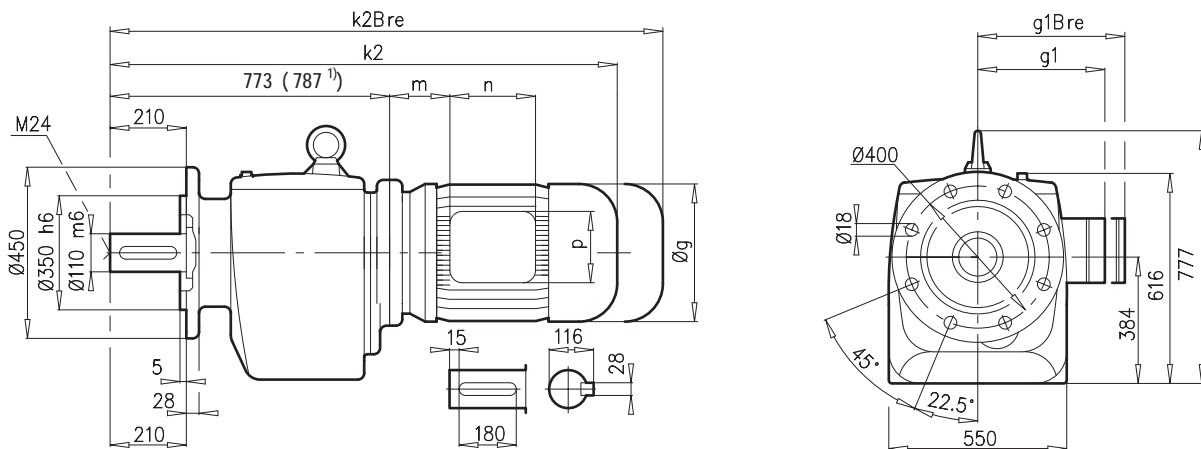
SK 92 SK 92F






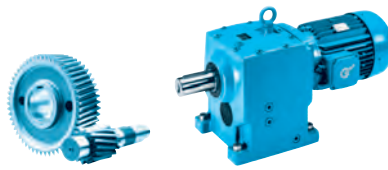
SK92



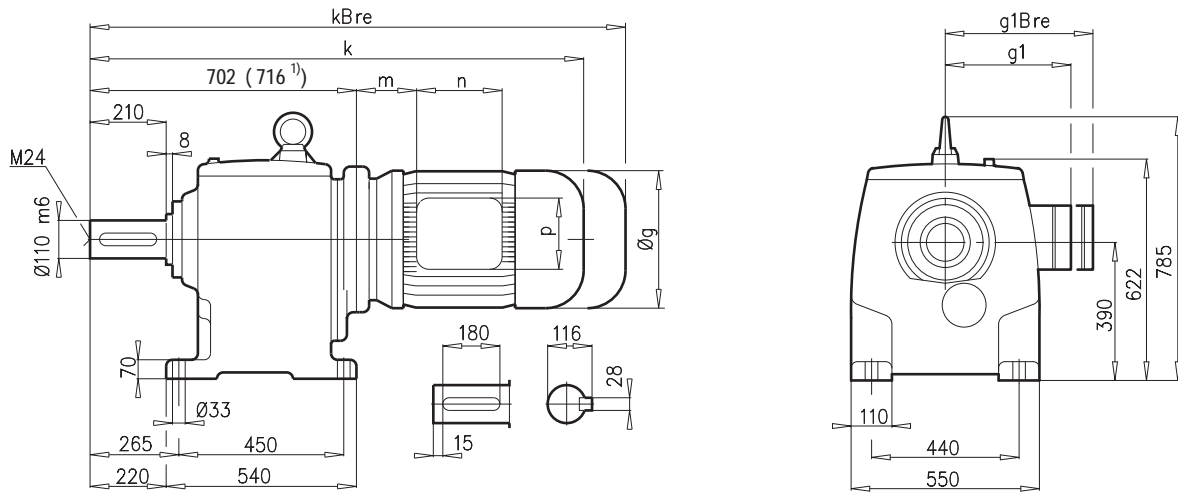
SK92F



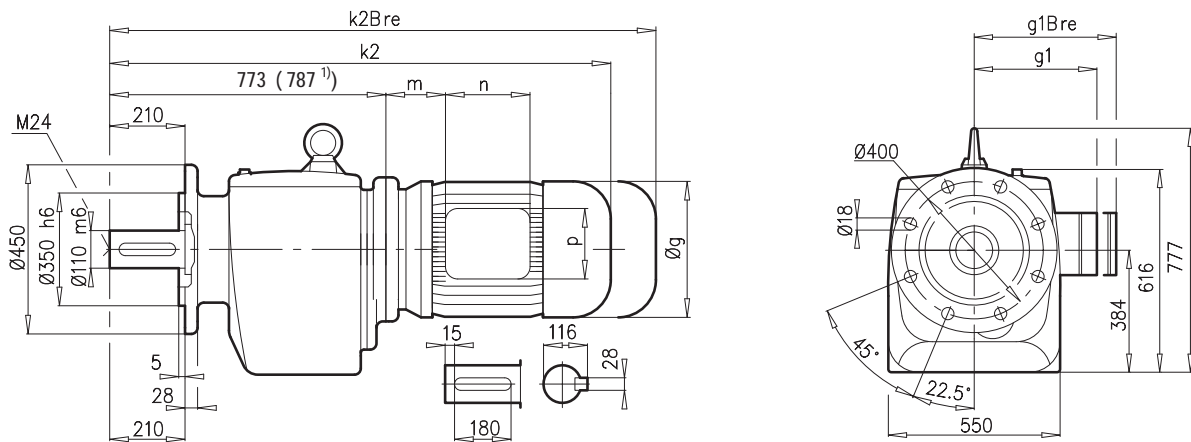
± ⇔ A53	180 MH/LH	200 LH	225 SH	225 MH	250 MH ¹⁾	280 SH ¹⁾	280 MH ¹⁾	315 SH ¹⁾	315 MH/RH ¹⁾	
g	358	402	442	442	495	555	555	610	610	  
g1 / g1Bre	259 / 259	305 / 305	325 / 325	325 / 325	392 / 392	432 / 432	432 / 432	500 / -	500 / -	
k / kBre	1316 / 1443	1212 / 1378	1387 / 1567	1447 / 1627	1546 / 1726	1546 / 1726	1646 / 1826	1648 / -	1808 / -	
k2 / k2Bre	1387 / 1514	1277 / 1443	1458 / 1638	1518 / 1698	1617 / 1797	1617 / 1797	1717 / 1897	1719 / -	1879 / -	
m / mBre	54 / 54	110 / 110	145 / 145	145 / 145	129 / 129	144 / 144	134 / 134	132 / -	132 / -	
n / nBre	186 / 186	192 / 192	192 / 192	192 / 192	236 / 236	236 / 236	236 / 236	307 / -	307 / -	
p / pBre	186 / 186	260 / 260	260 / 260	260 / 260	300 / 300	300 / 300	300 / 300	380 / -	380 / -	



SK93

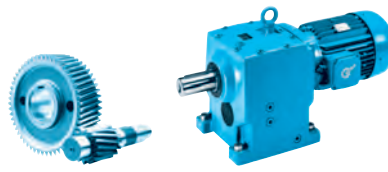


SK93F

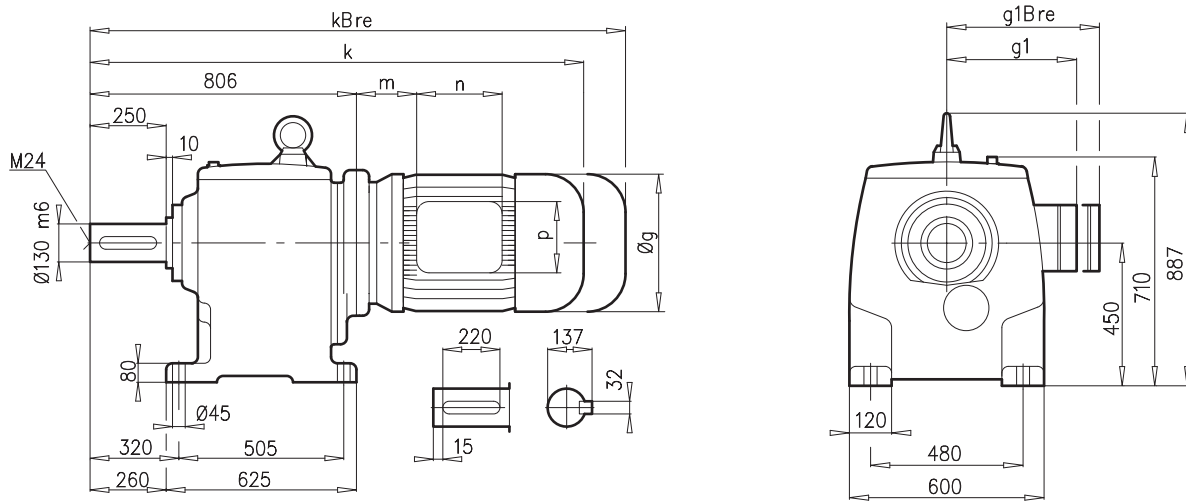


± ⇔ A53	132 SH/MH/LH	160 SH/MH	160 LH	180 MH/LH	200 LH	225 SH	225 MH	250 MH ¹⁾	280 SH ¹⁾	280 MH ¹⁾	
g	266	320	320	358	402	442	442	495	555	555	
g1 / g1Bre	204 / 201	242 / 242	242 / 242	259 / 259	305 / 305	325 / 325	325 / 325	392 / 392	432 / 432	432 / 432	
k / kBre	1137 / 1244	1194 / 1329	1238 / 1373	1316 / 1443	1390 / 1556	1387 / 1557	1447 / 1627	1546 / 1726	1546 / 1726	1646 / 1826	W =
k2 / k2Bre	1208 / 1315	1265 / 1400	1309 / 1444	1387 / 1514	1461 / 1627	1458 / 1638	1518 / 1698	1617 / 1797	1617 / 1797	1717 / 1897	W VL =
m / mBre	71 / 64	52 / 52	52 / 52	54 / 54	110 / 110	145 / 145	145 / 145	129 / 129	144 / 144	134 / 134	
n / nBre	122 / 185	186 / 186	186 / 186	186 / 186	192 / 192	192 / 192	192 / 192	236 / 236	236 / 236	236 / 236	
p / pBre	122 / 139	186 / 186	186 / 186	186 / 186	260 / 260	260 / 260	260 / 260	300 / 300	300 / 300	300 / 300	

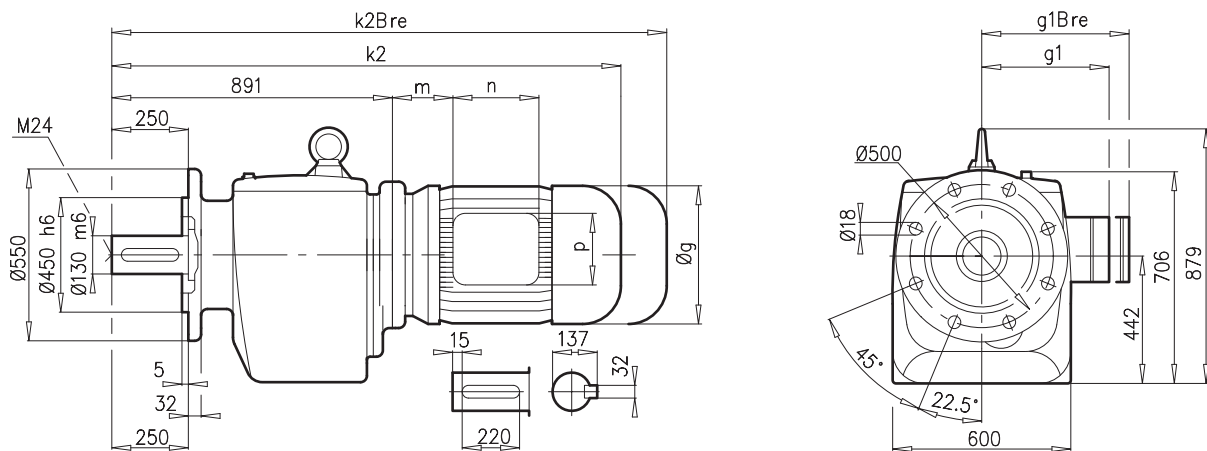
SK 102 SK 102F



SK102



SK102F

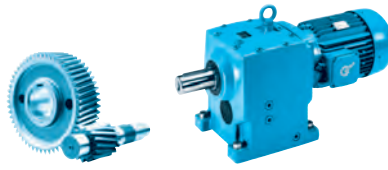


± ⇒ A53	250 MH	280 SH	280 MH	315 SH	315 MH/RH	315 LH	
g	495	555	555	610	610	610	
g1 / g1Bre	392 / 392	432 / 432	432 / 432	500 / -	500 / -	500 / -	
k / kBre	1636 / 1816	1636 / 1816	1736 / 1916	1738 / -	1898 / -	2038 / -	
k2 / k2Bre	1721 / 1901	1721 / 1901	1821 / 2001	1823 / -	1983 / -	2123 / -	
m / mBre	129 / 129	144 / 144	134 / 134	132 / -	132 / -	132 / -	
n / nBre	236 / 236	236 / 236	236 / 236	307 / -	307 / -	307 / -	
p / pBre	300 / 300	300 / 300	300 / 300	380 / -	380 / -	380 / -	

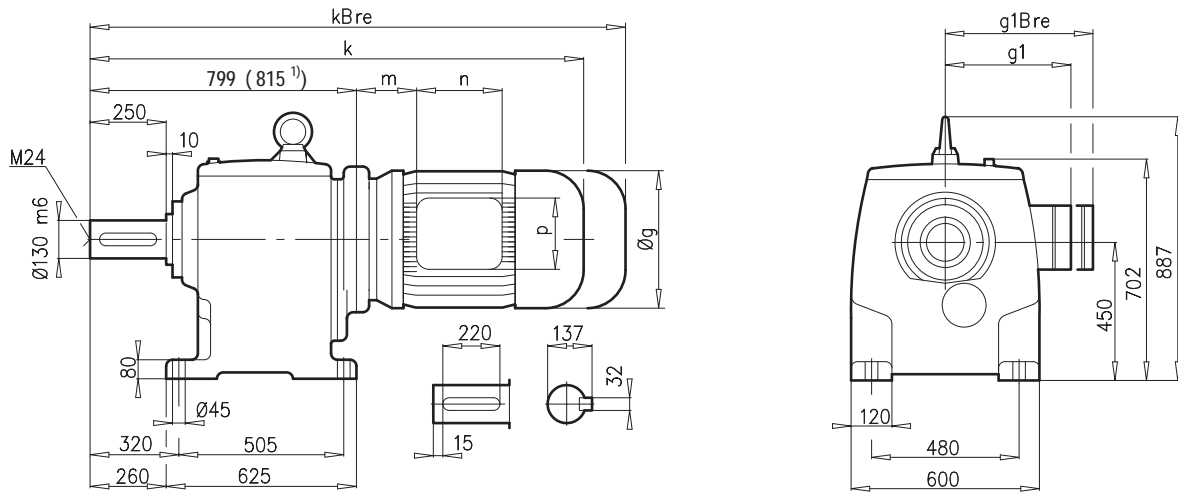


B97

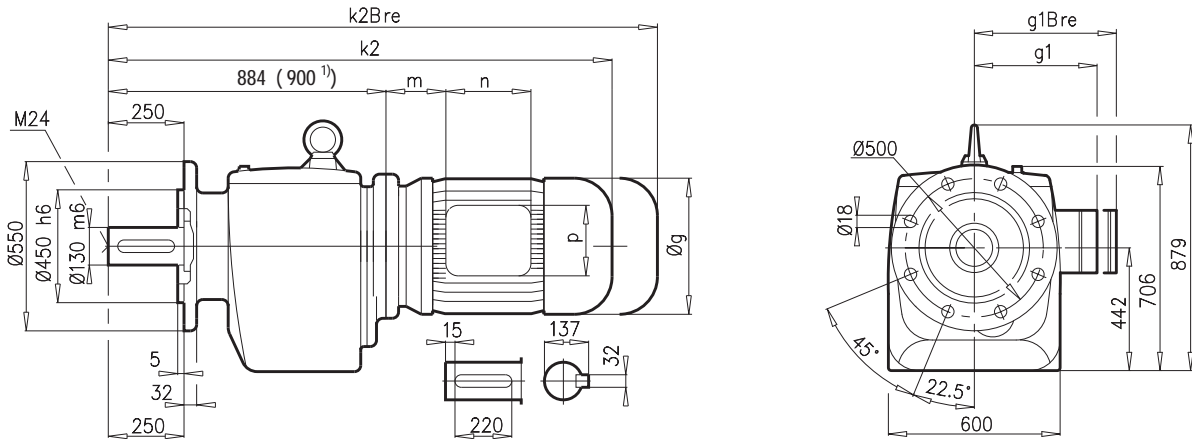




SK103



SK103F



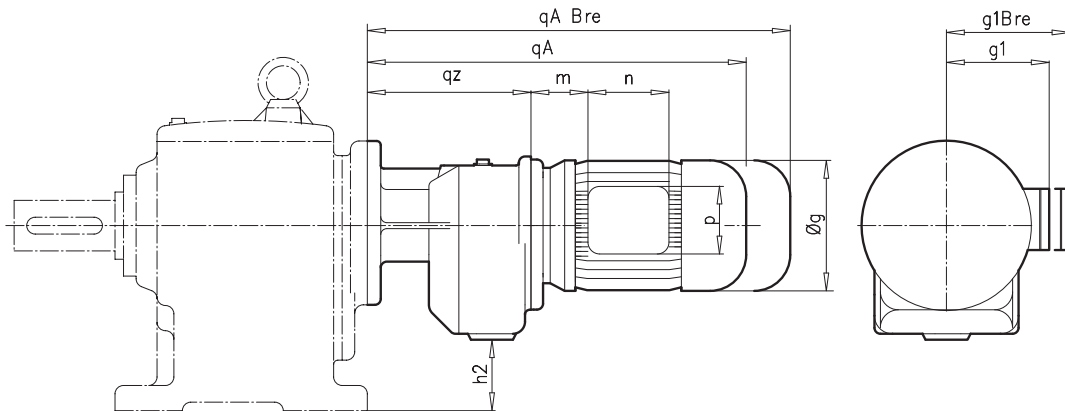
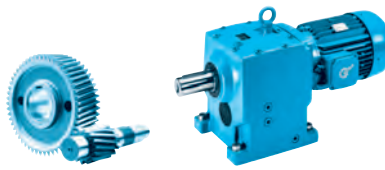
± ⇨ A53	132 SH/MH/LH	160 SH/MH	160 LH	180 MH/LH	200 LH	225 SH	225 MH	250 MH ¹⁾	280 SH ¹⁾	280 MH ¹⁾	315 SH ¹⁾
g	266	320	320	358	402	442	442	495	555	555	610
g1 / g1Bre	204 / 201	242 / 242	242 / 242	259 / 259	305 / 305	325 / 325	325 / 325	392 / 392	432 / 432	432 / 432	500 / --
k/kBre	1234/1341	1291/1426	1335/1470	1413/1540	1487/1653	1484/1664	1544/1724	1645/1825	1645/1825	1745/1925	1747/–
k2 / k2Bre	1319/1426	1376/1511	1420/1555	1498/1625	1572/1738	1569/1749	1629/1809	1730/1910	1730/1910	1830/2010	1832/–
m / mBre	71 / 64	52 / 52	52 / 52	54 / 54	110 / 110	110 / 110	145 / 145	129 / 129	144 / 144	134 / 134	132 / –
n / nBre	122 / 185	186 / 186	186 / 186	186 / 186	192 / 192	192 / 192	192 / 192	236 / 236	236 / 236	236 / 236	307 / –
p / pBre	122 / 139	186 / 186	186 / 186	186 / 186	260 / 260	260 / 260	260 / 260	300 / 300	300 / 300	300 / 300	380 / –



B97



SK 12/02- SK 83/32



± ⇒ A53	SK 12/02		SK 22/02			SK 32/12				
	63 S/L	71 S/L	63 S/L	71 S/L	80 SH	63 S/L	71 S/L	80 SH		
g	130	145	130	145	165	130	145	165		
g1 / g1Bre	115 / 123	124 / 132	115 / 123	124 / 132	142 / 142	115 / 123	124 / 132	142 / 142		
m / mBre	16 / 22	42 / 48	16 / 23	42 / 49	47 / 51	16 / 23	42 / 49	47 / 51		
n / nBre	100 / 134	100 / 134	100 / 134	100 / 134	114 / 153	100 / 134	100 / 134	114 / 153		
p / pBre	100 / 89	100 / 89	100 / 89	100 / 89	114 / 108	100 / 89	100 / 89	114 / 108		
h2	89		89			106				
qZ	142		158			171				
qA / qABre	338 / 394	378 / 436	354 / 410	394 / 452	419 / 483	367 / 423	407 / 465	432 / 496		
	SK 12 ⇒ B70		SK 22 ⇒ B72			SK 32 ⇒ B74				



⇒ B93



± ⇒ A53	SK 42/12				SK 52/12						
	63S/L	71 S/L	80 SH/LH	90 SH/LH	63 S/L	71 S/L	80 SH/LH	90 SH/LH	100 LH		
g	130	145	165	183	130	145	165	183	201		
g1 / g1Bre	115 / 123	124 / 132	142 / 142	147 / 147	115 / 123	124 / 132	142 / 142	147 / 147	169 / 173		
m / mBre	16 / 22	42 / 48	47 / 51	52 / 56	16 / 23	42 / 49	47 / 51	52 / 56	58 / 62		
n / nBre	100 / 134	100 / 134	114 / 153	114 / 153	100 / 134	100 / 134	114 / 153	114 / 153	114 / 153		
p / pBre	100 / 89	100 / 89	114 / 108	114 / 108	100 / 89	100 / 89	114 / 108	114 / 108	114 / 108		
h2	106				106						
qZ	175				175						
qA / qABre	371 / 427	411 / 469	436 / 500	477 / 552	371 / 427	411 / 469	436 / 500	477 / 552	507 / 598		
	SK 42 ⇒ B76				SK 52 ⇒ B78						



⇒ B93

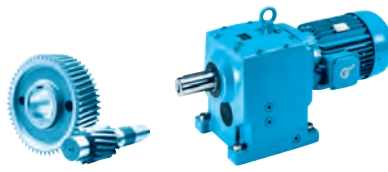


± ⇒ A53	SK 63/22, SK 73/22				SK 73/32, SK 83/32						
	71 S/L	80 SH/LH	90 SH/LH	100 LH/AH	80 SH/LH	90 SH/LH	100 LH/AH	112 MH	132 SH		
g	145	165	183	201	165	183	201	228	266		
g1 / g1Bre	124 / 132	142 / 142	147 / 147	169 / 173	142 / 142	147 / 147	169 / 173	179 / 182	204 / 201		
m / mBre	36 / 42	41 / 45	46 / 50	52 / 56	41 / 45	46 / 50	52 / 56	68 / 72	71 / 64		
n / nBre	100 / 134	114 / 153	114 / 153	114 / 153	114 / 153	114 / 153	114 / 153	114 / 153	122 / 185		
p / pBre	100 / 89	114 / 108	114 / 108	114 / 108	114 / 108	114 / 108	114 / 108	114 / 108	122 / 139		
h2	125, 155				155, 160						
qZ	179				179, 219						
qA / qABre	409 / 467	434 / 498	475 / 550	505 / 596	474 (434) / 538 (498)	515 (475) / 590 (550)	545 (505) / 636 (596)	593 (553) / 686 (646)	654 / 761		
	SK 63 ⇒ B81, SK 73 ⇒ B83				SK 73 ⇒ B83, SK 83 ⇒ B85						

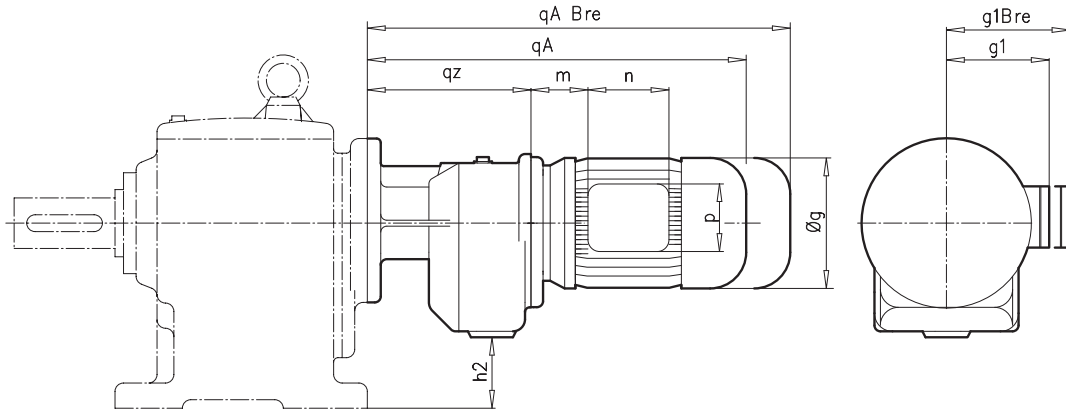


⇒ B94

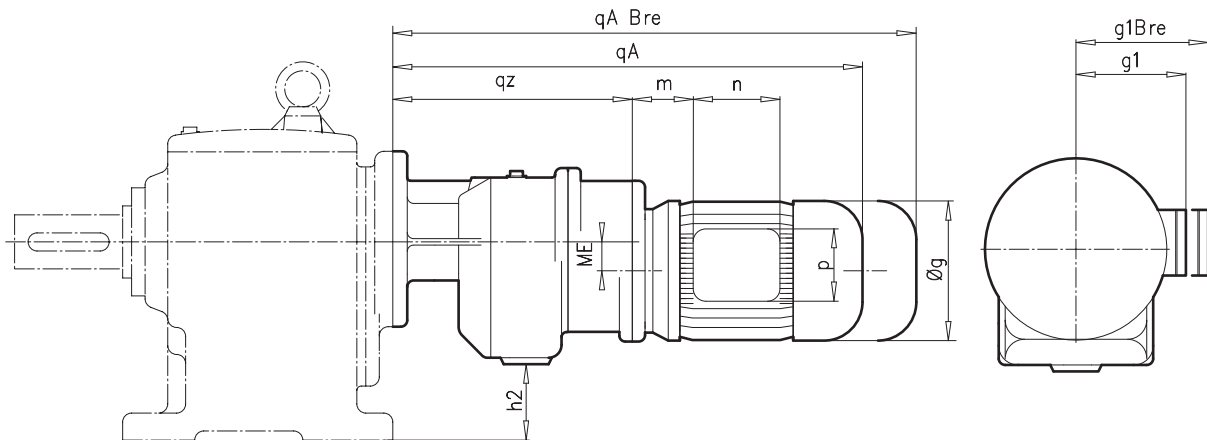




SK 83/42- SK 103/52 SK 63/23

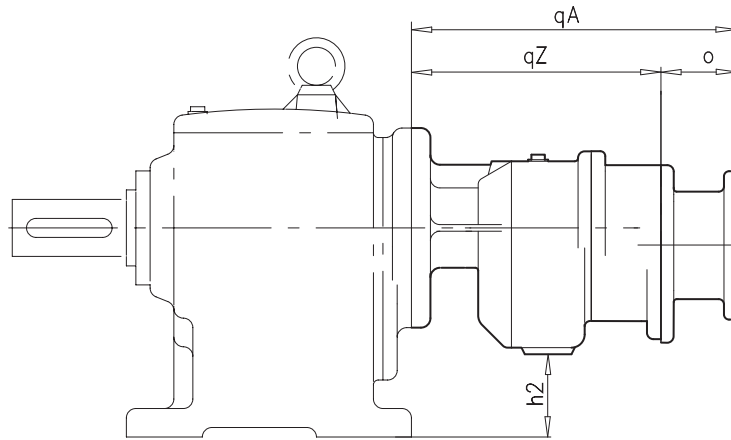
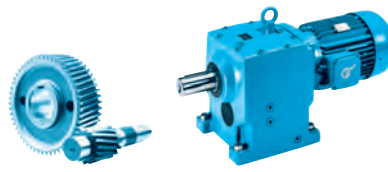


± ⇒ A53	SK 83/42, SK 93/42*					SK 93/52, SK 103/52*								
	90 SH/LH	100 LH/AH	112 MH	132 SH/MH/ LH*	160 SH	90 SH/LH	100 LH/AH	112 MH	132 SH/MH/ LH*	160 SH/MH	160 LH	180 MH/LH		
g	183	201	228	266	320	183	201	228	266	320	320	358		
g1 / g1Bre	147 / 147	169 / 173	179 / 182	204 / 201	242 / 242	147 / 147	169 / 173	179 / 182	204 / 201	242 / 242	242 / 242	259 / 259		
m / mBre	26 / 30	32 / 36	48 / 52	51 / 44	52 / 52	26 / 30	32 / 36	48 / 52	51 / 44	52 / 52	52 / 52	74 / 74		
n / nBre	114 / 153	114 / 153	114 / 153	122 / 185	186 / 186	114 / 153	114 / 153	114 / 153	122 / 185	186 / 186	186 / 186	186 / 186		
p / pBre	114 / 108	114 / 108	114 / 108	122 / 139	186 / 186	114 / 108	114 / 108	114 / 108	122 / 139	186 / 186	186 / 186	186 / 186		
h2	140, 215					178, 238								
qZ	261					300								
qA / qABre	537 / 612	567 / 658	615 / 708	676 / 783	753 / 888	576 / 651	606 / 697	654 / 747	715 / 822	792 / 927	836 / 971	934 / 1061		
	SK 83 ⇒ B85, SK 93 ⇒ B87					SK 93 ⇒ B87, SK 103 ⇒ B89								



± ⇒ A53	SK 63/23											
	71 S/L	80 SH/LH										
g	146	165										
g1 / g1Bre	124 / 132	142 / 142										
m / mBre	42 / 43	47 / 51										
n / nBre	100 / 134	114 / 153										
p / pBre	100 / 89	114 / 108										
h2	125											
ME	42,5											
qZ	240											
qA / qABre	476 / 533	501 / 565										
	SK 63 ⇒ B81											

SK 73/23- SK 103/53



± ⇒ A53	SK 73/23				SK 83/33N					
	IEC 63	IEC 71	IEC 80	IEC 90	IEC 63	IEC 71	IEC 80	IEC 90		
qA	325	329	345	345	364	368	384	384		
qZ	240				279					
h2	155				160					
o	85	89	105	105	85	89	105	105		
	SK 73 ⇒ B83				SK 83 ⇒ B85					

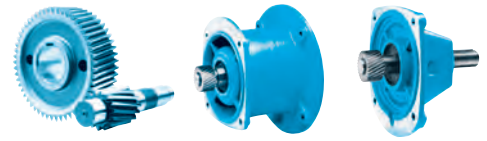


⇒ B93

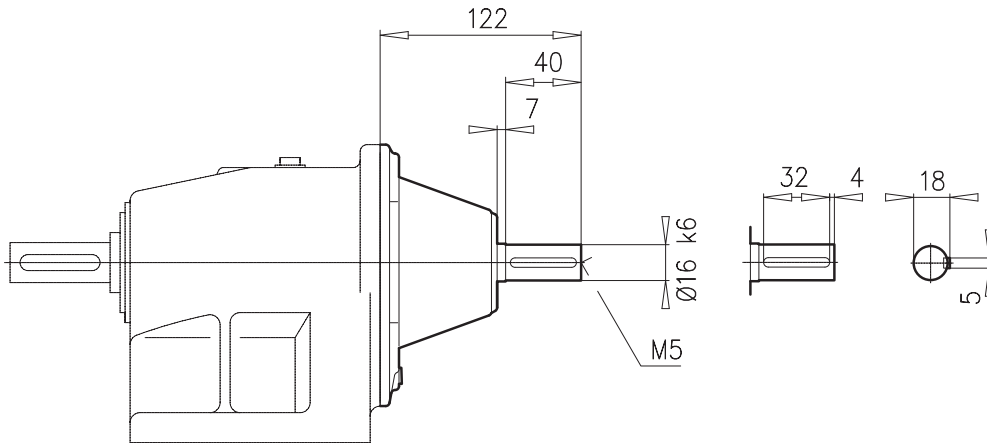
± ⇒ A53	SK 93/43					SK 103/53						
	IEC 71	IEC 80	IEC 90	IEC 100	IEC 112	IEC 71	IEC 80	IEC 90	IEC 100	IEC 112		
qA	418	437	437	454	454	457	476	467	493	493		
qZ	330					369						
h2	215					238						
o	88	107	107	124	124	88	107	107	124	124		
	SK 93 ⇒ B87					SK 103 ⇒ B89						



⇒ B94

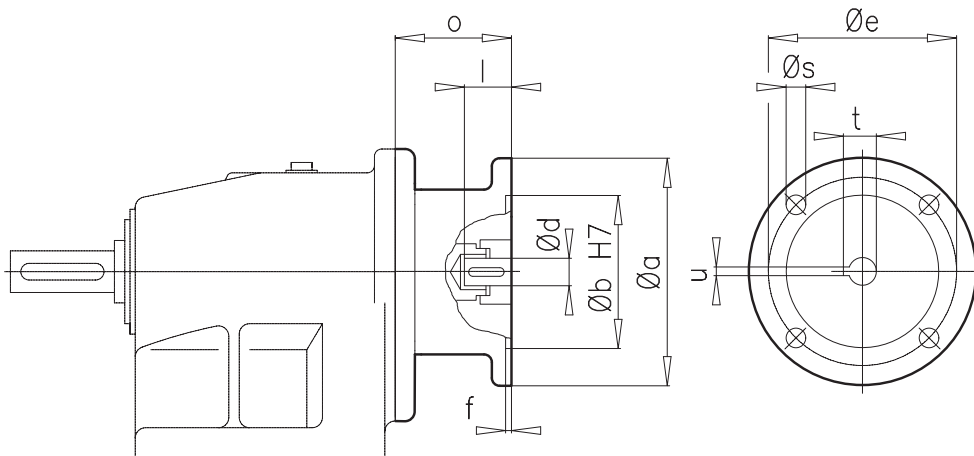


SK ... - W

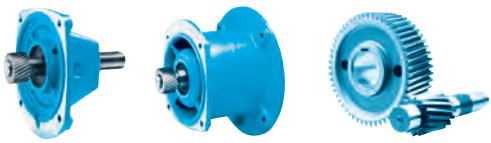


SK 11E (F)	B63
SK 02 (F)	B68
SK 03 (F)	B69
SK 12 (F)	B70
SK 13 (F)	B71
SK 23 (F)	B73
SK 33N (F)	B75
SK12/02 (F)	B90
SK 22/02 (F)	B90
SK32/12 (F)	B90
SK 42/12 (F)	B90
SK 52/12 (F)	B90
SK 63/23 (F)	B90
SK 73/23 (F)	B92
SK 83/33N (F)	B92

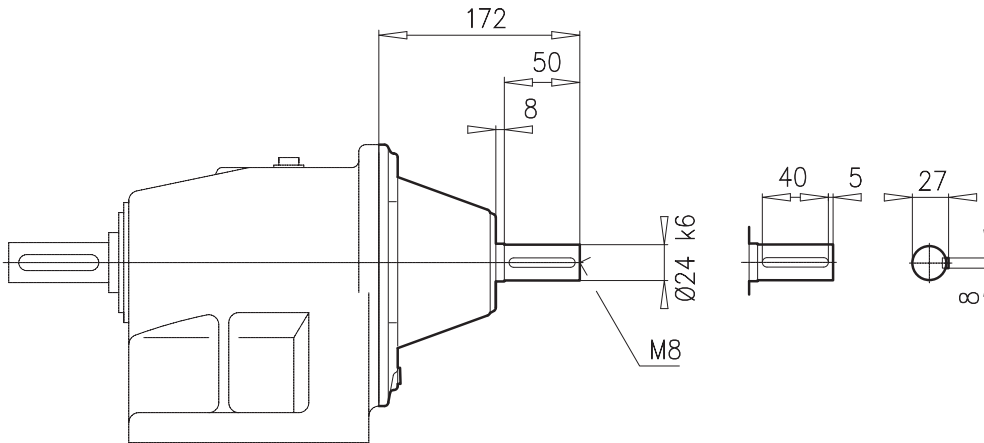
SK ... - IEC ...



IEC	a	b	d	e	f	l	o	s	t	u
63	140	95	11	115	3,5	23	85	M 8	12,8	4
71	160	110	14	130	4,0	30	89	M 8	16,3	5
80	200	130	19	165	4,0	40	107	M10	21,8	6
90	200	130	24	165	4,0	50	107	M10	27,3	8
100	250	180	28	215	5,0	60	124	M12	31,3	8
112	250	180	28	215	5,0	60	124	M12	31,3	8

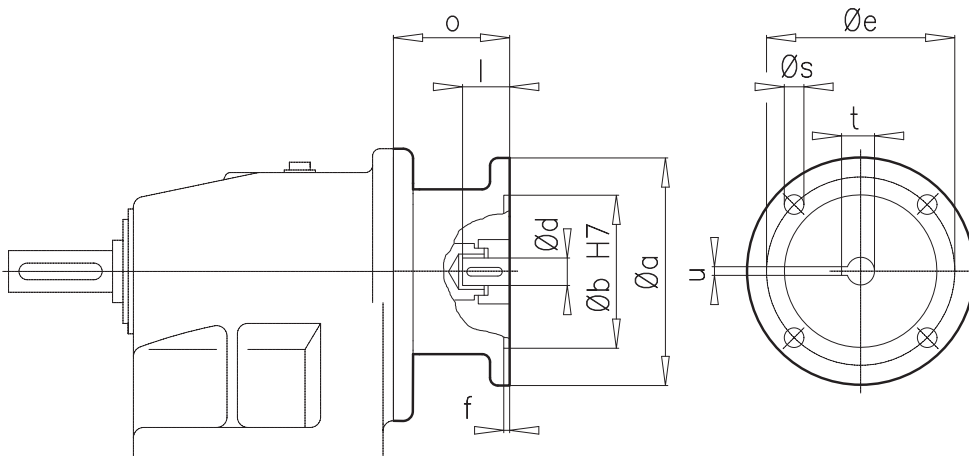


SK ... - W

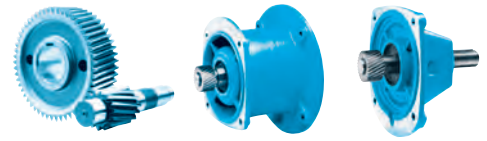


SK 21E (F)	B64
SK 31E (F)	B65
SK 22 (F)	B72
SK 32 (F)	B74
SK 43 (F)	B77
SK 53 (F)	B79
SK 63/22 (F)	B90
SK 73/22 (F)	B90
SK 73/32 (F)	B90
SK 83/32 (F)	B90
SK 93/43 (F)	B92
SK 103/53 (F)	B92

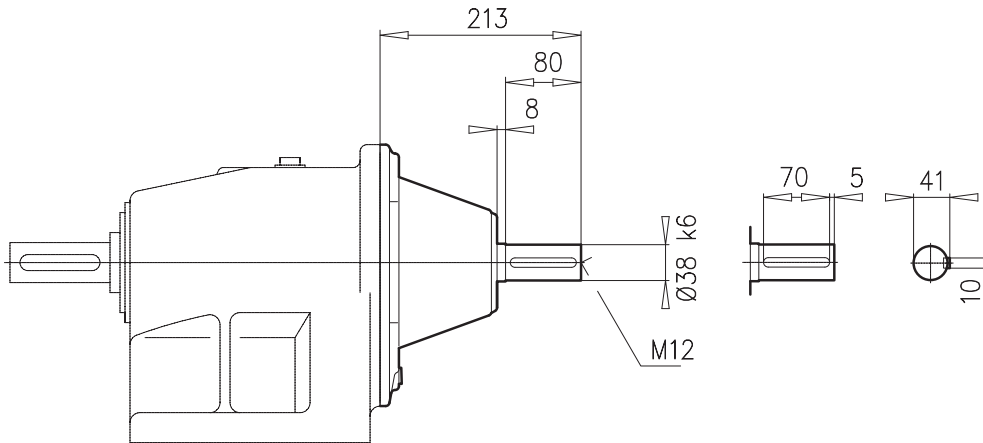
SK ... - IEC ...



IEC	a	b	d	e	f	l	o	s	t	u
71	160	110	14	130	4,0	30	88	M 8	16,3	5
80	200	130	19	165	4,0	40	107	M10	21,8	6
90	200	130	24	165	4,0	50	107	M10	27,3	8
100	250	180	28	215	5,0	60	124	M12	31,3	8
112	250	180	28	215	5,0	60	124	M12	31,3	8
132	300	230	38	265	5,0	80	156	M12	41,3	10

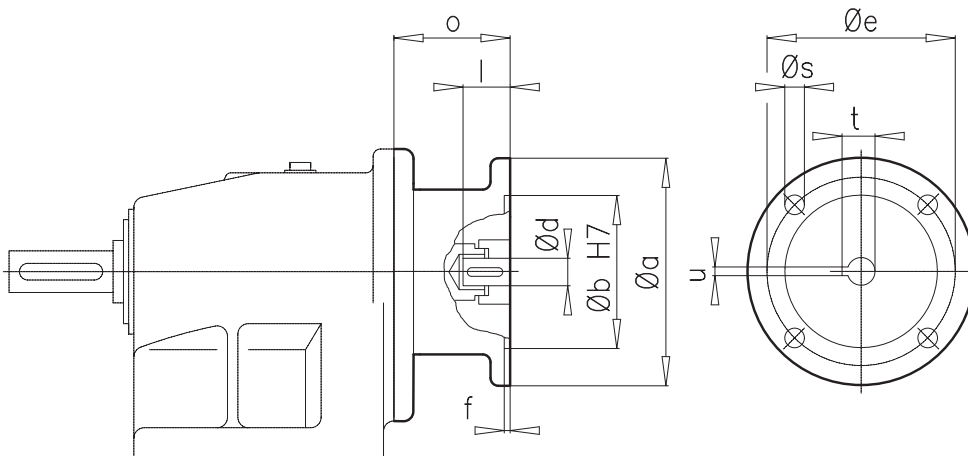


SK ... - W



SK 41E (F)	B66
SK 51E (F)	B67
SK 42 (F)	B76
SK 52 (F)	B78
SK 63 (F)	B81
SK 83/42 (F)	B91
SK93/42 (F)	B91
SK 93/52 (F)	B91
SK103/52 (F)	B91

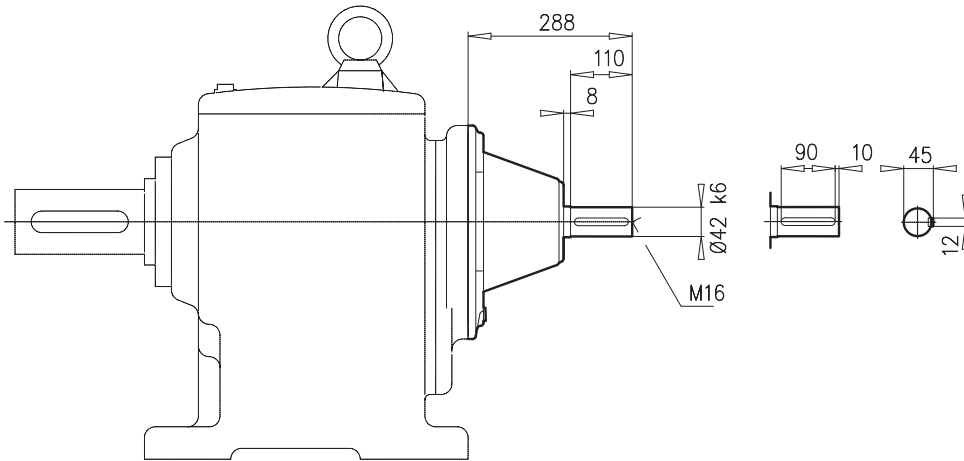
SK ... - IEC ...



IEC	a	b	d	e	f	l	o	s	t	u
90	200	130	24	165	4,0	50	109	M10	27,3	8
100	250	180	28	215	5,0	60	133	M12	31,3	8
112	250	180	28	215	5,0	60	133	M12	31,3	8
132	300	230	38	265	5,0	80	190	M12	41,3	10
160	350	250	42	300	6,0	110	194	M16	45,3	12
180	350	250	48	300	6,0	110	194	M16	51,8	14

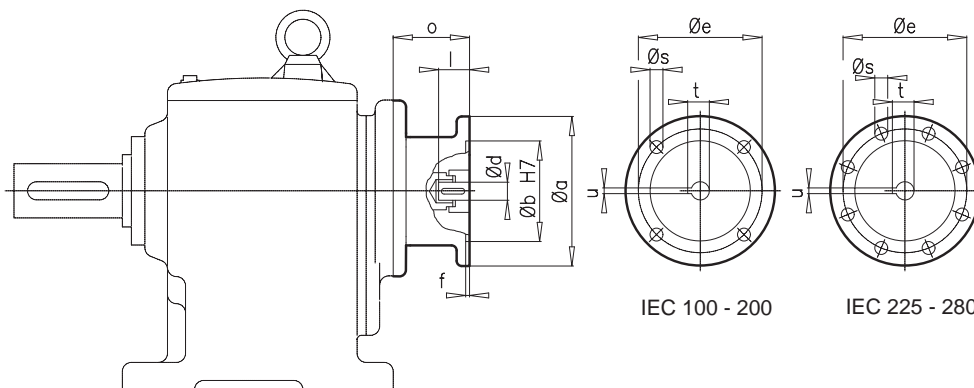


SK ... - W

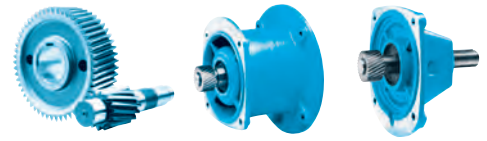


SK 62 (F)	B80
SK 63 (F) W VL	B81
SK 72 (F)	B82
SK 73 (F)	B83
SK 83 (F)	B85
SK 93 (F)	B87

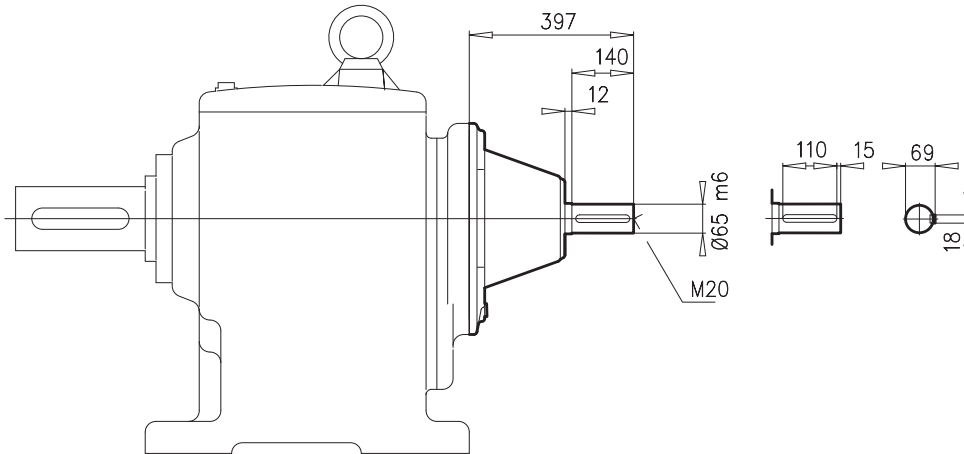
SK ... - IEC ...



IEC	a	b	d	e	f	l	o	s	t	u
100	250	180	28	215	5,0	60	127	M12	31,3	8
112	250	180	28	215	5,0	60	127	M12	31,3	8
132	300	230	38	265	5,0	80	177	M12	41,3	10
160	350	250	42	300	6,0	110	266	M16	45,3	12
180	350	250	48	300	6,0	110	266	M16	51,8	14
200	400	300	55	350	6,0	110	229	M16	59,3	16
225	450	350	60	400	6,0	140	303	M16	64,4	18
250	550	450	65	500	6,0	140	303,5	M16	69,4	18
280	550	450	75	500	6,0	140	303,5	M16	79,9	20

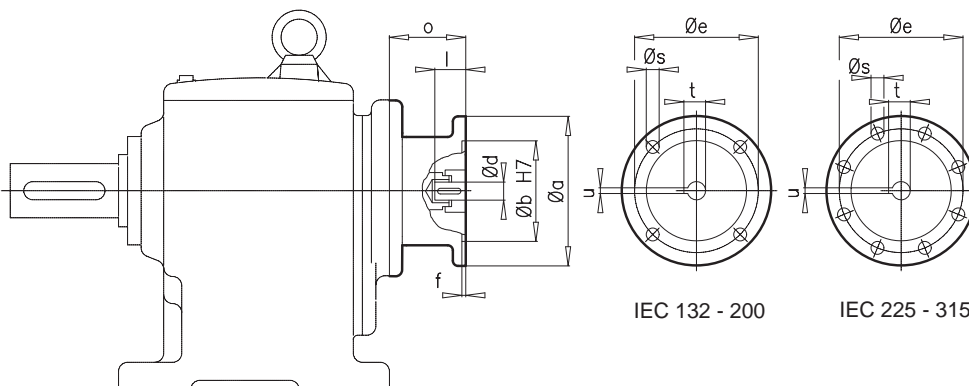


SK ... - W



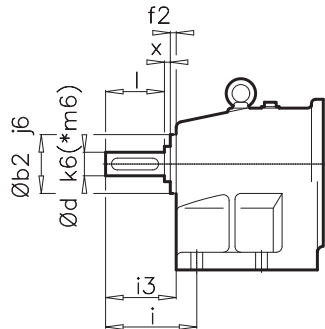
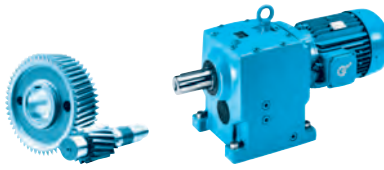
SK 82 (F)	B84
SK 83 (F) W VL	B85
SK 92 (F)	B86
SK 93 (F) W VL	B87
SK 102 (F)	B88
SK 103 (F)	B89

SK ... - IEC ...

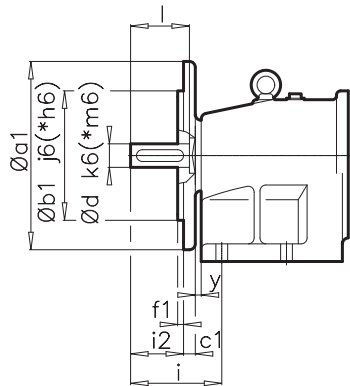
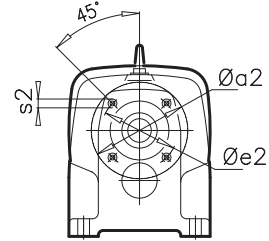


IEC	a	b	d	e	f	l	o	s	t	u
132	300	230	38	265	5,0	80	177	M12	41,3	10
160	350	250	42	300	6,0	110	266	M16	45,3	12
180	350	250	48	300	6,0	110	266	M16	51,8	14
200	400	300	55	350	6,0	110	229	M16	59,3	16
225	450	350	60	400	6,0	140	303	M16	64,4	18
250	550	450	65	500	6,0	140	303,5	M16	69,4	18
280	550	450	75	500	6,0	140	303,5	M16	79,9	20
315	660	550	80	600	7,0	170	381,5	M20	85,4	22

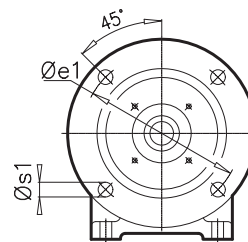
SK..XZ SK..XF



XZ = B14



XF = B5



± ⇨ A53	a2	b2	e2	f2	s2	i	i3	a1	b1	c1	e1	f1	s1	i2	y	d	l	x
SK 02 X. SK 03 X.	90	55	72	8	M 8x13	52	42	160	110	10	130	3,5	9	27	5	20	40	3
SK 12 X. SK 13 X.	95	60	80	9	M 8x13	78	60	200	130	12	165	3,5	11	43	5	25	50	4
SK 22 X. SK 23 X.	130	72	100	10	M12x20	74	59	250	180	16	215	4,0	14	38	5	30	60	5
SK 32 X. SK 33N X.	150	90	120	11	M16x25	96	79	300	230	20	265	4,0	14	54	5	40	80	6
SK 42 X. SK 43 X.	165	105	135	14	M16x25	130	106	300	230	20	265	4,0	14	81	5	45	90	6
SK 52 X. SK 53 X.	200	134	165	19	M16x25	140	120	350	250*	20	300	5,0	18	95	5	55*	110	6
SK 02 - SK 53 ⇨ B68-B79																		

Parallel shaft gear units



ENQUIRY FORM C - 2

VERSIONS AVAILABLE C - 3

GEAR UNIT/MOTOR DATA

Power and speed tables C - 4

Power and speed tables

W- and IEC adapters C - 47

DIMENSIONED DRAWINGS

Parallel geared motors C - 70

Parallel gear units, W- and IEC adapters C -103

OPTIONS

AZ / VZ Hollow shaft / Solid shaft with B14 flange C -110

AX / VX Foot-mounted housing C -112

AXSH Shrink disk with cover C -112

AVSH Reinforced shrink disk with cover C -113

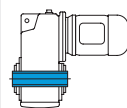
AH / AZH Cover as a touch guard C -114

VL2 / VL3 Agitator version C -115

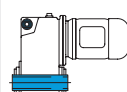
G / VG Rubber buffer for torque arm C -118

- Lieferbare Ausführungen F

hohlwelle

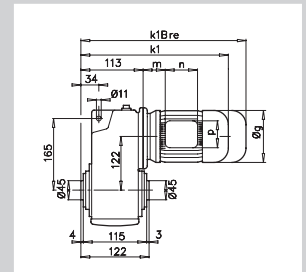


SK 1282 V
Vollwelle



SK 1282 V;
Vollwelle, Fl.

P ₁ [kW]	n ₂ [min ⁻¹]	M ₂ [Nm]	f _B	i
0,55	1,0	4688	2,6	13
	1,3	3653	3,3	10
	1,1	4608	1,5	13
	1,4	3588	2,0	10
1,5	3203	2,2	9,5	
2,0	2450	2,9	7,1	
1,1	4319	1,3	12	
1,3	3788	1,4	11	
1,7	2808	1,9	8,1	
2,2	2187	2,5	6,1	
2,5	1952	2,8	5,6	
1,3	3758	0,8	10	
1,7	2808	1,9	8,1	



Enquiry form



This general enquiry form can be found in the attachment as well as on the **NORD** homepage under www.nord.com - Heading DOCUMENTATION / FORMS.

General enquiry form

Company	<input style="width: 100%;" type="text"/>		NORD DRIVESYSTEMS Rudolf-Diesel-Straße 1 D-22941 Bargteheide Tel.: +49(0) 4532/401-0 Fax: +49(0)4532/401-254 E-Mail info@nord.com www.nord.com
Street	<input style="width: 100%;" type="text"/>		
Town	<input style="width: 80%;" type="text"/>	Post-code <input style="width: 20%;" type="text"/>	
Contact	<input style="width: 100%;" type="text"/>		
Tel.:	<input style="width: 80%;" type="text"/>	Customer No. <input style="width: 20%;" type="text"/>	
Fax:	<input style="width: 80%;" type="text"/>	Application <input style="width: 20%;" type="text"/>	
Email	<input style="width: 80%;" type="text"/>	Project <input style="width: 20%;" type="text"/>	

Components required			
<input type="checkbox"/> Gear unit motor	<input type="checkbox"/> IEC – Gear unit motor	<input type="checkbox"/> Gear unit with free shaft end	<input type="checkbox"/> Stand-alone motor

Quantity <input style="width: 90%;" type="text"/>	Type <input style="width: 90%;" type="text"/>
---	---

Parameters specific to the gear unit		Parameters specific to gear unit	
Version <input style="width: 80%;" type="text"/>	Gear ratio <input style="width: 80%;" type="text"/>	Bearings <input type="checkbox"/> Normal <input type="checkbox"/> VL <input type="checkbox"/> VL2 <input type="checkbox"/> VL3 <input type="checkbox"/> AL	For bevel gear or worm gear units Shaft at <input type="checkbox"/> A <input type="checkbox"/> B
Flange <input type="checkbox"/> B14 <input type="checkbox"/> B5 ϕ <input style="width: 80%;" type="text"/> [mm]	<input type="checkbox"/> Hollow shaft <input type="checkbox"/> Solid shaft ϕ <input style="width: 40%;" type="text"/> x <input style="width: 40%;" type="text"/> [mm]	<input type="checkbox"/> Mineral <input type="checkbox"/> Synthetic <input type="checkbox"/> Foodstuff-compatible oil	Oil type <input type="checkbox"/> Special oil type <input style="width: 80%;" type="text"/>
Output speed at mains frequency n_2 <input style="width: 80%;" type="text"/> [min ⁻¹]	Output torque M_2 <input style="width: 80%;" type="text"/> [Nm]	Parameters specific to motor	
Min. operating factor f_b <input style="width: 80%;" type="text"/>	Min. bearing life L_h <input style="width: 80%;" type="text"/> [h]	Effective motor power <input style="width: 80%;" type="text"/> [kW]	Motor speed n_1 <input style="width: 80%;" type="text"/> [min ⁻¹]
Radial forces on output shaft F_{R2} <input style="width: 80%;" type="text"/> [N]	Axial forces on output shaft F_{A2} <input style="width: 80%;" type="text"/> [N]	Temperature sensor (PTC) <input type="checkbox"/> Bi-metal temperature monitor <input type="checkbox"/>	Mains voltage <input style="width: 40%;" type="text"/> [V] +/- <input style="width: 40%;" type="text"/> [%]
Dist. from shaft collar to point of action of force <input style="width: 80%;" type="text"/> [mm]		Mains frequency <input style="width: 80%;" type="text"/> [Hz]	

Page 1 of 2

<input type="checkbox"/> Control cabinet inverter <input type="checkbox"/> Motor-mounted inverter Adjustment range from <input style="width: 40%;" type="text"/> [Hz] to <input style="width: 40%;" type="text"/> [Hz] <input type="checkbox"/> Constant torque within adjustment range <input style="width: 40%;" type="text"/> [Nm] <input type="checkbox"/> External fan <input type="checkbox"/> Increase in motor size (with constant torque) <input type="checkbox"/> Positioning <input type="checkbox"/> Incremental <input type="checkbox"/> Absolute <input type="checkbox"/> Speed feedback <input type="checkbox"/> Generator operation for power feedback <input style="width: 40%;" type="text"/> [kW] <input type="checkbox"/> Bus system- type of bus system <input style="width: 80%;" type="text"/> <input type="checkbox"/> Control via <input type="checkbox"/> PC <input type="checkbox"/> Control box	<div style="text-align: right; margin-bottom: 10px;"> </div> <table border="1" style="width: 100%; border-collapse: collapse;"> <tr> <th colspan="2" style="text-align: left; padding: 2px;">Outline conditions</th> </tr> <tr> <td style="width: 70%;">Ambient temperatures <input style="width: 20%;" type="text"/> from <input style="width: 20%;" type="text"/> [°C]</td> <td></td> </tr> <tr> <td><input type="checkbox"/> Buffer mounting for travelling drives <input style="width: 80%;" type="text"/> [Nm]</td> <td></td> </tr> <tr> <td><input type="checkbox"/> Relative humidity <input style="width: 80%;" type="text"/> [%]</td> <td></td> </tr> <tr> <td><input type="checkbox"/> Exposure to direct sunlight</td> <td></td> </tr> <tr> <td><input type="checkbox"/> Aggressive media (e.g.: salty air)</td> <td></td> </tr> <tr> <td><input type="checkbox"/> Increased installation altitude <input style="width: 80%;" type="text"/> [m]</td> <td></td> </tr> <tr> <td><input type="checkbox"/> Precipitation</td> <td></td> </tr> <tr> <td><input type="checkbox"/> ATEX (explosive mixtures in the vicinity) Zone <input style="width: 40%;" type="text"/></td> <td></td> </tr> <tr> <th colspan="2" style="text-align: left; padding: 2px;">Painting</th> </tr> <tr> <td><input type="checkbox"/> Not painted</td> <td></td> </tr> <tr> <td><input type="checkbox"/> Paint 1.0 - Primer</td> <td></td> </tr> <tr> <td><input type="checkbox"/> Paint 2.0 - standard</td> <td></td> </tr> <tr> <td><input type="checkbox"/> Paint 3.0 - normal environmental contamination</td> <td></td> </tr> <tr> <td><input type="checkbox"/> Paint 3.1 - moderate environmental contamination</td> <td></td> </tr> <tr> <td><input type="checkbox"/> Paint 3.2 - severe environmental contamination</td> <td></td> </tr> <tr> <td><input type="checkbox"/> Other painting (e.g.: Z, 3.4 or 3.5) <input style="width: 80%;" type="text"/></td> <td></td> </tr> <tr> <td><input type="checkbox"/> Special colour (Standard RAL7031) RAL <input style="width: 40%;" type="text"/></td> <td></td> </tr> <tr> <td><input type="checkbox"/> Regulations DIN EN, etc., please state <input style="width: 80%;" type="text"/></td> <td></td> </tr> <tr> <th colspan="2" style="text-align: left; padding: 2px;">General conditions</th> </tr> <tr> <td>Quote by <input style="width: 80%;" type="text"/></td> <td></td> </tr> <tr> <td>Purchasing conditions known <input type="checkbox"/> not known <input type="checkbox"/></td> <td></td> </tr> <tr> <td>Purchasing conditions attached <input type="checkbox"/></td> <td></td> </tr> <tr> <td>Delivery time after receipt of order <input style="width: 80%;" type="text"/></td> <td></td> </tr> <tr> <td>Delivery carriage paid <input type="checkbox"/></td> <td></td> </tr> </table> <div style="margin-top: 10px;"> <table border="1" style="width: 100%; border-collapse: collapse;"> <tr> <td style="width: 50%;">Comments</td> <td style="width: 50%;"><input style="width: 90%;" type="text"/></td> </tr> </table> </div>	Outline conditions		Ambient temperatures <input style="width: 20%;" type="text"/> from <input style="width: 20%;" type="text"/> [°C]		<input type="checkbox"/> Buffer mounting for travelling drives <input style="width: 80%;" type="text"/> [Nm]		<input type="checkbox"/> Relative humidity <input style="width: 80%;" type="text"/> [%]		<input type="checkbox"/> Exposure to direct sunlight		<input type="checkbox"/> Aggressive media (e.g.: salty air)		<input type="checkbox"/> Increased installation altitude <input style="width: 80%;" type="text"/> [m]		<input type="checkbox"/> Precipitation		<input type="checkbox"/> ATEX (explosive mixtures in the vicinity) Zone <input style="width: 40%;" type="text"/>		Painting		<input type="checkbox"/> Not painted		<input type="checkbox"/> Paint 1.0 - Primer		<input type="checkbox"/> Paint 2.0 - standard		<input type="checkbox"/> Paint 3.0 - normal environmental contamination		<input type="checkbox"/> Paint 3.1 - moderate environmental contamination		<input type="checkbox"/> Paint 3.2 - severe environmental contamination		<input type="checkbox"/> Other painting (e.g.: Z, 3.4 or 3.5) <input style="width: 80%;" type="text"/>		<input type="checkbox"/> Special colour (Standard RAL7031) RAL <input style="width: 40%;" type="text"/>		<input type="checkbox"/> Regulations DIN EN, etc., please state <input style="width: 80%;" type="text"/>		General conditions		Quote by <input style="width: 80%;" type="text"/>		Purchasing conditions known <input type="checkbox"/> not known <input type="checkbox"/>		Purchasing conditions attached <input type="checkbox"/>		Delivery time after receipt of order <input style="width: 80%;" type="text"/>		Delivery carriage paid <input type="checkbox"/>		Comments	<input style="width: 90%;" type="text"/>
Outline conditions																																																					
Ambient temperatures <input style="width: 20%;" type="text"/> from <input style="width: 20%;" type="text"/> [°C]																																																					
<input type="checkbox"/> Buffer mounting for travelling drives <input style="width: 80%;" type="text"/> [Nm]																																																					
<input type="checkbox"/> Relative humidity <input style="width: 80%;" type="text"/> [%]																																																					
<input type="checkbox"/> Exposure to direct sunlight																																																					
<input type="checkbox"/> Aggressive media (e.g.: salty air)																																																					
<input type="checkbox"/> Increased installation altitude <input style="width: 80%;" type="text"/> [m]																																																					
<input type="checkbox"/> Precipitation																																																					
<input type="checkbox"/> ATEX (explosive mixtures in the vicinity) Zone <input style="width: 40%;" type="text"/>																																																					
Painting																																																					
<input type="checkbox"/> Not painted																																																					
<input type="checkbox"/> Paint 1.0 - Primer																																																					
<input type="checkbox"/> Paint 2.0 - standard																																																					
<input type="checkbox"/> Paint 3.0 - normal environmental contamination																																																					
<input type="checkbox"/> Paint 3.1 - moderate environmental contamination																																																					
<input type="checkbox"/> Paint 3.2 - severe environmental contamination																																																					
<input type="checkbox"/> Other painting (e.g.: Z, 3.4 or 3.5) <input style="width: 80%;" type="text"/>																																																					
<input type="checkbox"/> Special colour (Standard RAL7031) RAL <input style="width: 40%;" type="text"/>																																																					
<input type="checkbox"/> Regulations DIN EN, etc., please state <input style="width: 80%;" type="text"/>																																																					
General conditions																																																					
Quote by <input style="width: 80%;" type="text"/>																																																					
Purchasing conditions known <input type="checkbox"/> not known <input type="checkbox"/>																																																					
Purchasing conditions attached <input type="checkbox"/>																																																					
Delivery time after receipt of order <input style="width: 80%;" type="text"/>																																																					
Delivery carriage paid <input type="checkbox"/>																																																					
Comments	<input style="width: 90%;" type="text"/>																																																				

Page 2 of 2

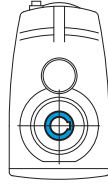
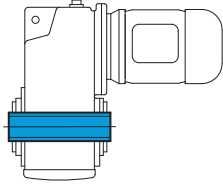
Examples - available versions: parallel shaft geared motor

With hollow shaft

With solid shaft

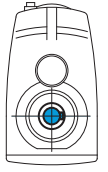
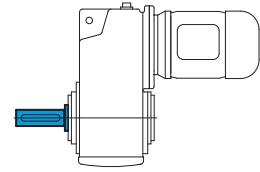
SK 1282 A - 90 LH/4

Hollow shaft



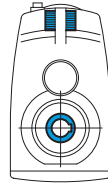
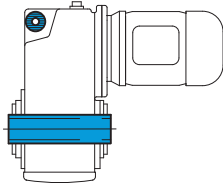
SK 1282 V - 90 LH/4

Solid shaft



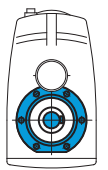
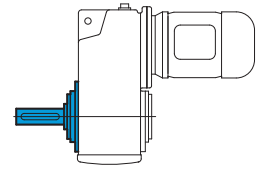
SK 1282 AG - 90 LH/4

Hollow shaft, rubber buffer for torque arm (



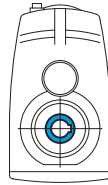
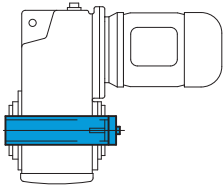
SK 1282 VZ - 90 LH/4

Solid shaft, B14 flange



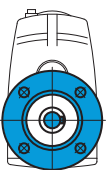
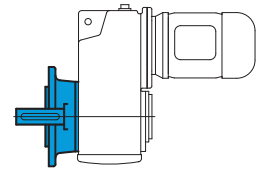
SK 1282 AB - 90 LH/4

Hollow shaft, fastening element



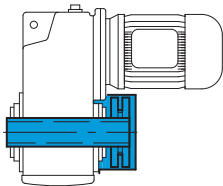
SK 1282 VF - 90 LH/4

Solid shaft, B5 flange



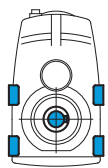
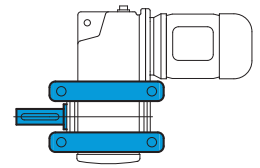
SK 1282 ASH - 80 LH/4

Hollow shaft, shrink disk
See page A25



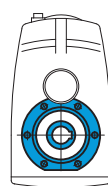
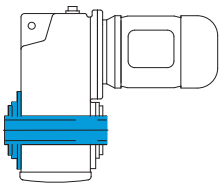
SK 1282 VX - 90 LH/4

Solid shaft, foot-mounted housing



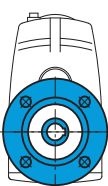
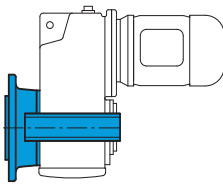
SK 1282 AZ - 90 LH/4

Hollow shaft, B14 flange



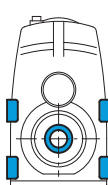
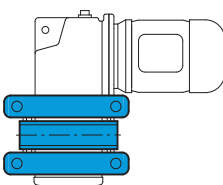
SK 1282 AF - 90 LH/4

Hollow shaft, B5 flange



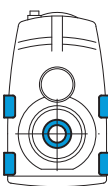
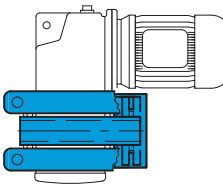
SK 1282 AX - 90 LH/4

Hollow shaft,
Foot-mounted housing



SK 1282 AXSH - 90 LH/4

Hollow shaft, shrink disk,
foot-mounted housing



0,12 kW



P_1 [kW]	n_2 [min ⁻¹]	M_2 [Nm]	f_B	i_{ges}	F_R [kN]	F_A [kN]	$F_{R VL}$ [kN]	$F_{A VL}$ [kN]		kg	mm
0,12	1,0	769	2,3	1343,53	21,5	22,0	30,3	30,0	SK 4282/12 - 63 S/4	69	C101
	1,2	636	2,8	1110,82	21,7	22,0	30,4	30,0			
	1,5	500	3,6	873,31	21,9	22,0	30,6	30,0			
	1,0	765	1,2	1335,98	15,0	14,5	21,9	20,0	SK 3282/12 - 63 S/4	54	C101
	1,3	611	1,5	1067,99	15,5	14,5	22,2	20,0			
	1,6	488	1,8	853,43	15,9	14,5	22,5	20,0			
	1,9	393	2,3	686,08	16,1	14,5	22,6	20,0			
	1,1	*1125	0,8	808,42	13,1	14,5	20,6	20,0	SK 3382 - 63 L/6	52	C83
	1,2	963	1,0	726,61	14,1	14,5	21,2	20,0			
	1,5	774	1,3	584,13	14,9	14,5	21,8	20,0			
	1,3	878	0,9	1022,42	14,5	14,5	21,5	20,0	SK 3382 - 63 S/4	52	C83
	1,7	694	1,5	808,42	15,2	14,5	22,0	20,0			
	1,8	624	1,5	726,61	15,5	14,5	22,2	20,0			
	2,3	501	2,0	584,13	15,8	14,5	22,5	20,0			
	2,8	414	2,1	482,56	16,0	14,5	22,6	20,0			
	3,3	351	2,3	408,58	16,1	14,5	22,7	20,0			
	1,3	609	0,9	1064,71	7,3	12,0	12,2	15,0	SK 2282/02 - 63 S/4	37	C101
	1,6	472	1,1	824,77	8,6	12,0	13,0	15,0			
	1,1	*548	0,8	763,41	8,0	12,0	12,6	15,0	SK 2382 - 63 L/6	36	C81
	1,4	*651	0,8	623,10	6,9	12,0	12,0	15,0			
	1,8	*651	0,8	482,56	6,9	12,0	12,0	15,0			
	1,7	*548	0,8	763,41	8,0	12,0	12,6	15,0	SK 2382 - 63 S/4	36	C81
	2,1	535	1,0	623,10	8,1	12,0	12,7	15,0			
	2,8	414	1,3	482,56	8,9	12,0	13,2	15,0			
	3,4	336	1,6	390,93	9,4	12,0	13,5	15,0			
	4,0	284	2,0	330,45	9,6	12,0	13,7	15,0			
	4,8	237	2,3	276,27	9,7	12,0	13,8	15,0			
	5,7	203	2,3	236,11	9,8	12,0	13,9	15,0			
	1,0	*362	0,8	1362,13	5,2	7,2	8,4	7,2	SK 1282/02 - 63 S/4	26	C101
	1,3	*362	0,8	1066,50	5,2	7,2	8,4	7,2			
	1,6	*362	0,8	826,23	5,2	7,2	8,4	7,2			
	2,0	*362	0,8	663,69	5,2	7,2	8,4	7,2			
	2,4	313	0,9	546,50	5,7	7,2	8,8	7,2			
	3,3	232	1,2	405,75	6,3	7,2	9,2	7,2			
	3,5	327	1,1	381,45	5,7	7,8	8,0	10,5	SK 1382NB - 63 S/4	24	C76-78
	4,4	259	1,4	301,82	6,2	7,8	8,0	10,5			
	5,2	221	1,7	257,32	6,5	7,8	8,0	10,5			
	6,6	175	2,1	203,60	6,7	7,8	8,0	10,5			
	8,4	136	2,7	158,12	6,8	7,8	8,0	10,5			
	9,8	117	3,2	136,60	6,9	7,8	8,0	10,5			
	11	101	3,6	118,16	6,9	7,8	8,0	10,5			
	13	91	4,1	106,08	7,0	7,8	8,0	10,5			
	13	87	4,3	101,14	7,0	7,8	8,0	10,5			
	15	76	4,8	88,94	7,0	7,8	8,0	10,5			
	17	68	5,5	78,99	7,0	7,8	8,0	10,5			
	20	59	6,3	68,23	7,0	7,8	8,0	10,5			
		7,9	145	1,4	109,50	6,7	7,2	9,5			
9,4		123	1,9	92,48	6,8	7,2	9,5	7,2			
11		108	2,8	81,17	6,8	7,2	9,6	7,2			
	12	94	2,2	109,50	6,9	7,2	9,6	7,2	SK 1282 - 63 S/4	18	C79
	14	79	2,9	92,48	6,9	7,2	9,6	7,2			
	16	70	4,2	81,17	6,9	7,2	9,6	7,2			

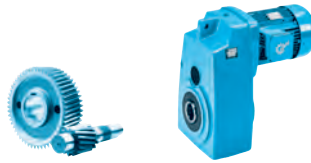
* maximales Abtriebsdrehmoment bei $f_B = 0,8$
 maximum output torque with $f_B = 0,8$



0,12 kW
0,18 kW

P_1 [kW]	n_2 [min ⁻¹]	M_2 [Nm]	f_B	i_{ges}	F_R [kN]	F_A [kN]	$F_{R VL}$ [kN]	$F_{A VL}$ [kN]		kg	mm
0,12	9,6	119	0,9	139,16	5,0	5,0	7,2	5,0	SK 0282NB - 63 S/4	12	C73-75
	13	89	1,5	103,12	5,2	5,0	7,3	5,0			
	16	74	1,9	85,72	5,2	5,0	7,3	5,0			
	17	68	1,9	79,40	5,2	5,0	7,3	5,0			
	20	57	2,5	65,99	5,3	5,0	7,3	5,0			
	24	49	3,3	56,55	5,3	5,0	7,4	5,0			
	26	44	3,3	51,64	5,3	5,0	7,4	5,0			
	30	38	4,3	44,22	5,1	5,0	7,4	5,0			
	33	35	4,8	40,38	4,9	5,0	7,4	5,0			
	39	29	5,2	34,16	4,7	5,0	7,4	5,0			
	44	26	5,0	30,03	4,5	5,0	7,4	5,0			
	51	22	5,8	25,96	4,3	5,0	7,4	5,0			
	59	19	6,6	22,70	4,1	5,0	7,4	5,0			
	62	19	7,6	21,57	4,1	5,0	7,4	5,0			
	67	17	7,5	19,95	4,0	5,0	7,4	5,0			
	76	15	8,5	17,61	3,8	5,0	7,4	5,0			
	81	14	9,8	16,58	3,7	5,0	7,4	5,0			
	94	12	13,4	14,21	3,5	5,0	7,4	5,0			
	103	11	14,4	12,98	3,4	5,0	7,4	5,0			
	119	10	14,5	11,25	3,3	5,0	7,4	5,0			
	122	9	16,1	10,98	3,3	5,0	7,4	5,0			
	138	8	17,0	9,64	3,1	5,0	7,4	5,0			
	152	8	18,3	8,80	3,0	5,0	7,4	5,0			
	179	6	20,5	7,45	2,9	5,0	7,4	5,0			
	207	6	22,2	6,44	2,7	4,9	7,4	5,0			
	223	5	23,5	5,99	2,7	4,7	7,4	5,0			
258	4	25,7	5,17	2,6	4,4	7,4	5,0				
286	4	27,5	4,66	2,5	4,3	7,3	5,0				
	16	70	0,9	81,71	5,0	5,1	5,0	8,4	SK 0182NB - 63 S/4	8	C70-72
	23	51	2,2	59,33	5,0	5,1	5,0	8,4			
	27	43	2,3	49,65	5,0	5,1	5,0	8,4			
	32	36	2,4	41,85	5,0	5,1	5,0	8,4			
	35	32	3,1	37,73	4,9	5,1	5,0	8,4			
	38	30	3,4	34,80	4,8	5,1	5,0	8,4			
	42	27	3,5	31,81	4,7	5,1	5,0	8,4			
	46	25	4,4	29,13	4,6	5,1	5,0	8,4			
	54	21	5,5	24,55	4,3	5,1	5,0	8,4			
	60	19	5,7	22,35	4,2	5,1	5,0	8,4			
	71	16	5,9	18,79	4,0	5,1	5,0	8,4			
	81	14	7,0	16,53	3,8	5,1	5,0	8,4			
	89	13	5,9	14,92	3,7	5,1	5,0	8,4			
	96	12	9,3	13,84	3,6	5,1	5,0	8,4			
	114	10	11,0	11,66	3,4	5,1	5,0	8,4			
	141	8	13,5	9,49	3,2	5,1	5,0	8,4			
	155	7	14,8	8,64	3,1	5,1	5,0	8,4			
	184	6	17,7	7,26	3,0	5,1	5,0	8,4			
	210	5	20,2	6,35	2,8	4,8	5,0	8,4			
	250	5	20,1	5,34	2,7	4,5	5,0	8,4			
315	4	20,1	4,24	2,5	4,0	5,0	8,4				
0,18	1,2	1077	2,8	1095,71	31,2	32,0	44,2	40,0	SK 5282/12 - 63 L/4	105	C101
	1,0	1321	1,4	1343,53	20,1	22,0	29,3	30,0	SK 4282/12 - 63 L/4	69	C101
	1,2	1092	1,6	1110,82	20,8	22,0	29,8	30,0			
	1,6	859	2,1	873,31	21,3	22,0	30,2	30,0			
1,2	1478	1,0	782,32	19,5	22,0	28,9	30,0	SK 4382 - 71 S/6	75	C85	
1,4	1236	1,0	654,27	20,3	22,0	29,5	30,0				
1,7	1006	2,0	532,44	21,0	22,0	29,9	30,0				
2,0	841	2,0	445,23	21,3	22,0	30,2	30,0				
2,5	701	2,4	371,28	21,6	22,0	30,4	30,0				
1,3	1050	0,9	1067,99	13,6	14,5	20,9	20,0	SK 3282/12 - 63 L/4	54	C101	
1,6	839	1,1	853,43	14,7	14,5	21,6	20,0				
1,6	1103	0,9	584,13	13,2	14,5	20,7	20,0	SK 3382 - 71 S/6	53	C83	

0,18 kW



P ₁ [kW]	n ₂ [min ⁻¹]	M ₂ [Nm]	f _B	i _{ges}	F _R [kN]	F _A [kN]	F _{R VL} [kN]	F _{A VL} [kN]		kg	mm
0,18	1,7	1022	1,0	808,42	13,7	14,5	21,0	20,0	SK 3382 - 63 L/4	52	C83
	1,9	918	1,0	726,61	14,3	14,5	21,4	20,0			
	2,3	738	1,4	584,13	15,1	14,5	21,9	20,0			
	2,8	610	1,4	482,56	15,5	14,5	22,2	20,0			
	3,3	516	1,5	408,58	15,8	14,5	22,4	20,0			
	4,7	363	2,6	287,14	16,1	14,5	22,7	20,0			
	5,9	292	3,4	230,83	16,2	14,5	22,7	20,0			
	7,1	241	3,6	190,69	16,3	14,5	22,8	20,0			
	8,1	212	3,6	112,23	16,3	14,5	22,8	20,0			
	2,1	652	0,8	662,92	6,9	12,0	11,9	15,0			
	2,6	506	1,0	514,51	8,3	12,0	12,8	15,0			
	2,8	610	0,9	482,56	7,3	12,0	12,2	15,0			
	3,5	494	1,1	390,93	8,4	12,0	12,9	15,0			
	4,1	418	1,3	330,45	8,9	12,0	13,2	15,0			
	4,9	349	1,6	276,27	9,3	12,0	13,5	15,0			
5,8	298	1,6	236,11	9,5	12,0	13,6	15,0				
7,3	234	2,2	185,11	9,8	12,0	13,8	15,0				
7,1	241	1,6	127,51	9,7	12,0	13,8	15,0				
8,7	197	2,0	104,07	9,9	12,0	13,9	15,0				
9,0	191	2,3	100,98	9,9	12,0	13,9	15,0				
3,6	482	0,8	381,45	3,3	7,8	7,5	10,5				
4,5	381	1,0	301,82	5,1	7,8	8,0	10,5				
5,3	325	1,1	257,32	5,7	7,8	8,0	10,5				
6,7	257	1,4	203,60	6,2	7,8	8,0	10,5				
8,6	200	1,9	158,12	6,6	7,8	8,0	10,5				
10	173	2,1	136,60	6,7	7,8	8,0	10,5				
12	149	2,5	118,16	6,8	7,8	8,0	10,5				
13	128	2,9	101,14	6,9	7,8	8,0	10,5				
8,3	207	1,0	109,50	6,4	7,2	9,3	7,2				
9,8	175	1,3	92,48	6,6	7,2	9,4	7,2				
11	153	1,9	81,17	6,7	7,2	9,5	7,2				
12	138	1,5	109,50	6,8	7,2	9,5	7,2				
15	117	2,0	92,48	6,8	7,2	9,5	7,2				
17	103	2,9	81,17	6,7	7,2	9,6	7,2				
21	84	3,2	66,23	6,3	7,2	9,6	7,2				
13	130	1,0	103,12	4,9	5,0	7,1	5,0				
16	108	1,3	85,72	5,1	5,0	7,2	5,0				
17	100	1,3	79,40	5,1	5,0	7,2	5,0				
21	83	1,7	65,99	5,2	5,0	7,3	5,0				
24	71	2,2	56,55	5,2	5,0	7,3	5,0				
26	65	2,2	51,64	5,1	5,0	7,3	5,0				
31	56	2,9	44,22	4,9	5,0	7,3	5,0				
34	51	3,2	40,38	4,8	5,0	7,4	5,0				
40	43	3,5	34,16	4,6	5,0	7,4	5,0				
45	38	3,4	30,03	4,4	5,0	7,4	5,0				
52	33	3,9	25,96	4,2	5,0	7,4	5,0				
60	29	4,5	22,70	4,0	5,0	7,4	5,0				
63	27	5,1	21,57	4,0	5,0	7,4	5,0				
68	25	5,1	19,95	3,9	5,0	7,4	5,0				
77	22	5,8	17,61	3,7	5,0	7,4	5,0				
82	21	6,7	16,58	3,7	5,0	7,4	5,0				
96	18	9,1	14,21	3,5	5,0	7,4	5,0				
105	16	9,8	12,98	3,4	5,0	7,4	5,0				
121	14	9,8	11,25	3,2	5,0	7,4	5,0				
124	14	11,0	10,98	3,2	5,0	7,4	5,0				
141	12	11,6	9,64	3,1	5,0	7,4	5,0				
155	11	12,4	8,80	3,0	5,0	7,4	5,0				
183	9	13,9	7,45	2,8	5,0	7,4	5,0				
211	8	15,1	6,44	2,7	4,8	7,4	5,0				
227	8	16,0	5,99	2,7	4,7	7,4	5,0				
263	7	17,4	5,17	2,5	4,4	7,4	5,0				
292	6	18,7	4,66	2,4	4,2	7,2	5,0				





0,18 kW
0,25 kW

P_1 [kW]	n_2 [min ⁻¹]	M_2 [Nm]	f_B	i_{ges}	F_R [kN]	F_A [kN]	$F_{R VL}$ [kN]	$F_{A VL}$ [kN]		kg	mm
0,18	23	75	1,5	59,33	5,0	5,1	5,0	8,4	SK 0182NB - 63 L/4	8	C70-72
	27	63	1,6	49,65	5,0	5,1	5,0	8,4			
	32	53	1,6	41,85	4,9	5,1	5,0	8,4			
	36	48	2,1	37,73	4,8	5,1	5,0	8,4			
	39	44	2,3	34,80	4,7	5,1	5,0	8,4			
	43	40	2,4	31,81	4,6	5,1	5,0	8,4			
	47	37	3,0	29,13	4,5	5,1	5,0	8,4			
	55	31	3,7	24,55	4,2	5,1	5,0	8,4			
	61	28	3,9	22,35	4,1	5,1	5,0	8,4			
	72	24	4,0	18,79	3,9	5,1	5,0	8,4			
	82	21	4,8	16,53	3,8	5,1	5,0	8,4			
	91	19	4,0	14,92	3,6	5,1	5,0	8,4			
	98	17	6,3	13,84	3,6	5,1	5,0	8,4			
	117	15	7,5	11,66	3,4	5,1	5,0	8,4			
	143	12	9,2	9,49	3,2	5,1	5,0	8,4			
	157	11	10,1	8,64	3,1	5,1	5,0	8,4			
	187	9	12,0	7,26	2,9	5,0	5,0	8,4			
	214	8	13,7	6,35	2,8	4,7	5,0	8,4			
255	7	13,6	5,34	2,6	4,4	5,0	8,4				
321	5	13,6	4,24	2,5	4,0	5,0	8,3				
0,25	1,0	1940	1,5	1334,62	29,6	32,0	43,1	40,0	SK 5282/12 - 71 S/4	106	C101
	1,3	1592	1,9	1095,71	30,4	32,0	43,6	40,0			
	1,6	1253	2,4	862,46	31,0	32,0	44,0	40,0			
	2,0	1002	3,0	689,45	31,3	32,0	44,3	40,0			
	1,0	1952	0,9	1343,53	17,3	22,0	27,5	30,0	SK 4282/12 - 71 S/4	70	C101
	1,2	1614	1,1	1110,82	19,0	22,0	28,6	30,0			
	1,6	1269	1,4	873,31	20,2	22,0	29,4	30,0			
	2,0	1016	1,8	698,96	21,0	22,0	29,9	30,0			
	2,5	812	2,2	558,54	21,4	22,0	30,2	30,0			
	1,7	1382	1,4	532,44	19,9	22,0	29,2	30,0	SK 4382 - 71 L/6	76	C85
	2,1	1155	1,4	445,23	20,6	22,0	29,7	30,0			
	2,5	964	1,7	371,28	21,1	22,0	30,0	30,0			
	1,2	1955	0,8	1129,91	17,3	22,0	27,5	30,0	SK 4382 - 71 S/4	75	C85
	1,8	1353	1,1	782,32	20,0	22,0	29,2	30,0			
	2,6	921	2,2	532,44	21,2	22,0	30,1	30,0			
	3,1	770	2,2	445,23	21,5	22,0	30,3	30,0			
	3,5	676	3,0	390,76	21,6	22,0	30,4	30,0			
	4,2	565	3,3	326,81	21,8	22,0	30,5	30,0			
5,1	472	3,3	272,54	21,9	22,0	30,6	30,0				
1,9	1257	0,8	726,61	12,1	14,5	20,0	20,0	SK 3382 - 71 S/4	53	C83	
2,4	1011	1,0	584,13	13,8	14,5	21,1	20,0				
2,9	835	1,0	482,56	14,7	14,5	21,7	20,0				
3,4	707	1,1	408,58	15,2	14,5	22,0	20,0				
4,8	497	1,9	287,14	15,8	14,5	22,5	20,0				
6,0	399	2,5	230,83	16,1	14,5	22,6	20,0				
7,2	330	2,6	190,69	16,2	14,5	22,7	20,0				
8,2	291	2,6	112,23	16,2	14,5	22,7	20,0	SK 3282 - 71 L/6	46	C82	
9,1	262	3,1	100,88	16,3	14,5	22,8	20,0				
3,3	615	0,8	423,50	7,3	12,0	12,2	15,0	SK 2282/02 - 71 S/4	38	C101	
3,5	676	0,8	390,93	6,6	12,0	11,8	15,0	SK 2382 - 71 S/4	37	C81	
4,2	572	1,0	330,45	7,7	12,0	12,5	15,0				
5,0	478	1,2	276,27	8,5	12,0	13,0	15,0				
5,8	408	1,2	236,11	9,0	12,0	13,3	15,0				
7,5	320	1,6	185,11	9,4	12,0	13,6	15,0				
7,2	331	1,1	127,51	9,4	12,0	13,6	15,0	SK 2282 - 71 L/6	31	C80	
8,8	270	1,5	104,07	9,6	12,0	13,7	15,0				
9,1	262	1,7	100,98	9,7	12,0	13,8	15,0				
11	214	2,2	82,42	9,8	12,0	13,9	15,0				



0,25 kW



P_1 [kW]	n_2 [min ⁻¹]	M_2 [Nm]	f_B	i_{ges}	F_R [kN]	F_A [kN]	$F_{R VL}$ [kN]	$F_{A VL}$ [kN]		kg	mm			
0,25	5,4	445	0,8	257,32	4,1	7,8	7,9	10,5	SK 1382NB - 71 S/4	25	C76-78			
	6,8	352	1,1	203,60	5,4	7,8	8,0	10,5						
	8,7	274	1,4	158,12	6,1	7,8	8,0	10,5						
	10	236	1,6	136,60	6,4	7,8	8,0	10,5						
	12	204	1,8	118,16	6,6	7,8	8,0	10,5						
	13	184	2,0	106,08	6,7	7,8	8,0	10,5						
	14	175	2,1	101,14	6,7	7,8	8,0	10,5						
	16	154	2,4	88,94	6,8	7,8	8,0	10,5						
	9,9	240	1,0	92,48	6,2	7,2	9,1	7,2				SK 1282 - 71 L/6	20	C79
	11	211	1,4	81,17	6,4	7,2	9,3	7,2						
	13	189	1,1	109,50	6,5	7,2	9,3	7,2				SK 1282 - 71 S/4	19	C79
	15	160	1,5	92,48	6,6	7,2	9,4	7,2						
	17	140	2,1	81,17	6,4	7,2	9,5	7,2						
	19	125	2,4	72,17	6,2	7,2	9,5	7,2						
	21	115	2,4	66,23	6,1	7,2	9,6	7,2						
	23	102	2,8	58,89	5,9	7,2	9,6	7,2						
25	96	2,5	55,39	5,8	7,2	9,6	7,2							
28	85	3,1	49,25	5,6	7,2	9,6	7,2							
30	80	2,5	46,19	5,5	7,2	9,6	7,2							
16	148	0,9	85,72	4,8	5,0	7,0	5,0	SK 0282NB - 71 S/4	13	C73-75				
17	137	0,9	79,40	4,9	5,0	7,1	5,0							
21	114	1,2	65,99	5,1	5,0	7,2	5,0							
24	98	1,6	56,55	5,1	5,0	7,2	5,0							
27	89	1,6	51,64	5,0	5,0	7,3	5,0							
31	77	2,1	44,22	4,8	5,0	7,3	5,0							
34	70	2,4	40,38	4,7	5,0	7,3	5,0							
40	59	2,6	34,16	4,4	5,0	7,3	5,0							
46	52	2,5	30,03	4,3	5,0	7,4	5,0							
53	45	2,9	25,96	4,1	5,0	7,4	5,0							
61	39	3,3	22,70	4,0	5,0	7,4	5,0							
64	37	3,8	21,57	3,9	5,0	7,4	5,0							
69	35	3,7	19,95	3,8	5,0	7,4	5,0							
78	30	4,2	17,61	3,7	5,0	7,4	5,0							
83	29	4,9	16,58	3,6	5,0	7,4	5,0							
97	25	6,6	14,21	3,4	5,0	7,4	5,0							
106	22	7,1	12,98	3,3	5,0	7,4	5,0							
123	19	7,2	11,25	3,2	5,0	7,4	5,0							
126	19	8,0	10,98	3,2	5,0	7,4	5,0							
143	17	8,5	9,64	3,0	5,0	7,4	5,0							
157	15	9,1	8,80	3,0	5,0	7,4	5,0							
185	13	10,2	7,45	2,8	5,0	7,4	5,0							
214	11	11,0	6,44	2,7	4,7	7,4	5,0							
230	10	11,7	5,99	2,6	4,6	7,4	5,0							
267	9	12,7	5,17	2,5	4,3	7,4	5,0							
296	8	13,6	4,66	2,4	4,1	7,2	5,0							
23	103	1,1	59,33	5,0	5,1	5,0	8,4	SK 0182NB - 71 S/4	9	C70-72				
28	86	1,2	49,65	4,9	5,1	5,0	8,4							
33	72	1,2	41,85	4,7	5,1	5,0	8,4							
37	65	1,5	37,73	4,6	5,1	5,0	8,4							
40	60	1,7	34,80	4,5	5,1	5,0	8,4							
43	55	1,7	31,81	4,4	5,1	5,0	8,4							
47	50	2,2	29,13	4,3	5,1	5,0	8,4							
56	42	2,7	24,55	4,1	5,1	5,0	8,4							
62	39	2,8	22,35	4,0	5,1	5,0	8,4							
73	33	2,9	18,79	3,8	5,1	5,0	8,4							
83	29	3,5	16,53	3,7	5,1	5,0	8,4							
92	26	2,9	14,92	3,5	5,1	5,0	8,4							
100	24	4,6	13,84	3,5	5,1	5,0	8,4							
118	20	5,5	11,66	3,3	5,1	5,0	8,4							
145	16	6,7	9,49	3,1	5,1	5,0	8,4							
160	15	7,4	8,64	3,0	5,1	5,0	8,4							
190	13	8,8	7,26	2,9	4,9	5,0	8,4							
217	11	10,0	6,35	2,8	4,6	5,0	8,4							
258	9	10,0	5,34	2,6	4,3	5,0	8,4							
325	7	10,0	4,24	2,4	3,9	5,0	8,2							



0,37 kW

P_1 [kW]	n_2 [min ⁻¹]	M_2 [Nm]	f_B	i_{ges}	F_R [kN]	F_A [kN]	$F_{R VL}$ [kN]	$F_{A VL}$ [kN]		kg	mm
0,37	1,0	3068	2,3	1343,50	57,4	58,0	81,3	80,0	SK 7382/22 - 71 L/4	270	C101
	1,1	2876	1,9	1259,27	39,1	46,5	56,7	60,0	SK 6382/22 - 71 L/4	197	C101
	1,2	2522	2,1	1104,39	39,8	46,5	57,2	60,0			
	1,7	1870	2,9	818,71	40,9	46,5	58,0	60,0			
	1,0	3048	1,0	1334,62	25,9	32,0	40,6	40,0	SK 5282/12 - 71 L/4	107	C101
	1,3	2502	1,2	1095,71	28,0	32,0	42,0	40,0			
	1,6	1970	1,5	862,46	29,6	32,0	43,0	40,0			
	2,0	1574	1,9	689,45	30,4	32,0	43,7	40,0			
	1,0	3558	0,8	936,45	23,3	32,0	39,0	40,0	SK 5382 - 80 S/6	118	C87
	1,3	2660	1,2	700,03	27,5	32,0	41,6	40,0			
	1,6	2166	1,3	570,18	29,0	32,0	42,7	40,0			
	1,8	1995	1,6	525,20	29,5	32,0	43,0	40,0			
	2,2	1625	2,0	427,79	30,3	32,0	43,6	40,0			
	2,6	1374	2,0	361,69	30,8	32,0	43,9	40,0			
	3,4	1026	2,6	269,99	31,3	32,0	44,3	40,0			
	5,5	637	5,0	248,70	31,7	32,0	44,5	40,0	SK 5382 - 71 L/4	116	C87
	6,8	519	6,2	202,57	31,8	32,0	44,6	40,0			
	1,6	1994	0,9	873,31	17,1	22,0	27,3	30,0	SK 4282/12 - 71 L/4	71	C101
	2,0	1596	1,1	698,96	19,0	22,0	28,6	30,0			
2,5	1276	1,4	558,54	20,2	22,0	29,4	30,0				
1,7	2023	1,0	532,44	16,9	22,0	27,2	30,0	SK 4382 - 80 S/6	78	C85	
2,1	1692	1,0	445,23	18,6	22,0	28,3	30,0				
2,5	1411	1,2	371,28	19,8	22,0	29,1	30,0				
2,6	1363	1,5	532,44	19,9	22,0	29,2	30,0				
3,1	1140	1,5	445,23	20,6	22,0	29,7	30,0	SK 4382 - 71 L/4	76	C85	
3,5	1001	2,0	390,76	21,0	22,0	29,9	30,0				
4,2	837	2,3	326,81	21,3	22,0	30,2	30,0				
5,1	698	2,3	272,54	21,6	22,0	30,4	30,0				
7,2	491	4,1	191,57	21,9	22,0	30,6	30,0				
8,6	410	4,0	160,20	22,0	22,0	30,6	30,0				
2,6	1189	0,8	520,83	12,6	14,5	20,3	20,0				SK 3282/12 - 71 L/4
3,0	1055	0,9	461,81	13,5	14,5	20,9	20,0				
3,4	1046	0,8	408,58	13,6	14,5	20,9	20,0	SK 3382 - 71 L/4	54	C83	
4,8	735	1,3	287,14	15,1	14,5	21,9	20,0				
6,0	591	1,7	230,83	15,6	14,5	22,3	20,0				
7,2	488	1,8	190,69	15,9	14,5	22,5	20,0				
8,5	413	1,9	161,46	16,0	14,5	22,6	20,0				
8,3	426	1,8	112,23	16,0	14,5	22,6	20,0				SK 3282 - 80 S/6
9,2	383	2,1	100,88	16,1	14,5	22,6	20,0				
10	337	2,8	88,74	15,9	14,5	22,7	20,0				
12	303	2,8	79,76	15,4	14,5	22,7	20,0				
13	268	2,1	70,56	14,9	14,5	22,8	20,0				
14	258	3,1	100,88	14,7	14,5	22,8	20,0	SK 3282 - 71 L/4	46	C82	
4,8	657	0,8	287,51	6,8	12,0	11,9	15,0	SK 2282/02 - 71 L/4	39	C101	
5,0	707	0,8	276,27	6,1	12,0	11,5	15,0	SK 2382 - 71 L/4	38	C81	
5,8	605	0,8	236,11	7,4	12,0	12,3	15,0				
7,5	474	1,1	185,11	8,6	12,0	13,0	15,0				
9,2	384	1,4	149,96	9,1	12,0	13,4	15,0				
7,3	484	0,8	127,51	8,5	12,0	12,9	15,0	SK 2282 - 80 S/6	33	C80	
8,9	395	1,0	104,07	9,1	12,0	13,3	15,0				
9,2	384	1,1	100,98	9,1	12,0	13,4	15,0				
11	313	1,5	82,42	9,5	12,0	13,6	15,0				
13	265	1,7	69,67	9,6	12,0	13,7	15,0				
15	243	2,1	63,83	9,7	12,0	13,8	15,0				
17	205	2,5	53,96	9,8	12,0	13,9	15,0				



0,37 kW



P ₁ [kW]	n ₂ [min ⁻¹]	M ₂ [Nm]	f _B	i _{ges}	F _R [kN]	F _A [kN]	F _{R VL} [kN]	F _{A VL} [kN]		kg	mm 	
0,37	14	259	1,7	100,98	9,7	12,0	13,8	15,0	SK 2282 - 71 L/4	31	C80	
	8,7	405	0,9	158,12	4,7	7,8	8,0	10,5	SK 1382NB - 71 L/4	26	C76-78	
	10	350	1,1	136,60	5,4	7,8	8,0	10,5				
	12	303	1,2	118,16	5,9	7,8	8,0	10,5				
	13	272	1,4	106,08	6,1	7,8	8,0	10,5				
	14	259	1,4	101,14	6,2	7,8	8,0	10,5				
	16	228	1,6	88,94	6,4	7,8	8,0	10,5				
	17	202	1,8	78,99	6,6	7,8	8,0	10,5				
	20	175	2,1	68,23	6,7	7,8	8,0	10,5				
	23	154	2,4	60,00	6,8	7,8	8,0	10,5				
	26	136	2,6	53,28	6,8	7,8	8,0	10,5				
	31	114	3,0	44,40	6,9	7,8	8,0	10,5				
	36	99	3,3	38,77	7,0	7,8	8,0	10,5				
	39	92	3,3	35,75	6,9	7,8	8,0	10,5				
		11	308	1,0	81,17	5,7	7,2	8,8	7,2	SK 1282 - 80 S/6	22	C79
		15	237	1,0	92,48	6,2	7,2	9,2	7,2	SK 1282 - 71 L/4	20	C79
		17	208	1,4	81,17	6,0	7,2	9,3	7,2			
		19	185	1,6	72,17	5,9	7,2	9,4	7,2			
		21	170	1,6	66,23	5,8	7,2	9,4	7,2			
		23	151	1,9	58,89	5,6	7,2	9,5	7,2			
		25	142	1,7	55,39	5,5	7,2	9,5	7,2			
		28	126	2,1	49,25	5,4	7,2	9,5	7,2			
		30	118	1,7	46,19	5,2	7,2	9,5	7,2			
		34	105	2,1	41,07	5,1	7,2	9,6	7,2			
		43	82	2,8	32,08	4,8	7,2	9,6	7,2			
		49	73	3,1	28,33	4,7	7,2	9,6	7,2			
		55	65	3,5	25,22	4,5	7,2	9,6	7,2			
		21	169	0,8	65,99	4,6	5,0	6,9	5,0	SK 0282NB - 71 L/4	14	C73-75
		24	145	1,1	56,55	4,8	5,0	7,0	5,0			
		27	132	1,1	51,64	4,7	5,0	7,1	5,0			
		31	113	1,4	44,22	4,5	5,0	7,2	5,0			
		34	103	1,6	40,38	4,4	5,0	7,2	5,0			
		40	87	1,7	34,16	4,2	5,0	7,3	5,0			
		46	77	1,7	30,03	4,1	5,0	7,3	5,0			
		53	66	1,9	25,96	4,0	5,0	7,3	5,0			
		61	58	2,2	22,70	3,8	5,0	7,3	5,0			
		64	55	2,5	21,57	3,8	5,0	7,4	5,0			
		69	51	2,5	19,95	3,7	5,0	7,4	5,0			
		78	45	2,9	17,61	3,6	5,0	7,4	5,0			
	83	42	3,3	16,58	3,5	5,0	7,4	5,0				
	97	36	4,5	14,21	3,4	5,0	7,4	5,0				
	106	33	4,8	12,98	3,3	5,0	7,4	5,0				
	123	29	4,9	11,25	3,1	5,0	7,4	5,0				
	126	28	5,4	10,98	3,1	5,0	7,4	5,0				
	143	25	5,7	9,64	3,0	5,0	7,4	5,0				
	157	23	6,1	8,80	2,9	5,0	7,4	5,0				
	185	19	6,9	7,45	2,8	4,9	7,4	5,0				
	214	16	7,5	6,44	2,6	4,7	7,4	5,0				
	230	15	7,9	5,99	2,6	4,5	7,4	5,0				
	267	13	8,6	5,17	2,5	4,2	7,4	5,0				
	296	12	9,2	4,66	2,4	4,1	7,2	5,0				
	28	127	0,8	49,65	4,6	5,1	5,0	8,4	SK 0182NB - 71 L/4	10	C70-72	
	33	107	0,8	41,85	4,4	5,1	5,0	8,4				
	37	97	1,0	37,73	4,3	5,1	5,0	8,4				
	40	89	1,2	34,80	4,3	5,1	5,0	8,4				
	43	81	1,2	31,81	4,2	5,1	5,0	8,4				
	47	75	1,5	29,13	4,1	5,1	5,0	8,4				
	56	63	1,8	24,55	3,9	5,1	5,0	8,4				
	62	57	1,9	22,35	3,8	5,1	5,0	8,4				
	73	48	2,0	18,79	3,7	5,1	5,0	8,4				
	83	42	2,4	16,53	3,6	5,1	5,0	8,4				
	92	38	2,0	14,92	3,4	5,1	5,0	8,4				
	100	35	3,1	13,84	3,4	5,1	5,0	8,4				
	118	30	3,7	11,66	3,2	5,1	5,0	8,4				
	145	24	4,5	9,49	3,0	5,1	5,0	8,4				
	160	22	5,0	8,64	3,0	5,1	5,0	8,4				
	190	19	5,9	7,26	2,8	4,8	5,0	8,4				
	217	16	6,8	6,35	2,7	4,5	5,0	8,4				
	258	14	6,7	5,34	2,6	4,2	5,0	8,4				
	325	11	6,7	4,24	2,4	3,8	5,0	8,2				



0,55 kW

P_1 [kW]	n_2 [min ⁻¹]	M_2 [Nm]	f_B	i_{ges}	F_R [kN]	F_A [kN]	$F_{R VL}$ [kN]	$F_{A VL}$ [kN]		kg	mm																																																																																																																																																																																																																																																																																																																																																																																																																																																																																																																											
0,55	1,0	4688	2,6	1366,83	92,0	73,0	100,0	100,0	SK 8382/32 - 80 SH/4	409	C101																																																																																																																																																																																																																																																																																																																																																																																																																																																																																																																											
	1,3	3653	3,3	1064,91	92,7	73,0	100,0	100,0				1,1	4608	1,5	1343,50	55,2	58,0	79,8	80,0	SK 7382/22 - 80 SH/4	273	C101	1,4	3588	2,0	1046,18	56,8	58,0	80,9	80,0	1,5	3203	2,2	933,91	57,3	58,0	81,2	80,0	2,0	2450	2,9	714,31	58,0	58,0	81,8	80,0	1,1	4319	1,3	1259,27	34,7	46,5	53,8	60,0	SK 6382/22 - 80 SH/4	200	C101	1,3	3788	1,4	1104,39	36,6	46,5	55,0	60,0	1,7	2808	1,9	818,71	39,2	46,5	56,8	60,0	2,2	2187	2,5	637,53	40,4	46,5	57,7	60,0	2,5	1952	2,8	569,11	40,8	46,5	57,9	60,0	1,3	3758	0,8	1095,71	22,1	32,0	38,3	40,0	SK 5282/12 - 80 SH/4	110	C101	1,6	2958	1,0	862,46	26,3	32,0	40,9	40,0	2,1	2365	1,3	689,45	28,5	32,0	42,3	40,0	2,6	1890	1,6	550,94	29,8	32,0	43,2	40,0	3,2	1537	2,0	448,15	30,5	32,0	43,7	40,0	1,5	3464	0,8	936,45	23,9	32,0	39,3	40,0	SK 5382 - 80 SH/4	119	C87	2,0	2589	1,2	700,03	27,7	32,0	41,8	40,0	2,5	2109	1,3	570,18	29,2	32,0	42,8	40,0	2,7	1943	1,6	525,20	29,6	32,0	43,1	40,0	3,3	1582	2,0	427,79	30,4	32,0	43,7	40,0	3,9	1338	2,1	361,69	30,9	32,0	44,0	40,0	4,3	1226	2,6	331,48	31,0	32,0	44,1	40,0	5,3	999	2,7	269,99	31,3	32,0	44,3	40,0	2,0	2397	0,8	698,96	14,2	22,0	25,7	30,0	SK 4282/12 - 80 SH/4	74	C101	2,5	1916	0,9	558,54	17,5	22,0	27,6	30,0	2,7	1969	1,0	532,44	17,2	22,0	27,4	30,0	SK 4382 - 80 SH/4	79	C85	3,2	1647	1,0	445,23	18,8	22,0	28,5	30,0	3,4	1525	1,3	412,38	19,3	22,0	28,8	30,0	3,6	1445	1,4	390,76	19,6	22,0	29,0	30,0	4,1	1276	1,3	344,84	20,2	22,0	29,4	30,0	4,3	1209	1,6	326,81	20,4	22,0	29,6	30,0	4,7	1119	1,9	302,65	20,7	22,0	29,7	30,0	5,2	1008	1,6	272,54	21,0	22,0	29,9	30,0	5,6	936	2,1	253,12	21,1	22,0	30,0	30,0	6,7	781	2,1	211,09	21,5	22,0	30,3	30,0	7,4	709	2,8	191,57	21,6	22,0	30,4	30,0	8,9	593	2,8	160,20	21,8	22,0	30,5	30,0	10	520	3,8	140,60	21,8	22,0	30,5	30,0	12	438	4,6	118,38	21,9	22,0	30,6	30,0	4,9	1062	0,9	287,14	13,5	14,5	20,9	20,0	SK 3382 - 80 SH/4	57	C83	6,2	854	1,2	230,83	14,6	14,5	21,6	20,0	7,4	705	1,2	190,69	15,2	14,5	22,0	20,0	8,8	597	1,3	161,46	15,6	14,5	22,3	20,0	11	470	1,6	126,93	14,9	14,5	22,5	20,0	14	385	1,9	104,05	14,1	14,5	22,6	20,0	13	415	1,9	112,23	14,5	14,5	22,6	20,0	SK 3282 - 80 SH/4	49	C82	14	373	2,2	100,88	14,1	14,5	22,6	20,0	16	328	2,9	88,74	13,6	14,5	22,7	20,0	18	295	2,9	79,76	13,3	14,5	22,7	20,0	20	261	2,2	70,56	12,8	14,5	22,8	20,0	7,7	685	0,8	185,11	6,4	12,0	11,7	15,0	SK 2382 - 80 SH/4	41	C81	9,5	555	0,9	149,96	7,9	12,0	12,6	15,0	11	488	1,1	131,86	8,4	12,0	12,9	15,0	12	430	1,2	116,35	8,8	12,0	13,2	15,0	11	472	0,8	127,51	8,6	12,0	13,0	15,0	SK 2282 - 80 SH/4	34	C80	14	374	1,2	100,98	9,2	12,0	13,4	15,0	17	305	1,6	82,42	9,5	12,0	13,6	15,0	20	258	1,7	69,67	9,7	12,0	13,8	15,0	22	236	2,2	63,83	9,7	12,0	13,8	15,0	26	200	2,5	53,96	9,9	12,0	13,9	15,0	31	167	2,7	45,11	9,9
	1,1	4608	1,5	1343,50	55,2	58,0	79,8	80,0	SK 7382/22 - 80 SH/4	273	C101																																																																																																																																																																																																																																																																																																																																																																																																																																																																																																																											
	1,4	3588	2,0	1046,18	56,8	58,0	80,9	80,0																																																																																																																																																																																																																																																																																																																																																																																																																																																																																																																														
	1,5	3203	2,2	933,91	57,3	58,0	81,2	80,0																																																																																																																																																																																																																																																																																																																																																																																																																																																																																																																														
	2,0	2450	2,9	714,31	58,0	58,0	81,8	80,0				1,1	4319	1,3	1259,27	34,7	46,5	53,8	60,0	SK 6382/22 - 80 SH/4	200	C101	1,3	3788	1,4	1104,39	36,6	46,5	55,0	60,0	1,7	2808	1,9	818,71	39,2	46,5	56,8	60,0	2,2	2187	2,5	637,53	40,4	46,5	57,7	60,0	2,5	1952	2,8	569,11	40,8	46,5	57,9	60,0				1,3	3758	0,8	1095,71	22,1	32,0	38,3	40,0	SK 5282/12 - 80 SH/4	110	C101	1,6	2958	1,0	862,46	26,3	32,0	40,9	40,0	2,1	2365	1,3	689,45	28,5	32,0	42,3	40,0	2,6	1890	1,6	550,94	29,8	32,0	43,2	40,0	3,2	1537	2,0	448,15	30,5				32,0	43,7	40,0	1,5	3464	0,8	936,45	23,9	32,0	39,3	40,0	SK 5382 - 80 SH/4	119	C87	2,0	2589	1,2	700,03	27,7	32,0	41,8	40,0	2,5	2109	1,3	570,18	29,2	32,0	42,8	40,0	2,7	1943	1,6	525,20	29,6	32,0	43,1	40,0	3,3	1582				2,0	427,79	30,4	32,0	43,7	40,0	3,9	1338	2,1	361,69	30,9	32,0	44,0	40,0	4,3	1226	2,6	331,48	31,0	32,0	44,1	40,0	5,3	999	2,7	269,99	31,3	32,0	44,3	40,0	2,0	2397	0,8	698,96	14,2	22,0	25,7	30,0	SK 4282/12 - 80 SH/4	74	C101	2,5	1916	0,9	558,54	17,5	22,0	27,6	30,0	2,7	1969	1,0	532,44	17,2	22,0	27,4	30,0	SK 4382 - 80 SH/4	79	C85	3,2	1647	1,0	445,23	18,8	22,0	28,5	30,0	3,4	1525	1,3	412,38	19,3	22,0	28,8	30,0	3,6	1445	1,4	390,76	19,6	22,0	29,0				30,0	4,1	1276	1,3	344,84	20,2	22,0	29,4	30,0	4,3	1209	1,6	326,81	20,4	22,0	29,6	30,0	4,7	1119	1,9	302,65	20,7	22,0	29,7	30,0	5,2	1008	1,6	272,54	21,0	22,0	29,9	30,0	5,6	936	2,1	253,12	21,1	22,0	30,0	30,0	6,7	781	2,1	211,09	21,5	22,0	30,3	30,0	7,4	709	2,8	191,57	21,6	22,0	30,4	30,0	8,9	593	2,8	160,20	21,8	22,0	30,5	30,0	10	520	3,8	140,60	21,8	22,0	30,5	30,0	12	438	4,6	118,38	21,9	22,0	30,6	30,0	4,9	1062	0,9	287,14	13,5	14,5	20,9	20,0	SK 3382 - 80 SH/4	57	C83	6,2	854	1,2	230,83	14,6	14,5	21,6	20,0	7,4	705	1,2	190,69	15,2	14,5	22,0	20,0	8,8	597	1,3	161,46				15,6	14,5	22,3	20,0	11	470	1,6	126,93	14,9	14,5	22,5	20,0	14	385	1,9	104,05	14,1	14,5	22,6	20,0	13	415	1,9	112,23	14,5	14,5	22,6	20,0	SK 3282 - 80 SH/4	49	C82	14	373	2,2	100,88	14,1	14,5	22,6	20,0	16	328	2,9	88,74	13,6	14,5	22,7	20,0	18				295	2,9	79,76	13,3	14,5	22,7	20,0	20	261	2,2	70,56	12,8	14,5	22,8	20,0	7,7	685	0,8	185,11	6,4	12,0	11,7	15,0	SK 2382 - 80 SH/4	41	C81	9,5	555	0,9	149,96	7,9	12,0	12,6	15,0	11	488	1,1	131,86	8,4	12,0	12,9	15,0	12	430	1,2	116,35	8,8	12,0	13,2	15,0	11	472	0,8	127,51	8,6	12,0	13,0	15,0	SK 2282 - 80 SH/4	34	C80	14	374	1,2	100,98	9,2	12,0	13,4	15,0	17	305	1,6	82,42	9,5	12,0				13,6	15,0	20	258	1,7	69,67	9,7	12,0	13,8	15,0	22	236	2,2	63,83	9,7	12,0	13,8	15,0	26	200	2,5	53,96	9,9	12,0	13,9	15,0	31	167	2,7	45,11	9,9	12,0	13,9	15,0											
	1,1	4319	1,3	1259,27	34,7	46,5	53,8	60,0	SK 6382/22 - 80 SH/4	200	C101																																																																																																																																																																																																																																																																																																																																																																																																																																																																																																																											
	1,3	3788	1,4	1104,39	36,6	46,5	55,0	60,0																																																																																																																																																																																																																																																																																																																																																																																																																																																																																																																														
	1,7	2808	1,9	818,71	39,2	46,5	56,8	60,0																																																																																																																																																																																																																																																																																																																																																																																																																																																																																																																														
	2,2	2187	2,5	637,53	40,4	46,5	57,7	60,0																																																																																																																																																																																																																																																																																																																																																																																																																																																																																																																														
2,5	1952	2,8	569,11	40,8	46,5	57,9	60,0	1,3				3758	0,8	1095,71	22,1	32,0	38,3	40,0	SK 5282/12 - 80 SH/4	110	C101	1,6	2958	1,0	862,46	26,3	32,0	40,9	40,0	2,1	2365	1,3	689,45	28,5	32,0	42,3	40,0	2,6	1890	1,6	550,94	29,8	32,0	43,2	40,0	3,2	1537	2,0	448,15	30,5	32,0	43,7	40,0	1,5	3464	0,8	936,45	23,9	32,0	39,3	40,0	SK 5382 - 80 SH/4	119	C87	2,0	2589	1,2	700,03	27,7	32,0	41,8	40,0	2,5	2109	1,3	570,18	29,2	32,0	42,8	40,0	2,7	1943	1,6	525,20	29,6	32,0	43,1	40,0	3,3	1582	2,0	427,79	30,4	32,0	43,7	40,0	3,9	1338	2,1	361,69	30,9	32,0	44,0	40,0	4,3	1226	2,6	331,48	31,0	32,0	44,1				40,0	5,3	999	2,7	269,99	31,3	32,0	44,3	40,0	2,0	2397	0,8	698,96	14,2	22,0	25,7	30,0	SK 4282/12 - 80 SH/4	74	C101	2,5	1916	0,9	558,54	17,5	22,0	27,6	30,0	2,7	1969	1,0	532,44	17,2	22,0	27,4	30,0	SK 4382 - 80 SH/4	79	C85	3,2	1647	1,0	445,23	18,8	22,0	28,5	30,0	3,4	1525	1,3	412,38	19,3	22,0	28,8	30,0	3,6	1445	1,4	390,76	19,6	22,0	29,0	30,0	4,1	1276	1,3	344,84	20,2	22,0	29,4	30,0	4,3	1209	1,6	326,81	20,4	22,0	29,6	30,0	4,7	1119	1,9	302,65	20,7	22,0	29,7				30,0	5,2	1008	1,6	272,54	21,0	22,0	29,9	30,0	5,6	936	2,1	253,12	21,1	22,0	30,0	30,0	6,7	781	2,1	211,09	21,5	22,0				30,3	30,0	7,4	709	2,8	191,57	21,6	22,0	30,4	30,0	8,9	593	2,8	160,20	21,8	22,0	30,5	30,0	10	520	3,8	140,60	21,8	22,0	30,5	30,0	12	438	4,6	118,38	21,9	22,0	30,6	30,0	4,9	1062	0,9	287,14	13,5	14,5	20,9	20,0	SK 3382 - 80 SH/4	57	C83	6,2	854	1,2	230,83	14,6	14,5	21,6	20,0	7,4	705	1,2	190,69	15,2	14,5	22,0	20,0	8,8	597	1,3	161,46	15,6	14,5	22,3	20,0	11	470	1,6	126,93	14,9	14,5	22,5	20,0	14	385	1,9	104,05	14,1	14,5	22,6	20,0	13	415	1,9	112,23				14,5	14,5	22,6	20,0	SK 3282 - 80 SH/4	49	C82	14	373	2,2	100,88	14,1	14,5	22,6	20,0	16	328	2,9	88,74	13,6	14,5	22,7	20,0	18	295	2,9	79,76	13,3	14,5	22,7	20,0	20	261	2,2	70,56	12,8	14,5	22,8	20,0	7,7	685	0,8	185,11	6,4	12,0	11,7	15,0	SK 2382 - 80 SH/4	41	C81	9,5	555	0,9	149,96	7,9	12,0	12,6	15,0	11	488	1,1	131,86	8,4	12,0	12,9	15,0	12	430	1,2	116,35	8,8	12,0	13,2	15,0	11	472	0,8	127,51	8,6	12,0	13,0	15,0	SK 2282 - 80 SH/4	34	C80	14	374	1,2	100,98	9,2	12,0	13,4	15,0	17	305	1,6	82,42	9,5	12,0	13,6	15,0	20	258	1,7	69,67	9,7	12,0	13,8	15,0	22	236	2,2	63,83	9,7	12,0	13,8	15,0	26	200	2,5	53,96	9,9	12,0	13,9	15,0	31	167	2,7	45,11	9,9	12,0	13,9				15,0																																																													
1,3	3758	0,8	1095,71	22,1	32,0	38,3	40,0	SK 5282/12 - 80 SH/4	110	C101																																																																																																																																																																																																																																																																																																																																																																																																																																																																																																																												
1,6	2958	1,0	862,46	26,3	32,0	40,9	40,0																																																																																																																																																																																																																																																																																																																																																																																																																																																																																																																															
2,1	2365	1,3	689,45	28,5	32,0	42,3	40,0																																																																																																																																																																																																																																																																																																																																																																																																																																																																																																																															
2,6	1890	1,6	550,94	29,8	32,0	43,2	40,0																																																																																																																																																																																																																																																																																																																																																																																																																																																																																																																															
3,2	1537	2,0	448,15	30,5	32,0	43,7	40,0				1,5	3464	0,8	936,45	23,9	32,0	39,3	40,0	SK 5382 - 80 SH/4	119	C87	2,0	2589	1,2	700,03	27,7	32,0	41,8	40,0	2,5	2109	1,3	570,18	29,2	32,0	42,8	40,0	2,7	1943	1,6	525,20	29,6	32,0	43,1	40,0	3,3	1582	2,0	427,79	30,4	32,0	43,7	40,0	3,9	1338	2,1	361,69	30,9	32,0	44,0	40,0				4,3	1226	2,6	331,48	31,0	32,0	44,1	40,0	5,3	999	2,7	269,99	31,3	32,0	44,3	40,0	2,0	2397	0,8	698,96	14,2	22,0	25,7	30,0	SK 4282/12 - 80 SH/4	74	C101	2,5	1916	0,9	558,54	17,5	22,0	27,6	30,0	2,7	1969	1,0	532,44	17,2	22,0	27,4	30,0	SK 4382 - 80 SH/4	79	C85	3,2	1647	1,0	445,23	18,8	22,0	28,5	30,0	3,4	1525	1,3	412,38	19,3	22,0	28,8	30,0	3,6	1445	1,4	390,76	19,6	22,0	29,0	30,0	4,1	1276	1,3	344,84	20,2	22,0	29,4	30,0	4,3	1209	1,6	326,81	20,4	22,0	29,6	30,0				4,7	1119	1,9	302,65	20,7	22,0	29,7	30,0	5,2	1008	1,6	272,54	21,0	22,0	29,9	30,0	5,6	936	2,1	253,12	21,1	22,0	30,0	30,0	6,7	781	2,1	211,09	21,5	22,0	30,3	30,0	7,4	709	2,8	191,57	21,6	22,0	30,4	30,0	8,9	593	2,8	160,20	21,8	22,0	30,5				30,0	10	520	3,8	140,60	21,8	22,0	30,5	30,0	12	438	4,6	118,38	21,9	22,0	30,6	30,0	4,9	1062	0,9	287,14	13,5	14,5	20,9	20,0	SK 3382 - 80 SH/4	57	C83	6,2	854	1,2	230,83	14,6	14,5	21,6	20,0	7,4	705	1,2	190,69	15,2	14,5	22,0	20,0	8,8	597	1,3	161,46	15,6	14,5	22,3	20,0	11	470	1,6	126,93	14,9	14,5	22,5	20,0	14	385	1,9	104,05	14,1	14,5	22,6	20,0				13	415	1,9	112,23	14,5	14,5	22,6	20,0	SK 3282 - 80 SH/4	49	C82	14	373	2,2	100,88	14,1	14,5	22,6	20,0	16	328	2,9	88,74	13,6	14,5	22,7	20,0	18	295	2,9	79,76	13,3	14,5	22,7	20,0	20	261	2,2	70,56	12,8	14,5	22,8	20,0	7,7	685	0,8	185,11	6,4	12,0	11,7	15,0	SK 2382 - 80 SH/4	41	C81	9,5	555	0,9	149,96	7,9	12,0	12,6	15,0	11	488	1,1	131,86	8,4	12,0	12,9	15,0	12	430	1,2	116,35	8,8	12,0	13,2	15,0	11	472	0,8	127,51	8,6	12,0	13,0	15,0	SK 2282 - 80 SH/4	34	C80	14	374	1,2	100,98	9,2	12,0	13,4	15,0	17	305	1,6	82,42	9,5	12,0	13,6	15,0	20	258	1,7	69,67	9,7	12,0	13,8	15,0	22	236	2,2	63,83	9,7	12,0	13,8	15,0	26	200	2,5	53,96	9,9	12,0	13,9	15,0				31	167	2,7	45,11	9,9	12,0	13,9	15,0																																																																																																								
1,5	3464	0,8	936,45	23,9	32,0	39,3	40,0	SK 5382 - 80 SH/4	119	C87																																																																																																																																																																																																																																																																																																																																																																																																																																																																																																																												
2,0	2589	1,2	700,03	27,7	32,0	41,8	40,0																																																																																																																																																																																																																																																																																																																																																																																																																																																																																																																															
2,5	2109	1,3	570,18	29,2	32,0	42,8	40,0																																																																																																																																																																																																																																																																																																																																																																																																																																																																																																																															
2,7	1943	1,6	525,20	29,6	32,0	43,1	40,0																																																																																																																																																																																																																																																																																																																																																																																																																																																																																																																															
3,3	1582	2,0	427,79	30,4	32,0	43,7	40,0																																																																																																																																																																																																																																																																																																																																																																																																																																																																																																																															
3,9	1338	2,1	361,69	30,9	32,0	44,0	40,0																																																																																																																																																																																																																																																																																																																																																																																																																																																																																																																															
4,3	1226	2,6	331,48	31,0	32,0	44,1	40,0																																																																																																																																																																																																																																																																																																																																																																																																																																																																																																																															
5,3	999	2,7	269,99	31,3	32,0	44,3	40,0				2,0	2397	0,8	698,96	14,2	22,0	25,7	30,0	SK 4282/12 - 80 SH/4	74	C101	2,5	1916	0,9	558,54	17,5	22,0	27,6	30,0	2,7	1969	1,0	532,44	17,2	22,0	27,4	30,0	SK 4382 - 80 SH/4	79	C85	3,2	1647	1,0	445,23	18,8	22,0	28,5	30,0	3,4	1525	1,3	412,38	19,3	22,0	28,8	30,0	3,6	1445	1,4	390,76	19,6	22,0	29,0	30,0	4,1	1276	1,3	344,84	20,2	22,0	29,4	30,0	4,3	1209	1,6	326,81	20,4	22,0	29,6	30,0	4,7	1119	1,9	302,65	20,7	22,0	29,7	30,0	5,2	1008	1,6	272,54	21,0	22,0	29,9	30,0	5,6	936	2,1	253,12	21,1	22,0	30,0	30,0	6,7	781	2,1				211,09	21,5	22,0	30,3	30,0	7,4	709	2,8	191,57	21,6	22,0	30,4	30,0	8,9	593	2,8	160,20	21,8	22,0	30,5	30,0	10	520	3,8	140,60	21,8	22,0	30,5	30,0	12	438	4,6	118,38	21,9	22,0	30,6	30,0	4,9	1062	0,9	287,14	13,5	14,5	20,9	20,0	SK 3382 - 80 SH/4	57	C83	6,2	854	1,2	230,83	14,6	14,5	21,6	20,0	7,4	705	1,2	190,69	15,2	14,5	22,0	20,0	8,8	597	1,3	161,46	15,6	14,5	22,3	20,0	11	470	1,6	126,93	14,9	14,5	22,5	20,0	14	385	1,9	104,05	14,1	14,5	22,6	20,0	13	415	1,9	112,23	14,5	14,5	22,6	20,0	SK 3282 - 80 SH/4	49	C82	14	373	2,2	100,88	14,1	14,5	22,6	20,0	16	328	2,9	88,74	13,6	14,5	22,7	20,0	18	295	2,9	79,76	13,3	14,5	22,7	20,0	20	261	2,2	70,56	12,8	14,5	22,8	20,0	7,7	685	0,8	185,11	6,4	12,0	11,7	15,0	SK 2382 - 80 SH/4	41	C81	9,5	555	0,9	149,96	7,9	12,0	12,6	15,0	11	488	1,1	131,86	8,4	12,0	12,9	15,0	12	430	1,2	116,35	8,8	12,0	13,2	15,0	11	472	0,8	127,51	8,6	12,0	13,0	15,0	SK 2282 - 80 SH/4	34	C80	14	374	1,2	100,98	9,2	12,0	13,4	15,0	17	305	1,6	82,42	9,5	12,0	13,6	15,0	20	258	1,7	69,67	9,7	12,0	13,8	15,0	22	236	2,2	63,83	9,7	12,0	13,8	15,0	26	200	2,5	53,96	9,9	12,0	13,9	15,0	31	167	2,7	45,11	9,9	12,0	13,9	15,0																																																																																																																																																																																							
2,0	2397	0,8	698,96	14,2	22,0	25,7	30,0	SK 4282/12 - 80 SH/4	74	C101																																																																																																																																																																																																																																																																																																																																																																																																																																																																																																																												
2,5	1916	0,9	558,54	17,5	22,0	27,6	30,0				2,7	1969	1,0	532,44	17,2	22,0	27,4	30,0	SK 4382 - 80 SH/4	79	C85	3,2	1647	1,0	445,23	18,8	22,0	28,5	30,0	3,4	1525	1,3	412,38	19,3	22,0	28,8	30,0				3,6	1445	1,4	390,76	19,6	22,0	29,0	30,0	4,1	1276	1,3	344,84	20,2	22,0	29,4	30,0	4,3	1209	1,6	326,81	20,4	22,0	29,6	30,0	4,7	1119	1,9	302,65	20,7	22,0	29,7	30,0	5,2	1008	1,6	272,54	21,0	22,0	29,9	30,0	5,6	936	2,1	253,12	21,1	22,0	30,0	30,0	6,7	781	2,1	211,09	21,5	22,0	30,3	30,0	7,4	709	2,8	191,57	21,6	22,0	30,4	30,0	8,9	593	2,8				160,20	21,8	22,0	30,5	30,0	10	520	3,8	140,60	21,8	22,0	30,5	30,0	12	438	4,6	118,38	21,9	22,0	30,6	30,0	4,9	1062	0,9	287,14	13,5	14,5	20,9	20,0	SK 3382 - 80 SH/4	57	C83	6,2	854	1,2	230,83	14,6	14,5	21,6	20,0	7,4	705	1,2	190,69	15,2				14,5	22,0	20,0	8,8	597	1,3	161,46	15,6	14,5	22,3	20,0	11	470	1,6	126,93	14,9	14,5	22,5	20,0	14	385	1,9	104,05	14,1	14,5	22,6	20,0	13	415	1,9	112,23	14,5	14,5	22,6	20,0	SK 3282 - 80 SH/4	49	C82	14	373	2,2	100,88	14,1	14,5	22,6	20,0	16	328				2,9	88,74	13,6	14,5	22,7	20,0	18	295	2,9	79,76	13,3	14,5	22,7	20,0	20	261	2,2	70,56	12,8	14,5	22,8	20,0	7,7	685	0,8	185,11	6,4	12,0	11,7	15,0	SK 2382 - 80 SH/4	41	C81	9,5	555	0,9	149,96	7,9	12,0	12,6				15,0	11	488	1,1	131,86	8,4	12,0	12,9	15,0	12	430	1,2	116,35	8,8	12,0	13,2	15,0	11	472	0,8	127,51	8,6	12,0	13,0	15,0	SK 2282 - 80 SH/4	34	C80	14	374	1,2	100,98				9,2	12,0	13,4	15,0	17	305	1,6	82,42	9,5	12,0	13,6	15,0	20	258	1,7	69,67	9,7	12,0	13,8	15,0	22	236	2,2	63,83	9,7	12,0	13,8	15,0	26	200	2,5	53,96	9,9	12,0	13,9	15,0	31	167	2,7	45,11	9,9	12,0	13,9	15,0																																																																																																																																																																																											
2,7	1969	1,0	532,44	17,2	22,0	27,4	30,0	SK 4382 - 80 SH/4	79	C85																																																																																																																																																																																																																																																																																																																																																																																																																																																																																																																												
3,2	1647	1,0	445,23	18,8	22,0	28,5	30,0																																																																																																																																																																																																																																																																																																																																																																																																																																																																																																																															
3,4	1525	1,3	412,38	19,3	22,0	28,8	30,0																																																																																																																																																																																																																																																																																																																																																																																																																																																																																																																															
3,6	1445	1,4	390,76	19,6	22,0	29,0	30,0																																																																																																																																																																																																																																																																																																																																																																																																																																																																																																																															
4,1	1276	1,3	344,84	20,2	22,0	29,4	30,0																																																																																																																																																																																																																																																																																																																																																																																																																																																																																																																															
4,3	1209	1,6	326,81	20,4	22,0	29,6	30,0																																																																																																																																																																																																																																																																																																																																																																																																																																																																																																																															
4,7	1119	1,9	302,65	20,7	22,0	29,7	30,0																																																																																																																																																																																																																																																																																																																																																																																																																																																																																																																															
5,2	1008	1,6	272,54	21,0	22,0	29,9	30,0																																																																																																																																																																																																																																																																																																																																																																																																																																																																																																																															
5,6	936	2,1	253,12	21,1	22,0	30,0	30,0																																																																																																																																																																																																																																																																																																																																																																																																																																																																																																																															
6,7	781	2,1	211,09	21,5	22,0	30,3	30,0																																																																																																																																																																																																																																																																																																																																																																																																																																																																																																																															
7,4	709	2,8	191,57	21,6	22,0	30,4	30,0																																																																																																																																																																																																																																																																																																																																																																																																																																																																																																																															
8,9	593	2,8	160,20	21,8	22,0	30,5	30,0																																																																																																																																																																																																																																																																																																																																																																																																																																																																																																																															
10	520	3,8	140,60	21,8	22,0	30,5	30,0																																																																																																																																																																																																																																																																																																																																																																																																																																																																																																																															
12	438	4,6	118,38	21,9	22,0	30,6	30,0																																																																																																																																																																																																																																																																																																																																																																																																																																																																																																																															
4,9	1062	0,9	287,14	13,5	14,5	20,9	20,0	SK 3382 - 80 SH/4	57	C83																																																																																																																																																																																																																																																																																																																																																																																																																																																																																																																												
6,2	854	1,2	230,83	14,6	14,5	21,6	20,0																																																																																																																																																																																																																																																																																																																																																																																																																																																																																																																															
7,4	705	1,2	190,69	15,2	14,5	22,0	20,0																																																																																																																																																																																																																																																																																																																																																																																																																																																																																																																															
8,8	597	1,3	161,46	15,6	14,5	22,3	20,0																																																																																																																																																																																																																																																																																																																																																																																																																																																																																																																															
11	470	1,6	126,93	14,9	14,5	22,5	20,0																																																																																																																																																																																																																																																																																																																																																																																																																																																																																																																															
14	385	1,9	104,05	14,1	14,5	22,6	20,0																																																																																																																																																																																																																																																																																																																																																																																																																																																																																																																															
13	415	1,9	112,23	14,5	14,5	22,6	20,0	SK 3282 - 80 SH/4	49	C82																																																																																																																																																																																																																																																																																																																																																																																																																																																																																																																												
14	373	2,2	100,88	14,1	14,5	22,6	20,0																																																																																																																																																																																																																																																																																																																																																																																																																																																																																																																															
16	328	2,9	88,74	13,6	14,5	22,7	20,0																																																																																																																																																																																																																																																																																																																																																																																																																																																																																																																															
18	295	2,9	79,76	13,3	14,5	22,7	20,0																																																																																																																																																																																																																																																																																																																																																																																																																																																																																																																															
20	261	2,2	70,56	12,8	14,5	22,8	20,0																																																																																																																																																																																																																																																																																																																																																																																																																																																																																																																															
7,7	685	0,8	185,11	6,4	12,0	11,7	15,0	SK 2382 - 80 SH/4	41	C81																																																																																																																																																																																																																																																																																																																																																																																																																																																																																																																												
9,5	555	0,9	149,96	7,9	12,0	12,6	15,0																																																																																																																																																																																																																																																																																																																																																																																																																																																																																																																															
11	488	1,1	131,86	8,4	12,0	12,9	15,0																																																																																																																																																																																																																																																																																																																																																																																																																																																																																																																															
12	430	1,2	116,35	8,8	12,0	13,2	15,0																																																																																																																																																																																																																																																																																																																																																																																																																																																																																																																															
11	472	0,8	127,51	8,6	12,0	13,0	15,0	SK 2282 - 80 SH/4	34	C80																																																																																																																																																																																																																																																																																																																																																																																																																																																																																																																												
14	374	1,2	100,98	9,2	12,0	13,4	15,0																																																																																																																																																																																																																																																																																																																																																																																																																																																																																																																															
17	305	1,6	82,42	9,5	12,0	13,6	15,0																																																																																																																																																																																																																																																																																																																																																																																																																																																																																																																															
20	258	1,7	69,67	9,7	12,0	13,8	15,0																																																																																																																																																																																																																																																																																																																																																																																																																																																																																																																															
22	236	2,2	63,83	9,7	12,0	13,8	15,0																																																																																																																																																																																																																																																																																																																																																																																																																																																																																																																															
26	200	2,5	53,96	9,9	12,0	13,9	15,0																																																																																																																																																																																																																																																																																																																																																																																																																																																																																																																															
31	167	2,7	45,11	9,9	12,0	13,9	15,0																																																																																																																																																																																																																																																																																																																																																																																																																																																																																																																															

0,55 kW

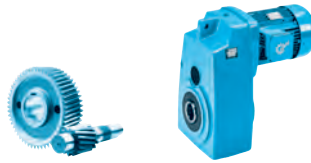
P_1 [kW]	n_2 [min ⁻¹]	M_2 [Nm]	f_B	i_{ges}	F_R [kN]	F_A [kN]	$F_{R VL}$ [kN]	$F_{A VL}$ [kN]		kg	mm				
0,55	12	437	0,8	118,16	4,2	7,8	8,0	10,5	SK 1382NB - 80 SH/4	29	C76-78				
	13	392	0,9	106,08	4,9	7,8	8,0	10,5							
	14	374	1,0	101,14	5,1	7,8	8,0	10,5							
	16	329	1,1	88,94	5,6	7,8	8,0	10,5							
	18	292	1,3	78,99	6,0	7,8	8,0	10,5							
	21	252	1,5	68,23	6,3	7,8	8,0	10,5							
	24	222	1,7	60,00	6,5	7,8	8,0	10,5							
	27	197	1,8	53,28	6,6	7,8	8,0	10,5							
	32	164	2,1	44,40	6,8	7,8	8,0	10,5							
	37	143	2,3	38,77	6,6	7,8	8,0	10,5							
	40	132	2,3	35,75	6,5	7,8	8,0	10,5							
	48	110	2,6	29,79	6,2	7,8	8,0	10,5							
		17	300	1,0	81,17	5,4	7,2	8,8				7,2	SK 1282 - 80 SH/4	23	C79
		20	267	1,1	72,17	5,3	7,2	9,0				7,2			
	21	245	1,1	66,23	5,3	7,2	9,1	7,2							
	24	218	1,3	58,89	5,2	7,2	9,2	7,2							
	26	205	1,1	55,39	5,1	7,2	9,3	7,2							
	29	182	1,4	49,25	5,0	7,2	9,4	7,2							
	31	171	1,1	46,19	4,9	7,2	9,4	7,2							
	35	152	1,4	41,07	4,8	7,2	9,5	7,2							
	44	119	1,9	32,08	4,6	7,2	9,5	7,2							
	50	105	2,1	28,33	4,4	7,2	9,6	7,2							
	56	93	2,4	25,22	4,3	7,2	9,6	7,2							
	69	76	3,0	20,57	4,1	7,2	9,6	7,2							
	25	209	0,8	56,55	4,2	5,0	6,6	5,0	SK 0282NB - 80 SH/4	17	C73-75				
	27	191	0,8	51,64	4,2	5,0	6,8	5,0							
	32	164	1,0	44,22	4,2	5,0	6,9	5,0							
	35	149	1,1	40,38	4,1	5,0	7,0	5,0							
	42	126	1,2	34,16	3,9	5,0	7,1	5,0							
	47	111	1,2	30,03	3,9	5,0	7,2	5,0							
	55	96	1,3	25,96	3,8	5,0	7,2	5,0							
	63	84	1,5	22,70	3,6	5,0	7,3	5,0							
	66	80	1,8	21,57	3,6	5,0	7,3	5,0							
	71	74	1,7	19,95	3,5	5,0	7,3	5,0							
	81	65	2,0	17,61	3,4	5,0	7,3	5,0							
	86	61	2,3	16,58	3,4	5,0	7,3	5,0							
	100	53	3,1	14,21	3,2	5,0	7,4	5,0							
	109	48	3,3	12,98	3,2	5,0	7,4	5,0							
	126	42	3,4	11,25	3,0	5,0	7,4	5,0							
	129	41	3,7	10,98	3,0	5,0	7,4	5,0							
	147	36	4,0	9,64	2,9	5,0	7,4	5,0							
	161	33	4,2	8,80	2,8	5,0	7,4	5,0							
	191	28	4,8	7,45	2,7	4,7	7,4	5,0							
	220	24	5,2	6,44	2,6	4,5	7,4	5,0							
	237	22	5,5	5,99	2,5	4,4	7,4	5,0							
	275	19	6,0	5,17	2,4	4,1	7,3	5,0							
	305	17	6,4	4,66	2,3	3,9	7,1	5,0							
	41	129	0,8	34,80	3,9	5,1	5,0	8,4	SK 0182NB - 80 SH/4	13	C70-72				
	45	118	0,8	31,81	3,8	5,1	5,0	8,4							
	49	108	1,0	29,13	3,8	5,1	5,0	8,4							
	58	91	1,3	24,55	3,6	5,1	5,0	8,4							
	64	83	1,3	22,35	3,6	5,1	5,0	8,4							
	76	70	1,4	18,79	3,4	5,1	5,0	8,4							
	86	61	1,6	16,53	3,4	5,1	5,0	8,4							
	95	55	1,4	14,92	3,2	5,1	5,0	8,4							
	103	51	2,1	13,84	3,2	5,1	5,0	8,4							
	122	43	2,6	11,66	3,1	5,1	5,0	8,4							
	150	35	3,1	9,49	2,9	5,0	5,0	8,4							
	164	32	3,4	8,64	2,8	4,8	5,0	8,4							
	196	27	4,1	7,26	2,7	4,5	5,0	8,4							
	224	23	4,7	6,35	2,6	4,3	5,0	8,4							
	266	20	4,7	5,34	2,5	4,0	5,0	8,4							
	335	16	4,7	4,24	2,3	3,7	5,0	8,0							



0,75 kW

P_1 [kW]	n_2 [min ⁻¹]	M_2 [Nm]	f_B	i_{ges}	F_R [kN]	F_A [kN]	$F_{R VL}$ [kN]	$F_{A VL}$ [kN]		kg	mm	
0,75	1,0	6550	1,8	1366,83	90,4	73,0	100,0	100,0	SK 8382/32 - 80 LH/4	410	C101	
	1,3	5103	2,4	1064,91	91,7	73,0	100,0	100,0				
	1,6	4271	2,8	891,21	92,3	73,0	100,0	100,0				
		1,1	6438	1,1	1343,50	51,2	58,0	77,1	80,0	SK 7382/22 - 80 LH/4	274	C101
		1,4	5013	1,4	1046,18	54,5	58,0	79,3	80,0			
		1,5	4475	1,6	933,91	55,4	58,0	79,9	80,0			
		2,0	3423	2,1	714,31	57,0	58,0	81,0	80,0			
		1,1	6034	0,9	1259,27	25,6	46,5	48,4	60,0	SK 6382/22 - 80 LH/4	201	C101
		1,3	5292	1,0	1104,39	30,2	46,5	51,0	60,0			
		1,7	3923	1,4	818,71	36,1	46,5	54,7	60,0			
		2,2	3055	1,8	637,53	38,6	46,5	56,4	60,0			
		2,5	2727	2,0	569,11	39,4	46,5	56,9	60,0			
	2,0	3543	0,9	700,03	23,4	32,0	39,1	40,0	SK 5382 - 80 LH/4	120	C87	
	2,5	2886	1,0	570,18	26,6	32,0	41,1	40,0				
	2,7	2658	1,2	525,20	27,5	32,0	41,6	40,0				
	3,3	2165	1,5	427,79	29,0	32,0	42,7	40,0				
	3,9	1831	1,5	361,69	29,9	32,0	43,3	40,0				
	4,3	1678	1,9	331,48	30,2	32,0	43,5	40,0				
	5,2	1367	2,0	269,99	30,8	32,0	43,9	40,0				
	5,7	1259	2,5	248,70	31,0	32,0	44,0	40,0				
	7,0	1025	3,1	202,57	31,3	32,0	44,3	40,0				
	8,3	867	3,2	171,27	31,5	32,0	44,4	40,0				
	9,2	779	4,1	153,92	31,6	32,0	44,5	40,0				
	10	703	4,6	138,82	31,6	32,0	44,5	40,0				
	12	594	4,6	117,37	30,2	32,0	44,6	40,0				
	3,4	2087	1,0	412,38	16,5	22,0	27,0	30,0	SK 4382 - 80 LH/4	80	C85	
	3,6	1978	1,0	390,76	17,1	22,0	27,4	30,0				
	4,1	1746	1,0	344,84	18,4	22,0	28,2	30,0				
	4,3	1654	1,1	326,81	18,8	22,0	28,5	30,0				
	4,7	1532	1,4	302,65	19,3	22,0	28,8	30,0				
	5,2	1380	1,1	272,54	19,9	22,0	29,2	30,0				
	5,6	1281	1,5	253,12	20,2	22,0	29,4	30,0				
	6,7	1069	1,5	211,09	20,8	22,0	29,8	30,0				
	6,1	1168	0,9	230,83	12,8	14,5	20,4	20,0	SK 3382 - 80 LH/4	58	C83	
	7,4	965	0,9	190,69	14,1	14,5	21,2	20,0				
	8,8	817	1,0	161,46	14,8	14,5	21,7	20,0				
	13	568	1,4	112,23	13,9	14,5	22,3	20,0	SK 3282 - 80 LH/4	50	C82	
	14	511	1,6	100,88	13,6	14,5	22,4	20,0				
	16	449	2,1	88,74	13,2	14,5	22,5	20,0				
	18	404	2,1	79,76	12,8	14,5	22,6	20,0				
	20	357	1,6	70,56	12,3	14,5	22,7	20,0				
	21	334	2,3	65,89	12,2	14,5	22,7	20,0				
	25	282	2,3	55,79	11,6	14,5	22,6	20,0				
	29	243	2,3	48,04	11,1	14,5	21,7	20,0				
	11	667	0,8	131,86	6,7	12,0	11,8	15,0	SK 2382 - 80 LH/4	42	C81	
	12	589	0,9	116,35	7,6	12,0	12,4	15,0				
	14	498	1,1	98,35	8,4	12,0	12,9	15,0				
	17	416	1,3	82,22	8,9	12,0	13,2	15,0				
	14	511	0,9	100,98	8,3	12,0	12,8	15,0	SK 2282 - 80 LH/4	35	C80	
	17	417	1,1	82,42	8,9	12,0	13,2	15,0				
	20	353	1,3	69,67	9,3	12,0	13,5	15,0				
	22	323	1,6	63,83	9,4	12,0	13,6	15,0				
	26	273	1,9	53,96	9,6	12,0	13,7	15,0				
	31	228	2,0	45,11	9,8	12,0	13,8	15,0				
	38	188	2,4	37,18	9,3	12,0	13,9	15,0				
	48	150	3,3	29,65	8,8	12,0	14,0	15,0				
	53	136	3,2	26,83	8,5	12,0	14,0	15,0				
	57	126	3,9	24,97	8,3	12,0	14,0	15,0				
	59	121	3,6	23,96	8,3	12,0	14,0	15,0				
	65	111	4,3	21,90	8,0	12,0	14,0	15,0				



0,75 kW

P_1 [kW]	n_2 [min ⁻¹]	M_2 [Nm]	f_B	i_{ges}	F_R [kN]	F_A [kN]	$F_{R VL}$ [kN]	$F_{A VL}$ [kN]		kg	mm			
0,75	16	450	0,8	88,94	4,0	7,8	7,9	10,5	SK 1382NB - 80 LH/4	30	C76-78			
	18	400	0,9	78,99	4,8	7,8	8,0	10,5						
	21	345	1,1	68,23	5,5	7,8	8,0	10,5						
	24	304	1,2	60,00	5,9	7,8	8,0	10,5						
	27	270	1,3	53,28	6,2	7,8	8,0	10,5						
	32	225	1,5	44,40	6,3	7,8	8,0	10,5						
	36	196	1,7	38,77	6,2	7,8	8,0	10,5						
	40	181	1,7	35,75	6,1	7,8	8,0	10,5						
	47	151	1,9	29,79	5,9	7,8	8,0	10,5						
	54	132	2,1	26,01	5,7	7,8	8,0	10,5						
	20	365	0,8	72,17	4,8	7,2	8,4	7,2	SK 1282 - 80 LH/4	24	C79			
	21	335	0,8	66,23	4,7	7,2	8,6	7,2						
	24	298	0,9	58,89	4,7	7,2	8,9	7,2						
	26	280	0,8	55,39	4,6	7,2	8,9	7,2						
	29	249	1,0	49,25	4,6	7,2	9,1	7,2						
	31	234	0,8	46,19	4,5	7,2	9,2	7,2						
	34	208	1,0	41,07	4,4	7,2	9,3	7,2						
	44	162	1,4	32,08	4,3	7,2	9,4	7,2						
	50	143	1,6	28,33	4,2	7,2	9,5	7,2						
	56	128	1,8	25,22	4,1	7,2	9,5	7,2						
	69	104	2,2	20,57	3,9	7,2	9,6	7,2						
	82	87	2,6	17,21	3,8	7,2	9,6	7,2						
	35	204	0,8	40,38	3,7	5,0	6,7	5,0				SK 0282NB - 80 LH/4	18	C73-75
	41	173	0,9	34,16	3,6	5,0	6,9	5,0						
	47	152	0,8	30,03	3,6	5,0	7,0	5,0						
	55	131	1,0	25,96	3,5	5,0	7,1	5,0						
	62	115	1,1	22,70	3,5	5,0	7,2	5,0						
	66	109	1,3	21,57	3,4	5,0	7,2	5,0						
	71	101	1,3	19,95	3,4	5,0	7,2	5,0						
	80	89	1,4	17,61	3,3	5,0	7,3	5,0						
	85	84	1,7	16,58	3,2	5,0	7,3	5,0						
	100	72	2,3	14,21	3,1	5,0	7,3	5,0						
	109	66	2,4	12,98	3,0	5,0	7,3	5,0						
	126	57	2,5	11,25	2,9	5,0	7,3	5,0						
	129	56	2,7	10,98	2,9	5,0	7,4	5,0						
	147	49	2,9	9,64	2,8	5,0	7,4	5,0						
	161	45	3,1	8,80	2,8	4,9	7,4	5,0						
	190	38	3,5	7,45	2,6	4,6	7,4	5,0						
	220	33	3,8	6,44	2,5	4,4	7,4	5,0						
	236	30	4,0	5,99	2,5	4,2	7,4	5,0						
	274	26	4,4	5,17	2,4	4,0	7,3	5,0						
	304	24	4,7	4,66	2,3	3,8	7,0	5,0						
	58	124	0,9	24,55	3,3	5,1	5,0	8,4	SK 0182NB - 80 LH/4	14	C70-72			
	63	113	1,0	22,35	3,3	5,1	5,0	8,4						
	75	95	1,0	18,79	3,2	5,1	5,0	8,4						
	86	84	1,2	16,53	3,2	5,1	5,0	8,4						
	95	76	1,0	14,92	3,0	5,1	5,0	8,4						
	102	70	1,6	13,84	3,1	5,1	5,0	8,4						
	121	59	1,9	11,66	3,0	5,1	5,0	8,4						
	149	48	2,3	9,49	2,8	4,8	5,0	8,4						
	164	44	2,5	8,64	2,8	4,6	5,0	8,4						
	195	37	3,0	7,26	2,6	4,3	5,0	8,4						
	223	32	3,4	6,35	2,5	4,2	5,0	8,4						
	265	27	3,4	5,34	2,4	3,9	5,0	8,4						
	334	21	3,4	4,24	2,3	3,6	5,0	7,9						



1,10 kW

P_1 [kW]	n_2 [min ⁻¹]	M_2 [Nm]	f_B	i_{ges}	F_R [kN]	F_A [kN]	$F_{R VL}$ [kN]	$F_{A VL}$ [kN]		kg	mm
1,10	1,0	10389	2,3	1419,20	120,0	102,0	120,0	130,0	SK 9382/42 - 90 SH/4	732	C101
	1,2	8630	2,8	1178,81	120,0	102,0	120,0	130,0			
	1,6	6490	3,7	886,49	114,1	102,0	120,0	130,0			
	1,0	10006	1,2	1366,83	85,7	73,0	100,0	100,0	SK 8382/32 - 90 SH/4	415	C101
	1,3	7796	1,6	1064,91	88,9	73,0	100,0	100,0			
	1,6	6524	1,9	891,21	90,4	73,0	100,0	100,0			
	2,0	5259	2,3	718,43	91,6	73,0	100,0	100,0			
	2,3	4487	2,7	612,94	92,2	73,0	100,0	100,0			
	1,4	7659	0,9	1046,18	47,6	58,0	74,7	80,0	SK 7382/22 - 90 SH/4	279	C101
	1,5	6837	1,0	933,91	50,1	58,0	76,4	80,0			
2,0	5229	1,4	714,31	54,0	58,0	79,0	80,0				
2,5	4172	1,7	569,97	55,9	58,0	80,3	80,0				
3,3	3188	2,2	435,50	57,3	58,0	81,2	80,0				
3,8	2754	2,6	376,26	57,8	58,0	81,6	80,0				
1,8	5993	0,9	818,71	25,9	46,5	48,6	60,0	SK 6382/22 - 90 SH/4	206	C101	
2,3	4667	1,2	637,53	33,3	46,5	52,9	60,0				
2,5	4166	1,3	569,11	35,3	46,5	54,2	60,0				
3,3	3187	1,7	435,29	38,3	46,5	56,2	60,0				
4,1	2543	2,1	347,33	39,8	46,5	57,2	60,0				
2,6	4038	1,3	551,58	35,7	46,5	54,5	60,0	SK 6382 - 90 SH/4	187	C89	
3,2	3258	1,3	445,09	38,1	46,5	56,1	60,0				
3,6	2878	2,0	393,19	39,0	46,5	56,7	60,0				
4,5	2323	2,4	317,28	40,2	46,5	57,5	60,0				
5,7	1843	2,4	251,76	41,0	46,5	58,0	60,0				
6,4	1653	2,4	225,79	41,2	46,5	58,2	60,0				
2,7	3845	0,8	525,20	21,5	32,0	38,0	40,0	SK 5382 - 90 SH/4	125	C87	
3,4	3132	1,0	427,79	25,5	32,0	40,4	40,0				
4,0	2648	1,1	361,69	27,5	32,0	41,7	40,0				
4,3	2427	1,3	331,48	28,2	32,0	42,2	40,0				
5,3	1976	1,4	269,99	29,5	32,0	43,0	40,0				
5,8	1821	1,8	248,70	29,9	32,0	43,3	40,0				
7,1	1483	2,2	202,57	30,6	32,0	43,8	40,0				
8,4	1254	2,2	171,27	31,0	32,0	44,0	40,0				
9,3	1127	2,8	153,92	31,2	32,0	44,2	40,0				
11	981	2,7	134,03	30,6	32,0	44,3	40,0				
4,4	2392	0,8	326,81	14,3	22,0	25,7	30,0	SK 4382 - 90 SH/4	85	C85	
4,7	2216	0,9	302,65	15,6	22,0	26,5	30,0				
5,3	1995	0,8	272,54	17,0	22,0	27,3	30,0				
5,7	1853	1,1	253,12	17,8	22,0	27,8	30,0				
6,8	1545	1,1	211,09	19,2	22,0	28,8	30,0				
7,5	1402	1,4	191,57	19,8	22,0	29,1	30,0				
9,0	1173	1,4	160,20	20,5	22,0	29,6	30,0				
9,2	1138	1,1	155,40	20,6	22,0	29,7	30,0				
13	811	2,0	110,78	20,2	22,0	30,2	30,0				
16	663	2,4	90,52	19,2	22,0	30,4	30,0	SK 4282 - 90 SH/4	70	C84	
19	561	2,8	76,70	18,3	22,0	30,5	30,0				
10	1036	0,9	141,49	13,1	14,5	21,0	20,0				
11	929	0,8	126,93	12,7	14,5	21,4	20,0	SK 3282/12 - 90 SH/4	65	C101	
11	929	0,8	126,93	12,7	14,5	21,4	20,0	SK 3382 - 90 SH/4	63	C83	
13	822	0,9	112,23	12,7	14,5	21,7	20,0	SK 3282 - 90 SH/4	55	C82	
14	738	1,1	100,88	12,5	14,5	21,9	20,0				
16	650	1,5	88,74	12,3	14,5	22,1	20,0				
18	584	1,5	79,76	12,0	14,5	22,3	20,0				
20	517	1,1	70,56	11,6	14,5	22,4	20,0				
22	469	2,2	64,12	11,4	14,5	22,5	20,0				
26	408	1,6	55,79	11,0	14,5	22,0	20,0				
27	388	2,2	52,97	10,9	14,5	21,8	20,0				
30	352	1,6	48,04	10,6	14,5	21,2	20,0				
32	328	2,2	44,85	10,5	14,5	20,8	20,0				
34	308	3,0	42,02	10,4	14,5	20,5	20,0				
37	283	2,2	38,62	10,1	14,5	20,0	20,0				
38	276	3,0	37,77	10,1	14,5	20,0	20,0				
45	234	3,8	31,93	9,6	14,5	19,1	20,0				

1,10 kW
1,50 kW



P_1 [kW]	n_2 [min ⁻¹]	M_2 [Nm]	f_B	i_{ges}	F_R [kN]	F_A [kN]	$F_{R VL}$ [kN]	$F_{A VL}$ [kN]		kg	mm																																																																																																																																																																																																																																																																																																																																																																																																																																																																																																																																																						
1,10	15	720	0,8	98,35	5,9	12,0	11,4	15,0	SK 2382 - 90 SH/4	47	C81																																																																																																																																																																																																																																																																																																																																																																																																																																																																																																																																																						
	17	602	0,9	82,22	7,4	12,0	12,3	15,0				17	603	0,8	82,42	7,4	12,0	12,3	15,0	SK 2282 - 90 SH/4	40	C80	21	510	0,9	69,67	8,3	12,0	12,8	15,0	22	467	1,1	63,83	8,6	12,0	13,0	15,0	27	395	1,3	53,96	9,1	12,0	13,3	15,0	28	379	1,4	51,71	9,1	12,0	13,4	15,0	32	330	1,4	45,11	9,2	12,0	13,6	15,0	33	320	1,8	43,71	9,2	12,0	13,6	15,0	39	267	1,9	36,54	8,8	12,0	13,7	15,0	46	229	1,9	31,23	8,4	12,0	13,8	15,0	48	217	2,3	29,65	8,4	12,0	13,9	15,0	53	196	2,2	26,83	8,2	12,0	13,9	15,0	57	183	2,7	24,97	8,0	12,0	13,9	15,0	60	175	2,5	23,96	8,0	12,0	13,9	15,0	66	160	3,0	21,90	7,8	12,0	13,9	15,0	78	136	3,6	18,51	7,4	12,0	14,0	15,0	87	121	3,9	16,53	7,2	12,0	13,9	15,0	24	439	0,8	60,00	4,2	7,8	8,0	10,5	SK 1382NB - 90 SH/4	35	C76-78	27	390	0,9	53,28	4,9	7,8	8,0	10,5	32	325	1,0	44,40	5,4	7,8	8,0	10,5	37	284	1,1	38,77	5,4	7,8	8,0	10,5	40	262	1,1	35,75	5,4	7,8	8,0	10,5	48	218	1,3	29,79	5,3	7,8	8,0	10,5	55	190	1,4	26,01	5,2	7,8	8,0	10,5	59	178	1,6	24,26	5,2	7,8	8,0	10,5	77	137	1,8	18,75	4,9	7,4	8,0	10,5	88	119	1,9	16,28	4,8	7,1	8,0	10,5	45	235	1,0	32,08	3,9	7,2	9,2	7,2	SK 1282 - 90 SH/4	29	C79	51	207	1,1	28,33	3,8	7,2	9,3	7,2	57	185	1,2	25,22	3,8	7,2	9,4	7,2	70	151	1,5	20,57	3,6	7,2	9,5	7,2	83	126	1,8	17,21	3,5	7,0	9,5	7,2	102	103	2,0	14,11	3,4	6,6	9,6	7,2	122	86	2,4	11,76	3,2	6,2	9,5	7,2	139	76	2,6	10,34	3,1	6,0	9,1	7,2	72	146	0,9	19,95	3,1	5,0	7,0	5,0	SK 0282NB - 90 SH/4	23	C73-75	81	129	1,0	17,61	3,0	5,0	7,1	5,0	87	121	1,2	16,58	3,0	5,0	7,2	5,0	101	104	1,6	14,21	2,9	5,0	7,2	5,0	111	95	1,7	12,98	2,8	5,0	7,2	5,0	128	82	1,7	11,25	2,8	4,9	7,3	5,0	131	80	1,9	10,98	2,7	4,8	7,3	5,0	149	71	2,0	9,64	2,7	4,7	7,3	5,0	163	64	2,1	8,80	2,6	4,6	7,3	5,0	193	55	2,4	7,45	2,5	4,3	7,4	5,0	223	47	2,6	6,44	2,4	4,1	7,4	5,0	240	44	2,8	5,99	2,4	4,0	7,4	5,0	278	38	3,0	5,17	2,3	3,8	7,2	5,0	308	34	3,2	4,66	2,2	3,6	6,9	5,0	356	30	3,5	4,03	2,1	3,5	6,7	5,0	1,50	1,0	14363	2,4	1418,74	132,7	150,0	132,7	150,0	SK 10382/52 - 90 LH/4	1327	C102	1,0	14368	1,7	1419,20	120,0	102,0	120,0	130,0	SK 9382/42 - 90 LH/4	734	C101	1,2	11934	2,0	1178,81	118,6	102,0	120,0	130,0	1,6	8975	2,7	886,49	110,3	102,0	120,0	130,0	2,0	7242	3,3	715,38	105,1	102,0	120,0	130,0	2,3	6259	3,8	618,30	101,3	102,0	120,0	130,0	1,0	13837	0,9	1366,83	77,7	73,0	100,0	100,0	SK 8382/32 - 90 LH/4	417	C101	1,3	10781	1,1	1064,91	84,3	73,0	100,0	100,0	1,6	9022	1,3	891,21	87,3	73,0	100,0	100,0	2,0	7273	1,7	718,43	89,6	73,0	100,0	100,0	2,3	6205	1,9	612,94	89,4	73,0	100,0	100,0	2,0	7231	1,0	714,31	49,0	58,0	75,6	80,0	SK 7382/22 - 90 LH/4	281	C101	2,5	5770	1,2	569,97	52,9	58,0	78,2	80,0	3,2	4409	1,6	435,50	55,5	58,0	80,0	80,0	3,8	3809	1,9	376,26	56,5
	17	603	0,8	82,42	7,4	12,0	12,3	15,0	SK 2282 - 90 SH/4	40	C80																																																																																																																																																																																																																																																																																																																																																																																																																																																																																																																																																						
	21	510	0,9	69,67	8,3	12,0	12,8	15,0																																																																																																																																																																																																																																																																																																																																																																																																																																																																																																																																																									
	22	467	1,1	63,83	8,6	12,0	13,0	15,0																																																																																																																																																																																																																																																																																																																																																																																																																																																																																																																																																									
	27	395	1,3	53,96	9,1	12,0	13,3	15,0																																																																																																																																																																																																																																																																																																																																																																																																																																																																																																																																																									
	28	379	1,4	51,71	9,1	12,0	13,4	15,0																																																																																																																																																																																																																																																																																																																																																																																																																																																																																																																																																									
	32	330	1,4	45,11	9,2	12,0	13,6	15,0																																																																																																																																																																																																																																																																																																																																																																																																																																																																																																																																																									
	33	320	1,8	43,71	9,2	12,0	13,6	15,0																																																																																																																																																																																																																																																																																																																																																																																																																																																																																																																																																									
	39	267	1,9	36,54	8,8	12,0	13,7	15,0																																																																																																																																																																																																																																																																																																																																																																																																																																																																																																																																																									
	46	229	1,9	31,23	8,4	12,0	13,8	15,0																																																																																																																																																																																																																																																																																																																																																																																																																																																																																																																																																									
	48	217	2,3	29,65	8,4	12,0	13,9	15,0																																																																																																																																																																																																																																																																																																																																																																																																																																																																																																																																																									
	53	196	2,2	26,83	8,2	12,0	13,9	15,0																																																																																																																																																																																																																																																																																																																																																																																																																																																																																																																																																									
	57	183	2,7	24,97	8,0	12,0	13,9	15,0																																																																																																																																																																																																																																																																																																																																																																																																																																																																																																																																																									
	60	175	2,5	23,96	8,0	12,0	13,9	15,0																																																																																																																																																																																																																																																																																																																																																																																																																																																																																																																																																									
	66	160	3,0	21,90	7,8	12,0	13,9	15,0																																																																																																																																																																																																																																																																																																																																																																																																																																																																																																																																																									
	78	136	3,6	18,51	7,4	12,0	14,0	15,0																																																																																																																																																																																																																																																																																																																																																																																																																																																																																																																																																									
	87	121	3,9	16,53	7,2	12,0	13,9	15,0				24	439	0,8	60,00	4,2	7,8	8,0	10,5	SK 1382NB - 90 SH/4	35	C76-78	27	390	0,9	53,28	4,9	7,8	8,0	10,5	32	325	1,0	44,40	5,4	7,8	8,0	10,5	37	284	1,1	38,77	5,4	7,8	8,0	10,5	40	262	1,1	35,75	5,4	7,8	8,0	10,5	48	218	1,3	29,79	5,3	7,8	8,0	10,5	55	190	1,4	26,01	5,2	7,8	8,0	10,5	59	178	1,6	24,26	5,2	7,8	8,0	10,5	77	137	1,8	18,75	4,9	7,4	8,0	10,5	88	119	1,9	16,28	4,8	7,1	8,0	10,5	45	235	1,0	32,08	3,9	7,2	9,2	7,2	SK 1282 - 90 SH/4	29	C79	51	207	1,1	28,33	3,8	7,2	9,3	7,2	57	185	1,2	25,22	3,8	7,2	9,4	7,2	70	151	1,5	20,57	3,6	7,2	9,5	7,2	83	126	1,8	17,21	3,5	7,0	9,5	7,2	102	103	2,0	14,11	3,4	6,6	9,6	7,2	122	86	2,4	11,76	3,2	6,2	9,5	7,2	139	76	2,6	10,34	3,1	6,0	9,1	7,2	72	146	0,9	19,95	3,1	5,0	7,0	5,0	SK 0282NB - 90 SH/4	23	C73-75	81	129	1,0	17,61	3,0	5,0	7,1	5,0	87	121	1,2	16,58	3,0	5,0	7,2	5,0	101	104	1,6	14,21	2,9	5,0	7,2	5,0	111	95	1,7	12,98	2,8	5,0	7,2	5,0	128	82	1,7	11,25	2,8	4,9	7,3	5,0	131	80	1,9	10,98	2,7	4,8	7,3	5,0	149	71	2,0	9,64	2,7	4,7	7,3	5,0	163	64	2,1	8,80	2,6	4,6	7,3	5,0	193	55	2,4	7,45	2,5	4,3	7,4	5,0	223	47	2,6	6,44	2,4	4,1	7,4	5,0	240	44	2,8	5,99	2,4	4,0	7,4	5,0	278	38	3,0	5,17	2,3	3,8	7,2	5,0	308	34	3,2	4,66	2,2	3,6	6,9	5,0	356	30	3,5	4,03	2,1	3,5	6,7	5,0	1,50	1,0	14363	2,4	1418,74	132,7	150,0	132,7	150,0	SK 10382/52 - 90 LH/4	1327	C102	1,0	14368	1,7	1419,20	120,0	102,0	120,0	130,0	SK 9382/42 - 90 LH/4	734	C101	1,2	11934	2,0	1178,81	118,6	102,0	120,0	130,0	1,6	8975	2,7	886,49	110,3	102,0	120,0	130,0	2,0	7242	3,3	715,38	105,1	102,0	120,0	130,0	2,3	6259	3,8	618,30	101,3	102,0	120,0	130,0	1,0	13837	0,9	1366,83	77,7	73,0	100,0	100,0	SK 8382/32 - 90 LH/4	417	C101	1,3	10781	1,1	1064,91	84,3	73,0	100,0	100,0	1,6	9022	1,3	891,21	87,3	73,0	100,0	100,0	2,0	7273	1,7	718,43	89,6	73,0	100,0	100,0	2,3	6205	1,9	612,94	89,4	73,0	100,0	100,0	2,0	7231	1,0	714,31	49,0	58,0	75,6	80,0	SK 7382/22 - 90 LH/4	281	C101	2,5	5770	1,2	569,97	52,9	58,0	78,2	80,0	3,2	4409	1,6	435,50	55,5	58,0	80,0	80,0	3,8	3809	1,9	376,26	56,5	58,0		80,7	80,0																																																																																																																															
	24	439	0,8	60,00	4,2	7,8	8,0	10,5	SK 1382NB - 90 SH/4	35	C76-78																																																																																																																																																																																																																																																																																																																																																																																																																																																																																																																																																						
27	390	0,9	53,28	4,9	7,8	8,0	10,5																																																																																																																																																																																																																																																																																																																																																																																																																																																																																																																																																										
32	325	1,0	44,40	5,4	7,8	8,0	10,5																																																																																																																																																																																																																																																																																																																																																																																																																																																																																																																																																										
37	284	1,1	38,77	5,4	7,8	8,0	10,5																																																																																																																																																																																																																																																																																																																																																																																																																																																																																																																																																										
40	262	1,1	35,75	5,4	7,8	8,0	10,5																																																																																																																																																																																																																																																																																																																																																																																																																																																																																																																																																										
48	218	1,3	29,79	5,3	7,8	8,0	10,5																																																																																																																																																																																																																																																																																																																																																																																																																																																																																																																																																										
55	190	1,4	26,01	5,2	7,8	8,0	10,5																																																																																																																																																																																																																																																																																																																																																																																																																																																																																																																																																										
59	178	1,6	24,26	5,2	7,8	8,0	10,5																																																																																																																																																																																																																																																																																																																																																																																																																																																																																																																																																										
77	137	1,8	18,75	4,9	7,4	8,0	10,5																																																																																																																																																																																																																																																																																																																																																																																																																																																																																																																																																										
88	119	1,9	16,28	4,8	7,1	8,0	10,5	45				235	1,0	32,08	3,9	7,2	9,2	7,2	SK 1282 - 90 SH/4	29	C79	51	207	1,1	28,33	3,8	7,2	9,3	7,2	57	185	1,2	25,22	3,8	7,2	9,4	7,2	70	151	1,5	20,57	3,6	7,2	9,5	7,2	83	126	1,8	17,21	3,5	7,0	9,5	7,2	102	103	2,0	14,11	3,4	6,6	9,6	7,2	122	86	2,4	11,76	3,2	6,2	9,5	7,2	139	76	2,6	10,34	3,1	6,0	9,1	7,2	72	146	0,9	19,95	3,1	5,0	7,0	5,0	SK 0282NB - 90 SH/4	23	C73-75	81	129	1,0	17,61	3,0	5,0	7,1	5,0	87	121	1,2	16,58	3,0	5,0	7,2	5,0	101	104	1,6	14,21	2,9	5,0	7,2	5,0	111	95	1,7	12,98	2,8	5,0	7,2	5,0	128	82	1,7	11,25	2,8	4,9	7,3	5,0	131	80	1,9	10,98	2,7	4,8	7,3	5,0	149	71	2,0	9,64	2,7	4,7	7,3	5,0	163	64	2,1	8,80	2,6	4,6	7,3	5,0	193	55	2,4	7,45	2,5	4,3	7,4	5,0	223	47	2,6	6,44	2,4	4,1	7,4	5,0	240				44	2,8	5,99	2,4	4,0	7,4	5,0	278	38	3,0	5,17	2,3	3,8	7,2	5,0	308	34	3,2	4,66	2,2	3,6	6,9	5,0	356	30	3,5	4,03	2,1	3,5	6,7	5,0	1,50	1,0	14363	2,4	1418,74	132,7	150,0	132,7	150,0	SK 10382/52 - 90 LH/4	1327	C102	1,0	14368	1,7	1419,20	120,0	102,0	120,0	130,0	SK 9382/42 - 90 LH/4	734	C101	1,2	11934	2,0	1178,81	118,6	102,0	120,0	130,0	1,6	8975	2,7	886,49	110,3	102,0	120,0	130,0	2,0	7242	3,3	715,38	105,1	102,0	120,0	130,0	2,3	6259	3,8	618,30	101,3	102,0	120,0	130,0	1,0	13837	0,9	1366,83	77,7	73,0	100,0	100,0	SK 8382/32 - 90 LH/4	417	C101	1,3	10781	1,1	1064,91	84,3	73,0	100,0	100,0	1,6	9022	1,3	891,21	87,3	73,0	100,0		100,0	2,0	7273	1,7	718,43	89,6	73,0	100,0	100,0	2,3	6205	1,9	612,94	89,4	73,0	100,0	100,0	2,0	7231	1,0	714,31	49,0	58,0	75,6	80,0	SK 7382/22 - 90 LH/4	281	C101	2,5	5770	1,2	569,97	52,9	58,0	78,2	80,0	3,2	4409	1,6	435,50	55,5	58,0	80,0	80,0	3,8	3809	1,9	376,26	56,5	58,0	80,7	80,0																																																																																																																																																																																																																
45	235	1,0	32,08	3,9	7,2	9,2	7,2	SK 1282 - 90 SH/4	29	C79																																																																																																																																																																																																																																																																																																																																																																																																																																																																																																																																																							
51	207	1,1	28,33	3,8	7,2	9,3	7,2																																																																																																																																																																																																																																																																																																																																																																																																																																																																																																																																																										
57	185	1,2	25,22	3,8	7,2	9,4	7,2																																																																																																																																																																																																																																																																																																																																																																																																																																																																																																																																																										
70	151	1,5	20,57	3,6	7,2	9,5	7,2																																																																																																																																																																																																																																																																																																																																																																																																																																																																																																																																																										
83	126	1,8	17,21	3,5	7,0	9,5	7,2																																																																																																																																																																																																																																																																																																																																																																																																																																																																																																																																																										
102	103	2,0	14,11	3,4	6,6	9,6	7,2																																																																																																																																																																																																																																																																																																																																																																																																																																																																																																																																																										
122	86	2,4	11,76	3,2	6,2	9,5	7,2																																																																																																																																																																																																																																																																																																																																																																																																																																																																																																																																																										
139	76	2,6	10,34	3,1	6,0	9,1	7,2				72	146	0,9	19,95	3,1	5,0	7,0	5,0	SK 0282NB - 90 SH/4	23	C73-75	81	129	1,0	17,61	3,0	5,0	7,1	5,0	87	121	1,2	16,58	3,0	5,0	7,2	5,0	101	104	1,6	14,21	2,9	5,0	7,2	5,0	111	95	1,7	12,98	2,8	5,0	7,2	5,0	128	82	1,7	11,25	2,8	4,9	7,3	5,0	131	80	1,9	10,98	2,7	4,8	7,3	5,0	149	71	2,0	9,64	2,7	4,7	7,3	5,0	163	64	2,1	8,80	2,6	4,6	7,3	5,0				193	55	2,4	7,45	2,5	4,3	7,4	5,0	223	47	2,6	6,44	2,4	4,1	7,4	5,0	240	44	2,8	5,99	2,4	4,0	7,4	5,0	278	38	3,0	5,17	2,3	3,8	7,2	5,0	308	34	3,2	4,66	2,2	3,6	6,9	5,0	356	30	3,5	4,03	2,1	3,5	6,7	5,0	1,50	1,0	14363	2,4	1418,74	132,7	150,0	132,7	150,0	SK 10382/52 - 90 LH/4	1327	C102	1,0	14368	1,7	1419,20	120,0	102,0	120,0	130,0	SK 9382/42 - 90 LH/4	734	C101	1,2	11934	2,0	1178,81	118,6	102,0	120,0	130,0	1,6	8975	2,7	886,49	110,3	102,0	120,0	130,0	2,0	7242	3,3	715,38	105,1	102,0	120,0	130,0	2,3	6259	3,8	618,30	101,3	102,0	120,0	130,0	1,0	13837	0,9	1366,83	77,7	73,0	100,0	100,0	SK 8382/32 - 90 LH/4	417	C101	1,3		10781	1,1	1064,91	84,3	73,0	100,0	100,0	1,6	9022	1,3	891,21	87,3	73,0	100,0	100,0	2,0	7273	1,7	718,43	89,6	73,0	100,0	100,0	2,3	6205	1,9	612,94	89,4	73,0	100,0	100,0	2,0	7231	1,0	714,31	49,0	58,0	75,6	80,0	SK 7382/22 - 90 LH/4	281	C101	2,5	5770	1,2	569,97	52,9	58,0	78,2	80,0	3,2	4409	1,6	435,50	55,5	58,0	80,0	80,0	3,8	3809	1,9	376,26	56,5	58,0	80,7	80,0																																																																																																																																																																																																																																																																																			
72	146	0,9	19,95	3,1	5,0	7,0	5,0	SK 0282NB - 90 SH/4	23	C73-75																																																																																																																																																																																																																																																																																																																																																																																																																																																																																																																																																							
81	129	1,0	17,61	3,0	5,0	7,1	5,0																																																																																																																																																																																																																																																																																																																																																																																																																																																																																																																																																										
87	121	1,2	16,58	3,0	5,0	7,2	5,0																																																																																																																																																																																																																																																																																																																																																																																																																																																																																																																																																										
101	104	1,6	14,21	2,9	5,0	7,2	5,0																																																																																																																																																																																																																																																																																																																																																																																																																																																																																																																																																										
111	95	1,7	12,98	2,8	5,0	7,2	5,0																																																																																																																																																																																																																																																																																																																																																																																																																																																																																																																																																										
128	82	1,7	11,25	2,8	4,9	7,3	5,0																																																																																																																																																																																																																																																																																																																																																																																																																																																																																																																																																										
131	80	1,9	10,98	2,7	4,8	7,3	5,0																																																																																																																																																																																																																																																																																																																																																																																																																																																																																																																																																										
149	71	2,0	9,64	2,7	4,7	7,3	5,0																																																																																																																																																																																																																																																																																																																																																																																																																																																																																																																																																										
163	64	2,1	8,80	2,6	4,6	7,3	5,0																																																																																																																																																																																																																																																																																																																																																																																																																																																																																																																																																										
193	55	2,4	7,45	2,5	4,3	7,4	5,0																																																																																																																																																																																																																																																																																																																																																																																																																																																																																																																																																										
223	47	2,6	6,44	2,4	4,1	7,4	5,0																																																																																																																																																																																																																																																																																																																																																																																																																																																																																																																																																										
240	44	2,8	5,99	2,4	4,0	7,4	5,0																																																																																																																																																																																																																																																																																																																																																																																																																																																																																																																																																										
278	38	3,0	5,17	2,3	3,8	7,2	5,0																																																																																																																																																																																																																																																																																																																																																																																																																																																																																																																																																										
308	34	3,2	4,66	2,2	3,6	6,9	5,0																																																																																																																																																																																																																																																																																																																																																																																																																																																																																																																																																										
356	30	3,5	4,03	2,1	3,5	6,7	5,0				1,50	1,0	14363	2,4	1418,74	132,7	150,0	132,7				150,0	SK 10382/52 - 90 LH/4	1327	C102	1,0	14368	1,7	1419,20	120,0	102,0	120,0	130,0	SK 9382/42 - 90 LH/4	734	C101	1,2	11934	2,0	1178,81	118,6	102,0	120,0	130,0	1,6	8975	2,7	886,49	110,3	102,0	120,0	130,0	2,0	7242	3,3	715,38	105,1	102,0	120,0	130,0	2,3	6259	3,8	618,30	101,3	102,0	120,0	130,0	1,0	13837	0,9	1366,83	77,7	73,0	100,0	100,0	SK 8382/32 - 90 LH/4	417	C101	1,3	10781	1,1	1064,91	84,3	73,0	100,0	100,0	1,6	9022	1,3	891,21	87,3	73,0	100,0	100,0	2,0	7273	1,7	718,43	89,6	73,0	100,0	100,0	2,3	6205	1,9	612,94	89,4	73,0	100,0	100,0	2,0	7231	1,0	714,31	49,0	58,0	75,6	80,0	SK 7382/22 - 90 LH/4	281	C101	2,5	5770	1,2	569,97	52,9	58,0	78,2	80,0	3,2	4409	1,6	435,50	55,5	58,0		80,0	80,0	3,8	3809	1,9	376,26	56,5	58,0	80,7	80,0																																																																																																																																																																																																																																																																																																																																																																																																														
1,50	1,0	14363	2,4	1418,74	132,7	150,0	132,7					150,0	SK 10382/52 - 90 LH/4	1327	C102																																																																																																																																																																																																																																																																																																																																																																																																																																																																																																																																																		
	1,0	14368	1,7	1419,20	120,0	102,0	120,0	130,0	SK 9382/42 - 90 LH/4	734		C101																																																																																																																																																																																																																																																																																																																																																																																																																																																																																																																																																					
	1,2	11934	2,0	1178,81	118,6	102,0	120,0	130,0																																																																																																																																																																																																																																																																																																																																																																																																																																																																																																																																																									
	1,6	8975	2,7	886,49	110,3	102,0	120,0	130,0																																																																																																																																																																																																																																																																																																																																																																																																																																																																																																																																																									
	2,0	7242	3,3	715,38	105,1	102,0	120,0	130,0																																																																																																																																																																																																																																																																																																																																																																																																																																																																																																																																																									
	2,3	6259	3,8	618,30	101,3	102,0	120,0	130,0					1,0	13837	0,9	1366,83	77,7	73,0	100,0	100,0	SK 8382/32 - 90 LH/4	417	C101	1,3	10781	1,1	1064,91	84,3	73,0	100,0	100,0	1,6	9022	1,3	891,21	87,3	73,0	100,0	100,0	2,0	7273	1,7	718,43	89,6	73,0	100,0	100,0	2,3	6205	1,9	612,94	89,4	73,0	100,0	100,0	2,0	7231	1,0	714,31	49,0	58,0	75,6	80,0	SK 7382/22 - 90 LH/4	281	C101	2,5	5770	1,2	569,97	52,9	58,0	78,2	80,0	3,2	4409	1,6	435,50	55,5	58,0	80,0	80,0	3,8	3809	1,9	376,26	56,5	58,0	80,7	80,0																																																																																																																																																																																																																																																																																																																																																																																																																																																																							
	1,0	13837	0,9	1366,83	77,7	73,0	100,0	100,0	SK 8382/32 - 90 LH/4	417		C101																																																																																																																																																																																																																																																																																																																																																																																																																																																																																																																																																					
	1,3	10781	1,1	1064,91	84,3	73,0	100,0	100,0																																																																																																																																																																																																																																																																																																																																																																																																																																																																																																																																																									
	1,6	9022	1,3	891,21	87,3	73,0	100,0	100,0																																																																																																																																																																																																																																																																																																																																																																																																																																																																																																																																																									
	2,0	7273	1,7	718,43	89,6	73,0	100,0	100,0																																																																																																																																																																																																																																																																																																																																																																																																																																																																																																																																																									
	2,3	6205	1,9	612,94	89,4	73,0	100,0	100,0					2,0	7231	1,0	714,31	49,0	58,0	75,6	80,0	SK 7382/22 - 90 LH/4	281	C101	2,5	5770	1,2	569,97	52,9	58,0	78,2	80,0	3,2	4409	1,6	435,50	55,5	58,0	80,0	80,0	3,8	3809	1,9	376,26	56,5	58,0	80,7	80,0																																																																																																																																																																																																																																																																																																																																																																																																																																																																																																																		
	2,0	7231	1,0	714,31	49,0	58,0	75,6	80,0	SK 7382/22 - 90 LH/4	281		C101																																																																																																																																																																																																																																																																																																																																																																																																																																																																																																																																																					
	2,5	5770	1,2	569,97	52,9	58,0	78,2	80,0																																																																																																																																																																																																																																																																																																																																																																																																																																																																																																																																																									
	3,2	4409	1,6	435,50	55,5	58,0	80,0	80,0																																																																																																																																																																																																																																																																																																																																																																																																																																																																																																																																																									
	3,8	3809	1,9	376,26	56,5	58,0	80,7	80,0																																																																																																																																																																																																																																																																																																																																																																																																																																																																																																																																																									



1,50 kW

P_1 [kW]	n_2 [min ⁻¹]	M_2 [Nm]	f_B	i_{ges}	F_R [kN]	F_A [kN]	$F_{R VL}$ [kN]	$F_{A VL}$ [kN]		kg	mm																																																																																																																																																																																																																																																																																																																																																																																																																																																																																																								
1,50	4,8	2992	2,4	295,54	57,5	58,0	81,4	80,0	SK 7382/32 - 90 LH/4	292	C101																																																																																																																																																																																																																																																																																																																																																																																																																																																																																																								
	6,3	2260	3,1	223,20	56,5	58,0	81,9	80,0				2,2	6454	0,8	637,53	22,2	46,5	46,7	60,0	SK 6382/22 - 90 LH/4	208	C101	2,5	5761	0,9	569,11	27,5	46,5	49,4	60,0	2,6	5584	0,9	551,58	28,6	46,5	50,1	60,0	SK 6382 - 90 LH/4	189	C89	3,2	4506	0,9	445,09	34,0	46,5	53,3	60,0	3,6	3981	1,5	393,19	35,9	46,5	54,6	60,0	4,5	3212	1,8	317,28	38,2	46,5	56,2	60,0	5,6	2549	1,8	251,76	39,8	46,5	57,2	60,0	6,3	2286	1,8	225,79	40,2	46,5	57,5	60,0	8,9	1619	3,6	159,88	41,2	46,5	58,2	60,0	3,9	3662	0,8	361,69	22,7	32,0	38,7	40,0	SK 5382 - 90 LH/4	127	C87	4,3	3356	1,0	331,48	24,4	32,0	39,7	40,0	5,2	2733	1,0	269,99	27,2	32,0	41,5	40,0	5,7	2518	1,3	248,70	28,0	32,0	42,0	40,0	7,0	2051	1,6	202,57	29,4	32,0	42,9	40,0	8,3	1734	1,6	171,27	30,1	32,0	43,4	40,0	9,2	1558	2,1	153,92	30,5	32,0	43,7	40,0	10	1405	2,3	138,82	29,7	32,0	43,9	40,0	12	1188	2,3	117,37	28,4	32,0	44,1	40,0	11	1357	2,0	134,03	29,7	32,0	43,9	40,0	SK 5282 - 90 LH/4	108	C86	14	1014	2,2	100,19	27,5	32,0	44,3	40,0	17	826	2,2	81,61	25,9	32,0	44,4	40,0	5,6	2563	0,8	253,12	12,7	22,0	24,8	30,0	SK 4382 - 90 LH/4	87	C85	6,7	2137	0,8	211,09	16,2	22,0	26,8	30,0	7,4	1939	1,0	191,57	17,4	22,0	27,5	30,0	8,8	1622	1,0	160,20	18,9	22,0	28,5	30,0	10	1423	1,4	140,60	19,7	22,0	29,1	30,0	12	1198	1,7	118,38	19,2	22,0	29,6	30,0	9,1	1573	0,8	155,40	19,1	22,0	28,7	30,0	SK 4282 - 90 LH/4	72	C84	13	1122	1,4	110,78	19,2	22,0	29,7	30,0	16	916	1,7	90,52	18,4	22,0	30,1	30,0	18	776	2,0	76,70	17,6	22,0	30,3	30,0	31	456	3,5	45,05	15,5	22,0	30,1	30,0	35	412	3,8	40,74	15,1	22,0	29,2	30,0	12	1156	0,8	114,23	11,4	14,5	20,5	20,0	SK 3282/12 - 90 LH/4	67	C101	16	898	1,1	88,74	11,3	14,5	21,5	20,0	SK 3282 - 90 LH/4	57	C82	18	807	1,1	79,76	11,1	14,5	21,7	20,0	21	667	1,1	65,89	10,8	14,5	22,1	20,0	22	649	1,6	64,12	10,8	14,5	22,1	20,0	25	565	1,1	55,79	10,4	14,5	21,6	20,0	27	536	1,6	52,97	10,3	14,5	21,3	20,0	29	486	1,1	48,04	10,1	14,5	20,8	20,0	32	454	1,6	44,85	10,0	14,5	20,5	20,0	34	425	2,2	42,02	9,9	14,5	20,2	20,0	37	382	2,2	37,77	9,7	14,5	19,7	20,0	44	323	2,7	31,93	9,4	14,5	18,9	20,0	49	291	3,0	28,70	9,1	14,5	18,4	20,0	55	262	3,2	25,88	8,9	14,5	17,8	20,0	60	240	3,4	23,71	8,6	14,5	17,4	20,0	63	227	3,5	22,45	8,6	14,5	17,2	20,0	22	646	0,8	63,83	6,9	12,0	12,0	15,0	SK 2282 - 90 LH/4	42	C80	26	546	0,9	53,96	8,0	12,0	12,6	15,0	27	523	1,0	51,71	8,2	12,0	12,7	15,0	31	457	1,0	45,11	8,7	12,0	13,1	15,0	32	443	1,3	43,71	8,7	12,0	13,1	15,0	38	376	1,2	37,18	8,4	12,0	13,4	15,0	39	370	1,4	36,54	8,3	12,0	13,4	15,0	45	316	1,4	31,23	8,1	12,0	13,6	15,0	48	300	1,7	29,65	8,1
	2,2	6454	0,8	637,53	22,2	46,5	46,7	60,0	SK 6382/22 - 90 LH/4	208	C101																																																																																																																																																																																																																																																																																																																																																																																																																																																																																																								
	2,5	5761	0,9	569,11	27,5	46,5	49,4	60,0				2,6	5584	0,9	551,58	28,6	46,5	50,1	60,0	SK 6382 - 90 LH/4	189	C89	3,2	4506	0,9	445,09	34,0	46,5	53,3	60,0	3,6	3981	1,5	393,19	35,9	46,5	54,6	60,0				4,5	3212	1,8	317,28	38,2	46,5	56,2	60,0	5,6	2549	1,8	251,76	39,8	46,5	57,2	60,0	6,3	2286	1,8	225,79	40,2	46,5	57,5	60,0	8,9	1619	3,6	159,88	41,2	46,5	58,2	60,0	3,9	3662	0,8	361,69	22,7	32,0	38,7	40,0	SK 5382 - 90 LH/4	127	C87	4,3	3356	1,0	331,48	24,4	32,0	39,7	40,0	5,2	2733	1,0	269,99	27,2				32,0	41,5	40,0	5,7	2518	1,3	248,70	28,0	32,0	42,0	40,0	7,0	2051	1,6	202,57	29,4	32,0	42,9	40,0	8,3	1734	1,6	171,27	30,1	32,0	43,4	40,0	9,2	1558	2,1	153,92	30,5	32,0	43,7	40,0	10	1405	2,3	138,82	29,7	32,0	43,9	40,0	12	1188	2,3	117,37	28,4	32,0	44,1	40,0	11	1357	2,0	134,03	29,7	32,0	43,9	40,0	SK 5282 - 90 LH/4	108	C86	14	1014	2,2	100,19	27,5	32,0	44,3	40,0	17	826				2,2	81,61	25,9	32,0	44,4	40,0	5,6	2563	0,8	253,12	12,7	22,0	24,8	30,0	SK 4382 - 90 LH/4	87	C85	6,7	2137	0,8	211,09	16,2	22,0	26,8				30,0	7,4	1939	1,0	191,57	17,4	22,0	27,5	30,0	8,8	1622	1,0	160,20	18,9	22,0	28,5	30,0	10	1423	1,4	140,60	19,7	22,0	29,1	30,0	12	1198	1,7	118,38	19,2	22,0	29,6	30,0	9,1	1573	0,8	155,40	19,1	22,0	28,7	30,0	SK 4282 - 90 LH/4	72	C84	13	1122	1,4	110,78				19,2	22,0	29,7	30,0	16	916	1,7	90,52	18,4	22,0	30,1	30,0	18	776	2,0	76,70	17,6	22,0	30,3	30,0	31	456	3,5	45,05	15,5	22,0	30,1	30,0	35	412	3,8	40,74	15,1	22,0	29,2	30,0	12	1156	0,8	114,23	11,4	14,5	20,5	20,0	SK 3282/12 - 90 LH/4	67	C101	16	898	1,1	88,74	11,3	14,5	21,5	20,0	SK 3282 - 90 LH/4	57	C82	18				807	1,1	79,76	11,1	14,5	21,7	20,0	21	667	1,1	65,89	10,8	14,5	22,1	20,0	22	649	1,6	64,12	10,8	14,5	22,1	20,0	25	565	1,1	55,79	10,4	14,5	21,6	20,0	27	536	1,6	52,97	10,3	14,5	21,3	20,0	29	486	1,1	48,04	10,1	14,5	20,8	20,0	32	454	1,6	44,85	10,0	14,5	20,5	20,0	34	425	2,2	42,02	9,9	14,5	20,2	20,0	37	382	2,2	37,77	9,7	14,5	19,7	20,0	44	323	2,7	31,93	9,4	14,5	18,9	20,0	49	291	3,0	28,70	9,1	14,5	18,4	20,0	55	262	3,2	25,88	8,9	14,5	17,8	20,0	60	240	3,4	23,71	8,6	14,5	17,4	20,0	63	227	3,5	22,45	8,6	14,5	17,2	20,0	22	646	0,8	63,83	6,9	12,0	12,0	15,0	SK 2282 - 90 LH/4				42	C80	26	546	0,9	53,96	8,0	12,0	12,6	15,0	27	523	1,0	51,71	8,2	12,0	12,7	15,0	31	457	1,0	45,11	8,7	12,0	13,1	15,0	32	443	1,3	43,71	8,7	12,0	13,1	15,0	38	376	1,2	37,18	8,4	12,0	13,4	15,0	39	370	1,4	36,54	8,3	12,0	13,4	15,0	45	316	1,4	31,23	8,1	12,0	13,6	15,0	48	300	1,7
	2,6	5584	0,9	551,58	28,6	46,5	50,1	60,0	SK 6382 - 90 LH/4	189	C89																																																																																																																																																																																																																																																																																																																																																																																																																																																																																																								
	3,2	4506	0,9	445,09	34,0	46,5	53,3	60,0																																																																																																																																																																																																																																																																																																																																																																																																																																																																																																											
	3,6	3981	1,5	393,19	35,9	46,5	54,6	60,0																																																																																																																																																																																																																																																																																																																																																																																																																																																																																																											
	4,5	3212	1,8	317,28	38,2	46,5	56,2	60,0																																																																																																																																																																																																																																																																																																																																																																																																																																																																																																											
	5,6	2549	1,8	251,76	39,8	46,5	57,2	60,0																																																																																																																																																																																																																																																																																																																																																																																																																																																																																																											
	6,3	2286	1,8	225,79	40,2	46,5	57,5	60,0																																																																																																																																																																																																																																																																																																																																																																																																																																																																																																											
8,9	1619	3,6	159,88	41,2	46,5	58,2	60,0																																																																																																																																																																																																																																																																																																																																																																																																																																																																																																												
3,9	3662	0,8	361,69	22,7	32,0	38,7	40,0	SK 5382 - 90 LH/4				127	C87																																																																																																																																																																																																																																																																																																																																																																																																																																																																																																						
4,3	3356	1,0	331,48	24,4	32,0	39,7	40,0																																																																																																																																																																																																																																																																																																																																																																																																																																																																																																												
5,2	2733	1,0	269,99	27,2	32,0	41,5	40,0																																																																																																																																																																																																																																																																																																																																																																																																																																																																																																												
5,7	2518	1,3	248,70	28,0	32,0	42,0	40,0																																																																																																																																																																																																																																																																																																																																																																																																																																																																																																												
7,0	2051	1,6	202,57	29,4	32,0	42,9	40,0																																																																																																																																																																																																																																																																																																																																																																																																																																																																																																												
8,3	1734	1,6	171,27	30,1	32,0	43,4	40,0																																																																																																																																																																																																																																																																																																																																																																																																																																																																																																												
9,2	1558	2,1	153,92	30,5	32,0	43,7	40,0																																																																																																																																																																																																																																																																																																																																																																																																																																																																																																												
10	1405	2,3	138,82	29,7	32,0	43,9	40,0																																																																																																																																																																																																																																																																																																																																																																																																																																																																																																												
12	1188	2,3	117,37	28,4	32,0	44,1	40,0																																																																																																																																																																																																																																																																																																																																																																																																																																																																																																												
11	1357	2,0	134,03	29,7	32,0	43,9	40,0		SK 5282 - 90 LH/4	108	C86																																																																																																																																																																																																																																																																																																																																																																																																																																																																																																								
14	1014	2,2	100,19	27,5	32,0	44,3	40,0																																																																																																																																																																																																																																																																																																																																																																																																																																																																																																												
17	826	2,2	81,61	25,9	32,0	44,4	40,0																																																																																																																																																																																																																																																																																																																																																																																																																																																																																																												
5,6	2563	0,8	253,12	12,7	22,0	24,8	30,0	SK 4382 - 90 LH/4	87	C85																																																																																																																																																																																																																																																																																																																																																																																																																																																																																																									
6,7	2137	0,8	211,09	16,2	22,0	26,8	30,0																																																																																																																																																																																																																																																																																																																																																																																																																																																																																																												
7,4	1939	1,0	191,57	17,4	22,0	27,5	30,0																																																																																																																																																																																																																																																																																																																																																																																																																																																																																																												
8,8	1622	1,0	160,20	18,9	22,0	28,5	30,0																																																																																																																																																																																																																																																																																																																																																																																																																																																																																																												
10	1423	1,4	140,60	19,7	22,0	29,1	30,0																																																																																																																																																																																																																																																																																																																																																																																																																																																																																																												
12	1198	1,7	118,38	19,2	22,0	29,6	30,0																																																																																																																																																																																																																																																																																																																																																																																																																																																																																																												
9,1	1573	0,8	155,40	19,1	22,0	28,7	30,0	SK 4282 - 90 LH/4	72	C84																																																																																																																																																																																																																																																																																																																																																																																																																																																																																																									
13	1122	1,4	110,78	19,2	22,0	29,7	30,0																																																																																																																																																																																																																																																																																																																																																																																																																																																																																																												
16	916	1,7	90,52	18,4	22,0	30,1	30,0																																																																																																																																																																																																																																																																																																																																																																																																																																																																																																												
18	776	2,0	76,70	17,6	22,0	30,3	30,0																																																																																																																																																																																																																																																																																																																																																																																																																																																																																																												
31	456	3,5	45,05	15,5	22,0	30,1	30,0																																																																																																																																																																																																																																																																																																																																																																																																																																																																																																												
35	412	3,8	40,74	15,1	22,0	29,2	30,0																																																																																																																																																																																																																																																																																																																																																																																																																																																																																																												
12	1156	0,8	114,23	11,4	14,5	20,5	20,0	SK 3282/12 - 90 LH/4	67	C101																																																																																																																																																																																																																																																																																																																																																																																																																																																																																																									
16	898	1,1	88,74	11,3	14,5	21,5	20,0	SK 3282 - 90 LH/4	57	C82																																																																																																																																																																																																																																																																																																																																																																																																																																																																																																									
18	807	1,1	79,76	11,1	14,5	21,7	20,0																																																																																																																																																																																																																																																																																																																																																																																																																																																																																																												
21	667	1,1	65,89	10,8	14,5	22,1	20,0																																																																																																																																																																																																																																																																																																																																																																																																																																																																																																												
22	649	1,6	64,12	10,8	14,5	22,1	20,0																																																																																																																																																																																																																																																																																																																																																																																																																																																																																																												
25	565	1,1	55,79	10,4	14,5	21,6	20,0																																																																																																																																																																																																																																																																																																																																																																																																																																																																																																												
27	536	1,6	52,97	10,3	14,5	21,3	20,0																																																																																																																																																																																																																																																																																																																																																																																																																																																																																																												
29	486	1,1	48,04	10,1	14,5	20,8	20,0																																																																																																																																																																																																																																																																																																																																																																																																																																																																																																												
32	454	1,6	44,85	10,0	14,5	20,5	20,0																																																																																																																																																																																																																																																																																																																																																																																																																																																																																																												
34	425	2,2	42,02	9,9	14,5	20,2	20,0																																																																																																																																																																																																																																																																																																																																																																																																																																																																																																												
37	382	2,2	37,77	9,7	14,5	19,7	20,0																																																																																																																																																																																																																																																																																																																																																																																																																																																																																																												
44	323	2,7	31,93	9,4	14,5	18,9	20,0																																																																																																																																																																																																																																																																																																																																																																																																																																																																																																												
49	291	3,0	28,70	9,1	14,5	18,4	20,0																																																																																																																																																																																																																																																																																																																																																																																																																																																																																																												
55	262	3,2	25,88	8,9	14,5	17,8	20,0																																																																																																																																																																																																																																																																																																																																																																																																																																																																																																												
60	240	3,4	23,71	8,6	14,5	17,4	20,0																																																																																																																																																																																																																																																																																																																																																																																																																																																																																																												
63	227	3,5	22,45	8,6	14,5	17,2	20,0																																																																																																																																																																																																																																																																																																																																																																																																																																																																																																												
22	646	0,8	63,83	6,9	12,0	12,0	15,0				SK 2282 - 90 LH/4	42	C80																																																																																																																																																																																																																																																																																																																																																																																																																																																																																																						
26	546	0,9	53,96	8,0	12,0	12,6	15,0																																																																																																																																																																																																																																																																																																																																																																																																																																																																																																												
27	523	1,0	51,71	8,2	12,0	12,7	15,0																																																																																																																																																																																																																																																																																																																																																																																																																																																																																																												
31	457	1,0	45,11	8,7	12,0	13,1	15,0																																																																																																																																																																																																																																																																																																																																																																																																																																																																																																												
32	443	1,3	43,71	8,7	12,0	13,1	15,0																																																																																																																																																																																																																																																																																																																																																																																																																																																																																																												
38	376	1,2	37,18	8,4	12,0	13,4	15,0																																																																																																																																																																																																																																																																																																																																																																																																																																																																																																												
39	370	1,4	36,54	8,3	12,0	13,4	15,0																																																																																																																																																																																																																																																																																																																																																																																																																																																																																																												
45	316	1,4	31,23	8,1	12,0	13,6	15,0																																																																																																																																																																																																																																																																																																																																																																																																																																																																																																												
48	300	1,7	29,65	8,1	12,0	13,6	15,0																																																																																																																																																																																																																																																																																																																																																																																																																																																																																																												



1,50 kW
2,20 kW



P_1 [kW]	n_2 [min ⁻¹]	M_2 [Nm]	f_B	i_{ges}	F_R [kN]	F_A [kN]	$F_{R VL}$ [kN]	$F_{A VL}$ [kN]		kg	mm 				
1,50	53	272	1,6	26,83	7,9	12,0	13,7	15,0	SK 2282 - 90 LH/4	42	C80				
	57	253	1,9	24,97	7,8	12,0	13,8	15,0							
	59	243	1,8	23,96	7,7	12,0	13,8	15,0							
	65	222	2,2	21,90	7,5	12,0	13,8	15,0							
	76	187	2,6	18,51	7,2	12,0	13,9	15,0							
	86	167	2,8	16,53	7,0	12,0	13,7	15,0							
	107	134	3,0	13,23	6,6	12,0	12,9	15,0							
	120	120	3,2	11,81	6,4	12,0	12,5	15,0							
	139	103	3,5	10,15	6,1	12,0	12,0	15,0							
	157	91	3,7	9,03	5,9	11,5	11,6	15,0							
	169	85	3,0	8,37	5,7	11,1	11,3	15,0							
	189	76	3,2	7,48	5,6	10,6	11,0	15,0							
	36	392	0,8	38,77	4,5	7,1	8,0	10,5							
	40	362	0,8	35,75	4,6	7,1	8,0	10,5							
	47	302	0,9	29,79	4,6	7,1	8,0	10,5							
	54	263	1,0	26,01	4,6	7,1	8,0	10,5							
	58	246	1,1	24,26	4,6	7,0	8,0	10,5							
	75	190	1,3	18,75	4,6	6,7	8,0	10,5							
87	165	1,4	16,28	4,5	6,6	8,0	10,5								
1,50	50	287	0,8	28,33	3,4	6,9	8,9	7,2	SK 1282 - 90 LH/4	31	C79				
	56	255	0,9	25,22	3,4	6,8	9,1	7,2							
	69	208	1,1	20,57	3,3	6,6	9,3	7,2							
	82	174	1,3	17,21	3,2	6,4	9,4	7,2							
	100	143	1,5	14,11	3,2	6,1	9,5	7,2							
	120	119	1,7	11,76	3,0	5,8	9,4	7,2							
	137	105	1,9	10,34	3,0	5,6	9,0	7,2							
	154	93	2,0	9,18	2,9	5,4	8,8	7,2							
	172	83	2,3	8,24	2,8	5,2	8,5	7,2							
	195	73	2,6	7,24	2,7	5,0	8,2	7,2							
	220	65	2,8	6,43	2,6	4,8	7,9	7,2							
	1,50	85	168	0,8	16,58	2,7	4,8	6,9				5,0	SK 0282NB - 90 LH/4	25	C73-75
		100	144	1,1	14,21	2,6	4,6	7,0				5,0			
		109	131	1,2	12,98	2,6	4,6	7,1				5,0			
126		114	1,2	11,25	2,6	4,5	7,2	5,0							
129		111	1,4	10,98	2,5	4,4	7,2	5,0							
147		98	1,4	9,64	2,5	4,3	7,2	5,0							
161		89	1,5	8,80	2,5	4,2	7,3	5,0							
190		75	1,7	7,45	2,4	4,0	7,3	5,0							
220		65	1,9	6,44	2,3	3,9	7,3	5,0							
236		61	2,0	5,99	2,3	3,8	7,3	5,0							
274		52	2,2	5,17	2,2	3,6	7,1	5,0							
304		47	2,3	4,66	2,1	3,5	6,9	5,0							
351		41	2,5	4,03	2,0	3,3	6,6	5,0							
2,20		1,0	20110	3,0	1383,12	142,8	170,0	142,8	170,0	SK 11382/52 - 100 LH/4	2173	C102			
	1,0	20628	1,7	1418,74	127,2	150,0	127,2	150,0	SK 10382/52 - 100 LH/4	1335	C102				
	1,2	16946	2,1	1165,49	130,7	150,0	130,7	150,0							
	1,6	13321	2,6	916,16	133,4	150,0	133,4	150,0							
	1,0	20635	1,2	1419,20	110,7	102,0	120,0	130,0	SK 9382/42 - 100 LH/4	742	C101				
	1,2	17140	1,4	1178,81	108,1	102,0	120,0	130,0							
	1,6	12889	1,9	886,49	102,2	102,0	120,0	130,0							
	2,0	10401	2,3	715,38	98,8	102,0	120,0	130,0							
	2,3	8990	2,7	618,30	95,8	102,0	120,0	130,0							
	3,2	6537	3,7	449,57	88,7	102,0	120,0	130,0							
	1,4	15484	0,8	1064,91	73,0	73,0	100,0	100,0	SK 8382/32 - 100 LH/4	425	C101				
	1,6	12958	0,9	891,21	79,8	73,0	100,0	100,0							
2,0	10446	1,2	718,43	84,1	73,0	100,0	100,0								
2,4	8912	1,4	612,94	82,2	73,0	100,0	100,0								
2,6	8012	1,5	551,02	80,9	73,0	100,0	100,0	SK 8382/42 - 100 LH/4	440	C101					
3,1	6812	1,8	468,52	78,4	73,0	100,0	100,0								



2,20 kW

P_1 [kW]	n_2 [min ⁻¹]	M_2 [Nm]	f_B	i_{ges}	F_R [kN]	F_A [kN]	$F_{R VL}$ [kN]	$F_{A VL}$ [kN]		kg	mm																																																																																																																																																																																																																																																																																																																																																																																																																																																																														
2,20	3,7	5622	2,3	386,68	75,7	73,0	100,0	105,0	SK 8382 - 100 LH/4	395	C83																																																																																																																																																																																																																																																																																																																																																																																																																																																																														
	4,5	4628	2,8	318,31	72,2	73,0	100,0	105,0				2,5	8287	0,9	569,97	45,3	58,0	73,3	80,0	SK 7382/22 - 100 LH/4	289	C101	3,3	6332	1,1	435,50	51,5	58,0	77,3	80,0	3,8	5471	1,3	376,26	53,5	58,0	78,6	80,0	4,9	4297	1,6	295,54	55,7	58,0	80,2	80,0	6,5	3245	2,2	223,20	53,3	58,0	81,2	80,0	SK 7382/32 - 100 LH/4	300	C101	4,3	4926	1,5	338,79	54,6	58,0	79,4	80,0	SK 7382 - 100 LH/4	270	C91	5,3	3978	1,9	273,57	56,0	58,0	80,5	80,0	6,7	3147	2,6	216,43	53,0	58,0	81,3	80,0	7,0	2981	2,5	204,99	52,5	58,0	81,4	80,0	8,9	2358	2,7	162,17	49,5	58,0	81,8	80,0	9,6	2189	3,4	150,57	48,8	58,0	81,9	80,0	12	1794	4,2	123,37	46,4	58,0	82,1	80,0	14	1550	4,9	106,59	44,5	58,0	82,2	80,0	3,3	6329	0,9	435,29	23,2	46,5	47,2	60,0	SK 6382/22 - 100 LH/4	216	C101	3,7	5717	1,0	393,19	27,7	46,5	49,6	60,0	SK 6382 - 100 LH/4	197	C89	4,6	4613	1,2	317,28	33,5	46,5	53,0	60,0	5,4	3891	1,5	267,59	36,2	46,5	54,8	60,0	5,7	3661	1,2	251,76	37,0	46,5	55,3	60,0	6,4	3283	1,2	225,79	38,0	46,5	56,0	60,0	6,8	3087	1,5	212,33	38,6	46,5	56,4	60,0	8,4	2491	2,2	171,34	39,9	46,5	57,3	60,0	9,0	2325	2,5	159,88	40,2	46,5	57,5	60,0	11	1845	2,5	126,87	41,0	46,5	58,0	60,0	13	1669	3,5	114,79	41,2	46,5	58,2	60,0	5,3	3972	0,8	273,15	20,7	32,0	37,5	40,0	SK 5282/12 - 100 LH/4	126	C101	5,8	3616	0,9	248,70	23,0	32,0	38,8	40,0	SK 5382 - 100 LH/4	135	C87	7,1	2945	1,1	202,57	26,3	32,0	40,9	40,0	8,4	2490	1,1	171,27	28,0	32,0	42,0	40,0	9,4	2238	1,4	153,92	28,1	32,0	42,6	40,0	10	2018	1,6	138,82	27,6	32,0	43,0	40,0	12	1707	1,6	117,37	26,5	32,0	43,5	40,0	16	1333	2,2	91,71	25,5	32,0	44,0	40,0	17	1203	2,3	82,72	24,9	32,0	44,1	40,0	11	1949	1,4	134,03	27,7	32,0	43,1	40,0	SK 5282 - 100 LH/4	116	C86	14	1457	1,5	100,19	26,0	32,0	43,8	40,0	16	1335	2,1	91,81	25,5	32,0	44,0	40,0	18	1187	1,5	81,61	24,6	32,0	44,1	40,0	21	998	3,0	68,63	23,7	32,0	44,3	40,0	9,5	2217	0,8	152,47	15,6	22,0	26,5	30,0	SK 4282/12 - 100 LH/4	90	C101	10	2044	1,0	140,60	16,8	22,0	27,1	30,0	SK 4382 - 100 LH/4	95	C85	12	1721	1,2	118,38	17,1	22,0	28,2	30,0	14	1510	1,3	103,82	16,9	22,0	28,9	30,0	17	1262	1,6	86,83	16,5	22,0	29,4	30,0	13	1611	1,0	110,78	17,3	22,0	28,6	30,0	SK 4282 - 100 LH/4	80	C84	16	1316	1,2	90,52	16,8	22,0	29,3	30,0	19	1115	1,4	76,70	16,2	22,0	29,7	30,0	23	896	2,0	61,60	15,7	22,0	30,1	30,0	28	759	2,4	52,20	15,1	22,0	30,3	30,0	32	655	2,4	45,05	14,7	22,0	29,3	30,0	33	635	2,5	43,65	14,5	22,0	29,0	30,0	35	592	2,6	40,74	14,4	22,0	28,5	30,0	39	535	2,6	36,81	14,0	22,0	27,7	30,0	40	529	2,6	36,40	13,8	22,0	27,6	30,0	45	470	3,4	32,34	13,6
	2,5	8287	0,9	569,97	45,3	58,0	73,3	80,0	SK 7382/22 - 100 LH/4	289	C101																																																																																																																																																																																																																																																																																																																																																																																																																																																																														
	3,3	6332	1,1	435,50	51,5	58,0	77,3	80,0																																																																																																																																																																																																																																																																																																																																																																																																																																																																																	
	3,8	5471	1,3	376,26	53,5	58,0	78,6	80,0																																																																																																																																																																																																																																																																																																																																																																																																																																																																																	
	4,9	4297	1,6	295,54	55,7	58,0	80,2	80,0																																																																																																																																																																																																																																																																																																																																																																																																																																																																																	
	6,5	3245	2,2	223,20	53,3	58,0	81,2	80,0	SK 7382/32 - 100 LH/4	300	C101																																																																																																																																																																																																																																																																																																																																																																																																																																																																														
	4,3	4926	1,5	338,79	54,6	58,0	79,4	80,0	SK 7382 - 100 LH/4	270	C91																																																																																																																																																																																																																																																																																																																																																																																																																																																																														
	5,3	3978	1,9	273,57	56,0	58,0	80,5	80,0																																																																																																																																																																																																																																																																																																																																																																																																																																																																																	
	6,7	3147	2,6	216,43	53,0	58,0	81,3	80,0																																																																																																																																																																																																																																																																																																																																																																																																																																																																																	
	7,0	2981	2,5	204,99	52,5	58,0	81,4	80,0																																																																																																																																																																																																																																																																																																																																																																																																																																																																																	
	8,9	2358	2,7	162,17	49,5	58,0	81,8	80,0																																																																																																																																																																																																																																																																																																																																																																																																																																																																																	
	9,6	2189	3,4	150,57	48,8	58,0	81,9	80,0																																																																																																																																																																																																																																																																																																																																																																																																																																																																																	
	12	1794	4,2	123,37	46,4	58,0	82,1	80,0																																																																																																																																																																																																																																																																																																																																																																																																																																																																																	
	14	1550	4,9	106,59	44,5	58,0	82,2	80,0																																																																																																																																																																																																																																																																																																																																																																																																																																																																																	
	3,3	6329	0,9	435,29	23,2	46,5	47,2	60,0	SK 6382/22 - 100 LH/4	216	C101																																																																																																																																																																																																																																																																																																																																																																																																																																																																														
	3,7	5717	1,0	393,19	27,7	46,5	49,6	60,0	SK 6382 - 100 LH/4	197	C89																																																																																																																																																																																																																																																																																																																																																																																																																																																																														
	4,6	4613	1,2	317,28	33,5	46,5	53,0	60,0																																																																																																																																																																																																																																																																																																																																																																																																																																																																																	
	5,4	3891	1,5	267,59	36,2	46,5	54,8	60,0																																																																																																																																																																																																																																																																																																																																																																																																																																																																																	
5,7	3661	1,2	251,76	37,0	46,5	55,3	60,0																																																																																																																																																																																																																																																																																																																																																																																																																																																																																		
6,4	3283	1,2	225,79	38,0	46,5	56,0	60,0																																																																																																																																																																																																																																																																																																																																																																																																																																																																																		
6,8	3087	1,5	212,33	38,6	46,5	56,4	60,0																																																																																																																																																																																																																																																																																																																																																																																																																																																																																		
8,4	2491	2,2	171,34	39,9	46,5	57,3	60,0																																																																																																																																																																																																																																																																																																																																																																																																																																																																																		
9,0	2325	2,5	159,88	40,2	46,5	57,5	60,0																																																																																																																																																																																																																																																																																																																																																																																																																																																																																		
11	1845	2,5	126,87	41,0	46,5	58,0	60,0																																																																																																																																																																																																																																																																																																																																																																																																																																																																																		
13	1669	3,5	114,79	41,2	46,5	58,2	60,0																																																																																																																																																																																																																																																																																																																																																																																																																																																																																		
5,3	3972	0,8	273,15	20,7	32,0	37,5	40,0	SK 5282/12 - 100 LH/4				126	C101																																																																																																																																																																																																																																																																																																																																																																																																																																																																												
5,8	3616	0,9	248,70	23,0	32,0	38,8	40,0	SK 5382 - 100 LH/4	135	C87																																																																																																																																																																																																																																																																																																																																																																																																																																																																															
7,1	2945	1,1	202,57	26,3	32,0	40,9	40,0																																																																																																																																																																																																																																																																																																																																																																																																																																																																																		
8,4	2490	1,1	171,27	28,0	32,0	42,0	40,0																																																																																																																																																																																																																																																																																																																																																																																																																																																																																		
9,4	2238	1,4	153,92	28,1	32,0	42,6	40,0																																																																																																																																																																																																																																																																																																																																																																																																																																																																																		
10	2018	1,6	138,82	27,6	32,0	43,0	40,0																																																																																																																																																																																																																																																																																																																																																																																																																																																																																		
12	1707	1,6	117,37	26,5	32,0	43,5	40,0																																																																																																																																																																																																																																																																																																																																																																																																																																																																																		
16	1333	2,2	91,71	25,5	32,0	44,0	40,0																																																																																																																																																																																																																																																																																																																																																																																																																																																																																		
17	1203	2,3	82,72	24,9	32,0	44,1	40,0																																																																																																																																																																																																																																																																																																																																																																																																																																																																																		
11	1949	1,4	134,03	27,7	32,0	43,1	40,0				SK 5282 - 100 LH/4	116	C86																																																																																																																																																																																																																																																																																																																																																																																																																																																																												
14	1457	1,5	100,19	26,0	32,0	43,8	40,0																																																																																																																																																																																																																																																																																																																																																																																																																																																																																		
16	1335	2,1	91,81	25,5	32,0	44,0	40,0																																																																																																																																																																																																																																																																																																																																																																																																																																																																																		
18	1187	1,5	81,61	24,6	32,0	44,1	40,0																																																																																																																																																																																																																																																																																																																																																																																																																																																																																		
21	998	3,0	68,63	23,7	32,0	44,3	40,0																																																																																																																																																																																																																																																																																																																																																																																																																																																																																		
9,5	2217	0,8	152,47	15,6	22,0	26,5	30,0	SK 4282/12 - 100 LH/4	90	C101																																																																																																																																																																																																																																																																																																																																																																																																																																																																															
10	2044	1,0	140,60	16,8	22,0	27,1	30,0	SK 4382 - 100 LH/4	95	C85																																																																																																																																																																																																																																																																																																																																																																																																																																																																															
12	1721	1,2	118,38	17,1	22,0	28,2	30,0																																																																																																																																																																																																																																																																																																																																																																																																																																																																																		
14	1510	1,3	103,82	16,9	22,0	28,9	30,0																																																																																																																																																																																																																																																																																																																																																																																																																																																																																		
17	1262	1,6	86,83	16,5	22,0	29,4	30,0																																																																																																																																																																																																																																																																																																																																																																																																																																																																																		
13	1611	1,0	110,78	17,3	22,0	28,6	30,0				SK 4282 - 100 LH/4	80	C84																																																																																																																																																																																																																																																																																																																																																																																																																																																																												
16	1316	1,2	90,52	16,8	22,0	29,3	30,0																																																																																																																																																																																																																																																																																																																																																																																																																																																																																		
19	1115	1,4	76,70	16,2	22,0	29,7	30,0																																																																																																																																																																																																																																																																																																																																																																																																																																																																																		
23	896	2,0	61,60	15,7	22,0	30,1	30,0																																																																																																																																																																																																																																																																																																																																																																																																																																																																																		
28	759	2,4	52,20	15,1	22,0	30,3	30,0																																																																																																																																																																																																																																																																																																																																																																																																																																																																																		
32	655	2,4	45,05	14,7	22,0	29,3	30,0																																																																																																																																																																																																																																																																																																																																																																																																																																																																																		
33	635	2,5	43,65	14,5	22,0	29,0	30,0																																																																																																																																																																																																																																																																																																																																																																																																																																																																																		
35	592	2,6	40,74	14,4	22,0	28,5	30,0																																																																																																																																																																																																																																																																																																																																																																																																																																																																																		
39	535	2,6	36,81	14,0	22,0	27,7	30,0																																																																																																																																																																																																																																																																																																																																																																																																																																																																																		
40	529	2,6	36,40	13,8	22,0	27,6	30,0																																																																																																																																																																																																																																																																																																																																																																																																																																																																																		
45	470	3,4	32,34	13,6	22,0	26,9	30,0																																																																																																																																																																																																																																																																																																																																																																																																																																																																																		



2,20 kW
3,00 kW



P_1 [kW]	n_2 [min ⁻¹]	M_2 [Nm]	f_B	i_{ges}	F_R [kN]	F_A [kN]	$F_{R VL}$ [kN]	$F_{A VL}$ [kN]		kg	mm				
2,20	23	932	1,1	64,12	9,4	14,5	21,1	20,0	SK 3282 - 100 LH/4	65	C82				
	27	770	1,1	52,97	9,2	14,5	20,4	20,0							
	32	652	1,1	44,85	9,0	14,5	19,6	20,0							
	34	611	1,5	42,02	9,1	14,5	19,4	20,0							
	37	562	1,1	38,62	8,8	14,5	18,9	20,0							
	38	549	1,5	37,77	8,9	14,5	19,0	20,0							
	45	464	1,9	31,93	8,7	14,5	18,2	20,0							
	50	417	2,1	28,70	8,5	14,5	17,8	20,0							
	56	376	2,2	25,88	8,3	14,5	17,3	20,0							
	61	345	2,3	23,71	8,1	14,5	16,9	20,0							
	64	326	2,5	22,45	8,1	14,5	16,7	20,0							
	68	311	2,3	21,38	8,0	14,5	16,5	20,0							
	72	293	2,8	20,18	7,9	14,5	16,3	20,0							
		33	636	0,9	43,71	7,1	12,0	12,1				15,0	SK 2282 - 100 LH/4	50	C80
		40	531	0,9	36,54	7,5	12,0	12,7				15,0			
	46	454	1,0	31,23	7,3	12,0	13,1	15,0							
	49	431	1,2	29,65	7,4	12,0	13,2	15,0							
	54	390	1,1	26,83	7,3	12,0	13,4	15,0							
	58	363	1,3	24,97	7,2	12,0	13,4	15,0							
	60	348	1,2	23,96	7,2	12,0	13,5	15,0							
	66	318	1,5	21,90	7,0	12,0	13,6	15,0							
	78	269	1,8	18,51	6,8	12,0	13,7	15,0							
	87	240	2,0	16,53	6,6	12,0	13,3	15,0							
	109	192	2,1	13,23	6,2	12,0	12,6	15,0							
	122	172	2,2	11,81	6,1	11,9	12,2	15,0							
	142	148	2,4	10,15	5,8	11,3	11,7	15,0							
	160	131	2,6	9,03	5,7	10,9	11,4	15,0							
	173	122	2,1	8,37	5,5	10,5	11,1	15,0							
	193	109	2,2	7,48	5,3	10,1	10,8	15,0							
	225	93	2,4	6,43	5,1	9,6	10,3	15,0							
	253	83	2,5	5,72	5,0	9,2	10,0	15,0							
	320	66	2,8	4,51	4,7	8,4	9,4	15,0							
	60	353	0,8	24,26	3,6	5,4	8,0	10,5	SK 1382NB - 100 LH/4	45	C76-78				
	77	273	0,9	18,75	3,8	5,5	8,0	10,5							
	89	237	1,0	16,28	3,8	5,5	8,0	10,5							
	70	299	0,8	20,57	2,7	5,3	8,9	7,2	SK 1282 - 100 LH/4	39	C79				
	84	250	0,9	17,21	2,8	5,2	9,1	7,2							
	102	205	1,0	14,11	2,8	5,2	9,3	7,2							
	123	171	1,2	11,76	2,7	5,0	9,0	7,2							
	140	150	1,3	10,34	2,7	4,9	8,7	7,2							
	157	133	1,4	9,18	2,6	4,8	8,5	7,2							
	175	120	1,6	8,24	2,5	4,6	8,2	7,2							
	176	119	1,3	8,21	2,6	4,8	8,3	7,2							
	200	105	1,8	7,24	2,5	4,5	8,0	7,2							
	225	93	1,9	6,43	2,4	4,4	7,7	7,2							
	264	80	2,2	5,47	2,4	4,2	7,4	7,2							
	302	70	1,8	4,79	2,3	4,1	7,2	7,2							
3,00	1,0	27808	2,2	1383,12	134,6	170,0	134,6	170,0	SK 11382/52 - 100 AH/4	2173	C102				
	1,2	23209	2,6	1154,35	139,9	170,0	139,9	170,0							
	1,5	19361	3,1	962,98	143,4	170,0	143,4	170,0							
	1,9	14719	4,1	732,09	146,8	170,0	146,8	170,0							
		1,0	28524	1,2	1418,74	117,0	150,0	117,0	150,0	SK 10382/52 - 100 AH/4	1335	C102			
		1,2	23432	1,5	1165,49	124,1	150,0	124,1	150,0						
		1,6	18420	1,9	916,16	129,4	150,0	129,4	150,0						
		2,1	13920	2,5	692,36	133,0	150,0	133,0	150,0						
		2,5	11618	3,0	577,84	134,4	150,0	134,4	150,0						
		3,0	9565	3,7	475,75	135,4	150,0	135,4	150,0						
		1,0	28533	0,8	1419,20	97,0	102,0	120,0	130,0	SK 9382/42 - 100 AH/4	742	C101			
		1,2	23700	1,0	1178,81	97,2	102,0	120,0	130,0						
		1,6	17823	1,3	886,49	93,8	102,0	120,0	130,0						
		2,0	14383	1,7	715,38	92,4	102,0	120,0	130,0						
		2,3	12431	1,9	618,30	90,2	102,0	120,0	130,0						
	3,2	9039	2,7	449,57	84,9	102,0	120,0	130,0							
	8,1	3519	7,2	175,05	79,7	102,0	120,0	130,0	SK 9382 - 100 AH/4	697	C95				



3,00 kW

P_1 [kW]	n_2 [min ⁻¹]	M_2 [Nm]	f_B	i_{ges}	F_R [kN]	F_A [kN]	$F_{R VL}$ [kN]	$F_{A VL}$ [kN]		kg	mm																																																																																																																																																																																																																																																																																																																																																																																																																																																																																														
3,00	2,0	14444	0,8	718,43	74,6	73,0	100,0	100,0	SK 8382/32 - 100 AH/4	425	C101																																																																																																																																																																																																																																																																																																																																																																																																																																																																																														
	2,3	12323	1,0	612,94	74,1	73,0	100,0	100,0				2,6	11078	1,1	551,02	73,5	73,0	100,0	100,0	SK 8382/42 - 100 AH/4	440	C101	3,0	9420	1,3	468,52	72,3	73,0	100,0	100,0	4,1	6970	1,7	346,66	69,2	73,0	100,0	100,0	3,7	7774	1,6	386,68	71,2	73,0	100,0	105,0	SK 8382 - 100 AH/4	395	C93	4,5	6400	2,0	318,31	68,3	73,0	100,0	105,0	7,1	4041	2,7	201,00	62,2	73,0	100,0	105,0	3,3	8756	0,8	435,50	43,4	58,0	72,1	80,0	SK 7382/22 - 100 AH/4	289	C101	3,8	7565	0,9	376,26	47,9	58,0	74,9	80,0	4,2	6811	1,1	338,79	50,2	58,0	76,4	80,0	SK 7382 - 100 AH/4	270	C91	5,2	5500	1,4	273,57	52,1	58,0	78,6	80,0	6,6	4351	1,9	216,43	49,9	58,0	80,1	80,0	7,0	4121	1,8	204,99	49,8	58,0	80,3	80,0	8,8	3260	1,9	162,17	47,3	58,0	81,2	80,0	9,5	3027	2,5	150,57	46,7	58,0	81,4	80,0	12	2480	3,0	123,37	44,7	58,0	81,8	80,0	13	2143	3,5	106,59	43,1	58,0	81,9	80,0	4,1	6983	0,8	347,33	16,5	46,5	44,3	60,0	SK 6382/22 - 100 AH/4	216	C101	4,5	6379	0,9	317,28	22,8	46,5	47,0	60,0	SK 6382 - 100 AH/4	197	C89	5,3	5380	1,1	267,59	29,8	46,5	50,8	60,0	5,7	5062	0,9	251,76	31,4	46,5	51,8	60,0	6,3	4540	0,9	225,79	33,8	46,5	53,2	60,0	6,7	4269	1,1	212,33	34,9	46,5	53,9	60,0	8,3	3445	1,6	171,34	37,6	46,5	55,7	60,0	8,9	3214	1,8	159,88	38,2	46,5	56,1	60,0	11	2551	1,8	126,87	39,8	46,5	57,2	60,0	12	2308	2,5	114,79	39,6	46,5	57,5	60,0	15	1862	3,2	92,63	37,8	46,5	58,0	60,0	18	1615	2,6	80,33	36,6	46,5	58,2	60,0	SK 6282 - 100 AH/4	200	C88	7,0	4073	0,8	202,57	19,9	32,0	37,1	40,0	SK 5382 - 100 AH/4	135	C87	8,3	3443	0,8	171,27	24,0	32,0	39,4	40,0	9,3	3095	1,0	153,92	25,5	32,0	40,5	40,0	10	2791	1,1	138,82	25,2	32,0	41,3	40,0	12	2360	1,2	117,37	24,6	32,0	42,3	40,0	16	1844	1,6	91,71	24,1	32,0	43,3	40,0	17	1663	1,7	82,72	23,6	32,0	43,5	40,0	11	2695	1,0	134,03	25,6	32,0	41,5	40,0	SK 5282 - 100 AH/4	116	C86	14	2014	1,1	100,19	24,5	32,0	43,0	40,0	16	1846	1,5	91,81	24,2	32,0	43,3	40,0	17	1641	1,1	81,61	23,4	32,0	43,6	40,0	21	1380	2,2	68,63	22,7	32,0	43,9	40,0	25	1124	2,3	55,90	21,6	32,0	43,1	40,0	26	1117	2,2	55,55	21,7	32,0	43,3	40,0	30	950	2,5	47,27	20,7	32,0	41,3	40,0	35	820	3,0	40,80	20,2	32,0	39,9	40,0	43	672	3,4	33,43	19,1	32,0	37,9	40,0	12	2380	0,8	118,38	14,4	22,0	25,7	30,0	SK 4382 - 100 AH/4	95	C85	14	2087	1,0	103,82	14,8	22,0	27,0	30,0	16	1746	1,1	86,83	14,7	22,0	28,2	30,0	16	1820	0,9	90,52	15,0	22,0	27,9	30,0	SK 4282 - 100 AH/4	80	C84	19	1542	1,0	76,70	14,7	22,0	28,8	30,0	23	1238	1,4	61,60	14,6	22,0	29,5	30,0	27	1049	1,7	52,20	14,1	22,0	29,6	30,0	32	906	1,8	45,05	13,9	22,0	28,7	30,0	33	878	1,8	43,65	13,6	22,0	28,4	30,0	35	819	1,9	40,74	13,7	22,0	28,0	30,0	39	740	1,9	36,81	13,4
	2,6	11078	1,1	551,02	73,5	73,0	100,0	100,0	SK 8382/42 - 100 AH/4	440	C101																																																																																																																																																																																																																																																																																																																																																																																																																																																																																														
	3,0	9420	1,3	468,52	72,3	73,0	100,0	100,0																																																																																																																																																																																																																																																																																																																																																																																																																																																																																																	
	4,1	6970	1,7	346,66	69,2	73,0	100,0	100,0				3,7	7774	1,6	386,68	71,2	73,0	100,0	105,0	SK 8382 - 100 AH/4	395	C93	4,5	6400	2,0	318,31	68,3	73,0	100,0	105,0	7,1	4041	2,7	201,00	62,2	73,0	100,0	105,0	3,3	8756	0,8	435,50	43,4	58,0	72,1	80,0	SK 7382/22 - 100 AH/4	289	C101	3,8	7565	0,9	376,26	47,9	58,0	74,9	80,0	4,2	6811	1,1	338,79	50,2	58,0	76,4	80,0	SK 7382 - 100 AH/4	270	C91	5,2	5500	1,4	273,57	52,1	58,0	78,6	80,0	6,6	4351	1,9	216,43	49,9	58,0	80,1	80,0	7,0	4121	1,8	204,99	49,8	58,0	80,3	80,0				8,8	3260	1,9	162,17	47,3	58,0	81,2	80,0	9,5	3027	2,5	150,57	46,7	58,0	81,4	80,0	12	2480	3,0	123,37	44,7	58,0	81,8	80,0	13	2143	3,5	106,59	43,1	58,0	81,9	80,0	4,1	6983	0,8	347,33	16,5	46,5	44,3	60,0	SK 6382/22 - 100 AH/4	216	C101	4,5	6379	0,9	317,28	22,8	46,5	47,0	60,0	SK 6382 - 100 AH/4	197	C89	5,3	5380	1,1	267,59	29,8	46,5	50,8	60,0	5,7	5062	0,9	251,76	31,4	46,5	51,8	60,0	6,3	4540	0,9	225,79	33,8				46,5	53,2	60,0	6,7	4269	1,1	212,33	34,9	46,5	53,9	60,0	8,3	3445	1,6	171,34	37,6	46,5	55,7	60,0	8,9	3214	1,8	159,88	38,2	46,5	56,1	60,0	11	2551	1,8	126,87	39,8	46,5	57,2	60,0	12	2308	2,5	114,79	39,6	46,5	57,5	60,0	15	1862	3,2	92,63	37,8	46,5	58,0	60,0	18	1615	2,6	80,33	36,6	46,5	58,2	60,0	SK 6282 - 100 AH/4	200	C88	7,0	4073	0,8	202,57	19,9	32,0	37,1	40,0	SK 5382 - 100 AH/4	135	C87	8,3	3443	0,8	171,27	24,0	32,0	39,4	40,0	9,3	3095	1,0	153,92	25,5	32,0	40,5	40,0	10	2791				1,1	138,82	25,2	32,0	41,3	40,0	12	2360	1,2	117,37	24,6	32,0	42,3	40,0	16	1844	1,6	91,71	24,1	32,0	43,3	40,0	17	1663	1,7	82,72	23,6	32,0	43,5	40,0	11	2695	1,0	134,03	25,6	32,0	41,5	40,0	SK 5282 - 100 AH/4	116	C86	14	2014	1,1	100,19	24,5	32,0	43,0	40,0	16	1846	1,5	91,81	24,2	32,0	43,3				40,0	17	1641	1,1	81,61	23,4	32,0	43,6	40,0	21	1380	2,2	68,63	22,7	32,0	43,9	40,0	25	1124	2,3	55,90	21,6	32,0	43,1	40,0	26	1117	2,2	55,55	21,7	32,0	43,3	40,0	30	950	2,5	47,27	20,7	32,0	41,3	40,0	35	820	3,0	40,80	20,2	32,0	39,9	40,0	43	672	3,4	33,43	19,1	32,0	37,9	40,0	12	2380	0,8	118,38	14,4	22,0	25,7	30,0	SK 4382 - 100 AH/4	95	C85	14	2087	1,0	103,82	14,8	22,0	27,0	30,0	16	1746	1,1	86,83	14,7	22,0	28,2	30,0	16	1820	0,9	90,52	15,0	22,0	27,9	30,0	SK 4282 - 100 AH/4	80	C84	19	1542	1,0	76,70	14,7	22,0	28,8	30,0	23	1238	1,4	61,60				14,6	22,0	29,5	30,0	27	1049	1,7	52,20	14,1	22,0	29,6	30,0	32	906	1,8	45,05	13,9	22,0	28,7	30,0	33	878	1,8	43,65	13,6	22,0	28,4	30,0	35	819	1,9	40,74	13,7	22,0	28,0	30,0	39	740	1,9	36,81	13,4	22,0	27,3	30,0									
	3,7	7774	1,6	386,68	71,2	73,0	100,0	105,0	SK 8382 - 100 AH/4	395	C93																																																																																																																																																																																																																																																																																																																																																																																																																																																																																														
	4,5	6400	2,0	318,31	68,3	73,0	100,0	105,0																																																																																																																																																																																																																																																																																																																																																																																																																																																																																																	
	7,1	4041	2,7	201,00	62,2	73,0	100,0	105,0				3,3	8756	0,8	435,50	43,4	58,0	72,1	80,0	SK 7382/22 - 100 AH/4	289	C101	3,8	7565	0,9	376,26	47,9	58,0	74,9	80,0	4,2	6811	1,1	338,79	50,2	58,0	76,4	80,0	SK 7382 - 100 AH/4	270	C91	5,2	5500	1,4	273,57	52,1	58,0	78,6	80,0	6,6	4351	1,9	216,43	49,9	58,0	80,1	80,0	7,0	4121	1,8	204,99	49,8	58,0	80,3	80,0				8,8	3260	1,9	162,17	47,3	58,0	81,2	80,0	9,5	3027	2,5	150,57	46,7	58,0	81,4	80,0	12	2480	3,0	123,37	44,7	58,0	81,8	80,0				13	2143	3,5	106,59	43,1	58,0	81,9	80,0	4,1	6983	0,8	347,33	16,5	46,5	44,3	60,0	SK 6382/22 - 100 AH/4	216	C101	4,5	6379	0,9	317,28	22,8	46,5	47,0	60,0	SK 6382 - 100 AH/4	197	C89	5,3	5380	1,1	267,59	29,8	46,5	50,8	60,0	5,7	5062	0,9	251,76	31,4	46,5	51,8	60,0	6,3	4540	0,9	225,79	33,8				46,5	53,2	60,0	6,7	4269	1,1	212,33	34,9	46,5	53,9	60,0	8,3	3445	1,6	171,34	37,6	46,5	55,7	60,0	8,9	3214				1,8	159,88	38,2	46,5	56,1	60,0	11	2551	1,8	126,87	39,8	46,5	57,2	60,0	12	2308	2,5	114,79	39,6	46,5	57,5	60,0	15	1862	3,2	92,63	37,8	46,5	58,0	60,0	18	1615	2,6	80,33	36,6	46,5	58,2	60,0	SK 6282 - 100 AH/4	200	C88	7,0	4073	0,8	202,57	19,9	32,0	37,1	40,0	SK 5382 - 100 AH/4	135	C87	8,3	3443	0,8	171,27	24,0	32,0	39,4	40,0	9,3	3095	1,0	153,92	25,5	32,0	40,5	40,0	10	2791				1,1	138,82	25,2	32,0	41,3	40,0	12	2360	1,2	117,37	24,6	32,0	42,3	40,0	16	1844	1,6	91,71				24,1	32,0	43,3	40,0	17	1663	1,7	82,72	23,6	32,0	43,5	40,0	11	2695	1,0	134,03	25,6	32,0	41,5	40,0	SK 5282 - 100 AH/4	116	C86	14	2014	1,1	100,19	24,5	32,0	43,0	40,0	16	1846	1,5	91,81	24,2	32,0	43,3				40,0	17	1641	1,1	81,61	23,4	32,0	43,6	40,0	21	1380	2,2	68,63	22,7	32,0				43,9	40,0	25	1124	2,3	55,90	21,6	32,0	43,1	40,0	26	1117	2,2	55,55	21,7	32,0	43,3	40,0	30	950	2,5	47,27	20,7	32,0	41,3	40,0	35	820	3,0	40,80	20,2	32,0	39,9	40,0	43	672	3,4	33,43	19,1	32,0	37,9	40,0	12	2380	0,8	118,38	14,4	22,0	25,7	30,0	SK 4382 - 100 AH/4	95	C85	14	2087	1,0	103,82	14,8	22,0	27,0	30,0	16	1746	1,1	86,83	14,7	22,0	28,2	30,0	16	1820	0,9	90,52	15,0	22,0	27,9	30,0	SK 4282 - 100 AH/4	80	C84	19	1542	1,0	76,70	14,7	22,0	28,8	30,0	23	1238	1,4	61,60				14,6	22,0	29,5	30,0	27	1049	1,7	52,20	14,1	22,0	29,6	30,0				32	906	1,8	45,05	13,9	22,0	28,7	30,0	33	878	1,8	43,65	13,6	22,0	28,4	30,0	35	819	1,9	40,74	13,7	22,0	28,0	30,0	39	740	1,9	36,81	13,4	22,0	27,3	30,0																					
	3,3	8756	0,8	435,50	43,4	58,0	72,1	80,0	SK 7382/22 - 100 AH/4	289	C101																																																																																																																																																																																																																																																																																																																																																																																																																																																																																														
	3,8	7565	0,9	376,26	47,9	58,0	74,9	80,0				4,2	6811	1,1	338,79	50,2	58,0	76,4	80,0	SK 7382 - 100 AH/4	270	C91	5,2	5500	1,4	273,57	52,1	58,0	78,6	80,0	6,6	4351	1,9	216,43	49,9	58,0	80,1	80,0				7,0	4121	1,8	204,99	49,8	58,0	80,3	80,0	8,8	3260	1,9	162,17	47,3	58,0	81,2	80,0	9,5	3027	2,5	150,57	46,7	58,0	81,4	80,0				12	2480	3,0	123,37	44,7	58,0	81,8	80,0	13	2143	3,5	106,59	43,1	58,0	81,9	80,0	4,1	6983	0,8	347,33	16,5	46,5	44,3	60,0				SK 6382/22 - 100 AH/4	216	C101	4,5	6379	0,9	317,28	22,8	46,5	47,0	60,0	SK 6382 - 100 AH/4	197	C89	5,3	5380	1,1	267,59	29,8	46,5	50,8	60,0	5,7	5062	0,9	251,76	31,4				46,5	51,8	60,0	6,3	4540	0,9	225,79	33,8	46,5	53,2	60,0	6,7	4269	1,1	212,33	34,9	46,5	53,9	60,0	8,3	3445				1,6	171,34	37,6	46,5	55,7	60,0	8,9	3214	1,8	159,88	38,2	46,5	56,1	60,0	11	2551	1,8	126,87	39,8	46,5	57,2				60,0	12	2308	2,5	114,79	39,6	46,5	57,5	60,0	15	1862	3,2	92,63	37,8	46,5	58,0	60,0	18	1615	2,6	80,33	36,6	46,5	58,2	60,0	SK 6282 - 100 AH/4	200	C88	7,0	4073	0,8	202,57	19,9	32,0	37,1	40,0	SK 5382 - 100 AH/4	135	C87	8,3	3443	0,8	171,27	24,0	32,0	39,4	40,0	9,3	3095				1,0	153,92	25,5	32,0	40,5	40,0	10	2791	1,1	138,82	25,2	32,0	41,3	40,0	12	2360	1,2	117,37				24,6	32,0	42,3	40,0	16	1844	1,6	91,71	24,1	32,0	43,3	40,0	17	1663	1,7	82,72	23,6	32,0	43,5	40,0	11	2695	1,0	134,03	25,6	32,0	41,5	40,0	SK 5282 - 100 AH/4	116	C86	14	2014	1,1	100,19	24,5	32,0	43,0	40,0	16	1846				1,5	91,81	24,2	32,0	43,3	40,0	17	1641	1,1	81,61	23,4	32,0	43,6	40,0	21				1380	2,2	68,63	22,7	32,0	43,9	40,0	25	1124	2,3	55,90	21,6	32,0	43,1	40,0				26	1117	2,2	55,55	21,7	32,0	43,3	40,0	30	950	2,5	47,27	20,7	32,0	41,3	40,0	35	820	3,0	40,80	20,2	32,0	39,9	40,0	43	672	3,4	33,43	19,1	32,0	37,9	40,0	12	2380	0,8	118,38	14,4	22,0	25,7	30,0	SK 4382 - 100 AH/4	95	C85	14	2087	1,0	103,82	14,8	22,0	27,0				30,0	16	1746	1,1	86,83	14,7	22,0	28,2	30,0	16	1820	0,9	90,52	15,0	22,0	27,9	30,0	SK 4282 - 100 AH/4	80	C84	19	1542	1,0	76,70				14,7	22,0	28,8	30,0	23	1238	1,4	61,60	14,6	22,0	29,5	30,0				27	1049	1,7	52,20	14,1	22,0	29,6	30,0	32	906	1,8	45,05				13,9	22,0	28,7	30,0	33	878	1,8	43,65	13,6	22,0	28,4	30,0	35	819	1,9	40,74	13,7	22,0	28,0	30,0	39	740	1,9	36,81	13,4	22,0	27,3	30,0																									
4,2	6811	1,1	338,79	50,2	58,0	76,4	80,0	SK 7382 - 100 AH/4	270	C91																																																																																																																																																																																																																																																																																																																																																																																																																																																																																															
5,2	5500	1,4	273,57	52,1	58,0	78,6	80,0																																																																																																																																																																																																																																																																																																																																																																																																																																																																																																		
6,6	4351	1,9	216,43	49,9	58,0	80,1	80,0																																																																																																																																																																																																																																																																																																																																																																																																																																																																																																		
7,0	4121	1,8	204,99	49,8	58,0	80,3	80,0																																																																																																																																																																																																																																																																																																																																																																																																																																																																																																		
8,8	3260	1,9	162,17	47,3	58,0	81,2	80,0																																																																																																																																																																																																																																																																																																																																																																																																																																																																																																		
9,5	3027	2,5	150,57	46,7	58,0	81,4	80,0																																																																																																																																																																																																																																																																																																																																																																																																																																																																																																		
12	2480	3,0	123,37	44,7	58,0	81,8	80,0																																																																																																																																																																																																																																																																																																																																																																																																																																																																																																		
13	2143	3,5	106,59	43,1	58,0	81,9	80,0																																																																																																																																																																																																																																																																																																																																																																																																																																																																																																		
4,1	6983	0,8	347,33	16,5	46,5	44,3	60,0				SK 6382/22 - 100 AH/4	216	C101																																																																																																																																																																																																																																																																																																																																																																																																																																																																																												
4,5	6379	0,9	317,28	22,8	46,5	47,0	60,0	SK 6382 - 100 AH/4	197	C89																																																																																																																																																																																																																																																																																																																																																																																																																																																																																															
5,3	5380	1,1	267,59	29,8	46,5	50,8	60,0																																																																																																																																																																																																																																																																																																																																																																																																																																																																																																		
5,7	5062	0,9	251,76	31,4	46,5	51,8	60,0																																																																																																																																																																																																																																																																																																																																																																																																																																																																																																		
6,3	4540	0,9	225,79	33,8	46,5	53,2	60,0																																																																																																																																																																																																																																																																																																																																																																																																																																																																																																		
6,7	4269	1,1	212,33	34,9	46,5	53,9	60,0																																																																																																																																																																																																																																																																																																																																																																																																																																																																																																		
8,3	3445	1,6	171,34	37,6	46,5	55,7	60,0																																																																																																																																																																																																																																																																																																																																																																																																																																																																																																		
8,9	3214	1,8	159,88	38,2	46,5	56,1	60,0																																																																																																																																																																																																																																																																																																																																																																																																																																																																																																		
11	2551	1,8	126,87	39,8	46,5	57,2	60,0																																																																																																																																																																																																																																																																																																																																																																																																																																																																																																		
12	2308	2,5	114,79	39,6	46,5	57,5	60,0																																																																																																																																																																																																																																																																																																																																																																																																																																																																																																		
15	1862	3,2	92,63	37,8	46,5	58,0	60,0				18	1615	2,6	80,33	36,6	46,5	58,2	60,0	SK 6282 - 100 AH/4	200	C88	7,0	4073	0,8	202,57	19,9	32,0	37,1	40,0	SK 5382 - 100 AH/4	135	C87	8,3	3443	0,8	171,27	24,0	32,0	39,4	40,0	9,3	3095	1,0	153,92	25,5	32,0	40,5	40,0	10	2791	1,1	138,82	25,2	32,0	41,3	40,0	12	2360	1,2	117,37	24,6	32,0	42,3	40,0	16	1844	1,6	91,71	24,1	32,0	43,3	40,0	17	1663	1,7	82,72	23,6	32,0	43,5	40,0	11	2695	1,0	134,03	25,6	32,0	41,5	40,0	SK 5282 - 100 AH/4	116	C86	14	2014	1,1	100,19	24,5	32,0	43,0	40,0	16	1846	1,5	91,81	24,2	32,0	43,3	40,0	17	1641	1,1	81,61	23,4	32,0	43,6	40,0	21	1380	2,2	68,63	22,7	32,0	43,9	40,0	25	1124	2,3	55,90	21,6	32,0	43,1	40,0	26	1117	2,2	55,55	21,7	32,0	43,3	40,0	30	950	2,5	47,27	20,7	32,0	41,3	40,0	35	820	3,0	40,80	20,2	32,0	39,9	40,0	43	672	3,4	33,43	19,1	32,0	37,9	40,0	12	2380	0,8	118,38	14,4	22,0	25,7	30,0	SK 4382 - 100 AH/4	95	C85	14	2087	1,0	103,82	14,8	22,0	27,0	30,0	16	1746	1,1	86,83	14,7	22,0	28,2	30,0	16	1820	0,9	90,52	15,0	22,0	27,9	30,0	SK 4282 - 100 AH/4	80	C84	19	1542	1,0	76,70	14,7	22,0	28,8	30,0	23	1238	1,4	61,60	14,6	22,0	29,5	30,0	27	1049	1,7	52,20	14,1	22,0	29,6	30,0	32	906	1,8	45,05	13,9	22,0	28,7	30,0	33	878	1,8	43,65	13,6	22,0	28,4	30,0	35	819	1,9	40,74	13,7	22,0	28,0	30,0	39	740	1,9	36,81	13,4	22,0	27,3	30,0																																																																																																																																																																																																																																								
18	1615	2,6	80,33	36,6	46,5	58,2	60,0	SK 6282 - 100 AH/4	200	C88																																																																																																																																																																																																																																																																																																																																																																																																																																																																																															
7,0	4073	0,8	202,57	19,9	32,0	37,1	40,0	SK 5382 - 100 AH/4	135	C87																																																																																																																																																																																																																																																																																																																																																																																																																																																																																															
8,3	3443	0,8	171,27	24,0	32,0	39,4	40,0																																																																																																																																																																																																																																																																																																																																																																																																																																																																																																		
9,3	3095	1,0	153,92	25,5	32,0	40,5	40,0																																																																																																																																																																																																																																																																																																																																																																																																																																																																																																		
10	2791	1,1	138,82	25,2	32,0	41,3	40,0																																																																																																																																																																																																																																																																																																																																																																																																																																																																																																		
12	2360	1,2	117,37	24,6	32,0	42,3	40,0																																																																																																																																																																																																																																																																																																																																																																																																																																																																																																		
16	1844	1,6	91,71	24,1	32,0	43,3	40,0																																																																																																																																																																																																																																																																																																																																																																																																																																																																																																		
17	1663	1,7	82,72	23,6	32,0	43,5	40,0				11	2695	1,0	134,03	25,6	32,0	41,5	40,0	SK 5282 - 100 AH/4	116	C86	14	2014	1,1	100,19	24,5	32,0	43,0	40,0	16	1846	1,5	91,81	24,2	32,0	43,3	40,0	17	1641	1,1	81,61	23,4	32,0	43,6	40,0	21	1380	2,2	68,63	22,7	32,0	43,9	40,0	25	1124	2,3	55,90	21,6	32,0	43,1	40,0	26	1117	2,2	55,55	21,7	32,0	43,3	40,0	30	950	2,5	47,27	20,7	32,0	41,3	40,0	35	820	3,0	40,80	20,2	32,0	39,9	40,0	43	672	3,4				33,43	19,1	32,0	37,9	40,0	12	2380	0,8	118,38	14,4	22,0	25,7	30,0	SK 4382 - 100 AH/4	95	C85	14	2087	1,0	103,82	14,8	22,0	27,0	30,0	16	1746	1,1	86,83	14,7	22,0	28,2	30,0	16	1820	0,9	90,52	15,0	22,0	27,9	30,0	SK 4282 - 100 AH/4	80	C84	19	1542	1,0	76,70	14,7	22,0	28,8	30,0	23	1238	1,4	61,60	14,6	22,0	29,5	30,0	27	1049	1,7	52,20	14,1	22,0	29,6	30,0	32	906	1,8	45,05	13,9	22,0	28,7	30,0	33	878	1,8	43,65	13,6	22,0	28,4	30,0	35	819	1,9	40,74	13,7	22,0	28,0	30,0	39	740	1,9	36,81	13,4	22,0	27,3	30,0																																																																																																																																																																																																																																																																																																											
11	2695	1,0	134,03	25,6	32,0	41,5	40,0	SK 5282 - 100 AH/4	116	C86																																																																																																																																																																																																																																																																																																																																																																																																																																																																																															
14	2014	1,1	100,19	24,5	32,0	43,0	40,0																																																																																																																																																																																																																																																																																																																																																																																																																																																																																																		
16	1846	1,5	91,81	24,2	32,0	43,3	40,0																																																																																																																																																																																																																																																																																																																																																																																																																																																																																																		
17	1641	1,1	81,61	23,4	32,0	43,6	40,0																																																																																																																																																																																																																																																																																																																																																																																																																																																																																																		
21	1380	2,2	68,63	22,7	32,0	43,9	40,0																																																																																																																																																																																																																																																																																																																																																																																																																																																																																																		
25	1124	2,3	55,90	21,6	32,0	43,1	40,0																																																																																																																																																																																																																																																																																																																																																																																																																																																																																																		
26	1117	2,2	55,55	21,7	32,0	43,3	40,0																																																																																																																																																																																																																																																																																																																																																																																																																																																																																																		
30	950	2,5	47,27	20,7	32,0	41,3	40,0																																																																																																																																																																																																																																																																																																																																																																																																																																																																																																		
35	820	3,0	40,80	20,2	32,0	39,9	40,0																																																																																																																																																																																																																																																																																																																																																																																																																																																																																																		
43	672	3,4	33,43	19,1	32,0	37,9	40,0				12	2380	0,8	118,38	14,4	22,0	25,7	30,0	SK 4382 - 100 AH/4	95	C85	14	2087	1,0	103,82	14,8	22,0	27,0	30,0	16	1746	1,1	86,83	14,7	22,0	28,2	30,0	16	1820	0,9	90,52	15,0	22,0	27,9	30,0	SK 4282 - 100 AH/4	80	C84	19	1542	1,0	76,70	14,7	22,0	28,8	30,0	23	1238	1,4	61,60	14,6	22,0	29,5	30,0	27	1049	1,7	52,20	14,1	22,0	29,6	30,0	32	906	1,8	45,05	13,9	22,0	28,7	30,0	33	878	1,8	43,65	13,6	22,0	28,4	30,0	35	819	1,9	40,74	13,7	22,0	28,0	30,0	39	740	1,9	36,81	13,4	22,0	27,3	30,0																																																																																																																																																																																																																																																																																																																																																																																																	
12	2380	0,8	118,38	14,4	22,0	25,7	30,0	SK 4382 - 100 AH/4	95	C85																																																																																																																																																																																																																																																																																																																																																																																																																																																																																															
14	2087	1,0	103,82	14,8	22,0	27,0	30,0																																																																																																																																																																																																																																																																																																																																																																																																																																																																																																		
16	1746	1,1	86,83	14,7	22,0	28,2	30,0				16	1820	0,9	90,52	15,0	22,0	27,9	30,0	SK 4282 - 100 AH/4	80	C84	19	1542	1,0	76,70	14,7	22,0	28,8	30,0	23	1238	1,4	61,60	14,6	22,0	29,5	30,0	27	1049	1,7	52,20	14,1	22,0	29,6	30,0				32	906	1,8	45,05	13,9	22,0	28,7	30,0	33	878	1,8	43,65	13,6	22,0	28,4	30,0	35	819	1,9	40,74	13,7	22,0	28,0	30,0	39	740	1,9	36,81	13,4	22,0	27,3	30,0																																																																																																																																																																																																																																																																																																																																																																																																																									
16	1820	0,9	90,52	15,0	22,0	27,9	30,0	SK 4282 - 100 AH/4	80	C84																																																																																																																																																																																																																																																																																																																																																																																																																																																																																															
19	1542	1,0	76,70	14,7	22,0	28,8	30,0																																																																																																																																																																																																																																																																																																																																																																																																																																																																																																		
23	1238	1,4	61,60	14,6	22,0	29,5	30,0																																																																																																																																																																																																																																																																																																																																																																																																																																																																																																		
27	1049	1,7	52,20	14,1	22,0	29,6	30,0																																																																																																																																																																																																																																																																																																																																																																																																																																																																																																		
32	906	1,8	45,05	13,9	22,0	28,7	30,0																																																																																																																																																																																																																																																																																																																																																																																																																																																																																																		
33	878	1,8	43,65	13,6	22,0	28,4	30,0																																																																																																																																																																																																																																																																																																																																																																																																																																																																																																		
35	819	1,9	40,74	13,7	22,0	28,0	30,0																																																																																																																																																																																																																																																																																																																																																																																																																																																																																																		
39	740	1,9	36,81	13,4	22,0	27,3	30,0																																																																																																																																																																																																																																																																																																																																																																																																																																																																																																		

3,00 kW
4,00 kW



P_1 [kW]	n_2 [min ⁻¹]	M_2 [Nm]	f_B	i_{ges}	F_R [kN]	F_A [kN]	$F_{R VL}$ [kN]	$F_{A VL}$ [kN]		kg	mm	
3,00	44	650	2,5	32,34	13,1	22,0	26,5	30,0	SK 4282 - 100 AH/4	80	C84	
	54	531	3,4	26,43	12,4	22,0	25,1	30,0				
	64	450	3,8	22,39	11,9	22,0	24,0	30,0				
	66	431	3,9	21,45	11,8	22,0	23,8	30,0				
		34	845	1,1	42,02	8,1	14,5	18,7	20,0	SK 3282 - 100 AH/4	65	C82
		38	759	1,1	37,77	8,0	14,5	18,2	20,0			
		45	642	1,4	31,93	8,0	14,5	17,7	20,0			
		50	577	1,5	28,70	7,8	14,5	17,3	20,0			
		55	520	1,6	25,88	7,8	14,5	16,9	20,0			
		60	477	1,7	23,71	7,6	14,4	16,5	20,0			
		63	451	1,8	22,45	7,6	14,4	16,4	20,0			
		67	430	1,7	21,38	7,5	14,1	16,1	20,0			
		71	406	2,0	20,18	7,4	13,9	15,9	20,0			
		85	335	2,5	16,67	7,2	13,2	15,2	20,0			
		101	284	3,0	14,11	6,9	12,5	14,6	20,0			
		125	229	3,6	11,38	6,6	11,7	13,8	20,0			
		145	197	4,3	9,80	6,3	11,1	13,2	20,0			
		171	167	4,0	8,31	6,0	10,5	12,6	19,3			
		213	135	4,5	6,70	5,7	9,8	11,9	18,3			
		248	115	4,8	5,74	5,5	9,2	11,5	17,6			
	48	596	0,8	29,65	6,6	12,0	12,3	15,0	SK 2282 - 100 AH/4	50	C80	
	53	539	0,8	26,83	6,6	12,0	12,7	15,0				
	57	502	1,0	24,97	6,5	12,0	12,9	15,0				
	59	482	0,9	23,96	6,6	12,0	13,0	15,0				
	65	440	1,1	21,90	6,4	12,0	13,1	15,0				
	77	372	1,3	18,51	6,3	12,0	13,4	15,0				
	86	332	1,4	16,53	6,2	12,0	13,0	15,0				
	108	266	1,5	13,23	5,9	11,5	12,3	15,0				
	121	237	1,6	11,81	5,8	11,2	12,0	15,0				
	140	204	1,7	10,15	5,6	10,7	11,6	15,0				
	158	182	1,8	9,03	5,4	10,3	11,2	15,0				
	170	168	1,5	8,37	5,3	9,9	10,9	15,0				
	191	150	1,6	7,48	5,2	9,6	10,6	15,0				
	222	129	1,7	6,43	5,0	9,2	10,2	15,0				
	249	115	1,8	5,72	4,8	8,8	9,9	15,0				
	316	91	2,1	4,51	4,6	8,2	9,3	15,0				
	121	236	0,9	11,76	2,3	4,1	8,7	7,2	SK 1282 - 100 AH/4	39	C79	
	138	208	0,9	10,34	2,3	4,1	8,5	7,2				
	155	185	1,0	9,18	2,3	4,1	8,3	7,2				
	173	166	1,2	8,24	2,2	4,0	8,0	7,2				
	174	165	1,0	8,21	2,3	4,2	8,1	7,2				
	197	146	1,3	7,24	2,2	3,9	7,8	7,2				
	222	129	1,4	6,43	2,2	3,9	7,6	7,2				
	261	110	1,6	5,47	2,2	3,8	7,3	7,2				
	297	96	1,3	4,79	2,2	3,7	7,1	7,2				
	4,00	1,0	36691	1,6	1383,12	120,8	170,0	120,8				170,0
1,2		30622	2,0	1154,35	130,8	170,0	130,8	170,0				
1,5		25546	2,3	962,98	137,3	170,0	137,3	170,0				
2,0		19421	3,1	732,09	143,4	170,0	143,4	170,0				
2,4		15987	3,8	602,67	146,0	170,0	146,0	170,0				
	1,0	37636	0,9	1418,74	99,1	150,0	99,1	150,0	SK 10382/52 - 112 MH/4	1346	C102	
	1,2	30918	1,1	1165,49	113,0	150,0	113,0	150,0				
	1,6	24304	1,4	916,16	123,0	150,0	123,0	150,0				
	2,1	18367	1,9	692,36	129,4	150,0	129,4	150,0				
	2,5	15329	2,3	577,84	132,0	150,0	132,0	150,0				
	3,0	12621	2,8	475,75	133,8	150,0	133,8	150,0				
	1,2	31271	0,8	1178,81	82,4	102,0	120,0	130,0	SK 9382/42 - 112 MH/4	753	C101	
	1,6	23517	1,0	886,49	82,8	102,0	120,0	130,0				
	2,0	18977	1,3	715,38	83,7	102,0	120,0	130,0				
	2,3	16402	1,5	618,30	82,7	102,0	120,0	130,0				
	3,2	11926	2,0	449,57	79,4	102,0	120,0	130,0				
8,2	4644	5,5	175,05	77,5	102,0	120,0	130,0	SK 9382 - 112 MH/4	708	C95		



4,00 kW

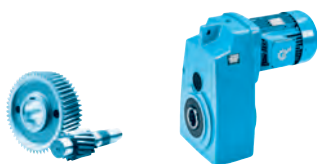
P_1 [kW]	n_2 [min ⁻¹]	M_2 [Nm]	f_B	i_{ges}	F_R [kN]	F_A [kN]	$F_{R VL}$ [kN]	$F_{A VL}$ [kN]		kg	mm			
4,00	2,6	14617	0,8	551,02	64,3	73,0	100,0	100,0	SK 8382/42 - 112 MH/4	451	C101			
	3,1	12429	1,0	468,52	64,4	73,0	100,0	100,0						
	4,2	9196	1,3	346,66	63,5	73,0	100,0	100,0						
	4,9	7811	1,5	294,43	62,4	73,0	100,0	100,0						
	6,4	5926	2,0	223,40	59,8	73,0	100,0	100,0						
	3,7	10258	1,2	386,68	64,8	73,0	100,0	105,0	SK 8382 - 112 MH/4	406	C93			
	4,5	8444	1,5	318,31	63,0	73,0	100,0	105,0						
	7,2	5332	2,0	201,00	58,7	73,0	100,0	105,0						
	10	3818	3,3	143,91	55,2	73,0	100,0	105,0						
	11	3326	3,7	125,38	53,3	73,0	100,0	105,0						
	4,3	8987	0,8	338,79	42,4	58,0	71,5	80,0	SK 7382 - 112 MH/4	281	C91			
	5,3	7257	1,0	273,57	47,0	58,0	75,5	80,0						
	6,7	5741	1,4	216,43	45,8	58,0	78,2	80,0						
	7,0	5438	1,4	204,99	46,0	58,0	78,7	80,0						
	8,9	4302	1,5	162,17	44,2	58,0	80,2	80,0						
	9,6	3994	1,9	150,57	44,0	58,0	80,5	80,0						
	12	3273	2,3	123,37	42,4	58,0	81,2	80,0						
	14	2828	2,7	106,59	41,3	58,0	81,5	80,0						
	15	2472	3,1	93,18	39,9	58,0	81,8	80,0						
	18	2091	3,5	78,81	38,3	58,0	82,0	80,0						
	21	1807	4,0	68,10	37,1	58,0	79,2	80,0						
	5,4	7099	0,8	267,59	14,9	46,5	43,7	60,0				SK 6382 - 112 MH/4	208	C89
	6,8	5633	0,8	212,33	28,3	46,5	49,9	60,0						
	8,4	4545	1,2	171,34	33,8	46,5	53,2	60,0						
	9,0	4241	1,4	159,88	35,0	46,5	54,0	60,0						
	11	3366	1,4	126,87	37,5	46,5	55,9	60,0						
	13	3045	1,9	114,79	37,1	46,5	56,4	60,0						
	16	2457	2,4	92,63	35,8	46,5	57,3	60,0						
	19	1994	3,0	75,18	34,3	46,5	57,9	60,0						
	20	1950	2,9	73,50	34,0	46,5	57,9	60,0						
	24	1583	3,5	59,66	32,4	46,5	58,3	60,0						
	28	1355	3,7	51,07	31,3	46,5	58,4	60,0						
	18	2131	1,9	80,33	35,0	46,5	57,7	60,0	SK 6282 - 112 MH/4	211	C88			
	22	1736	1,9	65,44	33,2	46,5	58,1	60,0						
	9,4	4083	0,8	153,92	19,8	32,0	37,0	40,0	SK 5382 - 112 MH/4	146	C87			
	10	3683	0,9	138,82	22,3	32,0	38,6	40,0						
	12	3114	0,9	117,37	22,0	32,0	40,4	40,0						
	16	2433	1,2	91,71	22,2	32,0	42,2	40,0						
	17	2194	1,3	82,72	21,9	32,0	42,6	40,0						
	14	2658	0,8	100,19	22,4	32,0	41,6	40,0	SK 5282 - 112 MH/4	127	C86			
	16	2436	1,1	91,81	22,3	32,0	42,2	40,0						
	18	2165	0,8	81,61	21,7	32,0	42,7	40,0						
	21	1821	1,6	68,63	21,3	32,0	43,3	40,0						
	26	1483	1,8	55,90	20,4	32,0	42,1	40,0						
	28	1366	2,4	51,49	20,2	32,0	41,4	40,0						
	30	1254	1,9	47,27	19,6	32,0	40,3	40,0						
	34	1113	2,9	41,94	19,2	32,0	39,2	40,0						
	35	1082	2,3	40,80	19,3	32,0	39,1	40,0						
	41	941	2,9	35,46	18,5	32,0	37,5	40,0						
	43	887	2,6	33,43	18,5	32,0	37,2	40,0						
	19	2035	0,8	76,70	12,7	22,0	27,2	30,0				SK 4282 - 112 MH/4	91	C84
	23	1634	1,1	61,60	13,0	22,0	28,5	30,0						
	28	1385	1,3	52,20	12,8	22,0	28,3	30,0						
	32	1195	1,3	45,05	12,8	22,0	27,7	30,0						
	33	1158	1,4	43,65	12,5	22,0	27,4	30,0						
	35	1081	1,4	40,74	12,7	22,0	27,1	30,0						
	38	1016	2,0	38,31	12,4	22,0	26,6	30,0						
	39	976	1,4	36,81	12,4	22,0	26,5	30,0						
	40	966	1,4	36,40	12,2	22,0	26,1	30,0						
	45	850	2,1	32,04	12,1	22,0	25,5	30,0						



4,00 kW
5,50 kW



P_1 [kW]	n_2 [min ⁻¹]	M_2 [Nm]	f_B	i_{ges}	F_R [kN]	F_A [kN]	$F_{R VL}$ [kN]	$F_{A VL}$ [kN]		kg	mm
4,00	54	701	2,5	26,43	11,8	22,0	24,5	30,0	SK 4282 - 112 MH/4	91	C84
	55	696	2,3	26,25	11,8	22,0	24,5	30,0			
	64	594	2,9	22,39	11,3	21,5	23,5	30,0			
	67	569	3,0	21,45	11,3	21,3	23,3	30,0			
	79	482	3,7	18,18	10,8	20,2	22,3	30,0			
	95	403	4,5	15,20	10,4	19,1	21,3	30,0			
	34	1115	0,8	42,02	6,8	13,3	17,6	20,0	SK 3282 - 112 MH/4	76	C82
	38	1002	0,8	37,77	6,9	13,2	17,3	20,0			
	45	847	1,0	31,93	7,0	13,4	16,9	20,0			
	50	761	1,1	28,70	7,0	13,2	16,5	20,0			
	56	687	1,2	25,88	7,0	13,1	16,2	20,0			
	61	629	1,3	23,71	6,9	12,8	15,9	20,0			
	64	596	1,3	22,45	6,9	12,9	15,8	20,0			
	67	567	1,3	21,38	6,8	12,6	15,6	20,0			
	71	535	1,5	20,18	6,8	12,6	15,4	20,0			
	86	442	1,9	16,67	6,6	12,1	14,7	20,0			
	102	374	2,3	14,11	6,4	11,6	14,2	20,0			
	127	302	2,7	11,38	6,2	10,9	13,5	20,0			
	147	260	3,2	9,80	6,0	10,5	13,0	19,6			
	173	220	3,1	8,31	5,7	9,9	12,4	18,8			
215	178	3,4	6,70	5,5	9,3	11,7	17,9				
251	152	3,6	5,74	5,3	8,8	11,3	17,2				
321	119	3,9	4,48	4,9	8,1	10,5	16,2				
66	581	0,8	21,90	5,7	11,3	12,4	15,0	SK 2282 - 112 MH/4	61	C80	
78	491	1,0	18,51	5,7	11,2	12,9	15,0				
87	439	1,1	16,53	5,6	11,0	12,6	15,0				
109	351	1,2	13,23	5,4	10,4	11,9	15,0				
122	313	1,2	11,81	5,4	10,2	11,6	15,0				
142	269	1,3	10,15	5,2	9,9	11,2	15,0				
159	240	1,4	9,03	5,1	9,6	10,9	15,0				
172	222	1,2	8,37	5,0	9,2	10,6	15,0				
193	198	1,2	7,48	4,8	8,9	10,4	15,0				
224	171	1,3	6,43	4,7	8,6	10,0	15,0				
252	152	1,4	5,72	4,6	8,3	9,7	15,0				
319	120	1,6	4,51	4,4	7,8	9,1	15,0				
157	244	0,8	9,18	1,9	3,3	7,9	7,2				SK 1282 - 112 MH/4
175	219	0,9	8,24	1,9	3,2	7,7	7,2				
199	192	1,0	7,24	1,9	3,2	7,5	7,2				
224	171	1,1	6,43	1,9	3,3	7,3	7,2				
263	145	1,2	5,47	1,9	3,3	7,1	7,2				
301	127	1,0	4,79	1,9	3,2	6,8	7,2				
5,50	1,1	49759	1,2	1383,12	87,3	170,0	87,3	170,0	SK 11382/52 - 132 SH/4	2203	C102
	1,3	41529	1,4	1154,35	110,7	170,0	110,7	170,0			
	1,5	34644	1,7	962,98	124,4	170,0	124,4	170,0			
	2,0	26338	2,3	732,09	136,4	170,0	136,4	170,0			
	2,4	21682	2,8	602,67	141,4	170,0	141,4	170,0			
	1,3	41930	0,8	1165,49	87,3	150,0	87,3	150,0	SK 10382/52 - 132 SH/4	1365	C102
	1,6	32960	1,1	916,16	109,3	150,0	109,3	150,0			
	2,1	24908	1,4	692,36	122,2	150,0	122,2	150,0			
	2,5	20788	1,7	577,84	127,1	150,0	127,1	150,0			
	3,1	17116	2,0	475,75	130,5	150,0	130,5	150,0			
	4,0	13184	2,7	366,46	133,4	150,0	133,4	150,0			
	5,5	9471	3,5	263,25	135,4	150,0	135,4	150,0	SK 10382 - 132 SH/4	1291	C97
	1,6	31892	0,8	886,49	65,6	102,0	120,0	130,0	SK 9382/42 - 132 SH/4	772	C101
	2,0	25737	0,9	715,38	70,6	102,0	120,0	130,0			
	2,4	22244	1,1	618,30	71,5	102,0	120,0	130,0			
	3,2	16174	1,5	449,57	71,5	102,0	120,0	130,0			
	3,5	14809	1,6	411,63	71,0	102,0	120,0	130,0	SK 9382/52 - 132 SH/4	801	C102



5,50 kW

P_1 [kW]	n_2 [min ⁻¹]	M_2 [Nm]	f_B	i_{ges}	F_R [kN]	F_A [kN]	$F_{R VL}$ [kN]	$F_{A VL}$ [kN]		kg	mm
5,50	4,1	12677	2,0	352,36	85,6	102,0	120,0	130,0	SK 9382 - 132 SH/4	727	C95
	5,0	10478	2,3	291,25	82,1	102,0	120,0	130,0			
	7,1	7364	3,0	204,68	77,0	102,0	120,0	130,0			
	8,3	6298	4,0	175,05	74,3	102,0	120,0	130,0			
	4,2	12471	1,0	346,66	54,7	73,0	100,0	100,0	SK 8382/42 - 132 SH/4	470	C101
	5,0	10592	1,1	294,43	54,9	73,0	100,0	100,0			
	6,5	8037	1,5	223,40	54,2	73,0	100,0	100,0			
	7,9	6689	1,8	185,94	53,2	73,0	100,0	100,0			
	3,8	13911	0,9	386,68	55,1	73,0	100,0	105,0	SK 8382 - 132 SH/4	425	C93
	4,6	11452	1,1	318,31	54,9	73,0	100,0	105,0			
	5,0	10577	1,2	294,01	55,7	73,0	100,0	105,0			
	6,0	8707	1,5	242,02	54,5	73,0	100,0	105,0			
	7,3	7231	1,5	201,00	53,7	73,0	100,0	105,0			
	7,9	6679	1,9	185,66	53,8	73,0	100,0	105,0			
	9,6	5498	2,4	152,83	51,8	73,0	100,0	105,0			
	10	5177	2,4	143,91	51,5	73,0	100,0	105,0			
	12	4262	2,9	118,47	49,4	73,0	100,0	105,0			
	5,3	9842	0,8	273,57	38,2	58,0	69,1	80,0			
	6,7	7786	1,1	216,43	39,7	58,0	74,4	80,0			
	7,1	7375	1,0	204,99	40,2	58,0	75,3	80,0			
	9,0	5834	1,1	162,17	39,7	58,0	78,1	80,0			
	9,7	5417	1,4	150,57	39,8	58,0	78,7	80,0			
	12	4438	1,7	123,37	38,9	58,0	80,0	80,0			
	14	3835	2,0	106,59	38,2	58,0	80,7	80,0			
	16	3352	2,2	93,18	37,4	58,0	81,1	80,0			
	19	2835	2,6	78,81	36,2	58,0	80,1	80,0			
	8,5	6164	0,9	171,34	24,6	46,5	47,9	60,0	SK 6382 - 132 SH/4	227	C89
	9,1	5752	1,0	159,88	27,5	46,5	49,5	60,0			
	12	4564	1,0	126,87	33,4	46,5	53,2	60,0			
	13	4130	1,4	114,79	33,5	46,5	54,3	60,0			
	16	3332	1,8	92,63	32,9	46,5	55,9	60,0			
	19	2705	2,2	75,18	31,9	46,5	57,0	60,0			
	20	2644	2,1	73,50	31,7	46,5	57,1	60,0			
	24	2146	2,6	59,66	30,5	46,5	57,7	60,0			
	29	1837	2,8	51,07	29,6	46,5	58,0	60,0			
	34	1528	3,0	42,46	28,4	46,5	57,2	60,0			
	18	2890	1,4	80,33	32,6	46,5	56,7	60,0	SK 6282 - 132 SH/4	230	C88
	22	2354	1,4	65,44	31,1	46,5	57,5	60,0			
	24	2197	2,1	61,08	31,1	46,5	57,6	60,0			
	29	1790	2,3	49,75	29,5	46,5	58,1	60,0			
	37	1420	2,3	39,48	28,0	46,5	56,1	60,0			
	16	3299	0,9	91,71	19,4	32,0	39,9	40,0	SK 5382 - 132 SH/4	165	C87
	18	2976	0,9	82,72	19,3	32,0	40,8	40,0			
	16	3303	0,8	91,81	19,4	32,0	39,9	40,0	SK 5282 - 132 SH/4	146	C86
	21	2469	1,2	68,63	19,2	32,0	42,1	40,0			
	26	1998	1,3	55,55	18,9	32,0	40,7	40,0			
	28	1852	1,7	51,49	18,6	32,0	39,9	40,0			
	31	1701	1,4	47,27	18,1	32,0	38,9	40,0			
	35	1509	2,1	41,94	17,9	32,0	38,0	40,0			
	36	1468	1,7	40,80	18,1	32,0	38,0	40,0			
	41	1276	2,1	35,46	17,4	32,0	36,5	40,0			
	44	1203	1,9	33,43	17,4	32,0	36,3	40,0			
	48	1097	2,6	30,50	17,0	32,0	35,4	40,0			
	58	899	3,2	25,00	16,3	30,8	33,7	40,0			
	24	2216	0,8	61,60	10,6	21,6	26,5	30,0			
	28	1878	1,0	52,20	10,8	21,3	26,7	30,0			
	32	1621	1,0	45,05	11,2	22,0	26,3	30,0			
	33	1570	1,0	43,65	10,9	21,3	25,9	30,0			
	36	1466	1,1	40,74	11,2	21,8	25,8	30,0			
	38	1378	1,5	38,31	10,9	21,3	25,3	30,0			
	40	1324	1,1	36,81	11,1	21,4	25,2	30,0			
	45	1163	1,4	32,34	11,1	21,3	24,7	30,0			
	46	1153	1,5	32,04	10,8	20,7	24,5	30,0			



5,50 kW
7,50 kW



P_1 [kW]	n_2 [min ⁻¹]	M_2 [Nm]	f_B	i_{ges}	F_R [kN]	F_A [kN]	$F_{R VL}$ [kN]	$F_{A VL}$ [kN]		kg	mm
5,50	55	951	1,9	26,43	10,8	20,5	23,6	30,0	SK 4282 - 132 SH/4	110	C84
	56	944	1,7	26,25	10,8	20,5	23,6	30,0			
	65	806	2,1	22,39	10,5	19,5	22,8	30,0			
	68	772	2,2	21,45	10,5	19,5	22,6	30,0			
	80	654	2,8	18,18	10,1	18,7	21,6	30,0			
	96	547	3,3	15,20	9,8	17,8	20,8	30,0			
	115	456	3,8	12,68	9,4	16,7	19,8	30,0			
	46	1149	0,8	31,93	5,6	10,4	15,6	20,0			
	51	1033	0,8	28,70	5,7	10,5	15,4	20,0			
	56	931	0,9	25,88	5,8	10,6	15,2	20,0			
	62	853	0,9	23,71	5,8	10,5	15,0	20,0			
	65	808	1,0	22,45	5,9	10,8	14,9	20,0			
	68	769	0,9	21,38	5,8	10,6	14,7	20,0			
	72	726	1,1	20,18	5,9	10,7	14,6	20,0			
	88	600	1,4	16,67	5,9	10,5	14,1	20,0			
103	508	1,7	14,11	5,8	10,2	13,6	20,0				
128	409	2,0	11,38	5,7	9,9	13,0	19,4				
149	353	2,4	9,80	5,6	9,5	12,6	18,8				
176	299	2,3	8,31	5,3	9,0	12,0	18,1				
218	241	2,5	6,70	5,1	8,6	11,4	17,2				
254	207	2,7	5,74	5,0	8,2	11,0	16,7				
326	161	2,9	4,48	4,7	7,6	10,3	15,7				
88	595	0,8	16,53	4,8	9,1	11,9	15,0				
110	476	0,9	13,23	4,7	8,8	11,3	15,0				
124	425	0,9	11,81	4,7	8,8	11,1	15,0				
144	365	1,0	10,15	4,7	8,7	10,8	15,0				
162	325	1,0	9,03	4,7	8,5	10,5	15,0				
174	301	0,9	8,37	4,5	8,1	10,3	15,0				
195	269	0,9	7,48	4,4	8,0	10,0	15,0				
227	231	1,0	6,43	4,3	7,8	9,7	15,0				
255	206	1,0	5,72	4,3	7,6	9,4	15,0				
324	162	1,1	4,51	4,1	7,2	8,9	15,0				
7,50	1,1	67853	0,9	1383,12	20,0	170,0	20,0	170,0	SK 11382/52 - 132 MH/4	2210	C102
	1,3	56630	1,1	1154,35	55,8	170,0	55,8	170,0			
	1,5	47242	1,3	962,98	95,4	170,0	95,4	170,0			
	2,0	35915	1,7	732,09	122,2	170,0	122,2	170,0			
	2,4	29566	2,0	602,67	132,2	170,0	132,2	170,0			
	1,6	44945	0,8	916,16	77,0	150,0	77,0	150,0			
	2,1	33966	1,0	692,36	107,3	150,0	107,3	150,0			
	2,5	28348	1,2	577,84	117,3	150,0	117,3	150,0			
	3,1	23339	1,5	475,75	124,2	150,0	124,2	150,0			
	4,0	17978	1,9	366,46	129,8	150,0	129,8	150,0			
	4,1	17533	2,0	357,40	130,1	150,0	130,1	150,0			
	4,4	16319	2,3	332,64	131,2	150,0	131,2	150,0			
	5,2	13876	2,4	282,85	133,0	150,0	133,0	150,0			
	5,5	12915	2,6	263,25	133,6	150,0	133,6	150,0			
	2,4	30333	0,8	618,30	56,2	102,0	120,0	130,0			
3,2	22055	1,1	449,57	60,5	102,0	120,0	130,0				
3,5	20194	1,2	411,63	61,0	102,0	120,0	130,0				
5,0	14450	1,7	294,54	60,3	102,0	120,0	130,0				
4,1	17286	1,5	352,36	77,2	102,0	120,0	130,0				
5,0	14288	1,7	291,25	75,1	102,0	120,0	130,0				
7,1	10041	2,2	204,68	72,2	102,0	120,0	130,0				
8,3	8588	3,0	175,05	70,3	102,0	120,0	130,0				
10	7098	3,4	144,69	67,2	102,0	120,0	130,0				
11	6667	3,8	135,90	66,8	102,0	120,0	130,0				



7,50 kW

P_1 [kW]	n_2 [min ⁻¹]	M_2 [Nm]	f_B	i_{ges}	F_R [kN]	F_A [kN]	$F_{R VL}$ [kN]	$F_{A VL}$ [kN]		kg	mm				
7,50	5,0	14424	0,9	294,01	45,9	73,0	100,0	105,0	SK 8382 - 132 MH/4	432	C93				
	6,0	11873	1,1	242,02	46,6	73,0	100,0	105,0							
	7,9	9108	1,4	185,66	47,6	73,0	100,0	105,0							
	9,6	7498	1,8	152,83	46,7	73,0	100,0	105,0							
	10	7060	1,8	143,91	47,0	73,0	100,0	105,0							
	12	5812	2,1	118,47	45,7	73,0	100,0	105,0							
	14	5063	2,4	103,21	44,7	73,0	97,2	105,0							
	16	4461	2,7	90,94	44,0	73,0	94,6	105,0							
	19	3713	3,3	75,69	42,4	73,0	90,3	105,0							
	20	3542	2,2	72,21	42,3	72,4	-	-							
													SK 8282 - 132 MH/4	428	C92
													SK 7382 - 132 MH/4	307	C91
	9,0	7956	0,8	162,17	33,4	58,0	74,0	80,0							
	9,7	7387	1,0	150,57	34,3	58,0	75,3	80,0							
	12	6052	1,2	123,37	34,5	58,0	77,7	80,0							
	14	5229	1,4	106,59	34,3	58,0	79,0	80,0							
	16	4571	1,6	93,18	34,0	58,0	79,8	80,0							
	19	3866	1,9	78,81	33,3	58,0	77,6	80,0							
	21	3341	2,2	68,10	32,5	58,0	75,1	80,0							
25	2920	2,4	59,52	32,0	56,3	72,9	80,0								
27	2619	2,7	53,38	31,5	54,8	71,1	80,0								
									SK 7282 - 132 MH/4	300	C90				
21	3421	1,7	69,73	33,3	58,0	76,0	80,0								
26	2792	2,0	56,91	31,8	55,9	72,3	80,0								
									SK 6382 - 132 MH/4	234	C89				
13	5631	1,0	114,79	28,3	46,5	49,9	60,0								
16	4544	1,3	92,63	29,0	46,5	53,2	60,0								
19	3688	1,6	75,18	28,9	46,5	55,2	60,0								
20	3606	1,5	73,50	28,5	46,5	55,4	60,0								
24	2927	1,9	59,66	28,0	46,5	56,6	60,0								
29	2505	2,0	51,07	27,5	46,5	57,2	60,0								
34	2083	2,2	42,46	26,7	46,0	55,6	60,0								
40	1783	2,6	36,34	26,0	44,0	53,6	60,0								
47	1516	3,0	30,91	25,2	42,0	51,6	60,0								
									SK 6282 - 132 MH/4	237	C88				
24	2996	1,5	61,08	28,6	46,5	56,5	60,0								
29	2441	1,7	49,75	27,5	46,5	57,3	60,0								
37	1937	1,7	39,48	26,4	45,1	54,7	60,0								
49	1467	3,1	29,90	25,2	42,0	51,4	60,0								
56	1278	3,5	26,05	24,5	40,0	49,6	60,0								
									SK 5282 - 132 MH/4	153	C86				
26	2725	0,9	55,55	16,6	31,8	38,8	40,0								
28	2526	1,3	51,49	16,6	32,0	38,3	40,0								
35	2058	1,6	41,94	16,2	32,0	36,5	40,0								
36	2002	1,2	40,80	16,4	30,8	36,6	40,0								
41	1740	1,6	35,46	15,9	31,0	35,2	40,0								
44	1640	1,4	33,43	16,1	29,8	35,2	40,0								
48	1496	1,9	30,50	15,9	30,4	34,3	40,0								
58	1226	2,4	25,00	15,4	28,9	32,9	40,0								
72	999	3,1	20,36	14,7	27,0	31,2	40,0								
77	926	2,8	18,88	14,6	26,6	30,7	40,0								
												SK 4282 - 132 MH/4	117	C84	
36	1999	0,8	40,74	9,2	17,6	24,2	30,0								
38	1879	1,1	38,31	8,9	17,1	23,7	30,0								
40	1806	0,8	36,81	9,2	17,5	23,8	30,0								
45	1587	1,0	32,34	9,5	17,8	23,4	30,0								
46	1572	1,1	32,04	9,1	17,2	23,1	30,0								
55	1297	1,4	26,43	9,5	17,6	22,6	30,0								
56	1288	1,2	26,25	9,6	17,8	22,6	30,0								
65	1098	1,5	22,39	9,3	17,1	21,8	30,0								
68	1052	1,6	21,45	9,4	17,3	21,7	30,0								
80	892	2,0	18,18	9,2	16,7	20,9	30,0								
96	746	2,4	15,20	9,0	16,1	20,1	30,0								
115	622	2,8	12,68	8,7	15,3	19,2	30,0								
135	532	3,2	10,85	8,5	14,8	18,6	30,0								
158	453	3,6	9,23	8,3	14,2	17,9	29,6								
175	409	3,1	8,33	8,0	13,5	17,3	28,7								
205	350	3,4	7,13	7,7	13,0	16,7	27,8								
241	297	4,0	6,06	7,4	12,4	16,0	26,7								



7,50 kW
9,20 kW



P_1 [kW]	n_2 [min ⁻¹]	M_2 [Nm]	f_B	i_{ges}	F_R [kN]	F_A [kN]	$F_{R VL}$ [kN]	$F_{A VL}$ [kN]		kg	mm				
7,50	72	990	0,8	20,18	4,7	8,2	13,7	19,4	SK 3282 - 132 MH/4	102	C82				
	88	818	1,0	16,67	4,9	8,4	13,2	19,1							
	103	692	1,2	14,11	4,9	8,4	12,9	18,7							
	128	558	1,5	11,38	5,0	8,4	12,4	18,2							
	149	481	1,7	9,80	4,9	8,2	12,1	17,8							
	176	408	1,7	8,31	4,8	7,9	11,6	17,2							
	218	329	1,8	6,70	4,7	7,6	11,1	16,5							
	254	282	2,0	5,74	4,6	7,4	10,7	16,0							
	326	220	2,1	4,48	4,4	7,1	10,1	15,2							
	162	443	0,8	9,03	4,0	7,1	10,0	15,0				SK 2282 - 132 MH/4	87	C80	
	255	281	0,8	5,72	3,8	6,7	9,1	15,0							
	324	221	0,8	4,51	3,8	6,5	8,6	15,0							
	9,20	1,3	69970	0,9	1154,35	0	170,0	0				170,0	SK 11382/52 - 132 LH/4	2210	C102
		1,5	58300	1,0	962,98	44,1	170,0	44,1				170,0			
2,0		44320	1,4	732,09	103,8	170,0	103,8	170,0							
2,4		36560	1,6	602,67	121,0	170,0	121,0	170,0							
3,0		29010	2,1	479,78	133,1	170,0	133,1	170,0							
4,0		22010	2,3	363,43	141,1	170,0	141,1	170,0							
4,6		18920	2,6	312,46	143,8	170,0	143,8	170,0							
4,9		18030	2,8	297,39	144,5	170,0	144,5	170,0							
2,1		41940	0,8	692,36	87,0	150,0	87,0	150,0	SK 10382/52 - 132 LH/4	1370	C102				
2,5		35030	1,0	577,84	104,9	150,0	104,9	150,0							
3,0		28900	1,2	475,75	116,3	150,0	116,3	150,0							
4,0		22190	1,6	366,46	125,5	150,0	125,5	150,0							
4,8		18300	1,9	301,68	129,5	150,0	129,5	150,0							
4,1		21650	1,6	357,40	126,1	150,0	126,1	150,0	SK 10382 - 132 LH/4	1300	C97				
4,4		20150	1,8	332,64	127,7	150,0	127,7	150,0							
5,1		17140	1,9	282,85	130,5	150,0	130,5	150,0							
5,5		15950	2,1	263,25	131,5	150,0	131,5	150,0							
8,0		10950	3,2	180,68	134,7	150,0	134,7	150,0							
3,2		27320	0,9	449,57	47,4	102,0	120,0	130,0	SK 9382/42 - 132 LH/4	779	C101				
3,5		24870	1,0	411,63	49,0	102,0	120,0	130,0	SK 9382/52 - 132 LH/4	808	C102				
4,1		21340	1,2	352,36	66,7	102,0	120,0	130,0	SK 9382 - 132 LH/4	734	C95				
5,0		17630	1,4	291,25	66,0	102,0	120,0	130,0							
7,1		12400	1,8	204,68	66,0	102,0	120,0	130,0							
8,3		10600	2,4	175,05	64,9	102,0	120,0	130,0							
10		8761	2,7	144,69	62,7	102,0	120,0	130,0							
11		8220	3,1	135,90	62,6	102,0	120,0	130,0							
13		6999	3,6	115,57	60,8	102,0	120,0	130,0							
14		6101	4,2	100,89	59,2	102,0	118,3	130,0							
6,0		14660	0,9	242,02	37,0	73,0	100,0	100,0				SK 8382 - 132 LH/4	432	C93	
7,8		11240	1,1	185,66	40,4	73,0	100,0	100,0							
9,5		9256	1,4	152,83	40,6	73,0	100,0	100,0							
10		8719	1,4	143,91	41,3	73,0	100,0	100,0							
12		7179	1,7	118,47	40,8	73,0	97,2	100,0							
14	6249	1,9	103,21	40,6	73,0	94,8	100,0								
16	5501	2,2	90,94	40,2	73,0	92,4	100,0								
19	4587	2,6	75,69	39,4	71,2	89,0	100,0								
22	3948	2,9	65,22	38,6	69,2	86,1	100,0								
25	3473	3,5	57,43	37,8	67,4	83,7	100,0								
30	2896	4,2	47,80	36,6	64,7	80,2	100,0								
33	2637	4,0	43,59	36,1	63,6	78,5	100,0								
20	4372	1,8	72,21	39,4	71,0	-	-	SK 8282 - 132 LH/4	428	C92					
9,6	9107	0,8	150,57	27,6	58,0	71,2	80,0	SK 7382 - 132 LH/4	307	C91					
12	7459	1,0	123,37	28,9	58,0	75,1	80,0								
14	6454	1,2	106,59	29,5	58,0	77,1	80,0								
16	5638	1,3	93,18	29,8	58,0	76,7	80,0								
18	4772	1,6	78,81	29,5	56,7	74,2	80,0								
21	4129	1,7	68,10	29,4	55,8	72,2	80,0								



9,20 kW

P_1 [kW]	n_2 [min ⁻¹]	M_2 [Nm]	f_B	i_{ges}	F_R [kN]	F_A [kN]	$F_{R VL}$ [kN]	$F_{A VL}$ [kN]		kg	mm			
9,20	24	3606	2,0	59,52	29,1	54,7	70,3	80,0	SK 7382 - 132 LH/4	307	C91			
	27	3237	2,2	53,38	29,0	54,0	69,0	80,0						
	31	2827	2,5	46,66	28,5	52,7	67,0	80,0						
	39	2239	3,0	36,92	27,4	50,1	63,4	80,0						
	21	4229	1,4	69,73	30,1	56,9	73,2	80,0	SK 7282 - 132 LH/4	300	C90			
	25	3448	1,6	56,91	29,2	54,6	69,9	80,0						
	32	2730	1,6	45,02	28,2	52,1	66,3	80,0						
	13	6955	0,8	114,79	16,8	46,5	44,4	60,0	SK 6382 - 132 LH/4	234	C89			
	16	5615	1,1	92,63	24,3	46,5	50,0	60,0						
	19	4563	1,3	75,18	25,0	46,5	53,2	60,0						
	20	4448	1,3	73,50	24,6	46,5	53,5	60,0						
	24	3614	1,5	59,66	24,8	46,5	55,4	60,0						
	28	3091	1,6	51,07	24,7	45,7	55,5	60,0						
	34	2570	1,8	42,46	24,4	44,5	53,6	60,0						
	40	2198	2,1	36,34	24,0	43,4	51,9	60,0						
	47	1872	2,4	30,91	23,5	42,1	50,2	60,0						
	24	3699	1,2	61,08	25,5	46,5	55,2	60,0	SK 6282 - 132 LH/4	237	C88			
	29	3017	1,3	49,75	25,0	45,9	55,5	60,0						
	37	2390	1,3	39,48	24,3	44,0	52,8	60,0						
	49	1811	2,5	29,90	23,7	42,2	50,1	60,0						
	56	1576	2,9	26,05	23,1	41,0	48,5	60,0						
	63	1388	3,3	22,95	22,6	39,8	47,1	60,0						
	28	3117	1,0	51,49	13,8	30,5	35,5	40,0	SK 5282 - 132 LH/4	153	C86			
	35	2542	1,3	41,94	13,9	29,9	34,3	40,0						
	36	2471	1,0	40,80	13,9	28,3	34,0	40,0						
	41	2148	1,3	35,46	13,8	29,3	33,3	40,0						
	43	2024	1,1	33,43	14,0	28,2	33,0	40,0						
	48	1846	1,6	30,50	14,2	29,4	32,8	40,0						
	58	1512	1,9	25,00	14,0	28,6	31,6	40,0						
	71	1233	2,5	20,36	13,5	27,4	30,1	40,0						
	77	1143	2,3	18,88	13,5	27,2	29,8	40,0						
	82	1067	2,6	17,59	13,3	26,7	29,2	40,0						
	94	932	2,8	15,38	13,0	25,9	28,3	40,0						
	38	2323	0,9	38,31	6,3	14,5	20,8	30,0				SK 4282 - 132 LH/4	117	C84
	45	1941	0,9	32,04	6,9	15,3	20,7	30,0						
	54	1619	1,0	26,72	7,1	15,5	20,2	30,0						
	55	1600	1,1	26,43	7,6	16,3	20,6	30,0						
	65	1356	1,3	22,39	7,7	16,3	20,1	30,0						
	68	1300	1,3	21,45	7,9	16,6	20,1	30,0						
	80	1102	1,6	18,18	7,9	16,4	19,6	30,0						
	95	920	2,0	15,20	7,9	16,2	19,0	30,0						
	114	767	2,3	12,68	7,7	15,4	18,3	30,0						
	134	656	2,6	10,85	7,6	14,9	17,7	29,5						
	157	559	2,9	9,23	7,5	14,3	17,2	28,6						
	174	505	2,5	8,33	7,3	13,5	16,7	27,7						
	203	432	2,8	7,13	7,1	13,0	16,1	26,8						
	239	368	3,3	6,06	6,9	12,4	15,5	25,9						
	266	330	3,1	5,43	6,8	12,1	15,2	25,2						
	290	303	3,4	5,00	6,7	11,8	14,8	24,7						
	308	286	3,6	4,70	6,6	11,5	14,6	24,4						
	87	1009	0,8	16,67	3,5	7,2	11,8	18,3	SK 3282 - 132 LH/4	102	C83			
	103	854	1,0	14,11	3,7	7,4	11,6	18,1						
	128	688	1,2	11,38	4,0	7,7	11,4	17,8						
	148	592	1,4	9,80	4,1	7,6	11,2	17,4						
	173	509	1,3	8,31	4,0	7,3	10,8	16,9						
	214	410	1,5	6,70	4,1	7,3	10,5	16,4						
	253	347	1,6	5,74	4,1	7,2	10,2	15,9						
	319	275	1,7	4,48	4,0	6,9	9,7	15,2						
	1,3	69229	0,9	1154,35	15,0	170,0	15,0	170,0	SK 11382/52 - 160 SH/4	2241	C102			
	1,5	57753	1,0	962,98	47,8	170,0	47,8	170,0						
	2,0	43905	1,4	732,09	104,8	170,0	104,8	170,0						
	2,4	36144	1,7	602,67	121,7	170,0	121,7	170,0						



9,20 kW



P_1 [kW]	n_2 [min ⁻¹]	M_2 [Nm]	f_B	i_{ges}	F_R [kN]	F_A [kN]	$F_{R VL}$ [kN]	$F_{A VL}$ [kN]		kg	mm
9,20	3,1	28774	2,1	479,78	133,3	170,0	133,3	170,0		2241	C102
	4,0	21796	2,3	363,43	141,3	170,0	141,3	170,0		2241	C102
	4,7	18739	2,7	312,46	144,0	170,0	144,0	170,0			
	4,9	17835	2,8	297,39	144,7	170,0	144,7	170,0			
6,5	13479	5,1	224,76	147,5	170,0	147,5	170,0	SK 11382 - 160 SH/4	2167	C99	
2,1	41523	0,8	692,36	88,6	150,0	88,6	150,0	SK 10382/52 - 160 SH/4	1403	C102	
2,5	34655	1,0	577,84	105,9	150,0	105,9	150,0				
3,1	28532	1,2	475,75	117,0	150,0	117,0	150,0				
4,0	21978	1,6	366,46	125,8	150,0	125,8	150,0				
4,9	18093	1,9	301,68	129,7	150,0	129,7	150,0				
4,1	21434	1,7	357,40	126,3	150,0	126,3	150,0	SK 10382 - 160 SH/4	1329	C97	
4,4	19949	1,9	332,64	127,9	150,0	127,9	150,0				
5,2	16963	1,9	282,85	130,6	150,0	130,6	150,0				
5,6	15788	2,1	263,25	131,6	150,0	131,6	150,0				
8,1	10836	3,2	180,68	134,8	150,0	134,8	150,0				
3,3	26962	0,9	449,57	51,0	102,0	120,0	130,0				SK 9382/42 - 160 SH/4
3,6	24687	1,0	411,63	52,6	102,0	120,0	130,0	SK 9382/52 - 160 SH/4	839	C102	
4,2	21132	1,2	352,36	70,3	102,0	120,0	130,0	SK 9382 - 160 SH/4	765	C95	
5,0	17467	1,4	291,25	68,9	102,0	120,0	130,0				
7,2	12275	1,8	204,68	68,4	102,0	120,0	130,0				
8,4	10498	2,4	175,05	67,0	102,0	120,0	130,0				
10	8677	2,8	144,69	64,2	102,0	120,0	130,0				
11	8150	3,1	135,90	64,3	102,0	120,0	130,0				
13	6931	3,7	115,57	62,1	102,0	117,6	130,0				
6,1	14515	0,9	242,02	39,4	73,0	100,0	105,0	SK 8382 - 160 SH/4	463	C93	
7,9	11135	1,1	185,66	42,5	73,0	100,0	105,0				
9,6	9166	1,4	152,83	42,4	73,0	100,0	105,0				
10	8631	1,4	143,91	43,2	73,0	100,0	105,0				
12	7105	1,8	118,47	42,4	73,0	97,1	105,0				
14	6190	2,0	103,21	42,0	73,0	94,7	105,0				
16	5454	2,2	90,94	41,4	73,0	92,2	105,0				
19	4539	2,7	75,69	40,5	69,4	88,5	105,0				
22	3911	2,9	65,22	39,4	66,8	85,5	105,0				
20	4331	1,8	72,21	40,3	69,1	-	-				SK 8282 - 160 SH/4
9,7	9030	0,8	150,57	29,4	58,0	71,4	80,0	SK 7382 - 160 SH/4	338	C91	
12	7399	1,0	123,37	30,7	58,0	75,2	80,0				
14	6392	1,2	106,59	31,0	58,0	77,2	80,0				
16	5588	1,3	93,18	31,1	58,0	78,1	80,0				
19	4726	1,6	78,81	30,6	56,0	75,4	80,0				
22	4084	1,8	68,10	30,5	54,6	73,4	80,0				
25	3570	2,0	59,52	30,0	52,9	71,2	80,0				
27	3201	2,2	53,38	29,9	52,0	69,8	80,0				
31	2798	2,5	46,66	29,2	50,4	67,6	80,0				
40	2214	3,0	36,92	27,9	46,9	63,8	80,0				
21	4182	1,4	69,73	31,1	55,9	74,2	80,0				SK 7282 - 160 SH/4
26	3413	1,6	56,91	30,1	52,9	70,7	80,0				
32	2739	2,1	45,67	29,4	50,4	67,5	80,0				
33	2700	1,6	45,02	28,9	49,5	66,9	80,0				
39	2235	2,9	37,27	28,1	47,4	64,2	80,0				
13	6884	0,9	114,79	17,7	46,5	44,8	60,0	SK 6382 - 160 SH/4	265	C89	
16	5555	1,1	92,63	25,7	46,5	50,2	60,0				
19	4509	1,3	75,18	26,1	46,5	53,3	60,0				
20	4408	1,3	73,50	25,9	46,5	53,6	60,0				
25	3578	1,5	59,66	25,8	46,5	55,5	60,0				
29	3063	1,7	51,07	25,6	45,1	56,4	60,0				
35	2546	1,8	42,46	25,2	43,3	54,4	60,0				



9,2 kW
11,0 kW

P_1 [kW]	n_2 [min ⁻¹]	M_2 [Nm]	f_B	i_{ges}	F_R [kN]	F_A [kN]	$F_{R VL}$ [kN]	$F_{A VL}$ [kN]		kg	mm																																																																																																																																																																																																																																																																																																																																																																																																																																																																																																				
9,20	40	2179	2,1	36,34	24,6	41,8	52,6	60,0	SK 6382 - 160 SH/4	265	C89																																																																																																																																																																																																																																																																																																																																																																																																																																																																																																				
	47	1854	2,5	30,91	24,0	40,0	50,6	60,0				24	3663	1,2	61,08	26,5	46,5	55,3	60,0	SK 6282 - 160 SH/4	268	C88	29	2984	1,4	49,75	25,9	45,2	56,3	60,0	37	2368	1,4	39,48	25,0	42,6	53,5	60,0	49	1793	2,5	29,90	24,2	40,2	50,5	60,0	56	1562	2,9	26,05	23,6	38,7	48,8	60,0	64	1376	3,3	22,95	23,0	37,2	47,4	60,0	36	2447	1,0	40,80	15,0	27,8	35,5	40,0	SK 5282 - 160 SH/4	184	C86	44	2005	1,1	33,43	14,9	27,2	34,1	40,0	48	1829	1,6	30,50	14,8	28,4	33,4	40,0	59	1499	1,9	25,00	14,5	27,2	32,1	40,0	72	1221	2,5	20,36	13,9	25,7	30,6	40,0	78	1132	2,3	18,88	13,9	25,4	30,1	40,0	83	1055	2,6	17,59	13,6	24,7	29,5	40,0	95	922	2,8	15,38	13,3	23,9	28,7	40,0	45	1940	0,8	32,34	8,1	15,0	22,2	30,0	SK 4282 - 160 SH/4	148	C84	55	1585	1,1	26,43	8,3	15,3	21,6	30,0	56	1574	1,0	26,25	8,5	15,4	21,7	30,0	65	1343	1,3	22,39	8,4	15,1	21,0	30,0	68	1286	1,3	21,45	8,5	15,4	21,0	30,0	81	1090	1,7	18,18	8,5	15,0	20,3	30,0	96	912	2,0	15,20	8,4	14,7	19,5	30,0	116	760	2,3	12,68	8,1	14,1	18,8	30,0	135	651	2,6	10,85	8,0	13,8	18,1	29,8	159	554	3,0	9,23	7,8	13,4	17,5	28,9	176	500	2,5	8,33	7,6	12,7	17,0	28,1	205	428	2,8	7,13	7,4	12,3	16,4	27,1	242	363	3,3	6,06	7,2	11,8	15,7	26,1	270	326	3,2	5,43	7,0	11,4	15,3	25,5	293	300	3,5	5,00	6,9	11,2	15,0	25,0	312	282	3,7	4,70	6,8	11,0	14,8	24,6	88	1000	0,8	16,67	3,9	6,6	12,5	17,7	SK 3282 - 160 SH/4	133	C82	104	846	1,0	14,11	4,2	6,9	12,3	17,5	129	682	1,2	11,38	4,4	7,2	11,9	17,2	149	588	1,4	9,80	4,4	7,2	11,6	16,9	176	498	1,4	8,31	4,3	6,9	11,2	16,3	219	402	1,5	6,70	4,3	6,9	10,7	15,9	255	344	1,6	5,74	4,3	6,8	10,4	15,5	327	269	1,7	4,48	4,2	6,6	9,9	14,8	11,0	7,3	14467	6,2	201,75	147,0	170,0	147,0	166,4	SK 12382 - 160 MH/4	2167	C100	1,5	69052	0,9	962,98	13,0	170,0	13,0	170,0	SK 11382/52 - 160 MH/4	2241	C102	2,0	52496	1,1	732,09	76,7	170,0	76,7	170,0	2,4	43215	1,4	602,67	106,5	170,0	106,5	170,0	3,1	34403	1,7	479,78	124,8	170,0	124,8	170,0	4,0	26060	1,9	363,43	136,8	170,0	136,8	170,0	4,7	22405	2,2	312,46	140,7	170,0	140,7	170,0	4,9	21325	2,3	297,39	141,7	170,0	141,7	170,0	6,5	16117	4,3	224,76	145,9	170,0	145,9	170,0	SK 11382 - 160 MH/4	2167	C99	2,5	41435	0,8	577,84	88,9	150,0	88,9	150,0	SK 10382/52 - 160 MH/4	1403	C102	3,1	34114	1,0	475,75	106,9	150,0	106,9	150,0	4,0	26278	1,3	366,46	120,3	150,0	120,3	150,0	SK 10382 - 160 MH/4	1329	C97	4,9	21632	1,6	301,68	126,1	150,0	126,1	150,0	4,1	25628	1,4	357,40	121,2	150,0	121,2	150,0	4,4	23852	1,6	332,64	123,5	150,0	123,5	150,0	5,2	20282	1,6	282,85	127,5	150,0	127,5	150,0	5,6	18877	1,7	263,25	128,9	150,0	128,9	150,0	8,1	12956	2,7	180,68	133,6	150,0	133,6	150,0	3,6	29517	0,8	411,63	43,3	91,3	120,0	130,0
	24	3663	1,2	61,08	26,5	46,5	55,3	60,0	SK 6282 - 160 SH/4	268	C88																																																																																																																																																																																																																																																																																																																																																																																																																																																																																																				
	29	2984	1,4	49,75	25,9	45,2	56,3	60,0																																																																																																																																																																																																																																																																																																																																																																																																																																																																																																							
	37	2368	1,4	39,48	25,0	42,6	53,5	60,0																																																																																																																																																																																																																																																																																																																																																																																																																																																																																																							
	49	1793	2,5	29,90	24,2	40,2	50,5	60,0																																																																																																																																																																																																																																																																																																																																																																																																																																																																																																							
	56	1562	2,9	26,05	23,6	38,7	48,8	60,0																																																																																																																																																																																																																																																																																																																																																																																																																																																																																																							
	64	1376	3,3	22,95	23,0	37,2	47,4	60,0																																																																																																																																																																																																																																																																																																																																																																																																																																																																																																							
	36	2447	1,0	40,80	15,0	27,8	35,5	40,0	SK 5282 - 160 SH/4	184	C86																																																																																																																																																																																																																																																																																																																																																																																																																																																																																																				
	44	2005	1,1	33,43	14,9	27,2	34,1	40,0																																																																																																																																																																																																																																																																																																																																																																																																																																																																																																							
	48	1829	1,6	30,50	14,8	28,4	33,4	40,0																																																																																																																																																																																																																																																																																																																																																																																																																																																																																																							
	59	1499	1,9	25,00	14,5	27,2	32,1	40,0																																																																																																																																																																																																																																																																																																																																																																																																																																																																																																							
	72	1221	2,5	20,36	13,9	25,7	30,6	40,0																																																																																																																																																																																																																																																																																																																																																																																																																																																																																																							
	78	1132	2,3	18,88	13,9	25,4	30,1	40,0																																																																																																																																																																																																																																																																																																																																																																																																																																																																																																							
	83	1055	2,6	17,59	13,6	24,7	29,5	40,0																																																																																																																																																																																																																																																																																																																																																																																																																																																																																																							
95	922	2,8	15,38	13,3	23,9	28,7	40,0																																																																																																																																																																																																																																																																																																																																																																																																																																																																																																								
45	1940	0,8	32,34	8,1	15,0	22,2	30,0	SK 4282 - 160 SH/4	148	C84																																																																																																																																																																																																																																																																																																																																																																																																																																																																																																					
55	1585	1,1	26,43	8,3	15,3	21,6	30,0																																																																																																																																																																																																																																																																																																																																																																																																																																																																																																								
56	1574	1,0	26,25	8,5	15,4	21,7	30,0																																																																																																																																																																																																																																																																																																																																																																																																																																																																																																								
65	1343	1,3	22,39	8,4	15,1	21,0	30,0																																																																																																																																																																																																																																																																																																																																																																																																																																																																																																								
68	1286	1,3	21,45	8,5	15,4	21,0	30,0																																																																																																																																																																																																																																																																																																																																																																																																																																																																																																								
81	1090	1,7	18,18	8,5	15,0	20,3	30,0																																																																																																																																																																																																																																																																																																																																																																																																																																																																																																								
96	912	2,0	15,20	8,4	14,7	19,5	30,0																																																																																																																																																																																																																																																																																																																																																																																																																																																																																																								
116	760	2,3	12,68	8,1	14,1	18,8	30,0																																																																																																																																																																																																																																																																																																																																																																																																																																																																																																								
135	651	2,6	10,85	8,0	13,8	18,1	29,8																																																																																																																																																																																																																																																																																																																																																																																																																																																																																																								
159	554	3,0	9,23	7,8	13,4	17,5	28,9																																																																																																																																																																																																																																																																																																																																																																																																																																																																																																								
176	500	2,5	8,33	7,6	12,7	17,0	28,1																																																																																																																																																																																																																																																																																																																																																																																																																																																																																																								
205	428	2,8	7,13	7,4	12,3	16,4	27,1																																																																																																																																																																																																																																																																																																																																																																																																																																																																																																								
242	363	3,3	6,06	7,2	11,8	15,7	26,1																																																																																																																																																																																																																																																																																																																																																																																																																																																																																																								
270	326	3,2	5,43	7,0	11,4	15,3	25,5																																																																																																																																																																																																																																																																																																																																																																																																																																																																																																								
293	300	3,5	5,00	6,9	11,2	15,0	25,0																																																																																																																																																																																																																																																																																																																																																																																																																																																																																																								
312	282	3,7	4,70	6,8	11,0	14,8	24,6																																																																																																																																																																																																																																																																																																																																																																																																																																																																																																								
88	1000	0,8	16,67	3,9	6,6	12,5	17,7	SK 3282 - 160 SH/4	133	C82																																																																																																																																																																																																																																																																																																																																																																																																																																																																																																					
104	846	1,0	14,11	4,2	6,9	12,3	17,5																																																																																																																																																																																																																																																																																																																																																																																																																																																																																																								
129	682	1,2	11,38	4,4	7,2	11,9	17,2																																																																																																																																																																																																																																																																																																																																																																																																																																																																																																								
149	588	1,4	9,80	4,4	7,2	11,6	16,9																																																																																																																																																																																																																																																																																																																																																																																																																																																																																																								
176	498	1,4	8,31	4,3	6,9	11,2	16,3																																																																																																																																																																																																																																																																																																																																																																																																																																																																																																								
219	402	1,5	6,70	4,3	6,9	10,7	15,9																																																																																																																																																																																																																																																																																																																																																																																																																																																																																																								
255	344	1,6	5,74	4,3	6,8	10,4	15,5																																																																																																																																																																																																																																																																																																																																																																																																																																																																																																								
327	269	1,7	4,48	4,2	6,6	9,9	14,8																																																																																																																																																																																																																																																																																																																																																																																																																																																																																																								
11,0	7,3	14467	6,2	201,75	147,0	170,0	147,0				166,4	SK 12382 - 160 MH/4	2167	C100																																																																																																																																																																																																																																																																																																																																																																																																																																																																																																	
	1,5	69052	0,9	962,98	13,0	170,0	13,0				170,0	SK 11382/52 - 160 MH/4	2241	C102																																																																																																																																																																																																																																																																																																																																																																																																																																																																																																	
	2,0	52496	1,1	732,09	76,7	170,0	76,7	170,0																																																																																																																																																																																																																																																																																																																																																																																																																																																																																																							
	2,4	43215	1,4	602,67	106,5	170,0	106,5	170,0																																																																																																																																																																																																																																																																																																																																																																																																																																																																																																							
	3,1	34403	1,7	479,78	124,8	170,0	124,8	170,0																																																																																																																																																																																																																																																																																																																																																																																																																																																																																																							
	4,0	26060	1,9	363,43	136,8	170,0	136,8	170,0																																																																																																																																																																																																																																																																																																																																																																																																																																																																																																							
	4,7	22405	2,2	312,46	140,7	170,0	140,7	170,0																																																																																																																																																																																																																																																																																																																																																																																																																																																																																																							
	4,9	21325	2,3	297,39	141,7	170,0	141,7	170,0																																																																																																																																																																																																																																																																																																																																																																																																																																																																																																							
	6,5	16117	4,3	224,76	145,9	170,0	145,9	170,0	SK 11382 - 160 MH/4	2167	C99																																																																																																																																																																																																																																																																																																																																																																																																																																																																																																				
	2,5	41435	0,8	577,84	88,9	150,0	88,9	150,0	SK 10382/52 - 160 MH/4	1403	C102																																																																																																																																																																																																																																																																																																																																																																																																																																																																																																				
	3,1	34114	1,0	475,75	106,9	150,0	106,9	150,0																																																																																																																																																																																																																																																																																																																																																																																																																																																																																																							
	4,0	26278	1,3	366,46	120,3	150,0	120,3	150,0	SK 10382 - 160 MH/4	1329	C97																																																																																																																																																																																																																																																																																																																																																																																																																																																																																																				
	4,9	21632	1,6	301,68	126,1	150,0	126,1	150,0																																																																																																																																																																																																																																																																																																																																																																																																																																																																																																							
	4,1	25628	1,4	357,40	121,2	150,0	121,2	150,0																																																																																																																																																																																																																																																																																																																																																																																																																																																																																																							
	4,4	23852	1,6	332,64	123,5	150,0	123,5	150,0																																																																																																																																																																																																																																																																																																																																																																																																																																																																																																							
	5,2	20282	1,6	282,85	127,5	150,0	127,5	150,0																																																																																																																																																																																																																																																																																																																																																																																																																																																																																																							
	5,6	18877	1,7	263,25	128,9	150,0	128,9	150,0																																																																																																																																																																																																																																																																																																																																																																																																																																																																																																							
	8,1	12956	2,7	180,68	133,6	150,0	133,6	150,0																																																																																																																																																																																																																																																																																																																																																																																																																																																																																																							
3,6	29517	0,8	411,63	43,3	91,3	120,0	130,0	SK 9382/52 - 160 MH/4	839	C102																																																																																																																																																																																																																																																																																																																																																																																																																																																																																																					

11,0 kW



P_1 [kW]	n_2 [min ⁻¹]	M_2 [Nm]	f_B	i_{ges}	F_R [kN]	F_A [kN]	$F_{R VL}$ [kN]	$F_{A VL}$ [kN]		kg	mm			
11,0	4,2	25266	1,0	352,36	62,3	102,0	120,0	130,0	SK 9382 - 160 MH/4	765	C95			
	5,0	20885	1,1	291,25	62,4	102,0	120,0	130,0						
	7,2	14677	1,5	204,68	64,0	102,0	120,0	130,0						
	8,4	12552	2,0	175,05	63,1	102,0	120,0	130,0						
	10	10375	2,3	144,69	61,2	102,0	120,0	130,0						
	11	9745	2,6	135,90	61,3	102,0	120,0	130,0						
	13	8287	3,1	115,57	59,8	102,0	115,8	130,0						
	15	7234	3,5	100,89	58,3	102,0	112,4	130,0						
	18	5965	4,0	83,19	55,7	96,3	106,6	130,0						
	20	5176	4,6	72,19	54,0	92,2	102,8	130,0						
	22	4679	5,2	65,25	52,8	89,4	100,1	130,0						
	26	3979	6,0	55,49	50,9	84,4	96,1	127,3						
	30	3473	6,9	48,44	49,2	80,8	92,7	123,1						
		6,1	17354	0,8	242,02	31,8	68,7	100,0				105,0	SK 8382 - 160 MH/4	463
	7,9	13313	1,0	185,66	36,9	73,0	100,0	105,0						
	9,6	10959	1,2	152,83	37,7	72,3	98,0	105,0						
	10	10319	1,2	143,91	38,8	73,0	97,7	105,0						
	12	8495	1,5	118,47	38,7	70,8	94,2	105,0						
	14	7401	1,6	103,21	38,9	69,6	92,1	105,0						
	16	6521	1,9	90,94	38,7	68,2	89,8	105,0						
	19	5427	2,2	75,69	38,2	66,0	86,8	105,0						
	22	4677	2,4	65,22	37,6	63,6	83,9	105,0						
	26	4118	2,9	57,43	36,9	61,7	81,6	105,0						
	31	3428	3,5	47,80	35,8	58,7	78,2	105,0						
	34	3126	3,4	43,59	35,5	57,5	76,7	105,0						
	20	5178	1,5	72,21	38,3	66,0	-	-	SK 8282 - 160 MH/4	459	C92			
	25	4262	1,5	59,44	37,1	62,2	-	-						
	31	3407	3,1	47,51	36,0	59,0	-	-						
	37	2804	3,3	39,11	34,5	55,5	-	-						
	12	8846	0,9	123,37	26,4	52,4	71,9	80,0	SK 7382 - 160 MH/4	338	C91			
	14	7643	1,0	106,59	27,3	52,9	74,7	80,0						
	16	6682	1,1	93,18	28,1	52,9	75,5	80,0						
	19	5651	1,3	78,81	28,0	51,4	73,2	80,0						
	22	4883	1,5	68,10	28,1	50,8	71,3	80,0						
	25	4268	1,7	59,52	28,0	49,8	69,6	80,0						
	27	3828	1,8	53,38	28,1	49,1	68,3	80,0						
	31	3346	2,1	46,66	27,8	47,8	66,4	80,0						
	40	2647	2,5	36,92	26,8	44,8	62,8	80,0						
	21	5000	1,2	69,73	28,9	52,2	72,4	80,0				SK 7282 - 160 MH/4	331	C90
	26	4081	1,4	56,91	28,2	49,8	69,1	80,0						
	32	3275	1,8	45,67	28,1	48,0	66,3	80,0						
	33	3228	1,4	45,02	27,4	46,9	65,6	80,0						
	39	2673	2,4	37,27	27,0	45,2	63,0	80,0						
	42	2484	2,3	34,64	26,9	44,7	62,2	80,0						
	16	6642	0,9	92,63	20,4	43,3	45,9	60,0	SK 6382 - 160 MH/4	265	C89			
	19	5391	1,1	75,18	23,3	43,8	50,7	60,0						
	20	5270	1,1	73,50	22,9	42,9	51,1	60,0						
	25	4278	1,3	59,66	23,5	42,5	53,9	60,0						
	29	3662	1,4	51,07	23,7	41,8	54,8	60,0						
	35	3045	1,5	42,46	23,6	40,8	52,9	60,0						
	40	2606	1,7	36,34	23,3	39,5	51,4	60,0						
	47	2216	2,1	30,91	22,9	38,0	49,6	60,0						
	24	4380	1,0	61,08	24,4	43,9	53,6	60,0				SK 6282 - 160 MH/4	268	C88
	29	3567	1,1	49,75	23,9	42,1	54,8	60,0						
	37	2831	1,1	39,48	23,4	40,1	52,2	60,0						
	49	2144	2,1	29,90	23,2	38,4	49,6	60,0						
	56	1868	2,4	26,05	22,7	37,2	48,1	60,0						
	64	1646	2,8	22,95	22,2	35,7	46,7	60,0						
	78	1341	3,3	18,70	21,1	33,4	44,3	60,0						
	36	2926	0,9	40,80	13,4	24,6	34,1	40,0	SK 5282 - 160 MH/4	184	C86			
	44	2397	1,0	33,43	13,7	24,6	33,1	40,0						
	48	2187	1,3	30,50	13,7	26,4	32,5	40,0						
	59	1793	1,6	25,00	13,6	25,6	31,4	40,0						
	72	1460	2,1	20,36	13,2	24,3	29,9	40,0						



11,0 kW
15,0 kW

P_1 [kW]	n_2 [min ⁻¹]	M_2 [Nm]	f_B	i_{ges}	F_R [kN]	F_A [kN]	$F_{R VL}$ [kN]	$F_{A VL}$ [kN]		kg	mm		
11,0	78	1354	1,9	18,88	13,3	24,1	29,6	40,0	SK 5282 - 160 MH/4	184	C86		
	83	1261	2,2	17,59	13,0	23,6	29,0	40,0					
	95	1103	2,4	15,38	12,8	22,7	28,1	40,0					
	113	932	2,8	13,00	12,4	21,6	27,0	40,0					
	55	1895	0,9	26,43	7,1	12,9	20,6	30,0	SK 4282 - 160 MH/4	148	C84		
	56	1882	0,9	26,25	7,2	13,1	20,7	30,0					
	65	1606	1,1	22,39	7,3	13,0	20,1	30,0					
	68	1538	1,1	21,45	7,6	13,4	20,2	30,0					
	81	1304	1,4	18,18	7,6	13,4	19,6	30,0					
	96	1090	1,7	15,20	7,7	13,2	19,0	30,0					
	116	909	1,9	12,68	7,5	12,9	18,3	29,6					
	135	778	2,2	10,85	7,5	12,7	17,7	28,9					
	159	662	2,5	9,23	7,4	12,5	17,2	28,1					
	176	597	2,1	8,33	7,1	11,8	16,6	27,3					
	205	511	2,4	7,13	7,0	11,5	16,1	26,5					
	242	435	2,8	6,06	6,9	11,2	15,5	25,6					
	270	389	2,7	5,43	6,7	10,9	15,1	25,0					
	293	359	2,9	5,00	6,6	10,7	14,8	24,6					
	312	337	3,1	4,70	6,6	10,5	14,6	24,2					
	15,0	7,3	19727	4,6	201,75	143,1	170,0	143,1				160,4	SK 12382 - 160 LH/4
2,0		71585	0,8	732,09	12,0	170,0	12,0	170,0	SK 11382/52 - 160 LH/4	2270	C102		
2,4		58930	1,0	602,67	37,6	170,0	37,6	170,0					
3,1		46914	1,3	479,78	96,3	170,0	96,3	170,0					
4,0		35537	1,4	363,43	122,9	170,0	122,9	170,0					
4,7		30553	1,6	312,46	131,0	170,0	131,0	170,0					
4,9		29079	1,7	297,39	133,0	170,0	133,0	170,0					
6,5		21977	3,1	224,76	141,1	170,0	141,1	170,0	SK 11382 - 160 LH/4	2196	C99		
3,1		46520	0,8	475,75	70,7	150,0	70,7	150,0	SK 10382/52 - 160 LH/4	1432	C102		
4,0		35833	1,0	366,46	103,3	150,0	103,3	150,0					
4,9		29499	1,2	301,68	115,4	150,0	115,4	150,0					
4,1		34947	1,0	357,40	105,0	150,0	105,0	150,0	SK 10382 - 160 LH/4	1358	C97		
4,4		32526	1,1	332,64	109,9	150,0	109,9	150,0					
5,2		27658	1,2	282,85	118,2	150,0	118,2	150,0					
5,6		25741	1,3	263,25	121,0	150,0	121,0	150,0					
8,1		17667	2,0	180,68	130,0	150,0	130,0	150,0					
8,7		16443	2,1	168,16	131,1	150,0	131,1	150,0					
10		13730	2,6	140,41	133,1	150,0	133,1	150,0					
5,0		28479	0,8	291,25	47,5	101,0	120,0	130,0				SK 9382 - 160 LH/4	794
7,2		20014	1,1	204,68	54,1	102,0	120,0	130,0					
8,4		17117	1,5	175,05	54,8	102,0	120,0	130,0					
10		14148	1,7	144,69	54,1	100,1	116,7	130,0					
11		13289	1,9	135,90	54,9	100,4	115,9	130,0					
13		11301	2,2	115,57	54,4	97,4	112,1	130,0					
15		9865	2,6	100,89	53,8	94,6	108,8	130,0					
18		8134	3,0	83,19	51,7	89,4	103,9	130,0					
20		7059	3,4	72,19	50,6	86,2	100,6	130,0					
22		6380	3,8	65,25	49,8	84,1	98,0	129,1					
9,6	14944	0,9	152,83	27,0	55,5	89,0	105,0	SK 8382 - 160 LH/4	492	C93			
10	14072	0,9	143,91	29,1	57,8	89,6	105,0						
12	11584	1,1	118,47	30,6	57,8	87,5	105,0						
14	10092	1,2	103,21	32,0	58,4	86,1	105,0						
16	8892	1,4	90,94	32,7	58,4	84,9	105,0						
19	7401	1,6	75,69	33,2	57,8	82,5	105,0						
22	6377	1,8	65,22	33,2	56,7	80,5	105,0						
26	5616	2,2	57,43	33,1	55,6	78,4	105,0						
31	4674	2,6	47,80	32,7	53,8	75,6	105,0						
34	4262	2,5	43,59	32,8	53,0	74,4	105,0						
41	3508	3,4	35,88	31,6	50,2	71,0	102,0						



15,0 kW



P_1 [kW]	n_2 [min ⁻¹]	M_2 [Nm]	f_B	i_{ges}	F_R [kN]	F_A [kN]	$F_{R VL}$ [kN]	$F_{A VL}$ [kN]		kg	mm
15,0	20	7061	1,1	72,21	33,7	58,4	-	-	SK 8282 - 160 LH/4	488	C92
	25	5812	1,1	59,44	33,2	56,1	-	-			
	31	4646	2,3	47,51	33,0	54,1	-	-			
	37	3824	2,4	39,11	31,9	51,3	-	-			
	16	9111	0,8	93,18	20,8	41,5	69,6	80,0	SK 7382 - 160 LH/4	367	C91
	19	7706	1,0	78,81	21,9	41,5	68,1	80,0			
	22	6659	1,1	68,10	22,9	42,4	66,9	80,0			
	25	5820	1,2	59,52	23,5	42,4	65,8	80,0			
	27	5220	1,4	53,38	24,2	42,8	65,0	80,0			
	31	4562	1,6	46,66	24,3	42,1	63,4	80,0			
	40	3610	1,8	36,92	24,0	40,3	60,4	80,0			
	48	2975	2,2	30,42	23,7	39,0	58,0	80,0			
	21	6818	0,9	69,73	23,9	44,1	68,2	80,0	SK 7282 - 160 LH/4	360	C90
	26	5565	1,0	56,91	24,0	42,8	65,6	80,0			
	32	4466	1,3	45,67	24,9	42,8	63,6	80,0			
	33	4402	1,0	45,02	24,1	41,5	62,7	80,0			
	39	3644	1,8	37,27	24,2	40,8	60,9	80,0			
	42	3387	1,7	34,64	24,5	40,8	60,2	80,0			
	54	2629	2,2	26,89	23,8	38,7	56,9	80,0			
	64	2236	2,6	22,87	23,2	37,0	54,8	79,9			
	73	1953	3,0	19,97	22,7	35,6	53,0	77,3			
	90	1593	4,1	16,29	21,6	33,3	50,3	73,4			
	19	7351	0,8	75,18	10,4	33,3	42,4	60,0	SK 6382 - 160 LH/4	294	C89
	20	7187	0,8	73,50	13,5	32,6	43,3	60,0			
	25	5834	0,9	59,66	18,2	34,3	49,2	60,0			
	29	4994	1,0	51,07	19,2	34,7	51,0	60,0			
	35	4152	1,1	42,46	19,9	34,8	50,0	60,0			
	40	3553	1,3	36,34	20,1	34,5	48,7	60,0			
	47	3022	1,5	30,91	20,3	34,0	47,6	60,0			
	51	2808	1,6	28,72	20,3	33,6	46,9	60,0			
	60	2388	2,0	24,42	20,1	32,6	45,3	60,0			
	24	5972	0,8	61,08	19,2	35,8	48,7	60,0	SK 6282 - 160 LH/4	297	C88
	29	4865	0,8	49,75	19,7	35,3	51,3	60,0			
	37	3860	0,8	39,48	20,0	34,7	49,3	60,0			
	49	2924	1,6	29,90	20,8	34,7	47,7	60,0			
	56	2547	1,8	26,05	20,6	33,7	46,4	60,0			
	64	2244	2,0	22,95	20,4	32,9	45,1	60,0			
	78	1829	2,4	18,70	19,6	31,0	43,0	60,0			
	99	1450	3,1	14,83	18,8	29,0	40,7	58,5			
	48	2982	1,0	30,50	11,2	21,8	30,4	40,0	SK 5282 - 160 LH/4	213	C86
	59	2445	1,2	25,00	11,5	21,8	29,6	40,0			
	72	1991	1,6	20,36	11,5	21,1	28,5	40,0			
	78	1846	1,4	18,88	11,7	21,4	28,3	40,0			
	83	1720	1,6	17,59	11,5	20,9	27,7	40,0			
	95	1504	1,7	15,38	11,5	20,5	27,0	40,0			
	113	1271	2,1	13,00	11,2	19,6	26,1	40,0			
	137	1047	2,4	10,71	11,0	18,9	25,0	40,0			
	155	925	2,5	9,46	10,8	18,3	24,3	40,0			
	168	851	2,8	8,70	10,5	17,6	23,7	39,7			
	204	701	3,1	7,17	10,1	16,8	22,7	37,9			
	231	619	3,4	6,33	9,9	16,2	22,0	36,8			
	257	558	3,2	5,71	9,7	15,7	21,5	35,9			
	277	517	3,4	5,29	9,6	15,4	21,1	35,2			
	292	490	3,5	5,01	9,5	15,1	20,8	34,8			
	65	2189	0,8	22,39	4,8	8,4	18,1	27,9	SK 4282 - 160 LH/4	177	C84
	68	2097	0,8	21,45	5,2	9,1	18,3	28,4			
	81	1778	1,0	18,18	5,6	9,6	18,0	28,1			
	96	1486	1,2	15,20	6,0	10,1	17,6	27,9			
	116	1240	1,4	12,68	6,2	10,2	17,1	27,3			
	135	1061	1,6	10,85	6,3	10,4	16,8	27,0			
	159	903	1,8	9,23	6,5	10,5	16,4	26,4			
	176	815	1,6	8,33	6,2	10,0	15,8	25,6			
	205	697	1,7	7,13	6,2	10,0	15,4	25,1			
	242	593	2,0	6,06	6,2	9,8	14,9	24,4			
	270	531	1,9	5,43	6,1	9,7	14,6	23,9			
	293	489	2,1	5,00	6,1	9,6	14,3	23,6			
	312	460	2,3	4,70	6,0	9,5	14,1	23,3			



18,5 kW

P_1 [kW]	n_2 [min ⁻¹]	M_2 [Nm]	f_B	i_{ges}	F_R [kN]	F_A [kN]	$F_{R VL}$ [kN]	$F_{A VL}$ [kN]		kg	mm		
18,5	7,3	24166	3,7	201,75	138,9	170,0	138,9	155,0	SK 12382 - 180 MH/4	2211	C100		
	2,4	72188	0,8	602,67	20,0	170,0	20,0	170,0	SK 11382/52 - 180 MH/4	2285	C102		
	3,1	57468	1,0	479,78	49,6	170,0	49,6	170,0					
	4,1	43532	1,1	363,43	105,9	170,0	105,9	170,0					
	4,7	37426	1,3	312,46	119,6	170,0	119,6	170,0					
	5,0	35621	1,4	297,39	122,8	170,0	122,8	170,0					
	6,6	26922	2,6	224,76	135,7	170,0	135,7	165,7	SK 11382 - 180 MH/4	2211	C99		
	8,6	20597	3,3	171,96	142,4	170,0	142,4	156,5					
	9,6	18311	3,8	152,87	144,3	170,0	144,3	152,4					
	11	15659	4,4	130,73	146,2	170,0	146,2	147,0					
13	13461	5,1	112,38	147,6	170,0	147,6	141,6						
4,0	43894	0,8	366,46	80,8	150,0	80,8	150,0	SK 10382/52 - 180 MH/4	1447	C102			
4,9	36135	1,0	301,68	102,5	150,0	102,5	150,0						
8,2	21642	1,6	180,68	126,1	150,0	126,1	150,0	SK 10382 - 180 MH/4	1373	C97			
8,8	20142	1,7	168,16	127,7	150,0	127,7	150,0						
11	16818	2,1	140,41	130,8	150,0	130,8	150,0						
14	12542	2,8	104,71	133,8	150,0	133,8	148,6						
6,3	27929	0,9	233,17	26,6	57,2	98,0	122,5	SK 9382/52 - 180 MH/4	883	C102			
7,3	24039	1,0	200,69	30,4	60,8	97,4	122,7						
8,4	20967	1,2	175,05	47,4	91,3	116,5	130,0	SK 9382 - 180 MH/4	809	C95			
10	17331	1,4	144,69	47,7	89,4	112,2	130,0						
11	16278	1,6	135,90	49,2	90,6	112,0	130,0						
13	13843	1,8	115,57	49,5	89,4	108,7	130,0						
15	12085	2,1	100,89	49,5	87,6	105,8	130,0						
18	9964	2,4	83,19	48,2	83,3	101,2	130,0						
20	8647	2,8	72,19	47,5	81,0	98,3	128,5						
23	7816	3,1	65,25	47,0	79,2	95,9	126,1						
27	6647	3,6	55,49	45,9	76,1	92,5	121,5						
30	5802	4,1	48,44	44,9	73,2	89,5	117,8						
12	14190	0,9	118,47	23,5	47,2	81,3	105,0				SK 8382 - 180 MH/4	507	C93
14	12362	1,0	103,21	25,8	49,1	80,9	105,0						
16	10893	1,1	90,94	27,2	50,2	80,2	105,0						
19	9066	1,3	75,69	28,8	50,7	78,5	105,0						
23	7812	1,4	65,22	29,4	50,7	77,0	105,0						
26	6879	1,8	57,43	29,8	50,2	75,5	105,0						
31	5725	2,1	47,80	29,9	49,3	73,1	105,0						
34	5221	2,0	43,59	30,3	49,1	72,3	103,7						
41	4298	2,8	35,88	29,5	46,9	69,1	99,4						
48	3704	3,3	30,92	29,1	45,4	67,1	96,3						
52	3393	2,9	28,33	28,9	44,8	65,9	94,8	SK 8282 - 180 MH/4	503	C92			
19	9440	0,8	78,81	16,5	33,2	63,5	80,0	SK 7382 - 180 MH/4	382	C91			
22	8157	0,9	68,10	18,2	34,9	63,2	80,0						
25	7129	1,0	59,52	19,6	36,0	62,2	80,0						
28	6394	1,1	53,38	20,7	37,1	61,9	80,0						
32	5589	1,3	46,66	21,4	37,3	60,9	80,0						
40	4422	1,5	36,92	21,6	36,4	58,4	80,0						
48	3644	1,8	30,42	21,7	35,6	56,3	80,0						
55	3220	2,1	26,88	21,6	35,0	55,0	80,0						
63	2810	2,4	23,46	21,4	34,2	53,5	77,8						
43	4149	1,4	34,64	22,3	37,3	58,3	80,0				SK 7282 - 180 MH/4	375	C90
55	3221	1,8	26,89	22,1	35,8	55,5	80,0						
64	2739	2,1	22,87	21,8	34,7	53,6	77,9						
74	2392	2,4	19,97	21,5	33,6	52,0	75,7						
91	1951	3,3	16,29	20,6	31,6	49,4	71,9						
25	7146	0,8	59,66	13,6	27,2	43,5	60,0	SK 6382 - 180 MH/4	309	C89			
29	6117	0,8	51,07	15,2	28,6	47,8	60,0						



18,5 kW 22,0 kW



P_1 [kW]	n_2 [min ⁻¹]	M_2 [Nm]	f_B	i_{ges}	F_R [kN]	F_A [kN]	$F_{R VL}$ [kN]	$F_{A VL}$ [kN]		kg	mm			
18,5	35	5086	0,9	42,46	16,7	29,8	47,2	60,0	SK 6382 - 180 MH/4	309	C89			
	41	4353	1,0	36,34	17,4	30,2	46,4	60,0						
	48	3702	1,2	30,91	17,9	30,4	45,5	60,0						
	51	3440	1,3	28,72	18,1	30,1	45,0	60,0						
	60	2925	1,6	24,42	18,2	29,8	43,8	60,0						
	49	3581	1,3	29,90	18,7	31,3	45,8	60,0	SK 6282 - 180 MH/4	312	C88			
	57	3120	1,5	26,05	18,8	30,8	44,8	60,0						
	64	2749	1,6	22,95	18,8	30,4	43,8	60,0						
	79	2240	2,0	18,70	18,3	28,9	41,9	60,0						
	99	1776	2,5	14,83	17,7	27,3	39,7	57,1						
	119	1479	3,0	12,35	17,3	26,1	38,2	54,9						
	139	1274	3,4	10,64	16,9	25,1	36,9	53,0						
	59	2994	1,0	25,00	9,7	18,7	28,1	40,0				SK 5282 - 180 MH/4	228	C86
	72	2439	1,3	20,36	9,9	18,5	27,2	40,0						
	78	2261	1,1	18,88	10,3	19,1	27,1	40,0						
	84	2107	1,3	17,59	10,2	18,5	26,6	40,0						
	96	1842	1,4	15,38	10,3	18,5	26,1	40,0						
	113	1557	1,7	13,00	10,2	17,9	25,2	40,0						
	138	1283	1,9	10,71	10,2	17,5	24,3	40,0						
156	1133	2,0	9,46	10,1	17,1	23,7	39,5							
170	1042	2,3	8,70	9,8	16,4	23,1	38,5							
206	859	2,5	7,17	9,6	15,8	22,1	37,0							
233	758	2,8	6,33	9,4	15,3	21,5	36,0							
258	684	2,6	5,71	9,3	14,9	21,0	35,1							
279	634	2,8	5,29	9,1	14,6	20,7	34,5							
294	600	2,8	5,01	9,1	14,4	20,4	34,1							
341	517	3,0	4,32	8,8	13,8	19,7	32,9							
81	2178	0,8	18,18	3,8	6,4	16,5	25,4	SK 4282 - 180 MH/4	192	C84				
97	1821	1,0	15,20	4,6	7,4	16,5	25,5							
116	1519	1,2	12,68	4,9	7,9	16,1	25,2							
136	1300	1,3	10,85	5,3	8,5	15,9	25,1							
160	1106	1,5	9,23	5,6	8,8	15,6	24,9							
177	998	1,3	8,33	5,3	8,4	15,1	24,1							
207	854	1,4	7,13	5,5	8,6	14,8	23,8							
243	726	1,7	6,06	5,6	8,6	14,4	23,4							
272	650	1,6	5,43	5,6	8,6	14,1	23,0							
295	599	1,7	5,00	5,6	8,6	13,9	22,7							
314	563	1,8	4,70	5,6	8,6	13,7	22,5							
22,0	7,3	28737	3,1	201,75	133,4	170,0	133,4				149,8	SK 12382 - 180 LH/4	2229	C100
	3,1	68340	0,9	479,78	15,0	170,0	15,0	170,0	SK 11382/52 - 180 LH/4	2303	C102			
	4,1	51767	1,0	363,43	79,9	170,0	79,9	170,0						
	4,7	44507	1,1	312,46	103,6	170,0	103,6	170,0						
	5,0	42360	1,2	297,39	108,8	170,0	108,8	169,1						
	6,6	32015	2,2	224,76	128,7	170,0	128,7	161,4	SK 11382 - 180 LH/4	2229	C99			
	8,6	24494	2,8	171,96	138,5	170,0	138,5	153,2						
	9,6	21775	3,2	152,87	141,3	170,0	141,3	149,4						
	11	18621	3,7	130,73	144,0	170,0	144,0	144,4						
	13	16007	4,3	112,38	146,0	170,0	146,0	139,5						
	4,9	42972	0,8	301,68	83,8	150,0	83,8	150,0	SK 10382/52 - 180 LH/4	1465	C102			
	8,2	25736	1,4	180,68	121,0	150,0	121,0	150,0	SK 10382 - 180 LH/4	1391	C97			
	8,8	23953	1,5	168,16	123,4	150,0	123,4	150,0						
	11	20000	1,8	140,41	127,9	150,0	127,9	150,0						
	14	14915	2,4	104,71	132,2	150,0	132,2	145,8						
	16	13012	2,7	91,35	133,5	150,0	133,5	141,5						
	8,4	24934	1,0	175,05	39,8	79,2	111,0	130,0	SK 9382 - 180 LH/4	827	C95			
	10	20610	1,2	144,69	41,3	79,2	107,8	130,0						
	11	19358	1,3	135,90	43,3	81,6	107,9	130,0						
	13	16462	1,5	115,57	44,7	81,6	105,3	130,0						



22,0 kW

P_1 [kW]	n_2 [min ⁻¹]	M_2 [Nm]	f_B	i_{ges}	F_R [kN]	F_A [kN]	$F_{R VL}$ [kN]	$F_{A VL}$ [kN]		kg	mm																																																																																																																																																																																																																																																																																																																																																			
22,0	15	14371	1,8	100,89	45,1	80,8	102,9	130,0	SK 9382 - 180 LH/4	827	C95																																																																																																																																																																																																																																																																																																																																																			
	18	11850	2,0	83,19	44,8	77,5	98,7	128,1																																																																																																																																																																																																																																																																																																																																																						
	20	10283	2,3	72,19	44,5	76,1	96,1	125,1																																																																																																																																																																																																																																																																																																																																																						
	23	9294	2,6	65,25	44,2	74,5	94,0	122,7																																																																																																																																																																																																																																																																																																																																																						
	27	7904	3,0	55,49	43,6	72,3	90,8	118,8																																																																																																																																																																																																																																																																																																																																																						
	30	6900	3,5	48,44	42,9	70,1	88,1	115,6																																																																																																																																																																																																																																																																																																																																																						
	35	5973	4,0	41,93	42,0	67,3	85,2	112,0																																																																																																																																																																																																																																																																																																																																																						
	14	14701	0,8	103,21	19,3	39,7	75,6	105,0																																																																																																																																																																																																																																																																																																																																																						
	16	12954	0,9	90,94	21,6	41,8	75,5	105,0																																																																																																																																																																																																																																																																																																																																																						
	19	10781	1,1	75,69	24,2	44,0	74,8	105,0																																																																																																																																																																																																																																																																																																																																																						
	23	9290	1,2	65,22	25,7	44,8	73,8	105,0																																																																																																																																																																																																																																																																																																																																																						
	26	8180	1,5	57,43	26,4	45,3	72,6	104,5																																																																																																																																																																																																																																																																																																																																																						
	31	6809	1,8	47,80	27,2	45,0	70,8	101,7																																																																																																																																																																																																																																																																																																																																																						
	34	6209	1,7	43,59	27,8	45,3	70,1	100,7																																																																																																																																																																																																																																																																																																																																																						
	41	5111	2,4	35,88	27,5	43,8	67,4	96,9																																																																																																																																																																																																																																																																																																																																																						
48	4404	2,7	30,92	27,3	42,7	65,6	94,3																																																																																																																																																																																																																																																																																																																																																							
52	4035	2,5	28,33	27,4	42,4	64,6	92,8	SK 8282 - 180 LH/4	521	C92																																																																																																																																																																																																																																																																																																																																																				
60	3490	3,0	24,50	27,0	41,1	62,6	89,9				25	8478	0,8	59,52	15,3	29,7	58,8	80,0	SK 7382 - 180 LH/4	400	C91	28	7603	0,9	53,38	17,1	31,6	58,9	80,0	32	6646	1,1	46,66	18,2	32,5	58,3	80,0	40	5259	1,3	36,92	19,2	32,6	56,3	80,0	48	4333	1,5	30,42	19,6	32,5	54,6	79,4	55	3829	1,7	26,88	19,9	32,2	53,5	77,8	63	3342	2,0	23,46	19,9	31,9	52,2	75,9	43	4934	1,2	34,64	20,2	33,9	56,5	80,0	SK 7282 - 180 LH/4	393	C90	55	3830	1,5	26,89	20,5	33,2	54,0	78,5	64	3258	1,8	22,87	20,4	32,5	52,5	76,2	74	2845	2,0	19,97	20,3	31,7	51,0	74,1	91	2320	2,8	16,29	19,6	30,0	48,5	70,8	35	6048	0,8	42,46	13,3	24,8	44,5	60,0	SK 6382 - 180 LH/4	327	C89	41	5176	0,9	36,34	14,6	26,1	44,1	60,0	48	4403	1,0	30,91	15,6	26,6	43,5	60,0	51	4091	1,1	28,72	15,9	26,9	43,1	60,0	60	3478	1,3	24,42	16,4	26,9	42,3	60,0	49	4259	1,1	29,90	16,5	28,0	44,1	60,0	SK 6282 - 180 LH/4	330	C88	57	3711	1,2	26,05	16,9	28,0	43,2	60,0	64	3269	1,4	22,95	17,1	27,7	42,4	60,0	79	2664	1,7	18,70	16,9	26,9	40,8	58,3	99	2112	2,1	14,83	16,6	25,6	38,9	55,7	119	1759	2,5	12,35	16,4	24,8	37,4	53,8	139	1516	2,8	10,64	16,1	23,9	36,2	52,1	157	1338	2,1	9,39	15,4	22,6	34,8	50,1	189	1114	2,4	7,82	15,0	21,6	33,4	48,1	59	3561	0,8	25,00	7,8	15,6	26,6	40,0	SK 5282 - 180 LH/4	246	C86	72	2900	1,1	20,36	8,4	15,9	25,9	40,0	78	2689	1,0	18,88	9,0	16,7	26,0	40,0	84	2506	1,1	17,59	8,8	16,4	25,5	40,0	96	2191	1,2	15,38	9,1	16,5	25,2	40,0	113	1852	1,4	13,00	9,2	16,2	24,4	40,0	138	1526	1,6	10,71	9,4	16,1	23,6	39,3	156	1347	1,7	9,46	9,4	15,9	23,1	38,5	170	1239	1,9	8,70	9,1	15,2	22,5	37,5	206	1021	2,1	7,17	9,0	14,8	21,7	36,2	233	902	2,3	6,33	8,9	14,5	21,1	35,2	258	813	2,2	5,71	8,8	14,2	20,6	34,5	279	754	2,3	5,29	8,7	13,9	20,3	33,9	294	714	2,4	5,01	8,7	13,8	20,0	33,5	341	615	2,5	4,32	8,5
25	8478	0,8	59,52	15,3	29,7	58,8	80,0	SK 7382 - 180 LH/4	400	C91																																																																																																																																																																																																																																																																																																																																																				
28	7603	0,9	53,38	17,1	31,6	58,9	80,0																																																																																																																																																																																																																																																																																																																																																							
32	6646	1,1	46,66	18,2	32,5	58,3	80,0																																																																																																																																																																																																																																																																																																																																																							
40	5259	1,3	36,92	19,2	32,6	56,3	80,0																																																																																																																																																																																																																																																																																																																																																							
48	4333	1,5	30,42	19,6	32,5	54,6	79,4																																																																																																																																																																																																																																																																																																																																																							
55	3829	1,7	26,88	19,9	32,2	53,5	77,8																																																																																																																																																																																																																																																																																																																																																							
63	3342	2,0	23,46	19,9	31,9	52,2	75,9																																																																																																																																																																																																																																																																																																																																																							
43	4934	1,2	34,64	20,2	33,9	56,5	80,0	SK 7282 - 180 LH/4	393	C90																																																																																																																																																																																																																																																																																																																																																				
55	3830	1,5	26,89	20,5	33,2	54,0	78,5																																																																																																																																																																																																																																																																																																																																																							
64	3258	1,8	22,87	20,4	32,5	52,5	76,2																																																																																																																																																																																																																																																																																																																																																							
74	2845	2,0	19,97	20,3	31,7	51,0	74,1																																																																																																																																																																																																																																																																																																																																																							
91	2320	2,8	16,29	19,6	30,0	48,5	70,8																																																																																																																																																																																																																																																																																																																																																							
35	6048	0,8	42,46	13,3	24,8	44,5	60,0	SK 6382 - 180 LH/4	327	C89																																																																																																																																																																																																																																																																																																																																																				
41	5176	0,9	36,34	14,6	26,1	44,1	60,0																																																																																																																																																																																																																																																																																																																																																							
48	4403	1,0	30,91	15,6	26,6	43,5	60,0																																																																																																																																																																																																																																																																																																																																																							
51	4091	1,1	28,72	15,9	26,9	43,1	60,0																																																																																																																																																																																																																																																																																																																																																							
60	3478	1,3	24,42	16,4	26,9	42,3	60,0																																																																																																																																																																																																																																																																																																																																																							
49	4259	1,1	29,90	16,5	28,0	44,1	60,0	SK 6282 - 180 LH/4	330	C88																																																																																																																																																																																																																																																																																																																																																				
57	3711	1,2	26,05	16,9	28,0	43,2	60,0																																																																																																																																																																																																																																																																																																																																																							
64	3269	1,4	22,95	17,1	27,7	42,4	60,0																																																																																																																																																																																																																																																																																																																																																							
79	2664	1,7	18,70	16,9	26,9	40,8	58,3																																																																																																																																																																																																																																																																																																																																																							
99	2112	2,1	14,83	16,6	25,6	38,9	55,7																																																																																																																																																																																																																																																																																																																																																							
119	1759	2,5	12,35	16,4	24,8	37,4	53,8																																																																																																																																																																																																																																																																																																																																																							
139	1516	2,8	10,64	16,1	23,9	36,2	52,1																																																																																																																																																																																																																																																																																																																																																							
157	1338	2,1	9,39	15,4	22,6	34,8	50,1																																																																																																																																																																																																																																																																																																																																																							
189	1114	2,4	7,82	15,0	21,6	33,4	48,1																																																																																																																																																																																																																																																																																																																																																							
59	3561	0,8	25,00	7,8	15,6	26,6	40,0				SK 5282 - 180 LH/4	246	C86																																																																																																																																																																																																																																																																																																																																																	
72	2900	1,1	20,36	8,4	15,9	25,9	40,0																																																																																																																																																																																																																																																																																																																																																							
78	2689	1,0	18,88	9,0	16,7	26,0	40,0																																																																																																																																																																																																																																																																																																																																																							
84	2506	1,1	17,59	8,8	16,4	25,5	40,0																																																																																																																																																																																																																																																																																																																																																							
96	2191	1,2	15,38	9,1	16,5	25,2	40,0																																																																																																																																																																																																																																																																																																																																																							
113	1852	1,4	13,00	9,2	16,2	24,4	40,0																																																																																																																																																																																																																																																																																																																																																							
138	1526	1,6	10,71	9,4	16,1	23,6	39,3																																																																																																																																																																																																																																																																																																																																																							
156	1347	1,7	9,46	9,4	15,9	23,1	38,5																																																																																																																																																																																																																																																																																																																																																							
170	1239	1,9	8,70	9,1	15,2	22,5	37,5																																																																																																																																																																																																																																																																																																																																																							
206	1021	2,1	7,17	9,0	14,8	21,7	36,2																																																																																																																																																																																																																																																																																																																																																							
233	902	2,3	6,33	8,9	14,5	21,1	35,2																																																																																																																																																																																																																																																																																																																																																							
258	813	2,2	5,71	8,8	14,2	20,6	34,5																																																																																																																																																																																																																																																																																																																																																							
279	754	2,3	5,29	8,7	13,9	20,3	33,9																																																																																																																																																																																																																																																																																																																																																							
294	714	2,4	5,01	8,7	13,8	20,0	33,5																																																																																																																																																																																																																																																																																																																																																							
341	615	2,5	4,32	8,5	13,2	19,4	32,4																																																																																																																																																																																																																																																																																																																																																							



22,0 kW
30,0 kW



P_1 [kW]	n_2 [min ⁻¹]	M_2 [Nm]	f_B	i_{ges}	F_R [kN]	F_A [kN]	$F_{R VL}$ [kN]	$F_{A VL}$ [kN]		kg	mm			
22,0	97	2165	0,8	15,20	3,0	4,8	15,3	23,1	SK 4282 - 180 LH/4	210	C84			
	116	1806	1,0	12,68	3,6	5,6	15,1	23,1						
	136	1545	1,1	10,85	4,2	6,5	15,0	23,4						
	160	1315	1,2	9,23	4,7	7,2	14,9	23,4						
	177	1187	1,1	8,33	4,5	6,8	14,4	22,7						
	207	1016	1,2	7,13	4,8	7,2	14,2	22,6						
	243	863	1,4	6,06	4,9	7,5	13,9	22,3						
	272	773	1,3	5,43	5,0	7,6	13,7	22,0						
	295	712	1,5	5,00	5,1	7,7	13,5	21,8						
	314	669	1,5	4,70	5,1	7,7	13,4	21,6						
30,0	7,3	39455	2,3	201,75	115,3	170,0	115,3	138,0	SK 12382 - 200 LH/4	2299	C100			
	9,5	30185	3,0	154,35	131,4	170,0	131,4	134,4						
	11	26835	3,4	137,22	135,9	170,0	135,9	132,3						
	12	22949	3,9	117,35	140,1	170,0	140,1	129,3						
	15	19728	4,6	100,88	143,2	170,0	143,2	126,0						
	6,5	43955	1,6	224,76	104,7	170,0	104,7	151,6				SK 11382 - 200 LH/4	2299	C99
	8,5	33629	2,1	171,96	126,1	170,0	126,1	145,8						
	9,6	29896	2,3	152,87	131,9	170,0	131,9	142,9						
	11	25566	2,7	130,73	137,3	170,0	137,3	138,9						
	13	21977	3,1	112,38	141,1	170,0	141,1	134,8						
16	18005	3,6	92,07	144,5	170,0	144,5	129,3							
19	15060	4,1	77,01	146,6	170,0	146,6	124,2							
10	27459	1,3	140,41	118,6	150,0	118,6	146,7	SK 10382 - 200 LH/4	1461	C97				
14	20477	1,7	104,71	127,4	150,0	127,4	139,7							
16	17865	2,0	91,35	129,9	150,0	129,9	136,2							
20	14219	2,6	72,71	132,8	150,0	132,8	130,0							
22	12798	2,7	65,44	133,7	150,0	133,7	127,1							
11	26577	1,0	135,90	29,5	60,2	98,8	123,8	SK 9382 - 200 LH/4	897	C95				
13	22601	1,1	115,57	32,9	63,4	97,5	123,5							
15	19730	1,3	100,89	35,1	65,3	96,3	122,5							
18	16269	1,5	83,19	36,2	64,6	93,3	119,2							
20	14118	1,7	72,19	37,2	64,6	91,2	117,3							
22	12760	1,9	65,25	37,9	64,6	89,7	115,8							
26	10852	2,2	55,49	38,3	63,6	87,1	113,0							
30	9473	2,5	48,44	38,1	62,7	85,1	110,4							
35	8200	2,9	41,93	37,9	61,0	82,5	107,6							
41	6964	3,4	35,61	37,4	59,1	79,6	104,2							
43	6723	2,4	34,38	30,6	45,8	67,9	88,6	SK 9282 - 200 LH/4	892	C94				
48	6021	3,0	30,79	30,4	44,8	66,2	86,6							
54	5259	3,3	26,89	30,0	43,5	64,3	84,3							
19	14802	0,8	75,69	13,2	28,7	65,9	95,5	SK 8382 - 200 LH/4	595	C93				
22	12755	0,9	65,22	16,3	31,8	66,2	95,7							
26	11231	1,1	57,43	18,4	33,5	66,1	95,4							
31	9348	1,3	47,80	20,5	35,5	65,4	94,3							
34	8525	1,2	43,59	21,9	37,0	65,4	94,0							
41	7017	1,7	35,88	22,6	36,6	63,5	91,2							
47	6047	2,0	30,92	23,1	36,6	62,1	89,3							
52	5540	1,8	28,33	23,7	37,0	61,5	88,5							
60	4791	2,2	24,50	23,8	36,5	60,0	86,2							
69	4132	2,6	21,13	23,7	35,7	58,3	83,9	SK 8282 - 200 LH/4	591	C92				
84	3403	2,8	17,40	23,2	34,1	55,9	80,3							
97	2969	3,2	15,18	22,9	33,2	54,3	78,1							
31	9125	0,8	46,66	10,8	21,9	52,2	76,2				SK 7382 - 200 LH/4	470	C91	
40	7220	0,9	36,92	13,2	24,0	51,5	75,0							
48	5949	1,1	30,42	14,9	25,5	50,9	73,8							
55	5257	1,3	26,88	15,7	26,0	50,1	72,9							
62	4588	1,4	23,46	16,3	26,4	49,2	71,6							





30,0 kW
37,0 kW

P_1 [kW]	n_2 [min ⁻¹]	M_2 [Nm]	f_B	i_{ges}	F_R [kN]	F_A [kN]	$F_{R VL}$ [kN]	$F_{A VL}$ [kN]		kg	mm																																																																																																																																																																																								
30,0	54	5259	1,1	26,89	16,6	27,4	50,9	73,9	SK 7282 - 200 LH/4	463	C90																																																																																																																																																																																								
	64	4473	1,3	22,87	17,1	27,6	49,7	72,2																																																																																																																																																																																											
	73	3905	1,5	19,97	17,4	27,4	48,6	70,8																																																																																																																																																																																											
	90	3186	2,0	16,29	17,2	26,6	46,6	67,8																																																																																																																																																																																											
	114	2521	2,3	12,89	17,0	25,5	44,4	64,6																																																																																																																																																																																											
	131	2182	2,9	11,16	16,8	24,7	43,0	62,7																																																																																																																																																																																											
	148	1940	2,2	9,92	16,1	23,5	41,6	60,6																																																																																																																																																																																											
	155	1854	3,4	9,48	16,5	24,0	41,6	60,5																																																																																																																																																																																											
	169	1694	2,5	8,66	15,9	22,9	40,4	58,8																																																																																																																																																																																											
	196	1465	3,1	7,49	15,6	22,1	39,0	56,9																																																																																																																																																																																											
	47	6045	0,8	30,91	9,8	18,6	39,1	56,0																																																																																																																																																																																											
	60	4776	1,0	24,42	12,0	20,7	38,8	55,4																																																																																																																																																																																											
	64	4488	1,0	22,95	13,3	22,2	39,3	56,2																																																																																																																																																																																											
	78	3657	1,2	18,70	13,7	22,0	38,1	54,5																																																																																																																																																																																											
	99	2900	1,5	14,83	14,1	21,8	36,8	52,7																																																																																																																																																																																											
	119	2415	1,8	12,35	14,3	21,6	35,7	51,2																																																																																																																																																																																											
	138	2081	2,1	10,64	14,3	21,3	34,8	49,8																																																																																																																																																																																											
156	1836	1,5	9,39	13,7	20,0	33,4	48,0																																																																																																																																																																																												
187	1529	1,8	7,82	13,6	19,5	32,3	46,4																																																																																																																																																																																												
217	1318	2,3	6,74	13,4	19,0	31,3	45,0																																																																																																																																																																																												
245	1171	2,0	5,99	13,2	18,5	30,5	43,8																																																																																																																																																																																												
253	1130	2,1	5,78	13,2	18,3	30,3	43,5																																																																																																																																																																																												
266	1076	2,1	5,50	13,1	18,1	30,0	43,0																																																																																																																																																																																												
300	954	2,3	4,88	12,8	17,6	29,1	41,9																																																																																																																																																																																												
334	859	2,4	4,39	12,6	17,1	28,4	40,9																																																																																																																																																																																												
95	3008	0,9	15,38	6,4	12,1	22,9	38,1																																																																																																																																																																																												
113	2542	1,0	13,00	6,9	12,4	22,5	37,3																																																																																																																																																																																												
137	2094	1,2	10,71	7,4	13,0	22,1	36,7																																																																																																																																																																																												
155	1850	1,2	9,46	7,7	13,1	21,7	36,2																																																																																																																																																																																												
168	1701	1,4	8,70	7,4	12,6	21,2	35,2																																																																																																																																																																																												
204	1402	1,5	7,17	7,7	12,6	20,6	34,3																																																																																																																																																																																												
231	1238	1,7	6,33	7,8	12,6	20,2	33,6																																																																																																																																																																																												
257	1117	1,6	5,71	7,8	12,4	19,8	33,1																																																																																																																																																																																												
277	1035	1,7	5,29	7,8	12,3	19,5	32,5																																																																																																																																																																																												
292	980	1,7	5,01	7,8	12,2	19,3	32,2																																																																																																																																																																																												
339	845	1,8	4,32	7,7	12,0	18,7	31,3																																																																																																																																																																																												
37,0	7,3	48168	1,9	201,75	92,6	170,0	92,6	127,5	SK 12382 - 225 SH/4	2364	C100																																																																																																																																																																																								
	9,6	36851	2,4	154,35	120,4	170,0	120,4	126,3				6,6	53661	1,3	224,76	71,6	170,0	71,6	142,8	SK 11382 - 225 SH/4	2364	C99	8,6	41055	1,7	171,96	111,7	170,0	111,7	139,0	9,7	36498	1,9	152,87	121,2	170,0	121,2	136,8	11	31212	2,2	130,73	129,9	170,0	129,9	133,6	13	26831	2,6	112,38	135,9	170,0	135,9	130,2	16	21982	3,0	92,07	141,1	170,0	141,1	125,5	19	18386	3,4	77,01	144,3	170,0	144,3	121,0	11	33523	1,1	140,41	108,1	150,0	108,1	139,1	14	25000	1,4	104,71	122,0	150,0	122,0	134,0	16	21810	1,6	91,35	125,9	150,0	125,9	131,2	20	17360	2,1	72,71	130,3	150,0	130,3	125,9	23	15624	2,2	65,44	131,7	150,0	131,7	123,4	26	13551	2,6	56,76	133,2	150,0	133,2	119,9	11	32446	0,8	135,90	17,1	43,0	90,3	111,6	13	27592	0,9	115,57	22,7	48,6	90,5	112,9	15	24087	1,1	100,89	26,3	52,2	90,0	113,2	18	19862	1,2	83,19	28,9	53,3	87,9	111,2	21	17235	1,4	72,19	30,8	54,9	86,7	110,4	23	15578	1,6	65,25	32,0	55,5	85,6	109,5	27	13248	1,8	55,49	33,4	56,1	83,7	107,6	31	11565	2,1	48,44	34,1	56,1	81,8	105,7	35	10011	2,4	41,93	34,3	55,5	79,9	103,3	42	8502	2,8	35,61	34,3
	6,6	53661	1,3	224,76	71,6	170,0	71,6	142,8	SK 11382 - 225 SH/4	2364	C99																																																																																																																																																																																								
	8,6	41055	1,7	171,96	111,7	170,0	111,7	139,0																																																																																																																																																																																											
	9,7	36498	1,9	152,87	121,2	170,0	121,2	136,8																																																																																																																																																																																											
	11	31212	2,2	130,73	129,9	170,0	129,9	133,6																																																																																																																																																																																											
	13	26831	2,6	112,38	135,9	170,0	135,9	130,2																																																																																																																																																																																											
	16	21982	3,0	92,07	141,1	170,0	141,1	125,5																																																																																																																																																																																											
	19	18386	3,4	77,01	144,3	170,0	144,3	121,0																																																																																																																																																																																											
	11	33523	1,1	140,41	108,1	150,0	108,1	139,1																																																																																																																																																																																											
	14	25000	1,4	104,71	122,0	150,0	122,0	134,0																																																																																																																																																																																											
	16	21810	1,6	91,35	125,9	150,0	125,9	131,2																																																																																																																																																																																											
	20	17360	2,1	72,71	130,3	150,0	130,3	125,9																																																																																																																																																																																											
	23	15624	2,2	65,44	131,7	150,0	131,7	123,4																																																																																																																																																																																											
	26	13551	2,6	56,76	133,2	150,0	133,2	119,9																																																																																																																																																																																											
	11	32446	0,8	135,90	17,1	43,0	90,3	111,6																																																																																																																																																																																											
	13	27592	0,9	115,57	22,7	48,6	90,5	112,9																																																																																																																																																																																											
15	24087	1,1	100,89	26,3	52,2	90,0	113,2																																																																																																																																																																																												
18	19862	1,2	83,19	28,9	53,3	87,9	111,2																																																																																																																																																																																												
21	17235	1,4	72,19	30,8	54,9	86,7	110,4																																																																																																																																																																																												
23	15578	1,6	65,25	32,0	55,5	85,6	109,5																																																																																																																																																																																												
27	13248	1,8	55,49	33,4	56,1	83,7	107,6																																																																																																																																																																																												
31	11565	2,1	48,44	34,1	56,1	81,8	105,7																																																																																																																																																																																												
35	10011	2,4	41,93	34,3	55,5	79,9	103,3																																																																																																																																																																																												
42	8502	2,8	35,61	34,3	54,4	77,3	100,7																																																																																																																																																																																												



37,0 kW
45,0 kW



P_1 [kW]	n_2 [min ⁻¹]	M_2 [Nm]	f_B	i_{ges}	F_R [kN]	F_A [kN]	$F_{R VL}$ [kN]	$F_{A VL}$ [kN]		kg	mm
37,0	43	8208	2,0	34,38	27,8	41,6	65,8	85,2	SK 9282 - 225 SH/4	957	C94
	48	7351	2,4	30,79	27,8	41,0	64,3	83,9			
	55	6420	2,7	26,89	27,7	40,2	62,6	81,6			
	64	5527	3,0	23,15	27,4	39,3	60,7	79,3			
	26	13711	0,9	57,43	11,3	23,9	60,2	87,3			
	31	11412	1,1	47,80	14,8	27,3	60,6	87,5	SK 8382 - 225 SH/4	660	C93
	34	10407	1,0	43,59	16,9	29,6	61,2	87,9			
	41	8566	1,4	35,88	18,4	30,5	59,7	86,1			
	48	7382	1,6	30,92	19,5	31,5	59,0	84,8			
	52	6764	1,5	28,33	20,5	32,4	58,7	84,4			
	60	5849	1,8	24,50	21,1	32,4	57,7	82,7	SK 8282 - 225 SH/4	656	C92
	70	5045	2,1	21,13	21,4	32,1	56,2	81,0			
	85	4154	2,3	17,40	21,2	31,1	54,1	77,8			
	97	3624	2,6	15,18	21,1	30,6	52,7	75,7			
	114	3094	3,3	12,96	20,9	29,7	51,1	73,3			
136	2593	4,0	10,86	20,5	28,7	49,1	70,6				
153	2309	2,8	9,67	19,8	27,3	47,4	68,2				
179	1972	3,7	8,26	19,4	26,3	45,8	65,9				
214	1652	4,1	6,92	18,8	25,1	44,0	63,2				
327	1079	4,5	4,52	17,2	22,1	39,5	56,8				
40	8815	0,8	36,92	8,0	17,0	47,1	68,9	SK 7382 - 225 SH/4	535	C91	
49	7263	0,9	30,42	10,6	19,6	47,2	68,8				
55	6418	1,0	26,88	12,0	20,8	47,0	68,4				
63	5601	1,2	23,46	13,1	21,9	46,5	67,7				
55	6420	0,9	26,89	13,2	22,4	47,9	69,6	SK 7282 - 225 SH/4	528	C90	
65	5460	1,1	22,87	14,3	23,3	47,2	68,6				
74	4768	1,2	19,97	14,9	23,7	46,5	67,4				
91	3889	1,7	16,29	15,1	23,3	44,8	65,2				
115	3077	1,9	12,89	15,2	22,8	42,9	62,3				
133	2664	2,3	11,16	15,3	22,6	41,8	60,8				
149	2368	1,8	9,92	14,8	21,5	40,3	58,7				
156	2263	2,8	9,48	15,3	22,1	40,4	58,8				
171	2068	2,0	8,66	14,7	21,0	39,2	57,2				
198	1788	2,5	7,49	14,6	20,6	38,0	55,5				
233	1518	2,9	6,36	14,3	19,8	36,7	53,5				
279	1265	3,2	5,30	14,0	19,0	35,2	51,3				
347	1017	3,6	4,26	13,5	18,0	33,4	48,7				
64	5479	0,8	22,95	9,9	17,4	36,5	52,2	SK 6282 - 225 SH/4	465	C88	
79	4465	1,0	18,70	10,9	18,1	35,8	51,2				
100	3541	1,3	14,83	11,9	18,6	34,8	49,8				
120	2949	1,5	12,35	12,5	18,9	34,1	48,8				
139	2540	1,7	10,64	12,8	18,9	33,4	47,8				
158	2242	1,2	9,39	12,2	17,9	32,1	46,2				
189	1867	1,4	7,82	12,3	17,6	31,2	44,8				
220	1609	1,9	6,74	12,3	17,4	30,3	43,6				
247	1430	1,7	5,99	12,3	17,1	29,6	42,6				
256	1380	1,7	5,78	12,3	17,0	29,4	42,3				
269	1313	1,7	5,50	12,2	16,9	29,1	41,9				
303	1165	1,9	4,88	12,1	16,5	28,4	40,9				
337	1048	1,9	4,39	11,9	16,1	27,7	39,9				
45,0	9,6	44819	2,0	154,35	102,4	170,0	102,4	117,2	SK 12382 - 225 MH/4	2404	C100
	11	39845	2,3	137,22	114,5	170,0	114,5	117,1			
	8,6	49932	1,4	171,96	86,5	170,0	86,5	131,5	SK 11382 - 225 MH/4	2404	C99
	9,7	44389	1,6	152,87	103,7	170,0	103,7	130,1			
	11	37960	1,8	130,73	118,3	170,0	118,3	127,9			
	13	32632	2,1	112,38	127,8	170,0	127,8	125,3			
	16	26735	2,4	92,07	135,9	170,0	135,9	121,4			
	19	22362	2,8	77,01	140,8	170,0	140,8	117,6			
	23	18421	3,3	63,44	144,2	170,0	144,2	113,2			



45,0 kW
55,0 kW

P_1 [kW]	n_2 [min ⁻¹]	M_2 [Nm]	f_B	i_{ges}	F_R [kN]	F_A [kN]	$F_{R VL}$ [kN]	$F_{A VL}$ [kN]		kg	mm			
45,0	14	30405	1,2	104,71	113,9	150,0	113,9	127,7	SK 10382 - 225 MH/4	1566	C97			
	16	26525	1,3	91,35	119,9	150,0	119,9	125,7						
	20	21113	1,8	72,71	126,7	150,0	126,7	121,6						
	23	19002	1,8	65,44	128,8	150,0	128,8	119,5						
	26	16481	2,1	56,76	131,1	150,0	131,1	116,5						
	31	13923	2,5	47,95	133,0	150,0	133,0	112,8						
	13	33558	0,8	115,57	10,2	31,8	82,5	100,7				SK 9382 - 225 MH/4	1002	C95
	15	29296	0,9	100,89	15,7	37,3	83,1	102,8						
	18	24156	1,0	83,19	19,8	40,9	82,0	102,2						
	21	20962	1,1	72,19	23,3	44,0	81,6	102,8						
27	16113	1,5	55,49	27,6	47,6	79,9	101,9							
31	14066	1,7	48,44	29,1	48,6	78,6	100,7							
35	12175	2,0	41,93	30,1	49,1	77,1	98,8							
42	10340	2,3	35,61	30,9	49,1	74,9	96,8							
43	9983	1,6	34,38	24,6	37,0	63,5	81,8	SK 9282 - 225 MH/4	997	C94				
48	8941	2,0	30,79	24,9	37,0	62,4	80,6							
55	7808	2,2	26,89	25,1	36,6	60,8	78,9							
64	6722	2,4	23,15	25,2	36,2	59,1	76,9							
74	5845	2,7	20,13	24,7	34,8	57,1	74,4							
85	5032	3,1	17,33	24,5	33,8	55,4	72,3							
31	13880	0,9	47,80	7,8	18,4	54,9	79,8	SK 8382 - 225 MH/4	700	C93				
34	12657	0,8	43,59	10,8	21,6	56,2	81,2							
41	10419	1,2	35,88	13,2	23,6	55,7	80,3							
48	8978	1,3	30,92	15,2	25,4	55,4	79,8							
60	7114	1,5	24,50	17,9	27,9	55,0	78,9	SK 8282 - 225 MH/4	696	C92				
70	6136	1,7	21,13	18,6	28,4	53,9	77,6							
85	5052	1,9	17,40	18,9	27,9	52,1	75,0							
97	4408	2,2	15,18	19,1	27,9	51,0	73,3							
114	3763	2,7	12,96	19,2	27,3	49,6	71,2							
136	3153	3,3	10,86	19,1	26,7	47,9	68,9							
153	2808	2,3	9,67	18,4	25,4	46,3	66,6							
179	2398	3,0	8,26	18,2	24,7	44,8	64,5							
55	7805	0,8	26,88	7,6	15,0	43,5	63,3				SK 7382 - 225 MH/4	575	C91	
63	6812	1,0	23,46	9,3	16,8	43,4	63,2							
65	6641	0,9	22,87	10,8	18,6	44,4	64,6	SK 7282 - 225 MH/4	568	C90				
74	5799	1,0	19,97	12,0	19,6	44,0	64,0							
91	4730	1,4	16,29	12,6	20,0	42,7	62,0							
115	3743	1,6	12,89	13,3	20,0	41,2	59,9							
133	3241	1,9	11,16	13,7	20,2	40,3	58,6							
149	2880	1,5	9,92	13,1	19,2	38,9	56,6							
156	2753	2,3	9,48	13,8	20,0	39,3	57,0							
171	2515	1,7	8,66	13,3	19,0	38,0	55,5							
198	2175	2,1	7,49	13,4	18,8	37,0	53,9							
233	1847	2,4	6,36	13,3	18,4	35,8	52,2							
247	1736	2,5	5,98	13,3	18,2	35,4	51,5							
279	1539	2,6	5,30	13,1	17,9	34,5	50,2							
294	1463	2,7	5,04	13,1	17,7	34,1	49,7							
347	1237	2,9	4,26	12,8	17,0	32,8	47,8							
120	3586	1,2	12,35	10,2	15,9	32,4	46,2	SK 6282 - 225 MH/4	505	C88				
139	3090	1,4	10,64	10,8	16,3	31,8	45,7							
189	2271	1,2	7,82	10,9	15,6	29,9	43,0							
220	1957	1,5	6,74	11,0	15,6	29,3	42,1							
247	1739	1,4	5,99	11,1	15,5	28,7	41,3							
256	1678	1,4	5,78	11,2	15,5	28,6	40,9							
269	1597	1,4	5,50	11,2	15,4	28,3	40,6							
303	1417	1,5	4,88	11,2	15,2	27,7	39,7							
337	1275	1,6	4,39	11,1	14,9	27,1	38,9							
55,0	9,6	54594	1,6	154,35	67,0	170,0	67,0				105,9	SK 12382 - 250 MH/4	2534	C100
	11	48535	1,9	137,22	91,6	170,0	91,6	107,0						
	13	41507	2,2	117,35	110,7	170,0	110,7	107,6						
	15	35682	2,5	100,88	122,7	170,0	122,7	107,3						

55,0 kW
75,0 kW



P_1 [kW]	n_2 [min ⁻¹]	M_2 [Nm]	f_B	i_{ges}	F_R [kN]	F_A [kN]	$F_{R VL}$ [kN]	$F_{A VL}$ [kN]		kg	mm			
55,0	8,6	60823	1,1	171,96	6,0	170,0	6,0	122,1	SK 11382 - 250 MH/4	2534	C99			
	9,7	54071	1,3	152,87	69,9	170,0	69,9	121,8						
	11	46240	1,5	130,73	98,5	170,0	98,5	120,7						
	13	39749	1,7	112,38	114,8	170,0	114,8	119,1						
	16	32566	2,0	92,07	127,8	170,0	127,8	116,3						
	19	27239	2,3	77,01	135,4	170,0	135,4	113,3						
	23	22439	2,7	63,44	140,7	170,0	140,7	109,6						
	27	19192	3,1	54,26	143,6	170,0	143,6	106,5						
	14	37036	1,0	104,71	100,4	150,0	100,4	119,9				SK 10382 - 250 MH/4	1696	C97
	16	32311	1,1	91,35	110,4	150,0	110,4	118,8						
	20	25718	1,4	72,71	121,1	150,0	121,1	116,1						
	23	23146	1,5	65,44	124,4	150,0	124,4	114,6						
	26	20076	1,7	56,76	127,8	150,0	127,8	112,2						
	31	16960	2,1	47,95	130,7	150,0	130,7	109,1						
	36	14502	2,4	41,00	132,6	150,0	132,6	106,0						
43	12150	2,9	34,35	134,1	150,0	134,1	102,4							
50	10537	3,3	29,79	135,0	150,0	135,0	99,4							
55	9614	3,4	27,18	135,4	150,0	135,4	97,2							
63	8340	4,0	23,58	135,9	150,0	135,9	94,1							
18	29425	0,8	83,19	8,3	25,9	74,5	91,0	SK 9382 - 250 MH/4	1132	C95				
21	25534	0,9	72,19	13,6	31,1	75,2	93,0							
27	19627	1,2	55,49	20,5	37,8	75,0	94,0							
31	17133	1,4	48,44	22,8	39,7	74,4	93,9							
35	14831	1,6	41,93	24,9	41,4	73,5	93,3							
42	12595	1,9	35,61	26,3	42,6	71,8	91,9							
43	12160	1,3	34,38	20,4	31,1	60,6	77,4	SK 9282 - 250 MH/4	1127	C94				
48	10891	1,6	30,79	21,2	31,8	59,8	76,6							
55	9511	1,8	26,89	22,0	32,1	58,6	75,3							
64	8188	2,0	23,15	22,6	32,2	57,2	73,9							
74	7120	2,2	20,13	22,2	31,1	55,3	71,6							
86	6130	2,5	17,33	22,3	30,8	53,8	69,9							
101	5199	2,8	14,70	22,3	30,2	52,1	67,9							
124	4248	3,3	12,01	21,9	29,2	49,8	65,2							
146	3601	3,0	10,18	21,1	27,5	47,6	62,6							
172	3056	3,7	8,64	20,6	26,6	45,8	60,2							
210	2497	4,1	7,06	20,0	25,3	43,7	57,7							
257	2044	4,3	5,78	19,3	23,9	41,5	54,9							
278	1889	4,4	5,34	19,0	23,4	40,7	53,8							
61	8666	1,2	24,50	13,7	22,2	51,4	74,2				SK 8282 - 250 MH/4	826	C92	
70	7474	1,4	21,13	15,1	23,5	51,1	73,3							
85	6154	1,6	17,40	16,0	23,9	49,7	71,5							
98	5369	1,8	15,18	16,6	24,2	48,8	70,2							
115	4584	2,2	12,96	17,1	24,4	47,8	68,7							
137	3841	2,7	10,86	17,3	24,1	46,5	66,8							
154	3420	1,9	9,67	16,7	23,0	44,9	64,5							
180	2922	2,5	8,26	16,8	22,7	43,6	62,7							
215	2448	2,8	6,92	16,6	22,1	42,0	60,5							
329	1599	3,1	4,52	15,8	20,2	38,2	55,0							
75,0	9,6	74447	1,2	154,35	11,2	170,0	11,2	83,3	SK 12382 - 280 SH/4	2649				C100
	11	66184	1,4	137,22	26,0	170,0	26,0	86,9						
	13	56601	1,6	117,35	55,9	170,0	55,9	90,4						
	15	48657	1,8	100,88	91,3	170,0	91,3	92,6						
	18	39864	2,3	82,65	114,4	170,0	114,4	94,0						
	21	33338	2,7	69,12	126,7	170,0	126,7	94,1						
	8,6	82940	0,8	171,96	0,1	170,0	0,1	103,3			SK 11382 - 280 SH/4	2649	C99	
	9,7	73733	0,9	152,87	11,3	170,0	11,3	105,1						
	11	63054	1,1	130,73	29,0	170,0	29,0	106,5						
	13	54203	1,3	112,38	69,5	170,0	69,5	106,9						
16	44408	1,5	92,07	103,5	170,0	103,5	106,3							
19	37144	1,7	77,01	120,0	170,0	120,0	104,9							
23	30599	2,0	63,44	130,9	170,0	130,9	102,8							
27	26171	2,3	54,26	136,7	170,0	136,7	100,6							
32	22496	2,7	46,64	140,7	170,0	140,7	98,2							
39	18430	3,3	38,21	143,3	170,0	144,2	94,9							



75,0 kW
90,0 kW

P_1 [kW]	n_2 [min ⁻¹]	M_2 [Nm]	f_B	i_{ges}	F_R [kN]	F_A [kN]	$F_{R VL}$ [kN]	$F_{A VL}$ [kN]		kg	mm				
75,0	16	44060	0,8	91,35	80,0	150,0	80,0	105,2	SK 10382 - 280 SH/4	1811	C97				
	20	35070	1,1	72,71	104,9	150,0	104,9	105,3							
	23	31563	1,1	65,44	111,9	150,0	111,9	104,8							
	26	27377	1,3	56,76	118,8	150,0	118,8	103,7							
	31	23127	1,5	47,95	124,4	150,0	124,4	102,0							
	36	19775	1,8	41,00	128,1	150,0	128,1	99,9							
	43	16568	2,1	34,35	131,0	150,0	131,0	97,3							
	50	14368	2,4	29,79	132,7	150,0	132,7	95,0							
	55	13110	2,5	27,18	133,5	150,0	133,5	93,0							
	63	11373	2,9	23,58	133,9	150,0	134,5	90,5							
	71	10129	3,3	21,00	130,8	150,0	135,1	88,5							
		27	26764	0,9	55,49	5,0	18,0	65,0				79,2	SK 9382 - 280 SH/4	1247	C95
		31	23364	1,0	48,44	9,7	22,7	65,8				80,9			
		35	20224	1,2	41,93	13,7	26,7	65,9				81,9			
		42	17176	1,4	35,61	17,1	29,9	65,6				82,3			
		43	16582	1,0	34,38	11,6	20,1	55,0				68,6	SK 9282 - 280 SH/4	1242	C94
		48	14851	1,2	30,79	13,5	21,8	54,7				68,6			
		55	12970	1,3	26,89	15,3	23,4	54,2				68,6			
		64	11166	1,5	23,15	16,8	24,6	53,4				67,9			
	74	9709	1,6	20,13	17,1	24,4	51,9	66,2							
	86	8359	1,9	17,33	18,0	25,1	50,8	65,2							
	101	7090	2,1	14,70	18,6	25,4	49,5	63,9							
	124	5793	2,4	12,01	19,0	25,2	47,8	62,0							
	146	4910	2,2	10,18	18,4	23,9	45,7	59,4							
	172	4167	2,7	8,64	18,4	23,6	44,4	57,7							
	210	3405	3,0	7,06	18,1	22,8	42,4	55,5							
	257	2788	3,2	5,78	17,8	22,0	40,5	53,2							
	278	2576	3,2	5,34	17,6	21,6	39,8	52,3							
	61	11817	0,9	24,50	5,0	11,6	44,5	64,8	SK 8282 - 280 SH/4	941	C92				
	70	10191	1,0	21,13	7,7	14,2	45,0	65,2							
	85	8392	1,2	17,40	9,8	16,1	44,7	64,5							
	98	7322	1,3	15,18	11,3	17,4	44,5	64,2							
	115	6251	1,6	12,96	12,7	18,5	44,2	63,5							
	137	5238	2,0	10,86	13,7	19,3	43,3	62,4							
	154	4664	1,4	9,67	13,2	18,5	42,0	60,4							
	180	3984	1,8	8,26	13,9	18,7	41,2	59,2							
	215	3338	2,0	6,92	14,2	18,9	40,0	57,6							
	329	2180	2,2	4,52	14,3	18,1	37,0	53,1							
90,0	9,6	89276	1,0	154,35	0,1	170,0	0,1	66,4				SK 12382 - 280 MH/4	2749	C100	
	11	79368	1,1	137,22	8,2	170,0	8,2	71,9							
	13	67875	1,3	117,35	16,8	170,0	16,8	77,5							
	15	58349	1,5	100,88	44,4	170,0	44,4	81,5							
	18	47805	1,9	82,65	93,8	170,0	93,8	84,9							
	21	39979	2,3	69,12	114,2	170,0	114,2	86,6							
		9,7	88420	0,8	152,87	0,1	170,0	0,1	92,6	SK 11382 - 280 MH/4	2749	C99			
		11	75614	0,9	130,73	11,8	170,0	11,8	95,8						
		13	65000	1,1	112,38	23,6	170,0	23,6	97,7						
		16	53253	1,2	92,07	73,4	170,0	73,4	98,8						
		19	44542	1,4	77,01	103,3	170,0	103,3	98,7						
		23	36694	1,6	63,44	120,9	170,0	120,9	97,6						
		27	31384	1,9	54,26	129,7	170,0	129,7	96,2						
		32	26977	2,2	46,64	135,8	170,0	135,8	94,4						
		39	22101	2,7	38,21	138,9	170,0	141,0	91,8						
		43	20157	2,1	34,85	136,7	170,0	142,8	90,4						
		20	42055	0,9	72,71	86,9	150,0	86,9	97,2	SK 10382 - 280 MH/4	1911	C97			
		23	37850	0,9	65,44	98,5	150,0	98,5	97,5						
		26	32830	1,1	56,76	109,5	150,0	109,5	97,4						
	31	27734	1,3	47,95	118,2	150,0	118,2	96,6							
	36	23714	1,5	41,00	123,8	150,0	123,8	95,4							
	43	19868	1,8	34,35	128,0	150,0	128,0	93,4							
	50	17230	2,0	29,79	130,5	150,0	130,5	91,6							



90,0 kW 110 kW



P ₁ [kW]	n ₂ [min ⁻¹]	M ₂ [Nm]	f _B	i _{ges}	F _R [kN]	F _A [kN]	F _{R VL} [kN]	F _{A VL} [kN]		kg	mm
90,0	55	15721	2,1	27,18	131,7	150,0	131,7	89,9	SK 10382 - 280 MH/4	1911	C97
	63	13639	2,4	23,58	130,3	150,0	133,2	87,8			
	71	12146	2,7	21,00	127,6	150,0	134,0	86,1			
	SK 10282 - 280 MH/4	81	10550	3,0	18,24	124,4	150,0	134,9	84,1	1886	C96
		98	8786	3,6	15,19	119,6	150,0	135,7	81,1		
		110	7808	4,1	13,50	116,4	150,0	136,1	79,0		
		128	6727	4,8	11,63	112,4	150,0	136,5	76,4		
		143	6027	5,3	10,42	109,6	150,0	136,7	74,5		
		162	5321	5,6	9,20	106,1	150,0	136,9	72,1		
		SK 9282 - 280 MH/4	48	17809	1,0	30,79	7,4	14,5	50,7		
	55		15553	1,1	26,89	10,1	17,1	50,9	63,3		
	64		13390	1,2	23,15	12,5	19,3	50,5	63,5		
	74		11643	1,4	20,13	13,1	19,5	49,2	62,2		
	86		10024	1,5	17,33	14,6	20,7	48,6	61,9		
	101		8502	1,7	14,70	15,8	21,6	47,6	61,0		
	124		6947	2,0	12,01	16,8	22,2	46,2	59,5		
	146		5888	1,8	10,18	16,3	21,4	44,4	57,3		
	172		4997	2,2	8,64	16,6	21,4	43,1	55,9		
210	4083		2,5	7,06	16,8	21,0	41,4	54,0			
257	3343		2,6	5,78	16,7	20,5	39,7	51,9			
278	3089		2,7	5,34	16,6	20,2	39,0	51,1			
110	9,6	108968	0,8	154,35	0,1	170,0	0,1	43,9	SK 12382 - 315 SH/4	2884	C100
	11	96875	0,9	137,22	5,2	170,0	5,2	52,0			
	13	82847	1,1	117,35	12,6	170,0	12,6	60,4			
	15	71219	1,3	100,88	22,4	170,0	22,4	66,9			
	18	58349	1,5	82,65	43,4	170,0	43,4	72,9			
	22	48797	1,8	69,12	90,7	170,0	90,7	76,5	SK 11382 - 315 SH/4	2884	C99
	13	79338	0,9	112,38	3,2	170,0	3,2	85,5			
	16	65000	1,0	92,07	10,3	170,0	10,3	88,8			
	19	54368	1,1	77,01	68,5	170,0	68,5	90,3			
	23	44787	1,3	63,44	102,9	170,0	102,9	90,7			
	27	38307	1,6	54,26	117,8	170,0	117,8	90,3			
	32	32927	1,8	46,64	127,5	170,0	127,5	89,4			
	39	26976	2,2	38,21	133,0	170,0	135,7	87,6	SK 11282 - 315 SH/4	2807	C98
	47	22563	2,7	31,96	129,6	170,0	140,6	85,6			
	43	24603	1,7	34,85	131,3	170,0	138,5	86,6			
	50	21123	2,0	29,92	128,3	170,0	141,9	84,8	SK 10382 - 315 SH/4	2046	C97
	58	17981	2,3	25,47	124,8	170,0	144,6	82,6			
	23	46199	0,8	65,44	72,1	150,0	72,1	87,8			
26	40071	0,9	56,76	92,7	150,0	92,7	89,0				
31	33852	1,0	47,95	107,5	150,0	107,5	89,5				
36	28945	1,2	41,00	116,4	150,0	116,4	89,3				
43	24250	1,4	34,35	123,1	150,0	123,1	88,3				
50	21031	1,7	29,79	126,8	150,0	126,8	87,2	SK 10282 - 315 SH/4	2021	C96	
55	19189	1,7	27,18	128,2	150,0	128,7	85,7				
63	16647	2,0	23,58	125,6	150,0	130,9	84,2				
71	14826	2,2	21,00	123,3	150,0	132,3	82,9	SK 9282 - 315 SH/4	1477	C94	
82	12877	2,5	18,24	120,7	150,0	133,6	81,4				
98	10724	3,0	15,19	116,6	150,0	134,8	78,8				
110	9531	3,4	13,50	113,7	150,0	135,4	77,0				
128	8211	3,9	11,63	110,1	150,0	136,0	74,6				
143	7356	4,3	10,42	107,5	150,0	136,3	72,9				
162	6495	4,6	9,20	104,2	150,0	136,6	70,7				
181	5817	5,2	8,24	101,6	150,0	136,8	69,0				
196	5351	3,6	7,58	98,9	150,0	136,9	67,1				
48	21737	0,8	30,79	0,3	2,6	45,3	54,8	SK 9282 - 315 SH/4	1477	C94	
55	18984	0,9	26,89	2,9	8,9	46,2	56,5				
64	16343	1,0	23,15	6,4	12,1	46,5	57,7				
74	14211	1,1	20,13	7,6	13,0	45,7	56,7				
86	12235	1,3	17,33	10,0	15,1	45,5	57,1				
101	10378	1,4	14,70	12,1	16,9	45,1	57,1				



110 kW
132 kW
160 kW

P_1 [kW]	n_2 [min ⁻¹]	M_2 [Nm]	f_B	i_{ges}	F_R [kN]	F_A [kN]	$F_{R VL}$ [kN]	$F_{A VL}$ [kN]		kg	mm		
110	124	8479	1,6	12,01	13,7	18,4	44,2	56,5	SK 9282 - 315 SH/4	1477	C94		
	146	7187	1,5	10,18	13,5	17,8	42,5	54,3					
	172	6100	1,8	8,64	14,4	18,4	41,5	53,4					
	211	4984	2,0	7,06	14,9	18,5	40,1	51,9					
	257	4081	2,2	5,78	15,1	18,5	38,7	50,3					
	279	3770	2,2	5,34	15,2	18,4	38,1	49,6					
132	13	99416	0,9	117,35	0,2	170,0	0,2	41,6	SK 12382 - 315 MH/4	3039	C100		
	15	85463	1,1	100,88	8,6	170,0	8,6	50,7					
	18	70019	1,3	82,65	12,4	170,0	12,4	59,6					
	22	58557	1,5	69,12	42,2	170,0	42,2	65,4					
	SK 11382 - 315 MH/4	16	78000	0,8	92,07	8,4	170,0	8,4	77,8	3039	C99		
		19	65241	1,0	77,01	20,3	170,0	20,3	81,1				
		27	45968	1,3	54,26	99,5	170,0	99,5	83,8				
		32	39512	1,5	46,64	115,4	170,0	115,4	83,8				
		39	32371	1,9	38,21	126,5	170,0	128,2	83,0				
		47	27076	2,2	31,96	124,2	170,0	135,6	81,8				
	SK 11282 - 315 MH/4	43	29524	1,4	34,85	125,4	170,0	132,4	82,4	2962	C98		
		50	25348	1,7	29,92	123,2	170,0	137,6	81,2				
		58	21578	1,9	25,47	120,5	170,0	141,5	79,5				
		69	18147	2,3	21,42	117,2	170,0	144,5	77,5				
		81	15478	2,7	18,27	113,9	170,0	146,3	75,4				
	SK 10382 - 315 MH/4	36	34734	1,0	41,00	105,8	150,0	105,8	82,6	2201	C97		
		43	29101	1,2	34,35	116,2	150,0	116,2	82,7				
		50	25237	1,4	29,79	121,8	150,0	121,8	82,3				
55		23026	1,4	27,18	122,2	150,0	124,6	81,2					
63		19976	1,7	23,58	120,4	150,0	127,9	80,3					
71		17791	1,9	21,00	118,7	150,0	129,9	79,4					
SK 10282 - 315 MH/4		82	15453	2,1	18,24	116,8	150,0	131,8	78,4			2176	C96
	98	12869	2,5	15,19	113,3	150,0	133,6	76,3					
	110	11437	2,8	13,50	110,8	150,0	134,5	74,8					
	128	9853	3,2	11,63	107,6	150,0	135,3	72,7					
	143	8828	3,6	10,42	105,2	150,0	135,7	71,2					
	162	7794	3,8	9,20	102,2	150,0	136,1	69,2					
	181	6981	4,3	8,24	99,8	150,0	136,4	67,6					
	196	6422	3,0	7,58	97,0	150,0	136,6	65,7					
	221	5710	3,3	6,74	94,5	146,4	136,8	64,0					
	257	4914	3,9	5,80	91,2	141,2	136,1	61,9					
	286	4405	4,3	5,20	88,9	137,5	132,8	60,4					
	SK 9282 - 315 MH/4	64	19612	0,8	23,15	1,3	2,7	42,0	51,0	1632	C94		
		86	14682	1,1	17,33	4,7	9,2	42,1	52,1				
		101	12454	1,2	14,70	7,6	11,9	42,2	52,6				
124		10175	1,4	12,01	10,2	14,2	41,9	52,8					
146		8624	1,3	10,18	10,4	13,9	40,4	51,0					
172		7320	1,5	8,64	11,7	15,1	39,7	50,6					
211		5981	1,7	7,06	12,8	15,9	38,8	49,7					
257		4897	1,8	5,78	13,4	16,4	37,5	48,5					
279		4524	1,8	5,34	13,6	16,4	37,0	47,9					
SK 12382 - 315 RH/4		15	103453	0,9	100,88	0,1	151,3	1,3	30,2			3179	C100
		18	84758	1,1	82,65	6,9	167,6	6,9	42,8				
	22	70883	1,3	69,12	14,2	170,0	14,2	51,3					
	SK 11382 - 315 RH/4	19	78974	0,8	77,01	11,0	170,0	11,0	69,4	3179	C99		
		27	55644	1,1	54,26	62,1	170,0	62,1	75,6				
		32	47829	1,3	46,64	94,2	170,0	94,2	76,7				
39		39184	1,5	38,21	116,0	170,0	116,0	77,2					
47	32775	1,8	31,96	117,3	170,0	127,7	76,9						



160 kW 200 kW

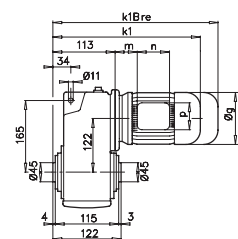


P_1 [kW]	n_2 [min ⁻¹]	M_2 [Nm]	f_B	i_{ges}	F_R [kN]	F_A [kN]	$F_{R VL}$ [kN]	$F_{A VL}$ [kN]		kg	mm		
160	43	35739	1,2	34,85	117,9	170,0	122,6	77,1	SK 11282 - 315 RH/4	3102	C98		
	50	30683	1,4	29,92	116,8	170,0	130,8	76,6					
	59	26120	1,6	25,47	115,0	170,0	136,7	75,7					
	70	21966	1,9	21,42	112,6	170,0	141,2	74,2					
	82	18736	2,2	18,27	110,0	170,0	144,0	72,6					
	91	16746	2,5	16,33	108,0	170,0	145,5	71,4					
	36	42046	0,8	41,00	87,1	150,0	87,1	74,1	SK 10382 - 315 RH/4	2341	C97		
	43	35226	1,0	34,35	104,7	150,0	104,7	75,6					
	50	30550	1,1	29,79	113,8	150,0	113,8	76,2					
	55	27873	1,2	27,18	114,6	150,0	118,0	75,4					
	63	24181	1,4	23,58	113,7	150,0	123,2	75,2					
	71	21536	1,5	21,00	112,7	150,0	126,2	74,9					
	82	18705	1,7	18,24	111,8	150,0	129,1	74,6	SK 10282 - 315 RH/4	2316	C96		
	98	15577	2,1	15,19	109,1	150,0	131,7	73,1					
	110	13844	2,3	13,50	107,1	150,0	133,0	71,9					
128	11927	2,7	11,63	104,4	150,0	134,2	70,3						
143	10686	3,0	10,42	102,3	150,0	134,9	69,0						
162	9435	3,2	9,20	99,5	150,0	135,5	67,2						
181	8450	3,6	8,24	97,4	150,0	135,9	65,8						
197	7773	2,4	7,58	94,7	147,2	136,1	63,9						
221	6912	2,7	6,74	92,4	143,5	136,4	62,4						
257	5948	3,2	5,80	89,4	138,7	133,0	60,5						
287	5333	3,6	5,20	87,3	135,3	130,0	59,1						
86	17772	0,9	17,33	0,3	1,6	37,7	45,6	SK 9282 - 315 RH/4	1772	C94			
101	15075	1,0	14,70	1,9	5,6	38,5	47,1						
124	12316	1,1	12,01	5,7	9,1	38,9	48,2						
146	10440	1,0	10,18	6,3	9,3	37,7	47,0						
172	8860	1,3	8,64	8,3	11,2	37,4	47,1						
211	7240	1,4	7,06	10,1	12,7	36,9	46,8						
258	5927	1,5	5,78	11,3	13,7	36,0	46,1						
279	5476	1,5	5,34	11,6	13,9	35,6	45,7						
200	18	105947	0,8	82,65	5,0	125,4	5,0	18,6	SK 12382 - 315 LH/4	3379	C100		
	22	88603	1,0	69,12	15,0	142,4	15,0	31,2					
	32	59787	1,0	46,64	31,5	170,0	31,5	66,6	SK 11382 - 315 LH/4	3379	C99		
	39	48981	1,2	38,21	90,2	170,0	90,2	69,0					
	47	40969	1,5	31,96	107,5	170,0	112,2	70,0					
	50	38354	1,1	29,92	107,6	170,0	117,6	70,1	SK 11282 - 315 LH/4	3302	C98		
	59	32649	1,3	25,47	107,2	170,0	127,8	70,1					
	70	27458	1,5	21,42	106,0	170,0	135,1	69,6					
	82	23420	1,8	18,27	104,4	170,0	139,7	68,7					
	91	20933	2,0	16,33	103,0	170,0	142,1	67,8					
	106	17998	1,5	14,04	98,0	162,1	144,5	64,3					
	125	15331	1,7	11,96	95,8	158,1	146,4	63,1					
	82	23381	1,4	18,24	104,6	150,0	124,1	69,2	SK 10282 - 315 LH/4	2516	C96		
	98	19472	1,6	15,19	103,1	150,0	128,3	68,6					
	110	17305	1,8	13,50	101,8	150,0	130,4	67,9					
128	14908	2,1	11,63	99,8	150,0	132,3	66,8						
143	13357	2,4	10,42	98,3	150,0	133,3	65,9						
162	11793	2,5	9,20	95,9	149,9	134,3	64,4						
181	10563	2,8	8,24	94,1	146,9	134,9	63,3						
197	9717	2,0	7,58	91,3	142,6	134,4	61,3						
221	8640	2,2	6,74	89,4	139,4	131,9	60,2						
257	7435	2,6	5,80	86,9	135,2	128,6	58,6						
287	6666	2,9	5,20	85,0	132,1	126,0	57,4						

Parallel shaft gear units



	I_{ges}	n_2 $n_1 = 1400 \text{ min}^{-1}$ [min^{-1}]	M_{2max} $f_B=1$ [Nm]
SK 0182NB	81,71	17	65
	59,33	24	110
	49,65	28	100
	41,85	33	85
W	37,73	37	100
	34,80	40	103
+	31,81	44	95
	29,13	48	110
IEC	24,55	57	116
	22,35	63	109
mm \Rightarrow C103	18,79	75	95



SK 0182NB SK 0282NB



	i_{ges}	n_2 $n_1 = 1400 \text{ min}^{-1}$ [min^{-1}]	M_{2max} $f_B = 1$ [Nm]	W $f_B \geq 1$			IEC $f_B \Rightarrow$ C4 - C46										
				P_{1max} $n_1 = 1400 \text{ min}^{-1}$ [kW]	$n_1 = 930 \text{ min}^{-1}$ [kW]	$n_1 = 700 \text{ min}^{-1}$ [kW]	IEC 63	IEC 71	IEC 80	IEC 90							
SK 0182NB	81,71	17	65	0,12	0,08	0,06	*										
	59,33	24	110	0,28	0,18	0,14		*									
	49,65	28	100	0,29	0,19	0,15		*									
	41,85	33	85	0,29	0,19	0,15		*									
	W	37,73	37	100	0,39	0,26	0,19			*							
		34,80	40	103	0,43	0,28	0,22			*							
	+	31,81	44	95	0,44	0,29	0,22			*							
		29,13	48	110	0,55	0,36	0,28			*							
	IEC	24,55	57	116	0,69	0,46	0,35			*							
		22,35	63	109	0,72	0,47	0,36			*							
	mm \Rightarrow C103	18,79	75	95	0,75	0,49	0,37			*							
		14,92	94	75	0,74	0,49	0,37			*							
		16,53	85	100	0,89	0,59	0,45				*						
		13,84	101	110	1,16	0,77	0,58				*						
		11,66	120	110	1,38	0,91	0,69				*						
		9,49	148	110	1,50	0,99	0,75										
8,64		162	114	1,50	0,99	0,75											
7,26		193	112	1,50	0,99	0,75											
6,35		220	110	1,50	0,99	0,75											
5,34		262	92	1,50	0,99	0,75											
4,24	330	73	1,50	0,99	0,75												

	i_{ges}	n_2 $n_1 = 1400 \text{ min}^{-1}$ [min^{-1}]	M_{2max} $f_B = 1$ [Nm]	W $f_B \geq 1$			IEC $f_B \Rightarrow$ C4 - C46										
				P_{1max} $n_1 = 1400 \text{ min}^{-1}$ [kW]	$n_1 = 930 \text{ min}^{-1}$ [kW]	$n_1 = 700 \text{ min}^{-1}$ [kW]	IEC 63	IEC 71	IEC 80	IEC 90							
SK 0282NB	139,16	10	110	0,12	0,08	0,06	*										
	103,12	14	129	0,19	0,12	0,09		*									
	85,72	16	140	0,23	0,15	0,12		*									
	79,40	18	129	0,24	0,16	0,12		*	*								
	W	65,99	21	140	0,31	0,20	0,15		*	*							
		56,55	25	160	0,42	0,28	0,21			*							
	+	51,64	27	146	0,41	0,27	0,21			*							
		44,22	32	164	0,55	0,36	0,27			*							
	IEC	40,38	35	165	0,60	0,40	0,30			*							
		34,16	41	153	0,66	0,43	0,33			*							
	mm \Rightarrow C103	30,03	47	129	0,63	0,42	0,32			*	*						
		25,96	54	129	0,73	0,48	0,36			*	*						
		22,70	62	129	0,84	0,55	0,42				*						
		21,57	65	140	0,95	0,63	0,48				*						
		19,95	70	129	0,95	0,62	0,47				*						
		17,61	80	129	1,08	0,71	0,54				*						
16,58		84	140	1,23	0,81	0,62				*							
14,21		99	163	1,50	0,99	0,75											
12,98		108	160	1,50	0,99	0,75											
11,25		124	140	1,50	0,99	0,75											
10,98		128	152	1,50	0,99	0,75											
9,64		145	141	1,50	0,99	0,75											
8,80		159	138	1,50	0,99	0,75											
7,45		188	131	1,50	0,99	0,75											
6,44	217	123	1,50	0,99	0,75												
5,99	234	121	1,50	0,99	0,75												
5,17	271	114	1,50	0,99	0,75												
4,66	300	110	1,50	0,99	0,75												
4,03	347	103	1,50	0,99	0,75												

	[kg]				
	W	IEC 63	IEC 71	IEC 80	IEC 90
SK 0182NB	6	7	8	10	10
SK 0282NB	10	11	12	14	14

* \Rightarrow A55



SK 1282/02 SK 1382NB

	i_{ges}	n_2 <small>$n_1 = 1400 \text{ min}^{-1}$</small> [min^{-1}]	M_{2max} fB=1 [Nm]	W $f_B \geq 1$			IEC $f_B \Rightarrow$ C4 - C46									
				P_{1max} <small>$n_1 = 1400 \text{ min}^{-1}$</small> [kW]	<small>$n_1 = 930 \text{ min}^{-1}$</small> [kW]	<small>$n_1 = 700 \text{ min}^{-1}$</small> [kW]	IEC 63	IEC 71	IEC 80	IEC 90						
SK 1282/02	3608,19 2448,65 1968,10	0,39 0,57 0,71	290	0,05	0,03	0,03	*	*								
				0,06	0,04	0,03	*	*								
				0,06	0,04	0,03	*	*								
	W	1620,65 1362,13	0,86 1,0	290	0,07	0,04	0,03	*	*							
					0,07	0,05	0,04	*	*							
	+	1066,50 826,23	1,3 1,7	290	0,08	0,05	0,04	*	*	*	*					
					0,09	0,06	0,05	*	*	*	*					
	IEC	663,69 546,50 405,75 328,02 283,85 229,08	2,1 2,6 3,5 4,3 4,9 6,1	290	0,10	0,07	0,05	*	*	*	*					
					0,12	0,08	0,06	*	*	*	*					
					0,15	0,10	0,06	*	*	*	*					
					0,17	0,11	0,07	*	*	*	*					
					0,19	0,12	0,09	*	*	*	*					
					0,23	0,15	0,09	*	*	*	*					
					0,23	0,15	0,11	*	*	*	*					
	SK 1382NB	381,45 301,82 257,32	3,7 4,6 5,4	370	0,14	0,09	0,07	*	*							
0,18					0,12	0,09	*	*	*	*						
0,21					0,14	0,10	*	*	*	*						
W		203,60 158,12 136,60	6,9 8,9 10	370	0,27	0,18	0,13	*	*	*	*					
					0,34	0,23	0,17	*	*	*	*					
					0,39	0,26	0,19	*	*	*	*					
+		118,16 106,08	12 13	370	0,46	0,31	0,23	*	*	*	*					
					0,50	0,33	0,25	*	*	*	*					
IEC		101,14 88,94 78,99 68,23 60,00 53,28 44,40 38,77 35,75 29,79 26,01 24,26 18,75 16,28	14 16 18 21 23 26 32 36 39 47 54 58 75 86	370 370 370 370 370 357 337 324 300 282 271 277 243 231	0,54	0,36	0,27	*	*	*	*					
					0,62	0,41	0,31	*	*	*	*					
					0,70	0,46	0,35	*	*	*	*					
					0,81	0,54	0,41	*	*	*	*					
					0,89	0,59	0,45	*	*	*	*					
					0,97	0,64	0,49	*	*	*	*					
					1,13	0,75	0,56	*	*	*	*					
					1,22	0,81	0,61	*	*	*	*					
					1,23	0,81	0,61	*	*	*	*					
					1,39	0,92	0,69	*	*	*	*					
					1,53	1,01	0,77	*	*	*	*					
					1,68	1,11	0,84	*	*	*	*					
	1,91				1,26	0,95	*	*	*	*						
	2,08				1,37	1,04	*	*	*	*						

* \Rightarrow A55

	[kg]					
	W	IEC 63	IEC 71	IEC 80	IEC 90	IEC 100
SK 1282/02	26	27	28	31	31	
SK 1382NB	22	23	24	26	26	31

SK 1282



	i_{ges}	n_2 <small>$n_1 = 1400 \text{ min}^{-1}$</small> [min^{-1}]	M_{2max} fB=1 [Nm]	W			IEC							
				P_{1max} [kW]	$f_B \geq 1$			$f_B \Rightarrow \text{C4 - C46}$						
					<small>$n_1 = 1400 \text{ min}^{-1}$</small>	<small>$n_1 = 930 \text{ min}^{-1}$</small>	<small>$n_1 = 700 \text{ min}^{-1}$</small>	IEC 63	IEC 71	IEC 80	IEC 90	IEC 100	IEC 112	
SK 1282	109,50	13	209	0,28	0,19	0,14		*						
	92,48	15	232	0,36	0,24	0,18		*						
	81,17	17	296	0,53	0,35	0,26								
	72,17	19	296	0,59	0,39	0,29			*	*				
	66,23	21	270	0,59	0,39	0,30								
W	58,89	24	283	0,71	0,47	0,36			*	*				
	55,39	25	235	0,62	0,41	0,31								
+	49,25	28	260	0,76	0,50	0,38				*				
	46,19	30	196	0,62	0,41	0,31								
IEC	41,07	34	217	0,77	0,51	0,39				*				
	32,08	44	230	1,06	0,70	0,53				*				
mm \Rightarrow C104	28,33	49	225	1,15	0,76	0,58				*				
	25,22	56	225	1,32	0,87	0,66				*	*	*		
	20,57	68	225	1,60	1,06	0,80				*	*	*		
	17,21	81	224	1,90	1,25	0,95				*	*	*		
	14,11	99	210	2,18	1,44	1,09				*	*	*		
	11,76	119	204	2,54	1,68	1,27				*	*	*		
	10,34	135	196	2,77	1,83	1,39				*	*	*		
	9,18	153	189	3,03	2,00	1,51				*	*	*		
	8,24	170	191	3,40	2,24	1,70				*	*	*		
	8,21	171	160	2,86	1,89	1,43				*	*	*		
	7,24	193	187	3,78	2,49	1,89				*	*	*		
	6,43	218	181	4,00	2,64	2,00				*	*	*		
	5,47	256	172	4,00	2,64	2,00				*	*	*		
	4,79	292	128	3,91	2,58	1,96				*	*	*		

* \Rightarrow A55

	[kg]						
	W	IEC 63	IEC 71	IEC 80	IEC 90	IEC 100	IEC 112
SK 1282	18	19	20	23	23	30	30



SK 2282/02 SK 2382

	i_{ges}	n_2 <small>$n_1 = 1400 \text{ min}^{-1}$</small> [min^{-1}]	M_{2max} fB=1 [Nm]	W			IEC						
				P_{1max} $f_B \geq 1$			$f_B \Rightarrow$ C4 - C46						
				<small>$n_1 = 1400 \text{ min}^{-1}$</small>	<small>$n_1 = 930 \text{ min}^{-1}$</small>	<small>$n_1 = 700 \text{ min}^{-1}$</small>	IEC 63	IEC 71	IEC 80	IEC 90			
				[kW]	[kW]	[kW]							
SK 2282/02	3426,39	0,41	520	0,06	0,04	0,03	*	*					
	2654,05	0,53	520	0,07	0,05	0,03	*	*					
	2133,20	0,66	520	0,08	0,05	0,04	*	*					
	1728,15	0,81	520	0,08	0,06	0,04	*	*					
	W	1423,06	0,98	520	0,09	0,06	0,05	*	*				
	1064,71	1,3	520	0,11	0,07	0,06	*	*	*	*			
	+	824,77	1,7	520	0,13	0,09	0,07	*	*	*	*		
	662,92	2,1	520	0,15	0,10	0,08	*	*	*	*			
	IEC	514,51	2,7	520	0,19	0,12	0,09		*	*	*	*	
	423,50	3,3	520	0,22	0,14	0,11		*	*	*	*		
	mm \Rightarrow C104	356,28	3,9	520	0,25	0,17	0,13		*	*	*	*	
	287,51	4,9	520	0,31	0,20	0,15		*	*	*	*		
	215,75	6,5	520	0,39	0,26	0,20			*	*	*		
174,78	8,0	520	0,48	0,31	0,24			*	*	*			
SK 2382	763,41	1,8	438	0,08	0,05	0,04	IEC 63	IEC 71	IEC 80	IEC 90			
	623,10	2,2	521	0,12	0,08	0,06	*	*					
	482,56	2,9	521	0,16	0,10	0,08	*	*					
	W	390,93	3,6	521	0,20	0,13	0,10	*	*				
	330,45	4,2	563	0,25	0,16	0,12		*					
	+	276,27	5,1	553	0,30	0,19	0,15		*				
	236,11	5,9	473	0,29	0,19	0,15		*					
	IEC	185,11	7,6	521	0,41	0,27	0,21			*	*		
	149,96	9,3	521	0,51	0,33	0,25			*	*			
	mm \Rightarrow C104	131,86	11	521	0,60	0,40	0,30			*	*		
	116,35	12	521	0,65	0,43	0,33			*	*			
	98,35	14	563	0,75	0,50	0,38				*	*		
	82,22	17	561	0,75	0,50	0,38				*	*		

* \Rightarrow A55

	[kg]				
	W	IEC 63	IEC 71	IEC 80	IEC 90
SK 2282/02	37	38	39	42	42
SK 2382	36	37	38	41	41

SK 2282



	i_{ges}	n_2 n1= 1400 min ⁻¹ [min ⁻¹]	M_{2max} fB=1 [Nm]	W $f_B \geq 1$			IEC f _B ⇨ C4 - C46							
				P_{1max} n1= 1400 min ⁻¹ [kW]	P_{1max} n1= 930 min ⁻¹ [kW]	P_{1max} n1= 700 min ⁻¹ [kW]	IEC	IEC	IEC	IEC	IEC			
							71	80	90	100	112			
SK 2282	127,51	11	380	0,44	0,29	0,22		*						
	104,07	13	397	0,54	0,36	0,27		*						
	100,98	14	440	0,65	0,43	0,32		*						
	82,42	17	477	0,85	0,56	0,42			*					
	69,67	20	443	0,93	0,61	0,46			*					
	W	63,83	22	521	1,20	0,79	0,60			*				
		53,96	26	506	1,38	0,91	0,69			*				
	+	51,71	27	521	1,47	0,97	0,74			*	*	*		
		45,11	31	450	1,46	0,96	0,73			*				
	IEC	43,71	32	563	1,89	1,25	0,94				*	*		
37,18		38	460	1,83	1,21	0,92								
IEC ⇨ C105	36,54	38	501	1,99	1,32	1,00				*	*			
	31,23	45	445	2,10	1,38	1,05				*	*			
	29,65	47	500	2,46	1,62	1,23				*	*			
	26,83	52	439	2,39	1,58	1,20				*	*			
	24,97	56	490	2,87	1,90	1,44				*	*			
	23,96	58	435	2,64	1,74	1,32				*	*			
	21,90	64	480	3,22	2,12	1,61					*			
	18,51	76	486	3,87	2,55	1,93					*			
	16,53	85	471	4,00	2,64	2,00								
	13,23	106	405	4,00	2,64	2,00								
	11,81	119	384	4,00	2,64	2,00								
	10,15	138	356	4,00	2,64	2,00								
	9,03	155	335	4,00	2,64	2,00								
	8,37	167	256	4,00	2,64	2,00								
	7,48	187	243	4,00	2,64	2,00								
	6,43	218	226	4,00	2,64	2,00								
5,72	245	212	4,00	2,64	2,00									
4,51	310	186	4,00	2,64	2,00									

* ⇨ A55

kg	[kg]					
	W	IEC 71	IEC 80	IEC 90	IEC 100	IEC 112
SK 2282	35	33	37	37	41	41



SK 3282/12 SK 3382

	i_{ges}	n_2 <small>n1= 1400 min⁻¹</small> [min ⁻¹]	M_{2max} fB=1 [Nm]	W			IEC									
				P_{1max} fB ≥ 1	$n_1=$ 1400 min ⁻¹	$n_1=$ 930 min ⁻¹	$n_1=$ 700 min ⁻¹	$f_B \Rightarrow$ C4 - C46								
								[kW]	[kW]	[kW]	IEC 63	IEC 71	IEC 80	IEC 90	IEC 100	IEC 112
SK 3282/12	3435,26	0,41	900	0,08	0,05	0,04	*	*								
	2797,18	0,50	900	0,09	0,06	0,04	*	*								
	2248,69	0,62	900	0,10	0,06	0,05	*	*								
	1697,29	0,82	900	0,12	0,08	0,06	*	*	*	*						
	W	1335,98	1,0	900	0,13	0,09	0,07	*	*	*	*	*	*			
		1067,99	1,3	900	0,16	0,11	0,08	*	*	*	*	*	*			
	+	853,43	1,6	900	0,19	0,13	0,10		*	*	*	*	*	*		
		686,08	2,0	900	0,23	0,15	0,11		*	*	*	*	*	*		
	IEC	520,83	2,7	900	0,29	0,19	0,15		*	*	*	*	*	*		
		461,81	3,0	900	0,32	0,21	0,16		*	*	*	*	*	*		
	mm \Rightarrow C104	358,12	3,9	900	0,41	0,27	0,20			*	*	*	*	*		
		270,39	5,2	900	0,53	0,35	0,27			*	*	*	*	*		
		217,37	6,4	900	0,64	0,42	0,32			*	*	*	*	*		
		179,57	7,8	900	0,78	0,51	0,39			*	*	*	*	*		
		141,49	9,9	900	0,93	0,62	0,47			*	*	*	*	*		
		114,23	12	900	1,13	0,75	0,57			*	*	*	*	*		
	87,73	16	900	1,50	0,99	0,75			*	*	*	*	*			
SK 3382	1022,42	1,4	787	0,12	0,08	0,06	IEC 63	IEC 71	IEC 80	IEC 90	IEC 100	IEC 112				
	919,00	1,5	822	0,13	0,09	0,06	*	*								
	808,42	1,7	1039	0,18	0,12	0,09		*								
	W	726,61	1,9	944	0,19	0,12	0,09		*							
		584,13	2,4	1000	0,25	0,17	0,13		*							
	+	482,56	2,9	866	0,26	0,17	0,13		*							
		408,58	3,4	796	0,28	0,19	0,14		*							
	IEC	287,14	4,9	938	0,48	0,32	0,24			*	*					
		230,83	6,1	1000	0,64	0,42	0,32			*	*					
	mm \Rightarrow C104	190,69	7,3	866	0,66	0,44	0,33			*	*					
		161,46	8,7	788	0,72	0,47	0,36			*	*					
		126,93	11	774	0,89	0,59	0,45			*	*	*	*			
		104,05	13	735	1,00	0,66	0,50			*	*	*	*			
		89,60	16	621	1,04	0,69	0,52			*	*	*	*			

* \Rightarrow A55

kg	[kg]						
	W	IEC 63	IEC 71	IEC 80	IEC 90	IEC 100	IEC 112
SK 3282/12	54	55	56	59	59	66	66
SK 3382	52	53	54	57	57	64	64

SK 3282



	i_{ges}	n_2 <small>n1= 1400 min⁻¹</small>	M_{2max} <small>fB=1</small>	W $f_B \geq 1$			IEC <small>f_B ⇒ C4 - C46</small>								
				P_{1max} <small>n1= 1400 min⁻¹</small>	<small>n1= 930 min⁻¹</small>	<small>n1= 700 min⁻¹</small>	IEC 71	IEC 80	IEC 90	IEC 100	IEC 112	IEC 132			
		[min ⁻¹]	[Nm]	[kW]	[kW]	[kW]									
SK 3282	112,23	12	770	0,97	0,64	0,48			*						
	100,88	14	807	1,18	0,78	0,59			*						
	88,74	16	945	1,58	1,04	0,79									
W	79,76	18	850	1,60	1,06	0,80									
	70,56	20	564	1,18	0,78	0,59			*						
	65,89	21	758	1,67	1,10	0,83									
+	64,12	22	1015	2,34	1,54	1,17				*	*				
	55,79	25	642	1,68	1,11	0,84									
	52,97	26	845	2,30	1,52	1,15				*	*				
IEC	48,04	29	552	1,68	1,11	0,84									
	44,85	31	737	2,39	1,58	1,20				*	*				
	42,02	33	929	3,21	2,12	1,61					*	*			
mm ⇒ C105	38,62	36	634	2,39	1,58	1,19				*	*				
	37,77	37	835	3,24	2,14	1,62					*	*			
	31,93	44	877	4,04	2,67	2,02									
	28,70	49	870	4,46	2,95	2,23									
	25,88	54	846	4,78	3,16	2,39									
	23,71	59	805	4,97	3,28	2,49									
	22,45	62	800	5,19	3,43	2,60								*	
	21,38	65	722	4,91	3,24	2,46									*
	20,18	69	822	5,94	3,92	2,97									*
	16,67	84	841	7,40	4,88	3,70									*
	14,11	99	857	8,88	5,86	4,44									*
	11,38	123	821	9,20	6,07	4,60									
	9,80	143	839	9,20	6,07	4,60									
	8,31	168	676	9,20	6,07	4,60									
	6,70	209	607	9,20	6,07	4,60									
	5,74	244	555	9,20	6,07	4,60									
	4,48	312	461	9,20	6,07	4,60									

* ⇒ A55

	[kg]						
	W	IEC 71	IEC 80	IEC 90	IEC 100	IEC 112	IEC 132
SK 3282	50	48	52	52	56	56	65



SK 4282/12 SK 4382

	i_{ges}	n_2 $n_1 = 1400 \text{ min}^{-1}$ [min^{-1}]	M_{2max} $f_B = 1$ [Nm]	W $f_B \geq 1$			IEC $f_B \Rightarrow \text{C4 - C46}$									
				P_{1max}			IEC 63	IEC 71	IEC 80	IEC 90	IEC 100	IEC 112				
				$n_1 = 1400 \text{ min}^{-1}$	$n_1 = 930 \text{ min}^{-1}$	$n_1 = 700 \text{ min}^{-1}$	[kW]	[kW]	[kW]							
SK 4282/12	2782,46	0,50	1800	0,13	0,09	0,07	*	*								
	2248,25	0,62	1800	0,16	0,10	0,08	*	*								
	1830,65	0,76	1800	0,18	0,12	0,09		*								
	1343,53	1,0	1800	0,23	0,15	0,11		*								
	W	1110,82	1,3	1800	0,29	0,19	0,14		*	*	*					
		873,31	1,6	1800	0,34	0,23	0,17		*	*	*	*	*			
		698,96	2,0	1800	0,42	0,28	0,21			*	*	*	*	*		
	+	558,54	2,5	1800	0,51	0,34	0,26			*	*	*	*	*		
		409,92	3,4	1800	0,68	0,45	0,34			*	*	*	*	*		
		340,87	4,1	1800	0,77	0,51	0,39				*	*	*	*		
	IEC mm \Rightarrow C104	302,24	4,6	1800	0,87	0,57	0,43				*	*	*	*		
		234,38	6,0	1800	1,13	0,75	0,57				*	*	*	*		
		176,96	7,9	1800	1,49	0,98	0,74				*	*	*	*		
		152,47	9,2	1800	1,73	1,14	0,87					*	*	*		
		127,52	11	1800	2,07	1,37	1,04						*	*	*	
SK 4382	1585,08	0,88	1420	0,13	0,09	0,07		IEC 71	IEC 80	IEC 90	IEC 100	IEC 112				
	1129,91	1,2	1600	0,20	0,13	0,10	*	*	*							
	1097,48	1,3	1088	0,15	0,10	0,07	*	*	*							
	782,32	1,8	1476	0,28	0,18	0,14	*	*	*							
	654,27	2,1	1233	0,27	0,18	0,14	*	*	*							
	W	605,88	2,3	1475	0,36	0,23	0,18		*	*						
		532,44	2,6	2000	0,54	0,36	0,27		*	*						
		445,23	3,1	1666	0,54	0,36	0,27		*	*						
	+	412,38	3,4	1990	0,71	0,47	0,35		*	*						
		390,76	3,6	2000	0,75	0,50	0,38			*						
		344,84	4,1	1662	0,71	0,47	0,36			*	*					
	IEC mm \Rightarrow C105	326,81	4,3	1890	0,85	0,56	0,43			*	*					
		302,65	4,6	2077	1,00	0,66	0,50			*	*					
		272,54	5,1	1572	0,84	0,55	0,42			*	*					
		253,12	5,5	1961	1,13	0,75	0,56			*	*					
		211,09	6,6	1635	1,13	0,75	0,56			*	*					
		191,57	7,3	1990	1,52	1,00	0,76				*	*				
		160,20	8,7	1657	1,51	1,00	0,75				*	*				
		140,60	10	2000	2,09	1,38	1,05				*	*				
		118,38	12	2000	2,51	1,66	1,26				*	*				
		103,82	13	2000	2,72	1,80	1,36				*	*				
86,83		16	1980	3,00	1,98	1,50					*	*				
66,65		21	1200	2,64	1,74	1,32					*	*				

* \Rightarrow A55

kg	[kg]						
	W	IEC 63	IEC 71	IEC 80	IEC 90	IEC 100	IEC 112
SK 4282/12	69	70	71	74	74	81	81
SK 4382	80		78	82	82	86	86

SK 4282



	i _{ges}	n ₂ n1= 1400 min ⁻¹ [min ⁻¹]	M _{2max} f _B =1 [Nm]	W P _{1max} f _B ≥ 1			IEC f _B ⇒ C4 - C46						
				n1= 1400 min ⁻¹ [kW]	n1= 930 min ⁻¹ [kW]	n1= 700 min ⁻¹ [kW]	IEC 90	IEC 100	IEC 112	IEC 132	IEC 160		
SK 4282	155,40	9,0	1275	1,20	0,79	0,60	*						
	110,78	13	1600	2,18	1,44	1,09		*	*				
	90,52	15	1600	2,51	1,66	1,26		*	*				
	76,70	18	1589	2,99	1,98	1,50		*	*				
	75,39	19	1589	3,16	2,09	1,58			*	*			
	61,60	23	1794	4,32	2,85	2,16				*	*		
W	52,20	27	1818	5,14	3,39	2,57				*	*		
	45,05	31	1594	5,17	3,41	2,59				*	*		
+	43,65	32	1600	5,36	3,54	2,68				*	*		
	40,74	34	1556	5,54	3,66	2,77				*	*		
IEC	38,31	37	2000	7,75	5,11	3,87				*	*		
mm ⇒ C106	36,81	38	1400	5,57	3,68	2,79				*	*		
	36,40	38	1375	5,47	3,61	2,74				*	*		
	32,34	43	1620	7,29	4,81	3,65				*	*	*	
	32,04	44	1785	8,22	5,43	4,11				*	*		
	26,72	52	1600	8,71	5,75	4,36				*	*		
	26,43	53	1787	9,92	6,55	4,96				*	*		
	26,25	53	1608	8,92	5,89	4,46				*	*		
	22,39	63	1699	11,21	7,40	5,60				*	*		
	21,45	65	1686	11,48	7,57	5,74				*	*		
	18,18	77	1800	14,51	9,58	7,26				*	*		
	15,20	92	1800	15,00	9,90	7,50							
	12,68	110	1750	15,00	9,90	7,50							
	10,85	129	1700	15,00	9,90	7,50							
	9,23	152	1634	15,00	9,90	7,50							
	8,33	168	1272	15,00	9,90	7,50							
	7,13	196	1202	15,00	9,90	7,50							
	6,06	231	1200	15,00	9,90	7,50							
	5,43	258	1035	15,00	9,90	7,50							
	5,00	280	1035	15,00	9,90	7,50							
	4,70	298	1035	15,00	9,90	7,50							

* ⇒ A55

kg	[kg]					
	W	IEC 90	IEC 100	IEC 112	IEC 132	IEC 160
SK 4282	75	70	77	77	91	101



SK 5282/12 SK 5382

	i_{ges}	n_2 $n_1 = 1400 \text{ min}^{-1}$ [min^{-1}]	M_{2max} $f_B=1$ [Nm]	W $f_B \geq 1$			IEC $f_B \Rightarrow \text{C4 - C46}$									
				P_{1max}			IEC 63	IEC 71	IEC 80	IEC 90	IEC 100	IEC 112				
				$n_1 = 1400 \text{ min}^{-1}$	$n_1 = 930 \text{ min}^{-1}$	$n_1 = 700 \text{ min}^{-1}$	[kW]	[kW]	[kW]							
SK 5282/12	2772,22	0,51	3000	0,20	0,13	0,10		*								
	2217,67	0,63	3000	0,24	0,16	0,12		*								
	1805,75	0,78	3000	0,29	0,19	0,14		*								
	1334,62	1,0	3000	0,35	0,23	0,18		*	*	*						
	W	1095,71	1,3	3000	0,45	0,30	0,22			*	*					
	862,46	1,6	3000	0,54	0,36	0,27			*	*	*	*				
	+	689,45	2,0	3000	0,67	0,44	0,33			*	*	*	*			
	550,94	2,5	3000	0,79	0,52	0,39				*	*	*				
	IEC	448,15	3,1	3000	0,97	0,64	0,49				*	*	*			
	338,35	4,1	3000	1,29	0,85	0,64				*	*	*				
	mm \Rightarrow C104	273,15	5,1	3000	1,60	1,06	0,80					*	*			
	232,66	6,0	3000	1,88	1,24	0,94						*	*			
	174,55	8,0	3000	2,51	1,66	1,26						*	*			
	142,18	9,8	3000	3,00	1,98	1,50							*	*		
SK 5382	1367,08	1,0	2700	0,28	0,19	0,14	IEC 71	IEC 80	IEC 90	IEC 100	IEC 112					
	936,45	1,5	2700	0,42	0,28	0,21		*	*							
	700,03	2,0	3200	0,67	0,44	0,34		*	*							
	570,18	2,5	2800	0,73	0,48	0,37		*	*							
	W	525,20	2,7	3200	0,90	0,60	0,45			*						
	427,79	3,3	3200	1,11	0,73	0,55			*							
	+	361,69	3,9	2800	1,14	0,75	0,57			*						
	331,48	4,2	3200	1,41	0,93	0,70			*	*	*					
	IEC	269,99	5,2	2700	1,47	0,97	0,74			*	*	*				
	248,70	5,6	3200	1,88	1,24	0,94				*	*					
	mm \Rightarrow C105	202,57	6,9	3200	2,31	1,53	1,16				*	*				
	171,27	8,2	2800	2,40	1,59	1,20				*	*					
	153,92	9,1	3200	3,05	2,01	1,52					*	*				
	138,82	10	3200	3,35	2,21	1,68					*	*				
117,37	12	2750	3,46	2,28	1,73					*	*					
91,71	15	2900	4,55	3,01	2,28						*	*				
82,72	17	2795	4,98	3,28	2,49							*	*			

* \Rightarrow A55

	[kg]						
	W	IEC 63	IEC 71	IEC 80	IEC 90	IEC 100	IEC 112
SK 5282/12	105	106	107	110	110	117	117
SK 5382	120		118	122	122	126	126

SK 5282



	i_{ges}	n_2 n1= 1400 min ⁻¹ [min ⁻¹]	M_{2max} fB=1 [Nm]	W			IEC							
				P_{1max} [kW]	$f_B \geq 1$			$f_B \Rightarrow$ C4 - C46						
					n1= 1400 min ⁻¹	n1= 930 min ⁻¹	n1= 700 min ⁻¹	IEC 90	IEC 100	IEC 112	IEC 132	IEC 160	IEC 180	
SK 5282	134,03	10	2654	2,78	1,83	1,39		*	*					
	100,19	14	2241	3,29	2,17	1,64			*					
	91,81	15	2759	4,33	2,86	2,17				*				
	81,61	17	1828	3,25	2,15	1,63			*					
	68,63	20	2970	6,22	4,11	3,11				*				
W	55,90	25	2600	6,81	4,49	3,40				*				
	55,55	25	2500	6,54	4,32	3,27				*				
+	51,49	27	3235	9,15	6,04	4,57				*				
	47,27	30	2400	7,54	4,98	3,77				*				
IEC	41,94	33	3200	11,06	7,30	5,53								
	40,80	34	2500	8,90	5,87	4,45				*	*			
	35,46	39	2700	11,03	7,28	5,51				*				
mm \Rightarrow C106	33,43	42	2300	10,12	6,68	5,06					*	*		
	30,50	46	2900	13,97	9,22	6,98					*	*		
	25,00	56	2900	17,01	11,22	8,50						*		
	20,36	69	3100	22,00	14,52	11,00							*	
	18,88	74	2600	20,15	13,30	10,07							*	
	17,59	80	2750	22,00	14,52	11,00								
	15,38	91	2600	22,00	14,52	11,00								
	13,00	108	2629	22,00	14,52	11,00								
	10,71	131	2500	22,00	14,52	11,00								
	9,46	148	2300	22,00	14,52	11,00								
	8,70	161	2360	22,00	14,52	11,00								
	7,17	195	2161	22,00	14,52	11,00								
	6,33	221	2114	22,00	14,52	11,00								
	5,71	245	1800	22,00	14,52	11,00								
	5,29	265	1750	22,00	14,52	11,00								
	5,01	279	1700	22,00	14,52	11,00								
	4,32	324	1550	22,00	14,52	11,00								

* \Rightarrow A55

	[kg]						
	W	IEC 90	IEC 100	IEC 112	IEC 132	IEC 160	IEC 180
SK 5282	111	106	113	113	127	137	137



SK 6382/22 SK 6382/32 SK 6382

	i_{ges}	n_2 $n_1 = 1400 \text{ min}^{-1}$ [min^{-1}]	M_{2max} $f_B = 1$ [Nm]	W $f_B \geq 1$			IEC $f_B \Rightarrow$ C4 - C46										
				P_{1max} $n_1 = 1400 \text{ min}^{-1}$ [kW]	$n_1 = 930 \text{ min}^{-1}$ [kW]	$n_1 = 700 \text{ min}^{-1}$ [kW]	IEC	IEC	IEC	IEC	IEC						
							71	80	90	100	112						
SK 6382/22	4164,86	0,34	4780	0,21	0,14	0,11	*	*									
	3450,76	0,41	5400	0,27	0,18	0,14	*	*	*								
	2738,39	0,51	4780	0,30	0,19	0,15	*	*	*								
	W	2203,53	0,64	5400	0,40	0,27	0,20		*	*							
		1859,20	0,75	5400	0,46	0,31	0,23		*	*							
	+	1259,27	1,1	5400	0,66	0,44	0,33		*	*	*	*					
		1104,39	1,3	5400	0,78	0,51	0,39			*	*	*					
	IEC	818,71	1,7	5400	0,96	0,63	0,48			*	*	*					
		637,53	2,2	5400	1,24	0,82	0,62			*	*	*					
	mm \Rightarrow C105	569,11	2,5	5400	1,41	0,93	0,71			*	*	*					
		435,29	3,2	5400	1,81	1,19	0,90				*	*					
		347,33	4,0	5400	2,26	1,49	1,13				*	*					
		298,46	4,7	5400	2,66	1,75	1,33				*	*					
SK 6382/32	223,73	6,3	4780	3,15	2,08	1,58		IEC 90	IEC 100	IEC 112	IEC 132						
	191,51	7,3	4780	3,65	2,41	1,83				*	*						
	W + IEC	159,23	8,8	4780	4,40	2,91	2,20				*						
mm \Rightarrow C105																	
SK 6382	551,58	2,5	5170	1,35	0,89	0,68		IEC 90	IEC 100	IEC 112	IEC 132	IEC 160	IEC 180				
	445,09	3,1	4170	1,35	0,89	0,68	*										
	393,19	3,6	5880	2,22	1,46	1,11			*	*							
	317,28	4,4	5640	2,60	1,72	1,30			*	*							
	W	267,59	5,2	5880	3,20	2,11	1,60				*	*					
		251,76	5,6	4480	2,63	1,73	1,31			*	*						
	+	225,79	6,2	4020	2,61	1,72	1,30			*	*						
		212,33	6,6	4670	3,23	2,13	1,61			*	*						
	IEC	171,34	8,2	5570	4,78	3,16	2,39				*	*					
		159,88	8,8	5770	5,32	3,51	2,66				*	*					
	mm \Rightarrow C106	126,87	11	4580	5,28	3,48	2,64				*	*					
		114,79	12	5880	7,39	4,88	3,69				*	*					
		92,63	15	6000	9,42	6,22	4,71				*	*					
		75,18	19	6000	11,94	7,88	5,97				*	*					
		73,50	19	5570	11,08	7,31	5,54				*	*					
		59,66	23	5500	13,25	8,74	6,62				*	*					
		51,07	27	5080	14,36	9,48	7,18				*	*					
		42,46	33	4550	15,72	10,38	7,86				*	*					
		36,34	39	4550	18,58	12,26	9,29				*	*					
		30,91	45	4550	21,44	14,15	10,72				*	*					
28,72		49	4600	22,00	14,52	11,00				*	*						
24,42		57	4690	22,00	14,52	11,00				*	*						

* \Rightarrow A55

kg	[kg]								
	W	IEC 71	IEC 80	IEC 90	IEC 100	IEC 112	IEC 132	IEC 160	IEC 180
SK 6382/22	201	199	203	203	207	207			
SK 6382/32	212			214	218	218	227		
SK 6382	192			187	194	194	208	218	218

SK 6282



	i _{ges}	n ₂ n1= 1400 min ⁻¹ [min ⁻¹]	M _{2max} fB=1 [Nm]	W P _{1max} f _B ≥ 1			IEC f _B ⇨ C4 - C46							
				n1= 1400 min ⁻¹ [kW]	n1= 930 min ⁻¹ [kW]	n1= 700 min ⁻¹ [kW]	IEC 100	IEC 112	IEC 132	IEC 160	IEC 180	IEC 200	IEC 225	
SK 6282	80,33	17	4131	7,35	4,85	3,68			*					
	65,44	21	3369	7,41	4,89	3,70			*					
	61,08	23	4535	10,92	7,21	5,46				*	*			
	49,75	28	4040	11,85	7,82	5,92				*	*			
	39,48	35	3200	11,73	7,74	5,86				*	*			
W	29,90	47	4537	22,33	14,74	11,16								
	26,05	54	4533	25,63	16,92	12,82								
+	22,95	61	4535	28,97	19,12	14,48						*	*	
	18,70	75	4427	34,77	22,95	17,38							*	
IEC	14,83	94	4475	44,05	29,07	22,02								*
	12,35	113	4389	45,00	29,70	22,50								
mm ⇨ C107	10,64	132	4314	45,00	29,70	22,50								
	9,39	149	2754	42,97	28,36	21,48								*
	7,82	179	2682	45,00	29,70	22,50								
	6,74	208	2990	45,00	29,70	22,50								
	5,99	234	2392	45,00	29,70	22,50								
	5,78	242	2334	45,00	29,70	22,50								
	5,50	255	2291	45,00	29,70	22,50								
	4,88	287	2156	45,00	29,70	22,50								
	4,39	319	2034	45,00	29,70	22,50								

* ⇨ A55

	[kg]							
	W	IEC 100	IEC 112	IEC 132	IEC 160	IEC 180	IEC 200	IEC 225
SK 6282	215	203	203	216	241	241	255	270



SK 7382/22 SK 7382/32 SK 7382

	i_{ges}	n_2 $n_1 = 1400 \text{ min}^{-1}$ [min^{-1}]	M_{2max} $f_B = 1$ [Nm]	W			IEC											
				P_{1max}	$f_B \geq 1$			$f_B \Rightarrow \text{C4 - C46}$										
					$n_1 = 1400 \text{ min}^{-1}$	$n_1 = 930 \text{ min}^{-1}$	$n_1 = 700 \text{ min}^{-1}$	IEC 71	IEC 80	IEC 90	IEC 100	IEC 112						
SK 7382/22	5662,68	0,25	7080	0,23	0,15	0,11	*	*	*									
	4892,48	0,29	7080	0,25	0,17	0,13	*	*	*									
	3615,97	0,39	7080	0,33	0,22	0,16		*	*									
	W	2635,97	0,53	7080	0,43	0,29	0,22		*	*								
		2066,45	0,68	7080	0,54	0,36	0,27		*	*	*	*						
	+	1812,31	0,77	7080	0,61	0,40	0,31		*	*	*	*						
		1343,50	1,0	7080	0,78	0,52	0,39			*	*	*						
	IEC	1046,18	1,3	7080	0,96	0,64	0,48			*	*	*						
		933,91	1,5	7080	1,11	0,73	0,56			*	*	*						
	mm \Rightarrow C107	714,31	2,0	7080	1,48	0,98	0,74			*	*	*						
		569,97	2,5	7080	1,85	1,22	0,93				*	*						
		435,50	3,2	7080	2,37	1,57	1,19				*	*						
		376,26	3,7	7080	2,74	1,81	1,37				*	*						
SK 7382/32	295,54	4,7	7060	3,47	2,29	1,74			IEC 90	IEC 100	IEC 112	IEC 132						
	W + IEC	223,20	6,3	7060	4,66	3,07	2,33				*	*						
	mm \Rightarrow C107																	
SK 7382	338,79	4,1	7540	3,24	2,14	1,62			IEC 100	IEC 112	IEC 132	IEC 160	IEC 180	IEC 200	IEC 225			
	273,57	5,1	7540	4,03	2,66	2,01				*	*							
	216,43	6,5	8300	5,65	3,73	2,82					*							
	W	204,99	6,8	7540	5,37	3,54	2,68				*							
		162,17	8,6	6270	5,65	3,73	2,82				*							
	+	150,57	9,3	7540	7,34	4,85	3,67				*							
		123,37	11	7540	8,68	5,73	4,34				*	*	*					
	IEC	106,59	13	7540	10,26	6,77	5,13					*	*					
		93,18	15	7540	11,84	7,82	5,92					*	*	*	*	*		
	mm \Rightarrow C109	78,81	18	7420	13,99	9,23	6,99					*	*					
		68,10	21	7200	15,83	10,45	7,92					*	*					
		59,52	24	7060	17,74	11,71	8,87					*	*	*	*	*		
		53,38	26	7080	19,28	12,72	9,64					*	*					
		46,66	30	7080	22,24	14,68	11,12							*	*	*	*	
		36,92	38	6620	26,34	17,39	13,17								*	*	*	*
		30,42	46	6620	31,89	21,05	15,94										*	*
		26,88	52	6620	36,05	23,79	18,02										*	*
		23,46	60	6610	42,91	28,32	21,46										*	*

* \Rightarrow A55

kg	[kg]										
	W	IEC71	IEC 80	IEC 90	IEC 100	IEC 112	IEC 132	IEC 160	IEC 180	IEC 200	IEC 225
SK 7382/22	274	272	276	276	280	280					
SK 7382/32	285			287	291	291	300				
SK 7382	285				273	273	286	311	311	325	340

SK 7282



	i_{ges}	n_2 n1= 1400 min ⁻¹ [min ⁻¹]	M_{2max} fB=1 [Nm]	W P_{1max} f _B ≥ 1			IEC f _B ⇨ C4 - C46					
				n1= 1400 min ⁻¹ [kW]	n1= 930 min ⁻¹ [kW]	n1= 700 min ⁻¹ [kW]	IEC 132	IEC 160	IEC 180	IEC 200	IEC 225	
SK 7282	69,73	20	5804	12,15	8,02	6,08		*	*			
	56,91	25	5534	14,49	9,56	7,24		*	*			
	45,67	31	5809	18,86	12,45	9,43			*	*		
	45,02	31	4382	14,22	9,39	7,11		*	*			
W	37,27	38	6473	25,76	17,00	12,88				*		
	34,64	40	5804	24,31	16,04	12,15						
+	26,89	52	5807	31,62	20,87	15,81					*	
	22,87	61	5802	37,06	24,46	18,53					*	
IEC	19,97	70	5810	42,59	28,11	21,29					*	
	16,29	86	6469	45,00	29,70	22,50						
mm ⇨ C109	12,89	109	5864	45,00	29,70	22,50						
	11,16	125	6221	45,00	29,70	22,50						
	9,92	141	4273	45,00	29,70	22,50						
	9,48	148	6263	45,00	29,70	22,50						
	8,66	162	4222	45,00	29,70	22,50						
	7,49	187	4507	45,00	29,70	22,50						
	6,36	220	4450	45,00	29,70	22,50						
	5,98	234	4322	45,00	29,70	22,50						
	5,30	264	4065	45,00	29,70	22,50						
	5,04	278	3929	45,00	29,70	22,50						
	4,26	329	3619	45,00	29,70	22,50						

* ⇨ A55

	[kg]					
	W	IEC 132	IEC 160	IEC 180	IEC 200	IEC 225
SK 7282	278	279	304	304	318	333



SK 8382/32 SK 8382/42 SK 8382

	i_{ges}	n_2 $n_1=1400 \text{ min}^{-1}$ [min^{-1}]	M_{2max} $f_B=1$ [Nm]	W $f_B \geq 1$			IEC $f_B \Rightarrow$ C4 - C46										
				P_{1max}	n_1			IEC 71	IEC 80	IEC 90	IEC 100	IEC 112	IEC 132				
					1400 min^{-1}	930 min^{-1}	700 min^{-1}										
SK 8382/32	6616,79	0,21	12100	0,31	0,20	0,15	*	*	*								
	5507,20	0,25	12100	0,36	0,24	0,18	*	*	*								
	4211,43	0,33	12100	0,46	0,30	0,23		*	*								
	W	3524,83	0,40	12100	0,55	0,36	0,27		*	*							
	+	3005,57	0,47	12100	0,64	0,42	0,32		*	*							
		2416,28	0,58	12100	0,77	0,51	0,39			*	*						
		1697,85	0,82	12100	1,04	0,69	0,52			*	*	*					
	IEC	1366,83	1,0	12100	1,27	0,84	0,63			*	*	*					
		1064,91	1,3	12100	1,65	1,09	0,82				*	*	*				
	mm \Rightarrow C105	891,21	1,6	12100	2,03	1,34	1,01				*	*	*				
	718,43	1,9	12100	2,41	1,59	1,20				*	*	*					
	612,94	2,3	12100	2,91	1,92	1,46				*	*	*					
SK 8382/42	551,02	2,5	12100	3,17	2,09	1,58		IEC 90	IEC 100	IEC 112	IEC 132	IEC 160					
	468,52	3,0	12100	3,80	2,51	1,90				*	*	*					
	W	346,66	4,0	12100	5,07	3,34	2,53				*	*					
	+	294,43	4,8	12100	6,08	4,01	3,04				*	*					
	IEC	223,40	6,3	12100	7,98	5,27	3,99				*	*					
	mm \Rightarrow C106	185,94	7,5	12100	9,20	6,07	4,60					*	*				
SK 8382	386,68	3,6	12700	4,79	3,16	2,39		IEC 100	IEC 112	IEC 132	IEC 160	IEC 180	IEC 200	IEC 225			
	318,31	4,4	13000	5,99	3,95	2,99				*	*	*					
	294,01	4,8	12700	6,38	4,21	3,19				*	*	*					
	242,02	5,8	13100	7,96	5,25	3,98				*	*	*					
	W	201,00	7,0	10800	7,92	5,22	3,96			*	*	*					
	+	185,66	7,5	12680	9,96	6,57	4,98				*	*					
		152,83	9,2	13200	12,72	8,39	6,36				*	*					
		143,91	9,7	12500	12,70	8,38	6,35				*	*					
	IEC	125,38	11	12190	14,04	9,27	7,02				*	*					
		118,47	12	12450	15,64	10,33	7,82				*	*					
	mm \Rightarrow C107	103,21	14	12100	17,74	11,71	8,87				*	*					
		90,94	15	12100	19,01	12,54	9,50				*	*	*	*			
		75,69	18	12100	22,81	15,05	11,40				*	*	*	*			
		65,22	21	11300	24,85	16,40	12,42				*	*	*	*			
		57,43	24	12100	30,41	20,07	15,20				*	*	*	*	*		
		47,80	29	12100	36,74	24,25	18,37				*	*	*	*	*	*	
		43,59	32	10600	35,52	23,44	17,76				*	*	*	*	*	*	
		35,88	39	12080	45,00	29,70	22,50				*	*	*	*	*	*	
	30,92	45	12090	45,00	29,70	22,50				*	*	*	*	*	*		

* \Rightarrow A55

kg	[kg]										
	W	IEC 71	IEC 80	IEC 90	IEC 100	IEC 112	IEC 132	IEC 160	IEC 180	IEC 200	IEC 225
SK 8382/32	410	408	412	412	416	416	425				
SK 8382/42	435			430	437	437	451	461			
SK 8382	410				398	398	411	436	436	450	465

SK 8282



	i_{ges}	n_2 $n_1 = 1400 \text{ min}^{-1}$ [min^{-1}]	M_{2max} $f_B = 1$ [Nm]	W $f_B \geq 1$			IEC $f_B \Rightarrow$ C4 - C46									
				P_{1max}			IEC 132	IEC 160	IEC 180	IEC 200	IEC 225	IEC 250	IEC 280			
				$n_1 = 1400 \text{ min}^{-1}$	$n_1 = 930 \text{ min}^{-1}$	$n_1 = 700 \text{ min}^{-1}$								[kW]	[kW]	[kW]
SK 8282	72,21	19	7875	15,67	10,34	7,83			*							
	59,44	24	6483	16,29	10,75	8,15			*							
	47,51	29	10613	32,23	21,27	16,11										
	39,16	36	10615	40,01	26,41	20,01					*					
W	39,11	36	9342	35,22	23,24	17,61										
	32,24	43	10346	46,58	30,75	23,29										
+	28,33	49	9998	51,30	33,86	25,65										
	24,50	57	10603	63,28	41,77	31,64										
IEC	21,13	66	10618	73,38	48,43	36,69										*
	17,40	80	9697	75,00	49,50	37,50										*
$\frac{I_m}{I}$ \Rightarrow C108	15,18	92	9480	75,00	49,50	37,50										*
	12,96	108	10294	75,00	49,50	37,50										*
	10,86	129	10290	75,00	49,50	37,50										*
	9,67	145	6521	75,00	49,50	37,50										*
	8,26	169	7296	75,00	49,50	37,50										*
	6,92	202	6786	75,00	49,50	37,50										*
	4,52	310	4890	75,00	49,50	37,50										*

* \Rightarrow A55

	[kg]							
	W	IEC 132	IEC 160	IEC 180	IEC 200	IEC 225	IEC 250	IEC 280
SK 8282	481	407	432	432	446	461	516	516



SK 9382/.. SK 9382 SK 9282

	i _{ges}	n ₂ n1= 1400 min ⁻¹ [min ⁻¹]	M _{2max} fB=1 [Nm]	W f _B ≥ 1			IEC f _B ⇨ C4 - C46							
				P _{1max}			IEC 90	IEC 100	IEC 112	IEC 132	IEC 160			
				n1= 1400 min ⁻¹	n1= 930 min ⁻¹	n1= 700 min ⁻¹	[kW]	[kW]	[kW]					
SK 9382/42	4165,75	0,34	24000	0,85	0,56	0,43		*	*	*				
	2435,06	0,57	24000	1,43	0,95	0,72	*	*	*					
	W	2203,92	0,64	24000	1,61	1,06	0,80		*	*				
	1747,42	0,80	24000	2,01	1,33	1,01		*	*	*	*			
	+	1419,20	0,99	24000	2,49	1,64	1,24		*	*	*	*		
	1178,81	1,2	24000	3,02	1,99	1,51			*	*	*	*		
	IEC	886,49	1,6	24000	4,02	2,65	2,01				*	*		
	715,38	2,0	24000	5,03	3,32	2,51					*	*		
	mm ⇨ C106	618,30	2,3	24000	5,78	3,81	2,89				*	*		
	449,57	3,1	24000	7,79	5,14	3,90					*	*		
SK 9382/52	411,63	3,4	24000	8,54	5,64	4,27								
	294,54	4,8	24000	12,06	7,96	6,03								
	W + IEC	233,17	6,0	24000	15,08	9,95	7,54					*		
	mm ⇨ C106	200,69	7,0	24000	17,59	11,61	8,80					*		
SK 9382	352,36	4,0	25400	10,64	7,02	5,32								
	291,25	4,8	24000	12,06	7,96	6,03								
	204,68	6,8	22000	15,66	10,34	7,83								
	175,05	8,0	25400	21,28	14,04	10,64								
	W	144,69	9,7	24000	24,38	16,09	12,19							
	135,90	10	25400	26,60	17,55	13,30			*	*				
	+	115,57	12	25400	31,92	21,06	15,96				*	*		
	100,89	14	25400	37,24	24,58	18,62				*	*	*		
	IEC	83,19	17	24000	42,72	28,20	21,36			*	*	*		
	72,19	19	24000	47,75	31,51	23,87					*	*		
	65,25	21	24260	53,35	35,21	26,67								
	mm ⇨ C107	55,49	25	24000	62,83	41,47	31,41							
	48,44	29	24000	72,88	48,10	36,44								*
	41,93	33	24000	75,00	49,50	37,50								*
	35,61	39	24000	75,00	49,50	37,50								*
SK 9282	34,38	41	16250	69,76	46,04	34,88								
	30,79	45	17930	84,49	55,76	42,24					*			
	26,89	52	17200	93,65	61,81	46,83						*		
	23,15	60	16426	103,20	68,11	51,60						*		
	W	20,13	70	15926	116,74	77,05	58,37					*		
	17,33	81	15492	131,40	86,72	65,70						*		
	+	14,70	95	14715	146,38	96,61	73,19					*		
	12,01	117	13808	160,00	105,60	80,00						*		
	IEC	10,18	138	10792	155,95	102,93	77,97					*		
	8,64	162	11160	160,00	105,60	80,00						*		
	7,06	198	10116	160,00	105,60	80,00						*		
	mm ⇨ C108	5,78	242	8825	160,00	105,60	80,00					*		
	5,34	262	8336	160,00	105,60	80,00						*		

* ⇨ A55

kg	[kg]											
	W	IEC 90	IEC 100	IEC 112	IEC 132	IEC 160	IEC 180	IEC 200	IEC 225	IEC 250	IEC 280	IEC 315
SK 9382/42	737	732	739	739	753	763						
SK 9382/52	766		768	768	782	792	792					
SK 9382	712				713	738	738	752	767	822	822	
SK 9282	782						733	747	762	817	817	897

SK 10382/52

SK 10382

SK 10282



	i _{ges}	n ₂ n1= 1400 min ⁻¹ [min ⁻¹]	M _{2max} f _B =1 [Nm]	W			IEC						
				P _{1max} n1= 1400 min ⁻¹ [kW]	f _B ≥ 1		f _B ⇨ C4 - C46						
					n1= 930 min ⁻¹ [kW]	n1= 700 min ⁻¹ [kW]	IEC 90	IEC 100	IEC 112	IEC 132	IEC 160	IEC 180	
SK 10382/52	4671,76	0,30	35000	1,10	0,73	0,55	*	*	*				
	3521,33	0,40	35000	1,47	0,97	0,73		*	*	*			
	2795,70	0,50	35000	1,83	1,21	0,92		*	*	*			
	W	2401,00	0,58	35000	2,13	1,40	1,06				*		
	+	1887,94	0,74	35000	2,71	1,79	1,36				*		
		1418,74	0,99	35000	3,63	2,39	1,81			*	*	*	*
		1165,49	1,2	35000	4,40	2,90	2,20			*	*	*	*
	IEC	916,16	1,5	35000	5,50	3,63	2,75			*	*	*	*
	mm ⇨ C106	692,36	2,0	35000	7,33	4,84	3,66			*	*	*	*
		577,84	2,4	35000	8,80	5,81	4,40			*	*	*	*
		475,75	2,9	35000	10,63	7,01	5,31			*	*	*	*
		366,46	3,8	35000	13,93	9,19	6,96			*	*	*	*
		301,68	4,6	35000	16,86	11,13	8,43			*	*	*	*
SK 10382	IEC	3,9	35460	14,48	9,56	7,24	IEC 160	IEC 180	IEC 200	IEC 225	IEC 250	IEC 280	IEC 315
		4,2	37000	16,27	10,74	8,14		*					
		4,9	33000	16,93	11,18	8,47		*					
		5,3	33000	18,31	12,09	9,16		*					
	7,7	35000	28,22	18,63	14,11								
	8,3	35000	30,42	20,08	15,21								
	10	35480	37,15	24,52	18,58			*					
	13	35300	48,05	31,71	24,03					*	*		
	W	91,35	15	35380	55,57	36,68	27,79					*	*
	+	72,71	19	37200	74,01	48,85	37,01					*	*
		65,44	21	35100	77,18	50,94	38,59					*	*
		56,76	25	35000	91,62	60,47	45,81					*	*
	IEC	47,95	29	35000	106,28	70,15	53,14					*	*
	mm ⇨ C109	41,00	34	35000	124,61	82,24	62,30					*	*
		34,35	41	35000	150,26	99,17	75,13					*	*
		29,79	47	35000	160,00	105,60	80,00					*	*
		27,18	52	33000	160,00	105,60	80,00					*	*
23,58		59	33000	160,00	105,60	80,00					*	*	
21,00		67	33000	160,00	105,60	80,00					*	*	
SK 10282		W	77	32000	200,00	132,00	100,00	IEC 250	IEC 280	IEC 315			
	92		32000	200,00	132,00	100,00							
	104	32000	200,00	132,00	100,00								
	120	32000	200,00	132,00	100,00								
	+	134	32000	200,00	132,00	100,00							
	152	30000	200,00	132,00	100,00								
	170	30000	200,00	132,00	100,00								
	IEC	185	19000	200,00	132,00	100,00							
	208	19000	200,00	132,00	100,00								
	241	19000	200,00	132,00	100,00								
269	19000	200,00	132,00	100,00									

* ⇨ A55

kg	[kg]											
	W	IEC 90	IEC 100	IEC 112	IEC 132	IEC160	IEC 180	IEC 200	IEC 225	IEC 250	IEC 280	IEC 315
SK 10382/52	1330	1325	1332	1332	1346	1356	1356					
SK 10382	1306					1302	1302	1316	1331	1386	1386	1466
SK 10282	1281									1361	1361	1441



SK 11382/52 SK 11382 SK 11282

	i_{ges}	n_2 $n_1 = 1400 \text{ min}^{-1}$ [min^{-1}]	M_{2max} $f_B=1$ [Nm]	W $f_B \geq 1$			IEC $f_B \Rightarrow \text{C4 - C46}$									
				P_{1max}	$n_1 =$			IEC 90	IEC 100	IEC 112	IEC 132	IEC 160	IEC 180			
					[kW]	1400 min^{-1}	930 min^{-1}							700 min^{-1}		
SK 11382/52	4001,51	0,35	60000	2,20	1,45	1,10		*	*	*						
	3728,09	0,38	60000	2,39	1,58	1,19		*	*	*	*	*				
	3062,61	0,46	60000	2,89	1,91	1,45		*	*	*	*	*				
	W	2323,30	0,60	60000	3,77	2,49	1,88			*	*	*	*			
		1830,22	0,76	60000	4,77	3,15	2,39				*	*	*			
	+	1383,12	1,0	60000	6,28	4,15	3,14				*	*	*			
		1154,35	1,2	60000	7,54	4,98	3,77				*	*	*			
	IEC	962,98	1,5	60000	9,42	6,22	4,71					*	*			
		732,09	1,9	60000	11,94	7,88	5,97					*	*			
	$\text{mm} \Rightarrow \text{C106}$	602,67	2,3	60000	14,45	9,54	7,23					*	*			
		479,78	2,9	60000	18,22	12,03	9,11						*			
		363,43	3,9	50000	20,42	13,48	10,21							*		
		312,46	4,5	50000	22,00	14,52	11,00									
		297,39	4,7	50000	22,00	14,52	11,00									
SK 11382	224,76	6,2	69000	44,80	29,57	22,40										
	171,96	8,1	69000	58,52	38,63	29,26							*			
	152,87	9,2	69000	66,47	43,87	33,24							*	*		
	W	130,73	11	69000	79,48	52,45	39,74						*	*		
		112,38	12	69000	86,70	57,22	43,35						*	*		
	+	92,07	15	65400	102,72	67,80	51,36						*	*		
		77,01	18	62150	117,14	77,31	58,57						*	*		
	IEC	63,44	22	60000	138,22	91,23	69,11						*	*		
		54,26	26	60000	163,35	107,81	81,68						*	*		
	$\text{mm} \Rightarrow \text{C109}$	46,64	30	60000	188,48	124,40	94,24						*	*		
		38,21	37	60000	200,00	132,00	100,00						*	*		
		31,96	44	60000	200,00	132,00	100,00						*	*		
	SK 11282	34,85	40	42000	175,92	116,10	87,96									
		29,92	47	42000	200,00	132,00	100,00									
W		25,47	55	42000	200,00	132,00	100,00									
		21,42	65	42000	200,00	132,00	100,00									
+		18,27	77	42000	200,00	132,00	100,00									
		16,33	86	42000	200,00	132,00	100,00									
IEC		14,04	100	26600	200,00	132,00	100,00									
		11,96	117	26300	200,00	132,00	100,00									
$\text{mm} \Rightarrow \text{C109}$		10,05	139	26000	200,00	132,00	100,00									
		8,58	163	24800	200,00	132,00	100,00									
		7,67	183	24000	200,00	132,00	100,00									

* \Rightarrow A55

	[kg]											
	W	IEC 90	IEC 100	IEC 112	IEC 132	IEC 160	IEC 180	IEC 200	IEC 225	IEC 250	IEC 280	IEC 315
SK 11382/52	2168	2163	2170	2170	2184	2194	2194					
SK 11382	2144					2140	2140	2154	2169	2224	2224	2304
SK 11282	2067									2147	2147	2227

SK 12382



	i_{ges}	n_2 $n_1 = 1400 \text{ min}^{-1}$ [min^{-1}]	M_{2max} $f_B = 1$ [Nm]	W $f_B \geq 1$			IEC $f_B \Rightarrow$ C4 - C46										
				P_{1max}			IEC 160	IEC 180	IEC 200	IEC 225	IEC 250	IEC 280	IEC 315				
				$n_1 = 1400 \text{ min}^{-1}$	$n_1 = 930 \text{ min}^{-1}$	$n_1 = 700 \text{ min}^{-1}$	[kW]	[kW]	[kW]	[kW]	[kW]	[kW]	[kW]				
SK 12382	201,75	6,9	90000	65,03	42,92	32,51											
W	154,35	9,1	90000	85,76	56,60	42,88								*			
+	137,22	10	90000	94,24	62,20	47,12											*
IEC	117,35	12	90000	113,09	74,64	56,54											*
mm \Rightarrow C109	100,88	14	90000	131,94	87,08	65,97											*
	82,65	17	90000	160,21	105,74	80,10											*
	69,12	20	90000	188,48	124,40	94,24											*

* \Rightarrow A55



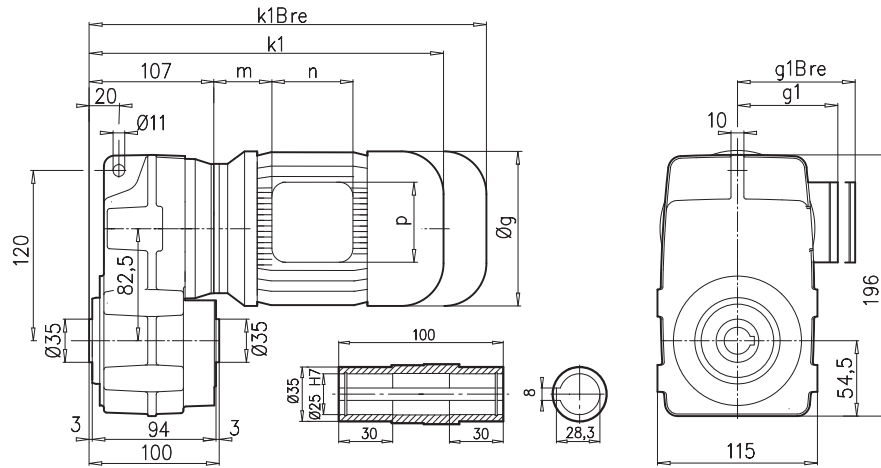
	[kg]							
	W	IEC 160	IEC 180	IEC 200	IEC 225	IEC 250	IEC 280	IEC 315
SK 12382	2144	2140	2140	2154	2169	2224	2224	2304



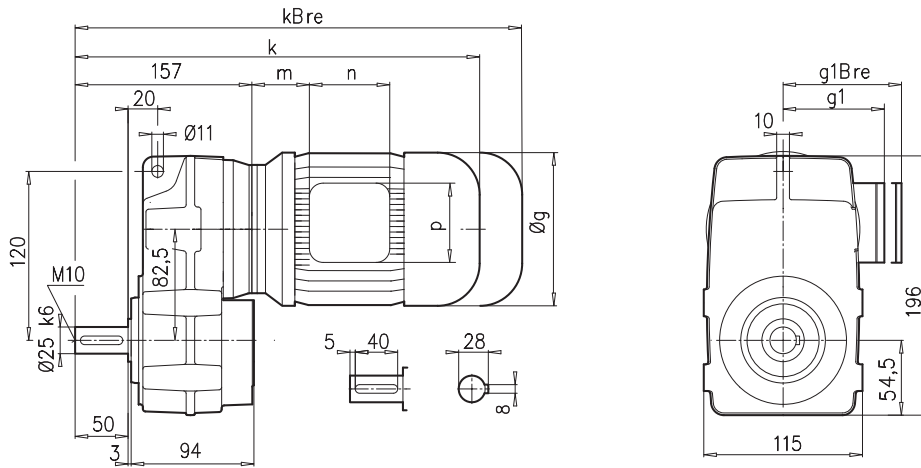
SK 0182NB



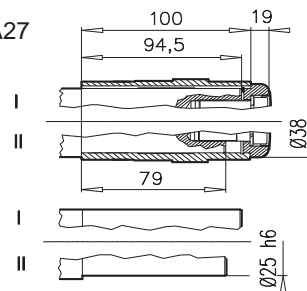
SK 0182NB/A



SK 0182NB/V



SK 0182NB/AB \Rightarrow A27

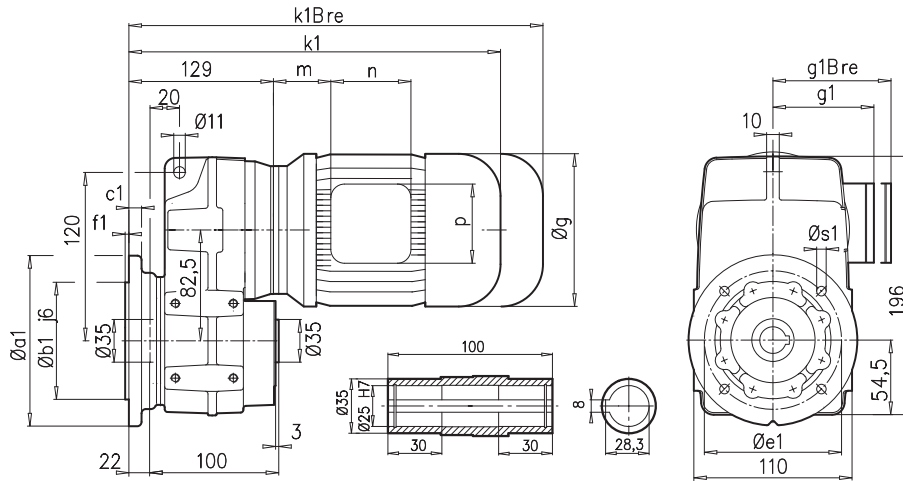


\pm \Rightarrow A53	63 S/L	71 S/L	80 SH/LH				
g	130	145	165				
g1 / g1Bre	115 / 123	124 / 132	142 / 142				
k1 / k1Bre	299 / 355	321 / 379	343 / 407				
k / kBre	349 / 405	371 / 429	393 / 457				
m / mBre	12 / 18	20 / 26	22 / 26				
n / nBre	100 / 134	100 / 134	114 / 153				
p / pBre	100 / 89	100 / 89	114 / 108				

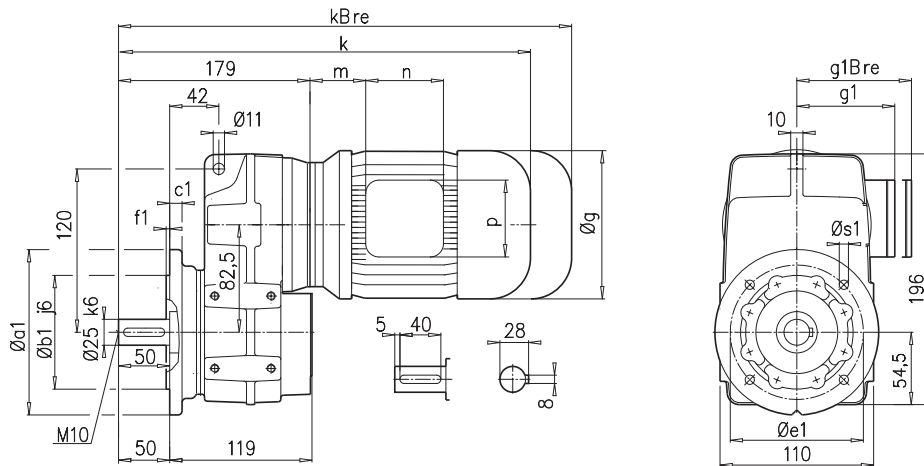
\Rightarrow C103



SK 0182NB/AF

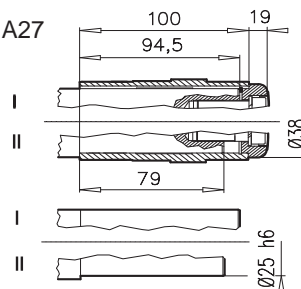


SK 0182NB/VF



a1	b1	c1	e1	f1	s1
140	95	10	115	3,0	4x9

SK 0182NB/AB ⇨ A27



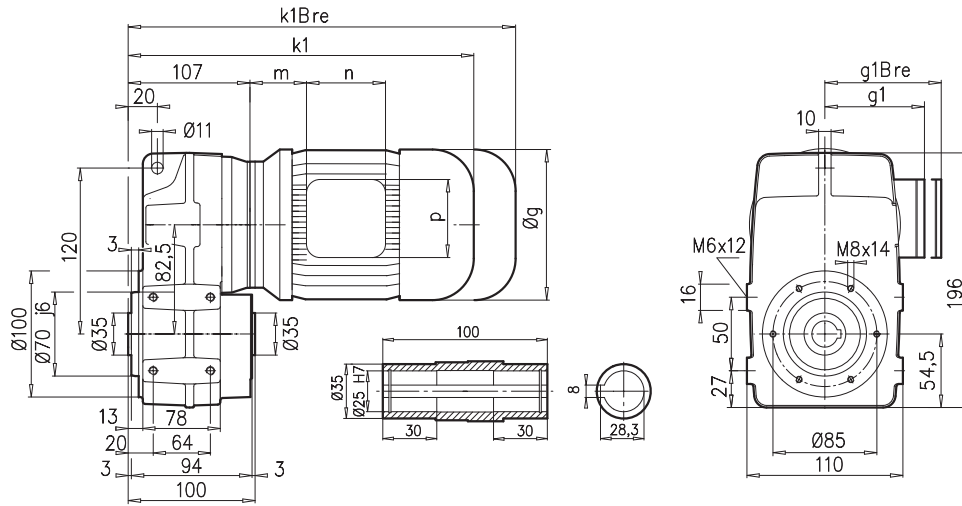
± ⇨ A53	63 S/L	71 S/L	80 SH/LH				
g	130	145	165				
g1 / g1Bre	115 / 123	124 / 132	142 / 142				
k1 / k1Bre	321 / 377	343 / 401	365 / 429				
k / kBre	371 / 427	393 / 451	415 / 479				
m / mBre	12 / 18	20 / 26	22 / 26				
n / nBre	100 / 134	100 / 134	114 / 153				
p / pBre	100 / 89	100 / 89	114 / 108				

⇨ C103

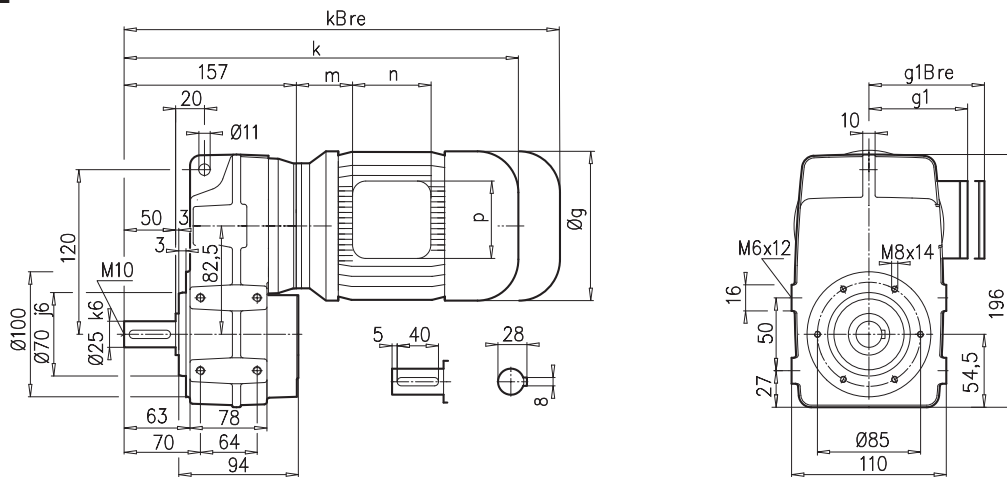
SK 0182NB



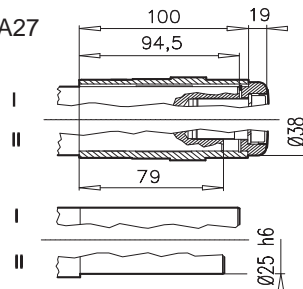
SK 0182NB/AZ



SK 0182NB/VZ



SK 0182NB/AB ⇨ A27



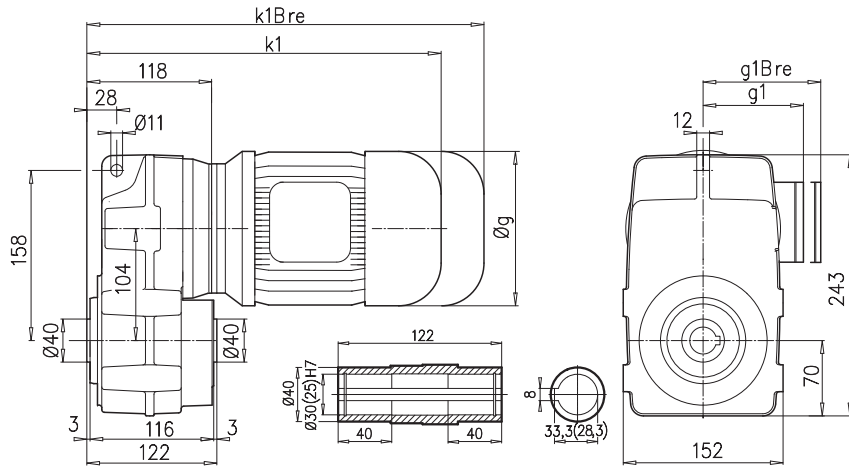
± ⇨ A53	63 S/L	71 S/L	80 SH/LH				
g	130	145	165				
g1 / g1Bre	115 / 123	124 / 132	142 / 142				
k1 / k1Bre	299 / 355	321 / 379	343 / 407				
k / kBre	349 / 405	371 / 429	393 / 457				
m / mBre	12 / 18	20 / 26	22 / 26				
n / nBre	100 / 134	100 / 134	114 / 153				
p / pBre	100 / 89	100 / 89	114 / 108				



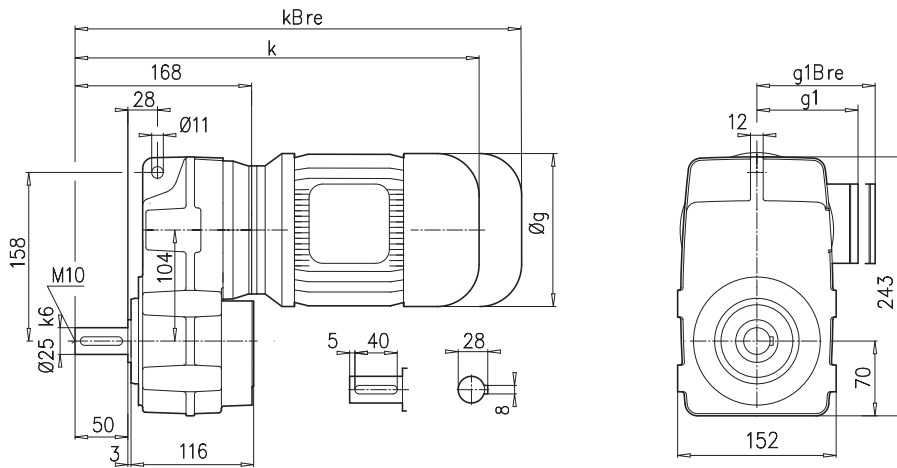
⇨ C103



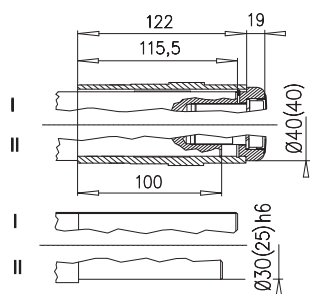
SK 0282NB/A



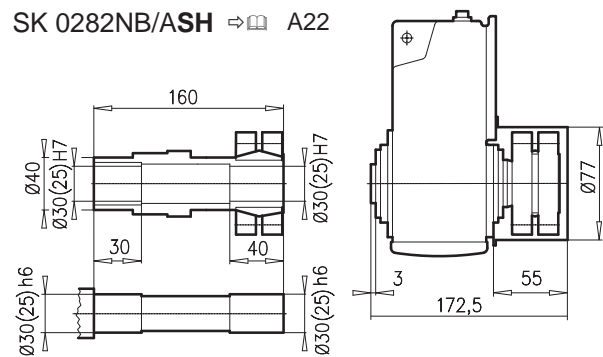
SK 0282NB/V



SK 0282NB/AB ⇨ A27



SK 0282NB/ASH ⇨ A22



± ⇨ A53	63 S/L	71 S/L	80 SH/LH	90 SH/LH			
g	130	145	165	183			
g1 / g1Bre	115 / 123	124 / 132	142 / 142	147 / 147			
k1 / k1Bre	310 / 366	332 / 390	354 / 418	394 / 469			
k / kBre	360 / 416	382 / 440	404 / 468	444 / 519			
m / mBre	12 / 18	20 / 26	22 / 26	26 / 30			
n / nBre	100 / 134	100 / 134	114 / 153	114 / 153			
p / pBre	100 / 89	100 / 89	114 / 108	114 / 108			

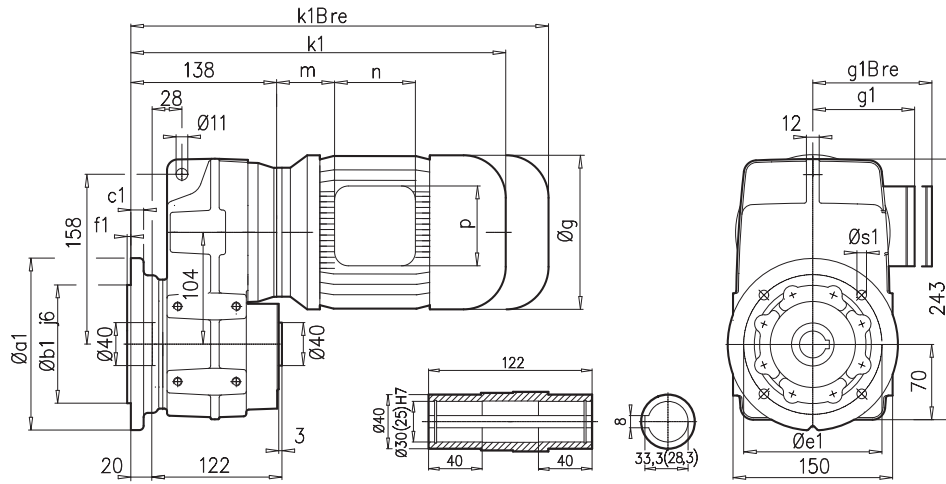


⇨ C103

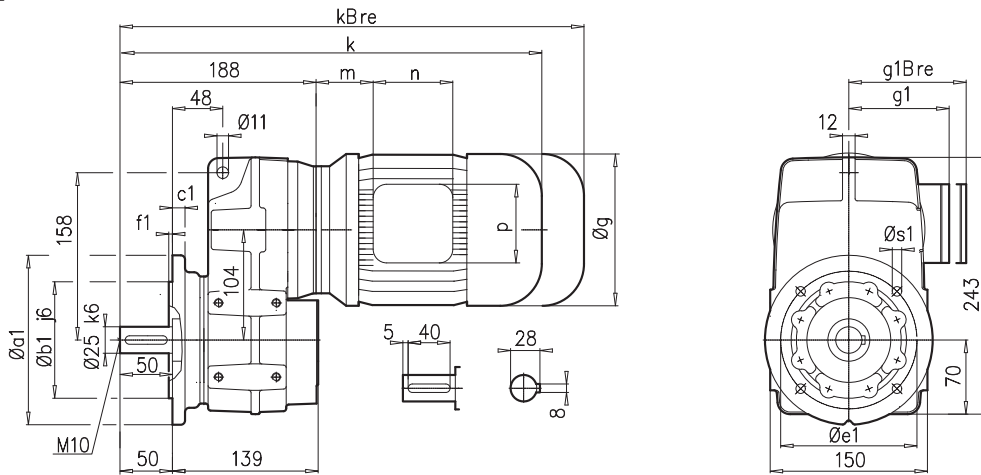
SK 0282NB



SK 0282NB/AF

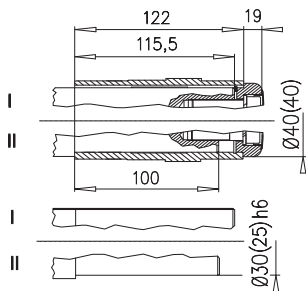


SK 0282NB/VF

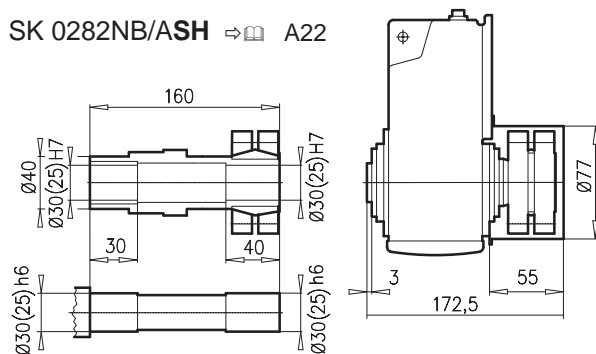


a1	b1	c1	e1	f1	s1
160	110	12	130	3,5	4x9

SK 0282NB/AB ⇨ A27



SK 0282NB/ASH ⇨ A22



± ⇨ A53	63 S/L	71 S/L	80 SH/LH	90 SH/LH			
g	130	145	165	183			
g1 / g1Bre	115 / 123	124 / 132	142 / 142	147 / 147			
k1 / k1Bre	330 / 386	352 / 410	374 / 438	414 / 489			
k / kBre	380 / 436	402 / 460	424 / 488	464 / 539			
m / mBre	12 / 18	20 / 26	22 / 26	26 / 30			
n / nBre	100 / 134	100 / 134	114 / 153	114 / 153			
p / pBre	100 / 89	100 / 89	114 / 108	114 / 108			

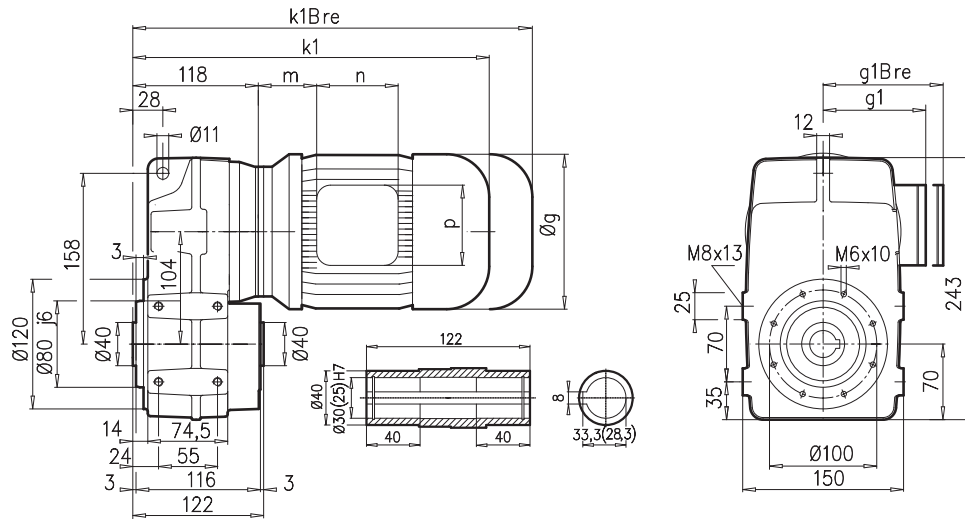


⇨ A C103

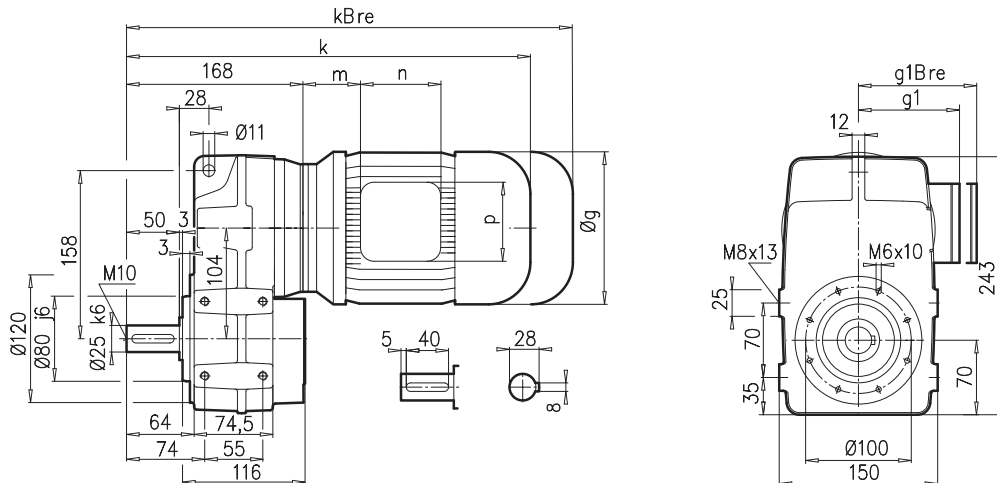




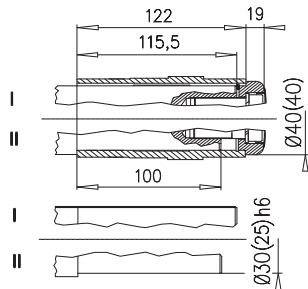
SK 0282NB/AZ



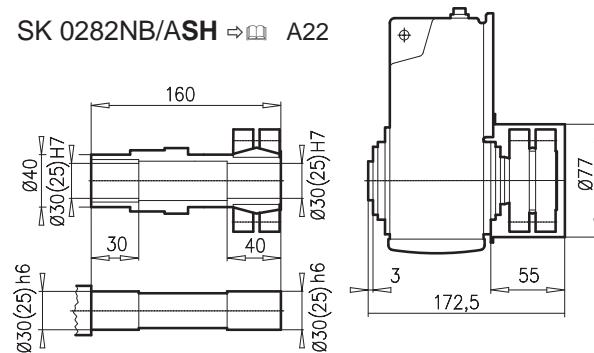
SK 0282NB/VZ



SK 0282NB/AB \Rightarrow A27



SK 0282NB/ASH \Rightarrow A22



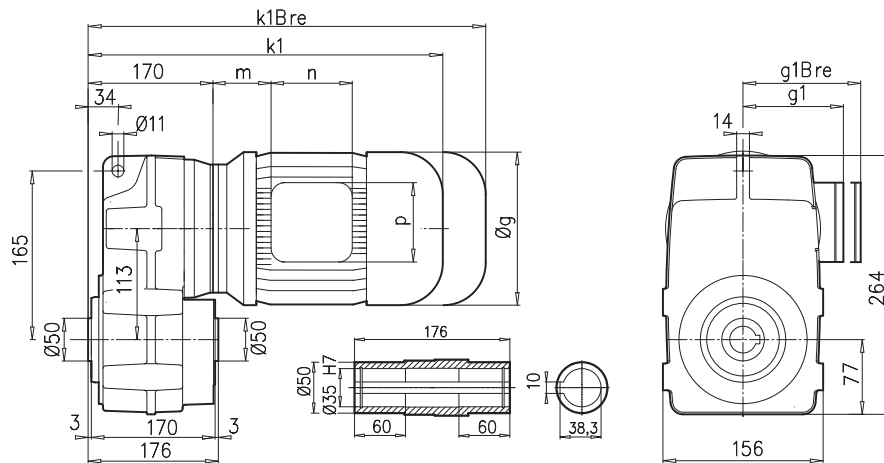
$\pm \Rightarrow$ A53	63 S/L	71 S/L	80 SH/LH	90 SH/LH			
g	130	145	165	183			
g1 / g1Bre	115 / 123	124 / 132	142 / 142	147 / 147			
k1 / k1Bre	310 / 366	332 / 390	354 / 418	394 / 469			
k / kBre	360 / 416	382 / 440	404 / 468	444 / 519			
m / mBre	12 / 18	20 / 26	22 / 26	26 / 30			
n / nBre	100 / 134	100 / 134	114 / 153	114 / 153			
p / pBre	100 / 89	100 / 89	114 / 108	114 / 108			

\Rightarrow A27 C103

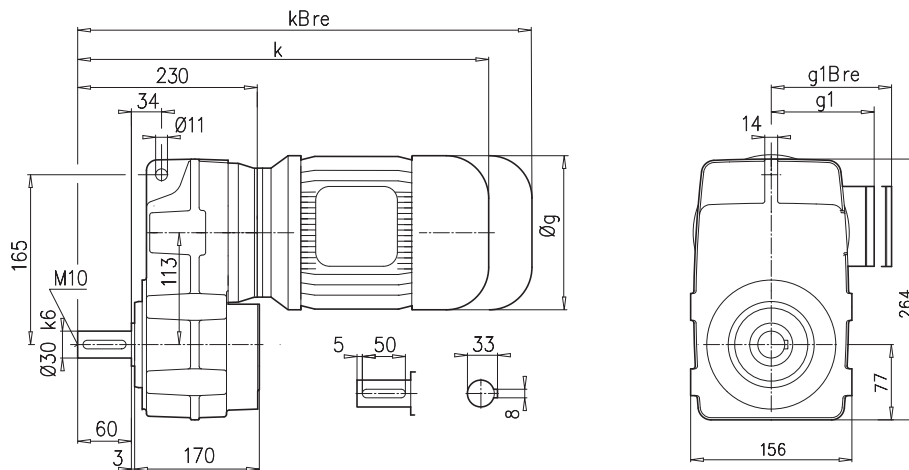
SK 1382NB



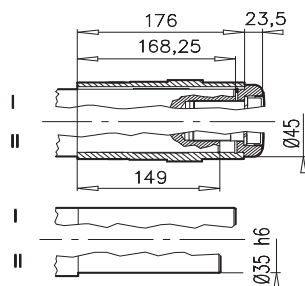
SK 1382NB/A



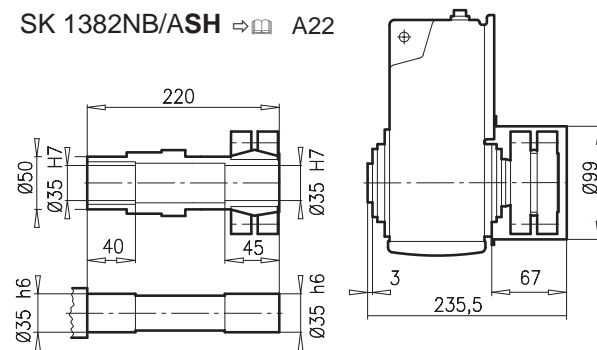
SK 1382NB/V



SK 1382NB/AB ⇨ A27



SK 1382NB/ASH ⇨ A22



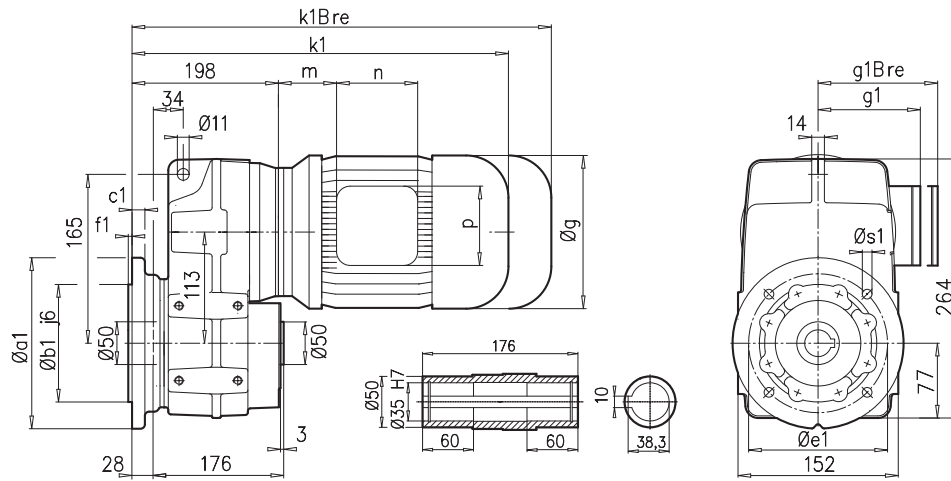
± ⇨ A53	63 S/L	71 S/L	80 SH/LH	90 SH/LH	100 LH/AH		
g	130	145	165	183	201		
g1 / g1Bre	115 / 123	124 / 132	142 / 142	147 / 147	169 / 173		
k1 / k1Bre	362 / 418	381 / 439	403 / 467	458 / 533	488 / 579		
k / kBre	422 / 478	441 / 499	463 / 527	518 / 593	548 / 639		
m / mBre	12 / 18	20 / 26	22 / 26	26 / 30	32 / 36		
n / nBre	100 / 134	100 / 134	114 / 153	114 / 153	114 / 153		
p / pBre	100 / 89	100 / 89	114 / 108	114 / 108	114 / 108		



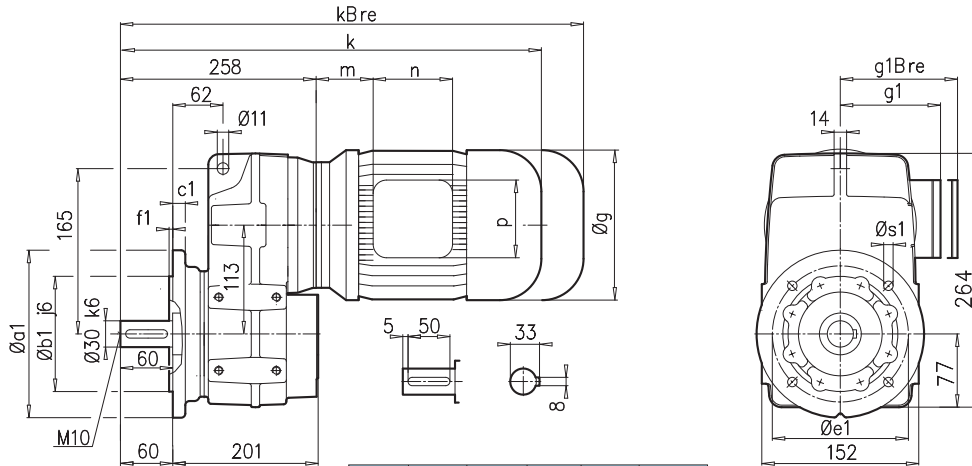
⇨ C103



SK 1382NB/AF

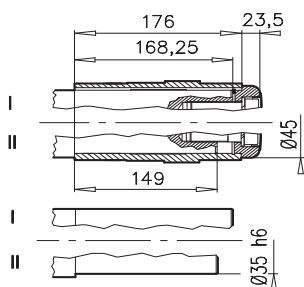


SK 1382NB/VF

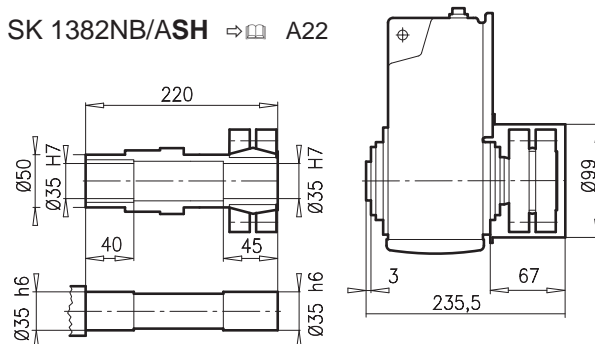


a1	b1	c1	e1	f1	s1
160	110	12	130	3,5	4x9
200	130	12	165	3,5	4x11

SK 1382NB/AB ⇨ A27



SK 1382NB/ASH ⇨ A22



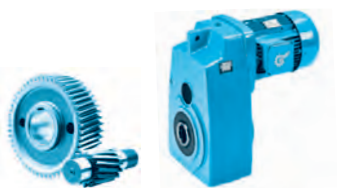
± ⇨ A53	63 S/L	71 S/L	80 SH/LH	90 SH/LH	100 LH/AH		
g	130	145	165	183	201		
g1 / g1Bre	115 / 123	124 / 132	142 / 142	147 / 147	169 / 173		
k1 / k1Bre	390 / 446	409 / 467	431 / 495	486 / 561	516 / 507		
k / kBre	450 / 506	469 / 527	491 / 555	546 / 621	576 / 667		
m / mBre	12 / 18	20 / 26	22 / 26	26 / 30	32 / 36		
n / nBre	100 / 134	100 / 134	114 / 153	114 / 153	114 / 153		
p / pBre	100 / 89	100 / 89	114 / 108	114 / 108	114 / 108		



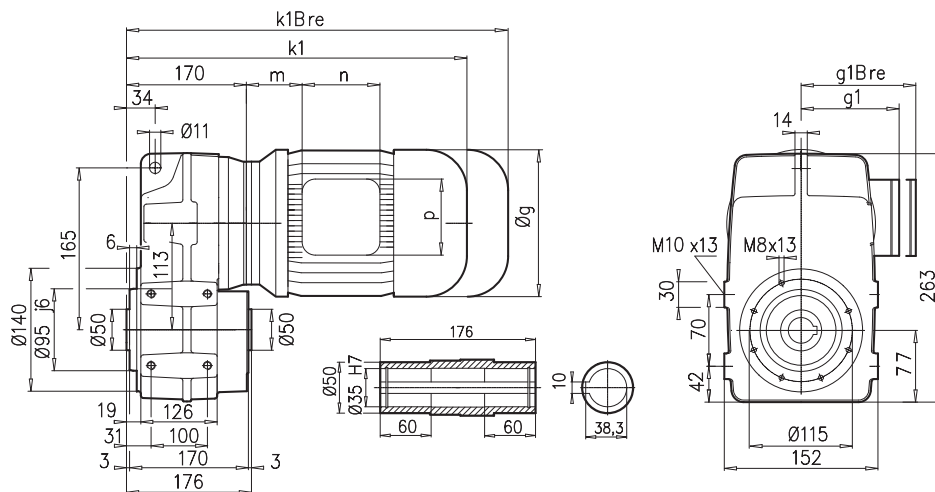
⇨ A27 C103



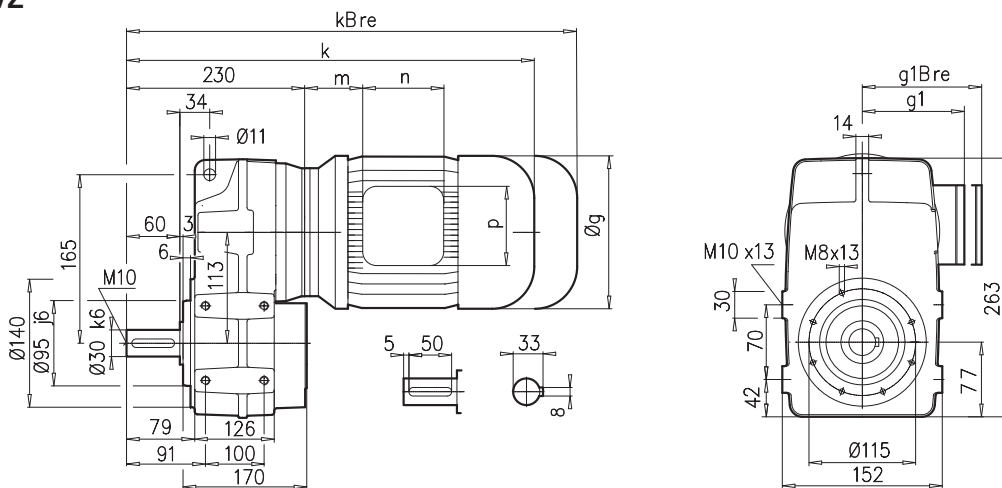
SK 1382NB



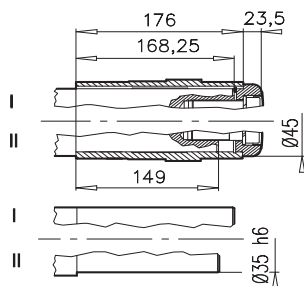
SK 1382NB/AZ



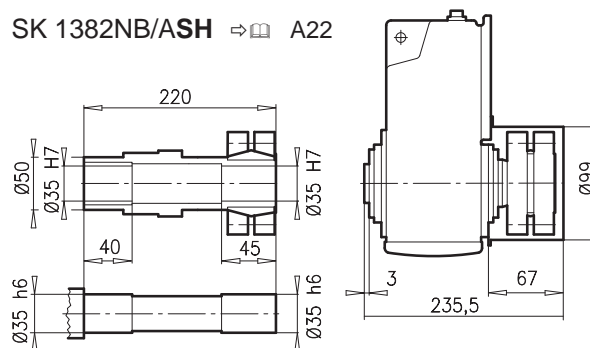
SK 1382NB/VZ



SK 1382NB/AB ⇨ A27



SK 1382NB/ASH ⇨ A22

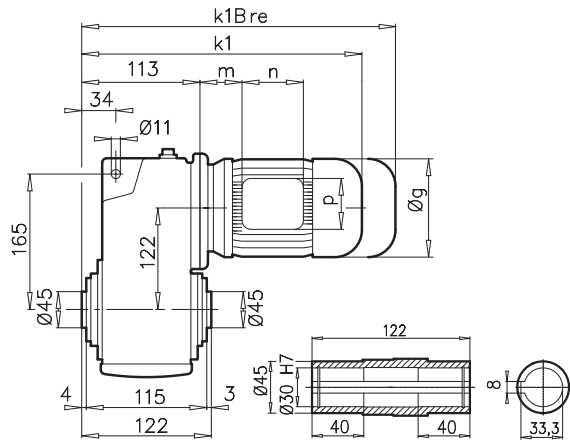


± ⇨ A53	63 S/L	71 S/L	80 SH/LH	90 SH/LH	100 LH/AH		
g	130	145	165	183	201		
g1 / g1Bre	115 / 123	124 / 132	142 / 142	147 / 147	169 / 173		
k1 / k1Bre	362 / 418	381 / 439	403 / 467	458 / 533	488 / 579		
k / kBre	422 / 478	441 / 499	463 / 527	518 / 593	548 / 639		
m / mBre	12 / 18	20 / 26	22 / 26	26 / 30	32 / 36		
n / nBre	100 / 134	100 / 134	114 / 153	114 / 153	114 / 153		
p / pBre	100 / 89	100 / 89	114 / 108	114 / 108	114 / 108		

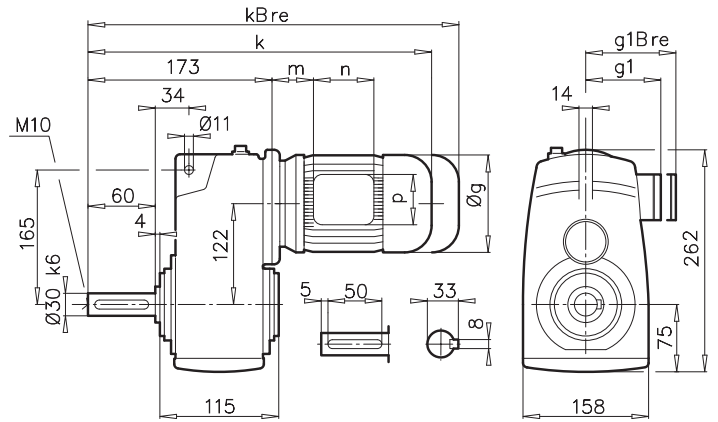




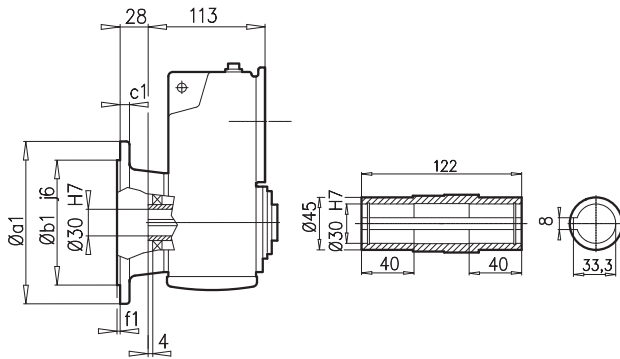
SK 1282A



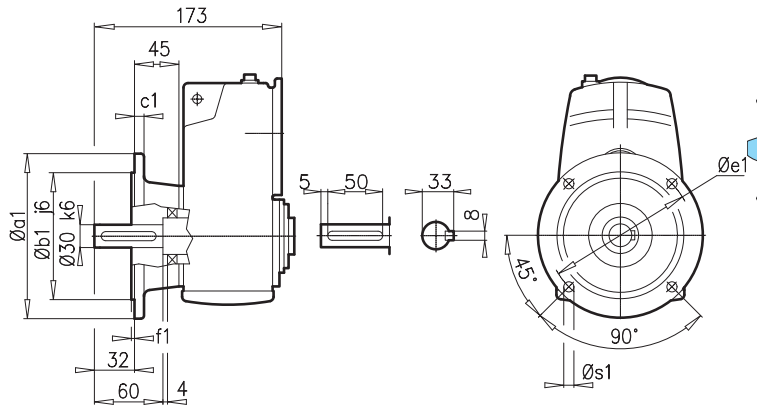
SK 1282V



SK 1282AF

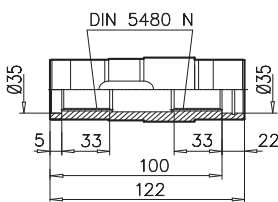


SK 1282VF



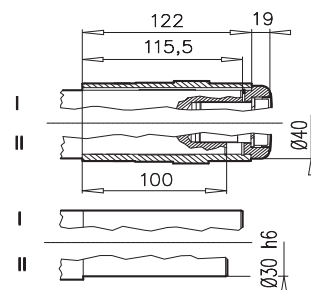
a1	b1	c1	e1	f1	s1
200	130	12	165	3,5	4x11

SK 1282EA

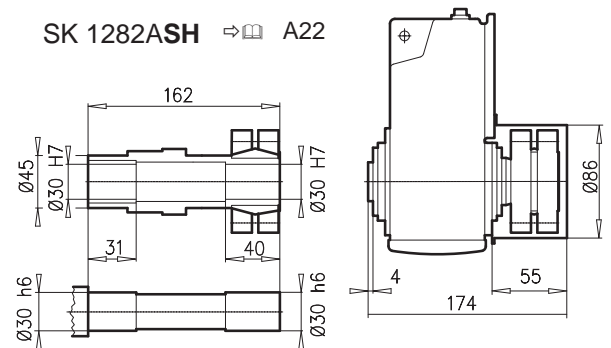


N30 x 1,25 x 30 x 22 x 9H

SK 1282AB ⇨ A27



SK 1282ASH ⇨ A22



± ⇨ A53	63 S/L	71 S/L	80 SH/LH	90 SH/LH	100 LH/AH	112 MH	
g	130	145	165	183	201	228	
g1 / g1Bre	115 / 123	124 / 132	142 / 142	147 / 147	169 / 173	179 / 182	
k1 / k1Bre	309 / 365	349 / 407	374 / 438	415 / 490	445 / 536	493 / 586	
k / kBre	369 / 425	409 / 467	434 / 498	475 / 550	505 / 596	553 / 646	
m / mBre	16 / 22	42 / 48	47 / 51	52 / 56	58 / 62	74 / 78	
n / nBre	100 / 134	100 / 134	114 / 153	114 / 153	114 / 153	114 / 153	
p / pBre	100 / 89	100 / 89	114 / 108	114 / 108	114 / 108	114 / 108	

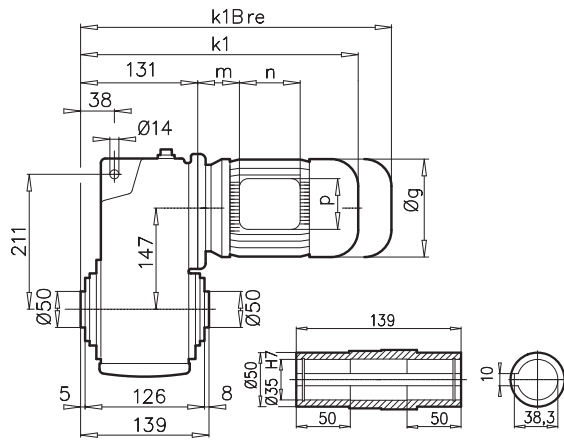


⇨ A C104

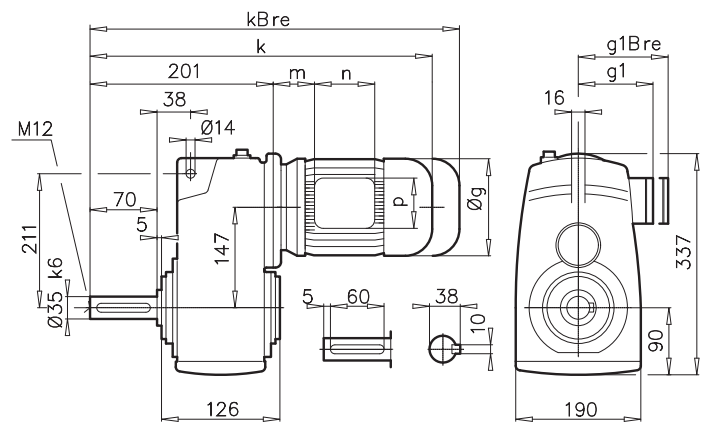
SK 2282



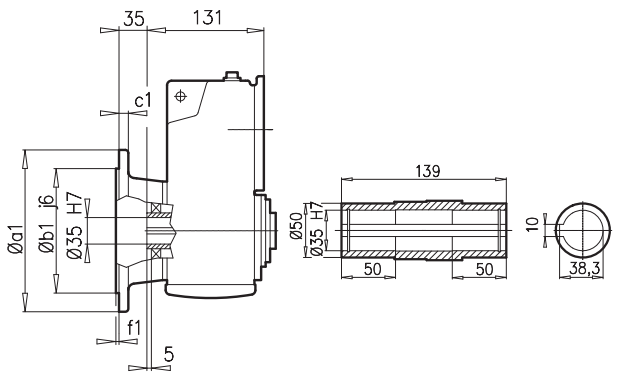
SK 2282A



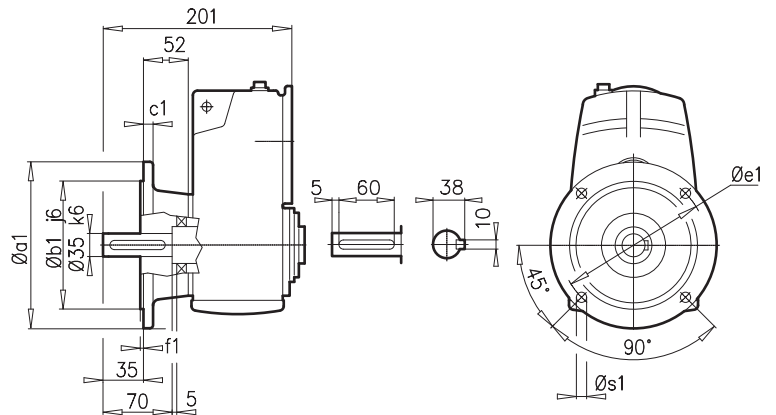
SK 2282V



SK 2282AF

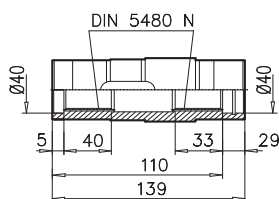


SK 2282VF



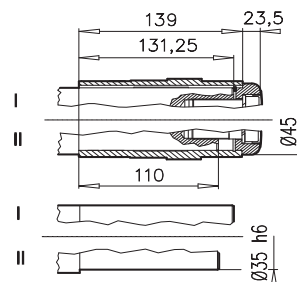
a1	b1	c1	e1	f1	s1
250	180	16	215	4	4x14

SK 2282EA

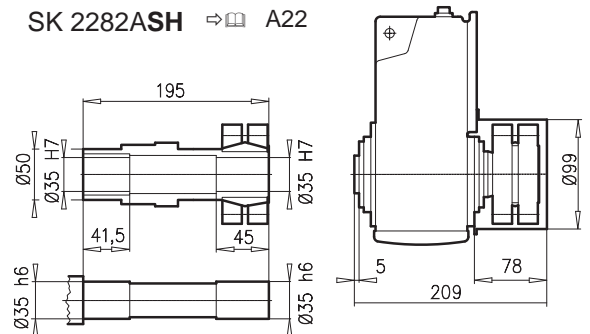


N35 x 2 x 30 x 16 x 9H

SK 2282AB ⇨ A27



SK 2282ASH ⇨ A22



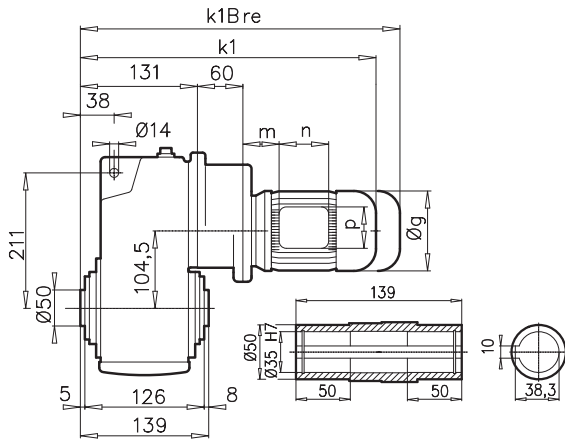
± ⇨ A53	71 S/L	80 SH/LH	90 SH/LH	100 LH/AH	112 MH	132 SH/MH	
g	145	165	183	201	228	266	
g1 / g1Bre	124 / 132	142 / 142	147 / 147	169 / 173	179 / 182	204 / 201	
k1 / k1Bre	361 / 419	386 / 450	427 / 502	457 / 548	505 / 598	567 / 674	
k / kBre	431 / 489	456 / 520	497 / 572	527 / 618	575 / 668	637 / 744	
m / mBre	36 / 42	41 / 44	46 / 50	52 / 56	68 / 72	71 / 64	
n / nBre	100 / 134	114 / 153	114 / 153	114 / 153	114 / 153	122 / 185	
p / pBre	100 / 89	114 / 108	114 / 108	114 / 108	114 / 108	122 / 139	



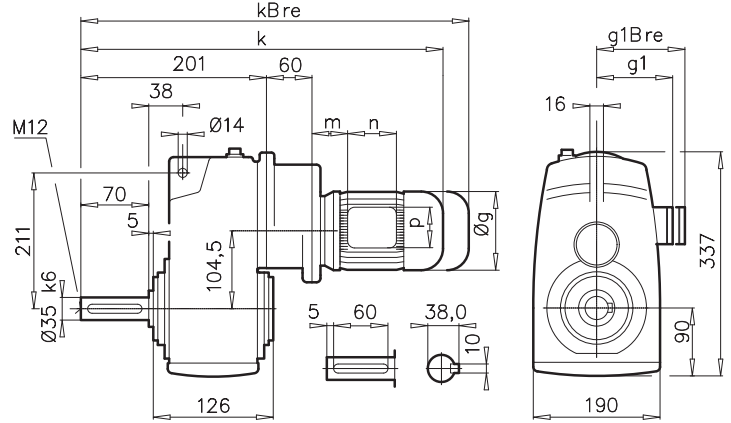
⇨ C105



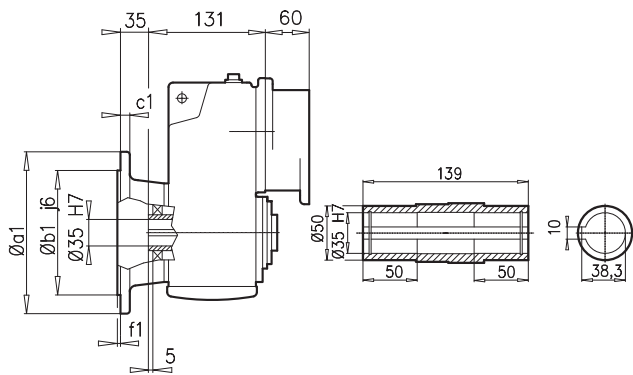
SK 2382A



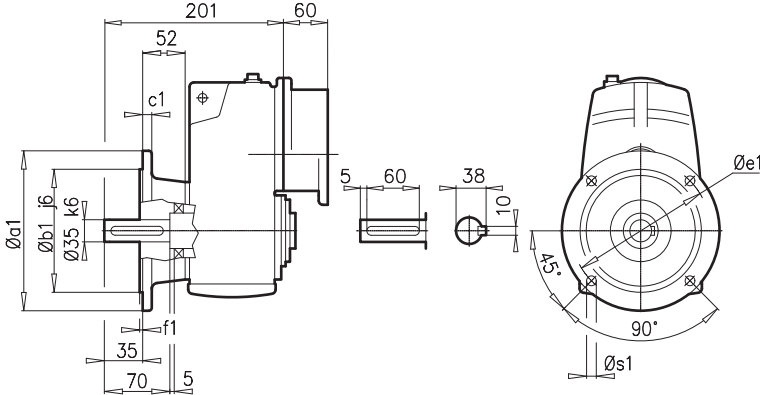
SK 2382V



SK 2382AF

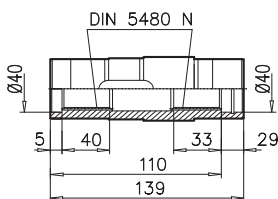


SK 2382VF



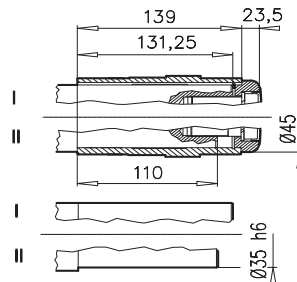
a1	b1	c1	e1	f1	s1
250	180	16	215	4	4x14

SK 2382EA



N35 x 2 x 30 x 16 x 9H

SK 2382AB ⇨ A27



± ⇨ A53	63 S/L	71 S/L	80 SH/LH	90 SH			
g	130	145	165	183			
g1 / g1Bre	115 / 123	124 / 132	142 / 142	147 / 147			
k1 / k1Bre	387 / 443	427 / 485	452 / 516	493 / 568			
k / kBre	457 / 513	497 / 555	522 / 586	563 / 638			
m / mBre	16 / 22	42 / 43	47 / 51	52 / 56			
n / nBre	100 / 134	100 / 134	114 / 153	114 / 153			
p / pBre	100 / 89	100 / 89	114 / 108	114 / 108			

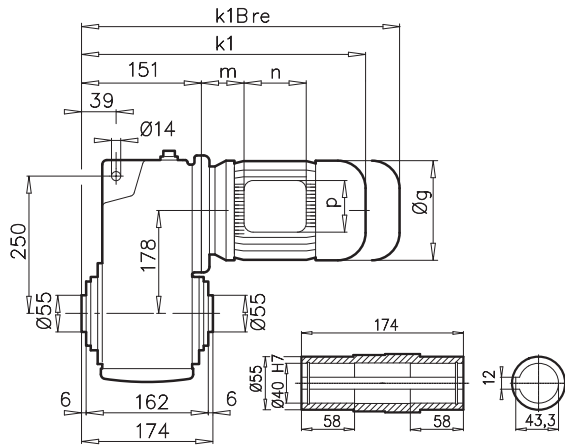


⇨ C104

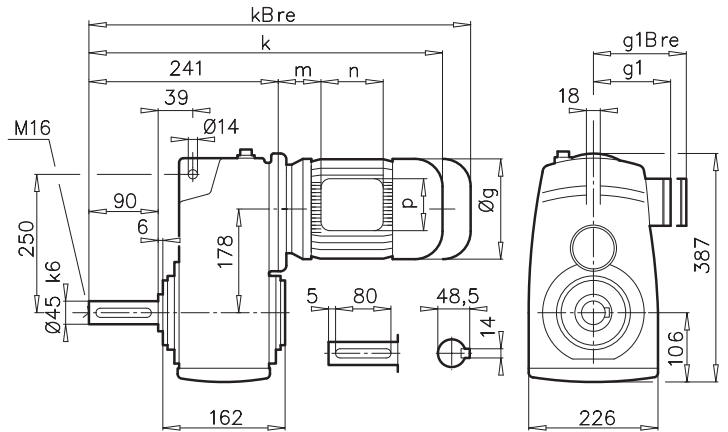
SK 3282



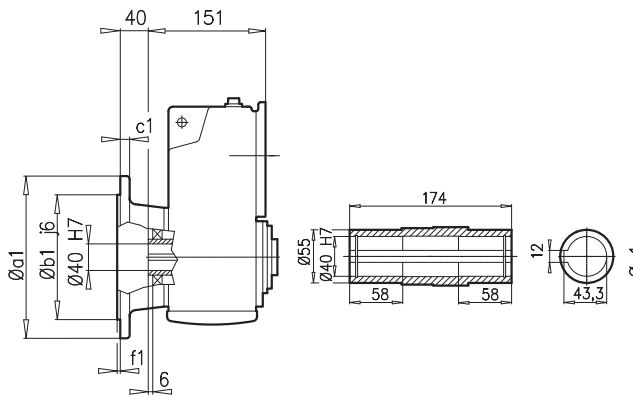
SK 3282A



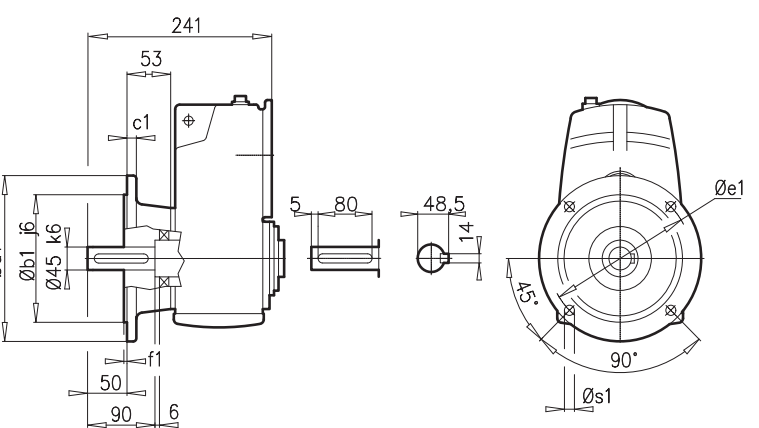
SK 3282V



SK 3282AF

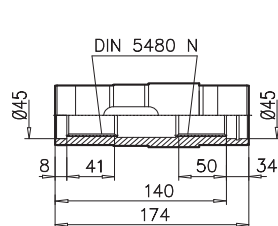


SK 3282VF



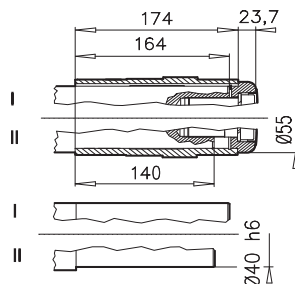
a1	b1	c1	e1	f1	s1
250	180	15	215	4	4x13,5
300	230	20	265	4	4x14

SK 3282EA

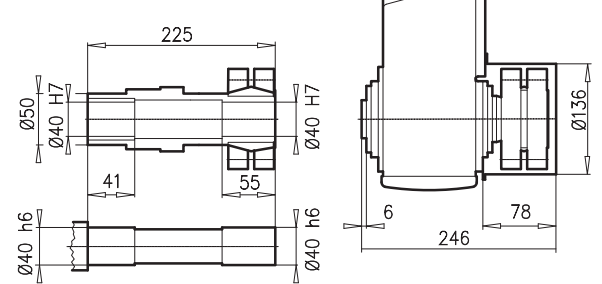


N40 x 2 x 30 x 18 x 9H

SK 3282AB ⇨ A27



SK 3282ASH ⇨ A22



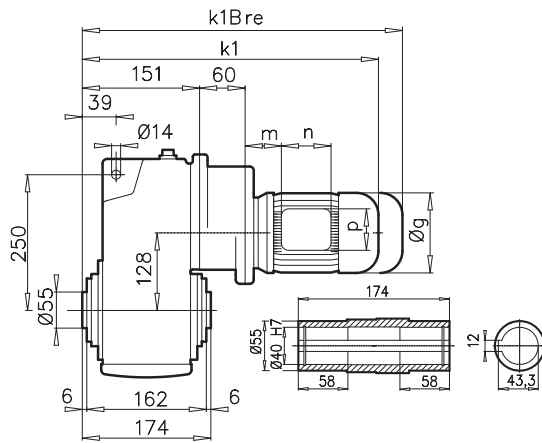
± ⇨ A53	71 S/L	80 SH/LH	90 SH/LH	100 LH/AH	112 MH	132 SH/MH/LH	160SH/MH
g	145	165	183	201	228	266	320
g1 / g1Bre	124 / 132	142 / 142	147 / 147	169 / 173	179 / 182	204 / 201	242 / 242
k1 / k1Bre	381 / 439	406 / 470	447 / 522	477 / 568	525 / 618	586 / 693	663 / 798
k / kBre	471 / 529	496 / 560	537 / 612	567 / 658	615 / 708	676 / 783	753 / 888
m / mBre	36 / 42	41 / 45	46 / 50	52 / 56	68 / 72	71 / 64	72 / 72
n / nBre	100 / 134	114 / 153	114 / 153	114 / 153	114 / 153	122 / 185	186 / 186
p / pBre	100 / 89	114 / 108	114 / 108	114 / 108	114 / 108	122 / 139	186 / 186



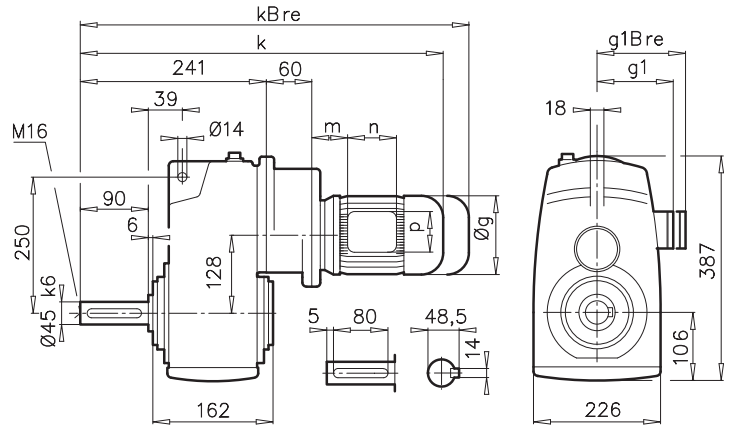
⇨ C105



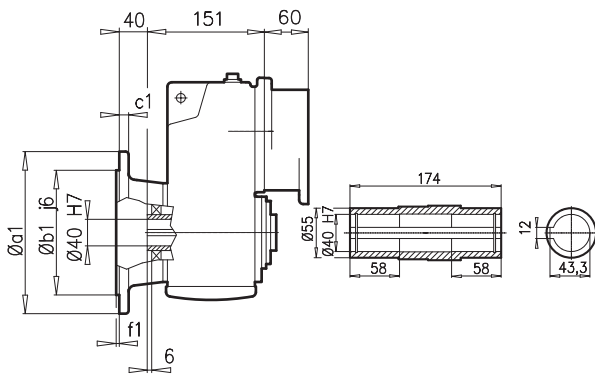
SK 3382A



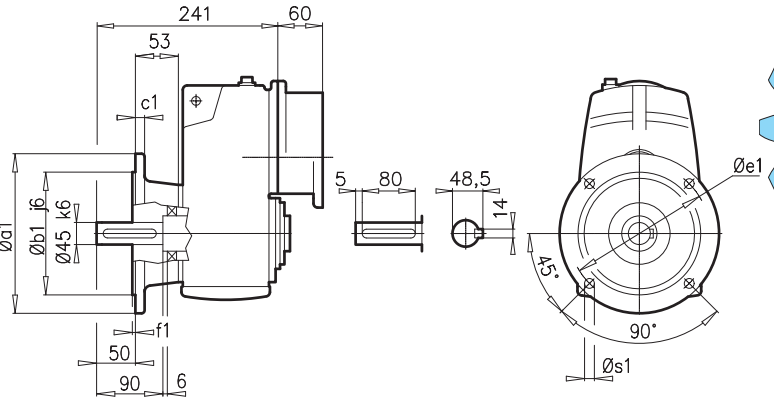
SK 3382V



SK 3382AF

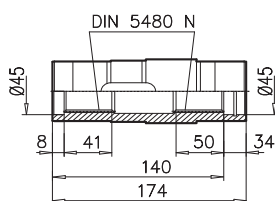


SK 3382VF



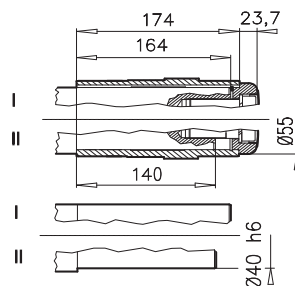
a1	b1	c1	e1	f1	s1
250	180	15	215	4	4x13,5
300	230	20	265	4	4x14

SK 3382EA

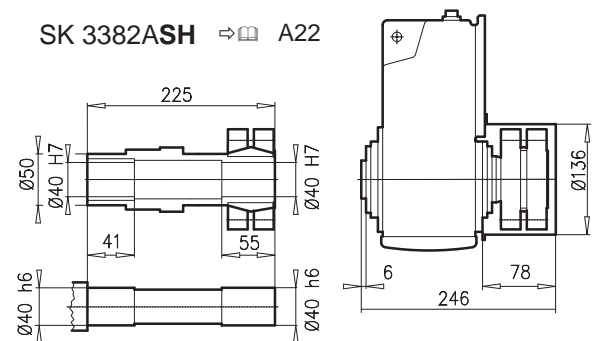


N40 x 2 x 30 x 18 x 9H

SK 3382AB ⇨ A27



SK 3382ASH ⇨ A22



± ⇨ A53	63 S/L	71 S/L	80 SH/LH				
g	130	145	165				
g1 / g1Bre	115 / 123	124 / 132	142 / 142				
k1 / k1Bre	407 / 463	447 / 475	472 / 536				
k / kBre	497 / 553	537 / 565	562 / 626				
m / mBre	16 / 22	42 / 48	47 / 51				
n / nBre	100 / 134	100 / 134	114 / 153				
p / pBre	100 / 89	100 / 89	114 / 108				

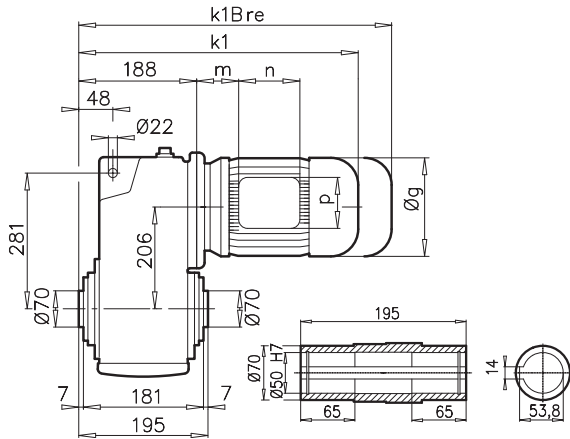


⇨ C104

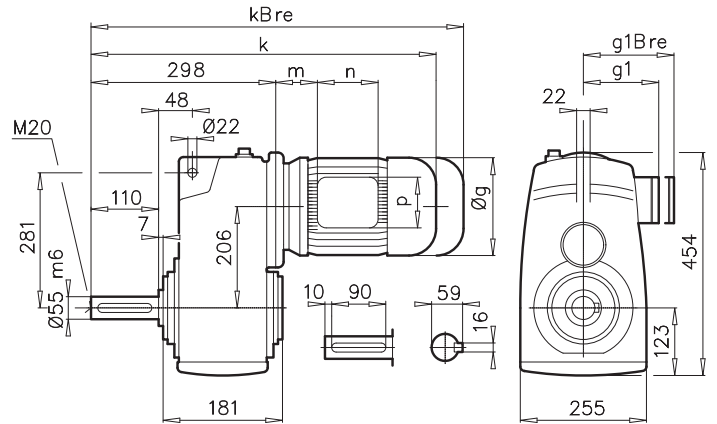
SK 4282



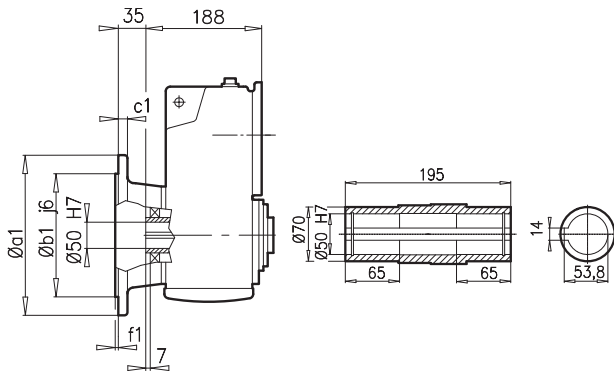
SK 4282A



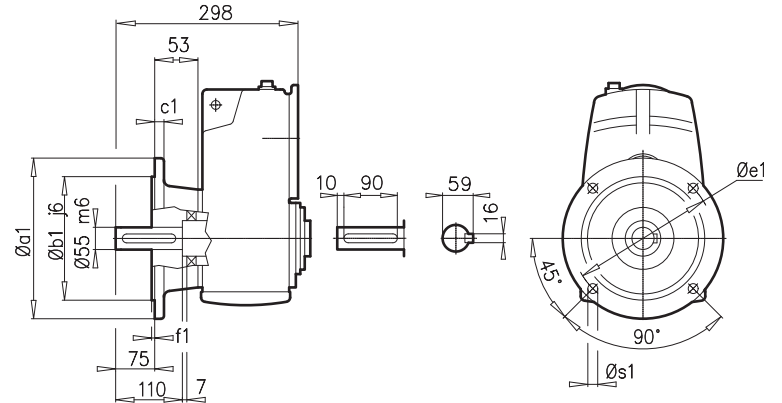
SK 4282V



SK 4282AF

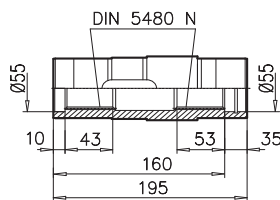


SK 4282VF



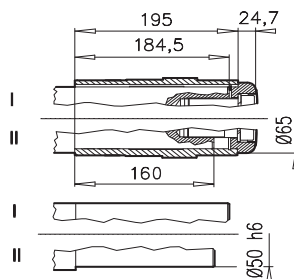
a1	b1	c1	e1	f1	s1
250	180	14,5	215	4	4x14
300	230	20	265	4	4x14

SK 4282EA

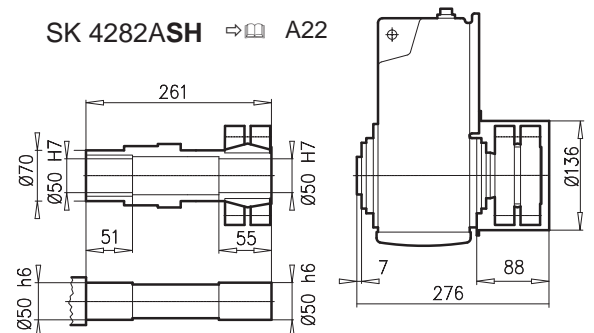


N50 x 2 x 30 x 24 x 9H

SK 4282AB ⇨ A27



SK 4282ASH ⇨ A22



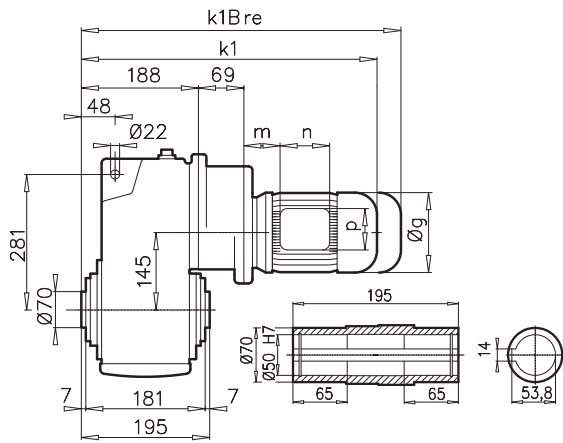
± ⇨ A53	90 SH/LH	100 LH/AH	112 MH	132 SH/MH/LH	160 SH/MH	160 LH	180 MH/LH
g	183	201	228	266	320	320	358
g1 / g1Bre	147 / 147	169 / 173	179 / 182	204 / 201	242 / 242	242 / 242	259 / 259
k1 / k1Bre	465 / 540	495 / 586	543 / 636	604 / 711	680 / 815	724 / 859	822 / 949
k / kBre	575 / 650	605 / 696	653 / 746	714 / 821	790 / 925	834 / 969	932 / 1059
m / mBre	26 / 30	32 / 36	48 / 52	51 / 44	52 / 52	52 / 52	74 / 74
n / nBre	114 / 153	114 / 153	114 / 153	122 / 185	186 / 186	186 / 186	186 / 186
p / pBre	114 / 108	114 / 108	114 / 108	122 / 139	186 / 186	186 / 186	186 / 186



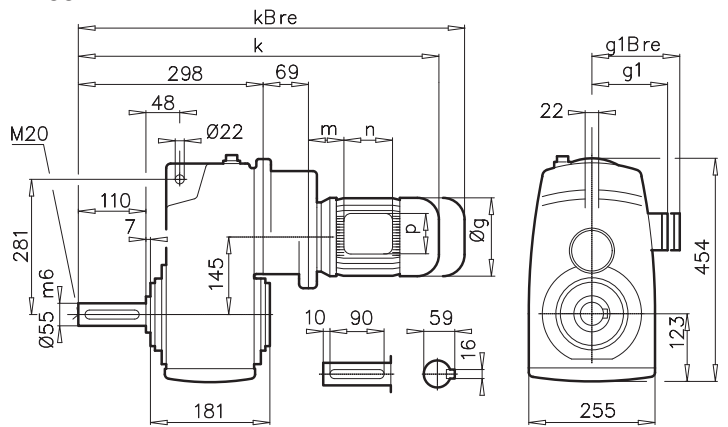
⇨ C106



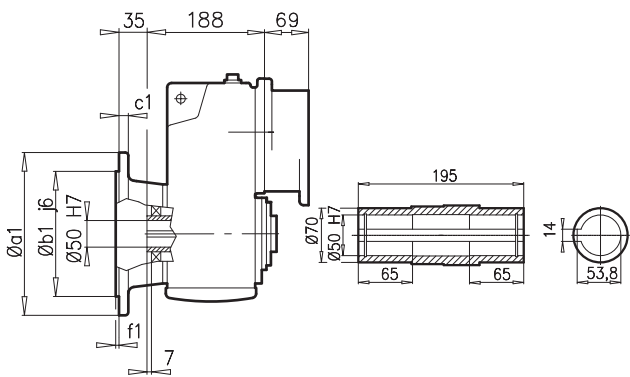
SK 4382A



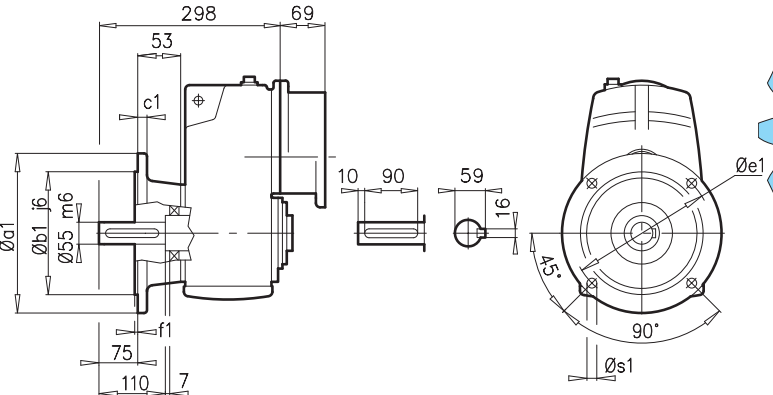
SK 4382V



SK 4382AF

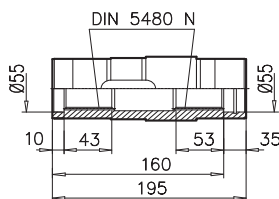


SK 4382VF



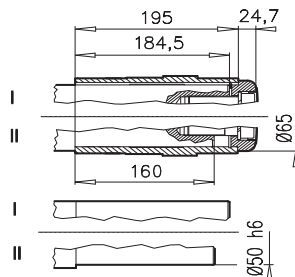
a1	b1	c1	e1	f1	s1
250	180	14,5	215	4	4x14
300	230	20	265	4	4x14

SK 4382EA



N50 x 2 x 30 x 24 x 9H

SK 4382AB ⇨ A27



± ⇨ A53	71 S/L	80 SH/LH	90 SH/LH	100 LH/AH	112 MH		
g	145	165	183	201	228		
g1 / g1Bre	124 / 132	142 / 142	147 / 147	169 / 173	179 / 182		
k1 / k1Bre	488 / 546	513 / 577	554 / 629	584 / 675	632 / 725		
k / kBRe	598 / 656	623 / 687	664 / 739	694 / 785	742 / 835		
m / mBre	36 / 42	41 / 45	46 / 50	52 / 56	68 / 72		
n / nBre	100 / 134	114 / 153	114 / 153	114 / 153	114 / 153		
p / pBre	100 / 89	114 / 108	114 / 108	114 / 108	114 / 108		



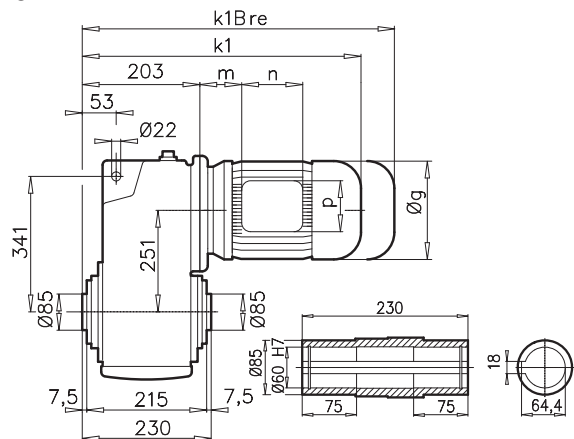
⇨ A27 C105



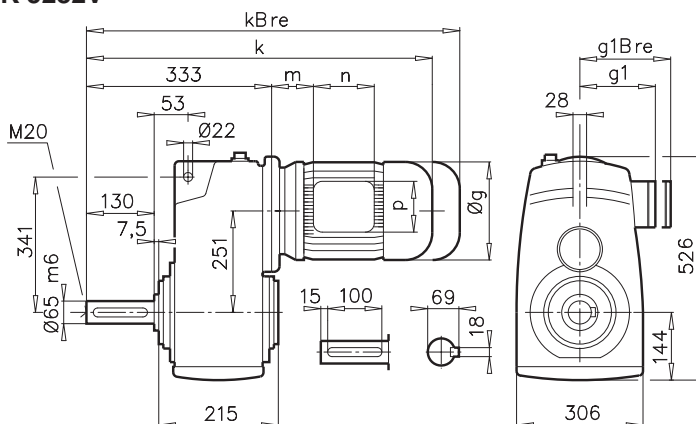
SK 5282



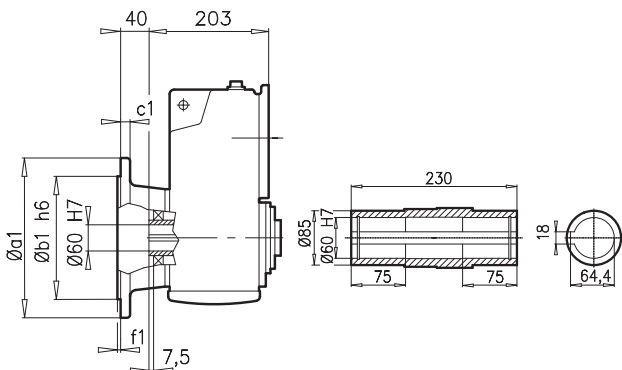
SK 5282A



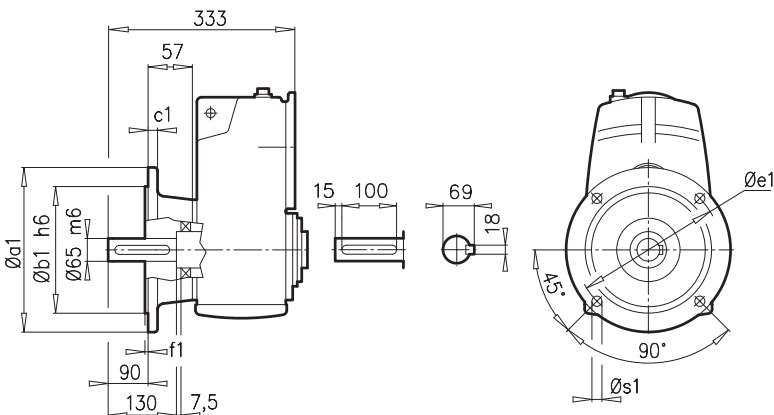
SK 5282V



SK 5282AF

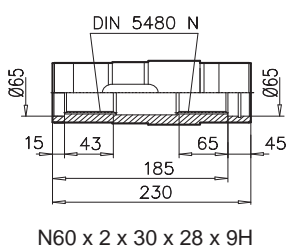


SK 5282VF

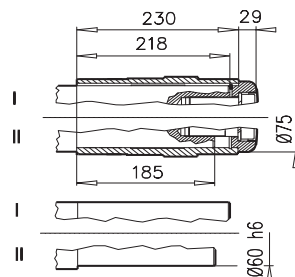


a1	b1	c1	e1	f1	s1
350	250	20	300	5	4x18

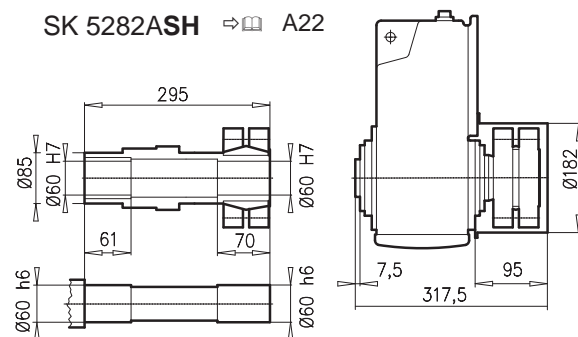
SK 5282EA



SK 5282AB ⇨ A27



SK 5282ASH ⇨ A22



± ⇨ A53	90 SH/LH	100 LH/AH	112 MH	132 SH/MH/LH	160 LH	180 MH/LH	200 LH	
g	183	201	228	266	320	358	402	
g1 / g1Bre	147 / 147	169 / 173	179 / 182	204 / 201	242 / 242	259 / 259	305 / 305	
k1 / k1Bre	479 / 554	509 / 600	557 / 650	618 / 725	739 / 874	837 / 964	891 / 1057	
k / kBre	609 / 684	639 / 730	687 / 780	748 / 855	869 / 1004	967 / 1094	1021 / 1187	
m / mBre	26 / 30	32 / 36	48 / 52	51 / 44	52 / 52	74 / 74	110 / 110	
n / nBre	114 / 153	114 / 153	114 / 153	122 / 185	186 / 186	186 / 186	192 / 192	
p / pBre	114 / 108	114 / 108	114 / 108	122 / 139	186 / 186	186 / 186	260 / 260	

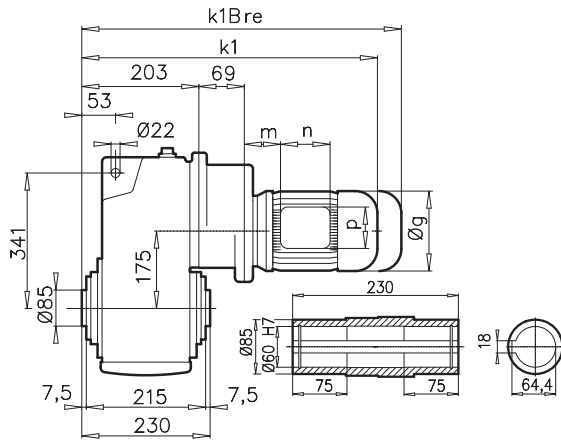


⇨ C106

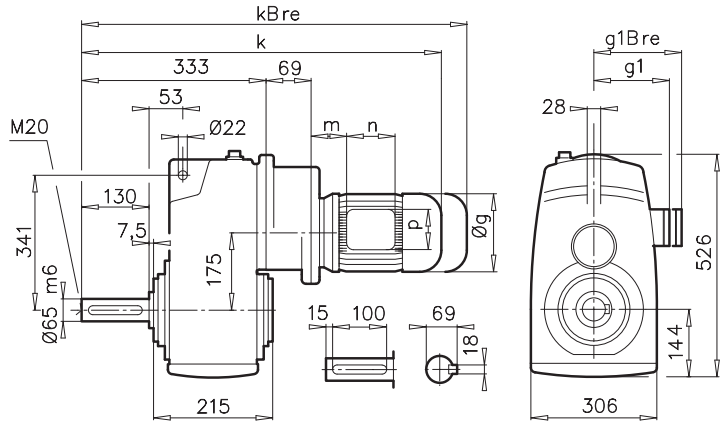




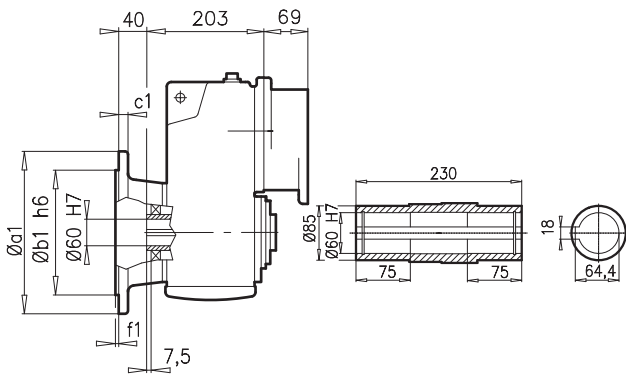
SK 5382A



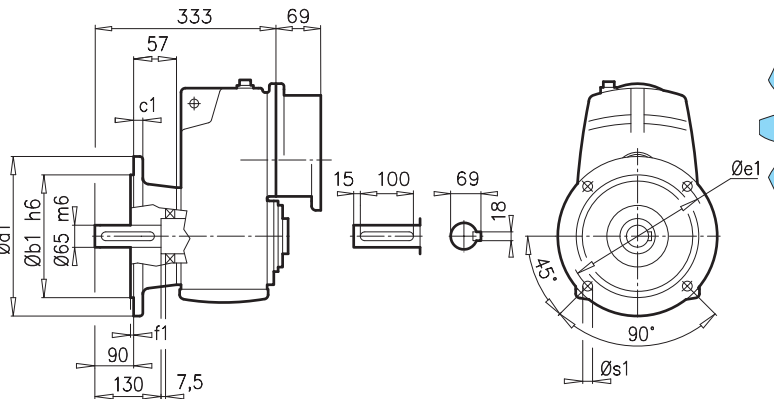
SK 5382V



SK 5382AF

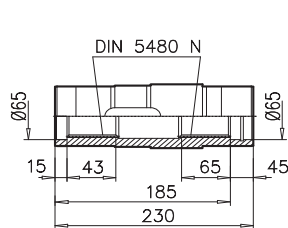


SK 5382VF



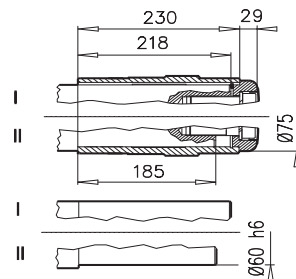
a1	b1	c1	e1	f1	s1
350	250	20	300	5	4x18

SK 5382EA



N60 x 2 x 30 x 28 x 9H

SK 5382AB ⇨ A27



± ⇨ A53	80 SH/LH	90 SH/LH	100 LH/AH	112 MH			
g	165	183	201	228			
g1 / g1Bre	142 / 142	147 / 147	169 / 173	179 / 182			
k1 / k1Bre	527 / 591	568 / 643	598 / 689	646 / 739			
k / kBRe	657 / 721	698 / 773	728 / 819	776 / 869			
m / mBre	47 / 45	46 / 50	52 / 56	68 / 72			
n / nBre	114 / 153	114 / 153	114 / 153	114 / 153			
p / pBre	114 / 108	114 / 108	114 / 108	114 / 108			

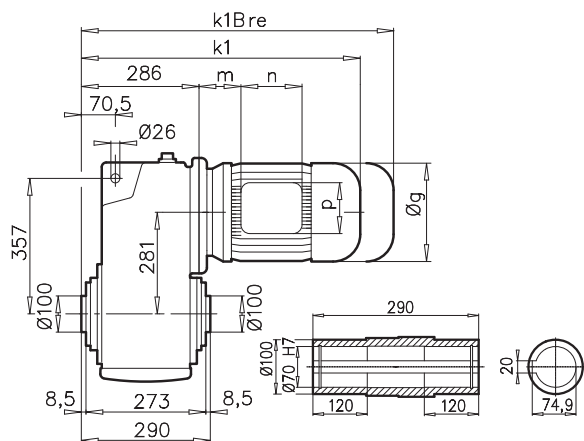


⇨ A C105

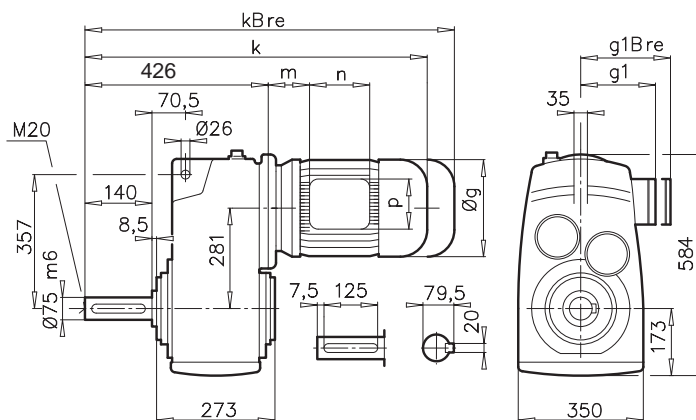
SK 6282



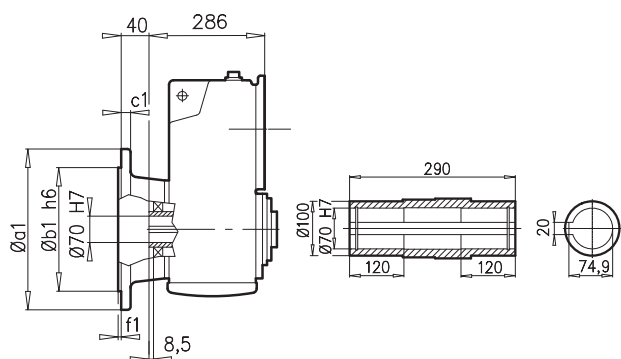
SK 6282A



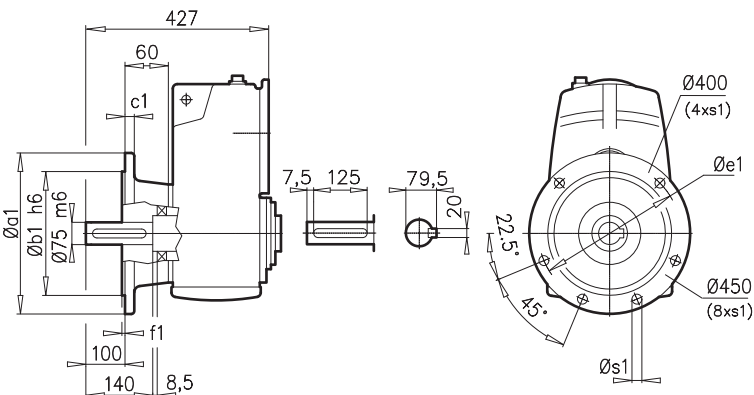
SK 6282V



SK 6282AF

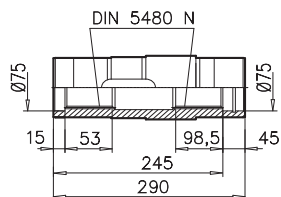


SK 6282VF



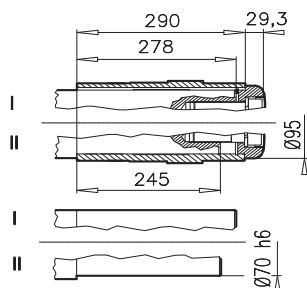
a1	b1	c1	e1	f1	s1
400	300	20	350	5	4x17,5
450	350	16	400	5	8x17,5

SK 6282EA

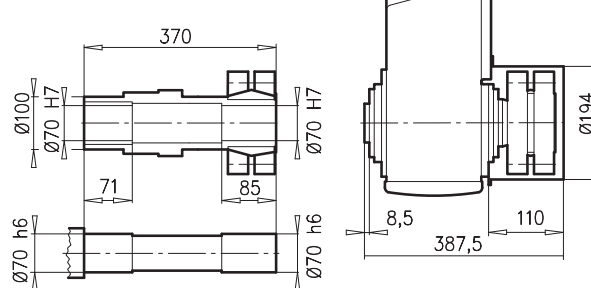


N70 x 2 x 34 x 9H

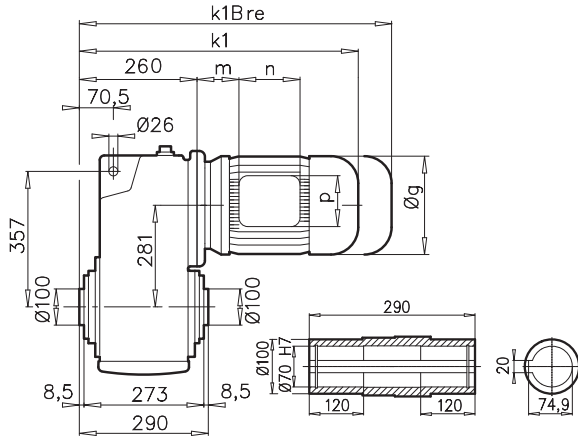
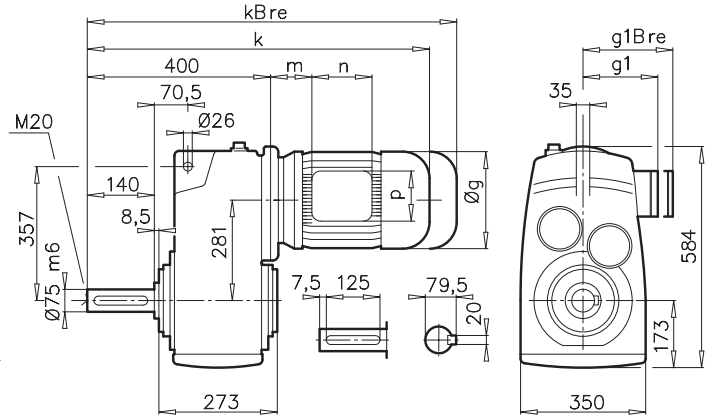
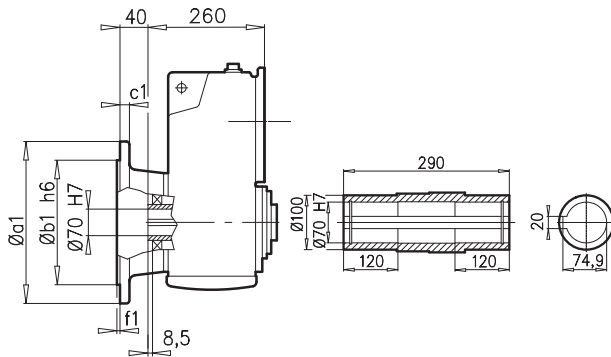
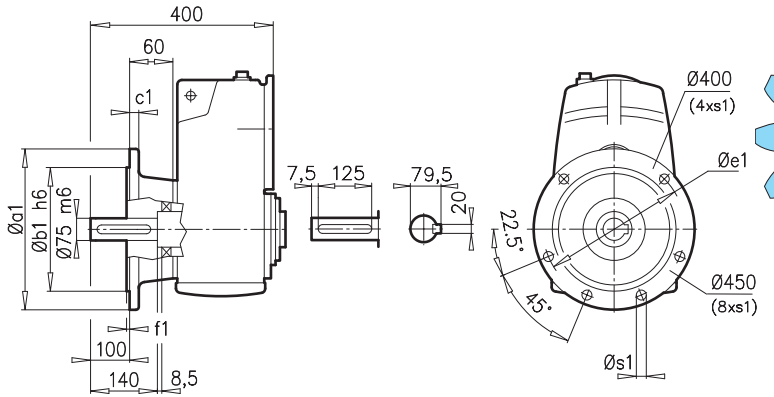
SK 6282AB ⇨ A27



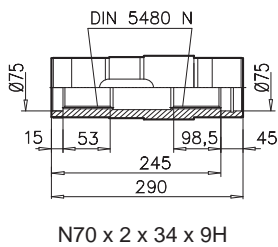
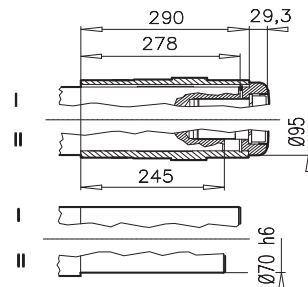
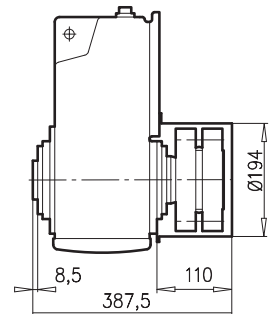
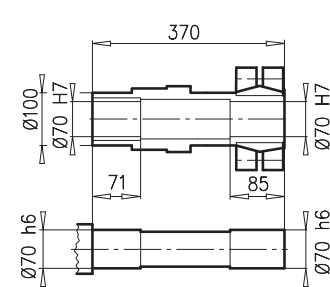
SK 6282ASH ⇨ A22



± ⇨ A53	100 LH/AH	112 MH	132 SH/MH/LH	160 SH/MH	160 LH	180 MH/LH	200 LH	225 SH	225 MH	
g	201	228	266	320	320	358	402	442	442	
g1 / g1Bre	169 / 173	179 / 182	204 / 201	242 / 242	242 / 242	259 / 259	305 / 305	325 / 325	325 / 325	
k1 / k1Bre	592 / 683	637 / 730	721 / 828	778 / 913	822 / 957	900 / 1027	974 / 1140	971 / 1151	1031 / 1211	
k / kBre	732 / 823	777 / 870	861 / 968	918 / 1053	962 / 1097	1040 / 1167	1114 / 1280	1111 / 1291	1171 / 1351	
m / Bre	32 / 36	45 / 49	71 / 64	52 / 52	52 / 52	54 / 54	110 / 110	145 / 145	145 / 145	
n / Nbre	114 / 153	114 / 153	122 / 185	186 / 186	186 / 186	186 / 186	192 / 192	192 / 192	192 / 192	
p / pBre	114 / 108	114 / 108	122 / 139	186 / 186	186 / 186	186 / 186	260 / 260	260 / 260	260 / 260	


SK 6382A

SK 6382V

SK 6382AF

SK 6382VF


a1	b1	c1	e1	f1	s1
400	300	20	350	5	4x17,5
450	350	16	400	5	8x17,5

SK 6382EA

SK 6382AB ⇨ A27

SK 6382ASH ⇨ A22


± ⇨ A53	90 SH/LH	100 LH/AH	112 MH	132 SH/MH/LH	160 SH/MH	160 LH	180 MH/LH	200 LH
g	183	201	228	266	320	320	358	402
g1 / g1Bre	147 / 147	169 / 173	179 / 182	204 / 201	242 / 242	242 / 242	259 / 259	305 / 305
k1 / k1Bre	536 / 611	566 / 657	614 / 707	675 / 782	752 / 887	796 / 931	894 / 1021	948 / 1114
k / kBRe	676 / 751	706 / 797	754 / 847	815 / 922	892 / 1027	936 / 1071	1034 / 1161	1088 / 1254
m / mBre	26 / 30	32 / 36	48 / 52	51 / 44	52 / 52	52 / 52	74 / 74	110 / 110
n / nBre	114 / 153	114 / 153	114 / 153	122 / 185	186 / 186	186 / 186	186 / 186	192 / 192
p / pBre	114 / 108	114 / 108	114 / 108	122 / 139	186 / 186	186 / 186	186 / 186	260 / 260



W = ⇨ A C106
W VL = ⇨ A C107

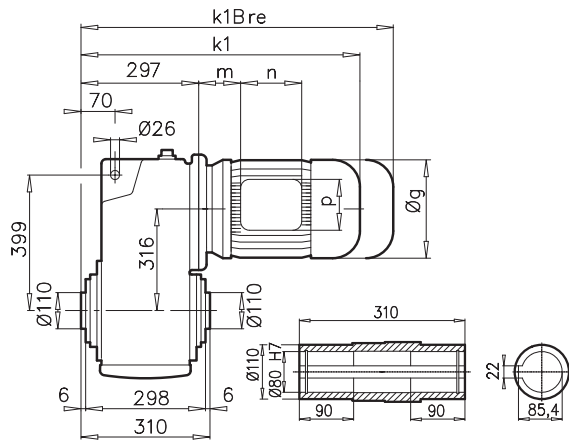


⇨ A C106

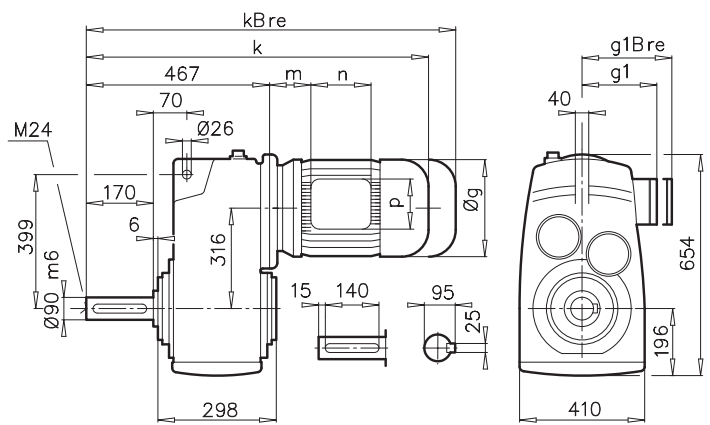
SK 7282



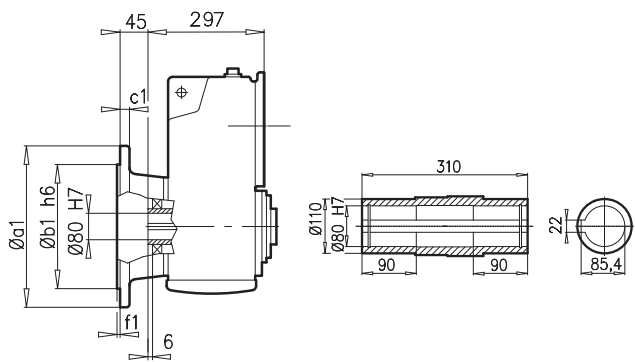
SK 7282A



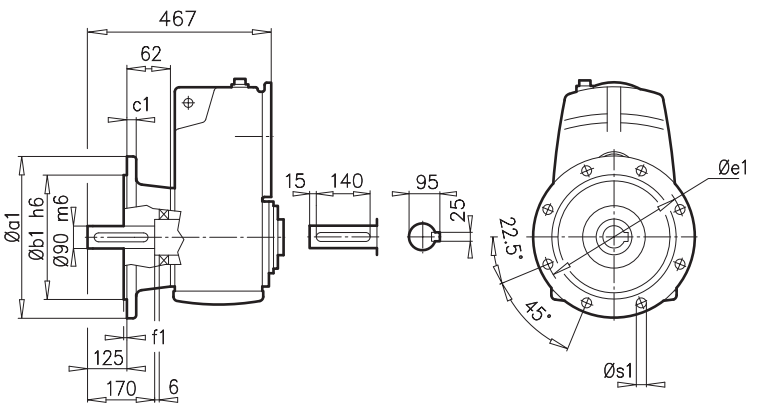
SK 7282V



SK 7282AF

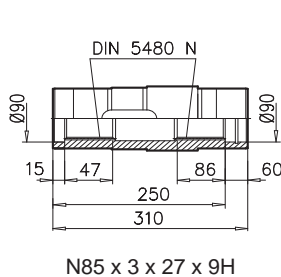


SK 7282VF

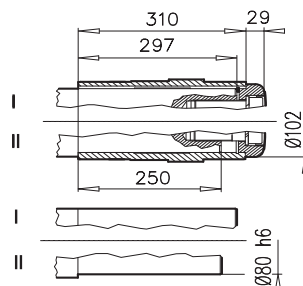


a1	b1	c1	e1	f1	s1
450	350	22	400	5	8x18
550	450	28	500	5	8x18

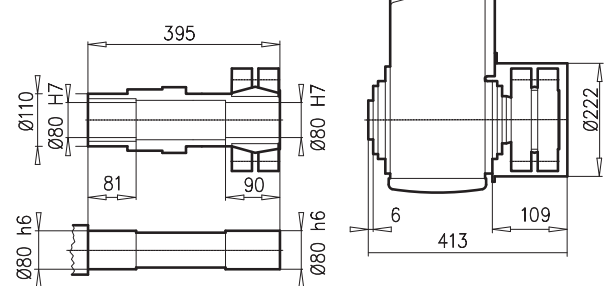
SK 7282EA



SK 7282AB ⇨ A27



SK 7282ASH ⇨ A22



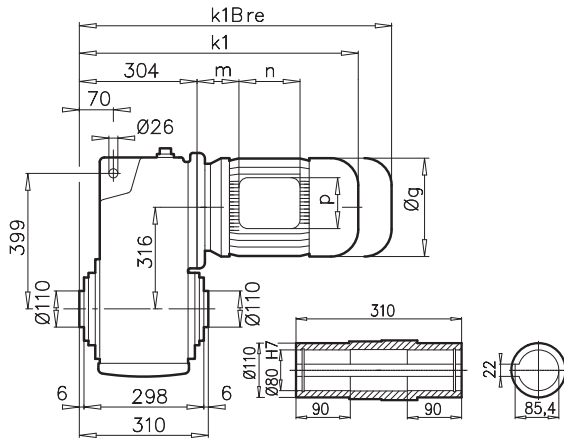
± ⇨ A53	132 SH/MH/LH	160 SH/MH	160 LH	180 MH/LH	200 LH	225 SH	225 MH
g	266	320	320	358	402	442	442
g1 / g1Bre	204 / 201	242 / 242	242 / 242	259 / 259	305 / 305	325 / 325	325 / 325
k1 / k1Bre	732 / 839	789 / 924	833 / 968	911 / 1039	985 / 1151	982 / 1162	1042 / 1222
k / kBre	902 / 1009	959 / 1094	1003 / 1138	1081 / 1208	1155 / 1321	1152 / 1332	1212 / 1392
m / mBre	71 / 64	52 / 52	52 / 52	54 / 54	110 / 110	145 / 145	145 / 145
n / nBre	122 / 185	186 / 186	186 / 186	186 / 186	192 / 192	192 / 192	192 / 192
p / pBre	122 / 139	186 / 186	186 / 186	186 / 186	260 / 260	260 / 260	260 / 260



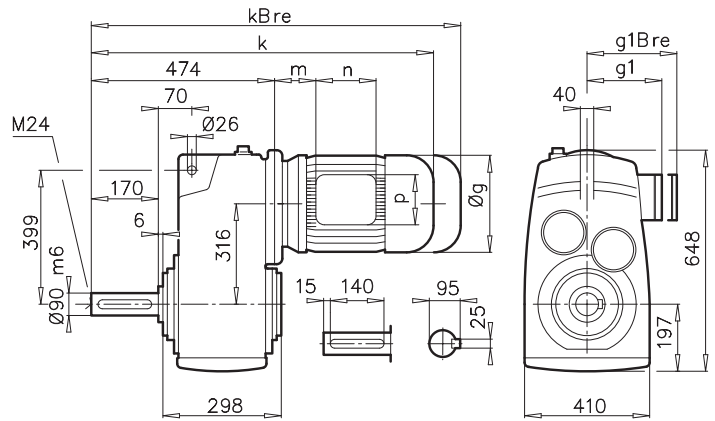
⇨ C107



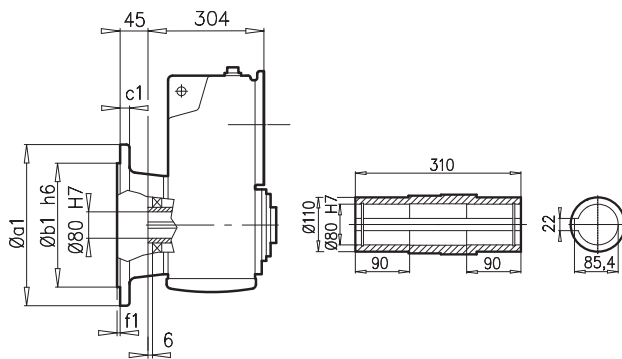
SK 7382A



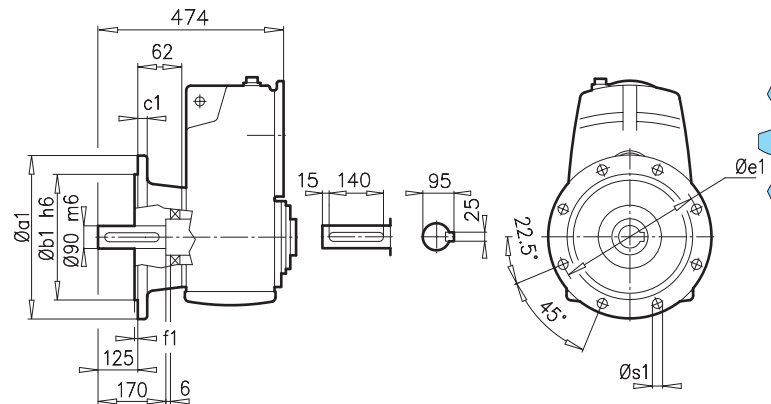
SK 7382V



SK 7382AF

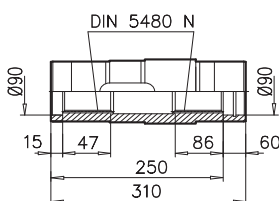


SK 7382VF



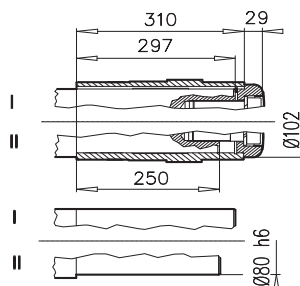
a1	b1	c1	e1	f1	s1
450	350	22	400	5	8x18
550	450	28	500	5	8x18

SK 7382EA

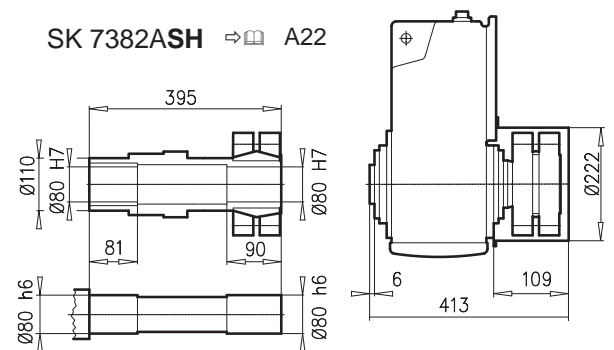


N85 x 3 x 27 x 9H

SK 7382AB ⇨ A27



SK 7382ASH ⇨ A22

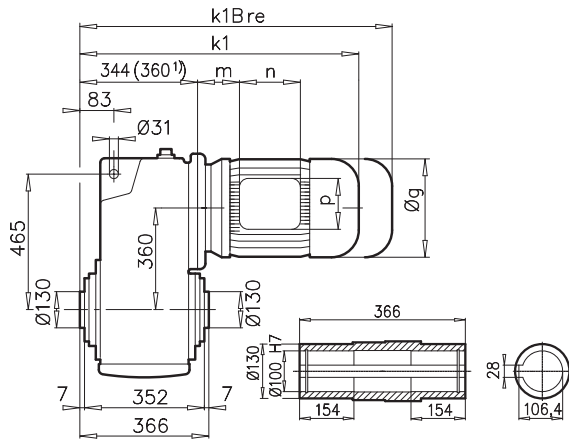


± ⇨ A53	100 LH/AH	112 MH	132 SH/MH/LH	160 SH/MH	160 LH	180 MH/LH	200 LH	225 SH	225 MH	
g	201	228	266	320	320	358	402	442	442	 ⇨ C107
g1 / g1Bre	169 / 173	179 / 182	204 / 201	242 / 242	242 / 242	259 / 259	305 / 305	325 / 325	325 / 325	
k1 / k1Bre	610 / 701	655 / 748	739 / 846	796 / 931	840 / 975	918 / 1045	992 / 1158	989 / 1169	1049 / 1229	
k / kBre	780 / 871	825 / 918	909 / 1016	966 / 1101	1010 / 1145	1088 / 1215	1162 / 1328	1159 / 1339	1219 / 1399	
m / mBre	32 / 36	45 / 49	71 / 64	52 / 52	52 / 52	54 / 54	110 / 110	145 / 145	145 / 145	
n / nBre	114 / 153	114 / 153	122 / 185	186 / 186	186 / 186	186 / 186	192 / 192	192 / 192	192 / 192	
p / pBre	114 / 108	114 / 108	122 / 139	186 / 186	186 / 186	186 / 186	260 / 260	260 / 260	260 / 260	

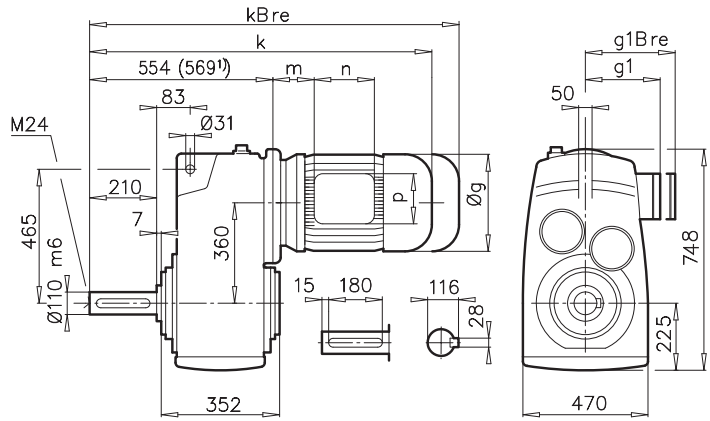
SK 8282



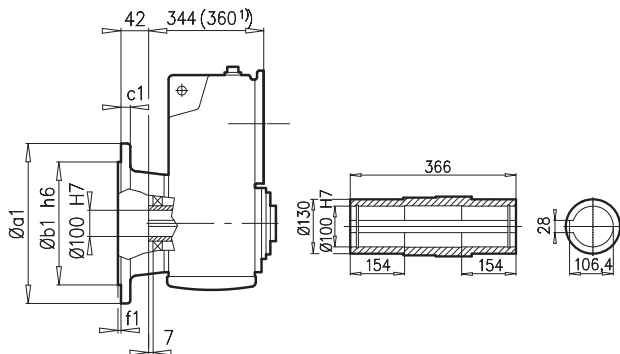
SK 8282A



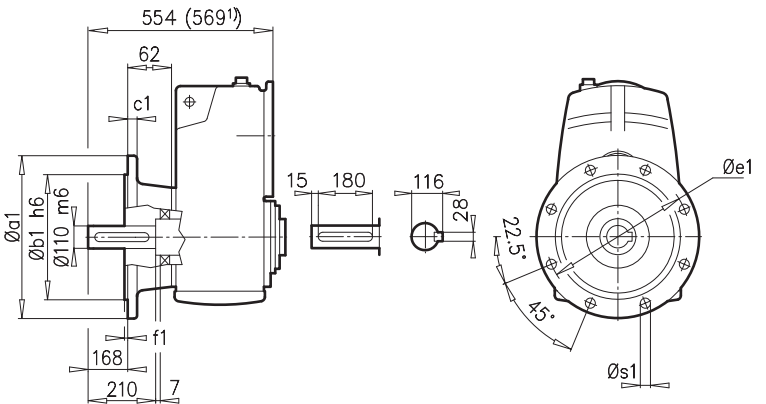
SK 8282V



SK 8282AF

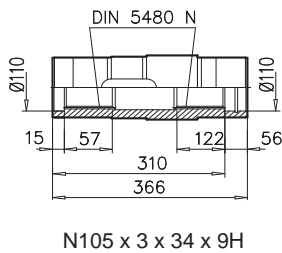


SK 8282VF

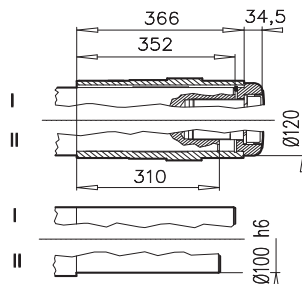


a1	b1	c1	e1	f1	s1
550	450	28	500	5	8x18

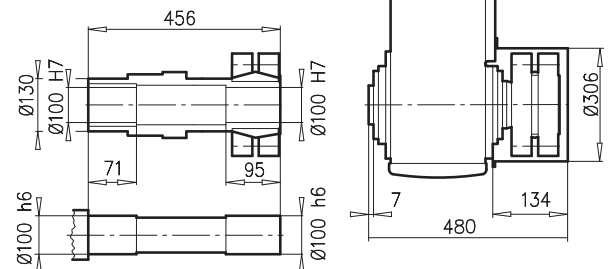
SK 8282EA



SK 8282AB ⇨ A27



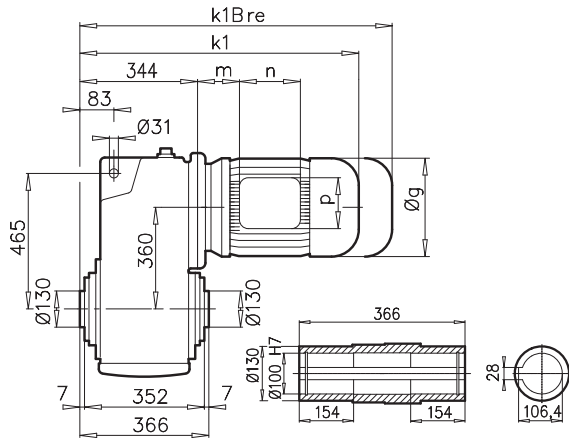
SK 8282ASH ⇨ A22



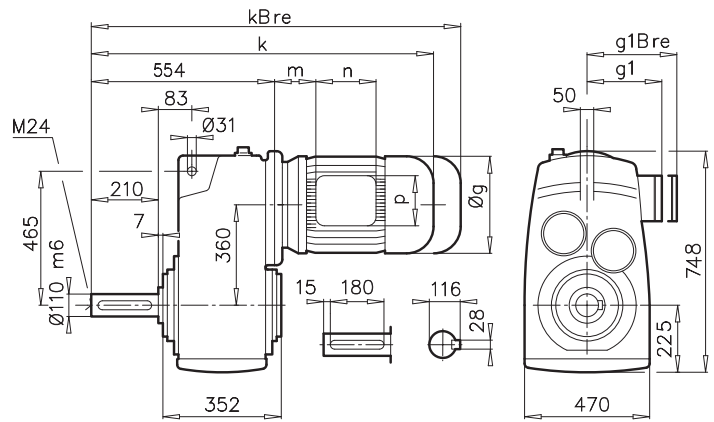
± ⇨ A53	132 SH/MH/LH	160 SH/MH	160 LH	180 MH/LH	200 LH	225 SH	225 MH	250 MH 1)	280 SH 1)	
g	266	320	320	358	402	442	442	495	555	<p>⇨ C108</p>
g1 / g1Bre	204 / 201	242 / 242	242 / 242	259 / 259	305 / 305	325 / 325	325 / 325	392 / 392	432 / 432	
k1 / k1Bre	780 / 887	836 / 971	880 / 1015	958 / 1085	1032 / 1198	1029 / 1209	1089 / 1269	1190 / 1370	1190 / 1370	
k / kBre	990 / 1097	1046 / 1181	1090 / 1225	1168 / 1295	1242 / 1408	1239 / 1419	1299 / 1479	1399 / 1579	1399 / 1579	
m / mBre	71 / 64	52 / 52	52 / 52	54 / 54	110 / 110	145 / 145	145 / 145	129 / 129	144 / 144	
n / nBre	122 / 185	186 / 186	186 / 186	186 / 186	192 / 192	192 / 192	192 / 192	236 / 236	236 / 236	
p / pBre	122 / 139	186 / 186	186 / 186	186 / 186	260 / 260	260 / 260	260 / 260	300 / 300	300 / 300	



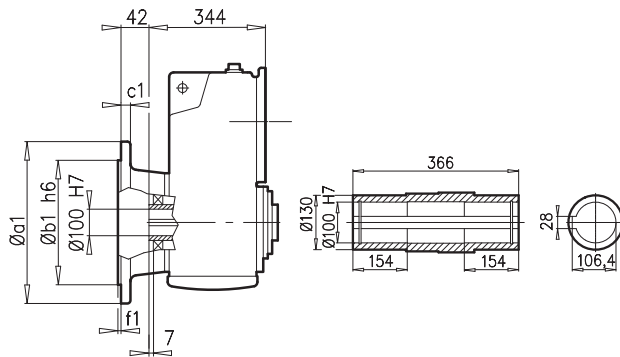
SK 8382A



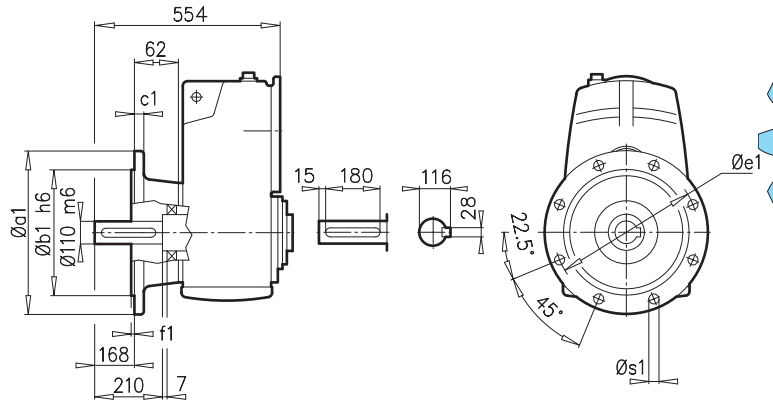
SK 8382V



SK 8382AF

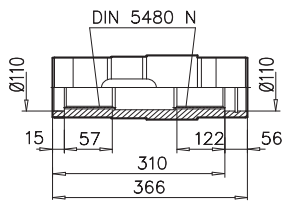


SK 8382VF



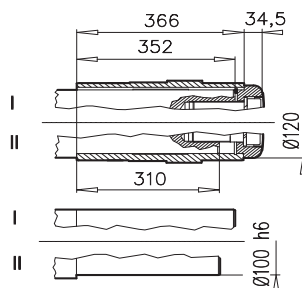
a1	b1	c1	e1	f1	s1
550	450	28	500	5	8x18

SK 8382EA

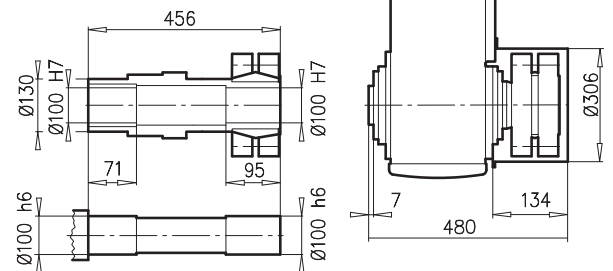


N105 x 3 x 34 x 9H

SK 8382AB ⇨ A27



SK 8382ASH ⇨ A22

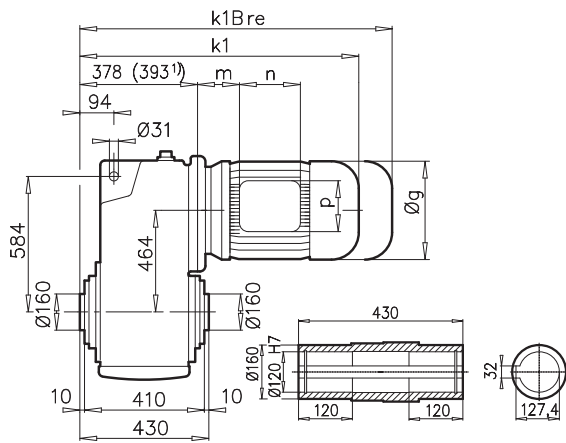


± ⇨ A53	100 LH	112 MH	132 SH/MH/LH	160 SH/MH	160 LH	180 MH/LH	200 LH	225 SH	225 MH	
g	201	228	266	320	320	358	402	442	442	 W = ⇨ C107 W VL = ⇨ C108 ⇨ C107
g1 / g1Bre	169 / 173	179 / 182	204 / 201	242 / 242	242 / 242	259 / 259	305 / 305	325 / 325	325 / 325	
k1 / k1Bre	651 / 742	696 / 789	780 / 887	836 / 971	880 / 1015	958 / 1085	1032 / 1198	1029 / 1209	1089 / 1269	
k / kBre	861 / 952	906 / 999	990 / 1097	1046 / 1181	1090 / 1225	1168 / 1295	1242 / 1408	1239 / 1419	1299 / 1479	
m / mBre	32 / 36	45 / 49	71 / 64	52 / 52	52 / 52	54 / 54	110 / 110	145 / 145	145 / 145	
n / nBre	114 / 153	114 / 153	122 / 185	186 / 186	186 / 186	186 / 186	192 / 192	192 / 192	192 / 192	
p / pBre	114 / 108	114 / 108	122 / 139	186 / 186	186 / 186	186 / 186	260 / 260	260 / 260	260 / 260	

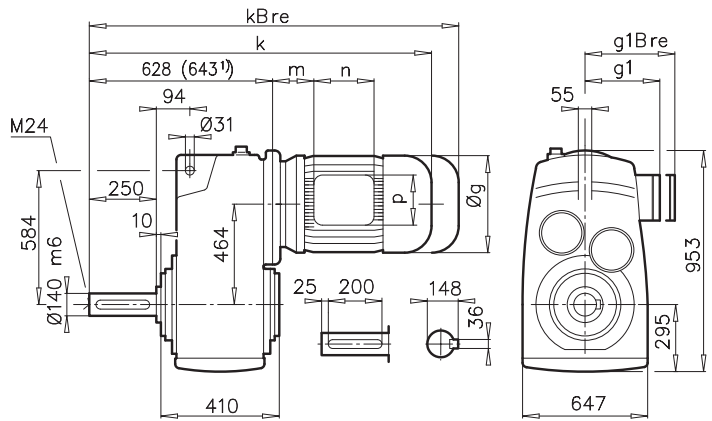
SK 9282



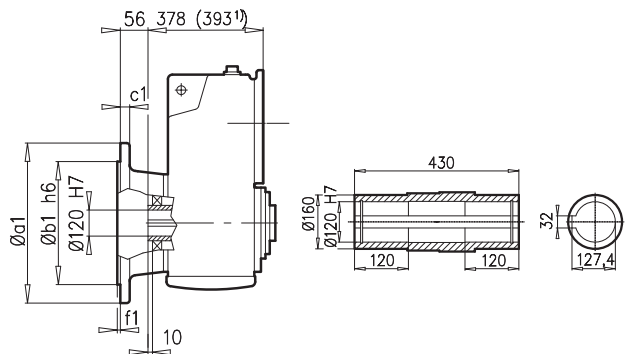
SK 9282A



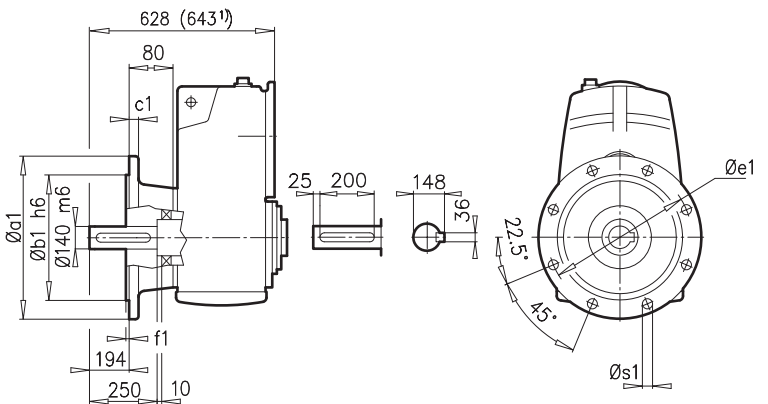
SK 9282V



SK 9282AF

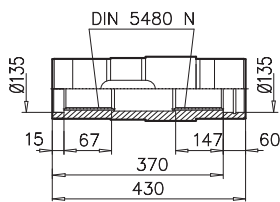


SK 9282VF



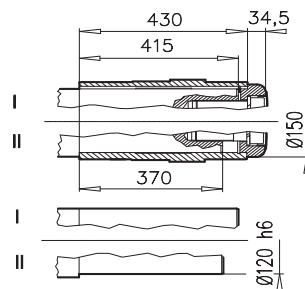
a1	b1	c1	e1	f1	s1
660	550	32	600	6	8x22

SK 9282EA

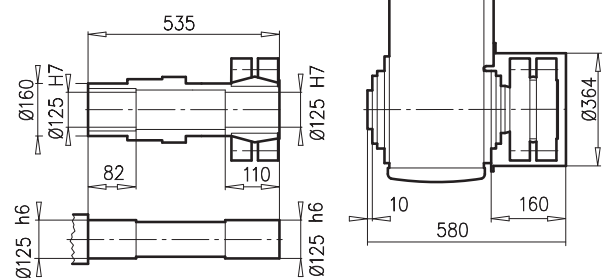


N130 x 5 x 24 x 9H

SK 9282AB ⇨ A27



SK 9282ASH ⇨ A22



± ⇨ A53	200 LH	225 SH	225 MH	250 MH ¹⁾	280 SH ¹⁾	280 MH ¹⁾	315 SH ¹⁾	315 MH/RH ¹⁾
g	402	442	442	495	555	555	610	610
g1 / g1Bre	305 / 305	325 / 325	325 / 325	392 / 392	432 / 432	432 / 432	500 / -	500 / -
k1 / k1Bre	1066 / 1232	1063 / 1243	1123 / 1303	1223 / 1403	1223 / 1403	1323 / 1503	1325 / -	1485 / -
k / kBRe	1316 / 1482	1313 / 1493	1373 / 1553	1473 / 1653	1473 / 1653	1573 / 1753	1575 / -	1735 / -
m / mBre	110 / 110	145 / 145	145 / 145	129 / 129	144 / 144	134 / 134	132 / -	132 / -
n / nBre	192 / 192	192 / 192	192 / 192	236 / 236	236 / 236	236 / 236	307 / -	307 / -
p / pBre	260 / 260	260 / 260	260 / 260	300 / 300	300 / 300	300 / 300	380 / -	380 / -

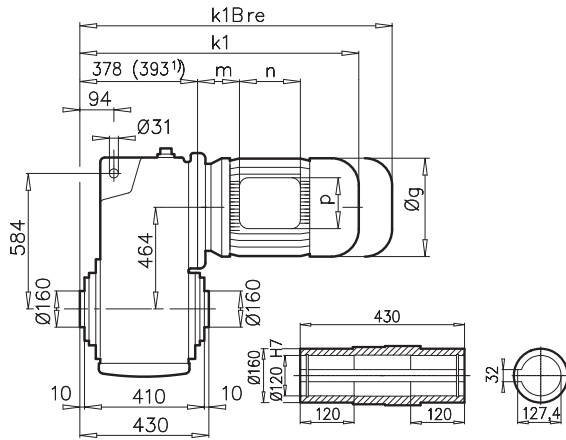


⇨ C108

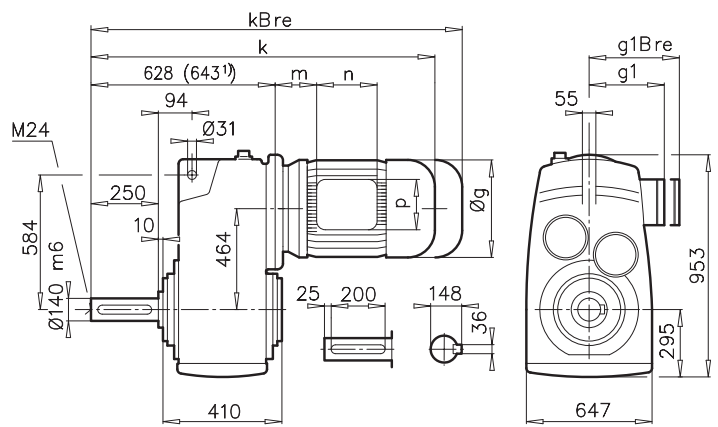




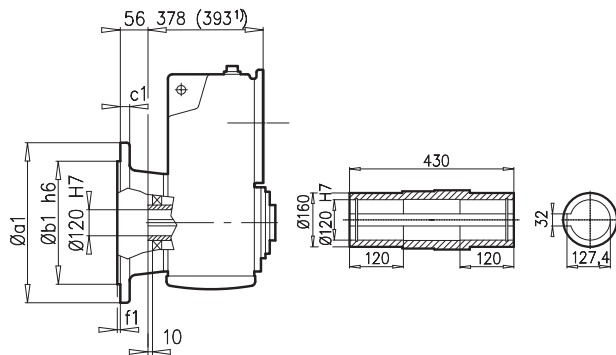
SK 9382A



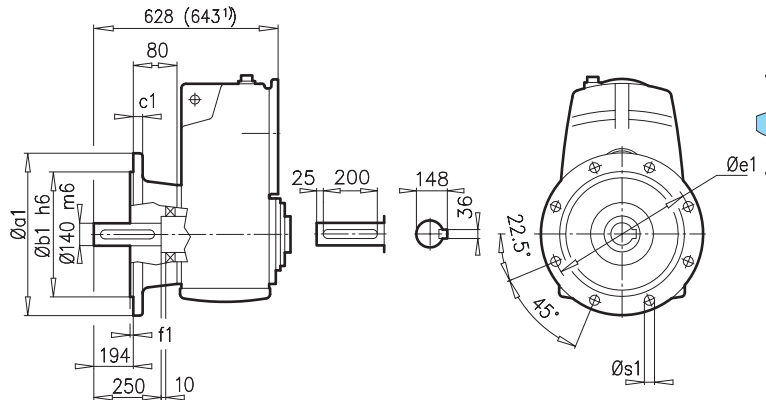
SK 9382V



SK 9382AF

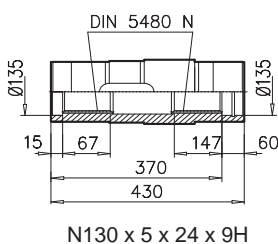


SK 9382VF

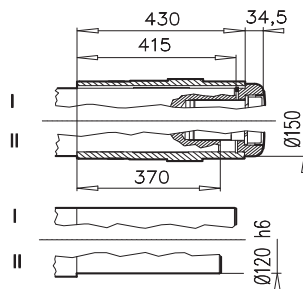


a1	b1	c1	e1	f1	s1
660	550	32	600	6	8x22

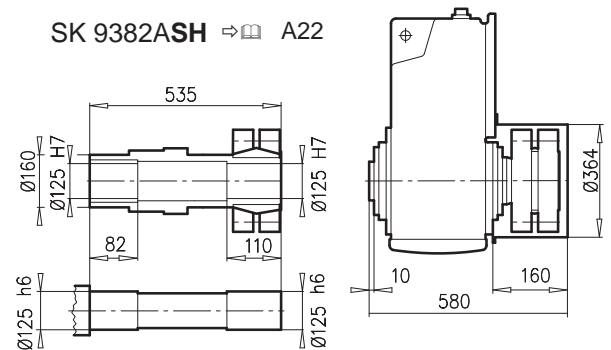
SK 9382EA



SK 9382AB ⇨ A27



SK 9382ASH ⇨ A22

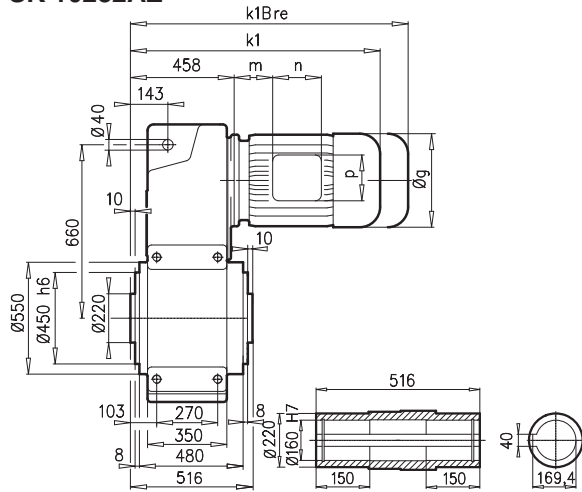


± ⇨ A53	132 SH/MH/LH	160 SH/MH	160 LH	180 MH/LH	200 LH	225 SH	225 MH	250 MH ¹⁾	280 SH ¹⁾	
g	266	320	320	358	402	442	442	495	555	
g1 / g1Bre	204 / 201	242 / 242	242 / 242	259 / 259	305 / 305	325 / 325	325 / 325	392 / 392	432 / 432	W ⇨ C107
k1 / k1Bre	813 / 920	870 / 1005	914 / 1049	992 / 1119	1066 / 1232	1063 / 1243	1123 / 1303	1223 / 1403	1223 / 1403	W VL ⇨ C108
k / kBre	1063 / 1170	1120 / 1255	1164 / 1299	1242 / 1369	1316 / 1482	1313 / 1493	1373 / 1553	1473 / 1653	1473 / 1653	⇨ C107
m / mBre	71 / 64	52 / 52	52 / 52	54 / 54	110 / 110	145 / 145	145 / 145	129 / 129	144 / 144	
n / nBre	122 / 185	186 / 186	186 / 186	186 / 186	192 / 192	192 / 192	192 / 192	236 / 236	236 / 236	
p / pBre	122 / 139	186 / 186	186 / 186	186 / 186	260 / 260	260 / 260	260 / 260	300 / 300	300 / 300	

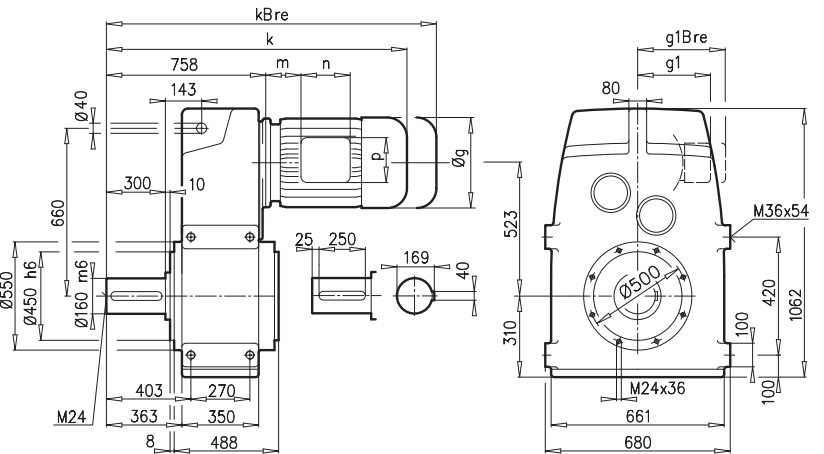
SK 10282



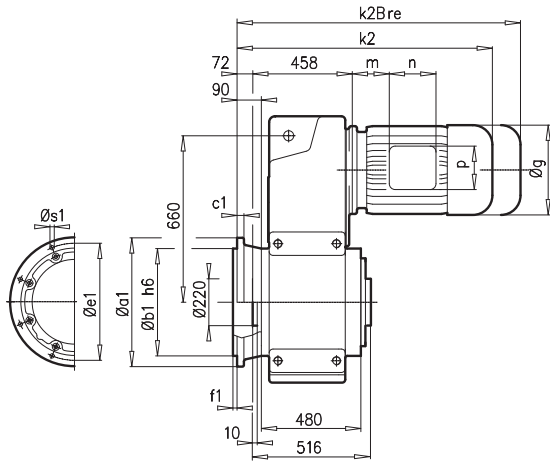
SK 10282AZ



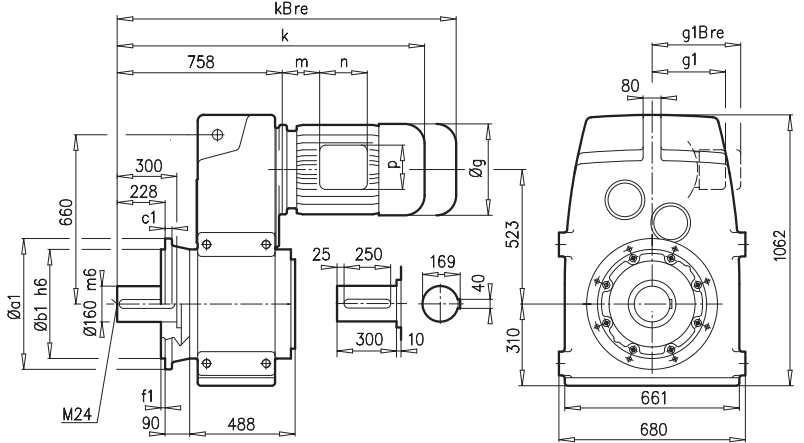
SK 10282VZ



SK 10282AF

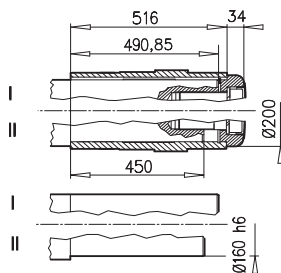


SK 10282VF

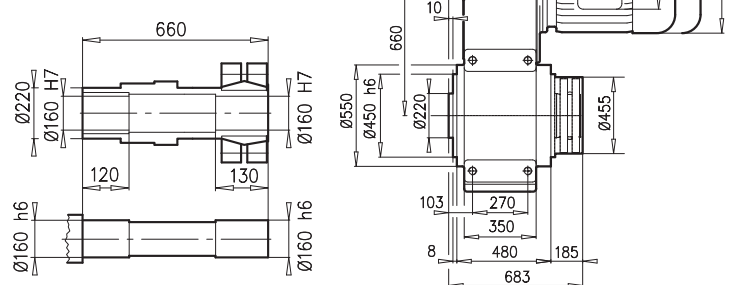


a1	b1	c1	e1	f1	s1
660	550	35	600	8	8x26

SK 10282AZB ⇨ A27



SK 10282AZSH ⇨ A22



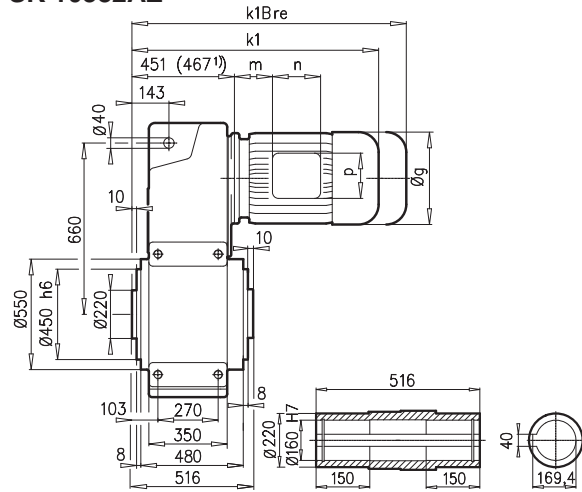
± ⇨ A53	280 SH	280 MH	315 SH	315 MH/RH	315 LH
g	555	555	610	610	610
g1 / g1Bre	432 / 432	432 / 432	500 / -	500 / -	500 / -
k1 / k1Bre	1288 / 1468	1388 / 1568	1390 / -	1550 / -	1690 / -
k2 / k2Bre	1360 / 1540	1460 / 1640	1462 / -	1622 / -	1762 / -
k / kBre	1588 / 1768	1688 / 1868	1690 / -	1850 / -	1990 / -
m / mBre	144 / 144	134 / 134	132 / -	132 / -	132 / -
n / nBre	236 / 236	236 / 236	307 / -	307 / -	307 / -
p / pBre	300 / 300	300 / 300	380 / -	380 / -	380 / -



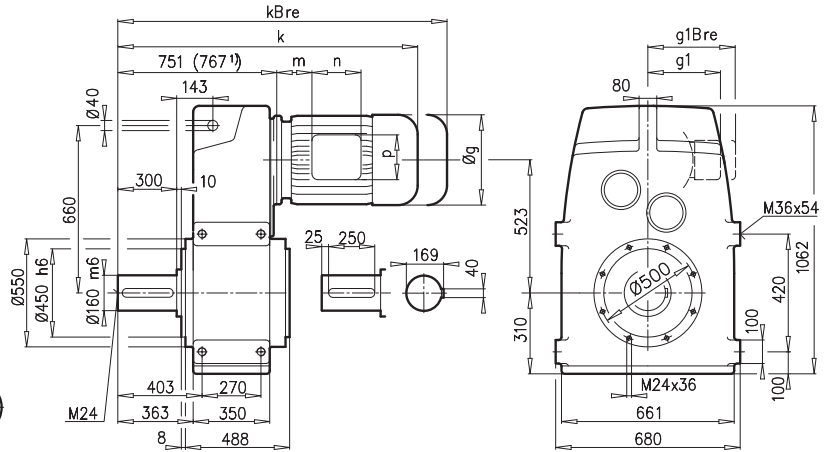
⇨ C109



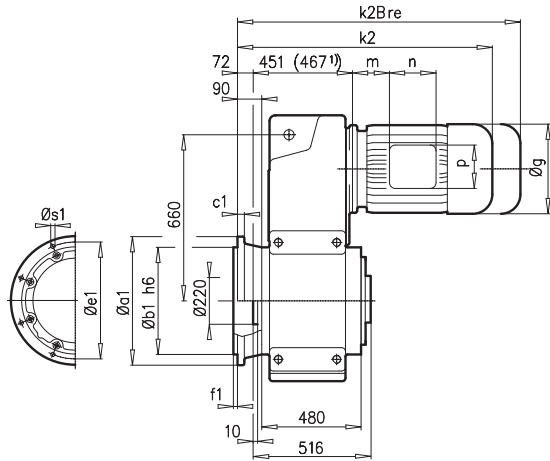
SK 10382AZ



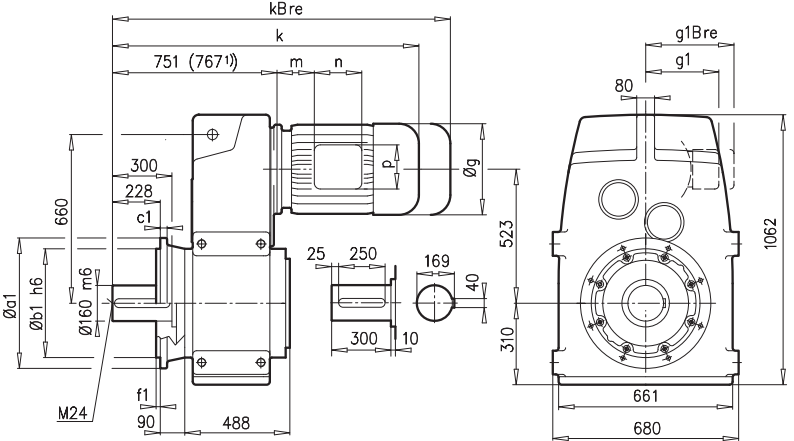
SK 10382VZ



SK 10382AF

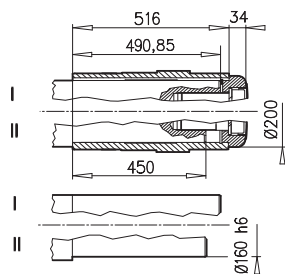


SK 10382VF

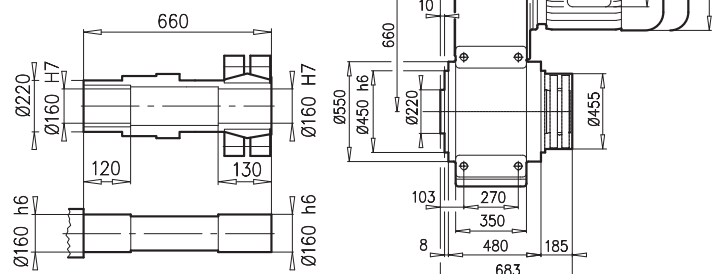


a1	b1	c1	e1	f1	s1
660	550	35	600	8	8x26

SK 10382AZB \Rightarrow A27



SK 10382AZSH \Rightarrow A22



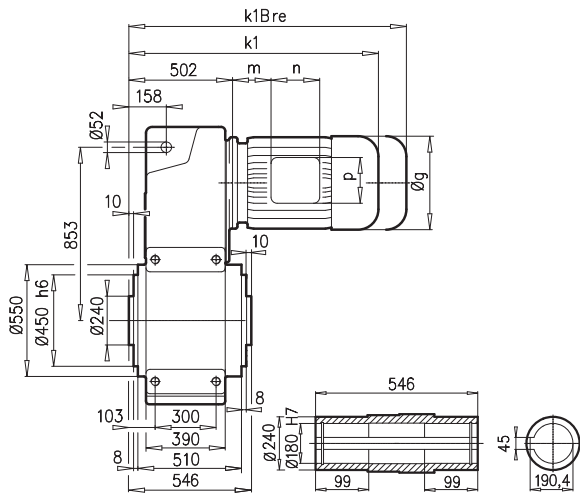
$\pm \Rightarrow$ A53	132 SH/MH/LH	160 SH/MH	160 LH	180 MH/LH	200 LH	225 SH	225 MH	250 MH ¹⁾	280 SH ¹⁾	280 MH ¹⁾	315 SH ¹⁾	315 MH/RH ¹⁾
g	266	320	320	358	402	442	442	495	555	555	610	610
g1 / g1Bre	204 / 201	242 / 242	242 / 242	259 / 259	305 / 305	325 / 325	325 / 325	392 / 392	432 / 432	432 / 432	500 / -	500 / -
k1 / k1Bre	886 / 993	943 / 1078	987 / 1122	1053 / 1158	1139 / 1305	1136 / 1316	1196 / 1376	1297 / 1477	1297 / 1477	1397 / 1577	1399 / -	1559 / -
k2 / k2Bre	958 / 1065	1015 / 1150	1015 / 1194	1125 / 1230	1211 / 1377	1208 / 1388	1268 / 1448	1369 / 1549	1369 / 1549	1469 / 1649	1471 / -	1631 / -
k / kBre	1186 / 1293	1243 / 1378	1287 / 1422	1353 / 1458	1439 / 1603	1436 / 1616	1496 / 1676	1597 / 1777	1597 / 1777	1697 / 1877	1699 / -	1859 / -
m / mBre	71 / 64	52 / 52	52 / 52	54 / 54	110 / 110	145 / 145	145 / 145	129 / 129	144 / 144	134 / 134	132 / -	132 / -
n / nBre	122 / 185	186 / 186	186 / 186	186 / 186	192 / 192	192 / 192	192 / 192	236 / 236	236 / 236	236 / 236	307 / -	307 / -
p / pBre	122 / 139	186 / 186	186 / 186	186 / 186	260 / 260	260 / 260	260 / 260	300 / 300	300 / 300	300 / 300	380 / -	389 / -



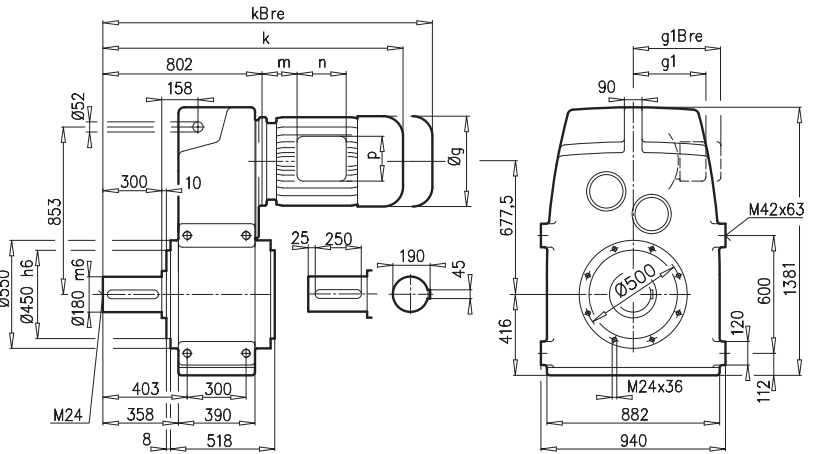
SK 11282



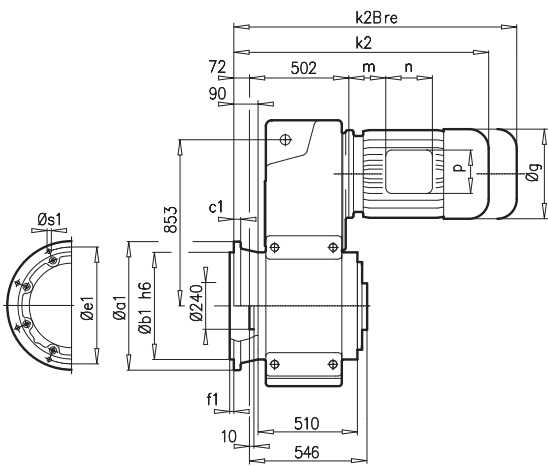
SK 11282AZ



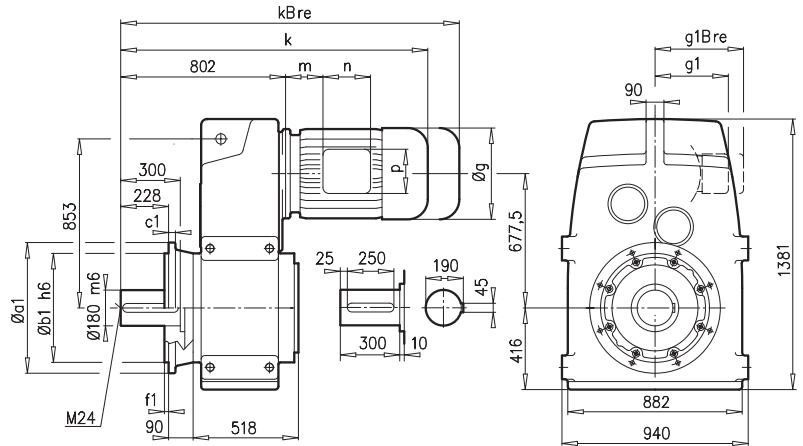
SK 11282VZ



SK 11282AF

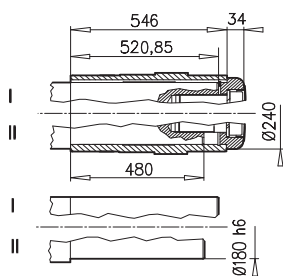


SK 11282VF

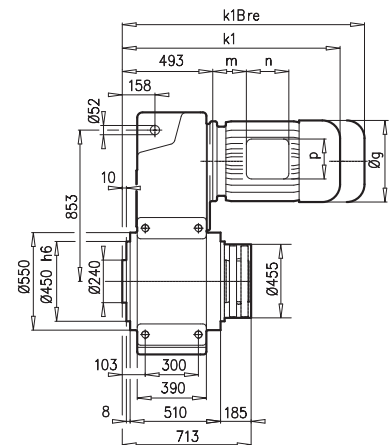
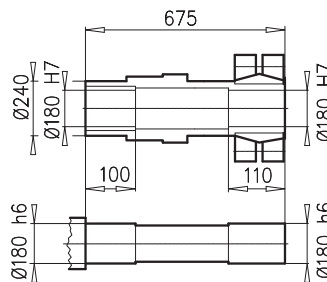


a1	b1	c1	e1	f1	s1
660	550	35	600	8	8x26

SK 11282AZB ⇨ A27



SK 11282AZSH ⇨ A22



± ⇨ A53	280 SH	280 MH	315 SH	315 MH/RH	315 LH		
g	555	555	610	610	610		
g1 / g1Bre	432 / 432	432 / 432	500 / -	500 / -	500 / -		
k1 / k1Bre	1332 / 1512	1432 / 1612	1434 / -	1594 / -	1734 / -		
k2 / k2Bre	1404 / 1584	1504 / 1684	1506 / -	1666 / -	1806 / -		
k / kBRe	1632 / 1812	1732 / 1912	1734 / -	1894 / -	2034 / -		
m / mBre	144 / 144	134 / 134	132 / -	132 / -	132 / -		
n / nBre	236 / 236	236 / 236	307 / -	307 / -	307 / -		
p / pBre	300 / 300	300 / 300	380 / -	380 / -	380 / -		

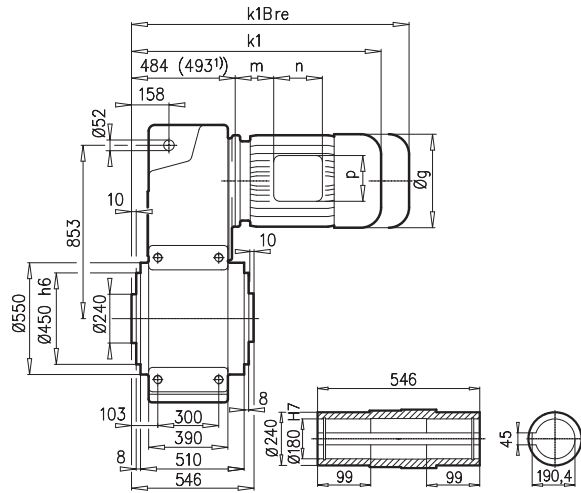


⇨ C109

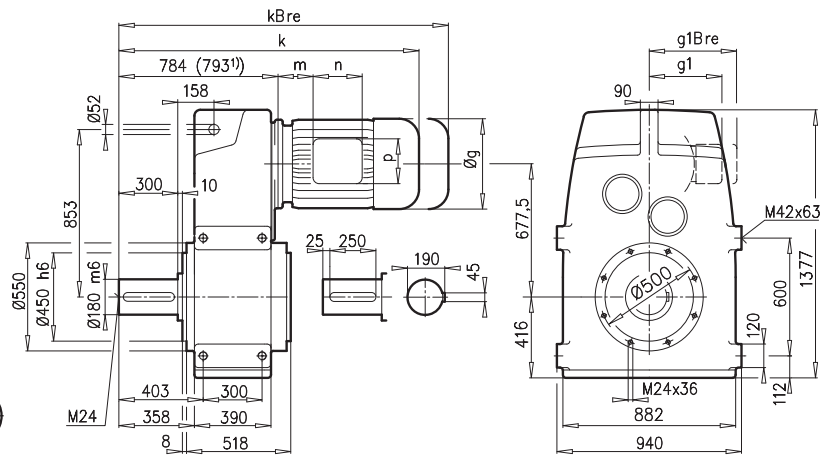




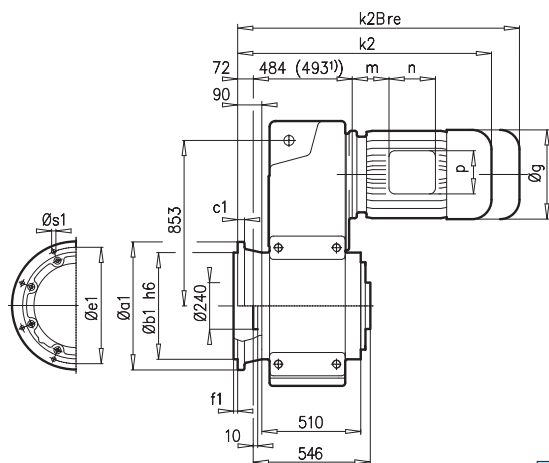
SK 11382AZ



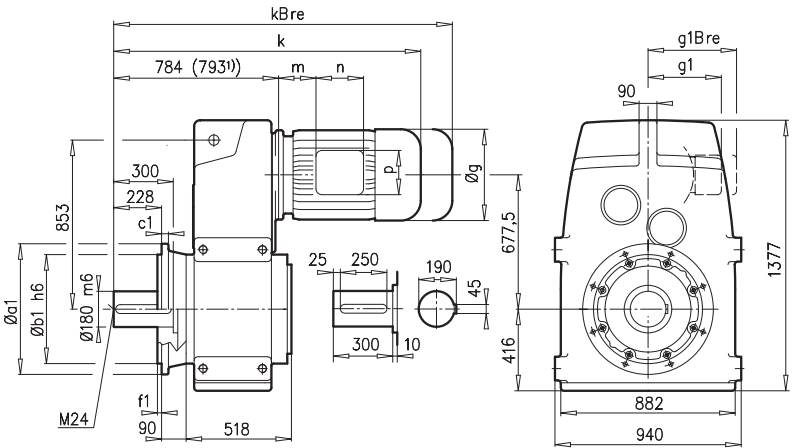
SK 11382VZ



SK 11382AF

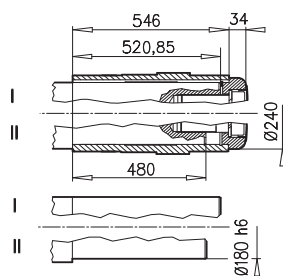


SK 11382VF

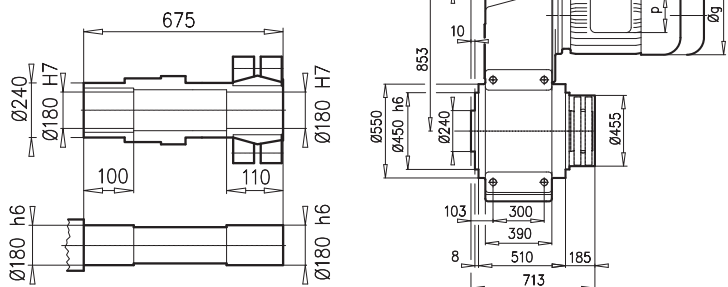


a1	b1	c1	e1	f1	s1
660	550	35	600	8	8x26

SK 11382AZB \Rightarrow A27



SK 11382AZSH \Rightarrow A22



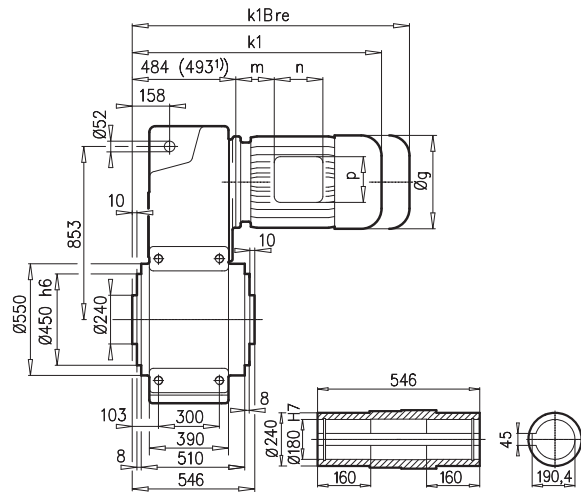
\pm \Rightarrow A53	160 SH/MH	160 LH	180MH/LH	200 LH	225 SH	225 MH	250 MH	280 SH	280 MH ¹⁾	315 SH ¹⁾	315 MH ¹⁾	315 LH ¹⁾
g	320	320	358	402	442	442	495	555	555	610	610	610
g1 / g1Bre	242 / 242	242 / 242	259 / 259	305 / 305	325 / 325	325 / 325	392 / 392	432 / 432	432 / 432	500 / -	500 / -	500 / -
k1 / k1Bre	976 / 1111	1020 / 1155	1098 / 1225	1172 / 1338	1169 / 1349	1229 / 1409	1314 / 1494	1314 / 1494	1423 / 1603	1425 / -	1585 / -	1725 / -
k2 / k2Bre	1048 / 1183	1092 / 1227	1170 / 1297	1244 / 1410	1241 / 1421	1301 / 1481	1386 / 1566	1386 / 1566	1495 / 1675	1497 / -	1657 / -	1797 / -
k / kBre	1276 / 1411	1320 / 1455	1398 / 1525	1472 / 1638	1469 / 1649	1529 / 1709	1614 / 1794	1614 / 1794	1723 / 1903	1725 / -	1885 / -	2025 / -
m / mBre	52 / 52	52 / 52	54 / 54	110 / 110	145 / 145	145 / 145	129 / 129	144 / 144	134 / 134	132 / -	132 / -	132 / -
n / nBre	186 / 186	186 / 186	186 / 186	192 / 192	192 / 192	192 / 192	236 / 236	236 / 236	236 / 236	307 / -	307 / -	307 / -
p / pBre	186 / 186	186 / 186	186 / 186	260 / 260	260 / 260	260 / 260	300 / 300	300 / 300	300 / 300	380 / -	380 / -	380 / -



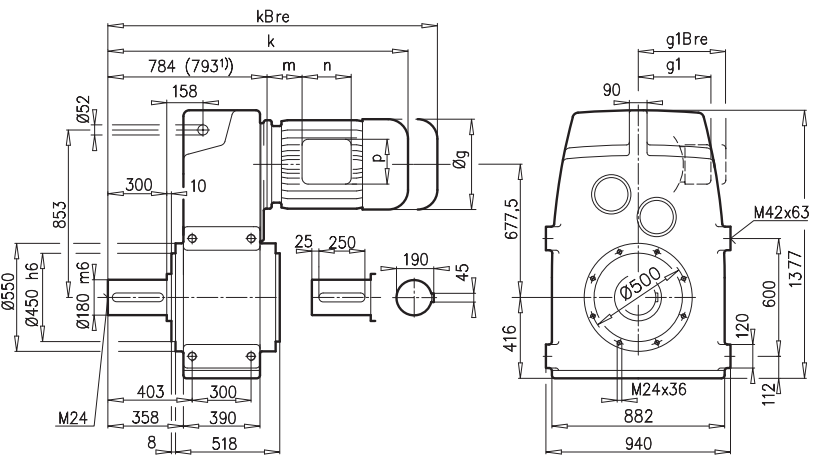
SK 12382



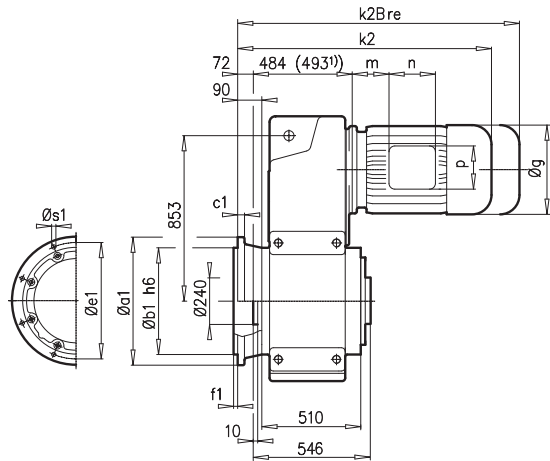
SK 12382AZ



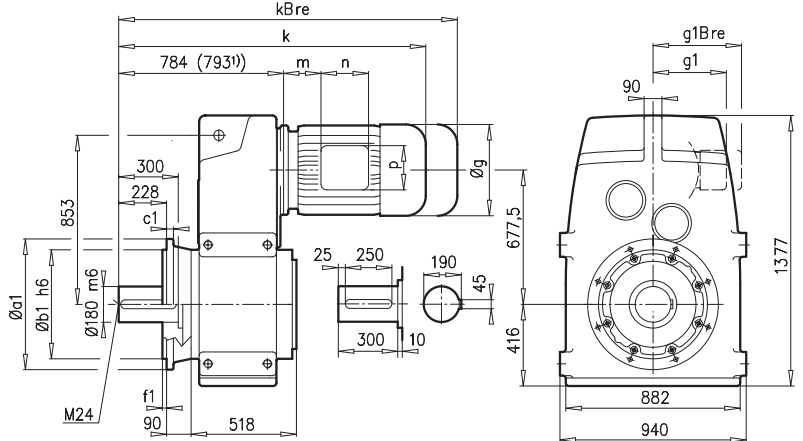
SK 12382VZ



SK 12382AF

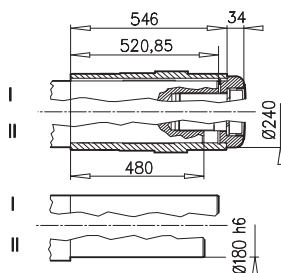


SK 12382VF

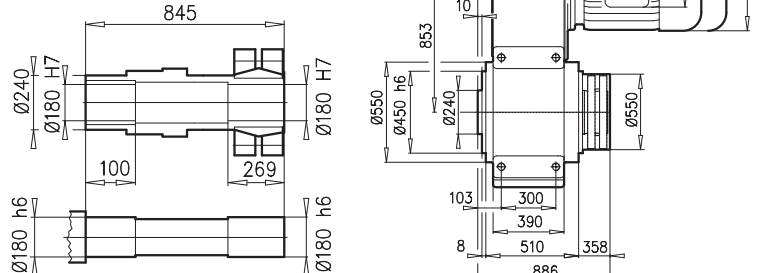


a1	b1	c1	e1	f1	s1
660	550	35	600	8	8x26

SK 12382AZB ⇨ A27



SK 12382AZSH ⇨ A22



± ⇨ A53	200 LH	225 SH	225 MH	250 MH	280 SH	280 MH ¹⁾	315 SH ¹⁾	315 MH/RH ¹⁾	315 LH ¹⁾
g	402	442	442	495	555	555	610	610	610
g1 / g1Bre	305 / 305	325 / 325	325 / 325	392 / 392	432 / 432	432 / 432	500 / -	500 / -	500 / -
k1 / k1Bre	1172 / 1338	1169 / 1349	1229 / 1409	1314 / 1494	1314 / 1494	1423 / 1603	1425 / -	1585 / -	1725 / -
k2 / k2Bre	1244 / 1410	1241 / 1421	1301 / 1481	1386 / 1566	1386 / 1566	1495 / 1675	1497 / -	1657 / -	1797 / -
k / kBRe	1472 / 1638	1469 / 1649	1529 / 1709	1614 / 1794	1614 / 1794	1723 / 1903	1725 / -	1885 / -	2025 / -
m / m Bre	110 / 110	145 / 145	145 / 145	129 / 129	144 / 144	134 / 134	132 / -	132 / -	132 / -
n / nBre	192 / 192	192 / 192	192 / 192	236 / 236	236 / 236	236 / 236	307 / -	307 / -	307 / -
p / pBre	260 / 260	260 / 260	260 / 260	300 / 300	300 / 300	300 / 300	380 / -	380 / -	380 / -

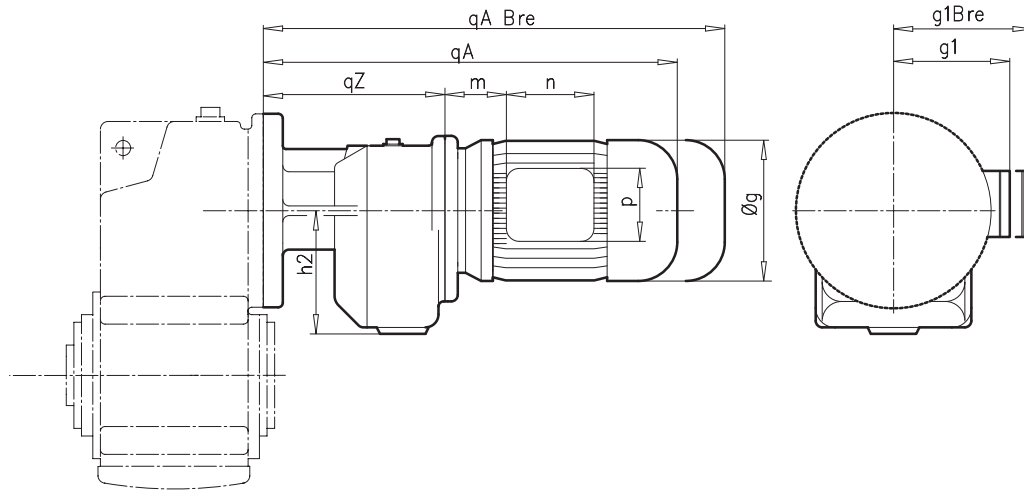


⇨ C109





SK 1282/02 - SK 9382/42



± ⇒ A53	SK 1282/02	SK 2282/02			SK 3282/12			
	63 S/L	63 S/L	71 S/L	80 SH	63 L	71 L	90 SH/LH	
g	130	130	145	165	130	145	183	
g1 / g1Bre	115 / 123	115 / 123	124 / 132	142 / 142	115 / 123	124 / 132	147 / 147	
m / mBre	16 / 22	16 / 22	42 / 43	47 / 51	16 / 23	42 / 49	52 / 56	
n / nBre	100 / 134	100 / 134	100 / 134	114 / 153	100 / 134	100 / 134	114 / 153	
p / pBre	100 / 89	100 / 89	100 / 89	114 / 108	100 / 89	100 / 89	114 / 108	
h2	89	89			106			
qZ	142	158			171			
qA / qABre	338 / 394	354 / 410	394 / 452	419 / 483	367 / 423	407 / 465	473 / 548	
	SK 1282 ⇒ C79	SK 2282 ⇒ C80			SK 3282 ⇒ C82			



⇒ C104



± ⇒ A53	SK 4282/12, SK 5282/12				SK 6382/22, SK 7382/22				
	63 S/L	71 S/L	80 SH	100 LH/AH	71 L	80 SH/LH	90 SH/LH	100 LH/AH	
g	130	145	165	201	145	165	183	201	
g1 / g1Bre	115 / 123	124 / 132	142 / 142	169 / 173	124 / 132	142 / 142	147 / 147	169 / 173	
m / mBre	16 / 22	42 / 43	47 / 51	58 / 62	36 / 42	41 / 45	46 / 50	52 / 56	
n / nBre	100 / 134	100 / 134	114 / 153	114 / 153	100 / 134	114 / 153	114 / 153	114 / 153	
p / pBre	100 / 89	100 / 89	114 / 108	114 / 108	100 / 89	114 / 108	114 / 108	114 / 108	
h2	106				125				
qZ	175				179				
qA / qABre	371 / 427	411 / 469	436 / 500	507 / 598	409 / 467	434 / 498	475 / 550	505 / 596	
	SK 4282 ⇒ C84, SK 5282 ⇒ C86				SK 6382 ⇒ C89, SK 7382 ⇒ C91				



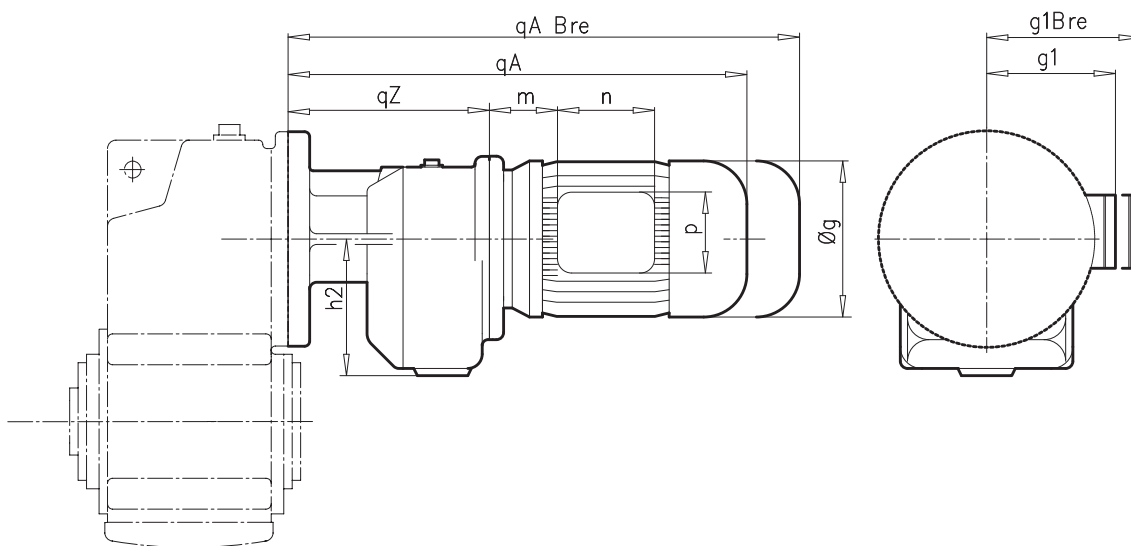
⇒ C104
C105

± ⇒ A53	SK 6382/32	SK 7382/32, SK 8382/32				SK 8382/42, SK 9382/42*					
	W / IEC	80 SH/LH	90 SH/LH	100 LH/AH	112 MH	90 SH/LH	100 LH/AH	112 MH	132 SH/MH/ LH*	160 SH	
g	-	165	183	201	228	183	201	228	266	320	
g1 / g1Bre	-	142 / 142	147 / 147	169 / 173	179 / 182	147 / 147	169 / 173	179 / 182	204 / 201	242 / 242	
m / mBre	-	41 / 45	46 / 50	52 / 56	68 / 72	26 / 30	32 / 36	48 / 52	51 / 44	52 / 52	
n / nBre	-	114 / 153	114 / 153	114 / 153	114 / 153	114 / 153	114 / 153	114 / 153	122 / 185	186 / 186	
p / pBre	-	114 / 108	114 / 108	114 / 108	114 / 108	114 / 108	114 / 108	114 / 108	122 / 139	186 / 186	
h2	155	155				175					
qZ	219	219				260					
qA / qABre	-	474 / 538	515 / 590	545 / 636	568 / 661	536 / 611	566 / 657	614 / 707	675 / 782	752 / 887	
	SK 6382 ⇒ C89	SK 7382 ⇒ C91, SK 8382 ⇒ C93				SK 8382 ⇒ C93, SK 9382 ⇒ C95					



⇒ C105
C106

SK 9382/52 - SK 11382/52



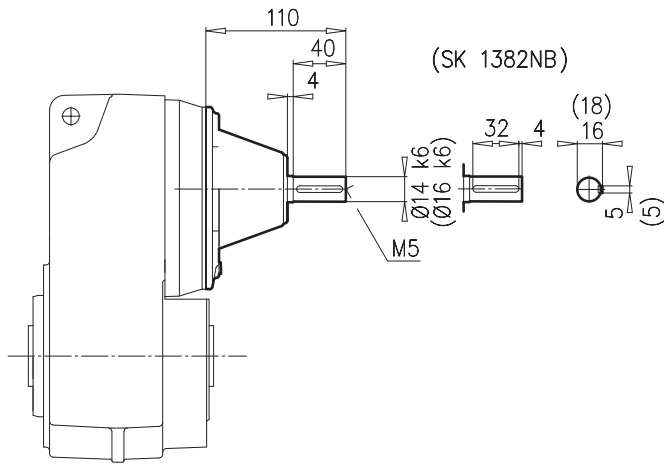
± ⇒ A53	SK 9382/52, SK 10382/52, SK 11382/52								
	100 LH/AH	112 MH	132 SH/MH/LH	160 SH/MH	160LH	180 MH/LH			
g	201	228	266	320	320	358			
g1 / g1Bre	169 / 173	179 / 182	204 / 201	242 / 242	242 / 242	259 / 259			
m / mBre	32 / 36	48 / 52	51 / 44	52 / 52	52 / 52	74 / 74			
n / nBre	114 / 153	114 / 153	122 / 185	186 / 186	186 / 186	186 / 186			
p / pBre	114 / 108	114 / 108	122 / 139	186 / 186	186 / 186	186 / 186			
h2	212								
qZ	300								
qA / qABre	606 / 697	654 / 747	715 / 822	792 / 971	836 / 1015	934 / 1061			
	SK 9382 ⇒ C95, SK 10382 ⇒ C97, SK 11382 ⇒ C99								



⇒ C106

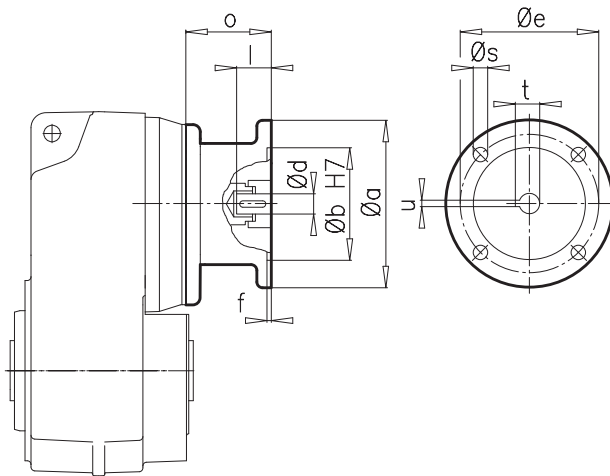


SK ... - W



SK 0182NB	⇒ C70-C72
SK 0282NB	⇒ C73-C75
SK 1382NB	⇒ C76-C78

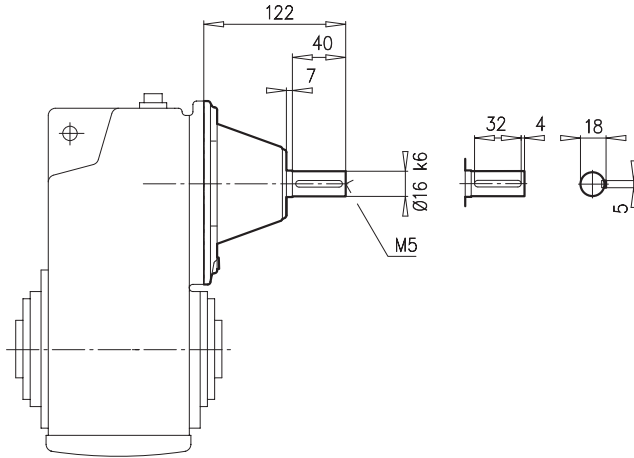
SK ... - IEC ...



IEC	a	b	d	e	f	l	o	s	t	u
63	140	95	11	115	3,5	23	85	M 8	12,8	4
71	160	110	14	130	4,0	30	85	M 8	16,3	5
80	200	130	19	165	4,0	40	103	M10	21,8	6
90	200	130	24	165	4,0	50	103	M10	27,3	8
100	250	180	28	215	5,0	60	126	M12	31,3	8
112	250	180	28	215	5,0	60	126	M12	31,3	8

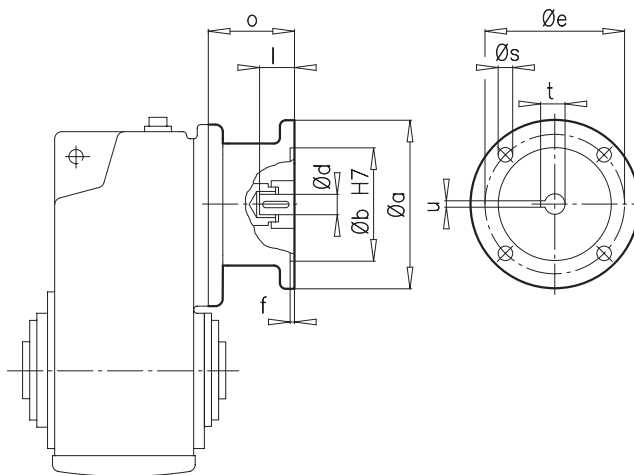


SK ... - W



SK 1282	⇒ C79
SK 2382	⇒ C81
SK 3382	⇒ C83
SK 1282/02	⇒ C101
SK 2282/02	⇒ C101
SK 3282/12	⇒ C101
SK 4282/12	⇒ C101
SK 5282/12	⇒ C101

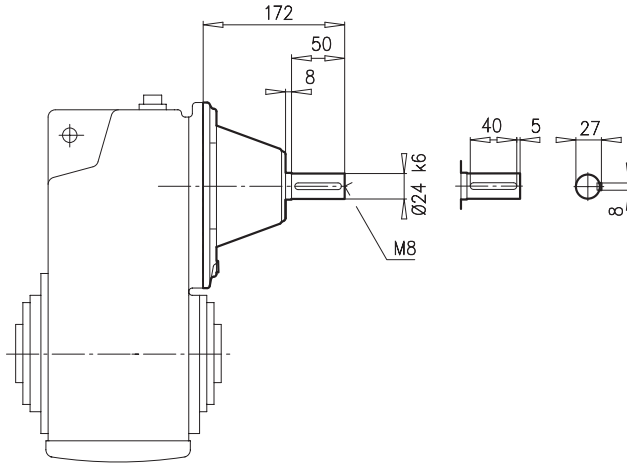
SK ... - IEC ...



IEC	a	b	d	e	f	l	o	s	t	u
63	140	95	11	115	3,5	23	85	M 8	12,8	4
71	160	110	14	130	4,0	30	89	M 8	16,3	5
80	200	130	19	165	4,0	40	105	M10	21,8	6
90	200	130	24	165	4,0	50	105	M10	27,3	8
100	250	180	28	215	5,0	60	130	M12	31,3	8
112	250	180	28	215	5,0	60	130	M12	31,3	8

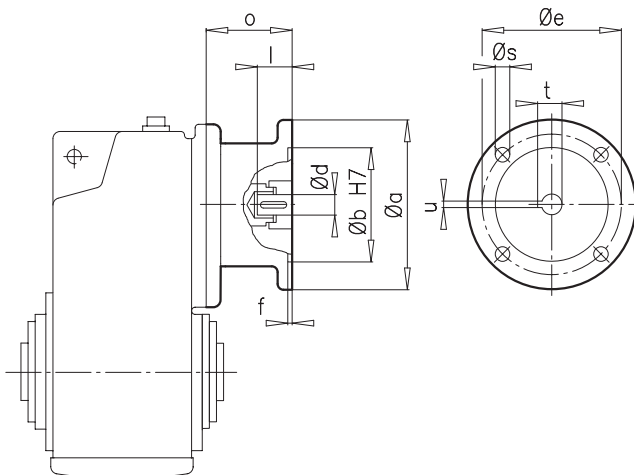


SK ... - W



SK 2282	⇒ C80
SK 3282	⇒ C82
SK 4382	⇒ C85
SK 5382	⇒ C87
SK 6382/22	⇒ C101
SK 6382/32	⇒ C101
SK 7382/22	⇒ C101
SK 7382/32	⇒ C101
SK 8382/32	⇒ C101

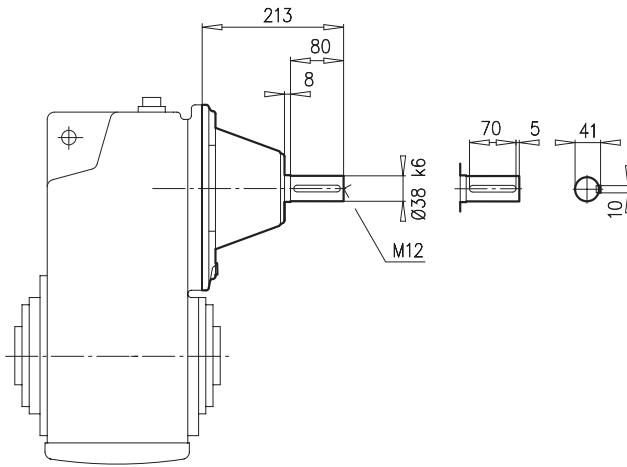
SK ... - IEC ...



IEC	a	b	d	e	f	l	o	s	t	u
71	160	110	14	130	4,0	30	88	M 8	16,3	5
80	200	130	19	165	4,0	40	107	M10	21,8	6
90	200	130	24	165	4,0	50	107	M10	27,3	8
100	250	180	28	215	5,0	60	124	M12	31,3	8
112	250	180	28	215	5,0	60	124	M12	31,3	8
132	300	230	38	265	5,0	80	156	M12	41,3	10

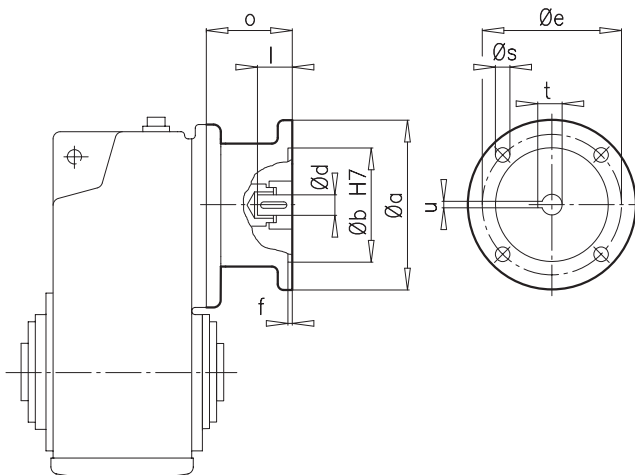


SK ... - W



SK 4282	⇒ C84
SK 5282	⇒ C86
SK 6382	⇒ C89
SK 8382/42	⇒ C101
SK 9382/42	⇒ C101
SK 9382/52	⇒ C102
SK 10382/52	⇒ C102
SK 11382/52	⇒ C102

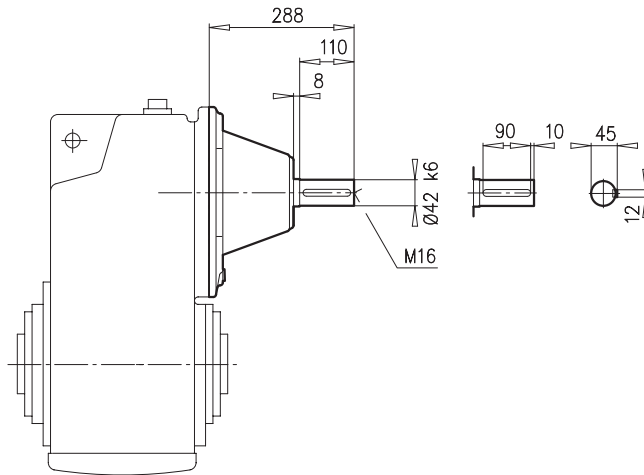
SK ... - IEC ...



IEC	a	b	d	e	f	l	o	s	t	u
90	200	130	24	165	4,0	50	109	M10	27,3	8
100	250	180	28	215	5,0	60	133	M12	31,3	8
112	250	180	28	215	5,0	60	133	M12	31,3	8
132	300	230	38	265	5,0	80	190	M12	41,3	10
160	350	250	42	300	6,0	110	194	M16	45,3	12
180	350	250	48	300	6,0	110	194	M16	51,8	14

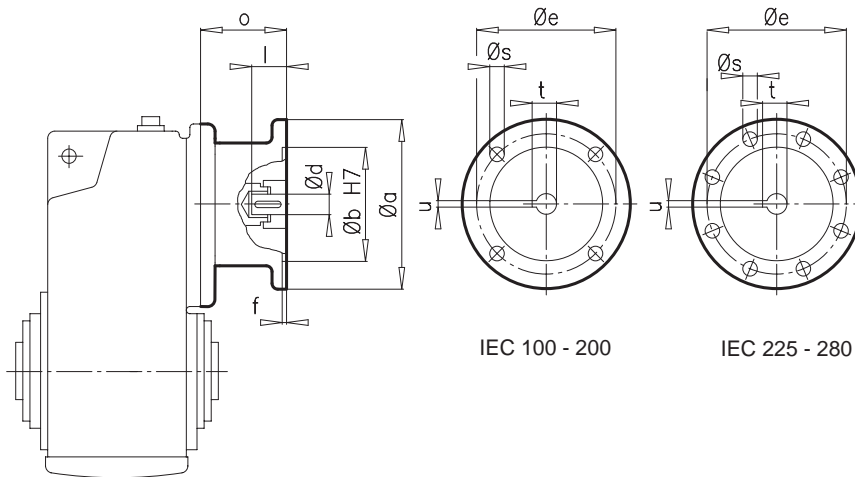


SK ... - W



SK 6282	⇒ C88
SK 6382 W VL	⇒ C89
SK 7282	⇒ C90
SK 7382	⇒ C91
SK 8382	⇒ C93
SK 9382	⇒ C95

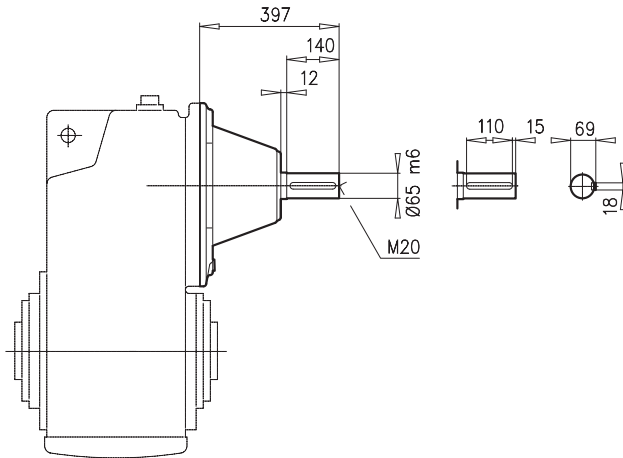
SK ... - IEC ...



IEC	a	b	d	e	f	l	o	s	t	u
100	250	180	28	215	5,0	60	127	M12	31,3	8
112	250	180	28	215	5,0	60	127	M12	31,3	8
132	300	230	38	265	5,0	80	177	M12	41,3	10
160	350	250	42	300	6,0	110	266	M16	45,3	12
180	350	250	48	300	6,0	110	266	M16	51,8	14
200	400	300	55	350	6,0	110	229	M16	59,3	16
225	450	350	60	400	6,0	140	303	M16	64,4	18
250	550	450	65	500	6,0	140	303,5	M16	69,4	18
280	550	450	75	500	6,0	140	303,5	M16	79,9	20

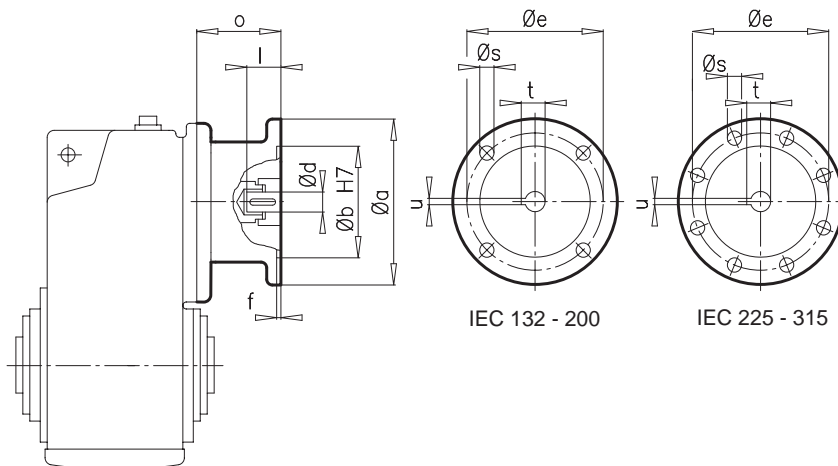


SK ... - W



SK 8282	⇒ C92
SK 8382 W VL	⇒ C93
SK 9282	⇒ C94
SK 9382 W VL	⇒ C95

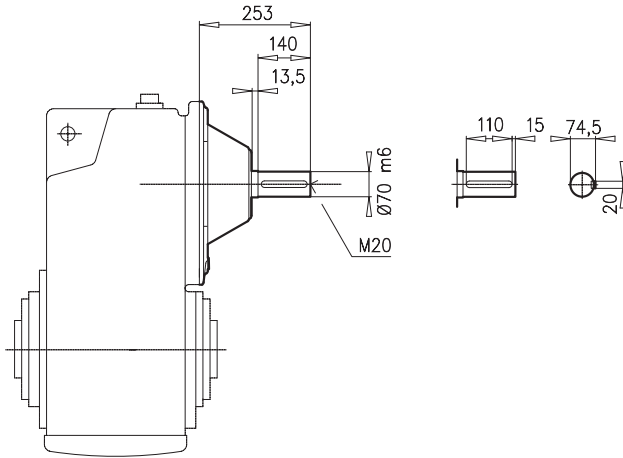
SK ... - IEC ...



IEC	a	b	d	e	f	l	o	s	t	u
132	300	230	38	265	5,0	80	177	M12	41,3	10
160	350	250	42	300	6,0	110	266	M16	45,3	12
180	350	250	48	300	6,0	110	266	M16	51,8	14
200	400	300	55	350	6,0	110	229	M16	59,3	16
225	450	350	60	400	6,0	140	303	M16	64,4	18
250	550	450	65	500	6,0	140	303,5	M16	69,4	18
280	550	450	75	500	6,0	140	303,5	M16	79,9	20
315	660	550	80	600	7,0	170	381,5	M20	85,4	22

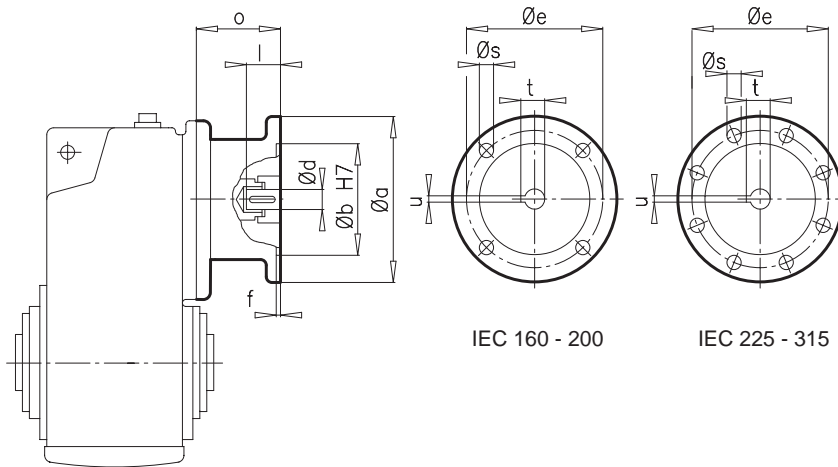


SK ... - W



SK 10282	⇒ C96
SK 11282	⇒ C98
SK 10382	⇒ C97
SK 11382	⇒ C99
SK 12382	⇒ C100

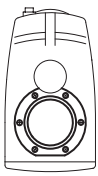
SK ... - IEC ...



IEC 160 - 200

IEC 225 - 315

IEC	a	b	d	e	f	l	o	s	t	u
160	350	250	42	300	6,0	110	266	M16	45,3	12
180	350	250	48	300	6,0	110	266	M16	51,8	14
200	400	300	55	350	6,0	110	229	M16	59,3	16
225	450	350	60	400	6,0	140	303	M16	64,4	18
250	550	450	65	500	6,0	140	303,5	M16	69,4	18
280	550	450	75	500	6,0	140	303,5	M16	79,4	20
315	660	550	80	600	7,0	170	381,5	M20	85,4	22

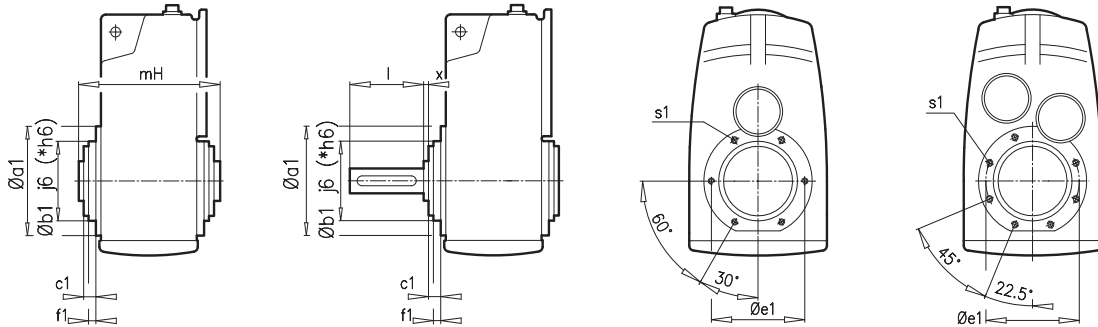


**AZ
VZ**

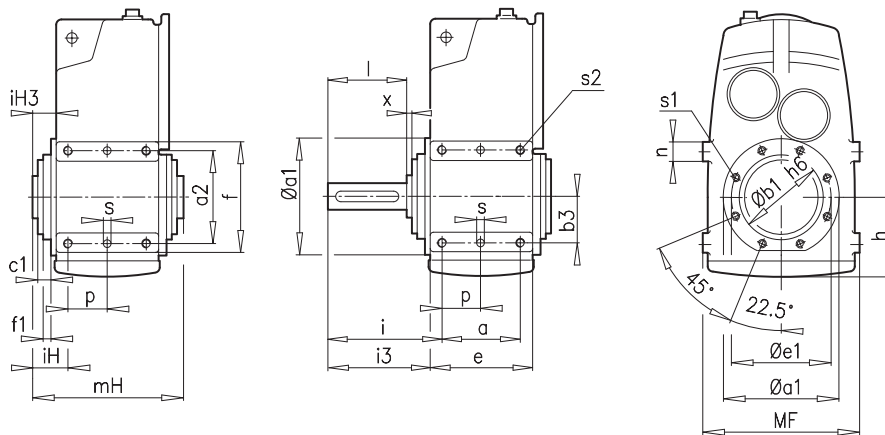


**SK 1282 AZ(VZ)-
SK 5382 AZ(VZ)**

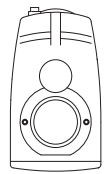
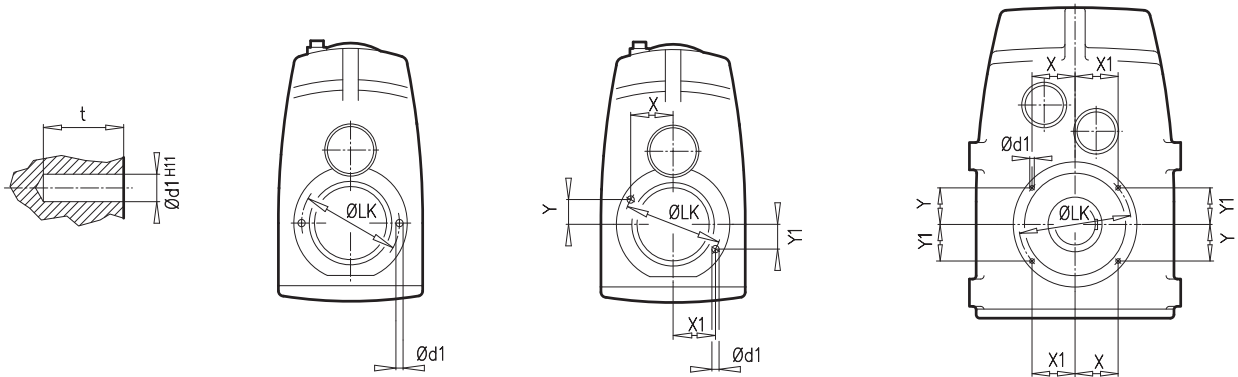
**SK 6282 AZ(VZ)-
SK 8382 AZ(VZ)**



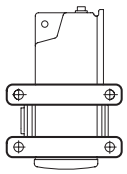
± ⇨ A53	a1	b1	c1	e1	f1	s1	mH	l	x
SK 0182 NB .Z SK 0282 NB .Z SK 1382 NB .Z	⇨ C72 ⇨ C75 ⇨ C78								
SK 1282 .Z	140	95	13	115	6	M8 x 13	122	60	4
SK 2282 .Z SK 2382 .Z	160	110	12	130	5	M8 x 13	139	70	5
SK 3282 .Z SK 3382 .Z	200	130	7	165	7	M10 x 16	174	90	6
SK 4282 .Z SK 4382 .Z	230	160	11	194	5	M12 x 20	195	110	7
SK 5282 .Z SK 5382 .Z	250	180	9	215	5	M12 x 20	230	130	7,5
SK 6282 .Z SK 6382 .Z	300	230	11	265	4	M12 x 20	290	140	8,5
SK 7282 .Z SK 7382 .Z	350	* 250	11	300	5	M16 x 25	310	170	6
SK 8282 .Z SK 8382 .Z	400	* 300	13	350	5	M16 x 25	366	210	7



± ⇨ A53	a1	b1	c1	e1	f1	s1	a a2	e f	n p	s s2	h b3	i i3	iH iH3	MF	mH	l x
SK 9282 .Z SK 9382 .Z	450	350	14	400	5	M20 x 30	245 360	306 440	80 122,5	Ø25 x 30 M30 x 45	295 180	315 283,5	65 33,5	640	430	250 10
SK 10282 .Z SK 10382 .Z	⇨ C96 ⇨ C97															
SK 11282 .Z SK 11382 .Z	⇨ C98 ⇨ C99															


**SK 0282NB -
SK 1382NB**
**SK 0182NB
SK 1282 - SK 5382**
**SK 6282 -
SK 12382**


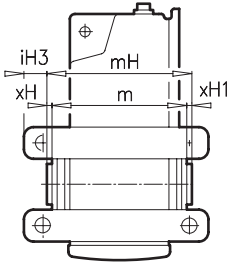
± ⇨ A53	d1 ^{H11} x t	LK	X	X1	Y	Y1
SK 0182 NB .Z	ø 6 x 10	85	41,05	–	11,00	–
SK 0282 NB .Z	ø 6 x 12	100	–	–	–	–
SK 1382 NB .Z	ø 8 x 12	115	–	–	–	–
SK 1282 .Z	ø 8 x 12	115	56,14	56,14	12,45	12,45
SK 2282 .Z SK 2382 .Z	ø 8 x 12	130	62,79	62,79	16,82	16,82
SK 3282 .Z SK 3382 .Z	ø 10 x 15	165	80,54	80,54	17,86	17,86
SK 4282 .Z SK 4382 .Z	ø 12 x 20	194	93,69	93,69	25,11	25,11
SK 5282 .Z SK 5382 .Z	ø 12 x 20	215	104,95	104,95	23,27	23,27
SK 6282 .Z SK 6382 .Z	ø 12 x 20	265	111,75	111,75	71,19	71,19
SK 7282 .Z SK 7382 .Z	ø 16 x 30	300	126,51	126,51	80,59	80,59
SK 8282 .Z SK 8382 .Z	ø 16 x 30	350	147,59	147,59	94,03	94,03
SK 9282 .Z SK 9382 .Z	ø 16 x 30	400	168,68	168,68	107,46	107,46
SK 10282 .Z SK 10382 .Z	ø 25 x 35	500	176,78	204,79	176,78	143,39
SK 11282 .Z SK 11382 .Z	ø 25 x 25	500	176,78	204,79	176,78	143,39
SK 12382 .Z	ø 25 x 25	500	176,78	204,79	176,78	143,39



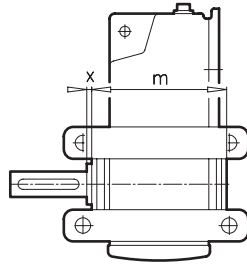
AX AXZ VX AXSH



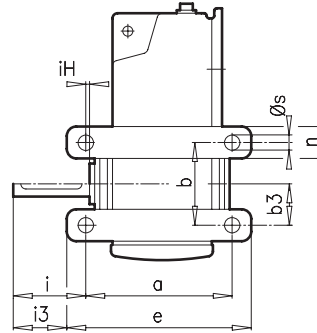
AX



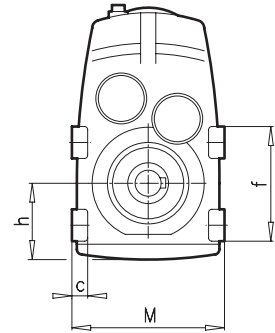
VX



AX / VX

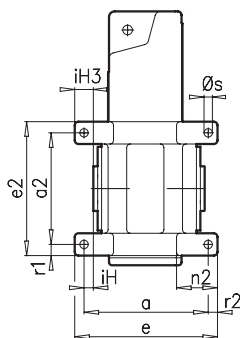


AX / VX

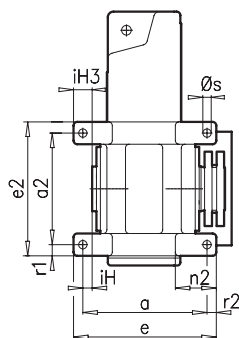


± ⇔ A53	a	b	c	e	f	n	s	b3	h	i	i3	iH	iH3	m	mH	x	xH	xH1	M
SK 1282 .X	142	80	16	164	110	30	11	43	77	53,0	42,0	7,0	18,0	115	122	4,0	4,0	3,0	170
SK 2282 .X SK 2382 .X	165	80	20	195	116	36	13	49	90	64,5	49,5	5,5	20,5	126	139	5,0	5,0	8,0	200
SK 3282 .X SK 3382 .X	195	125	25	225	165	40	13	62	107	79,0	64,0	11,0	26,0	162	174	6,0	6,0	6,0	236
SK 4282 .X SK 4382 .X	220	125	28	260	170	45	18	73	123	100,5	80,5	9,5	29,5	181	195	7,0	7,0	7,0	280
SK 5282 .X SK 5382 .X	250	175	35	290	220	45	18	90	146	117,5	97,5	12,5	32,5	215	230	7,5	7,5	7,5	320
SK 6282 .X SK 6382 .X	330	195	40	390	265	70	26	101	172	122,5	92,5	26,0	56,0	273	290	8,5	8,5	8,5	360
SK 7282 .X SK 7382 .X	370	215	45	440	305	90	33	113	197	140,0	105,0	30,0	65,0	298	310	6,0	6,0	6,0	424
SK 8282 .X SK 8382 .X	420	240	60	500	350	110	33	124	225	184,0	144,0	26,0	66,0	352	366	7,0	7,0	7,0	500

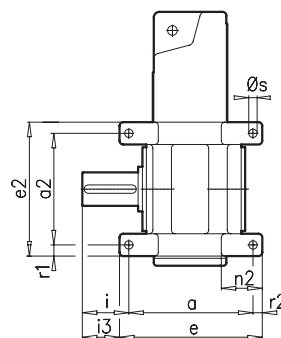
AX / AXZ



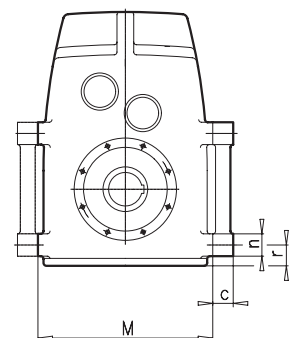
AXSH



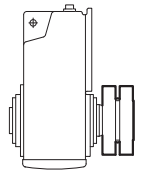
VX



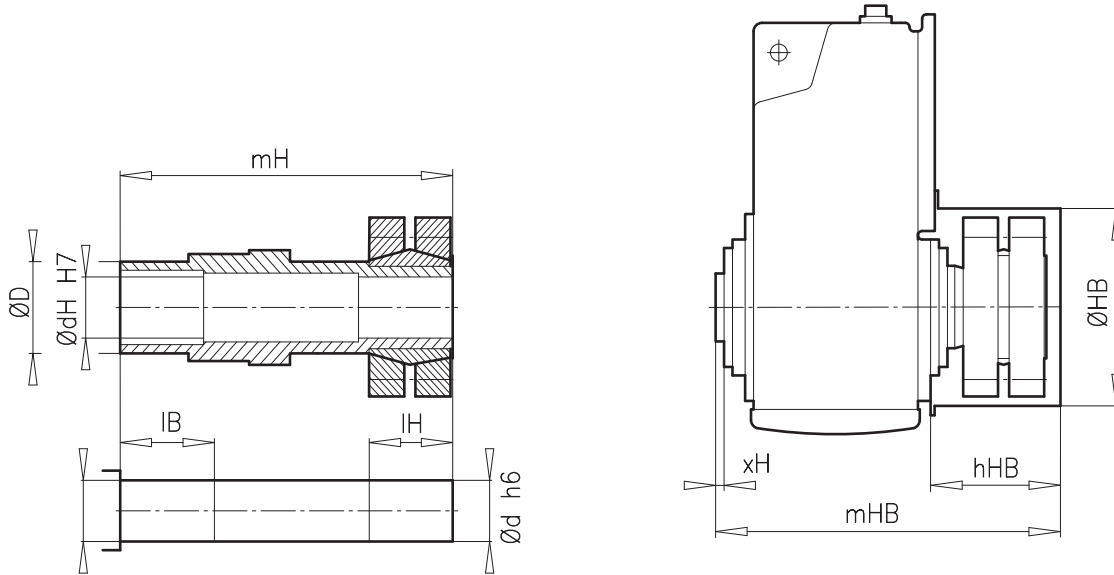
AX / AXZ
AXSH / VX



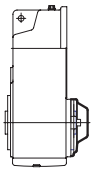
± ⇔ A53	a	a2	c	e	e2	n	n2	r	r1	r2	s	i	i3	iH	iH3	M
SK 9282 .X SK 9382 .X	470	360	70	570	460	100	190	115	50	50	45	225	175	25	75	640
SK 10282 .X SK 10382 .X	450	420	100	530	530	110	170	100	55	40	39	313	273	13	27	680
SK 11282 .X SK 11382 .X	500	600	110	600	720	120	200	112	60	50	45	303	253	3	47	940
SK 12382 .X	500	600	110	600	720	120	200	112	60	50	45	303	253	3	47	940



SK ... AVSH ⇨ A22 - 26



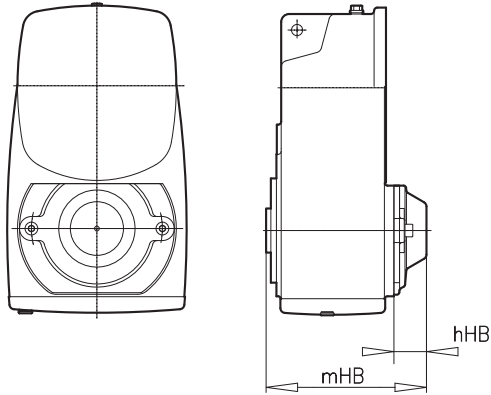
± ⇨ A53	D	dH	d	IB	IH	mH	xH	hHB	HB	mHB
SK 7282 AVSH SK 7382 AVSH	110	85	85	56	120	429	6,0	147	258	446
SK 8282 AVSH SK 8382 AVSH	130	100	100	71,5	149	510	7,0	198	306	544
SK 9282 AVSH SK 9382 AVSH	160	130	130	82	182	607	10,0	235	364	631
SK 11282 AVSH SK 11382 AVSH	240	180	180	101,5	195	755	10,0	255	455	783



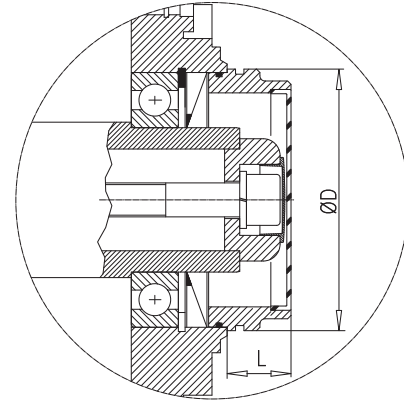
AH AZH



SK ... AH SK ... AZH

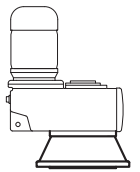


SK ... AH 66 SK ... AZH 66



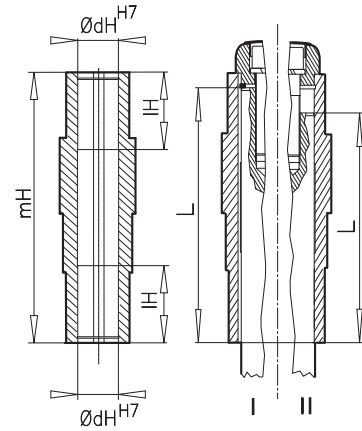
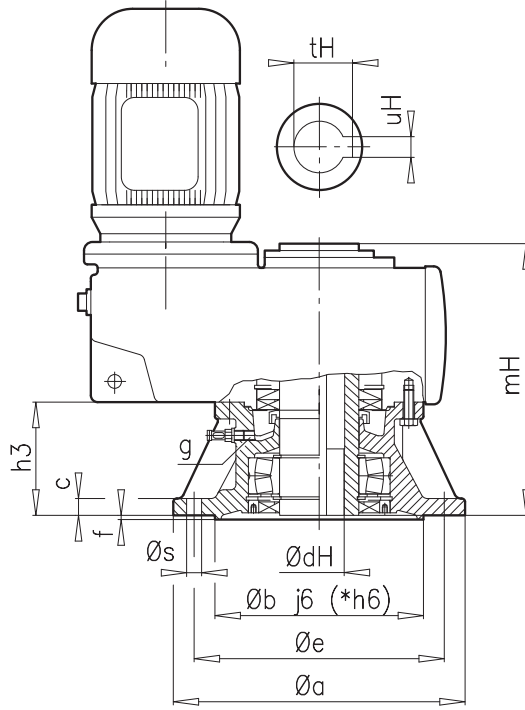
± ⇒ A53	hHB	mHB
SK 0182 NB AH SK 0182 NB AZH	25	122
SK 0282 NB AH SK 0282 NB AZH	31	150
SK 1382 NB AH SK 1382 NB AZH	36	209
SK 1282 AH SK 1282 AZH	31	150
SK 2282 AH SK 2282 AZH SK 2382 AH SK 2382 AZH	43	174
SK 3282 AH SK 3282 AZH SK 3382 AH SK 3382 AZH	45	213
SK 4282 AH SK 4282 AZH SK 4382 AH SK 4382 AZH	45	233
SK 5282 AH SK 5282 AZH SK 5382 AH SK 5382 AZH	53	276
SK 6282 AH SK 6282 AZH SK 6382 AH SK 6382 AZH	53	335
SK 7282 AH SK 7282 AZH SK 7382 AH SK 7382 AZH	53	357
SK 8282 AH SK 8282 AZH SK 8382 AH SK 8382 AZH	70	416
SK 9282 AH SK 9282 AZH SK 9382 AH SK 9382 AZH	84	480
SK 10282 AZH SK 10382 AZH	58	556
SK 11282 AZH SK 11382 AZH	58	586
SK 12382 AZH	58	586

± ⇒ A53	Ø D	L
SK 1282 AH66 SK 1282 AZH66	80	25
SK 2282 AH66 SK 2282 AZH66	56	38
SK 3282 AH66 SK 3282 AZH66	104	35
SK 4282 AH66 SK 4282 AZH66	104	34
SK 5282 AH66 SK 5282 AZH66	154	38
SK 6282 AH66 SK 6282 AZH66	188	44
SK 7282 AH66 SK 7282 AZH66	215	35
SK 8282 AH66 SK 8282 AZH66	245	50

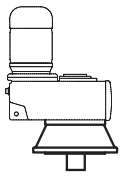


SK ... AFVL ↗ A30

SK ... AF(B)V L



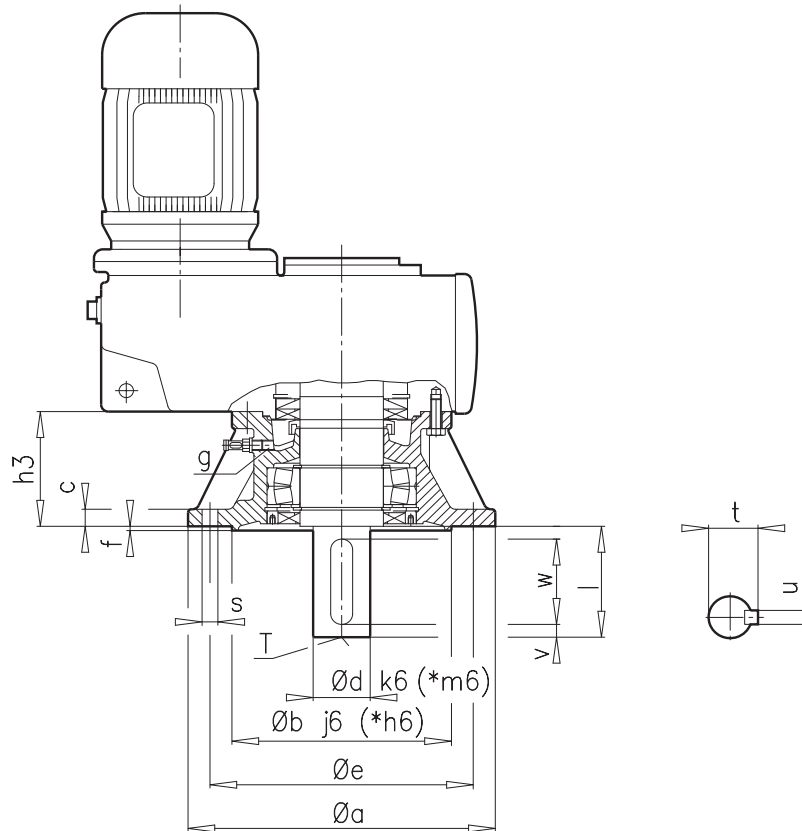
± ↗ A53	a	b	c	e	f	h3	s	g	dH	uH	tH	mH	dH ^{H7}	IH	L I	L II
SK 1282 AF..	200	130	12	165	3,5	75	4 x 11	M12 x 1,5	30	8	33,3	180	30	40	173,5	158
SK 2282 AF.. SK 2382 AF..	250	180	16	215	4,0	86	4 x 14	M12 x 1,5	35	10	38,3	208	35	50	200,25	179
SK 3282 AF.. SK 3382 AF..	300	230	20	265	4,0	85	4 x 14	M12 x 1,5	40	12	43,3	246	40	58	236	212
SK 4282 AF.. SK 4382 AF..	300	230	20	265	4,0	113	4 x 14	M12 x 1,5	50	14	53,8	290	50	65	279,5	255
SK 5282 AF.. SK 5382 AF..	350	* 250	20	300	5,0	135	4 x 18	M12 x 1,5	60	18	64,4	348	60	79	336	303
SK 6282 AF.. SK 6382 AF..	400	* 300	22	350	5,0	166	4 x 18	M24 x 1,5	70	20	74,9	437	70	120	425	392
SK 7282 AF.. SK 7382 AF..	450	* 350	24	400	5,0	184	8 x 18	M24 x 1,5	80	22	85,4	477	80	126	464	417
SK 8282 AF.. SK 8382 AF..	550	* 450	28	500	5,0	210	8 x 18	M30 x 2	100	28	106,4	556	100	154	542	500
SK 9282 AF.. SK 9382 AF..	660	* 550	32	600	6,0	262	8 x 22	M30 x 2	120	32	127,4	668	120	186	653	608



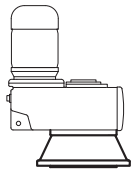
VFVL2 VFVL3



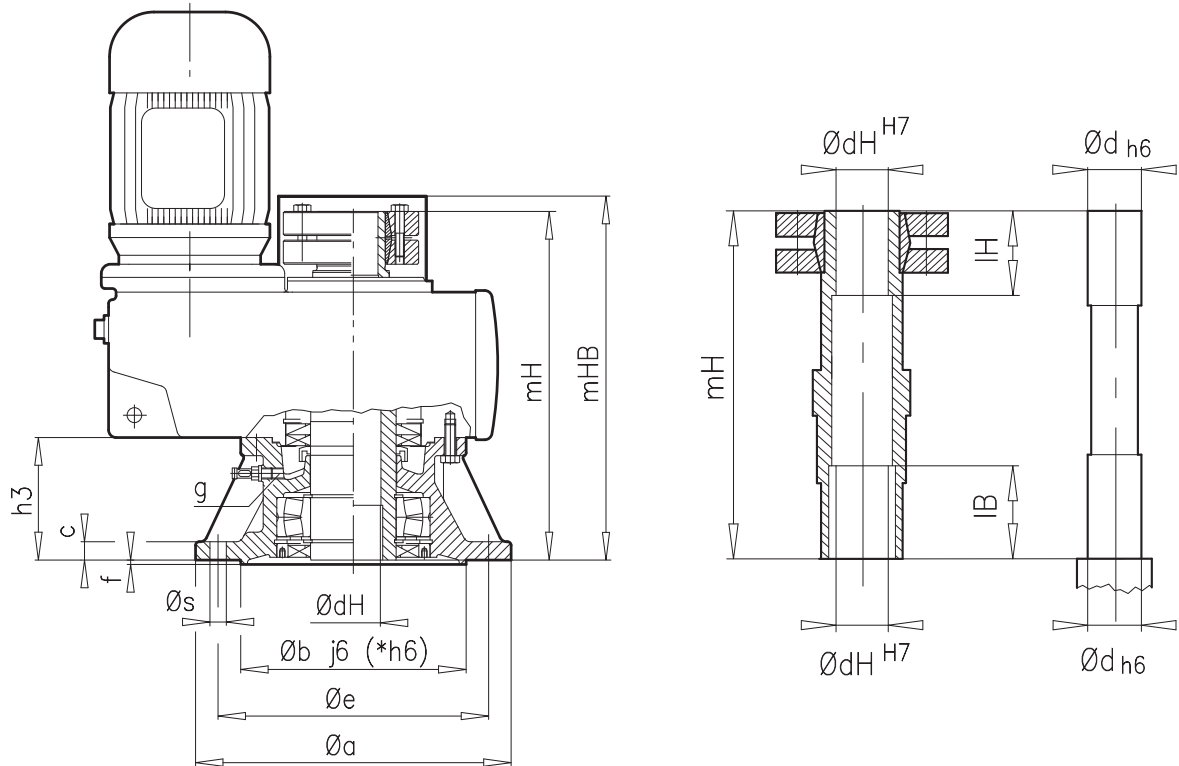
SK ... VFVL ⇨ A30



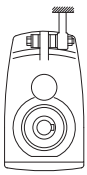
± ⇨ A53	a	b	c	e	f	h3	s	g	d	l	t	u	v	w	T
SK 1282 VF.. SK 1382 VF..	200	130	12	165	3,5	75	4 x 11	M12 x 1,5	30	60	33,0	8	5	50	M10
SK 2282 VF.. SK 2382 VF..	250	180	16	215	4,0	86	4 x 14	M12 x 1,5	35	70	38,0	10	5	60	M12
SK 3282 VF.. SK 3382 VF..	300	230	20	265	4,0	85	4 x 14	M12 x 1,5	45	90	48,5	14	5	80	M16
SK 4282 VF.. SK 4382 VF..	300	230	20	265	4,0	113	4 x 14	M12 x 1,5	* 55	110	59,0	16	10	90	M20
SK 5282 VF.. SK 5382 VF..	350	* 250	20	300	5,0	135	4 x 18	M12 x 1,5	* 65	130	69,0	18	15	100	M20
SK 6282 VF.. SK 6382 VF..	400	* 300	22	350	5,0	166	4 x 18	M24 x 1,5	* 75	140	79,5	20	7,5	125	M20
SK 7282 VF.. SK 7382 VF..	450	* 350	24	400	5,0	184	8 x 18	M24 x 1,5	* 90	170	95,0	25	15	140	M24
SK 8282 VF.. SK 8382 VF..	550	* 450	28	500	5,0	210	8 x 18	M30 x 2	* 110	210	116,0	28	15	180	M24
SK 9282 VF.. SK 9382 VF..	660	* 550	32	600	6,0	262	8 x 22	M30 x 2	* 140	250	148,0	36	25	200	M24
SK 10282 VF.. SK 10382 VF..	660	* 550	35	600	8,0	302	8 x 26	M30 x 2	* 160	300	169,0	40	25	250	M24
SK 11282 VF.. SK 11382 VF..	660	* 550	35	600	8,0	302	8 x 26	M30 x 2	* 180	300	190,0	45	25	250	M24
SK 12382 VF..	660	* 550	35	600	8,0	302	8 x 26	M30 x 2	* 180	300	190,0	45	25	250	M24



SK ... AFSVL ⇨ A30



± ⇨ A53	a	b	c	e	f	h3	s	g	dH/ d	mH	mHB	IB	IH
SK 1282 AFS..	200	130	12	165	3,5	75	4 x 11	M12 x 1,5	30	220	232	31	40
SK 2282 AFS.. SK 2382 AFS..	250	180	16	215	4,0	86	4 x 14	M12 x 1,5	35	264	283	41	45
SK 3282 AFS.. SK 3382 AFS..	300	230	20	265	4,0	85	4 x 14	M12 x 1,5	40	297	316	41	55
SK 4282 AFS.. SK 4382 AFS..	300	230	20	265	4,0	113	4 x 14	M12 x 1,5	50	356	371	51	55
SK 5282 AFS.. SK 5382 AFS..	350	* 250	20	300	5,0	135	4 x 18	M12 x 1,5	60	413	435,5	60	70
SK 6282 AFS.. SK 6382 AFS..	400	* 300	22	350	5,0	166	4 x 18	M 24 x 1,5	70	517	538	71	85
SK 7282 AFS.. SK 7382 AFS..	450	* 350	24	400	5,0	184	8 x 18	M24 x 1,5	80	562	580	81	90
SK 8282 AFS.. SK 8382 AFS..	550	* 450	28	500	5,0	210	8 x 18	M30 x 2	100	645	670	71	95
SK 9282 AFS.. SK 9382 AFS..	660	* 550	32	600	6,0	262	8 x 22	M30 x 2	125	773	794	82	110
SK 10282 AFS.. SK 10382 AFS..	660	* 550	35	600	8,0	302	8 x 26	M30 x 2	160	944	967	122	130
SK 11282 AFS.. SK 11382 AFS..	660	* 550	35	600	8,0	302	8 x 26	M30 x 2	180	958	997	101	110
SK 12382 AFS..	660	* 550	35	600	8,0	302	8 x 26	M30 x 2	180	1129	1166	101	269

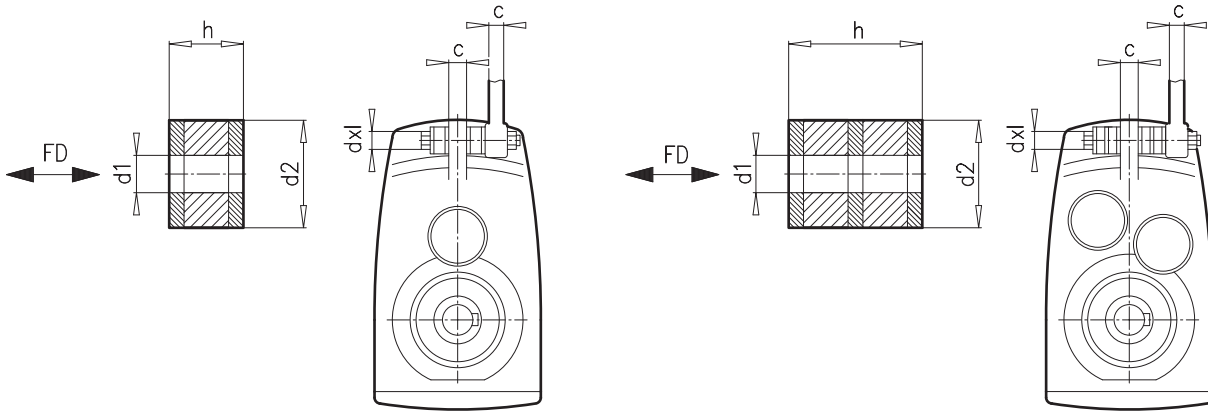


**G
VG**



SKG ⇨ A21

SKVG ⇨ A21



± ⇨ A53	d1	d2	h	c	d x l	FD [kN]	s _{FD} [mm]
SK 0182 NB ..G	11,0	30	15	10	M10 x 70	0,967	1,5
SK 0282 NB ..G	11,0	30	15	12	M10 x 70	1,04	1,7
SK 1382 NB ..G	11,0	30	15	14	M10 x 80	2,24	3,6
SK 1282 ..G	11,0	30	15	14	M10 x 80	1,79	2,8
SK 2282 ..G SK 2382 ..G	12,5	40	15	16	M12 x 90	2,67	1,8
SK 3282 ..G SK 3382 ..G	12,5	40	15	18	M12 x 90	4,16	2,9
SK 4282 ..G SK 4382 ..G	21,0	60	30	22	M20 x 150	7,39	7,3
SK 5282 ..G SK 5382 ..G	21,0	60	30	28	M20 x 150	9,49	9,4
SK 6282 ..G SK 6382 ..G	25,0	80	40	35	M24 x 190	16,81	9,2
SK 7282 ..G SK 7382 ..G	25,0	80	40	40	M24 x 200	20,80	11,4
SK 8282 ..G SK 8382 ..G	31,0	100	50	50	M30 x 260	28,39	16,3
SK 9282 ..G SK 9382 ..G	31,0	100	50	55	M30 x 260	43,49	24,9

± ⇨ A53	d1	d2	h	c	d x l	FD [kN]	s _{FD} [mm]
SK 7282 ..VG SK 7382 ..VG	25,0	85	60	40	M24 x 240	20,80	12,2
SK 8282 ..VG SK 8382 ..VG	31,0	110	90	50	M30 x 340	28,39	19,3
SK 9282 ..VG SK 9382 ..VG	31,0	140	110	55	M30 x 380	43,49	21,2
SK 10282 ..VG SK 10382 ..VG	31,0	140	110	80	M30 x 430	56,36	27,4
SK 11282 ..VG SK 11382 ..VG	49,0	180	150	90	M48 x 550	80,89	38,5
SK 12382 ..VG	49,0	180	150	90	M48 x 550	105,51	50,2

Bevel gear unit



ENQUIRY FORM D - 2

AVAILABLE VERSIONS D - 3

GEAR UNITMOTOR DATA

Power and speed tables D - 4

Power and speed tables,
W- and IEC adapters D - 43

DIMENSIONED DRAWINGS

Bevel geared motors D - 58

Bevel gear units, W- and IEC adapters D -104

OPTIONS

VZ Solid shaft with B14 flange D -110

AXZ / VXZ Foot-mounted housing with B14 flange D - 111

AXF / VXF Foot-mounted housing with B5 flange D -112

AZVSH Hollow shaft, reinforced shrink disk with cover D -113

AXH / AZH Cover as a touch guard D - 114

VL2 / VL3 Agitator version D - 115

A .. Hollow shaft version - threaded holes D - 118

Lieferbare Ausführungen Kegelrad

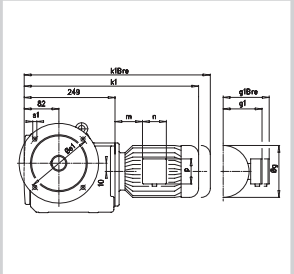
mit V1

SK 9032.1 - 90 SH/4
Gehäuse für Fußbefestigung
Vollwelle bei A, dreistufig

SK 9032.1 LX - 90 SH/
Gehäuse für Fußbefestigung
Vollwelle bei A und B,
dreistufig

SK 9032.1 VXF - 90 Lf
Gehäuse für Fußbefestigung,
Vollwelle bei A, Flansch B5
bei A, dreistufig

P ₁ [kW]	n ₂ [min ⁻¹]	M ₂ [Nm]	f _B	i _{ge}
0,55	1,0	4985	1,7	1453
	1,2	4013	2,1	1169
	1,5	3340	2,5	973
	1,9	2633	3,2	767
1,0	5174	0,9	1398	
1,3	3931	1,2	1062	
1,5	3447	1,4	931	
2,0	2603	1,5	703	
2,4	2145	2,2	579	
3,1	1696	2,8	458	
4,1	1291	3,7	348	
5,4	981	4,9	265	
6,2	847	5,7	229	
1 R	32R1	n Q	RR1	



Enquiry form



This general enquiry form can be found in the attachment as well as on the **NORD** homepage under www.nord.com - Heading DOCUMENTATION / FORMS.

NORD DRIVESYSTEMS
 Rudolf-Diesel-Straße 1
 D-22941 Bargteheide
 Tel.: +49(0) 4532/401-0
 Fax: +49(0)4532/401-254
 E-Mail info@nord.com
www.nord.com

General enquiry form

Company	<input style="width: 100%;" type="text"/>		
Street	<input style="width: 100%;" type="text"/>		
Town	<input style="width: 60%;" type="text"/>	Post-code	<input style="width: 20%;" type="text"/>
Contact	<input style="width: 100%;" type="text"/>		
Tel.:	<input style="width: 60%;" type="text"/>	Customer No.	<input style="width: 20%;" type="text"/>
Fax:	<input style="width: 60%;" type="text"/>	Application	<input style="width: 20%;" type="text"/>
Email	<input style="width: 60%;" type="text"/>	Project	<input style="width: 20%;" type="text"/>

Components required

Gear unit motor
 IEC - Gear unit motor
 Gear unit with free shaft end
 Stand-alone motor

Quantity Type

Parameters specific to the gear unit		Parameters specific to gear unit	
Version <input style="width: 50px;" type="text"/>	Gear ratio <input style="width: 50px;" type="text"/>	Bearings <input type="radio"/> Normal <input type="radio"/> VL <input type="radio"/> VL2 <input type="radio"/> VL3 <input type="radio"/> AL	
Flange <input type="radio"/> B14 <input type="radio"/> B5 \varnothing <input style="width: 50px;" type="text"/> [mm]		For bevel gear or worm gear units Shaft at <input type="radio"/> A <input type="radio"/> B	
<input type="radio"/> Hollow shaft <input type="radio"/> Solid shaft \varnothing <input style="width: 30px;" type="text"/> x <input style="width: 30px;" type="text"/> [mm]		Oil type <input type="radio"/> Mineral <input type="radio"/> Synthetic <input type="radio"/> Foodstuff-compatible oil	
Output speed at mains frequency n_2 <input style="width: 50px;" type="text"/> [min ⁻¹]		<input type="radio"/> Special oil type <input style="width: 50px;" type="text"/>	
Parameters specific to motor			
Output torque M_2 <input style="width: 50px;" type="text"/> [Nm]		Effective motor power <input style="width: 50px;" type="text"/> [kW]	
Min. operating factor f_b <input style="width: 50px;" type="text"/>		Motor speed n_1 <input style="width: 50px;" type="text"/> [min ⁻¹]	
Min. bearing life L_h <input style="width: 50px;" type="text"/> [h]		Temperature sensor (PTC) <input type="radio"/> Bi-metal temperature monitor <input type="radio"/>	
Radial forces on output shaft F_{R2} <input style="width: 50px;" type="text"/> [N]		Mains voltage <input style="width: 30px;" type="text"/> [V] +/- <input style="width: 30px;" type="text"/> [%]	
Axial forces on output shaft F_{A2} <input style="width: 50px;" type="text"/> [N]		Mains frequency <input style="width: 30px;" type="text"/> [Hz]	
Dist. from shaft collar to point of action of force <input style="width: 50px;" type="text"/> [mm]			

Page 1 of 2

Outline conditions

Ambient temperatures	<input style="width: 50px;" type="text"/> from <input style="width: 50px;" type="text"/> [°C]
<input type="checkbox"/> Buffer mounting for travelling drives	<input style="width: 50px;" type="text"/> [Nm]
<input type="checkbox"/> Relative humidity	<input style="width: 50px;" type="text"/> [%]
<input type="checkbox"/> Exposure to direct sunlight	
<input type="checkbox"/> Aggressive media (e.g.: salty air)	
<input type="checkbox"/> Increased installation altitude	<input style="width: 50px;" type="text"/> [m]
<input type="checkbox"/> Precipitation	
<input type="checkbox"/> ATEX (explosive mixtures in the vicinity)	Zone <input style="width: 50px;" type="text"/>

Painting

<input type="radio"/> Not painted
<input type="radio"/> Paint 1.0 - Primer
<input type="radio"/> Paint 2.0 - standard
<input type="radio"/> Paint 3.0 - normal environmental contamination
<input type="radio"/> Paint 3.1 - moderate environmental contamination
<input type="radio"/> Paint 3.2 - severe environmental contamination
<input type="radio"/> Other painting (e.g.: Z, 3.4 or 3.5) <input style="width: 50px;" type="text"/>
<input type="checkbox"/> Special colour (Standard RAL7031) RAL <input style="width: 50px;" type="text"/>
<input type="checkbox"/> Regulations DIN EN, etc., please state <input style="width: 50px;" type="text"/>

General conditions

Quote by	<input style="width: 100px;" type="text"/>
Purchasing conditions	known <input type="radio"/> not known <input type="radio"/>
Purchasing conditions attached	<input type="checkbox"/>
Delivery time after receipt of order	<input style="width: 50px;" type="text"/>
Delivery carriage paid	<input type="checkbox"/>

Comments

Page 2 of 2

<input type="radio"/> Control cabinet inverter	<input type="radio"/> Motor-mounted inverter
Adjustment range from <input style="width: 30px;" type="text"/> [Hz] to <input style="width: 30px;" type="text"/> [Hz]	
<input type="checkbox"/> Constant torque within adjustment range <input style="width: 30px;" type="text"/> [Nm]	
<input type="checkbox"/> External fan	
<input type="checkbox"/> Increase in motor size (with constant torque)	
<input type="checkbox"/> Positioning <input type="radio"/> Incremental <input type="radio"/> Absolute	
<input type="checkbox"/> Speed feedback	
<input type="checkbox"/> Generator operation for power feedback <input style="width: 30px;" type="text"/> [kW]	
<input type="checkbox"/> Bus system- type of bus system <input style="width: 50px;" type="text"/>	
<input type="checkbox"/> Control via <input type="radio"/> PC <input type="radio"/> Control box	

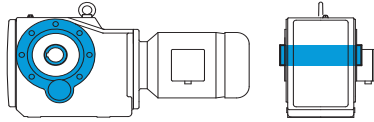
Examples - available versions: bevel geared motor

With hollow shaft

With solid shaft

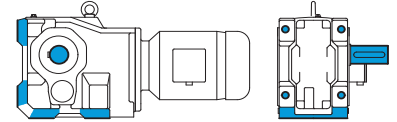
SK 9032.1 AZ - 90 SH/4

Hollow shaft, B14 flange at A and B, three-stage,



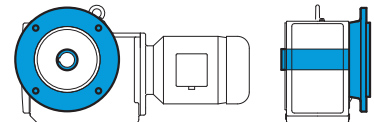
SK 9032.1 - 90 SH/4

Foot-mounted housing, Solid shaft at A, three-stage



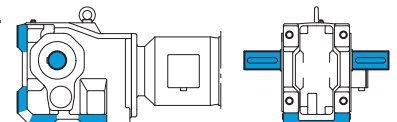
SK 9032.1 AF - 90 SH/4

Hollow shaft, B5 flange at A, three-stage,



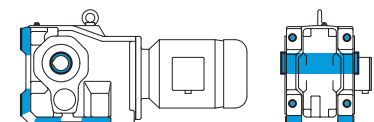
SK 9032.1 LX - 90 SH/4

Foot-mounted housing, Solid shaft at A and B, three-stage



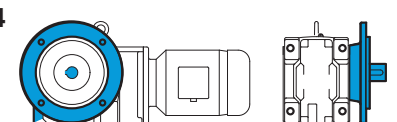
SK 9032.1 AX - 90 LH/4

Foot-mounted housing, hollow shaft, three-stage,



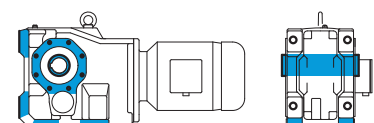
SK 9032.1 VXF - 90 LH/4

Foot-mounted housing, Solid shaft at A and B, B5 flange, three-stage,



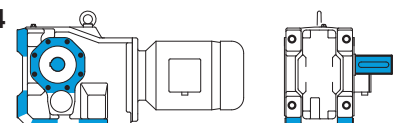
SK 9032.1 AXZ - 90 LH/4

Foot-mounted housing, hollow shaft shaft, B14 flange at A and B, three-stage,



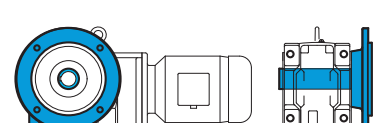
SK 9032.1 VXZ - 90 LH/4

Foot-mounted housing, Solid shaft at A, B14 flange at A and B, three-stage,



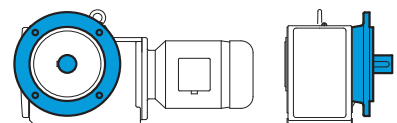
SK 9032.1 AXF - 90 LH/4

Foot-mounted housing, hollow shaft shaft, B5 flange at A, three-stage,



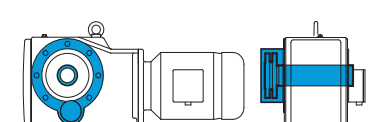
SK 9032.1 VF - 90 LH/4

Solid shaft at A, B5 flange at A, three-stage,



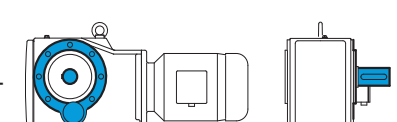
SK 9032.1 AZSH - 90 LH/4

Hollow shaft, B14 flange at A and B, shrink disk at B, three-stage,



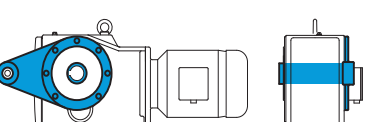
SK 9032.1 VZ - 90 LH/4

Solid shaft at A, B14 flange at A and B, solid shaft, three-stage,



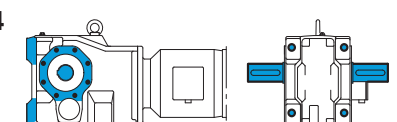
SK 9032.1 AZD - 90 LH/4

Hollow shaft, torque support at A, three-stage,



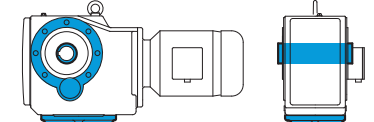
SK 9032.1 LXZ - 90 LH/4

Foot-mounted housing, Solid shaft at A and B, B14 flange at A and B, three-stage,

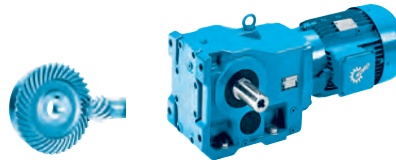


SK 9032.1 AZK - 90 LH/4

Hollow shaft, torque bracket, three-stage,

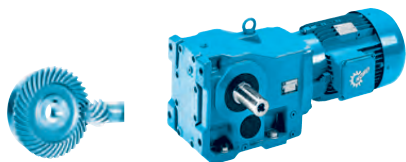


0,12 kW



P_1 [kW]	n_2 [min ⁻¹]	M_2 [Nm]	f_B	i_{ges}	F_R [kN]	F_A [kN]	$F_{R VL}$ [kN]	$F_{A VL}$ [kN]		kg	mm			
0,12	1,0	1169	1,3	1361,37	11,6	14,5	15,0	30,0	SK 9033.1 - 63 S/4	70	D82-83			
	1,2	987	1,6	1149,80	12,8	14,5	15,0	30,0						
	1,5	750	2,1	873,65	13,9	14,5	15,0	30,0						
	1,9	594	2,6	691,55	14,4	14,5	15,0	30,0						
	2,5	463	3,3	539,10	14,7	14,5	15,0	30,0						
	1,2	962	0,9	1120,38	0,1	12,0	7,7	25,0				SK 9023.1 - 63 S/4	47	D78-79
	1,4	817	1,1	951,94	3,2	12,0	9,5	25,0						
	1,8	647	1,3	753,86	6,3	12,0	10,9	25,0						
	2,0	582	1,5	678,31	7,0	12,0	11,4	25,0						
	2,4	482	1,8	561,55	7,8	12,0	11,9	25,0						
2,8	406	2,1	472,43	8,3	12,0	12,0	25,0							
3,9	291	3,0	339,41	8,9	12,0	12,0	25,0							
3,1	367	2,2	276,86	8,6	12,0	12,0	25,0	SK 9022.1 - 63 L/6	42	D76-77				
1,1	*762	0,8	1256,07	5,2	20,0	9,0	20,0	SK 9017.1 - 63 S/4	40	D74-75				
2,1	540	1,1	629,56	7,9	20,0	9,0	20,0							
2,4	479	1,3	558,25	8,4	20,0	9,0	20,0							
2,7	423	1,4	493,12	8,8	20,0	9,0	20,0							
3,6	315	1,9	367,33	9,0	20,0	9,0	20,0							
3,1	368	1,6	277,84	9,0	20,0	9,0	20,0	SK 9016.1 - 63 L/6	35	D72-73				
3,7	311	1,9	234,64	9,0	20,0	9,0	20,0							
4,2	273	2,2	205,93	9,0	20,0	9,0	20,0							
4,8	239	2,5	277,84	9,0	20,0	9,0	20,0	SK 9016.1 - 63 S/4	35	D72-73				
5,7	201	2,9	234,64	9,0	20,0	9,0	20,0							
1,1	*500	0,8	1256,07	3,3	20,0	7,7	20,0	SK 9013.1 - 63 S/4	39	D70-71				
1,6	*500	0,8	847,07	3,3	20,0	7,7	20,0							
2,0	*500	0,8	667,89	3,3	20,0	7,7	20,0							
2,3	*500	0,8	589,96	3,3	20,0	7,7	20,0							
3,0	377	1,1	439,46	5,4	20,0	8,8	20,0							
4,2	275	1,5	320,60	6,3	20,0	9,0	20,0							
4,7	242	1,7	281,92	6,6	20,0	9,0	20,0							
6,3	183	2,2	212,83	6,9	20,0	9,0	20,0							
7,5	153	2,6	177,88	7,0	20,0	9,0	20,0							
2,6	440	0,9	332,37	4,5	20,0	8,3	20,0				SK 9012.1 - 63 L/6	34	D68-69	
3,1	372	1,1	280,71	5,4	20,0	8,8	20,0							
3,5	326	1,2	246,37	5,9	20,0	9,0	20,0							
4,2	273	1,5	205,93	6,3	20,0	9,0	20,0							
4,0	285	1,4	332,37	6,3	20,0	9,0	20,0	SK 9012.1 - 63 S/4	34	D68-69				
4,8	241	1,7	280,71	6,6	20,0	9,0	20,0							
5,4	211	1,9	246,37	6,7	20,0	9,0	20,0							
6,5	177	2,3	205,93	6,9	20,0	9,0	20,0							
8,0	143	2,8	166,59	7,0	20,0	9,0	20,0							
9,5	121	3,3	140,70	7,1	20,0	9,0	20,0							
11	106	3,8	123,48	7,1	20,0	9,0	20,0							
14	84	4,8	97,36	7,2	20,0	9,0	20,0							
16	74	5,4	86,00	7,2	20,0	9,0	20,0							
17	66	6,1	76,53	7,2	20,0	9,0	20,0							
21	54	7,4	62,74	7,2	20,0	9,0	20,0							
24	47	8,4	55,17	7,2	20,0	9,0	20,0							
27	42	9,5	48,95	7,2	20,0	9,0	20,0							
32	36	11,2	41,65	7,3	20,0	9,0	20,0							
38	30	13,4	34,81	7,3	20,0	9,0	20,0							
42	27	14,8	31,45	7,3	20,0	9,0	20,0							
48	24	16,9	27,65	7,3	20,0	9,0	20,0							
54	21	19,0	24,53	7,3	20,0	9,0	20,0							
64	18	22,3	20,87	7,3	20,0	9,0	20,0							
77	15	25,4	17,45	7,3	19,3	9,0	19,3							
87	13	28,9	15,30	7,3	18,6	9,0	18,6							
109	10	21,0	12,23	7,3	17,4	9,0	17,4							
123	9	21,5	10,85	7,3	16,8	9,0	16,8							
145	8	24,6	9,23	7,3	16,0	9,0	16,0							
165	7	25,9	8,09	7,3	15,4	9,0	15,4							

* maximales Abtriebsdrehmoment bei $f_B = 0,8$

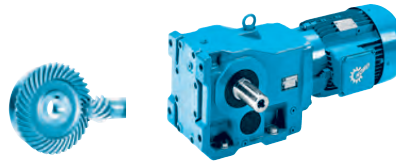


0,12 kW
0,18 kW

P_1 [kW]	n_2 [min ⁻¹]	M_2 [Nm]	f_B	i_{ges}	F_R [kN]	F_A [kN]	$F_{R VL}$ [kN]	$F_{A VL}$ [kN]		kg	mm
0,12	21	54	2,3	62,85	4,7	9,0	-	-	SK 92372 - 63 S/4	20	D62-63
	24	47	2,3	55,00	4,7	9,0	-	-			
	27	43	4,0	49,73	4,7	9,0	-	-			
	31	37	4,0	43,52	4,7	9,0	-	-			
	18	62	0,9	72,31	3,2	5,6	-	-	SK 92172 - 63 S/4	14	D60-61
	21	54	0,9	63,29	3,2	5,6	-	-			
	25	46	2,0	53,59	3,3	5,6	-	-			
	28	40	1,9	46,90	3,3	5,6	-	-			
	32	35	3,2	41,26	3,3	5,6	-	-			
	37	31	3,2	36,11	3,3	5,6	-	-			
	41	28	4,3	32,27	3,4	5,6	-	-			
	47	24	5,0	28,24	3,4	5,6	-	-			
	71	16	5,3	18,79	3,4	5,6	-	-			
	86	13	9,0	15,61	3,4	5,6	-	-			
	99	12	10,4	13,49	3,4	5,6	-	-			
113	10	11,3	11,81	3,4	5,6	-	-				
129	9	12,4	10,37	3,4	5,6	-	-				
147	8	13,5	9,07	3,4	5,6	-	-				
167	7	14,5	8,01	3,4	5,6	-	-				
190	6	15,7	7,04	3,4	5,6	-	-				
221	5	17,4	6,04	3,4	5,6	-	-				
250	5	18,6	5,33	3,4	5,6	-	-				
280	4	19,5	4,77	3,4	5,3	-	-				
326	4	21,3	4,10	3,4	5,0	-	-				
24	47	1,1	54,65	3,2	5,1	-	-	SK 92072 - 63 S/4	9	D58-59	
28	41	1,1	47,83	3,2	5,1	-	-				
34	34	2,3	39,67	3,2	5,1	-	-				
38	30	2,5	34,73	3,2	5,1	-	-				
44	26	2,7	30,15	3,2	5,1	-	-				
51	23	4,0	26,39	3,2	5,1	-	-				
57	20	4,5	23,28	3,3	5,1	-	-				
66	17	5,1	20,37	3,3	5,1	-	-				
76	15	4,0	17,56	3,3	5,1	-	-				
99	12	6,4	13,55	3,3	5,1	-	-				
121	9	9,5	11,06	3,3	5,1	-	-				
138	8	10,8	9,68	3,3	5,1	-	-				
148	8	11,7	8,99	3,3	5,1	-	-				
170	7	13,3	7,87	3,3	5,1	-	-				
207	6	15,4	6,44	3,3	5,1	-	-				
231	5	16,1	5,79	3,3	5,1	-	-				
255	4	17,8	5,24	3,2	4,9	-	-				
347	3	24,2	3,85	2,9	4,3	-	-				
0,18	1,0	1721	0,9	1361,37	4,5	14,5	15,0	30,0	SK 9033.1 - 63 L/4	70	D82-83
	1,2	1453	1,1	1149,80	9,0	14,5	15,0	30,0			
	1,6	1104	1,4	873,65	12,1	14,5	15,0	30,0			
	2,0	874	1,8	691,55	13,3	14,5	15,0	30,0			
	2,5	681	2,3	539,10	14,1	14,5	15,0	29,2			
	3,4	504	3,1	398,77	14,6	14,5	15,0	27,2			
	3,9	445	3,5	352,25	14,8	14,5	15,0	26,4			
	5,1	338	4,6	267,65	15,0	14,5	15,0	24,6			
	1,8	953	0,9	753,86	0,1	12,0	7,9	25,0			
	2,0	857	1,0	678,31	1,4	12,0	9,1	25,0			
	2,4	710	1,2	561,55	5,4	12,0	10,5	25,0			
	2,9	597	1,4	472,43	6,8	12,0	11,3	25,0			
	4,0	429	2,0	339,41	8,2	12,0	12,0	25,0			
	4,6	376	2,3	297,67	8,5	12,0	12,0	24,6			
	3,3	523	1,5	276,86	7,5	12,0	11,7	25,0	SK 9022.1 - 71 S/6	43	D76-77
21	81	5,7	64,01	8,2	12,0	-	-	SK 92772 - 63 L/4	44	D66-67	
2,2	796	0,8	629,56	4,5	20,0	9,0	20,0	SK 9017.1 - 63 L/4	40	D74-75	
2,4	706	0,9	558,25	6,1	20,0	9,0	20,0				
2,8	623	1,0	493,12	7,1	20,0	9,0	20,0				
3,7	464	1,3	367,33	8,5	20,0	9,0	20,0				
5,1	339	1,8	267,99	9,0	20,0	9,0	20,0				
5,8	298	2,0	235,64	9,0	20,0	9,0	20,0				
7,6	225	2,5	177,89	9,0	20,0	9,0	20,0				

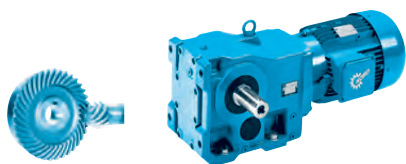


0,18 kW



P ₁ [kW]	n ₂ [min ⁻¹]	M ₂ [Nm]	f _B	i _{ges}	F _R [kN]	F _A [kN]	F _{R VL} [kN]	F _{A VL} [kN]		kg	mm
0,18	3,3	525	1,1	277,84	8,0	20,0	9,0	20,0	SK 9016.1 - 71 S/6	36	D72-73
	3,9	443	1,3	234,64	8,6	20,0	9,0	20,0			
	4,4	389	1,6	205,93	8,9	20,0	9,0	20,0			
	4,9	351	1,7	277,84	9,0	20,0	9,0	20,0	SK 9016.1 - 63 L/4	35	D72-73
	5,8	297	2,0	234,64	9,0	20,0	9,0	20,0			
	6,6	260	2,3	205,93	9,0	20,0	9,0	20,0			
	4,2	405	1,0	320,60	5,0	20,0	8,6	20,0	SK 9013.1 - 63 L/4	39	D70-71
	4,8	356	1,1	281,92	5,6	20,0	8,9	20,0			
	6,4	269	1,5	212,83	6,4	20,0	9,0	20,0			
	7,6	225	1,8	177,88	6,7	20,0	9,0	20,0			
	9,6	179	2,2	141,29	6,9	20,0	9,0	20,0			
	3,2	530	0,8	280,71	2,3	20,0	7,3	20,0			
	3,7	465	0,9	246,37	4,1	20,0	8,0	20,0			
	4,4	389	1,0	205,93	5,2	20,0	8,7	20,0			
	4,1	420	1,0	332,37	4,8	20,0	8,4	20,0	SK 9012.1 - 63 L/4	34	D68-69
	4,8	355	1,1	280,71	5,6	20,0	8,9	20,0			
	5,5	311	1,3	246,37	6,1	20,0	9,0	20,0			
	6,6	260	1,5	205,93	6,4	20,0	9,0	20,0			
	8,2	211	1,9	166,59	6,7	20,0	9,0	20,0			
	9,7	178	2,2	140,70	6,9	20,0	9,0	20,0			
	11	156	2,6	123,48	7,0	20,0	9,0	20,0			
	14	123	3,3	97,36	7,1	20,0	9,0	20,0			
	16	109	3,7	86,00	7,1	20,0	9,0	20,0			
	18	97	4,1	76,53	7,2	20,0	9,0	20,0			
	22	79	5,0	62,74	7,2	20,0	9,0	20,0			
	25	70	5,7	55,17	7,2	20,0	9,0	20,0			
	28	62	6,5	48,95	7,2	20,0	9,0	20,0			
	33	53	7,6	41,65	7,2	20,0	9,0	20,0			
	39	44	9,1	34,81	7,2	20,0	9,0	20,0			
	43	40	10,1	31,45	7,3	20,0	9,0	20,0			
	49	35	11,4	27,65	7,3	20,0	9,0	20,0			
	55	31	12,9	24,53	7,3	20,0	9,0	20,0			
	65	26	15,2	20,87	7,3	20,0	9,0	20,0			
	78	22	17,2	17,45	7,3	19,1	9,0	19,1			
	89	19	19,6	15,30	7,3	18,4	9,0	18,4			
	111	15	14,2	12,23	7,3	17,2	9,0	17,2			
	125	14	14,6	10,85	7,3	16,7	9,0	16,7			
	147	12	16,7	9,23	7,3	15,9	9,0	15,9			
	168	10	17,6	8,09	7,3	15,3	9,0	15,3			
	23	75	5,0	59,25	6,1	12,0	-	-	SK 92672 - 63 L/4	37	D64-65
	26	66	5,3	51,86	6,1	12,0	-	-			
	22	79	1,6	62,85	4,6	9,0	-	-	SK 92372 - 63 L/4	20	D62-63
	25	70	1,6	55,00	4,6	9,0	-	-			
	27	63	2,7	49,73	4,7	9,0	-	-			
	31	55	2,7	43,52	4,7	9,0	-	-			
	25	68	1,3	53,59	3,2	5,6	-	-	SK 92172 - 63 L/4	14	D60-61
	29	59	1,3	46,90	3,2	5,6	-	-			
	33	52	2,2	41,26	3,3	5,6	-	-			
	38	46	2,2	36,11	3,3	5,6	-	-			
	42	41	2,9	32,27	3,3	5,6	-	-			
	48	36	3,4	28,24	3,3	5,6	-	-			
	72	24	3,6	18,79	3,4	5,6	-	-	SK 92172 - 63 L/4	14	D60-61
	87	20	6,1	15,61	3,4	5,6	-	-			
	101	17	7,0	13,49	3,4	5,6	-	-			
	115	15	7,7	11,81	3,4	5,6	-	-			
	131	13	8,4	10,37	3,4	5,6	-	-			
	150	11	9,2	9,07	3,4	5,6	-	-			
	170	10	9,9	8,01	3,4	5,6	-	-			
	193	9	10,7	7,04	3,4	5,6	-	-			
	225	8	11,8	6,04	3,4	5,6	-	-			
	255	7	12,6	5,33	3,4	5,4	-	-			
	285	6	13,3	4,77	3,4	5,1	-	-			
	332	5	14,5	4,10	3,4	4,8	-	-			

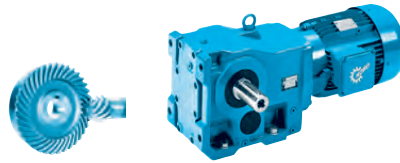




0,18 kW
0,25 kW

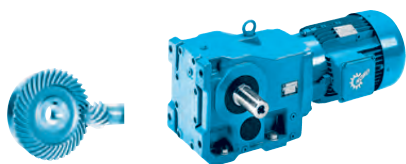
P_1 [kW]	n_2 [min ⁻¹]	M_2 [Nm]	f_B	i_{ges}	F_R [kN]	F_A [kN]	$F_{R VL}$ [kN]	$F_{A VL}$ [kN]		kg	mm
0,18	34	50	1,6	39,67	3,1	5,1	-	-	SK 92072 - 63 L/4	9	D58-59
	39	44	1,7	34,73	3,2	5,1	-	-			
	45	38	1,8	30,15	3,2	5,1	-	-			
	52	33	2,7	26,39	3,2	5,1	-	-			
	58	29	3,1	23,28	3,2	5,1	-	-			
	67	26	3,5	20,37	3,2	5,1	-	-			
	77	22	2,7	17,56	3,2	5,1	-	-			
	100	17	4,4	13,55	3,3	5,1	-	-			
	123	14	6,4	11,06	3,3	5,1	-	-			
	140	12	7,4	9,68	3,3	5,1	-	-			
	151	11	7,9	8,99	3,3	5,1	-	-			
	173	10	9,0	7,87	3,3	5,1	-	-			
	211	8	10,4	6,44	3,3	5,1	-	-			
	235	7	10,9	5,79	3,3	4,9	-	-			
	260	7	12,1	5,24	3,2	4,7	-	-			
353	5	16,4	3,85	2,9	4,1	-	-				
0,25	1,5	1612	3,0	931,87	29,5	45,0	38,0	45,0	SK 9053.1 - 71 S/4	203	D90-91
	2,0	1218	3,3	703,83	30,0	45,0	38,0	45,0			
	1,2	1926	1,5	1113,24	25,3	40,0	28,0	40,0	SK 9043.1 - 71 S/4	125	D86-87
	1,6	1525	1,8	881,60	26,4	40,0	28,0	40,0			
	2,1	1116	2,5	645,18	27,3	40,0	28,0	40,0			
	2,4	983	2,8	568,04	27,5	40,0	28,0	40,0			
	1,2	1989	0,8	1149,80	0,2	14,5	12,6	30,0	SK 9033.1 - 71 S/4	71	D82-83
	1,6	1511	1,0	873,65	8,3	14,5	15,0	30,0			
	2,0	1196	1,3	691,55	11,4	14,5	15,0	29,3			
	2,6	933	1,7	539,10	13,1	14,5	15,0	27,9			
	3,5	690	2,2	398,77	14,1	14,5	15,0	26,2			
	3,9	609	2,5	352,25	14,4	14,5	15,0	25,5			
	5,2	463	3,3	267,65	14,7	14,5	15,0	23,9			
	6,4	372	4,2	214,83	14,9	14,5	15,0	22,7			
	8,2	290	5,4	167,45	15,0	14,5	15,0	21,3			
	4,7	512	3,0	295,85	14,6	14,5	15,0	24,5			
	5,5	432	3,6	249,72	14,8	14,5	15,0	23,5			
	2,5	972	0,9	561,55	0,1	12,0	7,6	25,0	SK 9023.1 - 71 S/4	48	D78-79
	2,9	817	1,1	472,43	3,2	12,0	9,5	25,0			
	4,1	587	1,5	339,41	6,9	12,0	11,3	24,4			
	4,6	515	1,7	297,67	7,6	12,0	11,7	23,7			
	6,0	395	1,6	228,47	8,4	12,0	12,0	22,3			
	3,3	718	1,1	276,86	5,3	12,0	10,4	25,0	SK 9022.1 - 71 L/6	44	D76-77
	5,0	479	1,7	276,86	7,9	12,0	11,9	23,3	SK 9022.1 - 71 S/4	43	D76-77
	5,9	403	1,7	232,92	8,4	12,0	12,0	22,4			
	6,3	379	2,3	219,25	8,5	12,0	12,0	22,1			
	7,5	319	2,7	184,46	8,8	12,0	12,0	21,2			
	22	111	4,2	64,01	8,2	12,0	-	-	SK 92772 - 71 S/4	45	D66-67
	3,8	636	1,0	367,33	7,0	20,0	9,0	20,0	SK 9017.1 - 71 S/4	41	D74-75
	5,1	464	1,3	267,99	8,5	20,0	9,0	20,0			
	5,9	408	1,5	235,64	8,8	20,0	9,0	20,0			
	7,8	308	1,9	177,89	9,0	20,0	9,0	20,0			
3,3	721	0,8	277,84	5,8	20,0	9,0	20,0	SK 9016.1 - 71 L/6	37	D72-73	
3,9	609	1,0	234,64	7,3	20,0	9,0	20,0				
4,5	534	1,1	205,93	8,0	20,0	9,0	20,0				
5,0	481	1,2	277,84	8,4	20,0	9,0	20,0	SK 9016.1 - 71 S/4	36	D72-73	
5,9	406	1,5	234,64	8,9	20,0	9,0	20,0				
6,7	356	1,7	205,93	9,0	20,0	9,0	20,0				
7,5	317	1,9	183,10	9,0	20,0	9,0	20,0				
9,2	259	2,4	149,81	9,0	20,0	9,0	20,0				
4,9	488	0,8	281,92	3,6	20,0	7,8	20,0				SK 9013.1 - 71 S/4
6,5	368	1,1	212,83	5,5	20,0	8,9	20,0				
7,8	308	1,3	177,88	6,1	20,0	9,0	20,0				
9,8	244	1,6	141,29	6,6	20,0	9,0	20,0				

0,25 kW



P_1 [kW]	n_2 [min ⁻¹]	M_2 [Nm]	f_B	i_{ges}	F_R [kN]	F_A [kN]	$F_{R VL}$ [kN]	$F_{A VL}$ [kN]		kg	mm
0,25	4,9	486	0,8	280,71	3,6	20,0	7,8	20,0	SK 9012.1 - 71 S/4	35	D68-69
	5,6	426	0,9	246,37	4,7	20,0	8,4	20,0			
	6,7	356	1,1	205,93	5,6	20,0	8,9	20,0			
	7,5	317	1,3	183,10	6,0	20,0	9,0	20,0			
	8,3	288	1,4	166,59	6,2	20,0	9,0	20,0			
	9,8	243	1,6	140,70	6,6	20,0	9,0	20,0			
	11	214	1,9	123,48	6,7	20,0	9,0	20,0			
	13	190	2,1	109,79	6,8	20,0	9,0	20,0			
	14	168	2,4	97,36	6,9	20,0	9,0	20,0			
	16	149	2,7	86,00	7,0	20,0	9,0	20,0			
	18	132	3,0	76,53	7,1	20,0	9,0	20,0			
	22	109	3,7	62,74	7,1	20,0	9,0	20,0			
	25	95	4,2	55,17	7,2	20,0	9,0	20,0			
	28	85	4,7	48,95	7,2	20,0	9,0	20,0			
	33	72	5,6	41,65	7,2	20,0	9,0	20,0			
	40	60	6,6	34,81	7,2	20,0	9,0	20,0			
	44	54	7,4	31,45	7,2	20,0	9,0	20,0			
	50	48	8,4	27,65	7,2	20,0	9,0	20,0			
	56	42	9,4	24,53	7,2	20,0	9,0	20,0			
	66	36	11,1	20,87	7,3	20,0	9,0	20,0			
79	30	12,6	17,45	7,3	19,0	9,0	19,0				
90	26	14,4	15,30	7,3	18,3	9,0	18,3				
113	21	10,4	12,23	7,3	17,1	9,0	17,1				
127	19	10,7	10,85	7,3	16,5	9,0	16,5				
150	16	12,2	9,23	7,3	15,8	9,0	15,8				
171	14	12,9	8,09	7,3	15,1	9,0	15,1				
23	103	3,7	59,25	6,1	12,0	-	-	SK 92672 - 71 S/4	38	D64-65	
27	90	3,8	51,86	6,1	12,0	-	-				
22	109	1,1	62,85	4,4	9,0	-	-	SK 92372 - 71 S/4	21	D62-63	
25	95	1,2	55,00	4,5	9,0	-	-				
28	86	2,0	49,73	4,6	9,0	-	-				
32	75	2,0	43,52	4,6	9,0	-	-				
36	67	2,8	38,62	4,6	9,0	-	-				
41	58	3,2	33,80	4,7	9,0	-	-				
26	93	1,0	53,59	2,9	5,6	-	-	SK 92172 - 71 S/4	15	D60-61	
29	81	0,9	46,90	3,0	5,6	-	-				
33	71	1,6	41,26	3,1	5,6	-	-				
38	62	1,6	36,11	3,2	5,6	-	-				
43	56	2,1	32,27	3,2	5,6	-	-				
49	49	2,5	28,24	3,3	5,6	-	-				
73	33	2,6	18,79	3,3	5,6	-	-				
88	27	4,4	15,61	3,4	5,6	-	-				
102	23	5,1	13,49	3,4	5,6	-	-				
117	20	5,6	11,81	3,4	5,6	-	-				
133	18	6,1	10,37	3,4	5,6	-	-				
152	16	6,7	9,07	3,4	5,6	-	-				
172	14	7,2	8,01	3,4	5,6	-	-				
196	12	7,8	7,04	3,4	5,6	-	-				
228	10	8,6	6,04	3,4	5,6	-	-				
259	9	9,2	5,33	3,4	5,3	-	-				
289	8	9,7	4,77	3,4	5,0	-	-				
337	7	10,6	4,10	3,4	4,7	-	-				
35	69	1,2	39,67	3,0	5,1	-	-	SK 92072 - 71 S/4	10	D58-59	
40	60	1,2	34,73	3,1	5,1	-	-				
46	52	1,3	30,15	3,1	5,1	-	-				
52	46	2,0	26,39	3,2	5,1	-	-				
59	40	2,2	23,28	3,2	5,1	-	-				
68	35	2,6	20,37	3,2	5,1	-	-				
79	30	2,0	17,56	3,2	5,1	-	-				
102	23	3,2	13,55	3,2	5,1	-	-				
125	19	4,7	11,06	3,3	5,1	-	-				
143	17	5,4	9,68	3,3	5,1	-	-				
154	16	5,8	8,99	3,3	5,1	-	-				
175	14	6,6	7,87	3,3	5,1	-	-				
214	11	7,6	6,44	3,3	5,0	-	-				
238	10	8,0	5,79	3,2	4,8	-	-				
263	9	8,8	5,24	3,2	4,6	-	-				
358	7	12,0	3,85	2,9	4,0	-	-				

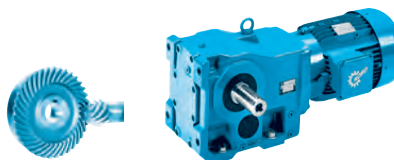




0,37 kW

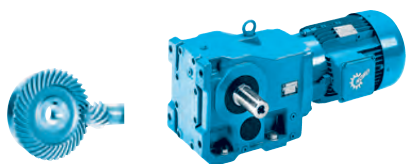
P ₁ [kW]	n ₂ [min ⁻¹]	M ₂ [Nm]	f _B	i _{ges}	F _R [kN]	F _A [kN]	F _{R VL} [kN]	F _{A VL} [kN]		kg	mm																																																																																																																																																																																																																																																																																																																																																																																																																																																																																																																																																																				
0,37	1,2	2672	3,2	1169,97	64,6	50,0	66,0	50,0	SK 9072.1/32 - 71 L/4	360	D92-93 D102																																																																																																																																																																																																																																																																																																																																																																																																																																																																																																																																																																				
	1,4	2224	3,8	973,69	65,0	50,0	66,0	50,0					1,0	3582	1,3	1398,80	24,1	45,0	38,0	45,0	SK 9053.1 - 71 L/4	204	D90-91		1,3	2721	1,8	1062,85	27,1	45,0	38,0	45,0		1,5	2386	2,0	931,87	28,0	45,0	38,0	45,0		2,0	1802	2,2	703,83	29,2	45,0	38,0	45,0		2,4	1485	3,2	579,95	29,7	45,0	38,0	45,0		1,2	2850	1,0	1113,24	21,3	40,0	28,0	40,0	SK 9043.1 - 71 L/4	126	D86-87		1,6	2257	1,2	881,60	24,1	40,0	28,0	40,0		2,1	1652	1,7	645,18	26,1	40,0	28,0	40,0		2,4	1454	1,9	568,04	26,6	40,0	28,0	40,0		3,9	898	3,1	350,72	27,6	40,0	28,0	38,2		2,0	1771	0,9	691,55	2,8	14,5	14,8	26,7	SK 9033.1 - 71 L/4	72	D82-83		2,6	1380	1,1	539,10	9,8	14,5	15,0	25,9		3,5	1021	1,5	398,77	12,6	14,5	15,0	24,8		3,9	902	1,7	352,25	13,2	14,5	15,0	24,2		5,2	685	2,3	267,65	14,1	14,5	15,0	22,9		6,4	550	2,8	214,83	14,5	14,5	15,0	21,9		8,2	429	3,6	167,45	14,8	14,5	15,0	20,7		4,7	758	2,0	295,85	13,8	14,5	15,0	23,4	SK 9032.1 - 71 L/4	64	D80-81		5,5	639	2,4	249,72	14,3	14,5	15,0	22,6		12	284	5,5	110,77	15,0	14,5	15,0	18,7		4,1	869	1,0	339,41	0,5	12,0	8,9	22,9	SK 9023.1 - 71 L/4	49	D78-79		4,6	762	1,1	297,67	4,5	12,0	10,0	22,4		6,0	585	1,1	228,47	7,0	12,0	11,4	21,3		3,4	1052	0,8	276,86	0,5	12,0	6,2	23,5	SK 9022.1 - 80 S/6	46	D76-77		5,9	596	1,2	232,92	6,8	12,0	11,3	21,3	SK 9022.1 - 71 L/4	44	D76-77		6,3	561	1,5	219,25	7,2	12,0	11,5	21,1		7,5	472	1,8	184,46	7,9	12,0	11,9	20,3		14	253	3,4	98,88	9,0	12,0	12,0	17,7		22	164	2,8	64,01	8,1	12,0	-	-	SK 92772 - 71 L/4	46	D66-67		5,1	686	0,9	267,99	6,3	20,0	9,0	20,0	SK 9017.1 - 71 L/4	42	D74-75		5,9	603	1,0	235,64	7,3	20,0	9,0	20,0		7,8	455	1,3	177,89	8,5	20,0	9,0	20,0		10	344	1,3	134,32	9,0	20,0	9,0	20,0		4,5	782	0,8	205,93	4,8	20,0	9,0	20,0	SK 9016.1 - 80 S/6	39	D72-73		5,0	711	0,8	277,84	6,0	20,0	9,0	20,0	SK 9016.1 - 71 L/4	37	D72-73		5,9	601	1,0	234,64	7,3	20,0	9,0	20,0		6,7	527	1,2	205,93	8,0	20,0	9,0	20,0		7,5	469	1,3	183,10	8,4	20,0	9,0	20,0		9,2	384	1,6	149,81	9,0	20,0	9,0	20,0		15	235	2,1	91,77	9,0	20,0	9,0	20,0	SK 9013.1 - 71 L/4	41	D70-71		17	208	2,9	81,38	9,0	20,0	9,0	20,0		7,8	455	0,9	177,88	4,2	20,0	8,1	20,0		9,8	362	1,1	141,29	5,6	20,0	8,9	20,0		6,7	527	0,8	205,93	2,5	20,0	7,4	20,0	SK 9012.1 - 71 L/4	36	D68-69		7,5	469	0,9	183,10	4,0	20,0	8,0	20,0		8,3	427	0,9	166,59	4,7	20,0	8,4	20,0		9,8	360	1,1	140,70	5,6	20,0	8,9	20,0		11	316	1,3	123,48	6,0	20,0	9,0	20,0		13	281	1,4	109,79	6,3	20,0	9,0	20,0		14	249	1,6	97,36	6,5	20,0	9,0	20,0		16	220	1,8	86,00	6,7	20,0	9,0	20,0		18	196	2,0	76,53	6,8	20,0	9,0	20,0		22	161	2,5	62,74	7,0	20,0	9,0	20,0		25	141	2,8	55,17	7,0	20,0	9,0	20,0		28	125	3,2	48,95	7,1	20,0	9,0	20,0		33	107	3,8	41,65	7,1	20,0	9,0	20,0		40	89	4,5	34,81
	1,0	3582	1,3	1398,80	24,1	45,0	38,0	45,0	SK 9053.1 - 71 L/4	204	D90-91																																																																																																																																																																																																																																																																																																																																																																																																																																																																																																																																																																				
	1,3	2721	1,8	1062,85	27,1	45,0	38,0	45,0																																																																																																																																																																																																																																																																																																																																																																																																																																																																																																																																																																							
	1,5	2386	2,0	931,87	28,0	45,0	38,0	45,0																																																																																																																																																																																																																																																																																																																																																																																																																																																																																																																																																																							
	2,0	1802	2,2	703,83	29,2	45,0	38,0	45,0																																																																																																																																																																																																																																																																																																																																																																																																																																																																																																																																																																							
	2,4	1485	3,2	579,95	29,7	45,0	38,0	45,0					1,2	2850	1,0	1113,24	21,3	40,0	28,0	40,0	SK 9043.1 - 71 L/4	126	D86-87		1,6	2257	1,2	881,60	24,1	40,0	28,0	40,0		2,1	1652	1,7	645,18	26,1	40,0	28,0	40,0		2,4	1454	1,9	568,04	26,6	40,0	28,0	40,0		3,9	898	3,1	350,72	27,6	40,0	28,0	38,2		2,0	1771	0,9	691,55	2,8	14,5	14,8	26,7	SK 9033.1 - 71 L/4	72	D82-83		2,6	1380	1,1	539,10	9,8	14,5	15,0	25,9		3,5	1021	1,5	398,77	12,6	14,5	15,0	24,8		3,9	902	1,7	352,25	13,2	14,5	15,0	24,2		5,2	685	2,3	267,65	14,1	14,5	15,0	22,9		6,4	550	2,8	214,83	14,5	14,5	15,0	21,9					8,2	429	3,6	167,45	14,8	14,5	15,0	20,7		4,7	758	2,0	295,85	13,8	14,5	15,0	23,4	SK 9032.1 - 71 L/4	64	D80-81		5,5	639	2,4	249,72	14,3	14,5	15,0	22,6		12	284	5,5	110,77	15,0	14,5	15,0	18,7		4,1	869	1,0	339,41	0,5	12,0	8,9	22,9	SK 9023.1 - 71 L/4	49	D78-79		4,6	762	1,1	297,67	4,5	12,0	10,0	22,4		6,0	585	1,1	228,47	7,0	12,0	11,4	21,3		3,4	1052	0,8	276,86	0,5	12,0	6,2	23,5	SK 9022.1 - 80 S/6	46	D76-77		5,9	596	1,2	232,92	6,8	12,0	11,3	21,3	SK 9022.1 - 71 L/4	44	D76-77		6,3	561	1,5	219,25	7,2	12,0	11,5	21,1		7,5	472	1,8	184,46	7,9	12,0	11,9	20,3		14	253	3,4	98,88	9,0	12,0	12,0	17,7		22	164	2,8	64,01	8,1	12,0	-	-	SK 92772 - 71 L/4	46	D66-67		5,1	686	0,9	267,99	6,3	20,0	9,0	20,0	SK 9017.1 - 71 L/4	42	D74-75		5,9	603	1,0	235,64	7,3	20,0	9,0	20,0		7,8	455	1,3	177,89	8,5	20,0	9,0	20,0		10	344	1,3	134,32	9,0	20,0	9,0	20,0		4,5	782	0,8	205,93	4,8	20,0	9,0	20,0	SK 9016.1 - 80 S/6	39	D72-73		5,0	711	0,8	277,84	6,0	20,0	9,0	20,0	SK 9016.1 - 71 L/4	37	D72-73		5,9	601	1,0	234,64	7,3	20,0	9,0	20,0		6,7	527	1,2	205,93	8,0	20,0	9,0	20,0		7,5	469	1,3	183,10	8,4	20,0	9,0	20,0		9,2	384	1,6	149,81	9,0	20,0	9,0	20,0		15	235	2,1	91,77	9,0	20,0	9,0	20,0	SK 9013.1 - 71 L/4	41	D70-71		17	208	2,9	81,38	9,0	20,0	9,0	20,0		7,8	455	0,9	177,88	4,2	20,0	8,1	20,0		9,8	362	1,1	141,29	5,6	20,0	8,9	20,0		6,7	527	0,8	205,93	2,5	20,0	7,4	20,0	SK 9012.1 - 71 L/4	36	D68-69		7,5	469	0,9	183,10	4,0	20,0	8,0	20,0		8,3	427	0,9	166,59	4,7	20,0	8,4	20,0		9,8	360	1,1	140,70	5,6	20,0	8,9	20,0		11	316	1,3	123,48	6,0	20,0	9,0	20,0		13	281	1,4	109,79	6,3				20,0	9,0	20,0		14	249	1,6	97,36	6,5	20,0	9,0	20,0		16	220	1,8	86,00	6,7	20,0	9,0	20,0		18	196	2,0	76,53	6,8	20,0	9,0	20,0		22	161	2,5	62,74	7,0	20,0	9,0	20,0		25	141	2,8	55,17	7,0	20,0	9,0	20,0		28	125	3,2	48,95	7,1	20,0	9,0	20,0		33	107	3,8	41,65	7,1	20,0	9,0	20,0		40	89	4,5	34,81	7,2	20,0	9,0	20,0																																						
	1,2	2850	1,0	1113,24	21,3	40,0	28,0	40,0	SK 9043.1 - 71 L/4	126	D86-87																																																																																																																																																																																																																																																																																																																																																																																																																																																																																																																																																																				
	1,6	2257	1,2	881,60	24,1	40,0	28,0	40,0																																																																																																																																																																																																																																																																																																																																																																																																																																																																																																																																																																							
	2,1	1652	1,7	645,18	26,1	40,0	28,0	40,0																																																																																																																																																																																																																																																																																																																																																																																																																																																																																																																																																																							
	2,4	1454	1,9	568,04	26,6	40,0	28,0	40,0																																																																																																																																																																																																																																																																																																																																																																																																																																																																																																																																																																							
	3,9	898	3,1	350,72	27,6	40,0	28,0	38,2					2,0	1771	0,9	691,55	2,8	14,5	14,8	26,7	SK 9033.1 - 71 L/4	72	D82-83		2,6	1380	1,1	539,10	9,8	14,5	15,0	25,9		3,5	1021	1,5	398,77	12,6	14,5	15,0	24,8		3,9	902	1,7	352,25	13,2	14,5	15,0	24,2		5,2	685	2,3	267,65	14,1	14,5	15,0	22,9		6,4	550	2,8	214,83	14,5	14,5	15,0	21,9					8,2	429	3,6	167,45	14,8	14,5	15,0	20,7		4,7	758	2,0	295,85	13,8	14,5	15,0	23,4	SK 9032.1 - 71 L/4	64	D80-81		5,5	639	2,4	249,72	14,3	14,5	15,0	22,6		12	284	5,5	110,77	15,0	14,5	15,0	18,7		4,1	869	1,0	339,41	0,5	12,0	8,9	22,9	SK 9023.1 - 71 L/4	49	D78-79		4,6	762	1,1	297,67	4,5	12,0	10,0	22,4		6,0	585	1,1	228,47	7,0	12,0	11,4	21,3		3,4	1052	0,8	276,86	0,5	12,0	6,2	23,5	SK 9022.1 - 80 S/6	46	D76-77		5,9	596	1,2	232,92	6,8	12,0	11,3	21,3	SK 9022.1 - 71 L/4	44	D76-77		6,3	561	1,5	219,25	7,2	12,0	11,5	21,1		7,5	472	1,8	184,46	7,9	12,0	11,9	20,3		14	253	3,4	98,88	9,0	12,0	12,0	17,7		22	164	2,8	64,01	8,1	12,0	-	-	SK 92772 - 71 L/4	46	D66-67		5,1	686	0,9	267,99	6,3	20,0	9,0	20,0	SK 9017.1 - 71 L/4	42	D74-75		5,9	603	1,0	235,64	7,3	20,0	9,0	20,0		7,8	455	1,3	177,89	8,5	20,0	9,0	20,0		10	344	1,3	134,32	9,0	20,0	9,0	20,0		4,5	782	0,8	205,93	4,8	20,0	9,0	20,0	SK 9016.1 - 80 S/6	39	D72-73		5,0	711	0,8	277,84	6,0	20,0	9,0	20,0	SK 9016.1 - 71 L/4	37	D72-73		5,9	601	1,0	234,64	7,3	20,0	9,0	20,0		6,7	527	1,2	205,93	8,0	20,0	9,0	20,0		7,5	469	1,3	183,10	8,4	20,0	9,0	20,0		9,2	384	1,6	149,81	9,0	20,0	9,0	20,0		15	235	2,1	91,77	9,0	20,0	9,0	20,0	SK 9013.1 - 71 L/4	41	D70-71		17	208	2,9	81,38	9,0	20,0	9,0	20,0		7,8	455	0,9	177,88	4,2	20,0	8,1	20,0		9,8	362	1,1	141,29	5,6	20,0	8,9	20,0		6,7	527	0,8	205,93	2,5	20,0	7,4	20,0	SK 9012.1 - 71 L/4	36	D68-69		7,5	469	0,9	183,10	4,0	20,0	8,0	20,0		8,3	427	0,9	166,59	4,7	20,0	8,4	20,0		9,8	360	1,1	140,70	5,6	20,0	8,9	20,0		11	316	1,3	123,48	6,0	20,0	9,0	20,0		13	281	1,4	109,79	6,3	20,0	9,0	20,0					14	249	1,6	97,36	6,5	20,0	9,0	20,0		16	220	1,8	86,00	6,7	20,0	9,0	20,0		18	196	2,0	76,53	6,8	20,0	9,0	20,0		22	161	2,5	62,74	7,0	20,0	9,0	20,0		25	141	2,8	55,17	7,0				20,0	9,0	20,0		28	125	3,2	48,95	7,1	20,0	9,0	20,0		33	107	3,8	41,65	7,1	20,0	9,0	20,0		40	89	4,5	34,81	7,2	20,0	9,0	20,0																																																																																			
	2,0	1771	0,9	691,55	2,8	14,5	14,8	26,7	SK 9033.1 - 71 L/4	72	D82-83																																																																																																																																																																																																																																																																																																																																																																																																																																																																																																																																																																				
	2,6	1380	1,1	539,10	9,8	14,5	15,0	25,9																																																																																																																																																																																																																																																																																																																																																																																																																																																																																																																																																																							
	3,5	1021	1,5	398,77	12,6	14,5	15,0	24,8																																																																																																																																																																																																																																																																																																																																																																																																																																																																																																																																																																							
	3,9	902	1,7	352,25	13,2	14,5	15,0	24,2																																																																																																																																																																																																																																																																																																																																																																																																																																																																																																																																																																							
	5,2	685	2,3	267,65	14,1	14,5	15,0	22,9																																																																																																																																																																																																																																																																																																																																																																																																																																																																																																																																																																							
	6,4	550	2,8	214,83	14,5	14,5	15,0	21,9																																																																																																																																																																																																																																																																																																																																																																																																																																																																																																																																																																							
	8,2	429	3,6	167,45	14,8	14,5	15,0	20,7					4,7	758	2,0	295,85	13,8	14,5	15,0	23,4	SK 9032.1 - 71 L/4	64	D80-81		5,5	639	2,4	249,72	14,3	14,5	15,0	22,6		12	284	5,5	110,77	15,0	14,5	15,0	18,7		4,1	869	1,0	339,41	0,5	12,0	8,9	22,9	SK 9023.1 - 71 L/4	49	D78-79		4,6	762	1,1	297,67	4,5	12,0	10,0	22,4		6,0	585	1,1	228,47	7,0	12,0	11,4	21,3		3,4	1052	0,8	276,86	0,5	12,0	6,2	23,5	SK 9022.1 - 80 S/6	46	D76-77		5,9	596	1,2	232,92	6,8	12,0	11,3	21,3	SK 9022.1 - 71 L/4	44	D76-77		6,3	561	1,5	219,25	7,2	12,0	11,5	21,1		7,5	472	1,8	184,46	7,9	12,0	11,9	20,3		14	253	3,4	98,88	9,0	12,0	12,0	17,7		22	164	2,8	64,01	8,1	12,0	-	-	SK 92772 - 71 L/4	46	D66-67		5,1	686	0,9	267,99	6,3	20,0	9,0	20,0	SK 9017.1 - 71 L/4	42	D74-75		5,9	603	1,0	235,64	7,3	20,0	9,0	20,0		7,8	455	1,3	177,89	8,5	20,0	9,0	20,0		10	344	1,3	134,32	9,0	20,0	9,0	20,0		4,5	782	0,8	205,93	4,8	20,0	9,0	20,0	SK 9016.1 - 80 S/6	39	D72-73		5,0	711	0,8	277,84	6,0	20,0	9,0	20,0	SK 9016.1 - 71 L/4	37	D72-73		5,9	601	1,0	234,64	7,3	20,0	9,0	20,0		6,7	527	1,2	205,93	8,0	20,0	9,0	20,0		7,5	469	1,3	183,10	8,4	20,0	9,0	20,0		9,2	384	1,6	149,81	9,0	20,0	9,0	20,0		15	235	2,1	91,77	9,0	20,0	9,0	20,0	SK 9013.1 - 71 L/4	41	D70-71		17	208	2,9	81,38	9,0	20,0	9,0	20,0		7,8	455	0,9	177,88	4,2	20,0	8,1	20,0		9,8	362	1,1	141,29	5,6	20,0	8,9	20,0		6,7	527	0,8	205,93	2,5	20,0	7,4	20,0	SK 9012.1 - 71 L/4	36	D68-69		7,5	469	0,9	183,10	4,0	20,0	8,0	20,0		8,3	427	0,9	166,59	4,7	20,0	8,4	20,0		9,8	360	1,1	140,70	5,6	20,0	8,9	20,0		11	316	1,3	123,48	6,0	20,0	9,0	20,0		13	281	1,4	109,79	6,3	20,0	9,0	20,0		14	249	1,6	97,36	6,5	20,0	9,0	20,0		16	220	1,8	86,00	6,7	20,0	9,0	20,0		18	196				2,0	76,53	6,8	20,0	9,0	20,0		22	161	2,5	62,74	7,0	20,0	9,0	20,0		25	141	2,8	55,17	7,0	20,0	9,0	20,0		28	125	3,2	48,95	7,1	20,0	9,0	20,0		33	107	3,8	41,65	7,1	20,0	9,0	20,0		40	89				4,5	34,81	7,2	20,0	9,0	20,0																																																																																																																																																								
	4,7	758	2,0	295,85	13,8	14,5	15,0	23,4	SK 9032.1 - 71 L/4	64	D80-81																																																																																																																																																																																																																																																																																																																																																																																																																																																																																																																																																																				
	5,5	639	2,4	249,72	14,3	14,5	15,0	22,6																																																																																																																																																																																																																																																																																																																																																																																																																																																																																																																																																																							
	12	284	5,5	110,77	15,0	14,5	15,0	18,7					4,1	869	1,0	339,41	0,5	12,0	8,9	22,9	SK 9023.1 - 71 L/4	49	D78-79		4,6	762	1,1	297,67	4,5	12,0	10,0	22,4		6,0	585	1,1	228,47	7,0	12,0	11,4	21,3		3,4	1052	0,8	276,86	0,5	12,0	6,2	23,5	SK 9022.1 - 80 S/6	46	D76-77		5,9	596	1,2	232,92	6,8	12,0	11,3	21,3	SK 9022.1 - 71 L/4	44	D76-77		6,3	561	1,5	219,25	7,2	12,0	11,5	21,1		7,5	472	1,8	184,46	7,9	12,0	11,9	20,3		14	253	3,4	98,88	9,0	12,0	12,0	17,7					22	164	2,8	64,01	8,1	12,0	-	-	SK 92772 - 71 L/4	46	D66-67		5,1	686	0,9	267,99	6,3	20,0	9,0	20,0	SK 9017.1 - 71 L/4	42	D74-75		5,9	603	1,0	235,64	7,3	20,0	9,0	20,0		7,8	455	1,3	177,89	8,5	20,0	9,0	20,0		10	344	1,3	134,32	9,0				20,0	9,0	20,0		4,5	782	0,8	205,93	4,8	20,0	9,0	20,0	SK 9016.1 - 80 S/6	39	D72-73		5,0	711	0,8	277,84	6,0	20,0	9,0	20,0	SK 9016.1 - 71 L/4	37	D72-73		5,9	601	1,0	234,64	7,3	20,0	9,0	20,0		6,7	527	1,2	205,93	8,0	20,0	9,0	20,0		7,5	469				1,3	183,10	8,4	20,0	9,0	20,0		9,2	384	1,6	149,81	9,0	20,0	9,0	20,0		15	235	2,1	91,77	9,0	20,0	9,0	20,0	SK 9013.1 - 71 L/4	41	D70-71		17	208	2,9	81,38	9,0	20,0	9,0	20,0		7,8	455	0,9	177,88	4,2	20,0	8,1	20,0					9,8	362	1,1	141,29	5,6	20,0	8,9	20,0		6,7	527	0,8	205,93	2,5	20,0	7,4	20,0	SK 9012.1 - 71 L/4	36	D68-69		7,5	469	0,9	183,10	4,0	20,0	8,0	20,0		8,3	427	0,9	166,59	4,7				20,0	8,4	20,0		9,8	360	1,1	140,70	5,6	20,0	8,9	20,0		11	316	1,3	123,48	6,0	20,0	9,0	20,0		13	281	1,4	109,79	6,3	20,0	9,0	20,0		14	249	1,6	97,36	6,5	20,0	9,0	20,0		16	220	1,8	86,00	6,7	20,0	9,0	20,0		18	196	2,0	76,53	6,8	20,0	9,0	20,0		22	161	2,5	62,74	7,0	20,0	9,0	20,0					25	141	2,8	55,17	7,0	20,0	9,0	20,0		28	125	3,2	48,95	7,1	20,0	9,0	20,0		33	107	3,8	41,65	7,1	20,0	9,0	20,0		40	89	4,5	34,81	7,2	20,0	9,0	20,0																																																																																																																																																																										
	4,1	869	1,0	339,41	0,5	12,0	8,9	22,9	SK 9023.1 - 71 L/4	49	D78-79																																																																																																																																																																																																																																																																																																																																																																																																																																																																																																																																																																				
	4,6	762	1,1	297,67	4,5	12,0	10,0	22,4																																																																																																																																																																																																																																																																																																																																																																																																																																																																																																																																																																							
	6,0	585	1,1	228,47	7,0	12,0	11,4	21,3					3,4	1052	0,8	276,86	0,5	12,0	6,2	23,5	SK 9022.1 - 80 S/6	46	D76-77		5,9	596	1,2	232,92	6,8	12,0	11,3	21,3	SK 9022.1 - 71 L/4	44	D76-77		6,3	561	1,5	219,25	7,2	12,0	11,5	21,1		7,5	472	1,8	184,46	7,9	12,0	11,9	20,3		14	253	3,4	98,88	9,0	12,0	12,0	17,7					22	164	2,8	64,01	8,1	12,0	-	-	SK 92772 - 71 L/4	46	D66-67		5,1	686	0,9	267,99	6,3	20,0	9,0	20,0	SK 9017.1 - 71 L/4	42	D74-75		5,9	603	1,0	235,64	7,3	20,0	9,0	20,0		7,8	455	1,3	177,89	8,5	20,0	9,0	20,0		10	344	1,3	134,32	9,0	20,0	9,0	20,0					4,5	782	0,8	205,93	4,8	20,0	9,0	20,0	SK 9016.1 - 80 S/6	39	D72-73		5,0	711	0,8	277,84	6,0	20,0	9,0	20,0	SK 9016.1 - 71 L/4	37	D72-73		5,9	601	1,0	234,64	7,3	20,0	9,0	20,0		6,7	527	1,2	205,93	8,0	20,0	9,0	20,0		7,5	469	1,3	183,10	8,4	20,0	9,0	20,0					9,2	384	1,6	149,81	9,0	20,0	9,0	20,0		15	235	2,1	91,77	9,0	20,0	9,0	20,0	SK 9013.1 - 71 L/4	41	D70-71		17	208	2,9	81,38	9,0	20,0	9,0	20,0		7,8	455	0,9	177,88	4,2	20,0	8,1	20,0		9,8	362	1,1	141,29	5,6	20,0	8,9	20,0					6,7	527	0,8	205,93	2,5	20,0	7,4	20,0	SK 9012.1 - 71 L/4	36	D68-69		7,5	469	0,9	183,10	4,0	20,0	8,0	20,0		8,3	427	0,9	166,59	4,7	20,0	8,4	20,0		9,8	360	1,1	140,70	5,6	20,0	8,9	20,0					11	316	1,3	123,48	6,0	20,0	9,0	20,0		13	281	1,4	109,79	6,3				20,0	9,0	20,0		14	249	1,6	97,36	6,5	20,0	9,0	20,0		16	220	1,8	86,00	6,7	20,0	9,0	20,0		18	196	2,0	76,53	6,8	20,0	9,0	20,0		22	161	2,5	62,74	7,0	20,0	9,0	20,0		25	141	2,8	55,17	7,0	20,0	9,0	20,0		28	125	3,2	48,95	7,1	20,0	9,0	20,0		33	107	3,8	41,65	7,1	20,0	9,0	20,0					40	89	4,5	34,81	7,2	20,0	9,0	20,0																																																																																																																																																																																																					
	3,4	1052	0,8	276,86	0,5	12,0	6,2	23,5	SK 9022.1 - 80 S/6	46	D76-77																																																																																																																																																																																																																																																																																																																																																																																																																																																																																																																																																																				
	5,9	596	1,2	232,92	6,8	12,0	11,3	21,3	SK 9022.1 - 71 L/4	44	D76-77																																																																																																																																																																																																																																																																																																																																																																																																																																																																																																																																																																				
	6,3	561	1,5	219,25	7,2	12,0	11,5	21,1																																																																																																																																																																																																																																																																																																																																																																																																																																																																																																																																																																							
	7,5	472	1,8	184,46	7,9	12,0	11,9	20,3																																																																																																																																																																																																																																																																																																																																																																																																																																																																																																																																																																							
	14	253	3,4	98,88	9,0	12,0	12,0	17,7					22	164	2,8	64,01	8,1	12,0	-	-	SK 92772 - 71 L/4	46	D66-67		5,1	686	0,9	267,99	6,3	20,0	9,0	20,0	SK 9017.1 - 71 L/4	42	D74-75		5,9	603	1,0	235,64	7,3	20,0	9,0	20,0		7,8	455	1,3	177,89	8,5	20,0	9,0	20,0		10	344	1,3	134,32	9,0	20,0	9,0	20,0		4,5	782	0,8	205,93	4,8	20,0	9,0	20,0	SK 9016.1 - 80 S/6	39	D72-73		5,0	711	0,8	277,84	6,0	20,0	9,0	20,0	SK 9016.1 - 71 L/4	37	D72-73		5,9	601	1,0	234,64	7,3	20,0	9,0	20,0		6,7	527	1,2	205,93	8,0	20,0	9,0	20,0		7,5	469	1,3	183,10	8,4	20,0	9,0	20,0		9,2	384	1,6	149,81	9,0	20,0	9,0	20,0		15	235	2,1	91,77	9,0	20,0	9,0	20,0	SK 9013.1 - 71 L/4	41	D70-71		17	208	2,9	81,38	9,0	20,0	9,0	20,0		7,8	455	0,9	177,88	4,2	20,0	8,1	20,0		9,8	362	1,1	141,29	5,6	20,0	8,9	20,0		6,7	527	0,8	205,93	2,5	20,0	7,4	20,0	SK 9012.1 - 71 L/4	36	D68-69		7,5	469	0,9	183,10	4,0	20,0	8,0	20,0		8,3	427	0,9	166,59	4,7	20,0	8,4	20,0		9,8	360	1,1	140,70	5,6	20,0	8,9	20,0		11	316	1,3	123,48	6,0	20,0	9,0	20,0		13	281	1,4	109,79	6,3	20,0	9,0	20,0		14	249	1,6	97,36	6,5	20,0	9,0	20,0		16	220	1,8	86,00	6,7				20,0	9,0	20,0		18	196	2,0	76,53	6,8	20,0	9,0	20,0		22	161	2,5	62,74	7,0	20,0	9,0	20,0		25	141	2,8	55,17	7,0				20,0	9,0	20,0		28	125	3,2	48,95	7,1	20,0	9,0	20,0		33	107				3,8	41,65	7,1	20,0	9,0	20,0		40	89	4,5	34,81	7,2	20,0	9,0	20,0																																																																																																																																																																																																																																																																				
	22	164	2,8	64,01	8,1	12,0	-	-	SK 92772 - 71 L/4	46	D66-67																																																																																																																																																																																																																																																																																																																																																																																																																																																																																																																																																																				
	5,1	686	0,9	267,99	6,3	20,0	9,0	20,0	SK 9017.1 - 71 L/4	42	D74-75																																																																																																																																																																																																																																																																																																																																																																																																																																																																																																																																																																				
	5,9	603	1,0	235,64	7,3	20,0	9,0	20,0																																																																																																																																																																																																																																																																																																																																																																																																																																																																																																																																																																							
	7,8	455	1,3	177,89	8,5	20,0	9,0	20,0																																																																																																																																																																																																																																																																																																																																																																																																																																																																																																																																																																							
	10	344	1,3	134,32	9,0	20,0	9,0	20,0					4,5	782	0,8	205,93	4,8	20,0	9,0	20,0	SK 9016.1 - 80 S/6	39	D72-73		5,0	711	0,8	277,84	6,0	20,0	9,0	20,0	SK 9016.1 - 71 L/4	37	D72-73		5,9	601	1,0	234,64	7,3	20,0	9,0	20,0		6,7	527	1,2	205,93	8,0	20,0	9,0	20,0		7,5	469	1,3	183,10	8,4	20,0	9,0	20,0		9,2	384	1,6	149,81	9,0	20,0	9,0	20,0		15	235	2,1	91,77	9,0	20,0	9,0	20,0	SK 9013.1 - 71 L/4	41	D70-71		17	208	2,9	81,38	9,0	20,0	9,0	20,0		7,8	455	0,9	177,88	4,2	20,0	8,1	20,0		9,8	362	1,1	141,29	5,6	20,0	8,9	20,0		6,7	527	0,8	205,93	2,5	20,0	7,4	20,0	SK 9012.1 - 71 L/4	36	D68-69		7,5	469	0,9	183,10	4,0	20,0	8,0	20,0		8,3	427	0,9	166,59	4,7	20,0	8,4	20,0		9,8	360	1,1	140,70	5,6	20,0	8,9	20,0		11	316	1,3	123,48	6,0	20,0	9,0	20,0		13	281	1,4	109,79	6,3	20,0	9,0	20,0		14	249				1,6	97,36	6,5	20,0	9,0	20,0		16	220	1,8	86,00	6,7	20,0	9,0	20,0		18	196	2,0	76,53	6,8	20,0	9,0	20,0		22	161	2,5	62,74	7,0	20,0	9,0	20,0		25	141	2,8	55,17	7,0	20,0	9,0	20,0		28	125	3,2	48,95	7,1	20,0	9,0	20,0		33	107	3,8	41,65	7,1	20,0	9,0	20,0					40	89	4,5	34,81	7,2	20,0	9,0	20,0																																																																																																																																																																																																																																																																																																																										
	4,5	782	0,8	205,93	4,8	20,0	9,0	20,0	SK 9016.1 - 80 S/6	39	D72-73																																																																																																																																																																																																																																																																																																																																																																																																																																																																																																																																																																				
	5,0	711	0,8	277,84	6,0	20,0	9,0	20,0	SK 9016.1 - 71 L/4	37	D72-73																																																																																																																																																																																																																																																																																																																																																																																																																																																																																																																																																																				
	5,9	601	1,0	234,64	7,3	20,0	9,0	20,0																																																																																																																																																																																																																																																																																																																																																																																																																																																																																																																																																																							
	6,7	527	1,2	205,93	8,0	20,0	9,0	20,0																																																																																																																																																																																																																																																																																																																																																																																																																																																																																																																																																																							
	7,5	469	1,3	183,10	8,4	20,0	9,0	20,0																																																																																																																																																																																																																																																																																																																																																																																																																																																																																																																																																																							
	9,2	384	1,6	149,81	9,0	20,0	9,0	20,0					15	235	2,1	91,77	9,0	20,0	9,0	20,0	SK 9013.1 - 71 L/4	41	D70-71		17	208	2,9	81,38	9,0	20,0	9,0	20,0		7,8	455	0,9	177,88	4,2	20,0	8,1	20,0		9,8	362	1,1	141,29	5,6	20,0	8,9	20,0		6,7	527	0,8	205,93	2,5	20,0	7,4	20,0	SK 9012.1 - 71 L/4	36	D68-69		7,5	469	0,9	183,10	4,0	20,0	8,0	20,0		8,3	427	0,9	166,59	4,7	20,0	8,4	20,0		9,8	360	1,1	140,70	5,6	20,0	8,9	20,0		11	316	1,3	123,48	6,0	20,0	9,0	20,0		13	281	1,4	109,79	6,3	20,0	9,0	20,0		14	249	1,6	97,36	6,5	20,0	9,0	20,0		16	220				1,8	86,00	6,7	20,0	9,0	20,0		18	196	2,0	76,53	6,8	20,0	9,0	20,0		22	161	2,5	62,74	7,0	20,0	9,0	20,0		25	141	2,8	55,17	7,0	20,0	9,0	20,0		28	125	3,2	48,95	7,1	20,0	9,0	20,0		33	107	3,8	41,65	7,1				20,0	9,0	20,0		40	89	4,5	34,81	7,2	20,0	9,0	20,0																																																																																																																																																																																																																																																																																																																																																																																						
	15	235	2,1	91,77	9,0	20,0	9,0	20,0	SK 9013.1 - 71 L/4	41	D70-71																																																																																																																																																																																																																																																																																																																																																																																																																																																																																																																																																																				
	17	208	2,9	81,38	9,0	20,0	9,0	20,0																																																																																																																																																																																																																																																																																																																																																																																																																																																																																																																																																																							
	7,8	455	0,9	177,88	4,2	20,0	8,1	20,0																																																																																																																																																																																																																																																																																																																																																																																																																																																																																																																																																																							
	9,8	362	1,1	141,29	5,6	20,0	8,9	20,0					6,7	527	0,8	205,93	2,5	20,0	7,4	20,0	SK 9012.1 - 71 L/4	36	D68-69		7,5	469	0,9	183,10	4,0	20,0	8,0	20,0		8,3	427	0,9	166,59	4,7	20,0	8,4	20,0		9,8	360	1,1	140,70	5,6	20,0	8,9	20,0		11	316	1,3	123,48	6,0	20,0	9,0	20,0					13	281	1,4	109,79	6,3	20,0	9,0	20,0		14	249	1,6	97,36	6,5	20,0	9,0	20,0		16	220	1,8	86,00	6,7	20,0	9,0	20,0		18	196	2,0	76,53	6,8	20,0	9,0	20,0		22	161	2,5	62,74	7,0	20,0	9,0	20,0		25	141	2,8	55,17	7,0	20,0	9,0	20,0		28	125				3,2	48,95	7,1	20,0	9,0	20,0		33	107	3,8	41,65	7,1	20,0	9,0	20,0		40	89	4,5	34,81	7,2	20,0	9,0	20,0																																																																																																																																																																																																																																																																																																																																																																																																																													
	6,7	527	0,8	205,93	2,5	20,0	7,4	20,0	SK 9012.1 - 71 L/4	36	D68-69																																																																																																																																																																																																																																																																																																																																																																																																																																																																																																																																																																				
	7,5	469	0,9	183,10	4,0	20,0	8,0	20,0																																																																																																																																																																																																																																																																																																																																																																																																																																																																																																																																																																							
	8,3	427	0,9	166,59	4,7	20,0	8,4	20,0																																																																																																																																																																																																																																																																																																																																																																																																																																																																																																																																																																							
	9,8	360	1,1	140,70	5,6	20,0	8,9	20,0																																																																																																																																																																																																																																																																																																																																																																																																																																																																																																																																																																							
	11	316	1,3	123,48	6,0	20,0	9,0	20,0																																																																																																																																																																																																																																																																																																																																																																																																																																																																																																																																																																							
	13	281	1,4	109,79	6,3	20,0	9,0	20,0																																																																																																																																																																																																																																																																																																																																																																																																																																																																																																																																																																							
	14	249	1,6	97,36	6,5	20,0	9,0	20,0																																																																																																																																																																																																																																																																																																																																																																																																																																																																																																																																																																							
	16	220	1,8	86,00	6,7	20,0	9,0	20,0																																																																																																																																																																																																																																																																																																																																																																																																																																																																																																																																																																							
	18	196	2,0	76,53	6,8	20,0	9,0	20,0																																																																																																																																																																																																																																																																																																																																																																																																																																																																																																																																																																							
	22	161	2,5	62,74	7,0	20,0	9,0	20,0																																																																																																																																																																																																																																																																																																																																																																																																																																																																																																																																																																							
	25	141	2,8	55,17	7,0	20,0	9,0	20,0																																																																																																																																																																																																																																																																																																																																																																																																																																																																																																																																																																							
	28	125	3,2	48,95	7,1	20,0	9,0	20,0																																																																																																																																																																																																																																																																																																																																																																																																																																																																																																																																																																							
	33	107	3,8	41,65	7,1	20,0	9,0	20,0																																																																																																																																																																																																																																																																																																																																																																																																																																																																																																																																																																							
	40	89	4,5	34,81	7,2	20,0	9,0	20,0																																																																																																																																																																																																																																																																																																																																																																																																																																																																																																																																																																							

0,37 kW



P_1 [kW]	n_2 [min ⁻¹]	M_2 [Nm]	f_B	i_{ges}	F_R [kN]	F_A [kN]	$F_{R VL}$ [kN]	$F_{A VL}$ [kN]		kg	mm			
0,37	44	81	5,0	31,45	7,2	20,0	9,0	20,0	SK 9012.1 - 71 L/4	36	D68-69			
	50	71	5,6	27,65	7,2	20,0	9,0	20,0						
	56	63	6,4	24,53	7,2	20,0	9,0	20,0						
	66	53	7,5	20,87	7,2	19,8	9,0	19,8						
	79	45	8,5	17,45	7,2	18,8	9,0	18,8						
	90	39	9,7	15,30	7,3	18,1	9,0	18,1						
	113	31	7,0	12,23	7,3	17,0	9,0	17,0						
	127	28	7,2	10,85	7,3	16,4	9,0	16,4						
	150	24	8,3	9,23	7,3	15,7	9,0	15,7						
	171	21	8,7	8,09	7,3	15,1	9,0	15,1						
	23	152	2,5	59,25	5,9	12,0	-	-				SK 92672 - 71 L/4	39	D64-65
	27	133	2,6	51,86	6,0	12,0	-	-						
	22	161	0,8	62,85	4,1	9,0	-	-				SK 92372 - 71 L/4	22	D62-63
	25	141	0,8	55,00	4,2	9,0	-	-						
	28	127	1,3	49,73	4,3	9,0	-	-						
	32	111	1,3	43,52	4,4	9,0	-	-						
	36	99	1,9	38,62	4,5	9,0	-	-						
41	87	2,1	33,80	4,6	9,0	-	-							
33	106	1,1	41,26	2,8	5,6	-	-	SK 92172 - 71 L/4	16	D60-61				
38	92	1,1	36,11	2,9	5,6	-	-							
43	83	1,5	32,27	3,0	5,6	-	-							
49	72	1,7	28,24	3,1	5,6	-	-							
73	48	1,8	18,79	3,3	5,6	-	-							
88	40	3,0	15,61	3,3	5,6	-	-							
102	35	3,5	13,49	3,3	5,6	-	-							
117	30	3,8	11,81	3,4	5,6	-	-							
133	27	4,1	10,37	3,4	5,6	-	-							
152	23	4,5	9,07	3,4	5,6	-	-							
172	21	4,9	8,01	3,4	5,6	-	-							
196	18	5,3	7,04	3,4	5,6	-	-							
228	15	5,8	6,04	3,4	5,4	-	-							
259	14	6,2	5,33	3,4	5,2	-	-							
289	12	6,6	4,77	3,4	4,9	-	-							
337	10	7,1	4,10	3,4	4,6	-	-							
35	102	0,8	39,67	2,7	5,1	-	-				SK 92072 - 71 L/4	11	D58-59	
40	89	0,8	34,73	2,8	5,1	-	-							
46	77	0,9	30,15	2,9	5,1	-	-							
52	68	1,3	26,39	3,0	5,1	-	-							
59	60	1,5	23,28	3,1	5,1	-	-							
68	52	1,7	20,37	3,1	5,1	-	-							
79	45	1,3	17,56	3,2	5,1	-	-							
102	35	2,2	13,55	3,2	5,1	-	-							
125	28	3,2	11,06	3,2	5,1	-	-							
143	25	3,6	9,68	3,2	5,1	-	-							
154	23	3,9	8,99	3,2	5,1	-	-							
175	20	4,5	7,87	3,3	5,1	-	-							
214	16	5,2	6,44	3,3	4,8	-	-							
238	15	5,4	5,79	3,2	4,6	-	-							
263	13	6,0	5,24	3,1	4,4	-	-							
358	10	8,1	3,85	2,8	3,9	-	-							



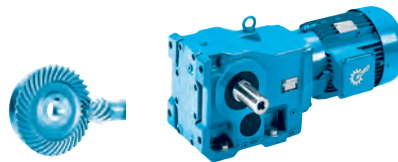


0,55 kW

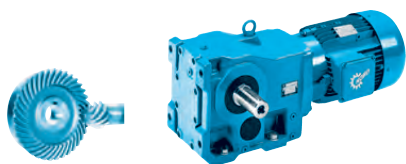
P_1 [kW]	n_2 [min ⁻¹]	M_2 [Nm]	f_B	i_{ges}	F_R [kN]	F_A [kN]	$F_{R VL}$ [kN]	$F_{A VL}$ [kN]		kg	mm
0,55	1,0	4985	1,7	1453,44	61,3	50,0	66,0	50,0	SK 9072.1/32 - 80 SH/4	363	D92-93 D102
	1,2	4013	2,1	1169,97	63,0	50,0	66,0	50,0			
	1,5	3340	2,5	973,69	63,9	50,0	66,0	50,0			
	1,9	2633	3,2	767,55	64,6	50,0	66,0	50,0			
	1,0	5174	0,9	1398,80	13,6	45,0	32,6	45,0	SK 9053.1 - 80 SH/4	207	D90-91
	1,3	3931	1,2	1062,85	22,5	45,0	37,2	45,0			
	1,5	3447	1,4	931,87	24,6	45,0	38,0	45,0			
	2,0	2603	1,5	703,83	27,4	45,0	38,0	45,0			
	2,4	2145	2,2	579,95	28,5	45,0	38,0	45,0			
	3,1	1696	2,8	458,57	29,4	45,0	38,0	45,0			
	4,1	1291	3,7	348,91	29,9	45,0	38,0	45,0			
	5,4	981	4,9	265,11	30,3	45,0	38,0	45,0			
	6,2	847	5,7	229,07	30,4	45,0	38,0	45,0			
	1,6	3261	0,9	881,60	18,7	40,0	28,0	40,0	SK 9043.1 - 80 SH/4	129	D86-87
	2,2	2386	1,2	645,18	23,6	40,0	28,0	40,0			
	2,5	2101	1,3	568,04	24,7	40,0	28,0	39,7	SK 9043.1 - 80 SH/4	129	D86-87
	4,0	1297	2,2	350,72	27,0	40,0	28,0	36,2			
	5,1	1034	2,7	279,60	27,4	40,0	28,0	34,5			
	2,6	1994	0,8	539,10	0,1	14,5	12,5	23,0	SK 9033.1 - 80 SH/4	75	D82-83
	3,6	1475	1,1	398,77	8,8	14,5	15,0	22,5			
	4,0	1303	1,2	352,25	10,5	14,5	15,0	22,2			
	5,3	990	1,6	267,65	12,8	14,5	15,0	21,4			
	6,6	795	2,0	214,83	13,7	14,5	15,0	20,6			
	8,5	619	2,5	167,45	14,3	14,5	15,0	19,6			
	4,8	1094	1,4	295,85	12,1	14,5	15,0	21,7			
	5,7	924	1,7	249,72	13,1	14,5	15,0	21,1			
	6,1	865	1,8	233,92	13,4	14,5	15,0	20,9			
	7,2	730	2,1	197,45	13,9	14,5	15,0	20,2			
	6,1	862	0,8	232,92	1,1	12,0	9,0	19,6	SK 9022.1 - 80 SH/4	47	D76-77
	6,5	811	1,1	219,25	3,3	12,0	9,6	19,6			
	7,7	682	1,3	184,46	5,8	12,0	10,7	18,9			
	8,4	628	1,4	169,81	6,5	12,0	11,1	18,8			
	10	509	1,7	137,57	7,6	12,0	11,8	18,1			
	12	428	2,0	115,74	8,2	12,0	12,0	17,4			
	14	366	2,4	98,88	8,6	12,0	12,0	16,9			
	22	237	1,9	64,01	7,9	12,0	-	-	SK 92772 - 80 SH/4	49	D66-67
	25	207	1,9	56,02	8,0	12,0	-	-			
	27	194	3,0	52,48	8,0	12,0	-	-			
	6,9	762	0,8	205,93	5,2	20,0	9,0	20,0	SK 9016.1 - 80 SH/4	40	D72-73
	7,8	677	0,9	183,10	6,5	20,0	9,0	20,0			
	9,5	554	1,1	149,81	7,8	20,0	9,0	20,0			
	10	527	1,2	142,41	8,0	20,0	9,0	20,0			
	12	431	1,4	116,52	8,7	20,0	9,0	20,0			
	15	339	1,5	91,77	9,0	20,0	9,0	20,0			
	17	301	2,0	81,38	9,0	20,0	9,0	20,0			
	20	266	2,3	71,88	9,0	20,0	9,0	20,0			
	22	237	2,6	63,97	9,0	20,0	9,0	20,0			
	10	520	0,8	140,70	2,7	20,0	7,4	20,0	SK 9012.1 - 80 SH/4	39	D68-69
	11	457	0,9	123,48	4,2	20,0	8,1	20,0			
	13	406	1,0	109,79	5,0	20,0	8,6	20,0			
	15	360	1,1	97,36	5,6	20,0	8,9	20,0			
	17	318	1,3	86,00	6,0	20,0	9,0	20,0			
	19	283	1,4	76,53	6,3	20,0	9,0	20,0			
	23	232	1,7	62,74	6,6	20,0	9,0	20,0			
	26	204	2,0	55,17	6,8	20,0	9,0	20,0			
	29	181	2,2	48,95	6,9	20,0	9,0	20,0			
	34	154	2,6	41,65	7,0	20,0	9,0	20,0			
	41	129	3,1	34,81	7,1	20,0	9,0	20,0			
	45	116	3,4	31,45	7,1	20,0	9,0	20,0			
	51	102	3,9	27,65	7,2	20,0	9,0	20,0			
	58	91	4,4	24,53	7,2	20,0	9,0	20,0			
	68	77	5,2	20,87	7,2	19,4	9,0	19,4			
	81	65	5,9	17,45	7,2	18,5	9,0	18,5			
	93	57	6,7	15,30	7,2	17,8	9,0	17,8			
	116	45	4,9	12,23	7,2	16,7	9,0	16,7			
	131	40	5,0	10,85	7,3	16,1	9,0	16,1			
	154	34	5,7	9,23	7,3	15,4	9,0	15,4			
	176	30	6,0	8,09	7,3	14,8	9,0	14,8			



0,55 kW
0,75 kW



P_1 [kW]	n_2 [min ⁻¹]	M_2 [Nm]	f_B	i_{ges}	F_R [kN]	F_A [kN]	$F_{R VL}$ [kN]	$F_{A VL}$ [kN]		kg	mm			
0,55	24	219	1,7	59,25	5,6	12,0	-	-	SK 92672 - 80 SH/4	42	D64-65			
	27	192	1,8	51,86	5,7	12,0	-	-						
	30	178	2,1	48,03	5,8	12,0	-	-						
	34	156	2,2	42,04	5,9	12,0	-	-						
	38	138	2,4	37,32	6,0	12,0	-	-						
	29	184	0,9	49,73	3,9	9,0	-	-	SK 92372 - 80 SH/4	25	D62-63			
	33	161	0,9	43,52	4,1	9,0	-	-						
	37	143	1,3	38,62	4,2	9,0	-	-						
	42	125	1,5	33,80	4,4	9,0	-	-						
	45	116	1,6	31,32	4,4	9,0	-	-	SK 92372 - 80 SH/4	25	D62-63			
	52	101	2,3	27,41	4,5	9,0	-	-						
	58	90	2,3	24,33	4,6	9,0	-	-						
	34	153	0,8	41,26	1,8	5,6	-	-				SK 92172 - 80 SH/4	19	D60-61
	44	119	1,0	32,27	2,5	5,6	-	-						
	50	104	1,1	28,24	2,8	5,6	-	-						
	55	96	1,2	26,03	2,9	5,6	-	-						
	62	84	1,4	22,78	3,0	5,6	-	-						
	76	70	1,2	18,79	3,1	5,6	-	-						
	91	58	2,1	15,61	3,2	5,6	-	-						
105	50	2,4	13,49	3,3	5,6	-	-							
120	44	2,6	11,81	3,3	5,6	-	-							
137	38	2,9	10,37	3,3	5,6	-	-							
157	34	3,1	9,07	3,3	5,6	-	-							
177	30	3,4	8,01	3,4	5,6	-	-							
202	26	3,6	7,04	3,4	5,6	-	-							
235	22	4,0	6,04	3,4	5,4	-	-							
266	20	4,3	5,33	3,4	5,1	-	-							
298	18	4,5	4,77	3,4	4,9	-	-							
346	15	4,9	4,10	3,3	4,6	-	-							
54	98	0,9	26,39	2,7	5,1	-	-	SK 92072 - 80 SH/4	14	D58-59				
61	86	1,0	23,28	2,8	5,1	-	-							
70	75	1,2	20,37	3,0	5,1	-	-							
81	65	0,9	17,56	3,0	5,1	-	-							
105	50	1,5	13,55	3,1	5,1	-	-							
128	41	2,2	11,06	3,2	5,1	-	-							
147	36	2,5	9,68	3,2	5,1	-	-							
158	33	2,7	8,99	3,2	5,1	-	-							
180	29	3,1	7,87	3,2	5,1	-	-							
220	24	3,6	6,44	3,2	4,8	-	-							
245	21	3,7	5,79	3,1	4,6	-	-							
271	19	4,1	5,24	3,0	4,4	-	-							
369	14	5,6	3,85	2,8	3,9	-	-							
0,75	1,0	6965	1,2	1453,44	56,8	50,0	66,0				50,0	SK 9072.1/32 - 80 LH/4	364	D92-93 D102
	1,2	5606	1,5	1169,97	60,1	50,0	66,0	50,0						
	1,5	4666	1,8	973,69	61,9	50,0	66,0	50,0						
	1,8	3678	2,3	767,55	63,4	50,0	66,0	50,0						
	2,4	2867	3,0	598,27	64,4	50,0	66,0	50,0						
	1,3	5380	0,9	1062,85	11,2	45,0	31,7	45,0	SK 9053.1 - 80 LH/4	208	D90-91			
	1,5	4717	1,0	931,87	17,7	45,0	34,5	45,0						
	2,0	3563	1,1	703,83	24,2	45,0	38,0	45,0						
	2,4	2936	1,6	579,95	26,5	45,0	38,0	45,0						
	3,1	2321	2,1	458,57	28,1	45,0	38,0	45,0						
	4,1	1766	2,7	348,91	29,2	45,0	38,0	45,0						
	5,3	1342	3,6	265,11	29,9	45,0	38,0	45,0						
	6,2	1160	4,1	229,07	30,1	45,0	38,0	45,0						
	2,2	3266	0,9	645,18	18,6	40,0	28,0	36,8	SK 9043.1 - 80 LH/4	130	D86-87			
	2,5	2875	1,0	568,04	21,2	40,0	28,0	36,8						
	4,0	1775	1,6	350,72	25,8	40,0	28,0	34,5						
	5,1	1415	2,0	279,60	26,7	40,0	28,0	33,1						
	6,9	1035	2,7	204,38	27,4	40,0	28,0	31,1						
	8,2	871	3,2	172,08	27,7	40,0	28,0	30,0						
	3,5	2019	0,8	398,77	0,1	14,5	12,2	20,1				SK 9033.1 - 80 LH/4	76	D82-83
	4,0	1783	0,9	352,25	2,2	14,5	14,6	20,1						
	5,3	1355	1,1	267,65	10,1	14,5	15,0	19,8						
	6,6	1087	1,4	214,83	12,2	14,5	15,0	19,3						
	8,5	848	1,8	167,45	13,5	14,5	15,0	18,6						

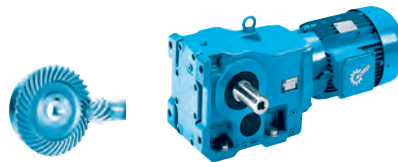


0,75 kW

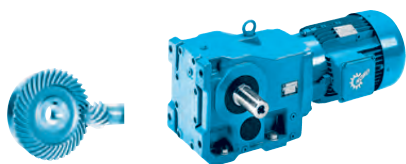
P_1 [kW]	n_2 [min ⁻¹]	M_2 [Nm]	f_B	i_{ges}	F_R [kN]	F_A [kN]	$F_{R VL}$ [kN]	$F_{A VL}$ [kN]		kg	mm
0,75	4,8	1498	1,0	295,85	8,5	14,5	15,0	19,9	SK 9032.1 - 80 LH/4	68	D80-81
	5,7	1264	1,2	249,72	10,9	14,5	15,0	19,6			
	6,0	1184	1,3	233,92	11,5	14,5	15,0	19,5			
	7,2	999	1,6	197,45	12,7	14,5	15,0	19,0			
	13	561	2,8	110,77	14,5	14,5	15,0	17,3			
	15	473	3,3	93,50	14,7	14,5	15,0	16,7			
	6,5	1110	0,8	219,25	0,1	12,0	4,8	17,9	SK 9022.1 - 80 LH/4	48	D76-77
	7,7	934	0,9	184,46	0,2	12,0	8,1	17,5			
	8,3	860	1,0	169,81	1,3	12,0	9,0	17,5	SK 9022.1 - 80 LH/4	48	D76-77
	10	696	1,2	137,57	5,6	12,0	10,6	17,1			
	12	586	1,5	115,74	7,0	12,0	11,3	16,5			
	14	501	1,7	98,88	7,7	12,0	11,8	16,2			
	17	431	2,0	85,11	8,2	12,0	12,0	15,7			
	18	399	2,2	78,89	8,4	12,0	12,0	15,5			
	21	336	2,6	66,42	8,7	12,0	12,0	14,9			
	24	295	2,9	58,25	8,9	12,0	12,0	14,5			
	22	324	1,4	64,01	7,6	12,0	-	-	SK 92772 - 80 LH/4	50	D66-67
	25	284	1,4	56,02	7,7	12,0	-	-			
	27	266	2,2	52,48	7,8	12,0	-	-			
	31	232	2,2	45,93	7,9	12,0	-	-			
	35	206	2,2	40,77	8,0	12,0	-	-			
	79	90	6,5	17,83	8,2	12,0	-	-			
	9,4	758	0,8	149,81	5,2	20,0	9,0	20,0	SK 9016.1 - 80 LH/4	41	D72-73
	9,9	721	0,8	142,41	5,9	20,0	9,0	20,0			
	12	590	1,0	116,52	7,5	20,0	9,0	20,0			
	15	465	1,1	91,77	8,5	20,0	9,0	20,0			
	17	412	1,5	81,38	8,8	20,0	9,0	20,0			
	20	364	1,6	71,88	9,0	20,0	9,0	20,0			
	22	324	1,9	63,97	9,0	20,0	9,0	20,0			
	27	265	2,3	52,44	9,0	20,0	9,0	20,0			
	31	233	2,6	46,11	9,0	20,0	9,0	20,0			
	35	207	2,9	40,92	9,0	20,0	9,0	20,0			
	15	493	0,8	97,36	3,5	20,0	7,8	20,0	SK 9012.1 - 80 LH/4	40	D68-69
	16	435	0,9	86,00	4,6	20,0	8,3	20,0			
	18	387	1,0	76,53	5,3	20,0	8,7	20,0			
	23	318	1,3	62,74	6,0	20,0	9,0	20,0			
	26	279	1,4	55,17	6,3	20,0	9,0	20,0			
	29	248	1,6	48,95	6,5	20,0	9,0	20,0			
	34	211	1,9	41,65	6,7	20,0	9,0	20,0			
	41	176	2,3	34,81	6,9	20,0	9,0	20,0			
	45	159	2,5	31,45	7,0	20,0	9,0	20,0			
	51	140	2,9	27,65	7,0	20,0	9,0	20,0			
	58	124	3,2	24,53	7,1	19,9	9,0	19,9			
	68	106	3,8	20,87	7,1	19,1	9,0	19,1			
	81	88	4,3	17,45	7,2	18,2	9,0	18,2			
	92	77	4,9	15,30	7,2	17,6	9,0	17,6			
	116	62	3,6	12,23	7,2	16,5	9,0	16,5			
	130	55	3,6	10,85	7,2	15,9	9,0	15,9			
	153	47	4,2	9,23	7,2	15,2	9,0	15,2			
	175	41	4,4	8,09	7,3	14,8	9,0	14,8			
	24	300	1,3	59,25	5,0	12,0	-	-	SK 92672 - 80 LH/4	43	D64-65
	27	263	1,3	51,86	5,3	12,0	-	-			
	29	243	1,5	48,03	5,4	12,0	-	-			
	34	213	1,6	42,04	5,6	12,0	-	-			
	38	189	1,7	37,32	5,7	12,0	-	-			
	88	81	4,5	16,08	6,1	12,0	-	-			
	37	195	1,0	38,62	3,7	9,0	-	-	SK 92372 - 80 LH/4	26	D62-63
	42	171	1,1	33,80	4,0	9,0	-	-			
	45	159	1,2	31,32	4,1	9,0	-	-			
	52	139	1,7	27,41	4,3	9,0	-	-			
	58	123	1,7	24,33	4,4	9,0	-	-			
	97	74	2,6	14,65	4,6	9,0	-	-			
	109	66	3,0	13,01	4,6	9,0	-	-			
	124	58	3,4	11,39	4,7	9,0	-	-			
	131	55	3,3	10,84	4,7	9,0	-	-			
	50	143	0,8	28,24	2,0	5,6	-	-	SK 92172 - 80 LH/4	20	D60-61
	54	132	0,9	26,03	2,3	5,6	-	-			
	62	115	1,0	22,78	2,6	5,6	-	-			
	75	95	0,9	18,79	2,9	5,6	-	-			
	91	79	1,5	15,61	3,1	5,6	-	-			



0,75 kW
1,10 kW



P_1 [kW]	n_2 [min ⁻¹]	M_2 [Nm]	f_B	i_{ges}	F_R [kN]	F_A [kN]	$F_{R VL}$ [kN]	$F_{A VL}$ [kN]		kg	mm
0,75	105	68	1,8	13,49	3,2	5,6	-	-	SK 92172 - 80 LH/4	20	D60-61
	120	60	1,9	11,81	3,2	5,6	-	-			
	136	52	2,1	10,37	3,3	5,6	-	-			
	156	46	2,3	9,07	3,3	5,6	-	-			
	177	41	2,5	8,01	3,3	5,6	-	-			
	201	36	2,7	7,04	3,3	5,6	-	-			
	234	31	2,9	6,04	3,4	5,2	-	-			
	265	27	3,2	5,33	3,4	5,0	-	-			
	297	24	3,3	4,77	3,4	4,8	-	-			
	345	21	3,6	4,10	3,3	4,5	-	-			
	61	118	0,8	23,28	2,4	5,1	-	-			
	69	103	0,9	20,37	2,6	5,1	-	-			
	104	69	1,1	13,55	3,0	5,1	-	-			
	128	56	1,6	11,06	3,1	5,1	-	-			
	146	49	1,8	9,68	3,2	5,1	-	-			
	157	46	2,0	8,99	3,2	5,1	-	-			
	180	40	2,3	7,87	3,2	4,9	-	-			
	220	33	2,6	6,44	3,1	4,6	-	-			
	244	29	2,7	5,79	3,0	4,4	-	-			
270	27	3,0	5,24	2,9	4,3	-	-				
368	19	4,1	3,85	2,7	3,8	-	-				
1,10	1,0	10430	3,1	1424,80	149,3	70,0	160,0	70,0	SK 9092.1/52 - 90 SH/4	1491	D98-99 D102
	1,0	10713	1,9	1463,40	115,9	65,0	120,0	65,0	SK 9086.1/52 - 90 SH/4	921	D96-97 D102
	1,2	8801	2,3	1202,18	118,2	65,0	120,0	65,0			
	1,6	6646	3,0	907,88	120,0	65,0	120,0	65,0			
	1,0	10745	1,2	1467,80	87,8	60,0	95,0	60,0	SK 9082.1/42 - 90 SH/4	646	D94-95 D102
	1,4	7451	1,7	1017,77	92,6	60,0	95,0	60,0			
	1,7	6189	2,1	845,38	93,9	60,0	95,0	60,0			
	2,0	5157	2,5	704,48	94,8	60,0	95,0	60,0			
	2,4	4417	2,9	603,37	95,0	60,0	95,0	60,0			
	1,0	10640	0,8	1453,44	41,7	50,0	66,0	50,0			
	1,2	8565	1,0	1169,97	51,5	50,0	66,0	50,0	SK 9072.1/32 - 90 SH/4	369	D92-93 D102
	1,5	7128	1,2	973,69	56,3	50,0	66,0	50,0			
	1,9	5619	1,5	767,55	60,1	50,0	66,0	50,0			
	2,4	4380	1,9	598,27	62,4	50,0	66,0	50,0			
	3,0	3464	2,5	473,22	63,7	50,0	66,0	50,0			
	3,7	2825	3,0	385,88	64,4	50,0	66,0	50,0			
	4,6	2277	3,7	311,10	64,9	50,0	66,0	50,0			
	2,0	5152	0,8	703,83	13,9	45,0	32,7	45,0			
	2,5	4246	1,1	579,95	20,8	45,0	36,2	45,0	SK 9053.1 - 90 SH/4	213	D90-91
	3,1	3357	1,4	458,57	25,0	45,0	38,0	45,0			
	4,1	2554	1,9	348,91	27,5	45,0	38,0	45,0			
	5,4	1941	2,5	265,11	28,9	45,0	38,0	45,0			
	6,3	1677	2,9	229,07	29,4	45,0	38,0	45,0			
	8,7	1208	4,0	164,99	30,0	45,0	38,0	45,0			
	5,0	2120	2,3	289,61	28,6	45,0	38,0	45,0			
	5,8	1809	2,7	247,06	29,2	45,0	38,0	45,0	SK 9052.1 - 90 SH/4	195	D88-89
	9,9	1063	3,4	145,16	30,2	45,0	38,0	45,0			
	12	879	5,5	120,03	30,4	45,0	38,0	45,0			
	14	750	6,4	102,40	30,5	45,0	38,0	45,0			
	3,5	2964	0,9	404,82	20,7	40,0	28,0	31,3			
	4,1	2567	1,1	350,72	22,8	40,0	28,0	31,3	SK 9043.1 - 90 SH/4	135	D86-87
	5,1	2047	1,4	279,60	24,9	40,0	28,0	30,7			
	7,0	1496	1,9	204,38	26,5	40,0	28,0	29,2			
8,3	1260	2,2	172,08	27,0	40,0	28,0	28,4				
4,4	2414	1,2	329,69	23,5	40,0	28,0	31,1	SK 9042.1 - 90 SH/4	120	D84-85	
5,2	2004	1,4	273,73	25,1	40,0	28,0	30,3				
6,1	1720	1,6	235,01	25,9	40,0	28,0	29,9				
7,4	1428	2,0	195,12	26,7	40,0	28,0	28,9				
8,7	1210	1,2	165,24	27,1	40,0	28,0	28,2				
12	862	2,8	117,79	27,7	40,0	28,0	26,3				
5,4	1959	0,8	267,65	0,4	14,5	12,9	17,0				
6,7	1573	1,0	214,83	7,4	14,5	15,0	17,1	SK 9033.1 - 90 SH/4	81	D82-83	
8,6	1226	1,3	167,45	11,2	14,5	15,0	16,9				

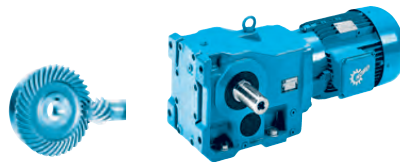


1,10 kW

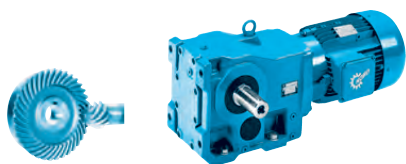
P_1 [kW]	n_2 [min ⁻¹]	M_2 [Nm]	f_B	i_{ges}	F_R [kN]	F_A [kN]	$F_{R VL}$ [kN]	$F_{A VL}$ [kN]		kg	mm
1,10	5,7	1828	0,8	249,72	0,5	14,5	14,2	16,9	SK 9032.1 - 90 SH/4	73	D80-81
	6,1	1712	0,9	233,92	4,8	14,5	15,0	17,1			
	7,3	1445	1,1	197,45	9,1	14,5	15,0	16,9			
	7,6	1377	1,1	188,06	9,8	14,5	15,0	17,0			
	9,0	1162	1,3	158,74	11,7	14,5	15,0	16,7			
	10	1021	1,5	139,44	12,6	14,5	15,0	16,6			
	12	862	1,8	117,70	13,4	14,5	15,0	16,2			
	13	811	1,9	110,77	13,6	14,5	15,0	16,1			
	15	684	2,3	93,50	14,1	14,5	15,0	15,7			
	17	616	2,5	84,17	14,2	14,5	15,0	15,4			
	19	556	2,8	75,91	13,9	14,5	15,0	15,1			
	22	469	3,3	64,08	13,4	14,5	15,0	14,6			
	24	433	3,6	59,17	13,1	14,5	15,0	14,4			
	10	1007	0,9	137,57	0,1	12,0	7,0	15,3			
12	847	1,0	115,74	2,0	12,0	9,2	15,0				
15	724	1,2	98,88	5,2	12,0	10,4	14,9				
17	623	1,4	85,11	6,6	12,0	11,1	14,6				
18	578	1,5	78,89	7,0	12,0	11,4	14,4				
22	486	1,8	66,42	7,8	12,0	11,9	14,1				
25	426	2,0	58,25	8,2	12,0	12,0	13,7				
28	381	2,3	52,02	8,5	12,0	12,0	13,4				
29	359	2,4	49,01	8,6	12,0	12,0	13,2				
32	327	2,6	44,71	8,7	12,0	12,0	13,1				
27	384	1,5	52,48	7,2	12,0	-	-	SK 92772 - 90 SH/4	55	D66-67	
31	336	1,5	45,93	7,5	12,0	-	-				
35	298	1,5	40,77	7,7	12,0	-	-				
39	268	2,5	36,61	7,8	12,0	-	-				
45	235	2,7	32,04	7,9	12,0	-	-				
50	208	2,9	28,44	8,0	12,0	-	-				
80	131	4,5	17,83	8,2	12,0	-	-				
18	596	1,0	81,38	7,4	20,0	9,0	20,0	SK 9016.1 - 90 SH/4	46	D72-73	
20	526	1,1	71,88	8,0	20,0	9,0	20,0				
22	468	1,3	63,97	8,5	20,0	9,0	20,0				
27	384	1,6	52,44	9,0	20,0	9,0	20,0				
31	338	1,8	46,11	9,0	20,0	9,0	20,0				
35	300	2,0	40,92	9,0	20,0	9,0	20,0				
41	255	2,4	34,81	9,0	20,0	9,0	20,0				
47	223	2,7	30,52	9,0	20,0	9,0	20,0				
23	459	0,9	62,74	4,2	20,0	8,1	20,0	SK 9012.1 - 90 SH/4	45	D68-69	
26	404	1,0	55,17	5,0	20,0	8,6	20,0				
29	358	1,1	48,95	5,6	20,0	8,9	20,0				
34	305	1,3	41,65	6,1	20,0	9,0	20,0				
41	255	1,6	34,81	6,5	20,0	9,0	20,0				
46	230	1,7	31,45	6,6	20,0	9,0	20,0				
52	202	2,0	27,65	6,8	19,8	9,0	19,8				
58	180	2,2	24,53	6,9	19,3	9,0	19,3				
69	153	2,6	20,87	7,0	18,5	9,0	18,5				
82	128	3,0	17,45	7,1	17,7	9,0	17,7				
94	112	3,4	15,30	7,1	17,2	9,0	17,2				
117	90	2,5	12,23	7,2	16,1	9,0	16,1				
132	79	2,5	10,85	7,2	15,6	9,0	15,6				
155	68	2,9	9,23	7,2	14,9	9,0	14,9				
177	59	3,0	8,09	7,2	14,4	9,0	14,4				
30	352	1,1	48,03	4,4	12,0	-	-	SK 92672 - 90 SH/4	48	D64-65	
34	308	1,1	42,04	4,9	12,0	-	-				
38	273	1,2	37,32	5,2	12,0	-	-				
42	250	1,5	34,17	5,4	12,0	-	-				
48	219	1,6	29,91	5,6	12,0	-	-				
54	194	1,7	26,55	5,7	12,0	-	-				
89	118	3,1	16,08	6,0	12,0	-	-				
102	103	3,3	14,08	6,1	12,0	-	-				
46	229	0,8	31,32	3,3	9,0	-	-	SK 92372 - 90 SH/4	31	D62-63	
52	201	1,1	27,41	3,7	9,0	-	-				
59	178	1,2	24,33	3,9	9,0	-	-				



1,10 kW
1,50 kW



P_1 [kW]	n_2 [min ⁻¹]	M_2 [Nm]	f_B	i_{ges}	F_R [kN]	F_A [kN]	$F_{R VL}$ [kN]	$F_{A VL}$ [kN]		kg	mm
1,10	65	161	1,2	21,95	4,1	9,0	-	-	SK 92372 - 90 SH/4	31	D62-63
	75	141	1,6	19,21	4,2	9,0	-	-			
	84	125	1,8	17,06	4,4	9,0	-	-			
	98	107	1,8	14,65	4,5	9,0	-	-			
	110	95	2,0	13,01	4,5	9,0	-	-			
	126	83	2,3	11,39	4,6	9,0	-	-			
	132	79	2,3	10,84	4,6	9,0	-	-			
	152	69	2,5	9,47	4,6	9,0	-	-			
	173	61	2,9	8,29	4,7	8,8	-	-			
	196	54	3,1	7,32	4,7	8,4	-	-			
	221	48	3,4	6,49	4,7	8,0	-	-			
	138	76	1,4	10,37	3,1	5,6	-	-	SK 92172 - 90 SH/4	25	D60-61
	158	66	1,6	9,07	3,2	5,6	-	-			
	179	59	1,7	8,01	3,2	5,5	-	-			
	204	52	1,8	7,04	3,3	5,3	-	-			
	238	44	2,0	6,04	3,3	5,0	-	-			
	269	39	2,2	5,33	3,3	4,8	-	-			
	301	35	2,3	4,77	3,3	4,6	-	-			
	350	30	2,5	4,10	3,2	4,3	-	-			
	248	42	1,9	5,79	2,8	4,1	-	-	SK 92072 - 90 SH/4	20	D58-59
	373	28	2,8	3,85	2,6	3,6	-	-			
1,50	1,0	14424	2,2	1424,80	145,9	70,0	160,0	70,0	SK 9092.1/52 - 90 LH/4	1493	D98-99 D102
	1,3	11339	2,8	1120,00	148,7	70,0	160,0	70,0			
	1,0	14815	1,3	1463,40	109,3	65,0	120,0	65,0	SK 9086.1/52 - 90 LH/4	923	D96-97 D102
	1,2	12170	1,6	1202,18	113,9	65,0	120,0	65,0			
	1,6	9191	2,2	907,88	117,8	65,0	120,0	65,0			
	2,0	7230	2,8	714,15	119,8	65,0	120,0	65,0			
	1,0	14860	0,9	1467,80	78,7	60,0	95,0	60,0	SK 9082.1/42 - 90 LH/4	648	D94-95 D102
	1,4	10304	1,3	1017,77	88,6	60,0	95,0	60,0			
	1,7	8558	1,5	845,38	91,2	60,0	95,0	60,0			
	2,0	7132	1,8	704,48	93,0	60,0	95,0	60,0			
	2,3	6108	2,1	603,37	94,0	60,0	95,0	60,0			
	3,2	4489	2,9	443,41	95,0	60,0	95,0	60,0			
	1,5	9857	0,9	973,69	45,9	50,0	66,0	50,0	SK 9072.1/32 - 90 LH/4	371	D92-93 D102
	1,8	7770	1,1	767,55	54,3	50,0	66,0	50,0			
	2,4	6057	1,4	598,27	59,1	50,0	66,0	50,0			
	3,0	4791	1,8	473,22	61,7	50,0	66,0	50,0			
	3,7	3907	2,2	385,88	63,1	50,0	66,0	50,0			
	4,5	3149	2,7	311,10	64,1	50,0	66,0	50,0			
	3,1	4642	1,0	458,57	18,3	45,0	34,8	45,0	SK 9053.1 - 90 LH/4	215	D90-91
	4,1	3532	1,4	348,91	24,3	45,0	38,0	45,0			
	5,3	2684	1,8	265,11	27,2	45,0	38,0	45,0			
	6,2	2319	2,1	229,07	28,1	45,0	38,0	45,0			
	8,6	1670	2,9	164,99	29,4	45,0	38,0	45,0			
	4,9	2932	1,6	289,61	26,5	45,0	38,0	45,0	SK 9052.1 - 90 LH/4	197	D88-89
	5,7	2501	1,9	247,06	27,7	45,0	38,0	45,0			
	9,7	1470	2,4	145,16	29,7	45,0	38,0	45,0			
	12	1215	4,0	120,03	30,0	45,0	38,0	45,0			
	14	1037	4,6	102,40	30,2	45,0	38,0	45,0			
	4,0	3551	0,8	350,72	16,3	40,0	28,0	27,8	SK 9043.1 - 90 LH/4	137	D86-87
	5,1	2831	1,0	279,60	21,4	40,0	28,0	27,8			
	6,9	2069	1,4	204,38	24,8	40,0	28,0	27,2			
	8,2	1742	1,6	172,08	25,9	40,0	28,0	26,7			
	4,3	3338	0,8	329,69	18,1	40,0	28,0	27,8	SK 9042.1 - 90 LH/4	122	D84-85
5,2	2771	1,0	273,73	21,8	40,0	28,0	27,5				
6,0	2379	1,2	235,01	23,6	40,0	28,0	27,5				
7,3	1975	1,4	195,12	25,1	40,0	28,0	26,9				
8,6	1673	0,9	165,24	26,1	40,0	28,0	26,6				
12	1192	2,0	117,79	27,1	40,0	28,0	25,2				
15	967	2,9	95,56	27,5	40,0	28,0	24,3				
16	875	3,2	86,43	27,7	40,0	28,0	23,8				

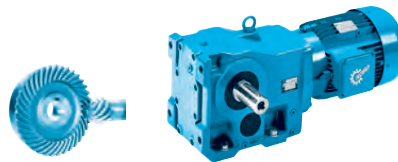


1,50 kW

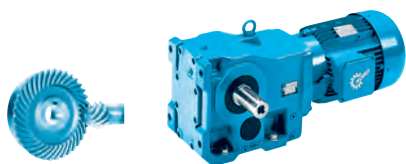
P_1 [kW]	n_2 [min ⁻¹]	M_2 [Nm]	f_B	i_{ges}	F_R [kN]	F_A [kN]	$F_{R VL}$ [kN]	$F_{A VL}$ [kN]		kg	mm				
1,50	7,2	1999	0,8	197,45	0,1	14,5	12,5	14,6	SK 9032.1 - 90 LH/4	75	D80-81				
	7,5	1904	0,8	188,06	0,1	14,5	13,5	14,8							
	8,9	1607	1,0	158,74	6,9	14,5	15,0	14,8							
	10	1412	1,1	139,44	9,5	14,5	15,0	15,0							
	12	1192	1,3	117,70	11,4	14,5	15,0	14,8							
	13	1121	1,4	110,77	11,9	14,5	15,0	14,8							
	15	947	1,6	93,50	13,0	14,5	15,0	14,5							
	17	852	1,8	84,17	13,2	14,5	15,0	14,4							
	19	768	2,0	75,91	13,0	14,5	15,0	14,3							
	22	649	2,4	64,08	12,6	14,5	15,0	13,9							
	24	599	2,6	59,17	12,5	14,5	15,0	13,7							
	28	506	3,1	49,94	12,0	14,5	15,0	13,3							
	30	483	3,2	47,70	11,9	14,5	15,0	13,2							
	35	409	3,8	40,36	11,5	14,5	15,0	12,8							
		14	1001	0,9	98,88	0,1	12,0	7,1				13,4	SK 9022.1 - 90 LH/4	55	D76-77
		17	862	1,0	85,11	1,1	12,0	9,0				13,4			
	18	799	1,1	78,89	3,7	12,0	9,7	13,3							
	21	672	1,3	66,42	6,0	12,0	10,8	13,1							
	24	590	1,5	58,25	6,9	12,0	11,3	12,9							
	27	527	1,6	52,02	7,5	12,0	11,7	12,7							
	29	496	1,7	49,01	7,7	12,0	11,8	12,5							
	32	453	1,9	44,71	8,1	12,0	12,0	12,4							
	36	403	2,1	39,77	8,4	12,0	12,0	12,2							
	43	337	2,6	33,26	8,7	12,0	12,0	11,7							
	45	318	2,6	31,38	8,8	12,0	12,0	11,7							
	48	296	2,9	29,20	8,9	12,0	12,0	11,5							
	27	531	1,1	52,48	6,2	12,0	-	-	SK 92772 - 90 LH/4	56	D66-67				
	31	465	1,1	45,93	6,7	12,0	-	-							
	35	413	1,1	40,77	7,1	12,0	-	-							
	39	371	1,8	36,61	7,3	12,0	-	-							
	44	324	1,9	32,04	7,6	12,0	-	-							
	50	288	2,1	28,44	7,7	12,0	-	-							
	79	181	3,2	17,83	8,1	12,0	-	-							
	20	728	0,8	71,88	5,8	20,0	9,0	20,0	SK 9016.1 - 90 LH/4	48	D72-73				
	22	648	0,9	63,97	6,8	20,0	9,0	20,0							
	27	531	1,1	52,44	8,0	20,0	9,0	20,0							
	31	467	1,3	46,11	8,5	20,0	9,0	20,0							
	35	414	1,4	40,92	8,8	20,0	9,0	20,0							
	41	352	1,7	34,81	9,0	19,8	9,0	19,8							
	46	309	1,9	30,52	9,0	19,4	9,0	19,4							
	54	266	2,3	26,29	9,0	18,9	9,0	18,9							
	61	234	2,2	23,11	9,0	18,4	9,0	18,4							
	69	208	2,8	20,51	9,0	17,9	9,0	17,9							
	81	177	3,1	17,45	9,0	17,3	9,0	17,3							
	94	153	3,4	15,10	9,0	16,7	9,0	16,7							
	113	127	4,1	12,51	9,0	15,9	9,0	15,9							
	29	496	0,8	48,95	3,4	20,0	7,7	20,0	SK 9012.1 - 90 LH/4	47	D68-69				
	34	422	0,9	41,65	4,8	20,0	8,4	20,0							
	41	352	1,1	34,81	5,7	19,8	9,0	19,8							
	45	318	1,3	31,45	6,0	19,6	9,0	19,6							
	51	280	1,4	27,65	6,3	19,1	9,0	19,1							
	58	248	1,6	24,53	6,5	18,7	9,0	18,7							
	68	211	1,9	20,87	6,7	18,1	9,0	18,1							
	81	177	2,2	17,45	6,9	17,3	9,0	17,3							
	92	155	2,5	15,30	7,0	16,8	9,0	16,8							
	116	124	1,8	12,23	7,1	15,7	9,0	15,7							
	130	110	1,8	10,85	7,1	15,3	9,0	15,3							
	153	93	2,1	9,23	7,2	14,7	9,0	14,7							
	175	82	2,2	8,09	7,2	14,2	9,0	14,2							
	29	486	0,8	48,03	1,4	12,0	-	-				SK 92672 - 90 LH/4	49	D64-65	
	34	426	0,8	42,04	3,2	12,0	-	-							
	38	378	0,9	37,32	4,1	12,0	-	-							
	41	346	1,1	34,17	4,5	12,0	-	-							
	47	303	1,1	29,91	4,9	12,0	-	-							
	53	269	1,2	26,55	5,2	12,0	-	-							
	88	163	2,3	16,08	5,9	12,0	-	-							
	100	143	2,4	14,08	5,9	12,0	-	-							
	112	128	2,7	12,64	6,0	12,0	-	-							



1,50 kW
2,20 kW



P_1 [kW]	n_2 [min ⁻¹]	M_2 [Nm]	f_B	i_{ges}	F_R [kN]	F_A [kN]	$F_{R VL}$ [kN]	$F_{A VL}$ [kN]		kg	mm				
1,50	128	112	3,0	11,02	6,0	12,0	-	-	SK 92672 - 90 LH/4	49	D64-65				
	145	99	3,2	9,78	6,1	11,8	-	-							
	162	88	3,6	8,71	6,1	11,2	-	-							
	52	277	0,8	27,41	2,3	9,0	-	-	SK 92372 - 90 LH/4	33	D62-63				
	58	246	0,9	24,33	3,0	9,0	-	-							
	64	222	0,9	21,95	3,4	9,0	-	-							
	74	194	1,2	19,21	3,8	9,0	-	-							
	83	173	1,3	17,06	4,0	9,0	-	-							
	97	148	1,3	14,65	4,2	9,0	-	-							
	109	132	1,5	13,01	4,3	9,0	-	-							
	124	115	1,7	11,39	4,4	9,0	-	-							
	131	110	1,6	10,84	4,4	9,0	-	-							
	149	96	1,8	9,47	4,5	8,9	-	-							
	171	84	2,1	8,29	4,6	8,6	-	-							
	193	74	2,2	7,32	4,6	8,2	-	-							
	218	66	2,4	6,49	4,6	7,8	-	-							
	237	60	2,6	5,97	4,7	7,6	-	-							
	267	54	2,7	5,30	4,7	7,3	-	-							
		136	105	1,0	10,37	2,8	5,6	-				-	SK 92172 - 90 LH/4	27	D60-61
156		92	1,1	9,07	2,9	5,4	-	-							
177		81	1,2	8,01	3,0	5,2	-	-							
201		71	1,3	7,04	3,1	5,0	-	-							
234		61	1,5	6,04	3,2	4,8	-	-							
265		54	1,6	5,33	3,2	4,6	-	-							
297		48	1,7	4,77	3,2	4,4	-	-							
345		42	1,8	4,10	3,1	4,2	-	-							
2,20		1,1	19685	2,5	1353,86	220,0	100,0	-	-	SK 9096.1/62 - 100 LH/4	1891	D100-101 D103			
		1,2	16942	3,0	1165,22	220,0	100,0	-	-						
	1,0	20716	1,5	1424,80	138,0	70,0	160,0	70,0	SK 9092.1/52 - 100 LH/4	1501	D98-99 D102				
	1,3	16285	2,0	1120,00	143,9	70,0	160,0	70,0							
	1,7	12306	2,6	846,40	147,9	70,0	160,0	70,0							
	2,0	10271	3,1	706,40	149,5	70,0	160,0	70,0							
	1,0	21278	0,9	1463,40	92,6	65,0	120,0	65,0	SK 9086.1/52 - 100 LH/4	931	D96-97 D102				
	1,2	17479	1,1	1202,18	103,4	65,0	120,0	65,0							
	1,6	13200	1,5	907,88	112,2	65,0	120,0	65,0							
	2,0	10384	1,9	714,15	116,4	65,0	120,0	65,0							
	2,3	9061	2,2	623,16	118,0	65,0	120,0	65,0							
	1,4	14798	0,9	1017,77	78,9	60,0	95,0	60,0	SK 9082.1/42 - 100 LH/4	656	D94-95 D102				
	1,7	12292	1,1	845,38	84,8	60,0	95,0	60,0							
	2,1	10243	1,3	704,48	88,7	60,0	95,0	60,0							
	2,4	8773	1,5	603,37	90,9	60,0	95,0	60,0							
	3,3	6447	2,0	443,41	93,7	60,0	95,0	60,0							
	3,8	5519	2,4	379,59	94,5	60,0	95,0	60,0							
	5,1	4145	3,1	285,05	95,0	60,0	95,0	60,0							
5,4	3917	2,2	269,39	63,1	50,0	66,0	50,0	SK 9072.1/42 - 100 LH/4	396	D92-93 D102					
	1,9	11160	0,8	767,55	38,5	50,0	66,0	50,0	SK 9072.1/32 - 100 LH/4	379	D92-93 D102				
	2,4	8699	1,0	598,27	51,0	50,0	66,0	50,0							
	3,1	6881	1,2	473,22	57,0	50,0	66,0	50,0							
	3,7	5611	1,5	385,88	60,1	50,0	66,0	50,0							
	4,6	4523	1,9	311,10	62,2	50,0	66,0	50,0							
	5,9	3573	2,4	245,76	63,6	50,0	66,0	50,0	SK 9072.1 - 100 LH/4	345	D92-93				
	7,0	3007	2,8	206,84	64,2	50,0	66,0	50,0							
	4,1	5073	0,9	348,91	14,7	45,0	33,1	45,0	SK 9053.1 - 100 LH/4	223	D90-91				
	5,5	3855	1,2	265,11	22,9	45,0	37,4	45,0							
	6,3	3331	1,4	229,07	25,1	45,0	38,0	45,0							
	8,8	2399	2,0	164,99	27,9	45,0	38,0	45,0							
	5,0	4211	1,1	289,61	21,0	45,0	36,3	45,0	SK 9052.1 - 100 LH/4	205	D88-89				
	5,8	3592	1,3	247,06	24,0	45,0	38,0	45,0							
	7,3	2884	1,7	198,38	26,6	45,0	38,0	45,0							
	8,5	2461	2,0	169,24	27,8	45,0	38,0	45,0							

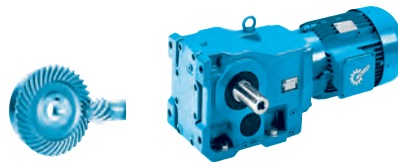


2,20 kW

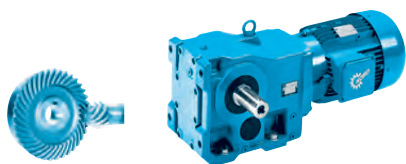
P_1 [kW]	n_2 [min ⁻¹]	M_2 [Nm]	f_B	i_{ges}	F_R [kN]	F_A [kN]	$F_{R VL}$ [kN]	$F_{A VL}$ [kN]		kg	mm	
2,20	10	2111	1,7	145,16	28,6	45,0	38,0	45,0	SK 9052.1 - 100 LH/4	205	D88-89	
	12	1745	2,8	120,03	29,3	45,0	38,0	45,0				
	14	1489	3,2	102,40	29,7	45,0	38,0	45,0				
		7,1	2972	0,9	204,38	20,6	40,0	28,0	23,6	SK 9043.1 - 100 LH/4	145	D86-87
		8,4	2502	1,1	172,08	23,1	40,0	28,0	23,6			
		6,1	3417	0,8	235,01	17,5	40,0	28,0	23,4	SK 9042.1 - 100 LH/4	130	D84-85
		7,4	2837	1,0	195,12	21,4	40,0	28,0	23,3			
		9,0	2325	1,2	159,94	23,9	40,0	28,0	23,5			
		11	1931	1,5	132,79	25,3	40,0	28,0	23,1			
		12	1713	1,4	117,79	26,0	40,0	28,0	23,1			
		15	1389	2,0	95,56	26,8	40,0	28,0	22,4			
		17	1257	2,2	86,43	27,0	40,0	28,0	22,1			
		19	1108	2,5	76,18	27,3	40,0	28,0	21,7			
		21	998	2,8	68,61	27,5	40,0	28,0	21,3			
		23	920	3,0	63,25	27,6	40,0	28,0	20,9			
	26	810	3,5	55,69	27,7	40,0	28,0	20,5				
	13	1611	1,0	110,77	6,8	14,5	15,0	12,5	SK 9032.1 - 100 LH/4			
	15	1359	1,1	93,50	10,0	14,5	15,0	12,6				
	17	1224	1,3	84,17	11,2	14,5	15,0	12,7				
	19	1104	1,4	75,91	11,3	14,5	15,0	12,7				
	23	932	1,7	64,08	11,1	14,5	15,0	12,5				
	24	860	1,8	59,17	11,2	14,5	15,0	12,5				
	29	726	2,1	49,94	10,9	14,5	15,0	12,2				
	30	694	2,2	47,70	10,9	14,5	15,0	12,2				
	36	587	2,6	40,36	10,6	14,5	15,0	11,9				
	38	553	2,8	38,05	10,5	14,5	15,0	11,8				
	41	518	3,0	35,61	10,4	14,5	15,0	11,6				
	22	966	0,9	66,42	0,1	12,0	7,7	11,4		SK 9022.1 - 100 LH/4	63	D76-77
	25	847	1,0	58,25	2,0	12,0	9,2	11,4				
	28	756	1,1	52,02	4,6	12,0	10,1	11,4				
	29	713	1,2	49,01	5,4	12,0	10,4	11,2				
	32	650	1,3	44,71	6,2	12,0	10,9	11,2				
	36	578	1,5	39,77	7,0	12,0	11,4	11,1				
	43	484	1,8	33,26	7,8	12,0	11,9	10,8				
	46	456	1,8	31,38	8,0	12,0	12,0	10,8				
	49	425	2,0	29,20	8,2	12,0	12,0	10,7				
	55	379	2,3	26,07	8,5	12,0	12,0	10,5				
	59	357	2,4	24,56	8,4	12,0	12,0	10,4				
	64	326	2,4	22,41	8,4	12,0	12,0	10,2				
	73	290	2,6	19,93	8,2	12,0	12,0	10,0				
	82	255	2,8	17,52	7,8	12,0	12,0	9,6				
	39	532	1,2	36,61	6,2	12,0	-	-	SK 9277.2 - 100 LH/4			
	45	466	1,4	32,04	6,7	12,0	-	-				
	51	414	1,5	28,44	7,1	12,0	-	-				
	57	369	1,8	25,39	7,3	12,0	-	-				
	65	323	1,9	22,22	7,6	12,0	-	-				
	73	287	2,1	19,73	7,7	12,0	-	-				
	81	259	2,3	17,83	7,8	12,0	-	-				
	93	227	2,6	15,60	7,9	12,0	-	-				
	104	202	2,6	13,91	7,8	12,0	-	-				
	116	181	2,8	12,43	7,6	12,0	-	-				
	28	762	0,8	52,44	5,2	18,5	9,0	18,5	SK 9016.1 - 100 LH/4	56	D72-73	
	31	670	0,9	46,11	6,6	18,4	9,0	18,4				
	35	595	1,0	40,92	7,4	18,3	9,0	18,3				
	42	506	1,2	34,81	8,2	18,1	9,0	18,1				
	47	444	1,4	30,52	8,6	17,9	9,0	17,9				
	55	382	1,6	26,29	9,0	17,5	9,0	17,5				
	63	336	1,5	23,11	9,0	17,2	9,0	17,2				
	70	298	1,9	20,51	9,0	16,8	9,0	16,8				
	83	254	2,1	17,45	9,0	16,4	9,0	16,4				
	96	220	2,4	15,10	9,0	15,9	9,0	15,9				
	116	182	2,9	12,51	9,0	15,2	9,0	15,2				
	42	506	0,8	34,81	3,1	18,1	7,6	18,1				SK 9012.1 - 100 LH/4
	46	457	0,9	31,45	4,2	18,0	8,1	18,0				
	52	402	1,0	27,65	5,1	17,7	8,6	17,7				



2,20 kW
3,00 kW



P_1 [kW]	n_2 [min ⁻¹]	M_2 [Nm]	f_B	i_{ges}	F_R [kN]	F_A [kN]	$F_{R VL}$ [kN]	$F_{A VL}$ [kN]		kg	mm			
2,20	59	357	1,1	24,53	5,6	17,4	8,9	17,4	SK 9012.1 - 100 LH/4	55	D68-69			
	69	303	1,3	20,87	6,1	17,0	9,0	17,0						
	83	254	1,5	17,45	6,5	16,4	9,0	16,4						
	94	222	1,7	15,30	6,7	15,9	9,0	15,9						
	118	178	1,2	12,23	6,9	15,0	9,0	15,0						
	133	158	1,3	10,85	7,0	14,6	9,0	14,6						
	157	134	1,5	9,23	7,1	14,1	9,0	14,1						
	179	118	1,5	8,09	7,1	13,7	9,0	13,7						
	42	497	0,8	34,17	0,7	12,0	-	-				SK 92672 - 100 LH/4	58	D64-65
	48	435	0,8	29,91	3,0	12,0	-	-						
	54	386	0,9	26,55	3,9	12,0	-	-						
	62	338	1,1	23,28	4,6	12,0	-	-						
	71	296	1,1	20,37	5,0	12,0	-	-						
	80	263	1,2	18,08	5,3	12,0	-	-						
	90	234	1,6	16,08	5,5	12,0	-	-						
	103	205	1,7	14,08	5,7	12,0	-	-						
	114	184	1,9	12,64	5,8	12,0	-	-						
	131	160	2,1	11,02	5,9	11,6	-	-						
	148	142	2,3	9,78	5,9	11,1	-	-						
	166	127	2,5	8,71	6,0	10,6	-	-						
187	112	2,8	7,73	6,0	10,2	-	-							
213	99	3,0	6,78	6,1	9,7	-	-							
244	86	3,3	5,92	6,1	9,2	-	-							
265	79	3,3	5,46	6,1	9,0	-	-							
298	71	3,8	4,85	5,8	8,6	-	-							
75	279	0,8	19,21	2,3	9,0	-	-	SK 92372 - 100 LH/4	41	D62-63				
85	248	0,9	17,06	3,0	9,0	-	-							
111	189	1,0	13,01	3,8	9,0	-	-							
127	166	1,2	11,39	4,1	8,7	-	-							
133	158	1,1	10,84	4,1	8,6	-	-							
153	138	1,3	9,47	4,3	8,3	-	-							
174	121	1,5	8,29	4,4	8,0	-	-							
197	106	1,6	7,32	4,5	7,7	-	-							
223	94	1,7	6,49	4,5	7,3	-	-							
242	87	1,8	5,97	4,6	7,1	-	-							
273	77	1,9	5,30	4,5	6,8	-	-							
3,00	1,1	27220	1,8	1353,86	220,0	100,0	-	-	SK 9096.1/62 - 100 AH/4	1891	D100-101 D103			
	1,2	23427	2,1	1165,22	220,0	100,0	-	-						
	1,5	19689	2,5	979,31	220,0	100,0	-	-						
	1,7	16417	3,0	816,57	220,0	100,0	-	-						
	1,0	28646	1,1	1424,80	122,8	70,0	150,4	70,0	SK 9092.1/52 - 100 AH/4	1501	D98-99 D102			
	1,3	22518	1,4	1120,00	135,1	70,0	160,0	70,0						
	1,7	17017	1,9	846,40	143,1	70,0	160,0	70,0						
	2,0	14202	2,3	706,40	146,2	70,0	160,0	70,0						
	2,3	12226	2,6	608,12	148,0	70,0	160,0	70,0						
	3,2	8876	3,6	441,46	150,4	70,0	160,0	70,0						
	1,2	24170	0,8	1202,18	81,8	65,0	120,0	65,0	SK 9086.1/52 - 100 AH/4	931	D96-97 D102			
	1,6	18253	1,1	907,88	101,5	65,0	120,0	65,0						
	2,0	14358	1,4	714,15	110,1	65,0	120,0	65,0						
	2,3	12529	1,6	623,16	113,3	65,0	120,0	65,0						
	3,3	8713	2,3	433,35	118,3	65,0	120,0	65,0						
	3,8	7603	2,6	378,14	119,4	65,0	120,0	65,0						
	1,7	16997	0,8	845,38	72,2	60,0	95,0	60,0	SK 9082.1/42 - 100 AH/4	656	D94-95 D102			
	2,0	14164	0,9	704,48	80,5	60,0	95,0	60,0						
	2,4	12131	1,1	603,37	85,2	60,0	95,0	60,0						
	3,2	8915	1,5	443,41	90,7	60,0	95,0	60,0						
3,8	7632	1,7	379,59	92,4	60,0	95,0	60,0							
5,0	5731	2,3	285,05	94,3	60,0	95,0	60,0							
5,3	5416	1,6	269,39	60,5	50,0	66,0	50,0	SK 9072.1/42 - 100 AH/4				396	D92-93 D102	
3,0	9514	0,9	473,22	47,5	50,0	66,0	50,0	SK 9072.1/32 - 100 AH/4	379	D92-93 D102				
3,7	7758	1,1	385,88	54,3	50,0	66,0	50,0							
4,6	6255	1,4	311,10	58,6	50,0	66,0	50,0							

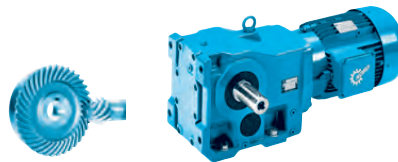


3,00 kW

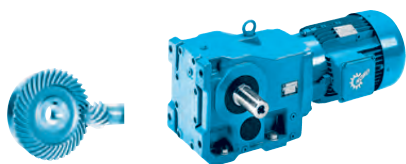
P_1 [kW]	n_2 [min ⁻¹]	M_2 [Nm]	f_B	i_{ges}	F_R [kN]	F_A [kN]	$F_{R VL}$ [kN]	$F_{A VL}$ [kN]		kg	mm
3,00	5,8	4941	1,7	245,76	61,4	50,0	66,0	50,0	SK 9072.1 - 100 AH/4	345	D92-93
	6,9	4159	2,0	206,84	62,8	50,0	66,0	50,0			
	10	2752	2,4	136,88	64,5	50,0	66,0	48,9			
	5,4	5330	0,9	265,11	11,8	45,0	31,9	45,0	SK 9053.1 - 100 AH/4	223	D90-91
	6,2	4606	1,0	229,07	18,5	45,0	34,9	45,0			
	8,6	3317	1,4	164,99	25,1	45,0	38,0	45,0			
	4,9	5823	0,8	289,61	4,3	45,0	29,4	45,0	SK 9052.1 - 100 AH/4	205	D88-89
	5,8	4967	1,0	247,06	15,7	45,0	33,5	45,0			
	7,2	3988	1,2	198,38	22,2	45,0	37,0	45,0			
	8,4	3403	1,4	169,24	24,8	45,0	38,0	45,0			
9,8	2918	1,2	145,16	26,5	45,0	38,0	45,0				
12	2413	2,0	120,03	27,9	45,0	38,0	45,0				
14	2059	2,3	102,40	28,7	45,0	38,0	45,0				
16	1773	2,7	88,17	29,2	45,0	38,0	45,0				
20	1452	3,3	72,24	29,7	45,0	38,0	45,0				
8,9	3216	0,9	159,94	19,0	40,0	28,0	20,3	SK 9042.1 - 100 AH/4	130	D84-85	
11	2670	1,0	132,79	22,3	40,0	28,0	20,3				
12	2368	1,0	117,79	23,7	40,0	28,0	20,7				
15	1921	1,5	95,56	25,3	40,0	28,0	20,5				
16	1738	1,6	86,43	25,9	40,0	28,0	20,5				
19	1532	1,8	76,18	26,4	40,0	28,0	20,2				
21	1379	2,0	68,61	26,8	40,0	28,0	20,0				
23	1272	2,2	63,25	27,0	40,0	28,0	19,6				
26	1120	2,5	55,69	27,3	40,0	28,0	19,4				
30	958	2,9	47,67	27,5	40,0	28,0	19,0				
35	815	3,4	40,54	27,7	40,0	28,0	18,5				
15	1880	0,8	93,50	0,3	14,5	13,7	10,3	SK 9032.1 - 100 AH/4	83	D80-81	
17	1692	0,9	84,17	5,2	14,5	15,0	10,7				
19	1526	1,0	75,91	8,1	14,5	15,0	10,9				
22	1288	1,2	64,08	9,4	14,5	15,0	11,0				
24	1190	1,3	59,17	9,6	14,5	15,0	11,1				
29	1004	1,5	49,94	9,6	14,5	15,0	11,0				
30	959	1,6	47,70	9,6	14,5	15,0	11,1				
35	811	1,9	40,36	9,6	14,5	15,0	11,0	SK 9032.1 - 100 AH/4	83	D80-81	
37	765	2,0	38,05	9,6	14,5	15,0	10,9				
40	716	2,2	35,61	9,4	14,5	15,0	10,8				
48	596	2,5	29,66	9,3	14,5	15,0	10,6				
57	503	3,0	25,03	9,0	14,5	15,0	10,4				
60	481	3,2	23,91	9,0	14,5	15,0	10,3				
70	407	3,7	20,23	8,8	14,1	15,0	10,0				
83	343	4,2	17,08	8,4	13,5	15,0	9,7				
89	322	4,3	16,04	8,4	13,3	15,0	9,6				
27	1046	0,8	52,02	0,1	12,0	6,3	9,8	SK 9022.1 - 100 AH/4	63	D76-77	
29	985	0,9	49,01	0,9	12,0	7,4	9,7				
32	899	1,0	44,71	2,0	12,0	8,6	9,9				
36	800	1,1	39,77	3,7	12,0	9,7	10,0				
43	669	1,3	33,26	6,0	12,0	10,8	9,8				
45	631	1,3	31,38	6,5	12,0	11,1	9,9				
49	587	1,5	29,20	6,9	12,0	11,3	9,9				
55	524	1,6	26,07	7,5	12,0	11,7	9,8				
58	494	1,7	24,56	7,7	12,0	11,9	9,6				
64	451	1,7	22,41	7,7	12,0	12,0	9,6				
72	401	1,9	19,93	7,6	12,0	12,0	9,5				
81	352	2,0	17,52	7,3	12,0	12,0	9,1				
87	328	1,9	16,30	7,2	12,0	12,0	9,0				
98	293	2,0	14,56	7,1	11,7	12,0	8,8				
39	736	0,9	36,61	3,2	12,0	-	-	SK 92772 - 100 AH/4	65	D66-67	
44	644	1,0	32,04	4,9	12,0	-	-				
50	572	1,0	28,44	5,8	12,0	-	-				
56	510	1,3	25,39	6,4	12,0	-	-				
64	447	1,4	22,22	6,8	12,0	-	-				
72	397	1,5	19,73	7,2	12,0	-	-				
80	358	1,6	17,83	7,4	12,0	-	-				
91	314	1,9	15,60	7,5	12,0	-	-				



3,00 kW
4,00 kW



P_1 [kW]	n_2 [min ⁻¹]	M_2 [Nm]	f_B	i_{ges}	F_R [kN]	F_A [kN]	$F_{R VL}$ [kN]	$F_{A VL}$ [kN]		kg	mm
3,00	102	280	1,9	13,91	7,4	12,0	-	-	SK 92772 - 100 AH/4	65	D66-67
	115	250	2,1	12,43	7,2	11,8	-	-			
	131	219	2,4	10,88	7,0	11,3	-	-			
	148	194	2,6	9,63	6,8	10,8	-	-			
	167	172	2,9	8,55	6,6	10,4	-	-			
	41	700	0,9	34,81	6,2	16,2	9,0	16,2	SK 9016.1 - 100 AH/4	56	D72-73
	47	614	1,0	30,52	7,2	16,2	9,0	16,2			
	54	529	1,1	26,29	8,0	16,0	9,0	16,0			
	62	465	1,1	23,11	8,5	15,9	9,0	15,9			
	69	412	1,4	20,51	8,8	15,7	9,0	15,7			
	82	351	1,5	17,45	9,0	15,4	9,0	15,4			
	94	304	1,7	15,10	9,0	15,1	9,0	15,1			
	114	252	2,1	12,51	9,0	14,5	9,0	14,5			
	58	493	0,8	24,53	3,5	16,1	7,8	16,1	SK 9012.1 - 100 AH/4	55	D68-69
	68	420	1,0	20,87	4,8	15,9	8,5	15,9			
82	351	1,1	17,45	5,7	15,4	9,0	15,4				
93	308	1,2	15,30	6,1	15,1	9,0	15,1				
117	246	0,9	12,23	6,5	14,2	9,0	14,2				
131	218	0,9	10,85	6,7	14,0	9,0	14,0				
154	186	1,1	9,23	6,9	13,6	9,0	13,6				
176	163	1,1	8,09	7,0	13,2	9,0	13,2				
61	468	0,8	23,28	2,2	12,0	-	-	SK 92672 - 100 AH/4	58	D64-65	
70	410	0,8	20,37	3,5	12,0	-	-				
79	364	0,9	18,08	4,2	12,0	-	-				
89	323	1,1	16,08	4,7	12,0	-	-				
101	283	1,2	14,08	5,1	11,6	-	-				
113	254	1,3	12,64	5,3	11,3	-	-				
129	222	1,5	11,02	5,6	10,9	-	-				
146	197	1,6	9,78	5,7	10,4	-	-				
164	175	1,8	8,71	5,8	10,1	-	-				
184	155	2,0	7,73	5,9	9,7	-	-				
210	136	2,2	6,78	6,0	9,3	-	-				
241	119	2,4	5,92	6,0	8,8	-	-				
261	110	2,4	5,46	5,9	8,6	-	-				
294	98	2,7	4,85	5,7	8,2	-	-				
125	229	0,9	11,39	3,3	7,9	-	-	SK 92372 - 100 AH/4	41	D62-63	
131	218	0,8	10,84	3,5	7,8	-	-				
150	190	0,9	9,47	3,8	7,6	-	-				
172	167	1,0	8,29	4,0	7,3	-	-				
195	147	1,1	7,32	4,2	7,1	-	-				
220	130	1,2	6,49	4,3	6,8	-	-				
239	120	1,3	5,97	4,4	6,7	-	-				
269	107	1,4	5,30	4,3	6,4	-	-				
4,00	1,1	35915	1,4	1353,86	220,0	100,0	-	-	SK 9096.1/62 - 112 MH/4	1902	D100-101 D103
	1,2	30911	1,6	1165,22	220,0	100,0	-	-			
	1,5	25979	1,9	979,31	220,0	100,0	-	-			
	1,8	21662	2,3	816,57	220,0	100,0	-	-			
	2,0	18644	2,7	702,80	220,0	100,0	-	-			
	1,0	37797	0,8	1424,80	94,3	70,0	122,2	70,0	SK 9092.1/52 - 112 MH/4	1512	D98-99 D102
	1,3	29711	1,1	1120,00	120,2	70,0	147,3	70,0			
	1,7	22453	1,4	846,40	135,3	70,0	160,0	70,0			
	2,0	18739	1,7	706,40	140,9	70,0	160,0	70,0			
	2,4	16132	2,0	608,12	144,1	70,0	160,0	70,0			
	3,3	11711	2,7	441,46	148,4	70,0	160,0	70,0			
	3,7	10231	3,1	385,67	149,5	70,0	160,0	70,0			
	1,6	24084	0,8	907,88	82,1	65,0	120,0	65,0	SK 9086.1/52 - 112 MH/4	942	D96-97 D102
	2,0	18945	1,1	714,15	99,7	65,0	120,0	65,0			
	2,3	16531	1,2	623,16	105,7	65,0	120,0	65,0			
3,3	11496	1,7	433,35	114,9	65,0	120,0	65,0				
3,8	10031	2,0	378,14	116,8	65,0	120,0	65,0				
5,3	7175	2,8	270,47	119,8	65,0	120,0	65,0				
5,9	6516	2,0	245,62	93,6	60,0	95,0	60,0	SK 9082.1/52 - 112 MH/4	692	D94-95 D102	
7,9	4830	2,7	182,09	95,0	60,0	95,0	60,0				
9,9	3878	3,4	146,19	95,0	60,0	95,0	60,0				

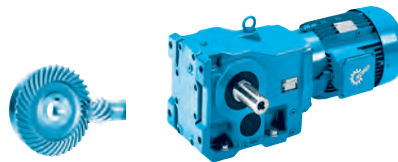


4,00 kW

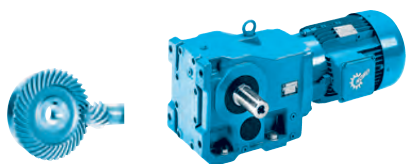
P_1 [kW]	n_2 [min ⁻¹]	M_2 [Nm]	f_B	i_{ges}	F_R [kN]	F_A [kN]	$F_{R VL}$ [kN]	$F_{A VL}$ [kN]		kg	mm
4,00	2,4	16006	0,8	603,37	75,4	60,0	95,0	60,0	SK 9082.1/42 - 112 MH/4	667	D94-95 D102
	3,2	11763	1,1	443,41	85,9	60,0	95,0	60,0			
	3,8	10070	1,3	379,59	89,0	60,0	95,0	60,0			
	5,1	7562	1,7	285,05	92,5	60,0	95,0	60,0			
	12	3089	4,2	116,45	95,0	60,0	95,0	60,0	SK 9082.1 - 112 MH/4	616	D94-95
	5,3	7146	1,2	269,39	56,2	50,0	66,0	49,8	SK 9072.1/42 - 112 MH/4	407	D92-93 D102
	7,3	5203	1,4	196,12	60,9	50,0	66,0	47,8			
	9,2	4157	1,5	156,70	62,8	50,0	66,0	45,9			
	11	3558	1,7	134,14	63,6	50,0	66,0	44,6			
	3,7	10237	0,8	385,88	44,0	50,0	66,0	50,0	SK 9072.1/32 - 112 MH/4	390	D92-93 D102
4,6	8253	1,0	311,10	52,7	50,0	66,0	50,0				
5,9	6519	1,3	245,76	58,0	50,0	66,0	50,0	SK 9072.1 - 112 MH/4	356	D92-93	
7,0	5487	1,5	206,84	60,4	50,0	66,0	50,0				
11	3631	1,8	136,88	63,5	50,0	66,0	46,8				
13	2923	2,9	110,18	64,3	50,0	66,0	45,5				
16	2426	3,5	91,47	64,8	50,0	66,0	43,7				
6,3	6077	0,8	229,07	3,0	45,0	27,9	45,0	SK 9053.1 - 112 MH/4	234	D90-91	
8,7	4377	1,1	164,99	20,0	45,0	35,8	45,0				
7,3	5263	0,9	198,38	12,6	45,0	32,2	45,0	SK 9052.1 - 112 MH/4	216	D88-89	
8,5	4490	1,1	169,24	19,3	45,0	35,4	45,0				
9,9	3851	0,9	145,16	22,9	45,0	37,4	45,0				
12	3184	1,5	120,03	25,6	45,0	38,0	45,0				
14	2716	1,8	102,40	27,1	45,0	38,0	45,0				
16	2339	2,1	88,17	28,1	45,0	38,0	45,0				
20	1916	2,5	72,24	29,0	45,0	38,0	45,0				
23	1656	2,9	62,42	29,4	45,0	38,0	45,0				
26	1447	3,3	54,56	29,7	45,0	38,0	45,0				
11	3523	0,8	132,79	16,5	40,0	28,0	16,9				SK 9042.1 - 112 MH/4
12	3125	0,8	117,79	19,6	40,0	28,0	17,7				
15	2535	1,1	95,56	22,9	40,0	28,0	18,1				
17	2293	1,2	86,43	24,0	40,0	28,0	18,3				
19	2021	1,4	76,18	25,0	40,0	28,0	18,3				
21	1820	1,5	68,61	25,6	40,0	28,0	18,3				
23	1678	1,7	63,25	26,0	40,0	28,0	18,0				
26	1477	1,9	55,69	26,5	40,0	28,0	18,0				
30	1265	2,2	47,67	27,0	40,0	28,0	17,7				
36	1075	2,6	40,54	27,4	40,0	28,0	17,4				
42	912	3,1	34,39	27,6	40,0	28,0	17,0				
45	841	3,3	31,70	27,7	40,0	28,0	16,7				
52	740	3,8	27,91	27,8	40,0	28,0	16,4				
19	2014	0,8	75,91	0,5	11,7	12,3	8,6	SK 9032.1 - 112 MH/4	94	D80-81	
22	1700	0,9	64,08	5,1	12,4	15,0	9,1				
24	1570	1,0	59,17	7,5	13,0	15,0	9,4				
29	1325	1,2	49,94	7,9	13,4	15,0	9,6				
30	1265	1,2	47,70	8,1	13,6	15,0	9,7				
36	1071	1,4	40,36	8,3	13,8	15,0	9,8				
38	1009	1,5	38,05	8,3	13,8	15,0	9,8				
40	945	1,6	35,61	8,3	13,6	15,0	9,8				
49	787	1,9	29,66	8,4	13,6	15,0	9,8				
58	664	2,3	25,03	8,2	13,2	15,0	9,6				
60	634	2,4	23,91	8,2	13,2	15,0	9,6				
71	537	2,8	20,23	8,1	12,9	15,0	9,4				
84	453	3,2	17,08	7,9	12,4	15,0	9,2				
90	426	3,3	16,04	7,8	12,2	15,0	9,1				
107	358	3,8	13,49	7,6	11,7	15,0	8,9				
114	336	3,0	12,68	7,3	11,2	15,0	8,6				
134	285	3,2	10,73	7,1	10,7	15,0	8,3				
36	1055	0,8	39,77	0,1	10,9	6,1	8,5	SK 9022.1 - 112 MH/4	74	D76-77	
43	882	1,0	33,26	0,3	11,1	8,8	8,6				
46	832	1,0	31,38	2,7	11,4	9,3	8,8				
49	775	1,1	29,20	4,2	11,5	9,9	8,8				
55	692	1,2	26,07	5,7	11,5	10,6	8,8				



4,00 kW
5,50 kW



P_1 [kW]	n_2 [min ⁻¹]	M_2 [Nm]	f_B	i_{ges}	F_R [kN]	F_A [kN]	$F_{R VL}$ [kN]	$F_{A VL}$ [kN]		kg	mm			
4,00	59	652	1,3	24,56	6,2	11,3	10,9	8,7	SK 9022.1 - 112 MH/4	74	D76-77			
	64	594	1,3	22,41	6,9	11,5	11,3	8,8						
	72	529	1,4	19,93	6,8	11,4	11,7	8,7						
	82	465	1,5	17,52	6,5	10,7	12,0	8,4						
	88	432	1,4	16,30	6,5	10,6	12,0	8,4						
	99	386	1,5	14,56	6,4	10,5	12,0	8,2						
	115	332	1,6	12,51	6,4	10,2	12,0	8,1						
	129	295	1,8	11,13	6,3	10,0	12,0	8,0						
	164	233	2,1	8,78	6,0	9,5	12,0	7,7						
	51	754	0,8	28,44	2,7	12,0	-	-				SK 92772 - 112 MH/4	75	D66-67
	57	674	1,0	25,39	4,4	12,0	-	-						
	65	589	1,1	22,22	5,6	12,0	-	-						
	73	523	1,1	19,73	6,2	12,0	-	-						
	81	473	1,2	17,83	6,7	11,8	-	-						
	92	414	1,4	15,60	6,9	11,5	-	-						
	104	369	1,4	13,91	6,9	11,2	-	-						
116	330	1,6	12,43	6,8	10,8	-	-							
132	289	1,8	10,88	6,6	10,4	-	-							
150	255	1,9	9,63	6,5	10,1	-	-							
168	227	2,2	8,55	6,3	9,7	-	-							
189	202	2,4	7,60	6,2	9,4	-	-							
225	170	2,6	6,41	5,9	8,8	-	-							
55	697	0,9	26,29	6,2	14,2	9,0	14,2	SK 9016.1 - 112 MH/4	67	D72-73				
62	613	0,8	23,11	7,2	14,3	9,0	14,3							
70	544	1,1	20,51	7,9	14,3	9,0	14,3							
83	463	1,2	17,45	8,5	14,2	9,0	14,2							
95	401	1,3	15,10	8,9	14,0	9,0	14,0							
115	332	1,6	12,51	9,0	13,6	9,0	13,6							
83	463	0,8	17,45	4,1	14,2	8,1	14,2	SK 9012.1 - 112 MH/4	66	D68-69				
94	406	0,9	15,30	5,0	14,0	8,6	14,0							
156	245	0,8	9,23	6,5	12,8	9,0	12,8							
178	215	0,8	8,09	6,7	12,6	9,0	12,6							
5,50	1,1	48707	1,0	1353,86	220,0	100,0	-	-	SK 9096.1/62 - 132 SH/4	1921	D100-101 D103			
	1,3	41920	1,2	1165,22	220,0	100,0	-	-						
	1,5	35232	1,4	979,31	220,0	100,0	-	-						
	1,8	29377	1,7	816,57	220,0	100,0	-	-						
	2,1	25284	2,0	702,80	220,0	100,0	-	-						
	2,4	21860	2,3	607,63	220,0	100,0	-	-						
	2,7	19367	2,6	538,33	220,0	100,0	-	-						
	3,1	17061	2,9	474,22	220,0	100,0	-	-						
	1,3	40293	0,8	1120,00	83,2	70,0	113,8	70,0	SK 9092.1/52 - 132 SH/4	1531	D98-99 D102			
	1,7	30450	1,1	846,40	118,3	70,0	145,1	70,0						
	2,1	25413	1,3	706,40	129,8	70,0	159,6	70,0						
	2,4	21878	1,5	608,12	136,2	70,0	160,0	70,0						
	3,3	15882	2,0	441,46	144,4	70,0	160,0	70,0						
	3,8	13875	2,3	385,67	146,5	70,0	160,0	70,0						
	5,2	10101	3,2	280,76	149,6	70,0	160,0	70,0						
	2,0	25692	0,8	714,15	74,8	65,0	120,0	65,0	SK 9086.1/52 - 132 SH/4	961	D96-97 D102			
2,3	22419	0,9	623,16	88,7	65,0	120,0	65,0							
3,4	15590	1,3	433,35	107,7	65,0	120,0	65,0							
3,9	13604	1,5	378,14	111,5	65,0	120,0	65,0							
5,4	9730	2,1	270,47	117,2	65,0	120,0	65,0							
6,2	8488	2,4	235,93	118,6	65,0	120,0	65,0							
6,3	8298	2,4	230,64	118,8	65,0	120,0	65,0	SK 9086.1 - 132 SH/4	885	D96-97				
7,5	6981	2,9	194,04	120,0	65,0	120,0	65,0	SK 9082.1/52 - 132 SH/4						
5,9	8836	1,5	245,62	90,8	60,0	95,0	60,0							
8,0	6551	2,0	182,09	93,6	60,0	95,0	60,0							
3,3	15952	0,8	443,41	75,6	60,0	95,0	60,0	SK 9082.1/42 - 132 SH/4	686	D94-95 D102				
3,8	13656	1,0	379,59	81,8	60,0	95,0	60,0							
5,1	10255	1,3	285,05	88,7	60,0	95,0	60,0							

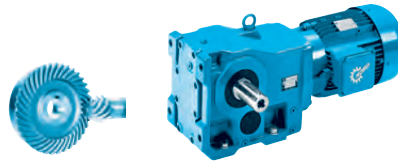


5,50 kW

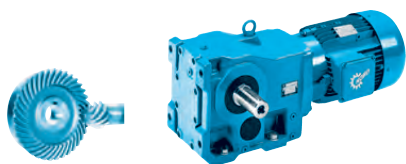
P_1 [kW]	n_2 [min ⁻¹]	M_2 [Nm]	f_B	i_{ges}	F_R [kN]	F_A [kN]	$F_{R VL}$ [kN]	$F_{A VL}$ [kN]		kg	mm			
5,50	4,9	10678	1,2	296,80	87,9	60,0	95,0	60,0	SK 9082.1 - 132 SH/4	635	D94-95			
	6,0	8790	1,5	244,32	90,9	60,0	95,0	60,0						
	9,8	5352	2,4	148,76	94,7	60,0	95,0	60,0						
	12	4406	3,0	122,46	95,0	60,0	95,0	60,0						
	4,7	11192	0,8	311,10	38,2	50,0	66,0	48,3	SK 9072.1/32 - 132 SH/4	409	D92-93 D102			
	5,9	8841	1,0	245,76	50,4	50,0	66,0	48,0	SK 9072.1 - 132 SH/4	375	D92-93			
	7,1	7441	1,1	206,84	55,4	50,0	66,0	46,9						
	7,8	6722	1,3	186,86	57,4	50,0	66,0	46,8						
	9,3	5658	1,5	157,27	60,0	50,0	66,0	45,6						
	11	4924	1,4	136,88	61,5	50,0	66,0	43,9						
	13	3964	2,1	110,18	63,0	50,0	66,0	43,4						
	16	3291	2,6	91,47	63,9	50,0	66,0	41,9						
	18	2867	3,0	79,69	64,4	50,0	66,0	40,7						
	21	2526	3,4	70,22	64,7	50,0	66,0	39,6						
	8,6	6089	0,8	169,24	3,0	45,0	27,8	45,0				SK 9052.1 - 132 SH/4	235	D88-89
	12	4318	1,1	120,03	20,4	45,0	36,0	45,0						
	14	3684	1,3	102,40	23,7	45,0	37,9	45,0						
	17	3172	1,5	88,17	25,7	45,0	38,0	45,0						
	20	2599	1,8	72,24	27,4	45,0	38,0	45,0						
	23	2246	2,1	62,42	28,3	45,0	38,0	45,0						
	27	1963	2,4	54,56	28,9	45,0	38,0	45,0						
	32	1617	3,0	44,96	29,5	45,0	38,0	44,1						
	37	1429	3,4	39,72	29,8	45,0	38,0	42,8						
	40	1303	3,7	36,21	29,9	45,0	38,0	41,8						
	47	1125	4,3	31,28	30,1	45,0	38,0	40,3						
	15	3438	0,8	95,56	17,3	40,0	28,0	14,6	SK 9042.1 - 132 SH/4	160	D84-85			
	17	3109	0,9	86,43	19,7	40,0	28,0	15,1						
	19	2741	1,0	76,18	21,9	40,0	28,0	15,4						
	21	2468	1,1	68,61	23,2	40,0	28,0	15,7						
	23	2275	1,2	63,25	24,1	40,0	28,0	15,5						
	26	2004	1,4	55,69	25,1	40,0	28,0	15,9						
	31	1715	1,6	47,67	26,0	40,0	28,0	15,9						
	36	1458	1,9	40,54	26,6	40,0	28,0	15,9						
	42	1237	2,3	34,39	27,1	40,0	28,0	15,6						
	46	1140	2,5	31,70	27,2	40,0	28,0	15,4						
	52	1004	2,8	27,91	27,5	39,3	28,0	15,3						
	61	859	3,1	23,89	27,7	38,1	28,0	15,0						
	72	731	3,6	20,32	27,1	36,9	28,0	14,6						
	80	655	3,7	18,20	26,4	36,0	28,0	14,3						
	93	563	3,5	15,66	25,2	34,5	28,0	13,7						
	109	482	4,1	13,40	24,3	33,4	28,0	13,3						
	128	410	3,7	11,40	23,3	32,0	28,0	12,9						
	143	367	4,1	10,21	22,7	31,2	28,0	12,6						
	155	338	4,4	9,39	22,2	30,6	28,0	12,3						
	165	318	4,4	8,83	21,9	30,2	28,0	12,2						
	29	1797	0,9	49,94	1,2	8,7	14,5	7,4	SK 9032.1 - 132 SH/4	113	D80-81			
	31	1716	0,9	47,70	4,7	9,3	15,0	7,7						
	36	1452	1,1	40,36	6,3	10,1	15,0	8,1						
	38	1369	1,1	38,05	6,4	10,4	15,0	8,1						
	41	1281	1,2	35,61	6,5	10,4	15,0	8,2						
	49	1067	1,4	29,66	6,9	10,9	15,0	8,5						
	58	900	1,7	25,03	7,0	10,9	15,0	8,5						
	61	860	1,8	23,91	7,1	11,1	15,0	8,6						
	72	728	2,1	20,23	7,1	11,0	15,0	8,6						
	85	614	2,4	17,08	7,1	10,8	15,0	8,4						
	91	577	2,4	16,04	7,1	10,8	15,0	8,4						
	108	485	2,8	13,49	6,9	10,5	15,0	8,2						
	115	456	2,2	12,68	6,6	10,0	15,0	7,9						
	136	386	2,3	10,73	6,5	9,7	15,0	7,8						
	172	305	2,9	8,48	6,3	9,2	15,0	7,5						



5,50 kW
7,50 kW



P_1 [kW]	n_2 [min ⁻¹]	M_2 [Nm]	f_B	i_{ges}	F_R [kN]	F_A [kN]	$F_{R VL}$ [kN]	$F_{A VL}$ [kN]		kg	mm				
5,50	66	799	0,8	22,22	0,2	10,2	-	-	SK 92772 - 132 SH/4	95	D66-67				
	74	710	0,8	19,73	3,8	10,2	-	-							
	82	641	0,9	17,83	4,9	10,0	-	-							
	94	561	1,0	15,60	5,9	9,9	-	-							
	105	500	1,1	13,91	6,1	9,7	-	-							
	117	447	1,2	12,43	6,1	9,5	-	-							
	134	391	1,3	10,88	6,0	9,3	-	-							
	152	346	1,4	9,63	5,9	9,1	-	-							
	171	308	1,6	8,55	5,8	8,8	-	-							
	192	273	1,7	7,60	5,7	8,5	-	-							
	228	231	2,0	6,41	5,6	8,1	-	-							
	239	220	1,9	6,11	5,5	8,0	-	-							
	269	195	2,2	5,43	5,4	7,7	-	-							
	304	173	2,4	4,81	5,2	7,4	-	-							
	5,50	132	396	0,8	11,02	3,8	8,6	-				-	SK 92672 - 132 SH/4	88	D64-65
		149	352	0,9	9,78	4,4	8,4	-				-			
		168	313	1,0	8,71	4,8	8,2	-				-			
		189	278	1,1	7,73	5,2	8,0	-				-			
		215	244	1,2	6,78	5,4	7,8	-				-			
		247	213	1,3	5,92	5,3	7,5	-				-			
267		196	1,3	5,46	5,3	7,4	-	-							
301		174	1,5	4,85	5,1	7,1	-	-							
7,50		1,1	66418	0,8	1353,86	220,0	100,0	-	-	SK 9096.1/62 - 132 MH/4	1928	D100-101 D103			
		1,3	57164	0,9	1165,22	220,0	100,0	-	-						
	1,5	48043	1,0	979,31	220,0	100,0	-	-							
	1,8	40059	1,2	816,57	220,0	100,0	-	-							
	2,1	34478	1,5	702,80	220,0	100,0	-	-							
	2,4	29809	1,7	607,63	220,0	100,0	-	-							
	2,7	26410	1,9	538,33	220,0	100,0	-	-							
	3,1	23264	2,1	474,22	220,0	100,0	-	-							
	3,4	21144	2,4	431,00	220,0	100,0	-	-							
	3,9	18198	2,7	370,95	220,0	100,0	-	-							
	4,6	15734	3,2	320,72	220,0	100,0	-	-							
	7,50	1,7	41523	0,8	846,40	76,9	70,0	109,7	70,0				SK 9092.1/52 - 132 MH/4	1538	D98-99 D102
		2,1	34655	0,9	706,40	105,9	70,0	132,3	70,0						
		2,4	29833	1,1	608,12	119,9	70,0	147,0	70,0						
		3,3	21657	1,5	441,46	136,6	70,0	160,0	70,0						
		3,8	18920	1,7	385,67	140,6	70,0	160,0	70,0						
		5,2	13774	2,3	280,76	146,6	70,0	160,0	70,0						
	7,50	3,4	21259	0,9	433,35	92,7	65,0	120,0	65,0				SK 9086.1/52 - 132 MH/4	968	D96-97 D102
		3,9	18551	1,1	378,14	100,7	65,0	120,0	65,0						
		5,4	13269	1,5	270,47	112,1	65,0	120,0	65,0						
6,2		11574	1,7	235,93	114,8	65,0	120,0	65,0							
7,50	6,3	11315	1,8	230,64	115,1	65,0	120,0	65,0	SK 9086.1 - 132 MH/4	892	D96-97				
	7,5	9519	2,1	194,04	117,4	65,0	120,0	65,0							
7,50	4,9	14560	0,9	296,80	79,5	60,0	95,0	60,0	SK 9082.1 - 132 MH/4	642	D94-95				
	6,0	11986	1,1	244,32	85,5	60,0	95,0	60,0							
	9,8	7298	1,8	148,76	92,8	60,0	95,0	60,0							
	12	6008	2,2	122,46	94,1	60,0	95,0	60,0							
	13	5713	2,3	116,45	94,4	60,0	95,0	60,0							
	15	4703	2,8	95,86	95,0	60,0	95,0	60,0							
7,50	7,4	9621	0,8	196,12	47,0	50,0	66,0	39,0	SK 9072.1/42 - 132 MH/4	433	D92-93 D102				
	7,8	9167	0,9	186,86	49,1	50,0	66,0	42,3							
	9,3	7715	1,1	157,27	54,5	50,0	66,0	41,5							
	13	5405	1,6	110,18	60,5	50,0	66,0	40,6							
	16	4487	1,9	91,47	62,2	50,0	66,0	39,6							
	18	3909	2,2	79,69	63,1	50,0	66,0	38,7							
	21	3445	2,5	70,22	63,7	50,0	66,0	37,9							
	25	2867	3,0	58,44	64,4	50,0	66,0	36,6							
	29	2470	3,3	50,35	64,8	50,0	66,0	35,6							
	7,50	12	5888	0,8	120,03	1,2	45,0	29,0				45,0	SK 9052.1 - 132 MH/4	242	D88-89
14		5024	1,0	102,40	15,1	45,0	33,3	45,0							

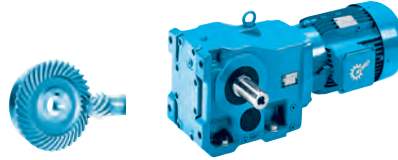


7,50 kW
9,20 kW

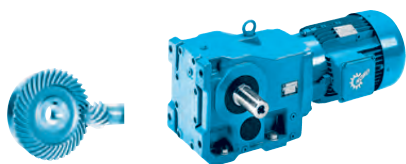
P_1 [kW]	n_2 [min ⁻¹]	M_2 [Nm]	f_B	i_{ges}	F_R [kN]	F_A [kN]	$F_{R VL}$ [kN]	$F_{A VL}$ [kN]		kg	mm				
7,50	17	4325	1,1	88,17	20,3	45,0	35,9	45,0	SK 9052.1 - 132 MH/4	242	D88-89				
	20	3544	1,4	72,24	24,3	45,0	38,0	45,0							
	23	3062	1,6	62,42	26,0	45,0	38,0	45,0							
	27	2677	1,8	54,56	27,2	45,0	38,0	44,5							
	32	2206	2,2	44,96	28,4	45,0	38,0	42,7							
	37	1949	2,5	39,72	28,9	45,0	38,0	41,5							
	40	1776	2,7	36,21	29,2	45,0	38,0	40,7							
	47	1535	3,1	31,28	29,6	45,0	38,0	39,3							
	21	3366	0,8	68,61	17,9	38,1	28,0	12,3							
	23	3103	0,9	63,25	19,8	37,8	28,0	12,3							
	26	2732	1,0	55,69	22,0	38,6	28,0	13,2							
	31	2339	1,2	47,67	23,8	38,6	28,0	13,6							
	36	1989	1,4	40,54	25,1	38,3	28,0	13,8							
	42	1687	1,7	34,39	26,0	37,8	28,0	13,9							
	46	1555	1,8	31,70	26,4	37,2	28,0	13,8							
	52	1369	2,0	27,91	26,8	36,9	28,0	13,9							
	61	1172	2,3	23,89	27,1	36,1	28,0	13,8							
	72	997	2,6	20,32	26,2	35,2	28,0	13,6							
	80	893	2,7	18,20	25,6	34,5	28,0	13,4							
93	768	2,6	15,66	24,5	33,0	28,0	12,8								
109	657	3,0	13,40	23,6	32,0	28,0	12,6								
128	559	2,7	11,40	22,8	31,0	28,0	12,2								
143	501	3,0	10,21	22,2	30,2	28,0	12,0								
155	461	3,3	9,39	21,7	29,7	28,0	11,8								
165	433	3,2	8,83	21,4	29,3	28,0	11,7								
	36	1980	0,8	40,36	0,1	5,3	12,7	5,7	SK 9032.1 - 132 MH/4	120	D80-81				
	38	1867	0,8	38,05	0,2	5,8	13,9	5,9							
	41	1747	0,9	35,61	3,8	6,1	14,9	6,1							
	49	1455	1,0	29,66	4,9	7,4	15,0	6,8							
	58	1228	1,2	25,03	5,3	8,0	15,0	7,0							
	61	1173	1,3	23,91	5,5	8,3	15,0	7,2							
	72	992	1,5	20,23	5,8	8,6	15,0	7,4							
	85	838	1,7	17,08	5,9	8,8	15,0	7,4							
	91	787	1,8	16,04	6,0	8,9	15,0	7,5							
	108	662	2,0	13,49	6,1	8,9	15,0	7,4							
	115	622	1,6	12,68	5,7	8,3	15,0	7,1							
	136	526	1,7	10,73	5,8	8,3	15,0	7,1							
	172	416	2,1	8,48	5,7	8,1	15,0	7,0							
		94	765	0,8	15,60	2,3	7,9	-				-	SK 92772 - 132 MH/4	102	D66-67
		105	682	0,8	13,91	4,3	7,9	-				-			
117		610	0,8	12,43	5,1	7,9	-	-							
134		534	1,0	10,88	5,2	7,9	-	-							
152		472	1,0	9,63	5,2	7,8	-	-							
171		419	1,2	8,55	5,2	7,7	-	-							
192		373	1,3	7,60	5,1	7,5	-	-							
228		314	1,4	6,41	5,1	7,2	-	-							
239		300	1,4	6,11	5,1	7,1	-	-							
269		266	1,6	5,43	5,0	6,9	-	-							
304		236	1,7	4,81	4,9	6,7	-	-							
	189	379	0,8	7,73	4,0	6,8	-	-	SK 92672 - 132 MH/4	95	D64-65				
	215	333	0,9	6,78	4,6	6,7	-	-							
	247	290	1,0	5,92	4,8	6,5	-	-							
	267	268	1,0	5,46	4,8	6,4	-	-							
	301	238	1,1	4,85	4,7	6,2	-	-							
9,20	1,5	59340	0,8	979,31	220,0	100,0	-	-	SK 9096.1/62 - 132 LH/4	1930	D100-101 D103				
	1,8	49480	1,0	816,57	220,0	100,0	-	-							
	2,1	42580	1,2	702,80	220,0	100,0	-	-							
	2,4	36820	1,4	607,63	220,0	100,0	-	-							
	2,7	32620	1,5	538,33	220,0	100,0	-	-							
	3,1	28730	1,7	474,22	220,0	100,0	-	-							
	3,4	26110	1,9	431,00	220,0	100,0	-	-							
	3,9	22480	2,2	370,95	220,0	100,0	-	-							
	4,5	19430	2,6	320,72	220,0	100,0	-	-							
	4,9	18010	2,8	297,17	220,0	100,0	-	-							
	5,4	16360	3,1	270,09	220,0	100,0	-	-							
6,2	14150	3,5	233,51	220,0	100,0	-	-								



9,20 kW



P_1 [kW]	n_2 [min ⁻¹]	M_2 [Nm]	f_B	i_{ges}	F_R [kN]	F_A [kN]	$F_{R VL}$ [kN]	$F_{A VL}$ [kN]		kg	mm			
9,20	2,4	36940	0,9	608,12	97,7	70,0	125,0	70,0	SK 9092.1/52 - 132 LH/4	1540	D98-99 D102			
	3,3	26790	1,2	441,46	127,0	70,0	155,7	70,0						
	3,8	23400	1,4	385,67	133,6	70,0	160,0	70,0						
	5,2	17050	1,9	280,76	143,0	70,0	160,0	70,0						
	6,5	13520	2,4	222,14	146,8	70,0	160,0	70,0						
	7,6	11620	2,8	191,28	148,4	70,0	160,0	70,0						
	3,3	26350	0,8	433,35	71,4	65,0	120,0	65,0				SK 9086.1/52 - 132 LH/4	968	D96-97 D102
	3,8	22990	0,9	378,14	86,5	65,0	120,0	65,0						
	5,3	16470	1,2	270,47	105,8	65,0	120,0	65,0						
	6,1	14320	1,4	235,93	110,2	65,0	120,0	65,0						
8,4	10430	1,9	171,89	116,3	65,0	120,0	65,0							
10	8776	2,1	144,60	118,3	65,0	120,0	65,0							
6,3	13980	1,4	230,64	110,8	65,0	120,0	65,0	SK 9086.1 - 132 LH/4	892	D96-97				
7,5	11760	1,7	194,04	114,5	65,0	120,0	65,0							
12	7066	2,8	116,50	119,9	65,0	120,0	65,0							
5,1	17330	0,8	285,05	71,1	60,0	95,0	60,0	SK 9082.1/42 - 132 LH/4	693	D94-95 D102				
5,9	14800	0,9	244,32	78,9	60,0	95,0	60,0	SK 9082.1 - 132 LH/4	642	D94-95				
9,7	9018	1,4	148,76	90,6	60,0	95,0	60,0							
12	7062	1,8	116,45	93,0	60,0	95,0	60,0							
15	5814	2,2	95,86	94,3	60,0	95,0	60,0							
17	5026	2,6	82,88	94,9	60,0	95,0	60,0							
20	4336	3,0	71,50	95,0	60,0	95,0	60,0							
7,8	11320	0,8	186,86	37,4	50,0	66,0	40,1	SK 9072.1 - 132 LH/4	382	D92-93				
9,2	9539	0,9	157,27	47,4	50,0	66,0	39,9							
13	6671	1,3	110,18	57,6	50,0	66,0	39,9							
16	5541	1,5	91,47	60,3	50,0	66,0	39,2							
18	4823	1,8	79,69	61,7	50,0	66,0	38,5							
21	4246	2,0	70,22	62,6	50,0	66,0	37,9							
25	3541	2,4	58,44	63,6	50,0	66,0	36,8							
29	3047	2,7	50,35	63,7	50,0	66,0	35,8							
35	2487	3,1	41,11	61,0	50,0	66,0	34,4							
16	5339	0,9	88,17	11,7	45,0	31,6	45,0				SK 9052.1 - 132 LH/4	242	D88-89	
20	4373	1,1	72,24	20,1	45,0	35,6	45,0							
23	3784	1,3	62,42	23,2	45,0	37,4	44,1							
27	3305	1,5	54,56	25,2	45,0	38,0	43,1							
32	2727	1,8	44,96	27,1	45,0	38,0	41,6							
36	2408	2,0	39,72	27,9	45,0	38,0	40,6							
40	2194	2,2	36,21	28,4	45,0	38,0	39,8							
46	1898	2,5	31,28	29,0	45,0	38,0	38,6							
53	1658	2,8	27,35	29,4	45,0	38,0	37,4							
62	1416	3,0	23,33	29,8	45,0	38,0	36,0							
64	1368	3,1	22,53	29,8	45,0	38,0	35,8							
26	3373	0,8	55,69	17,8	34,3	28,0	11,8	SK 9042.1 - 132 LH/4	167	D84-85				
30	2885	1,0	47,67	21,1	34,8	28,0	12,5							
36	2458	1,1	40,54	23,3	35,0	28,0	13,0							
42	2083	1,3	34,39	24,8	34,9	28,0	13,4							
46	1908	1,2	31,48	25,4	34,8	28,0	13,5							
52	1692	1,7	27,91	25,9	34,5	28,0	13,6							
61	1447	1,9	23,89	25,4	33,9	28,0	13,6							
71	1233	2,1	20,32	24,8	33,3	28,0	13,5							
79	1106	2,2	18,20	24,3	32,7	28,0	13,4							
92	951	2,1	15,66	23,3	31,3	28,0	12,8							
108	813	2,5	13,40	22,7	30,5	28,0	12,6							
127	693	2,2	11,40	22,0	29,7	28,0	12,4							
141	621	2,4	10,21	21,5	29,1	28,0	12,2							
154	570	2,6	9,39	21,1	28,6	28,0	12,0							
163	538	2,6	8,83	20,8	28,2	28,0	11,9							
49	1798	0,8	29,66	1,1	5,1	14,4	5,8				SK 9032.1 - 132 LH/4	120	D80-81	
58	1518	1,0	25,03	3,4	6,1	15,0	6,2							
61	1449	1,1	23,91	3,6	6,6	15,0	6,5							
72	1227	1,2	20,23	4,2	7,4	15,0	6,8							
85	1036	1,4	17,08	4,5	7,8	15,0	7,0							



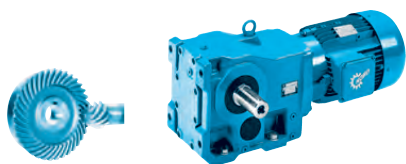
9,20 kW

P_1 [kW]	n_2 [min ⁻¹]	M_2 [Nm]	f_B	i_{ges}	F_R [kN]	F_A [kN]	$F_{R VL}$ [kN]	$F_{A VL}$ [kN]		kg	mm			
9,20	90	972	1,4	16,04	4,7	8,1	15,0	7,1	SK 9032.1 - 132 LH/4	120	D80-81			
	107	821	1,6	13,49	4,9	8,2	15,0	7,2						
	114	768	1,3	12,68	4,6	7,4	15,0	6,8						
	135	651	1,4	10,73	4,8	7,6	15,0	6,9						
	171	515	1,7	8,48	4,9	7,6	15,0	6,9						
	134	657	0,8	10,88	2,0	1,6	-	-				SK 92772 - 132 LH/4	102	D66-67
	150	584	0,8	9,63	2,2	2,1	-	-						
	169	519	1,0	8,55	2,3	2,4	-	-						
	191	460	1,0	7,60	2,4	2,8	-	-						
	226	389	1,2	6,41	2,5	3,2	-	-						
237	370	1,1	6,11	2,5	3,3	-	-							
267	329	1,3	5,43	2,5	3,4	-	-							
302	291	1,4	4,81	2,6	3,5	-	-							
245	359	0,8	5,92	2,1	2,1	-	-	SK 92672 - 132 LH/4	94	D64-65				
266	330	0,8	5,46	2,2	2,5	-	-							
299	294	0,9	4,85	2,2	2,5	-	-							
1,5	58732	0,9	979,31	220,0	100,0	-	-	SK 9096.1/62 - 160 SH/4	1959	D100-101 D103				
1,8	48972	1,0	816,57	220,0	100,0	-	-							
2,1	42149	1,2	702,80	220,0	100,0	-	-							
2,4	36441	1,4	607,63	220,0	100,0	-	-							
2,7	32285	1,5	538,33	220,0	100,0	-	-							
3,1	28440	1,8	474,22	220,0	100,0	-	-							
3,4	25848	1,9	431,00	220,0	100,0	-	-							
3,9	22247	2,2	370,95	220,0	100,0	-	-							
4,6	19234	2,6	320,72	220,0	100,0	-	-							
4,9	17822	2,8	297,17	220,0	100,0	-	-							
5,4	16198	3,1	270,09	220,0	100,0	-	-							
8,4	10400	4,8	173,41	220,0	100,0	-	-	SK 9096.1 - 160 SH/4	1828	D100-101				
2,1	42365	0,8	706,40	72,1	70,0	106,8	70,0	SK 9092.1/52 - 160 SH/4	1569	D98-99 D102				
2,4	36471	0,9	608,12	99,6	70,0	126,6	70,0							
3,3	26476	1,2	441,46	127,7	70,0	156,6	70,0							
3,8	23130	1,4	385,67	134,1	70,0	160,0	70,0							
5,2	16838	1,9	280,76	143,3	70,0	160,0	70,0							
4,9	17842	1,8	297,51	142,0	70,0	160,0	70,0	SK 9092.1 - 160 SH/4	1493	D98-99				
5,8	15197	2,1	253,40	145,1	70,0	160,0	70,0							
7,4	11845	2,7	197,51	148,3	70,0	160,0	70,0							
9,6	9173	3,5	152,96	150,2	70,0	160,0	70,0							
3,4	25989	0,8	433,35	73,3	65,0	120,0	65,0	SK 9086.1/52 - 160 SH/4	999	D96-97 D102				
3,9	22678	0,9	378,14	87,7	65,0	120,0	65,0							
5,4	16221	1,2	270,47	106,3	65,0	120,0	65,0							
6,2	14149	1,4	235,93	110,5	65,0	120,0	65,0							
6,4	13832	1,4	230,64	111,1	65,0	120,0	65,0	SK 9086.1 - 160 SH/4	923	D96-97				
7,5	11637	1,7	194,04	114,7	65,0	120,0	65,0							
9,7	9101	2,2	151,76	117,9	65,0	120,0	65,0							
11	7657	2,6	127,67	119,4	65,0	120,0	65,0							
13	6987	2,9	116,50	120,0	65,0	120,0	65,0							
5,1	17095	0,8	285,05	71,9	60,0	95,0	60,0	SK 9082.1/42 - 160 SH/4	724	D94-95 D102				
6,0	14653	0,9	244,32	79,3	60,0	95,0	60,0	SK 9082.1 - 160 SH/4	673	D94-95				
9,8	8922	1,5	148,76	90,7	60,0	95,0	60,0							
12	7344	1,8	122,46	92,7	60,0	95,0	60,0							
13	6984	1,9	116,45	93,1	60,0	95,0	60,0							
15	5749	2,3	95,86	94,3	60,0	95,0	60,0							
18	4971	2,6	82,88	95,0	60,0	95,0	60,0							
20	4288	3,0	71,50	95,0	60,0	95,0	60,0							
7,8	11206	0,8	186,86	38,1	50,0	66,0	38,3				SK 9072.1 - 160 SH/4	413	D92-93	
9,3	9432	0,9	157,27	47,9	50,0	66,0	38,2							
13	6608	1,3	110,18	57,7	50,0	66,0	38,3							
16	5486	1,5	91,47	60,4	50,0	66,0	37,7							
18	4779	1,8	79,69	61,7	50,0	66,0	37,1							

9,20 kW
11,0 kW



P_1 [kW]	n_2 [min ⁻¹]	M_2 [Nm]	f_B	i_{ges}	F_R [kN]	F_A [kN]	$F_{R VL}$ [kN]	$F_{A VL}$ [kN]		kg	mm
9,20	21	4211	2,0	70,22	62,7	50,0	66,0	36,4	SK 9072.1 - 160 SH/4	413	D92-93
	25	3505	2,4	58,44	63,7	50,0	66,0	35,4			
	29	3020	2,7	50,35	64,2	50,0	66,0	34,4			
	36	2465	3,1	41,11	61,6	50,0	66,0	33,1			
	17	5288	0,9	88,17	12,3	45,0	32,1	45,0	SK 9052.1 - 160 SH/4	273	D88-89
	20	4332	1,1	72,24	20,3	45,0	35,9	45,0			
	23	3743	1,3	62,42	23,4	45,0	37,8	44,0			
	27	3272	1,5	54,56	25,3	45,0	38,0	43,0			
	33	2696	1,8	44,96	27,2	45,0	38,0	41,5			
	37	2382	2,0	39,72	28,0	45,0	38,0	40,5			
	40	2172	2,2	36,21	28,5	45,0	38,0	39,7			
	47	1876	2,6	31,28	29,1	45,0	38,0	38,5			
	54	1640	2,8	27,35	29,5	45,0	38,0	37,3			
	63	1399	3,1	23,33	29,8	45,0	38,0	35,9			
	65	1351	3,2	22,53	29,9	45,0	38,0	35,7			
	26	3340	0,8	55,69	18,1	34,7	28,0	10,8	SK 9042.1 - 160 SH/4	198	D84-85
31	2859	1,0	47,67	21,3	35,1	28,0	11,6				
36	2431	1,2	40,54	23,4	35,5	28,0	12,1				
43	2062	1,4	34,39	24,9	35,3	28,0	12,5				
47	1888	1,2	31,48	25,4	35,2	28,0	12,6				
52	1674	1,7	27,91	26,1	34,9	28,0	12,7				
61	1433	1,9	23,89	26,1	34,4	28,0	12,8				
72	1219	2,1	20,32	25,4	33,7	28,0	12,7				
80	1092	2,2	18,20	24,9	33,2	28,0	12,7				
94	939	2,1	15,66	23,8	31,7	28,0	12,1				
109	804	2,5	13,40	23,1	30,9	28,0	11,9				
129	684	2,2	11,40	22,3	30,1	28,0	11,7				
143	612	2,4	10,21	21,7	29,4	28,0	11,5				
156	563	2,7	9,39	21,3	28,9	28,0	11,4				
166	530	2,6	8,83	21,0	28,6	28,0	11,3				
49	1779	0,8	29,66	2,5	4,6	14,7	5,3	SK 9032.1 - 160 SH/4			
59	1501	1,0	25,03	3,8	5,5	15,0	5,8				
61	1434	1,1	23,91	4,1	5,9	15,0	6,0				
72	1213	1,2	20,23	4,7	6,7	15,0	6,4				
86	1024	1,4	17,08	5,0	7,1	15,0	6,6				
91	962	1,5	16,04	5,1	7,3	15,0	6,7				
109	809	1,7	13,49	5,3	7,6	15,0	6,8				
116	760	1,3	12,68	4,9	6,9	15,0	6,4				
137	644	1,4	10,73	5,1	7,1	15,0	6,5				
173	509	1,7	8,48	5,2	7,2	15,0	6,5				
11,0	1,8	58553	0,9	816,57	220,0	100,0	-	-	SK 9096.1/62 - 160 MH/4	1959	D100-101 D103
	2,1	50395	1,0	702,80	220,0	100,0	-	-			
	2,4	43571	1,1	607,63	220,0	100,0	-	-			
	2,7	38602	1,3	538,33	220,0	100,0	-	-			
	3,1	34005	1,5	474,22	220,0	100,0	-	-			
	3,4	30905	1,6	431,00	220,0	100,0	-	-			
	3,9	26600	1,9	370,95	220,0	100,0	-	-			
	4,6	22998	2,2	320,72	220,0	100,0	-	-			
	4,9	21309	2,3	297,17	220,0	100,0	-	-			
	5,4	19367	2,6	270,09	220,0	100,0	-	-			
	6,3	16744	3,0	233,51	220,0	100,0	-	-			
	8,4	12435	4,0	173,41	220,0	100,0	-	-	SK 9096.1 - 160 MH/4	1828	D100-101
	3,3	31656	1,0	441,46	115,1	70,0	141,6	70,0	SK 9092.1/52 - 160 MH/4	1569	D98-99 D102
	3,8	27655	1,2	385,67	125,1	70,0	153,3	70,0			
	5,2	20132	1,6	280,76	138,9	70,0	160,0	70,0			
	6,6	15929	2,0	222,14	144,3	70,0	160,0	70,0			
4,9	21333	1,5	297,51	137,1	70,0	160,0	70,0	SK 9092.1 - 160 MH/4	1493	D98-99	
5,8	18170	1,8	253,40	141,6	70,0	160,0	70,0				
7,4	14163	2,3	197,51	146,2	70,0	160,0	70,0				
9,6	10968	2,9	152,96	149,0	70,0	160,0	70,0				
12	8621	3,7	120,23	150,5	70,0	160,0	70,0				
14	7334	4,4	102,28	151,2	70,0	160,0	70,0				



11,0 kW
15,0 kW

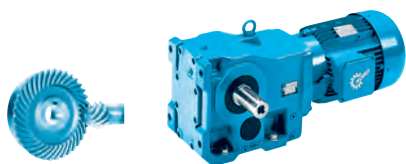
P_1 [kW]	n_2 [min ⁻¹]	M_2 [Nm]	f_B	i_{ges}	F_R [kN]	F_A [kN]	$F_{R VL}$ [kN]	$F_{A VL}$ [kN]		kg	mm																																																																																																																																																																																																																																																																																																																																																																																																																																																																																																																			
11,0	5,4	19394	1,0	270,47	98,4	65,0	120,0	65,0	SK 9086.1/52 - 160 MH/4	999	D96-97 D102																																																																																																																																																																																																																																																																																																																																																																																																																																																																																																																			
	6,2	16918	1,2	235,93	104,8	65,0	120,0	65,0				6,4	16538	1,2	230,64	105,6	65,0	120,0	65,0	SK 9086.1 - 160 MH/4	923	D96-97	7,5	13914	1,4	194,04	110,9	65,0	120,0	65,0	9,7	10882	1,8	151,76	115,7	65,0	120,0	65,0	11	9155	2,2	127,67	117,9	65,0	120,0	65,0	13	8354	2,4	116,50	118,7	65,0	120,0	65,0	16	6489	3,1	90,50	120,0	65,0	120,0	65,0	8,0	13057	1,0	182,09	83,2	60,0	95,0	60,0	SK 9082.1/52 - 160 MH/4	749	D94-95 D102	9,8	10667	1,2	148,76	88,0	60,0	95,0	60,0	SK 9082.1 - 160 MH/4	673	D94-95	12	8781	1,5	122,46	90,9	60,0	95,0	60,0	13	8350	1,6	116,45	91,5	60,0	95,0	60,0	15	6874	1,9	95,86	93,2	60,0	95,0	60,0	18	5943	2,2	82,88	94,2	60,0	95,0	60,0	20	5127	2,5	71,50	94,8	60,0	95,0	60,0	23	4474	2,9	62,39	95,0	60,0	95,0	60,0	9,3	11277	0,8	157,27	37,7	50,0	66,0	34,5	SK 9072.1 - 160 MH/4	413	D92-93	13	7901	1,1	110,18	53,9	50,0	66,0	35,8	16	6559	1,3	91,47	57,9	50,0	66,0	35,6	18	5714	1,5	79,69	59,9	50,0	66,0	35,3	21	5035	1,7	70,22	61,3	50,0	66,0	34,9	25	4191	2,0	58,44	62,7	50,0	66,0	34,0	29	3610	2,3	50,35	62,9	50,0	66,0	33,3	36	2948	2,6	41,11	60,3	50,0	66,0	32,2	42	2523	3,4	35,19	58,3	50,0	66,0	31,3	17	6322	0,8	88,17	1,0	45,0	26,3	43,7	SK 9052.1 - 160 MH/4	273	D88-89	20	5180	0,9	72,24	13,6	45,0	32,6	43,0	23	4476	1,1	62,42	19,4	45,0	35,4	42,3	27	3912	1,2	54,56	22,6	45,0	37,3	41,5	33	3224	1,5	44,96	25,5	45,0	38,0	40,3	37	2848	1,7	39,72	26,7	45,0	38,0	39,4	40	2596	1,8	36,21	27,4	45,0	38,0	38,7	47	2243	2,1	31,28	28,3	45,0	38,0	37,6	54	1961	2,3	27,35	28,9	45,0	38,0	36,6	63	1673	2,6	23,33	29,4	45,0	38,0	35,3	65	1616	2,7	22,53	29,5	45,0	38,0	35,1	74	1428	3,0	19,91	29,8	45,0	38,0	34,1	82	1286	3,3	17,94	29,9	45,0	38,0	33,3	90	1171	3,7	16,33	30,1	45,0	38,0	32,3	109	964	4,5	13,45	30,3	45,0	38,0	30,8	123	852	4,6	11,88	30,4	45,0	38,0	29,9	137	768	3,8	10,71	30,4	45,0	38,0	29,1	31	3418	0,8	47,67	17,5	31,5	27,8	9,4	SK 9042.1 - 160 MH/4	198	D84-85	36	2907	1,0	40,54	21,0	32,4	28,0	10,3	43	2466	1,1	34,39	23,2	32,7	28,0	11,0	47	2257	1,0	31,48	24,1	32,8	28,0	11,2	52	2001	1,4	27,91	25,1	32,7	28,0	11,5	61	1713	1,6	23,89	25,2	32,5	28,0	11,7	72	1457	1,8	20,32	24,6	32,1	28,0	11,8	80	1305	1,9	18,20	24,1	31,8	28,0	11,8	94	1123	1,8	15,66	23,1	30,5	28,0	11,3	109	961	2,1	13,40	22,5	29,8	28,0	11,3	129	817	1,8	11,40	21,8	29,1	28,0	11,1	143	732	2,0	10,21	21,3	28,6	28,0	11,0	156	673	2,2	9,39	20,9	28,1	28,0	10,9	166	633	2,2	8,83	20,6	27,8	27,9	10,8	15,0	2,4	59415	0,8	607,63	220,0	100,0	-	-	SK 9096.1/62 - 160 LH/4	1988	D100-101 D103	2,7	52639	0,9	538,33	220,0	100,0	-	-	3,1	46370	1,1	474,22	220,0	100,0	-	-	3,4	42144	1,2	431,00	220,0	100,0	-	-	3,9	36272	1,4	370,95	220,0	100,0	-	-	4,6	31361	1,6	320,72	220,0
	6,4	16538	1,2	230,64	105,6	65,0	120,0	65,0	SK 9086.1 - 160 MH/4	923	D96-97																																																																																																																																																																																																																																																																																																																																																																																																																																																																																																																			
	7,5	13914	1,4	194,04	110,9	65,0	120,0	65,0																																																																																																																																																																																																																																																																																																																																																																																																																																																																																																																						
	9,7	10882	1,8	151,76	115,7	65,0	120,0	65,0																																																																																																																																																																																																																																																																																																																																																																																																																																																																																																																						
	11	9155	2,2	127,67	117,9	65,0	120,0	65,0																																																																																																																																																																																																																																																																																																																																																																																																																																																																																																																						
	13	8354	2,4	116,50	118,7	65,0	120,0	65,0																																																																																																																																																																																																																																																																																																																																																																																																																																																																																																																						
	16	6489	3,1	90,50	120,0	65,0	120,0	65,0				8,0	13057	1,0	182,09	83,2	60,0	95,0	60,0	SK 9082.1/52 - 160 MH/4	749	D94-95 D102	9,8	10667	1,2	148,76	88,0	60,0	95,0	60,0	SK 9082.1 - 160 MH/4	673	D94-95	12	8781	1,5	122,46	90,9	60,0	95,0	60,0	13	8350	1,6	116,45	91,5	60,0	95,0	60,0	15	6874	1,9	95,86	93,2	60,0	95,0	60,0	18	5943	2,2	82,88	94,2	60,0	95,0	60,0	20	5127	2,5	71,50	94,8	60,0	95,0	60,0	23	4474	2,9	62,39	95,0	60,0	95,0	60,0				9,3	11277	0,8	157,27	37,7	50,0	66,0	34,5	SK 9072.1 - 160 MH/4	413	D92-93	13	7901	1,1	110,18	53,9	50,0	66,0	35,8	16	6559	1,3	91,47	57,9	50,0	66,0	35,6	18	5714	1,5	79,69	59,9	50,0	66,0	35,3	21	5035	1,7	70,22	61,3	50,0	66,0	34,9	25	4191	2,0	58,44	62,7	50,0	66,0	34,0	29	3610	2,3	50,35	62,9				50,0	66,0	33,3	36	2948	2,6	41,11	60,3	50,0	66,0	32,2	42	2523	3,4	35,19	58,3	50,0	66,0	31,3	17	6322	0,8	88,17	1,0	45,0	26,3	43,7	SK 9052.1 - 160 MH/4	273	D88-89	20	5180	0,9	72,24	13,6	45,0	32,6	43,0	23	4476	1,1	62,42	19,4	45,0	35,4	42,3	27	3912	1,2	54,56	22,6	45,0	37,3	41,5	33	3224	1,5	44,96	25,5	45,0	38,0	40,3	37	2848	1,7	39,72	26,7	45,0	38,0	39,4	40	2596				1,8	36,21	27,4	45,0	38,0	38,7	47	2243	2,1	31,28	28,3	45,0	38,0	37,6	54	1961	2,3	27,35	28,9	45,0	38,0	36,6	63	1673	2,6	23,33	29,4	45,0	38,0	35,3	65	1616	2,7	22,53	29,5	45,0	38,0	35,1	74	1428	3,0	19,91	29,8	45,0	38,0	34,1	82	1286	3,3	17,94	29,9	45,0	38,0	33,3	90	1171	3,7	16,33	30,1	45,0	38,0	32,3	109	964	4,5	13,45	30,3	45,0	38,0	30,8	123	852	4,6	11,88	30,4	45,0	38,0	29,9	137	768	3,8	10,71	30,4	45,0	38,0	29,1	31	3418	0,8	47,67	17,5	31,5	27,8	9,4	SK 9042.1 - 160 MH/4	198	D84-85	36	2907	1,0	40,54	21,0	32,4	28,0	10,3	43	2466	1,1	34,39	23,2	32,7	28,0	11,0	47	2257	1,0	31,48	24,1	32,8	28,0	11,2	52	2001	1,4	27,91	25,1	32,7	28,0	11,5	61	1713	1,6	23,89	25,2	32,5	28,0				11,7	72	1457	1,8	20,32	24,6	32,1	28,0	11,8	80	1305	1,9	18,20	24,1	31,8	28,0	11,8	94	1123	1,8	15,66	23,1	30,5	28,0	11,3	109	961	2,1	13,40	22,5	29,8	28,0	11,3	129	817	1,8	11,40	21,8	29,1	28,0	11,1	143	732	2,0	10,21	21,3	28,6	28,0	11,0	156	673	2,2	9,39	20,9	28,1	28,0	10,9	166	633	2,2	8,83	20,6	27,8	27,9	10,8	15,0	2,4	59415	0,8	607,63	220,0	100,0	-	-	SK 9096.1/62 - 160 LH/4	1988	D100-101 D103	2,7	52639	0,9	538,33	220,0	100,0	-	-	3,1	46370	1,1	474,22	220,0	100,0	-	-	3,4	42144	1,2	431,00	220,0	100,0	-	-	3,9	36272	1,4	370,95	220,0	100,0	-	-	4,6	31361	1,6	320,72	220,0	100,0	-	-																																				
	8,0	13057	1,0	182,09	83,2	60,0	95,0	60,0	SK 9082.1/52 - 160 MH/4	749	D94-95 D102																																																																																																																																																																																																																																																																																																																																																																																																																																																																																																																			
	9,8	10667	1,2	148,76	88,0	60,0	95,0	60,0	SK 9082.1 - 160 MH/4	673	D94-95																																																																																																																																																																																																																																																																																																																																																																																																																																																																																																																			
12	8781	1,5	122,46	90,9	60,0	95,0	60,0																																																																																																																																																																																																																																																																																																																																																																																																																																																																																																																							
13	8350	1,6	116,45	91,5	60,0	95,0	60,0																																																																																																																																																																																																																																																																																																																																																																																																																																																																																																																							
15	6874	1,9	95,86	93,2	60,0	95,0	60,0																																																																																																																																																																																																																																																																																																																																																																																																																																																																																																																							
18	5943	2,2	82,88	94,2	60,0	95,0	60,0																																																																																																																																																																																																																																																																																																																																																																																																																																																																																																																							
20	5127	2,5	71,50	94,8	60,0	95,0	60,0																																																																																																																																																																																																																																																																																																																																																																																																																																																																																																																							
23	4474	2,9	62,39	95,0	60,0	95,0	60,0	9,3				11277	0,8	157,27	37,7	50,0	66,0	34,5	SK 9072.1 - 160 MH/4	413	D92-93	13	7901	1,1	110,18	53,9	50,0	66,0	35,8	16	6559	1,3	91,47	57,9	50,0	66,0	35,6	18	5714	1,5	79,69	59,9	50,0	66,0	35,3	21	5035	1,7	70,22	61,3	50,0	66,0	34,9	25	4191	2,0	58,44	62,7	50,0	66,0	34,0	29	3610	2,3	50,35	62,9	50,0	66,0	33,3	36	2948	2,6	41,11	60,3	50,0	66,0	32,2	42	2523	3,4	35,19	58,3	50,0	66,0	31,3	17	6322	0,8	88,17	1,0	45,0	26,3				43,7	SK 9052.1 - 160 MH/4	273	D88-89	20	5180	0,9	72,24	13,6	45,0	32,6	43,0	23	4476	1,1	62,42	19,4	45,0	35,4	42,3	27	3912	1,2	54,56	22,6	45,0	37,3	41,5	33	3224	1,5	44,96	25,5	45,0	38,0	40,3	37	2848	1,7	39,72	26,7	45,0	38,0	39,4	40	2596	1,8	36,21	27,4	45,0	38,0	38,7	47	2243	2,1	31,28	28,3	45,0	38,0	37,6	54	1961	2,3	27,35	28,9	45,0	38,0	36,6	63	1673	2,6	23,33	29,4	45,0	38,0				35,3	65	1616	2,7	22,53	29,5	45,0	38,0	35,1	74	1428	3,0	19,91	29,8	45,0	38,0	34,1	82	1286	3,3	17,94	29,9	45,0	38,0	33,3	90	1171	3,7	16,33	30,1	45,0	38,0	32,3	109	964	4,5	13,45	30,3	45,0	38,0	30,8	123				852	4,6	11,88	30,4	45,0	38,0	29,9	137	768	3,8	10,71	30,4	45,0	38,0	29,1	31	3418	0,8	47,67	17,5	31,5	27,8	9,4	SK 9042.1 - 160 MH/4	198	D84-85	36	2907	1,0	40,54	21,0	32,4	28,0	10,3	43	2466	1,1	34,39	23,2	32,7	28,0	11,0	47	2257	1,0	31,48	24,1	32,8	28,0	11,2	52	2001	1,4	27,91	25,1	32,7	28,0	11,5	61	1713	1,6	23,89	25,2	32,5	28,0	11,7	72	1457	1,8	20,32	24,6	32,1	28,0	11,8	80	1305	1,9	18,20	24,1	31,8	28,0	11,8	94	1123	1,8	15,66	23,1	30,5	28,0	11,3	109	961	2,1	13,40				22,5	29,8	28,0	11,3	129	817	1,8	11,40	21,8	29,1	28,0	11,1	143	732	2,0	10,21	21,3	28,6	28,0	11,0	156	673	2,2	9,39	20,9	28,1	28,0	10,9	166	633	2,2	8,83	20,6	27,8	27,9	10,8	15,0	2,4	59415				0,8	607,63	220,0	100,0	-	-	SK 9096.1/62 - 160 LH/4	1988	D100-101 D103	2,7	52639	0,9	538,33	220,0	100,0	-	-	3,1	46370	1,1	474,22	220,0	100,0	-	-	3,4	42144	1,2	431,00	220,0	100,0	-	-	3,9	36272	1,4	370,95	220,0	100,0	-	-	4,6	31361	1,6	320,72	220,0	100,0	-	-																																																																																																								
9,3	11277	0,8	157,27	37,7	50,0	66,0	34,5	SK 9072.1 - 160 MH/4	413	D92-93																																																																																																																																																																																																																																																																																																																																																																																																																																																																																																																				
13	7901	1,1	110,18	53,9	50,0	66,0	35,8																																																																																																																																																																																																																																																																																																																																																																																																																																																																																																																							
16	6559	1,3	91,47	57,9	50,0	66,0	35,6																																																																																																																																																																																																																																																																																																																																																																																																																																																																																																																							
18	5714	1,5	79,69	59,9	50,0	66,0	35,3																																																																																																																																																																																																																																																																																																																																																																																																																																																																																																																							
21	5035	1,7	70,22	61,3	50,0	66,0	34,9																																																																																																																																																																																																																																																																																																																																																																																																																																																																																																																							
25	4191	2,0	58,44	62,7	50,0	66,0	34,0																																																																																																																																																																																																																																																																																																																																																																																																																																																																																																																							
29	3610	2,3	50,35	62,9	50,0	66,0	33,3																																																																																																																																																																																																																																																																																																																																																																																																																																																																																																																							
36	2948	2,6	41,11	60,3	50,0	66,0	32,2																																																																																																																																																																																																																																																																																																																																																																																																																																																																																																																							
42	2523	3,4	35,19	58,3	50,0	66,0	31,3																																																																																																																																																																																																																																																																																																																																																																																																																																																																																																																							
17	6322	0,8	88,17	1,0	45,0	26,3	43,7				SK 9052.1 - 160 MH/4	273	D88-89																																																																																																																																																																																																																																																																																																																																																																																																																																																																																																																	
20	5180	0,9	72,24	13,6	45,0	32,6	43,0																																																																																																																																																																																																																																																																																																																																																																																																																																																																																																																							
23	4476	1,1	62,42	19,4	45,0	35,4	42,3																																																																																																																																																																																																																																																																																																																																																																																																																																																																																																																							
27	3912	1,2	54,56	22,6	45,0	37,3	41,5																																																																																																																																																																																																																																																																																																																																																																																																																																																																																																																							
33	3224	1,5	44,96	25,5	45,0	38,0	40,3																																																																																																																																																																																																																																																																																																																																																																																																																																																																																																																							
37	2848	1,7	39,72	26,7	45,0	38,0	39,4																																																																																																																																																																																																																																																																																																																																																																																																																																																																																																																							
40	2596	1,8	36,21	27,4	45,0	38,0	38,7																																																																																																																																																																																																																																																																																																																																																																																																																																																																																																																							
47	2243	2,1	31,28	28,3	45,0	38,0	37,6																																																																																																																																																																																																																																																																																																																																																																																																																																																																																																																							
54	1961	2,3	27,35	28,9	45,0	38,0	36,6																																																																																																																																																																																																																																																																																																																																																																																																																																																																																																																							
63	1673	2,6	23,33	29,4	45,0	38,0	35,3																																																																																																																																																																																																																																																																																																																																																																																																																																																																																																																							
65	1616	2,7	22,53	29,5	45,0	38,0	35,1																																																																																																																																																																																																																																																																																																																																																																																																																																																																																																																							
74	1428	3,0	19,91	29,8	45,0	38,0	34,1																																																																																																																																																																																																																																																																																																																																																																																																																																																																																																																							
82	1286	3,3	17,94	29,9	45,0	38,0	33,3																																																																																																																																																																																																																																																																																																																																																																																																																																																																																																																							
90	1171	3,7	16,33	30,1	45,0	38,0	32,3																																																																																																																																																																																																																																																																																																																																																																																																																																																																																																																							
109	964	4,5	13,45	30,3	45,0	38,0	30,8																																																																																																																																																																																																																																																																																																																																																																																																																																																																																																																							
123	852	4,6	11,88	30,4	45,0	38,0	29,9																																																																																																																																																																																																																																																																																																																																																																																																																																																																																																																							
137	768	3,8	10,71	30,4	45,0	38,0	29,1																																																																																																																																																																																																																																																																																																																																																																																																																																																																																																																							
31	3418	0,8	47,67	17,5	31,5	27,8	9,4	SK 9042.1 - 160 MH/4	198	D84-85																																																																																																																																																																																																																																																																																																																																																																																																																																																																																																																				
36	2907	1,0	40,54	21,0	32,4	28,0	10,3																																																																																																																																																																																																																																																																																																																																																																																																																																																																																																																							
43	2466	1,1	34,39	23,2	32,7	28,0	11,0																																																																																																																																																																																																																																																																																																																																																																																																																																																																																																																							
47	2257	1,0	31,48	24,1	32,8	28,0	11,2																																																																																																																																																																																																																																																																																																																																																																																																																																																																																																																							
52	2001	1,4	27,91	25,1	32,7	28,0	11,5																																																																																																																																																																																																																																																																																																																																																																																																																																																																																																																							
61	1713	1,6	23,89	25,2	32,5	28,0	11,7																																																																																																																																																																																																																																																																																																																																																																																																																																																																																																																							
72	1457	1,8	20,32	24,6	32,1	28,0	11,8																																																																																																																																																																																																																																																																																																																																																																																																																																																																																																																							
80	1305	1,9	18,20	24,1	31,8	28,0	11,8																																																																																																																																																																																																																																																																																																																																																																																																																																																																																																																							
94	1123	1,8	15,66	23,1	30,5	28,0	11,3																																																																																																																																																																																																																																																																																																																																																																																																																																																																																																																							
109	961	2,1	13,40	22,5	29,8	28,0	11,3																																																																																																																																																																																																																																																																																																																																																																																																																																																																																																																							
129	817	1,8	11,40	21,8	29,1	28,0	11,1																																																																																																																																																																																																																																																																																																																																																																																																																																																																																																																							
143	732	2,0	10,21	21,3	28,6	28,0	11,0																																																																																																																																																																																																																																																																																																																																																																																																																																																																																																																							
156	673	2,2	9,39	20,9	28,1	28,0	10,9																																																																																																																																																																																																																																																																																																																																																																																																																																																																																																																							
166	633	2,2	8,83	20,6	27,8	27,9	10,8																																																																																																																																																																																																																																																																																																																																																																																																																																																																																																																							
15,0	2,4	59415	0,8	607,63	220,0	100,0	-				-	SK 9096.1/62 - 160 LH/4	1988	D100-101 D103																																																																																																																																																																																																																																																																																																																																																																																																																																																																																																																
	2,7	52639	0,9	538,33	220,0	100,0	-	-																																																																																																																																																																																																																																																																																																																																																																																																																																																																																																																						
	3,1	46370	1,1	474,22	220,0	100,0	-	-																																																																																																																																																																																																																																																																																																																																																																																																																																																																																																																						
	3,4	42144	1,2	431,00	220,0	100,0	-	-																																																																																																																																																																																																																																																																																																																																																																																																																																																																																																																						
	3,9	36272	1,4	370,95	220,0	100,0	-	-																																																																																																																																																																																																																																																																																																																																																																																																																																																																																																																						
	4,6	31361	1,6	320,72	220,0	100,0	-	-																																																																																																																																																																																																																																																																																																																																																																																																																																																																																																																						



15,0 kW



P ₁ [kW]	n ₂ [min ⁻¹]	M ₂ [Nm]	f _B	i _{ges}	F _R [kN]	F _A [kN]	F _{R VL} [kN]	F _{A VL} [kN]		kg	mm			
15,0	4,9	29058	1,7	297,17	220,0	100,0	-	-	SK 9096.1 - 160 LH/4	1857	D100-101			
	5,4	26410	1,9	270,09	220,0	100,0	-	-						
	6,3	22833	2,2	233,51	220,0	100,0	-	-						
	7,3	19612	2,5	200,57	220,0	100,0	-	-						
	8,4	16956	2,9	173,41	220,0	100,0	-	-						
	9,5	15087	3,3	154,29	220,0	100,0	-	-						
	11	13057	3,8	133,53	220,0	100,0	-	-						
	3,8	37711	0,8	385,67	94,7	70,0	122,5	70,0				SK 9092.1/52 - 160 LH/4	1598	D98-99 D102
	5,2	27453	1,2	280,76	125,5	70,0	153,8	70,0						
	6,6	21721	1,5	222,14	136,4	70,0	160,0	70,0						
	7,7	18704	1,7	191,28	140,9	70,0	160,0	70,0						
4,9	29091	1,1	297,51	121,7	70,0	149,1	70,0	SK 9092.1 - 160 LH/4	1522	D98-99				
5,8	24778	1,3	253,40	131,0	70,0	159,7	70,0							
7,4	19313	1,7	197,51	140,1	70,0	160,0	70,0							
9,6	14957	2,1	152,96	145,4	70,0	160,0	70,0							
12	11756	2,7	120,23	148,3	70,0	160,0	70,0							
14	10001	3,2	102,28	149,6	70,0	160,0	70,0							
5,4	26447	0,8	270,47	70,9	65,0	120,0	65,0	SK 9086.1/52 - 160 LH/4	1028	D96-97 D102				
6,2	23070	0,9	235,93	86,2	65,0	120,0	65,0							
6,4	22552	0,9	230,64	88,2	65,0	120,0	65,0	SK 9086.1 - 160 LH/4	952	D96-97				
7,5	18974	1,1	194,04	99,6	65,0	120,0	65,0							
9,7	14839	1,3	151,76	109,2	65,0	120,0	65,0							
11	12484	1,6	127,67	113,4	65,0	120,0	65,0							
13	11392	1,8	116,50	115,0	65,0	120,0	65,0							
16	8849	2,3	90,50	118,2	65,0	120,0	65,0							
19	7650	2,6	78,24	119,4	65,0	120,0	65,0							
22	6600	3,0	67,50	120,0	65,0	120,0	65,0							
9,8	14546	0,9	148,76	79,6	60,0	95,0	60,0	SK 9082.1 - 160 LH/4	702	D94-95				
12	11974	1,1	122,46	85,5	60,0	95,0	60,0							
13	11387	1,1	116,45	86,7	60,0	95,0	60,0							
15	9373	1,4	95,86	90,1	60,0	95,0	60,0							
18	8104	1,6	82,88	91,8	60,0	95,0	60,0							
20	6991	1,9	71,50	93,1	60,0	95,0	60,0							
23	6101	2,1	62,39	94,0	60,0	95,0	60,0							
27	5210	2,5	53,28	93,3	60,0	95,0	60,0							
33	4364	3,0	44,63	89,5	60,0	95,0	60,0							
35	4062	3,2	41,54	88,2	60,0	95,0	60,0							
41	3504	3,7	35,83	84,9	60,0	95,0	60,0							
13	10774	0,8	110,18	40,9	50,0	66,0	30,4				SK 9072.1 - 160 LH/4	442	D92-93	
16	8944	1,0	91,47	50,0	50,0	66,0	31,2							
18	7792	1,1	79,69	54,2	50,0	66,0	31,3							
21	6866	1,2	70,22	57,0	50,0	66,0	31,4							
25	5714	1,5	58,44	59,9	50,0	66,0	31,2							
29	4923	1,7	50,35	59,6	50,0	66,0	30,9							
36	4020	1,9	41,11	57,5	50,0	66,0	30,2							
42	3441	2,5	35,19	56,0	50,0	66,0	29,5							
50	2864	3,0	29,29	54,0	50,0	66,0	28,8							
58	2468	3,4	25,24	52,3	50,0	66,0	28,0							
23	6104	0,8	62,42	2,3	45,0	27,7	38,5	SK 9052.1 - 160 LH/4	302	D88-89				
27	5335	0,9	54,56	11,8	45,0	31,9	38,2							
33	4396	1,1	44,96	19,9	45,0	35,7	37,5							
37	3884	1,2	39,72	22,7	45,0	37,3	37,0							
40	3541	1,4	36,21	24,3	45,0	38,0	36,5							
47	3059	1,6	31,28	26,1	45,0	38,0	35,7							
54	2674	1,7	27,35	27,2	45,0	38,0	34,9							
63	2281	1,9	23,33	28,2	45,0	38,0	33,9	SK 9052.1 - 160 LH/4	302	D88-89				
65	2203	2,0	22,53	28,4	45,0	38,0	33,7							
74	1947	2,2	19,91	28,9	45,0	38,0	32,9							
82	1754	2,5	17,94	29,3	45,0	38,0	32,2							
90	1597	2,7	16,33	29,5	45,0	38,0	31,2							
109	1315	3,3	13,45	29,9	45,0	38,0	29,9							
123	1162	3,4	11,88	30,1	45,0	38,0	29,1							
137	1047	2,8	10,71	30,2	45,0	38,0	28,4							

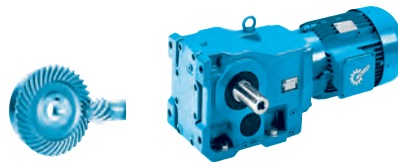


15,0 kW
18,5 kW

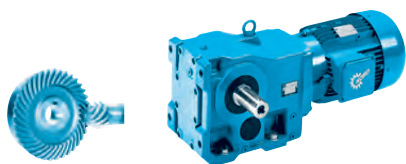
P_1 [kW]	n_2 [min ⁻¹]	M_2 [Nm]	f_B	i_{ges}	F_R [kN]	F_A [kN]	$F_{R VL}$ [kN]	$F_{A VL}$ [kN]		kg	mm
15,0	148	971	2,9	9,93	30,3	45,0	38,0	27,9	SK 9042.1 - 160 LH/4	227	D84-85
	156	919	2,8	9,40	30,3	45,0	38,0	27,5			
	181	792	3,3	8,10	30,4	45,0	38,0	26,5			
	43	3363	0,8	34,39	17,9	27,0	23,0	7,6			
	52	2729	1,0	27,91	22,0	28,1	25,3	8,7			
	61	2336	1,2	23,89	23,0	28,5	26,4	9,4			
	72	1987	1,3	20,32	22,7	28,7	27,0	9,8			
	80	1780	1,4	18,20	22,5	28,6	27,3	10,0			
	94	1531	1,3	15,66	21,5	27,5	26,1	9,6			
	109	1310	1,5	13,40	21,1	27,3	26,3	9,8			
	129	1115	1,3	11,40	20,6	27,0	26,2	9,9			
	143	998	1,5	10,21	20,3	26,7	26,1	9,9			
	156	918	1,6	9,39	20,0	26,4	26,0	9,9			
	166	863	1,6	8,83	19,8	26,2	25,8	9,9			
	18,5	2,7	64481	0,8	538,33	220,0	100,0	-			
3,1		56802	0,9	474,22	220,0	100,0	-	-			
3,4		51625	1,0	431,00	220,0	100,0	-	-			
4,0		44432	1,1	370,95	220,0	100,0	-	-			
4,6		38416	1,3	320,72	220,0	100,0	-	-			
5,0		35595	1,4	297,17	220,0	100,0	-	-			
5,5		32351	1,5	270,09	220,0	100,0	-	-			
6,3		27970	1,8	233,51	220,0	100,0	-	-			
7,1		25028	2,0	208,95	220,0	100,0	-	-			
7,4		24024	2,1	200,57	220,0	100,0	-	-	SK 9096.1 - 180 MH/4	1872	D100-101
8,5		20771	2,4	173,41	220,0	100,0	-	-			
9,6		18481	2,7	154,29	220,0	100,0	-	-			
11		15994	3,1	133,53	220,0	100,0	-	-			
5,3		33629	1,0	280,76	109,2	70,0	135,5	70,0	SK 9092.1/52 - 180 MH/4	1613	D98-99 D102
6,6		26608	1,2	222,14	127,4	70,0	156,2	70,0			
7,7		22911	1,4	191,28	134,5	70,0	160,0	70,0			
9,6		18321	1,7	152,96	141,4	70,0	160,0	70,0	SK 9092.1 - 180 MH/4	1537	D98-99
12		14401	2,2	120,23	146,0	70,0	160,0	70,0			
14		12251	2,6	102,28	147,9	70,0	160,0	70,0			
16		10972	2,9	91,60	149,0	70,0	160,0	70,0			
18		9582	3,3	80,00	149,9	70,0	160,0	70,0			
8,6		20589	1,0	171,89	94,8	65,0	120,0	65,0	SK 9086.1/52 - 180 MH/4	1043	D96-97 D102
10		17320	1,0	144,60	103,8	65,0	120,0	65,0			
13		13954	1,4	116,50	110,9	65,0	120,0	65,0	SK 9086.1 - 180 MH/4	967	D96-97
16		10840	1,8	90,50	115,8	65,0	120,0	65,0			
19		9372	2,1	78,24	117,6	65,0	120,0	65,0			
22		8085	2,5	67,50	119,0	65,0	120,0	65,0			
25		7055	2,8	58,90	119,9	65,0	120,0	65,0			
12		14748	0,8	123,13	79,0	60,0	95,0	60,0	SK 9082.1/52 - 180 MH/4	793	D94-95 D102
13		13948	0,9	116,45	81,1	60,0	95,0	60,0	SK 9082.1 - 180 MH/4	717	D94-95 D102
15		11482	1,1	95,86	86,5	60,0	95,0	60,0			
18		9927	1,3	82,88	89,2	60,0	95,0	60,0			
21		8564	1,5	71,50	91,2	60,0	95,0	60,0			
24	7473	1,7	62,39	92,6	60,0	95,0	60,0				
28	6382	2,0	53,28	90,6	60,0	95,0	60,0				
33	5346	2,4	44,63	87,4	60,0	95,0	60,0				
36	4976	2,6	41,54	86,0	60,0	95,0	60,0				
41	4292	3,0	35,83	83,1	60,0	95,0	60,0				
16	10956	0,8	91,47	39,8	50,0	66,0	27,1	SK 9072.1 - 180 MH/4			
19	9545	0,9	79,69	47,4	50,0	66,0	27,9				
21	8411	1,0	70,22	52,1	50,0	66,0	28,3				
25	7000	1,2	58,44	56,7	50,0	66,0	28,6				
29	6031	1,4	50,35	56,6	50,0	66,0	28,6				
33	5367	1,4	44,81	55,8	50,0	66,0	28,5				
36	4924	1,6	41,11	55,1	50,0	66,0	28,5				
42	4215	2,0	35,19	53,9	50,0	66,0	28,0				
50	3508	2,4	29,29	52,2	50,0	66,0	27,4				
58	3023	2,8	25,24	50,9	50,0	66,0	26,9				



18,5 kW
22,0 kW



P ₁ [kW]	n ₂ [min ⁻¹]	M ₂ [Nm]	f _B	i _{ges}	F _R [kN]	F _A [kN]	F _{R VL} [kN]	F _{A VL} [kN]		kg	mm	
18,5	66	2690	3,2	22,46	49,6	50,0	66,0	26,3	SK 9052.1 - 180 MH/4	317	D88-89	
	72	2469	3,4	20,61	48,8	50,0	66,0	26,0				
	81	2191	3,6	18,29	47,5	50,0	66,0	25,5				
	33	5385	0,9	44,96	11,1	45,0	31,6	35,1				
	37	4758	1,0	39,72	17,4	45,0	34,4	34,8				
	41	4337	1,1	36,21	20,3	45,0	35,9	34,6				
	47	3747	1,3	31,28	23,4	45,0	37,7	34,0				
	54	3276	1,4	27,35	25,3	45,0	38,0	33,4				
	63	2794	1,5	23,33	26,9	45,0	38,0	32,6				
	65	2699	1,6	22,53	27,2	45,0	38,0	32,5				
	74	2385	1,8	19,91	28,0	45,0	38,0	31,8				
	82	2149	2,0	17,94	28,5	45,0	38,0	31,2				
	90	1956	2,2	16,33	28,9	45,0	38,0	30,2				
	110	1611	2,7	13,45	29,5	45,0	38,0	29,1				
	124	1423	2,7	11,88	29,8	45,0	38,0	28,3				
	138	1283	2,3	10,71	30,0	45,0	38,0	27,7				
	149	1189	2,4	9,93	30,1	45,0	38,0	27,3				
	157	1126	2,3	9,40	30,1	45,0	38,0	26,9				
182	970	2,7	8,10	30,3	45,0	38,0	26,0					
22,0	53	3343	0,8	27,91	18,0	23,9	19,9	6,4	SK 9042.1 - 180 MH/4	242	D84-85	
	62	2862	0,9	23,89	21,0	25,0	21,8	7,3				
	73	2434	1,1	20,32	21,0	25,7	23,2	8,1				
	81	2180	1,1	18,20	21,0	26,0	23,9	8,5				
	94	1876	1,1	15,66	20,1	24,9	22,9	8,1				
	22,0	110	1605	1,2	13,40	20,0	25,1	23,5	8,5	SK 9042.1 - 180 MH/4	242	D84-85
		129	1365	1,1	11,40	19,6	25,1	23,9	8,8			
		144	1223	1,2	10,21	19,4	25,0	24,0	8,9			
		157	1125	1,3	9,39	19,1	24,8	24,0	9,0			
		167	1058	1,3	8,83	19,0	24,7	24,0	9,0			
	22,0	3,4	61392	0,8	431,00	220,0	100,0	-	-	SK 9096.1/62 - 180 LH/4	2021	D100-101 D103
		4,0	52838	0,9	370,95	220,0	100,0	-	-			
		4,6	45684	1,1	320,72	220,0	100,0	-	-			
		5,0	42329	1,2	297,17	220,0	100,0	-	-			
		5,5	38472	1,3	270,09	220,0	100,0	-	-			
		6,3	33261	1,5	233,51	220,0	100,0	-	-			
		7,1	29763	1,7	208,95	220,0	100,0	-	-			
22,0		7,4	28569	1,8	200,57	220,0	100,0	-	-	SK 9096.1 - 180 LH/4	1890	D100-101
		8,5	24701	2,0	173,41	220,0	100,0	-	-			
		9,6	21977	2,3	154,29	220,0	100,0	-	-			
		11	19020	2,6	133,53	220,0	100,0	-	-			
		12	16834	3,0	118,18	220,0	100,0	-	-			
22,0	5,3	39992	0,8	280,76	84,6	70,0	114,9	70,0	SK 9092.1/52 - 180 LH/4	1631	D98-99 D102	
	6,6	31642	1,0	222,14	115,1	70,0	141,5	70,0				
	7,7	27246	1,2	191,28	126,0	70,0	154,4	70,0				
22,0	9,6	21788	1,5	152,96	136,3	70,0	160,0	70,0	SK 9092.1 - 180 LH/4	1555	D98-99	
	12	17126	1,9	120,23	142,9	70,0	160,0	70,0				
	14	14569	2,2	102,28	145,8	70,0	160,0	70,0				
	16	13048	2,5	91,60	147,2	70,0	160,0	70,0				
	18	11395	2,8	80,00	148,6	70,0	160,0	70,0				
	21	9810	3,3	68,87	149,8	70,0	160,0	70,0				
22,0	8,6	24484	0,8	171,89	80,4	65,0	120,0	65,0	SK 9086.1/52 - 180 LH/4	1061	D96-97 D102	
	10	20597	0,9	144,60	94,8	65,0	120,0	65,0				
22,0	13	16594	1,2	116,50	105,5	65,0	120,0	65,0	SK 9086.1 - 180 LH/4	985	D96-97	
	16	12891	1,6	90,50	112,7	65,0	120,0	65,0				
	19	11145	1,8	78,24	115,4	65,0	120,0	65,0				
	22	9615	2,1	67,50	117,3	65,0	120,0	65,0				
	25	8390	2,4	58,90	118,7	65,0	120,0	65,0				
	29	7165	2,8	50,30	115,8	65,0	120,0	65,0				
22,0	13	16587	0,8	116,45	73,6	60,0	95,0	60,0	SK 9082.1 - 180 LH/4	735	D94-95	
	15	13654	1,0	95,86	81,8	60,0	95,0	60,0				
	18	11805	1,1	82,88	85,8	60,0	95,0	60,0				
	21	10185	1,3	71,50	88,8	60,0	95,0	60,0				

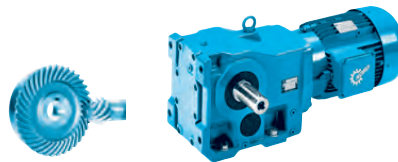


22,0 kW
30,0 kW

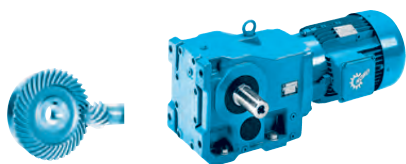
P_1 [kW]	n_2 [min ⁻¹]	M_2 [Nm]	f_B	i_{ges}	F_R [kN]	F_A [kN]	$F_{R VL}$ [kN]	$F_{A VL}$ [kN]		kg	mm
22,0	24	8887	1,5	62,39	90,8	60,0	95,0	60,0	SK 9082.1 - 180 LH/4	735	D94-95
	28	7589	1,7	53,28	88,2	60,0	95,0	60,0			
	33	6357	2,0	44,63	85,3	60,0	95,0	60,0			
	36	5917	2,2	41,54	84,3	60,0	95,0	60,0			
	41	5104	2,5	35,83	81,6	60,0	95,0	60,0			
	47	4454	2,9	31,27	79,4	60,0	95,0	60,0			
	21	10002	0,8	70,22	45,2	50,0	66,0	25,3			
	25	8324	1,0	58,44	52,4	50,0	66,0	26,1			
	29	7172	1,1	50,35	53,5	50,0	66,0	26,5			
	33	6383	1,2	44,81	53,2	50,0	66,0	26,6			
	36	5856	1,3	41,11	52,7	50,0	66,0	26,6			
	42	5012	1,7	35,19	51,8	50,0	66,0	26,5			
	50	4172	2,0	29,29	50,5	50,0	66,0	26,1			
	58	3595	2,4	25,24	49,3	50,0	66,0	25,8			
	66	3199	2,7	22,46	48,3	50,0	66,0	25,4			
	72	2936	2,9	20,61	47,6	50,0	66,0	25,1			
	81	2605	3,0	18,29	46,5	50,0	66,0	24,6			
	90	2342	3,2	16,44	45,5	50,0	66,0	24,2			
	96	2194	3,4	15,40	44,7	50,0	66,0	23,8			
105	2003	2,6	14,06	43,4	50,0	66,0	23,1				
118	1782	2,8	12,51	42,3	50,0	65,3	22,6				
122	1718	2,9	12,06	42,0	50,0	64,8	22,5				
128	1635	3,1	11,48	41,5	50,0	64,2	22,3				
145	1451	3,2	10,19	40,4	50,0	62,6	21,8				
161	1305	3,6	9,16	39,5	50,0	61,2	21,3				
37	5658	0,8	39,72	6,1	45,0	30,3	32,7				
41	5158	0,9	36,21	13,8	45,0	32,7	32,7				
47	4456	1,1	31,28	19,5	45,0	35,5	32,4				
54	3896	1,2	27,35	22,7	45,0	37,3	32,0				
63	3323	1,3	23,33	25,1	45,0	38,0	31,3				
65	3209	1,3	22,53	25,5	45,0	38,0	31,3				
74	2836	1,5	19,91	26,8	45,0	38,0	30,7				
82	2555	1,7	17,94	27,5	45,0	38,0	30,2				
90	2326	1,8	16,33	28,1	45,0	38,0	29,2				
110	1916	2,2	13,45	29,0	45,0	38,0	28,3				
124	1692	2,3	11,88	29,4	45,0	38,0	27,7				
138	1526	1,9	10,71	29,6	45,0	38,0	27,1				
149	1414	2,0	9,93	29,8	45,0	38,0	26,7				
157	1339	1,9	9,40	29,9	45,0	38,0	26,4				
182	1154	2,3	8,10	30,1	45,0	38,0	25,6				
62	3403	0,8	23,89	17,6	21,5	17,2	5,3				
73	2894	0,9	20,32	19,4	22,7	19,3	6,3				
81	2592	0,9	18,20	19,5	23,4	20,5	6,9				
94	2231	0,9	15,66	18,7	22,5	19,6	6,6				
110	1909	1,0	13,40	18,7	22,9	20,7	7,3				
129	1624	0,9	11,40	18,6	23,2	21,6	7,7				
144	1454	1,0	10,21	18,5	23,4	22,0	7,9				
157	1338	1,1	9,39	18,3	23,4	22,1	8,1				
167	1258	1,1	8,83	18,2	23,3	22,2	8,2				
30,0	4,6	62721	0,8	320,72	220,0	100,0	-	-	SK 9096.1/62 - 200 LH/4	2091	D100-101 D103
	4,9	58115	0,9	297,17	220,0	100,0	-	-			
	5,4	52820	0,9	270,09	220,0	100,0	-	-			
	6,3	45666	1,1	233,51	220,0	100,0	-	-			
	7,0	40863	1,2	208,95	220,0	100,0	-	-			
	7,3	39224	1,3	200,57	220,0	100,0	-	-			
	8,4	33913	1,5	173,41	220,0	100,0	-	-			
	9,5	30173	1,7	154,29	220,0	100,0	-	-			
	11	26114	1,9	133,53	220,0	100,0	-	-			
	12	23112	2,2	118,18	220,0	100,0	-	-			
14	19983	2,5	102,18	220,0	100,0	-	-				
16	17522	2,9	89,60	220,0	100,0	-	-				
12	23513	1,4	120,23	133,4	70,0	160,0	70,0				
14	20002	1,6	102,28	139,1	70,0	160,0	70,0				
16	17914	1,8	91,60	142,0	70,0	160,0	70,0				
18	15645	2,0	80,00	144,6	70,0	160,0	70,0				
21	13468	2,4	68,87	146,9	70,0	160,0	70,0				
25	11472	2,8	58,66	148,6	70,0	160,0	70,0				
12	23513	1,4	120,23	133,4	70,0	160,0	70,0				
14	20002	1,6	102,28	139,1	70,0	160,0	70,0				
16	17914	1,8	91,60	142,0	70,0	160,0	70,0				
18	15645	2,0	80,00	144,6	70,0	160,0	70,0				
21	13468	2,4	68,87	146,9	70,0	160,0	70,0				
25	11472	2,8	58,66	148,6	70,0	160,0	70,0				



30,0 kW
37,0 kW



P_1 [kW]	n_2 [min ⁻¹]	M_2 [Nm]	f_B	i_{ges}	F_R [kN]	F_A [kN]	$F_{R VL}$ [kN]	$F_{A VL}$ [kN]		kg	mm			
30,0	16	17698	1,1	90,50	102,9	65,0	120,0	65,0	SK 9086.1 - 200 LH/4	1055	D96-97			
	19	15301	1,3	78,24	108,3	65,0	120,0	65,0						
	22	13201	1,5	67,50	112,2	65,0	120,0	65,0						
	25	11519	1,7	58,90	114,1	65,0	120,0	65,0						
	29	9837	2,0	50,30	111,4	65,0	120,0	65,0						
	35	8239	2,4	42,13	107,4	65,0	120,0	65,0						
	41	6931	2,6	35,44	103,2	65,0	120,0	65,0						
	18	16208	0,8	82,88	74,8	60,0	95,0	60,0				SK 9082.1 - 200 LH/4	805	D94-95
	20	13983	0,9	71,50	81,0	60,0	95,0	60,0						
	23	12201	1,1	62,39	84,2	60,0	95,0	60,0						
	27	10420	1,2	53,28	82,6	60,0	95,0	60,0						
	33	8728	1,5	44,63	80,8	60,0	95,0	60,0						
	35	8124	1,6	41,54	79,8	60,0	95,0	60,0						
	41	7007	1,9	35,83	77,9	60,0	95,0	60,0						
	47	6115	2,1	31,27	76,1	60,0	95,0	60,0						
	55	5223	2,5	26,71	73,8	60,0	95,0	60,0						
	65	4375	3,0	22,37	71,1	60,0	95,0	58,7						
	73	3943	3,3	20,16	69,5	60,0	95,0	57,4						
	84	3393	3,8	17,35	67,3	60,0	95,0	55,5						
	100	2857	4,5	14,61	64,5	60,0	95,0	53,3						
29	9847	0,8	50,35	45,9	50,0	65,3	21,5	SK 9072.1 - 200 LH/4	545	D92-93				
33	8763	0,9	44,81	47,0	50,0	66,0	22,1							
36	8040	1,0	41,11	47,0	50,0	66,0	22,5							
42	6882	1,2	35,19	47,0	50,0	66,0	23,0							
50	5728	1,5	29,29	46,6	50,0	66,0	23,2							
58	4936	1,7	25,24	46,0	50,0	66,0	23,3							
65	4392	1,9	22,46	45,3	50,0	66,0	23,2							
71	4031	2,1	20,61	44,9	50,0	66,0	23,1							
80	3577	2,2	18,29	44,1	50,0	66,0	22,8							
89	3215	2,3	16,44	43,3	50,0	65,8	22,6							
95	3012	2,5	15,40	42,6	50,0	64,8	22,3							
104	2750	1,9	14,06	41,4	50,0	63,0	21,6							
117	2446	2,0	12,51	40,6	50,0	61,8	21,3							
121	2358	2,1	12,06	40,3	50,0	61,5	21,2							
128	2245	2,2	11,48	39,9	50,0	61,0	21,0							
144	1993	2,4	10,19	39,0	50,0	59,8	20,7							
160	1791	2,6	9,16	38,2	50,0	58,7	20,4							
54	5349	0,9	27,35	11,6	45,0	31,8	28,7	SK 9052.1 - 200 LH/4	405	D88-89				
63	4562	0,9	23,33	18,8	45,0	35,1	28,4							
65	4406	1,0	22,53	19,9	45,0	35,7	28,6							
74	3894	1,1	19,91	22,7	45,0	37,3	28,3							
82	3508	1,2	17,94	24,4	45,0	38,0	28,1							
90	3194	1,3	16,33	25,6	45,0	38,0	27,1							
109	2630	1,6	13,45	27,3	45,0	38,0	26,5							
123	2323	1,7	11,88	28,1	45,0	38,0	26,1							
137	2094	1,4	10,71	28,6	45,0	38,0	25,7							
148	1942	1,4	9,93	28,9	45,0	38,0	25,4							
156	1838	1,4	9,40	29,1	45,0	38,0	25,2							
181	1584	1,6	8,10	29,5	45,0	38,0	24,5							
37,0	5,5	64484	0,8	270,09	220,0	100,0	-				-	SK 9096.1/62 - 225 SH/4	2156	D100-101 D103
	6,3	55751	0,9	233,51	220,0	100,0	-				-			
	7,1	49887	1,0	208,95	220,0	100,0	-	-						
7,4	47886	1,0	200,57	220,0	100,0	-	-	SK 9096.1 - 225 SH/4	2025	D100-101				
8,5	41402	1,2	173,41	220,0	100,0	-	-							
9,6	36837	1,4	154,29	220,0	100,0	-	-							
11	31880	1,6	133,53	220,0	100,0	-	-							
13	28215	1,8	118,18	220,0	100,0	-	-							
14	24395	2,0	102,18	220,0	100,0	-	-							
17	21392	2,3	89,60	220,0	100,0	-	-							
18	19441	2,6	81,43	220,0	100,0	-	-							
21	16810	3,0	70,41	220,0	100,0	-	-							
24	14896	3,4	62,39	220,0	100,0	-	-							
12	28705	1,1	120,23	122,6	70,0	150,2	70,0	SK 9092.1 - 225 SH/4	1690	D98-99				
14	24419	1,3	102,28	131,7	70,0	160,0	70,0							
16	21870	1,5	91,60	136,2	70,0	160,0	70,0							
18	19100	1,7	80,00	140,4	70,0	160,0	70,0							
21	16443	1,9	68,87	143,7	70,0	160,0	70,0							

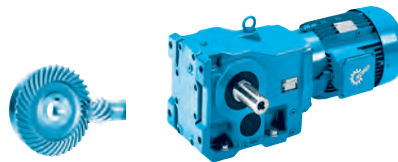


37,0 kW
45,0 kW

P_1 [kW]	n_2 [min ⁻¹]	M_2 [Nm]	f_B	i_{ges}	F_R [kN]	F_A [kN]	$F_{R VL}$ [kN]	$F_{A VL}$ [kN]		kg	mm			
37,0	25	14005	2,3	58,66	146,3	70,0	160,0	70,0	SK 9092.1 - 225 SH/4	1690	D98-99			
	30	11878	2,7	49,75	148,2	70,0	160,0	70,0						
	31	11443	2,8	47,93	148,6	70,0	160,0	70,0						
	32	10987	2,9	46,02	149,0	70,0	160,0	70,0						
	34	10429	2,7	43,68	149,3	70,0	160,0	70,0						
	16	21607	0,9	90,50	91,5	65,0	120,0	65,0	SK 9086.1 - 225 SH/4	1120	D96-97			
	19	18680	1,1	78,24	100,4	65,0	120,0	65,0						
	22	16116	1,2	67,50	106,6	65,0	120,0	65,0						
	25	14062	1,4	58,90	108,7	65,0	120,0	65,0						
	29	12009	1,7	50,30	106,5	65,0	120,0	65,0						
	35	10059	2,0	42,13	103,6	65,0	120,0	65,0						
	42	8461	2,1	35,44	99,9	65,0	120,0	65,0						
	50	7048	2,8	29,52	96,9	65,0	120,0	65,0						
	59	6019	3,3	25,21	93,7	65,0	120,0	65,0						
	70	5042	4,0	21,12	90,1	65,0	120,0	65,0						
83	4243	4,5	17,77	86,3	65,0	120,0	64,1							
90	3911	4,9	16,38	84,9	65,0	120,0	63,0							
101	3510	4,3	14,70	81,9	65,0	120,0	60,8							
120	2939	4,8	12,31	78,5	65,0	120,0	58,3							
128	2770	6,1	11,60	77,8	65,0	120,0	57,7							
155	2280	5,7	9,55	73,8	65,0	120,0	54,7							
21	17071	0,8	71,50	72,0	60,0	95,0	60,0	SK 9082.1 - 225 SH/4	870	D94-95				
24	14896	0,9	62,39	78,1	60,0	95,0	60,0							
28	12721	1,0	53,28	77,6	60,0	95,0	60,0							
33	10655	1,2	44,63	76,5	60,0	95,0	60,0							
36	9918	1,3	41,54	75,9	60,0	95,0	60,0							
41	8554	1,5	35,83	74,5	60,0	95,0	60,0							
47	7466	1,7	31,27	73,0	60,0	95,0	60,0							
55	6377	2,0	26,71	71,3	60,0	95,0	58,9							
66	5341	2,4	22,37	68,9	60,0	95,0	57,0							
73	4813	2,7	20,16	67,6	60,0	95,0	55,8							
85	4142	3,1	17,35	65,4	60,0	95,0	54,0							
101	3488	3,7	14,61	63,1	60,0	95,0	52,2							
120	2939	2,9	12,31	59,9	60,0	95,0	49,5							
36	9815	0,8	41,11	42,1	50,0	58,4	19,0				SK 9072.1 - 225 SH/4	610	D92-93	
42	8402	1,0	35,19	42,8	50,0	60,6	20,0							
51	6993	1,2	29,29	43,1	50,0	62,2	20,8							
59	6026	1,4	25,24	42,9	50,0	62,9	21,1							
66	5362	1,6	22,46	42,7	50,0	63,0	21,2							
72	4921	1,7	20,61	42,4	50,0	62,8	21,3							
81	4367	1,8	18,29	41,9	50,0	62,6	21,2							
90	3925	1,9	16,44	41,3	50,0	62,0	21,2							
96	3677	2,0	15,40	40,7	50,0	61,2	20,9							
105	3357	1,5	14,06	39,5	50,0	59,2	20,2							
118	2987	1,7	12,51	38,8	50,0	58,6	20,0							
123	2879	1,7	12,06	38,7	50,0	58,3	20,0							
129	2741	1,8	11,48	38,4	50,0	58,0	20,0							
145	2433	1,9	10,19	37,6	50,0	57,2	19,7							
162	2187	2,1	9,16	36,9	50,0	56,3	19,4							
45,0	7,1	60673	0,8	208,95	220,0	100,0	-	-	SK 9096.1/62 - 225 MH/4	2196	D100-101			
	9,6	44801	1,1	154,29	220,0	100,0	-	-						
	11	38773	1,3	133,53	220,0	100,0	-	-						
	13	34316	1,5	118,18	220,0	100,0	-	-						
	14	29670	1,7	102,18	220,0	100,0	-	-						
	17	26017	1,9	89,60	220,0	100,0	-	-						
	18	23645	2,1	81,43	220,0	100,0	-	-						
	21	20445	2,4	70,41	220,0	100,0	-	-						
	23	18894	2,6	65,07	220,0	100,0	-	-						
	24	18116	2,8	62,39	220,0	100,0	-	-						
	26	16336	3,1	56,26	220,0	100,0	-	-						
	27	15666	2,9	53,95	220,0	100,0	-	-						
	14	29699	1,1	102,28	120,2	70,0	147,3	70,0				SK 9092.1 - 225 MH/4	1730	D98-99
	16	26598	1,2	91,60	127,4	70,0	156,3	70,0						
	18	23230	1,4	80,00	133,9	70,0	160,0	70,0						
21	19998	1,6	68,87	139,1	70,0	160,0	70,0							
25	17033	1,9	58,66	143,0	70,0	160,0	70,0							

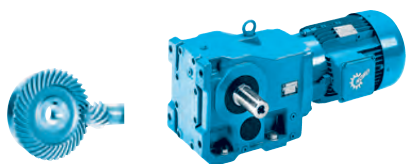


45,0 kW
55,0 kW



P_1 [kW]	n_2 [min ⁻¹]	M_2 [Nm]	f_B	i_{ges}	F_R [kN]	F_A [kN]	$F_{R VL}$ [kN]	$F_{A VL}$ [kN]		kg	mm
45,0	30	14446	2,2	49,75	145,9	70,0	160,0	70,0	SK 9092.1 - 225 MH/4	1730	D98-99
	31	13918	2,3	47,93	146,5	70,0	160,0	70,0			
	32	13363	2,4	46,02	147,0	70,0	160,0	70,0			
	34	12683	2,2	43,68	147,6	70,0	160,0	70,0			
	36	11804	2,7	40,65	148,3	70,0	160,0	70,0			
	38	11354	2,8	39,10	148,7	70,0	160,0	70,0			
	43	9916	3,2	34,15	149,7	70,0	160,0	70,0			
	19	22719	0,9	78,24	87,6	65,0	120,0	65,0			
	22	19600	1,0	67,50	97,8	65,0	120,0	65,0			
	25	17103	1,2	58,90	102,8	65,0	120,0	65,0			
	29	14606	1,4	50,30	101,5	65,0	120,0	65,0			
	35	12233	1,6	42,13	99,4	65,0	120,0	65,0			
	42	10291	1,7	35,44	96,3	65,0	120,0	65,0			
	50	8572	2,3	29,52	93,9	65,0	120,0	65,0			
	59	7320	2,7	25,21	91,3	65,0	120,0	65,0			
70	6133	3,3	21,12	88,1	65,0	120,0	65,0				
83	5160	3,7	17,77	84,6	65,0	120,0	62,6				
90	4756	4,0	16,38	83,5	65,0	120,0	61,8				
101	4268	3,5	14,70	80,4	65,0	120,0	59,6				
120	3574	3,9	12,31	77,3	65,0	120,0	57,3				
128	3368	5,0	11,60	76,6	65,0	120,0	56,9				
155	2773	4,7	9,55	72,7	65,0	120,0	53,9				
28	15471	0,8	53,28	71,9	60,0	95,0	59,9				
33	12959	1,0	44,63	71,7	60,0	95,0	59,6				
36	12062	1,1	41,54	71,5	60,0	95,0	59,3				
41	10404	1,2	35,83	70,8	60,0	95,0	58,7				
47	9080	1,4	31,27	69,8	60,0	95,0	57,8				
55	7756	1,7	26,71	68,3	60,0	95,0	56,6				
66	6496	2,0	22,37	66,5	60,0	95,0	55,1				
73	5854	2,2	20,16	65,4	60,0	95,0	54,0				
85	5038	2,6	17,35	63,7	60,0	95,0	52,6				
101	4242	3,1	14,61	61,5	60,0	95,0	50,8				
120	3574	2,3	12,31	58,5	60,0	95,0	48,3				
184	2335	3,1	8,04	53,3	60,0	95,0	44,0				
51	8505	1,0	29,29	38,9	50,0	54,5	17,9				
59	7329	1,2	25,24	39,5	50,0	56,2	18,6				
66	6522	1,3	22,46	39,6	50,0	57,1	19,0				
72	5985	1,4	20,61	39,6	50,0	57,5	19,3				
81	5311	1,5	18,29	39,4	50,0	57,8	19,5				
90	4774	1,6	16,44	39,1	50,0	58,0	19,5				
96	4472	1,7	15,40	38,7	50,0	57,1	19,4				
105	4083	1,3	14,06	37,5	50,0	55,2	18,7				
118	3633	1,4	12,51	37,1	49,8	55,1	18,7				
123	3502	1,4	12,06	36,8	49,6	55,0	18,7				
129	3333	1,5	11,48	36,7	49,3	55,0	18,7				
145	2959	1,6	10,19	36,1	48,8	54,3	18,6				
162	2660	1,8	9,16	35,6	48,1	53,7	18,4				
55,0	9,6	54573	0,9	154,29	220,0	100,0	-	-	SK 9096.1 - 250 MH/4	2195	D100-101
	11	47230	1,1	133,53	220,0	100,0	-	-			
	13	41801	1,2	118,18	220,0	100,0	-	-			
	15	36141	1,4	102,18	220,0	100,0	-	-			
	17	31692	1,6	89,60	220,0	100,0	-	-			
	18	28802	1,7	81,43	220,0	100,0	-	-			
	21	24904	2,0	70,41	220,0	100,0	-	-			
	23	23016	2,2	65,07	220,0	100,0	-	-			
	24	22068	2,3	62,39	220,0	100,0	-	-			
	26	19899	2,5	56,26	216,6	100,0	-	-			
	28	19082	2,4	53,95	214,7	100,0	-	-			
	31	16904	3,0	47,79	209,5	100,0	-	-			
	36	14615	3,4	41,32	202,6	100,0	-	-			
	15	36177	0,9	102,28	100,6	70,0	127,4	70,0			
	16	32399	1,0	91,60	112,9	70,0	139,3	70,0			
19	28296	1,1	80,00	123,6	70,0	151,4	70,0				
22	24360	1,3	68,87	131,8	70,0	160,0	70,0				
25	20748	1,5	58,66	138,0	70,0	160,0	70,0				
30	17597	1,8	49,75	142,4	70,0	160,0	70,0				
31	16953	1,9	47,93	143,2	70,0	160,0	70,0				
32	16277	2,0	46,02	144,0	70,0	160,0	70,0				



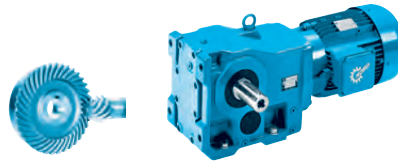


55,0 kW
75,0 kW

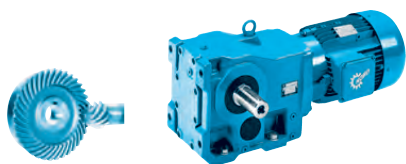
P_1 [kW]	n_2 [min ⁻¹]	M_2 [Nm]	f_B	i_{ges}	F_R [kN]	F_A [kN]	$F_{R VL}$ [kN]	$F_{A VL}$ [kN]		kg	mm
55,0	34	15450	1,8	43,68	144,9	70,0	160,0	70,0	SK 9092.1 - 250 MH/4	1860	D98-99
	37	14378	2,2	40,65	146,0	70,0	160,0	70,0			
	38	13830	2,3	39,10	146,5	70,0	160,0	70,0			
	43	12079	2,6	34,15	148,1	70,0	160,0	70,0			
	51	10356	3,1	29,28	149,4	70,0	160,0	70,0			
	22	23875	0,8	67,50	83,0	65,0	120,0	65,0	SK 9086.1 - 250 MH/4	1290	D96-97
	25	20833	1,0	58,90	94,1	65,0	120,0	65,0			
	30	17791	1,1	50,30	95,1	65,0	120,0	65,0			
	35	14902	1,3	42,13	94,0	65,0	120,0	65,0			
	42	12535	1,4	35,44	91,7	65,0	120,0	65,0			
	50	10441	1,9	29,52	90,3	65,0	120,0	65,0			
	59	8917	2,2	25,21	88,1	65,0	120,0	65,0			
	70	7470	2,7	21,12	85,5	65,0	120,0	63,2			
	84	6285	3,0	17,77	82,3	65,0	120,0	61,0			
	91	5794	3,3	16,38	81,4	65,0	120,0	60,2			
101	5199	2,9	14,70	78,4	65,0	120,0	58,1				
121	4354	3,2	12,31	75,6	65,0	120,0	56,0				
128	4103	4,1	11,60	75,2	65,0	120,0	55,8				
155	3378	3,8	9,55	71,4	65,0	120,0	52,8				
33	15786	0,8	44,63	65,6	60,0	95,0	54,9	SK 9082.1 - 250 MH/4	1040	D94-95	
36	14693	0,9	41,54	65,9	60,0	95,0	54,9				
41	12673	1,0	35,83	65,9	60,0	95,0	54,9				
47	11060	1,2	31,27	65,7	60,0	95,0	54,5				
56	9447	1,4	26,71	64,8	60,0	95,0	53,8				
66	7912	1,6	22,37	63,7	60,0	95,0	52,8				
74	7131	1,8	20,16	62,8	60,0	95,0	51,9				
86	6137	2,1	17,35	61,3	60,0	95,0	50,8				
102	5168	2,5	14,61	59,7	60,0	95,0	49,2				
121	4354	1,9	12,31	56,7	60,0	95,0	46,9				
185	2844	2,5	8,04	52,1	60,0	95,0	43,0				
75,0	11	64405	0,8	133,53	220,0	100,0	-	-	SK 9096.1 - 280 SH/4	2310	D100-101
	13	57001	0,9	118,18	220,0	100,0	-	-			
	15	49284	1,0	102,18	220,0	100,0	-	-			
	17	43216	1,2	89,60	219,3	100,0	-	-			
	18	39276	1,3	81,43	217,1	100,0	-	-			
	21	33960	1,5	70,41	212,7	100,0	-	-			
	23	31385	1,6	65,07	210,9	100,0	-	-			
	24	30092	1,7	62,39	209,6	100,0	-	-			
	26	27136	1,8	56,26	205,8	100,0	-	-			
	28	26021	1,7	53,95	204,3	100,0	-	-			
	31	23050	2,2	47,79	200,4	100,0	-	-			
	36	19930	2,5	41,32	194,7	100,0	-	-			
	41	17479	2,9	36,24	190,0	100,0	-	-			
	45	15883	3,1	32,93	186,3	100,0	-	-			
	19	38586	0,8	80,00	91,0	70,0	119,6	70,0			
22	33218	1,0	68,87	110,5	70,0	136,7	70,0				
25	28293	1,1	58,66	123,6	70,0	149,6	70,0				
30	23996	1,3	49,75	132,5	70,0	160,0	70,0				
31	23118	1,4	47,93	134,3	70,0	160,0	70,0				
32	22197	1,4	46,02	135,8	70,0	160,0	70,0				
34	21068	1,3	43,68	137,5	70,0	160,0	70,0				
37	19606	1,6	40,65	139,7	70,0	160,0	70,0				
38	18859	1,7	39,10	140,7	70,0	160,0	70,0				
43	16471	1,9	34,15	143,7	70,0	160,0	70,0				
51	14122	2,3	29,28	146,2	70,0	160,0	70,0				
60	12029	2,7	24,94	148,1	70,0	160,0	70,0				
30	24261	0,8	50,30	81,4	65,0	120,0	61,2	SK 9086.1 - 280 SH/4	1405	D96-97	
35	20320	1,0	42,13	83,2	65,0	120,0	61,9				
42	17094	1,1	35,44	82,7	65,0	120,0	61,2				
50	14238	1,4	29,52	83,1	65,0	120,0	61,3				
59	12159	1,6	25,21	81,7	65,0	120,0	60,6				
70	10187	2,0	21,12	80,2	65,0	120,0	59,3				
84	8571	2,2	17,77	77,7	65,0	120,0	57,5				
91	7900	2,4	16,38	77,3	65,0	120,0	57,2				
101	7090	2,1	14,70	74,5	65,0	120,0	55,2				
121	5937	2,4	12,31	72,1	65,0	120,0	53,5				



75,0 kW
90,0 kW
110 kW



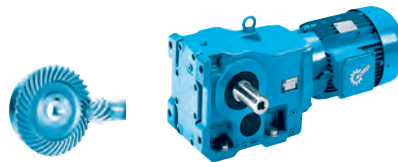
P_1 [kW]	n_2 [min ⁻¹]	M_2 [Nm]	f_B	i_{ges}	F_R [kN]	F_A [kN]	$F_{R VL}$ [kN]	$F_{A VL}$ [kN]		kg	mm			
75,0	128	5595	3,0	11,60	72,2	65,0	120,0	53,5	SK 9086.1 - 280 SH/4	1405	D96-97			
	155	4606	2,8	9,55	68,7	65,0	120,0	50,9						
	185	3878	3,4	8,04	66,3	65,0	120,0	49,2						
	41	17282	0,8	35,83	56,1	60,0	95,0	47,3	SK 9082.1 - 280 SH/4	1155	D94-95			
	47	15082	0,9	31,27	57,0	60,0	95,0	47,8						
	56	12883	1,0	26,71	57,6	60,0	95,0	48,2						
	66	10790	1,2	22,37	57,6	60,0	95,0	47,9						
	74	9724	1,3	20,16	57,4	60,0	95,0	47,7						
	86	8368	1,6	17,35	56,8	60,0	95,0	47,2						
	102	7047	1,8	14,61	55,8	60,0	95,0	46,2						
	121	5937	1,4	12,31	53,0	60,0	95,0	44,0						
	185	3878	1,9	8,04	49,8	60,0	95,0	41,2						
	90,0	15	59101	0,8	102,18	206,2	100,0	-	-	SK 9096.1 - 280 MH/4	2410	D100-101		
		17	51824	1,0	89,60	206,5	100,0	-	-					
		18	47099	1,1	81,43	205,5	100,0	-	-					
21		40725	1,2	70,41	202,5	100,0	-	-						
23		37636	1,3	65,07	201,6	100,0	-	-						
24		36086	1,4	62,39	200,6	100,0	-	-						
26		32541	1,5	56,26	197,6	100,0	-	-						
28		31205	1,4	53,95	196,5	100,0	-	-						
31		27642	1,8	47,79	193,6	100,0	-	-						
36		23899	2,1	41,32	188,7	100,0	-	-						
41		20961	2,4	36,24	184,8	100,0	-	-						
45		19047	2,6	32,93	181,5	100,0	-	-						
52		16467	3,0	28,47	176,2	100,0	-	-						
56		15218	3,3	26,31	173,5	100,0	-	-						
22		39834	0,8	68,87	85,4	70,0	115,4	70,0	SK 9092.1 - 280 MH/4				2075	D98-99
25		33929	0,9	58,66	108,3	70,0	132,3	70,0						
30		28775	1,1	49,75	122,5	70,0	148,1	70,0						
31		27723	1,2	47,93	125,2	70,0	153,4	70,0						
32		26618	1,2	46,02	127,5	70,0	156,4	70,0						
37		23512	1,4	40,65	133,4	70,0	160,0	70,0						
38		22615	1,4	39,10	135,0	70,0	160,0	70,0						
44		19752	1,6	34,15	139,4	70,0	160,0	70,0						
51		16936	1,9	29,28	143,2	70,0	160,0	70,0						
60		14425	2,2	24,94	145,9	70,0	160,0	70,0						
73		11788	2,7	20,38	148,3	70,0	160,0	70,0						
86		9983	2,1	17,26	149,7	70,0	160,0	70,0						
105		8155	2,4	14,10	150,8	70,0	160,0	70,0						
35		24368	0,8	42,13	75,1	65,0	120,0	56,1		SK 9086.1 - 280 MH/4	1505	D96-97		
42		20498	0,9	35,44	75,4	65,0	120,0	56,3						
50		17074	1,2	29,52	77,1	65,0	120,0	57,3						
59	14581	1,4	25,21	77,0	65,0	120,0	57,1							
70	12216	1,6	21,12	76,2	65,0	120,0	56,4							
84	10278	1,8	17,77	74,4	65,0	120,0	55,2							
91	9474	2,0	16,38	74,4	65,0	120,0	54,9							
101	8502	1,8	14,70	71,4	65,0	120,0	52,8							
121	7120	2,0	12,31	69,6	65,0	120,0	51,5							
128	6709	2,5	11,60	70,0	65,0	120,0	51,9							
156	5524	2,4	9,55	66,8	65,0	120,0	49,5							
185	4650	2,8	8,04	64,7	65,0	120,0	47,9							
56	15449	0,8	26,71	52,1	60,0	95,0	44,0	SK 9082.1 - 280 MH/4	1255				D94-95	
66	12939	1,0	22,37	53,1	60,0	95,0	44,4							
74	11661	1,1	20,16	53,5	60,0	95,0	44,5							
86	10035	1,3	17,35	53,3	60,0	95,0	44,4							
102	8450	1,5	14,61	52,9	60,0	95,0	44,0							
121	7120	1,2	12,31	50,3	60,0	95,0	41,8							
185	4650	1,5	8,04	48,0	60,0	93,7	39,7							
110	17	63256	0,8	89,60	189,5	100,0	-	-	SK 9096.1 - 315 SH/4	2545	D100-101			
	18	57488	0,9	81,43	190,0	100,0	-	-						
	21	49708	1,0	70,41	189,0	100,0	-	-						
	23	45938	1,1	65,07	189,2	100,0	-	-						
	24	44046	1,1	62,39	188,8	100,0	-	-						
	26	39718	1,3	56,26	186,8	100,0	-	-						
	28	38088	1,2	53,95	186,2	100,0	-	-						
	31	33739	1,5	47,79	184,5	100,0	-	-						



110 kW
132 kW

P_1 [kW]	n_2 [min ⁻¹]	M_2 [Nm]	f_B	i_{ges}	F_R [kN]	F_A [kN]	$F_{R VL}$ [kN]	$F_{A VL}$ [kN]		kg	mm				
110	36	29171	1,7	41,32	180,8	100,0	-	-	SK 9096.1 - 315 SH/4	2545	D100-101				
	41	25585	2,0	36,24	177,9	100,0	-	-							
	45	23248	2,2	32,93	175,2	100,0	-	-							
	52	20099	2,5	28,47	170,6	100,0	-	-							
	57	18574	2,7	26,31	168,5	100,0	-	-							
	65	16061	3,1	22,75	163,6	100,0	-	-							
	77	13703	3,6	19,41	158,7	100,0	-	-							
	89	11846	4,2	16,78	153,6	100,0	-	-							
	25	41413	0,8	58,66	77,4	70,0	107,3	70,0							
	30	35123	0,9	49,75	104,3	70,0	128,5	70,0							
	31	33838	0,9	47,93	109,0	70,0	135,3	70,0							
	32	32489	1,0	46,02	112,9	70,0	139,2	70,0							
	37	28698	1,1	40,65	122,6	70,0	148,3	70,0							
	38	27604	1,2	39,10	125,2	70,0	151,6	70,0							
	44	24109	1,3	34,15	132,3	70,0	160,0	70,0							
	51	20671	1,5	29,28	138,1	70,0	160,0	70,0							
	60	17607	1,8	24,94	142,3	70,0	160,0	70,0							
	73	14388	2,2	20,38	146,0	70,0	160,0	70,0							
	86	12185	1,7	17,26	148,0	70,0	160,0	70,0							
106	9954	1,9	14,10	149,7	70,0	160,0	70,0								
129	8154	2,3	11,55	150,8	70,0	160,0	70,0								
139	7540	2,4	10,68	151,1	70,0	160,0	70,0								
110	50	20841	1,0	29,52	69,6	65,0	120,0	51,9	SK 9086.1 - 315 SH/4	1640	D96-97				
	59	17798	1,1	25,21	70,5	65,0	120,0	52,5							
	70	14910	1,3	21,12	70,9	65,0	120,0	52,6							
	84	12545	1,5	17,77	69,7	65,0	120,0	51,7							
	91	11564	1,6	16,38	70,0	65,0	120,0	51,9							
	101	10378	1,4	14,70	67,3	65,0	120,0	49,9							
	121	8691	1,6	12,31	66,3	65,0	120,0	49,0							
	128	8189	2,1	11,60	67,1	65,0	120,0	49,7							
	156	6742	1,9	9,55	64,1	65,0	120,0	47,5							
	185	5676	2,3	8,04	62,6	65,0	118,4	46,3							
	110	67	15793	0,8	22,37	46,9	56,2	95,0				39,7	SK 9082.1 - 315 SH/4	1390	D94-95
		74	14233	0,9	20,16	47,9	57,5	95,0				40,2			
		86	12249	1,1	17,35	48,6	59,2	95,0				40,7			
		102	10314	1,3	14,61	48,9	59,9	95,0				40,9			
121		8691	1,0	12,31	46,7	57,1	92,4	38,9							
185		5676	1,3	8,04	45,6	56,8	89,3	37,8							
132	21	59650	0,8	70,41	174,1	100,0	-	-	SK 9096.1 - 315 MH/4	2700	D100-101				
	23	55126	0,9	65,07	175,6	100,0	-	-							
	26	47662	1,0	56,26	174,9	100,0	-	-							
	31	40487	1,2	47,79	174,5	100,0	-	-							
	36	35005	1,4	41,32	172,0	100,0	-	-							
	41	30702	1,6	36,24	170,3	100,0	-	-							
	45	27898	1,8	32,93	168,4	100,0	-	-							
	52	24119	2,1	28,47	164,6	100,0	-	-							
	57	22289	2,2	26,31	163,0	100,0	-	-							
	65	19273	2,6	22,75	158,8	100,0	-	-							
	77	16444	3,0	19,41	154,6	100,0	-	-							
	89	14216	3,5	16,78	150,1	100,0	-	-							
	132	30	42147	0,8	49,75	73,3	70,0	104,7				70,0	SK 9092.1 - 315 MH/4	2365	D98-99
		31	40605	0,8	47,93	82,5	70,0	113,4				70,0			
		37	34438	0,9	40,65	106,6	70,0	130,7				70,0			
		51	24805	1,3	29,28	131,0	70,0	160,0				70,0			
		60	21129	1,5	24,94	137,4	70,0	160,0				70,0			
		73	17265	1,9	20,38	142,8	70,0	160,0				70,0			
		86	14622	1,4	17,26	145,7	70,0	160,0				70,0			
106		11945	1,6	14,10	148,2	70,0	160,0	70,0							
129		9785	1,9	11,55	149,8	69,6	160,0	69,6							
139		9048	2,0	10,68	150,3	68,6	160,0	68,6							
132		59	21357	0,9	25,21	63,5	65,0	120,0	47,4	SK 9086.1 - 315 MH/4	1795	D96-97			
		70	17892	1,1	21,12	64,8	65,0	120,0	48,4						
		84	15054	1,3	17,77	64,5	65,0	120,0	48,0						
	91	13877	1,4	16,38	65,5	65,0	120,0	48,6							
	101	12454	1,2	14,70	62,6	65,0	120,0	46,5							
	121	10429	1,3	12,31	62,3	65,0	118,9	46,3							

132 kW
160 kW
200 kW



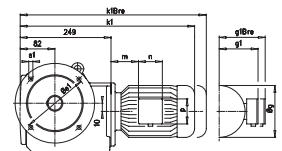
P_1 [kW]	n_2 [min ⁻¹]	M_2 [Nm]	f_B	i_{ges}	F_R [kN]	F_A [kN]	$F_{R VL}$ [kN]	$F_{A VL}$ [kN]		kg	mm			
132	128	9827	1,7	11,60	63,8	65,0	120,0	47,4	SK 9086.1 - 315 MH/4	1795	D96-97			
	156	8091	1,6	9,55	61,3	65,0	116,3	45,4						
	185	6811	1,9	8,04	60,0	65,0	113,7	44,5						
160	26	57695	0,9	56,26	159,8	100,0	-	-	SK 9096.1 - 315 RH/4	2840	D100-101			
	31	49009	1,0	47,79	161,8	100,0	-	-						
	36	42374	1,2	41,32	160,9	100,0	-	-						
	41	37164	1,3	36,24	160,7	100,0	-	-						
	45	33770	1,5	32,93	159,6	100,0	-	-						
	52	29196	1,7	28,47	157,0	100,0	-	-						
	57	26981	1,9	26,31	156,0	100,0	-	-						
	65	23330	2,1	22,75	152,7	100,0	-	-						
	77	19905	2,5	19,41	149,4	100,0	-	-						
	89	17208	2,9	16,78	145,5	100,0	-	-						
	37	41687	0,8	40,65	75,9	69,9	106,3	69,9				SK 9092.1 - 315 RH/4	2505	D98-99
	51	30027	1,1	29,28	119,4	70,0	146,4	70,0						
	60	25576	1,3	24,94	129,5	70,0	157,4	70,0						
	73	20900	1,5	20,38	137,7	70,0	160,0	70,0						
	86	17700	1,2	17,26	142,2	70,0	160,0	70,0						
106	14460	1,3	14,10	145,9	68,7	160,0	68,7							
129	11845	1,6	11,55	148,3	67,0	160,0	67,0							
140	10952	1,6	10,68	149,0	66,2	160,0	66,2							
160	59	25853	0,8	25,21	54,0	57,4	107,4	40,9	SK 9086.1 - 315 RH/4	1935	D96-97			
	71	21659	0,9	21,12	57,3	61,7	111,9	42,9						
	84	18223	1,0	17,77	58,1	63,3	112,6	43,3						
	91	16798	1,1	16,38	59,5	65,0	115,5	44,4						
	101	15075	1,0	14,70	56,8	62,3	109,7	42,4						
	121	12624	1,1	12,31	57,4	64,0	110,4	42,8						
	128	11896	1,4	11,60	59,7	65,0	114,0	44,2						
	156	9794	1,3	9,55	57,6	64,9	109,8	42,6						
	185	8245	1,6	8,04	56,9	64,6	108,3	42,2						
	200	41	46455	1,1	36,24	146,9	100,0	-				-	SK 9096.1 - 315 LH/4	3040
45		42212	1,2	32,93	147,1	100,0	-	-						
52		36495	1,4	28,47	146,0	100,0	-	-						
57		33726	1,5	26,31	146,0	100,0	-	-						
65		29163	1,7	22,75	143,9	100,0	-	-						
77		24881	2,0	19,41	142,0	100,0	-	-						
89		21510	2,3	16,78	139,0	100,0	-	-						



Bevel gear unit



P_1 [kW]	n_2 [min ⁻¹]	M_2 [Nm]	f_B	i_{ge}
0,55	1,0	4985	1,7	1453.
	1,2	4013	2,1	1169.
	1,5	3340	2,5	973.
	1,9	2633	3,2	767.
	1,0	5174	0,9	1398
	1,3	3931	1,2	1062.
	1,5	3447	1,4	931.
	2,0	2603	1,5	703.
	2,4	2145	2,2	579.
	3,1	1696	2,8	458.
	4,1	1291	3,7	348.
	5,4	981	4,9	265.
	6,2	847	5,7	229.
	1 R	32R1	0 Q	RR1



SK 92072 SK 92172



	i_{ges}	n_2 $n_1=1400 \text{ min}^{-1}$ [min^{-1}]	M_{2max} $f_B=1$ [Nm]	W $f_B \geq 1$			IEC $f_B \Rightarrow$ D4 - D42										
				P_{1max} $n_1=1400 \text{ min}^{-1}$ [kW]	$n_1=930 \text{ min}^{-1}$ [kW]	$n_1=700 \text{ min}^{-1}$ [kW]	IEC 63	IEC 71	IEC 80								
SK 92072	54,65	26	50	0,14	0,09	0,07	*										
	47,83	29	45	0,14	0,09	0,07	*										
	39,67	35	80	0,29	0,19	0,15		*									
	34,73	40	75	0,31	0,21	0,16		*									
	W	30,15	46	70	0,34	0,22	0,17		*	*							
		26,39	53	90	0,50	0,33	0,25			*							
	+	23,28	60	90	0,57	0,37	0,28			*							
		20,37	69	90	0,65	0,43	0,33			*							
	IEC	17,56	80	60	0,50	0,33	0,25			*							
		13,55	103	75	0,81	0,53	0,40										
	mm \Rightarrow D104	11,06	127	90	1,20	0,79	0,60										
		9,68	145	90	1,37	0,90	0,68										
		8,99	156	90	1,47	0,97	0,74										
		7,87	178	90	1,50	0,99	0,75										
		6,44	217	85	1,50	0,99	0,75										
		5,79	242	80	1,50	0,99	0,75										
5,24		267	80	1,50	0,99	0,75											
3,85		364	80	1,50	0,99	0,75											
SK 92172		72,31	19	55	0,11	0,07	0,05	IEC 63	IEC 71	IEC 80	IEC 90						
		63,29	22	50	0,12	0,08	0,06	*									
	53,59	26	90	0,25	0,16	0,12		*									
	46,90	30	75	0,24	0,16	0,12		*									
	W	41,26	34	115	0,41	0,27	0,20			*							
		36,11	39	100	0,41	0,27	0,20			*							
	+	32,27	43	120	0,54	0,36	0,27			*							
		28,24	50	120	0,63	0,41	0,31			*							
	IEC	26,03	54	120	0,68	0,45	0,34			*	*						
		22,78	61	120	0,77	0,51	0,38			*	*						
	mm \Rightarrow D104	18,79	75	85	0,67	0,44	0,33			*	*						
		15,61	90	120	1,13	0,75	0,57				*						
		13,49	104	120	1,31	0,86	0,65				*						
		11,81	119	115	1,43	0,95	0,72				*						
		10,37	135	110	1,50	0,99	0,75										
		9,07	154	105	1,50	0,99	0,75										
8,01		175	100	1,50	0,99	0,75											
7,04		199	95	1,50	0,99	0,75											
6,04		232	90	1,50	0,99	0,75											
5,33		263	85	1,50	0,99	0,75											
4,77	294	80	1,50	0,99	0,75												
4,10	341	75	1,50	0,99	0,75												

* \Rightarrow A55

	[kg]				
	W	IEC 63	IEC 71	IEC 80	IEC 90
SK 92072	7	8	9	11	-
SK 92172	12	13	14	16	16



SK 92372 SK 92672

	i_{ges}	n_2 <small>$n_1=1400\text{ min}^{-1}$</small> [min ⁻¹]	M_{2max} f _B =1 [Nm]	W $f_B \geq 1$			IEC $f_B \Rightarrow$ D4 - D42													
				P_{1max}			IEC 63	IEC 71	IEC 80	IEC 90	IEC 100									
				<small>$n_1=1400\text{ min}^{-1}$</small>	<small>$n_1=930\text{ min}^{-1}$</small>	<small>$n_1=700\text{ min}^{-1}$</small>	[kW]	[kW]	[kW]											
SK 92372	62,85	22	125	0,29	0,19	0,14		*												
	55,00	25	110	0,29	0,19	0,14		*												
	49,73	28	170	0,50	0,33	0,25			*											
	43,52	32	150	0,50	0,33	0,25			*											
	W	38,62	36	190	0,72	0,47	0,36			*										
		33,80	41	185	0,79	0,52	0,40													
	+	31,32	45	190	0,90	0,59	0,45					*								
		27,41	51	230	1,23	0,81	0,61					*								
	IEC	24,33	58	210	1,28	0,84	0,64					*								
		21,95	64	195	1,31	0,86	0,65					*	*							
		19,21	73	230	1,76	1,16	0,88						*							
	mm D104	17,06	82	230	1,97	1,30	0,99						*							
		14,65	96	190	1,91	1,26	0,95													
		13,01	108	195	2,21	1,46	1,10						*							
		11,39	123	195	2,51	1,66	1,26						*							
		10,84	129	180	2,43	1,60	1,22						*							
		9,47	148	175	2,71	1,79	1,36						*							
		8,29	169	175	3,00	1,98	1,50													
		7,32	191	165	3,00	1,98	1,50													
		6,49	216	160	3,00	1,98	1,50													
	5,97	235	155	3,00	1,98	1,50														
	5,30	264	145	3,00	1,98	1,50														
SK 92672	59,25	24	375	0,94	0,62	0,47														
	51,86	27	345	0,98	0,64	0,49														
	48,03	29	375	1,14	0,75	0,57				*										
	42,04	33	340	1,17	0,78	0,59				*										
	W	37,32	38	330	1,31	0,87	0,66				*									
		34,17	41	380	1,63	1,08	0,82					*	*							
	+	29,91	47	340	1,67	1,10	0,84					*	*							
		26,55	53	330	1,83	1,21	0,92					*	*							
	IEC	23,28	60	370	2,32	1,53	1,16					*	*	*						
		20,37	69	340	2,46	1,62	1,23					*	*	*						
		18,08	77	320	2,58	1,70	1,29					*	*	*						
	mm D104	16,08	87	370	3,37	2,22	1,69						*	*						
		14,08	99	340	3,52	2,33	1,76						*	*						
		12,64	111	340	3,95	2,61	1,98						*	*						
		11,02	127	335	4,45	2,94	2,23							*	*					
		9,78	143	320	4,79	3,16	2,40								*	*				
		8,71	161	320	5,39	3,56	2,70									*	*			
		7,73	181	310	5,88	3,88	2,94									*	*			
		6,78	206	295	6,36	4,20	3,18									*	*			
		5,92	236	280	6,92	4,57	3,46									*	*			
	5,46	256	265	7,10	4,69	3,55									*	*				
	4,85	289	265	7,50	4,95	3,75									*	*				

* A55

	[kg]							
	W	IEC 63	IEC 71	IEC 80	IEC 90	IEC 100	IEC 112	IEC 132
SK 92372	18	19	20	22	22	27	-	-
SK 92672	36	36	37	39	39	44	44	51

SK 9013.1 SK 9012.1



	i _{ges}	n ₂ n1= 1400 min ⁻¹ [min ⁻¹]	M _{2max} f _B =1 [Nm]	W f _B ≥ 1			IEC f _B ⇒ D4 - D42								
				P _{1max} [kW]	n1= 1400 min ⁻¹ [kW]	n1= 930 min ⁻¹ [kW]	IEC 63	IEC 71							
									n1= 700 min ⁻¹ [kW]						
SK 9013.1	1690,10	0,83	400	0,03	0,02	0,02	*	*							
	1412,68	0,99	400	0,04	0,03	0,02	*	*							
	1256,07	1,1	400	0,05	0,03	0,02	*	*							
	W	847,07	1,7	400	0,07	0,05	0,04	*	*						
	+	667,89	2,1	400	0,09	0,06	0,04	*	*						
		589,96	2,4	400	0,10	0,07	0,05	*	*						
		439,46	3,2	400	0,13	0,09	0,07	*	*						
	IEC	320,60	4,4	400	0,18	0,12	0,09		*						
		281,92	5,0	400	0,21	0,14	0,10		*						
	mm ⇒ D105	212,83	6,6	400	0,28	0,18	0,14		*						
	177,88	7,9	400	0,33	0,22	0,17		*							
	141,29	9,9	400	0,37	0,24	0,19		*							
SK 9012.1	332,37	4,2	400	0,18	0,12	0,09	IEC 63	IEC 71	IEC 80	IEC 90	IEC 100	IEC 112			
	280,71	5,0	400	0,21	0,14	0,10		*							
	246,37	5,7	400	0,24	0,16	0,12		*							
	W	205,93	6,8	400	0,28	0,19	0,14		*						
	+	183,10	7,6	400	0,32	0,21	0,16		*	*					
		166,59	8,4	400	0,35	0,23	0,18		*						
		140,70	10	400	0,42	0,28	0,21								
		123,48	11	400	0,46	0,30	0,23								
	IEC	109,79	13	400	0,54	0,36	0,27			*					
		97,36	14	400	0,59	0,39	0,29			*	*				
	mm ⇒ D105	86,00	16	400	0,67	0,44	0,34			*	*				
		76,53	18	400	0,75	0,50	0,38				*	*	*		
		62,74	22	400	0,92	0,61	0,46				*	*	*		
		55,17	25	400	1,05	0,69	0,52				*	*	*		
		48,95	29	400	1,21	0,80	0,61				*	*	*		
		41,65	34	400	1,42	0,94	0,71				*	*	*		
		34,81	40	400	1,68	1,11	0,84				*	*	*		
		31,45	45	400	1,88	1,24	0,94				*	*	*		
		27,65	51	400	2,14	1,41	1,07				*	*	*		
		24,53	57	400	2,39	1,58	1,19				*	*	*		
		20,87	67	400	2,81	1,85	1,40				*	*	*		
		17,45	80	380	3,18	2,10	1,59				*	*	*		
		15,30	92	380	3,66	2,42	1,83				*	*	*		
	12,23	114	220	2,63	1,73	1,31				*	*	*			
	10,85	129	200	2,70	1,78	1,35				*	*	*			
	9,23	152	195	3,10	2,05	1,55						*			
	8,09	173	180	3,26	2,15	1,63						*			

* ⇒ A55

kg	[kg]						
	W	IEC 63	IEC 71	IEC 80	IEC 90	IEC 100	IEC 112
SK 9013.1	39	40	41	-	-	-	-
SK 9012.1	34	35	36	39	39	46	46



SK 9017.1 SK 9016.1

	i_{ges}	n_2 <small>$n_1=1400 \text{ min}^{-1}$</small>	M_{2max} $f_B=1$	W $f_B \geq 1$			IEC $f_B \Rightarrow \text{D4 - D42}$											
				P_{1max}	$n_1=1400 \text{ min}^{-1}$	$n_1=930 \text{ min}^{-1}$	$n_1=700 \text{ min}^{-1}$	IEC 63	IEC 71									
		[min^{-1}]	[Nm]	[kW]	[kW]	[kW]												
SK 9017.1	1412,69	0,99	610	0,06	0,04	0,03	*	*										
	1256,07	1,1	610	0,07	0,05	0,04	*	*										
	W	629,56	2,2	610	0,14	0,09	0,07	*	*									
		558,25	2,5	610	0,16	0,11	0,08	*	*									
	+	493,12	2,8	610	0,18	0,12	0,09		*									
		367,33	3,8	610	0,24	0,16	0,12		*									
	IEC	267,99	5,2	610	0,33	0,22	0,17		*									
		235,64	5,9	610	0,37	0,24	0,19		*									
	$I_{mm} \Rightarrow \text{D105}$	177,89	7,9	570	0,37	0,24	0,19											
		134,32	10	430	0,37	0,24	0,19											
SK 9016.1	277,84	5,0	590	0,31	0,20	0,15												
	234,64	6,0	590	0,37	0,24	0,19												
	205,93	6,8	610	0,43	0,29	0,22												
	W	183,10	7,6	610	0,49	0,32	0,24											
		149,81	9,3	610	0,59	0,39	0,30			*								
		142,41	9,8	610	0,63	0,41	0,31			*								
	+	116,52	12	610	0,77	0,51	0,38			*								
		91,77	15	500	0,79	0,52	0,39			*								
	IEC	81,38	17	600	1,07	0,70	0,53			*								
		71,88	19	600	1,19	0,79	0,60			*								
	$I_{mm} \Rightarrow \text{D105}$	63,97	22	610	1,41	0,93	0,70			*	*							
		52,44	27	610	1,72	1,14	0,86			*	*							
		46,11	30	610	1,92	1,26	0,96			*	*							
		40,92	34	600	2,14	1,41	1,07			*	*							
		34,81	40	600	2,51	1,66	1,26			*	*							
		30,52	46	600	2,89	1,91	1,45			*	*							
		26,29	53	600	3,33	2,20	1,66			*	*							
		23,11	61	520	3,32	2,19	1,66			*	*							
		20,51	68	580	4,00	2,64	2,00			*	*							
		17,45	80	540	4,00	2,64	2,00			*	*							
	15,10	93	520	4,00	2,64	2,00			*	*								
	12,51	112	520	4,00	2,64	2,00			*	*								

* \Rightarrow A55



kg	[kg]						
	W	IEC 63	IEC 71	IEC 80	IEC 90	IEC 100	IEC 112
SK 9017.1	40	41	42	-	-	-	-
SK 9016.1	35	36	37	40	40	47	47

SK 92772



	i_{ges}	n_2 n1= 1400 min ⁻¹ [min ⁻¹]	M_{2max} fB=1 [Nm]	W $f_B \geq 1$			IEC $f_B \Rightarrow$ D4 - D42												
				P_{1max}			IEC 63	IEC 71	IEC 80	IEC 90	IEC 100	IEC 112	IEC 132						
				n1= 1400 min ⁻¹ [kW]	n1= 930 min ⁻¹ [kW]	n1= 700 min ⁻¹ [kW]													
SK 92772	64,01	22	460	1,06	0,70	0,53													
	56,02	25	400	1,05	0,69	0,52													
	52,48	27	575	1,63	1,07	0,81													
	45,93	30	505	1,59	1,05	0,79													
	40,77	34	450	1,60	1,06	0,80													
	W	36,61	38	660	2,63	1,73	1,31					*	*						
		32,04	44	630	2,90	1,92	1,45					*	*						
	+	28,44	49	600	3,08	2,03	1,54						*	*					
		25,39	55	650	3,74	2,47	1,87						*	*					
	IEC	22,22	63	620	4,09	2,70	2,05												*
19,73		71	600	4,46	2,94	2,23												*	
mm \Rightarrow D104	17,83	79	585	4,84	3,19	2,42												*	
	15,60	90	585	5,51	3,64	2,76												*	
	13,91	101	535	5,66	3,73	2,83												*	
	12,43	113	515	6,09	4,02	3,05												*	
	10,88	129	515	6,96	4,59	3,48												*	
	9,63	145	495	7,52	4,96	3,76												*	
	8,55	164	495	8,50	5,61	4,25												*	
	7,60	184	475	9,15	6,04	4,58												*	
	6,41	218	450	9,20	6,07	4,60													
	6,11	229	420	9,20	6,07	4,60													
5,43	258	425	9,20	6,07	4,60														
4,81	291	410	9,20	6,07	4,60														

* \Rightarrow A55

	[kg]							
	W	IEC 63	IEC 71	IEC 80	IEC 90	IEC 100	IEC 112	IEC 132
SK 92772	45	43	44	46	46	51	51	58



SK 9023.1 SK 9022.1

	i_{ges}	n_2 $n_1 = 1400 \text{ min}^{-1}$ [min ⁻¹]	M_{2max} $f_B = 1$ [Nm]	W $f_B \geq 1$			IEC $f_B \Rightarrow$ D4 - D42							
				P_{1max} $n_1 = 1400 \text{ min}^{-1}$ [kW]	$n_1 = 930 \text{ min}^{-1}$ [kW]	$n_1 = 700 \text{ min}^{-1}$ [kW]	IEC 63	IEC 71						
SK 9023.1	1899,26	0,74	860	0,07	0,04	0,03	*	*						
	1504,07	0,93	860	0,08	0,06	0,04	*	*						
	1120,38	1,2	860	0,11	0,07	0,05	*	*						
	W	951,94	1,5	860	0,14	0,09	0,07	*	*					
		753,86	1,9	860	0,17	0,11	0,09	*	*					
	+	678,31	2,1	860	0,19	0,12	0,09		*					
		561,55	2,5	860	0,23	0,15	0,11		*					
	IEC	472,43	3,0	860	0,27	0,18	0,14		*					
		339,41	4,1	860	0,37	0,24	0,18							
	mm D105	297,67	4,7	860	0,37	0,24	0,19							
	228,47	6,1	650	0,37	0,24	0,19								

	i_{ges}	n_2	M_{2max}	P_{1max}	$n_1 = 930 \text{ min}^{-1}$	$n_1 = 700 \text{ min}^{-1}$	IEC							
							IEC 63	IEC 71	IEC 80	IEC 90	IEC 100	IEC 112		
SK 9022.1	276,86	5,1	800	0,43	0,28	0,21								
	232,92	6,0	700	0,44	0,29	0,22								
	219,25	6,4	860	0,58	0,38	0,29			*					
	W	184,46	7,6	860	0,68	0,45	0,34			*				
		169,81	8,2	860	0,74	0,49	0,37			*				
	+	137,57	10	860	0,90	0,59	0,45							
		115,74	12	860	1,08	0,71	0,54							
		98,88	14	860	1,26	0,83	0,63				*			
	IEC	85,11	16	860	1,44	0,95	0,72				*			
		78,89	18	860	1,62	1,07	0,81					*	*	
	mm D105	66,42	21	860	1,89	1,25	0,95					*	*	
		58,25	24	860	2,16	1,43	1,08					*	*	
		52,02	27	860	2,43	1,60	1,22					*	*	
		49,01	29	860	2,61	1,72	1,31					*	*	
		44,71	31	860	2,79	1,84	1,40					*	*	
		39,77	35	860	3,15	2,08	1,58						*	
		33,26	42	860	3,78	2,50	1,89						*	
		31,38	45	820	3,86	2,55	1,93						*	
		29,20	48	860	4,00	2,64	2,00							
		26,07	54	860	4,00	2,64	2,00							
	24,56	57	860	4,00	2,64	2,00								
	22,41	62	780	4,00	2,64	2,00								
	19,93	70	760	4,00	2,64	2,00								
	17,52	80	720	4,00	2,64	2,00								
	16,30	86	620	4,00	2,64	2,00								
	14,56	96	580	4,00	2,64	2,00								
	12,51	112	540	4,00	2,64	2,00								
	11,13	126	520	4,00	2,64	2,00								
	8,78	159	480	4,00	2,64	2,00								

* A55

	[kg]						
	W	IEC 63	IEC 71	IEC 80	IEC 90	IEC 100	IEC 112
SK 9023.1	47	48	49	-	-	-	-
SK 9022.1	42	43	44	47	47	54	54

SK 9033.1 SK 9032.1



	i_{ges}	n_2 n1= 1400 min ⁻¹ [min ⁻¹]	M_{2max} fB=1 [Nm]	W $f_B \geq 1$			IEC $f_B \Rightarrow$ D4 - D42												
				P_{1max}		$f_B \geq 1$	IEC 63	IEC 71	IEC 80	IEC 90									
				n1=1400 min ⁻¹	n1=930 min ⁻¹		[kW]	[kW]	[kW]										
SK 9033.1	3635,95	0,39	1550	0,06	0,04	0,03	*	*											
	2428,14	0,58	1550	0,09	0,06	0,05	*	*											
	1822,00	0,77	1550	0,12	0,08	0,06	*	*											
	W	1361,37	1,0	1550	0,16	0,11	0,08	*	*										
		1149,80	1,2	1550	0,19	0,13	0,10		*										
	+	873,65	1,6	1550	0,26	0,17	0,13		*										
		691,55	2,0	1550	0,32	0,21	0,16		*										
	IEC	539,10	2,6	1550	0,42	0,28	0,21												
	mm D105	398,77	3,5	1550	0,57	0,37	0,28			*	*								
		352,25	4,0	1550	0,65	0,43	0,32			*	*								
		267,65	5,2	1550	0,84	0,56	0,42				*								
		214,83	6,5	1550	1,05	0,70	0,53				*								
		167,45	8,4	1550	1,10	0,73	0,55												
SK 9032.1	295,85	4,7	1550	0,76	0,50	0,38			IEC 71	IEC 80	IEC 90	IEC 100	IEC 112	IEC 132					
	249,72	5,6	1550	0,91	0,60	0,45					*								
	233,92	6,0	1550	0,97	0,64	0,49					*								
	197,45	7,1	1550	1,15	0,76	0,58					*								
	W	188,06	7,4	1550	1,20	0,79	0,60				*	*	*						
		158,74	8,8	1550	1,43	0,94	0,71				*	*	*						
	+	139,44	10	1550	1,62	1,07	0,81												
		117,70	12	1550	1,95	1,29	0,97												
	IEC	110,77	13	1550	2,11	1,39	1,05					*	*						
	mm D106	93,50	15	1550	2,43	1,61	1,22					*	*						
		84,17	17	1550	2,76	1,82	1,38					*	*						
		75,91	18	1550	2,92	1,93	1,46					*	*						
		64,08	22	1550	3,57	2,36	1,79						*	*					
		59,17	24	1550	3,90	2,57	1,95						*	*	*				
		49,94	28	1550	4,54	3,00	2,27							*	*	*			
		47,70	29	1550	4,71	3,11	2,35								*	*	*		
		40,36	35	1550	5,68	3,75	2,84									*	*		
		38,05	37	1550	6,01	3,96	3,00												
		35,61	39	1550	6,33	4,18	3,16												
		29,66	47	1500	7,38	4,87	3,69									*	*		
		25,03	56	1500	8,80	5,81	4,40									*	*		
		23,91	59	1550	9,20	6,07	4,60												
		20,23	69	1500	9,20	6,07	4,60												
		17,08	82	1450	9,20	6,07	4,60												
	16,04	87	1400	9,20	6,07	4,60													
	13,49	104	1350	9,20	6,07	4,60													
	12,68	110	1000	9,20	6,07	4,60													
10,73	130	900	9,20	6,07	4,60														
8,48	165	880	9,20	6,07	4,60														

* A55

	[kg]							
	W	IEC 63	IEC 71	IEC 80	IEC 90	IEC 100	IEC 112	IEC 132
SK 9033.1	70	71	72	75	75	-	-	-
SK 9032.1	68	-	66	70	70	74	74	83



SK 9043.1 SK 9042.1

	i _{ges}	n ₂ n ₁ = 1400 min ⁻¹ [min ⁻¹]	M _{2max} f _B =1 [Nm]	W P _{1max} f _B ≥ 1			IEC f _B ⇨ D4 - D42							
				n ₁ = 1400 min ⁻¹ [kW]	n ₁ = 930 min ⁻¹ [kW]	n ₁ = 700 min ⁻¹ [kW]	IEC 71	IEC 80	IEC 90	IEC 100	IEC 112			
SK 9043.1	4246,38	0,33	2800	0,10	0,06	0,05	*	*						
	3362,82	0,42	2800	0,12	0,08	0,06	*	*	*					
	3026,98	0,46	2800	0,13	0,09	0,07	*	*						
	2397,14	0,58	2800	0,17	0,11	0,09	*	*	*					
	W	2128,35	0,66	2800	0,19	0,13	0,10	*	*					
		1517,17	0,92	2800	0,27	0,18	0,13	*	*					
	+	1113,24	1,3	2800	0,38	0,25	0,19	*	*					
	IEC	881,60	1,6	2800	0,47	0,31	0,23	*	*	*				
		645,18	2,2	2800	0,65	0,43	0,32	*	*	*				
		568,04	2,5	2800	0,73	0,48	0,37	*	*	*				
	mm ⇨ D106	404,82	3,5	2800	1,03	0,68	0,51			*	*	*		
		350,72	4,0	2800	1,17	0,77	0,59			*	*	*		
		279,60	5,0	2800	1,47	0,97	0,73			*	*	*		
		204,38	6,8	2800	1,99	1,32	1,00			*	*	*		
		172,08	8,1	2800	2,20	1,45	1,10			*	*	*		
SK 9042.1	329,69	4,2	2800	1,23	0,81	0,62			IEC 90	IEC 100	IEC 112	IEC 132	IEC 160	
	273,73	5,1	2800	1,50	0,99	0,75			*					
	235,01	6,0	2800	1,76	1,16	0,88				*	*			
	195,12	7,2	2800	2,11	1,39	1,06				*	*			
	W	165,24	8,5	1500	1,33	0,88	0,67			*				
		159,94	8,8	2800	2,58	1,70	1,29			*	*	*		
	+	132,79	11	2800	3,23	2,13	1,61				*	*		
		117,79	12	2400	3,02	1,99	1,51				*	*		
	IEC	95,56	15	2800	4,40	2,90	2,20					*		
		86,43	16	2800	4,69	3,10	2,35					*		
		76,18	18	2800	5,28	3,48	2,64					*		
	mm ⇨ D107	68,61	20	2800	5,86	3,87	2,93						*	
		63,25	22	2800	6,45	4,26	3,23					*		
		55,69	25	2800	7,33	4,84	3,66						*	
		47,67	29	2800	8,50	5,61	4,25						*	
		40,54	35	2800	10,26	6,77	5,13						*	
		34,39	41	2800	12,02	7,93	6,01						*	
		31,70	44	2800	12,90	8,51	6,45						*	
		31,48	44	2200	10,14	6,69	5,07						*	
		27,91	50	2800	14,66	9,68	7,33						*	
		23,89	59	2700	15,00	9,90	7,50						*	
		20,32	69	2600	15,00	9,90	7,50						*	
		18,20	77	2450	15,00	9,90	7,50						*	
	15,66	89	2000	15,00	9,90	7,50						*		
	13,40	104	2000	15,00	9,90	7,50						*		
11,40	123	1500	15,00	9,90	7,50						*			
10,21	137	1500	15,00	9,90	7,50						*			
9,39	149	1500	15,00	9,90	7,50						*			
8,83	159	1400	15,00	9,90	7,50						*			

* ⇨ A55

kg	[kg]							
	W	IEC 71	IEC 80	IEC 90	IEC 100	IEC 112	IEC 132	IEC 160
SK 9043.1	130	128	132	132	136	136	-	-
SK 9042.1	125	-	-	120	127	127	141	151

SK 9053.1 SK 9052.1



	i_{ges}	n_2 $n_1 = 1400 \text{ min}^{-1}$ [min^{-1}]	M_{2max} $f_B = 1$ [Nm]	W $f_B \geq 1$			IEC $f_B \Rightarrow \text{D4 - D42}$							
				P_{1max}			IEC 71	IEC 80	IEC 90	IEC 100	IEC 112			
				$n_1 = 1400 \text{ min}^{-1}$	$n_1 = 930 \text{ min}^{-1}$	$n_1 = 700 \text{ min}^{-1}$						[kW]	[kW]	[kW]
SK 9053.1	3735,92	0,37	4800	0,19	0,12	0,09	*	*	*					
	2953,98	0,47	4800	0,24	0,16	0,12		*	*					
	2023,49	0,69	4800	0,35	0,23	0,17		*	*					
	1872,50	0,75	4800	0,38	0,25	0,19		*	*					
	W	1398,80	1,0	4800	0,50	0,33	0,25		*	*	*	*		
		1062,85	1,3	4800	0,65	0,43	0,33		*	*	*	*		
	+	931,87	1,5	4800	0,75	0,50	0,38			*				
		703,83	2,0	4000	0,84	0,55	0,42			*				
	IEC	579,95	2,4	4800	1,21	0,80	0,60			*				
		458,57	3,1	4800	1,56	1,03	0,78							
mm \Rightarrow D106	348,91	4,0	4800	2,01	1,33	1,01				*	*			
	265,11	5,3	4800	2,66	1,76	1,33				*	*			
	229,07	6,1	4800	3,07	2,02	1,53					*			
	164,99	8,5	4800	4,00	2,64	2,00						*		

	i_{ges}	n_2	M_{2max}	W	W	W	IEC							
							90	100	112	132	160	180		
SK 9052.1	289,61	4,8	4800	2,41	1,59	1,21		*	*					
	247,06	5,7	4800	2,86	1,89	1,43		*	*					
	198,38	7,1	4800	3,57	2,36	1,78			*	*				
	169,24	8,3	4800	4,17	2,75	2,09			*	*				
	W	145,16	9,6	3600	3,62	2,39	1,81			*				
		120,03	12	4800	6,03	3,98	3,02							
	+	102,40	14	4800	7,04	4,64	3,52							
		88,17	16	4800	8,04	5,31	4,02			*	*			
	IEC	72,24	19	4800	9,55	6,30	4,77				*	*		
		62,42	22	4800	11,06	7,30	5,53				*	*		
mm \Rightarrow D107	54,56	26	4800	13,07	8,62	6,53				*	*			
	44,96	31	4800	15,58	10,28	7,79				*	*			
	39,72	35	4800	17,59	11,61	8,80				*	*			
	36,21	39	4800	19,60	12,94	9,80								
	31,28	45	4800	22,00	14,52	11,00								
	27,35	51	4600	22,00	14,52	11,00								
	23,33	60	4300	22,00	14,52	11,00								
	22,53	62	4300	22,00	14,52	11,00								
	19,91	70	4300	22,00	14,52	11,00								
	17,94	78	4300	22,00	14,52	11,00								
	16,33	86	4300	22,00	14,52	11,00								
	13,45	104	4300	22,00	14,52	11,00								
	11,88	118	3900	22,00	14,52	11,00								
	10,71	131	2900	22,00	14,52	11,00								
	9,93	141	2800	22,00	14,52	11,00								
	9,40	149	2600	22,00	14,52	11,00								
	8,10	173	2600	22,00	14,52	11,00								

* \Rightarrow A55

	[kg]								
	W	IEC 71	IEC 80	IEC 90	IEC 100	IEC 112	IEC 132	IEC 160	IEC 180
SK 9053.1	208	206	210	210	214	214	-	-	-
SK 9052.1	200	-	-	195	202	202	216	226	226



SK 9072.1/32 SK 9072.1/42 SK 9072.1

	i _{ges}	n ₂ n ₁ = 1400 min ⁻¹ [min ⁻¹]	M _{2max} f _B =1 [Nm]	W			IEC							
				P _{1max} n ₁ = 1400 min ⁻¹ [kW]	P _{1max} n ₁ = 930 min ⁻¹ [kW]	P _{1max} n ₁ = 700 min ⁻¹ [kW]	f _B ⇨ D4 - D42							
							IEC 71	IEC 80	IEC 90	IEC 100	IEC 112	IEC 132		
SK 9072.1/32	4512,24	0,31	8500	0,32	0,21	0,16		*	*					
	4039,53	0,35	8500	0,35	0,23	0,18		*	*					
	3251,68	0,43	8500	0,42	0,28	0,21		*	*					
	2320,58	0,60	8500	0,57	0,38	0,29		*	*					
	W	1912,84	0,73	8500	0,69	0,46	0,34		*	*	*	*		
	+	1453,44	0,96	8500	0,85	0,56	0,43			*	*	*		
		1169,97	1,2	8500	1,07	0,70	0,53			*	*	*		
	IEC	973,69	1,4	8500	1,25	0,82	0,62			*	*	*		
		767,55	1,8	8500	1,60	1,06	0,80				*	*	*	
		598,27	2,3	8500	2,05	1,35	1,02				*	*	*	
mm ⇨ D106	473,22	3,0	8500	2,67	1,76	1,34				*	*	*		
	385,88	3,6	8500	3,20	2,11	1,60					*	*		
	311,10	4,5	8500	4,00	2,64	2,00						*		
							IEC 90	IEC 100	IEC 112	IEC 132	IEC 160			
SK 9072.1/42	269,39	5,2	8500	4,63	3,05	2,31				*	*			
	196,12	7,1	7400	5,50	3,63	2,75				*	*			
	W + IEC	156,70	8,9	6400	5,96	3,94	2,98			*	*			
	mm ⇨ D105	134,14	10	6200	6,49	4,28	3,25			*	*			
							IEC 100	IEC 112	IEC 132	IEC 160	IEC 180	IEC 200	IEC 225	
SK 9072.1	245,76	5,7	8500	5,07	3,35	2,54			*					
	206,84	6,8	8500	6,05	3,99	3,03			*					
	186,86	7,5	8500	6,68	4,41	3,34			*	*	*			
	W	157,27	8,9	8500	7,92	5,23	3,96			*	*	*		
	+	136,88	10	6700	7,02	4,63	3,51			*				
		110,18	13	8500	11,57	7,64	5,79			*				
		91,47	15	8500	13,35	8,81	6,68			*	*			
	IEC	79,69	18	8500	16,02	10,57	8,01			*	*			
		70,22	20	8500	17,80	11,75	8,90			*	*	*	*	
		58,44	24	8500	21,36	14,10	10,68			*	*	*	*	
	mm ⇨ D108	50,35	28	8200	24,04	15,87	12,02				*	*	*	
		44,81	31	7700	24,99	16,50	12,50				*	*	*	
		41,11	34	7700	27,41	18,09	13,71				*	*	*	
		35,19	40	8500	35,60	23,50	17,80					*	*	
		29,29	48	8500	42,72	28,20	21,36						*	
		25,24	55	8500	45,00	29,70	22,50							
		22,46	62	8500	45,00	29,70	22,50							
		20,61	68	8500	45,00	29,70	22,50							
		18,29	77	7800	45,00	29,70	22,50							
		16,44	85	7500	45,00	29,70	22,50							
		15,40	91	7500	45,00	29,70	22,50							
		14,06	100	5200	45,00	29,70	22,50							
		12,51	112	5000	45,00	29,70	22,50							
		12,06	116	5000	45,00	29,70	22,50							
		11,48	122	5000	45,00	29,70	22,50							
	10,19	137	4700	45,00	29,70	22,50								
	9,16	153	4700	45,00	29,70	22,50								

* ⇨ A55

kg	[kg]										
	W	IEC 71	IEC 80	IEC 90	IEC 100	IEC 112	IEC 132	IEC 160	IEC 180	IEC 200	IEC 225
SK 9072.1/32	364	362	366	366	370	370	379	-	-	-	-
SK 9072.1/42	391	-	-	386	407	407	417	427	-	-	-
SK 9072.1	360	-	-	-	348	348	361	386	386	400	415

SK 9082.1/42 SK 9082.1/52 SK 9082.1



	i_{ges}	n_2 n1= 1400 min ⁻¹ [min ⁻¹]	M_{2max} fB=1 [Nm]	W $f_B \geq 1$			IEC $f_B \Rightarrow$ D4 - D42								
				P_{1max} n1= 1400 min ⁻¹ [kW]	n1= 930 min ⁻¹ [kW]	n1= 700 min ⁻¹ [kW]	IEC 90	IEC 100	IEC 112	IEC 132	IEC 160				
SK 9082.1/42	4671,14	0,30	13000	0,45	0,30	0,22	*	*	*						
	3341,45	0,42	13000	0,61	0,40	0,31	*	*	*						
	2682,59	0,52	13000	0,75	0,49	0,37	*	*	*						
	2044,65	0,68	13000	0,93	0,61	0,46	*	*	*						
	W	1812,59	0,77	13000	1,05	0,69	0,52	*	*	*	*	*			
		1467,80	0,95	13000	1,29	0,85	0,65	*	*	*	*	*			
	+	1017,77	1,4	13000	1,91	1,26	0,95	*	*	*	*	*			
		845,38	1,7	13000	2,31	1,53	1,16	*	*	*	*	*			
	IEC	704,48	2,0	13000	2,72	1,80	1,36		*	*	*	*			
		603,37	2,3	13000	3,13	2,07	1,57			*	*	*			
mm \Rightarrow D107	443,41	3,2	13000	4,36	2,87	2,18				*	*				
	379,59	3,7	13000	5,04	3,32	2,52				*	*				
	285,05	4,9	13000	6,67	4,40	3,34				*	*				
SK 9082.1/52	245,62	5,7	13000	7,76	5,12	3,88		IEC 100	IEC 112	IEC 132	IEC 160	IEC 180			
	182,09	7,7	13000	10,48	6,92	5,24				*	*	*			
	W + IEC	146,19	9,6	13000	13,07	8,62	6,53				*	*			
	mm \Rightarrow D107	123,13	11	12000	13,82	9,12	6,91				*	*			
SK 9082.1	296,80	4,7	12600	6,20	4,09	3,10		IEC 132	IEC 160	IEC 180	IEC 200	IEC 225	IEC 250	IEC 280	IEC 315
	244,32	5,7	13000	7,76	5,12	3,88	*	*	*						
	148,76	9,4	13000	12,80	8,45	6,40	*	*	*						
	122,46	11	13000	14,97	9,88	7,49		*	*						
	W	116,45	12	13000	16,34	10,78	8,17			*	*	*			
		95,86	15	13000	20,42	13,48	10,21			*	*	*			
	+	82,88	17	13000	23,14	15,27	11,57				*	*	*		
		71,50	20	13000	27,23	17,97	13,61				*	*	*	*	
	IEC	62,39	22	13000	29,95	19,77	14,97				*	*	*	*	*
		53,28	26	13000	35,39	23,36	17,70				*	*	*	*	*
	mm \Rightarrow D109	44,63	31	13000	42,20	27,85	21,10				*	*	*	*	*
		41,54	34	13000	46,28	30,55	23,14				*				
		35,83	39	13000	53,09	35,04	26,54				*	*			
		31,27	45	13000	61,26	40,43	30,63					*	*		
		26,71	52	13000	70,79	46,72	35,39						*	*	
		22,37	63	13000	85,76	56,60	42,88						*	*	
		20,16	69	13000	90,00	59,40	45,00								
		17,35	81	13000	90,00	59,40	45,00								*
		14,61	96	13000	90,00	59,40	45,00								*
		12,31	114	8400	90,00	59,40	45,00								*
	8,04	174	7200	90,00	59,40	45,00								*	

* \Rightarrow A55

kg	[kg]												
	W	IEC 90	IEC 100	IEC 112	IEC 132	IEC 160	IEC 180	IEC 200	IEC 225	IEC 250	IEC 280	IEC 315	
SK 9082.1/42	651	646	653	653	667	677	-	-	-	-	-	-	
SK 9082.1/52	676	-	678	678	692	702	702	-	-	-	-	-	
SK 9082.1	695	-	-	-	621	646	646	660	675	730	730	810	



SK 9086.1/52 SK 9086.1

	i_{ges}	n_2 $n_1 = 1400 \text{ min}^{-1}$ [min^{-1}]	M_{2max} $f_B=1$ [Nm]	W $f_B \geq 1$			IEC $f_B \Rightarrow \text{D4 - D42}$											
				P_{1max}	$n_1 =$		IEC 90	IEC 100	IEC 112	IEC 132	IEC 160	IEC 180						
					1400 min^{-1}	930 min^{-1}							700 min^{-1}					
SK 9086.1/52	4818,83	0,29	20000	0,65	0,43	0,32	*	*	*									
	3590,92	0,39	20000	0,82	0,54	0,41	*	*	*									
	3007,66	0,47	20000	0,98	0,65	0,49		*	*									
	2107,43	0,66	20000	1,38	0,91	0,69		*	*									
	W	1786,05	0,78	20000	1,63	1,08	0,82		*	*	*	*						
		1463,40	0,96	20000	2,01	1,33	1,01		*	*	*	*						
		1202,18	1,2	20000	2,51	1,66	1,26		*	*	*	*						
	+	907,88	1,5	20000	3,14	2,07	1,57			*	*	*	*					
		714,15	2,0	20000	4,19	2,76	2,09				*	*	*	*				
	IEC	623,16	2,2	20000	4,61	3,04	2,30				*	*	*	*				
		mm \Rightarrow D107	433,35	3,2	20000	6,70	4,42	3,35				*	*	*	*			
	378,14		3,7	20000	7,75	5,11	3,87					*	*	*				
	270,47		5,2	20000	10,89	7,19	5,45					*	*	*				
	235,93		5,9	20000	12,36	8,15	6,18					*	*	*				
	171,89		8,1	20000	16,96	11,20	8,48						*	*				
144,60	9,7		18000	18,28	12,07	9,14							*					

	i_{ges}	n_2 $n_1 = 1400 \text{ min}^{-1}$ [min^{-1}]	M_{2max} $f_B=1$ [Nm]	W $f_B \geq 1$			IEC $f_B \Rightarrow \text{D4 - D42}$											
				P_{1max}	$n_1 =$		IEC 132	IEC 160	IEC 180	IEC 200	IEC 225	IEC 250	IEC 280	IEC 315				
					1400 min^{-1}	930 min^{-1}									700 min^{-1}			
SK 9086.1	230,64	6,1	20000	12,77	8,43	6,39		*	*									
	194,04	7,2	20000	15,08	9,95	7,54			*									
	151,76	9,2	20000	19,27	12,72	9,63			*	*								
	127,67	11	20000	23,04	15,20	11,52			*									
	W	116,50	12	20000	25,13	16,59	12,57				*							
		90,50	15	20000	31,41	20,73	15,71				*							
		78,24	18	20000	37,70	24,88	18,85				*	*						
	+	67,50	21	20000	43,98	29,03	21,99				*	*	*					
		58,90	24	20000	50,26	33,17	25,13				*	*	*	*				
	IEC	50,30	28	20000	58,64	38,70	29,32					*	*	*	*			
		mm \Rightarrow D109	42,13	33	20000	69,11	45,61	34,55						*	*	*	*	
	35,44		40	18000	75,39	49,76	37,70							*	*	*	*	
	29,52		47	20000	98,43	64,96	49,21								*	*	*	
	25,21		56	20000	117,28	77,40	58,64									*	*	
	21,12		66	20000	138,22	91,23	69,11									*	*	
17,77	79		19000	157,17	103,73	78,59									*	*		
16,38	85		19000	160,00	105,60	80,00									*	*		
14,70	95		15000	149,21	98,48	74,61									*	*		
12,31	114		14000	160,00	105,60	80,00									*	*		
11,60	121		17000	160,00	105,60	80,00									*	*		
9,55	147	13000	160,00	105,60	80,00									*	*			
8,04	174	12000	160,00	105,60	80,00									*	*			

* \Rightarrow A55

	[kg]											
	W	IEC 90	IEC 100	IEC 112	IEC 132	IEC 160	IEC 180	IEC 200	IEC 225	IEC 250	IEC 280	IEC 315
SK 9086.1/52	926	921	928	928	942	952	952	-	-	-	-	-
SK 9086.1	945	-	-	-	871	896	896	910	925	980	980	1060

SK 9092.1/52 SK 9092.1



	i_{ges}	n_2 $n_1 = 1400 \text{ min}^{-1}$ [min^{-1}]	M_{2max} $f_B = 1$ [Nm]	W $f_B \geq 1$			IEC $f_B \Rightarrow \text{D4 - D42}$												
				P_{1max}	$n_1 = 1400 \text{ min}^{-1}$		IEC 90	IEC 100	IEC 112	IEC 132	IEC 160	IEC 180							
					[kW]	[kW]							[kW]						
SK 9092.1/52	4916,63	0,28	32000	0,94	0,62	0,47	*	*	*										
	3551,65	0,39	26000	1,06	0,70	0,53	*	*	*										
	2902,00	0,48	26000	1,31	0,86	0,65		*	*										
	2116,80	0,66	32000	2,21	1,46	1,11		*	*	*									
	W	1795,36	0,78	32000	2,61	1,72	1,31		*	*	*	*							
		1424,80	0,98	32000	3,28	2,17	1,64			*	*	*							
		1120,00	1,2	32000	4,02	2,65	2,01				*	*							
	+	846,40	1,7	32000	5,70	3,76	2,85				*	*	*						
		706,40	2,0	32000	6,70	4,42	3,35				*	*	*						
		IEC	608,12	2,3	32000	7,71	5,09	3,85				*	*	*					
			441,46	3,2	32000	10,72	7,08	5,36				*	*	*					
			385,67	3,6	32000	12,06	7,96	6,03				*	*	*					
			280,76	5,0	32000	16,75	11,06	8,38					*	*	*				
			222,14	6,3	32000	21,11	13,93	10,55						*	*	*			
			191,28	7,3	32000	22,00	14,52	11,00							*	*	*		
SK 9092.1	297,51	4,7	32000	15,75	10,39	7,87				IEC 132	IEC 160	IEC 180	IEC 200	IEC 225	IEC 250	IEC 280	IEC 315		
	253,40	5,5	32000	18,43	12,16	9,21						*							
	197,51	7,1	32000	23,79	15,70	11,90						*							
	152,96	9,2	32000	30,83	20,35	15,41							*						
	W	120,23	12	32000	40,21	26,54	20,10							*					
		102,28	14	32000	46,91	30,96	23,46								*		*		
		91,60	15	32000	50,26	33,17	25,13									*	*		
	+	80,00	18	32000	60,31	39,81	30,16										*	*	
		68,87	20	32000	67,02	44,23	33,51										*	*	
		IEC	58,66	24	32000	80,42	53,08	40,21											*
			49,75	28	32000	93,82	61,92	46,91											*
			47,93	29	32000	97,17	64,55	48,59											*
			46,02	30	32000	100,52	66,77	50,26											
			43,68	32	27800	93,15	61,88	46,58											
			40,65	34	32000	113,93	75,19	56,96											*
			39,10	36	32000	120,63	79,61	60,31											*
			34,15	41	32000	137,38	90,67	68,69											*
			29,28	48	32000	160,00	105,60	80,00											*
			24,94	56	32000	160,00	105,60	80,00											*
		20,38	69	32000	160,00	105,60	80,00											*	
		17,26	81	20500	160,00	105,60	80,00											*	
		14,10	99	19400	160,00	105,60	80,00											*	
		11,55	121	18400	160,00	105,60	80,00											*	
		10,68	131	18000	160,00	105,60	80,00											*	

* \Rightarrow A55

	[kg]											
	W	IEC 90	IEC 100	IEC 112	IEC 132	IEC 160	IEC 180	IEC 200	IEC 225	IEC 250	IEC 280	IEC 315
SK 9092.1/52	1496	1491	1498	1498	1512	1522	1522	-	-	-	-	-
SK 9092.1	1515	-	-	-	1441	1466	1466	1480	1495	1550	1550	1630



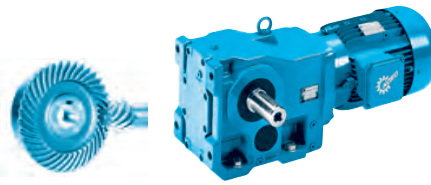
SK 9096.1/63 SK 9096.1/62 SK 9096.1

	i_{ges}	n_2 $n_1 = 1400 \text{ min}^{-1}$ [min^{-1}]	M_{2max} $f_B = 1$ [Nm]	W $f_B \geq 1$			IEC $f_B \Rightarrow \text{D4 - D42}$											
				P_{1max}	n_1			IEC 90	IEC 100	IEC 112	IEC 132	IEC 160	IEC 180	IEC 200	IEC 225			
					[kW]	1400 min^{-1}	930 min^{-1}									700 min^{-1}		
SK 9096.1/63	13432,68	0,10	50000	0,56	0,37	0,28	*	*	*	*								
	11954,86	0,12	50000	0,67	0,44	0,33	*	*	*	*	*							
	9713,32	0,14	50000	0,77	0,51	0,39	*	*	*	*	*	*						
	8306,57	0,17	50000	0,89	0,59	0,45	*	*	*	*	*	*						
	7842,34	0,18	50000	0,94	0,62	0,47	*	*	*	*	*	*						
	W	6706,55	0,21	50000	1,10	0,73	0,55	*	*	*	*	*	*					
		5575,65	0,25	50000	1,31	0,86	0,65	*	*	*	*	*	*					
	+	4441,42	0,32	50000	1,68	1,11	0,84		*	*	*	*	*					
		3692,48	0,38	50000	1,99	1,31	0,99		*	*	*	*	*					
	IEC	3210,12	0,44	50000	2,30	1,52	1,15			*	*	*	*					
mm \Rightarrow D107	2679,06	0,52	50000	2,72	1,80	1,36			*	*	*	*						
	2316,27	0,60	50000	3,14	2,07	1,57			*	*	*	*						
	2052,10	0,68	50000	3,56	2,35	1,78			*	*	*	*						
	1774,21	0,79	50000	4,14	2,73	2,07			*	*	*	*						
	SK 9096.1/62	1623,67	0,86	50000	4,50	2,97	2,25											
1353,86		1,0	50000	5,24	3,46	2,62				*	*	*	*					
1165,22		1,2	50000	6,28	4,15	3,14				*	*	*	*	*				
979,31		1,4	50000	7,33	4,84	3,66				*	*	*	*	*				
W		816,57	1,7	50000	8,90	5,87	4,45				*	*	*	*	*			
		702,80	2,0	50000	10,47	6,91	5,24				*	*	*	*	*			
+		607,63	2,3	50000	12,04	7,95	6,02				*	*	*	*	*			
		538,33	2,6	50000	13,61	8,98	6,81				*	*	*	*	*			
IEC		474,22	3,0	50000	15,71	10,37	7,85				*	*	*	*	*			
mm \Rightarrow D108		431,00	3,2	50000	16,75	11,06	8,38				*	*	*	*	*			
	370,95	3,8	50000	19,90	13,13	9,95						*	*	*				
	320,72	4,4	50000	23,04	15,20	11,52						*	*	*				
	297,17	4,7	50000	24,61	16,24	12,30						*	*	*				
	270,09	5,2	50000	27,23	17,97	13,61						*	*	*				
	233,51	6,0	50000	31,41	20,73	15,71						*	*	*				
	208,95	6,7	50000	35,08	23,15	17,54						*	*	*				
SK 9096.1	200,57	7,0	50000	36,65	24,19	18,32					*							
	173,41	8,1	50000	42,41	27,99	21,20					*							
	154,29	9,1	50000	47,64	31,45	23,82						*	*					
	133,53	10	50000	52,36	34,55	26,18						*	*					
	118,18	12	50000	62,83	41,47	31,41							*	*	*			
	102,18	14	50000	73,30	48,38	36,65							*	*	*	*		
	W	89,60	16	50000	83,77	55,29	41,88							*	*	*	*	
		81,43	17	50000	89,01	58,74	44,50							*	*	*	*	
	+	70,41	20	50000	104,71	69,11	52,36								*	*	*	*
		65,07	22	50000	115,18	76,02	57,59								*	*	*	*
IEC	56,26	25	50000	130,89	86,39	65,45								*	*	*	*	
mm \Rightarrow D109	47,79	29	50000	151,83	100,21	75,92								*	*	*	*	
	41,32	34	50000	178,01	117,49	89,01								*	*	*	*	
	36,24	39	50000	200,00	132,00	100,00								*	*	*	*	
	32,93	43	50000	200,00	132,00	100,00								*	*	*	*	
	28,47	49	50000	200,00	132,00	100,00								*	*	*	*	
	26,31	53	50000	200,00	132,00	100,00								*	*	*	*	
	22,75	62	50000	200,00	132,00	100,00								*	*	*	*	
	19,41	72	50000	200,00	132,00	100,00								*	*	*	*	
	16,78	83	50000	200,00	132,00	100,00								*	*	*	*	

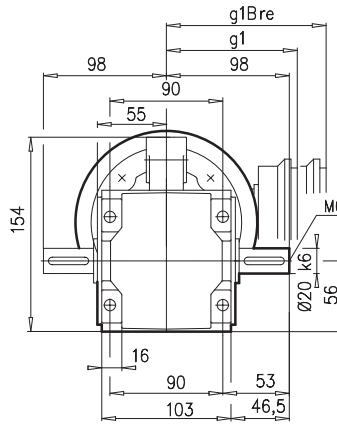
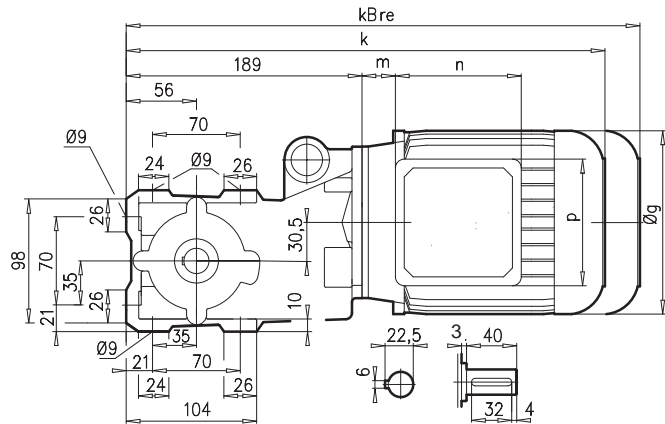
* \Rightarrow A55

kg	[kg]												
	W	IEC 90	IEC 100	IEC 112	IEC 132	IEC 160	IEC 180	IEC 200	IEC 225	IEC 250	IEC 280	IEC 315	
SK 9096.1/63	1949	1944	1951	1951	1965	1975	1975	-	-	-	-	-	
SK 9096.1/62	1971	-	1959	1959	1972	1997	1997	2011	2026	-	-	-	
SK 9096.1	1870	-	-	-	1841	1866	1866	1880	1895	1950	1950	2030	

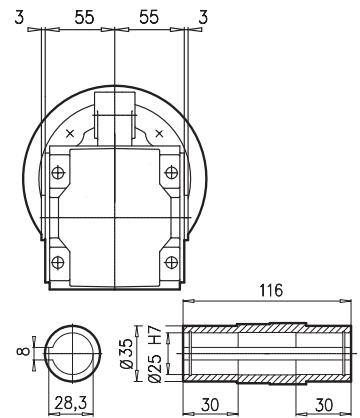
SK 92072



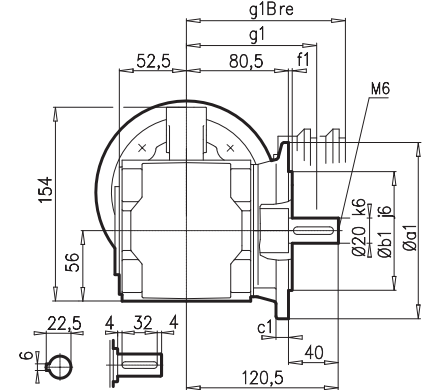
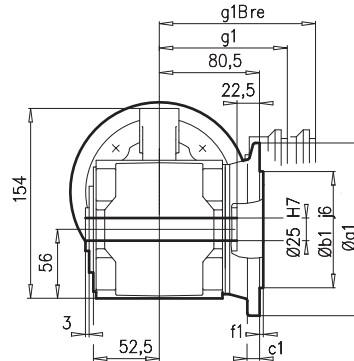
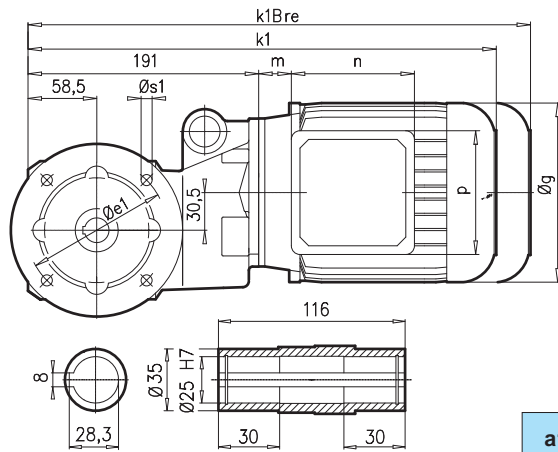
SK 92072



SK 92072AX

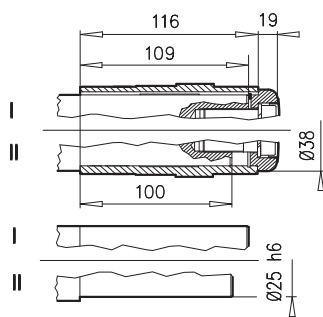


SK 92072AF

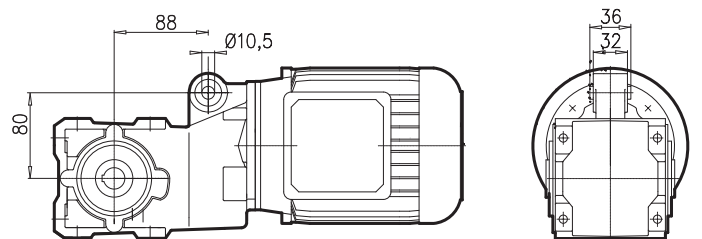


a1	b1	c1	e1	f1	s1
140	95	10	115	3	4 x 9

SK 92072AFB(AXB) ⇨ A27



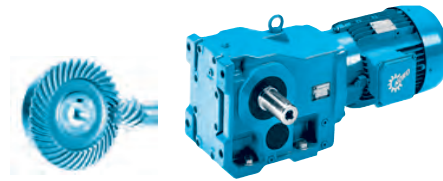
SK 92072AD



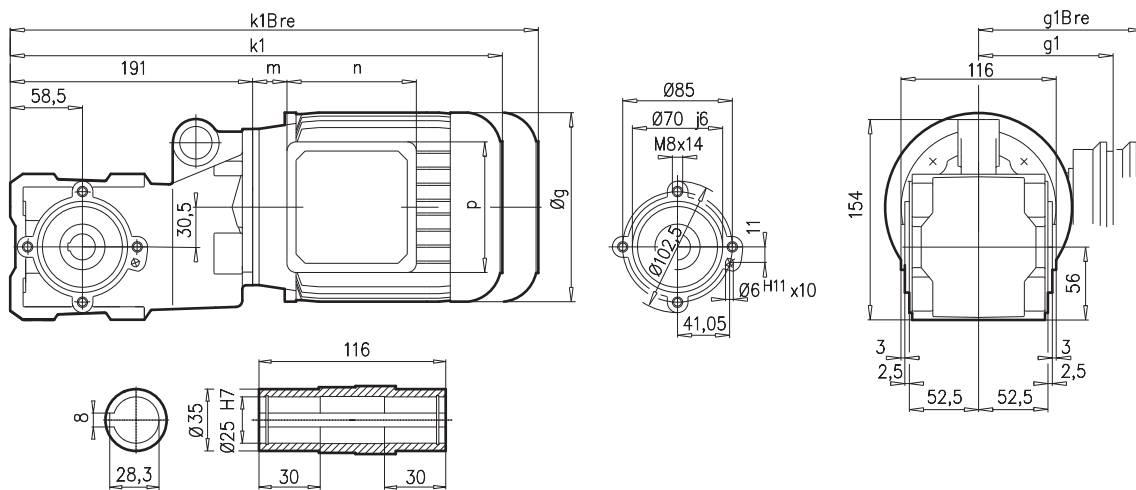
⇨ A53	63 S/L	71 S/L	80 SH/LH	90 SH/LH			
g	130	145	165	183			
g1 / g1Bre	115 / 123	124 / 132	142 / 142	147 / 147			
k1 / k1Bre	383 / 439	405 / 463	427 / 491	467 / 542			
k / kBre	381 / 437	403 / 461	425 / 489	465 / 540			
m / mBre	12 / 18	20 / 26	22 / 26	26 / 30			
n / nBre	100 / 134	100 / 134	114 / 153	114 / 153			
p / pBre	100 / 89	100 / 89	114 / 108	114 / 108			



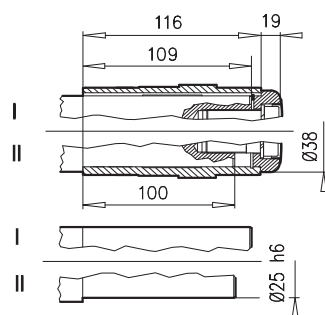
⇨ D104



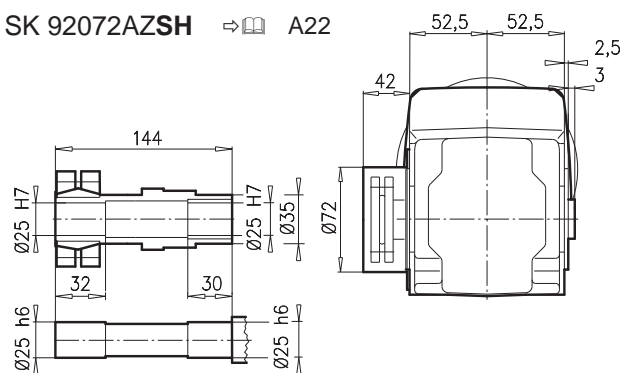
SK 92072AZ



SK 92072 AZB ⇨ A27



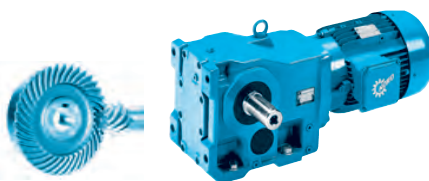
SK 92072AZSH ⇨ A22



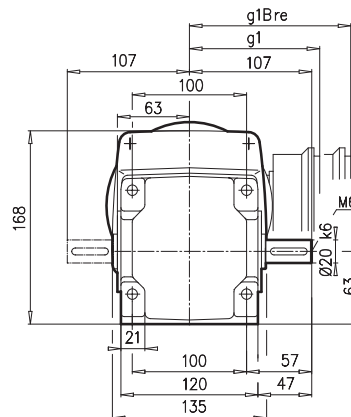
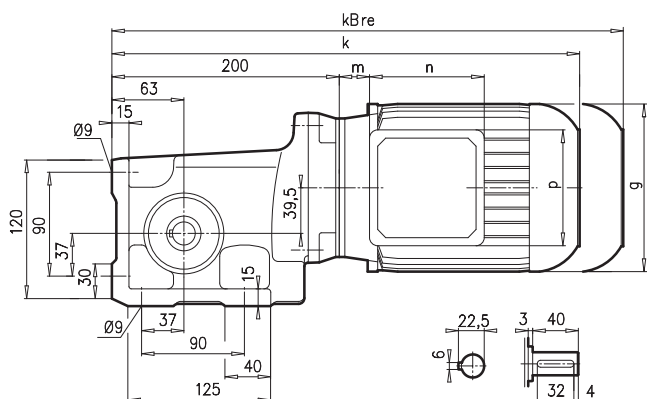
± ⇨ A53	63 S/L	71 S/L	80 SH/LH	90 SH/LH			
g	130	145	165	183			
g1 / g1Bre	115 / 123	124 / 132	142 / 142	147 / 147			
k1 / k1Bre	383 / 439	405 / 463	427 / 491	467 / 542			
m / mBre	12 / 18	20 / 26	22 / 26	26 / 30			
n / nBre	100 / 134	100 / 134	114 / 153	114 / 153			
p / pBre	100 / 89	100 / 89	114 / 108	114 / 108			

⇨ D104

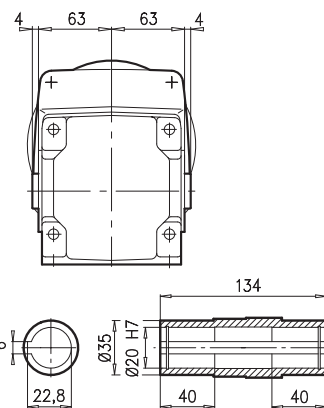
SK 92172



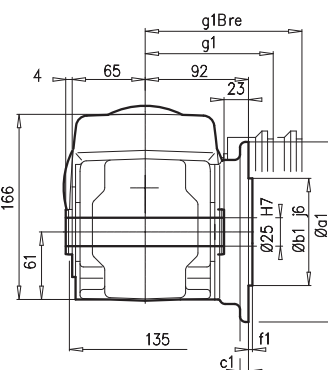
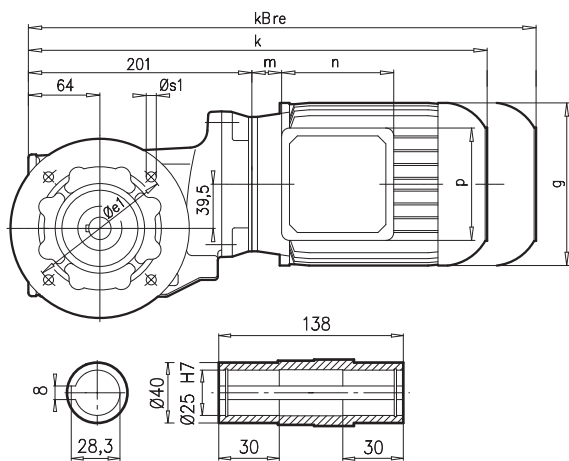
SK 92172



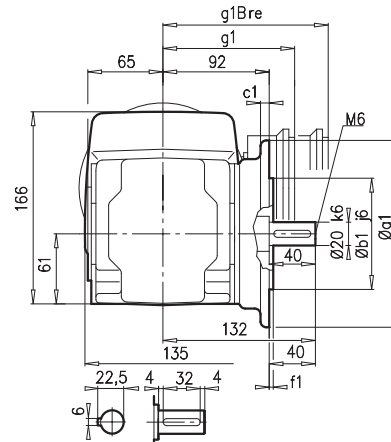
SK 92172AX



SK 92172AF

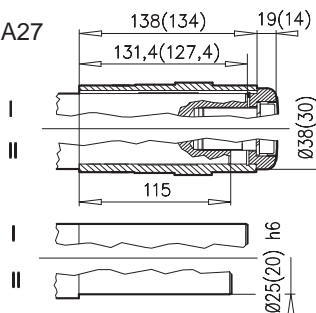


SK 92172VF



a1	b1	c1	e1	f1	s1
160	110	12	130	3,5	4 x 9

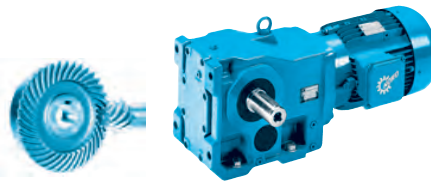
SK 92172AFB(AXB) ⇨ A27



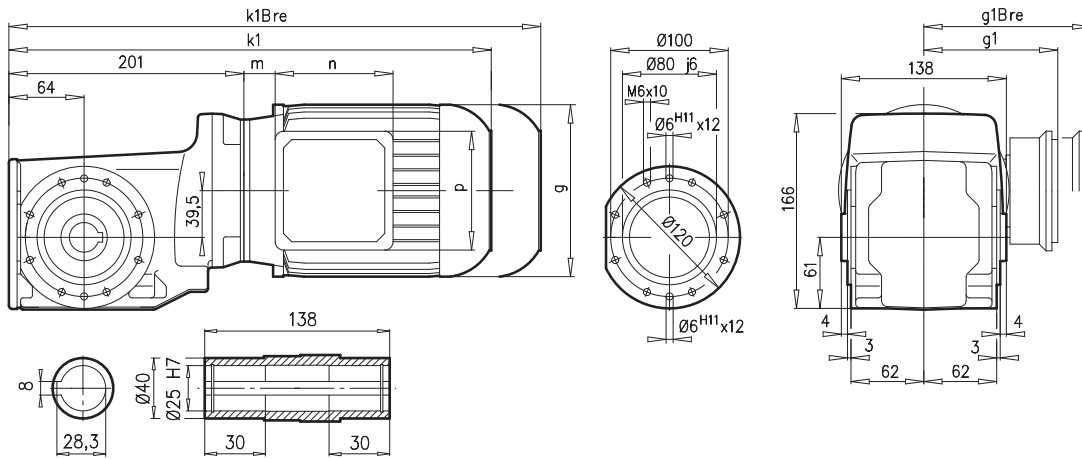
± ⇨ A53	63 S/L	71 S/L	80 SH/LH	90 SH/LH			
g	130	145	165	183			
g1 / g1Bre	115 / 123	124 / 132	142 / 142	147 / 147			
k1 / k1Bre	393 / 449	415 / 476	437 / 501	477 / 552			
k / kBre	392 / 448	414 / 475	436 / 500	476 / 551			
m / mBre	12 / 18	20 / 26	22 / 26	26 / 30			
n / nBre	100 / 134	100 / 134	114 / 153	114 / 153			
p / pBre	100 / 89	100 / 89	114 / 108	114 / 108			



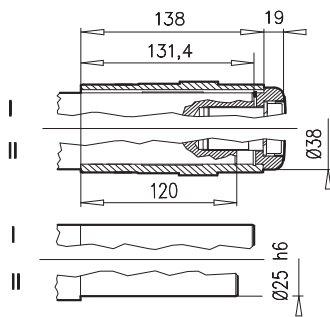
⇨ D104



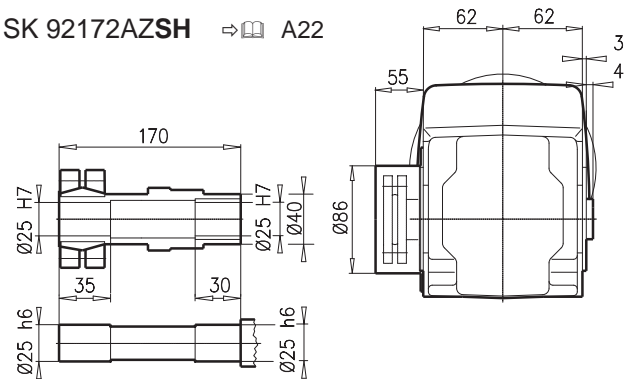
SK 92172AZ



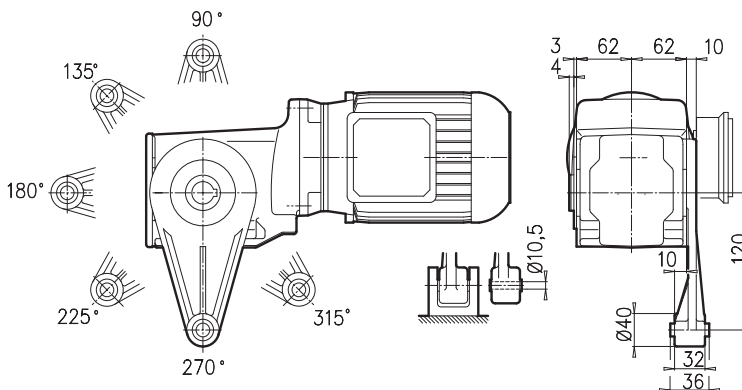
SK 92172 AZB \Rightarrow A27



SK 92172AZSH \Rightarrow A22



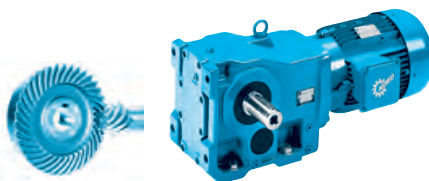
SK 92172 AZD



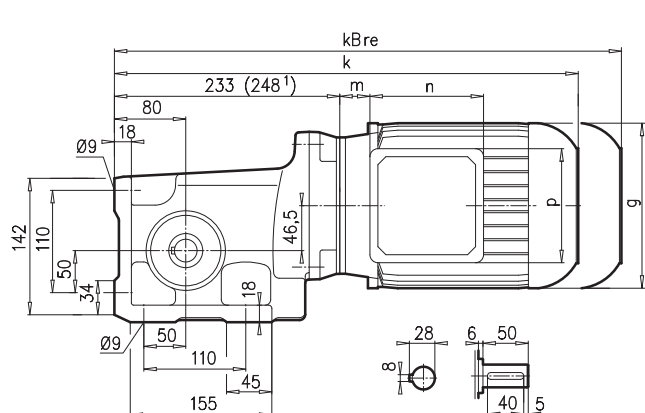
$\pm \Rightarrow$ A53	63 S/L	71 S/L	80 SH/LH	90 SH/LH			
g	130	145	165	183			
g1 / g1Bre	115 / 123	124 / 132	142 / 142	147 / 147			
k1 / k1Bre	393 / 449	415 / 476	437 / 501	477 / 552			
m / mBre	12 / 18	20 / 26	22 / 26	26 / 30			
n / nBre	100 / 134	100 / 134	114 / 153	114 / 153			
p / pBre	100 / 89	100 / 89	114 / 108	114 / 108			

\Rightarrow D104

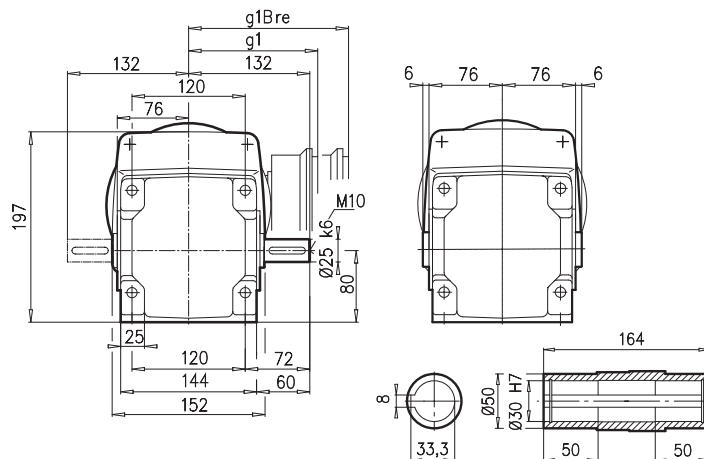
SK 92372



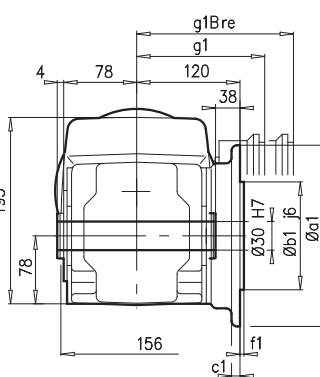
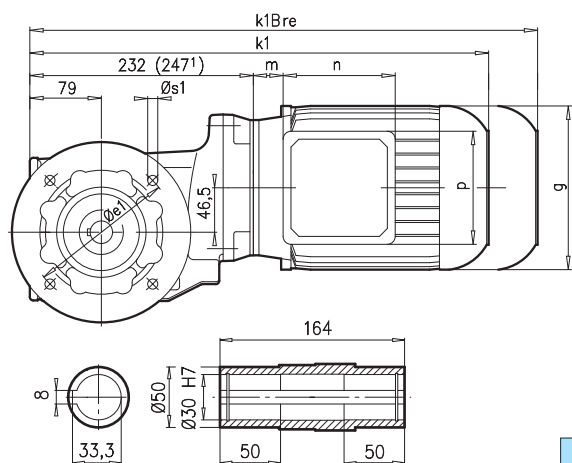
SK 92372



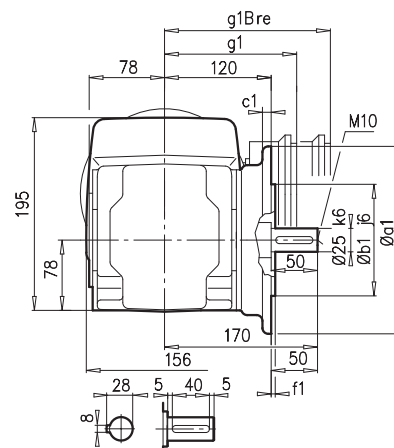
SK 92372AX



SK 92372AF

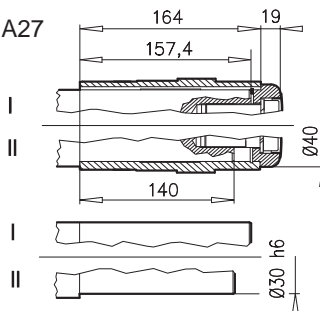


SK 92372VF



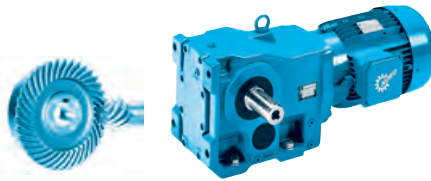
a1	b1	c1	e1	f1	s1
160	110	12	130	3,5	4 x 9
200	130	12	165	3,5	4 x 11

SK 92372AFB(AXB) ⇨ A27

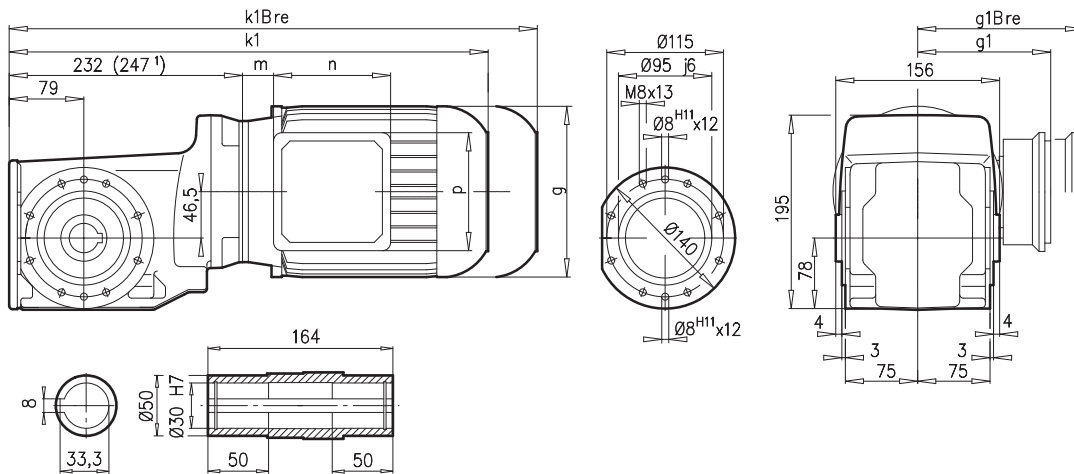


± ⇨ A53	63 S/L	71 S/L	80 SH/LH	90 SH/LH ¹⁾	100 LH/AH ¹⁾		
g	130	145	165	183	201		
g1 / g1Bre	115 / 123	124 / 132	142 / 142	147 / 147	169 / 173		
k 1/ k1Bre	424 / 480	446 / 504	468 / 532	523 / 598	553 / 644		
k / kBre	425 / 481	447 / 505	469 / 533	524 / 599	554 / 645		
m / mBre	12 / 18	20 / 26	22 / 26	26 / 30	32 / 36		
n / nBre	100 / 134	100 / 134	114 / 153	114 / 153	114 / 153		
p / pBre	100 / 89	100 / 89	114 / 108	114 / 108	114 / 108		

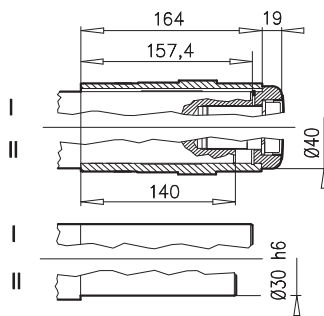




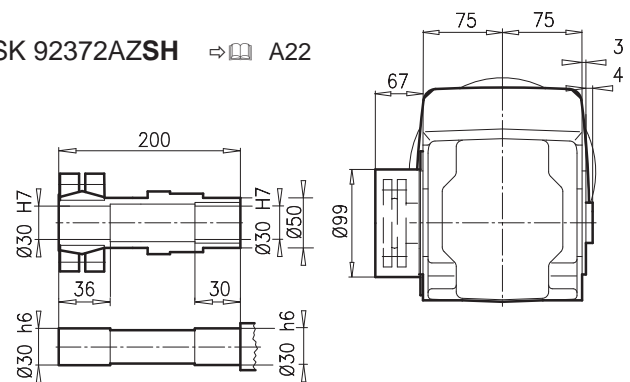
SK 92372AZ



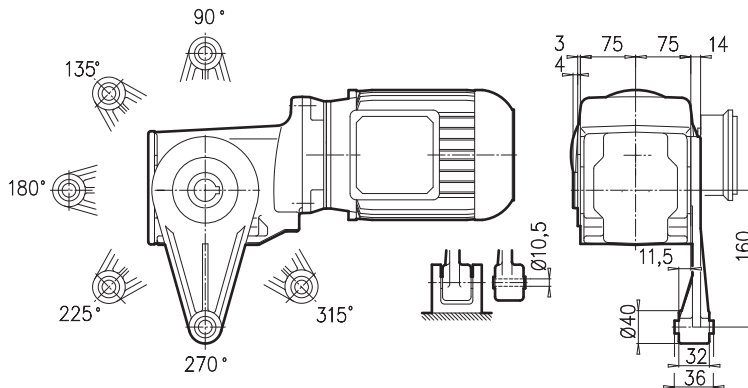
SK 92372AZB ⇨ A27




SK 92372AZSH ⇨ A22



SK 92372 AZD

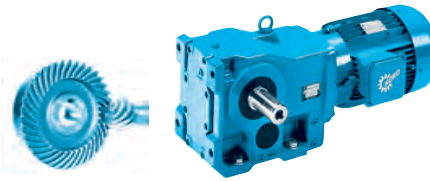


± ⇨ A53	63 S/L	71 S/L	80 SH/LH	90 SH/LH ¹⁾	100 LH/AH ¹⁾		
g	130	145	165	183	201		
g1 / g1Bre	115 / 123	124 / 132	142 / 142	147 / 147	169 / 173		
k1 / k1Bre	424 / 480	446 / 504	468 / 532	523 / 598	553 / 644		
m / mBre	12 / 18	20 / 26	22 / 26	26 / 30	32 / 36		
n / nBre	100 / 134	100 / 134	114 / 153	114 / 153	114 / 153		
p / pBre	100 / 89	100 / 89	114 / 108	114 / 108	114 / 108		

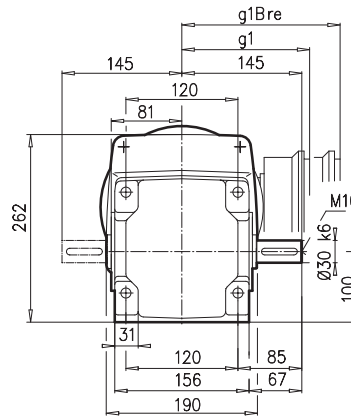
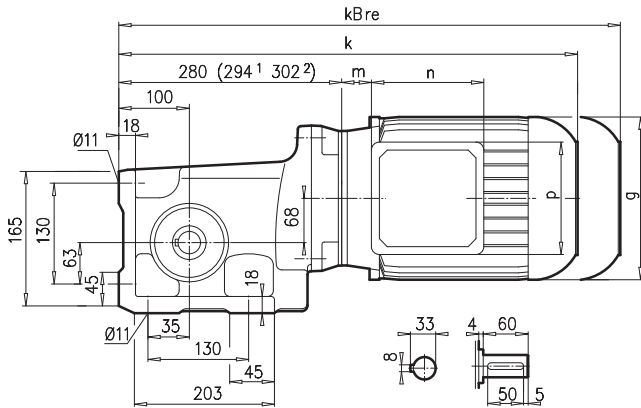


⇨ A D104

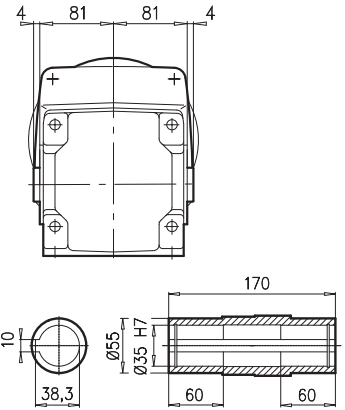
SK 92672



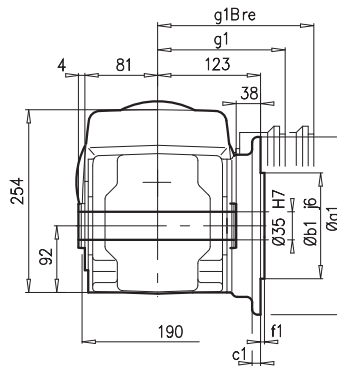
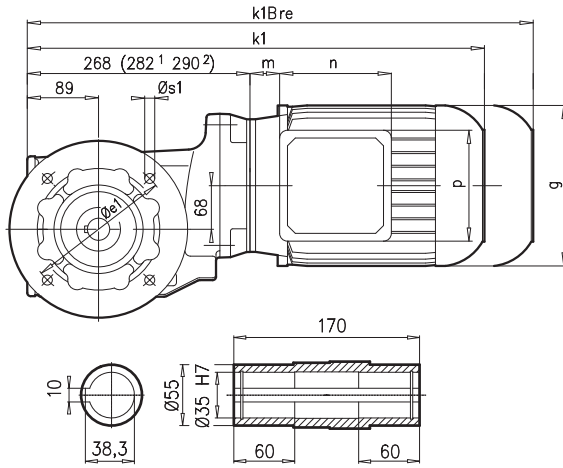
SK 92672



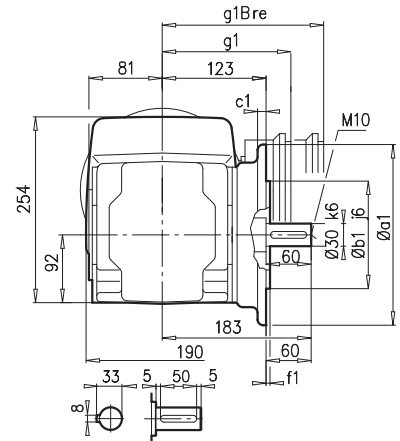
SK 92672AX



SK 92672AF

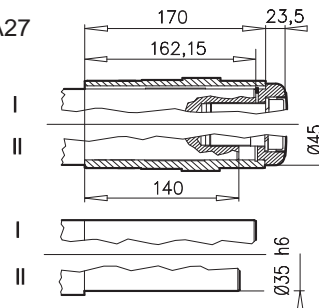


SK 92672VF

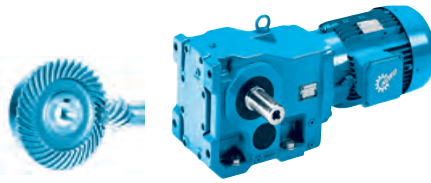


a1	b1	c1	e1	f1	s1
160	110	12	130	3,5	4 x 9
200	130	12	165	3,5	4 x 11

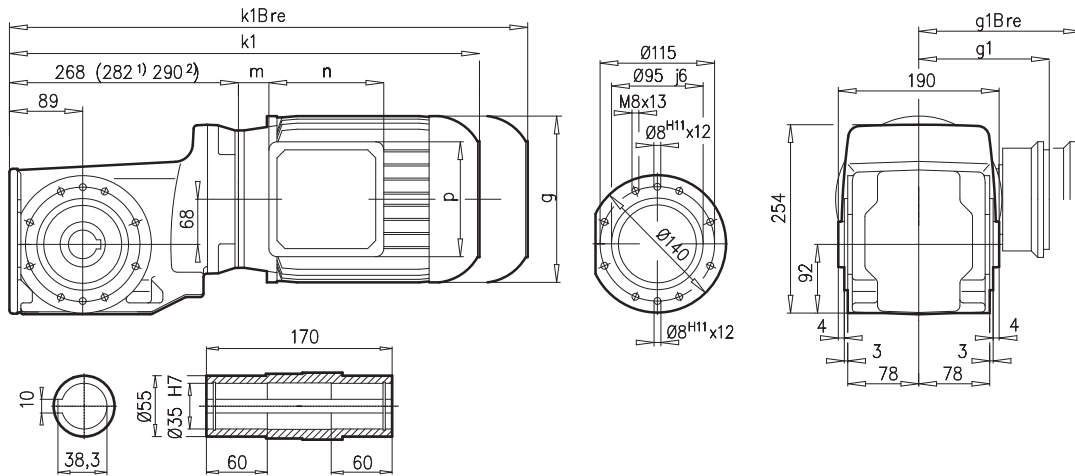
SK 92672AFB(AXB) ⇨ A27



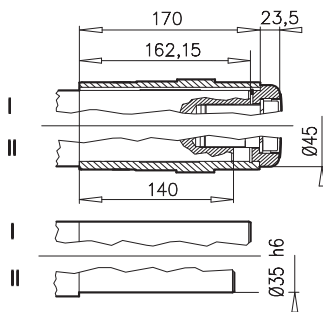
± ⇨ A53	63 S/L	71 S/L	80 SH/LH	90 SH/LH ¹⁾	100 LH/AH ¹⁾	112 MH ²⁾	132 SH/MH/LH ²⁾	
g	130	145	165	183	201	228	266	
g1 / g1Bre	115 / 123	124 / 132	142 / 142	147 / 147	169 / 173	179 / 182	204 / 201	
k1 / k1Bre	460 / 516	482 / 540	504 / 568	558 / 633	588 / 679	641 / 734	707 / 808	
k / kBre	472 / 528	494 / 552	516 / 580	570 / 645	600 / 691	653 / 746	719 / 820	
m / mBre	12 / 18	20 / 26	22 / 26	26 / 30	32 / 36	45 / 49	47 / 46	
n / nBre	100 / 134	100 / 134	114 / 153	114 / 153	114 / 153	114 / 153	122 / 185	
p / pBre	100 / 89	100 / 89	114 / 108	114 / 108	114 / 108	114 / 108	122 / 139	



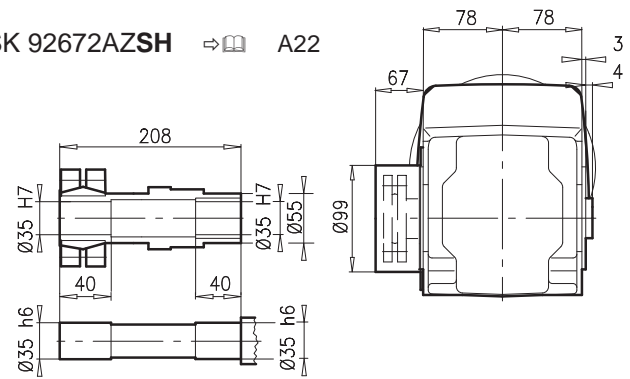
SK 92672AZ



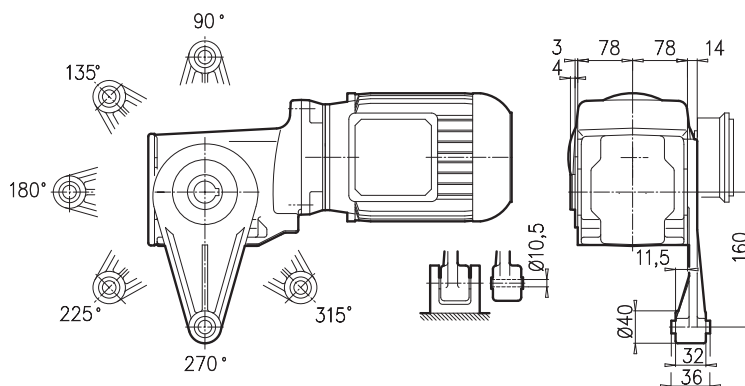
SK 92672AZB ⇨ A27



SK 92672AZSH ⇨ A22

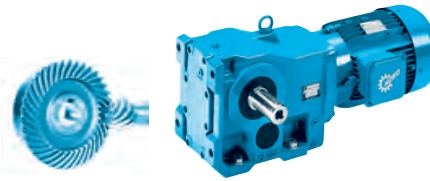


SK 92672 AZD

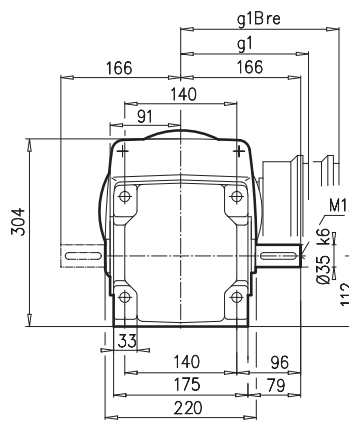
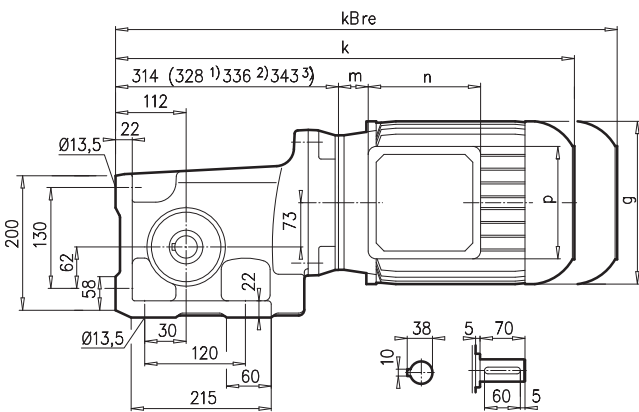


⇨ A53	63 S/L	71 S/L	80 SH/LH	90 SH/LH ¹⁾	100 LH/AH ¹⁾	112 MH ²⁾	132 SH/MH/LH ²⁾	1)
g	130	145	165	183	201	228	266	 ⇨ D104
g1 / g1Bre	115 / 123	124 / 132	142 / 142	147 / 147	169 / 173	179 / 182	204 / 201	
k1 / k1Bre	460 / 516	482 / 540	504 / 568	558 / 633	588 / 679	641 / 734	707 / 808	
m / mBre	12 / 18	20 / 26	22 / 26	26 / 30	32 / 36	45 / 49	47 / 46	
n / nBre	100 / 134	100 / 134	114 / 153	114 / 153	114 / 153	114 / 153	122 / 185	
p / pBre	100 / 89	100 / 89	114 / 108	114 / 108	114 / 108	114 / 108	122 / 139	

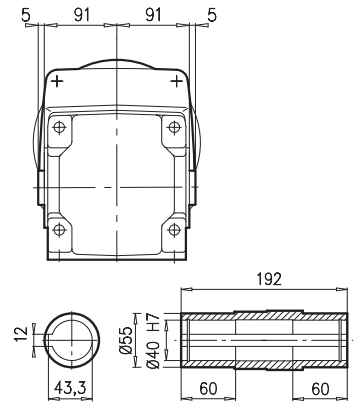
SK 92772



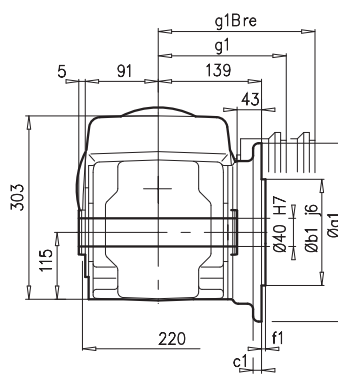
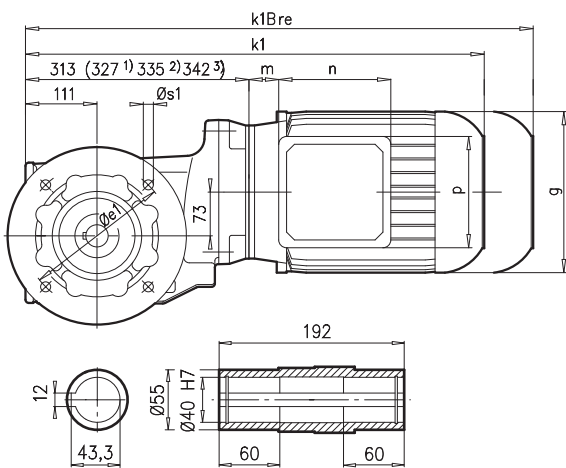
SK 92772



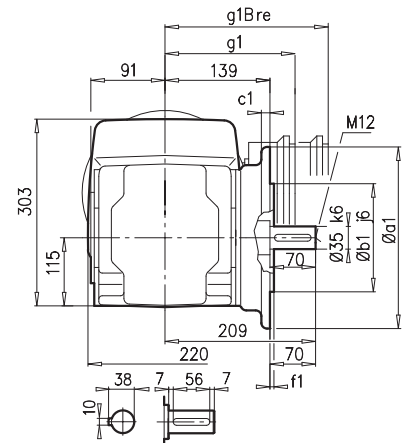
SK 92772AX



SK 92772AF

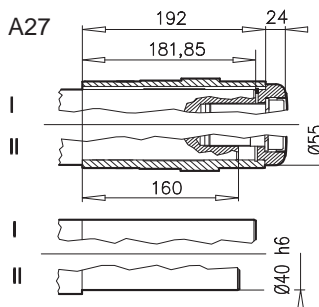


SK 92772VF

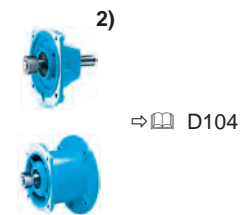


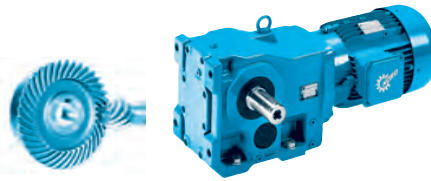
a1	b1	c1	e1	f1	s1
250	180	16	215	4	4 x 13,5

SK 92772AFB(AXB) ⇒ A27

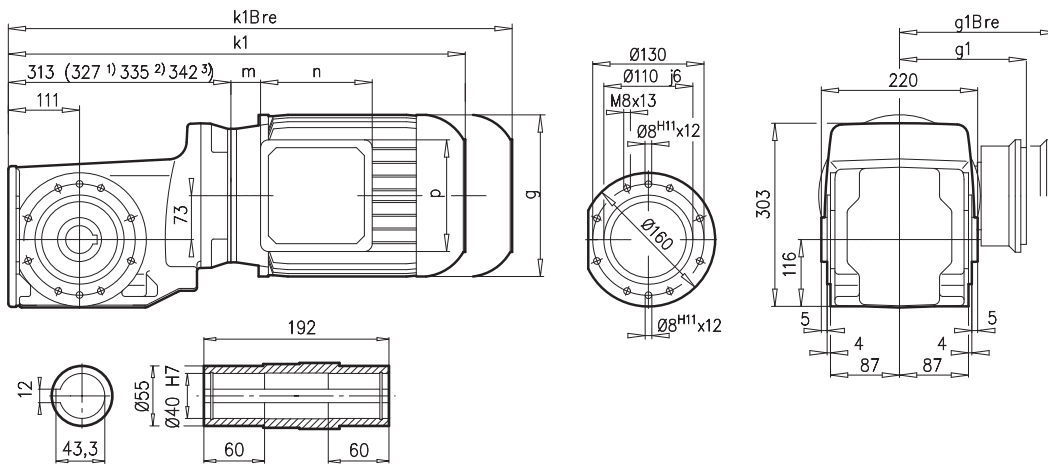


± ⇒ A53	80 SH/LH	90 SH/LH ¹⁾	100 LH/AH ¹⁾	112 MH ²⁾	132SH/MH/LH ³⁾		
g	165	183	201	228	266		
g1 / g1Bre	142 / 142	147 / 147	169 / 173	179 / 182	204 / 201		
k1 / k1Bre	549 / 613	603 / 678	633 / 724	686 / 779	759 / 860		
k / kBre	550 / 614	604 / 679	634 / 725	687 / 780	760 / 861		
m / mBre	22 / 26	26 / 30	32 / 36	45 / 49	47 / 46		
n / nBre	114 / 153	114 / 153	114 / 153	114 / 153	122 / 185		
p / pBre	114 / 108	114 / 108	114 / 108	114 / 108	122 / 139		

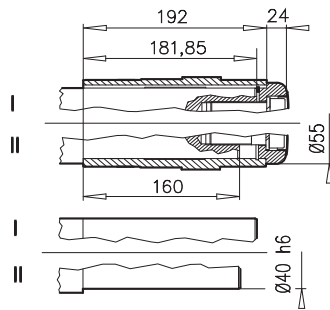




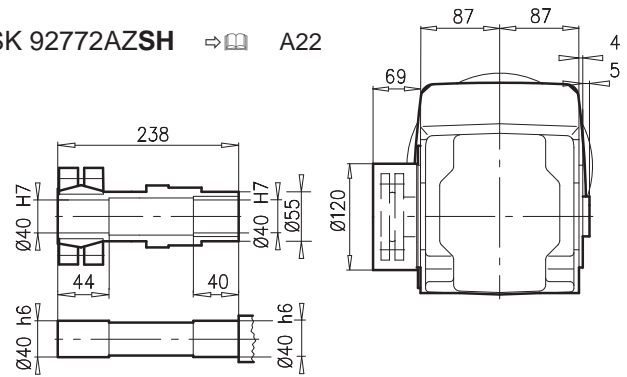
SK 92772AZ



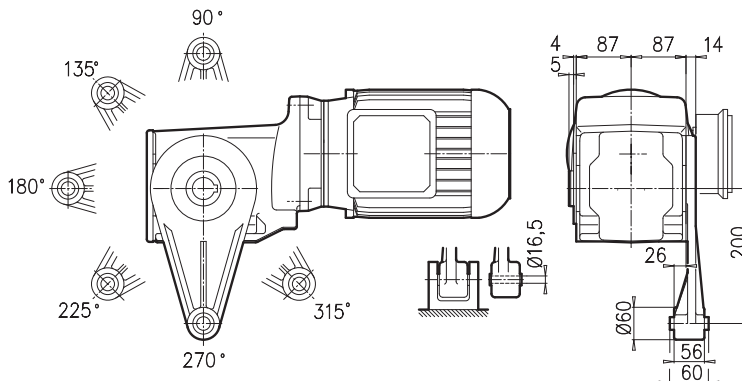
SK 92772AZB ⇨ A27



SK 92772AZSH ⇨ A22



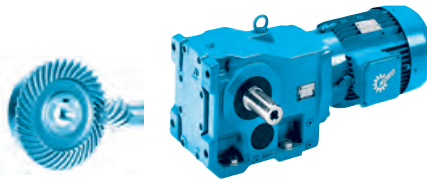
SK 92772 AZD



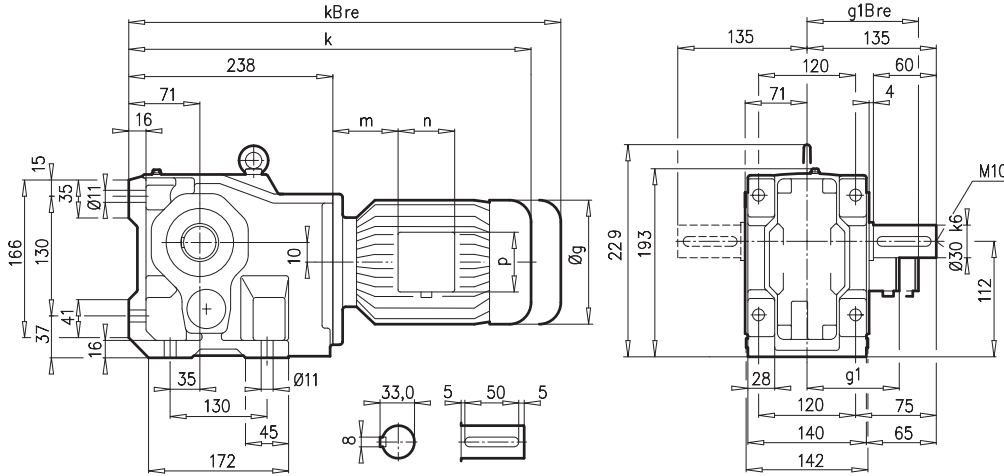
± ⇨ A53	80 SH/LH	90 SH/LH ¹⁾	100 LH/AH ¹⁾	112 MH ²⁾	132SH/MH/LH ³⁾		
g	165	183	201	228	266		
g1 / g1Bre	142 / 142	147 / 147	169 / 173	179 / 182	204 / 201		
k1 / k1Bre	549 / 613	603 / 678	633 / 724	686 / 779	759 / 860		
m / mBre	22 / 26	26 / 30	32 / 36	45 / 49	47 / 46		
n / nBre	114 / 153	114 / 153	114 / 153	114 / 153	122 / 185		
p / pBre	114 / 108	114 / 108	114 / 108	114 / 108	122 / 139		

2) ⇨ D104

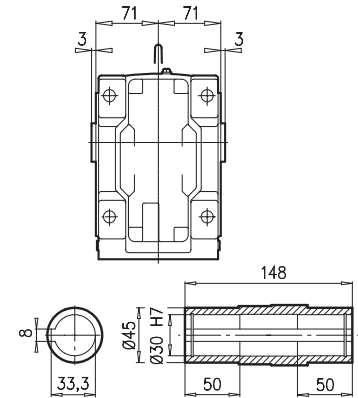
SK 9012.1



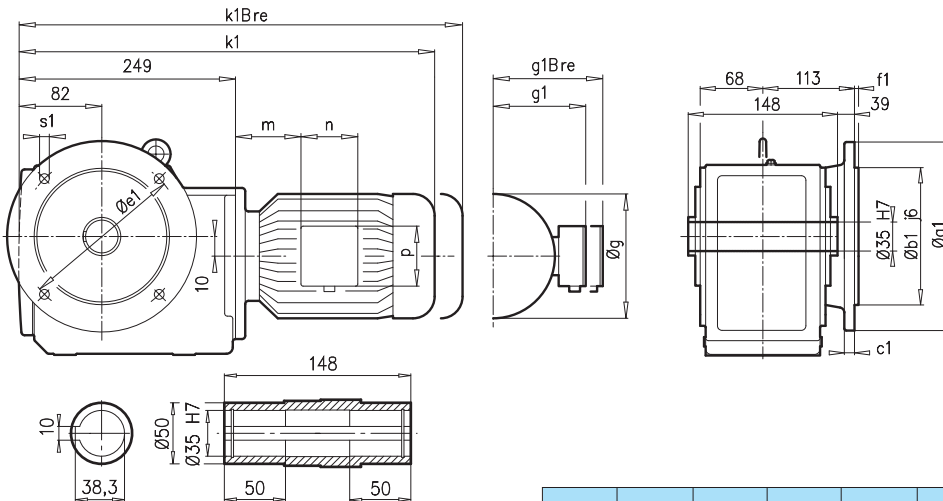
SK 9012.1



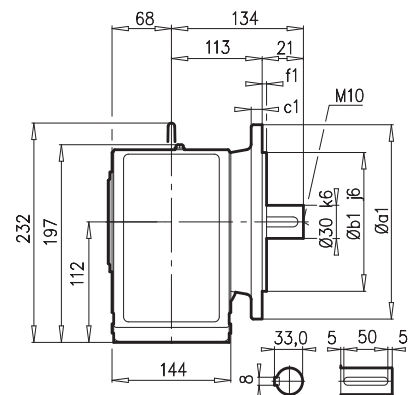
SK 9012.1AX



SK 9012.1AF

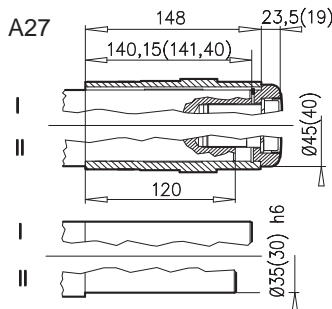


SK 9012.1VF



a1	b1	c1	e1	f1	s1
200	130	12	165	3,5	4 x 11

SK 9012.1AFB(AXB) ⇒ A27

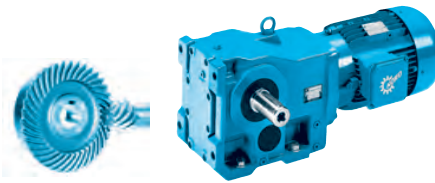


± ⇒ A53	63 S/L	71 S/L	80 SH/LH	90 SH/LH	100 LH/AH	112 MH
g	130	145	165	183	201	228
g1 / g1Bre	115 / 123	124 / 132	142 / 142	147 / 147	169 / 173	179 / 182
k1 / k1Bre	445 / 501	485 / 543	510 / 574	551 / 626	581 / 672	629 / 722
k / kBre	434 / 490	474 / 532	499 / 563	540 / 615	570 / 661	618 / 711
m / mBre	16 / 22	42 / 43	47 / 51	52 / 56	58 / 62	74 / 78
n / nBre	100 / 134	100 / 134	114 / 153	114 / 153	114 / 153	114 / 153
p / pBre	100 / 89	100 / 89	114 / 108	114 / 108	114 / 108	114 / 108

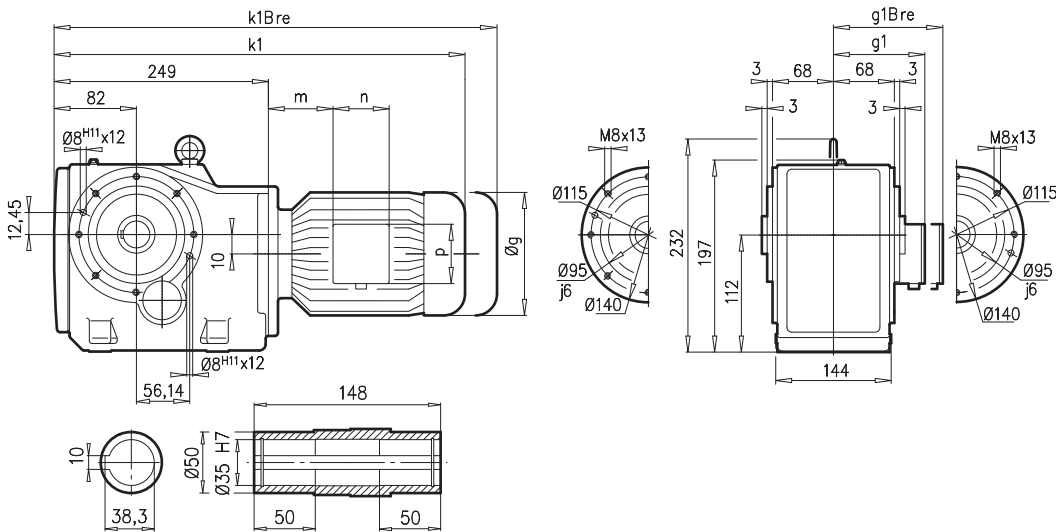


⇒ D105

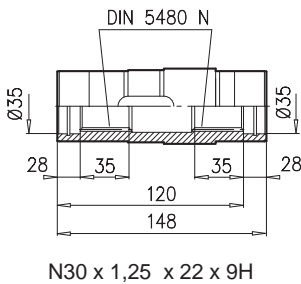




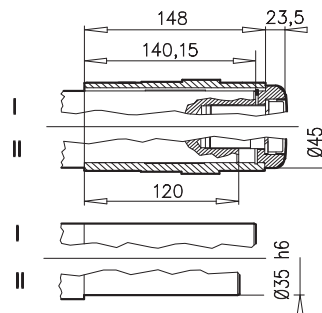
SK 9012.1AZ



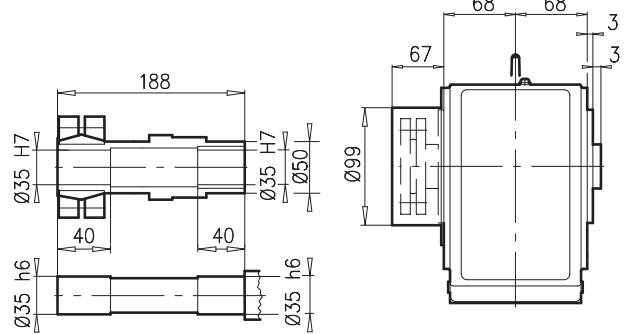
SK 9012.1AZE



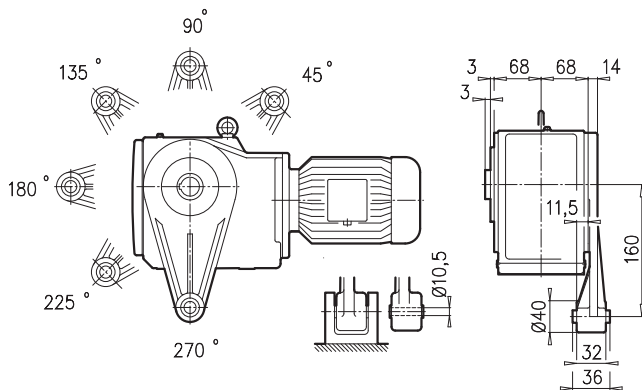
SK 9012.1AZB ⇨ A27



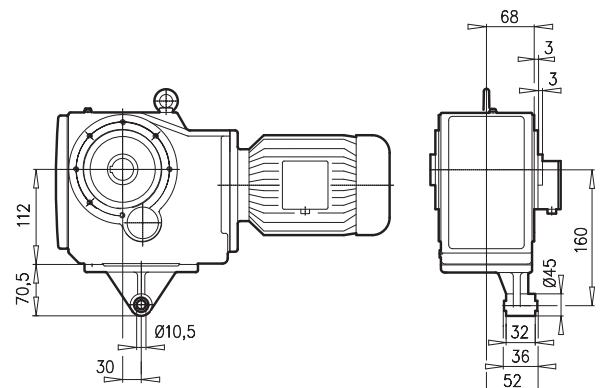
SK 9012.1AZSH ⇨ A22



SK 9012.1 AZD

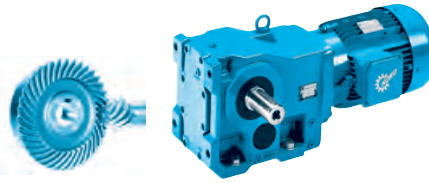


SK 9012.1 AZK

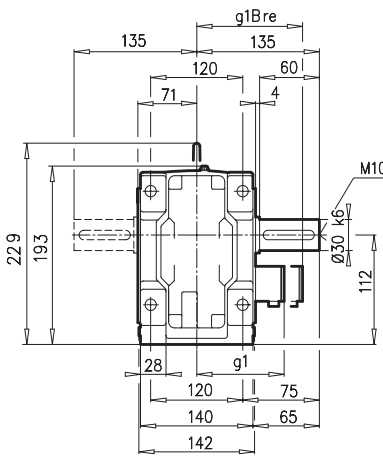
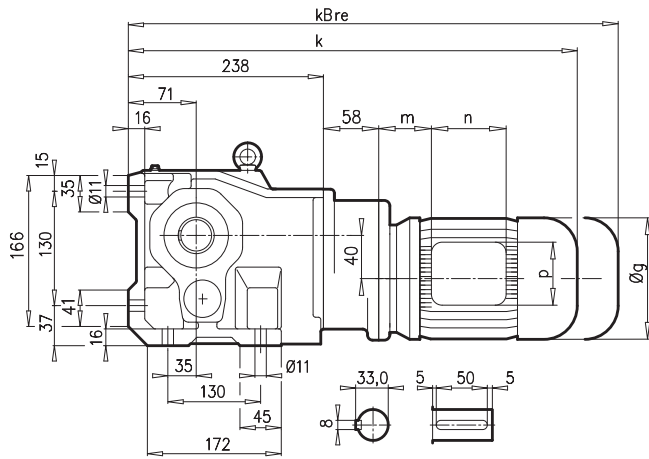


± ⇨ A53	63 S/L	71 S/L	80 SH/LH	90 SH/LH	100 LH/AH	112 MH	
g	130	145	165	183	201	228	⇨ D105
g1 / g1Bre	115 / 123	124 / 133	142 / 142	147 / 147	169 / 172	179 / 182	
k1 / k1Bre	445 / 501	485 / 543	510 / 574	551 / 626	581 / 672	629 / 722	
m / mBre	16 / 22	42 / 43	47 / 51	52 / 56	58 / 62	74 / 78	
n / nBre	100 / 134	100 / 134	114 / 153	114 / 153	114 / 153	114 / 153	
p / pBre	100 / 89	100 / 89	114 / 108	114 / 108	114 / 108	114 / 108	

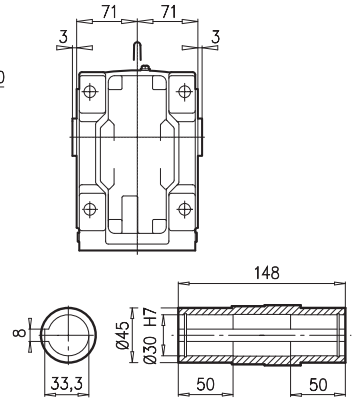
SK 9013.1



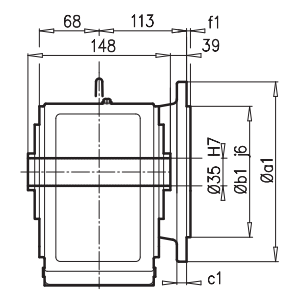
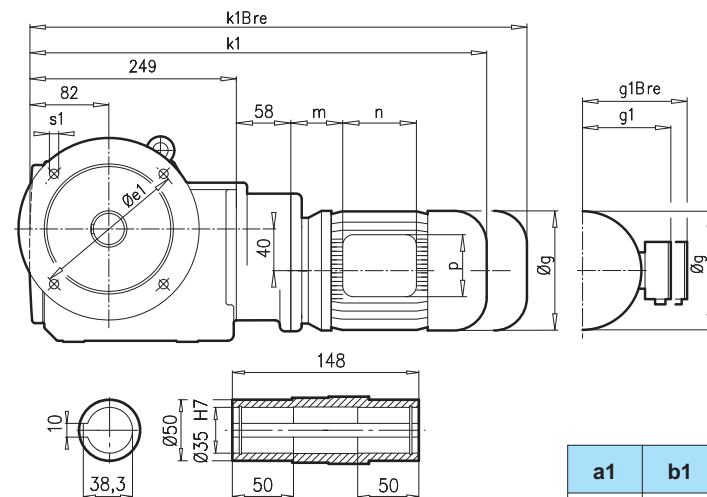
SK 9013.1



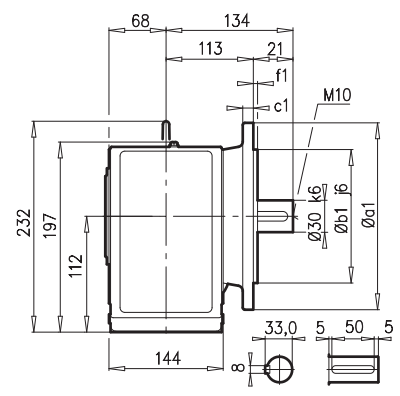
SK 9013.1AX



SK 9013.1AF

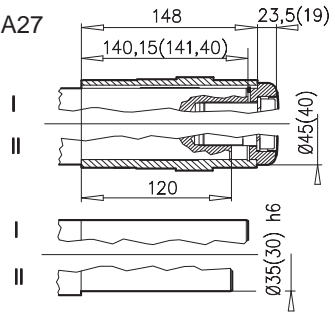


SK 9013.1VF



a1	b1	c1	e1	f1	s1
200	130	12	165	3,5	4 x 11

SK 9013.1AFB(AXB) ⇒ A27



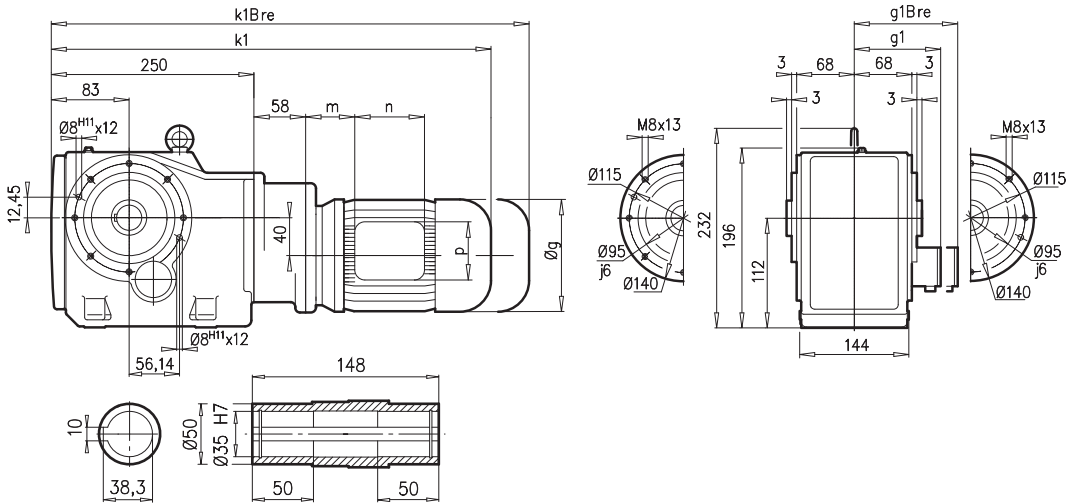
± ⇒ A53	63 S/L	71 S/L					
g	130	145					
g1 / g1Bre	115 / 123	124 / 132					
k1 / k1Bre	503 / 559	543 / 601					
k / kBre	492 / 548	532 / 590					
m / mBre	16 / 22	42 / 43					
n / nBre	100 / 134	100 / 134					
p / pBre	100 / 89	100 / 89					

⇒ D105



SK 9013.1

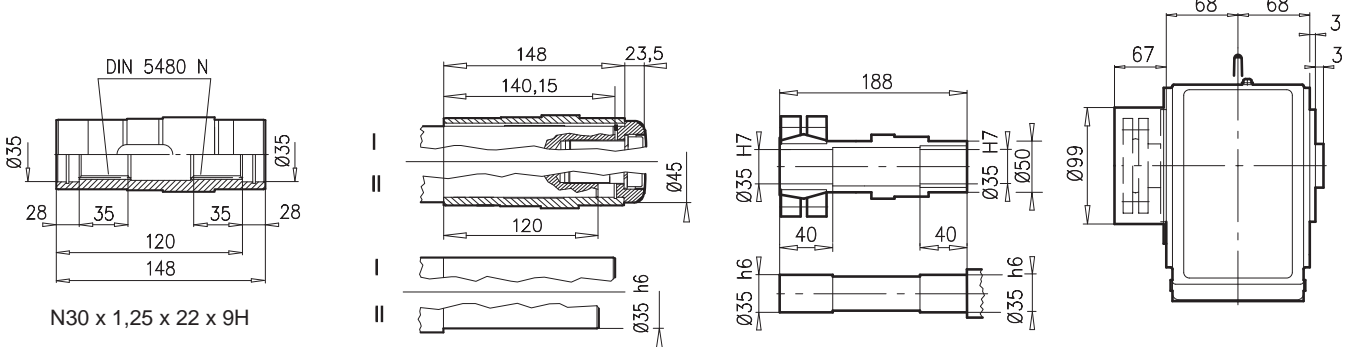
SK 9013.1AZ



SK 9013.1AZE A

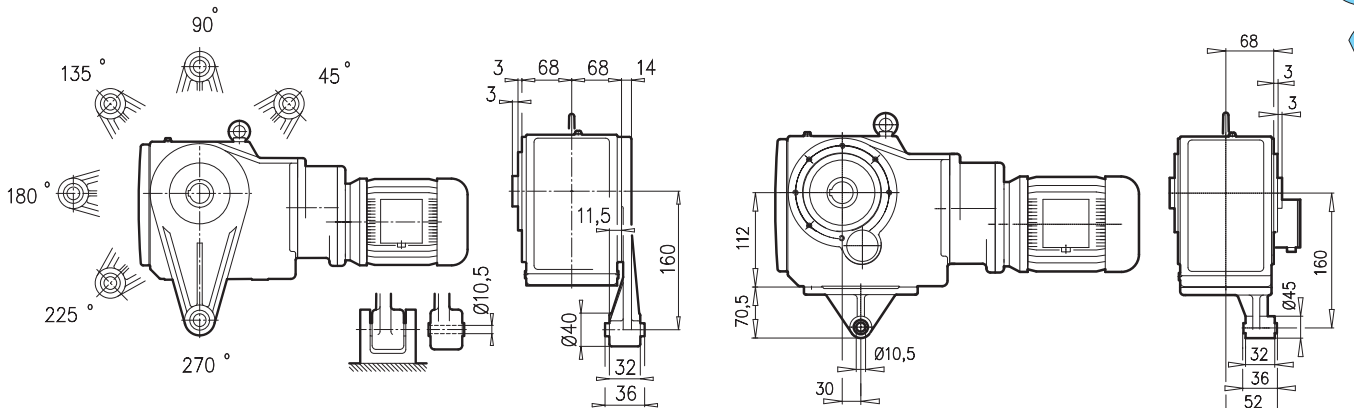
SK 9013.1AZB ⇨ A27

SK 9013.1AZSH ⇨ A22



SK 9013.1 AZD

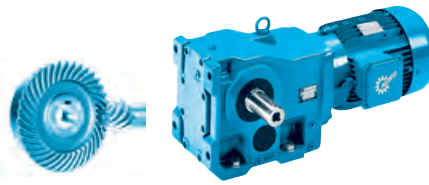
SK 9013.1 AZK



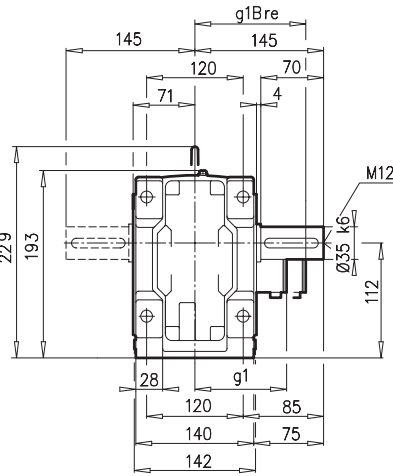
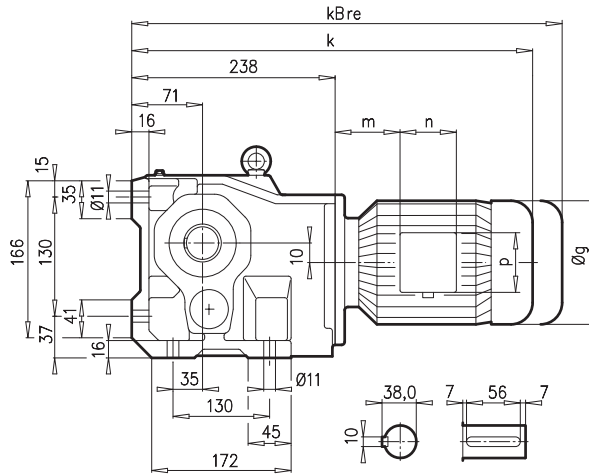
\pm ⇨ A53	63 S/L	71 S/L					
g	130	145					
g1 / g1Bre	115 / 123	124 / 132					
k1 / k1Bre	503 / 559	543 / 601					
m / mBre	16 / 22	42 / 43					
n / nBre	100 / 134	100 / 134					
p / pBre	100 / 89	100 / 89					

⇨ D105

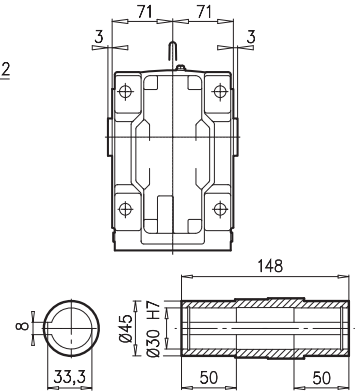
SK 9016.1



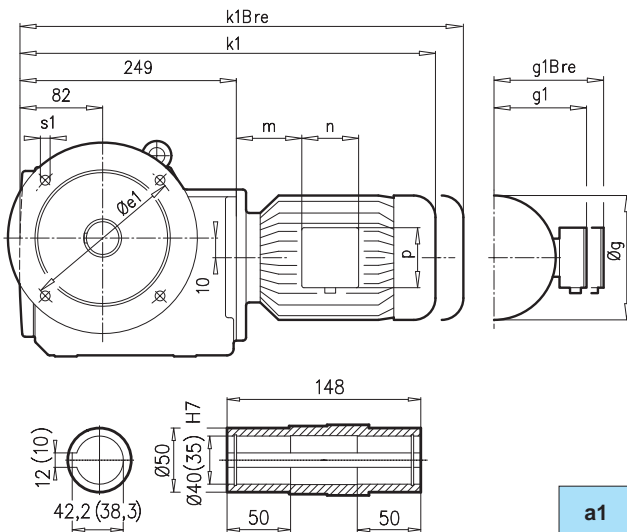
SK 9016.1



SK 9016.1AX

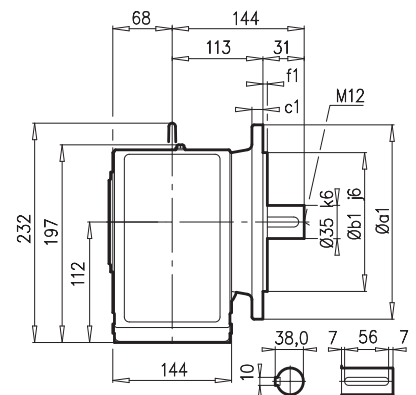


SK 9016.1AF * ⇨ A53

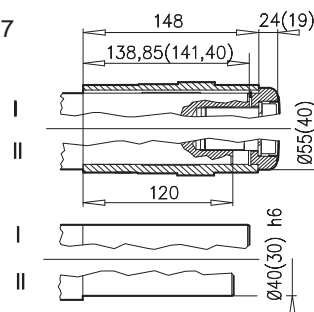


a1	b1	c1	e1	f1	s1
200	130	12	165	3,5	4 x 11

SK 9016.1VF



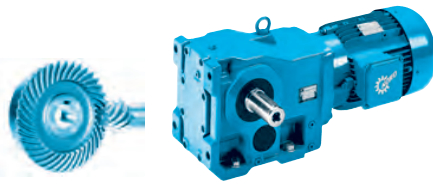
SK 9016.1AFB (AXB) ⇨ A27



± ⇨ A53	63 S/L	71 S/L	80 SH/LH	90 SH/LH	100 LH	112 MH	
g	130	145	165	183	201	228	
g1 / g1Bre	115 / 123	124 / 132	142 / 142	147 / 147	169 / 173	179 / 182	
k1 / k1Bre	445 / 501	485 / 543	510 / 574	551 / 626	581 / 672	629 / 722	
k / kBre	434 / 490	474 / 532	499 / 563	540 / 615	570 / 661	618 / 711	
m / mBre	16 / 22	42 / 43	47 / 51	52 / 56	58 / 62	74 / 78	
n / nBre	100 / 134	100 / 134	114 / 153	114 / 153	114 / 153	114 / 153	
p / pBre	100 / 89	100 / 89	114 / 108	114 / 108	114 / 108	114 / 108	

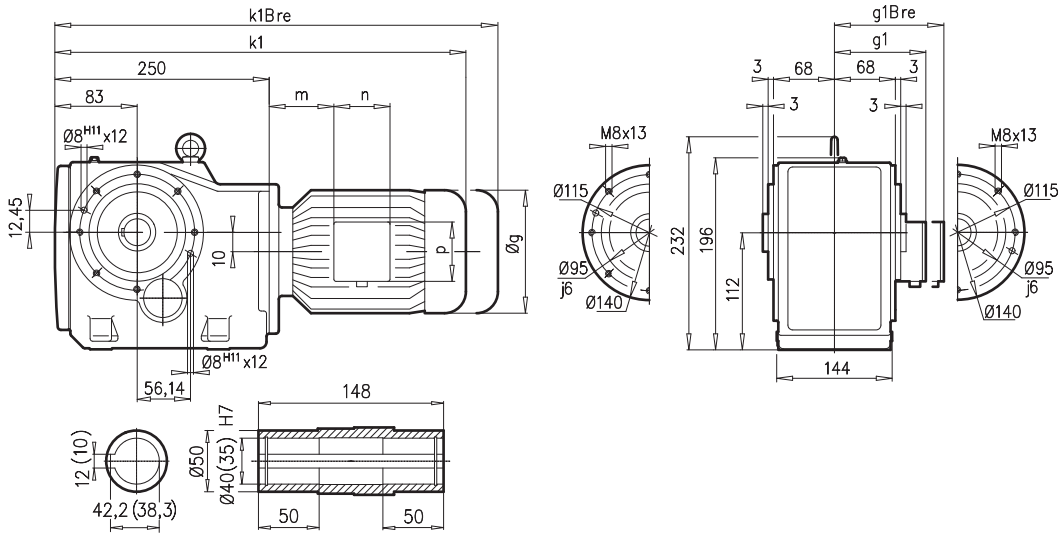


⇨ D105

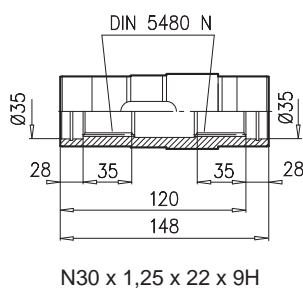


SK 9016.1

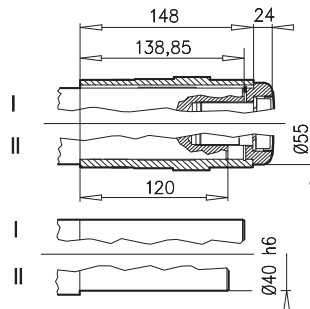
SK 9016.1AZ * ⇒ A53



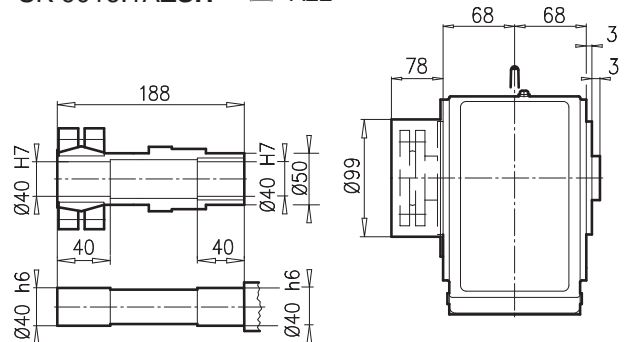
SK 9016.1AZEA



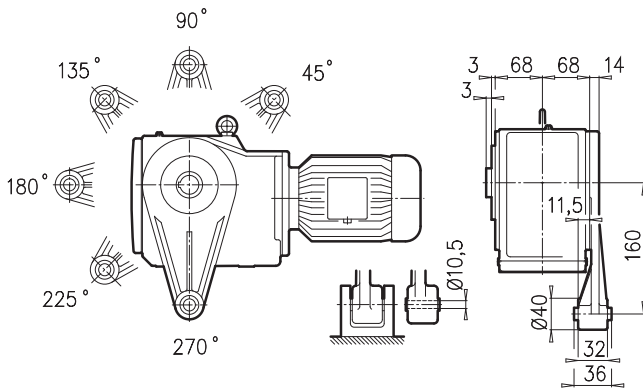
SK 9016.1AZB ⇒ A27



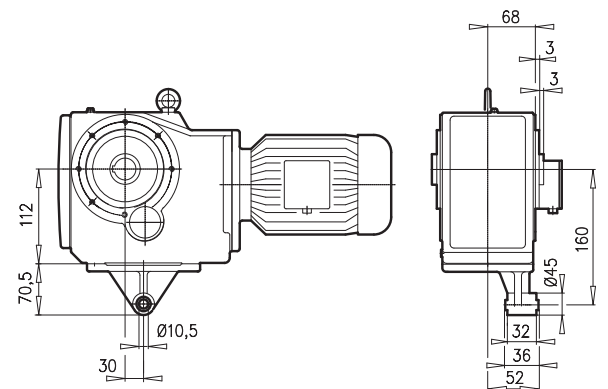
SK 9016.1AZSH ⇒ A22




SK 9016.1 AZD

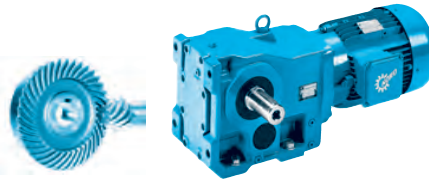


SK 9016.1 AZK

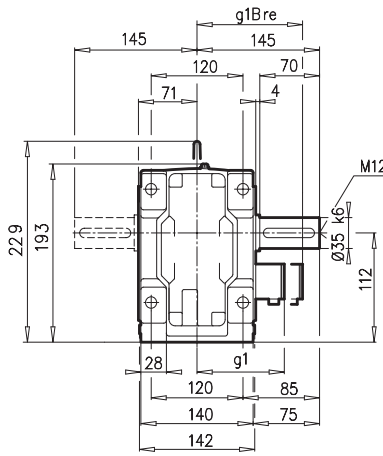
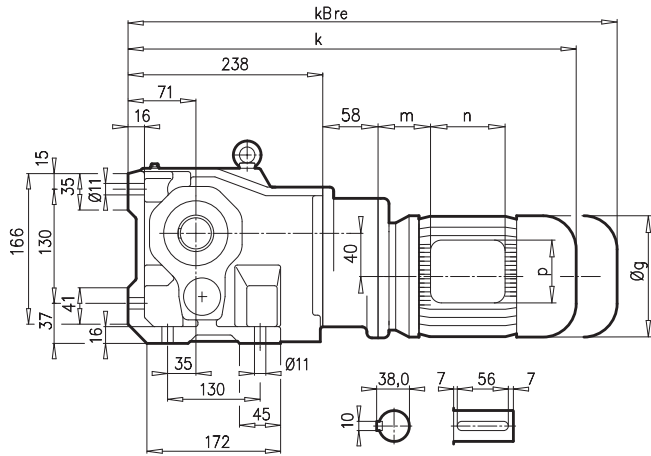


± ⇒ A53	63 S/L	71 S/L	80 SH/LH	90 SH/LH	100 LH/AH	112 MH	
g	130	145	165	183	201	228	 ⇒ D105
g1 / g1Bre	115 / 123	124 / 132	142 / 142	147 / 147	169 / 173	179 / 182	
k1 / k1Bre	445 / 501	485 / 543	510 / 574	551 / 626	581 / 672	629 / 722	
m / mBre	16 / 22	42 / 43	47 / 51	52 / 56	58 / 62	74 / 78	
n / Bre	100 / 134	100 / 134	114 / 153	114 / 153	114 / 153	114 / 153	
p / pBre	100 / 89	100 / 89	114 / 108	114 / 108	114 / 108	114 / 108	

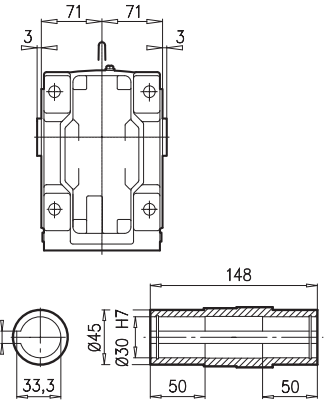
SK 9017.1



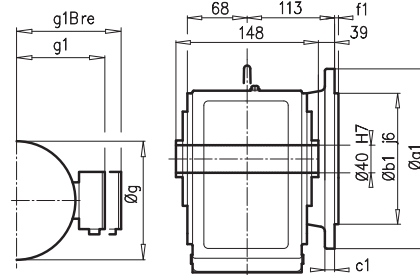
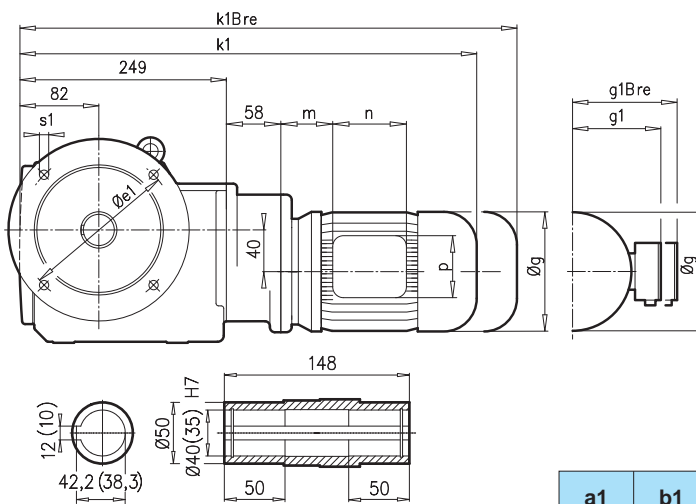
SK 9017.1



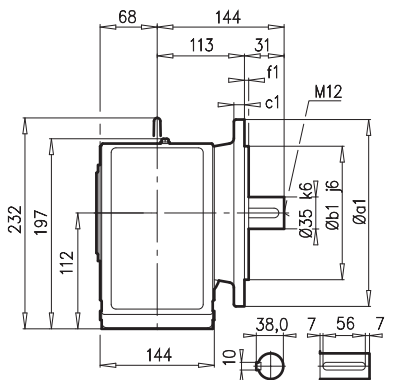
SK 9017.1AX



SK 9017.1AF * → A53

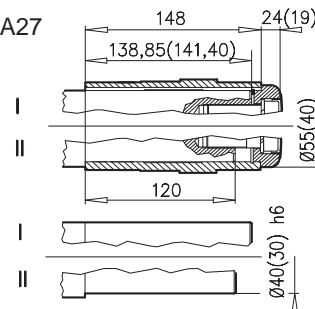


SK 9017.1VF



a1	b1	c1	e1	f1	s1
200	130	12	165	3,5	4 x 11

SK 9017.1AFB(AXB) → A27



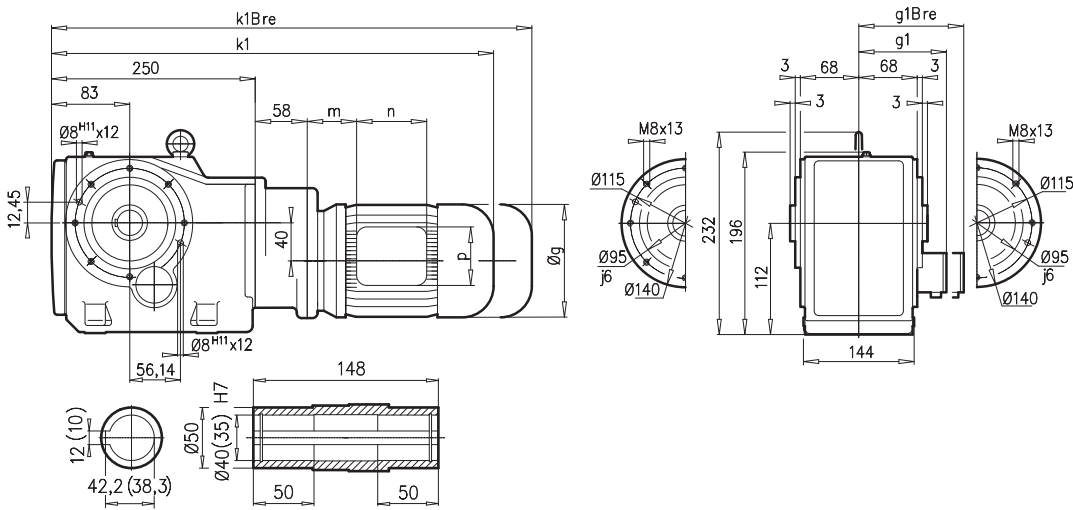
± → A53	63 S/L	71 S/L					
g	130	145					
g1 / g1Bre	115 / 123	124 / 132					
k1 / k1Bre	503 / 559	543 / 601					
k / kBre	492 / 548	532 / 590					
m / mBre	16 / 22	42 / 43					
n / nBre	100 / 134	100 / 134					
p / pBre	100 / 89	100 / 89					



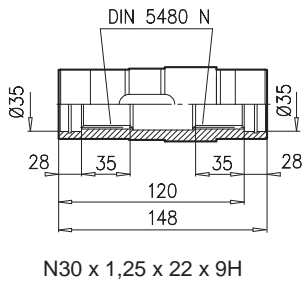
→ A D105



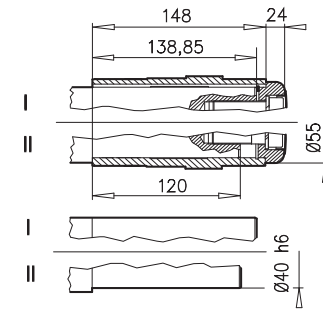
SK 9017.1AZ * ⇨ A53



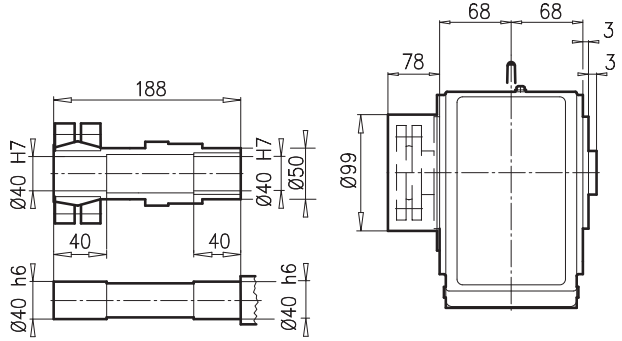
SK 9017.1AZEA



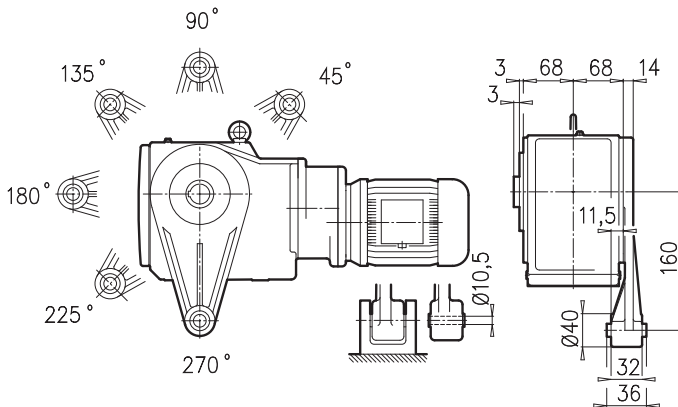
SK 9017.1AZB ⇨ A27



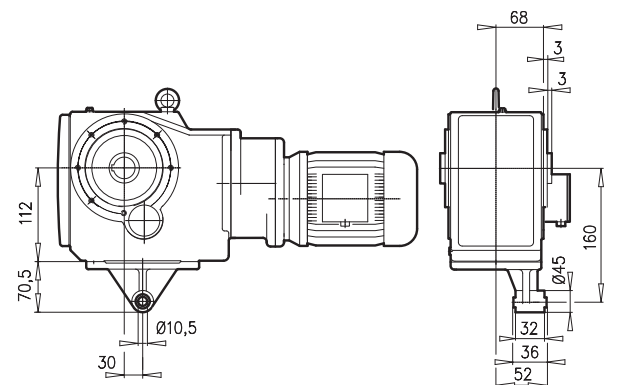
SK 9017.1AZSH ⇨ A22



SK 9017.1 AZD



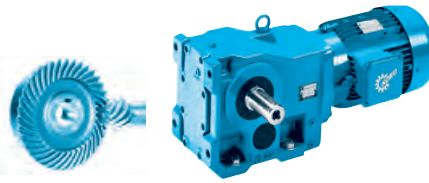
SK 9017.1 AZK



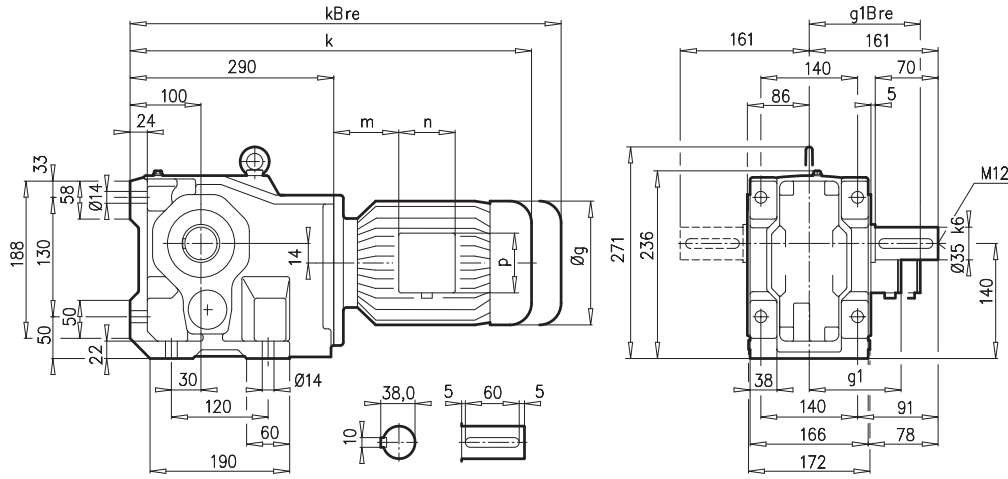
± ⇨ A53	63 S/L	71 S/L					
g	130	145					
g1 / g1Bre	115 / 123	124 / 132					
k1 / k1Bre	503 / 559	543 / 601					
m / mBre	16 / 22	42 / 43					
n / nBre	100 / 134	100 / 134					
p / pBre	100 / 89	100 / 89					

⇨ D105

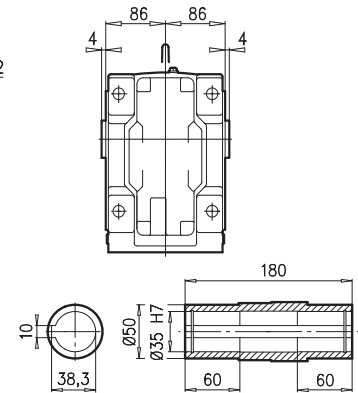
SK 9022.1



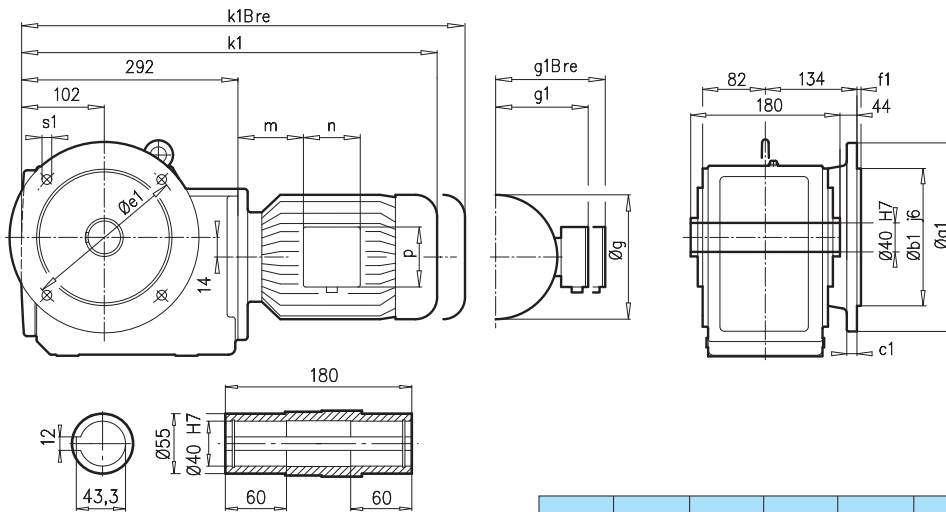
SK 9022.1



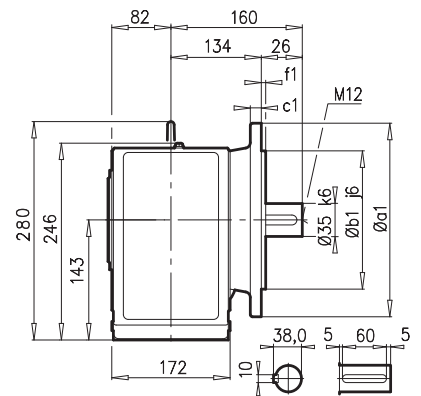
SK 9022.1AX



SK 9022.1AF

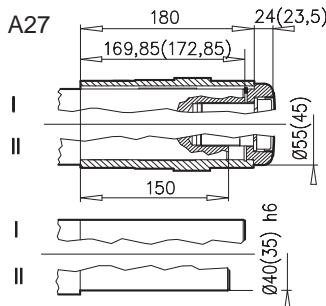


SK 9022.1VF



a1	b1	c1	e1	f1	s1
250	180	16	215	4	4 x 14

SK 9022.1AFB(AXB) → A27

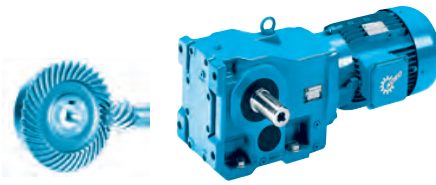


± ↗ A53	63 S/L	71 S/L	80 SH/LH	90 SH/LH	100 LH/AH	112 MH	
g	130	145	165	183	201	228	
g1 / g1Bre	115 / 123	124 / 132	142 / 142	147 / 147	169 / 173	179 / 182	
k1 / k1Bre	488 / 544	528 / 586	553 / 617	594 / 669	624 / 715	672 / 765	
k / kBre	486 / 542	526 / 584	551 / 615	592 / 667	622 / 713	670 / 763	
m / mBre	16 / 22	42 / 43	47 / 51	52 / 56	58 / 62	74 / 78	
n / nBre	100 / 134	100 / 134	114 / 153	114 / 153	114 / 153	114 / 153	
p / pBre	100 / 89	100 / 89	114 / 108	114 / 108	114 / 108	114 / 108	

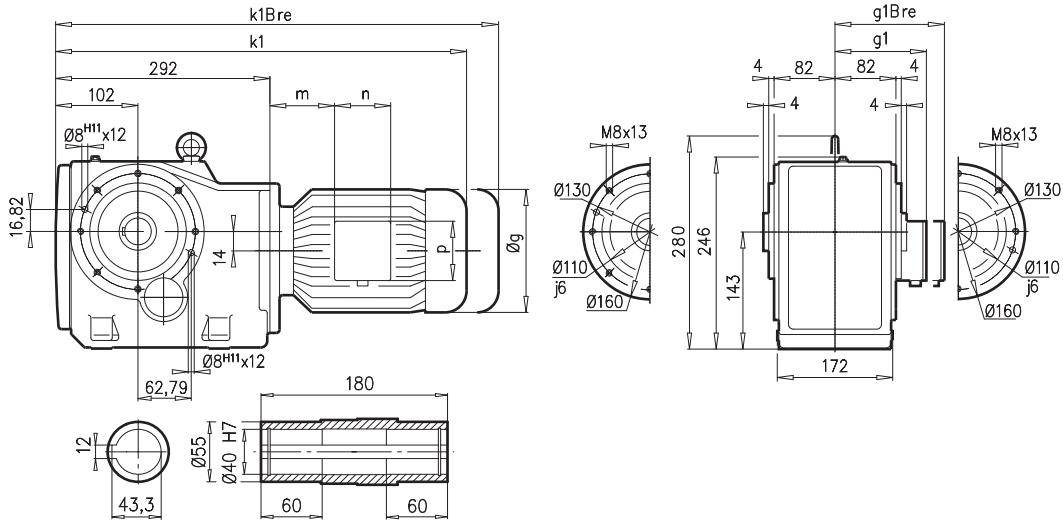


→ D105

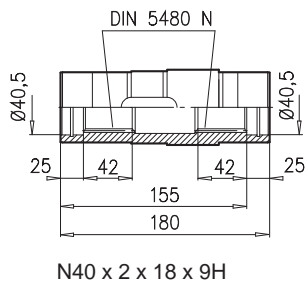




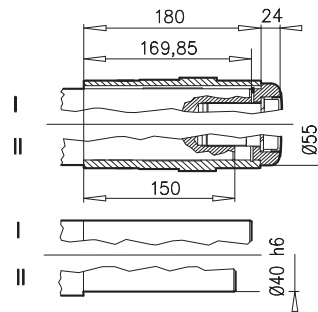
SK 9022.1AZ



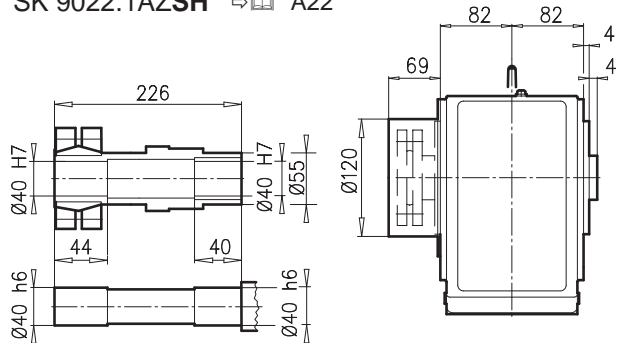
SK 9022.1AZEA



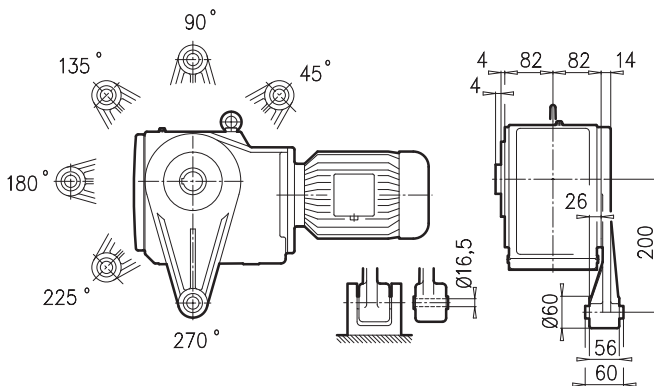
SK 9022.1AZB ⇨ A27



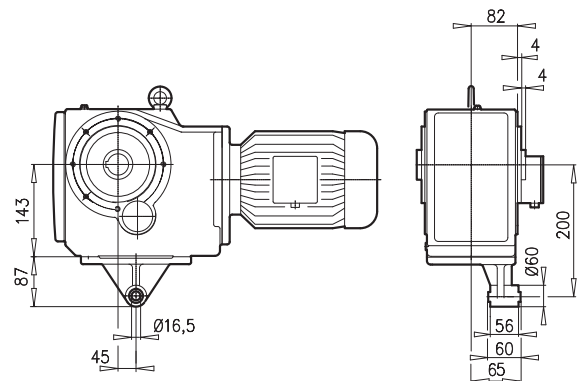
SK 9022.1AZSH ⇨ A22



SK 9022.1 AZD



SK 9022.1 AZK



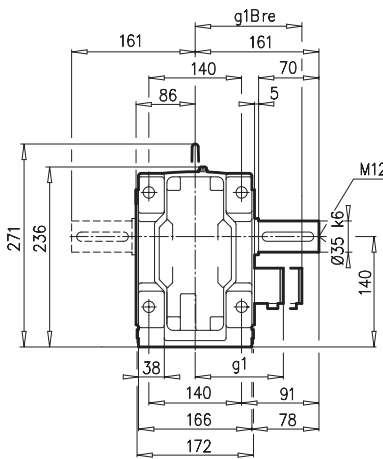
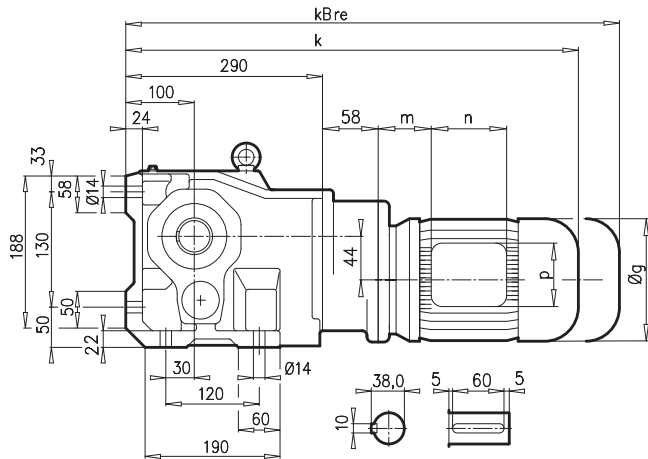
± ⇨ A53	63 S/L	71 S/L	80 SH/LH	90 SH/LH	100 LH/AH	112 MH	
g	130	145	165	183	201	228	
g1 / g1Bre	115 / 123	124 / 132	142 / 142	147 / 147	169 / 173	179 / 182	
k1 / k1Bre	488 / 544	528 / 586	553 / 617	594 / 669	624 / 715	672 / 765	
m / mBre	16 / 22	42 / 43	47 / 51	52 / 56	58 / 62	74 / 78	
n / nBre	100 / 134	100 / 134	114 / 153	114 / 153	114 / 153	114 / 153	
p / pBre	100 / 89	100 / 89	114 / 108	114 / 108	114 / 108	114 / 108	

⇨ D105

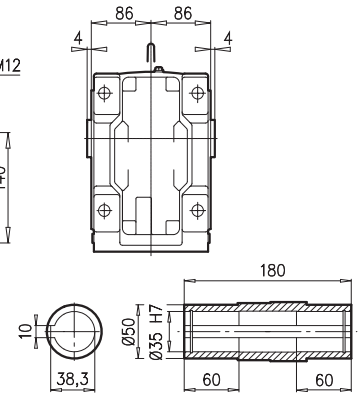
SK 9023.1



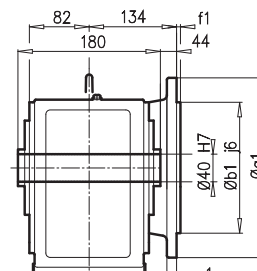
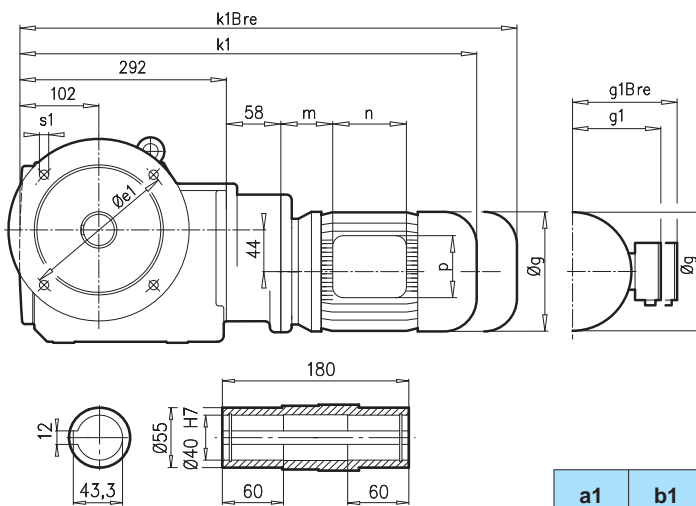
SK 9023.1



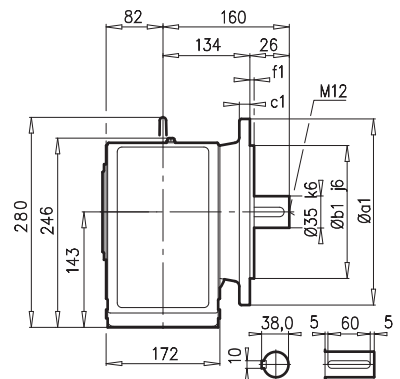
SK 9023.1AX



SK 9023.1AF

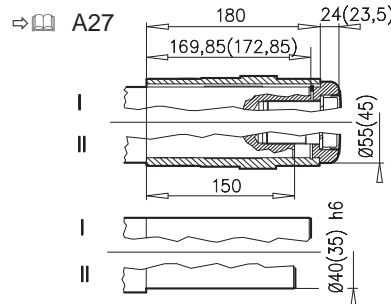


SK 9023.1VF



a1	b1	c1	e1	f1	s1
250	180	16	215	4	4 x 14

SK 9023.1AFB(AXB)



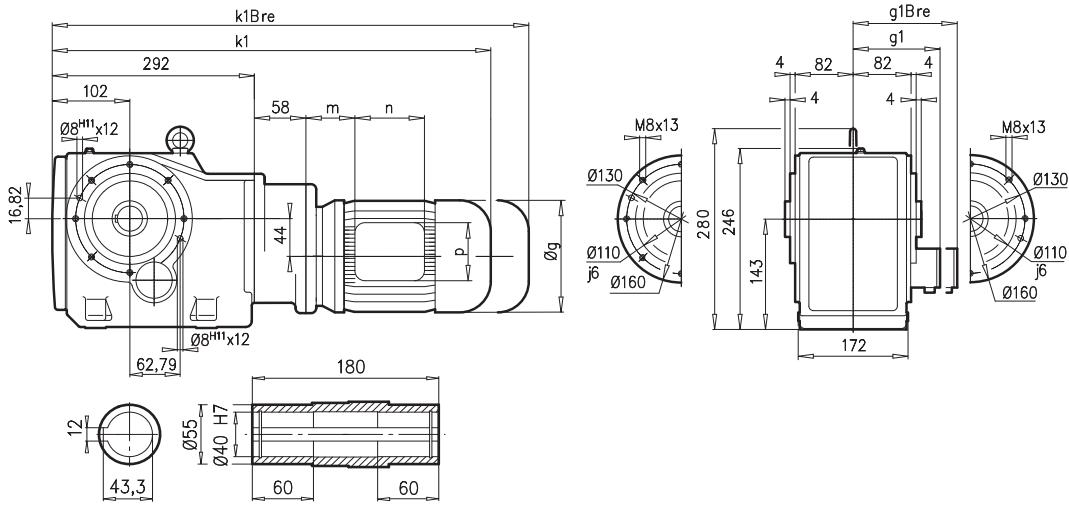
± → A53	63 S/L	71 S/L					
g	130	145					
g1 / g1Bre	115 / 123	124 / 132					
k1 / k1Bre	546 / 602	586 / 644					
k / kBre	544 / 600	584 / 642					
m / mBre	16 / 22	42 / 43					
n / nBre	100 / 134	100 / 134					
p / pBre	100 / 89	100 / 89					



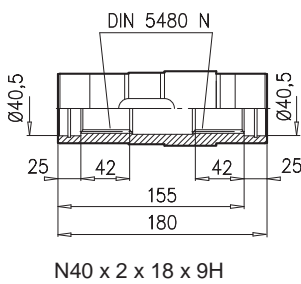
→ D105



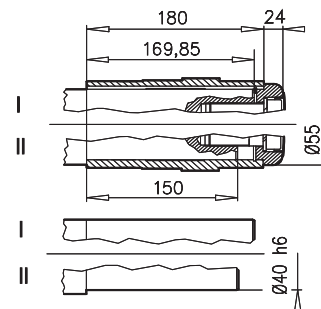
SK 9023.1AZ



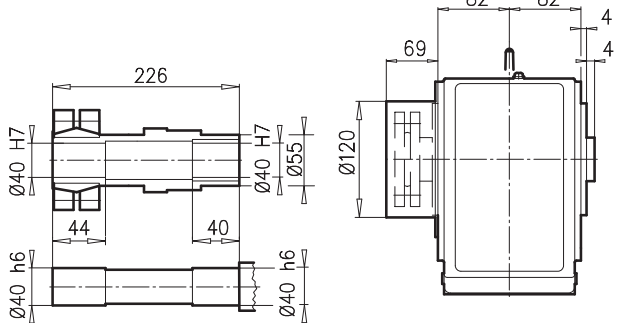
SK 9023.1AZEA



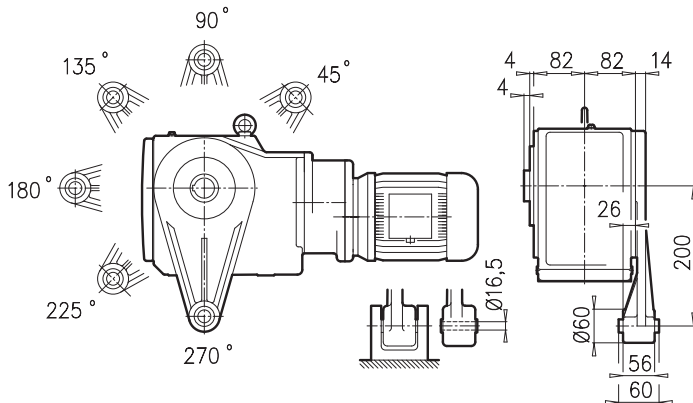
SK 9023.1AZB \rightarrow A27



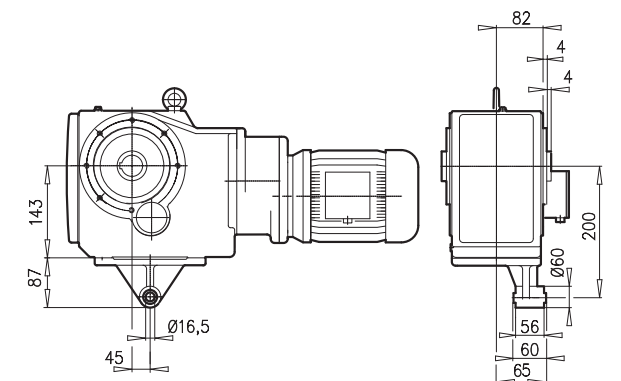
SK 9023.1AZSH \rightarrow A22



SK 9023.1 AZD



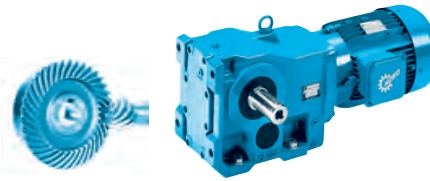
SK 9023.1 AZK



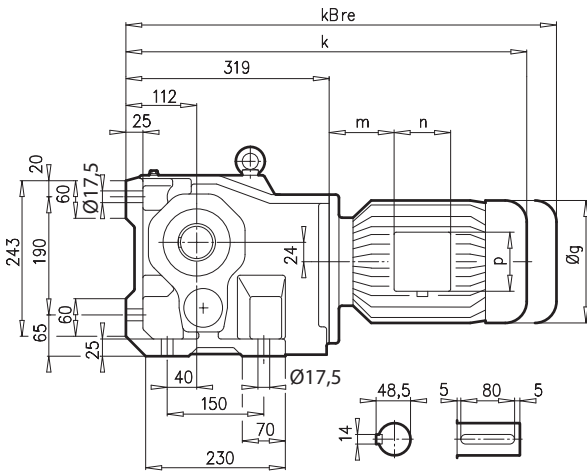
\pm \rightarrow A53	63 S/L	71 S/L					
g	130	145					
g1 / g1Bre	115 / 123	124 / 132					
k1 / k1Bre	546 / 602	586 / 644					
m / mBre	16 / 22	42 / 43					
n / nBre	100 / 134	100 / 134					
p / pBre	100 / 89	100 / 89					

\rightarrow D105

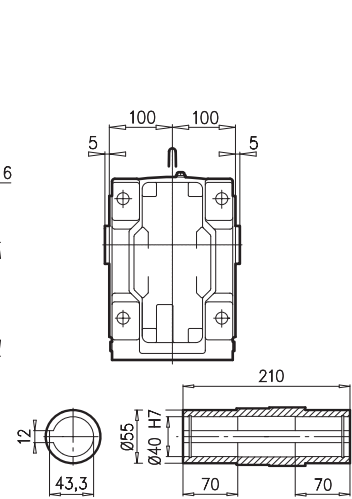
SK 9032.1



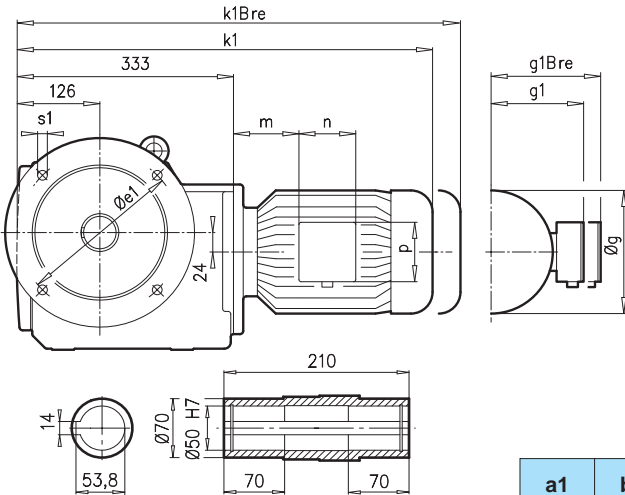
SK 9032.1



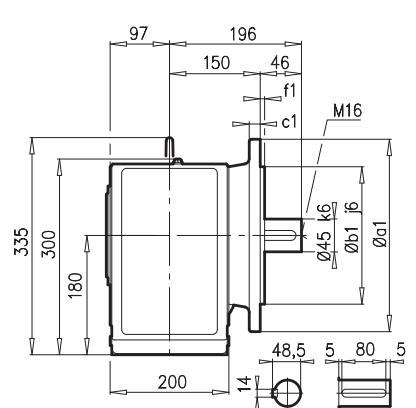
SK 9032.1AX



SK 9032.1AF

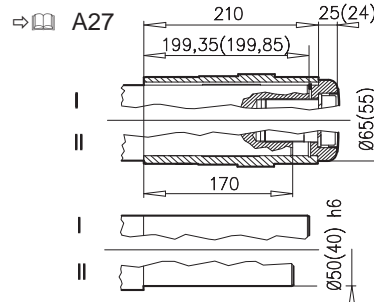


SK 9032.1VF



a1	b1	c1	e1	f1	s1
250	180	15	215	4	4 x 13,5
300	230	20	265	4	4 x 14

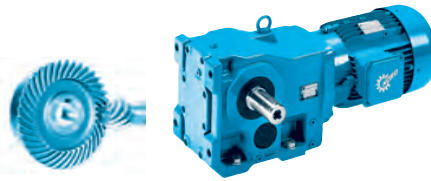
SK 9032.1AFB(AXB)



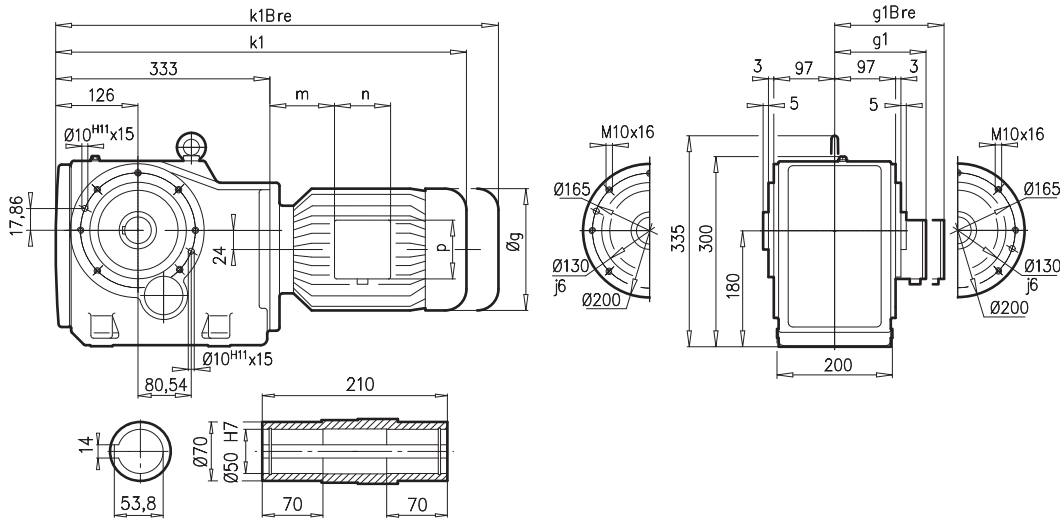
⇄ A53	71 S/L	80 SH/LH	90 SH/LH	100 LH/AH	112 MH	132 SH/MH/LH	160 SH/MH
g	145	165	183	201	228	266	320
g1 / g1Bre	124 / 132	142 / 142	147 / 147	169 / 173	179 / 182	204 / 201	242 / 242
k1 / k1Bre	563 / 621	588 / 652	629 / 704	659 / 750	707 / 800	768 / 875	845 / 980
k / kBre	549 / 607	574 / 638	615 / 690	645 / 736	693 / 786	754 / 861	831 / 966
m / mBre	36 / 43	41 / 45	46 / 50	52 / 56	68 / 72	71 / 51	72 / 72
n / nBre	100 / 134	114 / 153	114 / 153	114 / 153	114 / 153	122 / 185	186 / 186
p / pBre	100 / 89	114 / 108	114 / 108	114 / 108	114 / 108	122 / 139	186 / 186



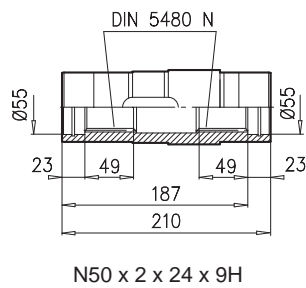
⇄ D106



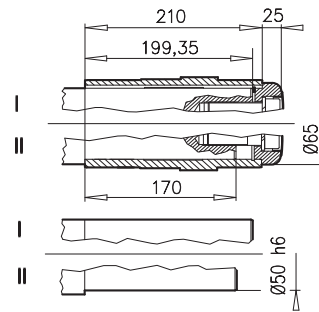
SK 9032.1AZ



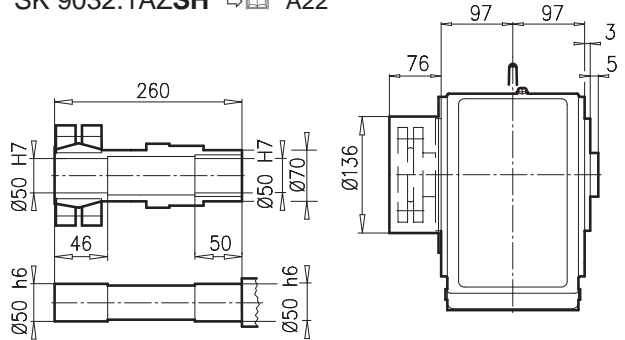
SK 9032.1AZEA



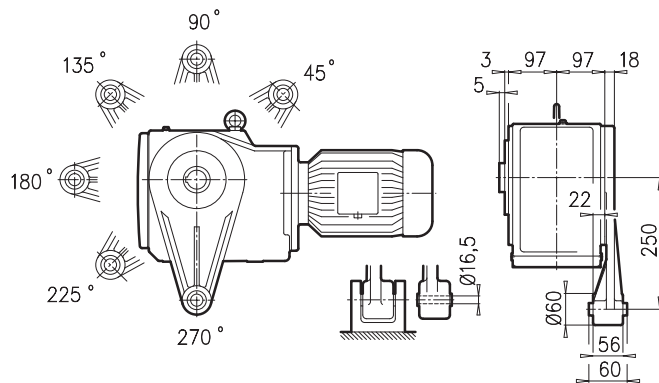
SK 9032.1AZB ⇨ A27



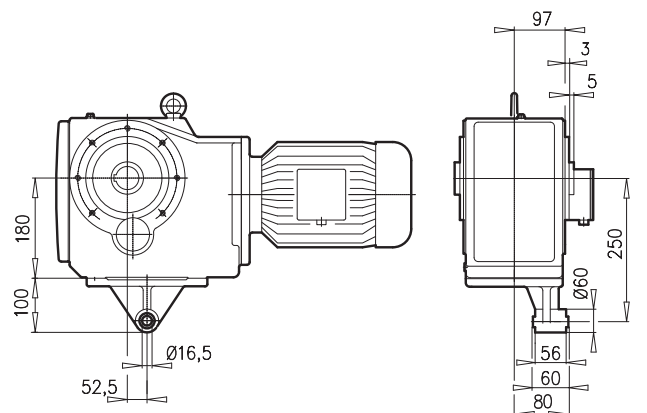
SK 9032.1AZSH ⇨ A22



SK 9032.1 AZD

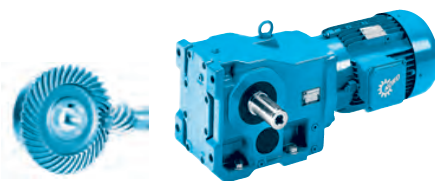


SK 9032.1 AZK

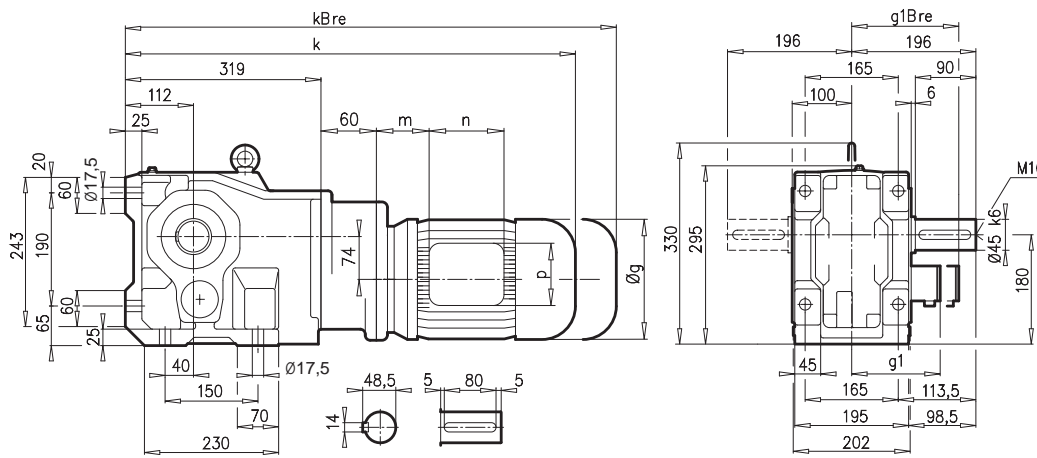


± ⇨ A53	71 S/L	80 SH/LH	90 SH/LH	100 LH/AH	112 MH	132 SH/MH/LH	160 SH/MH	 ⇨ D106
g	145	165	183	201	228	266	320	
g1 / g1Bre	124 / 132	142 / 142	147 / 147	169 / 173	179 / 182	204 / 201	242 / 242	
k1 / k1Bre	563 / 621	588 / 652	629 / 704	659 / 750	707 / 800	768 / 875	845 / 980	
m / mBre	36 / 42	41 / 45	46 / 50	52 / 56	68 / 72	71 / 51	72 / 72	
n / nBre	100 / 134	114 / 153	114 / 153	114 / 153	114 / 153	122 / 185	186 / 186	
p / pBre	100 / 89	114 / 108	114 / 108	114 / 108	114 / 108	122 / 139	186 / 186	

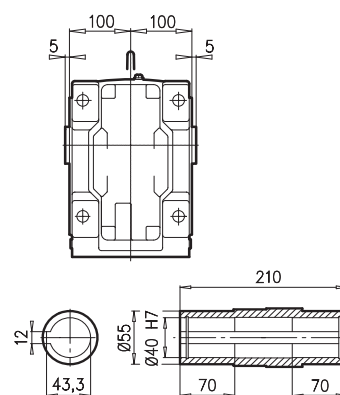
SK 9033.1



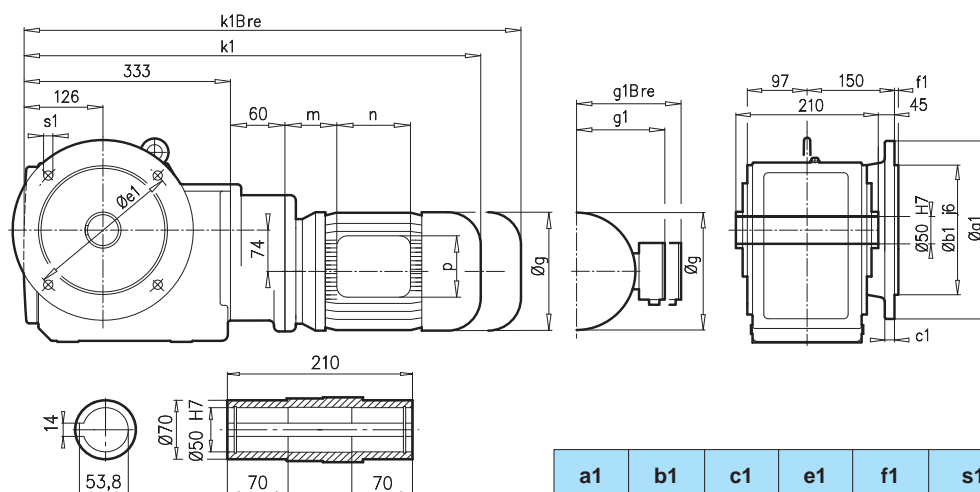
SK 9033.1



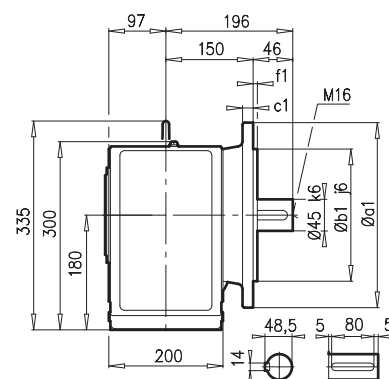
SK 9033.1AX



SK 9033.1AF

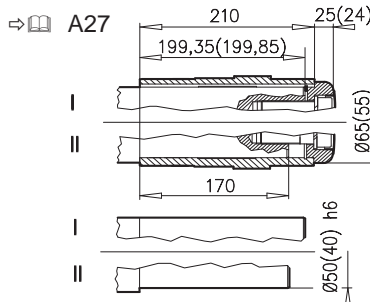


SK 9033.1VF



a1	b1	c1	e1	f1	s1
250	180	16	215	4	4 x 14
300	230	20	265	4	4 x 14

SK 9033.1AFB(AXB)



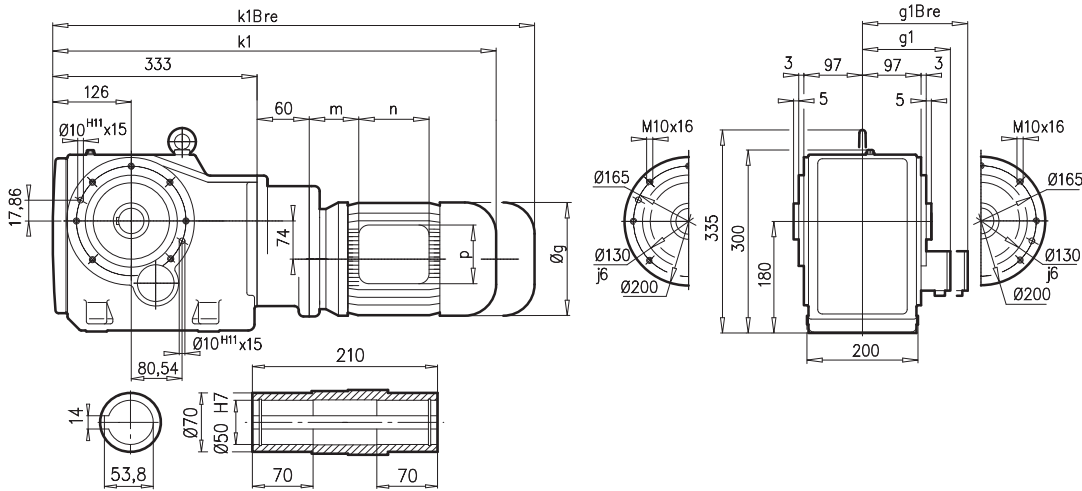
\rightarrow A53	63 S/L	71 S/L	80 SH/LH	90 SH/LH		
g	130	145	165	183		
g1 / g1Bre	115 / 123	124 / 132	142 / 142	147 / 147		
k1 / k1Bre	589 / 645	629 / 687	654 / 718	695 / 770		
k / kBre	575 / 631	615 / 673	640 / 704	681 / 756		
m / mBre	16 / 22	42 / 43	47 / 51	52 / 56		
n / nBre	100 / 134	100 / 134	114 / 153	114 / 153		
p / pBre	100 / 89	100 / 89	114 / 108	114 / 108		



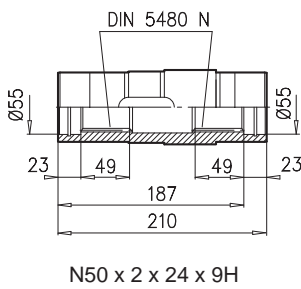
\rightarrow D105



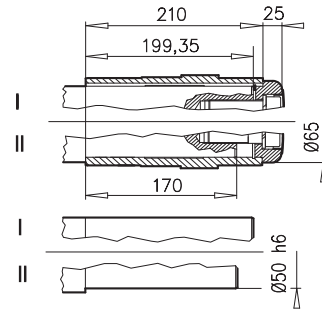
SK 9033.1AZ



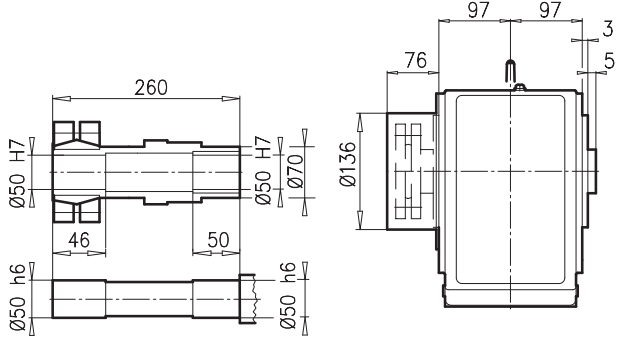
SK 9033.1AZEA



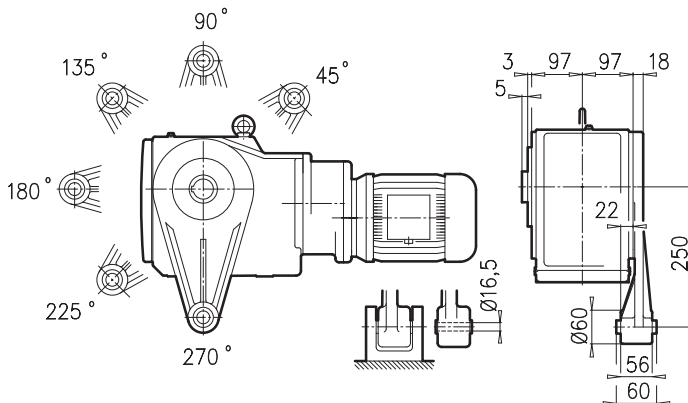
SK 9033.1AZB → A27



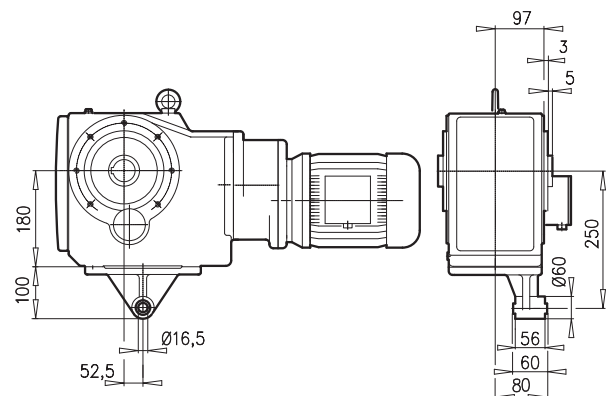
SK 9033.1AZSH → A22



SK 9033.1 AZD



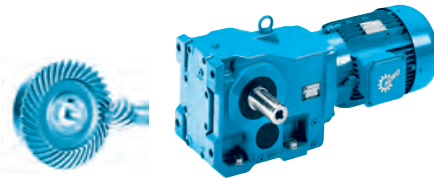
SK 9033.1 AZK



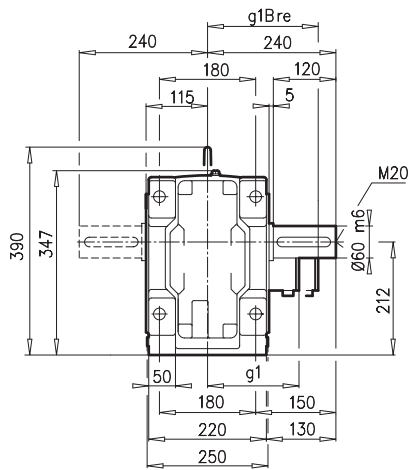
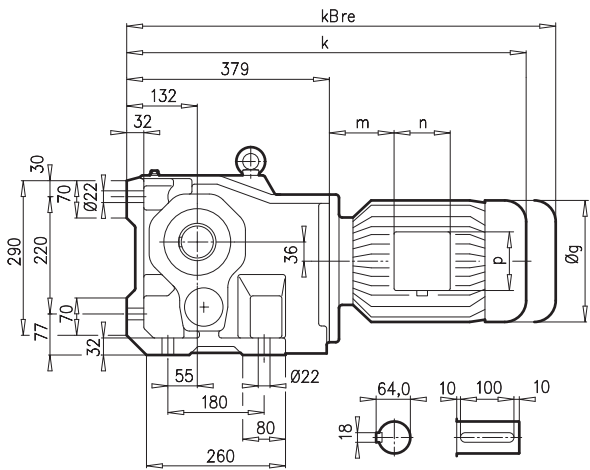
± A53	63 S/L	71 S/L	80 SH/LH	90 SH/LH		
g	130	145	165	183		
g1 / g1Bre	115 / 123	124 / 132	142 / 142	147 / 147		
k1 / k1Bre	589 / 645	629 / 687	654 / 718	695 / 770		
m / mBre	16 / 22	42 / 43	47 / 51	52 / 56		
n / nBre	100 / 134	100 / 134	114 / 153	114 / 153		
p / pBre	100 / 89	100 / 89	114 / 108	114 / 108		

→ A106

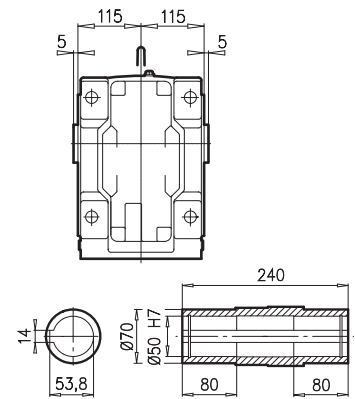
SK 9042.1



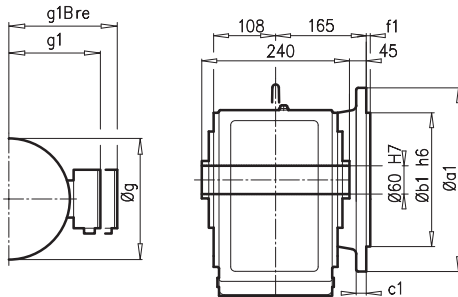
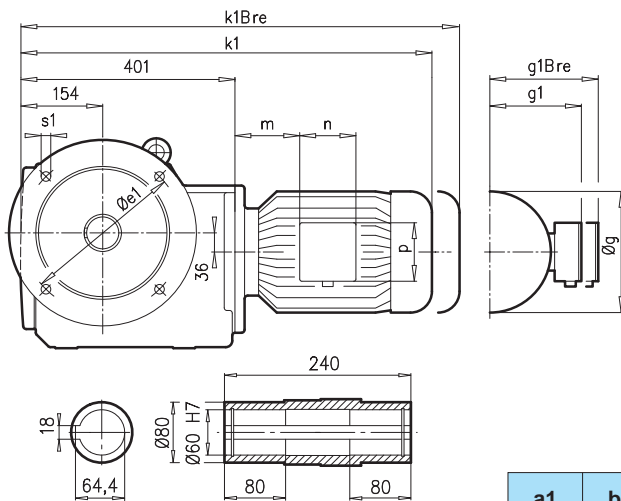
SK 9042.1



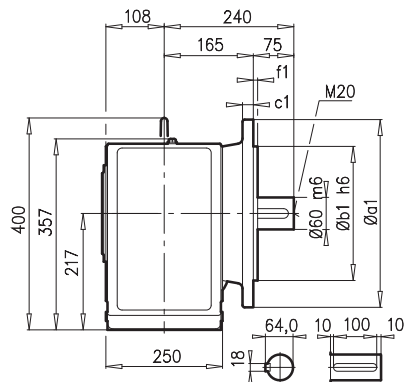
SK 9042.1AX



SK 9042.1AF

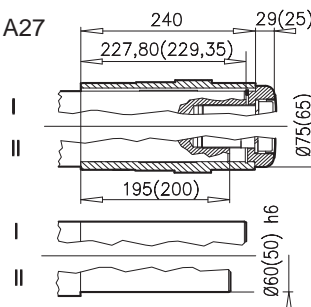


SK 9042.1VF



a1	b1	c1	e1	f1	s1
350	250	20	300	5	4 x 18

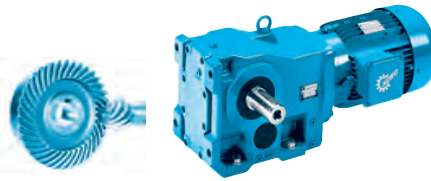
SK 9042.1AFB(AXB) ⇒ A27



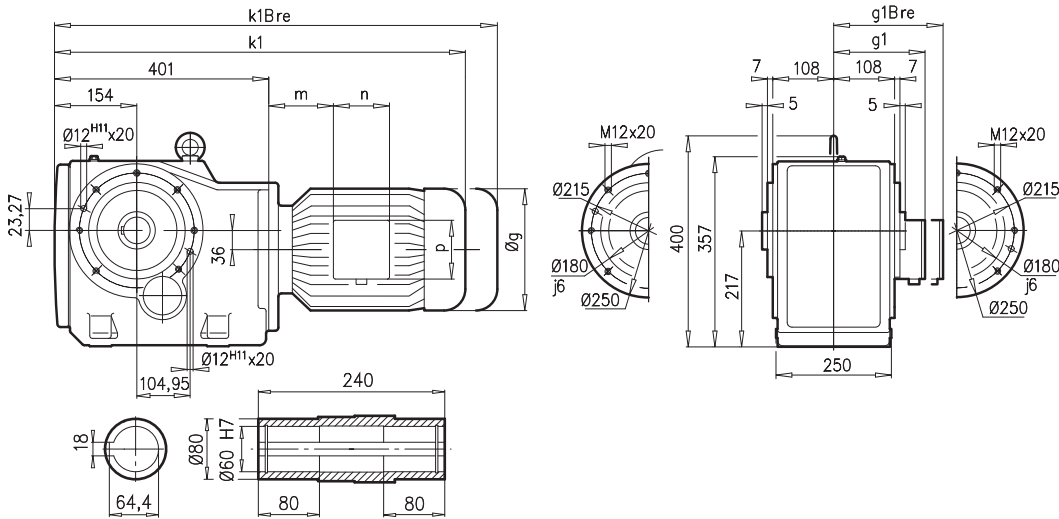
±⇒ A53	90 SH/LH	100 LH/AH	112 MH	132 SH/MH/LH	160 SH/MH	160 LH	180 MH/LH
g	183	201	228	266	320	320	358
g1 / g1Bre	147 / 147	169 / 173	179 / 182	204 / 201	242 / 242	242 / 242	259 / 259
k1 / k1Bre	677 / 752	707 / 798	755 / 848	816 / 923	893 / 1028	937 / 1072	1035 / 1162
k / kBre	655 / 730	685 / 776	733 / 826	794 / 901	871 / 1006	915 / 1050	1013 / 1140
m / mBre	26 / 30	32 / 36	48 / 52	51 / 44	52 / 52	52 / 52	74 / 74
n / nBre	114 / 153	114 / 153	114 / 153	122 / 185	186 / 186	186 / 186	186 / 186
p / pBre	114 / 108	114 / 108	114 / 108	122 / 139	186 / 186	186 / 186	186 / 186



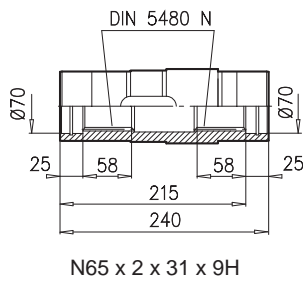
⇒ D107



SK 9042.1AZ

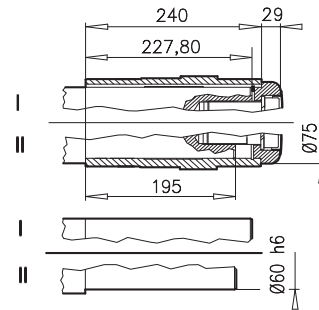


SK 9042.1AZEA

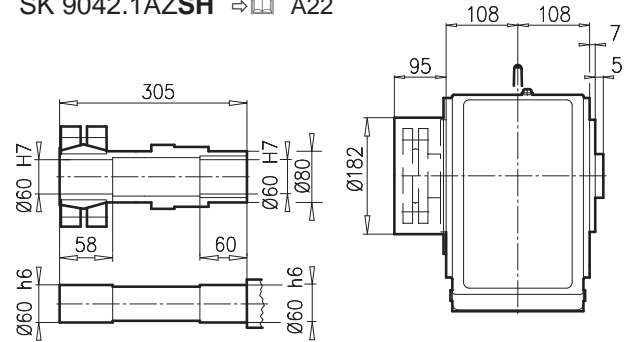


N65 x 2 x 31 x 9H

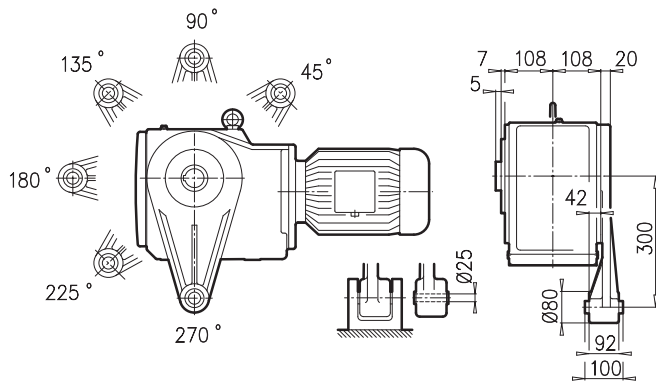
SK 9042.1AZB ⇨ A27



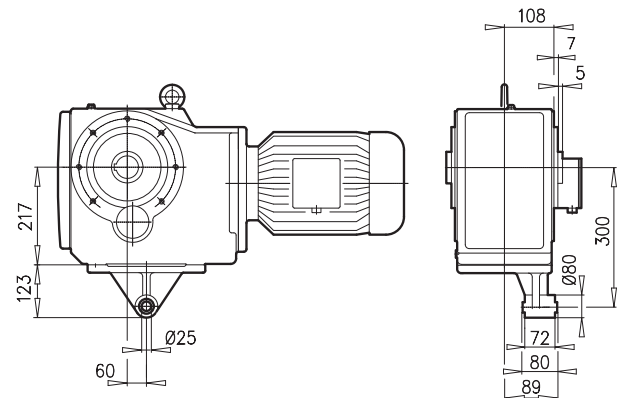
SK 9042.1AZSH ⇨ A22



SK 9042.1 AZD

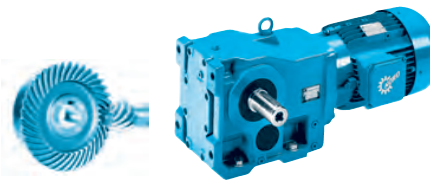


SK 9042.1 AZK

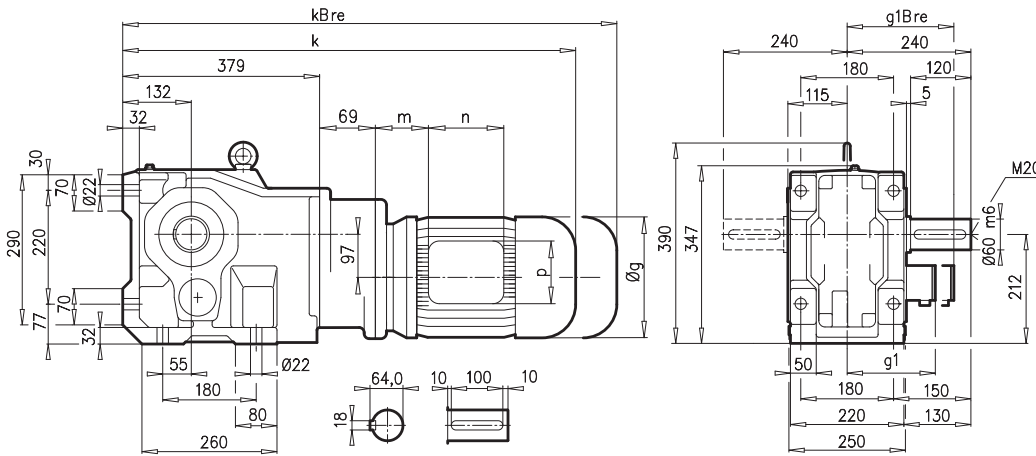


± ⇨ A53	90 SH/LH	100 LH/AH	112 MH	132 SH/MH/LH	160 SH/MH	160 LH	180 MH/LH	 ⇨ D107
g	183	201	228	266	320	320	358	
g1 / g1Bre	147 / 147	169 / 173	179 / 182	204 / 201	242 / 242	242 / 242	259 / 259	
k1 / k1Bre	677 / 752	707 / 798	755 / 848	816 / 923	893 / 1028	937 / 1072	1035 / 1162	
m / mBre	26 / 30	32 / 36	48 / 52	51 / 44	52 / 52	52 / 52	74 / 74	
n / nBre	114 / 153	114 / 153	114 / 153	122 / 185	186 / 186	186 / 186	186 / 186	
p / pBre	114 / 108	114 / 108	114 / 108	122 / 139	186 / 186	186 / 186	186 / 186	

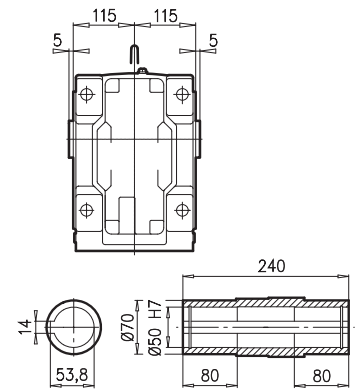
SK 9043.1



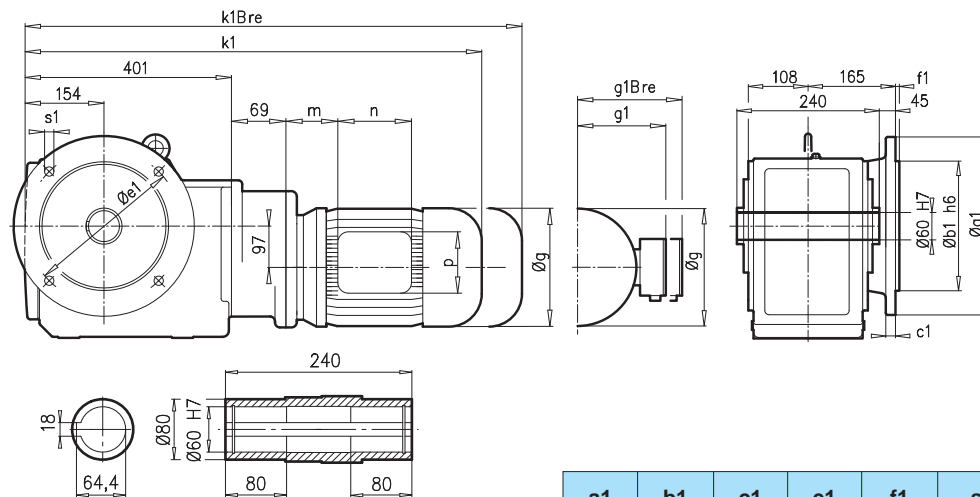
SK 9043.1



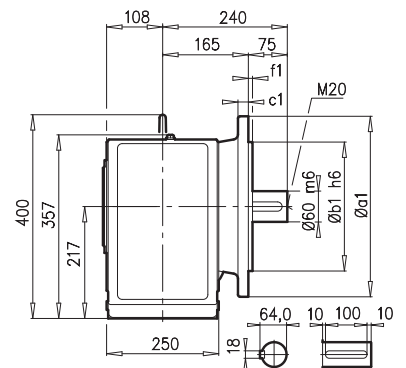
SK 9043.1AX



SK 9043.1AF

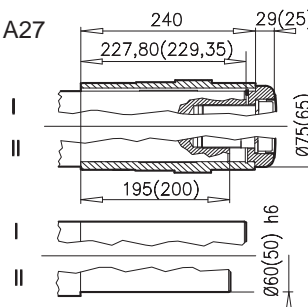


SK 9043.1VF



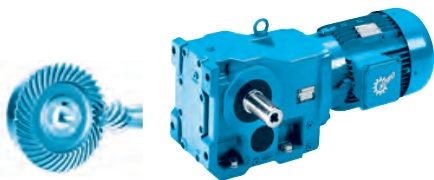
a1	b1	c1	e1	f1	s1
350	250	20	300	5	4 x 18

SK 9043.1AFB(AXB) ⇒ A27

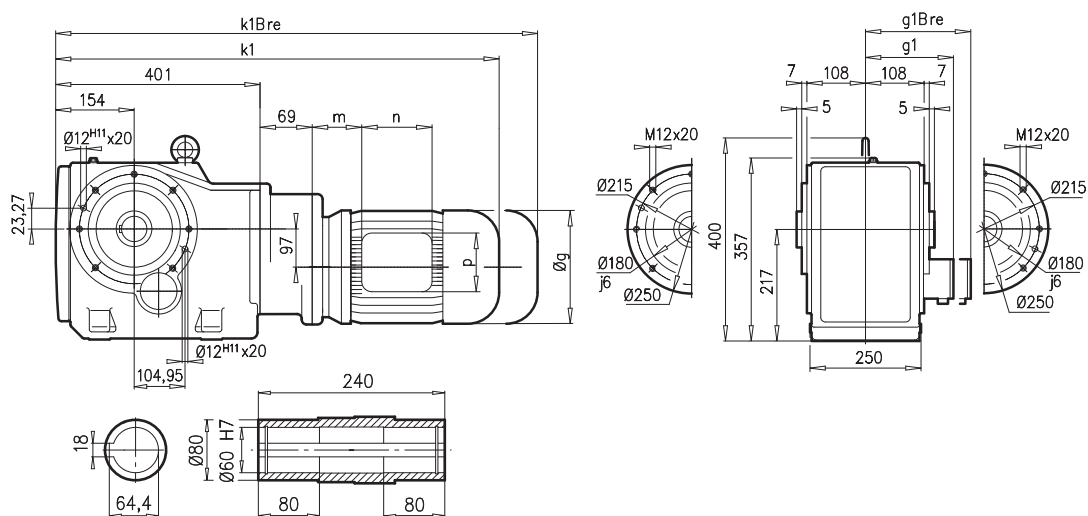


±⇒ A53	71 S/L	80 SH/LH	90 SH/LH	100 LH/AH			
g	145	165	183	201			
g1 / g1Bre	124 / 132	142 / 142	147 / 147	169 / 173			
k1 / k1Bre	700 / 758	725 / 789	766 / 841	796 / 887			
k / kBre	678 / 736	703 / 767	724 / 799	754 / 845			
m / mBre	36 / 42	41 / 45	46 / 50	52 / 56			
n / nBre	100 / 134	114 / 153	114 / 153	114 / 153			
p / pBre	100 / 89	114 / 108	114 / 108	114 / 108			

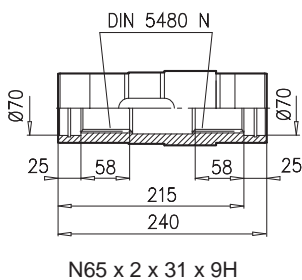
⇒ D106



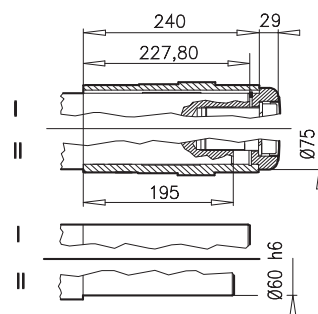
SK 9043.1AZ



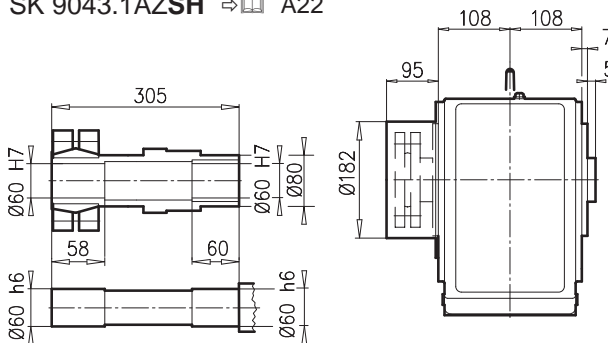
SK 9043.1AZEA



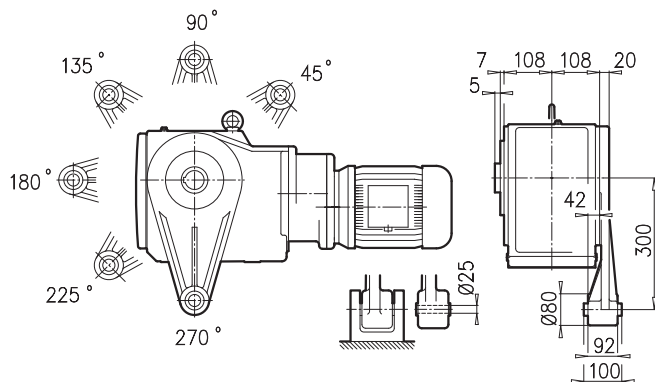
SK 9043.1AZB ⇨ A27



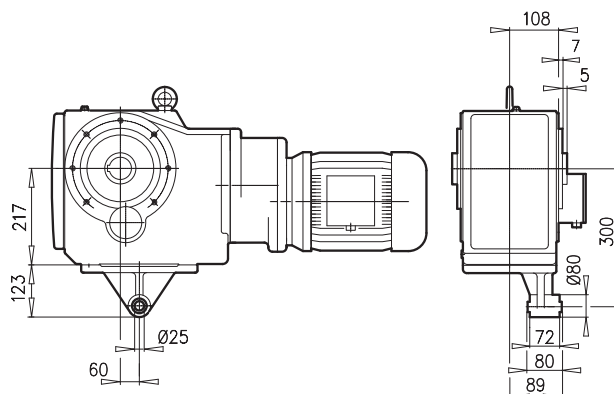
SK 9043.1AZSH ⇨ A22



SK 9043.1 AZD



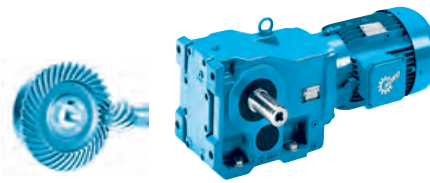
SK 9043.1 AZK



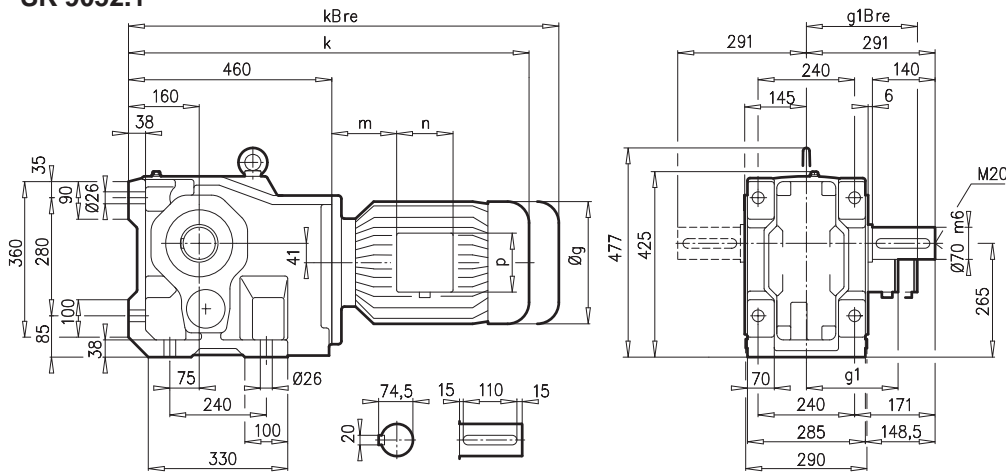
±⇨ A53	71 S/L	80 SH/LH	90 SH/LH	100 LH/AH			
g	145	165	183	201			
g1 / g1Bre	124 / 132	142 / 142	147 / 147	169 / 173			
k1 / k1Bre	700 / 758	725 / 789	766 / 841	796 / 887			
m / mBre	36 / 42	41 / 45	46 / 50	52 / 56			
n / nBre	100 / 134	114 / 153	114 / 153	114 / 153			
p / pBre	100 / 879	114 / 108	114 / 108	114 / 108			

⇨ D106

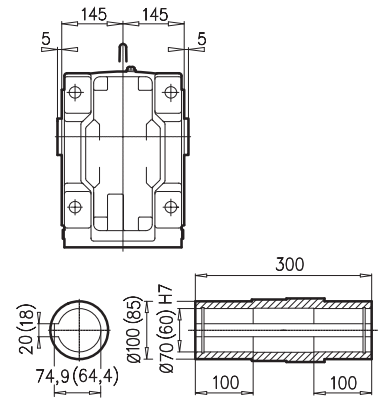
SK 9052.1



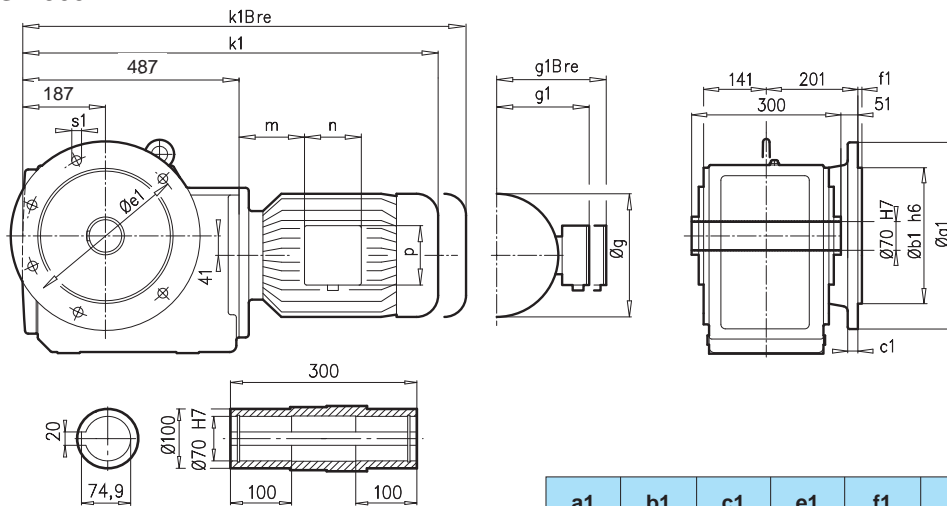
SK 9052.1



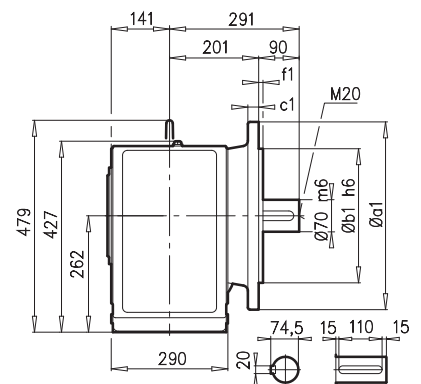
SK 9052.1AX



SK 9052.1AF

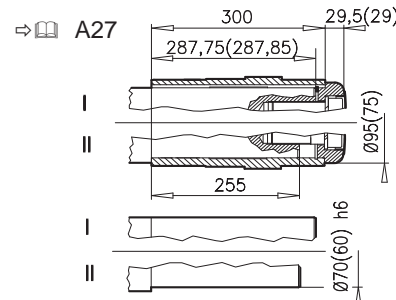


SK 9052.1VF

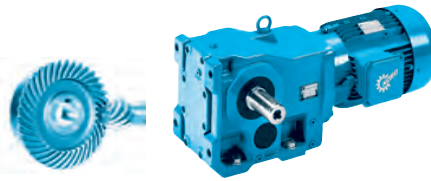


a1	b1	c1	e1	f1	s1
400	300	20	350	5	4 x 18
450	350	16	400	5	8 x 18

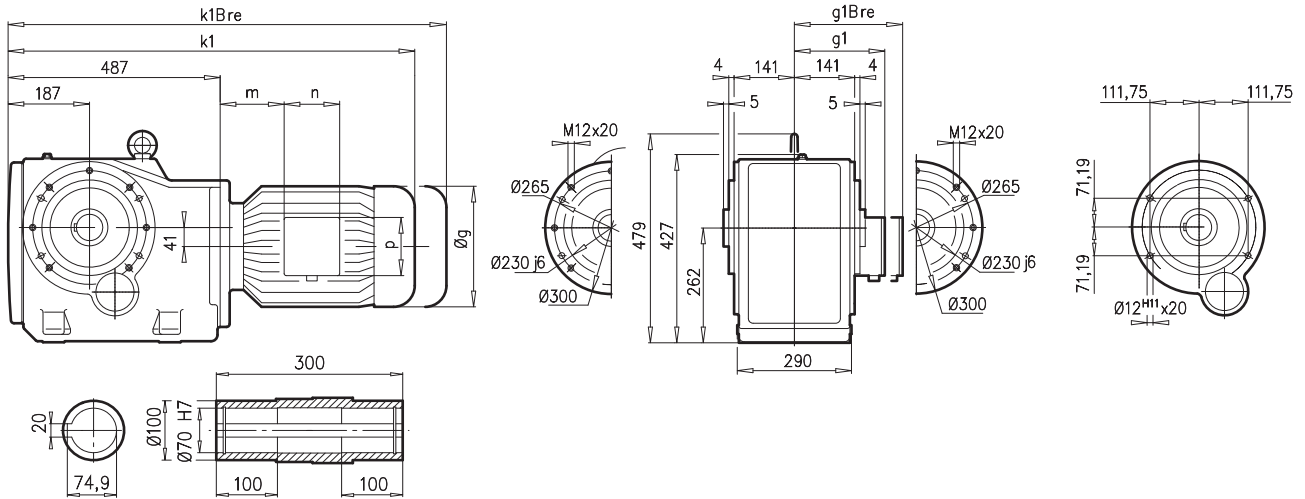
SK 9052.1AFB(AXB)



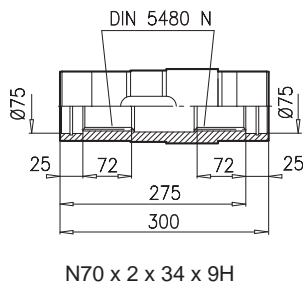
H ↗ A53	90 SH/LH	100 LH/AH	112 MH	132 SH/MH/LH	160 SH/MH	160 LH	180 MH/LH	200 LH	 ↗ D107
g	183	201	228	266	320	320	358	402	
g1 / g1Bre	147 / 147	169 / 173	179 / 182	204 / 201	242 / 242	242 / 242	259 / 259	305 / 305	
k1 / k1Bre	763 / 838	793 / 884	841 / 934	902 / 1009	979 / 1114	1023 / 1158	1121 / 1248	1175 / 1341	
k / kBre	736 / 811	766 / 857	814 / 907	875 / 982	952 / 1087	996 / 1131	1094 / 1221	1148 / 1314	
m / mBre	26 / 30	32 / 36	48 / 52	51 / 44	52 / 52	52 / 52	74 / 74	110 / 110	
n / nBre	114 / 153	114 / 153	114 / 153	122 / 185	186 / 186	186 / 186	186 / 186	192 / 192	
p / pBre	114 / 108	114 / 108	114 / 108	122 / 139	186 / 186	186 / 186	186 / 186	260 / 260	



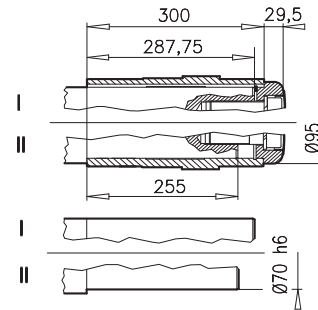
SK 9052.1AZ



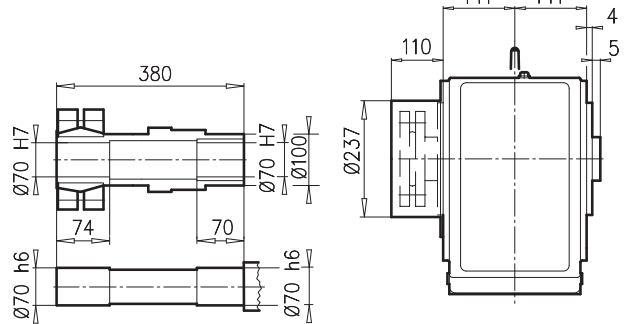
SK 9052.1AZEA



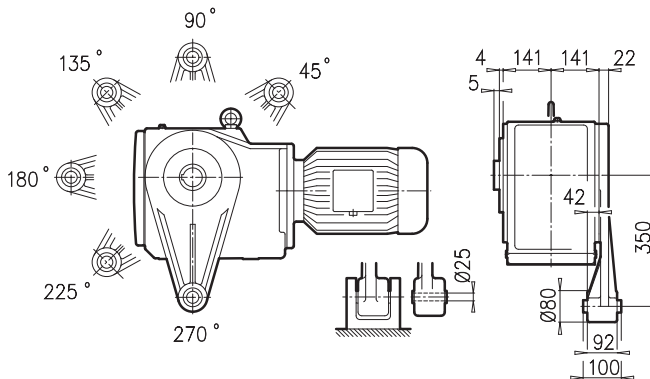
SK 9052.1AZB ⇨ A27



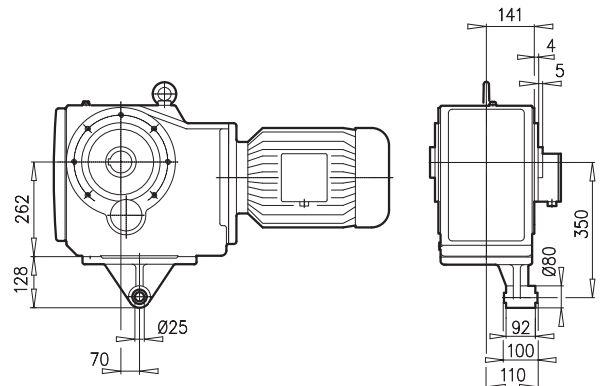
SK 9052.1AZSH ⇨ A22



SK 9052.1 AZD

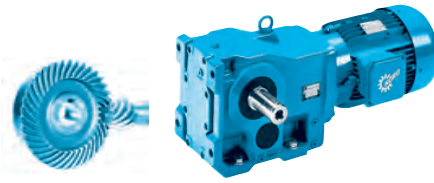


SK 9052.1 AZK

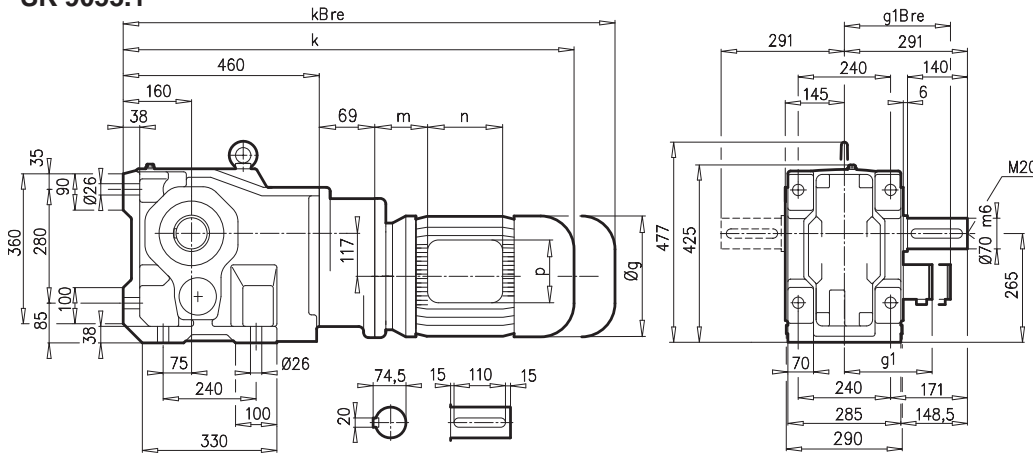


± ⇨ A53	90 SH/LH	100 LH/AH	112 MH	132 SH/MH/LH	160 SH/MH	160 LH	180 MH/LH	200 LH	 ⇨ D107
g	183	201	228	266	320	320	358	402	
g1 / g1Bre	147 / 147	169 / 173	179 / 182	204 / 201	242 / 242	242 / 242	259 / 259	305 / 305	
k1 / k1Bre	763 / 838	793 / 884	841 / 934	902 / 1009	979 / 1114	1023 / 1158	1121 / 1248	1175 / 1341	
m / mBre	26 / 30	32 / 36	48 / 52	51 / 44	52 / 52	52 / 52	74 / 74	110 / 110	
n / nBre	114 / 153	114 / 153	114 / 153	122 / 185	186 / 186	186 / 186	186 / 186	192 / 192	
p / pBre	114 / 108	114 / 108	114 / 108	122 / 139	186 / 186	186 / 186	186 / 186	260 / 260	

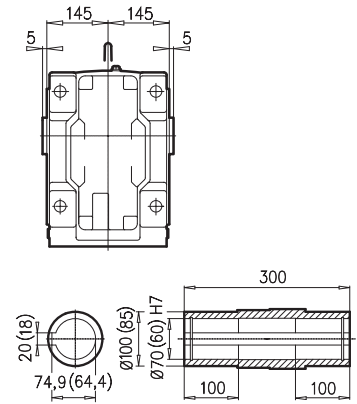
SK 9053.1



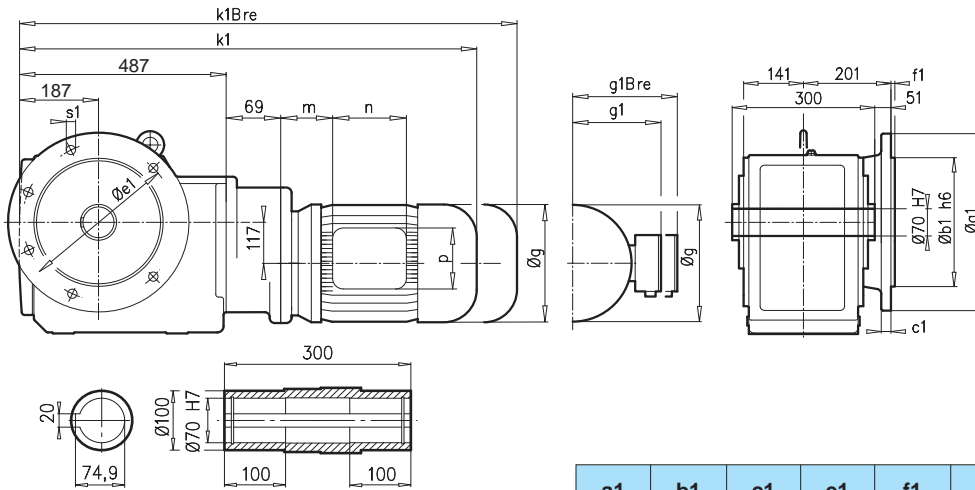
SK 9053.1



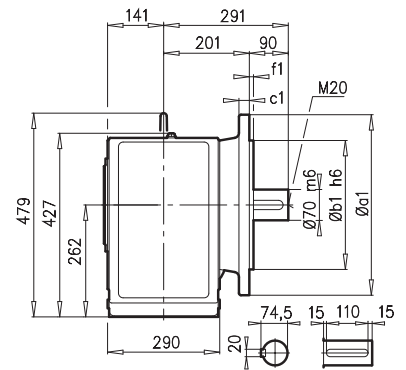
SK 9053.1AX



SK 9053.1AF

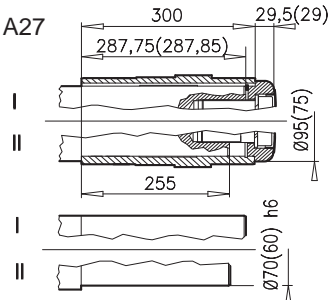


SK 9053.1VF



a1	b1	c1	e1	f1	s1
400	300	20	350	5	4 x 18
450	350	16	400	5	8 x 18

SK 9053.1AFB(AXB) ⇨ A27



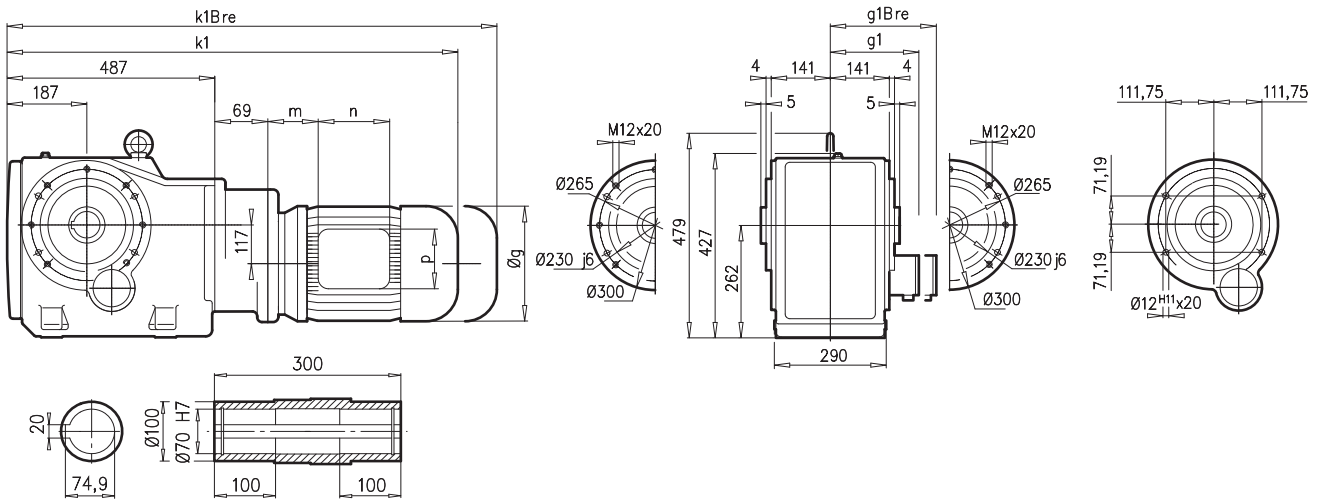
± ⇨ A53	71 S/L	80 SH/LH	90 SH/LH	100 LH/AH	112 MH	
g	145	165	183	201	228	
g1 / g1Bre	124 / 132	142 / 142	147 / 147	169 / 172	179 / 182	
k1 / k1Bre	786 / 844	811 / 875	852 / 927	882 / 973	930 / 1023	
k / kBre	759 / 817	784 / 848	825 / 900	855 / 946	903 / 996	
m / mBre	36 / 42	41 / 45	46 / 50	52 / 56	68 / 72	
n / nBre	100 / 134	114 / 153	114 / 153	114 / 153	114 / 153	
p / pBre	100 / 89	114 / 108	114 / 108	114 / 108	114 / 108	



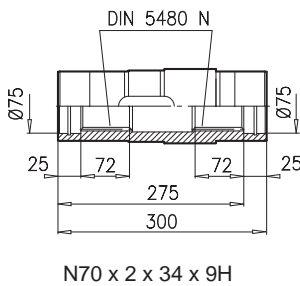
⇨ D106



SK 9053.1AZ

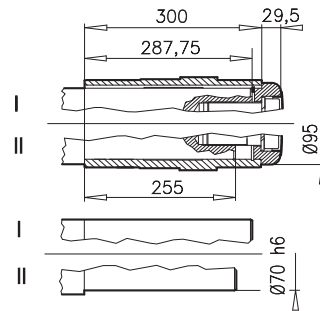


SK 9053.1AZEA

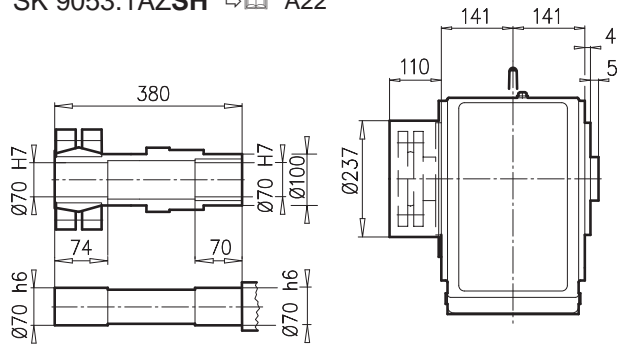


N70 x 2 x 34 x 9H

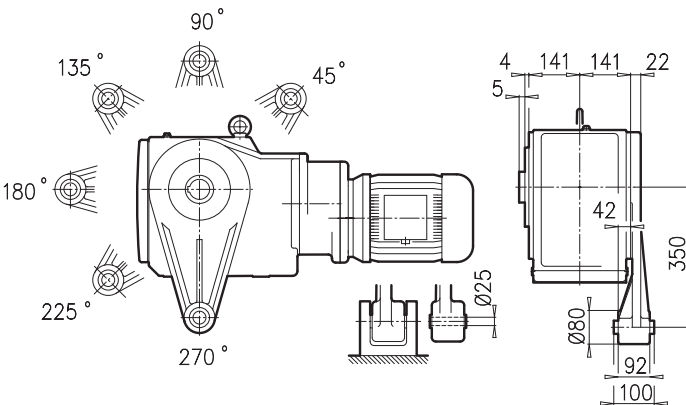
SK 9053.1AZB ⇨ A27



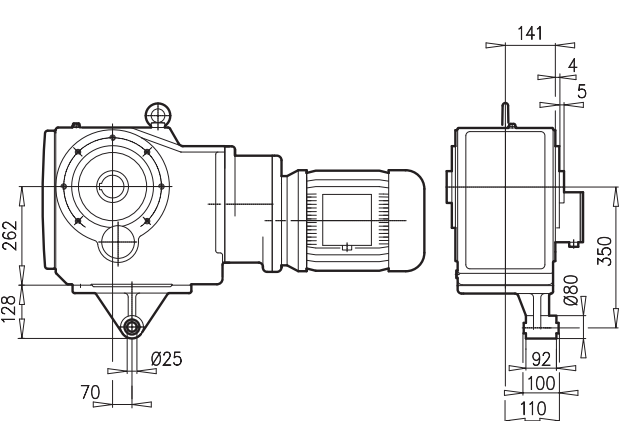
SK 9053.1AZSH ⇨ A22



SK 9053.1 AZD



SK 9053.1 AZK

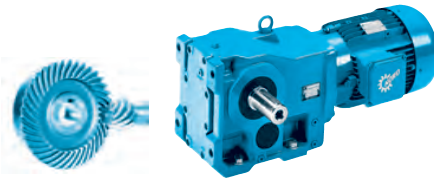


± ⇨ A53	71 S/L	80 SH/LH	90 SH/LH	100 LH/AH	112 MH		
g	145	165	183	201	228		
g1 / g1Bre	124 / 132	142 / 142	147 / 147	169 / 172	179 / 182		
k1 / k1Bre	786 / 844	811 / 875	852 / 927	882 / 973	930 / 1023		
m / mBre	36 / 43	41 / 45	46 / 50	52 / 56	68 / 72		
n / nBre	100 / 134	114 / 153	114 / 153	114 / 153	114 / 153		
p / pBre	100 / 89	114 / 108	114 / 108	114 / 108	114 / 108		

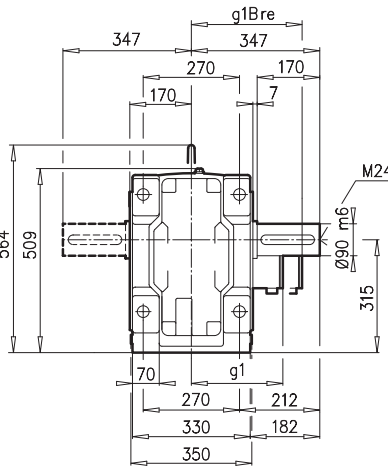
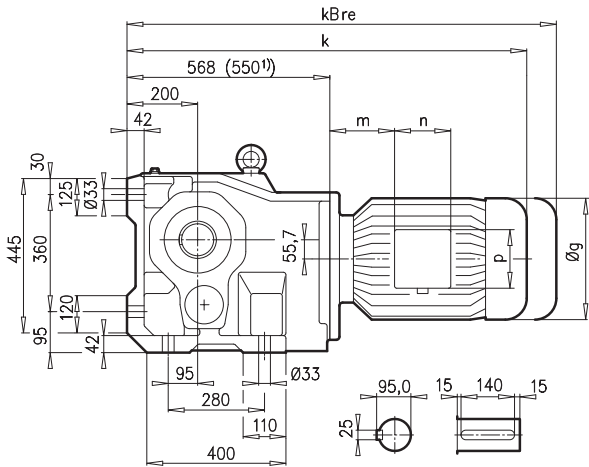


⇨ D106

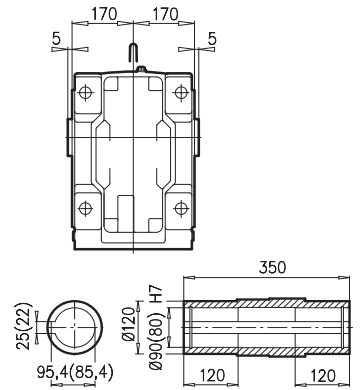
SK 9072.1



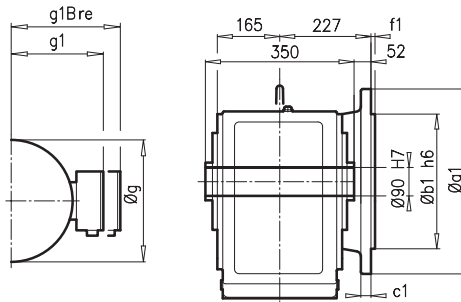
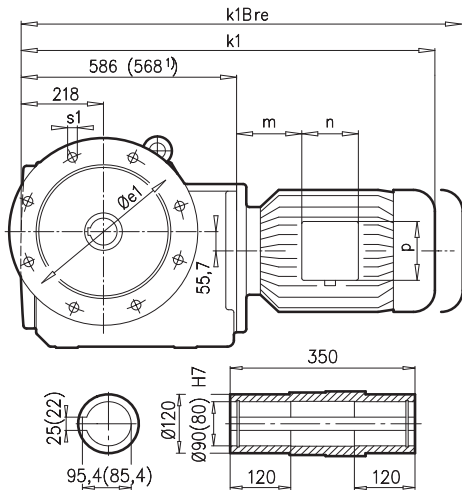
SK 9072.1



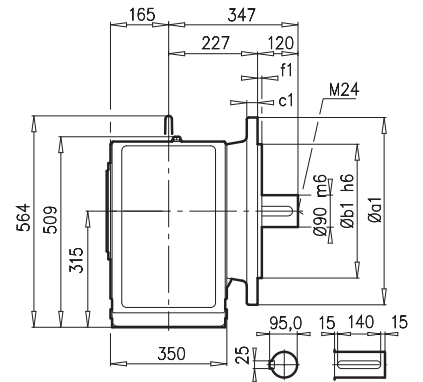
SK 9072.1AX



SK 9072.1AF

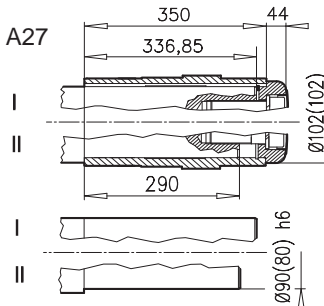


SK 9072.1VF

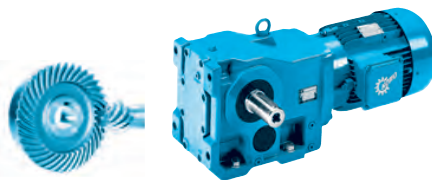


a1	b1	c1	e1	f1	s1
450	350	22	400	5	8x18
550	450	28	500	5	8x18

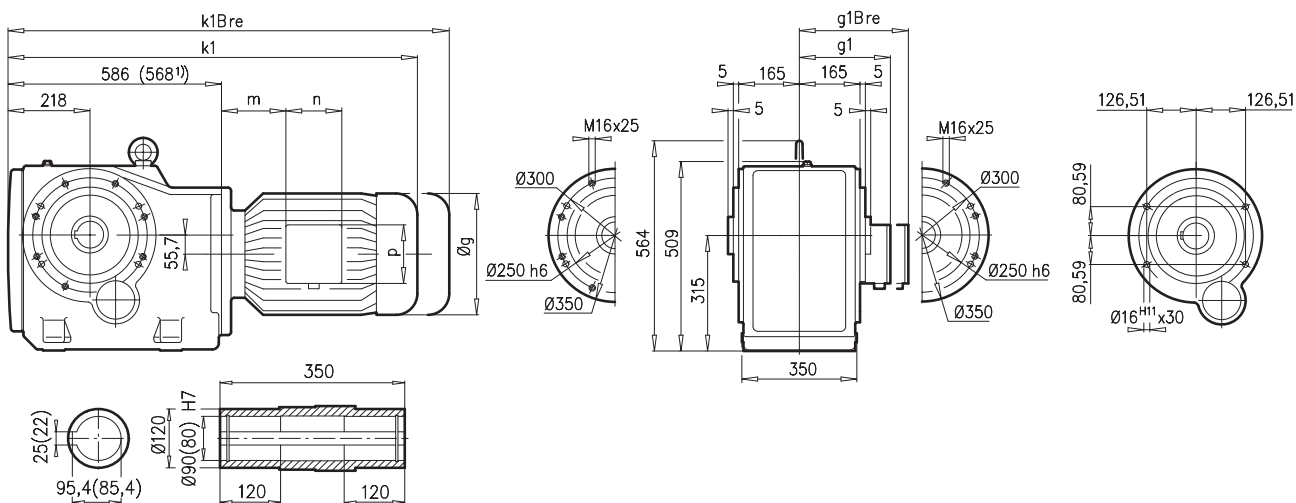
SK 9072.1AFB(AXB) ⇨ A27



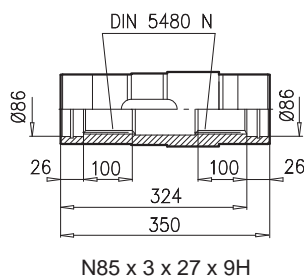
± ⇨ A53	100 LH/AH	112 MH	132 SH/MH/LH	160 SH/MH ¹⁾	160 LH ¹⁾	180 MH/LH ¹⁾	200 LH ¹⁾	225 SH ¹⁾	225 MH ¹⁾	 ⇨ D108
g	201	228	266	320	320	358	402	442	442	
g1 / g1Bre	169 / 172	179 / 182	204 / 201	242 / 242	242 / 242	259 / 259	305 / 305	325 / 325	325 / 325	
k1 / k1Bre	892 / 983	937 / 1030	1021 / 1128	1060 / 1195	1104 / 1239	1182 / 1309	1256 / 1422	1253 / 1433	1313 / 1493	
k / kBre	874 / 965	919 / 1012	1003 / 1110	1042 / 1177	1086 / 1221	1164 / 1291	1238 / 1404	1235 / 1415	1295 / 1475	
m / mBre	32 / 36	45 / 49	71 / 64	52 / 52	52 / 52	54 / 54	110 / 110	145 / 145	145 / 145	
n / nBre	114 / 153	114 / 153	122 / 185	186 / 186	186 / 186	186 / 186	192 / 192	192 / 192	192 / 192	
p / pBre	114 / 108	114 / 108	122 / 139	186 / 186	186 / 186	186 / 186	260 / 260	260 / 260	260 / 260	



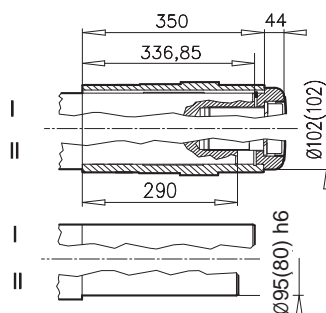
SK 9072.1AZ



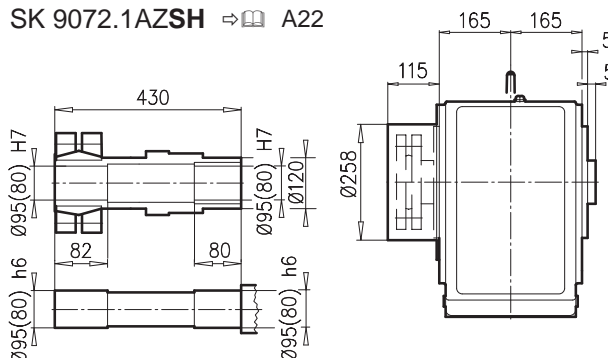
SK 9072.1AZEA



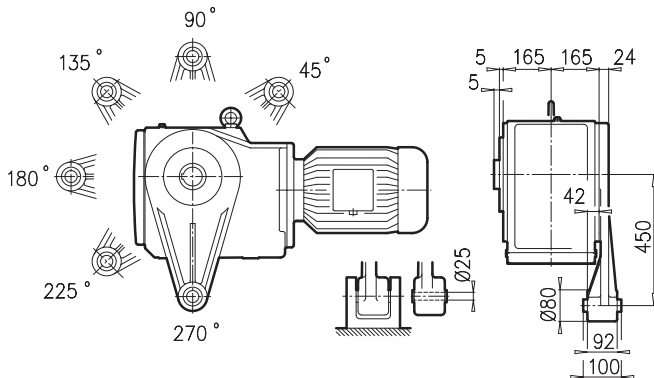
SK 9072.1AZB ⇨ A27



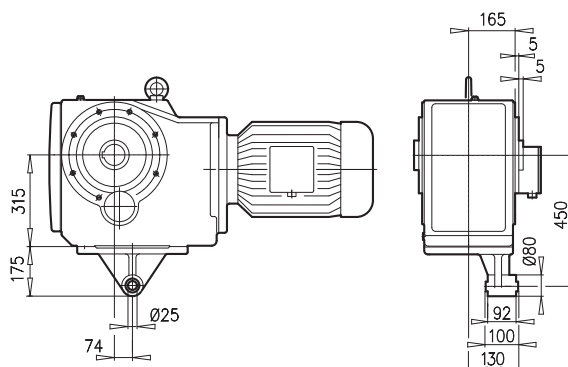
SK 9072.1AZSH ⇨ A22



SK 9072.1 AZD

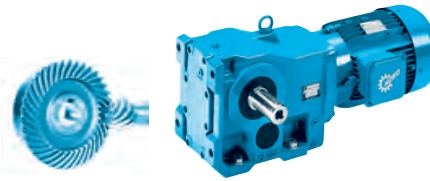


SK 9072.1 AZK

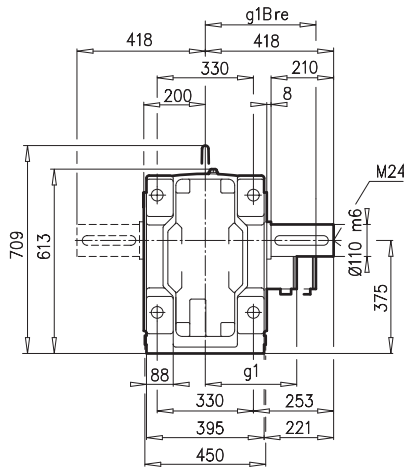
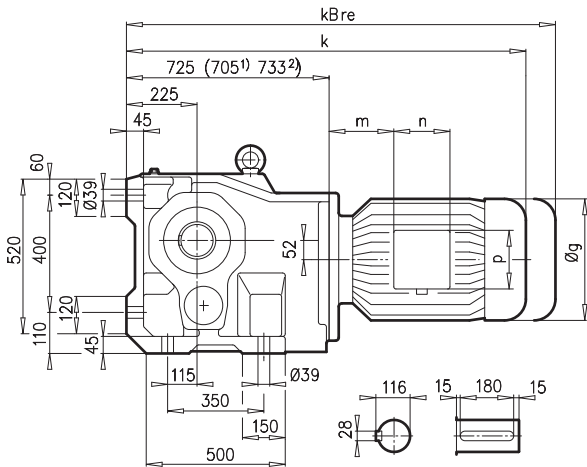


± ⇨ A53	100 LH/AH	112 MH	132 SH/MH	160 SH/MH ¹⁾	160 LH ¹⁾	180 MH/LH ¹⁾	200 LH ¹⁾	225 SH ¹⁾	225 MH ¹⁾	⇨ D108
g	201	228	266	320	320	358	402	442	442	
g1 / g1Bre	169 / 173	179 / 182	204 / 201	242 / 242	242 / 242	259 / 259	305 / 305	325 / 325	325 / 325	
k1 / k1Bre	892 / 983	937 / 1030	1021 / 1128	1060 / 1195	1104 / 1239	1182 / 1309	1256 / 1422	1253 / 1433	1313 / 1493	
m / mBre	32 / 36	45 / 49	71 / 64	52 / 52	52 / 52	54 / 54	110 / 110	145 / 145	145 / 145	
n / nBre	114 / 153	114 / 153	122 / 185	186 / 186	186 / 186	186 / 186	192 / 192	192 / 192	192 / 192	
p / pBre	114 / 108	114 / 108	122 / 139	186 / 186	186 / 186	186 / 186	260 / 260	260 / 260	260 / 260	

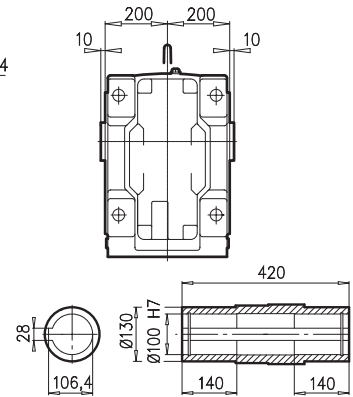
SK 9082.1



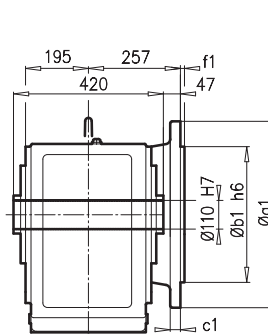
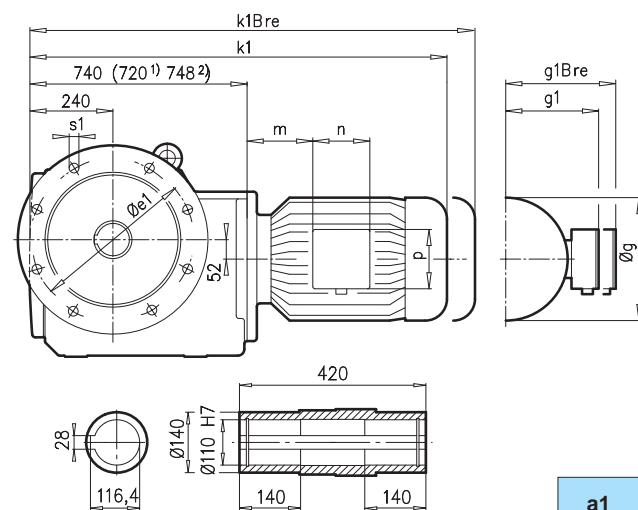
SK 9082.1



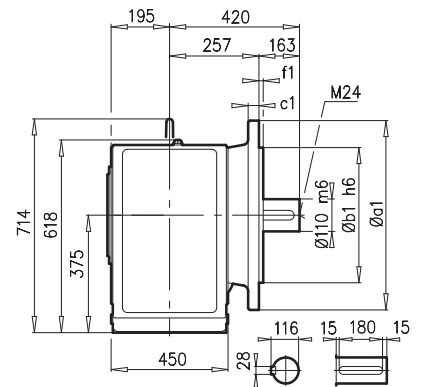
SK 9082.1AX



SK 9082.1AF

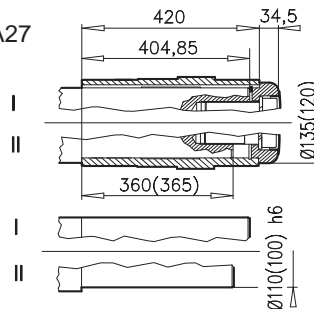




SK 9082.1VF

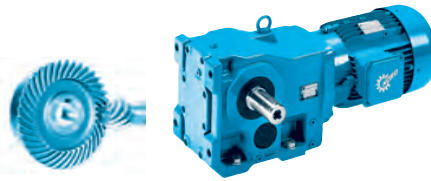


a1	b1	c1	e1	f1	s1
550	450	28	500	5	8x18

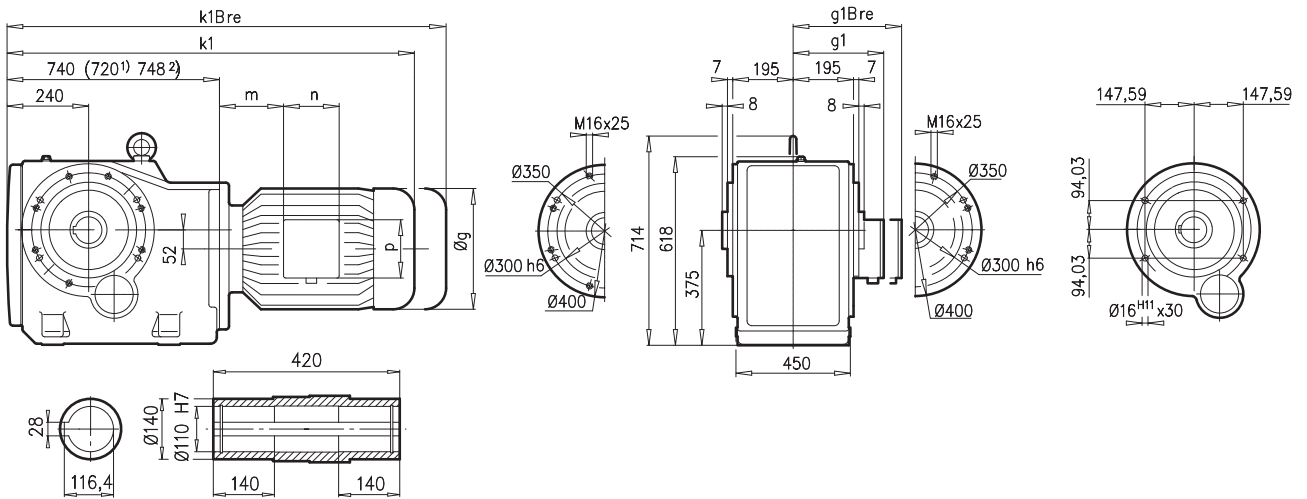
SK 9082.1AFB(AXB) ⇒ A27



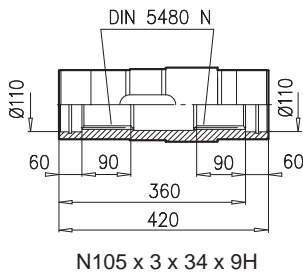
± ⇒ A53	132 SH/MH/LH	160 SH/MH	160 LH	180 MH/LH	200 LH	225 SH	225 MH	250 MH ¹⁾	280 SH ¹⁾	280 MH ²⁾	315 SH ²⁾	
g	266	320	320	358	402	442	442	495	555	555	610	
g1 / g1Bre	204 / 201	242 / 242	242 / 242	259 / 259	305 / 305	325 / 325	325 / 325	392 / 392	432 / 432	432 / 432	500 / -	
k1 / k1Bre	1175 / 1282	1232 / 1367	1276 / 1411	1354 / 1481	1428 / 1594	1425 / 1605	1485 / 1665	1550 / 1730	1550 / 1730	1678 / 1858	1680 / -	
k / kBre	1160 / 1267	1217 / 1352	1261 / 1396	1339 / 1466	1413 / 1579	1410 / 1590	1470 / 1650	1535 / 1715	1535 / 1715	1663 / 1843	1665 / -	⇒ D109
m / mBre	71 / 64	52 / 52	52 / 52	54 / 54	110 / 110	145 / 145	145 / 145	129 / 129	144 / 144	134 / 134	132 / -	
n / nBre	122 / 185	186 / 186	186 / 186	186 / 186	192 / 192	192 / 192	192 / 192	236 / 236	236 / 236	236 / 236	307 / -	
p / pBre	122 / 139	186 / 186	186 / 186	186 / 186	260 / 260	260 / 260	260 / 260	300 / 300	300 / 300	300 / 300	380 / -	



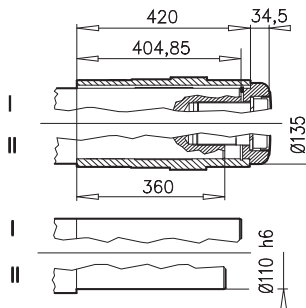
SK 9082.1AZ



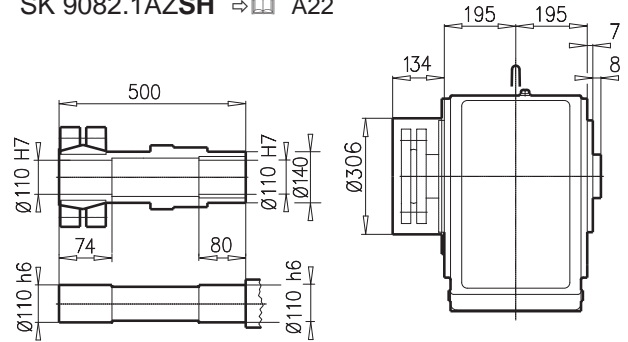
SK 9082.1AZEA



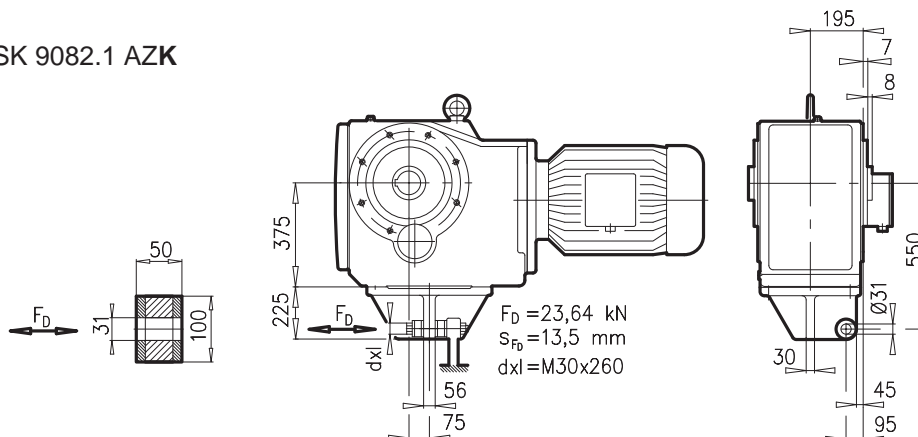
SK 9082.1AZB ⇨ A27



SK 9082.1AZSH ⇨ A22

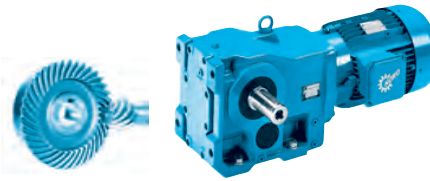


SK 9082.1 AZK

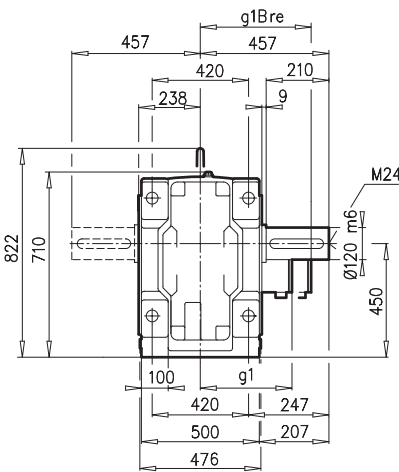
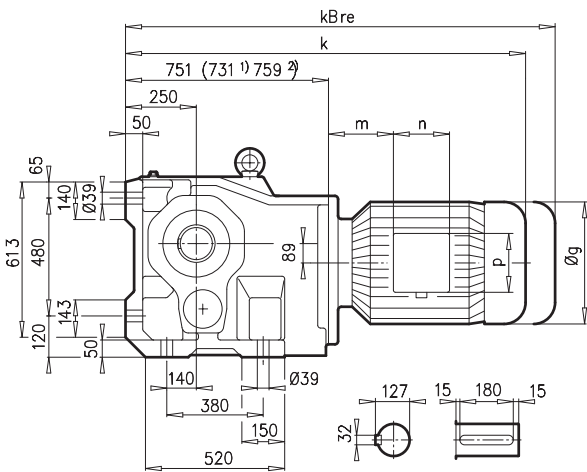


± ⇨ A53	132 SH/MH/LH	160 SH/MH	160 LH	180 MH/LH	200 LH	225 SH	225 MH	250 MH ¹⁾	280 SH ¹⁾	280 MH ²⁾	315 SH ²⁾	
g	266	320	320	358	402	442	442	495	555	555	610	
g1 / g1Bre	204 / 201	242 / 242	242 / 242	259 / 259	305 / 305	325 / 325	325 / 325	392 / 392	432 / 432	432 / 432	500 / -	
k1 / k1Bre	1175 / 1282	1232 / 1367	1276 / 1411	1354 / 1481	1428 / 1594	1425 / 1605	1485 / 1665	1550 / 1730	1550 / 1730	1678 / 1858	1680 / -	
m / mBre	71 / 64	52 / 52	52 / 52	54 / 54	110 / 110	145 / 145	145 / 145	129 / 129	144 / 144	144 / 144	132 / -	⇨ D109
n / nBre	122 / 185	186 / 186	186 / 186	186 / 186	192 / 192	192 / 192	192 / 192	236 / 236	236 / 236	236 / 236	307 / -	
p / pBre	122 / 139	186 / 186	186 / 186	186 / 186	260 / 260	260 / 260	260 / 260	300 / 300	300 / 300	300 / 300	380 / -	

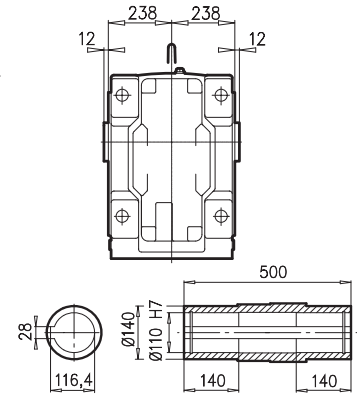
SK 9086.1



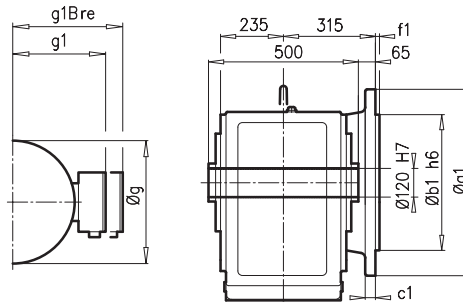
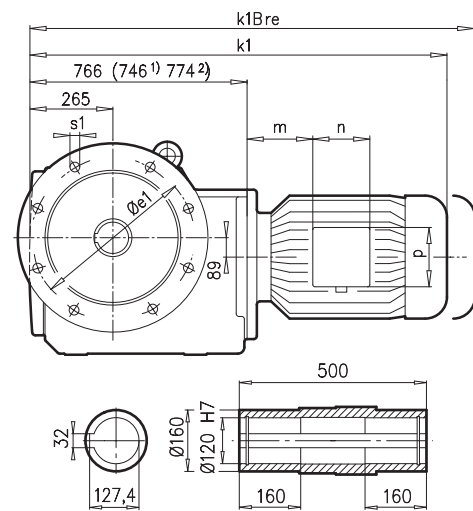
SK 9086.1



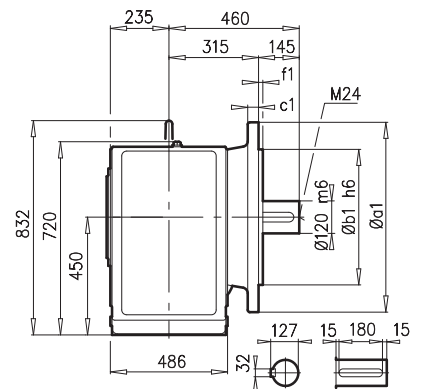
SK 9086.1AX



SK 9086.1AF

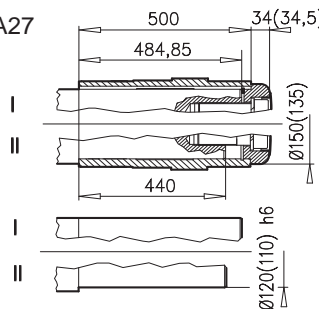


SK 9086.1VF



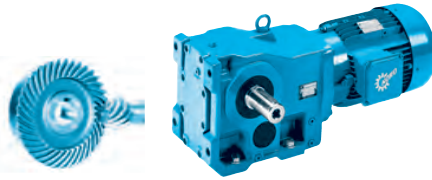
a1	b1	c1	e1	f1	s1
660	550	32	600	6	8x22

SK 9086.1AFB(AXB) ⇨ A27

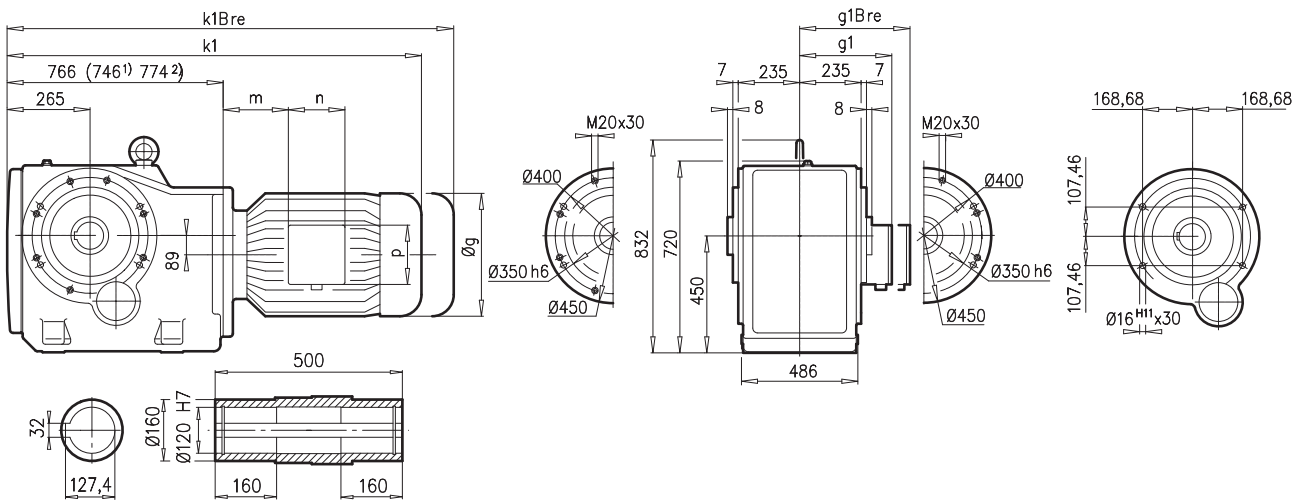


± ⇨ A53	132 SH/MH/LH	160 SH/MH	160 LH	180 MH/LH	200 LH	225 SH	225 MH	250 MH ¹⁾	280 SH ²⁾	280 MH ²⁾	315 SH ²⁾	315 MH/RH ²⁾
g	266	320	320	358	402	442	442	495	555	555	610	610
g1 / g1Bre	204 / 201	242 / 242	242 / 242	259 / 259	305 / 305	325 / 325	325 / 325	392 / 392	432 / 432	432 / 432	500 / -	500 / -
k1 / k1Bre	1201 / 1308	1258 / 1393	1302 / 1437	1380 / 1507	1454 / 1620	1451 / 1631	1511 / 1691	1576 / 1756	1604 / 1784	1704 / 1884	1706 / -	1866 / -
k / kBre	1186 / 1293	1243 / 1378	1287 / 1422	1365 / 1492	1439 / 1605	1436 / 1616	1496 / 1676	1561 / 1741	1589 / 1769	1689 / 1869	1691 / -	1851 / -
m / mBre	71 / 64	52 / 52	52 / 52	54 / 54	110 / 110	145 / 145	145 / 145	129 / 129	144 / 144	134 / 134	132 / -	132 / -
n / nBre	122 / 185	186 / 186	186 / 186	186 / 186	192 / 192	192 / 192	192 / 192	236 / 236	236 / 236	236 / 236	307 / -	307 / -
p / pBre	122 / 139	186 / 186	186 / 186	186 / 186	260 / 260	260 / 260	260 / 260	300 / 300	300 / 300	300 / 300	380 / -	380 / -

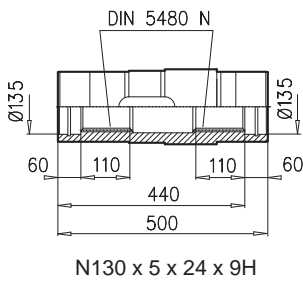




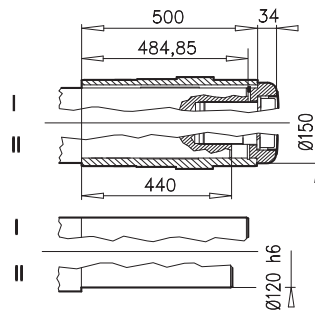
SK 9086.1AZ



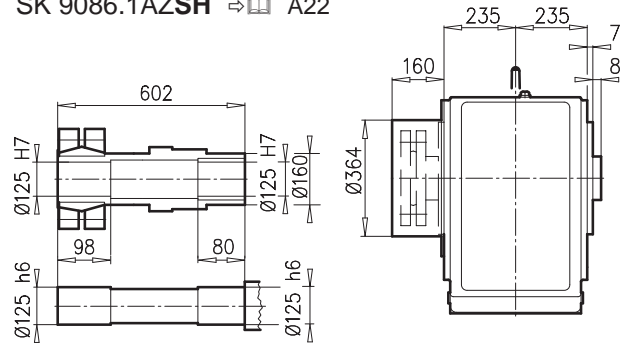
SK 9086.1AZEA



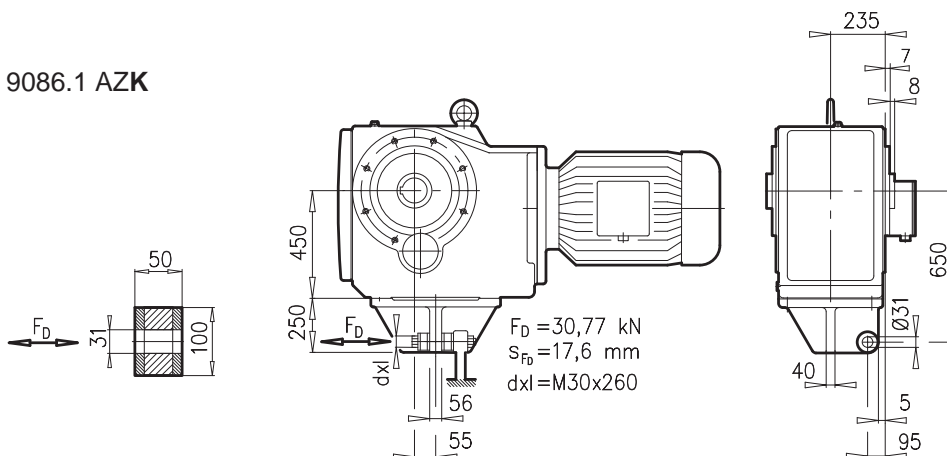
SK 9086.1AZB \Rightarrow A27



SK 9086.1AZSH \Rightarrow A22

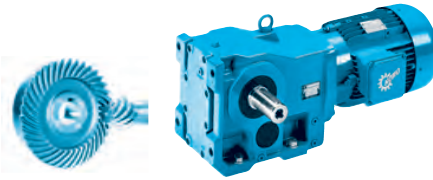


SK 9086.1 AZK



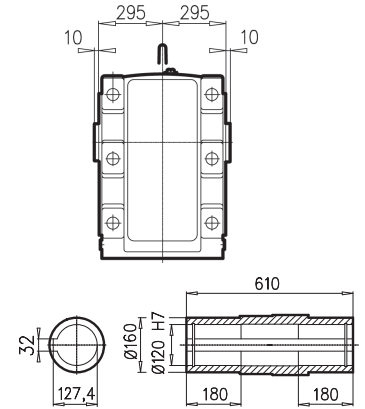
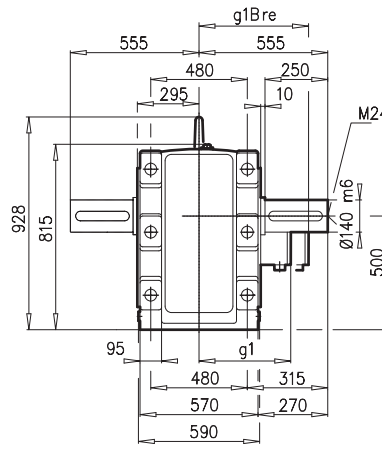
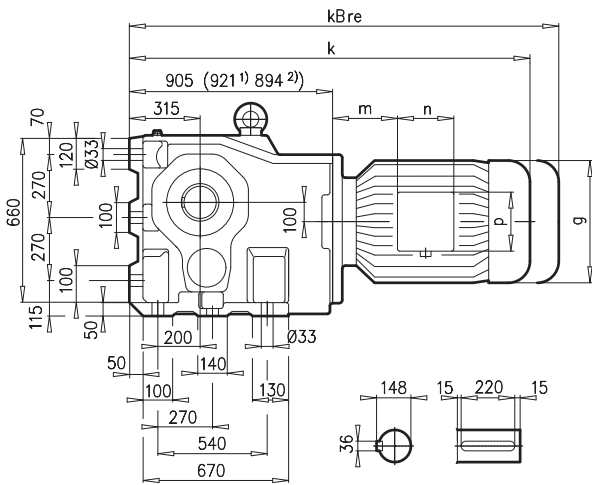
$\pm \Rightarrow$ A53	132 SH/M	160 SH/MH	160 LH	180 MH/LH	200 LH	225 SH	225 MH	250 MH ¹⁾	280 SH ¹⁾	280 MH ²⁾	315 SH ²⁾	315 MH/RH ²⁾	
g	266	320	320	358	402	442	442	495	555	555	610	610	
g1 / g1Bre	204 / 201	242 / 242	242 / 242	259 / 259	305 / 305	325 / 325	325 / 325	392 / 392	432 / 432	432 / 432	500 / -	500 / -	
k1 / k1Bre	1201 / 1308	1258 / 1393	1302 / 1437	1380 / 1507	1454 / 1620	1451 / 1631	1511 / 1691	1576 / 1756	1576 / 1756	1704 / 1884	1706 / -	1866 / -	\Rightarrow D109
m / mBre	71 / 64	52 / 52	52 / 52	54 / 54	110 / 110	145 / 145	145 / 145	129 / 129	144 / 144	134 / 134	132 / -	132 / -	
n / nBre	122 / 185	186 / 186	186 / 186	186 / 186	192 / 192	192 / 192	192 / 192	236 / 236	236 / 236	236 / 236	307 / -	307 / -	
p / pBre	122 / 139	186 / 186	186 / 186	186 / 186	260 / 260	260 / 260	260 / 260	300 / 300	300 / 300	300 / 300	380 / -	380 / -	

SK 9092.1



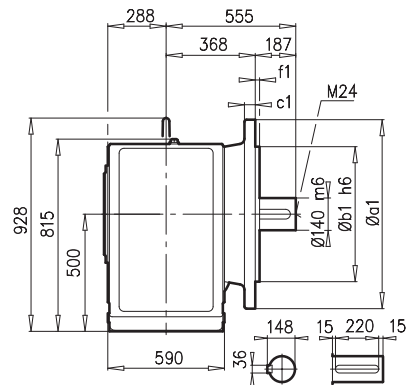
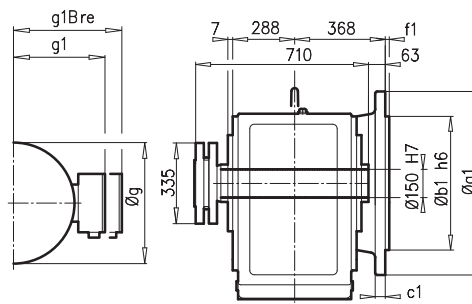
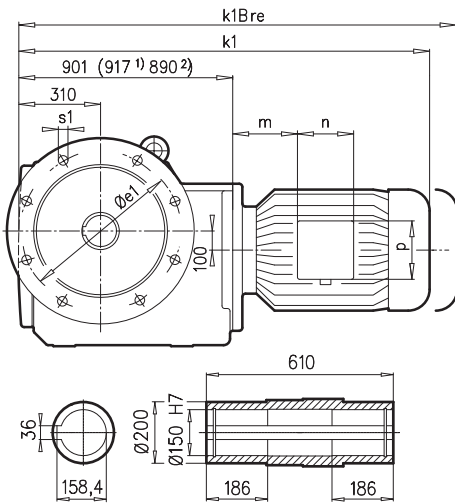
SK 9092.1

SK 9092.1AX



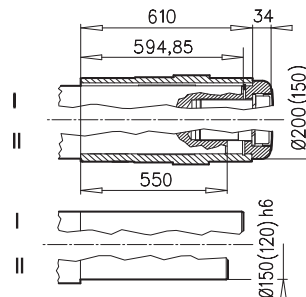
SK 9092.1AF

SK 9092.1VF

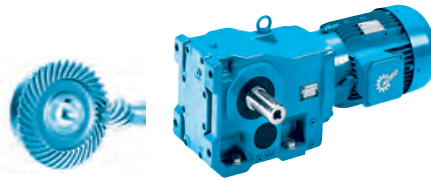


a1	b1	c1	e1	f1	s1
660	550	32	600	6	8x22

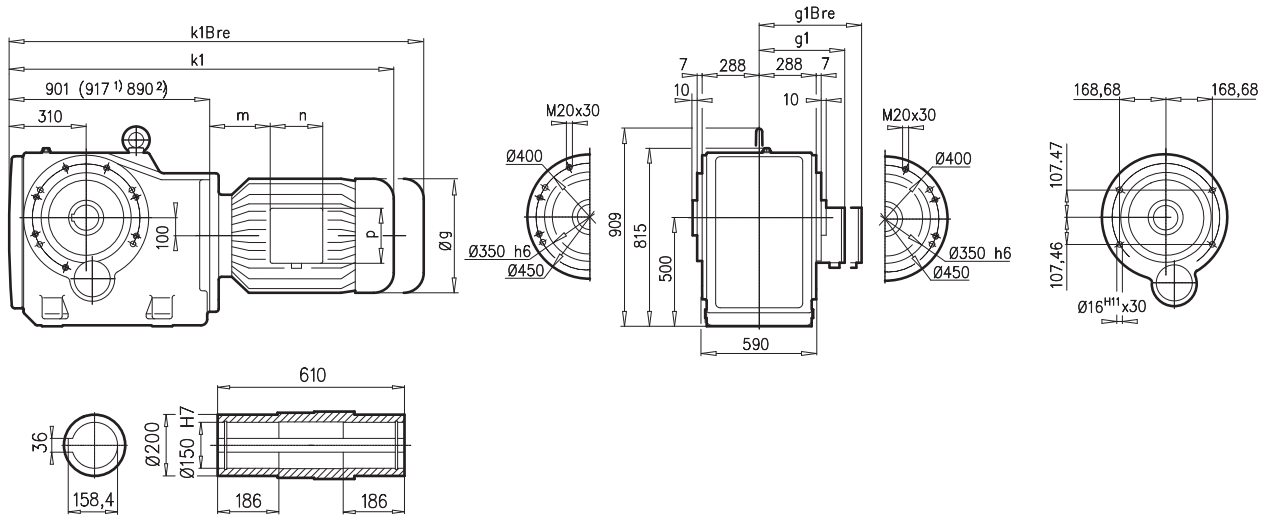
SK 9092.1AFB(AXB) ⇒ A27



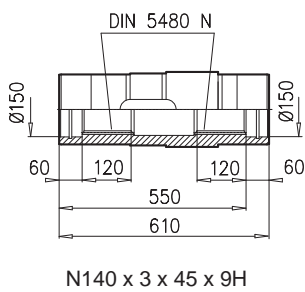
± ⇒ A53	160 SH/MH	160 LH	180 MH/LH	200 LH	225 SH	225 MH	250 MH ¹⁾	280 SH ²⁾	280 MH ²⁾	315 SH ²⁾	315 MH/RH ²⁾	 ⇒ D109
g	320	320	358	402	442	442	495	555	555	610	610	
g1 / g1Bre	242 / 242	242 / 242	259 / 259	305 / 305	325 / 325	325 / 325	392 / 392	432 / 432	432 / 432	500 / -	500 / -	
k1 / k1Bre	1393 / 1528	1437 / 1572	1515 / 1642	1589 / 1755	1586 / 1766	1646 / 1826	1747 / 1927	1720 / 1900	1820 / 2000	1822 / -	1982 / -	
k / kBre	1397 / 1532	1441 / 1576	1519 / 1646	1593 / 1759	1590 / 1770	1650 / 1830	1751 / 1931	1724 / 1904	1824 / 2004	1826 / -	1986 / -	
m / mBre	52 / 52	52 / 52	54 / 54	110 / 110	145 / 145	145 / 145	129 / 129	144 / 144	134 / 134	132 / -	132 / -	
n / nBre	186 / 186	186 / 186	186 / 186	192 / 192	192 / 192	192 / 192	236 / 236	236 / 236	236 / 236	307 / -	307 / -	
p / pBre	186 / 186	186 / 186	186 / 186	260 / 260	260 / 260	260 / 260	300 / 300	300 / 300	300 / 300	380 / -	380 / -	



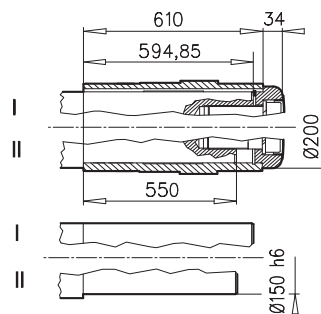
SK 9092.1AZ



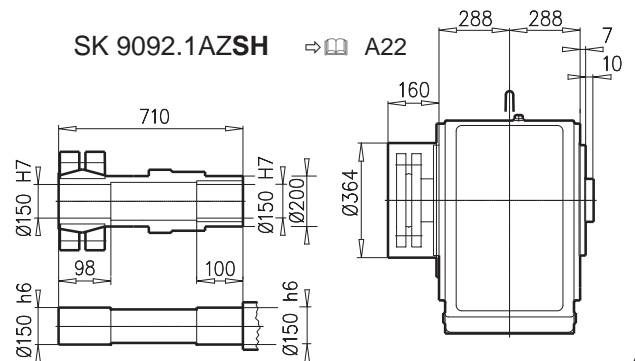
SK 9092.1AZEA



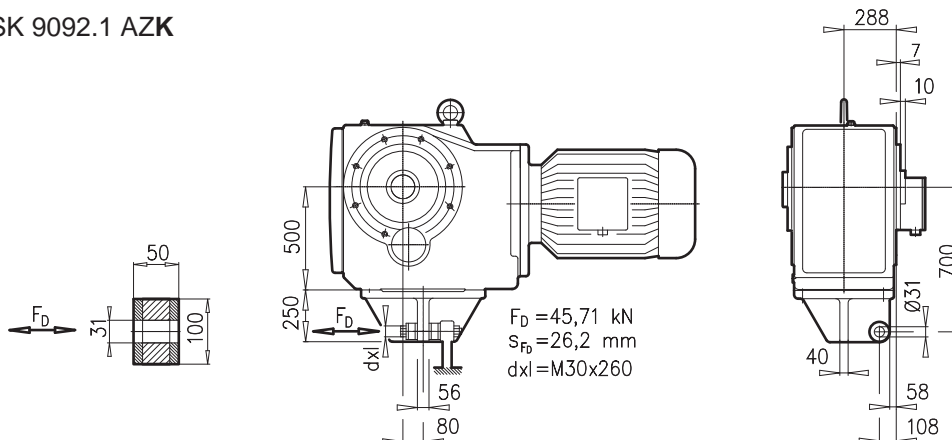
SK 9092.1AZB) ⇨ A27



SK 9092.1AZSH ⇨ A22



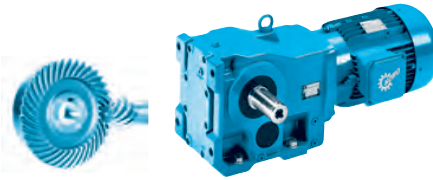
SK 9092.1 AZK



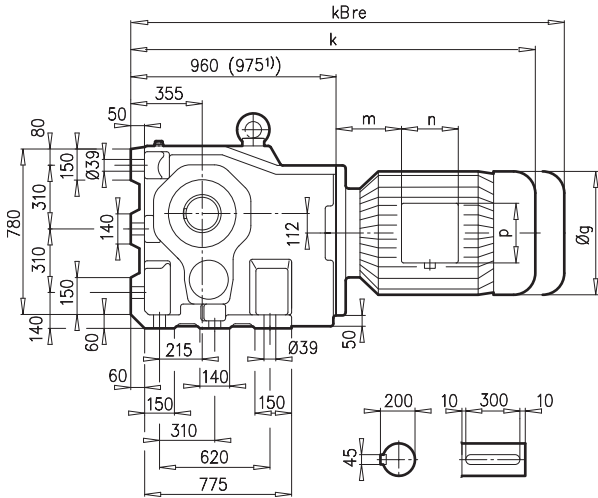
±⇨ A53	160 SH/MH	160 LH	180 MH/LH	200 LH	225 SH	225 MH	250 MH ¹⁾	280 SH ²⁾	280 MH ²⁾	315 SH ²⁾	315 MH/RH ²⁾
g	320	320	358	402	442	402	495	555	555	610	610
g1 / g1Bre	242 / 242	242 / 242	259 / 259	305 / 305	325 / 325	325 / 325	392 / 392	432 / 432	432 / 432	500 / -	500 / -
k1 / k1Bre	1393 / 1528	1437 / 1572	1515 / 1642	1589 / 1755	1586 / 1766	1646 / 1826	1747 / 1927	1720 / 1900	1820 / 2000	1822 / -	1982 / -
m / mBre	52 / 52	52 / 52	54 / 54	110 / 110	145 / 145	110 / 110	129 / 129	144 / 144	134 / 134	132 / -	132 / -
n / nBre	186 / 186	186 / 186	186 / 186	192 / 192	192 / 192	192 / 192	236 / 236	236 / 236	236 / 236	307 / -	307 / -
p / pBre	186 / 186	186 / 186	186 / 186	260 / 260	260 / 260	260 / 260	300 / 300	300 / 300	300 / 300	380 / -	380 / -



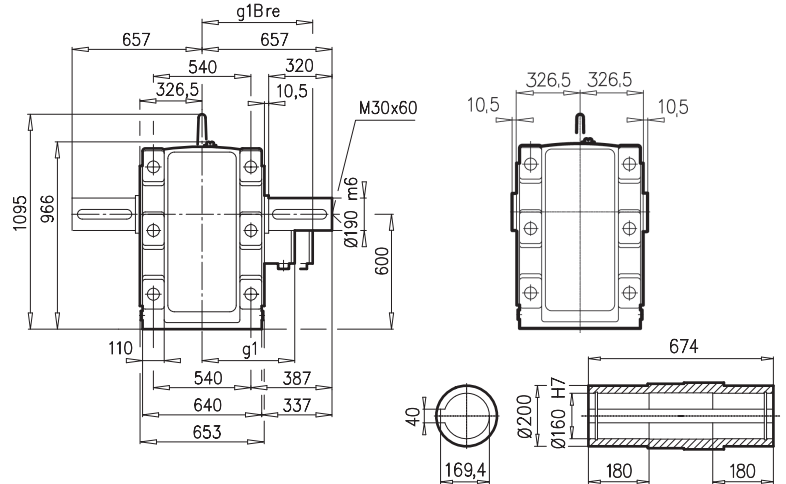
SK 9096.1



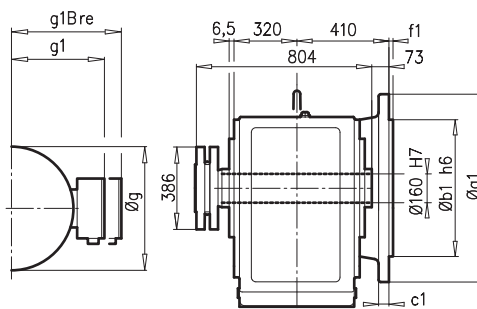
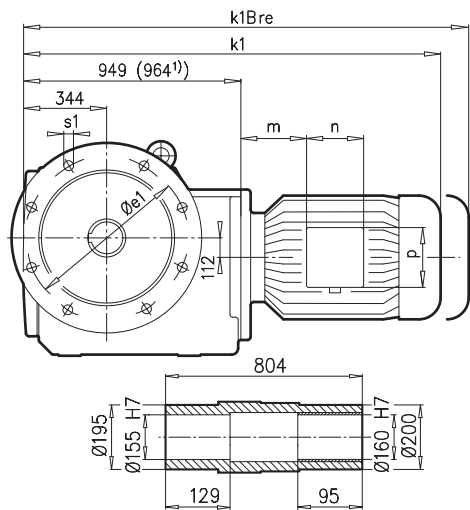
SK 9096.1



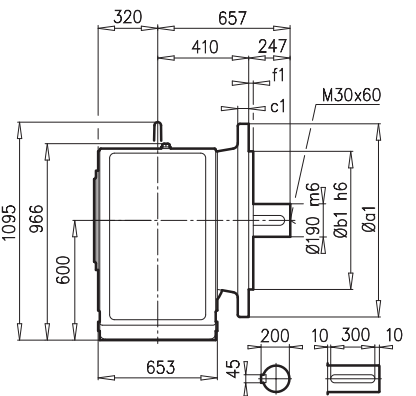
SK 9096.1AX



SK 9096.1AF

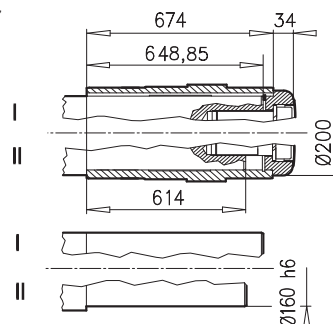




SK 9096.1VF

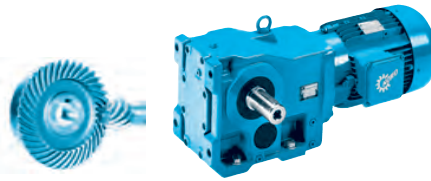


a1	b1	c1	e1	f1	s1
660	550	35	600	8	8x26

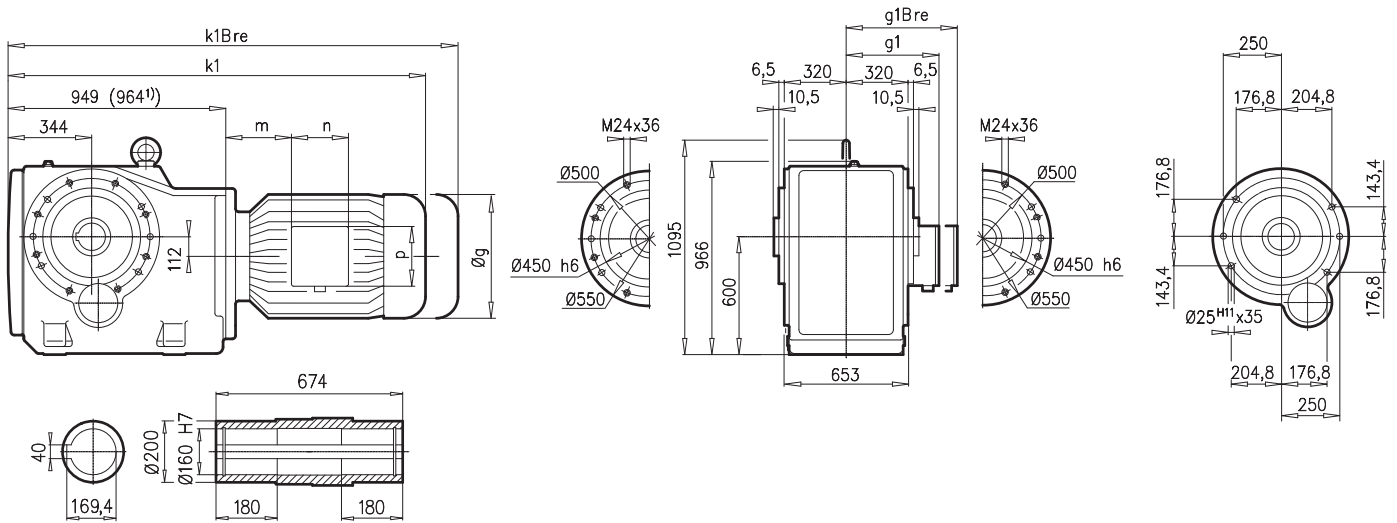
SK 9096.1AFB(AXB) ⇒ A27



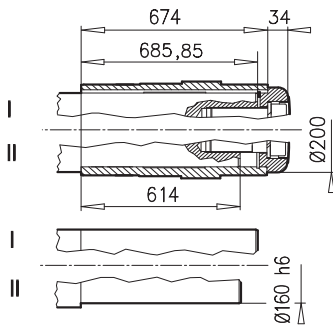
± ⇒ A53	160 SH/MH	160 LH	180 MH/LH	200 LH	225 SH	225 MH	250 MH ¹⁾	280 SH ¹⁾	280 MH ¹⁾	315 SH ¹⁾	315 MH/RH ¹⁾	315 LH ¹⁾	
g	320	320	358	402	442	442	495	555	555	610	610	610	
g1 / g1Bre	242/242	242/242	259/259	305/305	325/325	325/325	392/392	432/432	432/432	500/-	500/-	500/-	
k1 / k1Bre	1441/1576	1485/1620	1563/1690	1637/1803	1634/1814	1694/1874	1794/1974	1794/1974	1894/2074	1896/-	2056/-	2196/-	
k / kBre	1452/1587	1496/1631	1574/1701	1648/1814	1645/1825	1705/1885	1805/1985	1805/1985	1905/2085	1907/-	2067/-	2207/-	
m / mBre	52/52	52/52	54/54	110/110	145/145	145/145	129/129	144/144	134/134	132/-	132/-	132/-	⇒ A D109
n / nBre	186/186	186/186	186/186	192/192	192/192	192/192	236/236	236/236	236/236	307/-	307/-	307/-	
p / pBre	186/186	186/186	186/186	260/260	260/260	260/260	300/300	300/300	300/300	380/-	380/-	380/-	



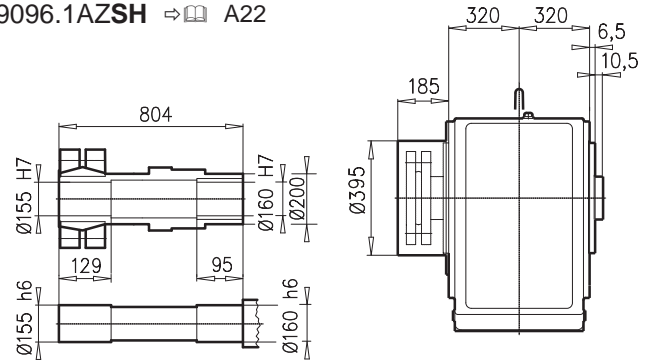
SK 9096.1AZ



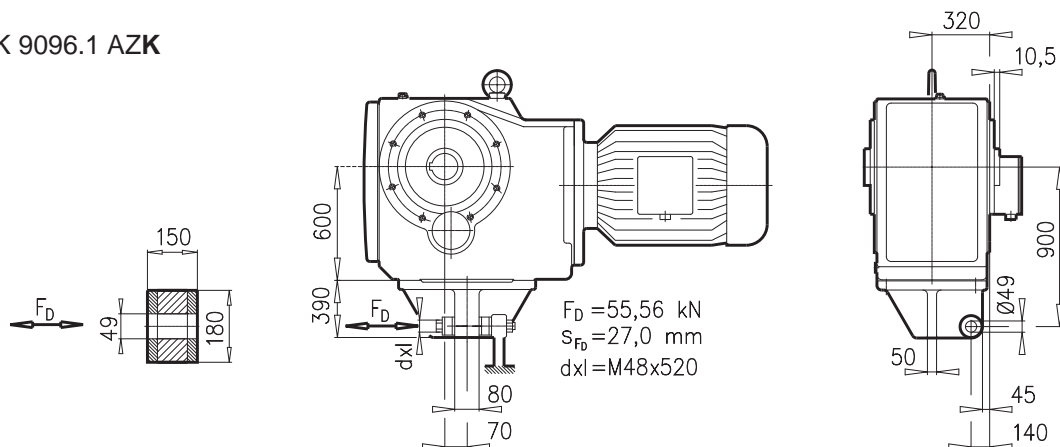
SK 9096.1AZB ⇨ A27



SK 9096.1AZSH ⇨ A22

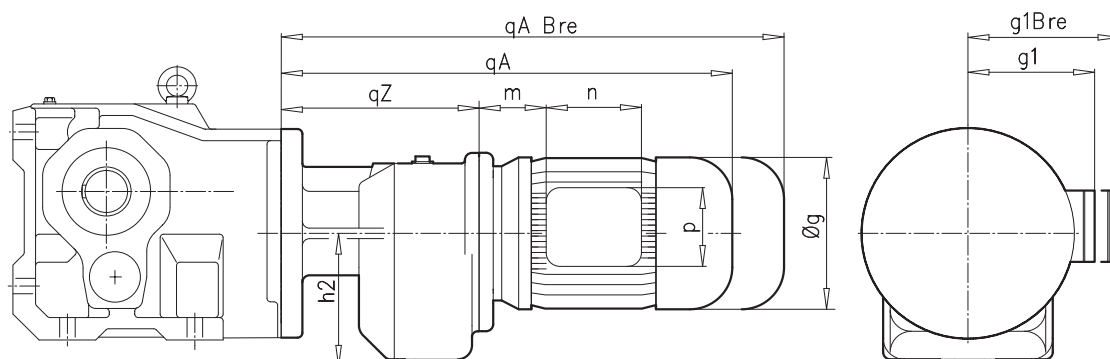
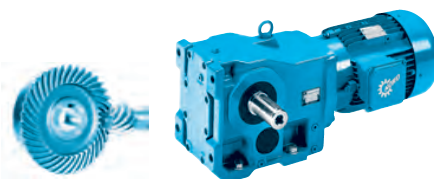


SK 9096.1 AZK



± ⇨ A53	160 SH/MH	160 LH	180 MH/LH	200 LH	225 SH	225 MH	250 MH ¹⁾	280 SH ¹⁾	280 MH ¹⁾	315 SH ¹⁾	315 MH/RH ¹⁾	315 LH ¹⁾	
g	320	320	358	402	442	442	495	555	555	610	610	610	⇨ D111
g1 / g1Bre	242/242	242/242	259/259	305/305	325/325	325/325	392/392	432/432	432/432	500/-	500/-	500/-	
k1 / k1Bre	1441/1576	1485/1620	1563/1690	1637/1803	1634/1814	1694/1874	1794/1974	1794/1974	1894/2074	1896/-	2056/-	2196/-	
m / mBre	52/52	52/52	54/54	110/110	145/145	145/145	129/129	144/144	134/134	132/-	132/-	132/-	
n / nBre	186/186	186/186	186/186	192/192	192/192	192/192	236/236	236/236	236/236	307/-	307/-	307/-	
p / pBre	186/186	186/186	186/186	260/260	260/260	260/260	300/300	300/300	300/300	380/-	380/-	380/-	

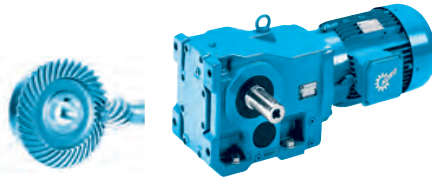
SK 9072.1/32- SK 9092.1/52



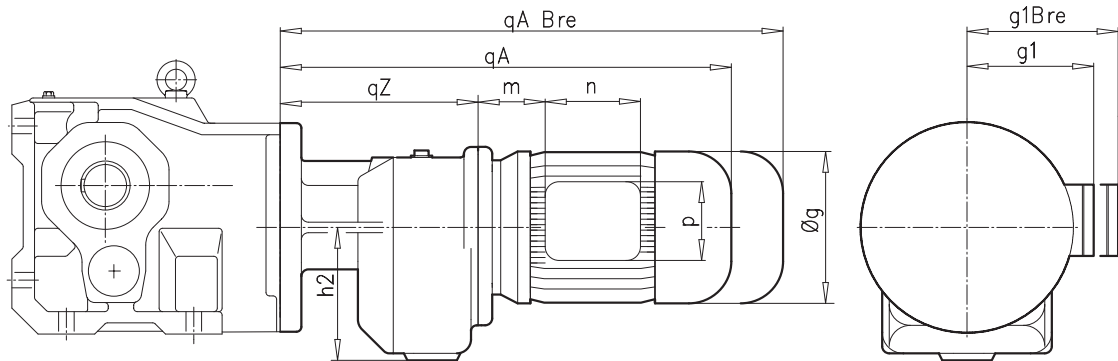
± ⇒ A53	SK 9072.1/32											
	71 S/L	80 SH/LH	90 SH/LH	100 LH/AH	112 MH	132 SH/MH						
g	145	165	183	201	228	266						
g1 / g1Bre	124 / 132	142 / 142	147 / 147	169 / 173	179 / 182	204 / 201						
m / mBre	36 / 42	41 / 45	46 / 50	52 / 56	68 / 72	71 / 64						
n / nBre	100 / 134	114 / 153	114 / 153	114 / 153	114 / 153	122 / 185						
p / pBre	100 / 89	114 / 108	114 / 108	114 / 108	114 / 108	122 / 139						
h2	155											
qZ	237											
qA / qABre	467 / 525	492 / 556	533 / 608	563 / 654	611 / 704	672 / 779						
SK 9072.1 ⇒ D92-93												

± ⇒ A53	SK 9072.1/42						SK 9082.1/42									
	90 SH/LH	100 LH/AH	112 MH	132 SH/MH	160 SH/MH	160 LH	90 SH/LH	100 LH/AH	112 MH	132 SH/MH/LH	160 SH/MH	160 LH				
g	183	201	228	266	320	320	183	201	228	266	320	320				
g1 / g1Bre	147 / 147	169 / 173	179 / 182	204 / 201	226 / 226	226 / 226	147 / 147	169 / 173	179 / 182	204 / 201	226 / 266	226 / 266				
m / mBre	26 / 30	32 / 36	48 / 52	51 / 44	52 / 52	52 / 52	26 / 30	32 / 36	48 / 52	51 / 44	52 / 52	52 / 52				
n / nBre	114 / 153	114 / 153	114 / 153	122 / 185	186 / 186	186 / 186	114 / 153	114 / 153	114 / 153	122 / 185	186 / 186	186 / 186				
p / pBre	114 / 108	114 / 108	114 / 108	122 / 139	186 / 186	186 / 186	114 / 108	114 / 108	114 / 108	122 / 139	186 / 186	186 / 186				
h2	175						175									
qZ	279						260									
qA / qABre	555 / 630	585 / 676	633 / 726	694 / 801	771 / 906	815 / 950	536 / 611	566 / 657	614 / 707	675 / 782	752 / 887	796 / 931				
SK 9072.1 ⇒ D92-93							SK 9082.1 ⇒ D94-95									

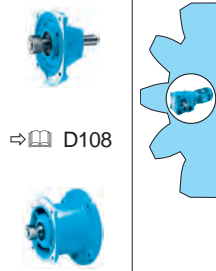
± ⇒ A53	SK 9082.1/52, SK 9086.1/52*							SK 9092.1/52										
	90 SH/LH	100 LH/AH	112 MH	132 SH/MH/LH*	160 SH/MH	160 LH	180 MH/LH	90 SH/LH	100 LH/AH	112 MH	132 SH/MH/LH	160 SH/MH	160 LH	180 MH/LH				
g	183	201	228	266	320	320	358	183	201	228	266	320	320	358				
g1 / g1Bre	147/147	169/173	179/182	204 / 201	242 / 242	242/242	259 / 259	147 / 147	169 / 173	179 / 182	204 / 201	242 / 242	242 / 242	259 / 259				
m / mBre	26 / 30	32 / 36	48 / 52	51 / 44	52 / 52	52 / 52	74 / 74	26 / 30	32 / 36	48 / 52	51 / 44	52 / 52	52 / 52	74 / 74				
n / nBre	114/153	114/153	114/153	122 / 185	186 / 186	186/186	186 / 186	114 / 153	114 / 153	114 / 153	122 / 185	186 / 186	186 / 186	186 / 186				
p / pBre	114/108	114/108	114/108	122 / 139	186 / 186	186/186	186 / 186	114 / 108	114 / 108	114 / 108	122 / 139	186 / 186	186 / 186	186 / 186				
h2	212							212										
qZ	300							300										
qA / qABre	596 / 671	606 / 697	654 / 747	715 / 822	792 / 927	836 / 971	934 / 1061	576 / 651	606 / 697	629 / 722	715 / 822	792 / 927	836 / 971	934 / 1061				
SK 9082.1 ⇒ D94-95, SK 9086.1 ⇒ D96-97							SK 9092.1 ⇒ D98-99											



SK 9096.1/62 SK 9096.1/63



± ⇒ A53	SK 9096.1/62									
	100 LH/AH	112 MH	132 SH/MH	160 SH/MH	160 LH	180 MH/LH	200 LH	225 SH	225 MH	
g	201	228	266	320	320	358	402	442	442	
g1 / g1Bre	169 / 173	179 / 182	204 / 201	242 / 242	242 / 242	259 / 259	305 / 305	325 / 325	325 / 325	
m / mBre	32 / 36	45 / 49	71 / 64	52 / 52	52 / 52	54 / 54	110 / 110	145 / 145	145 / 145	
n / nBre	114 / 153	114 / 153	122 / 185	186 / 186	186 / 186	186 / 186	192 / 192	192 / 192	192 / 192	
p / pBre	114 / 108	114 / 108	122 / 139	186 / 186	186 / 186	186 / 186	260 / 260	260 / 260	260 / 260	
h2	245									
qZ	401									
qA / qABre	714 / 805	752 / 845	836 / 943	893 / 1028	937 / 1072	1015 / 1142	1089 / 1255	1086 / 1266	1146 / 1326	
SK 9096.1 ⇒ D100-101										

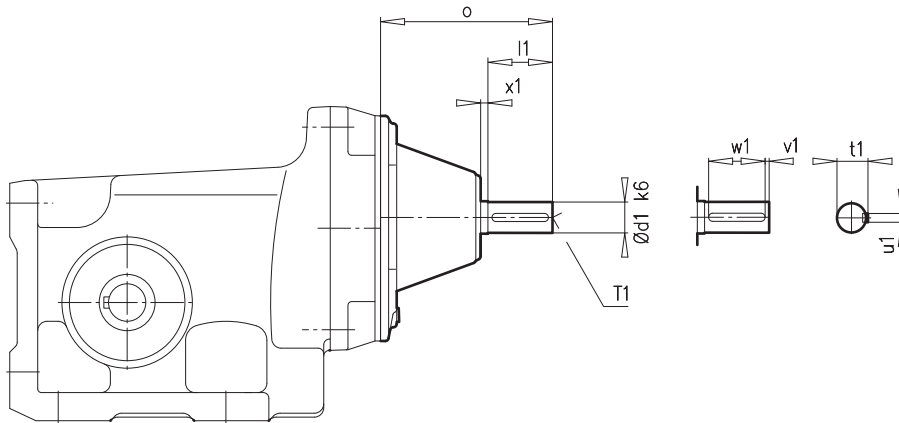


± ⇒ A53	SK 9096.1/63									
	90 SH/LH	100 LH/AH	112 MH	132 SH/MH	160 SH/MH	160 LH	180 MH/LH			
g	183	201	228	266	320	320	358			
g1 / g1Bre	147 / 147	169 / 173	179 / 182	204 / 201	242 / 242	242 / 242	259 / 259			
m / mBre	26 / 30	32 / 36	45 / 49	71 / 64	52 / 52	52 / 52	74 / 74			
n / nBre	114 / 153	114 / 153	114 / 153	122 / 185	186 / 186	186 / 186	186 / 186			
p / pBre	114 / 108	114 / 108	114 / 108	122 / 139	186 / 186	186 / 186	186 / 186			
h2	245									
qZ	375									
qA / qABre	651 / 726	688 / 779	726 / 819	810 / 917	867 / 1002	911 / 1046	1009 / 1136			
SK 9096.1 ⇒ D100-101										



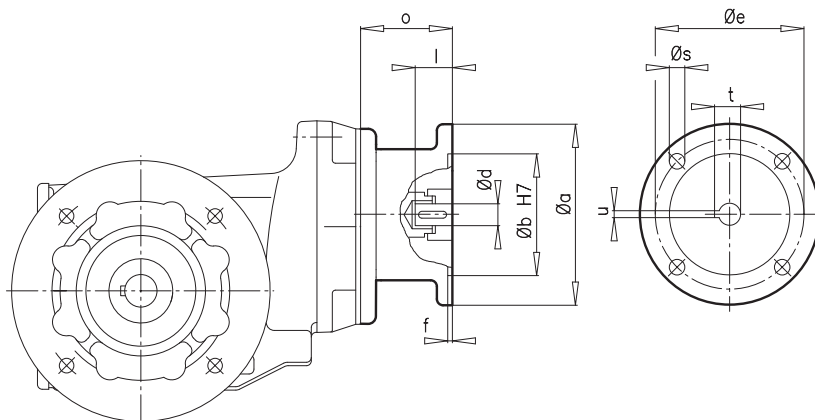


SK ... - W



SK...	d1	l1	o	t1	u1	v1	w1	T1	x1	⇒
SK 92072	14	40	109	16	5	4	32	M5	3,5	⇒ D58-D59
SK 92172	14	40	109	16	5	4	32	M5	3,5	⇒ D60-D61
SK 92372	16	40	109	18	5	4	32	M5	3,5	⇒ D62-D63
SK 92672	19	40	110	21	6	4	32	M5	3,5	⇒ D64-D65
SK 92772	24	50	122	27	8	5	40	M8	2,5	⇒ D66-D67

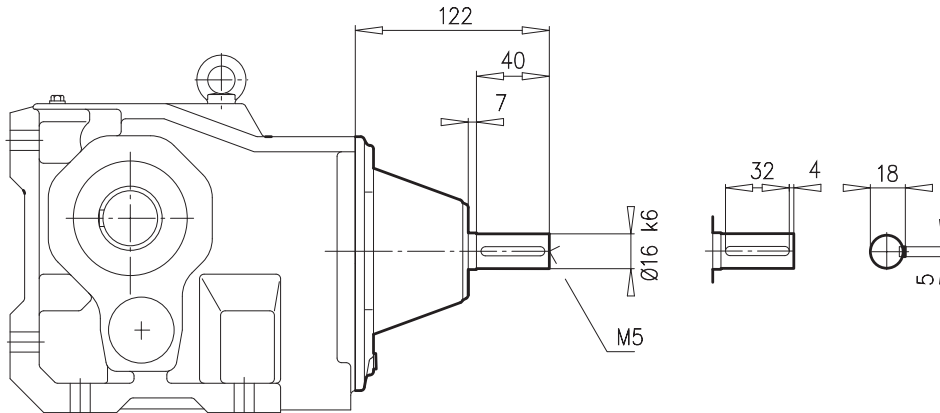
SK ... - IEC ...



IEC	a	b	d	e	f	l	o	s	t	u
63	140	95	11	115	3,5	23	85	M 8	12,8	4
71	160	110	14	130	4,0	30	85	M 8	16,3	5
80	200	130	19	165	4,0	40	102,5	M10	21,8	6
90	200	130	24	165	4,0	50	102,5	M10	27,3	8
100	250	180	28	215	5,0	60	125,5	M12	31,3	8
112	250	180	28	215	5,0	60	125,5	M12	31,3	8
132	300	230	38	265	5,0	80	175	M12	41,3	10

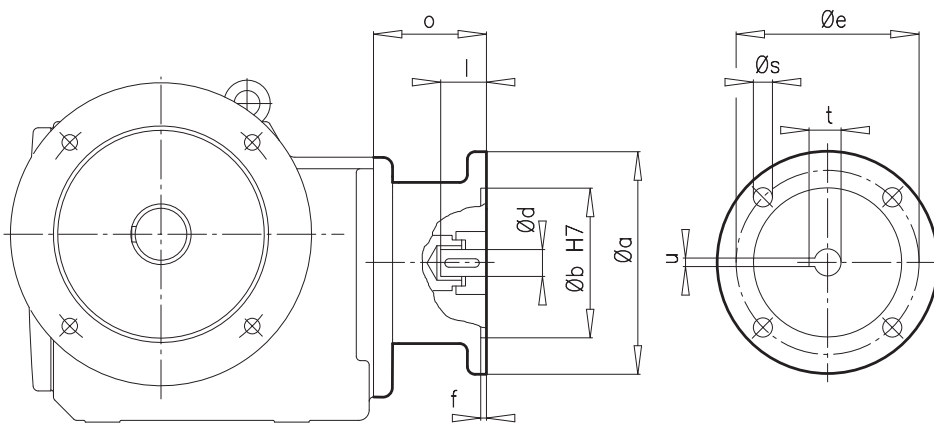


SK ... - W



SK 9012.1	⇒ D68-D69
SK 9013.1	⇒ D70-D71
SK 9016.1	⇒ D72-D73
SK 9017.1	⇒ D74-D75
SK 9022.1	⇒ D76-D77
SK 9023.1	⇒ D78-D79
SK 9033.1	⇒ D82-D83

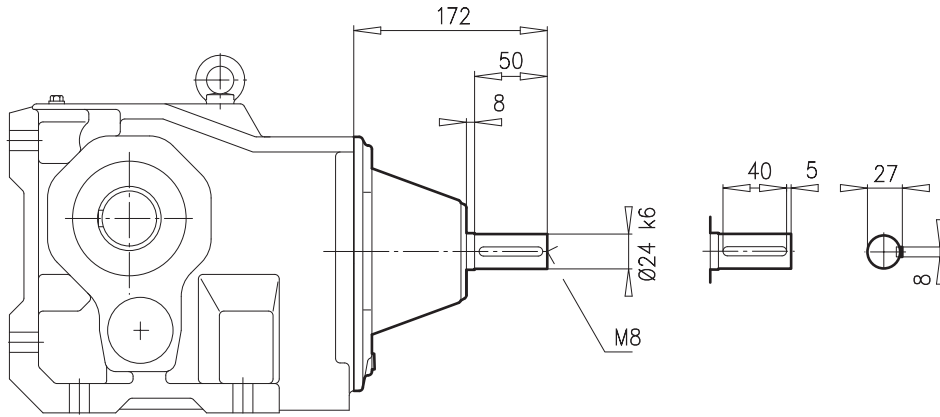
SK ... - IEC ...



IEC	a	b	d	e	f	l	o	s	t	u
63	140	95	11	115	3,5	23	85	M 8	12,8	4
71	160	110	14	130	4,0	30	89	M 8	16,3	5
80	200	130	19	165	4,0	40	105	M10	21,8	6
90	200	130	24	165	4,0	50	105	M10	27,3	8
100	250	180	28	215	5,0	60	130	M12	31,3	8
112	250	180	28	215	5,0	60	130	M12	31,3	8

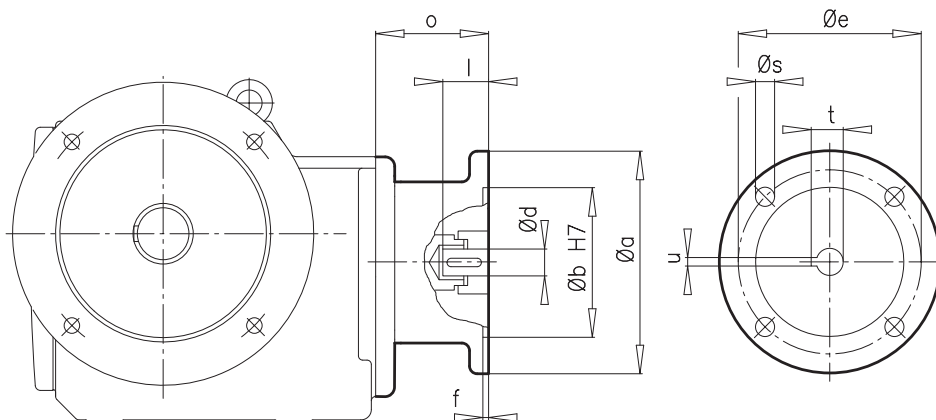


SK ... - W



SK 9032.1	⇒ D80-D81
SK 9043.1	⇒ D86-D87
SK 9053.1	⇒ D90-D91
SK 9072.1/32	⇒ D102

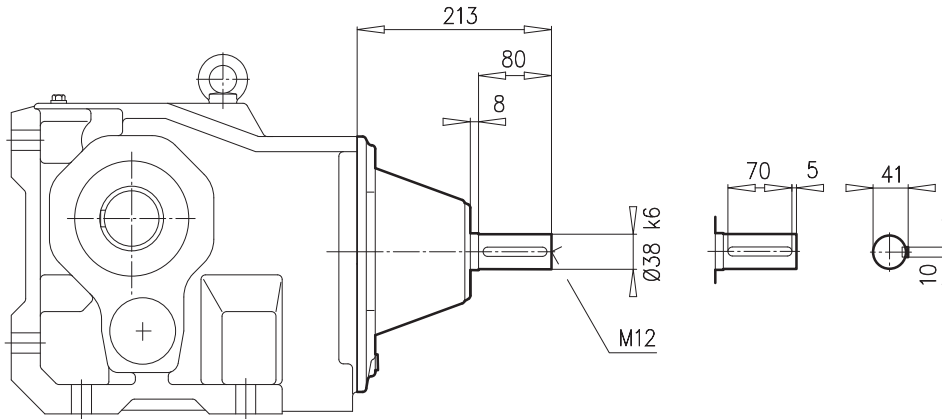
SK ... - IEC ...



IEC	a	b	d	e	f	l	o	s	t	u
71	160	110	14	130	4,0	30	88	M 8	16,3	5
80	200	130	19	165	4,0	40	107	M10	21,8	6
90	200	130	24	165	4,0	50	107	M10	27,3	8
100	250	180	28	215	5,0	60	124	M12	31,3	8
112	250	180	28	215	5,0	60	124	M12	31,3	8
132	300	230	38	265	5,0	80	156	M12	41,3	10

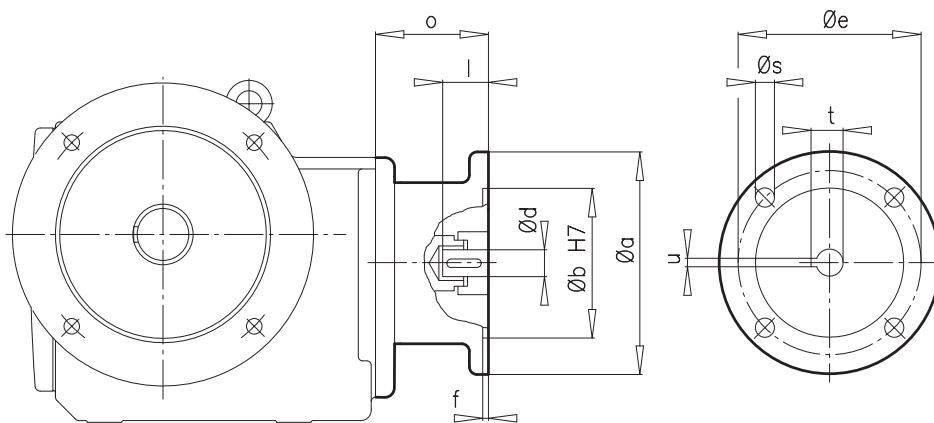


SK ... - W



SK 9042.1	⇒ D84-D85
SK 9052.1	⇒ D88-D89
SK 9072.1/42	⇒ D102
SK 9082.1/42	⇒ D102
SK 9082.1/52	⇒ D102
SK 9086.1/52	⇒ D102
SK 9092.1/52	⇒ D102
SK 9096.1/63	⇒ D103

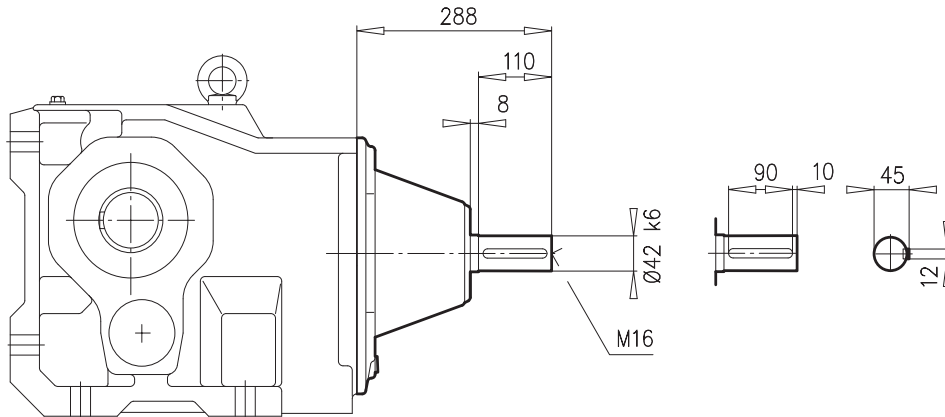
SK ... - IEC ...



IEC	a	b	d	e	f	l	o	s	t	u
90	200	130	24	165	4,0	50	109	M10	27,3	8
100	250	180	28	215	5,0	60	133	M12	31,3	8
112	250	180	28	215	5,0	60	133	M12	31,3	8
132	300	230	38	265	5,0	80	190	M12	41,3	10
160	350	250	42	300	6,0	110	194	M16	45,3	12
180	350	250	48	300	6,0	110	194	M16	51,8	14

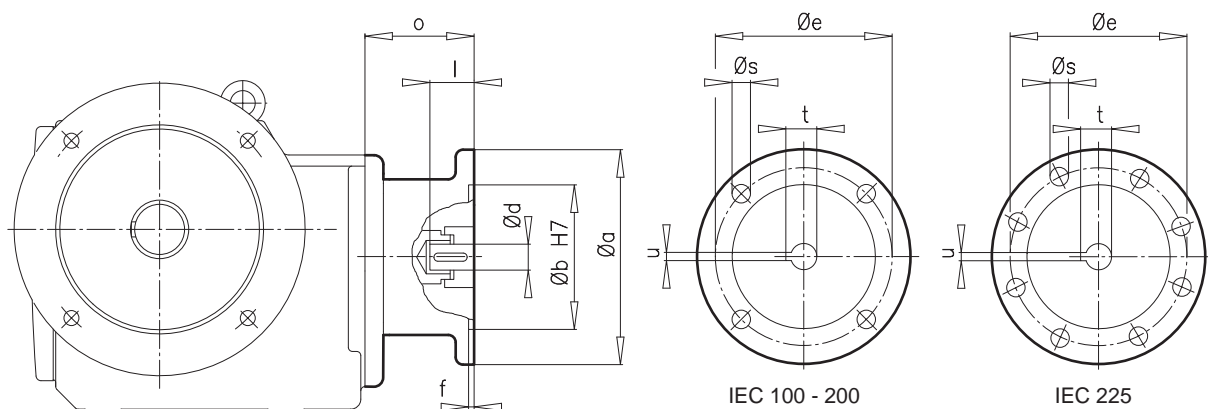


SK ... - W



SK 9072.1	⇒ D92-D93
SK 9096.1/62	⇒ D103

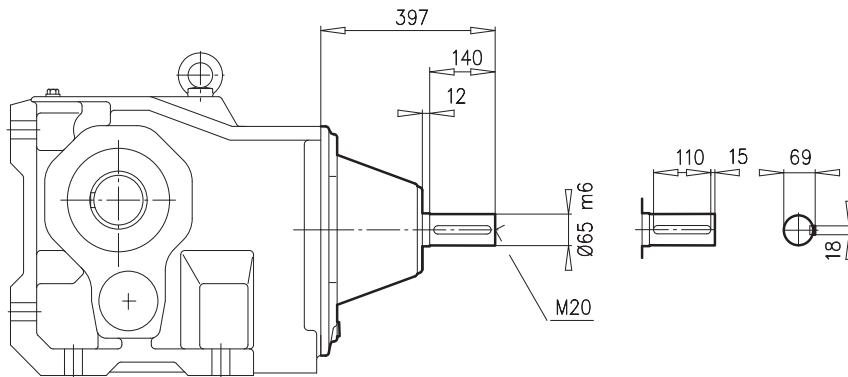
SK ... - IEC ...



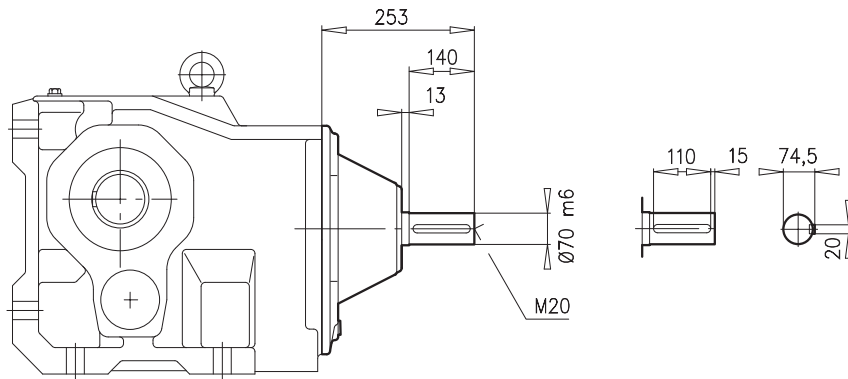
IEC	a	b	d	e	f	l	o	s	t	u
100	250	180	28	215	5,0	60	127	M12	31,3	8
112	250	180	28	215	5,0	60	127	M12	31,3	8
132	300	230	38	265	5,0	80	177	M12	41,3	10
160	350	250	42	300	6,0	110	266	M16	45,3	12
180	350	250	48	300	6,0	110	266	M16	51,8	14
200	400	300	55	350	6,0	110	229	M16	59,3	16
225	450	350	60	400	6,0	140	303	M16	64,4	18



SK ... - W

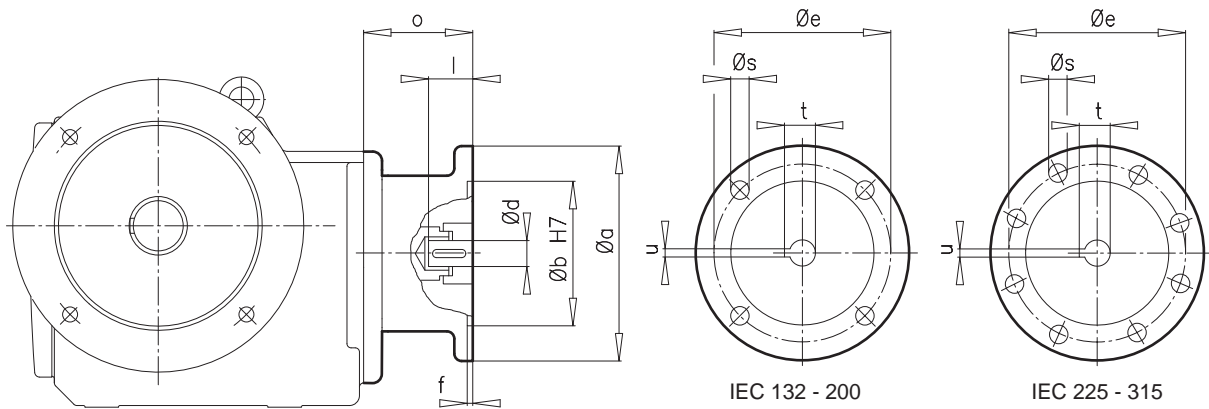


SK 9082.1	⇒ D94-D95
SK 9086.1	⇒ D96-D97
SK 9092.1	⇒ D98-D99



SK 9096.1	⇒ D100-D101
------------------	-------------

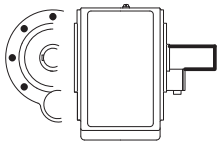
SK ... - IEC ...



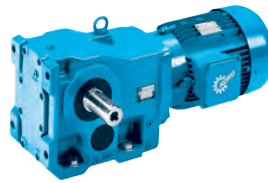
IEC 132 - 200

IEC 225 - 315

IEC	a	b	d	e	f	l	o	s	t	u
132	300	230	38	265	5,0	80	177	M12	41,3	10
160	350	250	42	300	6,0	110	266	M16	45,3	12
180	350	250	48	300	6,0	110	266	M16	51,8	14
200	400	300	55	350	6,0	110	229	M16	59,3	16
225	450	350	60	400	6,0	140	303	M16	64,4	18
250	550	450	65	500	6,0	140	303,5	M16	69,4	18
280	550	450	75	500	6,0	140	303,5	M16	79,9	20
315	660	550	80	600	7,0	170	381,5	M20	85,4	22

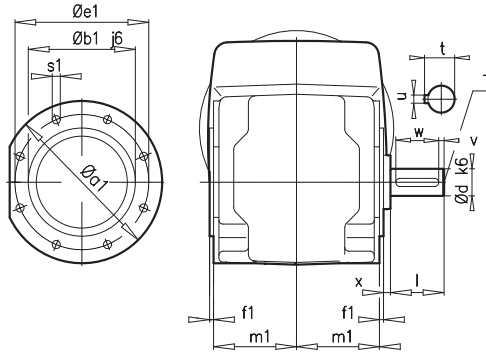
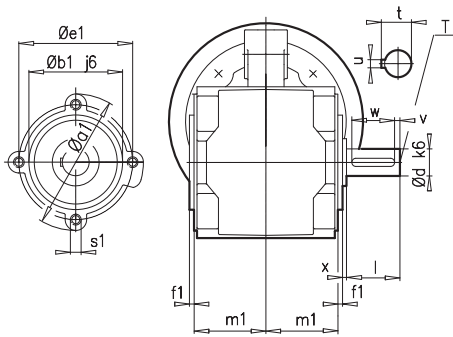


VZ

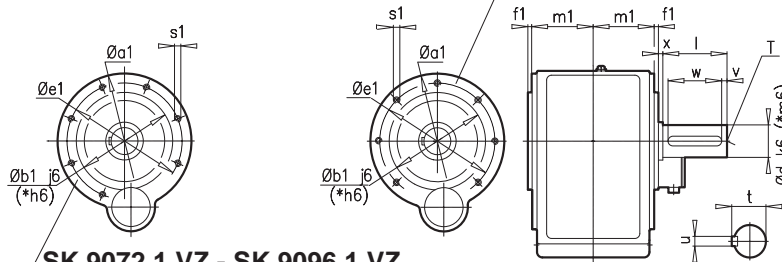


SK 92072 VZ

SK 92172 VZ- SK 92772 VZ

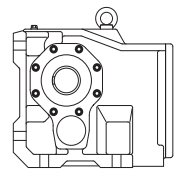
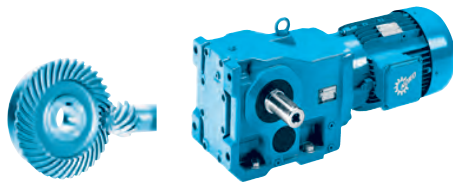
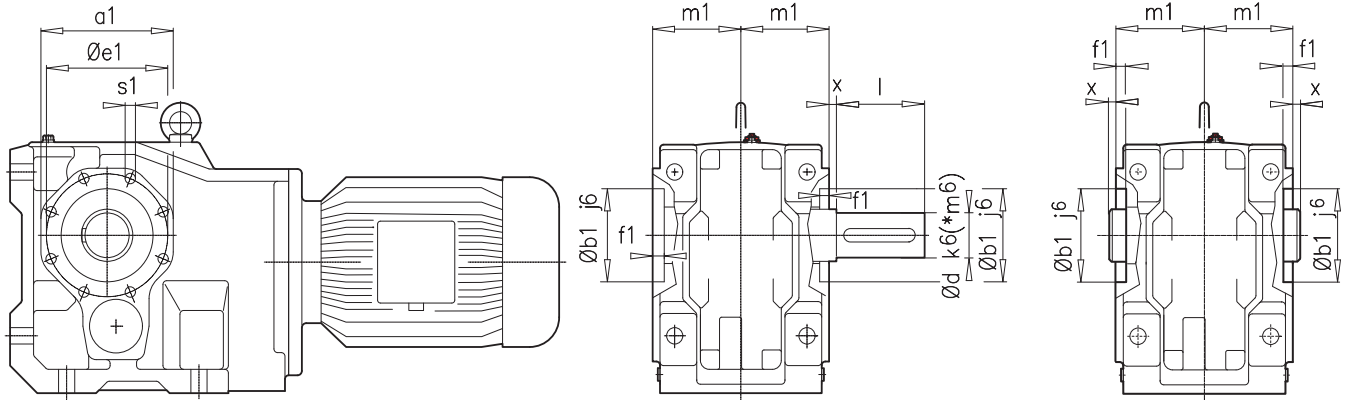


SK 9012.1 VZ - SK 9052.1 VZ

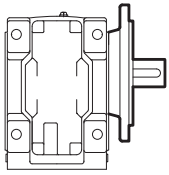


SK 9072.1 VZ - SK 9096.1 VZ

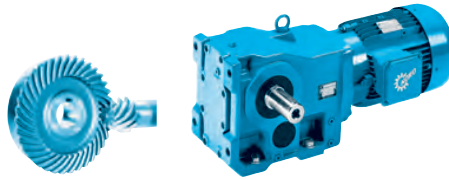
±	⇒ A53	a1	b1	e1	f1	s1	m1	d	l	t	u	v	w	x	T
	SK 92072 VZ	102,5	70	85	2,5	M8 x 13	52,5	20	40	22,5	6	4	32	3	M6
	SK 92172 VZ	120	80	100	3	M6 x 13	62	20	40	22,5	6	5	32	4	M6
	SK 92372 VZ	140	95	115	3	M8 x 13	75	25	50	28	8	5	40	6	M10
	SK 92672 VZ	140	95	115	3	M8 x 13	78	30	60	33	8	5	50	4	M10
	SK 92772 VZ	160	110	130	4	M8 x 13	87	35	70	38	10	5	60	5	M12
	SK 9012.1 VZ	140	95	115	3	M8 x 13	68	30	60	33,0	8	5	50	4	M10
	SK 9013.1 VZ	140	95	115	3	M8 x 13	68	35	70	38,0	10	5	60	4	M12
	SK 9016.1 VZ	140	95	115	3	M8 x 13	68	35	70	38,0	10	5	60	4	M12
	SK 9017.1 VZ	140	95	115	3	M8 x 13	68	35	70	38,0	10	5	60	4	M12
	SK 9022.1 VZ	160	110	130	4	M8 x 13	82	35	70	38,0	10	5	60	5	M12
	SK 9023.1 VZ	160	110	130	4	M8 x 13	82	35	70	38,0	10	5	60	5	M12
	SK 9032.1 VZ	200	130	165	3	M10 x 16	97	45	90	48,5	14	5	80	6	M16
	SK 9033.1 VZ	200	130	165	3	M10 x 16	97	45	90	48,5	14	5	80	6	M16
	SK 9042.1 VZ	250	180	215	7	M12 x 20	108	* 60	120	64,0	18	10	100	5	M20
	SK 9043.1 VZ	250	180	215	7	M12 x 20	108	* 60	120	64,0	18	10	100	5	M20
	SK 9052.1 VZ	300	230	265	4	M12 x 20	141	* 70	140	74,5	20	15	110	6	M20
	SK 9053.1 VZ	300	230	265	4	M12 x 20	141	* 70	140	74,5	20	15	110	6	M20
	SK 9072.1 VZ	350	* 250	300	5	M16 x 25	165	* 90	170	95,0	25	15	140	7	M24
	SK 9072.1/32 VZ	350	* 250	300	5	M16 x 25	165	* 90	170	95,0	25	15	140	7	M24
	SK 9072.1/42 VZ	350	* 250	300	5	M16 x 25	165	* 90	170	95,0	25	15	140	7	M24
	SK 9082.1 VZ	400	* 300	350	7	M16 x 25	195	* 110	210	116	28	15	180	8	M24
	SK 9082.1/42 VZ	400	* 300	350	7	M16 x 25	195	* 110	210	116	28	15	180	8	M24
	SK 9082.1/52 VZ	400	* 300	350	7	M16 x 25	195	* 110	210	116	28	15	180	8	M24
	SK 9086.1 VZ	450	* 350	400	7	M20 x 30	235	* 120	210	127	32	15	180	8	M24
	SK 9086.1/52 VZ	450	* 350	400	7	M20 x 30	235	* 120	210	127	32	15	180	8	M24
	SK 9092.1 VZ	450	* 350	400	7	M20 x 30	288	* 140	250	148	36	15	220	10	M24
	SK 9092.1/52 VZ	450	* 350	400	7	M20 x 30	288	* 140	250	148	36	15	220	10	M24
	SK 9096.1 VZ	550	* 450	500	6,5	M24 x 30	320	* 190	320	200	45	10	300	10,5	M30 x 60
	SK 9096.1/62 VZ	550	* 450	500	6,5	M24 x 30	320	* 190	320	200	45	10	300	10,5	M30 x 60
	SK 9096.1/63 VZ	550	* 450	500	6,5	M24 x 30	320	* 190	320	200	45	10	300	10,5	M30 x 60


SK ... VXZ
SK ... AXZ


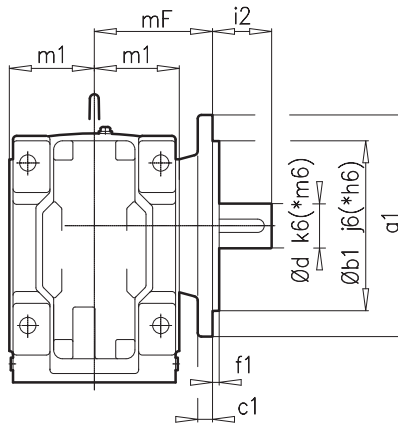
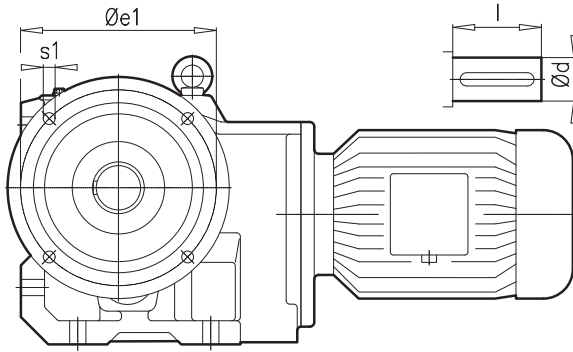
±	⇒ A53	a1	b1	e1	f1	X	s1	m1	d	l
SK 9012.1	VXZ (AXZ)	110	75	100	4	4 (3)	M 8 x 13	71	30	60
SK 9013.1	VXZ (AXZ)	110	75	100	4	4 (3)	M 8 x 13	71	35	70
SK 9016.1	VXZ (AXZ)	110	75	100	4	4 (3)	M 8 x 13	71	35	70
SK 9017.1	VXZ (AXZ)	110	75	100	4	4 (3)	M 8 x 13	71	35	70
SK 9022.1	VXZ (AXZ)	125	90	115	4	4 (4)	M 8 x 13	86	35	70
SK 9023.1	VXZ (AXZ)	125	90	115	4	4 (4)	M 8 x 13	86	35	70
SK 9032.1	VXZ (AXZ)	150	100	130	5	6 (5)	M 10 x 16	100	45	90
SK 9033.1	VXZ (AXZ)	150	100	130	5	6 (5)	M 10 x 16	100	45	90
SK 9042.1	VXZ (AXZ)	180	125	165	5	5 (5)	M 12 x 20	115	* 60	120
SK 9043.1	VXZ (AXZ)	180	125	165	5	5 (5)	M 12 x 20	115	* 60	120
SK 9052.1	VXZ (AXZ)	230	180	205	5	6 (5)	M 12 x 20	145	* 70	140
SK 9053.1	VXZ (AXZ)	230	180	205	5	6 (5)	M 12 x 20	145	* 70	140
SK 9072.1	VXZ (AXZ)	250	180	215	5	7 (5)	M 12 x 20	170	* 90	170
SK 9072.1/32	VXZ (AXZ)	250	180	215	5	7 (5)	M 12 x 20	170	* 90	170
SK 9072.1/42	VXZ (AXZ)	250	180	215	5	7 (5)	M 12 x 20	170	* 90	170
SK 9082.1	VXZ (AXZ)	300	230	265	5	8 (10)	M12 x 20	200	* 110	210
SK 9082.1/42	VXZ (AXZ)	300	230	265	5	8 (10)	M12 x 20	200	* 110	210
SK 9082.1/52	VXZ (AXZ)	300	230	265	5	8 (10)	M12 x 20	200	* 110	210
SK 9086.1	VXZ (AXZ)	350	250	300	15	9 (12)	M 16 x 25	238	* 120	210
SK 9086.1/52	VXZ (AXZ)	350	250	300	15	9 (12)	M 16 x 25	238	* 120	210
SK 9092.1	VXZ	400	290	350	18	10	M 20 x 30	295	* 140	250
SK 9092.1/52	VXZ	400	290	350	18	10	M 20 x 30	295	* 140	250
SK 9096.1	VXZ	440	310	400	18	10,5	M 20 x 30	326,5	* 190	320
SK 9096.1/62	VXZ	440	310	400	18	10,5	M 20 x 30	326,5	* 190	320
SK 9096.1/63	VXZ	440	310	400	18	10,5	M 20 x 30	326,5	* 190	320



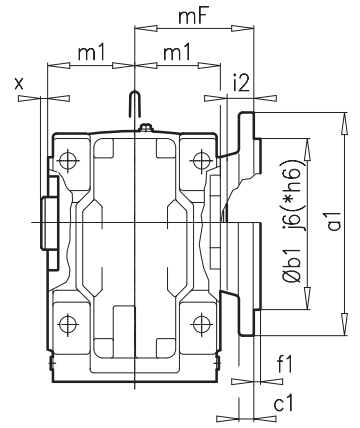
VXF
AXF



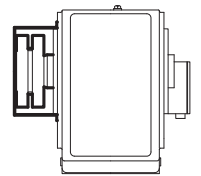
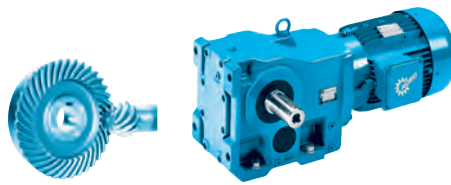
SK ... VXF



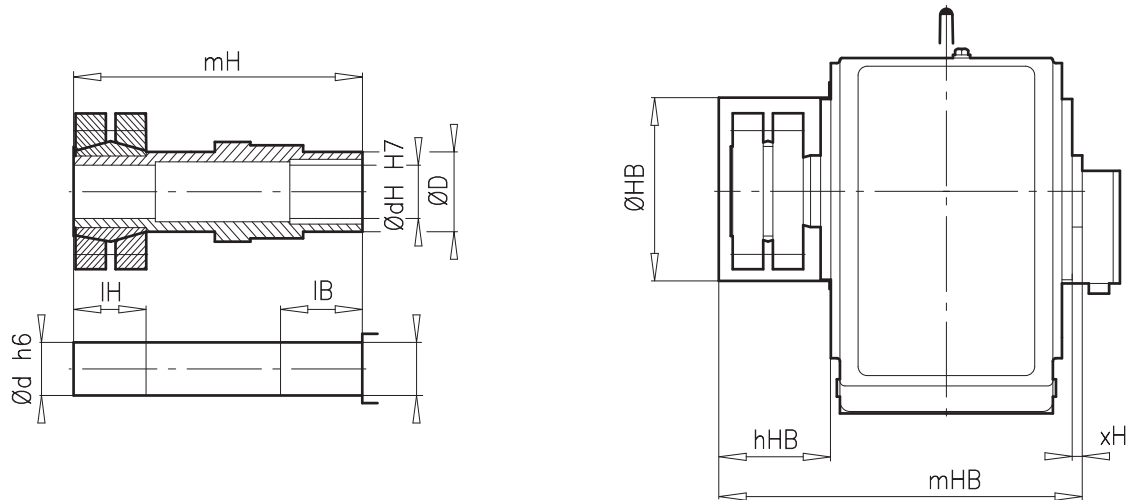
SK ... AXF



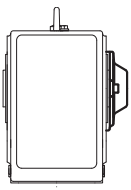
± ⇨ A53		a1	b1	c1	e1	f1	s1	i2	m1	mF	x	d	l
SK 9012.1 SK 9013.1	VXF (AXF) VXF (AXF)	160	110	12	130	3,5	9	34 (27)	71	101	3	30	60
SK 9016.1 SK 9017.1	VXF (AXF) VXF (AXF)	160	110	12	130	3,5	9	44 (27) 34 (27)	71	101	3	35	70
SK 9022.1 SK 9023.1	VXF (AXF) VXF (AXF)	200	130	12	165	3,5	11	39 (31)	86	121	4	35	70
SK 9032.1 SK 9033.1	VXF (AXF) VXF (AXF)	250	180	16	215	4,0	13,5	56 (35)	100	140	5	45	90
SK 9042.1 SK 9043.1	VXF (AXF) VXF (AXF)	300	230	20	265	4,0	1H5	80 (40)	115	160	5	* 60	120
SK 9052.1 SK 9053.1	VXF (AXF) VXF (AXF)	350	* 250	20	300	5,0	17,5	86 (55)	145	205	5	* 70	140
SK 9072.1 SK 9072.1/32 SK 9072.1/42	VXF (AXF) VXF (AXF) VXF (AXF)	400	* 300	20	350	5,0	18	112 (65)	170	235	0	* 90	170



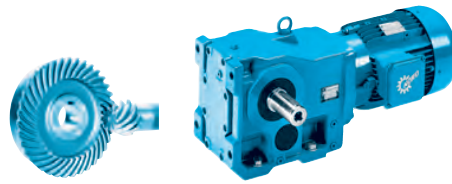
SK ... AZVSH ⇒ A25



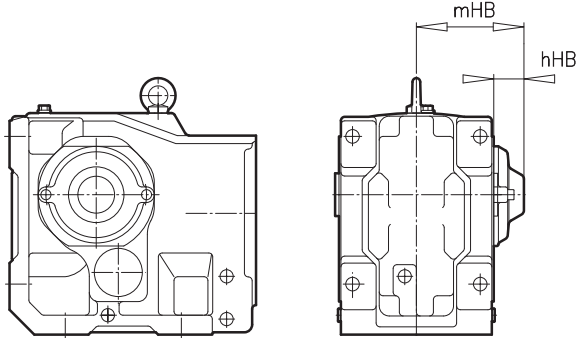
± ⇒ A53	D	dH	d	IB	IH	mH	xH	hHB	HB	mHB
SK 9072.1 AZVSH SK 9072.1/32 AZVSH SK 9072.1/42 AZVSH	120	95(85)	95(85)	80	110	464	5	147	258	487
SK 9082.1 AZVSH SK 9082.1/42 AZVSH SK 9082.1/52 AZVSH	140	110	110	80	160	587	8	208	306	613
SK 9086.1 AZVSH SK 9086.1/52 AZVSH	160	130	130	80	170	674	8	235	364	720
SK 9092.1 AZVSH SK 9092.1/52 AZVSH	200	150	150	100	130	754	10	180	364	828
SK 9096.1 AZVSH SK 9096.1/62 AZVSH SK 9096.1/63 AZVSH	200	160	155	95	229	904	10,5	272	455	929



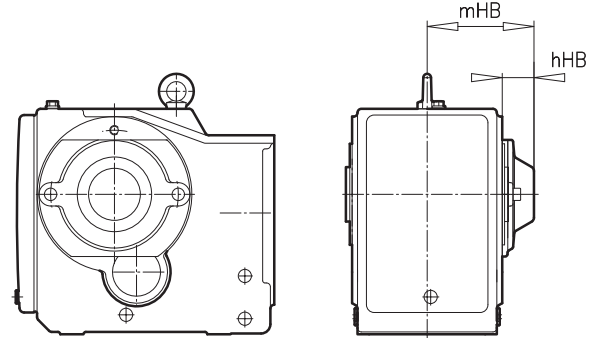
AXZH AZH AXH



SK ... AXZH

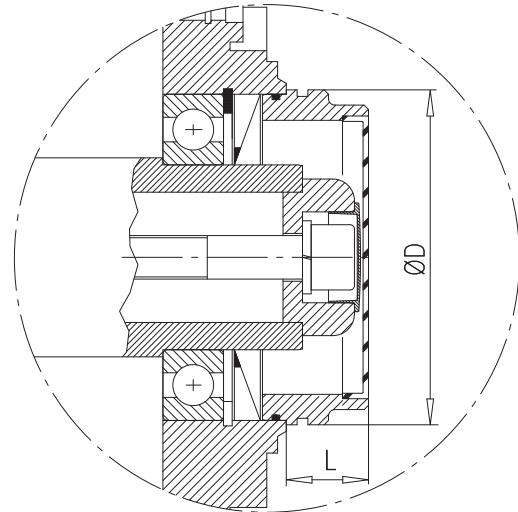


SK ... AZH

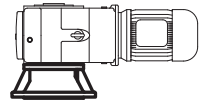
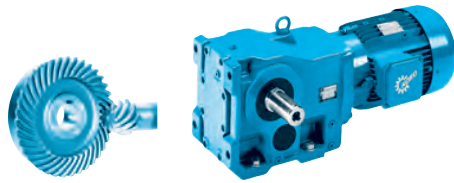


±	⇒ A53	hHB	mHB
SK 92072	AZH	34	86,5
SK 92172	AZH	37	99
SK 92372	AZH	42	117
SK 92672	AZH	42	120
SK 9012.1	AXZH	37	108
SK 9012.1	AZH	42	110
SK 9013.1	AXZH	37	108
SK 9013.1	AZH	42	110
SK 9016.1	AXZH	37	108
SK 9016.1	AZH	42	110
SK 9017.1	AXZH	37	108
SK 9017.1	AZH	42	110
SK 92772	AXZH	–	–
SK 92772	AZH	44	131
SK 9022.1	AXZH	42	128
SK 9022.1	AZH	44	126
SK 9023.1	AXZH	42	128
SK 9023.1	AZH	44	126
SK 9032.1	AXZH	44	144
SK 9032.1	AZH	47	144
SK 9033.1	AXZH	44	144
SK 9033.1	AZH	47	144
SK 9042.1	AXZH	45	160
SK 9042.1	AZH	55	163
SK 9043.1	AXZH	45	160
SK 9043.1	AZH	55	163
SK 9052.1	AXZH	47	192
SK 9052.1	AZH	60	201
SK 9053.1	AXZH	47	192
SK 9053.1	AZH	60	201
SK 9072.1	AXZH	53	223
SK 9072.1	AZH	62	227
SK 9082.1	AXZH	60	260
SK 9082.1	AZH	65	260
SK 9086.1	AXZH	53	291
SK 9086.1	AZH	84	319
SK 9092.1	AXZH	65	360
SK 9092.1	AZH	84	372
SK 9096.1	AXZH	84	410,5
SK 9096.1	AZH	58	378

SK ... AZH66 SK ... AXH66

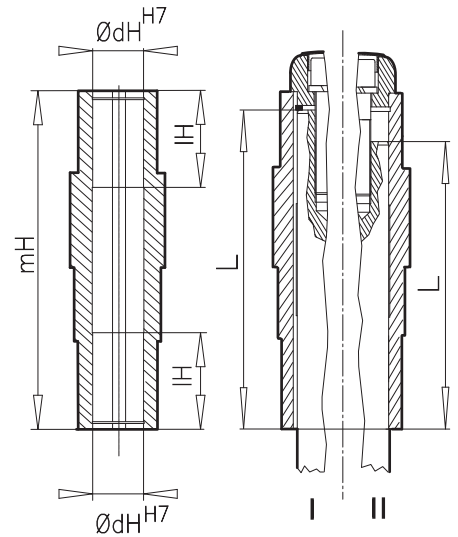
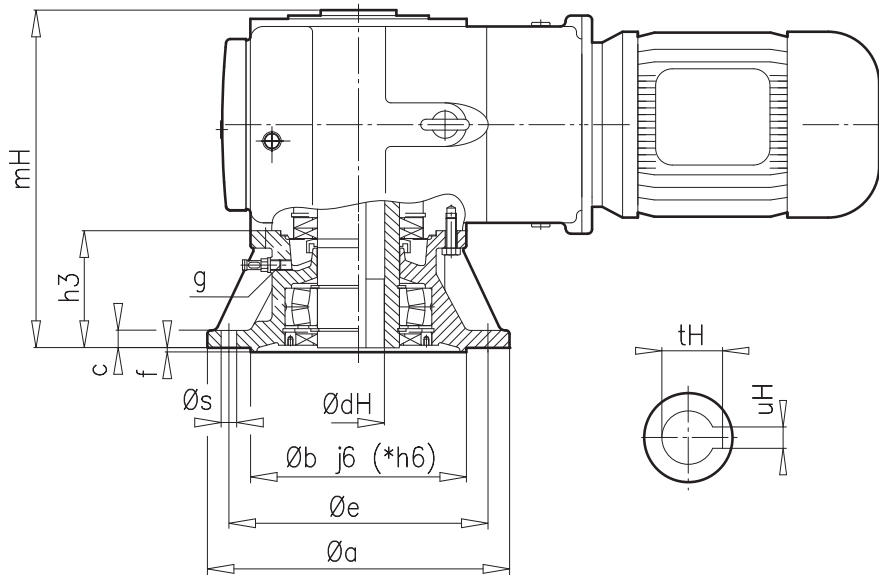


±	⇒ A53	Ø D	L
SK 9012.1	AXH66	80	25
SK 9012.1	AZH66	85	28
SK 9013.1	AXH66	80	25
SK 9013.1	AZH66	85	28
SK 9022.1	AXH66	95	30
SK 9022.1	AZH66	104	34
SK 9023.1	AXH66	104	34
SK 9023.1	AZH66	115	35
SK 9042.1	AXH66	104	35
SK 9042.1	AZH66	145	38
SK 9043.1	AXH66	104	35
SK 9043.1	AZH66	145	38
SK 9052.1	AXH66	188	44
SK 9052.1	AZH66	188	44
SK 9053.1	AXH66	188	44
SK 9053.1	AZH66	188	44
SK 9072.1	AXH66	188	44
SK 9072.1	AZH66	188	44
SK 9082.1	AXH66	245	50
SK 9082.1	AZH66	260	54
SK 9086.1	AXH66	260	54
SK 9086.1	AZH66	315	50

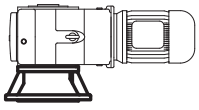


SK ... AFVL ⇨ A30

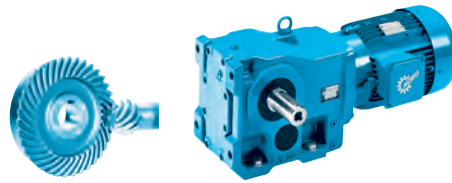
SK ... AF(B)VL



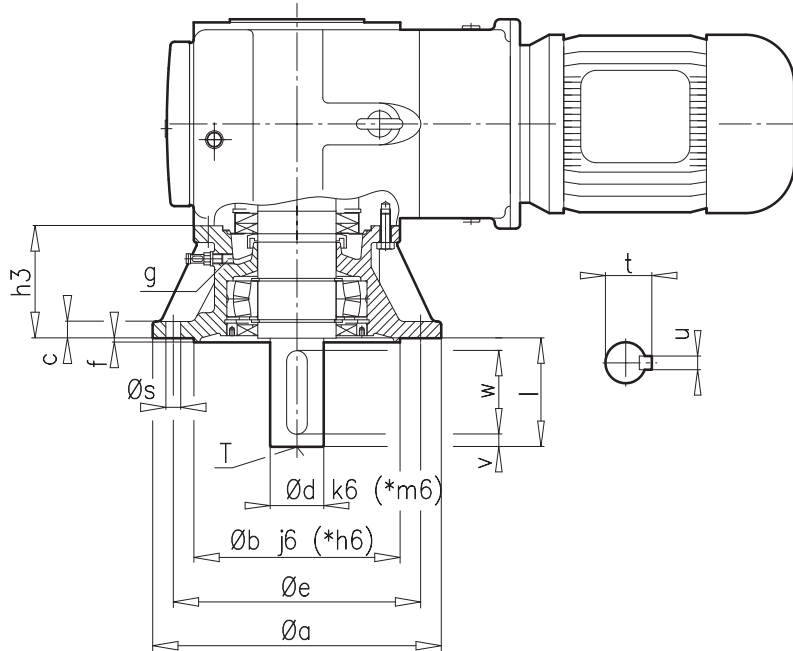
± ⇨ A53	a	b	c	e	f	h3	s	g	dH	uH	tH	mH	dH ^{H7}	IH	L I	L II
SK 9012.1 AF.. SK 9013.1 AF..	200	130	12	165	3,5	75	4 x 11	M12 x 1,5	35	10	38,3	218	35	50	210,15	190
SK 9016.1 AF.. SK 9017.1 AF..	200	130	12	165	3,5	75	4 x 11	M12 x 1,5	35	10	38,5	218	40	50	208,85	190
SK 9022.1 AF.. SK 9023.1 AF..	250	180	16	215	4,0	86	4 x 13,5	M12 x 1,5	40	12	43,3	258	40	60	247,85	228
SK 9032.1 AF.. SK 9033.1 AF..	300	230	20	265	4,0	85	4 x 14	M12 x 1,5	50	14	53,8	287	50	70	276,35	247
SK 9042.1 AF.. SK 9043.1 AF..	350	*250	20	300	5,0	134,5	4 x 18	M12 x 1,5	60	18	64,4	362,5	60	80	350,3	317,5 (322,5)
SK 9052.1 AF.. SK 9053.1 AF..	400	*300	22	350	5,0	166	4 x 18	M24 x 1,5	70	20	74,9	457	70	100	444,75	412
SK 9072.1 AF.. SK 9072.1/32 AF.. SK 9072.1/42 AF..	450	*350	24	400	5,0	184	8 x 18	M24 x 1,5	80	22	85,4	524	80	120	510,85	464
SK 9082.1 AF.. SK 9082.1/42 AF.. SK 9082.1/52 AF..	550	*450	28	500	5,0	210	8 x 18	M30 x 2	110	28	116,4	615	110	140	599,85	555 (560)
SK 9086.1 AF.. SK 9086.1/52 AF..	660	*550	32	600	6,0	262	8 x 22	M30 x 2	120	32	127,4	747	120	160	731,85	687



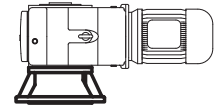
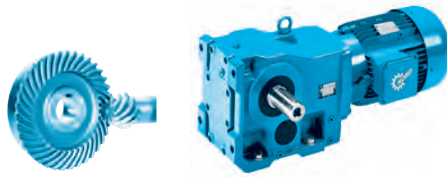
VFVL2 VFVL3



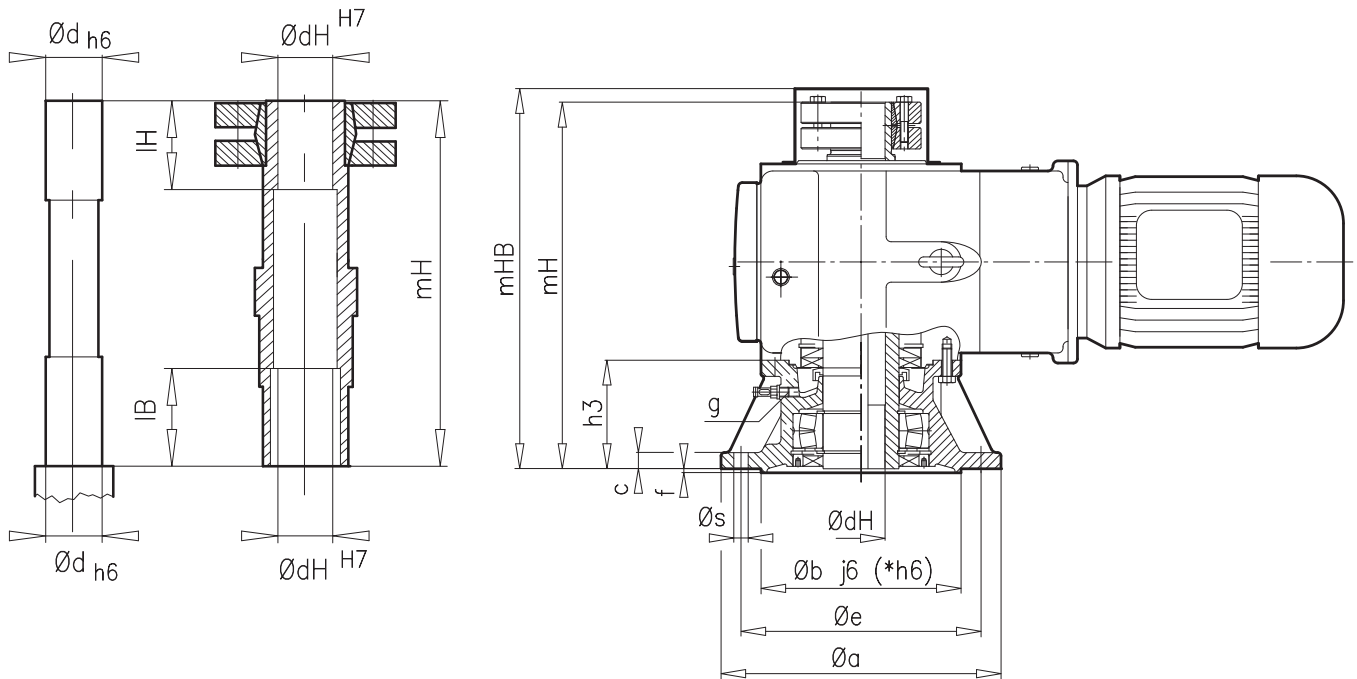
SK ... VFVL ⇒ A30



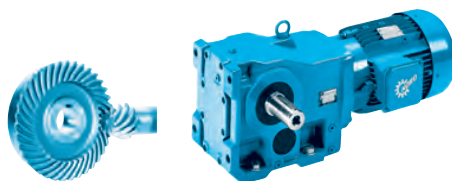
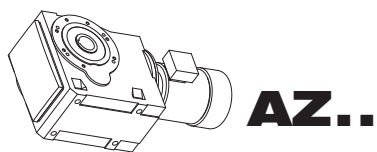
± ⇒ A53	a	b	c	e	f	h3	s	g	d	l	t	u	v	w	T
SK 9012.1 VF.. SK 9013.1 VF..	200	130	12	165	3,5	75	4 x 11	M12 x 1,5	30	60	33,0	8	5	50	M10
SK 9016.1 VF.. SK 9017.1 VF..	200	130	12	165	3,5	75	11	M12 x 1,5	35	70	38,0	10	7	56	M12
SK 9022.1 VF.. SK 9023.1 VF..	250	180	16	215	4,0	86	4 x 13,5	M12 x 1,5	35	70	38,0	10	7	56	M12
SK 9032.1 VF.. SK 9033.1 VF..	300	230	20	265	4,0	85	4 x 14	M12 x 1,5	45	90	48,5	14	5	80	M16
SK 9042.1 VF.. SK 9043.1 VF..	350	*250	20	300	5,0	134,5	4 x 18	M12 x 1,5	*65	130	69,0	18	15	100	M20
SK 9052.1 VF.. SK 9053.1 VF..	400	*300	22	350	5,0	166	4 x 18	M24 x 1,5	*75	140	79,5	20	7,5	125	M20
SK 9072.1 VF.. SK 9072.1/32 VF.. SK 9072.1/42 VF..	450	*350	24	400	5,0	184	8 x 18	M24 x 1,5	*90	170	95,0	25	15	140	M24
SK 9082.1 VF.. SK 9082.1/42 VF.. SK 9082.1/52 VF..	550	*450	28	500	5,0	210	8 x 18	M30 x 2	*110	210	116,0	28	15	180	M24
SK 9086.1 VF.. SK 9086.1/52 VF..	660	*550	32	600	6,0	262	8 x 22	M30 x 2	*120	210	127,0	32	15	180	M24
SK 9092.1 VF.. SK 9092.1/52 VF..	660	*550	32	600	6,0	262	8 x 22	M30 x 2	*140	250	148,0	36	25	200	M24
SK 9096.1 VF.. SK 9096.1/62 VF.. SK 9096.1/63 VF..	660	*550	35	600	8,0	302	8 x 26	M30 x 2	*190	320	200,0	45	10	300	M30x60



SK ... AFSHVL ⇒ A30



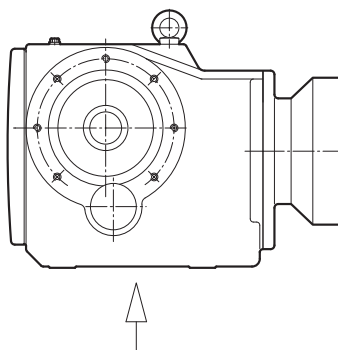
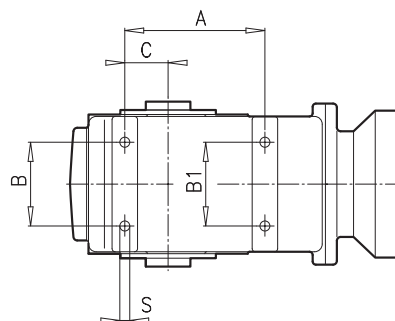
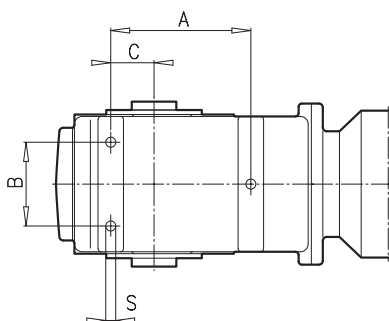
± A53	a	b	c	e	f	h3	s	g	dH / d	mHB	mH	IB	IH
SK 9012.1 AFSH.. SK 9013.1 AFSH..	200	130	12	165	3,5	75	4 x 11	M12 x 1,5	35	278	263	41	40
SK 9016.1 AFSH.. SK 9017.1 AFSH..	200	130	12	165	3,5	75	4 x 11	M12 x 1,5	35	289	263	41	40
SK 9022.1 AFSH.. SK 9023.1 AFSH..	250	180	16	215	4,0	86	4 x 13,5	M12 x 1,5	40	319	308	41,5	44
SK 9032.1 AFSH.. SK 9033.1 AFSH..	300	230	20	265	4,0	85	4 x 14	M12 x 1,5	50	355	337	51,5	46
SK 9042.1 AFSH.. SK 9043.1 AFSH..	350	*250	20	300	5,0	134,5	4 x 18	M14 x 1,5	60	446	427,5	61,5	58
SK 9052.1 AFSH.. SK 9053.1 AFSH..	400	*300	22	350	5,0	166	4 x 18	M24 x 1,5	70	558	537	71	74
SK 9072.1 AFSH.. SK 9072.1/32 AFSH.. SK 9072.1/42 AFSH..	450	*350	24	400	5,0	184	8 x 18	M24 x 1,5	80	629	609	81	82
SK 9082.1 AFSH.. SK 9082.1/42 AFSH.. SK 9082.1/52 AFSH..	550	*450	28	500	5,0	210	8 x 18	M30 x 2	110	734	695	81	74
SK 9086.1 AFSH.. SK 9086.1/52 AFSH..	660	*550	32	600	6,0	262	8 x 22	M30 x 2	125	892	851	81	98
SK 9092.1 AFSH.. SK 9092.1/52 AFSH..	660	*550	32	600	6,0	262	8 x 22	M30 x 2	150	998	955	101	98
SK 9096.1 AFSH.. SK 9096.1/62 AFSH.. SK 9096.1/63 AFSH..	660	*550	35	600	8,0	302	8 x 26	M30 x 2	160/155	1134	1089	95	140



SK ... AZ.. ⇨ A18

SK 9012.1 AZ.. - SK 9052.1 AZ..

SK 9072.1 AZ.. - SK 9096.1 AZ..



± ⇨ A53	A	B	B1	C	S
SK 9012.1 AZ.. SK 9013.1 AZ..	152	60	-	46	M10 x 16
SK 9016.1 AZ.. SK 9017.1 AZ..	152	60	-	46	M10 x 16
SK 9022.1 AZ.. SK 9023.1 AZ..	152	100	-	42	M12 x 20
SK 9032.1 AZ.. SK 9033.1 AZ..	190	110	-	55	M12 x 20
SK 9042.1 AZ.. SK 9043.1 AZ..	220	130	-	68	M16 x 25
SK 9052.1 AZ.. SK 9053.1 AZ..	277	185	-	92	M16 x 25
SK 9072.1 AZ.. SK 9072.1/32 AZ.. SK 9072.1/42 AZ..	290	190	190	100	M24 x 36
SK 9082.1 AZ.. SK 9082.1/42 AZ.. SK 9082.1/52 AZ..	430	260	260	140	M24 x 36
SK 9086.1 AZ.. SK 9086.1/52 AZ..	430	320	320	160	M36 x 55
SK 9092.1 AZ.. SK 9092.1/52 AZ..	520	400	400	180	M36 x 55
SK 9096.1 AZ.. SK 9096.1/62 AZ.. SK 9096.1/63 AZ..	580	440	440	220	M42 x 72



Contrate worm gear units



ENQUIRY FORM E - 2

AVAILABLE VERSIONS E - 3

GEAR UNITMOTOR DATA

Power and speed tables E - 18

Power and speed tables,
W- and IEC adapters E - 20

DIMENSIONED DRAWINGS

Contrate worm gear motors E - 32

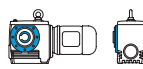
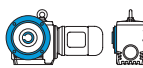


Contrate worm gear units, W and IEC adapters .. E - 54

OPTIONS

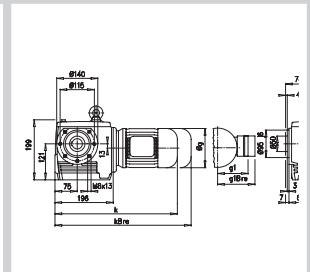
AZ Hollow shaft version - pin holes E - 58

AZH Cover as a touch guard E - 59

Beispiele - Lieferbare Ausführungen mit Hohlwelle

<p>SK 12080 AZ - 90 SH/4 hohlwelle, flansch B14 bei A</p> 	
<p>SK 12080 AF - 90 SH/4 hohlwelle, flansch B5 bei A</p> 	

P ₁ [kW]	n ₂ [min ⁻¹]	M ₂ [Nm]	f _B	i _{ge}
0,55	32	98	0,8	4
	34	111	0,8	4
	39	98	0,8	3
	44	86	0,9	3
	50	77	1,0	2
	65	60	1,2	2
	73	59	1,4	1
	83	51	1,5	1
	94	46	1,6	1
	107	40	1,8	1
	139	31	2,2	1
	161	27	2,4	1
	189	24	2,4	1
	214	21	2,5	1
	279	17	2,9	1
	323	14	3,2	1



Enquiry form



This general enquiry form can be found in the attachment as well as on the **NORD** homepage under www.nord.com - Heading DOCUMENTATION / FORMS.

General enquiry form

Company	<input style="width: 100%;" type="text"/>		 	NORD DRIVESYSTEMS Rudolf-Diesel-Straße 1 D-22941 Bargteheide Tel.: +49(0) 4532/401-0 Fax: +49(0)4532/401-254 E-Mail info@nord.com www.nord.com
Street	<input style="width: 100%;" type="text"/>			
Town	<input style="width: 50%;" type="text"/>	Post-code	<input style="width: 50%;" type="text"/>	
Contact	<input style="width: 100%;" type="text"/>			
Tel.:	<input style="width: 50%;" type="text"/>	Customer No.	<input style="width: 50%;" type="text"/>	
Fax:	<input style="width: 50%;" type="text"/>	Application	<input style="width: 50%;" type="text"/>	
Email	<input style="width: 50%;" type="text"/>	Project	<input style="width: 50%;" type="text"/>	

Components required
 Gear unit motor
 IEC – Gear unit motor
 Gear unit with free shaft end
 Stand-alone motor

Quantity	<input style="width: 60%;" type="text"/>	Type	<input style="width: 20%;" type="text"/>
----------	--	------	--

Parameters specific to the gear unit		Parameters specific to gear unit	
Version <input style="width: 50%;" type="text"/>	Gear ratio <input style="width: 50%;" type="text"/>	Bearings <input type="radio"/> Normal <input type="radio"/> VL <input type="radio"/> VL2 <input type="radio"/> VL3 <input type="radio"/> AL	
Flange <input type="radio"/> B14 <input type="radio"/> B5 \varnothing <input style="width: 50%;" type="text"/> [mm]		For bevel gear or worm gear units Shaft at <input type="radio"/> A <input type="radio"/> B	
<input type="radio"/> Hollow shaft <input type="radio"/> Solid shaft \varnothing <input style="width: 20%;" type="text"/> x <input style="width: 20%;" type="text"/> [mm]		<input type="radio"/> Mineral <input type="radio"/> Synthetic <input type="radio"/> Foodstuff-compatible oil	
Output speed at mains frequency n_2 <input style="width: 50%;" type="text"/> [min^{-1}]		Oil type <input type="radio"/> Special oil type <input style="width: 50%;" type="text"/>	
Parameters specific to motor			
Output torque M_2 <input style="width: 50%;" type="text"/> [Nm]		Effective motor power <input style="width: 50%;" type="text"/> [kW]	
Min. operating factor f_b <input style="width: 50%;" type="text"/>		Motor speed n_1 <input style="width: 50%;" type="text"/> [min^{-1}]	
Min. bearing life L_h <input style="width: 50%;" type="text"/> [h]		Temperature sensor (PTC) <input type="radio"/> Bi-metal temperature monitor <input type="radio"/>	
Radial forces on output shaft F_{R2} <input style="width: 50%;" type="text"/> [N]		Mains voltage <input style="width: 20%;" type="text"/> [V] +/- <input style="width: 20%;" type="text"/> [%]	
Axial forces on output shaft F_{A2} <input style="width: 50%;" type="text"/> [N]		Mains frequency <input style="width: 50%;" type="text"/> [Hz]	
Dist. from shaft collar to point of action of force <input style="width: 50%;" type="text"/> [mm]			

Page 1 of 2

Outline conditions
 Ambient temperatures from [$^{\circ}\text{C}$]
 Buffer mounting for travelling drives [Nm]
 Relative humidity [%]
 Exposure to direct sunlight
 Aggressive media (e.g.: salty air)
 Increased installation altitude [m]
 Precipitation
 ATEX (explosive mixtures in the vicinity) Zone

Painting
 Not painted
 Paint 1.0 - Primer
 Paint 2.0 - standard
 Paint 3.0 - normal environmental contamination
 Paint 3.1 - moderate environmental contamination
 Paint 3.2 - severe environmental contamination
 Other painting (e.g.: Z, 3.4 or 3.5)
 Special colour (Standard RAL7031) RAL
 Regulations DIN EN, etc., please state

General conditions
 Quote by
 Purchasing conditions known not known
 Purchasing conditions attached
 Delivery time after receipt of order
 Delivery carriage paid

<input type="radio"/> Control cabinet inverter	<input type="radio"/> Motor-mounted inverter
Adjustment range from <input style="width: 20%;" type="text"/> [Hz] to <input style="width: 20%;" type="text"/> [Hz]	
<input type="checkbox"/> Constant torque within adjustment range <input style="width: 50%;" type="text"/> [Nm]	
<input type="checkbox"/> External fan	
<input type="checkbox"/> Increase in motor size (with constant torque)	
<input type="checkbox"/> Positioning <input type="radio"/> Incremental <input type="radio"/> Absolute	
<input type="checkbox"/> Speed feedback	
<input type="checkbox"/> Generator operation for power feedback <input style="width: 50%;" type="text"/> [kW]	
<input type="checkbox"/> Bus system- type of bus system <input style="width: 50%;" type="text"/>	
<input type="checkbox"/> Control via <input type="radio"/> PC <input type="radio"/> Control box	

Comments

Page 2 of 2

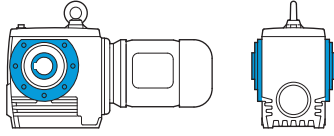
Examples - available contrate worm gear motor versions

With hollow shaft

With solid shaft

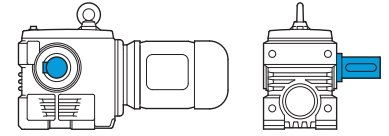
SK 12080 AZ - 90 SH/4

Hollow shaft,
B14 flange at A



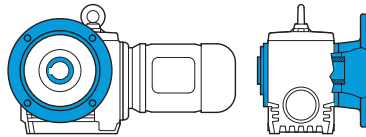
SK 12080 - 90 SH/4

Solid shaft at A
Foot-mounted housing



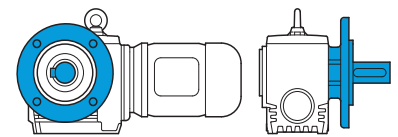
SK 12080 AF - 90 SH/4

Hollow shaft,
B5 flange at A



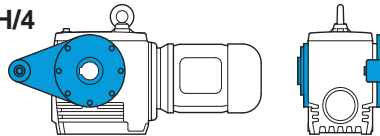
SK 12080 VF - 90 SH/4

Solid shaft at A,
B5 flange at A



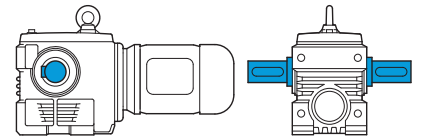
SK 12080 AZD - 90 SH/4

Hollow shaft,
B14 flange at A torque
support at A



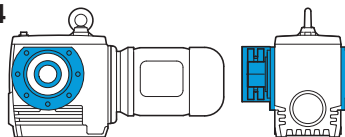
SK 12080 LX - 90 SH/4

Solid shaft at A and B,
Foot-mounted housing



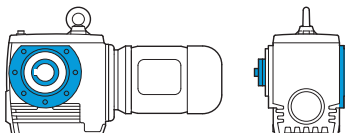
SK 12080 AZSH - 90 SH/4

Hollow shaft,
B14 flange at A shrink disk
at B



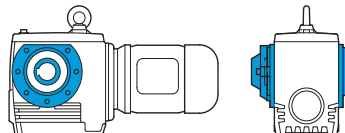
SK 12080 AZB - 90 SH/4

Hollow shaft,
B14 flange at A fastening
element at B



SK 12080 AZH - 90 SH/4

Hollow shaft,
B14 flange at A cover at B



0,12 kW



P_1 [kW]	n_2 [min ⁻¹]	M_2 [Nm]	f_B	i_{ges}	F_R [kN]	F_A [kN]	$F_{R VL}$ [kN]	$F_{A VL}$ [kN]		kg	mm
0,12	1,1	484	3,3	1175,19	16,2	12,0	16,2	16,0	SK 33100 - 63 S/4	68	E48-49
	1,1	484	1,6	1198,81	9,0	9,0	13,0	12,0	SK 13080 - 63 S/4	39	E44-45
	1,4	386	2,0	956,44	9,5	9,0	13,0	12,0			
	1,7	332	2,3	805,28	9,8	9,0	13,0	12,0			
	1,9	297	2,6	706,25	9,9	9,0	13,0	12,0			
	2,1	265	2,9	630,68	10,0	9,0	13,0	12,0			
	2,5	233	3,3	542,07	10,1	9,0	13,0	12,0			
	2,8	207	3,7	482,13	10,2	9,0	13,0	12,0			
	3,3	232	3,3	403,20	10,1	9,0	13,0	12,0			
	1,3	409	1,7	#656,88	9,4	9,0	13,0	12,0	SK 12080 - 63 L/6	34	E42-43
	3,7	162	4,4	234,60	10,3	9,0	13,0	12,0			
	2,0	276	2,6	#656,88	10,0	9,0	13,0	12,0	SK 12080 - 63 S/4	34	E42-43
	1,0	*475	0,8	#1343,63	4,9	7,7	9,0	10,0	SK 13063 - 63 S/4	29	E40-41
	1,2	*475	0,8	#1140,40	4,9	7,7	9,0	10,0			
	1,4	379	1,0	938,20	6,2	7,7	9,8	10,0			
1,8	304	1,3	737,53	6,9	7,7	10,2	10,0				
2,2	249	1,5	604,62	7,3	7,7	10,5	10,0				
2,5	224	1,7	531,64	7,4	7,7	10,6	10,0				
2,8	198	1,9	471,70	7,6	7,7	10,7	10,0				
3,4	224	1,7	395,51	7,4	7,7	10,6	10,0				
3,8	198	1,9	349,37	7,6	7,7	10,7	10,0				
4,3	176	2,2	310,92	7,7	7,7	10,8	10,0				
1,4	390	0,9	#626,79	6,1	7,7	9,7	10,0	SK 12063 - 63 L/6	24	E38-39	
1,6	330	1,1	#529,38	6,7	7,7	10,1	10,0				
1,9	295	1,2	#464,61	7,0	7,7	10,3	10,0				
2,1	258	1,4	#626,79	7,2	7,7	10,5	10,0	SK 12063 - 63 S/4	24	E38-39	
2,5	223	1,6	#529,38	7,4	7,7	10,6	10,0				
2,9	195	1,8	#464,61	7,6	7,7	10,7	10,0				
5,1	152	2,3	#264,24	7,7	7,7	10,8	10,0				
6,0	128	2,8	#223,17	7,8	7,7	10,9	10,0				
6,8	114	3,1	#195,86	7,9	7,7	10,9	10,0				
7,3	85	3,8	183,60	7,9	7,7	11,0	10,0				
8,2	77	4,0	162,18	7,9	7,7	11,0	10,0				
1,0	*244	0,8	1332,04	4,2	8,0	6,1	8,0				SK 13050 - 63 S/4
1,3	*244	0,8	992,23	4,2	8,0	6,1	8,0				
1,5	*244	0,8	869,21	4,2	8,0	6,1	8,0				
1,8	*244	0,8	755,77	4,2	8,0	6,1	8,0				
2,0	*244	0,8	664,56	4,2	8,0	6,1	8,0				
2,3	*244	0,8	586,37	4,2	8,0	6,1	8,0				
1,6	*231	0,8	524,79	4,4	8,0	6,1	8,0	SK 02050 - 63 L/6	20	E34-35	
2,0	*231	0,8	440,13	4,4	8,0	6,1	8,0				
2,2	*231	0,8	385,56	4,4	8,0	6,1	8,0				
2,5	*231	0,8	524,79	4,4	8,0	6,1	8,0	SK 02050 - 63 S/4	20	E34-35	
3,0	185	1,0	440,13	4,9	8,0	6,1	8,0				
3,5	165	1,1	385,56	5,1	8,0	6,1	8,0				
5,8	133	1,4	231,41	5,3	8,0	6,1	8,0				
6,9	113	1,6	194,18	5,5	8,0	6,1	8,0				
7,8	99	1,9	170,10	5,5	8,0	6,1	8,0				
9,0	69	2,6	147,90	5,7	8,0	6,1	8,0				
10	61	2,7	130,05	5,7	8,0	6,1	8,0				
12	55	3,0	114,75	5,7	8,0	6,1	8,0				
4,4	*125	0,8	304,20	2,9	4,0	-	-				SK 02040 - 63 S/4
5,6	102	1,0	237,90	3,2	4,0	-	-				
10	75	1,3	128,70	3,5	4,0	-	-				
12	52	1,8	115,05	3,7	4,0	-	-				
13	59	1,7	100,65	3,7	4,0	-	-				
15	40	2,2	86,97	3,8	4,0	-	-				
17	36	2,4	76,44	3,8	4,0	-	-				

* maximum output torque with $f_B = 0,8$
 # only available in version .Z or .F



0,12 kW
0,18 kW

P_1 [kW]	n_2 [min ⁻¹]	M_2 [Nm]	f_B	i_{ges}	F_R [kN]	F_A [kN]	$F_{R VL}$ [kN]	$F_{A VL}$ [kN]		kg	mm
0,12	20	32	2,5	67,47	3,8	4,0	-	-	SK 02040 - 63 S/4	12	E32-33
	22	39	2,6	59,83	3,8	4,0	-	-			
	26	26	3,1	51,87	3,8	4,0	-	-			
	29	32	3,2	46,79	3,8	4,0	-	-			
	30	23	3,6	44,85	3,8	4,0	-	-			
	32	26	3,3	42,08	3,8	4,0	-	-			
	36	23	3,6	36,80	3,8	4,0	-	-			
	41	20	3,9	32,34	3,8	4,0	-	-			
	47	18	4,2	28,55	3,8	4,0	-	-			
	61	14	5,2	21,95	3,8	4,0	-	-			
	68	14	5,9	19,56	3,8	4,0	-	-			
	78	12	6,6	17,10	3,8	4,0	-	-			
	89	11	7,1	15,03	3,8	4,0	-	-			
	101	9	7,8	13,27	3,8	4,0	-	-			
	131	7	9,4	10,20	3,8	4,0	-	-			
	151	6	10,3	8,82	3,8	4,0	-	-			
	178	6	10,2	7,51	3,8	4,0	-	-			
	201	5	10,9	6,63	3,8	4,0	-	-			
262	4	12,5	5,09	3,8	3,6	-	-				
303	3	13,8	4,40	3,7	3,4	-	-				
0,18	1,2	713	2,2	1175,19	16,2	12,0	16,2	16,0	SK 33100 - 63 L/4	68	E48-49
	2,1	426	3,7	660,60	16,2	12,0	16,2	16,0			
	2,6	341	4,7	519,31	16,2	12,0	16,2	16,0			
	2,9	314	5,1	468,37	16,2	12,0	16,2	16,0			
	3,7	254	5,9	365,07	16,2	12,0	16,2	16,0			
	4,5	212	7,1	299,28	16,2	12,0	16,2	16,0			
	1,4	597	2,5	645,00	16,2	12,0	16,2	16,0	SK 32100 - 71 S/6	61	E46-47
	1,1	712	1,1	1198,81	6,8	9,0	12,0	12,0	SK 13080 - 63 L/4	39	E44-45
	1,4	568	1,4	956,44	8,3	9,0	12,9	12,0			
	1,7	489	1,6	805,28	8,9	9,0	13,0	12,0			
	1,9	437	1,8	706,25	9,2	9,0	13,0	12,0			
	2,2	391	2,0	630,68	9,5	9,0	13,0	12,0			
	2,5	343	2,2	542,07	9,7	9,0	13,0	12,0			
	2,8	305	2,5	482,13	9,9	9,0	13,0	12,0			
	3,4	341	2,3	403,20	9,7	9,0	13,0	12,0			
	1,4	583	1,2	#656,88	8,2	9,0	12,8	12,0	SK 12080 - 71 S/6	35	E42-43
	1,7	472	1,5	#520,20	9,0	9,0	13,0	12,0			
	3,9	230	3,1	234,60	10,1	9,0	13,0	12,0			
	2,1	407	1,7	#656,88	9,4	9,0	13,0	12,0	SK 12080 - 63 L/4	34	E42-43
	4,9	238	3,0	#276,92	10,1	9,0	13,0	12,0			
	5,8	163	4,4	234,60	10,3	9,0	13,0	12,0			
	3,4	330	1,2	395,51	6,7	7,7	10,1	10,0	SK 13063 - 63 L/4	29	E40-41
	3,9	291	1,3	349,37	7,0	7,7	10,3	10,0			
	4,4	259	1,5	310,92	7,2	7,7	10,5	10,0			
	1,7	470	0,8	#529,38	5,0	7,7	9,1	10,0	SK 12063 - 71 S/6	25	E38-39
	2,0	421	0,9	#464,61	5,7	7,7	9,5	10,0			
	2,2	375	1,0	#413,10	6,3	7,7	9,8	10,0			
	2,2	380	0,9	#626,79	6,2	7,7	9,8	10,0	SK 12063 - 63 L/4	24	E38-39
	2,6	328	1,1	#529,38	6,7	7,7	10,1	10,0			
	2,9	288	1,3	#464,61	7,0	7,7	10,3	10,0			
	5,1	224	1,6	#264,24	7,4	7,7	10,6	10,0			
	6,1	189	1,9	#223,17	7,6	7,7	10,7	10,0			
	6,9	168	2,1	#195,86	7,7	7,7	10,8	10,0			
	7,4	125	2,6	183,60	7,8	7,7	10,9	10,0			
	8,4	113	2,7	162,18	7,9	7,7	10,9	10,0			
	9,4	102	2,9	144,33	7,9	7,7	10,9	10,0			
11	87	3,4	118,32	7,9	7,7	11,0	10,0				



only available in version .Z or .F

0,18 kW
0,25 kW



P_1 [kW]	n_2 [min ⁻¹]	M_2 [Nm]	f_B	i_{ges}	F_R [kN]	F_A [kN]	$F_{R VL}$ [kN]	$F_{A VL}$ [kN]		kg	mm				
0,18	3,5	244	0,8	385,56	4,2	8,0	6,1	8,0	SK 02050 - 63 L/4	20	E34-35				
	5,9	196	0,9	231,41	4,8	8,0	6,1	8,0							
	7,0	167	1,1	194,18	5,1	8,0	6,1	8,0							
	8,0	146	1,3	170,10	5,2	8,0	6,1	8,0							
	9,2	101	1,7	147,90	5,5	8,0	6,1	8,0							
	10	90	1,9	130,05	5,6	8,0	6,1	8,0							
	12	81	2,1	114,75	5,6	8,0	6,1	8,0							
	15	67	2,5	92,82	5,7	8,0	6,1	8,0							
	17	59	2,8	80,58	5,7	8,0	6,1	8,0							
	21	59	2,8	65,25	5,7	8,0	6,1	8,0							
	24	52	3,2	57,38	5,7	8,0	6,1	8,0							
	0,18	11	111	0,9	128,70	3,1	4,0	-				-	SK 02040 - 63 L/4	13	E32-33
		12	77	1,2	115,05	3,5	4,0	-				-			
		14	87	1,2	100,65	3,4	4,0	-				-			
		16	59	1,5	86,97	3,7	4,0	-				-			
		18	53	1,6	76,44	3,7	4,0	-				-			
		20	48	1,7	67,47	3,7	4,0	-				-			
		23	57	1,8	59,83	3,7	4,0	-				-			
		26	38	2,1	51,87	3,8	4,0	-				-			
29		47	2,1	46,79	3,7	4,0	-	-							
30		33	2,4	44,85	3,8	4,0	-	-							
32		38	2,3	42,08	3,8	4,0	-	-							
37		33	2,4	36,80	3,8	4,0	-	-							
42		29	2,7	32,34	3,8	4,0	-	-							
48		26	2,8	28,55	3,8	4,0	-	-							
62		21	3,6	21,95	3,8	4,0	-	-							
70		20	4,0	19,56	3,8	4,0	-	-							
80		18	4,5	17,10	3,8	4,0	-	-							
90		16	4,8	15,03	3,8	4,0	-	-							
102		14	5,3	13,27	3,8	4,0	-	-							
133		11	6,4	10,20	3,8	4,0	-	-							
154		9	7,0	8,82	3,8	4,0	-	-							
181	8	6,9	7,51	3,8	4,0	-	-								
205	7	7,4	6,63	3,8	3,9	-	-								
267	6	8,5	5,09	3,8	3,5	-	-								
309	5	9,4	4,40	3,6	3,3	-	-								
0,25	1,2	1057	2,9	1198,50	26,5	20,8	26,5	28,0	SK 43125 - 71 S/4	118	E52-53				
	1,2	976	1,6	1175,19	15,9	12,0	16,2	16,0							
	2,1	583	2,7	660,60	16,2	12,0	16,2	16,0							
	2,7	467	3,4	519,31	16,2	12,0	16,2	16,0							
	2,9	429	3,7	468,37	16,2	12,0	16,2	16,0							
	0,25	1,4	820	1,8	645,00	16,2	12,0	16,2	16,0	SK 32100 - 71 L/6	62	E46-47			
		3,8	345	4,1	241,50	16,2	12,0	16,2	16,0						
	0,25	2,1	569	2,5	645,00	16,2	12,0	16,2	16,0	SK 32100 - 71 S/4	61	E46-47			
	0,25	1,2	975	0,8	1198,81	-	9,0	9,4	12,0	SK 13080 - 71 S/4	40	E44-45			
		1,4	778	1,0	956,44	5,8	9,0	11,5	12,0						
		1,7	669	1,2	805,28	7,3	9,0	12,3	12,0						
		2,0	599	1,3	706,25	8,0	9,0	12,8	12,0						
		2,2	535	1,4	630,68	8,6	9,0	13,0	12,0						
		2,5	469	1,6	542,07	9,0	9,0	13,0	12,0						
		2,9	417	1,8	482,13	9,4	9,0	13,0	12,0						
		3,4	467	1,6	403,20	9,1	9,0	13,0	12,0						
	0,25	1,4	801	0,9	#656,88	5,4	9,0	11,3	12,0	SK 12080 - 71 L/6	36	E42-43			
		1,8	648	1,1	#520,20	7,6	9,0	12,5	12,0						
		3,9	317	2,2	234,60	9,8	9,0	13,0	12,0						
0,25	2,1	557	1,3	#656,88	8,4	9,0	13,0	12,0	SK 12080 - 71 S/4	35	E42-43				
	2,7	450	1,6	#520,20	9,2	9,0	13,0	12,0							
	5,0	326	2,2	#276,92	9,8	9,0	13,0	12,0							
	5,9	223	3,2	234,60	10,1	9,0	13,0	12,0							
	7,4	185	3,6	187,17	10,2	9,0	13,0	12,0							

only available in version .Z or .F



0,25 kW
0,37 kW

P_1 [kW]	n_2 [min ⁻¹]	M_2 [Nm]	f_B	i_{ges}	F_R [kN]	F_A [kN]	$F_{R VL}$ [kN]	$F_{A VL}$ [kN]		kg	mm 																																																																																																																																																																																																																																																																																																																																																																																																																													
0,25	2,6	449	0,8	#529,38	5,3	7,7	9,3	10,0	SK 12063 - 71 S/4	25	E38-39																																																																																																																																																																																																																																																																																																																																																																																																																													
	3,0	394	0,9	#464,61	6,1	7,7	9,7	10,0																																																																																																																																																																																																																																																																																																																																																																																																																																
	3,3	357	1,0	#413,10	6,5	7,7	9,9	10,0																																																																																																																																																																																																																																																																																																																																																																																																																																
	5,2	306	1,1	#264,24	6,9	7,7	10,2	10,0																																																																																																																																																																																																																																																																																																																																																																																																																																
	6,2	259	1,4	#223,17	7,2	7,7	10,5	10,0																																																																																																																																																																																																																																																																																																																																																																																																																																
	7,0	230	1,6	#195,86	7,4	7,7	10,6	10,0																																																																																																																																																																																																																																																																																																																																																																																																																																
	7,5	172	1,9	183,60	7,7	7,7	10,8	10,0																																																																																																																																																																																																																																																																																																																																																																																																																																
	8,5	154	2,0	162,18	7,7	7,7	10,8	10,0																																																																																																																																																																																																																																																																																																																																																																																																																																
	9,6	140	2,1	144,33	7,8	7,7	10,9	10,0																																																																																																																																																																																																																																																																																																																																																																																																																																
	12	119	2,5	118,32	7,9	7,7	10,9	10,0																																																																																																																																																																																																																																																																																																																																																																																																																																
	13	106	2,8	104,04	7,9	7,7	10,9	10,0																																																																																																																																																																																																																																																																																																																																																																																																																																
	15	96	3,1	92,31	7,9	7,7	10,9	10,0																																																																																																																																																																																																																																																																																																																																																																																																																																
	6,6	246	0,8	209,25	4,1	8,0	6,1	8,0				SK 13050 - 71 S/4	26	E36-37																																																																																																																																																																																																																																																																																																																																																																																																																										
	7,6	214	0,9	181,66	4,6	8,0	6,1	8,0							7,1	228	0,8	194,18	4,4	8,0	6,1	8,0	SK 02050 - 71 S/4	21	E34-35	8,1	200	0,9	170,10	4,8	8,0	6,1	8,0	9,3	138	1,3	147,90	5,3	8,0	6,1	8,0	11	124	1,4	130,05	5,4	8,0	6,1	8,0	12	111	1,5	114,75	5,5	8,0	6,1	8,0	15	92	1,8	92,82	5,6	8,0	6,1	8,0	17	81	2,1	80,58	5,6	8,0	6,1	8,0	21	81	2,1	65,25	5,6	8,0	6,1	8,0	24	71	2,4	57,38	5,6	8,0	6,1	8,0	27	64	2,4	50,63	5,7	8,0	6,1	8,0	34	52	3,0	40,95	5,7	8,0	6,1	8,0	39	46	3,4	35,55	5,7	8,0	6,1	8,0	45	43	3,6	30,94	5,5	8,0	6,1	8,0	51	39	4,0	27,21	5,3	8,0	6,1	8,0	57	34	4,6	24,01	5,1	7,6	6,1	8,0	12	105	0,9	115,05	3,2	4,0	-	-	SK 02040 - 71 S/4	14	E32-33	14	118	0,8	100,65	3,0	4,0	-	-	16	81	1,1	86,97	3,5	4,0	-	-	18	73	1,2	76,44	3,6	4,0	-	-	20	65	1,3	67,47	3,6	4,0	-	-	23	78	1,3	59,83	3,5	4,0	-	-	27	52	1,6	51,87	3,7	4,0	-	-	29	64	1,6	46,79	3,6	4,0	-	-	31	46	1,8	44,85	3,7	4,0	-	-	33	52	1,6	42,08	3,7	4,0	-	-	38	46	1,8	36,80	3,7	4,0	-	-	43	40	1,9	32,34	3,8	4,0	-	-	48	36	2,1	28,55	3,8	4,0	-	-	63	28	2,6	21,95	3,8	4,0	-	-	71	27	2,9	19,56	3,8	4,0	-	-	81	24	3,3	17,10	3,8	4,0	-	-	92	21	3,5	15,03	3,8	4,0	-	-	104	19	3,9	13,27	3,8	4,0	-	-	135	15	4,6	10,20	3,8	4,0	-	-	156	13	5,1	8,82	3,8	4,0	-	-	184	11	5,0	7,51	3,8	3,9	-	-	208	10	5,4	6,63	3,8	3,7	-	-	271	8	6,2	5,09	3,7	3,4	-	-	314	7	6,9	4,40	3,6	3,2	-	-	0,37	1,2	1565	2,0	1198,50	26,5	20,8	26,5	28,0	SK 43125 - 71 L/4	119	E52-53	1,2	1444	1,1	1175,19	12,7	12,0	16,2	16,0	2,1	863	1,8	660,60	16,2	12,0	16,2	16,0	2,7	691	2,3	519,31	16,2	12,0	16,2	16,0	2,9	636	2,5	468,37	16,2	12,0	16,2	16,0	3,8	514	2,9	365,07	16,2	12,0	16,2	16,0	1,4	1201	1,2	645,00	14,6	12,0	16,2	16,0	SK 32100 - 80 S/6	64	E46-47	1,8	969	1,5	510,00	16,0	12,0	16,2	16,0	3,9	505	2,8	241,50	16,2	12,0	16,2	16,0	5,1	397	3,5	183,50	16,2	12,0	16,2	16,0					
	7,1	228	0,8	194,18	4,4	8,0	6,1	8,0				SK 02050 - 71 S/4	21	E34-35																																																																																																																																																																																																																																																																																																																																																																																																																										
8,1	200	0,9	170,10	4,8	8,0	6,1	8,0																																																																																																																																																																																																																																																																																																																																																																																																																																	
9,3	138	1,3	147,90	5,3	8,0	6,1	8,0																																																																																																																																																																																																																																																																																																																																																																																																																																	
11	124	1,4	130,05	5,4	8,0	6,1	8,0																																																																																																																																																																																																																																																																																																																																																																																																																																	
12	111	1,5	114,75	5,5	8,0	6,1	8,0																																																																																																																																																																																																																																																																																																																																																																																																																																	
15	92	1,8	92,82	5,6	8,0	6,1	8,0																																																																																																																																																																																																																																																																																																																																																																																																																																	
17	81	2,1	80,58	5,6	8,0	6,1	8,0																																																																																																																																																																																																																																																																																																																																																																																																																																	
21	81	2,1	65,25	5,6	8,0	6,1	8,0																																																																																																																																																																																																																																																																																																																																																																																																																																	
24	71	2,4	57,38	5,6	8,0	6,1	8,0																																																																																																																																																																																																																																																																																																																																																																																																																																	
27	64	2,4	50,63	5,7	8,0	6,1	8,0																																																																																																																																																																																																																																																																																																																																																																																																																																	
34	52	3,0	40,95	5,7	8,0	6,1	8,0																																																																																																																																																																																																																																																																																																																																																																																																																																	
39	46	3,4	35,55	5,7	8,0	6,1	8,0																																																																																																																																																																																																																																																																																																																																																																																																																																	
45	43	3,6	30,94	5,5	8,0	6,1	8,0																																																																																																																																																																																																																																																																																																																																																																																																																																	
51	39	4,0	27,21	5,3	8,0	6,1	8,0																																																																																																																																																																																																																																																																																																																																																																																																																																	
57	34	4,6	24,01	5,1	7,6	6,1	8,0																																																																																																																																																																																																																																																																																																																																																																																																																																	
12	105	0,9	115,05	3,2	4,0	-	-	SK 02040 - 71 S/4	14	E32-33																																																																																																																																																																																																																																																																																																																																																																																																																														
14	118	0,8	100,65	3,0	4,0	-	-																																																																																																																																																																																																																																																																																																																																																																																																																																	
16	81	1,1	86,97	3,5	4,0	-	-																																																																																																																																																																																																																																																																																																																																																																																																																																	
18	73	1,2	76,44	3,6	4,0	-	-																																																																																																																																																																																																																																																																																																																																																																																																																																	
20	65	1,3	67,47	3,6	4,0	-	-																																																																																																																																																																																																																																																																																																																																																																																																																																	
23	78	1,3	59,83	3,5	4,0	-	-																																																																																																																																																																																																																																																																																																																																																																																																																																	
27	52	1,6	51,87	3,7	4,0	-	-																																																																																																																																																																																																																																																																																																																																																																																																																																	
29	64	1,6	46,79	3,6	4,0	-	-																																																																																																																																																																																																																																																																																																																																																																																																																																	
31	46	1,8	44,85	3,7	4,0	-	-																																																																																																																																																																																																																																																																																																																																																																																																																																	
33	52	1,6	42,08	3,7	4,0	-	-																																																																																																																																																																																																																																																																																																																																																																																																																																	
38	46	1,8	36,80	3,7	4,0	-	-																																																																																																																																																																																																																																																																																																																																																																																																																																	
43	40	1,9	32,34	3,8	4,0	-	-																																																																																																																																																																																																																																																																																																																																																																																																																																	
48	36	2,1	28,55	3,8	4,0	-	-																																																																																																																																																																																																																																																																																																																																																																																																																																	
63	28	2,6	21,95	3,8	4,0	-	-																																																																																																																																																																																																																																																																																																																																																																																																																																	
71	27	2,9	19,56	3,8	4,0	-	-																																																																																																																																																																																																																																																																																																																																																																																																																																	
81	24	3,3	17,10	3,8	4,0	-	-																																																																																																																																																																																																																																																																																																																																																																																																																																	
92	21	3,5	15,03	3,8	4,0	-	-																																																																																																																																																																																																																																																																																																																																																																																																																																	
104	19	3,9	13,27	3,8	4,0	-	-																																																																																																																																																																																																																																																																																																																																																																																																																																	
135	15	4,6	10,20	3,8	4,0	-	-																																																																																																																																																																																																																																																																																																																																																																																																																																	
156	13	5,1	8,82	3,8	4,0	-	-																																																																																																																																																																																																																																																																																																																																																																																																																																	
184	11	5,0	7,51	3,8	3,9	-	-																																																																																																																																																																																																																																																																																																																																																																																																																																	
208	10	5,4	6,63	3,8	3,7	-	-																																																																																																																																																																																																																																																																																																																																																																																																																																	
271	8	6,2	5,09	3,7	3,4	-	-																																																																																																																																																																																																																																																																																																																																																																																																																																	
314	7	6,9	4,40	3,6	3,2	-	-																																																																																																																																																																																																																																																																																																																																																																																																																																	
0,37	1,2	1565	2,0	1198,50	26,5	20,8	26,5	28,0	SK 43125 - 71 L/4	119	E52-53																																																																																																																																																																																																																																																																																																																																																																																																																													
	1,2	1444	1,1	1175,19	12,7	12,0	16,2	16,0																																																																																																																																																																																																																																																																																																																																																																																																																																
	2,1	863	1,8	660,60	16,2	12,0	16,2	16,0																																																																																																																																																																																																																																																																																																																																																																																																																																
	2,7	691	2,3	519,31	16,2	12,0	16,2	16,0																																																																																																																																																																																																																																																																																																																																																																																																																																
	2,9	636	2,5	468,37	16,2	12,0	16,2	16,0																																																																																																																																																																																																																																																																																																																																																																																																																																
	3,8	514	2,9	365,07	16,2	12,0	16,2	16,0																																																																																																																																																																																																																																																																																																																																																																																																																																
	1,4	1201	1,2	645,00	14,6	12,0	16,2	16,0	SK 32100 - 80 S/6	64	E46-47																																																																																																																																																																																																																																																																																																																																																																																																																													
	1,8	969	1,5	510,00	16,0	12,0	16,2	16,0																																																																																																																																																																																																																																																																																																																																																																																																																																
	3,9	505	2,8	241,50	16,2	12,0	16,2	16,0																																																																																																																																																																																																																																																																																																																																																																																																																																
	5,1	397	3,5	183,50	16,2	12,0	16,2	16,0																																																																																																																																																																																																																																																																																																																																																																																																																																

only available in version .Z or .F

0,37 kW



P_1 [kW]	n_2 [min ⁻¹]	M_2 [Nm]	f_B	i_{ges}	F_R [kN]	F_A [kN]	$F_{R VL}$ [kN]	$F_{A VL}$ [kN]		kg	mm																																																																																																																																																																																																																																																																																																																																																																																																																																																																																																																																																																																																																							
0,37	2,1	842	1,7	645,00	16,2	12,0	16,2	16,0	SK 32100 - 71 L/4	62	E46-47																																																																																																																																																																																																																																																																																																																																																																																																																																																																																																																																																																																																																							
	5,7	359	4,0	241,50	16,2	12,0	16,2	16,0					1,7	990	0,8	805,28	-	9,0	9,3	12,0	SK 13080 - 71 L/4	41	E44-45		2,0	886	0,9	706,25	3,4	9,0	10,5	12,0		2,2	791	1,0	630,68	5,6	9,0	11,4	12,0		2,5	694	1,1	542,07	7,0	9,0	12,1	12,0		2,9	617	1,2	482,13	7,9	9,0	12,6	12,0		3,4	692	1,1	403,20	7,1	9,0	12,2	12,0		4,1	591	1,2	339,48	8,1	9,0	12,8	12,0		4,0	464	1,5	234,60	9,1	9,0	13,0	12,0	SK 12080 - 80 S/6	38	E42-43		2,1	824	0,9	#656,88	5,0	9,0	11,1	12,0	SK 12080 - 71 L/4	36	E42-43		2,7	666	1,1	#520,20	7,4	9,0	12,3	12,0		5,0	482	1,5	#276,92	9,0	9,0	13,0	12,0		5,9	330	2,1	234,60	9,8	9,0	13,0	12,0		7,4	273	2,5	187,17	10,0	9,0	13,0	12,0		8,8	234	2,9	157,59	10,1	9,0	13,0	12,0		10	212	3,0	138,21	10,2	9,0	13,0	12,0		11	193	3,2	123,42	10,2	9,0	13,0	12,0		13	168	3,5	106,08	10,3	9,0	13,0	12,0		5,2	453	0,8	#264,24	5,3	7,7	9,2	10,0	SK 12063 - 71 L/4	26	E38-39		6,2	383	0,9	#223,17	6,2	7,7	9,8	10,0		7,0	341	1,1	#195,86	6,6	7,7	10,0	10,0		7,5	254	1,3	183,60	7,3	7,7	10,5	10,0		8,5	228	1,4	162,18	7,4	7,7	10,6	10,0		9,6	207	1,4	144,33	7,5	7,7	10,7	10,0		12	176	1,7	118,32	7,7	7,7	10,8	10,0		13	157	1,9	104,04	7,7	7,7	10,8	10,0		15	142	2,1	92,31	7,8	7,7	10,9	10,0		18	143	2,1	77,40	7,8	7,7	10,8	10,0		20	128	2,3	68,37	7,8	7,7	10,9	10,0		23	114	2,5	60,85	7,9	7,7	10,9	10,0		28	96	2,7	49,88	7,9	7,7	10,9	10,0		31	84	3,0	43,86	7,9	7,7	11,0	10,0		9,3	204	0,9	147,90	4,7	8,0	6,1	8,0	SK 02050 - 71 L/4	22	E34-35		11	183	0,9	130,05	4,9	8,0	6,1	8,0		12	165	1,0	114,75	5,1	8,0	6,1	8,0		15	135	1,2	92,82	5,3	8,0	6,1	8,0		17	120	1,4	80,58	5,4	8,0	6,1	8,0		21	120	1,4	65,25	5,4	8,0	6,1	8,0		24	106	1,6	57,38	5,5	8,0	6,1	8,0		27	95	1,6	50,63	5,6	8,0	6,1	8,0		34	78	2,0	40,95	5,6	8,0	6,1	8,0		39	68	2,3	35,55	5,6	8,0	6,1	8,0		45	64	2,4	30,94	5,3	7,9	6,1	8,0		51	57	2,7	27,21	5,1	7,6	6,1	8,0		57	50	3,1	24,01	5,0	7,2	6,1	8,0		18	108	0,8	76,44	3,2	4,0	-	-	SK 02040 - 71 L/4	15	E32-33		20	97	0,8	67,47	3,3	4,0	-	-		23	115	0,9	59,83	3,1	4,0	-	-		27	77	1,1	51,87	3,5	4,0	-	-		29	95	1,1	46,79	3,3	4,0	-	-		31	68	1,2	44,85	3,6	4,0	-	-		33	76	1,1	42,08	3,5	4,0	-	-		38	68	1,2	36,80	3,6	4,0	-	-		43	60	1,3	32,34	3,7	4,0	-	-		48	53	1,4	28,55	3,7	4,0	-	-		63	42	1,8	21,95	3,8	4,0	-	-		71	41	2,0	19,56	3,8	4,0	-	-		81	35	2,2	17,10	3,8	4,0	-	-		92	32	2,4	15,03	3,8	4,0	-	-		104	28	2,6	13,27	3,8	4,0	-	-		135	22	3,1	10,20	3,8	4,0	-	-		156	19	3,5	8,82	3,8	4,0	-	-		184	17	3,4	7,51	3,8	3,6	-	-		208	15	3,7	6,63	3,8	3,5	-	-		271	11	4,2	5,09	3,7	3,2	-	-		314	10	4,6	4,40
	1,7	990	0,8	805,28	-	9,0	9,3	12,0	SK 13080 - 71 L/4	41	E44-45																																																																																																																																																																																																																																																																																																																																																																																																																																																																																																																																																																																																																							
	2,0	886	0,9	706,25	3,4	9,0	10,5	12,0																																																																																																																																																																																																																																																																																																																																																																																																																																																																																																																																																																																																																										
	2,2	791	1,0	630,68	5,6	9,0	11,4	12,0																																																																																																																																																																																																																																																																																																																																																																																																																																																																																																																																																																																																																										
	2,5	694	1,1	542,07	7,0	9,0	12,1	12,0																																																																																																																																																																																																																																																																																																																																																																																																																																																																																																																																																																																																																										
	2,9	617	1,2	482,13	7,9	9,0	12,6	12,0																																																																																																																																																																																																																																																																																																																																																																																																																																																																																																																																																																																																																										
	3,4	692	1,1	403,20	7,1	9,0	12,2	12,0																																																																																																																																																																																																																																																																																																																																																																																																																																																																																																																																																																																																																										
	4,1	591	1,2	339,48	8,1	9,0	12,8	12,0					4,0	464	1,5	234,60	9,1	9,0	13,0	12,0	SK 12080 - 80 S/6	38	E42-43		2,1	824	0,9	#656,88	5,0	9,0	11,1	12,0	SK 12080 - 71 L/4	36	E42-43		2,7	666	1,1	#520,20	7,4	9,0	12,3	12,0		5,0	482	1,5	#276,92	9,0	9,0	13,0	12,0		5,9	330	2,1	234,60	9,8	9,0	13,0	12,0		7,4	273	2,5	187,17	10,0	9,0	13,0	12,0		8,8	234	2,9	157,59	10,1	9,0	13,0	12,0		10	212	3,0	138,21	10,2	9,0	13,0	12,0		11	193	3,2	123,42	10,2	9,0	13,0	12,0					13	168	3,5	106,08	10,3	9,0	13,0	12,0		5,2	453	0,8	#264,24	5,3	7,7	9,2	10,0	SK 12063 - 71 L/4	26	E38-39		6,2	383	0,9	#223,17	6,2	7,7	9,8	10,0		7,0	341	1,1	#195,86	6,6	7,7	10,0	10,0		7,5	254	1,3	183,60	7,3	7,7	10,5	10,0		8,5	228	1,4	162,18	7,4	7,7	10,6	10,0		9,6	207	1,4	144,33	7,5	7,7	10,7	10,0		12	176	1,7	118,32	7,7	7,7	10,8	10,0		13	157	1,9	104,04	7,7				7,7	10,8	10,0		15	142	2,1	92,31	7,8	7,7	10,9	10,0		18	143	2,1	77,40	7,8	7,7	10,8	10,0		20	128	2,3	68,37	7,8	7,7	10,9	10,0		23	114	2,5	60,85	7,9	7,7	10,9	10,0		28	96	2,7	49,88	7,9	7,7	10,9	10,0		31	84	3,0	43,86	7,9	7,7	11,0	10,0		9,3	204	0,9	147,90	4,7	8,0	6,1	8,0	SK 02050 - 71 L/4	22	E34-35		11	183	0,9	130,05	4,9	8,0	6,1	8,0		12	165	1,0	114,75	5,1	8,0	6,1	8,0		15	135	1,2	92,82	5,3	8,0	6,1	8,0		17	120	1,4	80,58	5,4	8,0	6,1	8,0		21	120	1,4	65,25	5,4	8,0	6,1	8,0		24	106	1,6	57,38	5,5	8,0	6,1	8,0		27	95				1,6	50,63	5,6	8,0	6,1	8,0		34	78	2,0	40,95	5,6	8,0	6,1	8,0		39	68	2,3	35,55	5,6	8,0	6,1	8,0		45	64	2,4	30,94	5,3	7,9	6,1	8,0		51	57	2,7	27,21	5,1	7,6	6,1	8,0		57	50	3,1	24,01	5,0	7,2	6,1	8,0		18	108	0,8	76,44	3,2	4,0	-	-	SK 02040 - 71 L/4	15	E32-33		20	97	0,8	67,47	3,3	4,0	-	-		23	115	0,9	59,83	3,1	4,0	-	-		27	77	1,1	51,87	3,5	4,0	-	-		29	95	1,1	46,79	3,3	4,0	-	-		31	68	1,2	44,85	3,6	4,0	-	-		33	76	1,1	42,08	3,5	4,0	-	-					38	68	1,2	36,80	3,6	4,0	-	-		43	60	1,3	32,34	3,7	4,0	-	-		48	53	1,4	28,55	3,7	4,0	-	-		63	42	1,8	21,95	3,8	4,0	-	-		71	41	2,0	19,56	3,8	4,0	-	-		81	35	2,2	17,10	3,8	4,0	-	-		92	32	2,4	15,03	3,8	4,0	-	-		104	28	2,6	13,27	3,8	4,0	-	-		135	22	3,1	10,20	3,8	4,0	-	-		156	19	3,5	8,82	3,8	4,0	-	-		184	17	3,4	7,51	3,8	3,6	-	-		208	15	3,7	6,63	3,8	3,5	-	-		271	11	4,2	5,09	3,7	3,2	-	-		314	10	4,6	4,40	3,5	3,1	-	-																																																		
	4,0	464	1,5	234,60	9,1	9,0	13,0	12,0	SK 12080 - 80 S/6	38	E42-43																																																																																																																																																																																																																																																																																																																																																																																																																																																																																																																																																																																																																							
	2,1	824	0,9	#656,88	5,0	9,0	11,1	12,0	SK 12080 - 71 L/4	36	E42-43																																																																																																																																																																																																																																																																																																																																																																																																																																																																																																																																																																																																																							
	2,7	666	1,1	#520,20	7,4	9,0	12,3	12,0																																																																																																																																																																																																																																																																																																																																																																																																																																																																																																																																																																																																																										
	5,0	482	1,5	#276,92	9,0	9,0	13,0	12,0																																																																																																																																																																																																																																																																																																																																																																																																																																																																																																																																																																																																																										
	5,9	330	2,1	234,60	9,8	9,0	13,0	12,0																																																																																																																																																																																																																																																																																																																																																																																																																																																																																																																																																																																																																										
	7,4	273	2,5	187,17	10,0	9,0	13,0	12,0																																																																																																																																																																																																																																																																																																																																																																																																																																																																																																																																																																																																																										
	8,8	234	2,9	157,59	10,1	9,0	13,0	12,0																																																																																																																																																																																																																																																																																																																																																																																																																																																																																																																																																																																																																										
	10	212	3,0	138,21	10,2	9,0	13,0	12,0																																																																																																																																																																																																																																																																																																																																																																																																																																																																																																																																																																																																																										
	11	193	3,2	123,42	10,2	9,0	13,0	12,0																																																																																																																																																																																																																																																																																																																																																																																																																																																																																																																																																																																																																										
	13	168	3,5	106,08	10,3	9,0	13,0	12,0																																																																																																																																																																																																																																																																																																																																																																																																																																																																																																																																																																																																																										
	5,2	453	0,8	#264,24	5,3	7,7	9,2	10,0				SK 12063 - 71 L/4	26	E38-39																																																																																																																																																																																																																																																																																																																																																																																																																																																																																																																																																																																																																				
	6,2	383	0,9	#223,17	6,2	7,7	9,8	10,0																																																																																																																																																																																																																																																																																																																																																																																																																																																																																																																																																																																																																										
	7,0	341	1,1	#195,86	6,6	7,7	10,0	10,0																																																																																																																																																																																																																																																																																																																																																																																																																																																																																																																																																																																																																										
	7,5	254	1,3	183,60	7,3	7,7	10,5	10,0																																																																																																																																																																																																																																																																																																																																																																																																																																																																																																																																																																																																																										
	8,5	228	1,4	162,18	7,4	7,7	10,6	10,0																																																																																																																																																																																																																																																																																																																																																																																																																																																																																																																																																																																																																										
	9,6	207	1,4	144,33	7,5	7,7	10,7	10,0																																																																																																																																																																																																																																																																																																																																																																																																																																																																																																																																																																																																																										
	12	176	1,7	118,32	7,7	7,7	10,8	10,0																																																																																																																																																																																																																																																																																																																																																																																																																																																																																																																																																																																																																										
	13	157	1,9	104,04	7,7	7,7	10,8	10,0																																																																																																																																																																																																																																																																																																																																																																																																																																																																																																																																																																																																																										
	15	142	2,1	92,31	7,8	7,7	10,9	10,0																																																																																																																																																																																																																																																																																																																																																																																																																																																																																																																																																																																																																										
	18	143	2,1	77,40	7,8	7,7	10,8	10,0																																																																																																																																																																																																																																																																																																																																																																																																																																																																																																																																																																																																																										
	20	128	2,3	68,37	7,8	7,7	10,9	10,0																																																																																																																																																																																																																																																																																																																																																																																																																																																																																																																																																																																																																										
	23	114	2,5	60,85	7,9	7,7	10,9	10,0																																																																																																																																																																																																																																																																																																																																																																																																																																																																																																																																																																																																																										
	28	96	2,7	49,88	7,9	7,7	10,9	10,0																																																																																																																																																																																																																																																																																																																																																																																																																																																																																																																																																																																																																										
	31	84	3,0	43,86	7,9	7,7	11,0	10,0																																																																																																																																																																																																																																																																																																																																																																																																																																																																																																																																																																																																																										
	9,3	204	0,9	147,90	4,7	8,0	6,1	8,0	SK 02050 - 71 L/4	22	E34-35																																																																																																																																																																																																																																																																																																																																																																																																																																																																																																																																																																																																																							
	11	183	0,9	130,05	4,9	8,0	6,1	8,0																																																																																																																																																																																																																																																																																																																																																																																																																																																																																																																																																																																																																										
	12	165	1,0	114,75	5,1	8,0	6,1	8,0																																																																																																																																																																																																																																																																																																																																																																																																																																																																																																																																																																																																																										
	15	135	1,2	92,82	5,3	8,0	6,1	8,0																																																																																																																																																																																																																																																																																																																																																																																																																																																																																																																																																																																																																										
	17	120	1,4	80,58	5,4	8,0	6,1	8,0																																																																																																																																																																																																																																																																																																																																																																																																																																																																																																																																																																																																																										
	21	120	1,4	65,25	5,4	8,0	6,1	8,0																																																																																																																																																																																																																																																																																																																																																																																																																																																																																																																																																																																																																										
	24	106	1,6	57,38	5,5	8,0	6,1	8,0																																																																																																																																																																																																																																																																																																																																																																																																																																																																																																																																																																																																																										
	27	95	1,6	50,63	5,6	8,0	6,1	8,0																																																																																																																																																																																																																																																																																																																																																																																																																																																																																																																																																																																																																										
	34	78	2,0	40,95	5,6	8,0	6,1	8,0																																																																																																																																																																																																																																																																																																																																																																																																																																																																																																																																																																																																																										
	39	68	2,3	35,55	5,6	8,0	6,1	8,0																																																																																																																																																																																																																																																																																																																																																																																																																																																																																																																																																																																																																										
	45	64	2,4	30,94	5,3	7,9	6,1	8,0																																																																																																																																																																																																																																																																																																																																																																																																																																																																																																																																																																																																																										
	51	57	2,7	27,21	5,1	7,6	6,1	8,0																																																																																																																																																																																																																																																																																																																																																																																																																																																																																																																																																																																																																										
	57	50	3,1	24,01	5,0	7,2	6,1	8,0																																																																																																																																																																																																																																																																																																																																																																																																																																																																																																																																																																																																																										
	18	108	0,8	76,44	3,2	4,0	-	-	SK 02040 - 71 L/4	15	E32-33																																																																																																																																																																																																																																																																																																																																																																																																																																																																																																																																																																																																																							
	20	97	0,8	67,47	3,3	4,0	-	-																																																																																																																																																																																																																																																																																																																																																																																																																																																																																																																																																																																																																										
	23	115	0,9	59,83	3,1	4,0	-	-																																																																																																																																																																																																																																																																																																																																																																																																																																																																																																																																																																																																																										
	27	77	1,1	51,87	3,5	4,0	-	-																																																																																																																																																																																																																																																																																																																																																																																																																																																																																																																																																																																																																										
	29	95	1,1	46,79	3,3	4,0	-	-																																																																																																																																																																																																																																																																																																																																																																																																																																																																																																																																																																																																																										
	31	68	1,2	44,85	3,6	4,0	-	-																																																																																																																																																																																																																																																																																																																																																																																																																																																																																																																																																																																																																										
	33	76	1,1	42,08	3,5	4,0	-	-																																																																																																																																																																																																																																																																																																																																																																																																																																																																																																																																																																																																																										
	38	68	1,2	36,80	3,6	4,0	-	-																																																																																																																																																																																																																																																																																																																																																																																																																																																																																																																																																																																																																										
	43	60	1,3	32,34	3,7	4,0	-	-																																																																																																																																																																																																																																																																																																																																																																																																																																																																																																																																																																																																																										
	48	53	1,4	28,55	3,7	4,0	-	-																																																																																																																																																																																																																																																																																																																																																																																																																																																																																																																																																																																																																										
	63	42	1,8	21,95	3,8	4,0	-	-																																																																																																																																																																																																																																																																																																																																																																																																																																																																																																																																																																																																																										
	71	41	2,0	19,56	3,8	4,0	-	-																																																																																																																																																																																																																																																																																																																																																																																																																																																																																																																																																																																																																										
	81	35	2,2	17,10	3,8	4,0	-	-																																																																																																																																																																																																																																																																																																																																																																																																																																																																																																																																																																																																																										
	92	32	2,4	15,03	3,8	4,0	-	-																																																																																																																																																																																																																																																																																																																																																																																																																																																																																																																																																																																																																										
	104	28	2,6	13,27	3,8	4,0	-	-																																																																																																																																																																																																																																																																																																																																																																																																																																																																																																																																																																																																																										
	135	22	3,1	10,20	3,8	4,0	-	-																																																																																																																																																																																																																																																																																																																																																																																																																																																																																																																																																																																																																										
	156	19	3,5	8,82	3,8	4,0	-	-																																																																																																																																																																																																																																																																																																																																																																																																																																																																																																																																																																																																																										
	184	17	3,4	7,51	3,8	3,6	-	-																																																																																																																																																																																																																																																																																																																																																																																																																																																																																																																																																																																																																										
	208	15	3,7	6,63	3,8	3,5	-	-																																																																																																																																																																																																																																																																																																																																																																																																																																																																																																																																																																																																																										
	271	11	4,2	5,09	3,7	3,2	-	-																																																																																																																																																																																																																																																																																																																																																																																																																																																																																																																																																																																																																										
	314	10	4,6	4,40	3,5	3,1	-	-																																																																																																																																																																																																																																																																																																																																																																																																																																																																																																																																																																																																																										

only available in version .Z or .F



0,55 kW

P_1 [kW]	n_2 [min ⁻¹]	M_2 [Nm]	f_B	i_{ges}	F_R [kN]	F_A [kN]	$F_{R VL}$ [kN]	$F_{A VL}$ [kN]		kg	mm
0,55	1,0	2731	1,1	1476,55	23,9	20,8	26,5	28,0	SK 43125 - 80 SH/4	122	E52-53
	1,2	2261	1,4	1198,50	26,0	20,8	26,5	28,0			
	1,5	1785	1,7	928,25	26,5	20,8	26,5	28,0			
	1,8	1558	2,0	794,58	26,5	20,8	26,5	28,0			
	2,1	1735	1,6	689,67	26,5	20,8	26,5	28,0			
	2,3	1529	1,7	607,91	26,5	20,8	26,5	28,0			
	2,6	1397	2,2	547,47	26,5	20,8	26,5	28,0			
	3,2	1134	2,6	444,38	26,5	20,8	26,5	28,0			
	3,7	985	2,6	380,39	26,5	20,8	26,5	28,0			
	3,0	918	1,7	468,37	16,2	12,0	16,2	16,0			
	3,9	743	2,0	365,07	16,2	12,0	16,2	16,0			
	4,7	620	2,4	299,28	16,2	12,0	16,2	16,0			
	2,2	1217	1,2	645,00	14,5	12,0	16,2	16,0			
	2,8	981	1,4	510,00	15,9	12,0	16,2	16,0			
	5,9	518	2,7	241,50	16,2	12,0	16,2	16,0			
7,7	414	3,3	183,50	16,2	12,0	16,2	16,0				
8,6	380	3,5	165,50	16,2	12,0	16,2	16,0				
3,5	760	0,9	#402,90	6,1	9,0	11,6	12,0	SK 12080 - 80 SH/4	39	E42-43	
5,1	697	1,0	#276,92	7,0	9,0	12,1	12,0				
6,1	477	1,5	234,60	9,0	9,0	13,0	12,0				
7,6	395	1,7	187,17	9,5	9,0	13,0	12,0				
9,0	338	2,0	157,59	9,7	9,0	13,0	12,0				
10	307	2,1	138,21	9,9	9,0	13,0	12,0				
12	278	2,2	123,42	10,0	9,0	13,0	12,0				
13	243	2,4	106,08	10,1	9,0	13,0	12,0				
15	220	2,5	94,35	10,2	9,0	13,0	12,0				
18	219	3,0	78,91	10,2	9,0	13,0	12,0				
21	187	3,4	66,44	10,2	9,0	13,0	12,0				
24	166	3,6	58,27	10,3	9,0	13,0	12,0				
27	148	3,9	52,03	10,2	9,0	13,0	12,0				
7,7	367	0,9	183,60	6,4	7,7	9,9	10,0				SK 12063 - 80 SH/4
8,8	330	0,9	162,18	6,7	7,7	10,1	10,0				
9,8	299	1,0	144,33	7,0	7,7	10,3	10,0				
12	254	1,2	118,32	7,3	7,7	10,5	10,0				
14	227	1,3	104,04	7,4	7,7	10,6	10,0				
15	205	1,4	92,31	7,5	7,7	10,7	10,0				
18	206	1,5	77,40	7,5	7,7	10,7	10,0				
21	185	1,6	68,37	7,6	7,7	10,7	10,0				
23	164	1,7	60,85	7,7	7,7	10,8	10,0				
28	138	1,9	49,88	7,8	7,7	10,9	10,0				
32	122	2,1	43,86	7,7	7,7	10,9	10,0				
36	109	2,2	38,92	7,5	7,7	10,9	10,0				
41	105	2,5	34,89	7,2	7,7	10,9	10,0				
50	87	2,8	28,61	6,8	7,7	11,0	10,0				
56	77	3,2	25,15	6,6	7,7	11,0	10,0				
15	196	0,9	92,82	4,8	8,0	6,1	8,0	SK 02050 - 80 SH/4	25	E34-35	
18	173	1,0	80,58	5,0	8,0	6,1	8,0				
22	174	1,0	65,25	5,0	8,0	6,1	8,0				
25	153	1,1	57,38	5,2	8,0	6,1	8,0				
28	137	1,1	50,63	5,3	8,0	6,1	8,0				
35	112	1,4	40,95	5,5	8,0	6,1	8,0				
40	99	1,6	35,55	5,3	8,0	6,1	8,0				
46	93	1,7	30,94	5,0	7,1	6,1	8,0				
52	83	1,9	27,21	4,9	6,8	6,1	8,0				
59	73	2,1	24,01	4,7	6,6	6,1	8,0				
73	60	2,4	19,42	4,5	6,2	6,1	8,0				
84	52	2,3	16,86	4,3	5,9	6,1	8,0				
96	46	2,5	14,72	4,1	5,7	6,1	8,0				
108	42	2,8	13,18	3,9	4,8	6,1	8,0				
122	37	3,0	11,63	3,7	4,7	6,1	8,0				
151	31	3,6	9,41	3,5	4,4	6,1	8,0				
174	27	4,1	8,17	3,4	4,2	6,1	8,0				
199	23	4,5	7,13	3,3	4,1	6,1	8,0				

only available in version .Z or .F



0,55 kW
0,75 kW



P_1 [kW]	n_2 [min ⁻¹]	M_2 [Nm]	f_B	i_{ges}	F_R [kN]	F_A [kN]	$F_{R VL}$ [kN]	$F_{A VL}$ [kN]		kg	mm
0,55	32	98	0,8	44,85	3,3	4,0	-	-	SK 02040 - 80 SH/4	18	E32-33
	34	111	0,8	42,08	3,1	4,0	-	-			
	39	98	0,8	36,80	3,3	4,0	-	-			
	44	86	0,9	32,34	3,4	4,0	-	-			
	50	77	1,0	28,55	3,5	4,0	-	-			
	65	60	1,2	21,95	3,6	4,0	-	-			
	73	59	1,4	19,56	3,7	4,0	-	-			
	83	51	1,5	17,10	3,7	4,0	-	-			
	94	46	1,6	15,03	3,7	4,0	-	-			
	107	40	1,8	13,27	3,8	4,0	-	-			
	139	31	2,2	10,20	3,8	4,0	-	-			
	161	27	2,4	8,82	3,8	3,9	-	-			
	189	24	2,4	7,51	3,8	3,2	-	-			
	214	21	2,5	6,63	3,8	3,1	-	-			
	279	17	2,9	5,09	3,5	2,9	-	-			
323	14	3,2	4,40	3,4	2,8	-	-				
0,75	1,0	3737	0,8	1476,55	16,9	20,8	26,5	28,0	SK 43125 - 80 LH/4	123	E52-53
	1,2	3094	1,0	1198,50	21,9	20,8	26,5	28,0			
	1,5	2443	1,3	928,25	25,3	20,8	26,5	28,0			
	1,8	2132	1,4	794,58	26,5	20,8	26,5	28,0			
	2,1	2374	1,2	689,67	25,6	20,8	26,5	28,0			
	2,3	2092	1,3	607,91	26,5	20,8	26,5	28,0			
	2,6	1912	1,6	547,47	26,5	20,8	26,5	28,0			
	3,2	1552	1,9	444,38	26,5	20,8	26,5	28,0			
	3,7	1348	1,9	380,39	26,5	20,8	26,5	28,0			
	4,4	1163	2,1	323,51	26,5	20,8	26,5	28,0			
	5,2	983	2,9	269,76	26,5	20,8	26,5	28,0			
	6,0	874	3,2	236,58	26,5	20,8	26,5	28,0			
	7,5	703	3,7	187,80	26,5	20,8	26,5	28,0			
	1,3	2747	1,0	695,60	23,9	20,8	26,5	28,0			
	1,9	2035	1,4	495,85	26,5	20,8	26,5	28,0			
	2,1	1705	0,9	660,60	9,7	12,0	16,2	16,0	SK 33100 - 80 LH/4	74	E48-49
	2,7	1367	1,2	519,31	13,4	12,0	16,2	16,0			
	3,0	1257	1,3	468,37	14,2	12,0	16,2	16,0			
	3,9	1016	1,5	365,07	15,7	12,0	16,2	16,0			
	4,7	848	1,8	299,28	16,2	12,0	16,2	16,0			
	5,5	913	1,7	257,63	16,2	12,0	16,2	16,0			
	2,2	1665	0,9	645,00	10,2	12,0	16,2	16,0	SK 32100 - 80 LH/4	66	E46-47
	2,8	1342	1,1	510,00	13,6	12,0	16,2	16,0			
	5,9	709	2,0	241,50	16,2	12,0	16,2	16,0			
	7,7	567	2,4	183,50	16,2	12,0	16,2	16,0			
	8,5	519	2,6	165,50	16,2	12,0	16,2	16,0			
	11	424	2,9	129,00	15,7	12,0	16,2	16,0			
	15	362	3,6	94,19	14,2	12,0	16,2	16,0			
	6,0	653	1,1	234,60	7,5	9,0	12,4	12,0	SK 12080 - 80 LH/4	40	E42-43
	7,6	540	1,2	187,17	8,5	9,0	13,0	12,0			
	9,0	463	1,4	157,59	9,1	9,0	13,0	12,0			
	10	420	1,5	138,21	9,3	9,0	13,0	12,0			
11	381	1,6	123,42	9,5	9,0	13,0	12,0				
13	333	1,8	106,08	9,8	9,0	13,0	12,0				
15	301	1,9	94,35	9,9	9,0	13,0	12,0				
18	300	2,2	78,91	9,9	9,0	13,0	12,0				
21	256	2,5	66,44	10,1	9,0	13,0	12,0				
24	227	2,6	58,27	10,1	9,0	13,0	12,0				
27	203	2,8	52,03	9,9	9,0	13,0	12,0				
32	177	3,1	44,72	9,5	9,0	13,0	12,0				
37	159	3,5	37,91	9,0	9,0	13,0	12,0				
44	136	3,9	31,92	8,6	9,0	13,0	12,0				
12	347	0,8	118,32	6,5	7,7	10,0	10,0	SK 12063 - 80 LH/4	30	E38-39	
14	311	0,9	104,04	6,9	7,7	10,2	10,0				
15	280	1,1	92,31	7,1	7,7	10,4	10,0				
18	282	1,1	77,40	7,1	7,7	10,4	10,0				
21	253	1,2	68,37	7,3	7,7	10,5	10,0				
23	225	1,2	60,85	7,4	7,7	10,6	10,0				
28	189	1,4	49,88	7,6	7,7	10,7	10,0				





0,75 kW
1,10 kW

P_1 [kW]	n_2 [min ⁻¹]	M_2 [Nm]	f_B	i_{ges}	F_R [kN]	F_A [kN]	$F_{R VL}$ [kN]	$F_{A VL}$ [kN]		kg	mm			
0,75	32	167	1,5	43,86	7,5	7,7	10,8	10,0	SK 12063 - 80 LH/4	30	E38-39			
	36	150	1,6	38,92	7,2	7,7	10,8	10,0						
	41	143	1,8	34,89	7,0	7,7	10,8	10,0						
	49	119	2,1	28,61	6,6	7,7	10,9	10,0						
	56	106	2,3	25,15	6,4	7,7	10,9	10,0						
	63	94	2,6	22,32	6,2	7,7	10,9	10,0						
	75	81	2,7	18,99	5,9	7,7	11,0	10,0						
	91	69	2,8	15,57	5,4	7,7	11,0	10,0						
	25	209	0,8	57,38	4,6	8,0	6,1	8,0				SK 02050 - 80 LH/4	26	E34-35
	28	187	0,8	50,63	4,9	8,0	6,1	8,0						
	35	153	1,0	40,95	5,2	7,8	6,1	8,0						
	40	135	1,1	35,55	5,0	7,6	6,1	8,0						
	46	127	1,2	30,94	4,8	6,3	6,1	8,0						
	52	113	1,4	27,21	4,6	6,2	6,1	8,0						
	59	100	1,6	24,01	4,5	6,1	6,1	8,0						
	73	82	1,8	19,42	4,3	5,7	6,1	8,0						
	84	71	1,7	16,86	4,2	5,5	6,1	8,0						
	96	63	1,8	14,72	4,0	5,4	6,1	8,0						
	107	58	2,1	13,18	3,7	4,2	6,1	8,0						
	122	51	2,2	11,63	3,6	4,2	6,1	8,0						
	150	42	2,6	9,41	3,4	4,0	6,1	8,0						
	173	36	3,0	8,17	3,3	3,9	6,1	8,0						
	198	32	3,3	7,13	3,2	3,8	6,1	8,0						
	64	82	0,9	21,95	3,5	4,0	-	-	SK 02040 - 80 LH/4	19	E32-33			
	72	80	1,0	19,56	3,5	4,0	-	-						
	83	70	1,1	17,10	3,6	4,0	-	-						
	94	62	1,2	15,03	3,6	4,0	-	-						
	107	55	1,3	13,27	3,7	3,9	-	-						
	139	43	1,6	10,20	3,7	3,7	-	-						
	160	37	1,8	8,82	3,8	3,6	-	-						
	188	33	1,7	7,51	3,7	2,8	-	-						
	213	29	1,8	6,63	3,6	2,7	-	-						
278	23	2,1	5,09	3,4	2,6	-	-							
322	20	2,3	4,40	3,3	2,6	-	-							
1,10	3,2	2245	1,3	444,38	26,1	20,8	26,5	28,0	SK 43125 - 90 SH/4	128	E52-53			
	3,8	1949	1,3	380,39	26,5	20,8	26,5	28,0						
	4,4	1681	1,4	323,51	26,5	20,8	26,5	28,0						
	5,3	1422	2,0	269,76	26,5	20,8	26,5	28,0						
	6,1	1264	2,2	236,58	26,5	20,8	26,5	28,0						
	2,1	2750	1,0	695,60	23,9	20,8	26,5	28,0	SK 42125 - 90 SH/4	111	E50-51			
	2,9	2033	1,4	495,85	26,5	20,8	26,5	28,0						
	7,1	959	2,7	201,63	26,5	20,8	26,5	28,0						
	7,9	881	2,9	182,36	26,5	20,8	26,5	28,0						
	8,9	788	3,1	160,74	26,5	20,8	26,5	28,0						
	9,9	721	3,3	144,76	26,5	20,8	26,5	28,0						
	3,5	1621	0,8	410,00	10,8	12,0	16,2	16,0	SK 32100 - 90 SH/4	71	E46-47			
	4,7	1291	1,1	304,00	14,0	12,0	16,2	16,0						
	5,9	1025	1,4	241,50	15,7	12,0	16,2	16,0						
	7,8	819	1,7	183,50	16,1	12,0	16,2	16,0						
	8,7	751	1,8	165,50	15,8	12,0	16,2	16,0						
	11	614	2,0	129,00	14,9	12,0	16,2	16,0						
	14	510	2,3	104,00	14,1	12,0	16,2	16,0						
	15	524	2,5	94,19	13,4	12,0	16,2	16,0						
	20	409	3,0	71,57	12,6	12,0	16,2	16,0						
	22	373	3,2	64,55	12,2	12,0	16,2	16,0						
	6,1	945	0,8	234,60	-	9,0	9,8	12,0				SK 12080 - 90 SH/4	45	E42-43
	7,7	781	0,9	187,17	5,8	9,0	11,5	12,0						
	9,1	669	1,0	157,59	7,3	9,0	12,3	12,0						
	10	607	1,1	138,21	8,0	9,0	12,7	12,0						
	12	551	1,1	123,42	8,5	9,0	13,0	12,0						
	14	481	1,2	106,08	9,0	9,0	13,0	12,0						
	15	435	1,3	94,35	9,3	9,0	13,0	12,0						
	18	433	1,5	78,91	9,3	9,0	13,0	12,0						



1,10 kW 1,50 kW



P_1 [kW]	n_2 [min ⁻¹]	M_2 [Nm]	f_B	i_{ges}	F_R [kN]	F_A [kN]	$F_{R VL}$ [kN]	$F_{A VL}$ [kN]		kg	mm
1,10	22	370	1,7	66,44	9,6	9,0	13,0	12,0	SK 12080 - 90 SH/4	45	E42-43
	25	328	1,8	58,27	9,6	9,0	13,0	12,0			
	28	293	2,0	52,03	9,4	9,0	13,0	12,0			
	32	255	2,2	44,72	9,0	9,0	13,0	12,0			
	38	230	2,4	37,91	8,5	9,0	13,0	12,0			
	45	196	2,7	31,92	8,2	9,0	13,0	12,0			
	51	174	2,9	27,99	7,9	9,0	13,0	12,0			
	57	156	3,1	25,00	7,7	9,0	13,0	12,0			
	67	135	3,5	21,49	7,4	9,0	13,0	12,0			
	75	120	3,8	19,11	7,2	9,0	13,0	12,0			
	90	104	3,8	15,98	6,6	9,0	13,0	12,0			
	102	91	4,0	14,01	6,4	9,0	13,0	12,0			
	21	365	0,8	68,37	6,4	7,7	9,9	10,0			
	24	325	0,9	60,85	6,7	7,7	10,1	10,0			
	29	274	1,0	49,88	7,1	7,7	10,4	10,0			
	33	241	1,0	43,86	7,0	7,7	10,5	10,0			
	37	217	1,1	38,92	6,8	7,7	10,6	10,0			
	41	207	1,3	34,89	6,5	7,7	10,7	10,0			
	50	172	1,4	28,61	6,2	7,7	10,8	10,0			
57	153	1,6	25,15	6,1	7,7	10,8	10,0				
64	136	1,8	22,32	5,9	7,7	10,9	10,0				
76	117	1,8	18,99	5,7	7,7	10,9	10,0				
92	99	1,9	15,57	5,2	7,7	10,9	10,0				
112	82	2,2	12,76	4,9	7,3	11,0	10,0				
128	72	2,4	11,22	4,8	7,1	10,7	10,0				
144	65	2,6	9,96	4,6	6,9	10,3	10,0				
169	55	3,0	8,47	4,4	6,6	9,9	10,0				
193	49	3,2	7,43	4,3	6,3	9,5	10,0				
40	195	0,8	35,55	4,5	6,5	6,1	8,0				
46	183	0,8	30,94	4,2	5,0	6,1	8,0				
53	163	0,9	27,21	4,2	5,0	6,1	8,0				
60	144	1,1	24,01	4,1	5,0	6,1	8,0				
74	118	1,2	19,42	4,0	4,9	6,1	8,0				
85	102	1,2	16,86	3,9	4,8	6,1	8,0				
97	91	1,2	14,72	3,8	4,7	6,1	8,0				
109	84	1,4	13,18	3,4	3,3	6,1	8,0				
123	74	1,5	11,63	3,3	3,3	6,1	8,0				
152	61	1,8	9,41	3,2	3,3	6,1	8,0				
176	53	2,1	8,17	3,1	3,3	6,1	7,9				
201	46	2,3	7,13	3,0	3,2	6,1	7,8				
95	90	0,8	15,03	3,4	3,1	-	-				
108	80	0,9	13,27	3,5	3,1	-	-				
141	62	1,1	10,20	3,6	3,1	-	-				
163	54	1,2	8,82	3,7	3,1	-	-				
191	48	1,2	7,51	3,3	2,0	-	-				
216	42	1,3	6,63	3,3	2,1	-	-				
282	33	1,5	5,09	3,1	2,1	-	-				
326	28	1,6	4,40	3,1	2,1	-	-				
1,50	2,6	3824	0,8	547,47	16,0	20,8	26,5	28,0	SK 43125 - 90 LH/4	130	E52-53
	3,2	3149	1,0	444,38	21,9	20,8	26,5	28,0			
	3,7	2696	1,0	380,39	24,1	20,8	26,5	28,0			
	4,4	2325	1,0	323,51	25,8	20,8	26,5	28,0			
	5,2	1966	1,4	269,76	26,5	20,8	26,5	28,0			
	6,0	1748	1,6	236,58	26,5	20,8	26,5	28,0			
	2,9	2811	1,0	495,85	23,5	20,8	26,5	28,0			
7,0	1327	2,0	201,63	26,5	20,8	26,5	28,0				
7,8	1218	2,1	182,36	26,5	20,8	26,5	28,0				
8,8	1090	2,3	160,74	26,5	20,8	26,5	28,0				
9,8	997	2,4	144,76	26,5	20,8	26,5	28,0				
12	845	2,7	117,50	25,4	20,8	26,5	28,0				
14	733	2,9	100,58	24,3	20,8	26,5	28,0				
16	707	3,3	87,30	23,2	20,8	26,5	28,0				
18	631	3,6	76,95	22,4	20,8	26,5	28,0				





1,50 kW

P_1 [kW]	n_2 [min ⁻¹]	M_2 [Nm]	f_B	i_{ges}	F_R [kN]	F_A [kN]	$F_{R VL}$ [kN]	$F_{A VL}$ [kN]		kg	mm
1,50	4,7	1723	0,8	304,00	8,4	12,0	16,2	16,0	SK 32100 - 90 LH/4	73	E46-47
	5,9	1418	1,0	241,50	12,9	12,0	16,2	16,0			
	7,7	1133	1,2	183,50	14,9	12,0	16,2	16,0			
	8,5	1039	1,3	165,50	14,7	12,0	16,2	16,0			
	11	849	1,5	129,00	13,9	12,0	16,2	16,0			
	14	705	1,7	104,00	13,4	12,0	16,2	16,0			
	15	725	1,8	94,19	12,7	12,0	16,2	16,0			
	20	565	2,2	71,57	11,9	12,0	16,2	16,0			
	22	516	2,3	64,55	11,7	12,0	16,2	16,0			
	28	407	2,7	50,31	11,1	12,0	16,2	16,0			
	33	369	3,0	42,83	10,5	12,0	16,2	16,0			
	37	332	3,3	38,63	10,3	12,0	16,2	16,0			
	41	288	3,8	34,32	10,0	12,0	16,2	16,0			
	47	262	4,0	30,11	9,6	12,0	16,2	16,0			
	10	840	0,8	138,21	4,7	9,0	10,9	12,0	SK 12080 - 90 LH/4	47	E42-43
	11	762	0,8	123,42	6,1	9,0	11,6	12,0			
	13	666	0,9	106,08	7,4	9,0	12,3	12,0			
	15	602	0,9	94,35	8,0	9,0	12,7	12,0			
	18	599	1,1	78,91	8,0	9,0	12,8	12,0			
	21	511	1,2	66,44	8,8	9,0	13,0	12,0			
	24	454	1,3	58,27	9,0	9,0	13,0	12,0			
	27	406	1,4	52,03	8,8	9,0	13,0	12,0			
	32	353	1,6	44,72	8,6	9,0	13,0	12,0			
	37	319	1,7	37,91	8,1	9,0	13,0	12,0			
	44	271	1,9	31,92	7,8	9,0	13,0	12,0			
	51	241	2,1	27,99	7,6	9,0	13,0	12,0			
	57	215	2,3	25,00	7,4	9,0	13,0	12,0			
	66	187	2,5	21,49	7,1	9,0	13,0	12,0			
	74	166	2,7	19,11	6,9	9,0	13,0	12,0			
	89	144	2,7	15,98	6,3	8,7	13,0	12,0			
	101	126	2,9	14,01	6,2	8,5	13,0	12,0			
	113	114	3,0	12,51	6,0	8,2	13,0	12,0			
	132	98	3,5	10,75	5,8	8,0	13,0	12,0			
	148	87	3,9	9,56	5,6	7,7	12,8	12,0			
	32	333	0,8	43,86	6,4	7,7	10,1	10,0	SK 12063 - 90 LH/4	37	E38-39
	36	299	0,8	38,92	6,3	7,7	10,3	10,0			
	41	290	0,9	34,89	6,0	7,7	10,3	10,0			
	49	238	1,0	28,61	5,8	7,7	10,6	10,0			
	56	211	1,2	25,15	5,7	7,7	10,6	10,0			
	63	188	1,3	22,32	5,6	7,7	10,7	10,0			
	75	161	1,3	18,99	5,4	7,7	10,8	10,0			
	91	139	1,4	15,57	4,8	6,7	10,9	10,0			
	111	114	1,6	12,76	4,7	6,5	10,8	10,0			
	126	100	1,8	11,22	4,6	6,4	10,5	10,0			
	142	90	1,9	9,96	4,4	6,2	10,2	10,0			
	167	76	2,2	8,47	4,3	6,0	9,8	10,0			
	190	68	2,3	7,43	4,1	5,8	9,4	10,0			
	59	199	0,8	24,01	3,6	3,8	6,1	8,0	SK 02050 - 90 LH/4	33	E34-35
	73	163	0,9	19,42	3,6	4,0	6,1	8,0			
	84	142	0,8	16,86	3,5	4,0	6,1	8,0			
	96	125	0,9	14,72	3,5	4,0	6,1	8,0			
	107	116	1,0	13,18	2,4	2,1	6,1	7,3			
	122	102	1,1	11,63	2,6	2,3	6,1	7,3			
	150	84	1,3	9,41	2,9	2,5	6,1	7,3			
	173	73	1,5	8,17	2,9	2,6	6,1	7,3			
	198	64	1,7	7,13	2,8	2,6	6,1	7,2			



2,20 kW

P_1 [kW]	n_2 [min ⁻¹]	M_2 [Nm]	f_B	i_{ges}	F_R [kN]	F_A [kN]	$F_{R VL}$ [kN]	$F_{A VL}$ [kN]		kg	mm
2,20	5,4	2824	1,0	269,76	23,5	20,8	26,5	28,0	SK 43125 - 100 LH/4	138	E52-53
	6,1	2511	1,1	236,58	25,0	20,8	26,5	28,0			
	4,3	2895	1,0	337,46	23,1	20,8	26,5	28,0			
	7,2	1906	1,4	201,63	26,5	20,8	26,5	28,0			
	7,9	1750	1,5	182,36	26,5	20,8	26,5	28,0			
	9,0	1566	1,6	160,74	25,8	20,8	26,5	28,0			
	10	1431	1,7	144,76	25,2	20,8	26,5	28,0			
	12	1213	1,8	117,50	23,9	20,8	26,5	28,0			
	14	1053	2,0	100,58	23,0	20,8	26,5	28,0			
	17	1015	2,3	87,30	21,9	20,8	26,5	28,0			
	19	906	2,5	76,95	21,3	20,8	26,5	28,0			
	21	816	2,7	69,30	20,7	20,8	26,5	28,0			
	26	679	3,0	56,25	19,6	20,8	26,5	28,0			
30	588	3,3	48,15	18,9	20,8	26,5	28,0				
7,9	1628	0,8	183,50	10,7	12,0	16,2	16,0	SK 32100 - 100 LH/4	81	E46-47	
8,7	1492	0,9	165,50	12,2	12,0	16,2	16,0				
11	1219	1,0	129,00	12,2	12,0	16,2	16,0				
14	1013	1,2	104,00	11,9	12,0	16,2	16,0				
15	1041	1,3	94,19	11,1	12,0	16,2	16,0				
20	812	1,5	71,57	10,8	12,0	16,2	16,0				
22	741	1,6	64,55	10,6	12,0	16,2	16,0				
29	585	1,9	50,31	10,2	12,0	16,2	16,0				
34	529	2,1	42,83	9,7	12,0	16,2	16,0				
37	477	2,3	38,63	9,5	12,0	16,2	16,0				
42	414	2,6	34,32	9,4	12,0	16,2	16,0				
48	377	2,8	30,11	9,1	12,0	16,2	16,0				
60	307	3,3	24,27	8,6	12,0	16,2	16,0				
70	263	3,2	20,54	8,3	11,8	16,2	16,0				
76	248	2,9	18,97	7,7	9,5	16,2	16,0				
84	224	3,2	17,11	7,6	9,4	16,2	16,0				
89	210	3,6	16,22	7,8	11,0	16,2	16,0				
18	861	0,8	78,91	4,2	9,0	10,7	12,0	SK 12080 - 100 LH/4	55	E42-43	
22	734	0,9	66,44	6,5	9,0	11,8	12,0				
25	652	0,9	58,27	7,5	9,0	12,4	12,0				
28	583	1,0	52,03	7,8	9,0	12,8	12,0				
32	507	1,1	44,72	7,6	9,0	13,0	12,0				
38	457	1,2	37,91	7,2	9,0	13,0	12,0				
45	390	1,3	31,92	7,1	9,0	13,0	12,0				
52	346	1,5	27,99	6,9	9,0	13,0	12,0				
58	309	1,6	25,00	6,8	9,0	13,0	12,0				
67	269	1,7	21,49	6,6	9,0	13,0	12,0				
76	239	1,9	19,11	6,5	9,0	13,0	12,0				
90	207	1,9	15,98	5,8	7,2	13,0	12,0				
103	181	2,0	14,01	5,7	7,1	13,0	12,0				
116	164	2,1	12,51	5,6	7,1	13,0	12,0				
134	141	2,4	10,75	5,4	6,9	12,8	12,0				
151	125	2,7	9,56	5,3	6,8	12,4	11,9				
191	100	3,0	7,55	5,0	6,4	11,7	11,4				
57	304	0,8	25,15	5,0	7,6	10,2	10,0	SK 12063 - 100 LH/4	45	E38-39	
65	269	0,9	22,32	5,0	7,6	10,4	10,0				
76	232	0,9	18,99	4,9	7,4	10,6	10,0				
93	197	1,0	15,57	4,3	4,9	10,7	9,7				
113	163	1,1	12,76	4,2	5,1	10,3	9,6				
129	144	1,2	11,22	4,1	5,1	10,1	9,6				
145	129	1,3	9,96	4,1	5,1	9,8	9,5				
171	110	1,5	8,47	4,0	5,1	9,4	9,4				
194	97	1,6	7,43	3,9	5,0	9,1	9,2				





3,00 kW
4,00 kW

P_1 [kW]	n_2 [min ⁻¹]	M_2 [Nm]	f_B	i_{ges}	F_R [kN]	F_A [kN]	$F_{R VL}$ [kN]	$F_{A VL}$ [kN]		kg	mm				
3,00	7,1	2635	1,0	201,63	24,4	20,8	26,5	28,0	SK 42125 - 100 AH/4	121	E50-51				
	7,8	2420	1,1	182,36	24,4	20,8	26,5	28,0							
	8,9	2165	1,1	160,74	23,9	20,8	26,5	28,0							
	9,8	1979	1,2	144,76	23,5	20,8	26,5	28,0							
	12	1677	1,3	117,50	22,5	20,8	26,5	28,0							
	14	1456	1,5	100,58	21,9	20,8	26,5	28,0							
	16	1404	1,7	87,30	20,7	20,8	26,5	28,0							
	19	1253	1,8	76,95	20,2	20,8	26,5	28,0							
	21	1129	2,0	69,30	19,8	20,8	26,5	28,0							
	25	939	2,2	56,25	18,8	20,8	26,5	28,0							
	30	813	2,4	48,15	18,2	20,8	26,5	28,0							
	35	700	2,6	40,95	17,4	20,8	26,5	28,0							
	40	625	2,6	35,33	16,7	20,8	26,5	28,0							
	45	563	3,3	31,82	16,2	20,8	26,5	28,0							
		14	1401	0,8	104,00	10,2	12,0	16,2				16,0	SK 32100 - 100 AH/4	81	E46-47
		15	1439	0,9	94,19	9,2	12,0	16,2				16,0			
	20	1122	1,1	71,57	9,4	12,0	16,2	16,0							
	22	1025	1,2	64,55	9,3	12,0	16,2	16,0							
	28	809	1,4	50,31	9,2	12,0	16,2	16,0							
	33	732	1,5	42,83	8,8	12,0	16,2	16,0							
	37	660	1,7	38,63	8,7	11,9	16,2	16,0							
	42	573	1,9	34,32	8,8	12,0	16,2	16,0							
	47	521	2,0	30,11	8,4	11,6	16,2	16,0							
	59	425	2,4	24,27	8,1	11,2	16,2	16,0							
	69	363	2,3	20,54	7,9	10,8	16,2	16,0							
	75	343	2,1	18,97	7,2	7,9	16,2	16,0							
	83	310	2,3	17,11	7,1	7,9	16,2	16,0							
	88	290	2,6	16,22	7,5	10,2	16,2	16,0							
	107	244	2,9	13,34	6,8	7,8	16,2	16,0							
	133	197	3,7	10,75	6,5	7,6	15,7	16,0							
	157	168	4,3	9,10	6,2	7,4	15,1	16,0							
	32	701	0,8	44,72	6,6	9,0	12,1	12,0	SK 12080 - 100 AH/4	55	E42-43				
	38	633	0,9	37,91	6,2	8,1	12,5	12,0							
	45	539	1,0	31,92	6,2	8,3	13,0	12,0							
	51	478	1,1	27,99	6,2	8,4	13,0	12,0							
	57	427	1,1	25,00	6,2	8,4	13,0	12,0							
	66	372	1,3	21,49	6,1	8,4	13,0	12,0							
	75	330	1,4	19,11	6,0	8,3	13,0	12,0							
	89	286	1,4	15,98	5,3	5,5	13,0	11,1							
	102	251	1,5	14,01	5,2	5,6	13,0	11,2							
	114	226	1,5	12,51	5,1	5,7	12,9	11,2							
	133	195	1,7	10,75	5,0	5,8	12,5	11,1							
	149	173	2,0	9,56	5,0	5,8	12,1	11,0							
	189	138	2,1	7,55	4,8	5,6	11,5	10,7							
4,00	7,1	3477	0,8	201,63	19,2	20,8	26,5	28,0				SK 42125 - 112 MH/4	132	E50-51	
	7,9	3193	0,8	182,36	21,3	20,8	26,5	28,0							
	9,0	2857	0,9	160,74	21,3	20,8	26,5	28,0							
	9,9	2611	0,9	144,76	21,1	20,8	26,5	28,0							
	12	2213	1,0	117,50	20,5	20,8	26,5	28,0							
	14	1921	1,1	100,58	20,1	20,8	26,5	28,0							
	16	1853	1,3	87,30	19,0	20,8	26,5	28,0							
	19	1653	1,4	76,95	18,7	20,8	26,5	28,0							
	21	1489	1,5	69,30	18,4	20,8	26,5	28,0							
	26	1239	1,7	56,25	17,7	20,8	26,5	28,0							
	30	1073	1,8	48,15	17,2	20,8	26,5	28,0							
	35	923	2,0	40,95	16,6	20,8	26,5	28,0							
	41	825	1,9	35,33	15,9	20,8	26,5	28,0							
	45	743	2,5	31,82	15,5	20,8	26,5	28,0							
	56	610	2,8	25,83	14,8	20,6	26,5	28,0							
	65	528	3,0	22,11	14,2	19,7	26,5	28,0							
77	449	3,4	18,80	13,6	18,8	26,5	28,0								
	20	1481	0,8	71,57	7,6	11,4	16,2	16,0	SK 32100 - 112 MH/4	92	E46-47				
	22	1353	0,9	64,55	7,7	11,6	16,2	16,0							
	29	1068	1,0	50,31	8,0	12,0	16,2	16,0							
	34	966	1,1	42,83	7,6	9,3	16,2	16,0							
	37	871	1,3	38,63	7,6	9,5	16,2	16,0							



4,00 kW
5,50 kW
11,0 kW



P_1 [kW]	n_2 [min ⁻¹]	M_2 [Nm]	f_B	i_{ges}	F_R [kN]	F_A [kN]	$F_{R VL}$ [kN]	$F_{A VL}$ [kN]		kg	mm				
4,00	42	756	1,4	34,32	7,9	11,6	16,2	16,0	SK 32100 - 112 MH/4	92	E46-47				
	48	687	1,5	30,11	7,6	9,7	16,2	16,0							
	59	560	1,8	24,27	7,5	9,7	16,2	16,0							
	70	479	1,8	20,54	7,3	9,5	16,2	16,0							
	76	453	1,6	18,97	6,4	6,0	16,2	16,0							
	84	409	1,7	17,11	6,4	6,1	16,2	16,0							
	89	383	2,0	16,22	7,0	9,2	16,2	16,0							
	108	322	2,2	13,34	6,3	6,4	16,0	16,0							
	134	260	2,8	10,75	6,1	6,5	15,3	15,8							
	158	222	3,3	9,10	5,9	6,4	14,7	15,5							
	200	175	3,9	7,19	5,6	6,3	13,9	14,9							
	5,50	51	631	0,8	27,99	5,2	6,2	12,6				12,0	SK 12080 - 112 MH/4	66	E42-43
		58	564	0,9	25,00	5,3	6,4	12,9				12,0			
		67	490	1,0	21,49	5,3	6,7	13,0				12,0			
		75	436	1,0	19,11	5,3	6,8	13,0				12,0			
		90	377	1,0	15,98	3,6	3,4	12,9				9,3			
		103	331	1,1	14,01	4,1	3,8	12,6				9,6			
		115	299	1,2	12,51	4,4	4,1	12,3				9,7			
		134	257	1,3	10,75	4,6	4,3	12,0				9,9			
151		228	1,5	9,56	4,5	4,5	11,7	9,9							
191		182	1,6	7,55	4,4	4,7	11,2	9,8							
5,50		15	2605	0,8	100,58	17,6	20,8	26,5	28,0	SK 42125 - 132 SH/4	151	E50-51			
		17	2513	0,9	87,30	16,5	20,8	26,5	28,0						
		19	2242	1,0	76,95	16,4	20,8	26,5	28,0						
	21	2019	1,1	69,30	16,4	20,8	26,5	28,0							
	26	1680	1,2	56,25	16,0	20,8	26,5	28,0							
	30	1455	1,3	48,15	15,7	20,8	26,5	28,0							
	36	1252	1,5	40,95	15,4	20,8	26,5	28,0							
	41	1119	1,4	35,33	14,7	19,5	26,5	28,0							
	46	1007	1,8	31,82	14,4	19,2	26,5	28,0							
	57	827	2,1	25,83	13,9	18,6	26,5	28,0							
	66	716	2,2	22,11	13,4	17,9	26,5	28,0							
	78	609	2,5	18,80	13,0	17,3	26,5	28,0							
	92	527	2,4	15,92	12,0	13,6	26,5	24,9							
	100	477	2,8	14,57	12,2	16,1	26,5	27,1							
	113	428	2,9	12,93	11,4	13,2	25,6	24,2							
132	370	3,4	11,06	11,0	12,9	24,6	23,7								
5,50	29	1448	0,8	50,31	6,0	8,6	16,2	16,0	SK 32100 - 132 SH/4	111	E46-47				
	34	1310	0,8	42,83	5,7	5,6	16,2	16,0							
	38	1181	0,9	38,63	6,0	6,1	16,2	16,0							
	43	1025	1,1	34,32	6,5	9,3	16,2	16,0							
	48	932	1,1	30,11	6,3	7,1	16,2	16,0							
	60	760	1,3	24,27	6,4	7,6	16,2	16,0							
	71	650	1,3	20,54	6,4	7,7	16,2	16,0							
	77	614	1,2	18,97	3,5	3,0	16,0	13,5							
	85	554	1,3	17,11	4,1	3,5	15,9	13,8							
	90	519	1,4	16,22	6,3	7,8	16,2	16,0							
	109	437	1,6	13,34	5,0	4,4	15,2	14,1							
	136	352	2,1	10,75	5,5	4,9	14,6	14,3							
	160	301	2,4	9,10	5,4	5,0	14,1	14,1							
	203	238	2,9	7,19	5,2	5,1	13,4	13,8							





7,50 kW
9,20 kW
11,0 kW

P_1 [kW]	n_2 [min ⁻¹]	M_2 [Nm]	f_B	i_{ges}	F_R [kN]	F_A [kN]	$F_{R VL}$ [kN]	$F_{A VL}$ [kN]		kg	mm				
7,50	21	2754	0,8	69,30	13,6	20,6	26,5	28,0	SK 42125 - 132 MH/4	158	E50-51				
	26	2290	0,9	56,25	13,8	20,8	26,5	28,0							
	30	1984	1,0	48,15	13,8	20,6	26,5	28,0							
	36	1708	1,1	40,95	13,7	20,4	26,5	28,0							
	41	1525	1,0	35,33	13,1	16,0	26,5	28,0							
	46	1374	1,3	31,82	13,0	16,0	26,5	28,0							
	57	1128	1,5	25,83	12,7	16,0	26,5	27,8							
	66	976	1,6	22,11	12,5	15,7	26,5	27,4							
	78	830	1,8	18,80	12,2	15,4	26,5	26,8							
	92	719	1,7	15,92	11,0	10,9	26,0	22,5							
	100	650	2,1	14,57	11,6	14,7	26,3	25,8							
	113	584	2,1	12,93	10,7	11,1	24,8	22,3							
	132	505	2,5	11,06	10,4	11,1	23,9	22,0							
	155	429	2,7	9,41	10,1	10,9	23,1	21,6							
	173	385	3,0	8,43	9,9	10,7	22,4	21,2							
	188	354	2,9	7,76	9,7	10,6	22,0	21,0							
	200	333	2,8	7,29	9,6	10,5	21,6	20,8							
		43	1397	0,8	34,32	4,7	6,3	16,2				16,0	SK 32100 - 132 MH/4	118	E46-47
		48	1270	0,8	30,11	4,4	3,7	16,2				15,0			
		60	1036	1,0	24,27	5,0	4,8	16,2				15,7			
	71	887	0,9	20,54	5,2	5,3	16,1	15,8							
	77	838	0,9	18,97	-	-	13,3	9,7							
	85	755	0,9	17,11	0,1	0,1	14,1	10,4							
	90	708	1,1	16,22	5,4	5,8	15,6	16,0							
	109	596	1,2	13,34	2,0	1,7	14,2	11,5							
	136	480	1,5	10,75	3,3	2,7	13,8	12,1							
	160	411	1,8	9,10	3,8	3,2	13,5	12,3							
	203	325	2,1	7,19	4,5	3,7	12,9	12,4							
9,20	30	2446	0,8	48,15	11,4	17,6	26,5	28,0	SK 42125 - 132 LH/4	158	E50-51				
	35	2107	0,9	40,95	11,6	17,9	26,5	28,0							
	46	1702	1,1	31,82	10,7	13,8	26,5	26,5							
	56	1396	1,2	25,83	10,8	14,4	26,5	26,5							
	66	1202	1,3	22,11	10,8	14,7	26,5	26,4							
	77	1030	1,5	18,80	10,8	14,8	26,4	26,0							
	91	884	1,4	15,92	9,5	10,0	21,4	21,1							
	99	806	1,7	14,57	10,5	14,7	25,3	25,3							
	112	723	1,7	12,93	9,4	10,3	21,5	21,2							
	131	621	2,0	11,06	9,3	10,4	21,4	21,1							
	154	531	2,1	9,41	9,2	10,3	21,2	20,9							
	172	477	2,4	8,43	9,0	10,2	21,0	20,7							
	187	439	2,3	7,76	8,9	10,1	20,8	20,5							
	199	414	2,3	7,29	8,8	10,1	20,6	20,3							
		30	2426	0,8	48,15	12,1	17,6	26,5				28,0	SK 42125 - 160 SH/4	189	E50-51
		36	2087	0,9	40,95	12,3	17,8	26,5				28,0			
		46	1679	1,1	31,82	11,8	13,3	26,5				25,9			
		57	1379	1,2	25,83	11,7	13,7	26,5				25,9			
	66	1193	1,3	22,11	11,6	13,8	26,5	25,7							
	78	1015	1,5	18,80	11,4	13,8	26,5	25,4							
	92	878	1,4	15,92	10,1	8,8	25,2	20,5							
	101	795	1,7	14,57	11,1	13,4	25,8	24,7							
	113	713	1,7	12,93	10,0	9,3	24,2	20,6							
	132	617	2,0	11,06	9,8	9,5	23,4	20,5							
	156	525	2,2	9,41	9,6	9,6	22,6	20,3							
	174	470	2,4	8,43	9,4	9,6	22,0	20,1							
	189	433	2,3	7,76	9,3	9,5	21,6	20,0							
	201	411	2,3	7,29	9,2	9,5	21,3	19,9							
11,0	46	2008	0,9	31,82	10,4	10,4	26,5	23,3	SK 42125 - 160 MH/4	189	E50-51				
	57	1648	1,0	25,83	10,6	11,4	26,5	23,9							
	66	1427	1,1	22,11	10,7	11,9	26,5	23,9							
	78	1213	1,2	18,80	10,7	12,1	26,5	23,9							
	92	1050	1,2	15,92	7,6	6,4	24,4	18,3							
	101	951	1,4	14,57	10,4	12,1	25,3	23,5							
	113	853	1,5	12,93	8,8	7,4	23,6	18,8							
	132	738	1,7	11,06	9,3	7,8	22,9	19,0							
	156	628	1,8	9,41	9,1	8,2	22,2	19,1							
	174	562	2,0	8,43	9,0	8,3	21,6	19,0							
	189	517	2,0	7,76	8,9	8,4	21,2	18,9							
	201	486	1,9	7,29	8,8	8,5	20,9	18,9							



15,0 kW
18,5 kW
22,0 kW



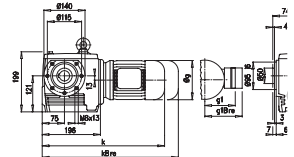
P_1 [kW]	n_2 [min ⁻¹]	M_2 [Nm]	f_B	i_{ges}	F_R [kN]	F_A [kN]	$F_{R VL}$ [kN]	$F_{A VL}$ [kN]		kg	mm
15,0	57	2248	0,8	25,83	7,7	6,3	26,2	19,3	SK 42125 - 160 LH/4	218	E50-51
	66	1946	0,8	22,11	8,5	7,4	25,7	20,0			
	78	1654	0,9	18,80	8,9	8,4	25,2	20,5			
	92	1432	0,9	15,92	1,6	1,2	20,0	13,5			
	101	1296	1,0	14,57	9,1	9,3	24,1	20,9			
	113	1163	1,1	12,93	4,0	3,2	22,1	15,0			
	132	1006	1,2	11,06	5,3	4,3	21,6	15,7			
	156	856	1,3	9,41	6,4	5,2	21,1	16,3			
	174	767	1,5	8,43	7,0	5,6	20,7	16,4			
	189	706	1,4	7,76	7,4	5,9	20,4	16,6			
	201	663	1,4	7,29	7,7	6,1	20,1	16,8			
18,5	101	1588	0,8	14,57	7,8	6,9	23,1	18,6	SK 42125 - 180 MH/4	233	E50-51
	114	1425	0,9	12,93	-	-	17,4	11,6			
	133	1232	1,0	11,06	1,7	1,3	19,0	12,9			
	157	1048	1,1	9,41	3,4	2,5	20,1	13,8			
	175	939	1,2	8,43	4,3	3,3	19,9	14,3			
	190	864	1,2	7,76	4,8	3,8	19,6	14,5			
	202	812	1,2	7,29	5,4	4,2	19,4	14,8			
22,0	133	1465	0,8	11,06	-	-	14,9	9,9	SK 42125 - 180 LH/4	251	E50-51
	157	1247	0,9	9,41	-	-	16,9	11,3			
	175	1117	1,0	8,43	1,3	1,0	17,9	12,0			
	190	1028	1,0	7,76	2,2	1,6	18,5	12,5			
	202	966	1,0	7,29	2,9	2,2	18,7	12,9			



Contrate worm gear units



	i_{ges}	i_1	z_2/z_1	n_2	M_{2m} f_{B^2}
SK 02040	304,20	7,80	39/1	4,6	100
	237,90	6,10	39/1	5,9	100
	128,70	7,80	33/2	11	100
W	115,05	2,95	39/1	12	94
	100,65	6,10	33/2	14	100
	99,45	2,55	39/1	14	92
+	86,97	2,23	39/1	16	87
	76,44	1,96	39/1	18	85
	67,47	1,73	39/1	21	82
IEC	67,47	1,73	39/1	21	82
	59,83	7,80	23/3	23	100



SK 02040



	i _{ges}	i1	z2/z1	W				W				IEC				
				n ₂	M _{2max} f _B =1	P _{1max} f _B ≥1	η	n ₂	M _{2max} f _B =1	P _{1max} f _B ≥1	η	f _B E4 - E18				
												n ₁ = 1400 min ⁻¹				n ₁ = 930 min ⁻¹
				[min ⁻¹]	[Nm]	[kW]	[%]	[min ⁻¹]	[Nm]	[kW]	[%]					
SK 02040	304,20	7,80	39/1	4,6	100	0,10	49	3,1	104	0,07	48	*	*	*		
	237,90	6,10	39/1	5,9	100	0,12	50	3,9	106	0,09	49	*	*	*		
	128,70	7,80	33/2	11	100	0,17	68	7,2	104	0,12	67	*	*	*		
W	115,05	2,95	39/1	12	94	0,22	53	8,1	101	0,17	51		*	*	*	
	100,65	6,10	33/2	14	100	0,22	68	9,2	106	0,15	67		*	*		
+	99,45	2,55	39/1	14	92	0,25	54	9,4	99	0,19	52		*	*	*	
	86,97	2,23	39/1	16	87	0,27	54	11	95	0,21	52		*	*	*	
IEC	76,44	1,96	39/1	18	85	0,29	55	12	93	0,22	53		*	*	*	
	67,47	1,73	39/1	21	82	0,32	56	14	91	0,25	54		*	*	*	
mm	59,83	7,80	23/3	23	100	0,31	78	16	104	0,22	78		*	*		
	51,87	1,33	39/1	27	81	0,39	58	18	91	0,31	55			*	*	
E54	46,79	6,10	23/3	30	100	0,40	79	20	106	0,28	78			*		
	44,85	1,15	39/1	31	81	0,45	59	21	92	0,36	56			*	*	
	42,08	2,55	33/2	33	85	0,41	71	22	92	0,30	70			*	*	
	36,80	2,23	33/2	38	81	0,45	72	25	88	0,33	70			*	*	
	32,34	1,96	33/2	43	78	0,49	72	29	85	0,36	71			*	*	
	28,55	1,73	33/2	49	75	0,53	73	33	83	0,40	71			*	*	
	21,95	1,33	33/2	64	73	0,66	74	42	82	0,50	72			*	*	
	19,56	2,55	23/3	72	80	0,74	81	48	86	0,54	80			*	*	
	17,10	2,23	23/3	82	78	0,83	81	54	85	0,60	80				*	
	15,03	1,96	23/3	93	75	0,89	82	62	82	0,66	81				*	
	13,27	1,73	23/3	106	73	0,99	82	70	81	0,73	81				*	
	10,20	1,33	23/3	137	68	1,10	83	91	77	0,73	82				*	
	8,82	1,15	23/3	159	65	1,10	83	105	74	0,73	82				*	
	7,51	1,96	23/6	186	57	1,10	87	124	62	0,73	86				*	
	6,63	1,73	23/6	211	54	1,10	87	140	60	0,73	86				*	
	5,09	1,33	23/6	275	48	1,10	88	183	54	0,73	87				*	
	4,40	1,15	23/6	318	46	1,10	88	211	52	0,73	87				*	

* ⇒ A55

kg	[kg]				
	W	IEC 63	IEC 71	IEC 80	IEC 90
SK 02040	11	12	13	15	15



SK 02040

	i _{ges}	i1	z2/z1	W				W				W				IEC				
				n ₂	M _{2max} f _B =1	P _{1max} f _B ≥1	η	n ₂	M _{2max} f _B =1	P _{1max} f _B ≥1	η	n ₂	M _{2max} f _B =1	P _{1max} f _B ≥1	η	f _B E4 - E18				
																n1 = 700 min ⁻¹				n1 = 450 min ⁻¹
[min ⁻¹]	[Nm]	[kW]	[%]	[min ⁻¹]	[Nm]	[kW]	[%]	[min ⁻¹]	[Nm]	[kW]	[%]	[min ⁻¹]	[Nm]	[kW]	[%]					
SK 02040	304,20	7,80	39/1	2,3	107	0,05	48	1,5	112	0,04	47	0,82	119	0,02	47	*	*	*		
	237,90	6,10	39/1	2,9	109	0,07	48	1,9	113	0,05	47	1,1	120	0,03	47	*	*	*		
	128,70	7,80	33/2	5,4	107	0,09	66	3,5	112	0,06	66	1,9	119	0,04	65	*	*	*		
W	115,05	2,95	39/1	6,1	104	0,13	50	3,9	111	0,09	49	2,2	117	0,06	48		*	*	*	
	100,65	6,10	33/2	7,0	109	0,12	67	4,5	113	0,08	66	2,5	120	0,05	66		*	*	*	
	99,45	2,55	39/1	7,0	103	0,15	50	4,5	110	0,11	49	2,5	116	0,06	48		*	*	*	
+	86,97	2,23	39/1	8,0	99	0,16	51	5,2	105	0,12	49	2,9	112	0,07	48		*	*	*	
	76,44	1,96	39/1	9,2	98	0,18	52	5,9	104	0,13	50	3,3	112	0,08	48		*	*	*	
IEC	67,47	1,73	39/1	10	96	0,19	52	6,7	102	0,14	50	3,7	110	0,09	49		*	*	*	
	59,83	7,80	23/3	12	107	0,17	77	7,5	112	0,11	77	4,2	119	0,07	77		*	*	*	
mm	51,87	1,33	39/1	13	97	0,25	53	8,7	105	0,19	51	4,8	114	0,12	49			*	*	
	46,79	6,10	23/3	15	109	0,22	78	9,6	113	0,15	77	5,3	120	0,09	77			*	*	
⇒ E54	44,85	1,15	39/1	16	99	0,31	54	10	108	0,22	52	5,6	118	0,14	50			*	*	
	42,08	2,55	33/2	17	95	0,25	69	11	101	0,17	68	5,9	107	0,10	66			*	*	
	36,80	2,23	33/2	19	92	0,27	69	12	98	0,18	68	6,8	104	0,11	67			*	*	
	32,34	1,96	33/2	22	90	0,30	70	14	95	0,20	68	7,7	102	0,12	67			*	*	
	28,55	1,73	33/2	25	87	0,33	70	16	93	0,23	69	8,8	101	0,14	67			*	*	
	21,95	1,33	33/2	32	88	0,42	71	21	95	0,30	69	11	103	0,17	68			*	*	
	19,56	2,55	23/3	36	90	0,43	79	23	95	0,29	78	13	101	0,18	78			*	*	
	17,10	2,23	23/3	41	88	0,47	80	26	94	0,32	79	15	100	0,20	78			*	*	
	15,03	1,96	23/3	47	86	0,53	80	30	92	0,37	79	17	99	0,23	78			*	*	
	13,27	1,73	23/3	53	85	0,59	80	34	90	0,41	79	19	98	0,25	78			*	*	
	10,20	1,33	23/3	69	82	0,55	81	44	88	0,36	80	25	96	0,20	78			*	*	
	8,82	1,15	23/3	79	80	0,55	81	51	87	0,36	80	28	94	0,20	79			*	*	
	7,51	1,96	23/6	93	66	0,55	85	60	70	0,36	84	33	75	0,20	84			*	*	
	6,63	1,73	23/6	106	63	0,55	86	68	67	0,36	85	38	72	0,20	84			*	*	
	5,09	1,33	23/6	138	58	0,55	86	88	62	0,36	85	49	68	0,20	84			*	*	
4,40	1,15	23/6	159	56	0,55	86	102	61	0,36	85	57	67	0,20	84			*	*		

★ ⇒ E54 A55

kg	[kg]				
	W	IEC 63	IEC 71	IEC 80	IEC 90
SK 02040	11	12	13	15	15



SK 13050 SK 02050



	i _{ges}	i1	z2/z1	W				W				IEC						
				n ₂	M _{2max} f _B =1	P _{1max} f _B ≥1	η	n ₂	M _{2max} f _B =1	P _{1max} f _B ≥1	η	f _B	E4 - E18					
				[min ⁻¹]	[Nm]	[kW]	[%]	[min ⁻¹]	[Nm]	[kW]	[%]	IEC 63	IEC 71					
SK 13050	3019,29	59,20	51/1	0,46	195	0,02	47	0,31	199	0,01	46	*	*					
	2249,06	44,10	51/1	0,62	195	0,03	47	0,41	201	0,02	46	*	*					
	1970,21	38,63	51/1	0,71	195	0,03	47	0,47	202	0,02	47	*	*					
	W	1746,09	34,24	51/1	0,80	195	0,03	47	0,53	203	0,02	47	*	*				
		1332,04	59,20	45/2	1,1	195	0,03	65	0,70	199	0,02	65	*	*				
	+	992,23	44,10	45/2	1,4	195	0,04	66	0,94	201	0,03	65	*	*				
		869,21	38,63	45/2	1,6	195	0,05	66	1,1	202	0,04	65	*	*				
	IEC	755,77	14,82	51/1	1,9	195	0,08	48	1,2	203	0,05	47	*	*				
		664,56	13,03	51/1	2,1	195	0,09	48	1,4	203	0,06	47	*	*				
		586,37	11,50	51/1	2,4	195	0,10	48	1,6	203	0,07	48	*	*				
	mm	474,31	9,30	51/1	3,0	195	0,13	49	2,0	202	0,09	48	*	*				
		411,76	8,07	51/1	3,4	195	0,14	49	2,3	203	0,10	48	*	*				
	⇒ E55	333,43	14,82	45/2	4,2	195	0,13	67	2,8	203	0,09	66	*	*				
		293,19	13,03	45/2	4,8	195	0,15	67	3,2	203	0,10	66	*	*				
		209,25	9,30	45/2	6,7	195	0,20	68	4,4	202	0,14	67		*				
		181,66	8,07	45/2	7,7	195	0,23	68	5,1	203	0,16	67		*				
		158,12	14,82	32/3	8,9	195	0,23	78	5,9	203	0,16	77		*				
		139,04	13,03	32/3	10	195	0,26	78	6,7	203	0,18	77		*				
		122,68	11,50	32/3	11	195	0,29	78	7,6	203	0,21	77		*				
		99,23	9,30	32/3	14	190	0,36	78	9,4	197	0,25	78		*				
		86,15	8,07	32/3	16	180	0,37	79	11	187	0,24	78						
		76,61	14,82	31/6	18	140	0,32	83	12	141	0,21	83		*				
		67,37	13,03	31/6	21	130	0,34	84	14	136	0,24	83		*				
	59,44	11,50	31/6	24	130	0,37	84	16	135	0,24	83							
	48,08	9,30	31/6	29	110	0,37	84	19	114	0,24	83							
	41,74	8,07	31/6	34	110	0,37	84	22	110	0,24	84							
												IEC 63	IEC 71	IEC 80	IEC 90			
SK 02050	524,79	10,29	51/1	2,7	185	0,11	49	1,8	192	0,08	48	*	*					
	440,13	8,63	51/1	3,2	185	0,13	49	2,1	192	0,09	48	*	*					
	385,56	7,56	51/1	3,6	185	0,14	50	2,4	193	0,10	48	*	*					
	W	341,70	6,70	51/1	4,1	185	0,16	50	2,7	195	0,11	49		*	*			
	+	231,41	10,29	45/2	6,0	185	0,17	67	4,0	192	0,12	67	*	*				
		194,18	8,63	45/2	7,2	185	0,21	68	4,8	192	0,14	67		*				
		170,10	7,56	45/2	8,2	185	0,23	68	5,5	193	0,17	67		*				
	IEC	147,90	2,90	51/1	9,5	175	0,32	54	6,3	188	0,24	52		*	*	*		
		130,05	2,55	51/1	11	168	0,35	55	7,2	181	0,26	52		*	*	*		
		114,75	2,25	51/1	12	168	0,38	56	8,1	182	0,29	53			*	*		
	mm	92,82	1,82	51/1	15	168	0,46	57	10	185	0,36	54			*	*		
		80,58	1,58	51/1	17	168	0,52	58	12	187	0,43	55			*	*		
		65,25	2,90	45/2	21	168	0,51	72	14	180	0,38	70			*	*		
	⇒ E55	57,38	2,55	45/2	24	168	0,59	72	16	181	0,43	70			*	*		
		50,63	2,25	45/2	28	155	0,62	73	18	168	0,45	71			*	*		
		40,95	1,82	45/2	34	155	0,75	74	23	171	0,57	72				*		
		35,55	1,58	45/2	39	155	0,84	75	26	172	0,65	72				*		
		30,94	2,90	32/3	45	155	0,90	81	30	166	0,65	80				*		
		27,21	2,55	32/3	51	155	1,01	82	34	167	0,74	80				*		
		24,01	2,25	32/3	58	155	1,15	82	39	168	0,85	81				*		
		19,42	1,82	32/3	72	145	1,32	83	48	160	0,98	82				*		
		16,86	1,58	32/3	83	120	1,26	83	55	133	0,93	82				*		
		14,72	1,38	32/3	95	113	1,34	84	63	127	1,02	82				*		
	13,18	2,55	31/6	106	120	1,50	87	71	129	0,99	86							
	11,63	2,25	31/6	120	113	1,50	87	80	123	0,99	86							
	9,41	1,82	31/6	149	110	1,50	88	99	121	0,99	87							
	8,17	1,58	31/6	171	110	1,50	88	114	122	0,99	87							
	7,13	1,38	31/6	196	105	1,50	88	130	118	0,99	87							

* ⇒ E55 A55

kg	[kg]				
	W	IEC 63	IEC 71	IEC 80	IEC 90
SK 13050	25	26	27		
SK 02050	20	21	22	25	25



SK 13050 SK 02050

Type	i _{ges}	i1	z2/z1	W				W				W				IEC f _B E4 - E18					
				n ₂	M _{2max} f _B =1	P _{1max} f _B ≥1	η	n ₂	M _{2max} f _B =1	P _{1max} f _B ≥1	η	n ₂	M _{2max} f _B =1	P _{1max} f _B ≥1	η	IEC		IEC 80	IEC 90		
																n ₁ = 700 min ⁻¹	n ₁ = 450 min ⁻¹				
				[min ⁻¹]	[Nm]	[kW]	[%]	[min ⁻¹]	[Nm]	[kW]	[%]	[min ⁻¹]	[Nm]	[kW]	[%]	63	71				
SK 13050	3019,29	59,20	51/1	0,23	202	0,01	46	0,15	215	0,01	46	0,08	232	0	46	*	*				
	2249,06	44,10	51/1	0,31	204	0,01	46	0,20	207	0,01	46	0,11	230	0,01	46	*	*				
	1970,21	38,63	51/1	0,36	205	0,02	46	0,23	209	0,01	46	0,13	229	0,01	46	*	*				
	1746,09	34,24	51/1	0,40	207	0,02	46	0,26	211	0,01	46	0,14	227	0,01	46	*	*				
	W	1332,04	59,20	45/2	0,53	202	0,02	65	0,34	215	0,01	65	0,19	232	0,01	65	*	*			
+	992,23	44,10	45/2	0,71	204	0,02	65	0,45	207	0,02	65	0,25	230	0,01	65	*	*				
	869,21	38,63	45/2	0,81	205	0,03	65	0,52	209	0,02	65	0,29	229	0,01	65	*	*				
	755,77	14,82	51/1	0,93	208	0,04	47	0,60	219	0,03	47	0,33	227	0,02	46	*	*				
IEC	664,56	13,03	51/1	1,1	208	0,05	47	0,68	219	0,03	47	0,38	229	0,02	46	*	*				
	586,37	11,50	51/1	1,2	208	0,06	47	0,77	218	0,04	47	0,43	229	0,02	46	*	*				
mm	474,31	9,30	51/1	1,5	209	0,07	48	0,95	216	0,05	47	0,53	231	0,03	47	*	*				
	411,76	8,07	51/1	1,7	209	0,08	48	1,1	217	0,05	47	0,61	232	0,03	47	*	*				
↕ E55	333,43	14,82	45/2	2,1	208	0,07	66	1,3	219	0,05	65	0,75	227	0,03	65	*	*				
	293,19	13,03	45/2	2,4	208	0,08	66	1,5	219	0,05	66	0,85	229	0,03	65	*	*				
	209,25	9,30	45/2	3,3	209	0,11	66	2,2	216	0,08	66	1,2	231	0,04	65	*	*				
	181,66	8,07	45/2	3,9	209	0,13	66	2,5	217	0,09	66	1,4	232	0,05	66		*				
	158,12	14,82	32/3	4,4	208	0,12	77	2,8	219	0,08	77	1,6	227	0,05	77		*				
	139,04	13,03	32/3	5,0	208	0,14	77	3,2	219	0,10	77	1,8	229	0,06	77		*				
	122,68	11,50	32/3	5,7	208	0,16	77	3,7	218	0,11	77	2,0	229	0,06	77		*				
	99,23	9,30	32/3	7,1	203	0,20	77	4,5	211	0,13	77	2,5	225	0,08	77		*				
	86,15	8,07	32/3	8,1	193	0,19	78	5,2	199	0,12	77	2,9	199	0,07	77		*				
	76,61	14,82	31/6	9,1	141	0,16	83	5,9	141	0,10	83	3,3	139	0,06	82		*				
	67,37	13,03	31/6	10	139	0,18	83	6,7	139	0,12	83	3,7	138	0,07	82		*				
	59,44	11,50	31/6	12	138	0,19	83	7,6	138	0,12	83	4,2	137	0,07	82		*				
	48,08	9,30	31/6	15	118	0,19	83	9,4	120	0,12	83	5,2	120	0,07	83		*				
	41,74	8,07	31/6	17	109	0,19	83	11	109	0,12	83	6,0	109	0,07	83		*				

Type	i _{ges}	i1	z2/z1	n ₂	M _{2max}	P _{1max}	η	n ₂	M _{2max}	P _{1max}	η	n ₂	M _{2max}	P _{1max}	η	IEC f _B					
																63	71	80	90		
SK 02050	524,79	10,29	51/1	1,3	198	0,06	47	0,86	206	0,04	47	0,48	218	0,02	47	*	*				
	440,13	8,63	51/1	1,6	198	0,07	48	1,0	205	0,05	47	0,57	219	0,03	47	*	*				
	385,56	7,56	51/1	1,8	198	0,08	48	1,2	207	0,06	47	0,65	220	0,03	47	*	*				
	341,70	6,70	51/1	2,0	199	0,09	48	1,3	208	0,06	47	0,73	221	0,04	47	*	*				
	W	231,41	10,29	45/2	3,0	198	0,09	66	1,9	206	0,06	66	1,1	211	0,04	65	*	*			
+	194,18	8,63	45/2	3,6	198	0,11	66	2,3	205	0,07	66	1,3	219	0,05	65		*				
	170,10	7,56	45/2	4,1	198	0,13	67	2,6	207	0,09	66	1,5	220	0,05	66		*				
	147,90	2,90	51/1	4,7	194	0,19	51	3,0	207	0,13	49	1,7	219	0,08	48		*	*	*		
IEC	130,05	2,55	51/1	5,4	188	0,21	51	3,5	201	0,15	49	1,9	212	0,09	48		*	*	*		
	114,75	2,25	51/1	6,1	190	0,23	52	3,9	203	0,17	50	2,2	216	0,1	48		*	*	*		
mm	92,82	1,82	51/1	7,5	195	0,29	53	4,8	207	0,20	51	2,7	224	0,13	49		*	*	*		
	80,58	1,58	51/1	8,7	198	0,34	53	5,6	211	0,24	51	3,1	229	0,15	49		*	*	*		
↕ E55	65,25	2,90	45/2	11	186	0,31	69	6,9	199	0,21	68	3,8	210	0,13	66		*	*	*		
	57,38	2,55	45/2	12	188	0,34	69	7,8	201	0,24	68	4,4	212	0,15	67		*	*	*		
	50,63	2,25	45/2	14	176	0,37	70	8,9	187	0,26	68	4,9	199	0,15	67		*	*	*		
	40,95	1,82	45/2	17	180	0,45	71	11	191	0,32	69	6,1	206	0,2	67		*	*	*		
	35,55	1,58	45/2	20	183	0,54	71	13	195	0,38	69	7,0	211	0,23	68		*	*	*		
	30,94	2,90	32/3	23	172	0,52	79	15	183	0,37	78	8,1	194	0,21	78		*	*	*		
	27,21	2,55	32/3	26	174	0,59	80	17	185	0,42	79	9,2	196	0,24	78		*	*	*		
	24,01	2,25	32/3	29	176	0,67	80	19	187	0,47	79	10	199	0,27	78		*	*	*		
	19,42	1,82	32/3	36	168	0,78	81	23	178	0,54	79	13	193	0,34	78		*	*	*		
	16,86	1,58	32/3	42	141	0,77	81	27	151	0,53	80	15	164	0,33	78		*	*	*		
	14,72	1,38	32/3	48	135	0,84	81	31	146	0,59	80	17	158	0,36	79		*	*	*		
	13,18	2,55	31/6	53	134	0,75	85	34	141	0,50	84	19	139	0,27	83		*	*	*		
	11,63	2,25	31/6	60	128	0,75	85	39	136	0,50	85	21	140	0,27	84		*	*	*		
	9,41	1,82	31/6	74	128	0,75	86	48	135	0,50	85	27	137	0,27	84		*	*	*		
	8,17	1,58	31/6	86	130	0,75	86	55	137	0,50	85	31	135	0,27	84		*	*	*		
	7,13	1,38	31/6	98	126	0,75	87	63	136	0,50	86	35	133	0,27	84		*	*	*		

kg	[kg]			
	W	IEC 63	IEC 71	IEC 90
SK 13050	25	26	27	
SK 02050	20	21	22	25

* ⇨ E55 A55



SK 13063

SK 12063



	i _{ges}	i1	z2/z1	W				W				IEC					
				n ₂	M _{2max} f _B =1	P _{1max} f _B ≥1	η	n ₂	M _{2max} f _B =1	P _{1max} f _B ≥1	η	f _B E4 - E18					
												n ₁ = 1400 min ⁻¹				n ₁ = 930 min ⁻¹	
				[min ⁻¹]	[Nm]	[kW]	[%]	[min ⁻¹]	[Nm]	[kW]	[%]						
SK 13063	#3631,55	71,21	51/1	0,39	380	0,03	45	0,26	387	0,02	45	*	*				
	#2705,13	53,04	51/1	0,52	380	0,04	46	0,34	390	0,03	45	*	*				
	#2374,16	46,55	51/1	0,59	380	0,05	46	0,39	391	0,04	45	*	*				
	W #2110,94	41,39	51/1	0,66	380	0,06	46	0,44	393	0,04	45	*	*				
	#1343,63	62,49	43/2	1,0	380	0,06	64	0,69	388	0,04	64	*	*				
	+ #1140,40	53,04	43/2	1,2	380	0,07	64	0,82	390	0,05	64	*	*				
	938,20	18,40	51/1	1,5	380	0,13	47	0,99	392	0,09	46	*	*				
	IEC 737,53	14,46	51/1	1,9	380	0,16	48	1,3	396	0,11	47	*	*				
	604,62	11,86	51/1	2,3	380	0,19	48	1,5	396	0,13	47		*				
	531,64	10,42	51/1	2,6	380	0,21	49	1,7	395	0,15	47		*				
	471,70	9,25	51/1	3,0	380	0,24	49	2,0	394	0,17	48		*				
	mm 395,51	18,40	43/2	3,5	380	0,21	66	2,4	392	0,15	65		*				
	⇒ E55 349,37	16,25	43/2	4,0	380	0,24	66	2,7	394	0,17	65		*				
	310,92	14,46	43/2	4,5	380	0,27	66	3,0	396	0,19	66		*				
	254,89	11,86	43/2	5,5	370	0,32	67	3,6	385	0,22	66		*				
	224,12	10,42	43/2	6,2	370	0,36	67	4,1	384	0,25	66		*				
	198,86	9,25	43/2	7,0	360	0,37	68	4,7	373	0,24	66						
	178,31	14,46	37/3	7,9	340	0,37	76	5,2	354	0,26	75						
	146,17	11,86	37/3	9,6	330	0,37	77	6,4	333	0,24	76						
	128,53	10,42	37/3	11	300	0,37	77	7,2	296	0,24	76						
114,04	9,25	37/3	12	260	0,37	77	8,2	260	0,24	76							
97,03	7,87	37/3	14	230	0,37	78	9,6	227	0,24	77							
79,54	14,46	33/6	18	200	0,37	84	12	198	0,24	83							
65,20	11,86	33/6	21	170	0,37	84	14	168	0,24	83							
												IEC 63	IEC 71	IEC 80	IEC 90	IEC 100	
SK 12063	#626,79	12,29	51/1	2,2	360	0,17	48	1,5	375	0,13	47	*	*				
	#529,38	10,38	51/1	2,6	360	0,20	49	1,8	374	0,15	47		*				
	#464,61	9,11	51/1	3,0	360	0,23	49	2,0	373	0,16	48		*				
	W #413,10	8,10	51/1	3,4	360	0,26	50	2,3	375	0,19	48		*	*			
	#264,24	12,29	43/2	5,3	350	0,29	67	3,5	349	0,19	66		*				
	+ #223,17	10,38	43/2	6,3	360	0,35	67	4,2	374	0,25	66		*				
	#195,86	9,11	43/2	7,1	360	0,39	68	4,7	373	0,27	67						
	IEC 183,60	3,60	51/1	7,6	325	0,48	54	5,1	343	0,35	52			*	*		
	162,18	3,18	51/1	8,6	310	0,51	55	5,7	330	0,38	52			*	*		
	144,33	2,83	51/1	9,7	300	0,54	56	6,4	322	0,41	53			*	*	*	
	mm 118,32	2,32	51/1	12	295	0,64	58	7,9	320	0,49	54			*	*	*	
	⇒ E55 104,04	2,04	51/1	13	295	0,68	59	8,9	322	0,55	55			*	*	*	
	92,31	1,81	51/1	15	295	0,77	60	10	325	0,61	56				*	*	
	77,40	3,60	43/2	18	305	0,80	72	12	322	0,58	70				*	*	
	68,37	3,18	43/2	20	295	0,85	73	14	314	0,66	70				*	*	
	60,85	2,83	43/2	23	280	0,92	73	15	301	0,67	71				*	*	
	49,88	2,32	43/2	28	262	1,02	75	19	284	0,78	72				*	*	
	43,86	2,04	43/2	32	250	1,12	75	21	273	0,82	73				*	*	
	38,92	1,81	43/2	36	245	1,22	76	24	270	0,92	74				*	*	
	34,89	2,83	37/3	40	262	1,35	81	27	281	0,99	80				*	*	
28,61	2,32	37/3	49	245	1,53	82	33	266	1,13	81					*		
25,15	2,04	37/3	56	245	1,73	83	37	268	1,28	81					*		
22,32	1,81	37/3	63	245	1,95	83	42	270	1,45	82					*		
18,99	1,54	37/3	74	215	1,98	84	49	240	1,50	82					*		
15,57	2,83	33/6	90	190	2,06	87	60	204	1,49	86					*		
12,76	2,32	33/6	110	180	2,20	88	73	195	1,45	87					*		
11,22	2,04	33/6	125	175	2,20	88	83	191	1,45	87					*		
9,96	1,81	33/6	141	170	2,20	89	93	187	1,45	88					*		
8,47	1,54	33/6	165	166	2,20	89	110	185	1,45	88					*		
7,43	1,35	33/6	188	156	2,20	90	125	176	1,45	88					*		

kg	[kg]					
	W	IEC 63	IEC 71	IEC 80	IEC 90	IEC 100
SK 13063	29	30	31			
SK 12063	24	25	26	29	29	36

* ⇒ E55

⇒ E54

SK 13080 SK 12080



	i _{ges}	i1	z2/z1	W				W				IEC f _B E4 - E18							
				n ₂	M _{2max} f _B =1	P _{1max} f _B ≥1	η	n ₂	M _{2max} f _B =1	P _{1max} f _B ≥1	η	IEC							
				[min ⁻¹]	[Nm]	[kW]	[%]	[min ⁻¹]	[Nm]	[kW]	[%]	IEC 63	IEC 71						
				n1 = 1400 min ⁻¹				n1 = 930 min ⁻¹											
SK 13080	#3356,66	65,82	51/1	0,42	770	0,08	45	0,28	786	0,05	45	*	*						
	#2658,22	52,12	51/1	0,53	770	0,09	45	0,35	790	0,06	45	*	*						
	#2058,82	40,37	51/1	0,68	770	0,12	46	0,45	796	0,08	45	*	*						
	W	1198,81	23,51	51/1	1,2	770	0,21	47	0,78	804	0,14	46		*					
		956,44	18,75	51/1	1,5	770	0,26	47	0,97	795	0,18	46		*					
	+	805,28	15,79	51/1	1,7	770	0,29	48	1,2	800	0,21	47		*					
		706,25	13,85	51/1	2,0	770	0,33	49	1,3	804	0,23	47		*					
	IEC	630,68	12,37	51/1	2,2	770	0,36	49	1,5	802	0,27	47		*					
		542,07	10,63	51/1	2,6	770	0,37	50	1,7	781	0,24	48							
	mm	482,13	9,45	51/1	2,9	770	0,37	50	1,9	739	0,24	48							
	↪ E55	403,20	18,75	43/2	3,5	770	0,37	67	2,3	795	0,24	66							
		339,48	15,79	43/2	4,1	700	0,37	68	2,7	679	0,24	66							
		297,73	13,85	43/2	4,7	610	0,37	68	3,1	601	0,24	67							
		265,87	12,37	43/2	5,3	570	0,37	68	3,5	562	0,24	67							
		228,52	10,63	43/2	6,1	570	0,37	69	4,1	554	0,24	67							
		193,73	18,75	31/3	7,2	450	0,37	78	4,8	448	0,24	77							
		163,11	15,79	31/3	8,6	380	0,37	78	5,7	377	0,24	77							
		143,05	13,85	31/3	9,8	340	0,37	78	6,5	335	0,24	77							
		127,74	12,37	31/3	11	300	0,37	79	7,3	299	0,24	78							
		109,80	10,63	31/3	13	260	0,37	79	8,5	257	0,24	78							
	97,65	9,45	31/3	14	230	0,37	79	9,5	229	0,24	78								
SK 12080	#656,88	12,88	51/1	2,1	710	0,32	49	1,4	740	0,23	47		*						
	#520,20	10,20	51/1	2,7	710	0,40	50	1,8	737	0,29	48			*					
	#402,90	7,90	51/1	3,5	710	0,51	51	2,3	740	0,36	49			*					
	W	#276,92	12,88	43/2	5,1	710	0,56	68	3,4	740	0,39	67							
		234,60	4,60	51/1	6,0	710	0,81	55	4,0	752	0,61	52				*			
	+	187,17	3,67	51/1	7,5	670	0,92	57	5,0	706	0,68	54				*	*	*	
		157,59	3,09	51/1	8,9	670	1,08	58	5,9	714	0,80	55				*	*	*	
	IEC	138,21	2,71	51/1	10	645	1,13	60	6,7	694	0,87	56				*	*	*	
		123,42	2,42	51/1	11	620	1,17	61	7,5	671	0,92	57				*	*	*	
	mm	106,08	2,08	51/1	13	590	1,30	62	8,8	643	1,02	58				*	*	*	
	↪ E55	94,35	1,85	51/1	15	560	1,40	63	9,9	615	1,08	59				*	*	*	
		78,91	3,67	43/2	18	655	1,65	75	12	690	1,20	72				*	*		
		66,44	3,09	43/2	21	630	1,82	76	14	672	1,35	73				*	*		
		58,27	2,71	43/2	24	600	1,96	77	16	646	1,46	74				*	*		
		52,03	2,42	43/2	27	575	2,11	77	18	622	1,56	75				*	*		
		44,72	2,08	43/2	31	550	2,29	78	21	600	1,74	76				*	*		
		37,91	3,67	31/3	37	550	2,57	83	25	580	1,85	82				*	*		
		31,92	3,09	31/3	44	525	2,88	84	29	560	2,07	82				*	*		
		27,99	2,71	31/3	50	510	3,14	85	33	549	2,29	83				*	*		
		25,00	2,42	31/3	56	490	3,38	85	37	530	2,47	83				*	*		
		21,49	2,08	31/3	65	470	3,72	86	43	513	2,75	84				*	*		
		19,11	1,85	31/3	73	455	4,00	86	49	500	2,64	85							
		15,98	3,09	31/6	88	395	4,00	89	58	421	2,64	88							
		14,01	2,71	31/6	100	365	4,00	89	66	393	2,64	88							
		12,51	2,42	31/6	112	345	4,00	90	74	373	2,64	88							
		10,75	2,08	31/6	130	340	4,00	90	87	371	2,64	89							
	9,56	1,85	31/6	146	340	4,00	90	97	374	2,64	89								
	7,55	1,46	31/6	185	295	4,00	91	123	330	2,64	90								

kg	[kg]						
	W	IEC 63	IEC 71	IEC 80	IEC 90	IEC 100	IEC 112
SK 13080	39	40	41				
SK 12080	34	35	36	39	39	46	46

* ↪ A55
↪ A54

SK 33100 SK 32100



	i_{ges}	$i1$	$z2/z1$	W				W				IEC f_B E4 - E18							
				n_2	M_{2max} $f_B=1$	P_{1max} $f_B \geq 1$	η	n_2	M_{2max} $f_B=1$	P_{1max} $f_B \geq 1$	η								
				$n1 = 1400 \text{ min}^{-1}$ [min^{-1}]	[Nm]	[kW]	[%]	$n1 = 930 \text{ min}^{-1}$ [min^{-1}]	[Nm]	[kW]	[%]	IEC 63	IEC 71	IEC 80	IEC 90				
SK 33100	5875,95	117,52	50/1	0,24	1590	0,09	45	0,16	1682	0,06	45	*	*						
	4646,10	92,92	50/1	0,30	1590	0,11	46	0,20	1612	0,08	45	*	*						
	3735,10	74,70	50/1	0,37	1590	0,13	46	0,25	1618	0,09	45	*	*						
	W	2200,07	44,00	50/1	0,64	1590	0,23	47	0,42	1640	0,16	46		*					
	+	1671,69	33,43	50/1	0,84	1590	0,30	47	0,56	1657	0,21	46		*					
		1507,71	30,15	50/1	0,93	1590	0,32	48	0,62	1666	0,23	47		*					
	IEC	1175,19	23,50	50/1	1,2	1590	0,42	48	0,79	1661	0,29	47							
		660,60	13,21	50/1	2,1	1590	0,69	51	1,4	1659	0,50	49			*	*			
		519,31	10,39	50/1	2,7	1590	0,86	52	1,8	1651	0,62	50				*			
	mm	468,37	9,37	50/1	3,0	1590	0,94	53	2,0	1647	0,69	50					*		
	E55	365,07	7,30	50/1	3,8	1510	1,09	55	2,5	1580	0,80	52					*		
		299,28	5,99	50/1	4,7	1510	1,33	56	3,1	1599	0,98	53					*		
		257,63	13,21	39/2	5,4	1510	1,22	70	3,6	1575	0,86	69					*		
		182,66	9,37	39/2	7,7	1420	1,50	72	5,1	1471	0,99	70							
		142,38	7,30	39/2	9,8	1310	1,50	74	6,5	1371	0,99	71							
		121,21	10,39	35/3	12	1190	1,50	80	7,7	1236	0,99	78							
		109,32	9,37	35/3	13	1190	1,50	80	8,5	1232	0,99	79							
		85,21	7,30	35/3	16	1080	1,50	81	11	1130	0,99	80							
		69,85	5,99	35/3	20	1080	1,50	82	13	1143	0,99	80							
		53,70	10,39	31/6	26	690	1,50	86	17	696	0,99	85							
SK 32100	645,00	12,90	50/1	2,2	1420	0,64	51	1,4	1481	0,44	49		IEC 71	IEC 80	IEC 90	IEC 100	IEC 112	IEC 132	
	510,00	10,20	50/1	2,7	1420	0,77	52	1,8	1474	0,56	50		*	*					
	410,00	8,20	50/1	3,4	1355	0,89	54	2,3	1410	0,67	51			*	*	*			
	W	304,00	6,08	50/1	4,6	1420	1,22	56	3,1	1502	0,92	53			*				
	+	241,50	4,83	50/1	5,8	1420	1,49	58	3,9	1506	1,12	55			*	*	*		
		183,50	3,67	50/1	7,6	1365	1,78	61	5,1	1439	1,35	57				*	*		
	IEC	165,50	3,31	50/1	8,5	1330	1,91	62	5,6	1411	1,43	58				*	*		
		129,00	2,58	50/1	11	1240	2,20	65	7,2	1337	1,68	60				*	*	*	
		104,00	2,08	50/1	13	1170	2,38	67	8,9	1276	1,89	63				*	*	*	
	mm	94,19	4,83	39/2	15	1310	2,71	76	9,9	1389	1,95	74				*	*		
	E56	71,57	3,67	39/2	20	1220	3,28	78	13	1286	2,33	75					*		
		64,55	3,31	39/2	22	1190	3,47	79	14	1263	2,44	76					*		
		50,31	2,58	39/2	28	1110	4,07	80	18	1197	2,89	78						*	
		42,83	3,67	35/3	33	1100	4,47	85	22	1159	3,22	83							
		38,63	3,31	35/3	36	1100	4,88	85	24	1167	3,53	83							
		34,32	1,76	39/2	41	1090	5,64	83	27	1202	4,25	80						*	
		30,11	2,58	35/3	46	1050	5,88	86	31	1132	4,37	84						*	
		24,27	2,08	35/3	58	1020	7,12	87	38	1112	5,21	85						*	
		20,54	1,76	35/3	68	840	6,80	88	45	926	5,07	86						*	
		18,97	3,67	31/6	74	720	6,20	90	49	721	4,20	88						*	
	17,11	3,31	31/6	82	710	6,77	90	54	725	4,61	89						*		
	16,22	1,39	35/3	86	750	7,50	89	57	844	4,95	87						*		
	13,34	2,58	31/6	105	710	7,50	91	70	712	4,95	89						*		
	10,75	2,08	31/6	130	725	7,50	91	87	717	4,95	90						*		
	9,10	1,76	31/6	154	725	7,50	92	102	717	4,95	91						*		
	7,19	1,39	31/6	195	680	7,50	92	129	680	4,95	91						*		

* ⇒ E55 A55

kg	[kg]							
	W	IEC 63	IEC 71	IEC 80	IEC 90	IEC 100	IEC 112	IEC 132
SK 33100	68	69	70	73	73			
SK 32100	66		64	68	68	72	72	81



SK 33100 SK 32100

	i _{ges}	i1	z2/z1	W				W				W				IEC								
				n ₂	M _{2max} f _B =1	P _{1max} f _B ≥1	η	n ₂	M _{2max} f _B =1	P _{1max} f _B ≥1	η	n ₂	M _{2max} f _B =1	P _{1max} f _B ≥1	η	f _B E4 - E18								
																n1 = 700 min ⁻¹				n1 = 450 min ⁻¹				n1 = 250 min ⁻¹
				[min ⁻¹]	[Nm]	[kW]	[%]	[min ⁻¹]	[Nm]	[kW]	[%]	[min ⁻¹]	[Nm]	[kW]	[%]									
SK 33100	5875,95	117,52	50/1	0,12	1760	0,05	45	0,08	1845	0,03	45	0,04	1913	0,02	45	*	*							
	4646,10	92,92	50/1	0,15	1712	0,06	45	0,10	1820	0,04	45	0,05	1907	0,02	45	*	*							
	3735,10	74,70	50/1	0,19	1655	0,07	45	0,12	1791	0,05	45	0,07	1900	0,03	45	*	*							
	2200,07	44,00	50/1	0,32	1664	0,12	46	0,20	1690	0,08	45	0,11	1874	0,05	45		*							
W	1671,69	33,43	50/1	0,42	1690	0,16	46	0,27	1726	0,11	46	0,15	1853	0,06	45		*							
	1507,71	30,15	50/1	0,46	1703	0,18	46	0,30	1743	0,12	46	0,17	1843	0,07	45		*							
+	1175,19	23,50	50/1	0,60	1710	0,23	47	0,38	1762	0,15	46	0,21	1805	0,09	45									
	660,60	13,21	50/1	1,1	1695	0,41	48	0,68	1785	0,27	47	0,38	1865	0,16	46			*	*					
IEC	519,31	10,39	50/1	1,3	1698	0,47	49	0,87	1772	0,34	47	0,48	1875	0,2	46					*	*			
	468,37	9,37	50/1	1,5	1700	0,54	49	0,96	1764	0,37	48	0,53	1880	0,23	46						*	*		
mm	365,07	7,30	50/1	1,9	1619	0,64	50	1,2	1692	0,44	48	0,68	1800	0,27	47							*	*	
	299,28	5,99	50/1	2,3	1642	0,78	51	1,5	1715	0,55	49	0,84	1815	0,34	47								*	*
⇒ E55	257,63	13,21	39/2	2,7	1610	0,67	68	1,7	1696	0,45	67	0,97	1771	0,27	66								*	*
	182,66	9,37	39/2	3,8	1518	0,75	69	2,5	1576	0,50	68	1,4	1679	0,27	67								*	*
	142,38	7,30	39/2	4,9	1405	0,75	70	3,2	1468	0,50	68	1,8	1562	0,27	67									
	121,21	10,39	35/3	5,8	1271	0,75	78	3,7	1326	0,50	77	2,1	1403	0,27	76									
	109,32	9,37	35/3	6,4	1272	0,75	78	4,1	1320	0,50	77	2,3	1397	0,27	76									
	85,21	7,30	35/3	8,2	1158	0,75	79	5,3	1210	0,50	77	2,9	1287	0,27	76									
	69,85	5,99	35/3	10	1174	0,75	79	6,4	1227	0,50	78	3,6	1298	0,27	76									
	53,70	10,39	31/6	13	688	0,75	84	8,4	688	0,50	84	4,7	680	0,27	83									
SK 32100	645,00	12,90	50/1	1,1	1514	0,36	48	0,70	1593	0,25	47	0,39	1666	0,15	46		*	*						
	510,00	10,20	50/1	1,4	1517	0,45	49	0,88	1581	0,31	47	0,49	1675	0,19	46			*						
	410,00	8,20	50/1	1,7	1451	0,52	50	1,1	1508	0,36	48	0,61	1609	0,22	47			*	*	*				
	304,00	6,08	50/1	2,3	1542	0,73	51	1,5	1611	0,52	49	0,82	1706	0,31	47			*						
W	241,50	4,83	50/1	2,9	1558	0,89	53	1,9	1621	0,65	50	1,0	1709	0,37	48			*	*	*				
	183,50	3,67	50/1	3,8	1505	1,09	55	2,5	1579	0,79	52	1,4	1671	0,5	49				*	*	*			
+	165,50	3,31	50/1	4,2	1470	1,18	55	2,7	1552	0,84	52	1,5	1642	0,53	49				*	*	*			
	129,00	2,58	50/1	5,4	1387	1,35	58	3,5	1479	1,00	54	1,9	1564	0,62	50				*	*	*	*		
IEC	104,00	2,08	50/1	6,7	1337	1,56	60	4,3	1420	1,14	56	2,4	1521	0,75	51				*	*	*	*		
mm	94,19	4,83	39/2	7,4	1437	1,55	72	4,8	1495	1,07	70	2,7	1576	0,66	68				*	*				
	71,57	3,67	39/2	9,8	1345	1,89	73	6,3	1412	1,31	71	3,5	1494	0,79	69				*	*				
⇒ E56	64,55	3,31	39/2	11	1316	2,05	74	7,0	1389	1,41	72	3,9	1469	0,87	69				*	*				
	50,31	2,58	39/2	14	1242	2,40	76	8,9	1324	1,69	73	5,0	1400	1,05	70					*	*	*		
	42,83	3,67	35/3	16	1213	2,51	81	11	1273	1,86	79	5,8	1347	1,05	78					*	*			
	38,63	3,31	35/3	18	1216	2,80	82	12	1284	2,02	80	6,5	1358	1,18	78					*	*			
	34,32	1,76	39/2	20	1269	3,41	78	13	1346	2,44	75	7,3	1459	1,55	72							*	*	
	30,11	2,58	35/3	23	1175	3,41	83	15	1252	2,43	81	8,3	1324	1,46	79							*	*	
	24,27	2,08	35/3	29	1166	4,22	84	19	1238	3,00	82	10	1326	1,76	79							*	*	
	20,54	1,76	35/3	34	978	4,10	85	22	1037	2,88	83	12	1125	1,77	80							*	*	
	18,97	3,67	31/6	37	712	3,17	87	24	704	2,06	86	13	688	1,11	84									
	17,11	3,31	31/6	41	717	3,50	88	26	700	2,22	86	15	692	1,28	85									
	16,22	1,39	35/3	43	897	3,75	86	28	968	2,48	84	15	1051	1,35	81							*	*	
	13,34	2,58	31/6	52	712	3,75	89	34	696	2,48	87	19	680	1,35	85							*	*	
	10,75	2,08	31/6	65	709	3,75	89	42	701	2,48	88	23	685	1,35	86							*	*	
	9,10	1,76	31/6	77	709	3,75	90	49	694	2,48	88	27	678	1,35	86							*	*	
	7,19	1,39	31/6	97	680	3,75	91	63	665	2,48	89	35	650	1,35	87							*	*	

* ⇒ E55

kg	[kg]							
	W	IEC 63	IEC 71	IEC 80	IEC 90	IEC 100	IEC 112	IEC 132
SK 33100	68	69	70	73	73			
SK 32100	66		64	68	68	72	72	81

SK 43125 SK 42125



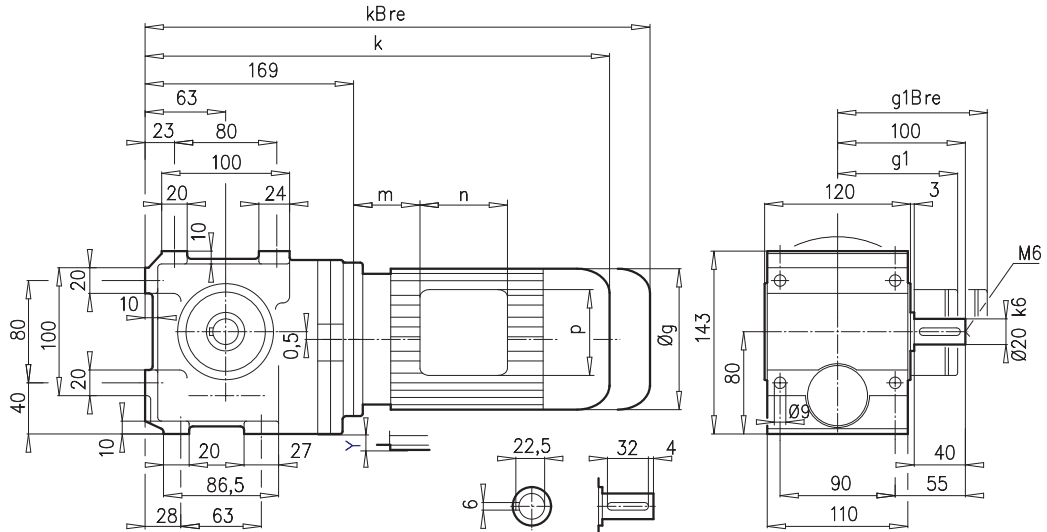
	i _{ges}	i1	z2/z1	W				W				IEC							
				n ₂	M _{2max}	P _{1max}	η	n ₂	M _{2max}	P _{1max}	η	f _B E4 - E18							
				n ₁ = 1400 min ⁻¹				n ₁ = 930 min ⁻¹				IEC 71	IEC 80	IEC 90	IEC 100	IEC 112			
				[min ⁻¹]	[Nm]	[kW]	[%]	[min ⁻¹]	[Nm]	[kW]	[%]								
SK 43125	7095,12	150,96	47/1	0,20	3000	0,13	47	0,13	3000	0,09	47	*	*	*					
	5057,67	107,61	47/1	0,28	3090	0,19	48	0,18	3222	0,13	47	*	*	*					
	3442,09	73,24	47/1	0,41	3090	0,28	48	0,27	3146	0,19	48	*	*	*					
	W	2526,44	53,75	47/1	0,55	3090	0,36	49	0,37	3168	0,26	48	*	*	*				
		2056,63	43,76	47/1	0,68	3090	0,45	49	0,45	3187	0,31	48		*	*				
	+	1860,07	39,58	47/1	0,75	3090	0,50	49	0,50	3198	0,35	48		*	*				
		1639,55	34,88	47/1	0,85	3090	0,55	50	0,57	3215	0,39	49		*	*				
	IEC	1476,55	31,42	47/1	0,95	3090	0,61	50	0,63	3230	0,43	49		*	*				
		1198,50	25,50	47/1	1,2	3090	0,76	51	0,78	3239	0,54	49			*				
	mm	928,25	19,75	47/1	1,5	3090	0,93	52	1,0	3200	0,67	50			*				
		794,58	16,91	47/1	1,8	3090	1,10	53	1,2	3201	0,79	51			*				
		689,67	30,65	45/2	2,0	2830	0,87	68	1,3	2962	0,60	67			*				
		⇒ E56	607,91	27,02	45/2	2,3	2670	0,95	68	1,5	2805	0,66	67			*			
			547,47	24,33	45/2	2,6	3090	1,22	69	1,7	3233	0,86	67			*			
		444,38	19,75	45/2	3,2	2990	1,45	69	2,1	3022	0,98	68			*				
		380,39	16,91	45/2	3,7	2610	1,44	70	2,4	2625	0,96	69			*				
		323,51	14,38	45/2	4,3	2400	1,52	71	2,9	2332	1,03	69							
		269,76	11,99	45/2	5,2	2810	2,13	72	3,4	2926	1,49	70				*	*		
		236,58	10,51	45/2	5,9	2810	2,38	73	3,9	2918	1,70	70				*	*		
		187,80	8,35	45/2	7,5	2590	2,75	74	5,0	2694	1,96	72				*	*		
152,44		6,78	45/2	9,2	2590	3,28	76	6,1	2721	2,38	73					*			
130,49	5,80	45/2	11	2480	3,71	77	7,1	2631	2,64	74					*				
110,97	4,93	45/2	13	2370	4,00	78	8,4	2514	2,64	75									
86,22	8,35	31/3	16	1760	3,55	83	11	1830	2,60	81					*				
69,99	6,78	31/3	20	1560	3,89	84	13	1639	2,72	82					*				
62,50	6,05	31/3	22	1570	4,00	85	15	1661	2,64	83									
SK 42125	695,60	14,80	47/1	2,0	2850	1,11	54	1,3	2968	0,79	51		IEC 90	IEC 100	IEC 112	IEC 132	IEC 160		
	495,85	10,55	47/1	2,8	2850	1,49	56	1,9	2960	1,11	53	*							
	337,46	7,18	47/1	4,1	2850	2,07	59	2,8	2985	1,56	56		*	*	*				
	W	247,69	5,27	47/1	5,7	2760	2,66	62	3,8	2932	2,01	58				*			
		201,63	4,29	47/1	6,9	2630	2,92	65	4,6	2781	2,23	60		*	*				
	+	182,36	3,88	47/1	7,7	2560	3,13	66	5,1	2700	2,36	61			*				
		160,74	3,42	47/1	8,7	2470	3,36	67	5,8	2615	2,52	63			*				
	IEC	144,76	3,08	47/1	9,7	2390	3,57	68	6,4	2549	2,67	64			*	*	*		
		117,50	2,50	47/1	12	2240	3,96	71	7,9	2419	3,03	66			*	*	*		
	mm	100,58	2,14	47/1	14	2130	4,34	72	9,2	2319	3,29	68			*	*	*		
		87,30	3,88	45/2	16	2360	4,94	80	11	2489	3,72	77			*				
		76,95	3,42	45/2	18	2290	5,33	81	12	2424	3,90	78			*				
		⇒ E57	69,30	3,08	45/2	20	2220	5,74	81	13	2368	4,13	78			*	*		
			56,25	2,50	45/2	25	2060	6,50	83	17	2225	4,95	80			*	*		
		48,15	2,14	45/2	29	1960	7,09	84	19	2134	5,24	81			*	*			
		40,95	1,82	45/2	34	1840	7,71	85	23	2024	5,94	82			*	*			
		35,33	3,42	31/3	40	1600	7,62	88	26	1694	5,36	86			*				
		31,82	3,08	31/3	44	1840	9,63	88	29	1962	6,93	86					*		
		25,83	2,50	31/3	54	1710	10,86	89	36	1847	8,00	87					*		
		22,11	2,14	31/3	63	1610	11,80	90	42	1753	8,76	88					*		
18,80		1,82	31/3	74	1510	13,00	90	49	1661	9,58	89					*			
15,92	3,08	31/6	88	1240	12,42	92	58	1300	8,77	90					*				
14,57	1,41	31/3	96	1340	14,80	91	64	1506	11,21	90					*				
12,93	2,50	31/6	108	1240	15,00	92	72	1314	9,90	91									
11,06	2,14	31/6	127	1240	15,00	93	84	1297	9,90	92									
9,41	1,82	31/6	149	1140	15,00	93	99	1254	9,90	92									
8,43	1,63	31/6	166	1140	15,00	93	110	1234	9,90	92									
7,76	1,50	31/6	180	1010	15,00	93	120	1129	9,90	93									
7,29	1,41	31/6	192	940	15,00	93	128	1057	9,90	93									
kg	[kg]																		
	W	IEC 71	IEC 80	IEC 90	IEC 100	IEC 112	IEC 132	IEC 160											
	SK 43125	123	121	125	125	129	129	132	142										
SK 42125	116			111	118	118	132	142											

* ⇒ E55

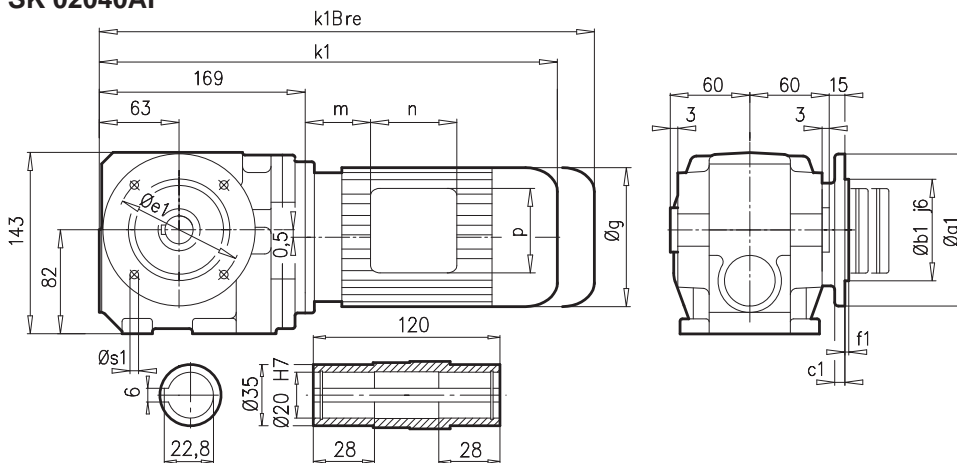
SK 02040



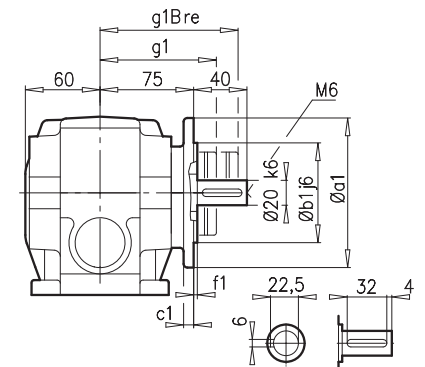
SK 02040



SK 02040AF

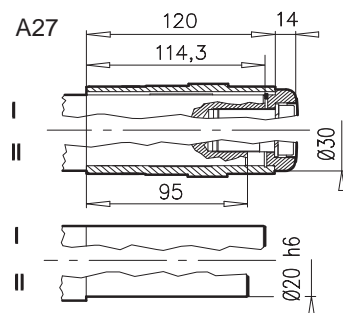


SK 02040VF



a1	b1	c1	e1	f1	s1
120	80	8	100	3,0	4x6,6
160	110	10	130	3,5	4x9

SK 02040AFB ⇨ A27



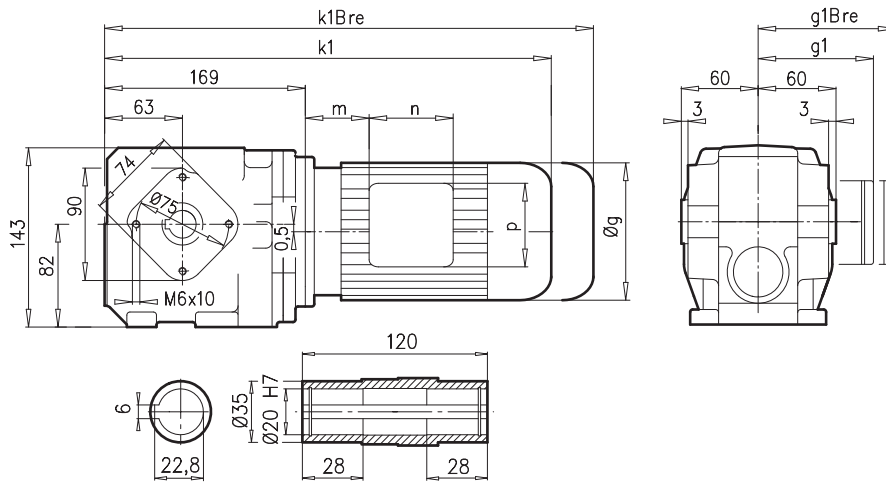
± ⇨ A53	63 S/L	71 S/L	80 SH/LH	90 SH							
g	130	145	165	183							
g1 / g1Bre	115 / 123	124 / 132	142 / 142	147 / 147							
k1 / k1Bre	361 / 417	383 / 441	405 / 469	445 / 520							
k / kBre	361 / 417	383 / 441	405 / 469	445 / 520							
m / mBre	12 / 18	20 / 26	22 / 26	26 / 30							
n / nBre	100 / 134	100 / 134	114 / 153	114 / 153							
p / pBre	100 / 89	100 / 89	114 / 108	114 / 108							
Y	-	-	3	12							



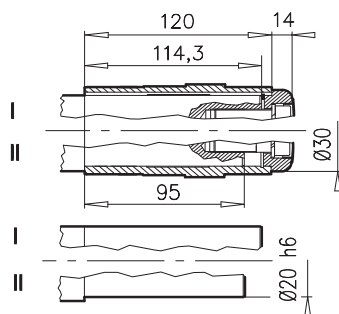
⇨ E54



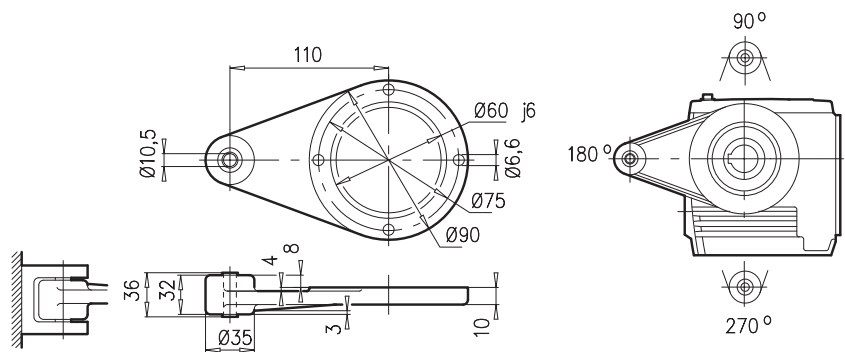
SK 02040AZ



SK 02040AZB ⇨ A27



SK 02040AZD



± ⇨ A53	63 S/L	71 S/L	80 SH/LH	90 SH						
g	130	145	165	183						
g1 / g1Bre	115 / 123	124 / 132	142 / 142	147 / 147						
k1 / k1Bre	361 / 417	383 / 441	405 / 469	445 / 520						
m / mBre	12 / 18	20 / 26	22 / 26	26 / 30						
n / nBre	100 / 134	100 / 134	114 / 153	114 / 153						
p / pBre	100 / 89	100 / 89	114 / 108	114 / 108						

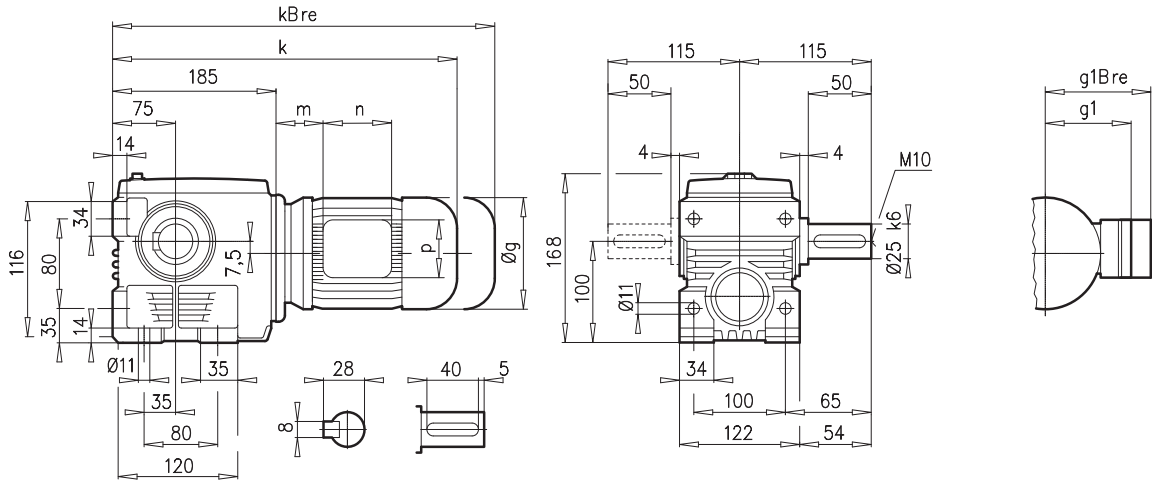


⇨ E54

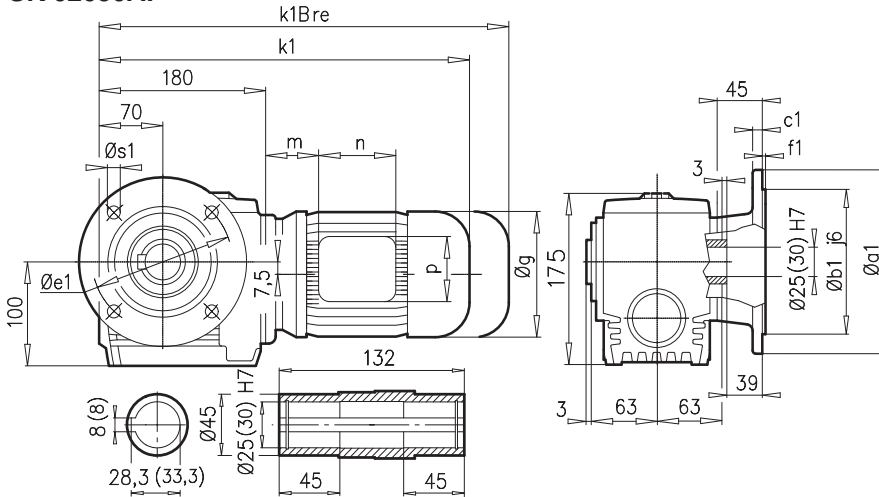
SK 02050



SK 02050

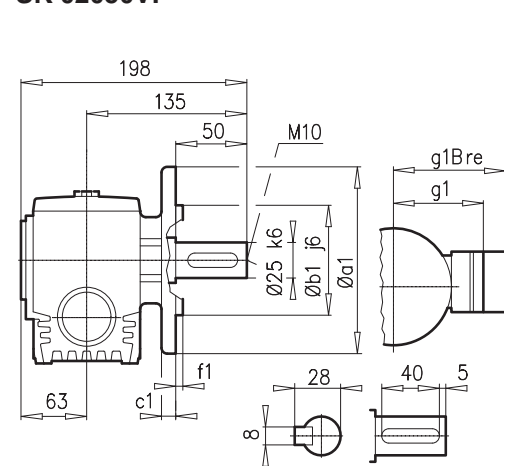


SK 02050AF



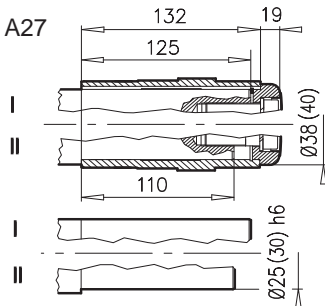
a1	b1	c1	e1	f1	s1
200	130	12	165	3,5	4 x 11

SK 02050VF



a1	b1	c1	e1	f1	s1
160	110	10	130	4	4 x 9

SK 02050AFB ⇨ A27



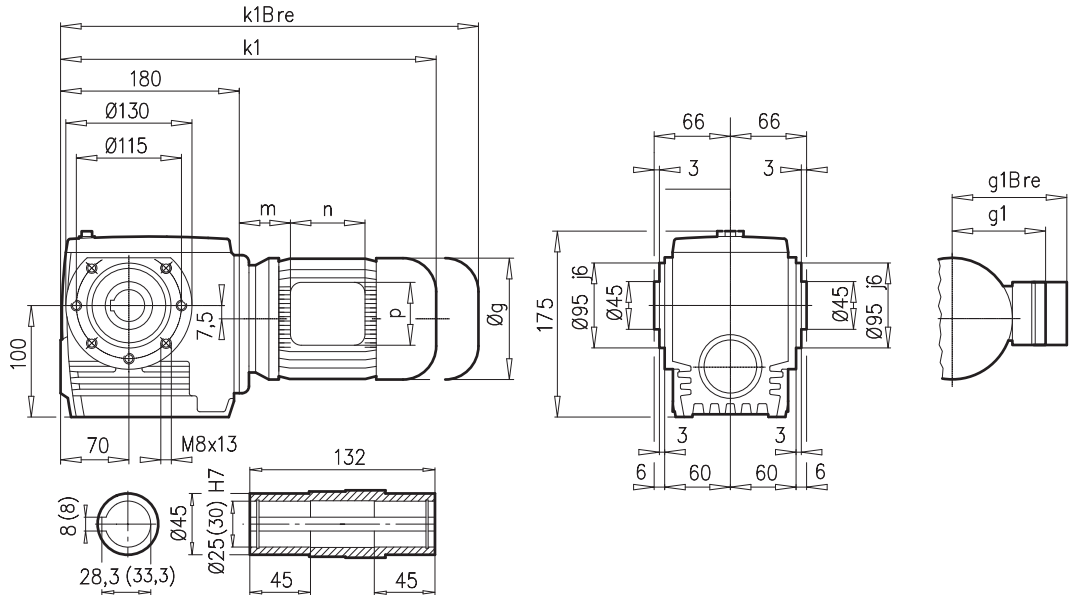
⇨ A53	63 S/L	71 S/L	80 SH/LH	90 SH/LH	100 LH			
g	130	145	165	183	201			
g1 / g1Bre	115 / 123	124 / 132	142 / 142	147 / 147	169 / 173			
k1 / kBre	376 / 432	416 / 474	441 / 505	482 / 557	512 / 603			
k / kBre	381 / 437	421 / 479	446 / 510	487 / 562	517 / 608			
m / mBre	16 / 22	42 / 43	47 / 51	52 / 56	58 / 62			
n / nBre	100 / 134	100 / 134	114 / 153	114 / 153	114 / 153			
p / pBre	100 / 89	100 / 89	114 / 108	114 / 108	114 / 108			



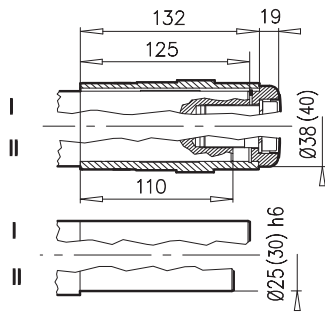
⇨ A55



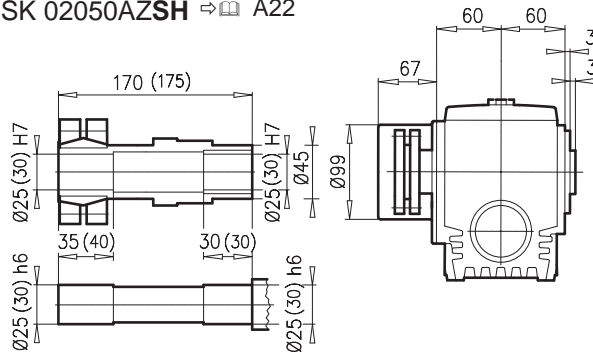
SK 02050AZ



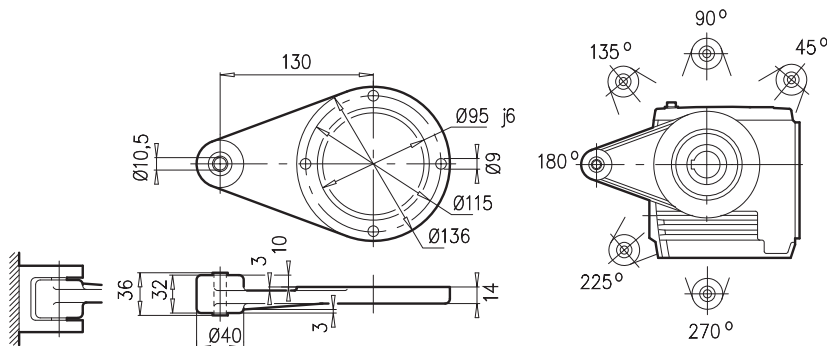
SK 02050AZB ⇨ A27



SK 02050AZSH ⇨ A22



SK 02050AZD



± ⇨ A53	63 S/L	71 S/L	80 SH/LH	90 SH/LH	100 LH					
g	130	145	165	183	201					
g1 / g1Bre	115 / 123	124 / 132	142 / 142	147 / 147	169 / 173					
k1 / k1Bre	376 / 432	416 / 474	441 / 505	482 / 557	512 / 603					
m / mBre	16 / 22	42 / 43	47 / 51	52 / 56	58 / 62					
n / nBre	100 / 134	100 / 134	114 / 153	114 / 153	114 / 153					
p / pBre	100 / 89	100 / 89	114 / 108	114 / 108	114 / 108					

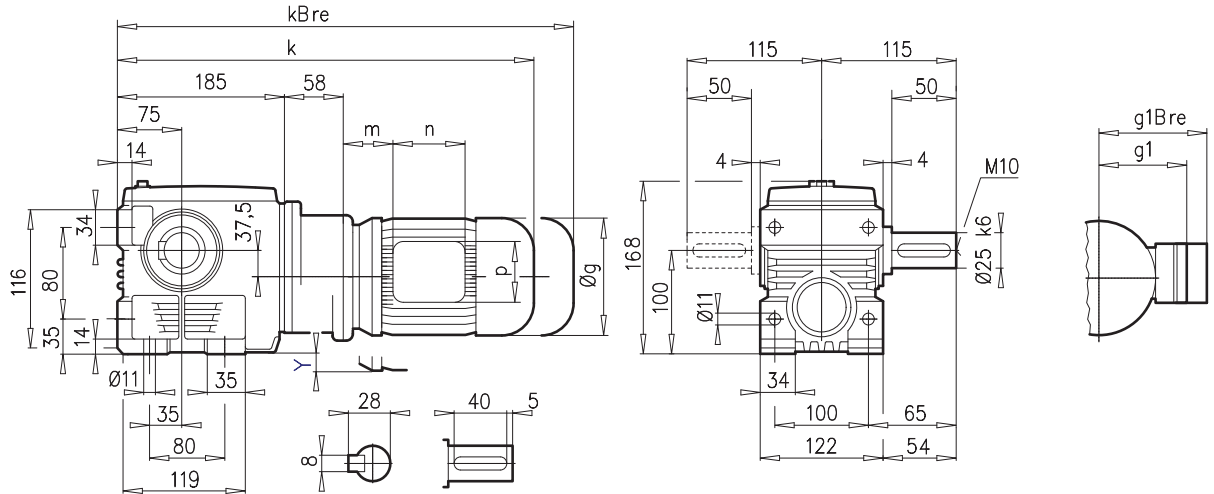


⇨ A55

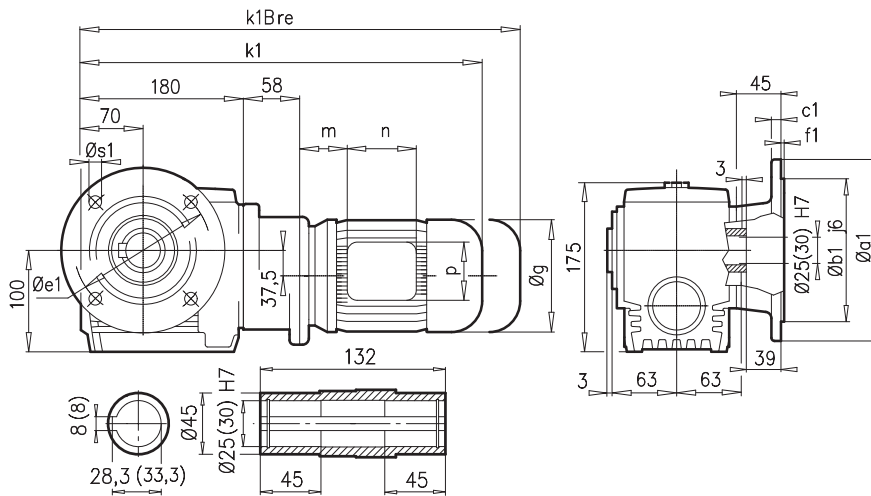
SK 13050



SK 13050

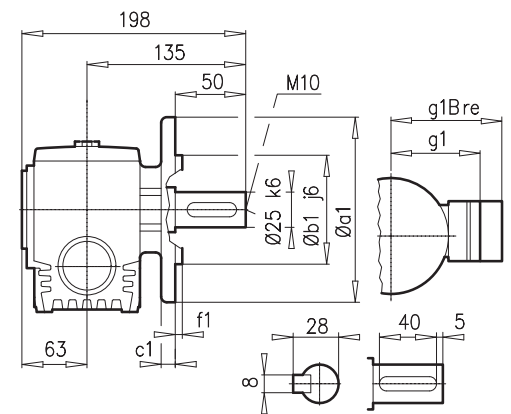


SK 13050AF



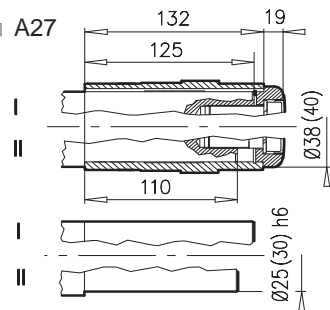
a1	b1	c1	e1	f1	s1
200	130	12	165	3,5	4 x 11

SK 13050VF



a1	b1	c1	e1	f1	s1
160	110	10	130	4	4 x 9

SK 13050AFB ⇨ A27



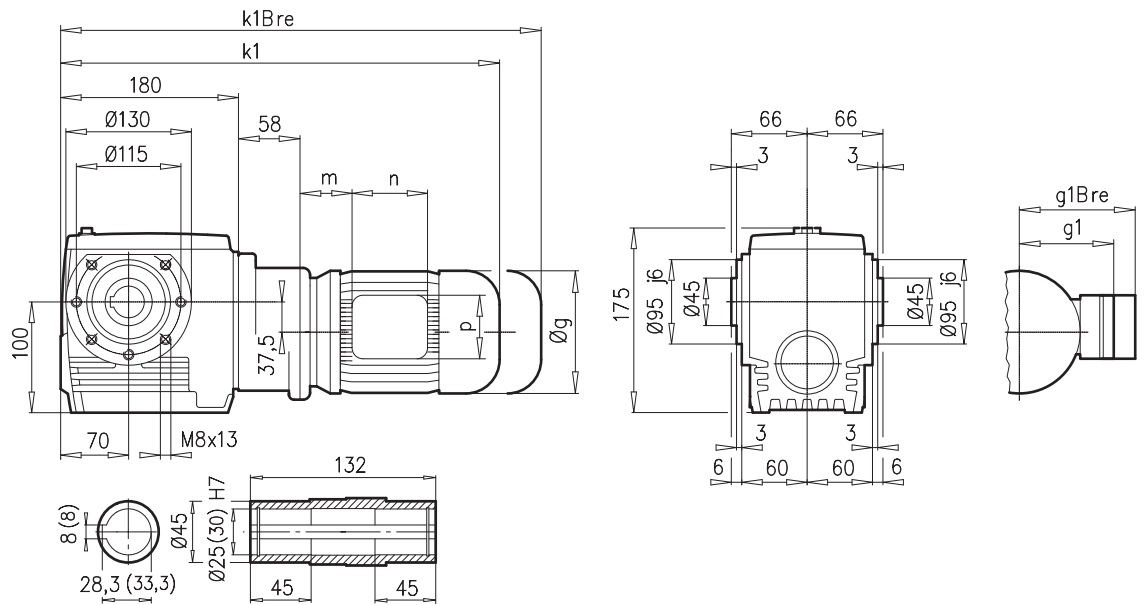
± ⇨ A53	63 S/L	71 S																	
g	130	145																	
g_1 / g_{1Bre}	115 / 123	124 / 132																	
k_1 / k_{Bre}	434 / 490	474 / 532																	
k / k_{Bre}	439 / 495	479 / 537																	
m / m_{Bre}	16 / 22	42 / 43																	
n / n_{Bre}	100 / 134	100 / 134																	
p / p_{Bre}	100 / 89	100 / 89																	
Y	2,5	10																	



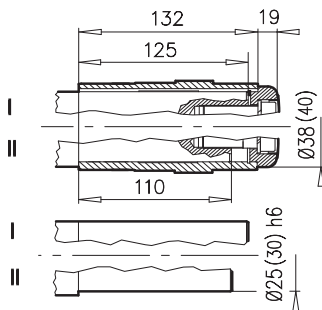
⇨ E55



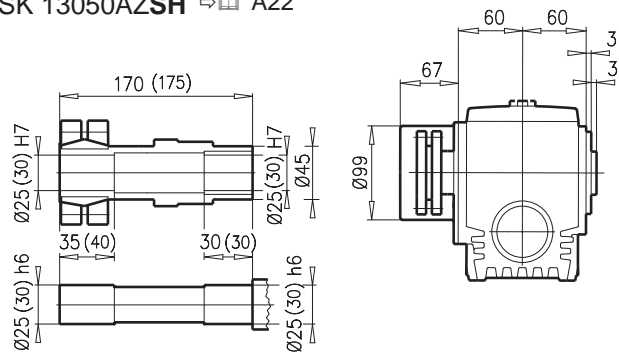
SK 13050AZ



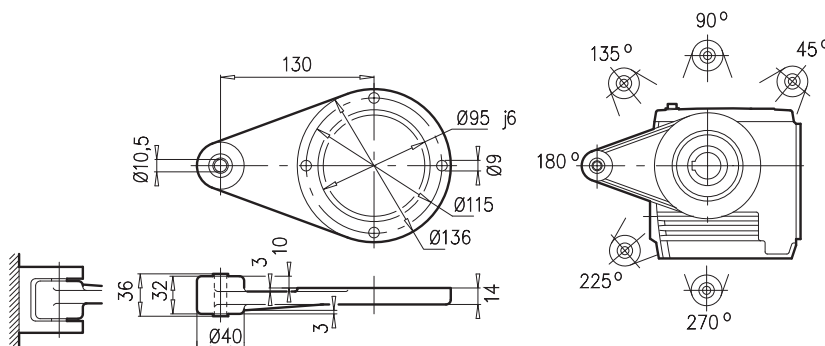
SK 13050AZB ⇨ A27



SK 13050AZSH ⇨ A22



SK 13050AZD



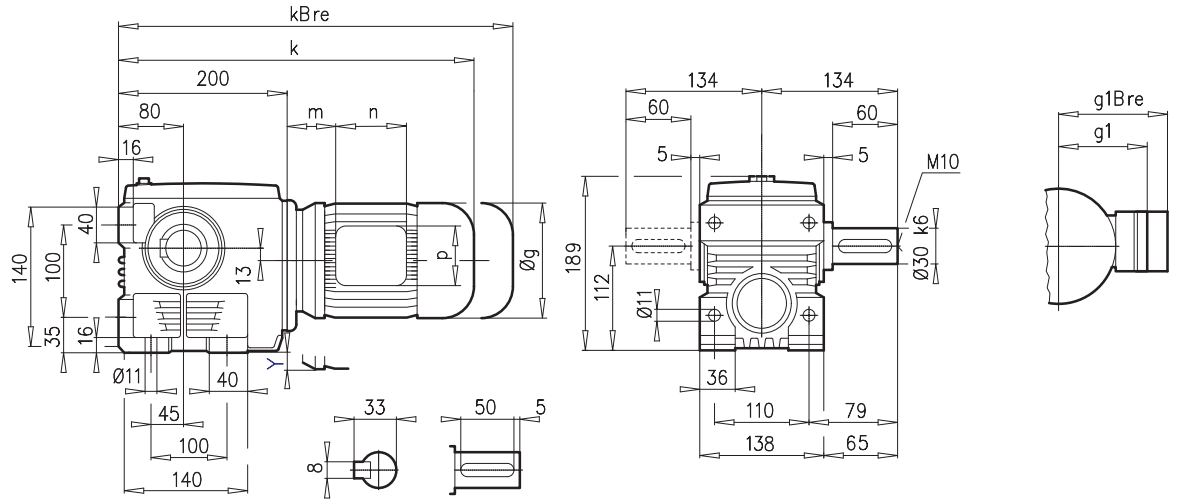
± ⇨ A53	63 S/L	71 S								
g	130	145								
g1 / g1Bre	115 / 123	124 / 132								
k1 / kBre	434 / 490	474 / 532								
m / mBre	16 / 22	42 / 43								
n / nBre	100 / 134	100 / 134								
p / pBre	100 / 89	100 / 89								



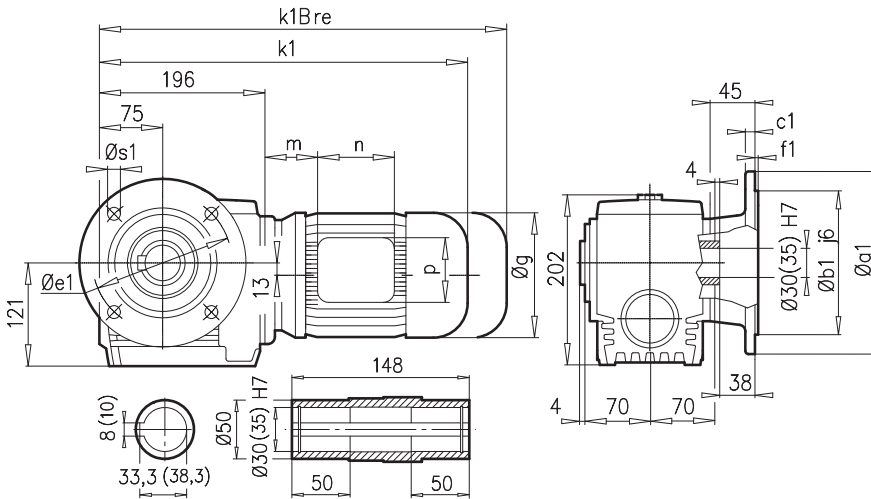
SK 12063



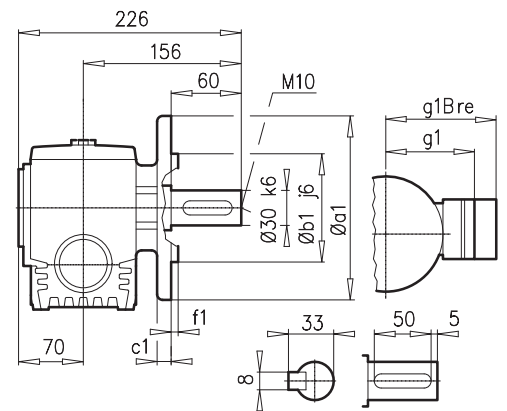
SK 12063



SK 12063AF



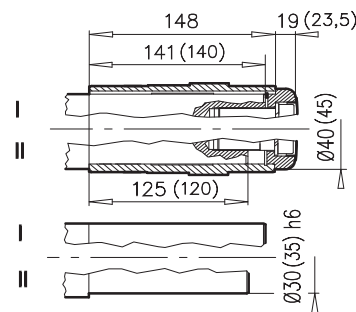
SK 12063VF



a1	b1	c1	e1	f1	s1
200	130	12	165	3,5	4 x 11

a1	b1	c1	e1	f1	s1
200	130	12	165	4,0	4 x 11

SK 12063AFB

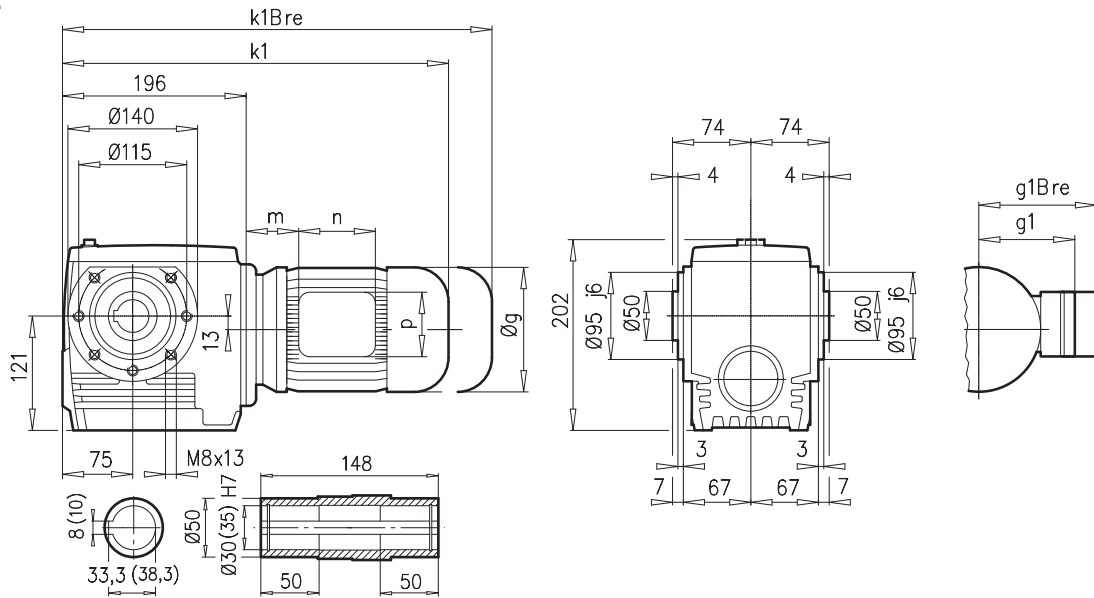


\pm \Rightarrow A53	63 S/L	71 S/L	80 SH/LH	90 SH/LH	100 LH/AH				
g	130	145	165	183	201				
g1 / g1Bre	115 / 123	124 / 132	142 / 142	147 / 147	169 / 173				
k1 / k1Bre	392 / 448	432 / 490	457 / 521	498 / 573	528 / 619				
k / kBre	396 / 452	436 / 494	461 / 525	502 / 577	532 / 623				
m / mBre	16 / 22	42 / 43	47 / 51	52 / 56	58 / 62				
n / nBre	100 / 134	100 / 134	114 / 153	114 / 153	114 / 153				
p / pBre	100 / 89	100 / 89	114 / 108	114 / 108	114 / 108				
Y	-	-	-	-	2,5				

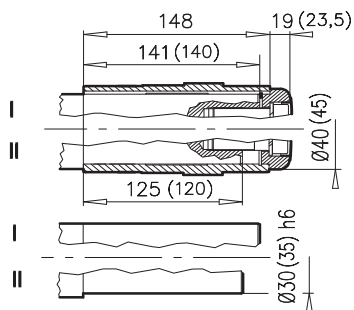
\Rightarrow E55



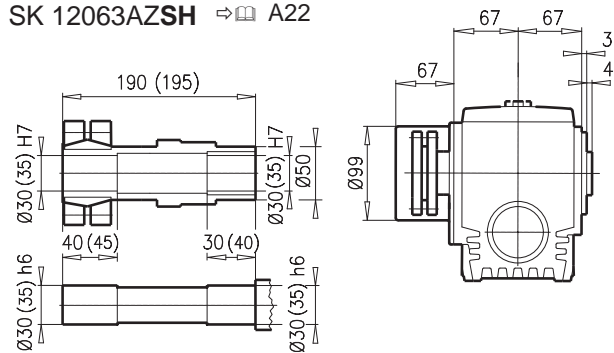
SK 12063AZ



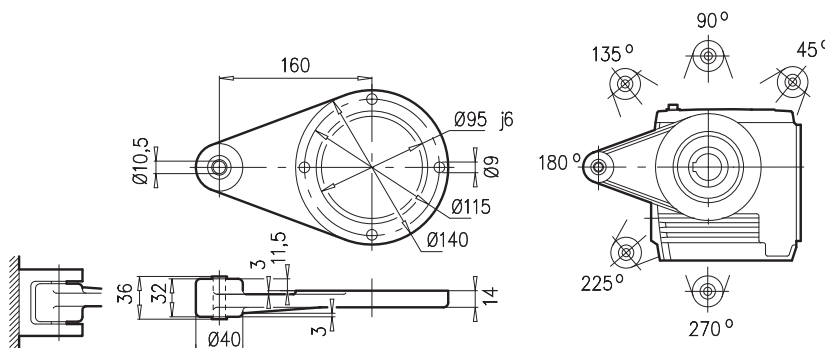
SK 12063AZB ⇨ A27



SK 12063AZSH ⇨ A22



SK 12063AZD



± ⇨ A53	63 S/L	71 S/L	80 SH/LH	90 SH/LH	100 LH/AH					
g	130	145	165	183	201					
g1 / g1Bre	115 / 123	124 / 132	142 / 142	147 / 147	169 / 173					
k1 / k1Bre	392 / 448	432 / 490	457 / 521	498 / 573	528 / 619					
m / mBre	16 / 22	42 / 43	47 / 51	52 / 56	58 / 62					
n / nBre	100 / 134	100 / 134	114 / 153	114 / 153	114 / 153					
p / pBre	100 / 89	100 / 89	114 / 108	114 / 108	114 / 108					

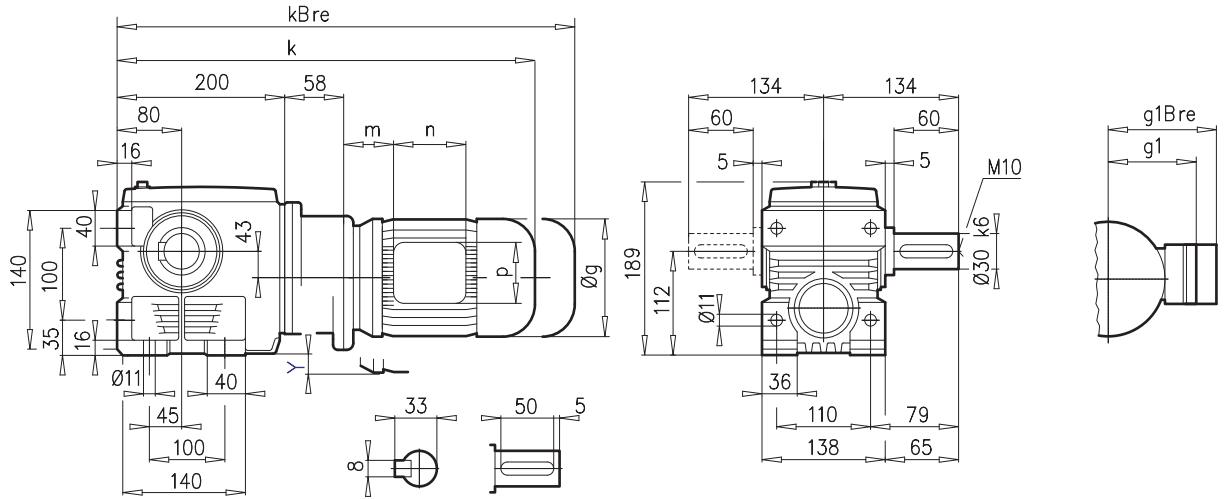


⇨ A55

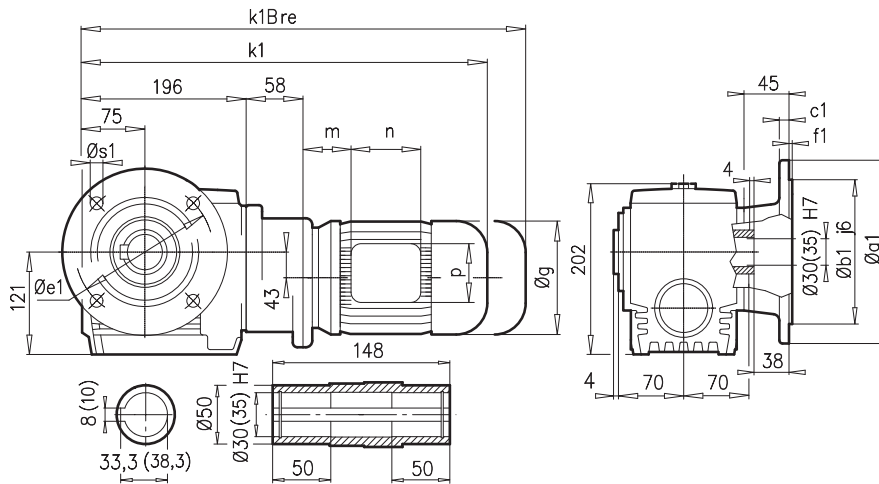
SK 13063



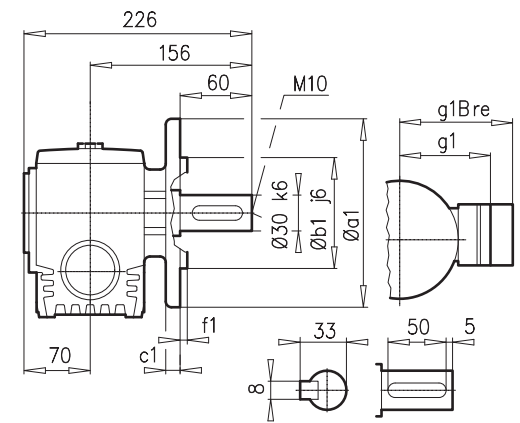
SK 13063



SK 13063AF



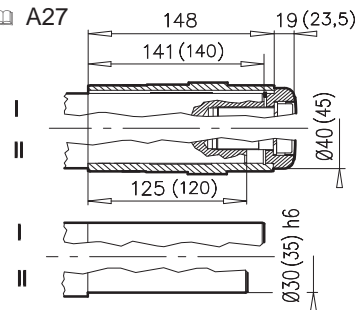
SK 13063VF



a1	b1	c1	e1	f1	s1
200	130	12	165	3,5	4 x 11

a1	b1	c1	e1	f1	s1
200	130	12	165	4,0	4 x 11

SK 13063AFB ⇒ A27



± ⇒ A53	63 S/L	71S								
g	130	145								
g1 / g1Bre	115 / 123	124 / 132								
k1 / kBre	450 / 506	490 / 548								
k / kBre	454 / 510	494 / 552								
m / mBre	16 / 22	42 / 43								
n / nBre	100 / 134	100 / 134								
p / pBre	100 / 89	100 / 89								
Y	-	3,5								



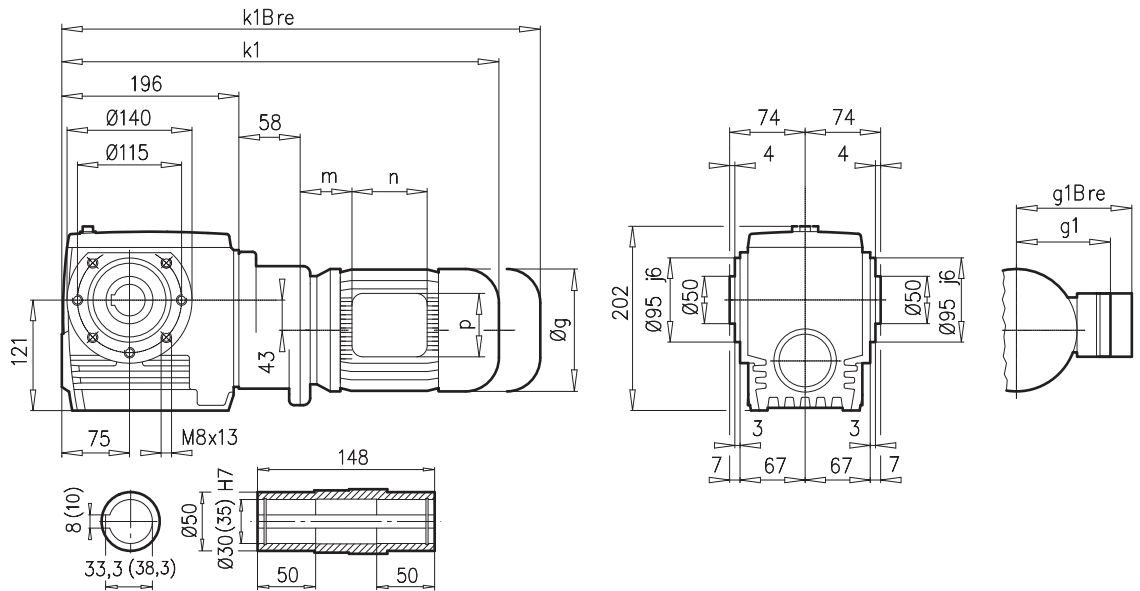
⇒ A53



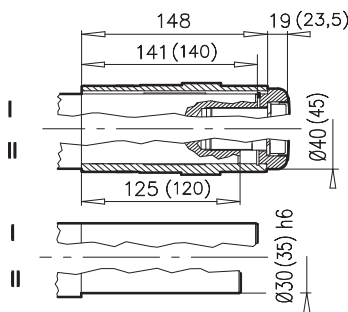
⇒ E55



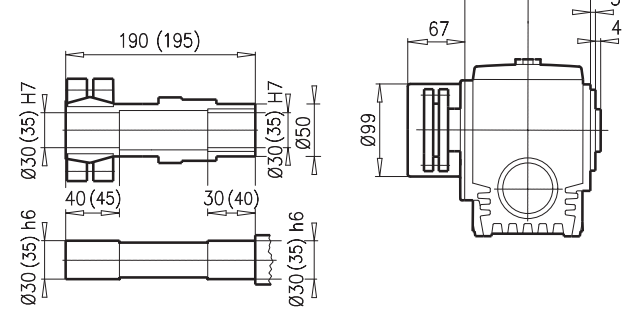
SK 13063AZ



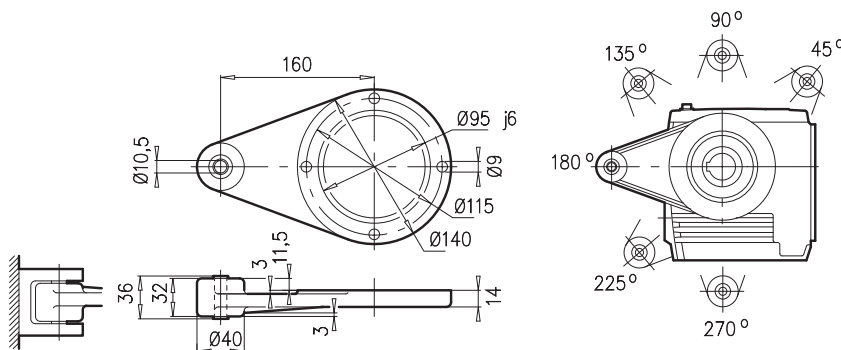
SK 13063AZB ⇨ A27



SK 13063AZSH ⇨ A22



SK 13063AZD



± ⇨ A53	63 S/L	71S							
g	130	145							
g1 / g1Bre	115 / 123	124 / 132							
k1 / k1Bre	450 / 506	490 / 548							
m / mBre	16 / 22	42 / 43							
n / nBre	100 / 134	100 / 134							
p / pBre	100 / 89	100 / 89							

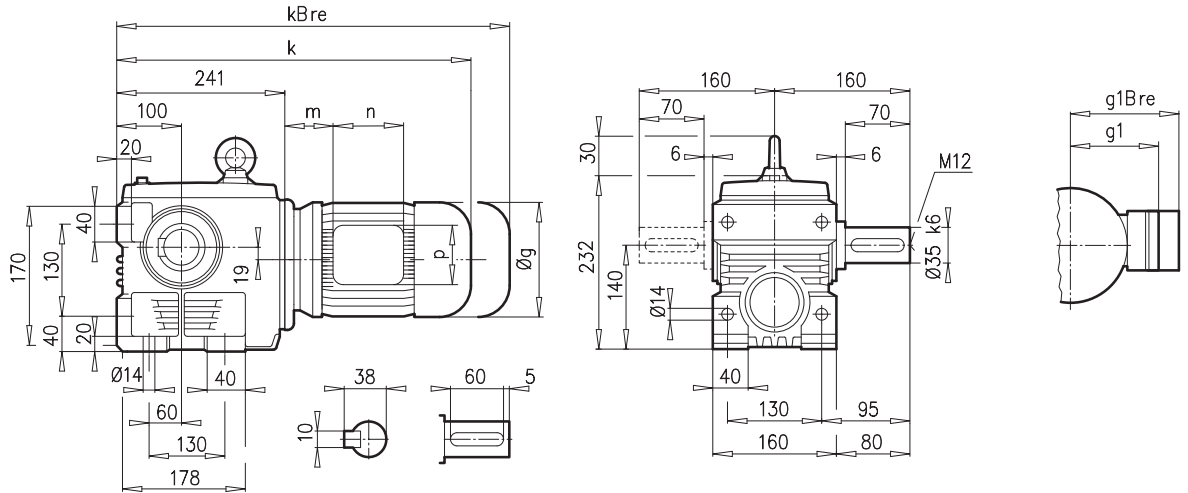


⇨ A55

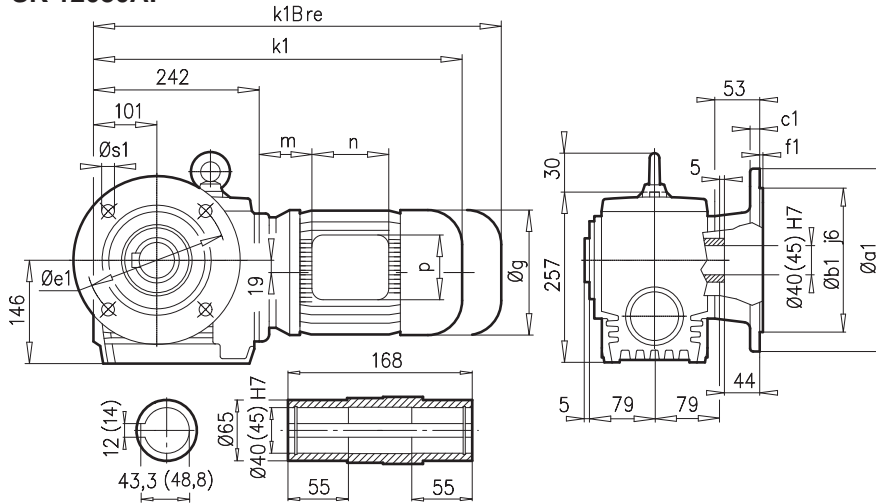
SK 12080



SK 12080

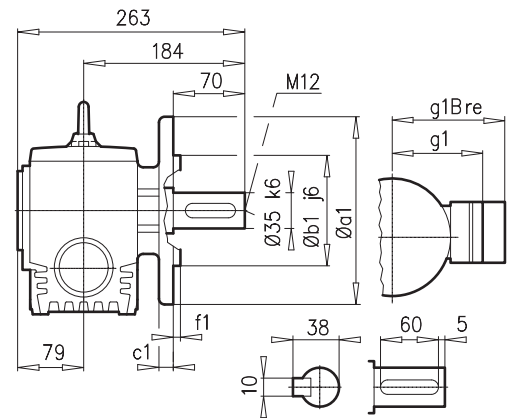


SK 12080AF



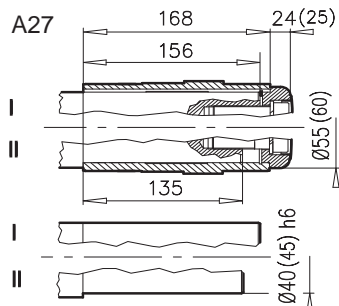
a1	b1	c1	e1	f1	s1
250	180	15	215	4,0	4 x 14
300	230	20	265	4,0	4 x 14

SK 12080VF



a1	b1	c1	e1	f1	s1
200	130	12	165	4,0	4 x 11

SK 12080AFB ⇨ A27



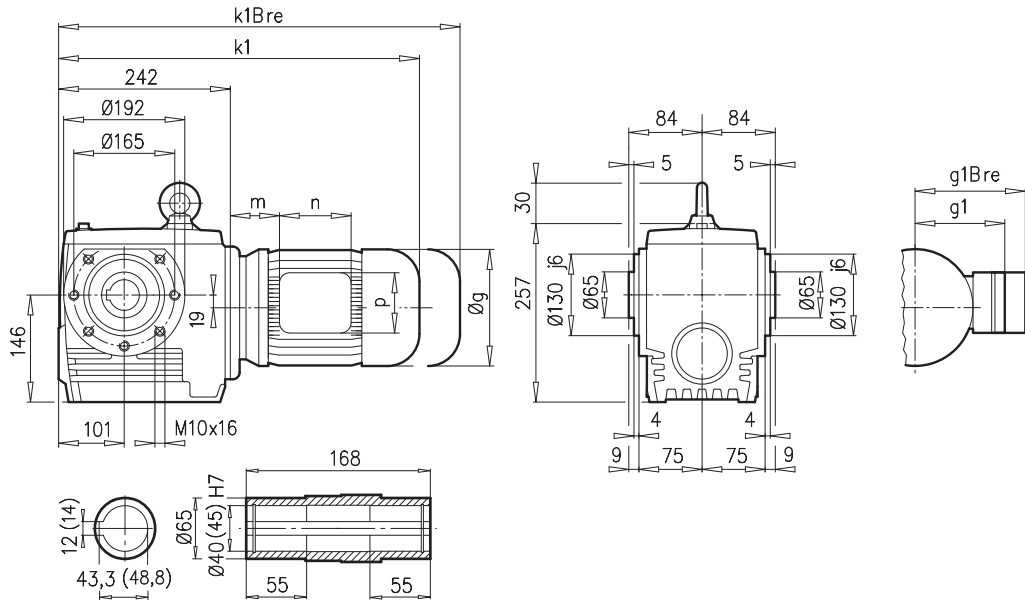
± ⇨ A53	63 S/L	71 S/L	80 SH/LH	90 SH/LH	100 LH/AH	112 MH			
g	130	145	165	183	201	228			
g1 / g1Bre	115 / 123	124 / 132	142 / 142	147 / 147	169 / 173	179 / 182			
k1 / k1Bre	438 / 494	478 / 536	503 / 567	544 / 619	574 / 665	622 / 715			
k / kBre	437 / 493	477 / 535	502 / 566	543 / 618	573 / 664	621 / 714			
m / mBre	16 / 22	42 / 43	47 / 51	52 / 56	58 / 62	74 / 78			
n / nBre	100 / 134	100 / 134	114 / 153	114 / 153	114 / 153	114 / 153			
p / pBre	100 / 89	100 / 89	114 / 108	114 / 108	114 / 108	114 / 108			



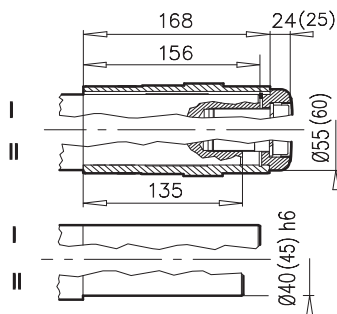
⇨ E55



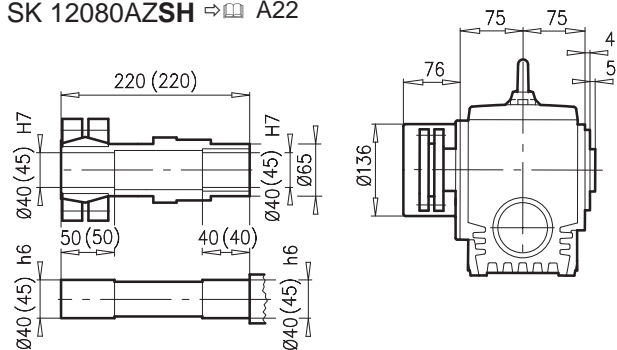
SK 12080AZ



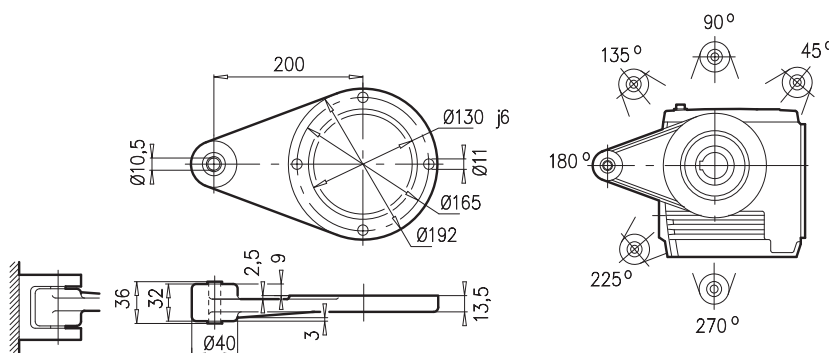
SK 12080AZB ⇨ A27



SK 12080AZSH ⇨ A22



SK 12080AZD



± ⇨ A53	63 S/L	71 S/L	80 SH/LH	90 SH/LH	100 LH/AH	112 MH			
g	130	145	165	183	201	228			
g1 / g1Bre	115 / 123	124 / 132	142 / 142	147 / 147	169 / 173	204 / 207			
k1 / k1Bre	438 / 494	478 / 536	503 / 567	544 / 619	574 / 665	622 / 715			
m / mBre	16 / 22	42 / 43	47 / 51	52 / 56	58 / 62	74 / 78			
n / nBre	100 / 134	100 / 134	114 / 153	114 / 153	114 / 153	114 / 153			
p / pBre	100 / 89	100 / 89	114 / 108	114 / 108	114 / 108	114 / 108			

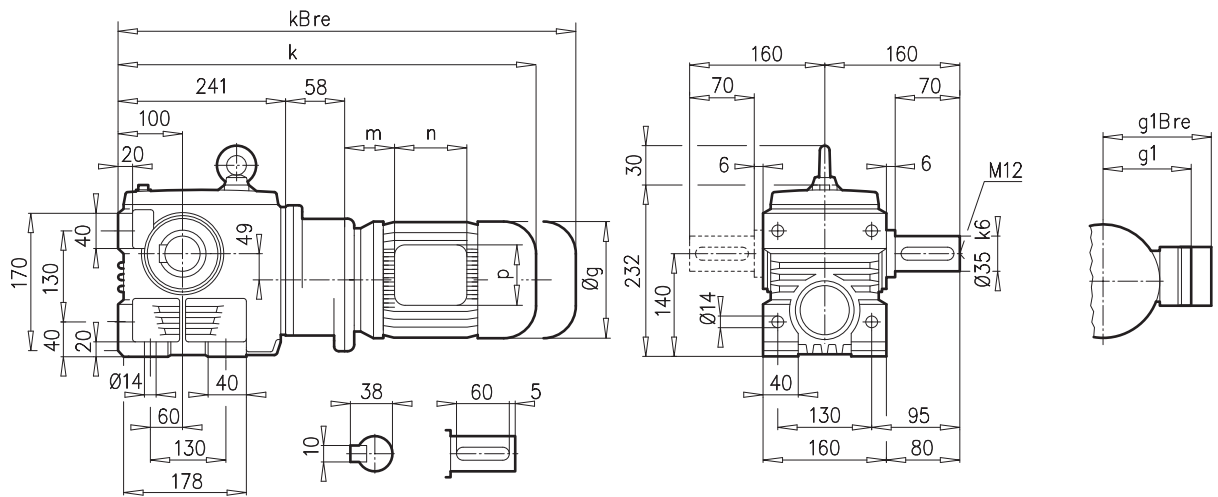


⇨ E55

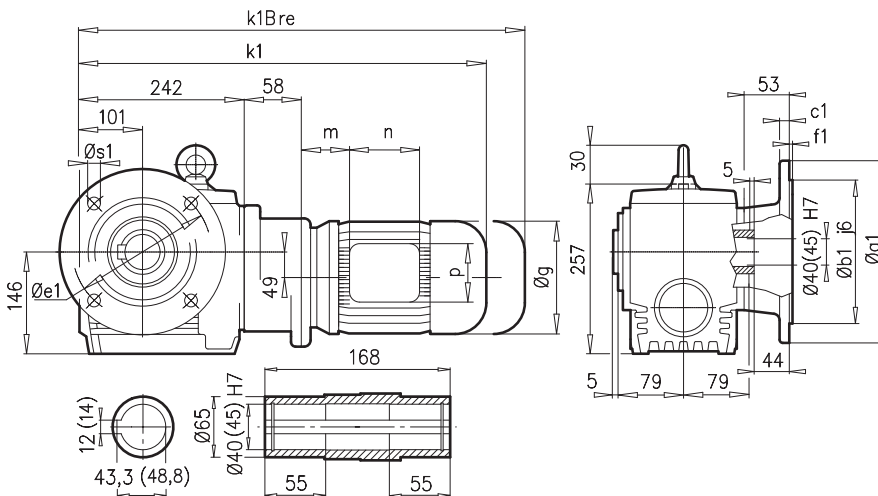
SK 13080



SK 13080

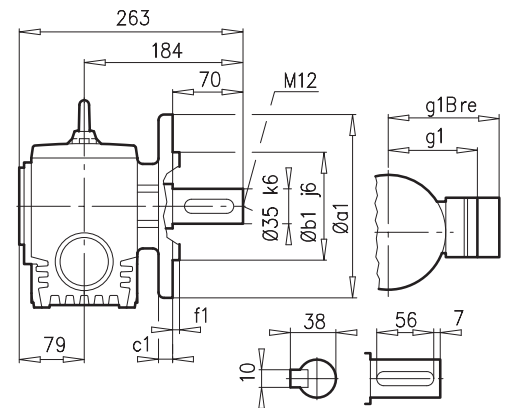


SK 13080AF



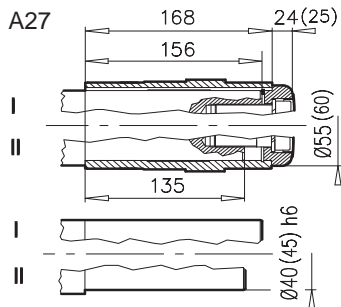
a1	b1	c1	e1	f1	s1
250	180	15	215	4,0	4 x 14
300	230	20	265	4,0	4 x 14

SK 13080VF



a1	b1	c1	e1	f1	s1
200	130	12	165	4,0	4 x 11

SK 13080AFB ⇨ A27



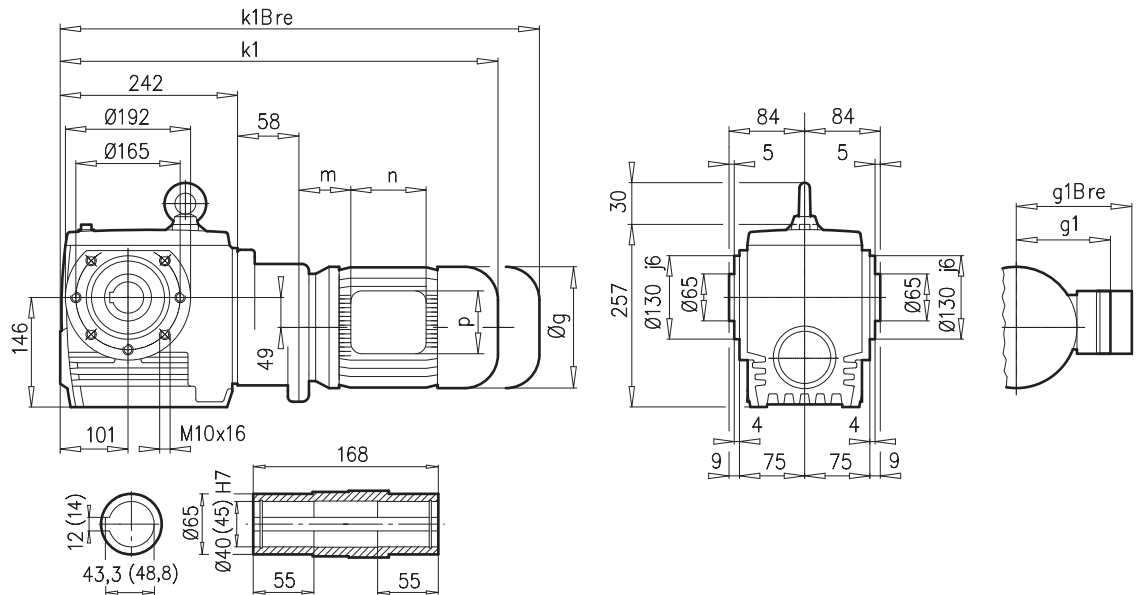
± ⇨ A53	63 S/L	71 S/L						
g	130	145						
g1 / g1Bre	115 / 123	124 / 132						
k1 / kBre	496 / 552	536 / 594						
k / kBre	495 / 551	535 / 593						
m / mBre	16 / 22	42 / 43						
n / nBre	100 / 134	100 / 134						
p / pBre	100 / 89	100 / 89						



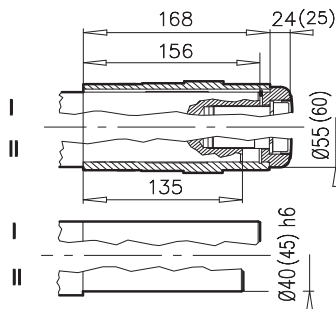
⇨ A27 E55



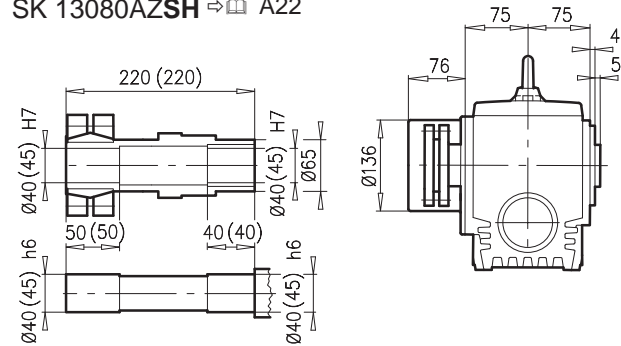
SK 13080AZ



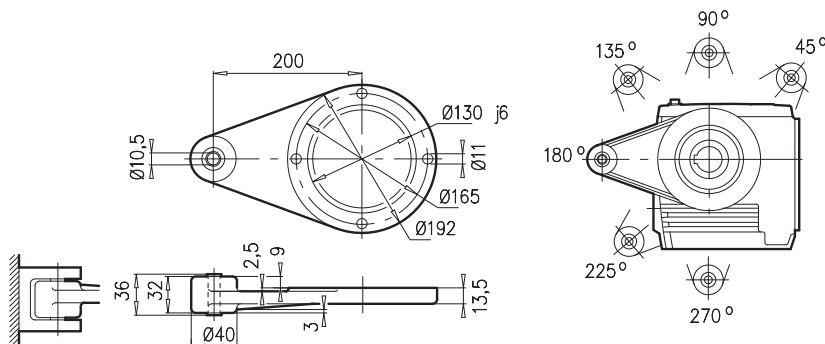
SK 13080AZB ⇨ A27



SK 13080AZSH ⇨ A22



SK 13080AZD



± ⇨ A53	63 S/L	71 S/L							
g	130	145							
g1 / g1Bre	115 / 123	124 / 132							
k1 / kBre	496 / 552	536 / 594							
m / mBre	16 / 22	42 / 43							
n / nBre	100 / 134	100 / 134							
p / pBre	100 / 89	100 / 89							



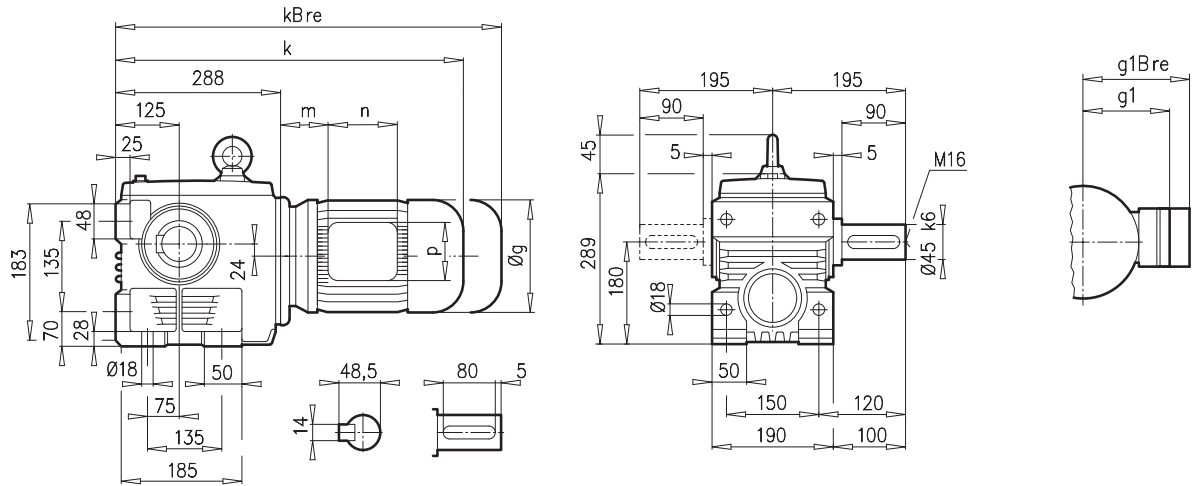
⇨ E55



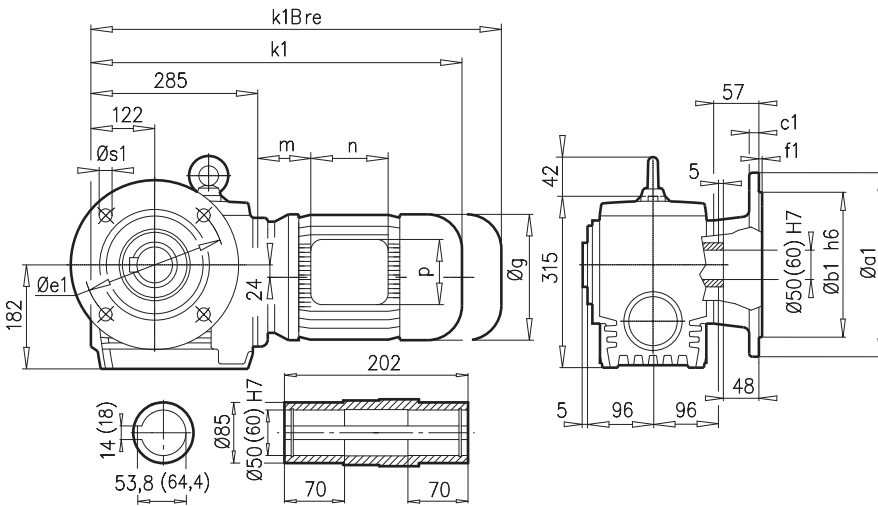
SK 32100



SK 32100

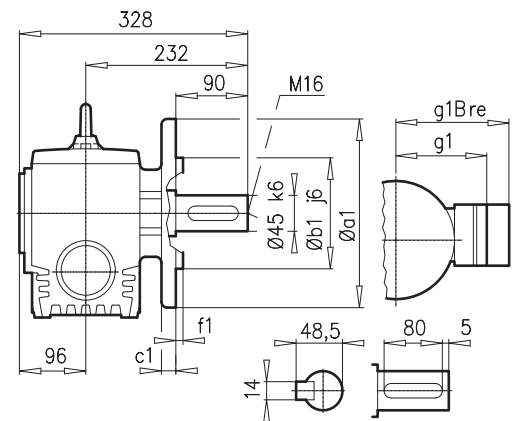


SK 32100AF



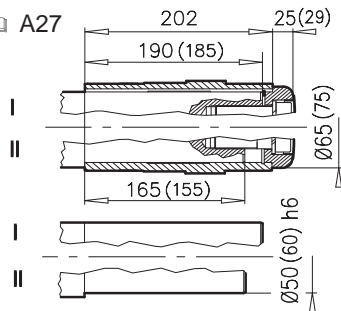
a1	b1	c1	e1	f1	s1
350	250	20	300	5,0	4 x 18

SK 32100VF



a1	b1	c1	e1	f1	s1
250	180	16	215	4,0	4 x 14

SK 32100AFB ⇨ A27



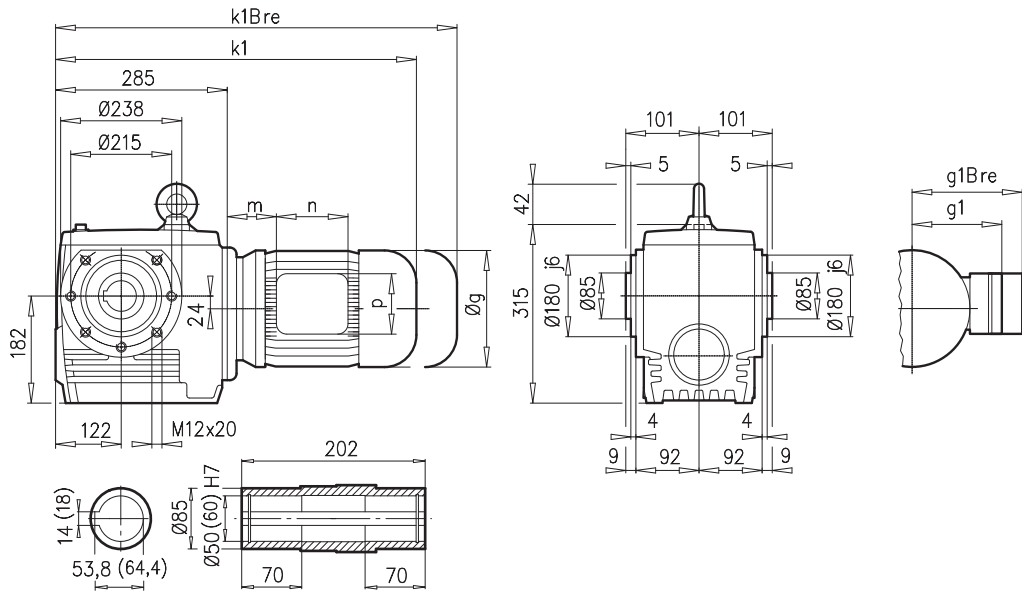
± ⇨ A53	71 S/L	80 SH/LH	90 SH/LH	100 LH/AH	112 MH	132 SH/MH		
g	145	165	183	201	228	266		
g1 / g1Bre	124 / 132	142 / 142	147 / 147	169 / 173	179 / 182	204 / 201		
k1 / k1Bre	515 / 573	540 / 604	581 / 656	611 / 702	659 / 752	720 / 827		
k / kBre	518 / 576	543 / 607	584 / 659	614 / 705	662 / 755	723 / 830		
m / mBre	36 / 42	41 / 45	46 / 50	52 / 56	68 / 72	71 / 51		
n / nBre	100 / 134	114 / 153	114 / 153	114 / 153	114 / 153	122 / 185		
p / pBre	100 / 89	114 / 108	114 / 108	114 / 108	114 / 108	122 / 139		



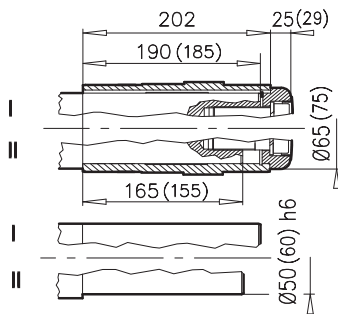
⇨ A56



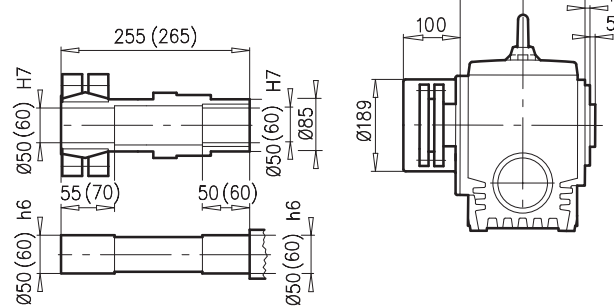
SK 32100AZ



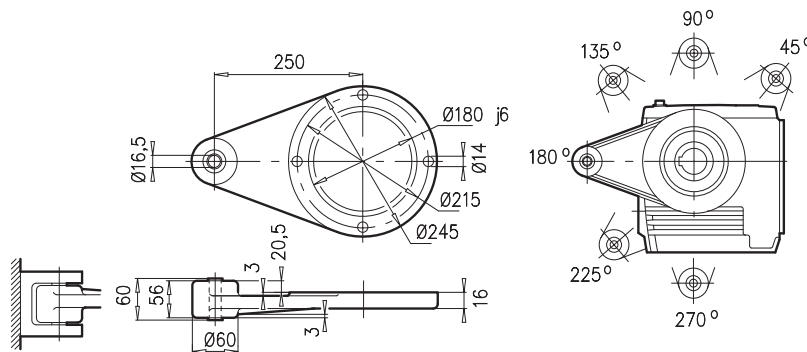
SK 32100AZB ⇨ A27



SK 32100AZSH ⇨ A22



SK 32100AZD



± ⇨ A53	71 S/L	80 SH/LH	90 SH/LH	100 LH/AH	112 MH	132 SH/MH			
g	145	165	183	201	228	266			
g1 / g1Bre	124 / 132	142 / 142	147 / 147	169 / 173	179 / 182	204 / 201			
k1 / k1Bre	515 / 573	540 / 604	581 / 656	611 / 702	659 / 752	720 / 827			
m / mBre	36 / 42	41 / 45	46 / 50	52 / 56	68 / 72	71 / 51			
n / nBre	100 / 134	114 / 153	114 / 153	114 / 153	114 / 153	122 / 185			
p / pBre	100 / 89	114 / 108	114 / 108	114 / 108	114 / 108	122 / 139			

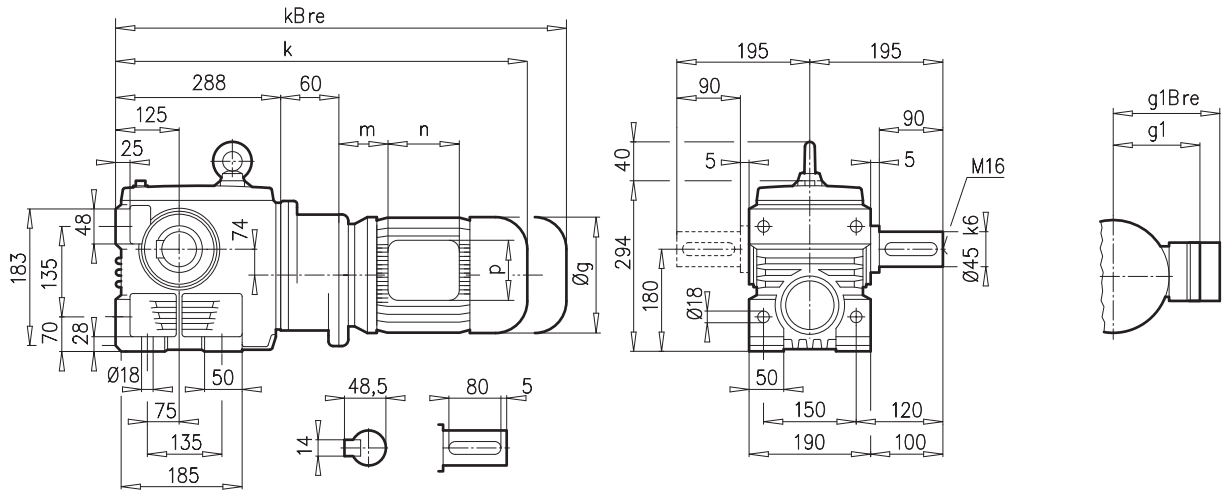


⇨ E56

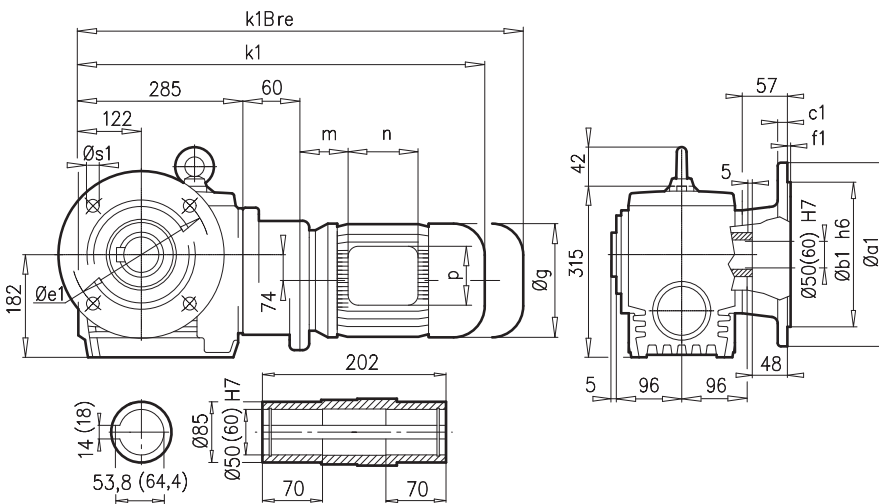
SK 33100



SK 33100

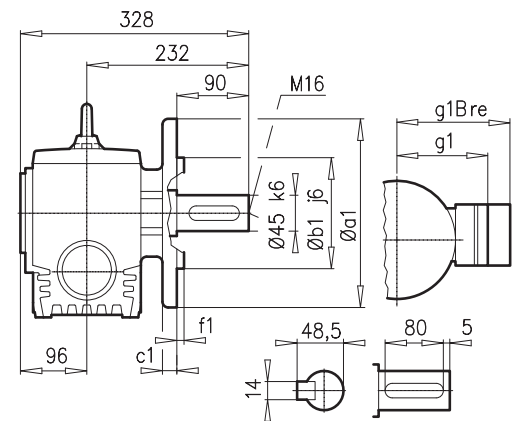


SK 33100AF



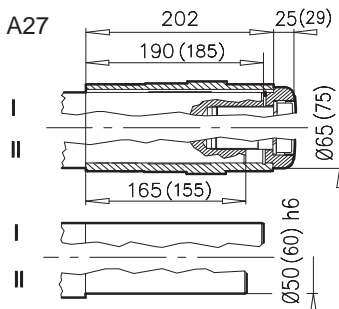
a1	b1	c1	e1	f1	s1
350	250	20	300	5,0	4 x 18

SK 33100VF



a1	b1	c1	e1	f1	s1
250	180	16	215	4,0	4 x 14

SK 33100AFB ⇨ A27



± ⇨ A53	63 S/L	71 S/L	80 SH/LH	90 SH/LH					
g	130	145	165	183					
g1 / g1Bre	115 / 123	124 / 132	142 / 142	147 / 147					
k1 / kBre	542 / 598	582 / 640	607 / 671	648 / 723					
k / kBre	545 / 601	585 / 643	610 / 674	651 / 726					
m / mBre	16 / 22	42 / 43	47 / 51	52 / 56					
n / nBre	100 / 134	100 / 134	114 / 153	114 / 153					
p / pBre	100 / 89	100 / 89	114 / 108	114 / 108					

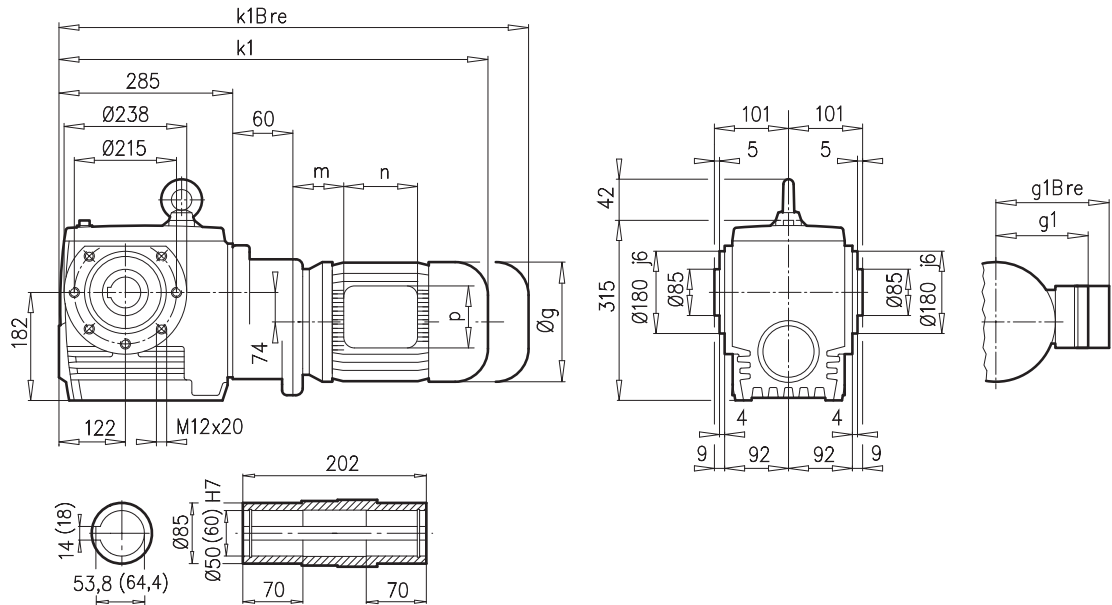


⇨ E55

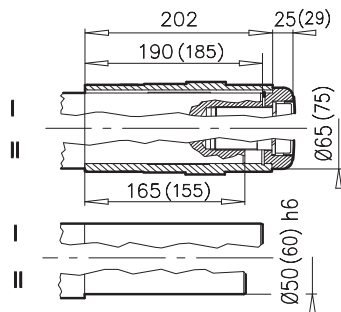




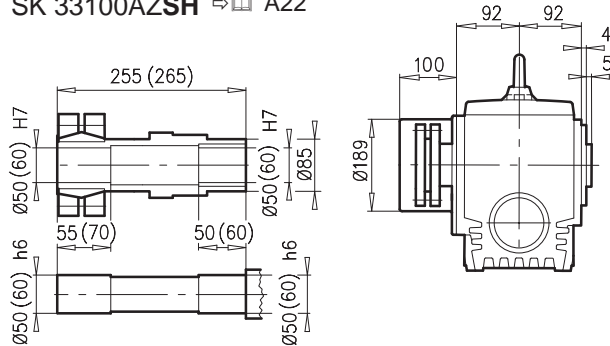
SK 33100AZ



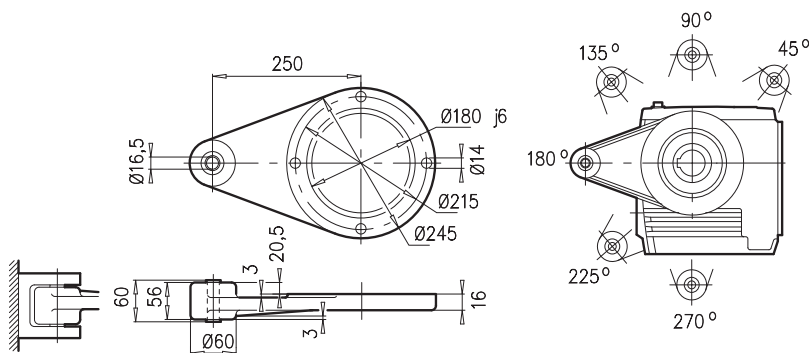
SK 33100AZB ⇨ A27



SK 33100AZSH ⇨ A22



SK 33100AZD



± ⇨ A53	63 S/L	71 S/L	80 SH/LH	90 SH/LH						
g	130	145	165	183						
g1 / g1Bre	115 / 123	124 / 132	142 / 142	147 / 147						
k1 / kBre	542 / 598	582 / 640	607 / 671	648 / 723						
m / mBre	16 / 22	42 / 43	47 / 51	52 / 56						
n / nBre	100 / 134	100 / 134	114 / 153	114 / 153						
p / pBre	100 / 89	100 / 89	114 / 108	114 / 108						

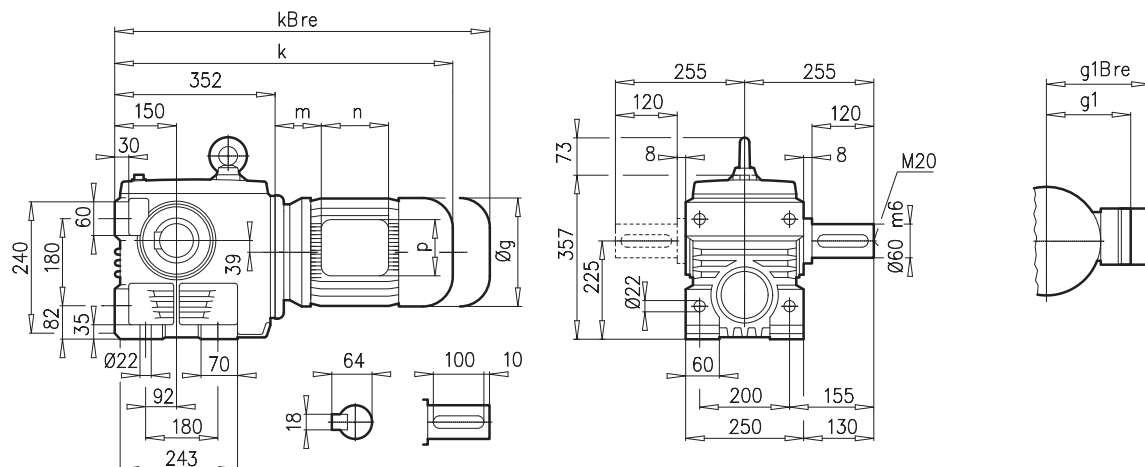


⇨ E55

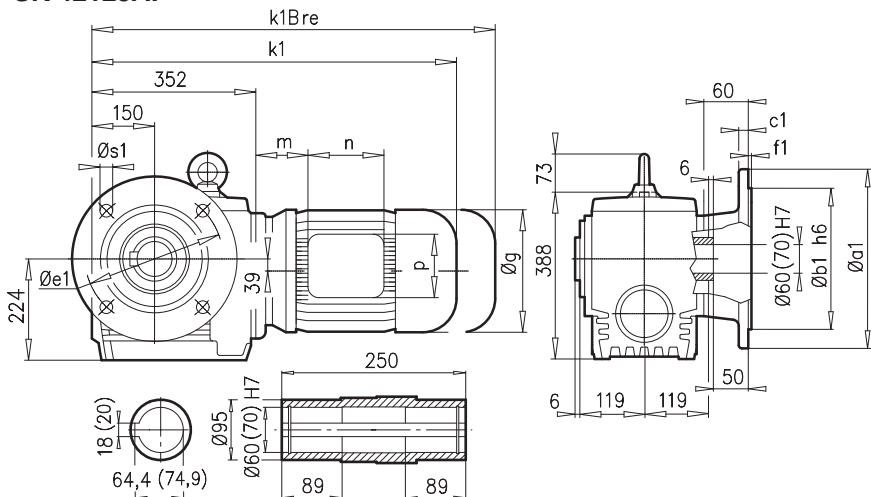
SK 42125



SK 42125

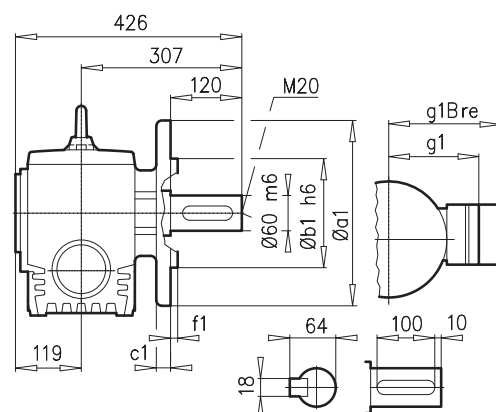


SK 42125AF



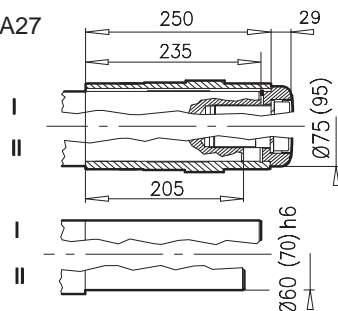
a1	b1	c1	e1	f1	s1
400	300	20	350	5	4 x 18
450	350	22	400	5	8 x 18

SK 42125VF



a1	b1	c1	e1	f1	s1
350	250	20	300	5	4 x 18

SK 42125AFB ⇨ A27



± ⇨ A53	90 SH/LH	100 LH/AH	112 MH	132 SH/MH/LH	160 SH/MH	160 LH	180 MH/LH	
g	183	201	228	266	320	320	358	
g1 / g1Bre	147 / 147	169 / 173	179 / 182	204 / 201	242 / 242	242 / 242	259 / 259	
k1 / kBre	628 / 703	658 / 749	706 / 799	767 / 874	844 / 979	888 / 1023	986 / 1113	
k / kBre	628 / 703	658 / 749	706 / 799	767 / 874	844 / 979	888 / 1023	986 / 1113	
m / mBre	26 / 30	32 / 36	48 / 52	51 / 44	52 / 52	52 / 52	74 / 74	
n / nBre	114 / 153	114 / 153	114 / 153	122 / 185	186 / 186	186 / 186	186 / 186	
p / pBre	114 / 108	114 / 108	114 / 108	122 / 139	186 / 186	186 / 186	186 / 186	

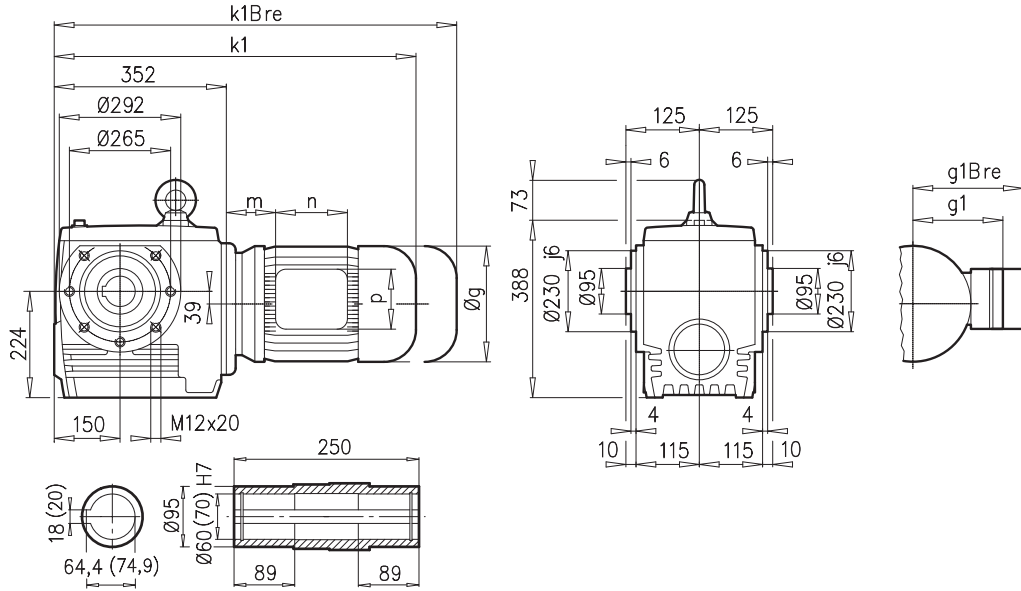


⇨ A27 E57

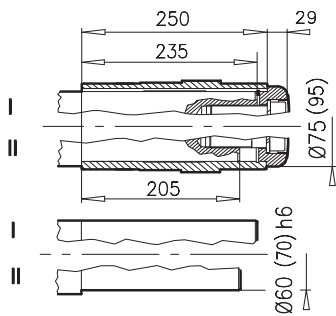




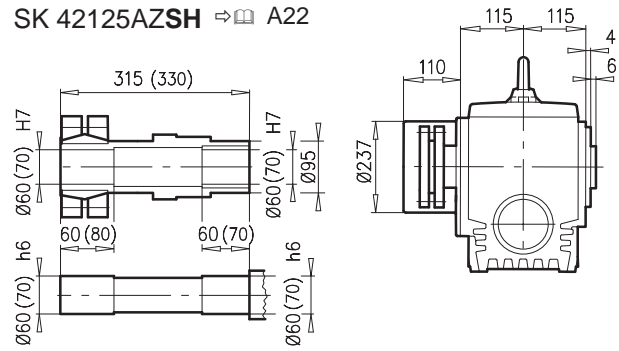
SK 42125AZ



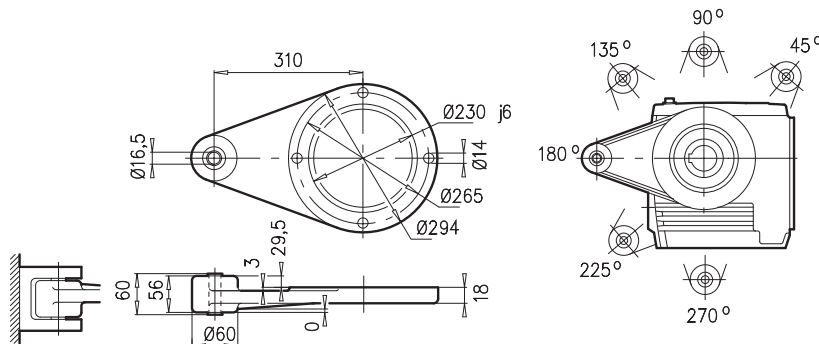
SK 42125AZB ⇨ A27



SK 42125AZSH ⇨ A22



SK 42125AZD



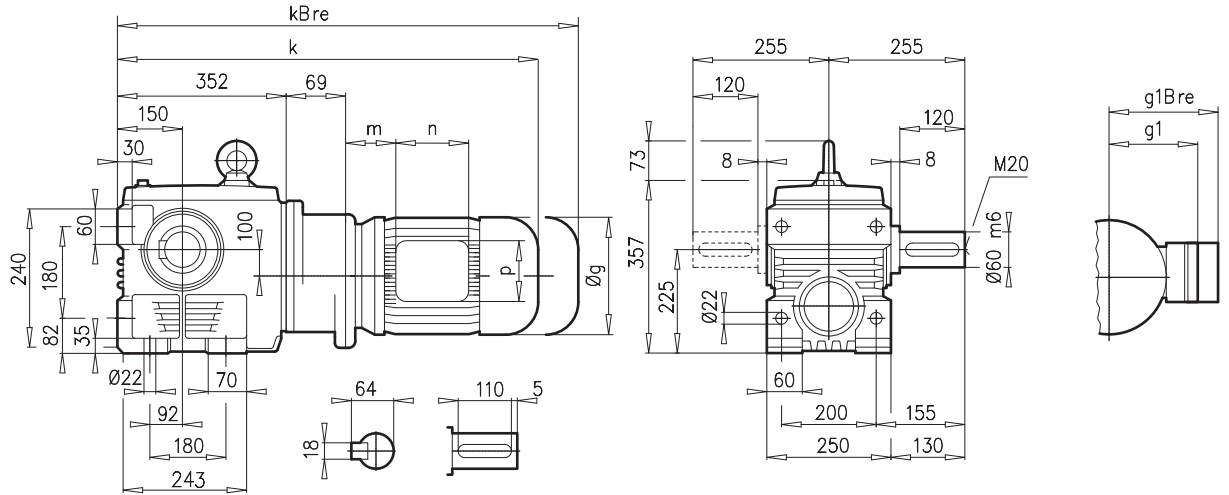
± ⇨ A53	90 SH/LH	100 LH/AH	112 MH	132 SH/MH/LH	160 SH/MH	160 LH	180 MH/LH		
g	183	201	228	266	320	320	358		
g1 / g1Bre	147 / 147	169 / 173	179 / 182	204 / 201	226 / 226	226 / 226	259 / 259		
k1 / k1Bre	628 / 703	658 / 749	706 / 799	767 / 874	844 / 979	888 / 1023	986 / 1113		
m / mBre	26 / 30	32 / 36	48 / 52	51 / 44	52 / 52	52 / 52	74 / 74		
n / nBre	114 / 153	114 / 153	114 / 153	122 / 185	186 / 186	186 / 186	186 / 186		
p / pBre	114 / 108	114 / 108	114 / 108	122 / 139	186 / 186	186 / 186	186 / 186		



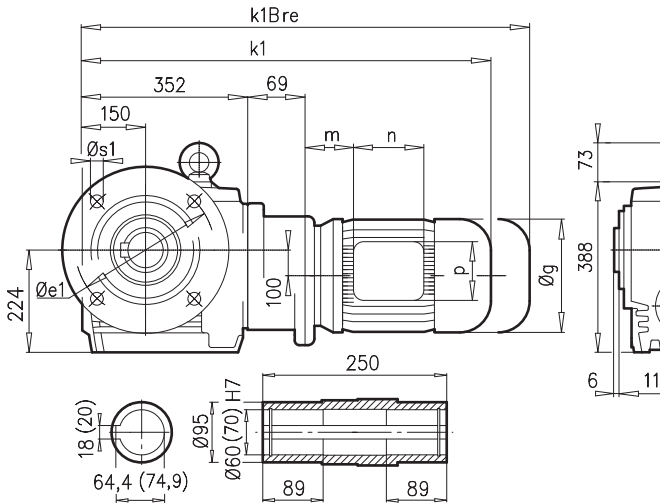
SK 43125



SK 43125

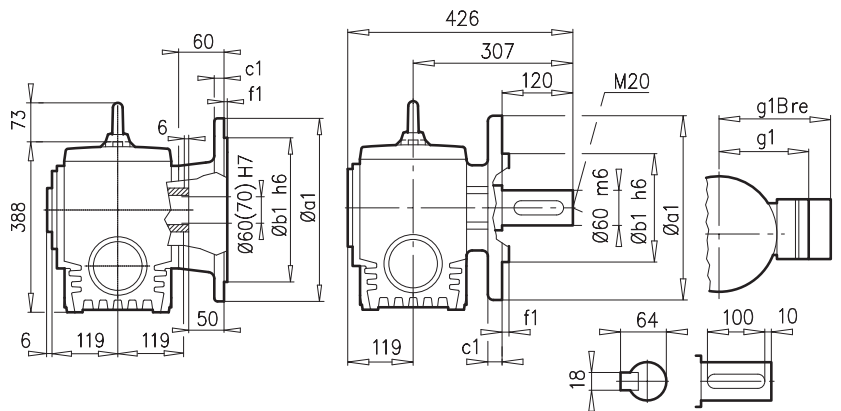


SK 43125AF



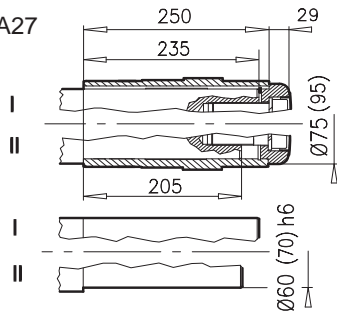
a1	b1	c1	e1	f1	s1
400	300	20	350	5	4 x 18
450	350	22	400	5	8 x 18

SK 43125VF



a1	b1	c1	e1	f1	s1
350	250	20	300	5	4 x 18

SK 43125AFB ⇨ A27



± ⇨ A53	71 S/L	80 SH/LH	90 SH/LH	100 LH/AH						
g	145	165	183	201						
g1 / g1Bre	124 / 132	142 / 142	147 / 147	169 / 173						
k1 / kBre	652 / 710	677 / 741	718 / 793	748 / 839						
k / kBre	652 / 710	677 / 741	718 / 793	748 / 839						
m / mBre	36 / 42	41 / 45	46 / 50	52 / 56						
n / nBre	100 / 134	114 / 153	114 / 153	114 / 153						
p / pBre	100 / 89	114 / 108	114 / 108	114 / 108						

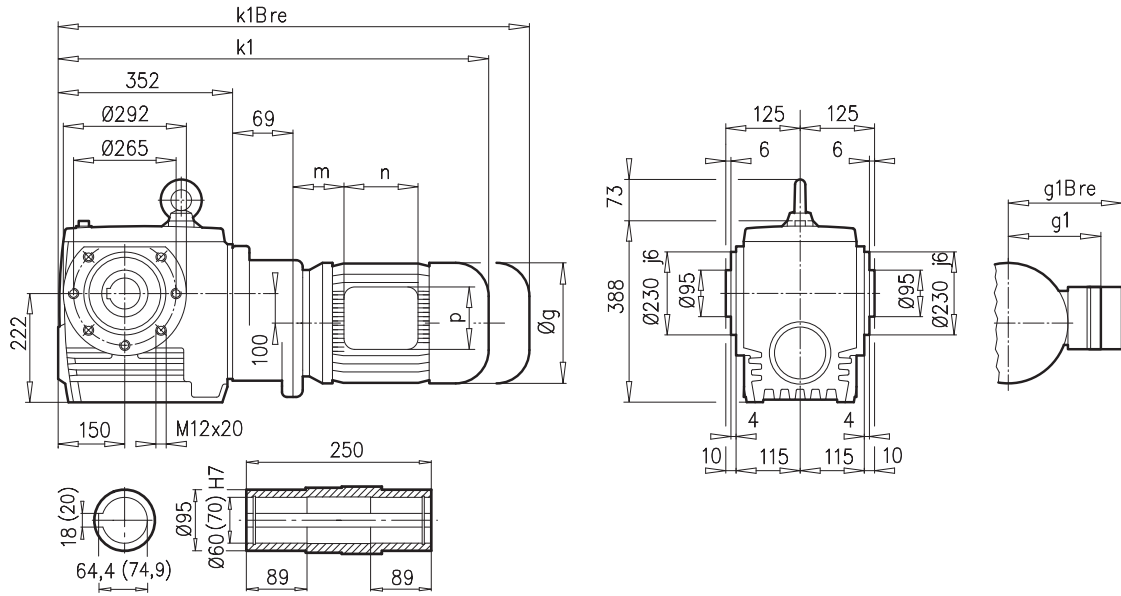


⇨ A27

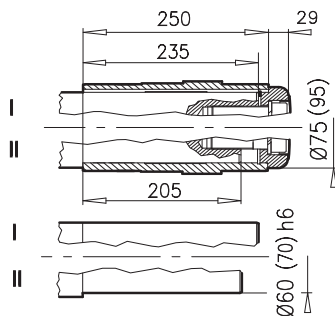




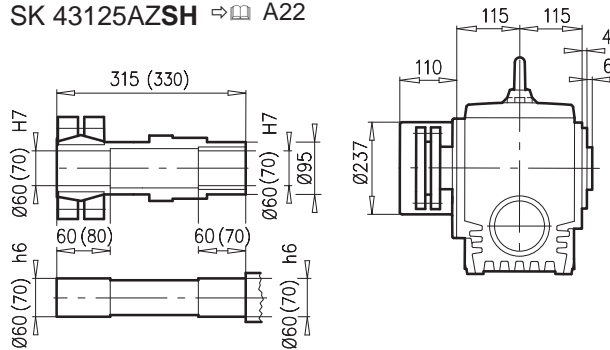
SK 43125AZ



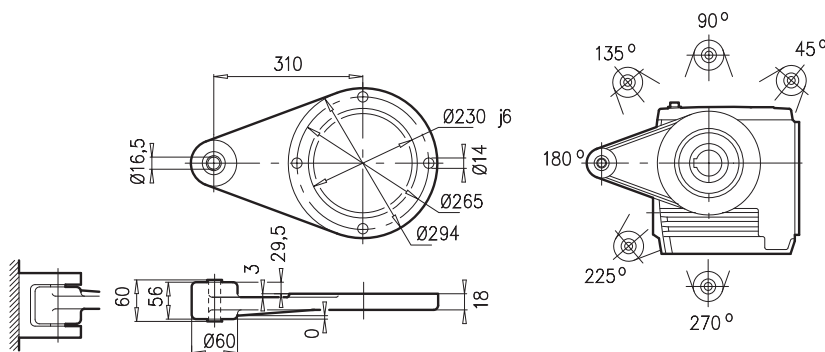
SK 43125AZB ⇨ A27



SK 43125AZSH ⇨ A22



SK 43125AZD

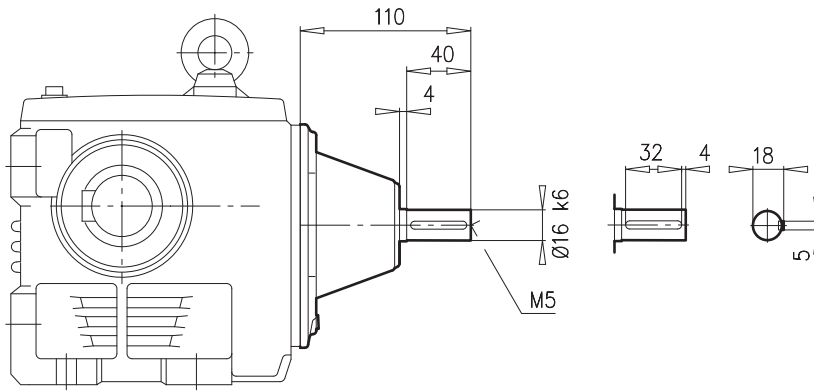


± ⇨ A53	71 S/L	80 SH/LH	90 SH/LH	100 LH/AH					
g	145	165	183	201					
g1 / g1Bre	124 / 132	142 / 142	147 / 147	169 / 173					
k1 / kBre	652 / 710	677 / 741	718 / 793	748 / 839					
m / mBre	36 / 42	41 / 45	46 / 50	52 / 56					
n / nBre	100 / 134	114 / 153	114 / 153	114 / 153					
p / pBre	100 / 89	114 / 108	114 / 108	114 / 108					



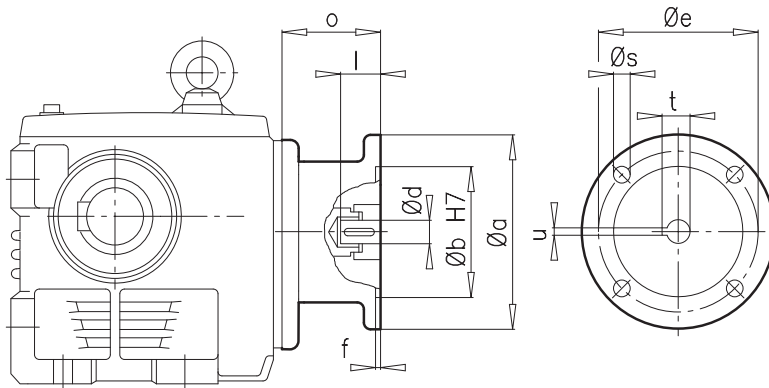


SK ... - W



SK 02040	⇒ E32-E33
----------	-----------

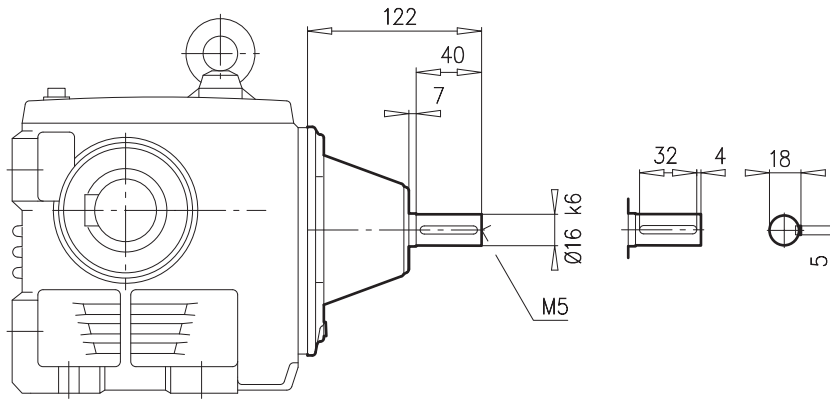
SK ... - IEC ...



IEC	a	b	d	e	f	l	o	s	t	u
63	140	95	11	115	3,5	23	85	M 8	12,8	4
71	160	110	14	130	4,0	30	85	M 8	16,3	5
80	200	130	19	165	4,0	40	103	M10	21,8	6
90	200	130	24	165	4,0	50	103	M10	27,3	8

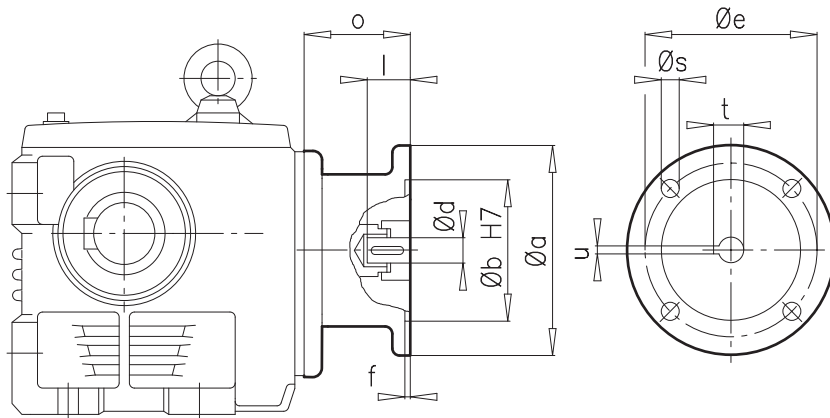


SK ... - W



SK 02050	⇒ E34-E35
SK 12063	⇒ E38-E39
SK 12080	⇒ E42-E43
SK 13050	⇒ E36-E37
SK 13063	⇒ E40-E41
SK 13080	⇒ E44-E45
SK 33100	⇒ E48-E49

SK ... - IEC ...

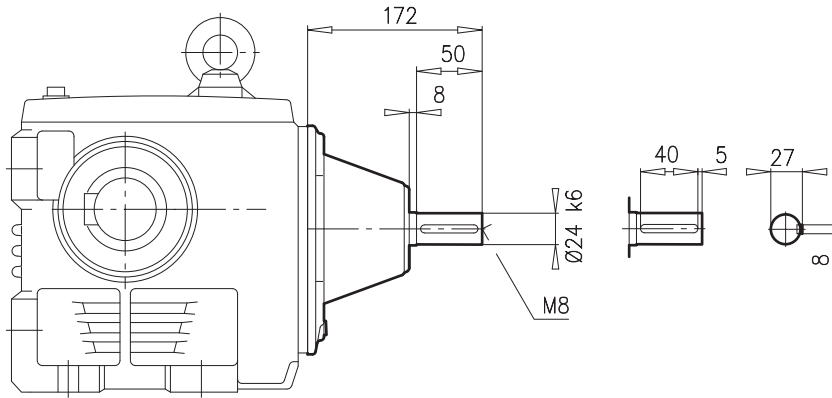


IEC	a	b	d	e	f	l	o	s	t	u
63	140	95	11	115	3,5	23	85	M 8	12,8	4
71	160	110	14	130	4,0	30	89	M 8	16,3	5
80	200	130	19	165	4,0	40	105	M10	21,8	6
90	200	130	24	165	4,0	50	105	M10	27,3	8
100	250	180	28	215	5,0	60	130	M12	31,3	8
112	250	180	28	215	5,0	60	130	M12	31,3	8



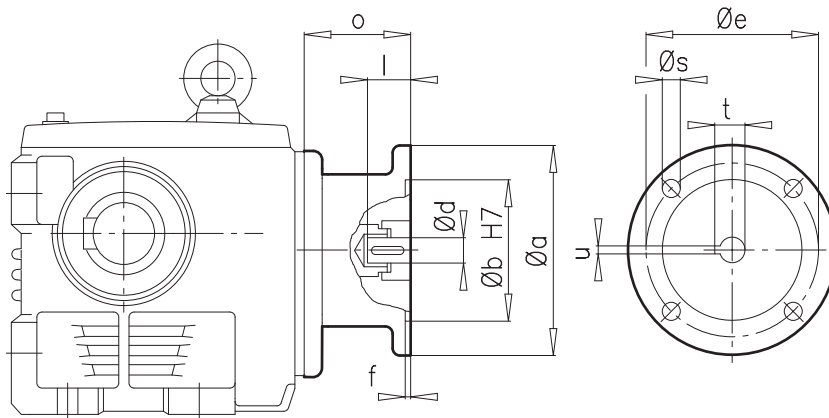


SK ... - W



SK 32100	⇒ E46-E47
SK 43125	⇒ E52-E53

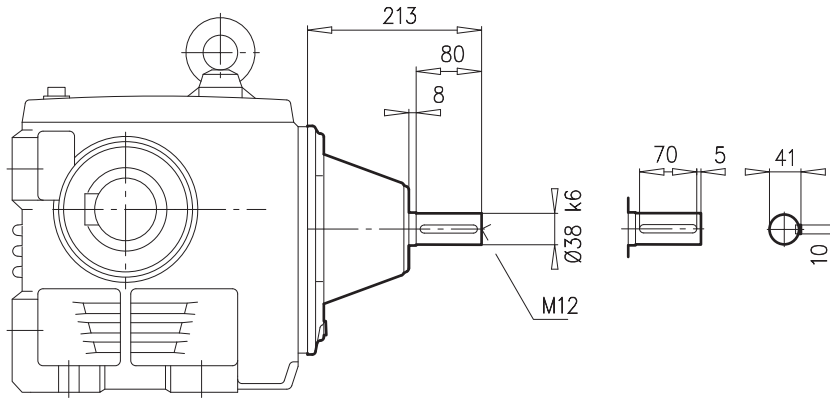
SK ... - IEC ...



IEC	a	b	d	e	f	l	o	s	t	u
71	160	110	14	130	4,0	30	88	M 8	16,3	5
80	200	130	19	165	4,0	40	107	M10	21,8	6
90	200	130	24	165	4,0	50	107	M10	27,3	8
100	250	180	28	215	5,0	60	124	M12	31,3	8
112	250	180	28	215	5,0	60	124	M12	31,3	8
132	300	230	38	265	5,0	80	156	M12	41,3	10

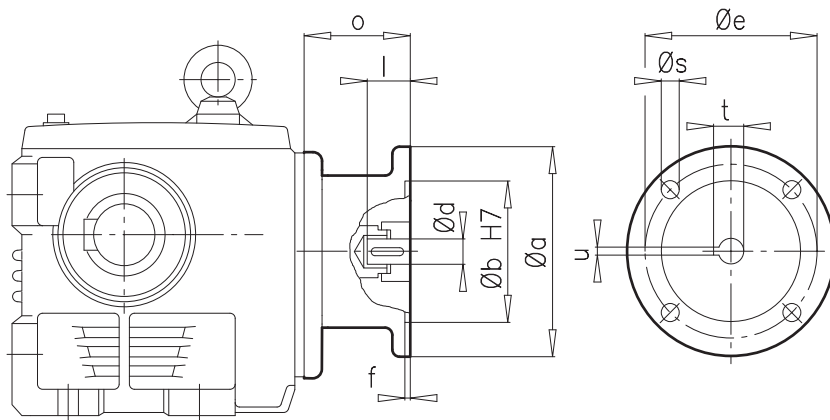


SK ... - W



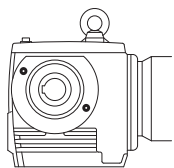
SK 42125	⇒ E50-E51
----------	-----------

SK ... - IEC ...



IEC	a	b	d	e	f	l	o	s	t	u
90	200	130	24	165	4,0	50	109	M10	27,3	8
100	250	180	28	215	5,0	60	133	M12	31,3	8
112	250	180	28	215	5,0	60	133	M12	31,3	8
132	300	230	38	265	5,0	80	190	M12	41,3	10
160	350	250	42	300	6,0	110	194	M16	45,3	12



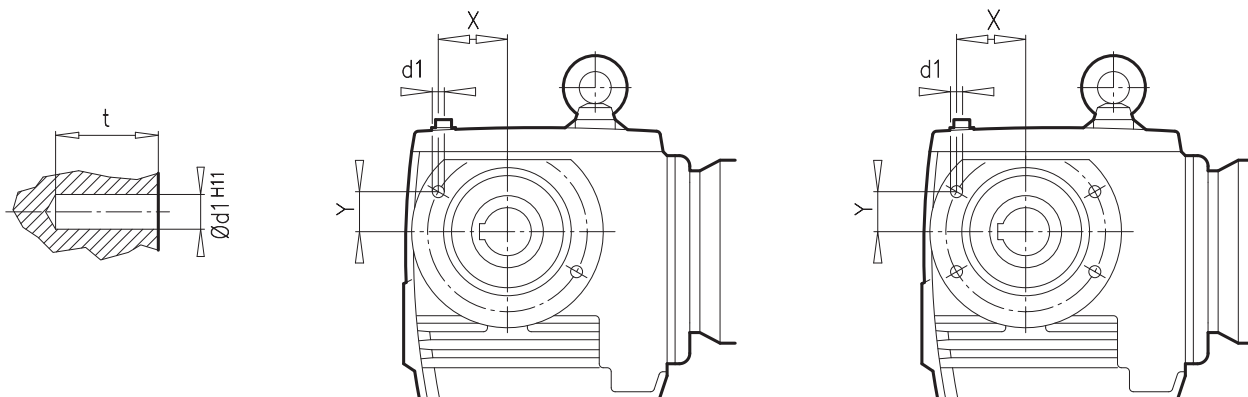


AZ



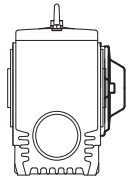
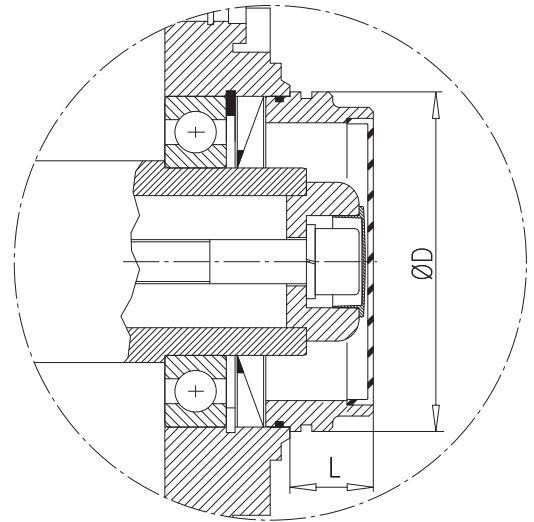
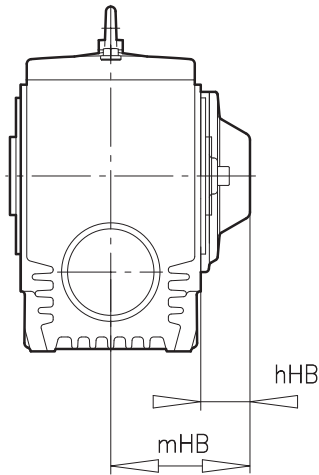
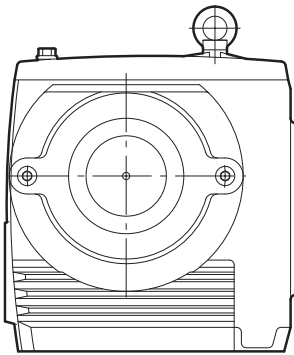
SK 02050AZ - SK 33100AZ

**SK 42125AZ
SK 43125AZ**



± ⇒ A53	d1H11 x t	X	Y
SK 02050 AZ SK 13050 AZ	2 x \varnothing 8 x 12	56,14	12,45
SK 12063 AZ SK 13063 AZ	2 x \varnothing 8 x 12	56,14	12,45
SK 12080 AZ SK 13080 AZ	2 x \varnothing 10 x 15	80,54	17,86
SK 32100 AZ SK 33100 AZ	2 x \varnothing 12 x 20	104,95	23,27
SK 42125 AZ SK 43125 AZ	4 x \varnothing 12 x 20	111,75	71,19




SK ... AZH
SK ... AZH 66


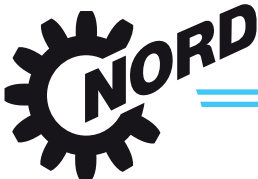
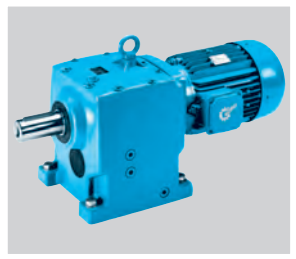
± ⇨ A53	hHB	mHB
SK 02050 AZH SK 13050 AZH	37	97
SK 12063 AZH SK 13063 AZH	37	104
SK 12080 AZH SK 13080 AZH	41	116
SK 32100 AZH SK 33100 AZH	49	141
SK 42125 AZH SK 43125 AZH	53	168

± ⇨ A53	D	L
SK 02050 AZH66 SK 13050 AZH66	80	25
SK 12063 AZH66 SK 13063 AZH66	85	28
SK 12080 AZH66 SK 13080 AZH66	104	35
SK 32100 AZH66 SK 33100 AZH66	135	40
SK 42125 AZH66 SK 43125 AZH66	150	40



APPENDIX



General enquiry forms F2
Motor overviews F4



Enquiry form



General enquiry form

Company	<input type="text"/>	 	NORD DRIVESYSTEMS Rudolf-Diesel-Straße 1 D-22941 Bargteheide Tel.: +49(0) 4532/401-0 Fax: +49(0)4532/401-254 E-Mail info@nord.com www.nord.com	
Street	<input type="text"/>			
Town	<input type="text"/>		Post-code	<input type="text"/>
Contact	<input type="text"/>			
Tel.:	<input type="text"/>		Customer No.	<input type="text"/>
Fax:	<input type="text"/>	Application	<input type="text"/>	
Email	<input type="text"/>	Project	<input type="text"/>	

Components required

<input type="radio"/> Gear unit motor	<input type="radio"/> IEC – Gear unit motor	<input type="radio"/> Gear unit with free shaft end	<input type="radio"/> Stand-alone motor
---------------------------------------	---	---	---

Quantity	<input type="text"/>	Type	<input type="text"/>
----------	----------------------	------	----------------------



Parameters specific to the gear unit	
Version	<input type="text"/>
Gear ratio	<input type="text"/>
Flange	<input type="radio"/> B14 <input type="radio"/> B5 \varnothing <input type="text"/> [mm]
	<input type="radio"/> Hollow shaft <input type="radio"/> Solid shaft \varnothing <input type="text"/> x <input type="text"/> [mm]
Output speed at mains frequency n_2	<input type="text"/> [min ⁻¹]
Output torque M_2	<input type="text"/> [Nm]
Min. operating factor f_b	<input type="text"/>
Min. bearing life L_h	<input type="text"/> [h]
Radial forces on output shaft F_{R2}	<input type="text"/> [N]
Axial forces on output shaft F_{A2}	<input type="text"/> [N]
Dist. from shaft collar to point of action of force	<input type="text"/> [mm]

Parameters specific to gear unit	
Bearings	<input type="radio"/> Normal <input type="radio"/> VL <input type="radio"/> VL2 <input type="radio"/> VL3 <input type="radio"/> AL
For bevel gear or worm gear units	Shaft at <input type="radio"/> A <input type="radio"/> B
Oil type	<input type="radio"/> Mineral <input type="radio"/> Synthetic <input type="radio"/> Foodstuff-compatible oil
	<input type="radio"/> Special oil type <input type="text"/>
Parameters specific to motor	
Effective motor power	<input type="text"/> [kW]
Motor speed n_1	<input type="text"/> [min ⁻¹]
Temperature sensor (PTC)	<input type="radio"/> Bi-metal temperature monitor <input type="radio"/>
Mains voltage	<input type="text"/> [V] +/- <input type="text"/> [%]
Mains frequency	<input type="text"/> [Hz]



General enquiry form

Parameters specific to motor	Outline conditions
Insulation class F <input checked="" type="checkbox"/>	Ambient temperatures <input type="text"/> from <input type="text"/> [°C]
Protection class <input type="radio"/> IP55 (Standard) <input type="radio"/> IP <input type="text"/>	<input type="checkbox"/> Buffer mounting for travelling drives <input type="text"/> [Nm]
Operating mode <input type="radio"/> S1 (Standard) <input type="radio"/> S <input type="text"/> <input type="text"/> [%]	<input type="checkbox"/> Relative humidity <input type="text"/> [%]
Switching frequency <input type="text"/> [c/h]	<input type="checkbox"/> Exposure to direct sunlight
The relative switch-on time <input type="text"/> [%]	<input type="checkbox"/> Aggressive media (e.g.: salty air)
Terminal box at <input type="text"/> Cable gland at <input type="text"/>	<input type="checkbox"/> Increased installation altitude <input type="text"/> [m]
Parameters specific to brake	<input type="checkbox"/> Precipitation
Rated brake torque <input type="text"/> [Nm]	<input type="checkbox"/> ATEX (explosive mixtures in the vicinity) Zone <input type="text"/>
Rated brake voltage <input type="text"/> [V]	Painting
<input type="radio"/> Holding brake / emergency brake <input type="radio"/> Service brake	<input type="radio"/> Not painted
Frequency inverter operation	<input type="radio"/> Paint 1.0 - Primer
<input type="radio"/> Control cabinet inverter <input type="radio"/> Motor-mounted inverter	<input type="radio"/> Paint 2.0 - standard
Adjustment range from <input type="text"/> [Hz] to <input type="text"/> [Hz]	<input type="radio"/> Paint 3.0 - normal environmental contamination
<input type="checkbox"/> Constant torque within adjustment range <input type="text"/> [Nm]	<input type="radio"/> Paint 3.1 - moderate environmental contamination
<input type="checkbox"/> External fan	<input type="radio"/> Paint 3.2 - severe environmental contamination
<input type="checkbox"/> Increase in motor size (with constant torque)	<input type="radio"/> Other painting (e.g.: Z, 3.4 or 3.5) <input type="text"/>
<input type="checkbox"/> Positioning <input type="radio"/> Incremental <input type="radio"/> Absolute	<input type="checkbox"/> Special colour (Standard RAL7031) RAL <input type="text"/>
<input type="checkbox"/> Speed feedback	<input type="checkbox"/> Regulations DIN EN, etc., please state <input type="text"/>
<input type="checkbox"/> Generator operation for power feedback <input type="text"/> [kW]	General conditions
<input type="checkbox"/> Bus system- type of bus system <input type="text"/>	Quote by <input type="text"/>
<input type="checkbox"/> Control via <input type="radio"/> PC <input type="radio"/> Control box	Purchasing conditions known <input type="radio"/> not known <input type="radio"/>
	Purchasing conditions attached <input type="checkbox"/>
	Delivery time after receipt of order <input type="text"/>
	Delivery carriage paid <input type="checkbox"/>

Comments



Motor overview



The motor overview is an excerpt from the motor catalogue M7000 IE1 IE2 IE3



The motor catalogue M7000 IE1 IE2 IE3 can be found on the **NORD** homepage under www.nord.com - Heading **DOCUMENTATION**.

1500 1/min

230/400 V / 400/690V - S1

IE2

50 Hz

Type	P	n	M _N	I _N		cos	η			M _A /M _N	M _K /M _N	I _A /I _N	L PA	L WA	J
	[kW]	[1/min]	[Nm]	230/400 V	400/690 V	φ	1/2 load	3/4 load	4/4 load				[db(A)]	[db(A)]	[kgm ²]
63 S/4	0,12	1335	0,86	0,95/0,55		0,64			49,9	2,7	2,7	2,9	40	52	0,00021
63 L/4	0,18	1360	1,26	1,18/0,68		0,64			56,2	2,5	2,6	3,3	40	52	0,00028
71 S/4	0,25	1380	1,73	1,32/0,76		0,77			61,6	2,2	2,1	3,3	45	57	0,00072
71 L/4	0,37	1380	2,56	1,89/1,09		0,71			64,4	2,0	2,4	3,6	45	57	0,00086
80 SH/4	0,55	1420	3,73	2,44/1,41	1,41/0,81	0,70	77,7	80,7	80,8	3,1	3,2	5,1	47	59	0,0014
80 LH/4	0,75	1415	5,06	3,05/1,76	1,76/1,02	0,75	81,6	83,0	82,4	3,0	3,1	5,2	47	59	0,0019
90 SH/4	1,1	1435	7,32	4,19/2,42	2,42/1,4	0,80	80,9	82,0	81,8	3,1	3,5	6,1	49	61	0,0034
90 LH/4	1,5	1415	10,1	5,8/3,34	3,34/1,93	0,79	81,3	82,4	82,8	3,3	3,5	5,8	49	61	0,0039
100 LH/4	2,2	1445	14,5	8,1/4,65	4,65/2,68	0,79	85,2	86,7	86,6	3,7	4,3	7,3	51	64	0,0075
100 AH/4	3	1425	20,3	11,4/6,59	6,59/3,8	0,77	86,4	86,7	85,6	3,1	3,5	6,3	54	66	0,0075
112 MH/4	4	1440	26,6	13,9/8,02	8,02/4,63	0,83	87,4	87,6	86,7	3,1	3,6	7,5	54	66	0,014
132 SH/4	5,5	1460	36,0	18,5/10,7	10,7/6,18	0,84	87,6	88,5	88,2	3,1	3,5	7,5	60	73	0,032
132 MH/4	7,5	1460	49,1	26/15	15/8,7	0,81	88,5	89,5	89,3	3,3	3,9	7,5	60	73	0,035
132 LH/4	9,2	1450	60,6	34,0/19,6	19,6/11,3	0,77	87,6	89,7	89,3	3,4	3,8	7,4	60	73	0,035
160 SH/4	9,2	1465	59,8	29,4/17	17/9,8	0,87	90,3	90,9	90,5	3,3	3,6	8,2	66	78	0,067
160 MH/4	11	1465	71,7	35,7/20,6	20,6/11,9	0,86	90,8	91,3	91,2	2,9	3,4	7,4	66	78	0,067
160 LH/4	15	1465	97,8	47,6/27,5	27,5/15,9	0,87	91,7	92,4	92,0	3,0	3,5	7,9	66	78	0,092
180 MH/4	18,5	1475	120	59,9/34,6	34,6/20,0	0,84	92,2	92,6	92,2	2,9	3,2	7,7	62	75	0,13
180 LH/4	22	1475	143	69,8/40,3	40,3/23,3	0,86	92,7	92,9	92,2	2,8	3,1	7,7	62	75	0,16
200 XH/4	30,0	1470	195	102/59	59/34,1	0,80	92,8	92,8	92,4	2,8	3,1	7,1	62	75	0,16
200 LH/4	30,0	1465	196		54,0/31,5	0,87	91,5	92,7	92,3	3,0	3,2	7,0	65	78	0,32
225 SH/4	37,0	1480	239		68,0/39,0	0,85	91,3	93,1	92,7	2,7	3,0	6,8	60	73	0,40
225 MH/4	45,0	1480	290		82,0/47,0	0,85	91,6	93,3	93,1	2,8	3,0	6,9	60	73	0,49
250 MH/4	55,0	1485	354		98,0/57,0	0,87	92,0	93,7	93,5	2,6	3,0	7,5	65	78	0,86
280 SH/4	75,0	1485	482		132/76,0	0,87	92,5	94,1	94,0	2,5	2,9	6,8	67	80	1,40
280 MH/4	90,0	1486	578		160/92,0	0,86	92,7	94,3	94,2	2,7	3,1	7,5	68	82	1,70
315 SH/4	110	1488	706		193/111	0,87	93,0	94,6	94,5	2,7	2,9	7,1	68	82	2,30
315 MH/4	132	1488	847		230/133	0,88	93,2	94,8	94,7	2,7	2,9	7,3	69	83	2,90
315 RH/4	160	1490	1026		275/159	0,88	93,4	95,0	94,9	3,0	3,0	7,4	69	83	3,50
315 LH/4	200	1490	1282		345/199	0,88	93,6	95,2	95,1	3,2	3,0	7,6	69	83	4,20



An overview of the NORD range

G1000 Fixed speeds UNICASE housing 60 Hz

- Helical geared motors
- Parallel geared motors
- Bevel geared motors
- Helical worm gear motors

G1012 NORDBLOC 50 Hz

- Helical geared motors

G1050 NORDBLOC Industrial gear units

G1001 Explosion protected drive units

- Category 2G, Zone 1, gas

G1022 Explosion protected drive units

- Category 3D, Zone 22, dust

F3020 Frequency inverter SK200E

F3050 Frequency inverter SK500E

F3070 Frequency inverter NORD SK700E





www.nord.com/locator

Headquarters:

Getriebebau NORD GmbH & Co. KG

Getriebebau-Nord-Straße 1
22941 Bargteheide, Germany

Fon +49 (0) 45 32 / 289-0

Fax +49 (0) 45 32 / 289-2253

info@nord.com, www.nord.com

Member of the NORD DRIVESYSTEMS Group

