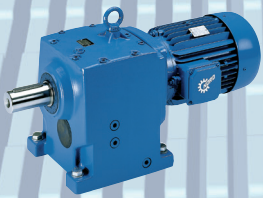
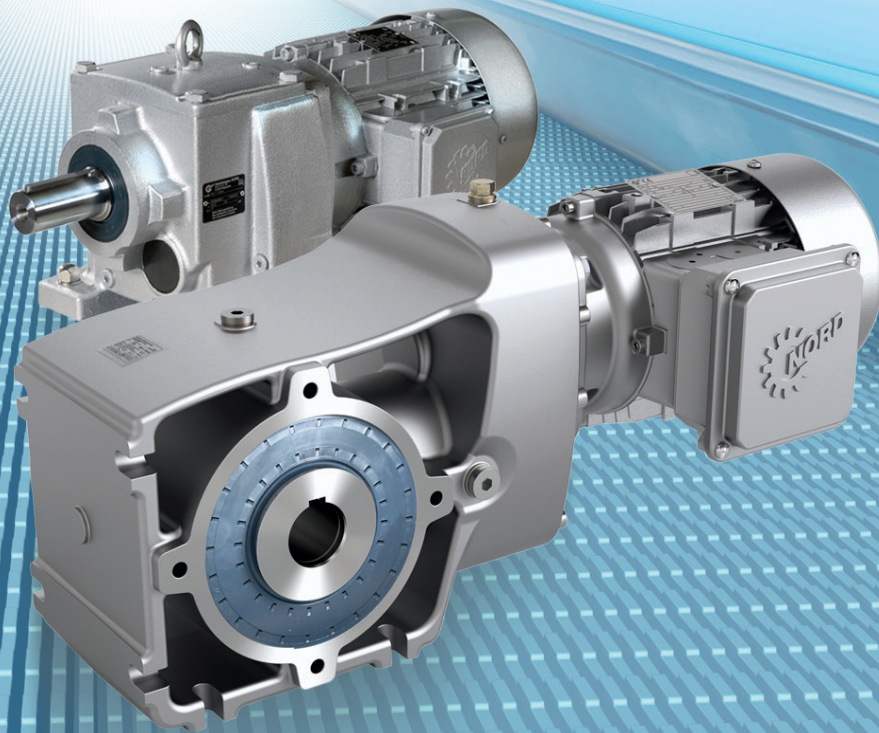


Intelligent Drivesystems, Worldwide Services



EN

CONSTANT SPEEDS

G1000 **IE3**

50 Hz • mm


DRIVESYSTEMS

Contents

INTRODUCTION

GEAR UNIT DESCRIPTION

GEAR UNIT SELECTION

OPTIONS

LUBRICANTS

STANDARDS, REGULATIONS, NOMENCLATURE

OIL FILL VOLUMES

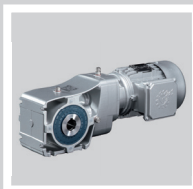
PAINTING

OVERVIEW OF POWERS AND SPEEDS

POWER AND SPEED TABLES

DIMENSIONED DRAWINGS

APPENDIX



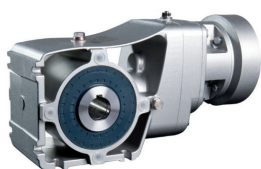


Headquarters and Technology Centre

- in Bargteheide near Hamburg

Mechanical products

Gear units



Gear unit production

Electrical products

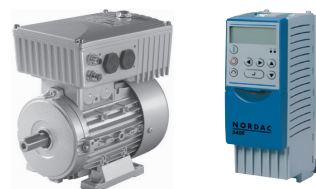
Motors



Motor production

Electronic products

Frequency inverters and motor starters



Inverter production

Innovative drive solutions

- For more than 100 industrial sectors



7 production locations with cutting edge technology

- For all drive components



36 subsidiaries on 5 continents

- Provide local supplies
- Assembly centres
- Technical support
- Customer service



More than 3,200 employees throughout the world

- Create customised solutions

Catalogue G1000 IE3 · 50 Hz

Introduction

European Ecodesign Directive

The EU Directive 2009/125/EC, otherwise known as the Ecodesign Directive, came into effect in October 2009. This forms the framework for the improved environmental performance of products relevant to energy consumption. The directive 640/2009 applies to industrial electric motors.

According to this directive, from 16 June 2011, only electric motors for certain applications in the power range 0.75 kW to 375 kW may be sold.

According to this, **0.75 kW to 5.5 kW** electric motors must at least comply with efficiency class **IE2**. As of 1 January 2015, **7.5 kW to 375 kW** electric motors must at least comply with the efficiency standard **IE3**. As of 1 January 2017, all electric motors in the power range **0.75 kW bis 375 kW** must at least comply with the efficiency standard **IE3**.

The new IE efficiency scale

In Part 30 of the IEC standard 60034, a 3-level IE scale (International Energy Efficiency Class) is defined for rotating electrical machines. IE replaces the earlier EFF designation and furthermore provides a single international efficiency rating and testing scheme that harmonises motor efficiency levels around the world.

Further information is provided in our motor catalogue M7000 and online at www.nord.com/IE3.

Catalogue G1000 IE3 - Contents

The motors listed in this catalogue comply with energy efficiency class IE3.

For the sake of completeness, motors with powers from 0.12 to 0.55 kW, which are not subject to the IE3 standard are also listed. The directive does not apply to motors with these powers.

Changes compared with previous catalogues

The efficiency classes have increased the number of types of electric motors as well as the extent of their descriptions. For motors as well as brake motors and brakes, a separate and revised electric motor catalogue M7000 is now available.

In addition, the general spare parts list is available as a separate brochure for each series of gear units. These brochures have been revised and supplemented with exploded drawings.




If you require these, please request the catalogue and the individual brochures.



You can find the catalogues and brochures on the NORD homepage under www.nord.com
- Heading: DOCUMENTATION

Important technical improvements

In this G1000 IE3 catalogue you will essentially find the same range of products as in catalogue G1000 IE1/IE2. The following optimisations are possible for motors of efficiency classes IE3/IE2 and IE1 as well as for motors which are subject to other regulations.

- The 2-stage NORDBLOC.1 bevel helical gear unit series is available in 5 sizes and two series. With the SK93072.1 - SK93772.1 series it is possible to machine the horizontal and vertical surfaces of the housing in order to achieve the axis heights of the SK92072.1 to SK92772.1 series. It is also possible to position threaded holes in the same location as the foot mounting holes of the SK92072.1 to SK92772.1 series, so that this housing can be optionally converted to a foot mounted housing with B14 attachment. On request, this version can also be implemented by reworking.
(SK92072.1 - SK92772.1 ⇒  [E60-69](#),
SK93072.1 - SK93772.1 ⇒  [E70-79](#)).
- The new parallel shaft gear units SK 10382.1 and SK 11382.1 have replaced the parallel shaft gear units SK10282 / SK 10382 and SK 11282 / SK 11382. Since there are now significant overlaps in the torque and speed ranges of NORD industrial gear units and parallel shaft gear units, the new parallel shaft gear unit types SK 10382.1 and SK 11382.1 make use of the synergy effects that are available. The new NORD parallel shaft gear unit models do not just provide logistical advantages because of the use of industrial gear unit gear wheels, but also offer technical advantages because the gear tooth profile is a more modern design. This leads to increased safety and reduced weight (⇒  [D80-84](#)).

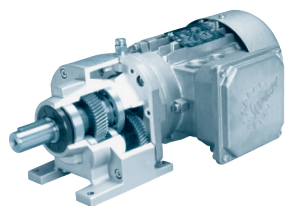
Efficiency class IE1 motors which are not subject to the new regulation and special motors

Naturally, NORD continues to supply the proven and low cost motors for all individual cases which are not subject to the regulations described above. These motors are listed in the catalogue **G1000 IE1**.

Content

Catalogue G1000 IE3 · 50 Hz

OVERVIEW OF PRODUCTS AND CATALOGUES



DESCRIPTION OF GEAR UNITS

NORDBLOC.1 helical gear units	A	8	(8)
Helical gear units	A	9	(9)
Parallel shaft gear units	A	9	(9)
Bevel gear units	A	10	(10)
Helical worm gear units	A	11	(11)
W and IEC adapters	A	12	(12)
Maximum permissible motor weight	A	13	(13)
Motor bracket MK	A	13	(13)

VERTICAL INSTALLATION OF GEAR UNITS AND GEARED MOTORS

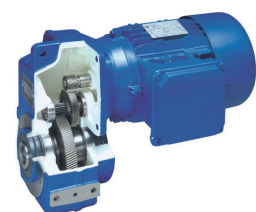


Outdoor installation, tropical use	A	14	(14)
Special ambient conditions	A	14	(14)
Storage before commissioning	A	14	(14)
Venting	A	14	(14)
Double gear units	A	15	(15)
Drives for blowers, agitators, mixers and fans	A	15	(15)

GEAR UNIT SELECTION

Criteria	A	16	(16)
Drive power and operating factor	A	17	(17)
Classification of uniformity of operation	A	18	(18)
Radial force F_R / Axial force F_A	A	22	(22)
Radial force F_{R1} / Axial force F_{A1} - Gear unit input shaft - W	A	24	(24)

OPTIONS



Overview of available versions	A	26	(26)
Drive types	A	27	(27)
Mounting options	A	27	(27)
Shaft options	A	28	(28)
Rubber buffers	A	29	(29)
Shrink discs	A	30	(30)
Fastening elements	A	35	(35)
Reinforced output shaft extensions VL2/VL3V	A	38	(18)
Backstop, direction of rotation	A	39	(39)
Adapters for attaching servo motors	A	41	(41)
Attachment adapter with free input shaft	A	42	(42)
Motor consoles	A	47	(47)
Water cooling	A	50	(50)

LUBRICANTS

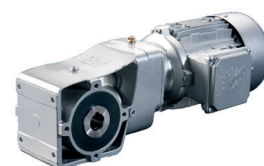
Oil cooler	A	51	(51)
Oil expansion tank	A	52	(52)
Oil storage tank	A	53	(53)
Lubricant types	A	54	(54)

STANDARDS, REGULATIONS, NOMENCLATURE

Nomenclature	A	56	(56)
Information about dimensioned drawings	A	60	(60)
Tolerances	A	61	(61)
Abbreviations	A	61	(61)

STANDARDS, REGULATIONS, NOMENCLATURE

Structure of power and gear ratio tables	A 62	(62)
Position of shafts, flanges, torque arms and shrink discs for angular gear units.	A 64	(64)
Terminal boxes and cable glands	A 65	(65)
Installation positions	A 67	(67)
Symbols for oil screw plugs in the installation positions.	A 68	(68)



OIL FILL VOLUMES

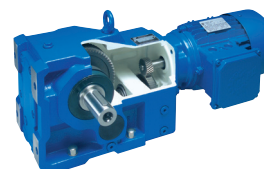
NORDBLOC.1 helical gear units	A 75	(75)
Helical gear units	A 76	(76)
Parallel shaft gear units	A 78	(78)
Bevel gear units	A 80	(80)
Helical worm gear units	A 82	(82)

PAINTING

	A 84	(84)
--	------	------

NORDBLOC.1 HELICAL GEAR UNITS

Enquiry form	B 2	(86)
Available versions	B 3	(87)
Geared motor data	B 4	(88)
Dimensioned drawings	B 44	(128)
Options	B 72	(156)

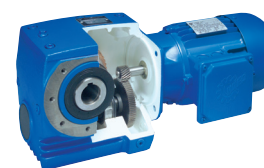


HELICAL GEAR UNITS

Enquiry form	C 2	(164)
Available versions	C 3	(165)
Geared motor data	C 4	(166)
Dimensioned drawings	C 63	(225)
Options	C 98	(260)

PARALLEL SHAFT GEAR UNITS

Enquiry form	D 2	(262)
Available versions	D 3	(263)
Geared motor data	D 4	(264)
Dimensioned drawings	D 63	(323)
Options	D 93	(353)



BEVEL GEAR UNITS

Enquiry form	E 2	(364)
Available versions	E 3	(365)
Geared motor data	E 4	(366)
Dimensioned drawings	E 60	(422)
Options	E 133	(495)

HELICAL WORM GEAR UNITS

Enquiry form	F 2	(506)
Available versions	F 3	(507)
Geared motor data	F 4	(508)
Dimensioned drawings	F 32	(536)
Options	F 55	(559)

APPENDIX

General enquiry form	G 2	(562)
Motor overview	G 4	(564)

Product and catalogue overview

Helical gear unit (Catalogue G1000)



- ✓ Foot or flange mounted versions
- ✓ UNICASE housing

Sizes	11
kW	0.12 – 160
Nm	23 – 23,160
i	1.24:1 – 14,340.31:1

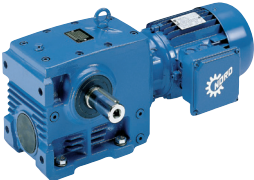
Parallel shaft gear units (Catalogue G1000)



- ✓ Push-on, foot or flange mounted versions
- ✓ Hollow or solid shaft
- ✓ Compact design
- ✓ UNICASE housing

Sizes	15
kW	0.12 – 200
Nm	65 – 90,000
i	4.03:1 – 6,616.79:1

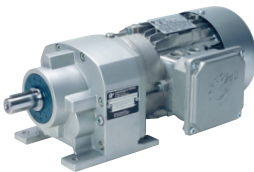
Helical worm gear units (Catalogue G1000)



- ✓ Push-on, foot or flange mounted versions
- ✓ Hollow or solid shaft
- ✓ UNICASE housing

Sizes	6
kW	0.12 – 15
Nm	46 – 3,090
i	4.40:1 – 7,095.12:1

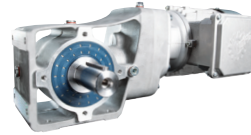
NORDBLOC.1 helical gear units (Catalogue G1000, G1012)



- ✓ Foot or flange mounted versions
- ✓ Die-cast aluminium housing (5 sizes)
- ✓ UNICASE housing
- ✓ Dimensions according to industrial standards

Sizes	8
kW	0.12 – 37
Nm	55 – 3,300
i	2.10:1 – 456.77:1

2-stage bevel gear units (Catalogue G1000, G1014)



- ✓ Up to 97% efficiency
- ✓ Push-on, foot or flange mounted versions
- ✓ Hollow or solid shaft
- ✓ UNICASE housing
- ✓ Die-cast aluminium housing

Sizes	5
kW	0.12 – 9.2
Nm	90 – 660
i	3.55:1 – 70:1

3-stage bevel gear units (Catalogue G1000)



- ✓ Up to 95% efficiency
- ✓ Push-on, foot or flange mounted versions
- ✓ Hollow or solid shaft
- ✓ UNICASE housing

Sizes	11
kW	0.12 – 200
Nm	180 – 50,000
i	8.04:1 – 13,432.68:1

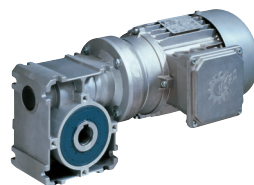
SMI worm gear units (Catalogue G1035)



- ✓ Smooth surface
- ✓ Lifetime oil filling

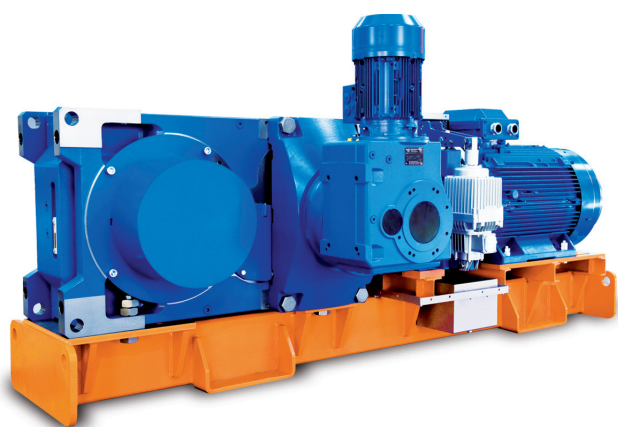
Sizes	4
kW	0.12 – 1.5
Nm	21 – 246
i	5.00:1 – 540.0:1

SI worm gear units (Catalogue G1035)



- ✓ Modular
- ✓ Universal fastening facilities
- ✓ IEC versions

Sizes	5
kW	0.12 – 4.0
Nm	21 – 427
i	5.00:1 – 3,000.00:1

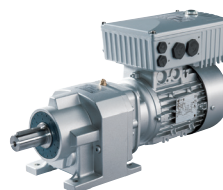
Industrial gear units (Catalogue G1050)


- ✓ All bearing points and sealing surfaces are machined in one operation
- ✓ No separating joints in the housing, therefore no sealing surfaces subject to torque
- ✓ High-precision axis alignment, quiet running
- ✓ Long life, low maintenance
- ✓ Short, compact design
- ✓ Gear ratios from 5.54 to 400: 1 with the same foot dimensions
- ✓ Parallel axis and right-angled gear units

Sizes	8
kW	2.2 – 1,000
kNm	25/30/40/50/74/101/141/242
i	5.54:1 – 1,600.00:1

IE2/IE3 motors and components for decentralised drive control (Catalogue M7000)


- ✓ Single and 3-phase electric motors
- ✓ Further range of starters and components for decentralised drive control

SK 180E (F3018)


- ✓ PLC functionality
- ✓ Energy-saving function
- ✓ Ethernet-based BUS systems
- ✓ Decentralised modules combined as a system
- ✓ On board AS interface

Sizes	2
U[V]	1~100 ... 120 ± 10% 1~200 ... 240 ± 10% 3~380 ... 480 -20% / +10%
P[kW]	0.25 – 2.2

SK 200E (F3020)


- ✓ PLC functionality
- ✓ "Safe Stop" compliant with EN 954-1
- ✓ Commissioning via integrated DIP switches and potentiometers possible
- ✓ Energy-saving function
- ✓ Ethernet-based BUS systems
- ✓ Performance grading according to application
- ✓ Decentralised modules combined as a system
- ✓ Integrated "Posicon" positioning control
- ✓ On board AS interface versions

Sizes	4
U[V]	1~100 ... 120 ± 10% 1~200 ... 240 ± 10% 3~200 ... 240 ± 10% 3~380 ... 500 -20% / +10%
P[kW]	0.25 – 22

SK 500E (F3050)


- ✓ PLC functionality
- ✓ Compact design
- ✓ Energy-saving function
- ✓ Performance grading according to application (e.g.: "Posicon" positioning control)
- ✓ Push-on modules for control and communication (field bus)
- ✓ Ethernet-based BUS systems

Sizes	11
U[V]	1~110 ... 120 ± 10% 1/3 ~200 ... 240 ± 10% 3~200 ... 240 ± 10% 3~380 ... 480 -20% / +10%
P[kW]	0.25 – 160

Description of gear units

NORD gear units

NORD gear units in the tried-and-tested Unicase series were developed according to the UNICASE principle. This applies to all versions, such as foot, flange and shaft mounted gear units.

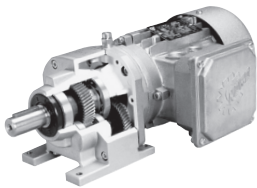
“UNICASE” designates a single housing block into which all bearing mounts are integrated. The UNICASE is machined in a single setup on the very latest CNC machines. The unicase concept features extreme precision, rigidity and strength. There is no joint between the output side and the gear unit housing which is subject to radial forces or torque. The housings are made of cast iron or cast aluminium. Ductile cast iron housings are available on request.

The pinions and gears are made of the highest quality alloyed steel; the teeth are case-hardened (except for worm gear units).

Optimised geometries and precise shaft alignment due to the UNICASE provide excellent load-bearing capacity, long operating life and low noise. The gears, bearings and shafts are calculated according to DIN 3990, DIN ISO 281 or Niemann for all powers and speeds shown in the catalogue. All NORD gear units therefore provide the very highest levels of safety and reliability.

Bearings and gears run in an oil bath. In addition to the positive locking keyed connection, the gears in the gear unit also have a pressed connection between the shaft and hub. Normally, shaft seals made of NBR material are used. Shaft seals made of FKM (Viton) are available as an option.

NORDBLOC.1 helical gear units



- From 0.12 - 37 kW
- Up to 3,300 Nm
- Available in 8 sizes

NORDBLOC helical gear units are available in 8 sizes. Sizes SK 072.1 und SK 172.1 always have 2 stages. Sizes SK 372.1 - SK 973.1 have optionally 2 or 3 stages in the same gear unit housing with the same dimensions.

The housings of the new NORDBLOC types are smooth and are made from die-cast aluminium up to and including size SK 673.1 The housings of the larger gear units SK 772.1 - SK 973.1 are made of cast iron.

The aluminium housing considerably reduces the weight and enables very economical series production. The smooth aluminium surfaces have a robust, natural corrosion protection (⇒ A80). Because of this, painting is not provided as standard, but is possible if required.

The NORDBLOC design enables the installation of stronger bearings in comparison with the previous series. This results in higher permissible radial and axial forces and a longer service life. As usual, geared motors can be implemented with economical direct attachment of the motor. For more information, please refer to ⇒ Catalogue G1012.

Information for special gear unit versions

Gear unit	Information
SK 372.1 / SK 373.1 ⇒ B50-51, B80	Gear unit size SK 372.1 or 373.1 is available with a B5 Ø120 mm drive flange. For this version, the drive shaft is 28 mm longer. The permissible radial forces are reduced by 30%.
SK 572.1 / SK 573.1 ⇒ B52-53, B81	Drive unit size SK 572.1 or 573.1 with Ø35 mm drive shaft is available with a B5 Ø140 mm or Ø160 mm drive flange. For this version, the drive shaft is 33 mm longer. The permissible radial forces are reduced by 30%.
SK 572.1* / SK 573.1* ⇒ B54-55, B81-82	Gear unit size SK 572.1 or SK 573.1 is available with a Ø35x70 mm output shaft (standard) or with a Ø30x60* mm output shaft. The permissible radial forces which are stated in the power and gear ratio tables relate to a Ø35x70 mm drive shaft. For a Ø30x60* mm shaft the permissible radial force is reduced by 30%.

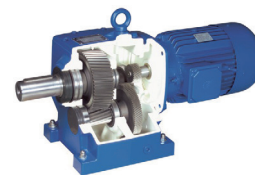
The required version must be stated in the order

Helical gear units

2-stage helical gear units with coaxial motor and drive shafts are available in 11 sizes (SK 02 ... SK102).

The 6 smaller versions can also be supplied as 3-stage gear units with an add-on housing (SK 03 ... SK 53) for higher gear ratios. The 5 larger sizes can be optionally supplied as 2- or 3-stage units in the same housing (SK 62/63 ... SK 102/103). Double gear units with 4-, 5- and 6-stages are available for very high gear ratios.

Helical gear units are available in both foot and flange versions. For flange version helical gear units, the flange is cast on; therefore there are no screw connections between the flange and the housing.



- From 0.12 - 200 kW
- Up to 23,000 Nm
- Available in 11 sizes

Parallel shaft gear units

The parallel axle offset for parallel shaft gear units results in a shorter design in comparison with helical gear units. In push-on versions with a continuous hollow shaft, the gear unit can be mounted directly onto the drive shaft of the machine.

Sizes SK 1282 to SK 5282 are available as 2-stage versions.

SK 2382 to SK 5382 have a 3-stage design and can be used for higher gear ratios with the aid of an additional add-on housing. For parallel shaft gear unit sizes SK 6282/SK 6382 and above, the gear units are produced as 2- and 3-stage versions with the same housing.

The parallel shaft gear unit types SK10282 / SK 10382 and SK 11282 / SK 11382 have been replaced by the two new parallel shaft gear units SK 10382.1 and SK 11382.1.

The new parallel shaft gear unit models are always 3-stage. A NORD motor can be attached directly without a coupling. As an alternative to the more favoured direct motor attachment, adapters for IEC and NEMA motors and adapters for a free input shaft can be attached.



- From 0.12 - 200 kW
- Up to 90,000 Nm
- Available in 12 sizes

2 new parallel shaft gear units
SK10382.1 / SK11382.1

They cover the following range of outputs and speeds.

Parallel shaft gear unit type	Powers P_1	Max drive torque M_{2max}	Gear ratio range i_{ges}	Speed range n_2
SK 10382.1	5.5 - 160 kW	43 kNm	11.12 - 343.19	4.3 - 134 rpm
SK 11382.1	22 - 200 kW	73 kNm	8.13 - 167.17	8.8 - 134 rpm

These gear units have a cast iron housing with an extremely smooth surface in which the NORD block housing principle has been used. This means that robustness is incorporated right from the start.

As standard, the housings have a cast torque support, an output-side B14 flange and machined foot surfaces with threaded attachment holes. Screw-on B5 flanges and mounting feet are optionally provided.

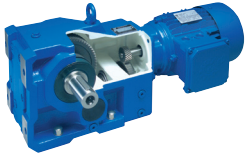
At the output side, full shafts, hollow shafts with feather keys, hollow shafts with shrink disks and hollow shafts with splined brake drive dogs are provided as standard.

It is possible to adapt the axis height of the SK 11382.1 gear unit to the dimensions of the old gear unit types SK 11282 / SK 11382. Spacers for this are available as options. The axis height is the measurement from the foot plate to the drive shaft.

Adapting the axis height

Description of gear units

3 and 4-stage bevel gear units



- From 0.12 - 200 kW
- Up to 50,000 Nm
- Available in 16 sizes

Bevel gear units

Bevel gear units are angular gear units in which the motor shaft and the output shaft form a 90° angle. This results in a favourable spatial arrangement of the drive unit. NORD bevel gear units always have multiple gear stages.

The configuration of stages is as follows:

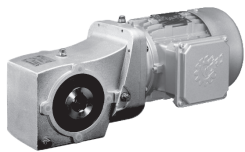
	2-stage	3-stage	4-stage
Helical gear stage	–	–	1st stage
Helical gear stage	1st stage	1st stage	2nd stage
Bevel gear stage	2nd stage	2nd stage	3rd stage
Helical gear stage	–	3rd stage	4th stage

Bevel gear units are available with an integrated backstop. The bevel gear can be placed to the left or right of the bevel pinion, in order to reverse the direction of rotation between the drive shaft and output shaft.

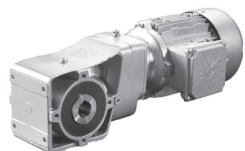
Efficiency η :

The great advantage of a bevel gear unit is its almost constant efficiency over the entire gear ratio range, which practically equals that of helical and parallel shaft gear units.

2-stage bevel gear units



SK 93072.1 - SK 93772.1



SK 92072.1 - SK 92772.1

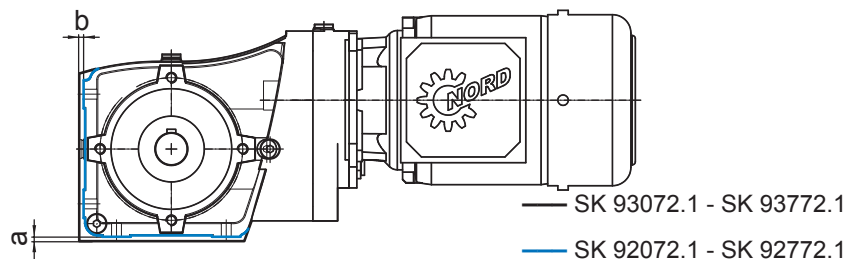
- From 0.12 - 9.2 kW
- Up to 660 Nm
- Available in 5 sizes

The new optimised performance two-stage bevel helical gear units are an innovative NORD design with a high-strength die-cast aluminium housing.

In addition, NORD offers the gear unit series **SK 93072.1 - SK 93772.1** with cast aluminium housings, which is suitable for use in the food industry because of its especially smooth surface. **If you are interested, please contact us.**

Because the power data for the gear unit series **SK 93072.1 - SK 93772.1** are identical to those for the SK 92072.1 - SK 92772.1 gear unit series, for reasons of clarity, this catalogue only contains selection lists for the gear unit series SK 92072.1 - SK 92772.1.

Please note that for the SK 93072.1 - SK 93772.1 gear unit series, only flange mounting is available as standard. The flange mounts of both series are identical. The outline contours of both series of gear units only differ slightly as follows:



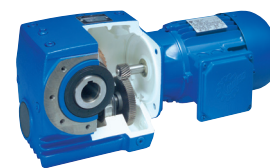
Size	SK 93072.1	SK 93172.1	SK 93372.1	SK 93672.1	SK 93772.1
a [mm]	3	2	4	4.5	5
b [mm]	3	2	4	4.5	5

nsd tupH surface treatment

For the gear unit types NORDBLOC.1 helical gear units and 2-stage bevel helical gear units, there is the option of treating the die-cast aluminium housing or the cast aluminium housing with **nsd tupH**. **This surface treatment provides special protection against corrosion.**

Helical worm gear units

Helical worm gear units are angular gear units in which the motor shaft and the output shaft form a 90° angle. This often results in a favourable spatial arrangement of the drive unit. The helical worm gear units listed in this catalogue have multiple stages. NORD also supplies single-stage worm gear series which are listed in catalogue G1035. **Please request our catalogue G1035.**



The helical gears of helical worm gear units are made of highly alloyed steel with case-hardened teeth. Optimised geometries and precise shaft alignment due to the UNICASE principle provide excellent load-bearing capacity, long operating life and low noise.

- From 0.12 - 15 kW
- Up to 3,000 Nm
- Available in 6 sizes

The worm stage has a hardened cylinder worm as well as a worm gear with a welded-on rim made of special bronze. This combination ensures a long operating life. We provide the highest possible and constantly high quality thanks to the use of the very latest CNC machine tools and continuous monitoring.

The helical worm gear unit series is lubricated for life at the factory with a high-quality, synthetic long-life lubricant with a polyglycol base. This synthetic lubricant prevents friction and provides a very high degree of efficiency and a long service life.

The helical worm gear units SK 02050 - SK 42125 are available as 2-stage versions and can also be produced with add-on housings as SK 13050 ... SK 43125 with 3-stages for higher gear ratios.

Efficiency η :

NORD worm gear units achieve efficiencies up to 92%.

Because the worm gear set in new gear units must be run in, the friction coefficient is larger before running in than it is afterwards. Because of this, the efficiency is slightly lower before running in. This effect is increased at lower incline angles, i.e. with a lower number of starts in the worm.

Based on experience, the following allowances should be made:

- Single start up to approx. 12%
- 2-start up to approx. 6%
- 3-start up to approx. 3%
- 6-start up to approx. 2%

The number of worm threads is listed in the output and gear ratio tables. The run-in procedure is completed after approx. 25 hours operating time at maximum load.

The following conditions must be met in order to achieve the efficiencies shown in the tables:

- Gear unit is fully run-in
- Gear unit has reached steady state temperature
- The gear unit is filled with the specified lubricant
- The gear unit outputs the rated torque

Description of gear units

W and IEC adapters

With type W gear units (with free input shafts), the maximum drive output listed in the output and gear ratio tables applies. With type IEC gear units, the standard power for each size according to DIN EN 50347 applies, but with the maximum power listed in the output and gear ratio tables.

For higher speeds than those stated in the power and ratio tables, special measures may be necessary. Please contact us.

Type W gear units

For gear units with type W free input shafts, the input shaft bearings must be regularly lubricated. For size SK 62 or SK 6282 with 2-stage gear units, and for size SK 73, SK 7382 or SK 9072.1 and above with three-stage gear units we recommend that the exterior roller bearings of the input shaft are lubricated (using the lubricating nipple provided) with approx. 20 to 25 g of grease at approx. every 2,500 operating hours. Recommended grease: Petamo GHY 133 N Klüber Lubrication).

An automatic lubricator is available if required. Fans on the input shaft for better cooling of the gear unit are also included in the scope of delivery, please enquire..

Gear units with IEC adapters ≥ 160

Gear units with IEC adapters ≥ 160 for two stage gear units of sizes SK 62 and SK 6282 and larger, as well as three-stage gear units of sizes SK 73, SK 7382 and SK 9072.1 and larger are equipped as standard with an automatic lubricator which supplies lubricant to the external roller bearings of the drive shaft. The lubricator continuously supplies lubricant to the bearings. The lubricator is filled with 120 cm³ of grease. Before commissioning the gear unit, the automatic lubricator should be activated and then exchanged every 12 months. This applies for an average running time ≤ 8 hours/day. For longer running times, the interval between exchanging is reduced to 6 months.

Automatic lubricators

The lubricator is designed for normal use at ambient temperatures from 0°C to 40°C. If the ambient temperature differs from the specified standard value for longer periods of time, special lubricators should be used. Please enquire.

Installation position M2 or M4

Under certain operating conditions, the IEC adapter with motor size ≥ 160 with the automatic lubricator is not suitable for installation positions in which the motor is vertically upright. In this case, direct mounting of the motor is recommended.

The vertical IEC adapter with motor size ≥ 160 (installation position M2 or M4) must be checked and approved by NORD according to the actual operating conditions. Please note.

For vertical arrangements with the motor facing downwards (mounting position M2), the service life of the seal may be reduced. In this case, we recommend shorter maintenance intervals.

The smaller gear units with IEC adapters up to size SK 52 and SK 5282 (for two-stage gear units) and up to size SK 63, SK 6382 and SK 9052.1 (for three-stage gear units) have bearings which are specially sealed and lubricated for their service life. These are maintenance-free.

The IEC adapter coupling for motor sizes 63 to 180 is not fail-safe. (Exception: IEC motor sizes 160 and 180 if the automatic lubricator is used. From IEC 200 and higher, the couplings used are fail-safe.) With hoists, lifts and other applications where there is a danger of personal injury, special measures are required. Please enquire.

In contrast to the directly mounted motors, the IEC adapter has an additional shaft coupling and additional bearing seats. This results in higher no-load losses in comparison with directly mounted motors. We recommend direct mounting of the motor, as this not only provides technical advantages, but also offers price advantages.

We recommend direct mounting of the motor

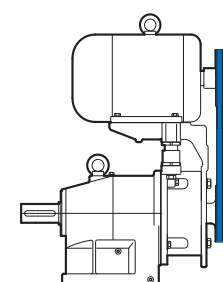
IEC-BG	63	71	80	90	100	112	132
kg	25	30	40	50	60	80	100
IEC-BG	160	180	200	225	250	280	315
kg	200	250	350	500	700	1000	1500


Maximum permitted motor weights


By using the MK motor bracket, the designer has further constructional possibilities for the design of machines and systems. The motor bracket is designed so that it can be combined with all versions of NORD UNICASE gear units.

MK motor bracket

Decisive advantages of the NORD motor bracket for users:




- Lightweight, vibration-damping aluminium construction
- Corrosion resistant, easy-to-use height adjustment for optimum belt tension
- Corrosion-resistant fastening elements
- Can be used for all versions
- Pivotal up to 90° in all directions
- Suggestion for gear ratio $i = 1.0$ according to Table ⇒  A49
- Motor bracket with holes for various motor sizes

Five motor bracket sizes cover all motor-gear unit combinations. See the selection tables for the particular arrangements ⇒  A49, which are also valid for the corresponding double gear units.

Description of gear units

Vertical mounting positions

Notes on gear units and geared motors

Gear units and gear motors may be mounted in positions with vertical shafts. (Exception: IEC adapters with certain sizes). For these versions, the gear units are filled with increased amounts of lubricant. Some gearbox types are also equipped with specially sealed, grease-lubricated bearings. With these versions there are higher oil losses due to splashing, which causes greater heating of the gear unit (note the limiting thermal power ⇒  A18).

Oil expansion tank



For vertical and top mounted motors (installation position M4) and gear ratios <math><20</math>, oil expansion chambers are strongly recommended, in order to prevent the escape of oil through the air vent. Please contact us, so that we can suggest a solution adapted to your particular drive application.

Outdoor installation, use in the tropics

When installed outdoors, in damp rooms, or when used in the tropics, special seals and anti-corrosion measures are required. Please inform us of such use when ordering.

Special ambient conditions

Special ambient conditions include, e.g.:

- Aggressive or corrosive materials (contaminated air, gases, acids, bases, salts, etc.) in the environment
- Very high relative humidity or contact between the gear unit motor and liquids
- Severe dirt, dust or sand deposits on the gear unit motor
- Severe air pressure fluctuations
- Radiation
- Extremely high or low ambient temperatures or temperature changes
- Vibrations, accelerations, shocks, impacts or other abnormal ambient conditions

In case of special ambient conditions, including during transport or storage prior to commissioning, these should be taken into account in the planning stage of the project. Please contact us.

Storage before commissioning

Special measures



Prior to commissioning the gear units and geared motors must only be stored in dry rooms. For longer periods of storage, special measures are necessary. Please request the "Operating and Assembly Instructions B1000", which are available for download on the Internet at www.nord.com.

Ventilation

As standard the gear units have a vent which compensates for damaging differences in air pressure between the interior of the gear unit and the environment. This vent is closed on delivery, in order to avoid oil leakage during transport. Prior to commissioning, the vent must be activated by removing the sealing plug. Pressure relief vents are available as an option.

With 4-, 5- and 6-stage double gear units, there is a relevant no-load loss due to the many rotating parts and the relatively small drive input power. Therefore a no-load loss of approx. 40 watts for 4-pole motors up to 0.75 kW is taken into account in the performance tables.

Double gear units

Drives for ventilators, agitators and mixers in sewage treatment plants, in anaerobic digesters for biogas and in process engineering as well as fan drives (e.g. in cooling towers) are normally subject to extremely harsh operating conditions:

Drives for blowers, agitators, mixers and fans

- 24-hour continuous operation at nominal torque or nominal power
- Large inertia at the output with low gear ratios
- Vibrations in the drive chain, and with direct positioning of the mixer or ventilator shaft in the gear unit, high oscillating bending moments and forces on the drive shaft
- Vertical installation
- Outdoor installation, i.e. humidity and aggressive media, as well as severe changes in temperature with the formation of condensation
- High environmental protection is required, i.e. complete sealing, safe oil servicing and a low noise level

From experience, NORD has developed a package of special measures to cater for these special conditions of use. Therefore NORD urgently recommends that these special measures are provided. Please contact us.



Special measures

A minimum operating factor of f_B 1.7 must be selected for agitator and mixer drives due to the heavy loads. NORD recommends an operating factor f_B greater than 2.0. For drives running on frequency inverters care must be taken that no control-induced vibrations are generated e.g. by means of slip-compensation. Please note that a possible speed increase via frequency inverter will increase the absorbed power by a power of three.

Operating factor f_B

The operating factor f_B must therefore always be with reference to the maximum speed.

Selecting a suitable gear unit

The selection of a gear unit assumes the use of NORD three-phase asynchronous AC-motors or single phase AC-motors and also applies for technically comparable motors. For the use of other motors, e.g. servo motors, please contact NORD.

The following important instructions on selection of gear units must be strictly observed otherwise overloading of the drive is probable. In this case the warranty is void.

If in doubt, please contact the responsible NORD sales office, so that we can check the gear unit design together with you. In our mutual interests, problems caused by overloading the gear units should be avoided under all circumstances.


Criteria

Mechanically transferable power P


Thermal limiting power

Consult NORD

Selection criteria are:

1. This is taken into account by the operating factor f_B in the relevant table in the catalogue. The next chapter \Rightarrow  A17 describes the determination of the required operating factor.
2. This must not be exceeded for long periods (3h) so that the gear unit does not overheat. The thermally transferable power represents a possible limit for following larger gear units:
 - two-stage gear units from size SK62, SK6282 and SK9x672.1
 - three-stage gear units from size SK73, SK7382 and SK9072.1

We recommend consultation with NORD and precise examination of the application if two or more of the following points apply:

- Vertical installation (installation position M2 or M4, \Rightarrow  A67)
- Type IEC motor mounting, or type W free drive shaft
- Drive power $P_1 > 100$ kW
- Gear ratio $i_{ges} < 20$ (for bevel gear units $i_{ges} < 40$)
- Drive speeds $n_1 > 1500$ rpm
- High ambient temperature $> 40^\circ\text{C}$

In general, please consult NORD if there are special installation conditions, e.g. enclosing of the gear unit, heat radiation, installation in confined spaces etc. Special measures are available to prevent thermal overload (oil coolers etc.), please contact us.

Input power and operating factor

The required drive power for each application is determined by measurement or calculation. The rated power of the motor P_1 must be selected according to this. It is normally slightly higher than the required power because safety factors for special operating conditions of the specific application must be observed, and rated motor powers are generally available in standard power ranges. Brief and infrequent torque impulses do not need to be taken into account when selecting the rated power of a three-phase AC-motor. When operating a three-phase AC-motor on a frequency inverter, additional factors influence the selection of the rated output; in this case, please make a detailed enquiry.

In contrast to the motor, short-term and infrequent torque impulses significantly influence the load and selection of the gear unit.

The gear unit operating factor f_B takes this and further effects on the gear unit into account with sufficient accuracy. Diagram 1 shows the required minimum operating factor f_{Bmin} dependent on the daily operational time, the number of switching cycles Z , and the application load classification A, B, or C.

Minimum
operating factor f_{Bmin}

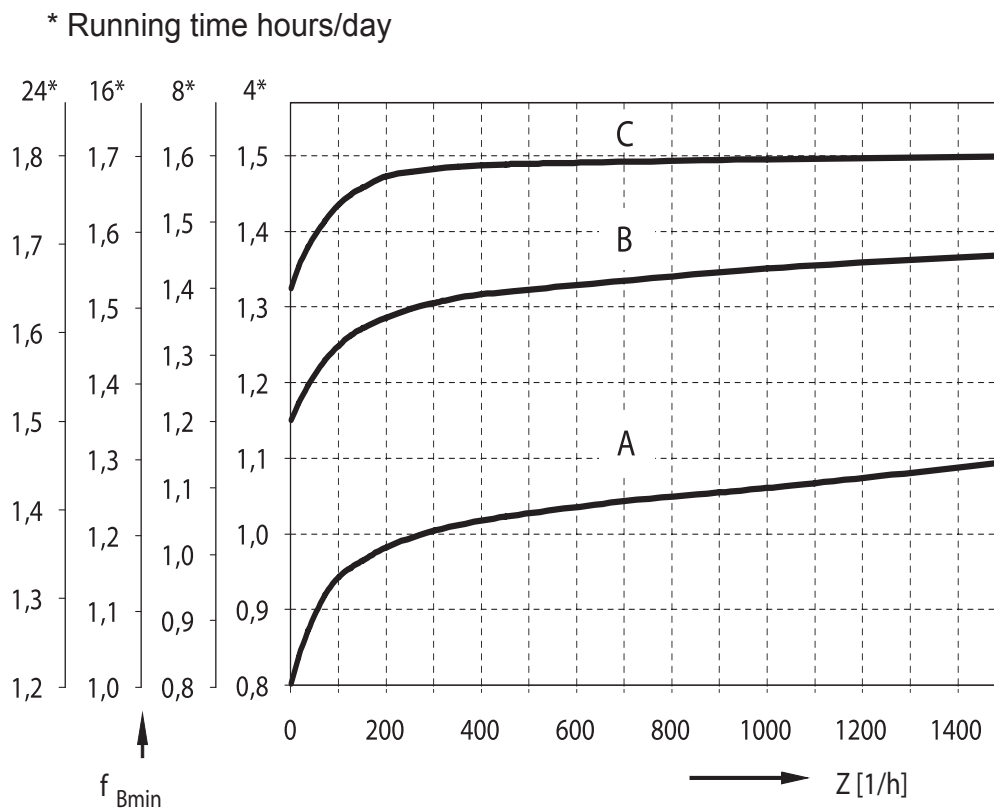


Diagram 1: Minimum operating factor f_{Bmin}

Depending on the uniformity of operation and the mass acceleration factor, a distinction is made between three load classifications (\Rightarrow [A18](#)).

While impacts from the machine that is being driven are described in the classification of uniformity of operation, the mass acceleration factor determines the load peaks on switching. The following list of typical application examples takes into consideration a considerable amount of experience in the classification of uniformity of operation (\Rightarrow [A18](#)).

Mass
acceleration factor

Classification of
uniformity of operation

Gear unit selection

Classification of uniformity of operation

Uniform operation

A)

Light screw conveyors, fans, assembly belts, light conveyor belts, small agitators, elevators, cleaning machines, filling machines, controlling machines and belt conveyors.

Non-uniform operation

B)

Decoilers, feed drives for wood processing machines, hoists, balancing machines, tapping units, heavy conveyor belts, winches, sliding doors, dung removal machines, packaging machines, cement mixers, crane travelling mechanisms, mills, bending machines and gear pumps.

Extremely non-uniform operation

C)

Agitators and mixers, shears, presses, centrifuges, rolling stands, heavy winches and lifts, grinding mills, stone crushers, bucket elevators, punching machines, hammer mills, eccentric presses, roller tables, tumbling barrels, folding machines, shredders, choppers and vibrators.

Load classification

The load classification results from the uniformity of operation and from the mass acceleration factor m_{af} according to the following table. Here, the load classification from either the operation or the mass acceleration factor applies, whichever is the higher.

Example: non-uniform operation and $m_{af} = 0.2$ results in load classification B

Mass acceleration factor m_{af}

Load classification	Operation	Mass acceleration factor m_{af}
A	Uniform operation	$m_{af} \leq 0.25$
B	Non-uniform operation	$0.25 < m_{af} \leq 3$
C	Extremely non-uniform operation	$3 < m_{af} \leq 10$

Whereby m_{af} is the mass acceleration factor:

$$m_{af} = \frac{J_{ex.red.}}{J_{Mot.}} = \frac{J_{ex.}}{J_{Mot.}} \cdot \left(\frac{1}{i_{ges}} \right)^2$$

$J_{ex.}$ All external moments of inertia

$J_{ex.red.}$ all external moments of inertia reduced to the drive motor

$J_{Mot.}$ Moment of inertia of the motor (\Rightarrow  F4)

i_{ges} Gear ratio

The mass acceleration factor m_{af} represents the relationship between the masses on the external output-side and on the high-speed input-side. The mass acceleration factor m_{af} significantly influences the level of torque impulses in the gear unit during start-up and braking procedures, and with vibration. The external mass moments of inertia also include the load, such as the material transported on conveyor belts.

Please consult NORD if the $m_{af} > 10$, if there is large play in transfer elements, vibration in the system, or there is ambiguity regarding the load classification, or if you are in doubt.

The operating factor f_B of the gear unit for the relevant speed is listed in the overview of powers and speeds.

The operating factor is the relationship between the maximum output torque of the gear unit M_{2max} and the output torque M_2 resulting from the installed motor power P_1 , output speed n_2 and the efficiency of the gear unit η .

$$M_2 = \frac{9550 \cdot P_1 \cdot \eta}{n_2} \text{ [Nm]} \quad P_1 \text{ [kW]}, \quad n_2 \text{ [min}^{-1}\text{]}$$

$$f_B = \frac{M_{2max}}{M_2}$$

$$P_1 = \frac{M_2 \cdot n_2}{\eta \cdot 9550} \text{ [kW]} \quad M_2 \text{ [Nm]}, \quad n_2 \text{ [min}^{-1}\text{]}$$

For correct selection of the gear unit, the operating factor f_B , from the output and speed overview is larger or the same as the minimum operating factor f_{Bmin} according to diagram 1

$$f_B \geq f_{Bmin}$$

Helical, parallel shaft and bevel gear units have a very high level of efficiency (approx. 98% or $\eta=0.98$ for each stage of the gear unit). Therefore, the simplified gear unit efficiency $\eta=1.0$ usually produces sufficiently accurate results. The gear unit efficiency η for helical worm gears is listed in the power and gear ratio tables for each output speed n_2 .

For type W gear units (with free drive shafts), the installed drive output P_1 may, at the most, be:

$$P_1 = \frac{M_{2max} \cdot n_2}{9550 \cdot f_{Bmin} \cdot \eta} \text{ [kW]} \quad M_{2max} \text{ [Nm]}, \quad n_2 \text{ [min}^{-1}\text{]}$$

Here, the maximum drive power P_{1max} must not be exceeded.

$$P_1 \leq P_{1max}$$

Mass
acceleration factor

Operating factor f_B

Correct
gear unit selection

Gear unit with very
high efficiency η

Gear unit with free
drive shaft, type W

Max. drive power
 P_{1max}

Gear unit selection

Braking torque

The power and gear ratio tables list the relevant output speed n_2 , the maximum output torque of the gear unit M_{2max} and the maximum motor power P_{1max} .

With brakes attached to the drive side, e.g. braking motors, the brake torque must also be considered when selecting a gear unit. For applications with a relatively high external moment of inertia ($m_{af} > 2$), such as is often the case with travelling drives, slewing gear, turntables, gate drives, agitators and surface ventilators it is recommended that a brake torque is selected, which does not exceed 1.2 times the nominal torque of the motor. If higher brake torques are to be used, this should be taken into account in the selection of the gear unit. In this case, please contact us.

Energy-saving motors IE2 / IE3

Energy-saving motors with the classification IE2 /IE3 have higher breakdown torques and performance reserves. They may also provide a permanently impermissible power if this is required by the application and is not limited electrically. This should be considered when selecting a gear unit.

Special applications and operating modes

Especially unusual applications and extraordinary modes of operation, such as blockages, movements against solid limit stops, reversing while in motion, changing standstill loads, and gear ratios into fast speeds must be particularly considered when selecting a gear unit. Please enquire.

Special considerations for worm gear units

When designing worm gear units, care should be taken that multi-start worms are used, to reduce the possibility of self-locking if torque impulses, backward output torques, or large mass acceleration factors m_{af} can occur.

Number of worm threads z_1

The number of worm threads z_1 is listed in the output and gear ratio tables. As a general rule:

$m_{af} \leq 0.25$	all numbers of worm threads possible
$0.25 < m_{af} \leq 3.00$	Worm threads $z_1 \geq 3$ recommended
$3.00 < m_{af} \leq 10.00$	Worm threads $z_1 \geq 6$ recommended

With worm gear units, in addition to the operating factor f_{Bmin} from diagram 1 (\Rightarrow A17), the operating factor f_{B1} for the ambient temperature T_u as well as the operating factor f_{B2} for the duration of switch-on per hour, ED, must be taken into account. Factors f_{B1} and f_{B2} can be obtained from diagrams 2 and 3.

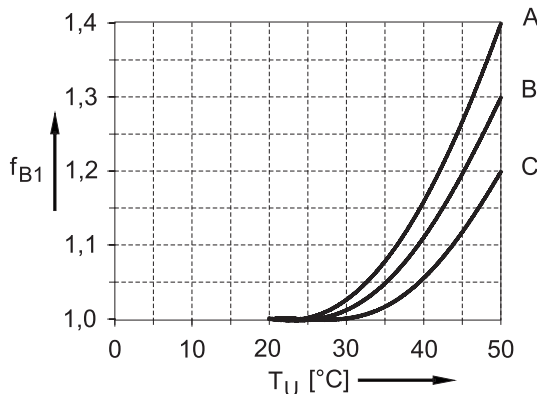


Diagram 2: Operating factor f_{B1}

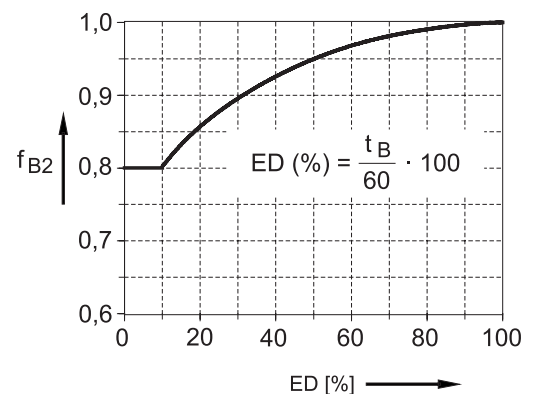


Diagramm 3: Operating factor f_{B2}
ED = Duration of switch-on
 t_b = Load time in min/h

For correct selection of the gear unit, the operating factor f_B from the output power and speed overview is greater or equal to the product of the minimum operating factor f_{Bmin} and the factors f_{B1} and f_{B2} .

$$f_B \geq f_{Bmin} \cdot f_{B1} \cdot f_{B2}$$

Correct gear unit selection

With type W worm gear units (with free drive shafts), the installed drive output P_1 must not exceed:

$$P_1 = \frac{M_{2max} \cdot n_2}{9550 \cdot f_{Bmin} \cdot f_1 \cdot f_2 \cdot \eta} \quad [\text{kW}] \quad M_{2max} \text{ [Nm]}, n_2 \text{ [min}^{-1}\text{]}$$

Worm gear units with free drive shaft, type W

Here, the maximum drive power P_{1max} must not be exceeded.

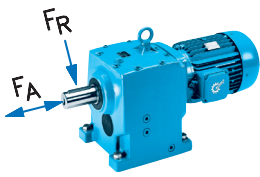
$$P_1 \leq P_{1max}$$

For the relevant output speed n_2 , the power and gear ratio tables contain

- The maximum gear unit output torque M_{2max}
- The efficiency of the gear unit η
- The maximum motor power P_{1max}

The gear unit efficiency η should be included in the above formula as a factor, e.g. 0.9 = 90%.

Gear unit selection



Reinforced output shaft bearings VL

Radial forces F_R and axial forces F_A

The tables in the output and speed overviews list the permitted radial forces F_R and axial forces F_A , which may be applied to the final journal output shaft.

Many gear unit types are available with optionally reinforced output shaft bearings VL. In particular we wish to point out the reinforced versions VL2/VL3 for parallel shaft and bevel gear units. This version, which is particularly suitable for agitators, is described on page \Rightarrow [A30](#). Please provide us with the load data. We will be glad to carry out a service life calculation for the bearings.

Roller bearings

The reinforced VL version includes stronger roller bearings and in addition, a higher quality of steel for the output shaft if this is necessary for the safety of the shaft. The VL version has roller bearings instead of ball bearings on the output shaft and is therefore more suitable for larger radial and axial forces than the normal bearing version.

Larger radial and axial forces

With the larger parallel shaft gear units of size SK10282.1 and larger, as well as for bevel gear units of size SK9052.1 and larger, the normal bearings for the output shaft are heavy duty conical roller bearings. For these gear unit types, the VL version with floating roller bearings on the output side, provides further reinforcement for very large radial forces. Therefore, for these types of gear unit, normal bearings with conical roller bearings should be selected if no large radial forces, but high axial forces need to be absorbed. In doubt, please contact the responsible NORD sales office, so that we can make the optimum gear unit selection together with you.

Floating roller bearings

The radial and axial forces with reinforced bearings are identified with VL in the tables. The forces listed apply for foot-mounted and flange-mounted gear units with solid shafts. The forces stated refer to cases in which the radial and axial forces are not applied simultaneously. Please contact us if radial and axial forces apply simultaneously due to the type of application. We will be glad to carry out a calculation.

The output bearings of hollow shaft gear units are designed to absorb the reaction forces from torque arms or torque brackets. Please contact us if considerably larger forces act on the hollow shaft.

Operating factor $f_{BF} = 1$

The forces stated in the overview tables for power and speed are based on an operating factor for the radial and axial forces $f_{BF} = 1$.

Sudden impact forces and longer operating times (> 8 hours per day)

For suddenly applied forces and long running periods (> 8 hours/day) an appropriate operating factor $f_{BF} > 1$ must be considered for the radial and axial forces. Please contact us.

The radial forces refer to a point of action of the force at the midpoint of the shaft length. For the determination of the permissible radial forces, the most unfavourable direction of application of the force and direction of rotation was assumed. For the determination of the axial forces, the most unfavourable direction of force and rotation was also assumed. Higher radial and axial forces may be possible - for a precise calculation, please state the actual direction of the force and the rotation as well as the required operating life.

If transfer elements are attached to the output shaft, a corresponding factor (f_z) should be considered in determining the radial force.

Radial force factor f_z

Transfer elements	f_z	Notes
Gear wheels	1.1	$z \leq 17$ teeth
Chain wheels	1.4	$z \leq 13$ teeth
Chain wheels	1.2	$z \leq 20$ teeth
Narrow V-belt pulley	1.7	by pretensioning force
Flat belt pulley	2.5	

The radial force on the output shaft is determined as follows:

Radial force on gear unit shaft

$$F_{R\text{vorh}} = \frac{2 \cdot M_2}{d_o} f_z \leq F_R$$


$F_{R\text{pres}}$	Radial force on gear unit output shaft	[kN]
F_R	Permissible radial force according to speed and power tables	[kN]
M_2	Gear unit output torque	[Nm]
f_z	Radial force factor from the table	
d_o	Effective diameter of the transfer element	[mm]

Options

Overview of available versions

Abbreviations	Meaning	Helical gear units	Parallel shaft gear units	Bevel gear units	Worm gear units
Without	Solid shaft, foot mounting	✓		✓	✓
A	Hollow shaft		✓		
AF	Hollow shaft, B5 flange		✓	✓ ⁵⁾	✓
AX	Hollow shaft, foot mounting		✓ ¹⁾	✓	
AXF	Hollow shaft, foot mounting, flange B5			✓	
AXZ	Hollow shaft, foot mounting, flange B14			✓	
AZ	Hollow shaft, B14 flange		✓ ¹⁾	✓ ⁵⁾	✓
AZD	Hollow shaft, flange B14, with torque arm			✓ ²⁾⁵⁾	✓
AZK	Hollow shaft, flange B14, with torque bracket			✓	
B	Fixing elements for hollow shaft		✓	✓	✓
E	Single stage	✓			
EA	Splined hollow shaft, DIN 5480		✓ ⁴⁾	✓	
EF	Single stage, flange B5	✓			
F	Full shaft, B5 flange	✓			
G	Rubber buffer for torque arm		✓		
H	Cover as a touch guard		✓	✓	✓
IEC	Adapter for fitting B5 IEC standard motors	✓	✓	✓	✓
LX	Solid shaft - both sides, foot mounting			✓	✓
MK	Motor bracket	✓	✓	✓	✓
R	Integrated backstop			✓	
RLS	Backstop in W adapter	✓	✓	✓	✓
S	Hollow shaft with shrink disc		✓	✓	✓
SEK	Servo adapter with clamp coupling	✓	✓	✓	✓
SEP	Servo adapter with parallel key coupling	✓	✓	✓	✓
V	Solid shaft		✓		
VF	Solid shaft, B5 flange		✓	✓ ⁵⁾	✓
VL	Reinforced bearings	✓	✓	✓	✓
VL2	Agitator version		✓	✓	
VL3	Agitator version with "Drywell"		✓	✓	
VX	Solid shaft, foot mounting		✓ ¹⁾		
VXF	Solid shaft, foot mounting, flange B5			✓	
VXZ	Solid shaft, foot mounting, flange B14			✓	
VZ	Solid shaft, B14 flange		✓ ¹⁾	✓ ⁵⁾	
W	Drive cylinder with free input shaft	✓	✓	✓	✓
XF	Solid shaft, foot mounting, flange B5	✓ ³⁾			
XZ	Solid shaft, foot mounting, flange B14	✓ ³⁾			

✓ Available versions are marked with a tick

- 1) SK xx82NB and higher incl. SK 9282 with footrails machined on their sides for base plate
- 2) Available up to and including SK 9072.1
- 3) Available up to and including SK 52
- 4) Not available for types SK xx82NB
- 5) Versions have additional threaded holes in the underside of the housing. These are not suitable for mounting the gear unit, but rather for mounting a torque bracket ⇒  E118.

Drive types

The modular NORD concept enables gear units with various types of drive to be added. All drives are bolted on and have turned mating surfaces for simple and precise mounting.

NORD supplies the following drive types:

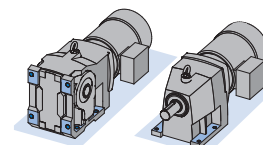
- Directly mounted motor / brake motor
- Free drive shaft (Optional B14 flange on the input side)
- Motor adapter for IEC B5 motors / NEMA C-flange motor adapter
- Servo motor adapter
- Motor bracket
- User-defined motor mount

Among others, NORD provides the mounting options:

- Foot (X)
- B5 flange (F)
- B14 flange (Z)
- Hollow shaft (A)
- Foot and B5 flange (XF)
- Foot and B14 flange (XZ)

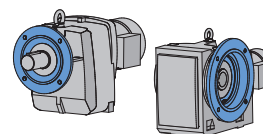
Foot-mounted housing (X)

Gear units are usually designed for foot mounting. They are mounted on a mounting plate by means of bolts or studs. The majority of gear units are equipped with mounting feet with through holes.



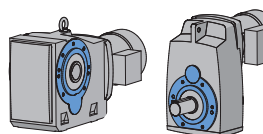
B5 flange (F)

A B5 flange is a simple mounting flange with a large diameter, through holes and a centred mating surface, with which the gear unit can be securely attached to the application. The B5 flange has metric dimensions as standard and is available for all NORD geared motors.



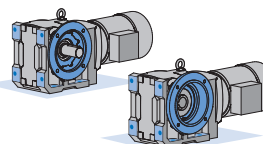
B14 flange (Z)

The NORD B14 flange has threaded holes and a centred mating surface in the housing of the geared motor. Usually, this is used to attach the geared motor to the base of the application or to attach a wide range of add-on components, such as a B5 flange, torque arm or shaft cover. As standard, the B14 flange has metric dimensions and is a compact method of attaching the geared motor.



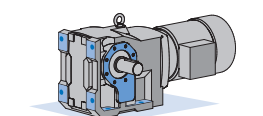
Foot-mounted housing with B5 flange (XF)

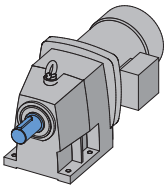
NORD can supply a wide range of geared motors with foot-mounted housings and additional B5 flange. These type XF geared motors are generally equipped for foot mounting. The B5 flange is usually intended for mounting auxiliary equipment on the geared motor. An additional support must be used if the B5 flange is used to attach the geared motor.



Foot-mounted housing with B14 flange (XZ)

NORD can supply a wide range of geared motors with foot-mounted housings with an additional B14 flange. These type XZ geared motors are generally equipped for foot mounting. The B14 flange is usually intended for mounting auxiliary equipment on the geared motor. An additional support must be used if the B14 flange is used to attach the geared motor.

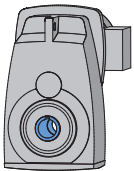




Shaft options

Solid shaft (V)

NORD standard shafts with parallel keys have a threaded hole in the face side. The shafts are available in metric dimensions and in inch dimensions on request. The standard material is C45.

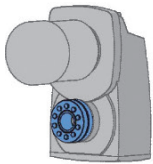


Hollow shaft (A)

Standard hollow shafts with parallel keys are made from C45. Many NORD geared motors are available with various shaft diameters.

Hollow shaft with internal spline (EA)

Hollow shafts with metric spline profiles as per DIN 5480 are available for many NORD geared motors with hollow shafts. These splined shafts are often used for crane travel drives.



Shrink disc (S)

The shrink disc is based on a tried-and-tested clamping principle and enables torque transfer by friction, by converting the tightening force of the clamping screws into a radial pressure between the shaft and the hub, which results in shrinking onto the customer's shaft. Shrink discs enable a force fit which is completely free of play, and which can transfer large torques, in contrast with other types of mounting. Shrink discs do not wear, even with frequent changes of load or direction of rotation.

Shrink discs provide the following advantages:

- No corrosion of the mating surface, in contrast with parallel key couplings
- Easy assembly and dismantling
- Often larger hole diameters are possible than for hollow shafts with parallel keys

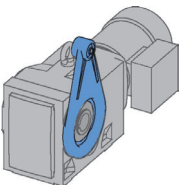
See ⇒ A30 for details

Reinforced shrink disc (VS)

The NORD reinforced shrink disc provides greater clamping force and therefore greater safety. See ⇒ 30 for details

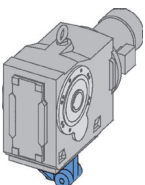
Reinforced output bearings (VL)

The use of reinforced output bearings with increased load bearing capacity enables higher external loads (radial/axial) to be absorbed. Please consult us in case of predominantly greater axial loads.



Torque arm (D)

A torque arm is a compact, simple solution to secure a geared motor with a hollow shaft. It is bolted to the B14 flange of the geared motor. The torque arm has a rubber bushing on the attachment hole which absorbs the load impulses.

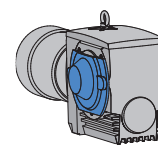


Torque bracket (K)

A torque bracket is a compact, simple solution to secure a face-mounted geared motor. It is bolted to the underside of the gear unit. The torque bracket has a rubber bushing on the attachment hole which absorbs the load impulses.

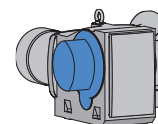
Hollow shaft cover (H)

An optional cover for the rotating hollow shaft is available. This also protects the output shaft against dust and dirt.



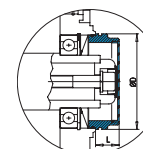
Shrink disc cover (SH)

A shrink disc cover is required for all shrink disc gear units and provides protection from the rotating shrink disc.




IP66 Hollow shaft cover (H66)

NORD supplies hollow shaft covers in protection class IP66 (protection against dust and splashed water). The rotating hollow shaft is completely sealed against humidity and foreign bodies.

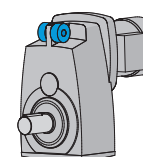


Fastening element (B)

As small vibrations occur with all shafts, NORD supplies an optional fastening kit. This prevents the geared motor from changing its position in an axial direction. The fastening kit can be mounted in two different ways. See ⇒  A35 for details

Rubber buffer (G)

Two rubber buffers are mounted on the torque bracket and on the torque arm. They are used to damp torsional load impulses which act on the geared motor. As the rubber buffers reduce the overall torsional load impulses, their use can increase the service life of the geared motor. The damping effect can be increased by the use of several buffers in series. The permissible temperature range for the use of rubber buffers is from -40°C ... $+80^{\circ}\text{C}$.



Rubber buffers are supplied in pairs.


For further damping, several rubber buffers may be used in series.

Total damping travel: $s_{\text{FD tot}} = n \times s_{\text{FD}}$ [mm]

s_{FD} Damping travel of a rubber buffer [mm]

n Number of rubber buffers used in series

During installation, the rubber buffer may **only** be tightened until the play between the contact surfaces is eliminated. Pre-tensioning of the rubber buffer is not permissible!

Technical data ⇒  D101, E107, E109, E111, E113



Reinforced rubber buffer (VG)

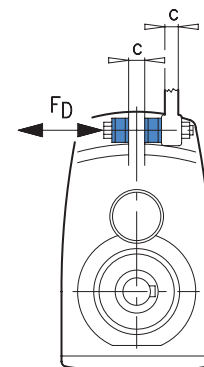
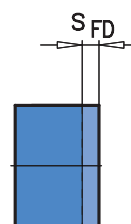
Rubber buffers are optionally available as reinforced type VG versions for parallel shaft gear units with face mounted designs.

Bevel helical gearboxes from size SK 9082.1 are supplied in the AZK version with rubber buffers.

F_{D} Compressive force acting on rubber buffer [kN]

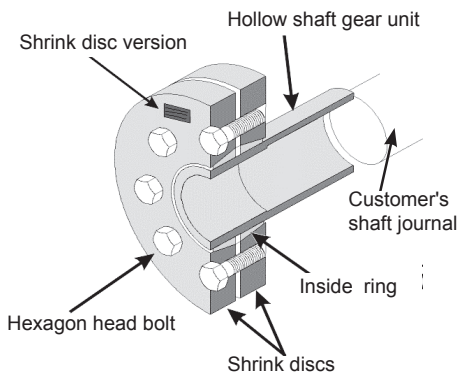
c width

s_{FD} Damping travel of a rubber buffer



Shrink discs

For gearbox versions with hollow shafts the use of shrink discs is especially advisable for better and easier assembly. In this case, the length of the customer's shaft journal which is inserted into the hollow shaft of the gear unit must correspond to the length of the hollow shaft (mH). The diameter of the shaft journal can be according to ISO h6 or f6 (f6 = easier assembly) The material of the customer's journal must have a yield strength of at least $Re = 360 \text{ N/mm}^2$ so that the pressing to create the frictional coupling can be built up and no permanent deformation occurs.



- M_{2max}** Max. permissible output torque (gear unit)
- s** Securing of the shrink disc with fits h6 or f6 with M_{2max}
- Zs** Number of tensioning screws
- M_A** Required tightening torque



Observe the operating and maintenance instructions B1000 when mounting the shrink disc.

Parallel shaft gear unit

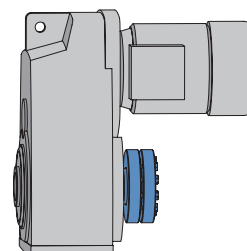
Gear unit type	Shrink disc					Hexagon head bolt DIN 931 / DIN 933* 10.9 Vz		
	Type	M_{2max} [Nm]	s ^{h6}	s ^{f6}	d x l	Zs	M_A [Nm]	
SK 1282 ASH	SN 30 / 40 V	296	3,3	2,9	M6 x 35*	8	12	
SK 2282 ASH	SN 35 / 46 V	563	2,6	2,2	M6 x 35*	10	12	
SK 3282 ASH	SN 40 / 55 V	1039	2,3	2,0	M8 x 40	8	30	
SK 4282 ASH	SN 50 / 62 V	2000	2,2	2,0	M8 x 40	10	30	
SK 5282 ASH	SN 60 / 76 V	3235	2,5	2,3	M10 x 50	10	59	
SK 6282 ASH	SN 70 / 90 V	6000	2,3	2,2	M12 x 70*	10	100	
SK 7282 ASH	SN 80 / 108 V	8300	2,5	2,4	M12 x 70*	14	100	
SK 8282 ASH	SN 100 / 128 V	13200	2,3	2,2	M16 x 80*	8	250	
SK 9282 ASH	SN 125 / 158 V	25400	2,3	2,2	M16 x 80*	12	250	
SK 10382.1 ASH	SN 160 / 210 V	37200	3,6	3,4	M20 x 100	14	490	
SK 11382.1 ASH	SN 180 / 230 V	69000	1,9	1,8	M20 x 100*	12	490	
SK 12382 ASH	SN 180 / 230 VV	90000	4,5	4,4	M30 x 200	16	1700	

Shrink discs in reinforced version type VS (shredder)

Gear unit type	Shrink disc					Hexagon head bolt DIN 931 10.9 Vz		
	Type	M_{2max} [Nm]	s ^{h6}	s ^{f6}	d x l	Zs	M_A [Nm]	
SK 7282 AVSH	SN 85 / 108 VS	8300	3,90	3,65	M16 x 90	10	250	
SK 8282 AVSH	SN 100 / 128 VS	13200	3,57	3,35	M20 x 100	8	490	
SK 9282 AVSH	SN 130 / 158 VS	25400	3,89	3,71	M20 x 130	12	490	
SK 11382.1 AVSH	SN 180 / 230 VS	69000	3,69	3,57	M24 x 150	16	840	

Available parallel shaft geared motors with shrink disc

Gear unit type		Motor													
		63	71	80	90	100	112	132	160	180	200	225	250	280	315
SK 1282	ASH	✓	✓	✓											
SK 2282	ASH		✓	✓	✓	✓									
SK 3282	ASH		✓	✓	✓	✓	✓								
SK 3382	ASH			✓	✓										
SK 4282	ASH				✓	✓	✓	✓							
SK 5282	ASH				✓	✓	✓	✓	✓	*					
SK 6282	ASH					✓	✓	✓	✓	✓					
SK 6382	ASH				✓	✓	✓	✓	✓	✓					
SK 7282	ASH							✓	✓	✓	✓	*			
SK 7382	ASH					✓	✓	✓	✓	✓	✓	*			
SK 8282	ASH							✓	✓	✓	✓	✓			
SK 8382	ASH					✓	✓	✓	✓	✓	✓	✓			
SK 9282	ASH									✓	✓	✓	✓		
SK 9382	ASH							✓	✓	✓	✓	✓	✓		
SK 10382.1	ASH								✓	✓	✓	✓	✓	✓	✓
SK 11382.1	ASH								✓	✓	✓	✓	✓	✓	✓
SK 12382	ASH									✓	✓	✓	✓	✓	✓


Shrink discs in reinforced version type VS

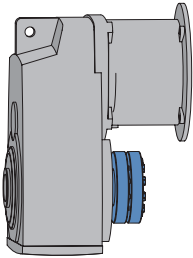
SK 7282	AVSH							✓	✓	✓					
SK 7382	AVSH					✓	✓	✓	✓	✓					
SK 8282	AVSH							✓	✓	✓	✓	*			
SK 8382	AVSH					✓	✓	✓	✓	✓	✓	*			
SK 9282	AVSH									✓	✓	✓	✓		
SK 9382	AVSH							✓	✓	✓	✓	✓	✓		
SK 11382.1	AVSH							✓	✓	✓	✓	✓	✓	✓	✓

* on request

All parallel shaft multi-stage geared motors are available with shrink disc

Shrink discs

Available parallel shaft gear units with shrink disc and IEC adapter

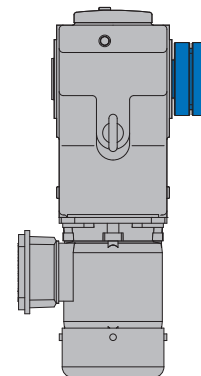


Gear unit type	IEC adapter													
	IEC 63	IEC 71	IEC 80	IEC 90	IEC 100	IEC 112	IEC 132	IEC 160	IEC 180	IEC 200	IEC 225	IEC 250	IEC 280	IEC 315
SK 0282 NB ASH	✓	✓	✓	✓										
SK 1282 ASH	✓	✓	✓	✓										
SK 1382 NB ASH	✓	✓	✓	✓										
SK 2282 ASH		✓	✓	✓	✓	✓								
SK 3282 ASH		✓	✓	✓	✓	✓	✓							
SK 3382 ASH	✓	✓	✓	✓										
SK 4282 ASH				✓	✓	✓	✓	✓						
SK 5282 ASH				✓	✓	✓	✓	✓	✓					
SK 6282 ASH					✓	✓	✓	✓	✓	✓	✓			
SK 6382 ASH				✓	✓	✓	✓	✓	✓					
SK 7282 ASH							✓	✓	✓	✓	✓			
SK 7382 ASH					✓	✓	✓	✓	✓	✓	✓			
SK 8282 ASH							✓	✓	✓	✓	✓	✓	✓	
SK 8382 ASH					✓	✓	✓	✓	✓	✓	✓			
SK 9282 ASH									✓	✓	✓	✓	✓	✓
SK 9382 ASH							✓	✓	✓	✓	✓	✓	✓	
SK 10382.1 ASH								✓	✓	✓	✓	✓	✓	✓
SK 11382.1 ASH								✓	✓	✓	✓	✓	✓	✓
SK 12382 ASH								✓	✓	✓	✓	✓	✓	✓

Shrink discs in reinforced design type VS

SK 7282 AVSH							✓	✓	✓	✓	✓			
SK 7382 AVSH					✓	✓	✓	✓	✓	✓	✓			
SK 8282 AVSH							✓	✓	✓	✓	✓			
SK 8382 AVSH					✓	✓	✓	✓	✓	✓	✓			
SK 9282 AVSH									✓	✓	✓	✓	✓	✓
SK 9382 AVSH							✓	✓	✓	✓	✓	✓	✓	
SK 11382.1 AVSH								✓	✓	✓	✓	✓	✓	✓

All parallel shaft double gear units SK 2282/02 and higher are available in the IEC and W version with shrink disc.

Bevel gear units


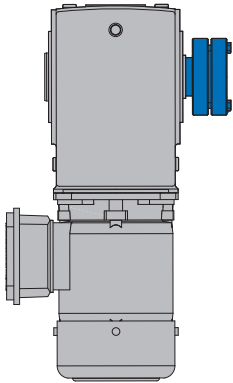
Gear unit type	Shrink disc				Hexagon head bolt DIN 931 / DIN 933* 10.9 Vz		
	Type	M _{2max} [Nm]	s ^{h6}	s ^{f6}	d x l	Zs	M _A [Nm]
SK 92072.1 AZSH	SN 25 / 34 V	90	4,19	3,28	M5 x 25	6	7
SK 92172.1 AZSH	SN 25 / 35 V	120	4,23	3,43	M5 x 25	8	7
SK 92372.1 AZSH	SN 30 / 40 V	230	4,26	3,73	M6 x 35*	8	12
SK 92672.1 AZSH	SN 35 / 46 V	380	3,77	3,27	M6 x 35*	10	12
SK 92772.1 AZSH	SN 40 / 55 V	660	3,53	3,09	M8 x 40	8	30
SK 9012.1 AZSH	SN 35 / 46 V	400	3,58	3,11	M6 x 35*	10	12
SK 9016.1 AZSH	SN 40 / 46 V	610	3,40	3,19	M6 x 35*	10	12
SK 9022.1 AZSH	SN 40 / 55 V	860	2,71	2,37	M8 x 40	8	30
SK 9032.1 AZSH	SN 50 / 62 V	1550	2,83	2,63	M8 x 40	10	30
SK 9042.1 AZSH	SN 60 / 76 V	2800	2,90	2,69	M10 x 50	10	59
SK 9052.1 AZSH	SN 70 / 90 V	4800	2,87	2,69	M12 x 70*	10	100
SK 9072.1 AZSH	SN 95 / 108 V	8500	3,70	3,56	M12 x 70*	14	100
SK 9082.1 AZSH	SN 110 / 138 V	13000	2,66	2,54	M16 x 70	8	250
SK 9086.1 AZSH	SN 125 / 158 V	20000	2,91	2,77	M16 x 80*	12	250
SK 9092.1 AZSH	SN 150 / 185 V	32000	2,66	2,56	M16 x 80*	14	250
SK 9096.1 AZSH	SN 150 / 195 V	50000	2,71	2,61	M20 x 100*	14	490

Shrink discs in reinforced version type VS (shredder)

Gear unit type	Shrink disc				Hexagon head bolt DIN 931 / DIN 933* 10.9 Vz		
	Type	M _{2max} [Nm]	s ^{h6}	s ^{f6}	d x l	Zs	M _A [Nm]
SK 9072.1 AZVSH	SN 95 / 108 VS	8500	4,95	4,80	M16 x 90	10	250
SK 9082.1 AZVSH	SN 110 / 138 VS	13000	6,26	5,99	M20 x 130	12	490
SK 9086.1 AZVSH	SN 130 / 158 VS	20000	4,95	4,71	M20 x 130	12	490
SK 9092.1 AZVSH	SN 150 / 195 VS	32000	3,93	3,70	M20 x 100	14	490
SK 9096.1 AZVSH	SN 155 / 195 VS	50000	3,80	3,70	M24 x 180	14	835

The data listed also applies to bevel gear units with a larger number of stages ⇒  A58

Helical worm gear units



Shrink discs

Gear unit type	Shrink disc				Hexagon head bolt DIN 931 / DIN 933* 10.9 Vz		
	Type	M_{2max} [Nm]	s^{h6}	s^{f6}	d x l	Zs	M_A [Nm]
SK 02050 AZSH	SN 25 / 35 V	182	2,8	2,3	M5 x 25	8	7
SK 02050 AZSH	SN 30 / 40 V	182	5,4	4,7	M6 x 35*	8	12
SK 12063 AZSH	SN 30 / 40 V	383	2,6	2,2	M6 x 35*	8	12
SK 12063 AZSH	SN 35 / 46 V	383	3,0	3,2	M6 x 35*	10	12
SK 12080 AZSH	SN 40 / 55 V	779	3,0	2,6	M8 x 40	8	30
SK 12080 AZSH	SN 45 / 55 V	779	4,1	3,8	M8 x 40	8	30
SK 32100 AZSH	SN 50 / 62 V	1604	2,7	2,6	M8 x 40	10	30
SK 32100 AZSH	SN 60 / 76 V	1604	5,1	4,7	M10 x 50	10	59
SK 42125 AZSH	SN 60 / 76 V	3120	2,6	2,4	M10 x 50	10	59
SK 42125 AZSH	SN 70 / 90 V	3120	4,4	4,1	M12 x 70*	10	100

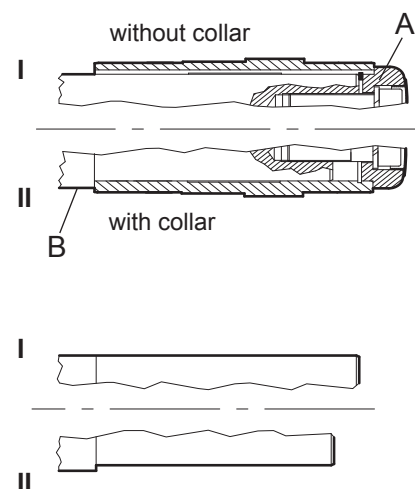
The data listed also applies to helical worm gear units with a higher number of stages
 ⇒ A59

Fastening elements

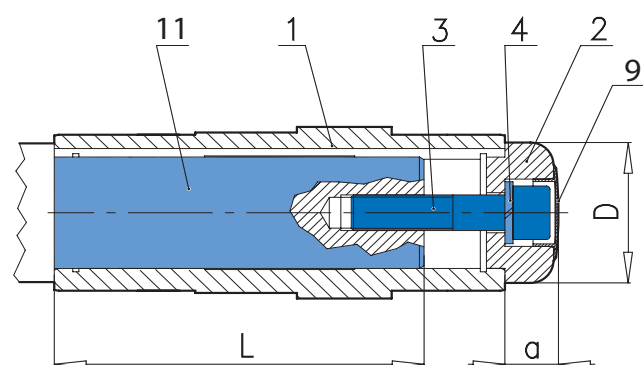
Fastening elements for face-mounted gearboxes are available as an option.

Prerequisites for use:

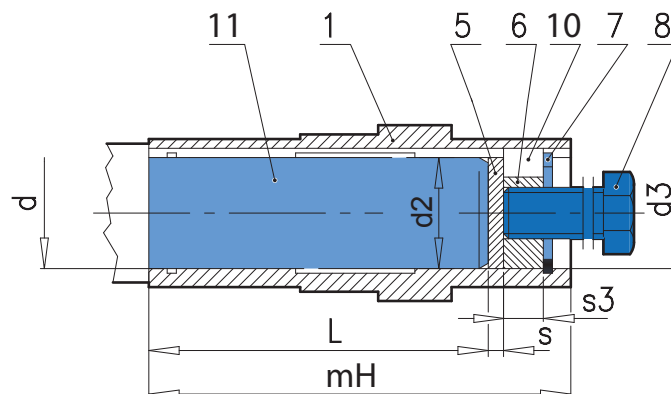
- The solid shaft which is used must be equipped with a face-side thread as per DIN 332/2.
- The fastening elements are suitable for solid shafts without collars (I) and for solid shafts with collars (II).
- For attachment according to I, the solid shaft is fixed by means of a securing ring located in the hollow shaft (Item A).
- For attachment according to II, the collar of the solid shaft is in direct contact with the hollow shaft (Item B).



The fastening element consists of the following items
2, 3, 4 und 9



The push-off element consists of the following items
5, 6, 7 und 10



1. Hollow shaft
2. Washer
3. Cylindrical screw DIN 912
4. Split washer DIN 127
5. Thrust washer
6. Thrust nut
7. Circlip DIN 473

8. Thrust screw
9. Sealing cap
10. Parallel key, type B
11. Customer's shaft

L = Length of customer's shaft

Assembly:

- 1 Insert the customer's shaft into the hollow shaft (Item 1)
- 2 Insert the disc (Item 2) into the hollow shaft
- 3 Fasten the disc with the cylindrical screw (Item 3) and the spring washer (Item 4)
- 4 Insert the closing cap (Item 9).

System requirements:

- The customer's shaft must be equipped with a centring hole as per DIN 332/2
- When using variant II, the inserted shaft must not exceed dimension "L"; if it does, it will not be possible to use the push-off elements (items 5, 6, 7, 10)

Dismantling:

- 1 Remove the closing cap (Item 9)
- 2 Loosen the cylindrical-head screw (Item 3)
- 3 Remove the disc (Item 2)
- 4 Insert the thrust washer (Item 5)
- 5 Insert the push-off nut (Item 6) and the parallel keys (Item 10)
- 6 Insert the circlip (Item 7)
- 7 Detach the customer's shaft from the hollow shaft by screwing in the push-off screw (Item 8)

System requirements:


- The push-off elements are available as a disassembly kit on request.
- The dimensions for disassembly can be obtained from the factory standard, which must be requested.
- Disassembly can only be used for series-production hollow shafts with plug-in shafts whose size does not exceed "L".

Options

Fastening elements

Parallel shaft gear units

Type	1	2		3	4	5		6		7	8	11	
	d x mH	a	D			d2	s	d3	s3			L	
SK 1282 ..B	30 x 122	19	40	M10 x 45	A10	29,9	3	29,9	12	M12	I 30 x 1.2	M12	100
SK 2282 ..B	35 x 139	23,5	45	M12 x 55	A12	34,9	3	34,9	16	M16	I 35 x 1.5	M16	110
SK 3282 ..B	40 x 174	23,7	55	M16 x 70	A16	39,9	4	39,9	16	M16	I 40 x 1.75	M16	140
SK 4282 ..B	50 x 195	24,7	65	M16 x 70	A16	49,9	4	49,9	20	M20	I 50 x 2.0	M20	160
SK 5282 ..B	60 x 230	29	75	M20 x 90	A20	59,9	5	59,9	24	M24	I 60 x 2.0	M24	185
SK 6282 ..B	70 x 290	29,3	95	M20 x 90	A20	69,9	5	69,9	24	M24	I 70 x 2,5	M24	245
SK 7282 ..B	80 x 310	29	102	M20 x 100	A20	79,9	8	79,9	30	M30	I 80 x 2,5	M30	250
SK 8282 ..B	100 x 366	34,5	120	M24 x 110	A24	99,9	8	99,9	30	M30	I 100 x 3.0	M30	310
SK 9282 ..B	120 x 430	34,5	150	M24 x 110	A24	119,9	10	119,9	32	M36	I 120 x 4.0	M36	370
SK 10382.1 ..B	160 x 475	34	200	M24 x 110	A24	159,9	10	159,9	31	M36	I 160 x 4.0	M36	418
SK 11382.1 ..B	180 x 522	34	240	M24 x 110	A24	179,9	10	179,9	31	M36	I 180 x 5.0	M36	460
SK 12382 ..B	180 x 546	34	240	M24 x 110	A24	179,9	10	179,9	31	M36	I 180 x 5.0	M36	480

Die aufgeführten Daten gelten auch für Flachgetriebe mit höheren Stufenzahlen ⇒  A57

Fastening elements

Bevel gear units

Type	1		2		3	4	5		6		7	8	11
	d x mH	a	D			d2	s	d3	s3			L	
SK 92072.1 AB	25 x 121	19,2	38	M10 x 45	A10	24,9	3	24,9	12	M12	125 x 1.5	M12	100
SK 93072.1 AB	25 x 121	19,2	38	M10 x 45	A10	24,9	3	24,9	12	M12	125 x 1.5	M12	100
SK 92172.1 AB	25 x 125	19	38	M10 x 45	A10	24,9	3	24,9	12	M12	125 x 1.5	M12	102
SK 93172.1 AB	25 x 125	19	38	M10 x 45	A10	24,9	3	24,9	12	M12	125 x 1.5	M12	102
SK 92372.1 AB	30 x 145	19	40	M10 x 45	A10	29,0	3	29,0	12	M12	130 x 1.5	M12	120
SK 93372.1 AB	30 x 145	19	40	M10 x 45	A10	29,0	3	29,0	12	M12	130 x 1.5	M12	120
SK 92672.1 AB	35 x 170	23,5	45	M12 x 55	A12	34,9	3	34,9	16	M16	135 x 1.75	M12	140
SK 92672.1 AB	35 x 170	23,5	45	M12 x 55	A12	34,9	3	34,9	16	M16	135 x 1.75	M12	140
SK 92772.1 AB	40 x 192	24	55	M16 x 70	A16	39,9	4	39,9	16	M16	140 x 2.0	M16	162
SK 93772.1 AB	40 x 192	24	55	M16 x 70	A16	39,9	4	39,9	16	M16	140 x 2.0	M16	162
SK 9012.1 AXB	30 x 148	19	40	M10 x 45	A10	29,0	3	29,0	12	M12	130 x 1.5	M12	120
SK 9012.1 A..B	35 x 148	23,5	45	M12 x 55	A12	34,9	3	34,9	16	M16	135 x 1.5	M16	120
SK 9016.1 AXB	30 x 148	19	40	M10 x 45	A10	29,0	3	29,0	12	M12	130 x 1.5	M12	120
SK 9016.1 A..B	40 x 148	24	55	M16 x 70	A16	39,9	4	39,9	16	M16	140 x 2.0	M16	120
SK 9022.1 AXB	35 x 180	23,5	45	M12 x 55	A12	34,9	3	34,9	16	M16	135 x 1.5	M12	150
SK 9022.1 A..B	40 x 180	24	55	M16 x 70	A16	39,9	4	29,9	16	M16	140 x 2.0	M16	150
SK 9032.1 AXB	40 x 210	24	55	M16 x 70	A16	39,9	4	39,9	16	M16	140 x 2.0	M16	170
SK 9032.1 A..B	50 x 210	25	65	M16 x 70	A16	49,9	4	49,9	20	M20	150 x 2,5	M20	170
SK 9042.1 AXB	50 x 240	25	65	M16 x 70	A16	49,9	4	49,9	20	M20	150 x 2,5	M20	200
SK 9042.1 A..B	60 x 240	29	75	M20 x 90	A20	59,9	5	59,9	24	M24	160 x 3.0	M24	195
SK 9052.1 AXB	60 x 300	29	75	M20 x 90	A20	59,9	5	59,9	24	M24	160 x 3.0	M24	255
SK 9052.1 A..B	70 x 300	29,5	95	M20 x 90	A20	69,9	5	69,9	24	M24	170 x 3.0	M24	255
SK 9072.1 AXB	90 x 350	34	102	M24 x 110	A24	89,9	8	89,9	30	M30	190 x 4.0	M30	290
SK 9072.1 A..B	90 x 350	34	102	M24 x 110	A24	89,9	8	89,9	30	M30	190 x 4.0	M30	290
SK 9082.1 AXB	100 x 420	34,5	120	M24 x 110	A24	99,9	8	99,9	30	M30	1100 x 4.0	M30	365
SK 9082.1 A..B	110 x 420	34,5	135	M24 x 110	A24	109,9	10	109,9	30	M30	1110 x 5.0	M30	360
SK 9086.1 AXB	110 x 500	34	135	M24 x 110	A24	109,9	10	109,9	30	M30	1110 x 5.0	M30	440
SK 9086.1 A..B	120 x 500	34,5	150	M24 x 110	A24	119,9	10	119,9	32	M36	1120 x 5.0	M36	440
SK 9092.1 AXB	120 x 610	34	150	M24 x 110	A24	119,9	10	119,9	35	M36	1120 x 5.0	M36	550
SK 9092.1 A..B	150 x 610	34	200	M24 x 110	A24	149,9	10	149,9	35	M36	1150 x 5.0	M36	550
SK 9096.1 AXB	160 x 674	34	200	M24 x 110	A24	159,9	10	159,9	34	M36	1160 x 4.0	M36	605
SK 9096.1 A..B	160 x 674	34	200	M24 x 110	A24	159,9	10	159,9	34	M36	1160 x 4.0	M36	605

The data listed also applies to bevel gear units with a larger number of stages ⇒  A58

Helical worm gear units

Type	1		2		3	4	5		6		7	8	11
	d x mH	a	D			d2	s	d3	s3			L	
SK 02050 AZB	25 x 132	19	38	M10 x 45	A10	24,9	3	24,9	12	M12	125 x 1.2	M12	110
	30 x 132	19	40	M10 x 45	A10	29,9	3	29,9	12	M12	130 x 1.2	M12	110
SK 12063 AZB	30 x 148	19	40	M10 x 45	A10	29,9	3	12	12	M12	135 x 1.5	M12	125
	35 x 148	23,5	45	M12 x 55	A12	34,9	3	16	16	M16	140 x 1.75	M16	120
SK 12080 AZB	40 x 168	24	55	M16 x 70	A16	39,9	4	39,9	16	M16	140 x 1.75	M16	135
	45 x 168	25	60	M16 x 70	A16	44,9	4	44,9	16	M16	145 x 2.0	M16	135
SK 32100 AZB	50 x 202	25	65	M16 x 70	A16	49,9	4	49,9	20	M20	150 x 2.0	M20	165
	60 x 202	29	75	M20 x 70	A20	59,9	5	59,9	24	M24	160 x 2.0	M24	155
SK 42125 AZB	60 x 250	29	75	M20 x 90	A20	59,9	5	59,9	24	M24	160 x 2.0	M24	205
	70 x 250	29	95	M20 x 90	A20	69,9	5	69,9	24	M24	170 x 2,5	M24	205

The data listed also applies to helical worm gear units with a higher number of stages ⇒  A59

Options

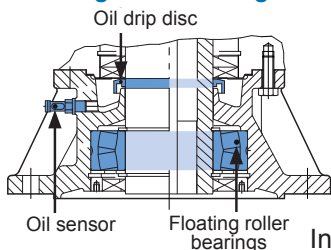
Reinforced output shaft bearing VL2/VL3

VL2 / VL3

Especially for agitators, NORD offers reinforced output shaft bearings with increased bearing spacing, to cope with high axial and radial forces and provide a longer operating life.

The **floating roller bearings** are particularly suitable for longer agitator shafts, as errors in alignment are partially compensated.

Floating roller bearings



Option VL3

“DRYWELL” version, as for VL2 and with additional **oil drip disc** and oil leakage indicator or **oil sensor**.

Safety function

In case of any leakage in the lower sealing rings of the output shaft, the oil drips into a collecting space of the “DRYWELL” flange via the oil drip disc, and is detected by an oil sensor. The sealing rings must then be replaced in order to prevent escape into the agitator space.

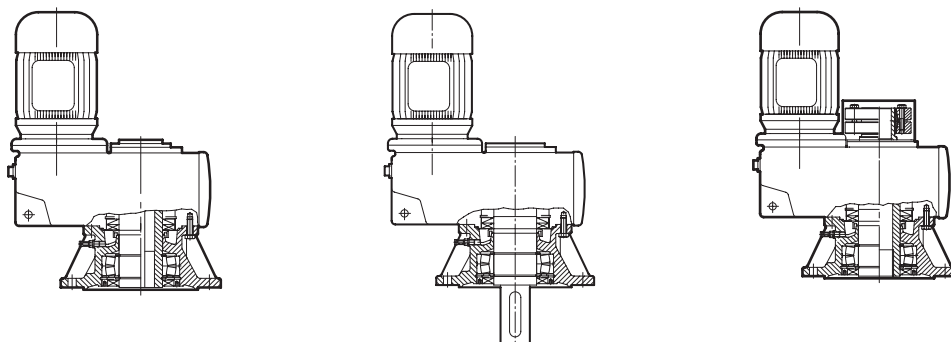
Calculation of the bearing life on request.

For the calculation we require the following data:

Calculation of bearing life

- **P** [kW] Rated power
- **n₂** [min⁻¹] Output speed
- **F_A** [N] Axial force
- **F_R** [N] Radial force
- **C** [mm] Distance of point of action of the force from the contact surface of the flange
- **L_h** [h] Required bearing life
- **M_b** [Nm] Bending torque

Parallel shaft geared motors

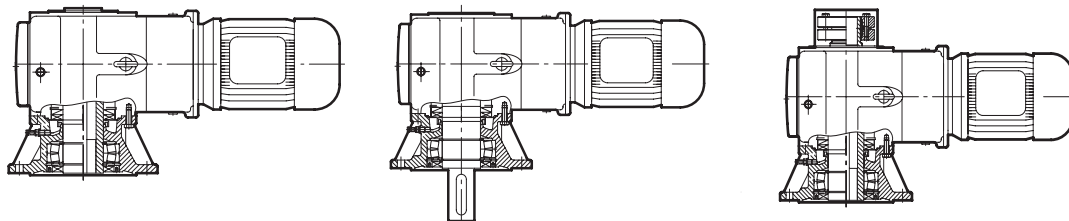


SK ..82 AF(B) VL2 mm ⇨ D98
 SK ..82 AF(B) VL3 ⇨
 SK ...82.1 VL2
 SK ...82.1 VL3

SK ..82 VF VL2 mm ⇨ D99
 SK ..82 VF VL3 ⇨
 SK ...82.1 VF VL2
 SK ...82.1 VF VL3

SK ..82 AFSH VL2 mm ⇨ D100
 SK ..82 AFSH VL3 ⇨
 SK ...82.1 AFSH VL2
 SK ...82.1 AFSH VL3

Bevel geared motors



SK 90 ...1 AF(B) VL2 mm ⇨ D98
 SK 90 ...1 AF(B) VL3 ⇨

SK 90 ...1 VF VL2 mm ⇨ D99
 SK 90 ...1 VF VL3 ⇨

SK 90 ...1 AFSH VL2 mm ⇨ D100
 SK 90 ...1 AFSH VL3 ⇨

Back stop

Backstops are available as an option. These allow rotation in only one direction; the other direction of rotation is stopped.

Three-phase AC-motors size 80 and above and mounting adapters with free input shafts (\Rightarrow A42, labelled as RLS) may be equipped with a grease-lubricated backstop. These backstops lift off due to centrifugal force at a rotation speed $n_1 >$ approx. 900 rpm and then run without wear.

grease-lubricated
backstop

Bevel gear units SK 9012.1, SK 9022.1, ... SK 9096.1 are available with a backstop which is integrated into the gear unit as standard. For these, the backstop is lubricated via the gear unit oil filling.

Integrated
backstop

The attachment adapters IEC 132 ... 315 for gear units of size SK 62/6282/9072.1 and above can be equipped with a back stop as a special version. Smaller gear units with smaller IEC adapters are available as special versions with a back stop in the IEC adapter. Please contact us.

Special version
with backstop

For drive units with a backstop, the direction of rotation of the output shaft must be stated. The **direction of rotation** is stated with a view onto the drive shaft.

Statement of direction
of rotation of the
output shaft

For angular gear units, the output shaft position (A or B, \Rightarrow A64) determines the direction of rotation for the defined viewing direction. The direction of view for the statement of direction of rotation is always towards the output shaft journal. For hollow shaft drive units with shrink discs, the output shaft end is located on the side opposite from the shrink disc side. For hollow shaft gear units with locking keys or a splined hub profile and with hollow shafts on both sides, the direction of view is towards the A side of the angular gear unit.

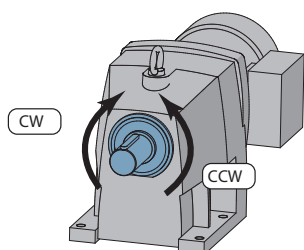
Notice! Danger of fracture. Check the direction of rotation of the motor and the gear unit before starting up the system. Arrows on the gearbox indicate the direction of rotation.

Attention!
Danger of fracture

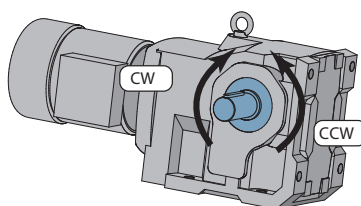
Previously, the blocking direction was given instead of the direction of rotation:

Blocking direction: Left = I \rightarrow Direction of rotation **CW**
Blocking direction: Right = II \rightarrow Direction of rotation **CCW**

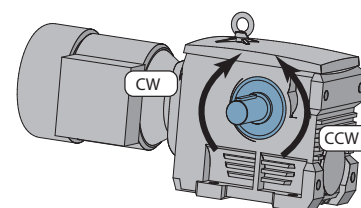
CW = Clockwise rotation, rotation to right (Clock**W**ise rotation)
CCW = Anticlockwise rotation, rotation to left (Counter-**C**lock**W**ise rotation)



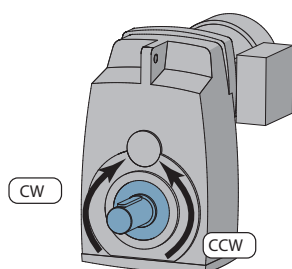
Helical gear unit motor



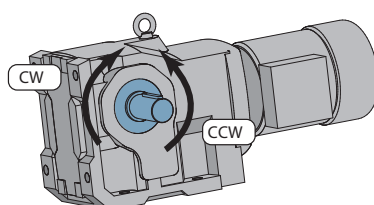
B-side bevel gear unit



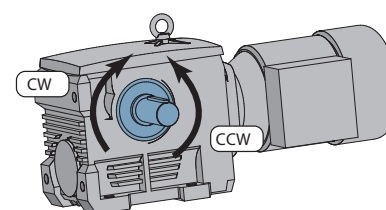
B-side worm gear unit



Parallel shaft gear unit motor



A-side bevel gear unit motor



A-side worm gear unit

Direction of rotation of the motor or input shaft

Direction of rotation of the motor looking towards the fan cover or the input shaft looking towards the input shaft journal

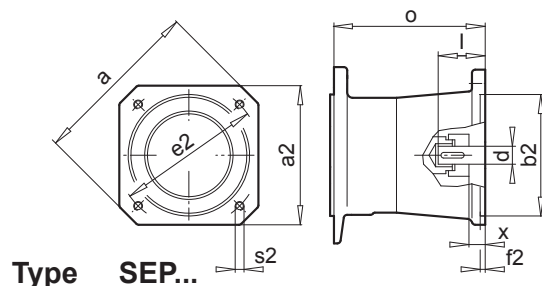
Gear unit type	Direction of rotation of output shaft CW	Direction of rotation of output shaft CCW
Single stage helical gear units SK11E to SK51E	Direction of rotation of motor CW	Direction of rotation of motor CCW
2 - stage NORDBLOC.1 helical gear units SK072.1 to SK972.1	Direction of rotation of motor CCW	Direction of rotation of motor CW
3 - stage NORDBLOC.1 helical gear units SK373.1 to SK973.1	Direction of rotation of motor CW	Direction of rotation of motor CCW
2 - stage helical gear units SK02 to SK102	Direction of rotation of motor CCW	Direction of rotation of motor CW
3 - stage helical gear units SK03 to SK103	Direction of rotation of motor CW	Direction of rotation of motor CCW
2 - stage parallel shaft gear units SK1282 to SK9282	Direction of rotation of motor CCW	Direction of rotation of motor CW
3 - stage parallel shaft gear units SK1382 to SK12382	Direction of rotation of motor CW	Direction of rotation of motor CCW
2 - stage bevel gear units SK92072.1 to SK92772.1	Direction of rotation of motor CCW	Direction of rotation of motor CW
* 3 - stage bevel gear units SK9012.1 to SK9096.1	Direction of rotation of motor CW	Direction of rotation of motor CCW
* 4 - stage bevel gear units SK9013.1 to SK9053.1	Direction of rotation of motor CCW	Direction of rotation of motor CW
2 - stage helical worm gear units SK02040 to SK42125 Output shaft position A or shrink disc at B	Direction of rotation of motor CW	Direction of rotation of motor CCW
2 - stage helical worm gear units SK02040 to SK42125 Output shaft position B or shrink disc at A	Direction of rotation of motor CCW	Direction of rotation of motor CW
3 - stage helical worm gear units SK13050 to SK43125 Output shaft position A or shrink disc at B	Direction of rotation of motor CCW	Direction of rotation of motor CW
3 - stage helical worm gear units SK13050 to SK43125 Output shaft position B or shrink disc at A	Direction of rotation of motor CW	Direction of rotation of motor CCW

⇒  A39 - Direction of rotation

* If required, in deviation from the standard designs listed in the table above, the direction of rotation of the output shaft in bevel gear units may be changed, as the bevel gear may be mounted left or right of the bevel pinion. To do this, a special output shaft is required for one-sided solid shaft designs and shrink disc designs.

Adapter for mounting servo motors

The maximum permissible servo motor speed is 4000 min⁻¹. The correct selection of the gear unit which is driven by a servo motor requires specific knowledge about the application. Please contact us, so that we can select the gear unit together.



Available adapters

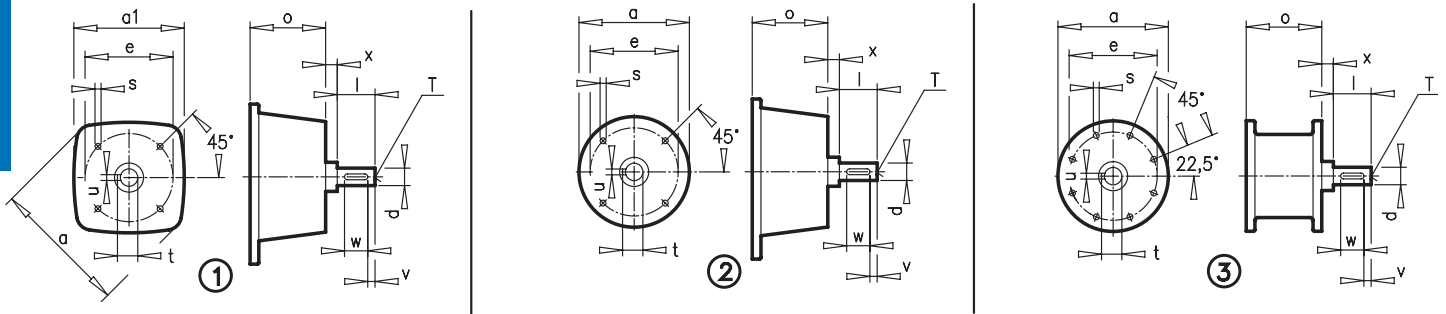
Gear unit type	Motor size							Shaft dimensions		Cylinder	Motor type	M _{knenn}	Adapter type
	a	a2	b2	e2	f2	s2	x	d	l	o	E.g.:	[Nm]	
*SK 372.1, SK 572.1, SK 672.1 *SK 373.1, SK 573.1, SK 673.1 SK 02, SK 12, SK 1282 SK 92372.1, SK 92672.1, SK 92772.1 SK 9012.1, SK 9016.1, SK 9022.1 SK 02050, SK 12063, SK 12080	120	96	80	100	4	M6	15	19	40	125	HJ96 1 FK6 04 1 FK7 04	*10 17	Servo 100 / 160 S
*SK 372.1, SK 572.1, SK 672.1 *SK 373.1, SK 573.1, SK 673.1 SK 02, SK 12 SK 1282 SK 92372.1, SK 92672.1, SK 92772.1 SK 9012.1, SK 9016.1, SK 9022.1 SK 02050, SK 12063, SK 12080	165	126	110	130	4	M8	20	24	50	137	HJ116 1 FK6 06 1 FK7 06	*35 60	Servo 130 / 160 S
*SK 772.1, SK 773.1 SK 22, SK 32 SK 2282, SK 3282 SK 9032.1 SK 32100	155	126	110	130	4	M8	20	24	50	151	HJ116 1 FK6 06 1 FK7 06	*35 60	Servo 130 / 250 S
*SK 372.1, SK 572.1, SK 672.1 *SK 373.1, SK 573.1, SK 673.1 SK 02, SK 12 SK 1282 SK 92372.1, SK 92672.1, SK 92772.1 SK 9012.1, SK 9016.1, SK 9022.1 SK 02050, SK 12063, SK 12080	186	155	130	165	5	M10	23	32	58	152	MSK070 MSK071 1 FK6 08 1 FK7 08 HJ 155	*95 160	Servo 165 / 160 S
*SK 772.1, SK 773.1 SK 22, SK 32 SK 2282, SK 3282 SK 9032.1 SK 32100	186	155	130	165	5	M10	23	32	58	167	MSK070 MSK071 1 FK6 08 1 FK7 08 HJ155	*95 160	Servo 165 / 250 S
*SK 772.1, SK 773.1 SK 22, SK 32 SK 2282, SK 3282 SK 9032.1 SK 32100	240	192	180	215	5	M12	45	38	80	188	MSK101 1 FK6 10 1 FK7 10	*95 160	Servo 215 / 250 S
*SK 872.1, SK 873.1, SK 972.1, SK 973.1 SK 42, SK 52 SK 4282, SK 5282 SK 9042.1, SK 9052.1 SK 42125	240	192	180	215	5	M12	24	38	80	230	MSK101 1 FK6 10 1 FK7 10	*310 525	Servo 215 / 300 S
*SK 872.1, SK 873.1, SK 972.1, SK 973.1 SK 42, SK 52 SK 4282, SK 5282 SK 9042.1, SK 9052.1 SK 42125	350	260	250	300	5	M16	26	48	82	232	1 FT6 13 1 FK7 10	*310 525	Servo 300 / 300 S
*SK 872.1, SK 873.1, SK 972.1, SK 973.1 SK 62, SK 72, SK 82, SK 92 SK 6282, SK 7282, SK 8282, SK 9282 SK 9072.1, SK 9082.1, SK 9086.1, SK 9092.1, SK 9096.1	350	260	250	300	5	M16	26	48	82	250	1 FT6 13 1 FK7 10	*310 525	Servo 300 / 350

The coupling for servo motors is equipped with parallel keys for the servo adapter type SEP shown above. For servo motors without parallel keys, the servo adapter type SEK is available with a clamp coupling sleeve.

It is possible to mount a large number of other servo motor types on the IEC adapter using an intermediate flange. We will be pleased to process your enquiry.

Options

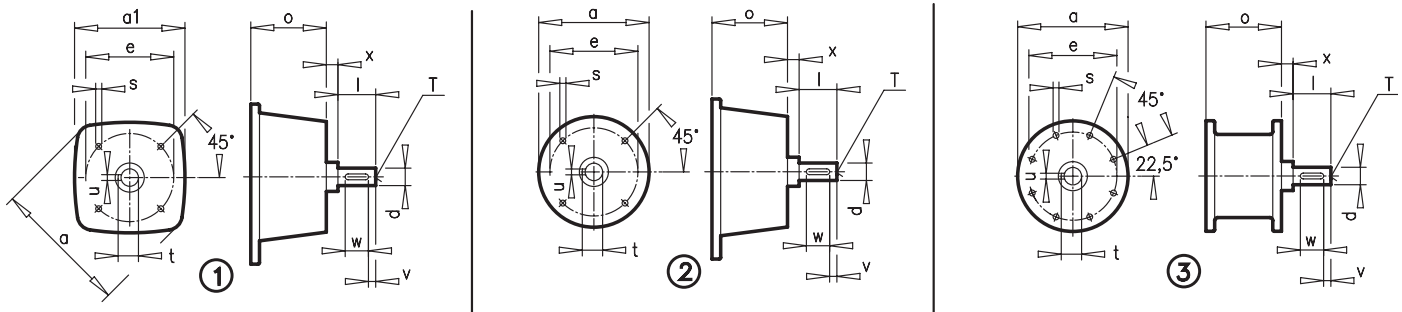
Add-on adapter with free input shaft - Helical gear units

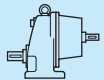
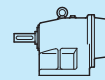
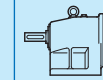
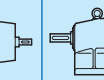


				RLS	① ② ③	a a1	e o	s	d l	t u	v w	x D
SK 11E W0	SK 02 W0 SK 12 W0	SK 03 W0 SK 13 W0 SK 23 W0 SK 33N W0	SK ../02 W0 SK ../12 W0 SK ../23 W0		2	90 --	75 70,5	M5 x 13	14 38,5	16 5	5 30	2 M5
SK 11E WII	SK 02 WII SK 12 WII	SK 03 WII SK 13 WII SK 23 WII SK 33N WII	SK ../02 WII SK ../12 WII SK ../23 WII	RLS	2	120 --	100 74,0	M8 x 13	16 40	18 5	4 32	8 M5
SK 21E WIII SK 31E WIII	SK 22 WIII SK 32 WIII	SK 43 WIII SK 53 WIII	SK ../22 WIII SK ../32 WIII SK ../43 WIII SK ../53 WIII		2	120 --	100 113,5	M8 x 13	16 40	18 5	4 32	8 M5
SK 11E WIII	SK 02 WIII SK 12 WIII	SK 03 WIII SK 13 WIII SK 23 WIII SK 33N WIII	SK ../02 WIII SK ../12 WIII SK ../23 WIII		2	150 --	125 119,5	M8 x 13	24 50	27 8	5 40	8 M8
SK 21E WI SK 31E WI	SK 22 WI SK 32 WI	SK 43 WI SK 53 WI	SK ../22 WI SK ../32 WI SK ../43 WI SK ../53 WI		1	180 140	125 113,5	M8 x 13	24 50	27 8	5 40	8 M8
SK 41E WIV SK 51E WIV	SK 42 WIV SK 52 WIV	SK 63 WIV	SK ../42 WIV SK ../52 WIV		1	180 140	125 124	M8 x 13	24 50	27 8	5 40	8 M8
SK 21E WII SK 31E WII	SK 22 WII SK 32 WII	SK 43 WII SK 53 WII	SK ../22 WII SK ../32 WII SK ../43 WII SK ../53 WII	RLS	1	180 140	150 113,5	M10 x 18	28 60	31 8	5 50	9 M10
SK 41E WI SK 51E WI	SK 42 WI SK 52 WI	SK 63 WI	SK ../42 WI SK ../52 WI		1	180 140	150 124	M10 x 16	28 60	31 8	5 50	9 M10
	SK 62 W0 SK 72 W0	SK 73 W0 SK 83 W0 SK 93 W0			2	180 --	150 124	M10 x 18	28 60	31 8	5 50	9 M10
SK 41E WII SK 51E WII	SK 42 WII SK 52 WII	SK 63 WII	SK ../42 WII SK ../52 WII	RLS	1	290 250	215 125	M12 x 20	38 80	41 10	5 70	8 M12
	SK 62 WI SK 72 WI SK 82 W0	SK 73 WI SK 83 W SK 93 WII SK 103 W0			1	290 250	215 170	M12 x 25	38 80	41 10	5 70	8 M12
SK 41E WIII SK 51E WIII	SK 42 WIII SK 52 WIII	SK 63 WIII	SK ../42 WIII SK ../52 WIII		1	290 250	250 125	M16 x 25	38 80	41 10	5 70	8 M12
	SK 62 WII SK 72 WII SK 82 WII	SK 73 WII SK 83 WI SK 93 WIII SK 103 WII			1	290 250	250 170	M16 x 25	38 80	41 10	5 70	8 M12

RLS ⇨ A39 - A40

Add-on adapter with free input shaft - Helical gear units

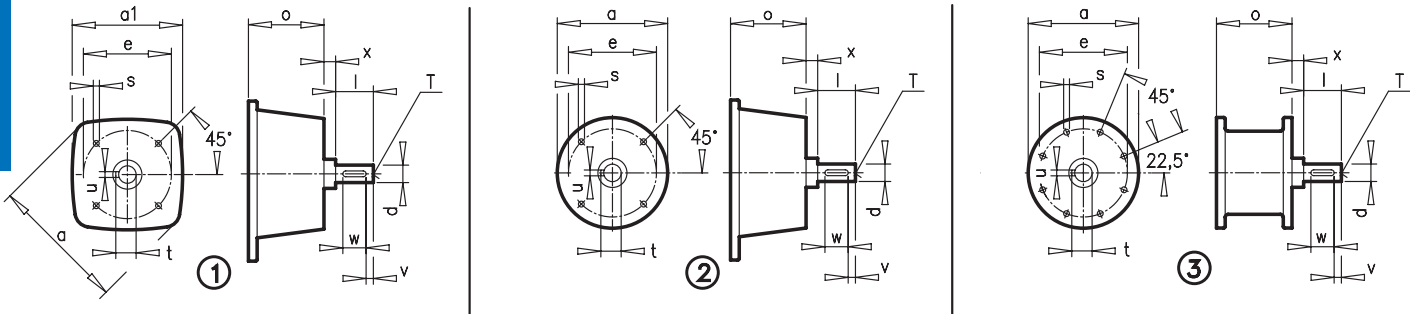


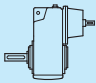
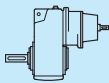
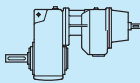
				RLS	① ② ③	a a1	e o	s	d l	t u	v w	x D
	SK 62 WIII SK 72 WIII	SK 73 WIII SK 83 WIII SK 93 WIII		RLS	1	290 250	250 170	M16 x 25	42 110	45 12	10 90	8 M16
	SK 62 WIV SK 72 WIV SK 82 WV SK 92 WV	SK 73 WIV SK 83 WIV SK 93 WIV SK 103 WIV			1	350 300	300 252	M20 x 30	65 140	69 18	15 110	8 M20
	SK 82 WI SK 92 WI SK 102 WI	SK 103 WI			1	350 300	250 236	M16 x 25	42 110	45 12	10 90	8 M16
	SK 82 WIII SK 92 WIII SK 102 WIII	SK 103 WIII		RLS	1	350 300	300 236	M20 x 30	65 140	69 18	15 110	8 M20

 RLS ⇒  A39 - A40

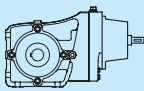
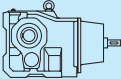
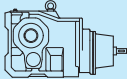
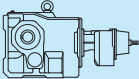
Options

Add-on adapter with free input shaft - Parallel shaft gear units



			RLS	① ② ③	a a1	e o	s	d l	t u	v w	x T
SK 1282 W0	SK 2382 W0 SK 3382 W0	SK ../02 W0 SK ../12 W0		2	90 -	75 70,5	M5 x 13	14 38,5	16 5	5 30	2 M5
SK 1282 WII	SK 2382 WII SK 3382 WII	SK ../02 WII SK ../12 WII	RLS	2	120 -	100 74	M8 x 13	16 40	18 5	4 32	8 M5
SK 2282 WIII SK 3282 WIII	SK 4382 WIII SK 5382 WIII	SK ../22 WII SK ../32 WII		2	120 -	100 113,5	M8 x 13	16 40	18 5	4 32	8 M5
SK 1282 WII	SK 2382 WIII SK 3382 WIII	SK ../02 WIII SK ../12 WIII		2	150 -	125 119,5	M8 x 13	24 50	27 8	5 40	8 M8
SK 2282 WI SK 3282 WI	SK 4382 WI SK 5382 WI	SK ../22 WI SK ../32 WI		1	180 140	125 113,5	M8 x 13	24 50	27 8	5 40	8 M8
SK 4282 WIV SK 5282 WIV	SK 6382 WIV	SK ../42 WIV SK ../52 WIV		1	180 140	125 124	M8 x 13	24 50	27 8	5 40	8 M8
SK 2282 WII SK 3282 WII	SK 4382 WII SK 5382 WII	SK ../22 WII SK ../32 WII	RLS	1	180 140	150 113,5	M10 x 18	28 60	31 8	5 50	9 M10
SK 4282 WI SK 5282 WI	SK 6382 WI	SK ../42 WI SK ../52 WI		1	180 140	150 124	M10 x 16	28 60	31 8	5 50	9 M10
SK 6282 W0 SK 7282 W0	SK 7382 W0 SK 8382 W0 SK 9382 W0			2	180 -	150 124	M10 x 18	28 60	31 8	5 50	9 M10
SK 4282 WII SK 5282 WII	SK 6382 WII	SK ../42 WII SK ../52 WII	RLS	1	290 250	215 125	M12 x 20	38 80	41 10	5 70	8 M12
SK 6282 WI SK 7282 WI	SK 7382 WI SK 8382 WI SK 9382 WI			1	290 250	215 170	M12 x 25	38 80	41 10	5 70	8 M12
SK 4282 WIII SK 5282 WIII	SK 6382 WIII	SK ../42 WIII SK ../52 WIII		1	290 250	250 125	M16 x 25	38 80	41 10	5 70	8 M12
SK 6282 WII SK 7282 WII SK 8282 WII	SK 7382 WII SK 8382 WII SK 9382 WII	SK 10382.1 WII SK 11382.1 WII		1	290 250	250 170	M16 x 25	38 80	41 10	5 70	8 M12
SK 6282 WIII SK 7282 WIII	SK 7382 WIII SK 8382 WIII SK 9382 WIII		RLS	1	290 250	250 170	M16 x 25	42 110	45 12	10 90	8 M16
SK 6282 WIV SK 7282 WIV SK 8282 WV	SK 7382 WIV SK 8282 WIV SK 9382 WIV SK 10382.1 WV			1	350 300	300 252	M20 x 30	65 140	69 18	15 110	8 M20
SK 8282 WI SK 9282 WI	SK 10382.1 WI SK 11382.1 WI SK 12382 WI			1	350 300	250 236	M16 x 25	42 110	45 12	10 90	8 M16
SK 8282 WIII SK 9282 WIII	* SK 10382.1 WIII * SK 11382.1 WIII * SK 12382 WIII		RLS	1	350 300	250 236	M20 x 30	65 (*70) 140	69 18	15 110	8 M20
SK 8282 WIV SK 9282 WIV	* SK 10382.1 WIV * SK 11382.1 WIV * SK 12382 WIV			3	550 -	500 245	∅ 17,5	65 (*70) 140	69 18	15 110	12 M20

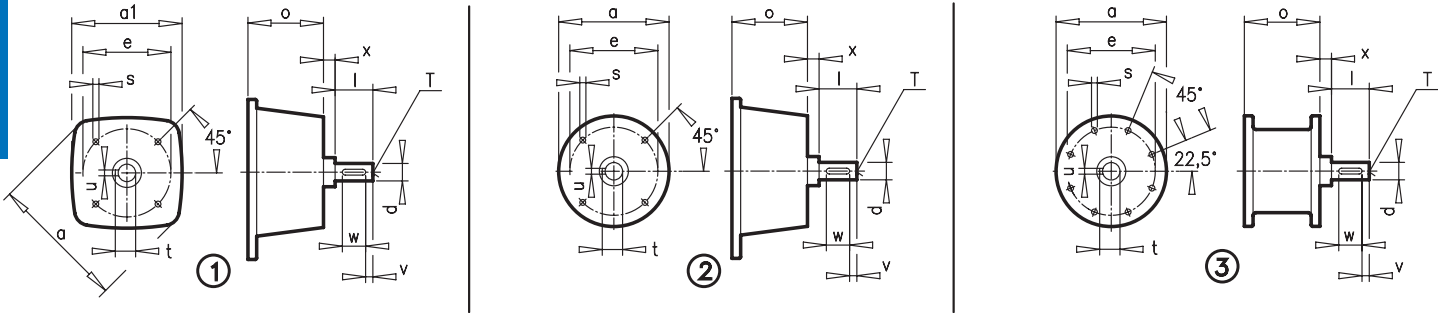
Add-on adapter with free input shaft - Bevel gear units

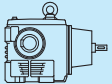
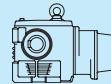
			RLS	① ② ③	a a1	e o	s	d l	t u	v w	x D
SK 92072.1 W0 SK 92172.1 W0 SK 92372.1 W0 SK 92672.1 W0 SK 92772.1 W0				2	120 --	75 61,5	M5 x 11	14 40	16 5	5 30	56 M5
SK 92072.1 WII SK 92172.1 WII SK 92372.1 WII SK 92672.1 WII SK 92772.1 WII				2	120 --	100 61,5	M8 x 11	16 40	18 5	4 32	8 M5
			RLS	① ② ③	a a1	e o	s	d l	t u	v w	x D
SK 9012.1 W0 SK 9016.1 W0 SK 9022.1 W0	SK 9013.1 W0 SK 9017.1 W0 SK 9023.1 W0 SK 9033.1 W0			2	90 --	75 70,5	M5 x 13	14 38,5	16 5	5 30	2 M5
SK 9012.1 WII SK 9016.1 WII SK 9022.1 WII	SK 9013.1 WII SK 9017.1 WII SK 9023.1 WII SK 9033.1 WII		RLS	2	120 --	100 74	M8 x 13	16 40	18 5	4 32	8 M5
SK 9032.1 WIII	SK 9043.1 WIII SK 9053.1 WIII	SK ../32 WIII		2	120 --	100 113,5	M8 x 13	16 40	15 8	4 32	8 M5
SK 9012.1 WIII SK 9016.1 WIII SK 9022.1 WIII	SK 9013.1 WIII SK 9017.1 WIII SK 9023.1 WIII SK 9033.1 WIII			2	150 --	125 119,5	M8 x 13	24 50	27 8	5 40	8 M8
SK 9032.1 WI	SK 9043.1 WI SK 9053.1 WI	SK ../32 WI		1	180 140	125 113,5	M8 x 13	24 50	27 8	5 40	8 M8
SK 9042.1 WIV SK 9052.1 WIV		SK ../42 WIV SK ../52 WIV		1	180 140	125 124	M8 x 13	24 50	27 8	5 40	8 M8
SK 9032.1 WII	SK 9043.1 WII SK 9053.1 WII	SK ../32 WII	RLS	1	180 140	150 113,5	M10 x 18	28 60	31 8	5 50	9 M10
SK 9042.1 WI SK 9052.1 WI		SK ../42 WI SK ../52 WI		1	180 140	150 124	M10 x 16	28 60	31 8	5 50	9 M10
SK 9072.1 W0				2	180 --	150 124	M10 x 18	28 60	31 8	5 50	9 M10
SK 9042.1 WII SK 9052.1 WII		SK ../42 WII SK ../52 WII	RLS	1	290 250	215 125	M12 x 20	38 80	41 10	5 70	8 M12
SK 9072.1 WI				1	290 250	215 170	M12 x 25	38 80	41 10	5 70	8 M12
SK 9042.1 WIII SK 9052.1 WIII		SK ../42 WIII SK ../52 WIII		1	290 250	250 125	M16 x 25	38 80	41 10	5 70	8 M12
SK 9072.1 WII SK 9082.1 WII SK 9086.1 WII				1	290 250	250 170	M16 x 25	38 80	41 10	5 70	8 M12
SK 9072.1 WIII			RLS	1	290 250	250 170	M16 x 25	42 110	45 12	10 90	8 M16
SK 9072.1 WIV SK 9082.1 WIV SK 9086.1 WIV				1	350 300	300 252	M20 x 30	65 140	69 18	15 110	8 M20
SK 9082.1 WI SK 9086.1 WI SK 9092.1 WI SK 9096.1 WI				1	350 300	250 236	M16 x 25	42 110	45 12	10 90	8 M16
SK 9082.1 WIII SK 9086.1 WIII SK 9092.1 WIII SK 9096.1 WIII			RLS	1	350 300	300 236	M20 x 30	65 140	69 18	15 110	8 M20
SK 9082.1 WIV SK 9086.1 WIV SK 9092.1 WIV SK 9096.1 WIV				3	550 --	500 245	∅ 17,5	65 140	69 18	15 110	12 M20

 RLS ⇒  A39 - A40

Options

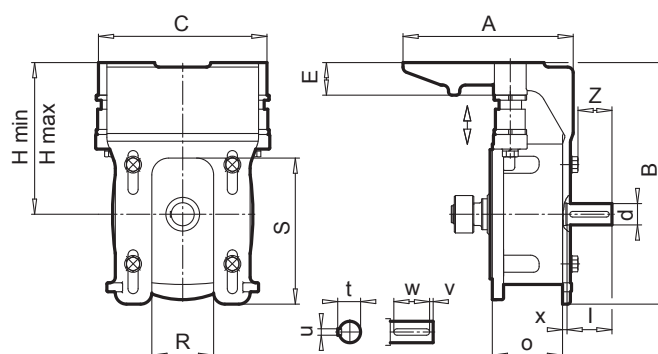
Add-on adapter with free input shaft - Helical worm gear units



		RLS	① ② ③	a	a1	e	o	s	d l	t u	v w	x D
SK 02050 W0 SK 12063 W0 SK 12080 W0	SK 13050 W0 SK 13063 W0 SK 13080 W0 SK 33100 W0		2	90	--	75	70,5	M5 x 13	14 38,5	16 5	5 30	2 M5
SK 02050 WII SK 12063 WII SK 12080 WII	SK 13050 WII SK 13063 WII SK 13080 WII SK 33100 WII	RLS	2	120	--	100	74	M8 x 13	16 40	18 5	4 32	8 M5
SK 32100 WIII	SK 43125 WIII		2	120	--	100	113,5	M8 x 13	16 4	18 5	4 32	8 M5
SK 02050 WIII SK 12063 WIII SK 12080 WIII	SK 13050 WIII SK 13063 WIII SK 13080 WIII SK 33100 WIII		2	150	--	125	119,5	M8 x 13	24 50	27 8	5 40	8 M8
SK 32100 WI	SK 43125 WI		1	180	140	125	113,5	M8 x 13	24 50	27 8	5 40	8 M8
SK 42125 WIV			1	180	140	125	124	M8 x 13	24 50	27 8	5 40	8 M8
SK 32100 WII	SK 43125 WII	RLS	1	180	140	150	113,5	M10 x 8	28 60	31 8	5 50	9 M10
SK 42125 WI			1	180	140	150	124	M10 x 16	28 60	31 8	5 50	9 M10
SK 42125 WII		RLS	1	290	250	215	125	M12 x 20	38 80	41 10	5 70	8 M12
SK 42125 WIII			1	290	250	250	125	M16 x 25	38 80	41 10	5 70	8 M12

RLS ⇨  A39 - A40

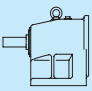
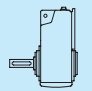
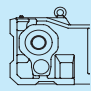

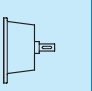
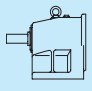
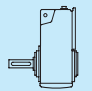
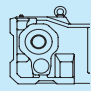

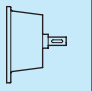
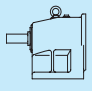
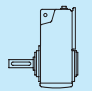
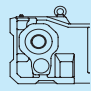

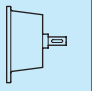
Motor brackets - dimensions



Type	Volume and connection dimensions										Shaft dimensions				Flange
	A	B	C	E	R	S	H Min.	H Max.	Z	o	d l	t u	v w	x	
MK I 63 S - 100 AH	222	253	204	45	60	140	153	173	41	119,5	24 50	27 8	5 40	8	160 S
MK II 80 SH - 112 MH	236	320	250	50	66	145	199	224	48	113,5	28 60	31 8	5 50	9	250 S
MK III - 1 90 SH - 132 MH	303	430	300	58	110	260	254	286	61	125	38 80	41 10	5 70	8	300 S
MK III - 2 90 SH - 132 MH	303	430	300	58	110	260	254	286	91	170	42 110	45 12	10 90	8	Ø 250
MK IV 112 MH - 200 LH	476	530	400	75	130	315	315	355	116	252	65 140	69 18	15 110	8	Ø 350
MK V 200 LH - 280 MH	662	690	570	105	382	369	465	515	119	245	65 140	69 18	15 110	12	Ø 450

Options

Motor brackets - assignment

					63 S 63 L	71 S 71 L	80 SH 80 LH	90 SH 90 LH	100 LH 100 AH	112 MH	132 SH 132 MH
SK 11 E SK 12	SK 1282	SK 9012.1 SK 9016.1 SK 9022.1	SK 02050 SK 12063 SK 12080	W III	MK I	MK I	MK I	MK I	MK I		
SK 21 E SK 31 E SK 22 SK 32	SK 2282 SK 3282	SK 9032.1	SK 32100	W II			MK II	MK II	MK II	MK II	
SK 41 E SK 51 E SK 42 SK 52 SK 63	SK 4282 SK 5282 SK 6382	SK 9042.1 SK 9052.1	SK 42125	W III				MK III-1	MK III-1	MK III-1	MK III-1
SK 62 SK 72 SK 73 SK 83	SK 6282 SK 7282 SK 7382 SK 8382 SK 9382	SK 9072.1		W III				MK III-2	MK III-2	MK III-2	MK III-2
							112 MH	132 SH 132 MH	160 MH 160 LH 160 SH	180 MH 180 LH	200 LH
SK 62 SK 72 SK 73 SK 83	SK 6282 SK 7282 SK 7382 SK 8382 SK 9382	SK 9072.1		W IV					MK IV	MK IV	MK IV
SK 93				W IV			MK IV	MK IV	MK IV	MK IV	MK IV
SK 82 SK 92 SK 103	SK 8282 SK 9282 SK 10382.1	SK 9082.1		W V			MK IV	MK IV	MK IV	MK IV	MK IV
		SK 9086.1		W V			MK IV	MK IV	MK IV	MK IV**	MK IV**
					200 LH	225 SH 225 MH	250 MH	280 SH 280 MH			
SK 93	SK 9382			W V		MK V	MK V	MK V			
SK 82 SK 92 SK 103	SK 8282 SK 9282 SK 10382.1	SK 9082.1 SK 9086.1		W IV		MK V	MK V	MK V			
SK 102	SK 11382.1 SK 12382	SK 9092.1 SK 9096.1		W IV	MK V	MK V	MK V	MK V			

** Limited adjustment range

Selection example:



Determine the basic type of gear unit required from the output and speed overview table or the output and gear ratio table based on the required output and output speed.

E.g.: Page B4 – B40 helical gear units

4 kW, 86 min⁻¹, i = 16,66

results in the basic gear unit type **SK 32 - 112 M/4** or **SK 32 - IEC 112**.

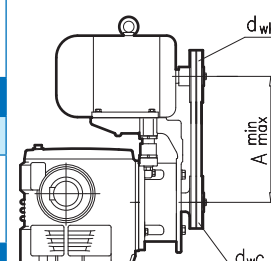
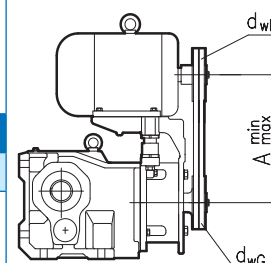
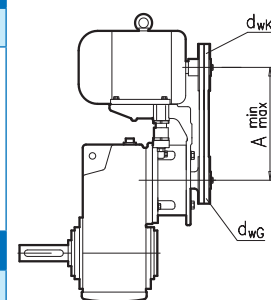
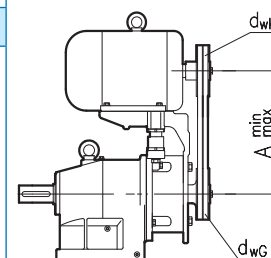
For this basic gear unit type, you can determine from the table (see above) that the motor bracket **MK II** is assigned. Therefore, the complete type designation is **SK 32 - MK II - 112**.

The **MK II** table (⇒  A49), contains further information regarding the belt pulley and the belt type. The basic dimensions can be seen in the table (⇒  A47).

Motor brackets

Suggestion for selecting V-belts and belt pulleys (not included in the NORD scope of delivery)

MK I				Belt type SPZ			
Motor	Power	Adjustment range		Belt length	Shaft centre distance	Number of belts	
	[kW]	A_{min}	A_{max}	(dwg = 80) (i=1) Lw	A		
63	S/4	0,12	216	236	697	223	1
63	L/4	0,18	216	236	697	223	1
71	S/4	0,25	224	244	710	229	1
71	L/4	0,37	224	244	710	229	1
80	SH/4	0,55	233	253	737	243	1
80	LP/4	0,75	233	253	737	243	1
90	SP/4	1,10	243	263	750	249	1
90	LP/4	1,50	243	263	750	249	2
100	LP/4	2,20	253	273	772	260	2
110	AP/4	3,00	253	273	772	260	3
MK II				Belt type XPZ			
	[kW]	A_{min}	A_{max}	(dwg = 112) (i=1) Lw	A		
80	SH/4	0,55	279	304	930	289	1
80	LP/4	0,75	279	304	930	289	1
90	SP/4	1,10	289	314	950	299	1
90	LP/4	1,50	289	314	950	299	1
100	LP/4	2,20	299	324	980	314	1
100	AP/4	3,00	299	324	980	314	2
112	MP/4	4,00	311	336	1000	324	2
MK III				Belt type SPZ			
	[kW]	A_{min}	A_{max}	(dwg = 160) (i=1) Lw	A		
90	SP/4	1,10	344	376	1222	360	1
90	LP/4	1,50	344	376	1222	360	1
100	LP/4	2,20	354	386	1250	374	1
100	AP/4	3,00	354	386	1250	374	1
112	MP/4	4,00	366	398	1262	380	2
132	SP/4	5,50	386	418	1312	405	2
132	MP/4	7,50	386	418	1312	405	3
MK IV				Belt type XPA			
	[kW]	A_{min}	A_{max}	(dwg = 200) (i=1) Lw	A		
112	MP/4	4,00	427	467	1500	436	1
132	SP/4	5,50	447	487	1550	461	1
132	MP/4	7,50	447	487	1550	461	2
160	SP/4	9,20	475	515	1600	486	2
160	MP/4	11,0	475	515	1600	486	2
160	LP/4	15,0	475	515	1600	486	3
180	MP/4	18,5	495	535	1650	511	3
180	LP/4	22,0	495	535	1650	511	4
200	LP/4	30,0	515	555	1700	536	4
MK V				Belt type SPA			
	[kW]	A_{min}	A_{max}	(dwg = 250) (i=1) Lw	A		
225	RP/4	30,0	665	715	2182	698	4
225	SP/4	37,0	690	740	2207	710	4
225	MP/4	45,0	690	740	2207	710	5
MK V				Belt type SPB			
	[kW]	A_{min}	A_{max}	(dwg = 250) (i=1) Lw	A		
250	WP/4	55,0	715	765	2240	727	4
280	SP/4	75,0	745	795	2310	762	5
280	MP/4	90,0	745	795	2310	762	5



Options

Integrated heat exchanger

NORD water cooling

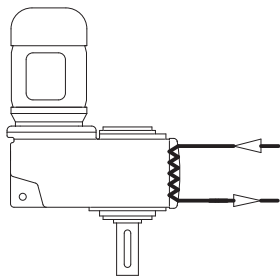
Water cooling

An integrated heat exchanger is optionally available for parallel shaft gear units and bevel gear units. The cooling water flows through the heat exchanger, and cools the gear unit. Monitoring of the temperature or the cooling water flow is recommended. As the cooling coil is not located in the oil space, the NORD water cooling is very reliable (German industrial design registration 20 2005 005 452.6).

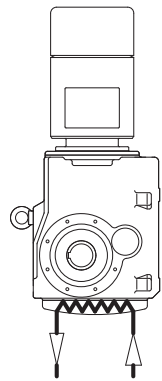
Water cooling is also suitable for use in areas with potentially explosive atmospheres (ATEX).

In low temperature areas, the heat exchanger may also be used to heat the gear unit. **An internal cooling coil in the gear unit is available on request.**

Possible mounting position for water cooling



Parallel shaft gear units	Installation orientation					
	M1	M2	M3	M4	M5	M6
SK 6282 / SK 6382	✓	✓		✓	✓	✓
SK 7282 / SK 7382	✓	✓		✓	✓	✓
SK 8282 / SK 8382	✓	✓		✓	✓	✓
SK 9282 / SK 9382	✓	✓		✓	✓	✓
SK 10382.1	✓	✓		✓	✓	✓
SK 11382.1 / SK 12382	✓	✓		✓	✓	✓



Bevel gear units	Installation orientation					
	M1	M2	M3	M4	M5	M6
SK 9072.1 *			✓	✓		
SK 9082.1			✓	✓		
SK 9086.1			✓	✓		
SK 9092.1			✓	✓		
SK 9096.1			✓	✓		

* only available in versions AF(B), AZ... and VF, VZ ⇨ E104, E105, E133

The vent closure plug should be removed before commissioning and longer storage in order to prevent excess pressure in the gear unit, which could result in leaks developing in the gear unit.

On delivery, gear units and geared motors, with the exception of types SK 11282.1, SK11382 and SK12382, are factory-filled with lubricant and ready for operation. This initial filling corresponds to a lubricant from the column for the ambient temperatures (normal version) in the lubricant table. The corresponding lubricants for other ambient temperatures are available at an additional charge.

With mineral oil filling, the lubricant should be replaced every 10,000 operating hours or after two years. These periods are doubled for synthetic products.

Shorter lubricant intervals are advisable for extreme operating conditions, e.g. high humidity, aggressive environment and large temperature fluctuations.

We recommend that replacement of the lubricants is combined with a thorough cleaning.

After changing the lubricant, and in particular after the initial filling, the oil level may change during the first few hours of operation, as the oil galleries and hollow spaces only fill gradually during operation. The oil level is still within the permissible tolerance.

If at the express request of the customer, an oil inspection glass is installed at an additional charge, we recommend that the customer corrects the oil level after an operating period of approx. 2 hours, so that when the gear unit is at a standstill and has cooled down, the oil level is visible in the inspection glass. Only then, is it possible to check the oil level by means of the inspection glass.

The gear unit is normally filled with mineral oil. Synthetic oil is available at an additional charge.

Comment: Do not mix synthetic and mineral lubricants! This also applies to disposal.

The stated filling quantities are for guidance only. The precise quantities vary depending on the exact gear ratio. When filling, always use the oil level screw as an indicator of the precise quantity of oil. The tables on pages ⇨ A75-A833 show guideline amounts for the lubricant filling volume in litres, depending on the mounting position or configuration.

Die Getriebetypen SK 11382.1, SK 12382 und SK 9096.1 werden im Normalfall ohne Öl geliefert.

Lubricant replacement

After changing the lubricant and after initial filling

Oil inspection glass

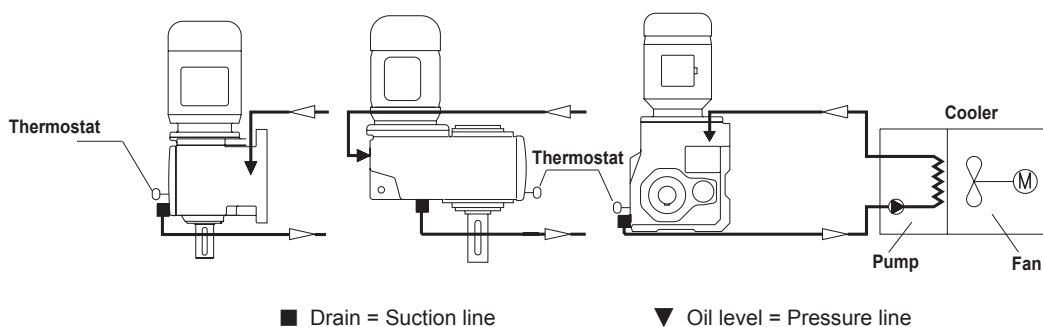


Do not mix oils

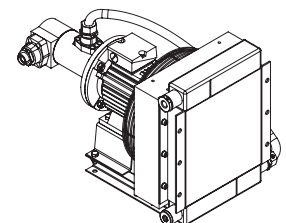
Display of precise oil quantity

Supply without oil

Oil cooler



Oil cooler



The gear unit oil is drawn in by a pump and flows through a heat exchanger. The oil is cooled by an air stream which is generated by a fan. The oil is then returned to the housing from the heat exchanger. The temperature is controlled by a thermostat. Temperature monitoring is recommended.

Oil tank with mounting position M4, with the motor mounted vertically upright

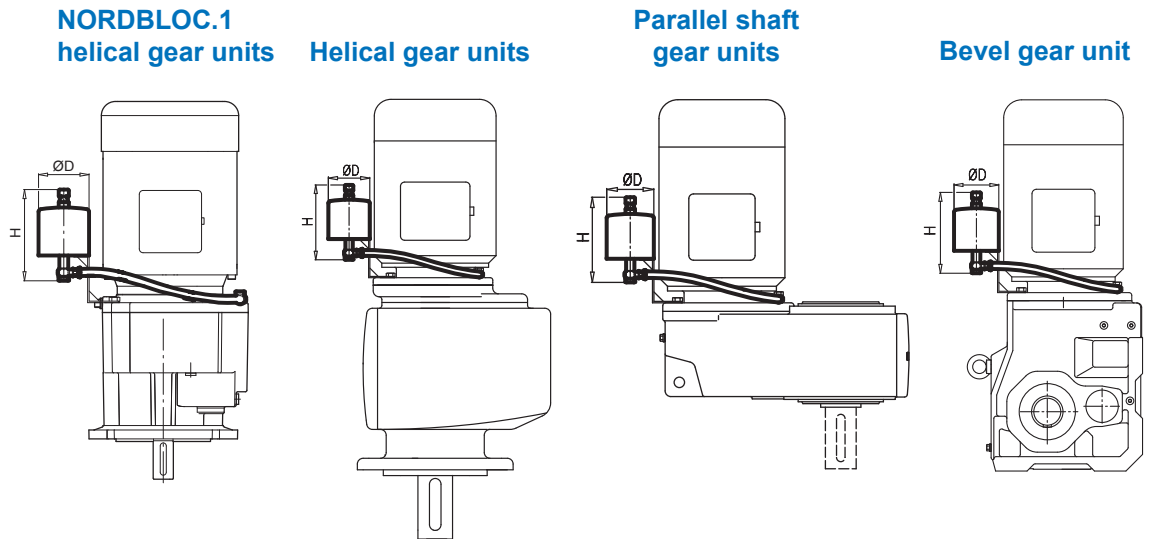
Gear units with a motor or input shaft mounted vertically upright have a high oil level for lubricating the 1st gear unit stage. The use of an optional oil expansion chamber for the vertical mounting position M4 (⇒ [A67](#)) prevents the possible leakage of oil from the vent plug if oil foaming occurs.

Oil storage tank if

- $i_{ges} < 20$
- $n < 1800$ rpm

NORD therefore strongly recommends that an oil expansion tank is used for gear ratios $i_{ges} < 20$ and for helical gear units size SK 42 and higher, for parallel shaft gear units SK 4282 to SK 8282 and higher, and for bevel gear units size SK 9042.1 and higher where the vertical mounting position M4 is used. Otherwise, no warranty is accepted.

Even for smaller size gear units and other gear unit types such as helical worm gear units NORD strongly recommends the use of an oil expansion vessel for gear ratios $i_{ges} < 20$ and motor speed greater 1800 min^{-1} (87 Hz characteristic curve).



NORDBLOC.1 helical gear units	Helical gear units	Parallel shaft gear units	Bevel gear unit	Size	D [mm]	H [mm]	[kg]
SK 572.1 / SK 573.1 SK 672.1 / SK 673.1 SK 772.1 / SK 773.1 SK 872.1 / SK 873.1 SK 972.1 / SK 973.1	SK 42 / SK 43 SK 52 / SK 53 SK 63	SK 4282 / SK 4382 SK 5282 / SK 5382 SK 6382	SK 9042.1 / SK 9043.1 SK 9052.1 / SK 9053.1	I	100	180	5
	SK 62 SK 72 / SK 73	SK 6282 SK 7282 / SK 7382	SK 9072.1 SK 9082.1	II	150	300	6
	SK 82 / SK 83 SK 92 / SK 93 SK 102 / SK 103	SK 8282 / SK 8382	SK 9086.1 SK 9092.1 SK 9096.1	III	180	300	7

As standard in the installation position M4, large parallel shaft gear units of size SK9282 and larger are equipped with an oil storage tank (⇒ [A53](#)).

Oil tank storage with mounting position M4, with the motor mounted vertically upright

Oil storage tanks are located above the gearbox and increase the oil level so that the oil level in the oil storage tank is always above the level in the gearbox. As all rotating components are completely below the surface of the oil, oil foaming is prevented. In addition, even with vertical designs, all bearings are lubricated in an oil bath.

Oil storage tanks are larger than oil expansion chambers and due to the additional vent pipes have two oil pipes which connect the oil storage tank to the gearbox. The oil level should be checked in the oil storage tank.

NORD strongly recommends that oil storage tanks are used for large parallel shaft gear units SK 9282 to SK 12382 when the vertical mounting position M4 is used (⇒ [A67](#)). Otherwise, no warranty is accepted.

As standard, the oil storage tank is included as a kit which comprises the necessary oil lines, fixing material and assembly instructions. This enables the gear unit to be transported more cheaply and safely. In addition, the position of the oil storage tank can be determined on site during assembly.

We will be glad to provide detailed information regarding the positioning possibilities and dimensions of the oil level tank on request (WN 0-521 31).

As standard, the parallel shaft gear unit types SK9282 / SK9382 and SK10382.1 are supplied filled with the quantity of oil stated in ⇒ [A78](#). On commissioning, the oil storage tank requires an additional quantity of approx. 30 litres of oil in order to maintain its recommended level. The standard delivery is made without this additional quantity of oil. However, a suitable container of oil can be supplied on request, subject to an extra charge.

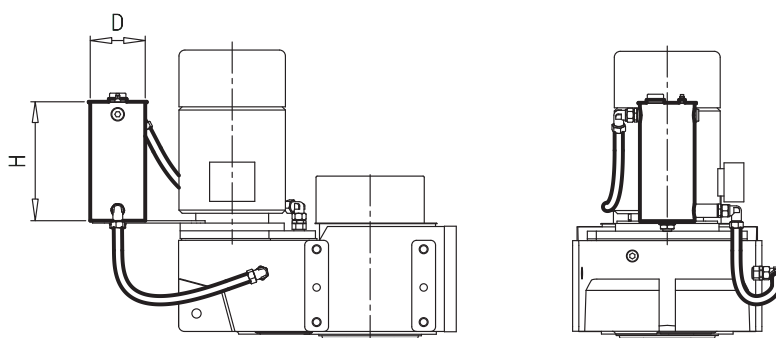
As standard, the parallel shaft gear unit types SK11382.1 and SK12382 are supplied without oil. With the use of an oil storage tank, the necessary quantity of oil is increased by approx. 40 litres compared with the quantity stated on page ⇒ [A78-79](#).

Use of NORD
oil storage tanks

Oil storage tank
kit

Oil quantity

Supply without oil









Getriebetyp	Größe	D [mm]	H [mm]	zusätzliche Ölmenge [L]	Behältervolumen [L]
SK 9282 / SK 9382 SK 10382.1	I	185	390	ca. 30	10
SK 11382.1 SK 12382	II	320	390	ca. 40	30

Lubricants

Lubricants

This table shows comparable lubricants from various manufacturers. The manufacturer can be changed within a particular viscosity or lubricant type. We must be contacted in case of change of viscosity or lubricant type, as otherwise no warranty for the functionality of our gearboxes can be accepted.







Lubricant type	Details on type plate	Ambient temperature						
Mineral oil	CLP 680	Worm gear units ISO VG 680 0...40°C	Energol GR-XP 680	Alpha EP 680 Alpha SP 680 Optigear BM 680 Tribol 1100/680	Renolin CLP 680 CLP 680 Plus	Klüberoil GEM 1-680N	Mobilgear 600 XP 680	Omala S2 G 680
	CLP 220	ISO VG 220 -10...40°C standard version	Energol GR-XP 220	Alpha EP 220 Alpha SP 220 Optigear BM 220 Tribol 1100/220	Renolin CLP 220 CLP 220 Plus	Klüberoil GEM 1-220N	Mobilgear 600 XP 220	Omala S2 G 220
	CLP 100	ISO VG 100 -15...25°C	Energol GR-XP 100	Alpha EP 100 Alpha SP 100 Optigear BM 100 Tribol 1100/100	Renolin CLP 100 CLP 100 Plus	Klüberoil GEM 1-100N	Mobilgear 600 XP 100	Omala S2 G 100
Synthetic oil (Polyglycol)	CLP PG 680	Worm gear units ISO VG 680 -20...40°C standard version	-	Alphasyn GS 680 Tribol 800/680	Renolin PG 680	Klübersynth GH 6-680	Mobil Glygoyle HE220	Omala S4 WE 680
	CLP PG 220	ISO VG 220 -25...80°C	Enersyn SG-XP 220	Alphasyn GS 220 Alphasyn PG 220 Tribol 800/220	Renolin PG 220	Klübersynth GH 6-220	Mobil Glygoyle 220	Omala S4 WE 220
Synthetic oil (hydrocarbons)	CLP HC 460	Worm gear units ISO VG 460 * -30...80°C	-	Alphasyn EP 460 Tribol 1510/460 Optigear Synthetic X 460	Renolin Unisyn CLP 460	Klübersynth GEM 4-460N	Mobil SHC 634	Omala 460 S4 GX
	CLP HC 220	ISO VG 220 * -40...80°C	-	Alphasyn EP 220 Tribol 1510/220 Optigear Synthetic X 220	Renolin Unisyn CLP 220	Klübersynth GEM 4-220N	Mobil SHC 630	Omala S4 GX 220
Bio-degradable oil	CLP E 680	Worm gear units ISO VG 680 -5...40°C	-	-	Plantogear 680 S	-	-	-
	CLP E 220	ISO VG 220 -5...40°C	-	Tribol Bio Top 1418/220	Plantogear 220 S	Klübersynth GEM 2-220	-	Naturelle Gear Fluid EP 220
Food compatible oil ¹⁾	CLP PG H1 680	Worm gear units ISO VG 680 -5...40°C	-	Tribol FoodPoof 1800/680	-	Klüberoil UH1-680N	Mobil Glygoyle 680	Cassida Fluid WG 680
	CLP PG H1 220	ISO VG 220 -25...40°C	-	Tribol FoodPoof 1800/220	-	Klübersynth UH1 6-220	Mobil Glygoyle 220	Cassida Fluid WG 220
	CLP PG H1 680	ISO VG 680 -5...40°C	-	Optileb GT680	Gerallyn SF 680	Klüberoil 4 UH1-680N	-	Cassida Fluid GL 680
	CLP PG H1 220	ISO VG 220 -25...40°C	-	Optileb GT 220	Gerallyn SF 220	Klüberoil 4 UH1-220N	Mobil SHC Cibus 220	Cassida Fluid GL 220
Gear unit liquid grease GP 00 K-30			Ener-grease LS-EP 00	Longtime PD 00 Tribol 3020/1000-00**	Renolit Duraplex EP00	Microlube GB 00 (-20...90/150°C)	Mobil Chassis Grease LBZ	Alvania EP(LF)2
Polyglycol-based GP PG 00 K-30			-	-	Renolit LST 00	Klübersynth GE 46-1200	Mobil Glygoyle Grease 00	
Polyalphaolefine-based GP HC 00 K-30			-	-	-	Klübersynth UH1 14-1600 ¹⁾	Mobilith SHC 007	Cassida RLS 00

* Above 60°C shaft sealing rings made from special materials must be used.

** For very low speeds

1) Food-compatible oils + greases as per Regulation H1 / FDA 178.3570

Bearing lubricant types

Lubricant type according to DIN 51502	Ambient-temperature	Operating-temperature						
Mineral oil-based grease								
K2K-20 or KP2K-20	-20 to 60°C	-20 ... 120°C	Energrease LS2-EP2	Spheerol EPL 2	Renolit GP 2	-	-	Alvania EP(LF)2 Alvania RL2 (K2N-20)
K 2 K -30 or KP 2 K -30 Mineral oil based	-30 to 60°C (normal)	-30 ... 120 °C	-	Longtime PD 2	Renolit GP 2 Renolit LZR 2H	-	Mobilux EP 2	-
K 2 G -50 or KP 2 G -50 Low temperature grease**	*-50 ... 40°C	-50 ... 100 °C	-	-	Renocal FN 745/94	Isoflex Topas L152	-	-
KP 1 K -50	-	-50 ... 120°C	-	-	Renolit JP 1619	-	-	-
K 2 K -50	-	-50 ... 120°C	-	Optitemp LG2	-	-	-	-
Synthetic greases								
KP PG 2 N-30 Polyglycol-based	*-25...80°C	-30 ... 140°C	-	-	Renolit LST 2	-	-	-
KP HC 2 K-30	-	-30 ... 120°C	-	-	-	Petamo GHY 133N (K HC 2P-30)	-	Cassida EPS2
KP HC 2 N-40 Polyalphaolefine-based	-25 ... 80°C	-40 ... 140°C	-	Spheerol SY 2202	Renolit HLT 2	Isoflex Topas NCA 52 Klüberplex BEM 41-132	Mobilith SHC 220	-
KP HC 2 P-40	-	-40 ... 160°C	Energrease SY2202	Tribol 4747	-	-	-	-
K HC 1 E-50	-50 ... 80°C	-50 ... 80°C	-	-	-	-	-	Cassida LTS1 (PAO, HSF H1)
Rapidly biodegradable grease								
KP E 2 K-30 or K E 2 K-30	-25...40°C	-30 ... 120°C	Biogrease EP 2	-	-	-	-	Naturelle Grease EP2
KP E 2 K-40	-	-40 ... 120°C	-	-	Plantogel 2 S	-	Mobil SHC Grease 102 EAL	-
KP E 2 N -40	-	-40 ... 140°C	-	-	-	Klüberbio M 72-82	-	-
Food-compatible grease H1/FDA								
K 2 K -30 or KP 2 K -30	-25...40°C	-30 ... 120°C	-	Obeen UF2	-	Klübersynth UH1 14-151(222)	Mobilgrease FM 222	Cassida RLS 2
K 2 N -20 or KP 2 N -20	-	-20 ... 140°C	-	-	Renolit G7 FG1	-	-	-
KP HC 2 K-30	-25...40°C	-30 ... 120°C	-	-	-	-	-	Cassida RLS 2 Cassida EPS 2

* For ambient temperatures below -30°C and above 60°C shaft sealing rings with special material qualities must be used.

** Greases based on mineral oil or basic oils which can be mixed with mineral oil (PAO, HC, ester)

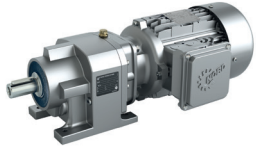
Please note that some greases which have different soap bases may not be mixed. The lubricant supplier should be consulted if the type of grease is changed.

Standards, regulations

Nomenclature

NORDBLOC.1 helical gear units

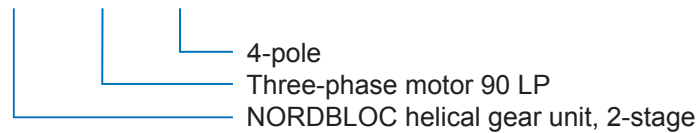
Sizes



2-stage	3-stage
SK 072.1	
SK 172.1	
SK 372.1	SK 373.1
SK 572.1	SK 573.1
SK 672.1	SK 673.1
SK 772.1	SK 773.1
SK 872.1	SK 873.1
SK 972.1	SK 973.1

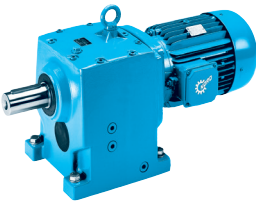
Order example

SK 772.1 - 90 LP/4



Helical gear units

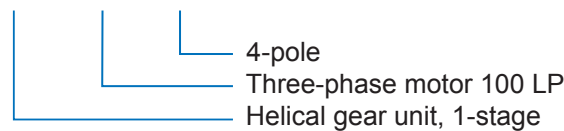
Sizes



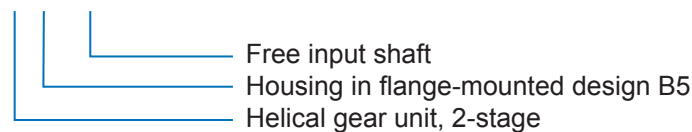
1-stage	2-stage	3-stage	4-stage	5-stage	6-stage
			Double gear units		
	SK 02	SK 03			
SK 11 E	SK 12	SK 13	SK 12/02		
SK 21 E	SK 22	SK 23	SK 22/02		
SK 31 E	SK 32	SK 33 N	SK 32/12		
SK 41 E	SK 42	SK 43	SK 42/ 2		
SK 51 E	SK 52	SK 53	SK 52/12		
	SK 62	SK 63		SK 63/22	SK 63/23
	SK 72	SK 73		SK 73/22, SK 73/32	SK 73/23
	SK 82	SK 83		SK 83/32, SK 83/42	SK 83/33 N
	SK 92	SK 93		SK 93/42, SK 93/52	SK 93/43
	SK 102	SK 103		SK 103/52	SK 103/53

Order example

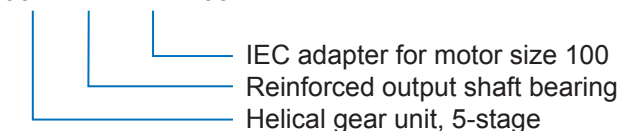
SK 31 E - 100 LP/4



SK 52 F - W



SK 93/42 VL - IEC 100



Parallel shaft gear units

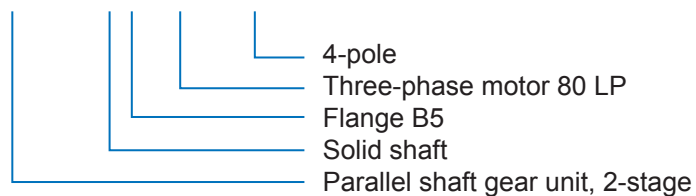
Sizes

Informations

2-stage	3-stage	4-stage	5-stage
		Double gear units	
SK 1282		SK 1282/02	
SK 2282	SK 2382	SK 2282/02	
SK 3282	SK 3382	SK 3282/12	
SK 4282	SK 4382	SK 4282/ 2	
SK 5282	SK 5382	SK 5282/12	
SK 6282	SK 6382		SK 6382/22, SK 6382/32
SK 7282	SK 7382		SK 7382/22, SK 7382/32
SK 8282	SK 8382		SK 8382/32, SK 8382/42
SK 9282	SK 9382		SK 9382/42, SK 9382/52
	SK 10382.1		SK 10382.1/52
	SK 11382.1		SK 11382.1/52
	SK 12382		

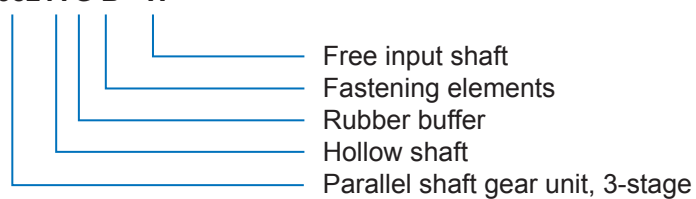


SK 1282 / V F - 80 LP/4

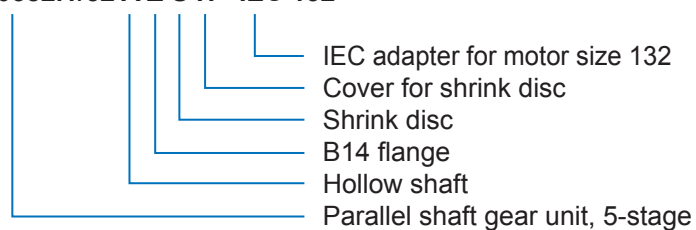


Order example

SK 8382 A G B - W



SK 10382.1/52 A Z S H - IEC 132

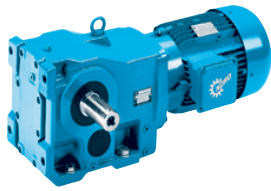
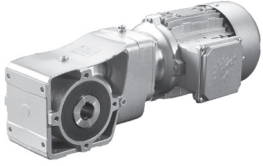


Standards, regulations

Nomenclature

Bevel gear units

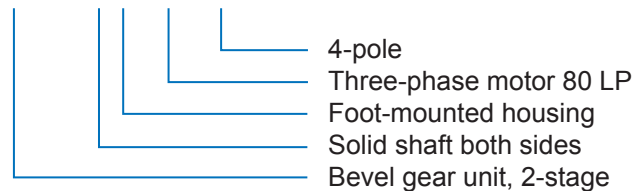
Sizes



2-stage	3-stage	4-stage	5-stage	6-stage
			Double gear units	
SK 92072.1	SK 9012.1	SK 9013.1		
SK 92172.1	SK 9016.1	SK 9017.1		
SK 92372.1	SK 9022.1	SK 9023.1		
SK 92672.1	SK 9032.1	SK 9033.1		
SK 92772.1	SK 9042.1	SK 9043.1		
	SK 9052.1	SK 9053.1		
	SK 9072.1		SK 9072.1/32, SK 9072.1/42	
	SK 9082.1		SK 9082.1/42, SK 9082.1/52	
	SK 9086.1		SK 9086.1/52	
	SK 9092.1		SK 9092.1/52	
	SK 9096.1		SK 9096.1/62	SK 9096.1/63

Order examples:

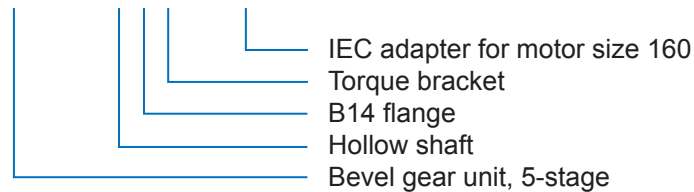
SK 92372.1 L X - 80 LP/4



SK 9033.1 A F - W



SK 9086.1/52 A Z K - IEC 160

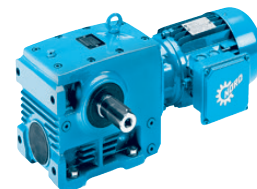


Helical worm gear units

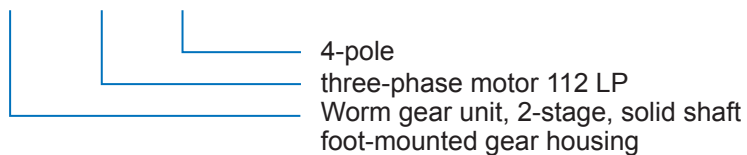
Sizes

Informations

2-stage	3-stage
SK 02050	SK 13050
SK 12063	SK 13063
SK 12080	SK 13080
SK 32100	SK 33100
SK 42125	SK 43125

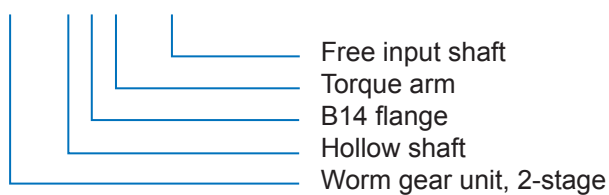


SK 12080 - 112 MP/4

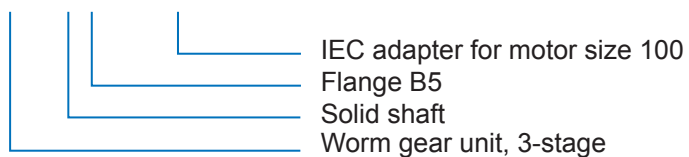


Order examples:

SK 32100 A Z D - W



SK 43125 V F - IEC 100



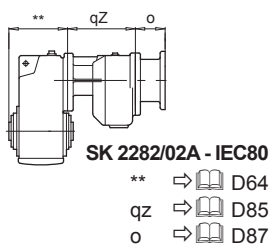
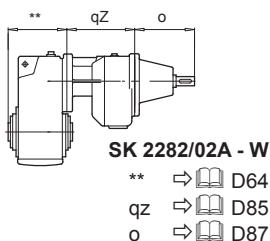
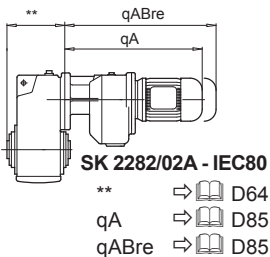
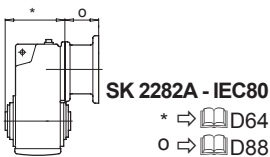
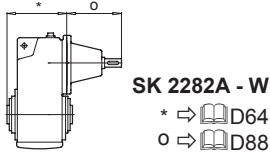
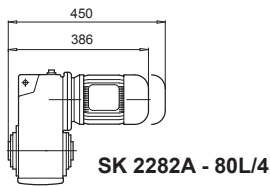
Standards, regulations Nomenclature

Information for dimensioned drawings, geared motors and gear units

Die einfache Erstellung von CAD - Zeichnungen (Maßbilder, Umrisszeichnungen und 3D-Modelle) ist jederzeit "online" im Internet mit der NORD-Software NORDCAD möglich!

Addition example for dimension drawings

Parallel shaft gear unit SK 2282A



The gear unit motors are dimensioned directly in the dimension drawings.

- For gear units
- Attachment housings
 - As double gear units
 - With free drive shaft (W)
 - For mounting IEC standard motors (IEC)

the overall dimension must be added together from the individual dimension drawings.

General information regarding * and **





*) With the versions W or IEC, if there are several values given for “ * ” in the dimensional drawings, the value without brackets generally applies. The value listed in the following table must be added/subtracted for the respective gear- W or gear - IEC combinations..

Type	[mm]										
	W	IEC 100	IEC 112	IEC 132	IEC 160	IEC 180	IEC 200	IEC 225	IEC 250	IEC 280	IEC 315
SK 82	16	-	-	-	-	-	-	-	16	16	-
SK 92	14	-	-	-	-	-	-	-	14	14	14
SK 93	0	-	-	-	-	-	-	-	14	14	-
SK 103	16	-	-	-	-	-	-	-	16	16	16
SK 8282	15	-	-	-	-	-	-	-	15	15	-
SK 9282	15	-	-	-	-	-	-	-	15	15	15
SK 9382	0	-	-	-	-	-	-	-	15	15	-
SK 10382.1	16	-	-	-	-	-	-	-	16	16	16
SK 11382.1	9	-	-	-	-	-	-	-	-	-	9
SK 12382	9	-	-	-	-	-	-	-	-	-	9
SK 9072.1	-18	-18	-18	-18	-18	-18	-18	-18	-	-	-
SK 9082.1	-20	-	-	-	-	-	-	-	-20	-20	8
SK 9086.1	-20	-	-	-	-	-	-	-	-20	-20	8
SK 9092.1	16	-	-	-	-	-	-	-	-16	-16	-11
SK 9096.1	0	-	-	-	-	-13	-13	-13	-	-	-


**) With double gear units, if several values are stated for “ ** ” in the dimensional drawings, the value without brackets generally applies. The value listed in the following table must be added or subtracted for the respective double gear unit combination.

Type	[mm]
SK 63 / 22, 23	4
SK 73 /22, 23	-22
SK 73 / 32	-22
SK 6382 / 22	4
SK 7382 / 22	-22
SK 7382 / 32	-22
SK 9092.1 / 52	16
SK 9096.1 / 62	-13
SK 9096.1 / 63	-13

Tolerances

Output and input shafts	Hollow shafts	Customer' shafts
Shaft tolerances - \varnothing (DIN 748) $\varnothing 14 - \varnothing 50 \text{ mm} = \text{ISO k6}$ $> \varnothing 50 \text{ mm} = \text{ISO m6}$	Hollow shaft tolerances - \varnothing (DIN 748) according to ISO H7	Tolerance of customer's shaft journal as per ISO h6 with load classification "C" (see Table \Rightarrow  A18) as per ISO k6 L = Length of plug-in shaft DIN 5480 recommended fit 8f Tolerance of customer's shaft journal with shrink disc as per ISO h6 or f6
Threaded holes according to DIN 332, Sheet 2: $= \varnothing 13 - \varnothing 16 \Rightarrow \text{M5}$ $> \varnothing 16 - \varnothing 21 \Rightarrow \text{M6}$ $> \varnothing 21 - \varnothing 24 \Rightarrow \text{M8}$ $> \varnothing 24 - \varnothing 30 \Rightarrow \text{M10}$ $> \varnothing 30 - \varnothing 38 \Rightarrow \text{M12}$ $> \varnothing 38 - \varnothing 50 \Rightarrow \text{M16}$ $> \varnothing 50 - \varnothing 85 \Rightarrow \text{M20}$ $> \varnothing 85 - \varnothing 130 \Rightarrow \text{M24}$	Splined hub section DIN 5480 9H	
Parallel keys according to DIN 6885, sheets 1 and 3	Parallel keys according to DIN 6885, sheets 1 and 3	Parallel keys according to DIN 6885, sheets 1 and 3
* SK 9016.1 \Rightarrow  E84 SK 9017.1 \Rightarrow  E86	Hollow shaft with groove according to DIN 6885, sheet 3	
Frame size	Flanges	IEC and servo adapters
Shaft height "h" according to DIN 747	Tolerance of hole circle - \varnothing (DIN 42 948)	Tolerance of hole circle - \varnothing (DIN 42 948)
	Tolerance of flange centring - \varnothing (DIN 42 948) $\leq \varnothing 230 \text{ mm}$ according to ISO j6 $> \varnothing 230 \text{ mm}$ according to ISO h6	Tolerance of flange centring according to ISO H7 ** IEC preferred series: Marked in blue in the dimension tables \Rightarrow  B61-68
g1Bre } kBre } k1Bre } k2Bre } mBre } nBre } pBre } qABre } Brake motor dimensions	Some motor dimensions may change under certain circumstances. Threads: The fastening thread for use by the customer in cast components (housing / IEC attachment adapter, servo, WO... WV / Motor brackets MK) is a standard thread in accordance with DIN 13-1.	The housings are made of cast materials. Due to the manufacturing process, the non-machined surfaces may therefore deviate slightly from the nominal dimensions.

Abbreviations in the power and selection tables

Abbreviations	Description	Unit
f_B	Operating factor ($M_{2\max} / M_2$)	
$F_A^{1)}$	Permitted axial force on output side	[kN]
$F_R^{1)}$	Permitted radial load, force applied at the middle of the output shaft	[kN]
F_D	Pressure on rubber buffer	[N]
i_{tot}	Total speed ratio	
z_1	Number of worm threads	
z_2/z_1	Gear unit reduction ratio of worm gear unit	
i_1	Gear unit reduction ratio of helical gear unit	
M_2	Output torque	[Nm]
$M_{2\max}$	Maximum permissible output torque	[Nm]
n_2	Output speed	[rpm]
P_1	Input power of gear unit	[kW]
$P_{1\max}$	Maximum drive power	[kW]
VL	Reinforced bearings	
η	Efficiency	[%]
	Total weight of the geared motor	[kg]
1)	If a "-" is shown in the tables, reinforced bearings are not possible.	

Standards, regulations

Nomenclature

Structure of the power and gear ratio tables for gear motor types

0.55 kW → Geared motor power

Nominal power of motor

Output speed at nominal motor speed

Output torque

Operating factor

Total speed ratio

Gear unit type

Dimensioned drawing:
see page

Weight

P_1 [kW]	n_2 [rpm]	M_2 [Nm]	f_B	i_{tot}	F_R [kN]	F_A [kN]	F_{RVL} [kN]	F_{AVL} [kN]		kg	mm
0.12	1.0	* 775	0.8	1305.66	5.4	9.0	8.5	25.0	SK 32/12 - 63 S/4	47	C74/C91
	1.2	618	1.0	1080.05	6.0	9.0	8.9	25.0			
	1.5	497	1.2	869.04	6.3	9.0	9.1	25.0			
⋮											
0.55	3.5	760	0.9	#402.90	6.1	9.0	11.6	12.0	SK 12080 - 80 SH/4	39	F38-39
	5.1	697	1.0	#276.92	7.0	9.0	12.1	12.0			
	6.1	477	1.5	234.60	9.0	9.0	13.0	12.0			
	7.6	395	1.7	187.17	9.5	9.0	13.0	12.0			

* Maximum output torque
for $f_B = 0.8$

valid for worm gear units
- Only available in version .Z or .F

Permissible radial force on output side
Normal bearings
The listed values for F_R
are calculated for $F_A = 0$

Permitted axial force on output side
Normal bearings
The listed values for F_A
are calculated for $F_R = 0$

Permitted axial force
on output side
Reinforced bearings
(Except for SK 9072.1, bevel
gear units are only available
in the foot mounted version).
The listed values for F_A
are calculated for $F_R = 0$

Permissible radial force
on output side
Reinforced bearings
(Except for SK 9072.1, bevel gear
units are only available in the
foot mounted version). The listed values
for F_R are calculated for $F_A = 0$

Structure of the power and gear ratio tables: Type W and type IEC

SK 9072.1 → Gear unit type

Operating factors f_B with the IEC version are identical to the those of the same motor output with direct motor mounting. The f_B values are listed on the pages specified.

IEC motor sizes
IEC standard powers
according to
DIN EN 50347

	i_{tot}	n_2 $n_1 = 1400\text{rpm}$ [rpm]	M_{2max} $f_B = 1$ [Nm]	W			IEC $f_B \Rightarrow$ E4 - E42										
				P_{1max}		$f_B \geq 1$	IEC 100	IEC 112	IEC 132	IEC 160	IEC 180	IEC 200	IEC 225				
				$n_1 = 1400\text{rpm}$ [kW]	$n_1 = 930\text{rpm}$ [kW]									$n_1 = 700\text{rpm}$ [kW]			
SK 9072.1	245.76 206.84 186.86 157.27	5.7 6.8 7.5 8.9	8500 8500 8500 8500	5.07 6.05 6.68 7.92	3.35 3.99 4.41 5.23	2.54 3.03 3.34 3.96			*								
⋮									*	*	*						
	10.19 9.16	137 153	4700 4700	45.00 45.00	29.70 29.70	22.50 22.50											

Gear unit type

Speed ratio

Output speed

Max. output torque
Type W with $f_B = 1$

max. drive power P_{1max}
Type W

Asterisk indicates:
Caution, do not exceed
the maximum drive
power P_{1max} according
to the Type W column

Italics mean:
with P_{1max} the oper-
ating factor is $f_B > 1$

Non italic indicates:
For P_{1max} the operating
factor
is $f_B = 1$

A coloured field means:
IEC adapter is available
for this IEC motor size
and this reduction ratio

Standards, regulations

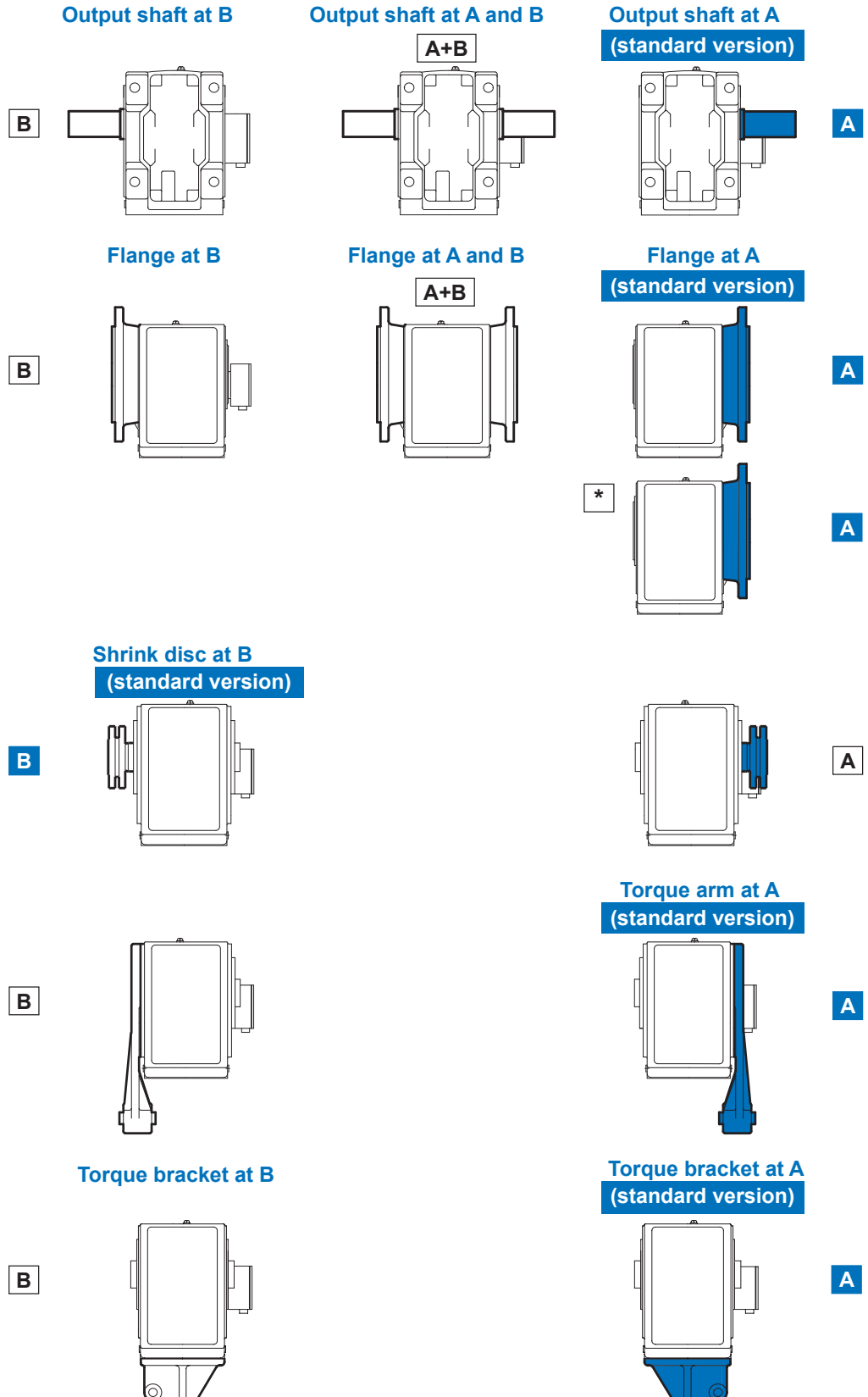
Nomenclature

Position of the shafts, flanges, torque arms and shrink discs for angular gear units

For bevel gear units and helical worm gear units, the position of the output shaft, the B5 flange, the torque arm and the shrink disc are defined as follows:

The definitions of sides A and B relate to the M1 version

For further details of versions M1 - M6 please refer to [A67](#)



Terminal box and cable gland

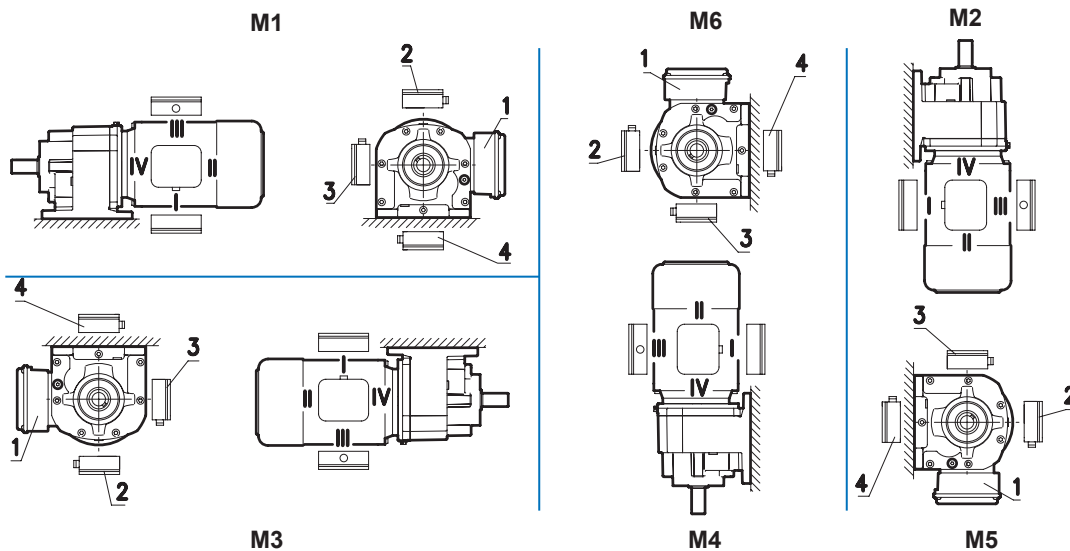
Terminal box at 1 and cable gland at I.

If a different configuration is required, please state this explicitly in the order. Please always enquire about the cable gland for IV.

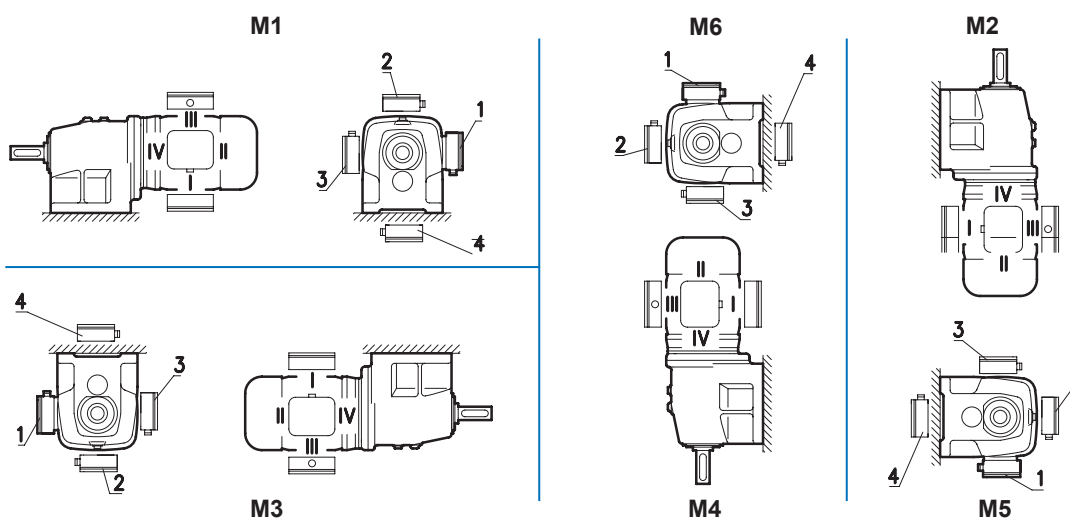
For size 63 to 132 brake motors, the cable gland at I and III are standard.

Standardversion

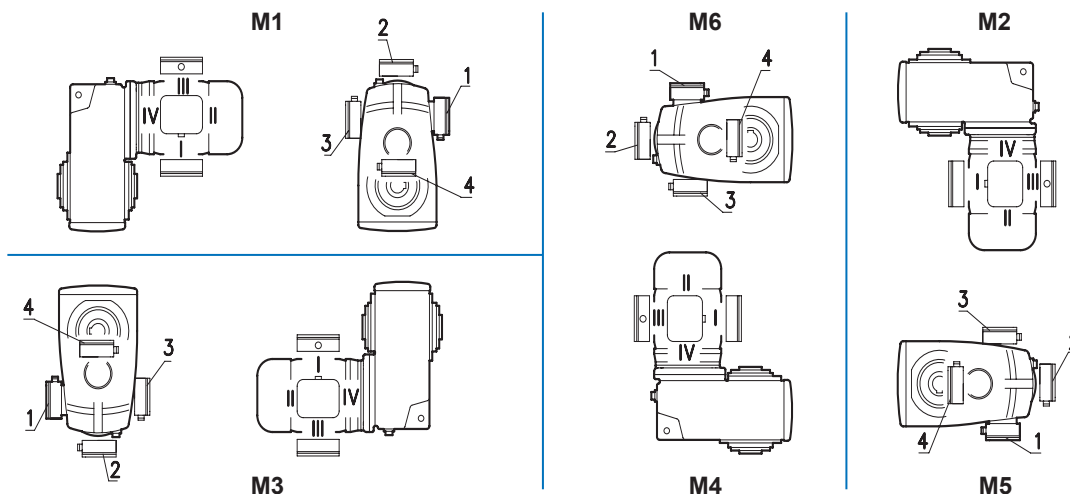
NORDBLOC.1
helical gear units



Helical gear units



Parallel shaft gear units



For further details of versions M1-M6 please refer to A67

Standards, regulations

Nomenclature

Terminal boxes and cable glands

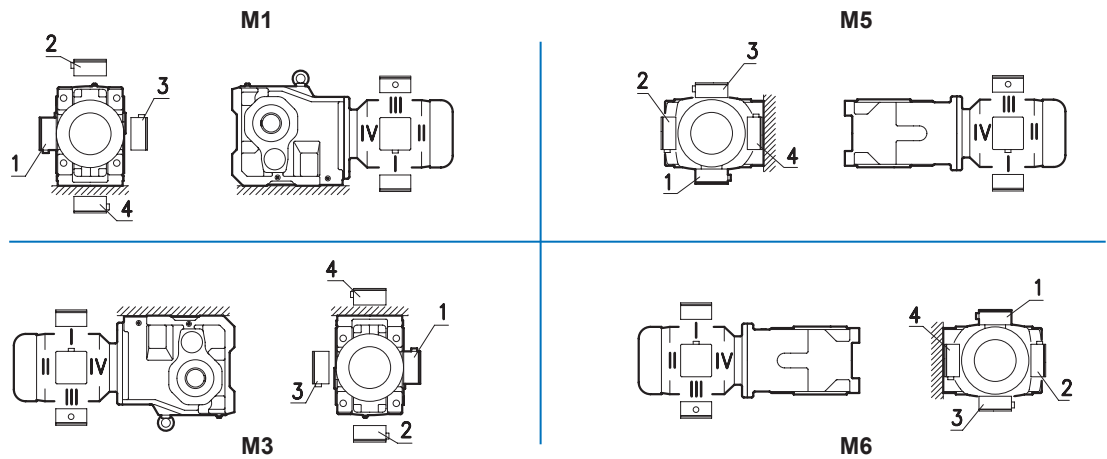
Standard version

Terminal box at 1 and cable gland at I.

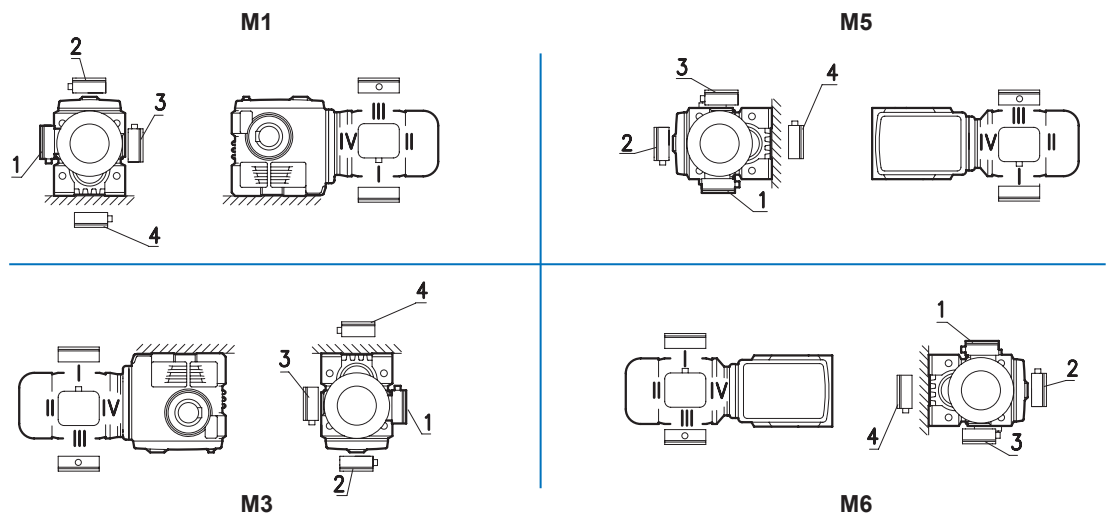
If a different configuration is required, please state this explicitly in the order. Please always enquire about the cable gland for IV.

For size 63 to 132 brake motors, the cable gland at I and III are standard.

Bevel gear units



Helical worm gear units



For further details of versions M1-M6 please refer to [A67](#)

Installation positions - nomenclature

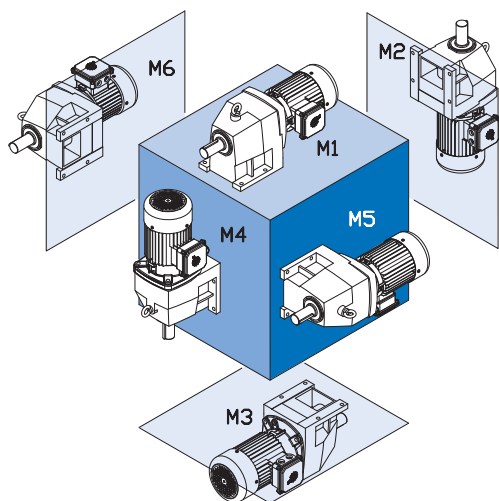
For gear units and geared motors, NORD specifies six installation positions from M1 to M6 as shown in the following diagrams. The relevant installation position must be stated when ordering.

Changes to the installation position require adjustment of the quantity of oil, and often other measures such as the installation of encapsulated roller bearings. Damage may result if the necessary measures are not observed. Tilted installation positions between the 6 basic positions are possible. Please contact us.

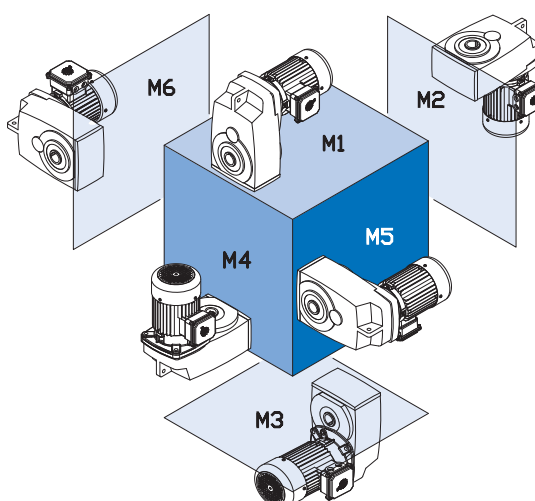
Installation positions
M1 - M6

Changes to
installation positions

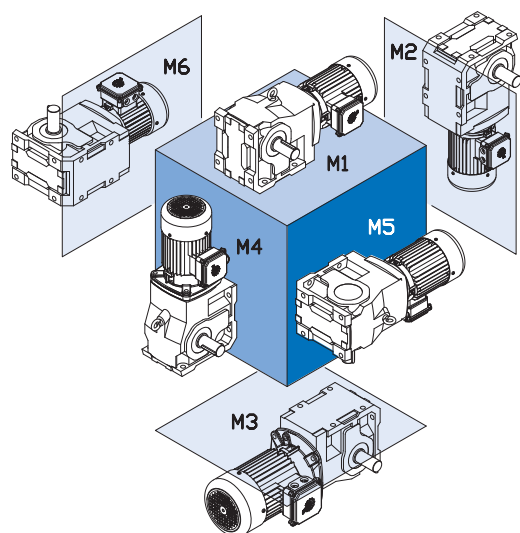
Helical gear units



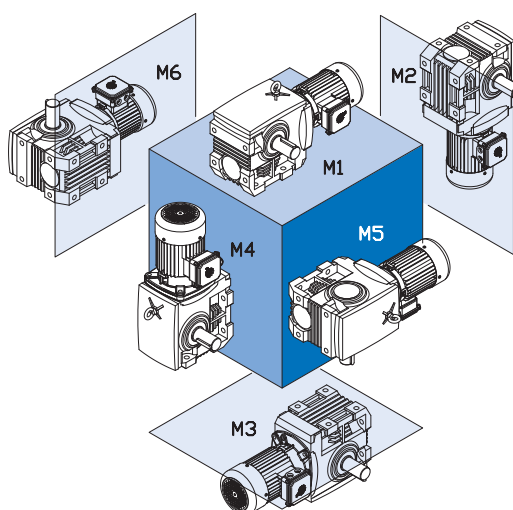
Parallel shaft gear units



Bevel gear unit



Helical worm gear units

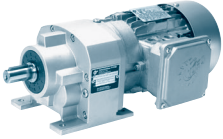


The versions, with the position of the oil level plug, the vent plug and the oil drain plug can be found on ⇒ [A68](#)




Standards, regulations

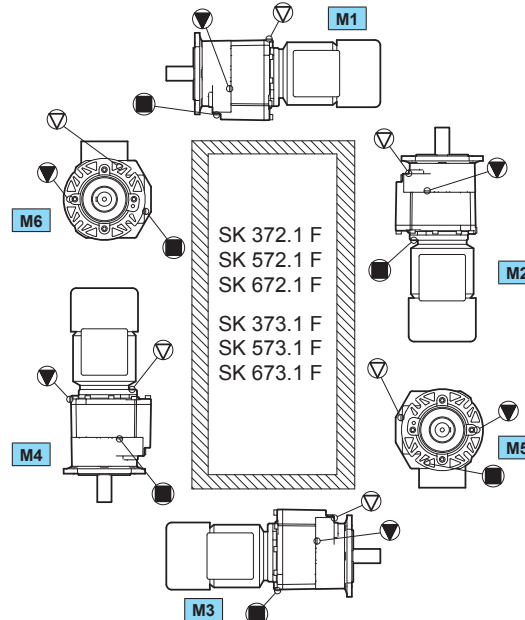
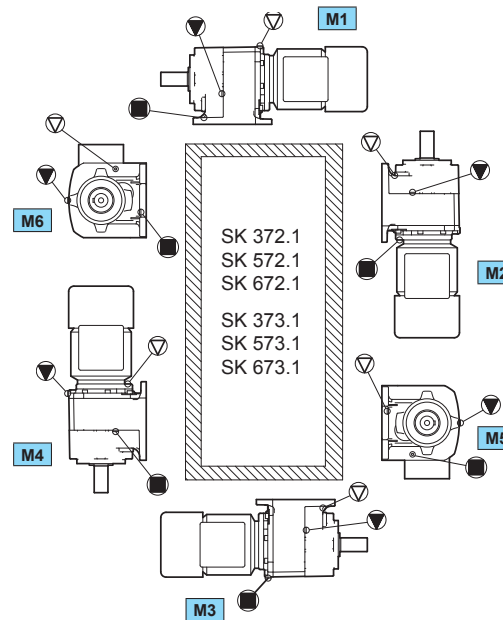
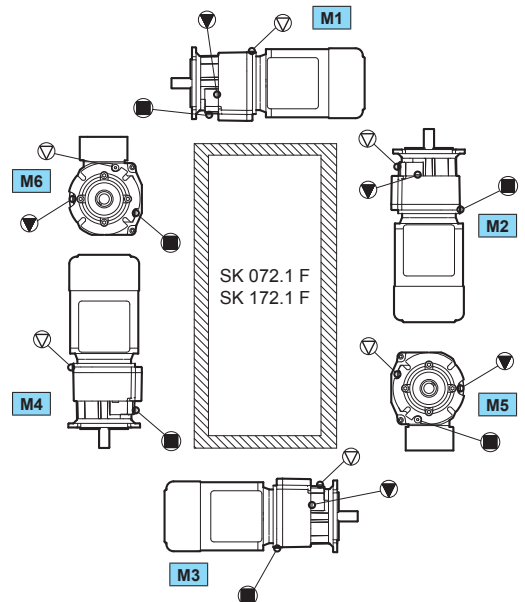
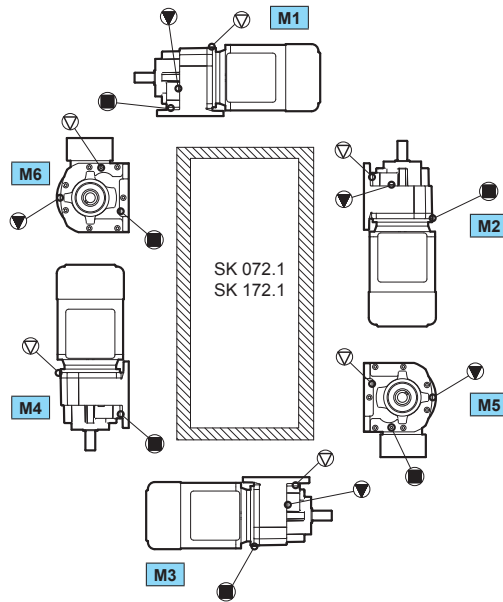
Nomenclature

NORDBLOC.1 helical gear units

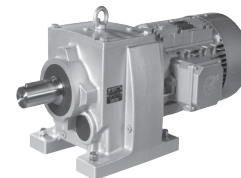


Symbols for oil screw plugs in the mounting positions

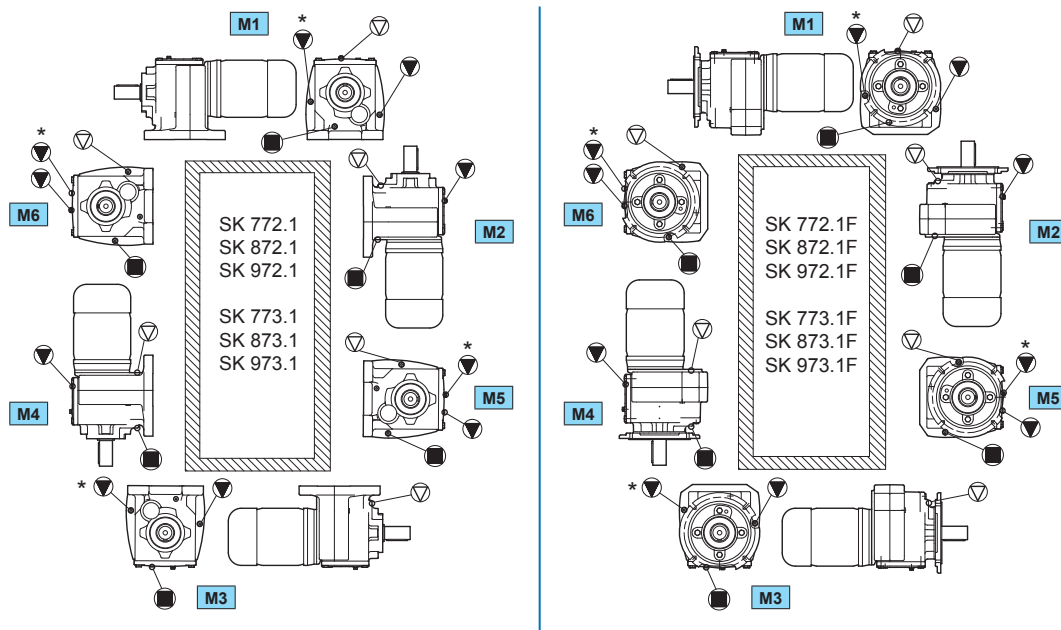
 Venting	 Oil level	 Oil drain
--	--	--



NORDBLOC.1 helical gear units



▽	▼	●
Venting	Oil level	Oil drain

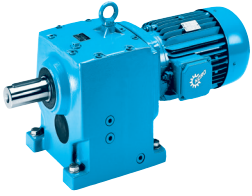





* SK 773.1(F) - SK 973.1(F)

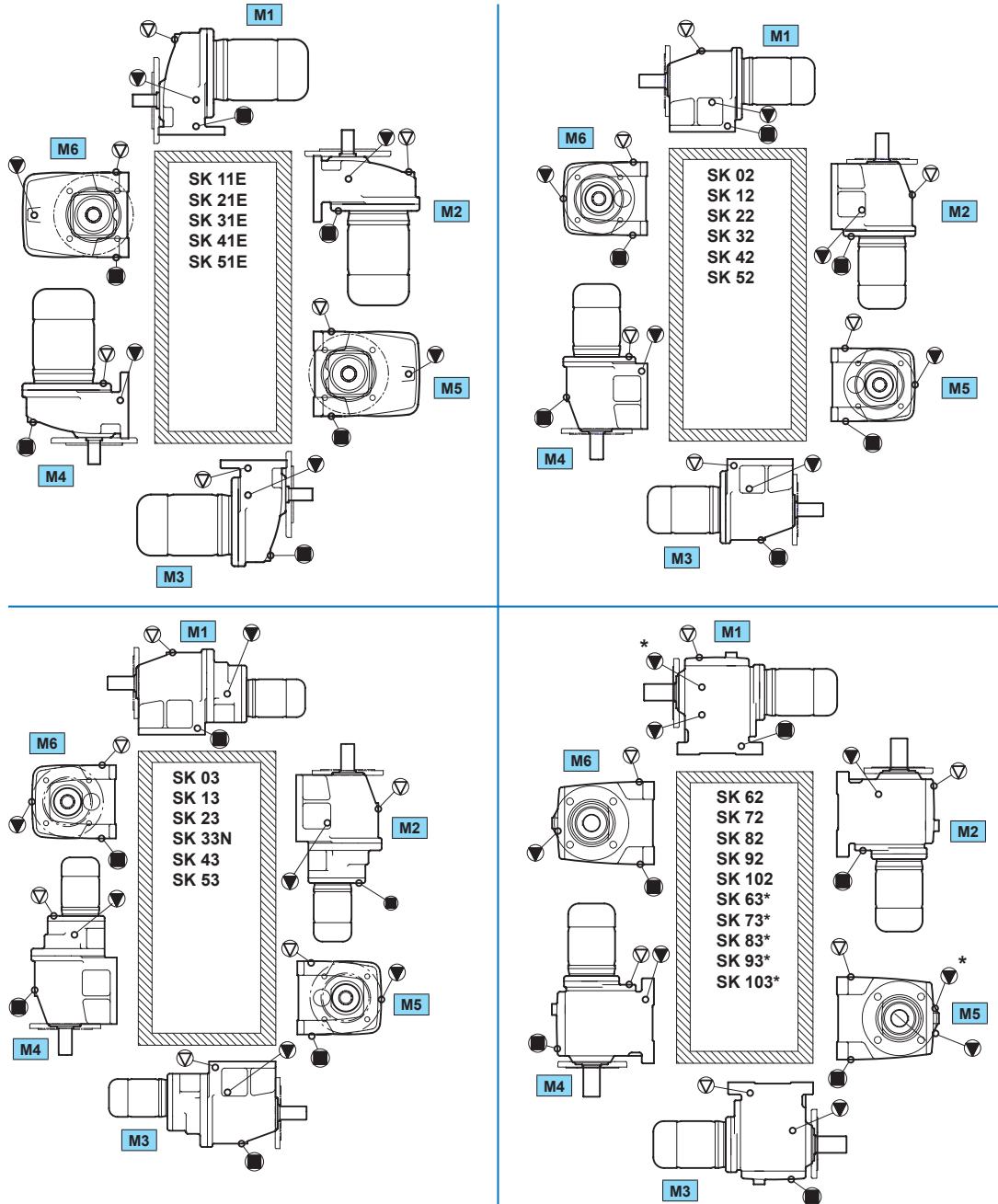
Standards, regulations

Nomenclature

Helical gear units Symbols for oil screw plugs in the mounting positions



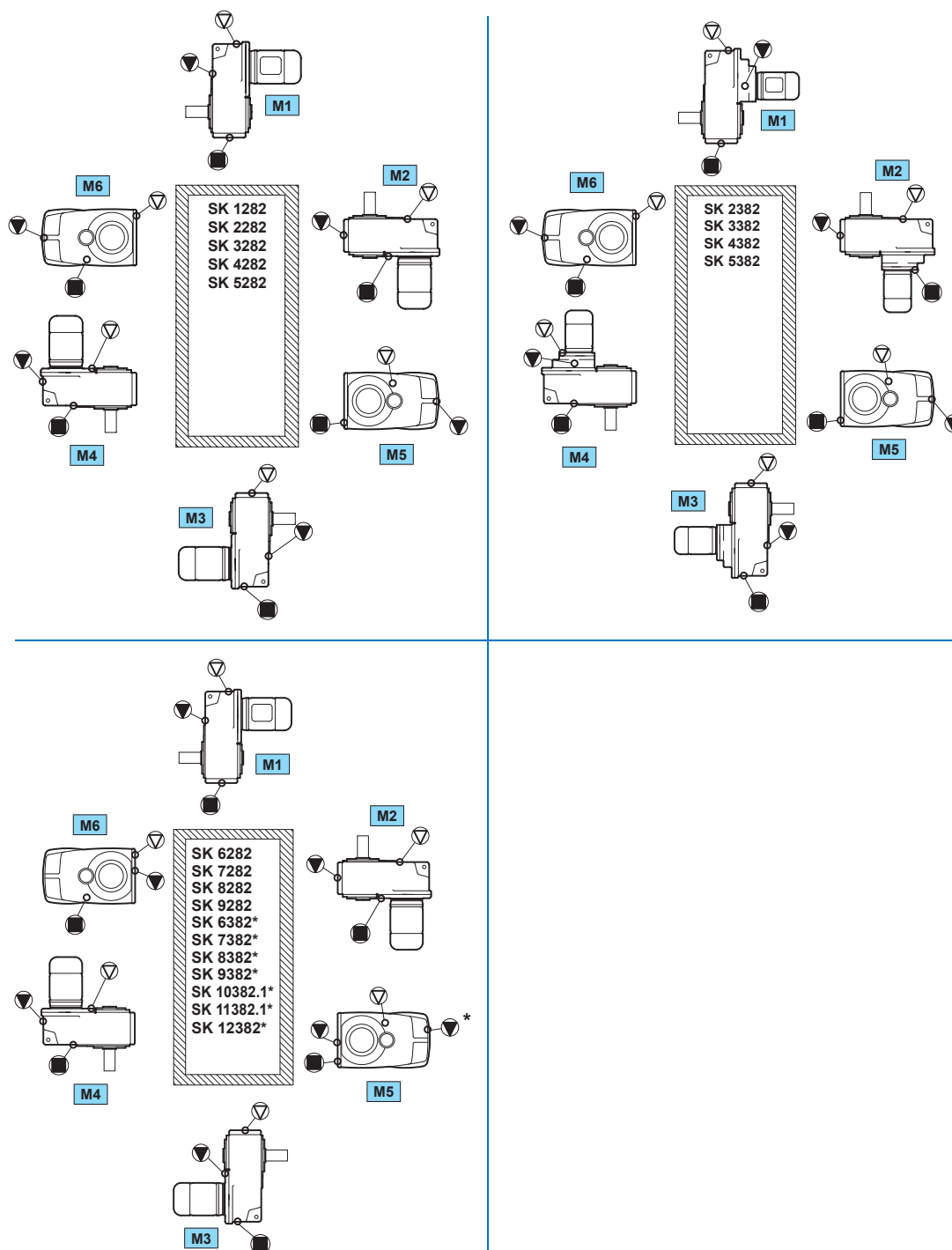
		
Venting	Oil level	Oil drain



Parallel shaft gear units



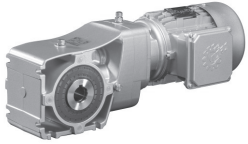
▽	▼	●
Venting	Oil level	Oil drain



Standards, regulations Nomenclature

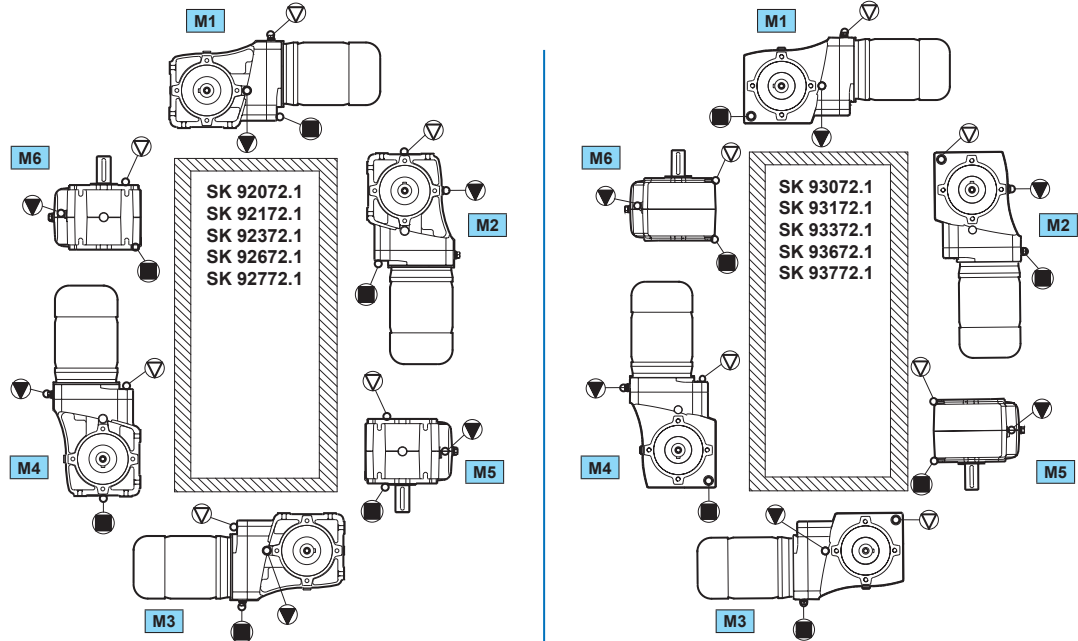
Bevel gear units

Symbols for oil screw plugs in the mounting positions



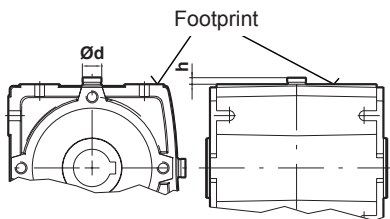
Vent	Oil level	Oil drain

Foot-mounted version

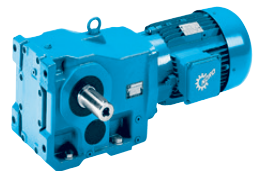


For the NORD gear unit series SK 92x72.1 it should be noted that for structural reasons, the venting or pressure relief screw can only be mounted on the side opposite to the motor and protrudes beyond the footprint.

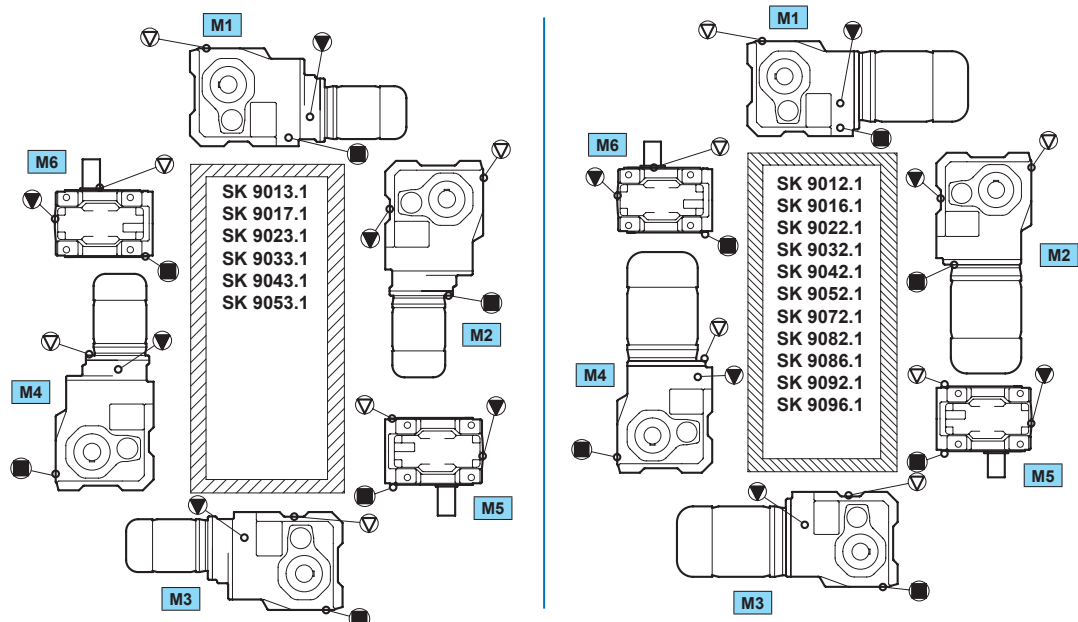
Refer to the table below for the required clearances $\varnothing d$ and h for the particular gear unit size. This should be considered for the customer's connection design.



Gear unit	Venting / pressure relief	$\varnothing d$ [mm]	h [mm]
92072.1	M8 x 1,0	15	12
92172.1	M10 x 1,0	17	15
92372.1	M12 x 1,5	21	15
92672.1	M12 x 1,5	21	15
92772.1	M12 x 1,5	21	15






Foot-mounted version

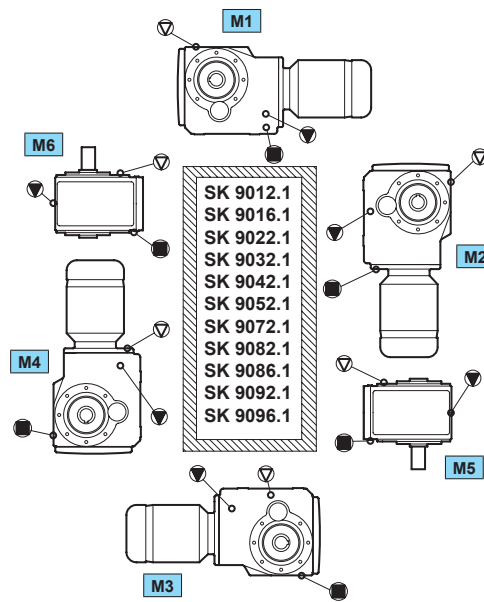
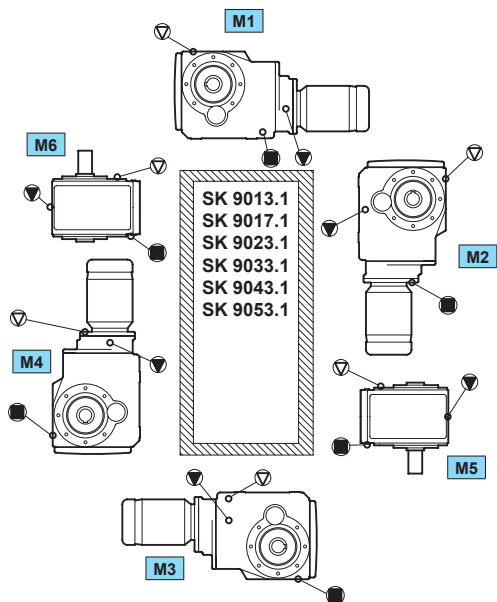


Bevel gear units



Push-on and
flange versions

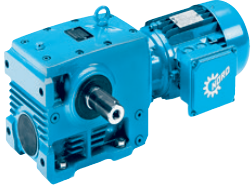
		
Vent	Oil level	Oil drain



Standards, regulations

Nomenclature

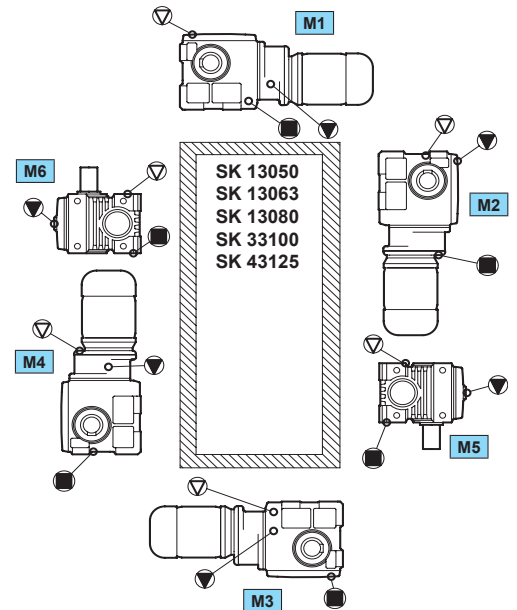
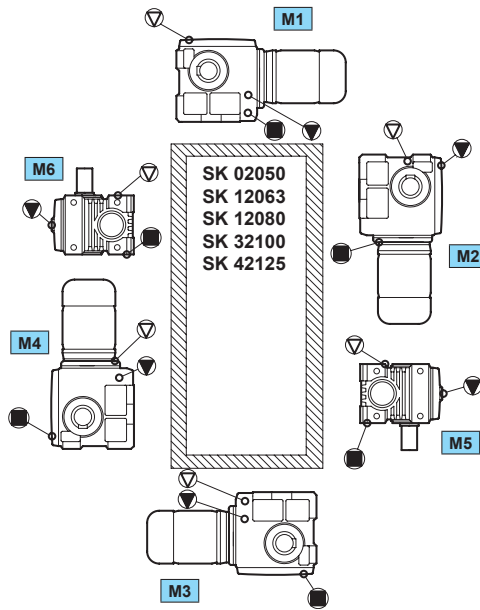
Helical worm gear units



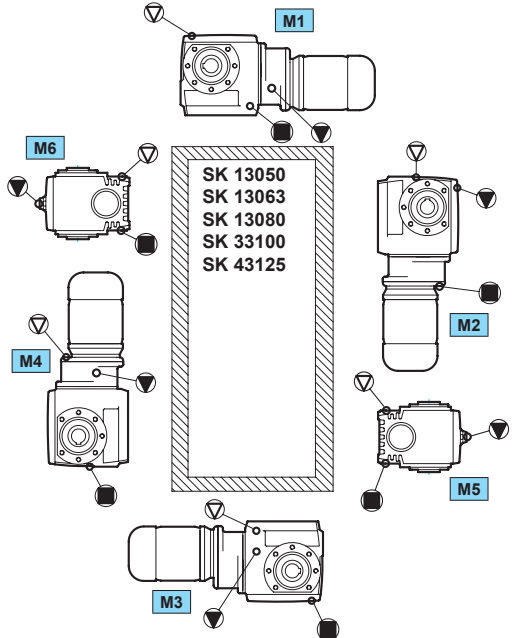
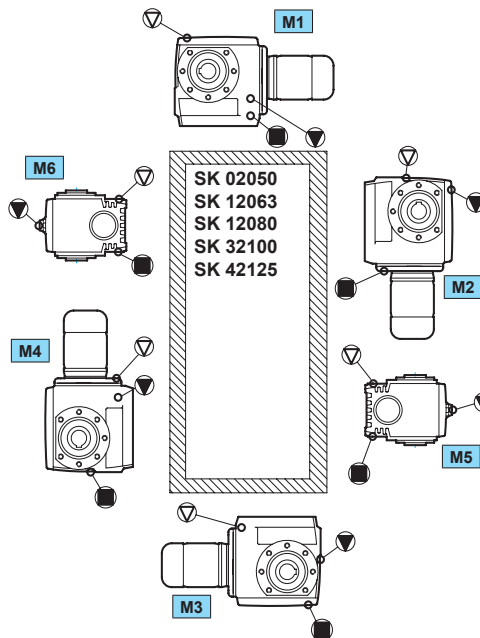
Foot-mounted version

Symbols for oil screw plugs in the mounting positions

Vent	Oil level	Oil drain




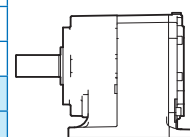
Push-on and flange versions




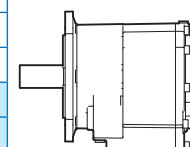


NORDBLOC.1 helical gear units

						Type
M1	M2	M3	M4	M5	M6	
0,16	0,32	0,21	0,23	0,18	0,20	SK 072.1
0,27	0,59	0,42	0,45	0,32	0,39	SK 172.1
0,45	1,05	0,75	1,00	0,60	0,65	SK 372.1
0,75	1,90	1,50	2,00	1,10	1,15	SK 572.1
1,10	2,60	2,15	2,70	1,55	1,65	SK 672.1
1,35	3,65	2,25	3,15	1,35	2,15	SK 772.1
3,20	8,00	5,30	7,00	2,80	4,60	SK 872.1
4,50	12,90	8,10	12,70	4,60	7,80	SK 972.1
2,00	3,65	2,25	3,15	1,35	2,15	SK 772.1 VL
5,00	8,00	5,30	7,00	2,80	4,60	SK 872.1 VL
8,50	12,90	8,10	12,70	4,60	7,80	SK 972.1 VL
0,45	1,05	0,75	1,00	0,60	0,65	SK 373.1
0,75	1,90	1,50	2,00	1,10	1,15	SK 573.1
1,10	2,60	2,15	2,70	1,55	1,65	SK 673.1
1,95	3,50	3,20	2,90	2,25	2,95	SK 773.1
4,05	7,60	6,85	6,55	5,00	6,55	SK 873.1
7,40	12,20	11,10	11,60	8,00	10,90	SK 973.1
1,95	3,50	3,20	2,90	2,25	2,95	SK 773.1 VL
4,05	7,60	6,85	6,55	5,00	6,55	SK 873.1 VL
7,40	12,20	11,10	11,60	8,00	10,90	SK 973.1 VL

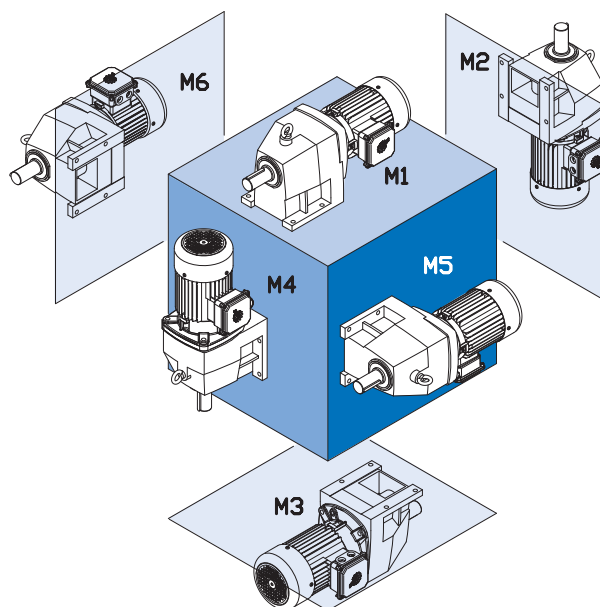


						Type
M1	M2	M3	M4	M5	M6	
0,16	0,32	0,21	0,23	0,18	0,20	SK 072.1 F
0,27	0,59	0,42	0,45	0,32	0,39	SK 172.1 F
0,45	1,05	0,75	1,00	0,60	0,65	SK 372.1 F
0,75	1,90	1,50	2,00	1,10	1,15	SK 572.1 F
1,10	2,60	2,15	2,70	1,55	1,65	SK 672.1 F
1,35	3,65	2,25	3,15	1,35	2,15	SK 772.1 F
3,20	8,00	5,30	7,00	2,80	4,60	SK 872.1 F
4,50	12,90	8,10	12,70	4,60	7,80	SK 972.1 F
2,00	3,65	2,25	3,15	1,35	2,15	SK 772.1 VL F
5,00	8,00	5,30	7,00	2,80	4,60	SK 872.1 VL F
8,50	12,90	8,10	12,70	4,60	7,80	SK 972.1 VL F
0,45	1,05	0,75	1,00	0,60	0,65	SK 373.1 F
0,75	1,90	1,50	2,00	1,10	1,15	SK 573.1 F
1,10	2,60	2,15	2,70	1,55	1,65	SK 673.1 F
1,95	3,50	3,20	2,90	2,25	2,95	SK 773.1 F
4,05	7,60	6,85	6,55	5,00	6,55	SK 873.1 F
7,40	12,20	11,10	11,60	8,00	10,90	SK 973.1 F
1,95	3,50	3,20	2,90	2,25	2,95	SK 773.1 VL F
4,05	7,60	6,85	6,55	5,00	6,55	SK 873.1 VL F
7,40	12,20	11,10	11,60	8,00	10,90	SK 973.1 VL F

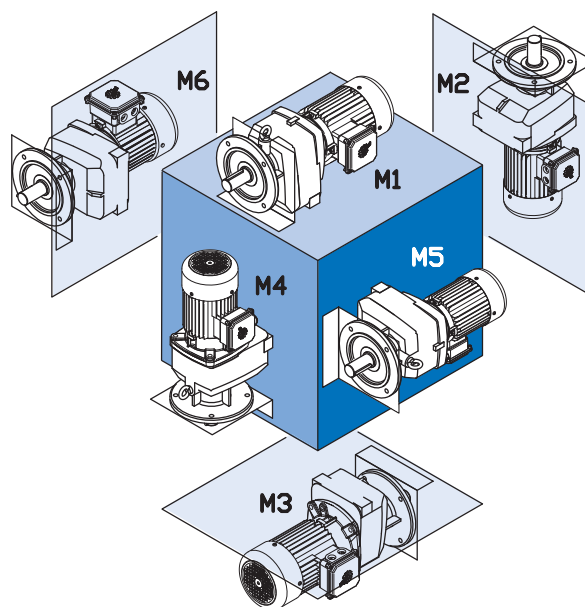





Helical gear units



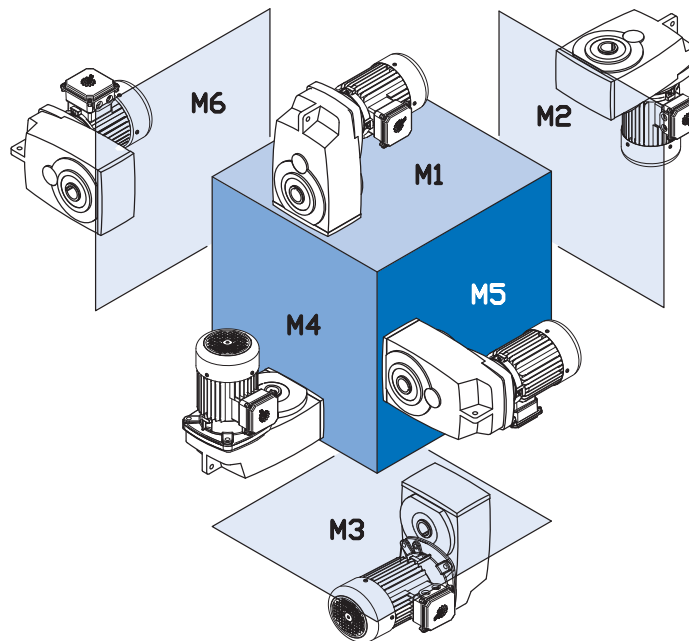
Type	[L]						
	M1	M2	M3	M4	M5	M6	
	SK 11E	0,25	0,50	0,65	0,50	0,40	0,40
	SK 21E	0,60	1,20	1,30	1,00	1,00	1,00
	SK 31E	1,10	2,00	2,20	1,70	1,50	1,50
	SK 41E	1,60	2,60	3,30	2,80	2,30	2,30
	SK 51E	1,80	3,50	4,10	4,00	3,80	3,80
	SK 02	0,20	0,75	0,75	0,65	0,60	0,60
	SK 12	0,25	0,80	0,85	0,75	0,55	0,55
	SK 22	0,50	1,90	2,10	1,80	1,40	1,40
	SK 32	0,90	2,50	3,10	3,10	2,00	2,00
	SK 42	1,40	4,50	4,50	4,30	3,20	3,20
	SK 52	2,50	7,00	6,80	6,80	5,10	5,10
	SK 62	6,50	15,00	13,00	16,00	15,00	15,00
	SK 72	10,00	23,00	18,00	26,00	23,00	23,00
	SK 82	14,00	35,00	27,00	44,00	32,00	32,00
	SK 92	25,00	73,00	47,00	76,00	52,00	52,00
	SK 102	36,00	79,00	66,00	102,00	71,00	71,00
	SK 03	0,35	1,20	0,80	1,00	0,70	0,70
	SK 13	0,75	1,30	1,30	1,20	0,75	0,75
	SK 23	1,20	2,00	1,90	2,40	1,60	1,60
	SK 33N	1,75	3,00	3,40	4,00	2,30	2,30
	SK 43	3,00	5,60	5,20	6,60	3,60	3,60
	SK 53	4,50	8,70	7,70	8,70	6,00	6,00
	SK 63	13,00	14,50	14,50	16,00	13,00	13,00
	SK 73	20,50	20,00	22,50	27,00	20,00	20,00
	SK 83	30,00	31,00	34,00	37,00	33,00	33,00
SK 93	53,00	70,00	59,00	72,00	49,00	49,00	
SK 103	74,00	71,00	74,00	97,00	67,00	67,00	


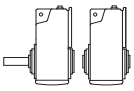
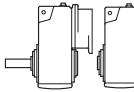
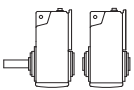
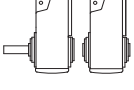



						Type
M1	M2	M3	M4	M5	M6	
0,30	0,50	0,50	0,45	0,40	0,40	SK 11EF
0,50	1,20	1,30	0,60	0,90	0,90	SK 21EF
0,90	1,80	1,65	1,30	1,25	1,25	SK 31EF
1,20	2,30	2,70	2,00	1,90	1,90	SK 41EF
1,80	3,50	4,10	3,00	3,80	3,80	SK 51EF
0,25	0,70	0,70	0,70	0,50	0,50	SK 02F
0,35	0,85	0,90	0,90	0,70	0,70	SK 12F
0,70	1,80	1,80	1,80	1,40	1,40	SK 22F
1,20	2,80	3,10	3,10	2,20	2,20	SK 32F
1,80	4,40	4,50	4,00	3,70	3,70	SK 42F
3,00	6,80	6,20	7,40	5,60	5,60	SK 52F
7,00	15,00	14,00	18,50	16,00	16,00	SK 62F
10,00	23,00	18,50	28,00	23,00	23,00	SK 72F
15,00	37,00	29,00	45,00	34,50	34,50	SK 82F
26,00	73,00	47,00	78,00	52,00	52,00	SK 92F
40,00	81,00	66,00	104,00	72,00	72,00	SK 102F
0,55	0,95	0,90	1,20	0,90	0,90	SK 03F
1,00	1,30	1,30	1,20	1,00	1,00	SK 13F
1,40	2,60	2,30	2,80	2,80	2,80	SK 23F
2,20	3,00	3,40	4,20	2,30	2,30	SK 33NF
3,50	5,70	5,00	6,10	4,10	4,10	SK 43F
5,20	8,40	7,00	8,90	6,70	6,70	SK 53F
13,50	14,00	15,50	18,00	14,00	14,00	SK 63F
22,00	22,50	23,00	27,50	20,00	20,00	SK 73F
31,00	34,00	35,00	40,00	34,00	34,00	SK 83F
53,00	70,00	59,00	74,00	49,00	49,00	SK 93F
69,00	78,00	78,00	99,00	67,00	67,00	SK 103F

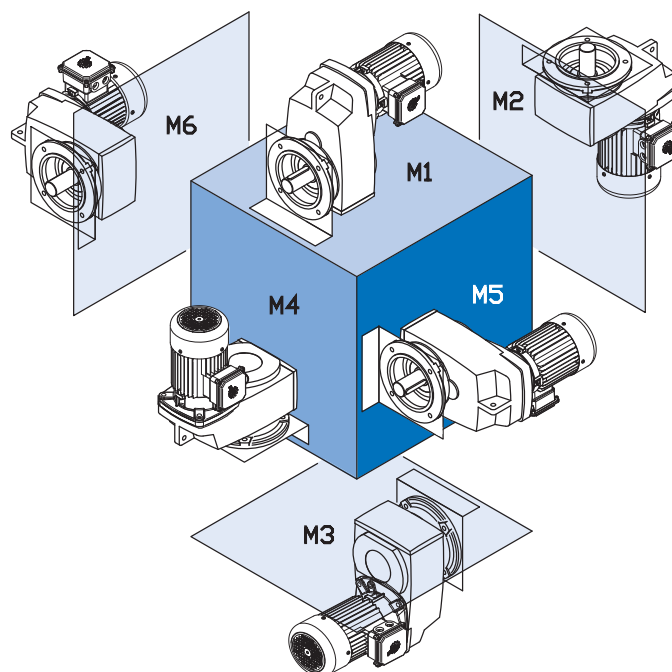



Parallel shaft gear units

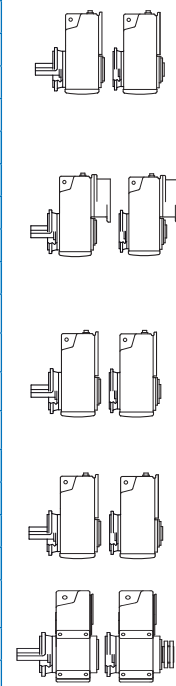


Type	 [L]						
	M1	M2	M3	M4	M5	M6	
	SK 1282	0,95	1,30	0,90	1,30	1,00	1,00
	SK 2282	1,70	2,30	1,70	2,20	1,90	1,90
	SK 3282	2,80	4,00	3,30	3,80	3,00	3,00
	SK 4282	4,20	5,40	4,40	5,00	4,20	4,20
	SK 5282	7,50	8,80	7,50	8,80	7,20	7,20
	SK 2382	2,30	2,70	2,10	3,20	2,00	2,00
	SK 3382	3,80	4,30	3,00	5,50	3,00	3,00
	SK 4382	6,10	6,90	4,90	8,40	5,00	5,00
	SK 5382	12,50	12,00	6,70	14,00	8,30	8,30
	SK 1382	1,45	1,60	1,15	1,70	1,10	1,10
	SK 6282	17,00	15,50	12,50	17,50	11,00	14,00
	SK 7282	25,50	21,00	20,50	27,00	16,00	21,00
	SK 8282	37,50	33,00	30,50	44,00	31,00	31,00
	SK 9282	74,50	70,00	56,00	80,00	65,00	59,00
	SK 6382	16,00	13,00	10,00	18,00	14,00	12,50
	SK 7382	22,00	21,00	16,00	25,00	23,00	22,00
	SK 8382	34,50	32,50	25,00	38,00	35,00	30,00
	SK 9382	73,50	70,00	43,00	74,50	65,00	60,00
	SK 10382.1	85,00	90,0	73,00	100,0	80,00	80,00
	SK 11382.1 *	160,0	155,0	140,0	210,0	155,0	135,0
	SK 12382 *	160,0	155,0	140,0	210,0	155,0	135,0

* ⇒  A51

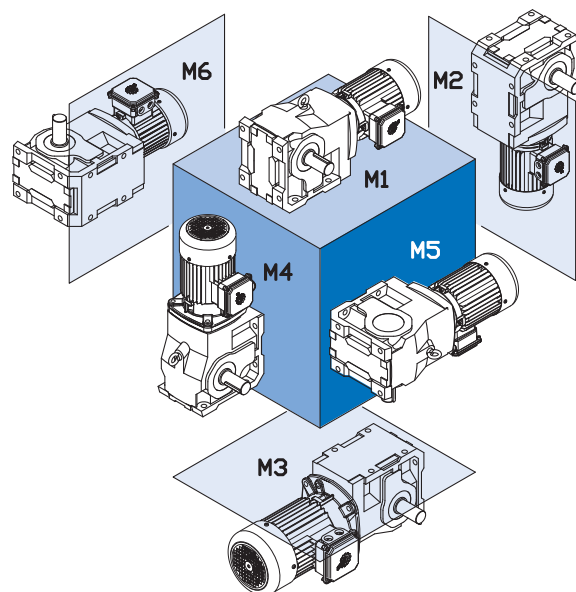


 [L]						Type
M1	M2	M3	M4	M5	M6	
0,95	1,30	0,90	1,30	1,00	1,00	SK 1282.F
1,70	2,30	1,70	2,20	1,90	1,90	SK 2282.F
2,80	4,00	3,30	3,80	3,00	3,00	SK 3282.F
4,20	5,40	4,40	5,00	4,20	4,20	SK 4282.F
7,50	8,80	7,50	8,80	7,20	7,20	SK 5282.F
2,30	2,70	2,10	3,20	2,00	2,00	SK 2382.F
3,80	4,30	3,00	5,50	3,00	3,00	SK 3382.F
6,10	6,90	4,90	8,40	5,00	5,00	SK 4382.F
12,50	12,00	6,70	14,00	8,30	8,30	SK 5382.F
1,45	1,60	1,15	1,70	1,10	1,10	SK 1382.F
17,00	15,50	12,50	17,50	11,00	14,00	SK 6282.F
25,50	21,00	20,50	27,00	16,00	21,00	SK 7282.F
37,50	33,00	30,50	44,00	31,00	31,00	SK 8282.F
74,50	70,00	56,00	80,00	65,00	59,00	SK 9282.F
16,00	13,00	10,00	18,00	14,00	12,50	SK 6382.F
22,00	21,00	16,00	25,00	23,00	22,00	SK 7382.F
34,50	32,50	25,00	38,00	35,00	30,00	SK 8382.F
73,50	70,00	43,00	74,50	65,00	60,00	SK 9382.F
85,00	90,0	73,00	100,0	80,00	80,00	SK 10382.1.F
160,0	155,0	140,0	210,0	155,0	135,0	SK 11382.1.F *
160,0	155,0	140,0	210,0	155,0	135,0	SK 12382.F *


 * ⇒  A51

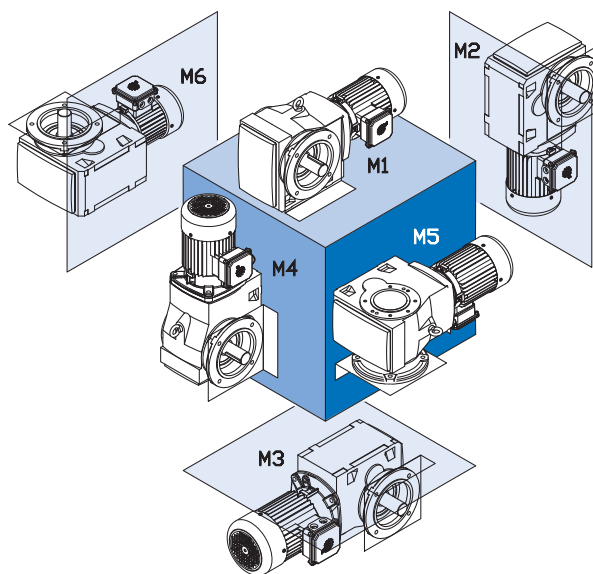



Bevel gear units

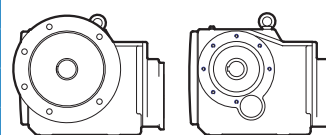
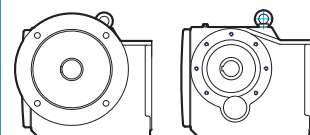
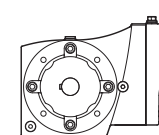
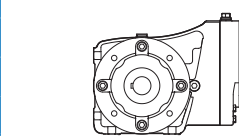


Type	 [L]						
	M1	M2	M3	M4	M5	M6	
	SK 92072.1	0,26	0,49	0,42	0,54	0,29	0,31
	SK 92172.1	0,34	0,61	0,52	0,67	0,42	0,48
	SK 92372.1	0,43	0,92	0,73	0,83	0,55	0,61
	SK 92672.1	0,85	1,60	1,20	1,50	1,02	1,02
	SK 92772.1	1,30	2,65	1,86	2,45	1,60	1,60
	SK93072.1	0,39	0,93	0,79	1,02	0,49	0,62
	SK93172.1	0,60	1,17	0,94	1,22	0,65	0,85
	SK93372.1	1,00	1,97	1,65	2,14	1,12	1,34
	SK93672.1	1,80	3,23	2,71	3,80	2,02	2,45
	SK93772.1	2,72	4,63	3,70	5,40	2,93	3,25
	SK 9012.1	0,70	1,70	1,90	2,10	1,10	1,50
	SK 9016.1	0,70	1,70	1,90	2,10	1,10	1,50
	SK 9022.1	1,30	2,90	3,30	3,80	1,70	2,80
	SK 9032.1	1,80	5,40	6,10	6,80	3,00	4,60
	SK 9042.1	4,40	9,00	10,00	10,70	5,20	7,70
	SK 9052.1	6,50	16,00	19,00	21,50	11,00	15,50
	SK 9072.1	10,00	27,50	32,00	36,00	18,00	24,00
	SK 9082.1	17,00	51,50	62,50	71,50	33,00	46,50
	SK 9086.1	29,00	73,00	85,00	102,00	48,00	62,00
	SK 9092.1	41,00	157,00	170,00	172,00	80,00	90,00
SK 9096.1*	70,00	187,00	194,00	254,00	109,00	152,00	
	SK 9013.1	1,35	2,10	2,15	2,75	1,00	1,80
	SK 9017.1	1,30	2,00	2,10	2,70	1,00	1,70
	SK 9023.1	2,20	3,20	3,60	4,70	2,20	2,90
	SK 9033.1	3,10	5,70	6,30	8,00	3,40	4,80
	SK 9043.1	5,00	10,10	11,00	13,30	5,70	8,10
SK 9053.1	10,00	17,00	20,00	24,50	11,50	16,50	

* ⇒ A51

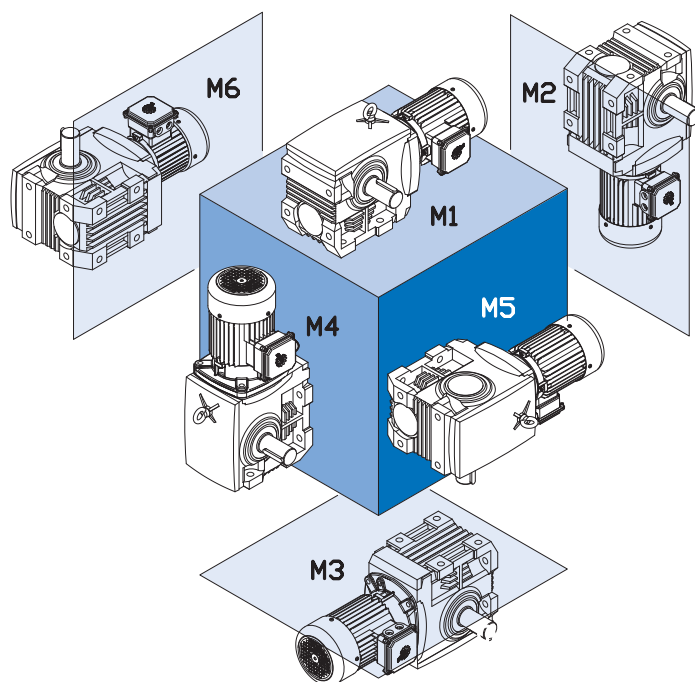



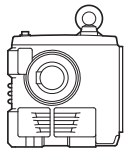
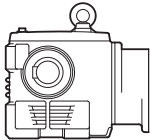
 [L]						Type
M1	M2	M3	M4	M5	M6	
0,26	0,49	0,42	0,54	0,29	0,31	SK 92072.1
0,34	0,61	0,52	0,67	0,42	0,48	SK 92172.1
0,43	0,92	0,73	0,83	0,55	0,61	SK 92372.1
0,85	1,60	1,20	1,50	1,02	1,02	SK 92672.1
1,30	2,65	1,86	2,45	1,60	1,60	SK 92772.1
0,39	0,93	0,79	1,02	0,49	0,62	SK93072.1
0,60	1,17	0,94	1,22	0,65	0,85	SK93172.1
1,00	1,97	1,65	2,14	1,12	1,34	SK93372.1
1,80	3,23	2,71	3,80	2,02	2,45	SK93672.1
2,72	4,63	3,70	5,40	2,93	3,25	SK93772.1
1,00	1,90	1,90	2,20	1,20	1,70	SK 9012.1
1,00	1,90	1,90	2,20	1,20	1,70	SK 9016.1
1,60	3,50	3,50	4,20	2,30	2,80	SK 9022.1
2,10	4,80	6,40	7,10	3,30	5,10	SK 9032.1
4,50	10,00	10,00	11,50	6,50	8,20	SK 9042.1
7,50	16,50	20,00	23,50	11,50	18,00	SK 9052.1
12,00	27,50	33,00	38,50	19,00	26,00	SK 9072.1
21,00	54,00	66,00	80,00	38,00	52,00	SK 9082.1
36,00	78,00	91,00	107,00	53,00	76,00	SK 9086.1
40,00	130,00	154,00	175,00	82,00	91,00	SK 9092.1
80,00	187,00	193,00	257,00	113,00	156,00	SK 9096.1*
1,45	2,30	2,10	2,80	1,05	1,80	SK 9013.1
1,45	2,30	2,10	2,80	1,05	1,80	SK 9017.1
2,30	3,50	3,80	5,30	2,20	3,40	SK 9023.1
3,70	5,70	6,70	8,60	3,60	5,30	SK 9033.1
6,50	10,50	11,90	14,70	6,70	9,30	SK 9043.1
13,00	18,00	21,50	26,50	13,00	17,00	SK 9053.1

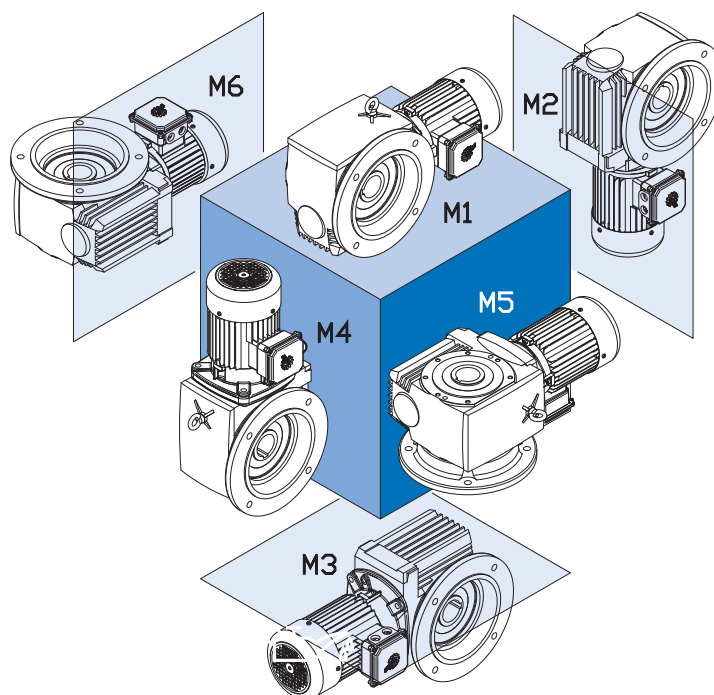

 * ⇨  A51




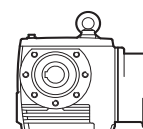
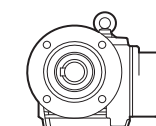
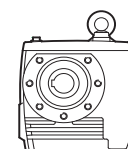
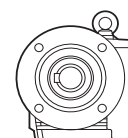
Helical worm gear units



Type	 [L]						
	M1	M2	M3	M4	M5	M6	
	SK 02050	0,40	1,40	1,10	1,30	0,70	0,70
	SK 12063	0,60	1,80	1,20	1,60	1,00	1,00
	SK 12080	0,90	3,10	2,40	3,00	1,80	1,80
	SK 32100	1,50	6,30	5,60	5,50	3,60	3,60
	SK 42125	2,80	11,80	10,20	10,00	6,20	6,20
	SK 13050	0,75	1,75	1,30	1,75	0,75	0,75
	SK 13063	1,00	2,30	1,50	2,20	1,10	1,10
	SK 13080	1,70	3,50	3,50	3,50	2,00	2,00
	SK 33100	2,40	6,40	5,40	6,50	3,40	3,40
	SK 43125	4,25	13,00	10,50	13,50	7,20	7,20



 [L]						Type
M1	M2	M3	M4	M5	M6	
0,40	1,50	1,25	1,20	0,90	0,75	SK 02050F
0,50	1,95	1,70	1,75	1,20	0,95	SK 12063F
0,90	3,70	3,20	3,40	2,50	2,30	SK 12080F
1,40	6,30	6,10	6,10	4,00	3,60	SK 32100F
3,00	11,50	11,50	11,00	8,40	7,30	SK 42125F
0,45	1,40	1,15	1,10	0,75	0,75	SK 02050A
0,55	1,45	1,60	1,60	1,10	1,10	SK 12063A
0,80	3,10	3,20	2,80	1,80	1,80	SK 12080A
1,50	5,60	5,60	5,30	4,00	4,00	SK 32100A
3,00	12,50	10,80	10,80	6,50	6,50	SK 42125A
0,75	1,80	1,50	1,70	1,05	0,90	SK 13050F
1,00	2,30	1,90	2,20	1,35	1,10	SK 13063F
1,60	3,80	3,50	3,90	2,70	2,50	SK 13080F
2,65	7,20	6,40	7,60	4,30	3,80	SK 33100F
4,70	15,00	13,00	16,00	9,00	7,70	SK 43125F
0,90	1,80	1,30	1,65	1,30	1,30	SK 13050A
1,05	2,10	1,80	2,10	1,40	1,40	SK 13063A
1,60	3,60	2,90	3,75	2,00	2,00	SK 13080A
2,60	6,00	5,80	6,50	3,50	3,50	SK 33100A
4,60	13,60	11,40	14,30	7,60	7,60	SK 43125A

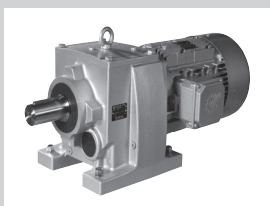
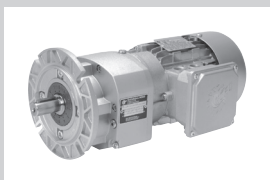
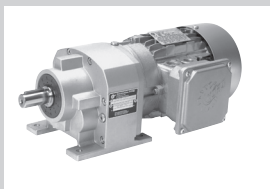


Painting

Type	TFD total [µm]	Similar to corrosivity category *	Recommended use
F1	60 - 100		For top-coat to be applied by customer
F2 Standard	50 - 90	C2	For indoor installation
F3.0	110 - 150	C2	For indoor and protected outdoor installation with low environmental contamination, e.g. open, unheated halls
F3.1	160 - 200	C3	For outdoor installation, city and industrial atmosphere with low contamination
F3.2	210 - 250	C4	For outdoor installation, city and industrial atmosphere with moderate environmental contamination
F3.3 + Z	200 - 240	C5	For outdoor installation, city and industrial atmosphere with high environmental contamination
F3.4	100 - 140		For moderate exposure to chemicals
F3.5	100 - 140		Machinery for foodstuffs packaging
A			additional antimicrobial coating for all finishes except F3.4 and F3.5
Z			Compensation of contour depressions and crevices with seam sealer on polyurethane basis

* an DIN EN ISO 12944-2 classification of ambient conditions

NORDBLOC.1 Helical Gear Units



ENQUIRY FORM B - 2

AVAILABLE VERSIONS B - 3

GEAR UNIT MOTOR DATA

Power and speed tables B - 4

Power and speed ratio tables
W and IEC adapters B - 30

DIMENSIONED DRAWINGS

Gear unit motors B - 44

W and IEC adapters B - 60

OPTIONS

Z Flange mounted design with Flange B14 B - 72

XZ Foot mounted design with Flange B14 B - 73

XF Foot mounted design with Flange B5 B - 74

Further drive flanges B - 75

Lieferbare Ausführungen

Beispiele - lieferbare Ausführungen

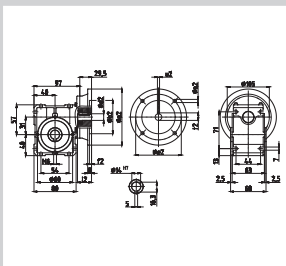
Baugrößen SK 072.1 - 673.1

SK 672.1 - 90 B14
Stirnradgetriebemotor, Fußbauart

SK 673.1 F - 112 M14
Stirnradgetriebemotor, Flansch

SK 172.1 - W
Stirnradgetriebe
Fußausführung

P_1 [kW]	n_2 [min ⁻¹]	M_2 [Nm]	f_B	i_{ges}
0,12	3,7	311	2,1	362,43
	4,0	285	2,2	332,23
	4,4	261	2,4	304,61
	4,8	240	2,7	279,23
	5,4	213	3,0	248,20
3,3	346	1,1	402,80	
3,5	323	1,3	376,20	
4,2	271	1,5	316,18	
4,4	260	1,7	302,91	
5,0	231	1,9	269,26	
5,9	194	2,3	226,30	
6,6	173	2,6	201,16	
7,1	162	2,8	182,01	




Enquiry form





This general enquiry form can be found in the attachment as well as on the **NORD** homepage under www.nord.com - Heading DOCUMENTATION / FORMS.

NORDBLOC.1
helical gear units



General enquiry form

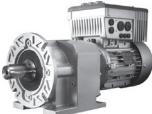



Company	<input style="width: 100%;" type="text"/>		
Street	<input style="width: 100%;" type="text"/>		
Town	<input style="width: 60%;" type="text"/>	Post-code	<input style="width: 30%;" type="text"/>
Contact	<input style="width: 100%;" type="text"/>		
Tel.:	<input style="width: 60%;" type="text"/>	Customer No.	<input style="width: 30%;" type="text"/>
Fax:	<input style="width: 60%;" type="text"/>	Application	<input style="width: 30%;" type="text"/>
Email	<input style="width: 60%;" type="text"/>	Project	<input style="width: 30%;" type="text"/>

NORD DRIVESYSTEMS
 Rudolf-Diesel-Straße 1
 D-22941 Bargteheide
 Tel.: +49(0) 4532/401-0
 Fax: +49(0)4532/401-254
 E-Mail info@nord.com
www.nord.com


Components required			
<input type="radio"/> Gear unit motor	<input type="radio"/> IEC – Gear unit motor	<input type="radio"/> Gear unit with free shaft end	<input type="radio"/> Stand-alone motor

Quantity <input style="width: 90%;" type="text"/>	Type <input style="width: 90%;" type="text"/>
---	---

Parameters specific to the gear unit		Parameters specific to gear unit	
Version <input style="width: 60%;" type="text"/>	Gear ratio <input style="width: 30%;" type="text"/>	Bearings <input type="radio"/> Normal <input type="radio"/> VL <input type="radio"/> VL2 <input type="radio"/> VL3 <input type="radio"/> AL	For bevel gear or worm gear units Shaft at <input type="radio"/> A <input type="radio"/> B
Flange <input type="radio"/> B14 <input type="radio"/> B5 ϕ <input style="width: 60%;" type="text"/> [mm]	<input type="radio"/> Hollow shaft <input type="radio"/> Solid shaft ϕ <input style="width: 20%;" type="text"/> x <input style="width: 20%;" type="text"/> [mm]	Oil type <input type="radio"/> Mineral <input type="radio"/> Synthetic <input type="radio"/> Foodstuff-compatible oil	<input type="radio"/> Special oil type <input style="width: 60%;" type="text"/>
Output speed at mains frequency n_2 <input style="width: 60%;" type="text"/> [min^{-1}]	Output torque M_2 <input style="width: 60%;" type="text"/> [Nm]	Parameters specific to motor	Effective motor power <input style="width: 60%;" type="text"/> [kW]
Min. operating factor f_b <input style="width: 60%;" type="text"/>	Min. bearing life L_h <input style="width: 60%;" type="text"/> [h]	Motor speed n_1 <input style="width: 60%;" type="text"/> [min^{-1}]	Temperature sensor (PTC) <input type="radio"/> Bi-metal temperature monitor <input type="radio"/>
Radial forces on output shaft F_{R2} <input style="width: 60%;" type="text"/> [N]	Axial forces on output shaft F_{A2} <input style="width: 60%;" type="text"/> [N]	Mains voltage <input style="width: 20%;" type="text"/> [V] +/- <input style="width: 20%;" type="text"/> [%]	Mains frequency <input style="width: 60%;" type="text"/> [Hz]
Dist. from shaft collar to point of action of force <input style="width: 60%;" type="text"/> [mm]			

Page 1 of 2



Outline conditions	
Ambient temperatures	<input style="width: 60%;" type="text"/> from <input style="width: 20%;" type="text"/> [°C]
<input type="checkbox"/> Buffer mounting for travelling drives	<input style="width: 60%;" type="text"/> [Nm]
<input type="checkbox"/> Relative humidity	<input style="width: 60%;" type="text"/> [%]
<input type="checkbox"/> Exposure to direct sunlight	
<input type="checkbox"/> Aggressive media (e.g.: salty air)	
<input type="checkbox"/> Increased installation altitude	<input style="width: 60%;" type="text"/> [m]
<input type="checkbox"/> Precipitation	
<input type="checkbox"/> ATEX (explosive mixtures in the vicinity)	Zone <input style="width: 60%;" type="text"/>
Painting	
<input type="checkbox"/> Not painted	
<input type="checkbox"/> Paint 1.0 - Primer	
<input type="checkbox"/> Paint 2.0 - standard	
<input type="checkbox"/> Paint 3.0 - normal environmental contamination	
<input type="checkbox"/> Paint 3.1 - moderate environmental contamination	
<input type="checkbox"/> Paint 3.2 - severe environmental contamination	
<input type="checkbox"/> Other painting (e.g.: Z, 3.4 or 3.5)	<input style="width: 60%;" type="text"/>
<input type="checkbox"/> Special colour (Standard RAL7031)	RAL <input style="width: 60%;" type="text"/>
<input type="checkbox"/> Regulations DIN EN, etc., please state	<input style="width: 60%;" type="text"/>
General conditions	
Quote by	<input style="width: 60%;" type="text"/>
Purchasing conditions	known <input type="radio"/> not known <input type="radio"/>
Purchasing conditions attached	<input type="checkbox"/>
Delivery time after receipt of order	<input style="width: 60%;" type="text"/>
Delivery carriage paid	<input type="checkbox"/>

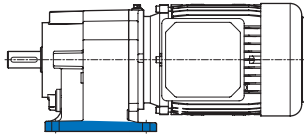
<input type="radio"/> Control cabinet inverter	<input type="radio"/> Motor-mounted inverter
Adjustment range from <input style="width: 20%;" type="text"/> [Hz] to <input style="width: 20%;" type="text"/> [Hz]	
<input type="checkbox"/> Constant torque within adjustment range	<input style="width: 60%;" type="text"/> [Nm]
<input type="checkbox"/> External fan	
<input type="checkbox"/> Increase in motor size (with constant torque)	
<input type="checkbox"/> Positioning	<input type="radio"/> Incremental <input type="radio"/> Absolute
<input type="checkbox"/> Speed feedback	
<input type="checkbox"/> Generator operation for power feedback	<input style="width: 60%;" type="text"/> [kW]
<input type="checkbox"/> Bus system- type of bus system	<input style="width: 60%;" type="text"/>
<input type="checkbox"/> Control via	<input type="radio"/> PC <input type="radio"/> Control box

Comments

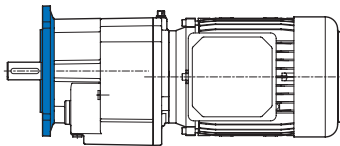
Page 2 of 2

Examples - Available Designs

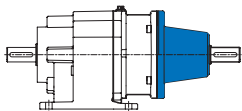
Sizes SK 072.1 - 673.1



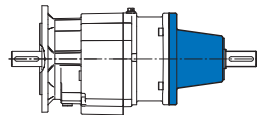
SK 572.1 - 90 SP/4
Helical gear unit motor,
Housing in foot mounted design, two-stage



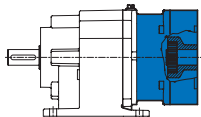
SK 673.1 F - 112 MP/4
Helical gear unit motor,
Housing in flange mounted design, three-stage



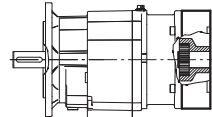
SK 172.1 - W
Helical gear unit
Housing in foot mounted design
free input shaft



SK 172.1 F - W
Helical gear unit
Housing in flange mounted design
free input shaft

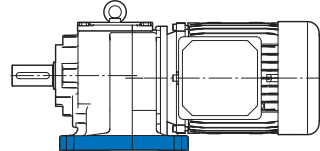


SK 072.1 - IEC 63 - C90
Helical gear unit,
Housing in foot mounted design,
IEC-Adapter

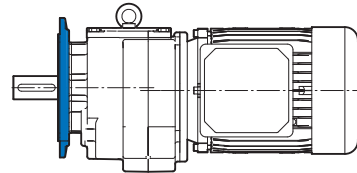


SK 072.1 F - IEC 63 - C90
Helical gear unit,
Housing in flange mounted design,
IEC-Adapter

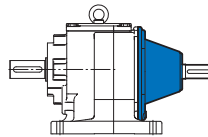
Sizes SK 772.1 - 973.1



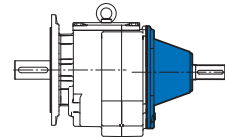
SK 772.1 - 100 LP/4
Helical gear unit motor,
Housing in foot mounted design, two-stage



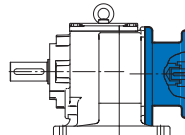
SK 873.1 F - 112 MP/4
Helical gear unit motor,
Housing in flange mounted design, three-stage



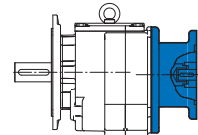
SK 972.1 - W
Helical gear unit,
Housing in foot mounted design,
free input shaft



SK 972.1 F - W
Helical gear unit,
Housing in flange mounted design,
free input shaft



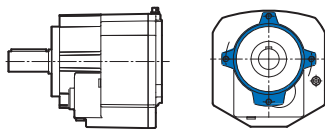
SK 973.1 - IEC
Helical gear unit,
Housing in foot mounted design,
IEC-Adapte



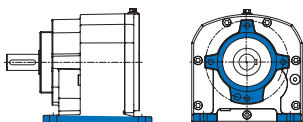
SK 973.1 F - IEC
Helical gear unit,
Housing in flange mounted design,
IEC-Adapter

NORDBLOC.1
helical gear units

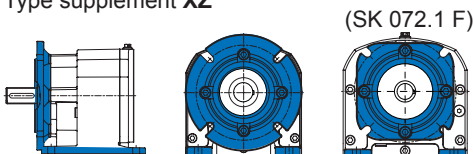
Housing - Options



Housing in flange mounted design with Flange B14
Type supplement **Z**

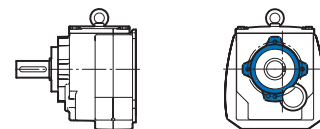


Housing in foot mounted design with Flange B14
Type supplement **XZ**

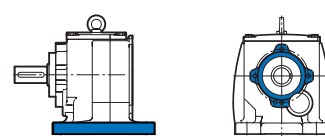


Housing in foot mounted design with Flange B5
Type supplement **XF**

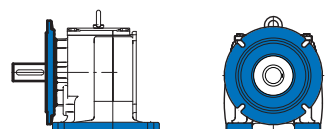
(SK 072.1 F)



Housing in flange mounted design with Flange B14,
Type supplement **Z**

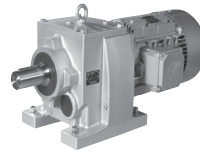


Housing in foot mounted design with Flange B14
Type supplement **XZ**



Housing in foot mounted design with Flange B5,
Type supplement **XF**

0,12 kW

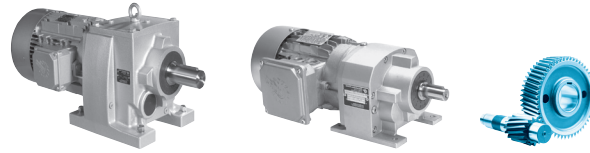



NORDBLOC.1
helical gear units

P ₁ [kW]	n ₂ [min ⁻¹]	M ₂ [Nm]	f _B	i _{ges}	F _R [kN]	F _A [kN]	F _{R VL} [kN]	F _{A VL} [kN]	Type	kg	mm B
0,12	3,7	311	2,1	362,43	11,0	20,0	15,0	20,0	SK 673.1 - 63 S/4	25	B53
	4,0	285	2,2	332,23	11,1	20,0	15,0	20,0			
	4,4	261	2,4	304,61	11,2	20,0	15,0	20,0			
	4,8	240	2,7	279,23	11,3	20,0	15,0	20,0			
	5,4	213	3,0	248,20	11,3	20,0	15,0	20,0			
	3,3	346	1,1	402,80	9,8	14,5	11,0	14,5	SK 573.1* - 63 S/4	19	B49, B51
	3,5	323	1,3	376,20	9,9	14,5	11,0	14,5			
	4,2	271	1,5	316,18	10,1	14,5	11,0	14,5			
	4,4	260	1,7	302,91	10,1	14,5	11,0	14,5			
	5,0	231	1,9	269,26	10,2	14,5	11,0	14,5			
	5,9	194	2,3	226,30	10,3	14,5	11,0	14,5			
	6,6	173	2,6	201,16	10,3	14,5	11,0	14,5			
	7,1	162	2,8	188,91	10,3	14,5	11,0	14,5			
	8,4	136	3,3	158,78	10,4	14,5	11,0	14,5			
	9,5	121	3,7	141,13	10,4	14,5	11,0	14,5			
	11	108	4,2	125,45	10,4	14,5	11,0	14,5			
	12	92	4,7	107,42	10,4	14,5	11,0	14,5			
	3,9	**238	0,8	343,92	4,9	10,2	7,6	10,2	SK 373.1 - 63 S/4	11	B47
	4,4	260	0,8	303,08	4,3	10,2	7,5	10,2			
	5,0	231	1,0	269,67	4,9	10,2	7,7	10,2			
	5,2	220	0,9	256,50	5,1	10,2	7,8	10,2			
	5,8	196	1,1	228,22	5,3	10,2	7,9	10,2			
	6,4	179	1,1	207,98	5,5	10,2	8,0	10,2			
	6,8	168	1,2	196,07	5,6	10,2	8,0	10,2			
	7,2	159	1,3	185,05	5,6	10,2	8,0	10,2			
	8,0	142	1,5	165,94	5,7	10,2	8,0	10,2			
	9,2	124	1,7	145,00	5,8	10,2	8,0	10,2			
	10	112	1,8	130,87	5,9	10,2	8,0	10,2			
	11	103	1,9	120,54	5,9	10,2	8,0	10,2			
	13	88	2,3	102,01	6,0	10,2	8,0	10,2			
	15	79	2,7	91,48	6,0	10,2	8,0	10,2			
	16	71	3,0	82,57	6,0	10,2	8,0	10,2			
	18	62	2,4	72,38	6,1	10,2	8,0	10,2	SK 372.1 - 63 S/4	11	B46
	21	55	2,9	64,06	6,1	10,2	8,0	10,2			
	22	52	2,9	60,83	6,1	10,2	8,0	10,2			
	25	46	3,5	53,84	6,1	10,2	8,0	10,2			
	16	70	1,2	81,45	2,8	3,9	-	-	SK 172.1 - 63 S/4	7,7	B45
	19	60	1,2	70,00	2,8	3,9	-	-			
	21	54	1,2	62,36	2,8	3,9	-	-			
	25	46	1,8	54,03	2,8	3,9	-	-			
	29	40	2,1	46,43	2,8	3,9	-	-			
	32	36	2,4	41,36	2,8	3,9	-	-			
	34	33	2,6	38,75	2,8	3,9	-	-			
	39	30	2,9	34,52	2,8	3,9	-	-			
	21	55	0,9	63,56	2,5	2,9	-	-	SK 072.1 - 63 S/4	6,0	B44
	24	47	1,1	55,00	2,5	2,9	-	-			
	27	42	1,1	49,00	2,5	2,9	-	-			
	32	36	1,4	42,10	2,5	2,9	-	-			
	37	31	1,7	36,43	2,5	2,9	-	-			
	41	28	2,0	32,45	2,5	2,9	-	-			
	48	24	2,3	27,78	2,5	2,9	-	-			
	54	21	2,6	24,75	2,5	2,9	-	-			
	60	19	2,9	22,22	2,5	2,9	-	-			
	62	18	3,0	21,38	2,5	2,9	-	-			
	70	16	3,3	19,20	2,5	2,9	-	-			
	77	15	3,7	17,35	2,5	2,9	-	-			
	85	14	4,1	15,77	2,5	2,9	-	-			
	93	12	4,1	14,40	2,5	2,9	-	-			
	101	11	4,1	13,20	2,5	2,9	-	-			
	116	10	5,0	11,56	2,5	2,9	-	-			
	134	9	6,4	10,00	2,5	2,9	-	-			
	150	8	7,2	8,91	2,5	2,9	-	-			
	167	7	8,0	8,00	2,5	2,9	-	-			
	185	6	8,9	7,23	2,5	2,9	-	-			

** Maximum output torque with f_B = 0,8

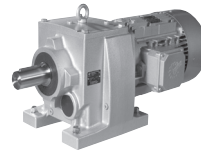
* ⇨ A8



P ₁ [kW]	n ₂ [min ⁻¹]	M ₂ [Nm]	f _B	i _{ges}	F _R [kN]	F _A [kN]	F _{R VL} [kN]	F _{A VL} [kN]	Type	kg	mm 			
0,12	203	6	9,4	6,57	2,4	2,9	-	-	SK 072.1 - 63 S/4	6,0	B44			
	224	5	10,7	5,96	2,3	2,9	-	-						
	243	5	11,7	5,50	2,3	2,9	-	-						
	251	5	12,1	5,31	2,3	2,9	-	-						
	280	4	12,9	4,77	2,2	2,9	-	-						
	310	4	13,5	4,31	2,1	2,9	-	-						
	341	3	13,4	3,92	2,0	2,9	-	-						
	373	3	15,6	3,58	2,0	2,9	-	-						
	407	3	16,7	3,28	1,9	2,9	-	-						
	452	3	18,1	2,95	1,9	2,9	-	-						
	469	2	18,4	2,85	1,8	2,9	-	-						
	520	2	18,6	2,57	1,8	2,9	-	-						
	573	2	19,5	2,33	1,7	2,9	-	-						
637	2	20,0	2,10	1,7	2,9	-	-							
0,18	3,8	458	1,4	362,43	10,4	20,0	15,0	20,0	SK 673.1 - 63 L/4	25	B53			
	4,1	420	1,5	332,23	10,6	20,0	15,0	20,0						
	4,5	385	1,7	304,61	10,7	20,0	15,0	20,0						
	4,9	353	1,8	279,23	10,9	20,0	15,0	20,0						
	5,5	314	2,0	248,20	11,0	20,0	15,0	20,0						
	6,2	277	2,3	219,00	11,2	20,0	15,0	20,0						
	7,0	245	2,6	194,11	11,3	20,0	15,0	20,0						
	7,5	230	2,8	181,88	11,3	20,0	15,0	20,0						
	7,6	225	2,8	177,94	11,3	20,0	15,0	20,0						
	3,6	475	0,9	376,20	8,9	14,5	11,0	14,5				SK 573.1* - 63 L/4	19	B49, B51
	4,3	400	1,1	316,18	9,6	14,5	11,0	14,5						
	4,5	383	1,1	302,91	9,6	14,5	11,0	14,5						
	5,1	340	1,3	269,26	9,8	14,5	11,0	14,5						
	6,0	286	1,6	226,30	10,0	14,5	11,0	14,5						
	6,8	254	1,8	201,16	10,1	14,5	11,0	14,5						
	7,2	239	1,9	188,91	10,2	14,5	11,0	14,5						
	8,6	201	2,2	158,78	10,3	14,5	11,0	14,5						
	9,6	178	2,5	141,13	10,3	14,5	11,0	14,5						
11	159	2,8	125,45	10,4	14,5	11,0	14,5							
13	136	3,2	107,42	10,4	14,5	11,0	14,5							
14	119	3,8	94,50	10,4	14,5	11,0	14,5							
6,0	288	0,8	228,22	3,4	10,2	7,2	10,2	SK 373.1 - 63 L/4	12	B47				
6,5	263	0,8	207,98	4,2	10,2	7,4	10,2							
6,9	248	0,8	196,07	4,3	10,2	7,6	10,2							
7,3	234	0,9	185,05	4,8	10,2	7,7	10,2							
8,2	210	1,0	165,94	5,2	10,2	7,8	10,2							
9,4	183	1,1	145,00	5,4	10,2	8,0	10,2							
10	165	1,2	130,87	5,6	10,2	8,0	10,2							
11	152	1,3	120,54	5,7	10,2	8,0	10,2							
13	129	1,6	102,01	5,8	10,2	8,0	10,2							
15	116	1,8	91,48	5,9	10,2	8,0	10,2							
16	104	2,0	82,57	5,9	10,2	8,0	10,2							
18	94	2,1	74,27	6,0	10,2	8,0	10,2							
19	91	1,6	72,38	6,0	10,2	8,0	10,2	SK 372.1 - 63 L/4	11	B46				
21	81	2,0	64,06	6,0	10,2	8,0	10,2							
22	77	2,0	60,83	6,0	10,2	8,0	10,2							
25	68	2,4	53,84	6,1	10,2	8,0	10,2							
31	55	3,1	43,26	6,1	10,2	8,0	10,2							
36	48	3,7	38,12	6,1	10,2	8,0	10,2							
17	103	0,8	81,45	2,8	3,9	-	-	SK 172.1 - 63 L/4	8	B45				
19	88	0,8	70,00	2,8	3,9	-	-							
22	79	0,8	62,36	2,8	3,9	-	-							
25	68	1,2	54,03	2,8	3,9	-	-							
29	59	1,4	46,43	2,8	3,9	-	-							
33	52	1,6	41,36	2,8	3,9	-	-							
35	49	1,7	38,75	2,8	3,9	-	-							
39	44	2,0	34,52	2,8	3,9	-	-							
44	39	2,3	31,00	2,8	3,9	-	-							
49	35	2,6	27,62	2,8	3,9	-	-							
55	31	2,9	24,80	2,8	3,9	-	-							

* ⇨  A8

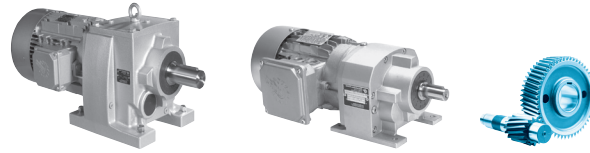
0,18 kW
0,25 kW




NORDBLOC.1
helical gear units

P ₁ [kW]	n ₂ [min ⁻¹]	M ₂ [Nm]	f _B	i _{ges}	F _R [kN]	F _A [kN]	F _{R VL} [kN]	F _{A VL} [kN]	Type	kg	mm 			
0,18	32	53	0,9	42,10	2,5	2,9	-	-	SK 072.1 - 63 L/4	7	B44			
	37	46	1,2	36,43	2,5	2,9	-	-						
	42	41	1,3	32,45	2,5	2,9	-	-						
	49	35	1,5	27,78	2,5	2,9	-	-						
	55	31	1,8	24,75	2,5	2,9	-	-						
	61	28	2,0	22,22	2,5	2,9	-	-						
	64	27	2,0	21,38	2,5	2,9	-	-						
	71	24	2,3	19,20	2,5	2,9	-	-						
	78	22	2,5	17,35	2,5	2,9	-	-						
	86	20	2,8	15,77	2,5	2,9	-	-						
	94	18	2,8	14,40	2,5	2,9	-	-						
	103	17	2,8	13,20	2,5	2,9	-	-						
	118	15	3,4	11,56	2,5	2,9	-	-						
	136	13	4,4	10,00	2,5	2,9	-	-						
	153	11	4,9	8,91	2,5	2,9	-	-						
	170	10	5,4	8,00	2,5	2,9	-	-						
	188	9	6,0	7,23	2,4	2,9	-	-						
	207	8	6,4	6,57	2,4	2,9	-	-						
	228	8	7,3	5,96	2,3	2,9	-	-						
	247	7	7,9	5,50	2,2	2,9	-	-						
	256	7	8,2	5,31	2,2	2,9	-	-						
	285	6	8,8	4,77	2,1	2,9	-	-						
	315	5	9,2	4,31	2,1	2,9	-	-						
	347	5	9,1	3,92	2,0	2,9	-	-						
	380	5	10,6	3,58	2,0	2,9	-	-						
	415	4	11,3	3,28	1,9	2,9	-	-						
	460	4	12,3	2,95	1,8	2,9	-	-						
	477	4	12,5	2,85	1,8	2,9	-	-						
530	3	12,6	2,57	1,8	2,9	-	-							
584	3	13,3	2,33	1,7	2,9	-	-							
649	3	13,6	2,10	1,6	2,9	-	-							
0,25	3,5	684	1,2	395,46	12,8	9,0	17,0	25,0	SK 773.1 - 71 S/4	39	B55			
	4,0	590	1,4	341,21	13,4	9,0	17,0	25,0						
	4,1	579	1,5	334,70	13,5	9,0	17,0	25,0						
	4,5	532	1,6	307,42	13,6	9,0	17,0	25,0						
	4,8	500	1,7	288,78	13,8	9,0	17,0	25,0						
	5,2	459	1,9	265,24	13,9	9,0	17,0	25,0						
	5,3	450	1,9	260,18	13,9	9,0	17,0	25,0						
	5,7	421	2,0	243,53	14,0	9,0	17,0	25,0						
	6,1	388	2,2	224,49	14,1	9,0	17,0	25,0						
	6,7	357	2,4	206,11	14,2	9,0	17,0	25,0						
	7,3	327	2,6	189,31	14,2	9,0	17,0	25,0						
	3,8	627	1,0	362,43	9,1	20,0	14,5	20,0				SK 673.1 - 71 S/4	26	B53
	4,2	575	1,1	332,23	9,6	20,0	14,8	20,0						
	4,5	527	1,2	304,61	9,9	20,0	15,0	20,0						
	4,9	483	1,3	279,23	10,2	20,0	15,0	20,0						
	5,6	429	1,5	248,20	10,5	20,0	15,0	20,0						
6,3	381	1,7	220,32	10,8	20,0	15,0	20,0							
7,1	336	1,9	194,11	10,9	20,0	15,0	20,0							
7,6	315	2,0	181,88	11,0	20,0	15,0	20,0							
7,8	308	2,1	177,94	11,1	20,0	15,0	20,0							
8,5	279	2,3	161,45	11,2	20,0	15,0	20,0							
9,6	248	2,6	143,30	11,2	20,0	15,0	20,0							
4,4	547	0,8	316,18	7,8	14,5	11,0	14,5	SK 573.1* - 71 S/4	20	B49, B51				
4,6	524	0,8	302,91	8,2	14,5	11,0	14,5							
5,1	466	1,0	269,26	8,9	14,5	11,0	14,5							
6,1	391	1,1	226,30	9,6	14,5	11,0	14,5							
6,9	348	1,3	201,16	9,8	14,5	11,0	14,5							
7,3	327	1,4	188,91	9,9	14,5	11,0	14,5							
7,7	309	1,5	178,56	9,9	14,5	11,0	14,5							
8,7	275	1,6	158,78	10,1	14,5	11,0	14,5							
9,8	244	1,8	141,13	10,2	14,5	11,0	14,5							
11	217	2,1	125,45	10,2	14,5	11,0	14,5							
12	193	2,3	111,36	10,3	14,5	11,0	14,5							
13	186	2,3	107,42	10,3	14,5	11,0	14,5							
15	163	2,8	94,50	10,3	14,5	11,0	14,5							
16	147	3,1	85,18	10,4	14,5	11,0	14,5							
18	133	3,4	76,88	10,4	14,5	11,0	14,5							
20	117	3,8	67,64	10,4	14,5	11,0	14,5							
23	105	4,3	60,97	10,4	14,5	11,0	14,5							

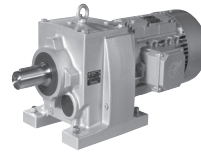
* A8



P ₁ [kW]	n ₂ [min ⁻¹]	M ₂ [Nm]	f _B	i _{ges}	F _R [kN]	F _A	F _{R VL} [kN]	F _{A VL} [kN]	Type	kg	mm 
0,25	25	94	3,9	54,41	10,4	15,0	11,0	15,0	SK 572.1* - 71 S/4	20	B48, B50
	9,5	251	0,8	145,00	4,2	10,2	7,5	10,2	SK 373.1 - 71 S/4	13	B47
	11	209	1,0	120,54	5,2	10,2	7,8	10,2			
	14	176	1,1	102,01	5,5	10,2	8,0	10,2			
	15	158	1,3	91,48	5,6	10,2	8,0	10,2			
	17	143	1,5	82,57	5,7	10,2	8,0	10,2			
	19	128	1,6	74,27	5,8	10,2	8,0	10,2			
	21	112	1,8	64,70	5,9	10,2	8,0	10,2			
	23	104	1,9	60,22	5,9	10,2	8,0	10,2			
	26	93	2,2	54,00	6,0	10,2	8,0	10,2			
	29	81	2,6	47,05	6,0	10,2	8,0	10,2			
	19	125	1,2	72,38	5,8	10,2	8,0	10,2			
	22	111	1,4	64,06	5,9	10,2	8,0	10,2			
	23	105	1,4	60,83	5,9	10,2	8,0	10,2			
	26	93	1,7	53,84	6,0	10,2	8,0	10,2			
	32	75	2,3	43,26	6,0	10,2	8,0	10,2			
	36	66	2,7	38,12	6,1	10,2	8,0	10,2			
	41	59	3,2	33,84	6,1	10,2	8,0	10,2			
	46	52	3,5	30,11	6,1	10,2	8,0	10,2			
	26	93	0,9	54,03	2,8	3,9	-	-	SK 172.1 - 71 S/4	10	B45
	30	80	1,1	46,43	2,8	3,9	-	-			
	33	72	1,2	41,36	2,8	3,9	-	-			
	36	67	1,3	38,75	2,8	3,9	-	-			
	40	60	1,4	34,52	2,8	3,9	-	-			
	45	54	1,7	31,00	2,8	3,9	-	-			
	50	48	1,9	27,62	2,8	3,9	-	-			
	56	43	2,1	24,80	2,8	3,9	-	-			
	62	39	2,4	22,42	2,8	3,9	-	-			
	68	35	2,4	20,37	2,8	3,9	-	-			
74	32	2,6	18,60	2,8	3,9	-	-				
49	49	1,1	27,78	2,5	2,9	-	-	SK 072.1 - 71 S/4	7	B44	
55	44	1,3	24,75	2,5	2,9	-	-				
61	39	1,4	22,22	2,5	2,9	-	-				
63	38	1,5	21,38	2,5	2,9	-	-				
70	34	1,6	19,20	2,5	2,9	-	-				
78	31	1,8	17,35	2,5	2,9	-	-				
86	28	2,0	15,77	2,5	2,9	-	-				
94	25	2,0	14,40	2,5	2,9	-	-				
102	23	2,0	13,20	2,5	2,9	-	-				
117	20	2,4	11,56	2,5	2,9	-	-				
135	18	3,1	10,00	2,5	2,9	-	-				
152	16	3,5	8,91	2,5	2,9	-	-				
169	14	3,9	8,00	2,5	2,9	-	-				
187	13	4,3	7,23	2,4	2,9	-	-				
205	12	4,6	6,57	2,3	2,9	-	-				
226	11	5,2	5,96	2,3	2,9	-	-				
245	10	5,7	5,50	2,2	2,9	-	-				
254	9	5,9	5,31	2,2	2,9	-	-				
283	8	6,3	4,77	2,1	2,9	-	-				
313	8	6,6	4,31	2,1	2,9	-	-				
345	7	6,5	3,92	2,0	2,9	-	-				
377	6	7,6	3,58	1,9	2,9	-	-				
412	6	8,1	3,28	1,9	2,9	-	-				
457	5	8,8	2,95	1,8	2,9	-	-				
474	5	8,9	2,85	1,8	2,9	-	-				
526	5	9,0	2,57	1,7	2,9	-	-				
580	4	9,5	2,33	1,7	2,9	-	-				
644	4	9,7	2,10	1,6	2,9	-	-				

NORDBLOC.1
helical gear units

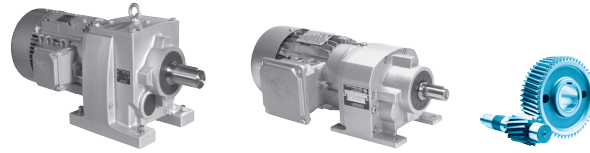
0,37 kW




NORDBLOC.1
helical gear units

P ₁ [kW]	n ₂ [min ⁻¹]	M ₂ [Nm]	f _B	i _{ges}	F _R [kN]	F _A [kN]	F _{R VL} [kN]	F _{A VL} [kN]	Type	kg	mm B
0,37	3,5	1013	0,8	395,46	9,5	9,0	15,8	25,0	SK 773.1 - 71 L/4	40	B55
	4,0	874	1,0	341,21	11,0	9,0	16,6	25,0			
	4,1	857	1,0	334,70	11,1	9,0	16,7	25,0			
	4,5	787	1,1	307,42	11,9	9,0	17,0	25,0			
	4,8	739	1,1	288,78	12,3	9,0	17,0	25,0			
	5,2	679	1,3	265,24	12,9	9,0	17,0	25,0			
	5,3	666	1,3	260,18	12,9	9,0	17,0	25,0			
	5,7	624	1,4	243,53	13,3	9,0	17,0	25,0			
	6,1	575	1,5	224,49	13,5	9,0	17,0	25,0			
	6,7	528	1,6	206,11	13,7	9,0	17,0	25,0			
	7,3	485	1,8	189,31	13,8	9,0	17,0	25,0			
	7,7	457	1,9	178,53	13,9	9,0	17,0	25,0			
	8,6	410	2,1	160,22	14,0	9,0	17,0	25,0			
	9,1	387	1,8	151,10	14,1	9,0	17,0	25,0			
9,9	355	2,4	138,78	14,2	9,0	17,0	25,0				
	4,2	851	0,8	332,23	6,4	20,0	13,0	20,0	SK 673.1 - 71 L/4	27	B53
	4,5	780	0,8	304,61	7,5	20,0	13,5	20,0			
	4,9	715	0,9	279,23	8,3	20,0	14,0	20,0			
	5,6	635	1,0	248,20	9,1	20,0	14,5	20,0			
	6,3	564	1,1	220,32	9,7	20,0	14,8	20,0			
	7,1	497	1,3	194,11	10,1	20,0	15,0	20,0			
	7,6	466	1,4	181,88	10,3	20,0	15,0	20,0			
	7,8	456	1,4	177,94	10,4	20,0	15,0	20,0			
	8,5	413	1,5	161,45	10,6	20,0	15,0	20,0			
	9,6	367	1,7	143,30	10,8	20,0	15,0	20,0			
	11	334	1,9	130,55	11,0	20,0	15,0	20,0			
	12	297	2,2	115,89	11,1	20,0	15,0	20,0			
	13	265	2,4	103,48	11,2	20,0	15,0	20,0			
	15	243	2,6	94,86	11,3	20,0	15,0	20,0			
	6,1	579	0,8	226,30	7,2	14,5	11,0	14,5	SK 573.1* - 71 L/4	21	B48, B51
	6,9	515	0,9	201,16	8,2	14,5	11,0	14,5			
	7,3	484	0,9	188,91	8,8	14,5	11,0	14,5			
	7,7	457	1,0	178,56	9,1	14,5	11,0	14,5			
	8,7	407	1,1	158,78	9,5	14,5	11,0	14,5			
	9,8	361	1,2	141,13	9,7	14,5	11,0	14,5			
	11	321	1,4	125,45	9,9	14,5	11,0	14,5			
	12	285	1,6	111,36	10,0	14,5	11,0	14,5			
	13	275	1,6	107,42	10,1	14,5	11,0	14,5			
	15	242	1,9	94,50	10,2	14,5	11,0	14,5			
	16	218	2,1	85,18	10,2	14,5	11,0	14,5			
	18	197	2,3	76,88	10,3	14,5	11,0	14,5			
	20	173	2,6	67,64	10,3	14,5	11,0	14,5			
	23	156	2,9	60,97	10,4	14,5	11,0	14,5			
	25	139	2,7	54,41	10,4	15,0	11,0	15,0	SK 572.1* - 71 L/4	21	B48, B50
	30	117	2,7	45,77	10,4	15,0	11,0	15,0			
	14	261	0,8	102,01	4,1	10,2	7,4	10,2	SK 373.1 - 71 L/4	14	B47
	15	234	0,9	91,48	4,7	10,2	7,7	10,2			
	17	211	1,0	82,57	5,2	10,2	7,8	10,2			
	19	190	1,1	74,27	5,4	10,2	8,0	10,2			
	21	166	1,2	64,70	5,6	10,2	8,0	10,2			
	23	154	1,3	60,22	5,7	10,2	8,0	10,2			
	26	138	1,5	54,00	5,8	10,2	8,0	10,2			
	29	120	1,7	47,05	5,9	10,2	8,0	10,2			
	32	109	1,8	42,46	5,9	10,2	8,0	10,2			
	37	95	2,1	37,23	6,0	10,2	8,0	10,2			
	19	185	0,8	72,38	5,4	10,2	8,0	10,2			
	22	164	1,0	64,06	5,6	10,2	8,0	10,2			
	23	156	1,0	60,83	5,6	10,2	8,0	10,2			
	26	138	1,2	53,84	5,8	10,2	8,0	10,2			
	32	111	1,5	43,26	5,9	10,2	8,0	10,2			
	36	98	1,8	38,12	6,0	10,2	8,0	10,2			
	41	87	2,2	33,84	6,0	10,2	8,0	10,2			
	46	77	2,3	30,11	6,0	10,2	8,0	10,2	SK 172.1 - 71 L/4	10	B45
	36	99	0,9	38,75	2,8	3,9	-	-			
	40	88	1,0	34,52	2,8	3,9	-	-			
	45	79	1,2	31,00	2,8	3,9	-	-			
	50	71	1,3	27,62	2,8	3,9	-	-			
	56	63	1,4	24,80	2,8	3,9	-	-			

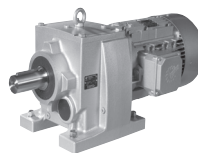
* ⇨ A8



P ₁ [kW]	n ₂ [min ⁻¹]	M ₂ [Nm]	f _B	i _{ges}	F _R [kN]	F _A [kN]	F _{R VL} [kN]	F _{A VL} [kN]	Type	kg	mm 			
0,37	62	57	1,6	22,42	2,8	3,9	-	-	SK 172.1 - 71 L/4	10	B45			
	68	52	1,6	20,37	2,8	3,9	-	-						
	74	48	1,8	18,60	2,8	3,9	-	-						
	88	40	2,1	15,76	2,8	3,9	-	-						
	102	35	2,5	13,54	2,8	3,9	-	-						
	114	31	2,8	12,06	2,8	3,9	-	-						
	121	29	2,9	11,39	2,8	3,9	-	-						
	127	28	3,1	10,83	2,8	3,9	-	-						
	50	71	0,8	27,78	2,5	2,9	-	-				SK 072.1 - 71 L/4	9	B44
	56	63	0,9	24,75	2,5	2,9	-	-						
	62	57	1,0	22,22	2,5	2,9	-	-						
	65	55	1,0	21,38	2,5	2,9	-	-						
	72	49	1,1	19,20	2,5	2,9	-	-						
80	44	1,2	17,35	2,5	2,9	-	-							
88	40	1,4	15,77	2,5	2,9	-	-							
96	37	1,4	14,40	2,5	2,9	-	-							
105	34	1,4	13,20	2,5	2,9	-	-							
119	30	1,7	11,56	2,5	2,9	-	-							
138	26	2,1	10,00	2,5	2,9	-	-							
155	23	2,4	8,91	2,4	2,9	-	-							
172	20	2,7	8,00	2,4	2,9	-	-							
191	19	3,0	7,23	2,3	2,9	-	-							
210	17	3,2	6,57	2,2	2,9	-	-							
231	15	3,6	5,96	2,2	2,9	-	-							
251	14	3,9	5,50	2,1	2,9	-	-							
260	14	4,0	5,31	2,1	2,9	-	-							
289	12	4,3	4,77	2,0	2,9	-	-							
320	11	4,5	4,31	2,0	2,9	-	-							
352	10	4,5	3,92	1,9	2,9	-	-							
386	9	5,2	3,58	1,9	2,9	-	-							
421	8	5,6	3,28	1,8	2,9	-	-							
467	8	6,1	2,95	1,8	2,9	-	-							
485	7	6,2	2,85	1,8	2,9	-	-							
538	7	6,2	2,57	1,7	2,9	-	-							
593	6	6,5	2,33	1,6	2,9	-	-							
658	5	6,7	2,10	1,6	2,8	-	-							
0,55	78	67	0,8	17,35	2,5	2,9	-	-	SK 072.1 - 71 LA/4	9	B44			
	86	61	0,9	15,77	2,5	2,9	-	-						
	94	56	0,9	14,40	2,4	2,9	-	-						
	103	51	0,9	13,20	2,4	2,9	-	-						
	118	45	1,1	11,56	2,4	2,9	-	-						
	136	39	1,4	10,00	2,4	2,9	-	-						
	153	34	1,6	8,91	2,3	2,9	-	-						
	170	31	1,8	8,00	2,2	2,9	-	-						
	188	28	2,0	7,23	2,2	2,9	-	-						
	207	25	2,1	6,57	2,1	2,9	-	-						
	228	23	2,4	5,96	2,1	2,9	-	-						
	247	21	2,6	5,50	2,0	2,9	-	-						
	256	21	2,7	5,31	2,0	2,9	-	-						
	285	18	2,9	4,77	2,0	2,9	-	-						
	315	17	3,0	4,31	1,9	2,9	-	-						
	347	15	3,0	3,92	1,9	2,9	-	-						
	380	14	3,5	3,58	1,8	2,9	-	-						
	415	13	3,7	3,28	1,8	2,9	-	-						
	460	11	4,0	2,95	1,7	2,9	-	-						
	477	11	4,1	2,85	1,7	2,9	-	-						
	530	10	4,1	2,57	1,7	2,9	-	-						
	584	9	4,3	2,33	1,6	2,8	-	-						
	649	8	4,4	2,10	1,6	2,7	-	-						

0,55 kW

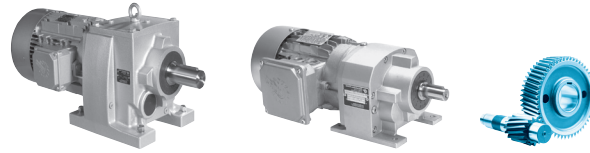
IE2



NORDBLOC.1
helical gear units

P ₁ [kW]	n ₂ [min ⁻¹]	M ₂ [Nm]	f _B	i _{ges}	F _R [kN]	F _A [kN]	F _{R VL} [kN]	F _{A VL} [kN]	Type	kg	mm 		
0,55	4,9	1068	0,8	288,78	8,7	9,0	15,4	25,0	SK 773.1 - 80 SH/4	42	B55		
	5,4	981	0,9	265,24	9,8	9,0	16,0	25,0					
	5,5	962	0,9	260,18	9,9	9,0	16,1	25,0					
	5,8	901	0,9	243,53	10,7	9,0	16,5	25,0					
	6,3	830	1,0	224,49	11,3	9,0	16,8	25,0					
	6,9	762	1,1	206,11	12,0	9,0	17,0	25,0					
	7,5	700	1,2	189,31	12,7	9,0	17,0	25,0					
	8,0	660	1,3	178,53	13,1	9,0	17,0	25,0					
	8,9	593	1,5	160,22	13,4	9,0	17,0	25,0					
	9,4	559	1,3	151,10	13,6	9,0	17,0	25,0					
	10	513	1,7	138,78	13,7	9,0	17,0	25,0					
	12	434	2,0	117,46	14,0	9,0	17,0	25,0					
	13	414	2,1	111,92	14,0	9,0	17,0	25,0					
	15	346	2,5	93,61	13,8	9,0	17,0	25,0					
	6,4	815	0,8	220,32	7,0	20,0	13,2	20,0				SK 673.1 - 80 SH/4	30
6,5	810	0,8	219,00	7,0	20,0	13,3	20,0						
7,3	718	0,9	194,11	8,2	20,0	14,0	20,0						
7,8	673	1,0	181,88	8,7	20,0	14,2	20,0						
8,0	658	1,0	177,94	8,9	20,0	14,3	20,0						
8,8	597	1,1	161,45	9,4	20,0	14,7	20,0						
9,7	543	1,2	146,88	9,8	20,0	14,9	20,0						
9,9	530	1,2	143,30	9,9	20,0	15,0	20,0						
11	498	1,3	134,64	10,1	20,0	15,0	20,0						
12	429	1,5	115,89	10,5	20,0	15,0	20,0						
14	383	1,7	103,48	10,7	20,0	15,0	20,0						
15	351	1,8	94,86	10,9	20,0	15,0	20,0						
17	310	2,1	83,70	11,0	20,0	15,0	20,0						
19	272	2,3	73,64	11,2	20,0	15,0	20,0						
22	244	2,6	65,95	11,3	20,0	15,0	20,0						
8,9	587	0,8	158,78	7,2	14,5	11,0	14,5	SK 573.1* - 80 SH/4	24	B49, B51			
10	522	0,9	141,13	8,1	14,5	11,0	14,5						
11	464	1,0	125,45	9,0	14,5	11,0	14,5						
13	412	1,1	111,36	9,5	14,5	11,0	14,5						
15	350	1,3	94,50	9,8	14,5	11,0	14,5						
17	315	1,4	85,18	9,9	14,5	11,0	14,5						
18	284	1,6	76,88	10,0	14,5	11,0	14,5						
21	250	1,8	67,64	10,1	14,5	11,0	14,5						
23	225	2,0	60,97	10,2	14,5	11,0	14,5						
25	206	2,2	55,80	10,3	14,5	11,0	14,5						
29	183	2,5	49,60	10,3	14,5	11,0	14,5						
30	177	2,5	47,95	10,3	14,5	11,0	14,5						
33	161	2,8	43,40	10,3	14,5	11,0	14,5						
26	201	1,8	54,41	10,3	15,0	11,0	15,0				SK 572.1* - 80 SH/4	24	B48, B50
31	169	1,9	45,77	10,3	15,0	11,0	15,0						
34	157	2,4	42,38	10,4	15,0	11,0	15,0						
40	132	2,8	35,65	10,4	15,0	11,0	15,0						
49	107	3,6	28,91	10,4	15,0	11,0	15,0						
53	100	4,0	27,00	10,4	15,0	11,0	15,0						
22	239	0,8	64,70	4,7	10,2	7,6	10,2	SK 373.1 - 80 SH/4	16	B47			
24	223	0,9	60,22	5,1	10,2	7,7	10,2						
26	200	1,1	54,00	5,3	10,2	7,9	10,2						
30	174	1,2	47,05	5,5	10,2	8,0	10,2						
33	157	1,3	42,46	5,6	10,2	8,0	10,2						
38	138	1,5	37,23	5,8	10,2	8,0	10,2						
43	123	1,6	33,20	5,8	10,2	8,0	10,2						
48	110	1,9	29,77	5,9	10,2	8,0	10,2						
26	199	0,8	53,84	5,3	10,2	7,9	10,2				SK 372.1 - 80 SH/4	16	B46
33	160	1,1	43,26	5,6	10,2	8,0	10,2						
37	141	1,3	38,12	5,7	10,2	8,0	10,2						
42	125	1,5	33,84	5,8	10,2	8,0	10,2						
47	111	1,6	30,11	5,9	10,2	8,0	10,2						
55	96	2,0	25,85	6,0	10,2	8,0	10,2						
62	85	2,4	23,00	6,0	10,2	8,0	10,2						
69	76	2,5	20,62	6,0	10,2	8,0	10,2						
77	68	2,9	18,40	6,1	10,2	8,0	10,2						
86	61	3,1	16,50	6,0	10,2	8,0	10,2						
97	54	3,5	14,57	6,0	10,2	7,9	10,2						
110	48	4,2	12,96	5,8	10,2	7,6	10,2						
123	43	4,4	11,55	5,7	10,2	7,3	10,2						

* ⇒ A8

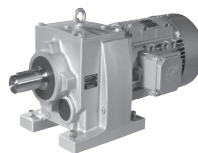


P ₁ [kW]	n ₂ [min ⁻¹]	M ₂ [Nm]	f _B	i _{ges}	F _R [kN]	F _A [kN]	F _{R VL} [kN]	F _{A VL} [kN]	Type	kg	mm H B
0,55	51	102	0,9	27,62	2,8	3,9	-	-	SK 172.1 - 80 SH/4	13	B45
	57	92	1,0	24,80	2,8	3,9	-	-			
	63	83	1,1	22,42	2,8	3,9	-	-			
	70	75	1,1	20,37	2,8	3,9	-	-			
	76	69	1,2	18,60	2,8	3,9	-	-			
	90	58	1,5	15,76	2,8	3,9	-	-			
	105	50	1,7	13,54	2,8	3,9	-	-			
	118	45	1,9	12,06	2,8	3,9	-	-			
	125	42	2,0	11,39	2,8	3,9	-	-			
	131	40	2,1	10,83	2,8	3,9	-	-			
	145	36	2,3	9,79	2,8	3,9	-	-			
163	32	2,7	8,72	2,8	3,9	-	-				
181	29	2,8	7,83	2,8	3,9	-	-				
0,75	7,5	958	0,9	189,31	10,1	9,0	16,2	25,0	SK 773.1 - 80 LP/4	44	B55
	8,8	811	1,1	160,22	11,5	9,0	17,0	25,0			
	10	702	1,2	138,78	12,7	9,0	17,0	25,0			
	12	595	1,5	117,46	13,4	9,0	17,0	25,0			
	13	566	1,5	111,92	13,5	9,0	17,0	25,0			
	15	474	1,8	93,61	13,4	9,0	17,0	25,0			
	17	422	2,0	83,32	13,0	9,0	17,0	25,0			
	18	401	2,2	79,23	12,8	9,0	17,0	25,0			
	20	364	2,3	71,89	12,5	9,0	17,0	25,0			
	21	349	2,4	68,92	12,4	9,0	17,0	25,0			
	22	321	2,6	63,42	12,1	9,0	17,0	25,0			
	8,8	817	0,8	161,45	6,9	20,0	13,2	20,0			
	9,6	743	0,9	146,88	7,9	20,0	13,8	20,0			
	9,9	725	0,9	143,30	8,1	20,0	13,9	20,0			
	11	661	1,0	130,55	8,8	20,0	14,3	20,0			
	12	587	1,1	115,89	9,5	20,0	14,7	20,0			
	14	524	1,2	103,48	9,9	20,0	15,0	20,0			
	15	480	1,3	94,86	10,2	20,0	15,0	20,0			
	17	424	1,5	83,70	10,5	20,0	15,0	20,0			
	19	373	1,7	73,64	10,8	20,0	15,0	20,0			
	21	334	1,9	65,95	11,0	20,0	15,0	20,0			
	23	306	2,1	60,45	11,1	20,0	15,0	20,0			
26	279	2,3	55,12	11,2	20,0	15,0	20,0				
29	251	2,6	49,50	11,2	20,0	15,0	20,0				
25	287	1,4	56,65	11,1	20,0	15,0	20,0	SK 672.1 - 80 LP/4	30	B52	
32	225	2,0	44,55	11,3	20,0	15,0	20,0				
13	564	0,8	111,36	7,5	14,5	11,0	14,5	SK 573.1* - 80 LP/4	25	B49, B51	
15	478	0,9	94,50	8,8	14,5	11,0	14,5				
17	431	1,0	85,18	9,4	14,5	11,0	14,5				
18	389	1,2	76,88	9,6	14,5	11,0	14,5				
21	342	1,3	67,64	9,8	14,5	11,0	14,5				
23	309	1,5	60,97	9,9	14,5	11,0	14,5				
25	282	1,6	55,80	10,0	14,5	11,0	14,5				
29	251	1,8	49,60	10,1	14,5	11,0	14,5				
30	243	1,9	47,95	10,2	14,5	11,0	14,5				
33	220	2,0	43,40	10,2	14,5	11,0	14,5				
34	214	2,1	42,18	10,2	14,5	11,0	14,5				
37	192	2,3	38,02	10,3	14,5	11,0	14,5				
26	275	1,3	54,41	10,1	15,0	11,0	15,0	SK 572.1* - 80 LP/4	25	B48, B50	
31	232	1,4	45,77	10,2	15,0	11,0	15,0				
33	215	1,7	42,38	10,2	15,0	11,0	15,0				
40	180	2,1	35,65	10,3	15,0	11,0	15,0				
49	146	2,6	28,91	10,4	15,0	11,0	15,0				
52	137	2,9	27,00	10,4	15,0	11,0	15,0				
26	273	0,8	54,00	3,6	10,2	7,3	10,2	SK 373.1 - 80 LP/4	18	B47	
30	238	0,9	47,05	4,4	10,2	7,6	10,2				
33	215	0,9	42,46	4,6	10,2	7,8	10,2				
38	188	1,1	37,23	4,8	10,2	8,0	10,2				
43	168	1,2	33,20	5,2	10,2	8,0	10,2				
48	151	1,4	29,77	5,3	10,2	8,0	10,2				

NORDBLOC.1
helical gear units

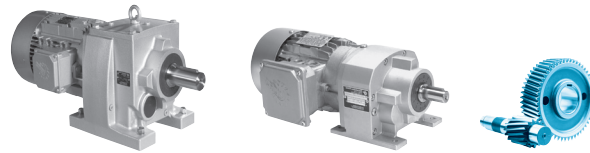
* ⇔ A8


**0,75 kW
1,10 kW**



NORDBLOC.1
helical gear units

P_1 [kW]	n_2 [min ⁻¹]	M_2 [Nm]	f_B	i_{ges}	F_R [kN]	F_A [kN]	F_{RVL} [kN]	F_{AVL} [kN]	Type	kg	mm 				
0,75	55	131	1,6	25,94	5,4	10,2	8,0	10,2	SK 373.1 - 80 LP/4	18	B47				
	60	118	1,8	23,41	5,3	10,2	8,0	10,2							
	62	115	1,8	22,74	5,4	10,2	8,0	10,2							
	69	104	2,0	20,52	5,4	10,2	8,0	10,2							
	76	94,3	2,0	18,63	5,3	10,2	8,0	10,2							
		33	219	0,8	43,26	5,0	10,2	7,8	10,2	SK 372.1 - 80 LP/4	17	B46			
		37	193	0,9	38,12	5,1	10,2	7,9	10,2						
		42	171	1,1	33,84	5,3	10,2	8,0	10,2						
		47	152	1,2	30,11	5,3	10,2	8,0	10,2						
		55	131	1,5	25,85	5,5	10,2	8,0	10,2						
		62	116	1,7	23,00	5,5	10,2	8,0	10,2						
		69	104	1,8	20,62	5,4	10,2	8,0	10,2						
		77	93,1	2,1	18,40	5,5	10,2	8,0	10,2						
		86	83,5	2,3	16,50	5,4	10,2	8,0	10,2						
		97	73,7	2,6	14,57	5,4	10,2	7,8	10,2						
109		65,6	3,0	12,96	5,3	10,2	7,5	10,2							
122		58,5	3,2	11,55	5,3	10,2	7,2	10,2							
138		52,0	3,7	10,28	5,2	10,2	7,0	10,2							
151		47,6	4,0	9,40	5,1	10,2	6,8	10,2							
		63	113	0,8	22,42	2,8	3,9	-	-				SK 172.1 - 80 LP/4	14	B45
	69	103	0,8	20,37	2,8	3,9	-	-							
	76	94,1	0,9	18,60	2,8	3,9	-	-							
	90	79,8	1,1	15,76	2,8	3,9	-	-							
	104	68,5	1,2	13,54	2,8	3,9	-	-							
	117	61,1	1,4	12,06	2,8	3,9	-	-							
	124	57,7	1,5	11,39	2,8	3,9	-	-							
	131	54,8	1,6	10,83	2,8	3,9	-	-							
	145	49,6	1,7	9,79	2,8	3,9	-	-							
	162	44,2	2,0	8,72	2,8	3,9	-	-							
	181	39,6	2,1	7,83	2,8	3,9	-	-							
	200	35,8	2,3	7,08	2,8	3,9	-	-							
	220	32,6	2,5	6,43	2,8	3,9	-	-							
	245	29,2	2,6	5,77	2,8	3,9	-	-							
	275	26,0	3,2	5,14	2,8	3,9	-	-							
	307	23,4	3,1	4,62	2,8	3,9	-	-							
	339	21,1	3,1	4,17	2,8	3,9	-	-							
	373	19,2	3,1	3,79	2,8	3,9	-	-							
	409	17,5	3,1	3,46	2,8	3,9	-	-							
	439	16,3	3,3	3,22	2,8	3,9	-	-							
485	14,8	3,4	2,92	2,8	3,9	-	-								
521	13,8	3,3	2,72	2,8	3,9	-	-								
568	12,6	3,4	2,49	2,8	3,9	-	-								
611	11,7	3,7	2,32	2,8	3,9	-	-								
1,10	3,1	3355	1,0	456,77	23,3	22,0	29,7	40,0	SK 973.1 - 90 SP/4	123	B59				
	3,4	3046	1,1	414,73	24,1	22,0	30,2	40,0							
	3,9	2666	1,2	362,89	25,0	22,0	30,7	40,0							
	4,4	2391	1,4	325,47	25,6	22,0	31,0	40,0							
	4,8	2171	1,5	295,50	26,0	22,0	31,2	40,0							
	5,5	1899	1,7	258,57	26,5	22,0	31,5	40,0							
	6,1	1725	1,9	234,77	26,8	22,0	31,6	40,0							
	7,2	1451	2,3	197,50	27,3	22,0	31,9	40,0							
		5,0	2091	0,8	284,73	12,8	18,0	22,9				30,0	SK 873.1 - 90 SP/4	84	B57
		5,6	1892	0,9	257,61	14,4	18,0	23,8				30,0			
6,2		1705	1,0	232,16	15,6	18,0	24,6	30,0							
6,8		1550	1,1	210,95	16,5	18,0	25,0	30,0							
7,5		1402	1,2	190,86	17,2	18,0	25,0	30,0							
8,6		1215	1,4	165,42	18,0	18,0	25,0	30,0							
9,5		1104	1,5	150,31	18,3	18,0	25,0	30,0							
11		937	1,8	127,52	18,9	18,0	25,0	30,0							
12		851	2,0	115,88	19,1	18,0	25,0	30,0							
14		742	2,3	101,02	19,3	18,0	25,0	30,0							
16		672	2,5	91,43	19,5	18,0	25,0	30,0							
17		610	2,8	83,08	19,6	18,0	25,0	30,0							
19		546	3,1	74,29	19,7	18,0	25,0	30,0							
21		496	3,4	67,50	19,8	18,0	25,0	30,0							
23		449	3,8	61,07	19,8	18,0	25,0	30,0							

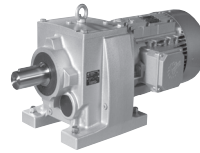


P ₁ [kW]	n ₂ [min ⁻¹]	M ₂ [Nm]	f _B	i _{ges}	F _R [kN]	F _A [kN]	F _{R VL} [kN]	F _{A VL} [kN]	Type	kg	mm 			
1,10	10	1019	0,8	138,78	9,4	9,0	15,8	25,0	SK 773.1 - 90 SP/4	49	B55			
	12	863	1,0	117,46	11,0	9,0	16,7	25,0						
	13	822	1,0	111,92	11,5	9,0	16,9	25,0						
	15	709	1,2	96,57	12,6	9,0	17,0	25,0						
	17	612	1,4	83,32	12,2	9,0	17,0	25,0						
	18	582	1,5	79,23	12,0	9,0	17,0	25,0						
	20	528	1,6	71,89	11,8	9,0	17,0	24,9						
	21	506	1,7	68,92	11,7	9,0	17,0	24,8						
	23	466	1,8	63,42	11,5	9,0	17,0	24,4						
	25	423	2,0	57,64	11,2	9,0	17,0	24,0						
	28	377	2,3	51,31	10,9	9,0	17,0	23,5						
	30	350	2,5	47,61	10,7	9,0	17,0	23,0						
	33	319	2,7	43,43	10,5	9,0	17,0	22,6						
		12	851	0,8	115,89	6,4	20,0	13,0				20,0	SK 673.1 - 90 SP/4	36
	14	760	0,8	103,48	7,8	20,0	13,7	20,0						
	15	697	0,9	94,86	8,5	20,0	14,1	20,0						
	17	615	1,0	83,70	9,3	20,0	14,6	20,0						
	19	541	1,2	73,64	9,8	20,0	15,0	20,0						
	22	484	1,3	65,95	10,2	20,0	15,0	20,0						
	24	444	1,4	60,45	10,4	20,0	15,0	20,0						
	26	405	1,6	55,12	10,6	20,0	15,0	20,0						
	29	364	1,8	49,50	10,8	20,0	15,0	20,0						
	32	329	1,9	44,85	11,0	20,0	15,0	20,0						
	34	305	2,1	41,54	11,1	20,0	15,0	20,0						
	38	274	2,3	37,23	11,2	20,0	15,0	20,0						
	25	416	1,0	56,65	10,6	20,0	15,0	20,0	SK 672.1 - 90 SP/4	35	B52			
	32	327	1,4	44,55	11,0	20,0	15,0	20,0						
	40	263	2,1	35,75	11,2	20,0	15,0	20,0						
	44	239	2,5	32,58	11,3	20,0	15,0	20,0						
	49	214	2,6	29,08	11,3	20,0	15,0	20,0						
	19	565	0,8	76,88	7,5	14,5	11,0	14,5	SK 573.1* - 90 SP/4	30	B49, B51			
	21	497	0,9	67,64	8,5	14,5	11,0	14,5						
	23	448	1,0	60,97	9,2	14,5	11,0	14,5						
	26	410	1,1	55,80	9,5	14,5	11,0	14,5						
	29	364	1,2	49,60	9,7	14,5	11,0	14,5						
	30	352	1,3	47,95	9,8	14,5	11,0	14,5						
	33	319	1,4	43,40	9,9	14,5	11,0	14,5						
	34	310	1,5	42,18	9,9	14,5	11,0	14,5						
	38	279	1,6	38,02	10,0	14,5	11,0	14,5						
	41	256	1,7	34,80	10,1	14,5	11,0	14,5						
	46	227	1,9	30,93	10,2	14,5	11,0	14,5						
	26	400	0,9	54,41	9,6	15,0	11,0	15,0				SK 572.1* - 90 SP/4	30	B48, B50
	31	336	1,0	45,77	9,8	15,0	11,0	15,0						
	34	311	1,2	42,38	9,9	15,0	11,0	15,0						
	40	262	1,4	35,65	10,1	15,0	11,0	15,0						
	46	230	1,6	31,28	10,2	15,0	11,0	15,0						
	49	212	1,8	28,91	10,2	15,0	11,0	15,0						
	53	198	2,0	27,00	10,3	15,0	11,0	15,0						
	58	181	2,4	24,58	10,3	15,0	11,0	15,0						
	65	160	2,6	21,85	10,4	15,0	11,0	15,0						
	73	144	2,8	19,57	10,4	15,0	11,0	15,0						
	87	121	3,3	16,46	10,4	15,0	11,0	15,0						
	93	113	3,8	15,38	10,4	15,0	11,0	15,0						
	105	100	4,1	13,67	10,2	15,0	11,0	15,0						
	43	244	0,8	33,20	3,2	10,2	7,6	10,2	SK 373.1 - 90 SP/4	23	B47			
	48	219	1,0	29,77	3,4	10,2	7,8	10,2						
	55	191	1,1	25,94	3,7	10,2	8,0	10,2						
	61	172	1,2	23,41	3,8	10,2	8,0	10,2						
	63	167	1,3	22,74	4,0	10,2	8,0	10,2						
	70	151	1,4	20,52	4,1	10,2	8,0	10,2						
	77	137	1,4	18,63	4,1	10,2	8,0	10,2						

NORDBLOC.1
helical gear units

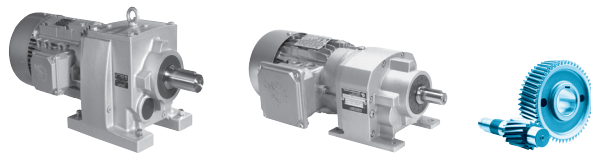
* ⇒  A8


1,10 kW
1,50 kW



NORDBLOC.1
helical gear units

P ₁ [kW]	n ₂ [min ⁻¹]	M ₂ [Nm]	f _B	i _{ges}	F _R [kN]	F _A	F _{R VL} [kN]	F _{A VL} [kN]	Type	kg	mm				
1,10	42	249	0,8	33,84	3,2	10,2	7,6	10,2	SK 372.1 - 90 SP/4	22	B46				
	47	221	0,8	30,11	3,5	10,2	7,8	10,2							
	55	190	1,0	25,85	3,9	10,2	8,0	10,2							
	62	169	1,2	23,00	4,1	10,2	8,0	10,2							
	69	152	1,3	20,62	4,1	10,2	8,0	10,2							
	78	135	1,5	18,40	4,3	10,2	8,0	10,2							
	87	121	1,6	16,50	4,4	10,2	7,8	10,2							
	98	107	1,8	14,57	4,6	10,2	7,5	10,2							
	110	95,2	2,1	12,96	4,5	10,2	7,3	10,2							
	124	84,9	2,2	11,55	4,6	10,2	7,0	10,2							
	139	75,5	2,5	10,28	4,5	10,2	6,8	10,2							
	152	69,0	2,8	9,40	4,5	10,2	6,6	10,2							
	174	60,4	3,0	8,22	4,5	10,2	6,4	10,2							
	198	53,1	3,2	7,23	4,4	10,2	6,1	10,2							
	208	50,6	3,4	6,89	4,4	10,2	6,1	10,2							
	217	48,3	3,3	6,58	4,4	10,2	6,0	10,2							
	240	43,7	3,7	5,95	4,3	10,2	5,8	10,2							
	273	38,5	4,2	5,24	4,2	10,2	5,6	10,2							
		126	83,7	1,0	11,39	2,8	3,9	-				-	SK 172.1 - 90 SP/4	19	B45
		146	71,9	1,2	9,79	2,8	3,9	-				-			
164		64,1	1,4	8,72	2,8	3,9	-	-							
183		57,5	1,4	7,83	2,8	3,9	-	-							
202		52,0	1,6	7,08	2,8	3,9	-	-							
222		47,3	1,7	6,43	2,8	3,9	-	-							
248		42,4	1,8	5,77	2,8	3,9	-	-							
278		37,8	2,2	5,14	2,8	3,9	-	-							
310		33,9	2,1	4,62	2,8	3,9	-	-							
343		30,6	2,1	4,17	2,8	3,9	-	-							
377		27,8	2,1	3,79	2,8	3,9	-	-							
413		25,4	2,1	3,46	2,8	3,9	-	-							
444		23,7	2,3	3,22	2,8	3,9	-	-							
490		21,4	2,3	2,92	2,8	3,9	-	-							
526		20,0	2,3	2,72	2,8	3,9	-	-							
574		18,3	2,4	2,49	2,8	3,9	-	-							
617		17,0	2,5	2,32	2,8	3,8	-	-							
1,50	3,4	4198	0,8	414,73	18,5	22,0	28,4	40,0	SK 973.1 - 90 LP/4	124	B59				
	3,9	3674	0,9	362,89	22,4	22,0	29,3	40,0							
	4,3	3295	1,0	325,47	23,4	22,0	29,8	40,0							
	4,8	2991	1,1	295,50	24,2	22,0	30,2	40,0							
	5,5	2617	1,3	258,57	25,1	22,0	30,7	40,0							
	6,0	2377	1,4	234,77	25,6	22,0	31,0	40,0							
	7,2	1999	1,7	197,50	26,3	22,0	31,4	40,0							
	7,9	1815	1,8	179,32	26,6	22,0	31,5	40,0							
	8,2	1757	1,7	173,58	26,8	22,0	31,6	40,0							
	9,0	1595	1,9	157,60	27,0	22,0	31,7	40,0							
	11	1341	2,5	132,45	27,4	22,0	31,9	40,0							
	12	1217	2,7	120,26	27,6	22,0	32,0	40,0							
	13	1065	3,0	105,23	27,8	22,0	32,1	40,0							
15	961	3,4	94,96	28,0	22,0	32,2	40,0								
16	873	3,8	86,22	28,1	22,0	32,3	40,0								
	6,7	2135	0,8	210,95	12,3	18,0	22,6	30,0	SK 873.1 - 90 LP/4	85	B57				
	7,4	1932	0,9	190,86	14,0	18,0	23,6	30,0							
	8,6	1675	1,0	165,42	15,8	18,0	24,7	30,0							
	9,4	1522	1,1	150,31	16,6	18,0	25,0	30,0							
	10	1377	1,2	135,99	17,3	18,0	25,0	30,0							
	11	1291	1,3	127,52	17,6	18,0	25,0	30,0							
	12	1173	1,4	115,88	18,1	18,0	25,0	30,0							
	13	1061	1,6	104,84	18,5	18,0	25,0	30,0							
	14	1023	1,7	101,02	18,6	18,0	25,0	30,0							
	15	926	1,8	91,43	18,9	18,0	25,0	30,0							
	17	841	2,0	83,08	19,1	18,0	25,0	30,0							
	19	752	2,3	74,29	19,3	18,0	25,0	30,0							
	21	683	2,5	67,50	19,4	18,0	25,0	30,0							
	23	618	2,7	61,07	19,6	18,0	25,0	30,0							
	26	560	3,0	55,35	19,6	18,0	25,0	30,0							
	28	509	3,3	50,32	19,1	18,0	25,0	30,0							
	31	461	3,7	45,53	18,6	18,0	25,0	30,0							

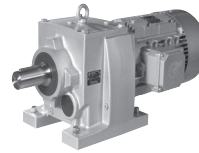
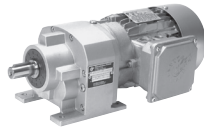


P ₁ [kW]	n ₂ [min ⁻¹]	M ₂ [Nm]	f _B	i _{ges}	F _R [kN]	F _A	F _{R VL} [kN]	F _{A VL} [kN]	Type	kg	mm 																																																																																																																																																																																																																																																																																																																																																																																																																																																												
1,50	13	1133	0,8	111,92	8,0	9,0	15,1	23,7	SK 773.1 - 90 LP/4	50	B55																																																																																																																																																																																																																																																																																																																																																																																																																																																												
	15	978	0,9	96,57	9,9	9,0	16,0	23,6																																																																																																																																																																																																																																																																																																																																																																																																																																																															
	17	843	1,0	83,32	11,3	9,0	16,8	23,5																																																																																																																																																																																																																																																																																																																																																																																																																																																															
	18	802	1,1	79,23	11,3	9,0	17,0	23,2																																																																																																																																																																																																																																																																																																																																																																																																																																																															
	20	728	1,2	71,89	11,1	9,0	17,0	23,2																																																																																																																																																																																																																																																																																																																																																																																																																																																															
	21	698	1,2	68,92	11,0	9,0	17,0	23,1																																																																																																																																																																																																																																																																																																																																																																																																																																																															
	22	642	1,3	63,42	10,9	9,0	17,0	22,9																																																																																																																																																																																																																																																																																																																																																																																																																																																															
	25	584	1,5	57,64	10,7	9,0	17,0	22,6																																																																																																																																																																																																																																																																																																																																																																																																																																																															
	28	519	1,6	51,31	10,4	9,0	17,0	22,2																																																																																																																																																																																																																																																																																																																																																																																																																																																															
	30	482	1,8	47,61	10,2	9,0	17,0	21,9																																																																																																																																																																																																																																																																																																																																																																																																																																																															
	33	440	2,0	43,43	10,0	9,0	17,0	21,6																																																																																																																																																																																																																																																																																																																																																																																																																																																															
	36	395	2,1	39,06	9,8	9,0	17,0	21,3																																																																																																																																																																																																																																																																																																																																																																																																																																																															
	40	362	2,3	35,77	9,6	9,0	17,0	20,9																																																																																																																																																																																																																																																																																																																																																																																																																																																															
	44	322	2,5	31,83	9,3	9,0	16,8	20,4																																																																																																																																																																																																																																																																																																																																																																																																																																																															
49	290	2,8	28,63	9,1	9,0	16,5	20,0																																																																																																																																																																																																																																																																																																																																																																																																																																																																
	53	272	3,0	26,86	9,0	9,0	16,3	19,8	SK 772.1 - 90 LP/4	49	B54																																																																																																																																																																																																																																																																																																																																																																																																																																																												
	58	247	3,3	24,41	8,8	9,0	16,0	19,4					17	847	0,8	83,70	6,4	20,0	13,0	20,0	SK 673.1 - 90 LP/4	38	B53		19	745	0,9	73,64	7,9	20,0	13,8	20,0		21	668	1,0	65,95	8,8	20,0	14,3	20,0		23	612	1,0	60,45	9,3	20,0	14,6	20,0		26	558	1,1	55,12	9,7	20,0	14,9	20,0		29	501	1,3	49,50	10,1	20,0	15,0	20,0		32	454	1,4	44,85	10,4	20,0	15,0	20,0		34	420	1,5	41,54	10,6	20,0	15,0	20,0		38	377	1,7	37,23	10,8	20,0	15,0	20,0		41	345	1,7	34,12	10,9	20,0	15,0	20,0		46	313	1,7	30,92	11,0	20,0	15,0	20,0		51	279	1,9	27,61	11,2	20,0	15,0	20,0		56	255	2,0	25,19	11,2	20,0	15,0	20,0		62	231	1,9	22,82	11,3	20,0	15,0	20,0		32	451	1,0	44,55	10,4	20,0	15,0	20,0	SK 672.1 - 90 LP/4	37	B52		40	362	1,5	35,75	10,8	20,0	15,0	20,0		43	330	1,8	32,58	11,0	20,0	15,0	20,0		49	294	1,9	29,08	11,1	20,0	15,0	20,0		25	565	0,8	55,80	7,5	14,5	11,0	14,5	SK 573.1* - 90 LP/4	32	B49, B51		29	502	0,9	49,60	8,2	14,5	11,0	14,5		30	485	0,9	47,95	8,4	14,5	11,0	14,5		33	439	1,0	43,40	8,8	14,5	11,0	14,5		34	427	1,1	42,18	8,9	14,5	11,0	14,5		37	385	1,2	38,02	9,2	14,5	11,0	14,5		41	352	1,2	34,80	9,5	14,5	11,0	14,5		46	313	1,4	30,93	9,6	14,5	11,0	14,5		53	271	1,6	26,77	9,8	14,5	11,0	14,5		59	241	1,8	23,79	9,8	14,5	11,0	14,5		66	216	2,0	21,32	9,7	14,5	11,0	14,5		33	429	0,9	42,38	9,4	15,0	11,0	15,0	SK 572.1* - 90 LP/4	31	B48, B50		40	361	1,0	35,65	9,7	15,0	11,0	15,0		45	317	1,2	31,28	9,9	15,0	11,0	15,0		49	293	1,3	28,91	9,9	15,0	11,0	15,0		52	273	1,5	27,00	9,8	15,0	11,0	15,0		58	249	1,7	24,58	9,9	15,0	11,0	15,0		65	221	1,9	21,85	9,8	15,0	11,0	15,0		72	198	2,0	19,57	10,0	15,0	11,0	15,0		86	167	2,4	16,46	9,8	15,0	11,0	15,0		92	156	2,8	15,38	9,6	15,0	11,0	15,0		104	138	3,0	13,67	9,5	15,0	11,0	15,0		112	128	3,3	12,68	9,4	15,0	11,0	15,0		126	114	3,6	11,25	9,3	15,0	11,0	15,0		141	102	3,9	10,04	9,1	15,0	11,0	15,0		55	263	0,8	25,94	1,8	10,2	7,4	10,2	SK 373.1 - 90 LP/4	24	B47		60	237	0,9	23,41	2,1	10,2	7,6	10,2		62	230	0,9	22,74	2,3	10,2	7,7	10,2		69	208	1,0	20,52	2,5	10,2	7,8	10,2		76	189	1,0	18,63	2,7
	17	847	0,8	83,70	6,4	20,0	13,0	20,0	SK 673.1 - 90 LP/4	38	B53																																																																																																																																																																																																																																																																																																																																																																																																																																																												
	19	745	0,9	73,64	7,9	20,0	13,8	20,0																																																																																																																																																																																																																																																																																																																																																																																																																																																															
	21	668	1,0	65,95	8,8	20,0	14,3	20,0																																																																																																																																																																																																																																																																																																																																																																																																																																																															
	23	612	1,0	60,45	9,3	20,0	14,6	20,0																																																																																																																																																																																																																																																																																																																																																																																																																																																															
	26	558	1,1	55,12	9,7	20,0	14,9	20,0																																																																																																																																																																																																																																																																																																																																																																																																																																																															
	29	501	1,3	49,50	10,1	20,0	15,0	20,0																																																																																																																																																																																																																																																																																																																																																																																																																																																															
	32	454	1,4	44,85	10,4	20,0	15,0	20,0																																																																																																																																																																																																																																																																																																																																																																																																																																																															
	34	420	1,5	41,54	10,6	20,0	15,0	20,0																																																																																																																																																																																																																																																																																																																																																																																																																																																															
	38	377	1,7	37,23	10,8	20,0	15,0	20,0																																																																																																																																																																																																																																																																																																																																																																																																																																																															
	41	345	1,7	34,12	10,9	20,0	15,0	20,0																																																																																																																																																																																																																																																																																																																																																																																																																																																															
	46	313	1,7	30,92	11,0	20,0	15,0	20,0																																																																																																																																																																																																																																																																																																																																																																																																																																																															
	51	279	1,9	27,61	11,2	20,0	15,0	20,0																																																																																																																																																																																																																																																																																																																																																																																																																																																															
	56	255	2,0	25,19	11,2	20,0	15,0	20,0																																																																																																																																																																																																																																																																																																																																																																																																																																																															
	62	231	1,9	22,82	11,3	20,0	15,0	20,0																																																																																																																																																																																																																																																																																																																																																																																																																																																															
	32	451	1,0	44,55	10,4	20,0	15,0	20,0	SK 672.1 - 90 LP/4	37	B52																																																																																																																																																																																																																																																																																																																																																																																																																																																												
	40	362	1,5	35,75	10,8	20,0	15,0	20,0																																																																																																																																																																																																																																																																																																																																																																																																																																																															
	43	330	1,8	32,58	11,0	20,0	15,0	20,0																																																																																																																																																																																																																																																																																																																																																																																																																																																															
	49	294	1,9	29,08	11,1	20,0	15,0	20,0																																																																																																																																																																																																																																																																																																																																																																																																																																																															
	25	565	0,8	55,80	7,5	14,5	11,0	14,5	SK 573.1* - 90 LP/4	32	B49, B51																																																																																																																																																																																																																																																																																																																																																																																																																																																												
	29	502	0,9	49,60	8,2	14,5	11,0	14,5																																																																																																																																																																																																																																																																																																																																																																																																																																																															
	30	485	0,9	47,95	8,4	14,5	11,0	14,5																																																																																																																																																																																																																																																																																																																																																																																																																																																															
	33	439	1,0	43,40	8,8	14,5	11,0	14,5																																																																																																																																																																																																																																																																																																																																																																																																																																																															
	34	427	1,1	42,18	8,9	14,5	11,0	14,5																																																																																																																																																																																																																																																																																																																																																																																																																																																															
	37	385	1,2	38,02	9,2	14,5	11,0	14,5																																																																																																																																																																																																																																																																																																																																																																																																																																																															
	41	352	1,2	34,80	9,5	14,5	11,0	14,5																																																																																																																																																																																																																																																																																																																																																																																																																																																															
	46	313	1,4	30,93	9,6	14,5	11,0	14,5																																																																																																																																																																																																																																																																																																																																																																																																																																																															
	53	271	1,6	26,77	9,8	14,5	11,0	14,5																																																																																																																																																																																																																																																																																																																																																																																																																																																															
	59	241	1,8	23,79	9,8	14,5	11,0	14,5																																																																																																																																																																																																																																																																																																																																																																																																																																																															
	66	216	2,0	21,32	9,7	14,5	11,0	14,5																																																																																																																																																																																																																																																																																																																																																																																																																																																															
	33	429	0,9	42,38	9,4	15,0	11,0	15,0	SK 572.1* - 90 LP/4	31	B48, B50																																																																																																																																																																																																																																																																																																																																																																																																																																																												
	40	361	1,0	35,65	9,7	15,0	11,0	15,0																																																																																																																																																																																																																																																																																																																																																																																																																																																															
	45	317	1,2	31,28	9,9	15,0	11,0	15,0																																																																																																																																																																																																																																																																																																																																																																																																																																																															
	49	293	1,3	28,91	9,9	15,0	11,0	15,0																																																																																																																																																																																																																																																																																																																																																																																																																																																															
	52	273	1,5	27,00	9,8	15,0	11,0	15,0																																																																																																																																																																																																																																																																																																																																																																																																																																																															
	58	249	1,7	24,58	9,9	15,0	11,0	15,0																																																																																																																																																																																																																																																																																																																																																																																																																																																															
	65	221	1,9	21,85	9,8	15,0	11,0	15,0																																																																																																																																																																																																																																																																																																																																																																																																																																																															
	72	198	2,0	19,57	10,0	15,0	11,0	15,0																																																																																																																																																																																																																																																																																																																																																																																																																																																															
	86	167	2,4	16,46	9,8	15,0	11,0	15,0																																																																																																																																																																																																																																																																																																																																																																																																																																																															
	92	156	2,8	15,38	9,6	15,0	11,0	15,0																																																																																																																																																																																																																																																																																																																																																																																																																																																															
	104	138	3,0	13,67	9,5	15,0	11,0	15,0																																																																																																																																																																																																																																																																																																																																																																																																																																																															
	112	128	3,3	12,68	9,4	15,0	11,0	15,0																																																																																																																																																																																																																																																																																																																																																																																																																																																															
	126	114	3,6	11,25	9,3	15,0	11,0	15,0																																																																																																																																																																																																																																																																																																																																																																																																																																																															
	141	102	3,9	10,04	9,1	15,0	11,0	15,0																																																																																																																																																																																																																																																																																																																																																																																																																																																															
	55	263	0,8	25,94	1,8	10,2	7,4	10,2	SK 373.1 - 90 LP/4	24	B47																																																																																																																																																																																																																																																																																																																																																																																																																																																												
	60	237	0,9	23,41	2,1	10,2	7,6	10,2																																																																																																																																																																																																																																																																																																																																																																																																																																																															
	62	230	0,9	22,74	2,3	10,2	7,7	10,2																																																																																																																																																																																																																																																																																																																																																																																																																																																															
	69	208	1,0	20,52	2,5	10,2	7,8	10,2																																																																																																																																																																																																																																																																																																																																																																																																																																																															
	76	189	1,0	18,63	2,7	10,2	7,7	10,2																																																																																																																																																																																																																																																																																																																																																																																																																																																															

NORDBLOC.1
helical gear units

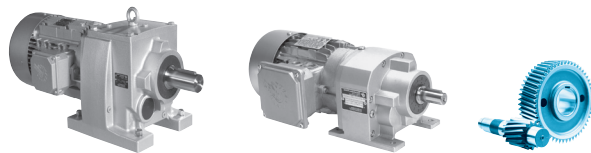
* ⇒ A8


1,50 kW
2,20 kW



NORDBLOC.1
helical gear units

P ₁ [kW]	n ₂ [min ⁻¹]	M ₂ [Nm]	f _B	i _{ges}	F _R [kN]	F _A [kN]	F _{R VL} [kN]	F _{A VL} [kN]	Type	kg	mm H B
1,50	62	233	0,9	23,00	2,4	10,2	7,7	10,2	SK 372.1 - 90 LP/4	24	B46
	69	209	0,9	20,62	2,6	10,2	7,8	10,2			
	77	186	1,1	18,40	3,0	10,2	7,7	10,2			
	86	167	1,1	16,50	3,1	10,2	7,5	10,2			
	97	147	1,3	14,57	3,5	10,2	7,3	10,2			
	109	131	1,5	12,96	3,6	10,2	7,1	10,2			
	122	117	1,6	11,55	3,8	10,2	6,9	10,2			
	138	104	1,8	10,28	3,8	10,2	6,7	10,2			
	151	95,2	2,0	9,40	3,9	10,2	6,5	10,2			
	172	83,3	2,2	8,22	3,9	10,2	6,3	10,2			
	196	73,2	2,3	7,23	3,9	10,2	6,1	10,2			
	205	69,7	2,4	6,89	4,0	10,2	6,0	10,2			
	215	66,6	2,4	6,58	4,0	10,2	5,9	10,2			
	238	60,2	2,7	5,95	3,9	10,2	5,7	10,2			
	270	53,1	3,0	5,24	3,9	10,1	5,5	10,1			
	303	47,2	3,0	4,66	3,8	9,7	5,3	9,7			
	338	42,3	3,1	4,18	3,7	9,4	5,1	9,4			
	375	38,2	3,1	3,78	3,6	9,1	5,0	9,1			
	413	34,7	3,2	3,43	3,6	8,8	4,8	8,8			
	453	31,6	3,2	3,12	3,5	8,6	4,7	8,6			
495	28,9	3,1	2,86	3,4	8,3	4,6	8,3				
539	26,6	3,4	2,62	3,4	8,0	4,4	8,0				
1,50	145	99,1	0,9	9,79	2,8	3,9	-	-	SK 172.1 - 90 LP/4	21	B45
	162	88,3	1,0	8,72	2,8	3,9	-	-			
	181	79,3	1,0	7,83	2,8	3,9	-	-			
	200	71,7	1,1	7,08	2,8	3,9	-	-			
	220	65,1	1,3	6,43	2,8	3,9	-	-			
	245	58,4	1,3	5,77	2,8	3,9	-	-			
	275	52,0	1,6	5,14	2,8	3,9	-	-			
	307	46,7	1,5	4,62	2,8	3,9	-	-			
	339	42,2	1,5	4,17	2,8	3,9	-	-			
	373	38,4	1,5	3,79	2,8	3,9	-	-			
	409	35,0	1,5	3,46	2,8	3,9	-	-			
	439	32,6	1,7	3,22	2,8	3,9	-	-			
	485	29,5	1,7	2,92	2,8	3,9	-	-			
	521	27,5	1,7	2,72	2,8	3,9	-	-			
	568	25,2	1,7	2,49	2,8	3,8	-	-			
	611	23,5	1,8	2,32	2,8	3,7	-	-			
2,20	5,0	4238	0,8	295,50	17,5	22,0	28,2	40,0	SK 973.1 - 100 LP/4	136	B59
	5,7	3708	0,9	258,57	22,1	22,0	29,1	40,0			
	6,2	3367	1,0	234,77	23,1	22,0	29,6	40,0			
	7,4	2832	1,2	197,50	24,5	22,0	30,4	40,0			
	8,2	2571	1,3	179,32	25,1	22,0	30,7	40,0			
	8,4	2489	1,2	173,58	25,3	22,0	30,8	40,0			
	9,3	2260	1,3	157,60	25,7	22,0	31,1	40,0			
	11	1899	1,7	132,45	26,5	22,0	31,4	40,0			
	12	1725	1,9	120,26	26,8	22,0	31,6	40,0			
	14	1509	2,1	105,23	27,1	22,0	31,8	40,0			
	15	1362	2,4	94,96	27,4	22,0	31,9	40,0			
	17	1236	2,7	86,22	27,6	22,0	32,0	40,0			
	19	1082	3,1	75,44	27,8	22,0	32,1	40,0			
	21	982	3,4	68,50	27,9	22,0	32,2	40,0			
	22	946	3,4	65,98	28,0	22,0	32,2	40,0			
	24	859	3,7	59,91	28,1	22,0	32,3	40,0			
2,20	9,7	2155	0,8	150,31	11,8	18,0	22,4	30,0	SK 873.1 - 100 LP/4	96	B57
	11	1950	0,9	135,99	13,7	18,0	23,4	30,0			
	13	1662	1,0	115,88	15,7	18,0	24,7	30,0			
	14	1503	1,1	104,84	16,6	18,0	25,0	30,0			
	15	1449	1,2	101,02	16,9	18,0	25,0	30,0			
	16	1311	1,3	91,43	17,5	18,0	25,0	30,0			
	18	1191	1,4	83,08	18,0	18,0	25,0	30,0			
	20	1065	1,6	74,29	18,4	18,0	25,0	30,0			
	22	968	1,8	67,50	18,7	18,0	25,0	30,0			
	24	876	1,9	61,07	19,0	18,0	25,0	30,0			
	26	794	2,1	55,35	18,7	18,0	25,0	30,0			
	29	722	2,4	50,32	18,3	18,0	25,0	30,0			
	32	653	2,6	45,53	17,8	18,0	25,0	30,0			

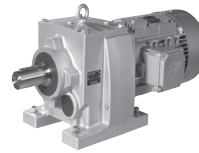


P ₁ [kW]	n ₂ [min ⁻¹]	M ₂ [Nm]	f _B	i _{ges}	F _R [kN]	F _A	F _{R VL} [kN]	F _{A VL} [kN]	Type	kg	mm 
2,20	34	612	2,3	42,67	17,6	18,0	25,0	30,0	SK 872.1 - 100 LP/4	94	B56
	38	556	2,3	38,77	17,1	18,0	25,0	30,0			
	42	503	2,4	35,08	16,7	18,0	25,0	30,0			
	18	1136	0,8	79,23	7,7	9,0	14,9	19,7	SK 773.1 - 100 LP/4	62	B55
	20	1031	0,8	71,89	9,0	9,0	15,6	20,0			
	21	988	0,9	68,92	9,3	9,0	15,9	20,1			
	23	910	0,9	63,42	9,7	9,0	16,4	20,1			
	25	827	1,0	57,64	9,6	9,0	16,6	20,1			
	29	736	1,2	51,31	9,5	9,0	16,5	20,0			
	31	683	1,3	47,61	9,4	9,0	16,3	19,7			
	34	623	1,4	43,43	9,2	9,0	16,2	19,6			
	38	560	1,5	39,06	9,1	9,0	16,1	19,5			
	41	513	1,6	35,77	8,9	9,0	15,9	19,2			
	46	457	1,8	31,83	8,7	9,0	15,6	18,9			
	51	411	2,0	28,63	8,6	9,0	15,4	18,7			
	55	385	2,1	26,86	8,5	9,0	15,3	18,6	SK 772.1 - 100 LP/4	60	B54
	60	350	2,3	24,41	8,3	9,0	15,0	18,2			
	27	790	0,8	55,12	7,2	20,0	13,4	20,0	SK 673.1 - 100 LP/4	49	B53
	30	710	0,9	49,50	8,2	20,0	13,9	20,0			
	33	643	1,0	44,85	8,9	20,0	14,4	20,0			
	35	596	1,1	41,54	9,3	20,0	14,6	20,0			
	39	534	1,2	37,23	9,8	20,0	15,0	20,0			
	43	489	1,2	34,12	10,1	20,0	15,0	20,0			
	47	443	1,2	30,92	10,4	20,0	15,0	20,0			
	53	396	1,3	27,61	10,7	20,0	15,0	20,0			
	58	361	1,4	25,19	10,8	20,0	15,0	20,0			
	64	327	1,4	22,82	11,0	20,0	15,0	20,0			
	45	467	1,3	32,58	10,3	20,0	15,0	20,0	SK 672.1 - 100 LP/4	48	B52
	50	417	1,3	29,08	10,6	20,0	15,0	20,0			
	56	376	1,6	26,23	10,8	20,0	15,0	20,0			
	63	336	1,8	23,41	10,9	20,0	15,0	20,0			
	71	296	2,1	20,62	11,1	20,0	15,0	20,0			
	80	264	2,3	18,41	11,2	20,0	15,0	20,0			
	85	247	2,5	17,25	11,2	20,0	15,0	20,0			
	39	545	0,8	38,02	5,4	14,5	11,0	14,5	SK 573.1* - 100 LP/4	43	B49, B51
	42	499	0,9	34,80	6,1	14,5	11,0	14,5			
	47	444	1,0	30,93	6,5	14,5	11,0	14,5			
	55	384	1,1	26,77	7,2	14,5	11,0	14,5			
	62	341	1,3	23,79	7,4	14,5	11,0	14,5			
	69	306	1,4	21,32	7,5	14,5	11,0	14,5			
	76	276	1,6	19,22	7,5	14,5	11,0	14,5			
	84	250	1,7	17,42	7,5	14,5	11,0	14,5			
	47	449	0,8	31,28	7,1	15,0	11,0	15,0	SK 572.1* - 100 LP/4	42	B48, B50
	60	352	1,2	24,58	7,4	15,0	11,0	15,0			
	67	313	1,3	21,85	7,6	15,0	11,0	15,0			
	75	281	1,4	19,57	8,2	15,0	11,0	15,0			
	89	236	1,7	16,46	8,2	15,0	11,0	15,0			
	95	220	2,0	15,38	8,1	15,0	11,0	15,0			
	107	196	2,1	13,67	8,1	15,0	11,0	15,0			
	116	182	2,4	12,68	8,1	15,0	11,0	15,0			
	130	161	2,5	11,25	8,1	15,0	11,0	15,0			
	146	144	2,8	10,04	8,1	15,0	11,0	15,0			
	164	128	2,9	8,92	7,9	15,0	11,0	15,0			
	180	117	3,1	8,15	8,0	15,0	10,9	15,0			
	196	107	3,3	7,49	7,9	15,0	10,7	15,0			
	233	90,4	3,5	6,30	7,7	15,0	10,1	15,0			
	249	84,4	3,6	5,88	7,5	15,0	9,9	15,0			

NORDBLOC.1
helical gear units

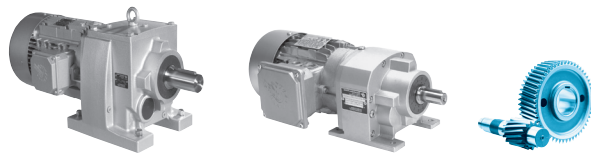
* ⇨ A8


2,20 kW
3,00 kW



NORDBLOC.1
helical gear units

P_1 [kW]	n_2 [min ⁻¹]	M_2 [Nm]	f_B	i_{ges}	F_R [kN]	F_A [kN]	$F_{R VL}$ [kN]	$F_{A VL}$ [kN]	Type	kg	mm 				
2,20	127	166	1,1	11,55	2,4	10,2	6,5	10,2	SK 372.1 - 100 LP/4	35	B46				
	143	147	1,3	10,28	2,5	10,2	6,3	10,2							
	156	135	1,4	9,40	2,8	10,2	6,2	10,2							
	178	118	1,5	8,22	2,9	10,2	6,0	10,2							
	203	104	1,6	7,23	3,1	10,2	5,8	10,2							
	213	98,8	1,7	6,89	3,1	10,2	5,8	10,2							
	223	94,4	1,7	6,58	3,2	10,2	5,7	10,2							
	246	85,3	1,9	5,95	3,2	10,1	5,5	10,1							
	279	75,2	2,1	5,24	3,2	9,7	5,3	9,7							
	314	66,9	2,1	4,66	3,2	9,4	5,2	9,4							
	350	60,0	2,2	4,18	3,2	9,1	5,0	9,1							
	388	54,1	2,2	3,78	3,1	8,8	4,8	8,8							
	428	49,1	2,2	3,43	3,1	8,6	4,7	8,6							
	469	44,8	2,2	3,12	3,1	8,3	4,6	8,3							
	513	41,0	2,2	2,86	3,0	8,0	4,5	8,0							
	558	37,6	2,4	2,62	3,0	7,7	4,3	7,7							
	3,00	7,4	3875	0,9	197,50	20,5	22,0	28,8				40,0	SK 973.1 - 100 AP/4	136	B59
8,1		3518	0,9	179,32	22,5	22,0	29,3	40,0							
8,4		3406	0,9	173,58	22,9	22,0	29,5	40,0							
9,3		3092	1,0	157,60	23,7	22,0	30,0	40,0							
11		2599	1,3	132,45	25,0	22,0	30,6	40,0							
12		2360	1,4	120,26	25,5	22,0	30,9	40,0							
14		2065	1,5	105,23	26,1	22,0	31,3	40,0							
15		1863	1,8	94,96	26,5	22,0	31,5	40,0							
17		1692	2,0	86,22	26,8	22,0	31,6	40,0							
19		1514	2,2	77,16	27,1	22,0	31,8	40,0							
21		1344	2,5	68,50	27,4	22,0	31,9	40,0							
22		1295	2,5	65,98	27,5	22,0	32,0	40,0							
24		1176	2,7	59,91	27,6	22,0	32,0	40,0							
26		1092	2,9	55,66	27,7	22,0	32,1	40,0							
28		1027	3,1	52,32	27,8	22,0	32,1	40,0							
31		934	3,4	47,60	28,0	22,0	32,2	40,0							
34		834	3,8	42,51	28,1	22,0	32,3	40,0							
		14	1982	0,9	101,02	12,5	18,0	22,8	30,0	SK 873.1 - 100 AP/4	96	B57			
		16	1794	0,9	91,43	14,7	18,0	24,0	30,0						
		18	1630	1,0	83,08	15,8	18,0	24,7	30,0						
	20	1458	1,2	74,29	16,7	18,0	25,0	30,0							
	22	1324	1,3	67,50	17,4	18,0	25,0	30,0							
	24	1198	1,4	61,07	17,9	18,0	25,0	30,0							
	26	1086	1,6	55,35	17,9	18,0	25,0	30,0							
	29	987	1,7	50,32	17,5	18,0	25,0	30,0							
	32	893	1,9	45,53	17,1	18,0	25,0	30,0							
	37	779	2,2	39,68	16,6	18,0	25,0	30,0							
	41	699	2,4	35,63	16,2	18,0	25,0	30,0							
	45	633	2,7	32,24	15,8	18,0	25,0	30,0							
	48	598	2,8	30,47	15,6	18,0	25,0	30,0							
	53	541	3,0	27,57	15,2	18,0	25,0	30,0							
	34	837	1,7	42,67	16,9	18,0	25,0	30,0	SK 872.1 - 100 AP/4	94	B56				
	38	761	1,7	38,77	16,5	18,0	25,0	30,0							
	42	688	1,7	35,08	16,1	18,0	25,0	30,0							
	25	1131	0,8	57,64	6,1	7,5	14,2	17,2	SK 773.1 - 100 AP/4	62	B55				
	28	1007	0,8	51,31	6,9	8,2	14,4	17,4							
	31	934	0,9	47,61	7,1	8,3	14,3	17,3							
	34	852	1,0	43,43	7,6	8,6	14,4	17,4							
	37	766	1,1	39,06	8,3	9,0	14,5	17,6							
	41	702	1,2	35,77	8,2	9,0	14,4	17,4							
	46	625	1,3	31,83	8,1	9,0	14,3	17,3							
	51	562	1,5	28,63	8,0	9,0	14,3	17,3							
	57	498	1,6	25,39	7,9	9,0	14,1	17,1							
	60	475	1,6	24,23	7,8	9,0	14,0	16,9							
	68	422	1,8	21,49	7,6	9,0	13,8	16,7							

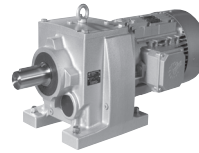


P ₁ [kW]	n ₂ [min ⁻¹]	M ₂ [Nm]	f _B	i _{ges}	F _R [kN]	F _A [kN]	F _{R VL} [kN]	F _{A VL} [kN]	Type	kg	mm 
3,00	54	527	1,6	26,86	8,0	9,0	14,3	17,3	SK 772.1 - 100 AP/4	60	B54
	60	479	1,7	24,41	7,8	9,0	14,1	17,1			
	72	399	2,1	20,31	7,6	9,0	13,8	16,7			
	79	362	2,2	18,46	7,4	9,0	13,6	16,4			
	88	327	2,4	16,66	7,2	9,0	13,3	16,2			
	93	307	2,5	15,62	7,1	9,0	13,1	15,9			
	35	815	0,8	41,54	6,6	20,0	13,1	20,0			
	39	731	0,9	37,23	7,9	20,0	13,7	20,0			
	43	670	0,9	34,12	8,6	20,0	14,2	20,0			
	47	607	0,9	30,92	9,2	20,0	14,5	20,0			
	53	542	1,0	27,61	9,7	20,0	14,9	20,0			
	58	494	1,0	25,19	10,1	20,0	15,0	20,0			
64	448	1,0	22,82	10,4	20,0	15,0	20,0				
	45	639	1,0	32,58	8,9	20,0	14,4	20,0	SK 672.1 - 100 AP/4	48	B52
	50	571	1,0	29,08	9,5	20,0	14,7	20,0			
	56	515	1,2	26,23	9,9	20,0	15,0	20,0			
	62	459	1,3	23,41	10,3	20,0	15,0	20,0			
	71	405	1,5	20,62	10,6	20,0	15,0	20,0			
	79	361	1,7	18,41	10,8	20,0	15,0	20,0			
	85	338	1,8	17,25	10,9	20,0	15,0	20,0			
	95	301	2,0	15,35	11,1	20,0	15,0	20,0			
	107	269	2,2	13,70	11,2	20,0	15,0	20,0			
	116	246	2,3	12,56	11,2	20,0	15,0	20,0			
	128	223	2,6	11,38	11,3	20,0	15,0	20,0			
	141	203	2,8	10,37	11,4	20,0	14,8	20,0			
	55	525	0,8	26,77	4,1	14,5	11,0	14,5	SK 573.1* - 100 AP/4	43	B49, B51
	61	467	0,9	23,79	4,6	14,5	11,0	14,5			
	68	418	1,0	21,32	4,9	14,5	11,0	14,5			
	76	377	1,1	19,22	5,2	14,5	11,0	14,5			
	84	342	1,3	17,42	5,3	14,5	11,0	14,5			
	59	482	0,9	24,58	4,6	15,0	11,0	15,0	SK 572.1* - 100 AP/4	42	B48, B50
	67	429	1,0	21,85	5,0	15,0	11,0	15,0			
	75	384	1,0	19,57	6,0	15,0	11,0	15,0			
	89	323	1,2	16,46	6,4	15,0	11,0	15,0			
	95	302	1,4	15,38	6,4	15,0	11,0	15,0			
	107	268	1,5	13,67	6,5	15,0	11,0	15,0			
	115	249	1,7	12,68	6,7	15,0	11,0	15,0			
	130	221	1,9	11,25	6,8	15,0	11,0	15,0			
	145	197	2,0	10,04	6,9	15,0	11,0	15,0			
	164	175	2,1	8,92	6,9	15,0	11,0	15,0			
	179	160	2,3	8,15	7,1	15,0	10,8	15,0			
	195	147	2,4	7,49	7,1	15,0	10,5	15,0			
	232	124	2,6	6,30	7,0	15,0	10,0	15,0			
	248	115	2,6	5,88	6,9	15,0	9,8	15,0			
	279	103	2,6	5,23	6,7	15,0	9,4	15,0			
	312	91,9	2,7	4,69	6,6	15,0	9,1	15,0			
	346	82,9	2,8	4,22	6,5	15,0	8,8	15,0			
	381	75,1	2,9	3,83	6,3	15,0	8,6	15,0			
447	64,1	3,0	3,27	6,1	14,5	8,2	14,5				
499	57,4	3,0	2,92	6,0	13,7	7,9	13,7				
	126	227	0,8	11,55	0,7	10,2	6,2	10,2	SK 372.1 - 100 AP/4	35	B46
	142	202	0,9	10,28	1,0	10,2	6,0	10,2			
	155	184	1,0	9,40	1,4	10,2	5,9	10,2			
	178	161	1,1	8,22	1,8	10,2	5,8	10,2			
	202	142	1,2	7,23	2,0	10,1	5,6	10,1			
	212	135	1,3	6,89	2,2	10,1	5,6	10,1			
	222	129	1,2	6,58	2,3	10,0	5,5	10,0			
	245	117	1,4	5,95	2,4	9,7	5,4	9,7			
	279	103	1,6	5,24	2,5	9,4	5,2	9,4			
	313	91,5	1,5	4,66	2,5	9,1	5,0	9,1			
	349	82,1	1,6	4,18	2,6	8,9	4,9	8,9			
	387	74,1	1,6	3,78	2,6	8,6	4,7	8,6			
	426	67,2	1,6	3,43	2,6	8,4	4,6	8,4			
	467	61,3	1,6	3,12	2,6	8,1	4,5	8,1			
511	56,1	1,6	2,86	2,6	7,8	4,4	7,8				
556	51,5	1,7	2,62	2,6	7,5	4,3	7,5				

NORDBLOC.1
helical gear units

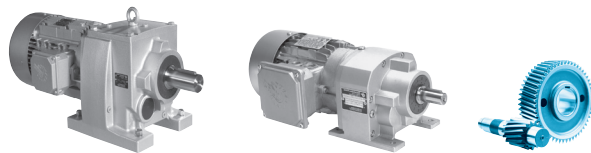
* ⇒  A8


4,00 kW



NORBLOC.1
helical gear units

P ₁ [kW]	n ₂ [min ⁻¹]	M ₂ [Nm]	f _B	i _{ges}	F _R [kN]	F _A [kN]	F _{R VL} [kN]	F _{A VL} [kN]	Type	kg	mm 				
4,00	11	3513	0,9	132,45	22,8	22,0	29,5	40,0	SK 973.1 - 112 MP/4	143	B59				
	12	3190	1,0	120,26	23,7	22,0	30,0	40,0							
	14	2791	1,1	105,23	24,7	22,0	30,5	40,0							
	15	2519	1,3	94,96	25,3	22,0	30,8	40,0							
	17	2287	1,4	86,22	25,7	22,0	31,1	40,0							
	19	2047	1,6	77,16	26,2	22,0	31,3	40,0							
	21	1817	1,8	68,50	26,6	22,0	31,5	40,0							
	22	1750	1,8	65,98	26,8	22,0	31,6	40,0							
	24	1589	2,0	59,91	27,0	22,0	31,7	40,0							
	26	1476	2,2	55,66	27,2	22,0	31,8	40,0							
	28	1388	2,3	52,32	27,3	22,0	31,9	40,0							
	30	1263	2,5	47,60	27,5	22,0	32,0	40,0							
		34	1134	2,6	42,76	27,8	22,0	32,1				40,0	SK 972.1 - 112 MP/4	141	B58
		17	2204	0,8	83,08	11,6	18,0	22,3				30,0	SK 873.1 - 112 MP/4	104	B57
		19	1970	0,9	74,29	13,7	18,0	23,4				30,0			
		21	1790	0,9	67,50	15,0	18,0	24,2				30,0			
		24	1620	1,0	61,07	16,1	18,0	24,9				30,0			
		26	1468	1,2	55,35	16,7	18,0	25,0				30,0			
		29	1335	1,3	50,32	16,4	18,0	25,0				30,0			
		32	1208	1,4	45,53	16,1	18,0	25,0				30,0			
		36	1053	1,6	39,68	15,7	18,0	25,0				30,0			
		40	945	1,8	35,63	15,4	18,0	25,0				30,0			
		45	855	2,0	32,24	15,1	18,0	25,0				30,0			
		47	808	2,1	30,47	14,9	18,0	25,0				30,0			
		34	1132	1,2	42,67	16,0	18,0	25,0				30,0	SK 872.1 - 112 MP/4	102	B56
		37	1028	1,3	38,77	15,7	18,0	25,0				30,0			
		41	930	1,3	35,08	15,4	18,0	25,0				30,0			
		45	849	1,9	32,00	15,1	18,0	25,0				30,0			
		50	771	2,0	29,08	14,8	18,0	25,0				30,0			
		77	495	3,1	18,67	13,3	18,0	23,6				30,0			
	85	450	3,4	16,96	12,9	18,0	23,0	30,0							
	95	403	3,7	15,18	12,6	18,0	22,3	30,0							
	104	366	4,0	13,79	12,2	18,0	21,8	30,0							
	33	1152	0,8	43,43	4,0	5,5	12,1	14,7	SK 773.1 - 112 MP/4	69	B55				
	37	1036	0,8	39,06	5,1	6,4	12,5	15,2							
	40	949	0,9	35,77	5,4	6,6	12,5	15,2							
	45	844	1,0	31,83	6,1	7,1	12,7	15,3							
	50	759	1,1	28,63	6,8	7,6	12,8	15,5							
	57	674	1,2	25,39	7,2	8,0	12,8	15,5							
	59	643	1,2	24,23	7,1	7,9	12,7	15,4							
	67	570	1,3	21,49	7,0	8,1	12,7	15,3							
	54	712	1,2	26,86	7,1	7,9	12,9	15,6	SK 772.1 - 112 MP/4	68	B54				
	59	648	1,3	24,41	7,2	8,0	12,8	15,5							
	71	539	1,5	20,31	7,0	8,4	12,8	15,4							
	78	490	1,6	18,46	6,9	8,4	12,6	15,3							
	86	442	1,7	16,66	6,8	8,5	12,5	15,1							
	92	414	1,8	15,62	6,7	8,4	12,3	14,9							
	100	381	1,9	14,38	6,6	8,6	12,3	14,9							
	110	347	2,0	13,07	6,5	8,5	12,1	14,6							
	123	309	2,2	11,67	6,4	8,5	11,9	14,4							
	130	293	2,4	11,06	6,3	8,3	11,7	14,2							
	136	281	2,4	10,60	6,2	8,4	11,7	14,2							
	70	547	1,1	20,62	9,8	20,0	14,9	20,0				SK 672.1 - 112 MP/4	56	B52	
	78	488	1,2	18,41	10,2	20,0	15,0	20,0							
	83	458	1,3	17,25	10,4	20,0	15,0	20,0							
	94	407	1,5	15,35	10,6	20,0	15,0	20,0							
	105	364	1,6	13,70	10,8	20,0	15,0	20,0							
	115	333	1,7	12,56	11,0	20,0	15,0	20,0							
	127	302	1,9	11,38	11,1	20,0	14,8	20,0							
	139	275	2,1	10,37	11,2	20,0	14,4	20,0							
	156	245	2,2	9,25	11,3	20,0	14,0	20,0							
	166	230	2,3	8,66	11,3	20,0	13,7	20,0							
	170	225	2,4	8,48	11,3	20,0	13,6	20,0							
	187	204	2,6	7,68	11,4	20,0	13,2	20,0							

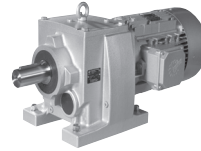


P ₁ [kW]	n ₂ [min ⁻¹]	M ₂ [Nm]	f _B	i _{ges}	F _R [kN]	F _A [kN]	F _{R VL} [kN]	F _{A VL} [kN]	Type	kg	mm 			
4,00	213	179	2,9	6,75	11,4	20,0	12,8	20,0	SK 672.1 - 112 MP/4	56	B52			
	235	162	3,1	6,12	11,4	20,0	12,4	20,0						
	258	148	3,3	5,59	11,5	20,0	12,1	20,0						
	285	134	3,6	5,06	11,5	19,9	11,7	19,9						
	206	185	2,9	8,48	10,9	20,0	12,6	20,0						
	68	565	0,8	21,32	1,8	14,5	8,5	14,5	SK 573.1* - 112 MP/4	50	B49, B51			
	75	510	0,8	19,22	2,3	14,5	8,9	14,5						
	83	462	0,9	17,42	2,7	14,5	9,1	14,5						
	74	519	0,8	19,57	3,4	15,0	10,0	15,0	SK 572.1* - 112 MP/4	50	B48, B50			
	87	437	0,9	16,46	4,1	15,0	10,5	15,0						
	94	408	1,1	15,38	4,2	15,0	10,4	15,0						
	105	363	1,1	13,67	4,5	15,0	10,6	15,0						
	114	336	1,3	12,68	4,9	15,0	10,9	15,0						
	128	298	1,4	11,25	5,3	15,0	11,0	15,0						
	143	266	1,5	10,04	5,5	15,0	11,0	15,0						
161	237	1,6	8,92	5,6	15,0	10,7	15,0							
177	216	1,7	8,15	6,0	15,0	10,5	15,0							
192	199	1,8	7,49	6,1	15,0	10,3	15,0							
229	167	1,9	6,30	6,1	15,0	9,8	15,0							
245	156	1,9	5,88	6,0	15,0	9,6	15,0							
275	139	1,9	5,23	6,0	15,0	9,2	15,0							
307	124	2,0	4,69	5,9	15,0	8,9	15,0							
341	112	2,1	4,22	5,8	15,0	8,7	15,0							
376	102	2,2	3,83	5,7	15,0	8,4	15,0							
440	86,7	2,2	3,27	5,6	14,2	8,0	14,2							
493	77,5	2,2	2,92	5,5	13,4	7,7	13,4							
5,50	12	4311	0,8	120,26	17,2	22,0	28,1	40,0	SK 973.1 - 132 SP/4	162	B59			
	14	3773	0,8	105,23	21,9	22,0	29,1	40,0						
	15	3404	1,0	94,96	23,1	22,0	29,6	40,0						
	17	3091	1,1	86,22	23,9	22,0	30,1	40,0						
	19	2766	1,2	77,16	24,7	22,0	30,5	40,0						
	21	2456	1,3	68,50	25,4	22,0	30,9	40,0						
	22	2366	1,4	65,98	25,6	22,0	31,0	40,0						
	24	2148	1,5	59,91	26,0	22,0	31,2	40,0						
	26	1995	1,6	55,66	26,2	22,0	31,4	40,0						
	28	1876	1,7	52,32	26,3	22,0	31,5	40,0						
	31	1706	1,9	47,60	26,4	22,0	31,6	40,0						
	34	1524	2,1	42,51	26,4	22,0	31,8	40,0						
	34	1533	1,9	42,76	26,9	22,0	31,8	40,0				SK 972.1 - 132 SP/4	160	B58
	39	1333	2,2	37,19	26,7	22,0	32,0	40,0						
	44	1196	2,4	33,36	26,2	22,0	32,0	40,0						
48	1086	2,6	30,29	25,8	22,0	32,1	40,0							
53	991	2,6	27,66	25,4	22,0	32,2	40,0							
24	2189	0,8	61,07	11,7	17,1	22,3	30,0	SK 873.1 - 132 SP/4	124	B57				
26	1984	0,9	55,35	13,6	17,8	23,4	30,0							
29	1804	0,9	50,32	14,8	18,0	24,2	30,0							
32	1632	1,0	45,53	14,7	18,0	24,8	30,0							
37	1423	1,2	39,68	14,5	18,0	25,0	30,0							
41	1277	1,3	35,63	14,3	18,0	25,0	30,0							
45	1156	1,5	32,24	14,0	18,0	25,0	30,0							
48	1092	1,5	30,47	13,9	18,0	25,0	30,0							
53	988	1,7	27,57	13,7	18,0	25,0	30,0							
56	931	1,8	25,69	13,5	18,0	24,9	30,0							
62	842	2,0	23,49	13,3	18,0	24,3	30,0							
69	766	2,1	21,38	13,0	18,0	23,8	30,0							
76	693	2,3	19,34	12,7	18,0	23,2	30,0							
34	1530	0,9	42,67	14,7	18,0	25,0	30,0	SK 872.1 - 132 SP/4	122	B56				
38	1390	0,9	38,77	14,4	18,0	25,0	30,0							
42	1258	1,0	35,08	14,2	18,0	25,0	30,0							
46	1147	1,4	32,00	14,1	18,0	25,0	30,0							
50	1042	1,5	29,08	13,8	18,0	25,0	30,0							
52	1004	1,6	28,00	13,8	18,0	25,0	30,0							
58	912	1,8	25,44	13,5	18,0	24,7	30,0							
64	825	1,9	23,02	13,2	18,0	24,2	30,0							

NORDBLOC.1
helical gear units

* ⇒  A8

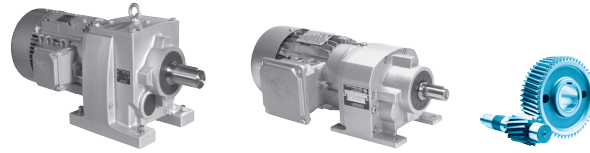
5,50 kW




NORDBLOC.1
helical gear units

P ₁ [kW]	n ₂ [min ⁻¹]	M ₂ [Nm]	f _B	i _{ges}	F _R [kN]	F _A [kN]	F _{R VL} [kN]	F _{A VL} [kN]	Type	kg	mm 			
5,50	78	669	2,3	18,67	12,7	18,0	23,0	30,0	SK 872.1 - 132 SP/4	122	B56			
	86	608	2,5	16,96	12,4	18,0	22,5	30,0						
	97	544	2,7	15,18	12,1	18,0	21,9	29,6						
	106	494	3,0	13,79	11,8	17,9	21,3	28,9						
	117	447	3,3	12,48	11,5	17,6	20,8	28,3						
	130	403	3,5	11,24	11,2	17,3	20,2	27,7						
	140	374	3,7	10,44	10,9	16,9	19,8	27,2						
	159	331	4,2	9,24	10,6	16,6	19,2	26,5						
	51	1026	0,8	28,63	3,3	4,6	10,7	12,9				SK 773.1 - 132 SP/4	88	B55
	58	910	0,9	25,39	4,1	5,3	10,9	13,2						
60	869	0,9	24,23	4,2	5,3	10,9	13,1							
68	770	1,0	21,49	4,9	5,8	11,0	13,3							
72	728	1,1	20,31	5,4	6,3	11,2	13,6	SK 772.1 - 132 SP/4	87	B54				
79	662	1,2	18,46	5,7	6,4	11,2	13,6							
88	597	1,3	16,66	6,0	6,7	11,2	13,6							
94	560	1,4	15,62	6,1	6,7	11,1	13,4							
102	515	1,4	14,38	6,1	7,0	11,2	13,6							
112	468	1,5	13,07	6,0	7,1	11,1	13,4							
126	418	1,6	11,67	5,9	7,2	11,0	13,3							
132	396	1,7	11,06	5,8	7,1	10,9	13,1							
138	380	1,8	10,60	5,8	7,2	10,9	13,2							
146	359	1,9	10,00	5,7	7,1	10,7	12,9							
163	322	2,1	8,97	5,6	7,2	10,6	12,8							
180	291	2,2	8,12	5,5	7,1	10,4	12,6							
192	274	2,3	7,63	5,4	6,9	10,2	12,3							
95	550	1,1	15,35	9,7	20,0	14,9	20,0				SK 672.1 - 132 SP/4	75	B52	
107	491	1,2	13,70	10,1	20,0	14,9	20,0							
117	450	1,3	12,56	10,4	20,0	14,6	20,0							
129	408	1,4	11,38	10,6	20,0	14,2	20,0							
141	372	1,5	10,37	10,8	20,0	13,9	20,0							
158	332	1,6	9,25	11,0	20,0	13,5	20,0							
169	311	1,7	8,66	11,0	20,0	13,3	20,0							
173	304	1,7	8,48	11,1	20,0	13,2	20,0							
191	275	1,9	7,68	11,2	20,0	12,8	20,0							
217	242	2,1	6,75	11,3	20,0	12,4	20,0							
240	219	2,3	6,12	11,3	20,0	12,1	20,0							
262	200	2,4	5,59	11,4	20,0	11,8	20,0							
289	181	2,6	5,06	11,4	19,4	11,4	19,4							
318	165	2,7	4,61	11,1	18,9	11,1	18,9							
347	151	2,8	4,22	10,8	18,4	10,8	18,4							
378	139	2,9	3,88	10,6	17,9	10,6	17,9							
409	128	2,8	3,58	10,3	17,3	10,3	17,3							
443	119	2,9	3,31	10,1	16,6	10,1	16,6							
477	110	2,9	3,07	9,8	16,0	9,8	16,0							
513	102	2,9	2,86	9,6	15,5	9,6	15,5							
551	95,4	2,9	2,66	9,4	15,0	9,4	15,0							
130	403	1,0	11,25	2,9	15,0	8,7	15,0	SK 572.1* - 132 SP/4	70	B48, B50				
146	360	1,1	10,04	3,4	15,0	9,1	15,0							
164	320	1,2	8,92	3,7	15,0	9,2	15,0							
180	292	1,2	8,15	4,3	15,0	9,7	15,0							
196	269	1,3	7,49	4,6	15,0	9,9	15,0							
233	226	1,4	6,30	4,8	15,0	9,5	15,0							
249	211	1,4	5,88	4,8	15,0	9,3	15,0							
280	188	1,4	5,23	4,9	15,0	9,0	15,0							
313	168	1,5	4,69	4,9	15,0	8,7	15,0							
347	151	1,5	4,22	4,9	15,0	8,4	15,0							
383	137	1,6	3,83	4,9	14,7	8,2	14,7							
448	117	1,6	3,27	4,8	13,7	7,8	13,7							
501	105	1,6	2,92	4,8	12,9	7,6	12,9							

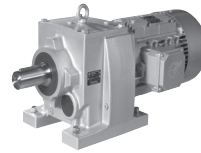
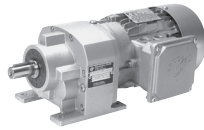
* ⇨ A8



P ₁ [kW]	n ₂ [min ⁻¹]	M ₂ [Nm]	f _B	i _{ges}	F _R [kN]	F _A [kN]	F _{R VL} [kN]	F _{A VL} [kN]	Type	kg	mm 			
7,50	17	4230	0,8	86,22	14,8	18,6	28,3	40,0	SK 973.1 - 132 MP/4	170	B59			
	19	3785	0,9	77,16	17,0	20,4	29,1	40,0						
	21	3360	1,0	68,50	18,2	21,2	29,7	40,0						
	22	3237	1,0	65,98	19,0	21,9	29,9	40,0						
	24	2939	1,1	59,91	19,7	22,0	30,3	40,0						
	26	2730	1,2	55,66	20,3	22,0	30,6	40,0						
	28	2567	1,2	52,32	20,8	22,0	30,8	40,0						
	31	2335	1,4	47,60	21,3	22,0	31,0	40,0						
	34	2085	1,5	42,51	21,9	22,0	31,3	40,0						
	39	1833	1,7	37,36	22,3	22,0	31,5	40,0						
	41	1726	1,9	35,19	22,6	22,0	31,6	40,0						
	46	1567	2,0	31,95	22,6	22,0	31,8	40,0						
	47	1519	2,0	30,97	22,6	22,0	31,8	40,0						
	54	1335	2,2	27,22	22,6	22,0	31,9	40,0						
57	1251	2,4	25,51	22,6	22,0	32,0	40,0							
	34	2097	1,4	42,76	22,5	22,0	31,3	40,0	SK 972.1 - 132 MP/4	168	B58			
	39	1824	1,6	37,19	22,9	22,0	31,5	40,0						
	44	1636	1,8	33,36	22,7	22,0	31,7	40,0						
	48	1486	1,9	30,29	22,6	22,0	31,8	40,0						
	53	1357	1,9	27,66	22,5	22,0	31,9	40,0						
	63	1137	2,0	23,19	22,1	22,0	32,1	40,0						
	66	1079	2,6	21,99	22,7	22,0	32,1	40,0						
	74	968	2,9	19,72	22,3	22,0	32,2	40,0						
	83	866	3,2	17,65	22,2	22,0	32,3	40,0						
	92	777	3,5	15,84	21,5	22,0	32,3	40,0						
	32	2233	0,8	45,53	11,3	13,4	22,1	29,6				SK 873.1 - 132 MP/4	130	B57
	37	1946	0,9	39,68	12,8	14,5	23,6	29,9						
	41	1748	1,0	35,63	12,8	15,2	24,4	30,0						
	45	1582	1,1	32,24	12,7	15,6	24,4	30,0						
	48	1495	1,1	30,47	12,7	15,8	24,4	30,0						
	53	1352	1,2	27,57	12,5	16,1	24,2	29,9						
	56	1274	1,3	25,69	12,5	16,3	23,9	29,8						
	62	1152	1,4	23,49	12,3	16,4	23,4	29,5						
	68	1049	1,5	21,38	12,1	16,5	23,0	29,3						
	75	949	1,7	19,34	11,9	16,5	22,5	28,9						
	46	1570	1,0	32,00	12,8	15,9	24,6	30,0	SK 872.1 - 132 MP/4	128	B56			
	50	1426	1,1	29,08	12,6	16,0	24,4	30,0						
	52	1374	1,2	28,00	12,6	16,3	24,3	30,0						
	57	1248	1,3	25,44	12,4	16,3	23,8	29,8						
	63	1129	1,4	23,02	12,3	16,4	23,3	29,5						
	78	916	1,7	18,67	11,9	16,7	22,4	28,9						
	86	832	1,9	16,96	11,7	16,5	21,9	28,5						
	96	745	2,0	15,18	11,5	16,5	21,3	28,1						
	106	677	2,2	13,79	11,2	16,3	20,8	27,6						
	117	612	2,4	12,48	11,0	16,1	20,3	27,1						
	130	551	2,5	11,24	10,7	16,0	19,8	26,6						
	140	512	2,7	10,44	10,5	15,6	19,4	26,1						
	158	453	3,0	9,24	10,2	15,5	18,9	25,6						
	165	435	3,1	8,87	10,1	15,1	18,6	25,1						
	189	379	3,4	7,73	9,8	14,9	18,0	24,5						
	222	322	3,8	6,57	9,3	14,4	17,2	23,6						
	258	277	4,1	5,66	9,0	13,7	16,5	22,7						
	265	270	4,3	5,50	8,9	13,8	16,5	22,7						
	72	996	0,8	20,31	2,1	3,2	9,2	11,2				SK 772.1 - 132 MP/4	94	B54
	79	906	0,9	18,46	2,7	3,7	9,3	11,3						
	88	817	0,9	16,66	3,3	4,3	9,5	11,5						
	93	766	1,0	15,62	3,5	4,3	9,5	11,5						
	102	705	1,0	14,38	4,2	5,0	9,8	11,8						
	112	641	1,1	13,07	4,5	5,2	9,8	11,8						
	125	572	1,2	11,67	5,0	5,6	9,9	11,9						
	132	542	1,3	11,06	4,9	5,5	9,7	11,8						
	138	520	1,3	10,60	5,1	5,7	9,8	11,9						
	146	491	1,4	10,00	5,1	5,6	9,6	11,7						
	163	440	1,5	8,97	5,2	5,8	9,7	11,7						
	180	398	1,6	8,12	5,1	5,8	9,6	11,6						
	191	374	1,7	7,63	5,0	5,5	9,3	11,3						
	220	325	1,8	6,63	5,0	6,1	9,7	11,7						
	236	304	1,9	6,19	4,8	5,6	9,2	11,1						
	271	264	2,2	5,38	4,8	6,0	9,4	11,4						
	310	231	2,4	4,71	4,6	5,7	9,0	10,9						

NORDBLOC.1
helical gear units

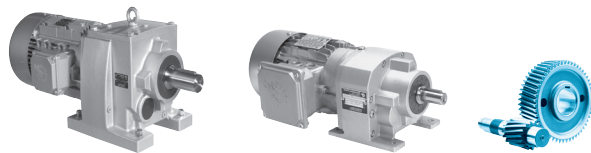
7,50 kW
9,20 kW



NORDBLOC.1
helical gear units

P ₁ [kW]	n ₂ [min ⁻¹]	M ₂ [Nm]	f _B	i _{ges}	F _R [kN]	F _A [kN]	F _{R VL} [kN]	F _{A VL} [kN]	Type	kg	mm B				
7,50	95	753	0,8	15,35	7,8	20,0	13,7	20,0	SK 672.1 - 132 MP/4	82	B52				
	107	672	0,9	13,70	8,7	20,0	14,1	20,0							
	116	616	0,9	12,56	9,2	20,0	13,8	20,0							
	128	558	1,0	11,38	9,7	20,0	13,5	20,0							
	141	508	1,1	10,37	10,0	20,0	13,3	20,0							
	158	454	1,2	9,25	10,4	20,0	13,0	20,0							
	169	425	1,2	8,66	10,5	20,0	12,7	20,0							
	172	416	1,3	8,48	10,6	20,0	12,7	20,0							
	190	377	1,4	7,68	10,8	20,0	12,4	20,0							
	216	331	1,6	6,75	11,0	20,0	12,0	20,0							
	239	300	1,7	6,12	11,1	19,8	11,7	19,8							
	261	274	1,8	5,59	11,2	19,4	11,4	19,4							
	288	248	1,9	5,06	11,1	18,9	11,1	18,9							
	317	226	2,0	4,61	10,8	18,4	10,8	18,4							
	346	207	2,0	4,22	10,6	17,9	10,6	17,9							
	376	190	2,1	3,88	10,3	17,5	10,3	17,5							
	408	176	2,1	3,58	10,1	16,8	10,1	16,8							
	441	162	2,1	3,31	9,8	16,1	9,8	16,1							
	475	151	2,1	3,07	9,6	15,6	9,6	15,6							
	511	140	2,1	2,86	9,4	15,1	9,4	15,1							
549	130	2,1	2,66	9,2	14,6	9,2	14,6								
7,50	145	492	0,8	10,04	0,7	15,0	6,3	15,0	SK 572.1* - 132 MP/4	76	B48, B50				
	164	438	0,8	8,92	1,2	15,0	6,6	15,0							
	179	400	0,9	8,15	2,1	15,0	7,5	15,0							
	195	367	1,0	7,49	2,6	15,0	7,9	15,0							
	232	309	1,0	6,30	3,1	15,0	8,2	15,0							
	248	289	1,0	5,88	3,2	15,0	8,1	15,0							
	279	257	1,1	5,23	3,4	15,0	8,2	15,0							
	312	230	1,1	4,69	3,5	15,0	8,2	15,0							
	346	207	1,1	4,22	3,6	14,6	8,2	14,6							
	381	188	1,2	3,83	3,7	14,1	7,9	14,1							
	447	160	1,2	3,27	3,8	13,1	7,6	13,1							
	499	143	1,2	2,92	3,8	12,5	7,3	12,5							
	9,20	21	4094	0,8	68,50	12,1	15,8	28,5				40,0	SK 973.1 - 160 SP/4	200	B59
		22	3943	0,8	65,98	13,2	16,7	28,8				40,0			
25		3580	0,9	59,91	14,3	17,5	29,4	40,0							
26		3326	1,0	55,66	15,3	18,3	29,7	40,0							
28		3127	1,0	52,32	16,1	18,8	30,0	40,0							
31		2845	1,1	47,60	17,1	19,6	30,4	40,0							
35		2541	1,3	42,51	18,1	20,3	30,8	40,0							
39		2233	1,4	37,36	18,9	20,9	31,1	40,0							
42		2103	1,5	35,19	19,5	21,3	31,3	40,0							
46		1910	1,7	31,95	19,7	21,3	31,4	40,0							
47		1851	1,7	30,97	19,8	21,4	31,5	40,0							
54		1627	1,8	27,22	20,2	21,6	31,7	40,0							
58		1524	2,0	25,51	20,3	21,6	31,8	40,0							
66		1340	2,1	22,42	20,4	21,5	31,9	40,0							
9,20	40	2222	1,3	37,19	19,6	21,5	31,1	40,0	SK 972.1 - 160 SP/4	198	B58				
	44	1994	1,5	33,36	19,7	21,5	31,4	40,0							
	49	1810	1,5	30,29	19,9	21,4	31,5	40,0							
	53	1653	1,6	27,66	19,9	21,4	31,7	40,0							
	63	1386	1,7	23,19	19,9	21,1	31,9	40,0							
	67	1314	2,1	21,99	20,8	21,9	32,0	40,0							
	75	1179	2,4	19,72	20,5	21,5	32,1	40,0							
	83	1055	2,7	17,65	20,7	21,5	32,1	40,0							
	93	946	2,9	15,84	20,3	21,1	32,2	39,1							
	104	846	3,2	14,16	20,1	20,8	32,3	38,2							
	108	810	3,2	13,56	20,1	20,8	32,3	38,0							
	114	768	3,4	12,86	19,8	20,4	32,3	37,4							
9,20	41	2130	0,8	35,63	10,2	11,7	22,0	27,0	SK 873.1 - 160 SP/4	162	B57				
	46	1927	0,9	32,24	11,2	12,4	22,1	27,3							
	48	1821	0,9	30,47	11,6	12,9	22,3	27,4							
	53	1648	1,0	27,57	11,6	13,4	22,3	27,5							
	57	1552	1,1	25,69	11,6	13,8	22,4	27,6							
	63	1404	1,2	23,49	11,5	14,1	22,3	27,5							
	69	1278	1,3	21,38	11,4	14,5	22,3	27,5							
	76	1156	1,4	19,34	11,3	14,6	21,9	27,3							

* ⇒ A8

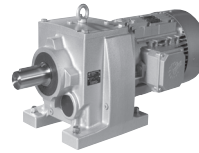


P ₁ [kW]	n ₂ [min ⁻¹]	M ₂ [Nm]	f _B	i _{ges}	F _R [kN]	F _A [kN]	F _{R VL} [kN]	F _{A VL} [kN]	Type	kg	mm H B				
9,20	52	1673	1,0	28,00	11,7	13,6	22,5	27,7	SK 872.1 - 160 SP/4	160	B56				
	58	1521	1,1	25,44	11,5	13,8	22,4	27,6							
	64	1376	1,1	23,02	11,5	14,2	22,3	27,5							
	79	1116	1,4	18,67	11,3	14,9	21,8	27,3							
	87	1014	1,5	16,96	11,1	14,9	21,3	27,0							
	97	907	1,6	15,18	10,9	15,1	20,8	26,8							
	107	824	1,8	13,79	10,7	15,0	20,4	26,4							
	118	746	2,0	12,48	10,5	14,9	19,9	26,0							
	131	672	2,1	11,24	10,3	14,9	19,5	25,7							
	141	624	2,2	10,44	10,1	14,6	19,1	25,1							
	159	552	2,5	9,24	9,9	14,6	18,6	24,7							
	166	530	2,5	8,87	9,7	14,2	18,3	24,3							
	190	462	2,8	7,73	9,5	14,1	17,7	23,8							
	224	393	3,1	6,57	9,1	13,6	17,0	23,0							
	260	338	3,4	5,66	8,7	12,8	16,3	22,2							
	267	329	3,5	5,50	8,7	13,0	16,3	22,2							
	11,0	102	859	0,8	14,38	2,2	2,8	8,6				10,4	SK 772.1 - 160 SP/4	125	B54
113		781	0,9	13,07	2,6	3,2	8,7	10,5							
126		697	1,0	11,67	3,4	3,8	8,9	10,8							
133		661	1,0	11,06	3,3	3,7	8,8	10,6							
139		634	1,1	10,60	3,7	4,1	8,9	10,8							
147		598	1,1	10,00	3,6	3,9	8,8	10,6							
164		536	1,2	8,97	4,1	4,4	8,9	10,8							
181		485	1,3	8,12	4,3	4,5	8,8	10,7							
193		456	1,4	7,63	4,2	4,2	8,6	10,5							
222		397	1,5	6,63	4,6	5,1	9,2	11,1							
237		370	1,6	6,19	4,5	4,6	8,6	10,4							
273		322	1,8	5,38	4,6	5,2	9,0	10,9							
312		282	2,0	4,71	4,4	5,0	8,6	10,4							
333		264	2,0	4,42	4,3	4,8	8,4	10,1							
383		229	2,3	3,84	4,3	5,1	8,5	10,3							
409		215	2,3	3,59	4,2	4,7	8,1	9,9							
470		187	2,6	3,12	4,1	5,0	8,2	10,0							
11,0	26	3991	0,8	55,66	10,0	13,6	28,7	40,0	SK 973.1 - 160 MP/4	200	B59				
	28	3751	0,9	52,32	11,1	14,4	29,1	40,0							
	31	3413	0,9	47,60	12,5	15,6	29,6	40,0							
	34	3048	1,0	42,51	14,0	16,7	30,1	40,0							
	39	2679	1,2	37,36	15,4	17,7	30,6	40,0							
	42	2523	1,3	35,19	16,2	18,4	30,8	40,0							
	46	2291	1,4	31,95	16,6	18,7	31,1	40,0							
	47	2221	1,4	30,97	16,9	18,8	31,1	40,0							
	54	1952	1,5	27,22	17,6	19,3	31,4	40,0							
	57	1829	1,6	25,51	17,9	19,4	31,5	40,0							
	65	1607	1,7	22,42	18,3	19,7	31,7	39,9							
	11,0	39	2666	1,1	37,19	16,2	18,5	30,7				40,0	SK 972.1 - 160 MP/4	198	B58
		44	2392	1,2	33,36	16,6	18,7	31,0				40,0			
		48	2172	1,3	30,29	17,0	18,9	31,2				40,0			
		53	1983	1,3	27,66	17,3	19,0	31,4				40,0			
		63	1663	1,4	23,19	17,6	19,1	31,7				39,7			
		67	1576	1,8	21,99	18,8	20,1	31,8				40,0			
74		1414	2,0	19,72	18,7	19,9	31,9	39,4							
83		1266	2,2	17,65	19,0	20,1	32,0	38,9							
93		1135	2,4	15,84	18,8	19,8	32,1	38,0							
103		1015	2,6	14,16	18,8	19,6	32,2	37,2							
108		972	2,7	13,56	18,9	19,7	32,2	37,1							
114		922	2,8	12,86	18,5	19,3	32,2	36,5							
127		827	3,0	11,54	18,6	19,3	32,3	35,9							
142		742	3,3	10,35	18,3	18,9	32,3	35,0							
156	674	3,7	9,40	18,0	18,5	31,6	34,2								
11,0	48	2185	0,8	30,47	8,0	9,7	20,0	24,7	SK 873.1 - 160 MP/4	162	B57				
	53	1977	0,8	27,57	9,1	10,5	20,3	25,0							
	56	1861	0,9	25,69	9,8	11,1	20,5	25,2							
	62	1684	1,0	23,49	10,6	11,7	20,6	25,4							
	69	1533	1,0	21,38	10,6	12,2	20,7	25,5							
	76	1387	1,2	19,34	10,5	12,6	20,7	25,5							

NORDBLOC.1
 helical gear units

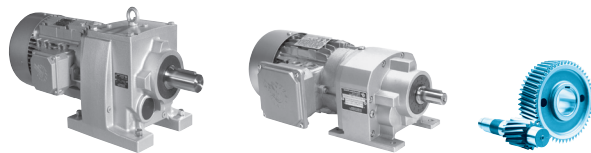
* ⇒ A8


11,0 kW
15,0 kW



NORDBLOC.1
helical gear units

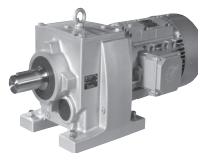
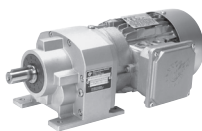
P ₁ [kW]	n ₂ [min ⁻¹]	M ₂ [Nm]	f _B	i _{ges}	F _R [kN]	F _A [kN]	F _{R VL} [kN]	F _{A VL} [kN]	Type	kg	mm H B
11,0	52	2008	0,8	28,00	9,3	10,7	20,5	25,2	SK 872.1 - 160 MP/4	160	B56
	58	1824	0,9	25,44	10,0	11,2	20,5	25,3			
	64	1651	0,9	23,02	10,6	11,8	20,6	25,4			
	78	1338	1,2	18,67	10,6	13,0	20,8	25,7			
	86	1216	1,3	16,96	10,5	13,1	20,7	25,5			
	97	1088	1,4	15,18	10,4	13,5	20,4	25,4			
	106	989	1,5	13,79	10,2	13,5	20,0	25,1			
	117	895	1,6	12,48	10,1	13,6	19,5	24,8			
	130	806	1,7	11,24	9,9	13,8	19,1	24,7			
	140	748	1,9	10,44	9,7	13,4	18,7	24,1			
	159	662	2,1	9,24	9,6	13,6	18,3	23,9			
	165	636	2,1	8,87	9,4	13,2	18,0	23,4			
	190	554	2,3	7,73	9,2	13,3	17,5	23,1			
	223	471	2,6	6,57	8,8	12,6	16,8	22,3			
	259	406	2,8	5,66	8,5	12,0	16,2	21,6			
	266	394	2,9	5,50	8,5	12,2	16,1	21,7			
	313	335	3,3	4,68	8,2	11,6	15,4	20,9			
	364	289	3,1	4,03	7,9	11,0	14,8	20,2			
	396	265	3,3	3,69	7,7	10,8	14,5	19,9			
	461	228	3,7	3,18	7,4	10,2	13,9	19,1			
11,0	126	837	0,8	11,67	1,7	2,1	7,8	9,5	SK 772.1 - 160 MP/4	125	B54
	132	793	0,9	11,06	1,7	2,0	7,7	9,4			
	138	760	0,9	10,60	2,1	2,4	7,9	9,6			
	146	717	0,9	10,00	2,1	2,4	7,8	9,5			
	163	643	1,0	8,97	2,8	3,0	8,1	9,8			
	180	582	1,1	8,12	3,1	3,2	8,1	9,8			
	192	547	1,1	7,63	2,9	3,0	7,9	9,6			
	221	476	1,3	6,63	3,5	4,1	8,6	10,4			
	237	444	1,3	6,19	3,6	3,5	8,0	9,7			
	272	386	1,5	5,38	4,1	4,4	8,5	10,3			
	311	338	1,7	4,71	4,2	4,2	8,1	9,8			
	332	317	1,7	4,42	4,1	4,1	7,9	9,6			
	382	275	1,9	3,84	4,1	4,6	8,2	9,9			
	408	258	1,9	3,59	4,0	4,2	7,8	9,4			
	469	224	2,2	3,12	4,0	4,5	8,0	9,6			
	15,0	34	4156	0,8	42,51	5,0	8,8	28,4			
39		3653	0,9	37,36	7,5	10,7	29,3	35,7			
42		3441	0,9	35,19	8,8	11,9	29,6	36,2			
46		3124	1,0	31,95	9,9	12,7	30,0	36,3			
47		3028	1,0	30,97	10,3	13,0	30,2	36,3			
54		2662	1,1	27,22	11,8	14,2	30,6	36,5			
57		2494	1,2	25,51	12,4	14,7	30,8	36,5			
65		2192	1,3	22,42	13,5	15,5	31,2	36,4			
15,0	67	2150	1,3	21,99	14,3	16,2	31,2	36,8	SK 972.1 - 160 LP/4	228	B58
	74	1928	1,5	19,72	14,6	16,2	31,4	36,3			
	83	1726	1,6	17,65	15,4	16,9	31,6	36,2			
	93	1548	1,8	15,84	15,5	16,8	31,8	35,5			
	103	1385	1,9	14,16	15,8	17,0	31,9	35,0			
	108	1326	2,0	13,56	16,1	17,2	32,0	35,0			
	114	1257	2,1	12,86	15,8	16,9	31,8	34,4			
	127	1128	2,2	11,54	16,3	17,2	31,5	34,1			
	142	1012	2,5	10,35	16,1	17,0	30,8	33,4			
	156	919	2,7	9,40	16,0	16,8	30,2	32,7			
	173	827	2,8	8,45	15,6	16,3	29,4	31,9			
	204	703	3,2	7,19	15,5	15,9	28,5	30,9			
	219	654	3,4	6,68	15,6	15,9	28,3	30,6			
	237	603	3,4	6,17	14,9	14,8	27,4	29,7			
15,0	69	2090	0,8	21,38	5,5	6,8	17,2	21,2	SK 873.1 - 160 LP/4	190	B57
	76	1891	0,8	19,34	6,6	7,8	17,5	21,6			
15,0	78	1825	0,8	18,67	7,4	8,5	17,8	22,0	SK 872.1 - 160 LP/4	188	B56
	86	1658	0,9	16,96	8,0	9,0	17,9	22,0			
	97	1484	1,0	15,18	9,1	9,9	18,2	22,4			
	106	1349	1,1	13,79	9,1	10,2	18,1	22,3			
	117	1220	1,2	12,48	9,0	10,5	18,1	22,3			
	130	1099	1,3	11,24	9,0	11,0	18,2	22,4			
140	1020	1,4	10,44	8,8	10,6	17,8	22,0				



P ₁ [kW]	n ₂ [min ⁻¹]	M ₂ [Nm]	f _B	i _{ges}	F _R [kN]	F _A [kN]	F _{R VL} [kN]	F _{A VL} [kN]	Type	kg	mm 				
15,0	159	903	1,5	9,24	8,8	11,1	17,6	22,0	SK 872.1 - 160 LP/4	188	B56				
	165	868	1,5	8,87	8,6	10,4	17,4	21,5							
	190	755	1,7	7,73	8,5	10,8	16,9	21,5							
	223	642	1,9	6,57	8,3	10,5	16,3	20,9							
	259	553	2,1	5,66	8,0	10,2	15,7	20,3							
	266	538	2,1	5,50	8,1	10,6	15,7	20,6							
	313	457	2,4	4,68	7,8	10,2	15,1	19,9							
	364	394	2,3	4,03	7,5	9,8	14,5	19,3							
	396	361	2,4	3,69	7,4	9,7	14,2	19,1							
	461	311	2,7	3,18	7,1	9,3	13,7	18,4							
	15,0	163	877	0,8	8,97	0	0	6,2				7,6	SK 772.1 - 160 LP/4	154	B54
		180	794	0,8	8,12	0,3	0,6	6,4				7,8			
		192	746	0,8	7,63	0,2	0,4	6,2				7,5			
		221	649	0,9	6,63	1,2	2,1	7,4				8,9			
		237	605	1,0	6,19	1,4	1,5	6,6				8,0			
		272	526	1,1	5,38	2,2	2,8	7,5				9,1			
		311	461	1,2	4,71	2,9	2,7	7,1				8,6			
		332	432	1,3	4,42	2,8	2,6	7,0				8,4			
382		375	1,4	3,84	3,2	3,4	7,5	9,1							
408		351	1,4	3,59	3,3	3,0	7,0	8,5							
469		306	1,6	3,12	3,6	3,6	7,4	8,9							
18,5		42	4201	0,8	35,19	2,6	5,8	28,3	31,5	SK 973.1 - 180 MP/4	262	B59			
		46	3814	0,8	31,95	4,1	7,2	29,0	31,9						
		48	3697	0,8	30,97	4,7	7,7	29,2	32,1						
		54	3249	0,9	27,22	6,9	9,8	29,9	32,7						
		58	3045	1,0	25,51	7,8	10,6	30,1	33,0						
		66	2676	1,0	22,42	9,4	11,8	30,6	33,3						
		18,5	67	2624	1,1	21,99	10,5	12,8	30,7						
	75		2354	1,2	19,72	11,0	13,1	31,0	33,6						
	84		2107	1,3	17,65	12,3	14,2	31,2	33,8						
	93		1890	1,4	15,84	12,6	14,3	30,8	33,3						
105	1690		1,6	14,16	13,2	14,7	30,5	33,1							
109	1619		1,6	13,56	13,7	15,1	30,6	33,2							
115	1535		1,7	12,86	13,5	14,8	30,1	32,6							
128	1377		1,8	11,54	14,2	15,4	30,1	32,6							
143	1235		2,0	10,35	14,2	15,3	29,5	31,9							
158	1122		2,2	9,40	14,3	15,1	29,0	31,4							
175	1009		2,3	8,45	14,0	14,5	28,3	30,6							
206	859		2,6	7,19	14,1	14,2	27,5	29,8							
221	798		2,8	6,68	14,4	14,4	27,4	29,6							
240	737		2,8	6,17	13,6	13,4	26,5	28,7							
282	627		3,2	5,25	13,6	13,0	25,7	27,8							
325	544		3,7	4,56	13,8	13,0	25,2	27,3							
396	446		4,1	3,74	13,2	12,1	24,0	26,0							
18,5	98		1812	0,8	15,18	5,6	6,1	16,1	19,8	SK 872.1 - 180 MP/4	222	B56			
	107	1646	0,9	13,79	6,3	6,7	16,2	19,9							
	119	1490	1,0	12,48	7,2	7,3	16,4	20,1							
	132	1341	1,0	11,24	8,2	8,2	16,6	20,5							
	142	1246	1,1	10,44	8,0	7,9	16,3	20,1							
	160	1103	1,3	9,24	8,1	8,7	16,6	20,4							
	167	1059	1,3	8,87	8,0	8,1	16,1	19,9							
	192	922	1,4	7,73	8,0	8,9	16,3	20,1							
	225	784	1,6	6,57	7,8	8,8	15,8	19,7							
	262	675	1,7	5,66	7,6	8,7	15,3	19,2							
	269	657	1,8	5,50	7,7	9,2	15,3	19,5							
	316	558	2,0	4,68	7,4	9,0	14,7	19,0							
	368	481	1,9	4,03	7,2	8,7	14,2	18,5							
	401	441	2,0	3,69	7,1	8,8	14,0	18,4							
	465	380	2,2	3,18	6,9	8,5	13,4	17,8							

NORDBLOC.1
 helical gear units

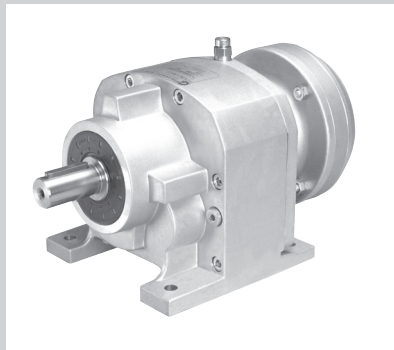
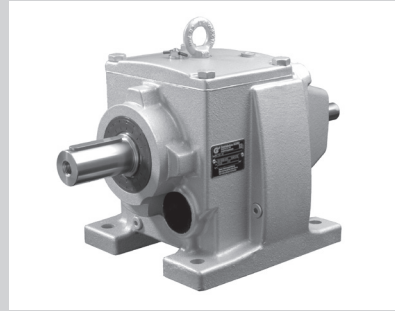
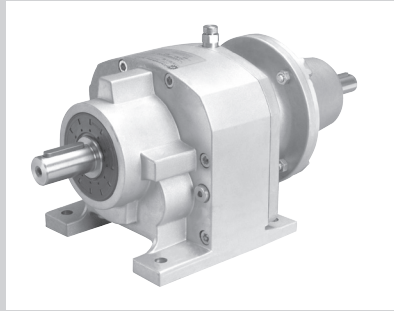
22,0 kW
30,0 kW
37,0 kW



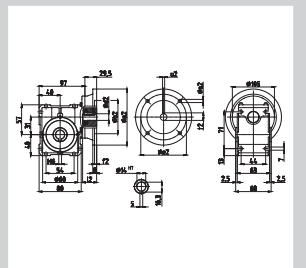
NORDBLOC.1
helical gear units

P ₁ [kW]	n ₂ [min ⁻¹]	M ₂ [Nm]	f _B	i _{ges}	F _R [kN]	F _A [kN]	F _{R VL} [kN]	F _{A VL} [kN]	Type	kg	mm H B	
22,0	54	3877	0,8	27,22	1,8	4,1	26,7	29,0	SK 973.1 - 180 LP/4	262	B59	
	58	3633	0,8	25,51	3,1	5,3	27,2	29,4				
	66	3193	0,9	22,42	5,3	7,3	27,8	30,2				
	22,0	67	3132	0,9	21,99	6,6	8,7	28,6	31,0	SK 972.1 - 180 LP/4	260	B58
		75	2809	1,0	19,72	7,4	9,3	28,5	30,9			
		84	2514	1,1	17,65	9,2	11,1	29,0	31,4			
		93	2256	1,2	15,84	9,8	11,3	28,8	31,2			
		104	2017	1,3	14,16	10,7	12,0	28,7	31,1			
		109	1931	1,4	13,56	11,3	12,7	28,9	31,4			
		115	1831	1,4	12,86	11,1	12,3	28,5	30,8			
		128	1643	1,5	11,54	12,2	13,3	28,6	31,0			
		143	1474	1,7	10,35	12,4	13,1	28,2	30,5			
		157	1338	1,9	9,40	12,5	13,1	27,8	30,1			
		174	1204	2,0	8,45	12,4	12,6	27,1	29,4			
		205	1024	2,2	7,19	12,7	12,7	26,6	28,8			
		221	952	2,4	6,68	13,2	13,0	26,5	28,7			
		239	879	2,4	6,17	12,4	12,0	25,6	27,7			
		281	748	2,7	5,25	12,5	11,9	24,9	27,0			
		324	649	3,1	4,56	12,9	12,1	24,6	26,7			
		395	532	3,4	3,74	12,4	11,3	23,4	25,4			
443	474	3,6	3,33	12,3	11,1	22,9	24,8					
22,0	118	1777	0,8	12,48	4,2	4,4	14,6	17,9	SK 872.1 - 180 LP/4	222	B56	
	131	1601	0,9	11,24	5,5	5,6	15,1	18,5				
	141	1486	0,9	10,44	5,4	5,4	14,8	18,2				
	160	1316	1,0	9,24	6,9	6,6	15,3	18,8				
	166	1264	1,1	8,87	6,3	5,9	14,8	18,2				
	191	1100	1,2	7,73	7,4	7,0	15,2	18,7				
	225	936	1,3	6,57	7,3	7,2	15,0	18,4				
	261	806	1,4	5,66	7,1	7,3	14,7	18,1				
	268	783	1,5	5,50	7,3	7,9	15,0	18,5				
	315	666	1,7	4,68	7,1	7,9	14,4	18,1				
	366	573	1,6	4,03	6,9	7,7	13,9	17,7				
	399	526	1,7	3,69	6,8	8,0	13,7	17,7				
	464	453	1,9	3,18	6,6	7,8	13,2	17,2				
	30,0	105	2732	1,0	14,16	4,7	5,7	24,6				26,7
110		2616	1,0	13,56	5,8	6,7	25,1	27,2				
116		2480	1,1	12,86	5,6	6,4	24,7	26,8				
129		2225	1,1	11,54	7,5	8,1	25,4	27,5				
144		1996	1,2	10,35	8,0	8,4	25,2	27,3				
158		1813	1,4	9,40	8,5	8,8	25,0	27,1				
176		1631	1,4	8,45	8,7	8,7	24,6	26,6				
206		1388	1,6	7,19	9,5	9,3	24,4	26,4				
222		1290	1,7	6,68	10,3	10,0	24,6	26,6				
241		1190	1,7	6,17	9,5	9,0	23,6	25,5				
283		1013	2,0	5,25	10,0	9,4	23,2	25,2				
326		880	2,3	4,56	10,9	10,1	23,2	25,2				
398		721	2,5	3,74	10,6	9,6	22,2	24,1				
446		642	2,6	3,33	10,7	9,6	21,8	23,6				
37,0	105	3369	0,8	14,16	0	0	21,1	22,8	SK 972.1 - 225 SP/4	436	B58	
	110	3226	0,8	13,56	1,0	2,1	21,8	23,6				
	116	3059	0,9	12,86	0,9	1,9	21,4	23,2				
	129	2745	0,9	11,54	3,4	4,1	22,5	24,4				
	144	2462	1,0	10,35	4,3	4,7	22,6	24,4				
	158	2235	1,1	9,40	5,1	5,4	22,6	24,5				
	176	2012	1,2	8,45	5,4	5,5	22,3	24,1				
	206	1711	1,3	7,19	6,8	6,6	22,5	24,3				
	222	1590	1,4	6,68	7,9	7,6	22,9	24,8				
	241	1468	1,4	6,17	6,9	6,5	21,8	23,6				
	283	1249	1,6	5,25	7,9	7,3	21,7	23,5				
	326	1085	1,8	4,56	9,1	8,4	22,0	23,8				
	398	889	2,1	3,74	9,1	8,1	21,2	22,9				
	446	792	2,1	3,33	9,3	8,3	20,9	22,6				

NORDBLOC.1 Helical Gear Units



	i_{ges}	n_2 $n_{1=}$ 1400min ⁻¹ [min ⁻¹]	M_{2max} $f_B = 1$ [Nm]
SK 072.1	63,56	22	50
	55,00	25	50
	49,00	29	46
	42,10	33	50
	36,43	38	54
	32,45	43	55
	27,78	50	54
	24,75	57	55
	22,22	63	55
	21,28	65	55



SK 072.1



NORBLOC.1
helical gear units

	i _{ges}	n ₂ n ₁ = 1400min ⁻¹ [min ⁻¹]	M _{2max} f _B = 1 [Nm]	IEC			IEC													
				P _{1max}		f _B ≥ 1	f _B ⇨ B4-28													
				n ₁ = 1400min ⁻¹ [kW]	n ₁ = 930min ⁻¹ [kW]	n ₁ = 700min ⁻¹ [kW]	IEC 56	IEC 63	IEC 71											
SK 072.1	63,56	22	50	0,12	0,08	0,06		*	*											
	55,00	25	50	0,13	0,09	0,07		*	*											
	49,00	29	46	0,14	0,09	0,07		*	*											
	42,10	33	50	0,17	0,11	0,09		*	*											
	36,43	38	54	0,21	0,14	0,11			*											
	32,45	43	55	0,25	0,16	0,12			*											
	27,78	50	54	0,28	0,19	0,14			*											
	24,75	57	55	0,33	0,22	0,16			*											
	22,22	63	55	0,36	0,24	0,18			*											
	21,38	65	55	0,37	0,25	0,19														
	19,20	73	55	0,42	0,28	0,21														
	17,35	81	55	0,47	0,31	0,23														
	15,77	89	55	0,51	0,34	0,26														
	14,40	97	51	0,52	0,34	0,26														
	13,20	106	47	0,52	0,34	0,26														
IEC	11,56	121	50	0,55	0,36	0,28														
	10,00	140	55	0,55	0,36	0,28														
$\frac{1}{mm}$	8,91	157	55	0,55	0,36	0,28														
⇨ B61	8,00	175	55	0,55	0,36	0,28														
	7,23	194	55	0,55	0,36	0,28														
	6,57	213	53	0,55	0,36	0,28														
	5,96	235	55	0,55	0,36	0,28														
	5,50	255	55	0,55	0,36	0,28														
	5,31	264	55	0,55	0,36	0,28														
	4,77	294	53	0,55	0,36	0,28														
	4,31	325	50	0,55	0,36	0,28														
	3,92	357	45	0,55	0,36	0,28														
	3,58	391	48	0,55	0,36	0,28														
	3,28	427	47	0,55	0,36	0,28														
	2,95	475	46	0,55	0,36	0,28														
	2,85	491	45	0,55	0,36	0,28														
	2,57	545	41	0,55	0,36	0,28														
	2,33	601	39	0,55	0,36	0,28														
	2,10	667	36	0,55	0,36	0,28														

* ⇨ A63

kg	IEC...
SK 072.1	4



	i_{ges}	n_2 $n_1 = 1400 \text{ min}^{-1}$ [min^{-1}]	M_{2max} $f_B = 1$ [Nm]	W			IEC					
				P_{1max}		$f_B \geq 1$	$f_B \Rightarrow B4-28$					
				$n_1 = 1400 \text{ min}^{-1}$	$n_1 = 930 \text{ min}^{-1}$	$n_1 = 700 \text{ min}^{-1}$	IEC 56	IEC 63	IEC 71	IEC 80	IEC 90	
				[kW]	[kW]	[kW]						
SK 172.1	81,45	17	83	0,15	0,10	0,07		*	*	*	*	
	70,00	20	72	0,15	0,10	0,08		*	*	*	*	
	62,36	22	64	0,15	0,10	0,07		*	*	*	*	
	54,03	26	85	0,23	0,15	0,12			*	*	*	
	46,43	30	85	0,27	0,18	0,13			*	*	*	
	41,36	34	85	0,30	0,20	0,15			*	*	*	
	38,75	36	85	0,32	0,21	0,16			*	*	*	
	34,52	41	86	0,37	0,24	0,18				*	*	
	31,00	45	92	0,43	0,29	0,22				*	*	
W	27,62	51	92	0,49	0,32	0,25				*	*	
	24,80	56	92	0,54	0,36	0,27				*	*	
$\frac{H}{mm}$	22,42	62	92	0,60	0,39	0,30				*	*	
$\Rightarrow B60$	20,37	69	85	0,61	0,41	0,31				*	*	
	18,60	75	84	0,66	0,44	0,33				*	*	
	15,76	89	85	0,79	0,52	0,40					*	
	13,54	103	85	0,92	0,61	0,46					*	
	12,06	116	87	1,06	0,70	0,53					*	
IEC	11,39	123	85	1,09	0,72	0,55					*	
	10,83	129	86	1,16	0,77	0,58					*	
$\frac{H}{mm}$	9,79	143	85	1,27	0,84	0,64					*	
$\Rightarrow B62$	8,72	161	88	1,48	0,98	0,74					*	
	7,83	179	82	1,50	0,99	0,75						
	7,08	198	82	1,50	0,99	0,75						
	6,43	218	82	1,50	0,99	0,75						
	5,77	243	77	1,50	0,99	0,75						
	5,14	272	83	1,50	0,99	0,75						
	4,62	303	72	1,50	0,99	0,75						
	4,17	336	65	1,50	0,99	0,75						
	3,79	369	59	1,50	0,99	0,75						
	3,46	405	54	1,50	0,99	0,75						
	3,22	435	54	1,50	0,99	0,75						
	2,92	479	50	1,50	0,99	0,75						
	2,72	515	46	1,50	0,99	0,75						
	2,49	562	43	1,50	0,99	0,75						
	2,32	603	43	1,50	0,99	0,75						

NORBLOC.1
helical gear units

* $\Rightarrow B63$

$\frac{kg}{kg}$	W	IEC...
SK 172.1	7	7

SK 372.1



NORDBLOC.1
helical gear units

	i_{ges}	n_2 $n_1 = 1400 \text{ min}^{-1}$ [min^{-1}]	M_{2max} $f_B = 1$ [Nm]	W			IEC					
				P_{1max} $n_1 = 1400 \text{ min}^{-1}$ [kW]	$n_1 = 930 \text{ min}^{-1}$ [kW]	$f_B \geq 1$ $n_1 = 700 \text{ min}^{-1}$ [kW]	$f_B \Rightarrow B4-28$					
							IEC 63	IEC 71	IEC 80	IEC 90	IEC 100	
SK 372.1	72,38	19	150	0,30	0,20	0,15		*	*	*		
	64,06	22	160	0,37	0,24	0,18			*	*		
	60,83	23	150	0,36	0,24	0,18			*	*		
	53,84	26	160	0,44	0,29	0,22			*	*		
	43,26	32	170	0,57	0,38	0,28			*	*		
	38,12	37	180	0,70	0,46	0,35			*	*		
	33,84	41	190	0,82	0,54	0,41			*	*		
	30,11	46	180	0,87	0,57	0,43			*	*		
	25,85	54	190	1,07	0,71	0,54			*	*		
W	23,00	61	200	1,28	0,84	0,64			*	*		
	20,62	68	190	1,35	0,89	0,68			*	*		
$\frac{mm}{mm}$	18,40	76	200	1,59	1,05	0,80			*	*		
$\Rightarrow B60$	16,50	85	190	1,69	1,12	0,85			*	*		
	14,57	96	190	1,91	1,26	0,95			*	*		
	12,96	108	200	2,26	1,49	1,13			*	*		
	11,55	121	190	2,41	1,59	1,20			*	*		
	10,28	136	190	2,71	1,79	1,35			*	*		
IEC	9,40	149	190	2,96	1,96	1,48			*	*		
	8,22	170	180	3,00	1,98	1,50			*	*		
$\frac{mm}{mm}$	7,23	194	170	3,00	1,98	1,50			*	*		
$\Rightarrow B63$	6,89	203	170	3,00	1,98	1,50			*	*		
	6,58	213	160	3,00	1,98	1,50			*	*		
	5,95	235	160	3,00	1,98	1,50			*	*		
	5,24	267	160	3,00	1,98	1,50			*	*		
	4,66	300	140	3,00	1,98	1,50			*	*		
	4,18	335	130	3,00	1,98	1,50			*	*		
	3,78	370	120	3,00	1,98	1,50			*	*		
	3,43	408	110	3,00	1,98	1,50			*	*		
	3,12	449	100	3,00	1,98	1,50			*	*		
	2,86	490	90	3,00	1,98	1,50			*	*		
	2,62	534	90	3,00	1,98	1,50			*	*		

* $\Rightarrow A63$

$\frac{kg}{kg}$	W	IEC 63	IEC 71	IEC 80	IEC 90	IEC 100
SK 372.1	11	10	10	10	10	11



	i_{ges}	n_2 $n_1 = 1400 \text{ min}^{-1}$ [min^{-1}]	M_{2max} $f_B = 1$ [Nm]	W			IEC						
				P_{1max}			$f_B \Rightarrow \text{B4-28}$						
				$n_1 = 1400 \text{ min}^{-1}$	$n_1 = 930 \text{ min}^{-1}$	$n_1 = 700 \text{ min}^{-1}$	IEC 63	IEC 71	IEC 80	IEC 90			
SK 373.1	343,92	4,1	190	0,08	0,05	0,04	*	*	*	*			
	303,08	4,6	210	0,10	0,07	0,05	*	*	*	*			
	269,67	5,2	220	0,12	0,08	0,06	*	*	*	*			
	256,50	5,5	200	0,12	0,08	0,06	*	*	*	*			
	228,22	6,1	220	0,14	0,09	0,07	*	*	*	*			
	207,98	6,7	200	0,14	0,09	0,07	*	*	*	*			
	196,07	7,1	210	0,16	0,10	0,08	*	*	*	*			
	185,05	7,6	210	0,17	0,11	0,08	*	*	*	*			
	165,94	8,4	210	0,18	0,12	0,09		*	*	*			
	145,00	9,7	210	0,21	0,14	0,11		*	*	*			
W mm $\Rightarrow \text{B60}$	130,87	11	200	0,23	0,15	0,12		*	*	*			
	120,54	12	200	0,25	0,17	0,13		*	*	*			
	102,01	14	200	0,29	0,19	0,15		*	*	*			
	91,48	15	210	0,33	0,22	0,16		*	*	*			
	82,57	17	210	0,37	0,25	0,19			*	*			
	74,27	19	200	0,40	0,26	0,20			*	*			
	64,70	22	200	0,46	0,30	0,23			*	*			
	60,22	23	200	0,48	0,32	0,24			*	*			
	54,00	26	210	0,57	0,38	0,29			*	*			
	47,05	30	210	0,66	0,44	0,33			*	*			
IEC mm $\Rightarrow \text{B64}$	42,46	33	200	0,69	0,46	0,35			*	*			
	37,23	38	200	0,80	0,53	0,40				*			
	33,20	42	200	0,88	0,58	0,44				*			
	29,77	47	210	1,03	0,68	0,52				*			
	25,94	54	210	1,19	0,78	0,59				*			
	23,41	60	210	1,32	0,87	0,66				*			
	22,74	62	210	1,36	0,90	0,68				*			
	20,52	68	210	1,50	0,99	0,75				*			
	18,63	75	190	1,49	0,98	0,75				*			

NORBLOC.1
helical gear units

* $\Rightarrow \text{A63}$

kg	W	IEC 63	IEC 71	IEC 80	IEC 90
SK 373.1	12	11	11	11	11

SK 572.1



NORBLOC.1
helical gear units

	i _{ges}	n ₂ n ₁ = 1400min ⁻¹ [min ⁻¹]	M _{2max} f _B = 1 [Nm]	W			IEC						
				P _{1max}		f _B ≥ 1	f _B ⇨ B4-28						
				n ₁ = 1400min ⁻¹	n ₁ = 930min ⁻¹	n ₁ = 700min ⁻¹	IEC 63	IEC 71	IEC 80	IEC 90	IEC 100	IEC 112	
SK 572.1*	54,41	26	370	1,01	0,66	0,50				*			
	45,77	31	320	1,04	0,69	0,52				*			
	42,38	33	370	1,28	0,84	0,64				*			
	35,65	39	370	1,51	1,00	0,76							
	31,28	45	370	1,74	1,15	0,87					*	*	
	28,91	48	380	1,91	1,26	0,95							
	27,00	52	400	2,18	1,44	1,09							
	24,58	57	430	2,57	1,69	1,28				*	*		
	21,85	64	420	2,81	1,86	1,41				*	*		
W	19,57	72	400	3,02	1,99	1,51						*	
	16,46	85	400	3,56	2,35	1,78						*	
mm	15,38	91	430	4,10	2,70	2,05							
⇨ B60	13,67	102	410	4,38	2,89	2,19							
	12,68	110	430	4,95	3,27	2,48							
	11,25	124	410	5,32	3,51	2,66							
	10,04	139	400	5,50	3,63	2,75							
IEC	8,92	157	370	5,50	3,63	2,75							
	8,15	172	360	5,50	3,63	2,75							
	7,49	187	350	5,50	3,63	2,75							
mm	6,30	222	320	5,50	3,63	2,75							
⇨ B65	5,88	238	300	5,50	3,63	2,75							
	5,23	268	270	5,50	3,63	2,75							
	4,69	299	250	5,50	3,63	2,75							
	4,22	332	230	5,50	3,63	2,75							
	3,83	366	220	5,50	3,63	2,75							
	3,27	428	190	5,50	3,63	2,75							
	2,92	479	170	5,50	3,63	2,75							

* ⇨ A63

kg	W	IEC 63	IEC 71	IEC 80	IEC 90	IEC 100	IEC 112
SK 572.1*	18	18	18	18	18	19	19

SK 572.1* ⇨ A8



	i _{ges}	n ₂ n ₁ = 1400min ⁻¹ [min ⁻¹]	M _{2max} f _B = 1 [Nm]	W			IEC						
				P _{1max}		f _B ≥ 1	f _B ⇨ B4-28						
				n ₁ = 1400min ⁻¹	n ₁ = 930min ⁻¹	n ₁ = 700min ⁻¹	IEC 63	IEC 71	IEC 80	IEC 90	IEC 100	IEC 112	
SK 573.1*	402,80	3,5	370	0,14	0,09	0,07	*	*	*	*			
	376,20	3,7	410	0,16	0,10	0,08	*	*	*	*			
	316,18	4,4	420	0,19	0,13	0,10		*	*	*			
	302,91	4,6	440	0,21	0,14	0,11		*	*	*			
	269,26	5,2	450	0,25	0,16	0,12		*	*	*			
	226,30	6,2	450	0,29	0,19	0,15		*	*	*			
	201,16	7,0	450	0,33	0,22	0,16		*	*	*			
	188,91	7,4	450	0,35	0,23	0,17		*	*	*			
	178,56	7,8	450	0,37	0,24	0,18			*	*			
W	158,78	8,8	450	0,41	0,27	0,21			*	*			
	141,13	9,9	450	0,47	0,31	0,23			*	*			
mm	136,40	10	450	0,47	0,31	0,24			*	*			
⇨ B60	125,45	11	450	0,52	0,34	0,26			*	*			
	111,36	13	450	0,61	0,40	0,31			*	*			
	109,12	13	450	0,61	0,40	0,31			*	*			
	107,42	13	430	0,59	0,39	0,29			*	*			
IEC	94,50	15	450	0,71	0,47	0,35			*	*			
	85,18	16	450	0,75	0,50	0,38			*	*			
	76,88	18	450	0,85	0,56	0,42			*	*			
mm	67,64	21	450	0,99	0,65	0,49			*	*			
⇨ B66	60,97	23	450	1,08	0,72	0,54			*	*			
	55,80	25	450	1,18	0,78	0,59			*	*			
	49,60	28	450	1,32	0,87	0,66			*	*			
	47,95	29	450	1,37	0,90	0,68			*	*			
	43,40	32	450	1,51	1,00	0,75			*	*			
	42,18	33	450	1,55	1,03	0,78			*	*			
	38,02	37	450	1,74	1,15	0,87			*	*			
	34,80	40	440	1,84	1,22	0,92			*	*			
	30,93	45	440	2,07	1,37	1,04			*	*			
	26,77	52	430	2,34	1,55	1,17			*	*			
	23,79	59	430	2,66	1,75	1,33			*	*			
	21,32	66	430	2,97	1,96	1,49			*	*			
	19,22	73	430	3,29	2,17	1,64			*	*			
	17,42	80	430	3,60	2,38	1,80			*	*			

NORBLOC.1
helical gear units

* ⇨ A63

kg	W	IEC 63	IEC 71	IEC 80	IEC 90	IEC 100	IEC 112
SK 573.1*	19	19	19	19	19	20	20

SK 573.1* → A8

SK 672.1



NORDBLOC.1
helical gear units

	i_{ges}	n_2 $n_1 = 1400 \text{ min}^{-1}$ [min^{-1}]	M_{2max} $f_B = 1$ [Nm]	W			IEC									
				P_{1max}			$f_B \Rightarrow B4-28$									
				$n_1 = 1400 \text{ min}^{-1}$	$n_1 = 930 \text{ min}^{-1}$	$n_1 = 700 \text{ min}^{-1}$	IEC 63	IEC 71	IEC 80	IEC 90	IEC 100	IEC 112	IEC 132			
SK 672.1	56,65	25	400	1,05	0,69	0,52				*						
	44,55	31	450	1,46	0,96	0,73				*						
	35,75	39	550	2,25	1,48	1,12										
	32,58	43	610	2,75	1,81	1,37					*		*			
	29,08	48	550	2,76	1,82	1,38					*		*			
	26,23	53	610	3,39	2,23	1,69							*			
	23,41	60	610	3,83	2,53	1,92							*			
	20,62	68	610	4,34	2,87	2,17										
	18,41	76	610	4,85	3,20	2,43										
	17,25	81	610	5,17	3,41	2,59										
W mm $\Rightarrow B60$	15,35	91	610	5,81	3,84	2,91										*
	13,70	102	580	6,19	4,09	3,10										*
	12,56	111	570	6,63	4,37	3,31										*
	11,38	123	570	7,34	4,85	3,67										*
	10,37	135	570	8,06	5,32	4,03										*
	9,25	151	530	8,38	5,53	4,19										*
	8,66	162	530	8,99	5,93	4,50										*
	8,48	165	530	9,16	6,04	4,58										*
	7,68	182	530	9,20	6,07	4,60										
	6,75	207	520	9,20	6,07	4,60										
IEC mm $\Rightarrow B67$	6,12	229	510	9,20	6,07	4,60										
	5,59	250	490	9,20	6,07	4,60										
	5,06	277	480	9,20	6,07	4,60										
	4,61	304	450	9,20	6,07	4,60										
	4,22	332	420	9,20	6,07	4,60										
	3,88	361	400	9,20	6,07	4,60										
	3,58	391	360	9,20	6,07	4,60										
	3,31	423	340	9,20	6,07	4,60										
	3,07	456	320	9,20	6,07	4,60										
	2,86	490	300	9,20	6,07	4,60										
2,66	526	280	9,20	6,07	4,60											

* $\Rightarrow B63$

kg	W	IEC 63	IEC 71	IEC 80	IEC 90	IEC 100	IEC 112	IEC 132
SK 672.1	24	23	23	23	23	24	24	26



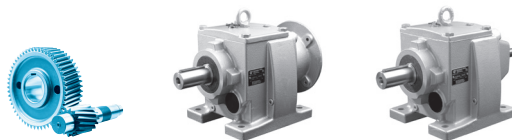
	i_{ges}	n_2 $n_1 = 1400 \text{ min}^{-1}$ [min^{-1}]	M_{2max} $f_B = 1$ [Nm]	W			IEC						
				P_{1max}			$f_B \Rightarrow \text{B4-28}$						
				$n_1 = 1400 \text{ min}^{-1}$	$n_1 = 930 \text{ min}^{-1}$	$n_1 = 700 \text{ min}^{-1}$	IEC 63	IEC 71	IEC 80	IEC 90	IEC 100	IEC 112	IEC 132
SK 673.1	362,43	3,9	640	0,26	0,17	0,13		*	*	*			
	332,23	4,2	640	0,28	0,19	0,14		*	*	*			
	304,61	4,6	640	0,31	0,20	0,15		*	*	*			
	279,23	5,0	640	0,34	0,22	0,17		*	*	*			
	248,20	5,6	640	0,38	0,25	0,19			*	*			
	220,32	6,4	640	0,43	0,28	0,21			*	*			
	219,00	6,4	640	0,43	0,28	0,21			*	*			
	194,11	7,2	640	0,48	0,32	0,24			*	*			
	181,88	7,7	640	0,52	0,34	0,26			*	*			
W	177,94	7,9	640	0,53	0,35	0,26			*	*			
	161,45	8,7	640	0,58	0,38	0,29			*	*			
$\frac{H}{mm}$	146,88	9,5	640	0,64	0,42	0,32			*	*			
$\Rightarrow \text{B60}$	143,30	9,8	640	0,66	0,43	0,33			*	*			
	134,64	10	640	0,67	0,44	0,34			*	*			
	130,55	11	640	0,74	0,49	0,37			*	*			
	123,33	11	640	0,74	0,49	0,37			*	*			
	115,89	12	640	0,80	0,53	0,40			*	*			
IEC	103,48	14	640	0,94	0,62	0,47			*	*			
	94,86	15	640	1,01	0,66	0,50			*	*			
$\frac{H}{mm}$	83,70	17	640	1,14	0,75	0,57			*	*			
$\Rightarrow \text{B68}$	73,64	19	640	1,27	0,84	0,64			*	*			
	65,95	21	640	1,41	0,93	0,70			*	*			
	60,45	23	640	1,54	1,02	0,77			*	*			
	55,12	25	640	1,68	1,11	0,84			*	*			
	49,50	28	640	1,88	1,24	0,94			*	*			
	44,85	31	640	2,08	1,37	1,04			*	*			
	41,54	34	640	2,28	1,50	1,14			*	*		*	
	37,23	38	640	2,55	1,68	1,27			*	*		*	
	34,12	41	600	2,58	1,70	1,29			*	*		*	
	30,92	45	530	2,50	1,65	1,25			*	*		*	
	27,61	51	520	2,78	1,83	1,39			*	*		*	
	25,19	56	500	2,93	1,94	1,47			*	*		*	
	22,82	61	450	2,87	1,90	1,44			*	*		*	

NORDBLOC.1
helical gear units

* $\Rightarrow \text{A63}$

$\frac{kg}{kg}$	W	IEC 63	IEC 71	IEC 80	IEC 90	IEC 100	IEC 112	IEC 132
SK 673.1	25	24	24	24	24	25	25	27

SK 772.1



NORDBLOC.1
Stirradgetriebe

	i_{ges}	n_2 $n_1 =$ 1400 min^{-1} [min^{-1}]	M_{2max} $f_B = 1$ [Nm]	W			IEC												
				P_{1max}			$f_B \Rightarrow$ B4-28												
				$n_1 =$ 1400 min^{-1} [kW]	$n_1 =$ 930 min^{-1} [kW]	$n_1 =$ 700 min^{-1} [kW]	IEC 71	IEC 80	IEC 90	IEC 100	IEC 112	IEC 132							
SK 772.1	26,86	52	820	4,46	2,95	2,23													
	24,41	57	820	4,89	3,23	2,45													
	20,31	69	820	5,92	3,91	2,96													*
	18,46	76	780	6,21	4,10	3,10													*
W	16,66	84	770	6,77	4,47	3,39													*
	15,62	90	760	7,16	4,73	3,58													*
\downarrow B60	14,38	97	720	7,31	4,83	3,66													*
	13,07	107	700	7,84	5,18	3,92													*
	11,67	120	690	8,67	5,72	4,34													*
	11,06	127	690	9,18	6,06	4,59													*
	10,60	132	680	9,40	6,20	4,70													
IEC	10,00	140	680	9,97	6,58	4,98													
	8,97	156	660	10,78	7,12	5,39													
	8,12	172	640	11,53	7,61	5,76													
\downarrow B69	7,63	183	620	11,88	7,84	5,94													
	6,63	211	600	13,26	8,75	6,63													
	6,19	226	580	13,73	9,06	6,86													
	5,38	260	570	15,00	9,90	7,50													
	4,71	297	560	15,00	9,90	7,50													
	4,42	317	540	15,00	9,90	7,50													
	3,84	365	530	15,00	9,90	7,50													
	3,59	390	490	15,00	9,90	7,50													
	3,12	449	485	15,00	9,90	7,50													

* \Rightarrow A63

kg	W	IEC 71	IEC 80	IEC 90	IEC 100	IEC 112	IEC 132
SK 772.1	42	40	44	44	48	48	57



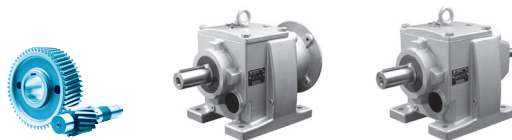
	i_{ges}	n_2 $n_1 = 1400 \text{ min}^{-1}$ [min^{-1}]	M_{2max} $f_B = 1$ [Nm]	W			IEC						
				P_{1max}		$f_B \geq 1$	$f_B \Rightarrow B4-28$						
				$n_1 = 1400 \text{ min}^{-1}$	$n_1 = 930 \text{ min}^{-1}$	$n_1 = 700 \text{ min}^{-1}$	IEC 71	IEC 80	IEC 90	IEC 100	IEC 112	IEC 132	
SK 773.1	395,46	3,5	850	0,31	0,21	0,16	*	*					
	341,21	4,1	850	0,36	0,24	0,18	*	*					
	334,70	4,2	870	0,38	0,25	0,19		*					
	307,42	4,6	850	0,41	0,27	0,20		*	*				
	288,78	4,8	850	0,43	0,28	0,21		*					
	265,24	5,3	850	0,47	0,31	0,24		*	*				
	260,18	5,4	870	0,49	0,32	0,25		*	*				
	243,53	5,7	850	0,51	0,33	0,25		*					
	224,49	6,2	850	0,55	0,36	0,28		*	*				
W	206,11	6,8	870	0,62	0,41	0,31		*					
	189,31	7,4	850	0,66	0,43	0,33		*	*				
$\frac{H}{mm}$	178,53	7,8	850	0,69	0,46	0,35		*					
$\Rightarrow B60$	160,22	8,7	870	0,79	0,52	0,40			*				
	151,10	9,3	700	0,68	0,45	0,34							
	138,78	10	850	0,89	0,59	0,45			*				
	117,46	12	870	1,09	0,72	0,55			*				
	111,92	13	850	1,16	0,76	0,58			*	*			
IEC	96,57	14	850	1,25	0,82	0,62			*	*	*		
	93,61	15	850	1,34	0,88	0,67			*	*	*		
$\frac{H}{mm}$	83,32	17	850	1,51	1,00	0,76				*	*	*	
$\Rightarrow B69$	79,23	18	870	1,64	1,08	0,82				*	*		
	71,89	19	850	1,69	1,12	0,85				*	*	*	
	68,92	20	850	1,78	1,17	0,89				*	*		
	63,42	22	850	1,96	1,29	0,98				*	*	*	
	57,64	24	850	2,14	1,41	1,07				*	*		
	51,31	27	850	2,40	1,59	1,20				*	*	*	
	47,61	29	870	2,64	1,74	1,32				*	*	*	
	43,43	32	870	2,92	1,92	1,46				*	*	*	
	39,06	36	850	3,20	2,11	1,60				*	*	*	
	35,77	39	820	3,35	2,21	1,67				*	*		
	31,83	44	820	3,78	2,49	1,89				*	*	*	
	28,63	49	820	4,21	2,78	2,10				*	*	*	
	25,39	55	820	4,72	3,12	2,36				*	*	*	
	24,23	58	760	4,62	3,05	2,31				*	*	*	
	21,49	65	750	5,10	3,37	2,55				*	*	*	

NORDBLOC.1
Stirradgetriebe

* $\Rightarrow B63$

$\frac{kg}{kg}$	W	IEC 71	IEC 80	IEC 90	IEC 100	IEC 112	IEC 132
SK 773.1	44	42	46	46	50	50	59

SK 872.1

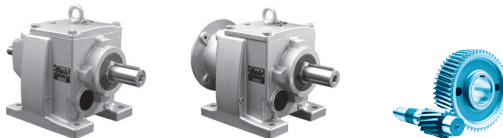


NORDBLOC.1
Stirradgetriebe

	i _{ges}	n ₂ n ₁ = 1400min ⁻¹ [min ⁻¹]	M _{2max} f _B = 1 [Nm]	W			IEC						
				P _{1max}			f _B ⇨ B4-28						
				n ₁ = 1400min ⁻¹	n ₁ = 930min ⁻¹	n ₁ = 700min ⁻¹	IEC 90	IEC 100	IEC 112	IEC 132	IEC 160	IEC 180	
SK 872.1	42,67	33	1400	4,84	3,19	2,42				*			
	38,77	36	1300	4,90	3,23	2,45				*			
	35,08	40	1200	5,03	3,32	2,51				*			
	32,00	44	1600	7,37	4,87	3,69				*			
W	29,08	48	1560	7,84	5,17	3,92				*			
	28,00	50	1600	8,38	5,53	4,19				*	*		
mm	25,44	55	1600	9,21	6,08	4,61				*	*		
⇨ B60	23,02	61	1560	9,96	6,58	4,98				*	*		
	18,67	75	1540	12,09	7,98	6,05				*	*		
	16,96	83	1540	13,38	8,83	6,69				*	*		
	15,18	92	1470	14,16	9,35	7,08				*	*	*	
	13,79	102	1470	15,70	10,36	7,85				*	*	*	
IEC	12,48	112	1470	17,24	11,38	8,62				*	*	*	
	11,24	125	1400	18,32	12,09	9,16				*	*	*	
mm	10,44	134	1400	19,64	12,97	9,82				*	*	*	
⇨ B70	9,24	152	1380	21,96	14,50	10,98				*	*	*	
	8,87	158	1340	22,00	14,52	11,00							
	7,73	181	1300	22,00	14,52	11,00							
	6,57	213	1230	22,00	14,52	11,00							
	5,66	247	1150	22,00	14,52	11,00							
	5,50	255	1150	22,00	14,52	11,00							
	4,68	299	1100	22,00	14,52	11,00							
	4,03	347	900	22,00	14,52	11,00							
	3,69	379	880	22,00	14,52	11,00							
	3,18	440	840	22,00	14,52	11,00							

* ⇨ A63

kg	W	IEC 90	IEC 100	IEC 112	IEC 132	IEC 160	IEC 180
SK 872.1	87	82	89	89	103	113	113



	i_{ges}	n_2 $n_1 = 1400 \text{ min}^{-1}$ [min^{-1}]	M_{2max} $f_B = 1$ [Nm]	W			IEC							
				P_{1max}		$f_B \geq 1$	$f_B \Rightarrow B4-28$							
				$n_1 = 1400 \text{ min}^{-1}$	$n_1 = 930 \text{ min}^{-1}$		$n_1 = 700 \text{ min}^{-1}$	IEC 90	IEC 100	IEC 112	IEC 132	IEC 160	IEC 180	
SK 873.1	439,77	4,0	1700	0,71	0,47	0,35	*							
	399,60	4,4	1700	0,78	0,51	0,39	*							
	383,39	4,6	1700	0,81	0,53	0,41	*							
	348,37	5,0	1700	0,89	0,59	0,45	*							
	315,19	5,6	1700	0,99	0,65	0,49	*							
	284,73	6,1	1700	1,09	0,72	0,55	*	*	*					
	257,61	6,8	1700	1,21	0,79	0,60	*	*	*					
	232,16	7,5	1700	1,34	0,88	0,67	*							
	210,95	8,3	1700	1,48	0,97	0,74	*							
W	190,86	9,2	1700	1,63	1,07	0,82								
	165,42	11	1700	1,88	1,24	0,94		*	*					
$\frac{mm}{mm}$	150,31	12	1700	2,07	1,36	1,04		*	*					
$\Rightarrow B60$	135,99	13	1700	2,29	1,51	1,15		*	*					
	127,52	14	1700	2,44	1,61	1,22		*	*	*				
	115,88	15	1700	2,69	1,77	1,34		*	*	*				
	104,84	17	1700	2,97	1,95	1,49		*	*	*				
	101,02	17	1700	3,08	2,03	1,54			*	*				
IEC	91,43	19	1700	3,41	2,24	1,70			*	*	*			
	83,08	21	1700	3,75	2,46	1,88			*	*	*			
$\frac{mm}{mm}$	74,29	24	1700	4,19	2,76	2,10				*	*	*		
$\Rightarrow B70$	67,50	26	1700	4,62	3,03	2,31				*	*	*	*	
	61,07	29	1700	5,10	3,35	2,55				*	*	*	*	
	55,35	32	1700	5,63	3,70	2,81				*				
	50,32	35	1700	6,19	4,07	3,10				*	*	*	*	
	45,53	38	1700	6,84	4,50	3,42				*	*	*	*	
	39,68	44	1700	7,85	5,16	3,93				*	*			
	35,63	49	1700	8,74	5,75	4,37				*	*	*	*	
	32,24	54	1700	9,66	6,35	4,83				*	*	*	*	
	30,47	57	1680	10,1	6,64	5,05				*	*	*	*	
	27,57	63	1650	11,0	7,21	5,48				*	*	*	*	
	25,69	67	1650	11,6	7,65	5,82				*	*	*	*	
	23,49	75	1650	12,9	8,46	6,44				*	*	*	*	
	21,38	82	1600	13,7	9,01	6,86				*	*	*	*	
	19,34	90	1600	15,0	9,86	7,50				*	*	*	*	

* $\Rightarrow A63$

NORDBLOC.1
Stirradgetriebe

kg	W	IEC 90	IEC 100	IEC 112	IEC 132	IEC 160	IEC 180
SK 873.1	89	84	91	91	105	115	115

SK 972.1

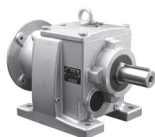
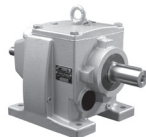


NORDBLOC.1
Stirradgetriebe

	i _{ges}	n ₂ n ₁ = 1400min ⁻¹ [min ⁻¹]	M _{2max} f _B = 1 [Nm]	W			IEC									
				P _{1max}		f _B ≥ 1	f _B ⇨ B4-28									
				n ₁ = 1400min ⁻¹	n ₁ = 930min ⁻¹		n ₁ = 700min ⁻¹	IEC 90	IEC 100	IEC 112	IEC 132	IEC 160	IEC 180	IEC 200		
SK 972.1	42,76	33	2900	10,02	6,61	5,01										
	37,19	38	2900	11,54	7,62	5,77					*					
	33,36	42	2900	12,75	8,42	6,38					*					
	30,29	46	2800	13,49	8,90	6,74					*					
W	27,66	51	2600	13,88	9,16	6,94					*					
	23,19	60	2300	14,45	9,54	7,23					*					
$\frac{H}{mm}$	21,99	64	2800	18,76	12,38	9,38						*				
⇨ B60	19,72	71	2800	20,82	13,74	10,41						*				
	17,65	79	2800	23,16	15,29	11,58										
	15,84	88	2740	25,25	16,66	12,62										
	14,16	99	2670	27,68	18,27	13,84									*	
	13,56	103	2610	28,15	18,58	14,07									*	
IEC	12,86	109	2610	29,79	19,66	14,89									*	
	11,54	121	2520	31,93	21,07	15,96										
$\frac{H}{mm}$	10,35	135	2480	35,06	23,14	17,53										
⇨ B71	9,40	149	2480	37,00	24,42	18,50										
	8,45	166	2350	37,00	24,42	18,50										
	7,19	195	2250	37,00	24,42	18,50										
	6,68	210	2240	37,00	24,42	18,50										
	6,17	227	2080	37,00	24,42	18,50										
	5,25	267	2000	37,00	24,42	18,50										
	4,56	307	2000	37,00	24,42	18,50										
	3,74	374	1825	37,00	24,42	18,50										
	3,33	420	1700	37,00	24,42	18,50										

* ⇨ A63

kg	W	IEC 90	IEC 100	IEC 112	IEC 132	IEC 160	IEC 180	IEC 200
SK 972.1	126	121	128	128	142	152	152	173



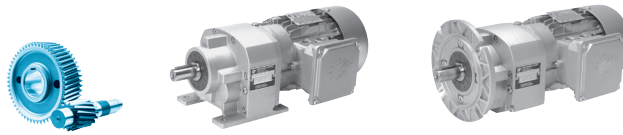
	i_{ges}	n_2 $n_1 =$ 1400 min^{-1} [min^{-1}]	M_{2max} $f_B = 1$ [Nm]	W			IEC									
				P_{1max}		$f_B \geq 1$	$f_B \Rightarrow B4-28$									
				$n_1 =$ 1400 min^{-1} [kW]	$n_1 =$ 930 min^{-1} [kW]	$n_1 =$ 700 min^{-1} [kW]	IEC 90	IEC 100	IEC 112	IEC 132	IEC 160	IEC 180				
SK 973.1	456,77	3,1	3300	1,07	0,71	0,54	*									
	414,73	3,4	3300	1,17	0,78	0,59	*									
	362,89	3,9	3300	1,35	0,89	0,67	*									
	325,47	4,3	3300	1,49	0,98	0,74	*	*	*							
	295,50	4,7	3300	1,62	1,07	0,81		*	*							
	258,57	5,4	3300	1,87	1,23	0,93		*	*							
	234,77	6,0	3300	2,07	1,37	1,04		*	*							
	197,50	7,1	3300	2,45	1,62	1,23		*	*							
	179,32	7,8	3300	2,70	1,78	1,35		*	*							
W	173,58	8,1	3000	2,54	1,68	1,27		*	*							
	157,60	8,9	3000	2,80	1,85	1,40		*	*							
$\frac{H}{mm}$	132,45	11	3300	3,80	2,51	1,90				*	*					
$\Rightarrow B60$	120,26	12	3300	4,15	2,74	2,07				*	*					
	105,23	13	3200	4,36	2,87	2,18				*	*					
	94,96	15	3300	5,18	3,42	2,59				*	*					
	86,22	16	3300	5,53	3,65	2,76				*	*					
	77,16	18	3300	6,22	4,11	3,11				*	*	*				
IEC	75,44	19	3300	6,57	4,33	3,28				*	*	*				
	68,50	20	3300	6,91	4,56	3,46				*	*	*				
$\frac{H}{mm}$	65,98	21	3200	7,04	4,64	3,52				*	*	*	*			
$\Rightarrow B71$	59,91	23	3200	7,71	5,09	3,85				*	*	*	*			
	55,66	25	3200	8,38	5,53	4,19				*	*	*	*			
	52,32	27	3200	9,05	5,97	4,52				*	*	*	*			
	47,60	29	3200	9,72	6,41	4,86				*	*	*	*			
	42,51	33	3200	11,06	7,30	5,53				*	*	*	*			
	37,36	37	3200	12,40	8,18	6,20				*	*	*	*			
	35,19	40	3200	13,40	8,85	6,70				*	*	*	*			
	31,95	44	3200	14,74	9,73	7,37				*	*	*	*			
	30,97	45	3100	14,61	9,64	7,30				*	*	*	*			
	27,22	51	3000	16,02	10,57	8,01				*	*	*	*			
	25,51	55	3000	17,28	11,40	8,64				*	*	*	*			
	22,42	62	2800	18,18	12,00	9,09				*	*	*	*			

NORDBLOC.1
Stirradgetriebe

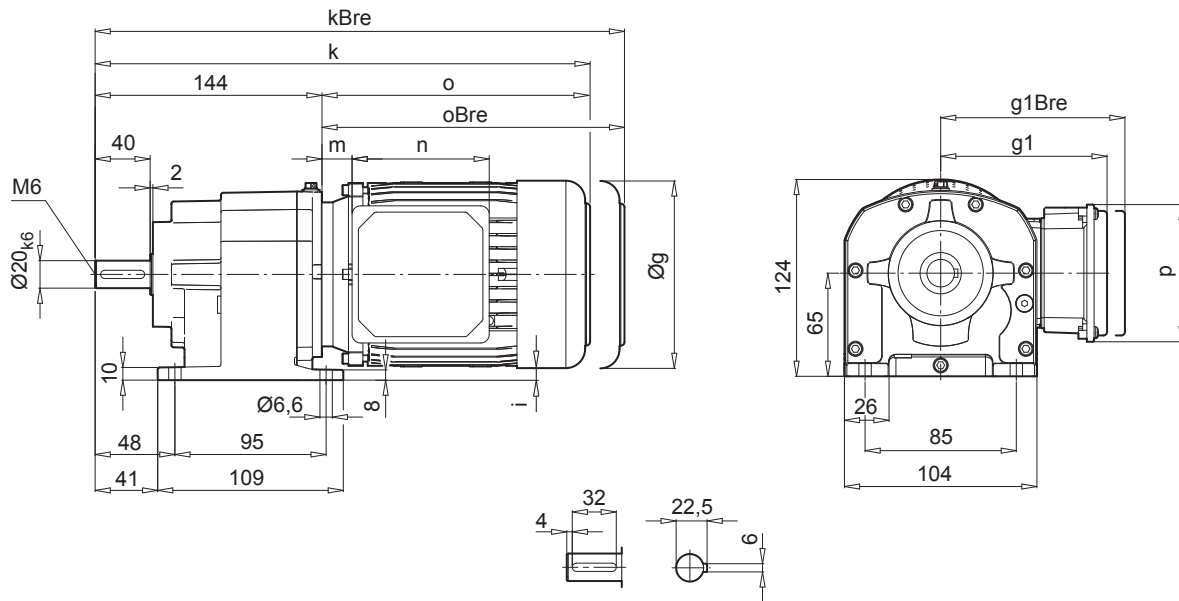
* $\Rightarrow A63$

$\frac{H}{mm}$	W	IEC 90	IEC 100	IEC 112	IEC 132	IEC 160	IEC 180
SK 973.1	121	116	123	123	137	147	147

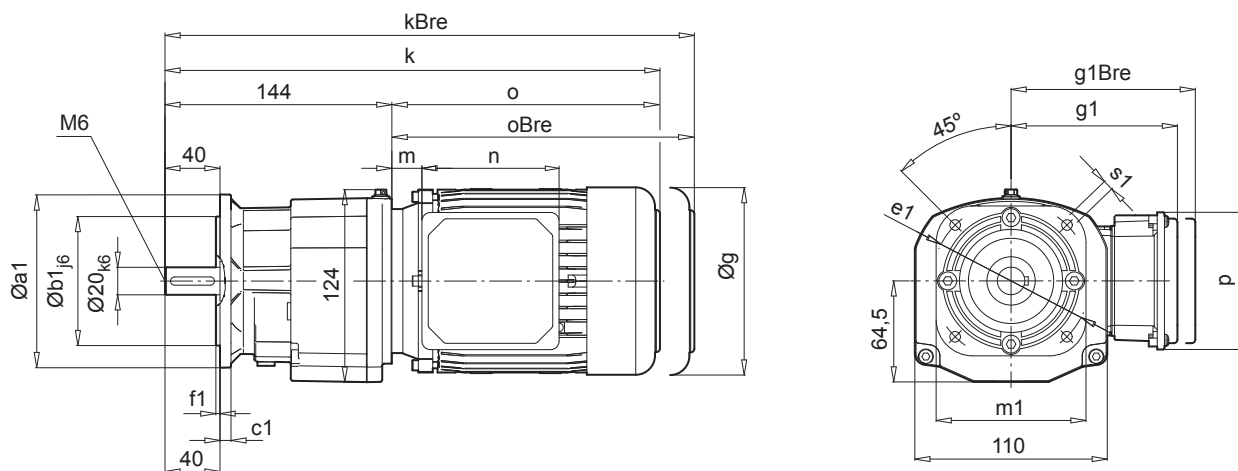
SK 072.1 SK 072.1F



SK 072.1



SK 072.1F

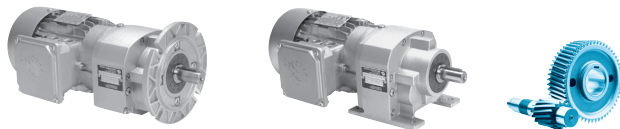


a1	b1	c1	e1	f1	s1	m1
120	80	7	100	3,0	6,6	90
140	95	9	115	3,0	9	110
160	110	10	130	3,5	9	125

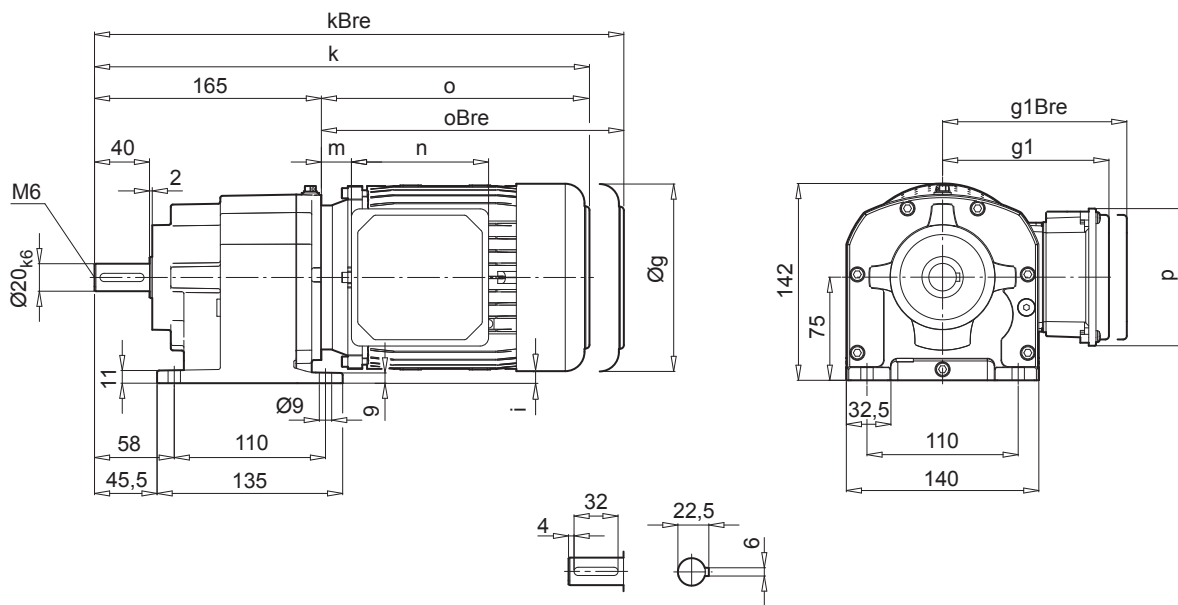
$\pm \Rightarrow$ A61	63 S / L	63 LA	71 S / L	71 LA			
g	130	130	145	145			
g1 / g1Bre	115 / 123	115 / 123	124 / 133	124 / 133			
k / kBre	336 / 392	336 / 392	358 / 416	358 / 416			
o / oBre	192 / 248	192 / 248	214 / 272	214 / 272			
m / mBre	12 / 19	12 / 19	20 / 27	20 / 27			
n / nBre	100 / 134	100 / 134	100 / 134	100 / 134			
p / pBre	100 / 89	100 / 89	100 / 89	100 / 89			
i	-	-	-7,5	-7,5			

IEC 56 - 71 \Rightarrow B61

NORDBLOC.1
helical gear units

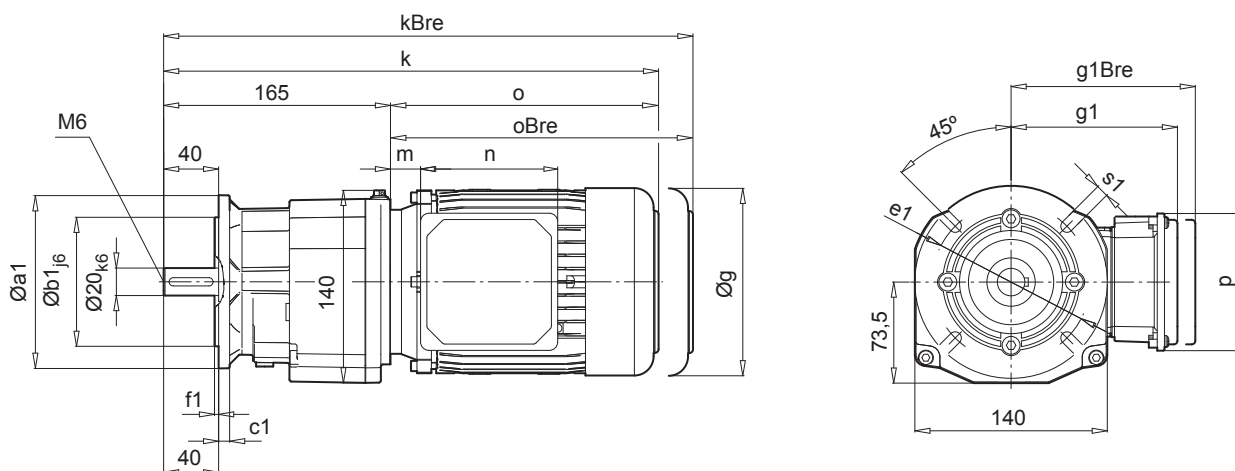


SK 172.1



NORDBLOC.1
helical gear units

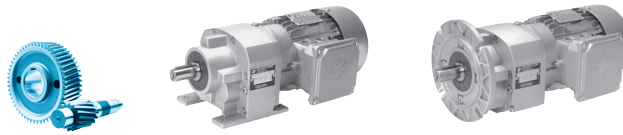
SK 172.1F



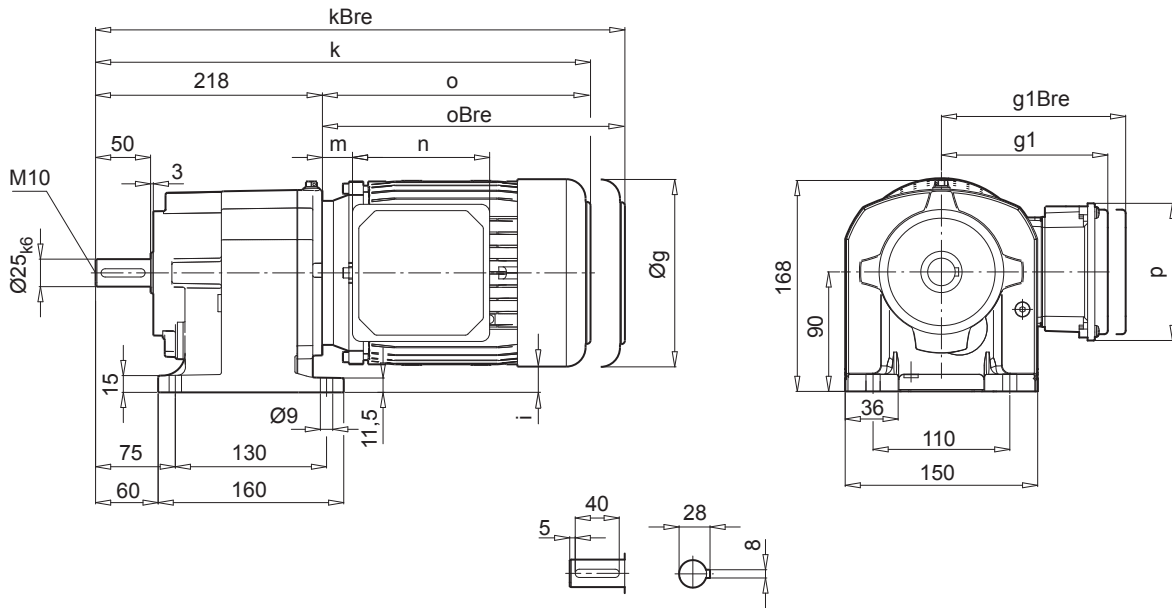
a1	b1	c1	e1	f1	s1
120	80	8	100	3,0	6,6
140	95	8	115	3,0	9
160	110	10	130	3,5	9
200	130	12	165	3,5	11

± ⇨ A61	63 S / L	71 S / L	80 SH	80 LP	90 SP/LP		
g	130	145	165	165	183		
g1 / g1Bre	115 / 123	124 / 133	142 / 142	142 / 142	147 / 147		W ⇨ B60
k / kBre	357 / 413	379 / 437	401 / 465	401 / 465	441 / 516		
o / oBre	192 / 248	214 / 272	236 / 300	236 / 300	276 / 351		
m / mBre	12 / 19	20 / 27	22 / 26	22 / 26	26 / 30		IEC 56 - 90 ⇨ B62
n / nBre	100 / 134	100 / 134	114 / 153	114 / 153	114 / 153		
p / pBre	100 / 89	100 / 89	114 / 108	114 / 108	114 / 108		
i	10	2,5	-7,5	-7,5	-16,5		

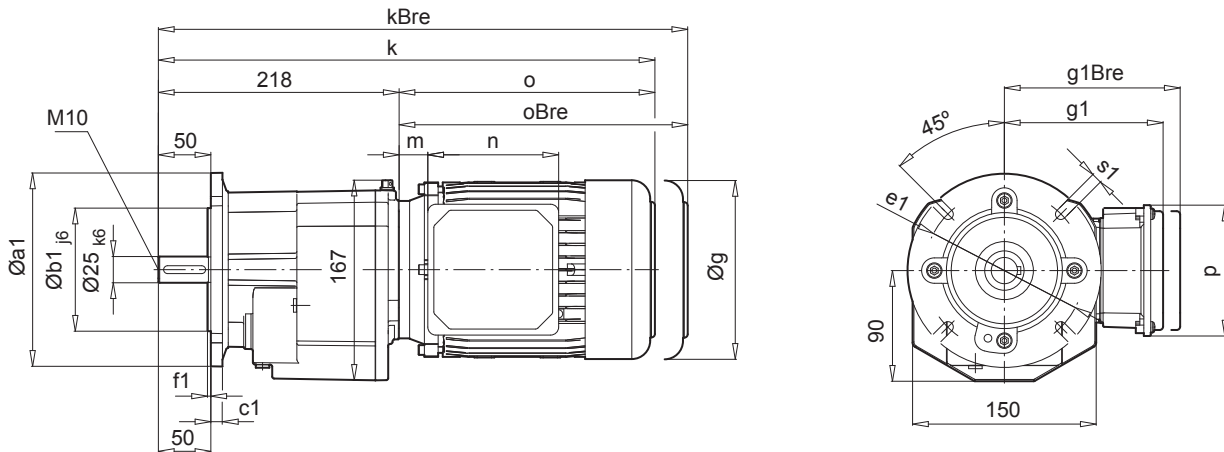
SK 372.1 SK 372.1F



SK 372.1



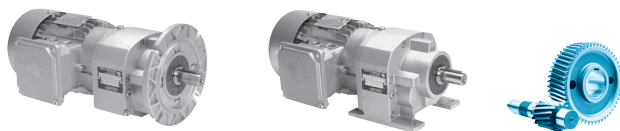
SK 372.1F



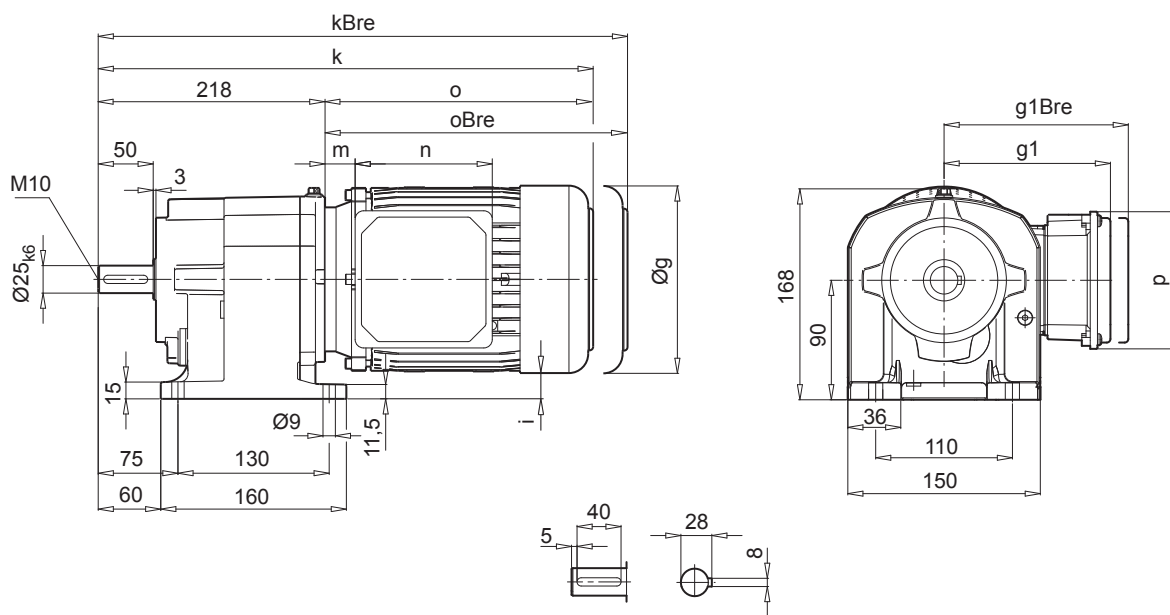
a1	b1	c1	e1	f1	s1
120	⇒ A8, B75				
140	95	9	115	3,0	8,6
160	110	10	130	3,5	8,6
200	130	12	165	3,5	11
250	180	15	215	4,0	13,5

± ⇒ A61	63 S / L	71 S / L	80 SH	80 LP	90 SP/LP	100 LP/AP	
g	130	145	165	165	183	201	
g1 / g1Bre	115 / 123	124 / 133	142 / 142	142 / 142	147 / 147	169 / 172	W ⇒ B60
k / kBre	414 / 470	454 / 512	479 / 543	479 / 543	520 / 595	550 / 641	
o / oBre	196 / 252	236 / 294	261 / 325	261 / 325	302 / 377	332 / 423	
m / mBre	16 / 23	42 / 49	47 / 51	47 / 51	52 / 56	58 / 62	IEC 63 - 100 ⇒ B63
n / nBre	100 / 134	100 / 134	114 / 153	114 / 153	114 / 153	114 / 153	
p / pBre	100 / 89	100 / 89	144 / 108	144 / 108	144 / 108	144 / 108	
i	25	17,5	7,5	7,5	-1,5	-10,5	

NORDBLOC.1
helical gear units

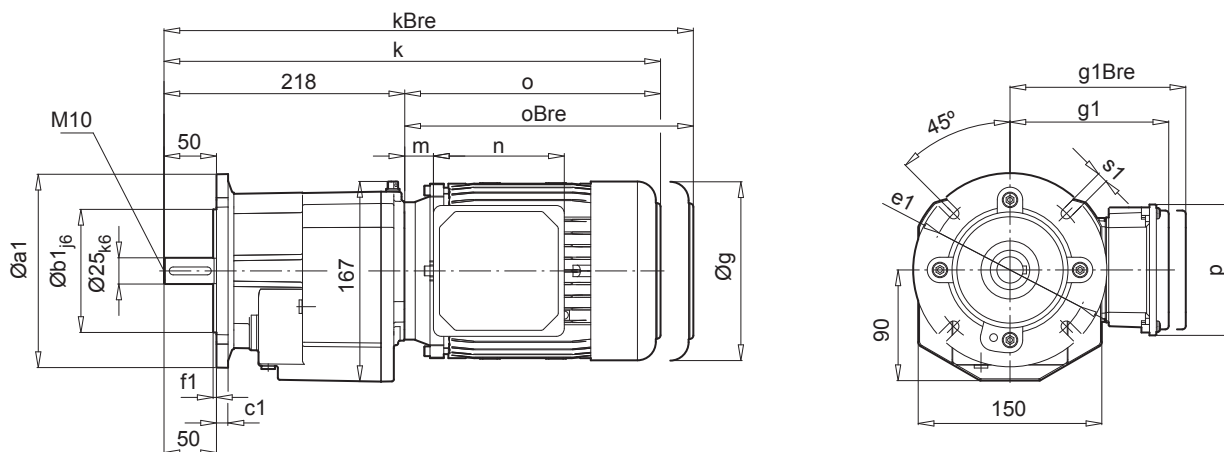


SK 373.1



NORDBLOC.1
helical gear units

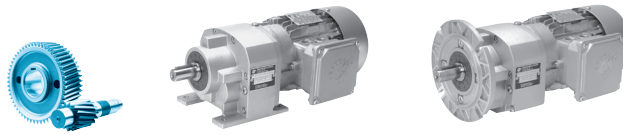
SK 373.1F



a1	b1	c1	e1	f1	s1
120	⇒ A8, B75				
140	95	9	115	3,0	8,6
160	110	10	130	3,5	8,6
200	130	12	165	3,5	11
250	180	15	215	4,0	13,5

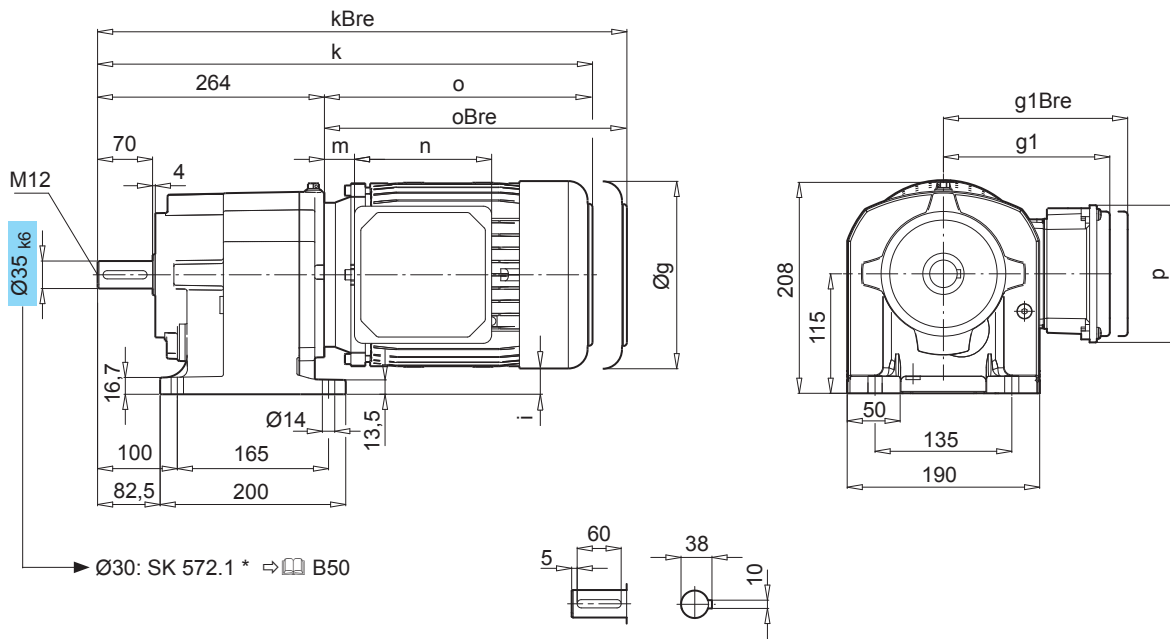
± ⇒ A61	63 S / L	71 S / L	80 SH	80 LP	90 SP/LP		
g	130	145	165	165	183		
g1 / g1Bre	115 / 123	124 / 133	142 / 142	142 / 142	147 / 147		W ⇒ B60
k / kBre	414 / 470	454 / 512	479 / 543	479 / 543	520 / 595		
o / oBre	196 / 252	236 / 294	261 / 325	261 / 325	302 / 377		
m / mBre	16 / 23	42 / 49	47 / 51	47 / 51	52 / 56		IEC 63 - 90 ⇒ B64
n / nBre	100 / 134	100 / 134	114 / 153	114 / 153	114 / 153		
p / pBre	100 / 89	100 / 89	144 / 108	144 / 108	144 / 108		
i	25	17,5	7,5	7,5	-1,5		

SK 572.1 SK 572.1F

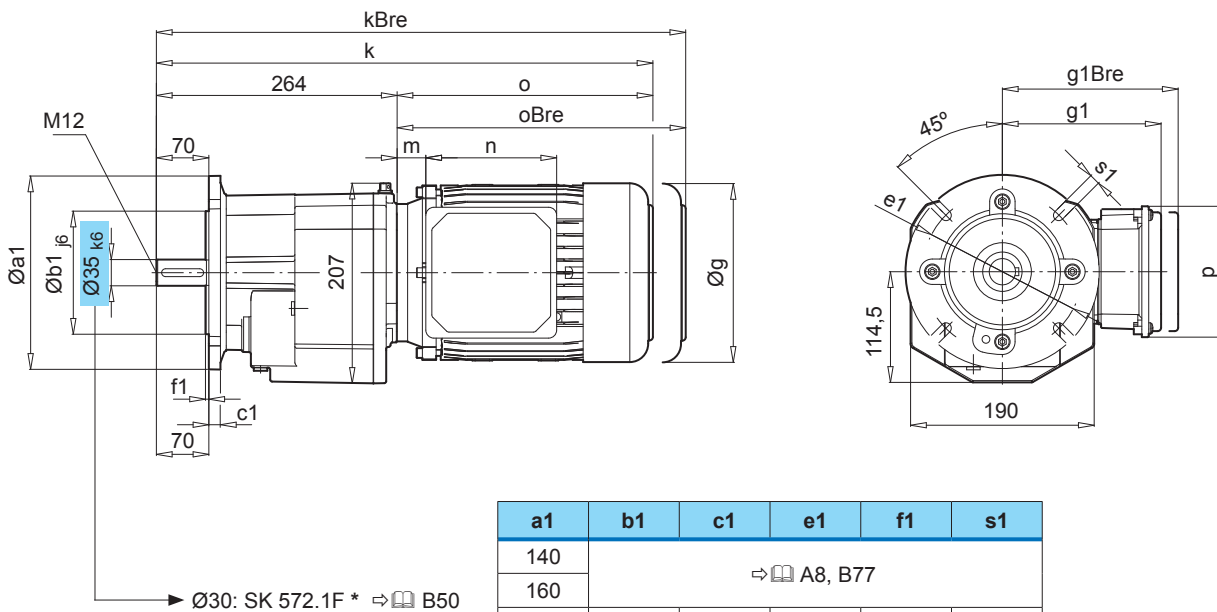


SK 572.1

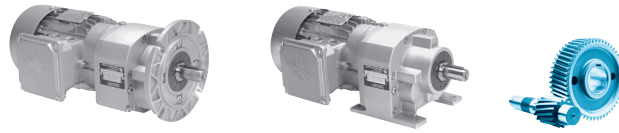
NORDBLOC.1
helical gear units



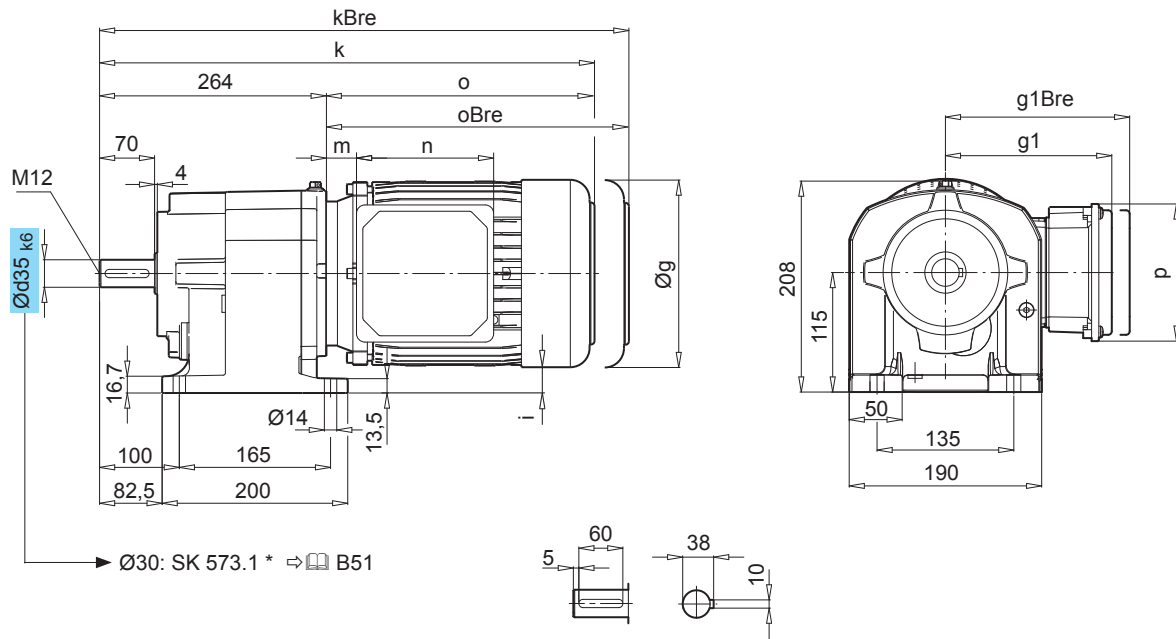
SK 572.1F



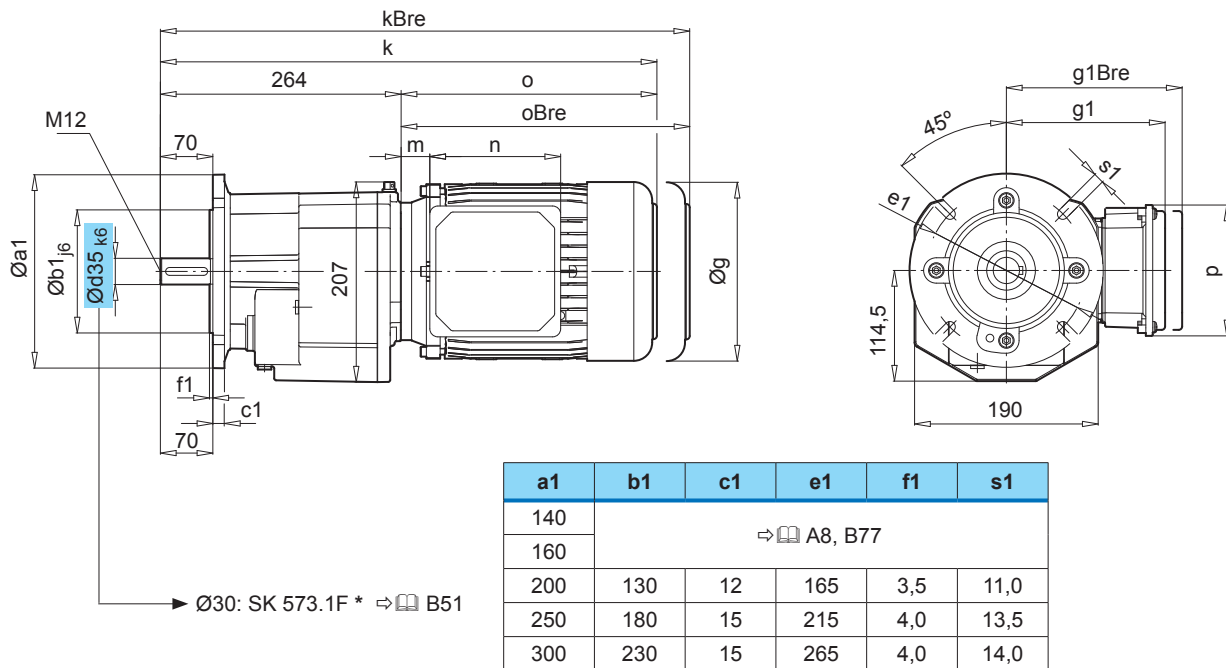
± ⇨ A61	71 S / L	80 SH	80 LP	90 SP/LP	100 LP/AP	112 MP	132 SP/MP	
g	145	165	165	183	201	228	266	W ⇨ B60
g1 / g1Bre	124 / 133	142 / 142	142 / 142	147 / 147	169 / 172	179 / 182	204 / 201	
k / kBre	500 / 558	525 / 589	525 / 589	566 / 641	596 / 687	619 / 712	705 / 812	IEC 63 - 112 ⇨ B65
o / oBre	236 / 294	261 / 325	261 / 325	302 / 377	332 / 423	355 / 448	441 / 548	
m / mBre	42 / 49	47 / 51	47 / 51	52 / 56	58 / 62	74 / 78	65 / 58	
n / nBre	100 / 134	114 / 153	114 / 153	114 / 153	114 / 153	114 / 153	122 / 185	
p / pBre	100 / 89	144 / 108	144 / 108	144 / 108	144 / 108	144 / 108	144 / 108	
i	42,5	32,5	32,5	23,5	14,5	1	-26	



SK 573.1



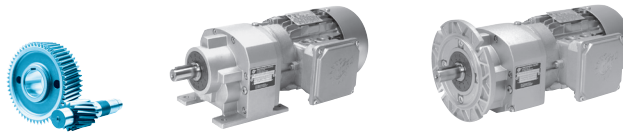
SK 573.1F



NORDBLOC.1
helical gear units

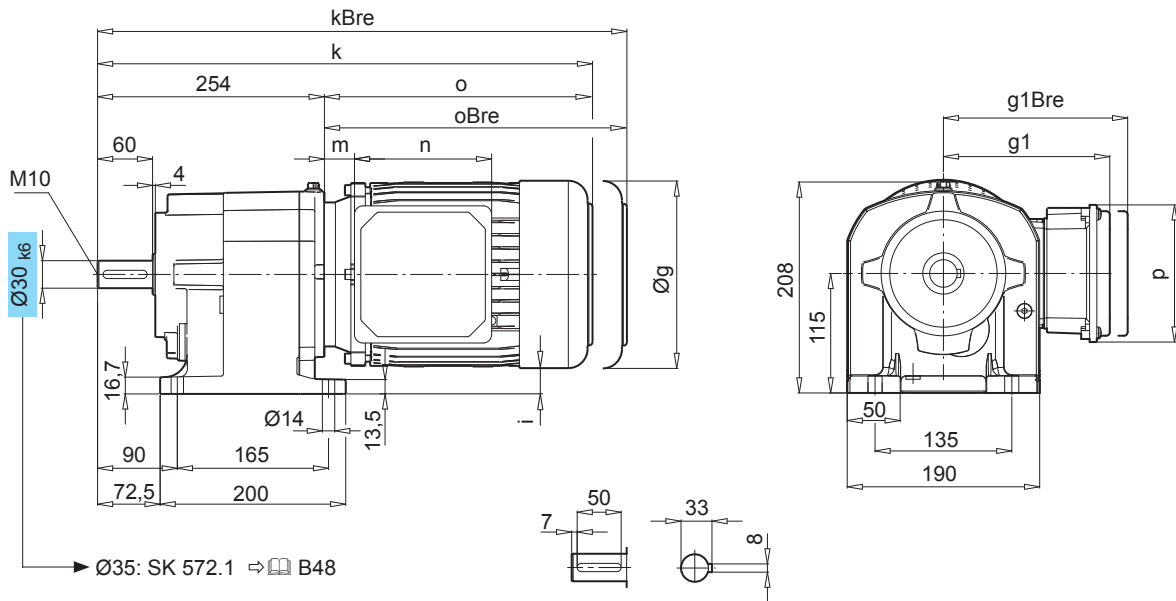
± ⇒ A61	63 S / L	71 S / L	80 SH	80 LP	90 SP/LP	100 LP/AP	112 MP	
g	130	145	165	165	183	201	228	
g1 / g1Bre	115 / 123	124 / 133	142 / 142	142 / 142	147 / 147	169 / 172	179 / 182	W ⇒ B60
k / kBre	460 / 516	500 / 558	525 / 589	525 / 589	566 / 641	596 / 687	619 / 712	
o / oBre	196 / 252	236 / 294	261 / 325	261 / 325	302 / 377	332 / 423	355 / 448	
m / mBre	16 / 23	42 / 49	47 / 51	47 / 51	52 / 56	58 / 62	74 / 78	
n / nBre	100 / 134	100 / 134	114 / 153	114 / 153	114 / 153	114 / 153	114 / 153	
p / pBre	100 / 89	100 / 89	144 / 108	144 / 108	144 / 108	144 / 108	144 / 108	IEC 63 - 112 ⇒ B66
i	50	42,5	32,5	32,5	23,5	14,5	1	

SK 572.1 SK 572.1F

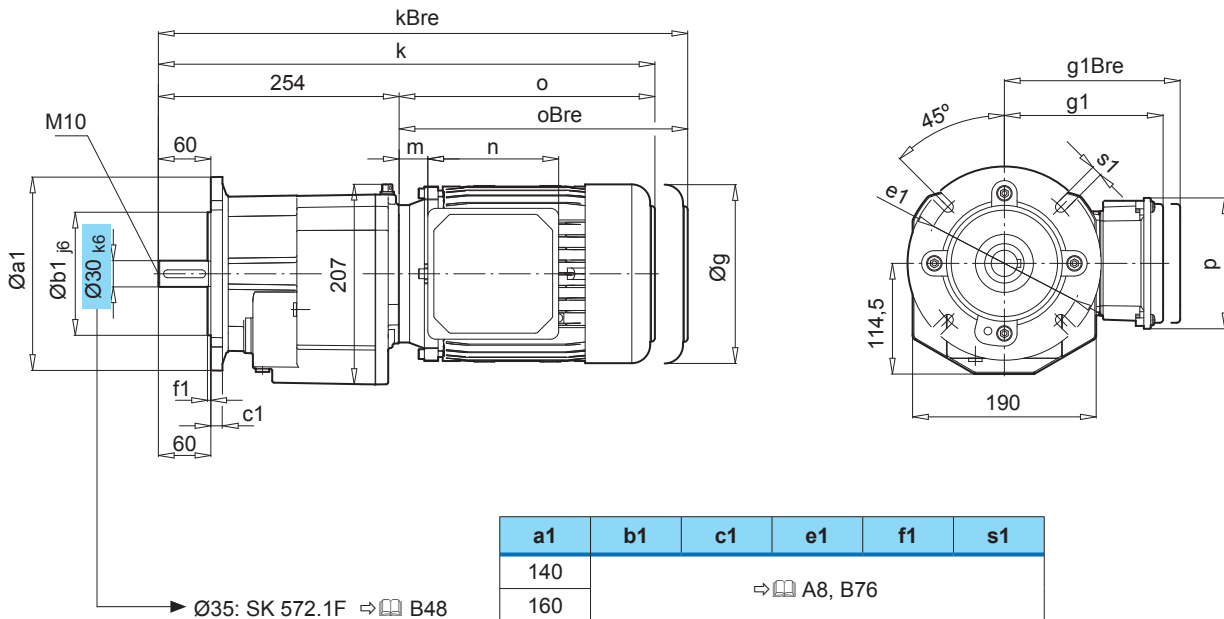


SK 572.1 *

NORDBLOC.1
helical gear units

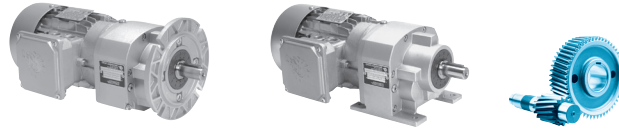


SK 572.1F *

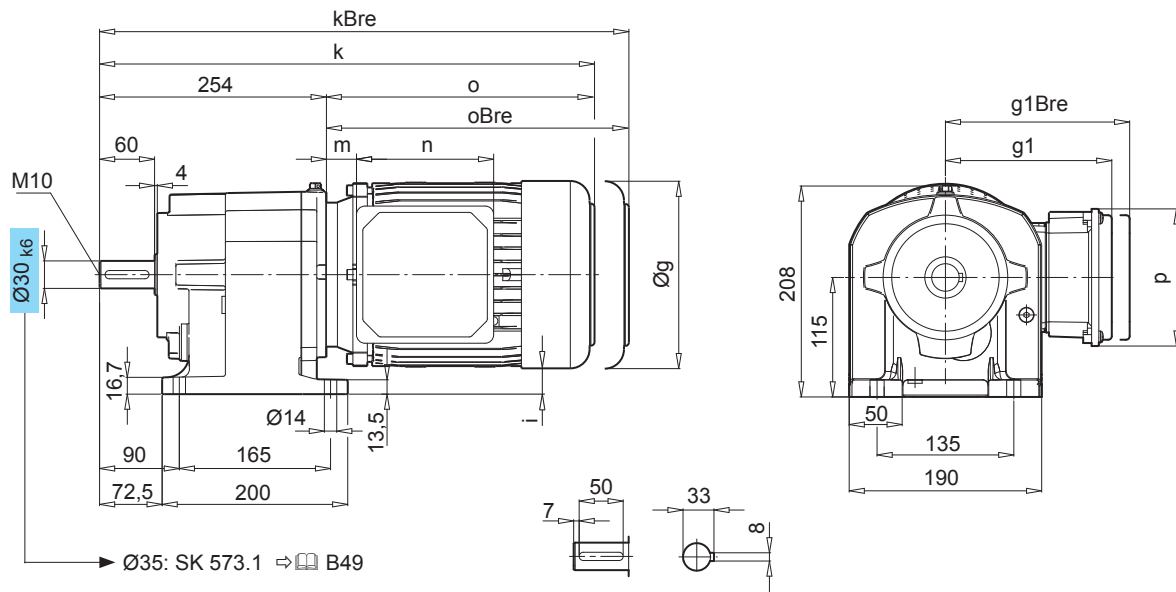


a1	b1	c1	e1	f1	s1
140	⇒ A8, B76				
160					
200	130	12	165	3,5	11,0
250	180	15	215	4,0	13,5
300	230	15	265	4,0	14,0

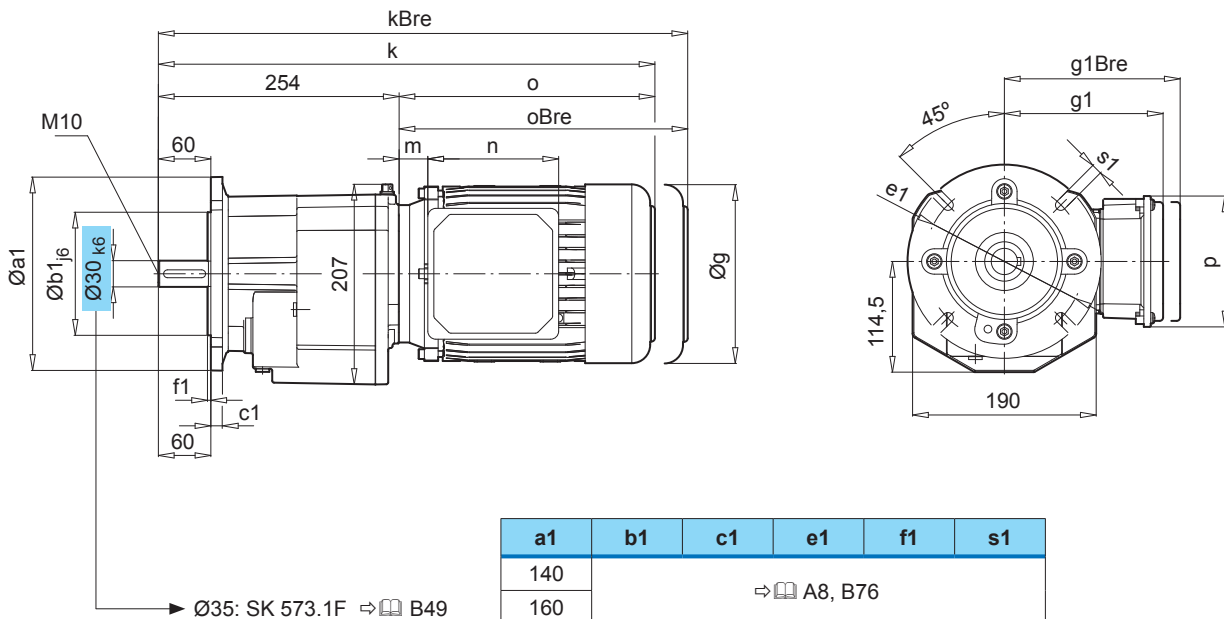
± ⇒ A61	71 S / L	80 SH	80 LP	90 SP/LP	100 LP/AP	112 MP	132 SP/MP	
g	145	165	165	183	201	228	266	
g1 / g1Bre	124 / 133	142 / 142	142 / 142	147 / 147	169 / 172	179 / 182	204 / 201	W ⇒ B60
k / kBre	500 / 558	525 / 589	525 / 589	566 / 641	596 / 687	619 / 712	705 / 812	
o / oBre	236 / 294	261 / 325	261 / 325	302 / 377	332 / 423	355 / 448	441 / 548	
m / mBre	42 / 49	47 / 51	47 / 51	52 / 56	58 / 62	74 / 78	65 / 58	IEC 63 - 112 ⇒ B65
n / nBre	100 / 134	114 / 153	114 / 153	114 / 153	114 / 153	114 / 153	122 / 185	
p / pBre	100 / 89	144 / 108	144 / 108	144 / 108	144 / 108	144 / 108	144 / 108	
i	42,5	32,5	32,5	23,5	14,5	1	-26	



SK 573.1 *



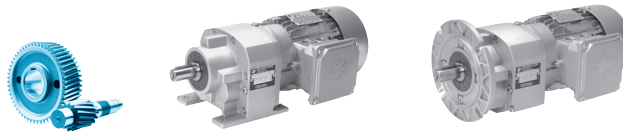
SK 573.1F *



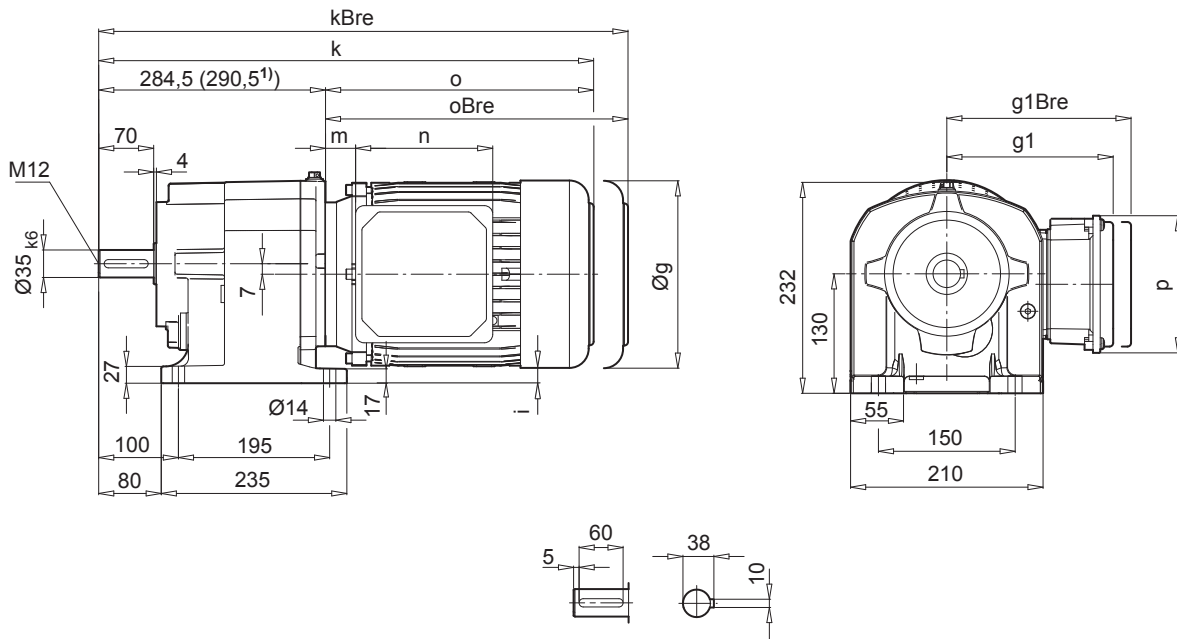
a1	b1	c1	e1	f1	s1
140	⇒ B A8, B76				
160					
200	130	12	165	3,5	11,0
250	180	15	215	4,0	13,5
300	230	15	265	4,0	14,0

± ⇒ B A61	63 S / L	71 S / L	80 SH	80 LP	90 SP/LP	100 LP/AP	112 MP	
g	130	145	165	165	183	201	228	
g1 / g1Bre	115 / 123	124 / 133	142 / 142	142 / 142	147 / 147	169 / 172	179 / 182	W ⇒ B60
k / kBre	460 / 516	500 / 558	525 / 589	525 / 589	566 / 641	596 / 687	619 / 712	
o / oBre	196 / 252	236 / 294	261 / 325	261 / 325	302 / 377	332 / 423	355 / 448	
m / mBre	16 / 23	42 / 49	47 / 51	47 / 51	52 / 56	58 / 62	74 / 78	IEC 63 - 112 ⇒ B66
n / nBre	100 / 134	100 / 134	114 / 153	114 / 153	114 / 153	114 / 153	114 / 153	
p / pBre	100 / 89	100 / 89	144 / 108	144 / 108	144 / 108	144 / 108	144 / 108	
i	50	42,5	32,5	32,5	23,5	14,5	1	

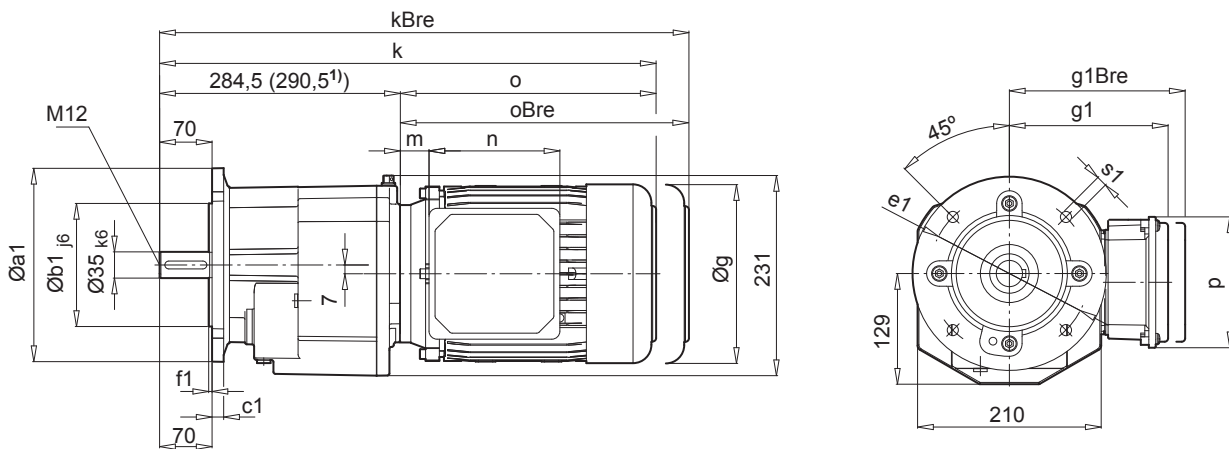
SK 672.1 SK 672.1F





SK 672.1



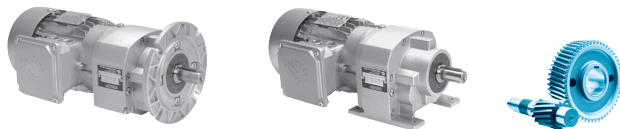
SK 672.1F



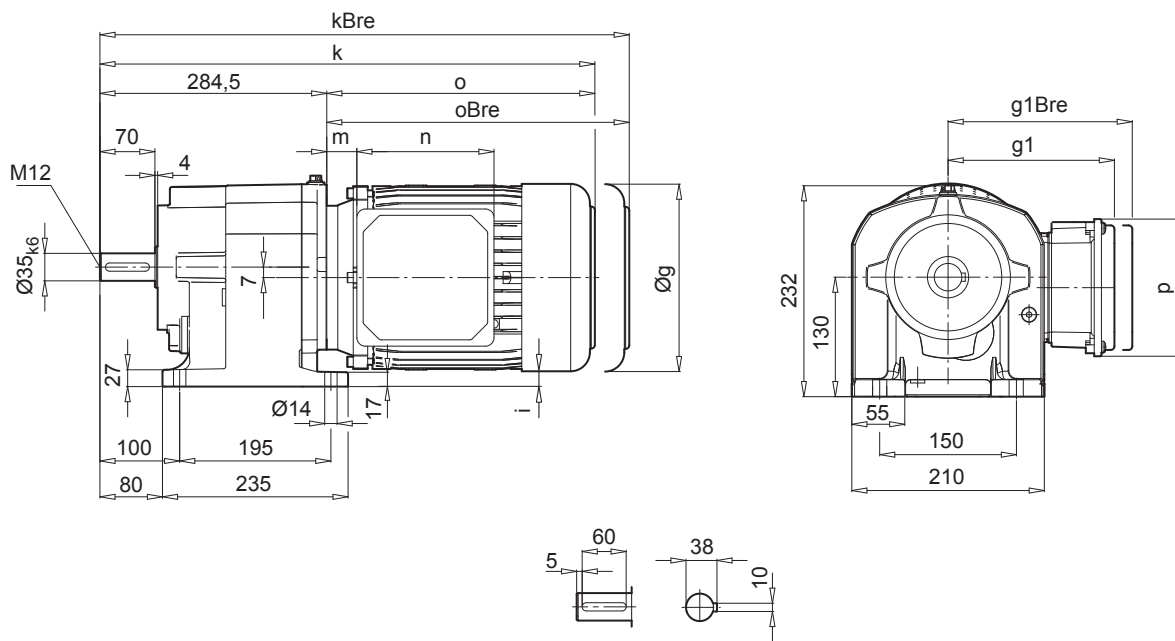
a1	b1	c1	e1	f1	s1
200	130	12	165	3,5	11
250	180	16	215	4	14

$\pm \Rightarrow$ A61	80 LP	90 SP/LP	100 LP/AP	112 MP	132 ¹ SP/MP		
g	165	183	201	228	266		
g1 / g1Bre	142 / 142	147 / 147	169 / 172	179 / 182	204 / 201		 W \Rightarrow B60
k / kBre	546 / 610	587 / 662	617 / 708	640 / 733	725,5 / 832,5		
o / oBre	261 / 325	302 / 377	332 / 423	355 / 448	435 / 542		
m / mBre	47 / 51	52 / 56	58 / 62	74 / 78	65 / 58		
n / nBre	114 / 153	114 / 153	114 / 153	114 / 153	122 / 185		
p / pBre	114 / 108	114 / 108	114 / 108	114 / 108	122 / 139		
i	40,5	31,5	22,5	9	-10		 IEC 63 - 132 \Rightarrow B67

NORDBLOC.1
helical gear units

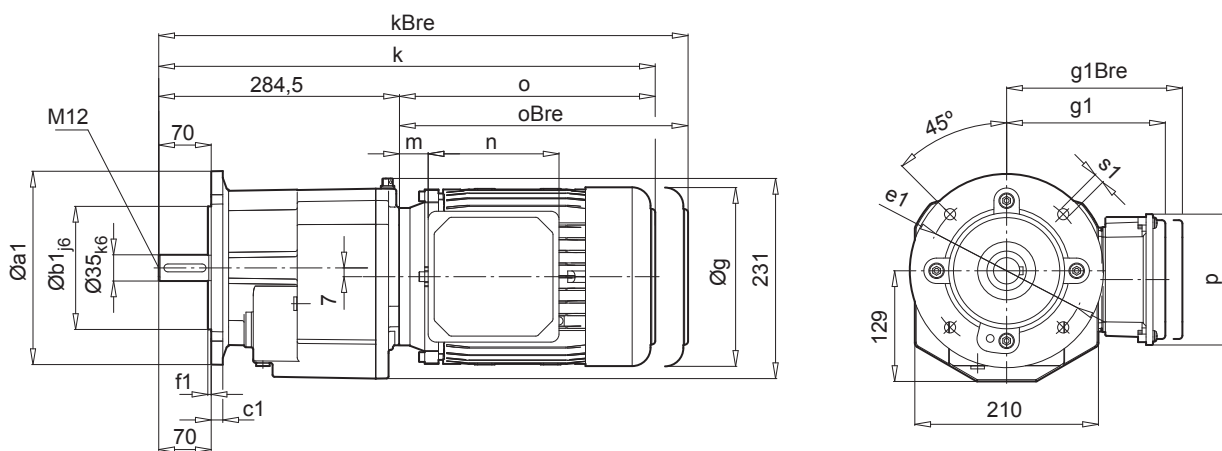


SK 673.1



NORDBLOC.1
helical gear units

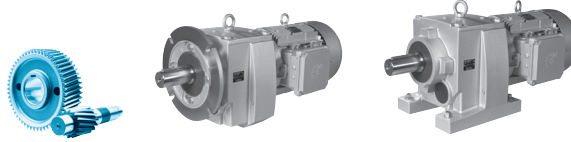
SK 673.1F



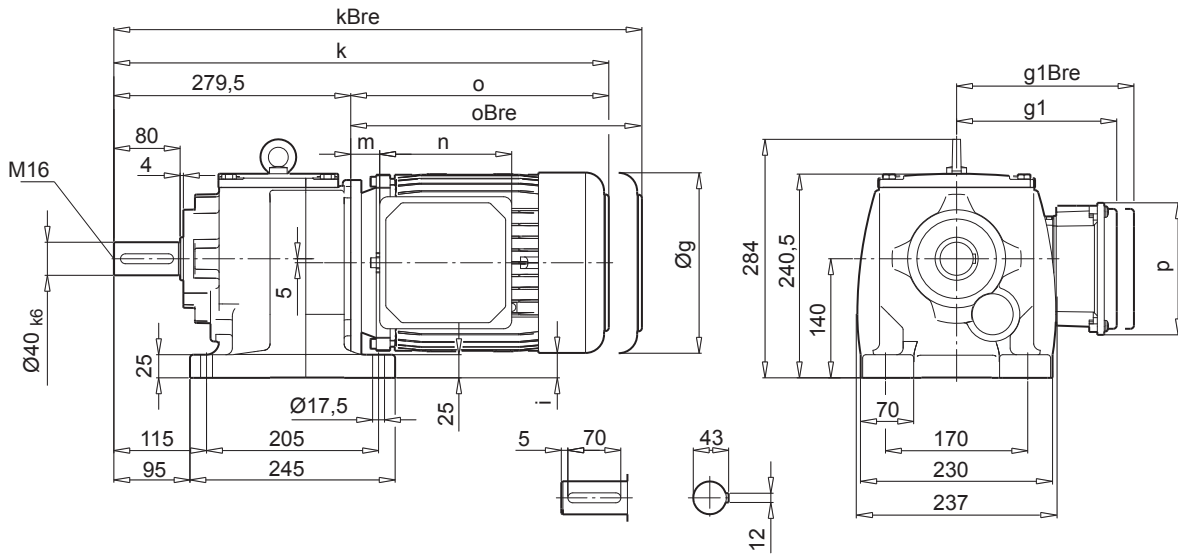
a1	b1	c1	e1	f1	s1
200	130	12	165	3,5	11
250	180	16	215	4	14

± ⇨ A61	63 S / L	71 S / L	80 SH	80 LP	90 SP/LP	100 LP/AP		
g	130	145	165	165	183	201		
g1 / g1Bre	115 / 123	124 / 133	142 / 142	142 / 142	147 / 147	169 / 172		W ⇨ B60
k / kBre	481 / 537	521 / 579	546 / 610	546 / 610	587 / 662	617 / 708		
o / oBre	196 / 252	236 / 294	261 / 325	261 / 325	302 / 377	332 / 423		
m / mBre	16 / 23	42 / 49	47 / 51	47 / 51	52 / 56	58 / 62		
n / nBre	100 / 134	100 / 134	114 / 153	114 / 153	114 / 153	114 / 153		IEC 63 - 132 ⇨ B68
p / pBre	100 / 89	100 / 89	114 / 108	114 / 108	114 / 108	114 / 108		
i	58	50,5	40,5	40,5	31,5	22,5		

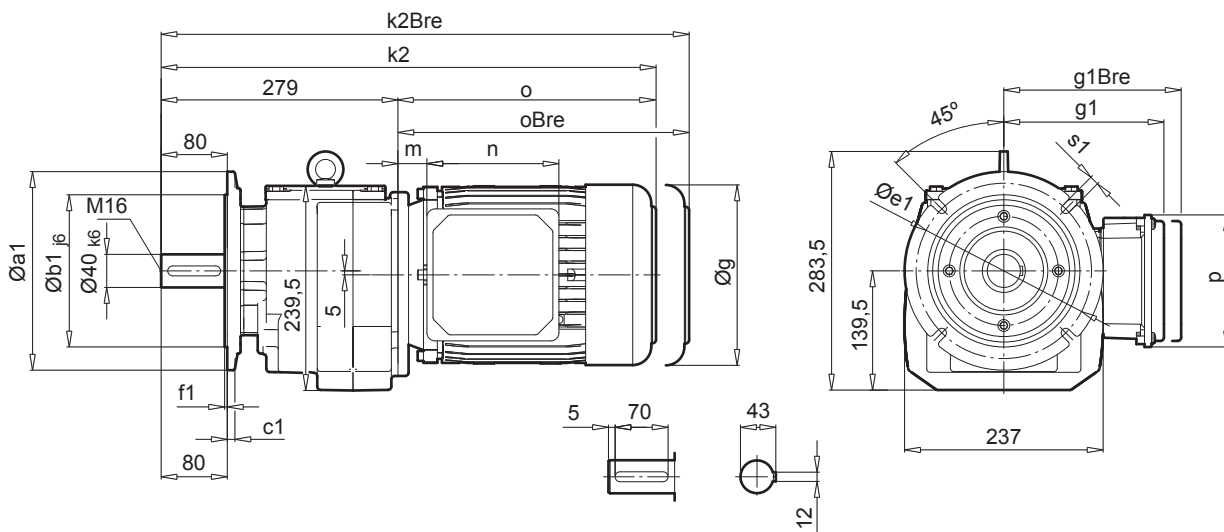
SK 772.1 SK 772.1F



SK 772.1

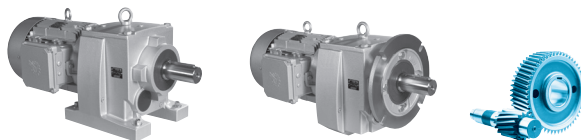


SK 772.1F

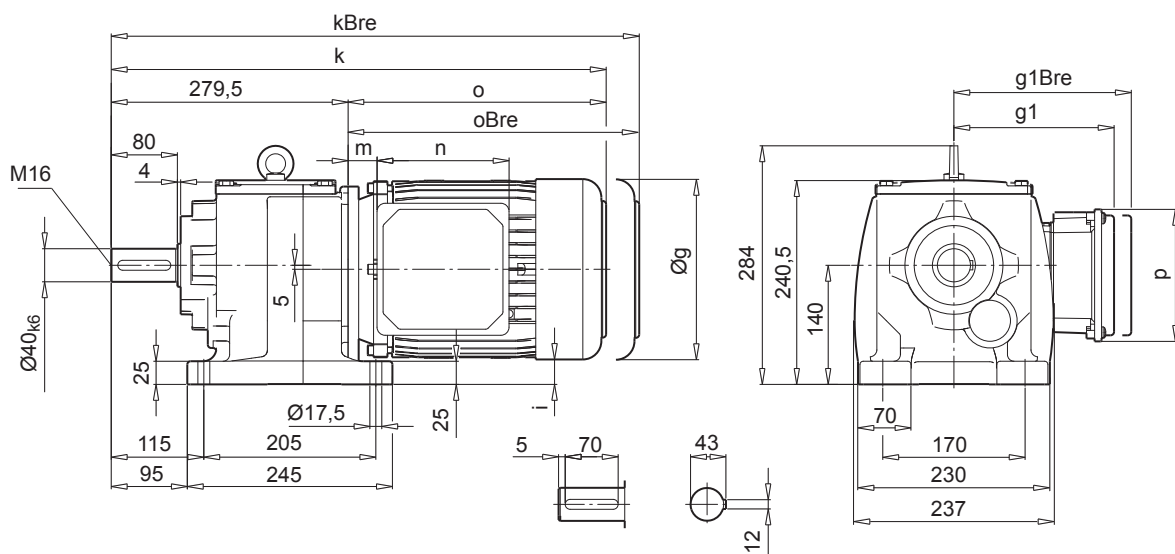


a1	b1	c1	e1	f1	s1
200	130	12	165	4	11
250	180	15	215	4	13,5
300	230	18	265	4	13,5

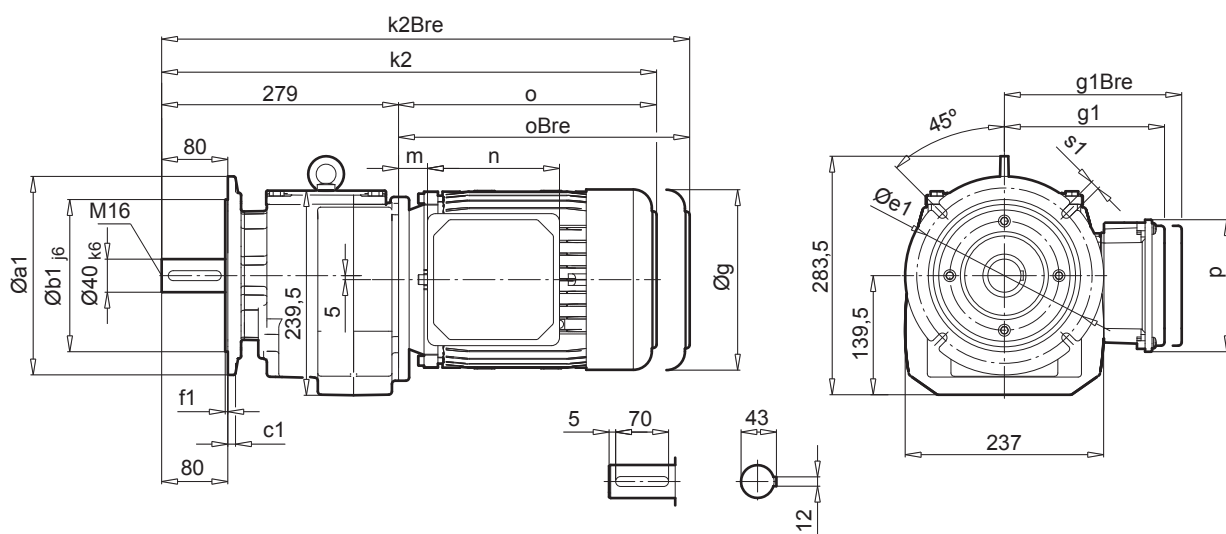
± ⇨ ☐ A61	90 LP	100 LP/AP	112 MP	132 SP/MP	160 SP/MP	160 LP	
g	183	201	228	266	320	320	
g1 / g1Bre	147 / 147	169 / 172	179 / 182	204 / 201	242 / 242	242 / 242	
k / kBre	581,5 / 656,5	605,5 / 696,5	628,5 / 721,5	714,5 / 821,5	791,5 / 926,5	835,5 / 970,5	W ⇨ ☐ B60
k2 / k2Bre	581 / 656	605 / 696	628 / 721	714 / 821	791 / 926	835 / 970	
o / oBre	302 / 377	326 / 417	349 / 442	435 / 542	512 / 647	556 / 691	
m / mBre	52 / 56	52 / 56	68 / 72	71 / 64	52 / 52	52 / 52	
n / nBre	114 / 153	114 / 153	114 / 153	122 / 185	186 / 186	186 / 186	
p / pBre	114 / 108	114 / 108	114 / 108	122 / 139	186 / 186	186 / 186	
i	31,5	34,5	21	2	-25	-25	IEC 71 - 132 ⇨ ☐ B69



SK 773.1



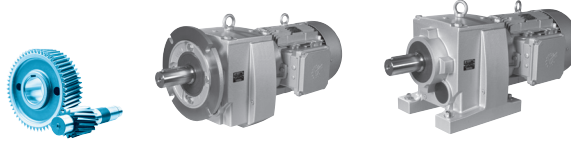
SK 773.1F



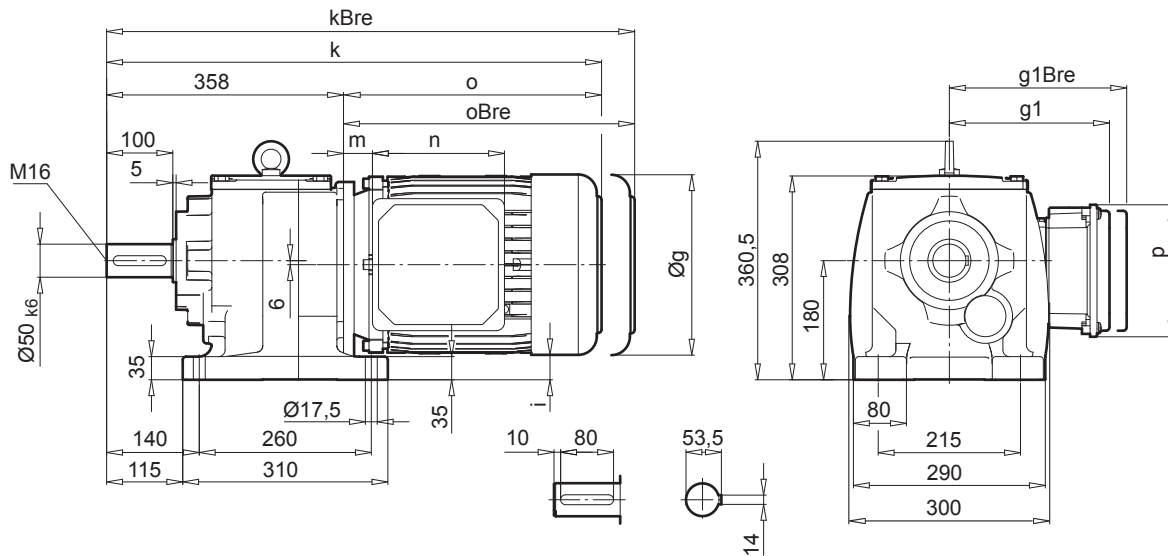
a1	b1	c1	e1	f1	s1
200	130	12	165	4	11
250	180	15	215	4	13,5
300	230	18	265	4	13,5

$\pm \Rightarrow$ A61	71 S / L	80 SH	80 LP	90 SP/LP	100 LP/AP	112 MP	132 SP	
g	145	165	165	183	201	228	266	
g1 / g1Bre	124 / 133	142 / 142	142 / 142	147 / 147	169 / 172	179 / 182	204 / 201	W \Rightarrow B60
k / kBre	509,5 / 567,5	534,5 / 598,5	534,5 / 598,5	575,5 / 650,5	605,5 / 696,5	628,5 / 721,5	714,5 / 821,5	
k2 / k2Bre	509 / 567	534 / 598	534 / 598	575 / 650	605 / 696	628 / 721	714 / 821	
o / oBre	230 / 288	255 / 319	255 / 319	296 / 371	326 / 417	349 / 442	435 / 542	IEC 71 - 132
m / mBre	36 / 43	41 / 45	41 / 45	46 / 50	52 / 56	68 / 72	71 / 51	\Rightarrow B69
n / nBre	100 / 134	114 / 153	114 / 153	114 / 153	114 / 153	114 / 153	122 / 185	
p / pBre	100 / 89	114 / 108	114 / 108	114 / 108	114 / 108	114 / 108	122 / 139	
i	62,5	52,5	52,5	43,5	34,5	21	2	

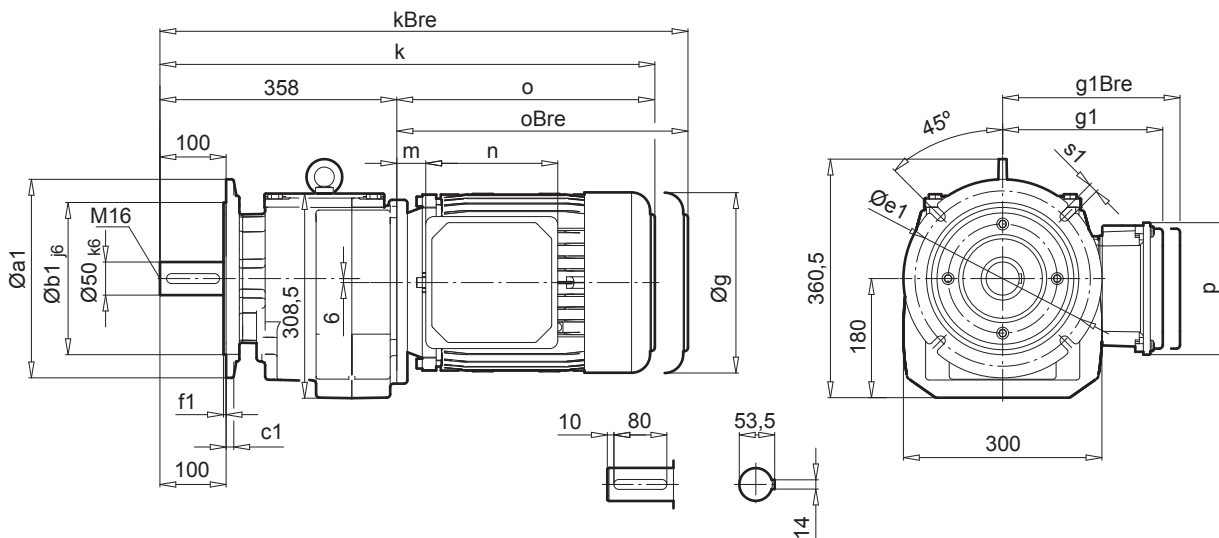
SK 872.1 SK 872.1F



SK 872.1

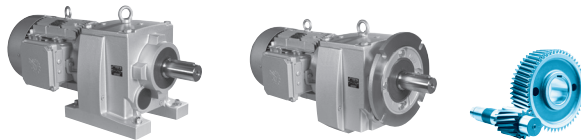


SK 872.1F

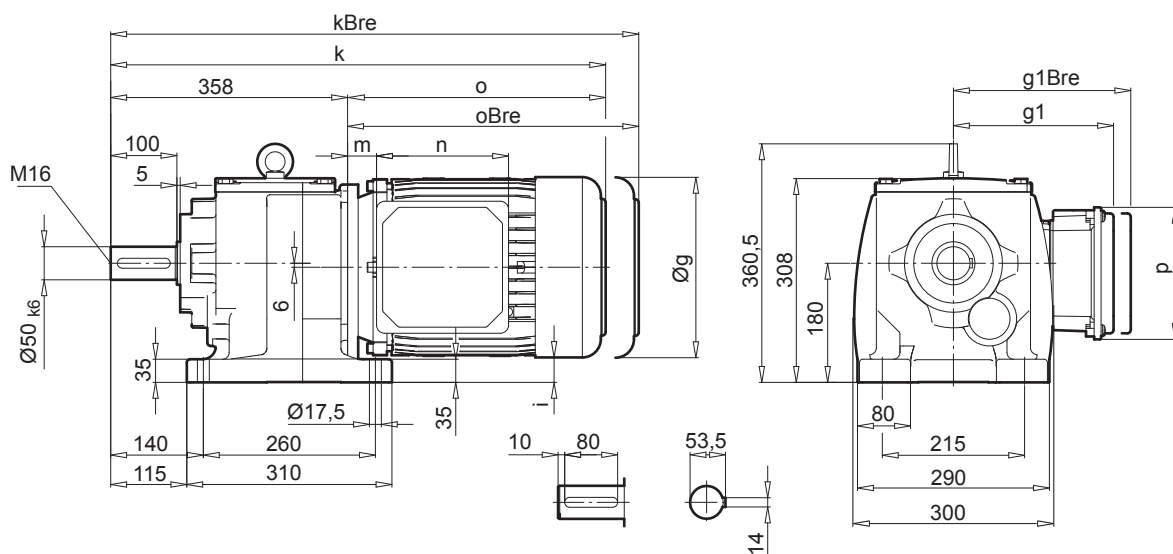


a1	b1	c1	e1	f1	s1
250	180	16	215	4	13,5
300	230	20	265	4	13,5
350	250	20	300	5	17,5

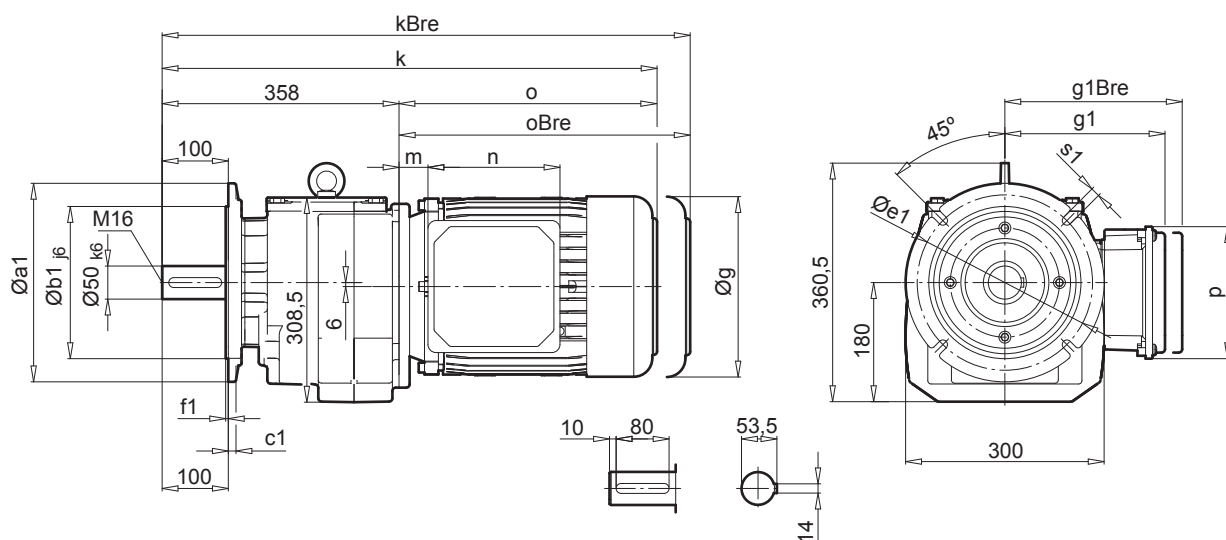
± ⇨ A61	100 LP/AP	112 MP	132 SP/MP	160 SP/MP	160 LP	180 MP/LP	
g	201	228	266	320	320	358	
g1 / g1Bre	169 / 172	179 / 182	204 / 201	242 / 242	242 / 242	259 / 259	W ⇨ B60
k / kBre	664 / 755	687 / 780	773 / 880	850 / 985	894 / 1029	992 / 1120	
o / oBre	306 / 397	329 / 422	415 / 522	492 / 627	536 / 671	634 / 762	
m / mBre	32 / 36	48 / 52	51 / 44	52 / 52	52 / 52	74 / 74	
n / nBre	114 / 153	114 / 153	122 / 185	186 / 186	186 / 186	186 / 186	
p / pBre	114 / 108	114 / 108	122 / 139	186 / 186	186 / 186	186 / 186	IEC 90-180 ⇨ B70
i	73,5	60	41	14	14	-5	



SK 873.1



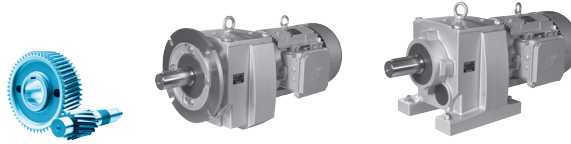
SK 873.1F



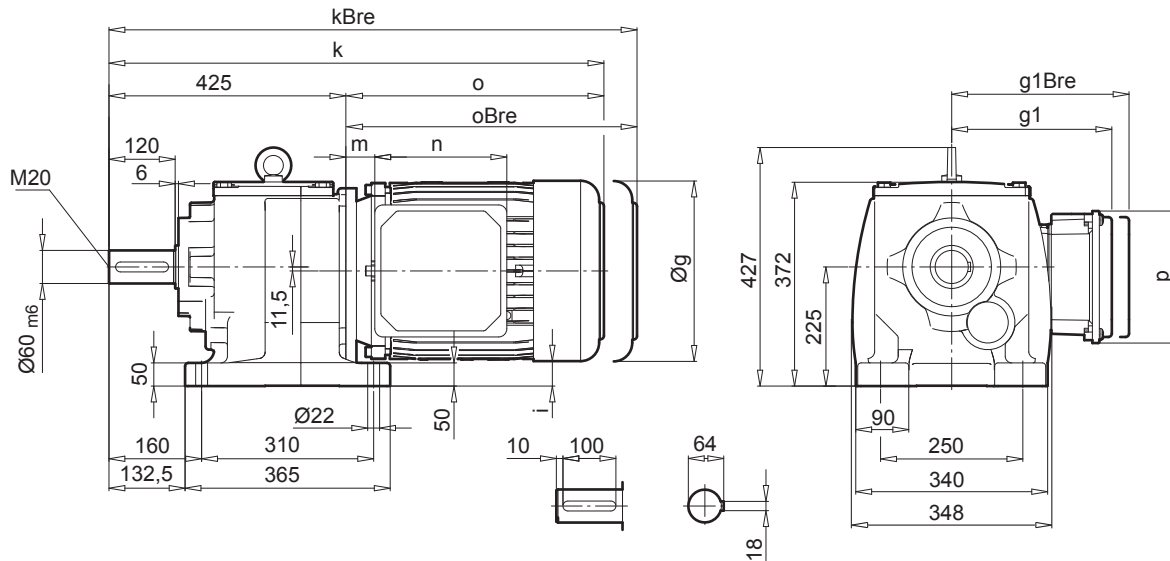
a1	b1	c1	e1	f1	s1
250	180	16	215	4	13,5
300	230	20	265	4	13,5
350	250	20	300	5	17,5

$\pm \Rightarrow$ A61	90 SP/LP	100 LP/AP	112 MP	132 SP/MP	160 SP/MP	160 LP	
g	183	201	228	266	320	320	W \Rightarrow B60
g1 / g1Bre	147 / 147	169 / 172	179 / 182	204 / 201	242 / 242	242 / 242	
k / kBre	634 / 709	664 / 755	687 / 780	773 / 880	850 / 985	894 / 1029	IEC 90-180 \Rightarrow B70
o / oBre	276 / 351	306 / 397	329 / 422	415 / 522	492 / 627	536 / 671	
m / mBre	26 / 30	32 / 36	48 / 52	51 / 44	52 / 52	52 / 52	
n / nBre	114 / 153	114 / 153	114 / 153	122 / 185	186 / 186	186 / 186	
p / pBre	114 / 108	114 / 108	114 / 108	122 / 139	186 / 186	186 / 186	
i	82,5	73,5	60	41	14	14	

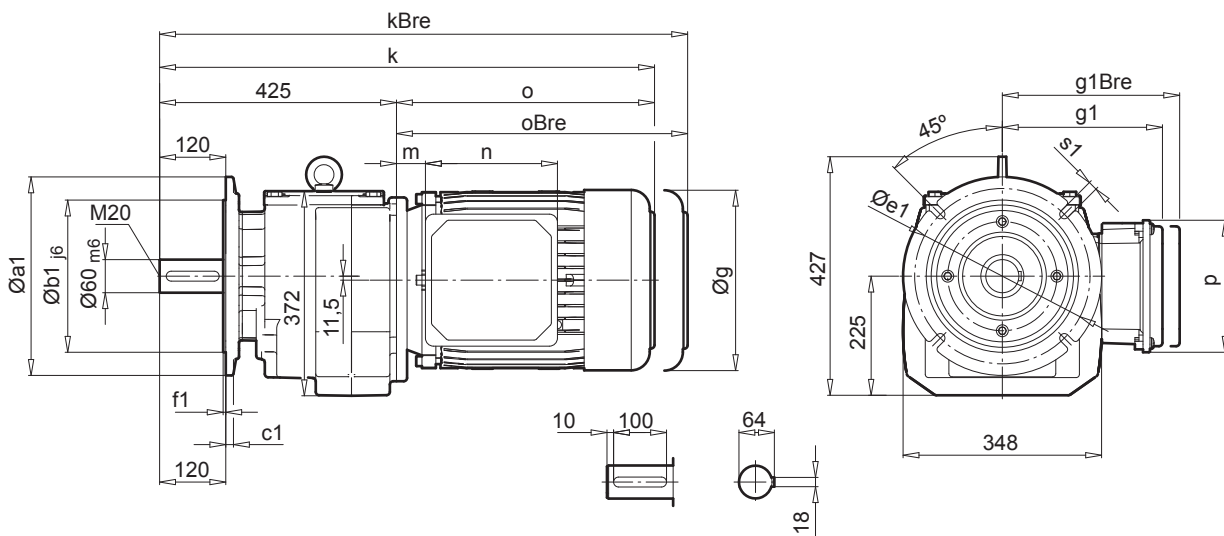
SK 972.1 SK 972.1F



SK 972.1

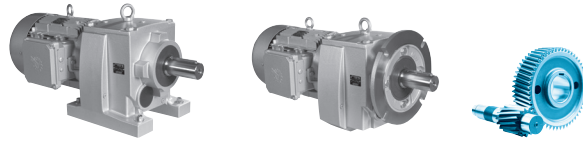


SK 972.1F

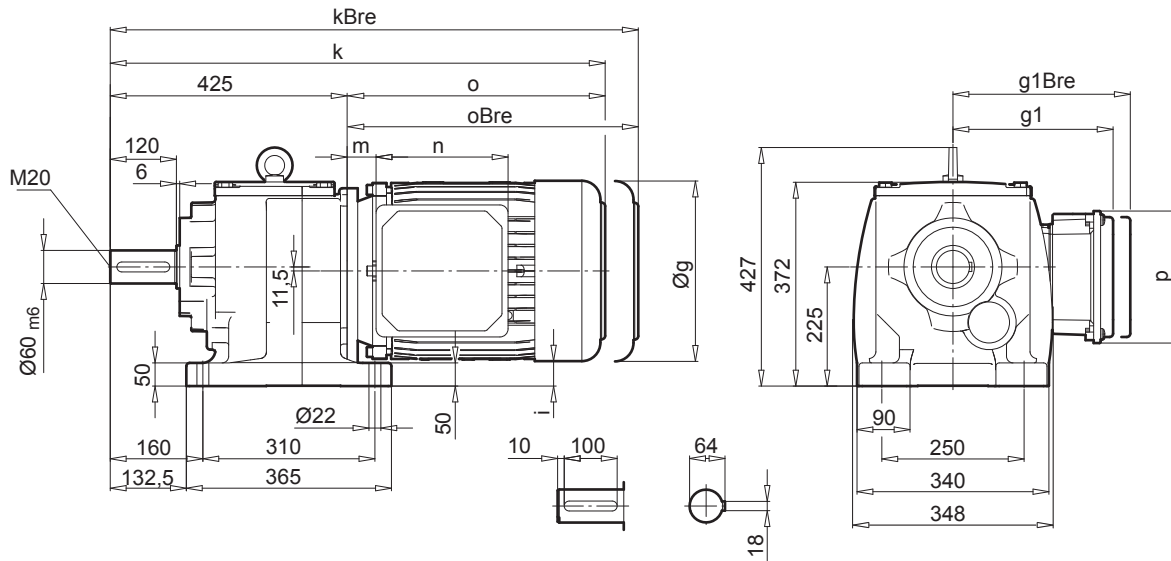


a1	b1	c1	e1	f1	s1
300	230	20	265	4	13,5
350	250	20	300	5	17,5
450	350	20	400	5	17,5

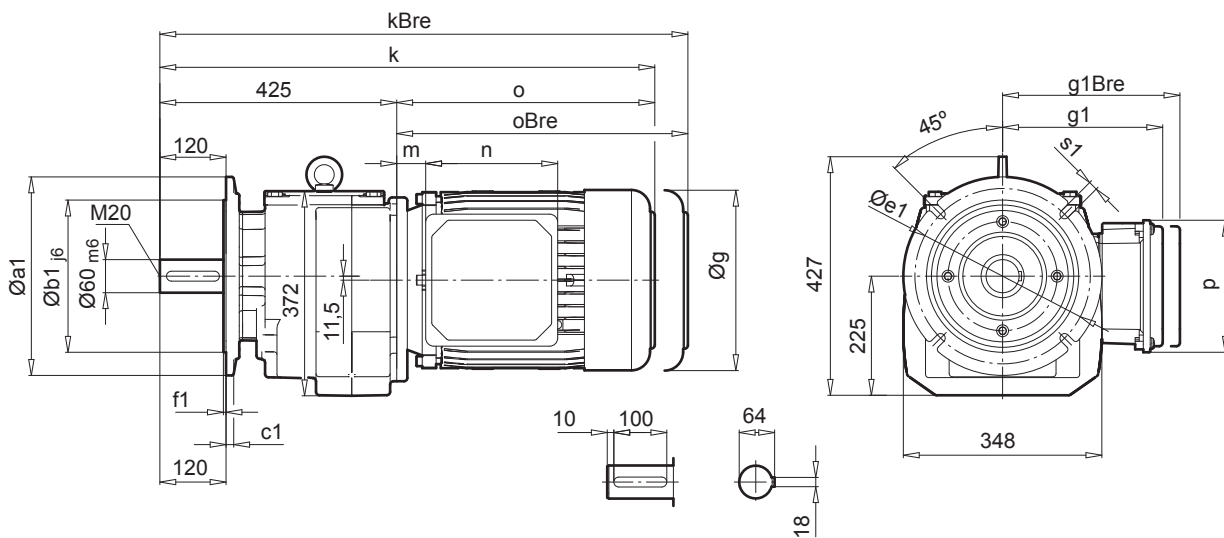
± ⇨ A61	112 MP	132 SP/MP	160 SP/MP	160 LP	180 MP/LP	225 RP	225 SP	
g	228	266	320	320	358	443	443	W ⇨ B60
g1 / g1Bre	179 / 182	204 / 201	242 / 242	242 / 242	259 / 259	347 / 347	347 / 347	
k / kBre	754 / 847	840 / 947	917 / 1052	961 / 1096	1039 / 1167	1167 / 1347	1167 / 1347	
o / oBre	329 / 422	415 / 522	492 / 627	536 / 671	614 / 742	742 / 922	742 / 922	
m / mBre	48 / 52	51 / 44	52 / 52	52 / 52	54 / 54	94 / 94	94 / 94	IEC 90-200 ⇨ B71
n / nBre	114 / 153	122 / 185	186 / 186	186 / 186	186 / 186	245 / 245	245 / 245	
p / pBre	114 / 108	122 / 139	186 / 186	186 / 186	186 / 186	245 / 245	245 / 245	
i	99,5	80,5	53,5	53,5	34,5	-11	-11	



SK 973.1

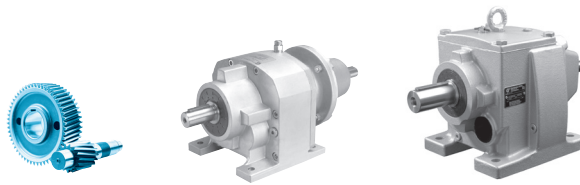


SK 973.1F

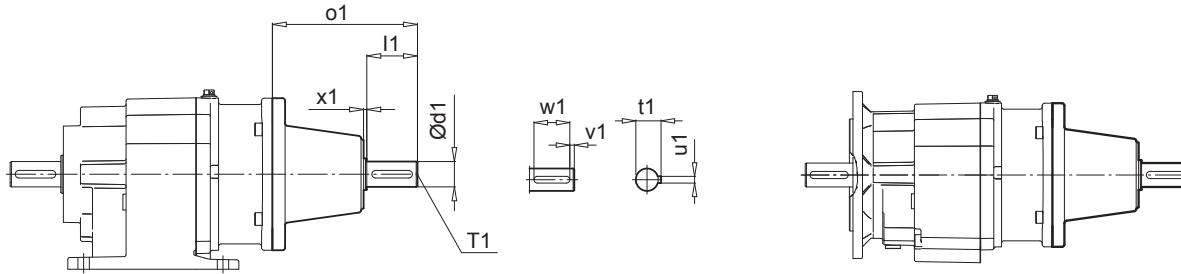


a1	b1	c1	e1	f1	s1
300	230	20	265	4	13,5
350	250	20	300	5	17,5
450	350	20	400	5	17,5

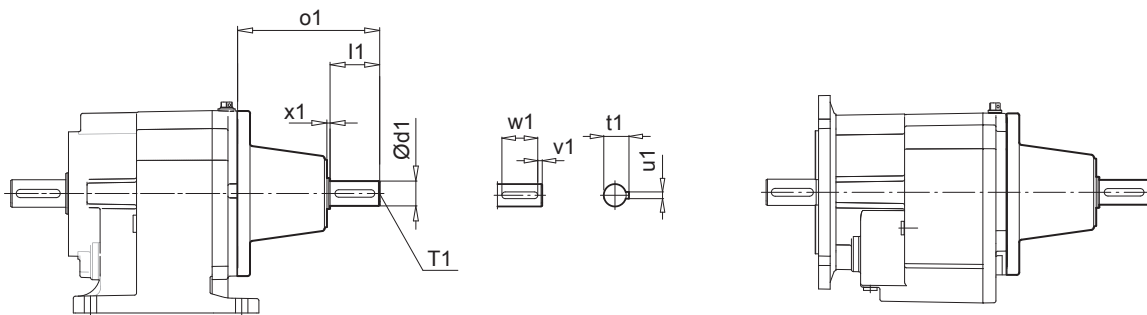
± ⇨ A61	90 SP/LP	100 LP/AP	112 MP	132 SP/MP	160 SP/MHP	160 LP	180 MP/LP	
g	183	201	228	266	320	320	358	W ⇨ B60
g1 / g1Bre	147 / 147	169 / 172	179 / 182	204 / 201	242 / 242	242 / 242	259 / 259	
k / kBre	701 / 776	731 / 822	754 / 847	840 / 947	917 / 1052	961 / 1096	1039 / 1167	
o / oBre	276 / 351	306 / 397	329 / 422	415 / 522	492 / 627	536 / 671	614 / 742	
m / mBre	26 / 30	32 / 36	48 / 52	51 / 44	52 / 52	52 / 52	54 / 54	IEC 90-200 ⇨ B71
n / nBre	114 / 153	114 / 153	114 / 153	122 / 185	186 / 186	186 / 186	186 / 186	
p / pBre	114 / 108	114 / 108	114 / 108	122 / 139	186 / 186	186 / 186	186 / 186	
i	122	113	99,5	80,5	53,5	53,5	34,5	



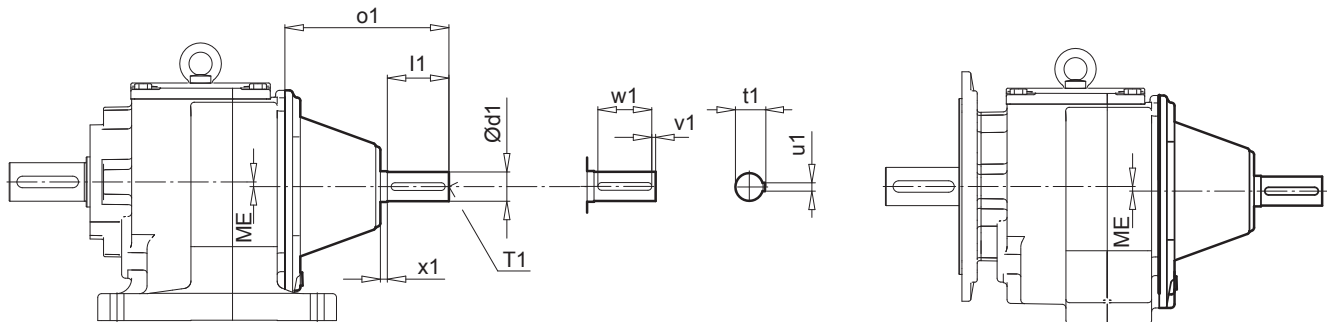
SK 172.1 - W
SK 172.1F - W



SK 372.1 SK 373.1 SK 572.1 SK 573.1 SK 672.1 SK 673.1 - W
SK 372.1F SK 373.1F SK 572.1F SK 573.1F SK 672.1F SK 673.1F - W

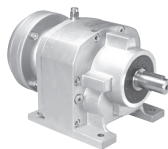
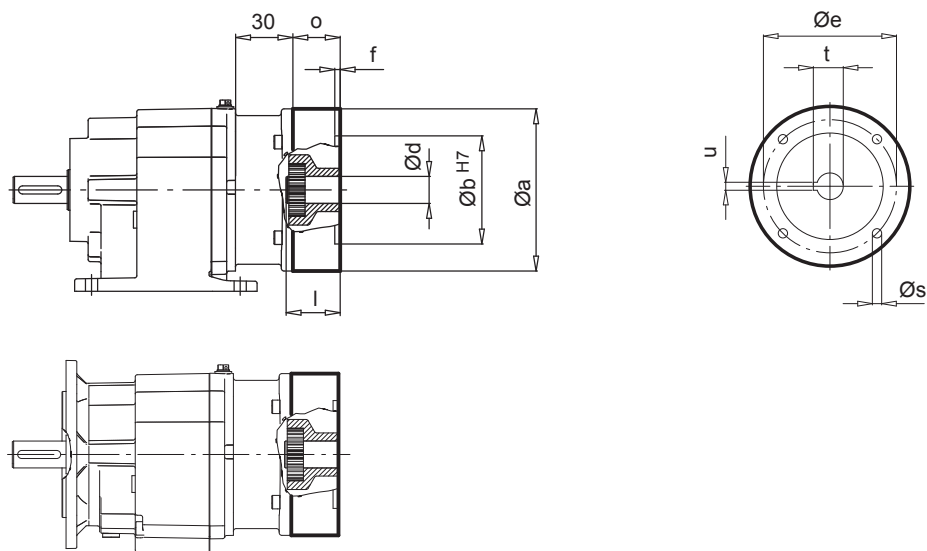


SK 772.1 SK 773.1 SK 872.1 SK 873.1 SK 972.1 SK 973.1 - W
SK 772.1F SK 773.1F SK 872.1F SK 873.1F SK 972.1F SK 973.1F - W



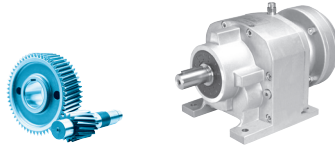
Type	ME	d1	l1	o1	x1	u1	t1	v1	w1	T1
SK 172.1 / SK 172.1 F	-	16	40	114,5	2,5	5	18	4	32	M6
SK 372.1 / SK 372.1 F SK 373.1 / SK 373.1 F	-	24	50	177,5	8	8	27	5	40	M8
SK 572.1 / SK 572.1 F SK 573.1 / SK 573.1 F	-	24	50	177,5	8	8	27	5	40	M8
SK 672.1 / SK 672.1 F SK 673.1 / SK 673.1 F	7	24	50	177,5	8	8	27	5	40	M8
SK 772.1 / SK 772.1 F SK 773.1 / SK 773.1 F	5	24	50	172	8	8	27	5	40	M8
SK 872.1 / SK 872.1 F SK 873.1 / SK 873.1 F	6	28	60	213	8	8	31	5	50	M10
SK 972.1 / SK 972.1 F SK 973.1 / SK 973.1 F	11,5	38	80	213	8	10	41	5	70	M12

NORDBLOC.1
Stirradgetriebe


SK 072.1 - IEC 56..71
SK 072.1F - IEC 56..71

NORDBLOC.1
 helical gear units

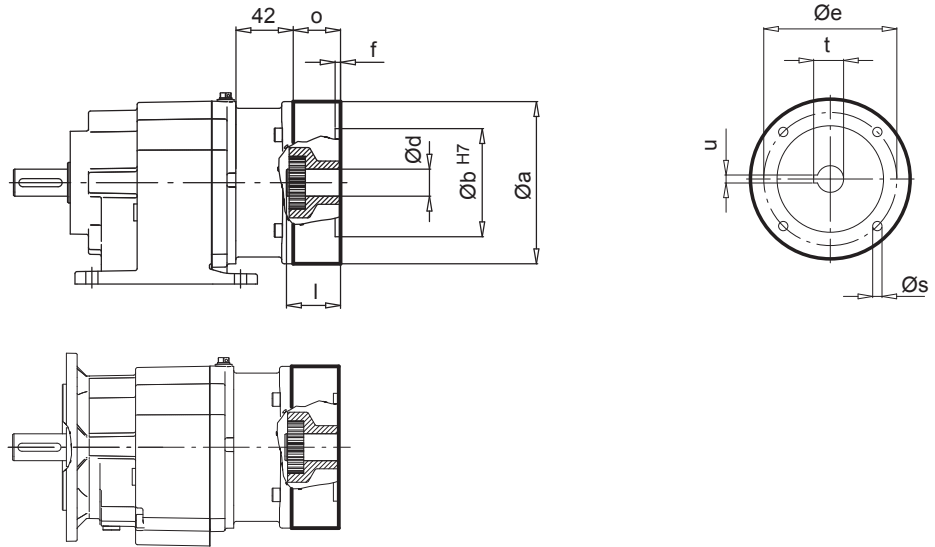
IEC	a	b	e	f	s	o	d	l	t	u
IEC 56 - C105	105	70	85	3	7	29,5	9	20	11,4	3
IEC 56 - A120	120	80	100	3,5	7	29,5				
IEC 63 - C90 **	90	60	75	3	6	29,5	11	23	12,8	4
IEC 63 - C120	120	80	100	3,5	7	29,5				
IEC 63 - A140	140	95	115	3,5	9	29,5				
IEC 71 - C105 **	105	70	85	3	7	29,5	14	30	16,3	5
IEC 71 - C140	140	95	115	3,5	9	29,5				

** ⇒ A61



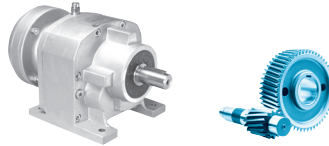
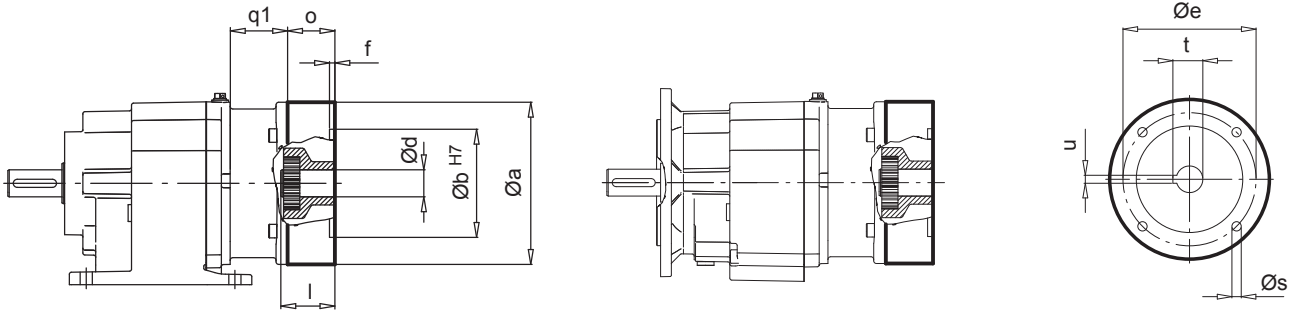
SK 172.1 - IEC 56..90
SK 172.1F - IEC 56..90

NORDBLOC.1
helical gear units



IEC	a	b	e	f	s	o	d	l	t	u
IEC 56 - C105	105	70	85	3	7	32,5	9	20	11,4	3
IEC 56 - A120	120	80	100	3,5	7	32,5				
IEC 63 - C90 **	90	60	75	3	6	32,5	11	23	12,8	4
IEC 63 - C120	120	80	100	3,5	7	32,5				
IEC 63 - A140	140	95	115	3,5	9	32,5				
IEC 71 - C105 **	105	70	85	3	7	32,5	14	30	16,3	5
IEC 71 - C140	140	95	115	3,5	9	32,5				
IEC 71 - A160	160	110	130	4	9	32,5				
IEC 80 - C120 **	120	80	100	3,5	7	32,5	19	40	21,8	6
IEC 80 - C160	160	110	130	4	9	32,5				
IEC 80 - A200	200	130	165	4	M10x20	32,5				
IEC 90 - C140 **	140	95	115	3,5	9	45,5	24	50	27,3	8
IEC 90 - C160	160	110	130	4	9	45,5				
IEC 90 - A200	200	130	165	4	M10x20	45,5				

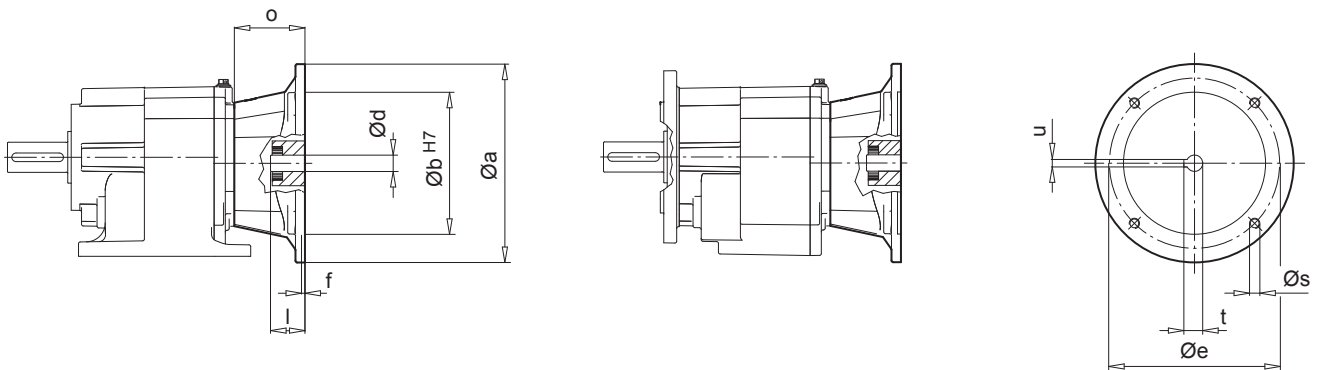
** ⇒ A61


SK 372.1 - IEC 63..90
SK 372.1F - IEC 63..90


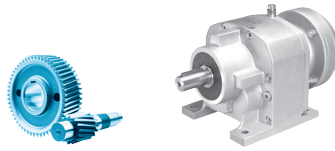
$i_{ges} \rightarrow$ B32	q1
$\geq 16,50$	56
$< 16,50$	40

IEC	a	b	e	f	s	o	d	l	t	u
IEC 63 - C90 **	90	60	75	3	6	32,5	11	23	12,8	4
IEC 63 - C120	120	80	100	3,5	7	32,5				
IEC 63 - A140	140	95	115	3,5	9	32,5				
IEC 71 - C105 **	105	70	85	3	7	32,5	14	30	16,3	5
IEC 71 - C140	140	95	115	3,5	9	32,5				
IEC 71 - A160	160	110	130	4	9	32,5				
IEC 80 - C120 **	120	80	100	3,5	7	32,5	19	40	21,8	6
IEC 80 - C160	160	110	130	4	9	32,5				
IEC 80 - A200	200	130	165	4	M10x20	32,5				
IEC 90 - C140 **	140	95	115	3,5	9	45,5	24	50	27,3	8
IEC 90 - C160	160	110	130	4	9	45,5				
IEC 90 - A200	200	130	165	4	M10x20	45,5				

 ** \Rightarrow A61

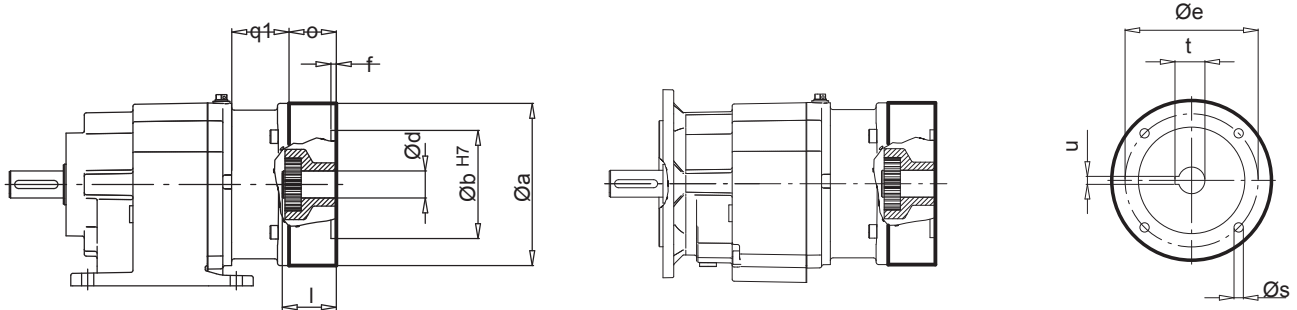
SK 372.1 - IEC 100
SK 372.1F - IEC 100


IEC	q	a	b	e	f	s	o	d	l	t	u
IEC 100	218	250	180	215	5	M12	82	28	60	31,3	8



SK 373.1 - IEC 63..90
SK 373.1F - IEC 63..90

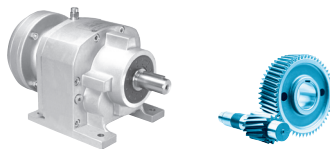
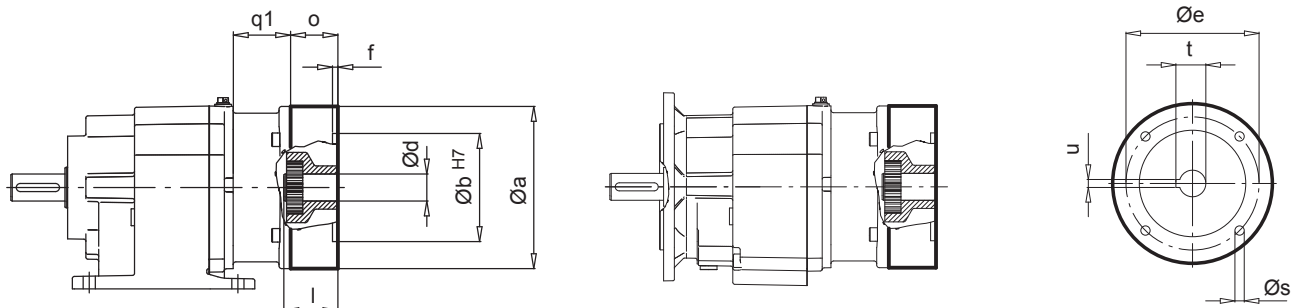
NORBLOC.1
 helical gear units



$i_{ges} \rightarrow$ B33	q1
$\geq 82,57$	56
$< 82,57$	40

IEC	a	b	e	f	s	o	d	l	t	u
IEC 63 - C90 **	90	60	75	3	6	32,5	11	23	12,8	4
IEC 63 - C120	120	80	100	3,5	7	32,5				
IEC 63 - A140	140	95	115	3,5	9	32,5				
IEC 71 - C105 **	105	70	85	3	7	32,5	14	30	16,3	5
IEC 71 - C140	140	95	115	3,5	9	32,5				
IEC 71 - A160	160	110	130	4	9	32,5				
IEC 80 - C120 **	120	80	100	3,5	7	32,5	19	40	21,8	6
IEC 80 - A160	160	110	130	4	9	32,5				
IEC 80 - A200	200	130	165	4	M10x20	32,5				
IEC 90 - C140 **	140	95	115	3,5	9	45,5	24	50	27,3	8
IEC 90 - C160	160	110	130	4	9	45,5				
IEC 90 - A200	200	130	165	4	M10x20	45,5				

** \Rightarrow A61

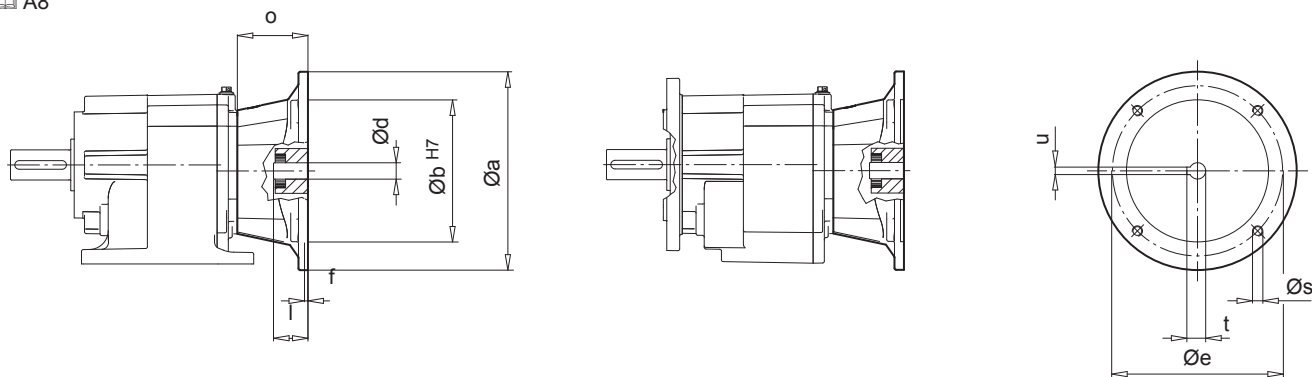

SK 572.1 * - IEC 63..90
SK 572.1F * - IEC 63..90


$i_{ges} \rightarrow$ B34	q1
$\geq 21,85$	56
$< 21,85$	40

IEC	a	b	e	f	s	o	d	l	t	u
IEC 63 - C90 **	90	60	75	3	6	32,5	11	23	12,8	4
IEC 63 - C120	120	80	100	3,5	7	32,5				
IEC 63 - A140	140	95	115	3,5	9	32,5				
IEC 71 - C105 **	105	70	85	3	7	32,5	14	30	16,3	5
IEC 71 - C140	140	95	115	3,5	9	32,5				
IEC 71 - A160	160	110	130	4	9	32,5				
IEC 80 - C120 **	120	80	100	3,5	7	32,5	19	40	21,8	6
IEC 80 - C160	160	110	130	4	9	32,5				
IEC 80 - A200	200	130	165	4	M10x20	32,5				
IEC 90 - C140 **	140	95	115	3,5	9	45,5	24	50	27,3	8
IEC 90 - C160	160	110	130	4	9	45,5				
IEC 90 - A200	200	130	165	4	M10x20	45,5				

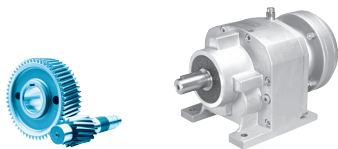
 ** \Rightarrow A61

SK 572.1 * - IEC 100..112
SK 572.1F * - IEC 100..112

 * \Rightarrow A8


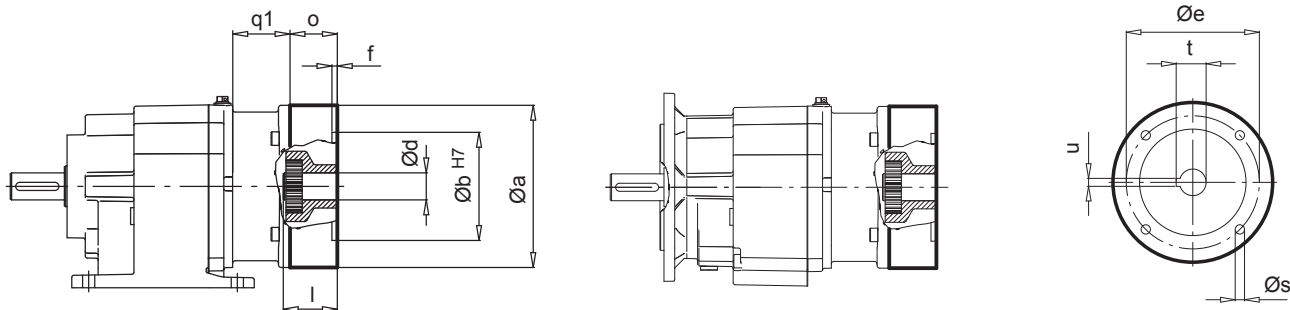
IEC	a	b	e	f	s	o	d	l	t	u
IEC 100	250	180	215	5	M12	82	28	60	31,3	8
IEC 112	250	180	215	5	M12	82	28	60	31,3	8

 NORDBLOC.1
helical gear units



SK 573.1 * - IEC 63..90

SK 573.1F * - IEC 63..90



$i_{ges} \rightarrow$ B35	q1
$\geq 109,12$	56
$< 109,12$	40

NORDBLOC.1
helical gear units

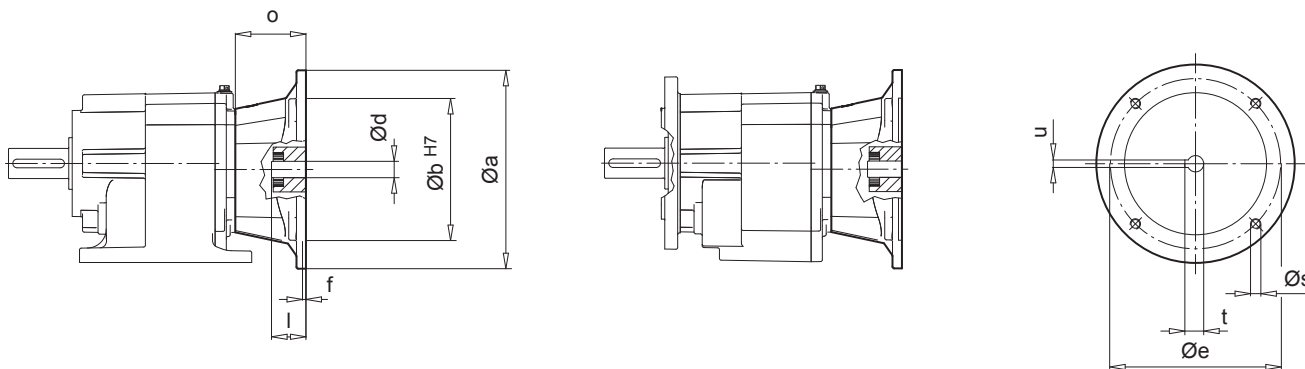
IEC	a	b	e	f	s	o	d	l	t	u
IEC 63 - C90 **	90	60	75	3	6	32,5	11	23	12,8	4
IEC 63 - C120	120	80	100	3,5	7	32,5				
IEC 63 - A140	140	95	115	3,5	9	32,5				
IEC 71 - C105 **	105	70	85	3	7	32,5	14	30	16,3	5
IEC 71 - C140	140	95	115	3,5	9	32,5				
IEC 71 - A160	160	110	130	4	9	32,5				
IEC 80 - C120 **	120	80	100	3,5	7	32,5	19	40	21,8	6
IEC 80 - C160	160	110	130	4	9	32,5				
IEC 80 - A200	200	130	165	4	M10x20	32,5				
IEC 90 - C140 **	140	95	115	3,5	9	45,5	24	50	27,3	8
IEC 90 - C160	160	110	130	4	9	45,5				
IEC 90 - A200	200	130	165	4	M10x20	45,5				

** \Rightarrow A61

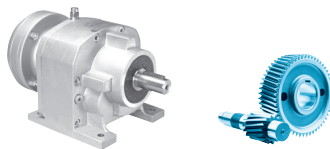
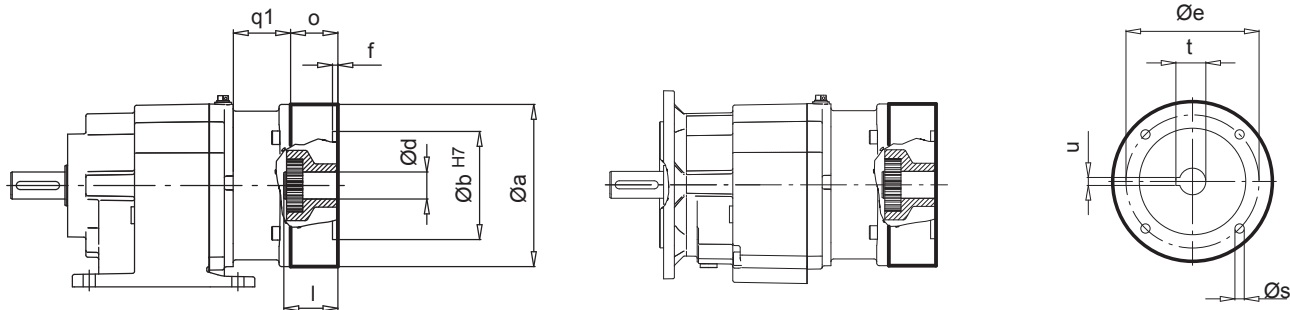
SK 573.1 * - IEC 100..112

SK 573.1F * - IEC 100..112

* \Rightarrow A8



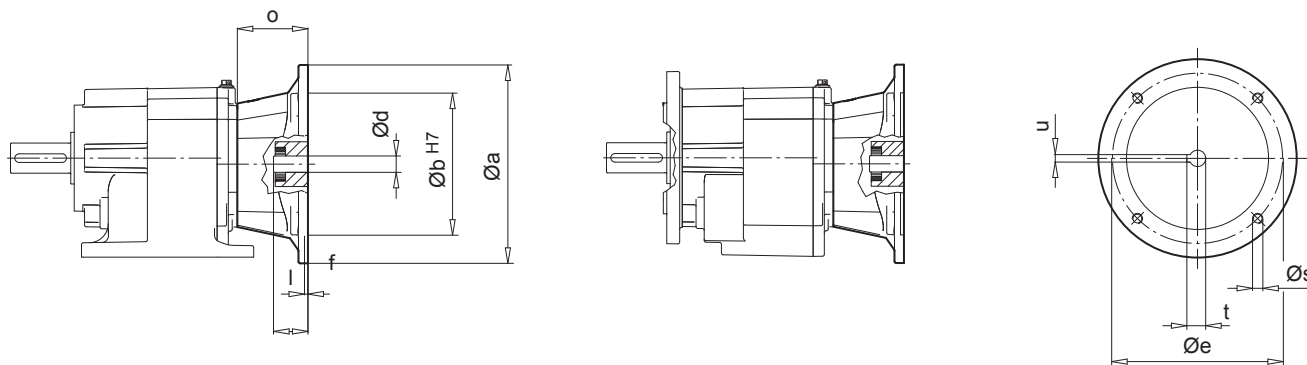
IEC	a	b	e	f	s	o	d	l	t	u
IEC 100	250	180	215	5	M12	82	28	60	31,3	8
IEC 112	250	180	215	5	M12	82	28	60	31,3	8


SK 672.1 - IEC 63..90
SK 672.1F - IEC 63..90


$i_{ges} \rightarrow$ B40	q1
$\geq 23,41$	56
$< 23,41$	40

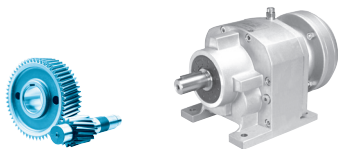
IEC	a	b	e	f	s	o	d	l	t	u
IEC 63 - C90 **	90	60	75	3	6	32,5	11	23	12,8	4
IEC 63 - C120	120	80	100	3,5	7	32,5				
IEC 63 - A140	140	95	115	3,5	9	32,5				
IEC 71 - C105 **	105	70	85	3	7	32,5	14	30	16,3	5
IEC 71 - C140	140	95	115	3,5	9	32,5				
IEC 71 - A160	160	110	130	4	9	32,5				
IEC 80 - C120 **	120	80	100	3,5	7	32,5	19	40	21,8	6
IEC 80 - C160	160	110	130	4	9	32,5				
IEC 80 - A200	200	130	165	4	M10x20	32,5				
IEC 90 - C140 **	140	95	115	3,5	9	45,5	24	50	27,3	8
IEC 90 - C160	160	110	130	4	9	45,5				
IEC 90 - A200	200	130	165	4	M10x20	45,5				

 ** \Rightarrow A61

SK 672.1 - IEC 100..132
SK 672.1F - IEC 100..132


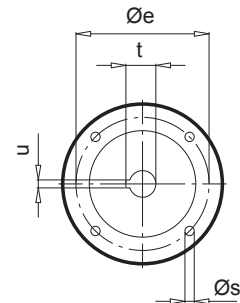
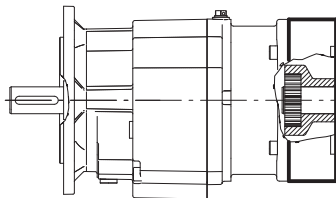
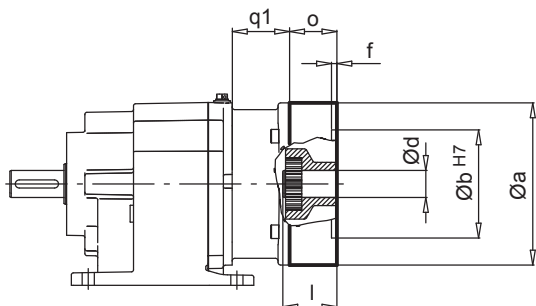
IEC	a	b	e	f	s	o	d	l	t	u
IEC 100	250	180	215	5	M12	82	28	60	31,3	8
IEC 112	250	180	215	5	M12	82	28	60	31,3	8
IEC 132	300	230	265	5	M12	106	38	80	41,3	10

 NORDBLOC.1
helical gear units



SK 673.1 - IEC 63..90

SK 673.1F - IEC 63..90



$i_{ges} \rightarrow$ B41	q1
$\geq 115,89$	56
$< 115,89$	40

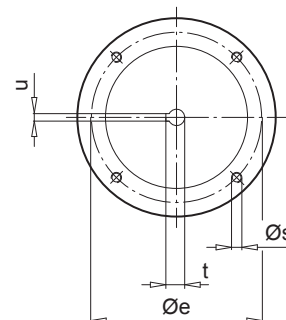
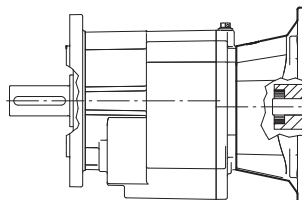
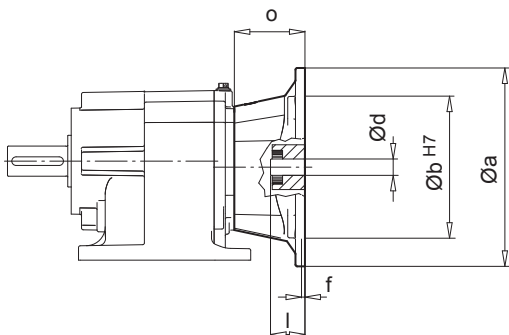
NORDBLOC.1 helical gear units

IEC	a	b	e	f	s	o	d	l	t	u
IEC 63 - C90 **	90	60	75	3	6	32,5	11	23	12,8	4
IEC 63 - C120	120	80	100	3,5	7	32,5				
IEC 63 - A140	140	95	115	3,5	9	32,5				
IEC 71 - C105 **	105	70	85	3	7	32,5	14	30	16,3	5
IEC 71 - C140	140	95	115	3,5	9	32,5				
IEC 71 - A160	160	110	130	4	9	32,5				
IEC 80 - C120 **	120	80	100	3,5	7	32,5	19	40	21,8	6
IEC 80 - C160	160	110	130	4	9	32,5				
IEC 80 - A200	200	130	165	4	M10x20	32,5				
IEC 90 - C140 **	140	95	115	3,5	9	45,5	24	50	27,3	8
IEC 90 - C160	160	110	130	4	9	45,5				
IEC 90 - A200	200	130	165	4	M10x20	45,5				

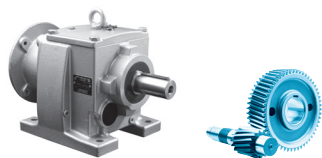
** \Rightarrow A61

SK 673.1 - IEC 100..132

SK 673.1F - IEC 100..132

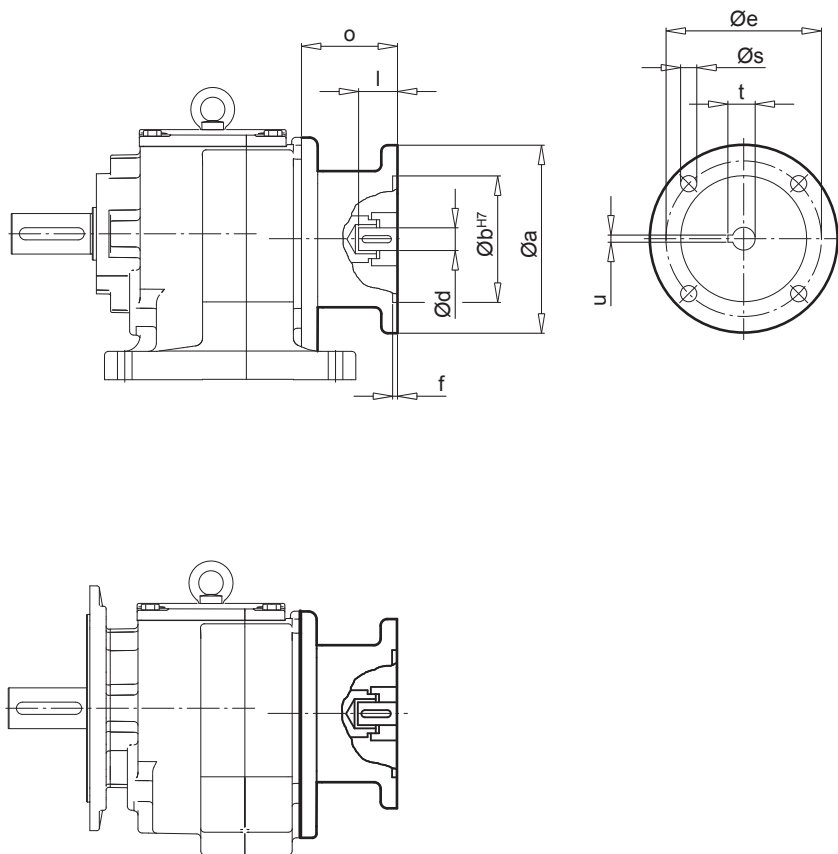


IEC	a	b	e	f	s	o	d	l	t	u
IEC 100	250	180	215	5	M12	82	28	60	31,3	8
IEC 112	250	180	215	5	M12	82	28	60	31,3	8
IEC 132	300	230	265	5	M12	106	38	80	41,3	10



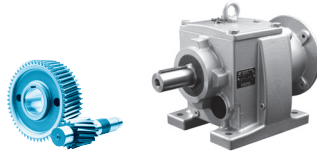
SK 772.1 / 773.1 - IEC 71...132

SK 772.1F / 773.1F - IEC 71...132



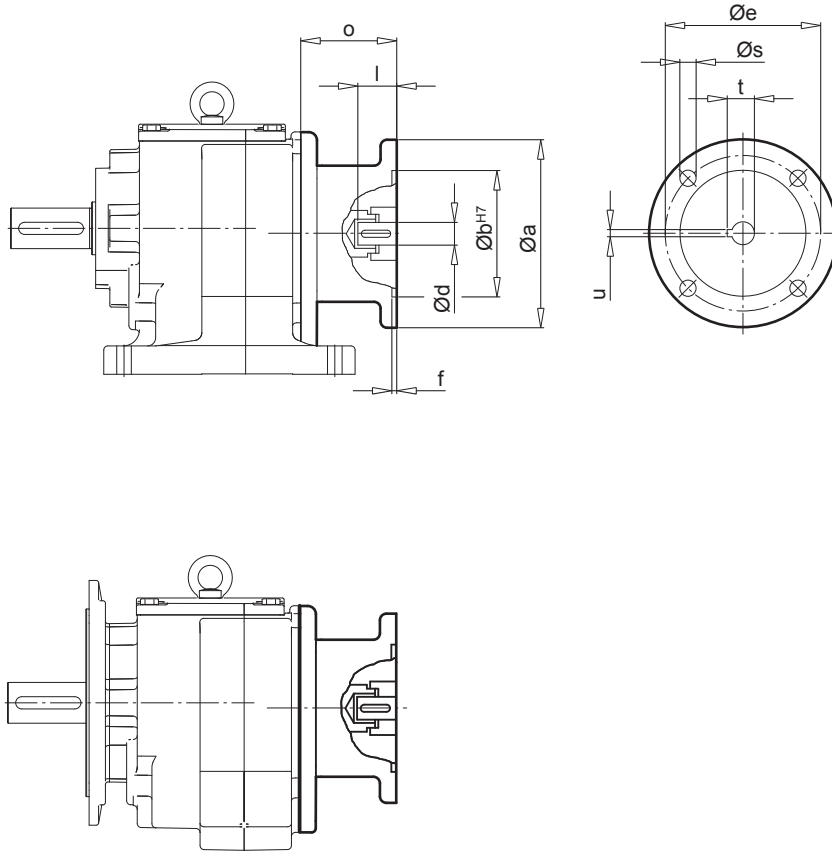
NORDBLOC.1
helical gear units

IEC	a	b	d	e	f	l	o	s	t	u
71	160	110	14	130	4	30	88	M8	16,3	5
80	200	130	19	165	4	40	108	M10	21,8	6
90	200	130	24	165	4	50	108	M10	27,3	8
100	250	180	28	215	5	60	125	M12	31,3	8
112	250	180	28	215	5	60	125	M12	31,3	8
132	300	230	38	265	5	80	156	M12	41,3	10

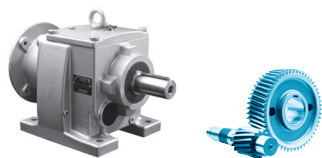
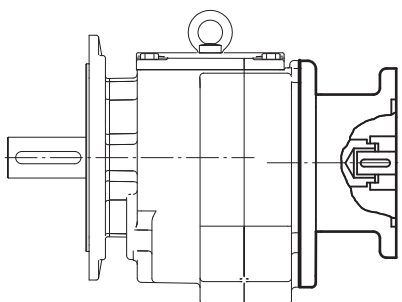
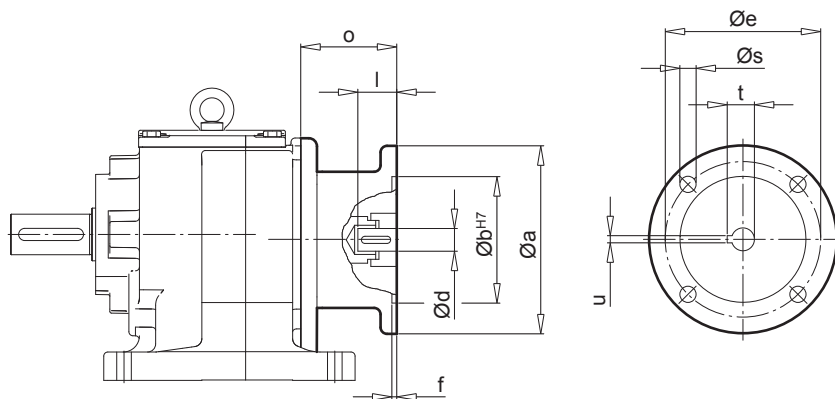


SK 872.1 / 873.1 - IEC 90...180
 SK 872.1F / 873.1F - IEC 90...180

NORDBLOC.1
 helical gear units

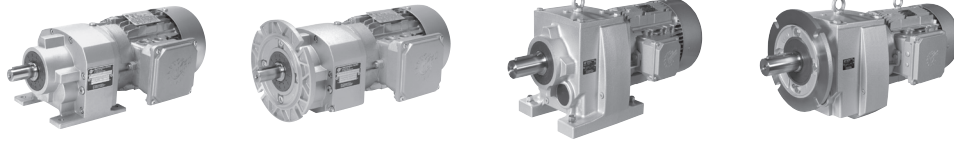


IEC	a	b	d	e	f	l	o	s	t	u
90	200	130	24	165	4	50	109	M10	27,3	8
100	250	180	28	215	5	60	133	M12	31,3	8
112	250	180	28	215	5	60	133	M12	31,3	8
132	300	230	38	265	5	80	190	M12	41,3	10
160	350	250	42	300	6	110	194	M16	45,3	12
180	350	250	48	300	6	110	194	M16	51,8	14


SK 972.1 / 973.1 - IEC 90...200
SK 972.1F / 973.1F - IEC 90...200

NORDBLOC.1
 helical gear units

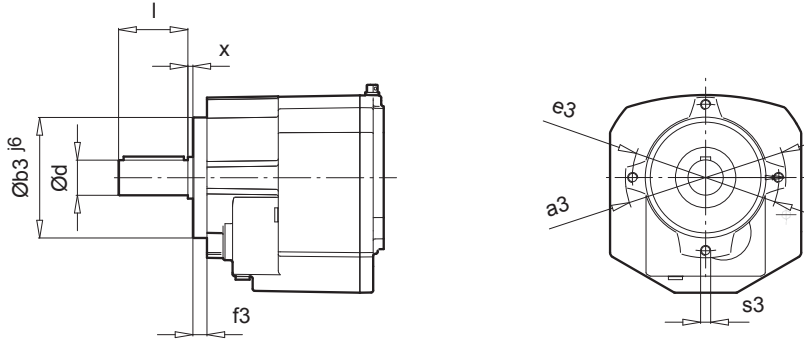
IEC	a	b	d	e	f	l	o	s	t	u
90	200	130	24	165	4	50	109	M10	27,3	8
100	250	180	28	215	5	60	133	M12	31,3	8
112	250	180	28	215	5	60	133	M12	31,3	8
132	300	230	38	265	5	80	190	M12	41,3	10
160	350	250	42	300	6	110	194	M16	45,3	12
180	350	250	48	300	6	110	194	M16	51,8	14
200	400	300	55	350	6	110	245	M16	59,3	16

Z

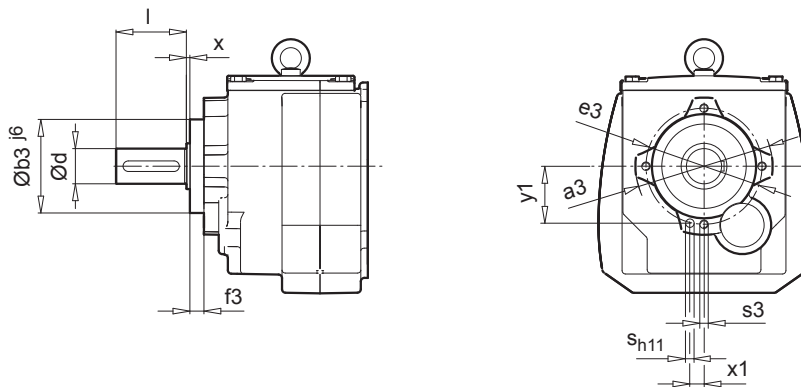


SK 072.1 Z / SK 172.1 Z
SK 372.1 Z - SK 672.1 Z
SK 373.1 Z - SK 673.1 Z

NORDBLOC.1
helical gear units

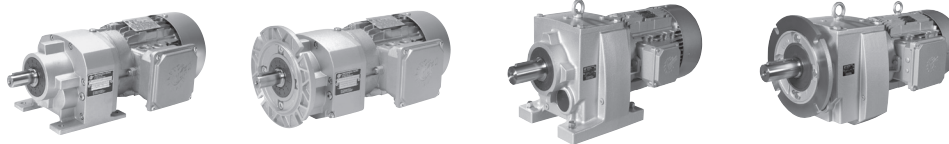


SK 772.1 Z - SK 972.1 Z
SK 773.1 Z - SK 973.1 Z

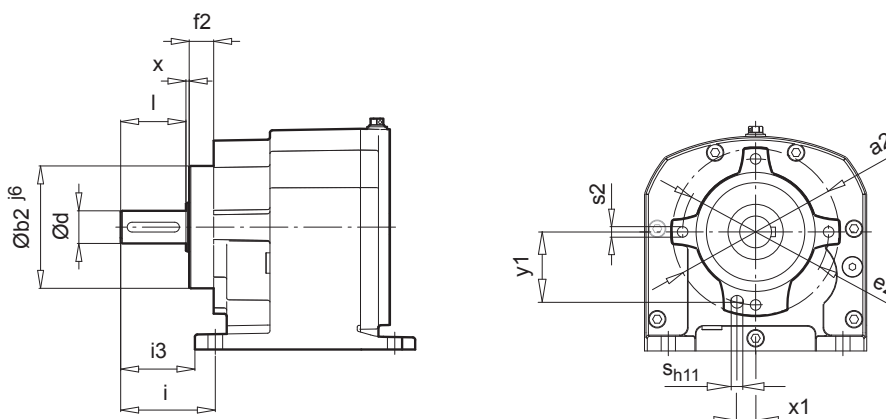


Type	a3	b3	e3	f3	s3	d	l	x	x1	y1	sh11
SK 072.1 Z	80	56	68	12,5	M6x12	20	40	2	8,8	32,84	Ø5x16
SK 172.1 Z	107	75	92	15	M8x18	20	40	2	12	44	Ø8x14,5
SK 372.1 Z SK 373.1 Z	131	95	110	20	M8x16	25	50	3	10,49	53,99	Ø6x20
SK 572.1 Z * SK 573.1 Z *	160	120	145	14	M10x17	35	70	4	17	70	Ø8x20
SK 572.1 Z * SK 573.1 Z *	160	120	145	14	M10x17	30	60	4	17	70	Ø8x20
SK 672.1 Z SK 673.1 Z	180	135	160	14	M10x20	35	70	4	20	77,5	Ø10x20
SK 772.1 Z SK 773.1 Z	152	105	130	16	M12x15	40	80	4	20	61,85	Ø12x20
SK 872.1 Z SK 873.1 Z	194	135	165	20	M12x20	50	100	5	25	79	Ø12x30
SK 972.1 Z SK 973.1 Z	236	168	200	25	M16x25	60	120	6	28	96	Ø16x35

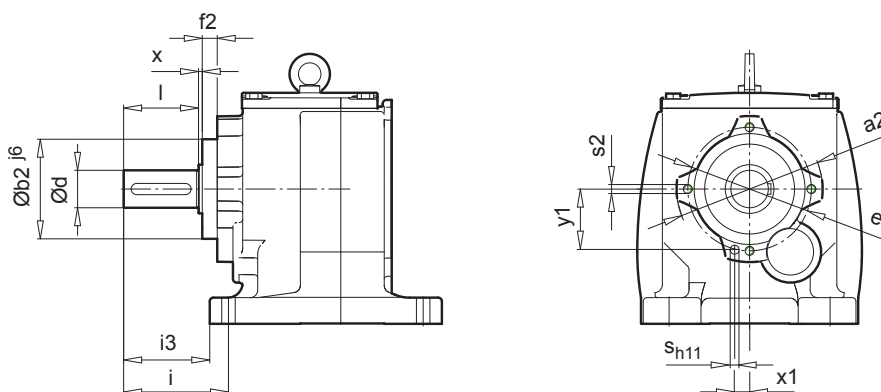
* ⇒ A8



SK 072.1 Z / SK 172.1 XZ
 SK 372.1 Z - SK 672.1 XZ
 SK 373.1 Z - SK 673.1 XZ



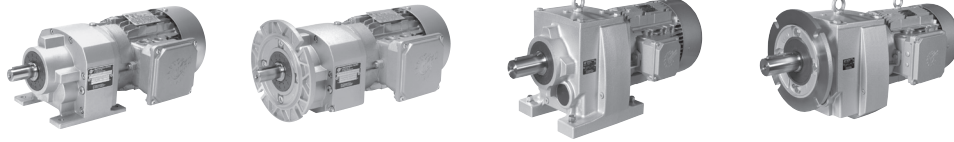
SK 772.1 Z - SK 972.1 XZ
 SK 773.1 Z - SK 973.1 XZ


 NORDBLOC.1
 helical gear units

Type	a2	b2	e2	f2	s2	i	i3	d	l	x	x1	y1	s _{h11}
SK 072.1 XZ	85	56	68	12,5	M6x12	48	41	20	40	2	8,8	32,84	Ø5x16
SK 172.1 XZ	110	75	92	15	M8x18	40	58	20	40	2	12	44	Ø8x14,5
SK 372.1 XZ SK 373.1 XZ	130	95	110	20	M8x16	75	60	25	50	3	10,49	53,99	Ø6x20
SK 572.1 XZ * SK 573.1 XZ *	160	120	145	14	M10x25	100	82,5	35	70	4	17	70	Ø8x20
SK 572.1 XZ * SK 573.1 XZ *	160	120	145	14	M10x25	100	82,5	30	60	4	17	70	Ø8x20
SK 672.1 XZ SK 673.1 XZ	180	135	160	14	M10x20	100	80	35	70	4	20	77,5	Ø10x20
SK 772.1 XZ SK 773.1 XZ	152	105	130	16	M12x15	115	95	40	80	4	20	61,85	Ø12x20
SK 872.1 XZ SK 873.1 XZ	194	135	165	20	M12x20	140	115	50	100	5	25	79	Ø12x30
SK 972.1 XZ SK 973.1 XZ	236	168	200	25	M16x25	160	132,5	60	120	6	28	96	Ø16x35

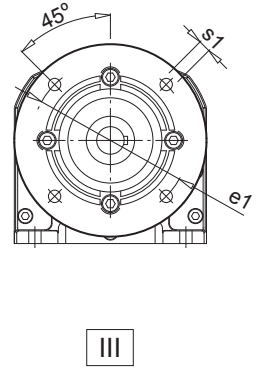
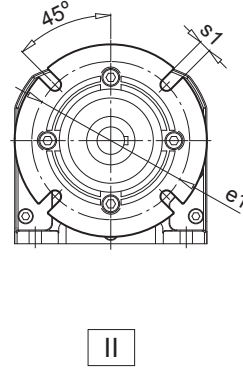
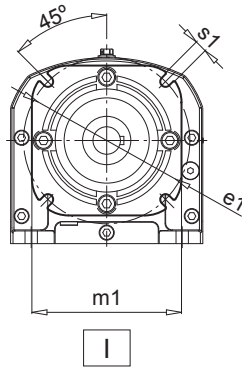
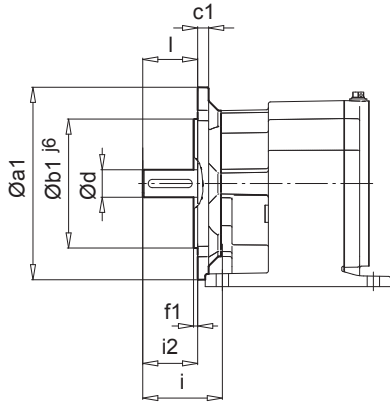
* ⇨ A8

XF

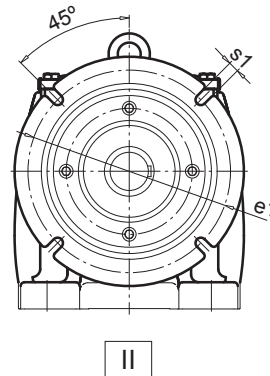
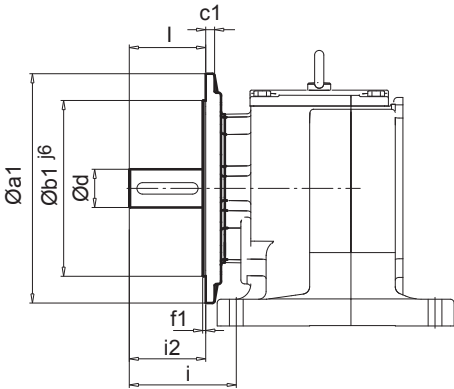


SK 072.1 Z / SK 172.1 XF
 SK 372.1 Z - SK 672.1 XF
 SK 373.1 Z - SK 673.1 XF

NORDBLOC.1
 helical gear units



SK 772.1 Z - SK 972.1 XF
 SK 773.1 Z - SK 973.1 XF

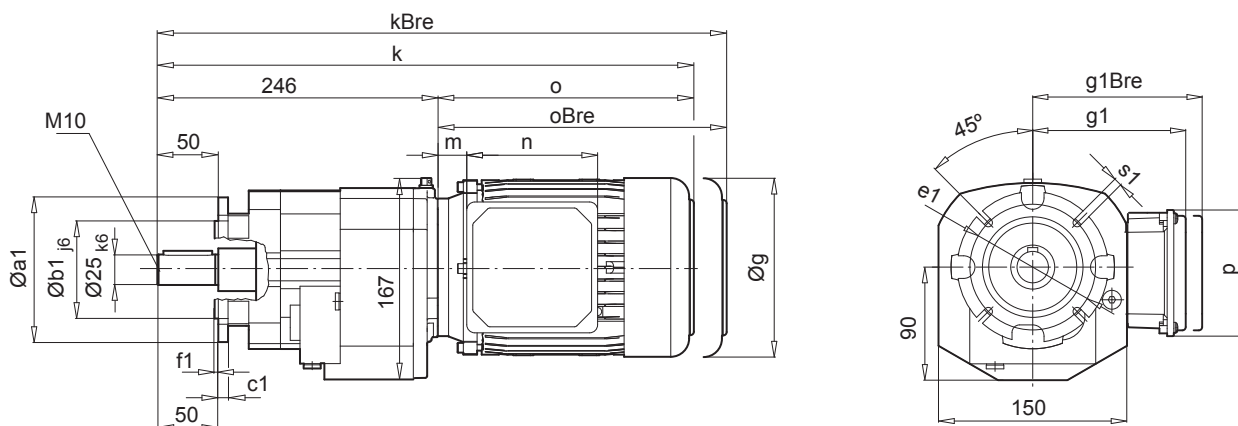


Type		a1	b1	c1	e1	f1	m1	s1	i	i2	d	l
SK 072.1 XF	I	120	80	7	100	3	90	6,6	48	40	20	40
SK 172.1 XF	II	120 140	80 95	8 8	100 115	3 3	-	6,6 9,0	58 58	40 40	20	40
SK 372.1 XF SK 373.1 XF	II	140 160	95 110	9 10	110 130	3 3,5	-	8,6 8,6	75 75	50 50	25	50
SK 572.1 XF * SK 573.1 XF *	II	200	130	12	165	3,5	-	11	100	70	35	70
SK 572.1 XF * SK 573.1 XF *	II	200	130	12	165	3,5	-	11	100	70	30	60
SK 672.1 XF SK 673.1 XF	III	200	130	12	165	4	-	11	88	70	35	70
SK 772.1 XF SK 773.1 XF	II	200 250	180	15	215	4	-	13,5	115	80	40	80
SK 872.1 XF SK 873.1 XF	II	250 300	230	20	265	4	-	13,5	140	100	50	100
SK 972.1 XF SK 973.1 XF	II	300 350	250	20	300	5	-	17,5	160	120	60	120

* ⇨ A8



SK 372.1F SK 373.1F



a1	b1	c1	e1	f1	s1
120	80	8	100	3	6,6

⇒ A8

NORDBLOC.1
helical gear units

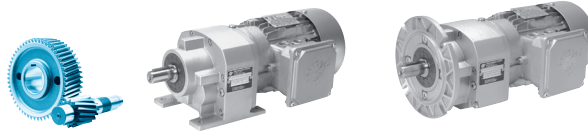
SK 372.1F

± ⇒ A61	63 S / L	71 S / L	80 SH	80 LP	90 SP/LP	100 LP/AP	
g	130	145	165	165	183	201	
g1 / g1Bre	115 / 123	124 / 133	142 / 142	142 / 142	147 / 147	169 / 172	W → B61
k / kBre	442 / 498	482 / 540	507 / 571	507 / 571	548 / 623	578 / 669	
o / oBre	196 / 252	236 / 294	261 / 325	261 / 325	302 / 377	332 / 423	
m / mBre	16 / 23	42 / 49	47 / 51	47 / 51	52 / 56	58 / 62	IEC 63 - 100 → B64
n / nBre	100 / 134	100 / 134	114 / 153	114 / 153	114 / 153	114 / 153	
p / pBre	100 / 89	100 / 89	144 / 108	144 / 108	144 / 108	144 / 108	

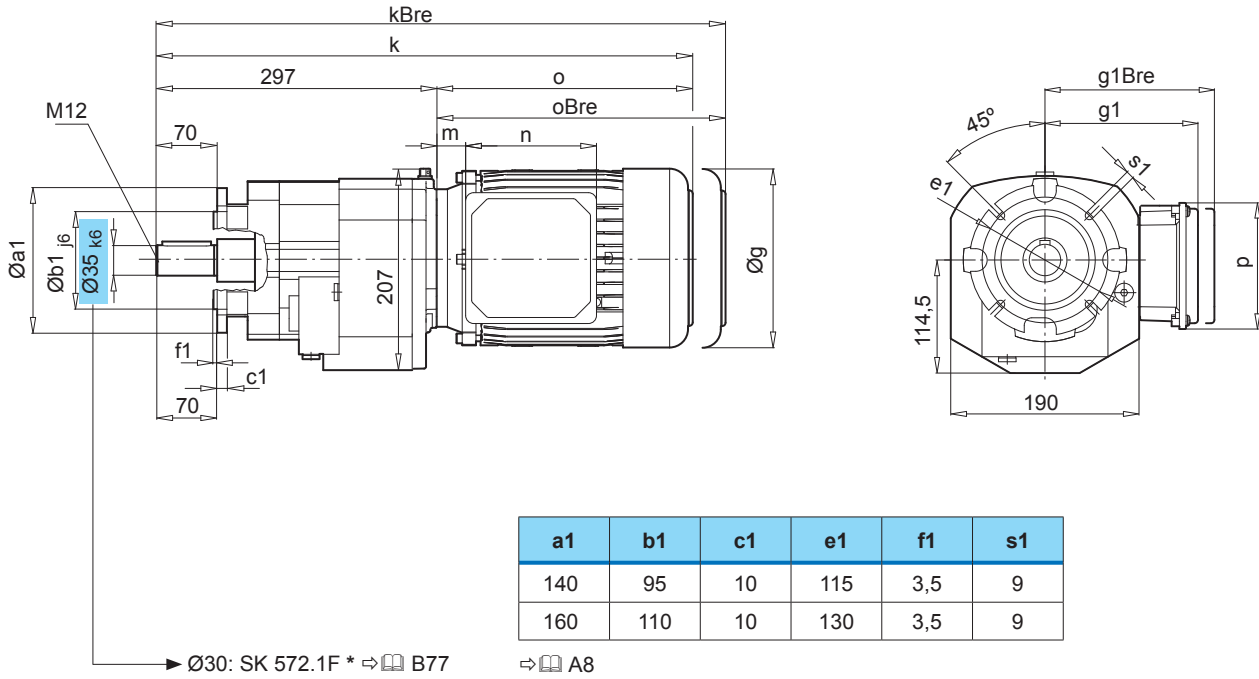
SK 373.1F

± ⇒ A61	63 S / L	71 S / L	80 SH	80 LP	90 SP/LP		
g	130	145	165	165	183		
g1 / g1Bre	115 / 123	124 / 133	142 / 142	142 / 142	147 / 147		W → B61
k / kBre	442 / 498	482 / 540	507 / 571	507 / 571	548 / 623		
o / oBre	196 / 252	236 / 294	261 / 325	261 / 325	302 / 377		
m / mBre	16 / 23	42 / 49	47 / 51	47 / 51	52 / 56		
n / nBre	100 / 134	100 / 134	114 / 153	114 / 153	114 / 153		IEC 63 - 90 → B65
p / pBre	100 / 89	100 / 89	144 / 108	144 / 108	144 / 108		

SK 572.1F SK 573.1F



SK 572.1F SK 573.1F



SK 572.1F

± ⇒ A61	71 S / L	80 SH	80 LP	90 SP/LP	100 LP/AP	112 MP	132 SP/MP	
g	145	165	165	183	201	228	266	W ⇒ B61
g1 / g1Bre	124 / 133	142 / 142	142 / 142	147 / 147	169 / 172	179 / 182	204 / 201	
k / kBre	533 / 591	558 / 622	558 / 622	599 / 674	629 / 720	652 / 745	738 / 845	IEC 63 - 112 ⇒ B66
o / oBre	236 / 294	261 / 325	261 / 325	302 / 377	332 / 423	355 / 448	441 / 548	
m / mBre	42 / 49	47 / 51	47 / 51	52 / 56	58 / 62	74 / 78	65 / 58	
n / nBre	100 / 134	114 / 153	114 / 153	114 / 153	114 / 153	114 / 153	122 / 185	
p / pBre	100 / 89	144 / 108	144 / 108	144 / 108	144 / 108	144 / 108	144 / 108	

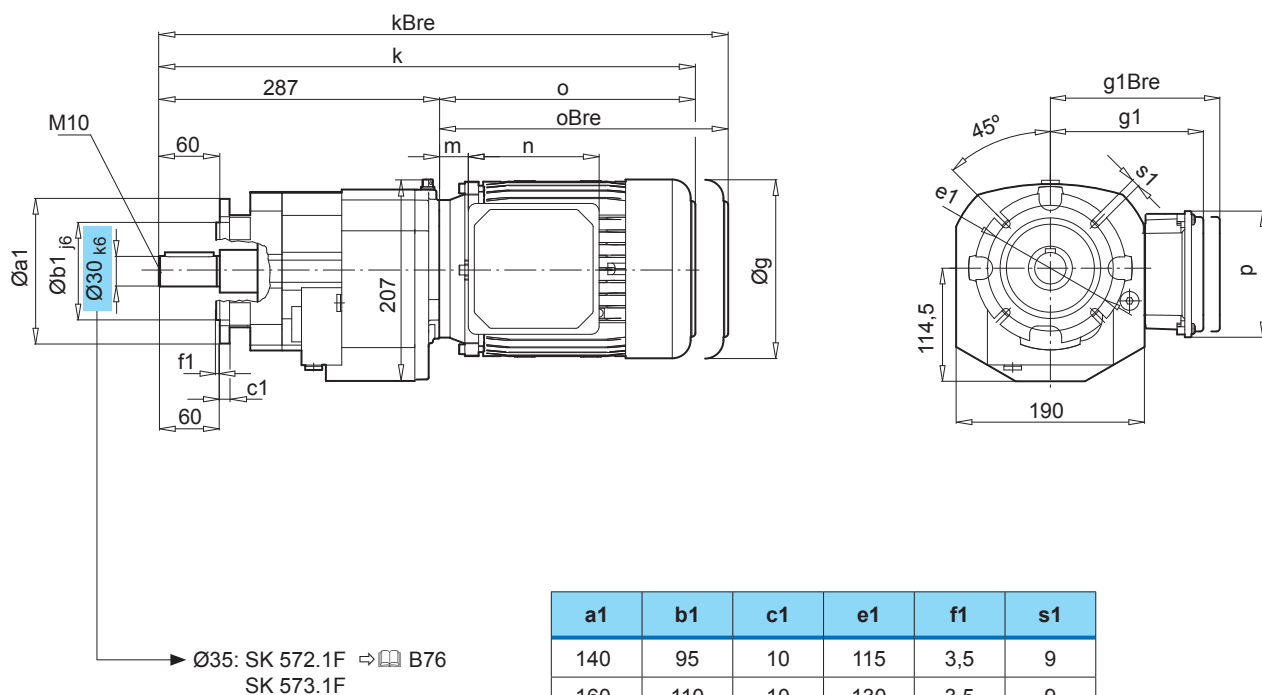
SK 573.1F

± ⇒ A61	63 S / L	71 S / L	80 SH	80 LP	90 SP/LP	100 LP/AP	112 MP	
g	130	145	165	165	183	201	228	W ⇒ B61
g1 / g1Bre	115 / 123	124 / 133	142 / 142	142 / 142	147 / 147	169 / 172	179 / 182	
k / kBre	493 / 549	533 / 591	558 / 622	558 / 622	599 / 674	629 / 720	652 / 745	IEC 63 - 112 ⇒ B67
o / oBre	196 / 252	236 / 294	261 / 325	261 / 325	302 / 377	332 / 423	355 / 448	
m / mBre	16 / 23	42 / 49	47 / 51	47 / 51	52 / 56	58 / 62	74 / 78	
n / nBre	100 / 134	100 / 134	114 / 153	114 / 153	114 / 153	114 / 153	114 / 153	
p / pBre	100 / 89	100 / 89	144 / 108	144 / 108	144 / 108	144 / 108	144 / 108	



SK 572.1F *

SK 573.1F *



a1	b1	c1	e1	f1	s1
140	95	10	115	3,5	9
160	110	10	130	3,5	9

⇒ A8

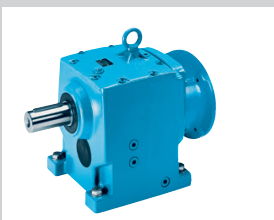
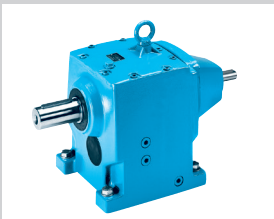
NORDBLOC.1
helical gear units

SK 572.1F *

± ⇒ A61	71 S / L	80 SH	80 LP	90 SP/LP	100 LP/AP	112 MP	132 SP/MP	
g	145	165	165	183	201	228	266	W ⇒ B65
g1 / g1Bre	124 / 133	142 / 142	142 / 142	147 / 147	169 / 172	179 / 182	204 / 201	
k / kBre	523 / 581	548 / 612	548 / 612	589 / 664	619 / 710	642 / 735	728 / 835	IEC 63 - 112 ⇒ B70
o / oBre	236 / 294	261 / 325	261 / 325	302 / 377	332 / 423	355 / 448	441 / 548	
m / mBre	42 / 49	47 / 51	47 / 51	52 / 56	58 / 62	74 / 78	65 / 58	
n / nBre	100 / 134	114 / 153	114 / 153	114 / 153	114 / 153	114 / 153	122 / 185	
p / pBre	100 / 89	144 / 108	144 / 108	144 / 108	144 / 108	144 / 108	144 / 108	

SK 573.1F *

± ⇒ A61	63 S / L	71 S / L	80 SH	80 LP	90 SP/LP	100 LP/AP	112 MP	
g	130	145	165	165	183	201	228	W ⇒ B65
g1 / g1Bre	115 / 123	124 / 133	142 / 142	142 / 142	147 / 147	169 / 172	179 / 182	
k / kBre	483 / 539	523 / 581	548 / 612	548 / 612	589 / 664	619 / 710	642 / 735	IEC 63 - 112 ⇒ B71
o / oBre	196 / 252	236 / 294	261 / 325	261 / 325	302 / 377	332 / 423	355 / 448	
m / mBre	16 / 23	42 / 49	47 / 51	47 / 51	52 / 56	58 / 62	74 / 78	
n / nBre	100 / 134	100 / 134	114 / 153	114 / 153	114 / 153	114 / 153	114 / 153	
p / pBre	100 / 89	100 / 89	144 / 108	144 / 108	144 / 108	144 / 108	144 / 108	



ENQUIRY FORM C - 2

AVAILABLE VERSIONS C - 3

GEAR UNIT MOTOR DATA

Power and speed tables C - 4

Power and speed tables
W- and IEC adapters C - 41

DIMENSIONED DRAWINGS

Helical geared motors C - 63

Helical gear units, W- and IEC adapters C - 92

OPTIONS

XZ Foot and flange-mounted versions, B14 flange. C - 97


XF Foot and flange-mounted versions, B5 flange. C - 97

Beispiele - lieferbare Ausführungen
Gehäuse mit Fußbefestigung

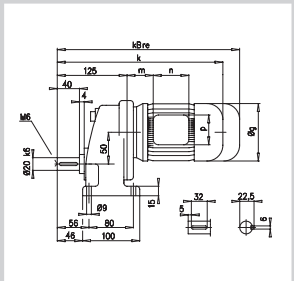
SK 11 E - 90 SH/4
einstufig

SK 12 - 90 LH/4
zweistufig

SK 13 - 71 S/4
dreistufig



P_1 [kW]	n_2 [min ⁻¹]	M_2 [Nm]	f_B	i_g
0,55	2,1	2365	0,8	6f
	2,6	1859	1,0	5d
	2,9	1685	1,1	4e
	4,0	1214	1,5	3e
2,3	2246	0,8	6f	
2,6	2030	0,9	5d	
2,8	1845	1,0	4e	




Enquiry form



This general enquiry form can be found in the attachment as well as on the **NORD** homepage under www.nord.com - Heading DOCUMENTATION / FORMS.

Allgemeines Anfrageformular



Firma	<input type="text"/>	 	NORD DRIVESYSTEMS Rudolf-Diesel-Straße 1 D-22941 Bargteheide Telefon +49(0) 4532/401-0 Telefax +49(0)4532/401-254 E-Mail info@nord.com www.nord.com	
Straße	<input type="text"/>			
Ort	<input type="text"/> PLZ <input type="text"/>			
Kontakt	<input type="text"/>			
Telefon	<input type="text"/>		Kundennr.	<input type="text"/>
Fax	<input type="text"/>	Anwendung	<input type="text"/>	
E-Mail	<input type="text"/>	Projekt	<input type="text"/>	

Benötigte Komponente

Getriebemotor
 IEC - Getriebemotor
 Getriebe mit freiem Wellenende
 Solo - Motor

Menge Typ



Getriebespezifische Parameter	
Bauform <input type="text"/>	Übersetzung i <input type="text"/>
Flansch <input type="radio"/> B14 <input type="radio"/> B5 ϕ <input type="text"/> [mm]	
<input type="radio"/> Hohlwelle <input type="radio"/> Vollwelle ϕ <input type="text"/> x <input type="text"/> [mm]	
Abtriebsdrehz. bei Netzfq. n_2 <input type="text"/> [min ⁻¹]	
Abtriebsdrehmoment M_2 <input type="text"/> [Nm]	
Mindest - Betriebsfaktor f_b <input type="text"/>	
Mindestlagerlebensdauer L_h <input type="text"/> [h]	
Querkräfte an der Abtriebswelle F_{R2} <input type="text"/> [N]	
Axialkräfte an der Abtriebswelle F_{A2} <input type="text"/> [N]	
Abst. vom Wellenbund z. Kraftangr. <input type="text"/> [mm]	

Getriebespezifische Parameter	
Lagerung <input type="radio"/> normal <input type="radio"/> VL <input type="radio"/> VL2 <input type="radio"/> VL3 <input type="radio"/> AL	
Bei Kegelrad- oder Schneckengetr. Welle bei <input type="radio"/> A <input type="radio"/> B	
Ölsorte <input type="radio"/> Mineral <input type="radio"/> synth. <input type="radio"/> Lebensmittelöl	
<input type="radio"/> Spezielle Ölsorte <input type="text"/>	
Motorspezifische Parameter	
Effektive Motorleistung <input type="text"/> [kW]	
Motordrehzahl n_1 <input type="text"/> [min ⁻¹]	
Temperaturfühler (Kaltleiter) <input type="radio"/> Bimetal Temperaturwächter <input type="radio"/>	
Netzspannung <input type="text"/> [V] +/- <input type="text"/> [%]	
Netzfrequenz <input type="text"/> [Hz]	

Seite 1 von 2



Rahmenbedingungen	
Umgebungstemperaturen von <input type="text"/> bis <input type="text"/> [°C]	
<input type="checkbox"/> Puffermontage bei Fahrtrieb	<input type="text"/> [Nm]
<input type="checkbox"/> Relative Luftfeuchte	<input type="text"/> [%]
<input type="checkbox"/> Direkte Sonneneinstrahlung	
<input type="checkbox"/> Aggressive Medien (z.B.: salzhaltige Luft)	
<input type="checkbox"/> erhöhte Aufstellhöhe	<input type="text"/> [m]
<input type="checkbox"/> Niederschlag	
<input type="checkbox"/> ATEX (Explosive Gemische in der Umgebung) Zone	<input type="text"/>
Lackierung	
<input type="radio"/> Unlackiert	
<input type="radio"/> Farbe 1.0 - Grundiert	
<input type="radio"/> Farbe 2.0 - Standard	
<input type="radio"/> Farbe 3.0 - normale Umweltbelastung	
<input type="radio"/> Farbe 3.1 - mittlere Umweltbelastung	
<input type="radio"/> Farbe 3.2 - starke Umweltbelastung	
<input type="radio"/> andere Lackierung (z.B.: Z, 3.4 oder 3.5)	<input type="text"/>
<input type="checkbox"/> Sonder Farbtone (Standard RAL7031) RAL	<input type="text"/>
<input type="checkbox"/> Vorschriften DIN EN, etc. bitte Angeben	<input type="text"/>
Allgemeine Bedingungen	
Angebot bis zum	<input type="text"/>
Einkaufsbedingungen bekannt <input type="radio"/> nicht bekannt <input type="radio"/>	
Einkaufsbedingungen als Anlage <input type="checkbox"/>	
Lieferzeit nach Eingang der Bestellung	<input type="text"/>
Lieferung Frachtfrei <input type="checkbox"/>	

Scnaisnrankumrncnter motoraugebauer umrncnter

Verstellbereich von [Hz] bis [Hz]

Konstantes Moment im Verstellbereich [Nm]

Fremdlüfter

Motorvergrößerung (bei konstantem Moment)

Positionierung Inkremental Absolut

Drehzahlrückführung

Generatorischer Betr. rückgesp. Leistung [kW]

Bussystem - um was für ein Bussystem handelt es sich

Bedienung über PC Bedienbox

Bemerkungen

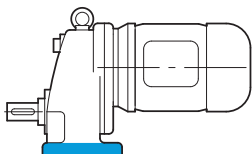
Seite 2 von 2

Helical Gear Units

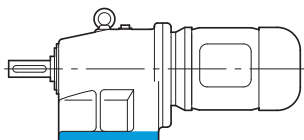
Examples - available helical gear unit versions

Housing with foot mounting

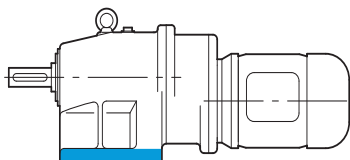
SK 11 E - 90 SH/4
Single stage



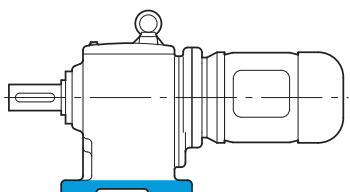
SK 12 - 90 LH/4
Two-stage



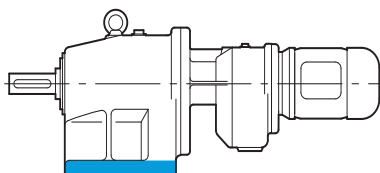
SK 13 - 71 S/4
Three-stage



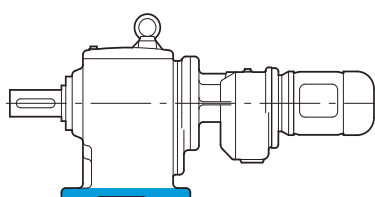
SK 62 - 160 LH/4
SK 63 - 160 LH/4
Two- and three-stage



SK 12/02 - 63 S/4
Four-stage

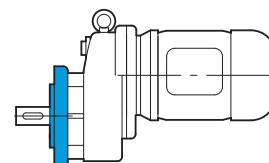


SK 63/22 - 80 SH/4
Five- and six-stage

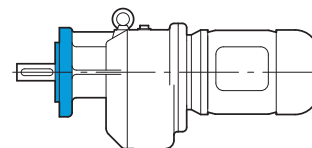


Housing with B5 - flange mounting

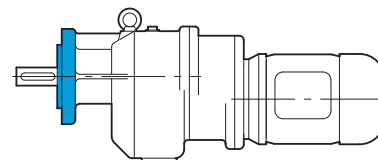
SK 11 EF - 90 SH/4
Single stage



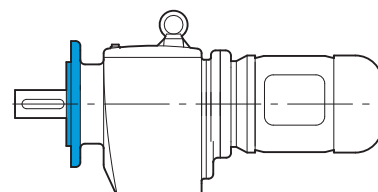
SK 12 F - 90 LH/4
Two-stage



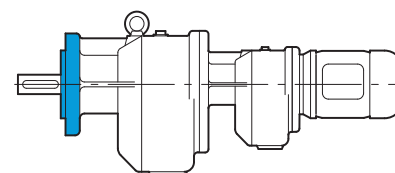
SK 13 F - 71 S/4
Three-stage



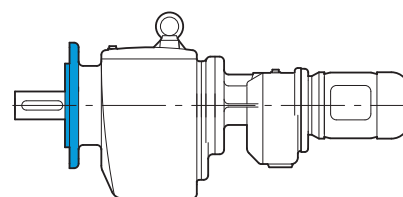
SK 62 F - 100 AH/4
SK 63 F - 100 AH/4
Two- and three-stage



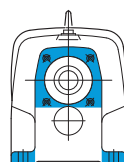
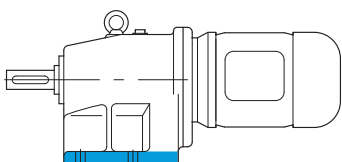
SK 12/02 F - 63 S/4
Four-stage



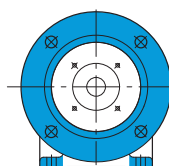
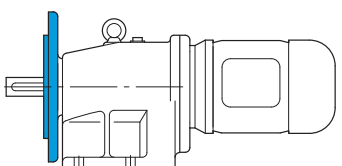
SK 63/22 F - 80 SH/4
Five- and six-stage



Housing options for foot and flange-mounting



SK 12 XZ - 80 LH/4
Foot-mounting & B14 flange
Two-stage



SK 12 XF - 80 LH/4
Foot-mounting & B5 flange
Two-stage

All helical gear units are also available: - with free drive shaft (Type suffix W)
- for mounting IEC standard motors (Type suffix IEC)

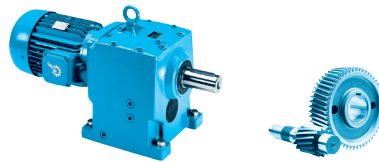
0,12 kW




Helical Gear Units

P ₁ [kW]	n ₂ [min ⁻¹]	M ₂ [Nm]	f _B	i _{ges}	F _R [kN]	F _A [kN]	F _{R VL} [kN]	F _{A VL} [kN]	Type	kg	mm 			
0,12	1,5	526	3,5	918,83	14,1	23,8	19,8	40,0	SK 52/12 - 63 S/4	88	C78 C90			
	1,0	797	1,5	1393,38	7,4	12,0	10,9	30,0	SK 42/12 - 63 S/4	59	C76 C90			
	1,2	638	1,9	1114,65	7,8	12,0	11,1	30,0						
	1,8	429	2,8	750,33	8,1	12,0	11,4	29,1						
	1,0	*775	0,8	1305,66	5,4	9,0	8,5	25,0	SK 32/12 - 63 S/4	47	C74 C90			
	1,2	618	1,0	1080,05	6,0	9,0	8,9	25,0						
	1,5	497	1,2	869,04	6,3	9,0	9,1	25,0						
	1,9	400	1,5	699,55	6,5	9,0	9,2	25,0						
	2,4	317	2,0	554,68	6,7	9,0	9,3	25,0						
	3,0	255	2,4	446,31	6,7	9,0	9,4	25,0						
	3,7	208	3,0	363,06	6,8	9,0	9,4	25,0						
	1,2	*712	0,8	740,37	5,7	9,0	8,6	25,0	SK 33N - 63 L/6	43	C75			
	1,3	*700	0,8	662,81	5,7	9,0	8,7	25,0						
	1,5	*792	0,8	585,41	5,4	9,0	8,4	25,0						
	1,7	694	1,0	524,08	5,8	9,0	8,7	25,0						
	2,1	558	1,2	421,32	6,2	9,0	9,0	25,0						
	1,8	636	0,9	740,37	5,9	9,0	8,8	25,0	SK 33N - 63 S/4	43	C75			
	2,0	569	1,0	662,81	6,2	9,0	9,0	25,0						
	2,3	503	1,3	585,41	6,3	9,0	9,1	25,0						
	2,5	450	1,5	524,08	6,4	9,0	9,2	25,0						
	3,2	362	1,9	421,32	6,6	9,0	9,3	25,0						
	3,9	291	2,2	339,15	6,7	9,0	9,4	25,0						
	5,4	213	3,2	248,17	6,8	9,0	9,4	23,5						
	6,4	178	3,8	207,10	6,8	9,0	9,4	22,4						
	1,2	*425	0,8	1159,34	3,9	5,6	6,4	20,0				SK 22/02 - 63 S/4	34	C72 C90
	1,5	*425	0,8	881,66	3,9	5,6	6,4	20,0						
	1,7	*342	0,8	516,65	4,5	5,6	6,8	20,0	SK 23 - 63 L/6	31	C73			
	2,1	*425	0,8	417,95	3,9	5,6	6,4	20,0						
	2,7	*425	0,8	323,70	3,9	5,6	6,4	20,0						
	2,6	*342	0,8	516,65	4,5	5,6	6,8	20,0	SK 23 - 63 S/4	31	C73			
	3,2	359	0,9	417,95	4,4	5,6	6,8	19,4						
	4,1	278	1,2	323,70	4,8	5,6	7,1	18,4						
	5,1	225	1,5	262,24	5,1	5,6	7,2	17,5						
	6,1	187	1,8	217,73	5,2	5,6	7,3	16,8						
	7,4	154	2,0	179,50	5,3	5,6	7,4	15,9						
	8,8	130	2,3	151,44	5,3	5,6	7,4	15,2						
	11	107	3,2	124,17	5,4	5,6	7,4	14,6						
	13	86	3,9	100,60	5,4	5,6	7,5	13,8						
	15	76	4,5	88,45	5,4	5,6	7,5	13,3						
	1,0	*225	0,8	1280,32	2,8	4,0	4,5	14,5				SK 12/02 - 63 S/4	22	C70 C90
	1,3	*225	0,8	1054,29	2,8	4,0	4,5	14,5						
	1,5	*225	0,8	886,11	2,8	4,0	4,5	14,5						
	2,1	*209	0,8	420,83	3,0	4,0	4,6	14,5	SK 13 - 63 L/6	19	C71			
	2,3	*220	0,8	369,34	2,9	4,0	4,6	14,5						
	2,8	*209	0,8	313,48	3,0	4,0	4,6	14,5						
	3,1	*220	0,8	275,12	2,9	4,0	4,6	14,5						
	3,5	*221	0,8	244,62	2,9	4,0	4,6	14,5						
	3,2	*209	0,8	420,83	3,0	4,0	4,6	14,5	SK 13 - 63 S/4	19	C71			
	3,6	*220	0,8	369,34	2,9	4,0	4,6	14,5						
	4,3	*209	0,8	313,48	3,0	4,0	4,6	14,5						
	4,9	*220	0,8	275,12	2,9	4,0	4,6	14,5						
	5,5	*221	0,8	244,62	2,9	4,0	4,6	14,0						
	6,8	168	1,2	195,78	3,2	4,0	4,8	13,4						
	8,4	137	1,2	159,36	3,4	4,0	4,9	12,7						
	10	114	1,3	132,45	3,5	4,0	5,0	12,1						
	12	93	1,9	108,72	3,6	4,0	5,0	11,7						
	16	73	2,4	85,47	3,6	4,0	5,0	11,0						

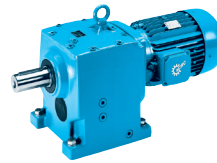
* Maximum output torque with f_B = 0,8



P ₁ [kW]	n ₂ [min ⁻¹]	M ₂ [Nm]	f _B	i _{ges}	F _R [kN]	F _A [kN]	F _{R VL} [kN]	F _{A VL} [kN]	Type	kg	mm 																																																																																																																																																																																																																																																																																																																																																																																																																																																																																																																													
0,12	12	96	1,4	72,63	3,5	4,0	5,0	11,8	SK 12 - 63 L/6	14	C70																																																																																																																																																																																																																																																																																																																																																																																																																																																																																																																													
	14	81	1,9	61,35	3,6	4,0	5,0	11,3					18	62	2,2	72,63	3,6	4,0	5,1	10,6	SK 12 - 63 S/4	14	C70	22	53	2,9	61,35	3,7	4,0	5,1	10,1	25	46	3,8	53,84	3,7	4,0	5,1	9,8	31	37	4,4	43,09	3,7	4,0	5,1	9,2	38	30	4,9	35,07	3,7	4,0	5,1	8,6	46	25	5,0	29,15	3,7	4,0	5,1	8,2	63	18	9,1	21,28	3,5	4,0	5,1	7,5	71	16	10,0	18,79	3,3	4,0	5,1	7,3	80	14	10,7	16,73	3,2	4,0	5,1	7,0	100	11	13,0	13,39	3,0	4,0	5,1	6,6		4,3	*111	0,8	313,11	2,0	3,3	3,0	6,2	SK 03 - 63 S/4	16	C69	4,9	*111	0,8	274,28	2,0	3,3	3,0	6,2	6,3	*132	0,8	212,47	1,7	3,3	2,9	6,2	7,8	*135	0,8	170,75	1,7	3,3	2,9	6,2	8,8	*138	0,8	151,33	1,7	3,3	2,9	6,2	11	107	1,0	124,62	2,0	3,3	3,1	6,2	13	90	1,1	104,77	2,1	3,3	3,2	6,2	16	70	1,5	81,50	2,2	3,3	3,2	6,2		12	97	0,9	73,06	2,1	3,3	3,1	6,2	SK 02 - 63 L/6	12	C68	14	81	1,1	61,27	2,2	3,3	3,2	6,2	16	71	1,2	53,68	2,2	3,3	3,2	6,2		18	63	1,4	73,06	2,3	3,3	3,3	6,2	SK 02 - 63 S/4	12	C68	22	53	1,7	61,27	2,3	3,3	3,3	6,2	25	46	1,9	53,68	2,3	3,3	3,3	6,2	32	36	2,8	41,58	2,4	3,3	3,3	6,2	40	29	3,3	33,42	2,4	3,3	3,3	6,2	49	24	3,7	27,52	2,4	3,3	3,3	6,2	58	20	3,9	23,13	2,4	3,3	3,3	6,2	65	18	4,2	20,59	2,4	3,3	3,3	6,2	84	14	5,3	15,95	2,4	3,3	3,3	5,8	104	11	6,4	12,82	2,4	3,3	3,3	5,4	118	10	6,9	11,27	2,4	3,3	3,3	5,2	134	9	7,5	9,95	2,4	3,3	3,3	5,0	144	8	8,2	9,28	2,4	3,3	3,3	4,8	163	7	9,0	8,19	2,3	3,3	3,3	4,7	171	7	9,4	7,80	2,3	3,3	3,2	4,6	194	6	10,3	6,89	2,2	3,3	3,1	4,4	219	5	10,9	6,10	2,1	3,3	3,0	4,2	240	5	11,9	5,57	2,0	3,3	2,9	4,1	277	4	13,8	4,82	1,9	3,3	2,8	3,9	316	4	14,4	4,22	1,9	3,3	2,6	3,8	343	3	15,9	3,89	1,8	3,3	2,6	3,7	395	3	17,6	3,38	1,7	3,1	2,5	3,5	453	3	18,2	2,95	1,6	2,9	2,3	3,3		472	2	22,2	2,83	-	3,5	2,0	5,2	SK 11E - 63 S/4	10	C63	575	2	28,1	2,32	-	3,2	2,0	4,7	654	2	33,1	2,04	-	3,0	2,0	4,5	738	2	35,4	1,81	-	2,8	2,0	4,3	0,18	1,0	1385	2,3	1408,77	19,7	45,0	27,9	45,0	SK 63/23 - 63 L/4	160	C81 C91	1,3	1046	3,1	1064,04	20,0	45,0	28,1	45,0		1,0	1401	1,3	1425,44	12,9	23,8	18,9	40,0	SK 52/12 - 63 L/4	88	C78 C90	1,5	903	2,0	918,83	13,7	23,8	19,5	40,0	2,0	678	2,7	689,41	14,0	23,8	19,7	40,0		1,0	1370	0,9	1393,38	5,0	12,0	9,4	30,0	SK 42/12 - 63 L/4	59	C76 C90	1,2	1096	1,1	1114,65	6,4	12,0	10,2	29,3	1,8	738	1,6	750,33	7,6	12,0	11,0	27,3	2,5	541	2,2	550,73	8,0	12,0	11,3	25,6	3,1	426	2,8	433,49	8,1	12,0	11,4	24,2	3,9	341	3,5	346,53	8,2	12,0	11,4	22,9	4,9	272	4,4	276,92	8,3
		18	62	2,2	72,63	3,6	4,0	5,1	10,6	SK 12 - 63 S/4	14		C70																																																																																																																																																																																																																																																																																																																																																																																																																																																																																																																											
		22	53	2,9	61,35	3,7	4,0	5,1	10,1																																																																																																																																																																																																																																																																																																																																																																																																																																																																																																																															
		25	46	3,8	53,84	3,7	4,0	5,1	9,8																																																																																																																																																																																																																																																																																																																																																																																																																																																																																																																															
		31	37	4,4	43,09	3,7	4,0	5,1	9,2																																																																																																																																																																																																																																																																																																																																																																																																																																																																																																																															
		38	30	4,9	35,07	3,7	4,0	5,1	8,6																																																																																																																																																																																																																																																																																																																																																																																																																																																																																																																															
		46	25	5,0	29,15	3,7	4,0	5,1	8,2																																																																																																																																																																																																																																																																																																																																																																																																																																																																																																																															
		63	18	9,1	21,28	3,5	4,0	5,1	7,5																																																																																																																																																																																																																																																																																																																																																																																																																																																																																																																															
		71	16	10,0	18,79	3,3	4,0	5,1	7,3																																																																																																																																																																																																																																																																																																																																																																																																																																																																																																																															
80		14	10,7	16,73	3,2	4,0	5,1	7,0																																																																																																																																																																																																																																																																																																																																																																																																																																																																																																																																
100		11	13,0	13,39	3,0	4,0	5,1	6,6				4,3		*111	0,8	313,11	2,0	3,3	3,0	6,2	SK 03 - 63 S/4	16	C69	4,9	*111	0,8	274,28	2,0	3,3	3,0	6,2	6,3	*132	0,8	212,47	1,7	3,3	2,9	6,2	7,8	*135	0,8	170,75	1,7	3,3	2,9	6,2	8,8	*138	0,8	151,33	1,7	3,3	2,9	6,2	11	107	1,0	124,62	2,0	3,3	3,1	6,2	13	90	1,1	104,77	2,1	3,3	3,2	6,2	16	70	1,5	81,50	2,2	3,3	3,2	6,2		12	97	0,9	73,06	2,1	3,3	3,1	6,2	SK 02 - 63 L/6	12	C68	14	81	1,1	61,27	2,2	3,3	3,2	6,2	16	71	1,2	53,68	2,2	3,3	3,2	6,2		18	63	1,4	73,06	2,3	3,3	3,3	6,2	SK 02 - 63 S/4	12	C68	22	53	1,7	61,27	2,3	3,3	3,3	6,2	25	46	1,9	53,68	2,3	3,3	3,3	6,2	32	36	2,8	41,58	2,4	3,3	3,3	6,2	40	29	3,3	33,42	2,4	3,3	3,3	6,2	49	24	3,7	27,52	2,4	3,3	3,3	6,2	58	20	3,9	23,13	2,4	3,3	3,3	6,2	65	18	4,2	20,59	2,4	3,3	3,3	6,2	84	14	5,3	15,95	2,4	3,3	3,3	5,8	104	11	6,4	12,82	2,4	3,3	3,3	5,4		118	10	6,9	11,27	2,4	3,3	3,3	5,2				134	9	7,5	9,95	2,4	3,3	3,3	5,0	144	8	8,2	9,28	2,4	3,3	3,3	4,8	163	7	9,0	8,19	2,3	3,3	3,3	4,7	171	7	9,4	7,80	2,3	3,3	3,2	4,6	194	6	10,3	6,89	2,2	3,3	3,1	4,4	219	5	10,9	6,10	2,1	3,3	3,0	4,2	240	5	11,9	5,57	2,0	3,3	2,9	4,1	277	4	13,8	4,82	1,9	3,3	2,8	3,9	316	4	14,4	4,22	1,9	3,3	2,6	3,8	343	3	15,9	3,89	1,8	3,3	2,6	3,7	395	3	17,6	3,38	1,7	3,1	2,5	3,5	453	3	18,2	2,95	1,6	2,9	2,3	3,3		472	2	22,2	2,83	-	3,5	2,0	5,2	SK 11E - 63 S/4	10	C63	575	2	28,1	2,32	-	3,2	2,0	4,7	654	2	33,1	2,04	-	3,0	2,0	4,5	738	2	35,4	1,81	-	2,8	2,0	4,3	0,18	1,0	1385	2,3	1408,77	19,7	45,0	27,9	45,0	SK 63/23 - 63 L/4	160	C81 C91	1,3	1046	3,1	1064,04	20,0	45,0	28,1	45,0		1,0	1401	1,3	1425,44	12,9	23,8	18,9	40,0	SK 52/12 - 63 L/4	88	C78 C90	1,5	903	2,0	918,83	13,7	23,8	19,5	40,0	2,0	678	2,7	689,41	14,0	23,8	19,7	40,0		1,0	1370	0,9	1393,38	5,0	12,0	9,4	30,0	SK 42/12 - 63 L/4	59	C76 C90	1,2	1096	1,1	1114,65	6,4	12,0	10,2	29,3	1,8	738	1,6	750,33	7,6	12,0	11,0	27,3	2,5	541	2,2	550,73	8,0	12,0	11,3	25,6	3,1	426	2,8	433,49	8,1	12,0	11,4	24,2	3,9	341	3,5	346,53	8,2	12,0	11,4	22,9	4,9	272	4,4	276,92	8,3	12,0	11,5	21,6																																																																													
	4,3	*111	0,8	313,11	2,0	3,3	3,0	6,2		SK 03 - 63 S/4	16	C69																																																																																																																																																																																																																																																																																																																																																																																																																																																																																																																												
	4,9	*111	0,8	274,28	2,0	3,3	3,0	6,2																																																																																																																																																																																																																																																																																																																																																																																																																																																																																																																																
	6,3	*132	0,8	212,47	1,7	3,3	2,9	6,2																																																																																																																																																																																																																																																																																																																																																																																																																																																																																																																																
	7,8	*135	0,8	170,75	1,7	3,3	2,9	6,2																																																																																																																																																																																																																																																																																																																																																																																																																																																																																																																																
	8,8	*138	0,8	151,33	1,7	3,3	2,9	6,2																																																																																																																																																																																																																																																																																																																																																																																																																																																																																																																																
	11	107	1,0	124,62	2,0	3,3	3,1	6,2																																																																																																																																																																																																																																																																																																																																																																																																																																																																																																																																
	13	90	1,1	104,77	2,1	3,3	3,2	6,2																																																																																																																																																																																																																																																																																																																																																																																																																																																																																																																																
	16	70	1,5	81,50	2,2	3,3	3,2	6,2					12	97	0,9	73,06	2,1	3,3	3,1	6,2	SK 02 - 63 L/6	12	C68	14	81	1,1	61,27	2,2	3,3	3,2	6,2	16	71	1,2	53,68	2,2	3,3	3,2	6,2		18	63	1,4	73,06	2,3	3,3	3,3	6,2	SK 02 - 63 S/4	12	C68	22	53	1,7	61,27	2,3	3,3	3,3	6,2	25	46	1,9	53,68	2,3	3,3	3,3	6,2	32	36	2,8	41,58	2,4	3,3	3,3	6,2	40	29	3,3	33,42	2,4	3,3	3,3	6,2	49	24	3,7	27,52	2,4	3,3	3,3	6,2	58	20	3,9	23,13	2,4	3,3	3,3	6,2	65	18	4,2	20,59	2,4	3,3	3,3	6,2		84	14	5,3	15,95	2,4	3,3	3,3	5,8				104	11	6,4	12,82	2,4	3,3	3,3	5,4	118	10	6,9	11,27	2,4	3,3	3,3	5,2	134	9	7,5	9,95	2,4	3,3	3,3	5,0	144	8	8,2	9,28	2,4	3,3	3,3	4,8	163	7	9,0	8,19	2,3	3,3	3,3	4,7	171	7	9,4	7,80	2,3	3,3	3,2	4,6	194	6	10,3	6,89	2,2	3,3	3,1	4,4	219	5	10,9	6,10	2,1	3,3	3,0	4,2	240	5	11,9	5,57	2,0	3,3	2,9	4,1		277	4	13,8	4,82	1,9	3,3	2,8	3,9				316	4	14,4	4,22	1,9	3,3	2,6	3,8	343	3	15,9	3,89	1,8	3,3	2,6	3,7	395	3	17,6	3,38	1,7	3,1	2,5	3,5	453	3	18,2	2,95	1,6	2,9	2,3	3,3		472	2	22,2	2,83	-	3,5	2,0	5,2	SK 11E - 63 S/4	10	C63	575	2	28,1	2,32	-	3,2	2,0	4,7	654	2	33,1	2,04	-	3,0	2,0	4,5	738	2	35,4	1,81	-	2,8	2,0	4,3	0,18	1,0	1385	2,3	1408,77	19,7	45,0	27,9	45,0	SK 63/23 - 63 L/4	160	C81 C91	1,3	1046	3,1	1064,04	20,0	45,0	28,1	45,0		1,0	1401	1,3	1425,44	12,9	23,8	18,9	40,0	SK 52/12 - 63 L/4	88	C78 C90	1,5	903	2,0	918,83	13,7	23,8	19,5	40,0	2,0	678	2,7	689,41	14,0	23,8	19,7	40,0		1,0	1370	0,9	1393,38	5,0	12,0	9,4	30,0	SK 42/12 - 63 L/4	59	C76 C90	1,2	1096	1,1	1114,65	6,4	12,0	10,2	29,3	1,8	738	1,6	750,33	7,6	12,0	11,0	27,3	2,5	541	2,2	550,73	8,0	12,0	11,3	25,6	3,1	426	2,8	433,49	8,1	12,0	11,4	24,2	3,9	341	3,5	346,53	8,2	12,0	11,4	22,9	4,9	272	4,4	276,92	8,3	12,0	11,5	21,6																																																																																																																																													
	12	97	0,9	73,06	2,1	3,3	3,1	6,2		SK 02 - 63 L/6	12	C68																																																																																																																																																																																																																																																																																																																																																																																																																																																																																																																												
	14	81	1,1	61,27	2,2	3,3	3,2	6,2																																																																																																																																																																																																																																																																																																																																																																																																																																																																																																																																
	16	71	1,2	53,68	2,2	3,3	3,2	6,2					18	63	1,4	73,06	2,3	3,3	3,3	6,2	SK 02 - 63 S/4	12	C68	22	53	1,7	61,27	2,3	3,3	3,3	6,2	25	46	1,9	53,68	2,3	3,3	3,3	6,2		32	36	2,8	41,58	2,4	3,3	3,3	6,2				40	29	3,3	33,42	2,4	3,3	3,3	6,2	49	24	3,7	27,52	2,4	3,3	3,3	6,2	58	20	3,9	23,13	2,4	3,3	3,3	6,2	65	18	4,2	20,59	2,4	3,3	3,3	6,2	84	14	5,3	15,95	2,4	3,3	3,3	5,8	104	11	6,4	12,82	2,4	3,3	3,3	5,4	118	10	6,9	11,27	2,4	3,3	3,3	5,2		134	9	7,5	9,95	2,4	3,3	3,3	5,0				144	8	8,2	9,28	2,4	3,3	3,3	4,8	163	7	9,0	8,19	2,3	3,3	3,3	4,7	171	7	9,4	7,80	2,3	3,3	3,2	4,6	194	6	10,3	6,89	2,2	3,3	3,1	4,4	219	5	10,9	6,10	2,1	3,3	3,0	4,2	240	5	11,9	5,57	2,0	3,3	2,9	4,1	277	4	13,8	4,82	1,9	3,3	2,8	3,9	316	4	14,4	4,22	1,9	3,3	2,6	3,8	343	3	15,9	3,89	1,8	3,3	2,6	3,7	395	3	17,6	3,38	1,7	3,1	2,5	3,5	453	3	18,2	2,95	1,6	2,9	2,3	3,3		472	2	22,2	2,83	-	3,5	2,0	5,2	SK 11E - 63 S/4	10	C63	575	2	28,1	2,32	-	3,2	2,0	4,7	654	2	33,1	2,04	-	3,0	2,0	4,5		738	2	35,4	1,81	-	2,8	2,0	4,3				0,18	1,0	1385	2,3	1408,77	19,7	45,0	27,9	45,0	SK 63/23 - 63 L/4	160	C81 C91	1,3	1046	3,1	1064,04	20,0	45,0	28,1	45,0		1,0	1401	1,3	1425,44	12,9	23,8	18,9	40,0	SK 52/12 - 63 L/4	88	C78 C90	1,5	903	2,0	918,83	13,7	23,8	19,5	40,0	2,0	678	2,7	689,41	14,0	23,8	19,7	40,0		1,0	1370	0,9	1393,38	5,0	12,0	9,4	30,0	SK 42/12 - 63 L/4	59	C76 C90	1,2	1096	1,1	1114,65	6,4	12,0	10,2	29,3	1,8	738	1,6	750,33		7,6	12,0	11,0	27,3	2,5	541	2,2	550,73				8,0	12,0	11,3	25,6	3,1	426	2,8	433,49	8,1	12,0	11,4	24,2	3,9	341	3,5	346,53	8,2	12,0	11,4	22,9	4,9	272	4,4	276,92	8,3	12,0	11,5	21,6																																																																																																																																																																	
	18	63	1,4	73,06	2,3	3,3	3,3	6,2		SK 02 - 63 S/4	12	C68																																																																																																																																																																																																																																																																																																																																																																																																																																																																																																																												
	22	53	1,7	61,27	2,3	3,3	3,3	6,2																																																																																																																																																																																																																																																																																																																																																																																																																																																																																																																																
	25	46	1,9	53,68	2,3	3,3	3,3	6,2																																																																																																																																																																																																																																																																																																																																																																																																																																																																																																																																
	32	36	2,8	41,58	2,4	3,3	3,3	6,2																																																																																																																																																																																																																																																																																																																																																																																																																																																																																																																																
	40	29	3,3	33,42	2,4	3,3	3,3	6,2																																																																																																																																																																																																																																																																																																																																																																																																																																																																																																																																
	49	24	3,7	27,52	2,4	3,3	3,3	6,2																																																																																																																																																																																																																																																																																																																																																																																																																																																																																																																																
	58	20	3,9	23,13	2,4	3,3	3,3	6,2																																																																																																																																																																																																																																																																																																																																																																																																																																																																																																																																
	65	18	4,2	20,59	2,4	3,3	3,3	6,2																																																																																																																																																																																																																																																																																																																																																																																																																																																																																																																																
	84	14	5,3	15,95	2,4	3,3	3,3	5,8																																																																																																																																																																																																																																																																																																																																																																																																																																																																																																																																
	104	11	6,4	12,82	2,4	3,3	3,3	5,4																																																																																																																																																																																																																																																																																																																																																																																																																																																																																																																																
	118	10	6,9	11,27	2,4	3,3	3,3	5,2																																																																																																																																																																																																																																																																																																																																																																																																																																																																																																																																
	134	9	7,5	9,95	2,4	3,3	3,3	5,0																																																																																																																																																																																																																																																																																																																																																																																																																																																																																																																																
	144	8	8,2	9,28	2,4	3,3	3,3	4,8																																																																																																																																																																																																																																																																																																																																																																																																																																																																																																																																
	163	7	9,0	8,19	2,3	3,3	3,3	4,7																																																																																																																																																																																																																																																																																																																																																																																																																																																																																																																																
	171	7	9,4	7,80	2,3	3,3	3,2	4,6																																																																																																																																																																																																																																																																																																																																																																																																																																																																																																																																
	194	6	10,3	6,89	2,2	3,3	3,1	4,4																																																																																																																																																																																																																																																																																																																																																																																																																																																																																																																																
	219	5	10,9	6,10	2,1	3,3	3,0	4,2																																																																																																																																																																																																																																																																																																																																																																																																																																																																																																																																
	240	5	11,9	5,57	2,0	3,3	2,9	4,1																																																																																																																																																																																																																																																																																																																																																																																																																																																																																																																																
	277	4	13,8	4,82	1,9	3,3	2,8	3,9																																																																																																																																																																																																																																																																																																																																																																																																																																																																																																																																
	316	4	14,4	4,22	1,9	3,3	2,6	3,8																																																																																																																																																																																																																																																																																																																																																																																																																																																																																																																																
343	3	15,9	3,89	1,8	3,3	2,6	3,7																																																																																																																																																																																																																																																																																																																																																																																																																																																																																																																																	
395	3	17,6	3,38	1,7	3,1	2,5	3,5																																																																																																																																																																																																																																																																																																																																																																																																																																																																																																																																	
453	3	18,2	2,95	1,6	2,9	2,3	3,3		472	2	22,2	2,83	-	3,5	2,0	5,2	SK 11E - 63 S/4	10	C63	575	2	28,1	2,32	-	3,2	2,0	4,7	654	2	33,1	2,04	-	3,0	2,0	4,5	738	2	35,4	1,81	-	2,8	2,0	4,3	0,18	1,0	1385	2,3	1408,77	19,7	45,0	27,9	45,0	SK 63/23 - 63 L/4	160	C81 C91	1,3	1046	3,1	1064,04	20,0	45,0	28,1	45,0		1,0	1401	1,3	1425,44	12,9	23,8	18,9	40,0	SK 52/12 - 63 L/4	88	C78 C90	1,5	903	2,0	918,83	13,7	23,8	19,5	40,0	2,0	678	2,7	689,41	14,0	23,8	19,7	40,0		1,0	1370	0,9	1393,38	5,0	12,0	9,4	30,0	SK 42/12 - 63 L/4	59	C76 C90	1,2	1096	1,1	1114,65	6,4	12,0	10,2	29,3	1,8	738	1,6	750,33	7,6	12,0	11,0	27,3	2,5	541	2,2	550,73	8,0	12,0	11,3	25,6	3,1	426	2,8	433,49	8,1	12,0	11,4	24,2	3,9	341	3,5	346,53	8,2	12,0	11,4	22,9	4,9	272	4,4	276,92	8,3	12,0	11,5	21,6																																																																																																																																																																																																																																																																																																																																																																																	
	472	2	22,2	2,83	-	3,5	2,0		5,2	SK 11E - 63 S/4	10	C63																																																																																																																																																																																																																																																																																																																																																																																																																																																																																																																												
	575	2	28,1	2,32	-	3,2	2,0		4,7																																																																																																																																																																																																																																																																																																																																																																																																																																																																																																																															
	654	2	33,1	2,04	-	3,0	2,0		4,5																																																																																																																																																																																																																																																																																																																																																																																																																																																																																																																															
	738	2	35,4	1,81	-	2,8	2,0	4,3	0,18				1,0	1385	2,3	1408,77	19,7	45,0	27,9	45,0	SK 63/23 - 63 L/4	160	C81 C91	1,3	1046	3,1	1064,04	20,0	45,0	28,1	45,0		1,0	1401	1,3	1425,44	12,9	23,8	18,9	40,0	SK 52/12 - 63 L/4	88	C78 C90	1,5	903	2,0	918,83	13,7	23,8	19,5	40,0	2,0	678	2,7	689,41	14,0	23,8	19,7	40,0		1,0	1370	0,9	1393,38	5,0	12,0	9,4	30,0	SK 42/12 - 63 L/4	59	C76 C90	1,2	1096	1,1	1114,65	6,4	12,0	10,2	29,3	1,8	738	1,6	750,33	7,6	12,0	11,0	27,3	2,5	541	2,2	550,73		8,0	12,0	11,3	25,6	3,1	426	2,8	433,49				8,1	12,0	11,4	24,2	3,9	341	3,5	346,53	8,2	12,0	11,4	22,9	4,9	272	4,4	276,92	8,3	12,0	11,5	21,6																																																																																																																																																																																																																																																																																																																																																																																																													
0,18	1,0	1385	2,3	1408,77	19,7	45,0	27,9	45,0		SK 63/23 - 63 L/4	160	C81 C91																																																																																																																																																																																																																																																																																																																																																																																																																																																																																																																												
	1,3	1046	3,1	1064,04	20,0	45,0	28,1	45,0						1,0	1401	1,3	1425,44	12,9	23,8	18,9	40,0	SK 52/12 - 63 L/4	88	C78 C90	1,5	903	2,0	918,83	13,7	23,8	19,5		40,0	2,0	678	2,7	689,41	14,0	23,8	19,7				40,0		1,0	1370	0,9	1393,38	5,0	12,0	9,4	30,0	SK 42/12 - 63 L/4	59	C76 C90	1,2	1096	1,1		1114,65	6,4	12,0	10,2	29,3	1,8	738	1,6				750,33	7,6	12,0	11,0	27,3	2,5	541	2,2	550,73	8,0	12,0	11,3	25,6	3,1	426	2,8	433,49	8,1	12,0	11,4		24,2	3,9	341	3,5	346,53	8,2	12,0	11,4				22,9	4,9	272	4,4	276,92	8,3	12,0	11,5	21,6																																																																																																																																																																																																																																																																																																																																																																																																																								
		1,0	1401	1,3	1425,44	12,9	23,8	18,9	40,0	SK 52/12 - 63 L/4	88	C78 C90																																																																																																																																																																																																																																																																																																																																																																																																																																																																																																																												
1,5		903	2,0	918,83	13,7	23,8	19,5	40,0																																																																																																																																																																																																																																																																																																																																																																																																																																																																																																																																
2,0		678	2,7	689,41	14,0	23,8	19,7	40,0					1,0	1370	0,9	1393,38	5,0	12,0	9,4	30,0	SK 42/12 - 63 L/4	59	C76 C90	1,2	1096	1,1	1114,65	6,4	12,0	10,2	29,3	1,8	738	1,6	750,33	7,6	12,0	11,0	27,3	2,5	541	2,2	550,73	8,0		12,0	11,3	25,6	3,1	426	2,8	433,49	8,1				12,0	11,4	24,2		3,9	341	3,5	346,53	8,2	12,0	11,4	22,9				4,9	272	4,4	276,92	8,3	12,0	11,5	21,6																																																																																																																																																																																																																																																																																																																																																																																																																																																									
	1,0	1370	0,9	1393,38	5,0	12,0	9,4	30,0		SK 42/12 - 63 L/4	59	C76 C90																																																																																																																																																																																																																																																																																																																																																																																																																																																																																																																												
	1,2	1096	1,1	1114,65	6,4	12,0	10,2	29,3																																																																																																																																																																																																																																																																																																																																																																																																																																																																																																																																
	1,8	738	1,6	750,33	7,6	12,0	11,0	27,3																																																																																																																																																																																																																																																																																																																																																																																																																																																																																																																																
	2,5	541	2,2	550,73	8,0	12,0	11,3	25,6																																																																																																																																																																																																																																																																																																																																																																																																																																																																																																																																
	3,1	426	2,8	433,49	8,1	12,0	11,4	24,2																																																																																																																																																																																																																																																																																																																																																																																																																																																																																																																																
	3,9	341	3,5	346,53	8,2	12,0	11,4	22,9																																																																																																																																																																																																																																																																																																																																																																																																																																																																																																																																
	4,9	272	4,4	276,92	8,3	12,0	11,5	21,6																																																																																																																																																																																																																																																																																																																																																																																																																																																																																																																																

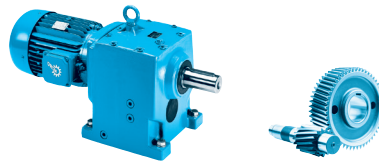
* Maximum output torque with f_B = 0,8


0,18 kW



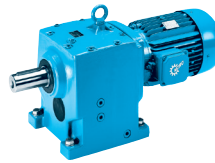
Helical Gear Units

P ₁ [kW]	n ₂ [min ⁻¹]	M ₂ [Nm]	f _B	i _{ges}	F _R [kN]	F _A [kN]	F _{R VL} [kN]	F _{A VL} [kN]	Type	kg	mm 		
0,18	1,9	688	0,9	699,55	5,8	9,0	8,7	25,0	SK 32/12 - 63 L/4	48	C74 C90		
	2,5	545	1,1	554,68	6,2	9,0	9,0	25,0					
	3,0	439	1,4	446,31	6,4	9,0	9,2	25,0					
	3,7	357	1,7	363,06	6,6	9,0	9,3	25,0					
	5,1	263	2,4	267,79	6,7	9,0	9,4	23,7					
	2,2	796	0,8	421,32	5,3	9,0	8,4	25,0	SK 33N - 71 S/6	44	C75		
	2,3	740	0,9	585,41	5,6	9,0	8,6	25,0	SK 33N - 63 L/4	43	C75		
	2,6	662	1,0	524,08	5,9	9,0	8,8	25,0					
	3,2	533	1,3	421,32	6,2	9,0	9,0	25,0					
	4,0	429	1,5	339,15	6,5	9,0	9,2	24,4					
5,5	314	2,1	248,17	6,7	9,0	9,3	22,8						
6,6	262	2,6	207,10	6,7	9,0	9,4	21,8						
8,2	210	3,2	166,49	6,8	9,0	9,4	20,7						
10	169	3,8	134,02	6,8	9,0	9,4	19,4						
11	154	3,4	81,27	6,8	9,0	9,4	19,0	SK 32 - 71 S/6	35	C74			
3,1	437	0,8	444,73	3,8	5,6	6,4	19,1	SK 22/02 - 63 L/4	35	C72 C90			
3,9	339	1,0	345,17	4,5	5,6	6,8	18,2						
4,2	409	0,8	323,70	4,0	5,6	6,5	17,3	SK 23 - 63 L/4	31	C73			
5,2	331	1,0	262,24	4,6	5,6	6,9	16,6						
6,2	275	1,2	217,73	4,8	5,6	7,1	15,9						
7,6	227	1,4	179,50	5,1	5,6	7,2	15,2						
9,0	191	1,5	151,44	5,2	5,6	7,3	14,6						
11	163	1,5	86,30	5,2	5,6	7,4	14,3	SK 22 - 71 S/6	24	C72			
13	132	2,0	69,81	5,3	5,6	7,4	13,6						
16	104	3,1	55,28	5,4	5,6	7,4	12,8						
20	87	3,4	45,90	5,4	5,6	7,5	12,1						
6,4	210	0,9	213,39	3,0	4,0	4,6	13,3	SK 12/02 - 63 L/4	22	C70 C90			
6,9	247	0,8	195,78	2,6	4,0	4,4	12,5	SK 13 - 63 L/4	19	C71			
8,5	201	0,8	159,36	3,0	4,0	4,6	12,0						
10	167	0,9	132,45	3,2	4,0	4,8	11,5						
13	137	1,3	108,72	3,4	4,0	4,9	11,2						
13	137	1,0	72,63	3,4	4,0	4,9	11,2	SK 12 - 71 S/6	15	C70			
15	116	1,3	61,35	3,5	4,0	4,9	10,8						
19	92	1,5	72,63	3,6	4,0	5,0	10,2	SK 12 - 63 L/4	14	C70			
22	78	2,0	61,35	3,6	4,0	5,0	9,8						
25	68	2,6	53,84	3,6	4,0	5,1	9,5						
32	54	3,0	43,09	3,6	4,0	5,1	8,9						
39	44	3,4	35,07	3,7	4,0	5,1	8,5						
47	37	3,4	29,15	3,7	4,0	5,1	8,0						
64	27	6,2	21,28	3,4	4,0	5,1	7,4						
72	24	6,8	18,79	3,3	4,0	5,1	7,2						
81	21	7,3	16,73	3,2	4,0	5,1	6,9						
102	17	8,8	13,39	3,0	4,0	5,1	6,5						
17	103	1,0	81,50	2,0	3,3	3,1	6,2				SK 03 - 63 L/4	16	C69
21	83	1,3	65,50	2,2	3,3	3,2	6,2						
15	116	0,8	61,27	1,9	3,3	3,0	6,2	SK 02 - 71 S/6	13	C68			
17	101	0,9	53,68	2,0	3,3	3,1	6,2						
19	92	1,0	73,06	2,1	3,3	3,1	6,2	SK 02 - 63 L/4	12	C68			
22	77	1,1	61,27	2,2	3,3	3,2	6,2						
25	68	1,3	53,68	2,2	3,3	3,2	6,2						
33	53	1,9	41,58	2,3	3,3	3,3	6,2						
41	42	2,3	33,42	2,3	3,3	3,3	6,2						
49	35	2,5	27,52	2,4	3,3	3,3	6,2						
59	29	2,7	23,13	2,4	3,3	3,3	6,2						
66	26	2,8	20,59	2,4	3,3	3,3	6,1						



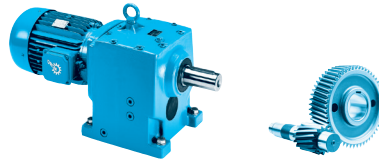
P ₁ [kW]	n ₂ [min ⁻¹]	M ₂ [Nm]	f _B	i _{ges}	F _R [kN]	F _A [kN]	F _{R VL} [kN]	F _{A VL} [kN]	Type	kg	mm 
0,18	85	20	3,6	15,95	2,4	3,3	3,3	5,6	SK 02 - 63 L/4	12	C68
	106	16	4,3	12,82	2,4	3,3	3,3	5,3			
	121	14	4,7	11,27	2,4	3,3	3,3	5,1			
	137	13	5,1	9,95	2,4	3,3	3,3	4,9			
	147	12	5,5	9,28	2,3	3,3	3,3	4,8			
	166	10	6,1	8,19	2,3	3,3	3,2	4,6			
	174	10	6,4	7,80	2,2	3,3	3,2	4,5			
	197	9	7,0	6,89	2,1	3,3	3,0	4,3			
	223	8	7,4	6,10	2,1	3,3	2,9	4,2			
	244	7	8,1	5,57	2,0	3,3	2,8	4,1			
	282	6	9,4	4,82	1,9	3,3	2,7	3,9			
	322	5	9,7	4,22	1,8	3,3	2,6	3,7			
	350	5	10,8	3,89	1,8	3,2	2,5	3,6			
	402	4	11,9	3,38	1,7	3,0	2,4	3,5			
	461	4	12,3	2,95	1,6	2,9	2,3	3,3			
		481	4	15,1	2,83	-	3,4	2,0			
586		3	19,1	2,32	-	3,1	2,0	4,7			
667		3	22,5	2,04	-	2,9	2,0	4,4			
751		2	24,0	1,81	-	2,8	2,0	4,2			
0,25	1,0	2047	1,6	1408,77	18,8	45,0	27,2	45,0	SK 63/23 - 71 S/4	161	C81 C91
	1,3	1546	2,1	1064,04	19,5	45,0	27,7	45,0			
	1,0	2072	0,9	1425,44	11,1	23,8	17,7	40,0	SK 52/12 - 71 S/4	89	C78 C90
	1,2	1663	1,1	1144,36	12,3	23,8	18,5	40,0			
	1,5	1335	1,4	918,83	13,0	23,8	19,0	40,0			
	2,0	1002	1,8	689,41	13,6	23,8	19,4	40,0			
	2,5	788	2,3	542,09	13,9	23,8	19,6	40,0			
	2,8	714	2,6	491,28	13,9	23,8	19,6	40,0			
	1,8	1090	1,1	750,33	6,4	12,0	10,2	25,3			
	2,1	975	1,2	670,81	6,9	12,0	10,5	24,8	SK 42/12 - 71 S/4	60	C76 C90
	2,5	800	1,5	550,73	7,4	12,0	10,9	24,1			
	3,2	630	1,9	433,49	7,8	12,0	11,1	23,0			
	1,8	1322	0,8	764,03	5,3	12,0	9,5	24,6			
	2,2	1070	1,0	618,76	6,5	12,0	10,3	23,8	SK 43 - 71 S/4	65	C77
	2,6	914	1,1	528,37	7,1	12,0	10,6	23,1			
	3,3	729	1,6	421,11	7,6	12,0	11,0	22,3			
	3,8	622	2,1	359,59	7,8	12,0	11,2	21,6			
	4,6	517	2,2	298,80	8,0	12,0	11,3	20,8			
	5,2	457	2,8	263,93	8,1	12,0	11,4	20,2			
	6,3	379	3,2	219,32	8,2	12,0	11,4	19,4			
	7,6	316	3,2	182,76	8,3	12,0	11,5	18,5			
	2,5	806	0,8	554,68	5,3	9,0	8,4	25,0			
	3,1	649	1,0	446,31	5,9	9,0	8,8	25,0			
	3,3	729	0,9	421,32	5,6	9,0	8,6	24,4	SK 33N - 71 S/4	44	C75
	4,1	587	1,1	339,15	6,1	9,0	8,9	23,3			
	5,6	429	1,6	248,17	6,5	9,0	9,2	22,0			
	6,7	358	1,9	207,10	6,6	9,0	9,3	21,1			
	8,3	288	2,3	166,49	6,7	9,0	9,4	20,0			
	10	232	2,8	134,02	6,8	9,0	9,4	19,0			
	11	211	2,4	81,27	6,8	9,0	9,4	18,6			
	13	189	3,0	72,76	6,8	9,0	9,4	18,1			
	4,9	413	0,8	284,11	4,0	5,6	6,5	16,4	SK 22/02 - 71 S/4	36	C72 C90
5,8	347	1,0	239,01	4,5	5,6	6,8	15,9				
6,3	377	0,9	217,73	4,3	5,6	6,7	15,1	SK 23 - 71 S/4	32	C73	
7,7	311	1,0	179,50	4,7	5,6	7,0	14,5				
9,1	262	1,1	151,44	4,9	5,6	7,1	14,0				
11	215	1,6	124,17	5,1	5,6	7,2	13,6				
14	174	2,0	100,60	5,2	5,6	7,3	13,0				
16	153	2,2	88,45	5,3	5,6	7,4	12,6				


0,25 kW
0,37 kW



Helical Gear Units

P ₁ [kW]	n ₂ [min ⁻¹]	M ₂ [Nm]	f _B	i _{ges}	F _R [kN]	F _A [kN]	F _{R VL} [kN]	F _{A VL} [kN]	Type	kg	mm 				
0,25	11	224	1,1	86,30	5,1	5,6	7,2	13,8	SK 22 - 71 L/6	25	C72				
	13	181	1,5	69,81	5,2	5,6	7,3	13,1							
	17	143	2,2	55,28	5,3	5,6	7,4	12,4							
	20	119	2,5	45,90	5,3	5,6	7,4	11,8							
	16	149	1,7	86,30	5,3	5,6	7,4	12,5	SK 22 - 71 S/4	24	C72				
	25	96	3,3	55,28	5,4	5,6	7,4	11,2							
	10	194	0,8	133,23	3,1	4,0	4,7	11,3	SK 12/02 - 71 S/4	23	C70 C90				
	13	159	1,0	109,66	3,3	4,0	4,8	10,9							
	13	188	0,9	108,72	3,1	4,0	4,7	10,7	SK 13 - 71 S/4	20	C71				
	16	148	1,2	85,47	3,3	4,0	4,9	10,2							
	15	159	1,0	61,35	3,3	4,0	4,8	10,3	SK 12 - 71 L/6	16	C70				
	19	126	1,1	72,63	3,5	4,0	4,9	9,8							
	22	106	1,5	61,35	3,5	4,0	5,0	9,5	SK 12 - 71 S/4	15	C70				
	26	93	1,9	53,84	3,6	4,0	5,0	9,2							
	29	83	2,1	47,87	3,6	4,0	5,0	8,9							
	32	75	2,2	43,09	3,6	4,0	5,0	8,7							
	36	66	2,8	38,31	3,6	4,0	5,1	8,5							
	39	61	2,5	35,07	3,6	4,0	5,1	8,2							
	44	54	3,1	31,19	3,7	4,0	5,1	8,0							
	47	50	2,5	29,15	3,6	4,0	5,1	7,9							
	53	45	3,1	25,92	3,5	4,0	5,1	7,6							
	65	37	4,5	21,28	3,3	4,0	5,1	7,3							
	73	33	5,0	18,79	3,2	4,0	5,1	7,1							
	82	29	5,3	16,73	3,1	4,0	5,1	6,8							
	103	23	6,4	13,39	2,9	4,0	5,1	6,4							
		17	141	0,8	81,50	1,6	3,3	2,8				6,2	SK 03 - 71 S/4	17	C69
		21	113	1,0	65,50	1,9	3,3	3,0				6,2			
		23	106	0,8	61,27	2,0	3,3	3,1				6,2	SK 02 - 71 S/4	13	C68
		26	93	1,0	53,68	2,1	3,3	3,1				6,2			
33		72	1,4	41,58	2,2	3,3	3,2	6,2							
41		58	1,7	33,42	2,3	3,3	3,3	6,2							
47		51	1,8	29,61	2,3	3,3	3,3	6,2							
50		48	1,8	27,52	2,3	3,3	3,3	6,2							
57		42	2,1	24,39	2,3	3,3	3,3	6,1							
60		40	1,9	23,13	2,4	3,3	3,3	6,0							
67		36	2,1	20,59	2,4	3,3	3,3	5,9							
87		28	2,6	15,95	2,4	3,3	3,3	5,5							
108		22	3,2	12,82	2,4	3,3	3,3	5,2							
122		19	3,4	11,27	2,4	3,3	3,3	4,9							
139		17	3,7	9,95	2,4	3,3	3,3	4,8							
149		16	4,0	9,28	2,3	3,3	3,3	4,7							
168		14	4,4	8,19	2,2	3,3	3,2	4,5							
177		13	4,7	7,80	2,2	3,3	3,1	4,4							
200		12	5,1	6,89	2,1	3,3	3,0	4,3							
226		11	5,4	6,10	2,0	3,3	2,9	4,1							
248		10	5,9	5,57	2,0	3,3	2,8	4,0							
286		8	6,8	4,82	1,9	3,3	2,7	3,8							
327		7	7,1	4,22	1,8	3,3	2,6	3,7							
355		7	7,9	3,89	1,8	3,2	2,5	3,6							
408		6	8,7	3,38	1,7	3,0	2,4	3,4							
468	5	9,0	2,95	1,6	2,8	2,3	3,3								
	488	5	11,0	2,83	-	3,4	2,0	5,1	SK 11E - 71 S/4	11	C63				
	595	4	14,0	2,32	-	3,1	2,0	4,6							
	676	4	16,4	2,04	-	2,9	2,0	4,4							
	762	3	17,6	1,81	-	2,7	2,0	4,2							
0,37	1,2	2639	3,0	1155,49	44,6	65,0	62,6	65,0	SK 83/32 - 71 L/4	353	C85 C90				
	1,1	2864	1,7	1254,07	26,5	45,9	38,8	50,0				SK 73/22 - 71 L/4	235	C83 C90	
	1,3	2512	2,0	1099,84	26,9	44,7	39,2	50,0							
	1,6	2028	2,5	888,16	27,4	42,6	39,5	50,0							
	1,9	1684	3,0	737,61	27,7	40,8	39,7	50,0							
	2,4	1294	3,9	566,77	28,0	38,3	39,9	50,0							



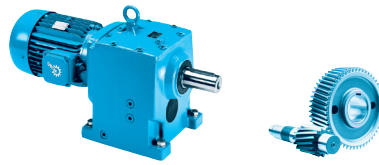
P ₁ [kW]	n ₂ [min ⁻¹]	M ₂ [Nm]	f _B	i _{ges}	F _R [kN]	F _A [kN]	F _{R VL} [kN]	F _{A VL} [kN]	Type	kg	mm 																																																																																																																																																																																																																																																																																																																																																																																																																																																																																																														
0,37	1,0	3217	1,0	1408,77	16,1	45,0	25,5	45,0	SK 63/23 - 71 L/4	162	C81 C91																																																																																																																																																																																																																																																																																																																																																																																																																																																																																																														
	1,3	2430	1,3	1064,04	18,1	45,0	26,8	45,0					1,6	1941	1,6	849,73	19,0	44,8	27,4	45,0	SK 63/22 - 71 L/4	154	C81 C90		1,9	1661	1,9	727,45	19,4	43,3	27,6	45,0		2,5	1262	2,5	552,45	19,9	40,6	28,0	45,0		1,5	2098	0,9	918,83	11,0	23,8	17,7	40,0	SK 52/12 - 71 L/4	90	C78 C90		2,0	1574	1,2	689,41	12,5	23,8	18,7	40,0		2,5	1238	1,5	542,09	13,2	23,8	19,1	40,0		2,8	1122	1,6	491,28	13,4	23,8	19,3	40,0		1,5	2307	0,8	607,30	10,2	23,8	17,2	40,0	SK 53 - 80 S/6	101	C79		1,7	2085	0,9	548,89	11,0	23,8	17,7	40,0		1,9	1895	1,0	498,82	11,7	23,8	18,1	40,0		2,4	1490	1,2	392,20	12,7	23,8	18,8	40,0		2,5	1422	1,4	374,25	12,9	23,8	18,9	40,0		3,2	1118	2,0	294,26	13,4	23,8	19,3	40,0		8,8	402	5,5	105,87	14,2	23,8	19,8	40,0		9,7	363	6,1	95,49	14,2	23,8	19,8	40,0		5,8	605	3,2	236,21	14,0	23,8	19,7	40,0	SK 53 - 71 L/4	99	C79		7,4	476	3,8	185,72	14,1	23,8	19,8	40,0		7,8	454	4,2	177,22	14,1	23,8	19,8	40,0		9,9	357	6,3	139,34	14,2	23,8	19,8	40,0		2,1	1532	0,8	670,81	3,6	12,0	8,7	22,0	SK 42/12 - 71 L/4	61	C76 C90		2,5	1258	1,0	550,73	5,6	12,0	9,8	21,7		3,2	990	1,2	433,49	6,8	12,0	10,5	21,1		3,3	1078	1,1	421,11	6,5	12,0	10,3	20,5	SK 43 - 71 L/4	66	C77		3,8	921	1,4	359,59	7,1	12,0	10,6	20,0		4,6	765	1,5	298,80	7,5	12,0	10,9	19,4		5,2	676	1,9	263,93	7,7	12,0	11,1	19,1		6,3	562	2,1	219,32	7,9	12,0	11,2	18,5		7,6	468	2,2	182,76	8,1	12,0	11,3	17,7		11	331	3,7	129,38	8,2	12,0	11,5	16,5		5,2	612	1,0	267,79	6,0	9,0	8,9	21,4	SK 32/12 - 71 L/4	50	C74 C90		5,6	635	1,1	248,17	5,9	9,0	8,8	20,7	SK 33N - 71 L/4	45	C75		6,7	530	1,3	207,10	6,2	9,0	9,0	20,0		8,3	426	1,6	166,49	6,5	9,0	9,2	19,3		10	343	1,9	134,02	6,6	9,0	9,3	18,3		12	287	1,9	112,18	6,7	9,0	9,4	17,5		11	309	1,7	81,27	6,7	9,0	9,3	18,0	SK 32 - 80 S/6	38	C74		13	276	2,0	72,76	6,7	9,0	9,4	17,5		14	244	2,6	64,26	6,8	9,0	9,4	17,0		17	208	2,5	81,27	6,8	9,0	9,4	16,4	SK 32 - 71 L/4	36	C74		19	186	3,0	72,76	6,8	9,0	9,4	15,9		8,3	382	0,9	167,21	4,2	5,6	6,7	13,7	SK 22/02 - 71 L/4	37	C72 C90		9,1	388	0,8	151,44	4,2	5,6	6,6	12,9	SK 23 - 71 L/4	33	C73		11	318	1,1	124,17	4,6	5,6	6,9	12,8		14	258	1,3	100,60	4,9	5,6	7,1	12,4		16	226	1,5	88,45	5,1	5,6	7,2	12,0		18	200	1,7	78,05	5,2	5,6	7,3	11,8		21	166	2,0	64,80	5,2	5,6	7,3	11,2		11	328	0,8	86,30	4,6	5,6	6,9	12,9	SK 22 - 80 S/6	27	C72		13	265	1,0	69,81	4,9	5,6	7,1	12,4		17	210	1,5	55,28	5,1	5,6	7,3	11,9		20	174	1,7	45,90
	1,6	1941	1,6	849,73	19,0	44,8	27,4	45,0	SK 63/22 - 71 L/4	154	C81 C90																																																																																																																																																																																																																																																																																																																																																																																																																																																																																																														
	1,9	1661	1,9	727,45	19,4	43,3	27,6	45,0																																																																																																																																																																																																																																																																																																																																																																																																																																																																																																																	
	2,5	1262	2,5	552,45	19,9	40,6	28,0	45,0					1,5	2098	0,9	918,83	11,0	23,8	17,7	40,0	SK 52/12 - 71 L/4	90	C78 C90		2,0	1574	1,2	689,41	12,5	23,8	18,7	40,0		2,5	1238	1,5	542,09	13,2	23,8	19,1	40,0		2,8	1122	1,6	491,28	13,4	23,8	19,3	40,0					1,5	2307	0,8	607,30	10,2	23,8	17,2	40,0	SK 53 - 80 S/6	101	C79		1,7	2085	0,9	548,89	11,0	23,8	17,7	40,0		1,9	1895	1,0	498,82	11,7	23,8	18,1	40,0		2,4	1490	1,2	392,20	12,7				23,8	18,8	40,0		2,5	1422	1,4	374,25	12,9	23,8	18,9	40,0		3,2	1118	2,0	294,26	13,4	23,8	19,3	40,0		8,8	402	5,5	105,87	14,2	23,8	19,8	40,0		9,7	363	6,1	95,49	14,2	23,8	19,8	40,0		5,8	605	3,2	236,21	14,0	23,8	19,7	40,0	SK 53 - 71 L/4	99	C79		7,4	476	3,8	185,72	14,1	23,8	19,8	40,0		7,8	454	4,2	177,22	14,1	23,8	19,8	40,0		9,9	357				6,3	139,34	14,2	23,8	19,8	40,0		2,1	1532	0,8	670,81	3,6	12,0	8,7	22,0	SK 42/12 - 71 L/4	61	C76 C90		2,5	1258	1,0	550,73	5,6	12,0	9,8	21,7		3,2	990	1,2	433,49	6,8	12,0	10,5	21,1		3,3	1078	1,1	421,11	6,5	12,0	10,3	20,5	SK 43 - 71 L/4	66	C77		3,8	921	1,4	359,59	7,1	12,0	10,6	20,0		4,6	765	1,5	298,80	7,5	12,0	10,9	19,4					5,2	676	1,9	263,93	7,7	12,0	11,1	19,1		6,3	562	2,1	219,32	7,9	12,0	11,2	18,5		7,6	468	2,2	182,76	8,1	12,0	11,3	17,7		11	331	3,7	129,38	8,2	12,0	11,5	16,5		5,2	612	1,0	267,79	6,0	9,0	8,9	21,4	SK 32/12 - 71 L/4	50	C74 C90		5,6	635	1,1	248,17	5,9	9,0	8,8	20,7	SK 33N - 71 L/4	45	C75		6,7	530	1,3	207,10	6,2	9,0	9,0	20,0		8,3	426	1,6	166,49	6,5				9,0	9,2	19,3		10	343	1,9	134,02	6,6	9,0	9,3	18,3		12	287	1,9	112,18	6,7	9,0	9,4	17,5		11	309	1,7	81,27	6,7	9,0	9,3	18,0	SK 32 - 80 S/6	38	C74		13	276	2,0	72,76	6,7	9,0	9,4	17,5		14	244	2,6	64,26	6,8	9,0	9,4	17,0		17	208	2,5	81,27	6,8	9,0	9,4	16,4	SK 32 - 71 L/4	36	C74		19	186	3,0	72,76	6,8	9,0	9,4	15,9		8,3	382	0,9	167,21	4,2	5,6	6,7	13,7	SK 22/02 - 71 L/4	37	C72 C90		9,1	388	0,8	151,44	4,2	5,6	6,6	12,9	SK 23 - 71 L/4	33	C73		11	318	1,1	124,17	4,6	5,6	6,9	12,8		14	258				1,3	100,60	4,9	5,6	7,1	12,4		16	226	1,5	88,45	5,1	5,6	7,2	12,0		18	200	1,7	78,05	5,2	5,6	7,3	11,8		21	166	2,0	64,80	5,2	5,6	7,3	11,2		11	328	0,8	86,30	4,6	5,6	6,9	12,9	SK 22 - 80 S/6	27	C72		13	265	1,0	69,81	4,9	5,6	7,1	12,4					17	210	1,5	55,28	5,1	5,6	7,3	11,9		20	174	1,7	45,90	5,2	5,6	7,3	11,4					
	1,5	2098	0,9	918,83	11,0	23,8	17,7	40,0	SK 52/12 - 71 L/4	90	C78 C90																																																																																																																																																																																																																																																																																																																																																																																																																																																																																																														
	2,0	1574	1,2	689,41	12,5	23,8	18,7	40,0																																																																																																																																																																																																																																																																																																																																																																																																																																																																																																																	
	2,5	1238	1,5	542,09	13,2	23,8	19,1	40,0																																																																																																																																																																																																																																																																																																																																																																																																																																																																																																																	
	2,8	1122	1,6	491,28	13,4	23,8	19,3	40,0					1,5	2307	0,8	607,30	10,2	23,8	17,2	40,0	SK 53 - 80 S/6	101	C79		1,7	2085	0,9	548,89	11,0	23,8	17,7	40,0		1,9	1895	1,0	498,82	11,7	23,8	18,1	40,0		2,4	1490	1,2	392,20	12,7	23,8	18,8	40,0		2,5	1422	1,4	374,25	12,9	23,8	18,9	40,0		3,2	1118				2,0	294,26	13,4	23,8	19,3	40,0		8,8	402	5,5	105,87	14,2	23,8	19,8	40,0		9,7	363	6,1	95,49	14,2	23,8	19,8	40,0					5,8	605	3,2	236,21	14,0	23,8	19,7	40,0	SK 53 - 71 L/4	99	C79		7,4	476	3,8	185,72	14,1	23,8	19,8	40,0		7,8	454	4,2	177,22	14,1	23,8	19,8	40,0		9,9	357	6,3	139,34	14,2	23,8	19,8	40,0		2,1	1532	0,8	670,81	3,6	12,0	8,7	22,0	SK 42/12 - 71 L/4	61	C76 C90		2,5	1258	1,0	550,73	5,6	12,0	9,8	21,7		3,2	990	1,2	433,49	6,8	12,0	10,5	21,1		3,3	1078	1,1	421,11	6,5	12,0	10,3	20,5	SK 43 - 71 L/4	66	C77		3,8	921	1,4	359,59	7,1	12,0	10,6	20,0		4,6	765	1,5	298,80	7,5	12,0	10,9	19,4		5,2	676	1,9	263,93	7,7	12,0	11,1	19,1		6,3	562	2,1	219,32	7,9	12,0	11,2	18,5		7,6	468				2,2	182,76	8,1	12,0	11,3	17,7		11	331	3,7	129,38	8,2	12,0	11,5	16,5		5,2	612	1,0	267,79	6,0	9,0	8,9	21,4	SK 32/12 - 71 L/4	50	C74 C90		5,6	635	1,1	248,17	5,9	9,0	8,8	20,7	SK 33N - 71 L/4	45	C75		6,7	530	1,3	207,10	6,2	9,0	9,0	20,0		8,3	426	1,6	166,49	6,5	9,0	9,2	19,3		10	343	1,9	134,02	6,6	9,0	9,3	18,3		12	287	1,9	112,18	6,7	9,0	9,4	17,5		11	309				1,7	81,27	6,7	9,0	9,3	18,0	SK 32 - 80 S/6	38	C74		13	276	2,0	72,76	6,7	9,0	9,4	17,5		14	244	2,6	64,26	6,8	9,0	9,4	17,0		17	208	2,5	81,27	6,8	9,0	9,4	16,4	SK 32 - 71 L/4	36	C74		19	186	3,0	72,76	6,8	9,0	9,4	15,9		8,3	382	0,9	167,21	4,2	5,6	6,7	13,7	SK 22/02 - 71 L/4	37	C72 C90		9,1	388	0,8	151,44	4,2	5,6	6,6	12,9	SK 23 - 71 L/4	33	C73		11	318	1,1	124,17	4,6	5,6	6,9	12,8		14	258	1,3	100,60	4,9	5,6	7,1	12,4		16	226	1,5	88,45	5,1	5,6	7,2	12,0		18	200	1,7	78,05	5,2	5,6	7,3	11,8		21	166				2,0	64,80	5,2	5,6	7,3	11,2		11	328	0,8	86,30	4,6	5,6	6,9	12,9	SK 22 - 80 S/6	27	C72		13	265	1,0	69,81	4,9	5,6	7,1	12,4		17	210	1,5	55,28	5,1	5,6	7,3	11,9		20	174	1,7	45,90	5,2	5,6	7,3	11,4																																																		
	1,5	2307	0,8	607,30	10,2	23,8	17,2	40,0	SK 53 - 80 S/6	101	C79																																																																																																																																																																																																																																																																																																																																																																																																																																																																																																														
	1,7	2085	0,9	548,89	11,0	23,8	17,7	40,0																																																																																																																																																																																																																																																																																																																																																																																																																																																																																																																	
	1,9	1895	1,0	498,82	11,7	23,8	18,1	40,0																																																																																																																																																																																																																																																																																																																																																																																																																																																																																																																	
	2,4	1490	1,2	392,20	12,7	23,8	18,8	40,0																																																																																																																																																																																																																																																																																																																																																																																																																																																																																																																	
	2,5	1422	1,4	374,25	12,9	23,8	18,9	40,0																																																																																																																																																																																																																																																																																																																																																																																																																																																																																																																	
	3,2	1118	2,0	294,26	13,4	23,8	19,3	40,0																																																																																																																																																																																																																																																																																																																																																																																																																																																																																																																	
	8,8	402	5,5	105,87	14,2	23,8	19,8	40,0																																																																																																																																																																																																																																																																																																																																																																																																																																																																																																																	
	9,7	363	6,1	95,49	14,2	23,8	19,8	40,0					5,8	605	3,2	236,21	14,0	23,8	19,7	40,0	SK 53 - 71 L/4	99	C79		7,4	476	3,8	185,72	14,1	23,8	19,8	40,0		7,8	454	4,2	177,22	14,1	23,8	19,8	40,0		9,9	357	6,3	139,34	14,2	23,8	19,8	40,0		2,1	1532	0,8	670,81	3,6	12,0	8,7	22,0	SK 42/12 - 71 L/4	61	C76 C90		2,5	1258	1,0	550,73	5,6	12,0	9,8	21,7		3,2	990	1,2	433,49	6,8	12,0	10,5	21,1		3,3	1078	1,1	421,11	6,5	12,0	10,3	20,5	SK 43 - 71 L/4	66	C77		3,8	921	1,4	359,59	7,1	12,0	10,6	20,0		4,6	765	1,5	298,80	7,5	12,0	10,9	19,4		5,2	676	1,9	263,93	7,7	12,0	11,1	19,1		6,3	562	2,1	219,32	7,9	12,0	11,2	18,5		7,6	468	2,2	182,76	8,1	12,0	11,3	17,7		11	331	3,7	129,38	8,2	12,0	11,5	16,5		5,2	612	1,0	267,79	6,0	9,0	8,9	21,4	SK 32/12 - 71 L/4	50	C74 C90		5,6	635	1,1	248,17	5,9	9,0	8,8	20,7	SK 33N - 71 L/4	45	C75		6,7	530	1,3	207,10	6,2	9,0	9,0	20,0		8,3	426	1,6	166,49	6,5	9,0	9,2	19,3		10	343	1,9	134,02	6,6	9,0	9,3	18,3		12	287	1,9	112,18	6,7	9,0	9,4	17,5		11	309	1,7	81,27	6,7	9,0	9,3	18,0	SK 32 - 80 S/6	38	C74		13	276	2,0	72,76	6,7	9,0	9,4	17,5		14	244	2,6	64,26	6,8	9,0	9,4	17,0		17	208	2,5	81,27	6,8	9,0	9,4	16,4	SK 32 - 71 L/4	36	C74		19	186	3,0	72,76	6,8	9,0	9,4	15,9		8,3	382	0,9	167,21	4,2	5,6	6,7	13,7	SK 22/02 - 71 L/4	37	C72 C90		9,1	388	0,8	151,44	4,2	5,6	6,6	12,9	SK 23 - 71 L/4	33	C73		11	318	1,1	124,17	4,6	5,6	6,9	12,8		14	258	1,3	100,60	4,9	5,6	7,1	12,4		16	226	1,5	88,45	5,1	5,6	7,2	12,0		18	200	1,7	78,05	5,2	5,6	7,3	11,8		21	166	2,0	64,80	5,2	5,6	7,3	11,2		11	328	0,8	86,30	4,6	5,6	6,9	12,9	SK 22 - 80 S/6	27	C72		13	265	1,0	69,81	4,9	5,6	7,1	12,4		17	210	1,5	55,28	5,1	5,6	7,3	11,9		20	174	1,7	45,90	5,2	5,6	7,3	11,4																																																																																																																																												
	5,8	605	3,2	236,21	14,0	23,8	19,7	40,0	SK 53 - 71 L/4	99	C79																																																																																																																																																																																																																																																																																																																																																																																																																																																																																																														
	7,4	476	3,8	185,72	14,1	23,8	19,8	40,0																																																																																																																																																																																																																																																																																																																																																																																																																																																																																																																	
	7,8	454	4,2	177,22	14,1	23,8	19,8	40,0																																																																																																																																																																																																																																																																																																																																																																																																																																																																																																																	
	9,9	357	6,3	139,34	14,2	23,8	19,8	40,0					2,1	1532	0,8	670,81	3,6	12,0	8,7	22,0	SK 42/12 - 71 L/4	61	C76 C90		2,5	1258	1,0	550,73	5,6	12,0	9,8	21,7		3,2	990	1,2	433,49	6,8	12,0	10,5	21,1		3,3	1078	1,1	421,11	6,5	12,0	10,3	20,5	SK 43 - 71 L/4	66	C77		3,8	921	1,4	359,59	7,1	12,0	10,6	20,0		4,6	765	1,5	298,80	7,5	12,0	10,9	19,4		5,2	676	1,9	263,93	7,7	12,0	11,1	19,1		6,3	562	2,1	219,32	7,9	12,0	11,2	18,5					7,6	468	2,2	182,76	8,1	12,0	11,3	17,7		11	331	3,7	129,38	8,2	12,0	11,5	16,5		5,2	612	1,0	267,79	6,0	9,0	8,9	21,4	SK 32/12 - 71 L/4	50	C74 C90		5,6	635	1,1	248,17	5,9	9,0	8,8	20,7	SK 33N - 71 L/4	45	C75		6,7	530	1,3	207,10	6,2	9,0	9,0	20,0		8,3	426	1,6	166,49	6,5	9,0	9,2	19,3		10	343	1,9	134,02	6,6	9,0	9,3	18,3		12	287	1,9	112,18	6,7				9,0	9,4	17,5		11	309	1,7	81,27	6,7	9,0	9,3	18,0	SK 32 - 80 S/6	38	C74		13	276	2,0	72,76	6,7	9,0	9,4	17,5		14	244	2,6	64,26	6,8	9,0	9,4	17,0		17	208	2,5	81,27	6,8	9,0	9,4	16,4	SK 32 - 71 L/4	36	C74		19	186	3,0	72,76	6,8	9,0	9,4	15,9		8,3	382	0,9	167,21	4,2	5,6	6,7	13,7	SK 22/02 - 71 L/4	37	C72 C90		9,1	388	0,8	151,44	4,2	5,6	6,6	12,9	SK 23 - 71 L/4	33	C73		11	318	1,1	124,17	4,6	5,6	6,9	12,8		14	258	1,3	100,60	4,9	5,6	7,1	12,4		16	226	1,5	88,45	5,1	5,6	7,2	12,0		18	200				1,7	78,05	5,2	5,6	7,3	11,8		21	166	2,0	64,80	5,2	5,6	7,3	11,2		11	328	0,8	86,30	4,6	5,6	6,9	12,9	SK 22 - 80 S/6	27	C72		13	265	1,0	69,81	4,9	5,6	7,1	12,4		17	210	1,5	55,28	5,1	5,6	7,3	11,9		20	174	1,7	45,90	5,2	5,6	7,3	11,4																																																																																																																																																																										
	2,1	1532	0,8	670,81	3,6	12,0	8,7	22,0	SK 42/12 - 71 L/4	61	C76 C90																																																																																																																																																																																																																																																																																																																																																																																																																																																																																																														
	2,5	1258	1,0	550,73	5,6	12,0	9,8	21,7																																																																																																																																																																																																																																																																																																																																																																																																																																																																																																																	
	3,2	990	1,2	433,49	6,8	12,0	10,5	21,1					3,3	1078	1,1	421,11	6,5	12,0	10,3	20,5	SK 43 - 71 L/4	66	C77		3,8	921	1,4	359,59	7,1	12,0	10,6	20,0		4,6	765	1,5	298,80	7,5	12,0	10,9	19,4		5,2	676	1,9	263,93	7,7	12,0	11,1	19,1					6,3	562	2,1	219,32	7,9	12,0	11,2	18,5		7,6	468	2,2	182,76	8,1	12,0	11,3	17,7		11	331	3,7	129,38	8,2	12,0	11,5	16,5		5,2	612	1,0	267,79	6,0	9,0	8,9	21,4	SK 32/12 - 71 L/4	50	C74 C90		5,6	635	1,1	248,17	5,9	9,0	8,8	20,7	SK 33N - 71 L/4	45	C75		6,7	530	1,3	207,10	6,2	9,0	9,0	20,0		8,3	426	1,6	166,49	6,5	9,0	9,2	19,3		10	343	1,9	134,02	6,6	9,0	9,3	18,3					12	287	1,9	112,18	6,7	9,0	9,4	17,5		11	309	1,7	81,27	6,7	9,0	9,3	18,0	SK 32 - 80 S/6	38	C74		13	276	2,0	72,76	6,7	9,0	9,4	17,5		14	244	2,6	64,26	6,8	9,0	9,4	17,0		17	208	2,5	81,27	6,8	9,0	9,4	16,4	SK 32 - 71 L/4	36	C74		19	186	3,0	72,76	6,8	9,0	9,4	15,9		8,3	382	0,9	167,21	4,2	5,6	6,7	13,7	SK 22/02 - 71 L/4	37	C72 C90		9,1	388	0,8	151,44	4,2	5,6	6,6	12,9	SK 23 - 71 L/4	33	C73		11	318	1,1	124,17	4,6	5,6	6,9	12,8		14	258	1,3	100,60	4,9	5,6	7,1	12,4		16	226	1,5	88,45	5,1	5,6	7,2	12,0					18	200	1,7	78,05	5,2	5,6	7,3	11,8		21	166	2,0	64,80	5,2	5,6	7,3	11,2		11	328	0,8	86,30	4,6	5,6	6,9	12,9	SK 22 - 80 S/6	27	C72		13	265	1,0	69,81	4,9	5,6	7,1	12,4		17	210	1,5	55,28	5,1	5,6	7,3	11,9		20	174	1,7	45,90	5,2	5,6	7,3	11,4																																																																																																																																																																																																								
	3,3	1078	1,1	421,11	6,5	12,0	10,3	20,5	SK 43 - 71 L/4	66	C77																																																																																																																																																																																																																																																																																																																																																																																																																																																																																																														
	3,8	921	1,4	359,59	7,1	12,0	10,6	20,0																																																																																																																																																																																																																																																																																																																																																																																																																																																																																																																	
	4,6	765	1,5	298,80	7,5	12,0	10,9	19,4																																																																																																																																																																																																																																																																																																																																																																																																																																																																																																																	
	5,2	676	1,9	263,93	7,7	12,0	11,1	19,1																																																																																																																																																																																																																																																																																																																																																																																																																																																																																																																	
	6,3	562	2,1	219,32	7,9	12,0	11,2	18,5																																																																																																																																																																																																																																																																																																																																																																																																																																																																																																																	
	7,6	468	2,2	182,76	8,1	12,0	11,3	17,7																																																																																																																																																																																																																																																																																																																																																																																																																																																																																																																	
	11	331	3,7	129,38	8,2	12,0	11,5	16,5					5,2	612	1,0	267,79	6,0	9,0	8,9	21,4	SK 32/12 - 71 L/4	50	C74 C90		5,6	635	1,1	248,17	5,9	9,0	8,8	20,7	SK 33N - 71 L/4	45	C75		6,7	530	1,3	207,10	6,2	9,0	9,0	20,0		8,3	426	1,6	166,49	6,5	9,0	9,2	19,3		10	343	1,9	134,02	6,6	9,0	9,3	18,3		12	287	1,9	112,18	6,7	9,0	9,4	17,5		11	309	1,7	81,27	6,7	9,0	9,3	18,0	SK 32 - 80 S/6	38	C74		13	276	2,0	72,76	6,7	9,0	9,4	17,5		14	244	2,6	64,26	6,8	9,0	9,4	17,0		17	208	2,5	81,27	6,8	9,0	9,4	16,4	SK 32 - 71 L/4	36	C74		19	186	3,0	72,76	6,8	9,0	9,4	15,9		8,3	382	0,9	167,21	4,2	5,6	6,7	13,7	SK 22/02 - 71 L/4	37	C72 C90		9,1	388	0,8	151,44	4,2	5,6	6,6	12,9	SK 23 - 71 L/4	33	C73		11	318	1,1	124,17	4,6	5,6	6,9	12,8		14	258	1,3	100,60	4,9	5,6	7,1	12,4		16	226	1,5	88,45	5,1	5,6	7,2	12,0		18	200	1,7	78,05	5,2	5,6	7,3	11,8		21	166	2,0	64,80	5,2	5,6	7,3	11,2		11	328	0,8	86,30	4,6	5,6	6,9	12,9	SK 22 - 80 S/6	27	C72		13	265	1,0	69,81	4,9	5,6	7,1	12,4		17	210	1,5	55,28	5,1	5,6	7,3	11,9		20	174	1,7	45,90	5,2	5,6	7,3	11,4																																																																																																																																																																																																																																																																																			
	5,2	612	1,0	267,79	6,0	9,0	8,9	21,4	SK 32/12 - 71 L/4	50	C74 C90																																																																																																																																																																																																																																																																																																																																																																																																																																																																																																														
	5,6	635	1,1	248,17	5,9	9,0	8,8	20,7	SK 33N - 71 L/4	45	C75																																																																																																																																																																																																																																																																																																																																																																																																																																																																																																														
	6,7	530	1,3	207,10	6,2	9,0	9,0	20,0																																																																																																																																																																																																																																																																																																																																																																																																																																																																																																																	
	8,3	426	1,6	166,49	6,5	9,0	9,2	19,3																																																																																																																																																																																																																																																																																																																																																																																																																																																																																																																	
	10	343	1,9	134,02	6,6	9,0	9,3	18,3																																																																																																																																																																																																																																																																																																																																																																																																																																																																																																																	
	12	287	1,9	112,18	6,7	9,0	9,4	17,5					11	309	1,7	81,27	6,7	9,0	9,3	18,0	SK 32 - 80 S/6	38	C74		13	276	2,0	72,76	6,7	9,0	9,4	17,5		14	244	2,6	64,26	6,8	9,0	9,4	17,0		17	208	2,5	81,27	6,8	9,0	9,4	16,4	SK 32 - 71 L/4	36	C74		19	186	3,0	72,76	6,8	9,0	9,4	15,9		8,3	382	0,9	167,21	4,2	5,6	6,7	13,7	SK 22/02 - 71 L/4	37	C72 C90		9,1	388	0,8	151,44	4,2	5,6	6,6	12,9	SK 23 - 71 L/4	33	C73		11	318	1,1	124,17	4,6	5,6	6,9	12,8		14	258	1,3	100,60	4,9	5,6	7,1	12,4		16	226	1,5	88,45	5,1	5,6	7,2	12,0		18	200	1,7	78,05	5,2	5,6	7,3	11,8		21	166	2,0	64,80	5,2	5,6	7,3	11,2		11	328	0,8	86,30	4,6	5,6	6,9	12,9	SK 22 - 80 S/6	27	C72		13	265	1,0	69,81	4,9	5,6	7,1	12,4		17	210	1,5	55,28	5,1	5,6	7,3	11,9		20	174	1,7	45,90	5,2	5,6	7,3	11,4																																																																																																																																																																																																																																																																																																																																															
	11	309	1,7	81,27	6,7	9,0	9,3	18,0	SK 32 - 80 S/6	38	C74																																																																																																																																																																																																																																																																																																																																																																																																																																																																																																														
	13	276	2,0	72,76	6,7	9,0	9,4	17,5																																																																																																																																																																																																																																																																																																																																																																																																																																																																																																																	
	14	244	2,6	64,26	6,8	9,0	9,4	17,0					17	208	2,5	81,27	6,8	9,0	9,4	16,4	SK 32 - 71 L/4	36	C74		19	186	3,0	72,76	6,8	9,0	9,4	15,9		8,3	382	0,9	167,21	4,2	5,6	6,7	13,7	SK 22/02 - 71 L/4	37	C72 C90		9,1	388	0,8	151,44	4,2	5,6	6,6	12,9	SK 23 - 71 L/4	33	C73		11	318	1,1	124,17	4,6	5,6	6,9	12,8		14	258	1,3	100,60	4,9	5,6	7,1	12,4		16	226	1,5	88,45	5,1	5,6	7,2	12,0					18	200	1,7	78,05	5,2	5,6	7,3	11,8		21	166	2,0	64,80	5,2	5,6	7,3	11,2		11	328	0,8	86,30	4,6	5,6	6,9	12,9	SK 22 - 80 S/6	27	C72		13	265	1,0	69,81	4,9	5,6	7,1	12,4		17	210	1,5	55,28	5,1	5,6	7,3	11,9		20	174	1,7	45,90	5,2				5,6	7,3	11,4																																																																																																																																																																																																																																																																																																																																																																							
	17	208	2,5	81,27	6,8	9,0	9,4	16,4	SK 32 - 71 L/4	36	C74																																																																																																																																																																																																																																																																																																																																																																																																																																																																																																														
	19	186	3,0	72,76	6,8	9,0	9,4	15,9					8,3	382	0,9	167,21	4,2	5,6	6,7	13,7	SK 22/02 - 71 L/4	37	C72 C90		9,1	388	0,8	151,44	4,2	5,6	6,6	12,9	SK 23 - 71 L/4	33	C73		11	318	1,1	124,17	4,6	5,6	6,9	12,8		14	258	1,3	100,60	4,9	5,6	7,1	12,4					16	226	1,5	88,45	5,1	5,6	7,2	12,0		18	200	1,7	78,05	5,2	5,6	7,3	11,8		21	166	2,0	64,80	5,2	5,6	7,3	11,2					11	328	0,8	86,30	4,6	5,6	6,9	12,9	SK 22 - 80 S/6	27	C72		13	265	1,0	69,81	4,9	5,6	7,1	12,4		17	210	1,5	55,28	5,1				5,6	7,3	11,9		20	174	1,7	45,90	5,2	5,6	7,3	11,4																																																																																																																																																																																																																																																																																																																																																																																									
	8,3	382	0,9	167,21	4,2	5,6	6,7	13,7	SK 22/02 - 71 L/4	37	C72 C90																																																																																																																																																																																																																																																																																																																																																																																																																																																																																																														
	9,1	388	0,8	151,44	4,2	5,6	6,6	12,9	SK 23 - 71 L/4	33	C73																																																																																																																																																																																																																																																																																																																																																																																																																																																																																																														
	11	318	1,1	124,17	4,6	5,6	6,9	12,8																																																																																																																																																																																																																																																																																																																																																																																																																																																																																																																	
	14	258	1,3	100,60	4,9	5,6	7,1	12,4																																																																																																																																																																																																																																																																																																																																																																																																																																																																																																																	
	16	226	1,5	88,45	5,1	5,6	7,2	12,0																																																																																																																																																																																																																																																																																																																																																																																																																																																																																																																	
	18	200	1,7	78,05	5,2	5,6	7,3	11,8																																																																																																																																																																																																																																																																																																																																																																																																																																																																																																																	
	21	166	2,0	64,80	5,2	5,6	7,3	11,2					11	328	0,8	86,30	4,6	5,6	6,9	12,9	SK 22 - 80 S/6	27	C72		13	265	1,0	69,81	4,9	5,6	7,1	12,4		17	210	1,5	55,28	5,1	5,6	7,3	11,9		20	174	1,7	45,90	5,2	5,6	7,3	11,4																																																																																																																																																																																																																																																																																																																																																																																																																																																																							
	11	328	0,8	86,30	4,6	5,6	6,9	12,9	SK 22 - 80 S/6	27	C72																																																																																																																																																																																																																																																																																																																																																																																																																																																																																																														
	13	265	1,0	69,81	4,9	5,6	7,1	12,4																																																																																																																																																																																																																																																																																																																																																																																																																																																																																																																	
	17	210	1,5	55,28	5,1	5,6	7,3	11,9																																																																																																																																																																																																																																																																																																																																																																																																																																																																																																																	
	20	174	1,7	45,90	5,2	5,6	7,3	11,4																																																																																																																																																																																																																																																																																																																																																																																																																																																																																																																	


0,37 kW



Helical Gear Units

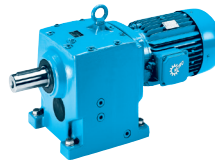
P ₁ [kW]	n ₂ [min ⁻¹]	M ₂ [Nm]	f _B	i _{ges}	F _R [kN]	F _A [kN]	F _{R VL} [kN]	F _{A VL} [kN]	Type	kg	mm
0,37	16	221	1,1	86,30	5,1	5,6	7,2	12,0	SK 22 - 71 L/4	25	C72
	25	142	2,3	55,28	5,3	5,6	7,4	10,9			
	30	118	2,5	45,90	5,3	5,6	7,4	10,4			
	15	212	0,8	92,89	3,0	4,0	4,6	9,8	SK 12/02 - 71 L/4	24	C70 C90
	16	219	0,8	85,47	2,9	4,0	4,6	9,5	SK 13 - 71 L/4	21	C71
	20	175	1,1	68,40	3,2	4,0	4,8	9,1			
	22	157	1,0	61,35	3,3	4,0	4,8	9,0	SK 12 - 71 L/4	16	C70
	26	138	1,3	53,84	3,4	4,0	4,9	8,8			
	29	123	1,4	47,87	3,5	4,0	4,9	8,6			
	32	110	1,5	43,09	3,5	4,0	5,0	8,3			
	36	98	1,9	38,31	3,5	4,0	5,0	8,1			
	39	90	1,7	35,07	3,6	4,0	5,0	7,9			
	44	80	2,1	31,19	3,6	4,0	5,0	7,8			
	47	75	1,7	29,15	3,5	4,0	5,0	7,6			
	53	66	2,1	25,92	3,4	4,0	5,1	7,4			
65	54	3,1	21,28	3,3	4,0	5,1	7,1				
73	48	3,3	18,79	3,2	4,0	5,1	6,9				
82	43	3,6	16,73	3,0	4,0	5,1	6,7				
103	34	4,3	13,39	2,8	4,0	5,1	6,3				
33	106	0,9	41,58	2,0	3,3	3,1	6,2	SK 02 - 71 L/4	14	C68	
41	86	1,1	33,42	2,2	3,3	3,2	6,2				
47	76	1,2	29,61	2,2	3,3	3,2	6,1				
50	70	1,2	27,52	2,2	3,3	3,2	5,9				
57	62	1,4	24,39	2,3	3,3	3,3	5,8				
60	59	1,3	23,13	2,3	3,3	3,3	5,7				
67	53	1,4	20,59	2,3	3,3	3,3	5,7				
87	41	1,8	15,95	2,4	3,3	3,3	5,3				
108	33	2,1	12,82	2,4	3,3	3,3	5,0				
122	29	2,3	11,27	2,4	3,3	3,3	4,8				
139	25	2,5	9,95	2,3	3,3	3,3	4,6				
149	24	2,7	9,28	2,3	3,3	3,2	4,5				
168	21	3,0	8,19	2,2	3,3	3,1	4,4				
177	20	3,2	7,80	2,2	3,3	3,0	4,3				
200	18	3,5	6,89	2,1	3,3	2,9	4,2				
226	16	3,6	6,10	2,0	3,3	2,8	4,0				
248	14	4,0	5,57	2,0	3,3	2,8	3,9				
286	12	4,6	4,82	1,9	3,3	2,6	3,7				
327	11	4,8	4,22	1,8	3,2	2,5	3,6				
355	10	5,3	3,89	1,7	3,1	2,5	3,5				
408	9	5,9	3,38	1,7	2,9	2,4	3,4				
468	8	6,1	2,95	1,6	2,8	2,3	3,2				
488	7	7,5	2,83	-	3,3	1,9	5,0	SK 11E - 71 L/4	12	C63	
595	6	9,4	2,32	-	3,0	2,0	4,6				
676	5	11,1	2,04	-	2,9	2,0	4,3				
762	5	11,9	1,81	-	2,7	2,0	4,1				



P_1 [kW]	n_2 [min ⁻¹]	M_2 [Nm]	f_B	i_{ges}	F_R [kN]	F_A [kN]	$F_{R VL}$ [kN]	$F_{A VL}$ [kN]	Type	kg	mm 																																																																																																																																																																																																																																																																																																																																																																																																																																																																																																																							
0,55	1,2	3963	2,0	1155,49	43,6	65,0	61,9	65,0	SK 83/32 - 80 SH/4	356	C85 C90																																																																																																																																																																																																																																																																																																																																																																																																																																																																																																																							
	1,6	3089	2,6	900,50	44,3	65,0	62,4	65,0					1,1	4301	1,2	1254,07	23,9	42,2	37,1	50,0	SK 73/22 - 80 SH/4	238	C83 C90		1,3	3772	1,3	1099,84	25,0	41,3	37,9	50,0		1,6	3046	1,6	888,16	26,2	39,9	38,7	50,0		1,9	2530	2,0	737,61	26,9	38,5	39,1	50,0		2,5	1944	2,6	566,77	27,5	36,5	39,6	50,0		3,1	1570	3,2	457,68	27,8	34,9	39,8	50,0		1,3	3650	0,9	1064,04	14,7	43,0	24,6	45,0	SK 63/23 - 80 SH/4	165	C81 C91		1,7	2915	1,1	849,73	17,0	41,6	26,0	45,0	SK 63/22 - 80 SH/4	157	C81 C90		2,0	2495	1,3	727,45	18,0	40,5	26,7	45,0		2,6	1895	1,7	552,45	19,1	38,5	27,4	45,0		3,3	1476	2,2	430,19	19,6	36,4	27,8	45,0		3,9	1263	2,5	368,29	19,9	35,2	28,0	45,0		2,1	2365	0,8	689,41	9,9	23,8	17,0	40,0	SK 52/12 - 80 SH/4	93	C78 C90		2,6	1859	1,0	542,09	11,8	23,8	18,2	40,0		2,9	1685	1,1	491,28	12,3	23,8	18,5	40,0		4,0	1214	1,5	354,06	13,3	23,8	19,2	40,0		2,3	2246	0,8	607,30	10,4	23,8	17,3	40,0	SK 53 - 80 SH/4	102	C79		2,6	2030	0,9	548,89	11,2	23,8	17,8	40,0		2,8	1845	1,0	498,82	11,8	23,8	18,2	40,0		3,6	1451	1,3	392,20	12,8	23,8	18,9	40,0		3,8	1384	1,4	374,25	12,9	23,8	19,0	40,0		4,8	1088	2,0	294,26	13,5	23,8	19,3	40,0		5,8	908	2,0	245,56	13,7	23,8	19,5	40,0		6,0	874	2,2	236,21	13,8	23,8	19,5	40,0		7,6	687	2,6	185,72	13,9	23,8	19,6	40,0		8,0	656	2,9	177,22	14,0	23,8	19,7	40,0		3,3	1487	0,8	433,49	4,0	12,0	8,9	18,3	SK 42/12 - 80 SH/4	64	C76 C90		3,4	1558	0,8	421,11	3,3	12,0	8,6	17,9	SK 43 - 80 SH/4	69	C77		3,9	1330	1,0	359,59	5,2	12,0	9,5	17,7		4,8	1105	1,0	298,80	6,4	12,0	10,2	17,4		5,1	1030	1,2	278,51	6,7	12,0	10,4	17,4		5,4	976	1,3	263,93	6,9	12,0	10,5	17,4		6,1	856	1,3	231,43	7,3	12,0	10,8	17,0		6,5	811	1,5	219,32	7,4	12,0	10,9	16,9		6,9	756	1,7	204,42	7,5	12,0	10,9	16,9		7,8	676	1,5	182,76	7,7	12,0	11,1	16,4		8,4	628	1,9	169,86	7,8	12,0	11,1	16,3		10	524	2,0	141,55	8,0	12,0	11,3	15,7		11	479	2,6	129,38	8,1	12,0	11,3	15,6		13	398	2,8	107,51	8,2	12,0	11,4	15,0		15	351	3,5	94,96	8,2	12,0	11,4	14,7		18	296	4,2	79,96	8,3	12,0	11,5	14,1		6,6	739	0,8	215,56	5,6	9,0	8,6	18,7	SK 32/12 - 80 SH/4	53	C74 C90		6,9	766	0,9	207,10	5,5	9,0	8,5	18,4	SK 33N - 80 SH/4	48	C75		8,5	616	1,1	166,49	6,0	9,0	8,9	17,9		11	496	1,3	134,02	6,3	9,0	9,1	17,1		13	415	1,3	112,18	6,5	9,0	9,2	16,5		16	326	1,6	88,18	6,7	9,0	9,3	15,7		17	301	1,7	81,27	6,7	9,0	9,3	15,6	SK 32 - 80 SH/4	39	C74		20	269	2,1	72,76	6,7	9,0	9,4	15,2		22	238	2,7	64,26	6,8	9,0	9,4	14,8		25	213	2,9	57,53	6,8	9,0	9,4	14,4		31	171	3,1	46,31
	1,1	4301	1,2	1254,07	23,9	42,2	37,1	50,0	SK 73/22 - 80 SH/4	238	C83 C90																																																																																																																																																																																																																																																																																																																																																																																																																																																																																																																							
	1,3	3772	1,3	1099,84	25,0	41,3	37,9	50,0																																																																																																																																																																																																																																																																																																																																																																																																																																																																																																																										
	1,6	3046	1,6	888,16	26,2	39,9	38,7	50,0																																																																																																																																																																																																																																																																																																																																																																																																																																																																																																																										
	1,9	2530	2,0	737,61	26,9	38,5	39,1	50,0																																																																																																																																																																																																																																																																																																																																																																																																																																																																																																																										
	2,5	1944	2,6	566,77	27,5	36,5	39,6	50,0																																																																																																																																																																																																																																																																																																																																																																																																																																																																																																																										
	3,1	1570	3,2	457,68	27,8	34,9	39,8	50,0					1,3	3650	0,9	1064,04	14,7	43,0	24,6	45,0	SK 63/23 - 80 SH/4	165	C81 C91		1,7	2915	1,1	849,73	17,0	41,6	26,0	45,0	SK 63/22 - 80 SH/4	157	C81 C90		2,0	2495	1,3	727,45	18,0	40,5	26,7	45,0		2,6	1895	1,7	552,45	19,1	38,5	27,4	45,0		3,3	1476	2,2	430,19	19,6	36,4	27,8	45,0		3,9	1263	2,5	368,29	19,9	35,2	28,0	45,0		2,1	2365	0,8	689,41	9,9	23,8	17,0	40,0	SK 52/12 - 80 SH/4	93	C78 C90		2,6	1859	1,0	542,09	11,8	23,8	18,2	40,0		2,9	1685	1,1	491,28	12,3	23,8	18,5	40,0		4,0	1214	1,5	354,06	13,3	23,8	19,2	40,0		2,3	2246	0,8	607,30	10,4	23,8	17,3	40,0	SK 53 - 80 SH/4	102	C79		2,6	2030	0,9	548,89	11,2	23,8	17,8	40,0		2,8	1845	1,0	498,82	11,8	23,8	18,2	40,0		3,6	1451	1,3	392,20	12,8	23,8	18,9	40,0		3,8	1384	1,4	374,25	12,9	23,8	19,0	40,0		4,8	1088	2,0	294,26	13,5	23,8	19,3	40,0		5,8	908	2,0	245,56	13,7	23,8	19,5	40,0					6,0	874	2,2	236,21	13,8	23,8	19,5	40,0		7,6	687	2,6	185,72	13,9	23,8	19,6	40,0		8,0	656	2,9	177,22	14,0	23,8	19,7	40,0		3,3	1487	0,8	433,49	4,0	12,0	8,9	18,3	SK 42/12 - 80 SH/4	64	C76 C90		3,4	1558	0,8	421,11	3,3	12,0	8,6	17,9	SK 43 - 80 SH/4	69	C77		3,9	1330	1,0	359,59	5,2	12,0	9,5	17,7		4,8	1105	1,0	298,80	6,4	12,0	10,2	17,4		5,1	1030	1,2	278,51	6,7	12,0	10,4	17,4		5,4	976	1,3	263,93	6,9	12,0	10,5	17,4		6,1	856	1,3	231,43	7,3	12,0	10,8	17,0		6,5	811	1,5	219,32	7,4				12,0	10,9	16,9		6,9	756	1,7	204,42	7,5	12,0	10,9	16,9		7,8	676	1,5	182,76	7,7	12,0	11,1	16,4		8,4	628	1,9	169,86	7,8	12,0	11,1	16,3		10	524	2,0	141,55	8,0	12,0	11,3	15,7		11	479	2,6	129,38	8,1	12,0	11,3	15,6		13	398	2,8	107,51	8,2	12,0	11,4	15,0		15	351	3,5	94,96	8,2	12,0	11,4	14,7		18	296	4,2	79,96	8,3	12,0	11,5	14,1		6,6	739	0,8	215,56	5,6	9,0	8,6	18,7	SK 32/12 - 80 SH/4	53	C74 C90		6,9	766	0,9	207,10	5,5	9,0	8,5	18,4	SK 33N - 80 SH/4	48	C75		8,5	616	1,1	166,49	6,0	9,0	8,9	17,9		11	496	1,3	134,02	6,3	9,0	9,1	17,1		13	415	1,3	112,18	6,5	9,0	9,2	16,5		16	326	1,6	88,18	6,7	9,0	9,3	15,7		17	301	1,7	81,27	6,7	9,0	9,3	15,6	SK 32 - 80 SH/4	39	C74		20	269	2,1	72,76	6,7	9,0	9,4	15,2		22	238	2,7	64,26	6,8	9,0	9,4	14,8		25	213	2,9	57,53	6,8	9,0	9,4	14,4		31	171	3,1	46,31	6,8	9,0	9,4	13,6																																															
	1,3	3650	0,9	1064,04	14,7	43,0	24,6	45,0	SK 63/23 - 80 SH/4	165	C81 C91																																																																																																																																																																																																																																																																																																																																																																																																																																																																																																																							
	1,7	2915	1,1	849,73	17,0	41,6	26,0	45,0	SK 63/22 - 80 SH/4	157	C81 C90																																																																																																																																																																																																																																																																																																																																																																																																																																																																																																																							
	2,0	2495	1,3	727,45	18,0	40,5	26,7	45,0																																																																																																																																																																																																																																																																																																																																																																																																																																																																																																																										
	2,6	1895	1,7	552,45	19,1	38,5	27,4	45,0																																																																																																																																																																																																																																																																																																																																																																																																																																																																																																																										
	3,3	1476	2,2	430,19	19,6	36,4	27,8	45,0																																																																																																																																																																																																																																																																																																																																																																																																																																																																																																																										
	3,9	1263	2,5	368,29	19,9	35,2	28,0	45,0					2,1	2365	0,8	689,41	9,9	23,8	17,0	40,0	SK 52/12 - 80 SH/4	93	C78 C90		2,6	1859	1,0	542,09	11,8	23,8	18,2	40,0		2,9	1685	1,1	491,28	12,3	23,8	18,5	40,0		4,0	1214	1,5	354,06	13,3	23,8	19,2	40,0		2,3	2246	0,8	607,30	10,4	23,8	17,3	40,0	SK 53 - 80 SH/4	102	C79		2,6	2030	0,9	548,89	11,2	23,8	17,8	40,0		2,8	1845	1,0	498,82	11,8	23,8	18,2	40,0		3,6	1451	1,3	392,20	12,8	23,8	18,9	40,0		3,8	1384	1,4	374,25	12,9	23,8	19,0	40,0		4,8	1088	2,0	294,26	13,5	23,8	19,3	40,0		5,8	908	2,0	245,56	13,7	23,8	19,5	40,0		6,0	874				2,2	236,21	13,8	23,8	19,5	40,0		7,6	687	2,6	185,72	13,9	23,8	19,6	40,0		8,0	656	2,9	177,22	14,0	23,8	19,7	40,0		3,3	1487	0,8	433,49	4,0	12,0	8,9	18,3	SK 42/12 - 80 SH/4	64	C76 C90		3,4	1558	0,8	421,11	3,3	12,0	8,6	17,9	SK 43 - 80 SH/4	69	C77		3,9	1330	1,0	359,59	5,2	12,0	9,5	17,7		4,8	1105	1,0	298,80	6,4	12,0	10,2	17,4		5,1	1030	1,2	278,51	6,7	12,0	10,4	17,4		5,4	976	1,3	263,93	6,9	12,0	10,5	17,4		6,1	856	1,3	231,43	7,3	12,0	10,8	17,0		6,5	811	1,5	219,32	7,4	12,0	10,9	16,9		6,9	756				1,7	204,42	7,5	12,0	10,9	16,9		7,8	676	1,5	182,76	7,7	12,0	11,1	16,4		8,4	628	1,9	169,86	7,8	12,0	11,1	16,3		10	524	2,0	141,55	8,0	12,0	11,3	15,7		11	479	2,6	129,38	8,1	12,0	11,3	15,6		13	398	2,8	107,51	8,2	12,0	11,4	15,0					15	351	3,5	94,96	8,2	12,0	11,4	14,7		18	296	4,2	79,96	8,3	12,0	11,5	14,1		6,6	739	0,8	215,56	5,6	9,0	8,6	18,7	SK 32/12 - 80 SH/4	53	C74 C90		6,9	766	0,9	207,10	5,5	9,0	8,5	18,4	SK 33N - 80 SH/4	48	C75		8,5	616	1,1	166,49	6,0	9,0	8,9	17,9		11	496	1,3	134,02	6,3	9,0	9,1	17,1		13	415	1,3	112,18	6,5	9,0	9,2	16,5		16	326	1,6	88,18	6,7	9,0	9,3	15,7		17	301	1,7	81,27	6,7	9,0	9,3	15,6	SK 32 - 80 SH/4	39	C74		20	269	2,1	72,76	6,7	9,0	9,4	15,2		22	238	2,7	64,26	6,8	9,0	9,4	14,8		25	213	2,9	57,53	6,8	9,0	9,4	14,4		31	171	3,1	46,31	6,8	9,0	9,4	13,6																																																																																																								
	2,1	2365	0,8	689,41	9,9	23,8	17,0	40,0	SK 52/12 - 80 SH/4	93	C78 C90																																																																																																																																																																																																																																																																																																																																																																																																																																																																																																																							
	2,6	1859	1,0	542,09	11,8	23,8	18,2	40,0																																																																																																																																																																																																																																																																																																																																																																																																																																																																																																																										
	2,9	1685	1,1	491,28	12,3	23,8	18,5	40,0																																																																																																																																																																																																																																																																																																																																																																																																																																																																																																																										
	4,0	1214	1,5	354,06	13,3	23,8	19,2	40,0					2,3	2246	0,8	607,30	10,4	23,8	17,3	40,0	SK 53 - 80 SH/4	102	C79		2,6	2030	0,9	548,89	11,2	23,8	17,8	40,0		2,8	1845	1,0	498,82	11,8	23,8	18,2	40,0		3,6	1451	1,3	392,20	12,8	23,8	18,9	40,0		3,8	1384	1,4	374,25	12,9	23,8	19,0	40,0					4,8	1088	2,0	294,26	13,5	23,8	19,3	40,0		5,8	908	2,0	245,56	13,7	23,8	19,5	40,0		6,0	874	2,2	236,21	13,8	23,8	19,5	40,0		7,6	687	2,6	185,72	13,9	23,8	19,6	40,0		8,0	656	2,9	177,22	14,0	23,8	19,7	40,0		3,3	1487	0,8	433,49	4,0	12,0	8,9	18,3	SK 42/12 - 80 SH/4	64	C76 C90					3,4	1558	0,8	421,11	3,3	12,0	8,6	17,9	SK 43 - 80 SH/4	69	C77		3,9	1330	1,0	359,59	5,2	12,0	9,5	17,7		4,8	1105	1,0	298,80	6,4	12,0	10,2	17,4		5,1	1030	1,2	278,51	6,7	12,0	10,4	17,4		5,4	976	1,3	263,93	6,9				12,0	10,5	17,4		6,1	856	1,3	231,43	7,3	12,0	10,8	17,0		6,5	811	1,5	219,32	7,4	12,0	10,9	16,9		6,9	756	1,7	204,42	7,5	12,0	10,9	16,9		7,8	676	1,5	182,76	7,7	12,0	11,1	16,4		8,4	628	1,9	169,86	7,8	12,0	11,1	16,3		10	524	2,0	141,55	8,0	12,0	11,3	15,7					11	479	2,6	129,38	8,1	12,0	11,3	15,6		13	398	2,8	107,51	8,2	12,0	11,4	15,0		15	351	3,5	94,96	8,2	12,0	11,4	14,7		18	296	4,2	79,96	8,3	12,0	11,5	14,1		6,6	739	0,8	215,56	5,6	9,0	8,6	18,7	SK 32/12 - 80 SH/4	53	C74 C90		6,9	766	0,9	207,10	5,5	9,0	8,5	18,4	SK 33N - 80 SH/4	48	C75		8,5	616	1,1	166,49	6,0	9,0	8,9	17,9		11	496	1,3	134,02	6,3	9,0	9,1	17,1		13	415	1,3	112,18	6,5	9,0	9,2	16,5		16	326	1,6	88,18	6,7				9,0	9,3	15,7		17	301	1,7	81,27	6,7	9,0	9,3	15,6	SK 32 - 80 SH/4	39	C74		20	269	2,1	72,76	6,7	9,0	9,4	15,2		22	238	2,7	64,26	6,8	9,0	9,4	14,8		25	213	2,9	57,53	6,8	9,0	9,4	14,4		31	171				3,1	46,31	6,8	9,0	9,4	13,6																																																																																																																																						
	2,3	2246	0,8	607,30	10,4	23,8	17,3	40,0	SK 53 - 80 SH/4	102	C79																																																																																																																																																																																																																																																																																																																																																																																																																																																																																																																							
	2,6	2030	0,9	548,89	11,2	23,8	17,8	40,0																																																																																																																																																																																																																																																																																																																																																																																																																																																																																																																										
	2,8	1845	1,0	498,82	11,8	23,8	18,2	40,0																																																																																																																																																																																																																																																																																																																																																																																																																																																																																																																										
	3,6	1451	1,3	392,20	12,8	23,8	18,9	40,0																																																																																																																																																																																																																																																																																																																																																																																																																																																																																																																										
	3,8	1384	1,4	374,25	12,9	23,8	19,0	40,0																																																																																																																																																																																																																																																																																																																																																																																																																																																																																																																										
	4,8	1088	2,0	294,26	13,5	23,8	19,3	40,0																																																																																																																																																																																																																																																																																																																																																																																																																																																																																																																										
	5,8	908	2,0	245,56	13,7	23,8	19,5	40,0																																																																																																																																																																																																																																																																																																																																																																																																																																																																																																																										
	6,0	874	2,2	236,21	13,8	23,8	19,5	40,0																																																																																																																																																																																																																																																																																																																																																																																																																																																																																																																										
	7,6	687	2,6	185,72	13,9	23,8	19,6	40,0																																																																																																																																																																																																																																																																																																																																																																																																																																																																																																																										
	8,0	656	2,9	177,22	14,0	23,8	19,7	40,0																																																																																																																																																																																																																																																																																																																																																																																																																																																																																																																										
	3,3	1487	0,8	433,49	4,0	12,0	8,9	18,3				SK 42/12 - 80 SH/4	64	C76 C90																																																																																																																																																																																																																																																																																																																																																																																																																																																																																																																				
	3,4	1558	0,8	421,11	3,3	12,0	8,6	17,9	SK 43 - 80 SH/4	69	C77																																																																																																																																																																																																																																																																																																																																																																																																																																																																																																																							
	3,9	1330	1,0	359,59	5,2	12,0	9,5	17,7																																																																																																																																																																																																																																																																																																																																																																																																																																																																																																																										
	4,8	1105	1,0	298,80	6,4	12,0	10,2	17,4																																																																																																																																																																																																																																																																																																																																																																																																																																																																																																																										
	5,1	1030	1,2	278,51	6,7	12,0	10,4	17,4																																																																																																																																																																																																																																																																																																																																																																																																																																																																																																																										
	5,4	976	1,3	263,93	6,9	12,0	10,5	17,4																																																																																																																																																																																																																																																																																																																																																																																																																																																																																																																										
	6,1	856	1,3	231,43	7,3	12,0	10,8	17,0																																																																																																																																																																																																																																																																																																																																																																																																																																																																																																																										
	6,5	811	1,5	219,32	7,4	12,0	10,9	16,9																																																																																																																																																																																																																																																																																																																																																																																																																																																																																																																										
	6,9	756	1,7	204,42	7,5	12,0	10,9	16,9																																																																																																																																																																																																																																																																																																																																																																																																																																																																																																																										
	7,8	676	1,5	182,76	7,7	12,0	11,1	16,4																																																																																																																																																																																																																																																																																																																																																																																																																																																																																																																										
	8,4	628	1,9	169,86	7,8	12,0	11,1	16,3																																																																																																																																																																																																																																																																																																																																																																																																																																																																																																																										
	10	524	2,0	141,55	8,0	12,0	11,3	15,7																																																																																																																																																																																																																																																																																																																																																																																																																																																																																																																										
	11	479	2,6	129,38	8,1	12,0	11,3	15,6																																																																																																																																																																																																																																																																																																																																																																																																																																																																																																																										
	13	398	2,8	107,51	8,2	12,0	11,4	15,0																																																																																																																																																																																																																																																																																																																																																																																																																																																																																																																										
	15	351	3,5	94,96	8,2	12,0	11,4	14,7																																																																																																																																																																																																																																																																																																																																																																																																																																																																																																																										
	18	296	4,2	79,96	8,3	12,0	11,5	14,1																																																																																																																																																																																																																																																																																																																																																																																																																																																																																																																										
	6,6	739	0,8	215,56	5,6	9,0	8,6	18,7	SK 32/12 - 80 SH/4	53	C74 C90																																																																																																																																																																																																																																																																																																																																																																																																																																																																																																																							
	6,9	766	0,9	207,10	5,5	9,0	8,5	18,4	SK 33N - 80 SH/4	48	C75																																																																																																																																																																																																																																																																																																																																																																																																																																																																																																																							
	8,5	616	1,1	166,49	6,0	9,0	8,9	17,9																																																																																																																																																																																																																																																																																																																																																																																																																																																																																																																										
	11	496	1,3	134,02	6,3	9,0	9,1	17,1																																																																																																																																																																																																																																																																																																																																																																																																																																																																																																																										
	13	415	1,3	112,18	6,5	9,0	9,2	16,5																																																																																																																																																																																																																																																																																																																																																																																																																																																																																																																										
	16	326	1,6	88,18	6,7	9,0	9,3	15,7					17	301	1,7	81,27	6,7	9,0	9,3	15,6	SK 32 - 80 SH/4	39	C74		20	269	2,1	72,76	6,7	9,0	9,4	15,2		22	238	2,7	64,26	6,8	9,0	9,4	14,8		25	213	2,9	57,53	6,8	9,0	9,4	14,4		31	171	3,1	46,31	6,8	9,0	9,4	13,6																																																																																																																																																																																																																																																																																																																																																																																																																																																																							
	17	301	1,7	81,27	6,7	9,0	9,3	15,6	SK 32 - 80 SH/4	39	C74																																																																																																																																																																																																																																																																																																																																																																																																																																																																																																																							
	20	269	2,1	72,76	6,7	9,0	9,4	15,2																																																																																																																																																																																																																																																																																																																																																																																																																																																																																																																										
	22	238	2,7	64,26	6,8	9,0	9,4	14,8																																																																																																																																																																																																																																																																																																																																																																																																																																																																																																																										
	25	213	2,9	57,53	6,8	9,0	9,4	14,4																																																																																																																																																																																																																																																																																																																																																																																																																																																																																																																										
	31	171	3,1	46,31	6,8	9,0	9,4	13,6																																																																																																																																																																																																																																																																																																																																																																																																																																																																																																																										

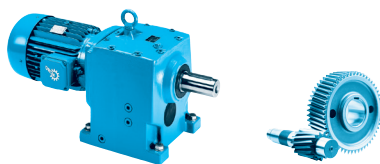
0,55 kW


IE2



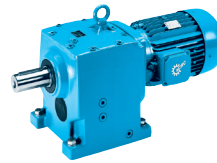
Helical Gear Units

P ₁ [kW]	n ₂ [min ⁻¹]	M ₂ [Nm]	f _B	i _{ges}	F _R [kN]	F _A [kN]	F _{R VL} [kN]	F _{A VL} [kN]	Type	kg	mm 			
0,55	12	402	0,8	117,25	4,1	5,6	6,6	11,8	SK 22/02 - 80 SH/4	40	C72 C90			
	14	372	0,9	100,60	4,3	5,6	6,7	11,3	SK 23 - 80 SH/4	36	C73			
	16	327	1,0	88,45	4,6	5,6	6,9	11,2						
	18	289	1,2	78,05	4,8	5,6	7,0	10,9						
	16	319	0,8	86,30	4,6	5,6	6,9	11,2	SK 22 - 80 SH/4	28	C72			
	20	258	1,0	69,81	4,9	5,6	7,1	10,7						
	26	204	1,6	55,28	5,1	5,6	7,3	10,3						
	31	170	1,7	45,90	5,2	5,6	7,3	9,9						
	33	158	2,1	42,82	5,3	5,6	7,4	9,8						
	40	131	2,5	35,55	5,3	5,6	7,4	9,3						
	48	108	2,7	29,31	5,0	5,6	7,4	8,9						
	57	91	2,7	24,73	4,8	5,6	7,5	8,5						
	26	199	0,9	53,84	2,0	4,0	4,7	8,1				SK 12 - 80 SH/4	19	C70
	30	177	1,0	47,87	2,6	4,0	4,8	8,0						
	33	159	1,0	43,09	2,7	4,0	4,8	7,8						
	37	142	1,3	38,31	3,2	4,0	4,9	7,6						
	40	130	1,1	35,07	3,2	4,0	4,9	7,5						
	46	115	1,4	31,19	3,3	4,0	4,9	7,3						
	49	108	1,2	29,15	3,3	4,0	5,0	7,2						
	55	96	1,4	25,92	3,2	4,0	5,0	7,0						
67	79	2,1	21,28	3,1	4,0	5,0	6,8							
76	70	2,3	18,79	3,0	4,0	5,1	6,6							
85	62	2,5	16,73	2,9	4,0	5,1	6,5							
106	50	3,0	13,39	2,7	4,0	5,1	6,1							
133	40	3,4	10,70	2,6	4,0	5,1	5,8							
147	36	3,8	9,65	2,5	4,0	5,1	5,6							
166	32	4,1	8,56	2,4	4,0	5,1	5,4							
42	124	0,8	33,42	1,6	3,3	3,0	5,6	SK 02 - 80 SH/4	17	C68				
48	110	0,8	29,61	2,0	3,3	3,0	5,5							
52	102	0,9	27,52	2,0	3,3	3,1	5,4							
58	90	1,0	24,39	2,1	3,3	3,2	5,3							
61	86	0,9	23,13	2,2	3,3	3,2	5,2							
69	76	1,0	20,59	2,2	3,3	3,2	5,3							
89	59	1,2	15,95	2,3	3,3	3,3	5,0							
111	47	1,5	12,82	2,3	3,3	3,3	4,7							
126	42	1,6	11,27	2,3	3,3	3,2	4,6							
143	37	1,7	9,95	2,2	3,3	3,1	4,4							
153	34	1,9	9,28	2,2	3,3	3,1	4,3							
173	30	2,1	8,19	2,1	3,3	3,0	4,2							
182	29	2,2	7,80	2,1	3,3	2,9	4,1							
206	25	2,4	6,89	2,0	3,3	2,8	4,0							
233	23	2,5	6,10	1,9	3,3	2,8	3,9							
255	21	2,8	5,57	1,9	3,3	2,7	3,8							
295	18	3,2	4,82	1,8	3,2	2,5	3,6							
336	16	3,3	4,22	1,7	3,1	2,5	3,5							
365	14	3,7	3,89	1,7	3,0	2,4	3,4							
420	13	4,1	3,38	1,6	2,8	2,3	3,3							
481	11	4,2	2,95	1,5	2,7	2,2	3,1							
502	10	5,2	2,83	-	3,2	1,9	4,9	SK 11E - 80 SH/4	15	C63				
612	9	6,5	2,32	-	2,9	1,9	4,5							
696	8	7,7	2,04	-	2,8	1,9	4,2							
785	7	8,2	1,81	-	2,6	2,0	4,0							



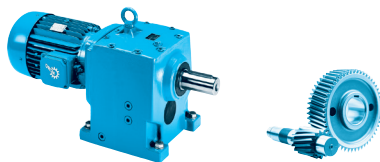
P ₁ [kW]	n ₂ [min ⁻¹]	M ₂ [Nm]	f _B	i _{ges}	F _R [kN]	F _A [kN]	F _{R VL} [kN]	F _{A VL} [kN]	Type	kg	mm 		
0,75	1,2	5520	1,4	1155,49	41,7	65	60,6	65	SK 83/32 - 80 LP/4	357	C85 C90		
	1,6	4300	1,9	900,50	43,2	65	61,7	65					
	2,0	3463	2,3	724,73	44	65	62,2	65					
	1,1	6001	0,8	1254,07	18,6	38,3	34	50	SK 73/22 - 80 LP/4	239	C83 C90		
	1,3	5258	1,0	1099,84	21,3	38	35,5	50					
	1,6	4247	1,2	888,16	24	37,2	37,2	50					
	1,9	3528	1,4	737,61	25,4	36,4	38,2	50					
	2,5	2714	1,8	566,77	26,7	34,8	39	50					
	3,1	2192	2,3	457,68	27,3	33,4	39,4	50					
	4,1	1661	3,0	345,90	27,7	31,5	39,7	50					
	1,7	4078	0,8	849,73	12,9	38,5	23,5	45	SK 63/22 - 80 LP/4	158	C81 C90		
	1,9	3487	0,9	727,45	15,3	37,8	24,9	45					
	2,6	2656	1,2	552,45	17,7	36,4	26,5	45					
	3,3	2061	1,6	430,19	18,8	34,8	27,2	45					
	3,8	1763	1,8	368,29	19,3	33,8	27,5	45					
	5,0	1356	2,4	282,73	19,8	32	27,9	45					
	6,3	1079	3,0	224,97	20	30,4	28,1	45					
	2,9	2356	0,8	491,28	10	23,8	17,1	40	SK 52/12 - 80 LP/4	94	C78 C90		
	4,0	1698	1,1	354,06	12,2	23,8	18,5	40					
5,0	1357	1,3	283,13	13	23,8	19	40						
6,4	1054	1,7	219,56	13,5	23,8	19,4	40						
7,3	933	2,0	194,62	13,7	23,8	19,5	40						
2,8	2527	0,8	498,82	9,2	23,8	16,6	40	SK 53 - 80 LP/4	103	C79			
3,6	1986	0,9	392,20	11,4	23,8	17,9	40						
3,8	1895	1,0	374,25	11,7	23,8	18,1	40						
4,8	1489	1,5	294,26	12,7	23,8	18,8	40						
5,8	1244	1,5	245,56	13,2	23,8	19,1	40						
6,0	1198	1,6	236,21	13,3	23,8	19,2	40						
7,6	941	1,9	185,72	13,7	23,8	19,5	40						
8,0	898	2,1	177,22	13,7	23,8	19,5	40						
10	706	3,2	139,34	13,9	23,8	19,6	40						
5,1	1410	0,9	278,51	4,7	12	9,2	15,5				SK 43 - 80 LP/4	70	C77
5,4	1336	0,9	263,93	5,2	12	9,5	15,5						
6,1	1171	1,0	231,43	6,1	12	10	15,4						
6,5	1110	1,1	219,32	6,4	12	10,2	15,4						
6,9	1035	1,2	204,42	6,7	12	10,4	15,4						
7,7	926	1,1	182,76	7,1	12	10,6	15						
8,3	860	1,4	169,86	7,2	12	10,8	15,1						
10	717	1,5	141,55	7,6	12	11	14,7						
11	654	1,9	129,38	7,8	12	11,1	14,7						
13	543	2,1	107,51	8	12	11,3	14,3						
15	480	2,6	94,96	8,1	12	11,3	14						
18	405	3,0	79,96	8,2	12	11,4	13,6						
20	355	3,6	70,12	8,2	12	11,4	13,2						
8,5	842	0,8	166,49	5,1	9	8,3	16,5	SK 33N - 80 LP/4	49	C75			
11	678	1,0	134,02	5,8	9	8,7	16						
13	568	1,0	112,18	6,2	9	9	15,5						
16	447	1,2	88,18	6,4	9	9,2	14,9						
17	411	1,3	81,27	6,5	9	9,2	15	SK 32 - 80 LP/4	40	C74			
19	368	1,5	72,76	6,6	9	9,3	14,6						
22	325	2,0	64,26	6,7	9	9,3	14,3						
25	291	2,1	57,53	6,7	9	9,4	13,9						
31	234	2,3	46,31	6,6	9	9,4	13,2						
37	196	2,3	38,76	6,3	9	9,4	12,7						
43	167	2,3	33,05	6	9	9,4	12,2						
46	154	4,1	30,43	5,9	9	9,4	12,1						
52	138	4,4	27,24	5,8	9	9,4	11,7						
61	117	5,4	23,12	5,5	9	9,4	11,3						
68	105	6,3	20,70	5,3	9	9,4	10,9						
76	94,4	6,7	18,67	5,2	9	9,4	10,6						
16	447	0,8	88,45	1	5,6	6,3	10,2				SK 23 - 80 LP/4	37	C73
18	395	0,9	78,05	2,4	5,6	6,6	10,1						
22	328	1,0	64,80	3,6	5,6	6,9	9,9						


0,75 kW
1,10 kW



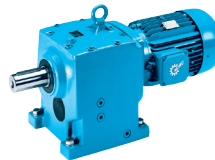
Helical Gear Units

P ₁ [kW]	n ₂ [min ⁻¹]	M ₂ [Nm]	f _B	i _{ges}	F _R [kN]	F _A [kN]	F _{R VL} [kN]	F _{A VL} [kN]	Type	kg	mm 			
0,75	26	280	1,1	55,28	4,8	5,6	7,1	9,7	SK 22 - 80 LP/4	29	C72			
	31	232	1,3	45,90	5	5,6	7,2	9,4						
	33	217	1,6	42,82	5,1	5,6	7,2	9,3						
	40	180	1,8	35,55	5,1	5,6	7,3	9						
	48	149	2,0	29,31	4,8	5,6	7,4	8,6						
	57	125	2,0	24,73	4,6	5,6	7,4	8,2						
	85	84,7	4,0	16,75	4,2	5,6	7,5	7,6						
	96	74,3	4,5	14,69	4,1	5,6	7,5	7,4						
	37	194	0,9	38,31	0,8	4	4,7	7,1				SK 12 - 80 LP/4	20	C70
	40	177	0,8	35,07	0,9	4	4,8	7						
	45	158	1,0	31,19	1,5	4	4,8	6,9						
	49	148	0,8	29,15	1,5	4	4,9	6,8						
	55	131	1,0	25,92	2	4	4,9	6,6						
	67	108	1,6	21,28	3	4	5	6,6						
	75	95,2	1,7	18,79	2,9	4	5	6,4						
	85	84,7	1,8	16,73	2,8	4	5	6,2						
	106	67,8	2,2	13,39	2,6	4	5,1	5,9						
	132	54,1	2,5	10,70	2,5	4	5,1	5,7						
	147	48,9	2,8	9,65	2,4	4	5,1	5,5						
	166	43,3	3,0	8,56	2,4	4	5,1	5,3						
180	39,7	3,3	7,85	2,3	4	5,1	5,2							
194	36,9	3,4	7,28	2,3	4	5,1	5,1							
217	33,1	3,8	6,53	2,2	3,9	5,1	5							
245	29,3	4,2	5,79	2,1	3,8	5,1	4,8							
89	80,7	0,9	15,95	2,2	3,3	3,2	4,6	SK 02 - 80 LP/4	18	C68				
110	64,8	1,1	12,82	2,2	3,3	3,2	4,4							
126	56,9	1,2	11,27	2,2	3,3	3,1	4,3							
142	50,3	1,3	9,95	2,1	3,3	3	4,2							
153	46,9	1,4	9,28	2,1	3,3	3	4,1							
173	41,5	1,5	8,19	2	3,3	2,9	4							
182	39,5	1,6	7,80	2	3,3	2,8	4							
205	34,9	1,7	6,89	1,9	3,3	2,7	3,8							
231	31,0	1,8	6,10	1,9	3,3	2,7	3,8							
254	28,2	2,0	5,57	1,8	3,2	2,6	3,7							
293	24,4	2,3	4,82	1,8	3,1	2,5	3,5							
334	21,5	2,4	4,22	1,7	3	2,4	3,4							
363	19,7	2,7	3,89	1,6	2,8	2,3	3,3							
417	17,2	3,0	3,38	1,6	2,7	2,2	3,2							
477	15,0	3,1	2,95	1,5	2,6	2,2	3,1							
499	14,3	3,8	2,83	-	3,1	1,9	4,8	SK 11E - 80 LP/4	16	C63				
610	11,7	4,8	2,32	-	2,8	1,9	4,4							
693	10,3	5,6	2,04	-	2,7	1,9	4,2							
783	9,1	6,0	1,81	-	2,6	1,9	4							
1,10	1,0	10380	1,9	1412,72	99,4	120	120	120	SK 103/52 - 90 SP/4	804	C89 C91			
	1,2	8429	2,4	1148,61	100,5	120	120	120						
	1,5	6934	2,9	943,57	101,1	120	120	120						
	1,7	6007	3,3	816,55	101,4	120	120	120						
	1,1	9543	1,3	1298,54	61,8	80	90	80	SK 93/42 - 90 SP/4	556	C87 C91			
	1,3	8014	1,5	1091,47	63,3	80	91	80						
	1,8	5964	2,0	813,46	64,8	80	92,1	80						
	1,9	5559	2,2	756,82	65,1	80	92,3	80						
	2,6	4025	3,0	548,76	65,9	80	92,8	80						
	1,0	10040	0,8	1368,62	31,8	65	54,3	65	SK 83/32 - 90 SP/4	362	C85 C90			
	1,2	8462	0,9	1155,49	36,2	65	57	65						
	1,6	6592	1,2	900,50	40,1	64,4	59,5	65						
	2,0	5308	1,5	724,73	42	62,2	60,8	65						
	2,7	3857	2,1	525,40	43,7	58,5	62	65	SK 83/42 - 90 SP/4	377	C85 C91			
	3,3	3217	2,5	437,84	44,2	56,3	62,4	65						
	3,8	2751	2,9	374,99	44,5	54,3	62,6	65						
	1,6	6511	0,8	888,16	16,4	31,8	32,8	50	SK 73/22 - 90 SP/4	244	C83 C90			
	1,9	5409	0,9	737,61	20,9	31,8	35,3	50						
	2,5	4161	1,2	566,77	24,2	31,3	37,3	50						
	3,1	3361	1,5	457,68	25,7	30,6	38,4	50						
4,1	2547	2,0	345,90	26,9	29,4	39,1	50							
5,1	2057	2,4	279,33	27,4	28,3	39,5	50							



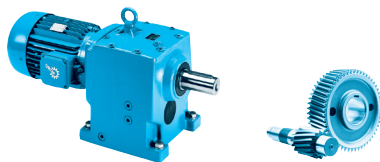
P ₁ [kW]	n ₂ [min ⁻¹]	M ₂ [Nm]	f _B	i _{ges}	F _R [kN]	F _A [kN]	F _{R VL} [kN]	F _{A VL} [kN]	Type	kg	mm 
1,10	2,6	4071	0,8	552,45	13	32,4	23,6	45	SK 63/22 - 90 SP/4	163	C81 C90
	3,3	3160	1,0	430,19	16,4	31,8	25,6	45			
	3,9	2702	1,2	368,29	17,5	31,1	26,4	45			
	5,1	2079	1,5	282,73	18,8	29,9	27,2	45			
	6,3	1654	1,9	224,97	19,4	28,7	27,6	45			
	3,8	2738	1,2	372,21	17,5	31,1	26,3	45	SK 63 - 90 SP/4	144	C81
	4,8	2210	1,4	300,34	18,6	30,2	27,1	45			
	5,4	1951	1,9	265,32	19	29,6	27,4	45			
	6,7	1575	2,3	214,10	19,5	28,4	27,7	45			
	4,9	2161	1,0	294,26	10,8	23,8	17,5	40	SK 53 - 90 SP/4	108	C79
	5,8	1805	1,0	245,56	11,9	23,8	18,3	40			
	6,0	1738	1,1	236,21	12,1	23,8	18,4	40			
	7,7	1366	1,3	185,72	13	23,8	19	40			
	8,1	1303	1,5	177,22	13,1	23,8	19,1	40			
	10	1024	2,2	139,34	13,6	23,8	19,4	40			
	14	777	2,9	105,87	13,9	23,8	19,6	40			
	15	701	3,2	95,49	13,9	23,8	19,6	40			
	16	638	2,7	86,92	14	23,8	19,7	40	SK 52 - 90 SP/4	89	C78
	18	577	2,8	78,56	14	23,8	19,7	40			
20	525	3,0	71,39	14,1	23,8	19,8	40				
7,0	1502	0,9	204,42	4	12	8,9	12,9	SK 43 - 90 SP/4	75	C77	
7,8	1343	0,8	182,76	5,2	12	9,5	12,7				
8,4	1247	0,9	169,86	5,7	12	9,8	13				
10	1040	1,0	141,55	6,7	12	10,4	12,9				
11	950	1,3	129,38	7	12	10,6	13,1				
13	789	1,4	107,51	7,4	12	10,9	12,9				
15	697	1,8	94,96	7,7	12	11,1	12,8				
14	772	1,1	105,08	7,5	12	10,9	13,1	SK 42 - 90 SP/4	60	C76	
17	625	1,3	85,10	7,8	12	11,2	12,7				
19	550	2,0	74,87	8	12	11,2	12,6				
24	445	2,3	60,66	8,1	12	11,4	12,1				
16	649	0,8	88,18	5,9	9	8,8	13,6	SK 33N - 90 SP/4	54	C75	
18	597	0,9	81,27	6,1	9	8,9	13,8	SK 32 - 90 SP/4	45	C74	
20	534	1,0	72,76	6,2	9	9	13,6				
22	472	1,4	64,26	6,4	9	9,1	13,4				
25	422	1,5	57,53	6,5	9	9,2	13,1				
31	340	2,0	46,25	6,2	9	9,3	12,6				
37	285	1,6	38,76	5,9	9	9,4	12,1				
38	273	2,2	37,23	5,9	9	9,4	12				
43	242	1,6	33,05	5,7	9	9,4	11,6				
46	229	2,2	31,16	5,7	9	9,4	11,5				
47	224	2,9	30,43	5,7	9	9,4	11,6				
52	200	3,0	27,24	5,5	9	9,4	11,3				
54	195	2,2	26,57	5,4	9	9,4	11,1				
62	170	3,7	23,12	5,3	9	9,4	10,9				
69	152	4,3	20,70	5,1	9	9,4	10,6				
77	137	4,6	18,67	5	9	9,4	10,3				
26	406	0,8	55,28	0,1	5,6	6,6	8,7	SK 22 - 90 SP/4	34	C72	
31	337	0,9	45,90	1,3	5,6	6,9	8,5				
33	314	1,1	42,82	2,3	5,6	6,9	8,5				
40	261	1,3	35,55	3,2	5,6	7,1	8,3				
41	255	1,3	34,69	3,7	5,6	7,1	8,3				
49	216	1,4	29,31	3,9	5,6	7,2	8				
50	212	1,8	28,80	4,3	5,6	7,3	8,1				
58	181	1,4	24,73	4,3	5,6	7,3	7,7				
60	175	1,9	23,74	4,3	5,6	7,3	7,7				
72	147	1,9	20,03	4,1	5,6	7,4	7,5				
85	123	2,8	16,75	4	5,6	7,4	7,3				
97	108	3,1	14,69	3,9	5,6	7,4	7,1				
117	89,5	3,7	12,20	3,7	5,6	7,5	6,8				
131	80,1	4,0	10,89	3,6	5,6	7,5	6,6				


1,10 kW
1,50 kW



Helical Gear Units

P ₁ [kW]	n ₂ [min ⁻¹]	M ₂ [Nm]	f _B	i _{ges}	F _R [kN]	F _A [kN]	F _{R VL} [kN]	F _{A VL} [kN]	Type	kg	mm 				
1,10	67	156	1,1	21,28	1	4	4,8	6,1	SK 12 - 90 SP/4	25	C70				
	76	138	1,2	18,79	1,5	4	4,9	6							
	85	123	1,3	16,73	1,9	4	4,9	5,8							
	107	98,4	1,5	13,39	2,3	4	5	5,6							
	134	78,5	1,7	10,70	2,4	4	5	5,4							
	148	70,9	1,9	9,65	2,3	4	5	5,3							
	167	62,8	2,1	8,56	2,2	4	5,1	5,1							
	182	57,7	2,3	7,85	2,2	3,9	5,1	5							
	196	53,5	2,3	7,28	2,2	3,8	5,1	4,9							
	219	48,0	2,6	6,53	2,1	3,7	5,1	4,8							
	247	42,5	2,9	5,79	2	3,5	5,1	4,7							
	290	36,2	3,2	4,93	1,9	3,4	5,1	4,5							
	318	33,0	3,6	4,49	1,9	3,2	5,1	4,3							
	332	31,6	3,5	4,32	1,9	3,2	5,1	4,3							
	360	29,2	3,9	3,98	1,8	3,1	5,1	4,2							
	127	82,6	0,8	11,27	1,3	3,3	2,8	3,9	SK 02 - 90 SP/4	23	C68				
	144	73,0	0,9	9,95	1,6	3,3	2,8	3,8							
	154	68,1	1,0	9,28	1,6	3,3	2,7	3,8							
	174	60,2	1,0	8,19	1,8	3,3	2,7	3,7							
	183	57,3	1,1	7,80	1,8	3,2	2,6	3,7							
	208	50,6	1,2	6,89	1,8	3,1	2,5	3,6							
	234	44,9	1,3	6,10	1,8	3,1	2,5	3,5							
	257	40,9	1,4	5,57	1,7	3	2,5	3,4							
	297	35,4	1,6	4,82	1,7	2,8	2,3	3,3							
	337	31,1	1,7	4,22	1,6	2,8	2,3	3,2							
	367	28,6	1,9	3,89	1,6	2,7	2,2	3,1							
	421	24,9	2,0	3,38	1,5	2,5	2,2	3							
	482	21,8	2,1	2,95	1,5	2,4	2,1	2,9							
		505	20,8	2,6	2,83	-	2,9	1,8				4,6	SK 11E - 90 SP/4	21	C63
		617	17,0	3,3	2,32	-	2,7	1,8				4,3			
700		15,0	3,9	2,04	-	2,6	1,9	4,1							
791		13,3	4,1	1,81	-	2,4	1,9	3,9							
1,50	1,0	14310	1,4	1412,72	96,6	120	120	120	SK 103/52 - 90 LP/4	806	C89 C91				
	1,2	11620	1,7	1148,61	98,6	120	120	120							
	1,5	9556	2,1	943,57	99,9	120	120	120							
	1,7	8279	2,4	816,55	100,5	120	120	120							
	2,2	6505	3,1	642,31	101,2	120	120	120							
		1,1	13150	0,9	1298,54	56,8	80	86,6	80	SK 93/42 - 90 LP/4	558	C87 C91			
		1,3	11040	1,1	1091,47	59,9	80	88,7	80						
		1,7	8219	1,5	813,46	63	80	90,8	80						
		1,9	7661	1,6	756,82	63,6	80	91,2	80						
		2,6	5546	2,2	548,76	65,1	80	92,3	80						
		3,1	4625	2,6	457,30	65,6	80	92,7	80						
		1,6	9085	0,9	900,50	34,5	59,5	55,9	65						
		2,0	7315	1,1	724,73	38,7	58,3	58,6	65	SK 83/32 - 90 LP/4	364	C85 C90			
		2,7	5316	1,5	525,40	42	55,7	60,8	65						
		3,2	4433	1,8	437,84	43,1	54	61,6	65	SK 83/42 - 90 LP/4	379	C85 C91			
3,8		3791	2,1	374,99	43,7	52,5	62	65							
5,1		2794	2,9	275,58	44,5	49,2	62,6	65							
6,0		2389	3,3	235,92	44,8	47,5	62,8	65							
2,5		5734	0,9	566,77	19,7	27,9	34,6	50							
	3,1	4631	1,1	457,68	23,1	27,9	36,6	50	SK 73/22 - 90 LP/4	246	C73 C90				
	4,1	3510	1,4	345,90	25,5	27,3	38,2	50							
	5,1	2835	1,8	279,33	26,5	26,7	38,9	50							
	6,3	2292	2,2	226,73	27,2	25,9	39,3	50	SK 73/32 - 90 LP/4	257	C73 C90				
	8,3	1732	2,9	171,23	27,7	24,7	39,7	50							
	3,8	3724	0,9	368,29	14,4	28,4	24,4	45	SK 63/22 - 90 LP/4	165	C81 C90				
	5,0	2865	1,1	282,73	17,1	27,8	26,1	45							
	6,3	2280	1,4	224,97	18,4	27,1	27	45							
	8,2	1754	1,8	172,85	19,3	26	27,6	45							
	9,2	1554	2,1	153,31	19,5	25,4	27,7	45							



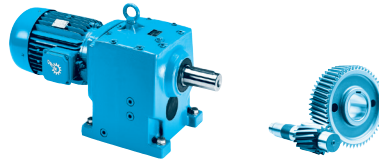
P ₁ [kW]	n ₂ [min ⁻¹]	M ₂ [Nm]	f _B	i _{ges}	F _R [kN]	F _A [kN]	F _{R VL} [kN]	F _{A VL} [kN]	Type	kg	mm 			
1,50	3,8	3773	0,8	372,21	14,2	28,4	24,3	45	SK 63 - 90 LP/4	146	C81			
	4,7	3046	1,1	300,34	16,7	28	25,8	45						
	5,3	2688	1,4	265,32	17,6	27,6	26,4	45						
	6,6	2170	1,7	214,10	18,6	26,9	27,1	45						
	6,0	2395	0,8	236,21	9,8	23,8	17	40	SK 53 - 90 LP/4	110	C79			
	7,6	1882	1,0	185,72	11,7	23,8	18,1	40						
	8,0	1796	1,1	177,22	12	23,8	18,3	40						
	10	1411	1,6	139,34	12,9	23,8	18,9	40						
	13	1071	2,1	105,87	13,5	23,8	19,3	40						
	15	966	2,3	95,49	13,6	23,8	19,4	40						
	16	879	2,0	86,92	13,8	23,8	19,5	40	SK 52 - 90 LP/4	91	C78			
	18	795	2,0	78,56	13,8	23,8	19,6	40						
	20	723	2,2	71,39	13,9	23,8	19,6	40						
	39	364	3,8	36,03	14,2	23,8	19,8	40						
	43	329	3,8	32,56	14,2	23,8	19,8	39,9						
	10	1422	0,8	140,40	4,6	12	9,2	11	SK 42/12 - 90 LP/4	72	C76 C90			
	11	1309	0,9	129,38	5,3	12	9,6	11,3	SK 43 - 90 LP/4	77	C77			
	13	1087	1,0	107,51	6,4	12	10,2	11,4						
	15	961	1,3	94,96	6,9	12	10,6	11,5						
	18	810	1,5	79,96	7,4	12	10,9	11,5						
	20	710	1,8	70,12	7,6	12	11	11,4						
	24	589	2,0	58,27	7,9	12	11,2	11,1						
	29	491	2,1	48,56	8,1	12	11,3	10,8						
	35	414	2,5	40,98	8,1	12	11,4	10,7						
	13	1064	0,8	105,08	6,6	12	10,3	11,7				SK 42 - 90 LP/4	62	C76
	17	861	0,9	85,10	7,2	12	10,8	11,6						
	19	758	1,4	74,87	7,5	12	10,9	11,6						
	23	614	1,6	60,66	7,8	12	11,2	11,3						
	46	308	3,5	30,46	7,6	12	11,5	10,2						
	57	250	3,6	24,67	7,2	12	11,5	9,7						
	22	650	1,0	64,26	5,9	9	8,8	12,4	SK 32 - 90 LP/4	47	C74			
	25	582	1,1	57,53	6	9	8,9	12,2						
	31	468	1,4	46,25	5,8	9	9,1	11,9						
	37	392	1,1	38,76	5,6	9	9,2	11,4						
	38	377	1,6	37,23	5,6	9	9,3	11,4						
	43	334	1,1	33,05	5,4	9	9,3	11						
	45	315	1,6	31,16	5,4	9	9,3	11						
	46	308	2,1	30,43	5,4	9	9,3	11,1						
	52	276	2,2	27,24	5,3	9	9,4	10,9						
	53	269	1,6	26,57	5,2	9	9,4	10,6						
	61	234	2,7	23,12	5,1	9	9,4	10,6						
	68	209	3,1	20,70	5	9	9,4	10,3						
	76	189	3,3	18,67	4,9	9	9,4	10,1						
	33	433	0,8	42,82	0,1	5,6	6,4	7,7				SK 22 - 90 LP/4	36	C72
	40	360	0,9	35,55	0,2	5,6	6,8	7,5						
	41	351	1,0	34,69	0,3	5,6	6,8	7,6						
	48	297	1,0	29,31	0,4	5,6	7	7,4						
	49	292	1,3	28,80	1	5,6	7	7,4						
	57	250	1,0	24,73	1,3	5,6	7,2	7,2						
	60	241	1,4	23,74	2	5,6	7,2	7,2						
	71	202	1,4	20,03	2,6	5,6	7,3	7						
	85	169	2,0	16,75	3,8	5,6	7,3	7						
	96	149	2,3	14,69	3,7	5,6	7,4	6,8						
	116	123	2,7	12,20	3,6	5,6	7,4	6,6						
	130	110	2,9	10,89	3,5	5,6	7,4	6,4						
	167	85,7	3,0	8,48	3,2	5,5	7,5	6						
	187	76,7	3,2	7,57	3,1	5,3	7,5	5,9						
	206	69,4	3,7	6,86	3,1	5,2	7,5	5,8						
	217	65,9	3,5	6,51	3	5,1	7,5	5,7						


1,50 kW
2,20 kW



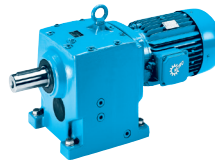
Helical Gear Units

P ₁ [kW]	n ₂ [min ⁻¹]	M ₂ [Nm]	f _B	i _{ges}	F _R [kN]	F _A [kN]	F _{R VL} [kN]	F _{A VL} [kN]	Type	kg	mm 				
1,50	67	215	0,8	21,28	0,1	0,3	4,6	5,5	SK 12 - 90 LP/4	27	C70				
	75	190	0,8	18,79	0,3	0,9	4,7	5,5							
	85	169	0,9	16,73	0,5	1,5	4,8	5,4							
	106	136	1,1	13,39	0,6	3,9	4,9	5,2							
	132	108	1,2	10,70	1,5	3,9	5	5,1							
	147	97,7	1,4	9,65	1,6	3,8	5	5							
	166	86,5	1,5	8,56	1,9	3,7	5	4,9							
	180	79,5	1,6	7,85	1,9	3,5	5	4,8							
	194	73,8	1,7	7,28	2,1	3,5	5	4,8							
	217	66,1	1,9	6,53	2	3,4	5,1	4,6							
	245	58,6	2,1	5,79	1,9	3,3	5,1	4,5							
	287	49,9	2,3	4,93	1,9	3,1	5,1	4,3							
	315	45,5	2,6	4,49	1,8	3	5,1	4,2							
	328	43,6	2,6	4,32	1,8	3	5,1	4,2							
	356	40,3	2,8	3,98	1,8	2,9	5,1	4,1							
	417	34,3	3,2	3,39	1,7	2,8	5,1	4							
	478	30,0	3,5	2,96	1,6	2,7	5,1	3,8							
1,50	173	83,0	0,8	8,19	0,5	2,9	2,4	3,4	SK 02 - 90 LP/4	25	C68				
	182	78,9	0,8	7,80	0,5	2,8	2,4	3,3							
	205	69,8	0,9	6,89	0,8	2,8	2,4	3,3							
	231	61,9	0,9	6,10	1,4	2,8	2,4	3,3							
	254	56,4	1,0	5,57	1,3	2,7	2,3	3,2							
	293	48,8	1,2	4,82	1,2	2,5	2,2	3							
	334	42,9	1,2	4,22	1,5	2,5	2,2	3							
	363	39,4	1,3	3,89	1,5	2,4	2,1	3							
	417	34,3	1,5	3,38	1,5	2,4	2	2,9							
	477	30,0	1,5	2,95	1,4	2,3	2	2,8							
	1,50	522	27,4	2,8	2,71	-	4,1	2,4				5,8	SK 21E - 90 LP/4	29	C64
		584	24,5	3,0	2,42	-	3,9	2,4				5,5			
	1,50	499	28,7	1,9	2,83	-	2,8	1,7				4,5	SK 11E - 90 LP/4	23	C63
610		23,5	2,4	2,32	-	2,6	1,7	4,2							
693		20,7	2,8	2,04	-	2,5	1,8	4							
783		18,3	3,0	1,81	-	2,3	1,8	3,8							
2,20	1,0	20270	1,0	1412,72	90	120	117,9	120	SK 103/52 - 100 LP/4	817	C89 C91				
	1,3	16460	1,2	1148,61	94,4	120	120	120							
	1,6	13540	1,5	943,57	97,1	120	120	120							
	1,8	11730	1,7	816,55	98,5	120	120	120							
	2,3	9215	2,2	642,31	100	120	120	120							
	3,1	6714	3,0	467,81	101,1	120	120	120							
	4,3	4892	4,1	340,13	101,8	120	120	120							
2,20	1,3	15650	0,8	1091,47	51,6	80	83,3	80	SK 93/42 - 100 LP/4	569	C87 C91				
	1,8	11640	1,0	813,46	58,8	80	88	80							
	1,9	10850	1,1	756,82	60	80	88,7	80							
	2,7	7857	1,6	548,76	63,3	80	91	80							
	3,2	6552	1,9	457,30	64,4	80	91,8	80							
	4,4	4774	2,6	333,02	65,5	80	92,6	80							
2,20	5,1	4130	3,0	287,83	65,8	79,8	92,8	80	SK 83/32 - 100 LP/4	375	C85 C90				
	2,0	10360	0,8	724,73	30	51,1	53,2	65							
	2,20	2,8	7530	1,1	525,40	38,1	50,5	58,2				65	SK 83/42 - 100 LP/4	390	C85 C91
		3,3	6280	1,3	437,84	40,5	49,6	59,8				65			
		3,9	5370	1,5	374,99	41,8	48,6	60,7				65			
5,3		3958	2,0	275,58	43,5	46,3	61,9	65							
6,2		3385	2,4	235,92	44	45	62,2	65							
2,20	6,8	3105	2,9	216,61	44,2	44,3	62,4	65	SK 83 - 100 LP/4	345	C85				
	11	1960	3,8	136,78	45	40,1	62,9	65							
2,20	3,2	6561	0,8	457,68	15,6	23	32,4	50	SK 73/22 - 100 LP/4	257	C73 C90				
	4,2	4973	1,0	345,90	22	23,6	36	50							
	5,2	4016	1,2	279,33	24,4	23,7	37,5	50							
2,20	6,5	3246	1,5	226,73	25,8	23,4	38,4	50	SK 73/32 - 100 LP/4	268	C73 C90				
	8,6	2454	2,0	171,23	26,9	22,8	39,2	50							



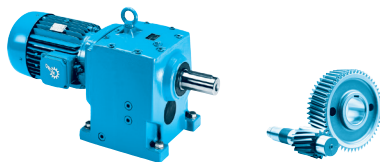
P ₁ [kW]	n ₂ [min ⁻¹]	M ₂ [Nm]	f _B	i _{ges}	F _R [kN]	F _A [kN]	F _{R VL} [kN]	F _{A VL} [kN]	Type	kg	mm 		
2,20	7,1	2948	1,8	205,61	26,3	23,2	38,7	50	SK 73 - 100 LP/4	238	C73		
	8,8	2381	2,4	166,03	27	22,7	39,2	50					
	12	1784	2,8	124,41	27,6	21,7	39,7	50					
	15	1441	2,8	100,46	27,9	20,9	39,8	50					
	16	1310	4,1	91,38	28	20,5	39,9	50					
	5,2	4058	0,8	282,73	12,7	24,1	23,4	45	SK 63/22 - 100 LP/4	176	C71 C90		
	5,5	3808	1,0	265,32	13,9	24,2	24,1	45	SK 63 - 100 LP/4	157	C71		
	6,8	3075	1,2	214,10	16,5	24,1	25,7	45					
	8,1	2594	1,4	180,57	17,7	23,8	26,5	45					
	10	2094	1,8	145,71	18,7	23,3	27,2	45					
	14	1550	2,4	107,89	19,5	22,2	27,7	45					
	17	1251	2,6	87,06	19,8	21,4	28	45					
	19	1111	3,3	77,46	20	21	28	44,8					
	8,3	2545	0,8	177,22	0	23,8	16,4	40	SK 53 - 100 LP/4	121	C79		
	11	1999	1,1	139,34	11,2	23,8	17,8	40					
	14	1517	1,5	105,87	12,6	23,8	18,7	40					
	15	1368	1,6	95,49	12,9	23,8	19	40					
	18	1143	1,6	79,69	13,4	23,8	19,2	40					
	22	936	2,1	65,35	13,7	23,8	19,5	40					
17	1246	1,4	86,92	13,2	23,8	19,1	40	SK 52 - 100 LP/4	102	C78			
19	1126	1,4	78,56	13,4	23,8	19,2	40						
20	1025	1,5	71,39	13,5	23,8	19,4	40						
25	853	2,2	59,54	13,8	23,8	19,5	40						
27	771	2,5	53,81	13,9	23,8	19,6	40						
30	702	2,7	48,90	13,9	23,8	19,6	40						
15	1361	0,9	94,96	4,9	12	9,3	9,2	SK 43 - 100 LP/4	88	C77			
18	1147	1,1	79,96	6,1	12	10	9,6						
21	1005	1,3	70,12	6,7	12	10,4	9,7						
20	1074	1,0	74,87	6,4	12	10,2	9,9	SK 42 - 100 LP/4	73	C76			
24	870	1,2	60,66	7,2	12	10,7	9,9						
29	731	1,5	50,98	7,6	12	11	9,9						
35	592	2,0	41,29	7,5	12	11,2	9,7						
42	506	2,4	35,25	7,2	12	11,3	9,5						
48	437	2,5	30,46	7,1	12	11,4	9,5						
50	420	2,4	29,29	6,9	12	11,4	9,3						
59	354	2,5	24,67	6,7	12	11,4	9,1						
60	350	2,5	24,41	6,7	12	11,4	9						
67	313	3,5	21,87	6,6	12	11,5	9						
32	663	1,0	46,25	3,2	9	8,8	10,6				SK 32 - 100 LP/4	58	C74
39	534	1,1	37,23	4,4	9	9	10,2						
47	447	1,1	31,16	4,8	9	9,1	10						
48	437	1,5	30,43	4,9	9	9,2	10,2						
54	391	1,5	27,24	4,8	9	9,2	10,1						
55	380	1,1	26,57	4,7	9	9,2	9,8						
63	331	1,9	23,12	4,7	9	9,3	9,9						
71	296	2,2	20,70	4,6	9	9,3	9,7						
79	267	2,4	18,67	4,5	9	9,4	9,5						
88	239	2,2	16,66	4,4	8,6	9,4	9,2						
90	233	2,7	16,25	4,4	8,7	9,4	9,3						
98	215	2,4	15,03	4,3	8,4	9,4	9,1						
101	208	3,2	14,55	4,3	8,5	9,4	9,1						
125	168	4,2	11,71	4,1	7,9	9,4	8,6						
51	413	0,9	28,80	0,1	1,1	6,5	6,4	SK 22 - 100 LP/4	47	C72			
62	341	1,0	23,74	0,5	2,1	6,8	6,3						
73	287	1,0	20,03	0,7	4	7	6,2						
88	240	1,4	16,75	1	5,6	7,2	6,4						
100	210	1,6	14,69	1,8	5,6	7,2	6,3						
120	175	1,9	12,20	2,4	5,5	7,3	6,1						
134	156	2,0	10,89	2,9	5,4	7,4	6						
173	121	2,1	8,48	3	5	7,4	5,7						
193	109	2,3	7,57	3	4,8	7,4	5,6						
214	98,3	2,6	6,86	2,9	4,8	7,4	5,5						
225	93,4	2,4	6,51	2,9	4,7	7,4	5,4						
254	82,7	2,6	5,79	2,8	4,5	7,5	5,3						
283	74,3	2,1	5,18	2,7	4,2	7,5	5,1						
316	66,5	2,3	4,62	2,6	4,1	7,5	4,9						
368	57,2	2,4	3,97	2,5	3,9	7,5	4,8						


2,20 kW
3,00 kW



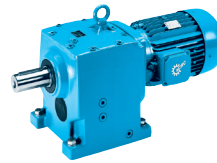
Helical Gear Units

P ₁ [kW]	n ₂ [min ⁻¹]	M ₂ [Nm]	f _B	i _{ges}	F _R [kN]	F _A [kN]	F _{R VL} [kN]	F _{A VL} [kN]	Type	kg	mm 				
2,20	109	192	0,8	13,39	0,1	0,8	4,7	4,6	SK 12 - 100 LP/4	38	C70				
	137	153	0,9	10,70	0,1	1,3	4,8	4,6							
	152	138	1,0	9,65	0,1	2,1	4,9	4,6							
	171	123	1,1	8,56	0,1	3	4,9	4,5							
	187	113	1,2	7,85	0,2	3	5	4,4							
	201	105	1,2	7,28	0,7	3	5	4,4							
	224	93,7	1,3	6,53	0,6	2,9	5	4,3							
	253	83,0	1,5	5,79	0,9	2,8	5	4,2							
	297	70,7	1,6	4,93	1,3	2,8	5	4,1							
	326	64,4	1,8	4,49	1,2	2,6	5,1	4							
	340	61,8	1,8	4,32	1,5	2,7	5,1	4							
	368	57,0	2,0	3,98	1,4	2,6	5,1	3,9							
	432	48,6	2,2	3,39	1,6	2,5	5,1	3,8							
	495	42,5	2,5	2,96	1,5	2,4	5,1	3,7							
		304	69,1	0,8	4,82	0,1	0,3	1,9				2,6	SK 02 - 100 LP/4	36	C68
345		60,8	0,9	4,22	0,5	2,2	2	2,7							
376		55,9	0,9	3,89	0,4	2	1,9	2,6							
432		48,7	1,0	3,38	0,7	2	1,9	2,6							
494		42,5	1,1	2,95	0,9	2	1,8	2,5							
	541	38,8	2,0	2,71	-	3,8	2,2	5,5	SK 21E - 100 LP/4	40	C64				
	605	34,7	2,1	2,42	-	3,7	2,3	5,3							
	703	29,9	2,3	2,08	-	3,5	2,3	5							
	517	40,6	1,3	2,83	-	2,5	1,5	4,2	SK 11E - 100 LP/4	34	C63				
	632	33,2	1,7	2,32	-	2,3	1,6	3,9							
	718	29,3	2,0	2,04	-	2,2	1,6	3,7							
3,00	1,3	22520	0,9	1148,61	86,4	120	115,4	120	SK 103/52 - 100 AP/4	817	C89 C91				
	1,5	18520	1,1	943,57	91,9	120	119,2	120							
	1,8	16050	1,2	816,55	94,7	120	120	120							
	2,3	12610	1,6	642,31	97,7	120	120	120							
	3,1	9187	2,2	467,81	99,9	120	120	120							
	4,3	6693	3,0	340,13	101,1	119,7	120	120							
	4,9	5819	3,4	296,69	101,4	115,9	120	120							
		1,8	15930	0,8	813,46	51,6	80	82,9				80	SK 93/42 - 100 AP/4	569	C87 C91
		1,9	14850	0,8	756,82	53	80	84,2				80			
		2,7	10750	1,1	548,76	59,9	80	88,7				80			
		3,2	8965	1,4	457,30	62,1	80	90,2				80			
		4,4	6532	1,9	333,02	64,3	79,4	91,7				80			
		5,1	5650	2,2	287,83	65	77,2	92,2				80			
		6,1	4723	2,6	239,74	65,5	74,3	92,6				80			
		2,8	10300	0,8	525,40	29,9	44,6	53,2				65	SK 83/42 - 100 AP/4	390	C85 C91
3,3		8593	0,9	437,84	35,3	44,8	56,4	65							
3,9		7348	1,1	374,99	38,3	44,5	58,3	65							
5,3		5416	1,5	275,58	41,7	43,3	60,6	65							
6,2		4631	1,7	235,92	42,7	42,6	61,3	65							
	6,7	4248	2,1	216,61	43,2	42	61,6	65	SK 83 - 100 AP/4	345	C85				
	11	2682	2,8	136,78	44,5	38,7	62,6	65							
	5,2	5496	0,9	279,33	20,1	20,3	34,8	50	SK 73/22 - 100 AP/4	257	C83 C90				
	6,4	4442	1,1	226,73	23,3	20,6	36,7	50	SK 73/32 - 100 AP/4	268	C83 C90				
	8,5	3357	1,5	171,23	25,6	20,7	38,2	50							
	10	2770	1,8	141,11	26,5	20,5	38,9	50							
	7,1	4034	1,3	205,61	24,2	20,8	37,4	50	SK 73 - 100 AP/4	238	C83				
	8,8	3259	1,7	166,03	25,8	20,6	38,4	50							
	12	2441	2,0	124,41	26,9	20,2	39,2	50							
	15	1971	2,0	100,46	27,4	19,7	39,5	50							
	16	1792	3,0	91,38	27,6	19,4	39,6	50							
	20	1468	3,6	74,87	27,9	18,8	39,8	50							



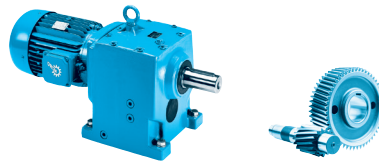
P ₁ [kW]	n ₂ [min ⁻¹]	M ₂ [Nm]	f _B	i _{ges}	F _R [kN]	F _A [kN]	F _{R VL} [kN]	F _{A VL} [kN]	Type	kg	mm 			
3,00	6,8	4207	0,9	214,10	11,7	20,9	22,9	45	SK 63 - 100 AP/4	157	C81			
	8,1	3549	1,0	180,57	14,8	21,2	24,6	45						
	10	2865	1,3	145,71	17	21,2	26	45						
	14	2121	1,7	107,89	18,6	20,7	27,1	45						
	17	1712	1,9	87,06	19,3	20,2	27,6	44,6						
	19	1520	2,4	77,46	19,5	19,9	27,7	43,6						
	23	1235	3,0	62,87	19,9	19,2	28	41,5						
	27	1056	3,5	53,82	20	18,7	28,1	40						
	29	997	3,7	50,73	20,1	18,5	28,1	39,5						
	34	853	4,3	43,43	20,2	17,9	28,2	38						
	10	2736	0,8	139,34	7,5	23,8	15,8	40				SK 53 - 100 AP/4	121	C79
	14	2075	1,1	105,87	10,9	23,8	17,6	40						
	15	1872	1,2	95,49	11,6	23,8	18,1	40						
	18	1564	1,2	79,69	12,5	23,8	18,6	40						
22	1281	1,5	65,35	13,1	23,8	19	40							
25	1156	1,7	58,94	13,3	23,8	19,2	40							
17	1705	1,0	86,92	12,1	23,8	18,4	40	SK 52 - 100 AP/4	102	C78				
19	1541	1,0	78,56	12,5	23,8	18,7	40							
20	1402	1,1	71,39	12,8	23,8	18,9	40							
25	1168	1,6	59,54	13,3	23,8	19,2	40							
27	1055	1,8	53,81	13,5	23,8	19,3	40							
30	961	2,0	48,90	13,6	23,8	19,4	40							
38	755	2,2	38,45	13,9	23,8	19,6	40							
41	706	2,0	36,03	13,9	23,8	19,6	39,8							
45	630	2,2	32,09	14	23,8	19,7	38,4							
55	519	3,6	26,46	14,1	23,8	19,7	36,7							
61	469	4,1	23,92	14,1	23,8	19,8	35,7							
18	1570	0,8	79,96	0,2	3,2	8,4	7,3				SK 43 - 100 AP/4	88	C77	
21	1376	0,9	70,12	2,5	12	9,2	7,7							
25	1142	1,0	58,27	5,7	12	10	8							
24	1190	0,8	60,66	5,8	12	9,9	8,2	SK 42 - 100 AP/4	73	C76				
29	1001	1,1	50,98	6,7	12	10,4	8,6							
35	810	1,5	41,29	6,8	12	10,8	8,6							
41	692	1,8	35,25	6,6	12	11	8,5							
48	598	1,8	30,46	6,6	12	11,2	8,7							
50	575	1,8	29,29	6,4	12	11,2	8,4							
59	484	1,8	24,67	6,3	12	11,3	8,4							
60	479	1,8	24,41	6,2	11,7	11,3	8,3							
67	429	2,6	21,87	6,2	11,8	11,4	8,4							
83	347	3,4	17,71	6	11,2	11,4	8,1							
97	296	4,2	15,12	5,7	10,7	11,5	7,9							
48	597	1,1	30,43	2,4	8,2	8,9	9,3				SK 32 - 100 AP/4	58	C74	
54	535	1,1	27,24	3,1	8,1	9	9,2							
63	453	1,4	23,12	4,3	8,2	9,1	9,1							
71	406	1,6	20,70	4,2	8,1	9,2	9							
78	366	1,7	18,67	4,2	8	9,3	8,9							
88	327	1,6	16,66	4,1	7,7	9,3	8,7							
90	319	2,0	16,25	4,1	7,8	9,3	8,8							
97	295	1,7	15,03	4	7,6	9,3	8,6							
101	285	2,4	14,55	4,1	7,7	9,4	8,6							
125	229	3,1	11,71	3,8	7,2	9,4	8,2							
149	192	3,4	9,80	3,7	6,9	9,4	7,9							
175	164	3,6	8,36	3,6	6,6	9,4	7,7							
185	155	4,2	7,90	3,5	6,5	9,4	7,6							
207	138	3,2	7,05	3,4	6,1	9,4	7,3							
217	132	4,6	6,74	3,4	6,2	9,4	7,3							
257	112	5,4	5,70	3,2	5,9	9,4	7,1							
266	108	4,2	5,50	3,2	5,7	9,4	6,9							
276	104	6,2	5,28	3,2	5,8	9,4	7							
330	86,8	5,3	4,43	3	5,4	9,4	6,6							
390	73,5	6,2	3,75	2,9	5,1	9,4	6,3							
492	58,2	7,5	2,96	2,7	4,7	9,4	6							
87	329	1,0	16,75	0,1	0,7	6,9	5,7	SK 22 - 100 AP/4	47	C72				
100	288	1,2	14,69	0,2	1,5	7	5,7							
120	239	1,4	12,20	0,3	3,1	7,2	5,6							
134	214	1,5	10,89	0,4	4,6	7,2	5,5							
173	166	1,6	8,48	1,1	4,4	7,3	5,3							
193	149	1,7	7,57	1,6	4,3	7,4	5,2							


3,00 kW
4,00 kW



Helical Gear Units

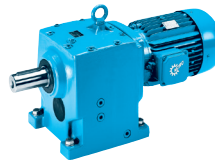
P ₁ [kW]	n ₂ [min ⁻¹]	M ₂ [Nm]	f _B	i _{ges}	F _R [kN]	F _A [kN]	F _{R VL} [kN]	F _{A VL} [kN]	Type	kg	mm 			
3,00	213	135	1,9	6,86	2,2	4,3	7,4	5,2	SK 22 - 100 AP/4	47	C72			
	224	128	1,8	6,51	2,1	4,2	7,4	5,1						
	253	113	1,9	5,79	2,5	4,1	7,4	5						
	282	102	1,6	5,18	2,1	3,9	7,4	4,8						
	315	91,0	1,6	4,62	2,4	3,8	7,5	4,7						
	366	78,2	1,8	3,97	2,4	3,7	7,5	4,6						
	413	69,3	1,9	3,53	2,3	3,5	7,5	4,5						
	522	54,9	2,1	2,79	2,2	3,3	7,4	4,3						
	171	168	0,8	8,56	0,1	0,2	4,8	4,1				SK 12 - 100 AP/4	38	C70
	186	154	0,9	7,85	0,1	0,7	4,8	4						
200	143	0,9	7,28	0,1	0,9	4,9	4							
223	128	1,0	6,53	0,2	1,3	4,9	3,9							
252	114	1,1	5,79	0,2	1,5	4,9	3,9							
296	96,8	1,2	4,93	0,2	1,5	5	3,8							
325	88,1	1,3	4,49	0,3	1,7	5	3,7							
339	84,5	1,3	4,32	0,3	2,3	5	3,8							
367	78,0	1,5	3,98	0,2	2,2	5	3,6							
430	66,6	1,6	3,39	0,6	2,2	5,1	3,6							
493	58,1	1,8	2,96	0,9	2,2	5,1	3,5							
567	50,6	3,7	2,58	-	4,3	3,4	6,2	SK 31E - 100 AP/4	45	C65				
703	40,8	4,0	2,08	-	4	3,4	5,7							
539	53,1	1,4	2,71	-	3,6	1,9	5,3	SK 21E - 100 AP/4	40	C64				
603	47,5	1,5	2,42	-	3,5	2	5							
701	40,9	1,7	2,08	-	3,3	2,1	4,8							
791	36,2	1,8	1,85	-	3,1	2,2	4,6							
515	55,6	1,0	2,83	-	2,1	1,2	3,9	SK 11E - 100 AP/4	34	C63				
630	45,5	1,2	2,32	-	2	1,4	3,6							
715	40,1	1,4	2,04	-	2	1,5	3,5							
4,00	1,5	25040	0,8	943,57	83,3	120	113,3	120	SK 103/52 - 112 MP/4	824	C89 C91			
	1,8	21690	0,9	816,55	88,5	120	116,8	120						
	2,2	17040	1,2	642,31	94,1	120	120	120						
	3,1	12420	1,6	467,81	98,1	120	120	120						
	4,2	9048	2,2	340,13	100,2	115,9	120	120						
	4,9	7867	2,5	296,69	100,7	112,4	120	120						
	5,9	6490	3,1	244,77	101,3	107,7	120	120						
	7,8	4901	4,1	184,62	101,8	100,7	120	120						
	2,6	14530	0,8	548,76	54,3	79,8	85	80				SK 93/42 - 112 MP/4	576	C87 C91
	3,2	12120	1,0	457,30	58,4	78,6	87,7	80						
4,3	8830	1,4	333,02	62,5	75,3	90,4	80							
5,0	7639	1,6	287,83	63,6	73,6	91,2	80							
6,0	6384	1,9	239,74	64,6	71,3	91,9	80							
7,9	4828	2,5	181,16	65,5	67,2	92,6	80							
3,8	9934	0,8	374,99	32	39,3	54,4	65	SK 83/42 - 112 MP/4	398	C85 C91				
5,2	7321	1,1	275,58	38,8	39,5	58,6	65							
6,1	6261	1,3	235,92	40,6	39,2	59,9	65							
7,2	5334	1,5	200,37	42	38,7	60,8	65							
9,7	3953	2,0	148,94	43,6	37,3	61,9	65							
6,7	5743	1,5	216,61	41,4	38,9	60,4	65	SK 83 - 112 MP/4	352	C85				
11	3625	2,0	136,78	43,9	36,8	62,1	65							
6,4	6005	0,8	226,73	18,6	17,3	34	50	SK 73/32 - 112 MP/4	276	C83 C90				
7,0	5454	1,0	205,61	20,7	17,7	35,2	50	SK 73 - 112 MP/4	246	C83				
8,7	4405	1,3	166,03	23,6	18,1	37	50							
12	3299	1,5	124,41	25,8	18,3	38,4	50							
14	2665	1,5	100,46	26,7	18,2	39	50							
16	2423	2,2	91,38	27	18	39,2	50							
19	1984	2,7	74,87	27,5	17,7	39,5	49,8							
8,0	4797	0,8	180,57	8,4	17,8	21,4	45				SK 63 - 112 MP/4	164	C81	
9,9	3873	1,0	145,71	13,8	18,4	24,1	45							
11	3522	1,1	132,54	15,2	18,6	24,9	45							
13	2867	1,3	107,89	17,1	18,7	26,1	44,1							
17	2315	1,4	87,06	18,4	18,6	26,9	42,5							
19	2055	1,8	77,46	18,8	18,4	27,2	41,7							



P ₁ [kW]	n ₂ [min ⁻¹]	M ₂ [Nm]	f _B	i _{ges}	F _R [kN]	F _A [kN]	F _{R VL} [kN]	F _{A VL} [kN]	Type	kg	mm 			
4,00	23	1670	2,2	62,87	19,4	18	27,6	40	SK 63 - 112 MP/4	164	C81			
	27	1428	2,6	53,82	19,7	17,6	27,8	38,8						
	28	1348	2,7	50,73	19,8	17,5	27,9	38,3						
	33	1153	3,2	43,43	20	17,1	28	37						
	40	959	3,8	36,11	20,1	16,5	28,1	35,4						
	47	820	4,4	30,91	20,2	16	28,2	34,2						
	30	1293	1,9	48,73	19,8	17,5	27,9	38				SK 62 - 112 MP/4	166	C80
	14	2806	0,8	105,87	7,5	23,8	15,7	40				SK 53 - 112 MP/4	128	C79
	15	2531	0,9	95,49	9,1	23,8	16,6	40						
	18	2114	0,9	79,69	10,9	23,8	17,6	40						
	22	1732	1,1	65,35	12,1	23,8	18,4	40						
	24	1563	1,2	58,94	12,6	23,8	18,7	40						
18	2083	0,8	78,56	11,1	23,8	17,7	40	SK 52 - 112 MP/4	110	C78				
20	1896	0,8	71,39	11,7	23,8	18,1	40							
24	1578	1,2	59,54	12,5	23,8	18,7	40							
27	1427	1,3	53,81	12,9	23,8	18,9	40							
29	1298	1,5	48,90	13,1	23,8	19,1	40							
36	1070	1,8	40,37	13,5	23,8	19,3	39,9							
37	1020	1,6	38,45	13,6	23,8	19,4	39,3							
39	974	2,0	36,69	13,6	23,8	19,4	39							
40	955	1,5	36,03	13,6	23,8	19,4	38,9							
44	863	1,5	32,56	13,8	23,8	19,5	37,9							
45	852	1,6	32,09	13,8	23,8	19,5	37,5							
50	765	2,6	28,85	13,9	23,8	19,6	36,6							
54	701	2,7	26,46	13,9	23,8	19,6	36							
60	634	3,0	23,92	14	23,8	19,7	35,1							
25	1544	0,8	58,27	0,2	1,7	8,7	6	SK 43 - 112 MP/4	96	C77				
30	1288	0,8	48,56	0,9	4,1	9,6	6,3							
35	1085	1,0	40,98	4,8	10	10,2	7,1							
28	1353	0,8	50,98	1,9	9,9	9,4	6,9	SK 42 - 112 MP/4	80	C76				
35	1095	1,1	41,29	5,1	10,2	10,2	7,2							
41	935	1,3	35,25	5,8	10,3	10,6	7,3							
47	808	1,3	30,46	5,9	10,7	10,9	7,7							
49	777	1,3	29,29	5,8	10,3	10,9	7,4							
56	687	1,8	25,88	5,8	10,4	11,1	7,6							
58	655	1,4	24,67	5,8	10,4	11,1	7,6							
59	648	1,3	24,41	5,6	10	11,1	7,4							
66	579	1,9	21,87	5,8	10,5	11,2	7,7							
67	570	2,0	21,50	5,7	10,1	11,2	7,5							
80	476	2,1	17,92	5,5	9,8	11,3	7,3							
81	469	2,5	17,71	5,6	10,1	11,3	7,5							
95	401	3,1	15,12	5,4	9,7	11,4	7,4							
100	381	3,0	14,38	5,4	9,7	11,4	7,4							
117	326	3,7	12,28	5,2	9,3	11,5	7,2							
47	808	0,8	30,43	0,1	0,7	8,4	8,1	SK 32 - 112 MP/4	66	C74				
53	723	0,8	27,24	0,3	2,1	8,6	8,1							
62	613	1,0	23,12	0,8	6,6	8,9	8,2							
70	548	1,2	20,70	1,6	6,6	9	8,2							
77	495	1,3	18,67	2,4	6,6	9,1	8,1							
87	441	1,2	16,66	2,6	6,5	9,2	8							
89	431	1,5	16,25	3,5	6,7	9,2	8,1							
96	398	1,3	15,03	3,3	6,5	9,2	7,9							
99	385	1,7	14,55	3,7	6,6	9,2	8							
123	310	2,3	11,71	3,6	6,4	9,3	7,7							
147	260	2,5	9,80	3,4	6,1	9,4	7,5							
173	221	2,7	8,36	3,3	5,9	9,4	7,3							
182	209	3,1	7,90	3,3	5,9	9,4	7,2							
204	187	2,4	7,05	3,2	5,5	9,4	6,9							
214	178	3,4	6,74	3,2	5,7	9,4	7							
253	151	4,0	5,70	3,1	5,5	9,4	6,8							
262	146	3,1	5,50	3	5,3	9,4	6,6							
272	140	4,6	5,28	3,1	5,4	9,4	6,7							
325	117	3,9	4,43	2,9	5	9,4	6,4							
384	99,4	4,6	3,75	2,8	4,8	9,4	6,1							
485	78,7	5,5	2,96	2,6	4,5	9,4	5,8							

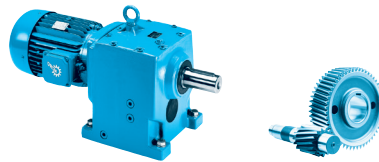
Helical Gear Units


4,00 kW
5,50 kW



Helical Gear Units

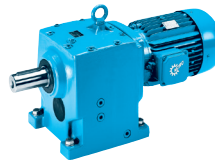
P ₁ [kW]	n ₂ [min ⁻¹]	M ₂ [Nm]	f _B	i _{ges}	F _R [kN]	F _A [kN]	F _{R VL} [kN]	F _{A VL} [kN]	Type	kg	mm 				
4,00	86	444	0,8	16,75	0,1	0,5	6,3	4,8	SK 22 - 112 MP/4	54	C72				
	98	389	0,9	14,69	0,1	0,8	6,6	4,9							
	118	323	1,0	12,20	0,2	1,2	6,9	4,9							
	132	289	1,1	10,89	0,2	1,3	7	5							
	170	225	1,2	8,48	0,3	1,6	7,2	4,8							
	190	201	1,2	7,57	0,3	2,2	7,3	4,8							
	210	182	1,4	6,86	0,2	3,7	7,3	4,8							
	221	173	1,3	6,51	0,2	3,6	7,3	4,8							
	250	153	1,4	5,79	0,8	3,6	7,4	4,7							
	278	137	1,2	5,18	0,4	3,3	7,4	4,5							
	311	123	1,2	4,62	0,9	3,3	7,4	4,4							
	361	106	1,3	3,97	1,4	3,3	7,4	4,3							
	408	93,7	1,4	3,53	1,7	3,2	7,5	4,3							
	515	74,2	1,6	2,79	2,1	3	7,1	4,1							
	249	153	0,8	5,79	0,2	1,5	4,8	3,5	SK 12 - 112 MP/4	46	C70				
	292	131	0,9	4,93	0,2	1,5	4,9	3,5							
	321	119	1,0	4,49	0,3	1,7	4,9	3,3							
	334	114	1,0	4,32	0,5	1,8	5	3,5							
	362	105	1,1	3,98	0,5	1,8	5	3,3							
	425	90,0	1,2	3,39	0,5	1,8	5	3,3							
	486	78,6	1,3	2,96	0,5	1,8	5	3,3							
		559	68,4	2,7	2,58	-	4	3,2				6	SK 31E - 112 MP/4	52	C65
		693	55,1	3,0	2,08	-	3,8	3,3				5,5			
		532	71,8	1,1	2,71	-	3,3	1,6				4,9	SK 21E - 112 MP/4	48	C64
594		64,3	1,1	2,42	-	3,2	1,8	4,7							
691		55,3	1,2	2,08	-	3	1,9	4,5							
780		49,0	1,3	1,85	-	2,9	2	4,3							
	621	61,5	0,9	2,32	-	1,7	1,1	3,3	SK 11E - 112 MP/4	42	C63				
	705	54,2	1,1	2,04	-	1,7	1,2	3,2							
	797	48,0	1,1	1,81	-	1,6	1,3	3,1							
5,50	2,3	23040	0,9	642,31	86,4	120	115,4	120	SK 103/52 - 132 SP/4	844	C89 C91				
	3,1	16780	1,2	467,81	94,3	115,9	120	120							
	4,3	12230	1,6	340,13	98,2	110,1	120	120							
	4,9	10630	1,9	296,69	99,2	107,5	120	120							
	6,0	8771	2,3	244,77	100,3	103,4	120	120							
	7,1	7434	3,1	207,47	100,9	100	120	120	SK 103 - 132 SP/4	770	C89				
		4,4	11930	1,0	333,02	58,6	69,3	87,8	80	SK 93/42 - 132 SP/4	596	C87 C91			
		5,1	10320	1,2	287,83	60,8	68,3	89,3	80						
		6,1	8629	1,4	239,74	62,7	66,8	90,6	80						
		7,8	6740	2,1	187,89	64,3	64,3	91,7	80	SK 93 - 132 SP/4	551	C87			
		13	3917	3,0	109,14	65,9	57,9	92,9	80						
		16	3350	4,2	93,34	66,2	55,9	93	80						
		5,3	9895	0,8	275,58	32,1	33,9	54,5	65	SK 83/42 - 132 SP/4	417	C85 C91			
		6,2	8462	0,9	235,92	36,2	34,4	56,9	65						
7,3		7209	1,1	200,37	39	34,5	58,8	65							
9,8		5342	1,5	148,94	42	34,1	60,8	65							
12		4551	1,8	126,50	43	33,7	61,5	65							
	6,8	7761	1,1	216,61	37,8	34,5	58	65	SK 83 - 132 SP/4	372	C85				
	8,9	5904	1,5	164,70	41,2	34,4	60,2	65							
	11	4900	1,5	136,78	42,5	33,9	61,2	65							
	14	3727	2,5	104,00	43,8	32,8	62	65							
	18	2891	3,1	80,62	44,4	31,7	62,5	65							
	21	2516	3,6	70,24	44,7	30,9	62,7	65							
8,6	6134	0,8	171,23	18	14,3	33,7	50	SK 73/32 - 132 SP/4	295	C83 C91					
	8,8	5954	0,9	166,03	18,8	14,4	34,1	50	SK 73 - 132 SP/4	265	C83				
	12	4465	1,3	124,57	23,5	15,5	36,9	50							
	15	3602	1,1	100,46	25,3	15,9	38	49,8							
	16	3274	1,6	91,38	25,8	16	38,4	49							
	20	2682	2,0	74,87	26,7	16	39	47,4							
	24	2166	2,6	60,46	27,3	15,8	39,4	45,5							
	28	1874	3,0	52,24	27,6	15,6	39,6	44,1							



P ₁ [kW]	n ₂ [min ⁻¹]	M ₂ [Nm]	f _B	i _{ges}	F _R [kN]	F _A [kN]	F _{R VL} [kN]	F _{A VL} [kN]	Type	kg	mm 																																																																																																																																																																																																																																																																																																																																																																																																																																																																																																															
5,50	11	4760	0,8	132,54	8,5	15	21,5	40,8	SK 63 - 132 SP/4	184	C81																																																																																																																																																																																																																																																																																																																																																																																																																																																																																																															
	14	3843	1,0	106,95	13,9	15,8	24,1	40,3																																																																																																																																																																																																																																																																																																																																																																																																																																																																																																																		
	17	3128	1,0	87,06	16,4	16,2	25,6	39,5																																																																																																																																																																																																																																																																																																																																																																																																																																																																																																																		
	19	2778	1,3	77,46	17,3	16,3	26,2	39																																																																																																																																																																																																																																																																																																																																																																																																																																																																																																																		
	23	2257	1,6	62,87	18,5	16,3	27	37,8																																																																																																																																																																																																																																																																																																																																																																																																																																																																																																																		
	27	1930	1,9	53,82	19	16,2	27,4	36,8																																																																																																																																																																																																																																																																																																																																																																																																																																																																																																																		
	29	1822	2,0	50,73	19,2	16,1	27,5	36,5																																																																																																																																																																																																																																																																																																																																																																																																																																																																																																																		
	34	1558	2,4	43,43	19,5	15,9	27,7	35,4																																																																																																																																																																																																																																																																																																																																																																																																																																																																																																																		
	41	1296	2,8	36,11	19,8	15,5	27,9	34,2																																																																																																																																																																																																																																																																																																																																																																																																																																																																																																																		
	47	1108	3,2	30,91	20	15,1	28	33																																																																																																																																																																																																																																																																																																																																																																																																																																																																																																																		
	56	944	3,4	26,28	20,1	14,7	28,1	31,8																																																																																																																																																																																																																																																																																																																																																																																																																																																																																																																		
	30	1748	1,4	48,73	19,3	16,1	27,5	36,3	SK 62 - 132 SP/4	186	C80																																																																																																																																																																																																																																																																																																																																																																																																																																																																																																															
	40	1329	2,3	37,05	19,8	15,6	27,9	34,4					25	2133	0,9	59,54	10,8	23,8	17,6	40	SK 52 - 132 SP/4	129	C78		27	1928	1,0	53,81	11,5	23,8	18	40		30	1755	1,1	48,90	12,1	23,8	18,4	39,9		36	1446	1,3	40,37	12,8	23,8	18,9	38,5		38	1379	1,2	38,45	12,9	23,8	19	37,7		40	1316	1,5	36,69	13,1	23,8	19	37,6		41	1291	1,1	36,03	13,1	23,8	19,1	37,6		45	1167	1,1	32,56	13,3	23,8	19,2	36,7		46	1152	1,2	32,09	13,4	23,8	19,2	36,1		51	1034	2,0	28,85	13,5	23,8	19,4	35,5		55	948	2,0	26,46	13,7	23,8	19,5	35		61	857	2,2	23,92	13,8	23,8	19,5	34,1		68	776	2,4	21,68	13,8	23,8	19,6	33,4		75	702	2,7	19,60	13,4	23,8	19,6	32,5		82	639	3,0	17,81	13	23,8	19,7	31,8		35	1480	0,8	41,29	0,9	0,5	8,9	5,1	SK 42 - 132 SP/4	100	C76		42	1264	1,0	35,25	1	0,6	9,7	5,5		48	1092	1,0	30,46	3	8	10,2	6,2		50	1050	1,0	29,29	2	7,5	10,3	5,9		57	928	1,3	25,88	4,4	8	10,6	6,2		59	885	1,0	24,67	5	8,2	10,7	6,4		60	875	1,0	24,41	4	7,7	10,7	6,1		67	783	1,4	21,87	5,1	8,5	10,9	6,6		68	771	1,5	21,50	4,9	8,2	10,9	6,4		82	643	1,6	17,92	4,8	8,1	11,1	6,4		83	634	1,9	17,71	5	8,4	11,1	6,6		97	542	2,3	15,12	4,9	8,3	11,3	6,6		102	515	2,2	14,38	4,9	8,4	11,3	6,6		119	440	2,7	12,28	4,8	8,2	11,4	6,6		144	365	3,2	10,20	4,7	7,9	11,4	6,4		172	305	3,5	8,50	4,5	7,5	11,5	6,2		202	261	4,1	7,28	4,3	7,3	11,5	6,1		63	828	0,8	23,12	0,1	0,7	8,3	6,9	SK 32 - 132 SP/4	85	C74		71	741	0,9	20,70	0,2	0,7	8,6	6,9		79	668	0,9	18,67	0,3	0,7	8,8	7		88	597	0,9	16,66	0,5	0,7	8,9	6,9		90	582	1,1	16,25	0,5	0,7	8,9	7,2		98	538	0,9	15,03	0,5	0,7	9	7		101	521	1,3	14,55	0,4	5,2	9	7,1		125	419	1,7	11,71	1,5	5,2	9,2	7		150	351	1,8	9,80	2,3	5,1	9,3	6,8		176	299	2,0	8,36	2,8	5	9,3	6,7		186	283	2,3	7,90	3	5,1	9,4	6,7		208	253	1,8	7,05	2,7	4,7	9,4	6,4		218	241	2,5	6,74	2,9	4,9	9,4	6,5		257	204	3,0	5,70	2,9	4,8	9,4	6,4		267	197	2,3	5,50	2,8	4,6	9,4	6,2		277	190	3,4	5,28	2,9	4,8	9,4	6,4		331	159	2,9	4,43	2,7	4,4	9,4	6		391	134	3,4	3,75	2,6	4,3	9,4	5,8		494	106	4,1	2,96	2,5	4,1	9,2	5,6		134	391	0,8	10,89	0,2	0,3	6,6	4,1	SK 22 - 132 SP/4	74	C72		173	303	0,9	8,48	0,2	0,5	7	4,1		193	271	0,9	7,57	0,3
	25	2133	0,9	59,54	10,8	23,8	17,6	40	SK 52 - 132 SP/4	129	C78																																																																																																																																																																																																																																																																																																																																																																																																																																																																																																															
	27	1928	1,0	53,81	11,5	23,8	18	40																																																																																																																																																																																																																																																																																																																																																																																																																																																																																																																		
	30	1755	1,1	48,90	12,1	23,8	18,4	39,9																																																																																																																																																																																																																																																																																																																																																																																																																																																																																																																		
	36	1446	1,3	40,37	12,8	23,8	18,9	38,5																																																																																																																																																																																																																																																																																																																																																																																																																																																																																																																		
	38	1379	1,2	38,45	12,9	23,8	19	37,7																																																																																																																																																																																																																																																																																																																																																																																																																																																																																																																		
	40	1316	1,5	36,69	13,1	23,8	19	37,6																																																																																																																																																																																																																																																																																																																																																																																																																																																																																																																		
	41	1291	1,1	36,03	13,1	23,8	19,1	37,6																																																																																																																																																																																																																																																																																																																																																																																																																																																																																																																		
	45	1167	1,1	32,56	13,3	23,8	19,2	36,7																																																																																																																																																																																																																																																																																																																																																																																																																																																																																																																		
	46	1152	1,2	32,09	13,4	23,8	19,2	36,1																																																																																																																																																																																																																																																																																																																																																																																																																																																																																																																		
	51	1034	2,0	28,85	13,5	23,8	19,4	35,5																																																																																																																																																																																																																																																																																																																																																																																																																																																																																																																		
	55	948	2,0	26,46	13,7	23,8	19,5	35																																																																																																																																																																																																																																																																																																																																																																																																																																																																																																																		
	61	857	2,2	23,92	13,8	23,8	19,5	34,1																																																																																																																																																																																																																																																																																																																																																																																																																																																																																																																		
	68	776	2,4	21,68	13,8	23,8	19,6	33,4																																																																																																																																																																																																																																																																																																																																																																																																																																																																																																																		
	75	702	2,7	19,60	13,4	23,8	19,6	32,5																																																																																																																																																																																																																																																																																																																																																																																																																																																																																																																		
	82	639	3,0	17,81	13	23,8	19,7	31,8																																																																																																																																																																																																																																																																																																																																																																																																																																																																																																																		
	35	1480	0,8	41,29	0,9	0,5	8,9	5,1	SK 42 - 132 SP/4	100	C76																																																																																																																																																																																																																																																																																																																																																																																																																																																																																																															
	42	1264	1,0	35,25	1	0,6	9,7	5,5																																																																																																																																																																																																																																																																																																																																																																																																																																																																																																																		
	48	1092	1,0	30,46	3	8	10,2	6,2																																																																																																																																																																																																																																																																																																																																																																																																																																																																																																																		
	50	1050	1,0	29,29	2	7,5	10,3	5,9																																																																																																																																																																																																																																																																																																																																																																																																																																																																																																																		
	57	928	1,3	25,88	4,4	8	10,6	6,2																																																																																																																																																																																																																																																																																																																																																																																																																																																																																																																		
	59	885	1,0	24,67	5	8,2	10,7	6,4																																																																																																																																																																																																																																																																																																																																																																																																																																																																																																																		
	60	875	1,0	24,41	4	7,7	10,7	6,1																																																																																																																																																																																																																																																																																																																																																																																																																																																																																																																		
	67	783	1,4	21,87	5,1	8,5	10,9	6,6																																																																																																																																																																																																																																																																																																																																																																																																																																																																																																																		
	68	771	1,5	21,50	4,9	8,2	10,9	6,4																																																																																																																																																																																																																																																																																																																																																																																																																																																																																																																		
	82	643	1,6	17,92	4,8	8,1	11,1	6,4																																																																																																																																																																																																																																																																																																																																																																																																																																																																																																																		
	83	634	1,9	17,71	5	8,4	11,1	6,6																																																																																																																																																																																																																																																																																																																																																																																																																																																																																																																		
	97	542	2,3	15,12	4,9	8,3	11,3	6,6																																																																																																																																																																																																																																																																																																																																																																																																																																																																																																																		
	102	515	2,2	14,38	4,9	8,4	11,3	6,6																																																																																																																																																																																																																																																																																																																																																																																																																																																																																																																		
	119	440	2,7	12,28	4,8	8,2	11,4	6,6																																																																																																																																																																																																																																																																																																																																																																																																																																																																																																																		
	144	365	3,2	10,20	4,7	7,9	11,4	6,4																																																																																																																																																																																																																																																																																																																																																																																																																																																																																																																		
	172	305	3,5	8,50	4,5	7,5	11,5	6,2																																																																																																																																																																																																																																																																																																																																																																																																																																																																																																																		
	202	261	4,1	7,28	4,3	7,3	11,5	6,1																																																																																																																																																																																																																																																																																																																																																																																																																																																																																																																		
	63	828	0,8	23,12	0,1	0,7	8,3	6,9	SK 32 - 132 SP/4	85	C74																																																																																																																																																																																																																																																																																																																																																																																																																																																																																																															
	71	741	0,9	20,70	0,2	0,7	8,6	6,9																																																																																																																																																																																																																																																																																																																																																																																																																																																																																																																		
	79	668	0,9	18,67	0,3	0,7	8,8	7																																																																																																																																																																																																																																																																																																																																																																																																																																																																																																																		
	88	597	0,9	16,66	0,5	0,7	8,9	6,9																																																																																																																																																																																																																																																																																																																																																																																																																																																																																																																		
	90	582	1,1	16,25	0,5	0,7	8,9	7,2																																																																																																																																																																																																																																																																																																																																																																																																																																																																																																																		
	98	538	0,9	15,03	0,5	0,7	9	7																																																																																																																																																																																																																																																																																																																																																																																																																																																																																																																		
	101	521	1,3	14,55	0,4	5,2	9	7,1																																																																																																																																																																																																																																																																																																																																																																																																																																																																																																																		
	125	419	1,7	11,71	1,5	5,2	9,2	7																																																																																																																																																																																																																																																																																																																																																																																																																																																																																																																		
	150	351	1,8	9,80	2,3	5,1	9,3	6,8																																																																																																																																																																																																																																																																																																																																																																																																																																																																																																																		
	176	299	2,0	8,36	2,8	5	9,3	6,7																																																																																																																																																																																																																																																																																																																																																																																																																																																																																																																		
	186	283	2,3	7,90	3	5,1	9,4	6,7																																																																																																																																																																																																																																																																																																																																																																																																																																																																																																																		
	208	253	1,8	7,05	2,7	4,7	9,4	6,4																																																																																																																																																																																																																																																																																																																																																																																																																																																																																																																		
	218	241	2,5	6,74	2,9	4,9	9,4	6,5																																																																																																																																																																																																																																																																																																																																																																																																																																																																																																																		
	257	204	3,0	5,70	2,9	4,8	9,4	6,4																																																																																																																																																																																																																																																																																																																																																																																																																																																																																																																		
	267	197	2,3	5,50	2,8	4,6	9,4	6,2																																																																																																																																																																																																																																																																																																																																																																																																																																																																																																																		
	277	190	3,4	5,28	2,9	4,8	9,4	6,4																																																																																																																																																																																																																																																																																																																																																																																																																																																																																																																		
	331	159	2,9	4,43	2,7	4,4	9,4	6																																																																																																																																																																																																																																																																																																																																																																																																																																																																																																																		
	391	134	3,4	3,75	2,6	4,3	9,4	5,8																																																																																																																																																																																																																																																																																																																																																																																																																																																																																																																		
	494	106	4,1	2,96	2,5	4,1	9,2	5,6																																																																																																																																																																																																																																																																																																																																																																																																																																																																																																																		
	134	391	0,8	10,89	0,2	0,3	6,6	4,1				SK 22 - 132 SP/4	74	C72																																																																																																																																																																																																																																																																																																																																																																																																																																																																																																												
	173	303	0,9	8,48	0,2	0,5	7	4,1																																																																																																																																																																																																																																																																																																																																																																																																																																																																																																																		
	193	271	0,9	7,57	0,3	0,9	7,1	4,2																																																																																																																																																																																																																																																																																																																																																																																																																																																																																																																		

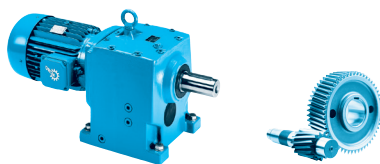
Helical Gear Units


5,50 kW
7,50 kW



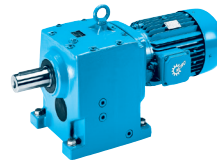
Helical Gear Units

P ₁ [kW]	n ₂ [min ⁻¹]	M ₂ [Nm]	f _B	i _{ges}	F _R [kN]	F _A [kN]	F _{R VL} [kN]	F _{A VL} [kN]	Type	kg	mm
5,50	214	246	1,0	6,86	0,3	1,1	7,2	4,3	SK 22 - 132 SP/4	74	C72
	225	233	1,0	6,51	0,4	1,6	7,2	4,2			
	254	207	1,0	5,79	0,4	1,6	7,3	4,2			
	283	186	0,9	5,18	0,5	1,7	7,2	4			
	316	166	0,9	4,62	0,6	1,8	7,1	4			
	368	143	1,0	3,97	0,7	2,1	7	4			
	415	127	1,0	3,53	0,8	2,7	6,9	3,9			
524	100	1,1	2,79	0,9	2,7	6,7	3,8				
	569	92,4	2,0	2,58	-	3,7	2,9	5,6	SK 31E - 132 SP/4	72	C65
	705	74,5	2,2	2,08	-	3,5	3	5,2			
7,50	3,1	22970	0,9	467,81	86,7	106,3	115,5	120	SK 103/52 - 132 MP/4	851	C89 C91
	4,3	16730	1,2	340,13	94,4	103,1	120	120			
	4,9	14550	1,4	296,69	96,4	101,3	120	120			
6,0	12000	1,7	244,77	98,4	98,4	120	120				
	7,0	10170	2,3	207,47	99,5	95,6	120	120	SK 103 - 132 MP/4	777	C89
	5,1	14130	0,9	287,83	55,1	61,6	85,5	80	SK 93/42 - 132 MP/4	603	C87 C91
	6,1	11810	1,0	239,74	58,9	61,3	88	80			
	8,0	8928	1,4	181,16	62,4	59,6	90,4	80			
	9,1	7891	1,5	161,32	63,3	58,9	91,1	80	SK 93/52 - 132 MP/4	632	C87 C91
	11	6247	2,0	127,50	64,7	56,8	92	80			
	7,8	9222	1,5	187,89	62,1	60	90,2	80	SK 93 - 132 MP/4	558	C87
	13	5359	2,2	109,14	65,2	55,4	92,4	80			
	16	4583	3,1	93,34	65,6	53,7	92,7	80			
	7,3	9864	0,8	200,37	32,4	29,1	54,6	65	SK 83/42 - 132 MP/4	424	C85 C91
	8,9	8078	1,1	164,70	37,1	29,9	57,5	65	SK 83 - 132 MP/4	379	C85
	14	5100	1,8	104,00	42,3	30	61	65			
	18	3955	2,3	80,62	43,6	29,5	61,9	65			
	21	3443	2,6	70,24	44	29	62,2	65			
	24	3031	3,0	61,89	44,3	28,5	62,5	65			
	12	6110	0,9	124,57	18,2	11,8	33,8	46,2	SK 73 - 132 MP/4	272	C83
	15	4928	0,8	100,46	22,3	12,9	36,1	45,9			
	16	4480	1,2	91,38	23,4	13,2	36,9	45,4			
	20	3670	1,5	74,87	25,2	13,7	38	44,5			
	24	2964	1,9	60,46	26,3	14	38,8	43,2			
	28	2565	2,2	52,24	26,9	14	39,1	42,1			
	32	2240	2,4	45,66	27,2	13,9	39,4	41,1			
39	1848	2,7	37,63	27,6	13,8	39,6	39,6				
	33	2144	1,9	43,71	27,3	14,1	39,4	41,1	SK 72 - 132 MP/4	262	C82
	19	3801	1,0	77,46	14,1	13,5	24,2	35,6	SK 63 - 132 MP/4	191	C81
	23	3088	1,2	62,87	16,5	14	25,7	35			
	27	2641	1,4	53,82	17,7	14,2	26,5	34,5			
	29	2493	1,5	50,73	18	14,2	26,7	34,2			
	34	2132	1,7	43,43	18,7	14,3	27,1	33,5			
	40	1773	2,1	36,11	19,2	14,2	27,5	32,5			
	47	1516	2,4	30,91	19,6	14	27,8	31,6			
	55	1292	2,5	26,28	19,8	13,8	27,9	30,6			
	66	1078	3,0	21,98	20	13,4	28,1	29,4			
	70	1021	3,1	20,77	20,1	13,3	28,1	29,1			
		39	1819	1,7	37,05	19,2	14,3	27,5			
	36	1979	1,0	40,37	11,4	23,8	17,9	36,6	SK 52 - 132 MP/4	136	C78
	40	1801	1,1	36,69	11,9	23,8	18,3	35,9			
	41	1766	0,8	36,03	12	23,8	18,4	35,9			
	45	1596	0,8	32,56	12,5	23,8	18,6	35,2			



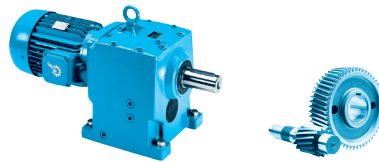
P ₁ [kW]	n ₂ [min ⁻¹]	M ₂ [Nm]	f _B	i _{ges}	F _R [kN]	F _A [kN]	F _{R VL} [kN]	F _{A VL} [kN]	Type	kg	mm 			
7,50	51	1415	1,4	28,85	12,9	23,8	18,9	34,1	SK 52 - 132 MP/4	136	C78			
	55	1297	1,5	26,46	13,1	23,8	19,1	33,8						
	61	1172	1,6	23,92	13,3	23,8	19,2	33						
	67	1062	1,8	21,68	13,1	23,8	19,3	32,4						
	75	960	2,0	19,60	12,8	23,8	19,4	31,6						
	82	874	2,2	17,81	12,6	23,8	19,5	30,9						
	104	686	2,8	14,00	11,8	23,3	19,6	29,1						
	108	660	2,8	13,45	11,7	23,3	19,7	28,9						
	56	1270	1,0	25,88	0,7	0,5	9,7	4,5				SK 42 - 132 MP/4	107	C76
	67	1072	1,0	21,87	0,8	6	10,3	5,2						
68	1055	1,1	21,50	1	6	10,3	4,9							
81	879	1,1	17,92	1,7	5,8	10,7	5,1							
83	868	1,4	17,71	3,4	6,3	10,7	5,5							
97	741	1,7	15,12	4,2	6,5	11	5,6							
102	705	1,6	14,38	4,3	6,7	11	5,7							
119	602	2,0	12,28	4,2	6,7	11,2	5,7							
143	500	2,3	10,20	4,2	6,7	11,3	5,7							
172	417	2,6	8,50	4,1	6,5	11,4	5,6							
201	357	3,0	7,28	4	6,4	11,4	5,6							
219	327	3,6	6,65	4	6,4	11,5	5,6							
236	304	3,5	6,19	3,9	6,3	11,5	5,5							
253	283	4,0	5,75	3,9	6,3	11,5	5,6							
273	263	3,1	5,35	3,7	5,8	11,2	5,3							
90	796	0,8	16,25	0,1	0,1	8,4	5,9	SK 32 - 132 MP/4	92	C74				
101	712	0,9	14,55	0,3	0,8	8,6	5,9							
125	574	1,2	11,71	0,4	1,6	8,9	6							
149	480	1,3	9,80	0,5	2,2	9,1	6							
175	409	1,5	8,36	0,6	3	9,2	5,9							
185	387	1,7	7,90	0,6	4	9,2	6,1							
207	346	1,3	7,05	0,6	4	8,8	5,3							
217	330	1,8	6,74	1,2	4	9,3	5,9							
257	279	2,2	5,70	2	4	9,4	5,9							
266	269	1,7	5,50	1,4	3,7	9,4	5,7							
276	260	2,5	5,28	2,6	4,1	9,4	5,9							
330	217	2,1	4,43	2,3	3,8	9,4	5,6							
390	184	2,5	3,75	2,4	3,7	9,2	5,5							
492	146	3,0	2,96	2,3	3,6	8,8	5,3							
213	336	0,8	6,86	0,2	0,9	6,7	3,5	SK 22 - 132 MP/4	81	C72				
253	283	0,8	5,79	0,3	1	6,6	3,6							
413	173	0,8	3,53	0,4	1,1	6,3	3,5							
522	137	0,8	2,79	0,6	1,2	6,2	3,5							
584	123	2,2	2,50	-	4,2	3,8	7,1	SK 41E - 132 MP/4	88	C66				
683	105	2,4	2,14	-	4	3,7	6,7							
567	126	1,5	2,58	-	3,2	2,4	5,2	SK 31E - 132 MP/4	79	C65				
703	102	1,6	2,08	-	3,1	2,5	4,8							
9,20	4,3	20390	1,0	340,13	90,2	97	118	120	SK 103/52 - 160 SP/4	882	C89 C91			
	5,0	17720	1,1	296,69	93,3	95,9	120	120						
	6,0	14620	1,4	244,77	96,3	94,1	120	120						
	8,0	11040	1,8	184,62	99	90,3	120	120						
	9,5	9251	2,2	154,63	100	87,6	120	120						
	7,1	12390	1,9	207,47	98,1	91,9	120	120	SK 103 - 160 SP/4	808	C89			
	11	8159	2,8	136,51	100,6	85,5	120	120						
	18	4869	4,2	81,40	101,8	76,5	120	120						
	6,1	14380	0,8	239,74	54,6	56,5	85,2	80	SK 93/42 - 160 SP/4	634	C87			
	7,8	11240	1,2	187,89	59,6	56,2	88,5	80	SK 93 - 160 SP/4	589	C87			
12	7349	1,9	123,05	63,8	54	91,4	80							
13	6529	1,8	109,14	64,4	53,1	91,8	80							
16	5584	2,5	93,34	65,1	51,9	92,3	80							
20	4328	3,1	72,47	65,8	49,6	92,8	80							


9,20 kW



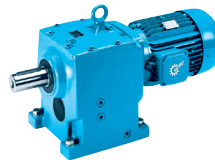
Helical Gear Units

P ₁ [kW]	n ₂ [min ⁻¹]	M ₂ [Nm]	f _B	i _{ges}	F _R [kN]	F _A [kN]	F _{R VL} [kN]	F _{A VL} [kN]	Type	kg	mm 		
9,20	8,9	9842	0,9	164,70	32,2	26,2	54,5	65	SK 83 - 160 SP/4	410	C85		
	14	6213	1,5	104,00	40,7	27,6	59,9	65					
	18	4819	1,9	80,62	42,6	27,6	61,2	65					
	21	4195	2,1	70,24	43,3	27,3	61,7	65					
	24	3693	2,4	61,89	43,8	27	62,1	65					
	29	3079	2,9	51,51	44,3	26,5	62,4	65					
33	2650	3,4	44,38	44,6	25,9	62,6	63,4						
30	2914	1,8	48,82	44,4	26,4	62,5	64,9	SK 82 - 160 SP/4	402	C84			
12	7444	0,8	124,57	9,8	8,7	30,1	42	SK 73 - 160 SP/4	303	C83			
16	5458	1,0	91,38	20,6	11	35,1	42,3						
20	4471	1,2	74,87	23,4	11,8	36,8	41,9						
24	3611	1,6	60,46	25,2	12,4	38	41,1						
28	3125	1,8	52,24	26,1	12,7	38,6	40,3						
32	2729	2,0	45,66	26,6	12,8	39	39,5						
39	2252	2,2	37,63	27,2	12,8	39,4	38,3						
44	1989	2,5	33,24	27,5	12,8	39,5	37,5						
34	2612	1,6	43,71	26,8	13	39,1	39,5	SK 72 - 160 SP/4	293	C82			
44	1977	1,6	33,04	27,5	12,7	39,5	37,3						
51	1708	2,4	28,63	27,7	12,8	39,7	36,5						
19	4631	0,8	77,46	9,5	11,2	21,9	32,6	SK 63 - 160 SP/4	222	C81			
23	3763	1,0	62,87	14,2	12,1	24,3	32,7						
27	3218	1,1	53,82	16,1	12,6	25,5	32,5						
29	3038	1,2	50,73	16,7	12,7	25,8	32,3						
34	2598	1,4	43,43	17,8	12,9	26,5	31,8						
41	2160	1,7	36,11	18,6	13,1	27,1	31,2						
48	1847	1,9	30,91	19,1	13,1	27,5	30,4						
56	1574	2,0	26,28	19,5	13	27,7	29,7						
67	1313	2,4	21,98	19,8	12,6	27,9	28,5						
71	1243	2,6	20,77	19,9	12,7	28	28,4						
40	2216	1,4	37,05	18,5	13,2	27	31,4				SK 62 - 160 SP/4	224	C80
81	1085	2,8	18,14	20	12,5	28,1	27,6						
93	945	3,2	15,80	20,1	12,3	28,1	26,9						
56	1580	1,2	26,46	12,5	23,8	18,6	32,8	SK 52 - 160 SP/4	167	C78			
62	1428	1,3	23,92	12,7	23,8	18,9	32,1						
68	1294	1,5	21,68	12,6	23,8	19,1	31,5						
75	1170	1,6	19,60	12,3	23,8	19,2	30,9						
83	1064	1,8	17,81	12,1	23,8	19,3	30,2						
105	836	2,3	14,00	11,4	22,3	19,5	28,5						
109	805	2,3	13,45	11,4	22,3	19,6	28,4						
139	632	2,8	10,58	10,7	20,6	19,7	26,7						
166	528	3,2	8,83	10,1	19,3	19,7	25,5						
67	1306	0,8	21,87	0,2	0,6	9,6	4				SK 42 - 160 SP/4	138	C76
83	1057	1,1	17,71	0,7	1,2	10,3	4,5						
97	903	1,4	15,12	0,9	5	10,7	4,7						
102	859	1,3	14,38	2,1	5,3	10,8	4,9						
120	733	1,6	12,28	3,7	5,5	11	5						
144	609	1,9	10,20	3,8	5,6	11,2	5,1						
173	508	2,1	8,50	3,7	5,6	11,3	5,1						
202	434	2,5	7,28	3,7	5,7	11,3	5,2						
221	398	2,9	6,65	3,8	5,8	11,4	5,2						
237	370	2,9	6,19	3,7	5,6	11,2	5,2						
255	344	3,3	5,75	3,7	5,7	11,2	5,2						
274	320	2,6	5,35	3,5	5,2	10,6	4,9						
288	305	3,2	5,10	3,6	5,6	10,9	5,1						
321	274	2,8	4,58	3,4	5,2	10,5	4,9						
377	233	3,0	3,89	3,3	5,1	10,2	4,8						
420	209	3,2	3,50	3,3	5	10,1	4,8						
457	192	3,2	3,21	3,2	4,9	9,9	4,7						
485	181	3,3	3,02	3,2	4,9	9,9	4,7						
514	171	2,7	2,86	-	5,8	5,4	8,9	SK 51E - 160 SP/4	128	C67			
588	149	2,9	2,50	-	5,6	5,2	8,5						
713	123	3,1	2,06	-	5,3	4,9	8						
588	149	1,8	2,50	-	3,8	3,4	6,7	SK 41E - 160 SP/4	119	C66			
688	128	1,9	2,14	-	3,7	3,3	6,4						



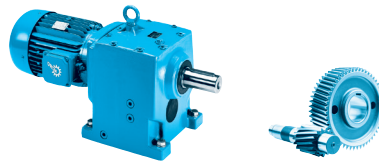
P ₁ [kW]	n ₂ [min ⁻¹]	M ₂ [Nm]	f _B	i _{ges}	F _R [kN]	F _A [kN]	F _{R VL} [kN]	F _{A VL} [kN]	Type	kg	mm 
11,0	4,3	24460	0,8	340,13	84,4	90,7	114	120	SK 103/52 - 160 MP/4	882	C89 C91
	4,9	21260	0,9	296,69	89	90,4	117,2	120			
	6,0	17540	1,1	244,77	93,5	89,4	120	120			
	7,9	13250	1,5	184,62	97,5	86,7	120	120			
	9,5	11100	1,8	154,63	99	84,5	120	120			
	7,1	14870	1,6	207,47	96,1	88	120	120	SK 103 - 160 MP/4	808	C89
	11	9789	2,3	136,51	99,8	82,9	120	120			
	18	5841	3,5	81,40	101,5	75,2	120	120			
	7,8	13480	1,0	187,89	56,3	52,2	86,3	80	SK 93 - 160 MP/4	589	C87
	12	8817	1,6	123,05	62,5	51,5	90,4	80			
	13	7834	1,5	109,14	63,4	50,8	91,1	80			
	16	6699	2,1	93,34	64,3	50	91,7	80			
	20	5193	2,6	72,47	65,3	48	92,4	80			
	8,9	11810	0,8	164,70	24,5	22,1	50,3	65	SK 83 - 160 MP/4	410	C85
	14	7454	1,2	104,00	38,5	25,1	58,4	65			
	18	5781	1,6	80,62	41,4	25,6	60,4	65			
	21	5032	1,8	70,24	42,4	25,6	61,1	65			
	24	4430	2,0	61,89	43,1	25,5	61,6	65			
	28	3694	2,4	51,51	43,8	25,2	62,1	63,8			
	33	3179	2,8	44,38	44,2	24,9	62,4	62,1			
38	2797	3,2	39,08	44,5	24,5	62,6	60,3				
30	3496	1,5	48,82	44	25,2	62,2	63,4	SK 82 - 160 MP/4	402	C82	
36	2899	1,4	40,45	44,4	24,6	62,5	60,9				
16	6549	0,8	91,38	16,1	8,5	32,7	39,1	SK 73 - 160 MP/4	303	C83	
20	5364	1,0	74,87	21	9,8	35,3	39,2				
24	4332	1,3	60,46	23,8	10,9	37,1	39				
28	3749	1,5	52,24	25	11,3	37,9	38,5				
32	3274	1,6	45,66	25,9	11,6	38,4	37,9				
39	2701	1,9	37,63	26,7	11,8	39	36,9				
44	2386	2,1	33,24	27,1	11,9	39,3	36,2				
52	2033	2,5	28,32	27,4	11,9	39,5	35,3				
63	1677	3,0	23,34	27,7	11,7	39,7	34				
34	3133	1,3	43,71	26,1	11,9	38,6	38				SK 72 - 160 MP/4
44	2372	1,4	33,04	27,1	11,8	39,3	36,1				
51	2049	2,0	28,63	27,4	12	39,5	35,6				
23	4514	0,8	62,87	10,5	10,1	22,3	30,2	SK 63 - 160 MP/4	222	C81	
27	3860	1,0	53,82	13,9	10,8	24,1	30,3				
29	3645	1,0	50,73	14,7	11,1	24,6	30,2				
34	3117	1,2	43,43	16,5	11,5	25,7	30,1				
41	2591	1,4	36,11	17,8	11,9	26,5	29,7				
47	2216	1,6	30,91	18,5	12,1	27	29,2				
56	1888	1,7	26,28	19,1	12,1	27,4	28,6				
67	1576	2,0	21,98	19,5	11,9	27,7	27,6				
70	1492	2,1	20,77	19,6	12	27,8	27,6				
40	2659	1,1	37,05	17,6	12	26,4	30				SK 62 - 160 MP/4
81	1302	2,4	18,14	19,8	12	27,9	26,9				
93	1133	2,7	15,80	20	11,8	28	26,3				
105	998	3,1	13,92	20,1	11,6	28,1	25,6				
126	832	3,7	11,59	20,2	11,3	28,2	24,6				
55	1895	1,0	26,46	8	23,8	18,1	31,8	SK 52 - 160 MP/4	167	C78	
61	1713	1,1	23,92	9,5	23,8	18,4	31,1				
68	1552	1,2	21,68	11,5	23,8	18,7	30,7				
75	1403	1,4	19,60	11,8	23,5	18,9	30,1				
82	1277	1,5	17,81	11,6	23	19,1	29,5				
105	1003	1,9	14,00	11	21,3	19,4	27,8				
109	965	1,9	13,45	11	21,5	19,4	27,8				
139	758	2,3	10,58	10,4	19,8	19,6	26,2				
166	633	2,6	8,83	9,9	18,6	19,7	25				
190	553	2,9	7,70	9,6	18	19,7	24,4				
201	523	3,0	7,27	9,4	17,5	19,8	24				


11,0 kW
15,0 kW



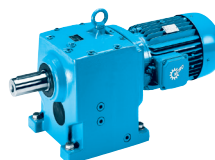
Helical Gear Units

P ₁ [kW]	n ₂ [min ⁻¹]	M ₂ [Nm]	f _B	i _{ges}	F _R [kN]	F _A [kN]	F _{R VL} [kN]	F _{A VL} [kN]	Type	kg	mm 	
11,0	83	1269	0,9	17,71	0,1	0,3	9,1	3,4	SK 42 - 160 MP/4	138	C76	
	97	1083	1,1	15,12	0,1	0,9	9,6	3,8				
	102	1031	1,1	14,38	0,2	1,2	10,1	4				
	119	880	1,4	12,28	0,2	4,2	10,3	4,2				
	144	731	1,6	10,20	2,3	4,6	10,5	4,5				
	172	609	1,8	8,50	3,4	4,7	10,5	4,6				
	202	521	2,1	7,28	3,4	4,9	10,5	4,7				
	220	477	2,4	6,65	3,5	5,1	10,7	4,8				
	237	444	2,4	6,19	3,4	5	10,5	4,8				
	254	413	2,7	5,75	3,5	5,1	10,6	4,8				
	273	384	2,1	5,35	3,2	4,6	10	4,5				
	287	366	2,7	5,10	3,4	5	10,4	4,8				
	320	328	2,4	4,58	3,2	4,6	9,9	4,5				
	375	280	2,5	3,89	3,2	4,6	9,8	4,5				
	419	251	2,6	3,50	3,1	4,6	9,7	4,5				
	456	230	2,7	3,21	3,1	4,5	9,6	4,5				
	484	217	2,8	3,02	3,1	4,5	9,5	4,5				
	512	205	2,2	2,86	-	5,5	5,3	8,6	SK 51E - 160 MP/4	128	C67	
	586	179	2,4	2,50	-	5,3	5,1	8,2				
	710	148	2,6	2,06	-	5	4,8	7,7				
	586	179	1,5	2,50	-	3,5	3	6,4	SK 41E - 160 MP/4	119	C66	
	685	153	1,6	2,14	-	3,4	3	6,1				
15,0	6,0	23920	0,8	244,77	85,1	79,2	114,5	120	SK 103/52 - 160 LP/4	911	C89 C91	
	7,9	18070	1,1	184,62	93	79,2	120	120				
	9,5	15130	1,3	154,63	95,9	78,1	120	120				
	12	12000	1,7	122,42	98,4	76,3	120	120				
	14	10310	1,9	105,36	99,4	74,7	120	120				
		7,1	20270	1,1	207,47	90,3	79,3	118,1	120	SK 103 - 160 LP/4	837	C89
		11	13350	1,7	136,51	97,4	77,3	120	120			
		18	7965	2,6	81,40	100,7	71,7	120	120			
		21	6885	2,9	70,38	101,1	69,7	120	119,1			
		7,8	18380	0,8	187,89	45,3	43,4	79,6	80	SK 93 - 160 LP/4	618	C87
		12	12020	1,2	123,05	58,5	45,7	87,8	80			
		13	10680	1,1	109,14	60,4	45,7	89	80			
		16	9136	1,5	93,34	62,2	45,6	90,2	80			
		20	7081	1,9	72,47	64	44,8	91,5	80			
24		6029	2,1	61,63	64,8	43,8	92,1	80				
27		5256	2,3	53,80	65,3	43	92,4	80				
31		4559	2,7	46,57	65,7	42,1	92,7	80				
	14	10170	0,9	104,00	31,3	19,5	54	63,6	SK 83 - 160 LP/4	439	C85	
	18	7884	1,1	80,62	37,6	21,2	57,8	63,1				
	21	6862	1,3	70,24	39,6	21,8	59,2	62,4				
	24	6041	1,5	61,89	41	22,2	60,1	61,6				
	28	5037	1,8	51,51	42,4	22,5	61,1	60,2				
	33	4336	2,1	44,38	43,2	22,5	61,6	58,8				
	38	3814	2,4	39,08	43,7	22,3	62	57,6				
	45	3180	2,7	32,52	44,2	22	62,4	55,7				
		30	4768	1,1	48,82	42,7	22,7	61,3				60
36		3953	1,0	40,45	43,6	22,4	61,9	58				
46		3139	2,1	32,12	44,3	22,1	62,4	55,7				
55		2603	2,4	26,62	44,6	21,6	62,7	53,5				
	24	5908	1,0	60,46	19	7,2	34,2	34,2	SK 73 - 160 LP/4	332	C83	
	28	5112	1,1	52,24	21,8	8,2	35,8	34,3				
	32	4465	1,2	45,66	23,5	8,9	36,9	34,3				
	39	3684	1,4	37,63	25,1	9,6	38	34				
	44	3253	1,5	33,24	25,9	9,9	38,5	33,6				
	52	2772	1,8	28,32	26,6	10,2	38,9	33				
	63	2287	2,2	23,34	27,2	10,4	39,3	32,2				
	71	2020	2,5	20,62	27,4	10,4	39,3	31,6				
	81	1761	2,8	18,00	27,7	10,4	38,7	30,9				



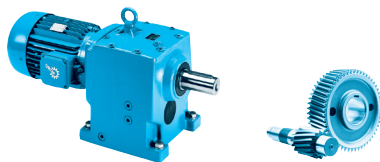
P ₁ [kW]	n ₂ [min ⁻¹]	M ₂ [Nm]	f _B	i _{ges}	F _R [kN]	F _A [kN]	F _{R VL} [kN]	F _{A VL} [kN]	Type	kg	mm 			
15,0	34	4272	0,9	43,71	23,9	9,4	37,2	34,7	SK 72 - 160 LP/4	322	C72			
	44	3235	1,0	33,04	25,9	9,8	38,5	33,5						
	51	2795	1,5	28,63	26,5	10,4	38,9	33,4						
	67	2123	1,9	21,72	27,3	10,6	39,5	32						
	68	2116	2,1	21,64	27,3	10,3	39,1	31,7						
	87	1646	2,5	16,86	27,8	10,5	38,5	30,6						
	102	1401	2,9	14,33	27,9	10,4	37,2	29,7						
	34	4250	0,9	43,43	12	8,4	23,1	26,3				SK 63 - 160 LP/4	251	C81
	41	3533	1,0	36,11	15,1	9,3	24,8	26,5						
	47	3022	1,2	30,91	16,7	9,8	25,8	26,5						
56	2574	1,2	26,28	17,8	10,2	26,6	26,3							
67	2148	1,5	21,98	18,6	10,3	27,1	25,6							
70	2034	1,6	20,77	18,9	10,5	27,3	25,7							
84	1698	1,9	17,37	19,4	10,4	27,6	25							
40	3626	0,8	37,05	14,8	9,4	24,6	26,8	SK 62 - 160 LP/4	253	C80				
81	1775	1,7	18,14	19,2	10,7	27,5	25,4							
93	1545	1,9	15,80	19,5	10,7	27,7	24,9							
105	1360	2,3	13,92	19,8	10,6	27,9	24,4							
126	1134	2,7	11,59	20	10,5	28	23,5							
139	1029	3,0	10,55	20	10,2	28,1	23							
167	858	3,5	8,78	20,2	10	28,2	22,1							
61	2336	0,8	23,92	0,6	1,5	12,2	29				SK 52 - 160 LP/4	196	C78	
68	2117	0,9	21,68	1,8	20,8	14,7	28,8							
75	1913	1,0	19,60	3,8	20,5	15,8	28,4							
82	1741	1,1	17,81	5,3	20,2	16,8	27,8							
105	1368	1,4	14,00	8	19,1	18,2	26,5							
109	1316	1,4	13,45	9,9	19,4	19	26,6							
139	1034	1,7	10,58	9,7	18,1	19,4	25,2							
166	864	1,9	8,83	9,3	17,2	19,5	24,2							
190	753	2,1	7,70	9,2	16,8	19,6	23,6							
201	713	2,2	7,27	9	16,4	19,6	23,2							
228	629	2,4	6,42	8,8	15,8	19,7	22,6							
240	598	2,5	6,09	8,7	15,7	19,7	22,4							
253	565	2,5	5,79	8,6	15,4	19,7	22							
262	547	2,1	5,60	8,3	14,9	19,7	21,6							
287	499	2,7	5,08	8,3	14,8	19,8	21,4							
317	451	2,6	4,61	8	14	19,8	20,7							
359	399	2,8	4,08	7,8	13,5	19,8	20,1							
400	358	3,0	3,67	7,6	13,1	19,8	19,6							
432	332	3,0	3,40	7,4	12,8	19,6	19,2							
453	316	3,0	3,23	7,3	12,5	19,5	19							
97	1477	0,8	15,12	0,1	0,2	2,8	1,7	SK 42 - 160 LP/4	167	C76				
102	1406	0,8	14,38	0,1	0,6	4,6	2,1							
119	1200	1,0	12,28	0,1	1,1	7,1	2,6							
144	997	1,2	10,20	0,2	1,5	8,1	3,1							
172	831	1,3	8,50	0,2	1,9	8,4	3,3							
202	711	1,5	7,28	0,2	3,1	8,8	3,6							
220	651	1,8	6,65	1,9	3,5	9,2	3,9							
237	606	1,8	6,19	2	3,5	9,1	3,9							
254	564	2,0	5,75	2,9	3,8	9,3	4,1							
273	524	1,6	5,35	1,7	3,2	8,6	3,7							
287	499	2,0	5,10	2,9	3,8	9,2	4,1							
320	448	1,7	4,58	2,7	3,4	8,7	3,8							
375	382	1,8	3,89	2,8	3,6	8,8	3,9							
419	342	1,9	3,50	2,8	3,7	8,8	4							
456	314	2,0	3,21	2,8	3,7	8,7	4							
484	296	2,0	3,02	2,8	3,7	8,7	4							
512	280	1,6	2,86	-	4,8	4,8	7,9	SK 51E - 160 LP/4	157	C67				
586	244	1,7	2,50	-	4,7	4,8	7,6							
710	202	1,9	2,06	-	4,5	4,6	7,2							
586	244	1,1	2,50	-	2,7	2	5,6	SK 41E - 160 LP/4	148	C66				
685	209	1,2	2,14	-	2,7	2,1	5,4							


18,5 kW



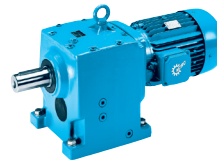
Helical Gear Units

P ₁ [kW]	n ₂ [min ⁻¹]	M ₂ [Nm]	f _B	i _{ges}	F _R [kN]	F _A [kN]	F _{R VL} [kN]	F _{A VL} [kN]	Type	kg	mm 	
18,5	8,0	22060	0,9	184,62	87,9	72,3	116,4	120	SK 103/52 - 180 MP/4	944	C89 C91	
	9,6	18480	1,1	154,63	92,5	72,5	119,6	120				
	12	14650	1,4	122,42	96,3	71,8	120	120				
	14	12590	1,6	105,36	97,9	70,9	120	120				
	18	9724	2,1	81,40	99,8	68,6	120	118,9	SK 103 - 180 MP/4	870	C89	
		21	8405	2,4	70,38	100,4	67,1	120				115,9
		24	7252	2,8	60,71	101	65,5	120				112,5
		28	6327	3,2	52,98	101,3	64	120				109,1
	12	15200	0,8	127,50	52,9	40,5	84,1	80	SK 93/52 - 180 MP/4	725	C87 C91	
		14	12650	1,0	106,25	57,5	41,4	87,1				80
	16	11150	1,3	93,34	59,7	41,7	88,6	80	SK 93 - 180 MP/4	651	C87	
		20	8645	1,6	72,47	62,6	41,7	90,6				80
24		7361	1,7	61,63	63,8	41,3	91,4	80				
28		6416	1,9	53,80	64,5	40,8	91,9	80				
32		5566	2,2	46,57	65,1	40,1	92,3	80				
38		4710	2,6	39,54	65,6	39,2	92,6	80				
18	9625	0,9	80,62	32,9	17,5	54,9	58,1	SK 83 - 180 MP/4	472	C85		
	21	8378	1,1	70,24	36,3	18,5	57				58,1	
	24	7375	1,2	61,89	38,5	19,3	58,5				57,9	
	29	6150	1,5	51,51	40,8	20	60				57	
	33	5293	1,7	44,38	42	20,3	60,8				56,2	
	38	4656	1,9	39,08	42,8	20,5	61,4				55,2	
	46	3882	2,2	32,52	43,6	20,5	62				53,6	
	53	3342	2,4	28,03	44,1	20,4	62,3				52,3	
	61	2910	2,7	24,42	44,4	20,1	62,5				50,9	
	71	2505	3,2	21,04	44,7	19,9	62,1				49,5	
24	7212	0,8	60,46	11,8	4,2	25,4	30	SK 73 - 180 MP/4	365	C83		
	28	6241	0,9	52,24	17,5	5,6	29				30,7	
	32	5451	1,0	45,66	20,6	6,5	31,5				31,2	
	39	4497	1,1	37,63	23,4	7,6	34				31,4	
	44	3972	1,3	33,24	24,6	8,2	35				31,3	
	52	3384	1,5	28,32	25,7	8,7	35,8				31,1	
	63	2792	1,8	23,34	26,3	9,1	36,3				30,6	
	72	2466	2,0	20,62	26,6	9,3	36,4				30,1	
	82	2150	2,3	18,00	26,6	9,4	36,2				29,6	
	68	2592	1,6	21,72	26,8	9,5	37				30,6	SK 72 - 180 MP/4
88		2009	2,0	16,86	27	9,6	36,5	29,5				
103		1711	2,4	14,33	26,7	9,6	36	28,7				
118		1491	2,7	12,52	26,4	9,6	35,1	28				
41	4314	0,9	36,11	11,6	7,1	21,3	23,7	SK 63 - 180 MP/4	284	C81		
	48	3689	1,0	30,91	14,5	7,9	23,7				24,1	
	56	3143	1,0	26,28	16,4	8,6	25,6				24,2	
	67	2623	1,2	21,98	17,7	8,8	26,2				23,8	
	71	2484	1,3	20,77	18	9,2	26,7				24,1	
	85	2073	1,5	17,37	18,8	9,3	27,2				23,5	
82	2167	1,4	18,14	18,6	9,6	27,1	24	SK 62 - 180 MP/4	286	C80		
	94	1887	1,6	15,80	19,1	9,7	27,4				23,7	
	106	1661	1,9	13,92	19,4	9,8	27,6				23,3	
	128	1385	2,2	11,59	19,7	9,8	27,9				22,7	
	141	1256	2,5	10,55	19,9	9,5	27,4				22,1	
	169	1047	2,9	8,78	20	9,4	27				21,4	
	196	901	3,5	7,56	20,1	9,3	26,6				20,8	
	233	758	2,5	6,35	20,2	8,8	25,3				19,8	
	280	632	3,0	5,29	20,3	8,6	24,6				19,1	
76	2336	0,8	19,60	0,2	1	9,2	26,8	SK 52 - 180 MP/4	229	C78		
	83	2126	0,9	17,81	0,5	1,3	10,8				26,5	
	106	1670	1,1	14,00	2,1	17,2	13,2				25,4	
	110	1607	1,2	13,45	4,7	17,6	15,2				25,5	
	140	1263	1,4	10,58	7,1	16,7	16,6				24,3	
	168	1054	1,6	8,83	8,6	16	17,3				23,4	
	192	920	1,7	7,70	8,7	15,7	18,6				22,9	
	203	870	1,8	7,27	8,5	15,4	18,4				22,5	
	230	768	1,9	6,42	8,4	14,9	18,8				22	
	242	729	2,0	6,09	8,4	14,9	19,3				21,8	



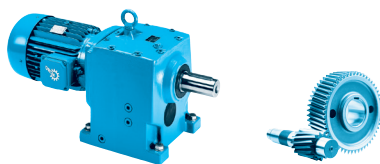
P ₁ [kW]	n ₂ [min ⁻¹]	M ₂ [Nm]	f _B	i _{ges}	F _R [kN]	F _A [kN]	F _{R VL} [kN]	F _{A VL} [kN]	Type	kg	mm 				
18,5	256	690	2,1	5,79	8,2	14,6	19,1	21,5	SK 52 - 180 MP/4	229	C78				
	265	668	1,8	5,60	7,9	14	17,8	21,1							
	290	609	2,2	5,08	8	14,1	19,2	20,9							
	321	551	2,2	4,61	7,7	13,3	18,2	20,2							
	363	487	2,3	4,08	7,5	12,9	18,3	19,7							
	404	437	2,4	3,67	7,3	12,5	18,3	19,2							
	436	405	2,5	3,40	7,2	12,2	18,3	18,9							
	458	386	2,5	3,23	7,1	12,1	18,3	18,6							
	533	332	2,7	2,78	6,8	11,5	18,1	18							
	18,5	121	1465	0,8	12,28	0,1	0,1	0,6				1,1	SK 42 - 180 MP/4	200	C76
		145	1217	1,0	10,20	0,1	0,5	4,1				1,9			
		174	1015	1,1	8,50	0,1	0,8	6,3				2,3			
		204	868	1,2	7,28	0,1	1,2	7,3				2,7			
		222	795	1,5	6,65	0,1	1,8	7,8				3,1			
239		739	1,5	6,19	0,1	2,3	7,8	3,1							
257		688	1,6	5,75	0,1	2,7	8,2	3,4							
276		639	1,3	5,35	0,8	2,7	7,3	2,9							
290		609	1,6	5,10	0,9	2,8	8,2	3,4							
323		547	1,4	4,58	0,2	2,4	7,7	3,2							
379		466	1,5	3,89	1,8	2,8	7,9	3,4							
423		418	1,6	3,50	2,4	2,9	7,9	3,5							
460		384	1,6	3,21	2,5	3	8	3,5							
489		362	1,7	3,02	2,5	3	8	3,6							
18,5		517	342	1,3	2,86	-	4,2	4	7,2	SK 51E - 180 MP/4	190	C67			
		592	298	1,4	2,50	-	4,1	4,1	7						
		718	246	1,6	2,06	-	3,9	4,1	6,7						
22,0		8,0	26320	0,8	184,62	81,1	65,9	111,8	120	SK 103/52 - 180 LP/4	944	C89 C91			
	9,5	22050	0,9	154,63	88	66,9	116,5	120							
	12	17480	1,1	122,42	93,6	67,3	120	120							
	14	15030	1,3	105,36	96	67	120	119,5							
	22,0	18	11600	1,8	81,40	98,6	65,7	120	115,2				SK 103 - 180 LP/4	870	C89
		21	10030	2,0	70,38	99,6	64,6	120	112,5						
		24	8653	2,3	60,71	100,3	63,3	120	109,6						
		28	7549	2,6	52,98	100,8	62	120	106,8						
		33	6456	3,1	45,25	101,3	60,3	120	103,3						
	22,0	16	13310	1,1	93,34	56,6	38	86,5	80				SK 93 - 180 LP/4	651	C87
		20	10310	1,3	72,47	60,8	38,8	89,3	80						
		24	8783	1,4	61,63	62,5	38,8	90,5	80						
27		7656	1,6	53,80	63,6	38,6	91,2	80							
32		6642	1,8	46,57	64,4	38,2	91,8	80							
37		5621	2,2	39,54	65,1	37,6	92,2	80							
47		4449	2,7	31,25	65,7	36,5	90,2	79,6							
54		3860	3,2	27,05	66	35,8	88,1	77,2							
64		3266	3,7	22,97	66,2	34,7	85,5	74,4							
77		2730	4,5	19,12	66,4	33,5	82,5	71,3							
22,0	18	11480	0,8	80,62	26,1	13,7	51,1	53,3	SK 83 - 180 LP/4	472	C85				
	21	9997	0,9	70,24	31,8	15,3	54,3	53,9							
	24	8801	1,0	61,89	35,3	16,4	56,4	53,9							
	29	7338	1,2	51,51	38,7	17,6	58,6	53,9							
	33	6316	1,4	44,38	40,5	18,2	59,8	53,3							
	38	5556	1,6	39,08	41,7	18,6	60,6	52,8							
	45	4633	1,8	32,52	42,9	19	61,4	51,7							
	53	3987	2,0	28,03	43,5	19	61,9	50,6							
	60	3473	2,3	24,42	44	19	61,6	49,5							
	70	2989	2,7	21,04	44,4	18,9	60,6	48,2							
22,0	89	2358	2,8	16,56	44,8	18,5	57,9	46,1	SK 82 - 180 LP/4	464	C84				
	103	2035	3,2	14,29	44,9	18,2	56,1	44,7							
22,0	32	6505	0,8	45,66	15,6	4,2	24,5	28	SK 73 - 180 LP/4	365	C83				
	39	5366	0,9	37,63	19	5,7	28,3	28,8							
	44	4739	1,1	33,24	20,6	6,5	30,1	29							
	52	4038	1,2	28,32	22,3	7,2	31,8	29,1							
	63	3331	1,5	23,34	23,6	7,9	33	29							
	71	2942	1,7	20,62	24,1	8,2	33,5	28,8							
	82	2566	1,9	18,00	24,5	8,5	33,8	28,3							


22,0 kW
30,0 kW



Helical Gear Units

P ₁ [kW]	n ₂ [min ⁻¹]	M ₂ [Nm]	f _B	i _{ges}	F _R [kN]	F _A [kN]	F _{R VL} [kN]	F _{A VL} [kN]	Type	kg	mm 		
22,0	68	3093	1,3	21,72	24,5	8,4	34	29,1	SK 72 - 180 LP/4	355	C82		
	88	2398	1,7	16,86	25	8,8	34,3	28,4					
	103	2041	2,0	14,33	25,1	8,9	34,1	27,7					
	118	1780	2,3	12,52	25	9	33,8	27,1					
	136	1546	3,0	10,84	24,3	8,8	32,8	26,3					
	48	4402	0,8	30,91	11,1	6	18,3	21,7	SK 63 - 180 LP/4	284	C81		
	56	3750	0,9	26,28	14,3	6,9	20,9	22,2					
	67	3130	1,0	21,98	16,4	7,4	22,3	22,1					
	71	2963	1,1	20,77	16,9	7,9	23,7	22,5					
	85	2473	1,3	17,37	18	8,2	24,2	22,1					
	81	2586	1,2	18,14	17,8	8,5	25	22,6	SK 62 - 180 LP/4	286	C80		
	93	2251	1,3	15,80	18,5	8,7	25,7	22,4					
	106	1982	1,6	13,92	18,9	8,9	26	22,2					
	127	1652	1,9	11,59	19,4	9	26,3	21,8					
	140	1499	2,1	10,55	19,6	8,8	25,6	21,2					
168	1250	2,4	8,78	19,9	8,9	25,6	20,7						
195	1076	2,9	7,56	20	8,8	25,4	20,2						
232	904	2,1	6,35	20,1	8,4	24	19,2						
279	754	2,5	5,29	19,7	8,2	23,6	18,6						
324	649	3,2	4,56	19,3	8,1	23,2	18						
363	578	3,3	4,05	19	8	22,8	17,6						
377	557	3,6	3,91	18,9	7,9	22,6	17,5						
397	529	3,8	3,72	18,7	7,9	22,4	17,3						
83	2537	0,8	17,81	0,1	1	4,3	25	SK 52 - 180 LP/4				229	C78
105	1993	1,0	14,00	0,4	1,2	8,1	24,1						
110	1917	1,0	13,45	1,3	1,2	10,7	24,4						
139	1506	1,2	10,58	2,6	15,2	12,8	23,4						
167	1258	1,3	8,83	4,8	14,8	14,1	22,6						
191	1098	1,5	7,70	7,5	14,7	15,9	22,3						
202	1038	1,5	7,27	7,4	14,3	15,7	21,9						
229	917	1,6	6,42	8	14	16,5	21,4						
241	870	1,7	6,09	8	14,1	17,3	21,4						
255	824	1,7	5,79	7,9	13,7	17	21						
264	797	1,5	5,60	7,6	13,1	15,5	20,5						
289	727	1,9	5,08	7,7	13,4	17,4	20,5						
320	657	1,8	4,61	7,4	12,7	16,4	19,8						
362	581	1,9	4,08	7,2	12,3	16,7	19,3						
403	522	2,0	3,67	7,1	11,9	16,9	18,8						
435	483	2,1	3,40	7	11,7	17	18,5						
456	460	2,1	3,23	6,9	11,6	17	18,4						
531	396	2,2	2,78	6,7	11,1	17	17,7						
145	1452	0,8	10,20	0,1	0,1	0,3	0,4	SK 42 - 180 LP/4	200	C76			
174	1211	0,9	8,50	0,1	0,1	1,5	1,2						
203	1035	1,0	7,28	0,1	0,2	4,4	1,8						
222	948	1,2	6,65	0,2	0,2	6,4	2,3						
238	882	1,2	6,19	0,2	0,2	6,5	2,3						
256	821	1,4	5,75	0,4	0,4	7	2,7						
275	763	1,1	5,35	0,1	0,2	6	2,2						
289	726	1,4	5,10	0,4	0,4	7,1	2,8						
322	653	1,2	4,58	0,3	0,3	6,6	2,5						
378	556	1,3	3,89	0,1	0,3	6,9	2,8						
421	499	1,3	3,50	0,4	2,1	7,1	3						
459	458	1,4	3,21	1,2	2,3	7,2	3,1						
487	432	1,4	3,02	1,7	2,4	7,3	3,1						
515	408	1,1	2,86	-	3,6	3,2	6,6				SK 51E - 180 LP/4	190	C67
590	356	1,2	2,50	-	3,5	3,3	6,5						
715	294	1,3	2,06	-	3,4	3,5	6,1						
30,0	18	15720	1,3	81,40	95,2	58,9	120	106,8	SK 103 - 225 RP/4	1030	C89		
	21	13580	1,5	70,38	97,1	58,9	120	105,3					
	24	11720	1,7	60,71	98,5	58,4	120	103,3					
	28	10220	2,0	52,98	99,4	57,6	120	101,2					
	33	8744	2,3	45,25	100,2	56,6	120	98,6					
	39	7325	2,7	37,90	100,9	55,2	120	95,7					
	21	13970	1,0	72,47	55	32	79,7	80	SK 93 - 225 RP/4	811	C87		
	24	11900	1,1	61,63	58,5	33	82,6	80					
	28	10370	1,2	53,80	60,6	33,6	83,9	80					



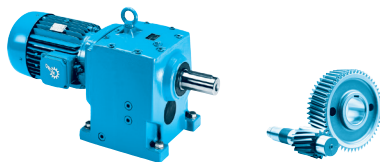
P ₁ [kW]	n ₂ [min ⁻¹]	M ₂ [Nm]	f _B	i _{ges}	F _R [kN]	F _A [kN]	F _{R VL} [kN]	F _{A VL} [kN]	Type	kg	mm 			
30,0	32	8996	1,4	46,57	62,2	33,9	84,4	80	SK 93 - 225 RP/4	811	C87			
	38	7613	1,6	39,54	63,5	34	84,4	79						
	48	6027	2,0	31,25	64,8	33,6	83,3	76,2						
	55	5228	2,3	27,05	65,3	33,2	82,2	74,1						
	65	4424	2,8	22,97	65,7	32,6	80,6	71,8						
	77	3698	3,3	19,12	66	31,8	78,4	69,1						
	24	11920	0,8	61,89	24,2	9,9	40,3	29,3				SK 83 - 225 RP/4	632	C85
	29	9939	0,9	51,51	31,6	12	46,5	46,5						
	33	8554	1,0	44,38	35,7	13,4	49,8	47,2						
	38	7525	1,2	39,08	38,1	14,4	52,1	47,2						
46	6275	1,4	32,52	40,5	15,4	53,8	47,2							
53	5400	1,5	28,03	41,8	16	54,8	46,8							
61	4704	1,7	24,42	42,7	16,4	55	46							
71	4048	2,0	21,04	43,1	16,6	55	45,4							
90	3194	2,1	16,56	43,1	16,8	54,7	44	SK 82 - 225 RP/4	624	C84				
104	2756	2,4	14,29	42,5	16,7	53,7	42,8							
125	2285	3,1	11,84	41,4	16,3	51,8	41,2							
45	6419	0,8	33,24	10,9	2,5	18,4	23,8	SK 73 - 225 RP/4	525	C83				
52	5469	0,9	28,32	14,1	3,9	22	24,7							
63	4512	1,1	23,34	17	5,2	25,2	25,3							
72	3985	1,3	20,62	18,4	5,8	26,6	25,5							
82	3475	1,4	18,00	19,6	6,3	27,9	25,5							
88	3247	1,2	16,86	20,7	6,9	29	25,8	SK 72 - 225 RP/4	515	C82				
104	2765	1,5	14,33	21,3	7,3	29,6	25,5							
119	2410	1,7	12,52	21,7	7,5	30	25,3							
137	2094	2,2	10,84	21,3	7,5	29,4	24,5							
157	1825	2,6	9,46	21,5	7,6	29,3	24,1							
181	1583	2,9	8,19	21,5	7,6	29,1	23,6							
214	1340	3,2	6,95	21,3	7,7	28,8	23							
231	1239	2,2	6,42	20,2	7,2	27,4	22,1							
265	1080	2,6	5,60	20	7,2	27	21,6							
306	937	3,1	4,85	19,8	7,2	26,4	21							
107	2684	1,1	13,92	17,5	6,9	20,6	19,8				SK 62 - 225 RP/4	446	C80	
128	2238	1,4	11,59	18,4	7,4	21,8	19,8							
141	2030	1,5	10,55	18,2	7,3	21,4	19,4							
169	1693	1,8	8,78	18,7	7,5	22,1	19,1							
197	1457	2,1	7,56	18,9	7,7	22,4	18,8							
234	1225	1,6	6,35	17,9	7,3	21,3	17,9							
281	1021	1,8	5,29	17,9	7,4	21,4	17,5							
326	879	2,4	4,56	17,8	7,3	21,2	17,1							
366	783	2,4	4,05	17,6	7,3	21	16,8							
380	755	2,7	3,91	17,6	7,3	21	16,7							
399	717	2,8	3,72	17,4	7,3	20,9	16,6							
448	640	3,1	3,30	17,2	7,2	20,6	16,2							
500	573	3,4	2,97	17	7,1	20,3	15,9							
37,0	18	19380	1,1	81,40	91,4	53,3	118,8	99,6	SK 103 - 225 SP/4	1040				C89
	21	16750	1,2	70,38	94,3	53,8	120	98,6						
	24	14450	1,4	60,71	96,4	53,9	120	97,5						
	28	12610	1,6	52,98	97,9	53,8	120	96,3						
	33	10780	1,9	45,25	99,2	53,3	118,6	94,6						
	39	9034	2,2	37,90	100,1	52,4	115,5	91,9						
	50	7048	2,8	29,62	101	50,8	110,5	88,2						
	59	6027	3,3	25,30	101,4	49,6	107,2	85,5						
	21	17230	0,8	72,47	48,2	26,1	64,6	76,2			SK 93 - 225 SP/4	826	C87	
	24	14670	0,9	61,63	54	28,1	70	76,5						
28	12790	1,0	53,80	57,3	29,3	72,8	76,3							
32	11090	1,1	46,57	59,8	30,1	75,4	75,7							
38	9389	1,3	39,54	61,8	30,8	76,6	74,8							
48	7433	1,6	31,25	63,7	31	77,2	72,6							
55	6448	1,9	27,05	64,5	31	76,9	71,2							
65	5456	2,2	22,97	65,2	30,7	76,2	69,2							
77	4561	2,7	19,12	65,7	30,1	74,9	66,9							
90	3918	2,7	16,47	65,9	29,8	73,6	65,2	SK 92 - 225 SP/4	815	C86				
103	3416	3,2	14,36	65,8	29,2	72	63,5							
120	2948	3,6	12,39	64	28,4	70,2	61,3							


37,0 kW
45,0 kW



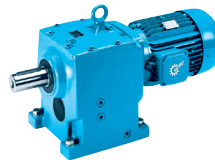
Helical Gear Units

P ₁ [kW]	n ₂ [min ⁻¹]	M ₂ [Nm]	f _B	i _{ges}	F _R [kN]	F _A [kN]	F _{R VL} [kN]	F _{A VL} [kN]	Type	kg	mm 				
37,0	33	10550	0,8	44,38	28,6	9,4	38,8	41,8	SK 83 - 225 SP/4	647	C85				
	38	9281	1,0	39,08	31,6	10,8	42,2	42,5							
	46	7739	1,1	32,52	34,9	12,5	46	43,1							
	53	6661	1,2	28,03	36,8	13,4	48	43,2							
	61	5801	1,4	24,42	37,9	14,1	49,3	43,1							
	71	4993	1,6	21,04	38,8	14,7	49,9	42,7							
	90	90	3940	1,7	16,56	39,8	15,3	50,7	41,8	SK 82 - 225 SP/4	639	C84			
		104	3399	1,9	14,29	39,7	15,3	50,4	41						
		125	2819	2,5	11,84	39	15,2	49,3	39,8						
		144	2459	2,8	10,33	38,5	15,1	48,7	38,8						
		168	2103	3,1	8,82	37,8	14,9	47,3	37,6						
		201	1762	3,6	7,39	36,9	14,7	45,5	36,3						
		239	1476	2,9	6,19	35	13,9	43,2	34,5						
	63	63	5565	0,9	23,34	11,2	2,8	18,2	22,1	SK 73 - 225 SP/4	540	C83			
		72	4915	1,0	20,62	13,3	3,7	20,5	22,7						
82		4286	1,2	18,00	15,2	4,5	22,6	23							
88	88	4005	1,0	16,86	16,6	5,2	24,3	23,6	SK 72 - 225 SP/4	530	C82				
	104	3410	1,2	14,33	18	5,8	25,8	23,7							
	119	2973	1,4	12,52	18,8	6,3	26,6	23,6							
	137	2582	1,8	10,84	18,7	6,3	26,3	23							
	157	2251	2,1	9,46	19,2	6,6	26,6	22,8							
	181	1953	2,4	8,19	19,5	6,8	26,8	22,4							
	214	1652	2,6	6,95	19,6	6,9	26,8	22							
	231	1528	1,8	6,42	18,4	6,5	25,3	21							
	265	1332	2,1	5,60	18,5	6,5	25,3	20,7							
	306	1155	2,5	4,85	18,4	6,6	25,1	20,2							
	361	978	2,7	4,12	18,3	6,6	24,7	19,7							
107	107	3310	0,9	13,92	14,2	5,3	15,8	17,7	SK 62 - 225 SP/4	461	C80				
	128	2760	1,1	11,59	15,7	6	17,9	18							
	141	2504	1,2	10,55	15,4	5,9	17,8	17,7							
	169	2088	1,4	8,78	16,3	6,4	19,1	17,7							
	197	1797	1,7	7,56	16,8	6,7	19,7	17,7							
	234	1510	1,3	6,35	16	6,4	18,8	16,8							
	281	1259	1,5	5,29	16,3	6,6	19,3	16,5							
	326	1084	1,9	4,56	16,3	6,7	19,5	16,3							
	366	966	2,0	4,05	16,3	6,7	19,5	16							
	380	931	2,2	3,91	16,3	6,7	19,5	16							
	399	884	2,3	3,72	16,3	6,7	19,5	15,9							
	448	789	2,5	3,30	16,2	6,7	19,4	15,6							
	500	706	2,8	2,97	16,1	6,7	19,2	15,3							
	45,0	21	20380	1,0	70,38	90,1	47,9	107,7				91,3	SK 103 - 225 MP/4	1080	C89
24		17580	1,1	60,71	93,4	48,8	110,5	91,2							
28		15340	1,3	52,98	95,7	49,4	112,5	90,9							
33		13120	1,5	45,25	97,5	49,6	112,7	89,6							
39		10990	1,8	37,90	99	49,2	110,6	88,2							
50		8572	2,3	29,62	100,4	48,4	106,7	84,9							
59		7330	2,7	25,30	100,9	47,6	103,9	82,9							
70		6141	3,3	21,19	101,4	46,3	100,5	80,1							
28		28	15560	0,8	53,80	52,2	24,3	60	70,2	SK 93 - 225 MP/4	861	C87			
		32	13490	0,9	46,57	56,2	25,9	64,3	70,3						
	38	11420	1,1	39,54	59,3	27,2	67,4	70,2							
	48	9040	1,3	31,25	62,2	28,1	70,1	69							
	55	7842	1,6	27,05	63,4	28,4	70,8	68,1							
	65	6636	1,8	22,97	64,3	28,6	71	66,7							
	77	5547	2,2	19,12	65,1	28,4	70,5	64,7							
90	90	4765	2,2	16,47	64,5	28,2	70,1	63,3	SK 92 - 225 MP/4	850	C86				
	103	4155	2,6	14,36	63,2	27,8	69	61,7							
	120	3586	3,0	12,39	61,9	27,3	67,6	59,9							
46	46	9412	0,9	32,52	26,9	8,9	36,5	38,6	SK 83 - 225 MP/4	682	C85				
	53	8101	1,0	28,03	29,9	10,4	39,9	39,3							
	61	7056	1,1	24,42	32,1	11,5	42,3	39,6							
	71	6072	1,3	21,04	33,8	12,4	44,3	39,8							



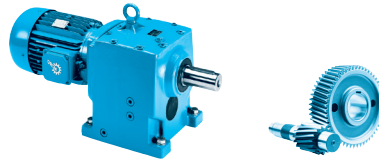
P ₁ [kW]	n ₂ [min ⁻¹]	M ₂ [Nm]	f _B	i _{ges}	F _R [kN]	F _A [kN]	F _{R VL} [kN]	F _{A VL} [kN]	Type	kg	mm 			
45,0	90	4792	1,4	16,56	35,9	13,5	46,3	39,6	SK 82 - 225 MP/4	674	C84			
	104	4134	1,6	14,29	36,4	13,8	46,6	39						
	125	3428	2,1	11,84	36,3	13,9	46,2	38						
	144	2991	2,3	10,33	36,2	14	45,9	37,3						
	168	2558	2,6	8,82	35,8	14	45,3	36,4						
	201	2142	2,9	7,39	35,2	13,8	44,3	35,3						
	239	1796	2,4	6,19	33,4	13,1	42	33,5						
	280	1536	3,1	5,29	32,7	12,9	40,8	32,5						
	72	5977	0,8	20,62	5,9	1,3	13,2	19,4	SK 73 - 225 MP/4	575	C83			
	82	5213	1,0	18,00	10	2,4	16,3	20,2						
	104	4148	1,0	14,33	14,1	4,3	21	21,5	SK 72 - 225 MP/4	565	C82			
	119	3616	1,1	12,52	15,5	4,9	22,5	21,7						
	137	3140	1,5	10,84	15,7	5	22,6	21,2						
	157	2738	1,7	9,46	16,5	5,4	23,5	21,2						
	181	2375	2,0	8,19	17,2	5,8	24,1	21,1						
	214	2010	2,1	6,95	17,7	6,1	24,5	20,9						
	231	1858	1,5	6,42	16,4	5,6	22,9	19,9						
	265	1620	1,7	5,60	16,7	5,8	23,2	19,6						
	306	1405	2,1	4,85	16,9	5,9	23,3	19,4						
	361	1189	2,2	4,12	17	6	23,2	19						
	385	1117	2,3	3,86	17	6,1	23,1	18,8						
	432	994	2,4	3,43	17	6,1	22,9	18,4						
	128	3357	0,9	11,59	12,2	4,4	13,3	16	SK 62 - 225 MP/4	496	C80			
	169	2539	1,2	8,78	13,6	5,1	15,4	16,1						
	197	2185	1,4	7,56	14,4	5,6	16,6	16,3						
	281	1532	1,2	5,29	14,4	5,7	16,9	15,5						
	326	1318	1,6	4,56	14,8	5,9	17,5	15,4						
	366	1175	1,6	4,05	14,9	6,1	17,7	15,2						
380	1132	1,8	3,91	15	6,1	17,8	15,2							
399	1076	1,9	3,72	15	6,1	17,8	15,1							
448	960	2,1	3,30	15	6,2	17,9	14,9							
500	859	2,3	2,97	15	6,2	17,9	14,7							
55,0	21	24990	0,8	70,38	83,6	40,9	89,2	82,1				SK 103 - 250 WP/4	1120	C89
	24	21560	0,9	60,71	88,8	42,6	95	83,3						
	28	18810	1,1	52,98	92,2	44	98,7	83,7						
	33	16090	1,2	45,25	95,1	44,9	101,5	83,7						
	39	13470	1,5	37,90	97,3	45,4	103,2	82,9						
	50	10510	1,9	29,62	99,3	45,3	101,9	81,2						
	58	8990	2,2	25,30	99,2	44,9	99,8	79,4						
	70	7531	2,7	21,19	97,2	44,1	97,1	77,3						
	76	6868	2,4	19,37	96,8	44,1	96,3	76,7	SK 102 - 250 WP/4	1110	C88			
	89	5896	2,9	16,63	94,6	43,1	93,6	74,5						
	38	14000	0,9	39,54	55,4	22,6	55,9	64,3	SK 93 - 250 WP/4	896	C87			
	47	11090	1,1	31,25	59,3	24,6	61,1	64,4						
	55	9617	1,3	27,05	60,2	25,3	63,1	64,1						
	65	8138	1,5	22,97	60,9	25,9	64,5	63,2						
	77	6802	1,8	19,12	60,9	26,1	65,1	61,9						
	90	5843	1,8	16,47	60,8	26,4	65,5	60,9	SK 92 - 250 WP/4	885	C86			
	103	5095	2,1	14,36	60,2	26,2	65,1	59,7						
	119	4397	2,4	12,39	59,1	25,9	64,3	58						
	141	3726	2,7	10,50	57,9	25,5	63	56,3						
	190	2758	2,2	7,78	53,6	23,6	58,4	51,9						
	221	2380	3,3	6,70	52,2	23,1	57,1	50,3						
	260	2017	3,6	5,68	50,6	22,5	55,6	48,5						
	89	5876	1,1	16,56	31,2	11,4	40,7	36,7				SK 82 - 250 WP/4	709	C84
	104	5070	1,3	14,29	32,3	12	42	36,7						
	125	4204	1,7	11,84	32,8	12,4	42,2	36						
	143	3668	1,9	10,33	33,1	12,6	42,4	35,5						
	167	3136	2,1	8,82	33,3	12,8	42,5	34,8						
	200	2627	2,4	7,39	33,1	12,9	42	33,9						
	239	2202	2,0	6,19	31,3	12,2	39,8	32,2						
	279	1883	2,5	5,29	31	12,1	39,2	31,4						
	333	1578	2,8	4,43	30,4	12	38,2	30,4						
	407	1291	3,1	3,62	29,6	11,7	36,6	29,2						
510	1029	3,0	2,89	28,5	11,4	34,9	27,9							


75,0 kW
90,0 kW



Helical Gear Units

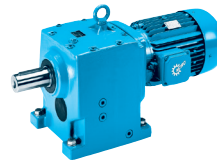
P ₁ [kW]	n ₂ [min ⁻¹]	M ₂ [Nm]	f _B	i _{ges}	F _R [kN]	F _A [kN]	F _{R VL} [kN]	F _{A VL} [kN]	Type	kg	mm 				
75,0	28	25560	0,8	52,98	68,7	33	70,7	70	SK 103 - 280 SP/4	1280	C89				
	33	21860	0,9	45,25	77,4	35,6	78	71,9							
	39	18310	1,1	37,90	83,8	37,7	84,1	73,1							
	50	14290	1,4	29,62	89,2	39,3	88,7	73,4							
	59	12220	1,6	25,30	89,2	39,7	90,4	72,7							
	70	10230	2,0	21,19	89,1	39,8	90,3	71,9							
	75,0	77	9335	1,8	19,37	89,5	40,2	90,4	71,9	SK 102 - 280 SP/4	1280	C88			
		89	8013	2,2	16,63	88,2	39,8	88,5	70,3						
		104	6890	2,4	14,29	86,4	39,3	86,5	68,8						
		125	5715	2,8	11,88	84,2	38,3	83,6	66,6						
		149	4795	3,1	9,96	81,6	37,3	80,9	64,4						
		170	4211	3,1	8,73	76,9	35,7	76,2	61,6						
		198	3621	3,1	7,50	75,5	34,6	74,7	59,5						
		238	3004	3,8	6,24	73,1	33,5	71,8	57,3						
		284	2520	4,2	5,23	70,3	32,4	69	55,1						
75,0		48	15070	0,8	31,25	44,4	17,4	42,3	55,2				SK 93 - 280 SP/4	1070	C87
	55	13070	0,9	27,05	47,7	19,1	47,2	56,2							
	65	11060	1,1	22,97	50,4	20,7	51,2	56,5							
	77	9245	1,3	19,12	52,3	21,8	54,3	56,3							
	93	7734	1,6	19,12	51,4	22,3	53,0	54,6							
75,0	90	7941	1,3	16,47	53,5	22,6	56,5	56,2	SK 92 - 280 SP/4	1060	C86				
	103	6924	1,6	14,36	53,8	23	57,2	55,6							
	120	5976	1,8	12,39	53,7	23,1	57,5	54,5							
	141	5064	2,0	10,50	53,2	23,1	57,5	53,4							
	191	3749	1,6	7,78	49,5	21,6	53,7	49,3							
	221	3235	2,4	6,70	48,8	21,4	52,9	48,1							
	261	2741	2,6	5,68	47,7	21	52	46,6							
	75,0	90	7986	0,8	16,56	21,4	7,1	29				31,2	SK 82 - 280 SP/4	879	C84
104		6890	1,0	14,29	23,9	8,2	31,9	31,8							
125		5713	1,2	11,84	25,8	9,2	33,9	31,8							
144		4984	1,4	10,33	27	9,9	35,3	31,9							
168		4263	1,5	8,82	28,1	10,4	36,4	31,8							
201		3571	1,8	7,39	28,8	10,9	37	31,5							
239		2993	1,4	6,19	27,2	10,3	35	29,8							
280		2559	1,9	5,29	27,5	10,5	35,2	29,3							
334		2144	2,0	4,43	27,6	10,6	35	28,6							
408		1754	2,3	3,62	27,2	10,6	34,5	27,8							
512		1398	2,2	2,89	26,7	10,5	33,5	26,7							
90,0		33	26230	0,8	45,25	57,6	28,7	59,8	63	SK 103 - 280 MP/4	1380	C89			
		39	21980	0,9	37,90	67,8	31,8	68,9	65,6						
		50	17140	1,2	29,62	76,9	34,8	77,3	67,7						
	59	14660	1,4	25,30	81,1	35,8	80,8	67,9							
	70	12280	1,6	21,19	82,7	36,6	82,7	67,7							
	90,0	77	11200	1,5	19,37	84,1	37,4	84,9	68,1				SK 102 - 280 MP/4	1380	C88
89		9616	1,8	16,63	83,4	37,4	84,6	67,2							
104		8268	2,0	14,29	82,4	37,1	83,1	66,1							
125		6859	2,3	11,88	80,9	36,6	80,8	64,4							
149		5755	2,6	9,96	78,8	35,8	78,5	62,5							
170		5053	2,6	8,73	73,8	34,2	73,7	59,7							
182		4717	2,6	8,15	75,4	35	74,7	60,4							
198		4345	2,6	7,50	73,1	33,4	72,7	57,9							
238		3605	3,2	6,24	70,8	32,4	70,3	55,9							
284		3024	3,5	5,23	68,5	31,5	67,7	53,9							
347		2479	3,8	4,28	65,4	30,4	64,3	51,8							
90,0		55	15680	0,8	27,05	35,5	14,5	34,6	50,2	SK 93 - 280 MP/4	1170	C87			
		65	13270	0,9	22,97	42,3	16,7	40,8	51,4						
		77	11090	1,1	19,12	45,5	18,5	45,9	52,1						
90,0	90	9529	1,1	16,47	48	19,9	49,5	52,6	SK 92 - 280 MP/4	1160	C86				
	103	8309	1,3	14,36	49	20,5	51,1	52,4							
	120	7171	1,5	12,39	49,7	21	52,4	51,8							
	141	6077	1,7	10,50	49,8	21,3	53,2	51							
	191	4498	1,4	7,78	46,5	20	49,9	47,3							
	221	3882	2,0	6,70	46,3	20	49,8	46,4							
	261	3290	2,2	5,68	45,6	19,9	49,3	45,2							
	422	2037	2,7	3,51	42,6	18,9	46,6	41,2							



P ₁ [kW]	n ₂ [min ⁻¹]	M ₂ [Nm]	f _B	i _{ges}	F _R [kN]	F _A [kN]	F _{R VL} [kN]	F _{A VL} [kN]	Type	kg	mm 				
110	50	20910	1,0	29,62	60,2	28,7	62	59,9	SK 103 - 315 SP/4	1480	C89				
	59	17880	1,1	25,30	66,7	30,6	67,3	61,3							
	70	14980	1,3	21,19	71,8	32,2	72,1	62							
	110	77	13660	1,2	19,37	76,1	33,6	75,6	63,2	SK 102 - 315 SP/4	1470	C88			
		90	11730	1,5	16,63	77,2	34,1	77,2	63						
		104	10080	1,6	14,29	76,9	34,3	78,2	62,5						
		126	8366	1,9	11,88	76,4	34,2	77,1	61,3						
		150	7019	2,1	9,96	75	33,9	75,4	59,9						
		170	6164	2,1	8,73	69,7	32,2	70,3	57,2						
		183	5754	2,2	8,15	72,1	33,4	72,0	58,4						
		198	5300	2,1	7,50	69,8	31,6	70,1	55,8						
		239	4397	2,6	6,24	68,1	31,1	68,1	54,1						
285		3689	2,9	5,23	66,3	30,2	65,8	52,5							
347		3024	3,1	4,28	63,4	29,4	62,6	50,6							
110		90	11620	0,9	16,47	40,6	16,2	39,9	47,9				SK 92 - 315 SP/4	1240	C86
	104	10140	1,1	14,36	42,5	17,3	43,1	48,3							
	120	8747	1,2	12,39	44	18,3	45,4	48,3							
	142	7412	1,4	10,50	45,2	18,9	47,3	48							
	191	5487	1,1	7,78	42,5	18	44,9	44,9							
	222	4735	1,6	6,70	42,8	18,3	45,5	44,2							
	262	4013	1,8	5,68	42,6	18,4	45,8	43,3							
	423	2485	2,2	3,51	40,9	17,9	44,5	40							
	132	77	16370	1,0	19,37	60,1	29,6	60,4	58,3	SK 102 - 315 MP/4	1670	C88			
		90	14060	1,2	16,63	68,6	30,5	68,3	58,5						
104		12090	1,4	14,29	71,1	31,2	70,5	58,5							
126		10030	1,6	11,88	71,2	31,7	72,1	58,1							
150		8412	1,8	9,96	70,9	31,7	72	57,2							
171		7387	1,8	8,73	65,2	30,0	65,1	54,4							
183		6895	1,8	8,15	63,8	29,4	63,4	53,3							
198		6352	1,8	7,50	66,1	29,8	67,2	53,4							
239		5269	2,2	6,24	65,1	29,4	65,4	52,1							
285		4421	2,4	5,23	63,9	29	63,8	50,7							
348		3624	2,6	4,28	61,9	28,2	61,6	49							
132		104	12150	0,9	14,36	32,3	13,6	30,3	42,7				SK 92 - 315 MP/4	1440	C86
		120	10480	1,0	12,39	37,8	15,1	37,3	44,5						
		142	8883	1,1	10,50	40	16,4	40,5	44,7						
		192	6575	0,9	7,78	36,7	15,7	37,1	41,1						
		222	5675	1,4	6,70	37,7	16,2	38,7	40,9						
	262	4809	1,5	5,68	38,4	16,6	39,9	40,4							
	423	2978	1,9	3,51	38,2	16,8	40,7	38,0							

160 kW
200 kW

IE3

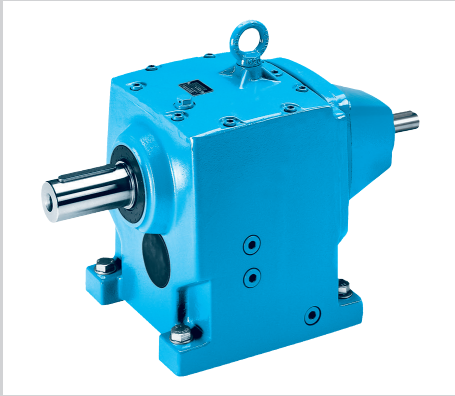


NORD
DRIVESYSTEMS

P_1 [kW]	n_2 [min ⁻¹]	M_2 [Nm]	f_B	i_{ges}	F_R [kN]	F_A [kN]	$F_{R VL}$ [kN]	$F_{A VL}$ [kN]	Type	kg	mm 			
160	77	19850	0,8	19,37	45,5	24,3	46,7	51,5	SK 102 - 315 RP/4	1700	C88			
	90	17040	1,0	16,63	56	25,9	56,5	52,6						
	104	14650	1,1	14,29	60,4	27,3	60,7	53,6						
	126	12150	1,3	11,88	64,1	28,4	64	53,9						
	150	10200	1,5	9,96	65,7	29	65,8	53,7						
	171	8954	1,5	8,73	58,5	27,2	58,0	50,9						
	183	8358	1,5	8,15	63,8	29,4	63,4	53,3						
	198	7699	1,5	7,50	61,5	27,4	62,3	50,5						
	239	6387	1,8	6,24	61,2	27,5	62,3	49,6						
	285	5359	2,0	5,23	60,5	27,3	61,1	48,6						
	348	4392	2,1	4,28	59,3	26,9	59,3	47,2						
	120	12710	0,8	12,39	27,4	11,2	26,9	39,4				SK 92 - 315 RP/4	1480	C86
	142	10770	0,9	10,50	33,1	13,1	31,9	40,6						
	192	7970	0,8	7,78	30,8	12,8	29,8	37,5						
222	6878	1,1	6,70	34	13,9	34,6	38,6							
262	5829	1,2	5,68	35,3	14,7	36,6	38,6							
423	3610	1,5	3,51	36,3	15,6	38,9	37,1							
200	104	18340	0,9	14,29	44,6	21,7	46,1	46,5	SK 102 - 315 LP/4	1900	C88			
	126	15210	1,0	11,88	51,2	23,7	52	47,9						
	150	12760	1,2	9,96	55,6	25,1	55,9	48,7						
	183	10460	1,2	8,15	55,6	26,2	55,2	49,2						
	198	9636	1,2	7,50	53,8	23,9	53,8	46						
	239	7994	1,4	6,24	55,9	24,6	55,8	46						
	285	6707	1,6	5,23	55,9	24,9	56,7	45,6						
	347	5498	1,7	4,28	55,5	24,9	56,2	44,8						

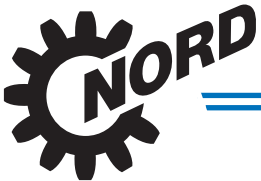
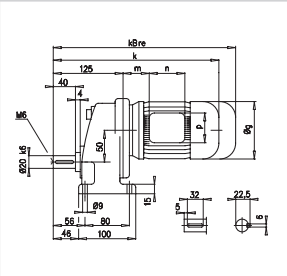
Helical Gear Units

Helical Gear Units

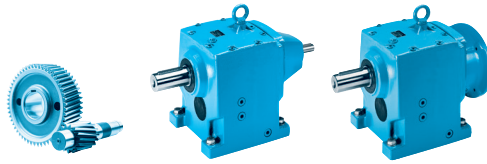


**SK 02
SK 03**

	i_{ges}	η_2	M_{2max}		P_{1max}		W
			$n_1 = 1400 \text{ min}^{-1}$	$n_1 = 930 \text{ min}^{-1}$	$n_1 = 1400 \text{ min}^{-1}$	$n_1 = 930 \text{ min}^{-1}$	
		$[\text{min}^{-1}]$	$[\text{Nm}]$	$[\text{Nm}]$	$[\text{kW}]$	$[\text{kW}]$	
SK 03	313,11	4,5	89	89	0,04	0,03	
	274,28	5,1	89	89	0,05	0,03	
W	212,47	6,6	106	106	0,07	0,05	
	170,75	8,2	106	106	0,09	0,06	
+	151,33	9,3	110	110	0,11	0,07	
IEC	124,62	11	106	106	0,12	0,08	
	104,77	13	95	95	0,13	0,09	
$\text{mm} \rightarrow \square \text{ B69}$	81,50	17	106	106	0,19	0,12	
$\text{mm} \rightarrow \square$	65,50	21	110	110	0,24	0,16	



SK 03 SK 02



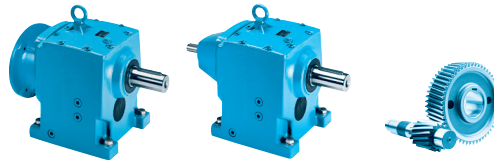
	i_{ges}	n_2 $n_1 =$ 1400 min ⁻¹ [min ⁻¹]	M_{2max} $f_B = 1$ [Nm]	W			IEC $f_B \Rightarrow$ C4 - C40						
				P_{1max} $n_1 =$ 1400 min ⁻¹	$n_1 =$ 930 min ⁻¹	$f_B \geq 1$ $n_1 =$ 700 min ⁻¹	IEC						
				[kW]	[kW]	[kW]	63	71					
SK 03	313,11	4,5	89	0,04	0,03	0,02	*	*					
	274,28	5,1	89	0,05	0,03	0,02	*	*					
	212,47	6,6	106	0,07	0,05	0,04	*	*					
W	170,75	8,2	108	0,09	0,06	0,05	*	*					
+	151,33	9,3	110	0,11	0,07	0,05	*	*					
IEC	124,62	11	106	0,12	0,08	0,06	*	*					
	104,77	13	95	0,13	0,09	0,06	*	*					
$\frac{H}{mm}$	81,50	17	106	0,19	0,12	0,09	*	*					
\Rightarrow C69	65,50	21	110	0,24	0,16	0,12	*	*					

Helical Gear Units

	i_{ges}	n_2 $n_1 =$ 1400 min ⁻¹ [min ⁻¹]	M_{2max} $f_B = 1$ [Nm]	W			IEC $f_B \Rightarrow$ C4 - C40						
				P_{1max} $n_1 =$ 1400 min ⁻¹	$n_1 =$ 930 min ⁻¹	$f_B \geq 1$ $n_1 =$ 700 min ⁻¹	IEC						
				[kW]	[kW]	[kW]	63	71	80	90			
SK 02	73,06	19	89	0,18	0,12	0,09		*					
	61,27	23	89	0,21	0,14	0,11		*					
	53,68	26	89	0,24	0,16	0,12		*					
W	41,58	34	99	0,35	0,23	0,18		*					
+	33,42	42	96	0,42	0,28	0,21			*				
IEC	29,61	47	92	0,45	0,30	0,23			*				
	27,52	51	87	0,46	0,31	0,23			*				
$\frac{H}{mm}$	24,39	57	89	0,53	0,35	0,27			*				
\Rightarrow C68	23,13	61	78	0,50	0,33	0,25							
	20,59	68	74	0,53	0,35	0,26			*	*			
	15,95	88	72	0,66	0,44	0,33			*	*			
	12,82	109	70	0,80	0,53	0,40				*			
	11,27	124	67	0,87	0,57	0,43				*			
	9,95	141	64	0,94	0,62	0,47				*			
	9,28	151	65	1,03	0,68	0,51				*			
	8,19	171	63	1,13	0,74	0,56				*			
	7,80	179	63	1,18	0,78	0,59				*			
	6,89	203	61	1,30	0,86	0,65				*			
	6,10	230	57	1,37	0,91	0,68				*			
	5,57	251	57	1,50	0,99	0,75							
	4,82	290	57	1,50	0,99	0,75							
	4,22	332	52	1,50	0,99	0,75							
	3,89	360	53	1,50	0,99	0,75							
	3,38	414	51	1,50	0,99	0,75							
	2,95	475	46	1,50	0,99	0,75							

* \Rightarrow A63

$\frac{kg}{kg}$	W	IEC 63	IEC 71	IEC 80	IEC 90
SK 03	16	17	18	-	-
SK 02	12	13	14	17	17



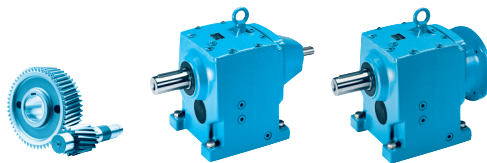
	i_{ges}	n_2 $n_1 =$ 1400 min ⁻¹ [min ⁻¹]	M_{2max} $f_B = 1$ [Nm]	W			IEC							
				P_{1max} $n_1 =$ 1400 min ⁻¹	$n_1 =$ 930 min ⁻¹	$f_B \geq 1$ $n_1 =$ 700 min ⁻¹	$f_B \Rightarrow$ C4 - C40							
							[kW]	[kW]	[kW]	IEC				
							63	71	80	90				
SK 12/02	2798,93	0,50	180	0,05	0,03	0,02	*	*						
	2056,68	0,68	180	0,05	0,03	0,03	*	*						
	1592,93	0,88	180	0,06	0,04	0,03	*	*						
	W	1280,32	1,1	180	0,06	0,04	0,03	*	*					
	+	1054,29	1,3	180	0,06	0,04	0,03	*	*					
	IEC	886,11	1,6	180	0,07	0,05	0,04	*	*					
		619,86	2,3	180	0,08	0,06	0,04	*	*					
	$\frac{H}{mm}$	537,49	2,6	180	0,09	0,06	0,04	*	*	*	*			
		431,75	3,2	180	0,10	0,07	0,05	*	*	*	*			
	\Rightarrow C90	339,81	4,1	180	0,12	0,08	0,06	*	*	*	*			
		263,96	5,3	180	0,14	0,09	0,07	*	*	*	*			
		213,39	6,6	180	0,16	0,11	0,08	*	*	*	*			
		165,77	8,4	180	0,20	0,13	0,10		*	*	*			
		133,23	11	164	0,23	0,15	0,11		*	*	*			
		109,66	13	164	0,26	0,17	0,13		*	*	*			
	92,89	15	164	0,30	0,20	0,15		*	*	*				
SK 13	420,83	3,3	167	0,06	0,04	0,03	*	*						
	369,34	3,8	176	0,07	0,05	0,04	*	*						
	313,48	4,5	167	0,08	0,05	0,04	*	*						
	W	275,12	5,1	176	0,09	0,06	0,05	*	*					
	+	244,62	5,7	177	0,11	0,07	0,05	*	*					
	IEC	195,78	7,2	194	0,15	0,10	0,07	*	*					
		159,36	8,8	167	0,15	0,10	0,08	*	*					
	$\frac{H}{mm}$	132,45	11	148	0,17	0,11	0,09	*	*					
		108,72	13	177	0,24	0,16	0,12		*					
	\Rightarrow C71	85,47	16	176	0,29	0,19	0,15		*					
		68,40	20	196	0,37	0,24	0,19		*					

* \Rightarrow A63

Helical Gear Units

$\frac{kg}{kg}$	W	IEC 63	IEC 71	IEC 80	IEC 90
SK 12/02	22	23	24	27	27
SK 13	19	20	21	-	-

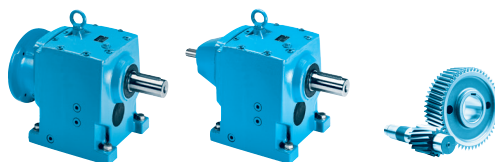
SK 12 SK 11E



	i_{ges}	n_2 $n_1 =$ 1400 min ⁻¹ [min ⁻¹]	M_{2max} $f_B = 1$ [Nm]	W			IEC					
				P_{1max} $n_1 =$ 1400 min ⁻¹	$n_1 =$ 930 min ⁻¹	$f_B \geq 1$ $n_1 =$ 700 min ⁻¹	$f_B \Rightarrow$ C4 - C40					
							[kW]	[kW]	[kW]	IEC		
							63	71	80	90	100	112
SK 12	72,63	19	139	0,28	0,18	0,14		*				
	61,35	23	154	0,37	0,24	0,19						
	53,84	26	176	0,48	0,32	0,24						
W	47,87	29	177	0,54	0,35	0,27			*	*		
+	43,09	32	162	0,54	0,36	0,27						
IEC	38,31	37	184	0,71	0,47	0,36				*		
$\frac{H}{mm}$	35,07	40	149	0,62	0,41	0,31						
	31,19	45	165	0,78	0,51	0,39				*		
\Rightarrow C70	29,15	48	124	0,62	0,41	0,31						
	21,28	66	167	1,15	0,76	0,58				*		
	18,79	75	161	1,26	0,83	0,63					*	*
	16,73	84	154	1,35	0,89	0,68					*	*
	13,39	105	149	1,64	1,08	0,82					*	*
	10,70	131	134	1,84	1,21	0,92					*	*
	9,65	145	135	2,05	1,35	1,02					*	*
	7,85	178	131	2,44	1,61	1,22					*	*
	7,28	192	124	2,49	1,65	1,25						*
	6,53	214	126	2,82	1,86	1,41						*
	5,79	242	122	3,09	2,04	1,55						*
	4,93	284	116	3,45	2,28	1,72						*
	4,49	312	118	3,86	2,54	1,93						
	4,32	324	112	3,80	2,51	1,90						
	3,98	352	114	4,00	2,64	2,00						
	3,39	413	109	4,00	2,64	2,00						
	2,96	473	105	4,00	2,64	2,00						
SK 11E	9,11	154	23	0,37	0,24	0,19						
	8,10	173	30	0,54	0,36	0,27			*			
	3,60	389	42	1,71	1,13	0,86						
W	3,18	440	40	1,84	1,22	0,92						
+	2,83	495	54	2,80	1,85	1,40				*	*	
IEC	2,32	603	48	3,00	1,98	1,50					*	*
$\frac{H}{mm}$	2,04	686	58	3,00	1,98	1,50					*	*
	1,81	773	55	3,00	1,98	1,50					*	*
\Rightarrow C63	1,54	909	50	3,00	1,98	1,50					*	*
	1,35	1037	50	3,00	1,98	1,50					*	*

* \Rightarrow A63

kg	W	IEC 63	IEC 71	IEC 80	IEC 90	IEC 100	IEC 112
SK 12	14	15	16	19	19	26	26
SK 11E	10	11	12	15	15	22	22



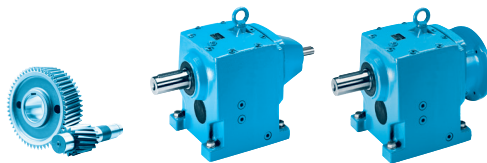
	i_{ges}	n_2 $n_1 =$ 1400 min ⁻¹ [min ⁻¹]	M_{2max} $f_B = 1$ [Nm]	W			IEC							
				P_{1max}		$f_B \geq 1$	$f_B \Rightarrow$ C4 - C40							
				$n_1 =$ 1400 min ⁻¹	$n_1 =$ 930 min ⁻¹		$n_1 =$ 700 min ⁻¹	IEC						
				[kW]	[kW]	[kW]	63	71	80	90				
SK 22/02 W + IEC mm C90	2534,45	0,55	340	0,06	0,04	0,03	*	*						
	2125,46	0,66	340	0,06	0,04	0,03	*	*						
	1780,46	0,79	340	0,07	0,04	0,03	*	*						
	1442,41	0,97	340	0,07	0,05	0,04	*	*						
	1159,34	1,2	340	0,08	0,05	0,04	*	*						
	881,66	1,6	340	0,10	0,06	0,05	*	*	*	*				
	682,98	2,0	340	0,11	0,07	0,06	*	*	*	*				
	553,31	2,5	340	0,13	0,09	0,06	*	*	*	*				
	444,73	3,1	340	0,15	0,10	0,08	*	*	*	*				
	345,17	4,1	340	0,19	0,12	0,09		*	*	*				
	284,11	4,9	340	0,21	0,14	0,11		*	*	*				
	239,01	5,9	340	0,25	0,17	0,13		*	*	*				
	167,21	8,4	340	0,34	0,22	0,17		*	*	*				
	134,94	10	340	0,40	0,26	0,20			*	*				
	117,25	12	340	0,47	0,31	0,23			*	*				
SK 23 W + IEC mm C73	516,65	2,7	274	0,08	0,05	0,04	*	*						
	417,95	3,3	340	0,12	0,08	0,06	*	*						
	323,70	4,3	340	0,15	0,10	0,08	*	*						
	262,24	5,3	340	0,19	0,12	0,09		*						
	217,73	6,4	340	0,23	0,15	0,11		*						
	179,50	7,8	312	0,25	0,17	0,13		*						
	151,44	9,2	294	0,28	0,19	0,14		*						
	124,17	11	340	0,39	0,26	0,20			*	*				
	100,60	14	340	0,50	0,33	0,25			*	*				
	88,45	16	340	0,57	0,38	0,28			*	*				
	78,05	18	340	0,64	0,42	0,32			*	*				
	64,80	22	340	0,75	0,50	0,38				*	*			

* \Rightarrow A63

Helical Gear Units

kg	W	IEC 63	IEC 71	IEC 80	IEC 90
SK 22/02	35	36	37	40	40
SK 23	31	32	33	36	36

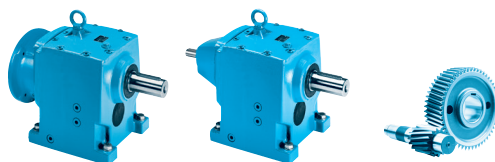
SK 22 SK 21E



	i_{ges}	n_2 $n_1 =$ 1400 min ⁻¹ [min ⁻¹]	M_{2max} $f_B = 1$ [Nm]	W			IEC						
				P_{1max} $n_1 =$ 1400 min ⁻¹	$n_1 =$ 930 min ⁻¹	$f_B \geq 1$ $n_1 =$ 700 min ⁻¹	$f_B \Rightarrow$ C4 - C40						
							[kW]	[kW]	[kW]	IEC			
							71	80	90	100	112		
SK 22	86,30	16	250	0,42	0,28	0,21		*					
	55,28	25	320	0,84	0,55	0,42			*				
	45,90	31	292	0,95	0,63	0,47			*				
	W	42,82	33	340	1,17	0,78	0,59			*			
	+	35,55	39	330	1,35	0,89	0,67			*			
	IEC	34,69	40	340	1,42	0,94	0,71			*	*	*	
	$\frac{H}{mm}$	29,31	48	292	1,47	0,97	0,73			*			
		28,80	49	374	1,92	1,27	0,96				*	*	
	\Rightarrow C72	24,73	57	246	1,47	0,97	0,73			*			
		23,74	59	326	2,01	1,33	1,01				*	*	
		20,03	70	285	2,09	1,38	1,04				*	*	
		16,75	84	339	2,98	1,97	1,49				*	*	
		14,69	95	337	3,35	2,21	1,68					*	
		12,20	115	329	3,96	2,61	1,98					*	
		10,89	129	317	4,00	2,64	2,00						
		8,48	165	259	4,00	2,64	2,00						
		7,57	185	246	4,00	2,64	2,00						
		6,86	204	255	4,00	2,64	2,00						
		6,51	215	228	4,00	2,64	2,00						
		5,79	242	215	4,00	2,64	2,00						
	5,18	270	159	4,00	2,64	2,00							
	4,62	303	150	4,00	2,64	2,00							
	3,97	353	139	4,00	2,64	2,00							
	3,53	397	131	4,00	2,64	2,00							
	2,79	502	115	4,00	2,64	2,00							
SK 21E	10,20	137	40	0,57	0,38	0,29		*	*				
	7,90	177	60	1,11	0,73	0,56			*				
	6,40	219	65	1,49	0,98	0,75			*	*	*		
	W	4,60	304	56	1,78	1,18	0,89						
	+	3,67	381	68	2,71	1,79	1,36				*	*	
	IEC	3,09	453	62	2,94	1,94	1,47				*	*	
	$\frac{H}{mm}$	2,71	517	77	4,00	2,64	2,00						
		2,42	579	73	4,00	2,64	2,00						
		2,08	673	68	4,00	2,64	2,00						
	\Rightarrow C64	1,85	757	64	4,00	2,64	2,00						
		1,46	959	60	4,00	2,64	2,00						

* \Rightarrow A63

$\frac{H}{mm}$	W	IEC 71	IEC 80	IEC 90	IEC 100	IEC 112
SK 22	29	27	31	31	35	35
SK 21E	22	20	24	24	28	28



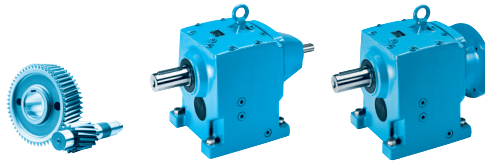
	i_{ges}	n_2 $n_1 =$ 1400 min ⁻¹ [min ⁻¹]	M_{2max} $f_B = 1$ [Nm]	W			IEC $f_B \Rightarrow$ C4 - C40								
				P_{1max}		$f_B \geq 1$	IEC								
				$n_1 =$ 1400 min ⁻¹	$n_1 =$ 930 min ⁻¹		$n_1 =$ 700 min ⁻¹	63	71	80	90	100	112		
SK 32/12	2704,02	0,52	620	0,07	0,05	0,04	*	*							
	2004,46	0,70	620	0,09	0,06	0,04	*	*							
	1604,24	0,87	620	0,10	0,06	0,05	*	*							
W	1305,66	1,1	620	0,11	0,07	0,06	*	*							
+	1080,05	1,3	620	0,12	0,08	0,06	*	*	*	*					
IEC	869,04	1,6	620	0,14	0,09	0,07	*	*	*	*					
	699,55	2,0	620	0,17	0,11	0,08	*	*	*	*					
$\frac{H}{mm}$	554,68	2,5	620	0,20	0,13	0,10		*	*	*	*	*	*	*	*
	446,31	3,1	620	0,24	0,16	0,12		*	*	*	*	*	*	*	*
\Rightarrow C90	363,06	3,9	620	0,29	0,19	0,15		*	*	*	*	*	*	*	*
	267,79	5,2	620	0,38	0,25	0,19			*	*	*	*	*	*	*
	215,56	6,5	620	0,46	0,30	0,23			*	*	*	*	*	*	*
	167,16	8,4	620	0,59	0,39	0,29			*	*	*	*	*	*	*
	148,18	9,4	620	0,65	0,43	0,33			*	*	*	*	*	*	*
	126,21	11	620	0,75	0,50	0,38				*	*	*	*	*	*
	82,39	17	620	1,10	0,73	0,55				*	*	*	*	*	*

	i_{ges}	n_2 $n_1 =$ 1400 min ⁻¹ [min ⁻¹]	M_{2max} $f_B = 1$ [Nm]	W			IEC $f_B \Rightarrow$ C4 - C40								
				P_{1max}		$f_B \geq 1$	IEC								
				$n_1 =$ 1400 min ⁻¹	$n_1 =$ 930 min ⁻¹		$n_1 =$ 700 min ⁻¹	63	71	80	90	100	112		
SK 33N	740,37	1,9	570	0,11	0,07	0,06	*	*							
	662,81	2,1	560	0,12	0,08	0,06	*	*							
W	585,41	2,4	634	0,16	0,11	0,08	*	*							
+	524,08	2,7	672	0,19	0,13	0,09		*							
IEC	421,32	3,3	672	0,23	0,15	0,12		*							
	339,15	4,1	651	0,28	0,18	0,14		*							
$\frac{H}{mm}$	248,17	5,6	672	0,39	0,26	0,20									
	207,10	6,8	672	0,48	0,32	0,24			*	*					
\Rightarrow C75	166,49	8,4	672	0,59	0,39	0,30			*	*					
	134,02	10	651	0,68	0,45	0,34			*	*					
	112,18	12	548	0,69	0,45	0,34			*	*					
	88,18	16	537	0,90	0,59	0,45				*	*	*	*	*	*

* \Rightarrow A63

$\frac{H}{kg}$	W	IEC 63	IEC 71	IEC 80	IEC 90	IEC 100	IEC 112
SK 32/12	40	49	50	53	53	60	60
SK 33N	27	44	45	48	48	55	55

SK 32 SK 31E



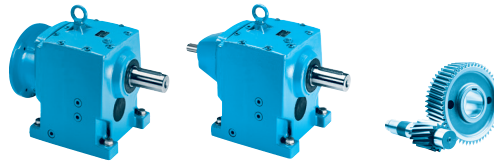
Helical Gear Units

	i_{ges}	n_2 $n_1 = 1400 \text{ min}^{-1}$ [min^{-1}]	M_{2max} $f_B = 1$ [Nm]	W			IEC $f_B \Rightarrow \text{C4 - C40}$							
				P_{1max}		$f_B \geq 1$	IEC							
				$n_1 = 1400 \text{ min}^{-1}$	$n_1 = 930 \text{ min}^{-1}$	$n_1 = 700 \text{ min}^{-1}$	71	80	90	100	112	132		
SK 32	81,27	17	515	0,92	0,61	0,46			*					
	72,76	19	560	1,11	0,74	0,56			*					
	64,26	22	640	1,47	0,97	0,74			*					
W	57,53	24	613	1,54	1,02	0,77								
+	46,31	30	533	1,67	1,11	0,84								
IEC	46,25	30	672	2,11	1,39	1,06				*	*			
$\frac{H}{mm}$	38,76	36	446	1,68	1,11	0,84						*	*	
	37,23	38	589	2,34	1,55	1,17				*	*			
$\Rightarrow \text{C74}$	33,05	42	380	1,67	1,10	0,84								
	31,16	45	512	2,41	1,59	1,21				*	*			
	30,43	46	639	3,08	2,03	1,54						*	*	
	27,24	51	602	3,21	2,12	1,61						*	*	
	26,57	53	436	2,42	1,60	1,21				*	*			
	23,12	61	630	4,02	2,66	2,01								
	20,70	68	658	4,69	3,09	2,34								
	18,67	75	631	4,96	3,27	2,48								
	16,66	84	530	4,66	3,08	2,33								
	16,25	86	639	5,75	3,80	2,88							*	
	15,03	93	508	4,95	3,27	2,47								
	14,55	96	672	6,76	4,46	3,38							*	
	11,71	120	710	8,92	5,89	4,46							*	
	9,80	143	647	9,20	6,07	4,60								
	7,90	177	655	9,20	6,07	4,60								
	6,74	208	604	9,20	6,07	4,60								
	5,70	246	604	9,20	6,07	4,60								
	5,50	255	448	9,20	6,07	4,60								
	5,28	265	639	9,20	6,07	4,60								
	4,43	316	463	9,20	6,07	4,60								
	3,75	373	459	9,20	6,07	4,60								
	2,96	473	436	9,20	6,07	4,60								

	i_{ges}	n_2 $n_1 = 1400 \text{ min}^{-1}$ [min^{-1}]	M_{2max} $f_B = 1$ [Nm]	W			IEC $f_B \Rightarrow \text{C4 - C40}$							
				P_{1max}		$f_B \geq 1$	IEC							
				$n_1 = 1400 \text{ min}^{-1}$	$n_1 = 930 \text{ min}^{-1}$	$n_1 = 700 \text{ min}^{-1}$	71	80	90	100	112	132		
SK 31E	10,20	137	90	1,29	0,85	0,65			*					
	8,20	171	105	1,88	1,24	0,94				*	*			
	4,83	290	98	2,98	1,96	1,49				*	*			
	3,67	381	110	4,39	2,90	2,19								
W	3,31	423	105	4,65	3,07	2,33								
+	2,58	543	185	9,20	6,07	4,60								
IEC	2,08	673	165	9,20	6,07	4,60								
$\frac{H}{mm}$	1,76	795	150	9,20	6,07	4,60								
	1,39	1007	143	9,20	6,07	4,60								
$\Rightarrow \text{C65}$														

* $\Rightarrow \text{A63}$

$\frac{kg}{kg}$	W	IEC 71	IEC 80	IEC 90	IEC 100	IEC 112	IEC 132
SK 32	40	38	42	42	46	46	55
SK 31E	27	25	29	29	33	33	42



	i_{ges}	n_2 $n_1 = 1400 \text{ min}^{-1}$ [min^{-1}]	M_{2max} $f_B = 1$ [Nm]	W			IEC $f_B \Rightarrow \text{C4 - C40}$						
				P_{1max} $n_1 = 1400 \text{ min}^{-1}$ [kW]	$n_1 = 930 \text{ min}^{-1}$ [kW]	$f_B \geq 1$ $n_1 = 700 \text{ min}^{-1}$ [kW]	IEC						
							63	71	80	90	100	112	
SK 42/12	2560,21	0,55	1200	0,11	0,07	0,05	*	*					
	2163,20	0,65	1200	0,12	0,08	0,06	*	*					
	1561,55	0,90	1200	0,15	0,10	0,08	*	*					
W	1393,38	1,0	1200	0,17	0,11	0,08	*	*					
+	1114,65	1,3	1200	0,20	0,13	0,10		*					
IEC	750,33	1,9	1200	0,28	0,18	0,14		*	*	*			
	670,81	2,1	1200	0,30	0,20	0,15		*	*	*			
$\frac{H}{mm}$	550,73	2,5	1200	0,35	0,23	0,18		*	*	*			
$\Rightarrow \text{C90}$	433,49	3,2	1200	0,44	0,29	0,22			*	*	*	*	*
	346,53	4,0	1200	0,54	0,36	0,27			*	*	*	*	*
	276,92	5,1	1200	0,68	0,45	0,34			*	*	*	*	*
	230,05	6,1	1200	0,77	0,51	0,38			*	*	*	*	*
	169,00	8,3	1200	1,04	0,69	0,52			*	*	*	*	*
	140,40	10	1200	1,26	0,83	0,63			*	*	*	*	*
	116,20	12	1200	1,51	1,00	0,75			*	*	*	*	*
	87,73	16	1200	2,01	1,33	1,01			*	*	*	*	*

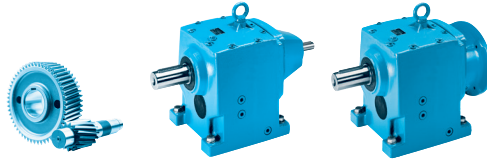
	i_{ges}	n_2 $n_1 = 1400 \text{ min}^{-1}$ [min^{-1}]	M_{2max} $f_B = 1$ [Nm]	W			IEC $f_B \Rightarrow \text{C4 - C40}$						
				P_{1max} $n_1 = 1400 \text{ min}^{-1}$ [kW]	$n_1 = 930 \text{ min}^{-1}$ [kW]	$f_B \geq 1$ $n_1 = 700 \text{ min}^{-1}$ [kW]	IEC						
							63	71	80	90	100	112	
SK 43	1071,82	1,3	960	0,13	0,09	0,07		*	*	*			
	868,02	1,6	860	0,14	0,10	0,07		*	*	*			
	764,03	1,8	1031	0,19	0,13	0,10		*	*	*			
W	618,76	2,3	1112	0,27	0,18	0,13		*	*	*			
+	528,37	2,6	990	0,27	0,18	0,13		*	*	*			
IEC	421,11	3,3	1186	0,41	0,27	0,20			*	*			
	359,59	3,9	1286	0,53	0,35	0,26			*	*			
$\frac{H}{mm}$	298,80	4,7	1118	0,55	0,36	0,28			*	*			
$\Rightarrow \text{C77}$	278,51	5,0	1279	0,67	0,44	0,33			*	*			
	263,93	5,3	1267	0,70	0,46	0,35			*	*			
	231,43	6	1116	0,70	0,46	0,35			*	*			
	219,32	6,4	1200	0,80	0,53	0,40			*	*			
	204,42	6,8	1289	0,92	0,61	0,46			*	*			
	182,76	7,7	1017	0,82	0,54	0,41			*	*			
	169,86	8,2	1166	1,00	0,66	0,50			*	*			
	141,55	9,9	1053	1,09	0,72	0,55			*	*			
	129,38	11	1240	1,43	0,94	0,71			*	*	*	*	*
	107,51	13	1116	1,52	1,00	0,76			*	*	*	*	*
	94,96	15	1240	1,95	1,29	0,97			*	*	*	*	*
	79,96	18	1230	2,32	1,53	1,16			*	*	*	*	*
	70,12	20	1260	2,64	1,74	1,32			*	*	*	*	*
	58,27	24	1166	2,93	1,93	1,47			*	*	*	*	*
	48,56	29	1045	3,17	2,09	1,59			*	*	*	*	*
	40,98	34	1041	3,71	2,45	1,85			*	*	*	*	*

* \Rightarrow A63

Helical Gear Units

$\frac{kg}{kg}$	W	IEC 63	IEC 71	IEC 80	IEC 90	IEC 100	IEC 112
SK 42/12	65	66	67	70	70	77	77
SK 43	70	-	68	72	72	76	76

SK 42 SK 41E

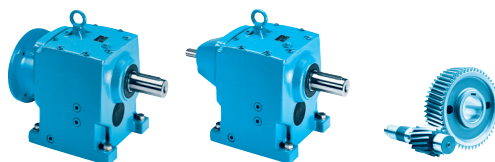


Helical Gear Units

	i_{ges}	n_2 $n_1 =$ 1400 min ⁻¹ [min ⁻¹]	M_{2max} $f_B = 1$ [Nm]	W			IEC								
				P_{1max} $n_1 =$ 1400 min ⁻¹	P_{1max} $n_1 =$ 930 min ⁻¹	$f_B \geq 1$ $n_1 =$ 700 min ⁻¹	$f_B \Rightarrow$ C4 - C40								
							[kW]	[kW]	[kW]	90	100	112	132	160	
SK 42	105,08	13	862	1,17	0,77	0,59	*								
	85,10	16	796	1,33	0,88	0,67	*								
	74,87	19	1080	2,15	1,42	1,07		*	*						
W	60,66	23	1004	2,42	1,60	1,21		*	*						
+	50,98	27	1098	3,10	2,05	1,55			*	*					
IEC	41,29	34	1186	4,22	2,79	2,11				*	*				
	35,25	40	1228	5,14	3,39	2,57				*	*				
$\frac{1}{mm}$	30,46	46	1078	5,19	3,43	2,60					*	*			
\Rightarrow C76	29,29	48	1021	5,13	3,39	2,57					*	*			
	25,88	54	1243	7,03	4,64	3,51					*	*			
	24,67	57	891	5,32	3,51	2,66						*	*		
	24,41	57	858	5,12	3,38	2,56					*	*			
	21,87	64	1096	7,34	4,85	3,67					*	*	*		
	21,50	65	1163	7,92	5,22	3,96					*	*	*		
	17,92	78	998	8,15	5,38	4,08					*	*	*		
	17,71	79	1186	9,81	6,48	4,91						*	*	*	
	15,12	93	1244	12,11	8,00	6,06							*	*	*
	14,38	97	1158	11,76	7,76	5,88								*	*
	12,28	114	1196	14,28	9,42	7,14									*
	10,20	137	1167	15,00	9,90	7,50									
	8,50	165	1076	15,00	9,90	7,50									
	7,28	192	1076	15,00	9,90	7,50									
	6,19	226	1075	15,00	9,90	7,50									
	5,35	262	817	15,00	9,90	7,50									
	4,58	306	772	15,00	9,90	7,50									
	3,89	360	700	15,00	9,90	7,50									
	3,50	400	665	15,00	9,90	7,50									
	3,21	436	620	15,00	9,90	7,50									
	3,02	464	604	15,00	9,90	7,50									
SK 41E	14,80	95	133	1,32	0,87	0,66									
	10,55	133	190	2,65	1,75	1,32		*	*						
	7,18	195	190	3,88	2,56	1,94			*	*					
	5,27	266	195	5,43	3,58	2,72				*	*				
	4,29	326	155	5,29	3,49	2,65									
	3,88	361	145	5,48	3,62	2,74									
	3,42	409	140	6,00	3,96	3,00									
W	3,08	455	290	13,82	9,12	6,91							*		
+	2,50	560	271	15,00	9,90	7,50									
IEC	2,14	654	248	15,00	9,90	7,50									
$\frac{1}{mm}$	1,82	769	223	15,00	9,90	7,50									
	1,63	859	200	15,00	9,90	7,50									
\Rightarrow C66	1,50	933	190	15,00	9,90	7,50									
	1,41	993	180	15,00	9,90	7,50									

* \Rightarrow A63

kg	W	IEC 90	IEC 100	IEC 112	IEC 132	IEC 160
SK 42	65	60	67	67	81	91
SK 41E	46	41	48	48	62	72



	i_{ges}	n_2 $n_1 =$ 1400 min ⁻¹ [min ⁻¹]	M_{2max} $f_B = 1$ [Nm]	W			IEC					
				P_{1max} $n_1 =$ 1400 min ⁻¹	$n_1 =$ 930 min ⁻¹	$f_B \geq 1$ $n_1 =$ 700 min ⁻¹	$f_B \Rightarrow$ C4 - C40					
							[kW]	[kW]	[kW]	IEC		
							63	71	80	90	100	112
SK 52/12	2632,78	0,53	1830	0,14	0,09	0,07	*	*				
	2107,10	0,66	1830	0,17	0,11	0,08	*	*				
	1714,92	0,82	1830	0,20	0,13	0,10		*				
	W	1425,44	0,98	1830	0,23	0,15	0,11		*			
	+	1144,36	1,2	1830	0,27	0,18	0,13		*	*	*	
	IEC	918,83	1,5	1830	0,33	0,22	0,16		*	*	*	
		689,41	2,0	1830	0,42	0,28	0,21			*	*	
	$\frac{H}{mm}$	542,09	2,6	1830	0,54	0,36	0,27			*	*	
		491,28	2,8	1830	0,58	0,38	0,29			*	*	*
	\Rightarrow C90	354,06	4,0	1830	0,77	0,51	0,38				*	*
		283,13	4,9	1830	0,94	0,62	0,47				*	*
		219,56	6,4	1830	1,23	0,81	0,61				*	*
		194,62	7,2	1830	1,38	0,91	0,69				*	*
		146,03	9,6	1830	1,84	1,21	0,92				*	*
		124,38	11	1830	2,11	1,39	1,05				*	*
	97,80	14	1830	2,68	1,77	1,34				*	*	

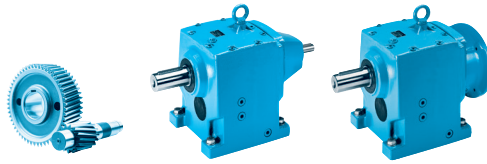
	i_{ges}	n_2 $n_1 =$ 1400 min ⁻¹ [min ⁻¹]	M_{2max} $f_B = 1$ [Nm]	W			IEC					
				P_{1max} $n_1 =$ 1400 min ⁻¹	$n_1 =$ 930 min ⁻¹	$f_B \geq 1$ $n_1 =$ 700 min ⁻¹	$f_B \Rightarrow$ C4 - C40					
							[kW]	[kW]	[kW]	IEC		
							63	71	80	90	100	112
SK 53	728,20	1,9	1595	0,32	0,21	0,16			*	*		
	607,30	2,3	1882	0,45	0,30	0,23			*	*		
	W	548,89	2,6	1911	0,52	0,34	0,26			*	*	
	+	498,82	2,8	1920	0,56	0,37	0,28			*	*	
	IEC	392,20	3,6	1823	0,69	0,45	0,34			*	*	
		374,25	3,7	1920	0,74	0,49	0,37			*	*	
	$\frac{H}{mm}$	294,26	4,8	2227	1,12	0,74	0,56				*	
		245,56	5,7	1859	1,11	0,73	0,55				*	
	\Rightarrow C79	236,21	5,9	1920	1,19	0,78	0,59				*	*
		185,72	7,5	1820	1,43	0,94	0,71				*	*
		177,22	7,9	1920	1,59	1,05	0,79				*	*
		139,34	10	2232	2,34	1,54	1,17				*	*
		105,87	13	2224	3,03	2,00	1,51				*	*
		95,49	15	2231	3,50	2,31	1,75				*	*
		79,69	18	1862	3,51	2,32	1,75				*	*
	65,35	21	1920	4,00	2,64	2,00				*	*	
	58,94	24	1920	4,00	2,64	2,00				*	*	

* \Rightarrow A63

Helical Gear Units

$\frac{kg}{kg}$	W	IEC 63	IEC 71	IEC 80	IEC 90	IEC 100	IEC 112
SK 52/12	94	65	96	99	99	106	106
SK 53	103	-	101	105	105	109	109

SK 52 SK 51E



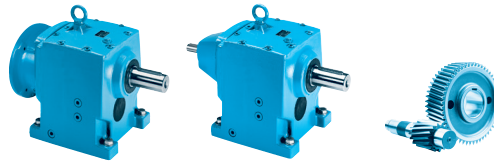
Helical Gear Units

	i_{ges}	n_2 $n_1 =$ 1400 min ⁻¹ [min ⁻¹]	M_{2max} $f_B = 1$ [Nm]	W			IEC					
				P_{1max}		$f_B \geq 1$	$f_B \Rightarrow$ C4 - C40					
				$n_1 =$ 1400 min ⁻¹	$n_1 =$ 930 min ⁻¹	$n_1 =$ 700 min ⁻¹	IEC					
			[kW]	[kW]	[kW]	90	100	112	132	160	180	
SK 52	86,92	16	1721	2,88	1,90	1,44		*	*			
	78,56	18	1596	3,01	1,99	1,50			*			
	71,39	20	1588	3,33	2,19	1,66			*			
W	59,54	24	1893	4,76	3,14	2,38				*		
+	53,81	26	1911	5,20	3,43	2,60				*		
IEC	48,90	29	1920	5,83	3,85	2,92				*		
	40,37	35	1911	7,00	4,62	3,50				*		
$\frac{H}{mm}$	38,45	36	1668	6,29	4,15	3,14				*		
\Rightarrow C78	36,03	39	1394	5,69	3,76	2,85						
	36,69	38	1920	7,64	5,04	3,82				*		
	32,56	43	1260	5,67	3,74	2,84				*		
	32,09	44	1393	6,42	4,24	3,21				*		
	28,85	49	2024	10,38	6,85	5,19						
	26,46	53	1893	10,51	6,93	5,25				*		
	24,07	58	1689	10,26	6,77	5,13						
	23,92	59	1911	11,81	7,79	5,90				*		
	21,68	65	1893	12,88	8,50	6,44				*		
	19,60	71	1911	14,21	9,38	7,10				*		
	17,81	79	1920	15,88	10,48	7,94						
	14,00	100	1920	20,10	13,27	10,05						
	13,45	104	1851	20,16	13,30	10,08					*	
	10,58	132	1761	22,00	14,52	11,00						
	8,83	159	1676	22,00	14,52	11,00						
	7,27	193	1565	22,00	14,52	11,00						
	6,42	218	1498	22,00	14,52	11,00						
	5,60	250	1170	22,00	14,52	11,00						
	4,61	304	1195	22,00	14,52	11,00						
	4,08	343	1127	22,00	14,52	11,00						
	3,67	381	1057	22,00	14,52	11,00						
	3,40	412	1009	22,00	14,52	11,00						
	3,23	433	959	22,00	14,52	11,00						
	2,78	504	888	22,00	14,52	11,00						

	i_{ges}	n_2 $n_1 =$ 1400 min ⁻¹ [min ⁻¹]	M_{2max} $f_B = 1$ [Nm]	W			IEC					
				P_{1max}		$f_B \geq 1$	$f_B \Rightarrow$ C4 - C40					
				$n_1 =$ 1400 min ⁻¹	$n_1 =$ 930 min ⁻¹	$n_1 =$ 700 min ⁻¹	IEC					
			[kW]	[kW]	[kW]	90	100	112	132	160	180	
SK 51E	13,27	106	290	3,22	2,12	1,61			*			
	9,09	154	320	5,16	3,41	2,58				*		
	6,82	205	400	8,59	5,67	4,29				*		
	5,50	255	220	5,87	3,88	2,94						
	4,04	347	410	14,90	9,83	7,45				*		
	3,31	423	492	21,79	14,38	10,90						
	2,86	490	456	22,00	14,52	11,00						
W	2,50	560	426	22,00	14,52	11,00						
+	2,06	680	382	22,00	14,52	11,00						
IEC	1,82	769	341	22,00	14,52	11,00						
$\frac{H}{mm}$	1,64	854	325	22,00	14,52	11,00						
\Rightarrow B67	1,52	921	310	22,00	14,52	11,00						
	1,44	972	305	22,00	14,52	11,00						
	1,24	1129	275	22,00	14,52	11,00						

* \Rightarrow A63

kg	W	IEC 90	IEC 100	IEC 112	IEC 132	IEC 160	IEC 180
SK 52	94	89	96	96	110	120	120
SK 51E	55	50	57	57	71	81	81



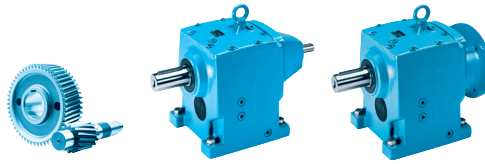
	i_{ges}	n_2 $n_1 =$ 1400 min ⁻¹ [min ⁻¹]	M_{2max} $f_B = 1$ [Nm]	W			IEC							
				P_{1max}		$f_B \geq 1$	$f_B \Rightarrow$ C4 - C40							
				$n_1 =$ 1400 min ⁻¹	$n_1 =$ 930 min ⁻¹	$n_1 =$ 700 min ⁻¹	IEC							
				[kW]	[kW]	[kW]	63	71	80	90				
SK 63/23 W + IEC C91	13304,45	0,11	3200	0,08	0,05	0,04	*	*						
	11045,44	0,13	3200	0,08	0,06	0,04	*	*						
	8150,78	0,17	3200	0,10	0,06	0,05	*	*						
	6683,37	0,21	3200	0,11	0,07	0,06	*	*	*	*				
	5393,14	0,26	3200	0,13	0,08	0,06	*	*	*	*				
	4369,06	0,32	3200	0,15	0,10	0,07	*	*	*	*				
	3389,71	0,41	3200	0,18	0,12	0,09		*	*	*				
	2814,26	0,50	3200	0,21	0,14	0,10		*	*	*				
	2161,10	0,65	3200	0,26	0,17	0,13		*	*	*				
	1676,63	0,84	3200	0,32	0,21	0,16		*	*	*				
	1408,77	0,99	3200	0,37	0,25	0,19			*	*				
	1064,04	1,3	3200	0,48	0,31	0,24			*	*				
	SK 63/22 W + IEC C90	849,73	1,6	3200	0,58	0,38	0,29							
727,45		1,9	3200	0,68	0,45	0,34			*	*	*	*		
552,45		2,5	3200	0,84	0,55	0,42			*	*	*	*		
430,19		3,3	3200	1,11	0,73	0,55				*	*	*		
368,29		3,8	3200	1,27	0,84	0,64				*	*	*		
282,73		5,0	3200	1,68	1,11	0,84				*	*	*		
224,97		6,2	3200	2,08	1,37	1,04				*	*	*		
172,85		8,1	3200	2,71	1,79	1,36				*	*	*		
153,31		9,1	3200	3,05	2,01	1,52				*	*	*		

* A63

Helical Gear Units

	W	IEC 63	IEC 71	IEC 80	IEC 90	IEC 100	IEC 112
SK 62/23	160	161	162	165	165	-	-
SK 63/22	158	-	156	160	160	164	164

SK 63 SK 62

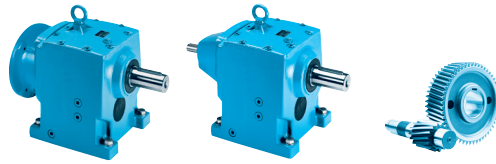


	i_{ges}	n_2 $n_1 = 1400 \text{ min}^{-1}$ [min^{-1}]	M_{2max} $f_B = 1$ [Nm]	W			IEC								
				P_{1max}		$f_B \geq 1$	$f_B \Rightarrow \text{C4 - C40}$								
				$n_1 = 1400 \text{ min}^{-1}$	$n_1 = 930 \text{ min}^{-1}$	$n_1 = 700 \text{ min}^{-1}$	IEC								
				[kW]	[kW]	[kW]	90	100	112	132	160	180			
SK 63	372,21	3,8	3200	1,27	0,84	0,64	*								
	300,34	4,7	3200	1,57	1,04	0,79									
	265,32	5,3	3640	2,02	1,33	1,01									
W	214,10	6,5	3640	2,48	1,64	1,24		*	*						
+	180,57	7,8	3660	2,99	1,97	1,49		*	*	*					
IEC	145,71	9,6	3700	3,72	2,45	1,86			*	*					
$\frac{h}{mm}$	132,54	11	3700	4,26	2,81	2,13				*					
	107,89	13	3650	4,97	3,28	2,48									
\Rightarrow C81	106,95	13	3700	5,04	3,32	2,52				*					
	87,06	16	3200	5,36	3,54	2,68									
	77,46	18	3700	6,97	4,60	3,49					*	*			
	62,87	22	3670	8,45	5,58	4,23				*	*				
	53,82	26	3700	10,07	6,65	5,04					*				
	50,73	28	3700	10,85	7,16	5,42					*				
	43,43	32	3680	12,33	8,14	6,17					*				
	36,11	39	3690	15,07	9,95	7,53									
	30,91	45	3590	16,92	11,16	8,46									
	26,28	53	3200	17,76	11,72	8,88							*		
	21,98	64	3200	21,45	14,15	10,72							*		
	20,77	67	3200	22,00	14,52	11,00									
	17,37	81	3200	22,00	14,52	11,00									

	i_{ges}	n_2 $n_1 = 1400 \text{ min}^{-1}$ [min^{-1}]	M_{2max} $f_B = 1$ [Nm]	W			IEC								
				P_{1max}		$f_B \geq 1$	$f_B \Rightarrow \text{C4 - C40}$								
				$n_1 = 1400 \text{ min}^{-1}$	$n_1 = 930 \text{ min}^{-1}$	$n_1 = 700 \text{ min}^{-1}$	90	100	112	132	160	180	200	225	
SK 62	48,73	29	2510	7,62	5,03	3,81				*					
	37,05	38	3010	11,98	7,90	5,99					*	*			
	18,14	77	3077	24,81	16,37	12,40									
W	15,80	89	3004	28,00	18,48	14,00									
+	13,92	101	3080	32,57	21,50	16,29								*	
IEC	11,59	121	3077	38,99	25,73	19,49								*	
$\frac{h}{mm}$	10,55	133	3093	43,08	28,43	21,54								*	
	8,78	159	3012	45,00	29,70	22,50									
\Rightarrow C80	7,56	185	3120	45,00	29,70	22,50									
	6,35	220	1930	44,46	29,34	22,23									
	5,29	265	1882	45,00	29,70	22,50									
	4,56	307	2081	45,00	29,70	22,50									
	4,05	346	1885	45,00	29,70	22,50									
	3,91	358	2009	45,00	29,70	22,50									
	3,72	376	2030	45,00	29,70	22,50									
	3,30	424	1980	45,00	29,70	22,50									
	2,97	471	1960	45,00	29,70	22,50									

* \Rightarrow A63

kg	W	IEC 90	IEC 100	IEC 112	IEC 132	IEC 160	IEC 180	IEC 200	IEC 225
SK 63	149	144	151	151	165	175	175	-	-
SK 62	171	-	159	159	172	197	197	211	226



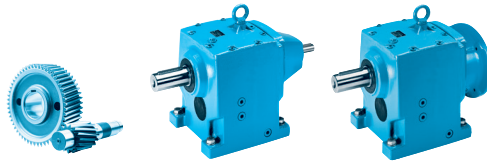
	i_{ges}	n_2 $n_1 = 1400 \text{ min}^{-1}$ [min^{-1}]	M_{2max} $f_B = 1$ [Nm]	W			IEC $f_B \Rightarrow \text{C4} - \text{C40}$						
				P_{1max} $n_1 = 1400 \text{ min}^{-1}$ [kW]	P_{1max} $n_1 = 930 \text{ min}^{-1}$ [kW]	$f_B \geq 1$ $n_1 = 700 \text{ min}^{-1}$ [kW]	IEC						
							63	71	80	90	100	112	
SK 73/22	3436,53	0,41	5000	0,25	0,17	0,13		*	*	*			
	2775,11		5000	0,30	0,20	0,15		*	*	*			
	2194,44		5000	0,38	0,25	0,19			*	*			
	W + IEC	1772,08	0,79	5000	0,45	0,30	0,23		*	*			
	$\frac{H}{mm}$	1254,07	1,1	5000	0,62	0,41	0,31			*	*	*	*
	$\Rightarrow \text{C90}$	1099,84	1,3	5000	0,72	0,48	0,36			*	*	*	*
		888,16	1,6	5000	0,84	0,55	0,42				*	*	*
		737,61	1,9	5000	0,99	0,66	0,50				*	*	*
		566,77	2,5	5000	1,31	0,86	0,65				*	*	*
		457,68	3,1	5000	1,62	1,07	0,81				*	*	*
		345,90	4,0	5000	2,09	1,38	1,05				*	*	*
		279,33	5,0	5000	2,62	1,73	1,31				*	*	*
	SK 73/32	226,73	6,2	5000	3,25	2,14	1,62						*
171,23		8,2	5000	4,29	2,83	2,15						*	*
141,11		9,9	5000	5,18	3,42	2,59						*	*
124,65		11	5000	5,76	3,80	2,88						*	*
$\Rightarrow \text{C90}$													*

* \Rightarrow A63

Helical Gear Units

$\frac{kg}{kg}$	W	IEC 63	IEC 71	IEC 80	IEC 90	IEC 100	IEC 112	IEC 132
SK 73/22	239	-	237	241	241	245	245	-
SK 73/32	250	-	-	-	252	256	256	265

SK 73 SK 72



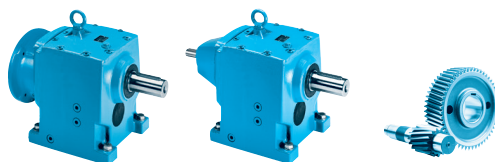
Helical Gear Units

	i_{ges}	n_2 $n_1 =$ 1400 min ⁻¹ [min ⁻¹]	M_{2max} $f_B = 1$ [Nm]	W			IEC						
				P_{1max} $n_1 =$ 1400 min ⁻¹	$n_1 =$ 930 min ⁻¹	$f_B \geq 1$ $n_1 =$ 700 min ⁻¹	$f_B \Rightarrow$ C4 - C40						
							[kW]	[kW]	[kW]	IEC			
							100	112	132	160	180	200	225
SK 73	205,61	6,8	5330	3,80	2,50	1,90		*	*				
	166,03	8,4	5630	4,95	3,27	2,48			*				
	124,57	11	5620	6,47	4,27	3,24			*	*			
W	124,41	11	5000	5,76	3,80	2,88			*				
+	100,46	14	4000	5,68	3,87	2,93			*				
IEC	91,38	15	5330	8,37	5,53	4,19			*				
$\frac{H}{mm}$	74,87	19	5330	10,60	7,00	5,30			*	*			
	60,46	23	5650	13,61	8,98	6,80			*	*			
\Rightarrow C83	52,24	27	5560	15,72	10,37	7,86			*				
	45,66	31	5370	17,43	11,50	8,72			*	*	*	*	
	37,63	37	5000	19,37	12,79	9,69			*	*	*	*	
	33,24	42	5000	21,99	14,51	10,99			*	*	*	*	
	28,32	49	5000	25,65	16,93	12,83			*	*	*	*	
	23,34	60	5000	31,41	20,73	15,71			*	*	*	*	
	20,62	68	5000	35,60	23,50	17,80			*	*	*	*	
	18,00	78	5000	40,84	26,95	20,42			*	*	*	*	

	i_{ges}	n_2 $n_1 =$ 1400 min ⁻¹ [min ⁻¹]	M_{2max} $f_B = 1$ [Nm]	W			IEC						
				P_{1max} $n_1 =$ 1400 min ⁻¹	$n_1 =$ 930 min ⁻¹	$f_B \geq 1$ $n_1 =$ 700 min ⁻¹	$f_B \Rightarrow$ C4 - C40						
							[kW]	[kW]	[kW]	IEC			
							100	112	132	160	180	200	225
SK 72	43,71	32	4050	13,57	8,96	6,79				*	*		
	33,04	42	3217	14,15	9,34	7,07				*	*		
	28,63	49	4053	20,80	13,71	10,40				*	*		
	21,64	65	4492	30,57	20,18	15,29				*	*		
W	21,72	64	4053	27,16	17,93	13,58				*	*		
+	16,86	83	4053	35,23	23,25	17,61				*	*		
IEC	14,33	98	4053	41,59	27,45	20,80				*	*		
$\frac{H}{mm}$	12,52	112	4053	47,53	31,37	23,77				*	*		
	10,84	129	4677	55,00	36,30	27,50				*	*		
	9,46	148	4708	55,00	36,30	27,50				*	*		
\Rightarrow C82	8,19	171	4657	55,00	36,30	27,50				*	*		
	6,95	201	4292	55,00	36,30	27,50				*	*		
	6,42	218	2770	55,00	36,30	27,50				*	*		
	5,60	250	2831	55,00	36,30	27,50				*	*		
	4,85	289	2910	55,00	36,30	27,50				*	*		
	4,12	340	2673	55,00	36,30	27,50				*	*		
	3,86	363	2589	55,00	36,30	27,50				*	*		
	3,43	408	2423	55,00	36,30	27,50				*	*		
	3,26	429	2333	55,00	36,30	27,50				*	*		
	2,76	507	2135	55,00	36,30	27,50				*	*		

* \Rightarrow A63

kg	W	IEC 100	IEC 112	IEC 132	IEC 160	IEC 180	IEC 200	IEC 225
SK 73	250	238	238	251	276	276	290	305
SK 72	240	-	-	241	266	266	280	295



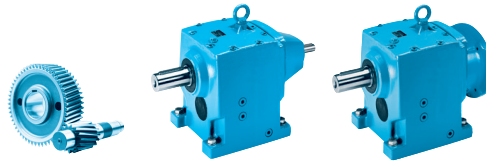
	i_{ges}	n_2 $n_1 =$ 1400 min ⁻¹ [min ⁻¹]	M_{2max} $f_B = 1$ [Nm]	W			IEC								
				P_{1max}		$f_B \geq 1$	$f_B \Rightarrow$ C4 - C40								
				$n_1 =$ 1400 min ⁻¹	$n_1 =$ 930 min ⁻¹	$n_1 =$ 700 min ⁻¹	IEC								
				[kW]	[kW]	[kW]	63	71	80	90	100	112	132		
SK 83/32	3560,53	0,39	8000	0,37	0,24	0,18			*	*					
	2866,13	0,49	8000	0,45	0,30	0,23			*	*					
W	2045,46	0,68	8000	0,61	0,40	0,30			*	*					
+	1687,12	0,83	8000	0,74	0,49	0,37			*	*	*	*			
IEC	1368,62	1,0	8000	0,84	0,55	0,42				*	*	*	*		
$\frac{H}{mm}$	1155,49	1,2	8000	1,01	0,66	0,50				*	*	*	*		
$\frac{H}{mm}$	900,50	1,6	8000	1,34	0,88	0,67				*	*	*	*	*	
\Rightarrow C90	724,73	1,9	8000	1,59	1,05	0,80					*	*	*	*	*
SK 83/42	525,40	2,7	8000	2,26	1,49	1,13					*	*	*	*	*
	437,84	3,2	8000	2,68	1,77	1,34					*	*	*	*	*
W	374,99	3,7	8000	3,10	2,05	1,55					*	*	*	*	*
+	275,58	5,1	8000	4,27	2,82	2,14							*	*	*
IEC	235,92	5,9	8000	4,94	3,26	2,47							*	*	*
$\frac{H}{mm}$	200,37	7,0	8000	5,86	3,87	2,93							*	*	*
$\frac{H}{mm}$	148,94	9,4	8000	7,87	5,20	3,94							*	*	*
\Rightarrow C91	126,50	11	8000	9,21	6,08	4,61							*	*	*

* \Rightarrow A63

Helical Gear Units

$\frac{kg}{kg}$	W	IEC 63	IEC 71	IEC 80	IEC 90	IEC 100	IEC 112	IEC 132	IEC 160
SK 83/32	357	-	355	359	359	363	363	372	-
SK 83/42	382	-	-	-	377	384	384	398	408

SK 83 SK 82

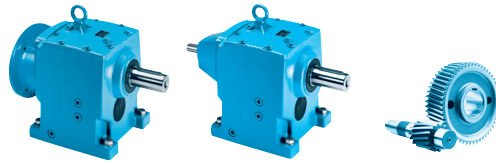


Helical Gear Units

	i_{ges}	n_2 $n_1 =$ 1400 min ⁻¹ [min ⁻¹]	M_{2max} $f_B = 1$ [Nm]	W			IEC								
				P_{1max} $n_1 =$ 1400 min ⁻¹ [kW]	P_{1max} $n_1 =$ 930 min ⁻¹ [kW]	$f_B \geq 1$ $n_1 =$ 700 min ⁻¹ [kW]	$f_B \Rightarrow$ C4 - C40								
							IEC								
							100	112	132	160	180	200	225		
SK 83	216,61	6,5	8890	6,05	3,99	3,03			*						
	164,70	8,5	8930	7,95	5,25	3,97			*	*	*				
	136,78	10	7380	7,73	5,10	3,86			*						
	W	104,00	13	9180	12,50	8,25	6,25				*	*			
	+	80,62	17	8980	15,99	10,55	7,99					*			
	IEC	70,24	20	8960	18,76	12,38	9,38					*			
	$\frac{H}{mm}$	61,89	23	9000	21,68	14,31	10,84					*	*	*	
	\Rightarrow C85	51,51	27	8930	25,25	16,66	12,62						*	*	
		44,38	32	8890	29,79	19,66	14,89						*	*	
		39,08	36	9000	33,93	22,39	16,96							*	
		32,52	43	8550	38,50	25,41	19,25							*	
		28,03	50	8130	42,57	28,09	21,28							*	
		24,42	57	8000	45,00	29,70	22,50								
		21,04	67	8000	45,00	29,70	22,50								
	SK 82	48,82	29	5320	16,15	10,66	8,08					*			
40,45		35	4144	15,19	10,02	7,59					*				
32,12		44	6591	30,37	20,04	15,18									
26,62		53	6357	35,28	23,28	17,64									
W		26,48	53	6591	36,58	24,14	18,29							*	
+		21,94	64	7246	48,56	32,05	24,28								
IEC		16,56	85	6579	58,56	38,65	29,28								
$\frac{H}{mm}$		14,29	98	6581	67,53	44,57	33,77								*
\Rightarrow C84		11,84	118	7135	75,00	49,50	37,50								*
		10,33	136	6866	75,00	49,50	37,50								*
		8,82	159	6569	75,00	49,50	37,50								*
		7,39	189	6256	75,00	49,50	37,50								*
		6,19	226	4304	75,00	49,50	37,50								*
		5,29	265	4784	75,00	49,50	37,50								*
		4,43	316	4344	75,00	49,50	37,50								*
	3,62	387	3950	75,00	49,50	37,50								*	
	2,89	484	3127	75,00	49,50	37,50								*	

* \Rightarrow A63

$\frac{kg}{kg}$	W	IEC 100	IEC 112	IEC 132	IEC 160	IEC 180	IEC 200	IEC 225	IEC 250	IEC 280
SK 83	357	345	345	358	383	383	397	412	-	-
SK 82	424	-	-	350	375	375	389	404	459	459



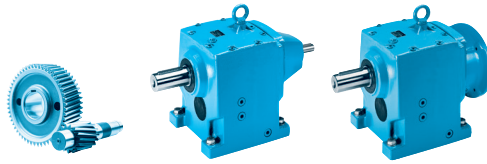
	i_{ges}	n_2 $n_1 =$ 1400 min ⁻¹ [min ⁻¹]	M_{2max} $f_B = 1$ [Nm]	W			IEC $f_B \Rightarrow$ C4 - C40							
				P_{1max}		$f_B \geq 1$	IEC							
				$n_1 =$ 1400 min ⁻¹	$n_1 =$ 930 min ⁻¹	$n_1 =$ 700 min ⁻¹	71	80	90	100	112	132	160	
SK 93/42	1641,59	0,85	12200	1,09	0,72	0,54				*	*	*		
	1298,54	1,1	12200	1,41	0,93	0,70			*	*	*			
W	1091,47	1,3	12200	1,66	1,10	0,83			*	*	*	*	*	
+	813,46	1,7	12200	2,17	1,43	1,09			*	*	*	*	*	
IEC	756,82	1,8	12200	2,30	1,52	1,15			*	*	*	*	*	
$\frac{H}{mm}$	548,76	2,6	12200	3,32	2,19	1,66				*	*	*	*	
$\frac{H}{mm}$	457,30	3,1	12200	3,96	2,61	1,98				*	*	*	*	
\Rightarrow C91	333,02	4,2	12200	5,37	3,54	2,68					*	*	*	
	287,83	4,9	12200	6,26	4,13	3,13					*	*	*	
	239,74	5,8	12200	7,41	4,89	3,70					*	*	*	
	181,16	7,7	12200	9,84	6,49	4,92					*	*	*	
SK 93/52	161,32	8,7	12200	11,11	7,34	5,56							*	*
	127,50	11	12200	14,05	8,27	7,03							*	*
W + IEC	106,25	13	12200	16,61	10,96	8,30							*	*
$\frac{H}{mm}$													*	*
\Rightarrow C92													*	*

* \Rightarrow A63

Helical Gear Units

$\frac{kg}{kg}$	W	IEC 71	IEC 80	IEC 90	IEC 100	IEC 112	IEC 132	IEC 160	IEC 180
SK 93/42	561	-	-	556	563	563	577	587	-
SK 93/52	590	-	-	-	592	592	606	616	616

SK 93 SK 92

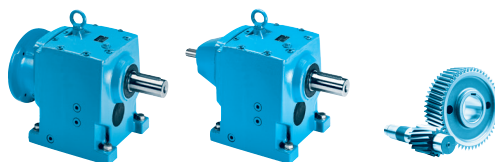


Helical Gear Units

	i_{ges}	n_2 $n_1 = 1400 \text{ min}^{-1}$ [min^{-1}]	M_{2max} $f_B = 1$ [Nm]	W			IEC $f_B \Rightarrow$ C4 - C40										
				P_{1max}		$f_B \geq 1$	IEC										
				$n_1 = 1400 \text{ min}^{-1}$	$n_1 = 930 \text{ min}^{-1}$	$n_1 = 700 \text{ min}^{-1}$	132	160	180	200	225	250	280				
SK 93	187,89	7,5	13980	10,98	7,25	5,49		*	*								
	123,05	11	13950	16,07	10,60	8,03			*	*							
	109,14	13	11560	15,74	10,39	7,87			*	*							
W	93,34	15	14000	21,99	14,51	10,99			*	*							
+	72,47	19	13400	26,66	17,60	13,33			*	*							
IEC	61,63	23	12700	30,59	20,19	15,29			*	*							
$\frac{H}{mm}$	53,80	26	12250	33,35	22,01	16,68			*	*	*						
	46,57	30	12200	38,32	25,29	19,16			*	*	*	*					
\Rightarrow C87	39,54	35	12200	44,71	29,51	22,36			*	*	*	*					
	31,25	45	12200	57,49	37,94	28,74											*
	27,05	52	12200	66,43	43,84	33,21											*
	22,97	61	12200	75,00	49,50	37,50											*
	19,12	73	12200	75,00	49,50	37,50											*
SK 92	35,47	39	9640	39,37	25,98	19,68											
	29,30	48	10775	54,16	35,74	27,08											
	16,47	85	10613	94,46	62,34	47,23											
W	14,36	97	10774	109,43	72,23	54,72											
+	12,39	113	10592	125,33	82,72	62,66											*
IEC	10,50	133	10112	140,83	92,95	70,41											*
$\frac{H}{mm}$	7,78	180	6085	114,69	75,70	57,35											
	6,70	209	7012	153,46	101,28	76,73											*
\Rightarrow C86	5,68	246	7212	160,00	105,60	80,00											*
	3,51	399	5572	160,00	105,60	80,00											*

* \Rightarrow A63

$\frac{kg}{kg}$	W	IEC 132	IEC 160	IEC 180	IEC 200	IEC 225	IEC 250	IEC 280	IEC 315
SK 93	536	537	562	562	576	591	646	646	-
SK 92	575	528	551	551	565	580	635	635	715



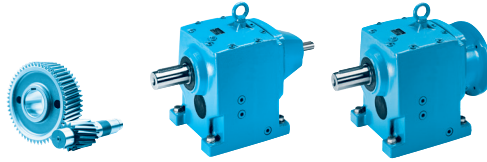
	i_{ges}	n_2 $n_1 = 1400 \text{ min}^{-1}$ [min^{-1}]	M_{2max} $f_B = 1$ [Nm]	W			IEC $f_B \Rightarrow$ C4 - C40							
				P_{1max}		$f_B \geq 1$	$f_B \Rightarrow$ C4 - C40							
				$n_1 = 1400 \text{ min}^{-1}$	$n_1 = 930 \text{ min}^{-1}$	$n_1 = 700 \text{ min}^{-1}$	IEC 71	IEC 80	IEC 90	IEC 100	IEC 112	IEC 132	IEC 160	IEC 180
SK 103/52 W + IEC C91	2037,08	0,69	20000	1,45	0,95	0,72				*	*	*		
	1701,72	0,82	20000	1,72	1,13	0,86				*	*	*		
	1412,72	0,99	20000	2,07	1,37	1,04				*	*			
	1148,61	1,2	20000	2,51	1,66	1,26				*	*	*	*	
	943,57	1,5	20000	3,14	2,07	1,57					*	*	*	
	816,55	1,7	20000	3,56	2,35	1,78					*	*	*	*
	642,31	2,2	20000	4,61	3,04	2,30						*	*	*
	467,81	3,0	20000	6,28	4,15	3,14							*	*
	340,13	4,1	20000	8,59	5,67	4,29						*	*	*
	296,69	4,7	20000	9,84	6,50	4,92							*	*
	244,77	5,7	20000	11,94	7,88	5,97							*	*
	184,62	7,6	20000	15,92	10,50	7,96								*
	154,63	9,1	20000	19,06	12,58	9,53								*
	122,42	11	20000	22,00	14,52	11,00								
	105,36	13	20000	22,00	14,52	11,00								

* \Rightarrow A63

Helical Gear Units

	W	IEC 71	IEC 80	IEC 90	IEC 100	IEC 112	IEC 132	IEC 160	IEC 180
SK 103/52	809	-	-	804	811	811	825	835	835

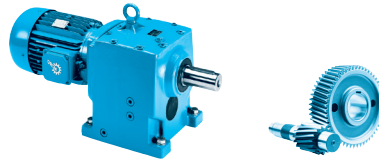
SK 103 SK 102



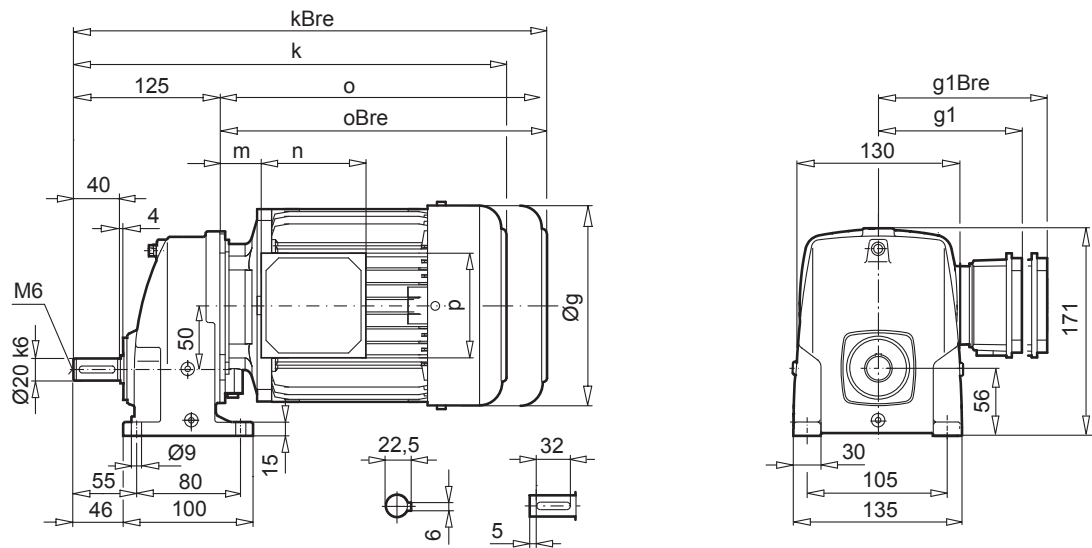
	i_{ges}	n_2 $n_1 =$ 1400 min^{-1} [min^{-1}]	M_{2max} $f_B = 1$ [Nm]	W			IEC $f_B \Rightarrow$ C4 - C40										
				P_{1max} $n_1 =$ 1400 min^{-1}	$n_1 =$ 930 min^{-1}	$f_B \geq 1$ $n_1 =$ 700 min^{-1}	IEC										
							[kW]	[kW]	[kW]	132	160	180	200	225	250	280	315
SK 103	207,47	6,7	23160	16,25	10,72	8,12			*								
	136,51	10	23000	24,08	15,90	12,04				*							
	112,53	12	23160	29,10	19,21	14,55				*	*						
W	81,40	17	20500	36,49	24,08	18,25				*							
+	70,38	20	20000	41,88	27,64	20,94				*							
IEC	60,71	23	20000	48,17	31,79	24,08				*	*				*	*	*
$\frac{H}{mm}$	52,98	26	20000	54,45	35,94	27,23					*	*			*	*	*
$\frac{H}{mm}$	45,25	31	20000	64,92	42,85	32,46						*	*		*	*	*
\Rightarrow C89	37,90	37	20000	77,49	51,14	38,74									*	*	*
	29,62	47	20000	98,43	64,96	49,21										*	*
	25,30	55	20000	110,00	72,60	55,00										*	*
	21,19	66	20000	110,00	72,60	55,00										*	*
SK 102	38,81	36	16059	60,54	39,95	30,27											
	19,37	72	16808	126,72	83,64	63,36											
W	16,63	84	17367	152,76	100,82	76,38										*	*
+	14,29	98	16620	170,55	112,82	85,28										*	*
IEC	11,88	118	15773	194,89	128,63	97,45										*	*
$\frac{H}{mm}$	9,96	141	15004	200,00	132,00	100,00											
$\frac{H}{mm}$	7,50	187	11270	200,00	132,00	100,00											
$\frac{H}{mm}$	6,24	224	11491	200,00	132,00	100,00											
\Rightarrow C88	5,23	268	10602	200,00	132,00	100,00											
	4,28	327	9387	200,00	132,00	100,00											

* \Rightarrow A63

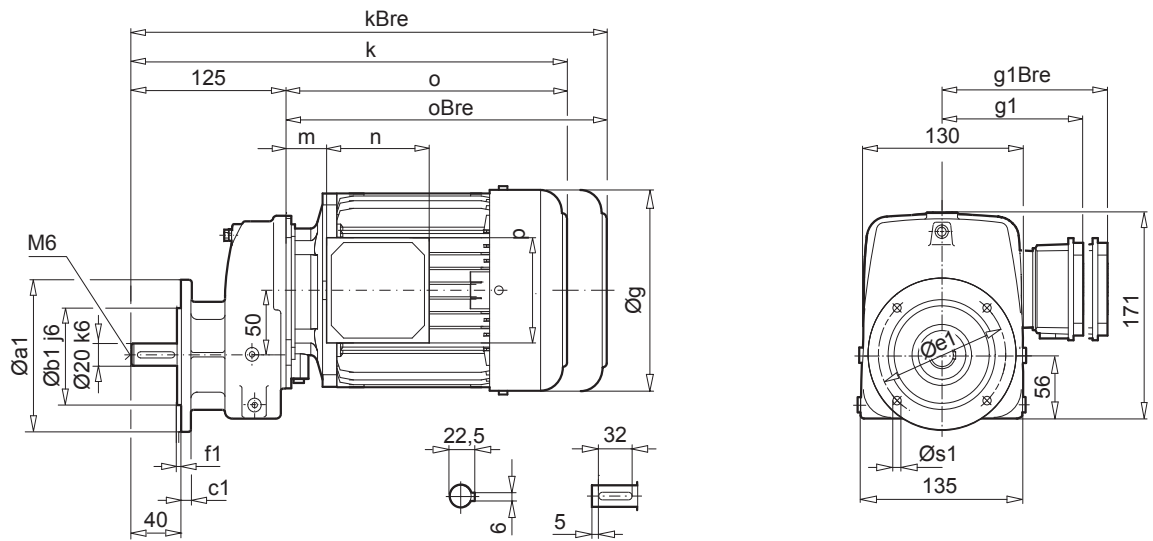
$\frac{H}{mm}$	W	IEC 132	IEC 160	IEC 180	IEC 200	IEC 225	IEC 250	IEC 280	IEC 315
SK 103	830	756	781	781	795	810	865	865	945
SK 102	821	-	-	-	-	-	856	856	936



SK 11E



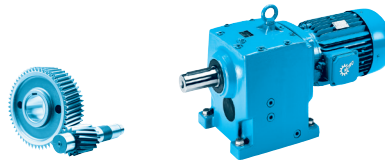
SK 11EF



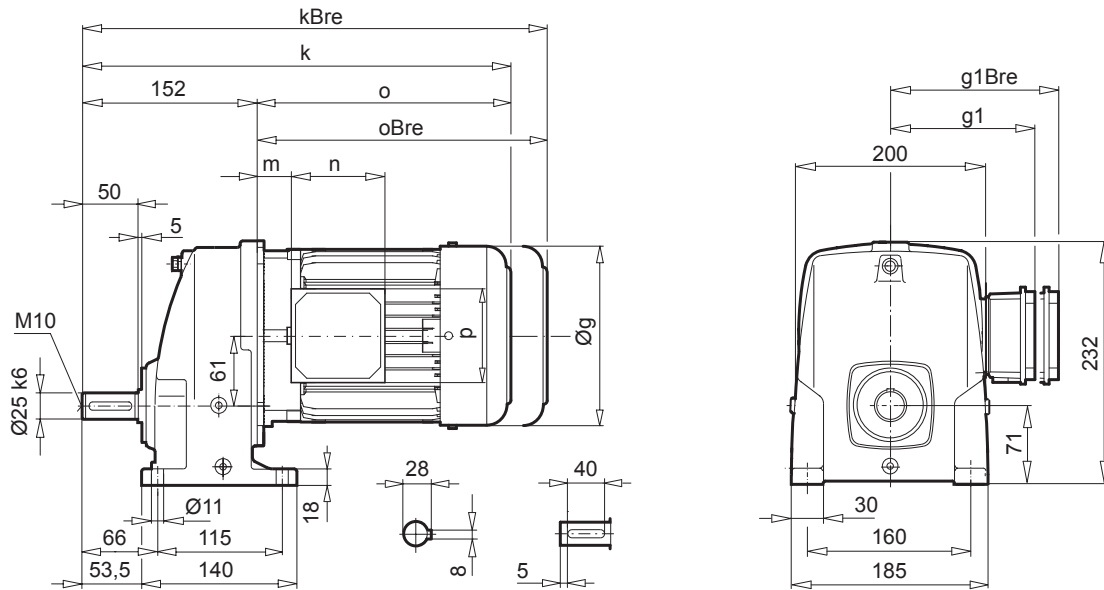
a1	b1	c1	e1	f1	s1
120	80	10	100	3,0	7
140	95	10	115	3,0	9

⇒ A61	63 S/L	71 S/L	80 SH	80 LP	90 SP/LP	100 LP/AP	112 MP	C92
g	130	145	165	165	183	201	228	
g1 / g1Bre	115 / 123	124 / 132	142 / 142	142 / 142	147 / 147	169 / 173	179 / 182	
k / kBre	321 / 377	361 / 419	386 / 450	386 / 450	427 / 502	457 / 548	505 / 598	
o / oBre	196 / 252	236 / 294	261 / 325	261 / 325	302 / 377	332 / 423	380 / 473	
m / mBre	16 / 22	42 / 47	47 / 51	47 / 51	52 / 56	58 / 62	74 / 78	
n / nBre	100 / 134	100 / 134	114 / 153	114 / 153	114 / 153	114 / 153	114 / 153	
p / pBre	100 / 89	100 / 89	114 / 108	114 / 108	114 / 108	114 / 108	114 / 108	

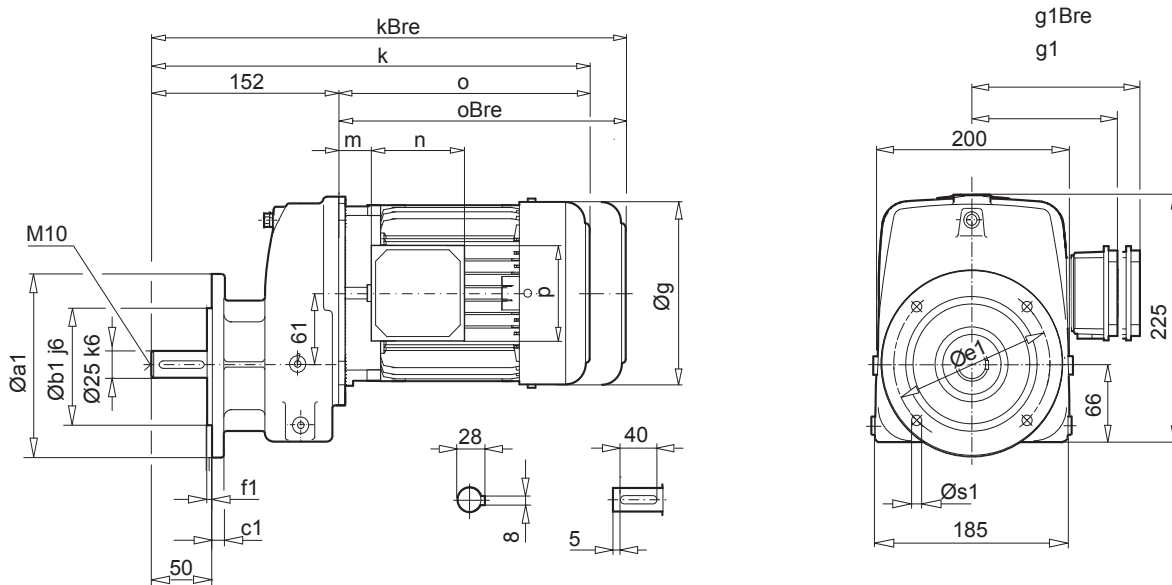
SK 21E SK 21EF



SK 21E



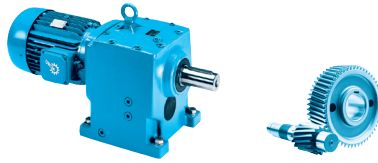
SK 21EF



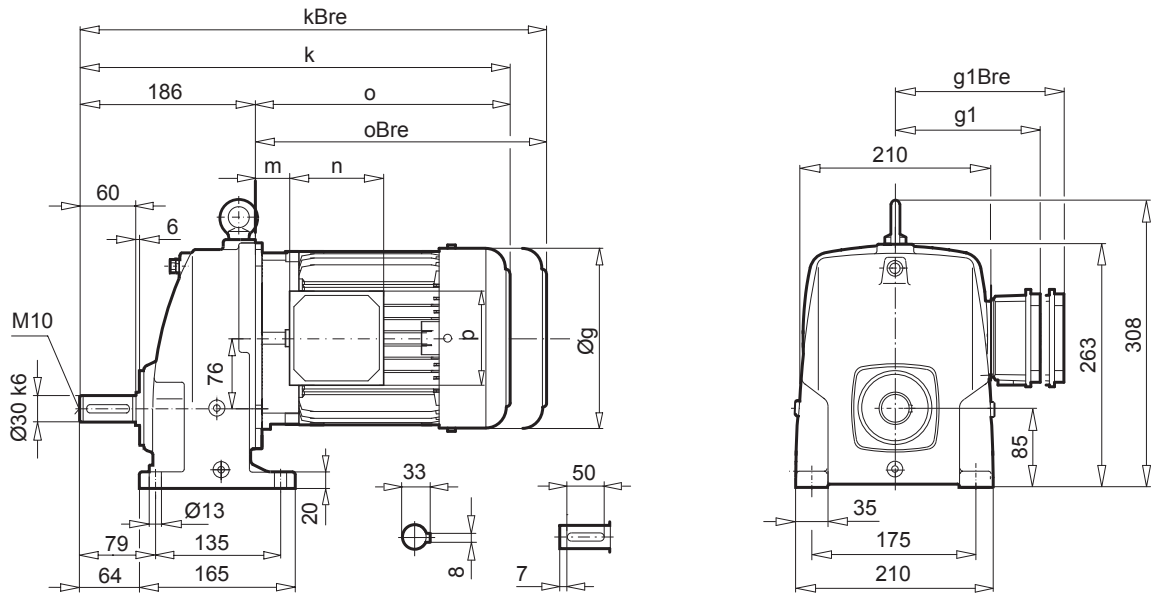
a1	b1	c1	e1	f1	s1
140	95	10	115	3,0	9
160	110	10	130	3,5	9

⇒ A61	90 LP	100 LP/AP	112 MP					
g	183	201	228					
g1 / g1Bre	147 / 147	169 / 173	179 / 182					
k / kBre	448 / 523	478 / 569	526 / 619					
o / oBre	296 / 371	326 / 417	374 / 467					
m / mBre	46 / 50	52 / 56	68 / 72					
n / nBre	114 / 153	114 / 153	114 / 153					
p / pBre	114 / 108	114 / 108	114 / 108					

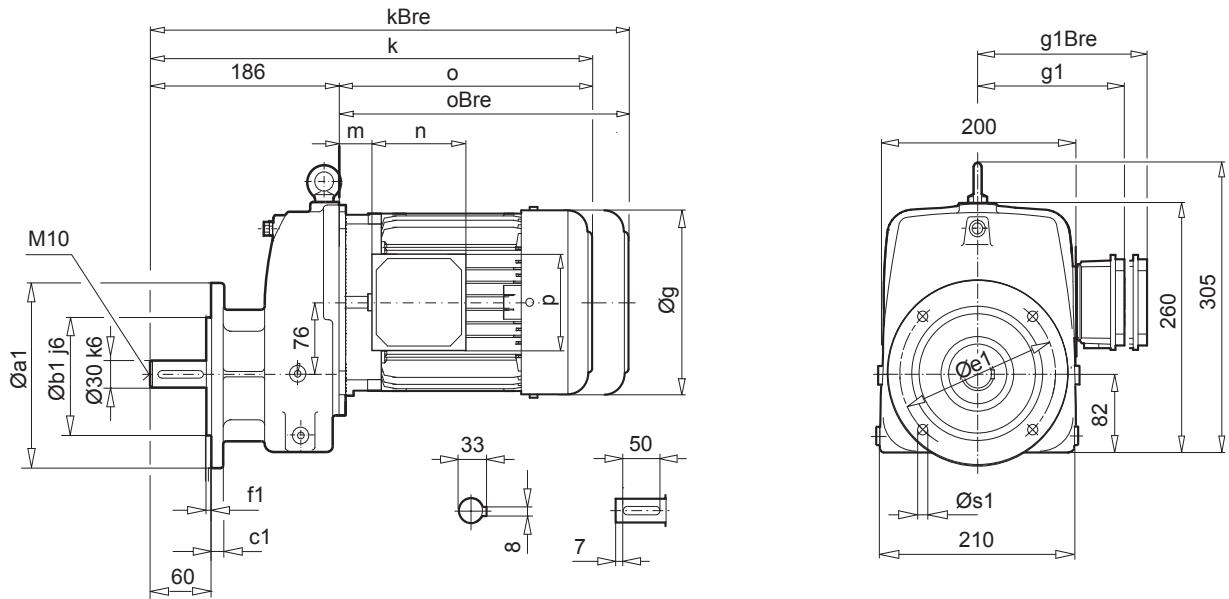
C93



SK 31E



SK 31EF

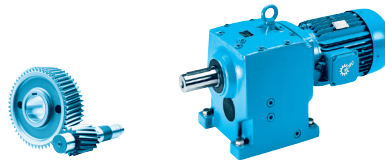


a1	b1	c1	e1	f1	s1
200	130	12	165	3,5	11

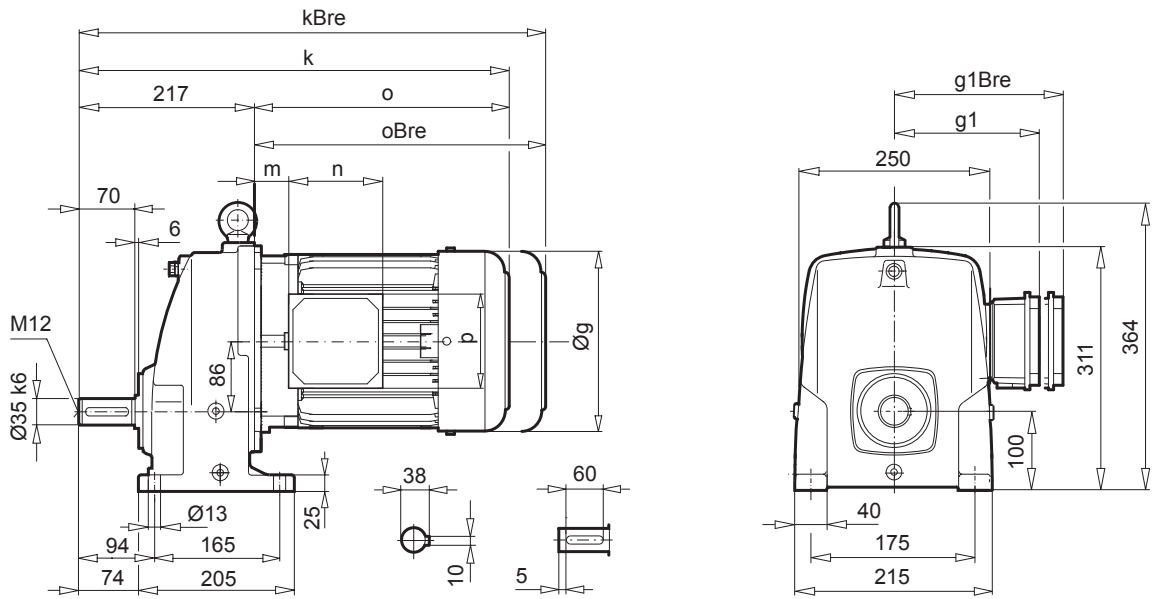
⇒ A61	100 AP	112 MP	132 SP/MP				
g	201	228	266				
g1 / g1Bre	169 / 173	179 / 182	204 / 201				
k / kBre	512 / 603	560 / 653	621 / 728				
o / oBre	326 / 417	374 / 467	435 / 542				
m / mBre	52 / 56	68 / 72	71 / 51				
n / nBre	114 / 153	114 / 153	122 / 185				
p / pBre	114 / 108	114 / 108	122 / 139				

C93

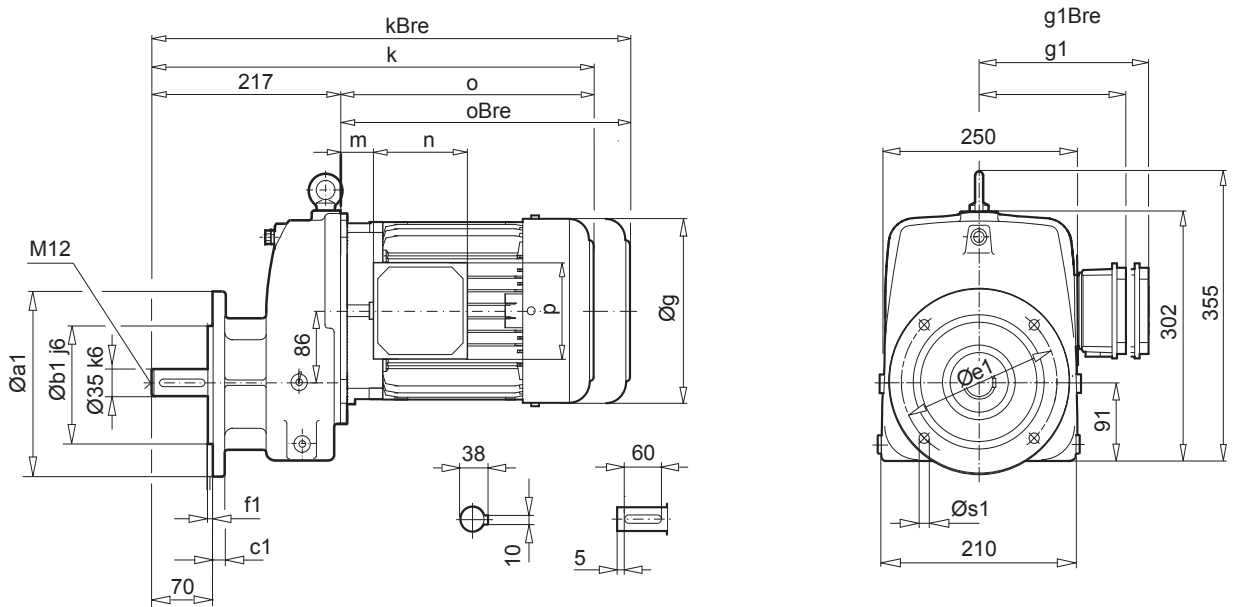
SK 41E SK 41EF



SK 41E



SK 41EF

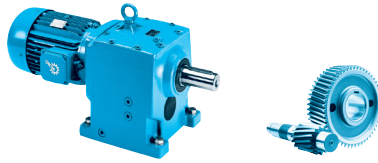


a1	b1	c1	e1	f1	s1
200	130	14	165	3,5	11
250	180	16	215	3,5	14

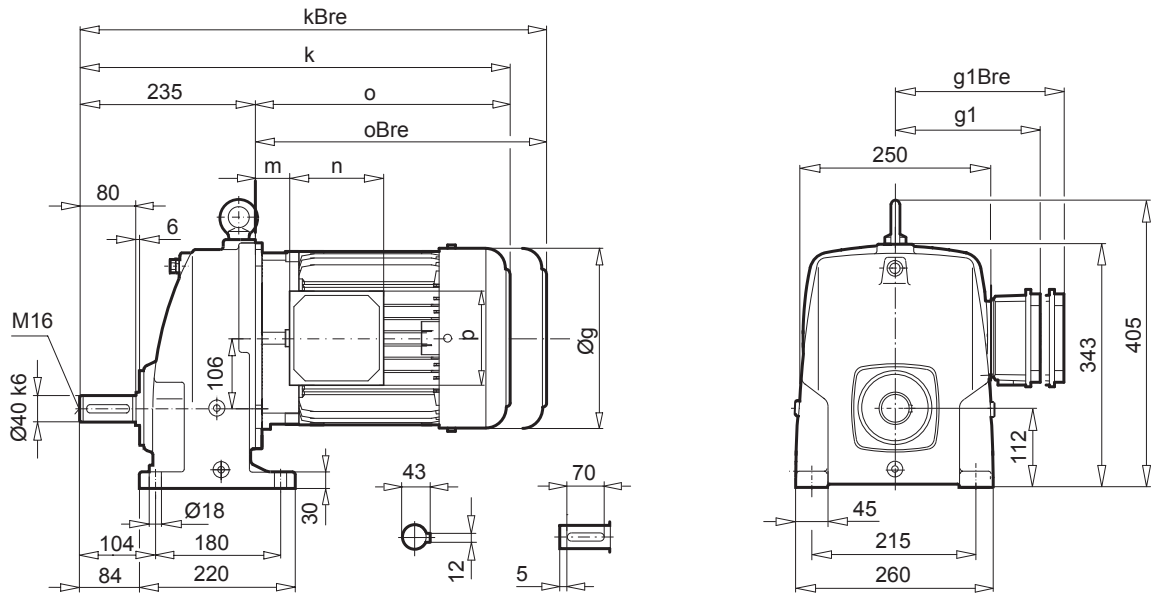
⇒ A61	132 MP	160 SP/MP	160 LP				
g	266	320	320				
g1 / g1Bre	204 / 201	242 / 242	242 / 242				
k / kBre	632 / 739	709 / 844	753 / 888				
o / oBre	415 / 522	492 / 627	536 / 671				
m / mBre	51 / 42	52 / 52	52 / 52				
n / nBre	122 / 185	186 / 186	186 / 186				
p / pBre	122 / 139	186 / 186	186 / 186				

C94

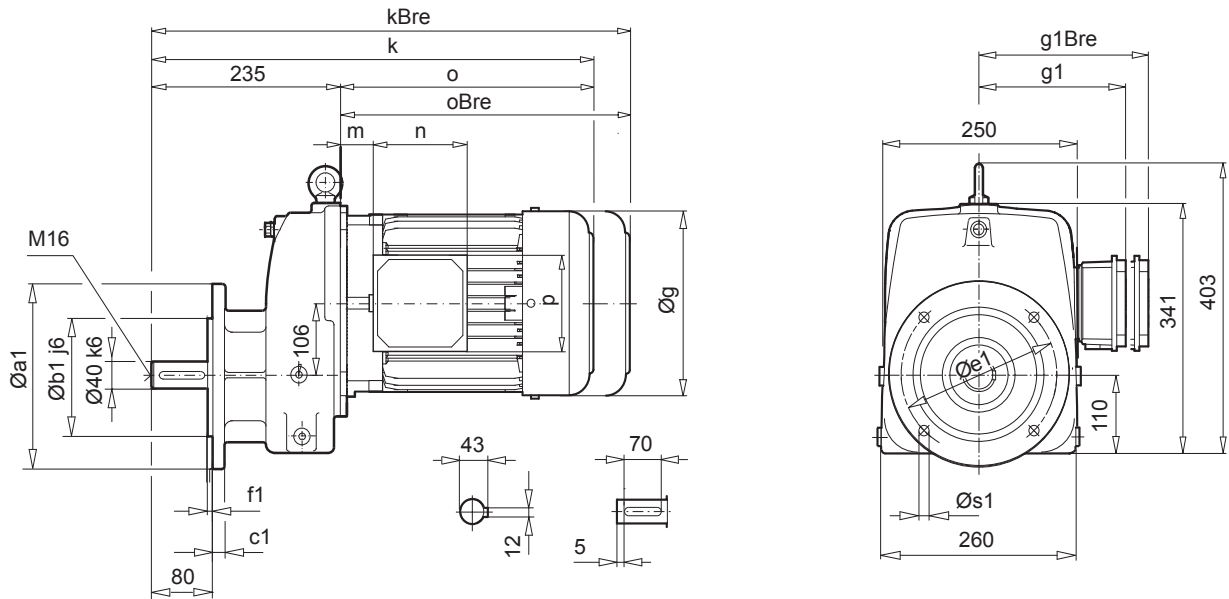
Helical Gear Units



SK 51E



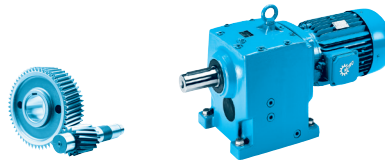
SK 51EF



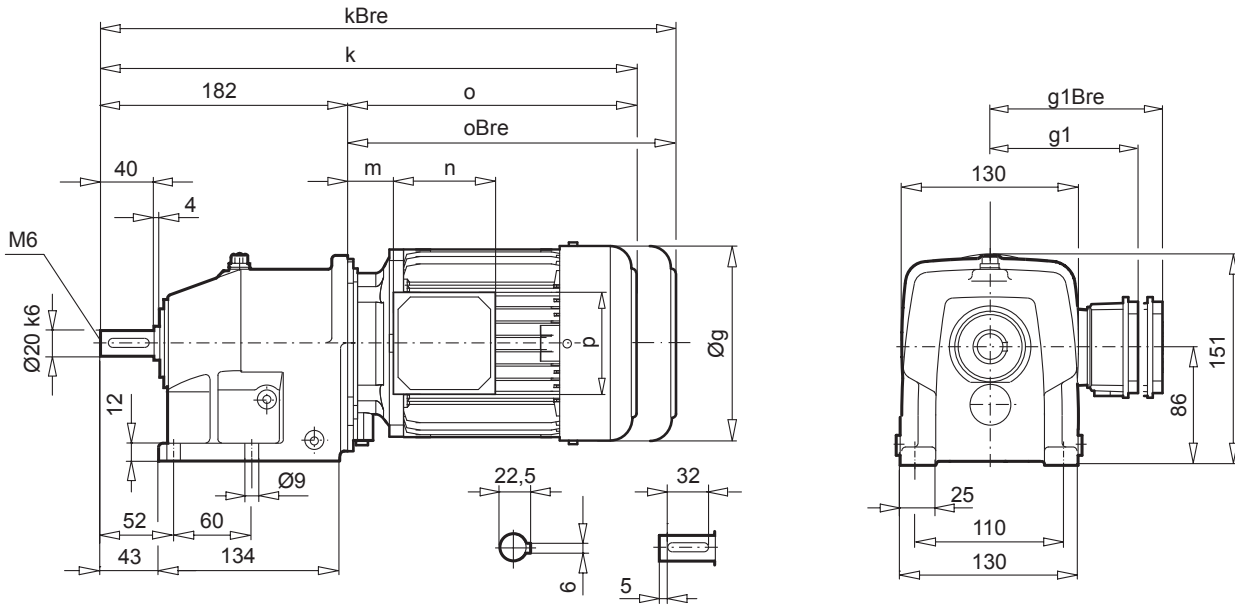
a1	b1	c1	e1	f1	s1
250	180	15	215	4,0	14
300	230	20	265	3,5	14

⇒ A61	160 SP/MP	160 LP	180 MP/LP				
g	320	320	348				
g1 / g1Bre	242 / 242	242 / 242	258 / 258				
k / kBre	727 / 862	771 / 906	869 / 1000				
o / oBre	492 / 627	536 / 671	636 / 764				
m / mBre	52 / 52	52 / 52	74 / 74				
n / nBre	186 / 186	186 / 186	186 / 186				
p / pBre	186 / 186	186 / 186	186 / 186				

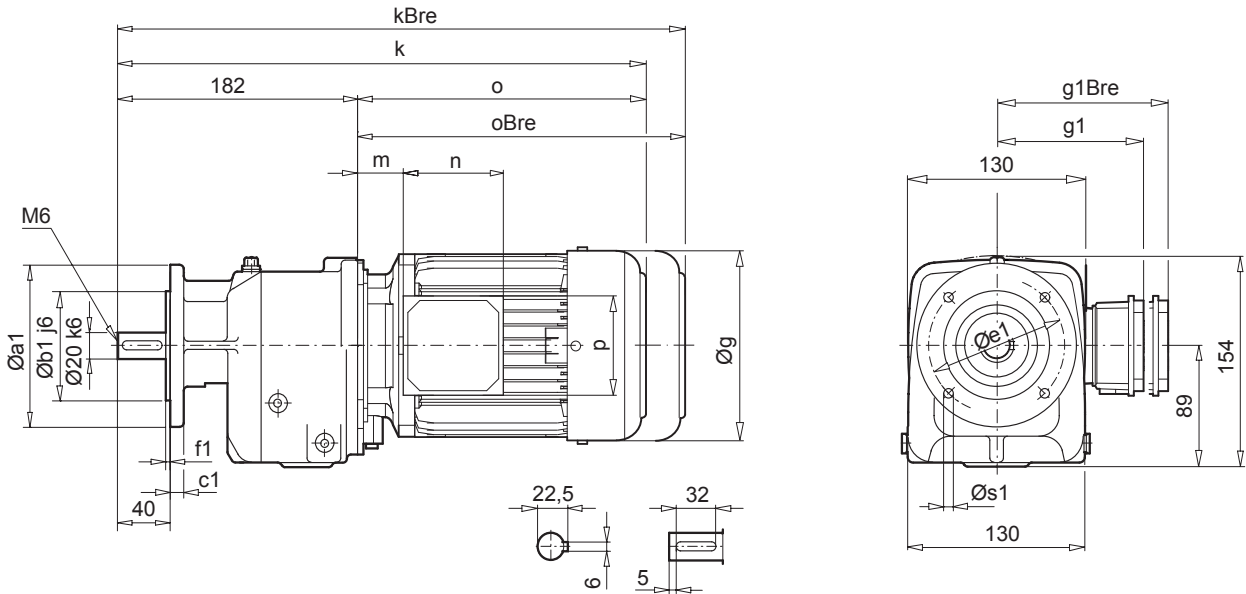
SK 02 SK 02F



SK 02



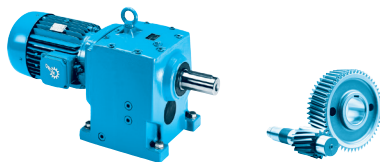
SK 02F



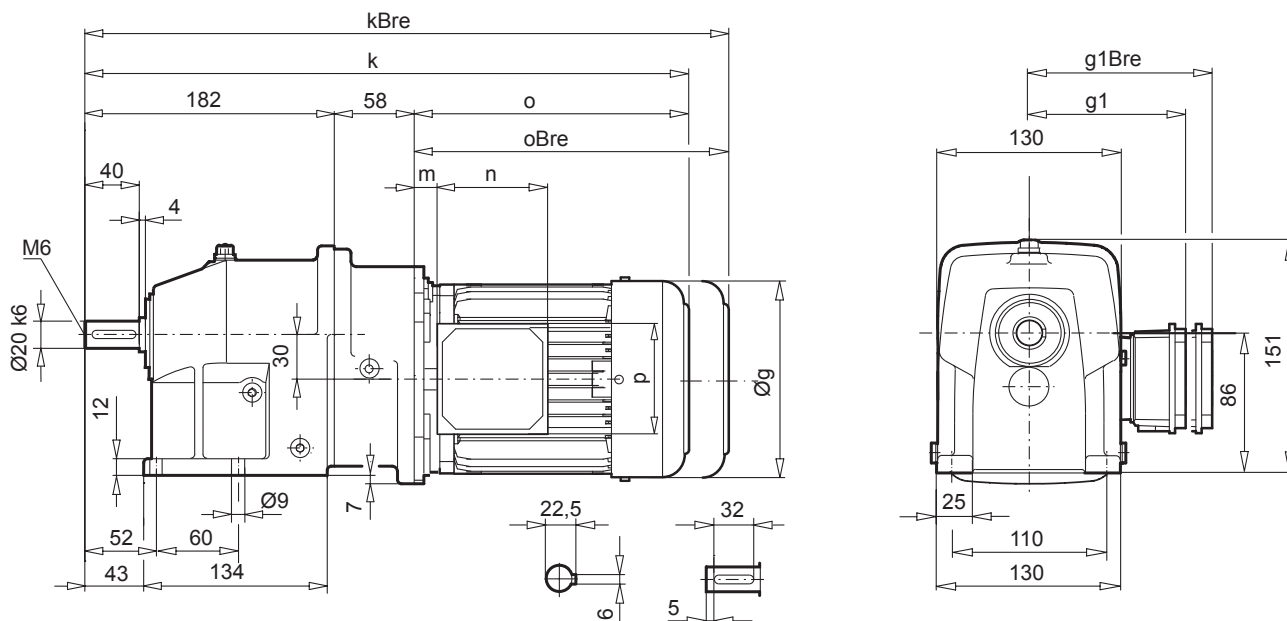
a1	b1	c1	e1	f1	s1
120	80	10	100	3,0	7
140	95	10	115	3,0	9
160	110	10	130	3,5	9

⇒ A61	63 S/L	71 S/L	80 SH	80 LP	90 SP/LP	100 LP	
g	130	145	165	165	183	201	
g1 / g1Bre	115 / 123	124 / 132	142 / 142	142 / 142	147 / 147	169 / 173	
k / kBre	378 / 434	418 / 476	443 / 507	443 / 507	484 / 559	514 / 605	
o / oBre	196 / 252	236 / 294	261 / 325	261 / 325	302 / 377	332 / 423	
m / mBre	16 / 22	42 / 47	47 / 51	47 / 51	52 / 56	58 / 62	
n / nBre	100 / 134	100 / 134	114 / 153	114 / 153	114 / 153	114 / 153	
p / pBre	100 / 89	100 / 89	114 / 108	114 / 108	114 / 108	114 / 108	

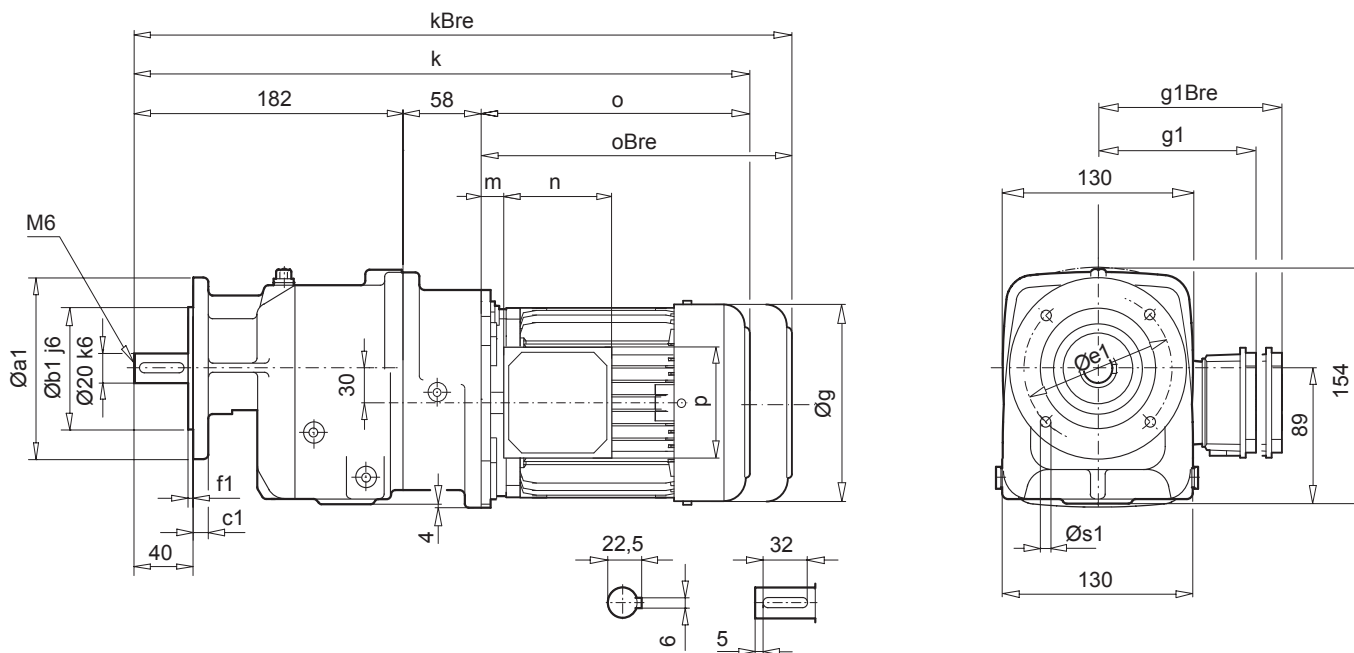
C92



SK 03



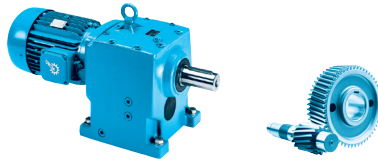
SK 03F



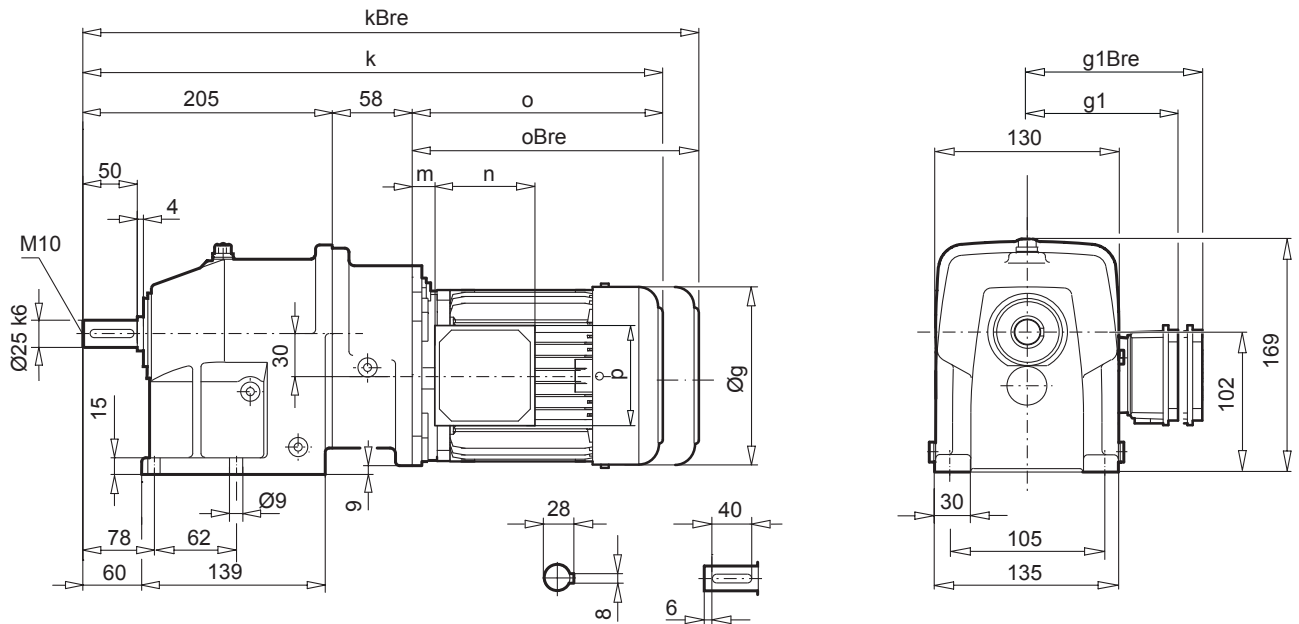
a1	b1	c1	e1	f1	s1
120	80	10	100	3,0	7
140	95	10	115	3,0	9
160	110	10	130	3,5	9

⇒ A61	63 S/L	71 S					
g	130	145					
g1 / g1Bre	115 / 123	124 / 132					
k / kBre	436 / 492	476 / 534					
o / oBre	196 / 252	236 / 294					
m / mBre	16 / 22	42 / 47					
n / nBre	100 / 134	100 / 134					
p / pBre	100 / 89	100 / 89					

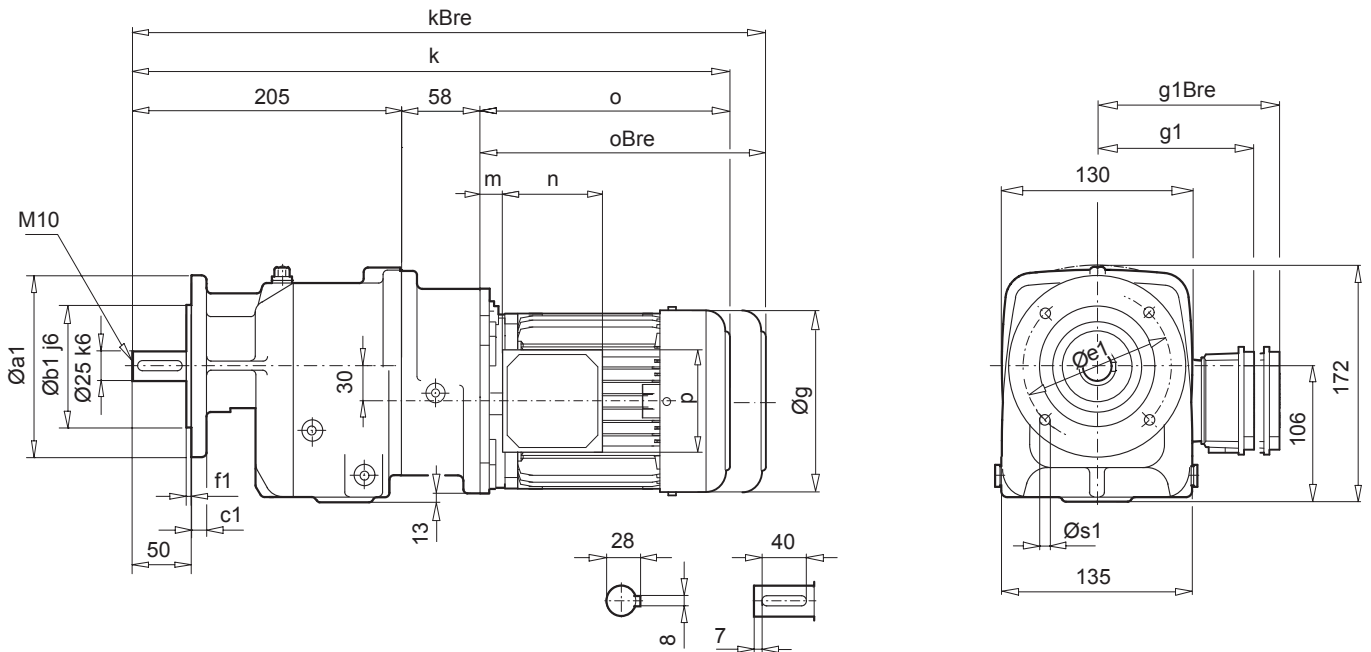
C92



SK 13



SK 13F

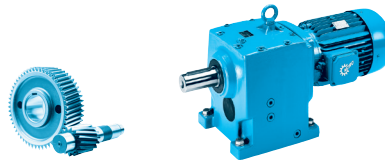


a1	b1	c1	e1	f1	s1
120	80	10	100	3,0	7
140	95	10	115	3,0	9
160	110	10	130	3,5	9

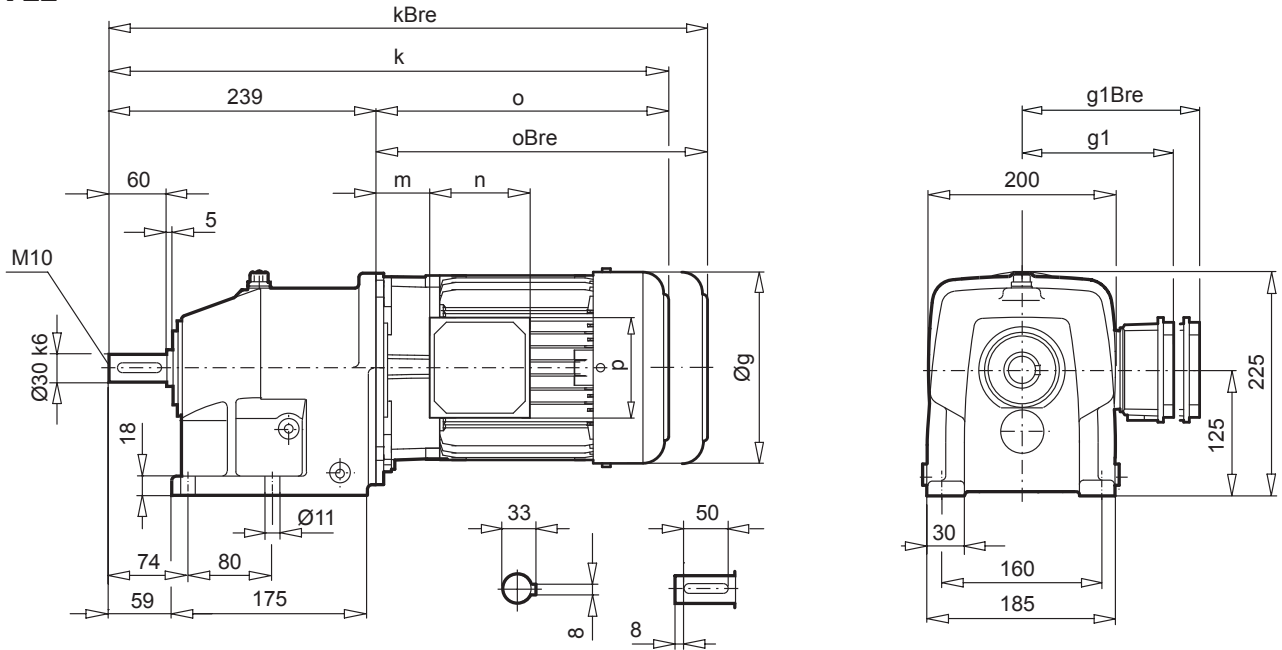
⇒ A61	63 S/L	71 S/L					
g	130	145					
g1 / g1Bre	115 / 123	124 / 132					
k / kBre	459 / 515	499 / 557					
o / oBre	196 / 252	236 / 294					
m / mBre	16 / 22	42 / 47					
n / nBre	100 / 134	100 / 134					
p / pBre	100 / 89	100 / 89					

C92

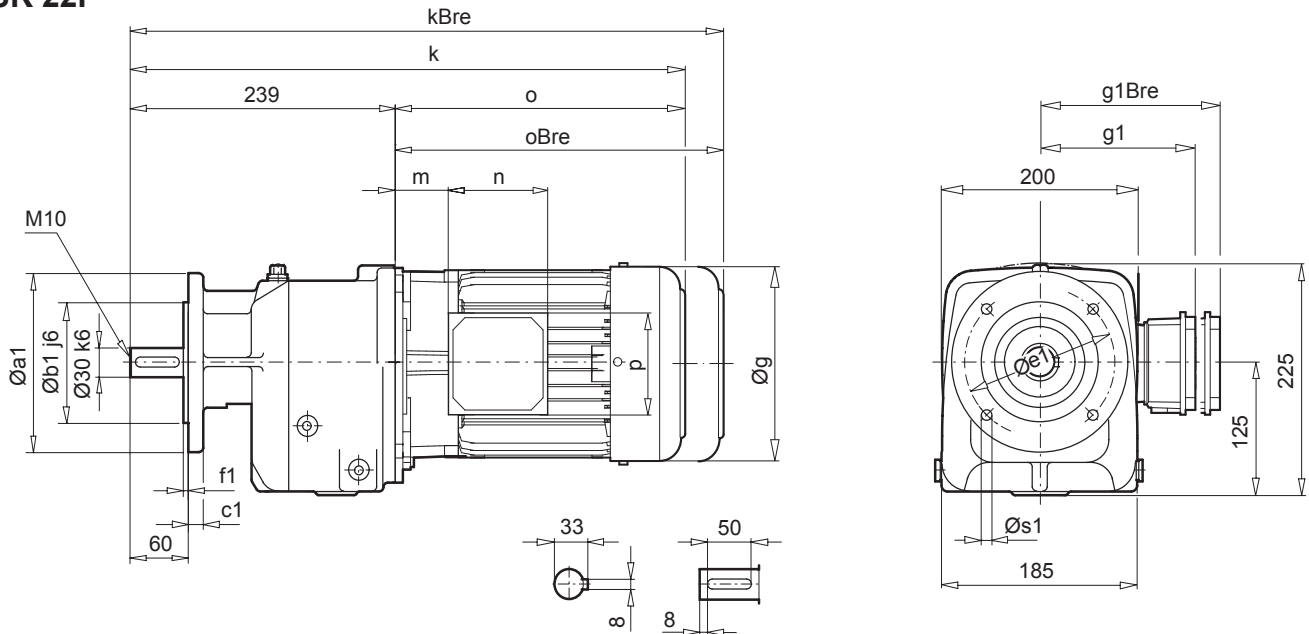
SK 22 SK 22F



SK 22

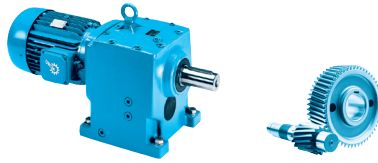


SK 22F

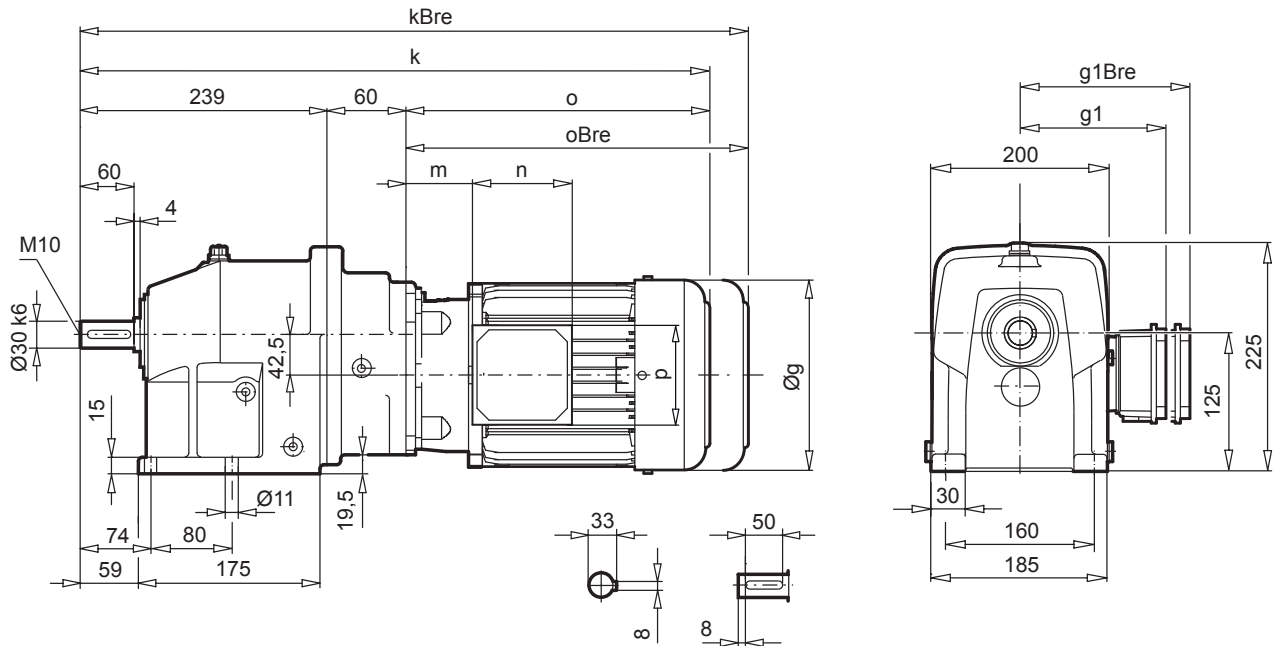


a1	b1	c1	e1	f1	s1
160	110	10	130	3,5	9
200	130	12	165	3,5	11

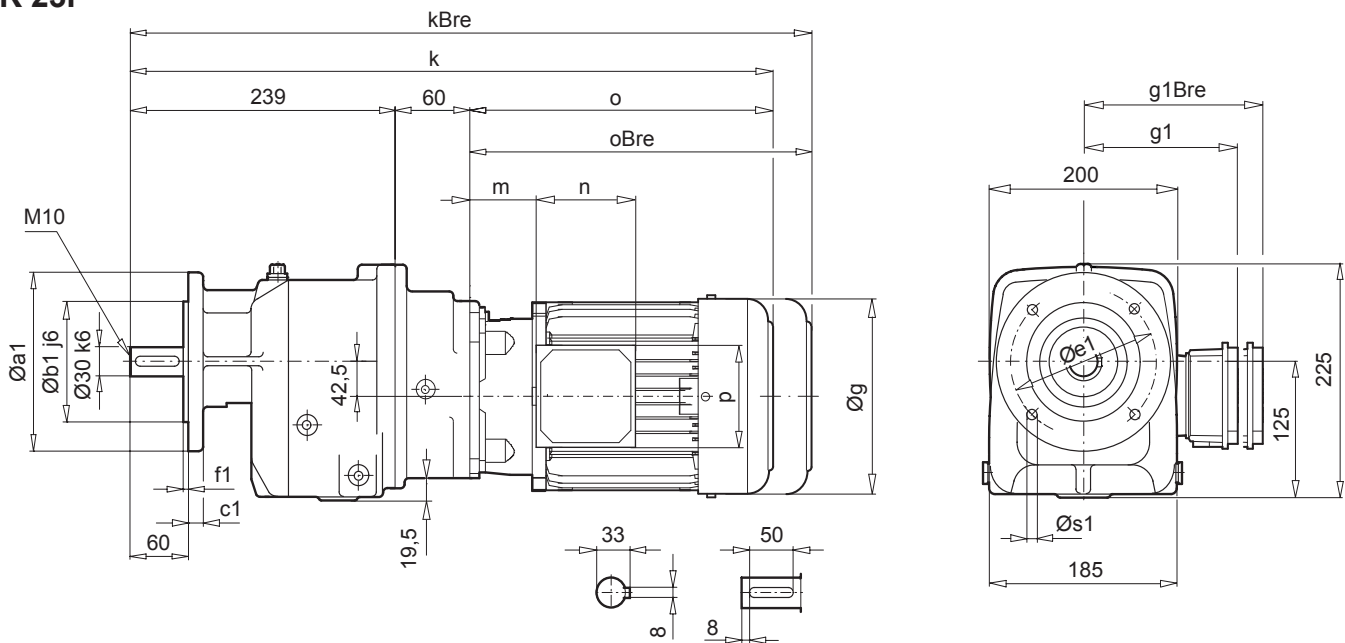
⇒ A61	71 S/L	80 S /SH	80 SP	90 SP/LP	100 LP/AP	112 MP	132 SP/MP	C93
g	145	165	165	183	201	228	266	
g1 / g1Bre	124 / 132	142 / 142	142 / 142	147 / 147	169 / 173	179 / 182	204 / 201	
k / kBre	469 / 527	494 / 559	494 / 559	535 / 610	565 / 656	613 / 706	674 / 781	
o / oBre	230 / 288	255 / 319	255 / 319	296 / 371	326 / 417	374 / 467	435 / 542	
m / mBre	36 / 42	41 / 45	41 / 45	46 / 50	52 / 56	58 / 61	71 / 62	
n / nBre	100 / 134	114 / 153	114 / 153	114 / 153	114 / 153	114 / 153	122 / 185	
p / pBre	100 / 89	114 / 108	114 / 108	114 / 108	114 / 108	114 / 108	122 / 139	



SK 23



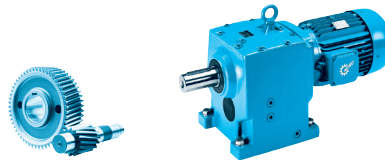
SK 23F



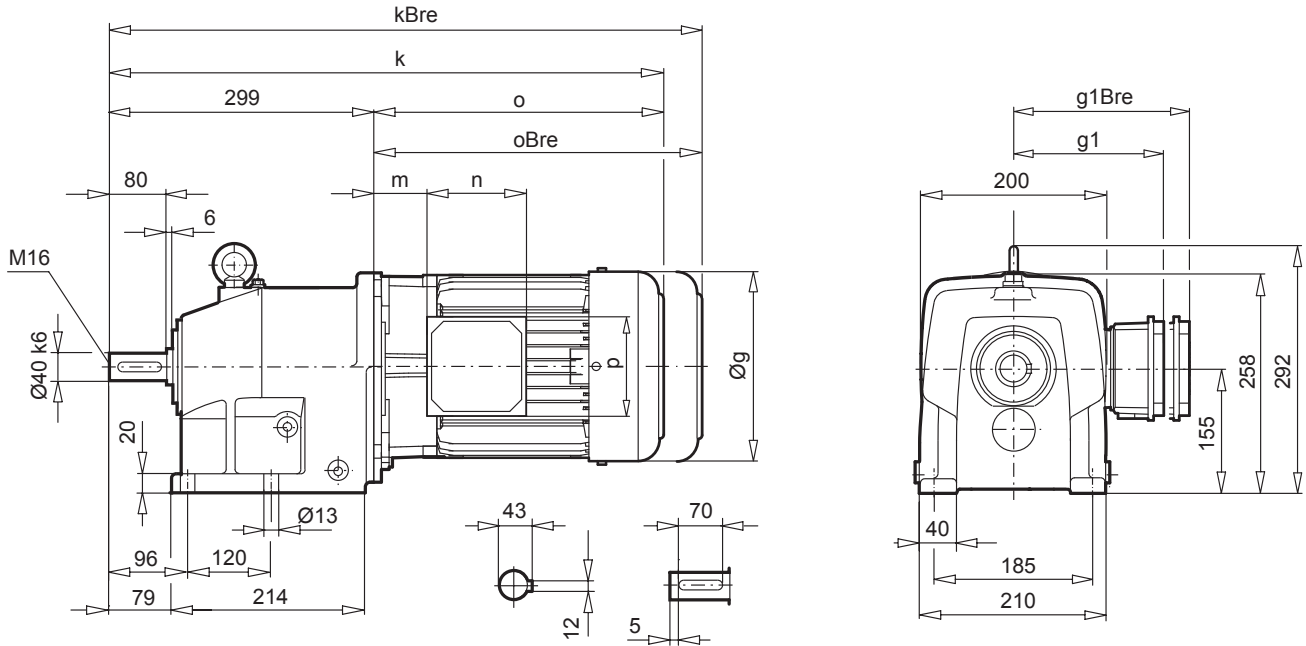
a1	b1	c1	e1	f1	s1
160	110	10	130	3,5	9
200	130	12	165	3,5	11

⇒ A61	63 S/L	71 S/L	80 SH	80 LP			
g	130	145	165	165			
g1 / g1Bre	115 / 123	124 / 132	142 / 142	142 / 142			
k / kBre	495 / 551	535 / 593	560 / 624	560 / 624			
o / oBre	196 / 252	236 / 294	261 / 325	261 / 325			
m / mBre	16 / 22	42 / 47	47 / 51	47 / 51			
n / nBre	100 / 134	100 / 134	114 / 153	114 / 153			
p / pBre	100 / 89	100 / 89	114 / 108	114 / 108			

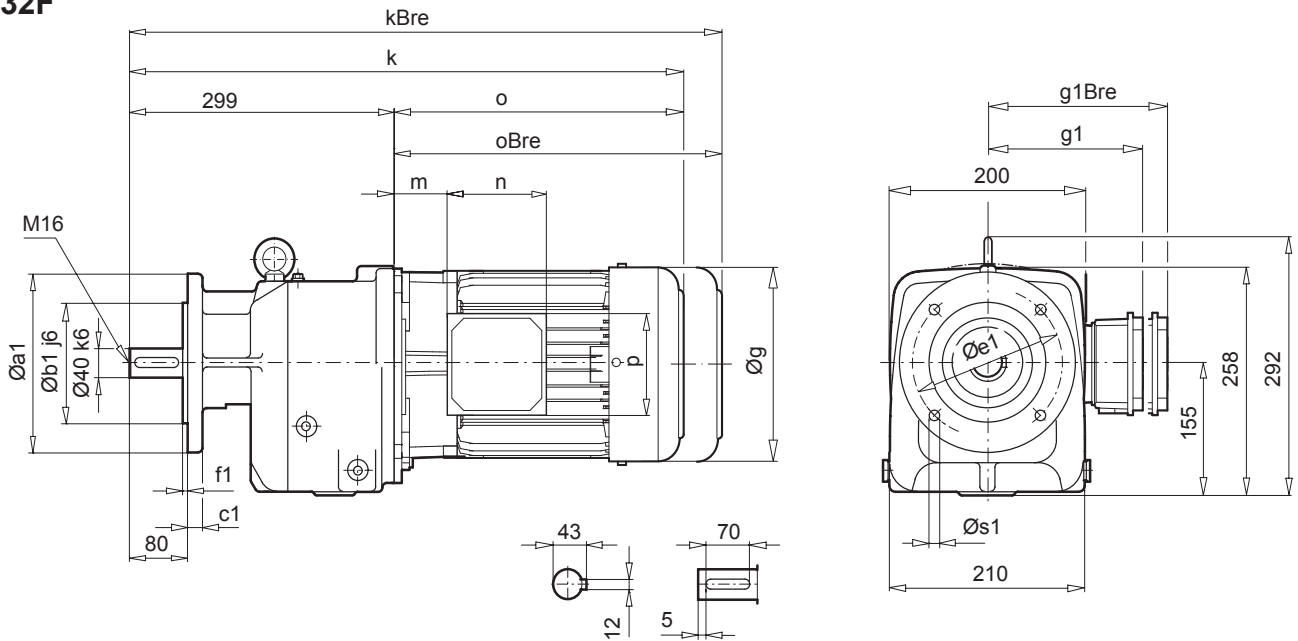
SK 32 SK 32F



SK 32

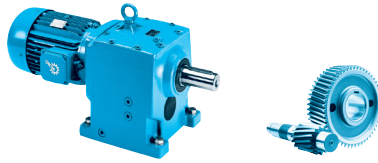


SK 32F

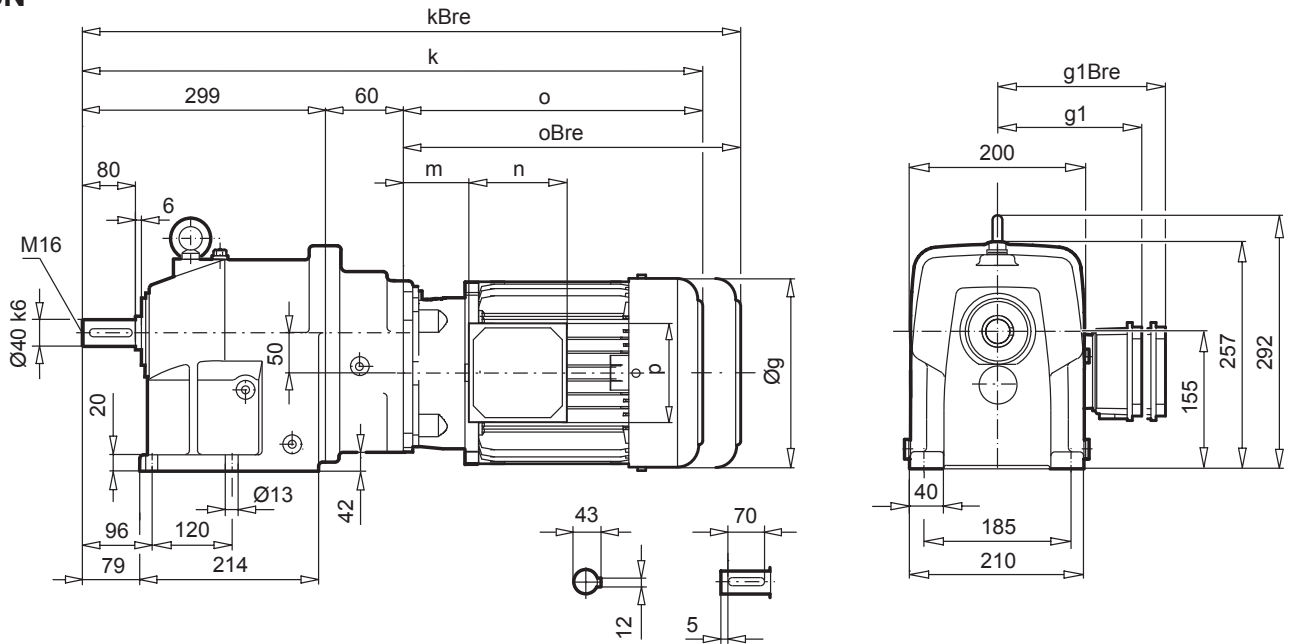


a1	b1	c1	e1	f1	s1
200	130	12	165	3,5	11
250	180	16	215	4,0	14

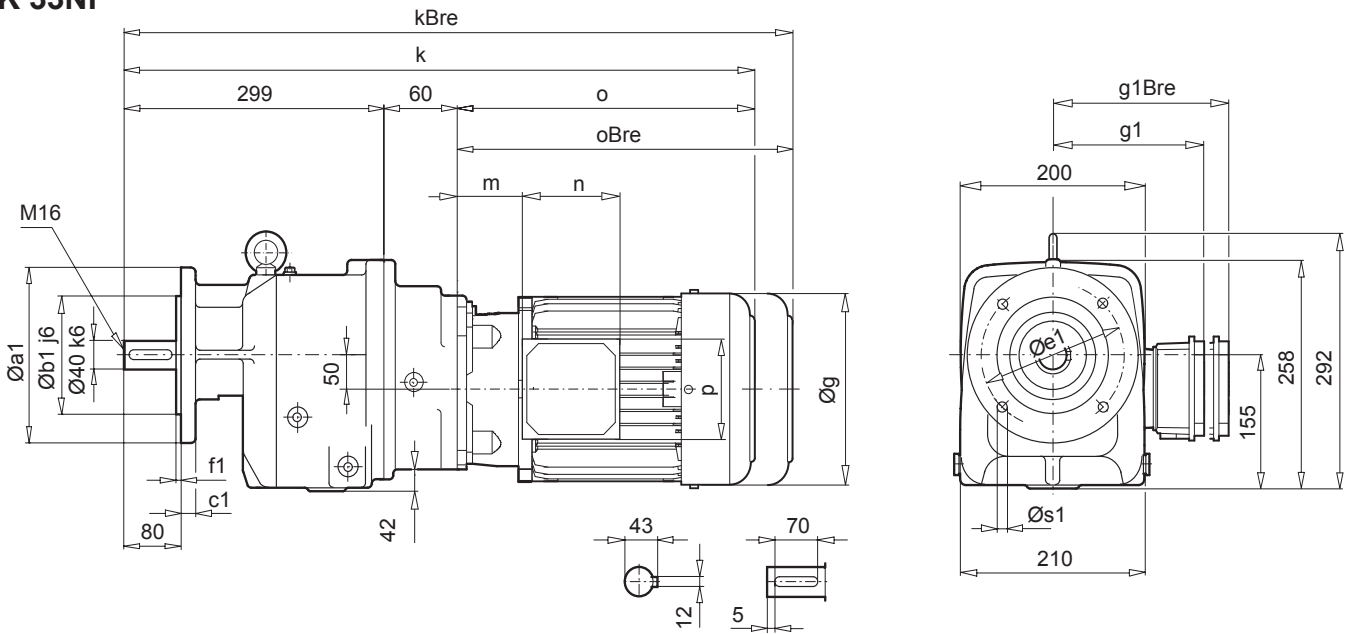
⇒ A61	71 S/L	80 S/SH	80 LP	90 SP/LP	100 LP/AP	112 MP	132 SP/MP	 C93
g	145	165	165	183	201	228	266	
g1 / g1Bre	124 / 132	142 / 142	142 / 142	147 / 147	169 / 173	179 / 182	204 / 201	
k / kBre	529 / 587	554 / 618	554 / 618	595 / 670	625 / 716	673 / 766	734 / 841	
o / oBre	230 / 288	255 / 319	255 / 319	296 / 371	326 / 417	374 / 467	435 / 542	
m / mBre	36 / 42	41 / 45	41 / 45	46 / 50	52 / 56	58 / 61	71 / 62	
n / nBre	100 / 134	114 / 153	114 / 153	114 / 153	114 / 153	114 / 153	122 / 185	
p / pBre	100 / 89	114 / 108	114 / 108	114 / 108	114 / 108	114 / 108	122 / 139	



SK 33N



SK 33NF

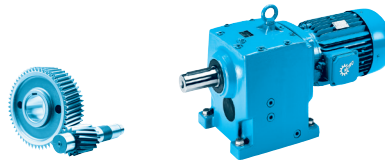


a1	b1	c1	e1	f1	s1
200	130	12	165	3,5	11
250	180	16	215	4,0	14

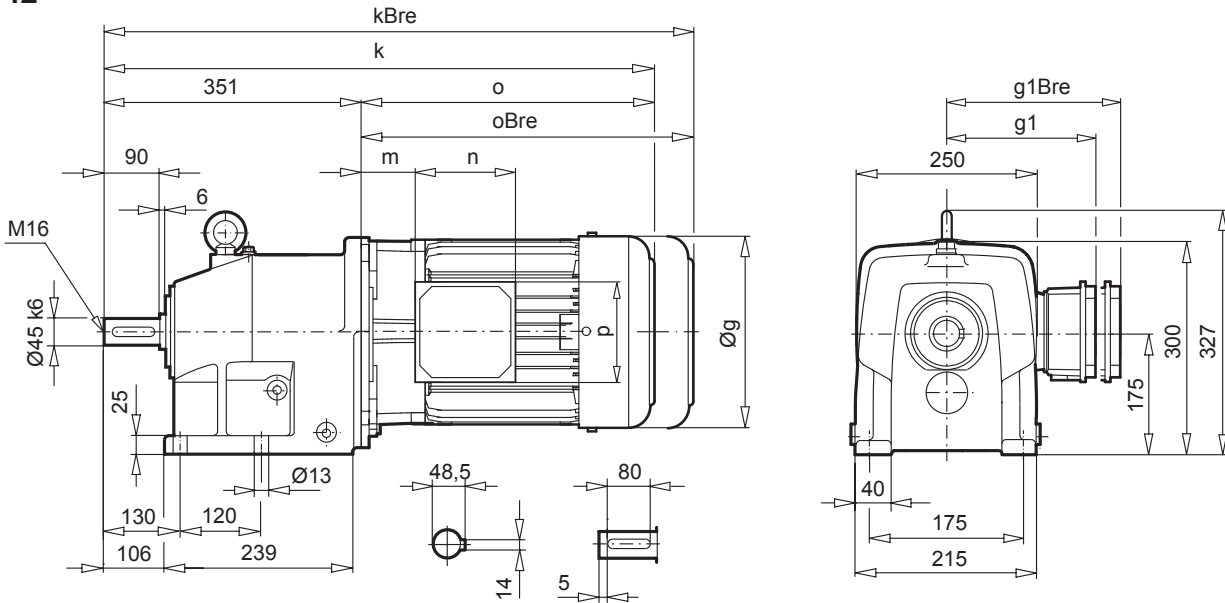
⇒ A61	63 S/L	71 S/L	80 SH	80 LP	90 SP		
g	130	145	165	165	183		
g1 / g1Bre	115 / 123	124 / 132	142 / 142	142 / 142	147 / 147		
k / kBre	555 / 611	595 / 653	620 / 684	620 / 684	661 / 736		
o / oBre	196 / 252	236 / 294	261 / 325	261 / 325	302 / 377		
m / mBre	16 / 22	42 / 47	47 / 51	47 / 51	52 / 56		
n / nBre	100 / 134	100 / 134	114 / 153	114 / 153	114 / 153		
p / pBre	100 / 89	100 / 89	114 / 108	114 / 108	114 / 108		

C92

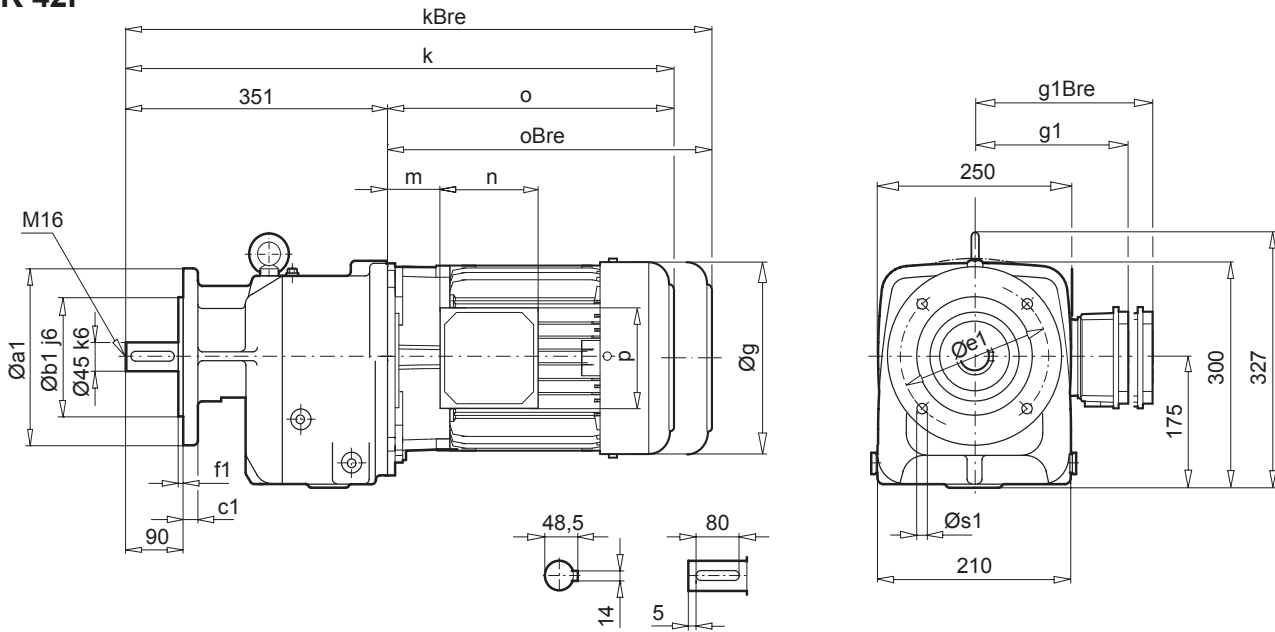
SK 42 SK 42F



SK 42

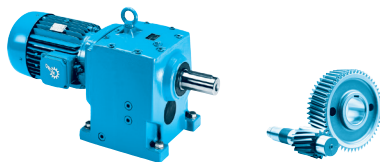


SK 42F

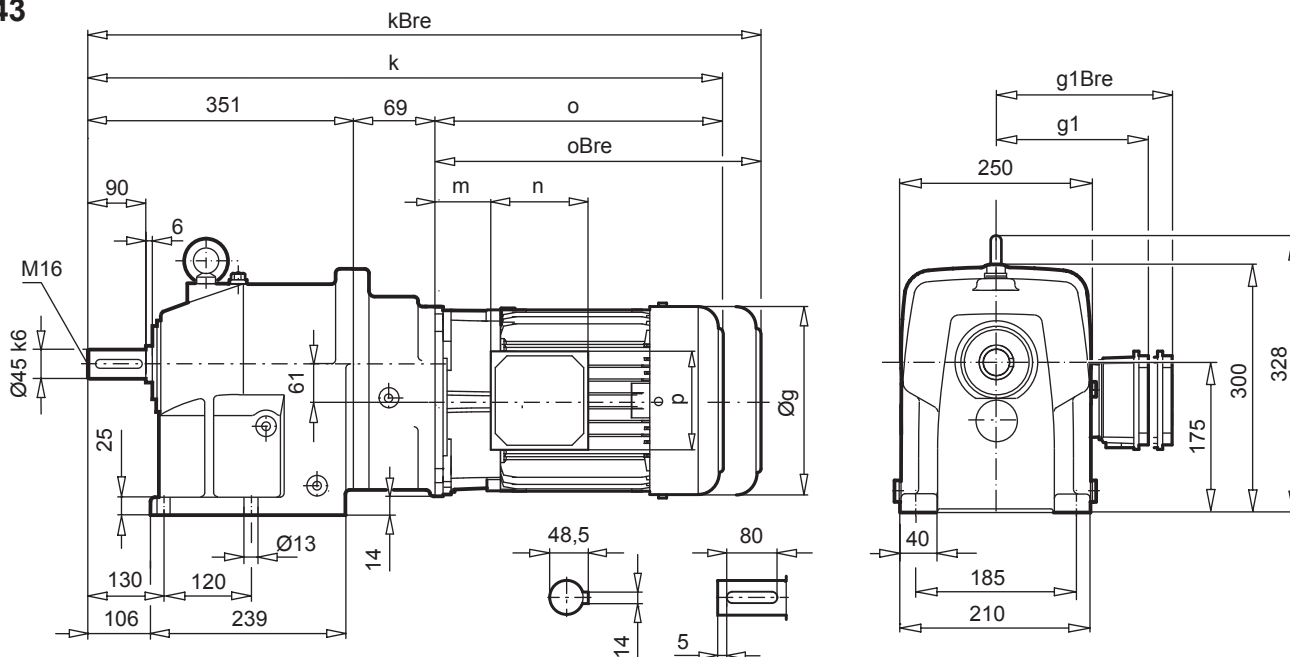


a1	b1	c1	e1	f1	s1
200	130	14	165	3,5	11
250	180	16	215	4,0	14

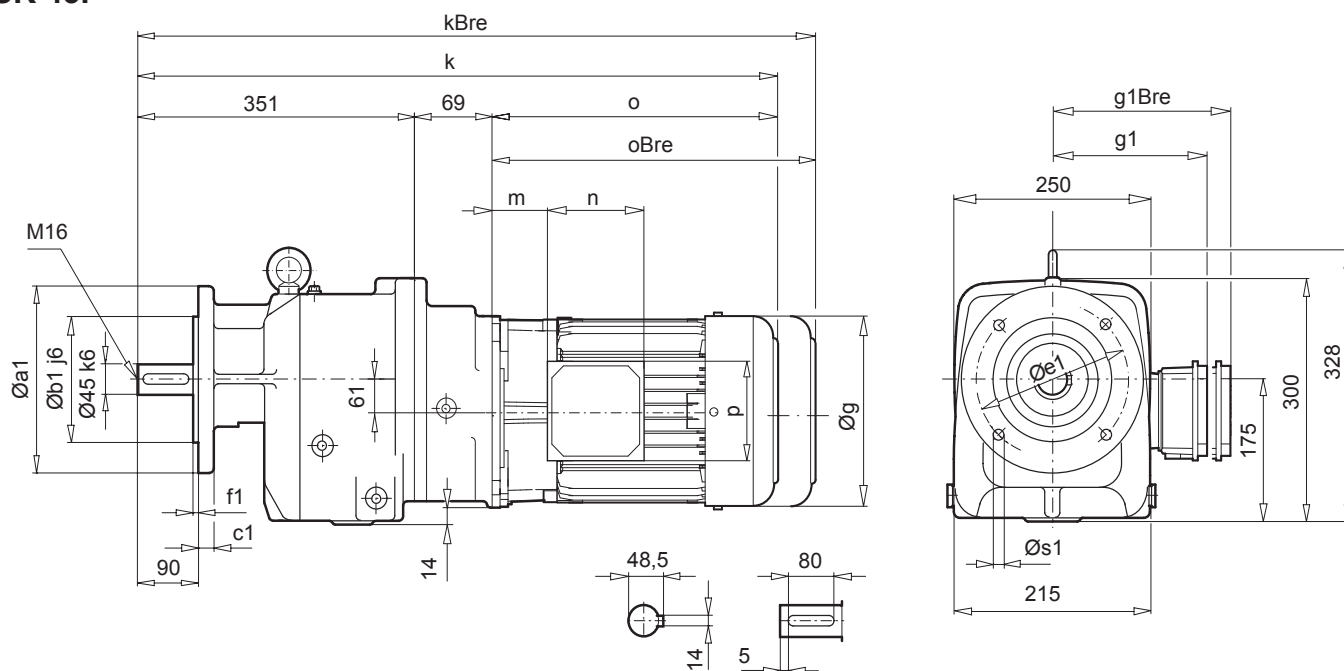
⇒ A61	90 SP/LP	100 LP/AP	112 MP	132 SP/MP	160 SP/MP	160 LP	180 MP/LP	C94
g	183	201	228	266	320	320	348	
g1 / g1Bre	147 / 147	169 / 173	179 / 182	204 / 201	242 / 242	242 / 242	258 / 258	
k / kBre	627 / 702	657 / 748	705 / 798	766 / 873	843 / 978	887 / 1022	985 / 1113	
o / oBre	276 / 351	306 / 397	354 / 447	415 / 522	492 / 627	536 / 671	634 / 762	
m / mBre	26 / 30	32 / 36	38 / 41	51 / 42	52 / 52	52 / 52	74 / 74	
n / nBre	114 / 153	114 / 153	114 / 153	122 / 185	186 / 186	186 / 186	186 / 186	
p / pBre	114 / 108	114 / 108	114 / 108	122 / 139	186 / 186	186 / 186	186 / 186	



SK 43



SK 43F

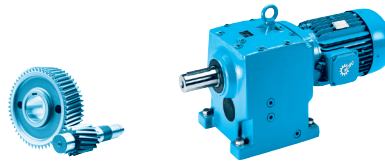


a1	b1	c1	e1	f1	s1
200	130	14	165	3,5	11
250	180	16	215	4,0	14

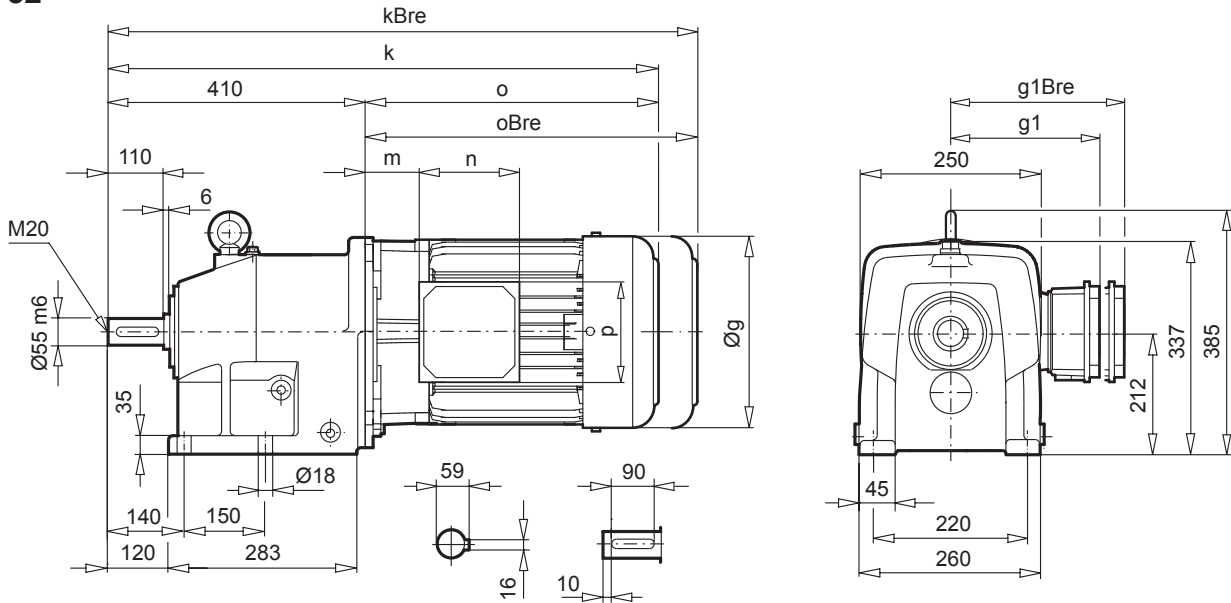
⇒ A61	71 S/L	80 SH	80 LP	90 SP/LP	100 LP/AP	112 MP	
g	145	165	165	183	201	228	
g1 / g1Bre	124 / 132	142 / 142	142 / 142	147 / 147	169 / 173	179 / 182	
k / kBre	650 / 708	675 / 739	675 / 739	716 / 791	746 / 837	794 / 887	
o / oBre	230 / 288	255 / 319	255 / 319	296 / 371	326 / 417	374 / 467	
m / mBre	36 / 42	41 / 45	41 / 45	46 / 50	52 / 56	68 / 72	
n / nBre	100 / 134	114 / 153	114 / 153	114 / 153	114 / 153	114 / 153	
p / pBre	100 / 89	114 / 108	114 / 108	114 / 108	114 / 108	114 / 108	

C93

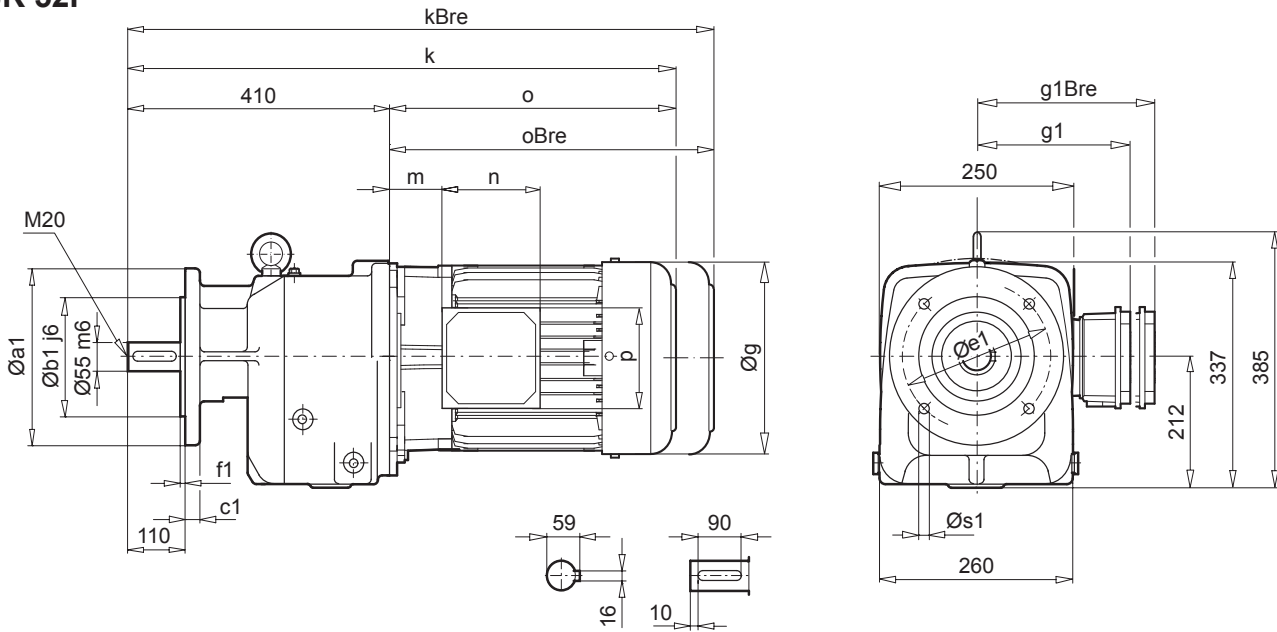
SK 52 SK 52F



SK 52

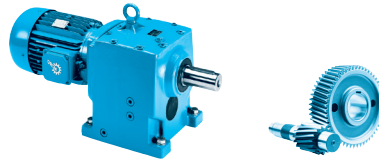


SK 52F

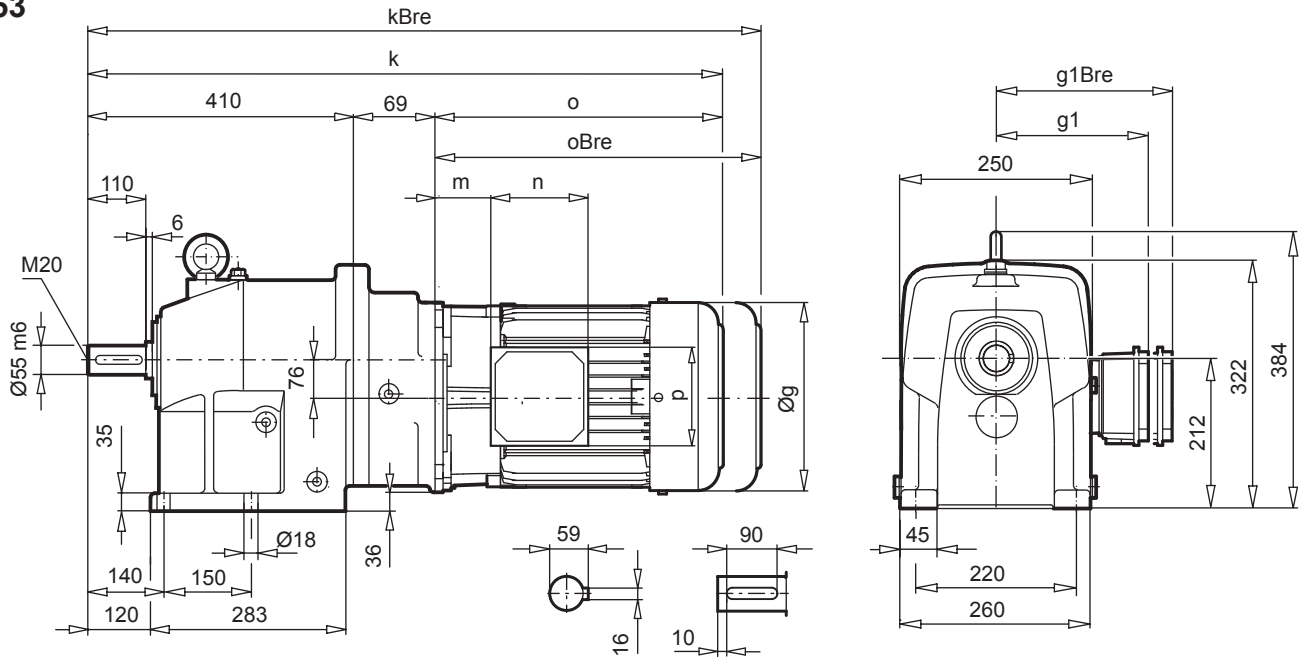


a1	b1	c1	e1	f1	s1
250	180	16	215	4,0	14
300	230	20	265	4,0	14

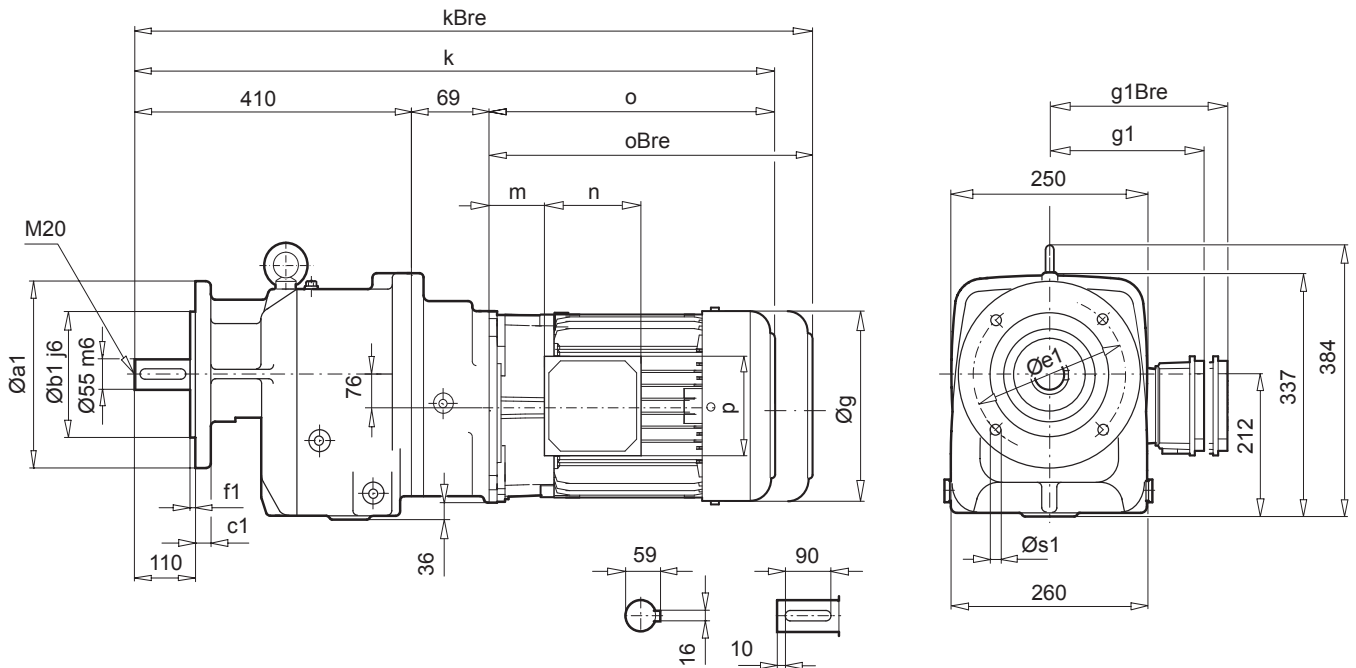
⇒ A61	90 SP/LP	100 LP/AP	112 MP	132 SP/MP	160 SP/MP	160 LP	180 MP/LP	C94
g	183	201	228	266	320	320	348	
g1 / g1Bre	147 / 147	169 / 173	179 / 182	204 / 201	242 / 242	242 / 242	258 / 258	
k / kBre	686 / 761	716 / 807	764 / 857	825 / 932	902 / 1037	946 / 1081	1044 / 1172	
o / oBre	276 / 351	306 / 397	354 / 447	415 / 522	492 / 627	536 / 671	634 / 762	
m / mBre	26 / 30	32 / 36	58 / 61	51 / 42	52 / 52	52 / 52	74 / 74	
n / nBre	114 / 153	114 / 153	114 / 153	122 / 185	186 / 186	186 / 186	186 / 186	
p / pBre	114 / 108	114 / 108	114 / 108	122 / 139	186 / 186	186 / 186	186 / 186	



SK 53



SK 53F

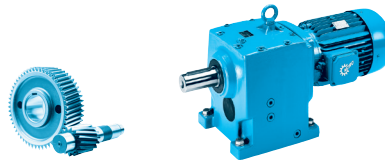


a1	b1	c1	e1	f1	s1
250	180	16	215	4,0	14
300	230	20	265	4,0	14

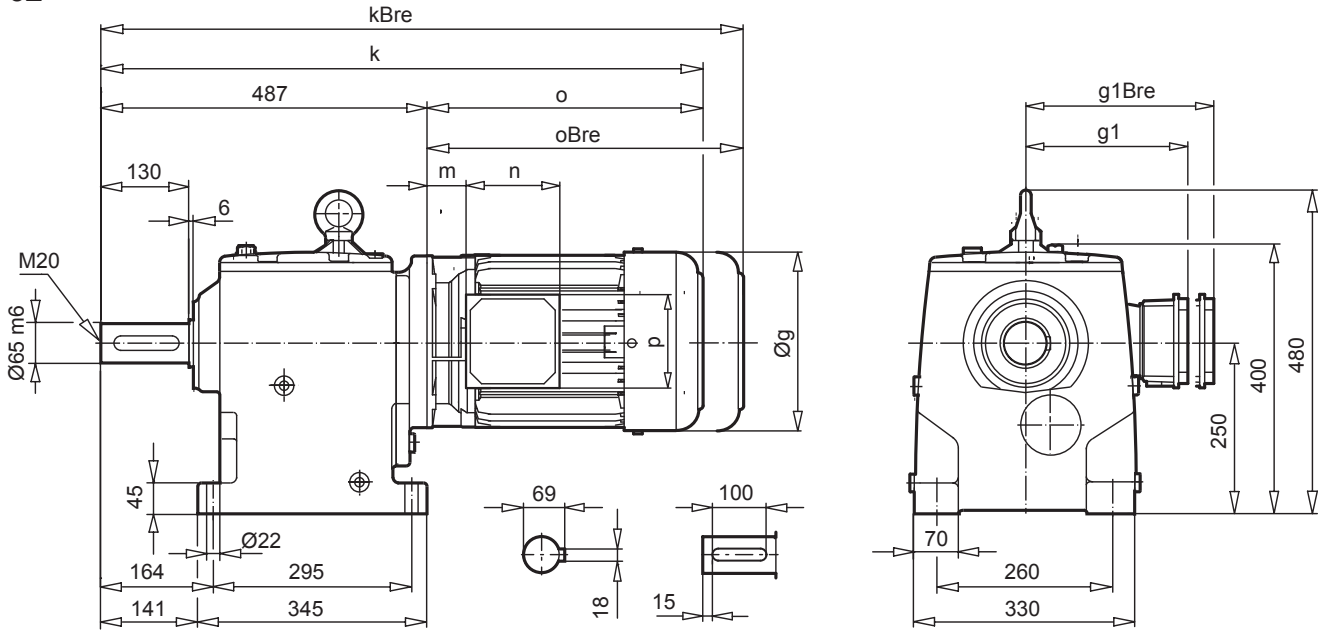
⇒ A61	71 L	80 S /SH	80 LP	90 SP/LP	100 LP/AP	112 MP	
g	145	165	165	183	201	228	
g1 / g1Bre	124 / 132	142 / 142	142 / 142	147 / 147	169 / 173	179 / 182	
k / kBre	709 / 767	734 / 798	734 / 798	775 / 850	805 / 896	853 / 946	
o / oBre	230 / 288	255 / 319	255 / 319	296 / 371	326 / 417	374 / 467	
m / mBre	36 / 42	41 / 45	41 / 45	46 / 50	52 / 56	68 / 72	
n / nBre	100 / 134	114 / 153	114 / 153	114 / 153	114 / 153	114 / 153	
p / pBre	100 / 89	114 / 108	114 / 108	114 / 108	114 / 108	114 / 108	

C93

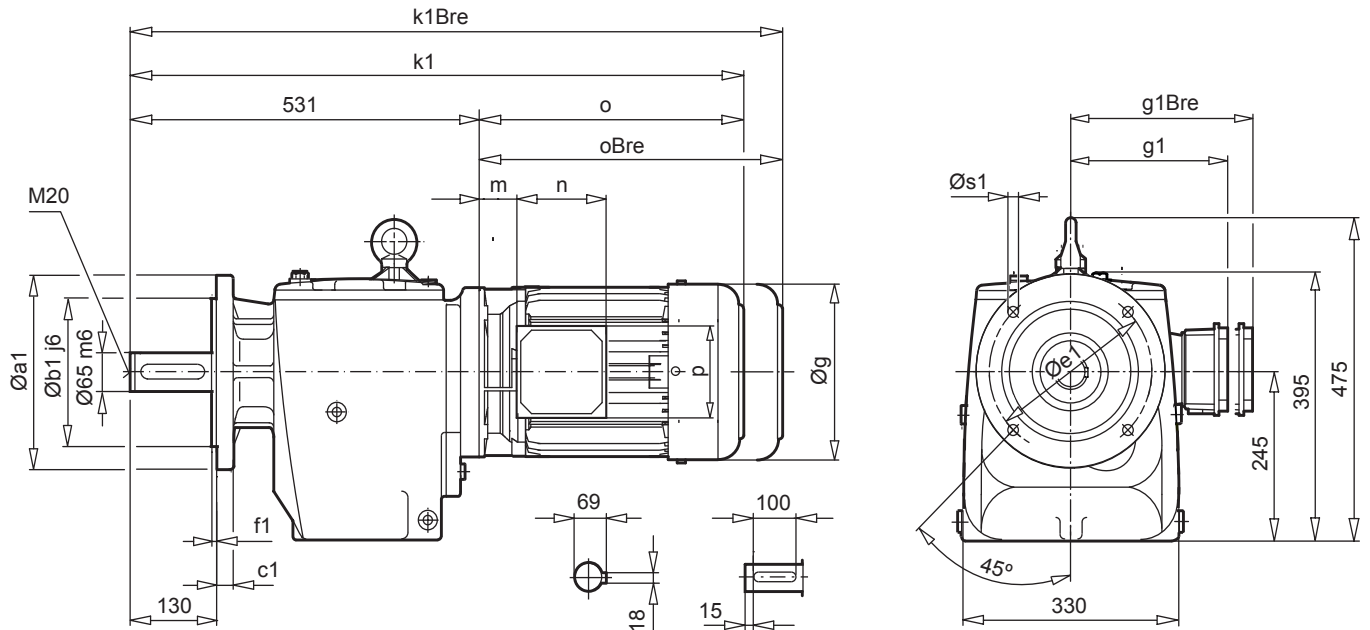
SK 62 SK 62F



SK 62



SK 62F

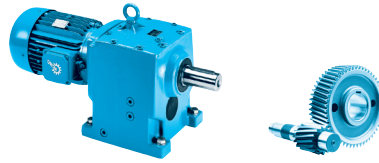


a1	b1	c1	e1	f1	s1
300	230	24	265	4,0	14

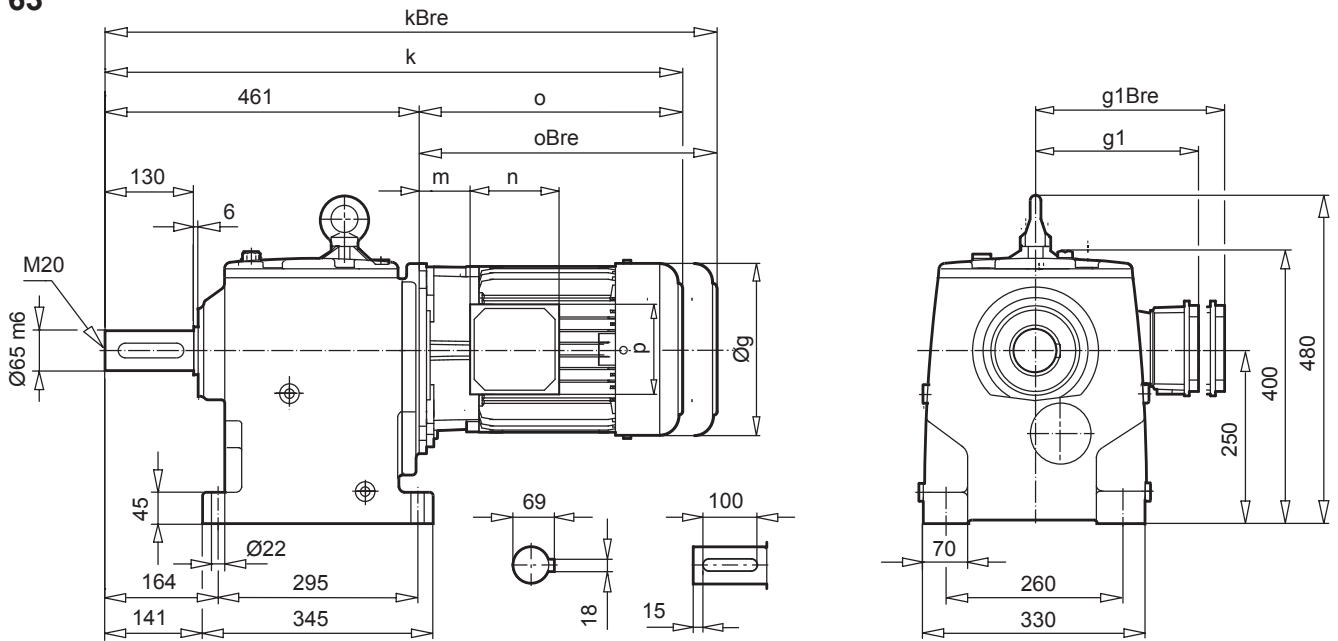
⇒ A61	112 MP	132 SP/MP	160 SP/MP	160 LP	180 MP/LP	225 RP	225 SP/MP	
g	228	266	320	320	348	443	443	
g1 / g1Bre	179 / 182	204 / 201	242 / 242	242 / 242	258 / 258	347 / 347	347 / 347	
k / kBre	838 / 931	922 / 1029	979 / 1114	1023 / 1158	1103 / 1231	1229 / 1409	1229 / 1409	
k1 / k1Bre	882 / 975	966 / 1073	1023 / 1158	1067 / 1202	1145 / 1273	1273 / 1453	1273 / 1453	
o / oBre	351 / 444	435 / 542	492 / 627	536 / 671	614 / 742	742 / 922	742 / 922	
m / mBre	35 / 38	71 / 62	52 / 52	52 / 52	54 / 54	94 / 94	94 / 94	
n / nBre	114 / 153	122 / 185	186 / 186	186 / 186	186 / 186	245 / 245	245 / 245	
p / pBre	114 / 108	122 / 139	186 / 186	186 / 186	186 / 186	245 / 245	245 / 245	



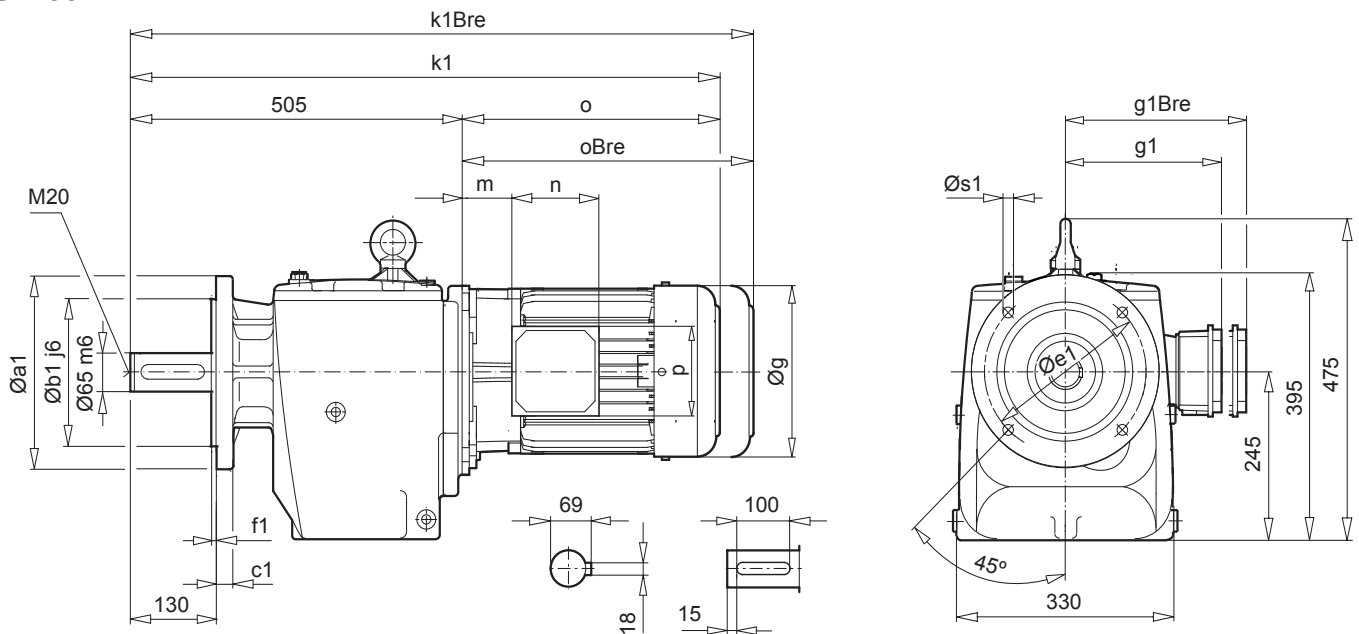
C95



SK 63



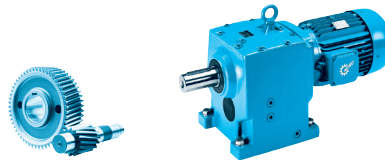
SK 63F



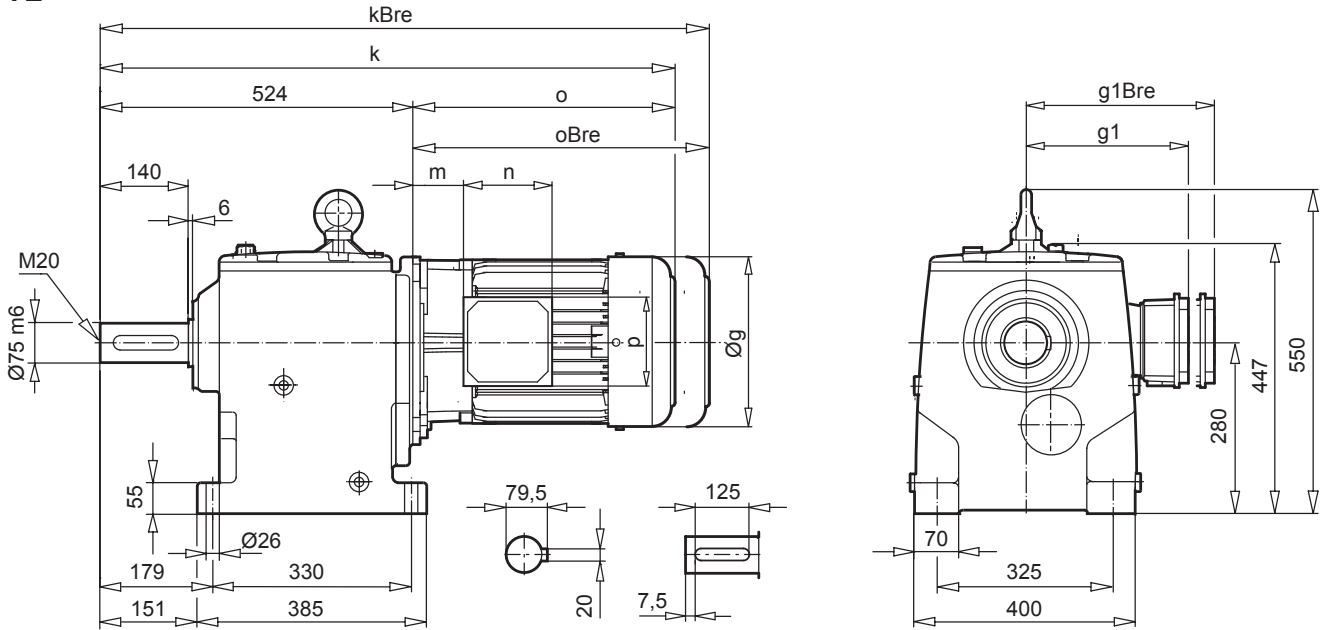
a1	b1	c1	e1	f1	s1
300	230	24	265	4,0	14

⇒ A61	90 SP/LP	100 LP/AP	112 MP	132 SP/MP	160 SP/MP	160 LP	180 MP/LP	C94
g	183	201	228	266	320	320	348	
g1 / g1Bre	147 / 147	169 / 173	179 / 182	204 / 201	242 / 242	242 / 242	258 / 258	
k / kBre	737 / 812	767 / 858	815 / 908	876 / 983	953 / 1088	997 / 1132	1097 / 1225	
k1 / k1Bre	781 / 856	811 / 902	859 / 952	920 / 1027	997 / 1132	1041 / 1176	1139 / 1267	
o / oBre	276 / 351	306 / 397	354 / 447	415 / 522	492 / 627	536 / 671	634 / 762	
m / mBre	26 / 30	32 / 36	48 / 52	51 / 42	52 / 52	52 / 52	74 / 74	
n / nBre	114 / 153	114 / 153	114 / 153	122 / 185	186 / 186	186 / 186	186 / 186	
p / pBre	114 / 108	114 / 108	114 / 108	122 / 139	186 / 186	186 / 186	186 / 186	

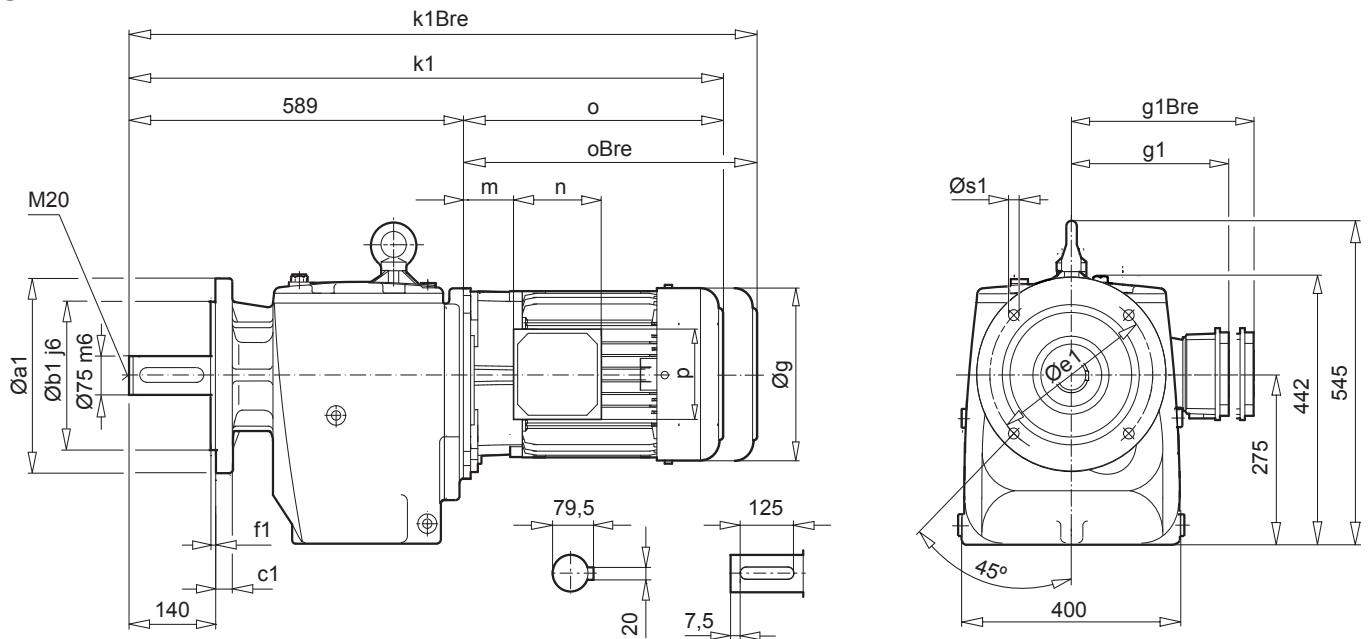
SK 72 SK 72F



SK 72



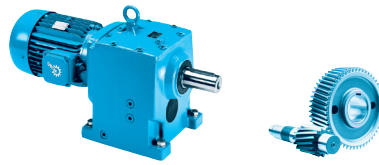
SK 72F



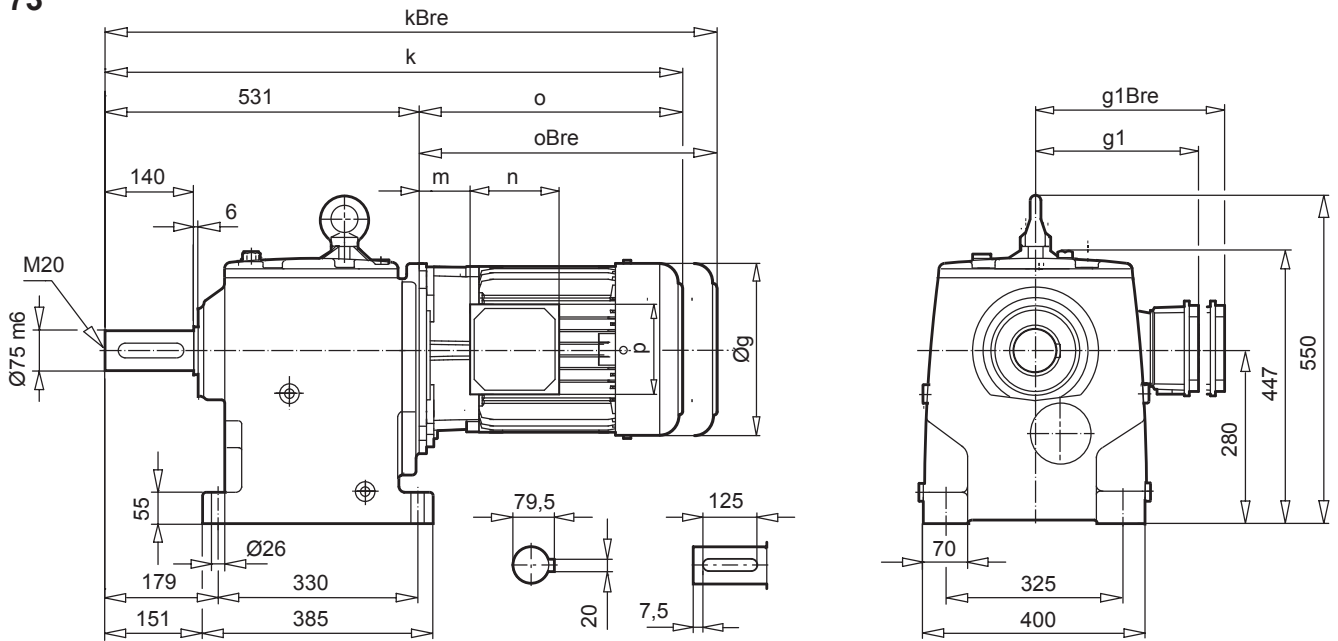
a1	b1	c1	e1	f1	s1
350	250	24	300	5,0	18

⇒ A61	132 MP	160 SP/MP	160 LP	180 MP/LP	225 RP	225 SP/MP	
g	266	320	320	358	443	443	
g1 / g1Bre	204 / 201	242 / 242	242 / 242	258 / 258	347 / 347	347 / 347	
k / kBre	959 / 1066	1016 / 1151	1060 / 1195	1138 / 1266	1266 / 1446	1266 / 1446	
k1 / k1Bre	1024 / 1131	1081 / 1216	1025 / 1260	1203 / 1331	1331 / 1511	1331 / 1511	
o / oBre	435 / 542	492 / 627	536 / 671	614 / 742	742 / 922	742 / 922	
m / mBre	71 / 64	52 / 52	52 / 52	54 / 54	94 / 94	94 / 94	
n / nBre	122 / 185	186 / 186	186 / 186	186 / 186	245 / 245	245 / 245	
p / pBre	122 / 139	186 / 186	186 / 186	186 / 186	245 / 245	245 / 245	

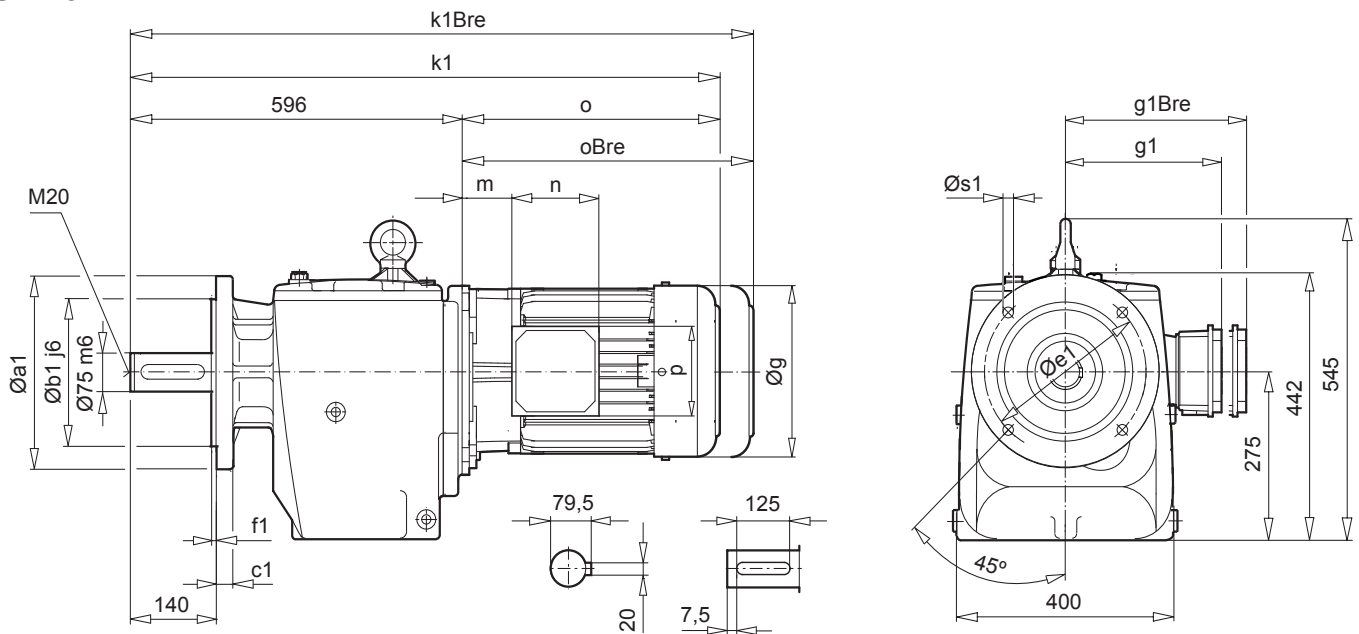




SK 73



SK 73F

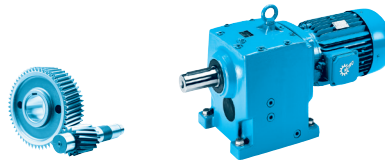


a1	b1	c1	e1	f1	s1
350	250	24	300	5,0	18

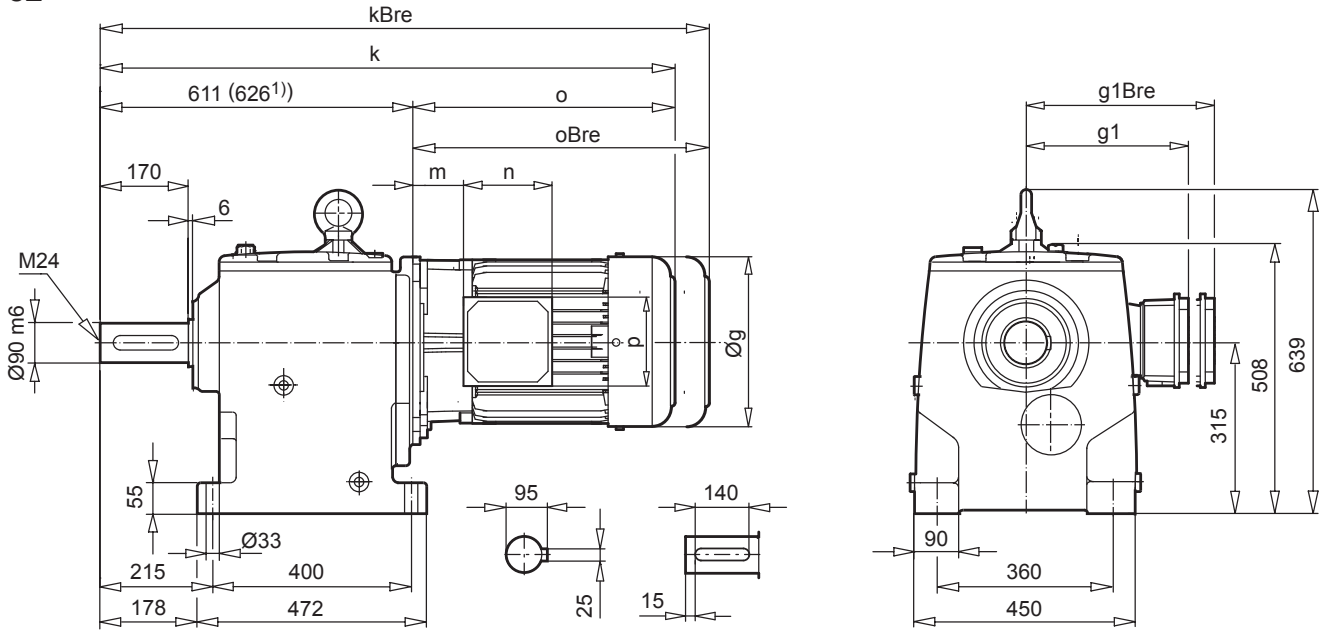
⇒ A61	100 LP/AP	112 MP	132 SP/MP	160 SP/MP	160 LP	180 MP/LP	225 RP	225 SP/MP	
g	201	228	266	320	320	348	443	443	
g1 / g1Bre	169 / 173	179 / 182	204 / 201	242 / 242	242 / 242	258 / 258	347 / 347	347 / 347	
k / kBre	837 / 928	882 / 975	966 / 1073	1023 / 1158	1067 / 1202	1145 / 1273	1273 / 1453	1273 / 1453	
k1 / k1Bre	902 / 993	947 / 1040	1031 / 1038	1088 / 1223	1132 / 1267	1210 / 1338	1338 / 1518	1338 / 1518	
o / oBre	306 / 397	351 / 444	435 / 542	492 / 627	536 / 671	614 / 742	742 / 922	742 / 922	
m / mBre	32 / 36	35 / 38	71 / 62	52 / 52	52 / 52	54 / 54	94 / 94	94 / 94	
n / nBre	114 / 153	114 / 153	122 / 185	186 / 186	186 / 186	186 / 186	245 / 245	245 / 245	
p / pBre	114 / 108	114 / 108	122 / 139	186 / 186	186 / 186	186 / 186	245 / 245	245 / 245	



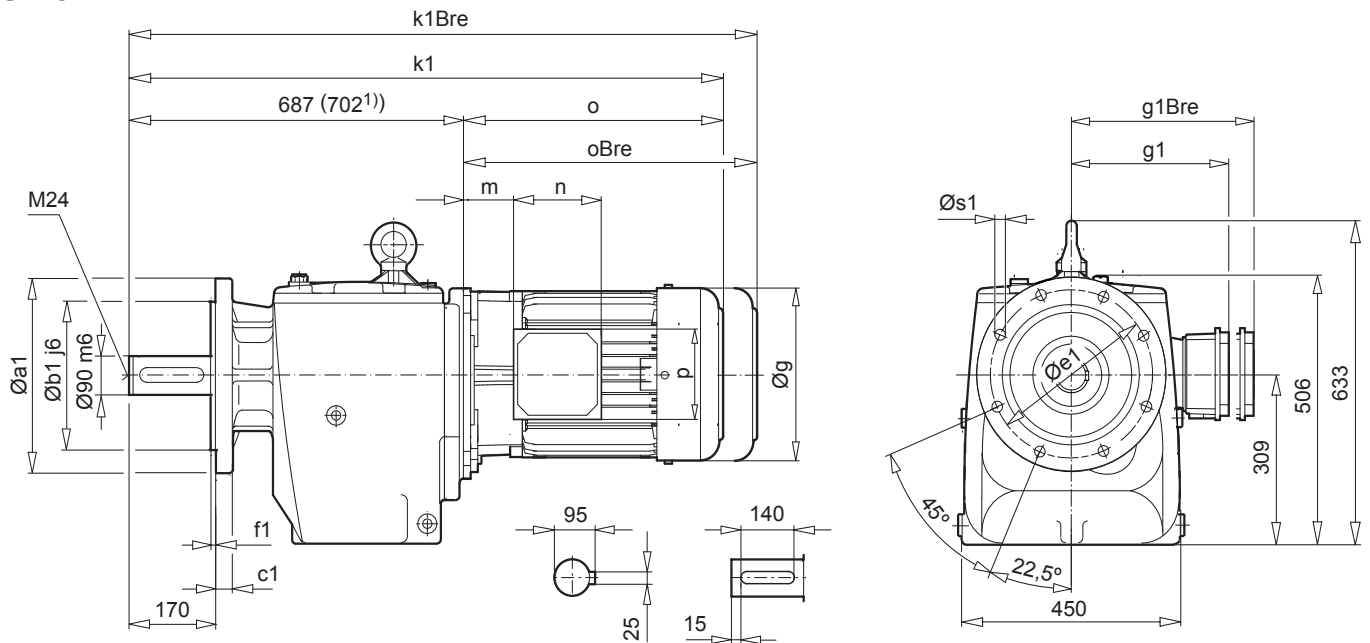
SK 82 SK 82F



SK 82



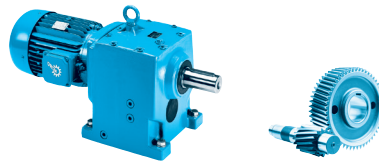
SK 82F



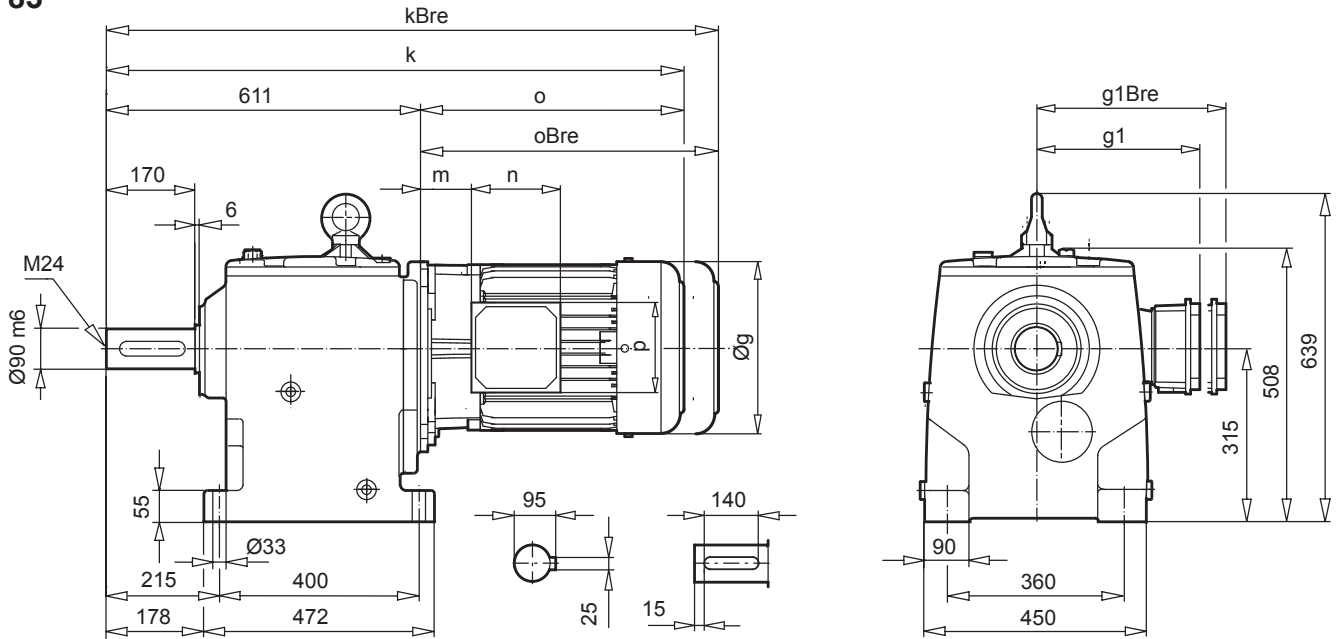
a1	b1	c1	e1	f1	s1
450	350	26	400	5,0	18

⇒ A61	160 SP/MP	160 LP	180 LP	225 RP	225 SP/MP	250 WP ¹⁾	280 SP ¹⁾	
g	320	320	358	443	443	443	551	
g1 / g1Bre	242 / 242	242 / 242	258 / 258	347 / 347	347 / 347	347 / 347	432 / 432	
k / kBre	1103 / 1238	1147 / 1282	1227 / 1355	1353 / 1533	1353 / 1533	1368 / 1548	1456 / 1636	
k1 / k1Bre	1179 / 1314	1223 / 1358	1301 / 1429	1429 / 1609	1429 / 1609	1444 / 1624	1532 / 1712	
o / oBre	492 / 627	536 / 671	614 / 742	742 / 922	742 / 922	742 / 922	830 / 1010	
m / mBre	52 / 52	52 / 52	54 / 54	94 / 94	94 / 94	94 / 94	104 / 104	
n / nBre	186 / 186	186 / 186	186 / 186	245 / 245	245 / 245	245 / 245	233 / 233	
p / pBre	186 / 186	186 / 186	186 / 186	245 / 245	245 / 245	245 / 245	319 / 319	

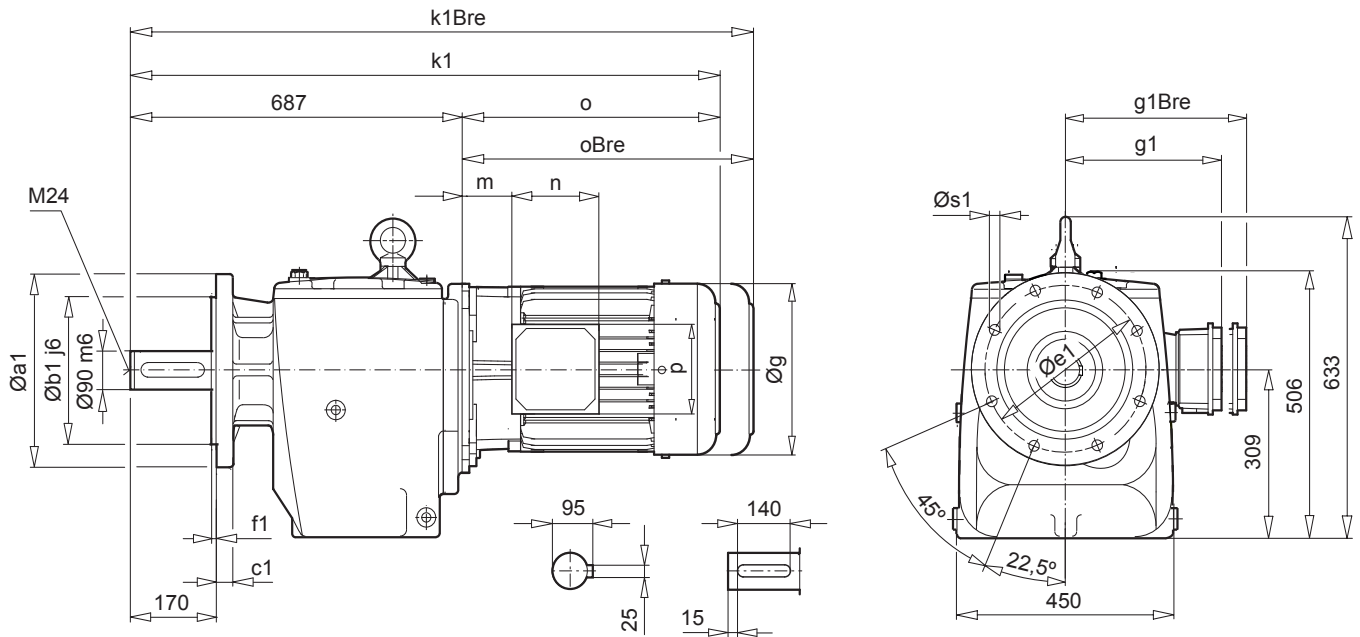




SK 83



SK 83F

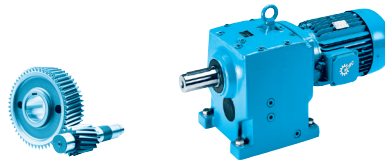


a1	b1	c1	e1	f1	s1
450	350	26	400	5,0	18

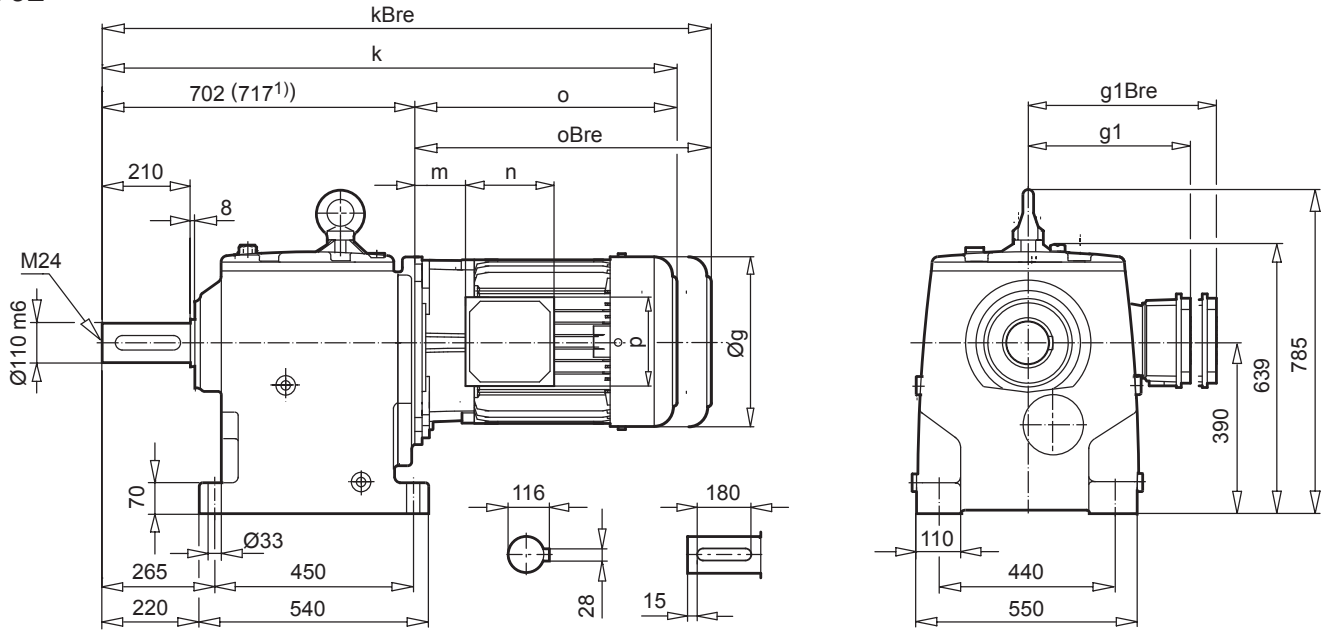
⇒ A61	100 LP/AP	112 MP	132 SP/MP	160 SP/MP	160 LP	180 MP/LP	225 RP	225 SP/MP	
g	201	228	266	320	320	348	443	443	
g1 / g1Bre	169 / 173	179 / 182	204 / 201	242 / 242	242 / 242	258 / 258	347 / 347	347 / 347	
k / kBre	917 / 1008	962 / 1055	1046 / 1153	1103 / 1238	1147 / 1282	1227 / 1355	1353 / 1533	1353 / 1533	
k1 / k1Bre	996 / 1084	1038 / 1131	1122 / 1228	1179 / 1314	1223 / 1358	1301 / 1429	1429 / 1609	1429 / 1609	
o / oBre	306 / 397	351 / 444	435 / 542	492 / 627	536 / 671	614 / 742	742 / 922	742 / 922	
m / mBre	32 / 36	35 / 38	71 / 62	52 / 52	52 / 52	54 / 54	94 / 94	94 / 94	
n / nBre	114 / 153	114 / 153	122 / 185	186 / 186	186 / 186	186 / 186	245 / 245	245 / 245	
p / pBre	114 / 108	114 / 108	122 / 139	186 / 186	186 / 186	186 / 186	245 / 245	245 / 245	



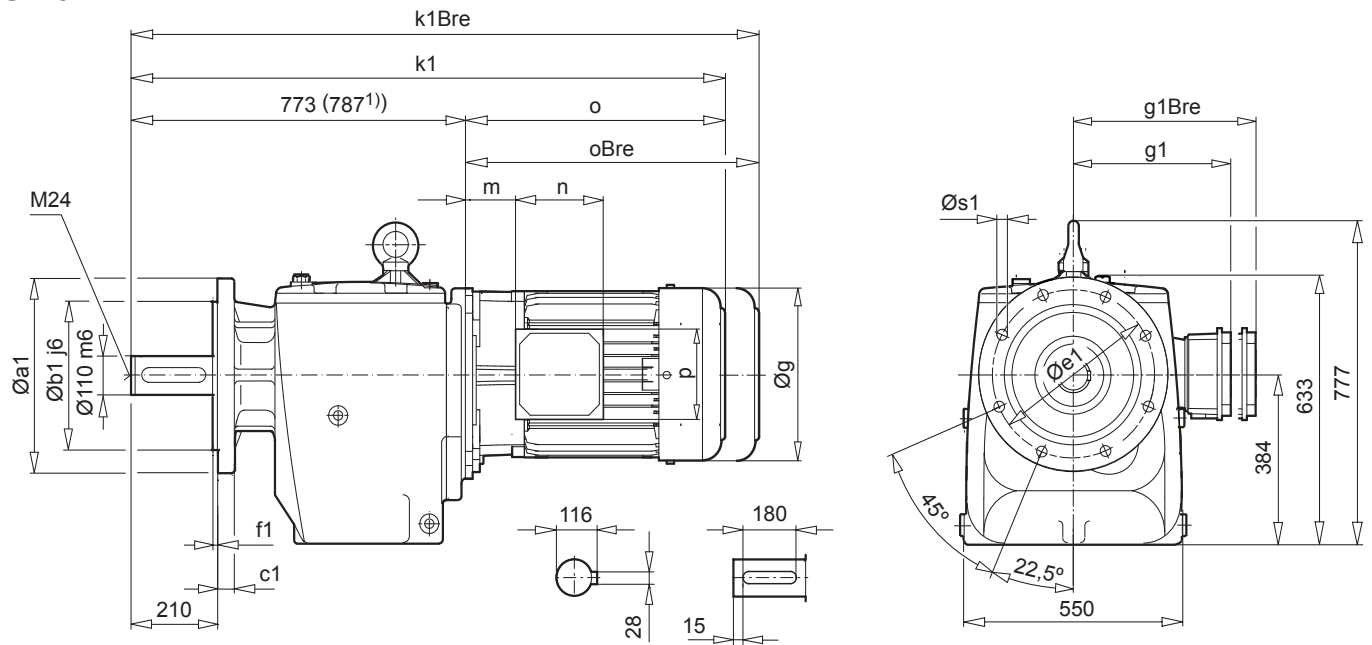
SK 92 SK 92F



SK 92



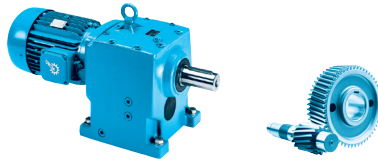
SK 92F



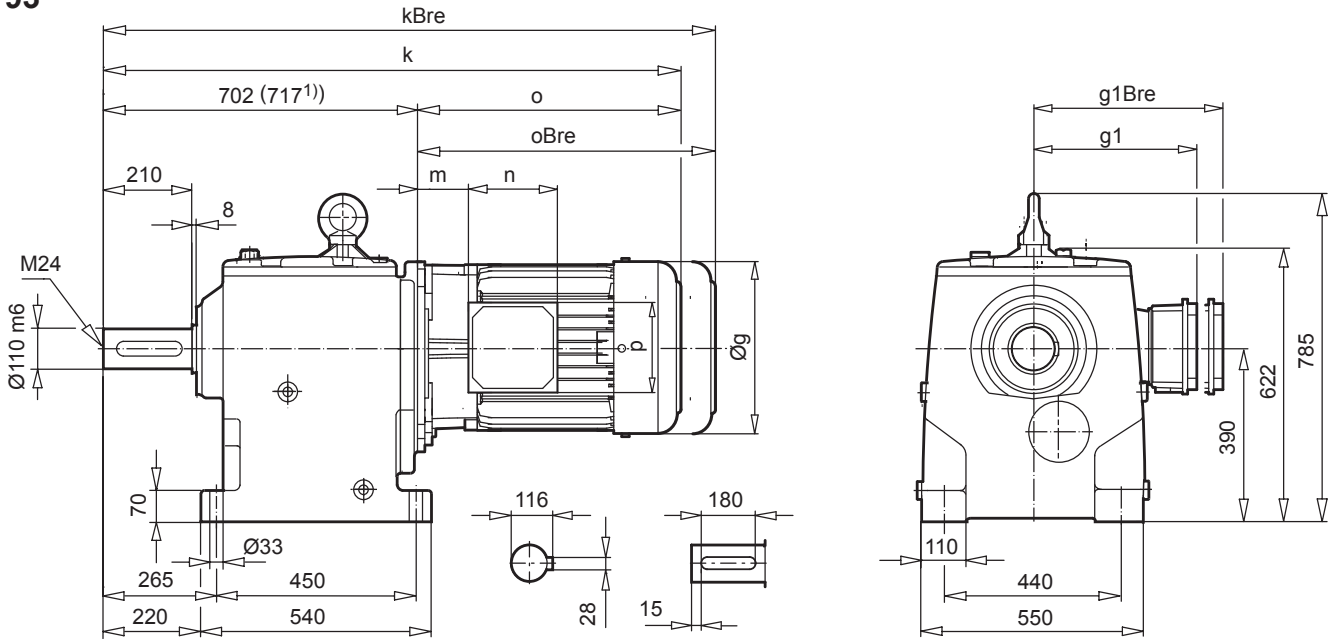
a1	b1	c1	e1	f1	s1
450	350	28	400	5,0	18

⇒ A61	225 SP/MP	250 WP¹)	280 SP¹)	280 MP¹)	315 SP¹)	315 MP/RP¹)		
g	443	443	551	551	616	616		
g1 / g1Bre	347 / 347	347 / 347	432 / 432	434 / 434	516 / -	516 / -		
k / kBre	1444 / 1624	1459 / 1639	1547 / 1727	1537 / 1717	1629 / -	1794 / -		
k1 / k1Bre	1515 / 1695	1529 / 1709	1617 / 1797	1607 / 1787	1699 / -	1864 / -		
o / oBre	742 / 922	742 / 922	830 / 1010	820 / 1000	912 / -	1077 / -		
m / mBre	94 / 94	94 / 94	104 / 104	94 / 94	89 / -	89 / -		
n / nBre	245 / 245	245 / 245	233 / 233	233 / 233	299 / -	299 / -		
p / pBre	245 / 245	245 / 245	319 / 319	319 / 319	420 / -	420 / -		

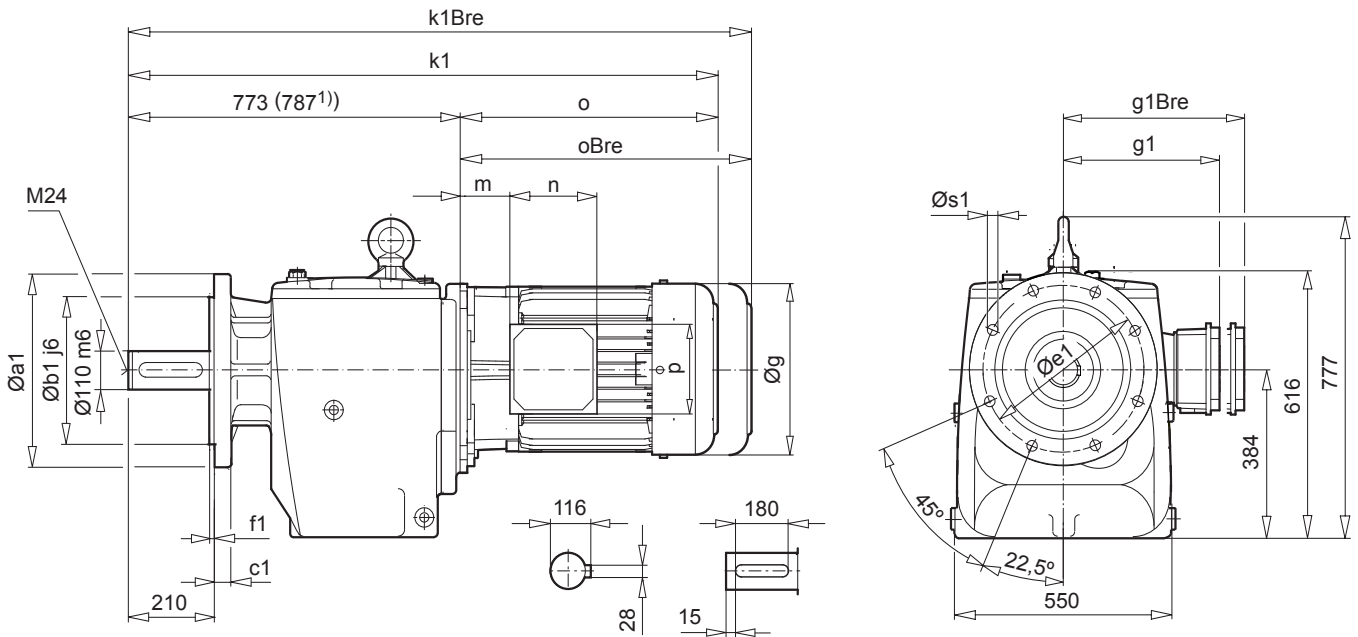




SK 93



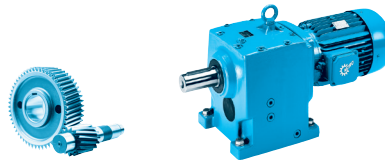
SK 93F



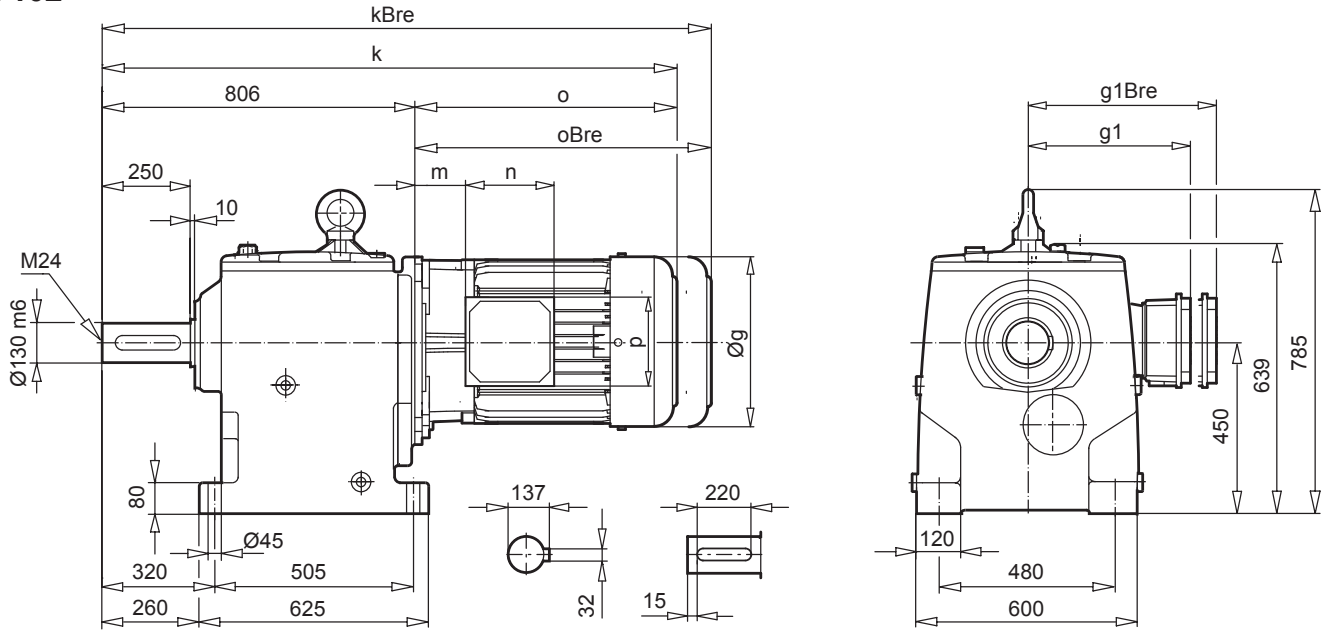
a1	b1	c1	e1	f1	s1
450	350	28	400	5,0	18

⇒ A61	132 SP/MP	160 SP/MP	160 LP	180 MP/LP	225 RP	225 SP/MP	250 WP ¹⁾	280 SP ¹⁾	280 MP ¹⁾	
g	266	320	320	348	443	443	443	551	551	
g1 / g1Bre	204 / 201	242 / 242	242 / 242	258 / 258	347 / 347	347 / 347	347 / 347	432 / 432	434 / 434	
k / kBre	1137 / 1244	1194 / 1329	1238 / 1373	1318 / 1446	1444 / 1624	1444 / 1624	1459 / 1639	1547 / 1727	1537 / 1717	
k1 / k1Bre	1208 / 1315	1265 / 1400	1309 / 1444	1387 / 1515	1515 / 1695	1515 / 1695	1529 / 1709	1617 / 1797	1607 / 1787	
o / oBre	435 / 542	492 / 627	536 / 671	614 / 742	742 / 922	742 / 922	742 / 922	830 / 1010	820 / 1000	
m / mBre	71 / 62	52 / 52	52 / 52	54 / 54	94 / 94	94 / 94	94 / 94	104 / 104	94 / 94	
n / nBre	122 / 185	186 / 186	186 / 186	186 / 186	245 / 245	245 / 245	245 / 245	233 / 233	233 / 233	
p / pBre	122 / 139	186 / 186	186 / 186	186 / 186	245 / 245	245 / 245	245 / 245	319 / 319	319 / 319	
Øs1										
Øe1										

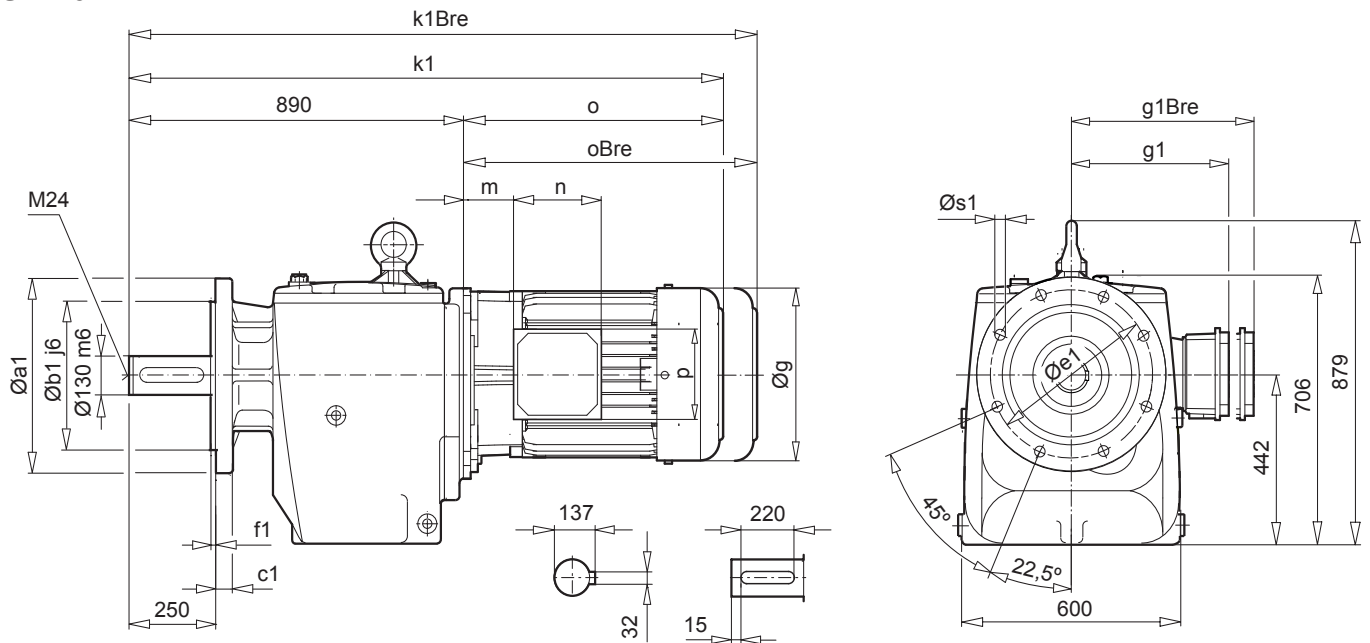
SK 102 SK 102F



SK 102



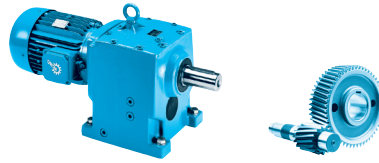
SK 102F



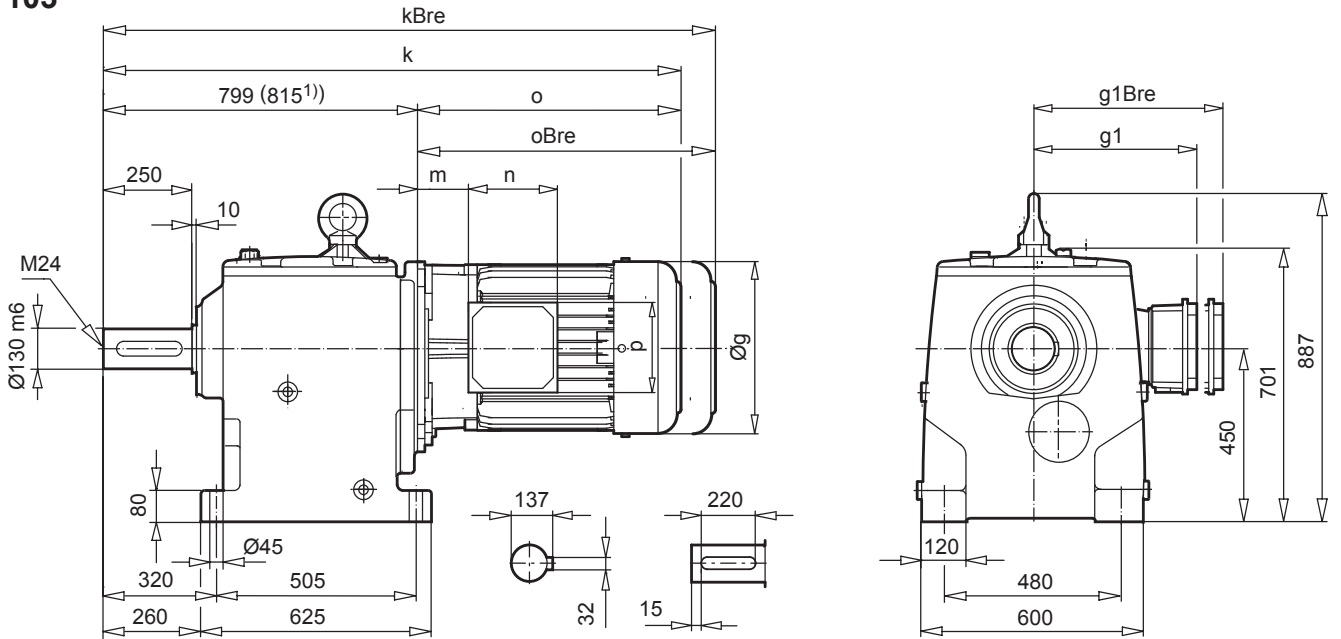
a1	b1	c1	e1	f1	s1
550	450	32	500	5,0	18

⇒ A61	250 WP	280 SP	280 MP	315 SP	315 MP/RP/LP	
g	443	551	551	616	616	
g1 / g1Bre	347 / 347	432 / 432	434 / 434	516 / -	516 / -	
k / kBre	1548 / 1728	1636 / 1816	1626 / 1806	1718 / -	1883 / -	
k1 / k1Bre	1632 / 1812	1720 / 1900	1710 / 1890	1802 / -	1967 / -	
o / oBre	742 / 922	830 / 1010	820 / 1000	912 / -	1077 / -	
m / mBre	94 / 94	104 / 104	94 / 94	89 / -	89 / -	
n / nBre	245 / 245	233 / 233	233 / 233	299 / -	299 / -	
p / pBre	245 / 245	319 / 319	319 / 319	420 / -	420 / -	

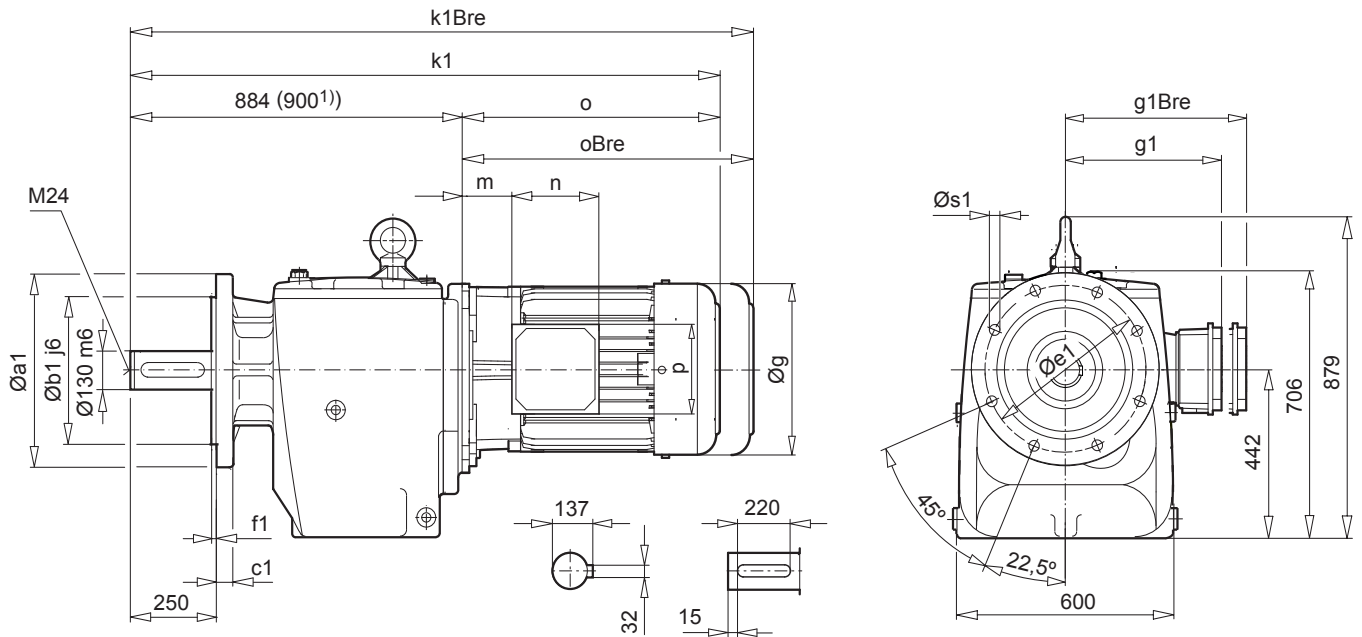






SK 103



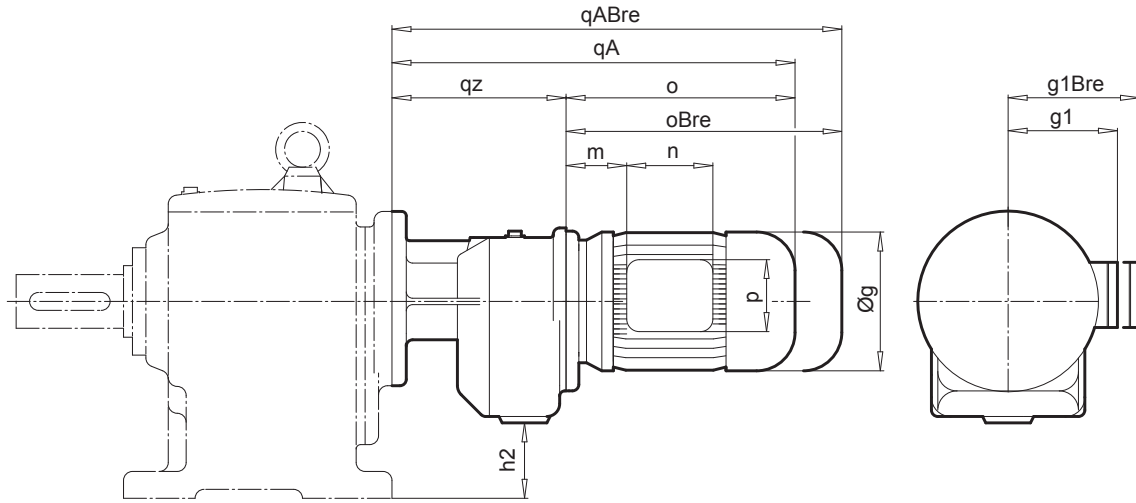
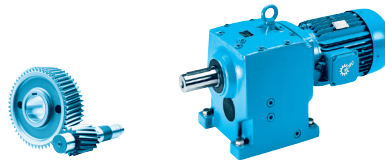
SK 103F



a1	b1	c1	e1	f1	s1
550	450	32	500	5,0	18

⇒ A61	132 SP/MP	160 SP/MP	160 LP	180 MP/LP	225 RP	225 SP/MP	250 WP¹)	280 SP¹)	280 MP¹)	315 SP¹)	
g	266	320	320	348	443	443	443	551	551	616	
g1 / g1Bre	204 / 201	242 / 242	242 / 242	258 / 258	347 / 347	347 / 347	347 / 347	432 / 432	434 / 434	516 / -	
k / kBre	1234 / 1341	1291 / 1426	1335 / 1470	1415 / 1543	1541 / 1721	1541 / 1721	1557 / 1737	1645 / 1825	1635 / 1815	1727 / -	
k1 / k1Bre	1319 / 1426	1376 / 1511	1420 / 1555	1498 / 1626	1626 / 1806	1626 / 1806	1642 / 1822	1730 / 1910	1720 / 1900	1812 / -	
o / oBre	435 / 542	492 / 627	536 / 671	614 / 742	742 / 922	742 / 922	742 / 922	830 / 1010	820 / 1000	912 / -	
m / mBre	71 / 62	52 / 52	52 / 52	54 / 54	94 / 94	94 / 94	94 / 94	104 / 104	94 / 94	89 / -	
n / nBre	122 / 185	186 / 186	186 / 186	186 / 186	245 / 245	245 / 245	245 / 245	233 / 233	233 / 233	299 / -	
p / pBre	122 / 139	186 / 186	186 / 186	186 / 186	245 / 245	245 / 245	245 / 245	319 / 319	319 / 319	420 / -	

SK 12/02 - SK 83/32

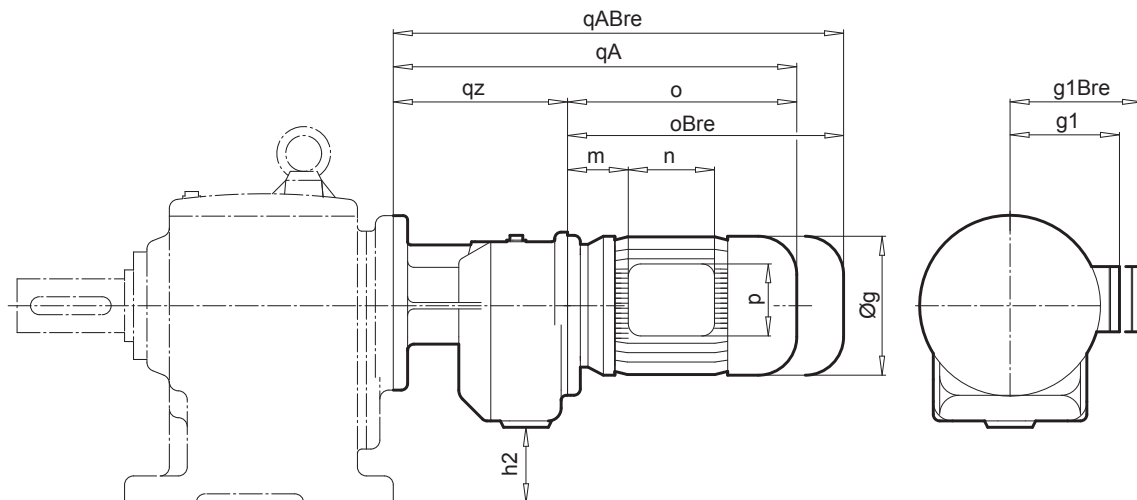
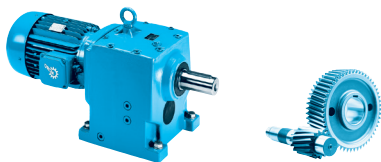


Helical Gear Units

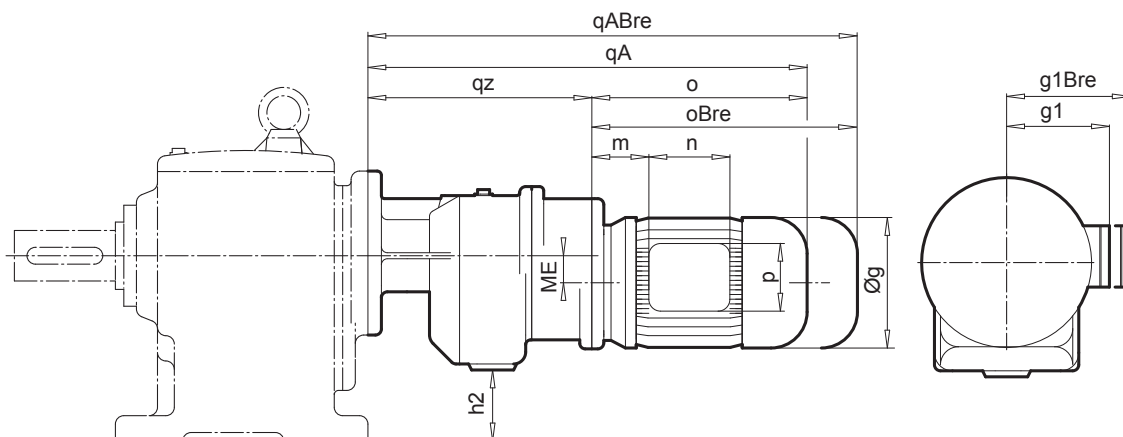
⇒ A61	SK 12/02		SK 22/02			SK 32/12				
	63 S/L	71 S/L	63 S/L	71 S/L	80 SH	63 S/L	71 S	80 SH		
g	130	145	130	145	165	130	145	165		
g1 / g1Bre	115 / 123	124 / 132	115 / 123	124 / 132	142 / 142	115 / 123	124 / 132	142 / 142		
qA / qABre	338 / 394	378 / 436	354 / 410	394 / 452	419 / 483	367 / 410	407 / 465	432 / 496		
o / oBre	196 / 252	236 / 294	196 / 252	236 / 294	261 / 325	196 / 423	236 / 294	261 / 325		
qz	142		158			171				
m / mBre	16 / 22	42 / 48	16 / 22	42 / 48	47 / 51	16 / 22	42 / 48	47 / 51		
n / nBre	100 / 134	100 / 134	100 / 134	100 / 134	114 / 153	100 / 134	100 / 134	114 / 153		
p / pBre	100 / 89	100 / 89	100 / 89	100 / 89	114 / 108	100 / 89	100 / 89	114 / 108		
h2	13		36			49				
⇒	SK 12 ⇒ C70		SK 22 ⇒ C72			SK 32 ⇒ C74				

⇒ A61	SK 42/12				SK 52/12					
	63 S/L	71 S/L	80 SH	90 LP	63 S/L	71 S/L	80 SH	80 LP		
g	130	145	165	183	130	145	165	165		
g1 / g1Bre	115 / 123	124 / 132	142 / 142	147 / 147	115 / 123	124 / 132	142 / 142	142 / 142		
qA / qABre	371 / 427	411 / 469	436 / 500	477 / 552	371 / 427	411 / 469	436 / 500	436 / 500		
o / oBre	196 / 252	236 / 294	261 / 325	302 / 377	196 / 252	236 / 294	261 / 325	261 / 325		
qz	175				175					
m / mBre	16 / 22	42 / 48	47 / 51	52 / 56	16 / 22	42 / 48	47 / 51	47 / 51		
n / nBre	100 / 134	100 / 134	114 / 153	114 / 153	100 / 134	100 / 134	114 / 153	114 / 153		
p / pBre	100 / 89	100 / 89	114 / 108	114 / 108	100 / 89	100 / 89	114 / 108	114 / 108		
h2	69				106					
⇒	SK 42 ⇒ C76				SK 52 ⇒ C78					

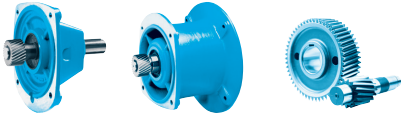
⇒ A61	SK 63/22, SK 73/22*					SK 73/32, SK 83/32*							
	71 L	80 SH	80 LP	90 SP/LP	100 LP/AP*	80 SH*	80 LP*	90 SP/LP	100 LP/AP	112 MP	132 SP		
g	145	165	165	183	201	165	165	183	201	228	266		
g1 / g1Bre	124 / 132	142 / 142	142 / 142	147 / 147	169 / 173	142 / 142	142 / 142	147 / 147	169 / 173	179 / 182	204 / 201		
qA / qABre	410 / 468	435 / 499	435 / 499	476 / 551	506 / 597	474 / 498	474 / 498	515 / 590	545 / 636	593 / 686	654 / 761		
o / oBre	230 / 288	255 / 319	255 / 319	296 / 371	326 / 417	255 / 319	255 / 319	296 / 371	326 / 417	374 / 467	435 / 542		
qz	180					219							
m / mBre	36 / 42	41 / 45	41 / 45	46 / 50	52 / 56	41 / 45	41 / 45	46 / 50	52 / 56	58 / 61	71 / 62		
n / nBre	100 / 134	114 / 153	114 / 153	114 / 153	114 / 153	114 / 153	114 / 153	114 / 153	114 / 153	114 / 153	122 / 185		
p / pBre	100 / 89	114 / 108	114 / 108	114 / 108	114 / 108	114 / 108	114 / 108	114 / 108	114 / 108	114 / 108	122 / 139		
h2	125, 155*					125, 160*							
⇒	SK 63 ⇒ C81, SK 73 ⇒ C83					SK 73 ⇒ C83, SK 83 ⇒ C85							



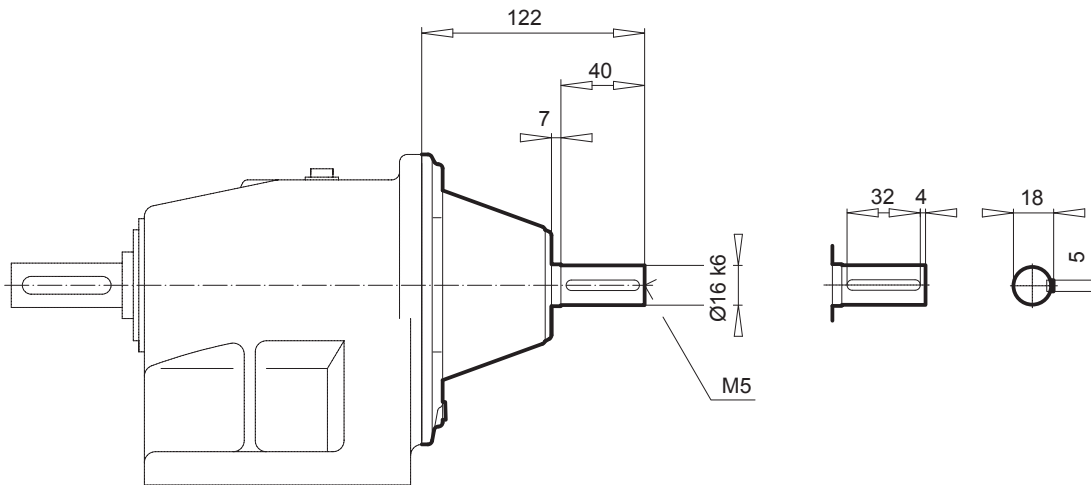
⇒	SK 83/42, SK 93/42*					SK 93/52		SK 103/52							
	90 SP/LP	100 LP/AP	112 MP	132 SP/MP	160 SP*	132 MP	180 MP	90 LP	100 LP/AP	112 MP	132 SP/MP	160 SP/MP	160 LP	180 MP/LP	
g	183	201	228	266	320	266	358	183	201	228	266	320	320	358	
g1 / g1Bre	147 / 147	169 / 173	179 / 182	204 / 201	242 / 242	204 / 201	258 / 258	147 / 147	169 / 173	179 / 182	204 / 201	242 / 242	242 / 242	258 / 258	
qA / qABre	537 / 612	567 / 658	615 / 708	676 / 783	753 / 888	715 / 822	934 / 1062	576 / 651	606 / 697	654 / 747	715 / 822	792 / 927	836 / 971	934 / 1062	
o / oBre	276 / 351	306 / 397	354 / 447	415 / 522	492 / 627	435 / 542	634 / 762	276 / 351	306 / 397	354 / 447	415 / 522	492 / 627	536 / 671	634 / 762	
qz	261					300		300							
m / mBre	26 / 30	32 / 36	38 / 41	51 / 42	52 / 52	51 / 42	74 / 74	26 / 30	32 / 36	38 / 41	51 / 42	52 / 52	52 / 52	74 / 74	
n / nBre	114 / 153	114 / 153	114 / 153	122 / 185	186 / 186	122 / 185	186 / 186	114 / 153	114 / 153	114 / 153	122 / 185	186 / 186	186 / 186	186 / 186	
p / pBre	114 / 108	114 / 108	114 / 108	122 / 139	186 / 186	114 / 108	186 / 186	114 / 108	114 / 108	114 / 108	122 / 139	186 / 186	186 / 186	186 / 186	
h2	140, 215*					178		238							
⇒	SK 83 ⇒ C85, SK 93 ⇒ C87					SK 93 ⇒ C87		SK 103 ⇒ C89							



⇒	SK 63/23			
	63 S/L	71 S/L	80 SH	
g	130	145	165	
g1 / g1Bre	115 / 123	124 / 132	142 / 142	
qA / qABre	436 / 492	476 / 534	501 / 565	
o / oBre	196 / 252	236 / 294	261 / 325	
qz	240			
m / mBre	16 / 22	42 / 48	47 / 51	
n / nBre	100 / 134	100 / 134	114 / 153	
p / pBre	100 / 89	100 / 89	114 / 108	
h2	125			
ME	42,5			
⇒	SK 63 ⇒ C81			



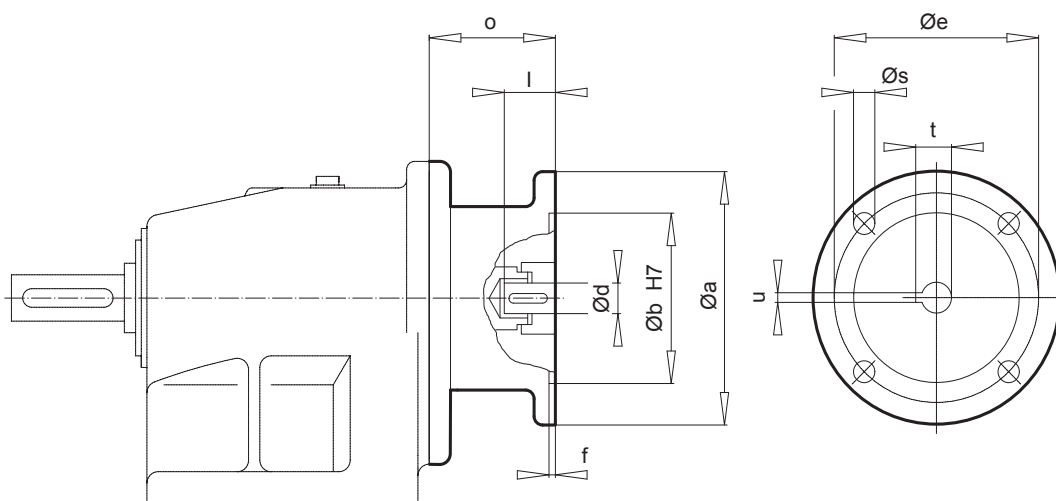
SK ... - W



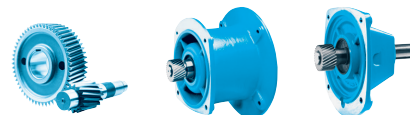
Type	⇒
SK 11E (F)	C63
SK 02 (F)	C68
SK 03 (F)	C69
SK 12 (F)	C70
SK 13 (F)	C71
SK 23 (F)	C73
SK 33N (F)	C75

Type	⇒
SK 12/02 (F)	C90
SK 22/02 (F)	C90
SK 32/12 (F)	C90
SK 42/12 (F)	C90
SK 52/12 (F)	C90
SK 63/23 (F)	C90

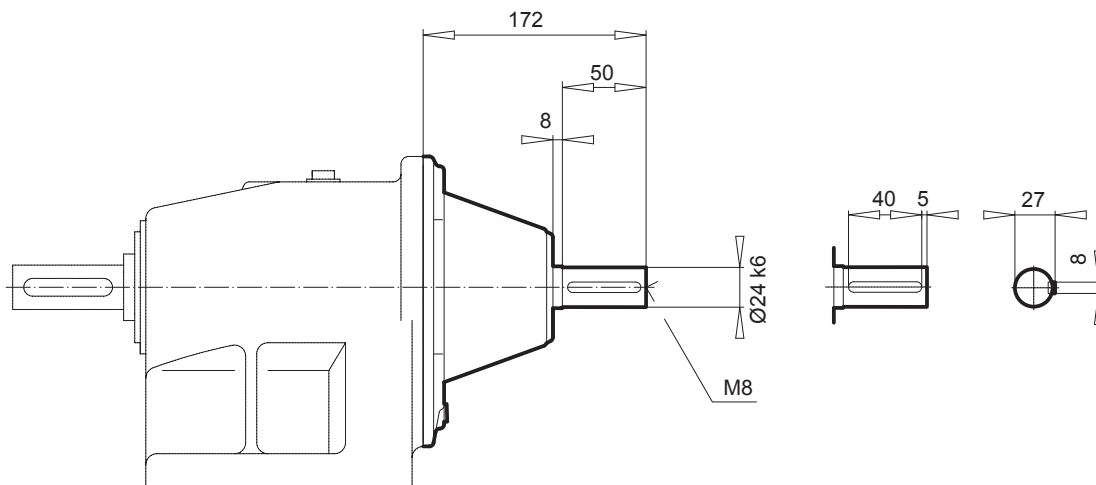
SK ... - IEC ...



IEC	a	b	d	e	f	l	o	s	t	u
63	140	95	11	115	3,5	23	85	M8	12,8	4
71	160	110	14	130	4,0	30	89	M8	16,3	5
80	200	130	19	165	4,0	40	107	M10	21,8	6
90	200	130	24	165	4,0	50	107	M10	27,3	8
100	250	180	28	215	5,0	60	124	M12	31,3	8
112	250	180	28	215	5,0	60	124	M12	31,3	8



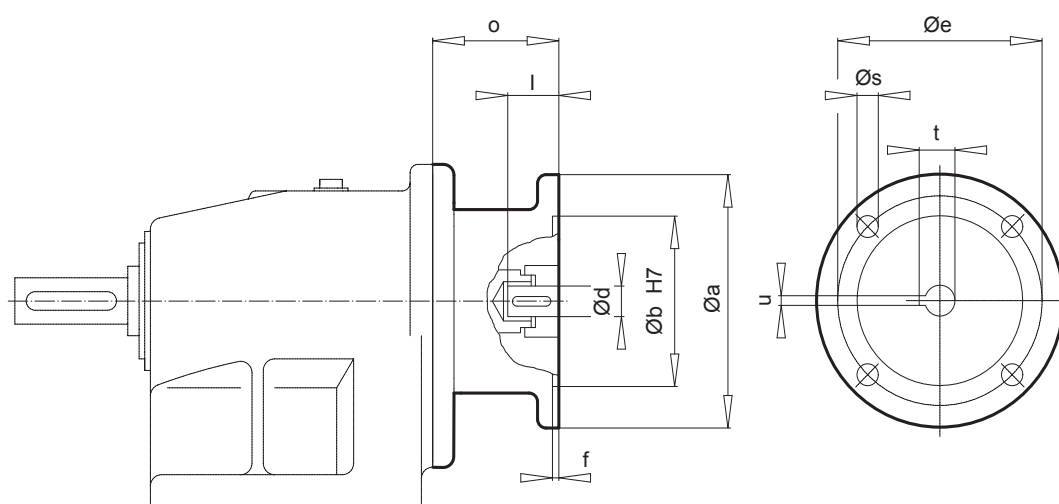
SK ... - W



Type	⇒
SK 21E (F)	C64
SK 31E (F)	C65
SK 22 (F)	C72
SK 32 (F)	C74
SK 43 (F)	C77
SK 53 (F)	C79

Type	⇒
SK 63/22 (F)	C90
SK 73/22 (F)	C90
SK 73/32 (F)	C90
SK 83/32 (F)	C90

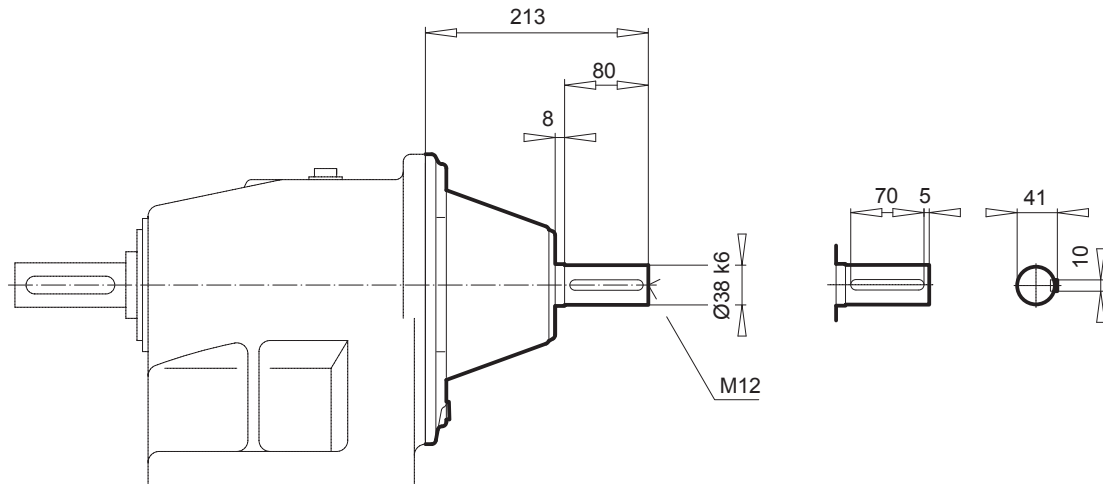
SK ... - IEC ...



IEC	a	b	d	e	f	l	o	s	t	u
71	160	110	14	130	4,0	30	88	M8	16,3	5
80	200	130	19	165	4,0	40	107	M10	21,8	6
90	200	130	24	165	4,0	50	107	M10	27,3	8
100	250	180	28	215	5,0	60	124	M12	31,3	8
112	250	180	28	215	5,0	60	124	M12	31,3	8
132	300	230	38	265	5,0	80	156	M12	41,3	10



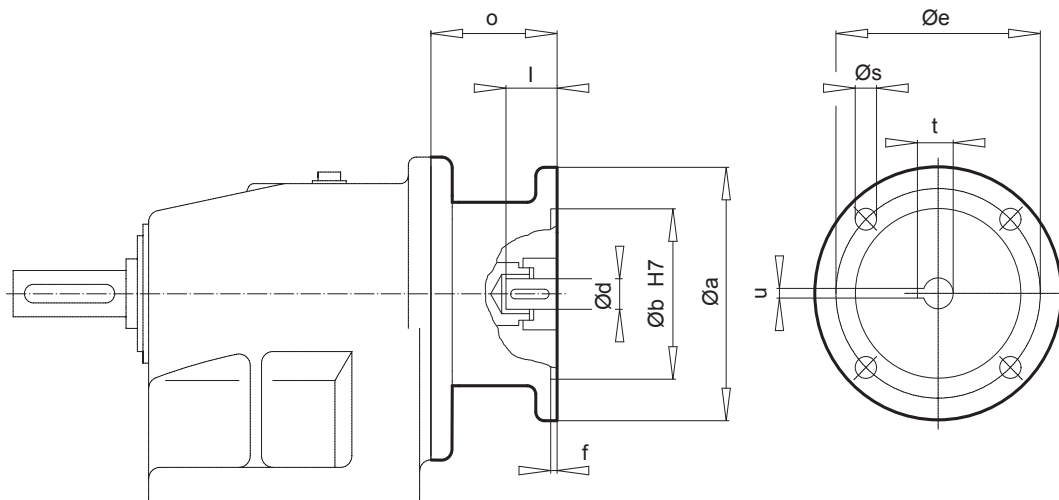
SK ... - W



Type	⇒	📖
SK 41E (F)	C66	
SK 51E (F)	C67	
SK 42 (F)	C76	
SK 52 (F)	C78	
SK 63 (F)	C81	

Type	⇒	📖
SK 83/42 (F)	C91	
SK 93/42 (F)	C91	
SK 93/52 (F)	C91	
SK 103/52 (F)	C91	

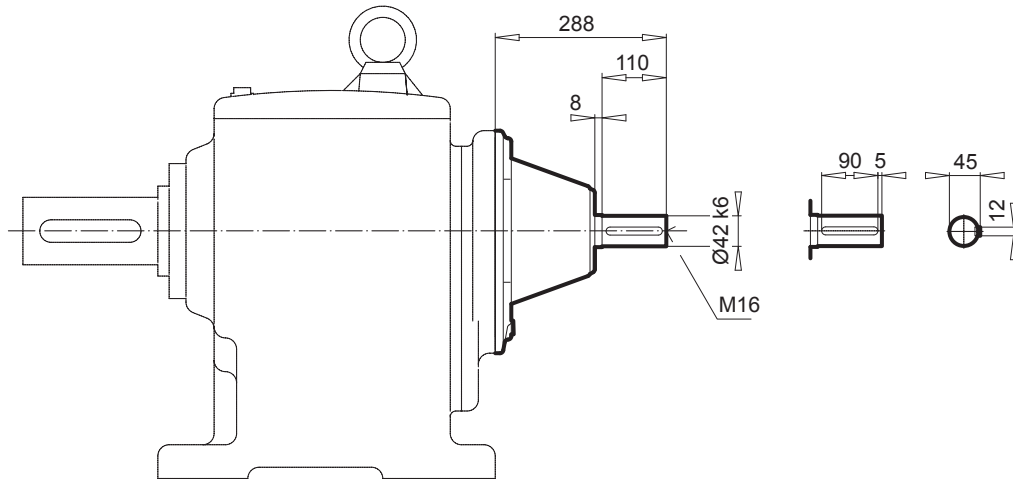
SK ... - IEC ...



IEC	a	b	d	e	f	l	o	s	t	u
90	200	130	24	165	4,0	50	109	M10	27,3	8
100	250	180	28	215	5,0	60	133	M12	31,3	8
112	250	180	28	215	5,0	60	133	M12	31,3	8
132	300	230	38	265	5,0	80	190	M12	41,3	10
160	350	250	42	300	6,0	110	194	M16	45,3	12
180	350	250	48	300	6,0	110	194	M16	51,3	14

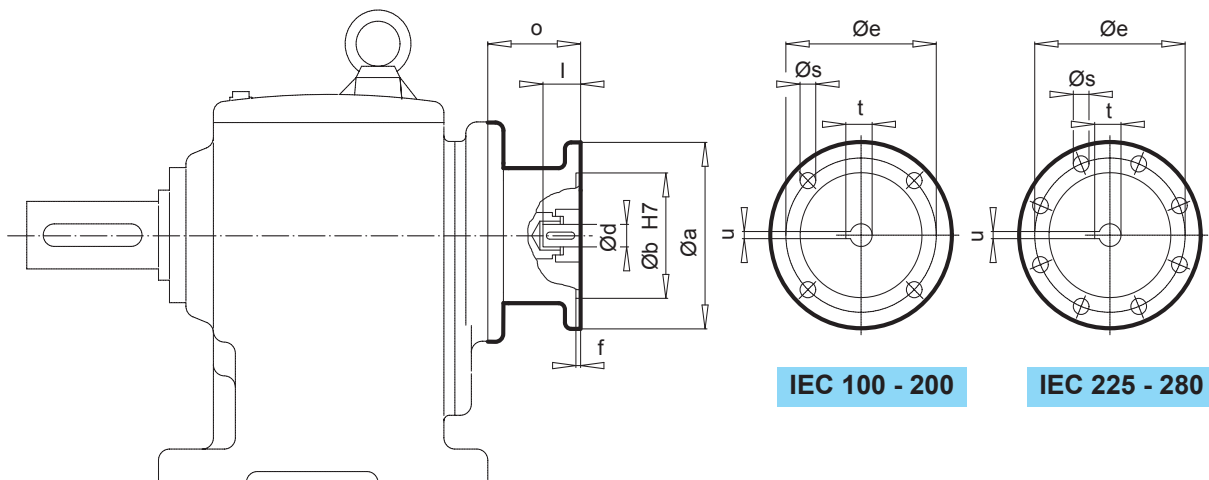


SK ... - W



Type	⇒
SK 62 (F)	C80
SK 63 (F)	C81
SK 72 (F)	C82
SK 73 (F)	C83
SK 83 (F)	C85
SK 93 (F)	C87

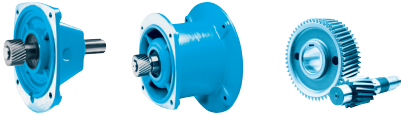
SK ... - IEC ...



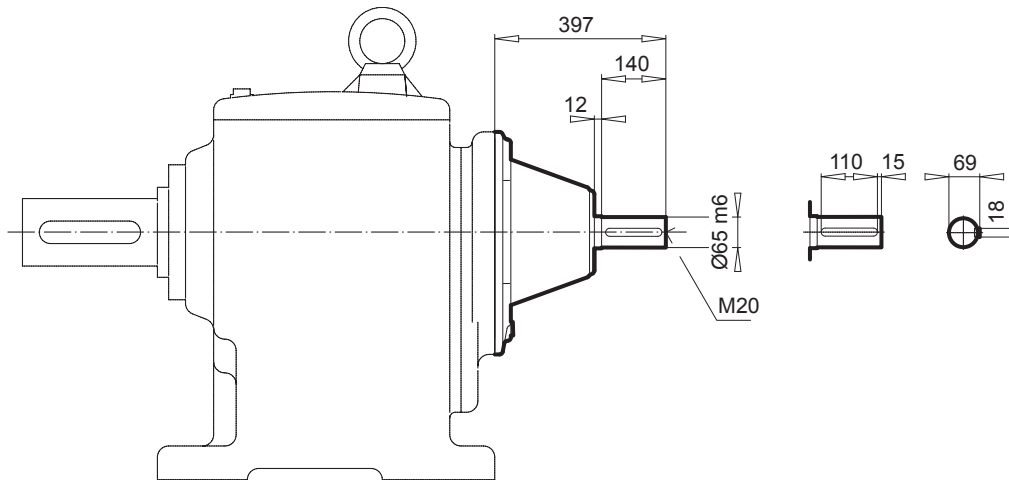
IEC 100 - 200

IEC 225 - 280

IEC	a	b	d	e	f	l	o	s	t	u
100	250	180	28	215	5,0	60	127	M12	31,3	8
112	250	180	28	215	5,0	60	127	M12	31,3	8
132	300	230	38	265	5,0	80	177	M12	41,3	10
160	350	250	42	300	6,0	110	266	M16	45,3	12
180	350	250	48	300	6,0	110	266	M16	51,8	14
200	400	300	55	350	6,0	110	229	M16	59,3	16
225	450	350	60	400	6,0	140	303	M16	64,4	18
250	550	450	65	500	6,0	140	303,5	M16	69,4	18
280	550	450	75	500	6,0	140	303,5	M16	79,9	20

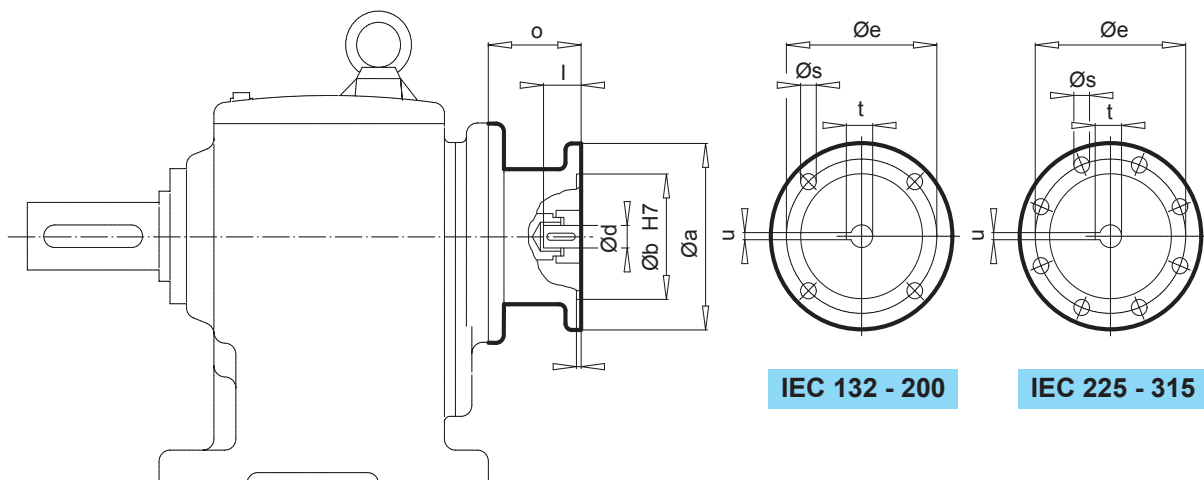


SK ... - W

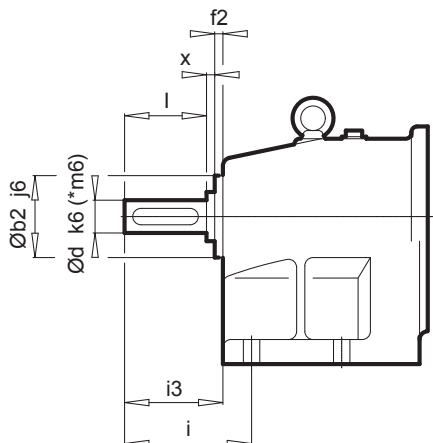
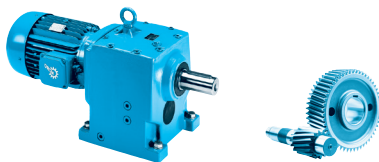


Type	⇒
SK 82 (F)	C84
SK 83 (F)	C85
SK 92 (F)	C86
SK 93 (F)	C87
SK 102 (F)	C88
SK 103 (F)	C89

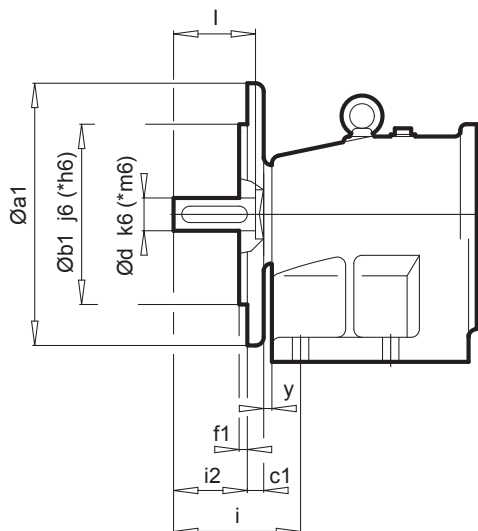
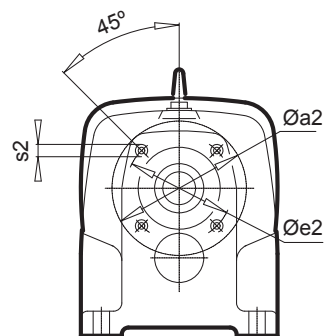
SK ... - IEC ...



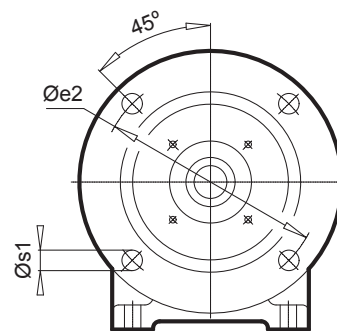
IEC	a	b	d	e	f	l	o	s	t	u
132	300	230	38	265	5,0	80	177	M12	41,3	10
160	350	250	42	300	6,0	110	266	M16	45,3	12
180	350	250	48	300	6,0	110	266	M16	51,8	14
200	400	300	55	350	6,0	110	229	M16	59,3	16
225	450	350	60	400	6,0	140	303	M16	64,4	18
250	550	450	65	500	6,0	140	303,5	M16	69,4	18
280	550	450	75	500	6,0	140	303,5	M16	79,9	20
315	660	550	80	600	7,0	170	381,5	M20	85,4	22



XZ = B14



XF = B5



⇒ A	a2	b2	e2	f2	s2	i	i3	a1	b1	c1	e1	f1	s1	i2	y	d	l	x
SK 02 X. SK 03 X.	90	55	72	8	M 8x13	52	42	160	110	10	130	3,5	9	27	5	20	40	3
SK 12 X. SK 13 X.	95	60	80	9	M 8x13	78	60	200	130	12	165	3,5	11	43	5	25	50	4
SK 22 X. SK 23 X.	130	72	100	10	M12x20	74	59	250	180	16	215	4,0	14	38	5	30	60	5
SK 32 X. SK 33N X.	150	90	120	11	M16x25	96	79	300	230	20	265	4,0	14	54	5	40	80	6
SK 42 X. SK 43 X.	165	105	135	14	M16x25	130	106	300	230	20	265	4,0	14	81	5	45	90	6
SK 52 X. SK 53 X.	200	134	165	19	M16x25	140	120	350	250*	20	300	5,0	18	95	5	55*	110	6
⇒	SK 02 - SK 53 ⇒ C68 - C79																	

Parallel Shaft Gear Units



ENQUIRY FORM D - 2

VERSIONS AVAILABLE D - 3

GEAR UNIT/MOTOR DATA

Power and speed tables D - 4

Power and speed tables

W- and IEC adapters D - 42

DIMENSIONED DRAWINGS

Parallel geared motors D - 63

Parallel gear units, W- and IEC adapters D - 87

OPTIONS

AZ / VZ Hollow shaft / Solid shaft with B14 flange .. D - 93

AX / VX Foot-mounted housing D - 95

AXSH Shrink disk with cover D - 95

AVSH Reinforced shrink disk with cover D - 96

AH / AZH Cover as contact protection D - 97

VL2 / VL3 Agitator version D - 99

G / VG Rubber buffer for torque arm D - 101

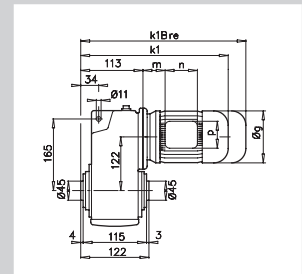
- Lieferbare Ausführungen F

ohlwelle

SK 1282 V
Vollwelle

SK 1282 V
Vollwelle, Fl


P_1 [kW]	n_2 [min ⁻¹]	M_2 [Nm]	f_B
0,55	1,0	4688	2,6 13
	1,3	3653	3,3 10
1,1	1,4	4608	1,5 13
	3,588	2,0 10	
	1,5	3203	2,2 9
	2,0	2450	2,9 7
1,1	4319	1,3 12	



Enquiry form





This general enquiry form can be found in the attachment as well as on the **NORD** homepage under www.nord.com - Heading DOCUMENTATION / FORMS.



General enquiry form





Company	<input type="text"/>		
Street	<input type="text"/>		
Town	<input type="text"/>	Post-code	<input type="text"/>
Contact	<input type="text"/>		
Tel.:	<input type="text"/>	Customer No.	<input type="text"/>
Fax:	<input type="text"/>	Application	<input type="text"/>
Email	<input type="text"/>	Project	<input type="text"/>

NORD DRIVESYSTEMS
 Rudolf-Diesel-Straße 1
 D-22941 Bargteheide
 Tel.: +49(0) 4532/401-0
 Fax: +49(0)4532/401-254
 E-Mail info@nord.com
 www.nord.com


Components required			
<input type="checkbox"/> Gear unit motor	<input type="checkbox"/> IEC – Gear unit motor	<input type="checkbox"/> Gear unit with free shaft end	<input type="checkbox"/> Stand-alone motor

Quantity	<input type="text"/>	Type	<input type="text"/>
----------	----------------------	------	----------------------

Parameters specific to the gear unit		Parameters specific to gear unit	
Version	<input type="text"/>	Gear ratio	<input type="text"/>
Flange	<input type="checkbox"/> B14 <input type="checkbox"/> B5 \varnothing <input type="text"/> [mm]	Bearings	<input type="checkbox"/> Normal <input type="checkbox"/> VL <input type="checkbox"/> VL2 <input type="checkbox"/> VL3 <input type="checkbox"/> AL
	<input type="checkbox"/> Hollow shaft <input type="checkbox"/> Solid shaft \varnothing <input type="text"/> x <input type="text"/> [mm]	For bevel gear or worm gear units	Shaft at <input type="checkbox"/> A <input type="checkbox"/> B
Output speed at mains frequency n_2	<input type="text"/> [min ⁻¹]	Oil type	<input type="checkbox"/> Mineral <input type="checkbox"/> Synthetic <input type="checkbox"/> Foodstuff-compatible oil <input type="checkbox"/> Special oil type <input type="text"/>
Output torque M_2	<input type="text"/> [Nm]	Parameters specific to motor	
Min. operating factor f_b	<input type="text"/>	Effective motor power	<input type="text"/> [kW]
Min. bearing life L_h	<input type="text"/> [h]	Motor speed n_1	<input type="text"/> [min ⁻¹]
Radial forces on output shaft F_{R2}	<input type="text"/> [N]	Temperature sensor (PTC)	<input type="checkbox"/> Bi-metal temperature monitor <input type="checkbox"/>
Axial forces on output shaft F_{A2}	<input type="text"/> [N]	Mains voltage	<input type="text"/> [V] +/- <input type="text"/> [%]
Dist. from shaft collar to point of action of force	<input type="text"/> [mm]	Mains frequency	<input type="text"/> [Hz]

Page 1 of 2



Outline conditions

Ambient temperatures	<input type="text"/>	from	<input type="text"/>	[°C]
<input type="checkbox"/> Buffer mounting for travelling drives	<input type="text"/>	[Nm]		
<input type="checkbox"/> Relative humidity	<input type="text"/>	[%]		
<input type="checkbox"/> Exposure to direct sunlight				
<input type="checkbox"/> Aggressive media (e.g.: salty air)				
<input type="checkbox"/> Increased installation altitude	<input type="text"/>	[m]		
<input type="checkbox"/> Precipitation				
<input type="checkbox"/> ATEX (explosive mixtures in the vicinity)	Zone	<input type="text"/>		

Painting

<input type="checkbox"/> Not painted				
<input type="checkbox"/> Paint 1.0 - Primer				
<input type="checkbox"/> Paint 2.0 - standard				
<input type="checkbox"/> Paint 3.0 - normal environmental contamination				
<input type="checkbox"/> Paint 3.1 - moderate environmental contamination				
<input type="checkbox"/> Paint 3.2 - severe environmental contamination				
<input type="checkbox"/> Other painting (e.g.: Z, 3.4 or 3.5)	<input type="text"/>			
<input type="checkbox"/> Special colour (Standard RAL7031)	RAL	<input type="text"/>		
<input type="checkbox"/> Regulations DIN EN, etc., please state	<input type="text"/>			

General conditions

Quote by	<input type="text"/>
Purchasing conditions	known <input type="checkbox"/> not known <input type="checkbox"/>
Purchasing conditions attached	<input type="checkbox"/>
Delivery time after receipt of order	<input type="text"/>
Delivery carriage paid	<input type="checkbox"/>

Control cabinet inverter Motor-mounted inverter

Adjustment range from [Hz] to [Hz]

Constant torque within adjustment range [Nm]

External fan

Increase in motor size (with constant torque)

Positioning Incremental Absolute

Speed feedback

Generator operation for power feedback [kW]

Bus system- type of bus system

Control via PC Control box

Comments

Page 2 of 2

Parallel shaft gear units

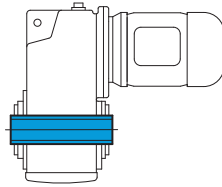
Examples - available versions: parallel shaft geared motor

With hollow shaft

With solid shaft

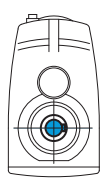
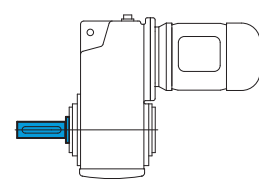
SK 1282 A - 90 LP/4

Hollow shaft



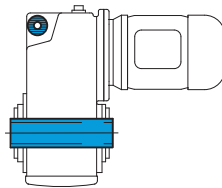
SK 1282 V - 90 LP/4

Solid shaft



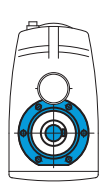
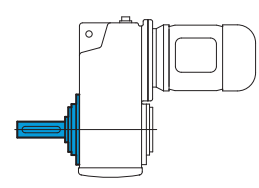
SK 1282 AG - 90 LP/4

Hollow shaft, rubber buffer for torque arm



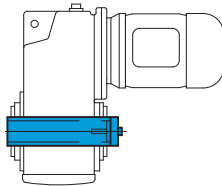
SK 1282 VZ - 90 LP/4

Solid shaft, B14 flange



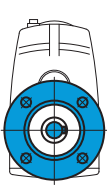
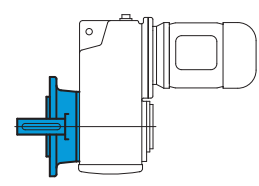
SK 1282 AB - 90 LP/4

Hollow shaft, fastening element



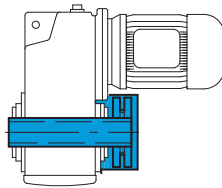
SK 1282 VF - 90 LP/4

Solid shaft, B5 flange



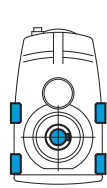
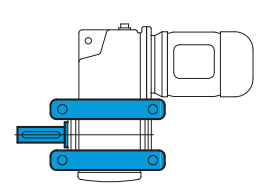
SK 1282 ASH - 80 LP/4

Hollow shaft, shrink disk
See page A25



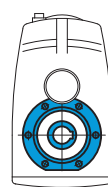
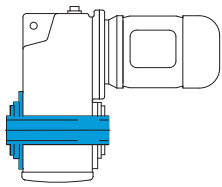
SK 1282 VX - 90 LP/4

Solid shaft, foot-mounted housing



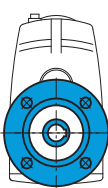
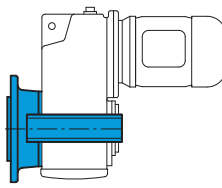
SK 1282 AZ - 90 LP/4

Hollow shaft, B14 flange



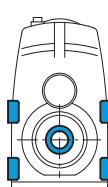
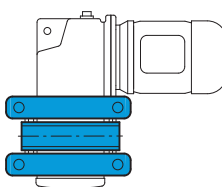
SK 1282 AF - 90 LP/4

Hollow shaft, B5 flange



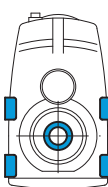
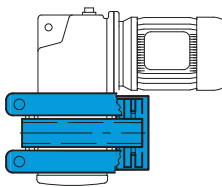
SK 1282 AX - 90 LP/4

Hollow shaft,
Foot-mounted housing



SK 1282 AXSH - 90 LP/4

Hollow shaft, shrink disk,
foot-mounted housing



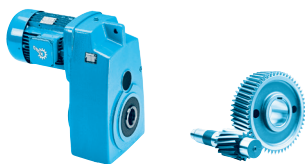
0,12 kW
0,18 kW




P ₁ [kW]	n ₂ [min ⁻¹]	M ₂ [Nm]	f _B	i _{ges}	F _R [kN]	F _A [kN]	F _{R VL} [kN]	F _{A VL} [kN]	Type	kg	mm
0,12	1,0	769	2,3	1343,53	21,5	22,0	30,3	30,0	SK 4282/12 - 63 S/4	69	D68 D85
	1,2	636	2,8	1110,82	21,7	22,0	30,4	30,0			
	1,5	500	3,6	873,31	21,9	22,0	30,6	30,0			
	1,0	765	1,2	1335,98	15,0	14,5	21,9	20,0	SK 3282/12 - 63 S/4	54	D66 D85
	1,3	611	1,5	1067,99	15,5	14,5	22,2	20,0			
	1,6	488	1,8	853,43	15,9	14,5	22,5	20,0			
	1,9	393	2,3	686,08	16,1	14,5	22,6	20,0			
	1,1	*1125	0,8	808,42	13,1	14,5	20,6	20,0	SK 3382 - 63 L/6	52	D67
	1,2	963	1,0	726,61	14,1	14,5	21,2	20,0			
	1,5	774	1,3	584,13	14,9	14,5	21,8	20,0			
	1,3	878	0,9	1022,42	14,5	14,5	21,5	20,0	SK 3382 - 63 S/4	52	D67
	1,7	694	1,5	808,42	15,2	14,5	22,0	20,0			
	1,8	624	1,5	726,61	15,5	14,5	22,2	20,0			
	2,3	501	2,0	584,13	15,8	14,5	22,5	20,0			
	2,8	414	2,1	482,56	16,0	14,5	22,6	20,0			
	3,3	351	2,3	408,58	16,1	14,5	22,7	20,0			
	1,3	609	0,9	1064,71	7,3	12,0	12,2	15,0	SK 2282/02 - 63 S/4	37	D64 D85
	1,6	472	1,1	824,77	8,6	12,0	13,0	15,0			
	1,1	*548	0,8	763,41	8,0	12,0	12,6	15,0	SK 2382 - 63 L/6	36	D65
1,4	*651	0,8	623,10	6,9	12,0	12,0	15,0				
1,8	*651	0,8	482,56	6,9	12,0	12,0	15,0				
1,7	*548	0,8	763,41	8,0	12,0	12,6	15,0	SK 2382 - 63 S/4	36	D65	
2,1	535	1,0	623,10	8,1	12,0	12,7	15,0				
2,8	414	1,3	482,56	8,9	12,0	13,2	15,0				
3,4	336	1,6	390,93	9,4	12,0	13,5	15,0				
4,0	284	2,0	330,45	9,6	12,0	13,7	15,0				
4,8	237	2,3	276,27	9,7	12,0	13,8	15,0				
5,7	203	2,3	236,11	9,8	12,0	13,9	15,0				
1,0	*362	0,8	1362,13	5,2	7,2	8,4	7,2				SK 1282/02 - 63 S/4
1,3	*362	0,8	1066,50	5,2	7,2	8,4	7,2				
1,6	*362	0,8	826,23	5,2	7,2	8,4	7,2				
2,0	*362	0,8	663,69	5,2	7,2	8,4	7,2				
2,4	313	0,9	546,50	5,7	7,2	8,8	7,2				
3,3	232	1,2	405,75	6,3	7,2	9,2	7,2				
7,9	145	1,4	109,50	6,7	7,2	9,5	7,2	SK 1282 - 63 L/6	18	D63	
9,4	123	1,9	92,48	6,8	7,2	9,5	7,2				
11	108	2,8	81,17	6,8	7,2	9,6	7,2				
12	94	2,2	109,50	6,9	7,2	9,6	7,2	SK 1282 - 63 S/4	18	D63	
14	79	2,9	92,48	6,9	7,2	9,6	7,2				
16	70	4,2	81,17	6,9	7,2	9,6	7,2				
0,18	1,2	1077	2,8	1095,71	31,2	32,0	44,2	40,0	SK 5282/12 - 63 L/4	105	D70 D85
	1,0	1321	1,4	1343,53	20,1	22,0	29,3	30,0	SK 4282/12 - 63 L/4	69	D68 D85
	1,2	1092	1,6	1110,82	20,8	22,0	29,8	30,0			
	1,6	859	2,1	873,31	21,3	22,0	30,2	30,0			
	1,2	1478	1,0	782,32	19,5	22,0	28,9	30,0	SK 4382 - 71 S/6	75	D69
	1,4	1236	1,0	654,27	20,3	22,0	29,5	30,0			
	1,7	1006	2,0	532,44	21,0	22,0	29,9	30,0			
	2,0	841	2,0	445,23	21,3	22,0	30,2	30,0			
	2,5	701	2,4	371,28	21,6	22,0	30,4	30,0			
	1,3	1050	0,9	1067,99	13,6	14,5	20,9	20,0	SK 3282/12 - 63 L/4	54	D66 D85
	1,6	839	1,1	853,43	14,7	14,5	21,6	20,0			
1,6	1103	0,9	584,13	13,2	14,5	20,7	20,0	SK 3382 - 71 S/6	53	D67	

* Maximum output torque with f_B = 0,8

Parallel shaft gear units



P ₁ [kW]	n ₂ [min ⁻¹]	M ₂ [Nm]	f _B	i _{ges}	F _R [kN]	F _A [kN]	F _{R VL} [kN]	F _{A VL} [kN]	Type	kg	mm 			
0,18	1,7	1022	1,0	808,42	13,7	14,5	21,0	20,0	SK 3382 - 63 L/4	52	D67			
	1,9	918	1,0	726,61	14,3	14,5	21,4	20,0						
	2,3	738	1,4	584,13	15,1	14,5	21,9	20,0						
	2,8	610	1,4	482,56	15,5	14,5	22,2	20,0						
	3,3	516	1,5	408,58	15,8	14,5	22,4	20,0						
	4,7	363	2,6	287,14	16,1	14,5	22,7	20,0						
	5,9	292	3,4	230,83	16,2	14,5	22,7	20,0						
	7,1	241	3,6	190,69	16,3	14,5	22,8	20,0						
	8,1	212	3,6	112,23	16,3	14,5	22,8	20,0				SK 3282 - 71 S/6	45	D66
	2,1	652	0,8	662,92	6,9	12,0	11,9	15,0				SK 2282/02 - 63 L/4	37	D64 D85
	2,6	506	1,0	514,51	8,3	12,0	12,8	15,0						
	2,8	610	0,9	482,56	7,3	12,0	12,2	15,0				SK 2382 - 63 L/4	36	D65
	3,5	494	1,1	390,93	8,4	12,0	12,9	15,0						
	4,1	418	1,3	330,45	8,9	12,0	13,2	15,0						
	4,9	349	1,6	276,27	9,3	12,0	13,5	15,0						
5,8	298	1,6	236,11	9,5	12,0	13,6	15,0							
7,3	234	2,2	185,11	9,8	12,0	13,8	15,0							
7,1	241	1,6	127,51	9,7	12,0	13,8	15,0	SK 2282 - 71 S/6	30	D64				
8,7	197	2,0	104,07	9,9	12,0	13,9	15,0							
9,0	191	2,3	100,98	9,9	12,0	13,9	15,0							
8,3	207	1,0	109,50	6,4	7,2	9,3	7,2	SK 1282 - 71 S/6	19	D63				
9,8	175	1,3	92,48	6,6	7,2	9,4	7,2							
11	153	1,9	81,17	6,7	7,2	9,5	7,2							
12	138	1,5	109,50	6,8	7,2	9,5	7,2	SK 1282 - 63 L/4	18	D63				
15	117	2,0	92,48	6,8	7,2	9,5	7,2							
17	103	2,9	81,17	6,7	7,2	9,6	7,2							
21	84	3,2	66,23	6,3	7,2	9,6	7,2							
0,25	1,0	1940	1,5	1334,62	29,6	32,0	43,1	40,0	SK 5282/12 - 71 S/4	106	D70 D85			
	1,3	1592	1,9	1095,71	30,4	32,0	43,6	40,0						
	1,6	1253	2,4	862,46	31,0	32,0	44,0	40,0						
	2,0	1002	3,0	689,45	31,3	32,0	44,3	40,0						
	1,0	1952	0,9	1343,53	17,3	22,0	27,5	30,0	SK 4282/12 - 71 S/4	70	D68 D85			
	1,2	1614	1,1	1110,82	19,0	22,0	28,6	30,0						
	1,6	1269	1,4	873,31	20,2	22,0	29,4	30,0						
	2,0	1016	1,8	698,96	21,0	22,0	29,9	30,0						
	2,5	812	2,2	558,54	21,4	22,0	30,2	30,0						
	1,7	1382	1,4	532,44	19,9	22,0	29,2	30,0	SK 4382 - 71 L/6	76	D69			
	2,1	1155	1,4	445,23	20,6	22,0	29,7	30,0						
	2,5	964	1,7	371,28	21,1	22,0	30,0	30,0						
	1,2	1955	0,8	1129,91	17,3	22,0	27,5	30,0	SK 4382 - 71 S/4	75	D69			
	1,8	1353	1,1	782,32	20,0	22,0	29,2	30,0						
	2,6	921	2,2	532,44	21,2	22,0	30,1	30,0						
	3,1	770	2,2	445,23	21,5	22,0	30,3	30,0						
	3,5	676	3,0	390,76	21,6	22,0	30,4	30,0						
	4,2	565	3,3	326,81	21,8	22,0	30,5	30,0						
	5,1	472	3,3	272,54	21,9	22,0	30,6	30,0						
	1,9	1257	0,8	726,61	12,1	14,5	20,0	20,0	SK 3382 - 71 S/4	53	D67			
	2,4	1011	1,0	584,13	13,8	14,5	21,1	20,0						
	2,9	835	1,0	482,56	14,7	14,5	21,7	20,0						
	3,4	707	1,1	408,58	15,2	14,5	22,0	20,0						
	4,8	497	1,9	287,14	15,8	14,5	22,5	20,0						
	6,0	399	2,5	230,83	16,1	14,5	22,6	20,0						
	7,2	330	2,6	190,69	16,2	14,5	22,7	20,0						
8,2	291	2,6	112,23	16,2	14,5	22,7	20,0	SK 3282 - 71 L/6	46	D66				
9,1	262	3,1	100,88	16,3	14,5	22,8	20,0							

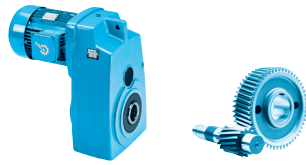
Parallel shaft
gear units


0,25 kW
0,37 kW



P ₁ [kW]	n ₂ [min ⁻¹]	M ₂ [Nm]	f _B	i _{ges}	F _R [kN]	F _A [kN]	F _{R VL} [kN]	F _{A VL} [kN]	Type	kg	mm
0,25	3,3	615	0,8	423,50	7,3	12,0	12,2	15,0	SK 2282/02 - 71 S/4	38	D64 D85
	3,5	676	0,8	390,93	6,6	12,0	11,8	15,0	SK 2382 - 71 S/4	37	D65
	4,2	572	1,0	330,45	7,7	12,0	12,5	15,0			
	5,0	478	1,2	276,27	8,5	12,0	13,0	15,0			
	5,8	408	1,2	236,11	9,0	12,0	13,3	15,0			
	7,5	320	1,6	185,11	9,4	12,0	13,6	15,0			
	7,2	331	1,1	127,51	9,4	12,0	13,6	15,0	SK 2282 - 71 L/6	31	D64
	8,8	270	1,5	104,07	9,6	12,0	13,7	15,0			
	9,1	262	1,7	100,98	9,7	12,0	13,8	15,0			
	11	214	2,2	82,42	9,8	12,0	13,9	15,0			
	9,9	240	1,0	92,48	6,2	7,2	9,1	7,2	SK 1282 - 71 L/6	20	D63 D85
	11	211	1,4	81,17	6,4	7,2	9,3	7,2			
	13	189	1,1	109,50	6,5	7,2	9,3	7,2	SK 1282 - 71 S/4	19	D63
	15	160	1,5	92,48	6,6	7,2	9,4	7,2			
	17	140	2,1	81,17	6,4	7,2	9,5	7,2			
	19	125	2,4	72,17	6,2	7,2	9,5	7,2			
	21	115	2,4	66,23	6,1	7,2	9,6	7,2			
	23	102	2,8	58,89	5,9	7,2	9,6	7,2			
	25	96	2,5	55,39	5,8	7,2	9,6	7,2			
28	85	3,1	49,25	5,6	7,2	9,6	7,2				
30	80	2,5	46,19	5,5	7,2	9,6	7,2				
0,37	1,0	3068	2,3	1343,50	57,4	58,0	81,3	80,0			
	1,1	2876	1,9	1259,27	39,1	46,5	56,7	60,0	SK 6382/22 - 71 L/4	197	D73 D85
	1,2	2522	2,1	1104,39	39,8	46,5	57,2	60,0			
	1,7	1870	2,9	818,71	40,9	46,5	58,0	60,0			
	1,0	3048	1,0	1334,62	25,9	32,0	40,6	40,0	SK 5282/12 - 71 L/4	107	D70 D85
	1,3	2502	1,2	1095,71	28,0	32,0	42,0	40,0			
	1,6	1970	1,5	862,46	29,6	32,0	43,0	40,0			
	2,0	1574	1,9	689,45	30,4	32,0	43,7	40,0			
	1,0	3558	0,8	936,45	23,3	32,0	39,0	40,0			
	1,3	2660	1,2	700,03	27,5	32,0	41,6	40,0			
	1,6	2166	1,3	570,18	29,0	32,0	42,7	40,0			
	1,8	1995	1,6	525,20	29,5	32,0	43,0	40,0			
	2,2	1625	2,0	427,79	30,3	32,0	43,6	40,0			
	2,6	1374	2,0	361,69	30,8	32,0	43,9	40,0			
	3,4	1026	2,6	269,99	31,3	32,0	44,3	40,0			
	5,5	637	5,0	248,70	31,7	32,0	44,5	40,0	SK 5382 - 71 L/4	116	D71
	6,8	519	6,2	202,57	31,8	32,0	44,6	40,0			
	1,6	1994	0,9	873,31	17,1	22,0	27,3	30,0	SK 4282/12 - 71 L/4	71	D68 D85
	2,0	1596	1,1	698,96	19,0	22,0	28,6	30,0			
	2,5	1276	1,4	558,54	20,2	22,0	29,4	30,0			
	1,7	2023	1,0	532,44	16,9	22,0	27,2	30,0	SK 4382 - 80 S/6	78	D69
	2,1	1692	1,0	445,23	18,6	22,0	28,3	30,0			
	2,5	1411	1,2	371,28	19,8	22,0	29,1	30,0			
	2,6	1363	1,5	532,44	19,9	22,0	29,2	30,0	SK 4382 - 71 L/4	76	D69
	3,1	1140	1,5	445,23	20,6	22,0	29,7	30,0			
	3,5	1001	2,0	390,76	21,0	22,0	29,9	30,0			
	4,2	837	2,3	326,81	21,3	22,0	30,2	30,0			
	5,1	698	2,3	272,54	21,6	22,0	30,4	30,0			
	7,2	491	4,1	191,57	21,9	22,0	30,6	30,0			
	8,6	410	4,0	160,20	22,0	22,0	30,6	30,0			
2,6	1189	0,8	520,83	12,6	14,5	20,3	20,0	SK 3282/12 - 71 L/4			
3,0	1055	0,9	461,81	13,5	14,5	20,9	20,0				

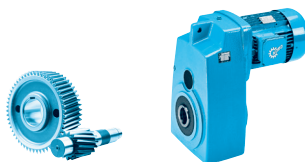
Parallel shaft gear units



P_1 [kW]	n_2 [min ⁻¹]	M_2 [Nm]	f_B	i_{ges}	F_R [kN]	F_A [kN]	$F_{R VL}$ [kN]	$F_{A VL}$ [kN]	Type	kg	mm 
0,37	3,4	1046	0,8	408,58	13,6	14,5	20,9	20,0	SK 3382 - 71 L/4	54	D67
	4,8	735	1,3	287,14	15,1	14,5	21,9	20,0			
	6,0	591	1,7	230,83	15,6	14,5	22,3	20,0			
	7,2	488	1,8	190,69	15,9	14,5	22,5	20,0			
	8,5	413	1,9	161,46	16,0	14,5	22,6	20,0			
	8,3	426	1,8	112,23	16,0	14,5	22,6	20,0	SK 3282 - 80 S/6	48	D66
	9,2	383	2,1	100,88	16,1	14,5	22,6	20,0			
	10	337	2,8	88,74	15,9	14,5	22,7	20,0			
	12	303	2,8	79,76	15,4	14,5	22,7	20,0			
	13	268	2,1	70,56	14,9	14,5	22,8	20,0			
	14	258	3,1	100,88	14,7	14,5	22,8	20,0	SK 3282 - 71 L/4	46	D66
	4,8	657	0,8	287,51	6,8	12,0	11,9	15,0	SK 2282/02 - 71 L/4	39	D64 D85
	5,0	707	0,8	276,27	6,1	12,0	11,5	15,0	SK 2382 - 71 L/4	38	D65
	5,8	605	0,8	236,11	7,4	12,0	12,3	15,0			
	7,5	474	1,1	185,11	8,6	12,0	13,0	15,0			
	9,2	384	1,4	149,96	9,1	12,0	13,4	15,0			
	7,3	484	0,8	127,51	8,5	12,0	12,9	15,0			
	8,9	395	1,0	104,07	9,1	12,0	13,3	15,0			
	9,2	384	1,1	100,98	9,1	12,0	13,4	15,0			
	11	313	1,5	82,42	9,5	12,0	13,6	15,0			
	13	265	1,7	69,67	9,6	12,0	13,7	15,0			
	15	243	2,1	63,83	9,7	12,0	13,8	15,0			
	17	205	2,5	53,96	9,8	12,0	13,9	15,0			
	14	259	1,7	100,98	9,7	12,0	13,8	15,0	SK 2282 - 71 L/4	31	D64
	11	308	1,0	81,17	5,7	7,2	8,8	7,2	SK 1282 - 80 S/6	22	D63
	15	237	1,0	92,48	6,2	7,2	9,2	7,2	SK 1282 - 71 L/4	20	D63
	17	208	1,4	81,17	6,0	7,2	9,3	7,2			
	19	185	1,6	72,17	5,9	7,2	9,4	7,2			
	21	170	1,6	66,23	5,8	7,2	9,4	7,2			
	23	151	1,9	58,89	5,6	7,2	9,5	7,2			
	25	142	1,7	55,39	5,5	7,2	9,5	7,2			
	28	126	2,1	49,25	5,4	7,2	9,5	7,2			
	30	118	1,7	46,19	5,2	7,2	9,5	7,2			
	34	105	2,1	41,07	5,1	7,2	9,6	7,2			
	43	82	2,8	32,08	4,8	7,2	9,6	7,2			
	49	73	3,1	28,33	4,7	7,2	9,6	7,2			
	55	65	3,5	25,22	4,5	7,2	9,6	7,2			

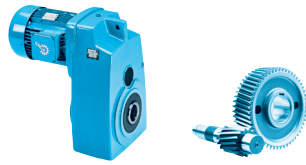
0,55 kW


IE2



P ₁ [kW]	n ₂ [min ⁻¹]	M ₂ [Nm]	f _B	i _{ges}	F _R [kN]	F _A [kN]	F _{R VL} [kN]	F _{A VL} [kN]	Type	kg	mm
0,55	1,0	4688	2,6	1366,83	92,0	73,0	100,0	100,0	SK 8382/32 - 80 SH/4	409	D77 D85
	1,3	3653	3,3	1064,91	92,7	73,0	100,0	100,0			
	1,1	4608	1,5	1343,50	55,2	58,0	79,8	80,0	SK 7382/22 - 80 SH/4	273	D75 D85
	1,4	3588	2,0	1046,18	56,8	58,0	80,9	80,0			
	1,5	3203	2,2	933,91	57,3	58,0	81,2	80,0			
	2,0	2450	2,9	714,31	58,0	58,0	81,8	80,0			
	1,1	4319	1,3	1259,27	34,7	46,5	53,8	60,0	SK 6382/22 - 80 SH/4	200	D73 D85
	1,3	3788	1,4	1104,39	36,6	46,5	55,0	60,0			
	1,7	2808	1,9	818,71	39,2	46,5	56,8	60,0			
	2,2	2187	2,5	637,53	40,4	46,5	57,7	60,0			
	2,5	1952	2,8	569,11	40,8	46,5	57,9	60,0			
	1,3	3758	0,8	1095,71	22,1	32,0	38,3	40,0	SK 5282/12 - 80 SH/4	110	D70 D85
	1,6	2958	1,0	862,46	26,3	32,0	40,9	40,0			
	2,1	2365	1,3	689,45	28,5	32,0	42,3	40,0			
	2,6	1890	1,6	550,94	29,8	32,0	43,2	40,0			
	3,2	1537	2,0	448,15	30,5	32,0	43,7	40,0			
	1,5	3464	0,8	936,45	23,9	32,0	39,3	40,0	SK 5382 - 80 SH/4	119	D71
	2,0	2589	1,2	700,03	27,7	32,0	41,8	40,0			
	2,5	2109	1,3	570,18	29,2	32,0	42,8	40,0			
	2,7	1943	1,6	525,20	29,6	32,0	43,1	40,0			
	3,3	1582	2,0	427,79	30,4	32,0	43,7	40,0			
	3,9	1338	2,1	361,69	30,9	32,0	44,0	40,0			
	4,3	1226	2,6	331,48	31,0	32,0	44,1	40,0			
	5,3	999	2,7	269,99	31,3	32,0	44,3	40,0			
	2,0	2397	0,8	698,96	14,2	22,0	25,7	30,0			
	2,5	1916	0,9	558,54	17,5	22,0	27,6	30,0			
	2,7	1969	1,0	532,44	17,2	22,0	27,4	30,0	SK 4382 - 80 SH/4	79	D69
	3,2	1647	1,0	445,23	18,8	22,0	28,5	30,0			
	3,4	1525	1,3	412,38	19,3	22,0	28,8	30,0			
	3,6	1445	1,4	390,76	19,6	22,0	29,0	30,0			
	4,1	1276	1,3	344,84	20,2	22,0	29,4	30,0			
	4,3	1209	1,6	326,81	20,4	22,0	29,6	30,0			
	4,7	1119	1,9	302,65	20,7	22,0	29,7	30,0			
	5,2	1008	1,6	272,54	21,0	22,0	29,9	30,0			
	5,6	936	2,1	253,12	21,1	22,0	30,0	30,0			
	6,7	781	2,1	211,09	21,5	22,0	30,3	30,0			
	7,4	709	2,8	191,57	21,6	22,0	30,4	30,0			
	8,9	593	2,8	160,20	21,8	22,0	30,5	30,0			
	10	520	3,8	140,60	21,8	22,0	30,5	30,0			
	12	438	4,6	118,38	21,9	22,0	30,6	30,0			
	4,9	1062	0,9	287,14	13,5	14,5	20,9	20,0	SK 3382 - 80 SH/4	57	D67
	6,2	854	1,2	230,83	14,6	14,5	21,6	20,0			
	7,4	705	1,2	190,69	15,2	14,5	22,0	20,0			
	8,8	597	1,3	161,46	15,6	14,5	22,3	20,0			
	11	470	1,6	126,93	14,9	14,5	22,5	20,0			
	14	385	1,9	104,05	14,1	14,5	22,6	20,0			
	13	415	1,9	112,23	14,5	14,5	22,6	20,0	SK 3282 - 80 SH/4	49	D66
	14	373	2,2	100,88	14,1	14,5	22,6	20,0			
	16	328	2,9	88,74	13,6	14,5	22,7	20,0			
	18	295	2,9	79,76	13,3	14,5	22,7	20,0			
	20	261	2,2	70,56	12,8	14,5	22,8	20,0			
	7,7	685	0,8	185,11	6,4	12,0	11,7	15,0	SK 2382 - 80 SH/4	41	D65
	9,5	555	0,9	149,96	7,9	12,0	12,6	15,0			
	11	488	1,1	131,86	8,4	12,0	12,9	15,0			
	12	430	1,2	116,35	8,8	12,0	13,2	15,0			

Parallel shaft gear units



P ₁ [kW]	n ₂ [min ⁻¹]	M ₂ [Nm]	f _B	i _{ges}	F _R [kN]	F _A [kN]	F _{R VL} [kN]	F _{A VL} [kN]	Type	kg	mm 	
0,55	11	472	0,8	127,51	8,6	12,0	13,0	15,0	SK 2282 - 80 SH/4	34	D64	
	14	374	1,2	100,98	9,2	12,0	13,4	15,0				
	17	305	1,6	82,42	9,5	12,0	13,6	15,0				
	20	258	1,7	69,67	9,7	12,0	13,8	15,0				
	22	236	2,2	63,83	9,7	12,0	13,8	15,0				
	26	200	2,5	53,96	9,9	12,0	13,9	15,0				
	31	167	2,7	45,11	9,9	12,0	13,9	15,0				
	17	300	1,0	81,17	5,4	7,2	8,8	7,2				
	20	267	1,1	72,17	5,3	7,2	9,0	7,2				
	21	245	1,1	66,23	5,3	7,2	9,1	7,2				
	24	218	1,3	58,89	5,2	7,2	9,2	7,2				
	26	205	1,1	55,39	5,1	7,2	9,3	7,2				
	29	182	1,4	49,25	5,0	7,2	9,4	7,2				
	31	171	1,1	46,19	4,9	7,2	9,4	7,2				
	35	152	1,4	41,07	4,8	7,2	9,5	7,2				
	44	119	1,9	32,08	4,6	7,2	9,5	7,2				
	50	105	2,1	28,33	4,4	7,2	9,6	7,2				
	56	93	2,4	25,22	4,3	7,2	9,6	7,2				
	69	76	3,0	20,57	4,1	7,2	9,6	7,2				
0,75	1,0	6531	1,9	1366,83	90,4	73,0	100,0	100,0	SK 8382/32 - 80 LP/4	410	D77 D85	
	1,3	5088	2,4	1064,91	91,7	73,0	100,0	100,0				
	1,6	4260	2,8	891,21	92,3	73,0	100,0	100,0				
		1,1	6432	1,1	1343,50	51,2	58,0	77,1	80,0	SK 7382/22 - 80 LP/4	274	D75 D85
		1,4	4993	1,4	1046,18	54,5	58,0	79,3	80,0			
		1,5	4467	1,6	933,91	55,4	58,0	79,9	80,0			
		2,0	3403	2,1	714,31	57,0	58,0	81,0	80,0			
		1,1	6041	0,9	1259,27	25,6	46,5	48,4	60,0			
		1,3	5293	1,0	1104,39	30,2	46,5	51,0	60,0	SK 6382/22 - 80 LP/4	201	D73 D85
		1,7	3934	1,4	818,71	36,1	46,5	54,7	60,0			
		2,2	3054	1,8	637,53	38,6	46,5	56,4	60,0			
		2,5	2732	2,0	569,11	39,4	46,5	56,9	60,0			
		3,3	2082	2,6	435,29	40,6	46,5	57,8	60,0			
		4,1	1673	3,2	347,33	41,2	46,5	58,2	60,0			
		4,7	1438	3,8	298,46	41,5	46,5	58,4	60,0			
		2,1	3302	0,9	689,45	24,7	32,0	39,9	40,0			
		2,6	2633	1,1	550,94	27,5	32,0	41,7	40,0	SK 5282/12 - 80 LP/4	111	D70 D85
		3,2	2147	1,4	448,15	29,1	32,0	42,7	40,0			
		4,2	1621	1,9	338,35	30,3	32,0	43,6	40,0			
		2,0	3541	0,9	700,03	23,4	32,0	39,1	40,0			
		2,5	2888	1,0	570,18	26,6	32,0	41,1	40,0	SK 5382 - 80 LP/4	120	D71
		2,7	2656	1,2	525,20	27,5	32,0	41,6	40,0			
		3,3	2166	1,5	427,79	29,0	32,0	42,7	40,0			
		3,9	1830	1,5	361,69	29,9	32,0	43,3	40,0			
		4,3	1678	1,9	331,48	30,2	32,0	43,5	40,0			
		5,2	1369	2,0	269,99	30,8	32,0	43,9	40,0			
		5,7	1259	2,5	248,70	31,0	32,0	44,0	40,0			
		7,0	1026	3,1	202,57	31,3	32,0	44,3	40,0			
		3,4	2089	1,0	412,38	16,5	22,0	27,0	30,0			
			3,6	1980	1,0	390,76	17,1	22,0	27,4			
	4,1		1745	1,0	344,84	18,4	22,0	28,2	30,0			
	4,3		1654	1,1	326,81	18,8	22,0	28,5	30,0			
	4,7		1533	1,4	302,65	19,3	22,0	28,8	30,0			
5,2	1379		1,1	272,54	19,9	22,0	29,2	30,0				
5,6	1281		1,5	253,12	20,2	22,0	29,4	30,0				
6,7	1068		1,5	211,09	20,8	22,0	29,8	30,0				
7,4	969		2,1	191,57	21,1	22,0	30,0	30,0				
8,8	810		2,0	160,20	21,4	22,0	30,2	30,0				
10	712		2,8	140,60	21,6	22,0	30,4	30,0				
12	600		3,3	118,38	21,4	22,0	30,5	30,0				
14	526		3,8	103,82	20,6	22,0	30,5	30,0				
16	439		4,5	86,83	19,6	22,0	30,6	30,0				

Parallel shaft
gear units


0,75 kW
1,10 kW



P ₁ [kW]	n ₂ [min ⁻¹]	M ₂ [Nm]	f _B	i _{ges}	F _R F _A		F _{R VL} F _{A VL}		Type	kg	mm
					[kN]		[kN]				
0,75	6,1	1168	0,9	230,83	12,8	14,5	20,4	20,0	SK 3382 - 80 LP/4	58	D67
	7,4	965	0,9	190,69	14,1	14,5	21,2	20,0			
	8,8	817	1,0	161,46	14,8	14,5	21,7	20,0			
	11	643	1,2	126,93	14,1	14,5	22,2	20,0			
	14	526	1,4	104,05	13,5	14,5	22,4	20,0			
	16	453	1,4	89,60	13,0	14,5	22,5	20,0	SK 3282 - 80 LP/4	50	D66
	13	568	1,4	112,23	13,9	14,5	22,3	20,0			
	14	510	1,6	100,88	13,6	14,5	22,4	20,0			
	16	449	2,1	88,74	13,2	14,5	22,5	20,0			
	18	404	2,1	79,76	12,8	14,5	22,6	20,0			
	20	357	1,6	70,56	12,3	14,5	22,7	20,0			
	21	334	2,3	65,89	12,2	14,5	22,7	20,0			
	25	282	2,3	55,79	11,6	14,5	22,6	20,0			
	29	243	2,3	48,04	11,1	14,5	21,7	20,0			
	34	213	4,4	42,02	10,8	14,5	21,0	20,0	SK 2382 - 80 LP/4	42	D65
	11	667	0,8	131,86	6,7	12,0	11,8	15,0			
	12	589	0,9	116,35	7,6	12,0	12,4	15,0			
	14	498	1,1	98,35	8,4	12,0	12,9	15,0			
	17	416	1,3	82,22	8,9	12,0	13,2	15,0			
	20	351	1,6	82,22	9,3	12,0	13,5	15,0	SK 2282 - 80 LP/4	35	D64
14	511	0,9	100,98	8,3	12,0	12,8	15,0				
17	417	1,1	82,42	8,9	12,0	13,2	15,0				
20	353	1,3	69,67	9,3	12,0	13,5	15,0				
22	323	1,6	63,83	9,4	12,0	13,6	15,0				
26	273	1,9	53,96	9,6	12,0	13,7	15,0				
31	228	2,0	45,11	9,8	12,0	13,8	15,0				
38	188	2,4	37,18	9,3	12,0	13,9	15,0				
48	150	3,3	29,65	8,8	12,0	14,0	15,0				
53	136	3,2	26,83	8,5	12,0	14,0	15,0				
57	126	3,9	24,97	8,3	12,0	14,0	15,0				
59	121	3,6	23,96	8,3	12,0	14,0	15,0				
65	111	4,3	21,90	8,0	12,0	14,0	15,0	SK 1282 - 80 LP/4	24	D63	
20	365	0,8	72,17	4,8	7,2	8,4	7,2				
21	335	0,8	66,23	4,7	7,2	8,6	7,2				
24	298	0,9	58,89	4,7	7,2	8,9	7,2				
26	280	0,8	55,39	4,6	7,2	8,9	7,2				
29	249	1,0	49,25	4,6	7,2	9,1	7,2				
31	234	0,8	46,19	4,5	7,2	9,2	7,2				
34	208	1,0	41,07	4,4	7,2	9,3	7,2				
44	162	1,4	32,08	4,3	7,2	9,4	7,2				
50	143	1,6	28,33	4,2	7,2	9,5	7,2				
56	128	1,8	25,22	4,1	7,2	9,5	7,2				
69	104	2,2	20,57	3,9	7,2	9,6	7,2				
82	87,1	2,6	17,21	3,8	7,2	9,6	7,2				
100	71,3	2,9	14,11	3,6	7,2	9,6	7,2				
120	59,4	3,4	11,76	3,4	6,7	9,6	7,2				
137	52,4	3,7	10,34	3,3	6,4	9,3	7,2				
154	46,4	4,1	9,18	3,2	6,1	9,0	7,2				
172	41,7	4,6	8,24	3,1	5,8	8,7	7,2				
173	41,4	3,9	8,21	3,1	5,9	8,7	7,2				
195	36,7	5,1	7,24	2,9	5,6	8,4	7,2				
220	32,5	5,6	6,43	2,8	5,3	8,1	7,2				
259	27,7	6,2	5,47	2,7	5,0	7,8	7,2				
296	24,2	5,3	4,79	2,6	4,8	7,5	7,2	SK 9382/42 - 90 SP/4	732	D79 D85	
1,10	1,0	10410	2,3	1419,20	120,0	102,0	120,0				130,0
	1,2	8648	2,8	1178,81	120,0	102,0	120,0				130,0
	1,6	6506	3,7	886,49	114,1	102,0	120,0	130,0	SK 8382/32 - 90 SP/4	415	D77 D85
1,0	10010	1,2	1366,83	85,7	73,0	100,0	100,0				
1,3	7800	1,6	1064,91	88,9	73,0	100,0	100,0				
1,6	6531	1,9	891,21	90,4	73,0	100,0	100,0				
2,0	5264	2,3	718,43	91,6	73,0	100,0	100,0				
2,3	4481	2,7	612,94	92,2	73,0	100,0	100,0				

Parallel shaft
gear units



P ₁ [kW]	n ₂ [min ⁻¹]	M ₂ [Nm]	f _B	i _{ges}	F _R [kN]	F _A [kN]	F _{R VL} [kN]	F _{A VL} [kN]	Type	kg	mm 
1,10	1,4	7654	0,9	1046,18	47,6	58,0	74,7	80,0	SK 7382/22 - 90 SP/4	279	D75 D85
	1,5	6848	1,0	933,91	50,1	58,0	76,4	80,0			
	2,0	5217	1,4	714,31	54,0	58,0	79,0	80,0			
	2,5	4192	1,7	569,97	55,9	58,0	80,3	80,0			
	3,3	3194	2,2	435,50	57,3	58,0	81,2	80,0			
	1,7	6031	0,9	818,71	25,9	46,5	48,6	60,0	SK 6382/22 - 90 SP/4	206	D73 D85
	2,2	4682	1,2	637,53	33,3	46,5	52,9	60,0			
	2,5	4189	1,3	569,11	35,3	46,5	54,2	60,0			
	3,3	3191	1,7	435,29	38,3	46,5	56,2	60,0			
	2,6	4056	1,3	551,58	35,7	46,5	54,5	60,0	SK 6382 - 90 SP/4	187	D73
	3,2	3275	1,3	445,09	38,1	46,5	56,1	60,0			
	3,6	2890	2,0	393,19	39,0	46,5	56,7	60,0			
	4,5	2333	2,4	317,28	40,2	46,5	57,5	60,0			
	5,7	1848	2,4	251,76	41,0	46,5	58,0	60,0			
	6,3	1659	2,4	225,79	41,2	46,5	58,2	60,0			
	2,7	3855	0,8	525,20	21,5	32,0	38,0	40,0	SK 5382 - 90 SP/4	125	D71
	3,3	3144	1,0	427,79	25,5	32,0	40,4	40,0			
	4,0	2656	1,1	361,69	27,5	32,0	41,7	40,0			
	4,3	2435	1,3	331,48	28,2	32,0	42,2	40,0			
	5,3	1986	1,4	269,99	29,5	32,0	43,0	40,0			
	5,8	1827	1,8	248,70	29,9	32,0	43,3	40,0			
	7,1	1490	2,1	202,57	30,6	32,0	43,8	40,0			
	8,3	1259	2,2	171,27	31,0	32,0	44,0	40,0			
	9,3	1130	2,8	153,92	31,2	32,0	44,2	40,0			
	10	1019	3,1	138,82	30,7	32,0	44,3	40,0			
	11	985	2,7	134,03	30,6	32,0	44,3	40,0	SK 5282 - 90 SP/4	106	D70
	14	736	3,0	100,19	28,2	32,0	44,5	40,0			
	4,4	2401	0,8	326,81	14,3	22,0	25,7	30,0	SK 4382 - 90 SP/4	85	D69
	4,7	2225	0,9	302,65	15,6	22,0	26,5	30,0			
	5,2	2002	0,8	272,54	17,0	22,0	27,3	30,0			
	5,6	1859	1,1	253,12	17,8	22,0	27,8	30,0			
	6,8	1550	1,1	211,09	19,2	22,0	28,8	30,0			
	7,5	1407	1,4	191,57	19,8	22,0	29,1	30,0			
	8,9	1175	1,4	160,20	20,5	22,0	29,6	30,0			
	10	1033	1,9	140,60	20,9	22,0	29,9	30,0			
	9,2	1142	1,1	155,40	20,6	22,0	29,7	30,0			
	13	813	2,0	110,78	20,2	22,0	30,2	30,0			
	16	665	2,4	90,52	19,2	22,0	30,4	30,0			
	19	563	2,8	76,70	18,3	22,0	30,5	30,0			
	10	1039	0,9	141,49	13,1	14,5	21,0	20,0	SK 3282/12 - 90 SP/4	65	D66 D85
	11	933	0,8	126,93	12,7	14,5	21,4	20,0	SK 3382 - 90 SP/4	63	D67
	13	824	0,9	112,23	12,7	14,5	21,7	20,0	SK 3282 - 90 SP/4	55	D66
	14	741	1,1	100,88	12,5	14,5	21,9	20,0			
	16	652	1,4	88,74	12,3	14,5	22,1	20,0			
	18	586	1,5	79,76	12,0	14,5	22,3	20,0			
	20	518	1,1	70,56	11,6	14,5	22,4	20,0			
	22	471	2,2	64,12	11,4	14,5	22,5	20,0			
	26	410	1,6	55,79	11,0	14,5	22,0	20,0			
	27	389	2,2	52,97	10,9	14,5	21,8	20,0			
	30	353	1,6	48,04	10,6	14,5	21,2	20,0			
	32	329	2,2	44,85	10,5	14,5	20,8	20,0			
	34	309	3,0	42,02	10,4	14,5	20,5	20,0			
	37	283	2,2	38,62	10,1	14,5	20,0	20,0			
	38	278	3,0	37,77	10,1	14,5	20,0	20,0			
	45	234	3,7	31,93	9,6	14,5	19,1	20,0			
	15	723	0,8	98,35	5,9	12,0	11,4	15,0	SK 2382 - 90 SP/4	47	D65
	17	604	0,9	82,22	7,4	12,0	12,3	15,0			

Parallel shaft gear units


1,10 kW
1,50 kW



P ₁ [kW]	n ₂ [min ⁻¹]	M ₂ [Nm]	f _B	i _{ges}	F _R [kN]	F _A [kN]	F _{R VL} [kN]	F _{A VL} [kN]	Type	kg	mm 				
1,10	17	606	0,8	82,42	7,4	12,0	12,3	15,0	SK 2282 - 90 SP/4	40	D64				
	21	512	0,9	69,67	8,3	12,0	12,8	15,0							
	22	469	1,1	63,83	8,6	12,0	13,0	15,0							
	26	397	1,3	53,96	9,1	12,0	13,3	15,0							
	28	380	1,4	51,71	9,1	12,0	13,4	15,0							
	32	332	1,4	45,11	9,2	12,0	13,6	15,0							
	33	321	1,8	43,71	9,2	12,0	13,6	15,0							
	38	273	1,7	37,18	8,9	12,0	13,7	15,0							
	39	269	1,9	36,54	8,8	12,0	13,7	15,0							
	46	229	1,9	31,23	8,4	12,0	13,8	15,0							
	48	218	2,3	29,65	8,4	12,0	13,9	15,0							
	53	197	2,2	26,83	8,2	12,0	13,9	15,0							
	57	184	2,7	24,97	8,0	12,0	13,9	15,0							
	60	176	2,5	23,96	8,0	12,0	13,9	15,0							
	65	161	3,0	21,90	7,8	12,0	13,9	15,0							
	77	136	3,6	18,51	7,4	12,0	14,0	15,0							
	86	122	3,9	16,53	7,2	12,0	13,9	15,0							
		45	236	1,0	32,08	3,9	7,2	9,2				7,2	SK 1282 - 90 SP/4	29	D63
		50	208	1,1	28,33	3,8	7,2	9,3				7,2			
		57	185	1,2	25,22	3,8	7,2	9,4				7,2			
69		151	1,5	20,57	3,6	7,2	9,5	7,2							
83		126	1,8	17,21	3,5	7,0	9,5	7,2							
102		103	2,0	14,11	3,4	6,6	9,6	7,2							
122		86,3	2,4	11,76	3,2	6,2	9,5	7,2							
138		76,0	2,6	10,34	3,1	6,0	9,1	7,2							
156		67,3	2,8	9,18	3,0	5,8	8,9	7,2							
174		60,5	3,2	8,24	2,9	5,5	8,6	7,2							
175		60,1	2,7	8,21	3,0	5,6	8,6	7,2							
197		53,2	3,5	7,24	2,8	5,3	8,3	7,2							
223		47,1	3,8	6,43	2,7	5,1	8,0	7,2							
261		40,2	4,3	5,47	2,6	4,8	7,7	7,2							
299		35,1	3,6	4,79	2,5	4,6	7,4	7,2							
1,50		1,0	14350	1,7	1419,20	120,0	102,0	120,0	130,0	SK 9382/42 - 90 LP/4	734	D79 D85			
		1,2	11920	2,0	1178,81	118,6	102,0	120,0	130,0						
	1,6	8966	2,7	886,49	110,3	102,0	120,0	130,0							
	2,0	7242	3,3	715,38	105,1	102,0	120,0	130,0							
	1,0	13800	0,9	1366,83	77,7	73,0	100,0	100,0	SK 8382/32 - 90 LP/4	417	D77 D85				
	1,3	10750	1,1	1064,91	84,3	73,0	100,0	100,0							
	1,6	9000	1,3	891,21	87,3	73,0	100,0	100,0							
	2,0	7254	1,7	718,43	89,6	73,0	100,0	100,0							
	2,3	6176	2,0	612,94	89,4	73,0	100,0	100,0							
	1,5	9437	0,8	933,91	36,9	58,0	57,0	80,0	SK 7382/22 - 90 LP/4	281	D75 D85				
	2,0	7190	1,0	714,31	49,0	58,0	75,6	80,0							
	2,5	5777	1,2	569,97	52,9	58,0	78,2	80,0							
	3,3	4402	1,6	435,50	55,5	58,0	80,0	80,0							
	3,8	3809	1,9	376,26	56,5	58,0	80,7	80,0							
4,8	2987	2,4	295,54	57,5	58,0	81,4	80,0	SK 7382/32 - 90 LP/4	292	D75 D85					
	2,2	6452	0,8	637,53	22,2	46,5	46,7	60,0	SK 6382/22 - 90 LP/4	208	D73 D85				
	2,5	5772	0,9	569,11	27,5	46,5	49,4	60,0							
	3,3	4398	1,2	435,29	34,3	46,5	53,6	60,0							
	4,1	3534	1,5	347,33	37,4	46,5	55,6	60,0							
	4,7	3038	1,8	298,46	38,7	46,5	56,5	60,0							
	6,3	2263	2,1	223,73	40,3	46,5	57,6	60,0	SK 6382/32 - 90 LP/4	219	D73 D85				
	7,4	1935	2,5	191,51	40,8	46,5	57,9	60,0							
	2,6	5589	0,9	551,58	28,6	46,5	50,1	60,0	SK 6382 - 90 LP/4	189	D73				
	3,2	4513	0,9	445,09	34,0	46,5	53,3	60,0							
	3,6	3983	1,5	393,19	35,9	46,5	54,6	60,0							
	4,5	3215	1,8	317,28	38,2	46,5	56,2	60,0							
	5,6	2547	1,8	251,76	39,8	46,5	57,2	60,0							
	6,3	2286	1,8	225,79	40,2	46,5	57,5	60,0							
	8,8	1621	3,6	159,88	41,2	46,5	58,2	60,0							

Parallel shaft gear units



P ₁ [kW]	n ₂ [min ⁻¹]	M ₂ [Nm]	f _B	i _{ges}	F _R [kN]	F _A [kN]	F _{R VL} [kN]	F _{A VL} [kN]	Type	kg	mm 			
1,50	3,9	3661	0,8	361,69	22,7	32,0	38,7	40,0	SK 5382 - 90 LP/4	127	D71			
	4,3	3356	1,0	331,48	24,4	32,0	39,7	40,0						
	5,2	2737	1,0	269,99	27,2	32,0	41,5	40,0						
	5,7	2517	1,3	248,70	28,0	32,0	42,0	40,0						
	7,0	2053	1,6	202,57	29,4	32,0	42,9	40,0						
	8,3	1735	1,6	171,27	30,1	32,0	43,4	40,0						
	9,2	1557	2,1	153,92	30,5	32,0	43,7	40,0						
	10	1405	2,3	138,82	29,7	32,0	43,9	40,0						
	12	1187	2,3	117,37	28,4	32,0	44,1	40,0						
	11	1357	2,0	134,03	29,7	32,0	43,9	40,0				SK 5282 - 90 LP/4	108	D70
	14	1014	2,2	100,19	27,5	32,0	44,3	40,0						
	17	827	2,2	81,61	25,9	32,0	44,4	40,0						
5,6	2562	0,8	253,12	12,7	22,0	24,8	30,0	SK 4382 - 90 LP/4	87	D69				
6,7	2136	0,8	211,09	16,2	22,0	26,8	30,0							
7,4	1939	1,0	191,57	17,4	22,0	27,5	30,0							
8,8	1620	1,0	160,20	18,9	22,0	28,5	30,0							
10	1423	1,4	140,60	19,7	22,0	29,1	30,0							
9,1	1573	0,8	155,40	19,1	22,0	28,7	30,0	SK 4282 - 90 LP/4	72	D68				
13	1121	1,4	110,78	19,2	22,0	29,7	30,0							
16	916	1,7	90,52	18,4	22,0	30,1	30,0							
18	776	2,0	76,70	17,6	22,0	30,3	30,0							
31	456	3,5	45,05	15,5	22,0	30,1	30,0							
35	413	3,8	40,74	15,1	22,0	29,2	30,0							
12	1154	0,8	114,23	11,4	14,5	20,5	20,0	SK 3282/12 - 90 LP/4	67	D66 D85				
16	898	1,1	88,74	11,3	14,5	21,5	20,0	SK 3282 - 90 LP/4	57	D66				
18	807	1,1	79,76	11,1	14,5	21,7	20,0							
21	667	1,1	65,89	10,8	14,5	22,1	20,0							
22	649	1,6	64,12	10,8	14,5	22,1	20,0							
25	564	1,1	55,79	10,4	14,5	21,6	20,0							
27	536	1,6	52,97	10,3	14,5	21,3	20,0							
29	486	1,1	48,04	10,1	14,5	20,8	20,0							
32	454	1,6	44,85	10,0	14,5	20,5	20,0							
34	426	2,2	42,02	9,9	14,5	20,2	20,0							
37	383	2,2	37,77	9,7	14,5	19,7	20,0							
44	323	2,7	31,93	9,4	14,5	18,9	20,0							
49	290	3,0	28,70	9,1	14,5	18,4	20,0							
55	262	3,2	25,88	8,9	14,5	17,8	20,0							
60	240	3,4	23,71	8,6	14,5	17,4	20,0							
63	227	3,5	22,45	8,6	14,5	17,2	20,0							
22	646	0,8	63,83	6,9	12,0	12,0	15,0				SK 2282 - 90 LP/4	42	D64	
26	546	0,9	53,96	8,0	12,0	12,6	15,0							
27	524	1,0	51,71	8,2	12,0	12,7	15,0							
31	457	1,0	45,11	8,7	12,0	13,1	15,0							
32	443	1,3	43,71	8,7	12,0	13,1	15,0							
38	376	1,2	37,18	8,4	12,0	13,4	15,0							
39	370	1,4	36,54	8,3	12,0	13,4	15,0							
45	316	1,4	31,23	8,1	12,0	13,6	15,0							
48	300	1,7	29,65	8,1	12,0	13,6	15,0							
53	271	1,6	26,83	7,9	12,0	13,7	15,0							
57	253	1,9	24,97	7,8	12,0	13,8	15,0							
59	243	1,8	23,96	7,7	12,0	13,8	15,0							
65	222	2,2	21,90	7,5	12,0	13,8	15,0							
76	187	2,6	18,51	7,2	12,0	13,9	15,0							
85	168	2,8	16,53	7,0	12,0	13,7	15,0							
107	134	3,0	13,23	6,6	12,0	12,9	15,0							
120	120	3,2	11,81	6,4	12,0	12,5	15,0							
139	103	3,5	10,15	6,1	12,0	12,0	15,0							
157	91,1	3,7	9,03	5,9	11,5	11,6	15,0							
169	84,6	3,0	8,37	5,7	11,1	11,3	15,0							
189	75,7	3,2	7,48	5,6	10,6	11,0	15,0							

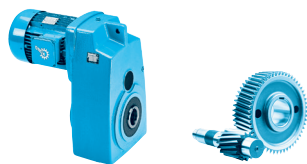
Parallel shaft gear units


1,50 kW
2,20 kW



P ₁ [kW]	n ₂ [min ⁻¹]	M ₂ [Nm]	f _B	i _{ges}	F _R [kN]	F _A [kN]	F _{R VL} [kN]	F _{A VL} [kN]	Type	kg	mm 		
1,50	50	287	0,8	28,33	3,4	6,9	8,9	7,2	SK 1282 - 90 LP/4	31	D63		
	56	256	0,9	25,22	3,4	6,8	9,1	7,2					
	69	209	1,1	20,57	3,3	6,6	9,3	7,2					
	82	174	1,3	17,21	3,2	6,4	9,4	7,2					
	100	143	1,5	14,11	3,2	6,1	9,5	7,2					
	120	119	1,7	11,76	3,0	5,8	9,4	7,2					
	137	105	1,9	10,34	3,0	5,6	9,0	7,2					
	154	92,7	2,0	9,18	2,9	5,4	8,8	7,2					
	172	83,3	2,3	8,24	2,8	5,2	8,5	7,2					
	173	82,8	1,9	8,21	2,8	5,3	8,5	7,2					
	195	73,4	2,5	7,24	2,7	5,0	8,2	7,2					
	220	65,0	2,8	6,43	2,6	4,8	7,9	7,2					
	259	55,4	3,1	5,47	2,5	4,6	7,6	7,2					
	296	48,4	2,6	4,79	2,5	4,4	7,3	7,2					
2,20	1,0	20330	1,2	1419,20	110,7	102,0	120,0	130,0	SK 9382/42 - 100 LP/4	745	D79 D85		
	1,2	16880	1,4	1178,81	108,1	102,0	120,0	130,0					
	1,7	12700	1,9	886,49	102,2	102,0	120,0	130,0					
	2,0	10260	2,3	715,38	98,8	102,0	120,0	130,0					
	2,4	8874	2,7	618,30	95,8	102,0	120,0	130,0					
	3,2	6465	3,7	449,57	88,7	102,0	120,0	130,0	SK 8382/32 - 100 LP/4	428	D77 D85		
	1,4	15230	0,8	1064,91	73,0	73,0	100,0	100,0					
	1,6	12750	0,9	891,21	79,8	73,0	100,0	100,0					
	2,0	10280	1,2	718,43	84,1	73,0	100,0	100,0					
	2,4	8749	1,4	612,94	82,2	73,0	100,0	100,0	SK 8382/42 - 100 LP/4	443	D77 D85		
	2,7	7891	1,5	551,02	80,9	73,0	100,0	100,0					
	3,1	6723	1,8	468,52	78,4	73,0	100,0	100,0					
	3,8	5541	2,3	386,68	75,7	73,0	100,0	105,0	SK 8382 - 100 LP/4	398	D77		
	4,6	4562	2,8	318,31	72,2	73,0	100,0	105,0					
	2,6	8184	0,9	569,97	45,3	58,0	73,3	80,0	SK 7382/22 - 100 LP/4	292	D75 D85		
	3,4	6235	1,1	435,50	51,5	58,0	77,3	80,0					
	3,9	5395	1,3	376,26	53,5	58,0	78,6	80,0					
	5,0	4231	1,7	295,54	55,7	58,0	80,2	80,0	SK 7382/32 - 100 LP/4	303	D75 D85		
	6,6	3198	2,2	223,20	53,3	58,0	81,2	80,0					
	4,3	4852	1,6	338,79	54,6	58,0	79,4	80,0	SK 7382 - 100 LP/4	273	D75		
	5,4	3919	1,9	273,57	56,0	58,0	80,5	80,0					
6,8	3104	2,7	216,43	53,0	58,0	81,3	80,0						
7,2	2936	2,6	204,99	52,5	58,0	81,4	80,0						
9,0	2325	2,7	162,17	49,5	58,0	81,8	80,0						
9,7	2156	3,5	150,57	48,8	58,0	81,9	80,0						
12	1766	4,3	123,37	46,4	58,0	82,1	80,0						
14	1528	4,9	106,59	44,5	58,0	82,2	80,0						
3,4	6230	0,9	435,29	23,2	46,5	47,2	60,0	SK 6382/22 - 100 LP/4				219	D73 D85
3,7	5642	1,0	393,19	27,7	46,5	49,6	60,0	SK 6382 - 100 LP/4				200	D72
4,6	4555	1,2	317,28	33,5	46,5	53,0	60,0						
5,5	3842	1,5	267,59	36,2	46,5	54,8	60,0						
5,8	3608	1,2	251,76	37,0	46,5	55,3	60,0						
6,5	3239	1,2	225,79	38,0	46,5	56,0	60,0						
6,9	3044	1,5	212,33	38,6	46,5	56,4	60,0						
8,5	2458	2,3	171,34	39,9	46,5	57,3	60,0						
9,1	2296	2,5	159,88	40,2	46,5	57,5	60,0						
12	1819	2,5	126,87	41,0	46,5	58,0	60,0						
13	1646	3,6	114,79	41,2	46,5	58,2	60,0						
5,4	3912	0,8	273,15	20,7	32,0	37,5	40,0		SK 5282/12 - 100 LP/4	129	D70 D85		

Parallel shaft
gear units



P ₁ [kW]	n ₂ [min ⁻¹]	M ₂ [Nm]	f _B	i _{ges}	F _R [kN]	F _A [kN]	F _{R VL} [kN]	F _{A VL} [kN]	Type	kg	mm 
2,20	5,9	3566	0,9	248,70	23,0	32,0	38,8	40,0	SK 5382 - 100 LP/4	138	D71
	7,2	2908	1,1	202,57	26,3	32,0	40,9	40,0			
	8,5	2457	1,1	171,27	28,0	32,0	42,0	40,0			
	9,5	2206	1,5	153,92	28,1	32,0	42,6	40,0			
	11	1990	1,6	138,82	27,6	32,0	43,0	40,0			
	12	1682	1,6	117,37	26,5	32,0	43,5	40,0			
	16	1312	2,2	91,71	25,5	32,0	44,0	40,0			
	18	1184	2,4	82,72	24,9	32,0	44,1	40,0			
	19	1115	2,6	91,71	24,0	32,0	44,2	40,0			
	21	1005	2,8	82,72	23,4	32,0	44,3	40,0			
	11	1922	1,4	134,03	27,7	32,0	43,1	40,0	SK 5282 - 100 LP/4	119	D70
	15	1436	1,6	100,19	26,0	32,0	43,8	40,0			
	16	1317	2,1	91,81	25,5	32,0	44,0	40,0			
	18	1171	1,6	81,61	24,6	32,0	44,1	40,0			
	21	984	3,0	68,63	23,7	32,0	44,3	40,0			
	9,6	2187	0,8	152,47	15,6	22,0	26,5	30,0	SK 4282/12 - 100 LP/4	93	D68 D85
	10	2016	1,0	140,60	16,8	22,0	27,1	30,0	SK 4382 - 100 LP/4	98	D69
	12	1700	1,2	118,38	17,1	22,0	28,2	30,0			
	14	1489	1,3	103,82	16,9	22,0	28,9	30,0			
	17	1244	1,6	86,83	16,5	22,0	29,4	30,0			
	13	1588	1,0	110,78	17,3	22,0	28,6	30,0	SK 4282 - 100 LP/4	83	D68
	16	1298	1,2	90,52	16,8	22,0	29,3	30,0			
	19	1081	1,5	75,39	16,4	22,0	29,8	30,0			
	24	884	2,0	61,60	15,7	22,0	30,1	30,0			
	28	749	2,4	52,20	15,1	22,0	30,3	30,0			
	33	646	2,5	45,05	14,7	22,0	29,3	30,0			
	34	626	2,6	43,65	14,5	22,0	29,0	30,0			
	36	585	2,7	40,74	14,4	22,0	28,5	30,0			
	40	528	2,7	36,81	14,0	22,0	27,7	30,0			
	45	463	3,5	32,34	13,6	22,0	26,9	30,0			
	23	919	1,1	64,12	9,4	14,5	21,1	20,0	SK 3282 - 100 LP/4	68	D66
	28	760	1,1	52,97	9,2	14,5	20,4	20,0			
	33	643	1,1	44,85	9,0	14,5	19,6	20,0			
	35	603	1,5	42,02	9,1	14,5	19,4	20,0			
	38	553	1,1	38,62	8,8	14,5	18,9	20,0			
	39	542	1,5	37,77	8,9	14,5	19,0	20,0			
	46	457	1,9	31,93	8,7	14,5	18,2	20,0			
	51	411	2,1	28,70	8,5	14,5	17,8	20,0			
	57	371	2,3	25,88	8,3	14,5	17,3	20,0			
	62	340	2,4	23,71	8,1	14,5	16,9	20,0			
	65	321	2,5	22,45	8,1	14,5	16,7	20,0			
	69	306	2,4	21,38	8,0	14,5	16,5	20,0			
	73	289	2,8	20,18	7,9	14,5	16,3	20,0			
	88	239	3,5	16,67	7,5	14,1	15,5	20,0			
	104	202	4,2	14,11	7,2	13,2	14,8	20,0			
	33	627	0,9	43,71	7,1	12,0	12,1	15,0			
	40	524	1,0	36,54	7,5	12,0	12,7	15,0			
	47	447	1,0	31,23	7,3	12,0	13,1	15,0			
	49	425	1,2	29,65	7,4	12,0	13,2	15,0			
	55	384	1,1	26,83	7,3	12,0	13,4	15,0			
	59	358	1,4	24,97	7,2	12,0	13,4	15,0			
	61	344	1,3	23,96	7,2	12,0	13,5	15,0			
	67	314	1,5	21,90	7,0	12,0	13,6	15,0			
	79	265	1,8	18,51	6,8	12,0	13,7	15,0			
	88	237	2,0	16,53	6,6	12,0	13,3	15,0			
	111	189	2,1	13,23	6,2	12,0	12,6	15,0			
	124	169	2,3	11,81	6,1	11,9	12,2	15,0			
	144	146	2,4	10,15	5,8	11,3	11,7	15,0			
	163	129	2,6	9,03	5,7	10,9	11,4	15,0			
	175	120	2,1	8,37	5,5	10,5	11,1	15,0			
	196	107	2,3	7,48	5,3	10,1	10,8	15,0			
	228	92,2	2,5	6,43	5,1	9,6	10,3	15,0			
	257	81,7	2,6	5,72	5,0	9,2	10,0	15,0			
	325	64,7	2,9	4,51	4,7	8,4	9,4	15,0			

Parallel shaft gear units


2,20 kW
3,00 kW



P ₁ [kW]	n ₂ [min ⁻¹]	M ₂ [Nm]	f _B	i _{ges}	F _R [kN]	F _A [kN]	F _{R VL} [kN]	F _{A VL} [kN]	Type	kg	mm
2,20	71	295	0,8	20,57	2,7	5,3	8,9	7,2	SK 1282 - 100 LP/4	42	D63
	85	247	0,9	17,21	2,8	5,2	9,1	7,2			
	104	202	1,0	14,11	2,8	5,2	9,3	7,2			
	125	168	1,2	11,76	2,7	5,0	9,0	7,2			
	142	148	1,3	10,34	2,7	4,9	8,7	7,2			
	160	131	1,4	9,18	2,6	4,8	8,5	7,2			
	178	118	1,6	8,24	2,5	4,6	8,2	7,2			
	179	117	1,4	8,21	2,6	4,8	8,3	7,2			
	202	104	1,8	7,24	2,5	4,5	8,0	7,2			
	228	92,0	2,0	6,43	2,4	4,4	7,7	7,2			
	268	78,5	2,2	5,47	2,4	4,2	7,4	7,2			
	307	68,5	1,9	4,79	2,3	4,1	7,2	7,2			
3,00	1,0	27820	0,9	1419,20	97,0	102,0	120,0	130,0	SK 9382/42 - 100 AP/4	745	D79 D85
	1,2	23100	1,0	1178,81	97,2	102,0	120,0	130,0			
	1,6	17380	1,4	886,49	93,8	102,0	120,0	130,0			
	2,0	14040	1,7	715,38	92,4	102,0	120,0	130,0			
	2,4	12140	2,0	618,30	90,2	102,0	120,0	130,0			
	3,2	8847	2,7	449,57	84,9	102,0	120,0	130,0			
	8,3	3434	7,4	175,05	79,7	102,0	120,0	130,0	SK 9382 - 100 AP/4	700	D79
	2,0	14060	0,9	718,43	74,6	73,0	100,0	100,0	SK 8382/32 - 100 AP/4	428	D77 D85
	2,4	11970	1,0	612,94	74,1	73,0	100,0	100,0			
	2,7	10800	1,1	551,02	73,5	73,0	100,0	100,0	SK 8382/42 - 100 AP/4	443	D77 D85
	3,1	9199	1,3	468,52	72,3	73,0	100,0	100,0			
	4,2	6805	1,8	346,66	69,2	73,0	100,0	100,0			
	3,8	7582	1,7	386,68	71,2	73,0	100,0	105,0	SK 8382 - 100 AP/4	398	D77
	4,6	6242	2,1	318,31	68,3	73,0	100,0	105,0			
	7,3	3941	2,7	201,00	62,2	73,0	100,0	105,0			
	3,4	8532	0,8	435,50	43,4	58,0	72,1	80,0	SK 7382/22 - 100 AP/4	292	D75 D85
	3,9	7382	1,0	376,26	47,9	58,0	74,9	80,0			
	4,3	6640	1,1	338,79	50,2	58,0	76,4	80,0	SK 7382 - 100 AP/4	273	D75
	5,3	5363	1,4	273,57	52,1	58,0	78,6	80,0			
	6,7	4247	2,0	216,43	49,9	58,0	80,1	80,0			
	7,1	4017	1,9	204,99	49,8	58,0	80,3	80,0			
	9,0	3181	2,0	162,17	47,3	58,0	81,2	80,0			
	9,7	2949	2,6	150,57	46,7	58,0	81,4	80,0			
	12	2416	3,1	123,37	44,7	58,0	81,8	80,0			
	14	2090	3,6	106,59	43,1	58,0	81,9	80,0			
	3,7	7720	0,8	393,19	0	46,5	40,6	60,0			
	4,6	6233	0,9	317,28	22,8	46,5	47,0	60,0			
	5,4	5257	1,1	267,59	29,8	46,5	50,8	60,0			
	5,8	4938	0,9	251,76	31,4	46,5	51,8	60,0			
	6,5	4431	0,9	225,79	33,8	46,5	53,2	60,0			
	6,9	4165	1,1	212,33	34,9	46,5	53,9	60,0			
	8,5	3363	1,7	171,34	37,6	46,5	55,7	60,0			
	9,1	3142	1,8	159,88	38,2	46,5	56,1	60,0			
	12	2489	1,8	126,87	39,8	46,5	57,2	60,0			
	13	2252	2,6	114,79	39,6	46,5	57,5	60,0			
	16	1819	3,3	92,63	37,8	46,5	58,0	60,0			
18	1575	2,6	80,33	36,6	46,5	58,2	60,0	SK 6282 - 100 AP/4	203	D72	
7,2	3979	0,8	202,57	19,9	32,0	37,1	40,0	SK 5382 - 100 AP/4	138	D71	
8,5	3362	0,8	171,27	24,0	32,0	39,4	40,0				
9,5	3019	1,1	153,92	25,5	32,0	40,5	40,0				
11	2723	1,2	138,82	25,2	32,0	41,3	40,0				
12	2301	1,2	117,37	24,6	32,0	42,3	40,0				
16	1796	1,6	91,71	24,1	32,0	43,3	40,0				
18	1620	1,7	82,72	23,6	32,0	43,5	40,0				

Parallel shaft gear units



P ₁ [kW]	n ₂ [min ⁻¹]	M ₂ [Nm]	f _B	i _{ges}	F _R [kN]	F _A [kN]	F _{R VL} [kN]	F _{A VL} [kN]	Type	kg	mm 
3,00	11	2630	1,0	134,03	25,6	32,0	41,5	40,0	SK 5282 - 100 AP/4	119	D70
	15	1965	1,1	100,19	24,5	32,0	43,0	40,0			
	16	1802	1,5	91,81	24,2	32,0	43,3	40,0			
	18	1603	1,1	81,61	23,4	32,0	43,6	40,0			
	21	1346	2,2	68,63	22,7	32,0	43,9	40,0			
	26	1098	2,4	55,90	21,6	32,0	43,1	40,0			
	31	928	2,6	47,27	20,7	32,0	41,3	40,0			
	36	800	3,1	40,80	20,2	32,0	39,9	40,0			
	44	656	3,5	33,43	19,1	32,0	37,9	40,0	SK 4382 - 100 AP/4	98	D69
	12	2326	0,9	118,38	14,4	22,0	25,7	30,0			
	14	2038	1,0	103,82	14,8	22,0	27,0	30,0			
	17	1703	1,2	86,83	14,7	22,0	28,2	30,0	SK 4282 - 100 AP/4	83	D68
	16	1776	0,9	90,52	15,0	22,0	27,9	30,0			
	19	1505	1,1	76,70	14,7	22,0	28,8	30,0			
	24	1210	1,5	61,60	14,6	22,0	29,5	30,0			
	28	1025	1,8	52,20	14,1	22,0	29,6	30,0			
	32	884	1,8	45,05	13,9	22,0	28,7	30,0			
	33	856	1,9	43,65	13,6	22,0	28,4	30,0			
	36	800	1,9	40,74	13,7	22,0	28,0	30,0			
	40	723	1,9	36,81	13,4	22,0	27,3	30,0			
	45	634	2,6	32,34	13,1	22,0	26,5	30,0			
	55	518	3,4	26,43	12,4	22,0	25,1	30,0			
	56	515	3,1	26,25	12,4	22,0	25,1	30,0			
	65	439	3,9	22,39	11,9	22,0	24,0	30,0			
	68	421	4,0	21,45	11,8	22,0	23,8	30,0			
	35	825	1,1	42,02	8,1	14,5	18,7	20,0			
	39	741	1,1	37,77	8,0	14,5	18,2	20,0			
46	626	1,4	31,93	8,0	14,5	17,7	20,0				
51	562	1,5	28,70	7,8	14,5	17,3	20,0				
56	507	1,7	25,88	7,8	14,5	16,9	20,0				
62	465	1,7	23,71	7,6	14,4	16,5	20,0				
65	440	1,8	22,45	7,6	14,4	16,4	20,0				
68	419	1,7	21,38	7,5	14,1	16,1	20,0				
72	395	2,1	20,18	7,4	13,9	15,9	20,0				
88	327	2,6	16,67	7,2	13,2	15,2	20,0				
104	276	3,1	14,11	6,9	12,5	14,6	20,0				
129	223	3,7	11,38	6,6	11,7	13,8	20,0				
149	192	4,4	9,80	6,3	11,1	13,2	20,0				
174	165	4,1	8,31	6,0	10,5	12,6	19,3				
216	133	4,6	6,70	5,7	9,8	11,9	18,3				
255	113	4,9	5,74	5,5	9,2	11,5	17,6				
321	89,1	5,2	4,48	5,1	8,5	10,7	16,5	SK 2282 - 100 AP/4	53	D64	
49	582	0,9	29,65	6,6	12,0	12,3	15,0				
54	526	0,8	26,83	6,6	12,0	12,7	15,0				
58	490	1,0	24,97	6,5	12,0	12,9	15,0				
61	471	0,9	23,96	6,6	12,0	13,0	15,0				
67	430	1,1	21,90	6,4	12,0	13,1	15,0				
79	363	1,3	18,51	6,3	12,0	13,4	15,0				
88	325	1,4	16,53	6,2	12,0	13,0	15,0				
111	259	1,6	13,23	5,9	11,5	12,3	15,0				
124	232	1,7	11,81	5,8	11,2	12,0	15,0				
144	199	1,8	10,15	5,6	10,7	11,6	15,0				
162	177	1,9	9,03	5,4	10,3	11,2	15,0				
175	164	1,6	8,37	5,3	9,9	10,9	15,0				
195	147	1,7	7,48	5,2	9,6	10,6	15,0				
227	126	1,8	6,43	5,0	9,2	10,2	15,0				
256	112	1,9	5,72	4,8	8,8	9,9	15,0				
324	88,5	2,1	4,51	4,6	8,2	9,3	15,0	SK 1282 - 100 AP/4	42	D63	
104	276	0,8	14,11	2,1	4,7	9,0	7,2				
124	230	0,9	11,76	2,3	4,1	8,7	7,2				
141	203	1,0	10,34	2,3	4,1	8,5	7,2				
159	180	1,1	9,18	2,3	4,1	8,3	7,2				
177	161	1,2	8,24	2,2	4,0	8,0	7,2				
178	161	1,0	8,21	2,3	4,2	8,1	7,2				
201	142	1,3	7,24	2,2	3,9	7,8	7,2				
228	126	1,4	6,43	2,2	3,9	7,6	7,2				
267	107	1,6	5,47	2,2	3,8	7,3	7,2				
306	93,8	1,4	4,79	2,2	3,7	7,1	7,2				

Parallel shaft
gear units


4,00 kW



P ₁ [kW]	n ₂ [min ⁻¹]	M ₂ [Nm]	f _B	i _{ges}	F _R [kN]	F _A [kN]	F _{R VL} [kN]	F _{A VL} [kN]	Type	kg	mm 		
4,00	1,2	31230	0,8	1178,81	82,4	102,0	120,0	130,0	SK 9382/42 - 112 MP/4	752	D79 D85		
	1,6	23490	1,0	886,49	82,8	102,0	120,0	130,0					
	2,0	18980	1,3	715,38	83,7	102,0	120,0	130,0					
	2,3	16410	1,5	618,30	82,7	102,0	120,0	130,0					
	3,2	11960	2,0	449,57	79,4	102,0	120,0	130,0					
	8,2	4643	5,5	175,05	77,5	102,0	120,0	130,0	SK 9382 - 112 MP/4	708	D79		
	2,6	14600	0,8	551,02	64,3	73,0	100,0	100,0	SK 8382/42 - 112 MP/4	450	D77 D85		
	3,1	12440	1,0	468,52	64,4	73,0	100,0	100,0					
	4,2	9200	1,3	346,66	63,5	73,0	100,0	100,0					
	4,9	7838	1,5	294,43	62,4	73,0	100,0	100,0					
	6,6	5808	2,1	223,40	59,8	73,0	100,0	100,0					
	3,7	10250	1,2	386,68	64,8	73,0	100,0	105,0	SK 8382 - 112 MP/4	406	D77		
	4,5	8438	1,5	318,31	63,0	73,0	100,0	105,0					
	7,2	5327	2,0	201,00	58,7	73,0	100,0	105,0					
	10	3817	3,3	143,91	55,2	73,0	100,0	105,0					
11	3323	3,7	125,38	53,3	73,0	100,0	105,0						
4,3	8976	0,8	338,79	42,4	58,0	71,5	80,0	SK 7382 - 112 MP/4	280	D75			
5,3	7250	1,0	273,57	47,0	58,0	75,5	80,0						
6,7	5741	1,4	216,43	45,8	58,0	78,2	80,0						
7,0	5430	1,4	204,99	46,0	58,0	78,7	80,0						
8,9	4300	1,5	162,17	44,2	58,0	80,2	80,0						
9,6	3987	1,9	150,57	44,0	58,0	80,5	80,0						
12	3266	2,3	123,37	42,4	58,0	81,2	80,0						
14	2826	2,7	106,59	41,3	58,0	81,5	80,0						
15	2468	3,1	93,18	39,9	58,0	81,8	80,0						
18	2089	3,6	78,81	38,3	58,0	82,0	80,0						
21	1808	4,0	68,10	37,1	58,0	79,2	80,0						
5,4	7107	0,8	267,59	14,9	46,5	43,7	60,0				SK 6382 - 112 MP/4	208	D73
6,8	5630	0,8	212,33	28,3	46,5	49,9	60,0						
8,4	4546	1,2	171,34	33,8	46,5	53,2	60,0						
9,0	4247	1,4	159,88	35,0	46,5	54,0	60,0						
11	3365	1,4	126,87	37,5	46,5	55,9	60,0						
13	3045	1,9	114,79	37,1	46,5	56,4	60,0						
16	2458	2,4	92,63	35,8	46,5	57,3	60,0						
19	1997	3,0	75,18	34,3	46,5	57,9	60,0						
20	1948	2,9	73,50	34,0	46,5	57,9	60,0						
24	1582	3,5	59,66	32,4	46,5	58,3	60,0						
28	1353	3,8	51,07	31,3	46,5	58,4	60,0						
18	2129	1,9	80,33	35,0	46,5	57,7	60,0	SK 6282 - 112 MP/4	210	D72			
22	1736	1,9	65,44	33,2	46,5	58,1	60,0						
9,4	4081	0,8	153,92	19,8	32,0	37,0	40,0	SK 5382 - 112 MP/4	146	D71			
10	3681	0,9	138,82	22,3	32,0	38,6	40,0						
12	3111	0,9	117,37	22,0	32,0	40,4	40,0						
16	2427	1,2	91,71	22,2	32,0	42,2	40,0						
17	2190	1,3	82,72	21,9	32,0	42,6	40,0						
14	2657	0,8	100,19	22,4	32,0	41,6	40,0	SK 5282 - 112 MP/4	126	D70			
16	2436	1,1	91,81	22,3	32,0	42,2	40,0						
18	2167	0,8	81,61	21,7	32,0	42,7	40,0						
21	1820	1,6	68,63	21,3	32,0	43,3	40,0						
26	1484	1,8	55,90	20,4	32,0	42,1	40,0						
28	1365	2,4	51,49	20,2	32,0	41,4	40,0						
30	1254	1,9	47,27	19,6	32,0	40,3	40,0						
34	1113	2,9	41,94	19,2	32,0	39,2	40,0						
35	1082	2,3	40,80	19,3	32,0	39,1	40,0						
41	940	2,9	35,46	18,5	32,0	37,5	40,0						
43	886	2,6	33,43	18,5	32,0	37,2	40,0						
19	2034	0,8	76,70	12,7	22,0	27,2	30,0				SK 4282 - 112 MP/4	90	D68
23	1635	1,1	61,60	13,0	22,0	28,5	30,0						
28	1385	1,3	52,20	12,8	22,0	28,3	30,0						
32	1195	1,3	45,05	12,8	22,0	27,7	30,0						
33	1158	1,4	43,65	12,5	22,0	27,4	30,0						

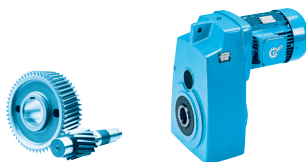
Parallel shaft gear units



P ₁ [kW]	n ₂ [min ⁻¹]	M ₂ [Nm]	f _B	i _{ges}	F _R [kN]	F _A [kN]	F _{R VL} [kN]	F _{A VL} [kN]	Type	kg	mm 				
4,00	35	1082	1,4	40,74	12,7	22,0	27,1	30,0	SK 4282 - 112 MP/4	90	D68				
	38	1017	2,0	38,31	12,4	22,0	26,6	30,0							
	39	977	1,4	36,81	12,4	22,0	26,5	30,0							
	40	965	1,4	36,40	12,2	22,0	26,1	30,0							
	45	850	2,1	32,04	12,1	22,0	25,5	30,0							
	54	709	2,3	26,72	11,6	22,0	24,4	30,0							
	55	701	2,6	26,43	11,8	22,0	24,5	30,0							
	64	594	2,9	22,39	11,3	21,5	23,5	30,0							
	67	569	3,0	21,45	11,3	21,3	23,3	30,0							
	79	482	3,7	18,18	10,8	20,2	22,3	30,0							
	95	403	4,5	15,20	10,4	19,1	21,3	30,0							
	4,00	34	1115	0,8	42,02	6,8	13,3	17,6				20,0	SK 3282 - 112 MP/4	76	D66
		38	1002	0,8	37,77	6,9	13,2	17,3				20,0			
		45	846	1,0	31,93	7,0	13,4	16,9				20,0			
		50	760	1,1	28,70	7,0	13,2	16,5				20,0			
		56	686	1,2	25,88	7,0	13,1	16,2				20,0			
		61	628	1,3	23,71	6,9	12,8	15,9				20,0			
		64	595	1,3	22,45	6,9	12,9	15,8				20,0			
		67	567	1,3	21,38	6,8	12,6	15,6				20,0			
71		534	1,5	20,18	6,8	12,6	15,4	20,0							
86		442	1,9	16,67	6,6	12,1	14,7	20,0							
102		374	2,3	14,11	6,4	11,6	14,2	20,0							
127		301	2,7	11,38	6,2	10,9	13,5	20,0							
147		259	3,2	9,80	6,0	10,5	13,0	19,6							
171		223	3,0	8,31	5,7	9,9	12,4	18,8							
213		180	3,4	6,70	5,5	9,3	11,7	17,9							
251		152	3,6	5,74	5,3	8,8	11,3	17,2							
317		120	3,8	4,48	4,9	8,1	10,5	16,2							
4,00		66	581	0,8	21,90	5,7	11,3	12,4	15,0	SK 2282 - 112 MP/4	60	D64			
		78	491	1,0	18,51	5,7	11,2	12,9	15,0						
	87	439	1,1	16,53	5,6	11,0	12,6	15,0							
	109	350	1,2	13,23	5,4	10,4	11,9	15,0							
	122	313	1,2	11,81	5,4	10,2	11,6	15,0							
	142	269	1,3	10,15	5,2	9,9	11,2	15,0							
	160	239	1,4	9,03	5,1	9,6	10,9	15,0							
	172	222	1,2	8,37	5,0	9,2	10,6	15,0							
	193	198	1,2	7,48	4,8	8,9	10,4	15,0							
	224	171	1,3	6,43	4,7	8,6	10,0	15,0							
	253	151	1,4	5,72	4,6	8,3	9,7	15,0							
	319	120	1,6	4,51	4,4	7,8	9,1	15,0							
	4,00	157	243	0,8	9,18	1,9	3,3	7,9	7,2				SK 1282 - 112 MP/4	50	D63
		175	218	0,9	8,24	1,9	3,2	7,7	7,2						
199		192	1,0	7,24	1,9	3,2	7,5	7,2							
224		170	1,1	6,43	1,9	3,3	7,3	7,2							
263		145	1,2	5,47	1,9	3,3	7,1	7,2							
301		127	1,0	4,79	1,9	3,2	6,8	7,2							
5,50	4,3	12304	2,7	343,19	140	150,0	140,0	150,0	SK 10382.1 - 132 SP/4	1053	D57				
	4,7	11194	2,7	312,23	140	150,0	140,0	150,0							
	5,2	10180	2,7	283,96	140	150,0	140,0	150,0							
	5,7	9262	2,7	258,35	140	150,0	140,0	150,0							
5,50	1,7	31750	0,8	886,49	65,6	102,0	120,0	130,0	SK 9382/42 - 132 SP/4	772	D79				
	2,0	25650	0,9	715,38	70,6	102,0	120,0	130,0							
	2,4	22190	1,1	618,30	71,5	102,0	120,0	130,0							
	3,2	16160	1,5	449,57	71,5	102,0	120,0	130,0							
5,50	3,6	14720	1,6	411,63	71,0	102,0	120,0	130,0	SK 9382/52 - 132 SP/4	801	D79 D86				
5,50	4,2	12630	2,0	352,36	85,6	102,0	120,0	130,0	SK 9382 - 132 SP/4	727	D79				
	5,0	10430	2,3	291,25	82,1	102,0	120,0	130,0							
	7,2	7337	3,0	204,68	77,0	102,0	120,0	130,0							
	8,4	6275	4,0	175,05	74,3	102,0	120,0	130,0							

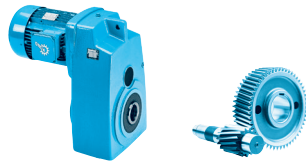
 Parallel shaft
gear units


5,50 kW



P ₁ [kW]	n ₂ [min ⁻¹]	M ₂ [Nm]	f _B	i _{ges}	F _R [kN]	F _A [kN]	F _{R VL} [kN]	F _{A VL} [kN]	Type	kg	mm 			
5,50	4,2	12430	1,0	346,66	54,7	73,0	100,0	100,0	SK 8382/42 - 132 SP/4	470	D77 D85			
	5,0	10590	1,1	294,43	54,9	73,0	100,0	100,0						
	6,7	7850	1,5	223,40	54,2	73,0	100,0	100,0						
	7,9	6688	1,8	185,94	53,2	73,0	100,0	100,0						
	3,8	13850	0,9	386,68	55,1	73,0	100,0	105,0	SK 8382 - 132 SP/4	425	D77			
	4,6	11400	1,1	318,31	54,9	73,0	100,0	105,0						
	5,0	10540	1,2	294,01	55,7	73,0	100,0	105,0						
	6,1	8675	1,5	242,02	54,5	73,0	100,0	105,0						
	7,3	7200	1,5	201,00	53,7	73,0	100,0	105,0						
	7,9	6652	1,9	185,66	53,8	73,0	100,0	105,0						
	9,6	5477	2,4	152,83	51,8	73,0	100,0	105,0						
	10	5159	2,4	143,91	51,5	73,0	100,0	105,0						
	12	4248	2,9	118,47	49,4	73,0	100,0	105,0						
	14	3697	3,3	103,21	48,1	73,0	99,9	105,0						
	5,4	9799	0,8	273,57	38,2	58,0	69,1	80,0	SK 7382 - 132 SP/4	300	D75			
	6,8	7760	1,1	216,43	39,7	58,0	74,4	80,0						
	7,2	7339	1,0	204,99	40,2	58,0	75,3	80,0						
	9,0	5812	1,1	162,17	39,7	58,0	78,1	80,0						
	9,7	5389	1,4	150,57	39,8	58,0	78,7	80,0						
	12	4414	1,7	123,37	38,9	58,0	80,0	80,0						
	14	3819	2,0	106,59	38,2	58,0	80,7	80,0						
	16	3336	2,3	93,18	37,4	58,0	81,1	80,0						
	19	2823	2,6	78,81	36,2	58,0	80,1	80,0						
	8,5	6144	0,9	171,34	24,6	46,5	47,9	60,0				SK 6382 - 132 SP/4	227	D73
	9,1	5740	1,0	159,88	27,5	46,5	49,5	60,0						
	12	4547	1,0	126,87	33,4	46,5	53,2	60,0						
	13	4115	1,4	114,79	33,5	46,5	54,3	60,0						
	16	3323	1,8	92,63	32,9	46,5	55,9	60,0						
	19	2700	2,2	75,18	31,9	46,5	57,0	60,0						
	20	2632	2,1	73,50	31,7	46,5	57,1	60,0						
	18	2877	1,4	80,33	32,6	46,5	56,7	60,0	SK 6282 - 132 SP/4	230	D72			
	22	2347	1,4	65,44	31,1	46,5	57,5	60,0						
	24	2189	2,1	61,08	31,1	46,5	57,6	60,0						
	29	1785	2,3	49,75	29,5	46,5	58,1	60,0						
	37	1414	2,3	39,48	28,0	46,5	56,1	60,0						
	16	3281	0,9	91,71	19,4	32,0	39,9	40,0	SK 5382 - 132 SP/4	165	D71			
	18	2960	0,9	82,72	19,3	32,0	40,8	40,0						
	16	3292	0,8	91,81	19,4	32,0	39,9	40,0	SK 5282 - 132 SP/4	146	D70			
	21	2459	1,2	68,63	19,2	32,0	42,1	40,0						
	26	2006	1,3	55,90	18,6	32,0	40,4	40,0						
	28	1844	1,8	51,49	18,6	32,0	39,9	40,0						
	31	1695	1,4	47,27	18,1	32,0	38,9	40,0						
	35	1504	2,1	41,94	17,9	32,0	38,0	40,0						
	36	1462	1,7	40,80	18,1	32,0	38,0	40,0						
	41	1271	2,1	35,46	17,4	32,0	36,5	40,0						
	44	1198	1,9	33,43	17,4	32,0	36,3	40,0						
	48	1092	2,7	30,50	17,0	32,0	35,4	40,0						
	59	895	3,2	25,00	16,3	30,8	33,7	40,0						
	24	2210	0,8	61,60	10,6	21,6	26,5	30,0				SK 4282 - 132 SP/4	110	D68
	28	1873	1,0	52,20	10,8	21,3	26,7	30,0						
	33	1616	1,0	45,05	11,2	22,0	26,3	30,0						
	34	1565	1,0	43,65	10,9	21,3	25,9	30,0						
	36	1462	1,1	40,74	11,2	21,8	25,8	30,0						
	38	1375	1,5	38,31	10,9	21,3	25,3	30,0						
	40	1321	1,1	36,81	11,1	21,4	25,2	30,0						
	45	1158	1,4	32,34	11,1	21,3	24,7	30,0						
	46	1149	1,6	32,04	10,8	20,7	24,5	30,0						
	55	947	1,9	26,43	10,8	20,5	23,6	30,0						
	56	941	1,7	26,25	10,8	20,5	23,6	30,0						
	65	802	2,1	22,39	10,5	19,5	22,8	30,0						
	68	769	2,2	21,45	10,5	19,5	22,6	30,0						
	81	652	2,8	18,18	10,1	18,7	21,6	30,0						
	96	545	3,3	15,20	9,8	17,8	20,8	30,0						
	116	454	3,9	12,68	9,4	16,7	19,8	30,0						

Parallel shaft gear units



P ₁ [kW]	n ₂ [min ⁻¹]	M ₂ [Nm]	f _B	i _{ges}	F _R [kN]	F _A [kN]	F _{R VL} [kN]	F _{A VL} [kN]	Type	kg	mm 				
5,50	46	1144	0,8	31,93	5,6	10,4	15,6	20,0	SK 3282 - 132 SP/4	95	D66				
	51	1028	0,8	28,70	5,7	10,5	15,4	20,0							
	57	927	0,9	25,88	5,8	10,6	15,2	20,0							
	62	849	0,9	23,71	5,8	10,5	15,0	20,0							
	65	804	1,0	22,45	5,9	10,8	14,9	20,0							
	69	766	0,9	21,38	5,8	10,6	14,7	20,0							
	73	722	1,1	20,18	5,9	10,7	14,6	20,0							
	88	597	1,4	16,67	5,9	10,5	14,1	20,0							
	104	505	1,7	14,11	5,8	10,2	13,6	20,0							
	129	407	2,0	11,38	5,7	9,9	13,0	19,4							
	150	350	2,4	9,80	5,6	9,5	12,6	18,8							
	174	301	2,2	8,31	5,3	9,0	12,0	18,1							
	216	243	2,5	6,70	5,1	8,6	11,4	17,2							
	255	206	2,7	5,74	5,0	8,2	11,0	16,7							
	323	163	2,8	4,48	4,7	7,6	10,3	15,7							
		88	594	0,8	16,53	4,8	9,1	11,9				15,0	SK 2282 - 132 SP/4	80	D64
111		473	0,9	13,23	4,7	8,8	11,3	15,0							
124		423	0,9	11,81	4,7	8,8	11,1	15,0							
144		364	1,0	10,15	4,7	8,7	10,8	15,0							
163		323	1,0	9,03	4,7	8,5	10,5	15,0							
175		300	0,9	8,37	4,5	8,1	10,3	15,0							
196		268	0,9	7,48	4,4	8,0	10,0	15,0							
228		231	1,0	6,43	4,3	7,8	9,7	15,0							
257		204	1,0	5,72	4,3	7,6	9,4	15,0							
325		162	1,1	4,51	4,1	7,2	8,9	15,0							
7,50		4,3	16835	2,0	343,19	140,0	150,0	140,0	150,0	SK 10382.1 - 132 MP/4	1060	D80-81			
		4,7	15317	2,0	312,23	140,0	150,0	140,0	150,0						
	5,1	13929	2,0	283,96	140,0	150,0	140,0	150,0							
	5,7	12673	2,0	258,35	140,0	150,0	140,0	150,0							
		2,4	30360	0,8	618,30	56,2	102,0	120,0	130,0	SK 9382/42 - 132 MP/4	779	D79 D85			
		3,2	22120	1,1	449,57	60,5	102,0	120,0	130,0						
		3,6	20140	1,2	411,63	61,0	102,0	120,0	130,0	SK 9382/52 - 132 MP/4	808	D79 D86			
		4,1	17280	1,5	352,36	77,2	102,0	120,0	130,0	SK 9382 - 132 MP/4	734	D79			
		5,0	14270	1,7	291,25	75,1	102,0	120,0	130,0						
		7,1	10040	2,2	204,68	72,2	102,0	120,0	130,0						
		8,3	8586	3,0	175,05	70,3	102,0	120,0	130,0						
		10	7093	3,4	144,69	67,2	102,0	120,0	130,0						
		11	6655	3,8	135,90	66,8	102,0	120,0	130,0						
		4,9	14490	0,8	294,43	44,9	73,0	100,0	100,0	SK 8382/42 - 132 MP/4	477	D77 D85			
		5,0	14420	0,9	294,01	45,9	73,0	100,0	105,0	SK 8382 - 132 MP/4	432	D77			
		6,0	11870	1,1	242,02	46,6	73,0	100,0	105,0						
7,9		9102	1,4	185,66	47,6	73,0	100,0	105,0							
9,6		7494	1,8	152,83	46,7	73,0	100,0	105,0							
10		7060	1,8	143,91	47,0	73,0	100,0	105,0							
12		5812	2,1	118,47	45,7	73,0	100,0	105,0							
14		5059	2,4	103,21	44,7	73,0	97,2	105,0							
16		4454	2,7	90,94	44,0	73,0	94,6	105,0							
19		3714	3,3	75,69	42,4	73,0	90,3	105,0							
		20	3540	2,2	72,21	42,3	72,4	0	0				SK 8282 - 132 MP/4	428	D76
	7,1	10040	0,8	204,99	30,6	58,0	56,2	80,0	SK 7382 - 132 MP/4	307	D75				
	9,0	7953	0,8	162,17	33,4	58,0	74,0	80,0							
	9,7	7374	1,0	150,57	34,3	58,0	75,3	80,0							
	12	6039	1,2	123,37	34,5	58,0	77,7	80,0							
	14	5226	1,4	106,59	34,3	58,0	79,0	80,0							
	16	4565	1,7	93,18	34,0	58,0	79,8	80,0							
	19	3863	1,9	78,81	33,3	58,0	77,6	80,0							
	21	3343	2,2	68,10	32,5	58,0	75,1	80,0							
	25	2920	2,4	59,52	32,0	56,3	72,9	80,0							

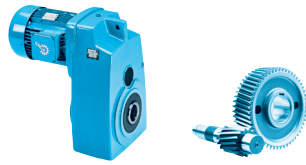
 Parallel shaft
gear units


7,50 kW



P ₁ [kW]	n ₂ [min ⁻¹]	M ₂ [Nm]	f _B	i _{ges}	F _R [kN]	F _A [kN]	F _{R VL} [kN]	F _{A VL} [kN]	Type	kg	mm 																																																																																																																																																																																																																																																																																																																																																																																																																																																																																																																													
7,50	21	3424	1,7	69,73	33,3	58,0	76,0	80,0	SK 7282 - 132 MP/4	300	D74																																																																																																																																																																																																																																																																																																																																																																																																																																																																																																																													
	26	2791	2,0	56,91	31,8	55,9	72,3	80,0					13	5631	1,0	114,79	28,3	46,5	49,9	60,0	SK 6382 - 132 MP/4	234	D73		16	4546	1,3	92,63	29,0	46,5	53,2	60,0		19	3694	1,6	75,18	28,9	46,5	55,2	60,0		20	3602	1,5	73,50	28,5	46,5	55,4	60,0		24	2926	1,9	59,66	28,0	46,5	56,6	60,0		29	2503	2,0	51,07	27,5	46,5	57,2	60,0		34	2081	2,2	42,46	26,7	46,0	55,6	60,0		40	1779	2,6	36,34	26,0	44,0	53,6	60,0		47	1516	3,0	30,91	25,2	42,0	51,6	60,0		24	2995	1,5	61,08	28,6	46,5	56,5	60,0	SK 6282 - 132 MP/4	237	D72		29	2442	1,7	49,75	27,5	46,5	57,3	60,0		37	1935	1,7	39,48	26,4	45,1	54,7	60,0		49	1466	3,1	29,90	25,2	42,0	51,4	60,0		56	1276	3,6	26,05	24,5	40,0	49,6	60,0		26	2725	0,9	55,55	16,6	31,8	38,8	40,0	SK 5282 - 132 MP/4	153	D70		28	2524	1,3	51,49	16,6	32,0	38,3	40,0		35	2058	1,6	41,94	16,2	32,0	36,5	40,0		36	2001	1,2	40,80	16,4	30,8	36,6	40,0		41	1739	1,6	35,46	15,9	31,0	35,2	40,0		44	1639	1,4	33,43	16,1	29,8	35,2	40,0		48	1495	1,9	30,50	15,9	30,4	34,3	40,0		58	1224	2,4	25,00	15,4	28,9	32,9	40,0		72	999	3,1	20,36	14,7	27,0	31,2	40,0		77	925	2,8	18,88	14,6	26,6	30,7	40,0		36	2001	0,8	40,74	9,2	17,6	24,2	30,0	SK 4282 - 132 MP/4	117	D68		38	1881	1,1	38,31	8,9	17,1	23,7	30,0		40	1807	0,8	36,81	9,2	17,5	23,8	30,0		45	1585	1,0	32,34	9,5	17,8	23,4	30,0		46	1572	1,1	32,04	9,1	17,2	23,1	30,0		55	1296	1,4	26,43	9,5	17,6	22,6	30,0		56	1288	1,2	26,25	9,6	17,8	22,6	30,0		65	1098	1,5	22,39	9,3	17,1	21,8	30,0		68	1053	1,6	21,45	9,4	17,3	21,7	30,0		80	892	2,0	18,18	9,2	16,7	20,9	30,0		96	745	2,4	15,20	9,0	16,1	20,1	30,0		115	621	2,8	12,68	8,7	15,3	19,2	30,0		135	531	3,2	10,85	8,5	14,8	18,6	30,0		158	453	3,6	9,23	8,3	14,2	17,9	29,6		175	409	3,1	8,33	8,0	13,5	17,3	28,7		205	350	3,4	7,13	7,7	13,0	16,7	27,8		240	298	4,0	6,06	7,4	12,4	16,0	26,7		268	267	3,9	5,43	7,2	12,0	15,6	26,0		292	245	4,2	5,00	7,1	11,6	15,2	25,4		72	988	0,8	20,18	4,7	8,2	13,7	19,4	SK 3282 - 132 MP/4	102	D66		88	817	1,0	16,67	4,9	8,4	13,2	19,1		104	691	1,2	14,11	4,9	8,4	12,9	18,7		129	557	1,5	11,38	5,0	8,4	12,4	18,2		149	479	1,7	9,80	4,9	8,2	12,1	17,8		174	412	1,6	8,31	4,8	7,9	11,6	17,2		216	332	1,8	6,70	4,7	7,6	11,1	16,5		255	281	2,0	5,74	4,6	7,4	10,7	16,0		321	223	2,1	4,48	4,4	7,1	10,1	15,2		162	441	0,8	9,03	4,0	7,1	10,0	15,0	SK 2282 - 132 MP/4	87	D64		256	280	0,8	5,72	3,8	6,7	9,1	15,0		324	221	0,8	4,51
	13	5631	1,0	114,79	28,3	46,5	49,9	60,0	SK 6382 - 132 MP/4	234	D73																																																																																																																																																																																																																																																																																																																																																																																																																																																																																																																													
	16	4546	1,3	92,63	29,0	46,5	53,2	60,0																																																																																																																																																																																																																																																																																																																																																																																																																																																																																																																																
	19	3694	1,6	75,18	28,9	46,5	55,2	60,0																																																																																																																																																																																																																																																																																																																																																																																																																																																																																																																																
	20	3602	1,5	73,50	28,5	46,5	55,4	60,0																																																																																																																																																																																																																																																																																																																																																																																																																																																																																																																																
	24	2926	1,9	59,66	28,0	46,5	56,6	60,0																																																																																																																																																																																																																																																																																																																																																																																																																																																																																																																																
	29	2503	2,0	51,07	27,5	46,5	57,2	60,0																																																																																																																																																																																																																																																																																																																																																																																																																																																																																																																																
	34	2081	2,2	42,46	26,7	46,0	55,6	60,0																																																																																																																																																																																																																																																																																																																																																																																																																																																																																																																																
	40	1779	2,6	36,34	26,0	44,0	53,6	60,0																																																																																																																																																																																																																																																																																																																																																																																																																																																																																																																																
	47	1516	3,0	30,91	25,2	42,0	51,6	60,0		24	2995	1,5	61,08	28,6	46,5	56,5	60,0	SK 6282 - 132 MP/4	237	D72		29	2442	1,7	49,75	27,5	46,5	57,3	60,0		37	1935	1,7	39,48	26,4	45,1	54,7	60,0		49	1466	3,1	29,90	25,2	42,0	51,4	60,0		56	1276	3,6	26,05	24,5	40,0	49,6	60,0		26	2725	0,9	55,55	16,6	31,8	38,8	40,0	SK 5282 - 132 MP/4	153	D70		28	2524	1,3	51,49	16,6	32,0	38,3	40,0		35	2058	1,6	41,94	16,2	32,0	36,5	40,0		36	2001	1,2	40,80	16,4	30,8	36,6	40,0		41	1739	1,6	35,46	15,9	31,0	35,2	40,0		44	1639	1,4	33,43	16,1	29,8	35,2	40,0		48	1495	1,9	30,50	15,9	30,4	34,3	40,0		58	1224	2,4	25,00	15,4	28,9	32,9	40,0		72	999	3,1	20,36	14,7	27,0	31,2	40,0		77	925	2,8	18,88	14,6	26,6	30,7	40,0		36	2001				0,8	40,74	9,2	17,6	24,2	30,0	SK 4282 - 132 MP/4	117	D68		38	1881	1,1	38,31	8,9	17,1	23,7	30,0		40	1807	0,8	36,81	9,2	17,5	23,8	30,0		45	1585	1,0	32,34	9,5	17,8	23,4	30,0		46	1572	1,1	32,04	9,1	17,2	23,1	30,0		55	1296	1,4	26,43	9,5	17,6	22,6	30,0		56	1288	1,2	26,25	9,6	17,8	22,6	30,0		65	1098	1,5	22,39	9,3	17,1	21,8	30,0		68	1053	1,6	21,45	9,4	17,3	21,7	30,0		80	892	2,0	18,18	9,2	16,7	20,9	30,0					96	745	2,4	15,20	9,0	16,1	20,1	30,0		115	621	2,8	12,68	8,7	15,3	19,2	30,0		135	531	3,2	10,85	8,5	14,8	18,6	30,0		158	453	3,6	9,23	8,3	14,2	17,9	29,6		175	409	3,1	8,33	8,0	13,5	17,3	28,7		205	350	3,4	7,13	7,7	13,0	16,7	27,8		240	298	4,0	6,06	7,4	12,4	16,0	26,7		268	267	3,9	5,43	7,2	12,0	15,6	26,0		292	245	4,2	5,00	7,1	11,6	15,2	25,4		72	988	0,8	20,18	4,7	8,2	13,7	19,4	SK 3282 - 132 MP/4	102	D66		88	817	1,0	16,67	4,9	8,4	13,2	19,1		104	691	1,2	14,11	4,9	8,4	12,9	18,7		129	557	1,5	11,38	5,0	8,4	12,4	18,2		149	479	1,7	9,80	4,9	8,2	12,1	17,8		174	412	1,6	8,31	4,8	7,9	11,6	17,2		216	332	1,8	6,70	4,7	7,6	11,1	16,5		255	281	2,0	5,74	4,6	7,4	10,7	16,0		321	223	2,1	4,48	4,4	7,1	10,1	15,2		162	441	0,8	9,03	4,0	7,1	10,0	15,0	SK 2282 - 132 MP/4	87	D64		256	280	0,8	5,72	3,8	6,7	9,1	15,0		324	221	0,8	4,51	3,8	6,5	8,6	15,0																																																																													
	24	2995	1,5	61,08	28,6	46,5	56,5	60,0	SK 6282 - 132 MP/4	237	D72																																																																																																																																																																																																																																																																																																																																																																																																																																																																																																																													
	29	2442	1,7	49,75	27,5	46,5	57,3	60,0																																																																																																																																																																																																																																																																																																																																																																																																																																																																																																																																
	37	1935	1,7	39,48	26,4	45,1	54,7	60,0																																																																																																																																																																																																																																																																																																																																																																																																																																																																																																																																
	49	1466	3,1	29,90	25,2	42,0	51,4	60,0																																																																																																																																																																																																																																																																																																																																																																																																																																																																																																																																
	56	1276	3,6	26,05	24,5	40,0	49,6	60,0					26	2725	0,9	55,55	16,6	31,8	38,8	40,0	SK 5282 - 132 MP/4	153	D70		28	2524	1,3	51,49	16,6	32,0	38,3	40,0		35	2058	1,6	41,94	16,2	32,0	36,5	40,0		36	2001	1,2	40,80	16,4	30,8	36,6	40,0		41	1739	1,6	35,46	15,9	31,0	35,2	40,0		44	1639	1,4	33,43	16,1				29,8	35,2	40,0		48	1495	1,9	30,50	15,9	30,4	34,3	40,0		58	1224	2,4	25,00	15,4	28,9	32,9	40,0		72	999	3,1	20,36	14,7	27,0	31,2	40,0		77	925	2,8	18,88	14,6	26,6	30,7	40,0		36	2001	0,8	40,74	9,2	17,6	24,2	30,0	SK 4282 - 132 MP/4	117	D68		38	1881	1,1	38,31	8,9	17,1	23,7	30,0		40	1807	0,8	36,81	9,2	17,5	23,8	30,0		45	1585	1,0	32,34	9,5	17,8	23,4	30,0		46	1572	1,1	32,04	9,1	17,2	23,1	30,0		55	1296	1,4	26,43	9,5				17,6	22,6	30,0		56	1288	1,2	26,25	9,6	17,8	22,6	30,0		65	1098	1,5	22,39	9,3	17,1	21,8	30,0		68	1053	1,6	21,45	9,4	17,3	21,7	30,0		80	892	2,0	18,18	9,2	16,7	20,9	30,0		96	745	2,4	15,20	9,0	16,1	20,1	30,0		115	621	2,8	12,68	8,7	15,3	19,2	30,0		135	531	3,2	10,85	8,5	14,8	18,6	30,0		158	453	3,6	9,23	8,3	14,2	17,9	29,6		175	409	3,1	8,33	8,0				13,5	17,3	28,7		205	350	3,4	7,13	7,7	13,0	16,7	27,8		240	298	4,0	6,06	7,4	12,4	16,0	26,7		268	267	3,9	5,43	7,2	12,0	15,6	26,0		292	245	4,2	5,00	7,1	11,6	15,2	25,4		72	988	0,8	20,18	4,7	8,2	13,7	19,4	SK 3282 - 132 MP/4	102	D66		88	817	1,0	16,67	4,9	8,4	13,2	19,1		104	691	1,2	14,11	4,9	8,4	12,9	18,7		129	557	1,5	11,38	5,0	8,4	12,4	18,2		149	479	1,7	9,80	4,9	8,2	12,1	17,8		174	412				1,6	8,31	4,8	7,9	11,6	17,2		216	332	1,8	6,70	4,7	7,6	11,1	16,5		255	281	2,0	5,74	4,6	7,4	10,7	16,0		321	223	2,1	4,48	4,4	7,1	10,1	15,2		162	441	0,8	9,03	4,0	7,1	10,0	15,0	SK 2282 - 132 MP/4	87	D64		256	280	0,8	5,72	3,8	6,7	9,1	15,0		324	221	0,8	4,51	3,8	6,5	8,6	15,0																																																																																																																				
	26	2725	0,9	55,55	16,6	31,8	38,8	40,0	SK 5282 - 132 MP/4	153	D70																																																																																																																																																																																																																																																																																																																																																																																																																																																																																																																													
	28	2524	1,3	51,49	16,6	32,0	38,3	40,0																																																																																																																																																																																																																																																																																																																																																																																																																																																																																																																																
	35	2058	1,6	41,94	16,2	32,0	36,5	40,0																																																																																																																																																																																																																																																																																																																																																																																																																																																																																																																																
	36	2001	1,2	40,80	16,4	30,8	36,6	40,0																																																																																																																																																																																																																																																																																																																																																																																																																																																																																																																																
	41	1739	1,6	35,46	15,9	31,0	35,2	40,0																																																																																																																																																																																																																																																																																																																																																																																																																																																																																																																																
	44	1639	1,4	33,43	16,1	29,8	35,2	40,0																																																																																																																																																																																																																																																																																																																																																																																																																																																																																																																																
	48	1495	1,9	30,50	15,9	30,4	34,3	40,0																																																																																																																																																																																																																																																																																																																																																																																																																																																																																																																																
	58	1224	2,4	25,00	15,4	28,9	32,9	40,0																																																																																																																																																																																																																																																																																																																																																																																																																																																																																																																																
	72	999	3,1	20,36	14,7	27,0	31,2	40,0																																																																																																																																																																																																																																																																																																																																																																																																																																																																																																																																
	77	925	2,8	18,88	14,6	26,6	30,7	40,0																																																																																																																																																																																																																																																																																																																																																																																																																																																																																																																																
	36	2001	0,8	40,74	9,2	17,6	24,2	30,0				SK 4282 - 132 MP/4	117	D68																																																																																																																																																																																																																																																																																																																																																																																																																																																																																																																										
	38	1881	1,1	38,31	8,9	17,1	23,7	30,0																																																																																																																																																																																																																																																																																																																																																																																																																																																																																																																																
	40	1807	0,8	36,81	9,2	17,5	23,8	30,0																																																																																																																																																																																																																																																																																																																																																																																																																																																																																																																																
	45	1585	1,0	32,34	9,5	17,8	23,4	30,0																																																																																																																																																																																																																																																																																																																																																																																																																																																																																																																																
	46	1572	1,1	32,04	9,1	17,2	23,1	30,0																																																																																																																																																																																																																																																																																																																																																																																																																																																																																																																																
	55	1296	1,4	26,43	9,5	17,6	22,6	30,0																																																																																																																																																																																																																																																																																																																																																																																																																																																																																																																																
	56	1288	1,2	26,25	9,6	17,8	22,6	30,0																																																																																																																																																																																																																																																																																																																																																																																																																																																																																																																																
	65	1098	1,5	22,39	9,3	17,1	21,8	30,0																																																																																																																																																																																																																																																																																																																																																																																																																																																																																																																																
	68	1053	1,6	21,45	9,4	17,3	21,7	30,0																																																																																																																																																																																																																																																																																																																																																																																																																																																																																																																																
	80	892	2,0	18,18	9,2	16,7	20,9	30,0																																																																																																																																																																																																																																																																																																																																																																																																																																																																																																																																
	96	745	2,4	15,20	9,0	16,1	20,1	30,0																																																																																																																																																																																																																																																																																																																																																																																																																																																																																																																																
	115	621	2,8	12,68	8,7	15,3	19,2	30,0																																																																																																																																																																																																																																																																																																																																																																																																																																																																																																																																
	135	531	3,2	10,85	8,5	14,8	18,6	30,0																																																																																																																																																																																																																																																																																																																																																																																																																																																																																																																																
	158	453	3,6	9,23	8,3	14,2	17,9	29,6																																																																																																																																																																																																																																																																																																																																																																																																																																																																																																																																
	175	409	3,1	8,33	8,0	13,5	17,3	28,7																																																																																																																																																																																																																																																																																																																																																																																																																																																																																																																																
	205	350	3,4	7,13	7,7	13,0	16,7	27,8																																																																																																																																																																																																																																																																																																																																																																																																																																																																																																																																
	240	298	4,0	6,06	7,4	12,4	16,0	26,7																																																																																																																																																																																																																																																																																																																																																																																																																																																																																																																																
	268	267	3,9	5,43	7,2	12,0	15,6	26,0																																																																																																																																																																																																																																																																																																																																																																																																																																																																																																																																
	292	245	4,2	5,00	7,1	11,6	15,2	25,4																																																																																																																																																																																																																																																																																																																																																																																																																																																																																																																																
	72	988	0,8	20,18	4,7	8,2	13,7	19,4	SK 3282 - 132 MP/4	102	D66																																																																																																																																																																																																																																																																																																																																																																																																																																																																																																																													
	88	817	1,0	16,67	4,9	8,4	13,2	19,1																																																																																																																																																																																																																																																																																																																																																																																																																																																																																																																																
	104	691	1,2	14,11	4,9	8,4	12,9	18,7																																																																																																																																																																																																																																																																																																																																																																																																																																																																																																																																
	129	557	1,5	11,38	5,0	8,4	12,4	18,2																																																																																																																																																																																																																																																																																																																																																																																																																																																																																																																																
	149	479	1,7	9,80	4,9	8,2	12,1	17,8																																																																																																																																																																																																																																																																																																																																																																																																																																																																																																																																
	174	412	1,6	8,31	4,8	7,9	11,6	17,2																																																																																																																																																																																																																																																																																																																																																																																																																																																																																																																																
	216	332	1,8	6,70	4,7	7,6	11,1	16,5																																																																																																																																																																																																																																																																																																																																																																																																																																																																																																																																
	255	281	2,0	5,74	4,6	7,4	10,7	16,0																																																																																																																																																																																																																																																																																																																																																																																																																																																																																																																																
	321	223	2,1	4,48	4,4	7,1	10,1	15,2																																																																																																																																																																																																																																																																																																																																																																																																																																																																																																																																
	162	441	0,8	9,03	4,0	7,1	10,0	15,0	SK 2282 - 132 MP/4	87	D64																																																																																																																																																																																																																																																																																																																																																																																																																																																																																																																													
	256	280	0,8	5,72	3,8	6,7	9,1	15,0																																																																																																																																																																																																																																																																																																																																																																																																																																																																																																																																
	324	221	0,8	4,51	3,8	6,5	8,6	15,0																																																																																																																																																																																																																																																																																																																																																																																																																																																																																																																																

Parallel shaft gear units



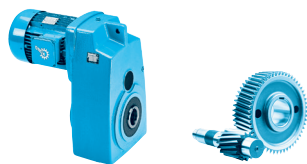
P ₁ [kW]	n ₂ [min ⁻¹]	M ₂ [Nm]	f _B	i _{ges}	F _R [kN]	F _A [kN]	F _{R VL} [kN]	F _{A VL} [kN]	Type	kg	mm 
9,20	4,3	20510	1,6	343,19	140,0	150,0	140,0	150,0	SK 10382.1 - 160 SP/4	1090	D80-81
	4,7	18660	1,6	312,23	140,0	150,0	140,0	150,0			
	5,2	16971	1,6	283,96	140,0	150,0	140,0	150,0			
	5,7	15440	1,6	258,35	140,0	150,0	140,0	150,0			
	6,5	13503	3,5	225,94	140,0	150,0	140,0	150,0			
	7,2	12285	3,5	205,57	140,0	150,0	140,0	150,0			
	7,9	11173	3,9	186,95	140,0	150,0	140,0	150,0			
	8,5	10325	4,5	172,76	140,0	150,0	140,0	150,0			
	9,4	9393	4,5	157,18	140,0	150,0	140,0	150,0			
3,3	26950	0,9	449,57	51,0	102,0	120,0	130,0	SK 9382/42 - 160 SP/4	810	D79 D85	
3,6	24530	1,0	411,63	52,6	102,0	120,0	130,0	SK 9382/52 - 160 SP/4	839	D79 D86	
4,2	21050	1,2	352,36	70,3	102,0	120,0	130,0	SK 9382 - 160 SP/4	765	D79	
5,1	17390	1,4	291,25	68,9	102,0	120,0	130,0				
7,2	12230	1,8	204,68	68,4	102,0	120,0	130,0				
8,4	10460	2,4	175,05	67,0	102,0	120,0	130,0				
10	8642	2,8	144,69	64,2	102,0	120,0	130,0				
11	8108	3,1	135,90	64,3	102,0	120,0	130,0				
13	6904	3,7	115,57	62,1	102,0	117,6	130,0				
15	6018	4,2	100,89	60,4	102,0	113,8	130,0				
6,1	14460	0,9	242,02	39,4	73,0	100,0	105,0	SK 8382 - 160 SP/4	463	D77	
7,9	11090	1,1	185,66	42,5	73,0	100,0	105,0				
9,6	9130	1,4	152,83	42,4	73,0	100,0	105,0				
10	8601	1,5	143,91	43,2	73,0	100,0	105,0				
12	7081	1,8	118,47	42,4	73,0	97,1	105,0				
14	6163	2,0	103,21	42,0	73,0	94,7	105,0				
16	5426	2,2	90,94	41,4	73,0	92,2	105,0				
19	4524	2,7	75,69	40,5	69,4	88,5	105,0				
23	3894	2,9	65,22	39,4	66,8	85,5	105,0				
20	4313	1,8	72,21	40,3	69,1	0	0				SK 8282 - 160 SP/4
9,8	8984	0,8	150,57	29,4	58,0	71,4	80,0	SK 7382 - 160 SP/4	338	D75	
12	7358	1,0	123,37	30,7	58,0	75,2	80,0				
14	6367	1,2	106,59	31,0	58,0	77,2	80,0				
16	5561	1,4	93,18	31,1	58,0	78,1	80,0				
19	4707	1,6	78,81	30,6	56,0	75,4	80,0				
22	4073	1,8	68,10	30,5	54,6	73,4	80,0				
25	3557	2,0	59,52	30,0	52,9	71,2	80,0				
28	3193	2,2	53,38	29,9	52,0	69,8	80,0				
32	2789	2,5	46,66	29,2	50,4	67,6	80,0				
21	4172	1,4	69,73	31,1	55,9	74,2	80,0				SK 7282 - 160 SP/4
26	3401	1,6	56,91	30,1	52,9	70,7	80,0				
32	2729	2,1	45,67	29,4	50,4	67,5	80,0				
33	2693	1,6	45,02	28,9	49,5	66,9	80,0				
39	2224	2,9	37,27	28,1	47,4	64,2	80,0				
13	6861	0,9	114,79	17,7	46,5	44,8	60,0	SK 6382 - 160 SP/4	265	D73	
16	5539	1,1	92,63	25,7	46,5	50,2	60,0				
20	4500	1,3	75,18	26,1	46,5	53,3	60,0				
25	3565	1,5	59,66	25,8	46,5	55,5	60,0				
29	3049	1,7	51,07	25,6	45,1	56,4	60,0				
35	2535	1,8	42,46	25,2	43,3	54,4	60,0				
41	2168	2,1	36,34	24,6	41,8	52,6	60,0				
48	1847	2,5	30,91	24,0	40,0	50,6	60,0				
24	3649	1,2	61,08	26,5	46,5	55,3	60,0	SK 6282 - 160 SP/4	268	D72	
30	2976	1,4	49,75	25,9	45,2	56,3	60,0				
37	2357	1,4	39,48	25,0	42,6	53,5	60,0				
49	1786	2,5	29,90	24,2	40,2	50,5	60,0				
56	1555	2,9	26,05	23,6	38,7	48,8	60,0				
64	1369	3,3	22,95	23,0	37,2	47,4	60,0				


9,20 kW
11,0 kW



P ₁ [kW]	n ₂ [min ⁻¹]	M ₂ [Nm]	f _B	i _{ges}	F _R [kN]	F _A [kN]	F _{R VL} [kN]	F _{A VL} [kN]	Type	kg	mm
9,20	36	2438	1,0	40,80	15,0	27,8	35,5	40,0	SK 5282 - 160 SP/4	184	D70
	44	1997	1,2	33,43	14,9	27,2	34,1	40,0			
	48	1821	1,6	30,50	14,8	28,4	33,4	40,0			
	59	1492	1,9	25,00	14,5	27,2	32,1	40,0			
	72	1217	2,5	20,36	13,9	25,7	30,6	40,0			
	78	1127	2,3	18,88	13,9	25,4	30,1	40,0			
	83	1053	2,6	17,59	13,6	24,7	29,5	40,0			
	96	919	2,8	15,38	13,3	23,9	28,7	40,0			
	46	1931	0,8	32,34	8,1	15,0	22,2	30,0			
	56	1578	1,1	26,43	8,3	15,3	21,6	30,0			
	66	1337	1,3	22,39	8,4	15,1	21,0	30,0			
	69	1282	1,3	21,45	8,5	15,4	21,0	30,0			
	81	1087	1,7	18,18	8,5	15,0	20,3	30,0			
	97	908	2,0	15,20	8,4	14,7	19,5	30,0			
	116	757	2,3	12,68	8,1	14,1	18,8	30,0			
	136	647	2,6	10,85	8,0	13,8	18,1	29,8			
159	552	3,0	9,23	7,8	13,4	17,5	28,9				
176	498	2,6	8,33	7,6	12,7	17,0	28,1				
206	426	2,8	7,13	7,4	12,3	16,4	27,1				
242	363	3,3	6,06	7,2	11,8	15,7	26,1				
270	325	3,2	5,43	7,0	11,4	15,3	25,5				
294	299	3,5	5,00	6,9	11,2	15,0	25,0				
312	282	3,7	4,70	6,8	11,0	14,8	24,6				
11,0	4,3	24607	1,4	343,19	140,0	150,0	140,0	150,0	SK 10382.1 - 160 MP/4	1090	D80-81
	4,7	22388	1,4	312,23	140,0	150,0	140,0	150,0			
	5,2	20360	1,4	283,96	140,0	150,0	140,0	150,0			
	5,7	18524	1,4	258,35	140,0	150,0	140,0	150,0			
	6,5	16201	2,9	225,94	140,0	150,0	140,0	150,0			
	7,1	14739	2,9	205,57	140,0	150,0	140,0	150,0			
	7,8	13404	3,3	186,95	140,0	150,0	140,0	150,0			
	8,5	12387	3,7	172,76	140,0	150,0	140,0	150,0			
	9,3	11270	3,7	157,18	140,0	150,0	140,0	150,0			
	3,6	29430	0,8	411,63	43,3	91,3	120,0	130,0			
	4,2	25250	1,0	352,36	62,3	102,0	120,0	130,0			
	5,0	20860	1,2	291,25	62,4	102,0	120,0	130,0			
	7,2	14670	1,5	204,68	64,0	102,0	120,0	130,0			
	8,4	12550	2,0	175,05	63,1	102,0	120,0	130,0			
	10	10370	2,3	144,69	61,2	102,0	120,0	130,0			
	11	9727	2,6	135,90	61,3	102,0	120,0	130,0			
	13	8283	3,1	115,57	59,8	102,0	115,8	130,0			
	15	7220	3,5	100,89	58,3	102,0	112,4	130,0			
	18	5965	4,0	83,19	55,7	96,3	106,6	130,0			
	6,1	17350	0,8	242,02	31,8	68,7	100,0	105,0			
	7,9	13300	1,0	185,66	36,9	73,0	100,0	105,0			
	9,6	10950	1,2	152,83	37,7	72,3	98,0	105,0			
	10	10320	1,2	143,91	38,8	73,0	97,7	105,0			
	12	8495	1,5	118,47	38,7	70,8	94,2	105,0			
	14	7395	1,6	103,21	38,9	69,6	92,1	105,0			
	16	6510	1,9	90,94	38,7	68,2	89,8	105,0			
	19	5428	2,2	75,69	38,2	66,0	86,8	105,0			
	22	4672	2,4	65,22	37,6	63,6	83,9	105,0			
	26	4110	2,9	57,43	36,9	61,7	81,6	105,0			
	31	3427	3,5	47,80	35,8	58,7	78,2	105,0			
	34	3120	3,4	43,59	35,5	57,5	76,7	105,0			
	20	5174	1,5	72,21	38,3	66,0	0	0			
	25	4260	1,5	59,44	37,1	62,2	0	0			
	31	3407	3,1	47,51	36,0	59,0	0	0			
	37	2805	3,3	39,11	34,5	55,5	0	0			
	12	8828	0,9	123,37	26,4	52,4	71,9	80,0			
14	7638	1,0	106,59	27,3	52,9	74,7	80,0				
16	6672	1,1	93,18	28,1	52,9	75,5	80,0				
19	5647	1,3	78,81	28,0	51,4	73,2	80,0				
									SK 8282 - 160 MP/4	459	D76
									SK 7382 - 160 MP/4	338	D75

Parallel shaft
gear units



P ₁ [kW]	n ₂ [min ⁻¹]	M ₂ [Nm]	f _B	i _{ges}	F _R [kN]	F _A [kN]	F _{R VL} [kN]	F _{A VL} [kN]	Type	kg	mm 		
11,0	21	4886	1,5	68,10	28,1	50,8	71,3	80,0	SK 7382 - 160 MP/4	338	D75		
	25	4268	1,7	59,52	28,0	49,8	69,6	80,0					
	27	3830	1,8	53,38	28,1	49,1	68,3	80,0					
	31	3346	2,1	46,66	27,8	47,8	66,4	80,0					
	21	5005	1,2	69,73	28,9	52,2	72,4	80,0	SK 7282 - 160 MP/4	331	D74		
	26	4080	1,4	56,91	28,2	49,8	69,1	80,0					
	32	3274	1,8	45,67	28,1	48,0	66,3	80,0					
	33	3231	1,4	45,02	27,4	46,9	65,6	80,0					
	39	2669	2,4	37,27	27,0	45,2	63,0	80,0					
	42	2487	2,3	34,64	26,9	44,7	62,2	80,0					
16	6645	0,9	92,63	20,4	43,3	45,9	60,0	SK 6382 - 160 MP/4	265	D73			
19	5399	1,1	75,18	23,3	43,8	50,7	60,0						
20	5264	1,1	73,50	22,9	42,9	51,1	60,0						
25	4277	1,3	59,66	23,5	42,5	53,9	60,0						
29	3658	1,4	51,07	23,7	41,8	54,8	60,0						
35	3041	1,5	42,46	23,6	40,8	52,9	60,0						
40	2601	1,7	36,34	23,3	39,5	51,4	60,0						
47	2216	2,1	30,91	22,9	38,0	49,6	60,0						
24	4377	1,0	61,08	24,4	43,9	53,6	60,0	SK 6282 - 160 MP/4	268	D72			
29	3570	1,1	49,75	23,9	42,1	54,8	60,0						
37	2828	1,1	39,48	23,4	40,1	52,2	60,0						
49	2143	2,1	29,90	23,2	38,4	49,6	60,0						
56	1866	2,4	26,05	22,7	37,2	48,1	60,0						
64	1642	2,8	22,95	22,2	35,7	46,7	60,0						
78	1339	3,3	18,70	21,1	33,4	44,3	60,0						
36	2925	0,9	40,80	13,4	24,6	34,1	40,0				SK 5282 - 160 MP/4	184	D70
44	2395	1,0	33,43	13,7	24,6	33,1	40,0						
48	2185	1,3	30,50	13,7	26,4	32,5	40,0						
59	1790	1,6	25,00	13,6	25,6	31,4	40,0						
72	1459	2,1	20,36	13,2	24,3	29,9	40,0						
78	1353	1,9	18,88	13,3	24,1	29,6	40,0						
83	1263	2,2	17,59	13,0	23,6	29,0	40,0						
95	1103	2,4	15,38	12,8	22,7	28,1	40,0						
113	932	2,8	13,00	12,4	21,6	27,0	40,0						
55	1894	0,9	26,43	7,1	12,9	20,6	30,0	SK 4282 - 160 MP/4	148	D68			
56	1882	0,9	26,25	7,2	13,1	20,7	30,0						
65	1605	1,1	22,39	7,3	13,0	20,1	30,0						
68	1539	1,1	21,45	7,6	13,4	20,2	30,0						
81	1304	1,4	18,18	7,6	13,4	19,6	30,0						
96	1089	1,7	15,20	7,7	13,2	19,0	30,0						
116	908	1,9	12,68	7,5	12,9	18,3	29,6						
135	777	2,2	10,85	7,5	12,7	17,7	28,9						
159	662	2,5	9,23	7,4	12,5	17,2	28,1						
176	598	2,1	8,33	7,1	11,8	16,6	27,3						
206	511	2,4	7,13	7,0	11,5	16,1	26,5						
241	435	2,8	6,06	6,9	11,2	15,5	25,6						
269	390	2,7	5,43	6,7	10,9	15,1	25,0						
293	359	2,9	5,00	6,6	10,7	14,8	24,6						
311	338	3,1	4,70	6,6	10,5	14,6	24,2						
15,0	8,8	16345	4,4	167,17	160,0	170,0	160,0	170,0	SK 11382.1 - 160 LP/4	1720	D82-83		
	4,3	33555	1,0	343,19	132,4	150,0	132,4	150,0	SK 10382.1 - 160 LP/4	1120	D80-81		
	4,7	30529	1,0	312,23	137,0	150,0	137,0	150,0					
	5,2	27764	1,0	283,96	140,0	150,0	140,0	150,0					
	5,7	25260	1,0	258,35	140,0	150,0	140,0	150,0					
	6,5	22092	2,1	225,94	140,0	150,0	140,0	150,0					
	7,1	20099	2,1	205,57	140,0	150,0	140,0	150,0					
	7,8	18279	2,4	186,95	140,0	150,0	140,0	150,0					
	8,5	16891	2,7	172,76	140,0	150,0	140,0	150,0					
	9,3	15368	2,7	157,18	140,0	150,0	140,0	150,0					
5,0	28450	0,8	291,25	47,5	101,0	120,0	130,0	SK 9382 - 160 LP/4				794	D79
7,2	20010	1,1	204,68	54,1	102,0	120,0	130,0						
8,4	17110	1,5	175,05	54,8	102,0	120,0	130,0						
10	14140	1,7	144,69	54,1	100,1	116,7	130,0						

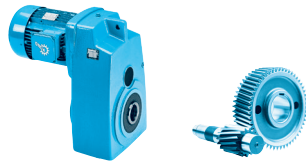
Parallel shaft
gear units


15,0 kW



P ₁ [kW]	n ₂ [min ⁻¹]	M ₂ [Nm]	f _B	i _{ges}	F _R [kN]	F _A [kN]	F _{R VL} [kN]	F _{A VL} [kN]	Type	kg	mm 			
15,0	11	13260	1,9	135,90	54,9	100,4	115,9	130,0	SK 9382 - 160 LP/4	794	D79			
	13	11290	2,2	115,57	54,4	97,4	112,1	130,0						
	15	9845	2,6	100,89	53,8	94,6	108,8	130,0						
	18	8134	3,0	83,19	51,7	89,4	103,9	130,0						
	20	7056	3,4	72,19	50,6	86,2	100,6	130,0						
	22	6369	3,8	65,25	49,8	84,1	98,0	129,1						
	9,6	14940	0,9	152,83	27,0	55,5	89,0	105,0				SK 8382 - 160 LP/4	492	D77
	10	14070	0,9	143,91	29,1	57,8	89,6	105,0						
	12	11580	1,1	118,47	30,6	57,8	87,5	105,0						
	14	10080	1,2	103,21	32,0	58,4	86,1	105,0						
	16	8877	1,4	90,94	32,7	58,4	84,9	105,0						
	19	7402	1,6	75,69	33,2	57,8	82,5	105,0						
	22	6371	1,8	65,22	33,2	56,7	80,5	105,0						
	26	5604	2,2	57,43	33,1	55,6	78,4	105,0						
	31	4673	2,6	47,80	32,7	53,8	75,6	105,0						
	34	4255	2,5	43,59	32,8	53,0	74,4	105,0						
	41	3503	3,4	35,88	31,6	50,2	71,0	102,0						
	20	7056	1,1	72,21	33,7	58,4	0	0						
	25	5809	1,1	59,44	33,2	56,1	0	0						
	31	4645	2,3	47,51	33,0	54,1	0	0						
	37	3824	2,4	39,11	31,9	51,3	0	0						
	16	9098	0,8	93,18	20,8	41,5	69,6	80,0				SK 7382 - 160 LP/4	367	D75
19	7700	1,0	78,81	21,9	41,5	68,1	80,0							
21	6663	1,1	68,10	22,9	42,4	66,9	80,0							
25	5820	1,2	59,52	23,5	42,4	65,8	80,0							
27	5223	1,4	53,38	24,2	42,8	65,0	80,0							
31	4562	1,6	46,66	24,3	42,1	63,4	80,0							
40	3613	1,8	36,92	24,0	40,3	60,4	80,0							
48	2981	2,2	30,42	23,7	39,0	58,0	80,0							
21	6825	0,9	69,73	23,9	44,1	68,2	80,0	SK 7282 - 160 LP/4	360	D74				
26	5564	1,0	56,91	24,0	42,8	65,6	80,0							
32	4464	1,3	45,67	24,9	42,8	63,6	80,0							
33	4406	1,0	45,02	24,1	41,5	62,7	80,0							
39	3639	1,8	37,27	24,2	40,8	60,9	80,0							
42	3392	1,7	34,64	24,5	40,8	60,2	80,0							
54	2629	2,2	26,89	23,8	38,7	56,9	80,0							
64	2239	2,6	22,87	23,2	37,0	54,8	79,9							
73	1951	3,0	19,97	22,7	35,6	53,0	77,3							
90	1591	4,1	16,29	21,6	33,3	50,3	73,4							
19	7363	0,8	75,18	10,4	33,3	42,4	60,0	SK 6382 - 160 LP/4	294	D73				
20	7179	0,8	73,50	13,5	32,6	43,3	60,0							
25	5833	0,9	59,66	18,2	34,3	49,2	60,0							
29	4988	1,0	51,07	19,2	34,7	51,0	60,0							
35	4147	1,1	42,46	19,9	34,8	50,0	60,0							
40	3546	1,3	36,34	20,1	34,5	48,7	60,0							
47	3021	1,5	30,91	20,3	34,0	47,6	60,0							
51	2802	1,6	28,72	20,3	33,6	46,9	60,0							
60	2388	2,0	24,42	20,1	32,6	45,3	60,0							
24	5969	0,8	61,08	19,2	35,8	48,7	60,0				SK 6282 - 160 LP/4	297	D72	
29	4868	0,8	49,75	19,7	35,3	51,3	60,0							
37	3857	0,8	39,48	20,0	34,7	49,3	60,0							
49	2923	1,6	29,90	20,8	34,7	47,7	60,0							
56	2544	1,8	26,05	20,6	33,7	46,4	60,0							
64	2240	2,0	22,95	20,4	32,9	45,1	60,0							
78	1827	2,4	18,70	19,6	31,0	43,0	60,0							
99	1447	3,1	14,83	18,8	29,0	40,7	58,5							
48	2979	1,0	30,50	11,2	21,8	30,4	40,0	SK 5282 - 160 LP/4	213	D70				
59	2440	1,2	25,00	11,5	21,8	29,6	40,0							
72	1990	1,6	20,36	11,5	21,1	28,5	40,0							
78	1844	1,4	18,88	11,7	21,4	28,3	40,0							
83	1722	1,6	17,59	11,5	20,9	27,7	40,0							
95	1504	1,7	15,38	11,5	20,5	27,0	40,0							
113	1271	2,1	13,00	11,2	19,6	26,1	40,0							
137	1049	2,4	10,71	11,0	18,9	25,0	40,0							

Parallel shaft gear units



P ₁ [kW]	n ₂ [min ⁻¹]	M ₂ [Nm]	f _B	i _{ges}	F _R [kN]	F _A [kN]	F _{R VL} [kN]	F _{A VL} [kN]	Type	kg	mm 			
15,0	155	926	2,5	9,46	10,8	18,3	24,3	40,0	SK 5282 - 160 LP/4	213	D70			
	169	850	2,8	8,70	10,5	17,6	23,7	39,7						
	204	701	3,1	7,17	10,1	16,8	22,7	37,9						
	231	619	3,4	6,33	9,9	16,2	22,0	36,8						
	258	556	3,2	5,71	9,7	15,7	21,5	35,9						
	278	515	3,4	5,29	9,6	15,4	21,1	35,2						
	292	491	3,5	5,01	9,5	15,1	20,8	34,8						
	65	2188	0,8	22,39	4,8	8,4	18,1	27,9	SK 4282 - 160 LP/4	177	D68			
	68	2098	0,8	21,45	5,2	9,1	18,3	28,4						
	81	1778	1,0	18,18	5,6	9,6	18,0	28,1						
	96	1485	1,2	15,20	6,0	10,1	17,6	27,9						
	116	1238	1,4	12,68	6,2	10,2	17,1	27,3						
	135	1059	1,6	10,85	6,3	10,4	16,8	27,0						
	159	902	1,8	9,23	6,5	10,5	16,4	26,4						
	176	815	1,6	8,33	6,2	10,0	15,8	25,6						
	206	697	1,7	7,13	6,2	10,0	15,4	25,1						
	241	594	2,0	6,06	6,2	9,8	14,9	24,4						
	269	532	1,9	5,43	6,1	9,7	14,6	23,9						
	293	489	2,1	5,00	6,1	9,6	14,3	23,6						
311	461	2,2	4,70	6,0	9,5	14,1	23,3							
18,5	8,9	19955	3,6	167,17	160,0	170,0	160,0	170,0	SK 11382.1 - 180 MP/4	1760	D82-83			
	10	16919	4,2	141,74	160,0	170,0	160,0	170,0						
	11	15520	4,5	130,02	160,0	170,0	160,0	170,0						
	9	20621	2,2	172,76	140,0	150,0	140,0	150,0	SK 10382.1 - 180 MP/4	1160	D80-81			
	9	18761	2,2	157,18	140,0	150,0	140,0	150,0						
	11	16143	2,8	135,24	140,0	150,0	140,0	150,0						
	12	14687	2,8	123,04	140,0	150,0	140,0	150,0						
	13,2	13357	3,4	111,90	140,0	150,0	140,0	150,0						
	15,4	11456	3,9	95,98	140,0	150,0	140,0	150,0						
	17	10423	3,9	87,32	140,0	150,0	140,0	150,0						
	19	9479	4,5	79,41	140,0	150,0	140,0	150,0						
	20	8624	4,7	72,25	140,0	150,0	140,0	150,0						
	7,3	24080	3,7	201,75	138,9	170,0	138,9	155,0				SK 12382 - 180 MP/4	2230	D84
	6,3	27850	0,9	233,17	26,6	57,2	98,0	122,5				SK 9382/52 - 180 MP/4	901	D79 D86
	7,4	23930	1,0	200,69	30,4	60,8	97,4	122,7						
	8,5	20890	1,2	175,05	47,4	91,3	116,5	130,0	SK 9382 - 180 MP/4	827	D79			
	10	17260	1,4	144,69	47,7	89,4	112,2	130,0						
	11	16190	1,6	135,90	49,2	90,6	112,0	130,0						
	13	13790	1,8	115,57	49,5	89,4	108,7	130,0						
	15	12020	2,1	100,89	49,5	87,6	105,8	130,0						
	18	9930	2,4	83,19	48,2	83,3	101,2	130,0						
	21	8614	2,8	72,19	47,5	81,0	98,3	128,5						
	23	7775	3,1	65,25	47,0	79,2	95,9	126,1						
	27	6620	3,6	55,49	45,9	76,1	92,5	121,5						
	12	14140	0,9	118,47	23,5	47,2	81,3	105,0				SK 8382 - 180 MP/4	525	D77
	14	12310	1,0	103,21	25,8	49,1	80,9	105,0						
	16	10840	1,1	90,94	27,2	50,2	80,2	105,0						
	20	9036	1,3	75,69	28,8	50,7	78,5	105,0						
	23	7777	1,5	65,22	29,4	50,7	77,0	105,0						
	26	6842	1,8	57,43	29,8	50,2	75,5	105,0						
	31	5705	2,1	47,80	29,9	49,3	73,1	105,0						
34	5194	2,0	43,59	30,3	49,1	72,3	103,7							
41	4277	2,8	35,88	29,5	46,9	69,1	99,4							
48	3681	3,3	30,92	29,1	45,4	67,1	96,3							
52	3384	3,0	28,33	28,9	44,8	65,9	94,8	SK 8282 - 180 MP/4	521	D76				
19	9401	0,8	78,81	16,5	33,2	63,5	80,0	SK 7382 - 180 MP/4	400	D75				
22	8134	0,9	68,10	18,2	34,9	63,2	80,0							
25	7105	1,0	59,52	19,6	36,0	62,2	80,0							
28	6377	1,1	53,38	20,7	37,1	61,9	80,0							
32	5570	1,3	46,66	21,4	37,3	60,9	80,0							

Parallel shaft gear units


18,5 kW
22,0 kW



P ₁ [kW]	n ₂ [min ⁻¹]	M ₂ [Nm]	f _B	i _{ges}	F _R F _A		F _{R VL} F _{A VL}		Type	kg	mm 				
					[kN]		[kN]								
18,5	40	4411	1,5	36,92	21,6	36,4	58,4	80,0	SK 7382 - 180 MP/4	400	D75				
	49	3639	1,8	30,42	21,7	35,6	56,3	80,0							
	55	3214	2,1	26,88	21,6	35,0	55,0	80,0							
	63	2803	2,4	23,46	21,4	34,2	53,5	77,8							
	43	4141	1,4	34,64	22,3	37,3	58,3	80,0	SK 7282 - 180 MP/4	393	D74				
		55	3210	1,8	26,89	22,1	35,8	55,5				80,0			
		65	2733	2,1	22,87	21,8	34,7	53,6				77,9			
		74	2382	2,4	19,97	21,5	33,6	52,0				75,7			
		91	1942	3,3	16,29	20,6	31,6	49,4				71,9			
	25	7121	0,8	59,66	13,6	27,2	43,5	60,0	SK 6382 - 180 MP/4	327	D73				
29		6089	0,8	51,07	15,2	28,6	47,8	60,0							
35		5063	0,9	42,46	16,7	29,8	47,2	60,0							
41		4329	1,1	36,34	17,4	30,2	46,4	60,0							
48		3688	1,2	30,91	17,9	30,4	45,5	60,0							
52		3421	1,3	28,72	18,1	30,1	45,0	60,0							
61		2915	1,6	24,42	18,2	29,8	43,8	60,0							
50		3568	1,3	29,90	18,7	31,3	45,8	60,0				SK 6282 - 180 MP/4	330	D72	
	57	3106	1,5	26,05	18,8	30,8	44,8	60,0							
	65	2734	1,7	22,95	18,8	30,4	43,8	60,0							
	79	2230	2,0	18,70	18,3	28,9	41,9	60,0							
	100	1767	2,5	14,83	17,7	27,3	39,7	57,1							
	120	1473	3,0	12,35	17,3	26,1	38,2	54,9							
	139	1268	3,4	10,64	16,9	25,1	36,9	53,0							
	59	2979	1,0	25,00	9,7	18,7	28,1	40,0	SK 5282 - 180 MP/4	246	D70				
73		2430	1,3	20,36	9,9	18,5	27,2	40,0							
78		2252	1,2	18,88	10,3	19,1	27,1	40,0							
84		2102	1,3	17,59	10,2	18,5	26,6	40,0							
96		1836	1,4	15,38	10,3	18,5	26,1	40,0							
114		1552	1,7	13,00	10,2	17,9	25,2	40,0							
138		1280	2,0	10,71	10,2	17,5	24,3	40,0							
156		1131	2,0	9,46	10,1	17,1	23,7	39,5							
170		1037	2,3	8,70	9,8	16,4	23,1	38,5							
206		856	2,5	7,17	9,6	15,8	22,1	37,0							
234		756	2,8	6,33	9,4	15,3	21,5	36,0							
260		679	2,7	5,71	9,3	14,9	21,0	35,1							
281		629	2,8	5,29	9,1	14,6	20,7	34,5							
295		599	2,8	5,01	9,1	14,4	20,4	34,1							
343	515	3,0	4,32	8,8	13,8	19,7	32,9								
81	2170	0,8	18,18	3,8	6,4	16,5	25,4	SK 4282 - 180 MP/4	210	D68					
	97	1813	1,0	15,20	4,6	7,4	16,5				25,5				
	117	1512	1,2	12,68	4,9	7,9	16,1				25,2				
	137	1293	1,3	10,85	5,3	8,5	15,9				25,1				
	160	1102	1,5	9,23	5,6	8,8	15,6				24,9				
	178	995	1,3	8,33	5,3	8,4	15,1				24,1				
	208	851	1,4	7,13	5,5	8,6	14,8				23,8				
	244	725	1,7	6,06	5,6	8,6	14,4				23,4				
	272	650	1,6	5,43	5,6	8,6	14,1				23,0				
	296	597	1,7	5,00	5,6	8,6	13,9				22,7				
	314	563	1,8	4,70	5,6	8,6	13,7				22,5				
	22,0	8,8	23811	3,0	167,17	160,0	170,0				160,0	170,0	SK 11382.1 - 180 LP/4	1760	D82-83
		10	20188	3,5	141,74	160,0	170,0				160,0	170,0			
		11	18519	3,8	130,02	160,0	170,0				160,0	170,0			
13		15924	4,3	111,80	160,0	170,0	160,0	170,0							
14		14497	4,7	101,78	160,0	170,0	160,0	169,1							
8,5	24606	1,9	172,76	140,0	150,0	140,0	150,0	SK 10382.1 - 180 LP/4	1160	D80-81					
	9,4	22387	1,9	157,18	140,0	150,0	140,0				150,0				
	11	19262	2,4	135,24	140,0	150,0	140,0				150,0				
	12	17525	2,4	123,04	140,0	150,0	140,0				150,0				
	13	15938	2,8	111,90	140,0	150,0	140,0				150,0				
	15	13670	3,2	95,98	140,0	150,0	140,0				150,0				
	17	12437	3,3	87,32	140,0	150,0	140,0				150,0				
	19	11311	3,8	79,41	140,0	150,0	140,0				150,0				
	20	10290	4,0	72,25	140,0	150,0	140,0				150,0				
	24	8698	4,8	61,07	140,0	150,0	140,0				149,9				

Parallel shaft
gear units



P ₁ [kW]	n ₂ [min ⁻¹]	M ₂ [Nm]	f _B	i _{ges}	F _R [kN]	F _A [kN]	F _{R VL} [kN]	F _{A VL} [kN]	Type	kg	mm 		
22,0	7,3	28740	3,1	201,75	133,4	170,0	133,4	149,8	SK 12382 - 180 LP/4	2230	D84		
	8,4	24930	1,0	175,05	39,8	79,2	111,0	130,0	SK 9382 - 180 LP/4	827	D79		
	10	20600	1,2	144,69	41,3	79,2	107,8	130,0					
	11	19320	1,3	135,90	43,3	81,6	107,9	130,0					
	13	16450	1,5	115,57	44,7	81,6	105,3	130,0					
	15	14340	1,8	100,89	45,1	80,8	102,9	130,0					
	18	11850	2,0	83,19	44,8	77,5	98,7	128,1					
	20	10280	2,3	72,19	44,5	76,1	96,1	125,1					
	23	9277	2,6	65,25	44,2	74,5	94,0	122,7					
	27	7899	3,0	55,49	43,6	72,3	90,8	118,8					
	31	6886	3,5	48,44	42,9	70,1	88,1	115,6					
	35	5973	4,0	41,93	42,0	67,3	85,2	112,0					
	14	14690	0,8	103,21	19,3	39,7	75,6	105,0	SK 8382 - 180 LP/4	525	D77		
	16	12930	0,9	90,94	21,6	41,8	75,5	105,0					
	19	10780	1,1	75,69	24,2	44,0	74,8	105,0					
	23	9280	1,2	65,22	25,7	44,8	73,8	105,0					
	26	8164	1,5	57,43	26,4	45,3	72,6	104,5					
	31	6807	1,8	47,80	27,2	45,0	70,8	101,7					
	34	6198	1,7	43,59	27,8	45,3	70,1	100,7					
41	5103	2,4	35,88	27,5	43,8	67,4	96,9						
48	4392	2,8	30,92	27,3	42,7	65,6	94,3						
52	4038	2,5	28,33	27,4	42,4	64,6	92,8	SK 8282 - 180 LP/4	521	D76			
60	3490	3,0	24,50	27,0	41,1	62,6	89,9						
25	8478	0,8	59,52	15,3	29,7	58,8	80,0	SK 7382 - 180 LP/4	400	D75			
28	7609	0,9	53,38	17,1	31,6	58,9	80,0						
32	6646	1,1	46,66	18,2	32,5	58,3	80,0						
40	5263	1,3	36,92	19,2	32,6	56,3	80,0						
48	4342	1,5	30,42	19,6	32,5	54,6	79,4						
55	3835	1,7	26,88	19,9	32,2	53,5	77,8						
63	3344	2,0	23,46	19,9	31,9	52,2	75,9						
43	4941	1,2	34,64	20,2	33,9	56,5	80,0	SK 7282 - 180 LP/4	393	D74			
55	3830	1,5	26,89	20,5	33,2	54,0	78,5						
64	3261	1,8	22,87	20,4	32,5	52,5	76,2						
74	2843	2,0	19,97	20,3	31,7	51,0	74,1						
91	2317	2,8	16,29	19,6	30,0	48,5	70,8						
35	6041	0,8	42,46	13,3	24,8	44,5	60,0	SK 6382 - 180 LP/4	327	D73			
41	5166	0,9	36,34	14,6	26,1	44,1	60,0						
48	4401	1,0	30,91	15,6	26,6	43,5	60,0						
51	4082	1,1	28,72	15,9	26,9	43,1	60,0						
60	3478	1,3	24,42	16,4	26,9	42,3	60,0						
49	4257	1,1	29,90	16,5	28,0	44,1	60,0	SK 6282 - 180 LP/4	330	D72			
57	3706	1,2	26,05	16,9	28,0	43,2	60,0						
64	3262	1,4	22,95	17,1	27,7	42,4	60,0						
79	2661	1,7	18,70	16,9	26,9	40,8	58,3						
100	2108	2,1	14,83	16,6	25,6	38,9	55,7						
120	1758	2,5	12,35	16,4	24,8	37,4	53,8						
139	1513	2,9	10,64	16,1	23,9	36,2	52,1						
157	1335	2,1	9,39	15,4	22,6	34,8	50,1						
189	1113	2,4	7,82	15,0	21,6	33,4	48,1						
59	3555	0,8	25,00	7,8	15,6	26,6	40,0				SK 5282 - 180 LP/4	246	D70
72	2899	1,1	20,36	8,4	15,9	25,9	40,0						
78	2687	1,0	18,88	9,0	16,7	26,0	40,0						
84	2509	1,1	17,59	8,8	16,4	25,5	40,0						
96	2191	1,2	15,38	9,1	16,5	25,2	40,0						
113	1852	1,4	13,00	9,2	16,2	24,4	40,0						
138	1528	1,6	10,71	9,4	16,1	23,6	39,3						
156	1349	1,7	9,46	9,4	15,9	23,1	38,5						
170	1238	1,9	8,70	9,1	15,2	22,5	37,5						

Parallel shaft gear units


22,0 kW
30,0 kW



P ₁ [kW]	n ₂ [min ⁻¹]	M ₂ [Nm]	f _B	i _{ges}	F _R [kN]	F _A [kN]	F _{R VL} [kN]	F _{A VL} [kN]	Type	kg	mm 				
22,0	206	1021	2,1	7,17	9,0	14,8	21,7	36,2	SK 5282 - 180 LP/4	246	D70				
	233	902	2,3	6,33	8,9	14,5	21,1	35,2							
	259	810	2,2	5,71	8,8	14,2	20,6	34,5							
	280	751	2,3	5,29	8,7	13,9	20,3	33,9							
	294	715	2,4	5,01	8,7	13,8	20,0	33,5							
	342	615	2,5	4,32	8,5	13,2	19,4	32,4							
	22,0	97	2164	0,8	15,20	3,0	4,8	15,3	23,1	SK 4282 - 180 LP/4	210	D68			
		116	1804	1,0	12,68	3,6	5,6	15,1	23,1						
		136	1543	1,1	10,85	4,2	6,5	15,0	23,4						
		160	1314	1,2	9,23	4,7	7,2	14,9	23,4						
		177	1187	1,1	8,33	4,5	6,8	14,4	22,7						
		207	1015	1,2	7,13	4,8	7,2	14,2	22,6						
		243	865	1,4	6,06	4,9	7,5	13,9	22,3						
		271	775	1,3	5,43	5,0	7,6	13,7	22,0						
		295	712	1,5	5,00	5,1	7,7	13,5	21,8						
313		671	1,5	4,70	5,1	7,7	13,4	21,6							
30,0		8,9	32250	2,2	167,17	160,0	170,0	160,0	170,0				SK 11382.1 - 225 RP/4	1920	D82-83
		10	27344	2,6	141,74	160,0	170,0	160,0	170,0						
		11	25084	2,8	130,02	160,0	170,0	160,0	170,0						
		13	21569	3,2	111,80	160,0	170,0	160,0	168,0						
		15	19635	3,5	101,78	160,0	170,0	160,0	163,8						
	17	16884	4,6	87,52	160,0	170,0	160,0	158,4							
	19	15423	4,6	79,95	160,0	170,0	160,0	153,8							
	21	13964	4,6	72,38	160,0	170,0	160,0	152,3							
	30,0	11	26090	1,8	135,24	140,0	150,0	140,0	150,0	SK 10382.1 - 225 RP/4	1320	D80-81			
		12	23737	1,8	123,04	140,0	150,0	140,0	150,0						
		13	21587	2,1	111,90	140,0	150,0	140,0	150,0						
		15	18515	2,4	95,98	140,0	150,0	140,0	150,0						
		17	16845	2,4	87,32	140,0	150,0	140,0	150,0						
		19	15320	2,8	79,41	140,0	150,0	140,0	150,0						
		21	13938	2,9	72,25	140,0	150,0	140,0	150,0						
24		11782	3,5	61,07	140,0	150,0	140,0	146,1							
27		10719	4,1	55,56	140,0	150,0	140,0	141,7							
31		9140	4,2	47,38	140,0	150,0	140,0	137,4							
33	8623	4,4	44,70	140,0	150,0	140,0	134,5								
7,4	38920	2,3	201,75	115,3	170,0	115,3	138,0	SK 12382 - 225 RP/4	2390	D84					
30,0	11	26170	1,0	135,90	29,5	60,2	98,8	123,8	SK 9382 - 225 RP/4	987	D79				
	13	22280	1,1	115,57	32,9	63,4	97,5	123,5							
	15	19430	1,3	100,89	35,1	65,3	96,3	122,5							
	18	16050	1,5	83,19	36,2	64,6	93,3	119,2							
	21	13920	1,7	72,19	37,2	64,6	91,2	117,3							
	23	12570	1,9	65,25	37,9	64,6	89,7	115,8							
	27	10700	2,2	55,49	38,3	63,6	87,1	113,0							
	31	9327	2,6	48,44	38,1	62,7	85,1	110,4							
	35	8091	3,0	41,93	37,9	61,0	82,5	107,6							
	42	6847	3,5	35,61	37,4	59,1	79,6	104,2							
43	6629	2,5	34,38	30,6	45,8	67,9	88,6	SK 9282 - 225 RP/4	982	D78					
48	5940	3,0	30,79	30,4	44,8	66,2	86,6								
55	5180	3,3	26,89	30,0	43,5	64,3	84,3								
30,0	20	14600	0,8	75,69	13,2	28,7	65,9	95,5	SK 8382 - 225 RP/4	685	D77				
	23	12570	0,9	65,22	16,3	31,8	66,2	95,7							
	26	11060	1,1	57,43	18,4	33,5	66,1	95,4							
	31	9220	1,3	47,80	20,5	35,5	65,4	94,3							
	34	8395	1,3	43,59	21,9	37,0	65,4	94,0							
	41	6912	1,7	35,88	22,6	36,6	63,5	91,2							
	48	5949	2,0	30,92	23,1	36,6	62,1	89,3							
30,0	52	5469	1,8	28,33	23,7	37,0	61,5	88,5	SK 8282 - 225 RP/4	681	D76				
	61	4728	2,2	24,50	23,8	36,5	60,0	86,2							
	70	4079	2,6	21,13	23,7	35,7	58,3	83,9							
	85	3358	2,9	17,40	23,2	34,1	55,9	80,3							
	98	2930	3,2	15,18	22,9	33,2	54,3	78,1							

Parallel shaft
gear units



P ₁ [kW]	n ₂ [min ⁻¹]	M ₂ [Nm]	f _B	i _{ges}	F _R [kN]	F _A [kN]	F _{R VL} [kN]	F _{A VL} [kN]	Type	kg	mm 			
30,0	32	9002	0,8	46,66	10,8	21,9	52,2	76,2	SK 7382 - 225 RP/4	560	D75			
	40	7129	0,9	36,92	13,2	24,0	51,5	75,0						
	49	5881	1,1	30,42	14,9	25,5	50,9	73,8						
	55	5194	1,3	26,88	15,7	26,0	50,1	72,9						
	63	4530	1,5	23,46	16,3	26,4	49,2	71,6						
	55	5187	1,1	26,89	16,6	27,4	50,9	73,9	SK 7282 - 225 RP/4	553	D74			
	65	4417	1,3	22,87	17,1	27,6	49,7	72,2						
	74	3850	1,5	19,97	17,4	27,4	48,6	70,8						
	91	3139	2,1	16,29	17,2	26,6	46,6	67,8						
	115	2486	2,4	12,89	17,0	25,5	44,4	64,6						
	133	2156	2,9	11,16	16,8	24,7	43,0	62,7						
	150	1912	2,2	9,92	16,1	23,5	41,6	60,6						
	157	1825	3,4	9,48	16,5	24,0	41,6	60,5						
	172	1667	2,5	8,66	15,9	22,9	40,4	58,8						
	198	1446	3,1	7,49	15,6	22,1	39,0	56,9						
	65	4419	1,0	22,95	13,3	22,2	39,3	56,2	SK 6282 - 225 RP/4	490	D72			
	79	3604	1,2	18,70	13,7	22,0	38,1	54,5						
	100	2855	1,6	14,83	14,1	21,8	36,8	52,7						
	120	2381	1,8	12,35	14,3	21,6	35,7	51,2						
140	2049	2,1	10,64	14,3	21,3	34,8	49,8							
158	1808	1,5	9,39	13,7	20,0	33,4	48,0							
190	1507	1,8	7,82	13,6	19,5	32,3	46,4							
221	1297	2,3	6,74	13,4	19,0	31,3	45,0	SK 6282 - 225 RP/4	490	D72				
248	1156	2,1	5,99	13,2	18,5	30,5	43,8							
257	1114	2,1	5,78	13,2	18,3	30,3	43,5							
271	1059	2,2	5,50	13,1	18,1	30,0	43,0							
303	945	2,3	4,88	12,8	17,6	29,1	41,9							
339	845	2,4	4,39	12,6	17,1	28,4	40,9							
37,0	8,9	39775	1,8	167,17	160,0	170,0	160,0	170,0	SK 11382.1 - 225 SP/4	1930	D82-83			
	10	33724	2,1	141,74	160,0	170,0	160,0	170,0						
	11	30936	2,3	130,02	160,0	170,0	160,0	168,1						
	13	26602	2,6	111,80	160,0	170,0	160,0	163,4						
	15	24217	2,8	101,78	160,0	170,0	160,0	159,5						
	17	20824	3,7	87,52	160,0	170,0	160,0	154,6						
	19	19022	3,7	79,95	160,0	170,0	160,0	150,1						
	21	17222	3,7	72,38	160,0	170,0	160,0	149,0						
	23	15611	4,3	65,61	160,0	170,0	160,0	145,1						
	11	32177	1,4	135,24	134,6	150,0	134,6	150,0				SK 10382.1 - 225 SP/4	1330	D80-81
	12	29275	1,4	123,04	138,8	150,0	138,8	150,0						
	13	26624	1,7	111,90	140,0	150,0	140,0	150,0						
	15	22836	1,9	95,98	140,0	150,0	140,0	150,0						
	17	20776	2,0	87,32	140,0	150,0	140,0	150,0						
	19	18894	2,3	79,41	140,0	150,0	140,0	150,0						
	21	17190	2,4	72,25	140,0	150,0	140,0	146,4						
	24	14531	2,8	61,07	140,0	150,0	140,0	143,0						
	27	13220	3,3	55,56	140,0	150,0	140,0	138,6						
	31	11273	3,4	47,38	140,0	150,0	140,0	135,0						
33	10635	3,6	44,70	140,0	150,0	140,0	132,0							
37	9672	4,1	40,65	140,0	150,0	140,0	130,2							
40	8800	4,5	36,98	140,0	150,0	140,0	126,3							
7,4	48000	1,9	201,75	92,6	170,0	92,6	127,5	SK 12382 - 225 SP/4	2400	D84				
9,6	36730	2,5	154,35	120,4	170,0	120,4	126,3							
11	32650	2,8	137,22	127,6	170,0	127,6	125,1							
11	32280	0,8	135,90	17,1	43,0	90,3	111,6	SK 9382 - 225 SP/4	1000	D79				
13	27480	0,9	115,57	22,7	48,6	90,5	112,9							
15	23960	1,1	100,89	26,3	52,2	90,0	113,2							
18	19790	1,2	83,19	28,9	53,3	87,9	111,2							
21	17170	1,4	72,19	30,8	54,9	86,7	110,4							
23	15500	1,6	65,25	32,0	55,5	85,6	109,5							
27	13200	1,8	55,49	33,4	56,1	83,7	107,6							
31	11500	2,1	48,44	34,1	56,1	81,8	105,7							
35	9979	2,4	41,93	34,3	55,5	79,9	103,3							
42	8444	2,8	35,61	34,3	54,4	77,3	100,7							

Parallel shaft
gear units


37,0 kW
45,0 kW



P ₁ [kW]	n ₂ [min ⁻¹]	M ₂ [Nm]	f _B	i _{ges}	F _R [kN]	F _A [kN]	F _{R VL} [kN]	F _{A VL} [kN]	Type	kg	mm 				
37,0	43	8176	2,0	34,38	27,8	41,6	65,8	85,2	SK 9282 - 225 SP/4	997	D78				
	48	7326	2,4	30,79	27,8	41,0	64,3	83,9							
	55	6388	2,7	26,89	27,7	40,2	62,6	81,6							
	64	5513	3,0	23,15	27,4	39,3	60,7	79,3							
		26	13640	0,9	57,43	11,3	23,9	60,2	87,3	SK 8382 - 225 SP/4	700	D77			
		31	11370	1,1	47,80	14,8	27,3	60,6	87,5						
		34	10350	1,0	43,59	16,9	29,6	61,2	87,9						
		41	8524	1,4	35,88	18,4	30,5	59,7	86,1						
		48	7337	1,6	30,92	19,5	31,5	59,0	84,8						
		52	6745	1,5	28,33	20,5	32,4	58,7	84,4	SK 8282 - 225 SP/4	696	D76			
		61	5831	1,8	24,50	21,1	32,4	57,7	82,7						
		70	5030	2,1	21,13	21,4	32,1	56,2	81,0						
	85	4142	2,3	17,40	21,2	31,1	54,1	77,8							
	98	3613	2,6	15,18	21,1	30,6	52,7	75,7							
	114	3090	3,3	12,96	20,9	29,7	51,1	73,3							
	136	2588	4,0	10,86	20,5	28,7	49,1	70,6							
	154	2301	2,8	9,67	19,8	27,3	47,4	68,2							
	40	8792	0,8	36,92	8,0	17,0	47,1	68,9	SK 7382 - 225 SP/4	575	D75				
	49	7254	0,9	30,42	10,6	19,6	47,2	68,8							
	55	6406	1,0	26,88	12,0	20,8	47,0	68,4							
	63	5586	1,2	23,46	13,1	21,9	46,5	67,7							
	55	6398	0,9	26,89	13,2	22,4	47,9	69,6	SK 7282 - 225 SP/4	568	D74				
	65	5448	1,1	22,87	14,3	23,3	47,2	68,6							
	74	4749	1,2	19,97	14,9	23,7	46,5	67,4							
	91	3871	1,7	16,29	15,1	23,3	44,8	65,2							
	115	3066	1,9	12,89	15,2	22,8	42,9	62,3							
	133	2659	2,3	11,16	15,3	22,6	41,8	60,8	SK 7282 - 225 SP/4	568	D74				
	150	2358	1,8	9,92	14,8	21,5	40,3	58,7							
	157	2251	2,8	9,48	15,3	22,1	40,4	58,8							
	172	2056	2,1	8,66	14,7	21,0	39,2	57,2							
	198	1783	2,5	7,49	14,6	20,6	38,0	55,5							
	234	1509	2,9	6,36	14,3	19,8	36,7	53,5							
	280	1261	3,2	5,30	14,0	19,0	35,2	51,3							
	65	5450	0,8	22,95	9,9	17,4	36,5	52,2	SK 6282 - 225 SP/4	505	D72				
	79	4445	1,0	18,70	10,9	18,1	35,8	51,2							
	100	3521	1,3	14,83	11,9	18,6	34,8	49,8							
	120	2936	1,5	12,35	12,5	18,9	34,1	48,8							
	140	2527	1,7	10,64	12,8	18,9	33,4	47,8							
	158	2230	1,2	9,39	12,2	17,9	32,1	46,2							
	190	1859	1,4	7,82	12,3	17,6	31,2	44,8							
	221	1600	1,9	6,74	12,3	17,4	30,3	43,6							
	248	1426	1,7	5,99	12,3	17,1	29,6	42,6							
	257	1374	1,7	5,78	12,3	17,0	29,4	42,3							
	271	1306	1,8	5,50	12,2	16,9	29,1	41,9							
	303	1165	1,9	4,88	12,1	16,5	28,4	40,9							
	339	1042	2,0	4,39	11,9	16,1	27,7	39,9							
45,0	8,9	48376	1,5	167,17	160,0	170,0	160,0	167,6				SK 11382.1 - 225 MP/4	1960	D82-83	
	10	41015	1,7	141,74	160,0	170,0	160,0	164,1							
	11	37625	1,9	130,02	160,0	170,0	160,0	162,0							
	13	32353	2,1	111,80	160,0	170,0	160,0	158,1							
	15	29453	2,3	101,78	160,0	170,0	160,0	154,5							
	17	25326	3,0	87,52	160,0	170,0	160,0	150,3							
	19	23134	3,0	79,95	160,0	170,0	160,0	145,8							
	21	20946	3,1	72,38	160,0	170,0	160,0	145,6							
	23	18986	3,5	65,61	160,0	170,0	160,0	141,9							
	26	16326	4,6	56,42	160,0	170,0	160,0	137,4							
	29	14913	4,6	51,54	160,0	170,0	160,0	133,4							
		15	27773	1,6	95,98	140,0	150,0	140,0	150,0	SK 10382.1 - 225 MP/4	1360				D80-81
		17	25268	1,6	87,32	140,0	150,0	140,0	146,2						
		19	22980	1,9	79,41	140,0	150,0	140,0	146,5						
		21	20907	1,9	72,25	140,0	150,0	140,0	141,8						
		24	17672	2,3	61,07	140,0	150,0	140,0	139,4						
		27	16078	2,7	55,56	140,0	150,0	140,0	135,1						

Parallel shaft gear units



P ₁ [kW]	n ₂ [min ⁻¹]	M ₂ [Nm]	f _B	i _{ges}	F _R [kN]	F _A [kN]	F _{R VL} [kN]	F _{A VL} [kN]	Type	kg	mm 				
45,0	31	13710	2,8	47,38	140,0	150,0	140,0	132,2	SK 10382.1 - 225 MP/4	1360	D80-81				
	33	12935	3,0	44,70	140,0	150,0	140,0	129,2							
	37	11763	3,4	40,65	140,0	150,0	140,0	127,8							
	40	10702	3,7	36,98	140,0	150,0	140,0	123,9							
	48	9047	4,3	31,26	140,0	150,0	140,0	120,2							
9,6	11	44670	2,0	154,35	102,4	170,0	102,4	117,2	SK 12382 - 225 MP/4	2440	D84				
	13	39710	2,3	137,22	114,5	170,0	114,5	117,1							
	15	33960	2,7	117,35	125,4	170,0	125,4	116,2							
	15	29190	3,1	100,88	132,7	170,0	132,7	114,7							
13	15	33430	0,8	115,57	10,2	31,8	82,5	100,7	SK 9382 - 225 MP/4	1040	D79				
	18	29140	0,9	100,89	15,7	37,3	83,1	102,8							
	21	24070	1,0	83,19	19,8	40,9	82,0	102,2							
	27	20880	1,1	72,19	23,3	44,0	81,6	102,8							
	31	16050	1,5	55,49	27,6	47,6	79,9	101,9							
	35	13990	1,7	48,44	29,1	48,6	78,6	100,7							
	42	12140	2,0	41,93	30,1	49,1	77,1	98,8							
	42	10270	2,3	35,61	30,9	49,1	74,9	96,8							
43	48	9944	1,6	34,38	24,6	37,0	63,5	81,8	SK 9282 - 225 MP/4	1030	D78				
	55	8910	2,0	30,79	24,9	37,0	62,4	80,6							
	64	7770	2,2	26,89	25,1	36,6	60,8	78,9							
	74	6705	2,4	23,15	25,2	36,2	59,1	76,9							
	86	5814	2,7	20,13	24,7	34,8	57,1	74,4							
	86	5018	3,1	17,33	24,5	33,8	55,4	72,3							
31	34	13830	0,9	47,80	7,8	18,4	54,9	79,8	SK 8382 - 225 MP/4	735	D77				
	41	12590	0,8	43,59	10,8	21,6	56,2	81,2							
	48	10370	1,2	35,88	13,2	23,6	55,7	80,3							
	48	8923	1,4	30,92	15,2	25,4	55,4	79,8							
61	70	7092	1,5	24,50	17,9	27,9	55,0	78,9	SK 8282 - 225 MP/4	731	D76				
	85	6118	1,7	21,13	18,6	28,4	53,9	77,6							
	98	5037	1,9	17,40	18,9	27,9	52,1	75,0							
	114	4394	2,2	15,18	19,1	27,9	51,0	73,3							
	136	3758	2,7	12,96	19,2	27,3	49,6	71,2							
	154	3148	3,3	10,86	19,1	26,7	47,9	68,9							
	180	2798	2,3	9,67	18,4	25,4	46,3	66,6							
	180	2393	3,0	8,26	18,2	24,7	44,8	64,5							
49	55	8822	0,8	30,42	5,1	14,3	40,6	61,7	SK 7382 - 225 MP/4	610	D75				
	63	7791	0,8	26,88	7,6	15,0	43,5	63,3							
	63	6794	1,0	23,46	9,3	16,8	43,4	63,2							
65	74	6626	0,9	22,87	10,8	18,6	44,4	64,6	SK 7282 - 225 MP/4	603	D74				
	91	5776	1,0	19,97	12,0	19,6	44,0	64,0							
	115	4708	1,4	16,29	12,6	20,0	42,7	62,0							
	133	3729	1,6	12,89	13,3	20,0	41,2	59,9							
	150	3234	1,9	11,16	13,7	20,2	40,3	58,6							
	172	2868	1,5	9,92	13,1	19,2	38,9	56,6							
	198	2737	2,3	9,48	13,8	20,0	39,3	57,0							
	234	2500	1,7	8,66	13,3	19,0	38,0	55,5							
	249	2169	2,1	7,49	13,4	18,8	37,0	53,9							
	280	1836	2,4	6,36	13,3	18,4	35,8	52,2							
	295	1724	2,5	5,98	13,3	18,2	35,4	51,5							
	348	1534	2,6	5,30	13,1	17,9	34,5	50,2							
	348	1457	2,7	5,04	13,1	17,7	34,1	49,7							
	348	1234	2,9	4,26	12,8	17,0	32,8	47,8							
	120	140	3571	1,2	12,35	10,2	15,9	32,4				46,2	SK 6282 - 225 MP/4	540	D72
		190	3073	1,4	10,64	10,8	16,3	31,8				45,7			
221		2261	1,2	7,82	10,9	15,6	29,9	43,0							
248		1946	1,5	6,74	11,0	15,6	29,3	42,1							
257		1734	1,4	5,99	11,1	15,5	28,7	41,3							
271		1671	1,4	5,78	11,2	15,5	28,6	40,9							
303		1588	1,4	5,50	11,2	15,4	28,3	40,6							
339		1417	1,5	4,88	11,2	15,2	27,7	39,7							
339		1268	1,6	4,39	11,1	14,9	27,1	38,9							

Parallel shaft gear units


55,0 kW



Parallel shaft gear units

P ₁ [kW]	n ₂ [min ⁻¹]	M ₂ [Nm]	f _B	i _{ges}	F _R [kN]	F _A [kN]	F _{R VL} [kN]	F _{A VL} [kN]	Type	kg	mm 			
55,0	8,9	59325	1,2	167,17	155,7	170,0	155,7	157,7	SK 11382.1 - 250 WP/4	2000	D82-83			
	10	50299	1,4	141,74	160,0	170,0	160,0	155,8						
	11	46142	1,5	130,02	160,0	170,0	160,0	154,4						
	13	39676	1,7	111,80	160,0	170,0	160,0	151,6						
	15	36120	1,9	101,78	160,0	170,0	160,0	148,3						
	17	31059	2,5	87,52	160,0	170,0	160,0	145,0						
	19	28371	2,5	79,95	160,0	170,0	160,0	140,5						
	20	25687	2,5	72,38	160,0	170,0	160,0	141,5						
	23	23284	2,9	65,61	160,0	170,0	160,0	138,0						
	26	20021	3,8	56,42	160,0	170,0	160,0	134,0						
	29	18289	3,8	51,54	160,0	170,0	160,0	130,0						
	33	15861	4,5	44,70	160,0	170,0	160,0	127,6						
	36	14489	4,6	40,83	160,0	170,0	160,0	123,9						
	15	34059	1,3	95,98	131,6	150,0	131,6	144,2				SK 10382.1 - 250 WP/4	1400	D80-81
	17	30987	1,3	87,32	136,4	150,0	136,4	139,3						
	19	28181	1,5	79,41	140,0	150,0	140,0	140,8						
	20	25639	1,6	72,25	140,0	150,0	140,0	136,1						
24	21673	1,9	61,07	140,0	150,0	140,0	135,1							
27	19718	2,2	55,56	140,0	150,0	140,0	130,7							
31	16814	2,3	47,38	140,0	150,0	140,0	128,9							
33	15863	2,4	44,70	140,0	150,0	140,0	125,7							
36	14426	2,7	40,65	140,0	150,0	140,0	124,9							
40	13125	3,0	36,98	140,0	150,0	140,0	121,1							
47	11094	3,5	31,26	140,0	150,0	140,0	118,0							
52	10094	4,3	28,44	140,0	150,0	140,0	114,4							
61	8607	4,5	24,25	140,0	150,0	140,0	111,3							
67	7831	4,9	22,07	140,0	150,0	140,0	107,9							
77	6823	4,9	19,23	137,5	150,0	140,0	105,1							
85	6208	4,9	17,49	133,8	150,0	140,0	102,0							
96	5450	4,9	15,36	129,7	150,0	140,0	99,3							
106	4958	4,9	13,97	126,3	150,0	140,0	96,4							
121	4337	4,9	12,22	122,1	150,0	140,0	93,6							
9,6	54780	1,6	154,35	160,0	160,0	170,0	105,9	SK 12382 - 250 WP/4	2470	D84				
11	48700	1,8	137,22	160,0	160,0	170,0	107,0							
13	41640	2,2	117,35	160,0	160,0	170,0	107,6							
15	35800	2,5	100,88	160,0	160,0	170,0	107,3							
18	29520	0,8	83,19	7,3	67,2	28,5	90,9	SK 9382 - 250 WP/4	1070	D79				
21	25610	0,9	72,19	12,1	69,3	33,9	92,7							
27	19680	1,2	55,49	18,6	71,3	40,8	93,9							
31	17160	1,4	48,44	21,0	71,5	43,1	93,7							
35	14880	1,6	41,93	23,0	71,4	44,7	93,0							
42	12600	1,9	35,61	24,7	70,7	45,7	91,7							
43	12190	1,3	34,38	18,9	59,3	33,9	77,2	SK 9282 - 250 WP/4	1070	D78				
48	10930	1,6	30,79	19,8	58,9	34,5	76,4							
55	9528	1,8	26,89	20,6	58,2	34,9	75,3							
64	8223	2,0	23,15	21,3	57,2	35,0	73,8							
74	7130	2,2	20,13	21,0	55,6	33,7	71,5							
85	6153	2,5	17,33	21,3	54,4	33,1	69,8							
101	5214	2,8	14,70	21,4	52,9	32,2	67,8							
123	4273	3,2	12,01	21,2	51,0	31,0	65,2							
145	3622	3,0	10,18	20,4	48,9	29,1	62,3							
171	3069	3,6	8,64	20,0	47,3	28,0	60,2							
209	2515	4,0	7,06	19,5	45,3	26,6	57,5							
256	2052	4,3	5,78	18,9	43,2	25,2	54,8							
276	1901	4,4	5,34	18,6	42,4	24,6	53,8							
60	8697	1,2	24,50	12,6	51,2	23,9	76,9				SK 8282 - 250 WP/4	766	D76	
70	7503	1,4	21,13	14,0	51,0	25,1	76,1							
85	6177	1,6	17,40	15,0	49,8	25,5	74,0							
97	5389	1,8	15,18	15,7	49,1	25,9	72,8							
114	4609	2,2	12,96	16,2	48,2	26,0	71,1							
136	3861	2,7	10,86	16,6	46,9	25,7	69,0							
153	3431	1,9	9,67	16,1	45,4	24,3	66,8							
179	2934	2,5	8,26	16,2	44,2	23,8	64,9							
214	2458	2,8	6,92	16,1	42,8	23,1	62,6							
328	1603	3,0	4,52	15,5	39,1	20,9	57,0							



P ₁ [kW]	n ₂ [min ⁻¹]	M ₂ [Nm]	f _B	i _{ges}	F _R [kN]	F _A [kN]	F _{R VL} [kN]	F _{A VL} [kN]	Type	kg	mm 			
75,0	8,9	80626	0,9	167,17	73,9	170,0	73,9	138,0	SK 11382.1 - 280 SP/4	2170	D82-83			
	10	68359	1,0	141,74	130,3	170,0	130,3	139,0						
	11	62709	1,1	130,02	147,1	170,0	147,1	139,0						
	13	53922	1,3	111,80	160,0	170,0	160,0	138,4						
	15	49088	1,4	101,78	160,0	170,0	160,0	135,7						
	17	42210	1,8	87,52	160,0	170,0	160,0	134,2						
	19	38557	1,8	79,95	160,0	170,0	160,0	129,8						
	21	34910	1,8	72,38	160,0	170,0	160,0	132,8						
	23	31644	2,1	65,61	160,0	170,0	160,0	129,9						
	26	27210	2,8	56,42	160,0	170,0	160,0	127,0						
	29	24855	2,8	51,54	160,0	170,0	160,0	123,1						
	33	21556	3,3	44,70	160,0	170,0	160,0	122,1						
	36	19691	3,4	40,83	160,0	170,0	160,0	118,4						
	42	17078	3,9	35,41	160,0	170,0	160,0	116,7						
	46	15600	4,0	32,35	160,0	170,0	160,0	113,3						
	52	13775	4,5	28,56	160,0	170,0	160,0	111,6						
	58	12358	4,7	25,62	155,5	170,0	160,0	107,9						
		15	46288	1,0	95,98	104,9	150,0	104,9				130,2	SK 10382.1 - 280 SP/4	1570
	17	42113	1,0	87,32	115,6	150,0	115,6	125,3						
	19	38299	1,1	79,41	123,9	150,0	123,9	129,1						
	21	34845	1,2	72,25	130,3	150,0	130,3	124,5						
	24	29454	1,4	61,07	138,5	150,0	138,5	126,1						
	27	26797	1,6	55,56	140,0	150,0	140,0	121,8						
	31	22851	1,7	47,38	140,0	150,0	140,0	121,9						
	33	21558	1,8	44,70	140,0	150,0	140,0	118,5						
	37	19606	2,0	40,65	140,0	150,0	140,0	118,9						
	40	17837	2,2	36,98	140,0	150,0	140,0	115,1						
	48	15078	2,6	31,26	140,0	150,0	140,0	113,4						
	52	13718	3,1	28,44	140,0	150,0	140,0	109,8						
	61	11697	3,3	24,25	140,0	150,0	140,0	107,6						
	67	10642	3,6	22,07	137,9	150,0	140,0	104,3						
	77	9273	3,6	19,23	134,1	150,0	140,0	102,2						
	85	8437	3,6	17,49	130,6	150,0	140,0	99,1						
	97	7407	3,6	15,36	127,0	150,0	140,0	97,0						
	106	6739	3,6	13,97	123,7	150,0	140,0	94,1						
	122	5894	3,6	12,22	119,9	150,0	140,0	91,7						
	9,6	74440	1,2	154,35	11,2	170,0	11,2	83,3	SK 12382 - 280 SP/4	2640	D84			
	11	66180	1,4	137,22	26,0	170,0	26,0	86,9						
	13	56590	1,6	117,35	55,9	170,0	55,9	90,4						
	15	48650	1,8	100,88	91,3	170,0	91,3	92,6						
	18	39860	2,3	82,65	114,4	170,0	114,4	94,0						
	21	33340	2,7	69,12	126,7	170,0	126,7	94,1						
	27	26750	0,9	55,49	5,0	18,0	65,0	79,2	SK 9382 - 280 SP/4	1240	D79			
	31	23320	1,0	48,44	9,7	22,7	65,8	80,9						
	35	20230	1,2	41,93	13,7	26,7	65,9	81,9						
	42	17120	1,4	35,61	17,1	29,9	65,6	82,3						
	43	16570	1,0	34,38	11,6	20,1	55,0	68,6	SK 9282 - 280 SP/4	1240	D78			
	48	14850	1,2	30,79	13,5	21,8	54,7	68,6						
	55	12950	1,3	26,89	15,3	23,4	54,2	68,6						
	64	11180	1,5	23,15	16,8	24,6	53,4	67,9						
	74	9690	1,6	20,13	17,1	24,4	51,9	66,2						
	86	8363	1,9	17,33	18,0	25,1	50,8	65,2						
	101	7087	2,1	14,70	18,6	25,4	49,5	63,9						
	123	5807	2,4	12,01	19,0	25,2	47,8	62,0						
	145	4923	2,2	10,18	18,4	23,9	45,7	59,4						
	172	4171	2,7	8,64	18,4	23,6	44,4	57,7						
	210	3418	3,0	7,06	18,1	22,8	42,4	55,5						
	257	2788	3,2	5,78	17,8	22,0	40,5	53,2						
	277	2584	3,2	5,34	17,6	21,6	39,8	52,3						
	61	11820	0,9	24,50	5,0	11,6	44,5	64,8				SK 8282 - 280 SP/4	936	D76
	70	10200	1,0	21,13	7,7	14,2	45,0	65,2						
	85	8395	1,2	17,40	9,8	16,1	44,7	64,5						
	98	7324	1,3	15,18	11,3	17,4	44,5	64,2						
	114	6263	1,6	12,96	12,7	18,5	44,2	63,5						
	136	5247	2,0	10,86	13,7	19,3	43,3	62,4						
	154	4663	1,4	9,67	13,2	18,5	42,0	60,4						
	180	3988	1,8	8,26	13,9	18,7	41,2	59,2						
	214	3341	2,0	6,92	14,2	18,9	40,0	57,6						
	329	2179	2,2	4,52	14,3	18,1	37,0	53,1						


Parallel shaft gear units



P ₁ [kW]	n ₂ [min ⁻¹]	M ₂ [Nm]	f _B	i _{ges}	F _R [kN]	F _A [kN]	F _{R VL} [kN]	F _{A VL} [kN]	Type	kg	mm
90,0	10	82031	0,9	141,74	63,4	170,0	63,4	126,5	SK 11382.1 - 280 MP/4	2270	D82-83
	11	75251	0,9	130,02	103,7	170,0	103,7	127,5			
	13	64706	1,1	111,80	141,6	170,0	141,6	128,5			
	15	58906	1,2	101,78	156,7	170,0	156,7	126,4			
	17	50652	1,5	87,52	160,0	170,0	160,0	126,2			
	19	46269	1,5	79,95	160,0	170,0	160,0	121,8			
	21	41892	1,5	72,38	160,0	170,0	160,0	126,4			
	23	37972	1,8	65,61	160,0	170,0	160,0	123,8			
	26	32652	2,3	56,42	160,0	170,0	160,0	121,8			
	29	29826	2,3	51,54	160,0	170,0	160,0	117,9			
	33	25867	2,7	44,70	160,0	170,0	160,0	118,0			
	36	23629	2,8	40,83	160,0	170,0	160,0	114,3			
	42	20493	3,2	35,41	160,0	170,0	160,0	113,5			
	46	18720	3,3	32,35	159,8	170,0	160,0	110,0			
	52	16530	3,7	28,56	156,6	170,0	160,0	108,9			
	58	14830	3,9	25,62	152,4	170,0	160,0	105,3			
	67	12917	4,5	22,32	148,5	170,0	160,0	103,5			
73	11799	4,6	20,39	144,9	170,0	160,0	100,5				
	17	50536	0,8	87,32	91,4	150,0	91,4	114,8	SK 10382.1 - 280 MP/4	1670	D80-81
	19	45959	0,9	79,41	105,8	150,0	105,8	120,5			
	21	41814	1,0	72,25	116,3	150,0	116,3	115,8			
	24	35345	1,2	61,07	129,4	150,0	129,4	119,4			
	27	32157	1,4	55,56	134,6	150,0	134,6	115,1			
	31	27421	1,4	47,38	140,0	150,0	140,0	116,7			
	33	25870	1,5	44,70	140,0	150,0	140,0	113,1			
	37	23527	1,7	40,65	140,0	150,0	140,0	114,5			
	40	21405	1,9	36,98	140,0	150,0	140,0	110,6			
	48	18093	2,2	31,26	140,0	150,0	140,0	109,9			
	52	16461	2,6	28,44	140,0	150,0	140,0	106,4			
	61	14037	2,8	24,25	138,4	150,0	140,0	105,0			
	67	12771	3,0	22,07	135,0	150,0	140,0	101,7			
	77	11128	3,0	19,23	131,7	150,0	140,0	100,1			
	85	10124	3,0	17,49	128,3	150,0	140,0	97,0			
	97	8888	3,0	15,36	125,1	150,0	140,0	95,3			
	106	8086	3,0	13,97	121,8	150,0	140,0	92,4			
	122	7072	3,0	12,22	118,4	150,0	140,0	90,4			
	85	10120	3,1	17,49	109,6	150,0	135,3	82,6	SK 10382.1 - 280 MP/4	1670	D80-81
	97	8888	3,2	15,36	107,1	150,0	135,8	81,5			
	106	8086	3,2	13,97	104,4	150,0	136,2	78,9			
	122	7072	3,2	12,22	101,6	150,0	136,5	77,5			
	134	6434	3,2	11,12	99,0	150,0	136,7	75,1			
	9,6	89330	1,0	154,35	0,1	170,0	0,1	66,4	SK 12382 - 280 MP/4	2740	D84
	11	79420	1,1	137,22	8,2	170,0	8,2	71,9			
	13	67910	1,3	117,35	16,8	170,0	16,8	77,5			
	15	58380	1,5	100,88	44,4	170,0	44,4	81,5			
	18	47830	1,9	82,65	93,8	170,0	93,8	84,9			
	21	40010	2,2	69,12	114,2	170,0	114,2	86,6			
	48	17820	1,0	30,79	7,4	14,5	50,7	62,7	SK 9282 - 280 MP/4	1340	D78
	55	15540	1,1	26,89	10,1	17,1	50,9	63,3			
	64	13410	1,2	23,15	12,5	19,3	50,5	63,5			
	74	11630	1,4	20,13	13,1	19,5	49,2	62,2			
	86	10040	1,5	17,33	14,6	20,7	48,6	61,9			
	101	8504	1,7	14,70	15,8	21,6	47,6	61,0			
	123	6969	2,0	12,01	16,8	22,2	46,2	59,5			
	145	5907	1,8	10,18	16,3	21,4	44,4	57,3			
	172	5006	2,2	8,64	16,6	21,4	43,1	55,9			
	210	4102	2,5	7,06	16,8	21,0	41,4	54,0			
	257	3346	2,6	5,78	16,7	20,5	39,7	51,9			
	277	3100	2,7	5,34	16,6	20,2	39,0	51,1			

Parallel shaft
gear units



P ₁ [kW]	n ₂ [min ⁻¹]	M ₂ [Nm]	f _B	i _{ges}	F _R [kN]	F _A [kN]	F _{R VL} [kN]	F _{A VL} [kN]	Type	kg	mm 				
110	13	78926	0,9	111,80	84,7	170,0	84,7	115,4	SK 11382.1 - 315 SP/4	2360	D82-83				
	15	71851	0,9	101,78	117,9	170,0	117,9	113,9							
	17	61783	1,2	87,52	149,6	170,0	149,6	115,4							
	19	56437	1,2	79,95	160,0	170,0	160,0	111,1							
	21	51098	1,3	72,38	160,0	170,0	160,0	117,9							
	23	46317	1,4	65,61	160,0	170,0	160,0	115,8							
	26	39827	1,9	56,42	160,0	170,0	160,0	114,9							
	29	36381	1,9	51,54	160,0	170,0	160,0	111,0							
	33	31552	2,2	44,70	160,0	170,0	160,0	112,4							
	36	28821	2,3	40,83	160,0	170,0	160,0	108,8							
	42	24997	2,6	35,41	157,9	170,0	160,0	109,1							
	46	22833	2,7	32,35	154,5	170,0	160,0	105,7							
	52	20162	3,1	28,56	152,1	170,0	160,0	105,4							
	58	18089	3,2	25,62	148,1	170,0	160,0	101,9							
	67	15756	3,7	22,32	144,9	170,0	160,0	100,7							
	73	14392	3,8	20,39	141,5	170,0	160,0	97,7							
	83	12654	4,2	17,93	138,2	170,0	160,0	96,3							
	91	11559	4,4	16,37	134,9	170,0	160,0	93,5							
	110	24	43112	1,0	61,07	113,3	150,0	113,3				110,5	SK 10382.1 - 315 SP/4	1760	D80-81
		27	39224	1,1	55,56	122,0	150,0	122,0				106,2			
31		33447	1,1	47,38	132,6	150,0	132,6	109,8							
33		31555	1,2	44,70	135,5	150,0	135,5	106,0							
37		28697	1,4	40,65	139,6	150,0	139,6	108,5							
40		26109	1,5	36,98	140,0	150,0	140,0	104,7							
48		22069	1,8	31,26	140,0	150,0	140,0	105,4							
52		20079	2,1	28,44	136,9	150,0	140,0	101,8							
61		17122	2,3	24,25	134,3	150,0	140,0	101,4							
67		15577	2,5	22,07	131,0	150,0	140,0	98,1							
77		13573	2,5	19,23	128,4	150,0	140,0	97,3							
85		12349	2,5	17,49	125,2	150,0	140,0	94,2							
97		10841	2,5	15,36	122,4	150,0	140,0	93,0							
106		9863	2,5	13,97	119,3	150,0	140,0	90,2							
122		8627	2,5	12,22	116,3	150,0	140,0	88,6							
110		9,6	109000	0,8	154,35	0,1	170,0	0,1	43,9	SK 12382 - 315 SP/4	2830	D84			
	11	96870	0,9	137,22	5,2	170,0	5,2	52,0							
	13	82840	1,1	117,35	12,6	170,0	12,6	60,4							
	15	71210	1,3	100,88	22,4	170,0	22,4	66,9							
	18	58340	1,5	82,65	43,4	170,0	43,4	72,9							
	22	48800	1,8	69,12	90,7	170,0	90,7	76,5							
110	48	21740	0,8	30,79	0,3	2,6	45,3	54,8	SK 9282 - 315 SP/4	1430	D78				
	55	18950	0,9	26,89	2,9	8,9	46,2	56,5							
	64	16360	1,0	23,15	6,4	12,1	46,5	57,7							
	74	14180	1,1	20,13	7,6	13,0	45,7	56,7							
	86	12240	1,3	17,33	10,0	15,1	45,5	57,1							
	101	10370	1,4	14,70	12,1	16,9	45,1	57,1							
	124	8500	1,6	12,01	13,7	18,4	44,2	56,5							
	146	7205	1,5	10,18	13,5	17,8	42,5	54,3							
	172	6106	1,8	8,64	14,4	18,4	41,5	53,4							
	210	5003	2,0	7,06	14,9	18,5	40,1	51,9							
	257	4081	2,2	5,78	15,1	18,5	38,7	50,3							
	278	3782	2,2	5,34	15,2	18,4	38,1	49,6							
	132	21	61235	1,1	72,38	151,0	170,0	151,0				108,5	SK 11382.1 - 315 MP/4	2560	D82-83
23		55506	1,2	65,61	158,6	170,0	160,0	106,9							
26		47728	1,6	56,42	158,1	170,0	160,0	107,3							
29		43598	1,6	51,54	155,5	170,0	160,0	103,4							
33		37811	1,9	44,70	155,7	170,0	160,0	106,4							
36		34539	1,9	40,83	152,8	170,0	160,0	102,8							
42		29956	2,2	35,41	151,7	170,0	160,0	104,3							
46		27363	2,3	32,35	148,6	170,0	160,0	100,9							
52		24162	2,6	28,56	147,1	170,0	160,0	101,5							
58		21678	2,7	25,62	143,5	170,0	160,0	98,1							
67		18881	3,1	22,32	141,0	170,0	160,0	97,7							
73		17247	3,1	20,39	137,8	170,0	160,0	94,7							
83		15165	3,5	17,93	135,1	170,0	160,0	93,9							
91	13853	3,7	16,37	132,0	170,0	160,0	91,0								

Parallel shaft gear units


132 kW
160 kW



P ₁ [kW]	n ₂ [min ⁻¹]	M ₂ [Nm]	f _B	i _{ges}	F _R [kN]	F _A [kN]	F _{R VL} [kN]	F _{A VL} [kN]	Type	kg	mm
132	33	37815	1,0	44,70	124,8	150,0	124,8	98,1	SK 10382.1 - 315 MP/4	1960	D80-81
	37	34390	1,2	40,65	131,0	150,0	131,0	102,0			
	40	31288	1,3	36,98	135,0	150,0	135,9	98,2			
	48	26448	1,5	31,26	134,3	150,0	140,0	100,3			
	52	24062	1,8	28,44	131,4	150,0	140,0	96,8			
	61	20518	1,9	24,25	129,7	150,0	140,0	97,5			
	68	18668	2,1	22,07	126,7	150,0	140,0	94,2			
	77	16266	2,1	19,23	124,8	150,0	140,0	94,2			
	85	14799	2,1	17,49	121,8	150,0	140,0	91,1			
	97	12992	2,1	15,36	119,5	150,0	140,0	90,6			
	107	11820	2,1	13,97	116,6	150,0	140,0	87,7			
	122	10338	2,1	12,22	114,0	150,0	140,0	86,6			
	11	116100	0,8	137,22	0	160,5	0	30,0	SK 12382 - 315 MP/4	3030	D84
	13	99270	0,9	117,35	0,2	170,0	0,2	41,6			
	15	85340	1,1	100,88	8,6	170,0	8,6	50,7			
	18	69920	1,3	82,65	12,4	170,0	12,4	59,6			
	22	58480	1,5	69,12	42,2	170,0	42,2	65,4			
	55	22710	0,8	26,89	0	0	35,1	48,9	SK 9282 - 315 MP/4	1630	D78
	64	19600	0,8	23,15	1,3	2,7	42,0	51,0			
	74	17000	0,9	20,13	1,3	7,2	37,5	50,8			
	86	14670	1,1	17,33	4,7	9,2	42,1	52,1			
	101	12430	1,2	14,70	7,6	11,9	42,2	52,6			
	124	10190	1,4	12,01	10,2	14,2	41,9	52,8			
	146	8635	1,2	10,18	10,4	13,9	40,4	51,0			
	172	7317	1,5	8,64	11,7	15,1	39,7	50,6			
	210	5996	1,7	7,06	12,8	15,9	38,8	49,7			
	258	4891	1,8	5,78	13,4	16,4	37,5	48,5			
	278	4532	1,8	5,34	13,6	16,4	37,0	47,9			
	160	21	74225	0,9	72,38	108,2	170,0	108,2			
23		67280	1,0	65,61	133,8	170,0	133,8	95,7			
26		57853	1,3	56,42	145,7	170,0	159,2	97,6			
29		52846	1,3	51,54	143,7	170,0	160,0	93,8			
33		45832	1,5	44,70	145,8	170,0	160,0	98,8			
36		41866	1,6	40,83	143,4	170,0	160,0	95,2			
42		36310	1,8	35,41	143,9	170,0	160,0	98,2			
46		33168	1,9	32,35	141,2	170,0	160,0	94,9			
52		29288	2,1	28,56	140,8	170,0	160,0	96,6			
58		26276	2,2	25,62	137,6	170,0	160,0	93,3			
67		22886	2,5	22,32	136,0	170,0	160,0	93,9			
73		20906	2,6	20,39	133,1	170,0	160,0	90,9			
83	18382	2,9	17,93	131,1	170,0	160,0	90,8				
91	16791	3,0	16,37	128,2	170,0	160,0	88,0				
	33	45836	0,8	44,70	106,2	150,0	106,2	88,2	SK 10382.1 - 315 RP/4	1990	D80-81
	37	41685	1,0	40,65	116,6	150,0	116,6	93,7			
	40	37925	1,1	36,98	124,6	150,0	124,6	90,9			
	48	32058	1,2	31,26	127,0	150,0	134,8	94,0			
	52	29166	1,5	28,44	124,4	150,0	138,9	90,5			
	61	24871	1,6	24,25	124,0	150,0	140,0	92,6			
	68	22627	1,7	22,07	121,3	150,0	140,0	89,3			
	77	19716	1,7	19,23	120,2	150,0	140,0	90,3			
	85	17938	1,7	17,49	117,5	150,0	140,0	87,2			
	97	15748	1,7	15,36	115,9	150,0	140,0	87,4			
	107	14327	1,7	13,97	113,2	150,0	140,0	84,6			
	122	12531	1,7	12,22	111,1	150,0	140,0	84,1			
	15	103400	0,9	100,88	0,1	151,3	1,3	30,2	SK 12382 - 315 RP/4	3060	D84
	18	84750	1,1	82,65	6,9	167,6	6,9	42,8			
	22	70880	1,3	69,12	14,2	170,0	14,2	51,3			
	74	20600	0,8	20,13	0	0	31,0	43,4	SK 9282 - 315 RP/4	1660	D78
	86	17780	0,9	17,33	0,3	1,6	37,7	45,6			
	101	15070	1,0	14,70	1,9	5,6	38,5	47,1			
	124	12350	1,1	12,01	5,7	9,1	38,9	48,2			
	146	10470	1,0	10,18	6,3	9,3	37,7	47,0			
	172	8869	1,3	8,64	8,3	11,2	37,4	47,1			
	210	7268	1,4	7,06	10,1	12,7	36,9	46,8			
	258	5928	1,5	5,78	11,3	13,7	36,0	46,1			
	278	5493	1,5	5,34	11,6	13,9	35,6	45,7			

Parallel shaft gear units



P_1 [kW]	n_2 [min ⁻¹]	M_2 [Nm]	f_B	i_{ges}	F_R [kN]	F_A [kN]	$F_{R VL}$ [kN]	$F_{A VL}$ [kN]	Type	kg	mm 
200	26	72413	1,0	56,42	115,7	170,0	115,7	83,8	SK 11382.1 - 315 LP/4	2790	D82-83
	29	66146	1,0	51,54	126,8	170,0	137,3	80,1			
	33	57367	1,2	44,70	131,7	170,0	160,0	87,8			
	36	52403	1,3	40,83	130,1	170,0	160,0	84,3			
	42	45448	1,5	35,41	132,7	170,0	160,0	89,6			
	46	41515	1,5	32,35	130,7	170,0	160,0	86,3			
	52	36659	1,7	28,56	131,8	170,0	160,0	89,7			
	58	32889	1,8	25,62	129,3	170,0	160,0	86,5			
	67	28646	2,0	22,32	129,0	170,0	160,0	88,4			
	73	26167	2,1	20,39	126,5	170,0	160,0	85,5			
	83	23008	2,3	17,93	125,5	170,0	160,0	86,4			
	91	21017	2,4	16,37	122,9	170,0	160,0	83,7			
	18	106100	0,8	82,65	5,0	125,4	5,0	18,6			
22	88720	1,0	69,12	15,0	142,4	15,0	31,2				

 Parallel shaft
gear units

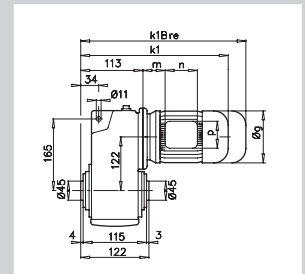
Parallel Shaft Gear Units



SK 1282/02



	i_{ges}	n_2 $n_1 =$ 1750 min^{-1}	M_{2max} $f_0 = 1$	P_{1m} $n_1 =$ 1750 min^{-1}
		$[\text{min}^{-1}]$	$[\text{Nm}]$	$[\text{kW}]$
SK 1282/02	3608,19	0,49	290	0,05
	2448,65	0,71	290	0,06
W	1965,10	0,89	290	0,07
*	1620,65	1,1	290	0,07
IEC	1362,13	1,3	290	0,08
	1055,50	1,6	290	0,09
	826,23	2,1	290	0,10
$\frac{W}{mm}$	663,69	2,6	290	0,12



SK 1282/02

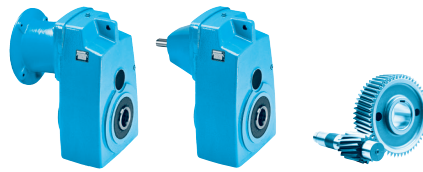


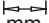

	i_{ges}	n_2 $n_1 =$ 1400 min ⁻¹	M_{2max} $f_B = 1$	W			IEC						
				P_{1max}	$f_B \geq 1$		$f_B \Rightarrow$ D4 - D40						
					$n_1 =$ 1400 min ⁻¹	$n_1 =$ 930 min ⁻¹	$n_1 =$ 700 min ⁻¹	IEC					
		[min ⁻¹]	[Nm]	[kW]	[kW]	[kW]	63	71	80	90			
SK 1282/02	3608,19	0,39	290	0,05	0,03	0,03	*	*					
	2448,65	0,57	290	0,06	0,04	0,03	*	*					
W	1968,10	0,71	290	0,06	0,04	0,03	*	*					
+	1620,65	0,86	290	0,07	0,04	0,03	*	*					
IEC	1362,13	1,0	290	0,07	0,05	0,04	*	*					
	1066,50	1,3	290	0,08	0,05	0,04	*	*	*	*			
	826,23	1,7	290	0,09	0,06	0,05	*	*	*	*			
	663,69	2,1	290	0,10	0,07	0,05	*	*	*	*			
\Rightarrow D85	546,50	2,6	290	0,12	0,08	0,06	*	*	*	*			
	405,75	3,5	290	0,15	0,10	0,07	*	*	*	*			
	328,02	4,3	290	0,17	0,11	0,09	*	*	*	*			
	283,85	4,9	290	0,19	0,12	0,09		*	*	*			
	229,08	6,1	290	0,23	0,15	0,11		*	*	*			

* \Rightarrow A63

Parallel shaft
gear units


	W	IEC 63	IEC 71	IEC 80	IEC 90	IEC 100
SK 1282/02	26	27	28	31	31	-



	i_{ges}	n_2 $n_1 = 1400 \text{ min}^{-1}$ [min ⁻¹]	M_{2max} $f_B = 1$ [Nm]	W			IEC					
				P_{1max}		$f_B \geq 1$	$f_B \Rightarrow \text{D4 - D40}$					
				$n_1 = 1400 \text{ min}^{-1}$	$n_1 = 930 \text{ min}^{-1}$	$n_1 = 700 \text{ min}^{-1}$	IEC					
						63	71	80	90	100	112	
SK 1282	109,50	13	209	0,28	0,19	0,14		*				
	92,48	15	232	0,36	0,24	0,18		*				
W	81,17	17	296	0,53	0,35	0,26						
+	72,17	19	296	0,59	0,39	0,29			*	*		
IEC	66,23	21	270	0,59	0,39	0,30			*	*		
	58,89	24	283	0,71	0,47	0,36			*	*		
	55,39	25	235	0,62	0,41	0,31						
mm	49,25	28	260	0,76	0,50	0,38				*		
\Rightarrow 	46,19	30	196	0,62	0,41	0,31						
	41,07	34	217	0,77	0,51	0,39				*		
	32,08	44	230	1,06	0,70	0,53				*		
	28,33	49	225	1,15	0,76	0,58				*		
	25,22	56	225	1,32	0,87	0,66			*	*	*	
	20,57	68	225	1,60	1,06	0,80			*	*	*	
	17,21	81	224	1,90	1,25	0,95			*	*	*	
	14,11	99	210	2,18	1,44	1,09			*	*	*	
	11,76	119	204	2,54	1,68	1,27			*	*	*	
	10,34	135	196	2,77	1,83	1,39			*	*	*	
	9,18	153	189	3,03	2,00	1,51			*	*	*	
	8,24	170	191	3,40	2,24	1,70			*	*	*	
	8,21	171	160	2,86	1,89	1,43			*	*	*	
	7,24	193	187	3,78	2,49	1,89			*	*	*	
	6,43	218	181	4,00	2,64	2,00			*	*	*	
	5,47	256	172	4,00	2,64	2,00			*	*	*	
	4,79	292	128	3,91	2,58	1,96			*	*	*	

* \Rightarrow  A63

Parallel shaft gear units

	W	IEC 63	IEC 71	IEC 80	IEC 90	IEC 100	IEC 112
SK 1282	18	19	20	23	23	30	30

SK 2282/02 SK 2382



	i_{ges}	n_2 $n_1 =$ 1400 min ⁻¹	M_{2max} $f_B = 1$	W			IEC						
				P_{1max}	$f_B \geq 1$		$f_B \Rightarrow$ D4 - D40						
					$n_1 =$ 1400 min ⁻¹	$n_1 =$ 930 min ⁻¹	$n_1 =$ 700 min ⁻¹	IEC					
		[min ⁻¹]	[Nm]	[kW]	[kW]	[kW]	63	71	80	90			
SK 2282/02	3426,39	0,41	520	0,06	0,04	0,03	*	*					
	2654,05	0,53	520	0,07	0,05	0,03	*	*					
	W	2133,20	0,66	520	0,08	0,05	0,04	*	*				
	+ IEC	1728,15	0,81	520	0,08	0,06	0,04	*	*				
		1423,06	0,98	520	0,09	0,06	0,05	*	*				
		1064,71	1,3	520	0,11	0,07	0,06	*	*	*	*		
		824,77	1,7	520	0,13	0,09	0,07	*	*	*	*		
		662,92	2,1	520	0,15	0,10	0,08	*	*	*	*		
		514,51	2,7	520	0,19	0,12	0,09		*	*	*	*	
		423,50	3,3	520	0,22	0,14	0,11		*	*	*	*	
		356,28	3,9	520	0,25	0,17	0,13		*	*	*	*	
		287,51	4,9	520	0,31	0,20	0,15		*	*	*	*	
		215,75	6,5	520	0,39	0,26	0,20			*	*	*	
		174,78	8,0	520	0,48	0,31	0,24			*	*	*	
SK 2382	763,41	1,8	438	0,08	0,05	0,04	*	*					
	623,10	2,2	521	0,12	0,08	0,06	*	*					
	W	482,56	2,9	521	0,16	0,10	0,08	*	*				
	+ IEC	390,93	3,6	521	0,20	0,13	0,10		*				
		330,45	4,2	563	0,25	0,16	0,12		*				
		276,27	5,1	553	0,30	0,19	0,15		*				
		236,11	5,9	473	0,29	0,19	0,15		*				
		185,11	7,6	521	0,41	0,27	0,21			*	*		
		149,96	9,3	521	0,51	0,33	0,25			*	*		
		131,86	11	521	0,60	0,40	0,30			*	*		
		116,35	12	521	0,65	0,43	0,33			*	*		
		98,35	14	563	0,75	0,50	0,38				*		
		82,22	17	561	0,75	0,50	0,38				*		

* \Rightarrow A63

kg	W	IEC 63	IEC 71	IEC 80	IEC 90
SK 2282/02	37	38	39	42	42
SK 2382	36	37	38	41	41

Parallel shaft gear units



	i_{ges}	n_2 $n_1 =$ 1400 min ⁻¹	M_{2max} $f_B = 1$	W			IEC							
				P_{1max}	$f_B \geq 1$	$n_1 =$ 1400 min ⁻¹	$n_1 =$ 930 min ⁻¹	$n_1 =$ 700 min ⁻¹	$f_B \Rightarrow$ D4 - D40					
									[kW]	[kW]	[kW]	IEC		
		[min ⁻¹]	[Nm]	[kW]	[kW]	[kW]	71	80	90	100	112			
SK 2282	127,51	11	380	0,44	0,29	0,22		*						
	104,07	13	397	0,54	0,36	0,27		*						
W	100,98	14	440	0,65	0,43	0,32		*	*					
+	82,42	17	477	0,85	0,56	0,42			*					
IEC	69,67	20	443	0,93	0,61	0,46			*					
	63,83	22	521	1,20	0,79	0,60			*					
	53,96	26	506	1,38	0,91	0,69			*					
mm	51,71	27	521	1,47	0,97	0,74			*	*	*			
D86	45,11	31	450	1,46	0,96	0,73			*					
	43,71	32	563	1,89	1,25	0,94				*	*			
	37,18	38	460	1,83	1,21	0,92								
	36,54	38	501	1,99	1,32	1,00				*	*			
	31,23	45	445	2,10	1,38	1,05				*	*			
	29,65	47	500	2,46	1,62	1,23				*	*	*		
	26,83	52	439	2,39	1,58	1,20				*	*			
	24,97	56	490	2,87	1,90	1,44				*	*			
	23,96	58	435	2,64	1,74	1,32				*	*			
	21,90	64	480	3,22	2,12	1,61					*	*		
	18,51	76	486	3,87	2,55	1,93					*			
	16,53	85	471	4,00	2,64	2,00								
	13,23	106	405	4,00	2,64	2,00								
	11,81	119	384	4,00	2,64	2,00								
	10,15	138	356	4,00	2,64	2,00								
	9,03	155	335	4,00	2,64	2,00								
	8,37	167	256	4,00	2,64	2,00								
	7,48	187	243	4,00	2,64	2,00								
	6,43	218	226	4,00	2,64	2,00								
	5,72	245	212	4,00	2,64	2,00								
	4,51	310	186	4,00	2,64	2,00								

* A63

Parallel shaft
gear units

	W	IEC 71	IEC 80	IEC 90	IEC 100	IEC 112
SK 2282	35	33	37	37	41	41

SK 3282/12 SK 3382



	i_{ges}	n_2 $n_1 =$ 1400 min ⁻¹	M_{2max} $f_B = 1$	W			IEC						
				P_{1max}	$f_B \geq 1$		$f_B \Rightarrow$ D4 - D40						
					$n_1 =$ 1400 min ⁻¹	$n_1 =$ 930 min ⁻¹	$n_1 =$ 700 min ⁻¹	IEC					
		[min ⁻¹]	[Nm]	[kW]	[kW]	[kW]	63	71	80	90	100	112	
SK 3282/12	3435,26	0,41	900	0,08	0,05	0,04	*	*					
	2797,18	0,50	900	0,09	0,06	0,04	*	*					
	2248,69	0,62	900	0,10	0,06	0,05	*	*					
	1697,29	0,82	900	0,12	0,08	0,06	*	*	*	*			
	1335,98	1,0	900	0,13	0,09	0,07	*	*	*	*	*	*	
	1067,99	1,3	900	0,16	0,11	0,08	*	*	*	*	*	*	
	853,43	1,6	900	0,19	0,13	0,10		*	*	*	*	*	
	686,08	2,0	900	0,23	0,15	0,11		*	*	*	*	*	
	⇒ D85	520,83	2,7	900	0,29	0,19	0,15		*	*	*	*	*
		461,81	3,0	900	0,32	0,21	0,16		*	*	*	*	*
		358,12	3,9	900	0,41	0,27	0,20			*	*	*	*
		270,39	5,2	900	0,53	0,35	0,27			*	*	*	*
		217,37	6,4	900	0,64	0,42	0,32			*	*	*	*
		179,57	7,8	900	0,78	0,51	0,39				*	*	*
		141,49	9,9	900	0,93	0,62	0,47				*	*	*
		114,23	12	900	1,13	0,75	0,57				*	*	*
		87,73	16	900	1,50	0,99	0,75					*	*
	SK 3382	1022,42	1,4	787	0,12	0,08	0,06	*	*				
		919,00	1,5	822	0,13	0,09	0,06	*	*				
		808,42	1,7	1039	0,18	0,12	0,09		*				
726,61		1,9	944	0,19	0,12	0,09		*					
584,13		2,4	1000	0,25	0,17	0,13		*					
482,56		2,9	866	0,26	0,17	0,13		*					
408,58		3,4	796	0,28	0,19	0,14		*					
287,14		4,9	938	0,48	0,32	0,24			*	*			
⇒ D85		230,83	6,1	1000	0,64	0,42	0,32			*	*		
		190,69	7,3	866	0,66	0,44	0,33			*	*		
		161,46	8,7	788	0,72	0,47	0,36			*	*		
		126,93	11	774	0,89	0,59	0,45				*	*	
		104,05	13	735	1,00	0,66	0,50				*	*	
		89,60	16	621	1,04	0,69	0,52				*	*	

* ⇒ A63

	W	IEC 63	IEC 71	IEC 80	IEC 90	IEC 100	IEC 112
SK 3282/12	54	55	56	59	59	66	66
SK 3382	52	53	54	57	57	64	64

Parallel shaft
gear units



	i_{ges}	n_2 $n_1 =$ 1400 min ⁻¹ [min ⁻¹]	M_{2max} $f_B = 1$ [Nm]	W			IEC					
				P_{1max} $n_1 =$ 1400 min ⁻¹ [kW]	$n_1 =$ 930 min ⁻¹ [kW]	$f_B \geq 1$ $n_1 =$ 700 min ⁻¹ [kW]	$f_B \Rightarrow$ D4 - D40					
							IEC					
							71	80	90	100	112	132
SK 3282	112,23	12	770	0,97	0,64	0,48			*			
	100,88	14	807	1,18	0,78	0,59			*			
W	88,74	16	945	1,58	1,04	0,79						
+	79,76	18	850	1,60	1,06	0,80						
IEC	70,56	20	564	1,18	0,78	0,59			*			
	65,89	21	758	1,67	1,10	0,83						
	64,12	22	1015	2,34	1,54	1,17				*	*	
	55,79	25	642	1,68	1,11	0,84						
\Rightarrow D86	52,97	26	845	2,30	1,52	1,15				*	*	
	48,04	29	552	1,68	1,11	0,84						
	44,85	31	737	2,39	1,58	1,20				*	*	
	42,02	33	929	3,21	2,12	1,61					*	
	38,62	36	634	2,39	1,58	1,19				*	*	
	37,77	37	835	3,24	2,14	1,62					*	
	31,93	44	877	4,04	2,67	2,02						
	28,70	49	870	4,46	2,95	2,23						
	25,88	54	846	4,78	3,16	2,39						
	23,71	59	805	4,97	3,28	2,49						
	22,45	62	800	5,19	3,43	2,60						*
	21,38	65	722	4,91	3,24	2,46						
	20,18	69	822	5,94	3,92	2,97						*
	16,67	84	841	7,40	4,88	3,70						*
	14,11	99	857	8,88	5,86	4,44						*
	11,38	123	821	9,20	6,07	4,60						
	9,80	143	839	9,20	6,07	4,60						
	8,31	168	676	9,20	6,07	4,60						
	6,70	209	607	9,20	6,07	4,60						
	5,74	244	555	9,20	6,07	4,60						
	4,48	312	461	9,20	6,07	4,60						

* \Rightarrow A63

Parallel shaft gear units

	W	IEC 71	IEC 80	IEC 90	IEC 100	IEC 112	IEC 132
SK 3282	50	48	52	52	56	56	65

SK 4282/12 SK 4382



	i_{ges}	n_2 $n_1 =$ 1400 min ⁻¹	M_{2max} $f_B = 1$	W			IEC					
				P_{1max}	$f_B \geq 1$		$f_B \Rightarrow$ D4 - D40					
					$n_1 =$ 1400 min ⁻¹	$n_1 =$ 930 min ⁻¹	$n_1 =$ 700 min ⁻¹	IEC				
		[min ⁻¹]	[Nm]	[kW]	[kW]	[kW]	63	71	80	90	100	112
SK 4282/12	2782,46	0,50	1800	0,13	0,09	0,07	*	*				
	2248,25	0,62	1800	0,16	0,10	0,08	*	*				
	W	1830,65	0,76	1800	0,18	0,12	0,09		*			
	+	1343,53	1,0	1800	0,23	0,15	0,11		*			
	IEC	1110,82	1,3	1800	0,29	0,19	0,14		*	*		
		873,31	1,6	1800	0,34	0,23	0,17		*	*	*	*
		698,96	2,0	1800	0,42	0,28	0,21			*	*	*
		558,54	2,5	1800	0,51	0,34	0,26			*	*	*
		409,92	3,4	1800	0,68	0,45	0,34			*	*	*
		340,87	4,1	1800	0,77	0,51	0,39			*	*	*
		302,24	4,6	1800	0,87	0,57	0,43				*	*
		234,38	6,0	1800	1,13	0,75	0,57				*	*
		176,96	7,9	1800	1,49	0,98	0,74				*	*
		152,47	9,2	1800	1,73	1,14	0,87				*	*
		127,52	11	1800	2,07	1,37	1,04				*	*

	i_{ges}	n_2 $n_1 =$ 1400 min ⁻¹	M_{2max} $f_B = 1$	W			IEC					
				P_{1max}	$f_B \geq 1$		$f_B \Rightarrow$ D4 - D40					
					$n_1 =$ 1400 min ⁻¹	$n_1 =$ 930 min ⁻¹	$n_1 =$ 700 min ⁻¹	IEC				
		[min ⁻¹]	[Nm]	[kW]	[kW]	[kW]	63	71	80	90	100	112
SK 4382	1585,08	0,88	1420	0,13	0,09	0,07		*	*	*		
	1129,91	1,2	1600	0,20	0,13	0,10		*	*	*		
	W	1097,48	1,3	1088	0,15	0,10	0,07		*	*	*	
	+	782,32	1,8	1476	0,28	0,18	0,14		*	*	*	
	IEC	654,27	2,1	1233	0,27	0,18	0,14		*	*	*	
		605,88	2,3	1475	0,36	0,23	0,18			*	*	
		532,44	2,6	2000	0,54	0,36	0,27			*	*	
		445,23	3,1	1666	0,54	0,36	0,27			*	*	
		412,38	3,4	1990	0,71	0,47	0,35				*	
		390,76	3,6	2000	0,75	0,50	0,38			*	*	
		344,84	4,1	1662	0,71	0,47	0,36				*	
		326,81	4,3	1890	0,85	0,56	0,43				*	
		302,65	4,6	2077	1,00	0,66	0,50				*	
		272,54	5,1	1572	0,84	0,55	0,42				*	
		253,12	5,5	1961	1,13	0,75	0,56				*	
		211,09	6,6	1635	1,13	0,75	0,56				*	
		191,57	7,3	1990	1,52	1,00	0,76				*	*
		160,20	8,7	1657	1,51	1,00	0,75				*	*
		140,60	10	2000	2,09	1,38	1,05				*	*
		118,38	12	2000	2,51	1,66	1,26				*	*
		103,82	13	2000	2,72	1,80	1,36				*	*
	86,83	16	1980	3,00	1,98	1,50				*	*	
	66,65	21	1200	2,64	1,74	1,32				*	*	

* \Rightarrow A63

kg	W	IEC 63	IEC 71	IEC 80	IEC 90	IEC 100	IEC 112
SK 4282/12	69	70	71	74	74	81	81
SK 4382	80	-	78	82	82	86	86



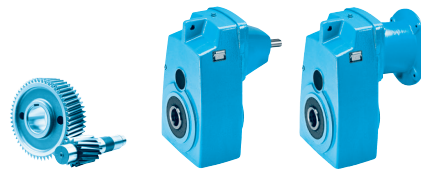
	i_{ges}	n_2 $n_1 =$ 1400 min ⁻¹	M_{2max} $f_B = 1$	W			IEC							
				P_{1max}	$f_B \geq 1$	$n_1 =$ 1400 min ⁻¹	$n_1 =$ 930 min ⁻¹	$n_1 =$ 700 min ⁻¹	$f_B \Rightarrow$ D4 - D40					
									[kW]	[kW]	[kW]	IEC		
		[min ⁻¹]	[Nm]	[kW]	[kW]	[kW]	90	100	112	132	160			
SK 4282	155,40	9,0	1275	1,20	0,79	0,60	*							
	110,78	13	1600	2,18	1,44	1,09		*	*					
W	90,52	15	1600	2,51	1,66	1,26		*	*					
+	76,70	18	1589	2,99	1,98	1,50		*	*					
IEC	75,39	19	1589	3,16	2,09	1,58			*	*				
	61,60	23	1794	4,32	2,85	2,16				*				
	52,20	27	1818	5,14	3,39	2,57				*				
	45,05	31	1594	5,17	3,41	2,59				*				
D87	43,65	32	1600	5,36	3,54	2,68				*				
	40,74	34	1556	5,54	3,66	2,77				*				
	38,31	37	2000	7,75	5,11	3,87				*				
	36,81	38	1400	5,57	3,68	2,79				*				
	36,40	38	1375	5,47	3,61	2,74				*				
	32,34	43	1620	7,29	4,81	3,65				*	*			
	32,04	44	1785	8,22	5,43	4,11				*				
	26,72	52	1600	8,71	5,75	4,36				*				
	26,43	53	1787	9,92	6,55	4,96					*			
	26,25	53	1608	8,92	5,89	4,46				*	*			
	22,39	63	1699	11,21	7,40	5,60					*			
	21,45	65	1686	11,48	7,57	5,74					*			
	18,18	77	1800	14,51	9,58	7,26					*			
	15,20	92	1800	15,00	9,90	7,50								
	12,68	110	1750	15,00	9,90	7,50								
	10,85	129	1700	15,00	9,90	7,50								
	9,23	152	1634	15,00	9,90	7,50								
	8,33	168	1272	15,00	9,90	7,50								
	7,13	196	1202	15,00	9,90	7,50								
	6,06	231	1200	15,00	9,90	7,50								
	5,43	258	1035	15,00	9,90	7,50								
	5,00	280	1035	15,00	9,90	7,50								
	4,70	298	1035	15,00	9,90	7,50								

* A63

Parallel shaft gear units

	W	IEC 90	IEC 100	IEC 112	IEC 132	IEC 160
SK 4282	75	70	77	77	91	101

SK 5282/12 SK 5382



	i_{ges}	n_2 $n_1 =$ 1400 min ⁻¹	M_{2max} $f_B = 1$	W			IEC					
				P_{1max}	$f_B \geq 1$		$f_B \Rightarrow$ D4 - D40					
					$n_1 =$ 1400 min ⁻¹	$n_1 =$ 930 min ⁻¹	$n_1 =$ 700 min ⁻¹	IEC				
		[min ⁻¹]	[Nm]	[kW]	[kW]	[kW]	63	71	80	90	100	112
SK 5282/12	2772,22	0,51	3000	0,20	0,13	0,10		*				
	2217,67			0,24	0,16	0,12		*				
	W	1805,75	0,78	3000	0,29	0,19	0,14		*			
	+	1334,62			0,35	0,23	0,18		*			
	IEC	1095,71	1,3	3000	0,45	0,30	0,22		*	*		
		862,46	1,6	3000	0,54	0,36	0,27		*	*	*	*
		689,45	2,0	3000	0,67	0,44	0,33		*	*	*	*
		550,94	2,5	3000	0,79	0,52	0,39			*	*	*
	\Rightarrow D85	448,15	3,1	3000	0,97	0,64	0,49			*	*	*
		338,35	4,1	3000	1,29	0,85	0,64			*	*	*
		273,15	5,1	3000	1,60	1,06	0,80				*	*
		232,66	6,0	3000	1,88	1,24	0,94				*	*
		174,55	8,0	3000	2,51	1,66	1,26				*	*
		142,18	9,8	3000	3,00	1,98	1,50					*
	SK 5382	1367,08	1,0	2700	0,28	0,19	0,14					
936,45		0,42			0,28	0,21			*	*		
W		700,03	2,0	3200	0,67	0,44	0,34			*	*	
+		570,18			0,73	0,48	0,37			*	*	
IEC		525,20	2,7	3200	0,90	0,60	0,45			*	*	
		427,79	3,3	3200	1,11	0,73	0,55			*	*	
		361,69	3,9	2800	1,14	0,75	0,57			*	*	
		331,48	4,2	3200	1,41	0,93	0,70			*	*	*
\Rightarrow D86		269,99	5,2	2700	1,47	0,97	0,74			*	*	*
		248,70	5,6	3200	1,88	1,24	0,94			*	*	*
		202,57	6,9	3200	2,31	1,53	1,16			*	*	*
		171,27	8,2	2800	2,40	1,59	1,20			*	*	*
		153,92	9,1	3200	3,05	2,01	1,52				*	*
		138,82	10	3200	3,35	2,21	1,68				*	*
		117,37	12	2750	3,46	2,28	1,73				*	*
	91,71	15	2900	4,55	3,01	2,28					*	
	82,72	17	2795	4,98	3,28	2,49						

Parallel shaft gear units

* \Rightarrow A63

	W	IEC 63	IEC 71	IEC 80	IEC 90	IEC 100	IEC 112
SK 5282/12	105	186	107	110	110	117	117
SK 5382	120	-	118	122	122	126	126



	i_{ges}	n_2 $n_1 =$ 1400 min ⁻¹	M_{2max} $f_B = 1$	W			IEC					
				P_{1max} $n_1 =$ 1400 min ⁻¹	$n_1 =$ 930 min ⁻¹	$f_B \geq 1$ $n_1 =$ 700 min ⁻¹	$f_B \Rightarrow$ D4 - D40					
							[kW]	[kW]	[kW]	IEC		
		[min ⁻¹]	[Nm]	[kW]	[kW]	[kW]	90	100	112	132	160	180
SK 5282	134,03	10	2654	2,78	1,83	1,39		*	*			
	100,19	14	2241	3,29	2,17	1,64			*			
W	91,81	15	2759	4,33	2,86	2,17				*		
+	81,61	17	1828	3,25	2,15	1,63			*			
IEC	68,63	20	2970	6,22	4,11	3,11				*		
	55,90	25	2600	6,81	4,49	3,40				*		
$\frac{H}{mm}$	55,55	25	2500	6,54	4,32	3,27				*		
	51,49	27	3235	9,15	6,04	4,57				*		
\Rightarrow D87	47,27	30	2400	7,54	4,98	3,77				*		
	41,94	33	3200	11,06	7,30	5,53				*		
	40,80	34	2500	8,90	5,87	4,45				*	*	
	35,46	39	2700	11,03	7,28	5,51				*	*	
	33,43	42	2300	10,12	6,68	5,06				*	*	
	30,50	46	2900	13,97	9,22	6,98				*	*	
	25,00	56	2900	17,01	11,22	8,50				*	*	
	20,36	69	3100	22,00	14,52	11,00				*	*	
	18,88	74	2600	20,15	13,30	10,07				*	*	
	17,59	80	2750	22,00	14,52	11,00				*	*	
	15,38	91	2600	22,00	14,52	11,00				*	*	
	13,00	108	2629	22,00	14,52	11,00				*	*	
	10,71	131	2500	22,00	14,52	11,00				*	*	
	9,46	148	2300	22,00	14,52	11,00				*	*	
	8,70	161	2360	22,00	14,52	11,00				*	*	
	7,17	195	2161	22,00	14,52	11,00				*	*	
	6,33	221	2114	22,00	14,52	11,00				*	*	
	5,71	245	1800	22,00	14,52	11,00				*	*	
	5,29	265	1750	22,00	14,52	11,00				*	*	
	5,01	279	1700	22,00	14,52	11,00				*	*	
	4,32	324	1550	22,00	14,52	11,00				*	*	

* \Rightarrow A63

Parallel shaft gear units

$\frac{kg}{kg}$	W	IEC 90	IEC 100	IEC 112	IEC 132	IEC 160	IEC 180
SK 5282	111	106	113	113	127	137	137

SK 6382/22 SK 6382/32 SK 6382


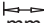



	i_{ges}	n_2 $n_1 =$ 1400 min ⁻¹	M_{2max} $f_B = 1$	W			IEC								
				P_{1max}	$f_B \geq 1$		$f_B \Rightarrow$ D4 - D40								
					$n_1 =$ 1400 min ⁻¹	$n_1 =$ 930 min ⁻¹	$n_1 =$ 700 min ⁻¹	IEC							
		[min ⁻¹]	[Nm]	[kW]	[kW]	[kW]	71	80	90	100	112				
SK 6382/22	4164,86	0,34	4780	0,21	0,14	0,11	*	*							
	3450,76			0,41	5400	0,27	0,18	0,14	*	*	*				
	2738,39			0,51	4780	0,30	0,19	0,15	*	*	*				
	2203,53			0,64	5400	0,40	0,27	0,20		*	*				
	1859,20			0,75	5400	0,46	0,31	0,23		*	*				
	1259,27			1,1	5400	0,66	0,44	0,33		*	*	*	*		
	1104,39			1,3	5400	0,78	0,51	0,39			*	*	*		
	818,71			1,7	5400	0,96	0,63	0,48			*	*	*		
	637,53			2,2	5400	1,24	0,82	0,62			*	*	*		
	569,11			2,5	5400	1,41	0,93	0,71			*	*	*		
	435,29			3,2	5400	1,81	1,19	0,90				*	*		
	347,33			4,0	5400	2,26	1,49	1,13				*	*		
	298,46			4,7	5400	2,66	1,75	1,33				*	*		
							IEC								
							71	80	90	100	112	132			
SK 6382/32	223,73	6,3	4780	3,15	2,08	1,58					*	*			
W + IEC	191,51	7,3	4780	3,65	2,41	1,83					*	*			
mm	159,23	8,8	4780	4,40	2,91	2,20						*			
							IEC								
							71	80	90	100	112	132	160	180	
SK 6382	551,58	2,5	5170	1,35	0,89	0,68			*						
	445,09	3,1	4170	1,35	0,89	0,68			*						
W	393,19	3,6	5880	2,22	1,46	1,11				*	*				
+	317,28	4,4	5640	2,60	1,72	1,30				*	*				
IEC	267,59	5,2	5880	3,20	2,11	1,60				*	*				
mm	251,76	5,6	4480	2,63	1,73	1,31				*	*				
	225,79	6,2	4020	2,61	1,72	1,30				*	*				
	212,33	6,6	4670	3,23	2,13	1,61				*	*				
	171,34	8,2	5570	4,78	3,16	2,39					*	*			
	159,88	8,8	5770	5,32	3,51	2,66					*	*			
	126,87	11	4580	5,28	3,48	2,64					*	*			
	114,79	12	5880	7,39	4,88	3,69					*	*	*		
	92,63	15	6000	9,42	6,22	4,71						*	*		
	75,18	19	6000	11,94	7,88	5,97							*		
	73,50	19	5570	11,08	7,31	5,54							*		
	59,66	23	5500	13,25	8,74	6,62							*		
	51,07	27	5080	14,36	9,48	7,18							*		
	42,46	33	4550	15,72	10,38	7,86									
	36,34	39	4550	18,58	12,26	9,29									
	30,91	45	4550	21,44	14,15	10,72								*	
	28,72	49	4600	22,00	14,52	11,00									
	24,42	57	4690	22,00	14,52	11,00									


* \Rightarrow A63

kg	W	IEC 71	IEC 80	IEC 90	IEC 100	IEC 112	IEC 132	IEC 160	IEC 180
SK 6382/22	201	199	203	203	207	207	-	-	-
SK 6382/32	212	-	-	214	218	218	227	-	-
SK 6382	192	-	-	187	194	194	208	218	218



	i_{ges}	n_2 $n_1 =$ 1400 min ⁻¹	M_{2max} $f_B = 1$	W			IEC						
				P_{1max} $n_1 =$ 1400 min ⁻¹	$n_1 =$ 930 min ⁻¹	$f_B \geq 1$ $n_1 =$ 700 min ⁻¹	$f_B \Rightarrow$  D4 - D40						
							[kW]	[kW]	[kW]	IEC			
		[min ⁻¹]	[Nm]	[kW]	[kW]	[kW]	100	112	132	160	180	200	225
SK 6282	80,33	17	4131	7,35	4,85	3,68			*				
	65,44	21	3369	7,41	4,89	3,70			*				
W	61,08	23	4535	10,92	7,21	5,46				*	*		
+	49,75	28	4040	11,85	7,82	5,92				*	*		
IEC	39,48	35	3200	11,73	7,74	5,86				*	*		
	29,90	47	4537	22,33	14,74	11,16							
	26,05	54	4533	25,63	16,92	12,82							
mm	22,95	61	4535	28,97	19,12	14,48					*	*	
\Rightarrow  D88	18,70	75	4427	34,77	22,95	17,38						*	*
	14,83	94	4475	44,05	29,07	22,02						*	*
	12,35	113	4389	45,00	29,70	22,50							
	10,64	132	4314	45,00	29,70	22,50							
	9,39	149	2754	42,97	28,36	21,48						*	*
	7,82	179	2682	45,00	29,70	22,50							
	6,74	208	2990	45,00	29,70	22,50							
	5,99	234	2392	45,00	29,70	22,50							
	5,78	242	2334	45,00	29,70	22,50							
	5,50	255	2291	45,00	29,70	22,50							
	4,88	287	2156	45,00	29,70	22,50							
	4,39	319	2034	45,00	29,70	22,50							

* \Rightarrow  A63

	W	IEC 100	IEC 112	IEC 132	IEC 160	IEC 180	IEC 200	IEC 225
SK 6282	215	203	203	216	241	241	255	270

SK 7382/22 SK 7382/32 SK 7382


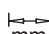



	i_{ges}	n_2 $n_1 =$ 1400 min ⁻¹	M_{2max} $f_B = 1$	W			IEC																
				P_{1max}	$f_B \geq 1$	$f_B \Rightarrow$ D4 - D40	IEC																
							$n_1 =$ 1400 min ⁻¹	$n_1 =$ 930 min ⁻¹	$n_1 =$ 700 min ⁻¹	71	80	90	100	112									
[min ⁻¹]	[Nm]	[kW]	[kW]	[kW]																			
SK 7382/22	5662,68	0,25	7080	0,23	0,15	0,11	*	*	*														
	4892,48			0,25	0,17	0,13	*	*	*														
	3615,97			0,39	7080	0,33	0,22	0,16		*	*												
	2635,97			0,53	7080	0,43	0,29	0,22		*	*												
	2066,45			0,68	7080	0,54	0,36	0,27		*	*	*	*										
	1812,31			0,77	7080	0,61	0,40	0,31		*	*	*	*										
	1343,50			1,0	7080	0,78	0,52	0,39			*	*	*										
	1046,18			1,3	7080	0,96	0,64	0,48			*	*	*										
	⇒ D86			933,91	1,5	7080	1,11	0,73	0,56			*	*	*									
				714,31	2,0	7080	1,48	0,98	0,74			*	*	*									
				569,97	2,5	7080	1,85	1,22	0,93				*	*									
				435,50	3,2	7080	2,37	1,57	1,19				*	*									
				376,26	3,7	7080	2,74	1,81	1,37				*	*									
	SK 7382/32			295,54	4,7	7060	3,47	2,29	1,74	IEC													
				223,20			4,66	3,07	2,33	71	80	90	100	112	132								
W + IEC											*	*											
mm										*													
⇒ D86											*												
SK 7382	338,79	4,1	7540	3,24	2,14	1,62	IEC																
	273,57			4,03	2,66	2,01	71	80	90	100	112	132	160	180	200	225							
	216,43			6,5	8300	5,65	3,73	2,82				*	*										
	204,99			6,8	7540	5,37	3,54	2,68				*	*										
	162,17			8,6	6270	5,65	3,73	2,82				*	*										
	150,57			9,3	7540	7,34	4,85	3,67				*	*										
	123,37			11	7540	8,68	5,73	4,34				*	*	*	*								
	106,59			13	7540	10,26	6,77	5,13				*	*	*	*								
	93,18			15	7540	11,84	7,82	5,92				*	*	*	*	*	*	*	*	*	*	*	
	78,81			18	7420	13,99	9,23	6,99				*	*	*	*	*	*	*	*	*	*	*	
	68,10			21	7200	15,83	10,45	7,92				*	*	*	*	*	*	*	*	*	*	*	
	59,52			24	7060	17,74	11,71	8,87				*	*	*	*	*	*	*	*	*	*	*	
	53,38			26	7080	19,28	12,72	9,64				*	*	*	*	*	*	*	*	*	*	*	
	46,66			30	7080	22,24	14,68	11,12				*	*	*	*	*	*	*	*	*	*	*	
	36,92			38	6620	26,34	17,39	13,17				*	*	*	*	*	*	*	*	*	*	*	
	30,42			46	6620	31,89	21,05	15,94				*	*	*	*	*	*	*	*	*	*	*	
	26,88			52	6620	36,05	23,79	18,02				*	*	*	*	*	*	*	*	*	*	*	
	23,46			60	6610	42,91	28,32	21,46				*	*	*	*	*	*	*	*	*	*	*	

* ⇒ A63


kg	W	IEC 71	IEC 80	IEC 90	IEC 100	IEC 112	IEC 132	IEC 160	IEC 180	IEC 200	IEC 225
SK 7382/22	274	272	276	276	280	280	-	-	-	-	-
SK 7382/32	285	-	-	287	291	291	300	-	-	-	-
SK 7382	285	-	-	-	273	273	286	311	311	325	340



	i_{ges}	n_2 $n_1 =$ 1400 min ⁻¹ [min ⁻¹]	M_{2max} $f_B = 1$ [Nm]	W			IEC							
				P_{1max} $n_1 =$ 1400 min ⁻¹ [kW]	$f_B \geq 1$ $n_1 =$ 930 min ⁻¹ [kW]	$f_B \geq 1$ $n_1 =$ 700 min ⁻¹ [kW]	$f_B \Rightarrow$  D4 - D40							
							IEC							
							132	160	180	200	225			
SK 7282	69,73	20	5804	12,15	8,02	6,08		*	*					
	56,91	25	5534	14,49	9,56	7,24		*	*					
W	45,67	31	5809	18,86	12,45	9,43			*	*				
+	45,02	31	4382	14,22	9,39	7,11		*	*					
IEC	37,27	38	6473	25,76	17,00	12,88				*				
	34,64	40	5804	24,31	16,04	12,15								
	26,89	52	5807	31,62	20,87	15,81					*			
mm	22,87	61	5802	37,06	24,46	18,53					*			
\Rightarrow  D88	19,97	70	5810	42,59	28,11	21,29					*			
	16,29	86	6469	45,00	29,70	22,50								
	12,89	109	5864	45,00	29,70	22,50								
	11,16	125	6221	45,00	29,70	22,50								
	9,92	141	4273	45,00	29,70	22,50								
	9,48	148	6263	45,00	29,70	22,50								
	8,66	162	4222	45,00	29,70	22,50								
	7,49	187	4507	45,00	29,70	22,50								
	6,36	220	4450	45,00	29,70	22,50								
	5,98	234	4322	45,00	29,70	22,50								
	5,30	264	4065	45,00	29,70	22,50								
	5,04	278	3929	45,00	29,70	22,50								
	4,26	329	3619	45,00	29,70	22,50								

* \Rightarrow  A63

Parallel shaft
gear units

	W	IEC 132	IEC 160	IEC 180	IEC 200	IEC 225
SK 7282	278	279	304	304	318	333

SK 8382/32 SK 8382/42 SK 8382


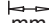



	i_{ges}	n_2 $n_1 =$ 1400 min ⁻¹	M_{2max} $f_B = 1$	W			IEC											
				P_{1max} $n_1 =$ 1400 min ⁻¹	$n_1 =$ 930 min ⁻¹	$f_B \geq 1$ $n_1 =$ 700 min ⁻¹	$f_B \Rightarrow$ D4 - D40											
							[kW]	[kW]	[kW]	IEC								
		[min ⁻¹]	[Nm]	[kW]	[kW]	[kW]	71	80	90	100	112	132						
SK 8382/32	6616,79	0,21	12100	0,31	0,20	0,15	*	*	*									
	5507,20			0,25	12100	0,36	0,24	0,18	*	*	*							
	W	4211,43	0,33	12100	0,46	0,30	0,23		*	*								
	+	3524,83			0,40	12100	0,55	0,36	0,27		*	*						
	IEC	3005,57	0,47	12100	0,64	0,42	0,32		*	*								
		2416,28	0,58	12100	0,77	0,51	0,39			*	*	*						
	$\frac{H}{mm}$	1697,85	0,82	12100	1,04	0,69	0,52			*	*	*						
		1366,83	1,0	12100	1,27	0,84	0,63			*	*	*						
	\Rightarrow D86	1064,91	1,3	12100	1,65	1,09	0,82			*	*	*	*					
		891,21	1,6	12100	2,03	1,34	1,01			*	*	*	*					
	718,43	1,9	12100	2,41	1,59	1,20			*	*	*	*						
	612,94	2,3	12100	2,91	1,92	1,46			*	*	*	*						
SK 8382/42	551,02	2,5	12100	3,17	2,09	1,58					*	*	*					
	468,52			3,0	12100	3,80	2,51	1,90				*	*	*				
	W + IEC	346,66	4,0	12100	5,07	3,34	2,53				*	*	*					
	$\frac{H}{mm}$	294,43	4,8	12100	6,08	4,01	3,04				*	*	*					
	\Rightarrow D87	223,40	6,3	12100	7,98	5,27	3,99				*	*	*					
		185,94	7,5	12100	9,20	6,07	4,60				*	*	*					
SK 8382	386,68	3,6	12700	4,79	3,16	2,39					*							
	318,31			4,4	13000	5,99	3,95	2,99				*						
	W	294,01	4,8	12700	6,38	4,21	3,19				*	*	*					
	+	242,02	5,8	13100	7,96	5,25	3,98				*	*	*					
	IEC	201,00	7,0	10800	7,92	5,22	3,96				*							
	$\frac{H}{mm}$	152,83	9,2	12680	9,96	6,57	4,98				*	*						
		143,91	9,7	13200	12,72	8,39	6,36				*	*						
	\Rightarrow D88	125,38	11	12500	12,70	8,38	6,35				*	*						
		118,47	11	12190	14,04	9,27	7,02				*	*						
		118,47	12	12450	15,64	10,33	7,82				*	*						
		103,21	14	12100	17,74	11,71	8,87				*	*						
		90,94	15	12100	19,01	12,54	9,50				*	*						
		75,69	18	12100	22,81	15,05	11,40				*	*	*	*	*	*	*	
		65,22	21	11300	24,85	16,40	12,42				*	*	*	*	*	*	*	
		57,43	24	12100	30,41	20,07	15,20				*	*	*	*	*	*	*	
		47,80	29	12100	36,74	24,25	18,37				*	*	*	*	*	*	*	
		43,59	32	10600	35,52	23,44	17,76				*	*	*	*	*	*	*	
		35,88	39	12080	45,00	29,70	22,50				*	*	*	*	*	*	*	
		30,92	45	12090	45,00	29,70	22,50				*	*	*	*	*	*	*	


* \Rightarrow A63

kg	W	IEC 71	IEC 80	IEC 90	IEC 100	IEC 112	IEC 132	IEC 160	IEC 180	IEC 200	IEC 225
SK 8382/32	410	408	412	412	416	416	425	-	-	-	-
SK 8382/42	435	-	-	430	437	437	451	461	-	-	-
SK 8382	410	-	-	-	398	398	411	436	436	450	465



	i_{ges}	n_2 $n_1 =$ 1400 min ⁻¹	M_{2max} $f_B = 1$	W			IEC						
				P_{1max} $n_1 =$ 1400 min ⁻¹	$n_1 =$ 930 min ⁻¹	$f_B \geq 1$ $n_1 =$ 700 min ⁻¹	$f_B \Rightarrow$  D4 - D40						
							[kW]	[kW]	[kW]	IEC			
		[min ⁻¹]	[Nm]	[kW]	[kW]	[kW]	132	160	180	200	225	250	280
SK 8282	72,21	19	7875	15,67	10,34	7,83			*				
	59,44	24	6483	16,29	10,75	8,15			*				
W	47,51	29	10613	32,23	21,27	16,11							
+	39,16	36	10615	40,01	26,41	20,01				*			
IEC	39,11	36	9342	35,22	23,24	17,61							
	32,24	43	10346	46,58	30,75	23,29							
	28,33	49	9998	51,30	33,86	25,65							
mm	24,50	57	10603	63,28	41,77	31,64							
\Rightarrow  D89	21,13	66	10618	73,38	48,43	36,69							*
	17,40	80	9697	75,00	49,50	37,50							*
	15,18	92	9480	75,00	49,50	37,50							*
	12,96	108	10294	75,00	49,50	37,50							*
	10,86	129	10290	75,00	49,50	37,50							*
	9,67	145	6521	75,00	49,50	37,50							*
	8,26	169	7296	75,00	49,50	37,50							*
	6,92	202	6786	75,00	49,50	37,50							*
	4,52	310	4890	75,00	49,50	37,50							*

* \Rightarrow  A63

	W	IEC 132	IEC 160	IEC 180	IEC 200	IEC 225	IEC 250	IEC 280
SK 8282	481	407	432	432	446	461	516	516

SK 9382/.. SK 9382 SK 9282



	i_{ges}	n_2 $n_1 =$ 1400 min ⁻¹	M_{2max} $f_B = 1$	W			IEC															
				P_{1max}	$f_B \geq 1$		$f_B \Rightarrow$ D4 - D40															
					$n_1 =$ 1400 min ⁻¹	$n_1 =$ 930 min ⁻¹	$n_1 =$ 700 min ⁻¹	IEC														
		[min ⁻¹]	[Nm]	[kW]	[kW]	[kW]	90	100	112	132	160											
SK 9382/42	4165,75	0,34	24000	0,85	0,56	0,43		*	*	*												
	2435,06	0,57	24000	1,43	0,95	0,72	*	*	*													
	2203,92	0,64	24000	1,61	1,06	0,80		*	*													
	W	1747,42	0,80	24000	2,01	1,33	1,01	*	*	*	*											
	+	1419,20	0,99	24000	2,49	1,64	1,24	*	*	*	*											
	IEC	1178,81	1,2	24000	3,02	1,99	1,51		*	*	*											
	$\frac{H}{mm}$	886,49	1,6	24000	4,02	2,65	2,01			*	*											
	$\frac{H}{mm}$	715,38	2,0	24000	5,03	3,32	2,51			*	*											
	\Rightarrow D87	618,30	2,3	24000	5,78	3,81	2,89			*	*											
		449,57	3,1	24000	7,79	5,14	3,90			*	*											

	i_{ges}	n_2 $n_1 =$ 1400 min ⁻¹	M_{2max} $f_B = 1$	P_{1max}	$f_B \geq 1$	$n_1 =$ 1400 min ⁻¹	$n_1 =$ 930 min ⁻¹	$n_1 =$ 700 min ⁻¹	IEC													
									90	100	112	132	160	180								
SK 9382/52	411,63	3,4	24000	8,54	5,64	4,27					*	*	*									
W + IEC	294,54	4,8	24000	12,06	7,96	6,03					*	*										
$\frac{H}{mm}$	233,17	6,0	24000	15,08	9,95	7,54					*											
\Rightarrow D87	200,69	7,0	24000	17,59	11,61	8,80					*											

	i_{ges}	n_2 $n_1 =$ 1400 min ⁻¹	M_{2max} $f_B = 1$	P_{1max}	$f_B \geq 1$	$n_1 =$ 1400 min ⁻¹	$n_1 =$ 930 min ⁻¹	$n_1 =$ 700 min ⁻¹	IEC														
									90	100	112	132	160	180	200	225	250	280					
SK 9382	352,36	4,0	25400	10,64	7,02	5,32					*	*											
	291,25	4,8	24000	12,06	7,96	6,03					*	*											
	204,68	6,8	22000	15,66	10,34	7,83					*	*											
	W	175,05	8,0	25400	21,28	14,04	10,64				*												
	+	144,69	9,7	24000	24,38	16,09	12,19				*												
	IEC	135,90	10	25400	26,60	17,55	13,30				*	*											
	$\frac{H}{mm}$	115,57	12	25400	31,92	21,06	15,96				*	*											
	$\frac{H}{mm}$	100,89	14	25400	37,24	24,58	18,62				*	*	*										
	\Rightarrow D88	83,19	17	24000	42,72	28,20	21,36				*	*	*	*									
		72,19	19	24000	47,75	31,51	23,87				*	*	*	*									
		65,25	21	24260	53,35	35,21	26,67				*	*	*	*									
		55,49	25	24000	62,83	41,47	31,41				*	*	*	*									
		48,44	29	24000	72,88	48,10	36,44				*	*	*	*									
		41,93	33	24000	75,00	49,50	37,50				*	*	*	*									
		35,61	39	24000	75,00	49,50	37,50				*	*	*	*									

	i_{ges}	n_2 $n_1 =$ 1400 min ⁻¹	M_{2max} $f_B = 1$	P_{1max}	$f_B \geq 1$	$n_1 =$ 1400 min ⁻¹	$n_1 =$ 930 min ⁻¹	$n_1 =$ 700 min ⁻¹	IEC														
									90	100	112	132	160	180	200	225	250	280	315				
SK 9282	34,38	41	16250	69,76	46,04	34,88																	
	30,79	45	17930	84,49	55,76	42,24																	
	26,89	52	17200	93,65	61,81	46,83																	
	W	23,15	60	16426	103,20	68,11	51,60																
	+	20,13	70	15926	116,74	77,05	58,37																
	IEC	17,33	81	15492	131,40	86,72	65,70																
	$\frac{H}{mm}$	14,70	95	14715	146,38	96,61	73,19																
	$\frac{H}{mm}$	12,01	117	13808	160,00	105,60	80,00																
	\Rightarrow D89	10,18	138	10792	155,95	102,93	77,97																
		8,64	162	11160	160,00	105,60	80,00																
		7,06	198	10116	160,00	105,60	80,00																
		5,78	242	8825	160,00	105,60	80,00																
		5,34	262	8336	160,00	105,60	80,00																

* \Rightarrow A63

kg	W	IEC 90	IEC 100	IEC 112	IEC 132	IEC 160	IEC 180	IEC 200	IEC 225	IEC 250	IEC 280	IEC 315
SK 9382/42	737	732	739	739	753	763	-	-	-	-	-	-
SK 9382/52	766	-	768	768	782	792	792	-	-	-	-	-
SK 9382	712	-	-	-	713	738	738	752	767	822	822	-
SK 9282	782	-	-	-	708	733	733	747	762	817	817	897



	i _{ges}	n ₂ n ₁ = 1400 min ⁻¹	M _{2max} f _B = 1	W			W	IEC							
				P _{1max}	f _B ≥ 1			f _B ⇨ D4 - D40							
					n ₁ = 1400 min ⁻¹	n ₁ = 930 min ⁻¹		n ₁ = 700 min ⁻¹	IEC						
		[min ⁻¹]	[Nm]	[kW]	[kW]	[kW]	132	160	180	200	225	250	280	315	
SK 10382.1	343,19	4,1	33310	14,2	9,45	7,11			*	*					
	312,23	4,5	30310	14,2	9,45	7,12			*	*					
W	283,96	4,9	27560	14,2	9,45	7,11			*	*					
+	258,35	5,4	25080	14,2	9,45	7,12			*	*					
IEC	225,94	6,2	46810	30,4	20,2	15,2									
186,95	6,8	42580	30,4	20,2	15,2										
172,76	7,5	43870	34,4	22,9	17,2										
157,18	8,1	46250	39,2	26,1	19,6										
135,24	8,9	42080	39,3	26,1	19,6										
123,04	10	45780	49,6	33,0	24,8										
111,90	11	41650	49,6	33,0	24,8										
95,98	13	45230	59,3	39,4	29,6										
87,32	15	44290	67,7	44,9	33,8								*		
79,41	16	41120	69,0	45,9	34,5								*		
72,25	18	43050	79,5	52,8	39,7								*		
61,07	19	40650	82,5	54,8	41,2								*		
55,56	23	41400	99,4	66,0	49,7										
47,38	25	43660	115	76,5	57,6										
44,70	30	38270	118	78,7	59,2										
40,65	31	38280	126	83,4	62,8									*	
36,98	34	39620	143	94,9	71,4									*	
31,26	38	39930	158	105	79,1									*	
28,44	45	39210	160	106	80									*	
24,25	49	43000	160	106	80									*	
22,07	58	38850	160	106	80									*	
19,23	63	38560	160	106	80									*	
17,49	73	33600	160	106	80									*	
15,36	80	30570	160	106	80									*	
13,97	91	26830	160	106	80									*	
12,22	100	24410	160	106	80									*	
	115	21350	160	106	80									*	

* ⇨ A63

Parallel shaft gear units

kg	W	IEC 132	IEC 160	IEC 180	IEC 200	IEC 225	IEC 250	IEC 280	IEC315
SK 10382.1	1070	1041	1066	1066	1080	1095	1150	1150	1230

SK 11382.1



	i_{ges}	n_2 $n_1 = 1400 \text{ min}^{-1}$ [min^{-1}]	M_{2max} $f_B = 1$ [Nm]	W			IEC							
				P_{1max} $n_1 = 1400 \text{ min}^{-1}$ [kW]	$f_B \geq 1$ $n_1 = 930 \text{ min}^{-1}$ [kW]	$f_B \geq 1$ $n_1 = 700 \text{ min}^{-1}$ [kW]	$f_B \Rightarrow \text{D4 - D40}$							
							IEC							
				160	180	200	225	250	280	315				
SK 11382.1	167,17	8,4	72090	63,2	42,0	31,6			*					
	141,74	9,9	71210	73,7	48,9	36,8			*					
	130,02	11	70280	79,2	52,6	39,6			*					
W	111,80	13	68690	90,1	59,8	45,0								
+	101,78	14	67950	97,9	65,0	48,9								
IEC	87,52	16	76850	129	85,5	64,4								
$\frac{H}{mm}$	79,95	18	70200	129	85,5	64,4								
	72,38	19	64370	130	86,6	65,2				*				
$\Rightarrow \text{D87}$	65,61	21	67050	150	99,5	74,9				*				
	56,42	25	75890	197	131	98,6				*				
	51,54	27	69330	197	131	98,6				*				
	40,83	34	66520	200	133	100								
	35,41	40	65960	200	133	100								
	32,35	43	62020	200	133	100								
	28,56	49	61870	200	133	100								
	25,62	55	58190	200	133	100								
	22,32	63	57620	200	133	100								
	20,39	69	54160	200	133	100								
	17,93	78	53780	200	133	100								
	16,37	85	50880	200	133	100								

* $\Rightarrow \text{A63}$

$\frac{kg}{kg}$	W	IEC 160	IEC 180	IEC 200	IEC 225	IEC 250	IEC 280	IEC315
SK 11382.1	1670	1666	1666	1680	1695	1750	1750	1830

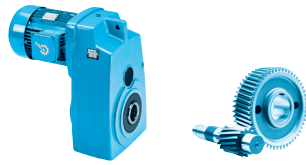


	i_{ges}	n_2 $n_1 = 1400 \text{ min}^{-1}$ [min ⁻¹]	M_{2max} $f_B = 1$ [Nm]	W			IEC							
				P_{1max} $n_1 = 1400 \text{ min}^{-1}$ [kW]	$f_B \geq 1$ $n_1 = 930 \text{ min}^{-1}$ [kW]	$f_B \geq 1$ $n_1 = 700 \text{ min}^{-1}$ [kW]	$f_B \Rightarrow$ D4 - D40							
							IEC							
				132	160	180	200	225	250	280	315			
SK 12382	201,75	8,7	90000	81,8	53,8	40,9								
	154,35	11	90000	107	70,3	53,5						*		
W + IEC	137,22	13	90000	120	78,9	60,0						*		
—	117,35	15	90000	141	92,7	70,5						*		
mm	100,88	17	90000	164	108	82,2						*		
\Rightarrow D90	82,65	21	90000	200	131	99,7								
	69,12	25	90000	200	131	99,7								

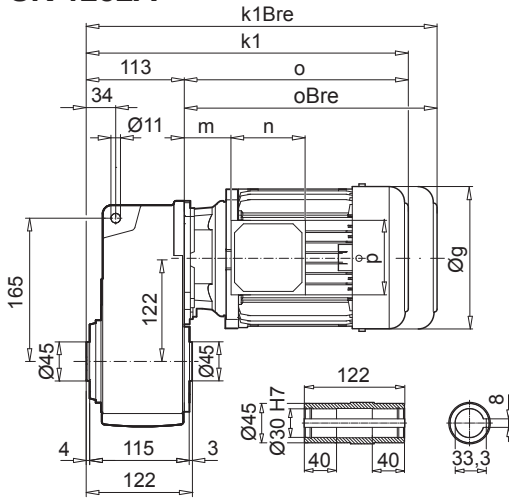
* \Rightarrow A63

Parallel shaft
gear units

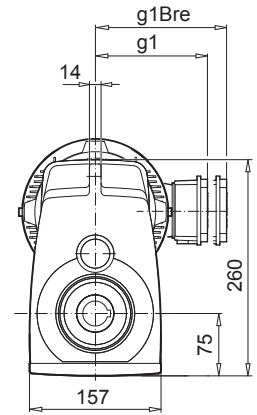
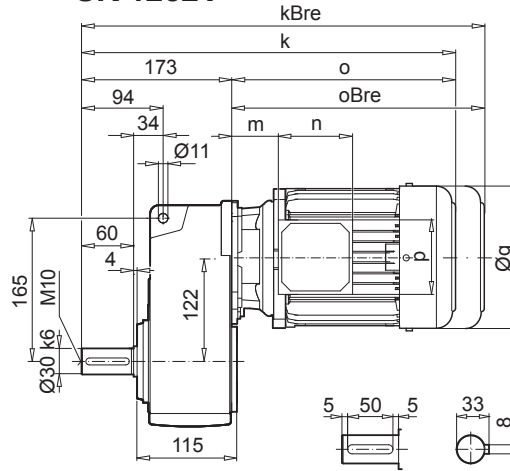
kg	W	IEC 132	IEC 160	IEC 180	IEC 200	IEC 225	IEC 250	IEC 280	IEC 315
SK 12382	2144	2130	2140	2140	2154	2169	2224	2224	2304



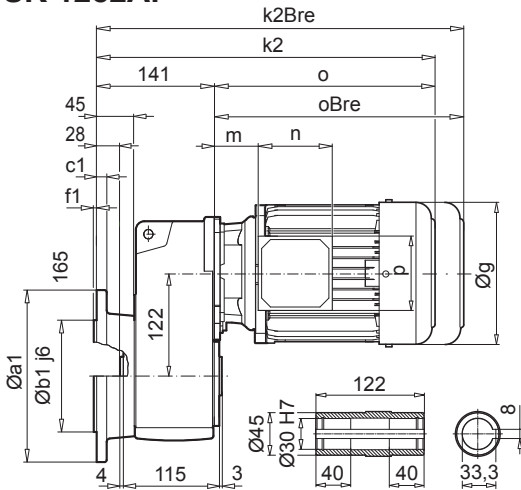
SK 1282A



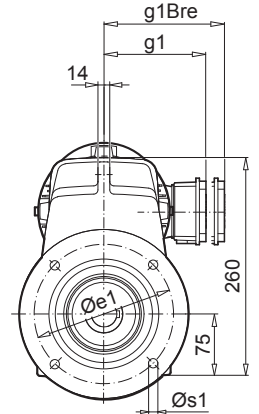
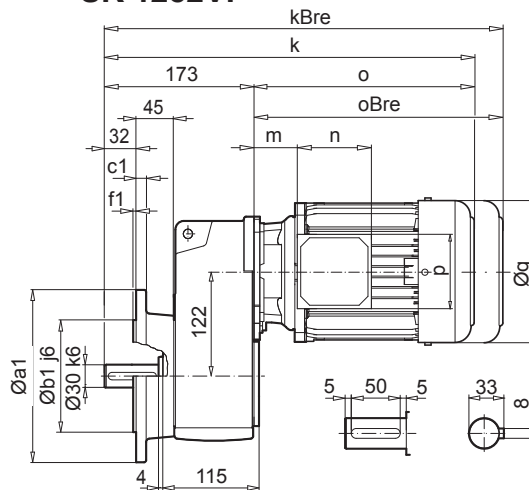
SK 1282V



SK 1282AF



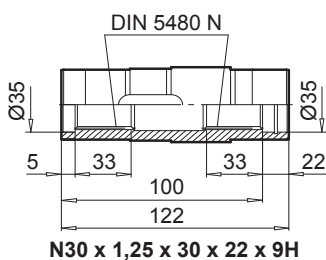
SK 1282VF



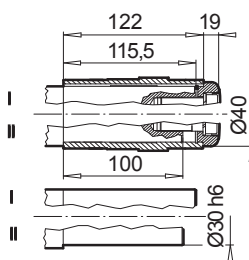
Parallel shaft gear units

a1	b1	c1	e1	f1	s1
200	130	12	165	3,5	4 x 11

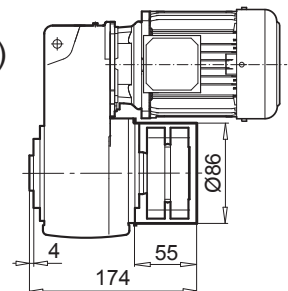
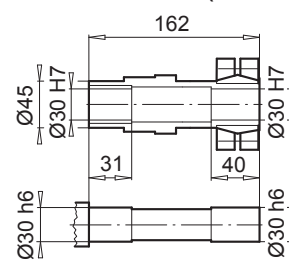
SK 1282EA



SK 1282AB (AFB)

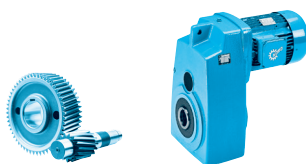


SK 1282ASH (AFSH)

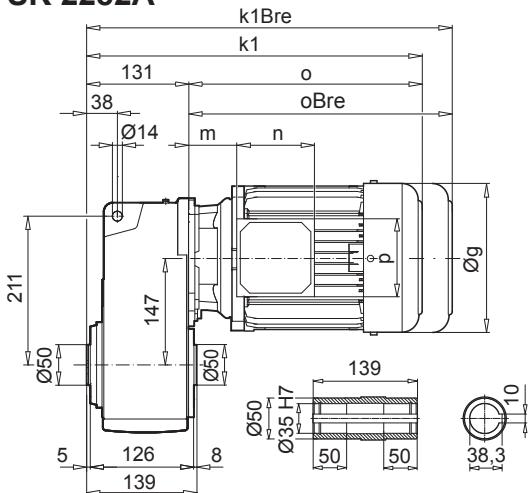


↗ A61	63 S/L	71 S/L	80 S/SH	80 LP	90 SP/LP	100 LP/AP	112 MP	 D87
g	130	145	165	165	183	201	228	
g1 / g1Bre	115 / 123	124 / 132	142 / 142	142 / 142	147 / 147	169 / 173	179 / 182	
k / kBre	369 / 425	409 / 467	434 / 498	434 / 498	475 / 550	505 / 596	553 / 646	
k1 / k1Bre	309 / 365	349 / 407	374 / 438	374 / 438	415 / 490	445 / 536	493 / 586	
k2 / k2Bre	337 / 393	377 / 435	402 / 466	402 / 466	443 / 518	473 / 564	521 / 614	
o / oBre	196 / 252	236 / 294	261 / 325	261 / 325	302 / 377	332 / 423	380 / 473	
m / mBre	16 / 22	42 / 48	47 / 51	47 / 51	52 / 56	58 / 62	64 / 67	
n / nBre	100 / 134	100 / 134	114 / 153	114 / 153	114 / 153	114 / 153	114 / 153	
p / pBre	100 / 89	100 / 89	114 / 108	114 / 108	114 / 108	114 / 108	114 / 108	

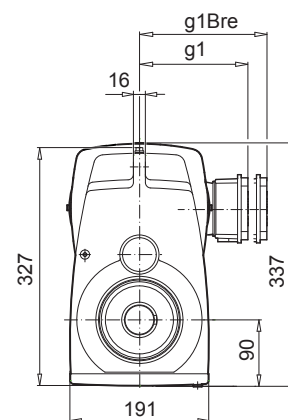
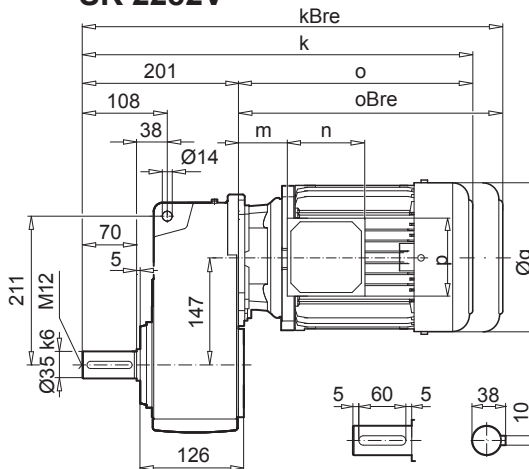
SK 2282



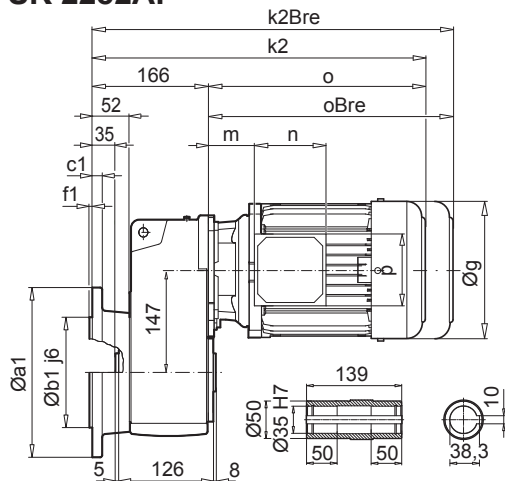
SK 2282A



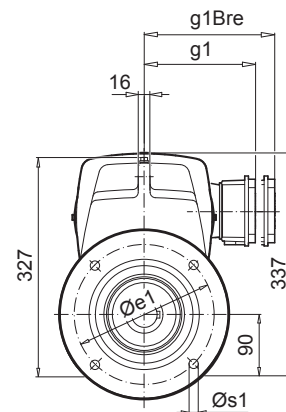
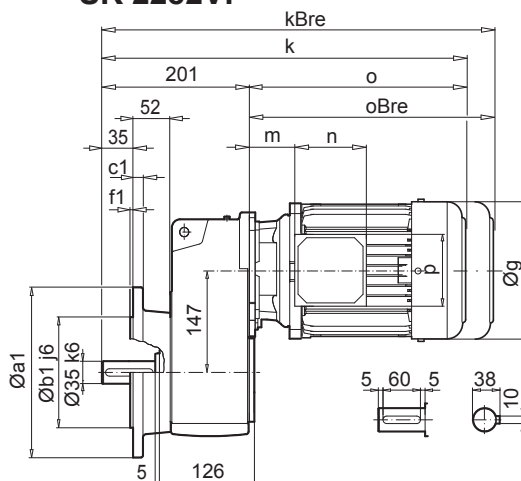
SK 2282V



SK 2282AF



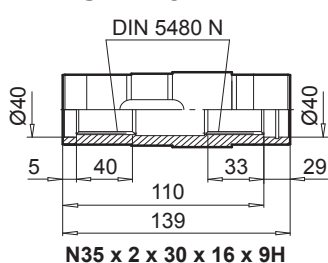
SK 2282VF



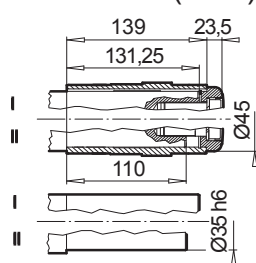
Parallel shaft gear units

a1	b1	c1	e1	f1	s1
250	180	16	215	4	4 x 13,5

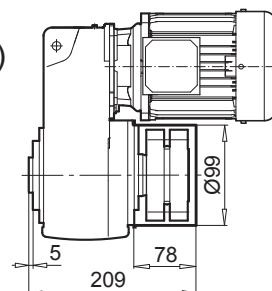
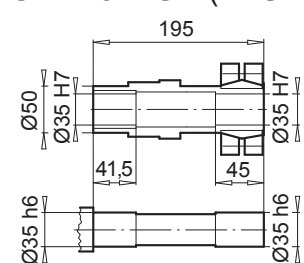
SK 2282EA



SK 2282AB (AFB)

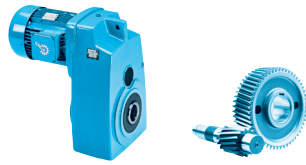


SK 2282ASH (AFSH)

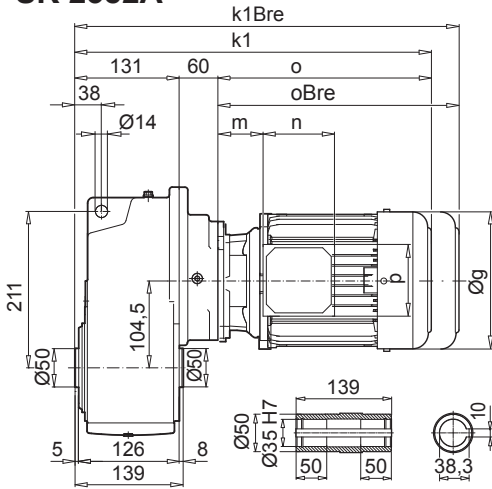


↗ A61	71 S/L	80 S/SH	80 LP	90 SP/LP	100 LP/AP	112 MP	132 SP/MP
g	145	165	165	183	201	228	266
g1 / g1Bre	124 / 132	142 / 142	142 / 142	147 / 147	169 / 173	179 / 182	204 / 201
k / kBre	431 / 489	456 / 520	456 / 520	497 / 572	527 / 618	575 / 668	636 / 743
k1 / k1Bre	361 / 419	386 / 450	386 / 450	427 / 502	457 / 548	505 / 598	566 / 673
k2 / k2Bre	396 / 454	421 / 485	421 / 485	462 / 537	492 / 583	540 / 633	601 / 708
o / oBre	230 / 288	255 / 319	255 / 319	296 / 371	326 / 417	374 / 467	435 / 542
m / mBre	36 / 42	41 / 44	41 / 44	46 / 50	52 / 56	58 / 61	71 / 62
n / nBre	100 / 134	114 / 153	114 / 153	114 / 153	114 / 153	114 / 153	122 / 185
p / pBre	100 / 89	114 / 108	114 / 108	114 / 108	114 / 108	114 / 108	122 / 139

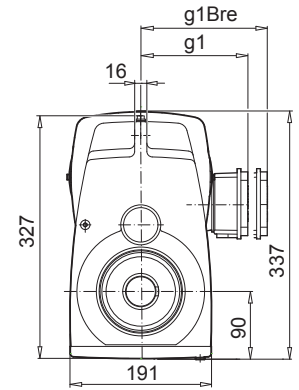
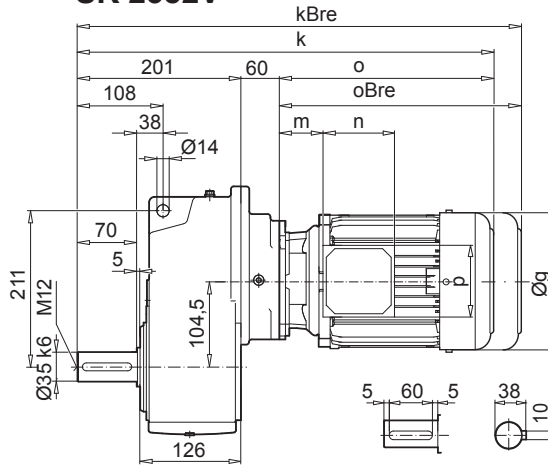




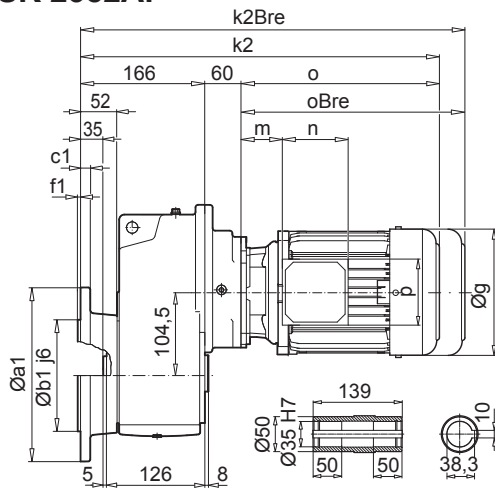
SK 2382A



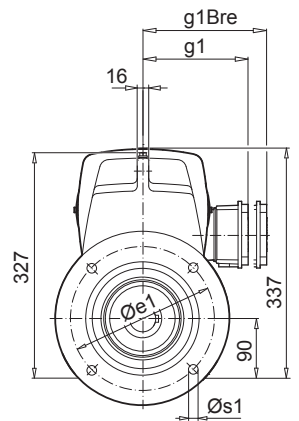
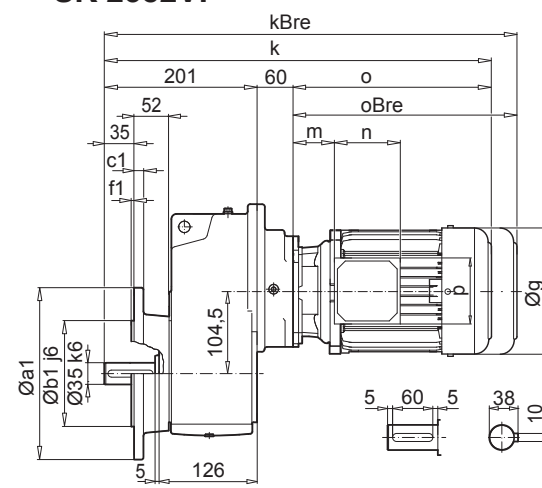
SK 2382V



SK 2382AF



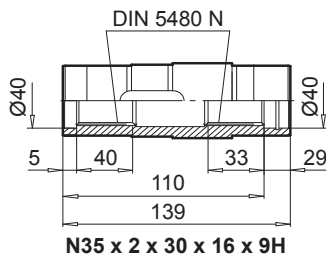
SK 2382VF



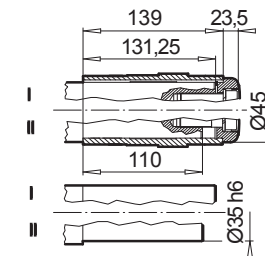
Parallel shaft gear units

a1	b1	c1	e1	f1	s1
250	180	16	215	4	4 x 13,5

SK 2382EA



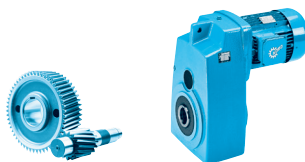
SK 2382AB (AFB)



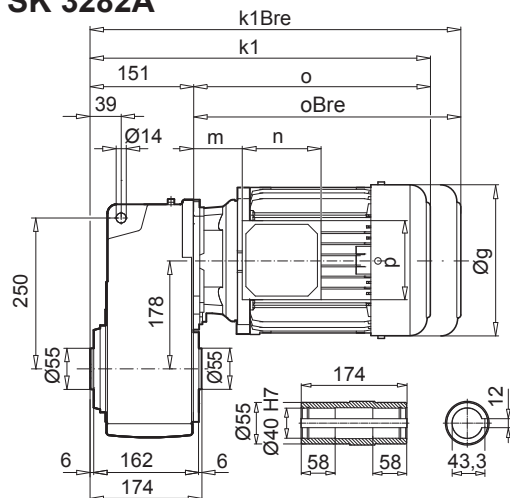
↔ A61	63 S/L	71 S/L	80 SH	80 LHP	90 SP		
g	130	145	165	165	183		
g1 / g1Bre	115 / 123	124 / 132	142 / 142	142 / 142	147 / 147		
k / kBre	457 / 513	497 / 555	522 / 586	522 / 586	563 / 638		
k1 / k1Bre	387 / 443	427 / 485	452 / 516	452 / 516	493 / 568		
k2 / k2Bre	423 / 479	462 / 520	487 / 551	487 / 551	528 / 603		
o / oBre	196 / 252	236 / 294	261 / 325	261 / 325	296 / 371		
m / mBre	16 / 22	42 / 48	47 / 50	47 / 50	52 / 56		
n / nBre	100 / 134	100 / 134	114 / 153	114 / 153	114 / 153		
p / pBre	100 / 89	100 / 89	114 / 108	114 / 108	114 / 108		



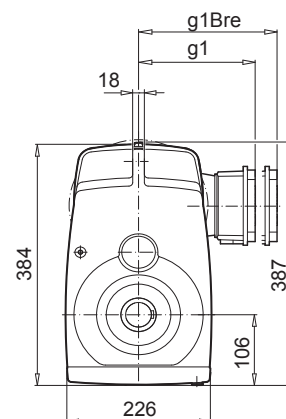
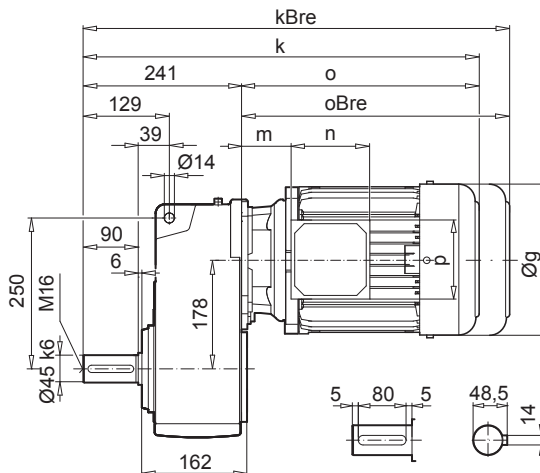
SK 3282



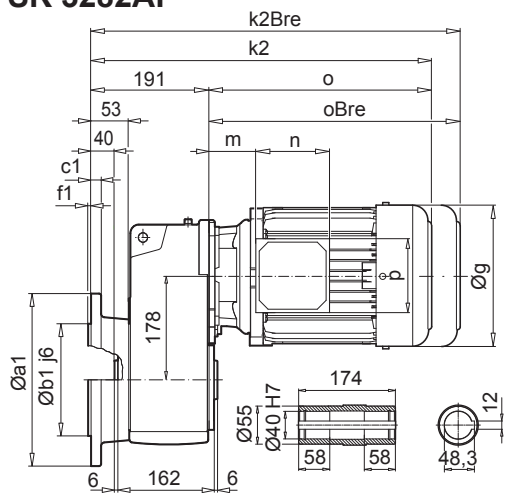
SK 3282A



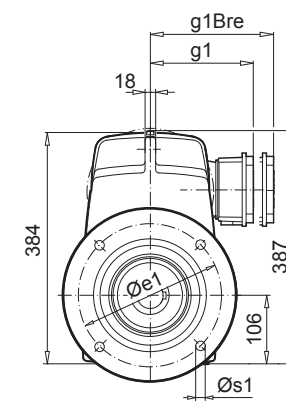
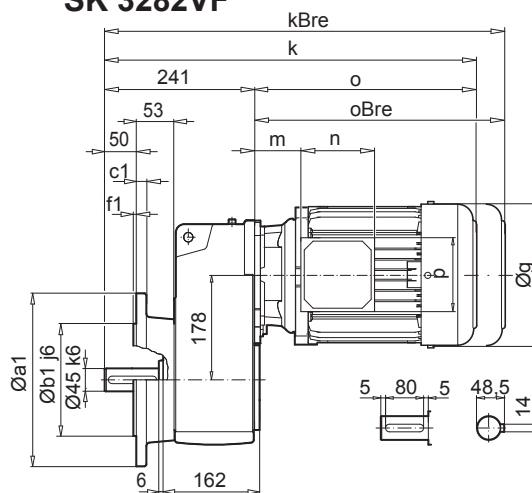
SK 3282V



SK 3282AF



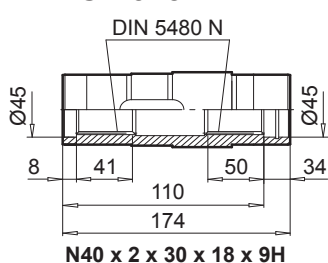
SK 3282VF



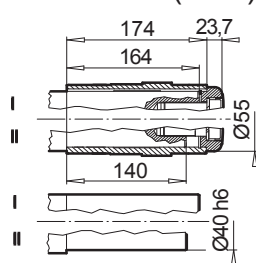
Parallel shaft gear units

a1	b1	c1	e1	f1	s1
250	180	15	215	4	4 x 13,5
300	230	20	265	4	4 x 13,5

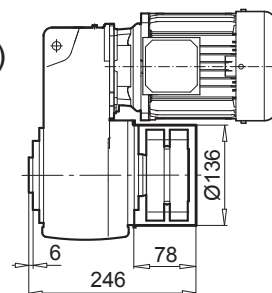
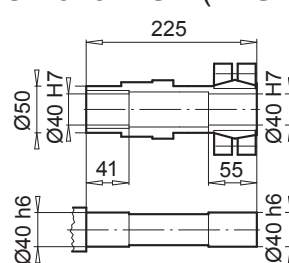
SK 3282EA



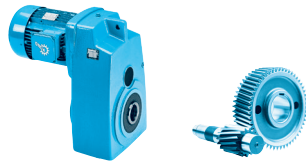
SK 3282AB (AFB)



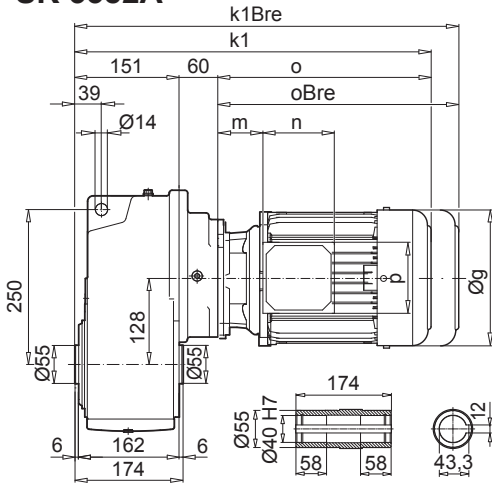
SK 3282ASH (AFSH)



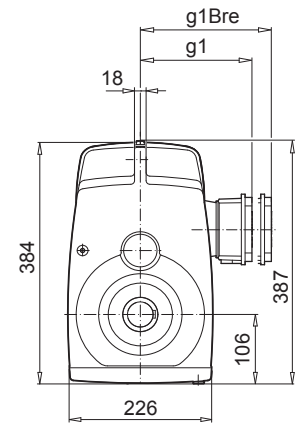
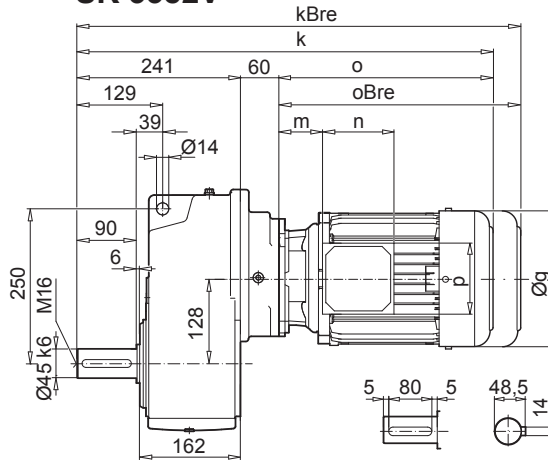
↔ A61	71 S/L	80 S/SH	80 LP	90 SP/LP	100 LP/AP	112 MP	132 SP/MP	
g	145	165	165	183	201	228	266	
g1 / g1Bre	124 / 132	142 / 142	142 / 142	147 / 147	169 / 173	179 / 182	204 / 201	
k / kBre	471 / 529	496 / 560	496 / 560	537 / 612	567 / 658	615 / 708	676 / 783	
k1 / k1Bre	381 / 439	406 / 470	406 / 470	447 / 522	477 / 568	525 / 618	586 / 693	
k2 / k2Bre	421 / 479	446 / 510	446 / 510	487 / 562	517 / 608	565 / 658	626 / 733	
o / oBre	230 / 288	255 / 319	255 / 319	296 / 371	326 / 417	374 / 467	435 / 542	
m / mBre	36 / 42	41 / 44	41 / 44	46 / 50	52 / 56	58 / 61	71 / 62	
n / nBre	100 / 134	114 / 153	114 / 153	114 / 153	114 / 153	114 / 153	122 / 185	
p / pBre	100 / 89	114 / 108	114 / 108	114 / 108	114 / 108	114 / 108	122 / 139	



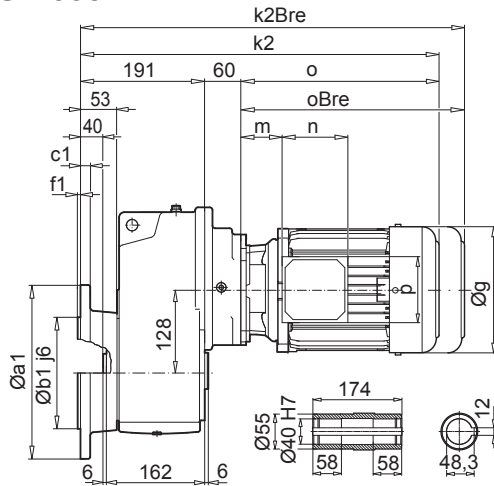
SK 3382A



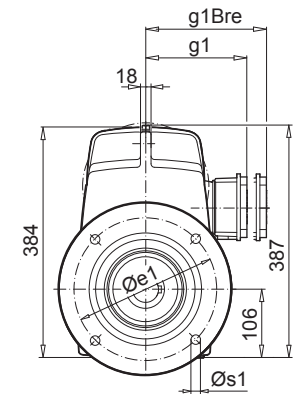
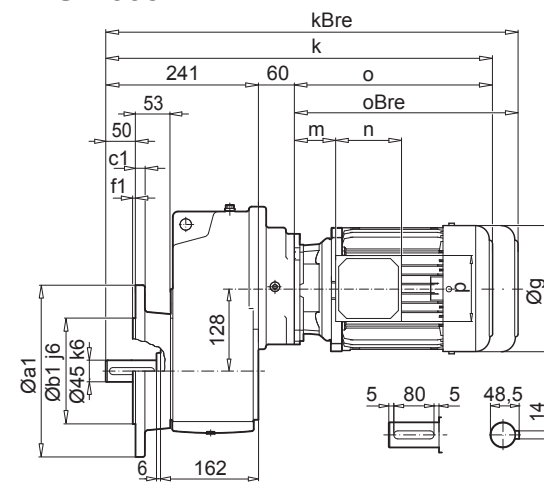
SK 3382V



SK 3382AF



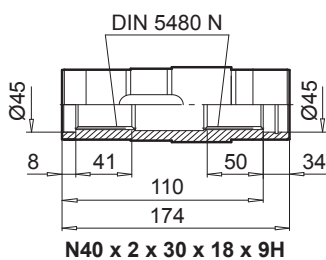
SK 3382VF



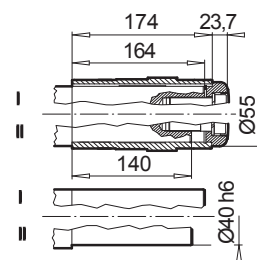
Parallel shaft gear units

a1	b1	c1	e1	f1	s1
250	180	15	215	4	4 x 13,5
300	230	20	265	4	4 x 13,5

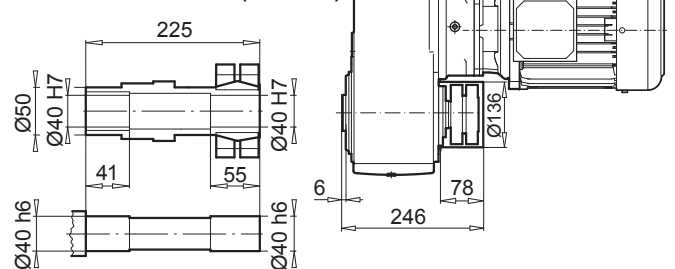
SK 3382EA



SK 3382AB (AFB)



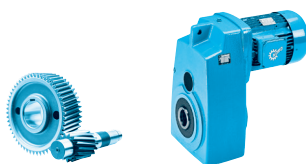
SK 3382ASH (AFSH)



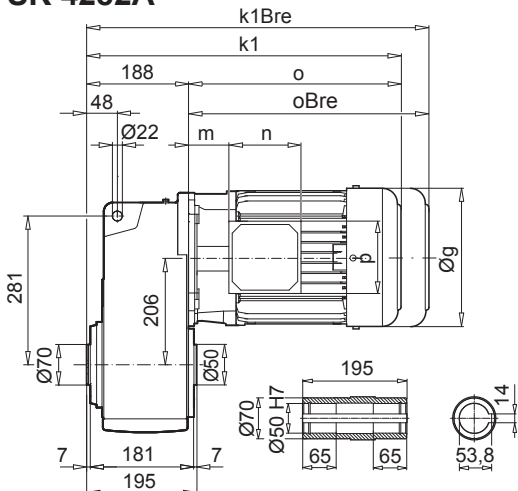
↗ A61	63 S/L	71 S/L	80 SH	80 LP	90 SP			
g	130	145	165	165	183			
g1 / g1Bre	115 / 123	124 / 132	142 / 142	142 / 142	147 / 147			
k / kBre	497 / 553	537 / 565	562 / 626	562 / 626	603 / 678			
k1 / k1Bre	407 / 463	447 / 475	472 / 536	472 / 536	513 / 588			
k2 / k2Bre	443 / 503	487 / 515	512 / 576	512 / 576	553 / 628			
o / oBre	196 / 252	236 / 294	261 / 325	261 / 325	302 / 377			
m / mBre	16 / 22	42 / 48	47 / 50	47 / 50	52 / 56			
n / nBre	100 / 134	100 / 134	114 / 153	114 / 153	114 / 153			
p / pBre	100 / 89	100 / 89	114 / 108	114 / 108	114 / 108			



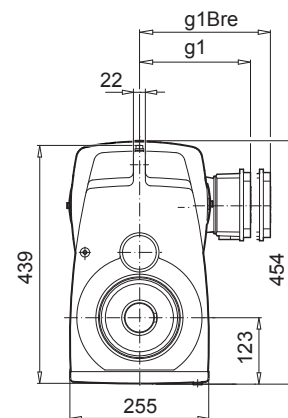
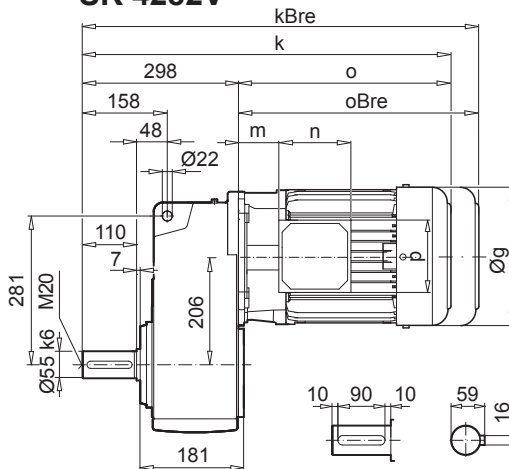
SK 4282



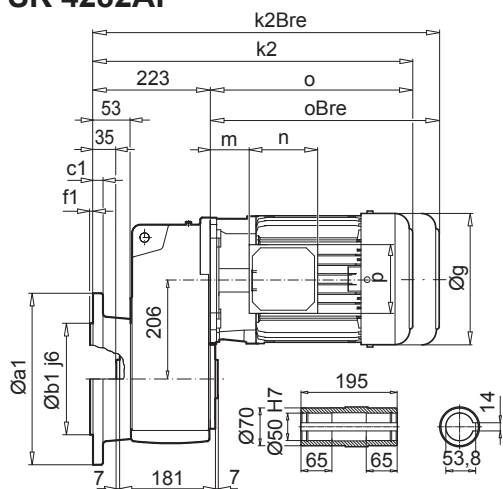
SK 4282A



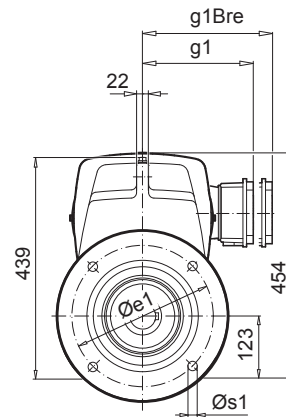
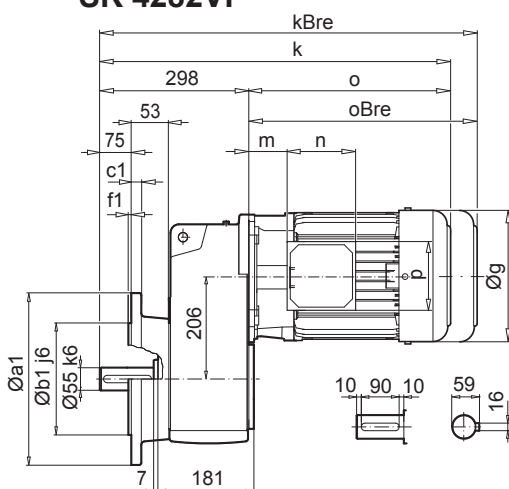
SK 4282V



SK 4282AF



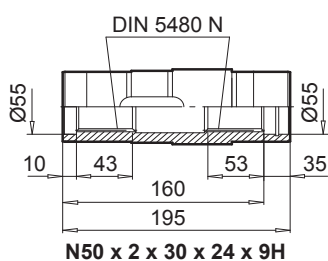
SK 4282VF



Parallel shaft gear units

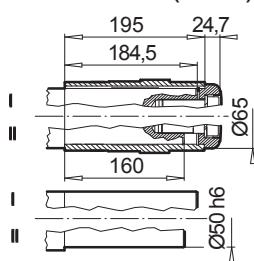
a1	b1	c1	e1	f1	s1
250	180	14,5	215	4	4 x 14
300	230	20	265	4	4 x 14

SK 4282EA

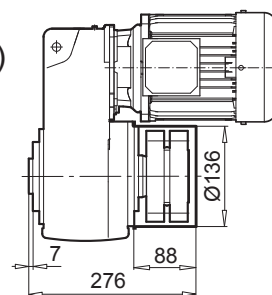
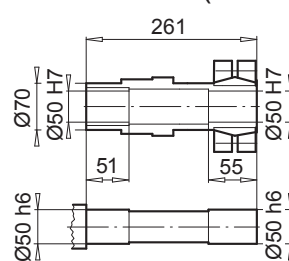


N50 x 2 x 30 x 24 x 9H

SK 4282AB (AFB)



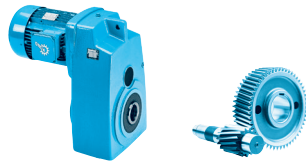
SK 4282ASH (AFSH)



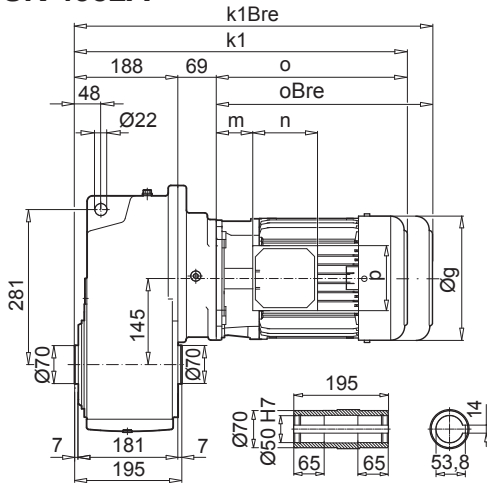
↗ A61	90 SP/LP	100 LP/AP	112 MP	132 SP/MP	160 SP/MP	160 LP	180 MP/LP	
g	183	201	228	266	320	320	357	
g1 / g1Bre	147 / 147	169 / 173	179 / 182	204 / 201	242 / 242	242 / 242	258 / 258	
k / kBre	574 / 649	604 / 695	652 / 745	713 / 820	790 / 925	834 / 969	932 / 1060	
k1 / k1Bre	464 / 539	494 / 585	542 / 635	603 / 710	680 / 815	724 / 859	822 / 950	
k2 / k2Bre	499 / 574	529 / 620	577 / 670	638 / 745	715 / 850	759 / 894	857 / 985	
o / oBre	276 / 351	306 / 397	354 / 447	415 / 522	492 / 627	536 / 671	634 / 762	
m / mBre	26 / 30	32 / 36	38 / 41	51 / 42	52 / 52	52 / 52	74 / 74	
n / nBre	114 / 153	114 / 153	114 / 153	122 / 185	186 / 186	186 / 186	186 / 186	
p / pBre	114 / 108	114 / 108	114 / 108	122 / 139	186 / 186	186 / 186	186 / 186	



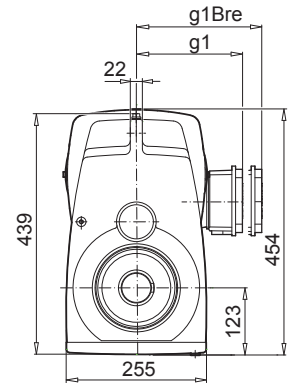
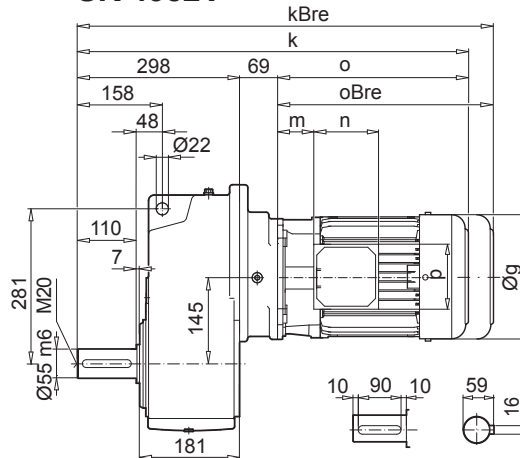
D89



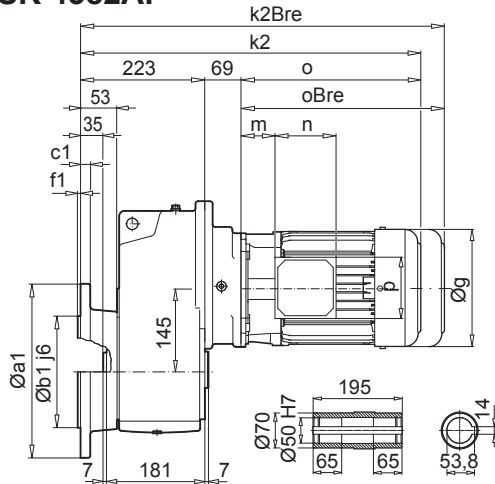
SK 4382A



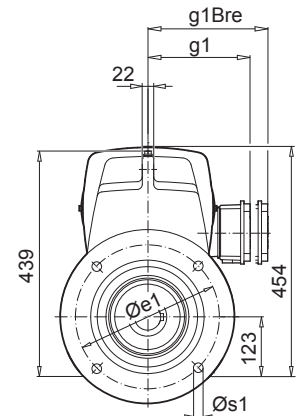
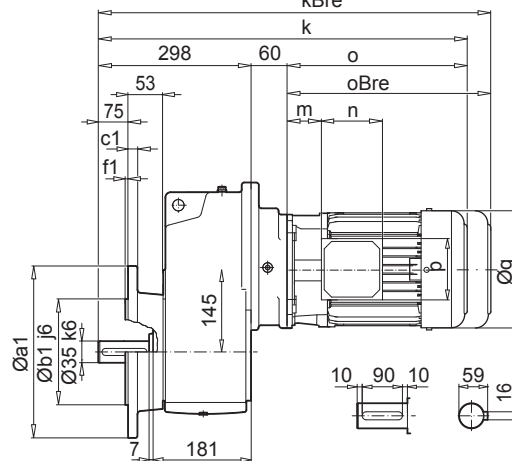
SK 4382V



SK 4382AF



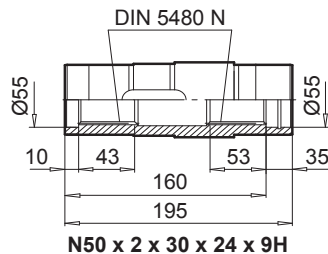
SK 4382VF



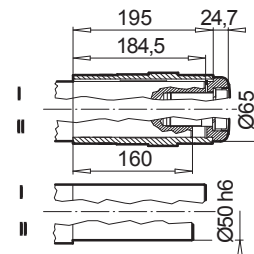
Parallel shaft gear units

a1	b1	c1	e1	f1	s1
250	180	14,5	215	4	4 x 14
300	230	20	265	4	4 x 14

SK 4382EA



SK 4382AB (AFB)



⇒ A61	71 S/L	80 S/SH	80 LP	90 SP/LP	100 LP/AP			
g	145	165	165	183	201			
g1 / g1Bre	124 / 132	142 / 142	142 / 142	147 / 147	169 / 173			
k / kBre	597 / 655	622 / 686	622 / 686	663 / 738	693 / 784			
k1 / k1Bre	487 / 545	512 / 576	512 / 576	553 / 628	583 / 674			
k2 / k2Bre	522 / 580	547 / 611	547 / 611	588 / 663	618 / 709			
o / oBre	236 / 294	261 / 325	261 / 325	296 / 371	326 / 417			
m / mBre	36 / 42	41 / 44	41 / 44	46 / 50	52 / 56			
n / nBre	100 / 134	114 / 153	114 / 153	114 / 153	114 / 153			
p / pBre	100 / 89	114 / 108	114 / 108	114 / 108	114 / 108			

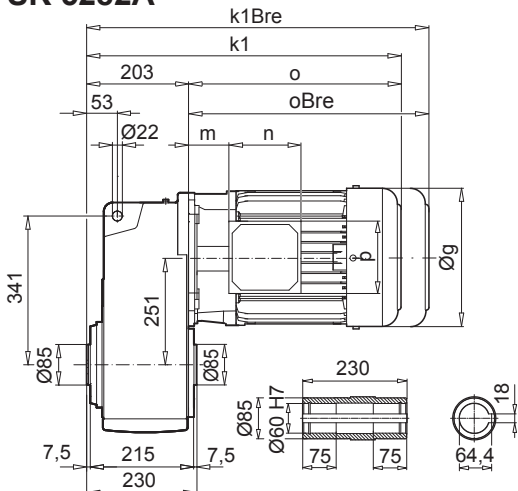


D88

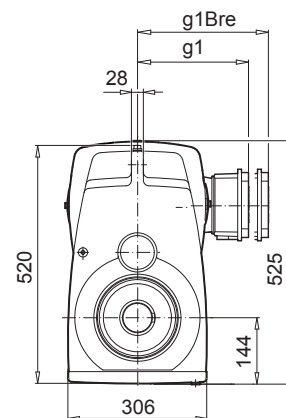
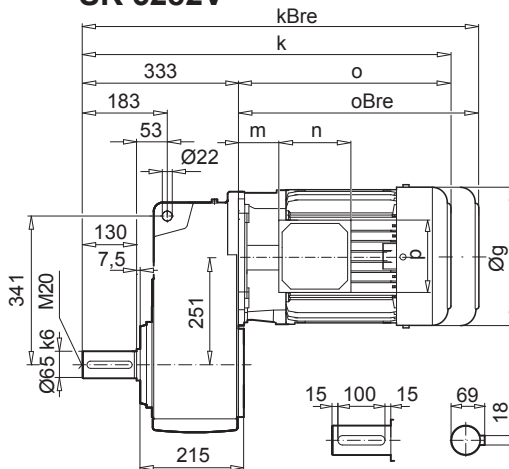
SK 5282



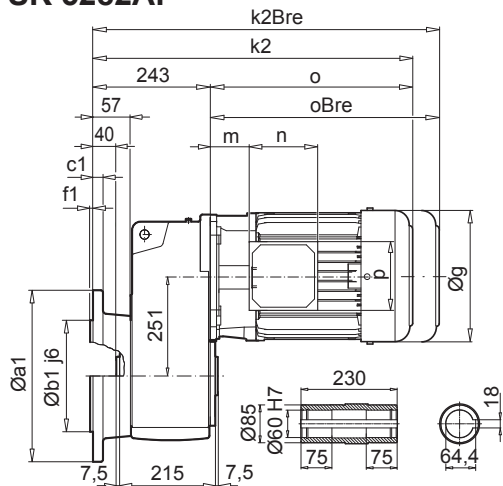
SK 5282A



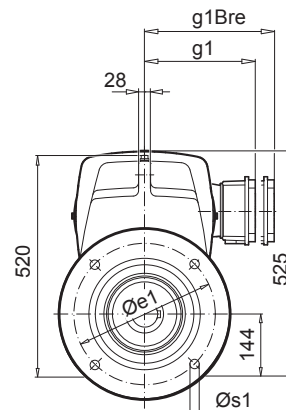
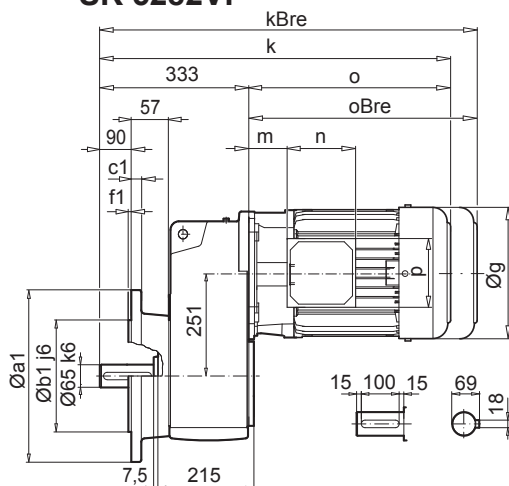
SK 5282V



SK 5282AF



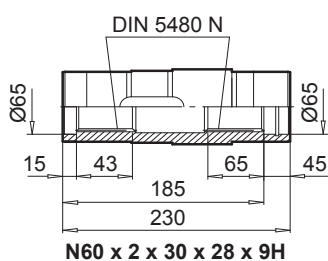
SK 5282VF



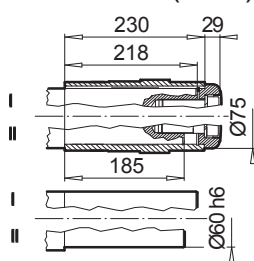
Parallel shaft gear units

a1	b1	c1	e1	f1	s1
350	250	20	300	5	4 x 18

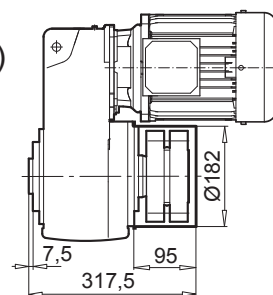
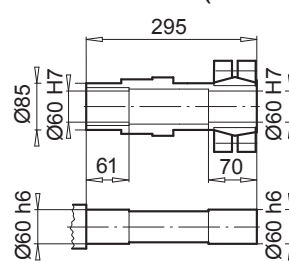
SK 5282EA



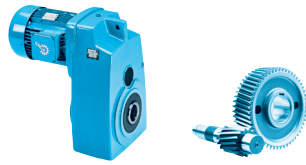
SK 5282AB (AFB)



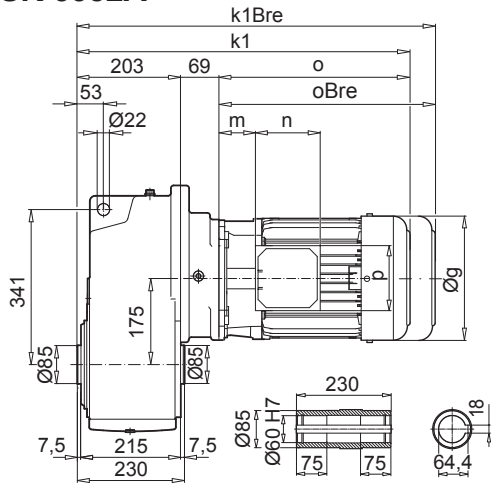
SK 5282ASH (AFSH)



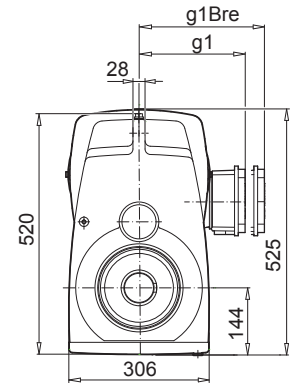
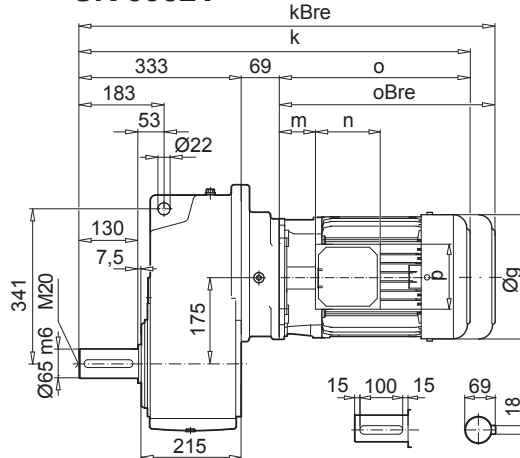
↗ A61	90 SP/LP	100 LP/AP	112 MP	132 SP/MP	160 SP/MP	160 LP	180 MP/LP	
g	183	201	228	266	320	320	357	
g1 / g1Bre	147 / 147	169 / 173	179 / 182	204 / 201	242 / 242	242 / 242	258 / 258	
k / kBre	609 / 684	639 / 730	687 / 780	748 / 855	825 / 960	869 / 1004	967 / 1095	
k1 / k1Bre	479 / 554	509 / 600	557 / 650	618 / 725	695 / 830	739 / 874	837 / 965	
k2 / k2Bre	519 / 594	549 / 640	597 / 690	658 / 765	735 / 870	779 / 914	877 / 1005	
o / oBre	276 / 351	306 / 397	354 / 447	415 / 522	492 / 627	536 / 671	634 / 762	
m / mBre	26 / 30	32 / 36	38 / 41	51 / 42	52 / 52	52 / 52	74 / 74	
n / nBre	114 / 153	114 / 153	114 / 153	122 / 185	186 / 186	186 / 186	186 / 186	
p / pBre	114 / 108	114 / 108	114 / 108	122 / 139	186 / 186	186 / 186	186 / 186	



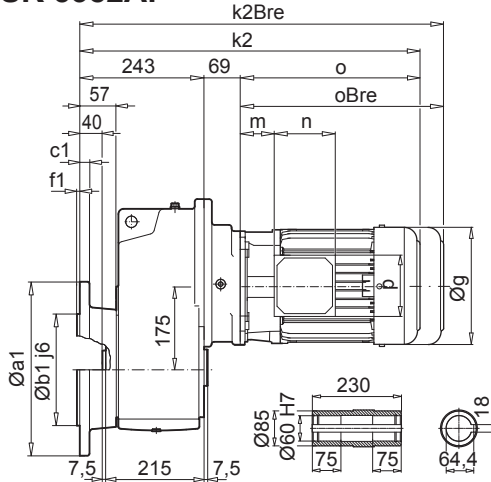
SK 5382A



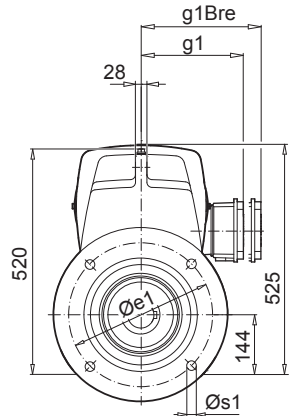
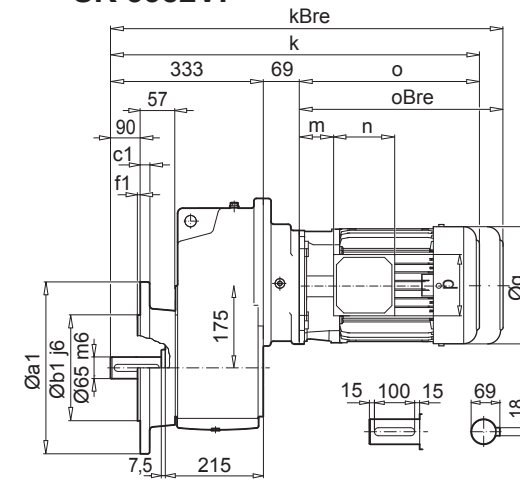
SK 5382V



SK 5382AF



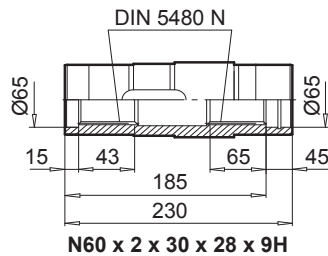
SK 5382VF



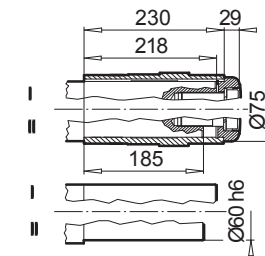
Parallel shaft gear units

a1	b1	c1	e1	f1	s1
350	250	20	300	5	4 x 18

SK 5382EA



SK 5382AB (AFB)

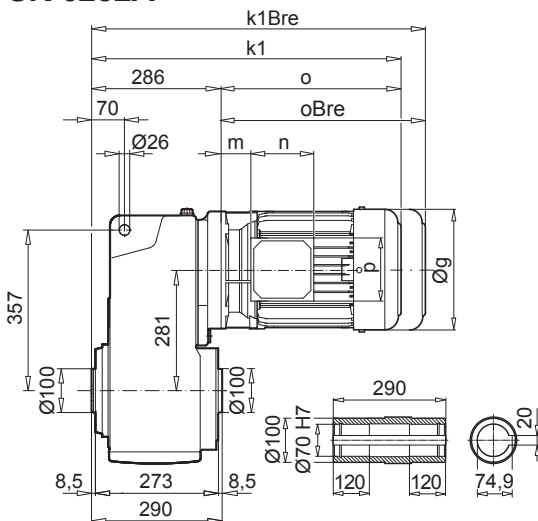


⇒ A61	71 L	80 S/SH	80 LP	90 SP/LP	100 LP/AP	112 MP	132 SP	
g	145	165	165	183	201	228	266	<p>D88</p>
g1 / g1Bre	124 / 132	142 / 142	142 / 142	147 / 147	169 / 173	179 / 182	204 / 201	
k / kBre	632 / 690	657 / 721	657 / 721	698 / 773	728 / 819	776 / 869	837 / 944	
k1 / k1Bre	502 / 560	527 / 591	527 / 591	568 / 643	598 / 689	646 / 739	707 / 814	
k2 / k2Bre	542 / 600	567 / 631	567 / 631	608 / 683	638 / 729	686 / 779	747 / 844	
o / oBre	230 / 288	255 / 319	255 / 319	296 / 371	326 / 417	374 / 467	435 / 542	
m / mBre	36 / 42	41 / 44	41 / 44	46 / 50	52 / 56	58 / 61	71 / 62	
n / nBre	100 / 134	114 / 153	114 / 153	114 / 153	114 / 153	114 / 153	122 / 185	
p / pBre	100 / 89	114 / 108	114 / 108	114 / 108	114 / 108	114 / 108	122 / 139	

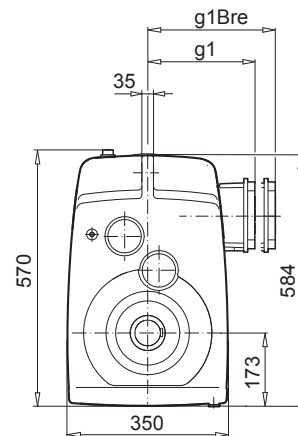
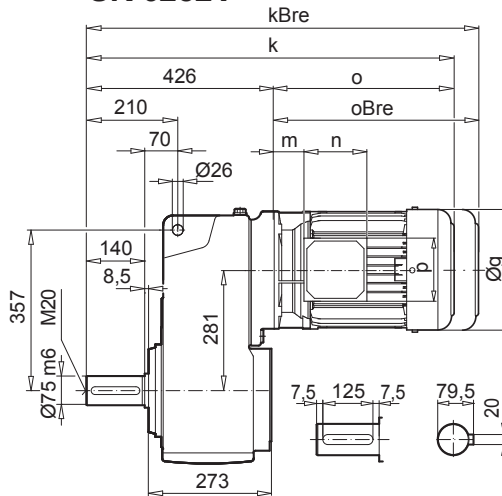
SK 6282



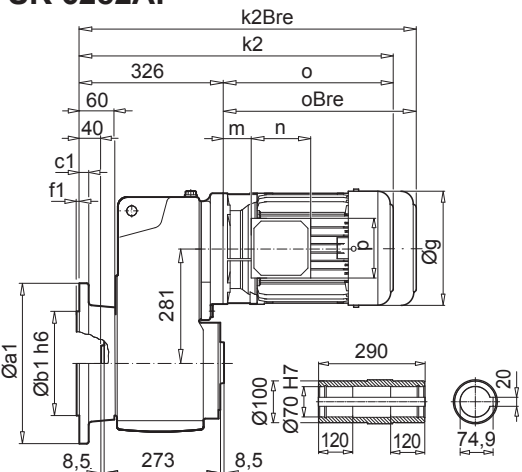
SK 6282A



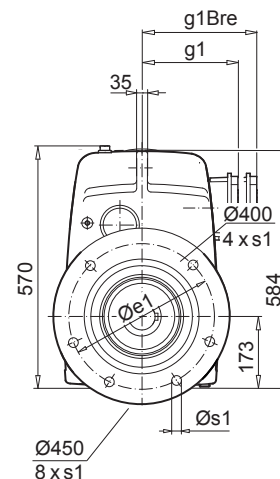
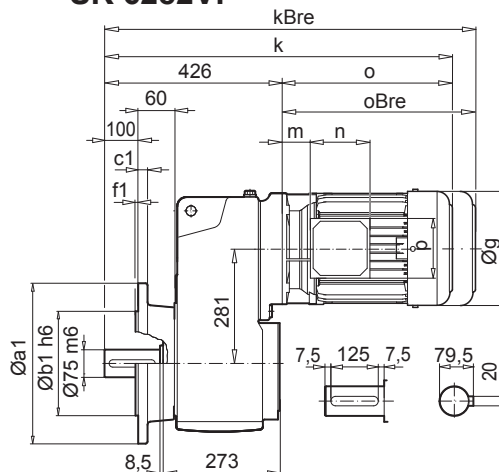
SK 6282V



SK 6282AF

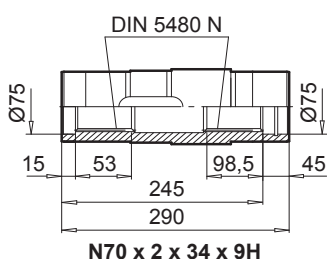


SK 6282VF



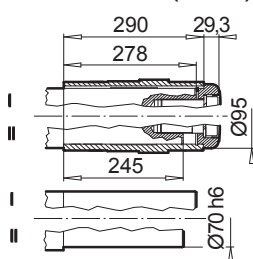
a1	b1	c1	e1	f1	s1
400	300	20	350	5	4 x 17,5
450	350	16	400	5	8 x 17,5

SK 6282EA

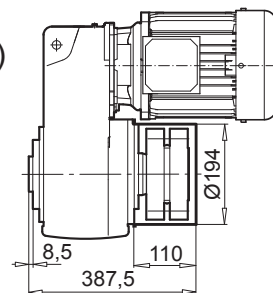
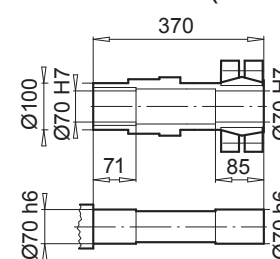


N70 x 2 x 34 x 9H

SK 6282AB (AFB)



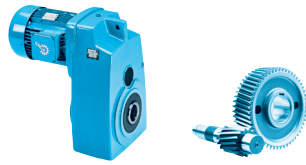
SK 6282ASH (AFSH)



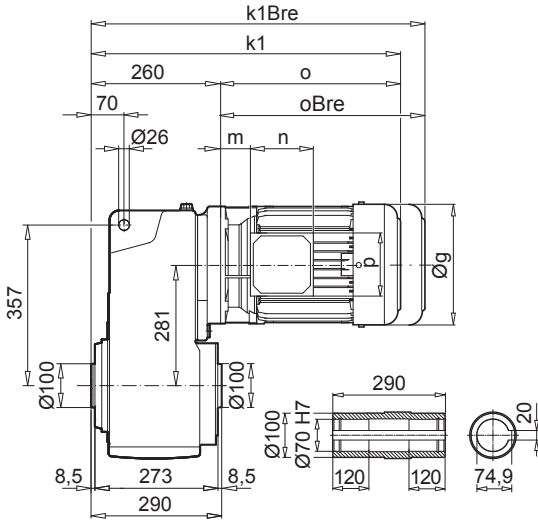
⇒ A61	100 AP	112 MP	132 SP/MP	160 SP/MP	160 LP	180 MP/LP	225 RP	225 SP/MP
g	201	228	266	320	320	357	443	443
g1 / g1Bre	169 / 173	179 / 182	204 / 201	242 / 242	242 / 242	258 / 258	347 / 347	347 / 347
k / kBre	732 / 823	777 / 870	861 / 968	918 / 1053	962 / 1097	1040 / 1168	1168 / 1348	1168 / 1348
k1 / k1Bre	592 / 683	637 / 730	721 / 828	778 / 913	822 / 957	900 / 1028	1028 / 1208	1028 / 1208
k2 / k2Bre	632 / 723	677 / 770	761 / 868	818 / 953	862 / 997	940 / 1068	1068 / 1248	1068 / 1248
o / oBre	306 / 397	351 / 444	435 / 542	492 / 627	536 / 671	614 / 742	742 / 922	742 / 922
m / mBre	32 / 36	35 / 38	71 / 64	52 / 52	52 / 52	54 / 54	94 / 94	94 / 94
n / nBre	114 / 153	114 / 153	122 / 185	186 / 186	186 / 186	186 / 186	245 / 245	245 / 245
p / pBre	114 / 108	114 / 108	122 / 139	186 / 186	186 / 186	186 / 186	245 / 245	245 / 245



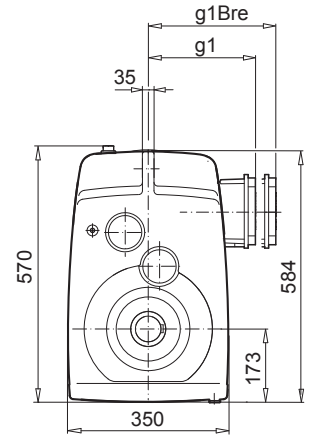
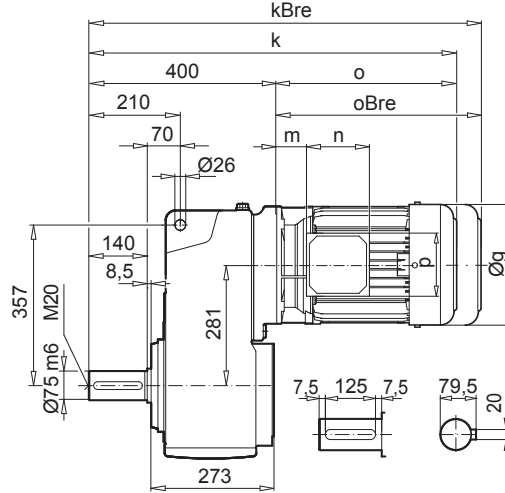
Parallel shaft gear units



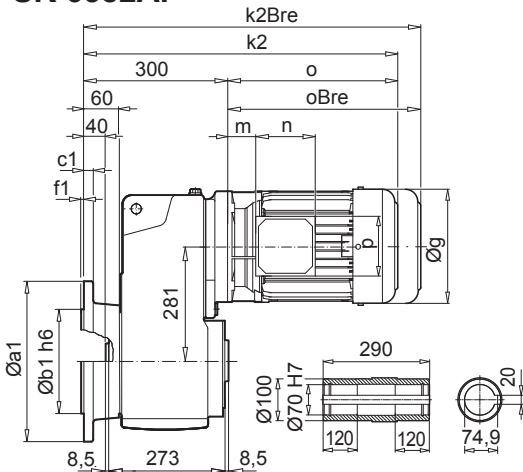
SK 6382A



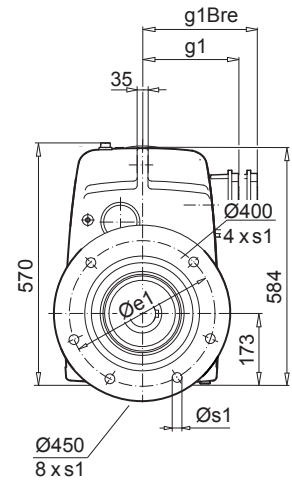
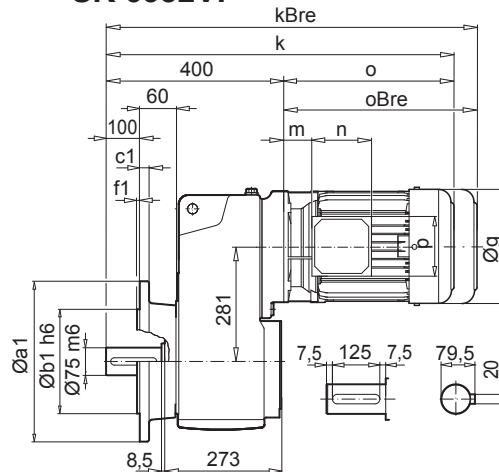
SK 6382V



SK 6382AF

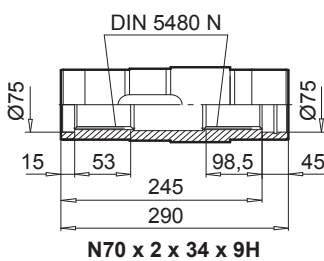


SK 6382VF

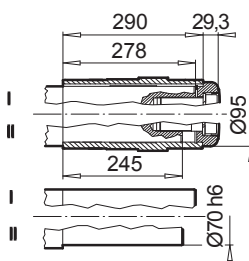


a1	b1	c1	e1	f1	s1
400	300	20	350	5	4 x 17,5
450	350	16	400	5	8 x 17,5

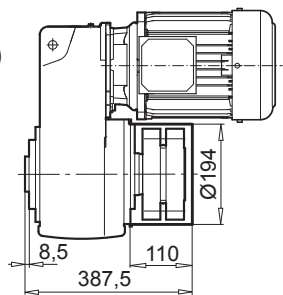
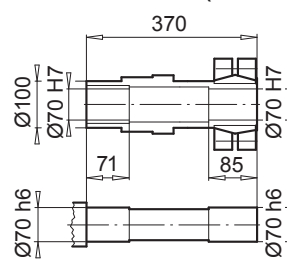
SK 6382EA



SK 6382AB (AFB)



SK 6382ASH (AFSH)



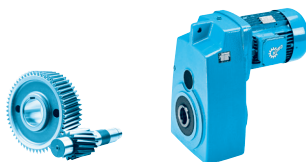
Parallel shaft gear units

⇒ A61	90 SP/LP	100 LP/AP	112 MP	132 SP/MP	160 SP/MP	160 LP	180 MP/LP		
g	183	201	228	266	320	320	357		
g1 / g1Bre	147 / 147	169 / 173	179 / 182	204 / 201	242 / 242	242 / 242	258 / 258		
k / kBre	676 / 751	706 / 797	754 / 847	815 / 922	892 / 1027	936 / 1071	1034 / 1162		
k1 / k1Bre	536 / 611	566 / 657	614 / 707	675 / 782	752 / 887	796 / 931	894 / 1022		
k2 / k2Bre	576 / 651	606 / 697	654 / 747	715 / 822	792 / 927	836 / 971	934 / 1062		
o / oBre	276 / 351	306 / 397	354 / 447	415 / 522	492 / 627	536 / 671	634 / 762		
m / mBre	26 / 30	32 / 36	38 / 41	51 / 44	52 / 52	52 / 52	74 / 74		
n / nBre	114 / 153	114 / 153	114 / 153	122 / 185	186 / 186	186 / 186	186 / 186		
p / pBre	114 / 108	114 / 108	114 / 108	122 / 139	186 / 186	186 / 186	186 / 186		

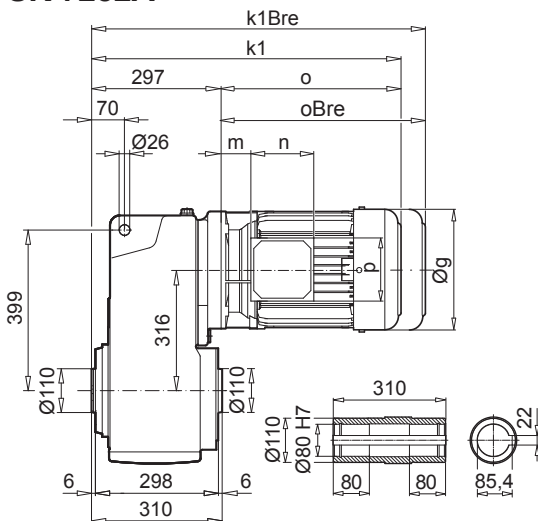


D90

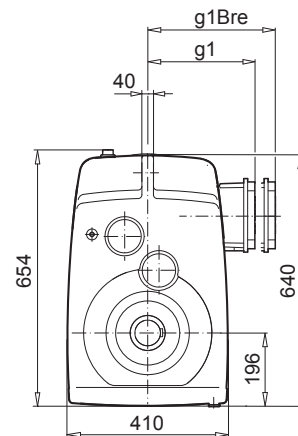
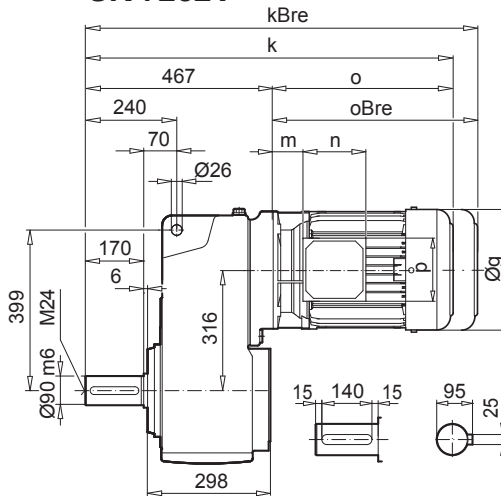
SK 7282



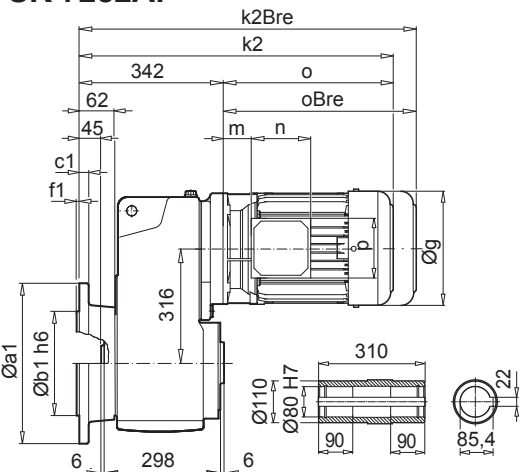
SK 7282A



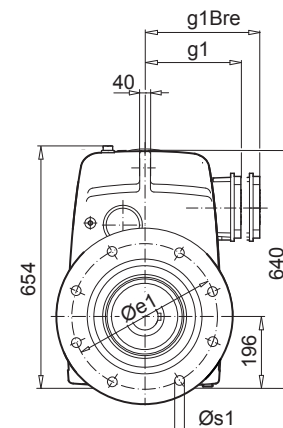
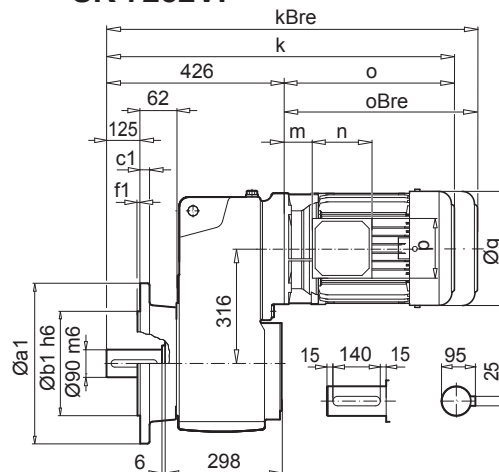
SK 7282V



SK 7282AF

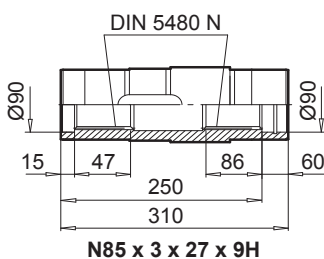


SK 7282VF

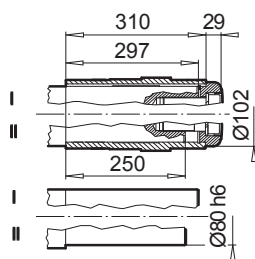


a1	b1	c1	e1	f1	s1
450	350	22	400	5	8 x 18
550	450	28	500	5	8 x 18

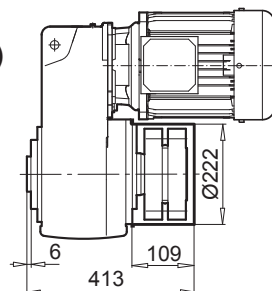
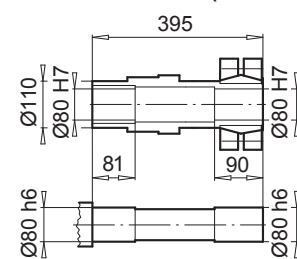
SK 7282EA



SK 7282AB (AFB)



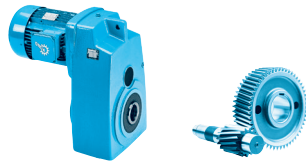
SK 7282ASH (AFSH)



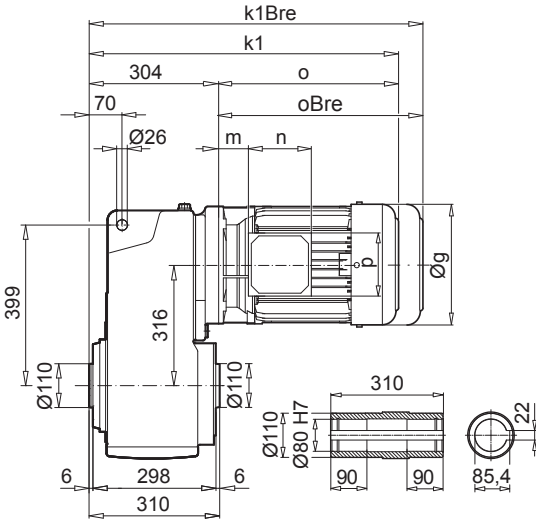
⇒ A61	132 MP	160 SP/MP	160 LP	180 MP/LP	225 RP	225 SP/MP		
g	266	320	320	357	443	443		
g1 / g1Bre	204 / 201	242 / 242	242 / 242	258 / 258	347 / 347	347 / 347		
k / kBre	902 / 1009	959 / 1094	1003 / 1138	1081 / 1209	1209 / 1389	1209 / 1389		
k1 / k1Bre	732 / 839	789 / 924	833 / 968	911 / 1039	1039 / 1219	1039 / 1219		
k2 / k2Bre	777 / 884	834 / 969	878 / 1013	956 / 1083	1084 / 1264	1084 / 1264		
o / oBre	435 / 542	492 / 627	536 / 671	614 / 742	742 / 922	742 / 922		
m / mBre	71 / 64	52 / 52	52 / 52	54 / 54	94 / 94	94 / 94		
n / nBre	122 / 185	186 / 186	186 / 186	186 / 186	245 / 245	245 / 245		
p / pBre	122 / 139	186 / 186	186 / 186	186 / 186	245 / 245	245 / 245		



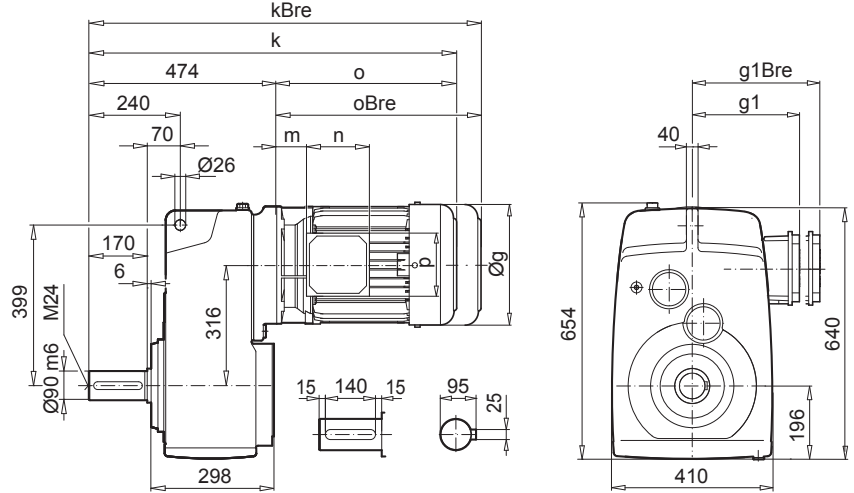
Parallel shaft gear units



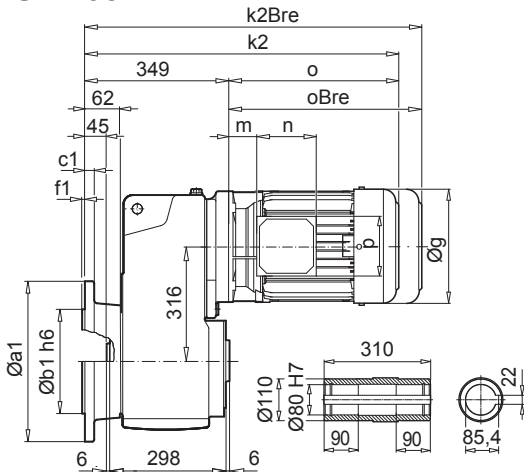
SK 7382A



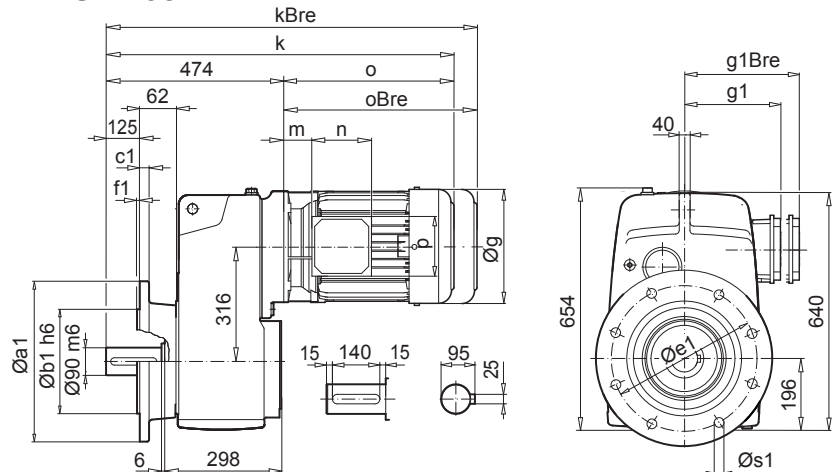
SK 7382V



SK 7382AF

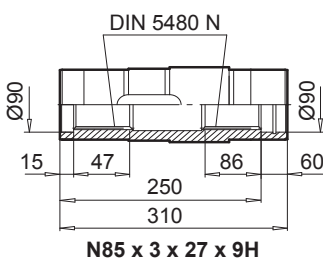


SK 7382VF

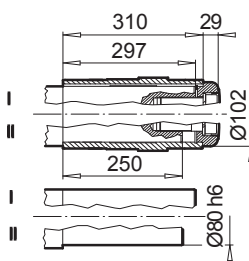


a1	b1	c1	e1	f1	s1
450	350	22	400	5	8 x 18
550	450	28	500	5	8 x 18

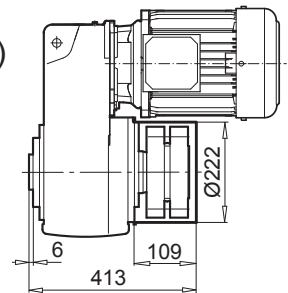
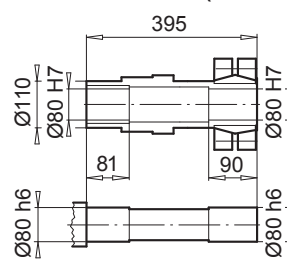
SK 7382EA



SK 7382AB (AFB)



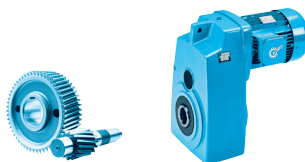
SK 7382ASH (AFSH)



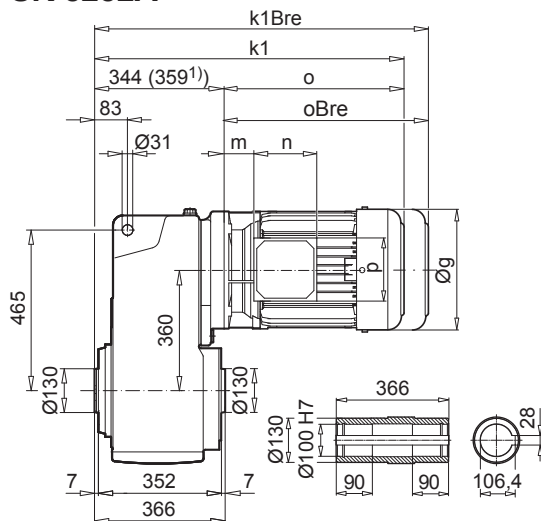
Parallel shaft gear units

⇒ A61	100 LP/AP	112 MP	132 SP/MP	160 SP/MP	160 LP	180 MP/LP	225 RP	225 SP/MP	
g	201	228	266	320	320	357	443	443	
g1 / g1Bre	169 / 173	179 / 182	204 / 201	242 / 242	242 / 242	258 / 258	347 / 347	347 / 347	
k / kBre	780 / 871	825 / 918	909 / 1016	966 / 1101	1010 / 1145	1088 / 1216	1216 / 1396	1216 / 1396	
k1 / k1Bre	610 / 701	655 / 748	739 / 846	796 / 931	840 / 975	918 / 1046	1046 / 1226	1046 / 1226	
k2 / k2Bre	655 / 746	700 / 793	784 / 891	841 / 976	885 / 1020	963 / 1090	1091 / 1271	1091 / 1271	
o / oBre	306 / 397	351 / 444	435 / 542	492 / 627	536 / 671	614 / 742	742 / 922	742 / 922	
m / mBre	32 / 36	35 / 38	71 / 64	52 / 52	52 / 52	54 / 54	94 / 94	94 / 94	
n / nBre	114 / 153	114 / 153	122 / 185	186 / 186	186 / 186	186 / 186	245 / 245	245 / 245	
p / pBre	114 / 108	114 / 108	122 / 139	186 / 186	186 / 186	186 / 186	245 / 245	245 / 245	

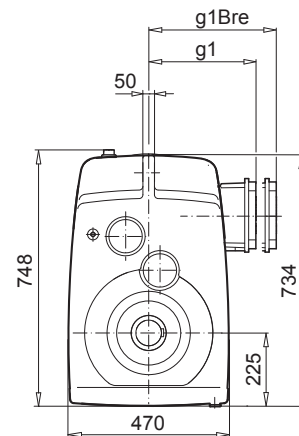
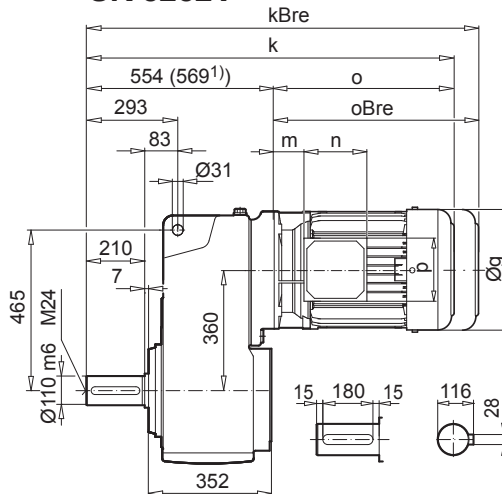
SK 8282



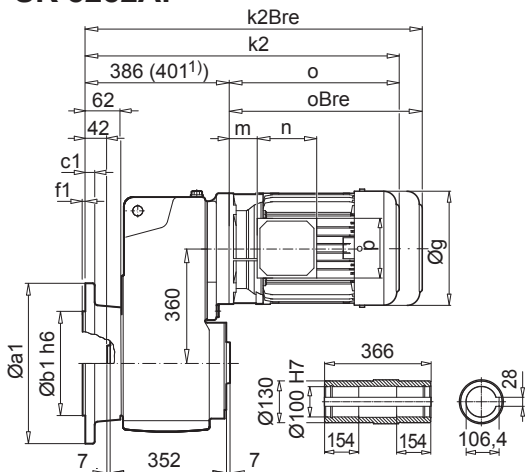
SK 8282A



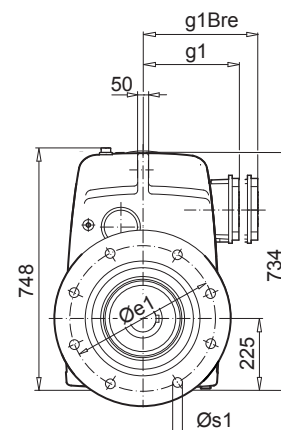
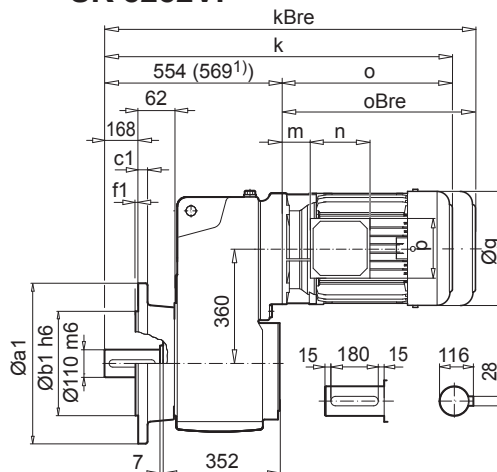
SK 8282V



SK 8282AF

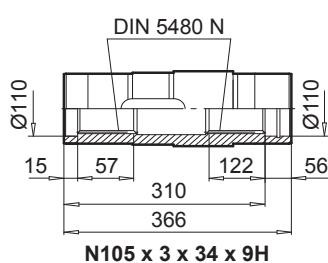


SK 8282VF

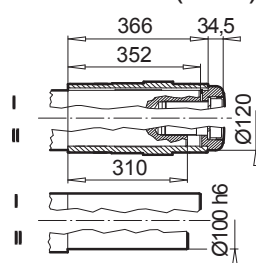


a1	b1	c1	e1	f1	s1
550	450	28	500	5	8 x 18

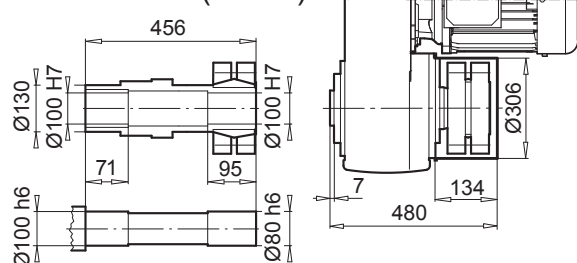
SK 8282EA



SK 8282AB (AFB)

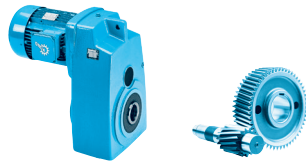


SK 8282ASH (AFSH)

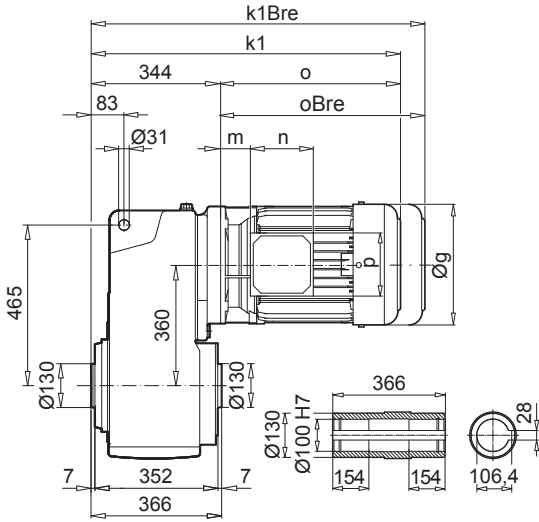


⇒ A61	132 MP	160 SP/MP	160 LP	180 MP/LP	225 RP	225 SP/MP	250 WP 1)	280 SP 1)	
g	266	320	320	357	443	443	443	551	 D91
g1 / g1Bre	204 / 201	242 / 242	242 / 242	258 / 258	347 / 347	347 / 347	347 / 347	432 / 432	
k / kBre	989 / 1096	1046 / 1181	1090 / 1225	1168 / 1296	1296 / 1476	1296 / 1476	1311 / 1491	1399 / 1579	
k1 / k1Bre	779 / 886	836 / 971	880 / 1015	958 / 1086	1086 / 1266	1086 / 1266	1101 / 1281	1189 / 1369	
k2 / k2Bre	821 / 928	878 / 1013	922 / 1057	1000 / 1128	1128 / 1308	1128 / 1308	1143 / 1323	1231 / 1411	
o / oBre	435 / 542	492 / 627	536 / 671	614 / 742	742 / 922	742 / 922	742 / 922	830 / 1010	
m / mBre	71 / 64	52 / 52	52 / 52	54 / 54	94 / 94	94 / 94	94 / 94	104 / 104	
n / nBre	122 / 185	186 / 186	186 / 186	186 / 186	245 / 245	245 / 245	245 / 245	233 / 233	
p / pBre	122 / 139	186 / 186	186 / 186	186 / 186	245 / 245	245 / 245	245 / 245	319 / 319	

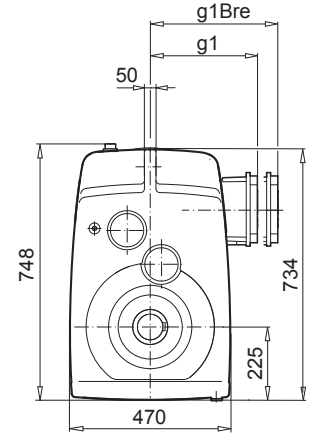
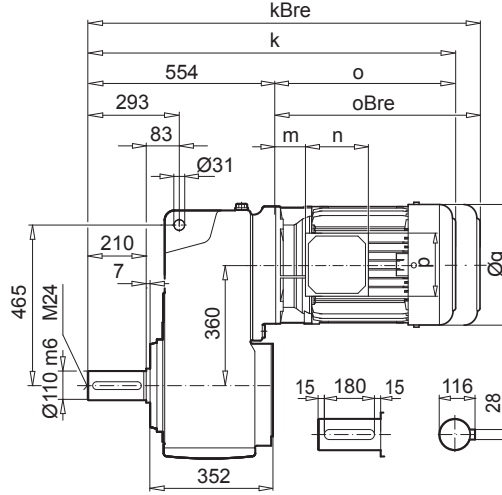
Parallel shaft gear units



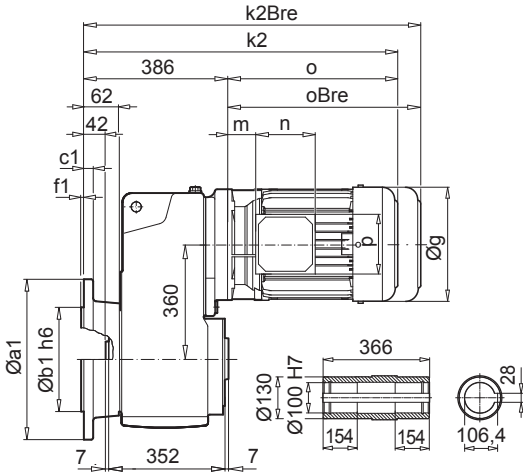
SK 8382A



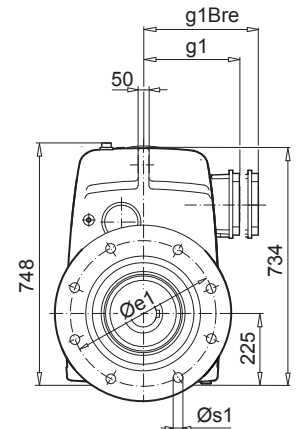
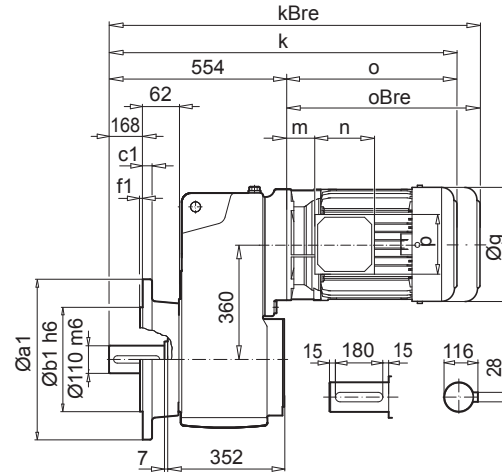
SK 8382V



SK 8382AF

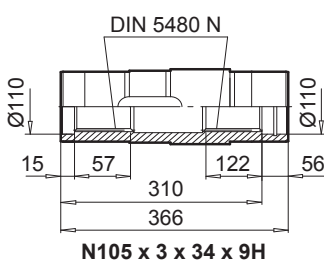


SK 8382VF

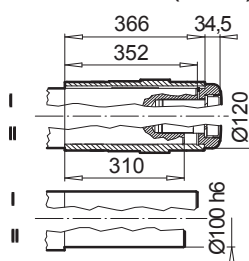


a1	b1	c1	e1	f1	s1
550	450	28	500	5	8 x 18

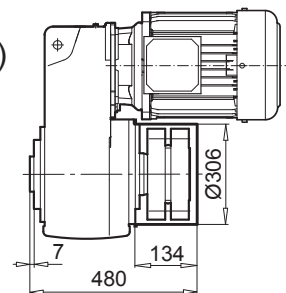
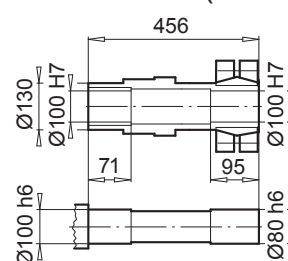
SK 8382EA



SK 8382AB (AFB)



SK 8382ASH (AFSH)



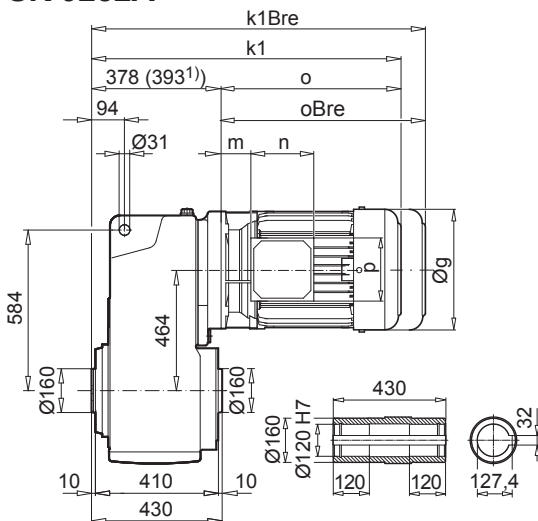
Parallel shaft gear units

↗ A61	100 LP/AP	112 MP	132 SP/MP	160 SP/MP	160 LP	180 MP/LP	225 RP	225 SP/MP	 D90
g	201	228	266	320	320	357	443	443	
g1 / g1Bre	169 / 173	179 / 182	204 / 201	242 / 242	242 / 242	258 / 258	347 / 347	347 / 347	
k / kBre	860 / 951	905 / 998	989 / 1096	1046 / 1181	1090 / 1225	1168 / 1296	1296 / 1476	1296 / 1476	
k1 / k1Bre	650 / 741	695 / 788	779 / 886	836 / 971	880 / 1015	958 / 1086	1086 / 1266	1086 / 1266	
k2 / k2Bre	692 / 783	737 / 830	821 / 928	878 / 1013	922 / 1057	1000 / 1128	1128 / 1308	1128 / 1308	
o / oBre	306 / 397	351 / 444	435 / 542	492 / 627	536 / 671	614 / 742	742 / 922	742 / 922	
m / mBre	32 / 36	35 / 38	71 / 64	52 / 52	52 / 52	54 / 54	94 / 94	94 / 94	
n / nBre	114 / 153	114 / 153	122 / 185	186 / 186	186 / 186	186 / 186	245 / 245	245 / 245	
p / pBre	114 / 108	114 / 108	122 / 139	186 / 186	186 / 186	186 / 186	245 / 245	245 / 245	

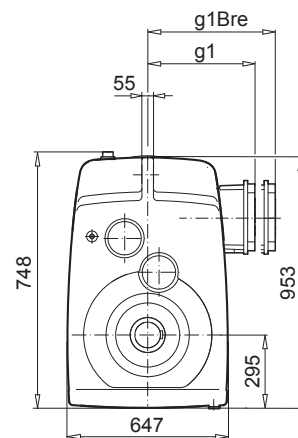
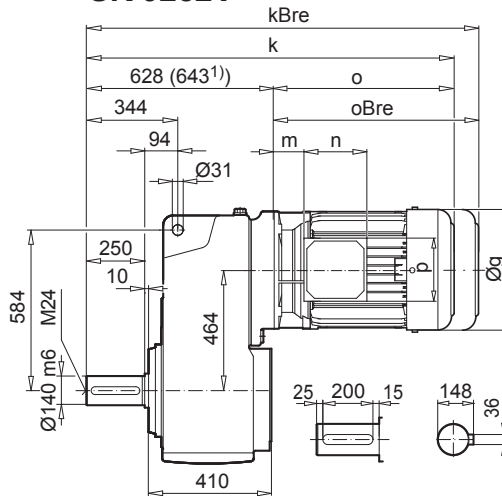
SK 9282



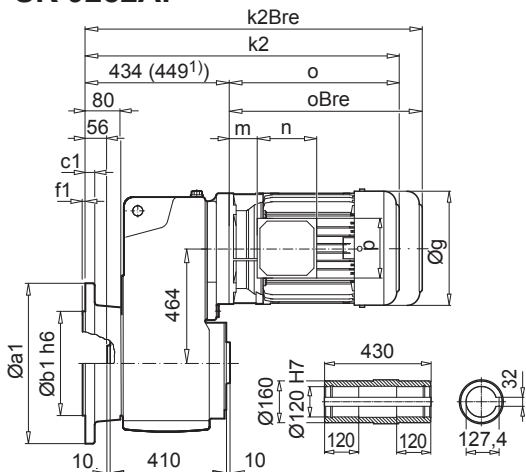
SK 9282A



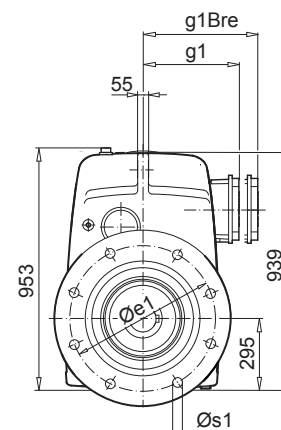
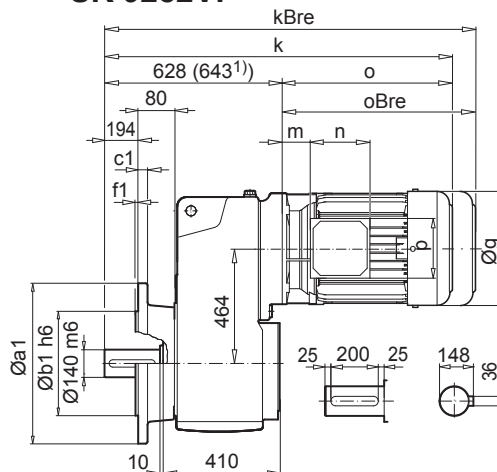
SK 9282V



SK 9282AF

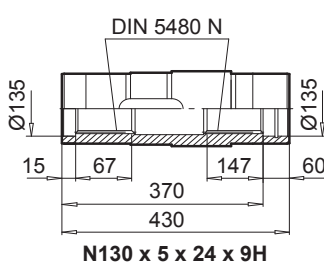


SK 9282VF

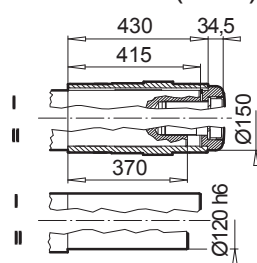


a1	b1	c1	e1	f1	s1
660	550	32	600	6	8 x 22

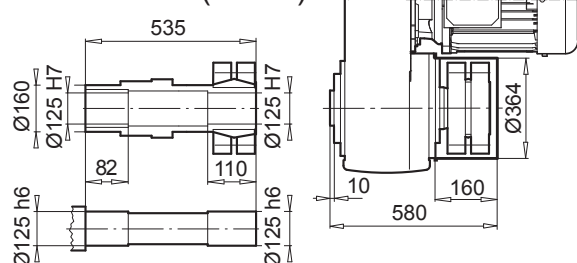
SK 9282EA



SK 9282AB (AFB)



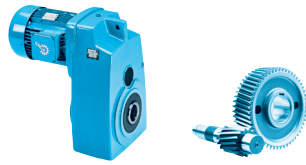
SK 9282ASH (AFSH)



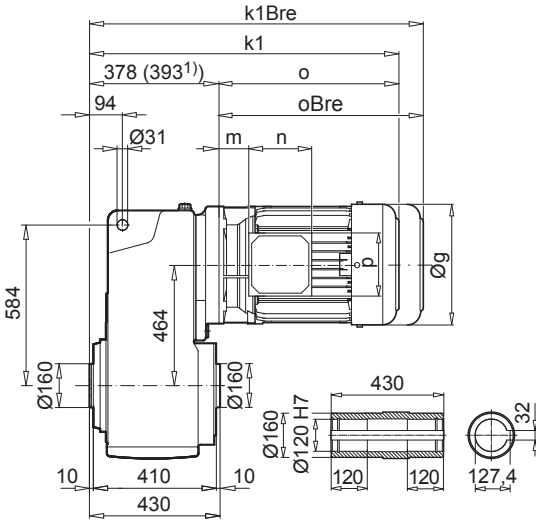
↗ A61	225 RP	225 SP/MP	250 WP 1)	280 SP 1)	280 MP 1)	315 SP 1)	315 MP/RP 1)	
g	443	443	443	551	551	616	616	
g1 / g1Bre	347 / 347	347 / 347	347 / 347	432 / 432	434 / 434	516 / -	516 / -	
k / kBre	1370 / 1550	1370 / 1550	1385 / 1565	1473 / 1653	1463 / 1643	1555 / -	1720 / -	
k1 / k1Bre	1120 / 1300	1120 / 1300	1135 / 1315	1223 / 1403	1213 / 1393	1305 / -	1470 / -	
k2 / k2Bre	1176 / 1356	1176 / 1356	1191 / 1371	1279 / 1459	1269 / 1449	1361 / -	1526 / -	
o / oBre	742 / 922	742 / 922	742 / 922	830 / 1010	820 / 1000	912 / -	1077 / -	
m / mBre	94 / 94	94 / 94	94 / 94	104 / 104	94 / 94	89 / -	89 / -	
n / nBre	245 / 245	245 / 245	245 / 245	233 / 233	233 / 233	299 / -	299 / -	
p / pBre	245 / 245	245 / 245	245 / 245	319 / 319	319 / 319	420 / -	420 / -	



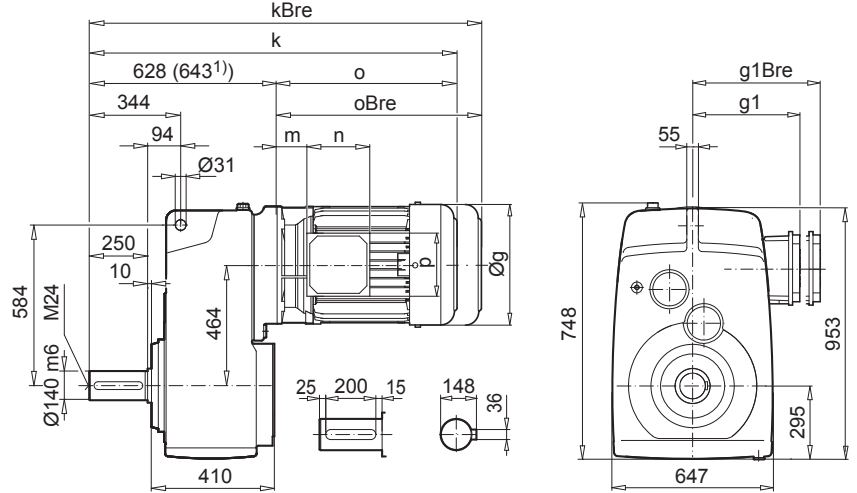
Parallel shaft gear units



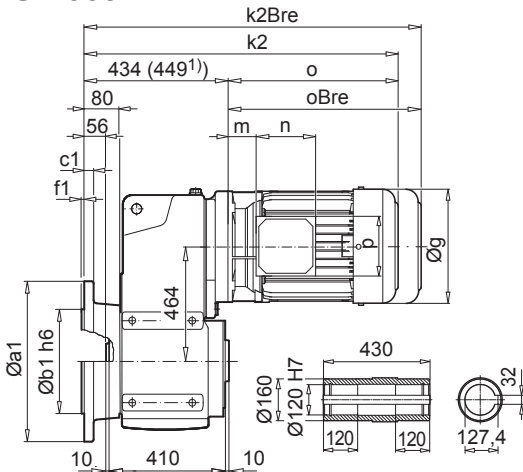
SK 9382A



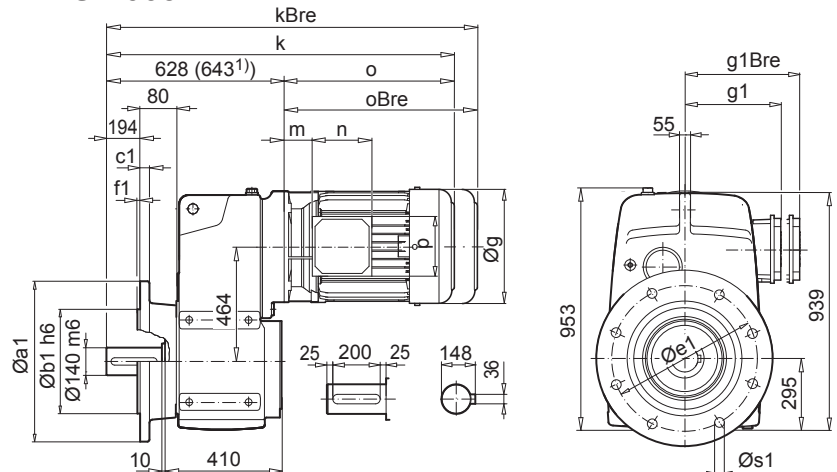
SK 9382V



SK 9382AF

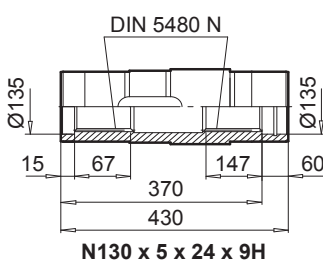


SK 9382VF

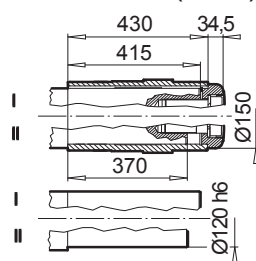


a1	b1	c1	e1	f1	s1
660	550	32	600	6	8 x 22

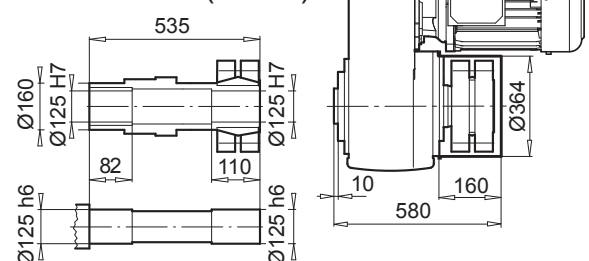
SK 9382EA



SK 9382AB (AFB)



SK 9382ASH (AFSH)



Parallel shaft gear units

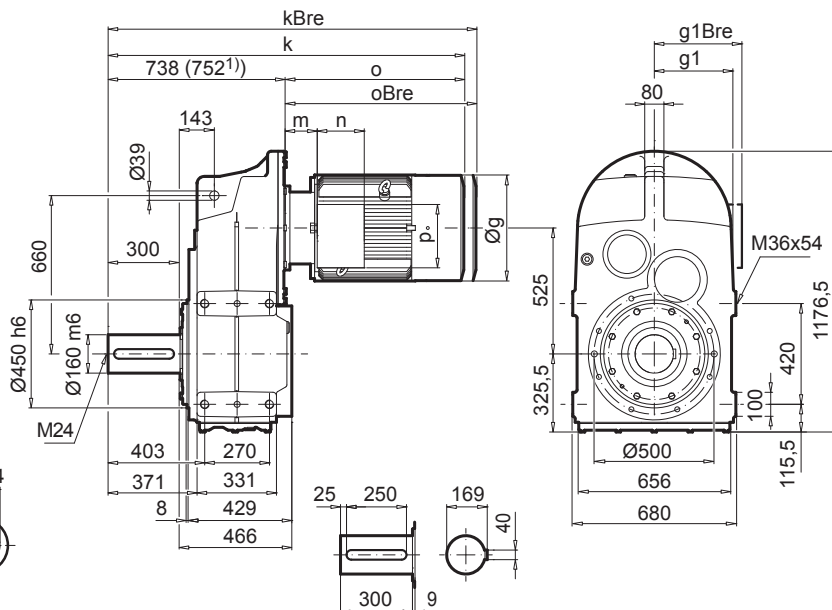
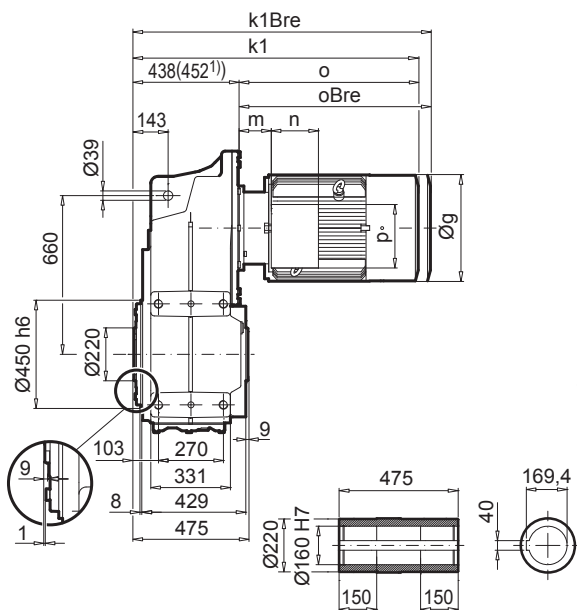
⇒ A61	100 AP	112 MP	132 SP/MP	160 SP/MP	160 LP	180 MP/LP	225 RP	225 SP/MP	250 WP ¹⁾	280 SP ¹⁾	
g	201	228	266	320	320	357	443	443	443	551	
g1 / g1Bre	169 / 173	179 / 182	204 / 201	242 / 242	242 / 242	258 / 258	347 / 347	347 / 347	347 / 347	432 / 432	
k / kBre	934 / 1025	979 / 1072	1063 / 1170	1120 / 1255	1164 / 1299	1242 / 1370	1370 / 1550	1370 / 1550	1385 / 1565	1473 / 1653	
k1 / k1Bre	684 / 775	729 / 822	813 / 920	870 / 1005	914 / 1049	992 / 1120	1120 / 1300	1120 / 1300	1135 / 1315	1223 / 1403	
k2 / k2Bre	740 / 831	785 / 878	869 / 976	926 / 1061	970 / 1105	1048 / 1176	1176 / 1356	1176 / 1356	1191 / 1371	1279 / 1459	
o / oBre	306 / 397	351 / 444	435 / 542	492 / 627	536 / 671	614 / 742	742 / 922	742 / 922	742 / 922	830 / 1010	
m / mBre	32 / 36	35 / 38	71 / 64	52 / 52	52 / 52	54 / 54	94 / 94	94 / 94	94 / 94	104 / 104	
n / nBre	114 / 153	114 / 153	122 / 185	186 / 186	186 / 186	186 / 186	245 / 245	245 / 245	245 / 245	233 / 233	
p / pBre	114 / 108	114 / 108	122 / 139	186 / 186	186 / 186	186 / 186	245 / 245	245 / 245	245 / 245	319 / 319	
D90											

SK 10382.1



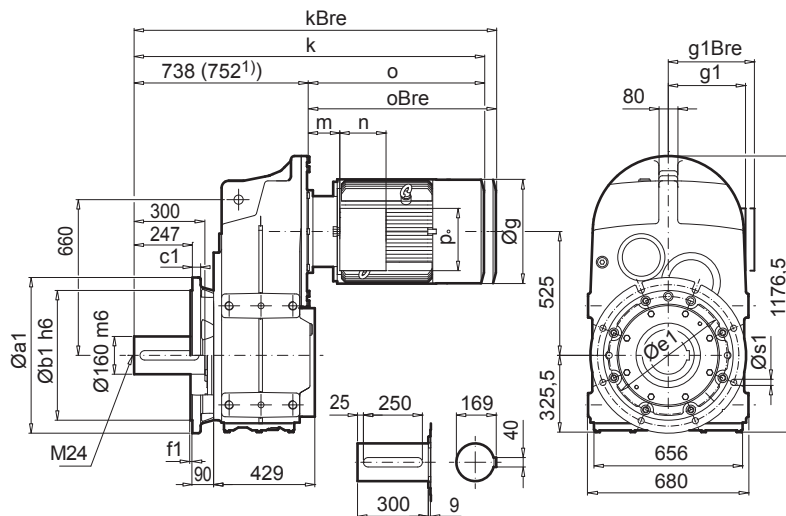
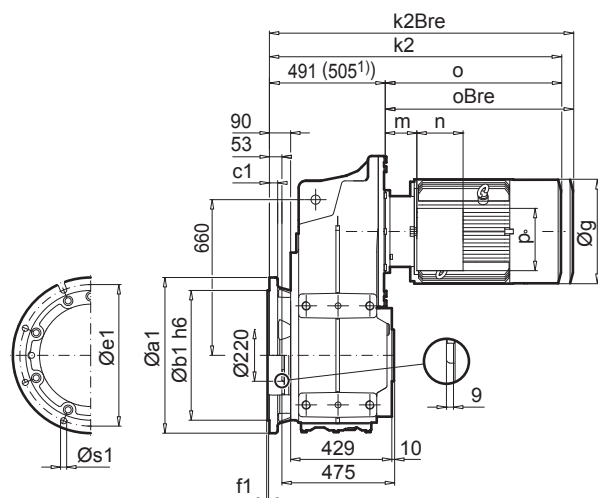
SK 10382.1AZ

SK 10382.1VZ



SK 10382.1AF

SK 10382.1VF



a1	b1	c1	e1	f1	s1
660	550	35	600	8	6 x 26

Parallel shaft gear units

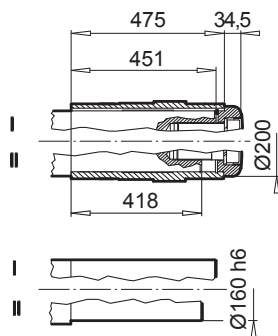
⇒ A61	160 SP/MP	160 LP	180 MP	225 RP	225 SP/MP	250 WP ¹⁾	280 SP ¹⁾	280 MP ¹⁾	315 SP ¹⁾	315 MP/RP ¹⁾
g	320	320	357	443	443	443	551	551	616	616
g1 / g1Bre	242 / 242	242 / 242	258 / 258	347 / 347	347 / 347	347 / 347	432 / 432	434 / 434	516 / -	516 / -
k / kBre	1230 / 1365	1274 / 1409	1352 / 1480	1480 / 1660	1480 / 1660	1494 / 1674	1582 / 1762	1572 / 1752	1664 / -	1829 / -
k1 / k1Bre	930 / 1065	974 / 1109	1052 / 1180	1180 / 1360	1180 / 1360	1194 / 1374	1282 / 1462	1272 / 1452	1364 / -	1529 / -
k2 / k2Bre	983 / 1118	1027 / 1162	1105 / 1233	1233 / 1413	1233 / 1413	1247 / 1427	1335 / 1515	1325 / 1505	1417 / -	1582 / -
o / oBre	492 / 627	536 / 671	614 / 742	742 / 922	742 / 922	742 / 922	830 / 1010	820 / 1000	912 / -	1077 / -
m / mBre	52 / 52	52 / 52	54 / 54	94 / 94	94 / 94	94 / 94	104 / 104	94 / 94	89 / -	89 / -
n / nBre	186 / 186	186 / 186	186 / 186	245 / 245	245 / 245	245 / 245	233 / 233	233 / 233	299 / -	299 / -
p / pBre	186 / 186	186 / 186	186 / 186	245 / 245	245 / 245	245 / 245	319 / 319	319 / 319	420 / -	420 / -



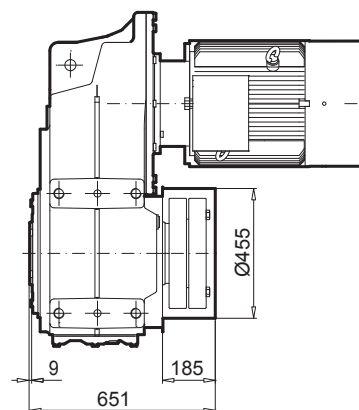
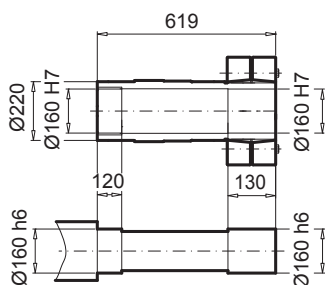
D92



SK 10382.1AZB

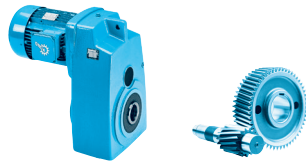


SK 10382.1AZSH

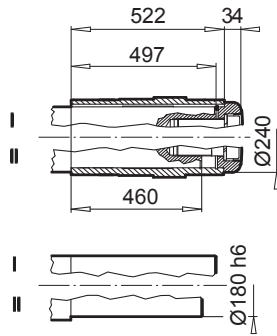


Parallel shaft gear units

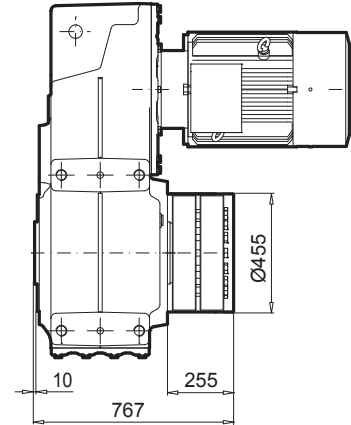
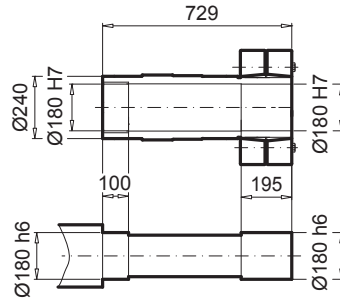
⇒ A61	160 SP/MP	160 LP	180 MP	225 RP	225 SP/MP	250 WP ¹⁾	280 SP ¹⁾	280 MP ¹⁾	315 SP ¹⁾	315 MP/RP ¹⁾	 D92
g	320	320	357	443	443	443	551	551	616	616	
g1 / g1Bre	242 / 242	242 / 242	258 / 258	347 / 347	347 / 347	347 / 347	432 / 432	434 / 434	516 / -	516 / -	
k1 / k1Bre	930 / 1065	974 / 1109	1052 / 1180	1180 / 1360	1180 / 1360	1194 / 1374	1282 / 1462	1272 / 1452	1364 / -	1529 / -	
k2 / k2Bre	983 / 1118	1027 / 1162	1105 / 1233	1233 / 1413	1233 / 1413	1247 / 1427	1335 / 1515	1325 / 1505	1417 / -	1582 / -	
o / oBre	492 / 627	536 / 671	614 / 742	742 / 922	742 / 922	742 / 922	830 / 1010	820 / 1000	912 / -	1077 / -	
m / mBre	52 / 52	52 / 52	54 / 54	94 / 94	94 / 94	94 / 94	104 / 104	94 / 94	89 / -	89 / -	
n / nBre	186 / 186	186 / 186	186 / 186	245 / 245	245 / 245	245 / 245	233 / 233	233 / 233	299 / -	299 / -	
p / pBre	186 / 186	186 / 186	186 / 186	245 / 245	245 / 245	245 / 245	319 / 319	319 / 319	420 / -	420 / -	



SK 11382.1AZB



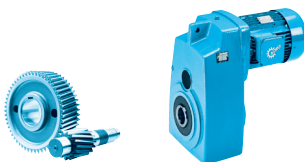
SK 11382.1AZSH



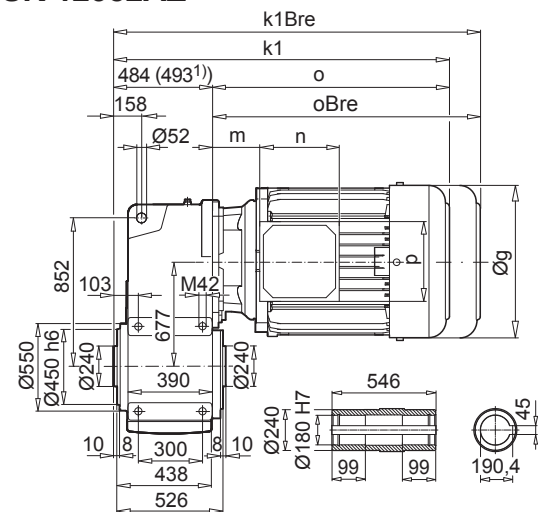
⇒ A61	160 LP	180 LP	225 RP	225 SP/MP	250 WP ¹⁾	280 SP ¹⁾	280 MP ¹⁾	315 SP ¹⁾	315 MP/RP/LP ¹⁾
g	320	357	443	443	443	551	551	616	616
g1 / g1Bre	242 / 242	258 / 258	347 / 347	347 / 347	347 / 347	432 / 432	434 / 434	516 / -	516 / -
k1 / k1Bre	1009 / 1144	1087 / 1215	1215 / 1395	1215 / 1395	1224 / 1404	1312 / 1492	1302 / 1482	1394 / -	1559 / -
k2 / k2Bre	1081 / 1216	1159 / 1287	1287 / 1467	1287 / 1467	1296 / 1476	1384 / 1564	1374 / 1554	1466 / -	1631 / -
o / oBre	536 / 671	614 / 742	742 / 922	742 / 922	742 / 922	830 / 1010	820 / 1000	912 / -	1077 / -
m / mBre	52 / 52	54 / 54	94 / 94	94 / 94	94 / 94	104 / 104	94 / 94	89 / -	89 / -
n / nBre	186 / 186	186 / 186	245 / 245	245 / 245	245 / 245	233 / 233	233 / 233	299 / -	299 / -
p / pBre	186 / 186	186 / 186	245 / 245	245 / 245	245 / 245	319 / 319	319 / 319	420 / -	420 / -



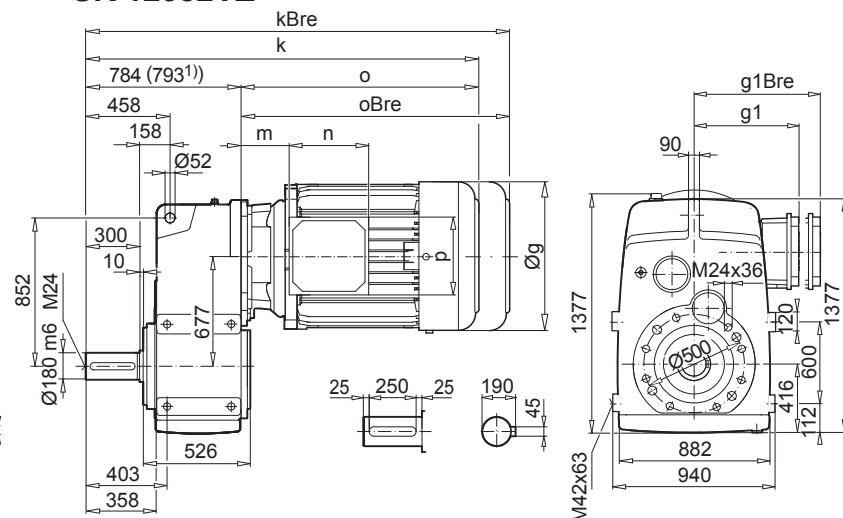
SK 12382



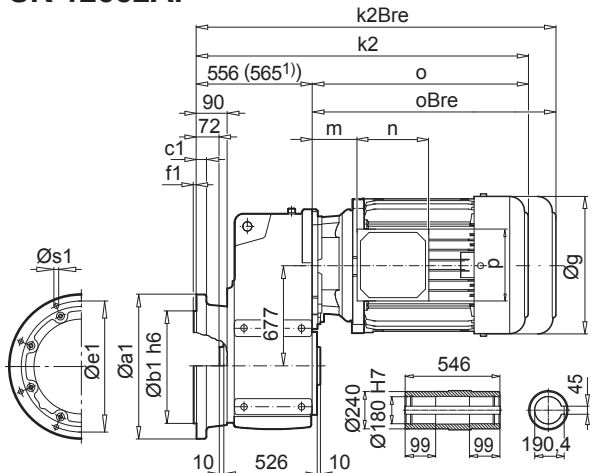
SK 12382AZ



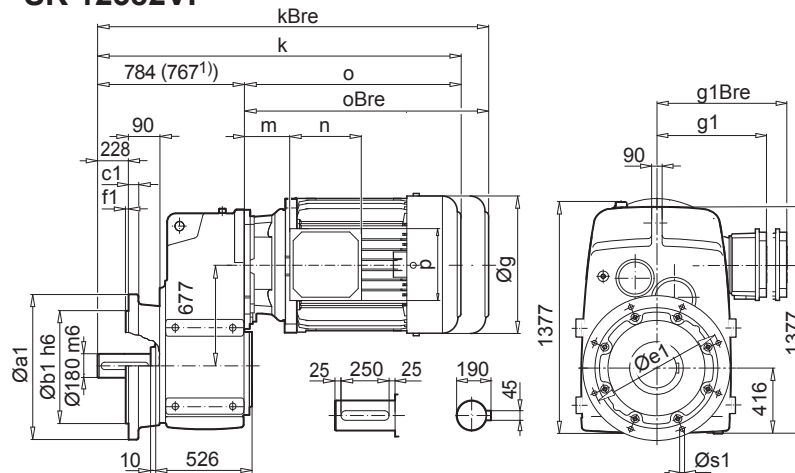
SK 12382VZ



SK 12382AF



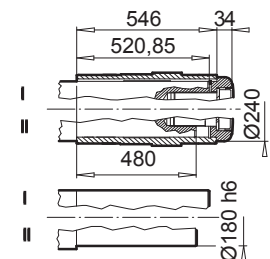
SK 12382VF



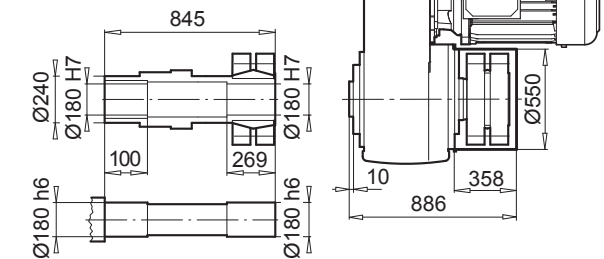
Parallel shaft gear units

a1	b1	c1	e1	f1	s1
660	550	35	600	8	8 x 26

SK 12382AZB (AFB)

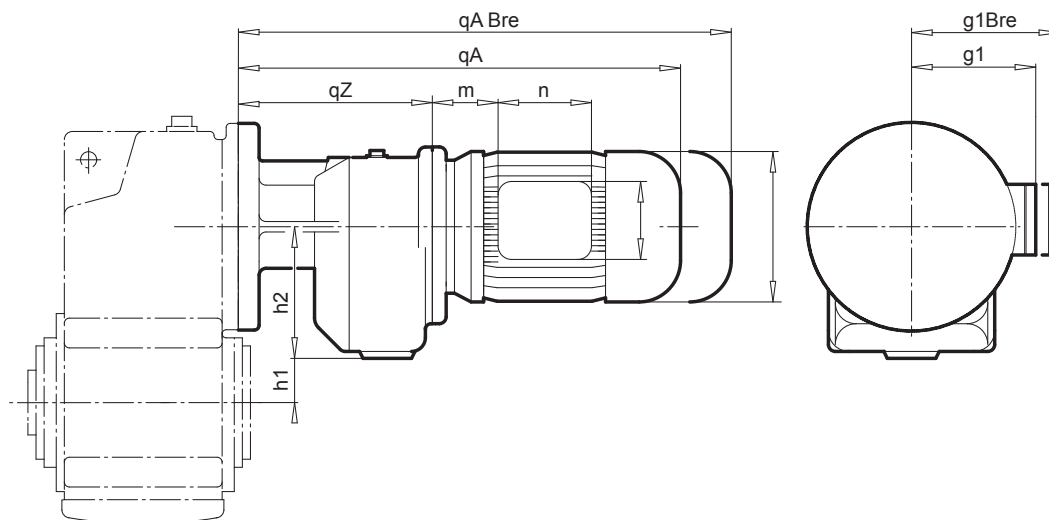


SK 12382AZSH (AFSH)



⇒ A61	180 LP	225 RP	225 SP	225 MP	250 WP	280 SP	280 MP ¹⁾	315 SP ¹⁾	315 MP/RP/LP ¹⁾
g	357	443	443	443	443	551	551	616	616
g1 / g1Bre	258 / 258	347 / 347	347 / 347	347 / 347	347 / 347	432 / 432	434 / 434	516 / -	516 / -
k / kBre	1398 / 1526	1370 / 1550	1370 / 1550	1370 / 1550	1385 / 1565	1614 / 1794	1613 / 1793	1705 / -	1870 / -
k1 / k1Bre	1098 / 1226	1120 / 1300	1120 / 1300	1120 / 1300	1135 / 1315	1314 / 1494	1313 / 1493	1405 / -	1570 / -
k2 / k2Bre	1170 / 1298	1176 / 1356	1176 / 1356	1176 / 1356	1191 / 1371	1386 / 1566	1385 / 1565	1477 / -	1642 / -
o / oBre	614 / 742	742 / 922	742 / 922	742 / 922	742 / 922	830 / 1010	820 / 1000	912 / -	1077 / -
m / mBre	54 / 54	94 / 94	94 / 94	94 / 94	94 / 94	104 / 104	93 / 93	89 / -	89 / -
n / nBre	186 / 186	245 / 245	245 / 245	245 / 245	245 / 245	233 / 233	233 / 233	299 / -	299 / -
p / pBre	186 / 186	245 / 245	245 / 245	245 / 245	245 / 245	319 / 319	319 / 319	420 / -	420 / -



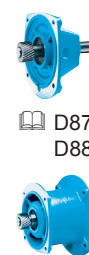


⇒ A61	SK 1282/02	SK 2282/02		SK 3282/12					
	63 S	63 S/L	71 S/L	63 S/L	71 L	90 SP/LP			
g	130	130	145	130	145	184			
g1 / g1Bre	114 / 122	114 / 122	124 / 134	114 / 122	124 / 134	148 / 148			
qA / qABre	338 / 394	338 / 394	378 / 436	351 / 407	391 / 449	457 / 532			
o / oBre	196 / 252	196 / 252	236 / 294	196 / 252	236 / 294	302 / 377			
qz	142	142		155					
m / mBre	16 / 22	16 / 22	42 / 48	16 / 22	42 / 48	52 / 55			
n / nBre	100 / 134	100 / 134	100 / 134	100 / 134	100 / 134	114 / 153			
p / pBre	100 / 89	100 / 89	100 / 89	100 / 89	100 / 89	114 / 108			
h1 / h2	33 / 89	58 / 89		72 / 106					
⇒	SK 1282 ⇒ D63	SK 2282 ⇒ D64		SK 3282 ⇒ D66					

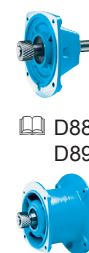


Parallel shaft gear units

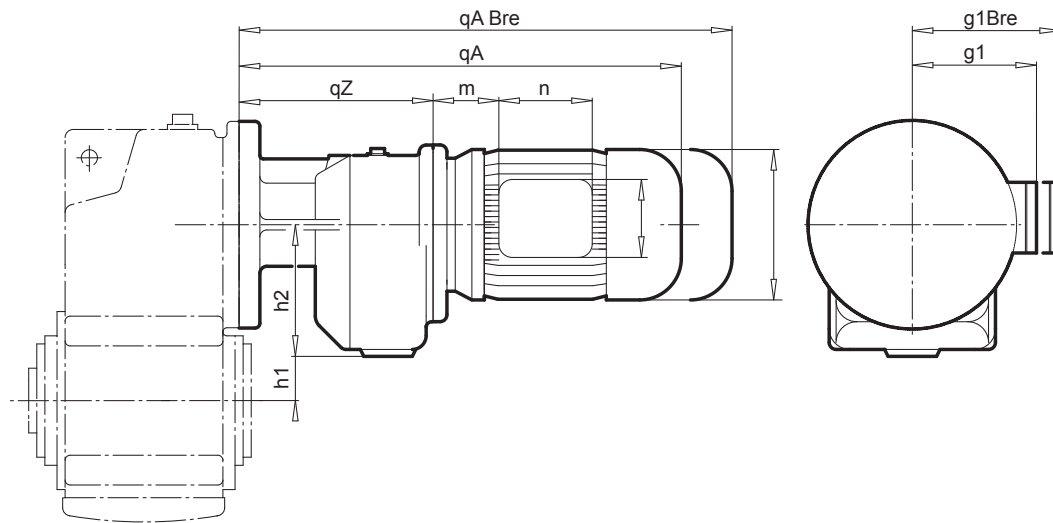
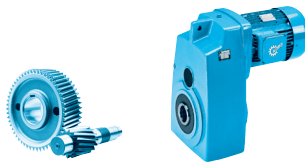
⇒ A61	SK 4282/12, SK 5282/12					SK 6382/22, SK 7382/22							
	63 S/L	71 S/L	80 SH	80 LP	100 LP	71 L	80 SH	80 LP	90 SP/LP	100 LP/AP			
g	130	145	164	164	202	145	164	164	184	202			
g1 / g1Bre	114 / 122	124 / 134	142 / 142	142 / 142	170 / 172	124 / 134	142 / 142	142 / 142	148 / 148	170 / 172			
qA / qABre	350 / 406	390 / 448	415 / 479	415 / 479	486 / 577	410 / 468	435 / 499	435 / 499	476 / 551	506 / 597			
o / oBre	196 / 252	236 / 294	261 / 325	261 / 325	332 / 423	230 / 288	255 / 319	255 / 319	296 / 371	326 / 417			
qz	154					180							
m / mBre	16 / 22	42 / 48	47 / 50	47 / 50	58 / 61	36 / 42	41 / 44	41 / 44	46 / 49	52 / 55			
n / nBre	100 / 134	100 / 134	114 / 153	114 / 153	114 / 153	100 / 134	114 / 153	114 / 153	114 / 153	114 / 153			
p / pBre	100 / 89	100 / 89	114 / 108	114 / 108	114 / 108	100 / 89	114 / 108	114 / 108	114 / 108	114 / 108			
h1 / h2	100 / 106					157 / 125							
⇒	SK 4282 ⇒ D68 , SK 5282 ⇒ D70					SK 6382 ⇒ D73 , SK 7382 ⇒ D75							



⇒ A61	SK 6382/32	SK 7382/32, SK 8382/32				SK 8382/42, SK 9382/42							
	90 LP	80 SH	80 LP	90 SP/LP	100 LP/AP	90 SP/LP	100 LP/AP	112 MP	132 SP/MP	160 SP			
g	184	164	164	184	202	184	202	226	264	319			
g1 / g1Bre	148 / 148	142 / 142	142 / 142	148 / 148	170 / 172	148 / 148	170 / 172	180 / 182	204 / 202	242 / 242			
qA / qABre	515 / 590	474 / 538	474 / 538	515 / 590	545 / 636	536 / 611	566 / 657	614 / 708	675 / 782	752 / 887			
o / oBre	296 / 371	255 / 319	255 / 319	296 / 371	326 / 417	276 / 351	306 / 397	354 / 448	415 / 522	492 / 627			
qz	219	219				260							
m / mBre	46 / 49	41 / 44	41 / 44	46 / 49	52 / 55	26 / 29	32 / 35	38 / 41	51 / 42	52 / 52			
n / nBre	114 / 153	114 / 153	114 / 153	114 / 153	114 / 153	114 / 153	114 / 153	114 / 153	122 / 185	186 / 186			
p / pBre	114 / 108	114 / 108	114 / 108	114 / 108	114 / 108	114 / 108	114 / 108	114 / 108	122 / 139	186 / 186			
h1 / h2	127 / 155	162 / 155				185 / 175							
⇒	SK 6382 ⇒ D73	SK 7382 ⇒ D75 , SK 8382 ⇒ D77				SK 8382 ⇒ D77 , SK 9382 ⇒ D79							



SK 9382/52



Parallel shaft gear units

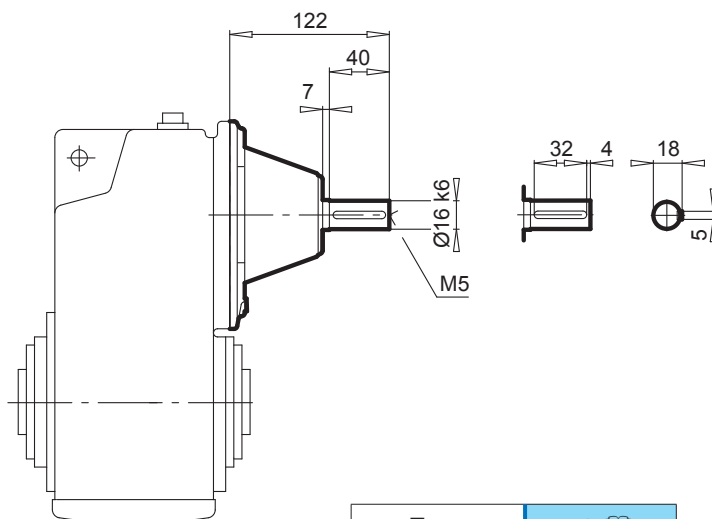
⇒ A61	SK 9382/52								
	132 SP/MP	160 SP/MP	180 MP						
g	264	319	357						
g1 / g1Bre	204 / 202	242 / 242	258 / 258						
qA / qABre	715 / 822	792 / 927	914 / 1042						
o / oBre	415 / 522	492 / 627	614 / 742						
qz	300								
m / mBre	51 / 42	52 / 52	54 / 54						
n / nBre	122 / 185	186 / 186	186 / 186						
p / pBre	122 / 139	186 / 186	186 / 186						
h1 / h2	252 / 212								
⇒	SK 9382 ⇒ D79								



D89

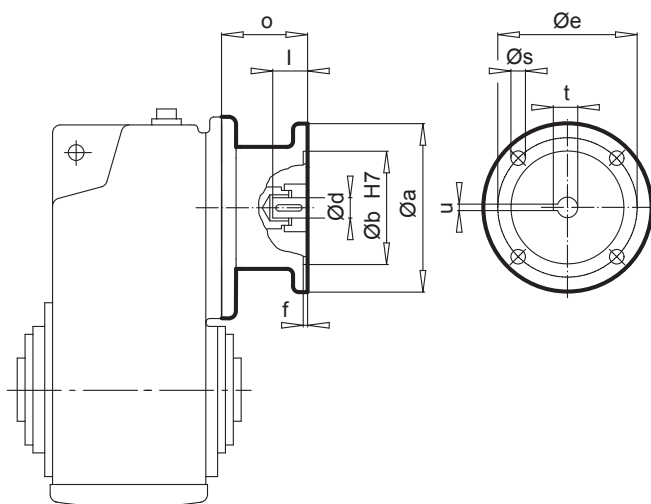


SK ... - W



Type	→
SK 1282	D63
SK 2382	D65
SK 3382	D67
SK 1282/02	D85
SK 2282/02	D85
SK 3282/12	D85
SK 4282/12	D85
SK 5282/12	D85

SK ... - IEC ...

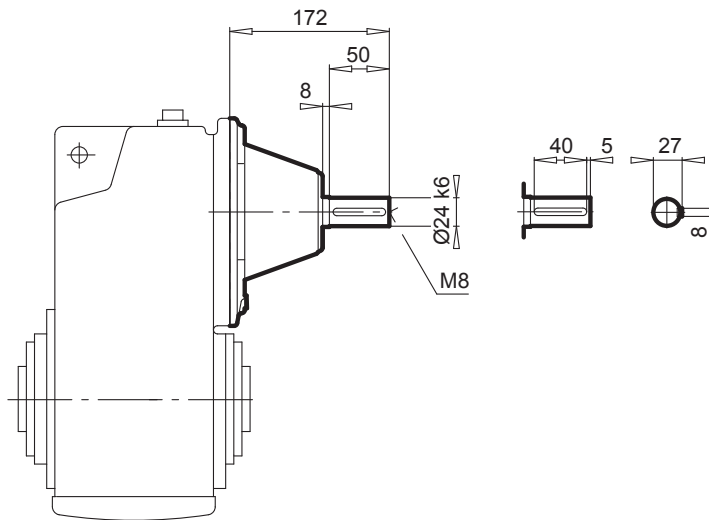


IEC	a	b	d	e	f	l	o	s	t	u
63	140	95	11	115	3,5	23	85	M8	12,8	4
71	160	110	14	130	4,0	30	89	M8	16,3	5
80	200	130	19	165	4,0	40	105	M10	21,8	6
90	200	130	24	165	4,0	50	105	M10	27,3	8
100	250	180	28	215	5,0	60	130	M12	31,3	8
112	250	180	28	215	5,0	60	130	M12	31,3	8

Parallel shaft gear units

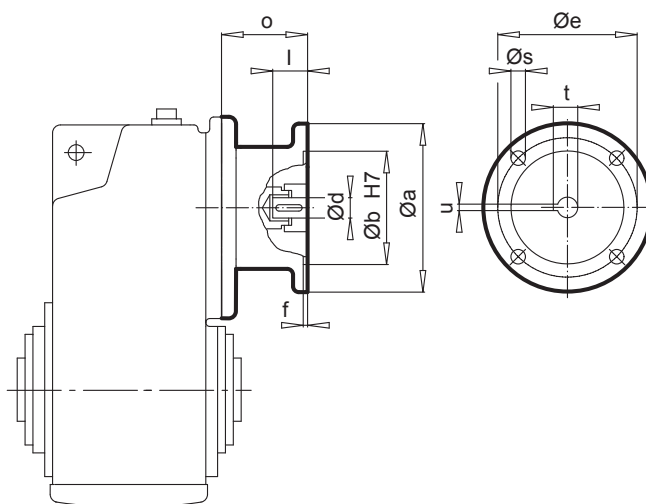


SK ... - W



Type	⇒
SK 2282	D64
SK 3282	D66
SK 4382	D69
SK 5382	D71
SK 6382/22	D85
SK 6382/32	D85
SK 7382/22	D85
SK 7382/32	D85
SK 8382/32	D85

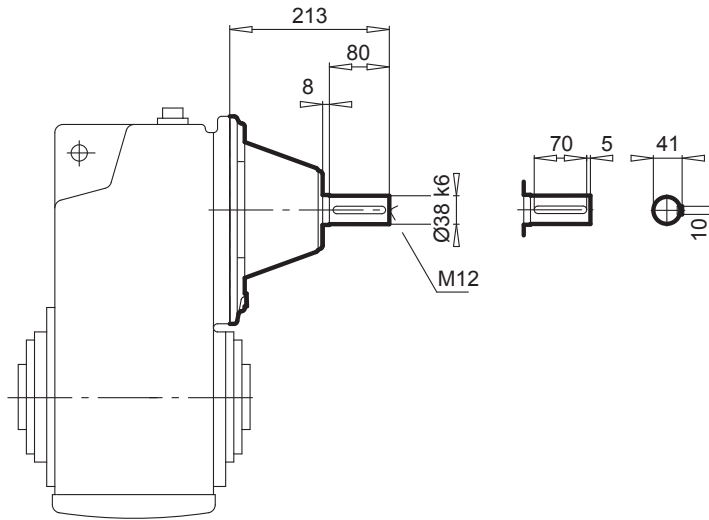
SK ... - IEC ...



IEC	a	b	d	e	f	l	o	s	t	u
71	160	110	14	130	4,0	30	88	M8	16,3	5
80	200	130	19	165	4,0	40	107	M10	21,8	6
90	200	130	24	165	5,0	50	107	M10	27,3	8
100	250	180	28	215	5,0	60	124	M12	31,3	8
112	250	180	28	215	5,0	60	124	M12	31,3	8
132	300	230	38	265	5,0	80	156	M12	41,3	10

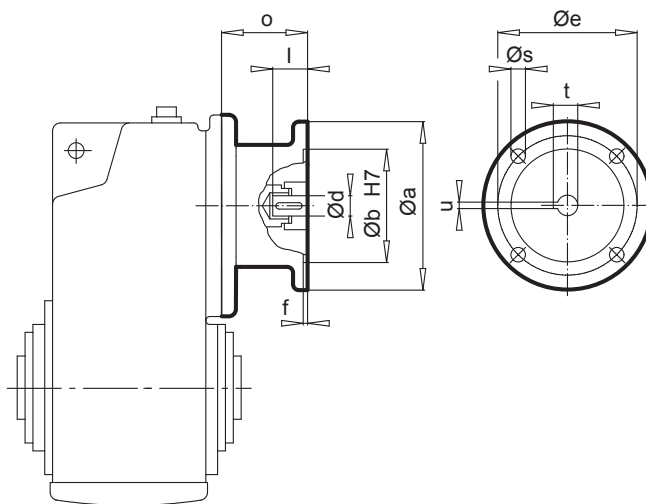


SK ... - W



Type	⇒
SK 4282	D68
SK 5282	D70
SK 6382	D73
SK 8382/42	D85
SK 9382/42	D85
SK 9382/52	D86

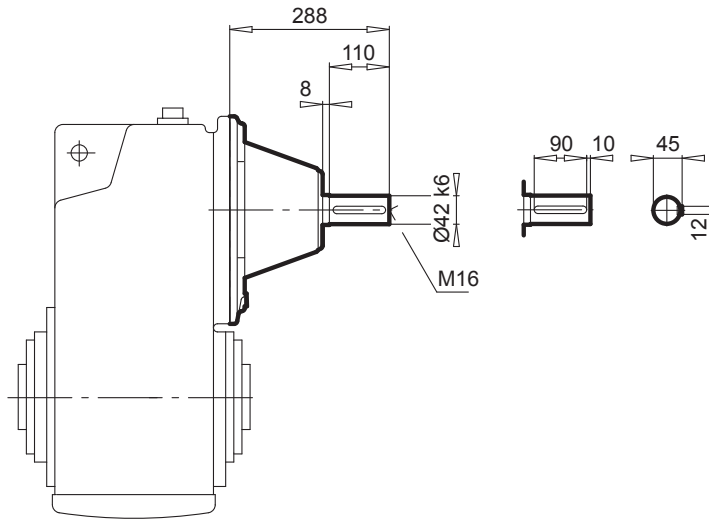
SK ... - IEC ...



IEC	a	b	d	e	f	l	o	s	t	u
90	200	130	24	165	4,0	50	109	M10	27,3	8
100	250	180	28	215	5,0	60	133	M12	31,3	8
112	250	180	28	215	5,0	60	133	M12	31,3	8
132	300	230	38	265	5,0	80	190	M12	41,3	10
160	350	250	42	300	6,0	110	194	M16	45,3	12
180	350	250	48	300	6,0	110	194	M16	51,8	14

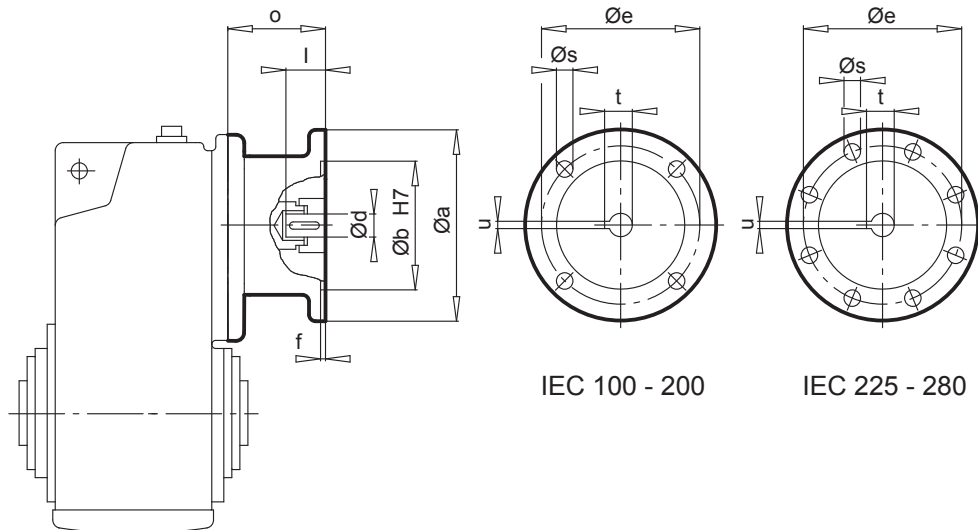


SK ... - W



Type	→
SK 6282	D72
SK 6382	D73
SK 7282	D74
SK 7382	D75
SK 8382	D77
SK 9382	D79

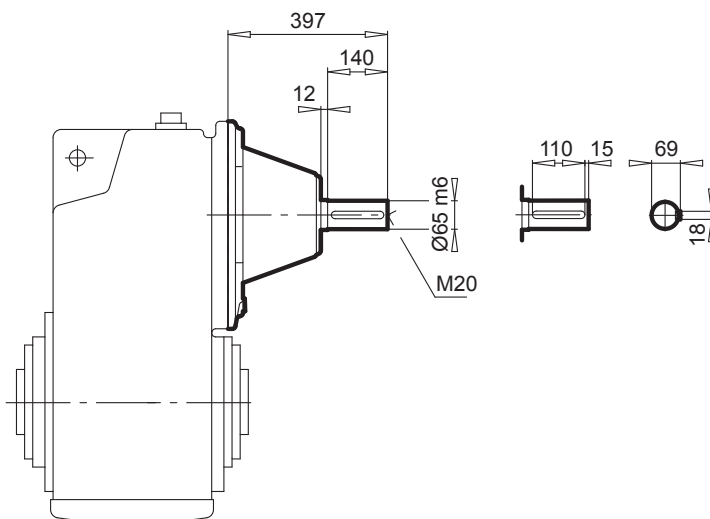
SK ... - IEC ...



IEC	a	b	d	e	f	l	o	s	t	u
100	250	180	28	215	5,0	60	127	M12	31,3	8
112	250	180	28	215	5,0	60	127	M12	31,3	8
132	300	230	38	265	5,0	80	177	M12	41,3	10
160	350	250	42	300	6,0	110	266	M16	45,3	12
180	350	250	48	300	6,0	110	266	M16	51,8	14
200	400	300	55	350	6,0	110	229	M16	59,3	16
225	450	350	60	400	6,0	140	303	M16	64,4	18
250	550	450	65	500	6,0	140	303,5	M16	69,4	18
280	550	450	75	500	6,0	140	303,5	M16	79,9	20

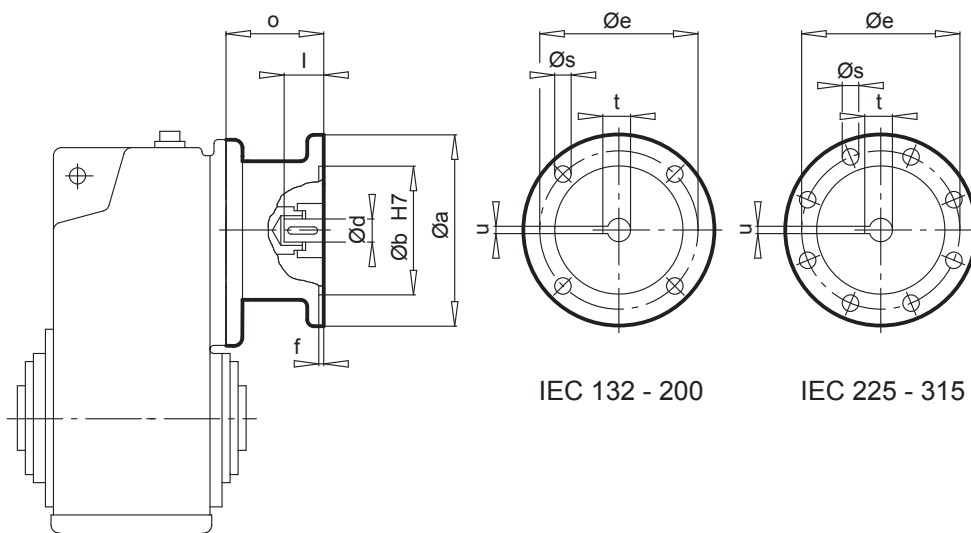


SK ... - W



Type	⇒
SK 8282	D76
SK 8382	D77
SK 9282	D78
SK 9382	D79

SK ... - IEC ...

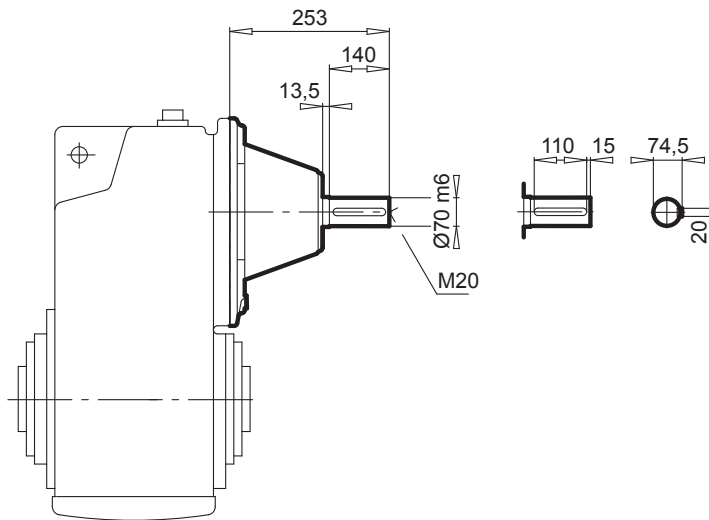


IEC	a	b	d	e	f	l	o	s	t	u
132	300	230	38	265	5,0	80	177	M12	41,3	10
160	350	250	42	300	6,0	110	266	M16	45,3	12
180	350	250	48	300	6,0	110	266	M16	51,8	14
200	400	300	55	350	6,0	110	229	M16	59,3	16
225	450	350	60	400	6,0	140	303	M16	64,4	18
250	550	450	65	500	6,0	140	303,5	M16	69,4	18
280	550	450	75	500	6,0	140	303,5	M16	79,9	20
315	660	550	80	600	7,0	170	381,5	M20	85,4	20

Parallel shaft gear units



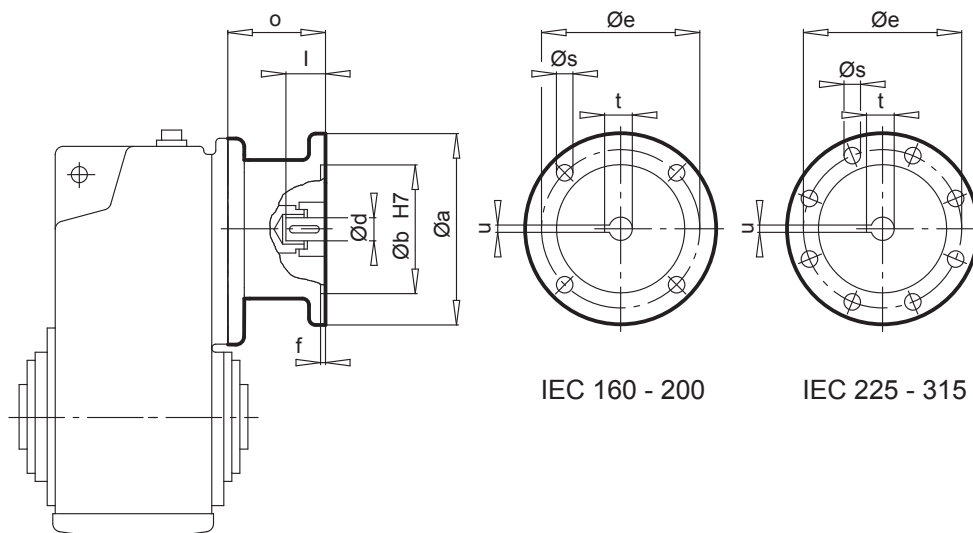
SK ... - W



Type	→
SK 10382.1	D80-81
SK 11382.1	D82-83
SK 12382	D84

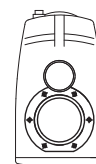
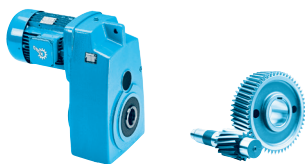
SK ... - IEC ...

Parallel shaft gear units



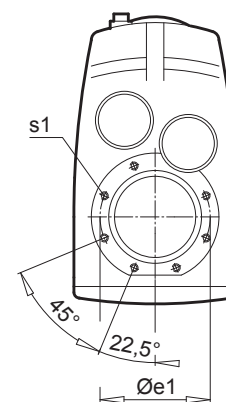
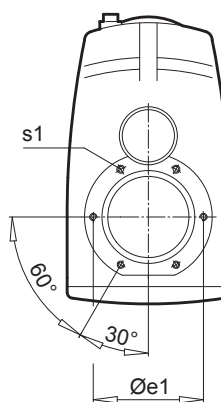
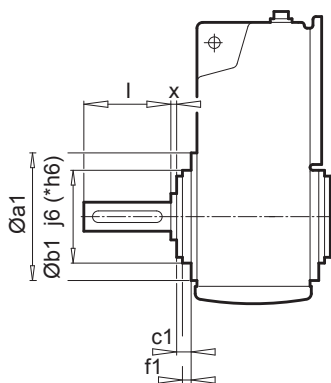
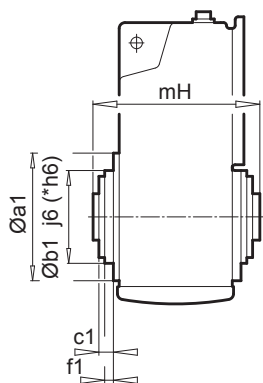
IEC	a	b	d	e	f	l	o	s	t	u
132*	300	230	38	265	5,0	80	177	M12	41,3	10
160	350	250	42	300	6,0	110	266	M16	45,3	12
180	350	250	48	300	6,0	110	266	M16	51,8	14
200	400	300	55	350	6,0	110	229	M16	59,3	16
225	450	350	60	400	6,0	140	303	M16	64,4	18
250	550	450	65	500	6,0	140	303,5	M16	69,4	18
280	550	450	75	500	6,0	140	303,5	M16	79,4	20
315	660	550	80	600	7,0	170	381,5	M20	85,4	22

* IEC 132 not for SK 12382



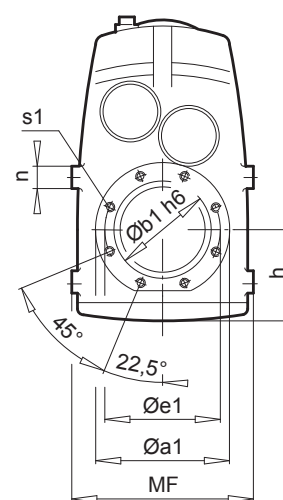
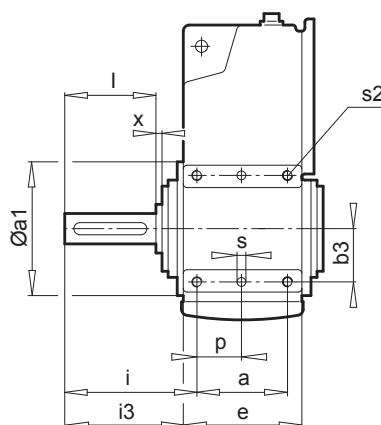
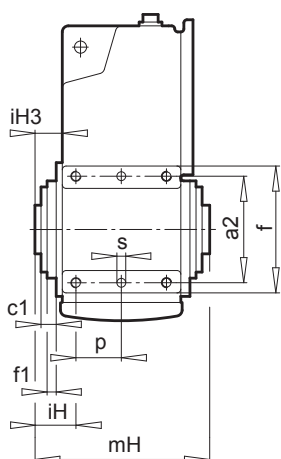
**SK 1282 AZ(VZ) -
SK 5382 AZ(VZ)**

**SK 6282 AZ(VZ) -
SK 8382 AZ(VZ)**

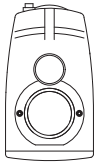


⇒ A61	a1	b1	c1	e1	f1	s1	mH	l	x
SK 1282 .Z	140	95	13	115	6,0	M8 x 13	122	60	4,0
SK 2282 .Z	160	110	12	130	5,0	M8 x 13	139	70	5,0
SK 2382 .Z									
SK 3282 .Z	200	130	7,0	165	7,0	M10 x 16	174	90	6,0
SK 3382 .Z									
SK 4282 .Z	230	160	11	194	5,0	M12 x 20	195	110	7,0
SK 4382 .Z									
SK 5282 .Z	250	180	9,0	215	5,0	M12 x 20	230	130	7,5
SK 5382 .Z									
SK 6282 .Z	300	230	11	265	4,0	M12 x 20	290	140	8,5
SK 6382 .Z									
SK 7282 .Z	350	*250	11	300	5,0	M16 x 25	310	170	6,0
SK 7382 .Z									
SK 8282 .Z	400	*300	13	350	5,0	M16 x 25	366	210	7,0
SK 8382 .Z									

Parallel shaft gear units



⇒ A61	a1	b1	c1	e1	f1	s1	a a2	e f	n p	s s2	h b3	i i3	iH iH3	MF	mH	l x
SK 9282 .Z	450	350	14	400	7,0	M20 x 30	245	306	80	Ø25 x 30	295	315	65	640	430	250
SK 9382 .Z							360	440	122,5	M30 x 45	180	283,5	33,5			10
SK 10382.1 .Z	⇒ D80-81															
SK 11382.1 .Z	⇒ D82-83															

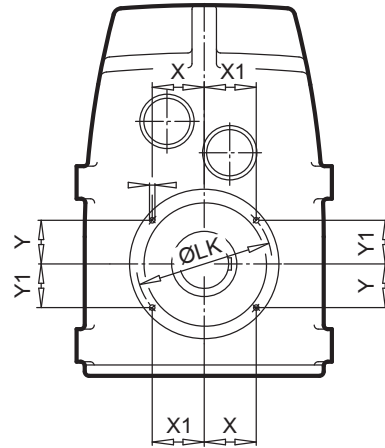
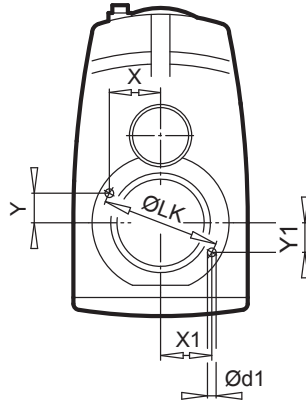
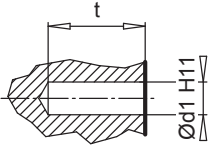


**AZ
VZ**



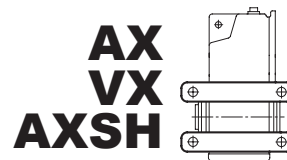
SK 1282 - SK 5382

SK 6282 - SK 12382

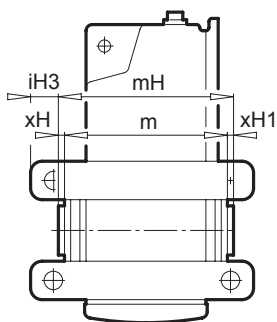


Parallel shaft
gear units

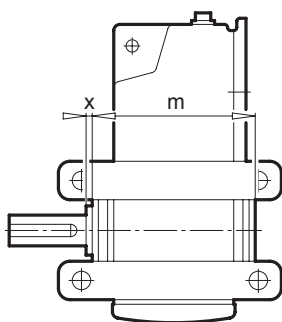
⇒ A61	Ø d1 ^{H11} x t	LK	X	X1	Y	Y1
SK 1282 .Z	8 x 12	115	56,14	56,14	12,45	12,45
SK 2282 .Z	8 x 12	130	62,79	62,79	16,82	16,82
SK 2382 .Z						
SK 3282 .Z	10 x 15	165	80,54	80,54	17,86	17,86
SK 3382 .Z						
SK 4282 .Z	12 x 20	194	93,69	93,69	25,11	25,11
SK 4382 .Z						
SK 5282 .Z	12 x 20	215	104,95	104,95	23,27	23,27
SK 5382 .Z						
SK 6282 .Z	12 x 20	265	111,75	111,75	71,19	71,19
SK 6382 .Z						
SK 7282 .Z	16 x 30	300	126,51	126,51	80,59	80,59
SK 7382 .Z						
SK 8282 .Z	16 x 30	350	147,59	147,59	94,03	94,03
SK 8382 .Z						
SK 9282 .Z	16 x 30	400	168,68	168,68	107,46	107,46
SK 9382 .Z						
SK 10382.1 .Z	25 x 35	500	176,78	204,79	176,78	143,39
SK 11382.1 .Z	25 x 25	500	176,78	204,79	176,78	143,39
SK 12382 .Z	25 x 25	500	176,78	204,79	176,78	143,39



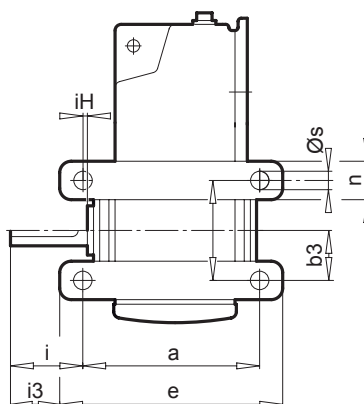
AX



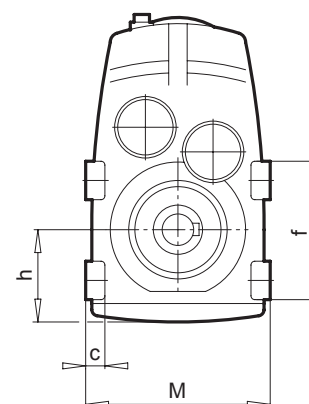
VX



AX / VX



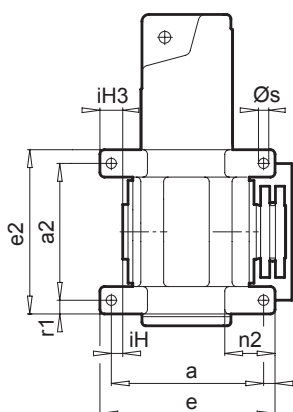
AX / VX



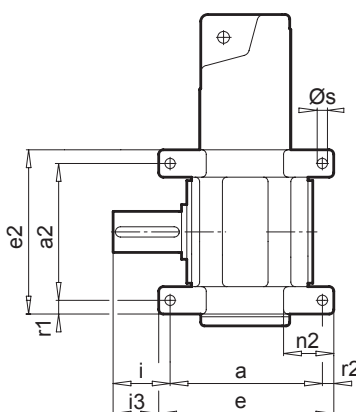
⇒ A61	a	b	c	e	f	n	s	b3	h	i	i3	iH	iH3	m	mH	x	xH	xH1	M
SK 1282 .X	142	80	16	164	110	30	11	43	77	53,0	42,0	7,0	18,0	115	122	4,0	4,0	3,0	170
SK 2282 .X SK 2382 .X	165	80	20	195	116	36	13	49	90	64,5	49,5	5,5	20,5	126	139	5,0	5,0	8,0	200
SK 3282 .X SK 3382 .X	195	125	25	225	165	40	13	62	107	79,0	64,0	11,0	26,0	162	174	6,0	6,0	6,0	236
SK 4282 .X SK 4382 .X	220	125	28	260	170	45	18	73	123	100,5	80,5	9,5	29,5	181	195	7,0	7,0	7,0	280
SK 5282 .X SK 5382 .X	250	175	35	290	220	45	18	90	146	117,5	97,5	12,5	32,5	215	230	7,5	7,5	7,5	320
SK 6282 .X SK 6382 .X	330	195	40	390	265	70	26	101	172	122,5	92,5	26,0	56,0	273	290	8,5	8,5	8,5	360
SK 7282 .X SK 7382 .X	370	215	45	440	305	90	33	113	197	140,0	105,0	30,0	65,0	298	310	6,0	6,0	6,0	424
SK 8282 .X SK 8382 .X	420	240	60	500	350	110	33	124	225	184,0	144,0	26,0	66,0	352	366	7,0	7,0	7,0	500

Parallel shaft gear units

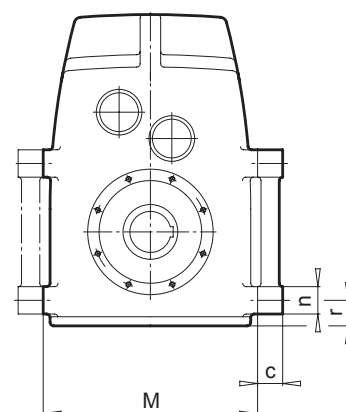
AXSH



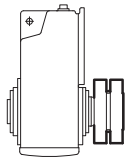
VX



AXSH / VX



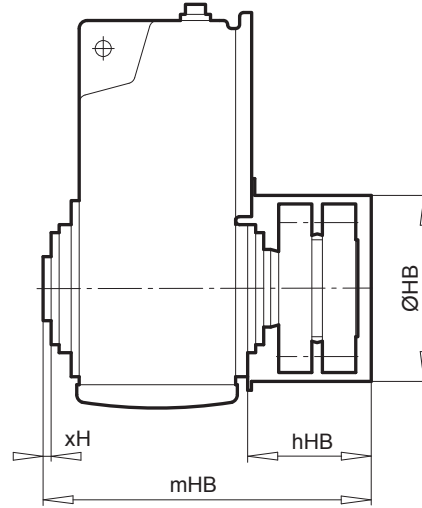
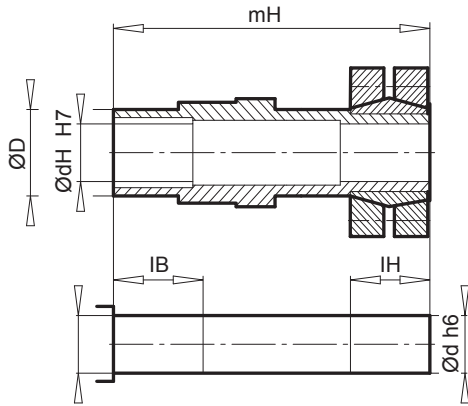
⇒ A61	a	a2	c	e	e2	n	n2	r	r1	r2	s	i	i3	iH	iH3	M
SK 9282 .X SK 9382 .X	470	360	70	570	460	100	190	115	50	50	45	225	175	25	75	640
SK 10382.1 .X	450	420	100	530	530	110	170	116	55	40	39	313	273	13	27	680
SK 11382.1 .X	500	600	170	600	720	120	200	91	60	50	45	308	258	8	42	820
SK 12382 .X	500	600	110	600	720	120	200	112	60	50	45	303	253	3	47	940



AVSH

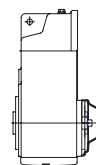


SK ... AVSH → A32

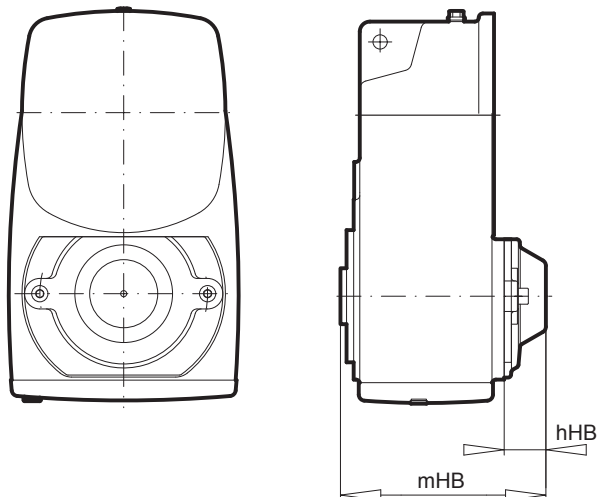


Parallel shaft
gear units

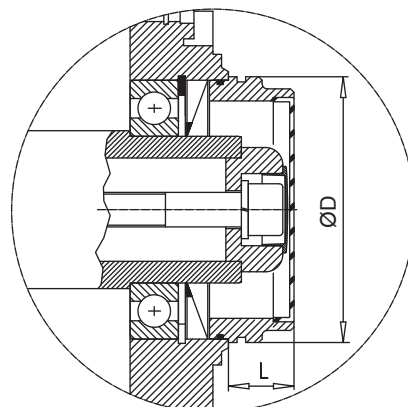
⇒ A61	D	dH	d	IB	IH	mH	xH	hHB	HB	mHB
SK 7282 AVSH SK 7382 AVSH	110	85	85	56	120	429	6,0	147	258	446
SK 8282 AVSH SK 8382 AVSH	130	100	100	71,5	149	510	7,0	198	306	544
SK 9282 AVSH SK 9382 AVSH	160	130	130	82	182	607	10,0	235	364	631
SK 11382.1 AVSH	240	180	180	101,5	195	755	10,0	255	455	783



SK ... AH SK ... AZH



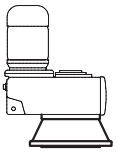
SK ... AH 66 SK ... AZH 66



⇒ A61		hHB	LK
SK 1282	AH AZH	31	150
SK 2282	AH AZH	43	174
SK 2382	AH AZH		
SK 3282	AH AZH	45	213
SK 3382	AH AZH		
SK 4282	AH AZH	45	233
SK 4382	AH AZH		
SK 5282	AH AZH	53	276
SK 5382	AH AZH		
SK 6282	AH AZH	53	335
SK 6382	AH AZH		
SK 7282	AH AZH	53	357
SK 7382	AH AZH		
SK 8282	AH AZH	70	416
SK 8382	AH AZH		
SK 9282	AH AZH	84	480
SK 9382	AH AZH		
SK 10382.1	AZH	58	556
SK 11382.1	AZH	58	586
SK 12382	AZH	58	586

⇒ A61		Ø D	b
SK 1282	AH66 AZH66	80	25
SK 2282	AH66 AZH66	56	38
SK 3282	AH66 AZH66	104	35
SK 4282	AH66 AZH66	104	34
SK 5282	AH66 AZH66	154	38
SK 6282	AH66 AZH66	188	44
SK 7282	AH66 AZH66	215	35
SK 8282	AH66 AZH66	245	50

Parallel shaft
gear units

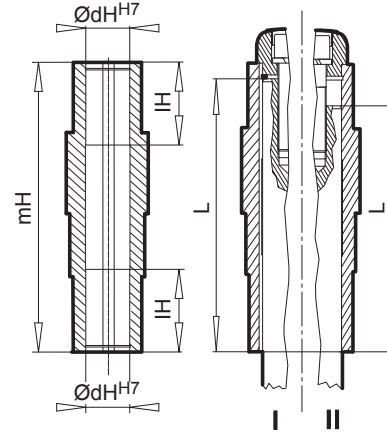
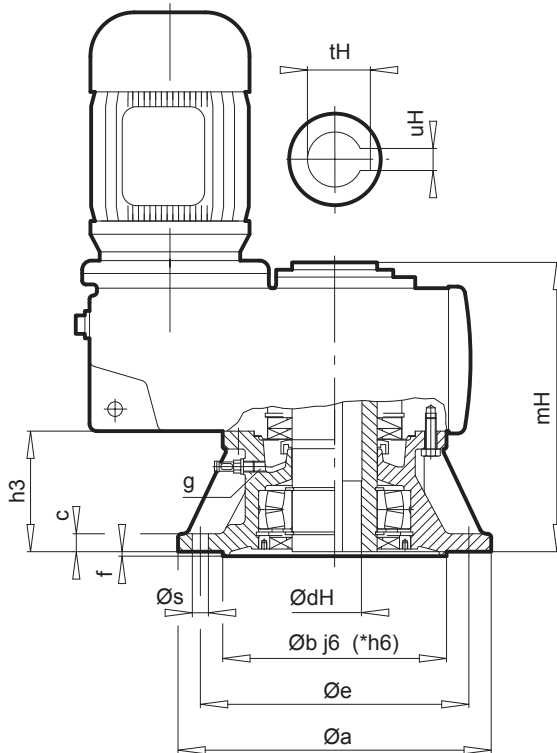


AF(B)VL2 AF(B)VL3



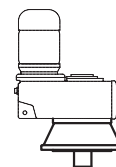
SK ... AFVL → A38

SK ... AF(B)VL

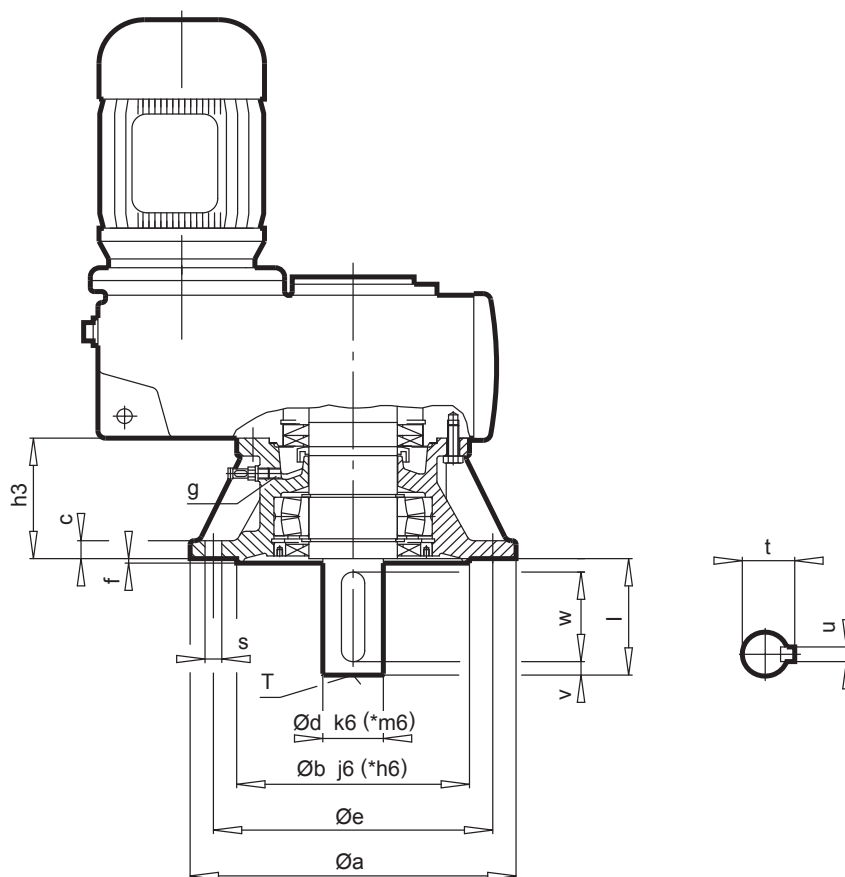


Parallel shaft
gear units

→ A61	a	b	c	e	f	h3	s	g	dH	uH	tH	mH	dH ^{H7}	IH	L I	L II
SK 1282 AF..	200	130	12	165	3,5	75	4 x 11	M12 x 1,5	30	8	33,3	180	30	40	173,5	158
SK 2282 AF.. SK 2382 AF..	250	180	16	215	4,0	86	4 x 14	M12 x 1,5	35	10	38,3	208	35	50	200,25	179
SK 3282 AF.. SK 3382 AF..	300	230	20	265	4,0	85	4 x 14	M12 x 1,5	40	12	43,3	246	40	58	236	212
SK 4282 AF.. SK 4382 AF..	300	230	20	265	4,0	113	4 x 14	M12 x 1,5	50	14	53,8	290	50	65	279,5	255
SK 5282 AF.. SK 5382 AF..	350	*250	20	300	5,0	135	4 x 18	M12 x 1,5	60	18	64,4	348	60	79	336	303
SK 6282 AF.. SK 6382 AF..	400	*300	22	350	5,0	166	4 x 18	M24 x 1,5	70	20	74,9	437	70	120	425	392
SK 7282 AF.. SK 7382 AF..	450	*350	24	400	5,0	184	8 x 18	M24 x 1,5	80	22	85,4	477	80	126	464	417
SK 8282 AF.. SK 8382 AF..	550	*450	28	500	5,0	210	8 x 18	M30 x 2,0	100	28	106,4	556	100	154	542	500
SK 9282 AF.. SK 9382 AF..	660	*550	32	600	6,0	262	8 x 22	M30 x 2,0	120	32	127,4	668	120	186	653	608



SK ... VFVL → A38



Parallel shaft gear units

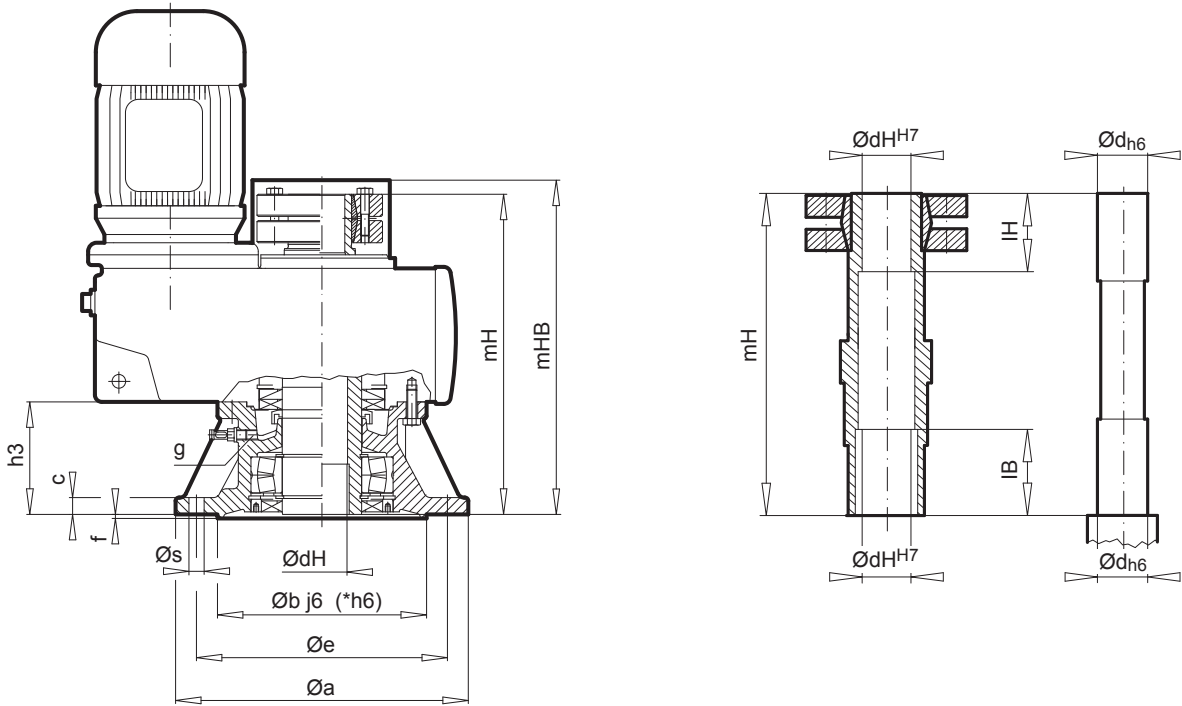
⇒ A61	a	b	c	e	f	h3	s	g	d	l	t	u	v	w	T
SK 1282 VF.. SK 1382 VF..	200	130	12	165	3,5	75	4 x 11	M12 x 1,5	30	60	33,0	8	5	50	M10
SK 2282 VF.. SK 2382 VF..	250	180	16	215	4,0	86	4 x 14	M12 x 1,5	35	70	38,0	10	5	60	M12
SK 3282 VF.. SK 3382 VF..	300	230	20	265	4,0	85	4 x 14	M12 x 1,5	45	90	48,5	14	5	80	M16
SK 4282 VF.. SK 4382 VF..	300	230	20	265	4,0	113	4 x 14	M12 x 1,5	*55	110	59,0	16	10	90	M20
SK 5282 VF.. SK 5382 VF..	350	*250	20	300	5,0	135	4 x 18	M12 x 1,5	*65	130	69,0	18	15	100	M20
SK 6282 VF.. SK 6382 VF..	400	*300	22	350	5,0	166	4 x 18	M24 x 1,5	*75	140	79,5	20	7,5	125	M20
SK 7282 VF.. SK 7382 VF..	450	*350	24	400	5,0	184	8 x 18	M24 x 1,5	*90	170	95,0	25	15	140	M24
SK 8282 VF.. SK 8382 VF..	550	*450	28	500	5,0	210	8 x 18	M30 x 2,0	*110	210	116,0	28	15	180	M24
SK 9282 VF.. SK 9382 VF..	660	*550	32	600	6,0	262	8 x 22	M30 x 2,0	*140	250	148,0	36	25	200	M24
SK 10382.1 VF..	660	*550	35	600	8,0	302	8 x 26	M30 x 2,0	*160	300	169,0	40	25	250	M24
SK 11382.1 VF..	660	*550	35	600	8,0	302	8 x 26	M30 x 2,0	*180	300	190,0	45	25	250	M24
SK 12382 VF..	660	*550	35	600	8,0	302	8 x 26	M30 x 2,0	*180	300	190,0	45	25	250	M24



AFSVL2 AFSVL3

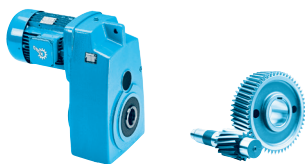


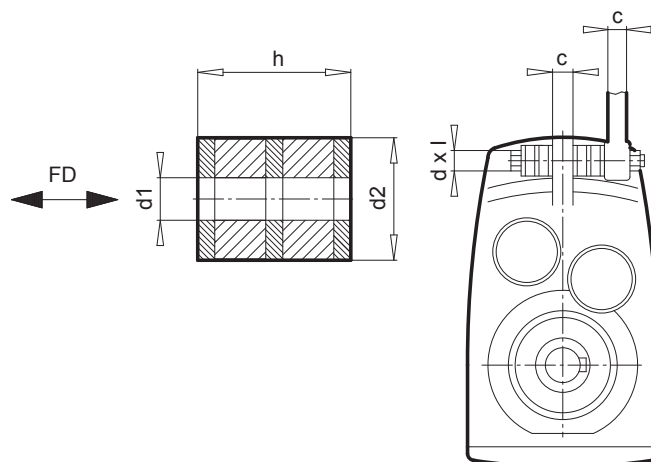
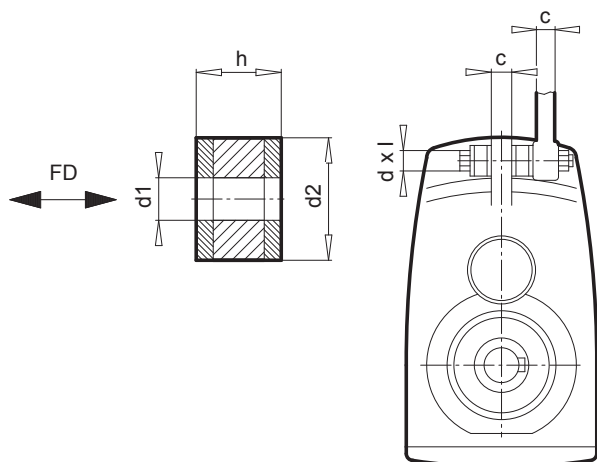
SK ... AFSVL → A38



Parallel shaft
gear units

⇒ A61	a	b	c	e	f	h3	s	g	dH / d	mH	mHB	IB	IH
SK 1282 AFS..	200	130	12	165	3,5	75	4 x 11	M12 x 1,5	30	220	232	31	40
SK 2282 AFS.. SK 2382 AFS..	250	180	16	215	4,0	86	4 x 14	M12 x 1,5	35	264	283	41	45
SK 3282 AFS.. SK 3382 AFS..	300	230	20	265	4,0	85	4 x 14	M12 x 1,5	40	297	316	41	55
SK 4282 AFS.. SK 4382 AFS..	300	230	20	265	4,0	113	4 x 14	M12 x 1,5	50	356	371	51	55
SK 5282 AFS.. SK 5382 AFS..	350	*250	20	300	5,0	135	4 x 18	M12 x 1,5	60	413	435,5	60	70
SK 6282 AFS.. SK 6382 AFS..	400	*300	22	350	5,0	166	4 x 18	M24 x 1,5	70	517	538	71	85
SK 7282 AFS.. SK 7382 AFS..	450	*350	24	400	5,0	184	8 x 18	M24 x 1,5	80	562	580	81	90
SK 8282 AFS.. SK 8382 AFS..	550	*450	28	500	5,0	210	8 x 18	M30 x 2,0	100	645	670	71	95
SK 9282 AFS.. SK 9382 AFS..	660	*550	32	600	6,0	262	8 x 22	M30 x 2,0	125	773	794	82	110
SK 10382.1 AFS..	660	*550	35	600	8,0	302	8 x 26	M30 x 2,0	160	944	967	122	130
SK 11382.1 AFS..	660	*550	35	600	8,0	302	8 x 26	M30 x 2,0	180	958	997	101	110
SK 12382 AFS..	660	*550	35	600	8,0	302	8 x 26	M30 x 2,0	180	1129	1166	101	269


SKG → A29

SKVG → A29


⇒ A61	d1	d2	h	c	d x l	FD [kN]	s _{FD} [mm]
SK 1282 ..G	11,0	30	15	14	M10 x 80	1,79	2,8
SK 2282 ..G SK 2382 ..G	12,5	40	15	16	M12 x 90	2,67	1,8
SK 3282 ..G SK 3382 ..G	12,5	40	15	18	M12 x 90	4,16	2,9
SK 4282 ..G SK 4382 ..G	21,0	60	30	22	M20 x 150	7,39	7,3
SK 5282 ..G SK 5382 ..G	21,0	60	30	28	M20 x 150	9,49	9,4
SK 6282 ..G SK 6382 ..G	25,0	80	40	35	M24 x 190	16,81	9,2
SK 7282 ..G SK 7382 ..G	25,0	80	40	40	M24 x 200	20,80	11,4
SK 8282 ..G SK 8382 ..G	31,0	100	50	50	M30 x 260	28,39	16,3
SK 9282 ..G SK 9382 ..G	31,0	100	50	55	M30 x 260	43,49	24,9


⇒ A61	d1	d2	h	c	d x l	FD [kN]	s _{FD} [mm]
SK 7282 ..VG SK 7382 ..VG	25,0	85	60	40	M24 x 240	20,80	12,2
SK 8282 ..VG SK 8382 ..VG	31,0	110	90	50	M30 x 340	28,39	19,3
SK 9282 ..VG SK 9382 ..VG	31,0	140	110	55	M30 x 380	43,49	21,2
SK 10382.1 ..VG	31,0	140	110	80	M30 x 430	56,36	27,4
SK 11382.1 ..VG	49,0	180	150	90	M48 x 550	80,89	38,5
SK 12382 ..VG	49,0	180	150	90	M48 x 550	105,51	50,2

Parallel shaft gear units

Enquiry form





This general enquiry form can be found in the attachment as well as on the **NORD** homepage under www.nord.com - Heading DOCUMENTATION / FORMS.



General enquiry form


Company	<input style="width: 100%;" type="text"/>		
Street	<input style="width: 100%;" type="text"/>		
Town	<input style="width: 60%;" type="text"/>	Post-code	<input style="width: 20%;" type="text"/>
Contact	<input style="width: 100%;" type="text"/>		
Tel.:	<input style="width: 60%;" type="text"/>	Customer No.	<input style="width: 20%;" type="text"/>
Fax:	<input style="width: 60%;" type="text"/>	Application	<input style="width: 20%;" type="text"/>
Email	<input style="width: 60%;" type="text"/>	Project	<input style="width: 20%;" type="text"/>

NORD DRIVESYSTEMS
 Rudolf-Diesel-Straße 1
 D-22941 Bargteheide
 Tel.: +49(0) 4532/401-0
 Fax: +49(0)4532/401-254
 E-Mail info@nord.com
www.nord.com


Components required	
<input type="radio"/> Gear unit motor	<input type="radio"/> IEC – Gear unit motor
<input type="radio"/> Gear unit with free shaft end	<input type="radio"/> Stand-alone motor

Quantity	<input style="width: 60%;" type="text"/>	Type	<input style="width: 20%;" type="text"/>
----------	--	------	--



Parameters specific to the gear unit	Parameters specific to gear unit
Version <input style="width: 40%;" type="text"/>	Gear ratio <input style="width: 40%;" type="text"/>
Flange <input type="radio"/> B14 <input type="radio"/> B5 ϕ <input style="width: 40%;" type="text"/> [mm]	Bearings <input type="radio"/> Normal <input type="radio"/> VL <input type="radio"/> VL2 <input type="radio"/> VL3 <input type="radio"/> AL
<input type="radio"/> Hollow shaft <input type="radio"/> Solid shaft ϕ <input style="width: 20%;" type="text"/> x <input style="width: 20%;" type="text"/> [mm]	For bevel gear or worm gear units Shaft at <input type="radio"/> A <input type="radio"/> B
Output speed at mains frequency n_2 <input style="width: 40%;" type="text"/> [min ⁻¹]	<input type="radio"/> Mineral <input type="radio"/> Synthetic <input type="radio"/> Foodstuff-compatible oil
Output torque M_2 <input style="width: 40%;" type="text"/> [Nm]	Oil type <input type="radio"/> Special oil type <input style="width: 40%;" type="text"/>
Min. operating factor f_b <input style="width: 40%;" type="text"/>	Parameters specific to motor
Min. bearing life L_h <input style="width: 40%;" type="text"/> [h]	Effective motor power <input style="width: 40%;" type="text"/> [kW]
Radial forces on output shaft F_{R2} <input style="width: 40%;" type="text"/> [N]	Motor speed n_1 <input style="width: 40%;" type="text"/> [min ⁻¹]
Axial forces on output shaft F_{A2} <input style="width: 40%;" type="text"/> [N]	Temperature sensor (PTC) <input type="radio"/> Bi-metal temperature monitor <input type="radio"/>
Dist. from shaft collar to point of action of force <input style="width: 40%;" type="text"/> [mm]	Mains voltage <input style="width: 20%;" type="text"/> [V] +/- <input style="width: 20%;" type="text"/> [%]
	Mains frequency <input style="width: 40%;" type="text"/> [Hz]

Page 1 of 2



Outline conditions	
Ambient temperatures	<input style="width: 40%;" type="text"/> from <input style="width: 20%;" type="text"/> [°C]
<input type="checkbox"/> Buffer mounting for travelling drives	<input style="width: 40%;" type="text"/> [Nm]
<input type="checkbox"/> Relative humidity	<input style="width: 40%;" type="text"/> [%]
<input type="checkbox"/> Exposure to direct sunlight	
<input type="checkbox"/> Aggressive media (e.g.: salty air)	
<input type="checkbox"/> Increased installation altitude	<input style="width: 40%;" type="text"/> [m]
<input type="checkbox"/> Precipitation	
<input type="checkbox"/> ATEX (explosive mixtures in the vicinity)	Zone <input style="width: 20%;" type="text"/>

Painting	
<input type="radio"/> Not painted	
<input type="radio"/> Paint 1.0 - Primer	
<input type="radio"/> Paint 2.0 - standard	
<input type="radio"/> Paint 3.0 - normal environmental contamination	
<input type="radio"/> Paint 3.1 - moderate environmental contamination	
<input type="radio"/> Paint 3.2 - severe environmental contamination	
<input type="radio"/> Other painting (e.g.: Z, 3.4 or 3.5)	<input style="width: 40%;" type="text"/>
<input type="checkbox"/> Special colour (Standard RAL7031)	RAL <input style="width: 20%;" type="text"/>
<input type="checkbox"/> Regulations DIN EN, etc., please state	<input style="width: 40%;" type="text"/>

General conditions	
Quote by	<input style="width: 40%;" type="text"/>
Purchasing conditions	known <input type="radio"/> not known <input type="radio"/>
Purchasing conditions attached	<input type="checkbox"/>
Delivery time after receipt of order	<input style="width: 40%;" type="text"/>
Delivery carriage paid	<input type="checkbox"/>

Control cabinet inverter Motor-mounted inverter

Adjustment range from [Hz] to [Hz]

Constant torque within adjustment range [Nm]

External fan

Increase in motor size (with constant torque)

Positioning Incremental Absolute

Speed feedback

Generator operation for power feedback [kW]

Bus system- type of bus system

Control via PC Control box

Comments

Page 2 of 2

Helical-bevel gear units

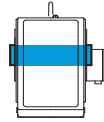
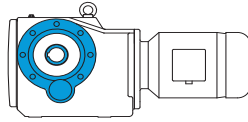
Examples: Available versions - bevel geared motor

With hollow shaft

With solid shaft

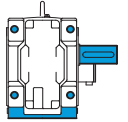
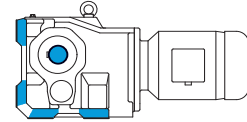
SK 9032.1 AZ - 90 SP/4

Hollow shaft, B14 flange at A and B, three-stage,



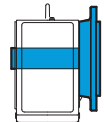
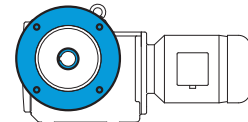
SK 9032.1 - 90 SP/4

Foot-mounted housing, Solid shaft at A, three-stage



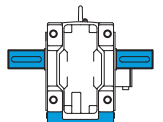
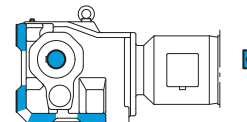
SK 9032.1 AF - 90 SP/4

Hollow shaft, B5 flange at A, three-stage,



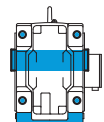
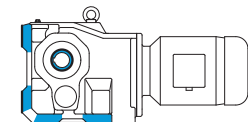
SK 9032.1 LX - 90 SP/4

Foot-mounted housing, Solid shaft at A and B, three-stage



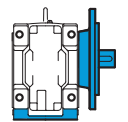
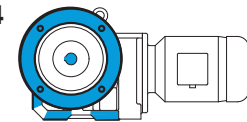
SK 9032.1 AX - 90 LP/4

Foot-mounted housing, hollow shaft, three-stage,



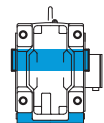
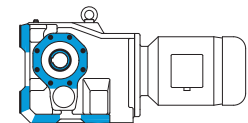
SK 9032.1 VXF - 90 LP/4

Foot-mounted housing, Solid shaft at A and B, B5 flange, three-stage,



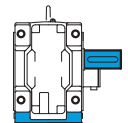
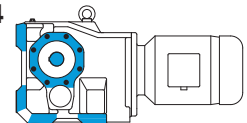
SK 9032.1 AXZ - 90 LP/4

Foot-mounted housing, hollow shaft shaft, B14 flange at A and B, three-stage,



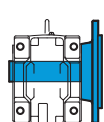
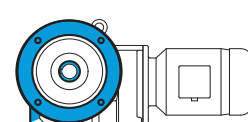
SK 9032.1 VXZ - 90 LP/4

Foot-mounted housing, Solid shaft at A, B14 flange at A and B, three-stage,



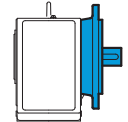
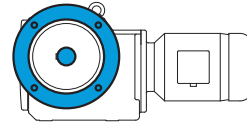
SK 9032.1 AXF - 90 LP/4

Foot-mounted housing, hollow shaft shaft, B5 flange at A, three-stage,



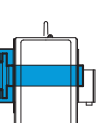
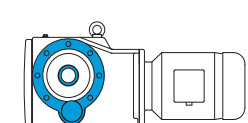
SK 9032.1 VF - 90 LP/4

Solid shaft at A, B5 flange at A, three-stage,



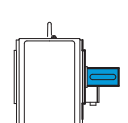
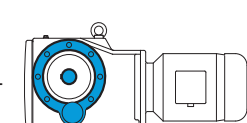
SK 9032.1 AZSH - 90 LP/4

Hollow shaft, B14 flange at A and B, shrink disk at B, three-stage,



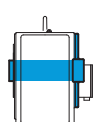
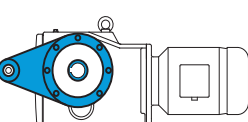
SK 9032.1 VZ - 90 LP/4

Solid shaft at A, B14 flange at A and B, solid shaft, three-stage,



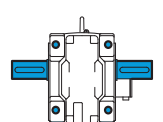
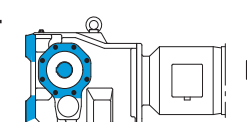
SK 9032.1 AZD - 90 LP/4

Hollow shaft, torque support at A, three-stage,



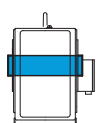
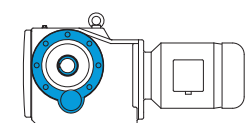
SK 9032.1 LXZ - 90 LP/4

Foot-mounted housing, Solid shaft at A and B, B14 flange at A and B, three-stage,

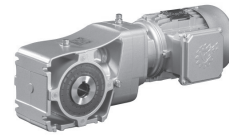
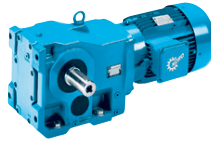


SK 9032.1 AZK - 90 LP/4

Hollow shaft, torque bracket, three-stage,



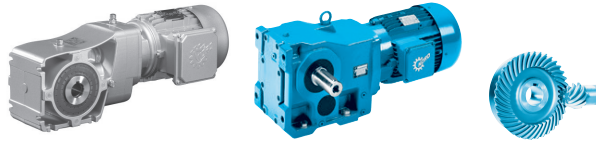
0,12 kW




P_1 [kW]	n_2 [min ⁻¹]	M_2 [Nm]	f_B	i_{ges}	F_R [kN]	F_A [kN]	$F_{R VL}$ [kN]	$F_{A VL}$ [kN]	Type	kg	mm
0,12	1,0	1169	1,3	1361,37	11,6	14,5	15,0	30,0	SK 9033.1 - 63 S/4	70	E94-95
	1,2	987	1,6	1149,80	12,8	14,5	15,0	30,0			
	1,5	750	2,1	873,65	13,9	14,5	15,0	30,0			
	1,9	594	2,6	691,55	14,4	14,5	15,0	30,0			
	2,5	463	3,3	539,10	14,7	14,5	15,0	30,0			
	1,2	962	0,9	1120,38	0,1	12,0	7,7	25,0	SK 9023.1 - 63 S/4	47	E90-91
	1,4	817	1,1	951,94	3,2	12,0	9,5	25,0			
	1,8	647	1,3	753,86	6,3	12,0	10,9	25,0			
	2,0	582	1,5	678,31	7,0	12,0	11,4	25,0			
	2,4	482	1,8	561,55	7,8	12,0	11,9	25,0			
	2,8	406	2,1	472,43	8,3	12,0	12,0	25,0			
	3,9	291	3,0	339,41	8,9	12,0	12,0	25,0			
	3,1	367	2,2	276,86	8,6	12,0	12,0	25,0	SK 9022.1 - 63 L/6	42	E88-89
	1,1	*762	0,8	1256,07	5,2	20,0	9,0	20,0	SK 9017.1 - 63 S/4	40	E86-87
	2,1	540	1,1	629,56	7,9	20,0	9,0	20,0			
	2,4	479	1,3	558,25	8,4	20,0	9,0	20,0			
	2,7	423	1,4	493,12	8,8	20,0	9,0	20,0			
	3,6	315	1,9	367,33	9,0	20,0	9,0	20,0			
	3,1	368	1,6	277,84	9,0	20,0	9,0	20,0	SK 9016.1 - 63 L/6	35	E84-85
	3,7	311	1,9	234,64	9,0	20,0	9,0	20,0			
	4,2	273	2,2	205,93	9,0	20,0	9,0	20,0			
	4,8	239	2,5	277,84	9,0	20,0	9,0	20,0	SK 9016.1 - 63 S/4	35	E84-85
	5,7	201	2,9	234,64	9,0	20,0	9,0	20,0			
	1,1	*500	0,8	1256,07	3,3	20,0	7,7	20,0	SK 9013.1 - 63 S/4	39	E82-83
	1,6	*500	0,8	847,07	3,3	20,0	7,7	20,0			
	2,0	*500	0,8	667,89	3,3	20,0	7,7	20,0			
	2,3	*500	0,8	589,96	3,3	20,0	7,7	20,0			
	3,0	377	1,1	439,46	5,4	20,0	8,8	20,0			
	4,2	275	1,5	320,60	6,3	20,0	9,0	20,0			
	4,7	242	1,7	281,92	6,6	20,0	9,0	20,0			
	6,3	183	2,2	212,83	6,9	20,0	9,0	20,0			
	7,5	153	2,6	177,88	7,0	20,0	9,0	20,0			
	2,6	440	0,9	332,37	4,5	20,0	8,3	20,0			
	3,1	372	1,1	280,71	5,4	20,0	8,8	20,0			
	3,5	326	1,2	246,37	5,9	20,0	9,0	20,0			
	4,2	273	1,5	205,93	6,3	20,0	9,0	20,0			
	4,0	285	1,4	332,37	6,3	20,0	9,0	20,0	SK 9012.1 - 63 S/4	34	E80-81
	4,8	241	1,7	280,71	6,6	20,0	9,0	20,0			
	5,4	211	1,9	246,37	6,7	20,0	9,0	20,0			
	6,5	177	2,3	205,93	6,9	20,0	9,0	20,0			
	8,0	143	2,8	166,59	7,0	20,0	9,0	20,0			
	9,5	121	3,3	140,70	7,1	20,0	9,0	20,0			
	11	106	3,8	123,48	7,1	20,0	9,0	20,0			
	14	84	4,8	97,36	7,2	20,0	9,0	20,0			
	16	74	5,4	86,00	7,2	20,0	9,0	20,0			
	17	66	6,1	76,53	7,2	20,0	9,0	20,0			
	21	54	7,4	62,74	7,2	20,0	9,0	20,0			
	24	47	8,4	55,17	7,2	20,0	9,0	20,0			
	27	42	9,5	48,95	7,2	20,0	9,0	20,0			
	32	36	11,2	41,65	7,3	20,0	9,0	20,0			
	38	30	13,4	34,81	7,3	20,0	9,0	20,0			
	42	27	14,8	31,45	7,3	20,0	9,0	20,0			
	48	24	16,9	27,65	7,3	20,0	9,0	20,0			
	54	21	19,0	24,53	7,3	20,0	9,0	20,0			
	64	18	22,3	20,87	7,3	20,0	9,0	20,0			
	77	15	25,4	17,45	7,3	19,3	9,0	19,3			
	87	13	28,9	15,30	7,3	18,6	9,0	18,6			
	109	10	21,0	12,23	7,3	17,4	9,0	17,4			
	123	9	21,5	10,85	7,3	16,8	9,0	16,8			
	145	8	24,6	9,23	7,3	16,0	9,0	16,0			
	165	7	25,9	8,09	7,3	15,4	9,0	15,4			

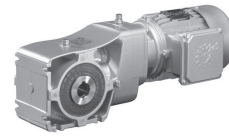
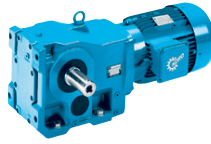
* Maximum output torque with $f_B = 0,8$

Helical-bevel gear units



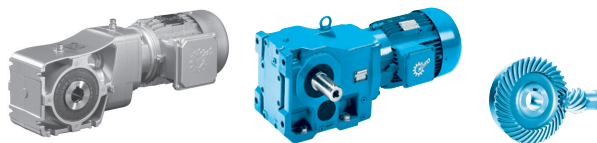
P ₁ [kW]	n ₂ [min ⁻¹]	M ₂ [Nm]	f _B	i _{ges}	F _R [kN]	F _A [kN]	F _{R VL} [kN]	F _{A VL} [kN]	Type	kg	mm 																																																																																																																																																																																																																																																																																																																																																																																																																																																																																																																											
0,12	24	48	3,3	55,49	6,6	15,0	-	-	SK 92372.1 - 63 S/4	16	E64-65																																																																																																																																																																																																																																																																																																																																																																																																																																																																																																																											
	27	42	3,3	49,46	6,6	15,0	-	-				0,12	19	60	1,2	70,00	4,9	12,0	-	-	SK 92172.1 - 63 S/4	11	E62-63	21	55	1,2	63,78	4,9	12,0	-	-	24	48	1,2	56,00	4,9	12,0	-	-	29	40	2,3	46,43	4,9	12,0	-	-	32	36	2,8	42,30	4,9	12,0	-	-	34	33	2,8	38,75	4,9	12,0	-	-	36	32	2,8	37,14	4,9	12,0	-	-	38	30	3,6	35,31	4,9	12,0	-	-	43	27	4,1	31,00	4,9	12,0	-	-	47	24	4,5	28,24	4,9	12,0	-	-	47	24	4,5	28,24	4,9	12,0	-	-	54	21	5,6	24,80	4,9	12,0	-	-	54	21	5,6	24,80	4,9	12,0	-	-	65	18	5,9	20,67	4,9	12,0	-	-	65	18	5,9	20,67	4,9	12,0	-	-	88	13	7,1	15,23	4,9	12,0	-	-	96	12	9,1	13,87	4,9	12,0	-	-	0,12	22	53	1,1	61,88	5,0	9,0	-	-	SK 92072.1 - 63 S/4	9,5	E60-61	25	46	1,1	53,78	5,0	9,0	-	-	28	41	1,1	47,67	5,0	9,0	-	-	33	35	1,7	40,98	5,0	9,0	-	-	37	31	2,1	35,62	5,0	9,0	-	-	42	27	2,4	31,57	5,0	9,0	-	-	49	23	2,8	27,16	5,0	9,0	-	-	55	21	3,8	24,07	5,0	9,0	-	-	64	18	4,5	20,80	5,0	9,0	-	-	72	16	3,8	18,52	5,0	9,0	-	-	83	14	4,8	16,00	5,0	9,0	-	-	104	11	5,4	12,78	5,0	9,0	-	-	120	10	6,8	11,11	5,0	9,0	-	-	136	8	9,0	9,85	5,0	9,0	-	-	154	7	9,9	8,67	5,0	9,0	-	-	176	7	11,1	7,58	5,0	9,0	-	-	200	6	11,9	6,67	5,0	9,0	-	-	229	5	14,4	5,83	5,0	9,0	-	-	258	4	15,1	5,17	4,8	9,0	-	-	287	4	16,3	4,65	4,6	8,8	-	-	336	3	19,9	3,97	4,4	8,4	-	-	373	3	21,5	3,58	4,3	8,1	-	-	0,18	1,0	1721	0,9	1361,37	4,5	14,5	15,0	30,0	SK 9033.1 - 63 L/4	70	E94-95	1,2	1453	1,1	1149,80	9,0	14,5	15,0	30,0	1,6	1104	1,4	873,65	12,1	14,5	15,0	30,0	2,0	874	1,8	691,55	13,3	14,5	15,0	30,0	2,5	681	2,3	539,10	14,1	14,5	15,0	29,2	3,4	504	3,1	398,77	14,6	14,5	15,0	27,2	3,9	445	3,5	352,25	14,8	14,5	15,0	26,4	5,1	338	4,6	267,65	15,0	14,5	15,0	24,6	0,18	1,8	953	0,9	753,86	0,1	12,0	7,9	25,0	SK 9023.1 - 63 L/4	47	E90-91	2,0	857	1,0	678,31	1,4	12,0	9,1	25,0	2,4	710	1,2	561,55	5,4	12,0	10,5	25,0	2,9	597	1,4	472,43	6,8	12,0	11,3	25,0	4,0	429	2,0	339,41	8,2	12,0	12,0	25,0	4,6	376	2,3	297,67	8,5	12,0	12,0	24,6	3,3	523	1,5	276,86	7,5	12,0	11,7	25,0	SK 9022.1 - 71 S/6	43	E88-89	0,18	2,2	796	0,8	629,56	4,5	20,0	9,0	20,0	SK 9017.1 - 63 L/4	40	E86-87	2,4	706	0,9	558,25	6,1	20,0	9,0	20,0	2,8	623	1,0	493,12	7,1	20,0	9,0	20,0	3,7	464	1,3	367,33	8,5	20,0	9,0	20,0	5,1	339	1,8	267,99	9,0	20,0	9,0	20,0	5,8	298	2,0	235,64	9,0	20,0	9,0	20,0	7,6	225	2,5	177,89
0,12	19	60	1,2	70,00	4,9	12,0	-	-	SK 92172.1 - 63 S/4	11	E62-63																																																																																																																																																																																																																																																																																																																																																																																																																																																																																																																											
	21	55	1,2	63,78	4,9	12,0	-	-																																																																																																																																																																																																																																																																																																																																																																																																																																																																																																																														
	24	48	1,2	56,00	4,9	12,0	-	-																																																																																																																																																																																																																																																																																																																																																																																																																																																																																																																														
	29	40	2,3	46,43	4,9	12,0	-	-																																																																																																																																																																																																																																																																																																																																																																																																																																																																																																																														
	32	36	2,8	42,30	4,9	12,0	-	-																																																																																																																																																																																																																																																																																																																																																																																																																																																																																																																														
	34	33	2,8	38,75	4,9	12,0	-	-																																																																																																																																																																																																																																																																																																																																																																																																																																																																																																																														
	36	32	2,8	37,14	4,9	12,0	-	-																																																																																																																																																																																																																																																																																																																																																																																																																																																																																																																														
	38	30	3,6	35,31	4,9	12,0	-	-																																																																																																																																																																																																																																																																																																																																																																																																																																																																																																																														
	43	27	4,1	31,00	4,9	12,0	-	-																																																																																																																																																																																																																																																																																																																																																																																																																																																																																																																														
	47	24	4,5	28,24	4,9	12,0	-	-																																																																																																																																																																																																																																																																																																																																																																																																																																																																																																																														
	47	24	4,5	28,24	4,9	12,0	-	-																																																																																																																																																																																																																																																																																																																																																																																																																																																																																																																														
	54	21	5,6	24,80	4,9	12,0	-	-																																																																																																																																																																																																																																																																																																																																																																																																																																																																																																																														
	54	21	5,6	24,80	4,9	12,0	-	-																																																																																																																																																																																																																																																																																																																																																																																																																																																																																																																														
	65	18	5,9	20,67	4,9	12,0	-	-																																																																																																																																																																																																																																																																																																																																																																																																																																																																																																																														
	65	18	5,9	20,67	4,9	12,0	-	-																																																																																																																																																																																																																																																																																																																																																																																																																																																																																																																														
	88	13	7,1	15,23	4,9	12,0	-	-																																																																																																																																																																																																																																																																																																																																																																																																																																																																																																																														
96	12	9,1	13,87	4,9	12,0	-	-																																																																																																																																																																																																																																																																																																																																																																																																																																																																																																																															
0,12	22	53	1,1	61,88	5,0	9,0	-	-	SK 92072.1 - 63 S/4	9,5	E60-61																																																																																																																																																																																																																																																																																																																																																																																																																																																																																																																											
	25	46	1,1	53,78	5,0	9,0	-	-																																																																																																																																																																																																																																																																																																																																																																																																																																																																																																																														
	28	41	1,1	47,67	5,0	9,0	-	-																																																																																																																																																																																																																																																																																																																																																																																																																																																																																																																														
	33	35	1,7	40,98	5,0	9,0	-	-																																																																																																																																																																																																																																																																																																																																																																																																																																																																																																																														
	37	31	2,1	35,62	5,0	9,0	-	-																																																																																																																																																																																																																																																																																																																																																																																																																																																																																																																														
	42	27	2,4	31,57	5,0	9,0	-	-																																																																																																																																																																																																																																																																																																																																																																																																																																																																																																																														
	49	23	2,8	27,16	5,0	9,0	-	-																																																																																																																																																																																																																																																																																																																																																																																																																																																																																																																														
	55	21	3,8	24,07	5,0	9,0	-	-																																																																																																																																																																																																																																																																																																																																																																																																																																																																																																																														
	64	18	4,5	20,80	5,0	9,0	-	-																																																																																																																																																																																																																																																																																																																																																																																																																																																																																																																														
	72	16	3,8	18,52	5,0	9,0	-	-																																																																																																																																																																																																																																																																																																																																																																																																																																																																																																																														
	83	14	4,8	16,00	5,0	9,0	-	-																																																																																																																																																																																																																																																																																																																																																																																																																																																																																																																														
	104	11	5,4	12,78	5,0	9,0	-	-																																																																																																																																																																																																																																																																																																																																																																																																																																																																																																																														
	120	10	6,8	11,11	5,0	9,0	-	-																																																																																																																																																																																																																																																																																																																																																																																																																																																																																																																														
	136	8	9,0	9,85	5,0	9,0	-	-																																																																																																																																																																																																																																																																																																																																																																																																																																																																																																																														
	154	7	9,9	8,67	5,0	9,0	-	-																																																																																																																																																																																																																																																																																																																																																																																																																																																																																																																														
	176	7	11,1	7,58	5,0	9,0	-	-																																																																																																																																																																																																																																																																																																																																																																																																																																																																																																																														
	200	6	11,9	6,67	5,0	9,0	-	-																																																																																																																																																																																																																																																																																																																																																																																																																																																																																																																														
	229	5	14,4	5,83	5,0	9,0	-	-																																																																																																																																																																																																																																																																																																																																																																																																																																																																																																																														
	258	4	15,1	5,17	4,8	9,0	-	-																																																																																																																																																																																																																																																																																																																																																																																																																																																																																																																														
287	4	16,3	4,65	4,6	8,8	-	-																																																																																																																																																																																																																																																																																																																																																																																																																																																																																																																															
336	3	19,9	3,97	4,4	8,4	-	-																																																																																																																																																																																																																																																																																																																																																																																																																																																																																																																															
373	3	21,5	3,58	4,3	8,1	-	-																																																																																																																																																																																																																																																																																																																																																																																																																																																																																																																															
0,18	1,0	1721	0,9	1361,37	4,5	14,5	15,0	30,0	SK 9033.1 - 63 L/4	70	E94-95																																																																																																																																																																																																																																																																																																																																																																																																																																																																																																																											
	1,2	1453	1,1	1149,80	9,0	14,5	15,0	30,0																																																																																																																																																																																																																																																																																																																																																																																																																																																																																																																														
	1,6	1104	1,4	873,65	12,1	14,5	15,0	30,0																																																																																																																																																																																																																																																																																																																																																																																																																																																																																																																														
	2,0	874	1,8	691,55	13,3	14,5	15,0	30,0																																																																																																																																																																																																																																																																																																																																																																																																																																																																																																																														
	2,5	681	2,3	539,10	14,1	14,5	15,0	29,2																																																																																																																																																																																																																																																																																																																																																																																																																																																																																																																														
	3,4	504	3,1	398,77	14,6	14,5	15,0	27,2																																																																																																																																																																																																																																																																																																																																																																																																																																																																																																																														
	3,9	445	3,5	352,25	14,8	14,5	15,0	26,4																																																																																																																																																																																																																																																																																																																																																																																																																																																																																																																														
	5,1	338	4,6	267,65	15,0	14,5	15,0	24,6																																																																																																																																																																																																																																																																																																																																																																																																																																																																																																																														
0,18	1,8	953	0,9	753,86	0,1	12,0	7,9	25,0	SK 9023.1 - 63 L/4	47	E90-91																																																																																																																																																																																																																																																																																																																																																																																																																																																																																																																											
	2,0	857	1,0	678,31	1,4	12,0	9,1	25,0																																																																																																																																																																																																																																																																																																																																																																																																																																																																																																																														
	2,4	710	1,2	561,55	5,4	12,0	10,5	25,0																																																																																																																																																																																																																																																																																																																																																																																																																																																																																																																														
	2,9	597	1,4	472,43	6,8	12,0	11,3	25,0																																																																																																																																																																																																																																																																																																																																																																																																																																																																																																																														
	4,0	429	2,0	339,41	8,2	12,0	12,0	25,0																																																																																																																																																																																																																																																																																																																																																																																																																																																																																																																														
	4,6	376	2,3	297,67	8,5	12,0	12,0	24,6																																																																																																																																																																																																																																																																																																																																																																																																																																																																																																																														
3,3	523	1,5	276,86	7,5	12,0	11,7	25,0	SK 9022.1 - 71 S/6	43	E88-89																																																																																																																																																																																																																																																																																																																																																																																																																																																																																																																												
0,18	2,2	796	0,8	629,56	4,5	20,0	9,0	20,0	SK 9017.1 - 63 L/4	40	E86-87																																																																																																																																																																																																																																																																																																																																																																																																																																																																																																																											
	2,4	706	0,9	558,25	6,1	20,0	9,0	20,0																																																																																																																																																																																																																																																																																																																																																																																																																																																																																																																														
	2,8	623	1,0	493,12	7,1	20,0	9,0	20,0																																																																																																																																																																																																																																																																																																																																																																																																																																																																																																																														
	3,7	464	1,3	367,33	8,5	20,0	9,0	20,0																																																																																																																																																																																																																																																																																																																																																																																																																																																																																																																														
	5,1	339	1,8	267,99	9,0	20,0	9,0	20,0																																																																																																																																																																																																																																																																																																																																																																																																																																																																																																																														
	5,8	298	2,0	235,64	9,0	20,0	9,0	20,0																																																																																																																																																																																																																																																																																																																																																																																																																																																																																																																														
	7,6	225	2,5	177,89	9,0	20,0	9,0	20,0																																																																																																																																																																																																																																																																																																																																																																																																																																																																																																																														


0,18 kW



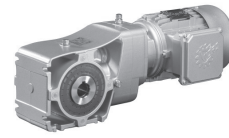
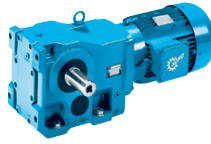
P ₁ [kW]	n ₂ [min ⁻¹]	M ₂ [Nm]	f _B	i _{ges}	F _R [kN]	F _A [kN]	F _{R VL} [kN]	F _{A VL} [kN]	Type	kg	mm
0,18	3,3	525	1,1	277,84	8,0	20,0	9,0	20,0	SK 9016.1 - 71 S/6	36	E84-85
	3,9	443	1,3	234,64	8,6	20,0	9,0	20,0			
	4,4	389	1,6	205,93	8,9	20,0	9,0	20,0			
	4,9	351	1,7	277,84	9,0	20,0	9,0	20,0	SK 9016.1 - 63 L/4	35	E84-85
	5,8	297	2,0	234,64	9,0	20,0	9,0	20,0			
	6,6	260	2,3	205,93	9,0	20,0	9,0	20,0			
	4,2	405	1,0	320,60	5,0	20,0	8,6	20,0	SK 9013.1 - 63 L/4	39	E82-83
	4,8	356	1,1	281,92	5,6	20,0	8,9	20,0			
	6,4	269	1,5	212,83	6,4	20,0	9,0	20,0			
	7,6	225	1,8	177,88	6,7	20,0	9,0	20,0			
	9,6	179	2,2	141,29	6,9	20,0	9,0	20,0			
	3,2	530	0,8	280,71	2,3	20,0	7,3	20,0	SK 9012.1 - 71 S/6	35	E80-81
	3,7	465	0,9	246,37	4,1	20,0	8,0	20,0			
	4,4	389	1,0	205,93	5,2	20,0	8,7	20,0			
	4,1	420	1,0	332,37	4,8	20,0	8,4	20,0	SK 9012.1 - 63 L/4	34	E80-81
	4,8	355	1,1	280,71	5,6	20,0	8,9	20,0			
	5,5	311	1,3	246,37	6,1	20,0	9,0	20,0			
	6,6	260	1,5	205,93	6,4	20,0	9,0	20,0			
	8,2	211	1,9	166,59	6,7	20,0	9,0	20,0			
	9,7	178	2,2	140,70	6,9	20,0	9,0	20,0			
	11	156	2,6	123,48	7,0	20,0	9,0	20,0			
	14	123	3,3	97,36	7,1	20,0	9,0	20,0			
	16	109	3,7	86,00	7,1	20,0	9,0	20,0			
	18	97	4,1	76,53	7,2	20,0	9,0	20,0			
	22	79	5,0	62,74	7,2	20,0	9,0	20,0			
	25	70	5,7	55,17	7,2	20,0	9,0	20,0			
	28	62	6,5	48,95	7,2	20,0	9,0	20,0			
	33	53	7,6	41,65	7,2	20,0	9,0	20,0			
	39	44	9,1	34,81	7,2	20,0	9,0	20,0			
	43	40	10,1	31,45	7,3	20,0	9,0	20,0			
	49	35	11,4	27,65	7,3	20,0	9,0	20,0			
	55	31	12,9	24,53	7,3	20,0	9,0	20,0			
	65	26	15,2	20,87	7,3	20,0	9,0	20,0			
	78	22	17,2	17,45	7,3	19,1	9,0	19,1			
89	19	19,6	15,30	7,3	18,4	9,0	18,4				
111	15	14,2	12,23	7,3	17,2	9,0	17,2				
125	14	14,6	10,85	7,3	16,7	9,0	16,7				
147	12	16,7	9,23	7,3	15,9	9,0	15,9				
168	10	17,6	8,09	7,3	15,3	9,0	15,3				
	25	70	2,3	55,49	6,6	15,0	-	-	SK 92372.1 - 63 L/4	17	E64-65
	27	63	2,3	49,46	6,6	15,0	-	-			
	29	59	3,1	46,64	6,6	15,0	-	-			
	33	52	3,5	41,46	6,6	15,0	-	-			
	19	88	0,8	70,00	4,8	12,0	-	-	SK 92172.1 - 63 L/4	12	E62-63
	21	81	0,8	63,78	4,8	12,0	-	-			
	24	71	0,8	56,00	4,8	12,0	-	-			
	29	59	1,6	46,43	4,9	12,0	-	-			
	32	53	1,9	42,30	4,9	12,0	-	-			
	35	49	1,9	38,75	4,9	12,0	-	-			
	37	47	1,9	37,14	4,9	12,0	-	-			
	39	45	2,4	35,31	4,9	12,0	-	-			
	44	39	2,8	31,00	4,9	12,0	-	-			
	48	36	3,0	28,24	4,9	12,0	-	-			
	55	31	3,8	24,80	4,9	12,0	-	-			
	66	26	4,0	20,67	4,9	12,0	-	-			
	89	19	4,8	15,23	4,9	12,0	-	-			
98	18	6,2	13,87	4,9	12,0	-	-				
	22	78	0,8	61,88	5,0	9,0	-	-	SK 92072.1 - 63 L/4	10	E60-61
	25	68	0,8	53,78	5,0	9,0	-	-			
	29	60	0,8	47,67	5,0	9,0	-	-			
	33	52	1,1	40,98	5,0	9,0	-	-			
	38	45	1,4	35,62	5,0	9,0	-	-			
	43	40	1,6	31,57	5,0	9,0	-	-			
	50	34	1,9	27,16	5,0	9,0	-	-			

Helical-bevel gear units



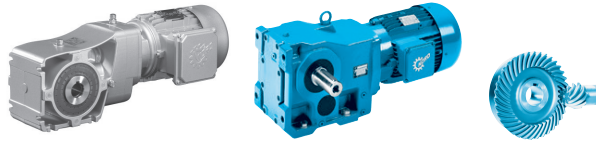
P ₁ [kW]	n ₂ [min ⁻¹]	M ₂ [Nm]	f _B	i _{ges}	F _R [kN]	F _A [kN]	F _{R VL} [kN]	F _{A VL} [kN]	Type	kg	mm 
0,18	56	30	2,6	24,07	5,0	9,0	-	-	SK 92072.1 - 63 L/4	10	E60-61
	65	26	3,1	20,80	5,0	9,0	-	-			
	73	23	2,6	18,52	5,0	9,0	-	-			
	85	20	3,3	16,00	5,0	9,0	-	-			
	106	16	3,7	12,78	5,0	9,0	-	-			
	122	14	4,6	11,11	5,0	9,0	-	-			
	138	12	6,1	9,85	5,0	9,0	-	-			
	157	11	6,8	8,67	5,0	9,0	-	-			
	180	10	7,5	7,58	5,0	9,0	-	-			
	204	8	8,1	6,67	5,0	9,0	-	-			
	233	7	9,8	5,83	4,9	9,0	-	-			
	263	7	10,3	5,17	4,7	9,0	-	-			
	292	6	11,0	4,65	4,6	8,7	-	-			
342	5	13,5	3,97	4,4	8,3	-	-				
380	5	14,6	3,58	4,2	8,0	-	-				
0,25	1,5	1612	3,0	931,87	29,5	45,0	38,0	45,0	SK 9053.1 - 71 S/4	203	E102-103
	2,0	1218	3,3	703,83	30,0	45,0	38,0	45,0			
	1,2	1926	1,5	1113,24	25,3	40,0	28,0	40,0	SK 9043.1 - 71 S/4	125	E98-99
	1,6	1525	1,8	881,60	26,4	40,0	28,0	40,0			
	2,1	1116	2,5	645,18	27,3	40,0	28,0	40,0			
	2,4	983	2,8	568,04	27,5	40,0	28,0	40,0			
	1,2	1989	0,8	1149,80	0,2	14,5	12,6	30,0	SK 9033.1 - 71 S/4	71	E94-95
	1,6	1511	1,0	873,65	8,3	14,5	15,0	30,0			
	2,0	1196	1,3	691,55	11,4	14,5	15,0	29,3			
	2,6	933	1,7	539,10	13,1	14,5	15,0	27,9			
	3,5	690	2,2	398,77	14,1	14,5	15,0	26,2			
	3,9	609	2,5	352,25	14,4	14,5	15,0	25,5			
	5,2	463	3,3	267,65	14,7	14,5	15,0	23,9			
	6,4	372	4,2	214,83	14,9	14,5	15,0	22,7			
	8,2	290	5,4	167,45	15,0	14,5	15,0	21,3			
	4,7	512	3,0	295,85	14,6	14,5	15,0	24,5	SK 9032.1 - 71 S/4	63	E92-93
	5,5	432	3,6	249,72	14,8	14,5	15,0	23,5			
	2,5	972	0,9	561,55	0,1	12,0	7,6	25,0	SK 9023.1 - 71 S/4	48	E90-91
	2,9	817	1,1	472,43	3,2	12,0	9,5	25,0			
	4,1	587	1,5	339,41	6,9	12,0	11,3	24,4			
	4,6	515	1,7	297,67	7,6	12,0	11,7	23,7			
	6,0	395	1,6	228,47	8,4	12,0	12,0	22,3			
	3,3	718	1,1	276,86	5,3	12,0	10,4	25,0	SK 9022.1 - 71 L/6	44	E88-89
	5,0	479	1,7	276,86	7,9	12,0	11,9	23,3	SK 9022.1 - 71 S/4	43	E88-89
	5,9	403	1,7	232,92	8,4	12,0	12,0	22,4			
	6,3	379	2,3	219,25	8,5	12,0	12,0	22,1			
	7,5	319	2,7	184,46	8,8	12,0	12,0	21,2			
	21	116	4,2	66,96	10,4	25,0	-	-	SK 92772.1 - 71 S/4	40	E68-69
	23	103	4,2	59,68	10,4	25,0	-	-			
	3,8	636	1,0	367,33	7,0	20,0	9,0	20,0	SK 9017.1 - 71 S/4	41	E86-87
	5,1	464	1,3	267,99	8,5	20,0	9,0	20,0			
	5,9	408	1,5	235,64	8,8	20,0	9,0	20,0			
	7,8	308	1,9	177,89	9,0	20,0	9,0	20,0			
3,3	721	0,8	277,84	5,8	20,0	9,0	20,0	SK 9016.1 - 71 L/6	37	E84-85	
3,9	609	1,0	234,64	7,3	20,0	9,0	20,0				
4,5	534	1,1	205,93	8,0	20,0	9,0	20,0				
5,0	481	1,2	277,84	8,4	20,0	9,0	20,0	SK 9016.1 - 71 S/4	36	E84-85	
5,9	406	1,5	234,64	8,9	20,0	9,0	20,0				
6,7	356	1,7	205,93	9,0	20,0	9,0	20,0				
7,5	317	1,9	183,10	9,0	20,0	9,0	20,0				
9,2	259	2,4	149,81	9,0	20,0	9,0	20,0				


0,25 kW



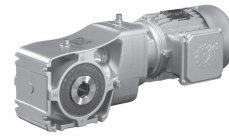
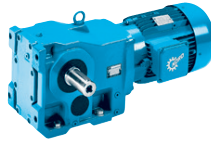
P ₁ [kW]	n ₂ [min ⁻¹]	M ₂ [Nm]	f _B	i _{ges}	F _R [kN]	F _A [kN]	F _{R VL} [kN]	F _{A VL} [kN]	Type	kg	mm
0,25	4,9	488	0,8	281,92	3,6	20,0	7,8	20,0	SK 9013.1 - 71 S/4	40	E82-83
	6,5	368	1,1	212,83	5,5	20,0	8,9	20,0			
	7,8	308	1,3	177,88	6,1	20,0	9,0	20,0			
	9,8	244	1,6	141,29	6,6	20,0	9,0	20,0			
	4,9	486	0,8	280,71	3,6	20,0	7,8	20,0	SK 9012.1 - 71 S/4	35	E80-81
	5,6	426	0,9	246,37	4,7	20,0	8,4	20,0			
	6,7	356	1,1	205,93	5,6	20,0	8,9	20,0			
	7,5	317	1,3	183,10	6,0	20,0	9,0	20,0			
	8,3	288	1,4	166,59	6,2	20,0	9,0	20,0			
	9,8	243	1,6	140,70	6,6	20,0	9,0	20,0			
	11	214	1,9	123,48	6,7	20,0	9,0	20,0			
	13	190	2,1	109,79	6,8	20,0	9,0	20,0			
	14	168	2,4	97,36	6,9	20,0	9,0	20,0			
	16	149	2,7	86,00	7,0	20,0	9,0	20,0			
	18	132	3,0	76,53	7,1	20,0	9,0	20,0			
	22	109	3,7	62,74	7,1	20,0	9,0	20,0			
	25	95	4,2	55,17	7,2	20,0	9,0	20,0			
	28	85	4,7	48,95	7,2	20,0	9,0	20,0			
	33	72	5,6	41,65	7,2	20,0	9,0	20,0			
	40	60	6,6	34,81	7,2	20,0	9,0	20,0			
	44	54	7,4	31,45	7,2	20,0	9,0	20,0			
	50	48	8,4	27,65	7,2	20,0	9,0	20,0			
	56	42	9,4	24,53	7,2	20,0	9,0	20,0			
	66	36	11,1	20,87	7,3	20,0	9,0	20,0			
	79	30	12,6	17,45	7,3	19,0	9,0	19,0			
	90	26	14,4	15,30	7,3	18,3	9,0	18,3			
	113	21	10,4	12,23	7,3	17,1	9,0	17,1			
	127	19	10,7	10,85	7,3	16,5	9,0	16,5			
	150	16	12,2	9,23	7,3	15,8	9,0	15,8			
	171	14	12,9	8,09	7,3	15,1	9,0	15,1			
	21	116	4,2	66,96	10,4	25,0	-	-	SK 92772.1 - 71 S/4	40	E68-69
	23	103	4,2	59,68	10,4	25,0	-	-			
	28	84	3,8	48,56	8,4	20,0	-	-	SK 92672.1 - 71 S/4	30	E66-67
	25	96	1,6	55,49	6,5	15,0	-	-	SK 92372.1 - 71 S/4	18	E64-65
	28	86	1,6	49,46	6,5	15,0	-	-			
	30	81	2,3	46,64	6,5	15,0	-	-			
	33	72	2,6	41,46	6,6	15,0	-	-			
	38	64	2,9	36,80	6,6	15,0	-	-			
	42	57	3,5	32,80	6,6	15,0	-	-			
	30	80	1,2	46,43	4,8	12,0	-	-	SK 92172.1 - 71 S/4	13	E62-63
	33	73	1,4	42,30	4,8	12,0	-	-			
	36	67	1,4	38,75	4,8	12,0	-	-			
	37	64	1,4	37,14	4,8	12,0	-	-			
	39	61	1,8	35,31	4,9	12,0	-	-			
	45	54	2,0	31,00	4,9	12,0	-	-			
	49	49	2,2	28,24	4,9	12,0	-	-			
	56	43	2,8	24,80	4,9	12,0	-	-			
	67	36	2,9	20,67	4,9	12,0	-	-			
	91	26	3,5	15,23	4,9	12,0	-	-			
	99	24	4,5	13,87	4,9	12,0	-	-			
	34	71	0,8	40,98	5,0	9,0	-	-	SK 92072.1 - 71 S/4	11	E60-61
	39	62	1,1	35,62	5,0	9,0	-	-			
	44	55	1,2	31,57	5,0	9,0	-	-			
	51	47	1,4	27,16	5,0	9,0	-	-			
	57	42	1,9	24,07	5,0	9,0	-	-			
	66	36	2,3	20,80	5,0	9,0	-	-			
	75	32	1,9	18,52	5,0	9,0	-	-			
	86	28	2,4	16,00	5,0	9,0	-	-			
	108	22	2,7	12,78	5,0	9,0	-	-			
	124	19	3,4	11,11	5,0	9,0	-	-			
	140	17	4,5	9,85	5,0	9,0	-	-			
	159	15	4,9	8,67	5,0	9,0	-	-			
	182	13	5,5	7,58	5,0	9,0	-	-			
	207	12	5,9	6,67	5,0	9,0	-	-			
	237	10	7,1	5,83	4,9	9,0	-	-			
	267	9	7,5	5,17	4,7	8,9	-	-			
	296	8	8,1	4,65	4,5	8,6	-	-			
	347	7	9,9	3,97	4,3	8,2	-	-			
	385	6	10,7	3,58	4,2	7,9	-	-			

Helical-bevel gear units



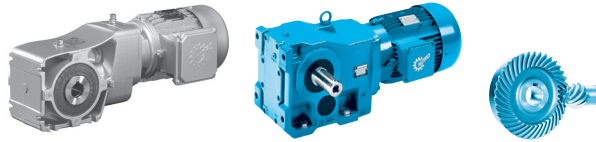
P ₁ [kW]	n ₂ [min ⁻¹]	M ₂ [Nm]	f _B	i _{ges}	F _R [kN]	F _A [kN]	F _{R VL} [kN]	F _{A VL} [kN]	Type	kg	mm 																																																																																																																																																																																																																																																																																																																																																																																																																																																																																																																																									
0,37	1,2	2672	3,2	1169,97	64,6	50,0	66,0	50,0	SK 9072.1/32 - 71 L/4	360	E104-105																																																																																																																																																																																																																																																																																																																																																																																																																																																																																																																																									
	1,4	2224	3,8	973,69	65,0	50,0	66,0	50,0					1,0	3582	1,3	1398,80	24,1	45,0	38,0	45,0	SK 9053.1 - 71 L/4	204	E102-103		1,3	2721	1,8	1062,85	27,1	45,0	38,0	45,0		1,5	2386	2,0	931,87	28,0	45,0	38,0	45,0		2,0	1802	2,2	703,83	29,2	45,0	38,0	45,0		2,4	1485	3,2	579,95	29,7	45,0	38,0	45,0		1,2	2850	1,0	1113,24	21,3	40,0	28,0	40,0	SK 9043.1 - 71 L/4	126	E98-99		1,6	2257	1,2	881,60	24,1	40,0	28,0	40,0		2,1	1652	1,7	645,18	26,1	40,0	28,0	40,0		2,4	1454	1,9	568,04	26,6	40,0	28,0	40,0		3,9	898	3,1	350,72	27,6	40,0	28,0	38,2		2,0	1771	0,9	691,55	2,8	14,5	14,8	26,7	SK 9033.1 - 71 L/4	72	E94-95		2,6	1380	1,1	539,10	9,8	14,5	15,0	25,9		3,5	1021	1,5	398,77	12,6	14,5	15,0	24,8		3,9	902	1,7	352,25	13,2	14,5	15,0	24,2		5,2	685	2,3	267,65	14,1	14,5	15,0	22,9		6,4	550	2,8	214,83	14,5	14,5	15,0	21,9		8,2	429	3,6	167,45	14,8	14,5	15,0	20,7		4,7	758	2,0	295,85	13,8	14,5	15,0	23,4	SK 9032.1 - 71 L/4	64	E92-93		5,5	639	2,4	249,72	14,3	14,5	15,0	22,6		12	284	5,5	110,77	15,0	14,5	15,0	18,7		4,1	869	1,0	339,41	0,5	12,0	8,9	22,9	SK 9023.1 - 71 L/4	49	E90-91		4,6	762	1,1	297,67	4,5	12,0	10,0	22,4		6,0	585	1,1	228,47	7,0	12,0	11,4	21,3		3,4	1052	0,8	276,86	0,5	12,0	6,2	23,5	SK 9022.1 - 80 S/6	46	E88-89		5,9	596	1,2	232,92	6,8	12,0	11,3	21,3	SK 9022.1 - 71 L/4	44	E88-89		6,3	561	1,5	219,25	7,2	12,0	11,5	21,1		7,5	472	1,8	184,46	7,9	12,0	11,9	20,3		14	253	3,4	98,88	9,0	12,0	12,0	17,7		21	171	2,9	66,96	10,3	25,0	-	-	SK 92772.1 - 71 L/4	41	E68-69		23	153	2,9	59,68	10,4	25,0	-	-		5,1	686	0,9	267,99	6,3	20,0	9,0	20,0	SK 9017.1 - 71 L/4	42	E86-87		5,9	603	1,0	235,64	7,3	20,0	9,0	20,0		7,8	455	1,3	177,89	8,5	20,0	9,0	20,0		10	344	1,3	134,32	9,0	20,0	9,0	20,0		4,5	782	0,8	205,93	4,8	20,0	9,0	20,0	SK 9016.1 - 80 S/6	39	E84-85		5,0	711	0,8	277,84	6,0	20,0	9,0	20,0	SK 9016.1 - 71 L/4	37	E84-85		5,9	601	1,0	234,64	7,3	20,0	9,0	20,0		6,7	527	1,2	205,93	8,0	20,0	9,0	20,0		7,5	469	1,3	183,10	8,4	20,0	9,0	20,0		9,2	384	1,6	149,81	9,0	20,0	9,0	20,0		15	235	2,1	91,77	9,0	20,0	9,0	20,0		17	208	2,9	81,38	9,0	20,0	9,0	20,0		7,8	455	0,9	177,88	4,2	20,0	8,1	20,0	SK 9013.1 - 71 L/4	41	E82-83		9,8	362	1,1	141,29	5,6	20,0	8,9	20,0		6,7	527	0,8	205,93	2,5	20,0	7,4	20,0	SK 9012.1 - 71 L/4	36	E80-81		7,5	469	0,9	183,10	4,0	20,0	8,0	20,0		8,3	427	0,9	166,59	4,7	20,0	8,4	20,0		9,8	360	1,1	140,70	5,6	20,0	8,9	20,0		11	316	1,3	123,48	6,0	20,0	9,0	20,0		13	281	1,4	109,79	6,3	20,0	9,0	20,0		14	249	1,6	97,36	6,5	20,0	9,0	20,0		16	220	1,8	86,00	6,7	20,0	9,0	20,0		18	196	2,0	76,53	6,8	20,0	9,0	20,0		22	161	2,5	62,74
	1,0	3582	1,3	1398,80	24,1	45,0	38,0	45,0	SK 9053.1 - 71 L/4	204	E102-103																																																																																																																																																																																																																																																																																																																																																																																																																																																																																																																																									
	1,3	2721	1,8	1062,85	27,1	45,0	38,0	45,0																																																																																																																																																																																																																																																																																																																																																																																																																																																																																																																																												
	1,5	2386	2,0	931,87	28,0	45,0	38,0	45,0																																																																																																																																																																																																																																																																																																																																																																																																																																																																																																																																												
	2,0	1802	2,2	703,83	29,2	45,0	38,0	45,0																																																																																																																																																																																																																																																																																																																																																																																																																																																																																																																																												
	2,4	1485	3,2	579,95	29,7	45,0	38,0	45,0					1,2	2850	1,0	1113,24	21,3	40,0	28,0	40,0	SK 9043.1 - 71 L/4	126	E98-99		1,6	2257	1,2	881,60	24,1	40,0	28,0	40,0		2,1	1652	1,7	645,18	26,1	40,0	28,0	40,0		2,4	1454	1,9	568,04	26,6	40,0	28,0	40,0		3,9	898	3,1	350,72	27,6	40,0	28,0	38,2		2,0	1771	0,9	691,55	2,8	14,5	14,8	26,7	SK 9033.1 - 71 L/4	72	E94-95		2,6	1380	1,1	539,10	9,8	14,5	15,0	25,9		3,5	1021	1,5	398,77	12,6	14,5	15,0	24,8		3,9	902	1,7	352,25	13,2	14,5	15,0	24,2		5,2	685	2,3	267,65	14,1	14,5	15,0	22,9		6,4	550	2,8	214,83	14,5	14,5	15,0	21,9					8,2	429	3,6	167,45	14,8	14,5	15,0	20,7		4,7	758	2,0	295,85	13,8	14,5	15,0	23,4	SK 9032.1 - 71 L/4	64	E92-93		5,5	639	2,4	249,72	14,3	14,5	15,0	22,6		12	284	5,5	110,77	15,0	14,5	15,0	18,7		4,1	869	1,0	339,41	0,5	12,0	8,9	22,9	SK 9023.1 - 71 L/4	49	E90-91		4,6	762	1,1	297,67	4,5	12,0	10,0	22,4		6,0	585	1,1	228,47	7,0	12,0	11,4	21,3		3,4	1052	0,8	276,86	0,5	12,0	6,2	23,5	SK 9022.1 - 80 S/6	46	E88-89		5,9	596	1,2	232,92	6,8	12,0	11,3	21,3	SK 9022.1 - 71 L/4	44	E88-89		6,3	561	1,5	219,25	7,2	12,0	11,5	21,1		7,5	472	1,8	184,46	7,9	12,0	11,9	20,3		14	253	3,4	98,88	9,0	12,0	12,0	17,7		21	171	2,9	66,96	10,3	25,0	-	-	SK 92772.1 - 71 L/4	41	E68-69		23	153	2,9	59,68	10,4	25,0	-	-		5,1	686	0,9	267,99	6,3	20,0	9,0	20,0	SK 9017.1 - 71 L/4	42	E86-87		5,9	603	1,0	235,64	7,3	20,0	9,0	20,0		7,8	455	1,3	177,89	8,5	20,0	9,0	20,0		10	344	1,3	134,32	9,0	20,0	9,0	20,0		4,5	782	0,8	205,93	4,8	20,0	9,0	20,0	SK 9016.1 - 80 S/6	39	E84-85		5,0	711	0,8	277,84	6,0	20,0	9,0	20,0	SK 9016.1 - 71 L/4	37	E84-85		5,9	601	1,0	234,64	7,3	20,0	9,0	20,0		6,7	527	1,2	205,93	8,0	20,0	9,0	20,0		7,5	469	1,3	183,10	8,4	20,0	9,0	20,0		9,2	384	1,6	149,81	9,0	20,0	9,0	20,0		15	235	2,1	91,77	9,0				20,0	9,0	20,0		17	208	2,9	81,38	9,0	20,0	9,0	20,0		7,8	455	0,9	177,88	4,2	20,0	8,1	20,0	SK 9013.1 - 71 L/4	41	E82-83		9,8	362	1,1	141,29	5,6	20,0	8,9	20,0		6,7	527	0,8	205,93	2,5	20,0	7,4	20,0	SK 9012.1 - 71 L/4	36	E80-81		7,5	469	0,9	183,10	4,0	20,0	8,0	20,0		8,3	427	0,9	166,59	4,7	20,0	8,4	20,0		9,8	360	1,1	140,70	5,6	20,0	8,9	20,0		11	316	1,3	123,48	6,0	20,0	9,0	20,0		13	281				1,4	109,79	6,3	20,0	9,0	20,0		14	249	1,6	97,36	6,5	20,0	9,0	20,0		16	220	1,8	86,00	6,7	20,0	9,0	20,0		18	196	2,0	76,53	6,8	20,0	9,0	20,0		22	161	2,5	62,74	7,0	20,0	9,0	20,0																																			
	1,2	2850	1,0	1113,24	21,3	40,0	28,0	40,0	SK 9043.1 - 71 L/4	126	E98-99																																																																																																																																																																																																																																																																																																																																																																																																																																																																																																																																									
	1,6	2257	1,2	881,60	24,1	40,0	28,0	40,0																																																																																																																																																																																																																																																																																																																																																																																																																																																																																																																																												
	2,1	1652	1,7	645,18	26,1	40,0	28,0	40,0																																																																																																																																																																																																																																																																																																																																																																																																																																																																																																																																												
	2,4	1454	1,9	568,04	26,6	40,0	28,0	40,0																																																																																																																																																																																																																																																																																																																																																																																																																																																																																																																																												
	3,9	898	3,1	350,72	27,6	40,0	28,0	38,2					2,0	1771	0,9	691,55	2,8	14,5	14,8	26,7	SK 9033.1 - 71 L/4	72	E94-95		2,6	1380	1,1	539,10	9,8	14,5	15,0	25,9		3,5	1021	1,5	398,77	12,6	14,5	15,0	24,8		3,9	902	1,7	352,25	13,2	14,5	15,0	24,2		5,2	685	2,3	267,65	14,1	14,5	15,0	22,9		6,4	550	2,8	214,83	14,5	14,5	15,0	21,9					8,2	429	3,6	167,45	14,8	14,5	15,0	20,7		4,7	758	2,0	295,85	13,8	14,5	15,0	23,4	SK 9032.1 - 71 L/4	64	E92-93		5,5	639	2,4	249,72	14,3	14,5	15,0	22,6		12	284	5,5	110,77	15,0	14,5	15,0	18,7		4,1	869	1,0	339,41	0,5	12,0	8,9	22,9	SK 9023.1 - 71 L/4	49	E90-91		4,6	762	1,1	297,67	4,5	12,0	10,0	22,4		6,0	585	1,1	228,47	7,0	12,0	11,4	21,3		3,4	1052	0,8	276,86	0,5	12,0	6,2	23,5	SK 9022.1 - 80 S/6	46	E88-89		5,9	596	1,2	232,92	6,8	12,0	11,3	21,3	SK 9022.1 - 71 L/4	44	E88-89		6,3	561	1,5	219,25	7,2	12,0	11,5	21,1		7,5	472	1,8	184,46	7,9	12,0	11,9	20,3		14	253	3,4	98,88	9,0	12,0	12,0	17,7		21	171	2,9	66,96	10,3	25,0	-	-	SK 92772.1 - 71 L/4	41	E68-69		23	153	2,9	59,68	10,4	25,0	-	-		5,1	686	0,9	267,99	6,3	20,0	9,0	20,0	SK 9017.1 - 71 L/4	42	E86-87		5,9	603	1,0	235,64	7,3	20,0	9,0	20,0		7,8	455	1,3	177,89	8,5	20,0	9,0	20,0		10	344	1,3	134,32	9,0	20,0	9,0	20,0		4,5	782	0,8	205,93	4,8	20,0	9,0	20,0	SK 9016.1 - 80 S/6	39	E84-85		5,0	711	0,8	277,84	6,0	20,0	9,0	20,0	SK 9016.1 - 71 L/4	37	E84-85		5,9	601	1,0	234,64	7,3	20,0	9,0	20,0		6,7	527	1,2	205,93	8,0	20,0	9,0	20,0		7,5	469	1,3	183,10	8,4	20,0	9,0	20,0		9,2	384	1,6	149,81	9,0	20,0	9,0	20,0		15	235	2,1	91,77	9,0	20,0	9,0	20,0					17	208	2,9	81,38	9,0	20,0	9,0	20,0		7,8	455	0,9	177,88	4,2	20,0	8,1	20,0	SK 9013.1 - 71 L/4	41	E82-83		9,8	362	1,1	141,29	5,6	20,0	8,9	20,0		6,7	527	0,8	205,93	2,5	20,0	7,4	20,0	SK 9012.1 - 71 L/4	36	E80-81		7,5	469	0,9	183,10	4,0	20,0	8,0	20,0		8,3	427	0,9	166,59	4,7	20,0	8,4	20,0		9,8	360	1,1	140,70	5,6	20,0	8,9	20,0		11	316	1,3	123,48	6,0	20,0	9,0	20,0		13	281	1,4	109,79	6,3	20,0	9,0	20,0					14	249	1,6	97,36	6,5	20,0	9,0	20,0		16	220	1,8	86,00	6,7	20,0	9,0	20,0		18	196	2,0	76,53	6,8	20,0	9,0	20,0		22	161	2,5	62,74	7,0	20,0	9,0	20,0																																																																																			
	2,0	1771	0,9	691,55	2,8	14,5	14,8	26,7	SK 9033.1 - 71 L/4	72	E94-95																																																																																																																																																																																																																																																																																																																																																																																																																																																																																																																																									
	2,6	1380	1,1	539,10	9,8	14,5	15,0	25,9																																																																																																																																																																																																																																																																																																																																																																																																																																																																																																																																												
	3,5	1021	1,5	398,77	12,6	14,5	15,0	24,8																																																																																																																																																																																																																																																																																																																																																																																																																																																																																																																																												
	3,9	902	1,7	352,25	13,2	14,5	15,0	24,2																																																																																																																																																																																																																																																																																																																																																																																																																																																																																																																																												
	5,2	685	2,3	267,65	14,1	14,5	15,0	22,9																																																																																																																																																																																																																																																																																																																																																																																																																																																																																																																																												
	6,4	550	2,8	214,83	14,5	14,5	15,0	21,9																																																																																																																																																																																																																																																																																																																																																																																																																																																																																																																																												
	8,2	429	3,6	167,45	14,8	14,5	15,0	20,7					4,7	758	2,0	295,85	13,8	14,5	15,0	23,4	SK 9032.1 - 71 L/4	64	E92-93		5,5	639	2,4	249,72	14,3	14,5	15,0	22,6		12	284	5,5	110,77	15,0	14,5	15,0	18,7		4,1	869	1,0	339,41	0,5	12,0	8,9	22,9	SK 9023.1 - 71 L/4	49	E90-91		4,6	762	1,1	297,67	4,5	12,0	10,0	22,4		6,0	585	1,1	228,47	7,0	12,0	11,4	21,3		3,4	1052	0,8	276,86	0,5	12,0	6,2	23,5	SK 9022.1 - 80 S/6	46	E88-89		5,9	596	1,2	232,92	6,8	12,0	11,3	21,3	SK 9022.1 - 71 L/4	44	E88-89		6,3	561	1,5	219,25	7,2	12,0	11,5	21,1		7,5	472	1,8	184,46	7,9	12,0	11,9	20,3		14	253	3,4	98,88	9,0	12,0	12,0	17,7		21	171	2,9	66,96	10,3	25,0	-	-	SK 92772.1 - 71 L/4	41	E68-69		23	153	2,9	59,68	10,4	25,0	-	-		5,1	686	0,9	267,99	6,3	20,0	9,0	20,0	SK 9017.1 - 71 L/4	42	E86-87		5,9	603	1,0	235,64	7,3	20,0	9,0	20,0		7,8	455	1,3	177,89	8,5	20,0	9,0	20,0		10	344	1,3	134,32	9,0	20,0	9,0	20,0		4,5	782	0,8	205,93	4,8	20,0	9,0	20,0	SK 9016.1 - 80 S/6	39	E84-85		5,0	711	0,8	277,84	6,0	20,0	9,0	20,0	SK 9016.1 - 71 L/4	37	E84-85		5,9	601	1,0	234,64	7,3	20,0	9,0	20,0		6,7	527	1,2	205,93	8,0	20,0	9,0	20,0		7,5	469	1,3	183,10	8,4	20,0	9,0	20,0		9,2	384	1,6	149,81	9,0	20,0	9,0	20,0		15	235	2,1	91,77	9,0	20,0	9,0	20,0		17	208	2,9	81,38	9,0	20,0	9,0	20,0		7,8	455	0,9	177,88	4,2	20,0	8,1	20,0	SK 9013.1 - 71 L/4	41	E82-83		9,8	362	1,1	141,29	5,6	20,0	8,9	20,0		6,7	527	0,8	205,93	2,5	20,0	7,4	20,0	SK 9012.1 - 71 L/4	36	E80-81		7,5	469	0,9	183,10	4,0	20,0	8,0	20,0		8,3	427	0,9	166,59	4,7	20,0	8,4	20,0		9,8	360	1,1	140,70	5,6	20,0	8,9	20,0		11	316	1,3	123,48	6,0	20,0	9,0	20,0		13	281	1,4	109,79	6,3	20,0	9,0	20,0		14	249	1,6	97,36	6,5	20,0	9,0	20,0		16	220	1,8	86,00	6,7	20,0	9,0	20,0		18	196	2,0	76,53	6,8				20,0	9,0	20,0		22	161	2,5	62,74	7,0	20,0	9,0	20,0																																																																																																																																																											
	4,7	758	2,0	295,85	13,8	14,5	15,0	23,4	SK 9032.1 - 71 L/4	64	E92-93																																																																																																																																																																																																																																																																																																																																																																																																																																																																																																																																									
	5,5	639	2,4	249,72	14,3	14,5	15,0	22,6																																																																																																																																																																																																																																																																																																																																																																																																																																																																																																																																												
	12	284	5,5	110,77	15,0	14,5	15,0	18,7					4,1	869	1,0	339,41	0,5	12,0	8,9	22,9	SK 9023.1 - 71 L/4	49	E90-91		4,6	762	1,1	297,67	4,5	12,0	10,0	22,4		6,0	585	1,1	228,47	7,0	12,0	11,4	21,3		3,4	1052	0,8	276,86	0,5	12,0	6,2	23,5	SK 9022.1 - 80 S/6	46	E88-89		5,9	596	1,2	232,92	6,8	12,0	11,3	21,3	SK 9022.1 - 71 L/4	44	E88-89		6,3	561	1,5	219,25	7,2	12,0	11,5	21,1		7,5	472	1,8	184,46	7,9	12,0	11,9	20,3		14	253	3,4	98,88	9,0	12,0	12,0	17,7					21	171	2,9	66,96	10,3	25,0	-	-	SK 92772.1 - 71 L/4	41	E68-69		23	153	2,9	59,68	10,4	25,0	-	-		5,1	686	0,9	267,99	6,3	20,0	9,0	20,0	SK 9017.1 - 71 L/4	42	E86-87		5,9	603	1,0	235,64	7,3	20,0	9,0	20,0		7,8	455	1,3	177,89	8,5	20,0	9,0	20,0		10	344	1,3	134,32	9,0				20,0	9,0	20,0		4,5	782	0,8	205,93	4,8	20,0	9,0	20,0	SK 9016.1 - 80 S/6	39	E84-85		5,0	711	0,8	277,84	6,0	20,0	9,0	20,0	SK 9016.1 - 71 L/4	37	E84-85		5,9	601	1,0	234,64	7,3	20,0	9,0	20,0		6,7	527	1,2	205,93	8,0	20,0	9,0	20,0		7,5	469				1,3	183,10	8,4	20,0	9,0	20,0		9,2	384	1,6	149,81	9,0	20,0	9,0	20,0		15	235	2,1	91,77	9,0	20,0	9,0	20,0		17	208	2,9	81,38	9,0	20,0	9,0	20,0		7,8	455	0,9	177,88	4,2	20,0	8,1	20,0	SK 9013.1 - 71 L/4	41	E82-83		9,8	362	1,1	141,29	5,6	20,0	8,9	20,0		6,7	527	0,8	205,93	2,5	20,0	7,4	20,0	SK 9012.1 - 71 L/4	36	E80-81		7,5	469	0,9	183,10	4,0	20,0	8,0	20,0		8,3	427	0,9	166,59	4,7	20,0	8,4	20,0					9,8	360	1,1	140,70	5,6	20,0	8,9	20,0		11	316	1,3	123,48	6,0	20,0	9,0	20,0		13	281	1,4	109,79	6,3	20,0	9,0	20,0		14	249	1,6	97,36	6,5	20,0	9,0	20,0		16	220	1,8	86,00	6,7	20,0	9,0	20,0		18	196	2,0	76,53	6,8	20,0	9,0	20,0		22	161	2,5	62,74	7,0	20,0	9,0	20,0																																																																																																																																																																																
	4,1	869	1,0	339,41	0,5	12,0	8,9	22,9	SK 9023.1 - 71 L/4	49	E90-91																																																																																																																																																																																																																																																																																																																																																																																																																																																																																																																																									
	4,6	762	1,1	297,67	4,5	12,0	10,0	22,4																																																																																																																																																																																																																																																																																																																																																																																																																																																																																																																																												
	6,0	585	1,1	228,47	7,0	12,0	11,4	21,3					3,4	1052	0,8	276,86	0,5	12,0	6,2	23,5	SK 9022.1 - 80 S/6	46	E88-89		5,9	596	1,2	232,92	6,8	12,0	11,3	21,3	SK 9022.1 - 71 L/4	44	E88-89		6,3	561	1,5	219,25	7,2	12,0	11,5	21,1		7,5	472	1,8	184,46	7,9	12,0	11,9	20,3		14	253	3,4	98,88	9,0	12,0	12,0	17,7					21	171	2,9	66,96	10,3	25,0	-	-	SK 92772.1 - 71 L/4	41	E68-69		23	153	2,9	59,68	10,4	25,0	-	-		5,1	686	0,9	267,99	6,3	20,0	9,0	20,0	SK 9017.1 - 71 L/4	42	E86-87		5,9	603	1,0	235,64	7,3	20,0	9,0	20,0		7,8	455	1,3	177,89	8,5	20,0	9,0	20,0		10	344	1,3	134,32	9,0	20,0	9,0	20,0					4,5	782	0,8	205,93	4,8	20,0	9,0	20,0	SK 9016.1 - 80 S/6	39	E84-85		5,0	711	0,8	277,84	6,0	20,0	9,0	20,0	SK 9016.1 - 71 L/4	37	E84-85		5,9	601	1,0	234,64	7,3	20,0	9,0	20,0		6,7	527	1,2	205,93	8,0	20,0	9,0	20,0		7,5	469	1,3	183,10	8,4	20,0	9,0	20,0					9,2	384	1,6	149,81	9,0	20,0	9,0	20,0		15	235	2,1	91,77	9,0	20,0	9,0	20,0		17	208				2,9	81,38	9,0	20,0	9,0	20,0		7,8	455	0,9	177,88	4,2	20,0	8,1	20,0	SK 9013.1 - 71 L/4	41	E82-83		9,8	362	1,1	141,29	5,6	20,0	8,9	20,0		6,7	527	0,8	205,93	2,5	20,0	7,4	20,0	SK 9012.1 - 71 L/4	36	E80-81		7,5	469	0,9	183,10	4,0	20,0	8,0	20,0		8,3	427	0,9	166,59	4,7	20,0	8,4	20,0		9,8	360	1,1	140,70	5,6				20,0	8,9	20,0		11	316	1,3	123,48	6,0	20,0	9,0	20,0		13	281	1,4	109,79	6,3				20,0	9,0	20,0		14	249	1,6	97,36	6,5	20,0	9,0	20,0		16	220	1,8	86,00	6,7	20,0	9,0	20,0		18	196	2,0	76,53	6,8	20,0	9,0	20,0		22	161	2,5	62,74	7,0	20,0	9,0	20,0																																																																																																																																																																																																								
	3,4	1052	0,8	276,86	0,5	12,0	6,2	23,5	SK 9022.1 - 80 S/6	46	E88-89																																																																																																																																																																																																																																																																																																																																																																																																																																																																																																																																									
	5,9	596	1,2	232,92	6,8	12,0	11,3	21,3	SK 9022.1 - 71 L/4	44	E88-89																																																																																																																																																																																																																																																																																																																																																																																																																																																																																																																																									
	6,3	561	1,5	219,25	7,2	12,0	11,5	21,1																																																																																																																																																																																																																																																																																																																																																																																																																																																																																																																																												
	7,5	472	1,8	184,46	7,9	12,0	11,9	20,3																																																																																																																																																																																																																																																																																																																																																																																																																																																																																																																																												
	14	253	3,4	98,88	9,0	12,0	12,0	17,7					21	171	2,9	66,96	10,3	25,0	-	-	SK 92772.1 - 71 L/4	41	E68-69		23	153	2,9	59,68	10,4	25,0	-	-		5,1	686	0,9	267,99	6,3	20,0	9,0	20,0	SK 9017.1 - 71 L/4	42	E86-87		5,9	603	1,0	235,64	7,3	20,0	9,0	20,0		7,8	455	1,3	177,89	8,5	20,0	9,0	20,0		10	344	1,3	134,32	9,0	20,0	9,0	20,0		4,5	782	0,8	205,93	4,8	20,0	9,0	20,0	SK 9016.1 - 80 S/6	39	E84-85		5,0	711	0,8	277,84	6,0	20,0	9,0	20,0	SK 9016.1 - 71 L/4	37	E84-85		5,9	601	1,0	234,64	7,3	20,0	9,0	20,0		6,7	527	1,2	205,93	8,0	20,0	9,0	20,0		7,5	469	1,3	183,10	8,4	20,0	9,0	20,0		9,2	384	1,6	149,81	9,0	20,0	9,0	20,0		15	235	2,1	91,77	9,0	20,0	9,0	20,0		17	208	2,9	81,38	9,0	20,0	9,0	20,0					7,8	455	0,9	177,88	4,2	20,0	8,1	20,0	SK 9013.1 - 71 L/4	41	E82-83		9,8	362	1,1	141,29	5,6	20,0	8,9	20,0		6,7	527	0,8	205,93	2,5	20,0	7,4	20,0	SK 9012.1 - 71 L/4	36	E80-81		7,5	469	0,9	183,10	4,0	20,0	8,0	20,0		8,3	427	0,9	166,59	4,7	20,0	8,4	20,0		9,8	360	1,1	140,70	5,6	20,0	8,9	20,0		11	316	1,3	123,48	6,0	20,0	9,0	20,0		13	281	1,4	109,79	6,3	20,0	9,0	20,0		14	249	1,6	97,36	6,5	20,0	9,0	20,0		16	220				1,8	86,00	6,7	20,0	9,0	20,0		18	196	2,0	76,53	6,8	20,0	9,0	20,0		22	161	2,5	62,74	7,0	20,0	9,0	20,0																																																																																																																																																																																																																																																																							
	21	171	2,9	66,96	10,3	25,0	-	-	SK 92772.1 - 71 L/4	41	E68-69																																																																																																																																																																																																																																																																																																																																																																																																																																																																																																																																									
	23	153	2,9	59,68	10,4	25,0	-	-					5,1	686	0,9	267,99	6,3	20,0	9,0	20,0	SK 9017.1 - 71 L/4	42	E86-87		5,9	603	1,0	235,64	7,3	20,0	9,0	20,0		7,8	455	1,3	177,89	8,5	20,0	9,0	20,0					10	344	1,3	134,32	9,0	20,0	9,0	20,0		4,5	782	0,8	205,93	4,8	20,0	9,0	20,0	SK 9016.1 - 80 S/6	39	E84-85		5,0	711	0,8	277,84	6,0	20,0	9,0	20,0	SK 9016.1 - 71 L/4	37	E84-85		5,9	601	1,0	234,64	7,3	20,0	9,0	20,0		6,7	527	1,2	205,93	8,0				20,0	9,0	20,0		7,5	469	1,3	183,10	8,4	20,0	9,0	20,0		9,2	384	1,6	149,81	9,0	20,0	9,0	20,0		15	235	2,1	91,77	9,0	20,0	9,0	20,0		17	208	2,9	81,38	9,0	20,0	9,0	20,0		7,8	455	0,9	177,88	4,2	20,0	8,1	20,0	SK 9013.1 - 71 L/4	41	E82-83		9,8	362	1,1	141,29	5,6	20,0	8,9	20,0		6,7	527	0,8	205,93	2,5	20,0	7,4	20,0	SK 9012.1 - 71 L/4	36	E80-81		7,5	469	0,9	183,10	4,0	20,0	8,0	20,0		8,3	427	0,9	166,59	4,7				20,0	8,4	20,0		9,8	360	1,1	140,70	5,6	20,0	8,9	20,0		11	316	1,3	123,48	6,0	20,0	9,0	20,0		13	281	1,4	109,79	6,3	20,0	9,0	20,0		14	249	1,6	97,36	6,5	20,0	9,0	20,0		16	220	1,8	86,00	6,7	20,0	9,0	20,0		18	196	2,0	76,53	6,8	20,0	9,0	20,0					22	161	2,5	62,74	7,0	20,0	9,0	20,0																																																																																																																																																																																																																																																																																						
	5,1	686	0,9	267,99	6,3	20,0	9,0	20,0	SK 9017.1 - 71 L/4	42	E86-87																																																																																																																																																																																																																																																																																																																																																																																																																																																																																																																																									
	5,9	603	1,0	235,64	7,3	20,0	9,0	20,0																																																																																																																																																																																																																																																																																																																																																																																																																																																																																																																																												
	7,8	455	1,3	177,89	8,5	20,0	9,0	20,0																																																																																																																																																																																																																																																																																																																																																																																																																																																																																																																																												
	10	344	1,3	134,32	9,0	20,0	9,0	20,0					4,5	782	0,8	205,93	4,8	20,0	9,0	20,0	SK 9016.1 - 80 S/6	39	E84-85		5,0	711	0,8	277,84	6,0	20,0	9,0	20,0	SK 9016.1 - 71 L/4	37	E84-85		5,9	601	1,0	234,64	7,3	20,0	9,0	20,0		6,7	527	1,2	205,93	8,0	20,0	9,0	20,0		7,5	469	1,3	183,10	8,4	20,0	9,0	20,0		9,2	384	1,6	149,81	9,0	20,0	9,0	20,0		15	235				2,1	91,77	9,0	20,0	9,0	20,0		17	208	2,9	81,38	9,0	20,0	9,0	20,0					7,8	455	0,9	177,88	4,2	20,0	8,1	20,0	SK 9013.1 - 71 L/4	41	E82-83		9,8	362	1,1	141,29	5,6	20,0	8,9	20,0		6,7	527	0,8	205,93	2,5	20,0	7,4	20,0	SK 9012.1 - 71 L/4	36	E80-81		7,5	469	0,9	183,10	4,0	20,0	8,0	20,0		8,3	427	0,9	166,59	4,7	20,0	8,4	20,0		9,8	360	1,1	140,70	5,6	20,0	8,9	20,0		11	316	1,3	123,48	6,0	20,0	9,0	20,0					13	281	1,4	109,79	6,3	20,0	9,0	20,0		14	249	1,6	97,36	6,5				20,0	9,0	20,0		16	220	1,8	86,00	6,7	20,0	9,0	20,0		18	196	2,0	76,53	6,8	20,0	9,0	20,0		22	161	2,5	62,74	7,0	20,0	9,0	20,0																																																																																																																																																																																																																																																																																																																													
	4,5	782	0,8	205,93	4,8	20,0	9,0	20,0	SK 9016.1 - 80 S/6	39	E84-85																																																																																																																																																																																																																																																																																																																																																																																																																																																																																																																																									
	5,0	711	0,8	277,84	6,0	20,0	9,0	20,0	SK 9016.1 - 71 L/4	37	E84-85																																																																																																																																																																																																																																																																																																																																																																																																																																																																																																																																									
	5,9	601	1,0	234,64	7,3	20,0	9,0	20,0																																																																																																																																																																																																																																																																																																																																																																																																																																																																																																																																												
	6,7	527	1,2	205,93	8,0	20,0	9,0	20,0																																																																																																																																																																																																																																																																																																																																																																																																																																																																																																																																												
	7,5	469	1,3	183,10	8,4	20,0	9,0	20,0																																																																																																																																																																																																																																																																																																																																																																																																																																																																																																																																												
	9,2	384	1,6	149,81	9,0	20,0	9,0	20,0																																																																																																																																																																																																																																																																																																																																																																																																																																																																																																																																												
	15	235	2,1	91,77	9,0	20,0	9,0	20,0																																																																																																																																																																																																																																																																																																																																																																																																																																																																																																																																												
	17	208	2,9	81,38	9,0	20,0	9,0	20,0					7,8	455	0,9	177,88	4,2	20,0	8,1	20,0	SK 9013.1 - 71 L/4	41	E82-83		9,8	362	1,1	141,29	5,6	20,0	8,9	20,0		6,7	527	0,8	205,93	2,5	20,0	7,4	20,0	SK 9012.1 - 71 L/4	36	E80-81		7,5	469	0,9	183,10	4,0	20,0	8,0	20,0		8,3	427	0,9	166,59	4,7	20,0	8,4	20,0		9,8	360	1,1	140,70	5,6	20,0	8,9	20,0		11	316	1,3	123,48	6,0	20,0	9,0	20,0		13	281	1,4	109,79	6,3	20,0	9,0	20,0		14	249	1,6	97,36	6,5	20,0	9,0	20,0		16	220	1,8	86,00	6,7	20,0	9,0	20,0		18	196	2,0	76,53	6,8	20,0	9,0	20,0		22	161	2,5	62,74	7,0	20,0	9,0	20,0																																																																																																																																																																																																																																																																																																																																																																																																																							
	7,8	455	0,9	177,88	4,2	20,0	8,1	20,0	SK 9013.1 - 71 L/4	41	E82-83																																																																																																																																																																																																																																																																																																																																																																																																																																																																																																																																									
	9,8	362	1,1	141,29	5,6	20,0	8,9	20,0					6,7	527	0,8	205,93	2,5	20,0	7,4	20,0	SK 9012.1 - 71 L/4	36	E80-81		7,5	469	0,9	183,10	4,0	20,0	8,0	20,0		8,3	427	0,9	166,59	4,7	20,0	8,4	20,0					9,8	360	1,1	140,70	5,6	20,0	8,9	20,0		11	316	1,3	123,48	6,0	20,0	9,0	20,0		13	281	1,4	109,79	6,3	20,0	9,0	20,0		14	249	1,6	97,36	6,5	20,0	9,0	20,0		16	220	1,8	86,00	6,7	20,0	9,0	20,0		18	196	2,0	76,53	6,8	20,0	9,0	20,0		22	161	2,5	62,74	7,0	20,0	9,0	20,0																																																																																																																																																																																																																																																																																																																																																																																																																																									
	6,7	527	0,8	205,93	2,5	20,0	7,4	20,0	SK 9012.1 - 71 L/4	36	E80-81																																																																																																																																																																																																																																																																																																																																																																																																																																																																																																																																									
	7,5	469	0,9	183,10	4,0	20,0	8,0	20,0																																																																																																																																																																																																																																																																																																																																																																																																																																																																																																																																												
	8,3	427	0,9	166,59	4,7	20,0	8,4	20,0																																																																																																																																																																																																																																																																																																																																																																																																																																																																																																																																												
	9,8	360	1,1	140,70	5,6	20,0	8,9	20,0																																																																																																																																																																																																																																																																																																																																																																																																																																																																																																																																												
	11	316	1,3	123,48	6,0	20,0	9,0	20,0																																																																																																																																																																																																																																																																																																																																																																																																																																																																																																																																												
	13	281	1,4	109,79	6,3	20,0	9,0	20,0																																																																																																																																																																																																																																																																																																																																																																																																																																																																																																																																												
	14	249	1,6	97,36	6,5	20,0	9,0	20,0																																																																																																																																																																																																																																																																																																																																																																																																																																																																																																																																												
	16	220	1,8	86,00	6,7	20,0	9,0	20,0																																																																																																																																																																																																																																																																																																																																																																																																																																																																																																																																												
	18	196	2,0	76,53	6,8	20,0	9,0	20,0																																																																																																																																																																																																																																																																																																																																																																																																																																																																																																																																												
	22	161	2,5	62,74	7,0	20,0	9,0	20,0																																																																																																																																																																																																																																																																																																																																																																																																																																																																																																																																												


0,37 kW



P ₁ [kW]	n ₂ [min ⁻¹]	M ₂ [Nm]	f _B	i _{ges}	F _R [kN]	F _A [kN]	F _{R VL} [kN]	F _{A VL} [kN]	Type	kg	mm 			
0,37	25	141	2,8	55,17	7,0	20,0	9,0	20,0	SK 9012.1 - 71 L/4	36	E80-81			
	28	125	3,2	48,95	7,1	20,0	9,0	20,0						
	33	107	3,8	41,65	7,1	20,0	9,0	20,0						
	40	89	4,5	34,81	7,2	20,0	9,0	20,0						
	44	81	5,0	31,45	7,2	20,0	9,0	20,0						
	50	71	5,6	27,65	7,2	20,0	9,0	20,0						
	56	63	6,4	24,53	7,2	20,0	9,0	20,0						
	66	53	7,5	20,87	7,2	19,8	9,0	19,8						
	79	45	8,5	17,45	7,2	18,8	9,0	18,8						
	90	39	9,7	15,30	7,3	18,1	9,0	18,1						
	113	31	7,0	12,23	7,3	17,0	9,0	17,0						
	127	28	7,2	10,85	7,3	16,4	9,0	16,4						
	150	24	8,3	9,23	7,3	15,7	9,0	15,7						
	171	21	8,7	8,09	7,3	15,1	9,0	15,1						
	28	124	2,6	48,56	8,4	20,0	-	-				SK 92672.1 - 71 L/4	30	E66-67
	32	111	2,8	43,28	8,4	20,0	-	-						
	79	45	7,1	17,46	8,5	20,0	-	-						
25	142	1,1	55,49	6,4	15,0	-	-	SK 92372.1 - 71 L/4	19	E64-65				
28	127	1,1	49,46	6,4	15,0	-	-							
30	119	1,5	46,64	6,4	15,0	-	-							
33	106	1,7	41,46	6,5	15,0	-	-							
38	94	2,0	36,80	6,5	15,0	-	-							
42	84	2,4	32,80	6,5	15,0	-	-							
36	99	0,9	38,75	4,7	12,0	-	-	SK 92172.1 - 71 L/4	14	E62-63				
39	90	1,2	35,31	4,7	12,0	-	-							
45	79	1,4	31,00	4,8	12,0	-	-							
49	72	1,5	28,24	4,8	12,0	-	-							
56	63	1,9	24,80	4,8	12,0	-	-							
67	53	2,0	20,67	4,9	12,0	-	-							
91	39	2,4	15,23	4,9	12,0	-	-							
99	36	3,0	13,87	4,9	12,0	-	-							
112	32	3,4	12,34	4,9	12,0	-	-							
113	31	3,7	12,18	4,9	12,0	-	-							
51	70	0,9	27,16	5,0	9,0	-	-	SK 92072.1 - 71 L/4	12	E60-61				
57	62	1,3	24,07	5,0	9,0	-	-							
66	53	1,5	20,80	5,0	9,0	-	-							
75	47	1,3	18,52	5,0	9,0	-	-							
86	41	1,6	16,00	5,0	9,0	-	-							
108	33	1,8	12,78	5,0	9,0	-	-							
124	28	2,3	11,11	5,0	9,0	-	-							
140	25	3,0	9,85	5,0	9,0	-	-							
159	22	3,3	8,67	5,0	9,0	-	-							
182	19	3,7	7,58	5,0	9,0	-	-							
207	17	4,0	6,67	5,0	9,0	-	-							
237	15	4,8	5,83	4,8	9,0	-	-							
267	13	5,1	5,17	4,6	8,7	-	-							
296	12	5,5	4,65	4,5	8,5	-	-							
347	10	6,7	3,97	4,3	8,1	-	-							
385	9	7,2	3,58	4,1	7,8	-	-							

Helical-bevel gear units



P_1 [kW]	n_2 [min ⁻¹]	M_2 [Nm]	f_B	i_{ges}	F_R [kN]	F_A [kN]	$F_{R VL}$ [kN]	$F_{A VL}$ [kN]	Type	kg	mm 			
0,55	1,0	4985	1,7	1453,44	61,3	50,0	66,0	50,0	SK 9072.1/32 - 80 SH/4	362	E104-105 E114			
	1,2	4013	2,1	1169,97	63,0	50,0	66,0	50,0						
	1,5	3340	2,5	973,69	63,9	50,0	66,0	50,0						
	1,9	2633	3,2	767,55	64,6	50,0	66,0	50,0						
	1,0	5174	0,9	1398,80	13,6	45,0	32,6	45,0	SK 9053.1 - 80 SH/4	206	E102-103			
	1,3	3931	1,2	1062,85	22,5	45,0	37,2	45,0						
	1,5	3447	1,4	931,87	24,6	45,0	38,0	45,0						
	2,0	2603	1,5	703,83	27,4	45,0	38,0	45,0						
	2,4	2145	2,2	579,95	28,5	45,0	38,0	45,0						
	3,1	1696	2,8	458,57	29,4	45,0	38,0	45,0						
	4,1	1291	3,7	348,91	29,9	45,0	38,0	45,0						
	5,4	981	4,9	265,11	30,3	45,0	38,0	45,0						
	6,2	847	5,7	229,07	30,4	45,0	38,0	45,0						
	1,6	3261	0,9	881,60	18,7	40,0	28,0	40,0	SK 9043.1 - 80 SH/4	128	E98-99			
	2,2	2386	1,2	645,18	23,6	40,0	28,0	40,0						
	2,5	2101	1,3	568,04	24,7	40,0	28,0	39,7						
	4,0	1297	2,2	350,72	27,0	40,0	28,0	36,2						
	5,1	1034	2,7	279,60	27,4	40,0	28,0	34,5						
	2,6	1994	0,8	539,10	0,1	14,5	12,5	23,0	SK 9033.1 - 80 SH/4	74	E94-95			
	3,6	1475	1,1	398,77	8,8	14,5	15,0	22,5						
	4,0	1303	1,2	352,25	10,5	14,5	15,0	22,2						
	5,3	990	1,6	267,65	12,8	14,5	15,0	21,4						
	6,6	795	2,0	214,83	13,7	14,5	15,0	20,6						
	8,5	619	2,5	167,45	14,3	14,5	15,0	19,6						
	4,8	1094	1,4	295,85	12,1	14,5	15,0	21,7				SK 9032.1 - 80 SH/4	67	E92-93
	5,7	924	1,7	249,72	13,1	14,5	15,0	21,1						
	6,1	865	1,8	233,92	13,4	14,5	15,0	20,9						
	7,2	730	2,1	197,45	13,9	14,5	15,0	20,2						
	6,1	862	0,8	232,92	1,1	12,0	9,0	19,6	SK 9022.1 - 80 SH/4	46	E88-89			
	6,5	811	1,1	219,25	3,3	12,0	9,6	19,6						
	7,7	682	1,3	184,46	5,8	12,0	10,7	18,9						
	8,4	628	1,4	169,81	6,5	12,0	11,1	18,8						
	10	509	1,7	137,57	7,6	12,0	11,8	18,1						
	12	428	2,0	115,74	8,2	12,0	12,0	17,4						
	14	366	2,4	98,88	8,6	12,0	12,0	16,9						
	21	248	2,0	66,96	10,2	25,0	-	-						
	24	221	2,0	59,68	10,2	25,0	-	-	SK 92772.1 - 80 SH/4	43	E68-69			
	27	195	3,0	52,64	10,3	25,0	-	-						
	30	174	3,0	46,92	10,3	25,0	-	-						
	33	161	3,9	43,44	10,3	25,0	-	-						
	6,9	762	0,8	205,93	5,2	20,0	9,0	20,0				SK 9016.1 - 80 SH/4	39	E84-85
	7,8	677	0,9	183,10	6,5	20,0	9,0	20,0						
	9,5	554	1,1	149,81	7,8	20,0	9,0	20,0						
	10	527	1,2	142,41	8,0	20,0	9,0	20,0						
	12	431	1,4	116,52	8,7	20,0	9,0	20,0						
	15	339	1,5	91,77	9,0	20,0	9,0	20,0						
	17	301	2,0	81,38	9,0	20,0	9,0	20,0						
	20	266	2,3	71,88	9,0	20,0	9,0	20,0						
	22	237	2,6	63,97	9,0	20,0	9,0	20,0						
	10	520	0,8	140,70	2,7	20,0	7,4	20,0	SK 9012.1 - 80 SH/4	38	E80-81			
	11	457	0,9	123,48	4,2	20,0	8,1	20,0						
	13	406	1,0	109,79	5,0	20,0	8,6	20,0						
	15	360	1,1	97,36	5,6	20,0	8,9	20,0						
	17	318	1,3	86,00	6,0	20,0	9,0	20,0						
	19	283	1,4	76,53	6,3	20,0	9,0	20,0						
	23	232	1,7	62,74	6,6	20,0	9,0	20,0						
	26	204	2,0	55,17	6,8	20,0	9,0	20,0						
	29	181	2,2	48,95	6,9	20,0	9,0	20,0						
	34	154	2,6	41,65	7,0	20,0	9,0	20,0						
	41	129	3,1	34,81	7,1	20,0	9,0	20,0						
	45	116	3,4	31,45	7,1	20,0	9,0	20,0						

Helical-bevel gear units

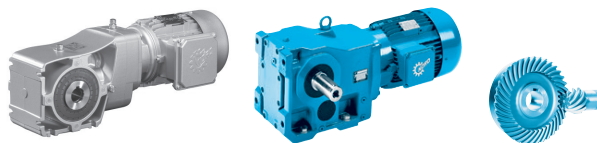
0,55 kW


IE2



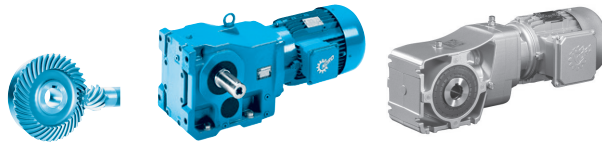
P ₁ [kW]	n ₂ [min ⁻¹]	M ₂ [Nm]	f _B	i _{ges}	F _R [kN]	F _A [kN]	F _{R VL} [kN]	F _{A VL} [kN]	Type	kg	mm
0,55	51	102	3,9	27,65	7,2	20,0	9,0	20,0	SK 9012.1 - 80 SH/4	38	E80-81
	58	91	4,4	24,53	7,2	20,0	9,0	20,0			
	68	77	5,2	20,87	7,2	19,4	9,0	19,4			
	81	65	5,9	17,45	7,2	18,5	9,0	18,5			
	93	57	6,7	15,30	7,2	17,8	9,0	17,8			
	116	45	4,9	12,23	7,2	16,7	9,0	16,7			
	131	40	5,0	10,85	7,3	16,1	9,0	16,1			
	154	34	5,7	9,23	7,3	15,4	9,0	15,4			
	176	30	6,0	8,09	7,3	14,8	9,0	14,8			
	29	180	1,8	48,56	8,2	20,0	-	-			
33	160	1,9	43,28	8,3	20,0	-	-				
38	140	2,3	37,82	8,3	20,0	-	-				
42	125	2,9	33,71	8,4	20,0	-	-				
46	113	2,8	30,67	8,4	20,0	-	-				
52	101	3,6	27,33	8,4	20,0	-	-				
30	173	1,1	46,64	6,2	15,0	-	-	SK 92372.1 - 80 SH/4	20	E64-65	
34	153	1,2	41,46	6,3	15,0	-	-				
39	136	1,4	36,80	6,4	15,0	-	-				
43	121	1,6	32,80	6,4	15,0	-	-				
51	104	1,8	28,11	6,5	15,0	-	-				
57	93	2,4	25,06	6,5	15,0	-	-				
63	83	2,2	22,49	6,5	15,0	-	-				
71	74	3,0	20,04	6,5	15,0	-	-				
77	68	2,7	18,33	6,6	15,0	-	-				
90	59	3,1	15,84	6,6	15,0	-	-				
101	52	4,2	14,12	6,6	15,0	-	-				
50	104	1,0	28,24	4,7	12,0	-	-	SK 92172.1 - 80 SH/4	16	E62-63	
57	92	1,3	24,80	4,7	12,0	-	-				
69	76	1,4	20,67	4,8	12,0	-	-				
93	56	1,7	15,23	4,9	12,0	-	-				
102	51	2,1	13,87	4,9	12,0	-	-				
115	46	2,4	12,34	4,9	12,0	-	-				
117	45	2,5	12,18	4,9	12,0	-	-				
131	40	2,8	10,83	4,9	12,0	-	-				
140	38	2,5	10,15	4,9	12,0	-	-				
68	77	1,1	20,80	5,0	9,0	-	-	SK 92072.1 - 80 SH/4	14	E60-61	
89	59	1,1	16,00	5,0	9,0	-	-				
111	47	1,2	12,78	5,0	9,0	-	-				
128	41	1,6	11,11	5,0	9,0	-	-				
144	36	2,1	9,85	5,0	9,0	-	-				
164	32	2,3	8,67	5,0	9,0	-	-				
187	28	2,6	7,58	5,0	9,0	-	-				
213	25	2,8	6,67	4,8	9,0	-	-				
244	22	3,3	5,83	4,7	8,8	-	-				
275	19	3,5	5,17	4,5	8,5	-	-				
305	17	3,8	4,65	4,4	8,2	-	-				
357	15	4,6	3,97	4,2	7,8	-	-				
397	13	5,0	3,58	4,0	7,6	-	-				

Helical-bevel gear units



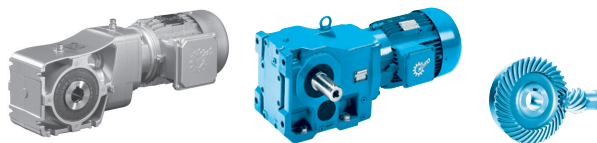
P ₁ [kW]	n ₂ [min ⁻¹]	M ₂ [Nm]	f _B	i _{ges}	F _R [kN]	F _A [kN]	F _{R VL} [kN]	F _{A VL} [kN]	Type	kg	mm 
0,75	1,2	5588	1,5	1169,97	60,1	50,0	66,0	50,0	SK 9072.1/32 - 80 LP/4	364	E104-105 E114
	1,5	4659	1,8	973,69	61,9	50,0	66,0	50,0			
	1,8	3666	2,3	767,55	63,4	50,0	66,0	50,0			
	2,4	2856	3,0	598,27	64,4	50,0	66,0	50,0			
	1,3	5375	0,9	1062,85	11,2	45,0	31,7	45,0	SK 9053.1 - 80 LP/4	208	E102-103
	1,5	4713	1,0	931,87	17,7	45,0	34,5	45,0			
	2,0	3562	1,1	703,83	24,2	45,0	38,0	45,0			
	2,4	2938	1,6	579,95	26,5	45,0	38,0	45,0			
	3,1	2323	2,1	458,57	28,1	45,0	38,0	45,0			
	4,1	1766	2,7	348,91	29,2	45,0	38,0	45,0			
5,3	1339	3,6	265,11	29,9	45,0	38,0	45,0				
6,2	1159	4,1	229,07	30,1	45,0	38,0	45,0				
2,2	3263	0,9	645,18	18,6	40,0	28,0	36,8	SK 9043.1 - 80 LP/4	130	E98-99	
2,5	2874	1,0	568,04	21,2	40,0	28,0	36,8				
4,0	1774	1,6	350,72	25,8	40,0	28,0	34,5				
5,1	1412	2,0	279,60	26,7	40,0	28,0	33,1				
6,9	1033	2,7	204,38	27,4	40,0	28,0	31,1				
8,2	871	3,2	172,08	27,7	40,0	28,0	30,0				
3,5	2022	0,8	398,77	0,1	14,5	12,2	20,1	SK 9033.1 - 80 LP/4	76	E94-95	
4,0	1787	0,9	352,25	2,2	14,5	14,6	20,1				
5,3	1355	1,1	267,65	10,1	14,5	15,0	19,8				
6,6	1089	1,4	214,83	12,2	14,5	15,0	19,3				
8,4	848	1,8	167,45	13,5	14,5	15,0	18,6				
4,8	1499	1,0	295,85	8,5	14,5	15,0	19,9	SK 9032.1 - 80 LP/4	68	E92-93	
5,7	1265	1,2	249,72	10,9	14,5	15,0	19,6				
6,0	1185	1,3	233,92	11,5	14,5	15,0	19,5				
7,2	1001	1,5	197,45	12,7	14,5	15,0	19,0				
13	562	2,8	110,77	14,5	14,5	15,0	17,3				
15	474	3,3	93,50	14,7	14,5	15,0	16,7				
6,5	1110	0,8	219,25	0,1	12,0	4,8	17,9	SK 9022.1 - 80 LP/4	48	E88-89	
7,7	934	0,9	184,46	0,2	12,0	8,1	17,5				
8,3	860	1,0	169,81	1,3	12,0	9,0	17,5				
10	697	1,2	137,57	5,6	12,0	10,6	17,1				
12	586	1,5	115,74	7,0	12,0	11,3	16,5				
14	501	1,7	98,88	7,7	12,0	11,8	16,2				
17	431	2,0	85,11	8,2	12,0	12,0	15,7				
18	399	2,2	78,89	8,4	12,0	12,0	15,5				
21	336	2,6	66,42	8,7	12,0	12,0	14,9				
24	295	2,9	58,25	8,9	12,0	12,0	14,5				
21	339	1,4	66,96	10,0	25,0	10,0	25,0				SK 92772.1 - 80 LP/4
24	302	1,4	59,68	10,1	25,0	10,1	25,0				
27	266	2,2	52,64	10,2	25,0	10,2	25,0				
30	237	2,2	46,92	10,2	25,0	10,2	25,0				
33	220	2,9	43,44	10,2	25,0	10,2	25,0				
9,4	758	0,8	149,81	5,2	20,0	9,0	20,0	SK 9016.1 - 80 LP/4	41	E84-85	
9,9	721	0,8	142,41	5,9	20,0	9,0	20,0				
12	590	1,0	116,52	7,5	20,0	9,0	20,0				
15	465	1,1	91,77	8,5	20,0	9,0	20,0				
17	412	1,5	81,38	8,8	20,0	9,0	20,0				
20	364	1,6	71,88	9,0	20,0	9,0	20,0				
22	324	1,9	63,97	9,0	20,0	9,0	20,0				
27	265	2,3	52,44	9,0	20,0	9,0	20,0				
31	234	2,6	46,11	9,0	20,0	9,0	20,0				
35	207	2,9	40,92	9,0	20,0	9,0	20,0				
15	493	0,8	97,36	3,5	20,0	7,8	20,0	SK 9012.1 - 80 LP/4	40	E80-81	
16	436	0,9	86,00	4,6	20,0	8,3	20,0				
18	388	1,0	76,53	5,3	20,0	8,7	20,0				
23	318	1,3	62,74	6,0	20,0	9,0	20,0				
26	280	1,4	55,17	6,3	20,0	9,0	20,0				
29	248	1,6	48,95	6,5	20,0	9,0	20,0				
34	211	1,9	41,65	6,7	20,0	9,0	20,0				
41	176	2,3	34,81	6,9	20,0	9,0	20,0				
45	159	2,5	31,45	7,0	20,0	9,0	20,0				


0,75 kW



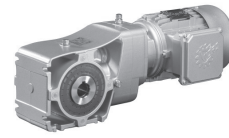
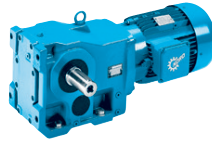
P ₁ [kW]	n ₂ [min ⁻¹]	M ₂ [Nm]	f _B	i _{ges}	F _R [kN]	F _A [kN]	F _{R VL} [kN]	F _{A VL} [kN]	Type	kg	mm
0,75	51	140	2,9	27,65	7,0	20,0	9,0	20,0	SK 9012.1 - 80 LP/4	40	E80-81
	58	124	3,2	24,53	7,1	19,9	9,0	19,9			
	68	106	3,8	20,87	7,1	19,1	9,0	19,1			
	81	88,5	4,3	17,45	7,2	18,2	9,0	18,2			
	93	77,3	4,9	15,30	7,2	17,6	9,0	17,6			
	115	62,1	3,5	12,23	7,2	16,5	9,0	16,5			
	130	55,0	3,6	10,85	7,2	15,9	9,0	15,9			
	153	46,9	4,2	9,23	7,2	15,2	9,0	15,2			
	175	40,9	4,4	8,09	7,3	14,8	9,0	14,8			
	29	246	1,3	48,56	8,0	20,0	8,0	20,0			
	33	219	1,4	43,28	8,1	20,0	8,1	20,0			
	37	191	1,7	37,82	8,2	20,0	8,2	20,0			
	42	171	2,1	33,71	8,3	20,0	8,3	20,0			
	46	155	2,0	30,67	8,3	20,0	8,3	20,0			
	52	138	2,6	27,33	8,3	20,0	8,3	20,0			
	71	101	3,1	20,00	8,4	20,0	8,4	20,0			
	81	88,4	3,6	17,46	8,4	20,0	8,4	20,0			
	34	210	0,9	41,46	5,8	15,0	6,1	15,0			
38	186	1,0	36,80	6,0	15,0	6,2	15,0				
43	166	1,2	32,80	6,1	15,0	6,3	15,0				
50	142	1,3	28,11	6,2	15,0	6,4	15,0				
56	127	1,7	25,06	6,2	15,0	6,5	15,0				
63	114	1,6	22,49	6,2	15,0	6,5	15,0				
71	101	2,2	20,04	6,3	15,0	6,5	15,0				
77	92,8	2,0	18,33	6,3	15,0	6,5	15,0				
89	80,2	2,3	15,84	6,3	15,0	6,6	15,0				
100	71,5	3,0	14,12	6,4	15,0	6,6	15,0				
113	63,6	2,9	12,56	6,4	15,0	6,6	15,0				
126	56,7	3,8	11,20	6,4	15,0	6,6	15,0				
137	52,3	4,2	10,33	6,4	15,0	6,6	15,0				
138	51,7	3,6	10,22	6,4	15,0	6,6	15,0				
50	143	0,8	28,24	4,4	11,6	4,4	11,6	SK 92172.1 - 80 LP/4	18	E62-63	
57	126	1,0	24,80	4,5	11,6	4,5	11,6				
68	105	1,0	20,67	4,7	11,6	4,7	11,6				
93	77,1	1,2	15,23	4,8	11,6	4,8	11,6				
102	70,2	1,5	13,87	4,8	11,6	4,8	11,6				
115	62,4	1,7	12,34	4,9	11,6	4,9	11,6				
116	61,7	1,8	12,18	4,9	11,6	4,9	11,6				
131	54,8	2,1	10,83	4,9	11,6	4,9	11,6				
139	51,4	1,8	10,15	4,9	11,6	4,9	11,6				
149	48,0	2,2	9,49	4,9	11,6	4,9	11,6				
157	45,7	2,1	9,03	4,9	11,6	4,9	11,6				
170	42,2	2,7	8,33	4,9	11,5	4,9	11,5				
181	39,6	2,8	7,83	4,9	11,3	4,9	11,3				
204	35,1	3,1	6,94	4,9	10,9	4,9	10,9				
68	105	0,8	20,80	4,9	9,0	4,9	9,0	SK 92072.1 - 80 LP/4	16	E60-61	
88	81,0	0,8	16,00	5,0	9,0	5,0	9,0				
111	64,7	0,9	12,78	5,0	9,0	4,8	9,0				
127	56,2	1,2	11,11	5,0	9,0	4,6	9,0				
144	49,8	1,5	9,85	5,0	9,0	4,5	9,0				
163	43,9	1,7	8,67	5,0	9,0	4,3	9,0				
187	38,3	1,9	7,58	5,0	9,0	4,2	9,0				
212	33,7	2,0	6,67	4,9	8,8	4,1	8,8				
243	29,5	2,4	5,83	4,6	8,6	3,9	8,6				
274	26,2	2,6	5,17	4,5	8,3	3,8	8,3				
304	23,6	2,8	4,65	4,3	8,0	3,6	8,0				
356	20,1	3,4	3,97	4,2	7,6	3,5	7,6				
395	18,1	3,6	3,58	4,0	7,4	3,4	7,4				

Helical-bevel gear units



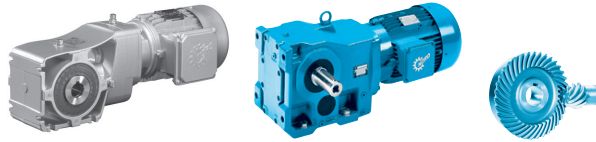
P ₁ [kW]	n ₂ [min ⁻¹]	M ₂ [Nm]	f _B	i _{ges}	F _R [kN]	F _A [kN]	F _{R VL} [kN]	F _{A VL} [kN]	Type	kg	mm 
1,10	1,0	10460	3,1	1424,80	96,2	70,0	160,0	70,0	SK 9092.1/52 - 90 SP/4	1490	E110-111 E115
	1,2	8842	2,3	1202,18	100,0	65,0	120,0	65,0	SK 9086.1/52 - 90 SP/4	921	E108-109 E114
	1,6	6683	3,0	907,88	102,2	65,0	120,0	65,0			
	1,4	7478	1,7	1017,77	92,6	60,0	95,0	60,0	SK 9082.1/42 - 90 SP/4	646	E106-107 E114
	1,7	6210	2,1	845,38	93,9	60,0	95,0	60,0			
	2,0	5179	2,5	704,48	94,8	60,0	95,0	60,0			
	2,4	4429	2,9	603,37	95,0	60,0	95,0	60,0			
	0,99	10640	0,8	1453,44	41,7	50,0	66,0	50,0	SK 9072.1/32 - 90 SP/4	369	E104-105 E114
	1,2	8567	1,0	1169,97	51,5	50,0	66,0	50,0			
	1,5	7143	1,2	973,69	56,3	50,0	66,0	50,0			
	1,9	5620	1,5	767,55	60,1	50,0	66,0	50,0			
	2,4	4379	1,9	598,27	62,4	50,0	66,0	50,0			
	3,0	3459	2,5	473,22	63,7	50,0	66,0	50,0			
	3,7	2826	3,0	385,88	64,4	50,0	66,0	50,0			
	4,6	2278	3,7	311,10	64,9	50,0	66,0	50,0			
	2,0	5169	0,8	703,83	13,9	45,0	32,7	45,0	SK 9053.1 - 90 SP/4	213	E102-103
	2,5	4265	1,1	579,95	20,8	45,0	36,2	45,0			
	3,1	3372	1,4	458,57	25,0	45,0	38,0	45,0			
	4,1	2563	1,9	348,91	27,5	45,0	38,0	45,0			
5,4	1944	2,5	265,11	28,9	45,0	38,0	45,0				
6,2	1682	2,9	229,07	29,4	45,0	38,0	45,0				
4,9	2127	2,3	289,61	28,6	45,0	38,0	45,0	SK 9052.1 - 90 SP/4	195	E100-101	
5,8	1817	2,6	247,06	29,2	45,0	38,0	45,0				
9,8	1067	3,4	145,16	30,2	45,0	38,0	45,0				
12	882	5,4	120,03	30,4	45,0	38,0	45,0				
14	753	6,4	102,40	30,5	45,0	38,0	45,0				
3,5	2972	0,9	404,82	20,7	40,0	28,0	31,3				SK 9043.1 - 90 SP/4
4,1	2574	1,1	350,72	22,8	40,0	28,0	31,3				
5,1	2049	1,4	279,60	24,9	40,0	28,0	30,7				
7,0	1499	1,9	204,38	26,5	40,0	28,0	29,2				
8,3	1264	2,2	172,08	27,0	40,0	28,0	28,4				
4,3	2421	1,2	329,69	23,5	40,0	28,0	31,1	SK 9042.1 - 90 SP/4	120	E96-97	
5,2	2011	1,4	273,73	25,1	40,0	28,0	30,3				
6,1	1725	1,6	235,01	25,9	40,0	28,0	29,9				
7,3	1433	2,0	195,12	26,7	40,0	28,0	28,9				
8,6	1215	1,2	165,24	27,1	40,0	28,0	28,2				
12	865	2,8	117,79	27,7	40,0	28,0	26,3				
5,3	1967	0,8	267,65	0,4	14,5	12,9	17,0	SK 9033.1 - 90 SP/4	81	E94-95	
6,6	1580	1,0	214,83	7,4	14,5	15,0	17,1				
8,5	1231	1,3	167,45	11,2	14,5	15,0	16,9				
5,7	1837	0,8	249,72	0,5	14,5	14,2	16,9	SK 9032.1 - 90 SP/4	73	E92-93	
6,1	1720	0,9	233,92	4,8	14,5	15,0	17,1				
7,2	1452	1,1	197,45	9,1	14,5	15,0	16,9				
7,6	1383	1,1	188,06	9,8	14,5	15,0	17,0				
9,0	1167	1,3	158,74	11,7	14,5	15,0	16,7				
10	1025	1,5	139,44	12,6	14,5	15,0	16,6				
12	865	1,8	117,70	13,4	14,5	15,0	16,2				
13	815	1,9	110,77	13,6	14,5	15,0	16,1				
15	688	2,3	93,50	14,1	14,5	15,0	15,7				
17	618	2,5	84,17	14,2	14,5	15,0	15,4				
19	558	2,8	75,91	13,9	14,5	15,0	15,1				
22	471	3,3	64,08	13,4	14,5	15,0	14,6				
24	434	3,6	59,17	13,1	14,5	15,0	14,4				
10	1011	0,9	137,57	0,1	12,0	7,0	15,3				SK 9022.1 - 90 SP/4
12	850	1,0	115,74	2,0	12,0	9,2	15,0				
14	727	1,2	98,88	5,2	12,0	10,4	14,9				
17	626	1,4	85,11	6,6	12,0	11,1	14,6				
18	579	1,5	78,89	7,0	12,0	11,4	14,4				


1,10 kW



P_1 [kW]	n_2 [min ⁻¹]	M_2 [Nm]	f_B	i_{ges}	F_R [kN]	F_A [kN]	$F_{R VL}$ [kN]	$F_{A VL}$ [kN]	Type	kg	mm
1,10	22	488	1,8	66,42	7,8	12,0	11,9	14,1	SK 9022.1 - 90 SP/4	53	E88-89
	25	428	2,0	58,25	8,2	12,0	12,0	13,7			
	27	383	2,2	52,02	8,5	12,0	12,0	13,4			
	29	360	2,4	49,01	8,6	12,0	12,0	13,2			
	32	329	2,6	44,71	8,7	12,0	12,0	13,1			
	36	292	2,9	39,77	8,9	12,0	12,0	12,7			
	21	492	1,0	66,96	9,4	25,0	9,4	25,0	SK 92772.1 - 90 SP/4	50	E68-69
	24	438	1,0	59,68	9,6	25,0	9,6	25,0			
	27	387	1,5	52,64	9,8	25,0	9,8	25,0			
	30	345	1,5	46,92	9,9	25,0	9,9	25,0			
	33	319	2,0	43,44	10,0	25,0	10,0	25,0			
	36	289	2,2	39,32	10,1	25,0	10,1	25,0			
	41	257	2,6	35,04	10,2	25,0	10,2	25,0			
	52	203	3,1	27,65	10,3	25,0	10,3	25,0			
	56	186	3,4	25,34	10,3	25,0	10,3	25,0			
	58	181	3,6	24,64	10,3	25,0	10,3	25,0			
	63	166	3,9	22,59	10,3	25,0	10,3	25,0			
	68	155	4,1	21,14	10,4	25,0	10,4	25,0			
	18	598	1,0	81,38	7,4	20,0	9,0	20,0			
	20	528	1,1	71,88	8,0	20,0	9,0	20,0			
	22	471	1,3	63,97	8,5	20,0	9,0	20,0			
	27	385	1,6	52,44	9,0	20,0	9,0	20,0			
	31	339	1,8	46,11	9,0	20,0	9,0	20,0			
	35	300	2,0	40,92	9,0	20,0	9,0	20,0			
	41	256	2,3	34,81	9,0	20,0	9,0	20,0			
	47	224	2,7	30,52	9,0	20,0	9,0	20,0			
	54	193	3,1	26,29	9,0	19,6	9,0	19,6			
	23	461	0,9	62,74	4,2	20,0	8,1	20,0	SK 9012.1 - 90 SP/4	45	E80-81
	26	406	1,0	55,17	5,0	20,0	8,6	20,0			
	29	359	1,1	48,95	5,6	20,0	8,9	20,0			
	34	306	1,3	41,65	6,1	20,0	9,0	20,0			
	41	256	1,6	34,81	6,5	20,0	9,0	20,0			
	45	231	1,7	31,45	6,6	20,0	9,0	20,0			
	52	204	2,0	27,65	6,8	19,8	9,0	19,8			
	58	180	2,2	24,53	6,9	19,3	9,0	19,3			
	68	154	2,6	20,87	7,0	18,5	9,0	18,5			
	82	128	3,0	17,45	7,1	17,7	9,0	17,7			
	94	112	3,4	15,30	7,1	17,2	9,0	17,2			
	117	90,1	2,4	12,23	7,2	16,1	9,0	16,1			
	132	79,8	2,5	10,85	7,2	15,6	9,0	15,6			
	154	68,0	2,9	9,23	7,2	14,9	9,0	14,9			
	177	59,4	3,0	8,09	7,2	14,4	9,0	14,4			
	29	357	0,9	48,56	7,5	20,0	7,5	20,0	SK 92672.1 - 90 SP/4	38	E66-67
	33	318	1,0	43,28	7,7	20,0	7,7	20,0			
	38	278	1,1	37,82	7,9	20,0	7,9	20,0			
	42	248	1,5	33,71	8,0	20,0	8,0	20,0			
	47	225	1,4	30,67	8,1	20,0	8,1	20,0			
	52	201	1,8	27,33	8,2	20,0	8,2	20,0			
	57	183	2,0	24,88	8,2	20,0	8,2	20,0			
	72	147	2,1	20,00	8,3	20,0	8,3	20,0			
	79	134	2,6	18,21	8,3	20,0	8,3	20,0			
	82	128	2,5	17,46	8,3	20,0	8,3	20,0			
	92	114	3,2	15,56	8,4	20,0	8,4	20,0			
	99	106	3,0	14,40	8,4	20,0	8,4	20,0			
	111	94,3	3,8	12,84	8,4	20,0	8,4	20,0			
	44	241	0,8	32,80	5,6	15,0	5,9	15,0			
	51	206	0,9	28,11	5,8	15,0	6,1	15,0			
	57	184	1,2	25,06	6,0	15,0	6,2	15,0			
	64	165	1,1	22,49	6,1	15,0	6,3	15,0			
	71	147	1,5	20,04	6,1	15,0	6,4	15,0			
	78	135	1,4	18,33	6,2	15,0	6,4	15,0			
	90	116	1,6	15,84	6,2	15,0	6,5	15,0			
	101	104	2,1	14,12	6,3	15,0	6,5	15,0			
	114	92,3	2,0	12,56	6,3	15,0	6,5	15,0			
	128	82,3	2,7	11,20	6,3	15,0	6,6	15,0			
	138	75,9	2,9	10,33	6,3	15,0	6,6	15,0			

Helical-bevel gear units



P ₁ [kW]	n ₂ [min ⁻¹]	M ₂ [Nm]	f _B	i _{ges}	F _R [kN]	F _A [kN]	F _{R VL} [kN]	F _{A VL} [kN]	Type	kg	mm 				
1,10	140	75,1	2,5	10,22	6,3	15,0	6,6	15,0	SK 92372.1 - 90 SP/4	28	E64-65				
	157	66,9	3,3	9,11	6,4	15,0	6,6	15,0							
	175	60,2	3,5	8,19	6,4	15,0	6,6	15,0							
	204	51,5	3,9	7,01	6,4	15,0	6,4	15,0							
	214	49,0	4,2	6,67	6,4	15,0	6,4	15,0							
	245	42,8	4,4	5,83	6,4	14,7	6,1	14,7							
	1,10	151	69,7	1,5	9,49	4,8	11,4	4,8	11,4	SK 92172.1 - 90 SP/4	23	E62-63			
		172	61,2	1,9	8,33	4,9	11,0	4,9	11,0						
		183	57,5	1,9	7,83	4,9	10,8	4,9	10,8						
		206	51,0	2,2	6,94	4,9	10,4	4,8	10,4						
		219	48,0	1,9	6,53	4,9	10,3	4,7	10,3						
		248	42,4	2,2	5,77	4,9	10,1	4,5	10,1						
		272	38,6	2,8	5,26	4,9	9,8	4,4	9,8						
		292	35,9	3,0	4,89	4,9	9,6	4,3	9,6						
		333	31,6	3,4	4,30	4,9	9,3	4,2	9,3						
		245	42,8	1,7	5,83	4,5	8,1	3,7	8,1				SK 92072.1 - 90 SP/4	21	E60-61
		277	38,0	1,8	5,17	4,3	7,9	3,6	7,9						
	307	34,2	1,9	4,65	4,2	7,7	3,5	7,7							
	360	29,2	2,3	3,97	4,1	7,3	3,4	7,3							
	399	26,3	2,5	3,58	4,0	7,1	3,3	7,1							
	1,50	0,99	14420	2,2	1424,80	88,7	70,0	155,3	70,0	SK 9092.1/52 - 90 LP/4	1490	E110-111 E115			
1,3		11330	2,8	1120,00	94,6	70,0	160,0	70,0							
1,50		1,2	12190	1,6	1202,18	95,2	65,0	114,0	65,0	SK 9086.1/52 - 90 LP/4	923	E108-109 E114			
		1,6	9210	2,2	907,88	99,6	65,0	120,0	65,0						
		2,0	7236	2,8	714,15	101,7	65,0	120,0	65,0						
1,50		1,4	10300	1,3	1017,77	88,6	60,0	95,0	60,0	SK 9082.1/42 - 90 LP/4	648	E106-107 E114			
		1,7	8558	1,5	845,38	91,2	60,0	95,0	60,0						
		2,0	7137	1,8	704,48	93,0	60,0	95,0	60,0						
		2,3	6103	2,1	603,37	94,0	60,0	95,0	60,0						
		3,2	4498	2,9	443,41	95,0	60,0	95,0	60,0						
1,50		1,5	9844	0,9	973,69	45,9	50,0	66,0	50,0	SK 9072.1/32 - 90 LP/4	371	E104-105 E114			
		1,8	7745	1,1	767,55	54,3	50,0	66,0	50,0						
		2,4	6034	1,4	598,27	59,1	50,0	66,0	50,0						
		3,0	4767	1,8	473,22	61,7	50,0	66,0	50,0						
		3,7	3895	2,2	385,88	63,1	50,0	66,0	50,0						
		4,6	3139	2,7	311,10	64,1	50,0	66,0	50,0						
1,50		3,1	4647	1,0	458,57	18,3	45,0	34,8	45,0	SK 9053.1 - 90 LP/4	215	E102-103			
		4,1	3531	1,4	348,91	24,3	45,0	38,0	45,0						
		5,3	2679	1,8	265,11	27,2	45,0	38,0	45,0						
		6,2	2318	2,1	229,07	28,1	45,0	38,0	45,0						
		8,6	1670	2,9	164,99	29,4	45,0	38,0	45,0						
1,50	4,9	2932	1,6	289,61	26,5	45,0	38,0	45,0	SK 9052.1 - 90 LP/4	197	E100-101				
	5,7	2504	1,9	247,06	27,7	45,0	38,0	45,0							
	9,7	1471	2,4	145,16	29,7	45,0	38,0	45,0							
	12	1215	4,0	120,03	30,0	45,0	38,0	45,0							
	14	1038	4,6	102,40	30,2	45,0	38,0	45,0							
1,50	4,0	3547	0,8	350,72	16,3	40,0	28,0	27,8	SK 9043.1 - 90 LP/4	137	E98-99				
	5,1	2824	1,0	279,60	21,4	40,0	28,0	27,8							
	6,9	2066	1,4	204,38	24,8	40,0	28,0	27,2							
	8,2	1742	1,6	172,08	25,9	40,0	28,0	26,7							
1,50	4,3	3336	0,8	329,69	18,1	40,0	28,0	27,8	SK 9042.1 - 90 LP/4	122	E96-97				
	5,2	2772	1,0	273,73	21,8	40,0	28,0	27,5							
	6,0	2377	1,2	235,01	23,6	40,0	28,0	27,5							
	7,3	1975	1,4	195,12	25,1	40,0	28,0	26,9							
	8,6	1674	0,9	165,24	26,1	40,0	28,0	26,6							
	12	1193	2,0	117,79	27,1	40,0	28,0	25,2							
	15	967	2,9	95,56	27,5	40,0	28,0	24,3							
	16	876	3,2	86,43	27,7	40,0	28,0	23,8							

Helical-bevel gear units


1,50 kW



P ₁ [kW]	n ₂ [min ⁻¹]	M ₂ [Nm]	f _B	i _{ges}	F _R [kN]	F _A [kN]	F _{R VL} [kN]	F _{A VL} [kN]	Type	kg	mm
1,50	7,2	2001	0,8	197,45	0,1	14,5	12,5	14,6	SK 9032.1 - 90 LP/4	75	E92-93
	7,5	1905	0,8	188,06	0,1	14,5	13,5	14,8			
	8,9	1609	1,0	158,74	6,9	14,5	15,0	14,8			
	10	1412	1,1	139,44	9,5	14,5	15,0	15,0			
	12	1192	1,3	117,70	11,4	14,5	15,0	14,8			
	13	1123	1,4	110,77	11,9	14,5	15,0	14,8			
	15	948	1,6	93,50	13,0	14,5	15,0	14,5			
	17	852	1,8	84,17	13,2	14,5	15,0	14,4			
	19	769	2,0	75,91	13,0	14,5	15,0	14,3			
	22	649	2,4	64,08	12,6	14,5	15,0	13,9			
	24	599	2,6	59,17	12,5	14,5	15,0	13,7			
	28	506	3,1	49,94	12,0	14,5	15,0	13,3			
	30	483	3,2	47,70	11,9	14,5	15,0	13,2			
	35	409	3,8	40,36	11,5	14,5	15,0	12,8			
		14	1001	0,9	98,88	0,1	12,0	7,1			
	17	863	1,0	85,11	1,1	12,0	9,0	13,4			
	18	798	1,1	78,89	3,7	12,0	9,7	13,3			
	21	673	1,3	66,42	6,0	12,0	10,8	13,1			
	24	590	1,5	58,25	6,9	12,0	11,3	12,9			
	27	527	1,6	52,02	7,5	12,0	11,7	12,7			
	29	496	1,7	49,01	7,7	12,0	11,8	12,5			
	32	454	1,9	44,71	8,1	12,0	12,0	12,4			
	36	402	2,1	39,77	8,4	12,0	12,0	12,2			
	43	337	2,6	33,26	8,7	12,0	12,0	11,7			
	45	318	2,6	31,38	8,8	12,0	12,0	11,7			
	48	296	2,9	29,20	8,9	12,0	12,0	11,5			
	27	533	1,1	52,64	9,2	25,0	9,2	25,0	SK 9272.1 - 90 LP/4	52	E68-69
	30	475	1,1	46,92	9,5	25,0	9,5	25,0			
	33	440	1,4	43,44	9,6	25,0	9,6	25,0			
	36	398	1,6	39,32	9,8	25,0	9,8	25,0			
	40	355	1,9	35,04	9,9	25,0	9,9	25,0			
	51	280	2,3	27,65	10,1	25,0	10,1	25,0			
	56	257	2,5	25,34	10,2	25,0	10,2	25,0			
	57	249	2,6	24,64	10,2	25,0	10,2	25,0			
	63	229	2,8	22,59	10,2	25,0	10,2	25,0			
	67	214	2,9	21,14	10,3	25,0	10,3	25,0			
	74	194	3,2	19,17	10,3	25,0	10,3	25,0			
	75	191	3,4	18,84	10,3	25,0	10,3	25,0			
	83	173	3,7	17,08	10,3	25,0	10,3	25,0			
	20	728	0,8	71,88	5,8	20,0	9,0	20,0	SK 9016.1 - 90 LP/4	48	E84-85
	22	649	0,9	63,97	6,8	20,0	9,0	20,0			
	27	531	1,1	52,44	8,0	20,0	9,0	20,0			
	31	467	1,3	46,11	8,5	20,0	9,0	20,0			
	35	414	1,5	40,92	8,8	20,0	9,0	20,0			
	41	353	1,7	34,81	9,0	19,8	9,0	19,8			
	46	308	1,9	30,52	9,0	19,4	9,0	19,4			
	54	266	2,3	26,29	9,0	18,9	9,0	18,9			
	61	234	2,2	23,11	9,0	18,4	9,0	18,4			
	69	208	2,8	20,51	9,0	17,9	9,0	17,9			
	81	177	3,1	17,45	9,0	17,3	9,0	17,3			
	93	155	3,4	15,10	9,0	16,7	9,0	16,7			
	113	126	4,1	12,51	9,0	15,9	9,0	15,9			
	29	495	0,8	48,95	3,4	20,0	7,7	20,0	SK 9012.1 - 90 LP/4	47	E80-81
	34	422	0,9	41,65	4,8	20,0	8,4	20,0			
	41	353	1,1	34,81	5,7	19,8	9,0	19,8			
	45	319	1,3	31,45	6,0	19,6	9,0	19,6			
	51	281	1,4	27,65	6,3	19,1	9,0	19,1			
	58	248	1,6	24,53	6,5	18,7	9,0	18,7			
	68	212	1,9	20,87	6,7	18,1	9,0	18,1			
	81	177	2,1	17,45	6,9	17,3	9,0	17,3			
	93	155	2,5	15,30	7,0	16,8	9,0	16,8			
	115	124	1,8	12,23	7,1	15,7	9,0	15,7			
	130	110	1,8	10,85	7,1	15,3	9,0	15,3			
	153	93,8	2,1	9,23	7,2	14,7	9,0	14,7			
	175	81,9	2,2	8,09	7,2	14,2	9,0	14,2			

Helical-bevel gear units



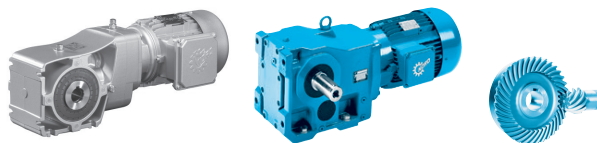
P ₁ [kW]	n ₂ [min ⁻¹]	M ₂ [Nm]	f _B	i _{ges}	F _R [kN]	F _A [kN]	F _{R VL} [kN]	F _{A VL} [kN]	Type	kg	mm 			
1,50	37	383	0,8	37,82	7,4	20,0	7,4	20,0	SK 92672.1 - 90 LP/4	40	E66-67			
	42	341	1,1	33,71	7,6	20,0	7,6	20,0						
	46	310	1,0	30,67	7,8	20,0	7,8	20,0						
	52	277	1,3	27,33	7,9	20,0	7,9	20,0						
	57	252	1,4	24,88	8,0	20,0	8,0	20,0						
	71	202	1,5	20,00	8,2	20,0	8,2	20,0						
	78	184	1,9	18,21	8,2	20,0	8,2	20,0						
	81	177	1,8	17,46	8,2	20,0	8,2	20,0						
	91	158	2,3	15,56	8,3	20,0	8,3	20,0						
	98	146	2,2	14,40	8,3	20,0	8,3	20,0						
	110	130	2,8	12,84	8,3	20,0	8,3	20,0						
	124	115	3,1	11,39	8,4	20,0	8,4	20,0						
	139	103	3,5	10,16	8,4	20,0	8,4	20,0						
	151	95,1	3,7	9,39	8,4	20,0	8,4	20,0						
		56	254	0,9	25,06	5,5	15,0	5,8				15,0	SK 92372.1 - 90 LP/4	29
63		228	0,8	22,49	5,7	15,0	6,0	15,0						
71		203	1,1	20,04	5,9	15,0	6,1	15,0						
77		186	1,0	18,33	6,0	15,0	6,2	15,0						
89		160	1,1	15,84	6,1	15,0	6,3	15,0						
100		143	1,5	14,12	6,1	15,0	6,4	15,0						
113		127	1,4	12,56	6,2	15,0	6,5	15,0						
126		113	1,9	11,20	6,2	15,0	6,5	15,0						
137		105	2,1	10,33	6,3	15,0	6,5	15,0						
138		103	1,8	10,22	6,3	15,0	6,5	15,0						
155		92,2	2,4	9,11	6,3	15,0	6,5	15,0						
173		83,0	2,5	8,19	6,3	15,0	6,6	15,0						
202		70,9	2,8	7,01	6,4	15,0	6,3	15,0						
212		67,5	3,0	6,67	6,4	15,0	6,3	15,0						
243		59,1	3,2	5,83	6,4	14,4	6,0	14,4						
	149	96,1	1,1	9,49	4,7	10,7	4,7	10,7	SK 92172.1 - 90 LP/4	24	E62-63			
	170	84,4	1,4	8,33	4,8	10,4	4,8	10,4						
	181	79,3	1,4	7,83	4,8	10,3	4,8	10,3						
	204	70,3	1,6	6,94	4,8	10,0	4,7	10,0						
	217	66,1	1,4	6,53	4,8	9,8	4,6	9,8						
	245	58,4	1,6	5,77	4,9	9,7	4,4	9,7						
	269	53,2	2,0	5,26	4,9	9,5	4,3	9,5						
	289	49,5	2,2	4,89	4,9	9,3	4,3	9,3						
	329	43,5	2,4	4,30	4,9	9,0	4,1	9,0						
	368	38,9	2,3	3,85	4,9	8,5	4,0	8,5						
	395	36,2	2,4	3,58	4,9	8,2	3,9	8,2						
	2,20	1,1	19410	2,6	1353,86	220,0	100,0	-				-	SK 9096.1/62 - 100 LP/4	1890
1,0		20430	1,6	1424,80	75,5	70,0	139,8	70,0	SK 9092.1/52 - 100 LP/4	1500	E110-111 E114			
1,3		16050	2,0	1120,00	85,3	70,0	151,3	70,0						
1,7		12130	2,6	846,40	93,1	70,0	160,0	70,0						
1,0		20980	1,0	1463,40	72,5	65,0	90,8	65,0	SK 9086.1/52 - 100 LP/4	934	E108-109 E114			
1,2		17260	1,2	1202,18	84,2	65,0	101,2	65,0						
1,6		13050	1,5	907,88	93,4	65,0	111,9	65,0						
2,0		10250	2,0	714,15	98,2	65,0	118,4	65,0						
2,3		8943	2,2	623,16	99,9	65,0	120,0	65,0						
1,4		14600	0,9	1017,77	78,9	60,0	95,0	60,0	SK 9082.1/42 - 100 LP/4	659	E106-107 E114			
1,7		12120	1,1	845,38	84,8	60,0	95,0	60,0						
2,1		10110	1,3	704,48	88,7	60,0	95,0	60,0						
2,4		8646	1,5	603,37	90,9	60,0	95,0	60,0						
3,3		6372	2,0	443,41	93,7	60,0	95,0	60,0						
3,9		5449	2,4	379,59	94,5	60,0	95,0	60,0						
5,1	4102	3,2	285,05	95,0	60,0	95,0	60,0							
5,4	3864	2,2	269,39	63,1	50,0	66,0	50,0	SK 9072.1/42 - 100 LP/4	399	E104-105 E114				
1,9	10970	0,8	767,55	38,5	50,0	66,0	50,0	SK 9072.1/32 - 100 LP/4	382	E104-105 E114				
2,5	8548	1,0	598,27	51,0	50,0	66,0	50,0							
3,1	6753	1,3	473,22	57,0	50,0	66,0	50,0							
3,8	5517	1,5	385,88	60,1	50,0	66,0	50,0							
4,7	4447	1,9	311,10	62,2	50,0	66,0	50,0							


2,20 kW



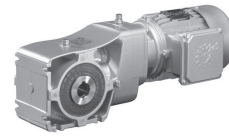
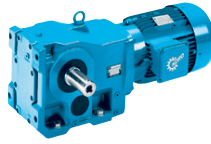
P ₁ [kW]	n ₂ [min ⁻¹]	M ₂ [Nm]	f _B	i _{ges}	F _R [kN]	F _A [kN]	F _{R VL} [kN]	F _{A VL} [kN]	Type	kg	mm 																																																																																																																																																																																																																																																																																																																																																																																																																																																																																																																																																																																															
2,20	6,0	3521	2,4	245,76	63,6	50,0	66,0	50,0	SK 9072.1 - 100 LP/4	348	E104-105																																																																																																																																																																																																																																																																																																																																																																																																																																																																																																																																																																																															
	7,1	2968	2,9	206,84	64,2	50,0	66,0	50,0					4,2	5003	1,0	348,91	14,7	45,0	33,1	45,0	SK 9053.1 - 100 LP/4	226	E102-103		5,5	3795	1,3	265,11	22,9	45,0	37,4	45,0		6,4	3284	1,5	229,07	25,1	45,0	38,0	45,0		8,9	2366	2,0	164,99	27,9	45,0	38,0	45,0		5,1	4153	1,2	289,61	21,0	45,0	36,3	45,0	SK 9052.1 - 100 LP/4	208	E100-101		5,9	3547	1,4	247,06	24,0	45,0	38,0	45,0		7,4	2845	1,7	198,38	26,6	45,0	38,0	45,0		8,6	2430	2,0	169,24	27,8	45,0	38,0	45,0		10	2084	1,7	145,16	28,6	45,0	38,0	45,0		12	1721	2,8	120,03	29,3	45,0	38,0	45,0		14	1470	3,3	102,40	29,7	45,0	38,0	45,0		7,2	2927	1,0	204,38	20,6	40,0	28,0	23,6	SK 9043.1 - 100 LP/4	148	E98-99		8,5	2468	1,1	172,08	23,1	40,0	28,0	23,6		6,2	3368	0,8	235,01	17,5	40,0	28,0	23,4	SK 9042.1 - 100 LP/4	133	E96-97		7,5	2798	1,0	195,12	21,4	40,0	28,0	23,3		9,2	2293	1,2	159,94	23,9	40,0	28,0	23,5		11	1905	1,5	132,79	25,3	40,0	28,0	23,1		12	1689	1,4	117,79	26,0	40,0	28,0	23,1		15	1370	2,0	95,56	26,8	40,0	28,0	22,4		17	1240	2,3	86,43	27,0	40,0	28,0	22,1		19	1091	2,6	76,18	27,3	40,0	28,0	21,7		21	983	2,8	68,61	27,5	40,0	28,0	21,3		23	906	3,1	63,25	27,6	40,0	28,0	20,9		26	798	3,5	55,69	27,7	40,0	28,0	20,5		13	1591	1,0	110,77	6,8	14,5	15,0	12,5	SK 9032.1 - 100 LP/4	86	E92-93		16	1343	1,2	93,50	10,0	14,5	15,0	12,6		17	1207	1,3	84,17	11,2	14,5	15,0	12,7		19	1089	1,4	75,91	11,3	14,5	15,0	12,7		23	919	1,7	64,08	11,1	14,5	15,0	12,5		25	848	1,8	59,17	11,2	14,5	15,0	12,5		29	716	2,2	49,94	10,9	14,5	15,0	12,2		31	684	2,3	47,70	10,9	14,5	15,0	12,2		36	579	2,7	40,36	10,6	14,5	15,0	11,9		38	546	2,8	38,05	10,5	14,5	15,0	11,8		41	511	3,0	35,61	10,4	14,5	15,0	11,6		49	426	3,5	29,66	10,0	14,5	15,0	11,3		19	1131	0,8	78,89	0	12,0	0	11,0	SK 9022.1 - 100 LP/4	66	E88-89		22	953	0,9	66,42	0,1	12,0	7,7	11,4		25	835	1,0	58,25	2,0	12,0	9,2	11,4		28	747	1,2	52,02	4,6	12,0	10,1	11,4		30	703	1,2	49,01	5,4	12,0	10,4	11,2		33	642	1,3	44,71	6,2	12,0	10,9	11,2		37	569	1,5	39,77	7,0	12,0	11,4	11,1		44	477	1,8	33,26	7,8	12,0	11,9	10,8		47	451	1,8	31,38	8,0	12,0	12,0	10,8		50	419	2,1	29,20	8,2	12,0	12,0	10,7		56	375	2,3	26,07	8,5	12,0	12,0	10,5		60	352	2,4	24,56	8,4	12,0	12,0	10,4		65	322	2,4	22,41	8,4	12,0	12,0	10,2		74	286	2,7	19,93	8,2	12,0	12,0	10,0		37	564	1,1	39,32	9,0	25,0	9,0	25,0	SK 92772.1 - 100 LP/4	63	E68-69		42	503	1,3	35,04	9,3	25,0	9,3	25,0		46	457	1,4	31,85	9,5	25,0	9,5	25,0		52	407	1,5	28,38	9,7	25,0	9,7	25,0		58	363	1,7	25,34	9,9	25,0	9,9	25,0		65	324	2,0	22,59	10,0	25,0	10,0	25,0		69	303	2,1	21,14	10,1	25,0	10,1	25,0		76	275	2,3	19,17	10,1	25,0	10,1	25,0		78	270	2,4	18,84	10,1	25,0	10,1	25,0		86	245	2,6	17,08	10,2	25,0	10,2	25,0		95	221	2,9	15,42	10,2	25,0	10,2	25,0		106	198	3,1	13,79
	4,2	5003	1,0	348,91	14,7	45,0	33,1	45,0	SK 9053.1 - 100 LP/4	226	E102-103																																																																																																																																																																																																																																																																																																																																																																																																																																																																																																																																																																																															
	5,5	3795	1,3	265,11	22,9	45,0	37,4	45,0																																																																																																																																																																																																																																																																																																																																																																																																																																																																																																																																																																																																		
	6,4	3284	1,5	229,07	25,1	45,0	38,0	45,0																																																																																																																																																																																																																																																																																																																																																																																																																																																																																																																																																																																																		
	8,9	2366	2,0	164,99	27,9	45,0	38,0	45,0					5,1	4153	1,2	289,61	21,0	45,0	36,3	45,0	SK 9052.1 - 100 LP/4	208	E100-101		5,9	3547	1,4	247,06	24,0	45,0	38,0	45,0		7,4	2845	1,7	198,38	26,6	45,0	38,0	45,0		8,6	2430	2,0	169,24	27,8	45,0	38,0	45,0		10	2084	1,7	145,16	28,6	45,0	38,0	45,0					12	1721	2,8	120,03	29,3	45,0	38,0	45,0		14	1470	3,3	102,40	29,7	45,0	38,0	45,0		7,2	2927	1,0	204,38	20,6	40,0	28,0	23,6	SK 9043.1 - 100 LP/4	148	E98-99		8,5	2468	1,1	172,08	23,1	40,0	28,0	23,6		6,2	3368	0,8	235,01	17,5	40,0	28,0	23,4	SK 9042.1 - 100 LP/4	133	E96-97		7,5	2798	1,0	195,12	21,4	40,0	28,0	23,3		9,2	2293	1,2	159,94	23,9	40,0	28,0	23,5		11	1905	1,5	132,79	25,3	40,0	28,0	23,1		12	1689	1,4	117,79	26,0				40,0	28,0	23,1		15	1370	2,0	95,56	26,8	40,0	28,0	22,4		17	1240	2,3	86,43	27,0	40,0	28,0	22,1		19	1091	2,6	76,18	27,3	40,0	28,0	21,7		21	983	2,8	68,61	27,5	40,0	28,0	21,3		23	906	3,1	63,25	27,6	40,0	28,0	20,9		26	798	3,5	55,69	27,7	40,0	28,0	20,5		13	1591	1,0	110,77	6,8	14,5	15,0	12,5	SK 9032.1 - 100 LP/4	86	E92-93		16	1343	1,2	93,50	10,0	14,5	15,0	12,6		17	1207	1,3	84,17	11,2	14,5	15,0	12,7		19	1089	1,4	75,91	11,3	14,5	15,0	12,7		23	919				1,7	64,08	11,1	14,5	15,0	12,5		25	848	1,8	59,17	11,2	14,5	15,0	12,5		29	716	2,2	49,94	10,9	14,5	15,0	12,2		31	684	2,3	47,70	10,9	14,5	15,0	12,2		36	579	2,7	40,36	10,6	14,5	15,0	11,9		38	546	2,8	38,05	10,5	14,5	15,0	11,8		41	511	3,0	35,61	10,4	14,5	15,0	11,6		49	426	3,5	29,66	10,0	14,5	15,0	11,3		19	1131	0,8	78,89	0	12,0	0	11,0	SK 9022.1 - 100 LP/4	66	E88-89		22	953	0,9	66,42	0,1	12,0	7,7	11,4		25	835	1,0	58,25	2,0	12,0	9,2	11,4		28	747	1,2	52,02	4,6	12,0	10,1	11,4					30	703	1,2	49,01	5,4	12,0	10,4	11,2		33	642	1,3	44,71	6,2	12,0	10,9	11,2		37	569	1,5	39,77	7,0	12,0	11,4	11,1		44	477	1,8	33,26	7,8	12,0	11,9	10,8		47	451	1,8	31,38	8,0	12,0	12,0	10,8		50	419	2,1	29,20	8,2	12,0	12,0	10,7		56	375	2,3	26,07	8,5	12,0	12,0	10,5		60	352	2,4	24,56	8,4	12,0	12,0	10,4		65	322	2,4	22,41	8,4	12,0	12,0	10,2		74	286	2,7	19,93	8,2	12,0	12,0	10,0		37	564	1,1	39,32	9,0	25,0	9,0	25,0	SK 92772.1 - 100 LP/4	63	E68-69		42	503	1,3	35,04	9,3	25,0	9,3	25,0		46	457	1,4	31,85	9,5	25,0	9,5	25,0		52	407	1,5	28,38	9,7				25,0	9,7	25,0		58	363	1,7	25,34	9,9	25,0	9,9	25,0		65	324	2,0	22,59	10,0	25,0	10,0	25,0		69	303	2,1	21,14	10,1	25,0	10,1	25,0		76	275	2,3	19,17	10,1	25,0	10,1	25,0		78	270	2,4	18,84	10,1	25,0	10,1	25,0		86	245	2,6	17,08	10,2	25,0	10,2	25,0		95	221	2,9	15,42	10,2	25,0	10,2	25,0		106	198	3,1	13,79	10,3	25,0	10,3	25,0																				
	5,1	4153	1,2	289,61	21,0	45,0	36,3	45,0	SK 9052.1 - 100 LP/4	208	E100-101																																																																																																																																																																																																																																																																																																																																																																																																																																																																																																																																																																																															
	5,9	3547	1,4	247,06	24,0	45,0	38,0	45,0																																																																																																																																																																																																																																																																																																																																																																																																																																																																																																																																																																																																		
	7,4	2845	1,7	198,38	26,6	45,0	38,0	45,0																																																																																																																																																																																																																																																																																																																																																																																																																																																																																																																																																																																																		
	8,6	2430	2,0	169,24	27,8	45,0	38,0	45,0																																																																																																																																																																																																																																																																																																																																																																																																																																																																																																																																																																																																		
	10	2084	1,7	145,16	28,6	45,0	38,0	45,0																																																																																																																																																																																																																																																																																																																																																																																																																																																																																																																																																																																																		
	12	1721	2,8	120,03	29,3	45,0	38,0	45,0																																																																																																																																																																																																																																																																																																																																																																																																																																																																																																																																																																																																		
	14	1470	3,3	102,40	29,7	45,0	38,0	45,0		7,2	2927	1,0	204,38	20,6	40,0	28,0	23,6	SK 9043.1 - 100 LP/4	148	E98-99		8,5	2468	1,1	172,08	23,1	40,0	28,0	23,6		6,2	3368	0,8	235,01	17,5	40,0	28,0	23,4	SK 9042.1 - 100 LP/4	133	E96-97		7,5	2798	1,0	195,12	21,4	40,0	28,0	23,3		9,2	2293	1,2	159,94	23,9	40,0	28,0	23,5		11	1905	1,5	132,79	25,3	40,0	28,0	23,1		12	1689	1,4	117,79	26,0	40,0	28,0	23,1		15	1370	2,0	95,56	26,8	40,0	28,0	22,4		17	1240	2,3	86,43	27,0	40,0	28,0	22,1		19	1091	2,6	76,18	27,3	40,0	28,0	21,7		21	983	2,8	68,61	27,5				40,0	28,0	21,3		23	906	3,1	63,25	27,6	40,0	28,0	20,9		26	798	3,5	55,69	27,7	40,0	28,0	20,5		13	1591	1,0	110,77	6,8	14,5	15,0	12,5	SK 9032.1 - 100 LP/4	86	E92-93					16	1343	1,2	93,50	10,0	14,5	15,0	12,6		17	1207	1,3	84,17	11,2	14,5	15,0	12,7		19	1089	1,4	75,91	11,3	14,5	15,0	12,7		23	919	1,7	64,08	11,1	14,5	15,0	12,5		25	848	1,8	59,17	11,2	14,5	15,0	12,5		29	716	2,2	49,94	10,9	14,5	15,0	12,2		31	684	2,3	47,70	10,9	14,5	15,0	12,2		36	579				2,7	40,36	10,6	14,5	15,0	11,9		38	546	2,8	38,05	10,5	14,5	15,0	11,8		41	511	3,0	35,61	10,4	14,5	15,0	11,6		49	426	3,5	29,66	10,0				14,5	15,0	11,3		19	1131	0,8	78,89	0	12,0	0	11,0	SK 9022.1 - 100 LP/4	66	E88-89		22	953	0,9	66,42	0,1	12,0	7,7	11,4		25	835	1,0	58,25	2,0	12,0	9,2	11,4		28	747	1,2	52,02	4,6	12,0	10,1	11,4		30	703	1,2	49,01	5,4	12,0	10,4	11,2		33	642	1,3	44,71	6,2	12,0	10,9	11,2		37	569	1,5	39,77	7,0	12,0	11,4	11,1		44	477	1,8	33,26	7,8	12,0	11,9	10,8					47	451	1,8	31,38	8,0	12,0	12,0	10,8		50	419	2,1	29,20	8,2	12,0	12,0	10,7		56	375	2,3	26,07	8,5	12,0	12,0	10,5					60	352	2,4	24,56	8,4	12,0	12,0	10,4		65	322	2,4	22,41	8,4	12,0	12,0	10,2		74	286	2,7	19,93	8,2	12,0	12,0	10,0		37	564	1,1	39,32	9,0	25,0	9,0	25,0	SK 92772.1 - 100 LP/4	63	E68-69		42	503	1,3	35,04	9,3	25,0	9,3	25,0		46	457	1,4	31,85	9,5	25,0	9,5	25,0		52	407	1,5	28,38	9,7	25,0	9,7	25,0		58	363	1,7	25,34	9,9	25,0	9,9	25,0		65	324	2,0	22,59	10,0	25,0	10,0	25,0		69	303	2,1	21,14	10,1	25,0	10,1	25,0		76	275	2,3	19,17	10,1				25,0	10,1	25,0		78	270	2,4	18,84	10,1	25,0	10,1	25,0		86	245	2,6	17,08	10,2	25,0	10,2	25,0		95	221				2,9	15,42	10,2	25,0	10,2	25,0		106	198	3,1	13,79	10,3	25,0	10,3	25,0																																																																																
	7,2	2927	1,0	204,38	20,6	40,0	28,0	23,6	SK 9043.1 - 100 LP/4	148	E98-99																																																																																																																																																																																																																																																																																																																																																																																																																																																																																																																																																																																															
	8,5	2468	1,1	172,08	23,1	40,0	28,0	23,6					6,2	3368	0,8	235,01	17,5	40,0	28,0	23,4	SK 9042.1 - 100 LP/4	133	E96-97		7,5	2798	1,0	195,12	21,4	40,0	28,0	23,3		9,2	2293	1,2	159,94	23,9				40,0	28,0	23,5		11	1905	1,5	132,79	25,3	40,0	28,0	23,1		12	1689	1,4	117,79	26,0	40,0	28,0	23,1		15	1370	2,0	95,56	26,8	40,0	28,0	22,4		17	1240	2,3	86,43	27,0	40,0	28,0	22,1		19	1091	2,6	76,18	27,3	40,0	28,0	21,7		21	983	2,8	68,61	27,5	40,0	28,0	21,3		23	906	3,1	63,25	27,6	40,0	28,0	20,9		26	798				3,5	55,69	27,7	40,0	28,0	20,5		13	1591	1,0	110,77	6,8	14,5	15,0	12,5	SK 9032.1 - 100 LP/4	86	E92-93		16	1343	1,2	93,50	10,0	14,5	15,0	12,6		17	1207				1,3	84,17	11,2	14,5	15,0	12,7		19	1089	1,4	75,91	11,3	14,5	15,0	12,7		23	919	1,7	64,08	11,1	14,5	15,0	12,5		25	848	1,8	59,17	11,2	14,5	15,0	12,5		29	716	2,2	49,94	10,9	14,5	15,0	12,2		31	684	2,3	47,70	10,9	14,5	15,0	12,2		36	579	2,7	40,36	10,6	14,5	15,0	11,9		38	546	2,8	38,05	10,5	14,5	15,0	11,8					41	511	3,0	35,61	10,4	14,5	15,0	11,6		49	426	3,5	29,66	10,0	14,5	15,0	11,3		19	1131	0,8	78,89	0	12,0	0	11,0	SK 9022.1 - 100 LP/4	66	E88-89		22	953	0,9	66,42	0,1	12,0	7,7	11,4		25	835	1,0	58,25	2,0				12,0	9,2	11,4		28	747	1,2	52,02	4,6	12,0	10,1	11,4		30	703	1,2	49,01	5,4	12,0	10,4	11,2		33	642	1,3	44,71	6,2	12,0	10,9	11,2		37	569	1,5	39,77	7,0	12,0	11,4	11,1		44	477	1,8	33,26	7,8	12,0	11,9	10,8		47	451	1,8	31,38	8,0	12,0	12,0	10,8		50	419	2,1	29,20	8,2				12,0	12,0	10,7		56	375	2,3	26,07	8,5	12,0	12,0	10,5		60	352	2,4	24,56	8,4	12,0	12,0	10,4		65	322	2,4	22,41	8,4				12,0	12,0	10,2		74	286	2,7	19,93	8,2	12,0	12,0	10,0		37	564	1,1	39,32	9,0	25,0	9,0	25,0	SK 92772.1 - 100 LP/4	63	E68-69		42	503	1,3	35,04	9,3	25,0	9,3	25,0		46	457				1,4	31,85	9,5	25,0	9,5	25,0		52	407	1,5	28,38	9,7	25,0	9,7	25,0		58	363	1,7	25,34	9,9	25,0	9,9	25,0		65	324	2,0	22,59	10,0	25,0	10,0	25,0		69	303	2,1	21,14	10,1	25,0	10,1	25,0		76	275	2,3	19,17	10,1	25,0	10,1	25,0		78	270	2,4	18,84	10,1	25,0	10,1	25,0					86	245	2,6	17,08	10,2	25,0	10,2	25,0		95	221	2,9	15,42	10,2	25,0	10,2	25,0		106	198	3,1	13,79	10,3	25,0	10,3	25,0																																																																																															
	6,2	3368	0,8	235,01	17,5	40,0	28,0	23,4	SK 9042.1 - 100 LP/4	133	E96-97																																																																																																																																																																																																																																																																																																																																																																																																																																																																																																																																																																																															
	7,5	2798	1,0	195,12	21,4	40,0	28,0	23,3																																																																																																																																																																																																																																																																																																																																																																																																																																																																																																																																																																																																		
	9,2	2293	1,2	159,94	23,9	40,0	28,0	23,5																																																																																																																																																																																																																																																																																																																																																																																																																																																																																																																																																																																																		
	11	1905	1,5	132,79	25,3	40,0	28,0	23,1																																																																																																																																																																																																																																																																																																																																																																																																																																																																																																																																																																																																		
	12	1689	1,4	117,79	26,0	40,0	28,0	23,1																																																																																																																																																																																																																																																																																																																																																																																																																																																																																																																																																																																																		
	15	1370	2,0	95,56	26,8	40,0	28,0	22,4																																																																																																																																																																																																																																																																																																																																																																																																																																																																																																																																																																																																		
	17	1240	2,3	86,43	27,0	40,0	28,0	22,1																																																																																																																																																																																																																																																																																																																																																																																																																																																																																																																																																																																																		
	19	1091	2,6	76,18	27,3	40,0	28,0	21,7																																																																																																																																																																																																																																																																																																																																																																																																																																																																																																																																																																																																		
	21	983	2,8	68,61	27,5	40,0	28,0	21,3																																																																																																																																																																																																																																																																																																																																																																																																																																																																																																																																																																																																		
	23	906	3,1	63,25	27,6	40,0	28,0	20,9																																																																																																																																																																																																																																																																																																																																																																																																																																																																																																																																																																																																		
	26	798	3,5	55,69	27,7	40,0	28,0	20,5																																																																																																																																																																																																																																																																																																																																																																																																																																																																																																																																																																																																		
	13	1591	1,0	110,77	6,8	14,5	15,0	12,5				SK 9032.1 - 100 LP/4	86	E92-93																																																																																																																																																																																																																																																																																																																																																																																																																																																																																																																																																																																												
	16	1343	1,2	93,50	10,0	14,5	15,0	12,6																																																																																																																																																																																																																																																																																																																																																																																																																																																																																																																																																																																																		
	17	1207	1,3	84,17	11,2	14,5	15,0	12,7																																																																																																																																																																																																																																																																																																																																																																																																																																																																																																																																																																																																		
	19	1089	1,4	75,91	11,3	14,5	15,0	12,7																																																																																																																																																																																																																																																																																																																																																																																																																																																																																																																																																																																																		
	23	919	1,7	64,08	11,1	14,5	15,0	12,5																																																																																																																																																																																																																																																																																																																																																																																																																																																																																																																																																																																																		
	25	848	1,8	59,17	11,2	14,5	15,0	12,5																																																																																																																																																																																																																																																																																																																																																																																																																																																																																																																																																																																																		
	29	716	2,2	49,94	10,9	14,5	15,0	12,2																																																																																																																																																																																																																																																																																																																																																																																																																																																																																																																																																																																																		
	31	684	2,3	47,70	10,9	14,5	15,0	12,2																																																																																																																																																																																																																																																																																																																																																																																																																																																																																																																																																																																																		
	36	579	2,7	40,36	10,6	14,5	15,0	11,9																																																																																																																																																																																																																																																																																																																																																																																																																																																																																																																																																																																																		
	38	546	2,8	38,05	10,5	14,5	15,0	11,8																																																																																																																																																																																																																																																																																																																																																																																																																																																																																																																																																																																																		
	41	511	3,0	35,61	10,4	14,5	15,0	11,6																																																																																																																																																																																																																																																																																																																																																																																																																																																																																																																																																																																																		
	49	426	3,5	29,66	10,0	14,5	15,0	11,3																																																																																																																																																																																																																																																																																																																																																																																																																																																																																																																																																																																																		
	19	1131	0,8	78,89	0	12,0	0	11,0	SK 9022.1 - 100 LP/4	66	E88-89																																																																																																																																																																																																																																																																																																																																																																																																																																																																																																																																																																																															
	22	953	0,9	66,42	0,1	12,0	7,7	11,4																																																																																																																																																																																																																																																																																																																																																																																																																																																																																																																																																																																																		
	25	835	1,0	58,25	2,0	12,0	9,2	11,4																																																																																																																																																																																																																																																																																																																																																																																																																																																																																																																																																																																																		
	28	747	1,2	52,02	4,6	12,0	10,1	11,4																																																																																																																																																																																																																																																																																																																																																																																																																																																																																																																																																																																																		
	30	703	1,2	49,01	5,4	12,0	10,4	11,2																																																																																																																																																																																																																																																																																																																																																																																																																																																																																																																																																																																																		
	33	642	1,3	44,71	6,2	12,0	10,9	11,2																																																																																																																																																																																																																																																																																																																																																																																																																																																																																																																																																																																																		
	37	569	1,5	39,77	7,0	12,0	11,4	11,1																																																																																																																																																																																																																																																																																																																																																																																																																																																																																																																																																																																																		
	44	477	1,8	33,26	7,8	12,0	11,9	10,8																																																																																																																																																																																																																																																																																																																																																																																																																																																																																																																																																																																																		
	47	451	1,8	31,38	8,0	12,0	12,0	10,8																																																																																																																																																																																																																																																																																																																																																																																																																																																																																																																																																																																																		
	50	419	2,1	29,20	8,2	12,0	12,0	10,7																																																																																																																																																																																																																																																																																																																																																																																																																																																																																																																																																																																																		
	56	375	2,3	26,07	8,5	12,0	12,0	10,5																																																																																																																																																																																																																																																																																																																																																																																																																																																																																																																																																																																																		
	60	352	2,4	24,56	8,4	12,0	12,0	10,4																																																																																																																																																																																																																																																																																																																																																																																																																																																																																																																																																																																																		
	65	322	2,4	22,41	8,4	12,0	12,0	10,2																																																																																																																																																																																																																																																																																																																																																																																																																																																																																																																																																																																																		
	74	286	2,7	19,93	8,2	12,0	12,0	10,0																																																																																																																																																																																																																																																																																																																																																																																																																																																																																																																																																																																																		
	37	564	1,1	39,32	9,0	25,0	9,0	25,0	SK 92772.1 - 100 LP/4	63	E68-69																																																																																																																																																																																																																																																																																																																																																																																																																																																																																																																																																																																															
	42	503	1,3	35,04	9,3	25,0	9,3	25,0																																																																																																																																																																																																																																																																																																																																																																																																																																																																																																																																																																																																		
	46	457	1,4	31,85	9,5	25,0	9,5	25,0																																																																																																																																																																																																																																																																																																																																																																																																																																																																																																																																																																																																		
	52	407	1,5	28,38	9,7	25,0	9,7	25,0																																																																																																																																																																																																																																																																																																																																																																																																																																																																																																																																																																																																		
	58	363	1,7	25,34	9,9	25,0	9,9	25,0																																																																																																																																																																																																																																																																																																																																																																																																																																																																																																																																																																																																		
	65	324	2,0	22,59	10,0	25,0	10,0	25,0																																																																																																																																																																																																																																																																																																																																																																																																																																																																																																																																																																																																		
	69	303	2,1	21,14	10,1	25,0	10,1	25,0																																																																																																																																																																																																																																																																																																																																																																																																																																																																																																																																																																																																		
	76	275	2,3	19,17	10,1	25,0	10,1	25,0																																																																																																																																																																																																																																																																																																																																																																																																																																																																																																																																																																																																		
	78	270	2,4	18,84	10,1	25,0	10,1	25,0																																																																																																																																																																																																																																																																																																																																																																																																																																																																																																																																																																																																		
	86	245	2,6	17,08	10,2	25,0	10,2	25,0																																																																																																																																																																																																																																																																																																																																																																																																																																																																																																																																																																																																		
	95	221	2,9	15,42	10,2	25,0	10,2	25,0																																																																																																																																																																																																																																																																																																																																																																																																																																																																																																																																																																																																		
	106	198	3,1	13,79	10,3	25,0	10,3	25,0																																																																																																																																																																																																																																																																																																																																																																																																																																																																																																																																																																																																		

Helical-bevel gear units



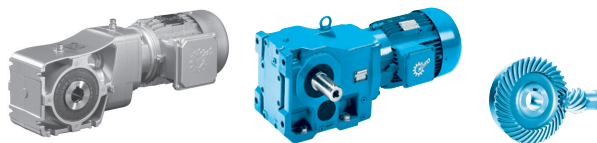
P ₁ [kW]	n ₂ [min ⁻¹]	M ₂ [Nm]	f _B	i _{ges}	F _R [kN]	F _A [kN]	F _{R VL} [kN]	F _{A VL} [kN]	Type	kg	mm 				
2,20	28	752	0,8	52,44	5,2	18,5	9,0	18,5	SK 9016.1 - 100 LP/4	59	E84-85				
	32	662	0,9	46,11	6,6	18,4	9,0	18,4							
	36	586	1,0	40,92	7,4	18,3	9,0	18,3							
	42	500	1,2	34,81	8,2	18,1	9,0	18,1							
	48	436	1,4	30,52	8,6	17,9	9,0	17,9							
	56	377	1,6	26,29	9,0	17,5	9,0	17,5							
	63	332	1,6	23,11	9,0	17,2	9,0	17,2							
	71	294	2,0	20,51	9,0	16,8	9,0	16,8							
	84	251	2,2	17,45	9,0	16,4	9,0	16,4							
	96	219	2,4	15,10	9,0	15,9	9,0	15,9							
	117	179	2,9	12,51	9,0	15,2	9,0	15,2							
		42	500	0,8	34,81	3,1	18,1	7,6				18,1	SK 9012.1 - 100 LP/4	58	E80-81
		47	451	0,9	31,45	4,2	18,0	8,1				18,0			
		53	398	1,0	27,65	5,1	17,7	8,6				17,7			
		60	352	1,1	24,53	5,6	17,4	8,9				17,4			
		70	300	1,3	20,87	6,1	17,0	9,0				17,0			
		84	251	1,5	17,45	6,5	16,4	9,0				16,4			
96		219	1,7	15,30	6,7	15,9	9,0	15,9							
119		176	1,3	12,23	6,9	15,0	9,0	15,0							
135		156	1,3	10,85	7,0	14,6	9,0	14,6							
158		133	1,5	9,23	7,1	14,1	9,0	14,1							
181		116	1,6	8,09	7,1	13,7	9,0	13,7							
		59	357	1,0	24,88	7,5	20,0	7,5	20,0	SK 92672.1 - 100 LP/4	51	E66-67			
		80	261	1,3	18,21	8,0	20,0	8,0	20,0						
	84	250	1,3	17,46	8,0	20,0	8,0	20,0							
	94	223	1,6	15,56	8,1	20,0	8,1	20,0							
	102	207	1,5	14,40	8,2	20,0	8,2	20,0							
	114	184	2,0	12,84	8,2	20,0	8,2	20,0							
	129	163	2,2	11,39	8,3	20,0	8,3	20,0							
	144	146	2,5	10,16	8,3	20,0	8,3	20,0							
	156	135	2,6	9,39	8,3	20,0	8,3	20,0							
	176	120	2,9	8,33	8,4	19,9	8,4	19,9							
	197	107	3,3	7,44	8,4	19,3	8,4	19,3							
		117	180	1,0	12,56	6,0	15,0	6,2	15,0				SK 92372.1 - 100 LP/4	40	E64-65
		131	161	1,4	11,20	6,1	15,0	6,3	15,0						
143		147	1,3	10,22	6,1	15,0	6,4	15,0							
161		131	1,7	9,11	6,2	15,0	6,4	15,0							
179		118	1,8	8,19	6,2	14,8	6,3	14,8							
209		101	2,0	7,01	6,3	14,5	6,0	14,5							
220		95,6	2,1	6,67	6,3	14,2	6,0	14,2							
251		83,7	2,3	5,83	6,3	13,6	5,8	13,6							
286		73,5	2,5	5,13	6,3	12,8	5,6	12,8							
340		61,7	3,0	4,31	6,4	11,9	5,3	11,9							
394		53,3	3,4	3,72	6,4	11,2	5,1	11,2							
3,00		1,1	26570	1,9	1353,86	220,0	100,0	-	-	SK 9096.1/62 - 100 AP/4	1890	E112-113 E115			
		1,3	22860	2,2	1165,22	220,0	100,0	-	-						
	1,5	19220	2,6	979,31	220,0	100,0	-	-							
	1,8	16020	3,1	816,57	220,0	100,0	-	-							
	1,0	27950	1,1	1424,80	55,8	70,0	118,3	70,0	SK 9092.1/52 - 100 AP/4	1500	E110-111 E114				
	1,3	21960	1,5	1120,00	71,8	70,0	135,7	70,0							
	1,7	16600	1,9	846,40	84,1	70,0	149,9	70,0							
	2,1	13860	2,3	706,40	89,8	70,0	156,7	70,0							
	2,4	11960	2,7	608,12	93,5	70,0	160,0	70,0							
	3,3	8676	3,7	441,46	99,4	70,0	160,0	70,0							
	1,2	23620	0,8	1202,18	61,0	65,0	82,9	65,0	SK 9086.1/52 - 100 AP/4	934	E108-109 E114				
	1,6	17850	1,1	907,88	82,8	65,0	99,6	65,0							
	2,0	14030	1,4	714,15	91,4	65,0	109,5	65,0							
	2,3	12240	1,6	623,16	95,1	65,0	113,8	65,0							
	3,4	8535	2,3	433,35	100,3	65,0	120,0	65,0							
	3,8	7446	2,7	378,14	101,5	65,0	120,0	65,0							


3,00 kW



P ₁ [kW]	n ₂ [min ⁻¹]	M ₂ [Nm]	f _B	i _{ges}	F _R [kN]	F _A [kN]	F _{R VL} [kN]	F _{A VL} [kN]	Type	kg	mm 			
3,00	1,7	16590	0,8	845,38	72,2	60,0	95,0	60,0	SK 9082.1/42 - 100 AP/4	659	E106-107 E114			
	2,1	13830	0,9	704,48	80,5	60,0	95,0	60,0						
	2,4	11830	1,1	603,37	85,2	60,0	95,0	60,0						
	3,3	8719	1,5	443,41	90,7	60,0	95,0	60,0						
	3,8	7456	1,7	379,59	92,4	60,0	95,0	60,0						
	5,1	5612	2,3	285,05	94,3	60,0	95,0	60,0						
	5,4	5287	1,6	269,39	60,5	50,0	66,0	50,0	SK 9072.1/42 - 100 AP/4	399	E104-105 E114			
	3,1	9240	0,9	473,22	47,5	50,0	66,0	50,0	SK 9072.1/32 - 100 AP/4	382	E104-105 E114			
	3,8	7549	1,1	385,88	54,3	50,0	66,0	50,0						
	4,7	6085	1,4	311,10	58,6	50,0	66,0	50,0						
	5,9	4818	1,8	245,76	61,4	50,0	66,0	50,0	SK 9072.1 - 100 AP/4	348	E104-105			
	7,1	4061	2,1	206,84	62,8	50,0	66,0	50,0						
	11	2681	2,5	136,88	64,5	50,0	66,0	48,9						
	5,5	5193	0,9	265,11	11,8	45,0	31,9	45,0	SK 9053.1 - 100 AP/4	226	E102-103			
	6,4	4493	1,1	229,07	18,5	45,0	34,9	45,0						
	8,8	3238	1,5	164,99	25,1	45,0	38,0	45,0						
	5,0	5683	0,8	289,61	4,3	45,0	29,4	45,0	SK 9052.1 - 100 AP/4	208	E100-101			
	5,9	4854	1,0	247,06	15,7	45,0	33,5	45,0						
	7,4	3892	1,2	198,38	22,2	45,0	37,0	45,0						
	8,6	3324	1,4	169,24	24,8	45,0	38,0	45,0						
	10	2851	1,3	145,16	26,5	45,0	38,0	45,0						
	12	2355	2,0	120,03	27,9	45,0	38,0	45,0						
	14	2011	2,4	102,40	28,7	45,0	38,0	45,0						
	17	1729	2,8	88,17	29,2	45,0	38,0	45,0						
	20	1416	3,4	72,24	29,7	45,0	38,0	45,0						
	8,5	3376	0,8	172,08	7,5	40,0	20,2	21,6				SK 9043.1 - 100 AP/4	148	E98-99
	9,1	3138	0,9	159,94	19,0	40,0	28,0	20,3				SK 9042.1 - 100 AP/4	133	E96-97
	11	2607	1,1	132,79	22,3	40,0	28,0	20,3						
	12	2312	1,0	117,79	23,7	40,0	28,0	20,7						
	15	1875	1,5	95,56	25,3	40,0	28,0	20,5						
	17	1697	1,6	86,43	25,9	40,0	28,0	20,5						
	19	1493	1,9	76,18	26,4	40,0	28,0	20,2						
	21	1344	2,1	68,61	26,8	40,0	28,0	20,0						
	23	1240	2,3	63,25	27,0	40,0	28,0	19,6						
	26	1092	2,6	55,69	27,3	40,0	28,0	19,4						
	31	934	3,0	47,67	27,5	40,0	28,0	19,0						
36	796	3,5	40,54	27,7	40,0	28,0	18,5							
16	1838	0,8	93,50	0,3	14,5	13,7	10,3	SK 9032.1 - 100 AP/4	86	E92-93				
17	1651	0,9	84,17	5,2	14,5	15,0	10,7							
19	1490	1,0	75,91	8,1	14,5	15,0	10,9							
23	1258	1,2	64,08	9,4	14,5	15,0	11,0							
25	1161	1,3	59,17	9,6	14,5	15,0	11,1							
29	980	1,6	49,94	9,6	14,5	15,0	11,0							
31	935	1,7	47,70	9,6	14,5	15,0	11,1							
36	792	2,0	40,36	9,6	14,5	15,0	11,0							
38	747	2,1	38,05	9,6	14,5	15,0	10,9							
41	700	2,2	35,61	9,4	14,5	15,0	10,8							
49	582	2,6	29,66	9,3	14,5	15,0	10,6							
58	492	3,1	25,03	9,0	14,5	15,0	10,4							
61	469	3,3	23,91	9,0	14,5	15,0	10,3							
72	397	3,8	20,23	8,8	14,1	15,0	10,0							
85	336	4,3	17,08	8,4	13,5	15,0	9,7							
91	315	4,4	16,04	8,4	13,3	15,0	9,6							
25	1143	0,8	58,25	0	12,0	0	9,4	SK 9022.1 - 100 AP/4	66	E88-89				
28	1022	0,8	52,02	0,1	12,0	6,3	9,8							
30	961	0,9	49,01	0,9	12,0	7,4	9,7							
33	879	1,0	44,71	2,0	12,0	8,6	9,9							
37	779	1,1	39,77	3,7	12,0	9,7	10,0							
44	653	1,3	33,26	6,0	12,0	10,8	9,8							
46	617	1,3	31,38	6,5	12,0	11,1	9,9							

Helical-bevel gear units



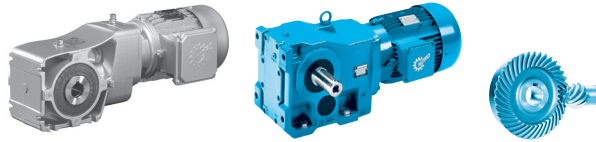
P ₁ [kW]	n ₂ [min ⁻¹]	M ₂ [Nm]	f _B	i _{ges}	F _R [kN]	F _A [kN]	F _{R VL} [kN]	F _{A VL} [kN]	Type	kg	mm 			
3,00	50	573	1,5	29,20	6,9	12,0	11,3	9,9	SK 9022.1 - 100 AP/4	66	E88-89			
	56	513	1,7	26,07	7,5	12,0	11,7	9,8						
	59	482	1,8	24,56	7,7	12,0	11,9	9,6						
	65	441	1,8	22,41	7,7	12,0	12,0	9,6						
	73	391	1,9	19,93	7,6	12,0	12,0	9,5						
	83	344	2,1	17,52	7,3	12,0	12,0	9,1						
	90	320	1,9	16,30	7,2	12,0	12,0	9,0						
	100	286	2,0	14,56	7,1	11,7	12,0	8,8						
	116	246	2,2	12,51	6,9	11,3	12,0	8,6						
	37	771	0,8	39,32	7,5	25,0	7,5	25,0				SK 92772.1 - 100 AP/4	63	E68-69
	42	688	1,0	35,04	8,2	25,0	8,2	25,0						
	46	625	1,0	31,85	8,6	25,0	8,6	25,0						
	51	557	1,1	28,38	9,0	25,0	9,0	25,0						
	58	497	1,3	25,34	9,3	25,0	9,3	25,0						
65	443	1,5	22,59	9,6	25,0	9,6	25,0							
69	415	1,5	21,14	9,7	25,0	9,7	25,0							
76	376	1,7	19,17	9,8	25,0	9,8	25,0							
77	370	1,7	18,84	9,9	25,0	9,9	25,0							
85	335	1,9	17,08	10,0	25,0	10,0	25,0							
95	303	2,1	15,42	10,1	25,0	10,1	25,0							
106	271	2,2	13,79	10,1	25,0	10,1	25,0							
117	245	2,4	12,50	10,2	25,0	10,2	25,0							
129	221	2,6	11,28	10,2	25,0	10,2	25,0							
149	193	3,0	9,81	10,3	25,0	10,3	25,0							
165	174	3,2	8,85	10,3	25,0	10,3	25,0							
42	684	0,9	34,81	6,2	16,2	9,0	16,2	SK 9016.1 - 100 AP/4	59	E84-85				
48	597	1,0	30,52	7,2	16,2	9,0	16,2							
56	516	1,2	26,29	8,0	16,0	9,0	16,0							
63	454	1,1	23,11	8,5	15,9	9,0	15,9							
71	402	1,4	20,51	8,8	15,7	9,0	15,7							
83	343	1,6	17,45	9,0	15,4	9,0	15,4							
96	300	1,7	15,10	9,0	15,1	9,0	15,1							
117	245	2,1	12,51	9,0	14,5	9,0	14,5							
59	482	0,8	24,53	3,5	16,1	7,8	16,1	SK 9012.1 - 100 AP/4	58	E80-81				
70	411	1,0	20,87	4,8	15,9	8,5	15,9							
83	343	1,1	17,45	5,7	15,4	9,0	15,4							
96	300	1,3	15,30	6,1	15,1	9,0	15,1							
119	241	0,9	12,23	6,5	14,2	9,0	14,2							
134	213	0,9	10,85	6,7	14,0	9,0	14,0							
158	182	1,1	9,23	6,9	13,6	9,0	13,6							
181	159	1,1	8,09	7,0	13,2	9,0	13,2							
80	357	1,0	18,21	7,5	20,0	7,5	20,0	SK 92672.1 - 100 AP/4	51	E66-67				
84	343	0,9	17,46	7,6	20,0	7,6	20,0							
94	305	1,2	15,56	7,8	20,0	7,8	20,0							
101	283	1,1	14,40	7,9	20,0	7,9	20,0							
114	252	1,4	12,84	8,0	20,0	8,0	20,0							
128	223	1,6	11,39	8,1	20,0	8,1	20,0							
144	199	1,8	10,16	8,2	20,0	8,2	20,0							
155	184	1,9	9,39	8,2	19,6	8,2	19,6							
175	164	2,1	8,33	8,3	19,1	8,3	19,1							
196	146	2,4	7,44	8,3	18,6	8,3	18,6							
218	131	2,4	6,68	8,3	18,2	8,2	18,2							
259	111	2,8	5,64	8,4	16,6	7,9	16,6							
335	85,5	3,7	4,36	8,4	14,9	7,4	14,9							
130	220	1,0	11,20	5,8	14,9	6,0	14,9				SK 92372.1 - 100 AP/4	40	E64-65	
143	201	0,9	10,22	5,9	14,8	6,1	14,8							
160	179	1,2	9,11	6,0	14,4	6,1	14,4							
178	161	1,3	8,19	6,1	13,9	6,1	13,9							
208	138	1,5	7,01	6,2	13,8	5,8	13,8							
219	131	1,6	6,67	6,2	13,4	5,8	13,4							
250	114	1,7	5,83	6,2	12,8	5,6	12,8							
285	101	1,8	5,13	6,3	12,2	5,4	12,2							
339	84,5	2,2	4,31	6,3	11,4	5,2	11,4							
393	73,0	2,5	3,72	6,3	10,8	5,0	10,8							


4,00 kW



P ₁ [kW]	n ₂ [min ⁻¹]	M ₂ [Nm]	f _B	i _{ges}	F _R [kN]	F _A [kN]	F _{R VL} [kN]	F _{A VL} [kN]	Type	kg	mm 			
4,00	1,1	35910	1,4	1353,86	220,0	100,0	-	-	SK 9096.1/62 - 112 MP/4	1900	E112-113 E115			
	1,2	30910	1,6	1165,22	220,0	100,0	-	-						
	1,5	25980	1,9	979,31	220,0	100,0	-	-						
	1,8	21660	2,3	816,57	220,0	100,0	-	-						
	2,0	18640	2,7	702,80	220,0	100,0	-	-						
	1,0	37790	0,8	1424,80	22,2	70,0	85,9	70,0				SK 9092.1/52 - 112 MP/4	1510	E110-111 E114
	1,3	29690	1,1	1120,00	50,6	70,0	112,9	70,0						
	1,7	22440	1,4	846,40	70,6	70,0	134,3	70,0						
	2,0	18740	1,7	706,40	79,4	70,0	144,3	70,0						
	2,4	16170	2,0	608,12	85,0	70,0	150,9	70,0						
3,3	11730	2,7	441,46	93,9	70,0	160,0	70,0							
3,7	10250	3,1	385,67	96,6	70,0	160,0	70,0							
1,6	24130	0,8	907,88	58,3	65,0	81,3	65,0	SK 9086.1/52 - 112 MP/4	942	E108-109 E114				
2,0	18960	1,1	714,15	79,5	65,0	96,6	65,0							
2,3	16540	1,2	623,16	85,9	65,0	103,1	65,0							
3,3	11540	1,7	433,35	96,3	65,0	115,5	65,0							
3,8	10070	2,0	378,14	98,5	65,0	118,9	65,0							
5,3	7211	2,8	270,47	101,7	65,0	120,0	65,0							
5,8	6537	2,0	245,62	93,6	60,0	95,0	60,0	SK 9082.1/52 - 112 MP/4	692	E106-107 E114				
7,9	4836	2,7	182,09	95,0	60,0	95,0	60,0							
9,8	3882	3,3	146,19	95,0	60,0	95,0	60,0							
2,4	15990	0,8	603,37	75,4	60,0	95,0	60,0	SK 9082.1/42 - 112 MP/4	666	E106-107 E114				
3,2	11790	1,1	443,41	85,9	60,0	95,0	60,0							
3,8	10080	1,3	379,59	89,0	60,0	95,0	60,0							
5,0	7587	1,7	285,05	92,5	60,0	95,0	60,0							
12	3092	4,2	116,45	95,0	60,0	95,0	60,0	SK 9082.1 - 112 MP/4	616	E106-107				
5,3	7147	1,2	269,39	56,2	50,0	66,0	49,8	SK 9072.1/42 - 112 MP/4	406	E104-105 E114				
7,3	5207	1,4	196,12	60,9	50,0	66,0	47,8							
9,2	4166	1,5	156,70	62,8	50,0	66,0	45,9							
11	3563	1,7	134,14	63,6	50,0	66,0	44,6							
3,7	10210	0,8	385,88	44,0	50,0	66,0	50,0	SK 9072.1/32 - 112 MP/4	390	E104-105 E114				
4,6	8225	1,0	311,10	52,7	50,0	66,0	50,0							
5,9	6513	1,3	245,76	58,0	50,0	66,0	50,0	SK 9072.1 - 112 MP/4	356	E104-105				
7,0	5490	1,5	206,84	60,4	50,0	66,0	50,0							
11	3625	1,8	136,88	63,5	50,0	66,0	46,8							
13	2920	2,9	110,18	64,3	50,0	66,0	45,5							
16	2426	3,5	91,47	64,8	50,0	66,0	43,7							
6,3	6074	0,8	229,07	3,0	45,0	27,9	45,0	SK 9053.1 - 112 MP/4	234	E102-103				
8,7	4377	1,1	164,99	20,0	45,0	35,8	45,0							
7,3	5262	0,9	198,38	12,6	45,0	32,2	45,0	SK 9052.1 - 112 MP/4	216	E100-101				
8,5	4494	1,1	169,24	19,3	45,0	35,4	45,0							
9,9	3854	0,9	145,16	22,9	45,0	37,4	45,0							
12	3183	1,5	120,03	25,6	45,0	38,0	45,0							
14	2719	1,8	102,40	27,1	45,0	38,0	45,0							
16	2337	2,1	88,17	28,1	45,0	38,0	45,0							
20	1915	2,5	72,24	29,0	45,0	38,0	45,0							
23	1657	2,9	62,42	29,4	45,0	38,0	45,0							
26	1447	3,3	54,56	29,7	45,0	38,0	45,0							
11	3524	0,8	132,79	16,5	40,0	28,0	16,9				SK 9042.1 - 112 MP/4	140	E96-97	
12	3125	0,8	117,79	19,6	40,0	28,0	17,7							
15	2535	1,1	95,56	22,9	40,0	28,0	18,1							
17	2295	1,2	86,43	24,0	40,0	28,0	18,3							
19	2018	1,4	76,18	25,0	40,0	28,0	18,3							
21	1818	1,5	68,61	25,6	40,0	28,0	18,3							
23	1677	1,7	63,25	26,0	40,0	28,0	18,0							
26	1477	1,9	55,69	26,5	40,0	28,0	18,0							

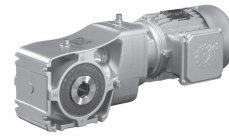
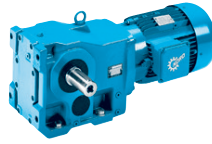
Helical-bevel gear units



P ₁ [kW]	n ₂ [min ⁻¹]	M ₂ [Nm]	f _B	i _{ges}	F _R [kN]	F _A [kN]	F _{R VL} [kN]	F _{A VL} [kN]	Type	kg	mm 
4,00	30	1263	2,2	47,67	27,0	40,0	28,0	17,7	SK 9042.1 - 112 MP/4	140	E96-97
	36	1076	2,6	40,54	27,4	40,0	28,0	17,4			
	42	912	3,1	34,39	27,6	40,0	28,0	17,0			
	45	841	3,3	31,70	27,7	40,0	28,0	16,7			
	52	741	3,8	27,91	27,8	40,0	28,0	16,4			
19	2014	0,8	75,91	0,5	11,7	12,3	8,6	SK 9032.1 - 112 MP/4	94	E92-93	
22	1700	0,9	64,08	5,1	12,4	15,0	9,1				
24	1569	1,0	59,17	7,5	13,0	15,0	9,4				
29	1325	1,2	49,94	7,9	13,4	15,0	9,6				
30	1265	1,2	47,70	8,1	13,6	15,0	9,7				
36	1071	1,4	40,36	8,3	13,8	15,0	9,8				
38	1010	1,5	38,05	8,3	13,8	15,0	9,8				
40	946	1,6	35,61	8,3	13,6	15,0	9,8				
49	787	1,9	29,66	8,4	13,6	15,0	9,8				
57	665	2,3	25,03	8,2	13,2	15,0	9,6				
60	634	2,4	23,91	8,2	13,2	15,0	9,6				
71	537	2,8	20,23	8,1	12,9	15,0	9,4				
84	454	3,2	17,08	7,9	12,4	15,0	9,2				
90	425	3,3	16,04	7,8	12,2	15,0	9,1				
106	359	3,8	13,49	7,6	11,7	15,0	8,9				
114	336	3,0	12,68	7,3	11,2	15,0	8,6				
134	285	3,2	10,73	7,1	10,7	15,0	8,3				
36	1053	0,8	39,77	0,1	10,9	6,1	8,5	SK 9022.1 - 112 MP/4	74	E88-89	
43	883	1,0	33,26	0,3	11,1	8,8	8,6				
46	834	1,0	31,38	2,7	11,4	9,3	8,8				
49	775	1,1	29,20	4,2	11,5	9,9	8,8				
55	693	1,2	26,07	5,7	11,5	10,6	8,8				
59	652	1,3	24,56	6,2	11,3	10,9	8,7				
64	596	1,3	22,41	6,9	11,5	11,3	8,8				
72	528	1,4	19,93	6,8	11,4	11,7	8,7				
82	465	1,5	17,52	6,5	10,7	12,0	8,4				
88	432	1,4	16,30	6,5	10,6	12,0	8,4				
99	387	1,5	14,56	6,4	10,5	12,0	8,2				
115	332	1,6	12,51	6,4	10,2	12,0	8,1				
130	295	1,8	11,13	6,3	10,0	12,0	8,0				
164	233	2,1	8,78	6,0	9,5	12,0	7,7				
57	672	0,9	25,34	8,3	25,0	8,3	25,0	SK 92772.1 - 112 MP/4	70	E68-69	
64	599	1,1	22,59	8,8	25,0	8,8	25,0				
68	561	1,1	21,14	9,0	25,0	9,0	25,0				
75	508	1,2	19,17	9,3	25,0	9,3	25,0				
76	500	1,3	18,84	9,3	25,0	9,3	25,0				
84	453	1,4	17,08	9,5	25,0	9,5	25,0				
93	409	1,5	15,42	9,7	25,0	9,7	25,0				
104	366	1,7	13,79	9,9	25,0	9,9	25,0				
115	332	1,8	12,50	10,0	25,0	10,0	25,0				
128	299	1,9	11,28	10,1	25,0	10,1	25,0				
147	260	2,2	9,81	10,2	25,0	10,2	25,0				
163	235	2,4	8,85	10,2	24,9	10,2	24,9				
201	190	2,9	7,18	10,3	23,4	10,3	23,4				
55	698	0,9	26,29	6,2	14,2	9,0	14,2	SK 9016.1 - 112 MP/4	66	E84-85	
62	614	0,8	23,11	7,2	14,3	9,0	14,3				
70	544	1,1	20,51	7,9	14,3	9,0	14,3				
82	464	1,2	17,45	8,5	14,2	9,0	14,2				
94	405	1,3	15,10	8,9	14,0	9,0	14,0				
115	331	1,6	12,51	9,0	13,6	9,0	13,6				
82	464	0,8	17,45	4,1	14,2	8,1	14,2	SK 9012.1 - 112 MP/4	66	E80-81	
94	405	0,9	15,30	5,0	14,0	8,6	14,0				
155	246	0,8	9,23	6,5	12,8	9,0	12,8				
178	215	0,8	8,09	6,7	12,6	9,0	12,6				
93	413	0,9	15,56	7,2	20,0	7,2	20,0	SK 92672.1 - 112 MP/4	59	E66-67	
100	382	0,8	14,40	7,4	20,0	7,4	20,0				
112	341	1,1	12,84	7,6	19,9	7,6	19,9				
126	302	1,2	11,39	7,8	19,1	7,8	19,1				
142	270	1,3	10,16	7,9	19,1	7,9	19,1				
153	249	1,4	9,39	8,0	18,5	8,0	18,5				
173	221	1,6	8,33	8,1	18,2	8,1	18,2				
194	197	1,8	7,44	8,2	17,8	8,2	17,8				
215	177	1,8	6,68	8,2	17,4	8,0	17,4				
255	150	2,1	5,64	8,3	15,9	7,7	15,9				
330	116	2,7	4,36	8,4	14,4	7,2	14,4				

Helical-bevel gear units


5,50 kW

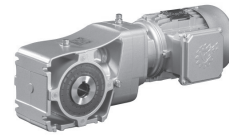
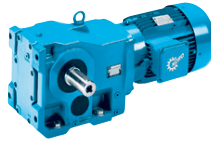


P ₁ [kW]	n ₂ [min ⁻¹]	M ₂ [Nm]	f _B	i _{ges}	F _R [kN]	F _A [kN]	F _{R VL} [kN]	F _{A VL} [kN]	Type	kg	mm
5,50	1,1	48540	1,0	1353,86	220,0	100,0	-	-	SK 9096.1/62 - 132 SP/4	1920	E112-113 E115
	1,3	41770	1,2	1165,22	220,0	100,0	-	-			
	1,5	35110	1,4	979,31	220,0	100,0	-	-			
	1,8	29270	1,7	816,57	220,0	100,0	-	-			
	2,1	25200	2,0	702,80	220,0	100,0	-	-			
	2,4	21780	2,3	607,63	220,0	100,0	-	-			
	2,7	19300	2,6	538,33	220,0	100,0	-	-			
	3,1	17000	2,9	474,22	220,0	100,0	-	-			
	3,1	17000	2,9	474,22	220,0	100,0	-	-			
	1,3	40130	0,8	1120,00	12,2	70,0	77,3	70,0	SK 9092.1/52 - 132 SP/4	1530	E110-111 E114
	1,7	30330	1,1	846,40	48,7	70,0	110,9	70,0			
	2,1	25330	1,3	706,40	63,2	70,0	126,1	70,0			
	2,4	21860	1,5	608,12	72,1	70,0	135,9	70,0			
	3,3	15850	2,0	441,46	85,7	70,0	151,8	70,0			
	3,8	13850	2,3	385,67	89,8	70,0	156,7	70,0			
	5,2	10090	3,2	280,76	96,9	70,0	160,0	70,0			
	2,0	25630	0,8	714,15	49,2	65,0	76,5	65,0	SK 9086.1/52 - 132 SP/4	961	E108-109 E114
	2,3	22360	0,9	623,16	66,9	65,0	86,8	65,0			
	3,4	15590	1,3	433,35	88,0	65,0	105,6	65,0			
	3,9	13600	1,5	378,14	92,3	65,0	110,5	65,0			
	5,4	9746	2,1	270,47	98,9	65,0	119,6	65,0			
	6,2	8473	2,4	235,93	100,4	65,0	120,0	65,0			
	6,4	8270	2,4	230,64	100,6	65,0	120,0	65,0	SK 9086.1 - 132 SP/4	885	E108-109
	7,5	6957	2,9	194,04	101,9	65,0	120,0	65,0			
	5,9	8835	1,5	245,62	90,8	60,0	95,0	60,0	SK 9082.1/52 - 132 SP/4	711	E106-107 E114
	8,0	6536	2,0	182,09	93,6	60,0	95,0	60,0			
	3,3	15930	0,8	443,41	75,6	60,0	95,0	60,0	SK 9082.1/42 - 132 SP/4	686	E106-107 E114
	3,9	13620	1,0	379,59	81,8	60,0	95,0	60,0			
	5,1	10250	1,3	285,05	88,7	60,0	95,0	60,0			
	4,9	10640	1,2	296,80	87,9	60,0	95,0	60,0	SK 9082.1 - 132 SP/4	635	E106-107
	6,0	8757	1,5	244,32	90,9	60,0	95,0	60,0			
	9,8	5336	2,4	148,76	94,7	60,0	95,0	60,0			
	12	4393	3,0	122,46	95,0	60,0	95,0	60,0			
	4,7	11120	0,8	311,10	38,2	50,0	66,0	48,3	SK 9072.1/32 - 132 SP/4	409	E104-105 E114
	6,0	8803	1,0	245,76	50,4	50,0	66,0	48,0	SK 9072.1 - 132 SP/4	375	E104-105
	7,1	7420	1,1	206,84	55,4	50,0	66,0	46,9			
	7,8	6696	1,3	186,86	57,4	50,0	66,0	46,8			
	9,3	5644	1,5	157,27	60,0	50,0	66,0	45,6			
	11	4899	1,4	136,88	61,5	50,0	66,0	43,9			
	13	3947	2,2	110,18	63,0	50,0	66,0	43,4			
	16	3279	2,6	91,47	63,9	50,0	66,0	41,9			
	18	2854	3,0	79,69	64,4	50,0	66,0	40,7			
	21	2512	3,4	70,22	64,7	50,0	66,0	39,6			
	21	2512	3,4	70,22	64,7	50,0	66,0	39,6			
	8,6	6074	0,8	169,24	3,0	45,0	27,8	45,0	SK 9052.1 - 132 SP/4	235	E100-101
	12	4303	1,1	120,03	20,4	45,0	36,0	45,0			
	14	3675	1,3	102,40	23,7	45,0	37,9	45,0			
	17	3159	1,5	88,17	25,7	45,0	38,0	45,0			
	20	2588	1,9	72,24	27,4	45,0	38,0	45,0			
	23	2239	2,1	62,42	28,3	45,0	38,0	45,0			
	27	1956	2,5	54,56	28,9	45,0	38,0	45,0			
	33	1613	3,0	44,96	29,5	45,0	38,0	44,1			
	37	1425	3,4	39,72	29,8	45,0	38,0	42,8			
	40	1298	3,7	36,21	29,9	45,0	38,0	41,8			
	47	1123	4,3	31,28	30,1	45,0	38,0	40,3			
	47	1123	4,3	31,28	30,1	45,0	38,0	40,3			
	15	3426	0,8	95,56	17,3	40,0	28,0	14,6			
	17	3101	0,9	86,43	19,7	40,0	28,0	15,1			
	19	2728	1,0	76,18	21,9	40,0	28,0	15,4			
	21	2456	1,1	68,61	23,2	40,0	28,0	15,7			
	23	2266	1,2	63,25	24,1	40,0	28,0	15,5			
	26	1996	1,4	55,69	25,1	40,0	28,0	15,9			

Helical-bevel gear units

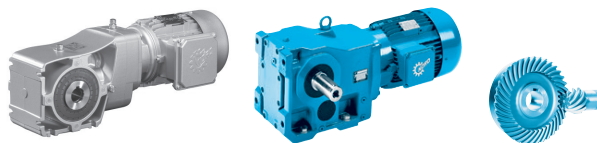



P ₁ [kW]	n ₂ [min ⁻¹]	M ₂ [Nm]	f _B	i _{ges}	F _R [kN]	F _A [kN]	F _{R VL} [kN]	F _{A VL} [kN]	Type	kg	mm 
5,50	31	1707	1,6	47,67	26,0	40,0	28,0	15,9	SK 9042.1 - 132 SP/4	160	E96-97
	36	1454	1,9	40,54	26,6	40,0	28,0	15,9			
	43	1232	2,3	34,39	27,1	40,0	28,0	15,6			
	46	1137	2,5	31,70	27,2	40,0	28,0	15,4			
	47	1129	1,9	31,48	27,3	40,0	28,0	15,5			
	52	1001	2,8	27,91	27,5	39,3	28,0	15,3			
	61	856	3,2	23,89	27,7	38,1	28,0	15,0			
	72	730	3,6	20,32	27,1	36,9	28,0	14,6			
	80	654	3,7	18,20	26,4	36,0	28,0	14,3			
	93	563	3,6	15,66	25,2	34,5	28,0	13,7			
	109	481	4,2	13,40	24,3	33,4	28,0	13,3			
	128	410	3,7	11,40	23,3	32,0	28,0	12,9			
	143	368	4,1	10,21	22,7	31,2	28,0	12,6			
	156	338	4,4	9,39	22,2	30,6	28,0	12,3			
	165	318	4,4	8,83	21,9	30,2	28,0	12,2			
		29	1790	0,9	49,94	1,2	8,7	14,5			
31		1709	0,9	47,70	4,7	9,3	15,0	7,7			
36		1447	1,1	40,36	6,3	10,1	15,0	8,1			
38		1366	1,1	38,05	6,4	10,4	15,0	8,1			
41		1278	1,2	35,61	6,5	10,4	15,0	8,2			
49		1064	1,4	29,66	6,9	10,9	15,0	8,5			
58		898	1,7	25,03	7,0	10,9	15,0	8,5			
61		857	1,8	23,91	7,1	11,1	15,0	8,6			
72		726	2,1	20,23	7,1	11,0	15,0	8,6			
86		613	2,4	17,08	7,1	10,8	15,0	8,4			
91		575	2,4	16,04	7,1	10,8	15,0	8,4			
108		486	2,8	13,49	6,9	10,5	15,0	8,2			
116		455	2,2	12,68	6,6	10,0	15,0	7,9			
136		385	2,3	10,73	6,5	9,7	15,0	7,8			
172		305	2,9	8,48	6,3	9,2	15,0	7,5			
		76	687	0,9	19,17	8,2	25,0	8,2	25,0	SK 92772.1 - 132 SP/4	90
	86	612	1,1	17,08	8,7	25,0	8,7	25,0			
	95	553	1,1	15,42	9,1	25,0	9,1	25,0			
	117	448	1,3	12,50	9,6	24,9	9,6	24,9			
	130	404	1,4	11,28	9,7	24,5	9,7	24,5			
	149	352	1,6	9,81	9,9	24,3	9,9	24,3			
	166	317	1,8	8,85	10,0	23,5	10,0	23,5			
	204	257	2,1	7,18	10,2	21,9	10,2	21,9			
	229	229	2,2	6,39	10,2	21,3	10,2	21,3			
	286	184	2,8	5,12	10,3	19,2	9,7	19,2			
	144	364	1,0	10,16	7,5	17,4	7,5	17,4	SK 92672.1 - 132 SP/4	78	E66-67
	176	299	1,2	8,33	7,8	16,6	7,8	16,6			
	197	267	1,3	7,44	7,9	16,1	7,8	16,1			
	219	240	1,3	6,68	8,0	16,0	7,5	16,0			
	260	202	1,5	5,64	8,2	14,7	7,4	14,7			
	336	156	2,0	4,36	8,3	13,5	6,9	13,5			
7,50	1,1	66410	0,8	1353,86	220,0	100,0	-	-	SK 9096.1/62 - 132 MP/4	1930	E112-113 E115
	1,3	57160	0,9	1165,22	220,0	100,0	-	-			
	1,5	48040	1,0	979,31	220,0	100,0	-	-			
	1,8	40060	1,2	816,57	220,0	100,0	-	-			
	2,1	34480	1,5	702,80	220,0	100,0	-	-			
	2,4	29810	1,7	607,63	220,0	100,0	-	-			
	2,7	26410	1,9	538,33	220,0	100,0	-	-			
	3,1	23260	2,1	474,22	220,0	100,0	-	-			
	3,4	21140	2,4	431,00	220,0	100,0	-	-			
	3,9	18200	2,7	370,95	220,0	100,0	-	-			
4,6	15730	3,2	320,72	220,0	100,0	-	-				
	1,7	41500	0,8	846,40	5,7	70,0	72,1	70,0	SK 9092.1/52 - 132 MP/4	1540	E110-111 E114
	2,1	34660	0,9	706,40	34,2	70,0	96,8	70,0			
	2,4	29910	1,1	608,12	50,0	70,0	112,2	70,0			
	3,3	21690	1,5	441,46	72,5	70,0	136,4	70,0			
	3,8	18950	1,7	385,67	79,0	70,0	143,8	70,0			
	5,2	13800	2,3	280,76	89,9	70,0	156,8	70,0			



P_1 [kW]	n_2 [min ⁻¹]	M_2 [Nm]	f_B	i_{ges}	F_R [kN]	F_A [kN]	$F_{R VL}$ [kN]	$F_{A VL}$ [kN]	Type	kg	mm 			
7,50	3,4	21340	0,9	433,35	71,1	65,0	89,8	65,0	SK 9086.1/52 - 132 MP/4	968	E108-109 E114			
	3,8	18610	1,1	378,14	80,5	65,0	97,5	65,0						
	5,4	13340	1,5	270,47	92,8	65,0	111,2	65,0						
	6,2	11590	1,7	235,93	96,2	65,0	115,4	65,0						
	7,4	9700	2,1	235,93	98,9	65,0	119,7	65,0						
	6,3	11320	1,8	230,64	96,7	65,0	116,0	65,0	SK 9086.1 - 132 MP/4	892	E108-109 E114			
	7,5	9519	2,1	194,04	99,2	65,0	119,6	65,0						
	4,9	14550	0,9	296,80	79,5	60,0	95,0	60,0	SK 9082.1 - 132 MP/4	642	E106-107			
	6,0	11980	1,1	244,32	85,5	60,0	95,0	60,0						
	9,8	7301	1,8	148,76	92,8	60,0	95,0	60,0						
	12	6011	2,2	122,46	94,1	60,0	95,0	60,0						
	13	5717	2,3	116,45	94,4	60,0	95,0	60,0						
	15	4707	2,8	95,86	95,0	60,0	95,0	60,0						
	7,4	9629	0,8	196,12	47,0	50,0	66,0	39,0	SK 9072.1/42 - 132 MP/4	433	E104-105 E114			
	7,8	9163	0,9	186,86	49,1	50,0	66,0	42,3	SK 9072.1 - 132 MP/4	382	E104-105			
	9,3	7723	1,1	157,27	54,5	50,0	66,0	41,5						
	13	5401	1,6	110,18	60,5	50,0	66,0	40,6						
	16	4486	1,9	91,47	62,2	50,0	66,0	39,6						
	18	3905	2,2	79,69	63,1	50,0	66,0	38,7						
	21	3438	2,5	70,22	63,7	50,0	66,0	37,9						
	25	2867	3,0	58,44	64,4	50,0	66,0	36,6						
	29	2467	3,3	50,35	64,8	50,0	66,0	35,6						
	12	5887	0,8	120,03	1,2	45,0	29,0	45,0				SK 9052.1 - 132 MP/4	242	E100-101
	14	5028	1,0	102,40	15,1	45,0	33,3	45,0						
	17	4323	1,1	88,17	20,3	45,0	35,9	45,0						
	20	3541	1,4	72,24	24,3	45,0	38,0	45,0						
	23	3064	1,6	62,42	26,0	45,0	38,0	45,0						
	27	2676	1,8	54,56	27,2	45,0	38,0	44,5						
	32	2208	2,2	44,96	28,4	45,0	38,0	42,7						
	37	1950	2,5	39,72	28,9	45,0	38,0	41,5						
	40	1776	2,7	36,21	29,2	45,0	38,0	40,7						
	47	1537	3,1	31,28	29,6	45,0	38,0	39,3						
	19	3732	0,8	76,18	0	37,3	18,0	12,8	SK 9042.1 - 132 MP/4	167	E96-97			
	21	3361	0,8	68,61	17,9	38,1	28,0	12,3						
	23	3101	0,9	63,25	19,8	37,8	28,0	12,3						
	26	2731	1,0	55,69	22,0	38,6	28,0	13,2						
	31	2335	1,2	47,67	23,8	38,6	28,0	13,6						
	36	1990	1,4	40,54	25,1	38,3	28,0	13,8						
	42	1686	1,7	34,39	26,0	37,8	28,0	13,9						
	46	1556	1,8	31,70	26,4	37,2	28,0	13,8						
	52	1370	2,0	27,91	26,8	36,9	28,0	13,9						
	61	1172	2,3	23,89	27,1	36,1	28,0	13,8						
	72	998	2,6	20,32	26,2	35,2	28,0	13,6						
	80	895	2,7	18,20	25,6	34,5	28,0	13,4						
	93	770	2,6	15,66	24,5	33,0	28,0	12,8						
	109	658	3,0	13,40	23,6	32,0	28,0	12,6						
	128	561	2,7	11,40	22,8	31,0	28,0	12,2						
	142	503	3,0	10,21	22,2	30,2	28,0	12,0						
	155	462	3,2	9,39	21,7	29,7	28,0	11,8						
	165	435	3,2	8,83	21,4	29,3	28,0	11,7						
	36	1980	0,8	40,36	0,1	5,3	12,7	5,7	SK 9032.1 - 132 MP/4	120	E92-93			
	38	1868	0,8	38,05	0,2	5,8	13,9	5,9						
	41	1749	0,9	35,61	3,8	6,1	14,9	6,1						
	49	1456	1,0	29,66	4,9	7,4	15,0	6,8						
	58	1229	1,2	25,03	5,3	8,0	15,0	7,0						
	61	1173	1,3	23,91	5,5	8,3	15,0	7,2						
	72	993	1,5	20,23	5,8	8,6	15,0	7,4						
	85	839	1,7	17,08	5,9	8,8	15,0	7,4						
	91	787	1,8	16,04	6,0	8,9	15,0	7,5						
	108	664	2,0	13,49	6,1	8,9	15,0	7,4						
	115	622	1,6	12,68	5,7	8,3	15,0	7,1						
	136	527	1,7	10,73	5,8	8,3	15,0	7,1						
	172	417	2,1	8,48	5,7	8,1	15,0	7,0						

Helical-bevel gear units



P ₁ [kW]	n ₂ [min ⁻¹]	M ₂ [Nm]	f _B	i _{ges}	F _R [kN]	F _A [kN]	F _{R VL} [kN]	F _{A VL} [kN]	Type	kg	mm 				
7,50	85	838	0,8	17,08	6,9	23,2	6,9	23,2	SK 92772.1 - 132 MP/4	97	E68-69				
	95	756	0,8	15,42	7,7	23,2	7,7	23,2							
	117	613	1,0	12,50	8,7	22,3	8,7	22,3							
	129	553	1,0	11,28	9,1	22,2	9,1	22,2							
	149	481	1,2	9,81	9,4	22,4	9,4	22,4							
	165	434	1,3	8,85	9,6	21,6	9,6	21,6							
	203	352	1,6	7,18	9,9	20,2	9,9	20,2							
	229	313	1,6	6,39	10,0	19,9	9,7	19,9							
	285	251	2,0	5,12	10,2	18,0	9,4	18,0							
	350	204	2,4	4,17	10,3	16,9	8,9	16,9							
		175	409	0,9	8,33	7,2	14,3	7,2				14,3	SK 92672.1 - 132 MP/4	85	E66-67
		196	365	1,0	7,44	7,5	14,0	7,2				14,0			
		218	328	1,0	6,68	7,7	14,3	7,0				14,3			
		259	277	1,1	5,64	7,9	13,2	6,9				13,2			
		335	214	1,5	4,36	8,1	12,4	6,6				12,4			
9,20	1,5	58530	0,9	979,31	220,0	100,0	-	-	SK 9096.1/62 - 160 SP/4	1960	E112-113 E115				
	1,8	48800	1,0	816,57	220,0	100,0	-	-							
	2,1	42000	1,2	702,80	220,0	100,0	-	-							
	2,4	36310	1,4	607,63	220,0	100,0	-	-							
	2,7	32170	1,6	538,33	220,0	100,0	-	-							
	3,1	28340	1,8	474,22	220,0	100,0	-	-							
	3,4	25760	1,9	431,00	220,0	100,0	-	-							
	4,0	22170	2,3	370,95	220,0	100,0	-	-							
	4,6	19170	2,6	320,72	220,0	100,0	-	-							
	4,9	17760	2,8	297,17	220,0	100,0	-	-							
	5,4	16140	3,1	270,09	220,0	100,0	-	-							
		8,5	10360	4,8	173,41	220,0	100,0	-				-	SK 9096.1 - 160 SP/4	1830	E112-113
		2,1	42230	0,8	706,40	2,0	70,0	69,3				70,0			
		2,4	36440	0,9	608,12	27,6	70,0	90,6				70,0	SK 9092.1/52 - 160 SP/4	1570	E110-111 E114
		3,3	26430	1,2	441,46	60,2	70,0	122,9				70,0			
		3,8	23080	1,4	385,67	69,0	70,0	132,5	70,0						
		5,2	16820	1,9	280,76	83,7	70,0	149,3	70,0						
		4,9	17800	1,8	297,51	81,5	70,0	146,8	70,0						
		5,8	15140	2,1	253,40	86,5	70,0	152,5	70,0	SK 9092.1 - 160 SP/4	1490	E110-111			
		7,4	11810	2,7	197,51	93,7	70,0	160,0	70,0						
		9,6	9151	3,5	152,96	98,6	70,0	160,0	70,0						
		3,4	25990	0,8	433,35	46,6	65,0	75,3	65,0	SK 9086.1/52 - 160 SP/4	999	E108-109 E114			
		3,9	22680	0,9	378,14	65,5	65,0	85,8	65,0						
		5,4	16250	1,2	270,47	86,6	65,0	103,9	65,0						
		6,2	14130	1,4	235,93	91,2	65,0	109,3	65,0						
		6,4	13790	1,5	230,64	91,9	65,0	110,1	65,0	SK 9086.1 - 160 SP/4	923	E108-109			
		7,6	11600	1,7	194,04	95,9	65,0	114,8	65,0						
		9,7	9077	2,2	151,76	99,7	65,0	120,0	65,0						
		12	7635	2,6	127,67	101,3	65,0	120,0	65,0						
		13	6970	2,9	116,50	101,9	65,0	120,0	65,0						
		5,1	17090	0,8	285,05	71,9	60,0	95,0	60,0	SK 9082.1/42 - 160 SP/4	724	E106-107 E114			
		6,0	14600	0,9	244,32	79,3	60,0	95,0	60,0						
		9,9	8895	1,5	148,76	90,7	60,0	95,0	60,0	SK 9082.1 - 160 SP/4	673	E106-107			
12		7323	1,8	122,46	92,7	60,0	95,0	60,0							
13		6966	1,9	116,45	93,1	60,0	95,0	60,0							
15		5735	2,3	95,86	94,3	60,0	95,0	60,0							
18		4957	2,6	82,88	95,0	60,0	95,0	60,0							
7,9		11160	0,8	186,86	38,1	50,0	66,0	38,3							
	9,3	9409	0,9	157,27	47,9	50,0	66,0	38,2	SK 9072.1 - 160 SP/4	413	E104-105				
	13	6580	1,3	110,18	57,7	50,0	66,0	38,3							
	16	5466	1,6	91,47	60,4	50,0	66,0	37,7							
	18	4758	1,8	79,69	61,7	50,0	66,0	37,1							

9,20 kW
11,0 kW

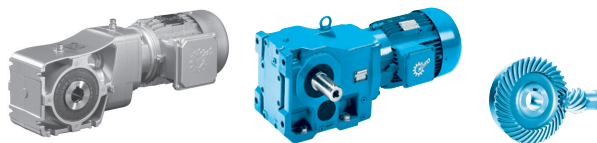
IE3




NORD
DRIVESYSTEMS

P ₁ [kW]	n ₂ [min ⁻¹]	M ₂ [Nm]	f _B	i _{ges}	F _R [kN]	F _A [kN]	F _{R VL} [kN]	F _{A VL} [kN]	Type	kg	mm					
9,20	21	4188	2,0	70,22	62,7	50,0	66,0	36,4	SK 9072.1 - 160 SP/4	413	E104-105					
	25	3492	2,4	58,44	63,7	50,0	66,0	35,4								
	29	3006	2,7	50,35	64,2	50,0	66,0	34,4								
	36	2453	3,1	41,11	61,6	50,0	66,0	33,1								
	9,20	17	5267	0,9	88,17	12,3	45,0	32,1	45,0	SK 9052.1 - 160 SP/4	273	E100-101				
		20	4314	1,1	72,24	20,3	45,0	35,9	45,0							
		24	3732	1,3	62,42	23,4	45,0	37,8	44,0							
		27	3260	1,5	54,56	25,3	45,0	38,0	43,0							
		33	2690	1,8	44,96	27,2	45,0	38,0	41,5							
		37	2375	2,0	39,72	28,0	45,0	38,0	40,5							
		41	2164	2,2	36,21	28,5	45,0	38,0	39,7							
		47	1872	2,6	31,28	29,1	45,0	38,0	38,5							
		54	1636	2,8	27,35	29,5	45,0	38,0	37,3							
		63	1397	3,1	23,33	29,8	45,0	38,0	35,9							
		65	1349	3,2	22,53	29,9	45,0	38,0	35,7							
		9,20	26	3327	0,8	55,69	18,1	34,7	28,0				10,8	SK 9042.1 - 160 SP/4	198	E96-97
			31	2845	1,0	47,67	21,3	35,1	28,0				11,6			
	36		2424	1,2	40,54	23,4	35,5	28,0	12,1							
	43		2054	1,4	34,39	24,9	35,3	28,0	12,5							
47	1882		1,2	31,48	25,4	35,2	28,0	12,6								
53	1669		1,7	27,91	26,1	34,9	28,0	12,7								
62	1427		1,9	23,89	26,1	34,4	28,0	12,8								
72	1216		2,1	20,32	25,4	33,7	28,0	12,7								
81	1091		2,2	18,20	24,9	33,2	28,0	12,7								
94	938		2,1	15,66	23,8	31,7	28,0	12,1								
110	802		2,5	13,40	23,1	30,9	28,0	11,9								
129	683		2,2	11,40	22,3	30,1	28,0	11,7								
143	613		2,4	10,21	21,7	29,4	28,0	11,5								
156	563		2,7	9,39	21,3	28,9	28,0	11,4								
166	530		2,6	8,83	21,0	28,6	28,0	11,3								
11,0	1,8		58550	0,9	816,57	220,0	100,0	-	-	SK 9096.1/62 - 160 MP/4	1960	E112-113 E115				
	2,1		50390	1,0	702,80	220,0	100,0	-	-							
	2,4	43570	1,1	607,63	220,0	100,0	-	-								
	2,7	38600	1,3	538,33	220,0	100,0	-	-								
	3,1	34000	1,5	474,22	220,0	100,0	-	-								
	3,4	30900	1,6	431,00	220,0	100,0	-	-								
	3,9	26600	1,9	370,95	220,0	100,0	-	-								
	4,6	23000	2,2	320,72	220,0	100,0	-	-								
	4,9	21310	2,3	297,17	220,0	100,0	-	-								
	5,4	19370	2,6	270,09	220,0	100,0	-	-								
	6,3	16740	3,0	233,51	220,0	100,0	-	-								
	8,4	12430	4,0	173,41	220,0	100,0	-	-	SK 9096.1 - 160 MP/4	1830	E112-113					
	11,0	3,3	31700	1,0	441,46	44,3	70,0	106,5	70,0	SK 9092.1/52 - 160 MP/4	1570	E110-111 E114				
		3,8	27690	1,2	385,67	56,6	70,0	119,1	70,0							
		5,2	20180	1,6	280,76	76,1	70,0	140,5	70,0							
		6,6	16000	2,0	222,14	85,4	70,0	151,4	70,0							
	11,0	4,9	21350	1,5	297,51	73,3	70,0	137,3	70,0	SK 9092.1 - 160 MP/4	1490	E110-111				
		5,8	18160	1,8	253,40	79,9	70,0	144,7	70,0							
		7,4	14170	2,3	197,51	89,2	70,0	155,9	70,0							
		9,6	10980	2,9	152,96	95,3	70,0	160,0	70,0							
		12	8621	3,7	120,23	99,5	70,0	160,0	70,0							
		14	7340	4,4	102,28	101,7	70,0	160,0	70,0							
	11,0	5,4	19490	1,0	270,47	77,8	65,0	95,1	65,0	SK 9086.1/52 - 160 MP/4	999	E108-109 E114				
6,2		16950	1,2	235,93	85,0	65,0	102,0	65,0								
11,0	6,4	16540	1,2	230,64	85,9	65,0	103,1	65,0	SK 9086.1 - 160 MP/4	923	E108-109					
	7,5	13910	1,4	194,04	91,1	65,0	109,1	65,0								
	9,6	10890	1,8	151,76	97,3	65,0	117,0	65,0								
	11	9160	2,2	127,67	99,6	65,0	120,0	65,0								
	13	8362	2,4	116,50	100,5	65,0	120,0	65,0								
	16	6498	3,1	90,50	102,3	65,0	120,0	65,0								

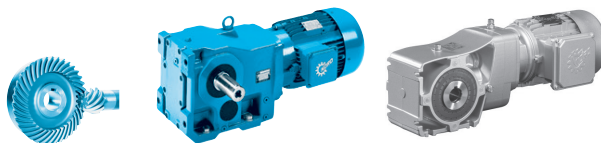
Helical-bevel gear units



P ₁ [kW]	n ₂ [min ⁻¹]	M ₂ [Nm]	f _B	i _{ges}	F _R [kN]	F _A [kN]	F _{R VL} [kN]	F _{A VL} [kN]	Type	kg	mm 
11,0	8,0	13070	1,0	182,09	83,2	60,0	95,0	60,0	SK 9082.1/52 - 160 MP/4	749	E106-107 E114
	9,8	10670	1,2	148,76	88,0	60,0	95,0	60,0	SK 9082.1 - 160 MP/4	673	E106-107
	12	8786	1,5	122,46	90,9	60,0	95,0	60,0			
	13	8357	1,6	116,45	91,5	60,0	95,0	60,0			
	15	6880	1,9	95,86	93,2	60,0	95,0	60,0			
	18	5947	2,2	82,88	94,2	60,0	95,0	60,0			
	20	5131	2,5	71,50	94,8	60,0	95,0	60,0			
	23	4476	2,9	62,39	95,0	60,0	95,0	60,0			
	9,3	11290	0,8	157,27	37,7	50,0	66,0	34,5	SK 9072.1 - 160 MP/4	413	E104-105
	13	7894	1,1	110,18	53,9	50,0	66,0	35,8			
	16	6557	1,3	91,47	57,9	50,0	66,0	35,6			
	18	5708	1,5	79,69	59,9	50,0	66,0	35,3			
	21	5025	1,7	70,22	61,3	50,0	66,0	34,9			
	25	4190	2,0	58,44	62,7	50,0	66,0	34,0			
	29	3606	2,3	50,35	62,9	50,0	66,0	33,3			
	36	2943	2,6	41,11	60,3	50,0	66,0	32,2			
	42	2521	3,4	35,19	58,3	50,0	66,0	31,3			
	17	6318	0,8	88,17	1,0	45,0	26,3	43,7			
	20	5175	0,9	72,24	13,6	45,0	32,6	43,0			
	23	4478	1,1	62,42	19,4	45,0	35,4	42,3			
	27	3911	1,2	54,56	22,6	45,0	37,3	41,5			
	33	3227	1,5	44,96	25,5	45,0	38,0	40,3			
	37	2850	1,7	39,72	26,7	45,0	38,0	39,4			
	40	2596	1,8	36,21	27,4	45,0	38,0	38,7			
	47	2246	2,1	31,28	28,3	45,0	38,0	37,6			
	54	1962	2,3	27,35	28,9	45,0	38,0	36,6			
	63	1676	2,6	23,33	29,4	45,0	38,0	35,3			
	65	1619	2,7	22,53	29,5	45,0	38,0	35,1			
	73	1430	3,0	19,91	29,8	45,0	38,0	34,1			
	82	1284	3,3	17,94	29,9	45,0	38,0	33,3			
	90	1173	3,7	16,33	30,1	45,0	38,0	32,3			
	109	968	4,4	13,45	30,3	45,0	38,0	30,8			
	123	855	4,6	11,88	30,4	45,0	38,0	29,9			
	137	768	3,8	10,71	30,4	45,0	38,0	29,1			
	31	3414	0,8	47,67	17,5	31,5	27,8	9,4	SK 9042.1 - 160 MP/4	198	E96-97
	36	2908	1,0	40,54	21,0	32,4	28,0	10,3			
	43	2465	1,1	34,39	23,2	32,7	28,0	11,0			
	47	2257	1,0	31,48	24,1	32,8	28,0	11,2			
	52	2003	1,4	27,91	25,1	32,7	28,0	11,5			
	61	1713	1,6	23,89	25,2	32,5	28,0	11,7			
	72	1459	1,8	20,32	24,6	32,1	28,0	11,8			
	80	1308	1,9	18,20	24,1	31,8	28,0	11,8			
	93	1125	1,8	15,66	23,1	30,5	28,0	11,3			
	109	962	2,1	13,40	22,5	29,8	28,0	11,3			
	128	820	1,8	11,40	21,8	29,1	28,0	11,1			
	143	735	2,0	10,21	21,3	28,6	28,0	11,0			
	156	675	2,2	9,39	20,9	28,1	28,0	10,9			
	165	636	2,2	8,83	20,6	27,8	27,9	10,8			

Helical-bevel gear units


15,0 kW



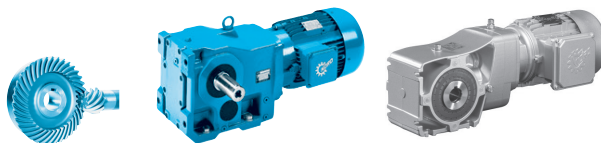
P ₁ [kW]	n ₂ [min ⁻¹]	M ₂ [Nm]	f _B	i _{ges}	F _R [kN]	F _A [kN]	F _{R VL} F _{A VL} [kN]		Type	kg	mm 			
15,0	2,4	59410	0,8	607,63	220,0	100,0	-	-	SK 9096.1/62 - 160 LP/4	1990	E112-113 E115			
	2,7	52630	0,9	538,33	220,0	100,0	-	-						
	3,1	46370	1,1	474,22	220,0	100,0	-	-						
	3,4	42140	1,2	431,00	220,0	100,0	-	-						
	3,9	36270	1,4	370,95	220,0	100,0	-	-						
	4,6	31360	1,6	320,72	220,0	100,0	-	-						
	4,9	29060	1,7	297,17	220,0	100,0	-	-						
	5,4	26410	1,9	270,09	220,0	100,0	-	-						
	6,3	22830	2,2	233,51	220,0	100,0	-	-						
	7,0	20430	2,4	208,95	214,9	100,0	-	-						
	7,3	19610	2,5	200,57	220,0	100,0	-	-	SK 9096.1 - 160 LP/4	1860	E112-113			
	8,4	16960	2,9	173,41	220,0	100,0	-	-						
	9,5	15090	3,3	154,29	220,0	100,0	-	-						
	11	13040	3,8	133,53	220,0	100,0	-	-						
	3,8	37760	0,8	385,67	22,3	70,0	86,0	70,0	SK 9092.1/52 - 160 LP/4	1600	E110-111 E114			
	5,2	27510	1,2	280,76	57,1	70,0	119,6	70,0						
	6,6	21820	1,5	222,14	72,2	70,0	136,1	70,0						
	7,6	18750	1,7	191,28	79,4	70,0	144,3	70,0						
	4,9	29120	1,1	297,51	52,4	70,0	114,7	70,0	SK 9092.1 - 160 LP/4	1520	E110-111			
	5,8	24760	1,3	253,40	63,6	70,0	126,1	70,0						
	7,4	19320	1,7	197,51	78,1	70,0	142,8	70,0						
	9,6	14970	2,1	152,96	87,5	70,0	153,9	70,0						
	12	11760	2,7	120,23	93,8	70,0	160,0	70,0						
	14	10010	3,2	102,28	97,1	70,0	160,0	70,0						
	5,4	26580	0,8	270,47	42,1	65,0	73,4	65,0	SK 9086.1/52 - 160 LP/4	1030	E108-109 E114			
	6,2	23110	0,9	235,93	63,5	65,0	84,5	65,0						
	6,4	22550	0,9	230,64	66,0	65,0	86,2	65,0	SK 9086.1 - 160 LP/4	952	E108-109			
	7,5	18970	1,1	194,04	79,4	65,0	95,6	65,0						
	9,6	14850	1,3	151,76	89,6	65,0	107,4	65,0						
	11	12490	1,6	127,67	94,1	65,0	112,6	65,0						
	13	11400	1,8	116,50	96,5	65,0	115,8	65,0						
	16	8861	2,3	90,50	100,0	65,0	120,0	65,0						
	19	7659	2,6	78,24	101,3	65,0	120,0	65,0						
	22	6608	3,0	67,50	102,2	65,0	120,0	65,0						
	9,8	14550	0,9	148,76	79,6	60,0	95,0	60,0				SK 9082.1 - 160 LP/4	702	E106-107
	12	11980	1,1	122,46	85,5	60,0	95,0	60,0						
	13	11400	1,1	116,45	86,7	60,0	95,0	60,0						
	15	9382	1,4	95,86	90,1	60,0	95,0	60,0						
	18	8110	1,6	82,88	91,8	60,0	95,0	60,0						
	20	6997	1,9	71,50	93,1	60,0	95,0	60,0						
	23	6104	2,1	62,39	94,0	60,0	95,0	60,0						
	27	5220	2,5	53,28	93,3	60,0	95,0	60,0						
	33	4373	3,0	44,63	89,5	60,0	95,0	60,0						
	35	4069	3,2	41,54	88,2	60,0	95,0	60,0						
	41	3510	3,7	35,83	84,9	60,0	95,0	60,0						
	13	10760	0,8	110,18	40,9	50,0	66,0	30,4	SK 9072.1 - 160 LP/4	442	E104-105			
	16	8942	1,0	91,47	50,0	50,0	66,0	31,2						
	18	7783	1,1	79,69	54,2	50,0	66,0	31,3						
	21	6852	1,2	70,22	57,0	50,0	66,0	31,4						
	25	5713	1,5	58,44	59,9	50,0	66,0	31,2						
	29	4917	1,7	50,35	59,6	50,0	66,0	30,9						
	36	4013	1,9	41,11	57,5	50,0	66,0	30,2						
	42	3438	2,5	35,19	56,0	50,0	66,0	29,5						
	50	2866	3,0	29,29	54,0	50,0	66,0	28,8						
	58	2467	3,4	25,24	52,3	50,0	66,0	28,0						
	71	2013	4,2	20,61	50,1	50,0	66,0	26,9						
	23	6106	0,8	62,42	2,3	45,0	27,7	38,5				SK 9052.1 - 160 LP/4	302	E100-101
	27	5334	0,9	54,56	11,8	45,0	31,9	38,2						
	33	4400	1,1	44,96	19,9	45,0	35,7	37,5						
	37	3886	1,2	39,72	22,7	45,0	37,3	37,0						
	40	3540	1,4	36,21	24,3	45,0	38,0	36,5						
	47	3063	1,6	31,28	26,1	45,0	38,0	35,7						

Helical-bevel gear units



P ₁ [kW]	n ₂ [min ⁻¹]	M ₂ [Nm]	f _B	i _{ges}	F _R [kN]	F _A [kN]	F _{R VL} [kN]	F _{A VL} [kN]	Type	kg	mm 				
15,0	54	2676	1,7	27,35	27,2	45,0	38,0	34,9	SK 9052.1 - 160 LP/4	302	E100-101				
	63	2285	1,9	23,33	28,2	45,0	38,0	33,9							
	65	2208	1,9	22,53	28,4	45,0	38,0	33,7							
	73	1950	2,2	19,91	28,9	45,0	38,0	32,9							
	82	1751	2,5	17,94	29,3	45,0	38,0	32,2							
	90	1600	2,7	16,33	29,5	45,0	38,0	31,2							
	109	1320	3,3	13,45	29,9	45,0	38,0	29,9							
	123	1166	3,3	11,88	30,1	45,0	38,0	29,1							
	137	1047	2,8	10,71	30,2	45,0	38,0	28,4							
	148	970	2,9	9,93	30,3	45,0	38,0	27,9							
	155	925	2,8	9,40	30,3	45,0	38,0	27,5							
	180	795	3,3	8,10	30,4	45,0	38,0	26,5							
	15,0	43	3361	0,8	34,39	17,9	27,0	23,0				7,6	SK 9042.1 - 160 LP/4	227	E96-97
		52	2731	1,0	27,91	22,0	28,1	25,3				8,7			
		61	2335	1,2	23,89	23,0	28,5	26,4				9,4			
		72	1990	1,3	20,32	22,7	28,7	27,0				9,8			
		80	1784	1,4	18,20	22,5	28,6	27,3				10,0			
		93	1534	1,3	15,66	21,5	27,5	26,1				9,6			
		109	1312	1,5	13,40	21,1	27,3	26,3				9,8			
128		1118	1,3	11,40	20,6	27,0	26,2	9,9							
143		1002	1,5	10,21	20,3	26,7	26,1	9,9							
156		921	1,6	9,39	20,0	26,4	26,0	9,9							
165		868	1,6	8,83	19,8	26,2	25,8	9,9							
18,5		2,7	64260	0,8	538,33	220,0	100,0	-	-	SK 9096.1/62 - 180 MP/4	2020	E112-113 E115			
		3,1	56610	0,9	474,22	220,0	100,0	-	-						
		3,4	51450	1,0	431,00	220,0	100,0	-	-						
		4,0	44280	1,1	370,95	220,0	100,0	-	-						
		4,6	38280	1,3	320,72	220,0	100,0	-	-						
		5,0	35470	1,4	297,17	220,0	100,0	-	-						
		5,5	32240	1,6	270,09	220,0	100,0	-	-						
		6,3	27870	1,8	233,51	220,0	100,0	-	-						
	7,1	24940	2,0	208,95	220,0	100,0	-	-							
	18,5	7,4	23940	2,1	200,57	220,0	100,0	-	-				SK 9096.1 - 180 MP/4	1890	E112-113
		8,5	20700	2,4	173,41	220,0	100,0	-	-						
		9,6	18420	2,7	154,29	220,0	100,0	-	-						
		11	15920	3,1	133,53	220,0	100,0	-	-						
	18,5	5,3	33590	1,0	280,76	38,0	70,0	100,4	70,0				SK 9092.1/52 - 180 MP/4	1630	E110-111 E114
		6,6	26640	1,2	222,14	59,6	70,0	122,3	70,0						
		7,7	22890	1,4	191,28	69,5	70,0	133,1	70,0						
	18,5	9,7	18280	1,8	152,96	80,5	70,0	145,6	70,0				SK 9092.1 - 180 MP/4	1560	E110-111
		12	14350	2,2	120,23	88,8	70,0	155,5	70,0						
		14	12220	2,6	102,28	93,0	70,0	160,0	70,0						
16		10950	2,9	91,60	95,3	70,0	160,0	70,0							
18,5	8,6	20550	1,0	171,89	74,1	65,0	92,1	65,0	SK 9086.1/52 - 180 MP/4	1060	E108-109 E114				
	10	17290	1,0	144,60	83,5	65,0	100,3	65,0							
18,5	13	13920	1,4	116,50	91,6	65,0	109,8	65,0	SK 9086.1 - 180 MP/4	985	E108-109				
	16	10820	1,8	90,50	97,4	65,0	117,2	65,0							
	19	9351	2,1	78,24	99,4	65,0	120,0	65,0							
	22	8067	2,5	67,50	100,8	65,0	120,0	65,0							
	25	7038	2,8	58,90	101,9	65,0	120,0	65,0							
18,5	12	14760	0,8	123,13	79,0	60,0	95,0	60,0	SK 9082.1/52 - 180 MP/4	811	E106-107 E114				
	18,5	13	13910	0,9	116,45	81,1	60,0	95,0				60,0	SK 9082.1 - 180 MP/4	735	E106-107
		15	11450	1,1	95,86	86,5	60,0	95,0				60,0			
		18	9901	1,3	82,88	89,2	60,0	95,0				60,0			
		21	8542	1,5	71,50	91,2	60,0	95,0				60,0			
		24	7452	1,7	62,39	92,6	60,0	95,0				60,0			
		28	6373	2,0	53,28	90,6	60,0	95,0				60,0			
		33	5339	2,4	44,63	87,4	60,0	95,0				60,0			
		36	4967	2,6	41,54	86,0	60,0	95,0				60,0			
		41	4285	3,0	35,83	83,1	60,0	95,0				60,0			


18,5 kW
22,0 kW



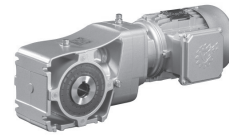
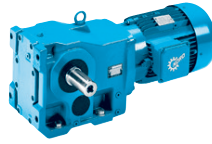
P ₁ [kW]	n ₂ [min ⁻¹]	M ₂ [Nm]	f _B	i _{ges}	F _R [kN]	F _A [kN]	F _{R VL} [kN]	F _{A VL} [kN]	Type	kg	mm 			
18,5	16	10920	0,8	91,47	39,8	50,0	66,0	27,1	SK 9072.1 - 180 MP/4	475	E104-105			
	19	9502	0,9	79,69	47,4	50,0	66,0	27,9						
	21	8365	1,0	70,22	52,1	50,0	66,0	28,3						
	25	6975	1,2	58,44	56,7	50,0	66,0	28,6						
	29	6003	1,4	50,35	56,6	50,0	66,0	28,6						
	33	5349	1,4	44,81	55,8	50,0	66,0	28,5						
	36	4899	1,6	41,11	55,1	50,0	66,0	28,5						
	42	4197	2,0	35,19	53,9	50,0	66,0	28,0						
	50	3499	2,4	29,29	52,2	50,0	66,0	27,4						
	59	3012	2,8	25,24	50,9	50,0	66,0	26,9						
	66	2684	3,2	22,46	49,6	50,0	66,0	26,3						
	72	2458	3,5	20,61	48,8	50,0	66,0	26,0						
	81	2193	3,6	18,29	47,5	50,0	66,0	25,5						
	33	5372	0,9	44,96	11,1	45,0	31,6	35,1				SK 9052.1 - 180 MP/4	335	E100-101
	37	4744	1,0	39,72	17,4	45,0	34,4	34,8						
	41	4322	1,1	36,21	20,3	45,0	35,9	34,6						
	47	3740	1,3	31,28	23,4	45,0	37,7	34,0						
	54	3267	1,4	27,35	25,3	45,0	38,0	33,4						
	63	2790	1,5	23,33	26,9	45,0	38,0	32,6						
	66	2695	1,6	22,53	27,2	45,0	38,0	32,5						
74	2380	1,8	19,91	28,0	45,0	38,0	31,8							
83	2138	2,0	17,94	28,5	45,0	38,0	31,2							
90	1953	2,2	16,33	28,9	45,0	38,0	30,2							
110	1612	2,7	13,45	29,5	45,0	38,0	29,1							
124	1423	2,7	11,88	29,8	45,0	38,0	28,3							
138	1279	2,3	10,71	30,0	45,0	38,0	27,7							
149	1185	2,4	9,93	30,1	45,0	38,0	27,3							
157	1129	2,3	9,40	30,1	45,0	38,0	26,9							
182	970	2,7	8,10	30,3	45,0	38,0	26,0							
53	3334	0,8	27,91	18,0	23,9	19,9	6,4	SK 9042.1 - 180 MP/4	260	E96-97				
62	2851	0,9	23,89	21,0	25,0	21,8	7,3							
73	2429	1,1	20,32	21,0	25,7	23,2	8,1							
81	2178	1,1	18,20	21,0	26,0	23,9	8,5							
94	1873	1,1	15,66	20,1	24,9	22,9	8,1							
110	1602	1,2	13,40	20,0	25,1	23,5	8,5							
129	1365	1,1	11,40	19,6	25,1	23,9	8,8							
144	1224	1,2	10,21	19,4	25,0	24,0	8,9							
157	1124	1,3	9,39	19,1	24,8	24,0	9,0							
167	1059	1,3	8,83	19,0	24,7	24,0	9,0							
22,0	3,4	61390	0,8	431,00	220,0	100,0	-	-	SK 9096.1/62 - 180 LP/4	2020	E112-113 E115			
	4,0	52830	0,9	370,95	220,0	100,0	-	-						
	4,6	45680	1,1	320,72	220,0	100,0	-	-						
	5,0	42330	1,2	297,17	220,0	100,0	-	-						
	5,5	38470	1,3	270,09	220,0	100,0	-	-						
	6,3	33260	1,5	233,51	220,0	100,0	-	-						
	7,1	29760	1,7	208,95	220,0	100,0	-	-						
	7,4	28570	1,8	200,57	220,0	100,0	-	-	SK 9096.1 - 180 LP/4	1890	E112-113			
	8,5	24700	2,0	173,41	220,0	100,0	-	-						
	9,6	21970	2,3	154,29	220,0	100,0	-	-						
	11	19000	2,6	133,53	220,0	100,0	-	-						
	12	16830	3,0	118,18	220,0	100,0	-	-						
	5,2	40080	0,8	280,76	12,4	70,0	77,5	70,0	SK 9092.1/52 - 180 LP/4	1630	E110-111 E114			
	6,6	31780	1,0	222,14	44,0	70,0	106,3	70,0						
	7,7	27320	1,2	191,28	57,7	70,0	120,2	70,0						
	9,6	21810	1,5	152,96	72,2	70,0	136,1	70,0	SK 9092.1 - 180 LP/4	1560	E110-111			
	12	17130	1,9	120,23	83,0	70,0	148,5	70,0						
	14	14580	2,2	102,28	88,3	70,0	154,9	70,0						
	16	13060	2,4	91,60	91,3	70,0	158,6	70,0						
	18	11390	2,8	80,00	94,5	70,0	160,0	70,0						
21	9832	3,3	68,87	97,4	70,0	160,0	70,0							
8,6	24530	0,8	171,89	56,1	65,0	80,1	65,0	SK 9086.1/52 - 180 LP/4	1060	E108-109 E114				
10	20630	0,9	144,60	73,8	65,0	90,8	65,0							

Helical-bevel gear units



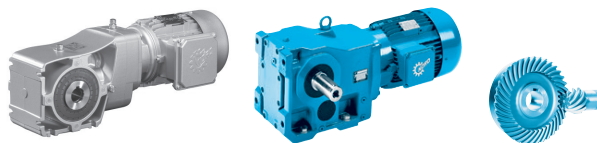
P ₁ [kW]	n ₂ [min ⁻¹]	M ₂ [Nm]	f _B	i _{ges}	F _R [kN]	F _A [kN]	F _{R VL} [kN]	F _{A VL} [kN]	Type	kg	mm 
22,0	13	16610	1,2	116,50	85,7	65,0	102,9	65,0	SK 9086.1 - 180 LP/4	985	E108-109
	16	12910	1,5	90,50	93,7	65,0	112,2	65,0			
	19	11160	1,8	78,24	96,9	65,0	116,4	65,0			
	22	9626	2,1	67,50	99,0	65,0	119,8	65,0			
	25	8398	2,4	58,90	100,5	65,0	120,0	65,0			
	29	7182	2,8	50,30	101,7	65,0	120,0	65,0			
	13	16600	0,8	116,45	73,6	60,0	95,0	60,0	SK 9082.1 - 180 LP/4	735	E106-107
	15	13670	1,0	95,86	81,8	60,0	95,0	60,0			
	18	11810	1,1	82,88	85,8	60,0	95,0	60,0			
	21	10190	1,3	71,50	88,8	60,0	95,0	60,0			
	24	8892	1,5	62,39	90,8	60,0	95,0	60,0			
	28	7604	1,7	53,28	88,2	60,0	95,0	60,0			
	33	6370	2,0	44,63	85,3	60,0	95,0	60,0			
	35	5927	2,2	41,54	84,3	60,0	95,0	60,0			
	41	5113	2,5	35,83	81,6	60,0	95,0	60,0			
	47	4461	2,9	31,27	79,4	60,0	95,0	60,0			
	21	9982	0,9	70,22	45,2	50,0	66,0	25,3	SK 9072.1 - 180 LP/4	475	E104-105
	25	8323	1,0	58,44	52,4	50,0	66,0	26,1			
	29	7163	1,1	50,35	53,5	50,0	66,0	26,5			
	33	6383	1,2	44,81	53,2	50,0	66,0	26,6			
	36	5845	1,3	41,11	52,7	50,0	66,0	26,6			
	42	5008	1,7	35,19	51,8	50,0	66,0	26,5			
	50	4176	2,0	29,29	50,5	50,0	66,0	26,1			
	58	3594	2,4	25,24	49,3	50,0	66,0	25,8			
	66	3202	2,7	22,46	48,3	50,0	66,0	25,4			
	72	2933	2,9	20,61	47,6	50,0	66,0	25,1			
	80	2617	3,0	18,29	46,5	50,0	66,0	24,6			
	90	2341	3,2	16,44	45,5	50,0	66,0	24,2			
	95	2206	3,4	15,40	44,7	50,0	66,0	23,8			
	105	2000	2,6	14,06	43,4	50,0	66,0	23,1			
	118	1782	2,8	12,51	42,3	50,0	65,3	22,6			
	122	1718	2,9	12,06	42,0	50,0	64,8	22,5			
	129	1632	3,1	11,48	41,5	50,0	64,2	22,3			
	144	1456	3,2	10,19	40,4	50,0	62,6	21,8			
	161	1303	3,6	9,16	39,5	50,0	61,2	21,3			
	37	5661	0,8	39,72	6,1	45,0	30,3	32,7	SK 9052.1 - 180 LP/4	335	E100-101
	41	5157	0,9	36,21	13,8	45,0	32,7	32,7			
	47	4463	1,1	31,28	19,5	45,0	35,5	32,4			
	54	3898	1,2	27,35	22,7	45,0	37,3	32,0			
	63	3329	1,3	23,33	25,1	45,0	38,0	31,3			
	65	3216	1,3	22,53	25,5	45,0	38,0	31,3			
	74	2840	1,5	19,91	26,8	45,0	38,0	30,7			
	82	2551	1,7	17,94	27,5	45,0	38,0	30,2			
	90	2331	1,8	16,33	28,1	45,0	38,0	29,2			
	109	1923	2,2	13,45	29,0	45,0	38,0	28,3			
	124	1698	2,3	11,88	29,4	45,0	38,0	27,7			
	138	1526	1,9	10,71	29,6	45,0	38,0	27,1			
	149	1414	2,0	9,93	29,8	45,0	38,0	26,7			
	156	1347	1,9	9,40	29,9	45,0	38,0	26,4			
	182	1157	2,2	8,10	30,1	45,0	38,0	25,6			
	62	3402	0,8	23,89	17,6	21,5	17,2	5,3	SK 9042.1 - 180 LP/4	260	E96-97
	72	2898	0,9	20,32	19,4	22,7	19,3	6,3			
	81	2599	0,9	18,20	19,5	23,4	20,5	6,9			
	94	2235	0,9	15,66	18,7	22,5	19,6	6,6			
	110	1911	1,0	13,40	18,7	22,9	20,7	7,3			
	129	1628	0,9	11,40	18,6	23,2	21,6	7,7			
	144	1460	1,0	10,21	18,5	23,4	22,0	7,9			
	157	1341	1,1	9,39	18,3	23,4	22,1	8,1			
	166	1264	1,1	8,83	18,2	23,3	22,2	8,2			


30,0 kW



P ₁ [kW]	n ₂ [min ⁻¹]	M ₂ [Nm]	f _B	i _{ges}	F _R [kN]	F _A [kN]	F _{R VL} [kN]	F _{A VL} [kN]	Type	kg	mm 			
30,0	4,6	61870	0,8	320,72	220,0	100,0	-	-	SK 9096.1/62 - 225 RP/4	2180	E112-113 E115			
	5,0	57330	0,9	297,17	220,0	100,0	-	-						
	5,5	52100	1,0	270,09	220,0	100,0	-	-						
	6,4	45050	1,1	233,51	220,0	100,0	-	-						
	7,1	40310	1,2	208,95	220,0	100,0	-	-						
	7,4	38690	1,3	200,57	220,0	100,0	-	-	SK 9096.1 - 225 RP/4	2050	E112-113			
	8,6	33450	1,5	173,41	220,0	100,0	-	-						
	9,6	29760	1,7	154,29	220,0	100,0	-	-						
	11	25730	1,9	133,53	220,0	100,0	-	-						
	13	22800	2,2	118,18	220,0	100,0	-	-						
	15	19710	2,5	102,18	220,0	100,0	-	-						
	17	17290	2,9	89,60	220,0	100,0	-	-						
	18	15710	3,2	81,43	220,0	100,0	-	-						
	12	23200	1,4	120,23	68,7	70,0	132,2	70,0	SK 9092.1 - 225 RP/4	1720	E110-111			
	15	19750	1,6	102,28	77,1	70,0	141,7	70,0						
	16	17700	1,8	91,60	81,8	70,0	147,1	70,0						
	19	15430	2,1	80,00	86,6	70,0	152,8	70,0						
	22	13320	2,4	68,87	90,8	70,0	158,0	70,0						
	25	11330	2,8	58,66	94,1	70,0	160,0	70,0						
	16	17480	1,1	90,50	83,7	65,0	100,6	65,0	SK 9086.1 - 225 RP/4	1140	E108-109			
	19	15110	1,3	78,24	89,1	65,0	106,8	65,0						
	22	13040	1,5	67,50	93,4	65,0	111,9	65,0						
	25	11370	1,8	58,90	96,6	65,0	115,9	65,0						
	29	9728	2,1	50,30	98,9	65,0	119,6	65,0						
	35	8149	2,5	42,13	100,8	65,0	120,0	65,0						
	42	6855	2,6	35,44	102,0	65,0	120,0	65,0						
	18	16000	0,8	82,88	74,8	60,0	95,0	60,0				SK 9082.1 - 225 RP/4	895	E106-107
	21	13810	0,9	71,50	81,0	60,0	95,0	60,0						
	24	12040	1,1	62,39	84,2	60,0	95,0	60,0						
	28	10300	1,3	53,28	82,6	60,0	95,0	60,0						
	33	8628	1,5	44,63	80,8	60,0	95,0	60,0						
	36	8028	1,6	41,54	79,8	60,0	95,0	60,0						
	41	6926	1,9	35,83	77,9	60,0	95,0	60,0						
	47	6042	2,2	31,27	76,1	60,0	95,0	60,0						
	55	5167	2,5	26,71	73,8	60,0	95,0	60,0						
	66	4329	3,0	22,37	71,1	60,0	95,0	58,7						
	86	3344	3,9	17,35	67,3	60,0	95,0	55,5						
	101	2823	4,6	14,61	64,5	60,0	95,0	53,3						
	25	11270	0,8	58,44	23,4	50,0	61,8	21,7	SK 9072.1 - 225 RP/4	635	E104-105			
	30	9702	0,8	50,35	45,9	50,0	65,3	21,5						
	33	8645	0,9	44,81	47,0	50,0	66,0	22,1						
	36	7917	1,0	41,11	47,0	50,0	66,0	22,5						
	42	6783	1,3	35,19	47,0	50,0	66,0	23,0						
	51	5656	1,5	29,29	46,6	50,0	66,0	23,2						
	59	4868	1,7	25,24	46,0	50,0	66,0	23,3						
	66	4337	2,0	22,46	45,3	50,0	66,0	23,2						
	72	3972	2,1	20,61	44,9	50,0	66,0	23,1						
	81	3544	2,2	18,29	44,1	50,0	66,0	22,8						
	90	3171	2,4	16,44	43,3	50,0	65,8	22,6						
	96	2987	2,5	15,40	42,6	50,0	64,8	22,3						
	106	2709	1,9	14,06	41,4	50,0	63,0	21,6						
	119	2414	2,1	12,51	40,6	50,0	61,8	21,3						
	123	2326	2,1	12,06	40,3	50,0	61,5	21,2						
	130	2210	2,3	11,48	39,9	50,0	61,0	21,0						
	145	1972	2,4	10,19	39,0	50,0	59,8	20,7						
	162	1765	2,7	9,16	38,2	50,0	58,7	20,4						

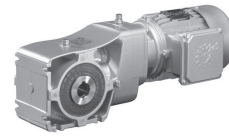
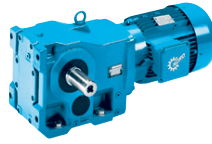
Helical-bevel gear units



P ₁ [kW]	n ₂ [min ⁻¹]	M ₂ [Nm]	f _B	i _{ges}	F _R [kN]	F _A [kN]	F _{R VL} [kN]	F _{A VL} [kN]	Type	kg	mm 			
37,0	5,5	64260	0,8	270,09	220,0	100,0	-	-	SK 9096.1/62 - 225 SP/4	2200	E112-113 E115			
	6,4	55560	0,9	233,51	220,0	100,0	-	-						
	7,1	49720	1,0	208,95	220,0	100,0	-	-						
	7,4	47720	1,0	200,57	220,0	100,0	-	-	SK 9096.1 - 225 SP/4	2060	E112-113			
	8,6	41260	1,2	173,41	220,0	100,0	-	-						
	9,6	36710	1,4	154,29	220,0	100,0	-	-						
	11	31740	1,6	133,53	220,0	100,0	-	-						
	13	28120	1,8	118,18	220,0	100,0	-	-						
	15	24310	2,1	102,18	220,0	100,0	-	-						
	17	21320	2,3	89,60	220,0	100,0	-	-						
	18	19380	2,6	81,43	220,0	100,0	-	-						
	21	16750	3,0	70,41	220,0	100,0	-	-						
	24	14850	3,4	62,39	220,0	100,0	-	-						
	12	28610	1,1	120,23	53,9	70,0	116,3	70,0	SK 9092.1 - 225 SP/4	1730	E110-111			
	15	24360	1,3	102,28	65,7	70,0	128,9	70,0						
	16	21820	1,5	91,60	72,2	70,0	136,0	70,0						
	19	19030	1,7	80,00	78,8	70,0	143,6	70,0						
	22	16420	1,9	68,87	84,5	70,0	150,3	70,0						
	25	13970	2,3	58,66	88,9	70,0	155,5	70,0						
	30	11840	2,7	49,75	93,2	70,0	160,0	70,0						
	31	11400	2,8	47,93	94,5	70,0	160,0	70,0						
	32	10950	2,9	46,02	95,3	70,0	160,0	70,0						
	34	10390	2,7	43,68	95,9	70,0	160,0	70,0						
	16	21560	0,9	90,50	70,2	65,0	89,1	65,0				SK 9086.1 - 225 SP/4	1160	E108-109
	19	18640	1,1	78,24	80,5	65,0	97,5	65,0						
	22	16080	1,2	67,50	86,9	65,0	104,3	65,0						
	25	14030	1,4	58,90	91,4	65,0	109,5	65,0						
	29	12000	1,7	50,30	95,5	65,0	114,4	65,0						
	35	10050	2,0	42,13	98,5	65,0	118,9	65,0						
	42	8454	2,1	35,44	100,4	65,0	120,0	65,0						
	50	7038	2,8	29,52	98,4	65,0	120,0	65,0						
	59	6019	3,3	25,21	95,4	65,0	120,0	65,0						
	70	5042	4,0	21,12	91,8	65,0	120,0	65,0						
	83	4241	4,5	17,77	88,1	65,0	120,0	64,3						
	91	3895	4,9	16,38	86,6	65,0	120,0	63,1						
	101	3510	4,3	14,70	83,7	65,0	120,0	61,0						
	120	2940	4,8	12,31	80,3	65,0	120,0	58,5						
	128	2766	6,1	11,60	79,6	65,0	120,0	57,9						
	156	2271	5,7	9,55	75,4	65,0	120,0	54,8						
	21	17030	0,8	71,50	72,0	60,0	95,0	60,0	SK 9082.1 - 225 SP/4	910	E106-107			
	24	14850	0,9	62,39	78,1	60,0	95,0	60,0						
	28	12700	1,0	53,28	77,6	60,0	95,0	60,0						
	33	10640	1,2	44,63	76,5	60,0	95,0	60,0						
	36	9901	1,3	41,54	75,9	60,0	95,0	60,0						
	41	8542	1,5	35,83	74,5	60,0	95,0	60,0						
	47	7452	1,7	31,27	73,0	60,0	95,0	60,0						
	55	6373	2,0	26,71	71,3	60,0	95,0	58,9						
	66	5339	2,4	22,37	68,9	60,0	95,0	57,0						
	86	4124	3,2	17,35	65,4	60,0	95,0	54,0						
	101	3482	3,7	14,61	63,1	60,0	95,0	52,2						
	120	2938	2,9	12,31	59,9	60,0	95,0	49,5						
	36	9765	0,8	41,11	42,1	50,0	58,4	19,0	SK 9072.1 - 225 SP/4	650	E104-105			
	42	8365	1,0	35,19	42,8	50,0	60,6	20,0						
	51	6975	1,2	29,29	43,1	50,0	62,2	20,8						
	59	6003	1,4	25,24	42,9	50,0	62,9	21,1						
	66	5349	1,6	22,46	42,7	50,0	63,0	21,2						
	72	4899	1,7	20,61	42,4	50,0	62,8	21,3						
	81	4371	1,8	18,29	41,9	50,0	62,6	21,2						
	90	3911	1,9	16,44	41,3	50,0	62,0	21,2						
	96	3684	2,0	15,40	40,7	50,0	61,2	20,9						
	106	3341	1,6	14,06	39,5	50,0	59,2	20,2						
	119	2977	1,7	12,51	38,8	50,0	58,6	20,0						
	123	2869	1,7	12,06	38,7	50,0	58,3	20,0						
	130	2726	1,8	11,48	38,4	50,0	58,0	20,0						
	145	2432	1,9	10,19	37,6	50,0	57,2	19,7						
	162	2177	2,2	9,16	36,9	50,0	56,3	19,4						

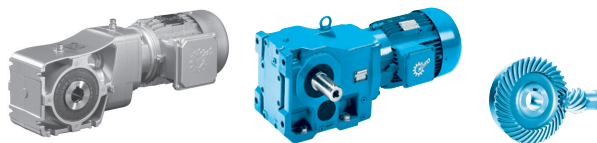
Helical-bevel gear units


45,0 kW



P ₁ [kW]	n ₂ [min ⁻¹]	M ₂ [Nm]	f _B	i _{ges}	F _R [kN]	F _A [kN]	F _{R VL} [kN]	F _{A VL} [kN]	Type	kg	mm 		
45,0	7,1	60460	0,8	208,95	220,0	100,0	-	-	SK 9096.1/62 - 225 MP/4	2230	E112-113 E115		
	9,6	44650	1,1	154,29	220,0	100,0	-	-	SK 9096.1 - 225 MP/4	2100	E112-113		
	11	38600	1,3	133,53	220,0	100,0	-	-					
	13	34200	1,5	118,18	220,0	100,0	-	-					
	15	29570	1,7	102,18	220,0	100,0	-	-					
	17	25930	1,9	89,60	220,0	100,0	-	-					
	18	23560	2,1	81,43	220,0	100,0	-	-					
	21	20370	2,5	70,41	220,0	100,0	-	-					
	23	18830	2,7	65,07	220,0	100,0	-	-					
	24	18060	2,8	62,39	220,0	100,0	-	-					
	26	16280	3,1	56,26	220,0	100,0	-	-					
	28	15610	2,9	53,95	220,0	100,0	-	-					
	15	29620	1,1	102,28	50,9	70,0	113,2	70,0	SK 9092.1 - 225 MP/4	1760	E110-111		
	16	26540	1,2	91,60	59,8	70,0	122,5	70,0					
	19	23150	1,4	80,00	68,9	70,0	132,4	70,0					
	22	19980	1,6	68,87	76,6	70,0	141,1	70,0					
	25	16990	1,9	58,66	82,5	70,0	147,8	70,0					
	30	14400	2,2	49,75	88,1	70,0	154,4	70,0					
	31	13870	2,3	47,93	89,8	70,0	156,6	70,0					
	32	13320	2,4	46,02	90,8	70,0	158,0	70,0					
	34	12640	2,2	43,68	91,6	70,0	158,8	70,0					
	36	11800	2,7	40,65	93,2	70,0	160,0	70,0					
	38	11330	2,8	39,10	94,1	70,0	160,0	70,0					
	44	9875	3,2	34,15	96,8	70,0	160,0	70,0					
	19	22670	0,9	78,24	65,5	65,0	85,8	65,0				SK 9086.1 - 225 MP/4	1200
	22	19560	1,0	67,50	77,6	65,0	94,9	65,0					
	25	17060	1,2	58,90	84,7	65,0	101,7	65,0					
	29	14590	1,4	50,30	90,2	65,0	108,1	65,0					
	35	12220	1,6	42,13	95,1	65,0	113,9	65,0					
	42	10280	1,8	35,44	97,4	65,0	117,9	65,0					
	50	8560	2,3	29,52	95,2	65,0	120,0	65,0					
	59	7320	2,7	25,21	92,6	65,0	120,0	65,0					
	70	6132	3,3	21,12	89,6	65,0	120,0	65,0					
	83	5158	3,7	17,77	86,1	65,0	120,0	62,9					
	91	4737	4,0	16,38	84,8	65,0	120,0	61,9					
	101	4268	3,5	14,70	82,0	65,0	120,0	59,8					
	120	3576	3,9	12,31	78,8	65,0	120,0	57,5					
	128	3365	5,1	11,60	78,3	65,0	120,0	57,1					
	156	2762	4,7	9,55	74,2	65,0	120,0	54,1					
	28	15450	0,8	53,28	71,9	60,0	95,0	59,9	SK 9082.1 - 225 MP/4	945	E106-107		
	33	12940	1,0	44,63	71,7	60,0	95,0	59,6					
	36	12040	1,1	41,54	71,5	60,0	95,0	59,3					
	41	10390	1,3	35,83	70,8	60,0	95,0	58,7					
	47	9064	1,4	31,27	69,8	60,0	95,0	57,8					
	55	7751	1,7	26,71	68,3	60,0	95,0	56,6					
66	6493	2,0	22,37	66,5	60,0	95,0	55,1						
74	5840	2,2	20,16	65,4	60,0	95,0	54,0						
86	5015	2,6	17,35	63,7	60,0	95,0	52,6						
101	4235	3,1	14,61	61,5	60,0	95,0	50,8						
120	3573	2,4	12,31	58,5	60,0	95,0	48,3						
184	2330	3,1	8,04	53,3	60,0	95,0	44,0						
51	8483	1,0	29,29	38,9	50,0	54,5	17,9	SK 9072.1 - 225 MP/4				685	E104-105
59	7301	1,2	25,24	39,5	50,0	56,2	18,6						
66	6506	1,3	22,46	39,6	50,0	57,1	19,0						
72	5958	1,4	20,61	39,6	50,0	57,5	19,3						
81	5316	1,5	18,29	39,4	50,0	57,8	19,5						
90	4757	1,6	16,44	39,1	50,0	58,0	19,5						
96	4481	1,7	15,40	38,7	50,0	57,1	19,4						
106	4063	1,3	14,06	37,5	50,0	55,2	18,7						
119	3620	1,4	12,51	37,1	49,8	55,1	18,7						
123	3490	1,4	12,06	36,8	49,6	55,0	18,7						
130	3316	1,5	11,48	36,7	49,3	55,0	18,7						
145	2958	1,6	10,19	36,1	48,8	54,3	18,6						
162	2647	1,8	9,16	35,6	48,1	53,7	18,4						

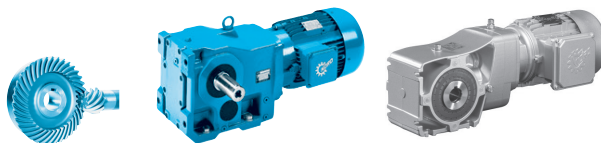
Helical-bevel gear units



P ₁ [kW]	n ₂ [min ⁻¹]	M ₂ [Nm]	f _B	i _{ges}	F _R [kN]	F _A [kN]	F _{R VL} [kN]	F _{A VL} [kN]	Type	kg	mm 				
55,0	9,6	54750	0,9	154,29	220,0	100,0	-	-	SK 9096.1 - 250 WP/4	2140	E112-113				
	11	47340	1,1	133,53	220,0	100,0	-	-							
	13	41940	1,2	118,18	220,0	100,0	-	-							
	14	36260	1,4	102,18	220,0	100,0	-	-							
	17	31800	1,6	89,60	220,0	100,0	-	-							
	18	28900	1,7	81,43	220,0	100,0	-	-							
	21	24990	2,0	70,41	220,0	100,0	-	-							
	23	23090	2,2	65,07	220,0	100,0	-	-							
	24	22140	2,3	62,39	220,0	100,0	-	-							
	26	19960	2,5	56,26	216,6	100,0	-	-							
	27	19140	2,4	53,95	214,7	100,0	-	-							
	31	16960	2,9	47,79	209,5	100,0	-	-							
		14	36330	0,9	102,28	28,0	70,0	91,0				70,0	SK 9092.1 - 250 WP/4	1800	E110-111
		16	32550	1,0	91,60	41,5	70,0	103,8				70,0			
	19	28380	1,1	80,00	54,6	70,0	117,0	70,0							
	21	24500	1,3	68,87	65,4	70,0	128,5	70,0							
	25	20830	1,5	58,66	73,6	70,0	137,4	70,0							
	30	17650	1,8	49,75	81,0	70,0	146,0	70,0							
	31	17010	1,9	47,93	83,2	70,0	148,8	70,0							
	32	16330	2,0	46,02	84,7	70,0	150,5	70,0							
	34	15500	1,8	43,68	85,7	70,0	151,6	70,0							
	36	14470	2,2	40,65	87,9	70,0	154,2	70,0							
	38	13890	2,3	39,10	89,1	70,0	155,7	70,0							
	43	12110	2,6	34,15	92,6	70,0	160,0	70,0							
	50	10410	3,1	29,28	96,3	70,0	160,0	70,0							
	22	23980	0,8	67,50	59,1	65,0	81,8	65,0	SK 9086.1 - 250 WP/4	1230	E108-109				
	25	20920	1,0	58,90	72,7	65,0	91,0	65,0							
	29	17890	1,1	50,30	82,6	65,0	99,5	65,0							
	35	14990	1,3	42,13	89,3	65,0	107,1	65,0							
	42	12610	1,4	35,44	92,5	65,0	112,3	65,0							
	50	10500	1,9	29,52	91,3	65,0	117,9	65,0							
	59	8977	2,2	25,21	89,3	65,0	120,0	65,0							
	70	7520	2,7	21,12	86,7	65,0	120,0	63,6							
	83	6326	3,0	17,77	83,7	65,0	120,0	61,3							
	90	5809	3,3	16,38	82,7	65,0	120,0	60,5							
	100	5235	2,9	14,70	79,8	65,0	120,0	58,4							
	120	4385	3,2	12,31	77,0	65,0	120,0	56,3							
	127	4126	4,1	11,60	76,7	65,0	120,0	56,0							
	155	3387	3,8	9,55	72,8	65,0	120,0	53,1							
	33	15870	0,8	44,63	65,6	60,0	95,0	54,9	SK 9082.1 - 250 WP/4	980	E106-107				
	36	14770	0,9	41,54	65,9	60,0	95,0	54,9							
	41	12740	1,0	35,83	65,9	60,0	95,0	54,9							
	47	11120	1,2	31,27	65,7	60,0	95,0	54,5							
	55	9505	1,4	26,71	64,8	60,0	95,0	53,8							
	66	7963	1,6	22,37	63,7	60,0	95,0	52,8							
	73	7162	1,8	20,16	62,8	60,0	95,0	51,9							
	85	6150	2,1	17,35	61,3	60,0	95,0	50,8							
	101	5194	2,5	14,61	59,7	60,0	95,0	49,2							
	120	4382	1,9	12,31	56,7	60,0	95,0	46,9							
	184	2858	2,5	8,04	52,1	60,0	95,0	43,0							
75,0	11	64330	0,8	133,53	220,0	100,0	-	-				SK 9096.1 - 280 SP/4	2300	E112-113	
	13	57000	0,9	118,18	220,0	100,0	-	-							
	15	49280	1,0	102,18	220,0	100,0	-	-							
	17	43210	1,2	89,60	219,3	100,0	-	-							
	18	39270	1,3	81,43	217,1	100,0	-	-							
	21	33960	1,5	70,41	212,7	100,0	-	-							
	23	31380	1,6	65,07	210,9	100,0	-	-							
	24	30090	1,7	62,39	209,6	100,0	-	-							
	26	27130	1,8	56,26	205,8	100,0	-	-							
	28	26020	1,7	53,95	204,3	100,0	-	-							
	31	23050	2,2	47,79	200,4	100,0	-	-							
	36	19930	2,5	41,32	194,7	100,0	-	-							
	41	17480	2,9	36,24	190,0	100,0	-	-							
	45	15880	3,1	32,93	186,3	100,0	-	-							

75,0 kW
90,0 kW

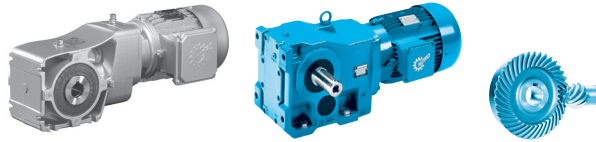
IE3




NORD
DRIVESYSTEMS

P ₁ [kW]	n ₂ [min ⁻¹]	M ₂ [Nm]	f _B	i _{ges}	F _R [kN]	F _A [kN]	F _{R VL} [kN]	F _{A VL} [kN]	Type	kg	mm 				
75,0	19	38580	0,8	80,00	19,0	70,0	83,0	70,0	SK 9092.1 - 280 SP/4	1970	E110-111				
	22	33290	1,0	68,87	39,0	70,0	101,3	70,0							
	25	28310	1,1	58,66	53,5	70,0	115,3	70,0							
	30	23990	1,3	49,75	65,6	70,0	128,4	70,0							
	31	23120	1,4	47,93	68,9	70,0	132,4	70,0							
	32	22190	1,4	46,02	71,2	70,0	135,0	70,0							
	34	21060	1,3	43,68	73,1	70,0	136,7	70,0							
	36	19660	1,6	40,65	76,4	70,0	140,6	70,0							
	38	18880	1,7	39,10	78,3	70,0	142,7	70,0							
	44	16460	1,9	34,15	83,7	70,0	149,1	70,0							
	51	14150	2,3	29,28	89,2	70,0	156,0	70,0							
	60	12040	2,7	24,94	92,8	70,0	160,0	70,0							
	73	9864	3,2	20,38	96,9	70,0	160,0	70,0							
		29	24320	0,8	50,30	57,3	65,0	80,7				61,5	SK 9086.1 - 280 SP/4	1400	E108-109
		35	20370	1,0	42,13	74,8	65,0	92,6				62,2			
		42	17140	1,1	35,44	82,6	65,0	100,7				61,5			
		50	14270	1,4	29,52	83,2	65,0	108,9				61,7			
		59	12200	1,6	25,21	82,4	65,0	113,9				60,9			
		70	10220	2,0	21,12	81,0	65,0	118,5				59,6			
83		8597	2,2	17,77	78,7	65,0	120,0	57,8							
91		7894	2,4	16,38	78,2	65,0	120,0	57,4							
101		7114	2,1	14,70	75,4	65,0	120,0	55,3							
120		5959	2,3	12,31	73,3	65,0	120,0	53,7							
128		5608	3,0	11,60	73,4	65,0	120,0	53,8							
156		4603	2,8	9,55	69,9	65,0	120,0	51,1							
184		3887	3,3	8,04	67,6	65,0	120,0	49,4							
		41	17310	0,8	35,83	56,1	60,0	95,0	47,3	SK 9082.1 - 280 SP/4	1150	E106-107			
	47	15110	0,9	31,27	57,0	60,0	95,0	47,8							
	55	12920	1,0	26,71	57,6	60,0	95,0	48,2							
	66	10820	1,2	22,37	57,6	60,0	95,0	47,9							
	74	9733	1,3	20,16	57,4	60,0	95,0	47,7							
	86	8359	1,6	17,35	56,8	60,0	95,0	47,2							
	101	7059	1,8	14,61	55,8	60,0	95,0	46,2							
	120	5955	1,4	12,31	53,0	60,0	95,0	44,0							
	184	3884	1,9	8,04	49,8	60,0	95,0	41,2							
	90,0	15	59130	0,8	102,18	206,2	100,0	-	-				SK 9096.1 - 280 MP/4	2400	E112-113
17		51860	1,0	89,60	206,5	100,0	-	-							
18		47130	1,1	81,43	205,5	100,0	-	-							
21		40750	1,2	70,41	202,5	100,0	-	-							
23		37660	1,3	65,07	201,6	100,0	-	-							
24		36110	1,4	62,39	200,6	100,0	-	-							
26		32560	1,5	56,26	197,6	100,0	-	-							
28		31220	1,4	53,95	196,5	100,0	-	-							
31		27660	1,8	47,79	193,6	100,0	-	-							
36		23910	2,1	41,32	188,7	100,0	-	-							
41		20970	2,4	36,24	184,8	100,0	-	-							
45		19060	2,6	32,93	181,5	100,0	-	-							
52		16480	3,0	28,47	176,2	100,0	-	-							
56		15230	3,3	26,31	173,5	100,0	-	-							
		22	39950	0,8	68,87	13,0	70,0	78,0	70,0	SK 9092.1 - 280 MP/4	2070	E110-111			
	25	33980	0,9	58,66	35,1	70,0	96,8	70,0							
	30	28790	1,1	49,75	52,1	70,0	113,8	70,0							
	31	27740	1,2	47,93	56,4	70,0	118,9	70,0							
	32	26630	1,2	46,02	59,6	70,0	122,3	70,0							
	36	23590	1,4	40,65	66,7	70,0	129,5	70,0							
	38	22650	1,4	39,10	69,1	70,0	132,3	70,0							
	44	19750	1,6	34,15	76,2	70,0	140,4	70,0							
	51	16980	1,9	29,28	83,3	70,0	148,9	70,0							
	60	14440	2,2	24,94	88,0	70,0	154,3	70,0							
	73	11840	2,7	20,38	93,2	70,0	160,0	70,0							
	86	10010	2,0	17,26	95,8	70,0	160,0	70,0							
	105	8202	2,4	14,10	99,2	70,0	160,0	70,0							

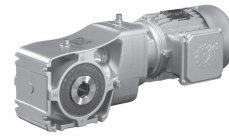
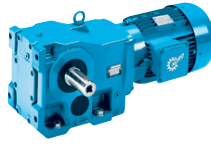
Helical-bevel gear units



P ₁ [kW]	n ₂ [min ⁻¹]	M ₂ [Nm]	f _B	i _{ges}	F _R [kN]	F _A [kN]	F _{R VL} [kN]	F _{A VL} [kN]	Type	kg	mm 				
90,0	35	24450	0,8	42,13	56,5	65,0	80,3	56,4	SK 9086.1 - 280 MP/4	1500	E108-109				
	42	20560	0,9	35,44	74,1	65,0	91,0	56,4							
	50	17120	1,2	29,52	77,3	65,0	101,6	57,6							
	59	14640	1,4	25,21	77,3	65,0	108,0	57,4							
	70	12260	1,6	21,12	76,7	65,0	113,8	56,7							
	83	10320	1,8	17,77	75,0	65,0	117,8	55,3							
	91	9473	2,0	16,38	74,9	65,0	120,0	55,2							
	101	8537	1,8	14,70	72,1	65,0	120,0	53,0							
	120	7151	2,0	12,31	70,5	65,0	120,0	51,8							
	128	6729	2,5	11,60	71,0	65,0	120,0	52,1							
	156	5524	2,4	9,55	67,8	65,0	120,0	49,7							
	184	4665	2,8	8,04	65,8	65,0	120,0	48,1							
	90,0	55	15500	0,8	26,71	52,1	60,0	95,0				44,0	SK 9082.1 - 280 MP/4	1250	E106-107
		66	12990	1,0	22,37	53,1	60,0	95,0				44,4			
		74	11680	1,1	20,16	53,5	60,0	95,0				44,5			
86		10030	1,3	17,35	53,3	60,0	95,0	44,4							
101		8470	1,5	14,61	52,9	60,0	95,0	44,0							
120		7146	1,2	12,31	50,3	60,0	95,0	41,8							
184		4661	1,5	8,04	48,0	60,0	93,7	39,7							
110		17	63250	0,8	89,60	189,5	100,0	-	-	SK 9096.1 - 315 SP/4	2500	E112-113			
		18	57490	0,9	81,43	190,0	100,0	-	-						
		21	49700	1,0	70,41	189,0	100,0	-	-						
	23	45930	1,1	65,07	189,2	100,0	-	-							
	24	44050	1,1	62,39	188,8	100,0	-	-							
	26	39710	1,3	56,26	186,8	100,0	-	-							
	28	38080	1,2	53,95	186,2	100,0	-	-							
	31	33740	1,5	47,79	184,5	100,0	-	-							
	36	29170	1,7	41,32	180,8	100,0	-	-							
	41	25580	2,0	36,24	177,9	100,0	-	-							
	45	23250	2,2	32,93	175,2	100,0	-	-							
	52	20100	2,5	28,47	170,6	100,0	-	-							
	57	18580	2,7	26,31	168,5	100,0	-	-							
	65	16060	3,1	22,75	163,6	100,0	-	-							
	77	13700	3,6	19,41	158,7	100,0	-	-							
	89	11850	4,2	16,78	153,6	100,0	-	-							
	110	25	41440	0,8	58,66	4,1	70,0	69,6	70,0				SK 9092.1 - 315 SP/4	2160	E110-111
		30	35120	0,9	49,75	31,0	70,0	92,9	70,0						
31		33840	0,9	47,93	37,1	70,0	99,5	70,0							
32		32490	1,0	46,02	41,7	70,0	104,0	70,0							
37		28780	1,1	40,65	52,1	70,0	113,9	70,0							
38		27630	1,2	39,10	55,5	70,0	117,5	70,0							
44		24090	1,3	34,15	65,4	70,0	128,1	70,0							
51		20720	1,5	29,28	74,8	70,0	139,1	70,0							
60		17620	1,8	24,94	81,1	70,0	146,1	70,0							
73		14440	2,2	20,38	88,0	70,0	154,3	70,0							
86		12210	1,7	17,26	91,4	70,0	158,3	70,0							
105		10000	1,9	14,10	95,8	70,0	160,0	70,0							
129		8160	2,3	11,55	99,2	70,0	160,0	70,0							
139		7561	2,4	10,68	100,3	70,0	160,0	70,0							
110		50	20880	1,0	29,52	69,3	65,0	91,1	52,2	SK 9086.1 - 315 SP/4	1590	E108-109			
	59	17860	1,1	25,21	70,4	65,0	99,6	52,7							
	70	14960	1,3	21,12	70,9	65,0	107,2	52,8							
	83	12580	1,5	17,77	70,0	65,0	112,4	51,9							
	91	11560	1,6	16,38	70,5	65,0	115,5	52,2							
	101	10410	1,4	14,70	67,6	65,0	116,2	50,0							
	120	8723	1,6	12,31	66,8	65,0	120,0	49,3							
	128	8208	2,1	11,60	67,8	65,0	120,0	49,9							
	156	6738	1,9	9,55	64,9	65,0	120,0	47,7							
	185	5690	2,3	8,04	63,4	65,0	117,1	46,5							
110	66	15840	0,8	22,37	46,9	56,2	95,0	39,7	SK 9082.1 - 315 SP/4	1340	E106-107				
	74	14250	0,9	20,16	47,9	57,5	95,0	40,2							
	86	12230	1,1	17,35	48,6	59,2	95,0	40,7							
	102	10330	1,3	14,61	48,9	59,9	95,0	40,9							
	121	8716	1,0	12,31	46,7	57,1	92,4	38,9							
	185	5685	1,3	8,04	45,6	56,8	89,3	37,8							

Helical-bevel gear units

132 kW
160 kW
200 kW



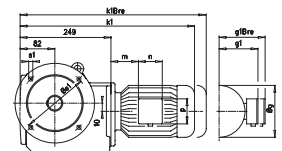
P ₁ [kW]	n ₂ [min ⁻¹]	M ₂ [Nm]	f _B	i _{ges}	F _R [kN]	F _A [kN]	F _{R VL} [kN]	F _{A VL} [kN]	Type	kg	mm				
132	21	59560	0,8	70,41	174,1	100,0	-	-	SK 9096.1 - 315 MP/4	2700	E112-113				
	23	55040	0,9	65,07	175,6	100,0	-	-							
	26	47590	1,1	56,26	174,9	100,0	-	-							
	31	40430	1,2	47,79	174,5	100,0	-	-							
	36	34960	1,4	41,32	172,0	100,0	-	-							
	41	30650	1,6	36,24	170,3	100,0	-	-							
	45	27860	1,8	32,93	168,4	100,0	-	-							
	52	24090	2,1	28,47	164,6	100,0	-	-							
	57	22260	2,2	26,31	163,0	100,0	-	-							
	65	19250	2,6	22,75	158,8	100,0	-	-							
	77	16420	3,0	19,41	154,6	100,0	-	-							
	89	14200	3,5	16,78	150,1	100,0	-	-							
		30	42090	0,8	49,75	0,8	70,0	67,1				70,0	SK 9092.1 - 315 MP/4	2360	E110-111
		31	40550	0,8	47,93	10,2	70,0	75,7				70,0			
		37	34490	0,9	40,65	33,3	70,0	95,1				70,0			
		44	28870	1,1	34,15	51,8	70,0	113,6				70,0			
		51	24830	1,3	29,28	64,5	70,0	127,6				70,0			
		60	21110	1,5	24,94	72,9	70,0	136,6				70,0			
		73	17300	1,8	20,38	81,8	70,0	146,9				70,0			
86		14630	1,4	17,26	86,4	70,0	152,1	70,0							
105		11990	1,6	14,10	91,9	70,0	158,9	70,0							
129		9779	1,9	11,55	96,2	70,0	160,0	69,6							
139		9061	2,0	10,68	97,6	70,0	160,0	68,7							
		50	25030	0,8	29,52	53,1	65,0	78,5	46,2	SK 9086.1 - 315 MP/4	1790	E108-109			
		59	21400	0,9	25,21	63,0	65,0	89,6	47,6						
		70	17930	1,1	21,12	64,7	65,0	99,4	48,6						
	84	15080	1,3	17,77	64,6	65,0	106,1	48,2							
	91	13850	1,4	16,38	65,6	65,0	109,9	48,9							
	101	12480	1,2	14,70	62,8	65,0	111,0	46,7							
	121	10450	1,3	12,31	62,8	65,0	116,1	46,5							
	128	9836	1,7	11,60	64,2	65,0	118,9	47,5							
	156	8074	1,6	9,55	61,8	65,0	114,7	45,6							
	185	6818	1,9	8,04	60,7	65,0	112,5	44,7							
	160	26	57690	0,9	56,26	159,8	100,0	-	-				SK 9096.1 - 315 RP/4	2720	E112-113
		31	49010	1,0	47,79	161,8	100,0	-	-						
		36	42370	1,2	41,32	160,9	100,0	-	-						
		41	37160	1,3	36,24	160,7	100,0	-	-						
45		33770	1,5	32,93	159,6	100,0	-	-							
52		29200	1,7	28,47	157,0	100,0	-	-							
57		26980	1,9	26,31	156,0	100,0	-	-							
65		23330	2,1	22,75	152,7	100,0	-	-							
77		19910	2,5	19,41	149,4	100,0	-	-							
89		17210	2,9	16,78	145,5	100,0	-	-							
		37	41800	0,8	40,65	2,3	70,0	68,2	69,9	SK 9092.1 - 315 RP/4	2390	E110-111			
		44	34990	0,9	34,15	31,4	70,0	93,3	70,0						
		51	30090	1,1	29,28	49,4	70,0	111,7	70,0						
		60	25590	1,3	24,94	61,3	70,0	123,7	70,0						
		73	20970	1,5	20,38	73,3	70,0	137,0	70,0						
		86	17730	1,2	17,26	79,4	70,0	143,6	70,0						
		105	14530	1,3	14,10	86,6	70,0	152,3	68,8						
		129	11850	1,6	11,55	92,1	70,0	159,2	67,0						
		139	10980	1,6	10,68	93,9	70,0	160,0	66,2						
		59	25940	0,8	25,21	47,0	62,6	75,5	41,1				SK 9086.1 - 315 RP/4	1820	E108-109
		70	21730	0,9	21,12	56,7	65,0	88,6	43,1						
		84	18280	1,0	17,77	57,7	65,0	97,6	43,5						
		91	16780	1,1	16,38	59,4	65,0	102,4	44,7						
		101	15130	1,0	14,70	56,7	65,0	104,0	42,5						
121		12670	1,1	12,31	57,6	65,0	108,1	43,0							
128		11920	1,4	11,60	59,7	65,0	111,7	44,4							
156		9787	1,3	9,55	57,8	65,0	107,8	42,8							
185		8265	1,6	8,04	57,4	65,0	106,7	42,4							
200		41	46510	1,1	36,24	146,9	100,0	-	-	SK 9096.1 - 315 LP/4	2920	E112-113			
	45	42270	1,2	32,93	147,1	100,0	-	-							
	52	36550	1,4	28,47	146,0	100,0	-	-							
	57	33770	1,5	26,31	146,0	100,0	-	-							
	65	29200	1,7	22,75	143,9	100,0	-	-							
	77	24920	2,0	19,41	142,0	100,0	-	-							
	89	21540	2,3	16,78	139,0	100,0	-	-							

Helical-bevel gear units

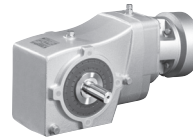
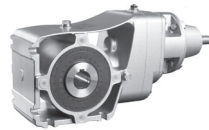
Helical-Bevel Gear Units



P_1 [kW]	n_2 [min ⁻¹]	M_2 [Nm]	f_B	i_{get}
0,55	1,0	4985	1,7	1453.
	1,2	4013	2,1	1169.
	1,5	3340	2,5	973.
	1,9	2633	3,2	767.
1,0	5174	0,9	1398	
1,3	3931	1,2	1062.	
1,5	3447	1,4	931.	
2,0	2603	1,5	703.	
2,4	2145	2,2	579.	
3,1	1696	2,8	458.	
4,1	1291	3,7	348.	
5,4	981	4,9	265.	
6,2	847	5,7	229.	
1 R	32R1	0 Q	RR1	



SK 92072.1 SK 93072.1



	i_{ges}	n_2 $n_1 =$ 1400 min ⁻¹ [min ⁻¹]	M_{2max} $f_B = 1$ [Nm]	W			IEC						
				P_{1max}			$f_B \Rightarrow$ E4 - E42						
				$n_1 =$ 1400 min ⁻¹	$n_1 =$ 930 min ⁻¹	$f_B \geq 1$ $n_1 =$ 700 min ⁻¹	IEC						
			[kW]	[kW]	[kW]	56	63	71	80	90	100	112	
SK 92072.1	61,88	23	59	0,14	0,09	0,07		*	*	*			
SK 93072.1	53,78	26	52	0,14	0,09	0,07		*	*	*			
	47,67	29	46	0,14	0,09	0,07		*	*	*			
W	40,98	34	59	0,21	0,14	0,11			*	*			
+	35,62	39	65	0,27	0,18	0,13			*	*			
IEC	31,57	44	65	0,30	0,20	0,15			*	*			
$\frac{H}{mm}$	27,16	52	65	0,35	0,23	0,18			*	*			
	24,07	58	79	0,48	0,32	0,24				*			
\Rightarrow E116,117	20,80	67	81	0,57	0,38	0,29				*			
E122,123	18,52	76	60	0,47	0,32	0,24				*			
	16,00	88	66	0,60	0,40	0,30				*			
	12,78	110	59	0,68	0,45	0,34				*			
	11,11	126	65	0,86	0,57	0,43							
	9,85	142	76	1,10	0,73	0,55							
	8,67	162	74	1,10	0,73	0,55							
	7,58	185	72	1,10	0,73	0,55							
	6,67	210	68	1,10	0,73	0,55							
	5,83	240	72	1,10	0,73	0,55							
	5,17	271	67	1,10	0,73	0,55							
	4,65	301	65	1,10	0,73	0,55							
	3,97	353	68	1,10	0,73	0,55							
	3,58	391	66	1,10	0,73	0,55							

* \Rightarrow A63

kg	W	IEC...
SK 92072.1	4	4
SK 93072.1	4	4

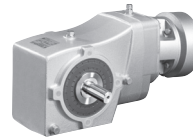
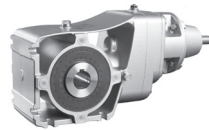


	i_{ges}	n_2 $n_1 =$ 1400 min ⁻¹ [min ⁻¹]	M_{2max} $f_B = 1$ [Nm]	W			IEC						
				P_{1max}		$f_B \geq 1$	$f_B \Rightarrow$ E4 - E42						
				$n_1 =$ 1400 min ⁻¹	$n_1 =$ 930 min ⁻¹	$n_1 =$ 700 min ⁻¹	IEC						
				[kW]	[kW]	[kW]	56	63	71	80	90		
SK 92172.1	70,00	20	73	0,15	0,10	0,08		*					
SK 93172.1	63,78	22	67	0,15	0,10	0,08		*					
	56,00	25	59	0,15	0,10	0,08		*					
W	46,43	30	93	0,29	0,20	0,15			*				
+	42,30	33	103	0,36	0,24	0,18			*				
IEC	38,75	36	93	0,35	0,23	0,18			*				
	37,14	38	90	0,36	0,24	0,18			*				
	35,31	40	108	0,45	0,30	0,22							
	31,00	45	108	0,51	0,34	0,26							
\Rightarrow E116,117	28,24	50	108	0,56	0,37	0,28				*			
E122,124	24,80	56	120	0,71	0,47	0,35				*			
	20,67	68	104	0,74	0,49	0,37				*			
	15,23	92	93	0,90	0,59	0,45							
	13,87	101	108	1,14	0,76	0,57							
	12,34	114	108	1,28	0,85	0,64							
	12,18	115	114	1,37	0,91	0,69							
	10,83	129	113	1,50	1,00	0,75							
	10,15	138	95	1,37	0,91	0,69							
	9,49	148	107	1,50	1,00	0,75							
	9,03	155	94	1,50	1,00	0,75							
	8,33	168	115	1,50	1,00	0,75							
	7,83	179	111	1,50	1,00	0,75							
	6,94	202	110	1,50	1,00	0,75							
	6,53	214	93	1,50	1,00	0,75							
	5,77	243	92	1,50	1,00	0,75							
	5,26	266	107	1,50	1,00	0,75							
	4,89	286	107	1,50	1,00	0,75							
	4,30	326	106	1,50	1,00	0,75							
	3,85	364	89	1,50	1,00	0,75							
	3,58	391	88	1,50	1,00	0,75							

* \Rightarrow A63

kg	W	IEC...
SK 92172.1	7	7
SK 93172.1	7	7

SK 92372.1 SK 93372.1



	i_{ges}	n_2 $n_1 =$ 1400 min ⁻¹ [min ⁻¹]	M_{2max} $f_B = 1$ [Nm]	W			IEC						
				P_{1max}		$f_B \geq 1$	$f_B \Rightarrow$ E4 - E42						
				$n_1 =$ 1400 min ⁻¹	$n_1 =$ 930 min ⁻¹	$n_1 =$ 700 min ⁻¹	IEC						
				[kW]	[kW]	[kW]	63	71	80	90	100	110	132
SK 92372.1	55,49	25	158	0,42	0,28	0,21			*	*			
SK 93372.1	49,46	28	141	0,42	0,28	0,21			*	*			
	46,64	30	184	0,58	0,38	0,29			*	*			
W	41,46	34	184	0,65	0,43	0,33			*	*			
+	36,80	38	184	0,73	0,49	0,37			*	*			
IEC	32,80	43	198	0,89	0,59	0,44				*			
	28,11	50	184	0,96	0,64	0,48				*			
	25,06	56	219	1,28	0,85	0,64				*			
	22,49	62	184	1,20	0,80	0,60				*			
\Rightarrow E116,119	20,04	70	219	1,60	1,06	0,80							
E122,125	18,33	76	183	1,46	0,97	0,73				*			
	15,84	88	184	1,70	1,13	0,85							
	14,12	99	218	2,26	1,50	1,13							
	12,56	112	184	2,15	1,43	1,07					*		
	11,20	125	218	2,85	1,90	1,43					*		
	10,33	136	220	3,00	1,99	1,50							
	10,22	137	184	2,64	1,75	1,32							
	9,11	154	218	3,00	1,99	1,50							
	8,19	171	208	3,00	1,99	1,50							
	7,01	200	201	3,00	1,99	1,50							
	6,67	210	205	3,00	1,99	1,50							
	5,83	240	189	3,00	1,99	1,50							
	5,13	273	185	3,00	1,99	1,50							
	4,31	325	186	3,00	1,99	1,50							
	3,72	376	181	3,00	1,99	1,50							

* \Rightarrow A63

kg	W	IEC 63	IEC 71	IEC 80	IEC 90	IEC 100	IEC 112
SK 92372.1	11	10	10	10	10	11	11
SK 93372.1	11	10	10	10	10	11	11

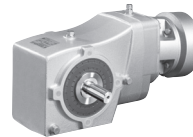
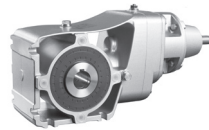


	i_{ges}	n_2 $n_1 =$ 1400 min ⁻¹ [min ⁻¹]	M_{2max} $f_B = 1$ [Nm]	W			IEC						
				P_{1max}			$f_B \Rightarrow$ E4 - E42						
				$n_1 =$ 1400 min ⁻¹	$n_1 =$ 930 min ⁻¹	$n_1 =$ 700 min ⁻¹	IEC						
			[kW]	[kW]	[kW]	63	71	80	90	100	112	132	
SK 92672.1	48,56	29	318	0,96	0,64	0,48				*			
SK 93672.1	43,28	32	306	1,04	0,69	0,52				*			
	37,82	37	318	1,23	0,82	0,62				*			
W	33,71	42	363	1,58	1,05	0,79							
+	30,67	46	318	1,52	1,01	0,76							
IEC	27,33	51	364	1,95	1,30	0,98							
	24,88	56	363	2,14	1,42	1,07				*	*		
$\frac{H}{mm}$	20,00	70	311	2,28	1,51	1,14							
	18,21	77	349	2,81	1,87	1,40				*	*		
\Rightarrow E116,120	17,46	80	317	2,66	1,77	1,33				*	*		
E122,126	15,56	90	363	3,42	2,27	1,71					*		
	14,40	97	317	3,23	2,14	1,61					*		
	12,84	109	363	4,14	2,75	2,07							
	11,39	123	361	4,65	3,09	2,32							
	10,16	138	363	5,24	3,48	2,62							
	9,39	149	355	5,54	3,68	2,77							
	8,33	168	350	6,16	4,09	3,08							
	7,44	188	349	6,88	4,57	3,44							
	6,68	210	317	6,96	4,62	3,48							*
	5,64	248	310	8,06	5,35	4,03							*
	4,36	321	315	9,20	6,11	4,60							

* \Rightarrow A63

$\frac{kg}{kg}$	W	IEC 63	IEC 71	IEC 80	IEC 90	IEC 100	IEC 112	IEC 132
SK 92672.1	24	23	23	23	23	24	24	26
SK 93672.1	24	23	23	23	23	24	24	26

SK 92772.1 SK 93772.1



	i_{ges}	n_2 $n_1 =$ 1400 min ⁻¹ [min ⁻¹]	M_{2max} $f_B = 1$ [Nm]	W			IEC $f_B \Rightarrow$ E4 - E42												
				P_{1max}		$f_B \geq 1$	IEC												
				$n_1 =$ 1400 min ⁻¹	$n_1 =$ 930 min ⁻¹	$n_1 =$ 700 min ⁻¹	63	71	80	90	100	112	132						
				[kW]	[kW]	[kW]													
SK 92772.1	66,96	26	489	1,34	0,88	0,67				*									
SK 93772.1	59,68	29	436	1,34	0,88	0,67				*									
	52,64	33	578	2,01	1,32	1,01													
W	46,92	37	515	2,01	1,32	1,01													
+	43,44	40	630	2,66	1,75	1,33													
IEC	39,32	45	630	2,94	1,93	1,47				*	*								
	35,04	50	660	3,45	2,27	1,73					*	*							
$\frac{H}{mm}$	31,85	55	630	3,63	2,38	1,81					*	*	*						
	28,38	62	605	3,91	2,57	1,95					*	*	*						
\Rightarrow E116,121	27,65	63	630	4,18	2,74	2,09													*
E122,127	25,34	69	630	4,56	2,99	2,28													*
	24,64	71	655	4,87	3,20	2,44													*
	22,59	77	650	5,27	3,47	2,64													*
	21,14	83	630	5,46	3,59	2,73													*
	19,17	91	630	6,02	3,96	3,01													*
	18,84	93	640	6,22	4,09	3,11													*
	17,08	102	645	6,92	4,55	3,46													*
	15,42	113	631	7,50	4,93	3,75													*
	13,79	127	605	8,04	5,28	4,02													*
	12,50	140	596	8,74	5,74	4,37													*
	11,28	155	575	9,20	6,05	4,60													
	9,81	178	579	9,20	6,05	4,60													
	8,85	198	555	9,20	6,05	4,60													
	7,18	244	546	9,20	6,05	4,60													
	6,39	274	493	9,20	6,05	4,60													
	5,12	342	505	9,20	6,05	4,60													
	4,17	420	496	9,20	6,05	4,60													

* \Rightarrow A63

$\frac{kg}{kg}$	W	IEC 63	IEC 71	IEC 80	IEC 90	IEC 100	IEC 112	IEC 132
SK 92772.1	42	40	40	44	44	48	48	57
SK 93772.1	42	40	40	44	44	48	48	57



	i_{ges}	n_2 $n_1 =$ 1400 min ⁻¹ [min ⁻¹]	M_{2max} $f_B = 1$ [Nm]	W			IEC $f_B \Rightarrow$ E4 - E42							
				P_{1max} $n_1 =$ 1400 min ⁻¹ [kW]	$n_1 =$ 930 min ⁻¹ [kW]	$f_B \geq 1$ $n_1 =$ 700 min ⁻¹ [kW]	IEC							
							63	71						
SK 9013.1	1690,10	0,83	400	0,03	0,02	0,02	*	*						
	1412,68	0,99	400	0,04	0,03	0,02	*	*						
W	1256,07	1,1	400	0,05	0,03	0,02	*	*						
+	847,07	1,7	400	0,07	0,05	0,04	*	*						
IEC	667,89	2,1	400	0,09	0,06	0,04	*	*						
	589,96	2,4	400	0,10	0,07	0,05	*	*						
$\frac{H}{mm}$	439,46	3,2	400	0,13	0,09	0,07	*	*						
	320,60	4,4	400	0,18	0,12	0,09		*						
\Rightarrow E128	281,92	5,0	400	0,21	0,14	0,10		*						
	212,83	6,6	400	0,28	0,18	0,14		*						
	177,88	7,9	400	0,33	0,22	0,17		*						
	141,29	9,9	400	0,37	0,24	0,19		*						

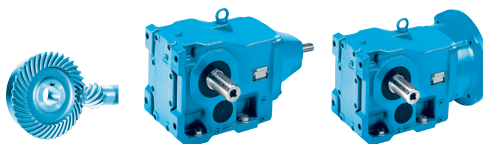
	i_{ges}	n_2 $n_1 =$ 1400 min ⁻¹ [min ⁻¹]	M_{2max} $f_B = 1$ [Nm]	P_{1max} $n_1 =$ 1400 min ⁻¹ [kW]	$n_1 =$ 930 min ⁻¹ [kW]	$f_B \geq 1$ $n_1 =$ 700 min ⁻¹ [kW]	IEC							
							63	71	80	90	100	112		
SK 9012.1	332,37	4,2	400	0,18	0,12	0,09		*						
	280,71	5,0	400	0,21	0,14	0,10		*						
W	246,37	5,7	400	0,24	0,16	0,12		*						
+	205,93	6,8	400	0,28	0,19	0,14		*						
IEC	183,10	7,6	400	0,32	0,21	0,16		*	*					
	166,59	8,4	400	0,35	0,23	0,18		*						
$\frac{H}{mm}$	140,70	10	400	0,42	0,28	0,21								
	123,48	11	400	0,46	0,30	0,23								
\Rightarrow E128	109,79	13	400	0,54	0,36	0,27			*					
	97,36	14	400	0,59	0,39	0,29			*	*				
	86,00	16	400	0,67	0,44	0,34			*	*				
	76,53	18	400	0,75	0,50	0,38			*	*	*	*		
	62,74	22	400	0,92	0,61	0,46			*	*	*	*		
	55,17	25	400	1,05	0,69	0,52			*	*	*	*		
	48,95	29	400	1,21	0,80	0,61			*	*	*	*		
	41,65	34	400	1,42	0,94	0,71			*	*	*	*		
	34,81	40	400	1,68	1,11	0,84			*	*	*	*		
	31,45	45	400	1,88	1,24	0,94			*	*	*	*		
	27,65	51	400	2,14	1,41	1,07			*	*	*	*		
	24,53	57	400	2,39	1,58	1,19			*	*	*	*		
	20,87	67	400	2,81	1,85	1,40			*	*	*	*		
	17,45	80	380	3,18	2,10	1,59			*	*	*	*		
	15,30	92	380	3,66	2,42	1,83			*	*	*	*		
	12,23	114	220	2,63	1,73	1,31			*	*	*	*		
	10,85	129	200	2,70	1,78	1,35			*	*	*	*		
	9,23	152	195	3,10	2,05	1,55			*	*	*	*		
	8,09	173	180	3,26	2,15	1,63			*	*	*	*		

* \Rightarrow E A63

Helical-bevel gear units

$\frac{kg}{kg}$	W	IEC 63	IEC 71	IEC 80	IEC 90	IEC 100	IEC 112
SK 9013.1	39	40	41	-	-	-	-
SK 9012.1	34	35	36	39	39	46	46

SK 9017.1 SK 9016.1



	i_{ges}	n_2 $n_1 =$ 1400 min ⁻¹	M_{2max} $f_B = 1$	W			IEC							
				P_{1max}	$f_B \geq 1$	$f_B \Rightarrow$ E4 - E42	IEC							
		[min ⁻¹]	[Nm]	$n_1 =$ 1400 min ⁻¹	$n_1 =$ 930 min ⁻¹	$n_1 =$ 700 min ⁻¹	63	71						
SK 9017.1	1412,69	0,99	610	0,06	0,04	0,03	*	*						
	1256,07	1,1	610	0,07	0,05	0,04	*	*						
W	629,56	2,2	610	0,14	0,09	0,07	*	*						
+	558,25	2,5	610	0,16	0,11	0,08	*	*						
IEC	493,12	2,8	610	0,18	0,12	0,09	*	*						
	367,33	3,8	610	0,24	0,16	0,12		*						
$\frac{H}{mm}$	267,99	5,2	610	0,33	0,22	0,17		*						
	235,64	5,9	610	0,37	0,24	0,19								
\Rightarrow E128	177,89	7,9	570	0,37	0,24	0,19								
	134,32	10	430	0,37	0,24	0,19								

	i_{ges}	n_2 $n_1 =$	M_{2max} $f_B = 1$	P_{1max}	$f_B \geq 1$	$f_B \Rightarrow$ E4 - E42	IEC							
							63	71	80	90	100	112		
SK 9016.1	277,84	5,0	590	0,31	0,20	0,15								
	234,64	6,0	590	0,37	0,24	0,19								
W	205,93	6,8	610	0,43	0,29	0,22								
+	183,10	7,6	610	0,49	0,32	0,24								
IEC	149,81	9,3	610	0,59	0,39	0,30			*					
	142,41	9,8	610	0,63	0,41	0,31			*					
$\frac{H}{mm}$	116,52	12	610	0,77	0,51	0,38			*					
	91,77	15	500	0,79	0,52	0,39			*					
\Rightarrow E128	81,38	17	600	1,07	0,70	0,53			*					
	71,88	19	600	1,19	0,79	0,60			*					
	63,97	22	610	1,41	0,93	0,70				*	*			
	52,44	27	610	1,72	1,14	0,86				*	*			
	46,11	30	610	1,92	1,26	0,96				*	*			
	40,92	34	600	2,14	1,41	1,07				*	*			
	34,81	40	600	2,51	1,66	1,26				*	*			
	30,52	46	600	2,89	1,91	1,45				*	*			
	26,29	53	600	3,33	2,20	1,66					*			
	23,11	61	520	3,32	2,19	1,66						*		
	20,51	68	580	4,00	2,64	2,00								
	17,45	80	540	4,00	2,64	2,00								
	15,10	93	520	4,00	2,64	2,00								
	12,51	112	520	4,00	2,64	2,00								

* \Rightarrow E128 A63

kg	W	IEC 63	IEC 71	IEC 80	IEC 90	IEC 100	IEC 112
SK 9017.1	40	41	42	-	-	-	-
SK 9016.1	35	36	37	40	40	47	47



	i_{ges}	n_2 $n_1 =$ 1400 min ⁻¹ [min ⁻¹]	M_{2max} $f_B = 1$ [Nm]	W			IEC $f_B \Rightarrow$ E4 - E42							
				P_{1max} $n_1 =$ 1400 min ⁻¹ [kW]	$n_1 =$ 930 min ⁻¹ [kW]	$f_B \geq 1$ $n_1 =$ 700 min ⁻¹ [kW]	IEC							
							63	71						
SK 9023.1	1899,26	0,74	860	0,07	0,04	0,03	*	*						
	1504,07	0,93	860	0,08	0,06	0,04	*	*						
W	1120,38	1,2	860	0,11	0,07	0,05	*	*						
+	951,94	1,5	860	0,14	0,09	0,07	*	*						
IEC	753,86	1,9	860	0,17	0,11	0,09	*	*						
	678,31	2,1	860	0,19	0,12	0,09		*						
$\frac{H}{mm}$	561,55	2,5	860	0,23	0,15	0,11		*						
	472,43	3,0	860	0,27	0,18	0,14		*						
\Rightarrow E128	339,41	4,1	860	0,37	0,24	0,18								
	297,67	4,7	860	0,37	0,24	0,19								
	228,47	6,1	650	0,37	0,24	0,19								

	i_{ges}	n_2 $n_1 =$ 1400 min ⁻¹ [min ⁻¹]	M_{2max} $f_B = 1$ [Nm]	W			IEC $f_B \Rightarrow$ E4 - E42							
				P_{1max} $n_1 =$ 1400 min ⁻¹ [kW]	$n_1 =$ 930 min ⁻¹ [kW]	$f_B \geq 1$ $n_1 =$ 700 min ⁻¹ [kW]	63	71	80	90	100	112		
SK 9022.1	276,86	5,1	800	0,43	0,28	0,21								
	232,92	6,0	700	0,44	0,29	0,22								
W	219,25	6,4	860	0,58	0,38	0,29								
+	184,46	7,6	860	0,68	0,45	0,34			*					
IEC	169,81	8,2	860	0,74	0,49	0,37			*					
$\frac{H}{mm}$	137,57	10	860	0,90	0,59	0,45								
	115,74	12	860	1,08	0,71	0,54								
\Rightarrow E128	98,88	14	860	1,26	0,83	0,63				*				
	85,11	16	860	1,44	0,95	0,72				*				
	78,89	18	860	1,62	1,07	0,81					*	*		
	66,42	21	860	1,89	1,25	0,95					*	*		
	58,25	24	860	2,16	1,43	1,08					*	*		
	52,02	27	860	2,43	1,60	1,22					*	*		
	49,01	29	860	2,61	1,72	1,31					*	*		
	44,71	31	860	2,79	1,84	1,40					*	*		
	39,77	35	860	3,15	2,08	1,58						*		
	33,26	42	860	3,78	2,50	1,89							*	
	31,38	45	820	3,86	2,55	1,93								*
	29,20	48	860	4,00	2,64	2,00								
	26,07	54	860	4,00	2,64	2,00								
	24,56	57	860	4,00	2,64	2,00								
	22,41	62	780	4,00	2,64	2,00								
	19,93	70	760	4,00	2,64	2,00								
	17,52	80	720	4,00	2,64	2,00								
	16,30	86	620	4,00	2,64	2,00								
	14,56	96	580	4,00	2,64	2,00								
	12,51	112	540	4,00	2,64	2,00								
	11,13	126	520	4,00	2,64	2,00								
	8,78	159	480	4,00	2,64	2,00								

* \Rightarrow E A63

Helical-bevel gear units

$\frac{kg}{kg}$	W	IEC 63	IEC 71	IEC 80	IEC 90	IEC 100	IEC 112
SK 9023.1	47	48	49	-	-	-	-
SK 9022.1	42	43	44	47	47	54	54

SK 9033.1 SK 9032.1



	i_{ges}	n_2 $n_1 =$ 1400 min ⁻¹ [min ⁻¹]	M_{2max} $f_B = 1$ [Nm]	W			IEC					
				P_{1max} $n_1 =$ 1400 min ⁻¹ [kW]	$n_1 =$ 930 min ⁻¹ [kW]	$f_B \geq 1$ $n_1 =$ 700 min ⁻¹ [kW]	$f_B \Rightarrow$ E4 - E42					
							IEC					
				63	71	80	90					
SK 9033.1	3635,95	0,39	1550	0,06	0,04	0,03	*	*				
	2428,14	0,58	1550	0,09	0,06	0,05	*	*				
W	1822,00	0,77	1550	0,12	0,08	0,06	*	*				
+	1361,37	1,0	1550	0,16	0,11	0,08	*	*				
IEC	1149,80	1,2	1550	0,19	0,13	0,10	*	*				
$\frac{H}{mm}$	691,55	2,0	1550	0,32	0,21	0,16	*	*				
\Rightarrow E128	539,10	2,6	1550	0,42	0,28	0,21						
	398,77	3,5	1550	0,57	0,37	0,28			*	*		
	352,25	4,0	1550	0,65	0,43	0,32			*	*		
	267,65	5,2	1550	0,84	0,56	0,42			*	*		
	214,83	6,5	1550	1,05	0,70	0,53			*	*		
	167,45	8,4	1550	1,10	0,73	0,55			*	*		

	i_{ges}	n_2 $n_1 =$ 1400 min ⁻¹ [min ⁻¹]	M_{2max} $f_B = 1$ [Nm]	W			IEC						
				P_{1max} $n_1 =$ 1400 min ⁻¹ [kW]	$n_1 =$ 930 min ⁻¹ [kW]	$f_B \geq 1$ $n_1 =$ 700 min ⁻¹ [kW]	$f_B \Rightarrow$ E4 - E42						
							IEC						
				63	71	80	90	100	112	132			
SK 9032.1	295,85	4,7	1550	0,76	0,50	0,38			*				
	249,72	5,6	1550	0,91	0,60	0,45			*				
W	233,92	6,0	1550	0,97	0,64	0,49			*				
+	197,45	7,1	1550	1,15	0,76	0,58			*				
IEC	188,06	7,4	1550	1,20	0,79	0,60			*	*	*		
$\frac{H}{mm}$	158,74	8,8	1550	1,43	0,94	0,71			*	*	*		
\Rightarrow E129	139,44	10	1550	1,62	1,07	0,81			*	*	*		
	117,70	12	1550	1,95	1,29	0,97			*	*	*		
	110,77	13	1550	2,11	1,39	1,05			*	*	*		
	93,50	15	1550	2,43	1,61	1,22			*	*	*		
	84,17	17	1550	2,76	1,82	1,38			*	*	*		
	75,91	18	1550	2,92	1,93	1,46			*	*	*		
	64,08	22	1550	3,57	2,36	1,79			*	*	*		
	59,17	24	1550	3,90	2,57	1,95			*	*	*		
	49,94	28	1550	4,54	3,00	2,27			*	*	*		
	47,70	29	1550	4,71	3,11	2,35			*	*	*		
	40,36	35	1550	5,68	3,75	2,84			*	*	*		
	38,05	37	1550	6,01	3,96	3,00			*	*	*		
	35,61	39	1550	6,33	4,18	3,16			*	*	*		
	29,66	47	1500	7,38	4,87	3,69			*	*	*		
	25,03	56	1500	8,80	5,81	4,40			*	*	*		
	23,91	59	1550	9,20	6,07	4,60			*	*	*		
	20,23	69	1500	9,20	6,07	4,60			*	*	*		
	17,08	82	1450	9,20	6,07	4,60			*	*	*		
	16,04	87	1400	9,20	6,07	4,60			*	*	*		
	13,49	104	1350	9,20	6,07	4,60			*	*	*		
	12,68	110	1000	9,20	6,07	4,60			*	*	*		
	10,73	130	900	9,20	6,07	4,60			*	*	*		
	8,48	165	880	9,20	6,07	4,60			*	*	*		

* \Rightarrow A63

$\frac{kg}{kg}$	W	IEC 63	IEC 71	IEC 80	IEC 90	IEC 100	IEC 112	IEC 132
SK 9033.1	70	71	72	75	75	-	-	-
SK 9032.1	68	-	66	70	70	74	74	83

Helical-bevel gear units



	i_{ges}	n_2 $n_1 =$ 1400 min ⁻¹	M_{2max} $f_B = 1$	W			IEC						
				P_{1max}	$f_B \geq 1$	$f_B \Rightarrow$ E4 - E42	IEC						
							$n_1 =$ 1400 min ⁻¹	$n_1 =$ 930 min ⁻¹	$n_1 =$ 700 min ⁻¹	71	80	90	100
	[min ⁻¹]	[Nm]	[kW]	[kW]	[kW]								
SK 9043.1	4246,38	0,33	2800	0,10	0,06	0,05	*	*					
	3362,82	0,42	2800	0,12	0,08	0,06	*	*	*				
W	3026,98	0,46	2800	0,13	0,09	0,07	*	*					
+	2397,14	0,58	2800	0,17	0,11	0,09	*	*	*				
IEC	2128,35	0,66	2800	0,19	0,13	0,10	*	*					
	1517,17	0,92	2800	0,27	0,18	0,13	*	*					
$\frac{mm}{mm}$	1113,24	1,3	2800	0,38	0,25	0,19		*					
	881,60	1,6	2800	0,47	0,31	0,23		*	*				
\Rightarrow E129	645,18	2,2	2800	0,65	0,43	0,32		*	*				
	568,04	2,5	2800	0,73	0,48	0,37		*	*				
	404,82	3,5	2800	1,03	0,68	0,51			*	*	*		
	350,72	4,0	2800	1,17	0,77	0,59			*	*	*		
	279,60	5,0	2800	1,47	0,97	0,73			*	*	*		
	204,38	6,8	2800	1,99	1,32	1,00			*	*	*		
	172,08	8,1	2800	2,20	1,45	1,10			*	*	*		

	i_{ges}	n_2 $n_1 =$ 1400 min ⁻¹	M_{2max} $f_B = 1$	P_{1max}	$f_B \geq 1$	$f_B \Rightarrow$ E4 - E42	IEC									
							$n_1 =$ 1400 min ⁻¹	$n_1 =$ 930 min ⁻¹	$n_1 =$ 700 min ⁻¹	71	80	90	100	112	132	160
SK 9042.1	329,69	4,2	2800	1,23	0,81	0,62			*							
	273,73	5,1	2800	1,50	0,99	0,75										
W	235,01	6,0	2800	1,76	1,16	0,88				*	*					
+	195,12	7,2	2800	2,11	1,39	1,06				*	*					
IEC	165,24	8,5	1500	1,34	0,88	0,67			*							
	159,94	8,8	2800	2,58	1,70	1,29				*	*	*				
$\frac{mm}{mm}$	132,79	11	2800	3,23	2,13	1,61				*	*					
	117,79	12	2400	3,02	1,99	1,51				*						
\Rightarrow E130	95,56	15	2800	4,40	2,90	2,20					*					
	86,43	16	2800	4,69	3,10	2,35					*					
	76,18	18	2800	5,28	3,48	2,64					*					
	68,61	20	2800	5,86	3,87	2,93						*				
	63,25	22	2800	6,45	4,26	3,23					*					
	55,69	25	2800	7,33	4,84	3,66						*				
	47,67	29	2800	8,50	5,61	4,25						*				
	40,54	35	2800	10,26	6,77	5,13						*				
	34,39	41	2800	12,02	7,93	6,01						*				
	31,70	44	2800	12,90	8,51	6,45						*				
	31,48	44	2200	10,14	6,69	5,07						*				
	27,91	50	2800	14,66	9,68	7,33						*				
	23,89	59	2700	15,00	9,90	7,50							*			
	20,32	69	2600	15,00	9,90	7,50							*			
	18,20	77	2450	15,00	9,90	7,50							*			
	15,66	89	2000	15,00	9,90	7,50							*			
	13,40	104	2000	15,00	9,90	7,50							*			
	11,40	123	1500	15,00	9,90	7,50							*			
	10,21	137	1500	15,00	9,90	7,50							*			
	9,39	149	1500	15,00	9,90	7,50							*			
	8,83	159	1400	15,00	9,90	7,50							*			

* \Rightarrow E A63

Helical-bevel gear units

$\frac{kg}{kg}$	W	IEC 71	IEC 80	IEC 90	IEC 100	IEC 112	IEC 132	IEC 160
SK 9043.1	130	128	132	132	136	136	-	-
SK 9042.1	125	-	-	120	127	127	141	151

SK 9053.1 SK 9052.1



	i_{ges}	n_2 $n_1 =$ 1400 min ⁻¹ [min ⁻¹]	M_{2max} $f_B = 1$ [Nm]	W			IEC							
				P_{1max} $n_1 =$ 1400 min ⁻¹ [kW]	P_{1max} $n_1 =$ 930 min ⁻¹ [kW]	$f_B \geq 1$ $n_1 =$ 700 min ⁻¹ [kW]	$f_B \Rightarrow$ E4 - E42							
							IEC							
							71	80	90	100	112			
SK 9053.1	3735,92	0,37	4800	0,19	0,12	0,09	*	*	*					
	2953,98	0,47	4800	0,24	0,16	0,12		*	*					
	2023,49	0,69	4800	0,35	0,23	0,17		*	*					
	1872,50	0,75	4800	0,38	0,25	0,19		*	*					
	1398,80	1,00	4800	0,50	0,33	0,25		*	*	*	*			
	1062,85	1,3	4800	0,65	0,43	0,33		*	*	*	*			
	931,87	1,5	4800	0,75	0,50	0,38			*					
	703,83	2,0	4000	0,84	0,55	0,42			*					
	579,95	2,4	4800	1,21	0,80	0,60			*					
	458,57	3,1	4800	1,56	1,03	0,78								
	348,91	4,0	4800	2,01	1,33	1,01				*	*			
	265,11	5,3	4800	2,66	1,76	1,33				*	*			
	229,07	6,1	4800	3,07	2,02	1,53					*			
	164,99	8,5	4800	4,00	2,64	2,00								
	SK 9052.1	289,61	4,8	4800	2,41	1,59	1,21				*	*		
247,06		5,7	4800	2,86	1,89	1,43				*	*			
198,38		7,1	4800	3,57	2,36	1,78					*	*		
169,24		8,3	4800	4,17	2,75	2,09					*	*		
145,16		9,6	3600	3,62	2,39	1,81					*	*		
120,03		12	4800	6,03	3,98	3,02								
102,40		14	4800	7,04	4,64	3,52								
88,17		16	4800	8,04	5,31	4,02						*	*	
72,24		19	4800	9,55	6,30	4,77							*	*
62,42		22	4800	11,06	7,30	5,53							*	*
54,56		26	4800	13,07	8,62	6,53							*	*
44,96		31	4800	15,58	10,28	7,79							*	*
39,72		35	4800	17,59	11,61	8,80							*	*
36,21		39	4800	19,60	12,94	9,80								
31,28		45	4800	22,00	14,52	11,00								
27,35		51	4600	22,00	14,52	11,00								
23,33		60	4300	22,00	14,52	11,00								
22,53		62	4300	22,00	14,52	11,00								
19,91		70	4300	22,00	14,52	11,00								
17,94		78	4300	22,00	14,52	11,00								
16,33		86	4300	22,00	14,52	11,00								
13,45		104	4300	22,00	14,52	11,00								
11,88		118	3900	22,00	14,52	11,00								
10,71		131	2900	22,00	14,52	11,00								
9,93		141	2800	22,00	14,52	11,00								
9,40		149	2600	22,00	14,52	11,00								
8,10		173	2600	22,00	14,52	11,00								

* \Rightarrow A63

kg	W	IEC 71	IEC 80	IEC 90	IEC 100	IEC 112	IEC 132	IEC 160	IEC 180
SK 9053.1	208	206	210	210	214	214	-	-	-
SK 9052.1	200	-	-	195	202	202	216	226	226

Helical-bevel gear units



SK 9072.1/32 SK 9072.1/42 SK 9072.1

	i_{ges}	n_2 $n_1 =$ 1400 min ⁻¹ [min ⁻¹]	M_{2max} $f_B = 1$ [Nm]	W			IEC															
				P_{1max} $n_1 =$ 1400 min ⁻¹ [kW]	P_{1max} $n_1 =$ 930 min ⁻¹ [kW]	$f_B \geq 1$ $n_1 =$ 700 min ⁻¹ [kW]	$f_B \Rightarrow$ E4 - E42															
							IEC															
							71	80	90	100	112	132										
SK 9072.1/32	4512,24	0,31	8500	0,32	0,21	0,16		*	*													
	4039,53	0,35	8500	0,35	0,23	0,18		*	*													
	W	3251,68	0,43	8500	0,42	0,28	0,21		*	*												
	+	2320,58	0,60	8500	0,57	0,38	0,29		*	*												
	IEC	1912,84	0,73	8500	0,69	0,46	0,34		*	*	*	*										
	$\frac{H}{mm}$	1169,97	1,2	8500	1,07	0,70	0,53			*	*	*	*									
	\Rightarrow E129	973,69	1,4	8500	1,25	0,82	0,62			*	*	*	*									
		767,55	1,8	8500	1,60	1,06	0,80			*	*	*	*									
		598,27	2,3	8500	2,05	1,35	1,02			*	*	*	*									
		473,22	3,0	8500	2,67	1,76	1,34			*	*	*	*									
		385,88	3,6	8500	3,20	2,11	1,60				*	*	*									
		311,10	4,5	8500	4,00	2,64	2,00					*	*									
	SK 9072.1/42	269,39	5,2	8500	4,63	3,05	2,31	IEC														
		196,12	7,1	7400	5,50	3,63	2,75	71	80	90	100	112	132	160								
156,70		8,9	6400	5,96	3,94	2,98						*	*									
$\frac{H}{mm}$		134,14	10	6200	6,49	4,28	3,25					*	*									
\Rightarrow E130												*	*									
SK 9072.1	245,76	5,7	8500	5,07	3,35	2,54	IEC															
	206,84	6,8	8500	6,05	3,99	3,03	71	80	90	100	112	132	160	180	200	225						
	W	186,86	7,5	8500	6,68	4,41	3,34					*	*	*	*							
	+	157,27	8,9	8500	7,92	5,23	3,96					*	*	*	*							
	IEC	110,18	13	6700	7,02	4,63	3,51					*	*	*	*							
	$\frac{H}{mm}$	91,47	15	8500	11,57	7,64	5,79					*	*	*	*							
	\Rightarrow E131	79,69	18	8500	13,35	8,81	6,68					*	*	*	*							
		70,22	20	8500	16,02	10,57	8,01					*	*	*	*							
		58,44	24	8500	17,80	11,75	8,90					*	*	*	*							
		50,35	28	8200	21,36	14,10	10,68					*	*	*	*							
		44,81	31	7700	24,04	15,87	12,02					*	*	*	*							
		41,11	34	7700	24,99	16,50	12,50					*	*	*	*							
		35,19	40	8500	27,41	18,09	13,71					*	*	*	*							
		29,29	48	8500	35,60	23,50	17,80					*	*	*	*							
		25,24	55	8500	42,72	28,20	21,36					*	*	*	*							
		22,46	62	8500	45,00	29,70	22,50					*	*	*	*							
		20,61	68	8500	45,00	29,70	22,50					*	*	*	*							
		18,29	77	7800	45,00	29,70	22,50					*	*	*	*							
		16,44	85	7500	45,00	29,70	22,50					*	*	*	*							
		15,40	91	7500	45,00	29,70	22,50					*	*	*	*							
		14,06	100	5200	45,00	29,70	22,50					*	*	*	*							
		12,51	112	5000	45,00	29,70	22,50					*	*	*	*							
		12,06	116	5000	45,00	29,70	22,50					*	*	*	*							
		11,48	122	5000	45,00	29,70	22,50					*	*	*	*							
		10,19	137	4700	45,00	29,70	22,50					*	*	*	*							
		9,16	153	4700	45,00	29,70	22,50					*	*	*	*							

* \Rightarrow A63

$\frac{kg}{kg}$	W	IEC 71	IEC 80	IEC 90	IEC 100	IEC 112	IEC 132	IEC 160	IEC 180	IEC 200	IEC 225
SK 9072.1/32	364	362	366	366	370	370	379	-	-	-	-
SK 9072.1/42	391	-	-	386	407	407	417	427	-	-	-
SK 9072.1	360	-	-	-	348	348	361	386	386	400	415

Helical-bevel gear units

SK 9082.1/42 SK 9082.1/52 SK 9082.1



	i_{ges}	n_2 $n_1 = 1400 \text{ min}^{-1}$ [min ⁻¹]	M_{2max} $f_B = 1$ [Nm]	W			IEC										
				P_{1max} $n_1 = 1400 \text{ min}^{-1}$ [kW]	$f_B \geq 1$ $n_1 = 930 \text{ min}^{-1}$ [kW]	$f_B \geq 1$ $n_1 = 700 \text{ min}^{-1}$ [kW]	$f_B \Rightarrow \text{E4} - \text{E42}$										
							IEC										
							90	100	112	132	160						
SK 9082.1/42	4671,14	0,30	13000	0,45	0,30	0,22	*	*	*								
	3341,45	0,42	13000	0,61	0,40	0,31	*	*	*								
	W	2682,59	0,52	13000	0,75	0,49	0,37	*	*	*							
	+	2044,65	0,68	13000	0,93	0,61	0,46	*	*	*	*						
	IEC	1812,59	0,77	13000	1,05	0,69	0,52	*	*	*	*	*					
		1467,80	0,95	13000	1,29	0,85	0,65	*	*	*	*	*					
		1017,77	1,4	13000	1,91	1,26	0,95	*	*	*	*	*					
		845,38	1,7	13000	2,31	1,53	1,16	*	*	*	*	*					
		704,48	2,0	13000	2,72	1,80	1,36	*	*	*	*	*					
		603,37	2,3	13000	3,13	2,07	1,57	*	*	*	*	*					
		443,41	3,2	13000	4,36	2,87	2,18	*	*	*	*	*					
		379,59	3,7	13000	5,04	3,32	2,52	*	*	*	*	*					
		285,05	4,9	13000	6,67	4,40	3,34	*	*	*	*	*					

	i_{ges}	n_2 $n_1 = 1400 \text{ min}^{-1}$ [min ⁻¹]	M_{2max} $f_B = 1$ [Nm]	P_{1max} $n_1 = 1400 \text{ min}^{-1}$ [kW]	$f_B \geq 1$ $n_1 = 930 \text{ min}^{-1}$ [kW]	$f_B \geq 1$ $n_1 = 700 \text{ min}^{-1}$ [kW]	IEC										
							90	100	112	132	160	180					
SK 9082.1/52	245,62	5,7	13000	7,76	5,12	3,88				*	*	*					
W + IEC	182,09	7,7	13000	10,48	6,92	5,24				*	*	*					
	146,19	9,6	13000	13,07	8,62	6,53				*	*	*					
	123,13	11	12000	13,82	9,12	6,91				*	*	*					

	i_{ges}	n_2 $n_1 = 1400 \text{ min}^{-1}$ [min ⁻¹]	M_{2max} $f_B = 1$ [Nm]	P_{1max} $n_1 = 1400 \text{ min}^{-1}$ [kW]	$f_B \geq 1$ $n_1 = 930 \text{ min}^{-1}$ [kW]	$f_B \geq 1$ $n_1 = 700 \text{ min}^{-1}$ [kW]	IEC											
							90	100	112	132	160	180	200	225	250	280	315	
SK 9082.1	296,80	4,7	12600	6,20	4,09	3,10				*	*	*						
	244,32	5,7	13000	7,76	5,12	3,88				*	*	*						
	W	148,76	9,4	13000	12,80	8,45	6,40				*	*						
	+	122,46	11	13000	14,97	9,88	7,49				*	*						
	IEC	116,45	12	13000	16,34	10,78	8,17				*	*	*					
		95,86	15	13000	20,42	13,48	10,21				*	*	*					
		82,88	17	13000	23,14	15,27	11,57				*	*	*					
		71,50	20	13000	27,23	17,97	13,61				*	*	*	*				
		62,39	22	13000	29,95	19,77	14,97				*	*	*	*	*			
		53,28	26	13000	35,39	23,36	17,70				*	*	*	*	*	*		
		44,63	31	13000	42,20	27,85	21,10				*	*	*	*	*	*	*	
		41,54	34	13000	46,28	30,55	23,14				*	*	*	*	*	*	*	
		35,83	39	13000	53,09	35,04	26,54				*	*	*	*	*	*	*	
		31,27	45	13000	61,26	40,43	30,63				*	*	*	*	*	*	*	
		26,71	52	13000	70,79	46,72	35,39				*	*	*	*	*	*	*	
		22,37	63	13000	85,76	56,60	42,88				*	*	*	*	*	*	*	
		20,16	69	13000	90,00	59,40	45,00				*	*	*	*	*	*	*	
		17,35	81	13000	90,00	59,40	45,00				*	*	*	*	*	*	*	
	14,61	96	13000	90,00	59,40	45,00				*	*	*	*	*	*	*		
	12,31	114	8400	90,00	59,40	45,00				*	*	*	*	*	*	*		
	8,04	174	7200	90,00	59,40	45,00				*	*	*	*	*	*	*		

* \Rightarrow A63

kg	W	IEC 90	IEC 100	IEC 112	IEC 132	IEC 160	IEC 180	IEC 200	IEC 225	IEC 250	IEC 280	IEC 315
SK 9082.1/42	651	646	653	653	667	677	-	-	-	-	-	-
SK 9082.1/52	676	-	678	678	692	702	702	-	-	-	-	-
SK 9082.1	695	-	-	-	621	646	646	660	675	730	730	810

Helical-bevel gear units



	i_{ges}	n_2 $n_1 =$ 1400 min ⁻¹	M_{2max} $f_B = 1$	W			IEC															
				P_{1max} $n_1 =$ 1400 min ⁻¹	P_{1max} $n_1 =$ 930 min ⁻¹	$f_B \geq 1$ $n_1 =$ 700 min ⁻¹	$f_B \Rightarrow$ E4 - E42															
							IEC															
	[min ⁻¹]	[Nm]	[kW]	[kW]	[kW]	90	100	112	132	160	180											
SK 9086.1/52	4818,83	0,29	20000	0,65	0,43	0,32	*	*	*													
	3590,92	0,39	20000	0,82	0,54	0,41	*	*	*													
	W	3007,66	0,47	20000	0,98	0,65	0,49		*	*												
		2107,43	0,66	20000	1,38	0,91	0,69		*	*												
	+ IEC	1786,05	0,78	20000	1,63	1,08	0,82		*	*	*	*										
		1463,40	0,96	20000	2,01	1,33	1,01		*	*	*	*	*									
	mm	1202,18	1,2	20000	2,51	1,66	1,26		*	*	*	*	*									
		907,88	1,5	20000	3,14	2,07	1,57			*	*	*	*									
	⇨ E130	714,15	2,0	20000	4,19	2,76	2,09				*	*	*									
		623,16	2,2	20000	4,61	3,04	2,30				*	*	*									
		433,35	3,2	20000	6,70	4,42	3,35				*	*	*									
		378,14	3,7	20000	7,75	5,11	3,87				*	*	*									
		270,47	5,2	20000	10,89	7,19	5,45				*	*	*									
		235,93	5,9	20000	12,36	8,15	6,18				*	*	*									
		171,89	8,1	20000	16,96	11,20	8,48					*	*									
144,60		9,7	18000	18,28	12,07	9,14						*										

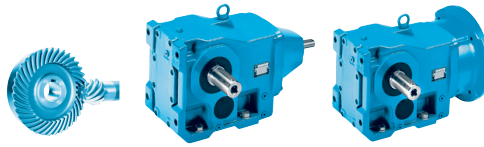
	i_{ges}	n_2 $n_1 =$	M_{2max} $f_B = 1$	P_{1max} $n_1 =$	P_{1max} $n_1 =$	$f_B \geq 1$ $n_1 =$	IEC																
							90	100	112	132	160	180	200	225	250	280	315						
SK 9086.1	230,64	6,1	20000	12,77	8,43	6,39					*	*											
	194,04	7,2	20000	15,08	9,95	7,54					*	*											
	W	151,76	9,2	20000	19,27	12,72	9,63					*	*										
		127,67	11	20000	23,04	15,20	11,52					*	*										
	+ IEC	116,50	12	20000	25,13	16,59	12,57					*	*										
		90,50	15	20000	31,41	20,73	15,71					*	*										
	mm	78,24	18	20000	37,70	24,88	18,85					*	*										
		67,50	21	20000	43,98	29,03	21,99					*	*	*	*	*	*	*	*	*	*	*	
	⇨ E132	58,90	24	20000	50,26	33,17	25,13					*	*	*	*	*	*	*	*	*	*	*	
		50,30	28	20000	58,64	38,70	29,32					*	*	*	*	*	*	*	*	*	*	*	
		42,13	33	20000	69,11	45,61	34,55					*	*	*	*	*	*	*	*	*	*	*	
		35,44	40	18000	75,39	49,76	37,70					*	*	*	*	*	*	*	*	*	*	*	
		29,52	47	20000	98,43	64,96	49,21					*	*	*	*	*	*	*	*	*	*	*	*
		25,21	56	20000	117,28	77,40	58,64					*	*	*	*	*	*	*	*	*	*	*	*
		21,12	66	20000	138,22	91,23	69,11					*	*	*	*	*	*	*	*	*	*	*	*
		17,77	79	19000	157,17	103,73	78,59					*	*	*	*	*	*	*	*	*	*	*	*
		16,38	85	19000	160,00	105,60	80,00					*	*	*	*	*	*	*	*	*	*	*	*
		14,70	95	15000	149,21	98,48	74,61					*	*	*	*	*	*	*	*	*	*	*	*
	12,31	114	14000	160,00	105,60	80,00					*	*	*	*	*	*	*	*	*	*	*	*	
	11,60	121	17000	160,00	105,60	80,00					*	*	*	*	*	*	*	*	*	*	*	*	
9,55	147	13000	160,00	105,60	80,00					*	*	*	*	*	*	*	*	*	*	*	*		
8,04	174	13000	160,00	105,60	80,00					*	*	*	*	*	*	*	*	*	*	*	*		

* ⇨ A63

Helical-bevel gear units

kg	W	IEC 90	IEC 100	IEC 112	IEC 132	IEC 160	IEC 180	IEC 200	IEC 225	IEC 250	IEC 280	IEC 315
SK 9086.1/52	926	921	928	928	942	952	952	-	-	-	-	-
SK 9086.1	945	-	-	-	871	896	896	910	925	980	980	1060

SK 9092.1/52 SK 9092.1



	i_{ges}	n_2 $n_1 =$ 1400 min ⁻¹	M_{2max} $f_B = 1$	W			IEC											
				P_{1max} $n_1 =$ 1400 min ⁻¹	P_{1max} $n_1 =$ 930 min ⁻¹	$f_B \geq 1$ $n_1 =$ 700 min ⁻¹	$f_B \Rightarrow$ E4 - E42											
							IEC											
	[min ⁻¹]		[Nm]	[kW]	[kW]	[kW]	90	100	112	132	160	180						
SK 9092.1/52 W + IEC mm E130	4916,63	0,28	32000	0,94	0,62	0,47	*	*	*									
	3551,65	0,39	26000	1,06	0,70	0,53	*	*	*									
	2902,00	0,48	26000	1,31	0,86	0,65		*	*									
	2116,80	0,66	32000	2,21	1,46	1,11		*	*	*	*							
	1795,36	0,78	32000	2,61	1,72	1,31		*	*	*	*							
	1424,80	0,98	32000	3,28	2,17	1,64			*	*	*							
	1120,00	1,2	32000	4,02	2,65	2,01				*	*							
	846,40	1,7	32000	5,70	3,76	2,85				*	*	*						
	706,40	2,0	32000	6,70	4,42	3,35				*	*	*	*					
	608,12	2,3	32000	7,71	5,09	3,85				*	*	*	*					
	441,46	3,2	32000	10,72	7,08	5,36					*							
	385,67	3,6	32000	12,06	7,96	6,03					*	*						
	280,76	5,0	32000	16,75	11,06	8,38						*	*					
	222,14	6,3	32000	21,11	13,93	10,55							*	*				
	191,28	7,3	32000	22,00	14,52	11,00								*	*			

	i_{ges}	n_2 $n_1 =$ 1400 min ⁻¹	M_{2max} $f_B = 1$	P_{1max} $n_1 =$ 1400 min ⁻¹	P_{1max} $n_1 =$ 930 min ⁻¹	$f_B \geq 1$ $n_1 =$ 700 min ⁻¹	IEC																
							$f_B \Rightarrow$ E4 - E42																
							90	100	112	132	160	180	200	225	250	280	315						
SK 9092.1 W + IEC mm E132	297,51	4,7	32000	15,75	10,39	7,87					*												
	253,40	5,5	32000	18,43	12,16	9,21					*												
	197,51	7,1	32000	23,79	15,70	11,90					*												
	152,96	9,2	32000	30,83	20,35	15,41						*											
	120,23	12	32000	40,21	26,54	20,10							*										
	102,28	14	32000	46,91	30,96	23,46								*									
	91,60	15	32000	50,26	33,17	25,13									*								
	80,00	18	32000	60,31	39,81	30,16										*							
	68,87	20	32000	67,02	44,23	33,51											*						*
	58,66	24	32000	80,42	53,08	40,21												*					*
	49,75	28	32000	93,82	61,92	46,91													*				*
	47,93	29	32000	97,17	64,13	48,59														*			*
	46,02	30	32000	100,52	66,35	50,26																	
	43,68	32	27800	93,15	61,48	46,58																	
	40,65	34	32000	113,93	75,19	56,96																	*
	39,10	36	32000	120,63	79,61	60,31																	
	34,15	41	32000	137,38	90,67	68,69																	*
	29,28	48	32000	160,00	105,60	80,00																	*
	24,94	56	32000	160,00	105,60	80,00																	*
	20,38	69	32000	160,00	105,60	80,00																	*
	17,26	81	20500	160,00	105,60	80,00																	*
	14,10	99	19400	160,00	105,60	80,00																	*
	11,55	121	18400	160,00	105,60	80,00																	*
	10,68	131	18000	160,00	105,60	80,00																	*

* A63

	W	IEC 90	IEC 100	IEC 112	IEC 132	IEC 160	IEC 180	IEC 200	IEC 225	IEC 250	IEC 280	IEC 315
SK 9092.1/52	1496	1491	1498	1498	1512	1522	1522	-	-	-	-	-
SK 9092.1	1515	-	-	-	1441	1466	1466	1480	1495	1550	1550	1630

Helical-bevel gear units



	i_{ges}	n_2 $n_1 =$ 1400 min ⁻¹ [min ⁻¹]	M_{2max} $f_B = 1$ [Nm]	W			IEC											
				P_{1max} $n_1 =$ 1400 min ⁻¹ [kW]	$n_1 =$ 930 min ⁻¹ [kW]	$f_B \geq 1$ $n_1 =$ 700 min ⁻¹ [kW]	$f_B \Rightarrow$ E4 - E42											
							IEC											
							90	100	112	132	160	180						
SK 9096.1/63	13432,68	0,10	50000	0,56	0,37	0,28	*	*	*	*								
	11954,86	0,12	50000	0,67	0,44	0,33	*	*	*	*	*							
	W	9713,32	0,14	50000	0,77	0,51	0,39	*	*	*	*	*						
	+	8306,57	0,17	50000	0,89	0,59	0,45	*	*	*	*	*	*					
	IEC	7842,34	0,18	50000	0,94	0,62	0,47	*	*	*	*	*	*					
	$\frac{I}{mm}$	6706,55	0,21	50000	1,10	0,73	0,55	*	*	*	*	*	*					
		5575,65	0,25	50000	1,31	0,86	0,65	*	*	*	*	*	*					
		4441,42	0,32	50000	1,68	1,11	0,84	*	*	*	*	*	*					
	\Rightarrow E130	3692,48	0,38	50000	1,99	1,31	0,99	*	*	*	*	*	*					
		3210,12	0,44	50000	2,30	1,52	1,15	*	*	*	*	*	*					
		2679,06	0,52	50000	2,72	1,80	1,36	*	*	*	*	*	*					
		2316,27	0,60	50000	3,14	2,07	1,57	*	*	*	*	*	*					
		2052,10	0,68	50000	3,56	2,35	1,78	*	*	*	*	*	*					
		1774,21	0,79	50000	4,14	2,73	2,07	*	*	*	*	*	*					
SK 9096.1/62	1623,67	0,86	50000	4,50	2,97	2,25				*	*	*	*					
	1353,86	1,0	50000	5,24	3,46	2,62				*	*	*	*	*				
	W	1165,22	1,2	50000	6,28	4,15	3,14				*	*	*	*	*			
	+	979,31	1,4	50000	7,33	4,84	3,66				*	*	*	*	*			
	IEC	816,57	1,7	50000	8,90	5,87	4,45				*	*	*	*	*			
	$\frac{I}{mm}$	702,80	2,0	50000	10,47	6,91	5,24				*	*	*	*	*			
		607,63	2,3	50000	12,04	7,95	6,02				*	*	*	*	*			
		538,33	2,6	50000	13,61	8,98	6,81				*	*	*	*	*			
	\Rightarrow E131	474,22	3,0	50000	15,71	10,37	7,85				*	*	*	*	*			
		431,00	3,2	50000	16,75	11,06	8,38				*	*	*	*	*			
		370,95	3,8	50000	19,90	13,13	9,95				*	*	*	*	*			
		320,72	4,4	50000	23,04	15,20	11,52				*	*	*	*	*			
		297,17	4,7	50000	24,61	16,24	12,30				*	*	*	*	*			
		270,09	5,2	50000	27,23	17,97	13,61				*	*	*	*	*			
	233,51	6,0	50000	31,41	20,73	15,71				*	*	*	*	*				
	208,95	6,7	50000	35,08	23,15	17,54				*	*	*	*	*				
SK 9096.1	200,57	7,0	50000	36,65	24,19	18,32							*					
	173,41	8,1	50000	42,41	27,99	21,20							*					
	W	154,29	9,1	50000	47,64	31,45	23,82						*	*	*			
	+	133,53	10	50000	52,36	34,55	26,18						*	*	*	*		
	IEC	118,18	12	50000	62,83	41,47	31,41						*	*	*	*	*	
	$\frac{I}{mm}$	102,18	14	50000	73,30	48,38	36,65						*	*	*	*	*	
		89,60	16	50000	83,77	55,29	41,88						*	*	*	*	*	
		81,43	17	50000	89,01	58,74	44,50						*	*	*	*	*	
	\Rightarrow E132	70,41	20	50000	104,71	69,11	52,36						*	*	*	*	*	
		65,07	22	50000	115,18	76,02	57,59						*	*	*	*	*	
		56,26	25	50000	130,89	86,39	65,45						*	*	*	*	*	
		47,79	29	50000	151,83	100,21	75,92						*	*	*	*	*	
		41,32	34	50000	178,01	117,49	89,01						*	*	*	*	*	
		36,24	39	50000	200,00	132,00	100,00						*	*	*	*	*	
		32,93	43	50000	200,00	132,00	100,00						*	*	*	*	*	
		28,47	49	50000	200,00	132,00	100,00						*	*	*	*	*	
		26,31	53	50000	200,00	132,00	100,00						*	*	*	*	*	
		22,75	62	50000	200,00	132,00	100,00						*	*	*	*	*	
		19,41	72	50000	200,00	132,00	100,00						*	*	*	*	*	
		16,78	83	50000	200,00	132,00	100,00						*	*	*	*	*	

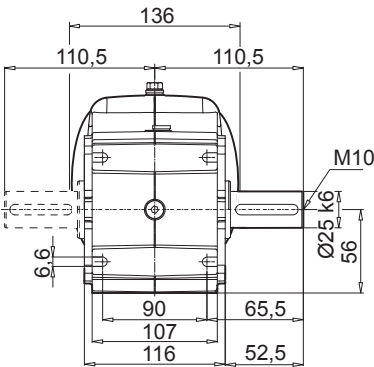
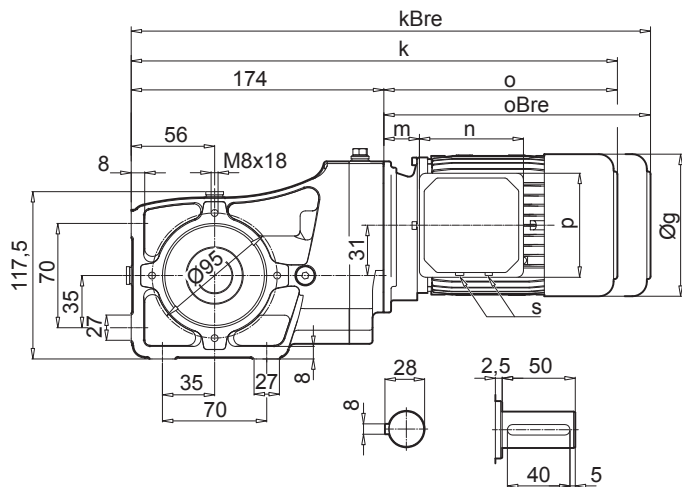
* \Rightarrow A63

kg	W	IEC 90	IEC 100	IEC 112	IEC 132	IEC 160	IEC 180	IEC 200	IEC 225	IEC 250	IEC 280	IEC 315
SK 9096.1/63	1949	1944	1951	1951	1965	1975	1975	-	-	-	-	-
SK 9096.1/62	1971	-	1959	1959	1972	1997	1997	2011	2026	-	-	-
SK 9096.1	1870	-	-	-	1841	1866	1866	1880	1895	1950	1950	2030

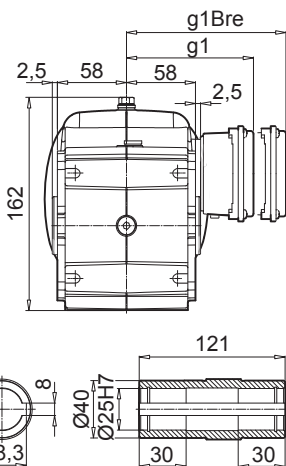
SK 92072.1



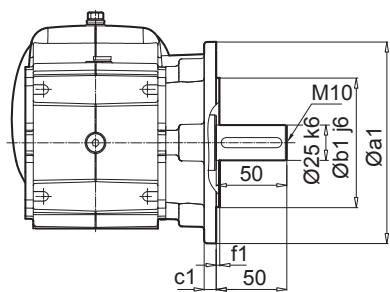
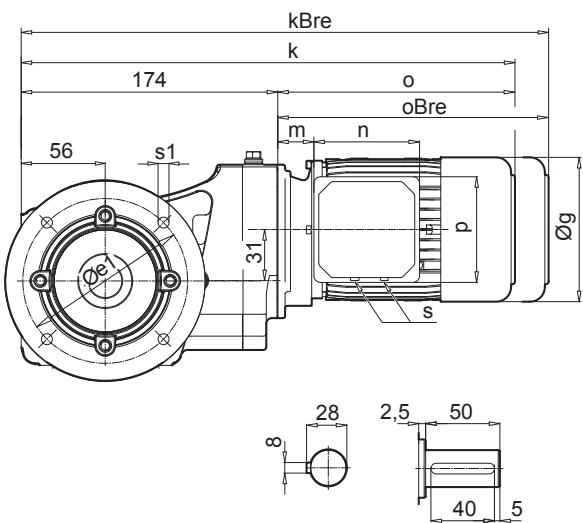
SK 92072.1 V



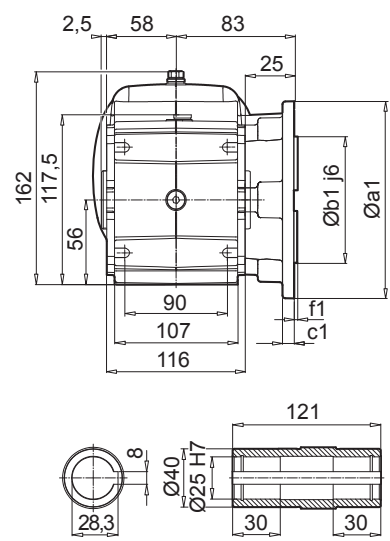
SK 92072.1 A



SK 92072.1VF



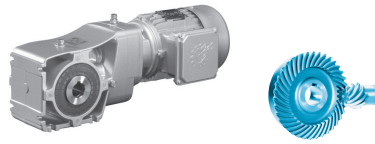
SK 92072.1 AF



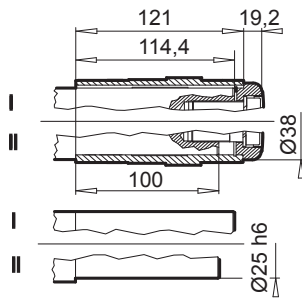
a1	b1	c1	e1	f1	s1
140	95	10	115	3,0	9

Helical-bevel gear units

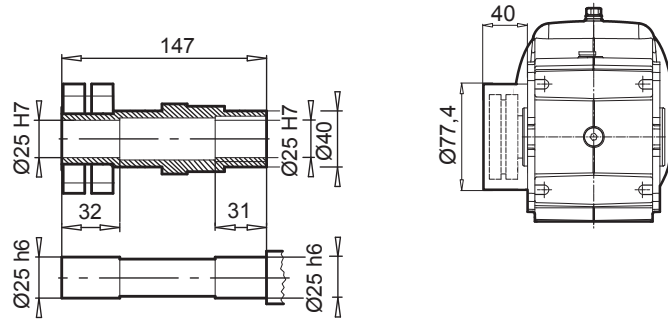
± ⇒ A61	63 S/L	71 S/L	80 SH	80 LP	90 SP		
g	130	145	165	165	183		
g1 / g1Bre	115 / 123	124 / 132	142 / 142	142 / 142	147 / 147		W ⇒ E116
k / kBre	366 / 422	388 / 446	410 / 474	410 / 474	450 / 525		
o / oBre	192 / 248	214 / 272	236 / 300	236 / 300	276 / 351		
m / mBre	12 / 19	20 / 27	22 / 26	22 / 26	26 / 30		
n / nBre	100 / 134	100 / 134	114 / 153	114 / 153	114 / 153		
p / pBre	100 / 89	100 / 89	114 / 108	114 / 108	114 / 108		IEC ⇒ E117
s	M20 x 1,5	M20 x 1,5	M25 x 1,5	M25 x 1,5	M25 x 1,5		



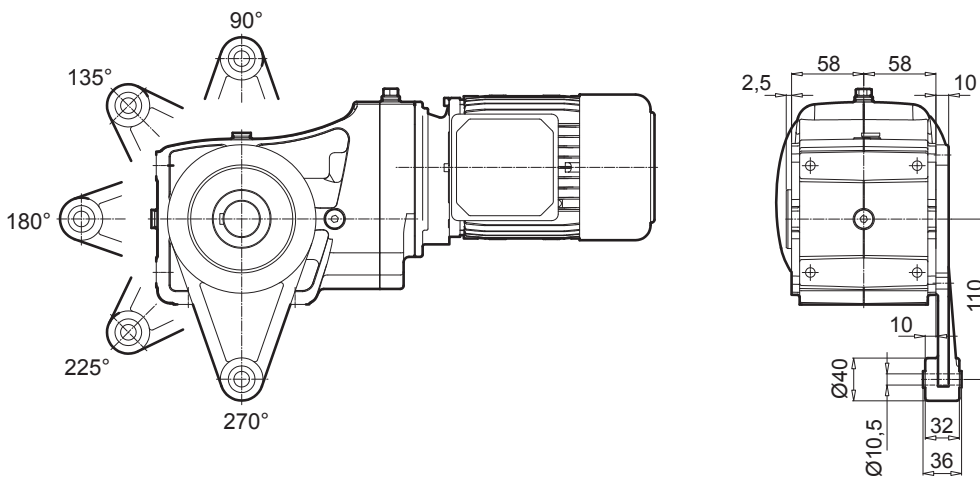
SK 92072.1 AB



SK 92072.1 ASH



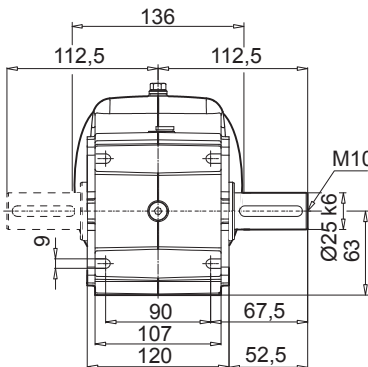
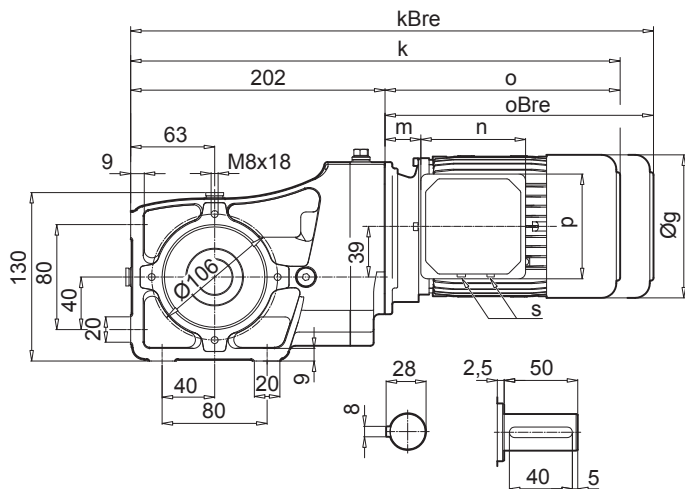
SK 92072.1 AD



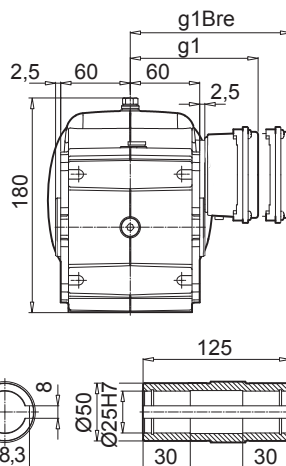
SK 92172.1



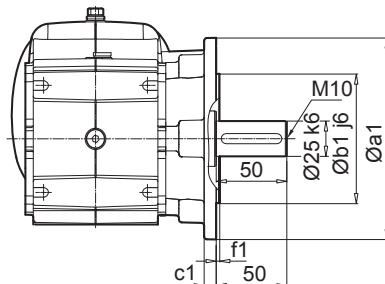
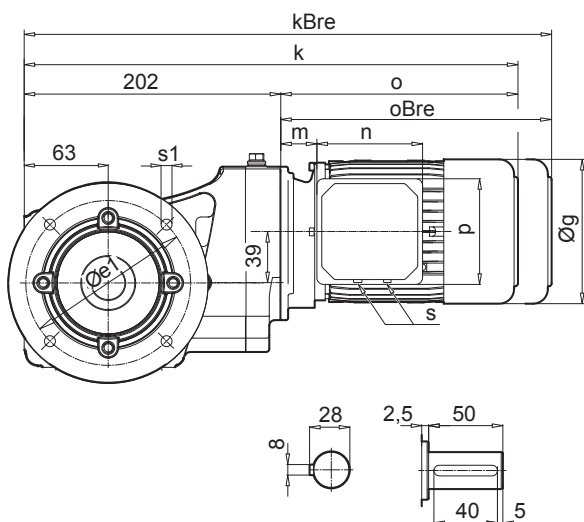
SK 92172.1 V



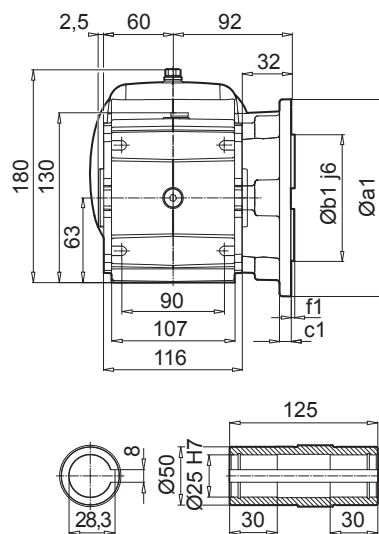
SK 92172.1 A



SK 92172.1VF



SK 92172.1 AF



a1	b1	c1	e1	f1	s1
160	110	12	130	3,5	9

Helical-bevel gear units

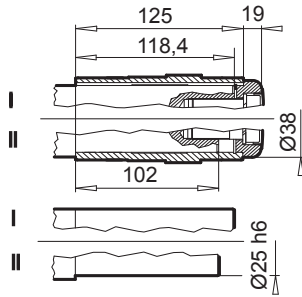
± ⇒ A61	63 S/L	71 S/L	80 SH	80 LP	90 SP/LP		
g	130	145	165	165	183		
g1 / g1Bre	115 / 123	124 / 132	142 / 142	142 / 142	147 / 147		
k / kBre	394 / 450	416 / 474	438 / 502	438 / 502	478 / 553		
o / oBre	192 / 248	214 / 272	236 / 300	236 / 300	276 / 351		
m / mBre	12 / 19	20 / 27	22 / 26	22 / 26	26 / 30		
n / nBre	100 / 134	100 / 134	114 / 153	114 / 153	114 / 153		
p / pBre	100 / 89	100 / 89	114 / 108	114 / 108	114 / 108		
s	M20 x 1,5	M20 x 1,5	M25 x 1,5	M25 x 1,5	M25 x 1,5		

W ⇒ E116

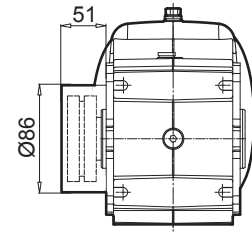
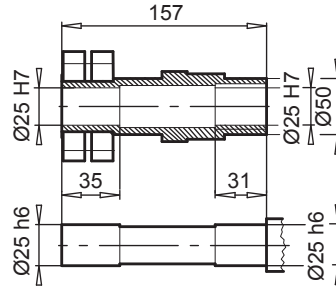
IEC ⇒ E118



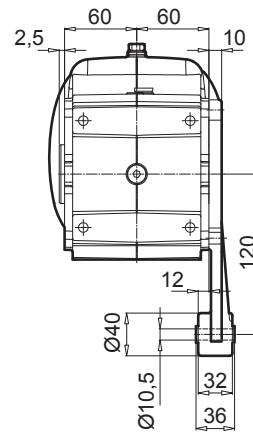
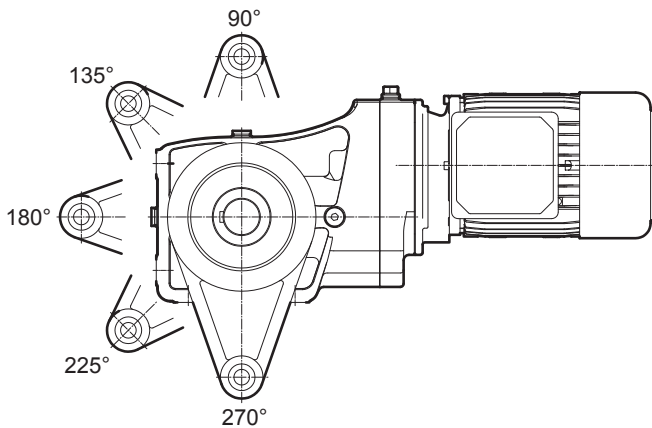
SK 92172.1 AB



SK 92172.1 ASH



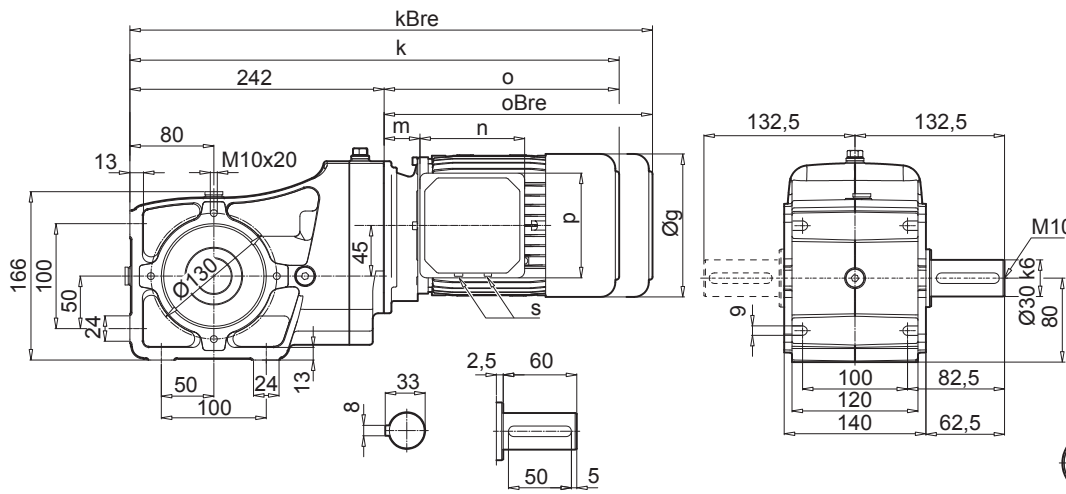
SK 92172.1 AD



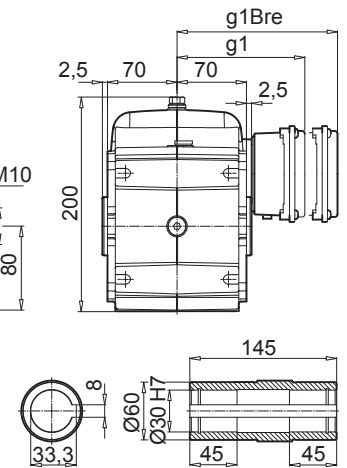
SK 92372.1



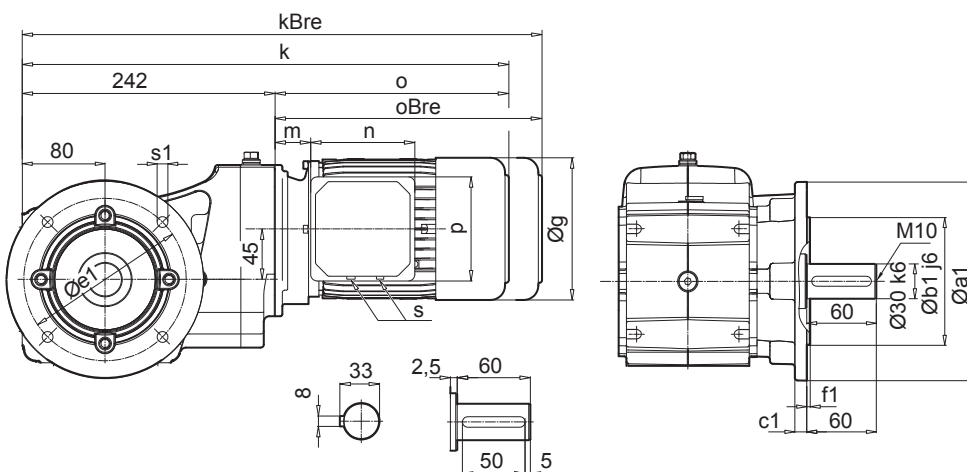
SK 92372.1 V



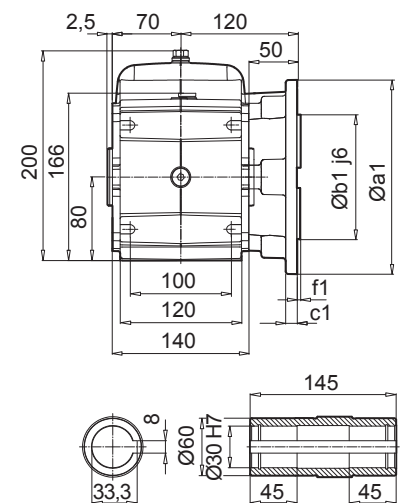
SK 92372.1 A



SK 92372.1VF



SK 92372.1 AF



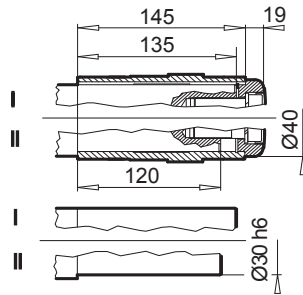
a1	b1	c1	e1	f1	s1
160	110	12	130	3,5	9
200	130	12	165	3,5	11

Helical-bevel gear units

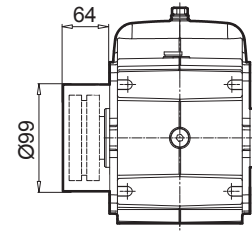
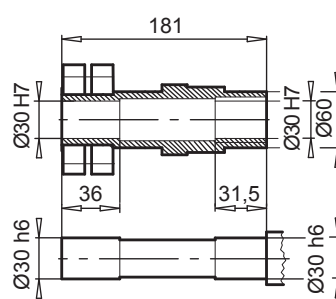
± ⇒ A61	63 S/L	71 S/L	80 SH	80 LP	90 SP/LP	100 LP/AP	
g	130	145	165	165	183	201	<p>W ⇒ E116 IEC ⇒ E119</p>
g1 / g1Bre	115 / 123	124 / 132	142 / 142	142 / 142	147 / 147	169 / 173	
k / kBre	438 / 494	478 / 536	503 / 567	503 / 567	544 / 619	574 / 665	
o / oBre	196 / 252	236 / 294	261 / 325	261 / 325	302 / 377	332 / 423	
m / mBre	16 / 23	42 / 49	47 / 51	47 / 51	52 / 56	58 / 62	
n / nBre	100 / 134	100 / 134	114 / 153	114 / 153	114 / 153	114 / 153	
p / pBre	100 / 89	100 / 89	144 / 108	144 / 108	144 / 108	144 / 108	
s	M20 x 1,5	M20 x 1,5	M25 x 1,5	M25 x 1,5	M25 x 1,5	M25 x 1,5	



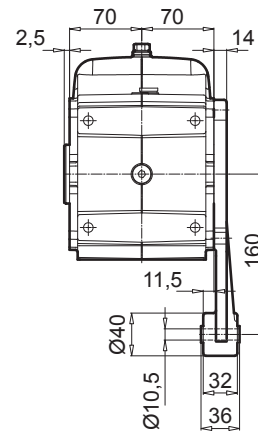
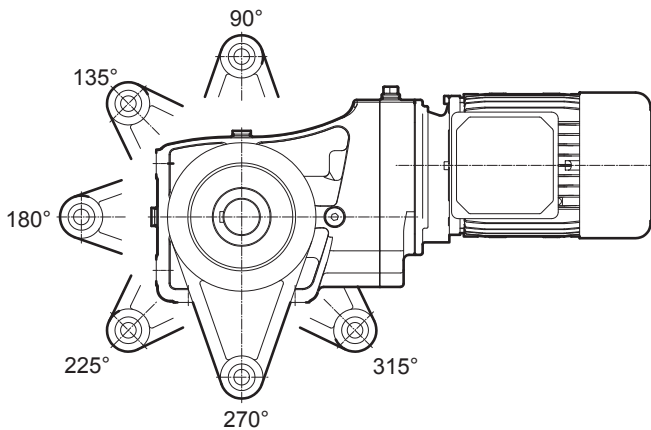
SK 92372.1 AB



SK 92372.1 ASH



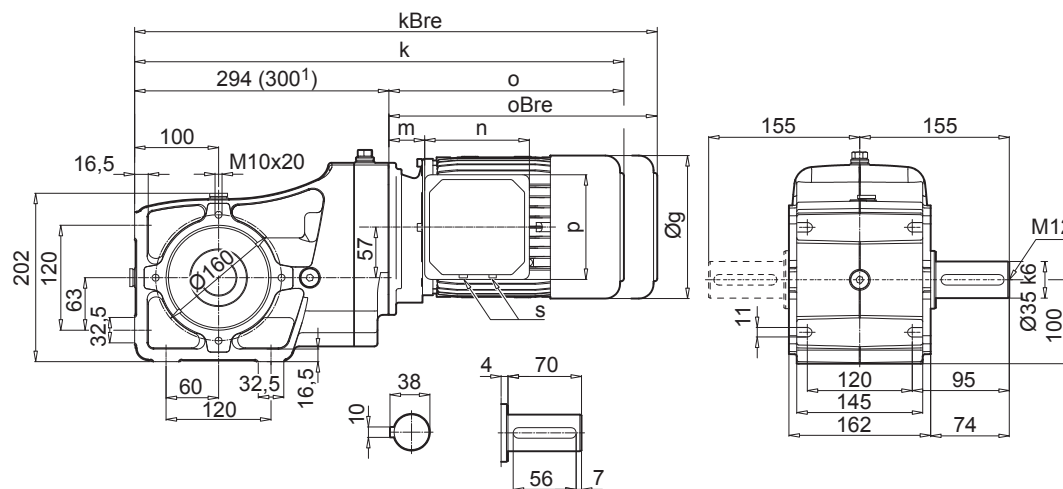
SK 92372.1 AD



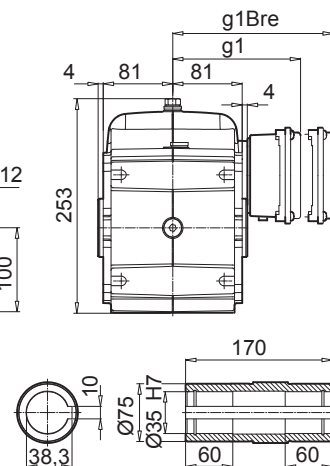
SK 92672.1



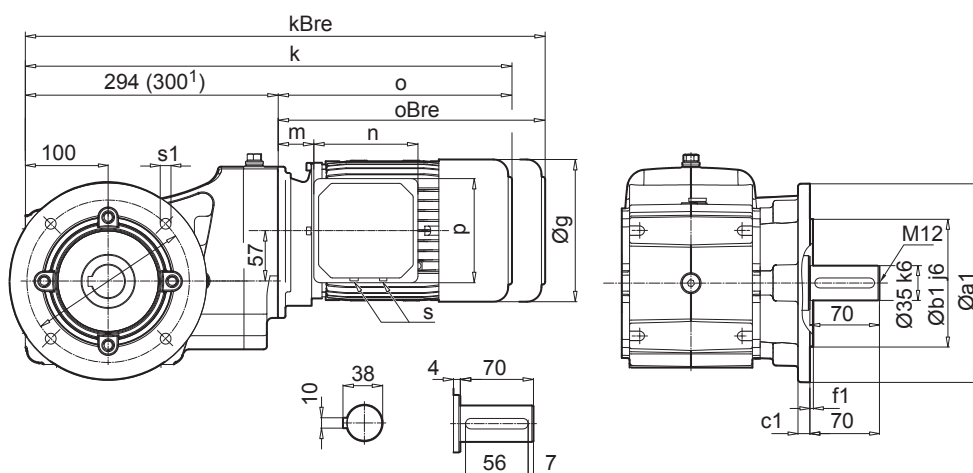
SK 92672.1 V



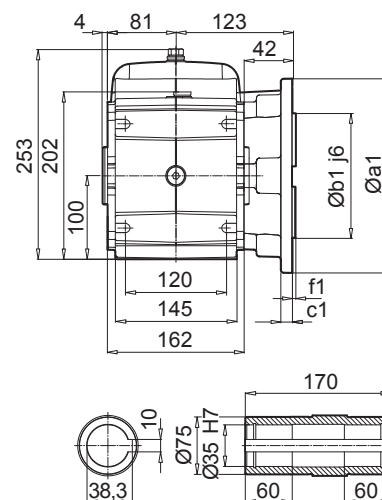
SK 92672.1 A





SK 92672.1VF



SK 92672.1 AF

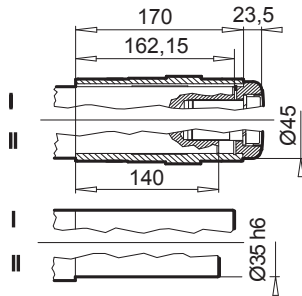


a1	b1	c1	e1	f1	s1
160	110	10	130	3,5	9
200	130	12	165	3,5	11,4

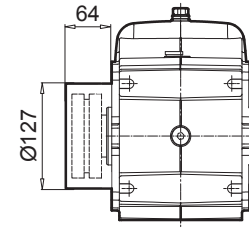
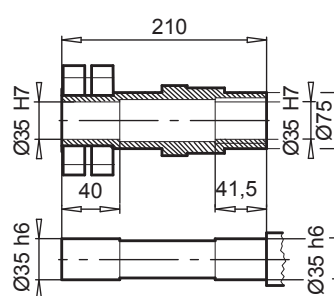
± ⇨ A61	71 S/L	80 SH	80 LP	90 SP/LP	100 LP/AP	112 MP	132 SP/MP ¹⁾	
g	145	165	165	183	201	228	266	 W ⇨ E116
g1 / g1Bre	124 / 132	142 / 142	142 / 142	147 / 147	169 / 173	179 / 182	204 / 201	
k / kBre	530 / 588	555 / 619	555 / 619	596 / 671	626 / 717	674 / 767	735 / 842	 IEC ⇨ E120
o / oBre	236 / 294	261 / 325	261 / 325	302 / 377	332 / 423	380 / 473	435 / 542	
m / mBre	42 / 49	47 / 51	47 / 51	52 / 56	58 / 62	64 / 67	71 / 62	
n / nBre	100 / 134	114 / 153	114 / 153	114 / 153	114 / 153	114 / 153	122 / 185	
p / pBre	100 / 89	114 / 108	114 / 108	114 / 108	114 / 108	114 / 108	122 / 139	
s	M20 x 1,5	M25 x 1,5	M25 x 1,5	M25 x 1,5	M25 x 1,5	M25 x 1,5	M25 x 1,5	



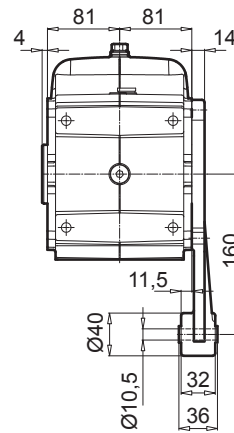
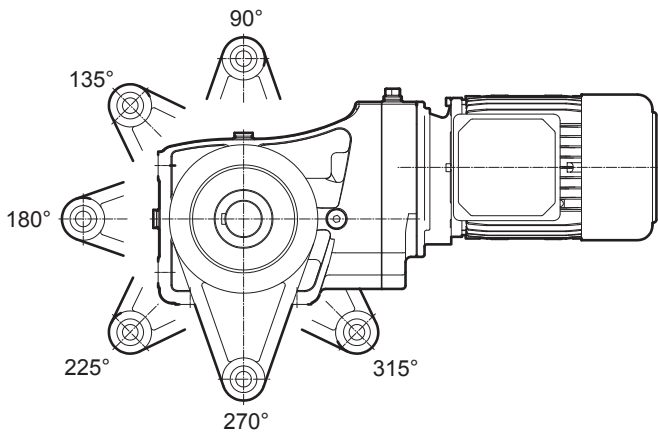
SK 92672.1 AB



SK 92672.1 ASH

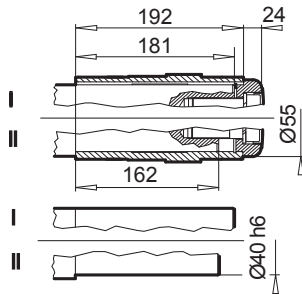


SK 92672.1 AD

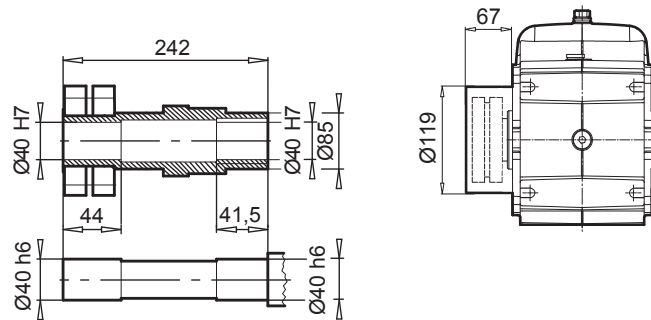




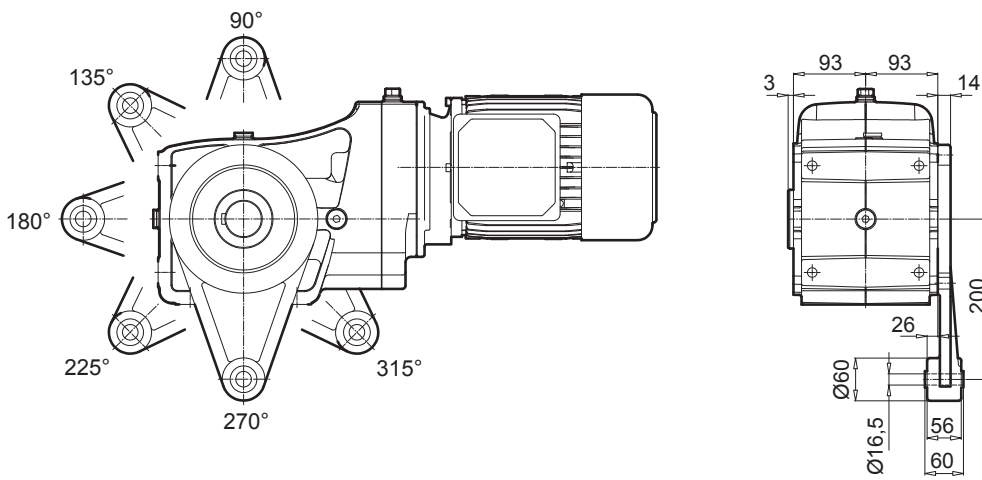
SK 92772.1 AB



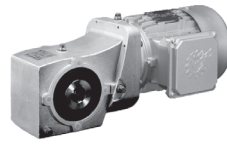
SK 92772.1 ASH



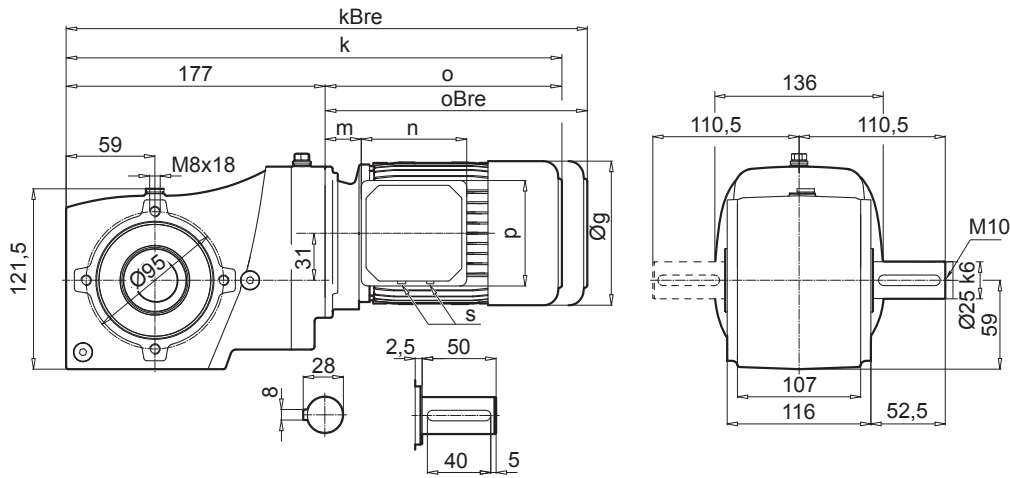
SK 92772.1 AD



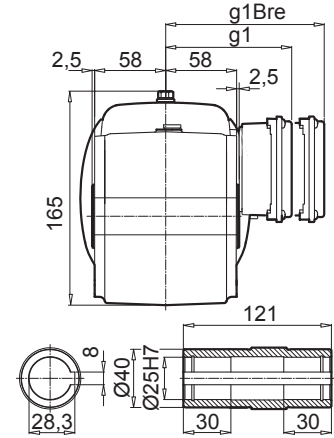
SK 93072.1



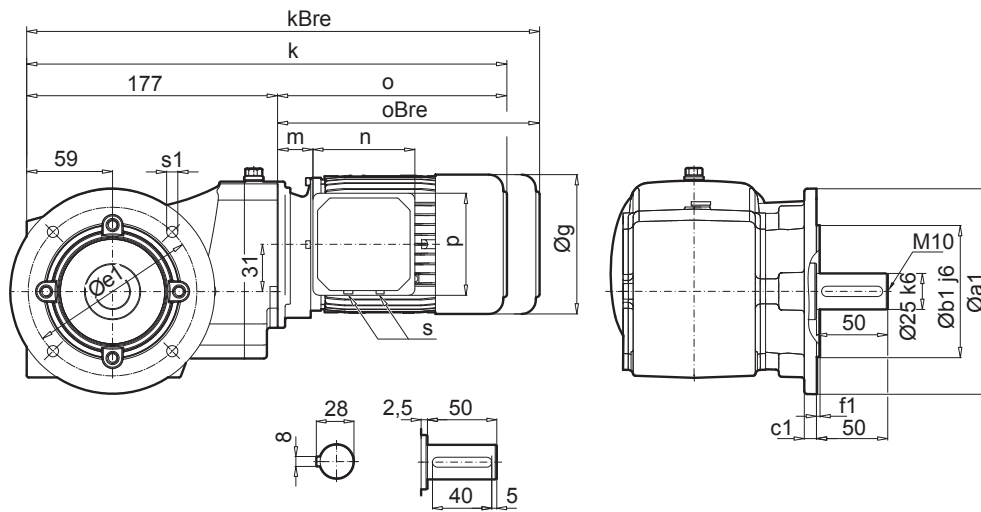
SK 93072.1 V



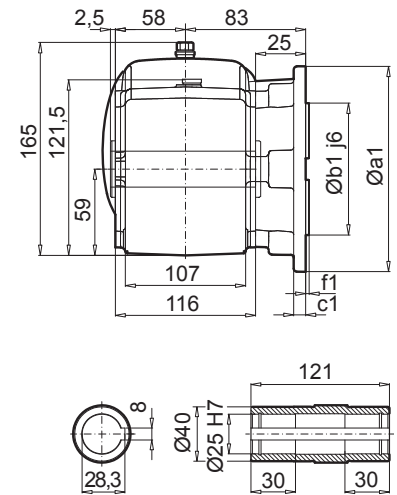
SK 93072.1 A



SK 93072.1VF



SK 93072.1 AF



a1	b1	c1	e1	f1	s1
140	95	10	115	3,0	9

± ⇨ A61	63 S/L	71 S/L	80 SH	80 LP	90 SP	
g	130	145	165	165	183	
g1 / g1Bre	115 / 123	124 / 132	142 / 142	142 / 142	147 / 147	
k / kBre	369 / 425	391 / 449	413 / 477	413 / 477	453 / 528	
o / oBre	192 / 248	214 / 272	236 / 300	236 / 300	276 / 351	
m / mBre	12 / 19	20 / 27	22 / 26	22 / 26	26 / 30	
n / nBre	100 / 134	100 / 134	114 / 153	114 / 153	114 / 153	
p / pBre	100 / 89	100 / 89	114 / 108	114 / 108	114 / 108	
s	M20 x 1,5	M20 x 1,5	M25 x 1,5	M25 x 1,5	M25 x 1,5	

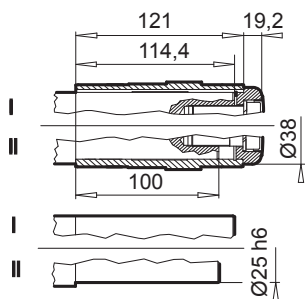
W ⇨ A122

IEC ⇨ A123

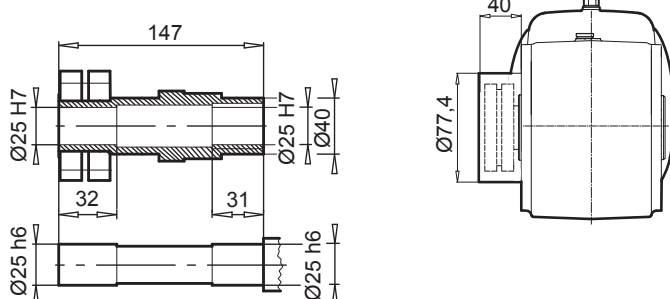
Helical-bevel gear units



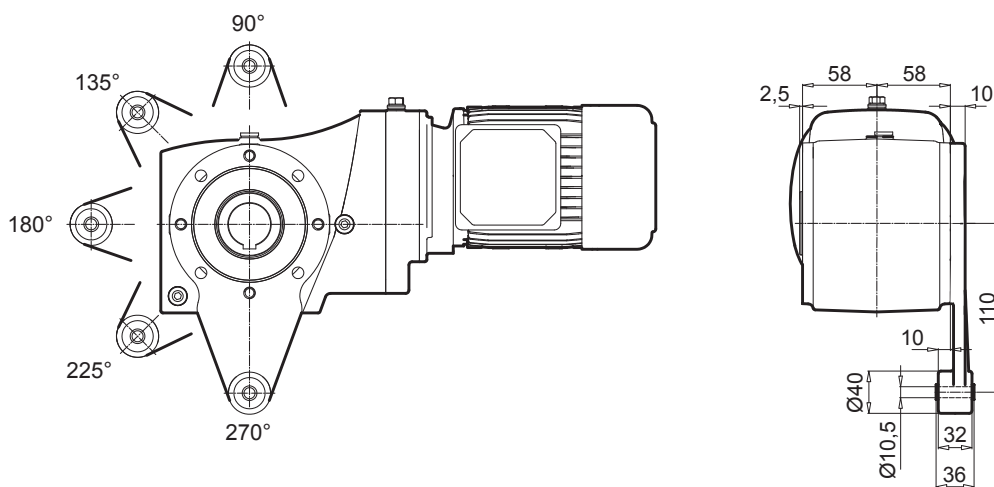
SK 93072.1 AB



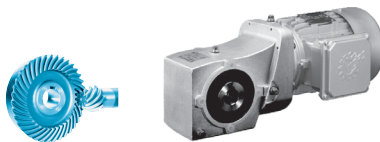
SK 93072.1 ASH



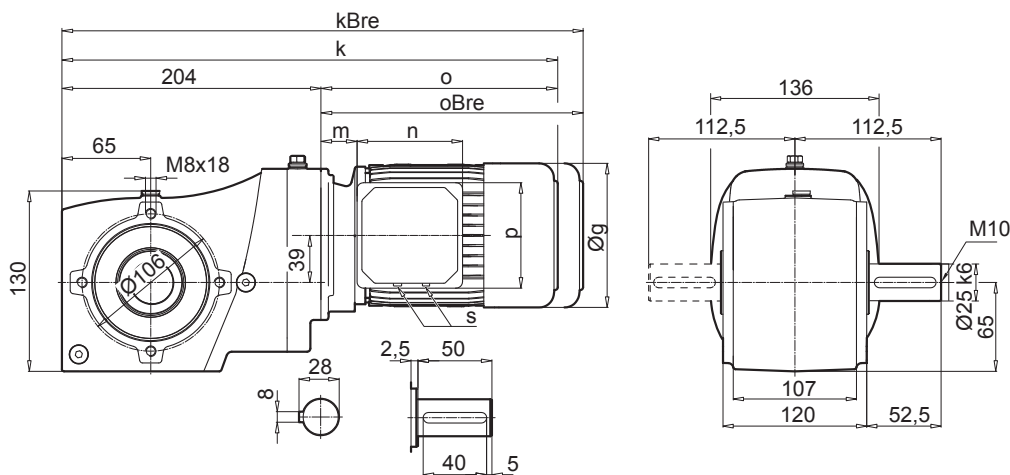
SK 93072.1 AD



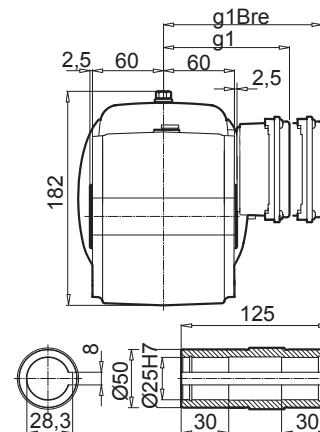
SK 93172.1



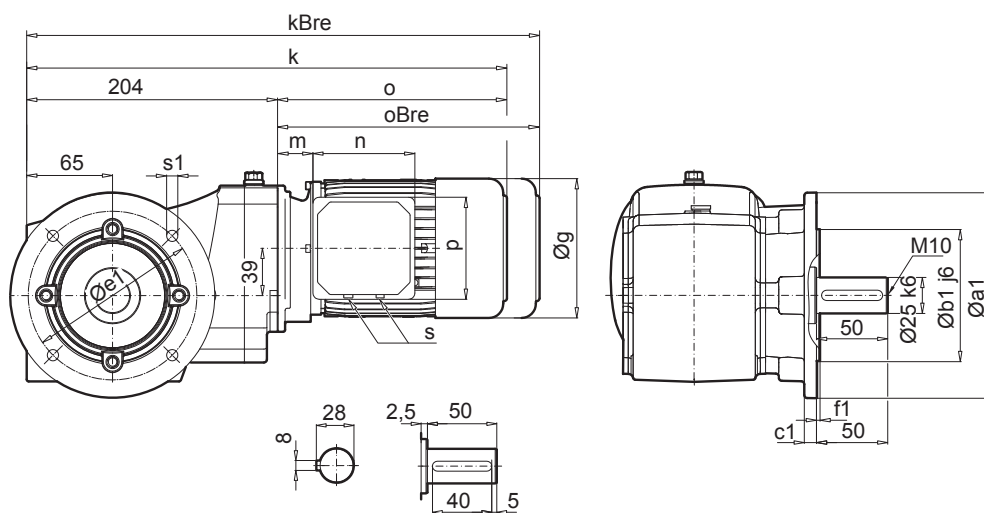
SK 93172.1 V



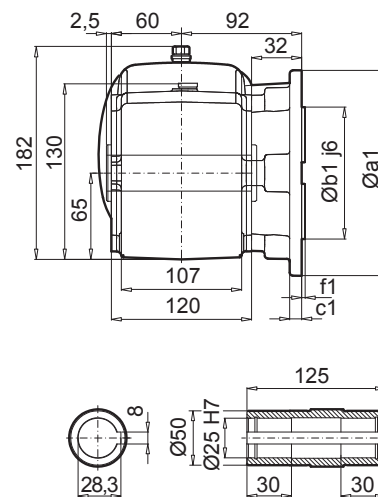
SK 93172.1 A



SK 93172.1VF



SK 93172.1 AF

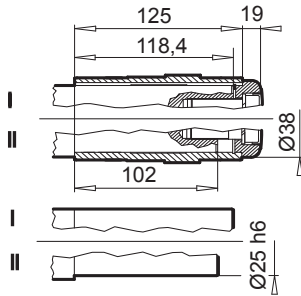


a1	b1	c1	e1	f1	s1
160	110	12	130	3,5	9

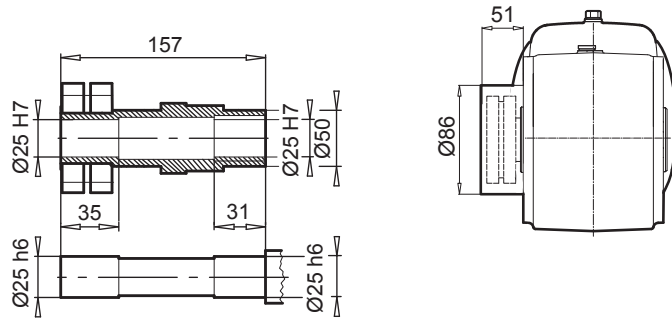
± ⇨ A61	63 S/L	71 S/L	80 SH	80 LP	90 SP/LP		
g	130	145	165	165	183		
g1 / g1Bre	115 / 123	124 / 132	142 / 142	142 / 142	147 / 147		
k / kBre	396 / 452	418 / 476	440 / 504	440 / 504	480 / 555		W ⇨ E122
o / oBre	192 / 248	214 / 272	236 / 300	236 / 300	276 / 351		IEC ⇨ E124
m / mBre	12 / 19	20 / 27	22 / 26	22 / 26	26 / 30		
n / nBre	100 / 134	100 / 134	114 / 153	114 / 153	114 / 153		
p / pBre	100 / 89	100 / 89	114 / 108	114 / 108	114 / 108		
s	M20 x 1,5	M20 x 1,5	M25 x 1,5	M25 x 1,5	M25 x 1,5		



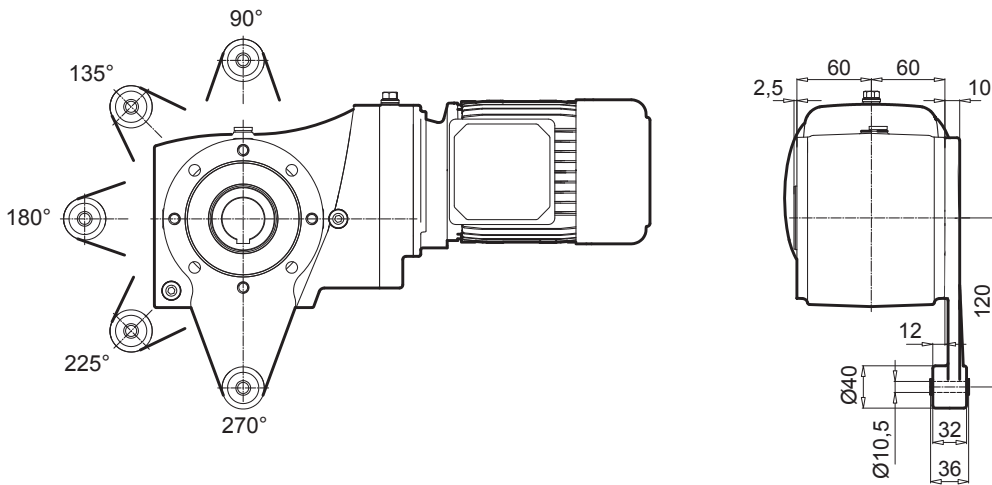
SK 93172.1 AB



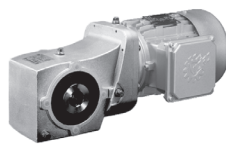
SK 93172.1 ASH



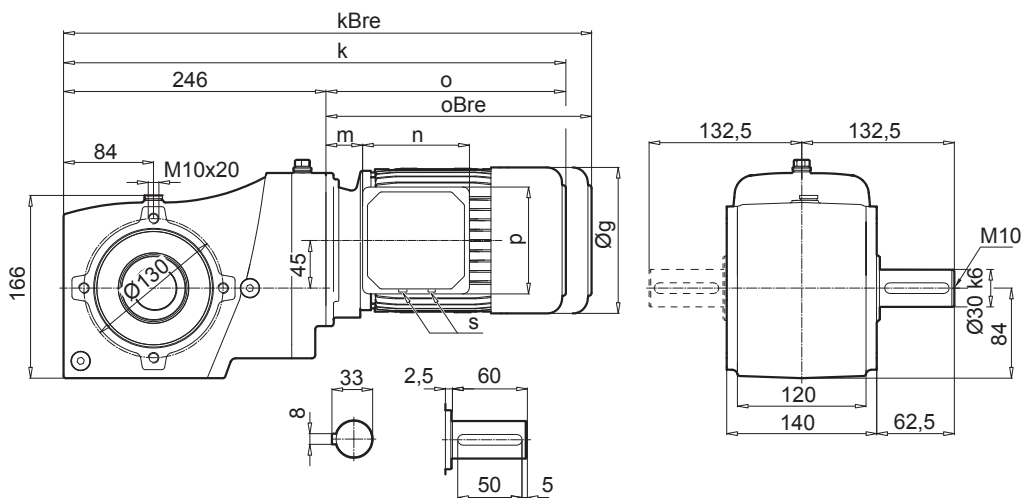
SK 93172.1 AD



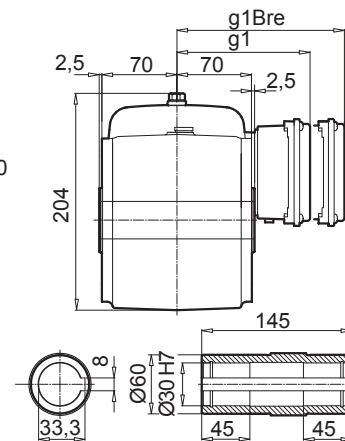
SK 93372.1



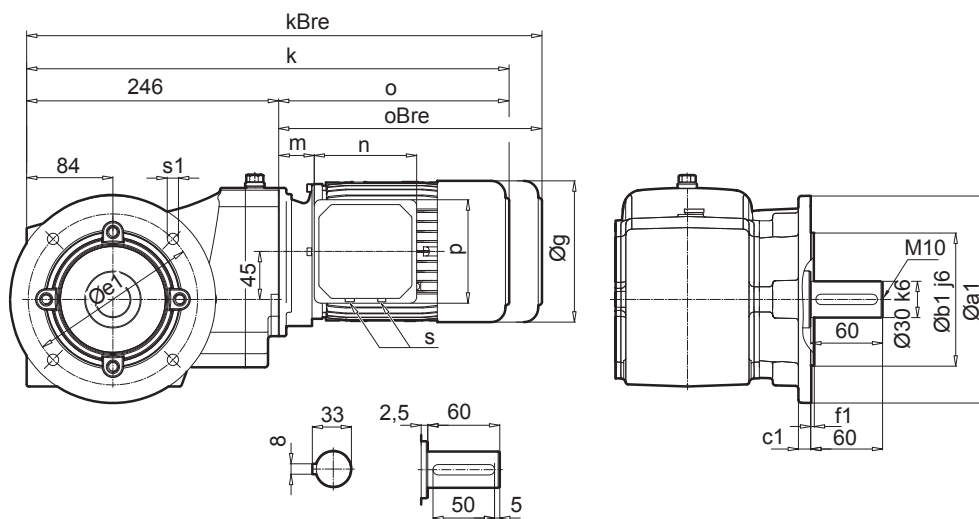
SK 93372.1 V



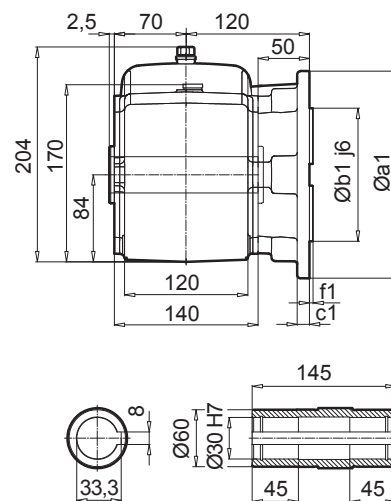
SK 93372.1 A



SK 93372.1VF



SK 93372.1 AF

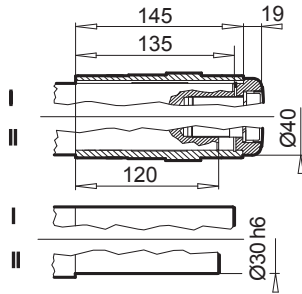


a1	b1	c1	e1	f1	s1
160	110	12	130	3,5	9
200	130	12	165	3,5	11

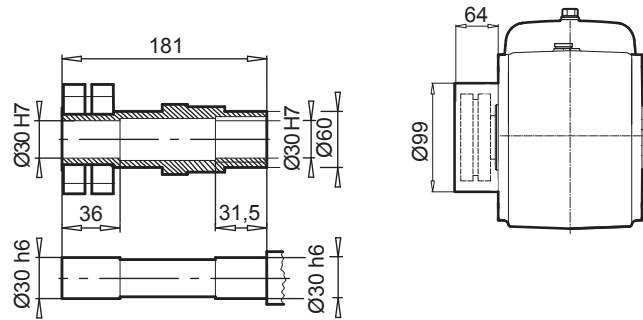
± ⇒ A61	63 S/L	71 S/L	80 SH	80 LP	90 SP/LP	100 LP/AP	
g	130	145	165	165	183	201	
g1 / g1Bre	115 / 123	124 / 132	142 / 142	142 / 142	147 / 147	169 / 173	
k / kBre	442 / 498	482 / 540	507 / 571	507 / 571	548 / 623	578 / 669	W ⇒ E122
o / oBre	196 / 252	236 / 294	261 / 325	261 / 325	302 / 377	332 / 423	
m / mBre	16 / 23	42 / 49	47 / 51	47 / 51	52 / 56	58 / 62	
n / nBre	100 / 134	100 / 134	114 / 153	114 / 153	114 / 153	114 / 153	IEC ⇒ E125
p / pBre	100 / 89	100 / 89	144 / 108	144 / 108	144 / 108	144 / 108	
s	M20 x 1,5	M20 x 1,5	M25 x 1,5	M25 x 1,5	M25 x 1,5	M25 x 1,5	



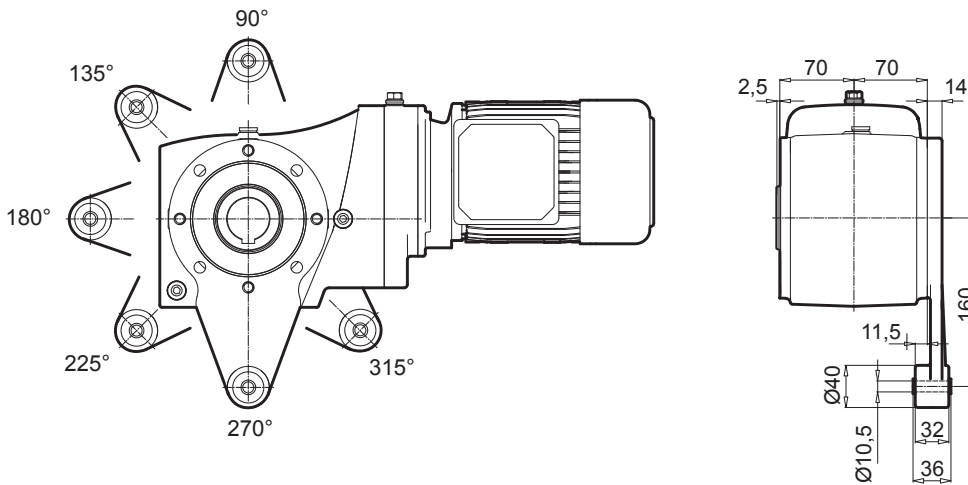
SK 93372.1 AB



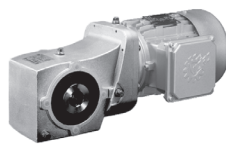
SK 93372.1 ASH



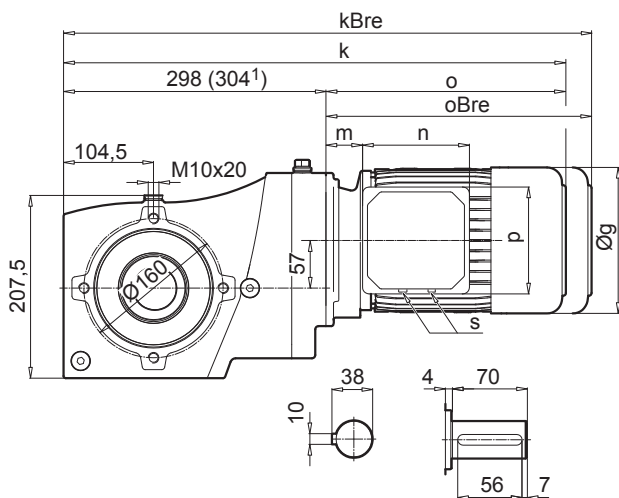
SK 93372.1 AD



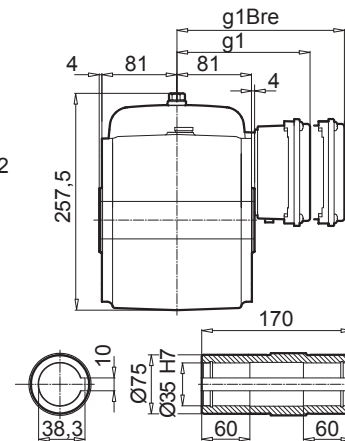
SK 93672.1



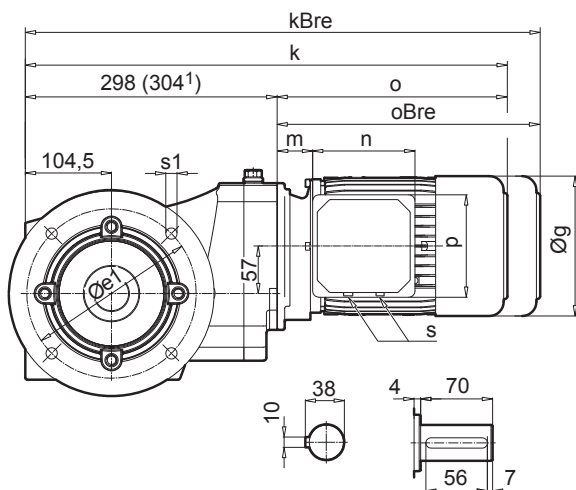
SK 93672.1 V



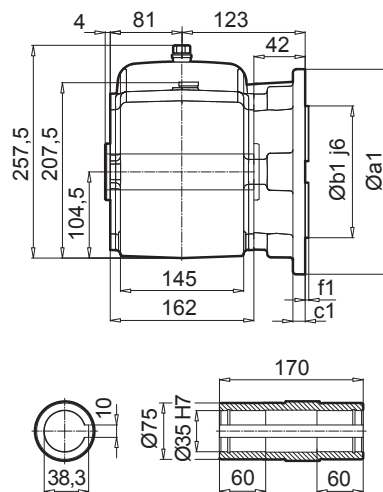
SK 93672.1 A



SK 93672.1AF



SK 93672.1 VF

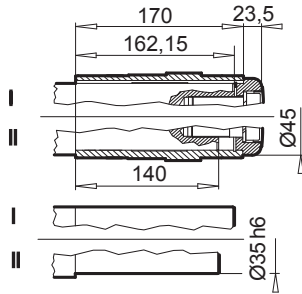


a1	b1	c1	e1	f1	s1
160	110	10	130	3,5	9
200	130	12	165	3,5	11,4

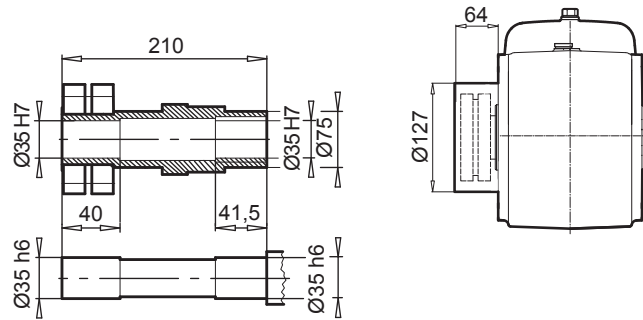
± ⇨ A61	71 S/L	80 SH	80 LP	90 SP/LP	100 LP/AP	112 MP	132 SP/MP ¹⁾	
g	145	165	165	183	201	228	266	
g1 / g1Bre	124 / 132	142 / 142	142 / 142	147 / 147	169 / 173	179 / 182	204 / 201	
k / kBre	534 / 592	559 / 623	559 / 623	600 / 675	630 / 721	678 / 771	733 / 840	
o / oBre	236 / 294	261 / 325	261 / 325	302 / 377	332 / 423	380 / 473	435 / 542	W ⇨ E122
m / mBre	42 / 49	47 / 51	47 / 51	52 / 56	58 / 62	64 / 67	71 / 62	
n / nBre	100 / 134	114 / 153	114 / 153	114 / 153	114 / 153	114 / 153	122 / 185	
p / pBre	100 / 89	114 / 108	114 / 108	114 / 108	114 / 108	114 / 108	122 / 139	
s	M20 x 1,5	M25 x 1,5	M25 x 1,5	M25 x 1,5	M25 x 1,5	M25 x 1,5	M25 x 1,5	IEC ⇨ E126



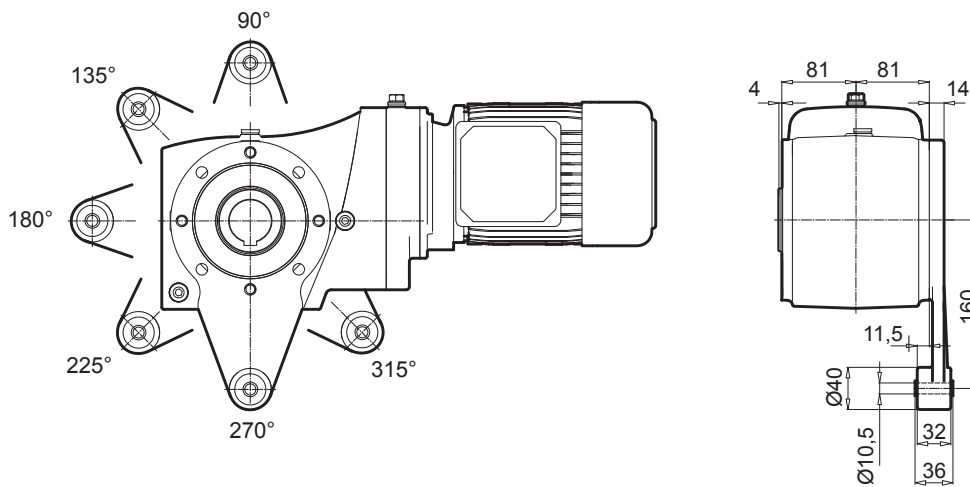
SK 93672.1 AB



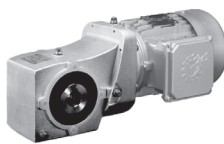
SK 93672.1 ASH



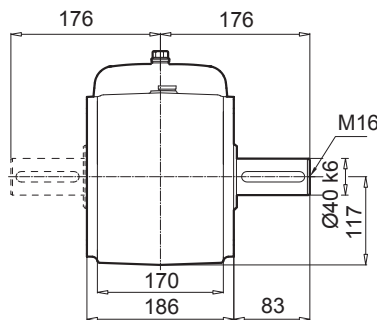
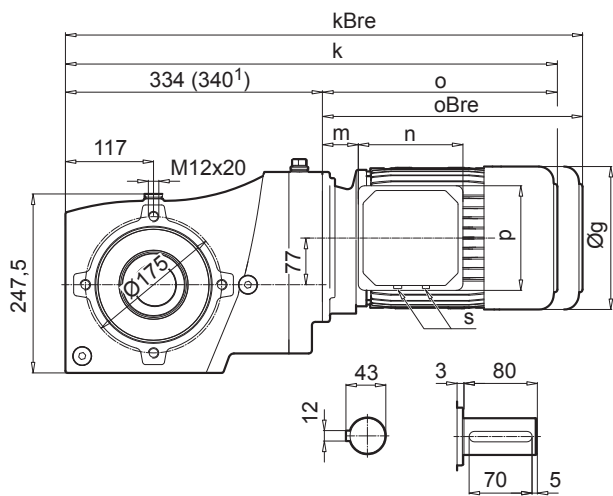
SK 93672.1 AD



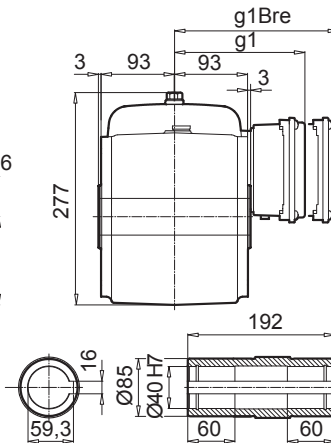
SK 93772.1



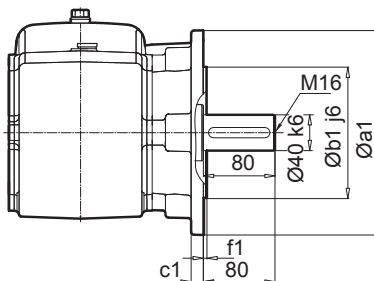
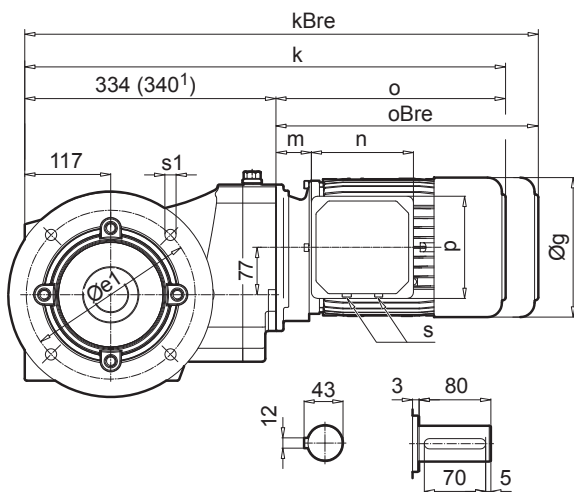
SK 93772.1 V



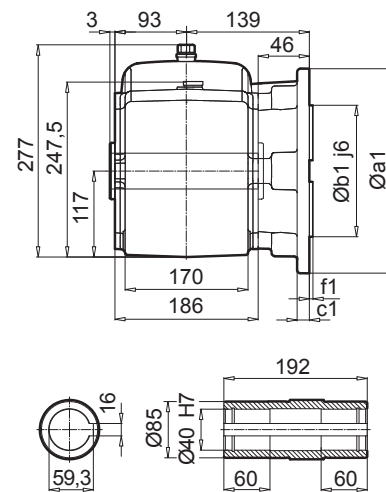
SK 93772.1 A



SK 93772.1VF

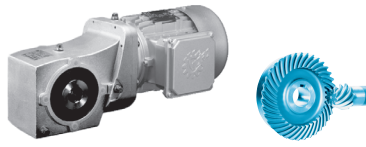


SK 93772.1 AF

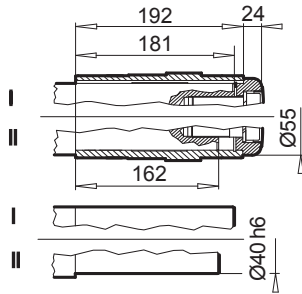


a1	b1	c1	e1	f1	s1
250	180	15	215	4	13,5

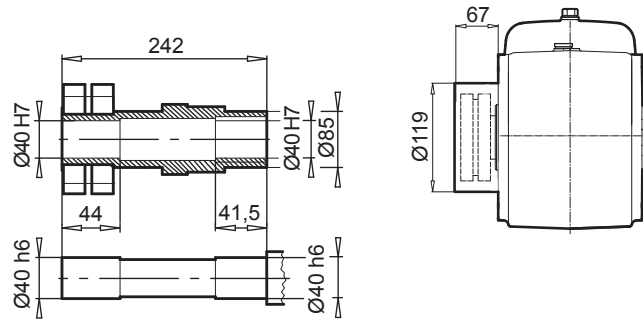
± ⇨ A61	71 S/L	80 SH	80 LP	90 SP/LP	100 LP/AP	112 MP	132 SP/MP ¹⁾	
g	145	165	165	183	201	228	266	
g1 / g1Bre	124 / 132	142 / 142	142 / 142	147 / 147	169 / 173	179 / 182	204 / 201	
k / kBre	570 / 628	595 / 659	595 / 659	636 / 711	666 / 757	714 / 807	775 / 882	
o / oBre	236 / 294	261 / 325	261 / 325	302 / 377	332 / 423	380 / 473	435 / 542	W ⇨ E122
m / mBre	42 / 49	47 / 51	47 / 51	52 / 56	58 / 62	64 / 67	71 / 62	IEC ⇨ E127
n / nBre	100 / 134	114 / 153	114 / 153	114 / 153	114 / 153	114 / 153	122 / 185	
p / pBre	100 / 89	114 / 108	114 / 108	114 / 108	114 / 108	114 / 108	122 / 139	
s	M20 x 1,5	M25 x 1,5	M25 x 1,5	M25 x 1,5	M25 x 1,5	M25 x 1,5	M25 x 1,5	



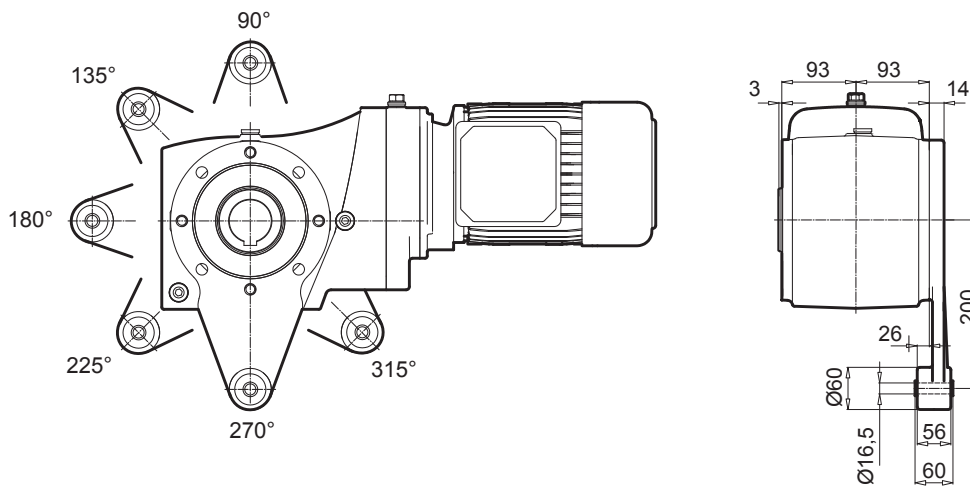
SK 93772.1 AB



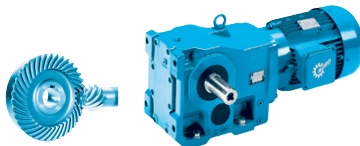
SK 93772.1 ASH



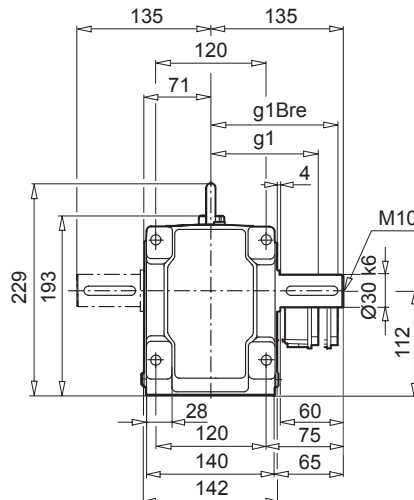
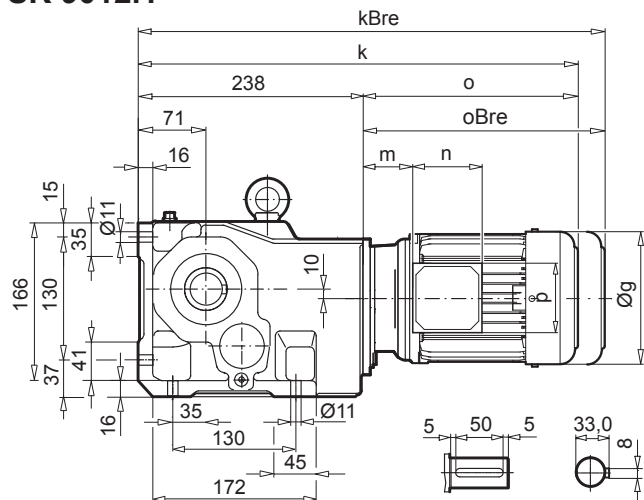
SK 93772.1 AD



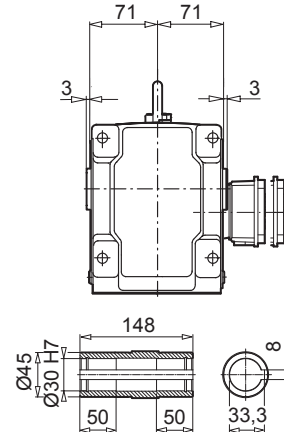
SK 9012.1



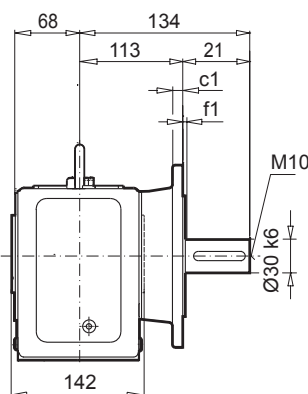
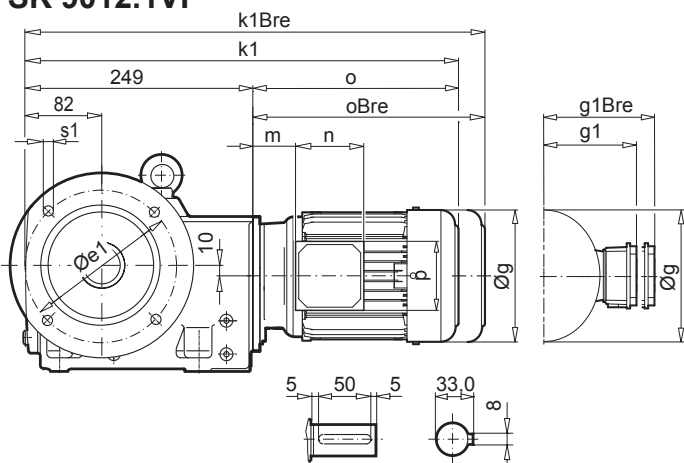
SK 9012.1



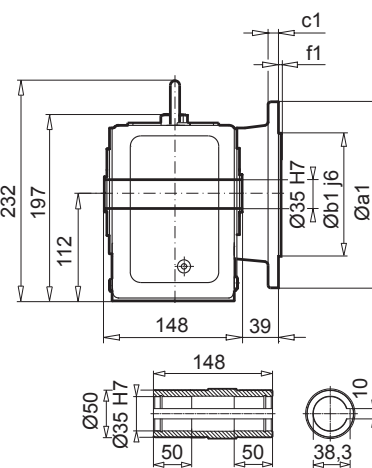
SK 9012.1AX



SK 9012.1VF

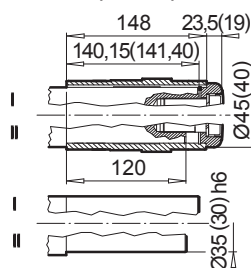


SK 9012.1AF



a1	b1	c1	e1	f1	s1
200	130	12	165	3,5	4 x 11

SK 9012.1AFB (AXB)

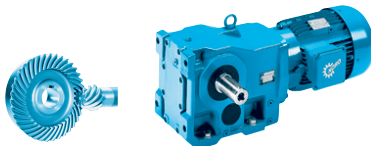


⇒ A61	63 S/L	71 S/L	80 SH	80 LH	90 SP/LP	100 LP/AP	112 MP	
g	130	145	165	165	183	201	228	
g1 / g1Bre	115 / 123	124 / 132	142 / 142	142 / 142	147 / 147	169 / 173	179 / 182	
k / kBre	434 / 490	474 / 532	499 / 563	499 / 563	540 / 615	570 / 661	618 / 711	
k1 / k1Bre	445 / 501	485 / 543	510 / 574	510 / 574	551 / 626	581 / 672	629 / 722	
o / oBre	196 / 252	236 / 294	261 / 325	261 / 325	302 / 377	332 / 423	380 / 473	
m / mBre	16 / 22	42 / 48	47 / 50	47 / 50	52 / 56	58 / 62	64 / 67	
n / nBre	100 / 134	100 / 134	114 / 153	114 / 153	114 / 153	114 / 153	114 / 153	
p / pBre	100 / 89	100 / 89	114 / 108	114 / 108	114 / 108	114 / 108	114 / 108	

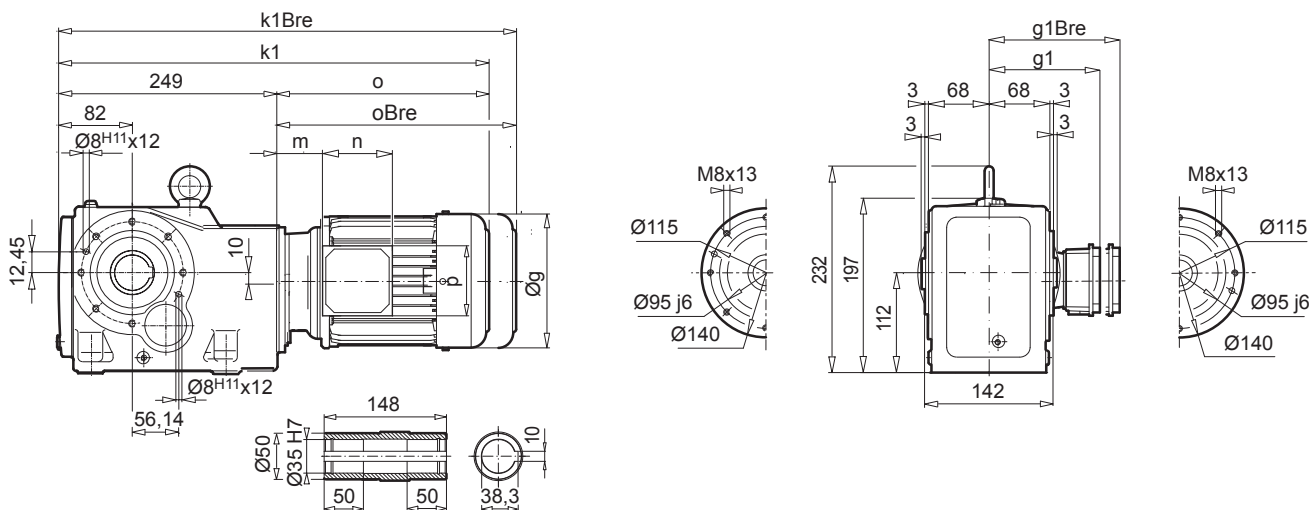


E128





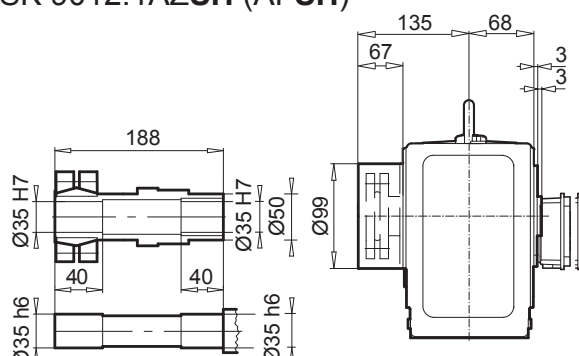
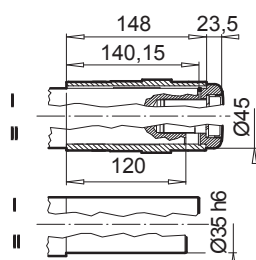
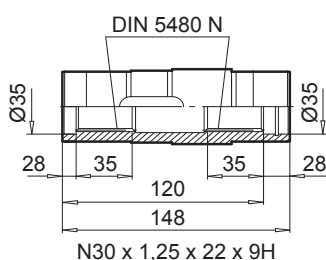
SK 9012.1AZ



SK 9012.1AZEA

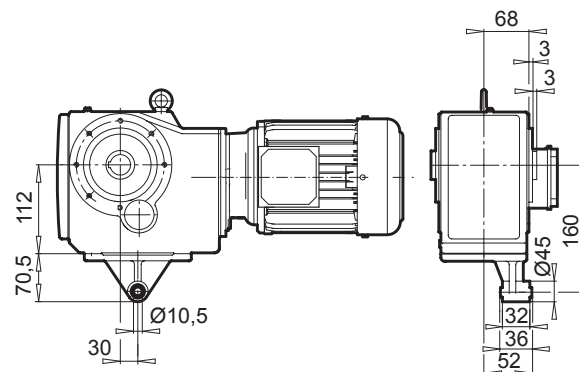
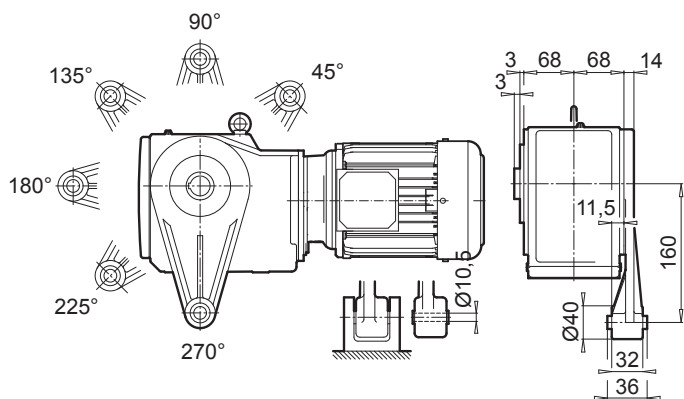
SK 9012.1AZB (AFB)

SK 9012.1AZSH (AFSH)



SK 9012.1AZD

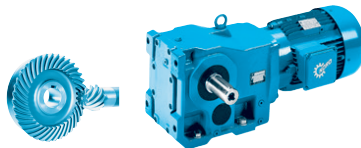
SK 9012.1AZK



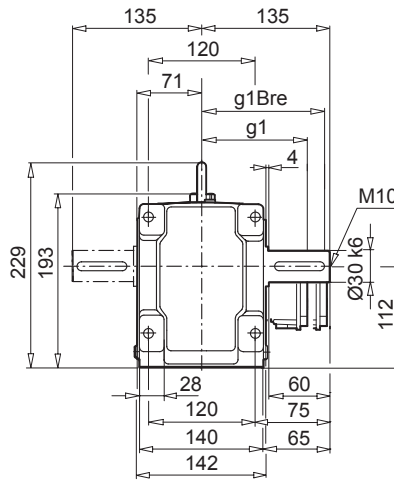
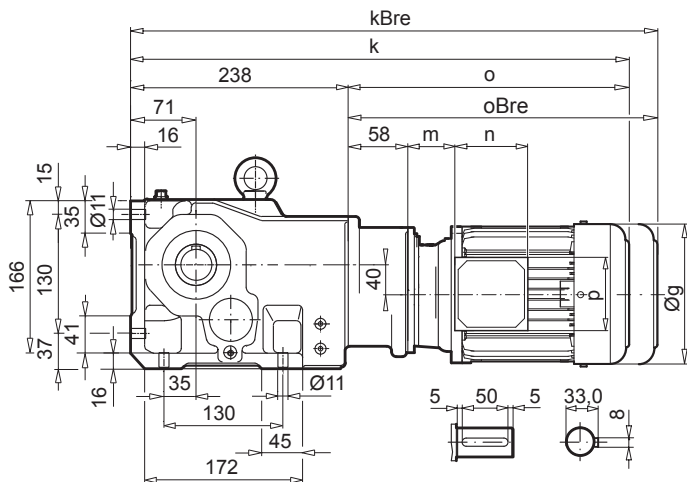
Helical-bevel gear units

⇒ A61	63 S/L	71 S/L	80 SH	80 LP	90 SP/LP	100 LP/AP	112 MP	
g	130	145	165	165	183	201	228	<p>E128</p>
g1 / g1Bre	115 / 123	124 / 132	142 / 142	142 / 142	147 / 147	169 / 173	179 / 182	
k1 / k1Bre	445 / 501	485 / 543	510 / 574	510 / 574	551 / 626	581 / 672	629 / 722	
o / oBre	196 / 252	236 / 294	261 / 325	261 / 325	302 / 377	332 / 423	380 / 473	
m / mBre	16 / 22	42 / 48	47 / 50	47 / 50	52 / 56	58 / 62	64 / 67	
n / nBre	100 / 134	100 / 134	114 / 153	114 / 153	114 / 153	114 / 153	114 / 153	
p / pBre	100 / 89	100 / 89	114 / 108	114 / 108	114 / 108	114 / 108	114 / 108	

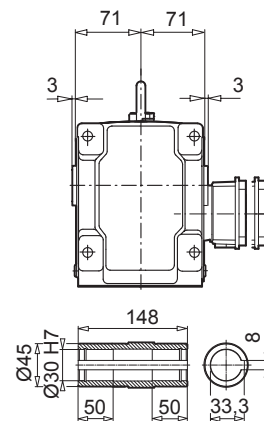
SK 9013.1



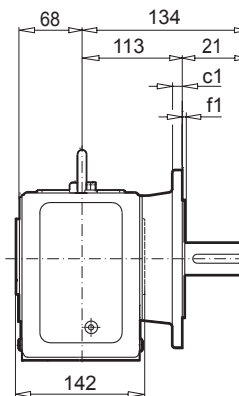
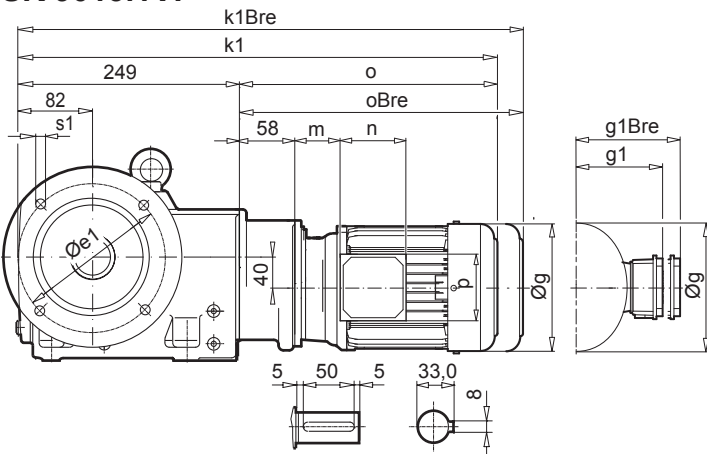
SK 9013.1



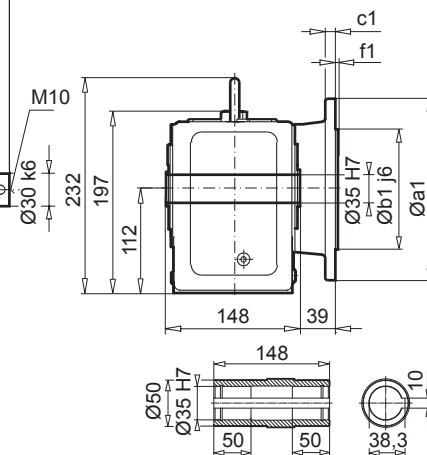
SK 9013.1AX



SK 9013.1VF

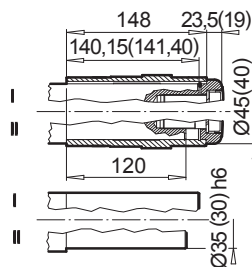


SK 9013.1AF



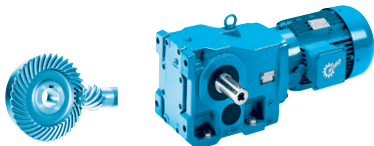
a1	b1	c1	e1	f1	s1
200	130	12	165	3,5	4 x 11

SK 9013.1AFB (AXB)

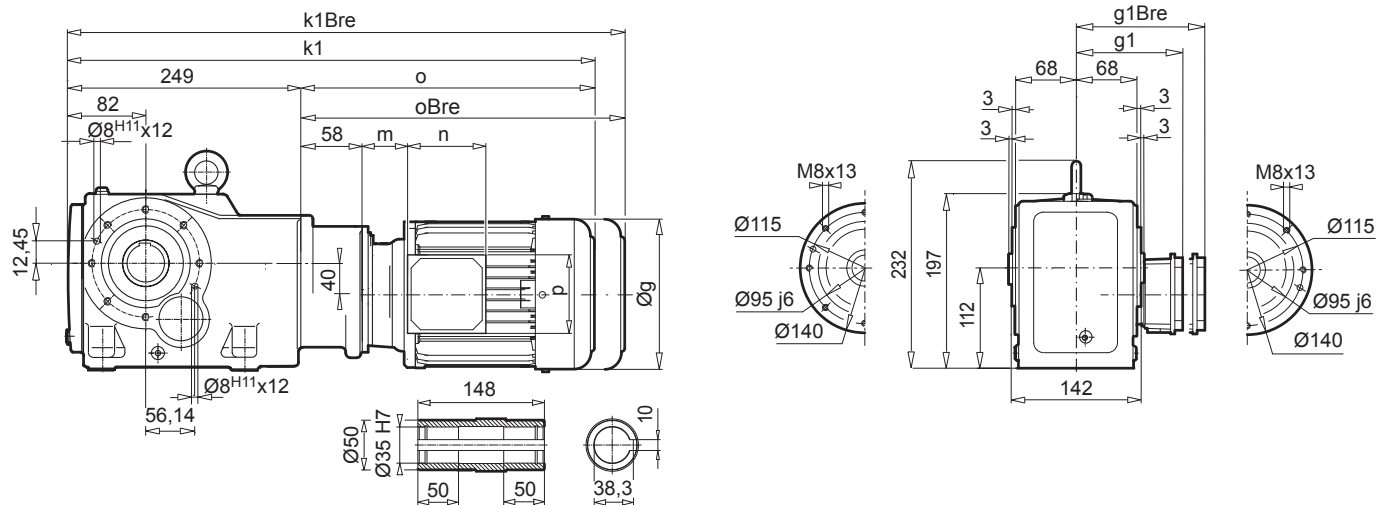


↗ A61	63 S/L	71 S/L					
g	130	145					
g1 / g1Bre	115 / 123	124 / 132					
k / kBre	492 / 548	532 / 590					
k1 / k1Bre	503 / 559	543 / 601					
o / oBre	196 / 252	236 / 294					
m / mBre	16 / 22	42 / 48					
n / nBre	100 / 134	100 / 134					
p / pBre	100 / 89	100 / 89					

E128



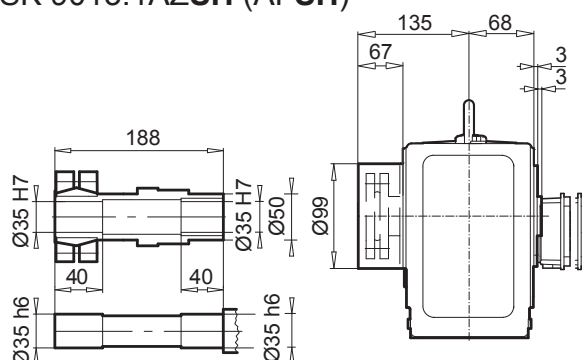
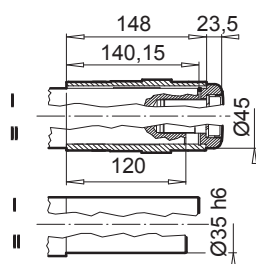
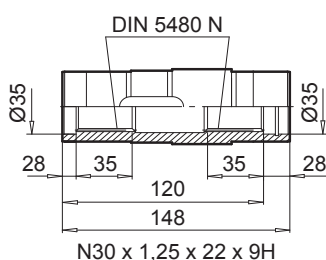
SK 9013.1AZ



SK 9013.1AZEA

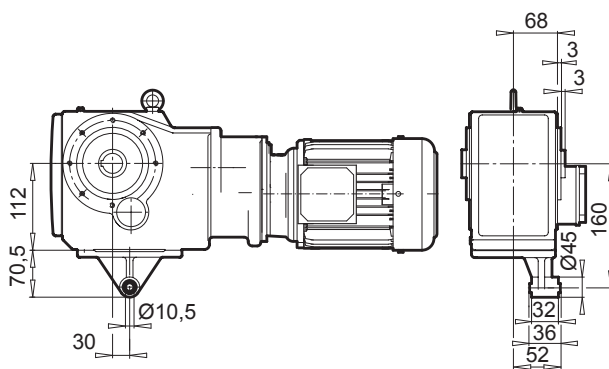
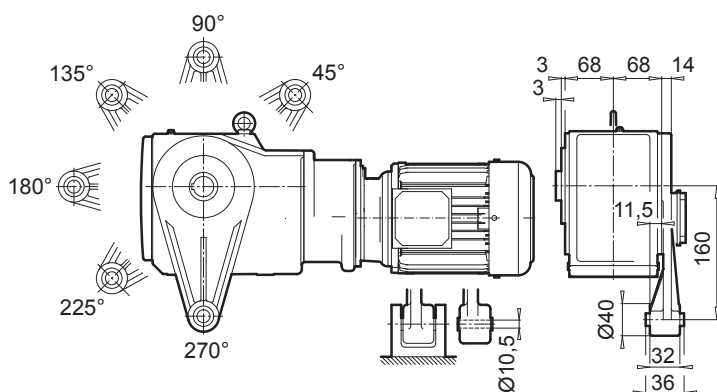
SK 9013.1AZB (AFB)

SK 9013.1AZSH (AFSH)



SK 9013.1AZD

SK 9013.1AZK

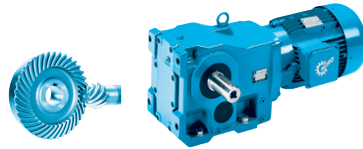


Helical-bevel gear units

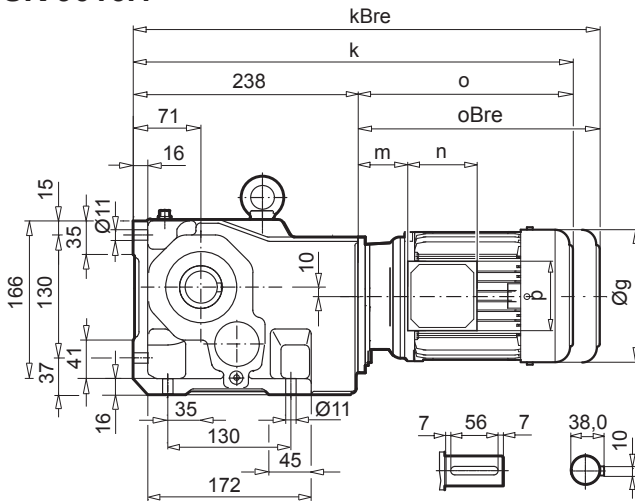
⇒ A61	63 S/L	71 S/L					
g	130	145					
g1 / g1Bre	115 / 123	124 / 132					
k1 / k1Bre	503 / 559	543 / 601					
o / oBre	196 / 252	236 / 294					
m / mBre	16 / 22	42 / 48					
n / nBre	100 / 134	100 / 134					
p / pBre	100 / 89	100 / 89					



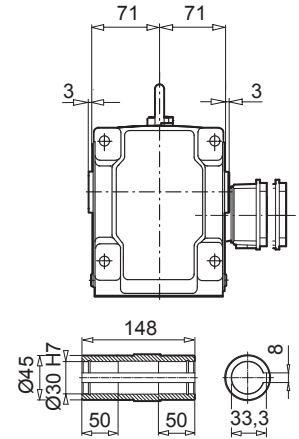
SK 9016.1



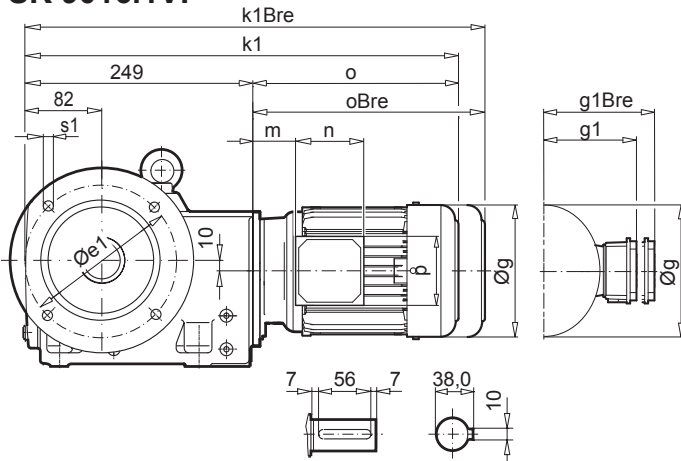
SK 9016.1



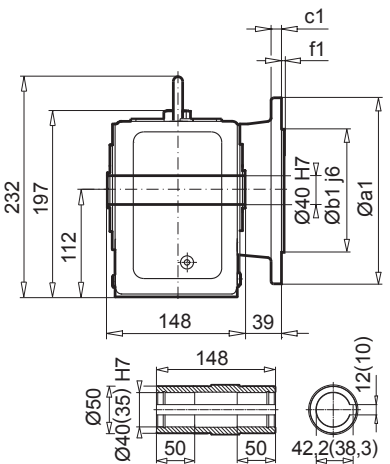
SK 9016.1AX



SK 9016.1VF

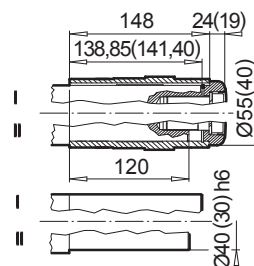


SK 9016.1AF



a1	b1	c1	e1	f1	s1
200	130	12	165	3,5	4 x 11

SK 9016.1AFB (AXB)



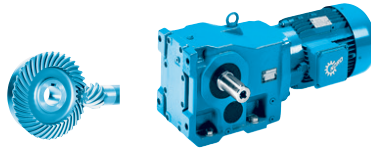
⇒ A61	63 S/L	71 S/L	80 S/SH	80 LP	90 SP/LP	100 LP/AP	112 MP
g	130	145	165	165	183	201	228
g1 / g1Bre	115 / 123	124 / 132	142 / 142	142 / 142	147 / 147	169 / 173	179 / 182
k / kBre	434 / 490	474 / 532	499 / 563	499 / 563	540 / 615	570 / 661	618 / 711
k1 / k1Bre	445 / 501	485 / 543	510 / 574	510 / 574	551 / 626	581 / 672	629 / 722
o / oBre	196 / 252	236 / 294	261 / 325	261 / 325	302 / 377	332 / 423	380 / 473
m / mBre	16 / 22	42 / 48	47 / 50	47 / 50	52 / 56	58 / 62	64 / 67
n / nBre	100 / 134	100 / 134	114 / 153	114 / 153	114 / 153	114 / 153	114 / 153
p / pBre	100 / 89	100 / 89	114 / 108	114 / 108	114 / 108	114 / 108	114 / 108



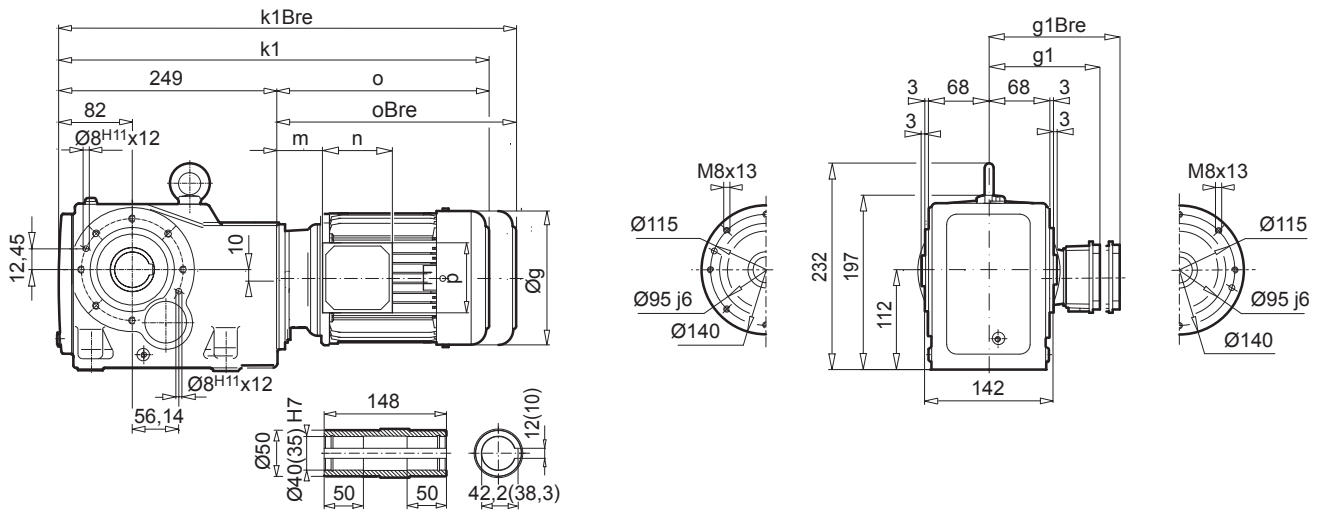
E128



Helical-bevel gear units



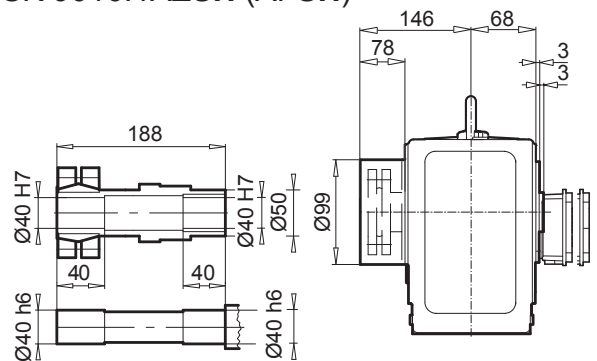
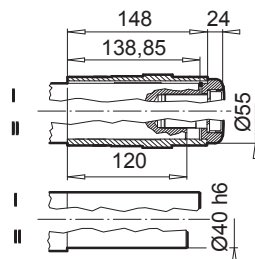
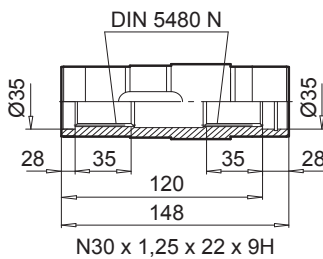
SK 9016.1AZ



SK 9016.1AZEA

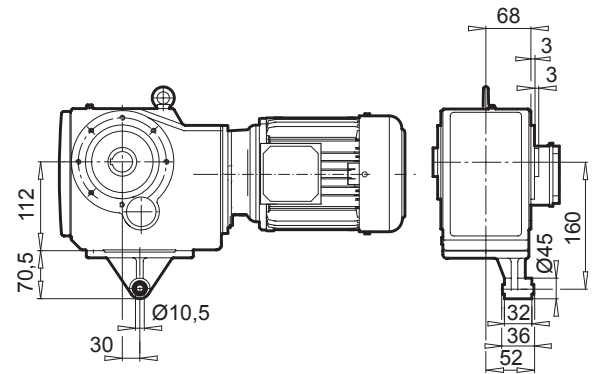
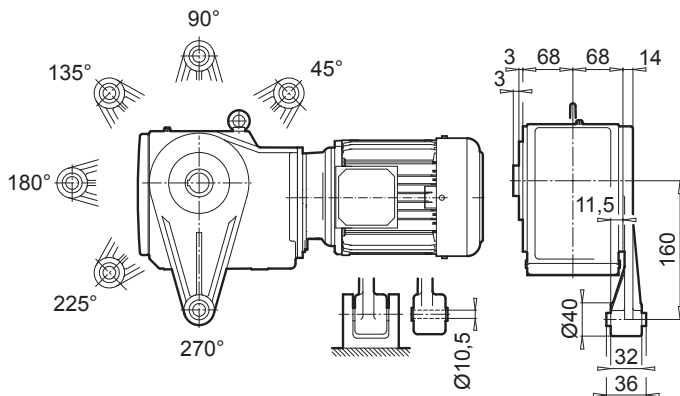
SK 9016.1AZB (AFB)

SK 9016.1AZSH (AFSH)



SK 9016.1AZD

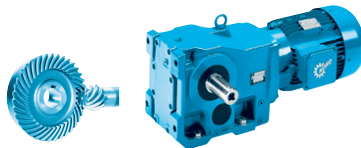
SK 9016.1AZK



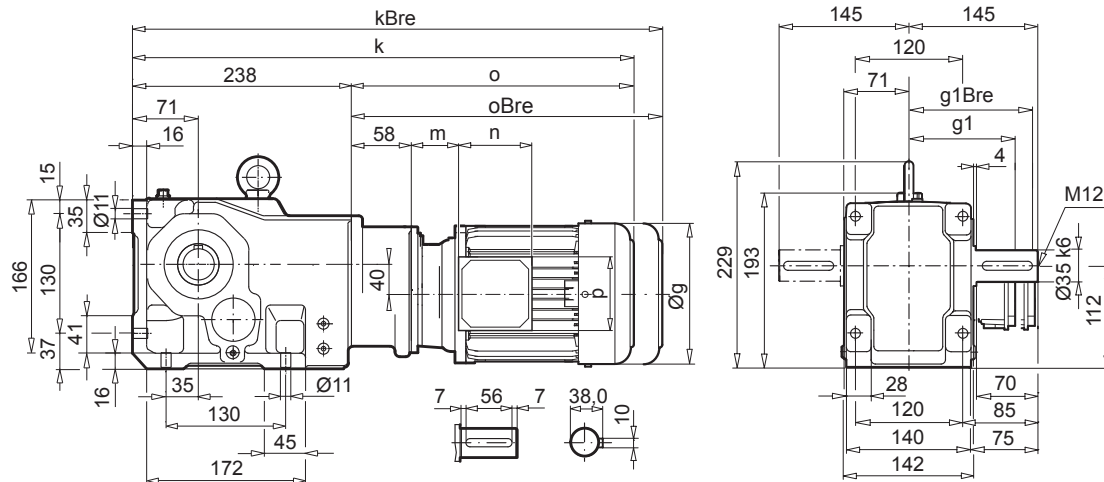
Helical-bevel gear units

⇒ A61	63 S/L	71 S/L	80 S/SH	80 LP	90 SP/LP	100 LP/AP	112 MP	
g	130	145	165	165	183	201	228	
g1 / g1Bre	115 / 123	124 / 132	142 / 142	142 / 142	147 / 147	169 / 173	179 / 182	
k1 / k1Bre	445 / 501	485 / 543	510 / 574	510 / 574	551 / 626	581 / 672	629 / 722	
o / oBre	196 / 252	236 / 294	261 / 325	261 / 325	302 / 377	332 / 423	380 / 473	
m / mBre	16 / 22	42 / 48	47 / 50	47 / 50	52 / 56	58 / 62	64 / 67	
n / nBre	100 / 134	100 / 134	114 / 153	114 / 153	114 / 153	114 / 153	114 / 153	
p / pBre	100 / 89	100 / 89	114 / 108	114 / 108	114 / 108	114 / 108	114 / 108	

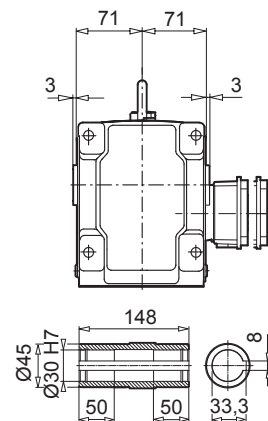
SK 9017.1



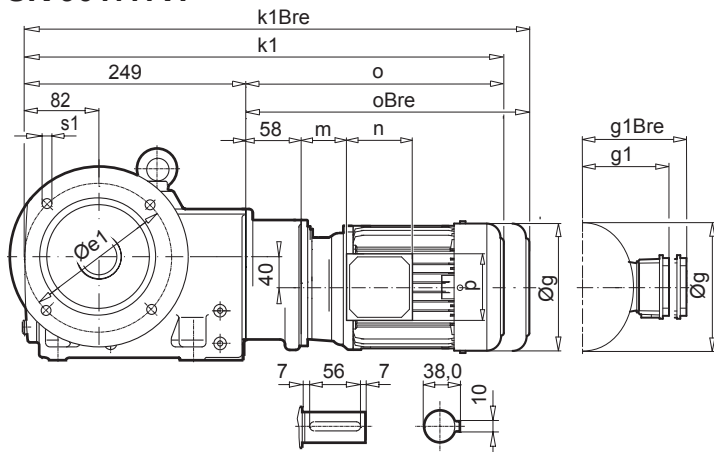
SK 9017.1



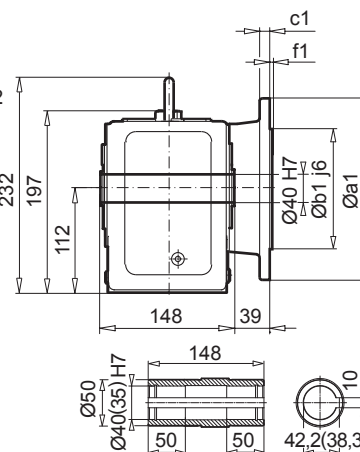
SK 9017.1AX



SK 9017.1VF

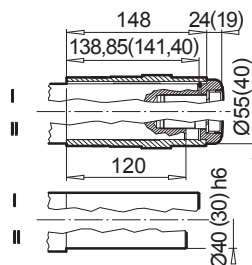


SK 9017.1AF



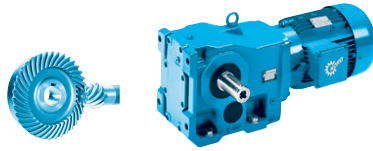
a1	b1	c1	e1	f1	s1
200	130	12	165	3,5	4 x 11

SK 9017.1AFB (AXB)

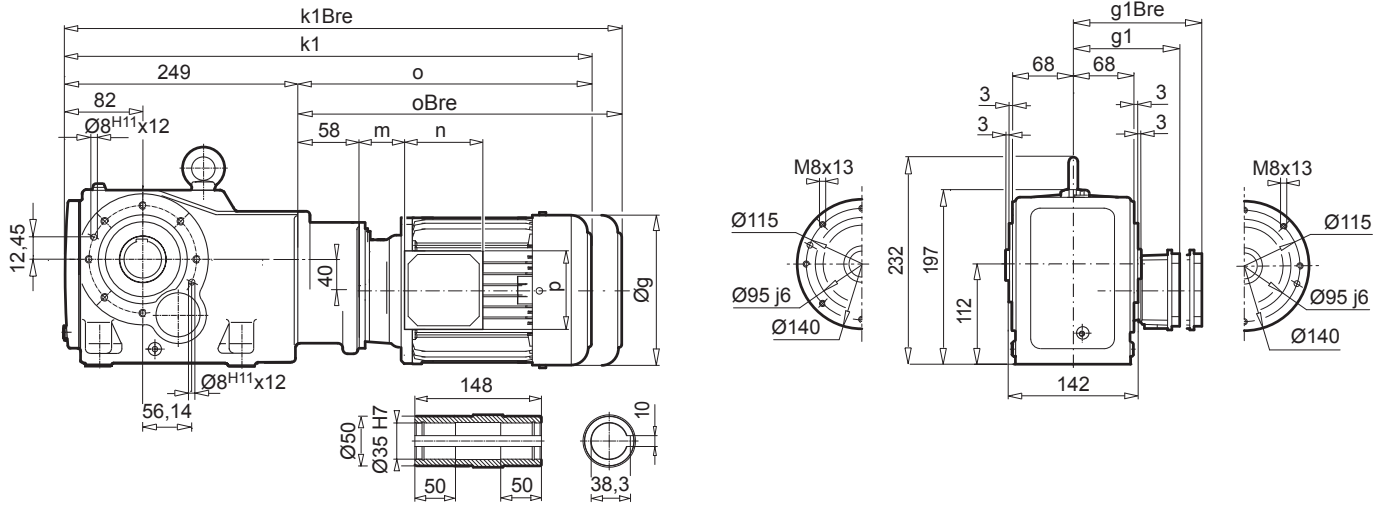


⇒ A61	63 S/L	71 S/L					
g	130	145					
g1 / g1Bre	115 / 123	124 / 132					
k / kBre	492 / 548	532 / 590					
k1 / k1Bre	503 / 559	543 / 601					
o / oBre	196 / 252	236 / 294					
m / mBre	16 / 22	42 / 48					
n / nBre	100 / 134	100 / 134					
p / pBre	100 / 89	100 / 89					

E128



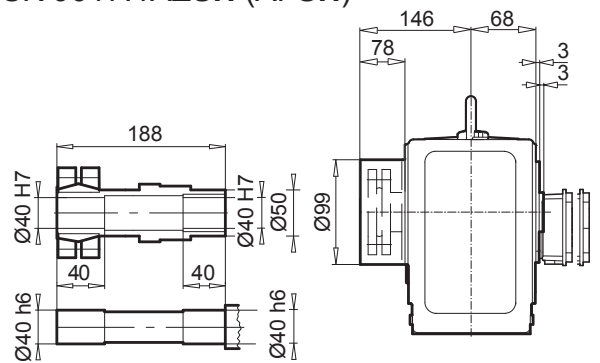
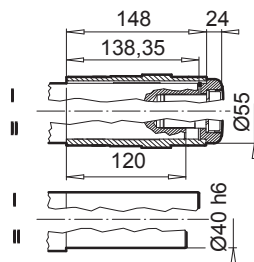
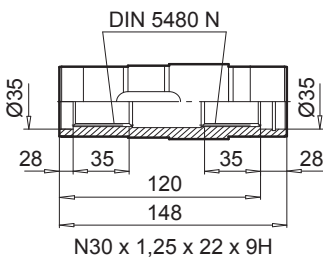
SK 9017.1AZ



SK 9017.1AZEA

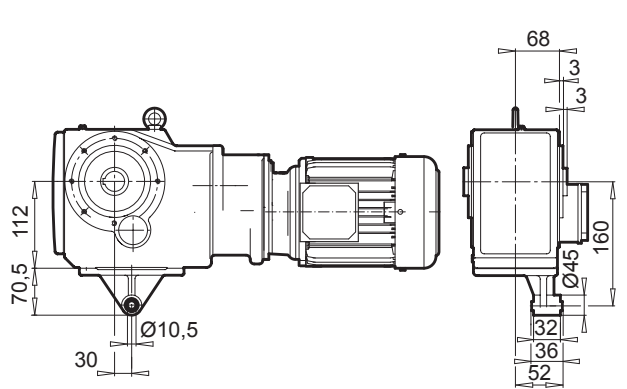
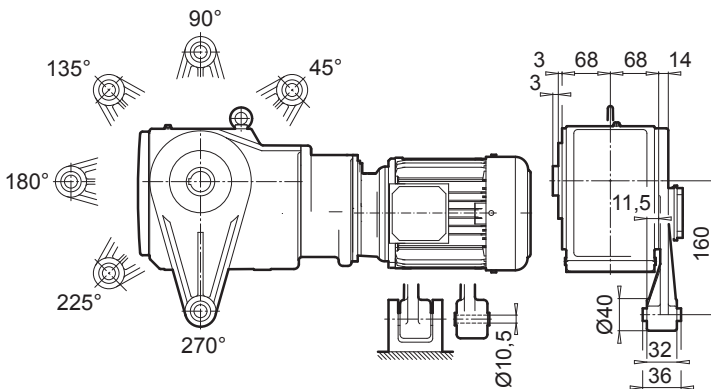
SK 9017.1AZB (AFB)

SK 9017.1AZSH (AFSH)



SK 9017.1AZD

SK 9017.1AZK

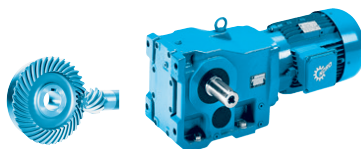


Helical-bevel gear units

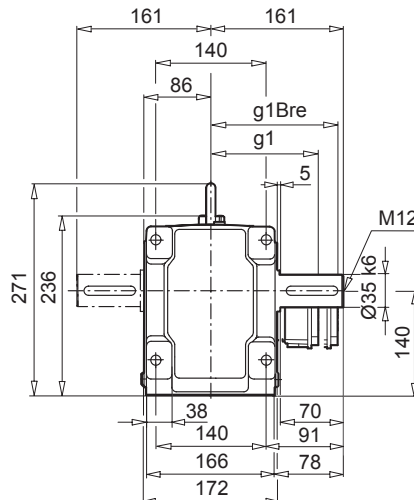
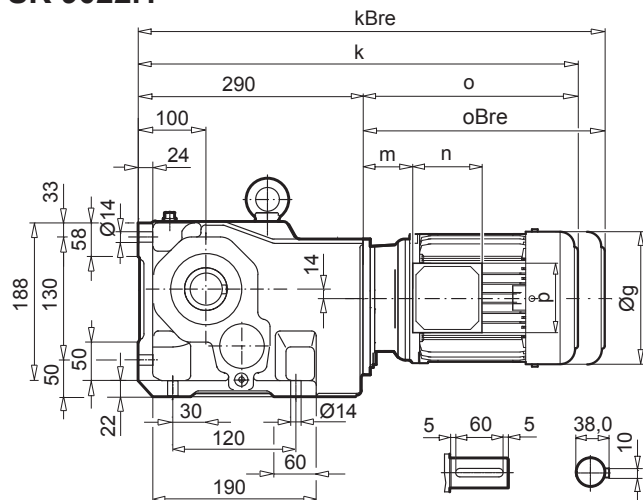
⇒ A61	63 S/L	71 S/L					
g	130	145					
g1 / g1Bre	115 / 123	124 / 132					
k1 / k1Bre	503 / 559	543 / 601					
o / oBre	196 / 252	236 / 294					
m / mBre	16 / 22	42 / 48					
n / nBre	100 / 134	100 / 134					
p / pBre	100 / 89	100 / 89					



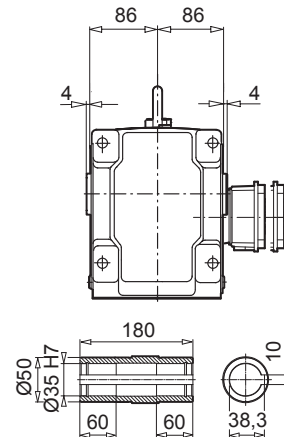
SK 9022.1



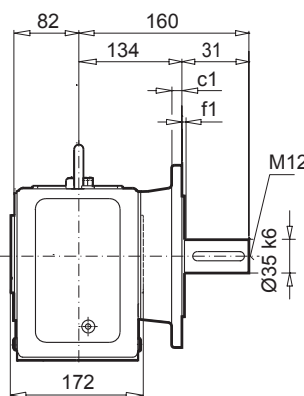
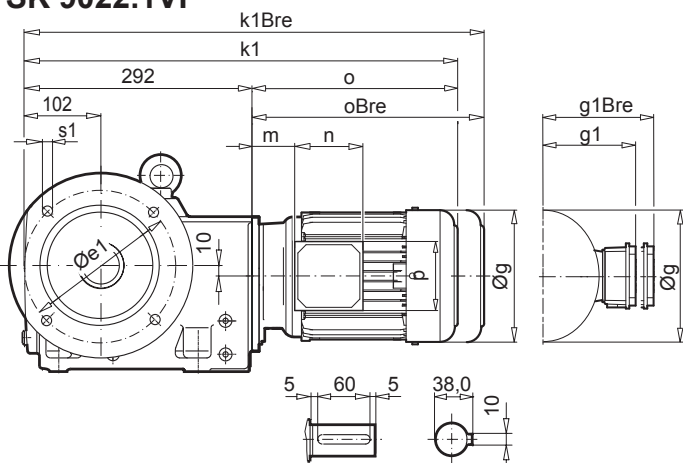
SK 9022.1



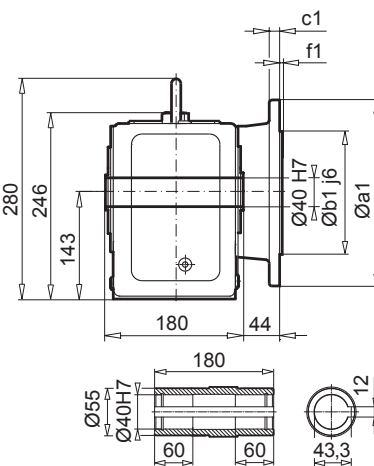
SK 9022.1AX



SK 9022.1VF

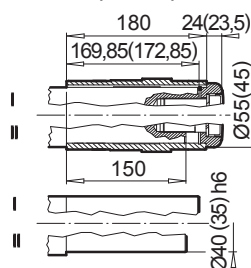


SK 9022.1AF



a1	b1	c1	e1	f1	s1
250	180	16	215	4	4 x 14

SK 9022.1AFB (AXB)

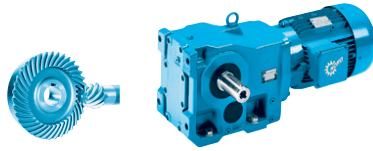


⇒ A61	71 S/L	80 S/SH	80 LP	90 SP/LP	100 LP/AP	112 MP	
g	145	165	165	183	201	228	
g1 / g1Bre	124 / 132	142 / 142	142 / 142	147 / 147	169 / 173	179 / 182	
k / kBre	526 / 584	551 / 615	551 / 615	592 / 667	622 / 713	670 / 763	
k1 / k1Bre	528 / 586	553 / 617	553 / 617	594 / 669	624 / 715	672 / 765	
o / oBre	236 / 294	261 / 325	261 / 325	302 / 377	332 / 423	380 / 473	
m / mBre	42 / 48	47 / 50	47 / 50	52 / 56	58 / 62	64 / 67	
n / nBre	100 / 134	114 / 153	114 / 153	114 / 153	114 / 153	114 / 153	
p / pBre	100 / 89	114 / 108	114 / 108	114 / 108	114 / 108	114 / 108	

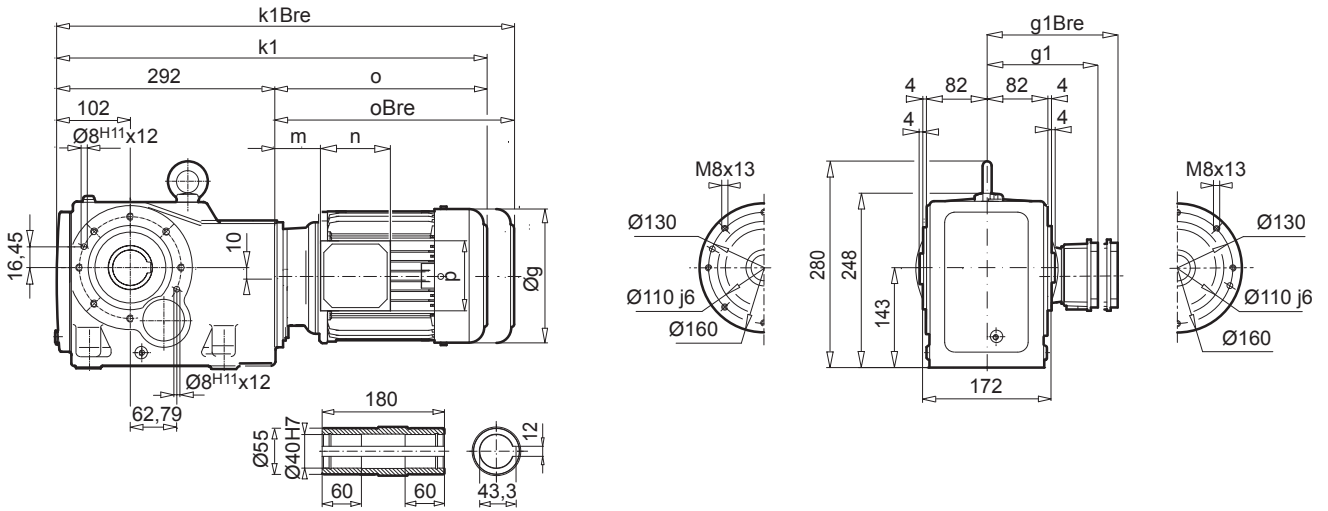


E128





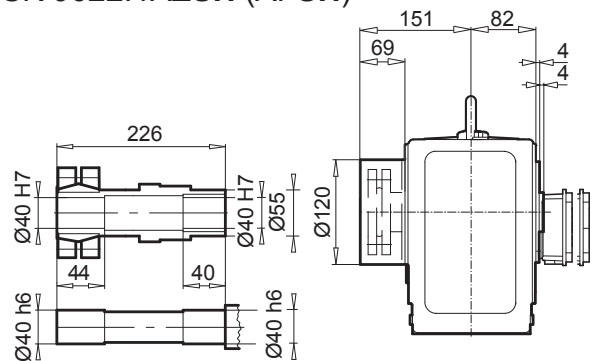
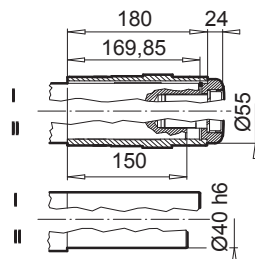
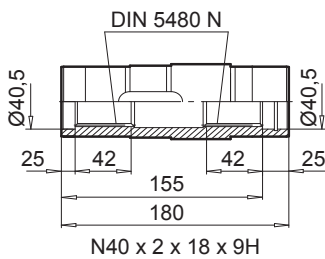
SK 9022.1AZ



SK 9022.1AZEA

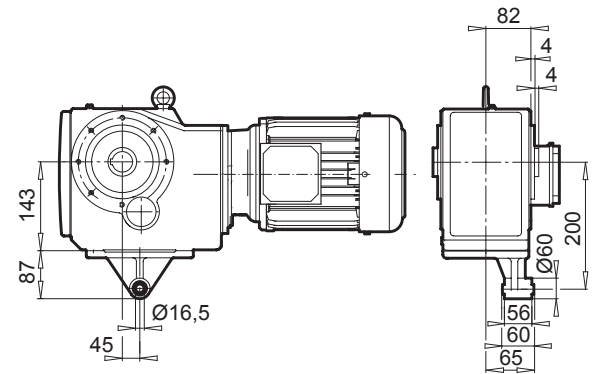
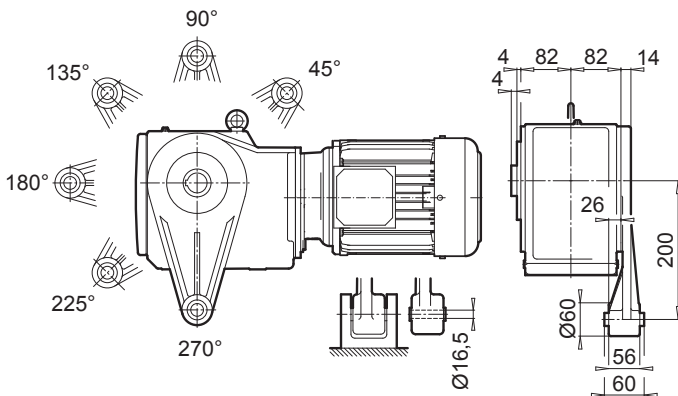
SK 9022.1AZB (AFB)

SK 9022.1AZSH (AFSH)



SK 9022.1AZD

SK 9022.1AZK

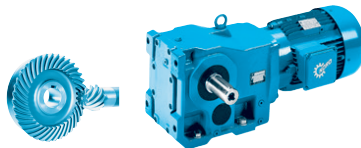


Helical-bevel gear units

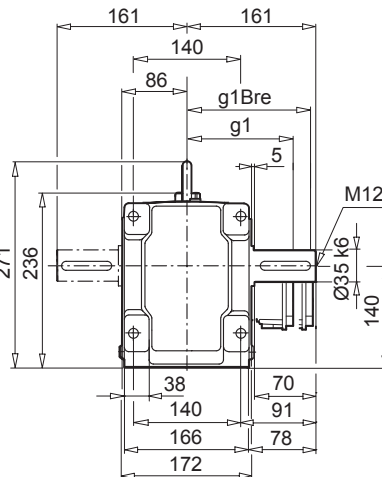
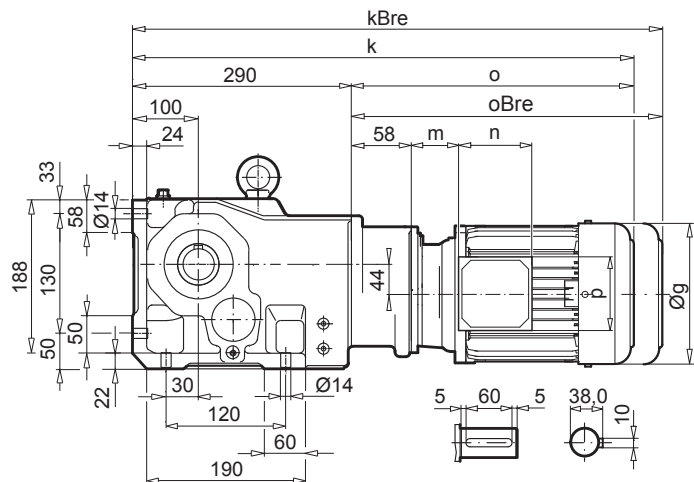
⇒ A61	71 S/L	80 S/SH	80 LP	90 SP/LP	100 LP/AP	112 MP	
g	145	165	165	183	201	228	
g1 / g1Bre	124 / 132	142 / 142	142 / 142	147 / 147	169 / 173	179 / 182	
k1 / k1Bre	528 / 586	553 / 617	553 / 617	594 / 669	624 / 715	672 / 765	
o / oBre	236 / 294	261 / 325	261 / 325	302 / 377	332 / 423	380 / 473	
m / mBre	42 / 48	47 / 50	47 / 50	52 / 56	58 / 62	64 / 67	
n / nBre	100 / 134	114 / 153	114 / 153	114 / 153	114 / 153	114 / 153	
p / pBre	100 / 89	114 / 108	114 / 108	114 / 108	114 / 108	114 / 108	



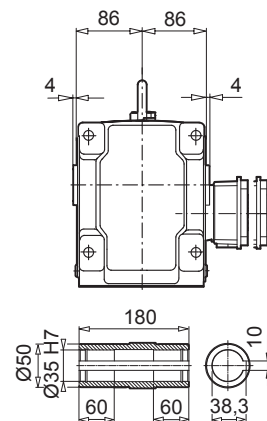
SK 9023.1



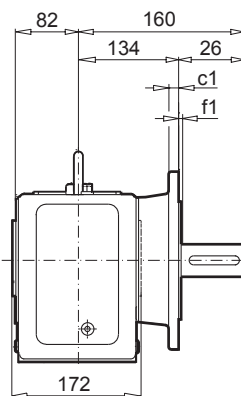
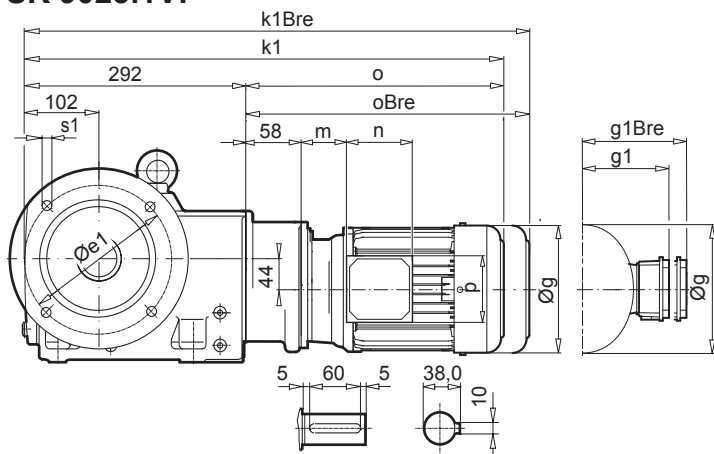
SK 9023.1



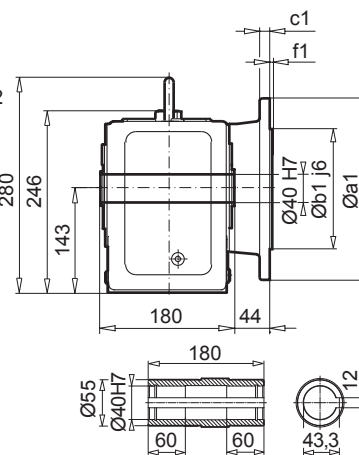
SK 9023.1AX



SK 9023.1VF

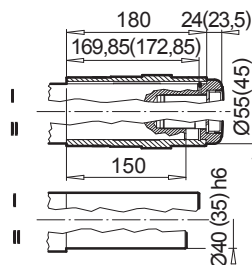


SK 9023.1AF



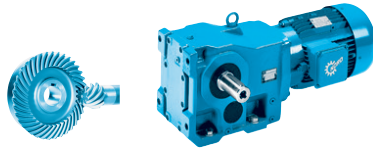
a1	b1	c1	e1	f1	s1
250	180	16	215	4	4 x 14

SK 9023.1AFB (AXB)

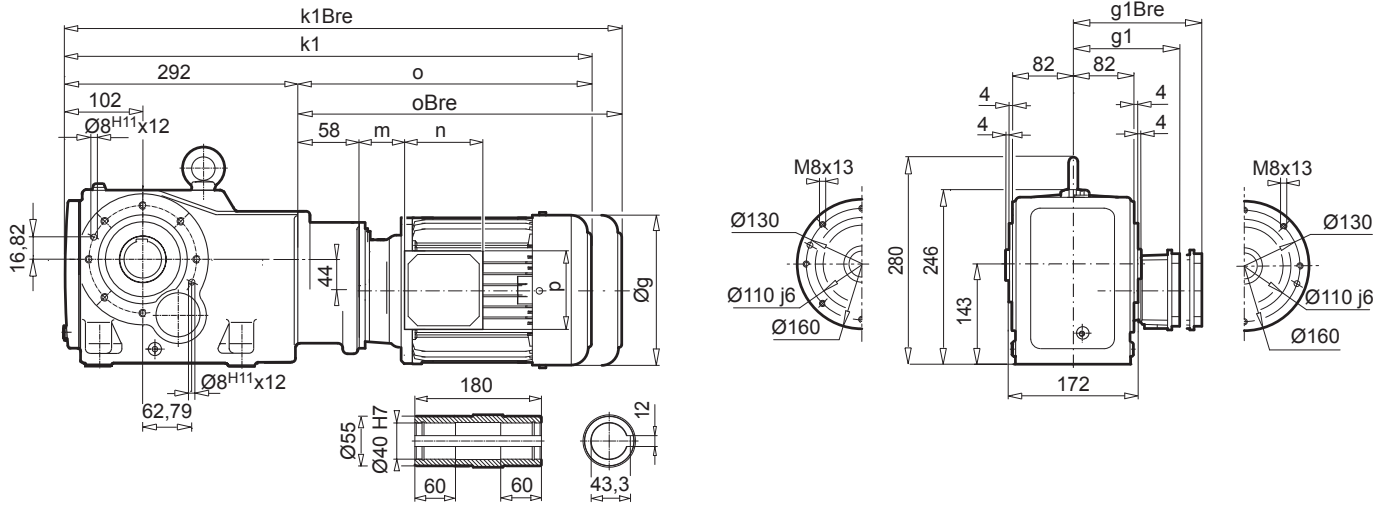


⇒ A61	63 S/L	71 S/L					
g	130	145					
g1 / g1Bre	115 / 123	124 / 132					
k / kBre	544 / 600	584 / 642					
k1 / k1Bre	546 / 602	586 / 644					
o / oBre	196 / 252	236 / 294					
m / mBre	16 / 22	42 / 48					
n / nBre	100 / 134	100 / 134					
p / pBre	100 / 89	100 / 89					

E128



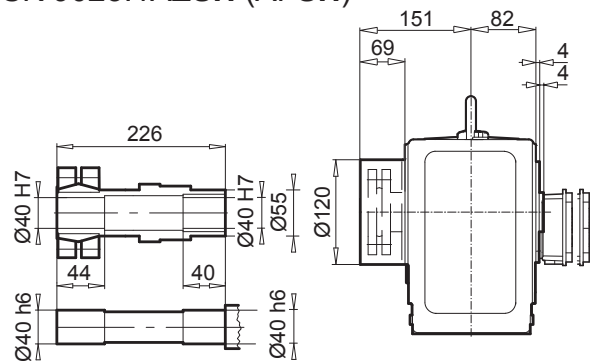
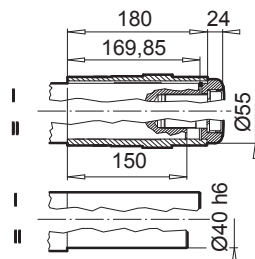
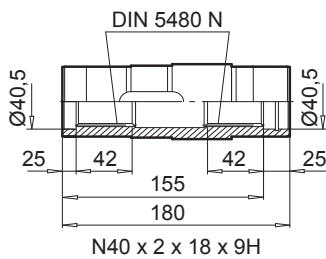
SK 9023.1AZ



SK 9023.1AZEA

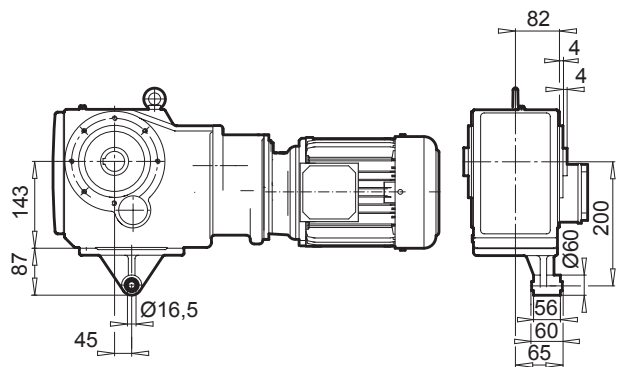
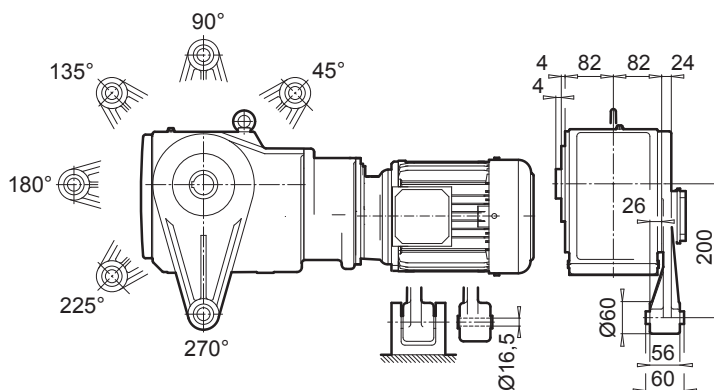
SK 9023.1AZB (AFB)

SK 9023.1AZSH (AFSH)



SK 9023.1AZD

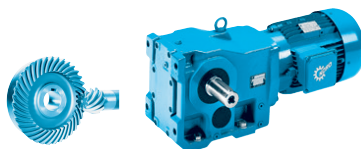
SK 9023.1AZK



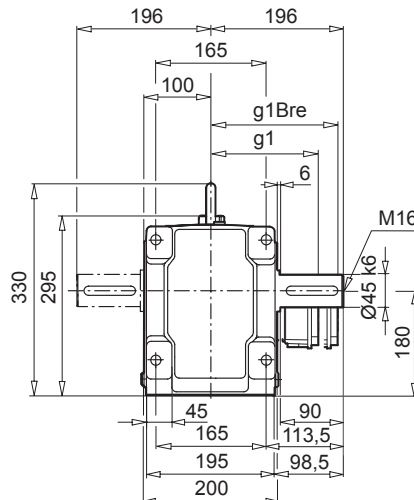
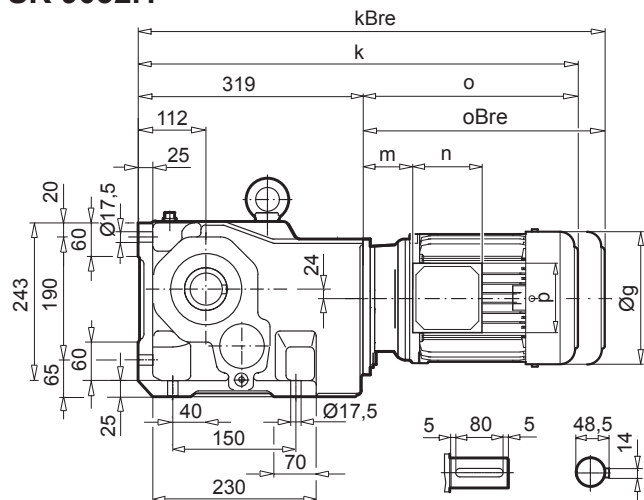
Helical-bevel gear units

⇒ A61	63 S/L	71 S/L					
g	130	145					
g1 / g1Bre	115 / 123	124 / 132					
k1 / k1Bre	546 / 602	586 / 644					
o / oBre	196 / 252	236 / 294					
m / mBre	16 / 22	42 / 48					
n / nBre	100 / 134	100 / 134					
p / pBre	100 / 89	100 / 89					

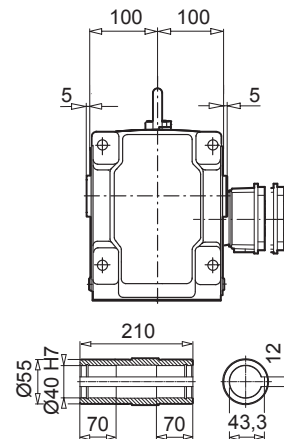
SK 9032.1



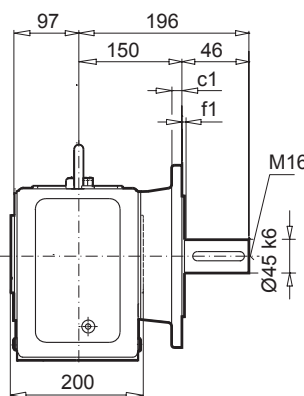
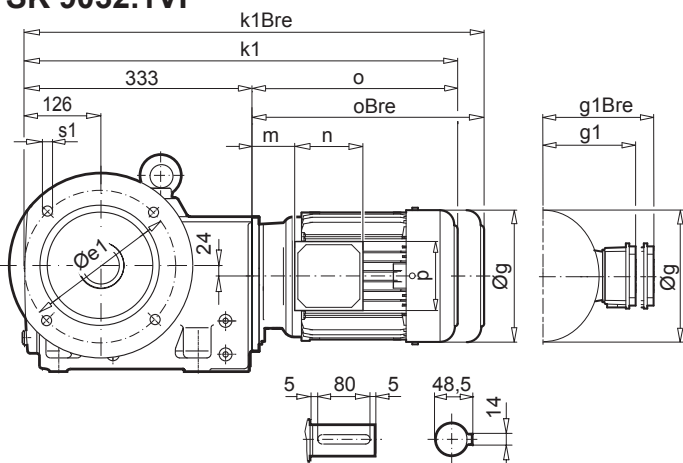
SK 9032.1



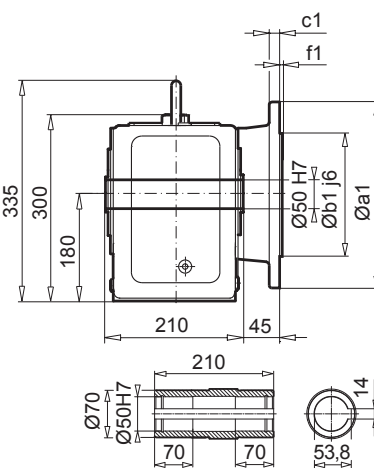
SK 9032.1AX



SK 9032.1VF

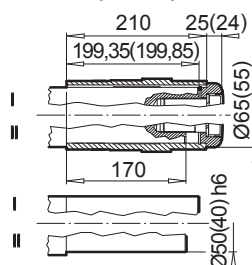


SK 9032.1AF

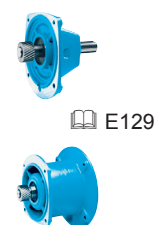


a1	b1	c1	e1	f1	s1
250	180	15	215	4	4 x 13,5
300	230	20	265	4	4 x 14

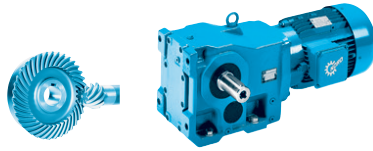
SK 9032.1AFB (AXB)



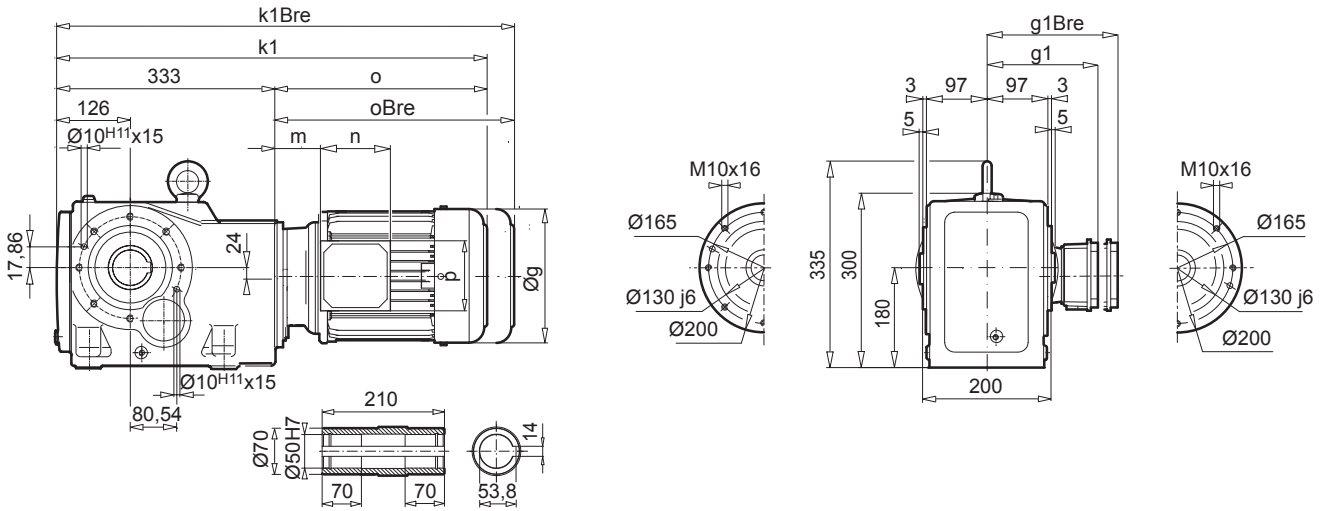
⇒ A61	71 S/L	80 SH	80 LP	90 SP/LP	100 LP/AP	112 MP	132 SP/MP	
g	145	165	165	183	201	228	266	
g1 / g1Bre	124 / 132	142 / 142	142 / 142	147 / 147	169 / 173	179 / 182	204 / 201	
k / kBre	549 / 607	574 / 638	574 / 638	615 / 690	645 / 736	693 / 786	754 / 861	
k1 / k1Bre	563 / 621	588 / 652	588 / 652	629 / 704	659 / 750	707 / 800	768 / 875	
o / oBre	230 / 288	255 / 319	255 / 319	296 / 371	326 / 417	374 / 467	435 / 542	
m / mBre	36 / 42	41 / 45	41 / 45	46 / 50	52 / 56	58 / 61	71 / 62	
n / nBre	100 / 134	114 / 153	114 / 153	114 / 153	114 / 153	114 / 153	122 / 185	
p / pBre	100 / 89	114 / 108	114 / 108	114 / 108	114 / 108	114 / 108	122 / 139	



E129



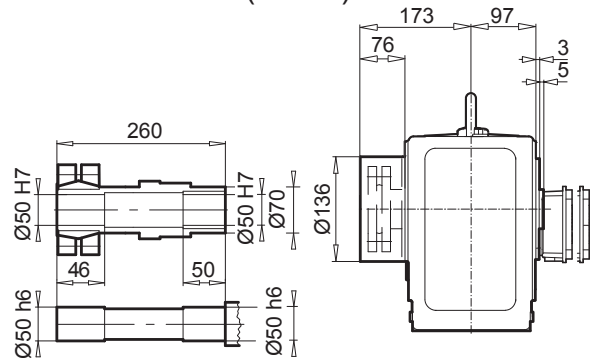
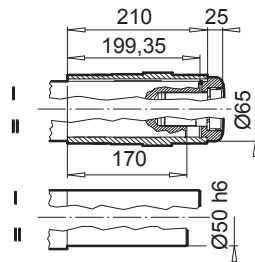
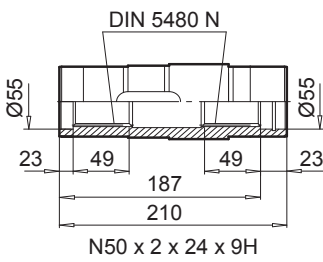
SK 9032.1AZ



SK 9032.1AZEA

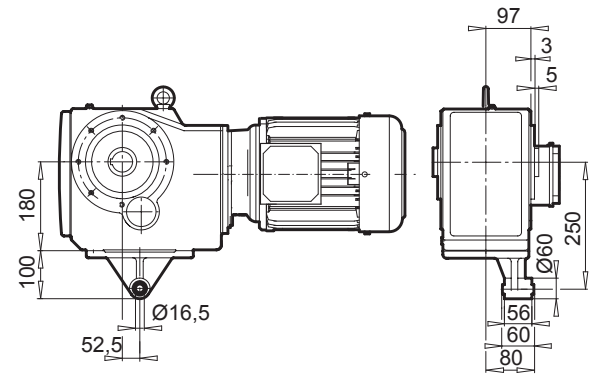
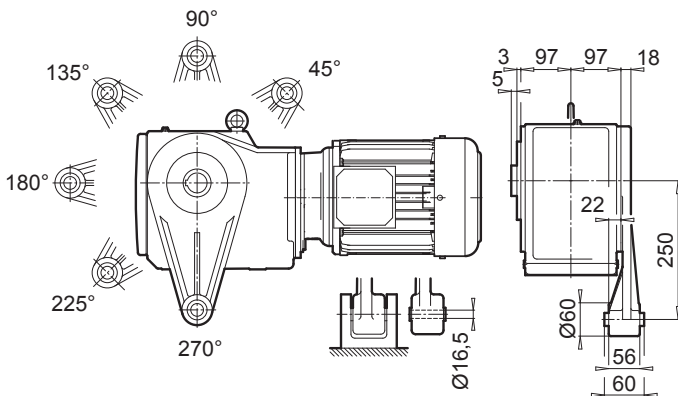
SK 9032.1AZB (AFB)

SK 9032.1AZSH (AFSH)



SK 9032.1AZD

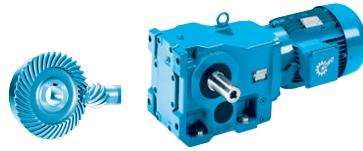
SK 9032.1AZK



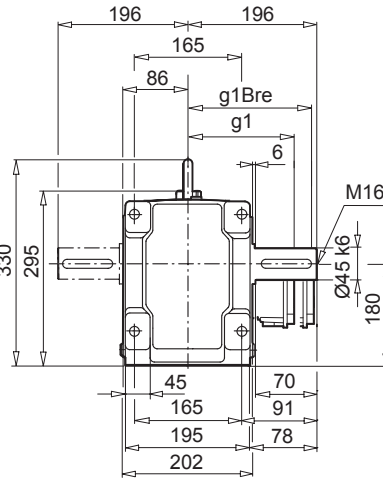
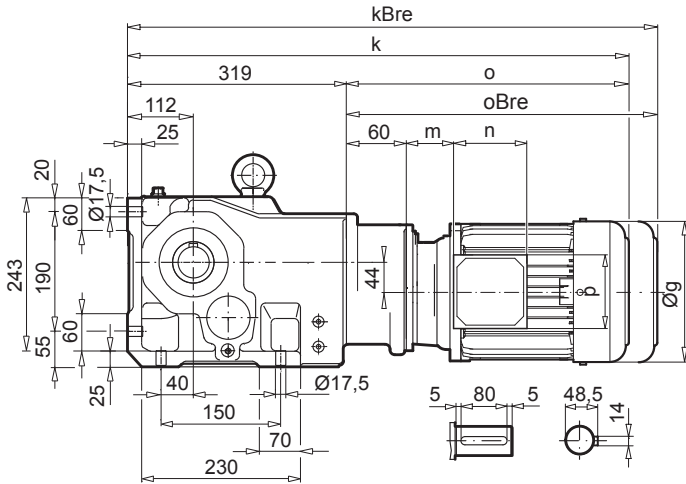
Helical-bevel gear units

⇒ A61	71 S/L	80 SH	80 LP	90 SP/LP	100 LP/AP	112 MP	132 SP/MP	
g	145	165	165	183	201	228	266	 E129
g1 / g1Bre	124 / 132	142 / 142	142 / 142	147 / 147	169 / 173	179 / 182	204 / 201	
k1 / k1Bre	563 / 621	588 / 652	588 / 652	629 / 704	659 / 750	707 / 800	768 / 875	
o / oBre	230 / 288	255 / 319	255 / 319	296 / 371	326 / 417	374 / 467	435 / 542	
m / mBre	36 / 42	41 / 45	41 / 45	46 / 50	52 / 56	58 / 61	71 / 62	
n / nBre	100 / 134	114 / 153	114 / 153	114 / 153	114 / 153	114 / 153	122 / 185	
p / pBre	100 / 89	114 / 108	114 / 108	114 / 108	114 / 108	114 / 108	122 / 139	

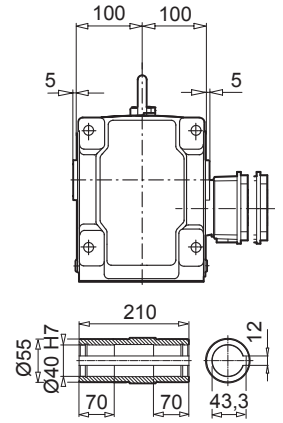
SK 9033.1



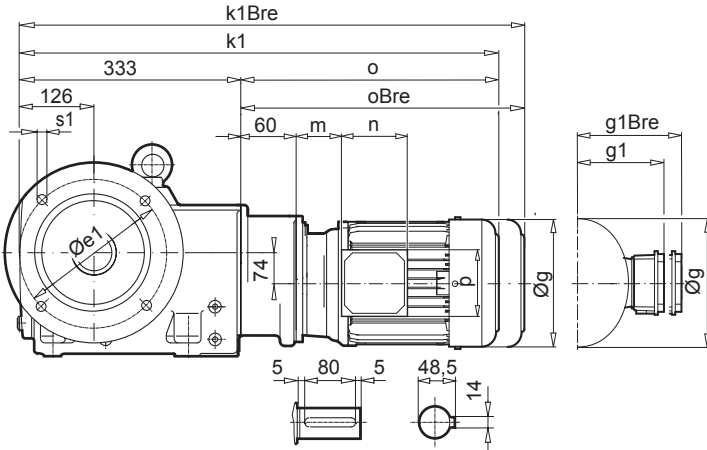
SK 9033.1



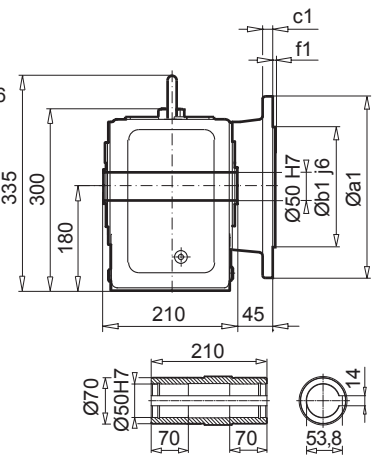
SK 9033.1AX



SK 9033.1VF

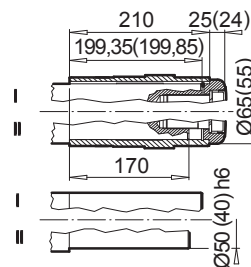


SK 9033.1AF



a1	b1	c1	e1	f1	s1
250	180	15	215	4	4 x 13,5
300	230	20	265	4	4 x 14

SK 9033.1AFB (AXB)

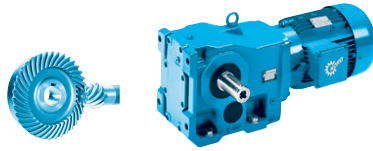


⇒ A61	63 S/L	71 S/L	80 SH	80 LP	90 SP		
g	130	145	165	165	183		
g1 / g1Bre	115 / 123	124 / 132	142 / 142	142 / 142	147 / 147		
k / kBre	575 / 631	615 / 673	640 / 704	640 / 704	681 / 756		
k1 / k1Bre	589 / 645	629 / 687	654 / 718	654 / 718	695 / 770		
o / oBre	196 / 252	236 / 294	261 / 325	261 / 325	302 / 377		
m / mBre	16 / 22	42 / 48	47 / 51	47 / 51	52 / 56		
n / nBre	100 / 134	100 / 134	114 / 153	114 / 153	114 / 153		
p / pBre	100 / 89	100 / 89	114 / 108	114 / 108	114 / 108		

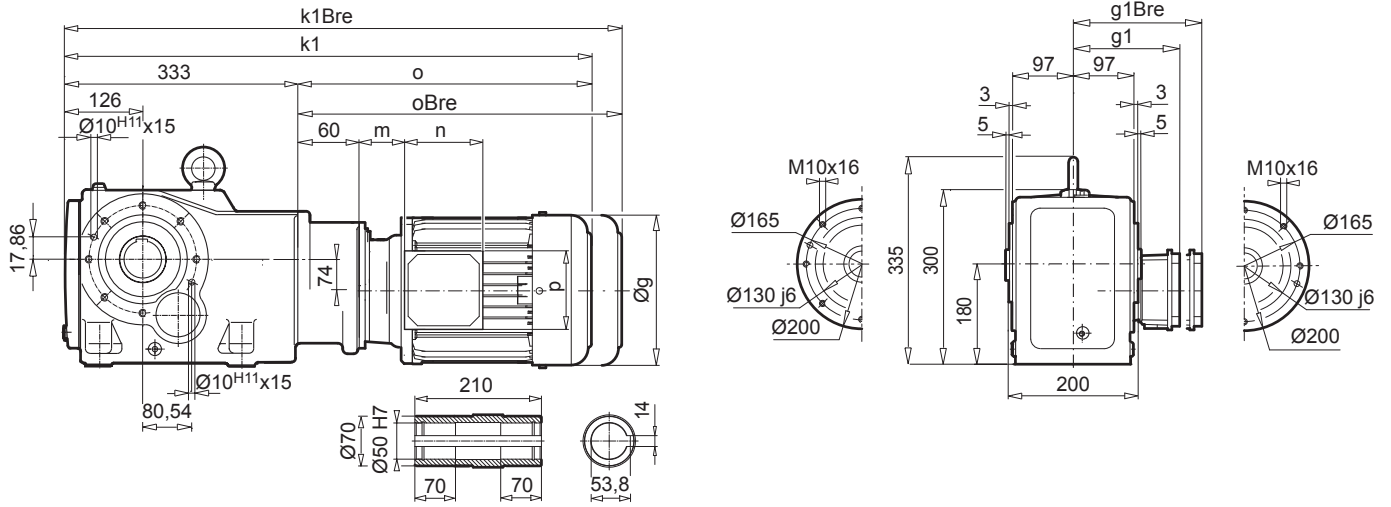


E128





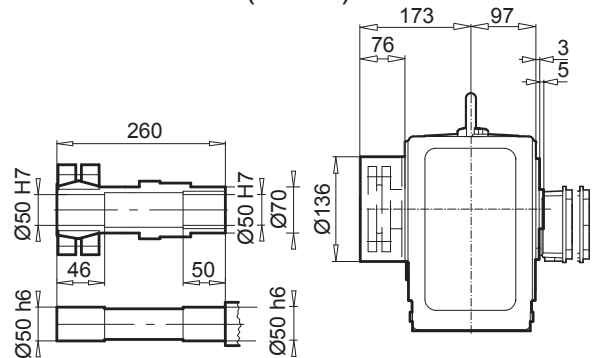
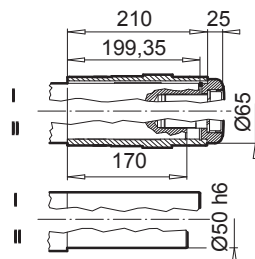
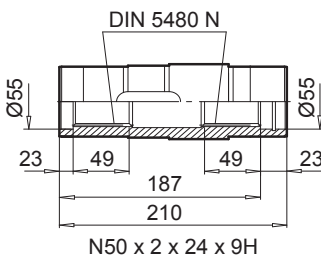
SK 9033.1AZ



SK 9033.1AZEA

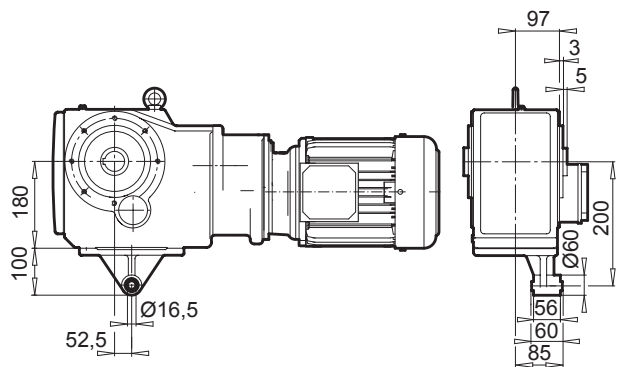
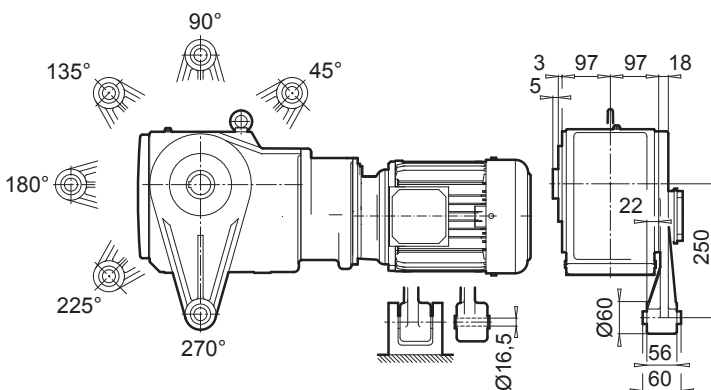
SK 9033.1AZB (AFB)

SK 9033.1AZSH (AFSH)



SK 9033.1AZD

SK 9033.1AZK

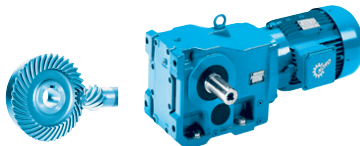


Helical-bevel gear units

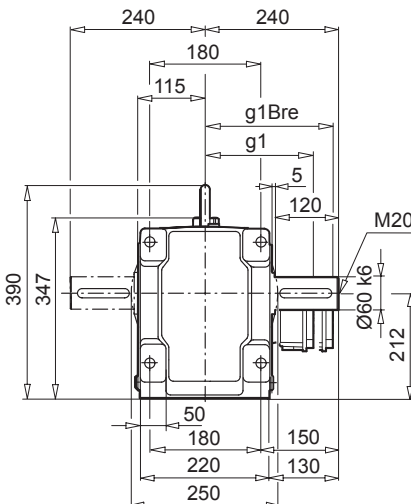
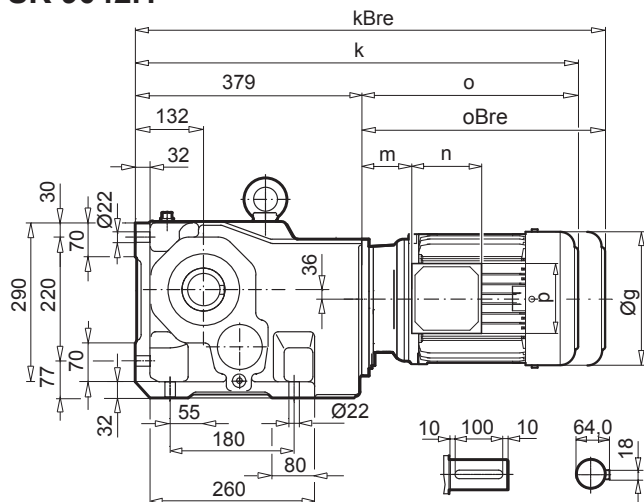
⇒ A61	63 S/L	71 S/L	80 SH	80 LP	90 SP		
g	130	145	165	165	183		
g1 / g1Bre	115 / 123	124 / 132	142 / 142	142 / 142	147 / 147		
k1 / k1Bre	589 / 645	629 / 687	654 / 718	654 / 718	695 / 770		
o / oBre	196 / 252	236 / 294	261 / 325	261 / 325	302 / 377		
m / mBre	16 / 22	42 / 48	47 / 51	47 / 51	52 / 56		
n / nBre	100 / 134	100 / 134	114 / 153	114 / 153	114 / 153		
p / pBre	100 / 89	100 / 89	114 / 108	114 / 108	114 / 108		



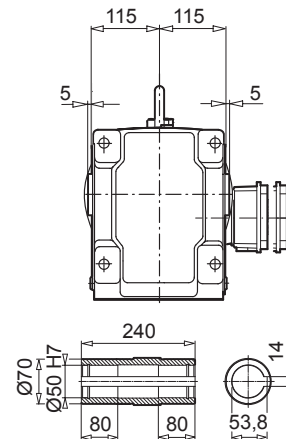
SK 9042.1



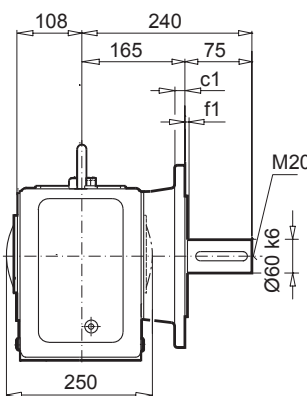
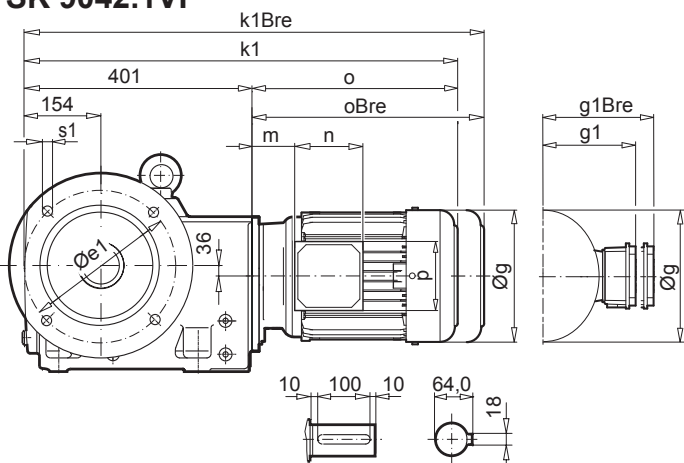
SK 9042.1



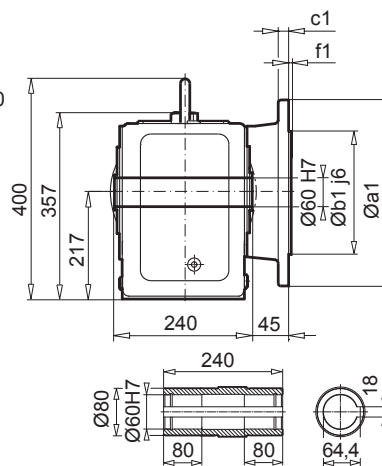
SK 9042.1AX



SK 9042.1VF

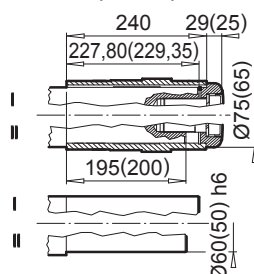


SK 9042.1AF



a1	b1	c1	e1	f1	s1
350	250	20	300	5	4 x 18

SK 9042.1AFB (AXB)

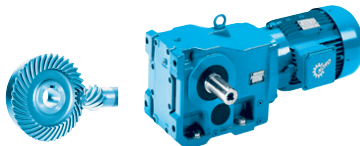


⇒ A61	90 SP/LP	100 LP/AP	112 MP	132 SP/MP	160 SP/MP	160 LP	180 MP/LP
g	183	201	228	266	320	320	358
g1 / g1Bre	147 / 147	169 / 173	179 / 182	204 / 201	242 / 242	242 / 242	259 / 259
k / kBre	655 / 730	685 / 776	733 / 826	794 / 901	871 / 1006	915 / 1050	1013 / 1040
k1 / k1Bre	677 / 752	707 / 798	755 / 848	816 / 923	893 / 1028	937 / 1072	1035 / 1163
o / oBre	276 / 351	306 / 397	354 / 447	415 / 522	492 / 627	536 / 671	634 / 762
m / mBre	26 / 30	32 / 36	38 / 41	51 / 42	52 / 52	52 / 52	75 / 75
n / nBre	114 / 153	114 / 153	114 / 153	122 / 185	186 / 186	186 / 186	186 / 186
p / pBre	114 / 108	114 / 108	114 / 108	122 / 139	186 / 186	186 / 186	186 / 186

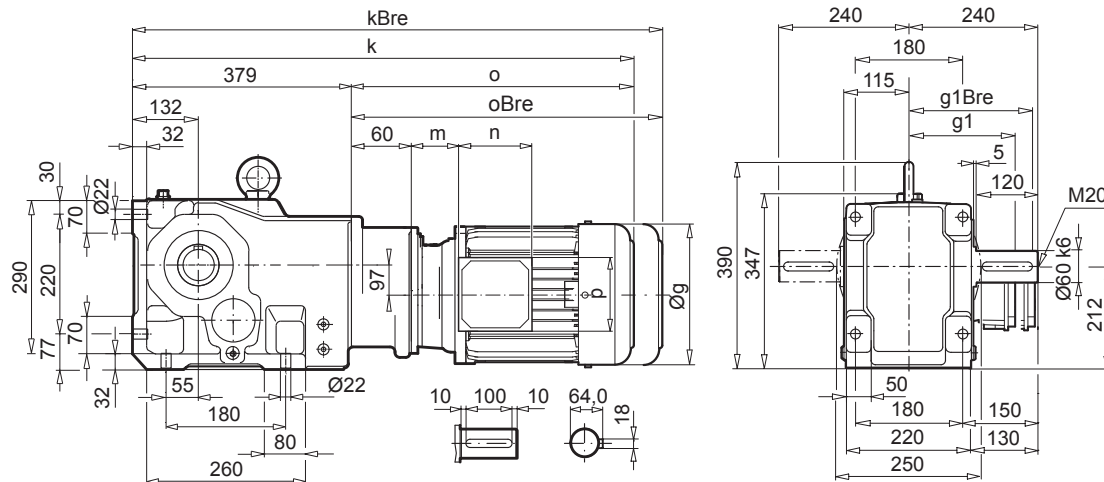


E130

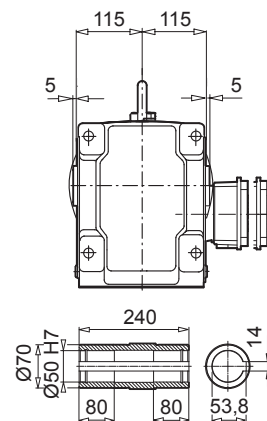
SK 9043.1



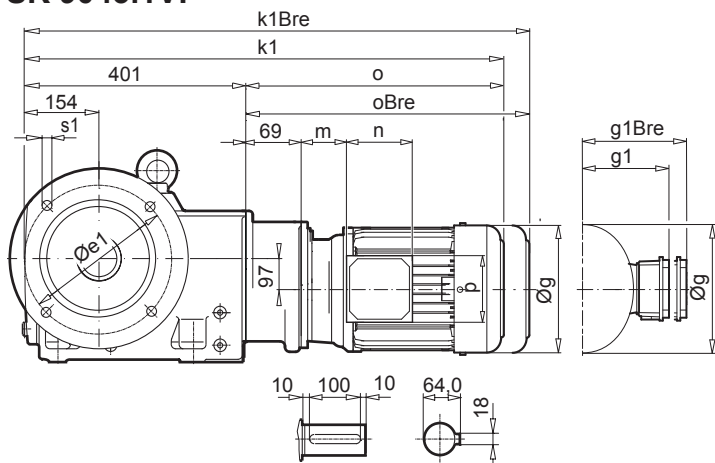
SK 9043.1



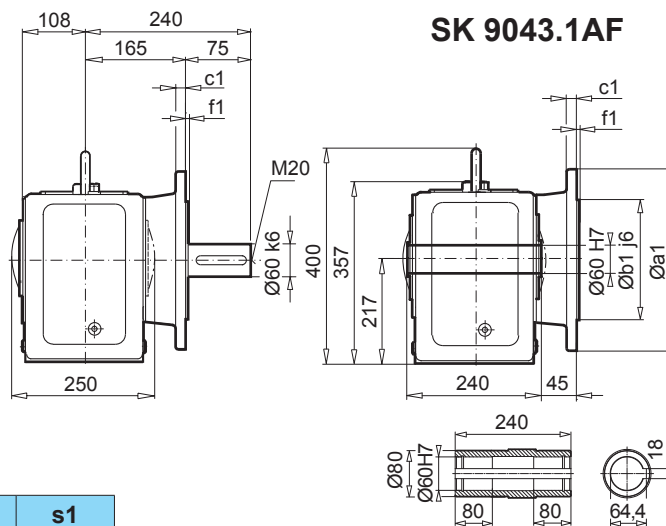
SK 9043.1AX



SK 9043.1VF

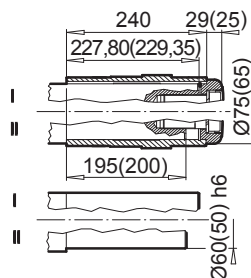


SK 9043.1AF



a1	b1	c1	e1	f1	s1
350	250	20	300	5	4 x 18

SK 9043.1AFB (AXB)

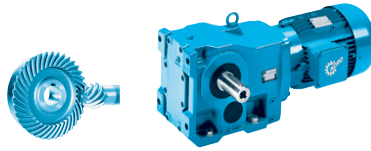


⇒ A61	71 S/L	80 SH	80 LP	90 SP/LP	100 LP/AP
g	145	165	165	183	201
g1 / g1Bre	124 / 132	142 / 142	142 / 142	147 / 147	169 / 173
k / kBre	678 / 736	703 / 767	703 / 767	744 / 819	774 / 865
k1 / k1Bre	700 / 758	725 / 789	725 / 789	766 / 841	796 / 887
o / oBre	230 / 288	255 / 319	255 / 319	296 / 371	326 / 417
m / mBre	36 / 42	41 / 45	41 / 45	46 / 50	52 / 56
n / nBre	100 / 134	114 / 153	114 / 153	114 / 153	114 / 153
p / pBre	100 / 89	114 / 108	114 / 108	114 / 108	114 / 108

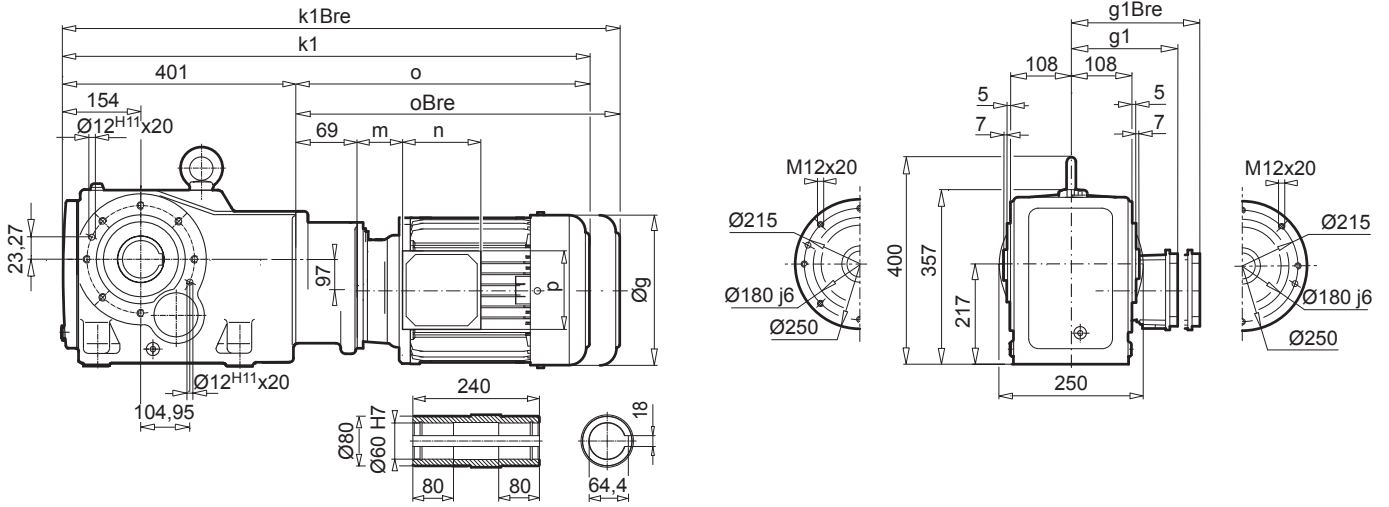


E129

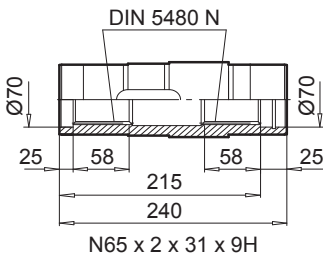




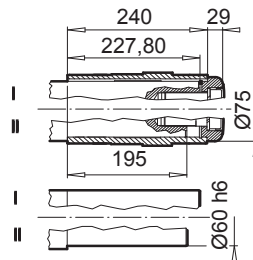
SK 9043.1AZ



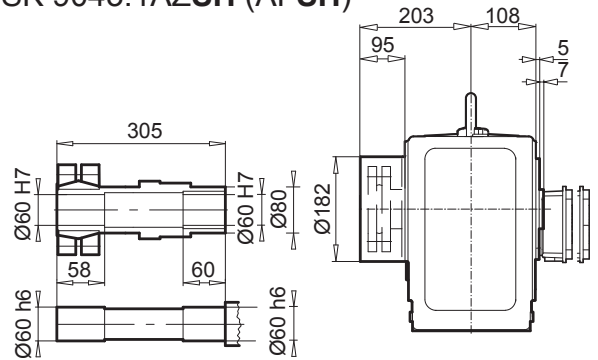
SK 9043.1AZEA



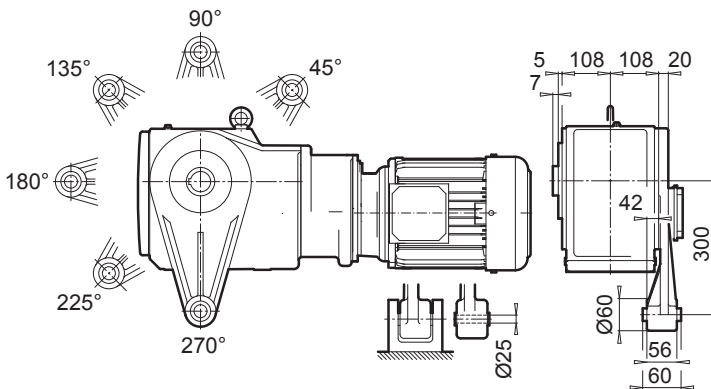
SK 9043.1AZB (AFB)



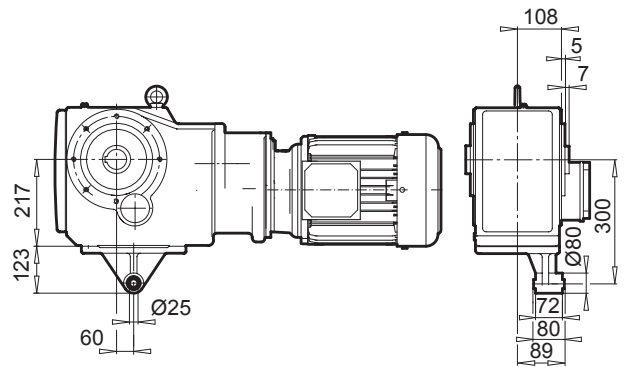
SK 9043.1AZSH (AFSH)



SK 9043.1AZD



SK 9043.1AZK

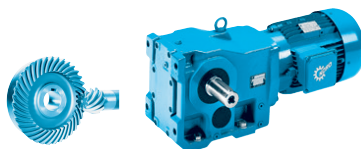


Helical-bevel gear units

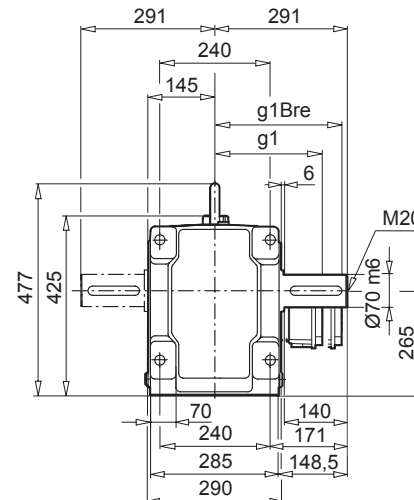
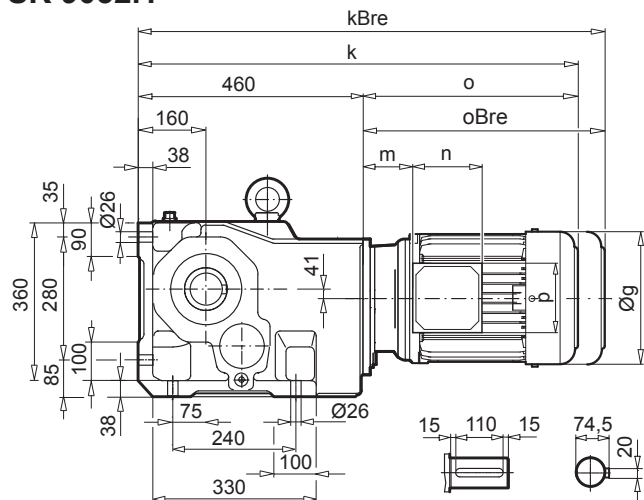
⇒ A61	71 S/L	80 SH	80 LP	90 SP/LP	100 LP		
g	145	165	165	183	201		
g1 / g1Bre	124 / 132	142 / 142	142 / 142	147 / 147	169 / 173		
k1 / k1Bre	700 / 758	725 / 789	725 / 789	766 / 841	796 / 887		
o / oBre	230 / 288	255 / 319	255 / 319	296 / 371	326 / 417		
m / mBre	36 / 42	41 / 45	41 / 45	46 / 50	52 / 56		
n / nBre	100 / 134	114 / 153	114 / 153	114 / 153	114 / 153		
p / pBre	100 / 89	114 / 108	114 / 108	114 / 108	114 / 108		



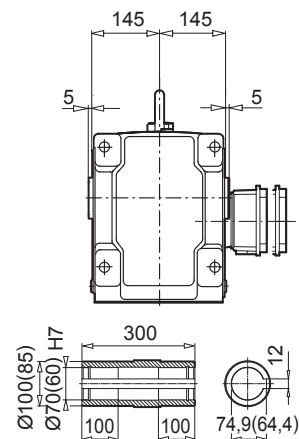
SK 9052.1



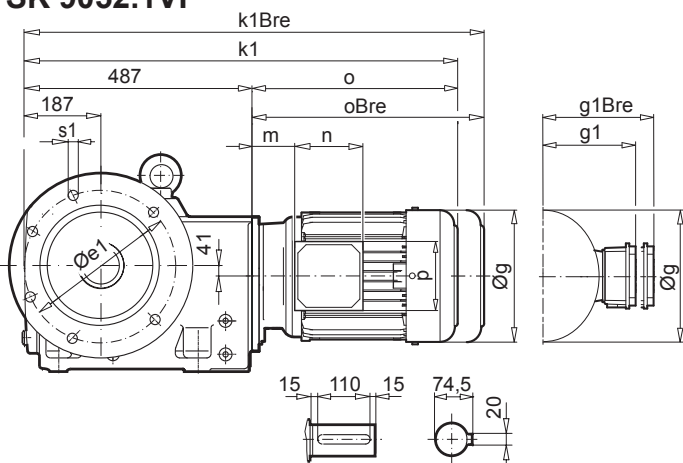
SK 9052.1



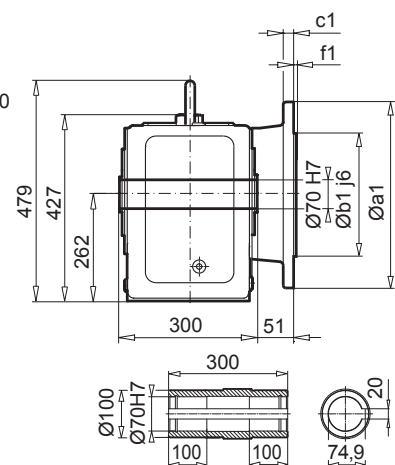
SK 9052.1AX



SK 9052.1VF

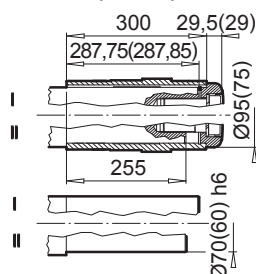


SK 9052.1AF



a1	b1	c1	e1	f1	s1
400	300	20	350	5	4 x 18
450	350	16	400	5	4 x 18

SK 9052.1AFB (AXB)

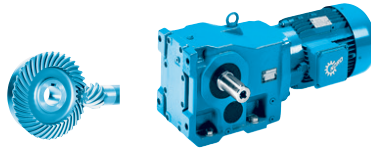


⇒ A61	90 SP/LP	100 LP/AP	112 MP	132 SP/MP	160 SP/MP	160 LP	180 MP/LP
g	183	201	228	266	320	320	358
g1 / g1Bre	147 / 147	169 / 173	179 / 182	204 / 201	242 / 242	242 / 242	259 / 259
k / kBre	736 / 811	766 / 857	814 / 907	875 / 982	952 / 1087	996 / 1131	1096 / 1223
k1 / k1Bre	763 / 838	793 / 884	841 / 934	902 / 1009	992 / 1127	1023 / 1158	1123 / 1251
o / oBre	276 / 351	306 / 397	354 / 447	415 / 522	492 / 627	536 / 671	636 / 764
m / mBre	26 / 30	32 / 36	38 / 41	51 / 42	52 / 52	52 / 52	75 / 75
n / nBre	114 / 153	114 / 153	114 / 153	122 / 185	186 / 186	186 / 186	186 / 186
p / pBre	114 / 108	114 / 108	114 / 108	122 / 139	186 / 186	186 / 186	186 / 186

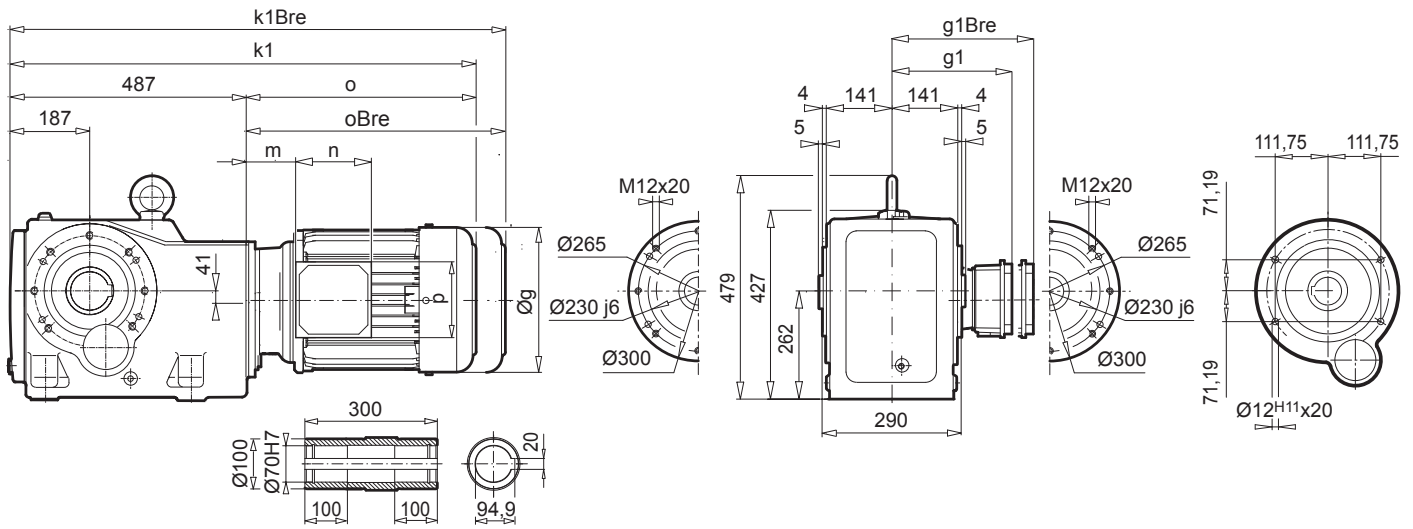


E130





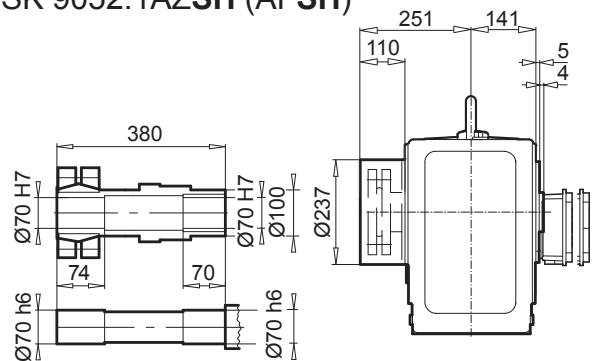
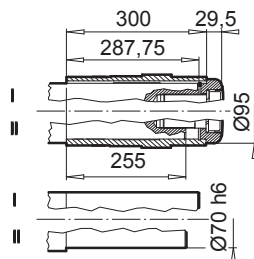
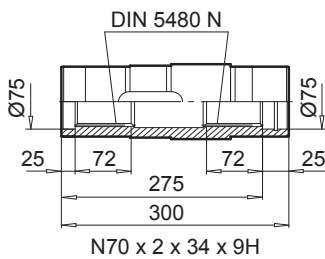
SK 9052.1AZ



SK 9052.1AZEA

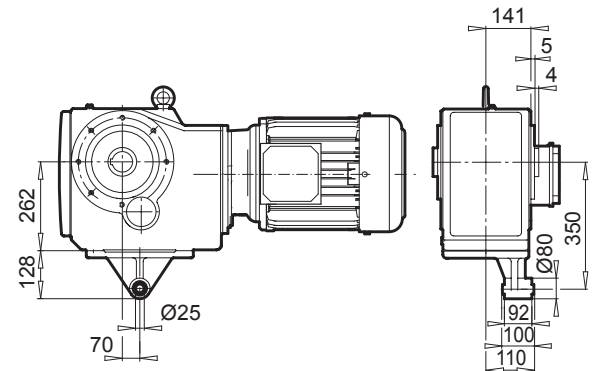
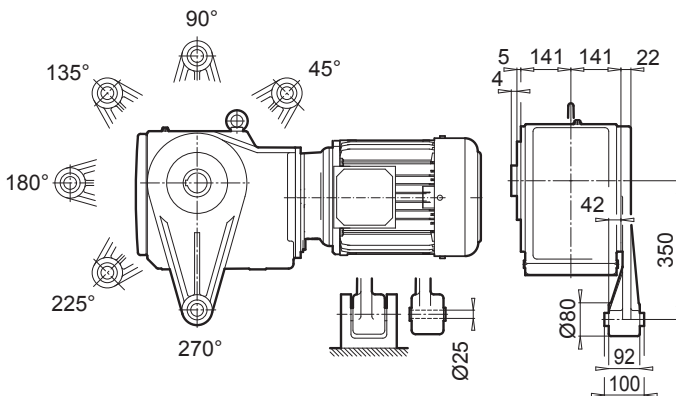
SK 9052.1AZB (AFB)

SK 9052.1AZSH (AFSH)



SK 9052.1AZD

SK 9052.1AZK

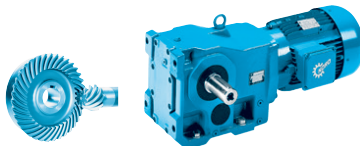


Helical-bevel gear units

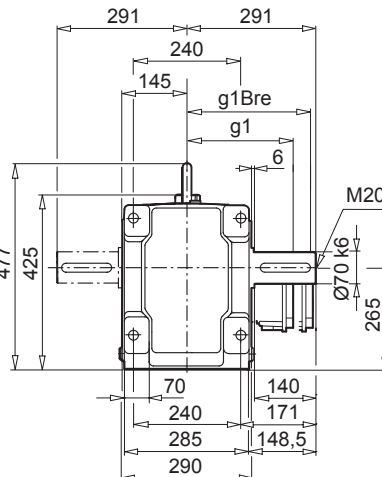
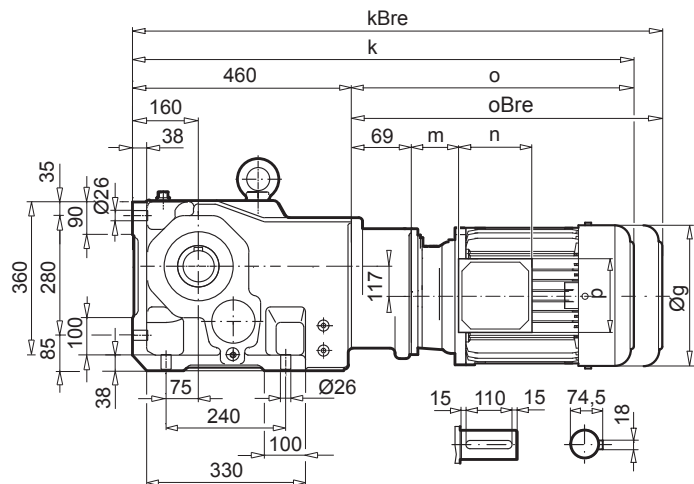
⇒ A61	90 SP/LP	100 LP/AP	112 MP	132 SP/MP	160 SP/MP	160 LP	180 MP/LP
g	183	201	228	266	320	320	358
g1 / g1Bre	147 / 147	169 / 173	179 / 182	204 / 201	242 / 242	242 / 242	259 / 259
k1 / k1Bre	763 / 838	793 / 884	841 / 934	902 / 1009	992 / 1127	1023 / 1158	1123 / 1251
o / oBre	276 / 351	306 / 397	354 / 447	415 / 522	492 / 627	536 / 671	636 / 764
m / mBre	26 / 30	32 / 36	38 / 41	51 / 42	52 / 52	52 / 52	75 / 75
n / nBre	114 / 153	114 / 153	114 / 153	122 / 185	186 / 186	186 / 186	186 / 186
p / pBre	114 / 108	114 / 108	114 / 108	122 / 139	186 / 186	186 / 186	186 / 186



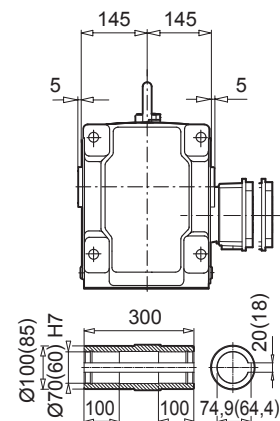
SK 9053.1



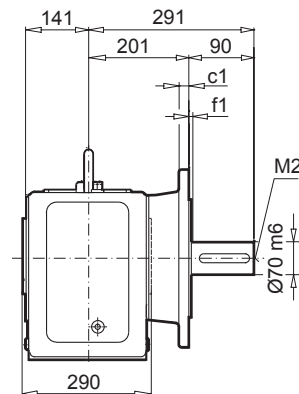
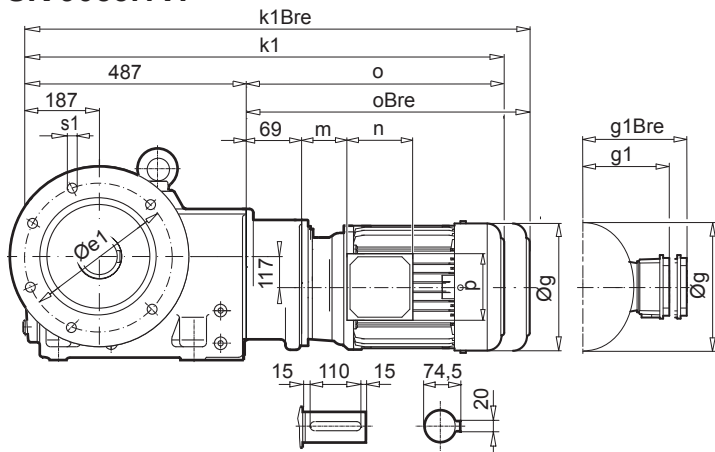
SK 9053.1



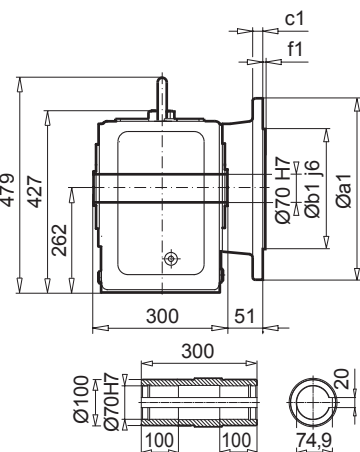
SK 9053.1AX



SK 9053.1VF

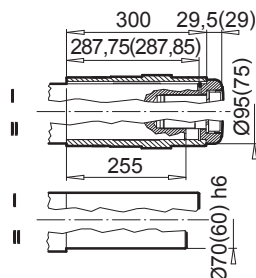


SK 9053.1AF



a1	b1	c1	e1	f1	s1
400	300	20	350	5	4 x 18
450	350	16	400	5	4 x 18

SK 9053.1AFB (AXB)

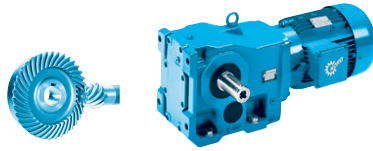


⇒ A61	71 S/L	80 SH	80 LP	90 SP/LP	100 LP/AP	112 MP	
g	145	165	165	183	201	228	
g1 / g1Bre	124 / 132	142 / 142	142 / 142	147 / 147	169 / 173	179 / 182	
k / kBre	759 / 817	784 / 848	784 / 848	825 / 900	855 / 946	903 / 996	
k1 / k1Bre	786 / 844	811 / 875	811 / 875	852 / 927	882 / 973	930 / 1023	
o / oBre	230 / 288	255 / 319	255 / 319	296 / 371	326 / 417	374 / 467	
m / mBre	36 / 42	41 / 45	41 / 45	46 / 50	52 / 56	38 / 41	
n / nBre	100 / 134	114 / 153	114 / 153	114 / 153	114 / 153	114 / 153	
p / pBre	100 / 89	114 / 108	114 / 108	114 / 108	114 / 108	114 / 108	

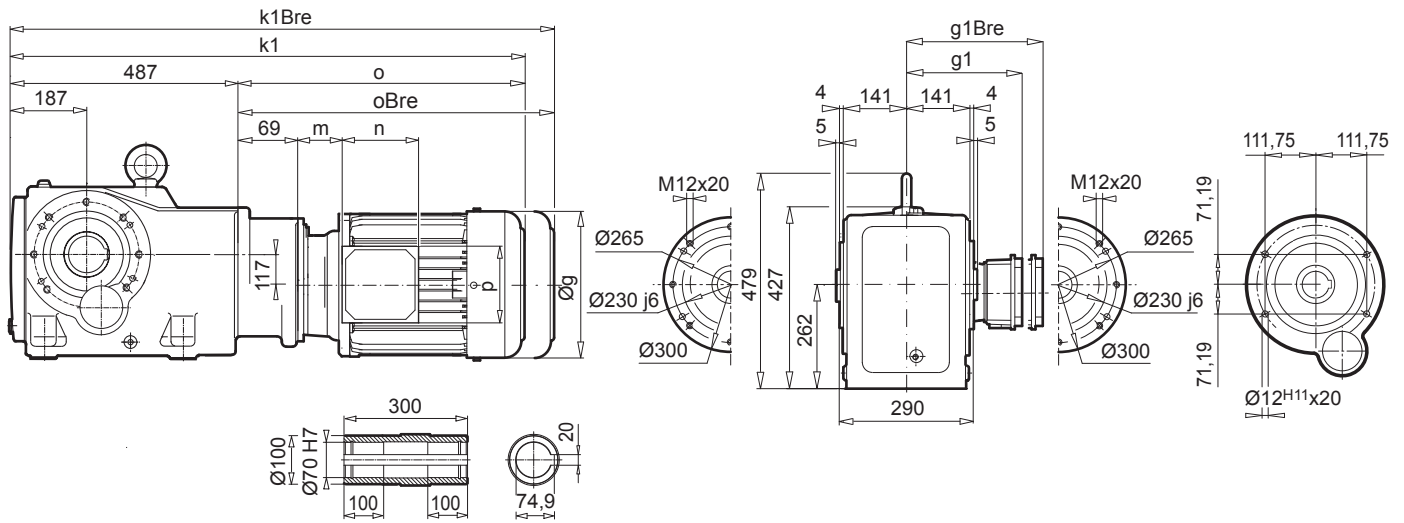


E129

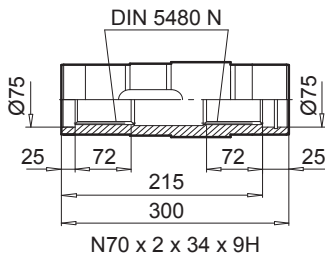




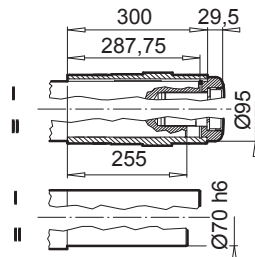
SK 9053.1AZ



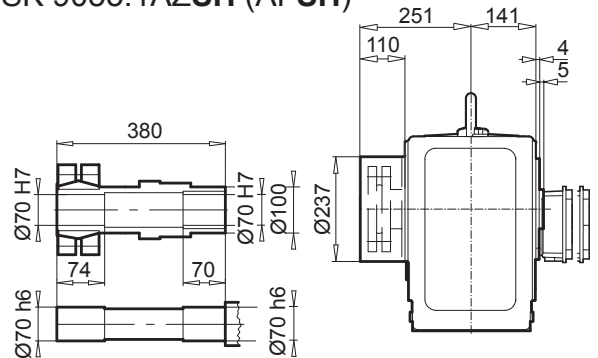
SK 9053.1AZEA



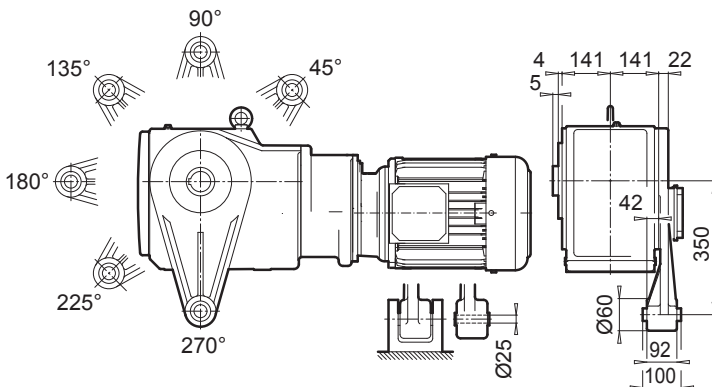
SK 9053.1AZB (AFB)



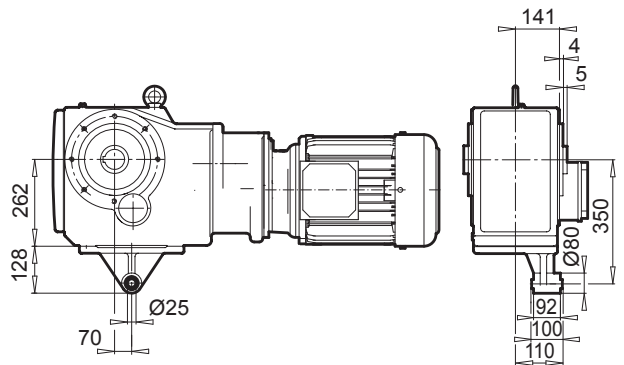
SK 9053.1AZSH (AFSH)



SK 9053.1AZD



SK 9053.1AZK

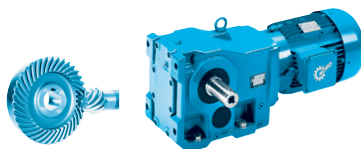


Helical-bevel
gear units

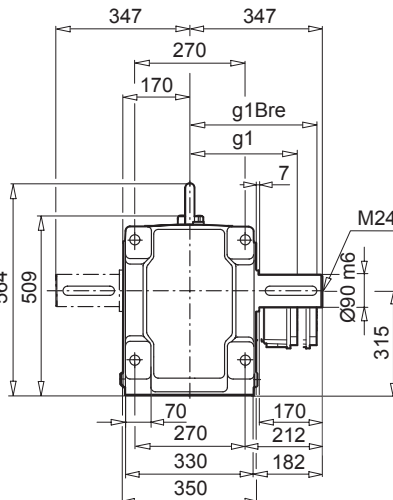
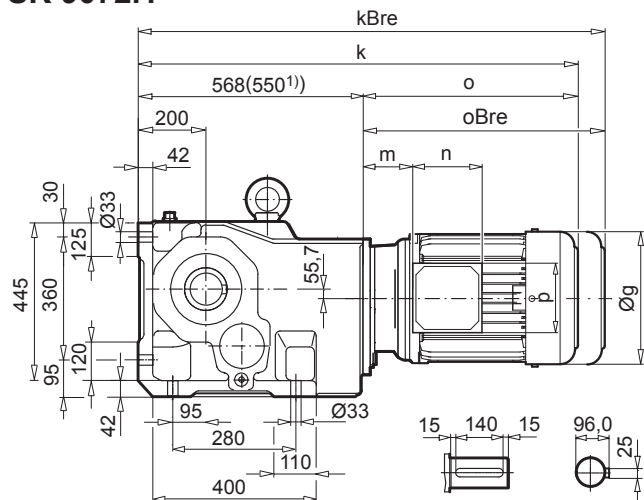
⇒ A61	71 S/L	80 SH	80 LP	90 SP/LP	100 LP/AP	112 MP	
g	145	165	165	183	201	228	
g1 / g1Bre	124 / 132	142 / 142	142 / 142	147 / 147	169 / 173	179 / 182	
k1 / k1Bre	786 / 844	811 / 875	811 / 875	852 / 927	882 / 973	930 / 1023	
o / oBre	230 / 288	255 / 319	255 / 319	296 / 371	326 / 417	374 / 467	
m / mBre	36 / 42	41 / 45	41 / 45	46 / 50	52 / 56	38 / 41	
n / nBre	100 / 134	114 / 153	114 / 153	114 / 153	114 / 153	114 / 153	
p / pBre	100 / 89	114 / 108	114 / 108	114 / 108	114 / 108	114 / 108	



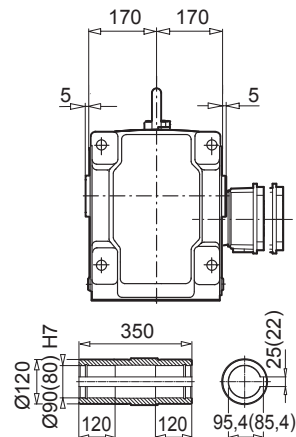
SK 9072.1



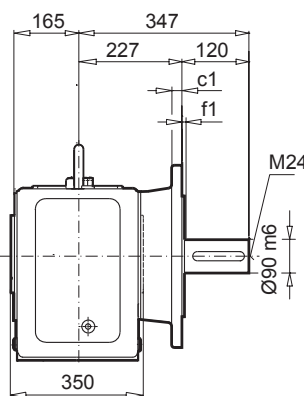
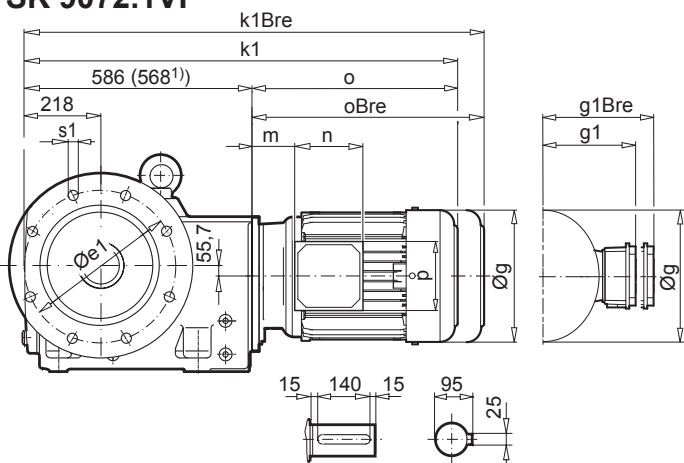
SK 9072.1



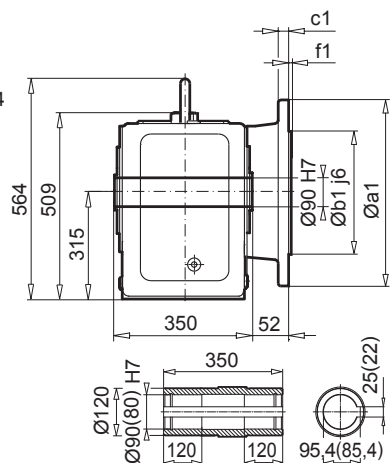
SK 9072.1AX



SK 9072.1VF

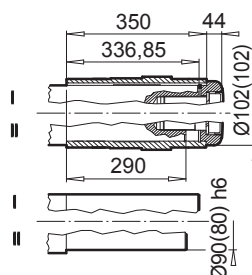


SK 9072.1AF

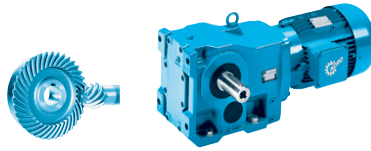


a1	b1	c1	e1	f1	s1
450	350	22	400	5	4 x 18
550	450	28	500	5	4 x 18

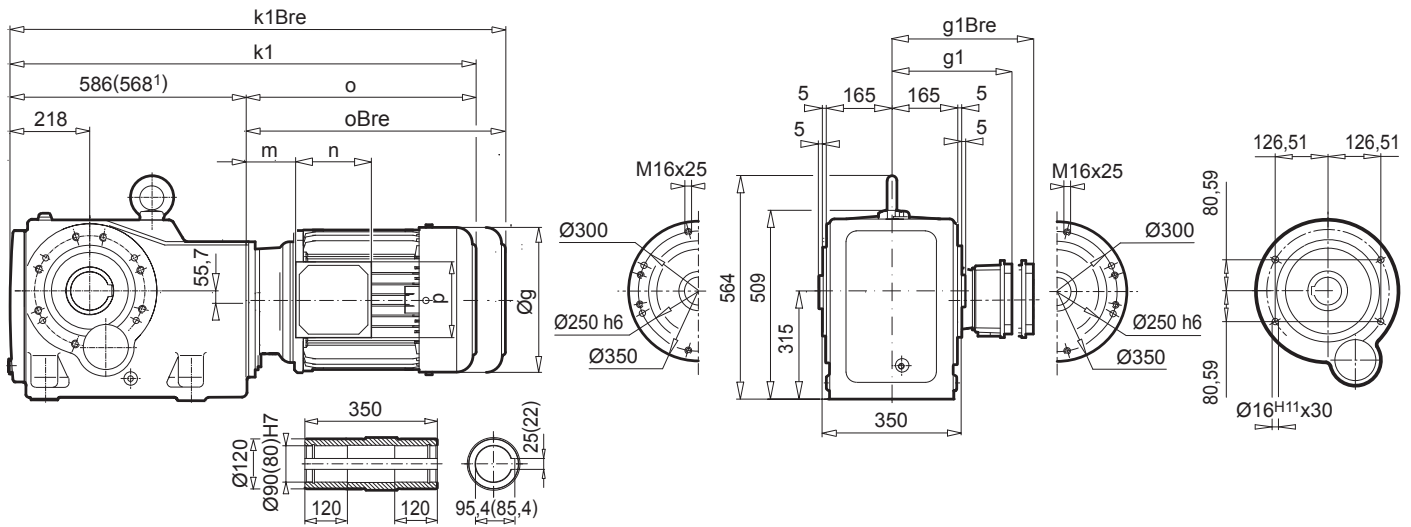
SK 9072.1AFB (AXB)



⇒ A61	100 LP/AP	112 MP	132 SP/MP	160 SP/MP ¹⁾	160 LP ¹⁾	180 MP/LP ¹⁾	225 RP ¹⁾	225 SP/MP ¹⁾	
g	201	228	266	320	320	358	443	443	
g1 / g1Bre	169 / 173	179 / 182	204 / 201	242 / 242	242 / 242	259 / 259	347 / 347	347 / 347	
k / kBre	874 / 965	919 / 1012	1003 / 1110	1042 / 1177	1086 / 1221	1164 / 1292	1292 / 1472	1292 / 1472	
k1 / k1Bre	892 / 983	937 / 1030	1021 / 1128	1060 / 1195	1011 / 1239	1182 / 1310	1310 / 1490	1310 / 1490	
o / oBre	306 / 397	351 / 444	435 / 542	492 / 627	536 / 671	614 / 742	742 / 922	742 / 922	
m / mBre	32 / 36	35 / 38	51 / 42	52 / 52	52 / 52	55 / 55	94 / 94	94 / 94	
n / nBre	114 / 153	114 / 153	122 / 185	186 / 186	186 / 186	186 / 186	245 / 245	245 / 245	
p / pBre	114 / 108	114 / 108	122 / 139	186 / 186	186 / 186	186 / 186	245 / 245	245 / 245	



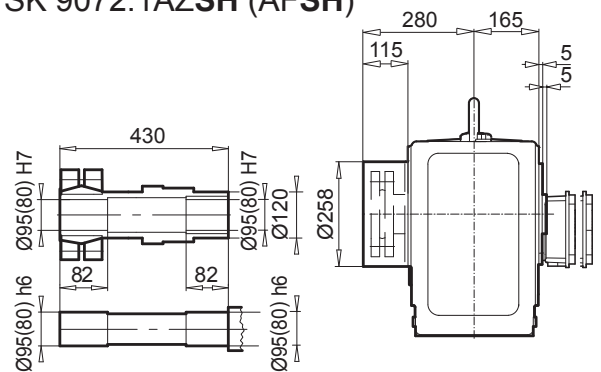
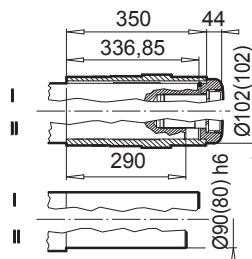
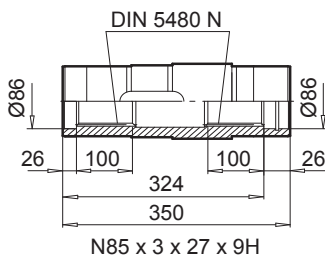
SK 9072.1AZ



SK 9072.1AZEA

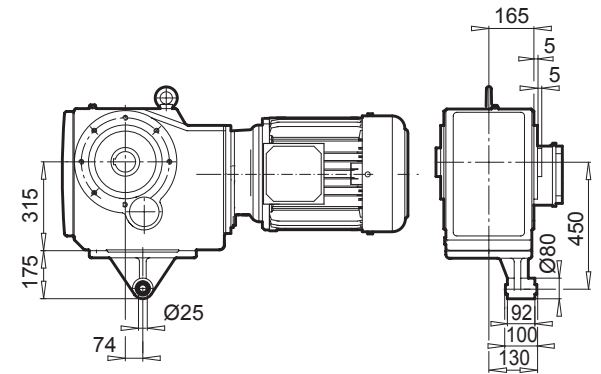
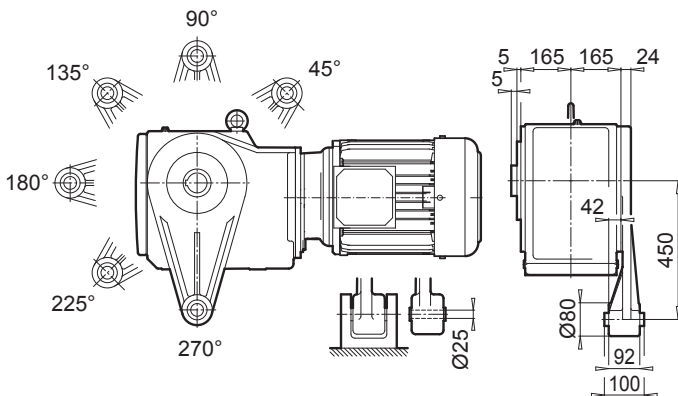
SK 9072.1AZB (AFB)

SK 9072.1AZSH (AFSH)




SK 9072.1AZD

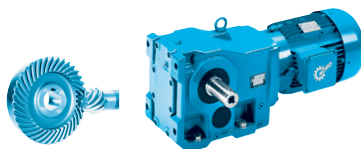
SK 9072.1AZK



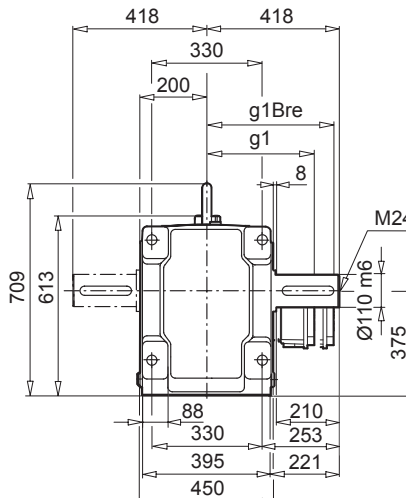
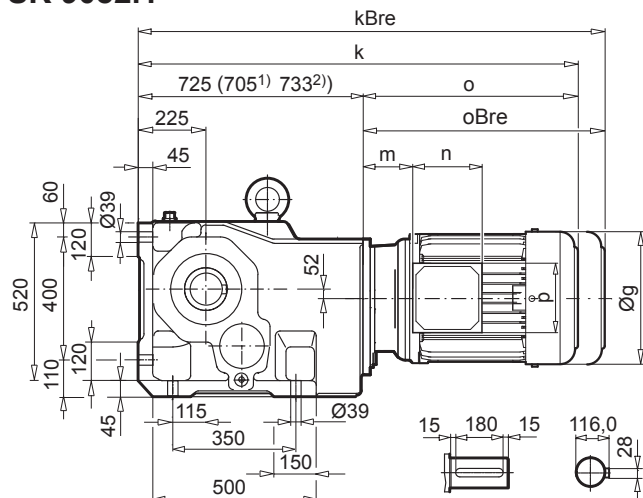
Helical-bevel gear units

⇒ A61	100 LP/AP	112 MP	132 SP/MP	160 SP/MP ¹⁾	160 LP ¹⁾	180 MP/LP ¹⁾	225 RP ¹⁾	225 SP/MP ¹⁾	
g	201	228	266	320	320	358	443	443	
g1 / g1Bre	169 / 173	179 / 182	204 / 201	242 / 242	242 / 242	259 / 259	347 / 347	347 / 347	
k1 / k1Bre	892 / 983	937 / 1030	1021 / 1128	1060 / 1195	1011 / 1239	1182 / 1310	1310 / 1490	1310 / 1490	
o / oBre	306 / 397	351 / 444	435 / 542	492 / 627	536 / 671	614 / 742	742 / 922	742 / 922	
m / mBre	32 / 36	35 / 38	51 / 42	52 / 52	52 / 52	55 / 55	94 / 94	94 / 94	
n / nBre	114 / 153	114 / 153	122 / 185	186 / 186	186 / 186	186 / 186	245 / 245	245 / 245	
p / pBre	114 / 108	114 / 108	122 / 139	186 / 186	186 / 186	186 / 186	245 / 245	245 / 245	

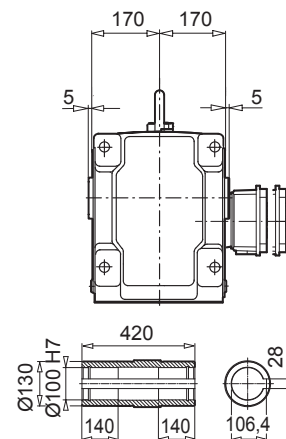
SK 9082.1



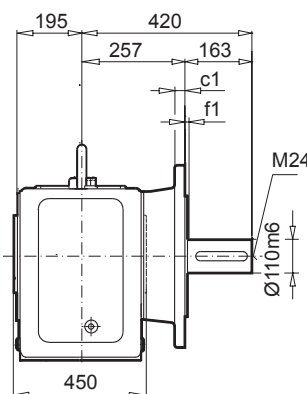
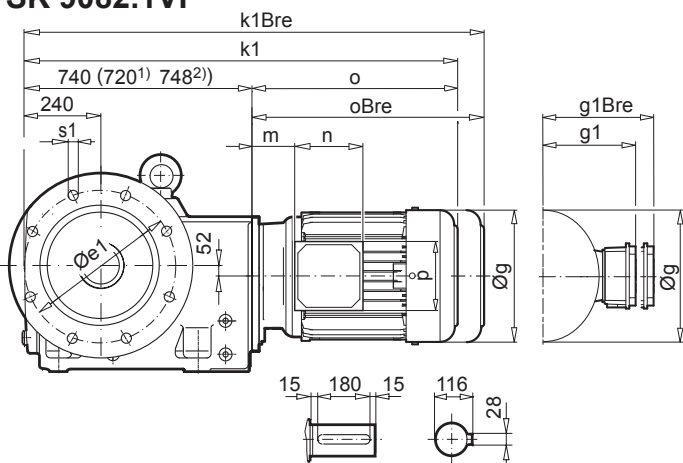
SK 9082.1



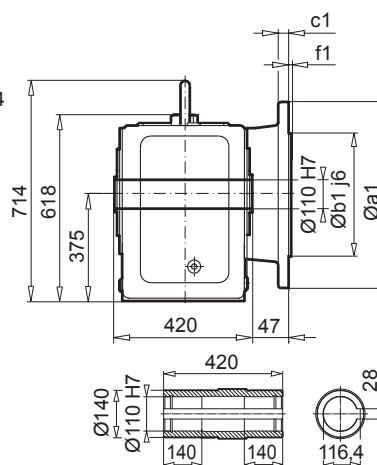
SK 9082.1AX



SK 9082.1VF

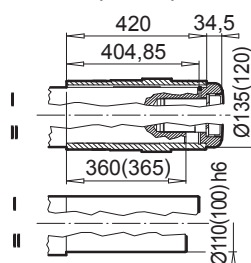


SK 9082.1AF



a1	b1	c1	e1	f1	s1
550	450	28	500	5	8 x 18

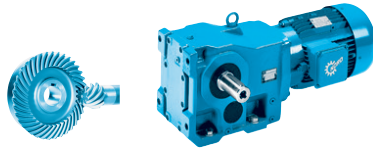
SK 9082.1AFB (AXB)



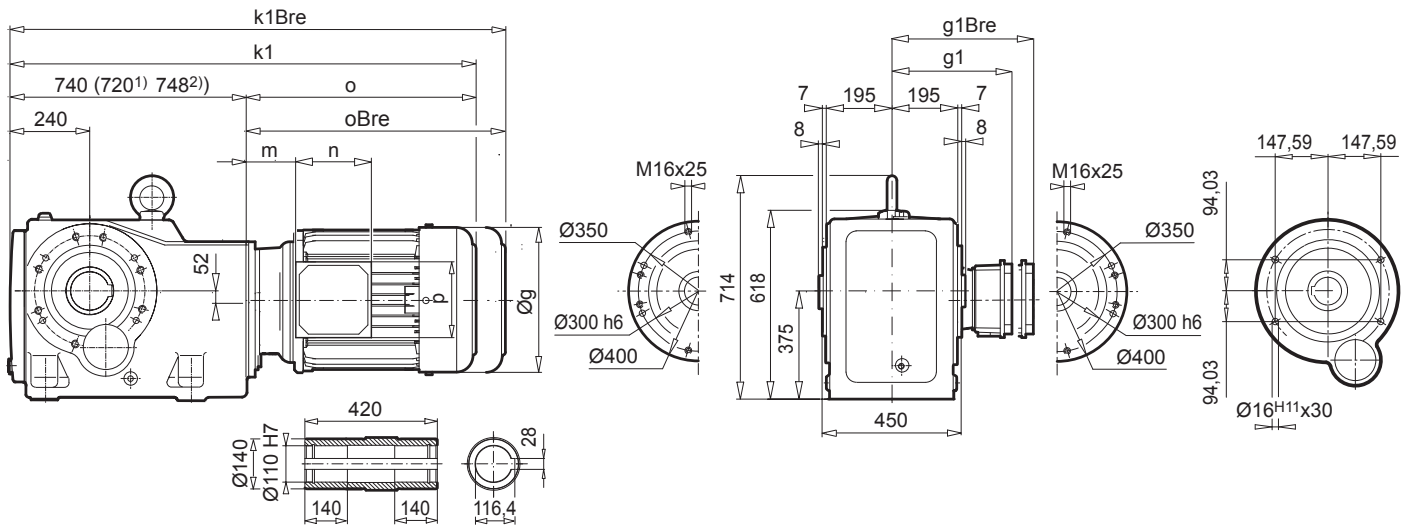
⇒ A61	112 MP	132 SP/MP	160 SP/MP	160 LP	180 MP/LP	225 RP	225 SP/MP	250 WP ¹⁾	280 SP ¹⁾	280 MP ²⁾	315 SP ²⁾
g	228	266	320	320	358	443	443	443	551	551	616
g1 / g1Bre	179 / 182	204 / 201	242 / 242	242 / 242	259 / 259	347 / 347	347 / 347	347 / 347	432 / 432	434 / 434	516 / -
k / kBre	1076 / 1169	1160 / 1267	1217 / 1352	1261 / 1396	1339 / 1467	1467 / 1647	1467 / 1647	1447 / 1627	1535 / 1715	1553 / 1733	1645 / -
k1 / k1Bre	1091 / 1184	1175 / 1282	1232 / 1367	1276 / 1411	1354 / 1482	1482 / 1662	1482 / 1662	1462 / 1642	1550 / 1730	1568 / 1748	1660 / -
o / oBre	351 / 444	435 / 542	492 / 627	536 / 671	614 / 742	742 / 922	742 / 922	742 / 922	830 / 1010	820 / 1000	912 / -
m / mBre	35 / 38	51 / 42	52 / 52	52 / 52	55 / 55	94 / 94	94 / 94	94 / 94	104 / 104	94 / 94	89 / -
n / nBre	114 / 153	122 / 185	186 / 186	186 / 186	186 / 186	245 / 245	245 / 245	245 / 245	233 / 233	233 / 233	299 / -
p / pBre	114 / 108	122 / 139	186 / 186	186 / 186	186 / 186	245 / 245	245 / 245	245 / 245	319 / 319	319 / 319	420 / -



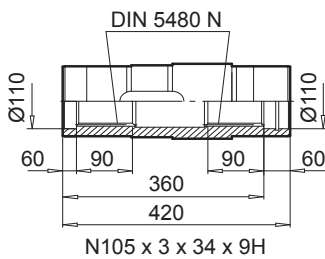
E132



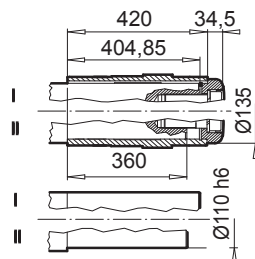
SK 9082.1AZ



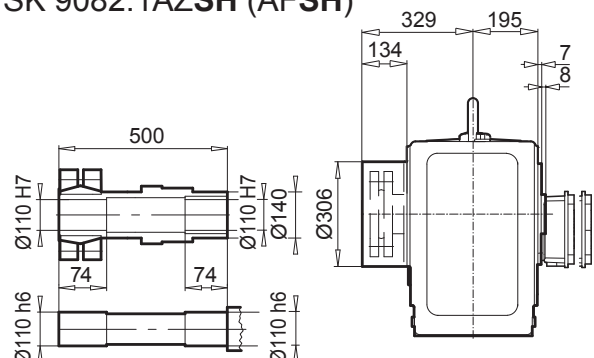
SK 9082.1AZEA



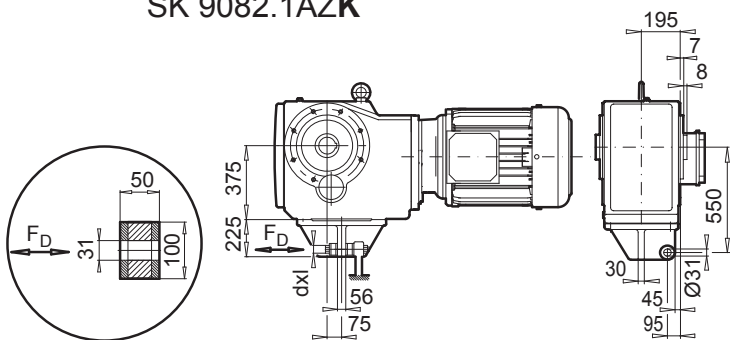
SK 9082.1AZB (AFB)



SK 9082.1AZSH (AFSH)



SK 9082.1AZK

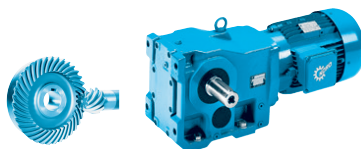


Helical-bevel gear units

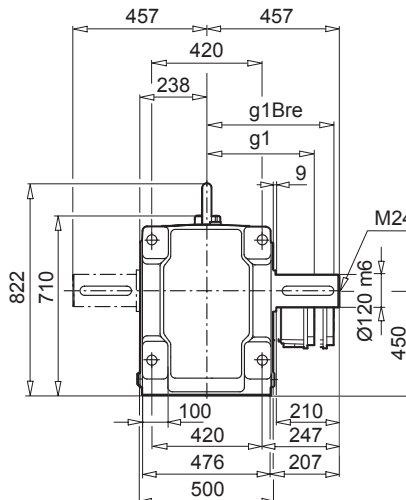
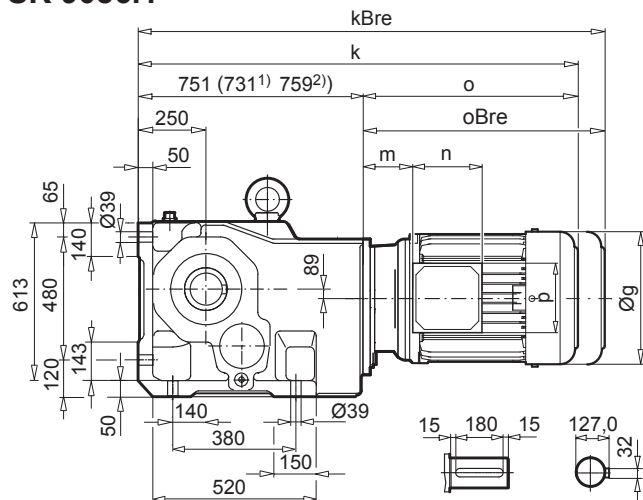
⇒ A61	112 MP	132 SP/MP	160 SP/MP	160 LP	180 MP/LP	225 RP	225 SP/MP	250 WP ¹⁾	280 SP ¹⁾	280 MP ²⁾	315 SP ²⁾
g	228	266	320	320	358	443	443	443	551	551	616
g1 / g1Bre	179 / 182	204 / 201	242 / 242	242 / 242	259 / 259	347 / 347	347 / 347	347 / 347	432 / 432	434 / 434	516 / -
k1 / k1Bre	1091 / 1184	1175 / 1282	1232 / 1367	1276 / 1411	1354 / 1482	1482 / 1662	1482 / 1662	1462 / 1642	1550 / 1730	1568 / 1748	1660 / -
o / oBre	351 / 444	435 / 542	492 / 627	536 / 671	614 / 742	742 / 922	742 / 922	742 / 922	830 / 1010	820 / 1000	912 / -
m / mBre	35 / 38	51 / 42	52 / 52	52 / 52	55 / 55	94 / 94	94 / 94	94 / 94	104 / 104	94 / 94	89 / -
n / nBre	114 / 153	122 / 185	186 / 186	186 / 186	186 / 186	245 / 245	245 / 245	245 / 245	233 / 233	233 / 233	299 / -
p / pBre	114 / 108	122 / 139	186 / 186	186 / 186	186 / 186	245 / 245	245 / 245	245 / 245	319 / 319	319 / 319	420 / -



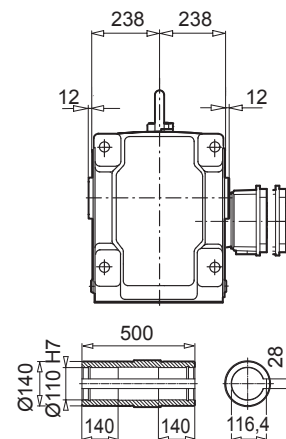
SK 9086.1



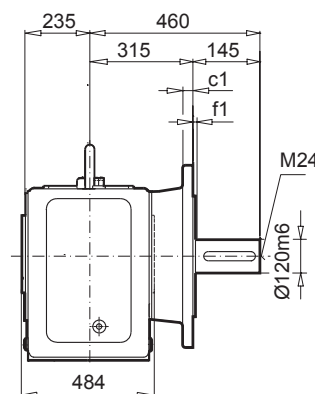
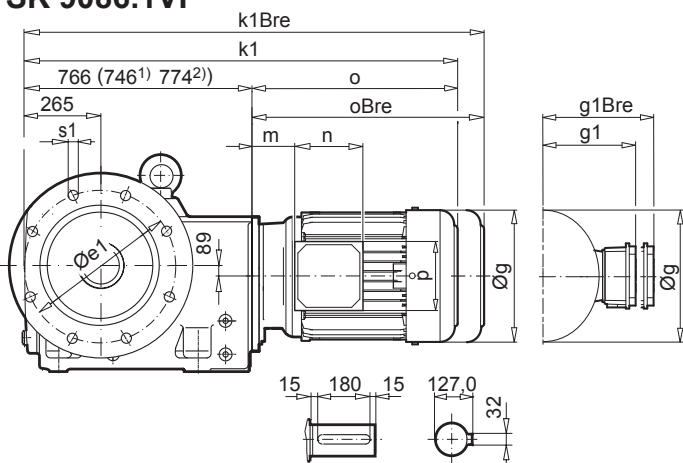
SK 9086.1



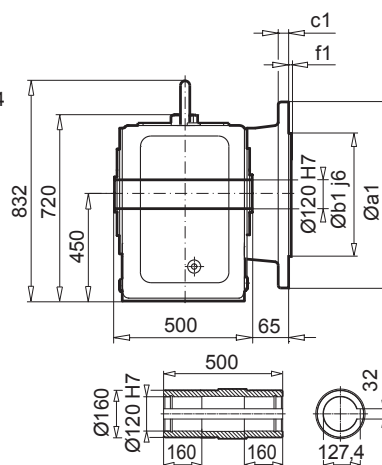
SK 9086.1AX



SK 9086.1VF

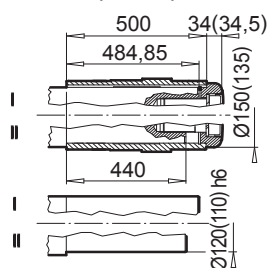


SK 9086.1AF



a1	b1	c1	e1	f1	s1
660	550	32	600	6	8 x 22

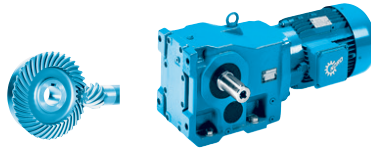
SK 9086.1AFB (AXB)



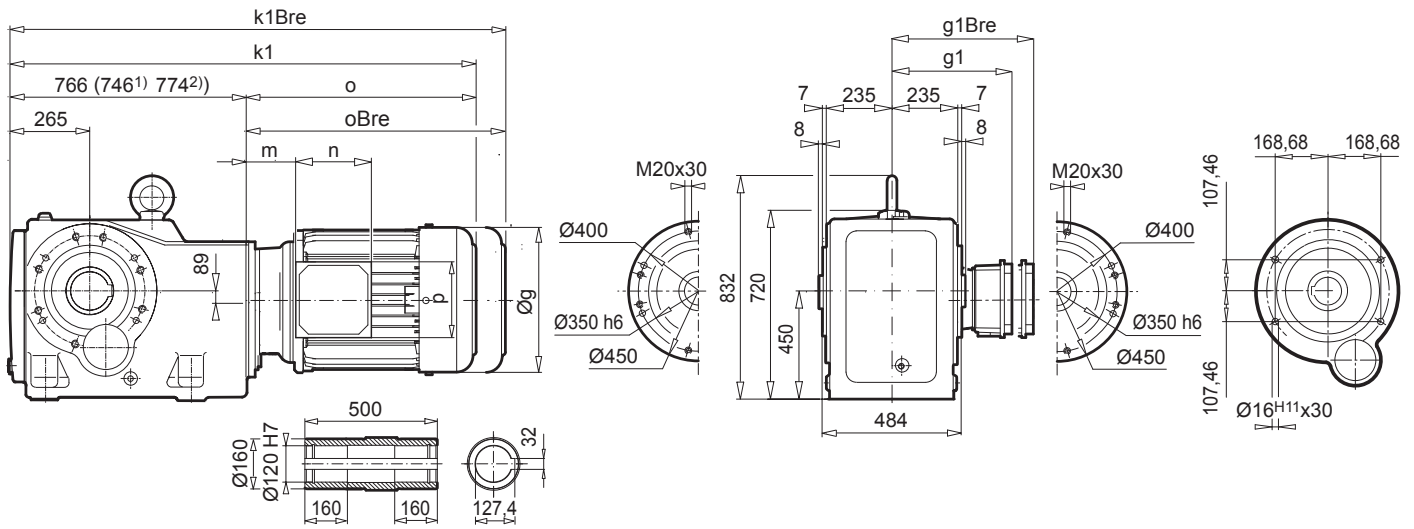
⇒ A61	132 SP/MP	160 SP/MP	160 LP	180 MP/LP	225 RP	225 SP/MP	250 WP ¹⁾	280 SP ¹⁾	280 MP ²⁾	315 SP ²⁾	315 MP/RP ²⁾
g	266	320	320	358	443	443	443	551	551	616	616
g1 / g1Bre	204 / 201	242 / 242	242 / 242	259 / 259	347 / 347	347 / 347	347 / 347	432 / 432	434 / 434	516 / -	516 / -
k / kBre	1186 / 1293	1243 / 1378	1287 / 1422	1365 / 1493	1493 / 1673	1493 / 1673	1473 / 1653	1561 / 1741	1579 / 1759	1671 / -	1836 / -
k1 / k1Bre	1201 / 1308	1258 / 1393	1302 / 1437	1380 / 1508	1508 / 1688	1508 / 1688	1488 / 1668	1576 / 1756	1594 / 1774	1686 / -	1851 / -
o / oBre	435 / 542	492 / 627	536 / 671	614 / 742	742 / 922	742 / 922	742 / 922	830 / 1010	820 / 1000	912 / -	1077 / -
m / mBre	71 / 62	52 / 52	52 / 52	55 / 55	94 / 94	94 / 94	94 / 94	104 / 104	94 / 94	89 / -	89 / -
n / nBre	122 / 185	186 / 186	186 / 186	186 / 186	245 / 245	245 / 245	245 / 245	233 / 233	233 / 233	299 / -	299 / -
p / pBre	122 / 139	186 / 186	186 / 186	186 / 186	245 / 245	245 / 245	245 / 245	319 / 319	319 / 319	420 / -	420 / -



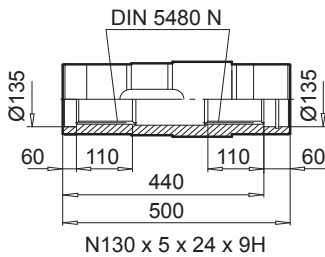
E132



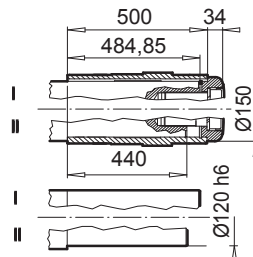
SK 9086.1AZ



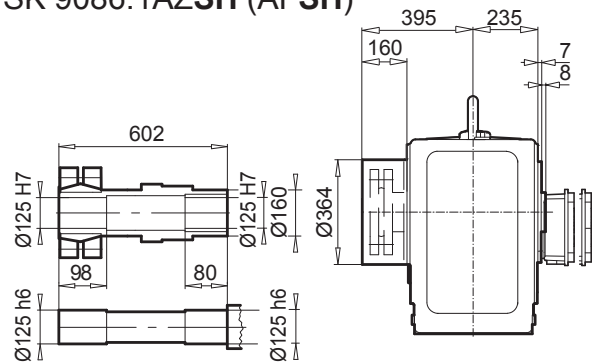
SK 9086.1AZEA



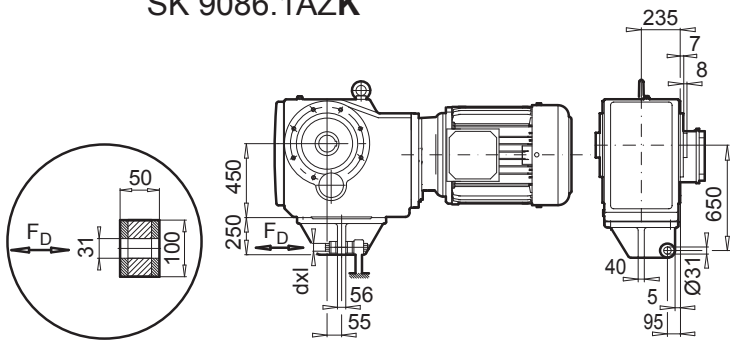
SK 9086.1AZB (AFB)



SK 9086.1AZSH (AFSH)



SK 9086.1AZK



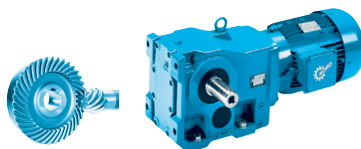
$F_D = 30,77 \text{ kN}$
 $S_{FD} = 17,6 \text{ mm}$
 $dxl = M30x260$
A29

Helical-bevel gear units

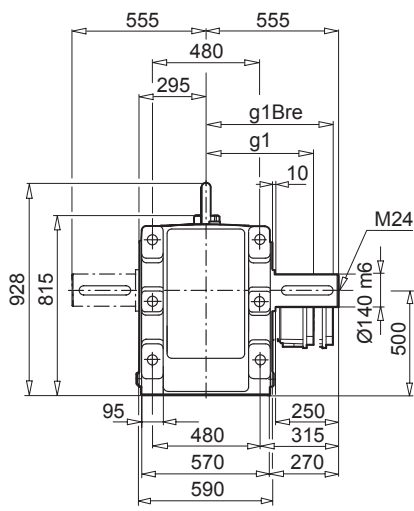
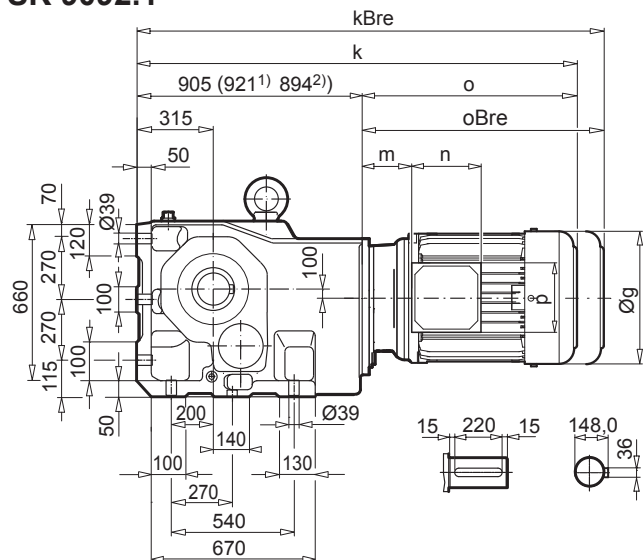
⇒ A61	132 SP/MP	160 SP/MP	160 LP	180 MP/LP	225 RP	225 SP/MP	250 WP ¹⁾	280 SP ¹⁾	280 MP ²⁾	315 SP ²⁾	315 MP/RP ²⁾
g	266	320	320	358	443	443	443	551	551	616	616
g1 / g1Bre	204 / 201	242 / 242	242 / 242	259 / 259	347 / 347	347 / 347	347 / 347	432 / 432	434 / 434	516 / -	516 / -
k1 / k1Bre	1201 / 1308	1258 / 1393	1302 / 1437	1380 / 1508	1508 / 1688	1508 / 1688	1488 / 1668	1576 / 1756	1594 / 1774	1686 / -	1851 / -
o / oBre	435 / 542	492 / 627	536 / 671	614 / 742	742 / 922	742 / 922	742 / 922	830 / 1010	820 / 1000	912 / -	1077 / -
m / mBre	71 / 62	52 / 52	52 / 52	55 / 55	94 / 94	94 / 94	94 / 94	104 / 104	94 / 94	89 / -	89 / -
n / nBre	122 / 185	186 / 186	186 / 186	186 / 186	245 / 245	245 / 245	245 / 245	233 / 233	233 / 233	299 / -	299 / -
p / pBre	122 / 139	186 / 186	186 / 186	186 / 186	245 / 245	245 / 245	245 / 245	319 / 319	319 / 319	420 / -	420 / -



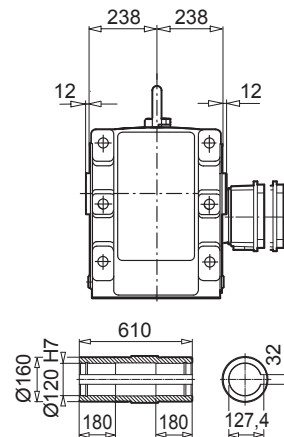
SK 9092.1



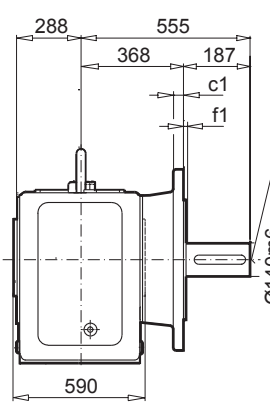
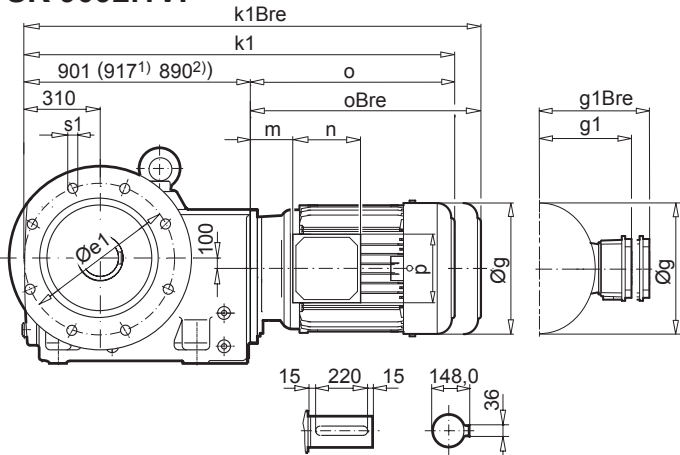
SK 9092.1



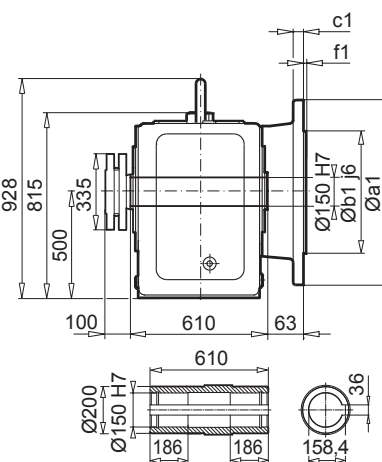
SK 9092.1AX



SK 9092.1VF

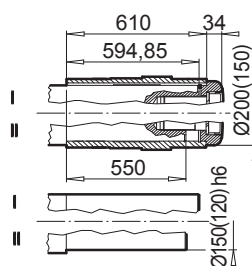


SK 9092.1AF

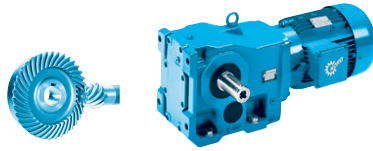


a1	b1	c1	e1	f1	s1
660	550	32	600	6	8 x 22

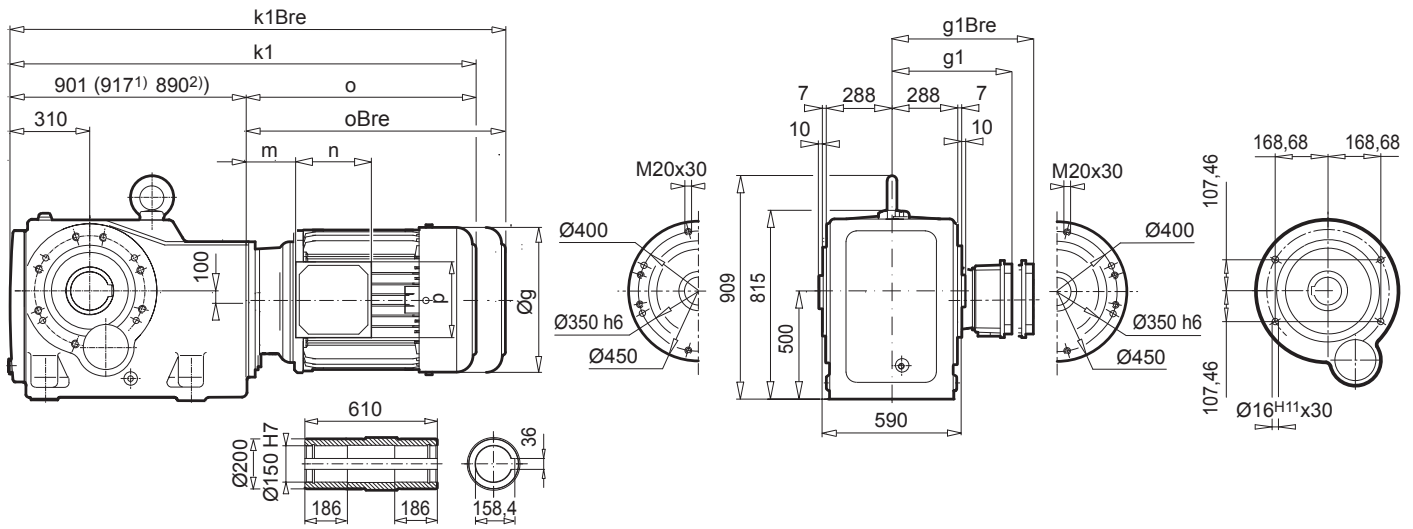
SK 9092.1AFB (AXB)



⇒ A61	160 SP/MP	160 LP	180 MP/LP	225 RP	225 SP/MP	250 WP ¹⁾	280 SP ¹⁾	280 MP ²⁾	315 SP ²⁾	315 MP/RP ²⁾	
g	320	320	358	443	443	443	551	551	616	616	 E132
g1 / g1Bre	242 / 242	242 / 242	259 / 259	347 / 347	347 / 347	347 / 347	432 / 432	434 / 434	516 / -	516 / -	
k / kBre	1397 / 1532	1441 / 1576	1518 / 1644	1647 / 1827	1647 / 1827	1663 / 1843	1751 / 1931	1714 / 1894	1806 / -	1971 / -	
k1 / k1Bre	1393 / 1528	1437 / 1572	1514 / 1640	1643 / 1823	1643 / 1823	1659 / 1839	1747 / 1947	1710 / 1890	1802 / -	1967 / -	
o / oBre	492 / 627	536 / 671	614 / 742	742 / 922	742 / 922	742 / 922	830 / 1010	820 / 1000	912 / -	1077 / -	
m / mBre	52 / 52	52 / 52	55 / 55	94 / 94	94 / 94	94 / 94	104 / 104	94 / 94	89 / -	89 / -	
n / nBre	186 / 186	186 / 186	186 / 186	245 / 245	245 / 245	245 / 245	233 / 233	233 / 233	299 / -	299 / -	
p / pBre	186 / 186	186 / 186	186 / 186	245 / 245	245 / 245	245 / 245	319 / 319	319 / 319	420 / -	420 / -	



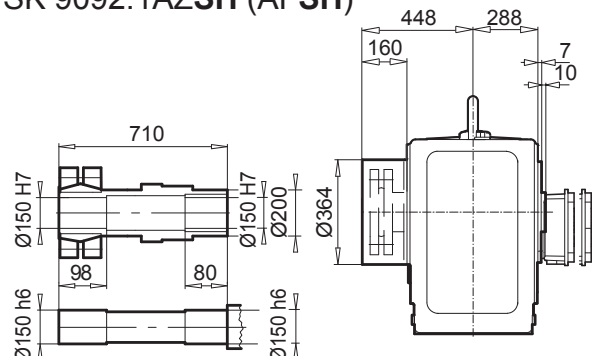
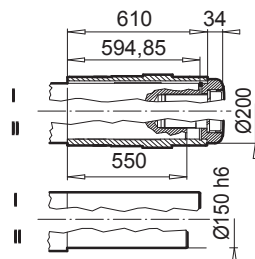
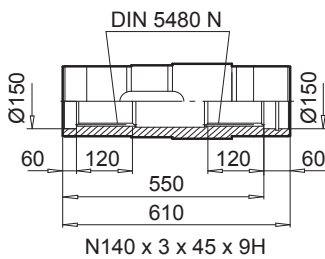
SK 9092.1AZ



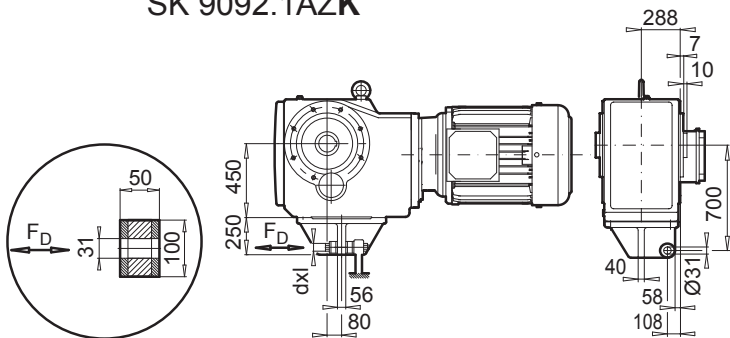
SK 9092.1AZEA

SK 9092.1AZB (AFB)

SK 9092.1AZSH (AFSH)



SK 9092.1AZK

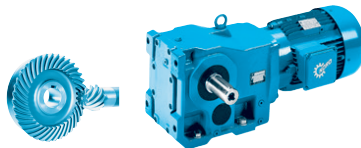


$F_D = 45,71 \text{ kN}$
 $S_{FD} = 26,2 \text{ mm}$
 $d_{xl} = M30x260$
A29

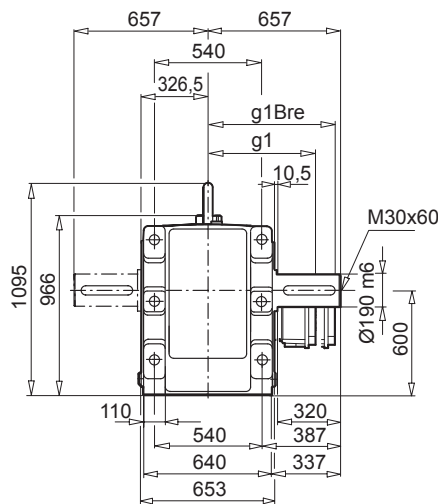
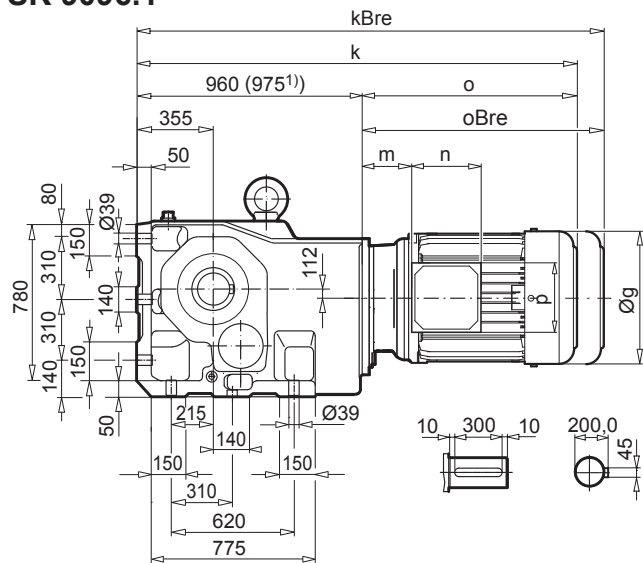
Helical-bevel gear units

⇒ A61	160 SP/MP	160 LP	180 MP/LP	225 RP	225 SP/MP	250 WP ¹⁾	280 SP ¹⁾	280 MP ²⁾	315 SP ²⁾	315 MP/RP ²⁾	
g	320	320	358	443	443	443	551	551	616	616	
g1 / g1Bre	242 / 242	242 / 242	259 / 259	347 / 347	347 / 347	347 / 347	432 / 432	434 / 434	516 / -	516 / -	
k1 / k1Bre	1393 / 1528	1437 / 1572	1514 / 1640	1643 / 1823	1643 / 1823	1659 / 1839	1747 / 1947	1710 / 1890	1802 / -	1967 / -	
o / oBre	492 / 627	536 / 671	614 / 742	742 / 922	742 / 922	742 / 922	830 / 1010	820 / 1000	912 / -	1077 / -	
m / mBre	52 / 52	52 / 52	55 / 55	94 / 94	94 / 94	94 / 94	104 / 104	94 / 94	89 / -	89 / -	
n / nBre	186 / 186	186 / 186	186 / 186	245 / 245	245 / 245	245 / 245	233 / 233	233 / 233	299 / -	299 / -	
p / pBre	186 / 186	186 / 186	186 / 186	245 / 245	245 / 245	245 / 245	319 / 319	319 / 319	420 / -	420 / -	

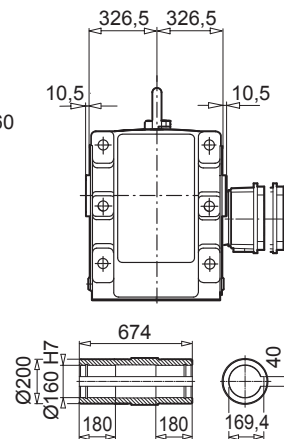
SK 9096.1



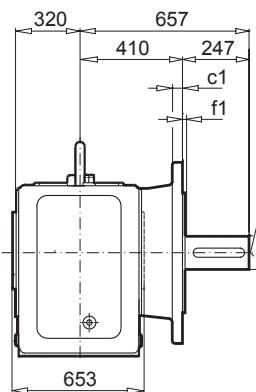
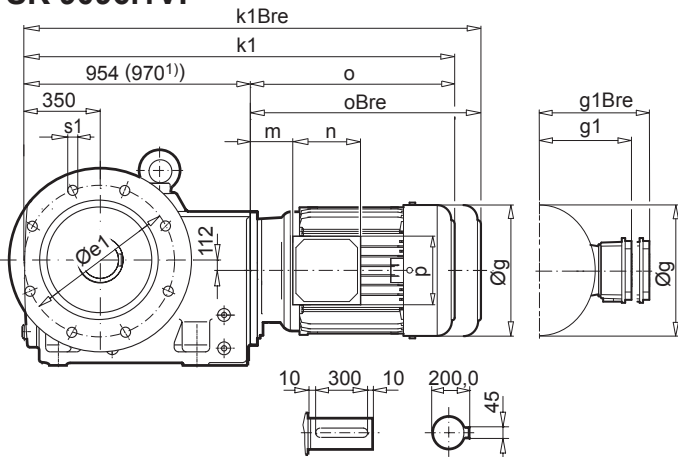
SK 9096.1



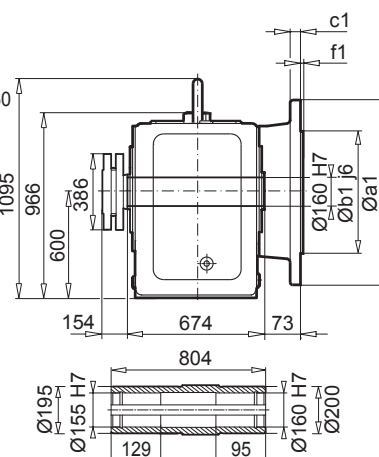
SK 9096.1AX



SK 9096.1VF

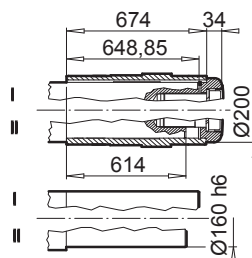


SK 9096.1AF



a1	b1	c1	e1	f1	s1
660	550	35	600	8	8 x 26

SK 9096.1AFB (AXB)

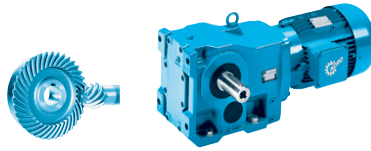


⇒ A61	160 SP/MP	160 LP	180 MP/LP	225 RP	225 SP/MP	250 WP ¹⁾	280 SP ¹⁾	280 MP ¹⁾	315 SP ¹⁾	315 MP/RP/LP ¹⁾
g	320	320	358	443	443	443	551	551	616	616
g1 / g1Bre	242 / 242	242 / 242	259 / 259	347 / 347	347 / 347	347 / 347	432 / 432	434 / 434	516 / -	516 / -
k / kBre	1452 / 1587	1496 / 1631	1574 / 1702	1702 / 1882	1702 / 1882	1717 / 1897	1805 / 1985	1795 / 1975	1887 / -	2052 / -
k1 / k1Bre	1446 / 1581	1490 / 1625	1568 / 1696	1696 / 1876	1696 / 1876	1712 / 1892	1794 / 1974	1784 / 1964	1876 / -	2041 / -
o / oBre	492 / 627	536 / 671	614 / 742	742 / 922	742 / 922	742 / 922	830 / 1010	820 / 1000	912 / -	1077 / -
m / mBre	52 / 52	52 / 52	55 / 55	94 / 94	94 / 94	94 / 94	104 / 104	94 / 94	89 / -	89 / -
n / nBre	186 / 186	186 / 186	186 / 186	245 / 245	245 / 245	245 / 245	233 / 233	233 / 233	299 / -	299 / -
p / pBre	186 / 186	186 / 186	186 / 186	245 / 245	245 / 245	245 / 245	319 / 319	319 / 319	420 / -	420 / -

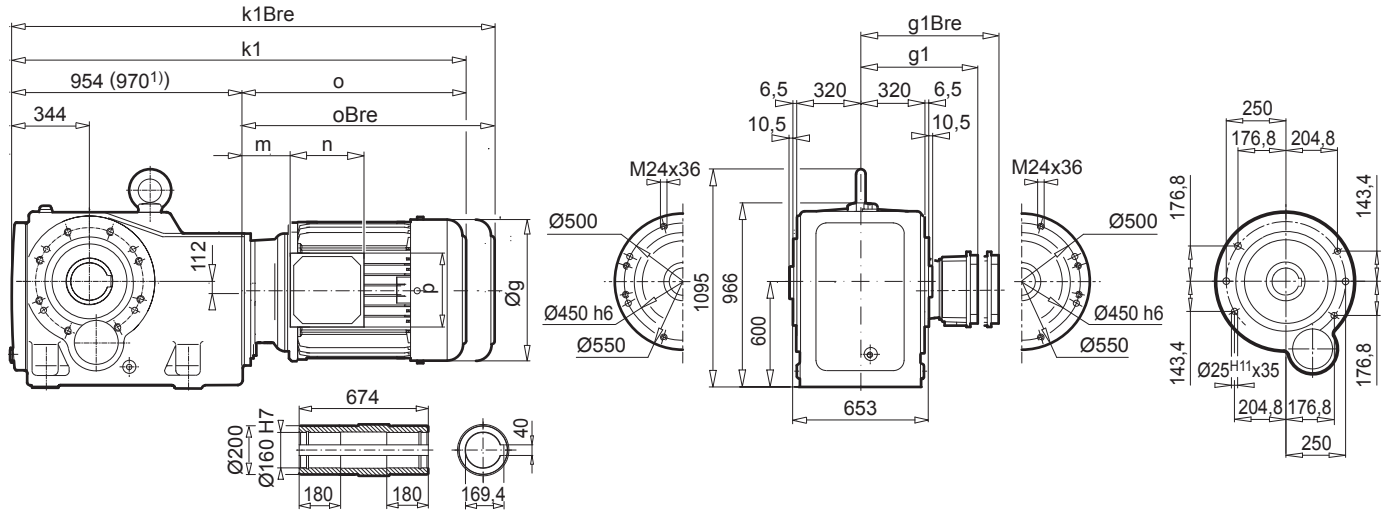


E132



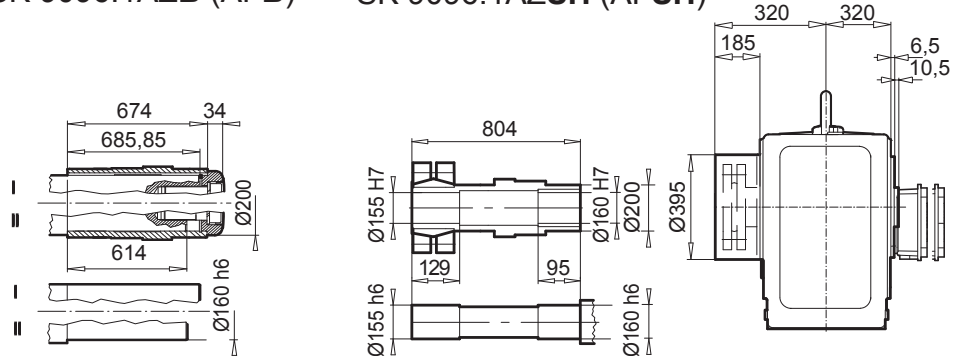


SK 9096.1AZ

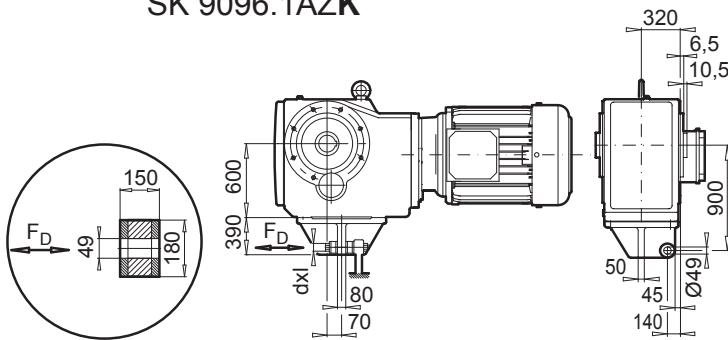


SK 9096.1AZB (AFB)

SK 9096.1AZSH (AFSH)



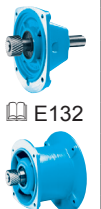
SK 9096.1AZK



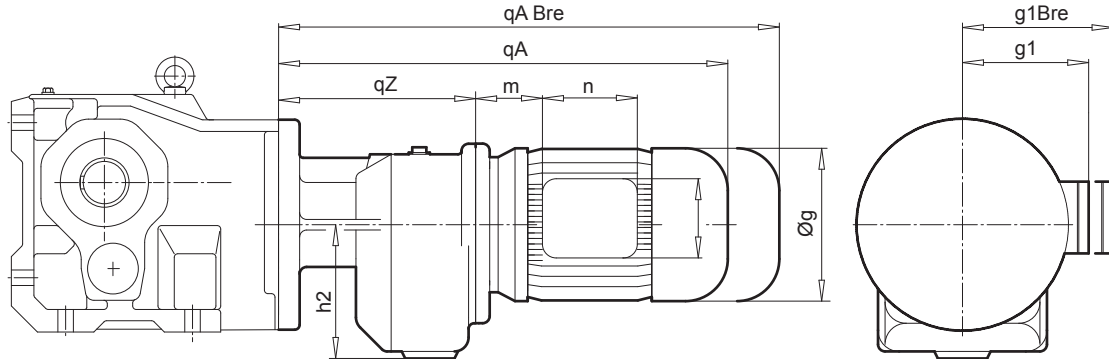
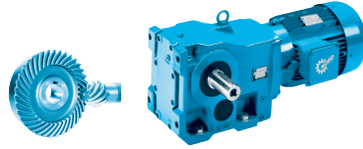
$F_D = 55,56 \text{ kN}$
 $S_{FD} = 27,0 \text{ mm}$
 $d_{xl} = M48 \times 520$
A29



Helical-bevel
gear units



⇒ A61	160 SP/MP	160 LP	180 MP/LP	225 RP	225 SP/MP	250 WP ¹⁾	280 SP ¹⁾	280 MP ¹⁾	315 SP ¹⁾	315 MP/RP/LP ¹⁾
g	320	320	358	443	443	443	551	551	616	616
g1 / g1Bre	242 / 242	242 / 242	259 / 259	347 / 347	347 / 347	347 / 347	432 / 432	434 / 434	516 / -	516 / -
k1 / k1Bre	1446 / 1581	1490 / 1625	1568 / 1696	1696 / 1876	1696 / 1876	1712 / 1892	1794 / 1974	1784 / 1964	1876 / -	2041 / -
o / oBre	492 / 627	536 / 671	614 / 742	742 / 922	742 / 922	742 / 922	830 / 1010	820 / 1000	912 / -	1077 / -
m / mBre	52 / 52	52 / 52	55 / 55	94 / 94	94 / 94	94 / 94	104 / 104	94 / 94	89 / -	89 / -
n / nBre	186 / 186	186 / 186	186 / 186	245 / 245	245 / 245	245 / 245	233 / 233	233 / 233	299 / -	299 / -
p / pBre	186 / 186	186 / 186	186 / 186	245 / 245	245 / 245	245 / 245	319 / 319	319 / 319	420 / -	420 / -





SK 9072.1/32 - SK 9092.1/52

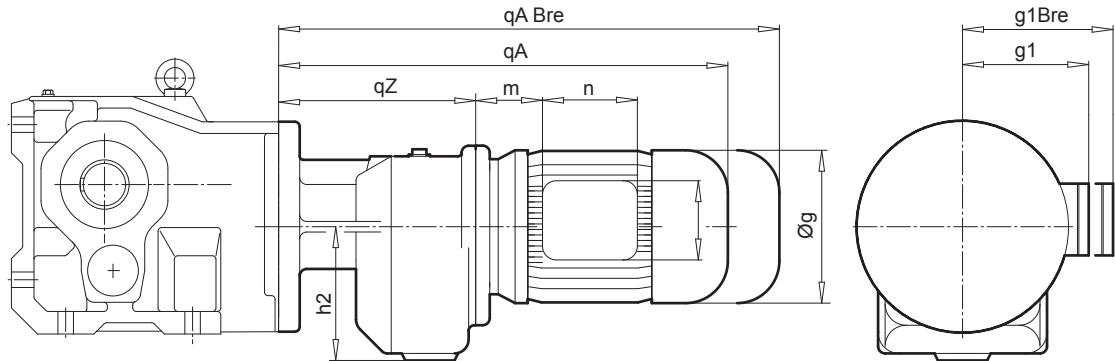
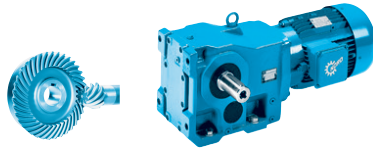





⇒ A61	SK 9072.1/32									
	71 L	80 SH	80 LP	90 SP/LP	100 LP/AP	112 MP	132 SP			
g	145	165	165	184	202	226	264			
g1 / g1Bre	124 / 134	142 / 142	142 / 142	148 / 148	170 / 172	180 / 182	204 / 202			
qA / qABre	449 / 507	474 / 538	492 / 556	515 / 590	545 / 636	593 / 687	654 / 761			
o / oBre	230 / 288	255 / 319	255 / 319	296 / 371	326 / 417	374 / 468	435 / 542			
qz	219									
m / mBre	36 / 42	41 / 44	41 / 44	46 / 49	52 / 55	58 / 61	71 / 62			
n / nBre	100 / 134	114 / 153	114 / 153	114 / 153	114 / 153	114 / 153	122 / 185			
p / pBre	100 / 89	114 / 108	114 / 108	114 / 108	114 / 108	114 / 108	122 / 139			
h2	155									
⇒	SK 9072.1 ⇒ E104-105									 

⇒ A61	SK 9072.1/42			SK 9082.1/42						
	100 LP/AP	112 MP	132 MP	90 SP/LP	100 LP/AP	112 MP	132 SP	160 SP		
g	202	226	264	184	164	226	264	320		
g1 / g1Bre	170 / 172	180 / 182	204 / 202	148 / 148	142 / 142	180 / 182	204 / 202	242 / 242		
qA / qABre	566 / 657	614 / 707	675 / 782	536 / 611	566 / 657	614 / 707	675 / 782	752 / 887		
o / oBre	306 / 397	354 / 447	415 / 522	276 / 351	306 / 397	354 / 447	415 / 522	492 / 627		
qz	260			260						
m / mBre	32 / 35	38 / 41	51 / 42	26 / 30	32 / 35	38 / 41	51 / 42	52 / 52		
n / nBre	114 / 153	114 / 153	122 / 185	114 / 153	114 / 153	114 / 153	122 / 185	186 / 186		
p / pBre	114 / 108	114 / 108	122 / 139	114 / 108	114 / 108	114 / 108	122 / 139	186 / 186		
h2	175			175						
⇒	SK 9072.1 ⇒ E104-105			SK 9082.1 ⇒ E106-107						 

⇒ A61	SK 9082.1/52 *, SK 9086.1/52							SK 9092.1/52							
	90 SP/LP	100 LP/AP	112 MP *	132 SP/MP *	160 SP/MP *	160 LP *	180 MP/LP *	90 SP/LP	100 LP/AP	112 MP	132 SP/MP	160 SP/MP	160 LP	180 MP/LP	
g	184	202	226	264	320	320	358	184	202	226	264	320	320	358	
g1 / g1Bre	148 / 148	170 / 172	180 / 182	204 / 202	242 / 242	242 / 242	259 / 259	148 / 148	170 / 172	180 / 182	204 / 202	242 / 242	242 / 242	259 / 259	
qA / qABre	576 / 651	606 / 697	654 / 747	715 / 822	792 / 927	836 / 971	934 / 1062	536 / 611	566 / 657	614 / 708	675 / 782	752 / 887	836 / 971	934 / 1062	
o / oBre	276 / 351	306 / 397	354 / 447	415 / 522	492 / 627	536 / 671	634 / 762	276 / 351	306 / 397	354 / 448	415 / 522	492 / 627	536 / 671	634 / 762	
qz	300							300							
m / mBre	26 / 30	32 / 35	38 / 41	51 / 42	52 / 52	52 / 52	74 / 74	26 / 30	32 / 35	38 / 41	51 / 42	52 / 52	52 / 52	74 / 74	
n / nBre	114 / 153	114 / 153	114 / 153	122 / 185	186 / 186	186 / 186	186 / 186	114 / 153	114 / 153	114 / 153	122 / 185	186 / 186	186 / 186	186 / 186	
p / pBre	114 / 108	114 / 108	114 / 108	122 / 139	186 / 186	186 / 186	186 / 186	114 / 108	114 / 108	114 / 108	122 / 139	186 / 186	186 / 186	186 / 186	
h2	212							212							
⇒	SK 9082.1 ⇒ E106-107 , SK 9086.1 ⇒ E108-109							SK 9092.1 ⇒ E110-111							 

Helical-bevel gear units

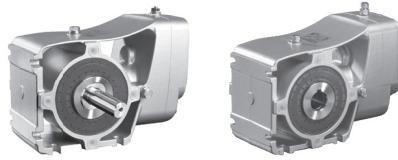
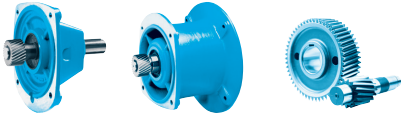


⇒  A61	SK 9096.1/62											
	100 LP/AP	112 MP	132 SP/MP	160 SP/MP	160 LP	180 MP/LP	225 RP	225 SP/MP				
g	202	226	264	320	320	358	443	443				
g1 / g1Bre	170 / 172	180 / 182	204 / 202	242 / 242	242 / 242	259 / 259	347 / 347	347 / 347				
qA / qABre	707 / 798	755 / 848	816 / 923	893 / 1028	937 / 1072	1015 / 1143	1143 / 1323	1143 / 1323				
o / oBre	306 / 397	354 / 447	415 / 522	492 / 627	536 / 671	614 / 742	742 / 922	742 / 922				
qz	401											
m / mBre	32 / 35	38 / 41	51 / 42	52 / 52	52 / 52	55 / 55	94 / 94	94 / 94				
n / nBre	114 / 153	114 / 153	122 / 185	186 / 186	186 / 186	186 / 186	245 / 245	245 / 245				
p / pBre	114 / 108	114 / 108	122 / 139	186 / 186	186 / 186	186 / 186	245 / 245	245 / 245				
h2	245											
⇒ 	SK 9096.1 ⇒  E112-113											



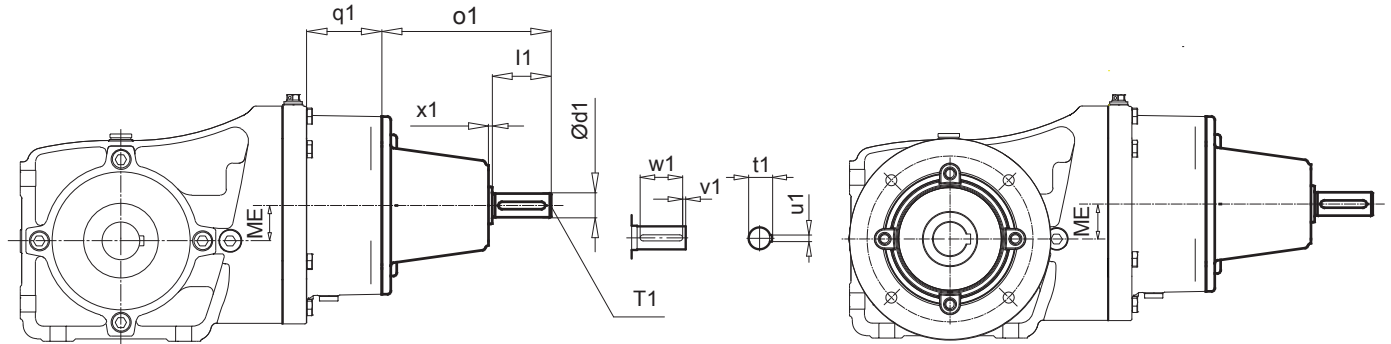
 E131





SK 92072.1 V (A) - W
SK 92172.1 V (A) - W

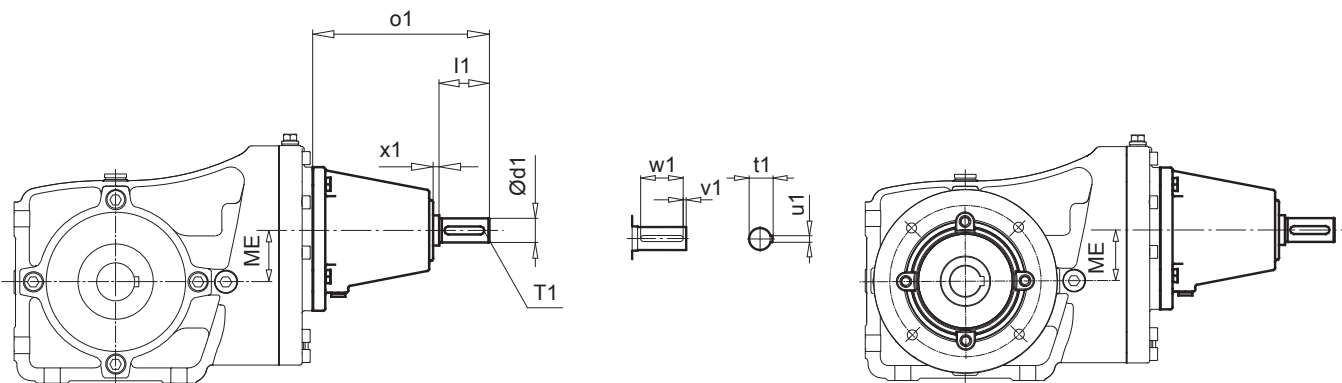
SK 92072.1 VF (AF) - W
SK 92172.1 VF (AF) - W



Gear units types	q1
SK 92072.1	46
SK 92172.1	44,5

SK 92372.1 V (A) - W
SK 92672.1 V (A) - W
SK 92772.1 V (A) - W

SK 92372.1 VF (AF) - W
SK 92672.1 VF (AF) - W
SK 92772.1 VF (AF) - W



Type	⇒
SK 92072.1	E60-61
SK 92172.1	E62-63
SK 92372.1	E64-65
SK 92672.1	E66-67
SK 92772.1	E68-69

Helical-bevel gear units

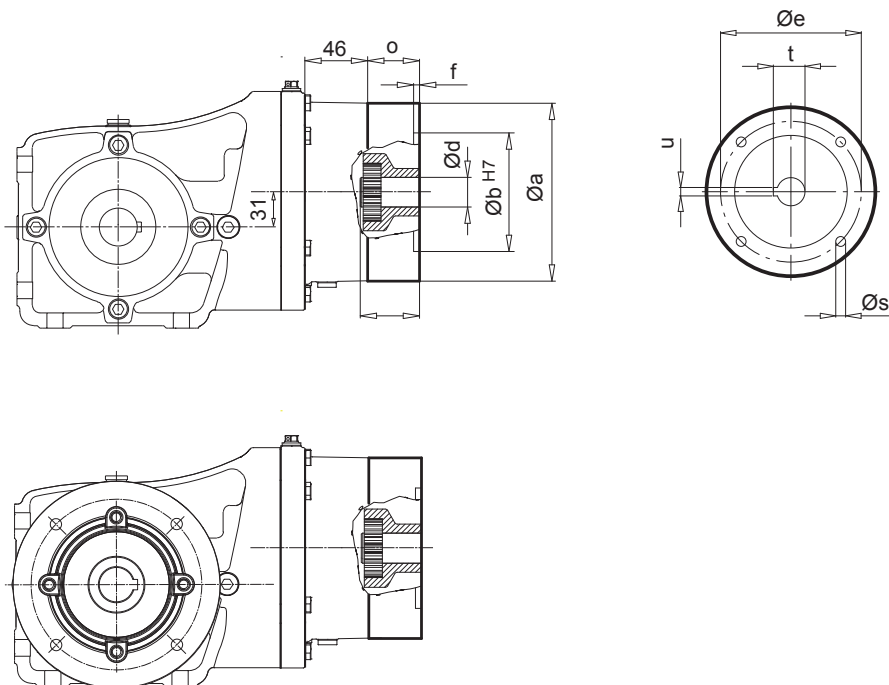
Gear units types	ME	d1	l1	o1	x1	u1	t1	v1	w1	T1
SK 92072.1 V (A) / SK 92072.1 VF (AF)	31	16	40	114,5	2,5	5	18	4	32	M6
SK 92172.1 V (A) / SK 92172.1 VF (AF)	39	16	40	114,5	2,5	5	18	4	32	M6
SK 92372.1 V (A) / SK 92372.1 VF (AF)	45	24	50	177,5	8	8	27	5	40	M8
SK 92672.1 V (A) / SK 92672.1 VF (AF)	57	24	50	177,5	8	8	27	5	40	M8
SK 92772.1 V (A) / SK 92772.1 VF (AF)	77	24	50	177,5	8	8	27	5	40	M8



SK 92072.1 V (A) - IEC 56...80

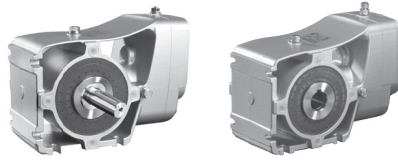
SK 92072.1 VF(AF) - IEC 56...80

⇒ E60-61



IEC	a	b	e	f	s	o	d	l	t	u
IEC 56 - C105	105	70	85	3	7	32,5	9	20	11,4	3
IEC 56 - A120	120	80	100	3,5	7	32,5				
IEC 63 - C90 *	90	60	75	3	6	32,5	11	23	12,8	4
IEC 63 - C120	120	80	100	3,5	7	32,5				
IEC 63 - A140	140	95	115	3,5	9	32,5				
IEC 71 - C105 *	105	70	85	3	7	32,5	14	30	16,3	5
IEC 71 - C140	140	95	115	3,5	9	32,5				
IEC 71 - A160	160	110	130	4	9	32,5				
IEC 80 - C120 *	120	80	100	3,5	7	32,5	19	40	21,8	6
IEC 80 - C160	160	110	130	4	9	32,5				
IEC 80 - A200	200	130	165	4	M10x20	32,5				

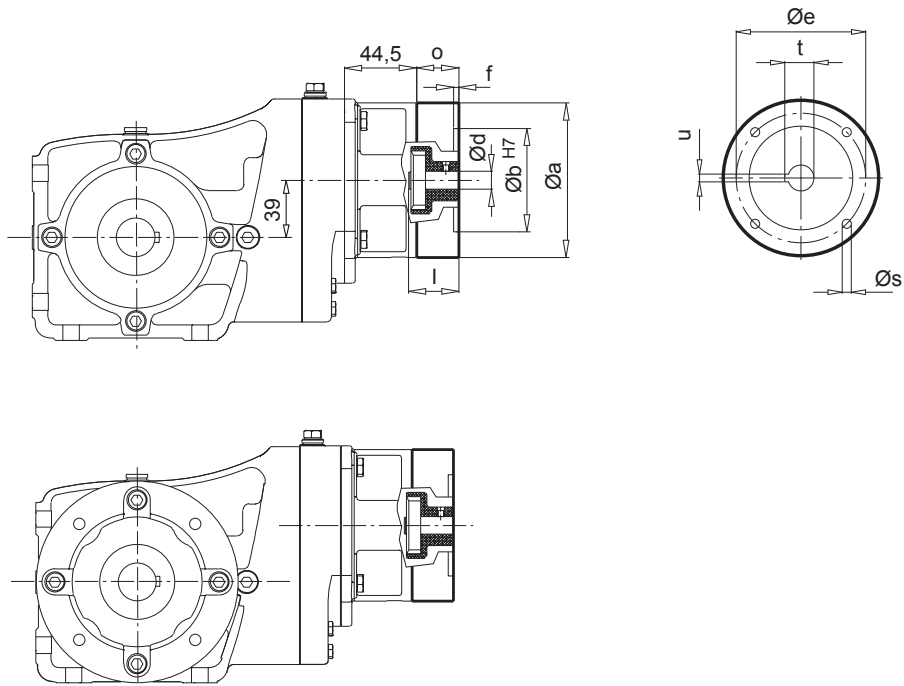
* IEC-Advantages row



SK 92172.1 V (A) - IEC 56...90

SK 92172.1 VF(AF) - IEC 56...90

⇒ E62-63



Helical-bevel gear units

IEC	a	b	e	f	s	o	d	l	t	u
IEC 56 - C105	105	70	85	3	7	32,5	9	20	11,4	3
IEC 56 - A120	120	80	100	3,5	7	32,5				
IEC 63 - C90 *	90	60	75	3	6	32,5	11	23	12,8	4
IEC 63 - C120	120	80	100	3,5	7	32,5				
IEC 63 - A140	140	95	115	3,5	9	32,5				
IEC 71 - C105 *	105	70	85	3	7	32,5	14	30	16,3	5
IEC 71 - C140	140	95	115	3,5	9	32,5				
IEC 71 - A160	160	110	130	4	9	32,5				
IEC 80 - C120 *	120	80	100	3,5	7	32,5	19	40	21,8	6
IEC 80 - C160	160	110	130	4	9	32,5				
IEC 80 - A200	200	130	165	4	M10x20	32,5				
IEC 90 - C140 *	140	95	115	3,5	9	45,5	24	50	27,3	8
IEC 90 - C160	160	110	130	4	9	45,5				
IEC 90 - A200	200	130	165	4	M10x20	45,5				

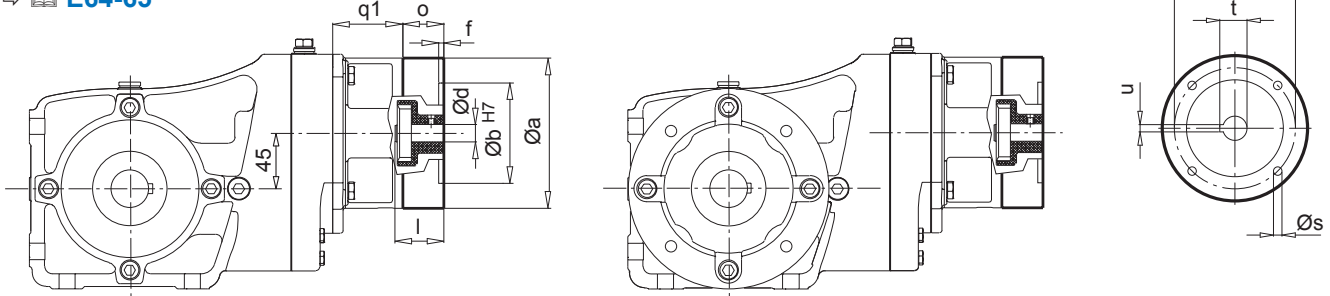
* IEC-Advantages row



SK 92372.1 V (A) - IEC 63...90

SK 92372.1 VF(AF) - IEC 63...90

⇒ E64-65



i_{ges}	q1
$\geq 18,33$	56
$< 18,33$	40

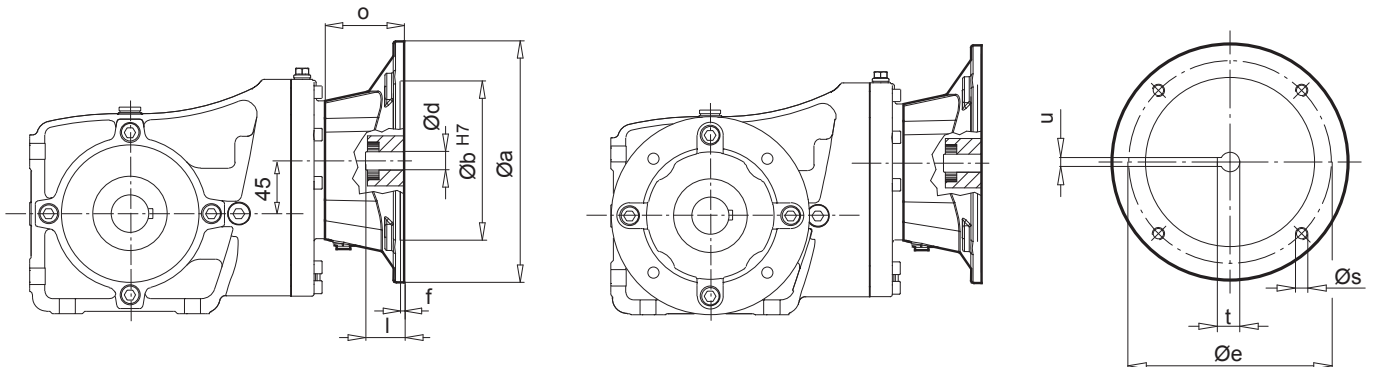
IEC	a	b	e	f	s	o	d	l	t	u
IEC 63 - C90 *	90	60	75	3	6	32,5	11	23	12,8	4
IEC 63 - C120	120	80	100	3,5	7	32,5				
IEC 63 - A140	140	95	115	3,5	9	32,5				
IEC 71 - C105 *	105	70	85	3	7	32,5	14	30	16,3	5
IEC 71 - C140	140	95	115	3,5	9	32,5				
IEC 71 - A160	160	110	130	4	9	32,5				
IEC 80 - C120 *	120	80	100	3,5	7	32,5	19	40	21,8	6
IEC 80 - C160	160	110	130	4	9	32,5				
IEC 80 - A200	200	130	165	4	M10x20	32,5				
IEC 90 - C140 *	140	95	115	3,5	9	45,5	24	50	27,3	8
IEC 90 - C160	160	110	130	4	9	45,5				
IEC 90 - A200	200	130	165	4	M10x20	45,5				

* IEC-Advantages row

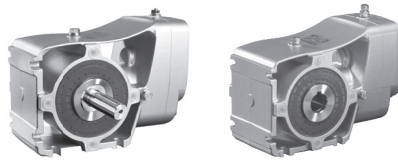
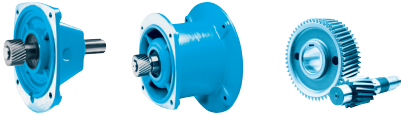
SK 92372.1 V (A) - IEC 100

SK 92372.1 VF(AF) - IEC 100

⇒ E64-65



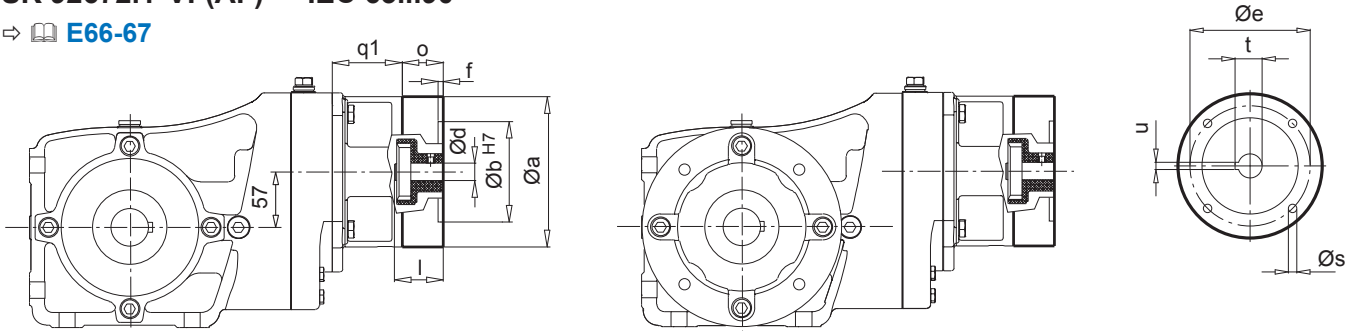
IEC	a	b	e	f	s	o	d	l	t	u
IEC 100	250	180	215	5	M12	82	28	60	31,3	8



SK 92672.1 V (A) - IEC 63...90

SK 92672.1 VF(AF) - IEC 63...90

⇒ **E66-67**



i_{ges}	q1
$\geq 18,21$	56
$< 18,21$	40

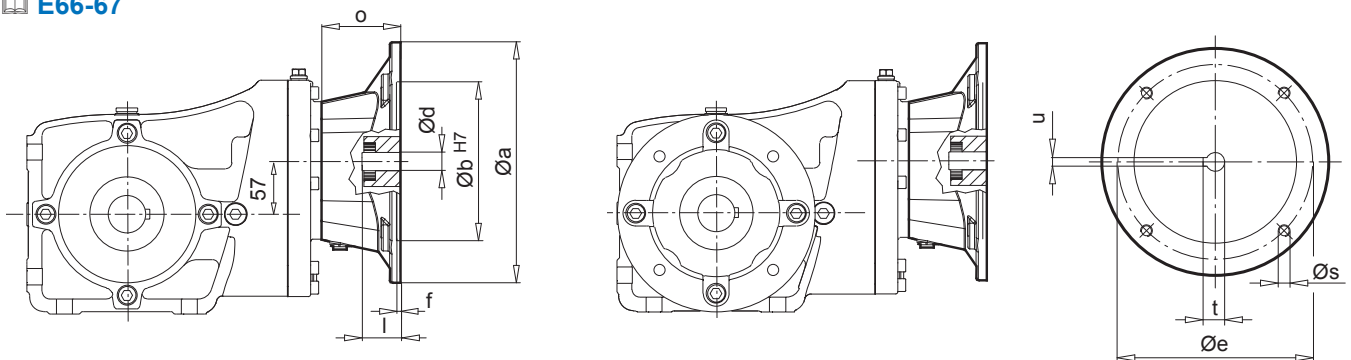
IEC	a	b	e	f	s	o	d	l	t	u
IEC 63 - C90 *	90	60	75	3	6	32,5	11	23	12,8	4
IEC 63 - C120	120	80	100	3,5	7	32,5				
IEC 63 - A140	140	95	115	3,5	9	32,5				
IEC 71 - C105 *	105	70	85	3	7	32,5	14	30	16,3	5
IEC 71 - C140	140	95	115	3,5	9	32,5				
IEC 71 - A160	160	110	130	4	9	32,5				
IEC 80 - C120 *	120	80	100	3,5	7	32,5	19	40	21,8	6
IEC 80 - C160	160	110	130	4	9	32,5				
IEC 80 - A200	200	130	165	4	M10x20	32,5				
IEC 90 - C140 *	140	95	115	3,5	9	45,5	24	50	27,3	8
IEC 90 - C160	160	110	130	4	9	45,5				
IEC 90 - A200	200	130	165	4	M10x20	45,5				

* IEC-Advantages row

SK 92672.1 V (A) - IEC 100...132

SK 92672.1 VF(AF) - IEC 100...132

⇒ **E66-67**



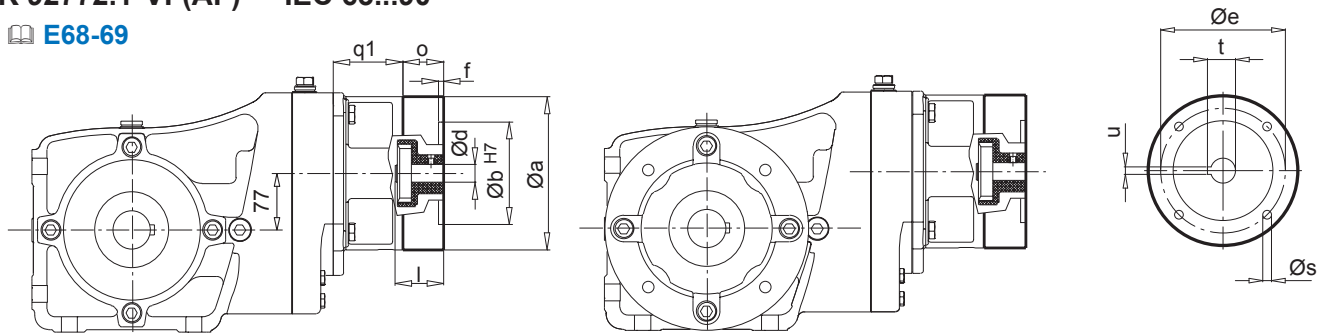
IEC	a	b	e	f	s	o	d	l	t	u
IEC 100	250	180	215	5	M12	82	28	60	31,3	8
IEC 112	250	180	215	5	M12	82	28	60	31,3	8
IEC 132	300	230	265	5	M12	111	38	80	41,3	10



SK 92772.1 V (A) - IEC 63...90

SK 92772.1 VF(AF) - IEC 63...90

⇒ **E68-69**



i_{ges}	q1
$\geq 28,38$	56
$< 28,38$	40

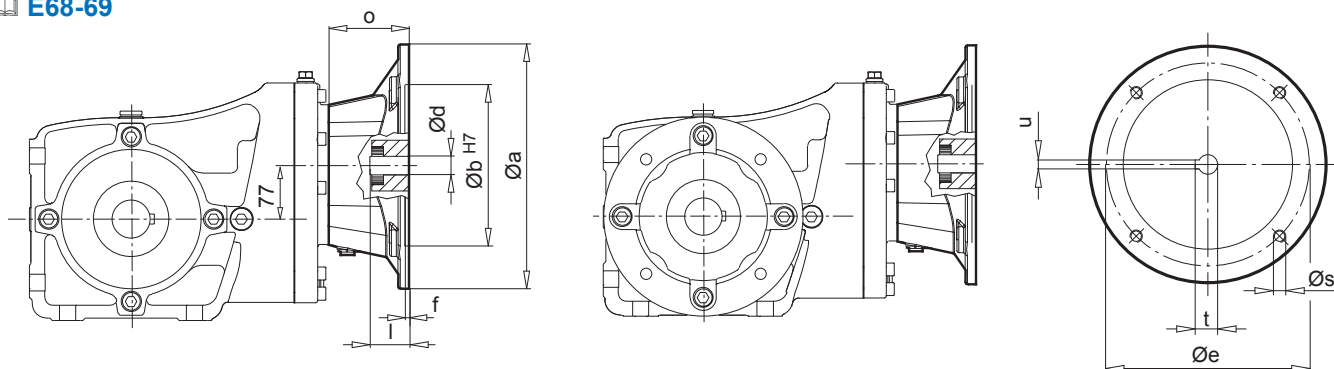
IEC	a	b	e	f	s	o	d	l	t	u
IEC 63 - C90 *	90	60	75	3	6	32,5	11	23	12,8	4
IEC 63 - C120	120	80	100	3,5	7	32,5				
IEC 63 - A140	140	95	115	3,5	9	32,5				
IEC 71 - C105 *	105	70	85	3	7	32,5	14	30	16,3	5
IEC 71 - C140	140	95	115	3,5	9	32,5				
IEC 71 - A160	160	110	130	4	9	32,5				
IEC 80 - C120 *	120	80	100	3,5	7	32,5	19	40	21,8	6
IEC 80 - C160	160	110	130	4	9	32,5				
IEC 80 - A200	200	130	165	4	M10x20	32,5				
IEC 90 - C140 *	140	95	115	3,5	9	45,5	24	50	27,3	8
IEC 90 - C160	160	110	130	4	9	45,5				
IEC 90 - A200	200	130	165	4	M10x20	45,5				

* IEC-Advantages row

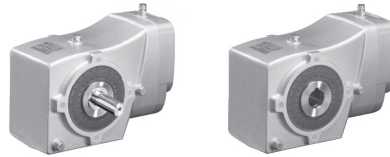
SK 92772.1 V (A) - IEC 100...132

SK 92772.1 VF(AF) - IEC 100...132

⇒ **E68-69**

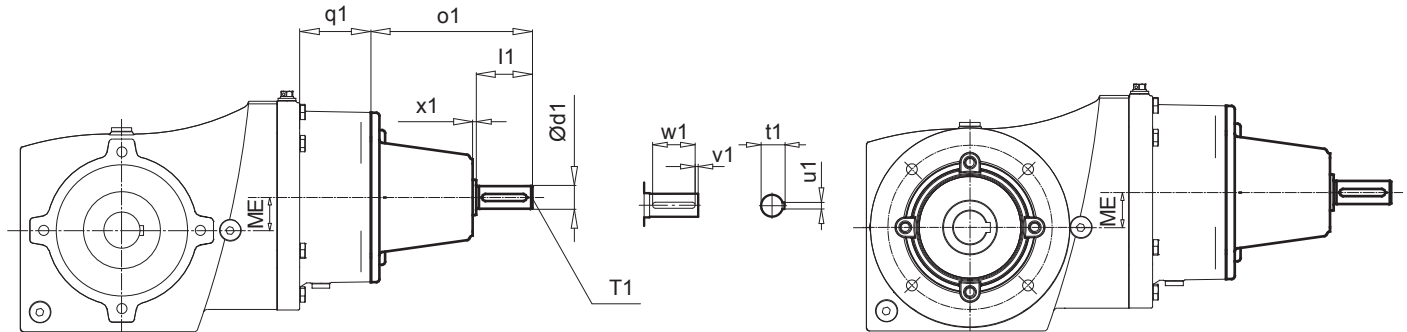


IEC	a	b	e	f	s	o	d	l	t	u
IEC 100	250	180	215	5	M12	82	28	60	31,3	8
IEC 112	250	180	215	5	M12	82	28	60	31,3	8
IEC 132	300	230	265	5	M12	111	38	80	41,3	10



SK 93072.1 V (A) - W
SK 93172.1 V (A) - W

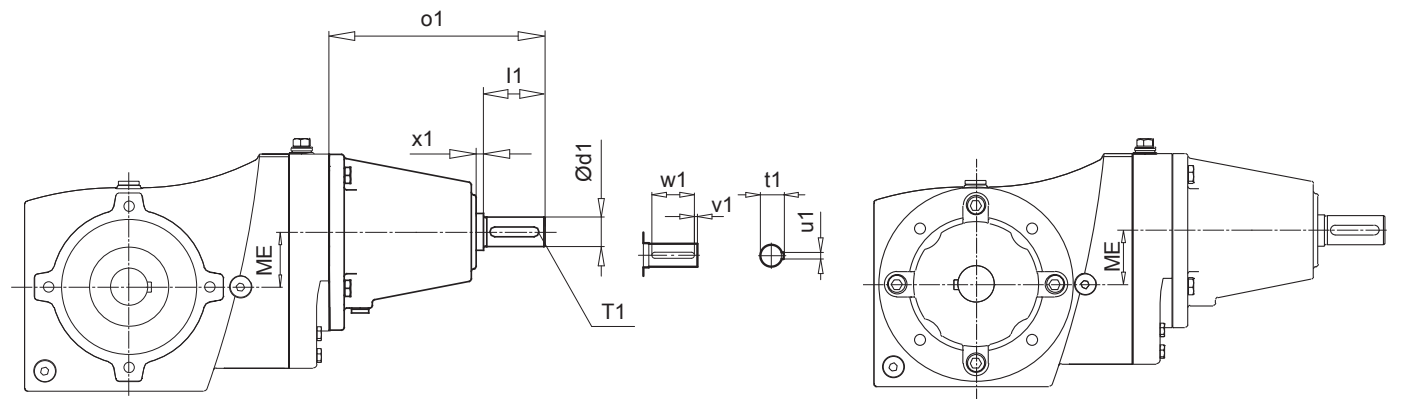
SK 93072.1 VF (AF) - W
SK 93172.1 VF (AF) - W



Gear units types	q1
SK 92072.1	46
SK 92172.1	44,5

SK 93372.1 V (A) - W
SK 93672.1 V (A) - W
SK 93772.1 V (A) - W

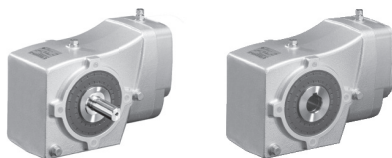
SK 93372.1 VF (AF) - W
SK 93672.1 VF (AF) - W
SK 93772.1 VF (AF) - W



Type	⇒
SK 93072.1	E70-71
SK 93172.1	E72-73
SK 93372.1	E74-75
SK 93672.1	E76-77
SK 93772.1	E78-79

Gear units types	ME	d1	l1	o1	x1	u1	t1	v1	w1	T1
SK 93072.1 V (A) / SK 93072.1 VF (AF)	31	16	40	114,5	2,5	5	18	4	32	M6
SK 93172.1 V (A) / SK 93172.1 VF (AF)	39	16	40	114,5	2,5	5	18	4	32	M6
SK 93372.1 V (A) / SK 93372.1 VF (AF)	45	24	50	177,5	8	8	27	5	40	M8
SK 93672.1 V (A) / SK 93672.1 VF (AF)	57	24	50	177,5	8	8	27	5	40	M8
SK 93772.1 V (A) / SK 93772.1 VF (AF)	77	24	50	177,5	8	8	27	5	40	M8

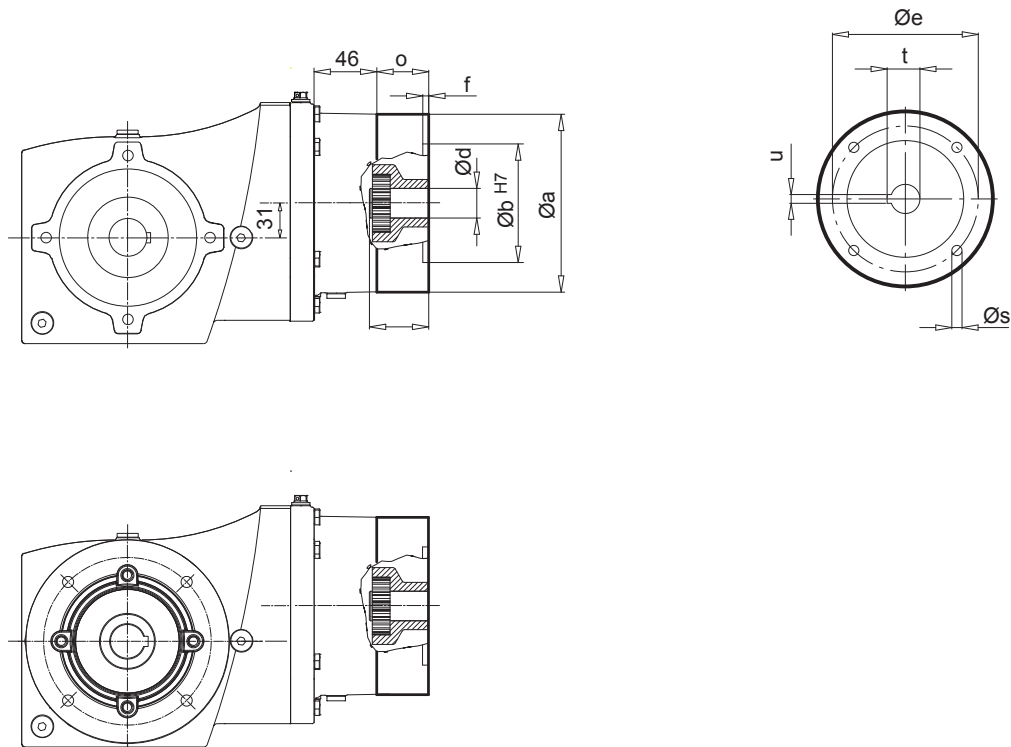
Helical-bevel gear units



SK 93072.1 V (A) - IEC 56...80

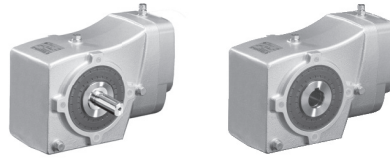
SK 93072.1 VF(AF) - IEC 56...80

⇒ E70-71



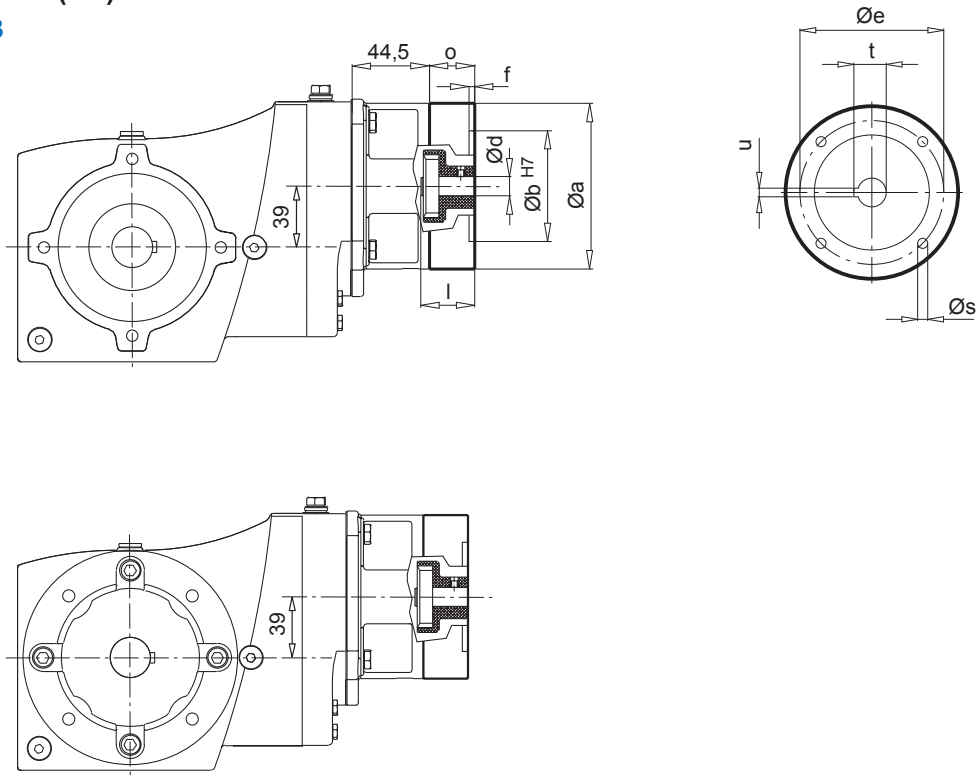
IEC	a	b	e	f	s	o	d	l	t	u
IEC 56 - C105	105	70	85	3	7	32,5	9	20	11,4	3
IEC 56 - A120	120	80	100	3,5	7	32,5				
IEC 63 - C90 *	90	60	75	3	6	32,5	11	23	12,8	4
IEC 63 - C120	120	80	100	3,5	7	32,5				
IEC 63 - A140	140	95	115	3,5	9	32,5				
IEC 71 - C105 *	105	70	85	3	7	32,5	14	30	16,3	5
IEC 71 - C140	140	95	115	3,5	9	32,5				
IEC 71 - A160	160	110	130	4	9	32,5				
IEC 80 - C120 *	120	80	100	3,5	7	32,5	19	40	21,8	6
IEC 80 - C160	160	110	130	4	9	32,5				
IEC 80 - A200	200	130	165	4	M10x20	32,5				

* IEC-Advantages row



SK 93172.1 V (A) - IEC 56...90
 SK 93172.1 VF(AF) - IEC 56...90

⇒ E72-73



Helical-bevel gear units

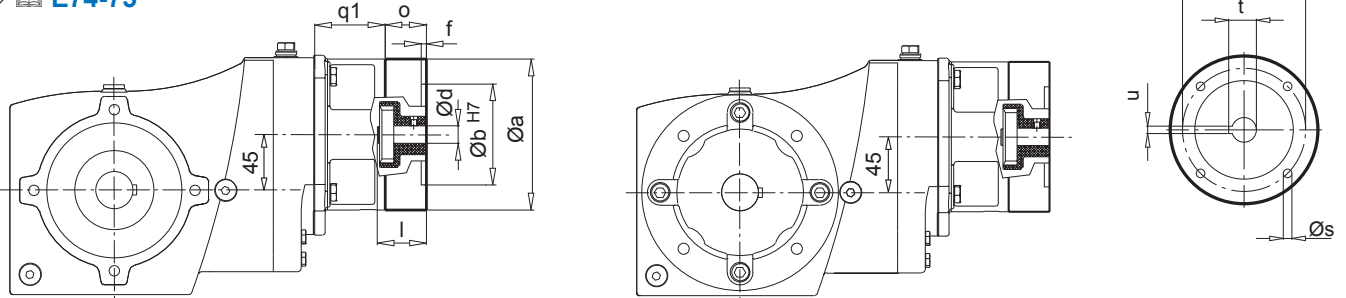
IEC	a	b	e	f	s	o	d	l	t	u
IEC 56 - C105	105	70	85	3	7	32,5	9	20	11,4	3
IEC 56 - A120	120	80	100	3,5	7	32,5				
IEC 63 - C90 *	90	60	75	3	6	32,5	11	23	12,8	4
IEC 63 - C120	120	80	100	3,5	7	32,5				
IEC 63 - A140	140	95	115	3,5	9	32,5				
IEC 71 - C105 *	105	70	85	3	7	32,5	14	30	16,3	5
IEC 71 - C140	140	95	115	3,5	9	32,5				
IEC 71 - A160	160	110	130	4	9	32,5				
IEC 80 - C120 *	120	80	100	3,5	7	32,5	19	40	21,8	6
IEC 80 - C160	160	110	130	4	9	32,5				
IEC 80 - A200	200	130	165	4	M10x20	32,5				
IEC 90 - C140 *	140	95	115	3,5	9	45,5	24	50	27,3	8
IEC 90 - C160	160	110	130	4	9	45,5				
IEC 90 - A200	200	130	165	4	M10x20	45,5				

* IEC-Advantages row



SK 93372.1 V (A) - IEC 63...90
SK 93372.1 VF(AF) - IEC 63...90

⇒ **E74-75**



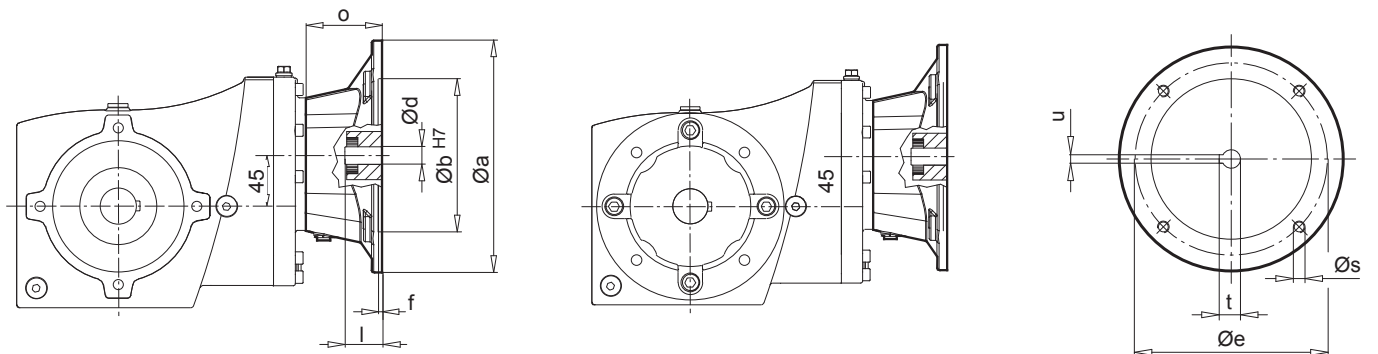
i_{ges}	q1
$\geq 18,33$	56
$< 18,33$	40

IEC	a	b	e	f	s	o	d	l	t	u
IEC 63 - C90 *	90	60	75	3	6	32,5	11	23	12,8	4
IEC 63 - C120	120	80	100	3,5	7	32,5				
IEC 63 - A140	140	95	115	3,5	9	32,5				
IEC 71 - C105 *	105	70	85	3	7	32,5	14	30	16,3	5
IEC 71 - C140	140	95	115	3,5	9	32,5				
IEC 71 - A160	160	110	130	4	9	32,5				
IEC 80 - C120 *	120	80	100	3,5	7	32,5	19	40	21,8	6
IEC 80 - C160	160	110	130	4	9	32,5				
IEC 80 - A200	200	130	165	4	M10x20	32,5				
IEC 90 - C140 *	140	95	115	3,5	9	45,5	24	50	27,3	8
IEC 90 - C160	160	110	130	4	9	45,5				
IEC 90 - A200	200	130	165	4	M10x20	45,5				

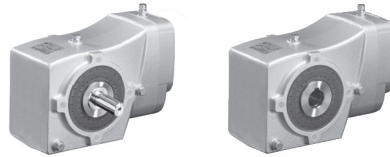
* IEC-Advantages row

SK 93372.1 V (A) - IEC 100
SK 93372.1 VF(AF) - IEC 100

⇒ **E74-75**



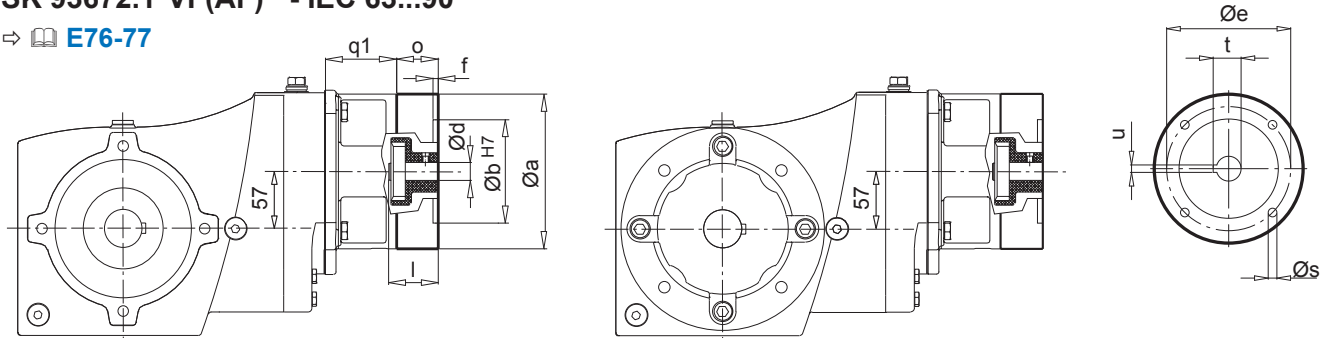
IEC	a	b	e	f	s	o	d	l	t	u
IEC 100	250	180	215	5	M12	82	28	60	31,3	8



SK 93672.1 V (A) - IEC 63...90

SK 93672.1 VF(AF) - IEC 63...90

⇒ E76-77



i_{ges}	q1
≥ 18,21	56
< 18,21	40

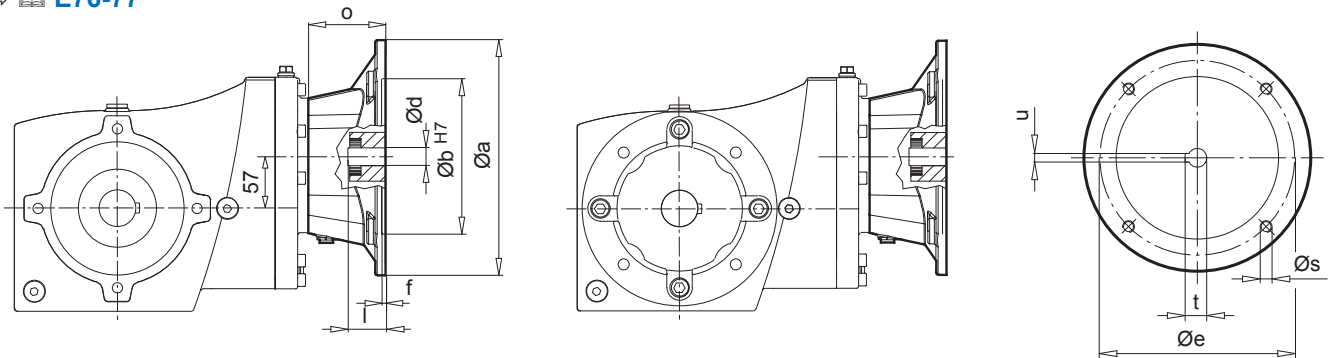
IEC	a	b	e	f	s	o	d	l	t	u
IEC 63 - C90 *	90	60	75	3	6	32,5	11	23	12,8	4
IEC 63 - C120	120	80	100	3,5	7	32,5				
IEC 63 - A140	140	95	115	3,5	9	32,5				
IEC 71 - C105 *	105	70	85	3	7	32,5	14	30	16,3	5
IEC 71 - C140	140	95	115	3,5	9	32,5				
IEC 71 - A160	160	110	130	4	9	32,5				
IEC 80 - C120 *	120	80	100	3,5	7	32,5	19	40	21,8	6
IEC 80 - C160	160	110	130	4	9	32,5				
IEC 80 - A200	200	130	165	4	M10x20	32,5				
IEC 90 - C140 *	140	95	115	3,5	9	45,5	24	50	27,3	8
IEC 90 - C160	160	110	130	4	9	45,5				
IEC 90 - A200	200	130	165	4	M10x20	45,5				

* IEC-Advantages row

SK 93672.1 V (A) - IEC 100...132

SK 93672.1 VF(AF) - IEC 100...132

⇒ E76-77



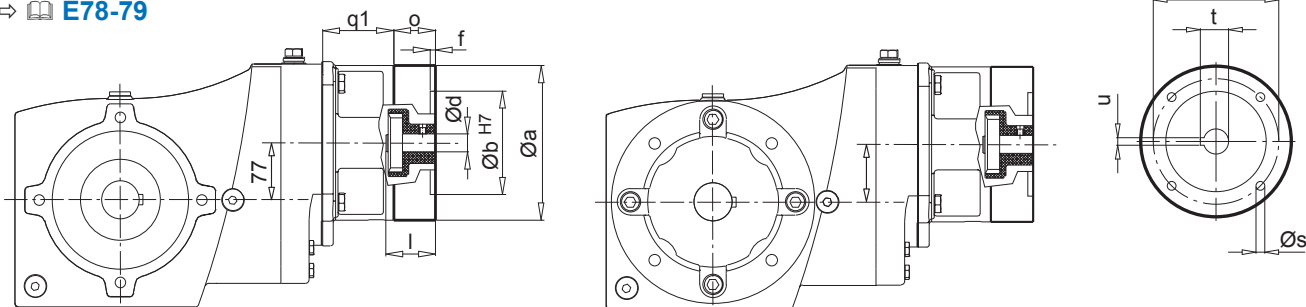
IEC	a	b	e	f	s	o	d	l	t	u
IEC 100	250	180	215	5	M12	82	28	60	31,3	8
IEC 112	250	180	215	5	M12	82	28	60	31,3	8
IEC 132	300	230	265	5	M12	111	38	80	41,3	10



SK 93772.1 V (A) - IEC 63...90

SK 93772.1 VF(AF) - IEC 63...90

⇒ **E78-79**



i_{ges}	q1
≥ 28,38	56
< 28,38	40

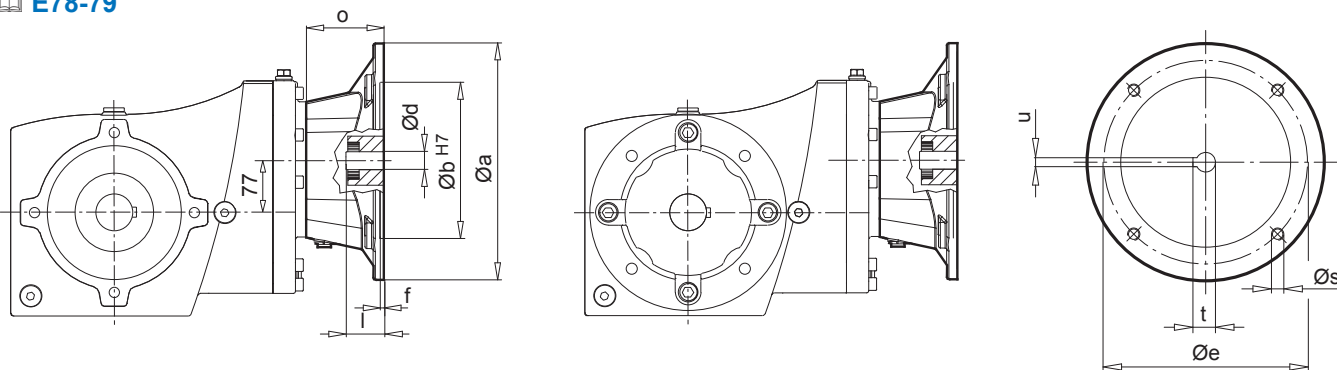
IEC	a	b	e	f	s	o	d	l	t	u
IEC 63 - C90 *	90	60	75	3	6	32,5	11	23	12,8	4
IEC 63 - C120	120	80	100	3,5	7	32,5				
IEC 63 - A140	140	95	115	3,5	9	32,5				
IEC 71 - C105 *	105	70	85	3	7	32,5	14	30	16,3	5
IEC 71 - C140	140	95	115	3,5	9	32,5				
IEC 71 - A160	160	110	130	4	9	32,5				
IEC 80 - C120 *	120	80	100	3,5	7	32,5	19	40	21,8	6
IEC 80 - C160	160	110	130	4	9	32,5				
IEC 80 - A200	200	130	165	4	M10x20	32,5				
IEC 90 - C140 *	140	95	115	3,5	9	45,5	24	50	27,3	8
IEC 90 - C160	160	110	130	4	9	45,5				
IEC 90 - A200	200	130	165	4	M10x20	45,5				

* IEC-Advantages row

SK 93772.1 V (A) - IEC 100...132

SK 93772.1 VF(AF) - IEC 100...132

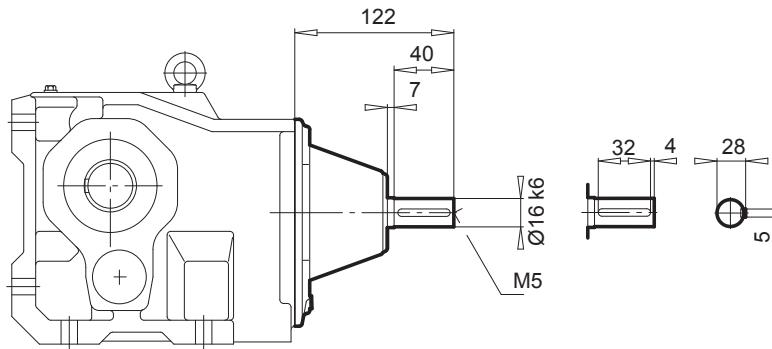
⇒ **E78-79**



IEC	a	b	e	f	s	o	d	l	t	u
IEC 100	250	180	215	5	M12	82	28	60	31,3	8
IEC 112	250	180	215	5	M12	82	28	60	31,3	8
IEC 132	300	230	265	5	M12	111	38	80	41,3	10

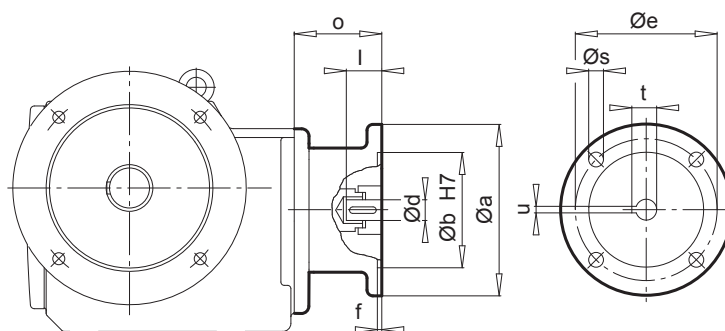


SK ... - W

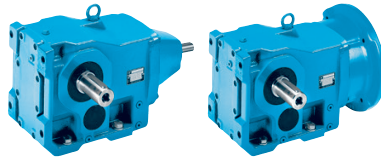


Type	→
SK 9012.1	E80-81
SK 9013.1	E82-83
SK 9016.1	E84-85
SK 9017.1	E86-87
SK 9022.1	E88-89
SK 9023.1	E90-91
SK 9033.1	E94-95

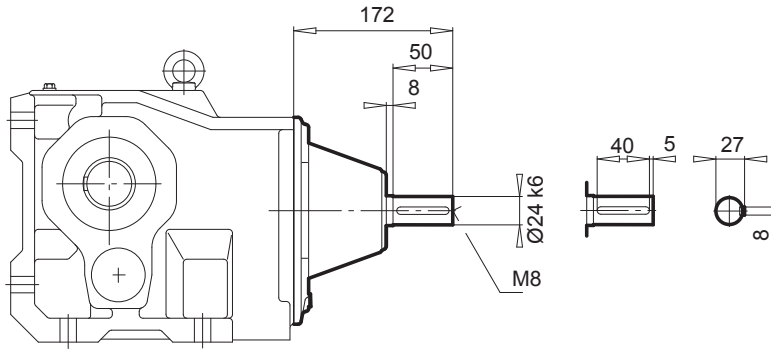
SK ... - IEC ...



IEC	a	b	d	e	f	l	o	s	t	u
63	140	95	11	115	3,5	23	85	M8	12,38	4
71	160	110	14	130	4,0	30	89	M8	16,3	5
80	200	130	19	165	4,0	40	105	M10	21,8	6
90	200	130	24	165	4,0	50	105	M10	27,3	8
100	250	180	28	215	5,0	60	130	M12	31,3	8
112	250	180	28	215	5,0	60	130	M12	31,3	8

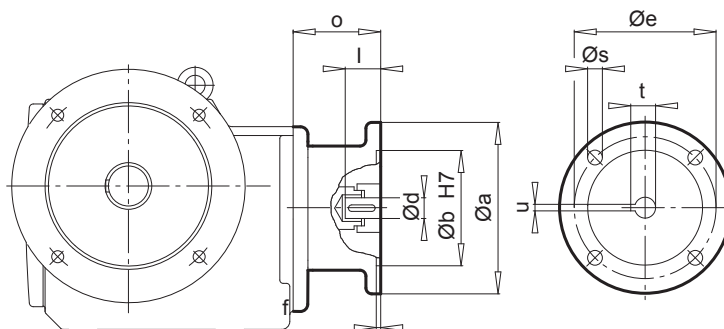


SK ... - W



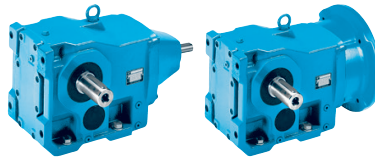
Type	→
SK 9032.1	E92-93
SK 9043.1	E98-99
SK 9053.1	E102-103
SK 9072.1/32	E114

SK ... - IEC ...

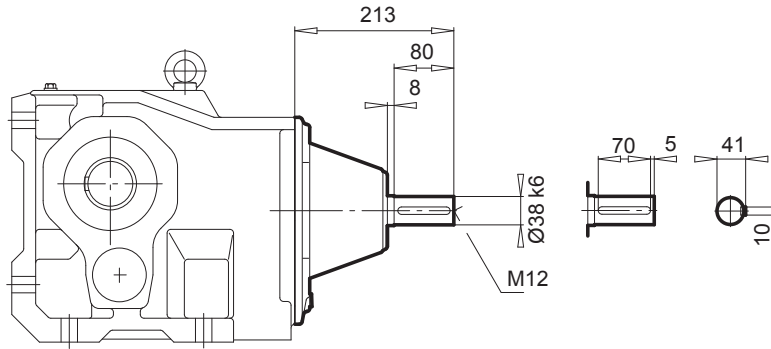


Helical-bevel gear units

IEC	a	b	d	e	f	l	o	s	t	u
71	160	110	14	130	4,0	30	89	M8	16,3	5
80	200	130	19	165	4,0	40	105	M10	21,8	6
90	200	130	24	165	4,0	50	105	M10	27,3	8
100	250	180	28	215	5,0	60	130	M12	31,3	8
112	250	180	28	215	5,0	60	130	M12	31,3	8
132	300	230	38	265	5,0	80	156	M12	41,3	10

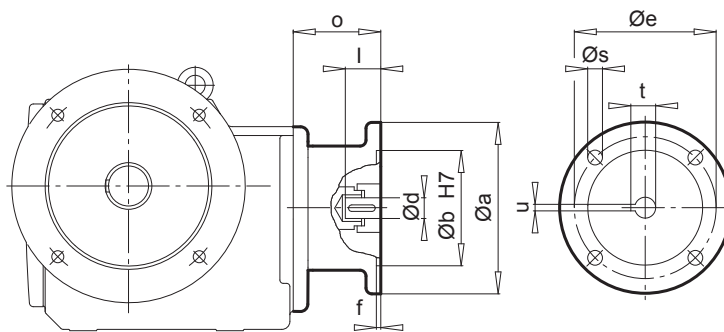


SK ... - W

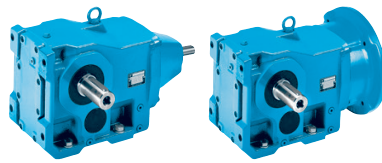


Type	→
SK 9042.1	E96-97
SK 9052.1	E100-101
SK 9072.1/42	E114
SK 9082.1/42	E114
SK 9082.1/52	E114
SK 9086.1/52	E114
SK 9092.1/52	E114

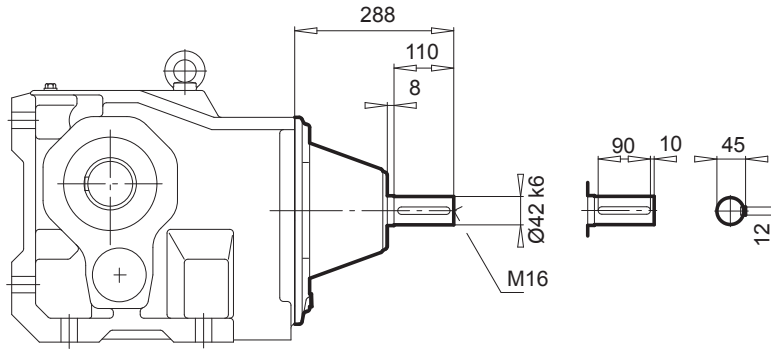
SK ... - IEC ...



IEC	a	b	d	e	f	l	o	s	t	u
90	200	130	24	165	4,0	50	105	M10	27,3	8
100	250	180	28	215	5,0	60	130	M12	31,3	8
112	250	180	28	215	5,0	60	130	M12	31,3	8
132	300	230	38	265	5,0	80	190	M12	41,3	10
160	350	250	42	300	6,0	110	194	M16	45,3	12
180	350	250	48	300	6,0	110	194	M16	51,8	14

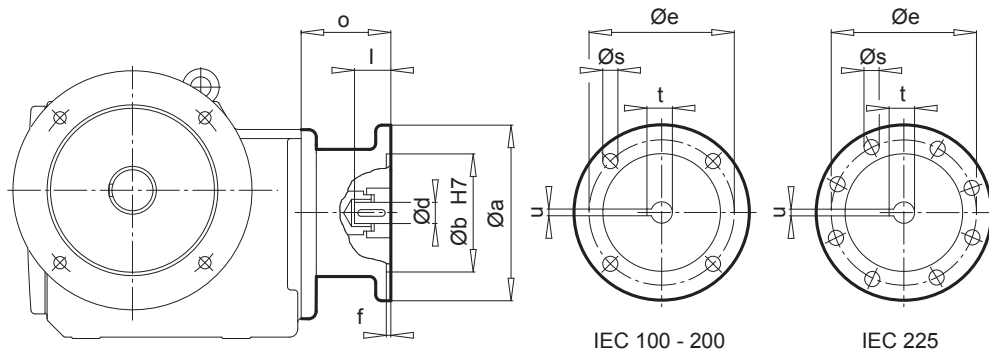


SK ... - W



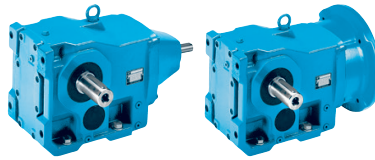
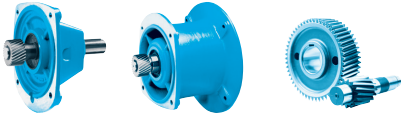
Type	→
SK 9072.1	E104-105
SK 9092.1/62	E115

SK ... - IEC ...

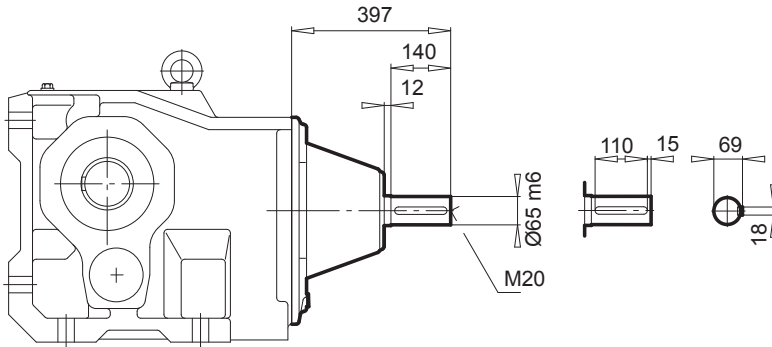


Helical-bevel gear units

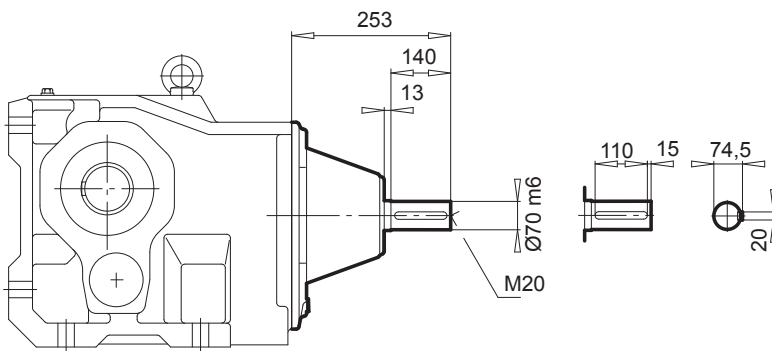
IEC	a	b	d	e	f	l	o	s	t	u
100	250	180	28	215	5,0	60	127	M12	31,3	8
112	250	180	28	215	5,0	60	127	M12	31,3	8
132	300	230	38	265	5,0	80	177	M12	41,3	10
160	350	250	42	300	6,0	110	266	M16	45,3	12
180	350	250	48	300	6,0	110	266	M16	51,8	14
200	400	300	55	350	6,0	110	229	M16	59,3	16
225	450	350	60	400	6,0	140	303	M16	64,4	18



SK ... - W

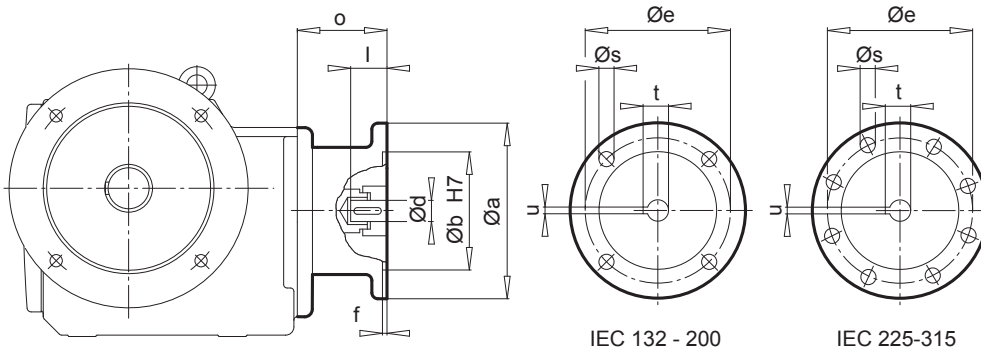


Type	→
SK 9082.1	E106-107
SK 9086.1	E108-109
SK 9092.1	E110-112



Type	→
SK 9096.1	E112-113

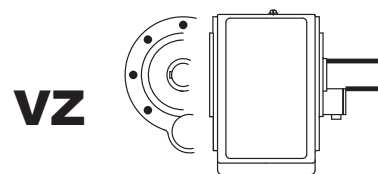
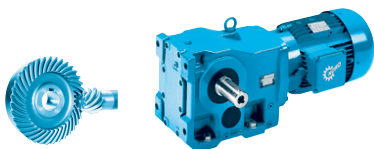
SK ... - IEC ...



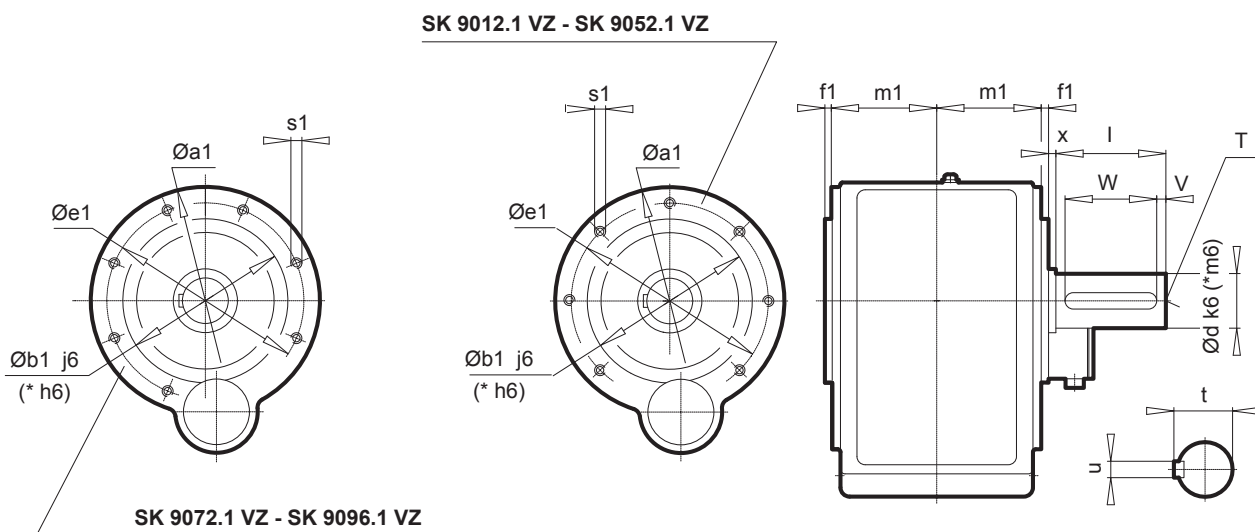
IEC 132 - 200

IEC 225-315

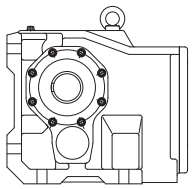
IEC	a	b	d	e	f	l	o	s	t	u
132	300	230	38	265	5,0	80	177	M12	41,3	10
160	350	250	42	300	6,0	110	266	M16	45,3	12
180	350	250	48	300	6,0	110	266	M16	51,8	14
200	400	300	55	350	6,0	110	229	M16	59,3	16
225	450	350	60	400	6,0	140	303	M16	64,4	18
250	550	450	65	500	6,0	140	303,5	M16	69,4	18
280	550	450	75	500	6,0	140	303,5	M16	79,9	20
315	660	550	80	600	7,0	170	381,5	M20	85,4	22



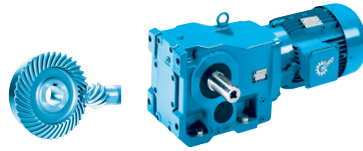
SK ... VZ



⇒ A61	a1	b1	e1	f1	s1	m1	d	l	t	u	v	w	x	T
SK 9012.1 VZ SK 9013.1 VZ	140	95	115	3	M8 x 13	68	30	60	33,0	8	5	50	4	M10
SK 9016.1 VZ SK 9017.1 VZ	140	95	115	3	M8 x 13	68	35	70	38,0	10	5	60	4	M12
SK 9022.1 VZ SK 9023.1 VZ	160	110	130	4	M8 x 13	82	35	70	38,0	10	5	60	5	M12
SK 9032.1 VZ SK 9033.1 VZ	200	130	165	3	M10 x 16	97	45	90	48,5	14	5	80	6	M16
SK 9042.1 VZ SK 9043.1 VZ	250	180	215	7	M12 x 20	108	*60	120	64,0	18	10	100	5	M20
SK 9052.1 VZ SK 9053.1 VZ	300	230	265	4	M12 x 20	141	*70	140	74,5	20	15	110	6	M20
SK 9072.1 VZ SK 9072.1/32 VZ SK 9072.1/42 VZ	350	*250	300	5	M16 x 25	165	*90	170	95,0	25	15	140	17	M24
SK 9082.1 VZ SK 9082.1/42 VZ SK 9082.1/52 VZ	400	*300	350	7	M16 x 25	195	*110	210	116,0	28	15	180	8	M24
SK 9086.1 VZ SK 9086.1/52 VZ	450	*350	400	7	M20 x 30	235	*120	210	127,0	32	15	180	8	M24
SK 9092.1 VZ SK 9092.1/52 VZ	450	*350	400	7	M20 x 30	288	*140	250	148,0	36	15	220	10	M24
SK 9096.1 VZ SK 9096.1/62 VZ	550	*450	500	6,5	M24 x 30	320	*190	320	200,0	45	10	300	10,5	M30 x 60

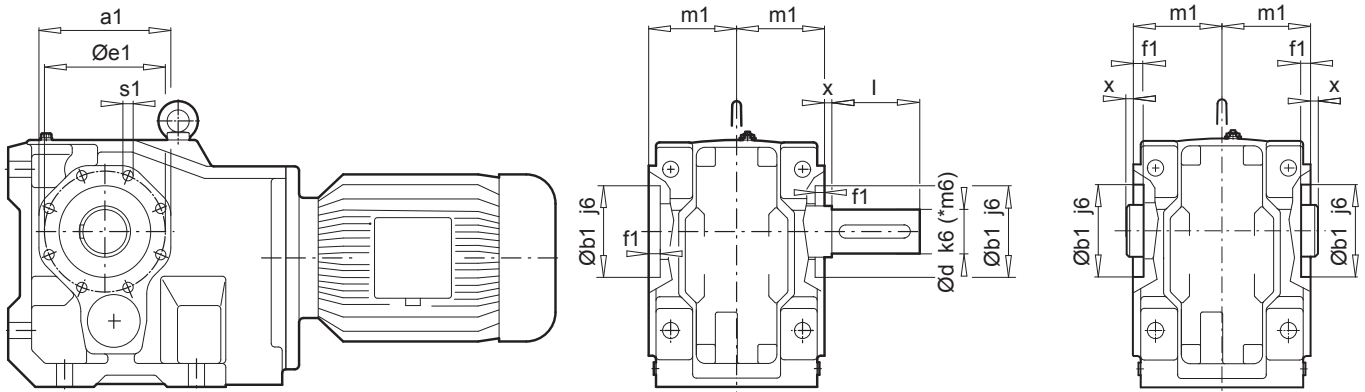


**VXZ
AXZ**



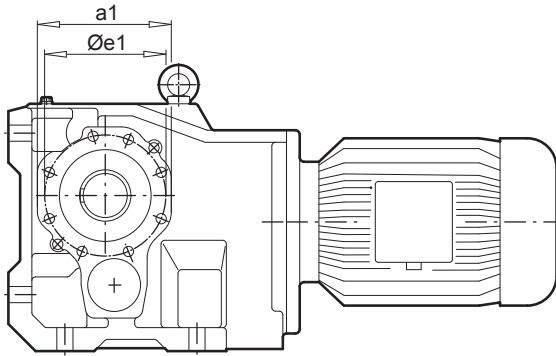
NORD
DRIVESYSTEMS

SK ... VXZ



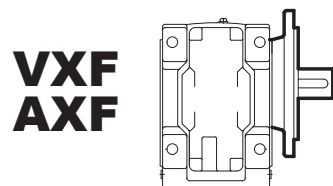
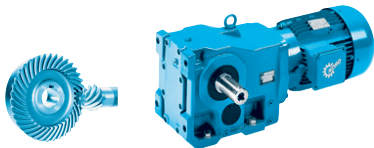
**** SK9052.1 VXZ (AXZ)**

(on inquiries and orders please specify a1 and Øe1 dimensions)



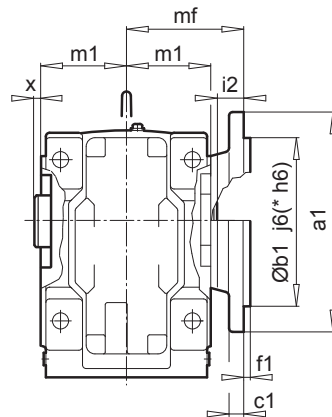
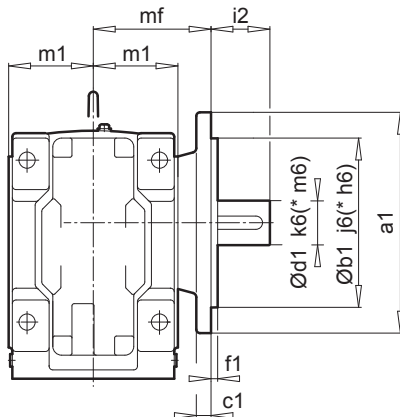
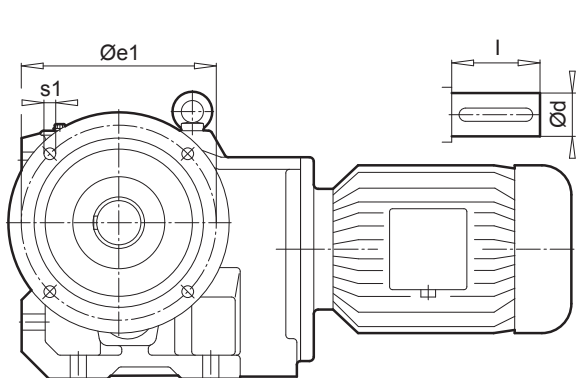
Helical-bevel gear units

⇒ A61		a1	b1	e1	f1	s1	m1	d	l	x
SK 9012.1 VXZ (AXZ) SK 9013.1 VXZ (AXZ)		110	75	100	4	M8 x 13	71	30	60	4
SK 9016.1 VXZ (AXZ) SK 9017.1 VXZ (AXZ)		110	75	100	4	M8 x 13	71	35	70	4
SK 9022.1 VXZ (AXZ) SK 9023.1 VXZ (AXZ)		125	90	115	4	M8 x 13	86	35	70	5
SK 9032.1 VXZ (AXZ) SK 9033.1 VXZ (AXZ)		150	100	130	5	M10 x 16	100	45	90	6
SK 9042.1 VXZ (AXZ) SK 9043.1 VXZ (AXZ)		180	125	165	5	M12 x 20	115	*60	120	5
** SK 9052.1 VXZ (AXZ) SK 9053.1 VXZ (AXZ)		230	180	205	5	M12 x 20	145	*70	140	6
SK 9072.1 VXZ (AXZ) SK 9072.1/32 VXZ (AXZ) SK 9072.1/42 VXZ (AXZ)		250	180	215	5	M12 x 20	170	*90	170	17
SK 9082.1 VXZ (AXZ) SK 9082.1/42 VXZ (AXZ) SK 9082.1/52 VXZ (AXZ)		300	230	265	5	M12 x 20	200	*110	210	8
SK 9086.1 VXZ (AXZ) SK 9086.1/52 VXZ (AXZ)		350	250	300	15	M16 x 25	238	*120	210	8
SK 9092.1 VXZ SK 9092.1/52 VXZ		400	290	350	18	M20 x 30	295	*140	250	10
SK 9096.1 VXZ SK 9096.1/62 VXZ		440	310	400	18	M20 x 30	326,5	*190	320	10,5

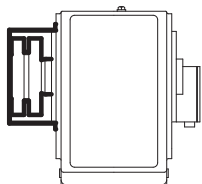


SK ... VXF

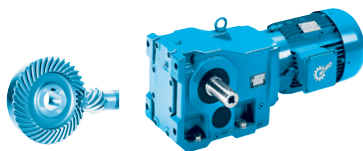
SK ... AXF



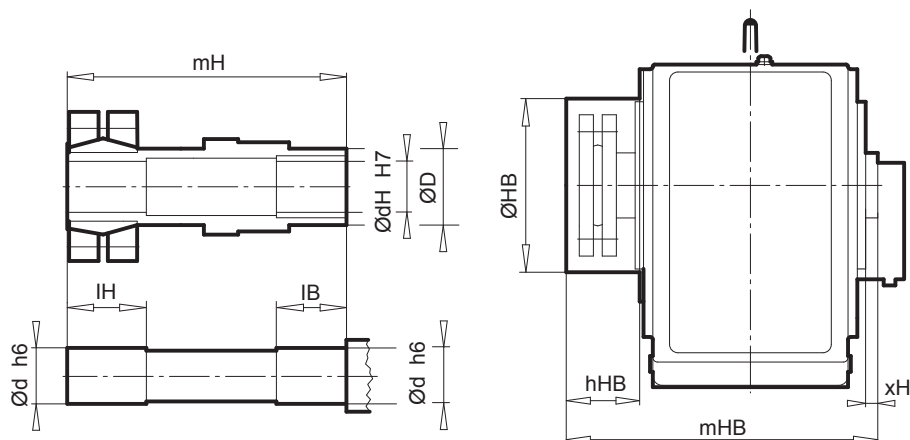
⇒ A61		a1	b1	c1	e1	f1	s1	i2	m1	mF	d	l	x
SK 9012.1	VXF (AXF)	160	110	12	130	3,5	9	34 (27)	71	101	30	60	3
SK 9013.1	VXF (AXF)	160	110	12	130	3,5	9	34 (27)	71	101	35	70	3
SK 9016.1	VXF (AXF)	200	130	12	165	3,5	11	39 (31)	86	121	35	70	4
SK 9017.1	VXF (AXF)	200	130	12	165	3,5	11	39 (31)	86	121	35	70	4
SK 9022.1	VXF (AXF)	250	180	16	215	4,0	13,5	56 (35)	100	140	45	90	5
SK 9023.1	VXF (AXF)	250	180	16	215	4,0	13,5	56 (35)	100	140	45	90	5
SK 9042.1	VXF (AXF)	300	230	20	265	4,0	17,5	80 (40)	115	160	*60	120	5
SK 9043.1	VXF (AXF)	300	230	20	265	4,0	17,5	80 (40)	115	160	*60	120	5
SK 9052.1	VXF (AXF)	350	*250	20	300	5,0	17,5	86 (55)	145	205	*70	140	5
SK 9053.1	VXF (AXF)	350	*250	20	300	5,0	17,5	86 (55)	145	205	*70	140	5
SK 9072.1	VXF (AXF)	400	*300	20	350	5,0	18	112 (65)	170	235	*90	170	0
SK 9072.1/32	VXF (AXF)	400	*300	20	350	5,0	18	112 (65)	170	235	*90	170	0
SK 9072.1/42	VXF (AXF)	400	*300	20	350	5,0	18	112 (65)	170	235	*90	170	0



AZVSH

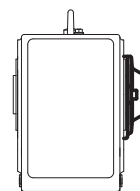
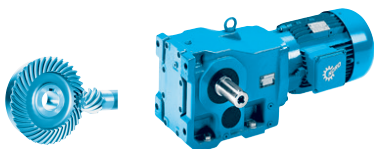


SK ... AZVSH ⇒ A33



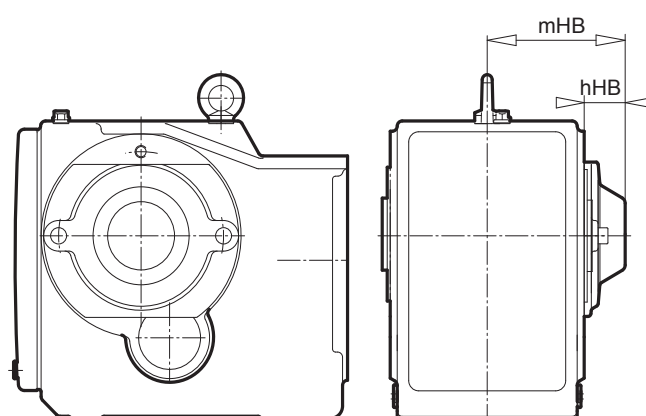
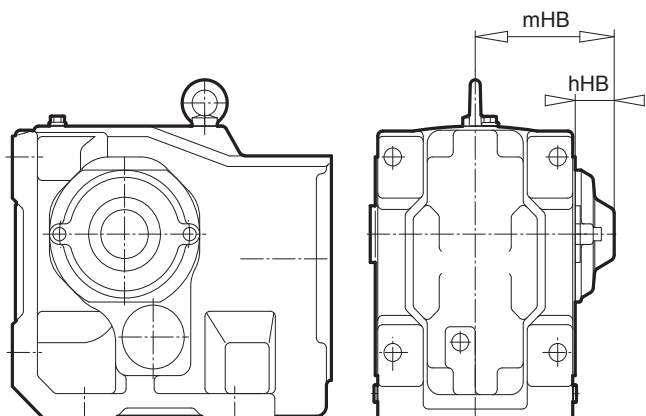
Helical-bevel gear units

⇒ A61	D	dH	d	IB	IH	mH	xH	hHB	HB	mHB
SK 9072.1 AZVSH SK 9072.1/32 AZVSH SK 9072.1/42 AZVSH	120	95(85)	95(85)	80	110	464	5	170	17	487
SK 9082.1 AZVSH SK 9082.1/42 AZVSH SK 9082.1/52 AZVSH	140	110	110	80	160	587	8	210	8	613
SK 9086.1 AZVSH SK 9086.1/52 AZVSH	160	130	130	80	170	674	8	210	8	720
SK 9092.1 AZVSH SK 9092.1/52 AZVSH	200	150	150	100	130	754	10	250	10	828
SK 9096.1 AZVSH SK 9096.1/62 AZVSH	200	160	155	95	229	904	10,5	320	10,5	929

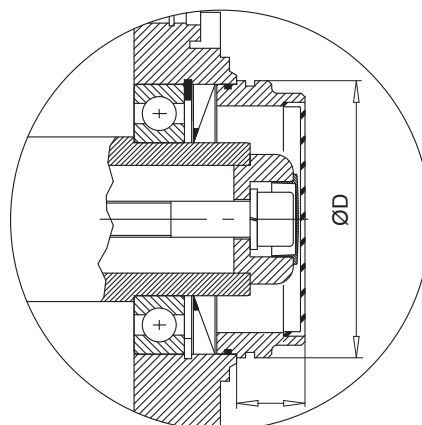


SK ... AXZH

SK ... AZH

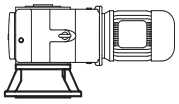


SK ... AZH66
SK ... AXH66

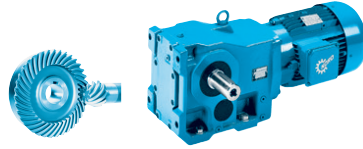


⇒ A61		hHB	mHB
SK 9012.1	AXZH	37	108
SK 9012.1	AZH	42	110
SK 9013.1	AXZH	37	108
SK 9013.1	AZH	42	110
SK 9016.1	AXZH	37	108
SK 9016.1	AZH	42	110
SK 9017.1	AXZH	37	108
SK 9017.1	AZH	42	110
SK 9022.1	AXZH	42	128
SK 9022.1	AZH	44	126
SK 9023.1	AXZH	42	128
SK 9023.1	AZH	44	126
SK 9032.1	AXZH	44	144
SK 9032.1	AZH	47	144
SK 9033.1	AXZH	44	144
SK 9033.1	AZH	47	144
SK 9042.1	AXZH	45	160
SK 9042.1	AZH	55	163
SK 9043.1	AXZH	45	160
SK 9043.1	AZH	55	163
SK 9052.1	AXZH	47	192
SK 9052.1	AZH	60	201
SK 9053.1	AXZH	47	192
SK 9053.1	AZH	60	201
SK 9072.1	AXZH	53	223
SK 9072.1	AZH	62	227
SK 9082.1	AXZH	60	260
SK 9082.1	AZH	65	260
SK 9086.1	AXZH	53	291
SK 9086.1	AZH	84	319
SK 9092.1	AXZH	65	360
SK 9092.1	AZH	84	372
SK 9096.1	AXZH	84	410,5
SK 9096.1	AZH	58	378

⇒ A61			D	L	
SK 9012.1	AXH66	SK 9013.1	AXH66	80	25
SK 9012.1	AZH66	SK 9013.1	AZH66	85	28
SK 9016.1	AXH66	SK 9017.1	AXH66	80	25
SK 9016.1	AZH66	SK 9017.1	AZH66	85	28
SK 9022.1	AXH66	SK 9023.1	AXH66	95	30
SK 9022.1	AZH66	SK 9023.1	AZH66	104	34
SK 9032.1	AXH66	SK 9033.1	AXH66	104	34
SK 9032.1	AZH66	SK 9033.1	AZH66	115	35
SK 9042.1	AXH66	SK 9043.1	AXH66	104	35
SK 9042.1	AZH66	SK 9043.1	AZH66	145	38
SK 9052.1	AXH66	SK 9053.1	AXH66	188	44
SK 9052.1	AZH66	SK 9053.1	AZH66	188	44
SK 9072.1	AXH66			188	44
SK 9072.1	AZH66			188	44
SK 9082.1	AXH66			245	50
SK 9082.1	AZH66			260	54
SK 9086.1	AXH66			260	54
SK 9086.1	AZH66			315	50

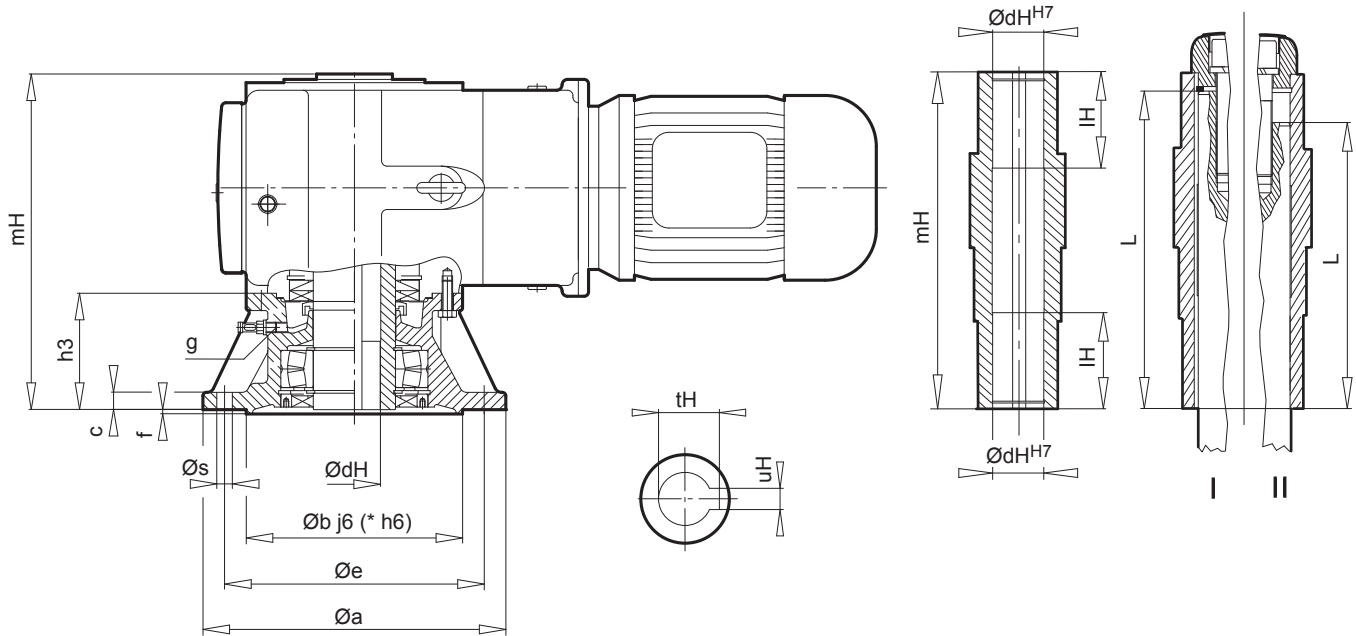


AF(B)VL2 AF(B)VL3



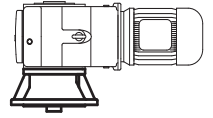
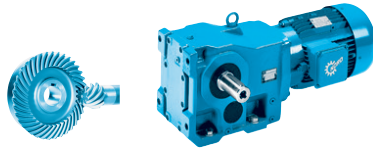
SK ... AFVL → A38

SK ... AF(B)VL

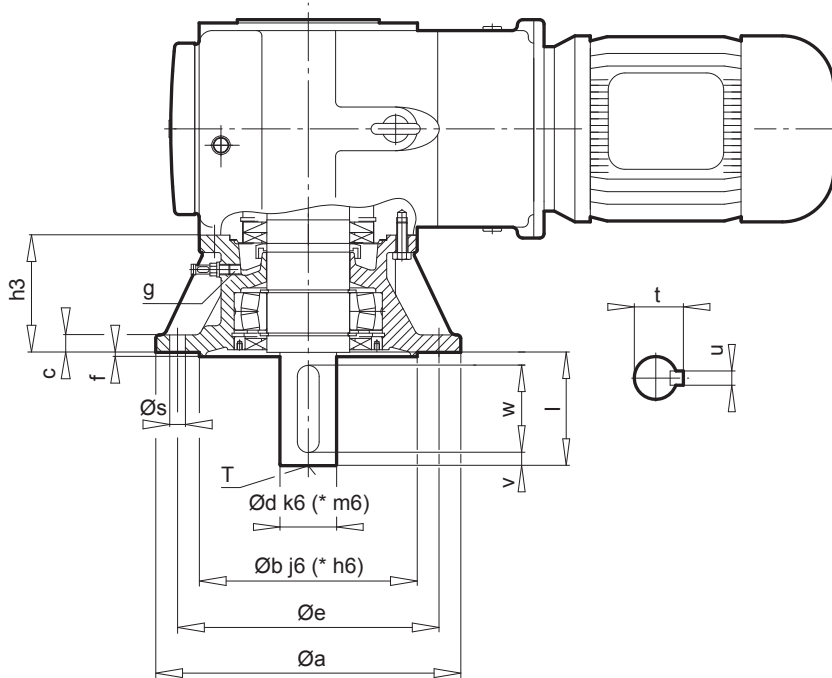


Helical-bevel gear units

⇒ A61	a	b	c	e	f	h3	s	g	dH	uH	tH	mH	dH ^{H7}	IH	L I	L II
SK 9012.1 AF .. SK 9013.1 AF ..	200	130	12	165	3,5	75	4 x 11	M12 x 1,5	35	10	38,3	218	35	50	210,15	190
SK 9016.1 AF .. SK 9017.1 AF ..	200	130	12	165	3,5	75	4 x 11	M12 x 1,5	35	10	38,5	218	40	50	208,85	190
SK 9022.1 AF .. SK 9023.1 AF ..	250	180	16	215	4,0	86	4 x 13,5	M12 x 1,5	40	12	43,3	258	40	60	247,85	228
SK 9032.1 AF .. SK 9033.1 AF ..	300	230	20	265	4,0	85	4 x 14	M12 x 1,5	50	14	53,8	287	50	70	276,35	247
SK 9042.1 AF .. SK 9043.1 AF ..	350	*250	20	300	5,0	134,5	4 x 18	M12 x 1,5	60	18	64,4	362,5	60	80	350,30	317,5 (322,5)
SK 9052.1 AF .. SK 9053.1 AF ..	400	*300	22	350	5,0	166	4 x 18	M24 x 1,5	70	20	74,9	457	70	100	444,75	412
SK 9072.1 AF .. SK 9072.1/32 AF .. SK 9072.1/42 AF ..	450	*350	24	400	5,0	184	8 x 18	M24 x 1,5	80	22	85,4	524	80	120	510,85	464
SK 9082.1 AF .. SK 9082.1/42 AF .. SK 9082.1/52 AF ..	550	*450	28	500	5,0	210	8 x 18	M30 x 2,0	110	28	116,4	615	110	140	599,85	555 (560)
SK 9086.1 AF .. SK 9086.1/52 AF ..	660	*550	32	600	6,0	262	8 x 22	M30 x 2,0	120	32	127,4	747	120	160	731,85	687

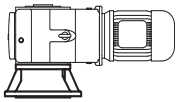


SK ... VFVL

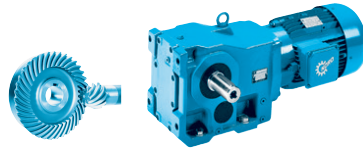


⇒ A61	a	b	c	e	f	h3	s	g	d	l	t	u	v	w	T
SK 9012.1 VF .. SK 9013.1 VF ..	200	130	12	165	3,5	75	4 x 11	M12 x 1,5	30	60	33,0	8	5	50	M10
SK 9016.1 VF .. SK 9017.1 VF ..	200	130	12	165	3,5	75	4 x 11	M12 x 1,5	35	70	38,0	10	7	56	M12
SK 9022.1 VF .. SK 9023.1 VF ..	250	180	16	215	4,0	86	4 x 14	M12 x 1,5	35	70	38,0	10	7	56	M12
SK 9032.1 VF .. SK 9033.1 VF ..	300	230	20	265	4,0	85	4 x 14	M12 x 1,5	45	90	48,5	14	5	80	M16
SK 9042.1 VF .. SK 9043.1 VF ..	350	*250	20	300	5,0	134,5	4 x 18	M12 x 1,5	*65	130	69,0	18	15	100	M20
SK 9052.1 VF .. SK 9053.1 VF ..	400	*300	22	350	5,0	166	4 x 18	M24 x 1,5	*75	140	79,5	20	7,5	125	M20
SK 9072.1 VF .. SK 9072.1/32 VF .. SK 9072.1/42 VF ..	450	*350	24	400	5,0	184	8 x 18	M24 x 1,5	*90	170	95,0	25	15	140	M24
SK 9082.1 VF .. SK 9082.1/42 VF .. SK 9082.1/52 VF ..	550	*450	28	500	5,0	210	8 x 18	M30 x 2,0	*110	210	116,0	28	15	180	M24
SK 9086.1 VF .. SK 9086.1/52 VF ..	660	*550	32	600	6,0	262	8 x 22	M30 x 2,0	*120	210	127,0	32	15	180	M24
SK 9092.1 VF .. SK 9092.1/52 VF ..	660	*550	32	600	6,0	262	8 x 22	M30 x 2,0	*140	250	148,0	36	25	200	M24
SK 9096.1 VF .. SK 9096.1/62 VF ..	660	*550	35	600	8,0	302	8 x 26	M30 x 2,0	*190	320	200,0	45	10	300	M30 x 60

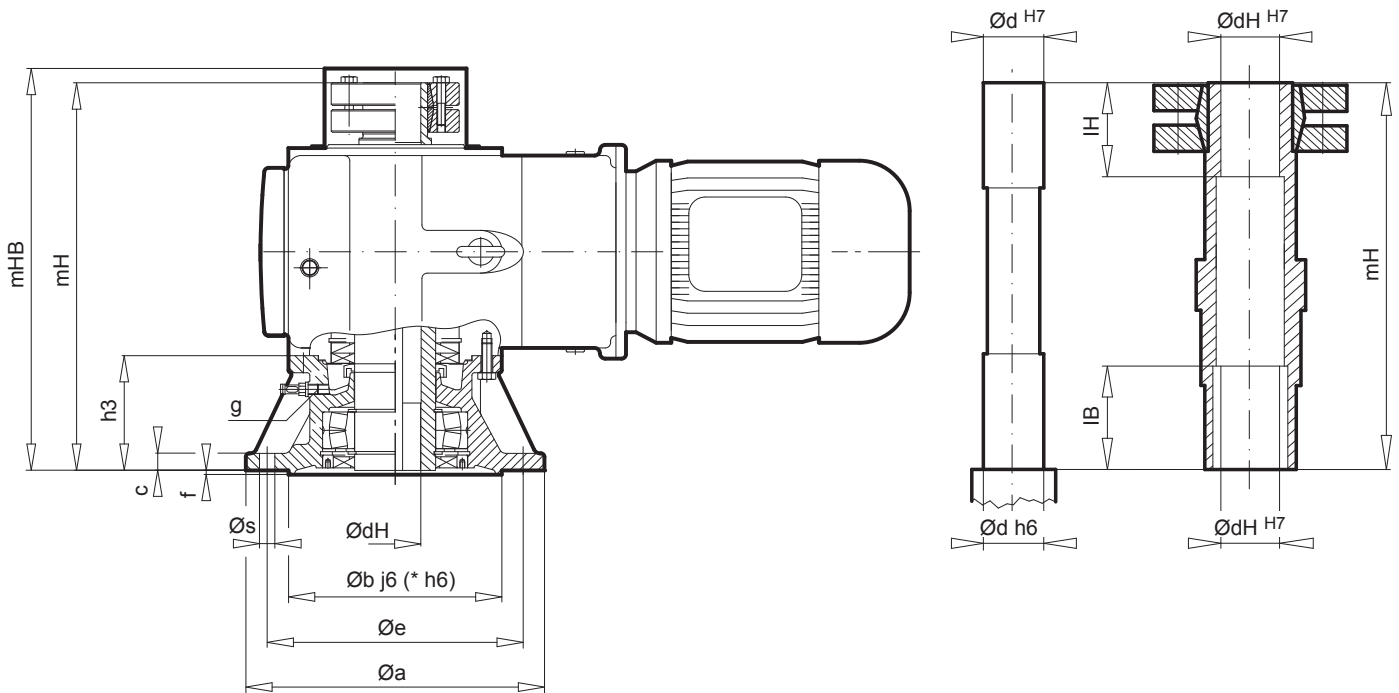
Helical-bevel gear units



AFSHVL2 AFSHVL3

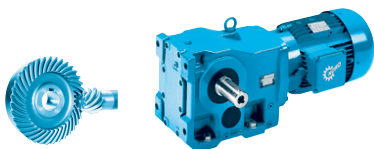


SK ... AFSHVL → A38



Helical-bevel gear units

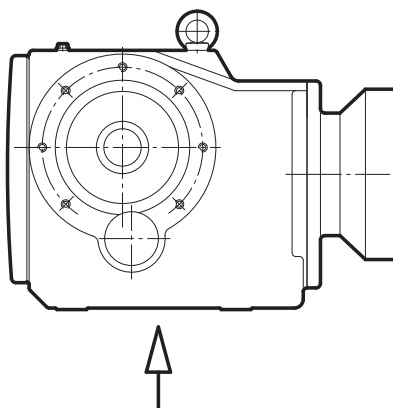
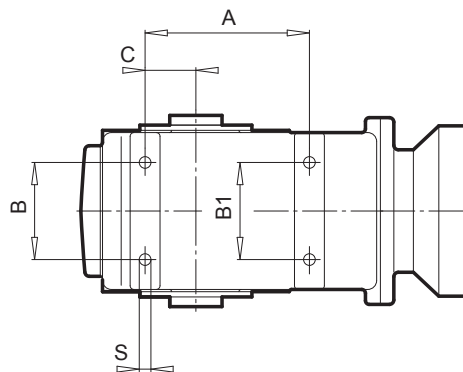
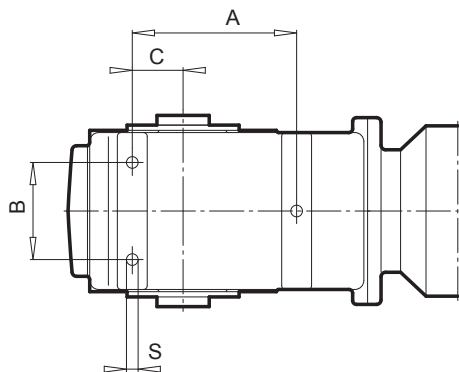
⇒ A61		a	b	c	e	f	h3	s	g	dH / d	mHB	mH	IB	IH
SK 9012.1	AFSH ..	200	130	12	165	3,5	75	4 x 11	M12 x 1,5	35	278	263	41	40
SK 9013.1	AFSH ..	200	130	12	165	3,5	75	4 x 11	M12 x 1,5	35	278	263	41	40
SK 9016.1	AFSH ..	200	130	12	165	3,5	75	4 x 11	M12 x 1,5	35	289	263	41	40
SK 9017.1	AFSH ..	200	130	12	165	3,5	75	4 x 11	M12 x 1,5	35	289	263	41	40
SK 9022.1	AFSH ..	250	180	16	215	4,0	86	4 x 13,5	M12 x 1,5	40	319	308	41,5	44
SK 9023.1	AFSH ..	250	180	16	215	4,0	86	4 x 13,5	M12 x 1,5	40	319	308	41,5	44
SK 9032.1	AFSH ..	300	230	20	265	4,0	85	4 x 14	M12 x 1,5	50	355	337	51,5	46
SK 9033.1	AFSH ..	300	230	20	265	4,0	85	4 x 14	M12 x 1,5	50	355	337	51,5	46
SK 9042.1	AFSH ..	350	*250	20	300	5,0	134,5	4 x 18	M12 x 1,5	60	446	427,5	61,5	58
SK 9043.1	AFSH ..	350	*250	20	300	5,0	134,5	4 x 18	M12 x 1,5	60	446	427,5	61,5	58
SK 9052.1	AFSH ..	400	*300	22	350	5,0	166	4 x 18	M24 x 1,5	70	558	537	71	74
SK 9053.1	AFSH ..	400	*300	22	350	5,0	166	4 x 18	M24 x 1,5	70	558	537	71	74
SK 9072.1	AFSH ..	450	*350	24	400	5,0	184	8 x 18	M24 x 1,5	80	629	609	81	82
SK 9072.1/32	AFSH ..	450	*350	24	400	5,0	184	8 x 18	M24 x 1,5	80	629	609	81	82
SK 9072.1/42	AFSH ..	450	*350	24	400	5,0	184	8 x 18	M24 x 1,5	80	629	609	81	82
SK 9082.1	AFSH ..	550	*450	28	500	5,0	210	8 x 18	M30 x 2,0	110	734	695	81	74
SK 9082.1/42	AFSH ..	550	*450	28	500	5,0	210	8 x 18	M30 x 2,0	110	734	695	81	74
SK 9082.1/52	AFSH ..	550	*450	28	500	5,0	210	8 x 18	M30 x 2,0	110	734	695	81	74
SK 9086.1	AFSH ..	660	*550	32	600	6,0	262	8 x 22	M30 x 2,0	125	892	851	81	98
SK 9086.1/52	AFSH ..	660	*550	32	600	6,0	262	8 x 22	M30 x 2,0	125	892	851	81	98
SK 9092.1	AFSH ..	660	*550	32	600	6,0	262	8 x 22	M30 x 2,0	150	998	955	101	98
SK 9092.1/52	AFSH ..	660	*550	32	600	6,0	262	8 x 22	M30 x 2,0	150	998	955	101	98
SK 9096.1	AFSH ..	660	*550	35	600	8,0	302	8 x 26	M30 x 2,0	160 / 155	1134	1089	95	140
SK 9096.1/62	AFSH ..	660	*550	35	600	8,0	302	8 x 26	M30 x 2,0	160 / 155	1134	1089	95	140



SK ... AZ .. → A38

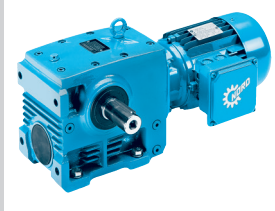
SK 9012.1 AZ .. - SK 9052.1 AZ ..

SK 9072.1 AZ .. - SK 9096.1 AZ ..



→ A61	A	B	B1	C	S
SK 9012.1 AZ .. SK 9013.1 AZ ..	152	60	-	46	M10 x 16
SK 9016.1 AZ .. SK 9017.1 AZ ..	152	60	-	46	M10 x 16
SK 9022.1 AZ .. SK 9023.1 AZ ..	152	100	-	42	M12 x 20
SK 9032.1 AZ .. SK 9033.1 AZ ..	190	110	-	55	M12 x 20
SK 9042.1 AZ .. SK 9043.1 AZ ..	220	130	-	68	M16 x 25
SK 9052.1 AZ .. SK 9053.1 AZ ..	277	185	-	92	M16 x 25
SK 9072.1 AZ .. SK 9072.1/32 AZ .. SK 9072.1/42 AZ ..	290	190	190	100	M24 x 36
SK 9082.1 AZ .. SK 9082.1/42 AZ .. SK 9082.1/52 AZ ..	430	260	260	140	M24 x 36
SK 9086.1 AZ .. SK 9086.1/52 AZ ..	430	320	320	160	M36 x 55
SK 9092.1 AZ .. SK 9092.1/52 AZ ..	520	400	400	180	M36 x 55
SK 9096.1 AZ .. SK 9096.1/62 AZ ..	580	440	440	220	M42 x 72

Helical-Worm Gear Units



ENQUIRY FORM E - 2

AVAILABLE VERSIONS E - 3

GEAR UNITMOTOR DATA

Power and speed tables E - 4

Power and speed tables,
W- and IEC adapters E - 22

DIMENSIONED DRAWINGS

Contrate worm gear motors E - 32

Contrate worm gear units, W and IEC adapters .. E - 52

OPTIONS

AZ Hollow shaft version - pin holes E - 55

AZH Cover as a touch guard E - 56

Beispiele - Lieferbare Ausführungen mit Hohlwelle


	P_1 [kW]	n_2 [min ⁻¹]	M_2 [Nm]	f_B	i_{ge}
3K 12080 AZ - 90 SH/4 Hohlwelle, Flansch B14 bei A	0,55	32	98	0,8	4
		34	111	0,8	4
		39	98	0,8	3
		44	86	0,9	3
		50	77	1,0	2
		65	60	1,2	2
		73	59	1,4	1
		83	51	1,5	1
		94	46	1,6	1
		107	40	1,8	1
3K 12080 AF - 90 SH/4 Hohlwelle, Flansch B5 bei A		139	31	2,2	1
		161	27	2,4	1
		189	24	2,4	1
		214	21	2,5	1
3K 12080 AZD - 90 SH/4		279	17	2,9	1
		323	14	3,2	1



Enquiry form





This general enquiry form can be found in the attachment as well as on the **NORD** homepage under www.nord.com - Heading DOCUMENTATION / FORMS.



General enquiry form

Company	<input style="width: 100%;" type="text"/>		
Street	<input style="width: 100%;" type="text"/>		
Town	<input style="width: 60%;" type="text"/>	Post-code	<input style="width: 20%;" type="text"/>
Contact	<input style="width: 100%;" type="text"/>		
Tel.:	<input style="width: 60%;" type="text"/>	Customer No.	<input style="width: 20%;" type="text"/>
Fax:	<input style="width: 60%;" type="text"/>	Application	<input style="width: 20%;" type="text"/>
Email	<input style="width: 60%;" type="text"/>	Project	<input style="width: 20%;" type="text"/>








NORD DRIVESYSTEMS
 Rudolf-Diesel-Straße 1
 D-22941 Bargteheide
 Tel.: +49(0) 4532/401-0
 Fax: +49(0)4532/401-254
 E-Mail info@nord.com
www.nord.com

Components required


<input type="radio"/> Gear unit motor	<input type="radio"/> IEC – Gear unit motor	<input type="radio"/> Gear unit with free shaft end	<input type="radio"/> Stand-alone motor
---------------------------------------	---	---	---

Quantity	<input style="width: 60%;" type="text"/>	Type	<input style="width: 20%;" type="text"/>
----------	--	------	--

Parameters specific to the gear unit		Parameters specific to gear unit	
Version <input style="width: 40%;" type="text"/>	Gear ratio <input style="width: 40%;" type="text"/>	Bearings <input type="radio"/> Normal <input type="radio"/> VL <input type="radio"/> VL2 <input type="radio"/> VL3 <input type="radio"/> AL	
Flange <input type="radio"/> B14 <input type="radio"/> B5 \varnothing <input style="width: 40%;" type="text"/> [mm]		For bevel gear or worm gear units Shaft at <input type="radio"/> A <input type="radio"/> B	
<input type="radio"/> Hollow shaft <input type="radio"/> Solid shaft \varnothing <input style="width: 20%;" type="text"/> x <input style="width: 20%;" type="text"/> [mm]		<input type="radio"/> Mineral <input type="radio"/> Synthetic <input type="radio"/> Foodstuff-compatible oil	
Output speed at mains frequency n_2 <input style="width: 40%;" type="text"/> [min^{-1}]		Oil type <input type="radio"/> Special oil type <input style="width: 40%;" type="text"/>	
Output torque M_2 <input style="width: 40%;" type="text"/> [Nm]		Parameters specific to motor	
Min. operating factor f_b <input style="width: 40%;" type="text"/>		Effective motor power <input style="width: 40%;" type="text"/> [kW]	
Min. bearing life L_h <input style="width: 40%;" type="text"/> [h]		Motor speed n_1 <input style="width: 40%;" type="text"/> [min^{-1}]	
Radial forces on output shaft F_{R2} <input style="width: 40%;" type="text"/> [N]		Temperature sensor (PTC) <input type="radio"/> Bi-metal temperature monitor <input type="radio"/>	
Axial forces on output shaft F_{A2} <input style="width: 40%;" type="text"/> [N]		Mains voltage <input style="width: 20%;" type="text"/> [V] +/- <input style="width: 20%;" type="text"/> [%]	
Dist. from shaft collar to point of action of force <input style="width: 40%;" type="text"/> [mm]		Mains frequency <input style="width: 40%;" type="text"/> [Hz]	

Page 1 of 2



Outline conditions

Ambient temperatures	<input style="width: 40%;" type="text"/> from <input style="width: 20%;" type="text"/> [$^{\circ}\text{C}$]
<input type="checkbox"/> Buffer mounting for travelling drives	<input style="width: 40%;" type="text"/> [Nm]
<input type="checkbox"/> Relative humidity	<input style="width: 40%;" type="text"/> [%]
<input type="checkbox"/> Exposure to direct sunlight	
<input type="checkbox"/> Aggressive media (e.g.: salty air)	
<input type="checkbox"/> Increased installation altitude	<input style="width: 40%;" type="text"/> [m]
<input type="checkbox"/> Precipitation	
<input type="checkbox"/> ATEX (explosive mixtures in the vicinity)	Zone <input style="width: 40%;" type="text"/>

Painting

<input type="radio"/> Not painted	
<input type="radio"/> Paint 1.0 - Primer	
<input type="radio"/> Paint 2.0 - standard	
<input type="radio"/> Paint 3.0 - normal environmental contamination	
<input type="radio"/> Paint 3.1 - moderate environmental contamination	
<input type="radio"/> Paint 3.2 - severe environmental contamination	
<input type="radio"/> Other painting (e.g.: Z, 3.4 or 3.5)	<input style="width: 40%;" type="text"/>
<input type="checkbox"/> Special colour (Standard RAL7031) RAL	<input style="width: 40%;" type="text"/>
<input type="checkbox"/> Regulations DIN EN, etc., please state	<input style="width: 40%;" type="text"/>

General conditions

Quote by	<input style="width: 40%;" type="text"/>
Purchasing conditions	known <input type="radio"/> not known <input type="radio"/>
Purchasing conditions attached	<input type="checkbox"/>
Delivery time after receipt of order	<input style="width: 40%;" type="text"/>
Delivery carriage paid	<input type="checkbox"/>

<input type="radio"/> Control cabinet inverter <input type="radio"/> Motor-mounted inverter	Adjustment range from <input style="width: 20%;" type="text"/> [Hz] to <input style="width: 20%;" type="text"/> [Hz]
<input type="checkbox"/> Constant torque within adjustment range	<input style="width: 40%;" type="text"/> [Nm]
<input type="checkbox"/> External fan	
<input type="checkbox"/> Increase in motor size (with constant torque)	
<input type="checkbox"/> Positioning <input type="radio"/> Incremental <input type="radio"/> Absolute	
<input type="checkbox"/> Speed feedback	
<input type="checkbox"/> Generator operation for power feedback	<input style="width: 40%;" type="text"/> [kW]
<input type="checkbox"/> Bus system- type of bus system	<input style="width: 40%;" type="text"/>
<input type="checkbox"/> Control via <input type="radio"/> PC <input type="radio"/> Control box	

Comments	<input style="width: 70%;" type="text"/>
----------	--

Page 2 of 2

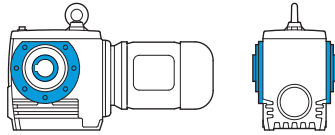
Helical-worm gear units

Examples - available contrate worm gear motor versions

With hollow shaft

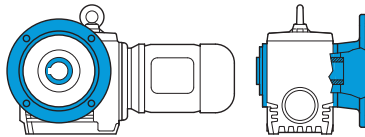
SK 12080 AZ - 90 SP/4

Hollow shaft,
B14 flange at A



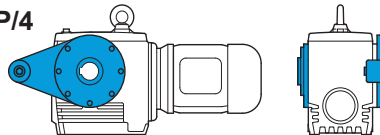
SK 12080 AF - 90 SP/4

Hollow shaft,
B5 flange at A



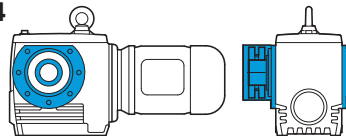
SK 12080 AZD - 90 SP/4

Hollow shaft,
B14 flange at A torque
support at A



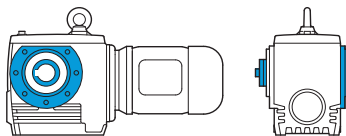
SK 12080 AZSH - 90 SP/4

Hollow shaft,
B14 flange at A shrink disk
at B



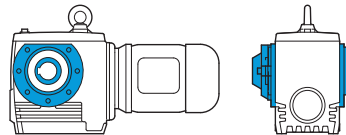
SK 12080 AZB - 90 SP/4

Hollow shaft,
B14 flange at A fastening
element at B



SK 12080 AZH - 90 SP/4

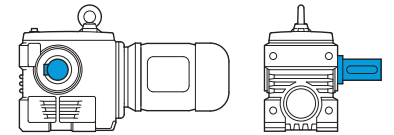
Hollow shaft,
B14 flange at A cover at B



With solid shaft

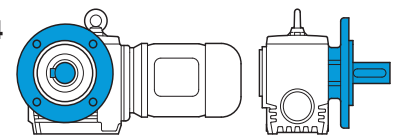
SK 12080 - 90 SP/4

Solid shaft at A
Foot-mounted housing



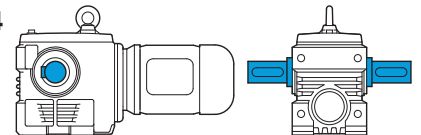
SK 12080 VF - 90 SP/4

Solid shaft at A,
B5 flange at A



SK 12080 LX - 90 SP/4

Solid shaft at A and B,
Foot-mounted housing

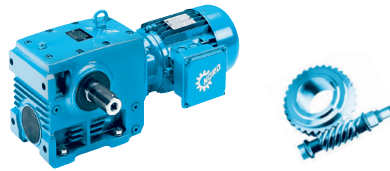



0,12 kW



P ₁ [kW]	n ₂ [min ⁻¹]	M ₂ [Nm]	f _B	i _{ges}	F _R [kN]	F _A [kN]	F _{R VL} [kN]	F _{A VL} [kN]	Type	kg	mm
0,12	0,3	1818	0,9	4646,10	-	12,0	8,9	16,0	SK 33100 - 63 S/4	68	F46-47
	0,4	1469	1,1	3735,10	2,6	12,0	12,7	16,0			
	0,6	880	1,8	2200,07	1,7	12,0	15,9	16,0			
	0,8	676	2,4	1671,69	11,8	12,0	16,2	16,0			
	0,9	613	2,6	1507,71	11,9	12,0	16,2	16,0			
	1,1	484	3,3	1175,19	16,2	12,0	16,2	16,0			
	0,6	808	1,0	2058,82	-	12,0	7,9	12,0	SK 13080 - 63 S/4	39	F42-43
	1,1	481	1,6	1198,81	6,6	9,0	9,0	12,0			
	1,4	388	2,0	956,44	7,3	9,0	9,1	12,0			
	1,7	331	2,3	805,28	7,4	9,0	9,2	12,0			
	1,9	293	2,6	706,25	7,6	9,0	9,3	12,0			
	2,1	264	2,9	630,68	7,6	9,0	9,3	12,0			
	2,5	230	3,3	542,07	7,7	9,0	9,4	12,0			
	2,8	207	3,7	482,13	7,8	9,0	9,4	12,0			
	3,3	231	3,3	403,20	7,7	9,0	9,4	12,0			
	3,9	196	3,6	339,48	7,8	9,0	9,4	12,0			
	4,5	173	3,5	297,73	7,8	9,0	9,4	12,0			
	5,0	156	3,7	265,87	7,9	9,0	9,4	12,0			
	5,8	135	4,2	228,52	7,9	9,0	9,4	12,0			
	6,9	129	3,5	193,73	7,9	9,0	9,4	12,0			
	8,2	109	3,5	163,11	7,9	9,0	9,5	12,0			
	9,3	96	3,5	143,05	8,0	9,0	9,5	12,0			
	10	86	3,5	127,74	8,0	9,0	9,5	12,0			
	12	75	3,5	109,80	8,2	9,0	9,5	12,0			
	14	66	3,5	97,65	8,3	9,0	9,5	12,0			
	1,4	378	1,0	938,20	4,9	7,7	6,6	1,0	SK 13063 - 63 S/4	29	F38-39
	1,8	301	1,3	737,53	5,3	7,7	6,8	1,0			
	2,2	249	1,5	604,62	5,6	7,7	6,9	1,0			
	2,5	221	1,7	531,64	5,6	7,7	7,0	1,0			
	2,8	198	1,9	471,70	5,7	7,7	7,2	1,0			
	3,4	223	1,7	395,51	5,6	7,7	7,0	1,0			
	3,8	198	1,9	349,37	5,7	7,7	7,2	1,0			
	4,3	177	2,1	310,92	5,7	7,7	7,4	1,0			
	5,2	146	2,5	254,89	5,8	7,7	7,9	1,0			
	6,0	129	2,9	224,12	5,9	7,7	7,1	1,0			
	6,7	115	3,1	198,86	5,9	7,7	7,1	1,0			
	7,5	117	2,9	178,31	5,9	7,7	7,1	1,0			
	9,1	96	3,4	146,17	6,0	7,7	7,1	1,0			
	10	85	3,5	128,53	6,7	7,7	7,2	1,0			
	12	75	3,5	114,04	6,3	7,7	7,2	1,0			
	14	65	3,6	97,03	6,6	7,7	7,2	1,0			
	17	57	3,5	79,54	6,4	7,7	7,2	1,0			
	20	47	3,6	65,20	6,8	7,7	7,2	1,0			
	2,3	243	0,8	586,37	2,2	5,6	4,6	8,0	SK 13050 - 63 S/4	25	F34-35
	2,8	199	1,0	474,31	3,4	5,6	5,2	8,0			
	3,2	175	1,1	411,76	3,5	5,6	5,2	8,0			
	4,0	191	1,0	333,43	3,4	5,6	5,2	8,0			
	4,6	168	1,2	293,19	3,4	5,6	5,2	8,0			
	6,4	121	1,6	209,25	4,3	5,6	5,3	8,0			
	7,3	106	1,8	181,66	4,4	5,6	5,4	8,0			
	8,4	105	1,9	158,12	4,3	5,6	5,4	8,0			
	9,6	93	2,1	139,04	4,5	5,6	5,4	8,0			
	11	82	2,4	122,68	4,5	5,6	5,4	8,0			
	13	67	2,9	99,23	4,6	5,6	5,4	8,0			
	15	58	3,1	86,15	4,6	5,6	5,4	8,0			
	17	55	2,6	76,61	4,6	5,6	5,4	8,0			
	20	48	2,7	67,37	4,6	5,6	5,4	8,0			
	22	43	3,0	59,44	4,6	5,6	5,5	8,0			
	28	35	3,2	48,08	4,6	5,6	5,5	8,0			
	32	30	3,6	41,74	4,7	5,6	5,5	8,0			
	2,0	274	2,6	656,88	8,6	12,0	11,4	12,0	SK 12080 - 63 S/4	34	F40-41
	4,8	162	4,4	276,92	8,4	12,0	11,7	12,0			

Helical-worm gear units



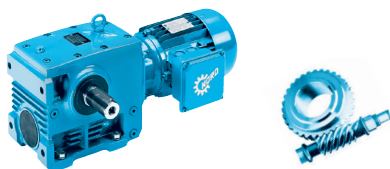
P ₁ [kW]	n ₂ [min ⁻¹]	M ₂ [Nm]	f _B	i _{ges}	F _R [kN]	F _A [kN]	F _{R VL} [kN]	F _{A VL} [kN]	Type	kg	mm 				
0,12	2,1	258	1,4	626,79	6,0	7,8	8,8	1,0	SK 12063 - 63 S/4	24	F36-37				
	2,5	220	1,6	529,38	6,2	7,8	9,0	1,0							
	2,9	195	1,8	464,61	6,4	7,8	9,7	1,0							
	5,1	151	2,3	264,24	6,6	7,8	9,3	1,0							
	6,0	129	2,8	223,17	6,6	7,8	9,3	1,0							
	6,8	114	3,2	195,86	6,7	7,8	9,3	1,0							
	7,3	85	3,8	183,60	6,3	7,7	7,2	1,0							
	8,2	76	4,1	162,18	6,5	7,7	7,2	1,0							
	9,2	69	4,3	144,33	6,7	7,7	7,2	1,0							
	0,12	2,5	219	0,8	524,79	2,7	5,6	4,9				8,0	SK 02050 - 63 S/4	20	F32-33
		3,0	185	1,0	440,13	3,3	5,6	5,2				8,0			
		3,5	164	1,1	385,56	3,6	5,6	5,3				8,0			
		5,8	133	1,4	231,41	4,7	5,6	5,3				8,0			
		6,9	113	1,6	194,18	4,3	5,6	5,4				8,0			
7,9		99	1,9	170,10	4,5	5,6	5,4	8,0							
9,0		68	2,6	147,90	4,6	5,6	5,4	8,0							
10		61	2,8	130,05	4,6	5,6	5,5	8,0							
12		54	3,1	114,75	4,6	5,6	5,5	8,0							
14		45	3,7	92,82	4,7	5,6	5,5	8,0							
17		40	4,2	80,58	4,7	5,6	5,5	8,0							
20		40	4,2	65,25	4,7	5,6	5,5	8,0							
23		35	4,8	57,38	4,7	5,6	5,5	8,0							
26		32	4,9	50,63	4,8	5,6	5,5	8,0							
0,18		0,6	1297	1,2	2200,07	5,2	12,0	14,4	16,0	SK 33100 - 63 L/4	68	F46-47			
		0,8	996	1,6	1671,69	9,2	12,0	15,8	16,0						
		0,9	904	1,8	1507,71	1,4	12,0	15,9	16,0						
		1,2	715	2,2	1175,19	11,7	12,0	16,1	16,0						
	2,1	422	3,8	660,60	12,3	12,0	16,2	16,0							
	2,6	341	4,7	519,31	12,5	12,0	16,2	16,0							
	0,18	1,1	709	1,1	1198,81	2,3	9,0	8,5	12,0				SK 13080 - 63 L/4	39	F42-43
1,4		572	1,3	956,44	5,4	9,0	8,8	12,0							
1,7		488	1,6	805,28	6,5	9,0	9,0	12,0							
1,9		432	1,8	706,25	7,1	9,0	9,7	12,0							
2,2		390	2,0	630,68	7,3	9,0	9,1	12,0							
2,5		340	2,3	542,07	7,4	9,0	9,2	12,0							
2,8		305	2,5	482,13	7,5	9,0	9,3	12,0							
3,4		341	2,3	403,20	7,4	9,0	9,3	12,0							
4,0		289	2,4	339,48	7,5	9,0	9,3	12,0							
4,6		255	2,4	297,73	7,6	9,0	9,3	12,0							
5,1		230	2,5	265,87	7,7	9,0	9,4	12,0							
5,9		199	2,9	228,52	7,8	9,0	9,4	12,0							
7,0		190	2,4	193,73	7,8	9,0	9,4	12,0							
8,3		161	2,4	163,11	7,8	9,0	9,4	12,0							
9,5		141	2,4	143,05	7,9	9,0	9,4	12,0							
11		127	2,4	127,74	8,0	9,0	9,4	12,0							
12		110	2,4	109,80	7,9	9,0	9,5	12,0							
14	98	2,4	97,65	8,0	9,0	9,5	12,0								
0,18	1,8	444	0,9	737,53	1,7	7,7	6,5	1,0	SK 13063 - 63 L/4	29	F38-39				
	2,3	367	1,0	604,62	5,0	7,7	6,7	1,0							
	2,6	326	1,2	531,64	5,2	7,7	6,8	1,0							
	2,9	292	1,3	471,70	5,3	7,7	6,8	1,0							
	3,4	329	1,2	395,51	5,1	7,7	6,7	1,0							
	3,9	292	1,3	349,37	5,3	7,7	6,8	1,0							
	4,4	261	1,5	310,92	5,4	7,7	6,9	1,0							
	5,3	215	1,7	254,89	5,7	7,7	7,0	1,0							
	6,1	191	1,9	224,12	5,7	7,7	7,2	1,0							
	6,8	170	2,1	198,86	5,8	7,7	7,6	1,0							
	7,6	172	2,0	178,31	5,7	7,7	7,4	1,0							
	9,3	141	2,3	146,17	5,8	7,7	7,9	1,0							
	11	125	2,4	128,53	5,9	7,7	7,1	1,0							
	12	111	2,3	114,04	5,9	7,7	7,1	1,0							
	14	95	2,4	97,03	6,0	7,7	7,1	1,0							
17	84	2,4	79,54	6,0	7,7	7,1	1,0								
21	69	2,5	65,20	6,4	7,7	7,2	1,0								


0,18 kW
0,25 kW



P ₁ [kW]	n ₂ [min ⁻¹]	M ₂ [Nm]	f _B	i _{ges}	F _R [kN]	F _A [kN]	F _{R VL} [kN]	F _{A VL} [kN]	Type	kg	mm 			
0,18	6,5	178	1,1	209,25	3,3	5,6	5,2	8,0	SK 13050 - 63 L/4	25	F34-35			
	7,5	156	1,2	181,66	3,6	5,6	5,3	8,0						
	8,6	155	1,3	158,12	3,4	5,6	5,2	8,0						
	9,8	136	1,4	139,04	3,7	5,6	5,3	8,0						
	11	121	1,6	122,68	4,6	5,6	5,3	8,0						
	14	98	1,9	99,23	4,4	5,6	5,4	8,0						
	16	86	2,1	86,15	4,5	5,6	5,4	8,0						
	18	81	1,7	76,61	4,3	5,6	5,4	8,0						
	20	71	1,8	67,37	4,5	5,6	5,4	8,0						
	23	63	2,1	59,44	4,5	5,6	5,4	8,0						
28	51	2,2	48,08	4,6	5,6	5,4	8,0							
33	45	2,5	41,74	4,6	5,6	5,4	8,0							
	2,1	404	1,8	656,88	7,4	12,0	2,0	12,0	SK 12080 - 63 L/4	34	F40-41			
	4,9	238	3,0	276,92	8,2	12,0	11,5	12,0						
	5,8	162	4,4	234,60	7,9	9,0	9,4	12,0						
	2,2	380	0,9	626,79	4,8	7,8	8,3	1,0	SK 12063 - 63 L/4	24	F36-37			
	2,6	325	1,1	529,38	5,4	7,8	8,4	1,0						
	2,9	288	1,3	464,61	5,7	7,8	8,6	1,0						
	5,1	223	1,6	264,24	6,3	7,8	9,0	1,0						
	6,1	189	1,9	223,17	6,4	7,8	9,9	1,0						
	6,9	167	2,2	195,86	6,5	7,8	9,2	1,0						
	7,4	125	2,6	183,60	5,9	7,7	7,1	1,0						
	8,4	113	2,8	162,18	6,0	7,7	7,1	1,0						
	9,4	102	2,9	144,33	6,0	7,7	7,2	1,0						
	12	86	3,4	118,32	6,3	7,7	7,2	1,0						
	13	77	3,8	104,04	6,5	7,7	7,2	1,0						
	15	69	4,3	92,31	6,7	7,7	7,2	1,0						
	18	70	4,3	77,40	6,6	7,7	7,2	1,0						
	20	63	4,7	68,37	6,8	7,7	7,2	1,0						
22	56	5,0	60,85	6,9	7,7	7,2	1,0							
	5,9	197	0,9	231,41	2,9	5,6	5,1	8,0	SK 02050 - 63 L/4	20	F32-33			
	7,0	166	1,1	194,18	3,5	5,6	5,2	8,0						
	8,0	146	1,3	170,10	3,9	5,6	5,3	8,0						
	9,2	101	1,7	147,90	4,5	5,6	5,4	8,0						
	10	90	1,9	130,05	4,5	5,6	5,5	8,0						
	12	80	2,1	114,75	4,6	5,6	5,4	8,0						
	15	67	2,5	92,82	4,6	5,6	5,4	8,0						
	17	59	2,8	80,58	4,6	5,6	5,5	8,0						
	21	59	2,9	65,25	4,6	5,6	5,5	8,0						
	24	52	3,2	57,38	4,6	5,6	5,5	8,0						
	27	46	3,3	50,63	4,7	5,6	5,5	8,0						
	33	38	4,1	40,95	4,7	5,6	5,5	8,0						
	38	34	4,6	35,55	4,7	5,6	5,5	8,0						
	44	32	4,9	30,94	4,7	5,6	5,5	8,0						
0,25	0,4	2861	1,1	3442,09	7,7	2,8	22,8	28,0	SK 43125 - 71 S/4	118	F50-51			
	0,5	2125	1,5	2526,44	15,2	2,8	23,8	28,0						
	0,7	1746	1,8	2056,63	19,0	2,8	24,3	28,0						
	0,7	1589	1,9	1860,07	19,3	2,8	24,4	28,0						
	0,8	1408	2,2	1639,55	19,7	2,8	24,6	28,0						
	0,9	1277	2,4	1476,55	19,9	2,8	24,7	28,0						
	1,2	1053	2,9	1198,50	2,3	2,8	24,8	28,0						
	0,6	1776	0,9	2200,07	-	12,0	9,4	16,0				SK 33100 - 71 S/4	69	F46-47
	0,8	1365	1,2	1671,69	4,2	12,0	13,7	16,0						
	0,9	1238	1,3	1507,71	6,8	12,0	15,0	16,0						
1,2	980	1,6	1175,19	9,5	12,0	15,8	16,0							
2,1	579	2,7	660,60	12,4	12,0	16,2	16,0							
2,7	468	3,4	519,31	12,2	12,0	16,2	16,0							
2,9	427	3,7	468,37	12,3	12,0	16,2	16,0							
3,8	345	4,4	365,07	12,5	12,0	16,2	16,0							
5,4	313	4,8	257,63	12,5	12,0	16,2	16,0							
2,1	567	2,5	645,00	12,3	12,0	16,2	16,0	SK 32100 - 71 S/4	61	F44-45				

Helical-worm gear units



P ₁ [kW]	n ₂ [min ⁻¹]	M ₂ [Nm]	f _B	i _{ges}	F _R [kN]	F _A [kN]	F _{R VL} [kN]	F _{A VL} [kN]	Type	kg	mm 
0,25	1,4	784	1,0	956,44	-	9,0	8,1	12,0	SK 13080 - 71 S/4	40	F42-43
	1,7	669	1,2	805,28	4,9	9,0	8,6	12,0			
	2,0	592	1,3	706,25	5,2	9,0	8,7	12,0			
	2,2	534	1,4	630,68	6,0	9,0	8,9	12,0			
	2,5	466	1,7	542,07	6,8	9,0	9,1	12,0			
	2,9	418	1,8	482,13	7,2	9,0	10,0	12,0			
	3,4	467	1,6	403,20	6,5	9,0	9,0	12,0			
	4,1	396	1,8	339,48	7,2	9,0	9,1	12,0			
	4,6	350	1,7	297,73	7,4	9,0	9,2	12,0			
	5,2	315	1,8	265,87	7,5	9,0	9,2	12,0			
	6,0	273	2,1	228,52	7,6	9,0	9,3	12,0			
	7,1	260	1,7	193,73	7,6	9,0	9,3	12,0			
	8,5	220	1,7	163,11	7,7	9,0	9,4	12,0			
	9,6	194	1,8	143,05	7,8	9,0	9,4	12,0			
11	174	1,7	127,74	7,8	9,0	9,4	12,0				
13	150	1,7	109,80	7,9	9,0	9,4	12,0				
14	134	1,7	97,65	7,9	9,0	9,4	12,0				
	2,6	447	0,8	531,64	1,2	7,7	6,4	1,0	13063 - 71 S/4	30	F38-39
	2,9	400	1,0	471,70	4,1	7,7	6,6	1,0			
	3,5	450	0,8	395,51	-	7,7	6,4	1,0			
	3,9	400	1,0	349,37	4,1	7,7	6,6	1,0			
	4,4	357	1,1	310,92	5,0	7,7	6,7	1,0			
	5,4	295	1,3	254,89	5,3	7,7	6,8	1,0			
	6,2	261	1,4	224,12	5,4	7,7	6,9	1,0			
	6,9	232	1,5	198,86	5,5	7,7	7,0	1,0			
	7,7	235	1,4	178,31	5,5	7,7	6,9	1,0			
	9,4	193	1,7	146,17	5,7	7,7	7,6	1,0			
	11	171	1,8	128,53	5,7	7,7	7,4	1,0			
	12	152	1,7	114,04	5,8	7,7	7,7	1,0			
	14	130	1,8	97,03	5,9	7,7	7,1	1,0			
	17	115	1,7	79,54	5,8	7,7	7,9	1,0			
	21	95	1,8	65,20	5,9	7,7	7,1	1,0			
	7,6	214	0,9	181,66	2,6	5,6	4,9	8,0	SK 13050 - 71 S/4	26	F34-35
	8,7	212	0,9	158,12	2,3	5,6	4,7	8,0			
	9,9	187	1,0	139,04	2,8	5,6	5,0	8,0			
	11	166	1,2	122,68	3,2	5,6	5,2	8,0			
	14	134	1,4	99,23	3,8	5,6	5,3	8,0			
	16	117	1,5	86,15	4,7	5,6	5,3	8,0			
	18	111	1,3	76,61	3,6	5,6	5,3	8,0			
	21	97	1,3	67,37	3,9	5,6	5,3	8,0			
	23	86	1,5	59,44	4,2	5,6	5,4	8,0			
	29	70	1,6	48,08	4,5	5,6	5,4	8,0			
	33	61	1,8	41,74	4,5	5,6	5,4	8,0			
	2,1	554	1,3	656,88	6,1	12,0	1,2	12,0	SK 12080 - 71 S/4	35	F40-41
	2,7	448	1,6	520,20	7,7	12,0	1,8	12,0			
	5,0	326	2,2	276,92	7,8	12,0	11,3	12,0			
	5,9	223	3,2	234,60	7,7	9,0	9,4	12,0			
	7,4	184	3,6	187,17	7,8	9,0	9,4	12,0			
	8,8	159	4,2	157,59	7,9	9,0	9,4	12,0			
	10	142	4,5	138,21	7,9	9,0	9,4	12,0			
	11	130	4,8	123,42	7,9	9,0	9,5	12,0			
	2,6	445	0,8	529,38	3,8	7,8	7,5	1,0	SK 12063 - 71 S/4	25	F36-37
	3,0	395	0,9	464,61	4,6	7,8	7,9	1,0			
	3,3	354	1,0	413,10	5,9	7,8	8,2	1,0			
	5,2	305	1,1	264,24	5,6	7,8	8,5	1,0			
	6,2	260	1,4	223,17	6,0	7,8	8,8	1,0			
	7,0	229	1,6	195,86	6,2	7,8	8,9	1,0			
	7,5	172	1,9	183,60	5,8	7,7	7,6	1,0			
	8,5	154	2,0	162,18	5,8	7,7	7,9	1,0			
	9,6	140	2,1	144,33	5,9	7,7	7,2	1,0			
	12	118	2,5	118,32	5,9	7,7	7,1	1,0			
	13	105	2,8	104,04	6,0	7,7	7,1	1,0			
	15	95	3,1	92,31	6,9	7,7	7,2	1,0			
	18	96	3,2	77,40	6,0	7,7	7,2	1,0			
	20	86	3,4	68,37	6,2	7,7	7,2	1,0			
	23	77	3,6	60,85	6,4	7,7	7,2	1,0			
	28	64	4,1	49,88	6,8	7,7	7,2	1,0			
	31	57	4,4	43,86	6,9	7,7	7,2	1,0			
	36	51	4,8	38,92	6,2	7,7	7,2	1,0			

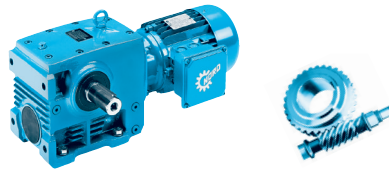
Helical-worm gear units


0,25 kW
0,37 kW



P ₁ [kW]	n ₂ [min ⁻¹]	M ₂ [Nm]	f _B	i _{ges}	F _R [kN]	F _A [kN]	F _{R VL} [kN]	F _{A VL} [kN]	Type	kg	mm
0,25	7,1	227	0,8	194,18	2,4	5,6	4,7	8,0	SK 02050 - 71 S/4	21	F32-33
	8,1	200	0,9	170,10	2,9	5,6	5,6	8,0			
	9,3	138	1,3	147,90	4,5	5,6	5,3	8,0			
	11	123	1,4	130,05	4,3	5,6	5,3	8,0			
	12	110	1,5	114,75	4,4	5,6	5,4	8,0			
	15	91	1,8	92,82	4,6	5,6	5,4	8,0			
	17	81	2,1	80,58	4,5	5,6	5,4	8,0			
	21	81	2,1	65,25	4,5	5,6	5,4	8,0			
	24	71	2,4	57,38	4,6	5,6	5,4	8,0			
	27	64	2,4	50,63	4,6	5,6	5,4	8,0			
	34	52	3,0	40,95	4,6	5,6	5,5	8,0			
	39	46	3,4	35,55	4,7	5,6	5,5	8,0			
	45	44	3,6	30,94	4,7	5,6	5,5	8,0			
	51	38	4,0	27,21	4,7	5,6	5,5	8,0			
	58	34	4,5	24,01	4,7	5,6	5,5	8,0			
	82	24	4,9	16,86	4,5	5,6	5,5	8,0			
0,37	0,5	3145	1,0	2526,44	3,7	2,8	21,2	28,0	SK 43125 - 71 L/4	119	F50-51
	0,7	2585	1,2	2056,63	1,3	2,8	23,2	28,0			
	0,7	2352	1,3	1860,07	12,8	2,8	23,6	28,0			
	0,8	2084	1,5	1639,55	15,7	2,8	23,9	28,0			
	0,9	1890	1,6	1476,55	17,6	2,8	24,1	28,0			
	1,2	1559	2,0	1198,50	19,4	2,8	24,4	28,0			
	0,9	1832	0,9	1507,71	-	12,0	8,8	16,0	SK 33100 - 71 L/4	70	F46-47
	1,2	1450	1,1	1175,19	2,9	12,0	12,9	16,0			
	2,1	856	1,9	660,60	11,9	12,0	16,0	16,0			
	2,7	692	2,3	519,31	11,7	12,0	16,1	16,0			
	2,9	633	2,5	468,37	11,9	12,0	16,2	16,0			
	3,8	510	3,0	365,07	12,2	12,0	16,2	16,0			
	4,6	430	3,5	299,28	12,3	12,0	16,2	16,0			
	5,4	464	3,3	257,63	12,2	12,0	16,2	16,0			
	7,6	337	4,2	182,66	12,5	12,0	16,2	16,0			
	9,7	268	4,9	142,38	12,6	12,0	16,2	16,0			
11	247	4,8	121,21	12,7	12,0	16,2	16,0				
2,1	839	1,7	645,00	11,2	12,0	16,0	16,0	SK 32100 - 71 L/4	62	F44-45	
5,7	360	3,9	241,50	12,5	12,0	16,2	16,0				
7,5	286	4,8	183,50	12,6	12,0	16,2	16,0				
2,0	876	0,9	706,25	-	9,0	7,1	12,0	SK 13080 - 71 L/4	41	F42-43	
2,2	791	1,0	630,68	-	9,0	8,5	12,0				
2,5	689	1,1	542,07	3,4	9,0	8,6	12,0				
2,9	618	1,2	482,13	4,9	9,0	8,7	12,0				
3,4	691	1,1	403,20	3,3	9,0	8,5	12,0				
4,1	587	1,2	339,48	4,9	9,0	8,7	12,0				
4,6	517	1,2	297,73	5,8	9,0	8,9	12,0				
5,2	466	1,2	265,87	6,6	9,0	9,0	12,0				
6,0	404	1,4	228,52	7,2	9,0	9,2	12,0				
7,1	384	1,2	193,73	7,7	9,0	9,1	12,0				
8,5	326	1,2	163,11	7,4	9,0	9,2	12,0				
9,6	287	1,2	143,05	7,5	9,0	9,3	12,0				
11	257	1,2	127,74	7,6	9,0	9,4	12,0				
13	223	1,2	109,80	7,7	9,0	9,3	12,0				
14	198	1,2	97,65	7,7	9,0	9,4	12,0				
5,4	436	0,8	254,89	2,3	7,7	6,5	1,0	13063 - 71 L/4	30	F38-39	
6,2	386	1,0	224,12	4,6	7,7	6,6	1,0				
6,9	344	1,0	198,86	5,4	7,7	6,7	1,0				
7,7	348	1,0	178,31	5,0	7,7	6,7	1,0				
9,4	286	1,2	146,17	5,3	7,7	6,8	1,0				
11	253	1,2	128,53	5,4	7,7	6,9	1,0				
12	225	1,2	114,04	5,5	7,7	6,9	1,0				
14	193	1,2	97,03	5,7	7,7	7,7	1,0				
17	170	1,2	79,54	5,6	7,7	7,0	1,0				
21	140	1,2	65,20	5,7	7,7	7,5	1,0				

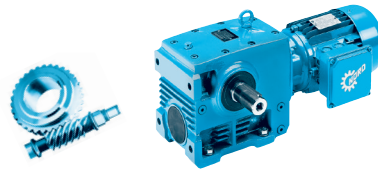
Helical-worm gear units



P ₁ [kW]	n ₂ [min ⁻¹]	M ₂ [Nm]	f _B	i _{ges}	F _R [kN]	F _A [kN]	F _{R VL} [kN]	F _{A VL} [kN]	Type	kg	mm 
0,37	14	199	1,0	99,23	2,6	5,6	4,9	8,0	SK 13050 - 71 L/4	26	F34-35
	16	174	1,0	86,15	3,5	5,6	5,2	8,0			
	18	164	0,9	76,61	2,4	5,6	4,6	8,0			
	21	144	0,9	67,37	2,9	5,6	5,0	8,0			
	23	127	1,0	59,44	3,3	5,6	5,3	8,0			
	29	103	1,1	48,08	3,9	5,6	5,3	8,0			
	33	90	1,2	41,74	4,9	5,6	5,4	8,0			
2,1	820	0,9	656,88	-	12,0	7,7	12,0	SK 12080 - 71 L/4	36	F40-41	
2,7	663	1,1	520,20	4,6	12,0	9,3	12,0				
5,0	483	1,5	276,92	6,8	12,0	1,6	12,0				
5,9	330	2,2	234,60	7,4	9,0	9,2	12,0				
7,4	272	2,5	187,17	7,6	9,0	9,3	12,0				
8,8	235	2,8	157,59	7,8	9,0	9,4	12,0				
10	211	3,1	138,21	7,8	9,0	9,4	12,0				
11	192	3,2	123,42	7,9	9,0	9,4	12,0				
13	169	3,5	106,08	7,9	9,0	9,4	12,0				
15	152	3,7	94,35	7,9	9,0	9,4	12,0				
18	150	4,4	78,91	7,9	9,0	9,4	12,0				
21	129	4,9	66,44	7,9	9,0	9,5	12,0				
6,2	384	0,9	223,17	4,8	7,8	8,0	1,0				SK 12063 - 71 L/4
7,0	339	1,1	195,86	5,3	7,8	8,3	1,0				
7,5	254	1,3	183,60	5,5	7,7	6,9	1,0				
8,5	229	1,4	162,18	5,6	7,7	7,0	1,0				
9,6	207	1,5	144,33	5,7	7,7	7,9	1,0				
12	174	1,7	118,32	5,8	7,7	7,6	1,0				
13	156	1,9	104,04	5,8	7,7	7,9	1,0				
15	141	2,1	92,31	5,9	7,7	7,2	1,0				
18	142	2,1	77,40	5,9	7,7	8,0	1,0				
20	127	2,3	68,37	6,0	7,7	7,1	1,0				
23	114	2,5	60,85	5,9	7,7	7,1	1,0				
28	95	2,8	49,88	6,0	7,7	7,2	1,0				
31	84	3,0	43,86	6,2	7,7	7,2	1,0				
36	76	3,2	38,92	6,5	7,7	7,2	1,0				
39	73	3,6	34,89	6,4	7,7	7,2	1,0				
48	60	4,1	28,61	6,7	7,7	7,2	1,0				
55	53	4,6	25,15	6,9	7,7	7,2	1,0				
9,3	204	0,9	147,90	3,0	5,6	5,1	8,0	SK 02050 - 71 L/4	22	F32-33	
11	182	0,9	130,05	3,4	5,6	5,3	8,0				
12	163	1,0	114,75	3,7	5,6	5,3	8,0				
15	135	1,2	92,82	4,1	5,6	5,3	8,0				
17	120	1,4	80,58	4,3	5,6	5,4	8,0				
21	119	1,4	65,25	4,2	5,6	5,3	8,0				
24	106	1,6	57,38	4,4	5,6	5,4	8,0				
27	94	1,6	50,63	4,5	5,6	5,4	8,0				
34	77	2,0	40,95	4,6	5,6	5,4	8,0				
39	68	2,3	35,55	4,6	5,6	5,4	8,0				
45	64	2,4	30,94	4,6	5,6	5,4	8,0				
51	57	2,7	27,21	4,6	5,6	5,4	8,0				
58	50	3,1	24,01	4,6	5,6	5,5	8,0				
71	41	3,5	19,42	4,6	5,6	5,5	8,0				
82	36	3,3	16,86	4,4	5,6	5,5	8,0				
93	32	3,6	14,72	4,2	5,6	5,5	8,0				
105	29	4,1	13,18	4,0	5,6	5,5	8,0				
119	26	4,4	11,63	3,9	5,6	5,5	8,0				

0,55 kW

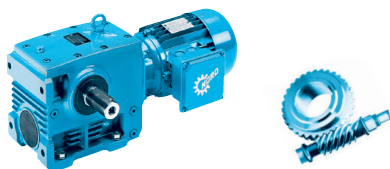
IE2




P ₁ [kW]	n ₂ [min ⁻¹]	M ₂ [Nm]	f _B	i _{ges}	F _R [kN]	F _A [kN]	F _{R VL} [kN]	F _{A VL} [kN]	Type	kg	mm 			
0,55	1,0	2731	1,1	1476,55	23,9	20,8	26,5	28,0	SK 43125 - 80 SH/4	122	F50-51			
	1,2	2261	1,4	1198,50	26,0	20,8	26,5	28,0						
	1,5	1785	1,7	928,25	26,5	20,8	26,5	28,0						
	1,8	1558	2,0	794,58	26,5	20,8	26,5	28,0						
	2,1	1735	1,6	689,67	26,5	20,8	26,5	28,0						
	2,3	1529	1,7	607,91	26,5	20,8	26,5	28,0						
	2,6	1397	2,2	547,47	26,5	20,8	26,5	28,0						
	3,2	1134	2,6	444,38	26,5	20,8	26,5	28,0						
	3,7	985	2,6	380,39	26,5	20,8	26,5	28,0						
	3,0	918	1,7	468,37	16,2	12,0	16,2	16,0				SK 33100 - 80 SH/4	73	F46-47
	3,9	743	2,0	365,07	16,2	12,0	16,2	16,0						
	4,7	620	2,4	299,28	16,2	12,0	16,2	16,0						
	2,2	1217	1,2	645,00	14,5	12,0	16,2	16,0				SK 32100 - 80 SH/4	65	F44-45
	2,8	981	1,4	510,00	15,9	12,0	16,2	16,0						
	5,9	518	2,7	241,50	16,2	12,0	16,2	16,0						
	7,7	414	3,3	183,50	16,2	12,0	16,2	16,0						
	8,6	380	3,5	165,50	16,2	12,0	16,2	16,0						
	3,5	760	0,9	#402,90	6,1	9,0	11,6	12,0	SK 12080 - 80 SH/4	39	F40-41			
	5,1	697	1,0	#276,92	7,0	9,0	12,1	12,0						
	6,1	477	1,5	234,60	9,0	9,0	13,0	12,0						
	7,6	395	1,7	187,17	9,5	9,0	13,0	12,0						
	9,0	338	2,0	157,59	9,7	9,0	13,0	12,0						
	10	307	2,1	138,21	9,9	9,0	13,0	12,0						
	12	278	2,2	123,42	10,0	9,0	13,0	12,0						
	13	243	2,4	106,08	10,1	9,0	13,0	12,0						
	15	220	2,5	94,35	10,2	9,0	13,0	12,0						
	18	219	3,0	78,91	10,2	9,0	13,0	12,0						
	21	187	3,4	66,44	10,2	9,0	13,0	12,0						
24	166	3,6	58,27	10,3	9,0	13,0	12,0							
27	148	3,9	52,03	10,2	9,0	13,0	12,0							
7,7	367	0,9	183,60	6,4	7,7	9,9	10,0	SK 12063 - 80 SH/4				29	F36-37	
8,8	330	0,9	162,18	6,7	7,7	10,1	10,0							
9,8	299	1,0	144,33	7,0	7,7	10,3	10,0							
12	254	1,2	118,32	7,3	7,7	10,5	10,0							
14	227	1,3	104,04	7,4	7,7	10,6	10,0							
15	205	1,4	92,31	7,5	7,7	10,7	10,0							
18	206	1,5	77,40	7,5	7,7	10,7	10,0							
21	185	1,6	68,37	7,6	7,7	10,7	10,0							
23	164	1,7	60,85	7,7	7,7	10,8	10,0							
28	138	1,9	49,88	7,8	7,7	10,9	10,0							
32	122	2,1	43,86	7,7	7,7	10,9	10,0							
36	109	2,2	38,92	7,5	7,7	10,9	10,0							
41	105	2,5	34,89	7,2	7,7	10,9	10,0							
50	87	2,8	28,61	6,8	7,7	11,0	10,0							
56	77	3,2	25,15	6,6	7,7	11,0	10,0							
15	196	0,9	92,82	4,8	8,0	6,1	8,0	SK 02050 - 80 SH/4	25	F32-33				
18	173	1,0	80,58	5,0	8,0	6,1	8,0							
22	174	1,0	65,25	5,0	8,0	6,1	8,0							
25	153	1,1	57,38	5,2	8,0	6,1	8,0							
28	137	1,1	50,63	5,3	8,0	6,1	8,0							
35	112	1,4	40,95	5,5	8,0	6,1	8,0							
40	99	1,6	35,55	5,3	8,0	6,1	8,0							
46	93	1,7	30,94	5,0	7,1	6,1	8,0							
52	83	1,9	27,21	4,9	6,8	6,1	8,0							
59	73	2,1	24,01	4,7	6,6	6,1	8,0							
73	60	2,4	19,42	4,5	6,2	6,1	8,0							
84	52	2,3	16,86	4,3	5,9	6,1	8,0							
96	46	2,5	14,72	4,1	5,7	6,1	8,0							
108	42	2,8	13,18	3,9	4,8	6,1	8,0							
122	37	3,0	11,63	3,7	4,7	6,1	8,0							
151	31	3,6	9,41	3,5	4,4	6,1	8,0							
174	27	4,1	8,17	3,4	4,2	6,1	8,0							
199	23	4,5	7,13	3,3	4,1	6,1	8,0							

Helical-worm gear units

only available in version .Z or .F



P ₁ [kW]	n ₂ [min ⁻¹]	M ₂ [Nm]	f _B	i _{ges}	F _R [kN]	F _A [kN]	F _{R VL} [kN]	F _{A VL} [kN]	Type	kg	mm 
0,75	1,0	3742	0,8	1476,55	-	2,8	16,0	28,0	SK 43125 - 80 LP/4	123	F50-51
	1,2	3088	1,0	1198,50	4,5	2,8	21,8	28,0			
	1,5	2446	1,3	928,25	11,9	2,8	23,4	28,0			
	1,8	2126	1,5	794,58	15,4	2,8	23,8	28,0			
	2,0	2376	1,2	689,67	11,7	2,8	23,6	28,0			
	2,3	2102	1,3	607,91	14,7	2,8	23,9	28,0			
	2,6	1903	1,6	547,47	16,8	2,8	24,9	28,0			
	3,2	1564	1,9	444,38	19,3	2,8	24,4	28,0			
	3,7	1350	1,9	380,39	19,7	2,8	24,6	28,0			
	4,4	1163	2,1	323,51	2,9	2,8	24,8	28,0			
	5,2	983	2,9	269,76	2,4	2,8	24,9	28,0			
	6,0	871	3,2	236,58	2,6	2,8	24,9	28,0			
	7,5	704	3,7	187,80	2,8	2,8	25,2	28,0			
	9,3	583	4,4	152,44	3,0	2,8	25,7	28,0			
11	506	4,9	130,49	21,6	2,8	25,1	28,0				
16	363	4,8	86,22	21,2	2,8	25,1	28,0				
	2,1	1698	0,9	660,60	-	12,0	1,3	16,0	SK 33100 - 80 LP/4	74	F46-47
	2,7	1373	1,2	519,31	4,2	12,0	13,7	16,0			
	3,0	1255	1,3	468,37	5,9	12,0	15,0	16,0			
	3,9	1012	1,5	365,07	9,1	12,0	15,7	16,0			
	4,7	853	1,8	299,28	11,1	12,0	16,0	16,0			
	5,5	918	1,6	257,63	9,6	12,0	15,9	16,0			
	7,7	667	2,1	182,66	11,7	12,0	16,2	16,0			
	9,9	530	2,5	142,38	12,8	12,0	16,2	16,0			
	12	490	2,4	121,21	12,1	12,0	16,2	16,0			
	13	444	2,7	109,32	12,2	12,0	16,2	16,0			
	17	351	3,1	85,21	12,4	12,0	16,2	16,0			
	20	290	3,7	69,85	12,5	12,0	16,2	16,0			
	26	234	2,9	53,70	11,3	12,0	16,2	16,0			
	2,2	1663	0,9	645,00	-	12,0	1,7	16,0	SK 32100 - 80 LP/4	66	F44-45
	2,8	1351	1,1	510,00	4,5	12,0	14,0	16,0			
	5,9	714	2,0	241,50	11,7	12,0	16,1	16,0			
	7,7	567	2,4	183,50	12,4	12,0	16,2	16,0			
	8,6	521	2,6	165,50	12,1	12,0	16,2	16,0			
	11	423	2,9	129,00	12,3	12,0	16,2	16,0			
	15	364	3,6	94,19	12,4	12,0	16,2	16,0			
	20	283	4,3	71,57	12,6	12,0	16,2	16,0			
	22	257	4,6	64,55	12,6	12,0	16,2	16,0			
	6,0	654	1,1	234,60	4,4	9,0	8,6	12,0	SK 12080 - 80 LP/4	40	F40-41
	7,6	540	1,2	187,17	5,9	9,0	8,9	12,0			
	9,0	467	1,4	157,59	6,8	9,0	9,1	12,0			
	10	418	1,5	138,21	7,2	9,0	9,2	12,0			
	11	381	1,6	123,42	7,3	9,0	9,2	12,0			
	13	335	1,8	106,08	7,4	9,0	9,2	12,0			
	15	303	1,9	94,35	7,5	9,0	9,3	12,0			
	18	298	2,2	78,91	7,5	9,0	9,3	12,0			
	21	255	2,5	66,44	7,6	9,0	9,3	12,0			
	24	226	2,7	58,27	7,7	9,0	9,4	12,0			
	27	204	2,8	52,03	7,8	9,0	9,4	12,0			
	32	178	3,1	44,72	7,8	9,0	9,4	12,0			
	37	160	3,4	37,91	7,8	9,0	9,4	12,0			
	44	136	3,9	31,92	7,9	9,0	9,4	12,0			
	51	120	4,2	27,99	7,9	9,0	9,5	12,0			
	57	108	4,5	25,00	7,9	9,0	9,5	12,0			
	12	345	0,9	118,32	5,9	7,7	6,7	1,0	SK 12063 - 80 LP/4	30	F36-37
	14	310	1,0	104,04	5,3	7,7	6,9	1,0			
	15	279	1,1	92,31	5,4	7,7	6,9	1,0			
	18	282	1,1	77,40	5,3	7,7	6,9	1,0			
	21	252	1,2	68,37	5,5	7,7	6,9	1,0			
	23	226	1,2	60,85	5,6	7,7	7,0	1,0			
	28	188	1,4	49,88	5,7	7,7	7,3	1,0			
	32	167	1,5	43,86	5,8	7,7	7,6	1,0			
	36	150	1,6	38,92	5,8	7,7	7,9	1,0			
	40	144	1,8	34,89	5,8	7,7	7,9	1,0			
	49	119	2,1	28,61	5,9	7,7	7,1	1,0			
	56	106	2,3	25,15	6,0	7,7	7,1	1,0			
	63	94	2,6	22,32	6,0	7,7	7,2	1,0			

Helical-worm gear units

**0,75 kW
1,10 kW**

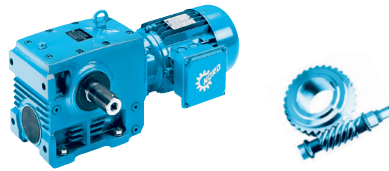
IE3




NORD
DRIVESYSTEMS

P ₁ [kW]	n ₂ [min ⁻¹]	M ₂ [Nm]	f _B	i _{ges}	F _R [kN]	F _A [kN]	F _{R VL} [kN]	F _{A VL} [kN]	Type	kg	mm 			
0,75	74	81	2,7	18,99	5,8	7,7	7,2	1,0	SK 12063 - 80 LP/4	30	F36-37			
	91	69	2,8	15,57	5,3	7,7	7,2	1,0						
	111	57	3,2	12,76	5,6	7,7	7,2	1,0						
	126	50	3,5	11,22	4,9	7,7	7,2	1,0						
	142	45	3,8	9,96	4,7	7,5	7,2	1,0						
	167	38	4,3	8,47	4,5	7,2	7,2	1,0						
	191	34	4,6	7,43	4,4	7,5	7,2	1,0						
	25	209	0,8	57,38	2,7	5,6	5,0	8,0				SK 02050 - 80 LP/4	26	F32-33
	28	187	0,8	50,63	3,1	5,6	5,2	8,0						
	35	153	1,0	40,95	3,7	5,6	5,3	8,0						
	40	135	1,2	35,55	4,2	5,6	5,3	8,0						
	46	127	1,2	30,94	3,9	5,6	5,3	8,0						
	52	112	1,4	27,21	4,2	5,6	5,3	8,0						
	59	100	1,6	24,01	4,4	5,6	5,4	8,0						
	73	81	1,8	19,42	4,1	5,6	5,5	8,0						
	84	71	1,7	16,86	4,1	5,6	5,4	8,0						
	96	63	1,8	14,72	3,9	5,6	5,4	8,0						
	108	58	2,1	13,18	3,6	5,1	5,4	8,0						
	122	51	2,2	11,63	3,5	5,7	5,4	8,0						
151	42	2,6	9,41	3,3	5,0	5,5	8,0							
173	36	3,0	8,17	3,2	4,9	5,5	8,0							
198	32	3,3	7,13	3,1	4,7	5,5	8,0							
1,10	1,5	3554	0,9	928,25	-	2,8	17,8	28,0	SK 43125 - 90 SP/4	128	F50-51			
	1,8	3089	1,0	794,58	4,6	2,8	21,8	28,0						
	2,1	3449	0,8	689,67	-	2,8	17,5	28,0						
	2,4	3052	0,9	607,91	3,8	2,8	21,5	28,0						
	2,6	2763	1,1	547,47	7,3	2,8	22,9	28,0						
	3,2	2271	1,3	444,38	12,9	2,8	23,6	28,0						
	3,8	1961	1,3	380,39	16,3	2,8	24,3	28,0						
	4,4	1689	1,4	323,51	19,5	2,8	24,3	28,0						
	5,3	1428	2,0	269,76	19,6	2,8	24,6	28,0						
	6,0	1265	2,2	236,58	19,9	2,8	24,7	28,0						
	7,6	1022	2,5	187,80	2,3	2,8	24,8	28,0						
	9,4	847	3,1	152,44	2,6	2,8	25,0	28,0						
	11	735	3,4	130,49	2,8	2,8	25,7	28,0						
	13	636	3,7	110,97	2,9	2,8	25,5	28,0						
	17	528	3,3	86,22	3,0	2,8	25,9	28,0						
	20	434	3,6	69,99	21,9	2,8	25,1	28,0						
	23	391	4,0	62,50	21,1	2,8	25,1	28,0						
	2,1	2747	1,0	695,60	8,6	2,8	23,0	28,0				SK 42125 - 90 SP/4	111	F48-49
	2,9	2045	1,4	495,85	16,2	2,8	23,9	28,0						
	7,1	961	2,7	201,63	2,5	2,8	24,9	28,0						
	7,8	885	2,9	182,36	2,6	2,8	24,9	28,0						
	8,9	795	3,1	160,74	2,8	2,8	25,0	28,0						
	9,9	728	3,3	144,76	2,8	2,8	25,1	28,0						
12	611	3,7	117,50	2,9	2,8	25,7	28,0							
14	534	4,0	100,58	21,4	2,8	25,9	28,0							
16	512	4,6	87,30	21,5	2,8	26,0	28,0							
3,1	1824	0,9	468,37	-	12,0	9,0	16,0	SK 33100 - 90 SP/4	79	F46-47				
3,9	1470	1,0	365,07	2,7	12,0	12,9	16,0							
4,8	1240	1,2	299,28	6,1	12,0	16,0	16,0							
5,6	1333	1,1	257,63	3,8	12,0	13,3	16,0							
7,8	969	1,5	182,66	9,0	12,0	15,8	16,0							
10	770	1,7	142,38	11,5	12,0	16,5	16,0							
12	711	1,7	121,21	11,6	12,0	16,2	16,0							
13	645	1,8	109,32	11,7	12,0	16,2	16,0							
17	509	2,1	85,21	12,8	12,0	16,2	16,0							
21	422	2,6	69,85	11,9	12,0	16,2	16,0							
27	340	2,0	53,70	1,5	12,0	16,2	16,0							
3,5	1624	0,8	410,00	-	12,0	11,2	16,0	SK 32100 - 90 SP/4	71	F44-45				
4,7	1258	1,1	304,00	5,9	12,0	14,9	16,0							
5,9	1038	1,4	241,50	8,8	12,0	15,7	16,0							
7,8	825	1,7	183,50	11,4	12,0	16,0	16,0							
8,6	757	1,8	165,50	11,6	12,0	16,8	16,0							

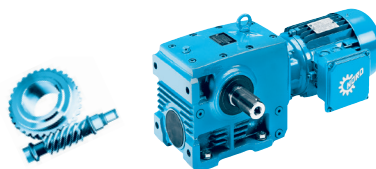
Helical-worm gear units



P ₁ [kW]	n ₂ [min ⁻¹]	M ₂ [Nm]	f _B	i _{ges}	F _R [kN]	F _A [kN]	F _{R VL} [kN]	F _{A VL} [kN]	Type	kg	mm 
1,10	11	614	2,0	129,00	11,9	12,0	16,2	16,0	SK 32100 - 90 SP/4	71	F44-45
	14	512	2,3	104,00	12,2	12,0	16,2	16,0			
	15	528	2,5	94,19	12,8	12,0	16,2	16,0			
	20	411	3,0	71,57	12,3	12,0	16,2	16,0			
	22	374	3,2	64,55	12,0	12,0	16,2	16,0			
	28	297	3,7	50,31	11,2	12,0	16,2	16,0			
	33	266	4,1	42,83	1,6	12,0	16,2	16,0			
	37	242	4,6	38,63	1,3	12,0	16,2	16,0			
	7,6	785	0,9	187,17	-	9,0	8,2	12,0			
	9,1	679	1,0	157,59	3,9	9,0	8,5	12,0			
	10	608	1,1	138,21	5,2	9,0	8,7	12,0			
	12	553	1,1	123,42	5,7	9,0	8,8	12,0			
	13	487	1,2	106,08	6,6	9,0	9,0	12,0			
	15	440	1,3	94,35	8,0	9,0	9,6	12,0			
18	433	1,5	78,91	7,0	9,0	9,7	12,0				
22	371	1,7	66,44	7,3	9,0	9,2	12,0				
25	328	1,8	58,27	7,4	9,0	9,2	12,0				
27	297	1,9	52,03	7,5	9,0	9,3	12,0				
32	258	2,1	44,72	7,6	9,0	9,3	12,0				
38	232	2,4	37,91	7,7	9,0	9,3	12,0				
45	198	2,7	31,92	7,7	9,0	9,4	12,0				
51	174	2,9	27,99	7,7	9,0	9,4	12,0				
57	157	3,1	25,00	7,5	9,0	9,4	12,0				
66	136	3,5	21,49	7,2	9,0	9,4	12,0				
75	121	3,8	19,11	7,2	9,0	9,5	12,0				
90	104	3,8	15,98	6,5	9,0	9,5	12,0				
102	92	4,0	14,01	6,3	9,0	9,5	12,0				
114	82	4,2	12,51	6,9	8,9	9,5	12,0				
133	71	4,8	10,75	5,8	8,6	9,5	12,0				
	21	366	0,8	68,37	4,9	7,7	6,7	1,0	SK 12063 - 90 SP/4	35	F36-37
	23	329	0,9	60,85	5,1	7,7	6,8	1,0			
	29	273	1,0	49,88	5,4	7,7	6,9	1,0			
	33	243	1,0	43,86	5,6	7,7	6,9	1,0			
	37	217	1,1	38,92	5,7	7,7	7,0	1,0			
	41	209	1,3	34,89	5,6	7,7	7,0	1,0			
	50	173	1,4	28,61	5,7	7,7	7,4	1,0			
	57	154	1,6	25,15	5,8	7,7	7,7	1,0			
	64	137	1,8	22,32	5,8	7,7	8,0	1,0			
	75	118	1,8	18,99	5,6	7,7	7,1	1,0			
	92	100	1,9	15,57	5,0	7,5	7,1	1,0			
	112	83	2,2	12,76	4,8	7,3	7,1	1,0			
	127	73	2,4	11,22	4,6	7,1	7,2	1,0			
	144	65	2,6	9,96	4,5	7,0	7,2	1,0			
	169	56	3,0	8,47	4,3	6,8	7,2	1,0			
	193	49	3,2	7,43	4,2	6,6	7,2	1,0			
	46	185	0,8	30,94	2,9	5,6	5,3	8,0	SK 02050 - 90 SP/4	31	F32-33
	53	163	0,9	27,21	3,3	5,6	5,2	8,0			
	60	145	1,1	24,01	3,7	5,6	5,3	8,0			
	74	118	1,2	19,42	3,7	5,6	5,3	8,0			
	85	104	1,2	16,86	3,7	5,6	5,4	8,0			
	97	91	1,2	14,72	3,6	5,6	5,4	8,0			
	109	84	1,4	13,18	3,2	4,2	5,4	8,0			
	123	74	1,5	11,63	3,2	4,2	5,4	8,0			
	152	61	1,8	9,41	3,7	4,3	5,4	8,0			
	175	53	2,1	8,17	3,0	4,2	5,4	8,0			
	200	46	2,3	7,13	2,9	4,2	5,4	7,8			
	1,50	2,6	3805	0,8	547,47	-	2,8	14,1			
3,2		3127	1,0	444,38	2,9	2,8	2,4	28,0			
3,7		2700	1,0	380,39	8,1	2,8	23,3	28,0			
4,4		2326	1,0	323,51	12,4	2,8	23,6	28,0			
5,2		1967	1,4	269,76	16,3	2,8	24,2	28,0			
6,0		1742	1,6	236,58	18,7	2,8	24,3	28,0			
7,5		1408	1,8	187,80	19,6	2,8	24,6	28,0			
9,3		1166	2,2	152,44	3,0	2,8	24,8	28,0			
11		1012	2,5	130,49	2,4	2,8	24,9	28,0			
13		875	2,7	110,97	2,6	2,8	24,9	28,0			
16		727	2,4	86,22	2,7	2,8	25,7	28,0			
20		598	2,6	69,99	2,9	2,8	25,6	28,0			
23		538	2,9	62,50	2,6	2,8	25,8	28,0			

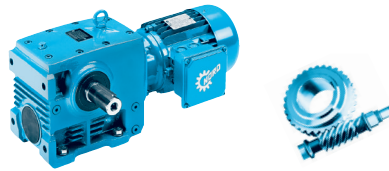
Helical-worm gear units


1,50 kW



P ₁ [kW]	n ₂ [min ⁻¹]	M ₂ [Nm]	f _B	i _{ges}	F _R [kN]	F _A [kN]	F _{R VL} [kN]	F _{A VL} [kN]	Type	kg	mm
1,50	2,9	2814	1,0	495,85	7,9	2,8	22,9	28,0	SK 42125 - 90 LP/4	113	F48-49
	7,0	1322	2,0	201,63	19,9	2,8	24,6	28,0			
	7,8	1217	2,1	182,36	2,5	2,8	24,7	28,0			
	8,8	1093	2,3	160,74	2,3	2,8	24,8	28,0			
	9,8	1002	2,4	144,76	2,5	2,8	24,9	28,0			
	12	840	2,7	117,50	2,6	2,8	25,0	28,0			
	14	735	2,9	100,58	2,8	2,8	25,1	28,0			
	16	705	3,3	87,30	2,8	2,8	25,2	28,0			
	18	627	3,7	76,95	3,0	2,8	25,6	28,0			
	20	570	3,9	69,30	3,0	2,8	25,8	28,0			
	25	471	4,4	56,25	2,3	2,8	25,1	28,0			
	29	408	4,8	48,15	19,5	2,8	25,1	28,0			
	4,7	1706	0,9	299,28	-	12,0	1,4	16,0			
5,5	1836	0,8	257,63	-	12,0	7,7	16,0				
7,7	1335	1,1	182,66	3,8	12,0	13,3	16,0				
9,9	1060	1,2	142,38	7,8	12,0	15,6	16,0				
12	979	1,2	121,21	8,8	12,0	15,8	16,0				
13	888	1,3	109,32	9,4	12,0	15,9	16,0				
17	701	1,5	85,21	11,4	12,0	16,1	16,0				
20	581	1,9	69,85	12,0	12,0	16,2	16,0				
26	469	1,5	53,70	9,7	11,8	16,2	16,0				
4,7	1731	0,8	304,00	-	12,0	1,8	16,0	SK 32100 - 90 LP/4	73	F44-45	
5,9	1428	1,0	241,50	3,4	12,0	13,3	16,0				
7,7	1134	1,2	183,50	7,6	12,0	15,5	16,0				
8,6	1041	1,3	165,50	8,8	12,0	15,7	16,0				
11	845	1,5	129,00	11,3	12,0	16,0	16,0				
14	705	1,7	104,00	11,8	12,0	16,1	16,0				
15	727	1,8	94,19	11,6	12,0	16,1	16,0				
20	565	2,2	71,57	11,5	12,0	16,2	16,0				
22	515	2,3	64,55	11,3	12,0	16,2	16,0				
28	409	2,7	50,31	1,7	12,0	16,2	16,0				
33	367	3,0	42,83	1,1	12,0	16,2	16,0				
37	333	3,3	38,63	9,9	12,0	16,2	16,0				
41	288	3,8	34,32	9,8	12,0	16,2	16,0				
47	263	4,0	30,11	9,3	12,0	16,2	16,0				
58	214	4,8	24,27	8,9	12,0	16,2	16,0				
69	183	4,6	20,54	8,5	12,0	16,2	16,0				
75	172	4,2	18,97	8,0	11,1	16,2	16,0				
83	156	4,6	17,11	7,8	1,9	16,2	16,0				
11	761	0,8	123,42	-	9,0	8,4	12,0	SK 12080 - 90 LP/4	47	F40-41	
13	670	0,9	106,08	4,2	9,0	8,6	12,0				
15	605	0,9	94,35	5,7	9,0	8,7	12,0				
18	596	1,1	78,91	4,8	9,0	8,7	12,0				
21	510	1,2	66,44	6,2	9,0	8,9	12,0				
24	452	1,3	58,27	6,7	9,0	9,3	12,0				
27	408	1,4	52,03	7,2	9,0	9,1	12,0				
32	356	1,5	44,72	7,3	9,0	9,2	12,0				
37	320	1,7	37,91	7,5	9,0	9,2	12,0				
44	272	1,9	31,92	7,5	9,0	9,3	12,0				
51	240	2,1	27,99	7,3	9,0	9,3	12,0				
57	216	2,3	25,00	7,1	9,0	9,4	12,0				
66	187	2,5	21,49	6,9	9,0	9,4	12,0				
74	167	2,7	19,11	6,7	9,0	9,4	12,0				
89	144	2,7	15,98	6,1	8,6	9,4	12,0				
101	126	2,9	14,01	6,0	8,4	9,4	12,0				
113	114	3,0	12,51	5,8	8,3	9,4	12,0				
131	98	3,5	10,75	5,6	9,0	9,5	12,0				
148	87	3,9	9,56	5,5	7,9	9,5	12,0				
187	70	4,2	7,55	5,2	7,6	9,5	12,0				
36	299	0,8	38,92	5,3	7,7	6,8	1,0	SK 12063 - 90 LP/4	37	F36-37	
40	288	0,9	34,89	5,3	7,7	6,8	1,0				
49	238	1,0	28,61	5,5	7,7	6,9	1,0				
56	211	1,2	25,15	5,4	7,7	7,0	1,0				
63	188	1,3	22,32	5,3	7,7	7,2	1,0				
74	162	1,3	18,99	5,2	7,7	7,6	1,0				
91	138	1,4	15,57	4,6	6,5	7,6	1,0				

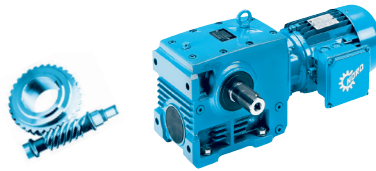
Helical-worm gear units



P ₁ [kW]	n ₂ [min ⁻¹]	M ₂ [Nm]	f _B	i _{ges}	F _R [kN]	F _A [kN]	F _{R VL} [kN]	F _{A VL} [kN]	Type	kg	mm 			
1,50	111	114	1,6	12,76	4,5	6,5	8,0	1,0	SK 12063 - 90 LP/4	37	F36-37			
	126	101	1,7	11,22	4,4	6,5	7,1	1,0						
	142	89	1,9	9,96	4,3	6,5	7,1	1,0						
	167	77	2,2	8,47	4,1	6,3	7,2	1,0						
	191	67	2,3	7,43	4,3	6,2	7,2	1,0						
	73	163	0,9	19,42	3,3	4,8	5,2	8,0	SK 02050 - 90 LP/4	33	F32-33			
	84	143	0,8	16,86	3,3	4,9	5,3	8,0						
	96	125	0,9	14,72	3,3	4,9	5,3	8,0						
	108	116	1,0	13,18	2,8	3,7	5,3	7,4						
	122	103	1,1	11,63	2,8	3,3	5,3	7,4						
	151	83	1,3	9,41	2,8	3,5	5,4	7,4						
	173	73	1,5	8,17	2,7	3,6	5,4	7,4						
	198	64	1,6	7,13	2,7	3,6	5,4	7,3						
	2,20	5,4	2794	1,0	269,76	7,8	2,8	22,9	28,0	SK 43125 - 100 LP/4	141	F50-51		
		6,2	2475	1,1	236,58	1,8	2,8	23,4	28,0					
		7,8	2000	1,3	187,80	16,0	2,8	24,0	28,0					
		9,6	1657	1,6	152,44	19,1	2,8	24,3	28,0					
		11	1438	1,7	130,49	19,6	2,8	24,5	28,0					
13		1244	1,9	110,97	20,0	2,8	24,7	28,0						
17		1031	1,7	86,22	2,2	2,8	24,8	28,0						
21		848	1,8	69,99	19,8	2,8	24,9	28,0						
23		764	2,1	62,50	19,3	2,8	25,0	28,0						
4,3		2892	1,0	337,46	7,8	2,8	22,7	28,0	SK 42125 - 100 LP/4				124	F48-49
7,3		1884	1,4	201,63	18,0	2,8	24,1	28,0						
8,0		1734	1,5	182,36	19,2	2,8	24,3	28,0						
9,1		1558	1,6	160,74	19,4	2,8	24,5	28,0						
10		1427	1,7	144,76	19,7	2,8	24,6	28,0						
12		1196	1,9	117,50	2,9	2,8	24,7	28,0						
15		1046	2,0	100,58	2,3	2,8	24,8	28,0						
17		1002	2,4	87,30	2,4	2,8	24,9	28,0						
19		891	2,6	76,95	2,5	2,8	24,9	28,0						
21		810	2,7	69,30	2,3	2,8	25,0	28,0						
26		670	3,1	56,25	19,3	2,8	25,4	28,0						
30		579	3,4	48,15	18,6	2,8	25,7	28,0						
36		499	3,7	40,95	17,8	2,8	25,1	28,0						
41		445	3,6	35,33	16,8	2,8	25,1	28,0						
46		403	4,6	31,82	16,4	2,8	25,1	28,0						
8,0		1616	0,8	183,50	-	12,0	11,4	16,0		SK 32100 - 100 LP/4	84	F44-45		
8,9		1483	0,9	165,50	2,7	12,0	12,8	16,0						
11		1204	1,0	129,00	6,7	12,0	15,4	16,0						
14		1004	1,2	104,00	9,4	12,0	15,7	16,0						
16		1033	1,3	94,19	8,2	12,0	15,7	16,0						
20		803	1,5	71,57	1,2	12,0	16,1	16,0						
23		731	1,6	64,55	1,9	12,0	17,0	16,0						
29		582	1,9	50,31	9,7	12,0	16,2	16,0						
34		521	2,1	42,83	9,2	12,0	16,2	16,0						
38		473	2,3	38,63	9,2	12,0	16,2	16,0						
43		408	2,7	34,32	9,9	12,0	16,2	16,0						
49		373	2,8	30,11	8,6	12,0	16,2	16,0						
60		304	3,4	24,27	8,3	12,0	16,2	16,0						
71		260	3,2	20,54	8,0	11,8	16,2	16,0						
77		244	3,0	18,97	7,4	9,8	16,2	16,0						
86		221	3,2	17,11	7,2	9,8	16,2	16,0						
90		207	3,6	16,22	7,6	11,3	16,2	16,0						
110		174	4,1	13,34	6,9	9,4	16,2	16,0						
22	725	0,9	66,44	-	9,0	8,4	12,0	SK 12080 - 100 LP/4	58	F40-41				
25	642	0,9	58,27	4,2	9,0	8,6	12,0							
28	580	1,0	52,03	5,9	9,0	8,8	12,0							
33	505	1,1	44,72	6,9	9,0	8,9	12,0							
39	454	1,2	37,91	6,2	9,0	9,0	12,0							
46	386	1,4	31,92	6,6	9,0	9,1	12,0							
52	341	1,5	27,99	6,5	9,0	9,2	12,0							
59	307	1,6	25,00	6,4	9,0	9,2	12,0							
68	266	1,8	21,49	6,4	9,0	9,3	12,0							
77	237	1,9	19,11	6,2	9,0	9,3	12,0							
92	204	1,9	15,98	5,5	7,2	9,3	12,0							

2,20 kW
3,00 kW

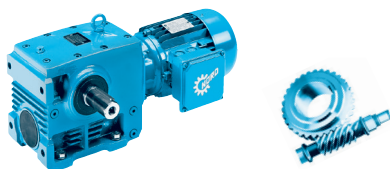
IE3




NORD
DRIVESYSTEMS

P ₁ [kW]	n ₂ [min ⁻¹]	M ₂ [Nm]	f _B	i _{ges}	F _R [kN]	F _A [kN]	F _{R VL} [kN]	F _{A VL} [kN]	Type	kg	mm H	
2,20	105	179	2,0	14,01	5,4	7,2	9,4	12,0	SK 12080 - 100 LP/4	58	F40-41	
	117	161	2,1	12,51	5,4	7,2	9,4	12,0				
	136	139	2,4	10,75	5,2	7,1	9,4	12,0				
	154	124	2,7	9,56	5,9	7,7	9,4	11,9				
	194	99	3,0	7,55	4,9	6,9	9,5	11,5				
	58	300	0,8	25,15	4,7	7,2	6,8	1,0	SK 12063 - 100 LP/4	48	F36-37	
	66	267	0,9	22,32	4,6	7,3	6,9	1,0				
	77	230	0,9	18,99	4,6	7,3	6,9	1,0				
	94	196	1,0	15,57	4,0	5,0	7,0	9,7				
	115	161	1,1	12,76	3,9	5,2	7,2	9,7				
	130	143	1,2	11,22	4,0	5,3	7,5	9,7				
	147	127	1,3	9,96	3,9	5,4	7,8	9,7				
	173	109	1,5	8,47	3,8	5,4	7,2	9,5				
	198	95	1,6	7,43	3,7	5,4	7,1	9,4				
	156	118	0,9	9,41	1,8	2,2	5,3	6,2	SK 02050 - 100 LP/4	44	F32-33	
	179	103	1,1	8,17	2,8	2,4	5,3	6,3				
	205	91	1,2	7,13	2,2	2,5	5,4	6,3				
	3,00	6,2	3385	0,8	236,58	-	2,8	18,2	28,0	SK 43125 - 100 AP/4	141	F50-52
		7,8	2736	0,9	187,80	7,9	2,8	23,0	28,0			
		9,6	2266	1,1	152,44	13,2	2,8	23,7	28,0			
		11	1967	1,3	130,49	16,5	2,8	24,2	28,0			
		13	1701	1,4	110,97	19,3	2,8	24,4	28,0			
		17	1411	1,2	86,22	19,1	2,8	24,5	28,0			
		21	1161	1,3	69,99	18,5	2,8	24,7	28,0			
		23	1045	1,5	62,50	18,1	2,8	24,8	28,0			
		7,2	2576	1,0	201,63	1,8	2,8	23,2	28,0	SK 42125 - 100 AP/4	124	F49-50
		8,0	2371	1,1	182,36	13,0	2,8	23,5	28,0			
		9,1	2130	1,2	160,74	15,5	2,8	23,8	28,0			
		10	1951	1,2	144,76	17,4	2,8	24,5	28,0			
		12	1636	1,4	117,50	19,2	2,8	24,4	28,0			
15		1430	1,5	100,58	19,7	2,8	24,6	28,0				
17		1370	1,7	87,30	19,7	2,8	24,6	28,0				
19		1219	1,9	76,95	19,6	2,8	24,7	28,0				
21		1108	2,0	69,30	19,2	2,8	24,8	28,0				
26		916	2,2	56,25	18,4	2,8	24,9	28,0				
30		793	2,5	48,15	17,7	2,8	25,0	28,0				
36		683	2,7	40,95	17,9	2,8	25,3	28,0				
41		609	2,6	35,33	16,1	2,8	25,5	28,0				
46		551	3,3	31,82	15,7	2,8	25,8	28,0				
57		452	3,8	25,83	15,0	2,8	25,1	28,0				
66		389	4,1	22,11	14,4	2,8	25,1	28,0				
78		334	4,5	18,80	13,8	2,8	25,2	28,0				
92		286	4,3	15,92	12,9	17,7	25,2	28,0				
14		1373	0,9	104,00	4,4	12,0	13,9	16,0	SK 32100 - 100 AP/4	84	F44-45	
15		1414	0,9	94,19	2,7	12,0	12,7	16,0				
20		1099	1,1	71,57	7,4	12,0	15,6	16,0				
23		1000	1,2	64,55	8,7	12,0	15,7	16,0				
29	796	1,4	50,31	8,7	12,0	16,2	16,0					
34	712	1,5	42,83	8,2	11,4	16,1	16,0					
38	647	1,7	38,63	8,2	11,5	16,2	16,0					
43	559	2,0	34,32	8,4	12,0	16,2	16,0					
49	511	2,1	30,11	7,9	11,4	16,2	16,0					
60	416	2,5	24,27	7,7	11,2	16,2	16,0					
71	355	2,4	20,54	7,5	1,9	16,2	16,0					
77	334	2,2	18,97	6,8	8,3	16,2	16,0					
85	302	2,3	17,11	6,7	8,4	16,2	16,0					
90	284	2,6	16,22	7,2	1,5	16,2	16,0					
110	238	3,0	13,34	6,4	8,4	16,2	16,0					
136	193	3,8	10,75	6,2	8,4	15,4	16,0					
161	164	4,4	9,10	6,0	8,2	14,8	16,0					
39	621	0,9	37,91	3,8	7,5	8,6	12,0	SK 12080 - 100 AP/4	58	F40-41		
46	528	1,0	31,92	5,2	7,9	8,8	12,0					
52	466	1,1	27,99	5,7	8,4	9,0	12,0					
58	420	1,2	25,00	5,7	8,1	9,6	12,0					
68	363	1,3	21,49	5,7	8,2	9,2	12,0					

Helical-worm gear units



P ₁ [kW]	n ₂ [min ⁻¹]	M ₂ [Nm]	f _B	i _{ges}	F _R [kN]	F _A [kN]	F _{R VL} [kN]	F _{A VL} [kN]	Type	kg	mm 
3,00	77	324	1,4	19,11	5,6	8,2	9,2	12,0	SK 12080 - 100 AP/4	58	F40-41
	91	279	1,4	15,98	5,0	5,6	9,2	11,3			
	104	245	1,5	14,01	4,9	5,9	9,3	11,4			
	117	220	1,6	12,51	4,9	6,0	9,3	11,3			
	136	190	1,8	10,75	4,8	6,2	9,4	11,2			
	153	169	2,0	9,56	4,7	6,2	9,4	11,7			
	193	135	2,2	7,55	4,5	6,2	9,4	1,8			
4,00	9,5	3059	0,8	152,44	4,4	2,8	21,3	28,0	SK 43125 - 112 MP/4	148	F50-51
	11	2655	0,9	130,49	8,9	2,8	23,2	28,0			
	13	2297	1,0	110,97	12,9	2,8	23,6	28,0			
	17	1906	0,9	86,22	16,0	2,8	24,7	28,0			
	21	1568	1,0	69,99	16,7	2,8	24,4	28,0			
	23	1412	1,1	62,50	16,6	2,8	24,5	28,0			
	7,9	3198	0,8	182,36	3,6	2,8	21,2	28,0	SK 42125 - 112 MP/4	132	F48-49
	9,0	2873	0,9	160,74	7,5	2,8	22,8	28,0			
	10	2632	0,9	144,76	1,3	2,8	23,2	28,0			
	12	2207	1,0	117,50	14,8	2,8	23,7	28,0			
	14	1930	1,1	100,58	17,7	2,8	24,8	28,0			
	16	1850	1,3	87,30	17,7	2,8	24,2	28,0			
	19	1646	1,4	76,95	18,2	2,8	24,4	28,0			
21	1496	1,5	69,30	17,8	2,8	24,5	28,0				
26	1237	1,7	56,25	17,2	2,8	24,8	28,0				
30	1070	1,8	48,15	16,8	2,8	24,8	28,0				
35	922	2,0	40,95	16,2	2,8	24,9	28,0				
41	823	1,9	35,33	15,3	2,8	25,0	28,0				
45	745	2,5	31,82	15,0	2,8	25,0	28,0				
56	611	2,8	25,83	14,3	2,5	25,5	28,0				
65	526	3,1	22,11	13,8	19,9	25,9	28,0				
77	451	3,3	18,80	13,3	19,3	25,1	28,0				
91	387	3,2	15,92	12,3	16,5	25,1	27,4				
111	316	3,9	12,93	11,7	16,0	25,1	26,3				
130	272	4,6	11,06	11,3	15,6	24,8	25,5				
153	232	4,9	9,41	1,9	14,8	23,8	24,6				
20	1484	0,8	71,57	1,7	1,7	11,9	16,0	SK 32100 - 112 MP/4	92	F44-45	
22	1350	0,9	64,55	3,7	2,0	13,3	16,0				
29	1074	1,0	50,31	7,4	11,4	15,6	16,0				
34	962	1,1	42,83	6,9	9,2	15,8	16,0				
37	873	1,3	38,63	6,9	9,5	16,0	16,0				
42	754	1,4	34,32	7,5	11,5	16,7	16,0				
48	690	1,5	30,11	7,1	9,8	16,1	16,0				
59	562	1,8	24,27	7,0	9,9	16,2	16,0				
70	480	1,8	20,54	6,9	9,8	16,2	16,0				
76	451	1,6	18,97	6,0	6,5	15,3	16,0				
84	408	1,7	17,11	6,0	6,7	15,3	16,0				
89	383	2,0	16,22	6,7	9,7	16,2	16,0				
108	321	2,2	13,34	5,9	7,1	15,9	15,9				
134	260	2,8	10,75	5,8	7,2	14,8	15,6				
158	221	3,3	9,10	5,6	7,0	14,5	15,3				
200	176	3,9	7,19	5,5	6,7	13,7	14,7				
51	630	0,8	27,99	3,7	6,1	8,7	12,0	SK 12080 - 112 MP/4	66	F40-41	
58	567	0,9	25,00	4,7	6,4	8,8	12,0				
67	491	1,0	21,49	4,9	6,7	8,9	12,0				
75	438	1,0	19,11	4,9	6,9	9,3	12,0				
90	377	1,0	15,98	3,4	3,7	9,7	9,4				
103	332	1,1	14,01	3,9	4,1	9,2	9,7				
115	298	1,2	12,51	4,2	4,5	9,3	9,8				
134	257	1,3	10,75	4,2	4,8	9,3	10,0				
151	229	1,5	9,56	4,2	5,0	9,4	10,0				
191	182	1,6	7,55	4,2	5,1	9,4	9,9				

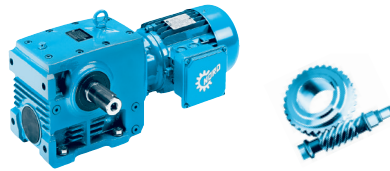
Helical-worm gear units


5,50 kW
7,50 kW



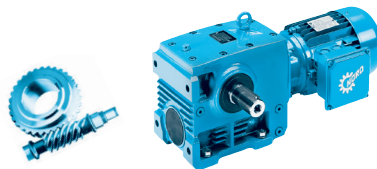
P_1 [kW]	n_2 [min ⁻¹]	M_2 [Nm]	f_B	i_{ges}	F_R [kN]	F_A [kN]	$F_{R VL}$ [kN]	$F_{A VL}$ [kN]	Type	kg	mm 				
5,50	15	2614	0,8	100,58	1,5	2,8	23,2	28,0	SK 42125 - 132 SP/4	151	F48-49				
	17	2505	0,9	87,30	1,7	2,8	23,3	28,0							
	19	2229	1,0	76,95	13,7	2,8	23,8	28,0							
	21	2026	1,1	69,30	15,6	2,8	24,0	28,0							
	26	1674	1,2	56,25	15,4	2,8	24,3	28,0							
	30	1449	1,4	48,15	15,2	2,8	24,5	28,0							
	36	1248	1,5	40,95	14,9	2,8	24,7	28,0							
	41	1113	1,4	35,33	13,9	19,2	24,8	28,0							
	46	1007	1,8	31,82	13,7	19,9	24,8	28,0							
	57	826	2,1	25,83	13,3	18,7	25,0	28,0							
	66	711	2,3	22,11	12,9	18,4	26,0	28,0							
	78	610	2,5	18,80	12,6	17,9	25,5	28,0							
	92	523	2,4	15,92	11,5	14,6	25,7	25,5							
	100	477	2,8	14,57	12,0	17,1	25,2	27,6							
	113	428	2,9	12,93	11,5	14,5	25,3	24,8							
	133	367	3,4	11,06	1,8	14,1	24,1	24,2							
	156	314	3,6	9,41	1,3	13,5	23,2	23,5							
	174	282	4,0	8,43	1,9	13,0	22,6	23,3							
	189	260	3,9	7,76	9,9	12,7	22,9	22,6							
	201	245	3,8	7,29	9,8	12,4	21,8	22,3							
	34	1302	0,8	42,83	3,5	5,9	12,9	16,0	SK 32100 - 132 SP/4	111	F44-45				
	38	1182	0,9	38,63	5,2	6,4	14,2	16,0							
	43	1021	1,1	34,32	6,8	9,5	15,8	16,0							
	49	933	1,1	30,11	5,7	7,4	15,8	16,0							
	60	760	1,3	24,27	5,8	8,0	16,6	16,0							
	71	649	1,3	20,54	5,9	8,2	16,2	16,0							
	77	610	1,2	18,97	3,3	3,8	12,7	13,5							
	86	552	1,3	17,11	3,9	4,2	13,0	13,7							
	90	519	1,4	16,22	5,9	8,4	16,2	16,0							
	110	434	1,6	13,34	4,8	5,0	13,3	14,2							
	137	352	2,1	10,75	5,8	5,3	13,3	14,5							
	161	299	2,4	9,10	5,4	5,4	13,2	13,9							
	204	238	2,9	7,19	4,9	5,5	12,9	13,7							
	7,50	21	2771	0,8	69,30	7,7	19,4	22,9				28,0	SK 42125 - 132 MP/4	158	F48-49
		26	2290	0,9	56,25	13,0	19,9	23,6				28,0			
		30	1982	1,0	48,15	13,9	2,2	24,1				28,0			
36		1707	1,1	40,95	13,9	20,0	24,3	28,0							
41		1522	1,1	35,33	12,9	16,2	24,5	28,0							
46		1378	1,3	31,82	12,9	16,2	24,6	28,0							
57		1131	1,5	25,83	12,0	16,5	24,8	28,0							
66		973	1,7	22,11	11,9	16,4	24,9	28,0							
78		834	1,8	18,80	11,6	16,2	24,9	27,4							
92		716	1,7	15,92	1,5	12,2	23,3	23,1							
100		653	2,1	14,57	11,2	15,8	25,4	26,4							
113		585	2,1	12,93	1,2	12,3	23,8	22,8							
132		503	2,5	11,06	10,0	12,6	22,7	22,5							
155		430	2,7	9,41	9,7	11,7	22,4	22,8							
173		386	3,0	8,43	9,5	11,5	22,0	21,7							
188		355	2,8	7,76	9,4	11,3	21,7	21,5							
200	335	2,8	7,29	9,3	11,1	21,5	21,3								
	49	1277	0,8	30,11	3,9	4,3	13,3	14,9	SK 32100 - 132 MP/4	118	F44-45				
	60	1040	1,0	24,27	4,4	5,4	14,7	15,5							
	71	888	0,9	20,54	4,7	6,4	14,9	15,7							
	77	835	0,9	18,97	-	-	9,3	9,9							
	85	756	0,9	17,11	0,3	0,4	9,9	1,5							
	90	710	1,1	16,22	5,0	6,6	14,9	15,8							
	110	594	1,2	13,34	2,0	2,0	1,9	11,5							
	136	482	1,5	10,75	3,7	2,9	11,4	12,9							
	161	410	1,8	9,10	3,6	3,5	11,6	12,2							
	203	326	2,1	7,19	4,3	4,0	11,6	12,3							

Helical-worm gear units



P_1 [kW]	n_2 [min ⁻¹]	M_2 [Nm]	f_B	i_{ges}	F_R [kN]	F_A [kN]	$F_{R VL}$ [kN]	$F_{A VL}$ [kN]	Type	kg	mm 
9,20	31	2415	0,8	48,15	11,3	17,5	23,5	28,0	SK 42125 - 160 SP/4	189	F48-49
	36	2080	0,9	40,95	11,6	17,8	23,9	28,0			
	46	1680	1,1	31,82	1,7	13,8	24,4	26,5			
	57	1378	1,2	25,83	1,8	14,4	24,6	26,5			
	67	1186	1,4	22,11	1,8	14,7	24,7	26,3			
	78	1016	1,5	18,80	1,8	14,8	24,8	26,0			
	92	872	1,4	15,92	9,5	1,1	21,3	22,0			
	101	795	1,7	14,57	1,5	14,7	25,0	25,2			
	114	713	1,7	12,93	9,4	1,3	21,4	21,2			
	133	612	2,0	11,06	9,3	1,3	21,3	22,0			
	156	524	2,2	9,41	9,2	1,3	21,8	2,9			
	174	471	2,4	8,43	9,4	1,2	2,9	2,7			
	190	433	2,3	7,76	8,9	1,2	2,7	2,5			
	201	408	2,3	7,29	8,8	1,4	2,5	2,4			
11,0	46	2015	0,9	31,82	9,3	11,2	23,9	24,2	SK 42125 - 160 MP/4	189	F48-49
	57	1653	1,0	25,83	9,7	12,3	24,3	24,5			
	66	1423	1,1	22,11	9,8	12,9	24,5	24,6			
	78	1219	1,2	18,80	9,9	13,2	24,7	24,5			
	92	1046	1,2	15,92	7,3	7,3	19,1	19,0			
	100	954	1,4	14,57	9,8	13,4	24,4	24,6			
	113	856	1,4	12,93	8,4	8,2	19,7	19,5			
	133	735	1,7	11,06	8,7	8,6	19,9	19,7			
	156	628	1,8	9,41	8,6	8,8	19,8	19,6			
	174	565	2,0	8,43	8,5	8,9	19,7	19,5			
	189	519	1,9	7,76	8,4	8,9	19,6	19,4			
	201	490	1,9	7,29	8,4	8,9	19,5	19,3			
15,0	66	1940	0,8	22,11	7,5	8,6	2,9	2,7	SK 42125 - 160 LP/4	218	F48-49
	78	1663	0,9	18,80	7,9	9,3	21,4	21,1			
	92	1427	0,9	15,92	1,7	1,7	14,3	14,2			
	100	1301	1,0	14,57	8,3	2,0	21,7	21,5			
	113	1167	1,1	12,93	3,9	3,7	15,7	15,6			
	133	1002	1,2	11,06	5,1	4,8	16,5	16,3			
	156	857	1,3	9,41	6,4	5,6	17,0	16,8			
	174	770	1,5	8,43	6,6	6,6	17,2	17,0			
	189	708	1,4	7,76	7,5	6,3	17,3	17,9			
	201	668	1,4	7,29	7,3	6,5	17,3	17,1			

18,5 kW
22,0 kW



P_1 [kW]	n_2 [min ⁻¹]	M_2 [Nm]	f_B	i_{ges}	F_R [kN]	F_A [kN]	$F_{R VL}$ [kN]	$F_{A VL}$ [kN]	Type	kg	mm
18,5	101	1588	0,8	14,57	7,0	7,4	19,4	19,3	SK 42125 - 180 MP/4	251	F48-49
	115	1425	0,9	12,93	0,6	0,5	12,4	12,3			
	134	1223	1,0	11,06	1,8	1,7	13,7	13,5			
	157	1046	1,1	9,41	3,3	3,0	14,6	14,4			
	175	940	1,2	8,43	4,3	3,7	15,0	14,8			
	191	865	1,2	7,76	4,5	4,2	15,2	15,9			
	203	816	1,2	7,29	4,9	4,5	15,4	15,2			
22,0	134	1460	0,8	11,06	-	-	1,7	1,6	SK 42125 - 180 LP/4	251	F48-49
	157	1248	0,9	9,41	0,3	0,4	12,1	11,9			
	175	1122	1,0	8,43	1,5	1,3	12,7	12,6			
	190	1032	1,0	7,76	2,2	2,0	13,2	13,6			
	202	974	1,0	7,29	2,6	2,4	13,5	13,3			

Helical-worm
gear units

SK 13050 SK 02050



	i _{ges}	i1	z2/z1	W				W				IEC							
				n ₂	M _{2max}	P _{1max}	η	n ₂	M _{2max}	P _{1max}	η	f _B ⇨ E4 - E20							
												n ₁ = 1400 min ⁻¹				n ₁ = 930 min ⁻¹			
[min ⁻¹]	[Nm]	[kW]	[%]	[min ⁻¹]	[Nm]	[kW]	[%]	63	71										
SK 13050	3019,29	59,20	51/1	0,46	195	0,02	47	0,31	199	0,01	46	*	*						
	2249,06	44,10	51/1	0,62	195	0,03	47	0,41	201	0,02	46	*	*						
	1970,21	38,63	51/1	0,71	195	0,03	47	0,47	202	0,02	47	*	*						
	1746,09	34,24	51/1	0,80	195	0,03	47	0,53	203	0,02	47	*	*						
	1332,04	59,20	45/2	1,1	195	0,03	65	0,70	199	0,02	65	*	*						
	992,23	44,10	45/2	1,4	195	0,04	66	0,94	201	0,03	65	*	*						
	869,21	38,63	45/2	1,6	195	0,05	66	1,1	202	0,04	65	*	*						
	755,77	14,82	51/1	1,9	195	0,08	48	1,2	203	0,05	47	*	*						
	664,56	13,03	51/1	2,1	195	0,09	48	1,4	203	0,06	47	*	*						
	586,37	11,50	51/1	2,4	195	0,10	48	1,6	203	0,07	48	*	*						
	474,31	9,30	51/1	3,0	195	0,13	49	2,0	202	0,09	48	*	*						
	411,76	8,07	51/1	3,4	195	0,14	49	2,3	203	0,10	48	*	*						
	333,43	14,82	45/2	4,2	195	0,13	67	2,8	203	0,09	66	*	*						
	293,19	13,03	45/2	4,8	195	0,15	67	3,2	203	0,10	66	*	*						
	209,25	9,30	45/2	6,7	195	0,20	68	4,4	202	0,14	67		*						
	181,66	8,07	45/2	7,7	195	0,23	68	5,1	203	0,16	67		*						
	158,12	14,82	32/3	8,9	195	0,23	78	5,9	203	0,16	77		*						
	139,04	13,03	32/3	10	195	0,26	78	6,7	203	0,18	77		*						
	122,68	11,50	32/3	11	195	0,29	78	7,6	203	0,21	77		*						
	99,23	9,30	32/3	14	190	0,36	79	9,4	197	0,25	78		*						
86,15	8,07	32/3	16	180	0,37	79	11	187	0,24	78		*							
76,61	14,82	31/6	18	140	0,32	83	12	141	0,21	83		*							
67,37	13,03	31/6	21	130	0,34	84	14	136	0,24	83		*							
59,44	11,50	31/6	24	130	0,37	84	16	135	0,24	83		*							
48,08	9,30	31/6	29	110	0,37	84	19	114	0,24	83		*							
41,74	8,07	31/6	34	110	0,37	84	22	110	0,24	84		*							

	i _{ges}	i1	z2/z1	W				W				IEC							
				n ₂	M _{2max}	P _{1max}	η	n ₂	M _{2max}	P _{1max}	η	f _B ⇨ E4 - E20							
												n ₁ = 1400 min ⁻¹				n ₁ = 930 min ⁻¹			
[min ⁻¹]	[Nm]	[kW]	[%]	[min ⁻¹]	[Nm]	[kW]	[%]	63	71	80	90								
SK 02050	524,79	10,29	51/1	2,7	185	0,11	49	1,8	192	0,08	48	*	*						
	440,13	8,63	51/1	3,2	185	0,13	49	2,1	192	0,09	48	*	*						
	385,56	7,56	51/1	3,6	185	0,14	50	2,4	193	0,10	48	*	*						
	341,70	6,70	51/1	4,1	185	0,16	50	2,7	195	0,11	49		*	*					
	231,41	10,29	45/2	6,0	185	0,17	67	4,0	192	0,12	67	*	*						
	194,18	8,63	45/2	7,2	185	0,21	68	4,8	192	0,14	67		*						
	170,10	7,56	45/2	8,2	185	0,23	68	5,5	193	0,17	67		*						
	147,90	2,90	51/1	9,5	175	0,32	54	6,3	188	0,24	52		*	*	*				
	130,05	2,55	51/1	11	168	0,35	55	7,2	181	0,26	52		*	*	*				
	114,75	2,25	51/1	12	168	0,38	56	8,1	182	0,29	53			*	*				
	92,82	1,82	51/1	15	168	0,46	57	10	185	0,36	54			*	*				
	80,58	1,58	51/1	17	168	0,52	58	12	187	0,43	55			*	*				
	65,25	2,90	45/2	21	168	0,51	72	14	180	0,38	70			*	*				
	57,38	2,55	45/2	24	168	0,59	72	16	181	0,43	70			*	*				
	50,63	2,25	45/2	28	155	0,62	73	18	168	0,45	71			*	*				
	40,95	1,82	45/2	34	155	0,75	74	23	171	0,57	72			*	*				
	35,55	1,58	45/2	39	155	0,84	75	26	172	0,65	72			*	*				
	30,94	2,90	32/3	45	155	0,90	81	30	166	0,65	80			*	*				
	27,21	2,55	32/3	51	155	1,01	82	34	167	0,74	80			*	*				
	24,01	2,25	32/3	58	155	1,15	82	39	168	0,85	81			*	*				
19,42	1,82	32/3	72	145	1,32	83	48	160	0,98	82			*	*					
16,86	1,58	32/3	83	120	1,26	83	55	133	0,93	82			*	*					
14,72	1,38	32/3	95	113	1,34	84	63	127	1,02	82			*	*					
13,18	2,55	31/6	106	120	1,50	87	71	129	0,99	86			*	*					
11,63	2,25	31/6	120	113	1,50	87	80	123	0,99	86			*	*					
9,41	1,82	31/6	149	110	1,50	88	99	121	0,99	87			*	*					
8,17	1,58	31/6	171	110	1,50	88	114	122	0,99	87			*	*					
7,13	1,38	31/6	196	105	1,50	88	130	118	0,99	87			*	*					

kg	W	IEC 63	IEC 71	IEC 80	IEC 90
SK 13050	25	26	27	-	-
SK 02050	20	21	22	25	25

* ⇨ E A63

Helical-worm gear units



	i _{ges}	i1	z2/z1	W				W				W				IEC						
				n ₂	M _{2max}	P _{1max}	η	n ₂	M _{2max}	P _{1max}	η	n ₂	M _{2max}	P _{1max}	η	f _B ⇨ E4 - E20						
				f _B = 1 f _B ≥ 1				f _B = 1 f _B ≥ 1				f _B = 1 f _B ≥ 1				IEC						
n ₁ = 700 min ⁻¹				n ₁ = 450 min ⁻¹				n ₁ = 250 min ⁻¹														
[min ⁻¹] [Nm] [kW] [%]				[min ⁻¹] [Nm] [kW] [%]				[min ⁻¹] [Nm] [kW] [%]				63 71										
SK 13050	3019,29	59,20	51/1	0,23	202	0,01	46	0,15	215	0,01	46	0,08	232	0	46	*	*					
	2249,06	44,10	51/1	0,31	204	0,01	46	0,20	207	0,01	46	0,11	230	0,01	46	*	*					
	W	1970,21	38,63	51/1	0,36	205	0,02	46	0,23	209	0,01	46	0,13	229	0,01	46	*	*				
		1746,09	34,24	51/1	0,40	207	0,02	46	0,26	211	0,01	46	0,14	227	0,01	46	*	*				
	+ IEC	1332,04	59,20	45/2	0,53	202	0,02	65	0,34	215	0,01	65	0,19	232	0,01	65	*	*				
		992,23	44,10	45/2	0,71	204	0,02	65	0,45	207	0,02	65	0,25	230	0,01	65	*	*				
	mm	869,21	38,63	45/2	0,81	205	0,03	65	0,52	209	0,02	65	0,29	229	0,01	65	*	*				
		755,77	14,82	51/1	0,93	208	0,04	47	0,60	219	0,03	47	0,33	227	0,02	46	*	*				
	⇨ E52	664,56	13,03	51/1	1,1	208	0,05	47	0,68	219	0,03	47	0,38	229	0,02	46	*	*				
		586,37	11,50	51/1	1,2	208	0,06	47	0,77	218	0,04	47	0,43	229	0,02	46	*	*				
		474,31	9,30	51/1	1,5	209	0,07	48	0,95	216	0,05	47	0,53	231	0,03	47	*	*				
		411,76	8,07	51/1	1,7	209	0,08	48	1,1	217	0,05	47	0,61	232	0,03	47	*	*				
		333,43	14,82	45/2	2,1	208	0,07	66	1,3	219	0,05	65	0,75	227	0,03	65	*	*				
		293,19	13,03	45/2	2,4	208	0,08	66	1,5	219	0,05	66	0,85	229	0,03	65	*	*				
		209,25	9,30	45/2	3,3	209	0,11	66	2,2	216	0,08	66	1,2	231	0,04	65	*	*				
		181,66	8,07	45/2	3,9	209	0,13	66	2,5	217	0,09	66	1,4	232	0,05	66	*	*				
		158,12	14,82	32/3	4,4	208	0,12	77	2,8	219	0,08	77	1,6	227	0,05	77	*	*				
		139,04	13,03	32/3	5,0	208	0,14	77	3,2	219	0,10	77	1,8	229	0,06	77	*	*				
		122,68	11,50	32/3	5,7	208	0,16	77	3,7	218	0,11	77	2,0	229	0,06	77	*	*				
		99,23	9,30	32/3	7,1	203	0,20	77	4,5	211	0,13	77	2,5	225	0,08	77	*	*				
	86,15	8,07	32/3	8,1	193	0,19	78	5,2	199	0,12	77	2,9	199	0,07	77	*	*					
	76,61	14,82	31/6	9,1	141	0,16	83	5,9	141	0,10	83	3,3	139	0,06	82	*	*					
	67,37	13,03	31/6	10	139	0,18	83	6,7	139	0,12	83	3,7	138	0,07	82	*	*					
	59,44	11,50	31/6	12	138	0,19	83	7,6	138	0,12	83	4,2	137	0,07	82	*	*					
	48,08	9,30	31/6	15	118	0,19	83	9,4	120	0,12	83	5,2	120	0,07	83	*	*					
	41,74	8,07	31/6	17	109	0,19	83	11	109	0,12	83	6,0	109	0,07	83	*	*					

	i _{ges}	i1	z2/z1	W				W				W				IEC						
				n ₂	M _{2max}	P _{1max}	η	n ₂	M _{2max}	P _{1max}	η	n ₂	M _{2max}	P _{1max}	η	f _B ⇨ E4 - E20						
				f _B = 1 f _B ≥ 1				f _B = 1 f _B ≥ 1				f _B = 1 f _B ≥ 1				IEC						
n ₁ = 700 min ⁻¹				n ₁ = 450 min ⁻¹				n ₁ = 250 min ⁻¹														
[min ⁻¹] [Nm] [kW] [%]				[min ⁻¹] [Nm] [kW] [%]				[min ⁻¹] [Nm] [kW] [%]				63 71 80 90										
SK 02050	524,79	10,29	51/1	1,3	198	0,06	47	0,86	206	0,04	47	0,48	218	0,02	47	*	*					
	440,13	8,63	51/1	1,6	198	0,07	48	1,0	205	0,05	47	0,57	219	0,03	47	*	*					
	W	385,56	7,56	51/1	1,8	198	0,08	48	1,2	207	0,06	47	0,65	220	0,03	47	*	*				
		341,70	6,70	51/1	2,0	199	0,09	48	1,3	208	0,06	47	0,73	221	0,04	47	*	*				
	+ IEC	231,41	10,29	45/2	3,0	198	0,09	66	1,9	206	0,06	66	1,1	211	0,04	65	*	*				
		194,18	8,63	45/2	3,6	198	0,11	66	2,3	205	0,07	66	1,3	219	0,05	65	*	*				
	mm	170,10	7,56	45/2	4,1	198	0,13	67	2,6	207	0,09	66	1,5	220	0,05	66	*	*				
		147,90	2,90	51/1	4,7	194	0,19	51	3,0	207	0,13	49	1,7	219	0,08	48	*	*	*			
	⇨ E52	130,05	2,55	51/1	5,4	188	0,21	51	3,5	201	0,15	49	1,9	212	0,09	48	*	*	*			
		114,75	2,25	51/1	6,1	190	0,23	52	3,9	203	0,17	50	2,2	216	0,10	48	*	*	*			
		92,82	1,82	51/1	7,5	195	0,29	53	4,8	207	0,20	51	2,7	224	0,13	49	*	*	*			
		80,58	1,58	51/1	8,7	198	0,34	53	5,6	211	0,24	51	3,1	229	0,15	49	*	*	*			
		65,25	2,90	45/2	11	186	0,31	69	6,9	199	0,21	68	3,8	210	0,13	66	*	*	*			
		57,38	2,55	45/2	12	188	0,34	69	7,8	201	0,24	68	4,4	212	0,15	67	*	*	*			
		50,63	2,25	45/2	14	176	0,37	70	8,9	187	0,26	68	4,9	199	0,15	67	*	*	*			
		40,95	1,82	45/2	17	180	0,45	71	11	191	0,32	69	6,1	206	0,20	67	*	*	*			
		35,55	1,58	45/2	20	183	0,54	71	13	195	0,38	69	7,0	211	0,23	68	*	*	*			
		30,94	2,90	32/3	23	172	0,52	79	15	183	0,37	78	8,1	194	0,21	78	*	*	*			
		27,21	2,55	32/3	26	174	0,59	80	17	185	0,42	79	9,2	196	0,24	78	*	*	*			
		24,01	2,25	32/3	29	176	0,67	80	19	187	0,47	79	10	199	0,27	78	*	*	*			
	19,42	1,82	32/3	36	168	0,78	81	23	178	0,54	79	13	193	0,34	78	*	*	*				
	16,86	1,58	32/3	42	141	0,77	81	27	151	0,53	80	15	164	0,33	78	*	*	*				
	14,72	1,38	32/3	48	135	0,84	81	31	146	0,59	80	17	158	0,36	79	*	*	*				
	13,18	2,55	31/6	53	134	0,75	85	34	141	0,50	84	19	139	0,27	83	*	*	*				
	11,63	2,25	31/6	60	128	0,75	85	39	136	0,50	85	21	140	0,27	84	*	*	*				
	9,41	1,82	31/6	74	128	0,75	86	48	135	0,50	85	27	137	0,27	84	*	*	*				
	8,17	1,58	31/6	86	130	0,75	86	55	137	0,50	85	31	135	0,27	84	*	*	*				
	7,13	1,38	31/6	98	126	0,75	87	63	136	0,50	86	35	133	0,27	84	*	*	*				

* ⇨ A63

kg	W	IEC 63	IEC 71	IEC 80	IEC 90
SK 13050	25	26	27	-	-
SK 02050	20	21	22	25	25

Helical-worm gear units

SK 13063 SK 12063



	i _{ges}	i1	z2/z1	W				W				IEC						
				n ₂	M _{2max}	P _{1max}	η	n ₂	M _{2max}	P _{1max}	η	f _B ⇨ E4 - E20						
												n ₁ = 1400 min ⁻¹				n ₁ = 930 min ⁻¹		
[min ⁻¹]	[Nm]	[kW]	[%]	[min ⁻¹]	[Nm]	[kW]	[%]	63	71									
SK 13063 W + IEC mm ⇨ E52	#3631,55	71,21	51/1	0,39	380	0,03	45	0,26	387	0,02	45	*	*					
	#2705,13	53,04	51/1	0,52	380	0,04	46	0,34	390	0,03	45	*	*					
	#2374,16	46,55	51/1	0,59	380	0,05	46	0,39	391	0,04	45	*	*					
	#2110,94	41,39	51/1	0,66	380	0,06	46	0,44	393	0,04	45	*	*					
	#1343,63	62,49	43/2	1,0	380	0,06	64	0,69	388	0,04	64	*	*					
	#1140,40	53,04	43/2	1,2	380	0,07	64	0,82	390	0,05	64	*	*					
	#938,20	18,40	51/1	1,5	380	0,13	47	0,99	392	0,09	46	*	*					
	#737,53	14,46	51/1	1,9	380	0,16	48	1,3	396	0,11	47	*	*					
	#604,62	11,86	51/1	2,3	380	0,19	48	1,5	396	0,13	47	*	*					
	#531,64	10,42	51/1	2,6	380	0,21	49	1,7	395	0,15	47	*	*					
	#471,70	9,25	51/1	3,0	380	0,24	49	2,0	394	0,17	48	*	*					
	#395,51	18,40	43/2	3,5	380	0,21	66	2,4	392	0,15	65	*	*					
	#349,37	16,25	43/2	4,0	380	0,24	66	2,7	394	0,17	65	*	*					
	#310,92	14,46	43/2	4,5	380	0,27	66	3,0	396	0,19	66	*	*					
	#254,89	11,86	43/2	5,5	370	0,32	67	3,6	385	0,22	66	*	*					
	#224,12	10,42	43/2	6,2	370	0,36	67	4,1	384	0,25	66	*	*					
	#198,86	9,25	43/2	7,0	360	0,37	68	4,7	373	0,24	66	*	*					
	#178,31	14,46	37/3	7,9	340	0,37	76	5,2	354	0,26	75	*	*					
	#146,17	11,86	37/3	9,6	330	0,37	77	6,4	333	0,24	76	*	*					
	#128,53	10,42	37/3	11	300	0,37	77	7,2	296	0,24	76	*	*					
#114,04	9,25	37/3	12	260	0,37	77	8,2	260	0,24	76	*	*						
#97,03	7,87	37/3	14	230	0,37	78	9,6	227	0,24	77	*	*						
#79,54	14,46	33/6	18	200	0,37	84	12	198	0,24	83	*	*						
#65,20	11,86	33/6	21	170	0,37	84	14	168	0,24	83	*	*						

	i _{ges}	i1	z2/z1	W				W				IEC						
				n ₂	M _{2max}	P _{1max}	η	n ₂	M _{2max}	P _{1max}	η	f _B ⇨ E4 - E20						
												n ₁ = 1400 min ⁻¹				n ₁ = 930 min ⁻¹		
[min ⁻¹]	[Nm]	[kW]	[%]	[min ⁻¹]	[Nm]	[kW]	[%]	63	71	80	90	100						
SK 12063 W + IEC mm ⇨ E52	#626,79	12,29	51/1	2,2	360	0,17	48	1,5	375	0,13	47	*	*					
	#529,38	10,38	51/1	2,6	360	0,20	49	1,8	374	0,15	47	*	*					
	#464,61	9,11	51/1	3,0	360	0,23	49	2,0	373	0,16	48	*	*					
	#413,10	8,10	51/1	3,4	360	0,26	50	2,3	375	0,19	48	*	*					
	#264,24	12,29	43/2	5,3	350	0,29	67	3,5	349	0,19	66	*	*					
	#223,17	10,38	43/2	6,3	360	0,35	67	4,2	374	0,25	66	*	*					
	#195,86	9,11	43/2	7,1	360	0,39	68	4,7	373	0,27	67	*	*					
	#183,60	3,60	51/1	7,6	325	0,48	54	5,1	343	0,35	52	*	*					
	#162,18	3,18	51/1	8,6	310	0,51	55	5,7	330	0,38	52	*	*					
	#144,33	2,83	51/1	9,7	300	0,54	56	6,4	322	0,41	53	*	*	*				
	#118,32	2,32	51/1	12	295	0,64	58	7,9	320	0,49	54	*	*	*	*			
	#104,04	2,04	51/1	13	295	0,68	59	8,9	322	0,55	55	*	*	*	*			
	#92,31	1,81	51/1	15	295	0,77	60	10	325	0,61	56	*	*	*	*			
	#77,40	3,60	43/2	18	305	0,80	72	12	322	0,58	70	*	*	*	*			
	#68,37	3,18	43/2	20	295	0,85	73	14	314	0,66	70	*	*	*	*			
	#60,85	2,83	43/2	23	280	0,92	73	15	301	0,67	71	*	*	*	*			
	#49,88	2,32	43/2	28	262	1,02	75	19	284	0,78	72	*	*	*	*			
	#43,86	2,04	43/2	32	250	1,12	75	21	273	0,82	73	*	*	*	*			
	#38,92	1,81	43/2	36	245	1,22	76	24	270	0,92	74	*	*	*	*			
	#34,89	2,83	37/3	40	262	1,35	81	27	281	0,99	80	*	*	*	*			
	#28,61	2,32	37/3	49	245	1,53	82	33	266	1,13	81	*	*	*	*			
	#25,15	2,04	37/3	56	245	1,73	83	37	268	1,28	81	*	*	*	*			
	#22,32	1,81	37/3	63	245	1,95	83	42	270	1,45	82	*	*	*	*			
	#18,99	1,54	37/3	74	215	1,98	84	49	240	1,50	82	*	*	*	*			
	#15,57	2,83	33/6	90	190	2,06	87	60	204	1,49	86	*	*	*	*			
	#12,76	2,32	33/6	110	180	2,20	88	73	195	1,45	87	*	*	*	*			
	#11,22	2,04	33/6	125	175	2,20	88	83	191	1,45	87	*	*	*	*			
	#9,96	1,81	33/6	141	170	2,20	89	93	187	1,45	88	*	*	*	*			
#8,47	1,54	33/6	165	166	2,20	89	110	185	1,45	88	*	*	*	*				
#7,43	1,35	33/6	188	156	2,20	90	125	176	1,45	88	*	*	*	*				

kg	W	IEC 63	IEC 71	IEC 80	IEC 90	IEC 100
SK 13063	29	30	31	-	-	-
SK 12063	24	25	26	29	29	29

* ⇨ A63

SK 13080 SK 12080



	i _{ges}	i1	z2/z1	W				W				IEC							
				n ₂	M _{2max}	P _{1max}	η	n ₂	M _{2max}	P _{1max}	η	f _B ⇒ E4 - E20							
												n ₁ = 1400 min ⁻¹				n ₁ = 930 min ⁻¹			
[min ⁻¹]	[Nm]	[kW]	[%]	[min ⁻¹]	[Nm]	[kW]	[%]	63	71										
SK 13080 W + IEC mm ⇒ E52	#3356,66	65,82	51/1	0,42	770	0,08	45	0,28	786	0,05	45	*	*						
	#2658,22	52,12	51/1	0,53	770	0,09	45	0,35	790	0,06	45	*	*						
	#2058,82	40,37	51/1	0,68	770	0,12	46	0,45	796	0,08	45	*	*						
	1198,81	23,51	51/1	1,2	770	0,21	47	0,78	804	0,14	46		*						
	956,44	18,75	51/1	1,5	770	0,26	47	0,97	795	0,18	46		*						
	805,28	15,79	51/1	1,7	770	0,29	48	1,2	800	0,21	47		*						
	706,25	13,85	51/1	2,0	770	0,33	49	1,3	804	0,23	47		*						
	630,68	12,37	51/1	2,2	770	0,36	49	1,5	802	0,27	47		*						
	542,07	10,63	51/1	2,6	770	0,37	50	1,7	781	0,24	48								
	482,13	9,45	51/1	2,9	770	0,37	50	1,9	739	0,24	48								
	403,20	18,75	43/2	3,5	770	0,37	67	2,3	795	0,24	66								
	339,48	15,79	43/2	4,1	700	0,37	68	2,7	679	0,24	66								
	297,73	13,85	43/2	4,7	610	0,37	68	3,1	601	0,24	67								
	265,87	12,37	43/2	5,3	570	0,37	68	3,5	562	0,24	67								
	228,52	10,63	43/2	6,1	570	0,37	69	4,1	554	0,24	67								
	193,73	18,75	31/3	7,2	450	0,37	78	4,8	448	0,24	77								
	163,11	15,79	31/3	8,6	380	0,37	78	5,7	377	0,24	77								
	143,05	13,85	31/3	9,8	340	0,37	78	6,5	335	0,24	77								
	127,74	12,37	31/3	11	300	0,37	79	7,3	299	0,24	78								
	109,80	10,63	31/3	13	260	0,37	79	8,5	257	0,24	78								
97,65	9,45	31/3	14	230	0,37	79	9,5	229	0,24	78									

	i _{ges}	i1	z2/z1	W				W				IEC								
				n ₂	M _{2max}	P _{1max}	η	n ₂	M _{2max}	P _{1max}	η	f _B ⇒ E4 - E20								
												n ₁ = 1400 min ⁻¹				n ₁ = 930 min ⁻¹				IEC
[min ⁻¹]	[Nm]	[kW]	[%]	[min ⁻¹]	[Nm]	[kW]	[%]	63	71	80	90	100	112							
SK 12080 W + IEC mm ⇒ E52	#656,88	12,88	51/1	2,1	710	0,32	49	1,4	740	0,23	47		*							
	#520,20	10,20	51/1	2,7	710	0,4	50	1,8	737	0,29	48		*							
	#402,90	7,90	51/1	3,5	710	0,51	51	2,3	740	0,36	49		*							
	#276,92	12,88	43/2	5,1	710	0,56	68	3,4	740	0,39	67									
	234,60	4,60	51/1	6,0	710	0,81	55	4	752	0,61	52									
	187,17	3,67	51/1	7,5	670	0,92	57	5	706	0,68	54			*	*	*				
	157,59	3,09	51/1	8,9	670	1,08	58	5,9	714	0,8	55			*	*	*				
	138,21	2,71	51/1	10	645	1,13	60	6,7	694	0,87	56			*	*	*				
	123,42	2,42	51/1	11	620	1,17	61	7,5	671	0,92	57			*	*	*				
	106,08	2,08	51/1	13	590	1,3	62	8,8	643	1,02	58			*	*	*				
	94,35	1,85	51/1	15	560	1,4	63	9,9	615	1,08	59			*	*	*				
	78,91	3,67	43/2	18	655	1,65	75	12	690	1,2	72			*	*	*				
	66,44	3,09	43/2	21	630	1,82	76	14	672	1,35	73			*	*	*				
	58,27	2,71	43/2	24	600	1,96	77	16	646	1,46	74			*	*	*				
	52,03	2,42	43/2	27	575	2,11	77	18	622	1,56	75			*	*	*				
	44,72	2,08	43/2	31	550	2,29	78	21	600	1,74	76			*	*	*				
	37,91	3,67	31/3	37	550	2,57	83	25	580	1,85	82			*	*	*				
	31,92	3,09	31/3	44	525	2,88	84	29	560	2,07	82			*	*	*				
	27,99	2,71	31/3	50	510	3,14	85	33	549	2,29	83			*	*	*				
	25,00	2,42	31/3	56	490	3,38	85	37	530	2,47	83			*	*	*				
21,49	2,08	31/3	65	470	3,72	86	43	513	2,75	84			*	*	*					
19,11	1,85	31/3	73	455	4,00	86	49	500	2,64	85			*	*	*					
15,98	3,09	31/6	88	395	4,00	89	58	421	2,64	88			*	*	*					
14,01	2,71	31/6	100	365	4,00	89	66	393	2,64	88			*	*	*					
12,51	2,42	31/6	112	345	4,00	90	74	373	2,64	88			*	*	*					
10,75	2,08	31/6	130	340	4,00	90	87	371	2,64	89			*	*	*					
9,56	1,85	31/6	146	340	4,00	90	97	374	2,64	89			*	*	*					
7,55	1,46	31/6	185	295	4,00	91	123	330	2,64	90			*	*	*					

* ⇒ E63 A63
#

kg	W	IEC 63	IEC 71	IEC 80	IEC 90	IEC 100	IEC 112
SK 13080	39	40	41	-	-	-	-
SK 12080	34	35	36	39	39	46	46



	i _{ges}	i1	z2/z1	W				W				W				IEC							
				n ₂	M _{2max}	P _{1max}	η	n ₂	M _{2max}	P _{1max}	η	n ₂	M _{2max}	P _{1max}	η	f _B ⇒ E4 - E20							
																n ₁ = 700 min ⁻¹				n ₁ = 450 min ⁻¹			
				[min ⁻¹]	[Nm]	[kW]	[%]	[min ⁻¹]	[Nm]	[kW]	[%]	[min ⁻¹]	[Nm]	[kW]	[%]	63	71						
SK 13080	#3356,66	65,82	51/1	0,21	793	0,04	45	0,13	857	0,03	45	0,07	918	0,02	44	*	*						
	#2658,22	52,12	51/1	0,26	800	0,05	45	0,17	835	0,03	45	0,09	912	0,02	44	*	*						
	W + IEC	#2058,82	40,37	51/1	0,34	809	0,06	45	0,22	823	0,04	45	0,12	905	0,03	44	*	*					
		1198,81	23,51	51/1	0,58	828	0,11	46	0,38	853	0,08	45	0,21	874	0,04	45	*	*					
		956,44	18,75	51/1	0,73	825	0,14	46	0,47	858	0,09	45	0,26	884	0,05	45	*	*					
		805,28	15,79	51/1	0,87	823	0,16	46	0,56	862	0,11	46	0,31	894	0,06	45	*	*					
		706,25	13,85	51/1	0,99	821	0,19	46	0,64	866	0,13	46	0,35	902	0,07	45	*	*					
		630,68	12,37	51/1	1,1	821	0,2	47	0,71	863	0,14	46	0,4	851	0,08	45	*	*					
		⇒ E52	542,07	10,63	51/1	1,3	764	0,19	47	0,83	748	0,12	46	0,46	732	0,07	45	*	*				
		482,13	9,45	51/1	1,5	724	0,19	47	0,93	709	0,12	46	0,52	693	0,07	45	*	*					
		403,20	18,75	43/2	1,7	798	0,19	66	1,1	786	0,12	65	0,62	786	0,07	65	*	*					
		339,48	15,79	43/2	2,1	679	0,19	66	1,3	669	0,12	65	0,74	669	0,07	65	*	*					
		297,73	13,85	43/2	2,4	592	0,19	66	1,5	583	0,12	65	0,84	583	0,07	65	*	*					
		265,87	12,37	43/2	2,6	554	0,19	66	1,7	554	0,12	66	0,94	545	0,07	65	*	*					
		228,52	10,63	43/2	3,1	554	0,19	67	2,0	545	0,12	66	1,1	537	0,07	65	*	*					
		193,73	18,75	31/3	3,6	442	0,19	76	2,3	442	0,12	76	1,3	442	0,07	76	*	*					
		163,11	15,79	31/3	4,3	377	0,19	77	2,8	372	0,12	76	1,5	372	0,07	76	*	*					
		143,05	13,85	31/3	4,9	335	0,19	77	3,1	331	0,12	76	1,7	331	0,07	76	*	*					
		127,74	12,37	31/3	5,5	295	0,19	77	3,5	291	0,12	76	2,0	291	0,07	76	*	*					
		109,80	10,63	31/3	6,4	254	0,19	77	4,1	254	0,12	77	2,3	250	0,07	76	*	*					
97,65	9,45	31/3	7,2	229	0,19	78	4,6	226	0,12	77	2,6	223	0,07	76	*	*							
SK 12080	#656,88	12,88	51/1	1,1	757	0,19	47	0,69	797	0,13	46	0,38	833	0,07	45	*	*						
	#520,20	10,20	51/1	1,3	759	0,22	47	0,87	791	0,16	46	0,48	838	0,09	45	*	*						
	W + IEC	#402,90	7,90	51/1	1,7	761	0,28	48	1,1	792	0,19	47	0,62	844	0,12	46	*	*					
		#276,92	12,88	43/2	2,5	731	0,29	66	1,6	731	0,19	66	0,9	720	0,10	65	*	*					
		234,60	4,60	51/1	3,0	779	0,49	50	1,9	810	0,34	48	1,1	857	0,21	47	*	*					
		187,17	3,67	51/1	3,7	739	0,55	52	2,4	775	0,40	49	1,3	820	0,24	47	*	*	*	*			
		157,59	3,09	51/1	4,4	742	0,65	53	2,9	787	0,48	50	1,6	832	0,29	48	*	*	*	*			
		138,21	2,71	51/1	5,1	719	0,71	54	3,3	767	0,52	51	1,8	811	0,32	48	*	*	*	*			
		123,42	2,42	51/1	5,7	698	0,76	55	3,6	743	0,54	52	2,0	787	0,34	49	*	*	*	*			
		106,08	2,08	51/1	6,6	674	0,83	56	4,2	716	0,59	53	2,4	767	0,39	49	*	*	*	*			
		94,35	1,85	51/1	7,4	649	0,88	57	4,8	688	0,65	53	2,6	744	0,41	50	*	*	*	*			
		78,91	3,67	43/2	8,9	722	0,95	71	5,7	758	0,66	69	3,2	802	0,40	67	*	*	*	*			
		66,44	3,09	43/2	11	698	1,12	72	6,8	740	0,76	69	3,8	783	0,47	67	*	*	*	*			
		58,27	2,71	43/2	12	668	1,17	72	7,7	713	0,82	70	4,3	754	0,50	68	*	*	*	*			
		52,03	2,42	43/2	13	647	1,21	73	8,6	689	0,89	70	4,8	730	0,54	68	*	*	*	*			
		44,72	2,08	43/2	16	629	1,42	74	10	668	0,99	71	5,6	715	0,61	69	*	*	*	*			
		37,91	3,67	31/3	18	607	1,43	80	12	636	1,01	79	6,6	673	0,60	77	*	*	*	*			
		31,92	3,09	31/3	22	582	1,66	81	14	616	1,14	79	7,8	652	0,68	78	*	*	*	*			
		27,99	2,71	31/3	25	568	1,81	82	16	606	1,27	80	8,9	641	0,77	78	*	*	*	*			
		25,00	2,42	31/3	28	551	1,97	82	18	587	1,38	80	10	622	0,84	78	*	*	*	*			
21,49	2,08	31/3	33	537	2,24	83	21	571	1,55	81	12	611	0,97	79	*	*	*	*					
19,11	1,85	31/3	37	528	2,00	83	24	559	1,32	81	13	604	0,72	79	*	*	*	*					
15,98	3,09	31/6	44	417	2,00	87	28	408	1,32	85	16	403	0,72	84	*	*	*	*					
14,01	2,71	31/6	50	407	2,00	87	32	409	1,32	86	18	399	0,72	84	*	*	*	*					
12,51	2,42	31/6	56	388	2,00	87	36	406	1,32	86	20	401	0,72	85	*	*	*	*					
10,75	2,08	31/6	65	389	2,00	88	42	406	1,32	87	23	397	0,72	85	*	*	*	*					
9,56	1,85	31/6	73	394	2,00	88	47	402	1,32	87	26	393	0,72	85	*	*	*	*					
7,55	1,46	31/6	93	351	2,00	89	60	377	1,32	88	33	390	0,72	86	*	*	*	*					

* ⇒ E6 A63
#

kg	W	IEC 63	IEC 71	IEC 80	IEC 90	IEC 100	IEC 112
SK 13080	39	40	41	-	-	-	-
SK 12080	34	35	36	39	39	46	46

Helical-worm gear units

SK 33100 SK 32100



	i _{ges}	i1	z2/z1	W				W				IEC					
				n ₂	M _{2max}	P _{1max}	η	n ₂	M _{2max}	P _{1max}	η	f _B ⇨ E4 - E20					
												n ₁ = 1400 min ⁻¹				n ₁ = 930 min ⁻¹	
[min ⁻¹]	[Nm]	[kW]	[%]	[min ⁻¹]	[Nm]	[kW]	[%]	63	71	80	90						
SK 33100	5875,95	117,52	50/1	0,24	1590	0,09	45	0,16	1682	0,06	45	*	*				
	4646,10	92,92	50/1	0,30	1590	0,11	46	0,2	1612	0,08	45	*	*				
W	3735,10	74,70	50/1	0,37	1590	0,13	46	0,25	1618	0,09	45	*	*				
+	2200,07	44,00	50/1	0,64	1590	0,23	47	0,42	1640	0,16	46		*				
IEC	1671,69	33,43	50/1	0,84	1590	0,30	47	0,56	1657	0,21	46		*				
	1507,71	30,15	50/1	0,93	1590	0,32	48	0,62	1666	0,23	47		*				
$\frac{H}{mm}$	1175,19	23,50	50/1	1,2	1590	0,42	48	0,79	1661	0,29	47						
	660,60	13,21	50/1	2,1	1590	0,69	51	1,4	1659	0,50	49			*	*		
⇨ E52	519,31	10,39	50/1	2,7	1590	0,86	52	1,8	1651	0,62	50				*		
	468,37	9,37	50/1	3,0	1590	0,94	53	2,0	1647	0,69	50				*		
	365,07	7,30	50/1	3,8	1510	1,09	55	2,5	1580	0,80	52				*		
	299,28	5,99	50/1	4,7	1510	1,33	56	3,1	1599	0,98	53				*		
	257,63	13,21	39/2	5,4	1510	1,22	70	3,6	1575	0,86	69				*		
	182,66	9,37	39/2	7,7	1420	1,5	72	5,1	1471	0,99	70						
	142,38	7,30	39/2	9,8	1310	1,5	74	6,5	1371	0,99	71						
	121,21	10,39	35/3	12	1190	1,5	80	7,7	1236	0,99	78						
	109,32	9,37	35/3	13	1190	1,5	80	8,5	1232	0,99	79						
	85,21	7,30	35/3	16	1080	1,5	81	11	1130	0,99	80						
	69,85	5,99	35/3	20	1080	1,5	82	13	1143	0,99	80						
	53,70	10,39	31/6	26	690	1,5	86	17	696	0,99	85						

	i _{ges}	i1	z2/z1	W				W				IEC					
				n ₂	M _{2max}	P _{1max}	η	n ₂	M _{2max}	P _{1max}	η	71	80	90	100	112	132
												n ₁ = 1400 min ⁻¹					
[min ⁻¹]	[Nm]	[kW]	[%]	[min ⁻¹]	[Nm]	[kW]	[%]	[min ⁻¹]	[Nm]	[kW]	[%]						
SK 32100	645,00	12,90	50/1	2,2	1420	0,64	51	1,4	1481	0,44	49			*	*		
	510,00	10,20	50/1	2,7	1420	0,77	52	1,8	1474	0,56	50			*			
W	410,00	8,20	50/1	3,4	1355	0,89	54	2,3	1410	0,67	51			*	*	*	
+	304,00	6,08	50/1	4,6	1420	1,22	56	3,1	1502	0,92	53			*	*	*	
IEC	241,50	4,83	50/1	5,8	1420	1,49	58	3,9	1506	1,12	55			*	*	*	
	183,50	3,67	50/1	7,6	1365	1,78	61	5,1	1439	1,35	57			*	*	*	
$\frac{H}{mm}$	165,50	3,31	50/1	8,5	1330	1,91	62	5,6	1411	1,43	58			*	*	*	
	129,00	2,58	50/1	11	1240	2,2	65	7,2	1337	1,68	60			*	*	*	
⇨ E53	104,00	2,08	50/1	13	1170	2,38	67	8,9	1276	1,89	63			*	*	*	
	94,19	4,83	39/2	15	1310	2,71	76	9,9	1389	1,95	74			*	*	*	
	71,57	3,67	39/2	20	1220	3,28	78	13	1286	2,33	75			*	*	*	
	64,55	3,31	39/2	22	1190	3,47	79	14	1263	2,44	76			*	*	*	
	50,31	2,58	39/2	28	1110	4,07	80	18	1197	2,89	78			*	*	*	
	42,83	3,67	35/3	33	1100	4,47	85	22	1159	3,22	83			*	*	*	
	38,63	3,31	35/3	36	1100	4,88	85	24	1167	3,53	83			*	*	*	
	34,32	1,76	39/2	41	1090	5,64	83	27	1202	4,25	80			*	*	*	
	30,11	2,58	35/3	46	1050	5,88	86	31	1132	4,37	84			*	*	*	
	24,27	2,08	35/3	58	1020	7,12	87	38	1112	5,21	85			*	*	*	
	20,54	1,76	35/3	68	840	6,80	88	45	926	5,07	86			*	*	*	
	18,97	3,67	31/6	74	720	6,20	90	49	721	4,20	88			*	*	*	
	17,11	3,31	31/6	82	710	6,77	90	54	725	4,61	89			*	*	*	
	16,22	1,39	35/3	86	750	7,50	89	57	844	4,95	87			*	*	*	
	13,34	2,58	31/6	105	710	7,50	91	70	712	4,95	89			*	*	*	
	10,75	2,08	31/6	130	725	7,50	91	87	717	4,95	90			*	*	*	
	9,10	1,76	31/6	154	725	7,50	92	102	717	4,95	91			*	*	*	
	7,19	1,39	31/6	195	680	7,50	92	129	680	4,95	91			*	*	*	

* ⇨ E53 A63

kg	W	IEC 63	IEC 71	IEC 80	IEC 90	IEC 100	IEC 112	IEC 132
SK 33100	68	69	70	73	73	-	-	-
SK 32100	66	-	64	68	68	72	72	81

Helical-worm gear units



	i_{ges}	$i1$	$z2/z1$	W				W				W				IEC											
				n_2	M_{2max}	P_{1max}	η	n_2	M_{2max}	P_{1max}	η	n_2	M_{2max}	P_{1max}	η	$f_B \Rightarrow E4 - E20$											
				$f_B = 1 \quad f_B \geq 1$				$f_B = 1 \quad f_B \geq 1$				$f_B = 1 \quad f_B \geq 1$				IEC											
				$n_1 = 700 \text{ min}^{-1}$				$n_1 = 450 \text{ min}^{-1}$				$n_1 = 250 \text{ min}^{-1}$				63	71	80	90								
				[min ⁻¹]	[Nm]	[kW]	[%]	[min ⁻¹]	[Nm]	[kW]	[%]	[min ⁻¹]	[Nm]	[kW]	[%]												
SK 33100	5875,95	117,52	50/1	0,12	1760	0,05	45	0,08	1845	0,03	45	0,04	1913	0,02	45	*	*										
	4646,10	92,92	50/1	0,15	1712	0,06	45	0,10	1820	0,04	45	0,05	1907	0,02	45	*	*										
	W + IEC	3735,10	74,70	50/1	0,19	1655	0,07	45	0,12	1791	0,05	45	0,07	1900	0,03	45	*	*									
		2200,07	44,00	50/1	0,32	1664	0,12	46	0,20	1690	0,08	45	0,11	1874	0,05	45	*	*									
	E52	1671,69	33,43	50/1	0,42	1690	0,16	46	0,27	1726	0,11	46	0,15	1853	0,06	45	*	*									
		1507,71	30,15	50/1	0,46	1703	0,18	46	0,30	1743	0,12	46	0,17	1843	0,07	45											
		1175,19	23,50	50/1	0,6	1710	0,23	47	0,38	1762	0,15	46	0,21	1805	0,09	45											
		660,60	13,21	50/1	1,1	1695	0,41	48	0,68	1785	0,27	47	0,38	1865	0,16	46			*	*							
		519,31	10,39	50/1	1,3	1698	0,47	49	0,87	1772	0,34	47	0,48	1875	0,20	46				*	*						
		468,37	9,37	50/1	1,5	1700	0,54	49	0,96	1764	0,37	48	0,53	1880	0,23	46				*	*						
		365,07	7,30	50/1	1,9	1619	0,64	50	1,2	1692	0,44	48	0,68	1800	0,27	47				*	*						
		299,28	5,99	50/1	2,3	1642	0,78	51	1,5	1715	0,55	49	0,84	1815	0,34	47				*	*						
		257,63	13,21	39/2	2,7	1610	0,67	68	1,7	1696	0,45	67	0,97	1771	0,27	66				*	*						
		182,66	9,37	39/2	3,8	1518	0,75	69	2,5	1576	0,50	68	1,4	1679	0,27	67				*	*						
		142,38	7,30	39/2	4,9	1405	0,75	70	3,2	1468	0,50	68	1,8	1562	0,27	67				*	*						
		121,21	10,39	35/3	5,8	1271	0,75	78	3,7	1326	0,50	77	2,1	1403	0,27	76				*	*						
		109,32	9,37	35/3	6,4	1272	0,75	78	4,1	1320	0,50	77	2,3	1397	0,27	76				*	*						
		85,21	7,30	35/3	8,2	1158	0,75	79	5,3	1210	0,50	77	2,9	1287	0,27	76				*	*						
		69,85	5,99	35/3	10	1174	0,75	79	6,4	1227	0,50	78	3,6	1298	0,27	76				*	*						
		53,70	10,39	31/6	13	688	0,75	84	8,4	688	0,50	84	4,7	680	0,27	83				*	*						
SK 32100		645,00	12,90	50/1	1,1	1514	0,36	48	0,70	1593	0,25	47	0,39	1666	0,15	46		*	*								
		510,00	10,20	50/1	1,4	1517	0,45	49	0,88	1581	0,31	47	0,49	1675	0,19	46			*	*							
	W + IEC	410,00	8,20	50/1	1,7	1451	0,52	50	1,1	1508	0,36	48	0,61	1609	0,22	47			*	*	*	*					
		304,00	6,08	50/1	2,3	1542	0,73	51	1,5	1611	0,52	49	0,82	1706	0,31	47			*	*	*	*					
	E53	241,50	4,83	50/1	2,9	1558	0,89	53	1,9	1621	0,65	50	1,0	1709	0,37	48			*	*	*	*					
		183,50	3,67	50/1	3,8	1505	1,09	55	2,5	1579	0,79	52	1,4	1671	0,50	49			*	*	*	*					
		165,50	3,31	50/1	4,2	1470	1,18	55	2,7	1552	0,84	52	1,5	1642	0,53	49			*	*	*	*					
		129,00	2,58	50/1	5,4	1387	1,35	58	3,5	1479	1,00	54	1,9	1564	0,62	50			*	*	*	*					
		104,00	2,08	50/1	6,7	1337	1,56	60	4,3	1420	1,14	56	2,4	1521	0,75	51			*	*	*	*					
		94,19	4,83	39/2	7,4	1437	1,55	72	4,8	1495	1,07	70	2,7	1576	0,66	68			*	*	*	*					
		71,57	3,67	39/2	9,8	1345	1,89	73	6,3	1412	1,31	71	3,5	1494	0,79	69			*	*	*	*					
		64,55	3,31	39/2	11	1316	2,05	74	7,0	1389	1,41	72	3,9	1469	0,87	69			*	*	*	*					
		50,31	2,58	39/2	14	1242	2,40	76	8,9	1324	1,69	73	5	1400	1,05	70			*	*	*	*					
		42,83	3,67	35/3	16	1213	2,51	81	11	1273	1,86	79	5,8	1347	1,05	78			*	*	*	*					
		38,63	3,31	35/3	18	1216	2,80	82	12	1284	2,02	80	6,5	1358	1,18	78			*	*	*	*					
		34,32	1,76	39/2	20	1269	3,41	78	13	1346	2,44	75	7,3	1459	1,55	72			*	*	*	*					
		30,11	2,58	35/3	23	1175	3,41	83	15	1252	2,43	81	8,3	1324	1,46	79			*	*	*	*					
		24,27	2,08	35/3	29	1166	4,22	84	19	1238	3,00	82	10	1326	1,76	79			*	*	*	*					
		20,54	1,76	35/3	34	978	4,10	85	22	1037	2,88	83	12	1125	1,77	80			*	*	*	*					
		18,97	3,67	31/6	37	712	3,17	87	24	704	2,06	86	13	688	1,11	84			*	*	*	*					
17,11		3,31	31/6	41	717	3,50	88	26	700	2,22	86	15	692	1,28	85			*	*	*	*						
16,22		1,39	35/3	43	897	3,75	86	28	968	2,48	84	15	1051	1,35	81			*	*	*	*						
13,34	2,58	31/6	52	712	3,75	89	34	696	2,48	87	19	680	1,35	85			*	*	*	*							
10,75	2,08	31/6	65	709	3,75	89	42	701	2,48	88	23	685	1,35	86			*	*	*	*							
9,10	1,76	31/6	77	709	3,75	90	49	694	2,48	88	27	678	1,35	86			*	*	*	*							
7,19	1,39	31/6	97	680	3,75	91	63	665	2,48	89	35	650	1,35	87			*	*	*	*							

* \Rightarrow E A63

Helical-worm gear units

kg	W	IEC 63	IEC 71	IEC 80	IEC 90	IEC 100	IEC 112	IEC 132
SK 33100	68	69	70	73	73	-	-	-
SK 32100	66	-	64	68	68	72	72	81

SK 43125 SK 42125



	i _{ges}	i1	z2/z1	W				W				IEC								
				n ₂	M _{2max}	P _{1max}	η	n ₂	M _{2max}	P _{1max}	η	f _B ⇨ E4 - E20								
												n ₁ = 1400 min ⁻¹				n ₁ = 930 min ⁻¹				IEC
				[min ⁻¹]	[Nm]	[kW]	[%]	[min ⁻¹]	[Nm]	[kW]	[%]	71	80	90	100	112				
SK 43125	7095,12	150,96	47/1	0,20	3000	0,13	47	0,13	3000	0,09	47	*	*	*						
	5057,67	107,61	47/1	0,28	3090	0,19	48	0,18	3222	0,13	47	*	*	*						
	3442,09	73,24	47/1	0,41	3090	0,28	48	0,27	3146	0,19	48	*	*	*						
	2526,44	53,75	47/1	0,55	3090	0,36	49	0,37	3168	0,26	48	*	*	*						
	2056,63	43,76	47/1	0,68	3090	0,45	49	0,45	3187	0,31	48	*	*	*						
	1860,07	39,58	47/1	0,75	3090	0,50	49	0,50	3198	0,35	48		*	*						
	1639,55	34,88	47/1	0,85	3090	0,55	50	0,57	3215	0,39	49		*	*						
	1476,55	31,42	47/1	0,95	3090	0,61	50	0,63	3230	0,43	49		*	*						
	1198,50	25,50	47/1	1,2	3090	0,76	51	0,78	3239	0,54	49			*						
	928,25	19,75	47/1	1,5	3090	0,93	52	1,0	3200	0,67	50			*						
	794,58	16,91	47/1	1,8	3090	1,10	53	1,2	3201	0,79	51			*						
	689,67	30,65	45/2	2,0	2830	0,87	68	1,3	2962	0,60	67			*						
	607,91	27,02	45/2	2,3	2670	0,95	68	1,5	2805	0,66	67			*						
	547,47	24,33	45/2	2,6	3090	1,22	69	1,7	3233	0,86	67			*						
	444,38	19,75	45/2	3,2	2990	1,45	69	2,1	3022	0,98	68			*						
	380,39	16,91	45/2	3,7	2610	1,44	70	2,4	2625	0,96	69			*						
	323,51	14,38	45/2	4,3	2400	1,52	71	2,9	2332	1,03	69									
	269,76	11,99	45/2	5,2	2810	2,13	72	3,4	2926	1,49	70				*	*				
	236,58	10,51	45/2	5,9	2810	2,38	73	3,9	2918	1,70	70				*	*				
	187,80	8,35	45/2	7,5	2590	2,75	74	5,0	2694	1,96	72				*	*				
	152,44	6,78	45/2	9,2	2590	3,28	76	6,1	2721	2,38	73				*	*				
	130,49	5,80	45/2	11	2480	3,71	77	7,1	2631	2,64	74				*					
	110,97	4,93	45/2	13	2370	4,00	78	8,4	2514	2,64	75				*					
	86,22	8,35	31/3	16	1760	3,55	83	11	1830	2,60	81				*					
	69,99	6,78	31/3	20	1560	3,89	84	13	1639	2,72	82				*					
	62,50	6,05	31/3	22	1570	4,00	85	15	1661	2,64	83				*					

	i _{ges}	i1	z2/z1	W				W				IEC							
				n ₂	M _{2max}	P _{1max}	η	n ₂	M _{2max}	P _{1max}	η	71	80	90	100	112	132	160	
												n ₁ = 1400 min ⁻¹				n ₁ = 930 min ⁻¹			
				[min ⁻¹]	[Nm]	[kW]	[%]	[min ⁻¹]	[Nm]	[kW]	[%]								
SK 42125	695,60	14,80	47/1	2,0	2850	1,11	54	1,3	2968	0,79	51			*					
	495,85	10,55	47/1	2,8	2850	1,49	56	1,9	2960	1,11	53			*	*	*			
	337,46	7,18	47/1	4,1	2850	2,07	59	2,8	2985	1,56	56			*	*	*	*		
	247,69	5,27	47/1	5,7	2760	2,66	62	3,8	2932	2,01	58					*			
	201,63	4,29	47/1	6,9	2630	2,92	65	4,6	2781	2,23	60			*	*	*	*		
	182,36	3,88	47/1	7,7	2560	3,13	66	5,1	2700	2,36	61			*	*	*	*		
	160,74	3,42	47/1	8,7	2470	3,36	67	5,8	2615	2,52	63			*	*	*	*		
	144,76	3,08	47/1	9,7	2390	3,57	68	6,4	2549	2,67	64			*	*	*	*	*	
	117,50	2,50	47/1	12	2240	3,96	71	7,9	2419	3,03	66			*	*	*	*	*	
	100,58	2,14	47/1	14	2130	4,34	72	9,2	2319	3,29	68			*	*	*	*	*	
	87,30	3,88	45/2	16	2360	4,94	80	11	2489	3,72	77			*					
	76,95	3,42	45/2	18	2290	5,33	81	12	2424	3,90	78			*					
	69,30	3,08	45/2	20	2220	5,74	81	13	2368	4,13	78			*					
	56,25	2,50	45/2	25	2060	6,50	83	17	2225	4,95	80			*	*	*	*		
	48,15	2,14	45/2	29	1960	7,09	84	19	2134	5,24	81			*	*	*	*		
	40,95	1,82	45/2	34	1840	7,71	85	23	2024	5,94	82			*	*	*	*		
	35,33	3,42	31/3	40	1600	7,62	88	26	1694	5,36	86			*					
	31,82	3,08	31/3	44	1840	9,63	88	29	1962	6,93	86			*				*	
	25,83	2,50	31/3	54	1710	10,86	89	36	1847	8,00	87			*				*	
	22,11	2,14	31/3	63	1610	11,80	90	42	1753	8,76	88			*				*	
	18,80	1,82	31/3	74	1510	13,0	90	49	1661	9,58	89			*				*	
	15,92	3,08	31/6	88	1240	12,42	92	58	1300	8,77	90			*				*	
	14,57	1,41	31/3	96	1340	14,80	91	64	1506	11,21	90			*				*	
	12,93	2,50	31/6	108	1240	15,0	92	72	1314	9,90	91			*				*	
	11,06	2,14	31/6	127	1240	15,0	93	84	1297	9,90	92			*				*	
	9,41	1,82	31/6	149	1140	15,0	93	99	1254	9,90	92			*				*	
	8,43	1,63	31/6	166	1140	15,0	93	110	1234	9,90	92			*				*	
	7,76	1,50	31/6	180	1010	15,0	93	120	1129	9,90	93			*				*	
	7,29	1,41	31/6	192	940	15,0	93	128	1057	9,90	93			*				*	

* ⇨ A63

kg	W	IEC 71	IEC 80	IEC 90	IEC 100	IEC 112	IEC 132	IEC 160
SK 43125	123	121	125	125	129	129	-	-
SK 42125	116	-	-	111	118	118	132	142

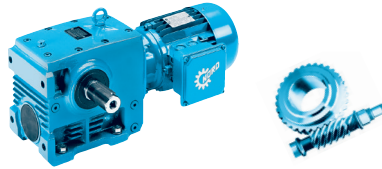


	i _{ges}	i1	z2/z1	W				W				W				IEC				
				n ₂	M _{2max}	P _{1max}	η	n ₂	M _{2max}	P _{1max}	η	n ₂	M _{2max}	P _{1max}	η	f _B ⇒ E4 - E20				
				f _B = 1 f _B ≥ 1				f _B = 1 f _B ≥ 1				f _B = 1 f _B ≥ 1				IEC				
				n ₁ = 700 min ⁻¹				n ₁ = 450 min ⁻¹				n ₁ = 250 min ⁻¹				71	80	90	100	112
				[min ⁻¹]	[Nm]	[kW]	[%]	[min ⁻¹]	[Nm]	[kW]	[%]	[min ⁻¹]	[Nm]	[kW]	[%]					
SK 43125	7095,12	150,96	47/1	0,10	3000	0,07	47	0,06	3000	0,04	47	0,04	3000	0,03	47	*	*	*		
	5057,67	107,61	47/1	0,14	3388	0,11	47	0,09	3569	0,07	47	0,05	3714	0,04	47	*	*	*		
W	3442,09	73,24	47/1	0,2	3204	0,14	47	0,13	3475	0,10	47	0,07	3691	0,06	47	*	*	*		
+	2526,44	53,75	47/1	0,28	3206	0,20	48	0,18	3364	0,13	47	0,10	3665	0,08	47	*	*	*		
IEC	2056,63	43,76	47/1	0,34	3235	0,24	48	0,22	3286	0,16	47	0,12	3641	0,10	47	*	*	*		
	1860,07	39,58	47/1	0,38	3252	0,27	48	0,24	3309	0,18	47	0,13	3628	0,11	47	*	*	*		
	1639,55	34,88	47/1	0,43	3276	0,31	48	0,27	3342	0,20	48	0,15	3608	0,12	47	*	*	*		
	1476,55	31,42	47/1	0,47	3299	0,34	48	0,3	3374	0,22	48	0,17	3589	0,14	47	*	*	*		
⇒ E53	1198,50	25,50	47/1	0,58	3325	0,41	49	0,38	3420	0,28	48	0,21	3380	0,16	47	*	*	*		
	928,25	19,75	47/1	0,75	3315	0,53	49	0,48	3439	0,36	48	0,27	3538	0,21	48		*	*	*	
	794,58	16,91	47/1	0,88	3306	0,61	50	0,57	3453	0,42	49	0,31	3571	0,24	48		*	*	*	
	689,67	30,65	45/2	1,0	3027	0,48	66	0,65	3097	0,32	66	0,36	3282	0,19	65		*	*	*	
	607,91	27,02	45/2	1,2	2875	0,54	67	0,74	2952	0,35	66	0,41	3063	0,20	65		*	*	*	
	547,47	24,33	45/2	1,3	3324	0,68	67	0,82	3396	0,44	66	0,46	3396	0,25	66		*	*	*	
	444,38	19,75	45/2	1,6	2977	0,74	67	1,2	2933	0,47	66	0,56	2933	0,26	66		*	*	*	
	380,39	16,91	45/2	1,8	2587	0,72	68	1,2	2549	0,48	67	0,66	2511	0,26	66		*	*	*	
	323,51	14,38	45/2	2,2	2298	0,78	68	1,4	2265	0,50	67	0,77	2231	0,27	66		*	*	*	
	269,76	11,99	45/2	2,6	2998	1,18	69	1,7	3146	0,84	67	0,93	3302	0,49	66		*	*	*	
	236,58	10,51	45/2	3,0	3001	1,37	69	1,9	3132	0,92	68	1,1	3312	0,58	66		*	*	*	
	187,80	8,35	45/2	3,7	2772	1,53	70	2,4	2880	1,06	68	1,3	3073	0,62	67		*	*	*	
	152,44	6,78	45/2	4,6	2786	1,89	71	3,2	2916	1,33	69	1,6	3096	0,77	67		*	*	*	
	130,49	5,80	45/2	5,4	2705	2,12	72	3,4	2824	1,44	70	1,9	2986	0,87	68		*	*	*	
	110,97	4,93	45/2	6,3	2599	2,00	73	4,1	2706	1,32	71	2,3	2849	0,72	68		*	*	*	
	86,22	8,35	31/3	8,1	1884	2,00	80	5,2	1866	1,29	79	2,9	1842	0,72	78		*	*	*	
	69,99	6,78	31/3	10	1678	2,17	81	6,4	1756	1,47	80	3,6	1810	0,87	78		*	*	*	
	62,50	6,05	31/3	11	1705	2,00	82	7,2	1782	1,32	80	4,0	1810	0,72	78		*	*	*	

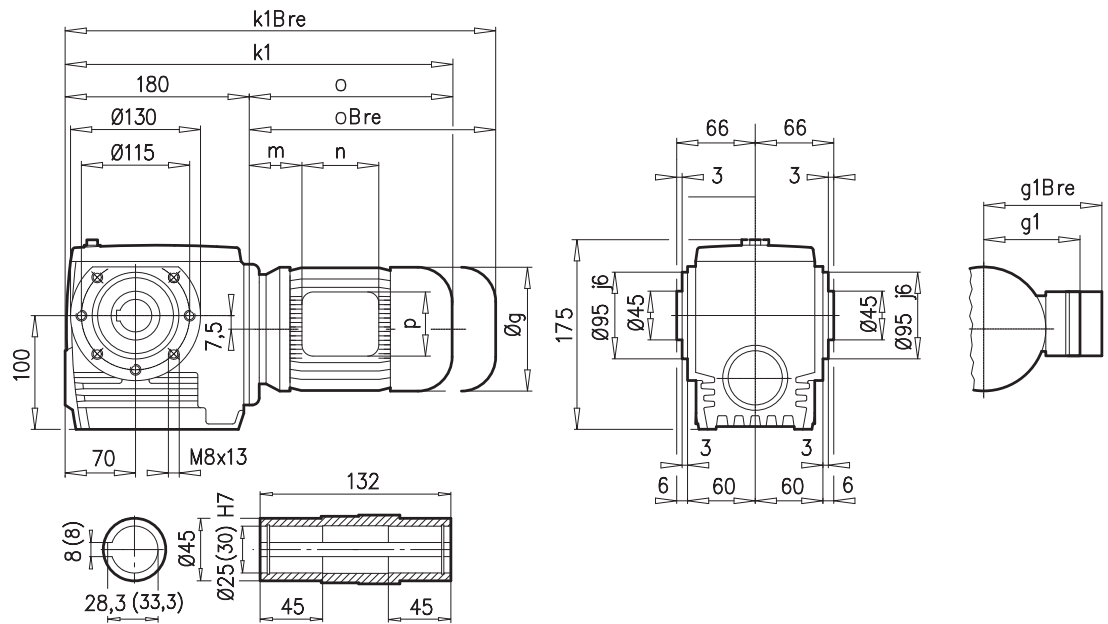
	i _{ges}	i1	z2/z1	W				W				W				IEC				
				n ₂	M _{2max}	P _{1max}	η	n ₂	M _{2max}	P _{1max}	η	n ₂	M _{2max}	P _{1max}	η	f _B ⇒ E4 - E20				
				f _B = 1 f _B ≥ 1				f _B = 1 f _B ≥ 1				f _B = 1 f _B ≥ 1				IEC				
				n ₁ = 700 min ⁻¹				n ₁ = 450 min ⁻¹				n ₁ = 250 min ⁻¹				90	100	112	132	160
				[min ⁻¹]	[Nm]	[kW]	[%]	[min ⁻¹]	[Nm]	[kW]	[%]	[min ⁻¹]	[Nm]	[kW]	[%]					
SK 42125	695,60	14,80	47/1	1	3041	0,64	50	0,65	3068	0,43	49	0,36	3005	0,24	48	*	*	*		
	495,85	10,55	47/1	1,4	3044	0,86	52	0,91	3177	0,61	50	0,5	3359	0,37	48	*	*	*		
W	337,46	7,18	47/1	2,1	3056	1,24	54	1,3	3196	0,85	51	0,74	3399	0,54	49		*	*	*	
+	247,69	5,27	47/1	2,8	3023	1,58	56	1,8	3152	1,12	53	1	3322	0,7	50		*	*	*	
IEC	201,63	4,29	47/1	3,5	2891	1,83	58	2,2	3010	1,28	54	1,2	3186	0,78	51		*	*	*	
	182,36	3,88	47/1	3,8	2820	1,9	59	2,5	2950	1,4	55	1,4	3122	0,88	52		*	*	*	
	160,74	3,42	47/1	4,4	2729	2,1	60	2,8	2874	1,5	56	1,6	3041	0,98	52		*	*	*	
	144,76	3,08	47/1	4,8	2648	2,18	61	3,1	2807	1,6	57	1,7	2970	1	53		*	*	*	
⇒ E54	117,50	2,50	47/1	6	2513	2,51	63	3,8	2678	1,81	59	2,1	2831	1,15	54		*	*	*	
	100,58	2,14	47/1	7	2427	2,74	65	4,5	2579	2,03	60	2,5	2756	1,31	55		*	*	*	
	87,30	3,88	45/2	8	2599	2,9	75	5,2	2720	2,06	72	2,9	2878	1,27	69		*	*	*	
	76,95	3,42	45/2	9,1	2530	3,21	75	5,8	2665	2,22	73	3,2	2820	1,35	70		*	*	*	
	69,30	3,08	45/2	10	2459	3,39	76	6,5	2608	2,43	73	3,6	2759	1,49	70		*	*	*	
	56,25	2,50	45/2	12	2311	3,72	78	8	2462	2,75	75	4,4	2604	1,69	71		*	*	*	
	48,15	2,14	45/2	15	2233	4,44	79	9,3	2373	3,04	76	5,2	2536	1,92	72		*	*	*	
	40,95	1,82	45/2	17	2136	4,75	80	11	2263	3,39	77	6,1	2450	2,14	73		*	*	*	
	35,33	3,42	31/3	20	1767	4,41	84	13	1862	3,09	82	7,1	1904	1,77	80		*	*	*	
	31,82	3,08	31/3	22	2008	5,44	85	14	1960	3,46	83	7,9	1890	1,95	80		*	*	*	
	25,83	2,50	31/3	27	1918	6,31	86	17	1949	4,13	84	9,7	1880	2,36	81		*	*	*	
	22,11	2,14	31/3	32	1834	7,06	87	20	1917	4,78	84	11	1872	2,63	82		*	*	*	
	18,80	1,82	31/3	37	1753	7,81	87	24	1857	5,49	85	13	1829	3,04	82		*	*	*	
	15,92	3,08	31/6	44	1285	6,65	89	28	1271	4,23	88	16	1242	2,42	86		*	*	*	
	14,57	1,41	31/3	48	1599	9,03	89	31	1725	6,44	87	17	1801	3,82	84		*	*	*	
	12,93	2,50	31/6	54	1300	7,5	90	35	1271	4,95	88	19	1242	2,70	86		*	*	*	
	11,06	2,14	31/6	63	1283	7,5	91	41	1255	4,95	89	23	1226	2,70	87		*	*	*	
	9,41	1,82	31/6	74	1251	7,5	91	48	1238	4,95	90	27	1196	2,70	87		*	*	*	
	8,43	1,63	31/6	83	1220	7,5	91	53	1207	4,95	90	30	1180	2,70	88		*	*	*	
	7,76	1,50	31/6	90	1196	7,5	92	58	1207	4,95	90	32	1180	2,70	88		*	*	*	
	7,29	1,41	31/6	96	1122	7,5	92	62	1189	4,95	91	34	1150	2,70	88		*	*	*	

* ⇒ A63

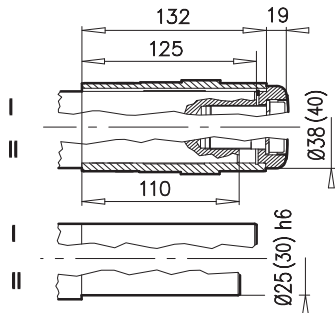
kg	W	IEC 71	IEC 80	IEC 90	IEC 100	IEC 112	IEC 132	IEC 160
SK 43125	123	121	125	125	129	129	-	-
SK 42125	116	-	-	111	118	118	132	142



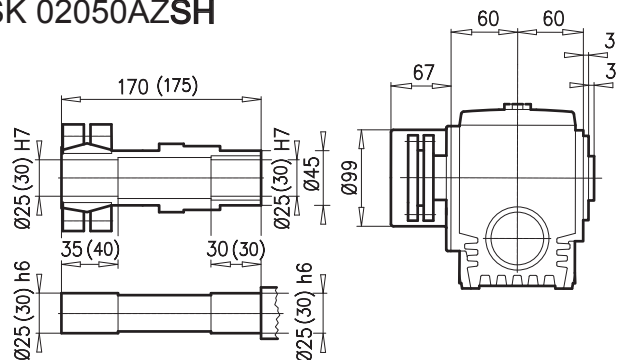
SK 02050AZ



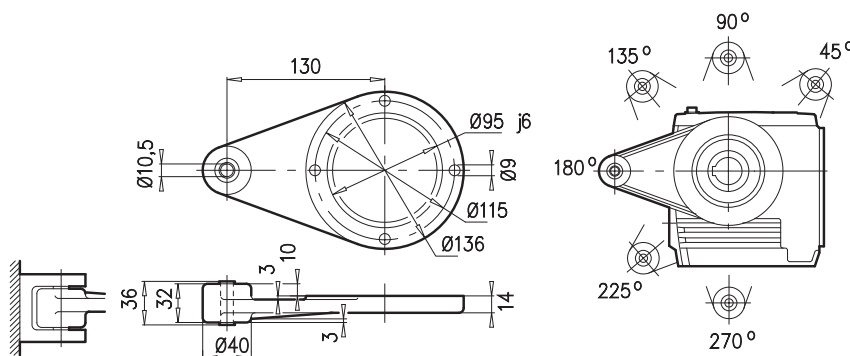
SK 02050AZB



SK 02050AZSH



SK 02050AZD



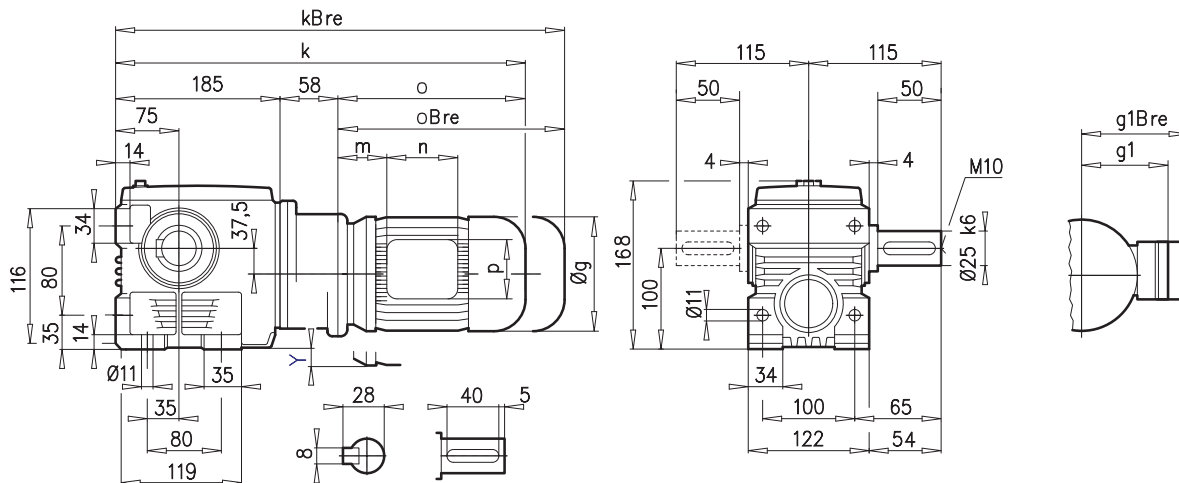
± ⇨ A61	63 S/L	71 S/L	80 SH	80 LP	90 SP/LP			
g	130	145	165	165	183			
g1 / g1Bre	115 / 123	124 / 132	142 / 142	142 / 142	147 / 147			
k1 / k1Bre	376 / 432	416 / 474	441 / 505	441 / 505	482 / 557			
o / oBre	196 / 252	236 / 294	261 / 325	261 / 325	302 / 377			
m / mBre	16 / 22	42 / 43	47 / 51	47 / 51	52 / 56			
n / nBre	100 / 134	100 / 134	114 / 153	114 / 153	114 / 153			
p / pBre	100 / 89	100 / 89	114 / 108	114 / 108	114 / 108			



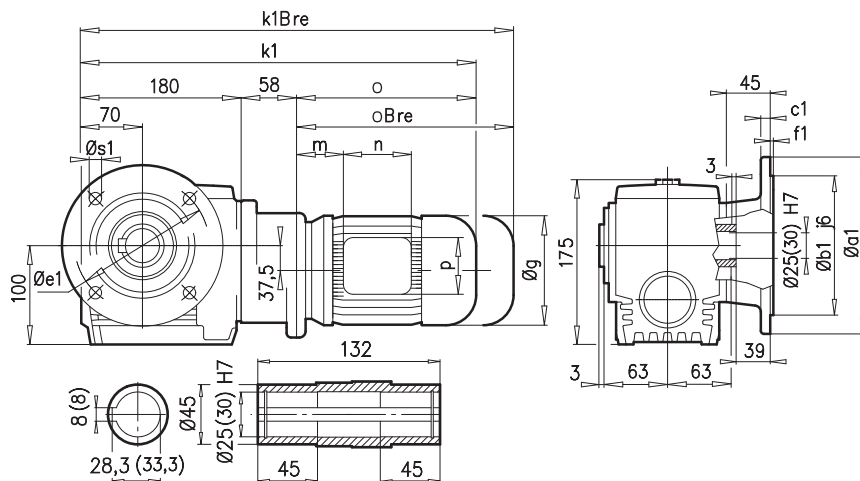
SK 13050



SK 13050

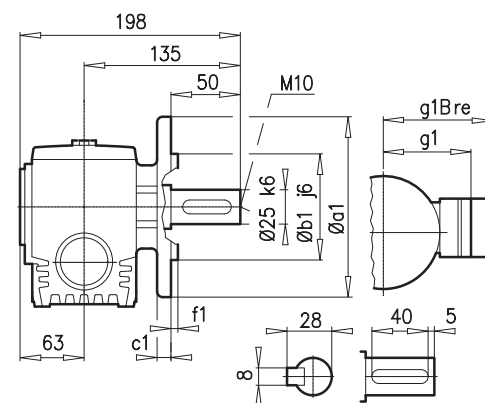


SK 13050AF



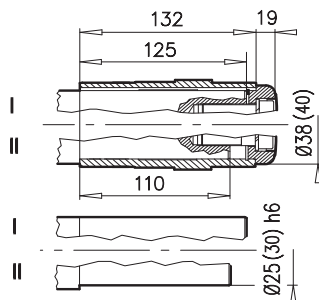
a1	b1	c1	e1	f1	s1
200	130	12	165	3,5	4 x 11

SK 13050VF



a1	b1	c1	e1	f1	s1
160	110	10	130	4	4 x 9

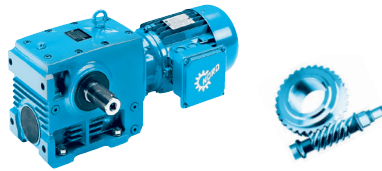
SK 13050AFB



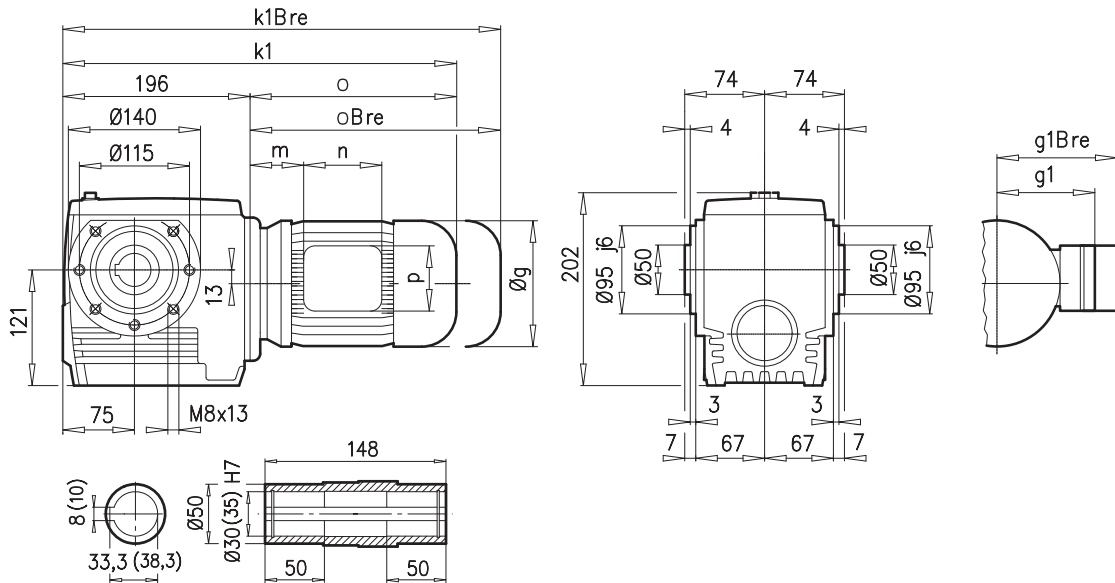
± ⇒ A61	63 S	71 S						
g	130	145						
g1 / g1Bre	115 / 123	124 / 132						
k / kBre	439 / 495	479 / 537						
k1 / k1Bre	434 / 490	474 / 532						
o / oBre	192 / 248	236 / 294						
m / mBre	16 / 22	42 / 43						
n / nBre	100 / 134	100 / 134						
p / pBre	100 / 89	100 / 89						



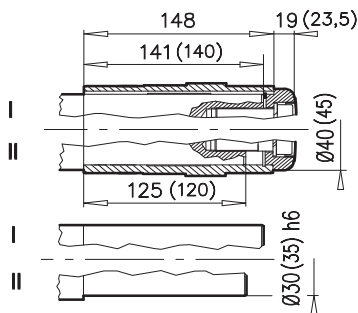
F52



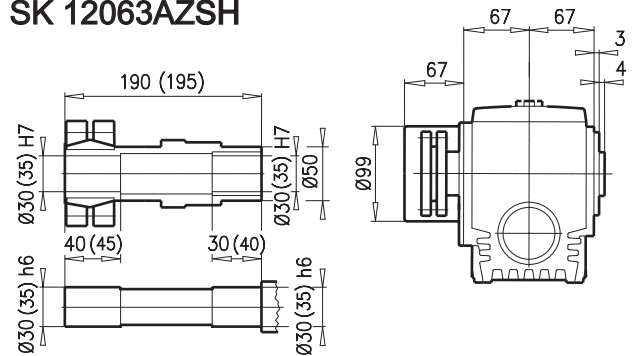
SK 12063AZ



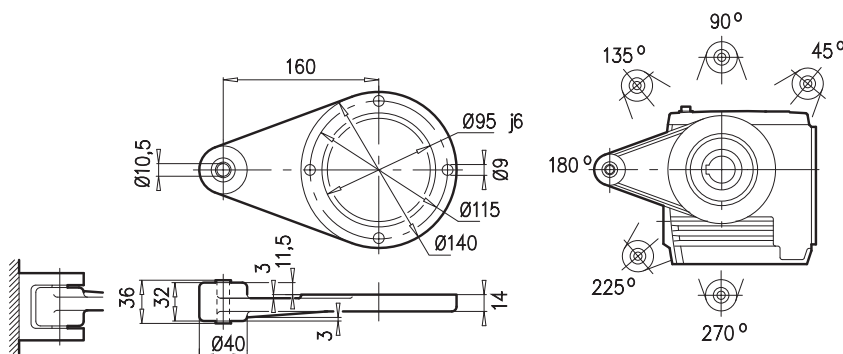
SK 12063AZB



SK 12063AZSH



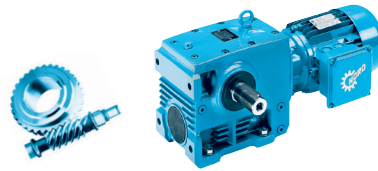
SK 12063AZD



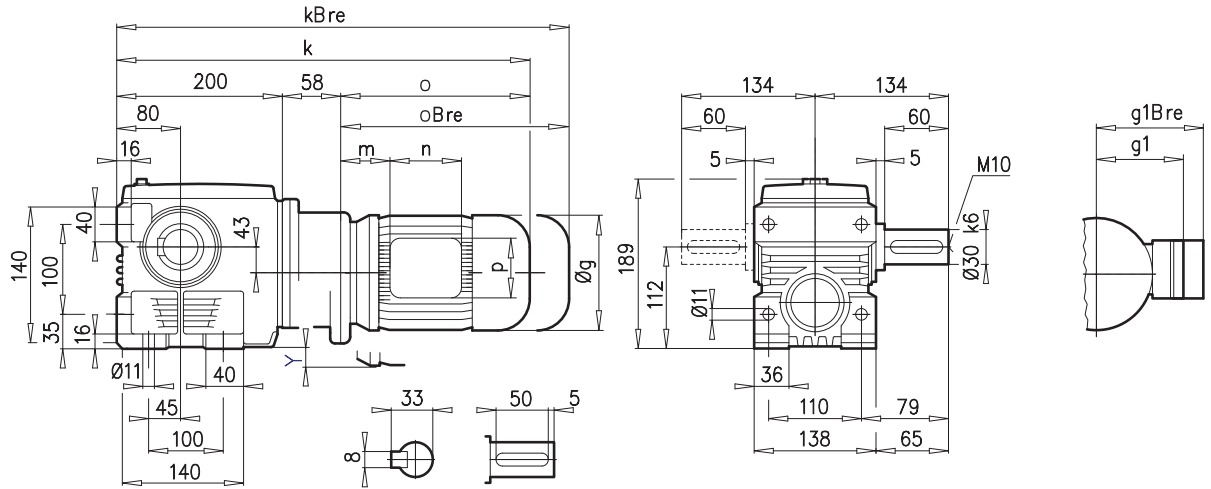
± → A61	63 S/L	71 S/L	80 SH	80 LP	90 SP/LP	100 LP		
g	130	145	165	165	183	201		
g1 / g1Bre	115 / 123	124 / 132	142 / 142	142 / 142	147 / 147	169 / 173		
k1 / k1Bre	392 / 448	432 / 490	457 / 521	457 / 521	498 / 573	528 / 619		
o / oBre	192 / 248	236 / 294	261 / 325	261 / 325	302 / 377	332 / 423		
m / mBre	16 / 22	42 / 43	47 / 51	47 / 51	52 / 56	58 / 62		
n / nBre	100 / 134	100 / 134	114 / 153	114 / 153	114 / 153	114 / 153		
p / pBre	100 / 89	100 / 89	114 / 108	114 / 108	114 / 108	114 / 108		



SK 13063

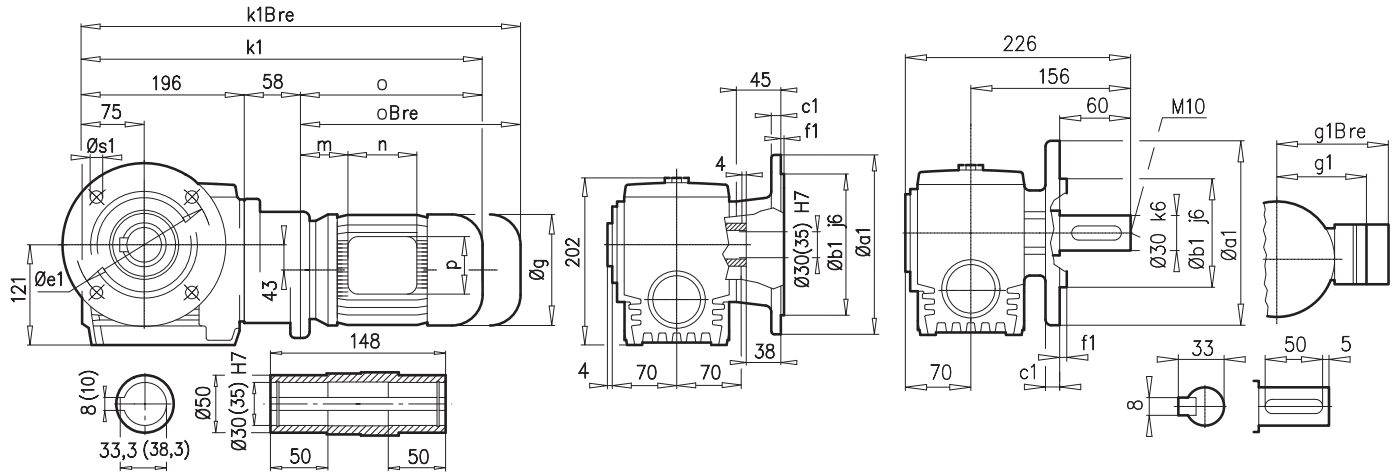


SK 13063



SK 13063AF

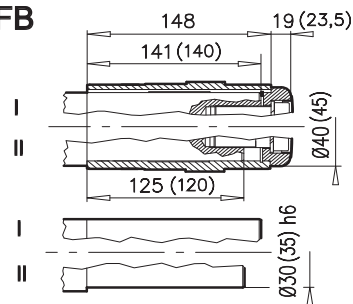
SK 13063VF



a1	b1	c1	e1	f1	s1
200	130	12	165	3,5	4 x 11

a1	b1	c1	e1	f1	s1
200	130	12	165	4,0	4 x 11

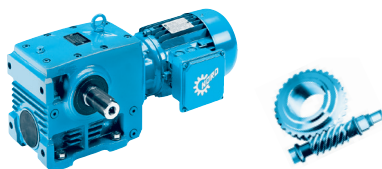
SK 13063AFB



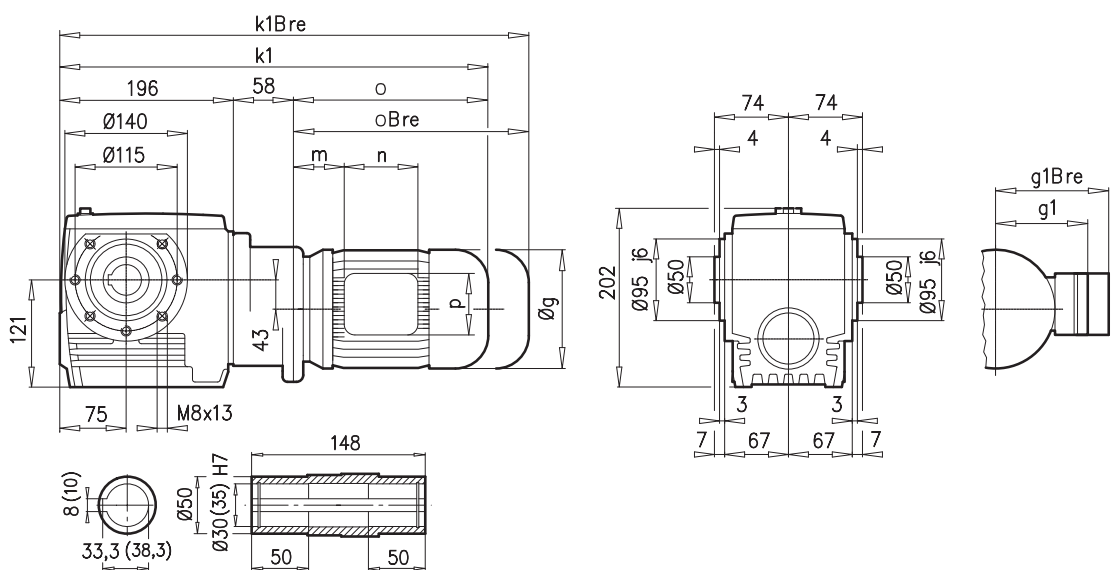
± ↗ A61	63 S/L								
g	130								
g1 / g1Bre	115 / 123								
k / kBre	454 / 510								
k1 / k1Bre	450 / 506								
o / oBre	192 / 248								
m / mBre	16 / 22								
n / nBre	100 / 134								
p / pBre	100 / 89								



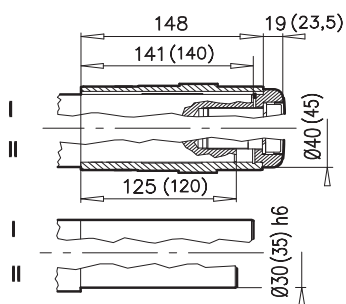
F52



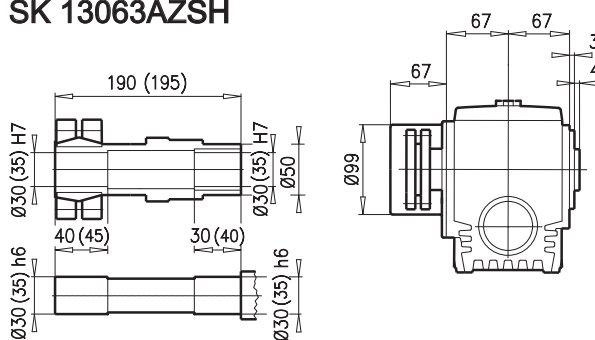
SK 13063AZ



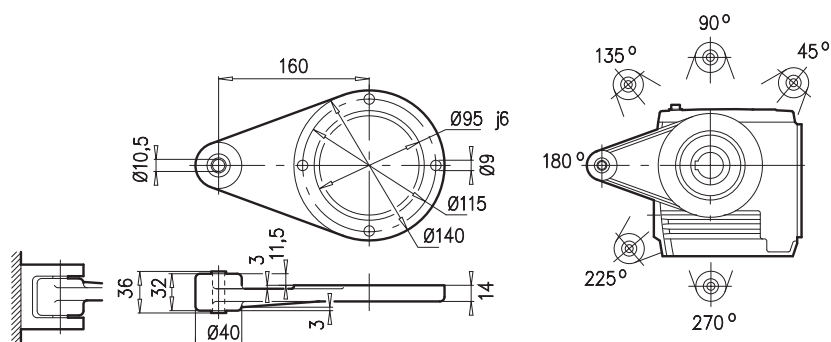
SK 13063AZB



SK 13063AZSH



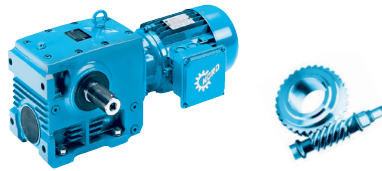
SK 13063AZD



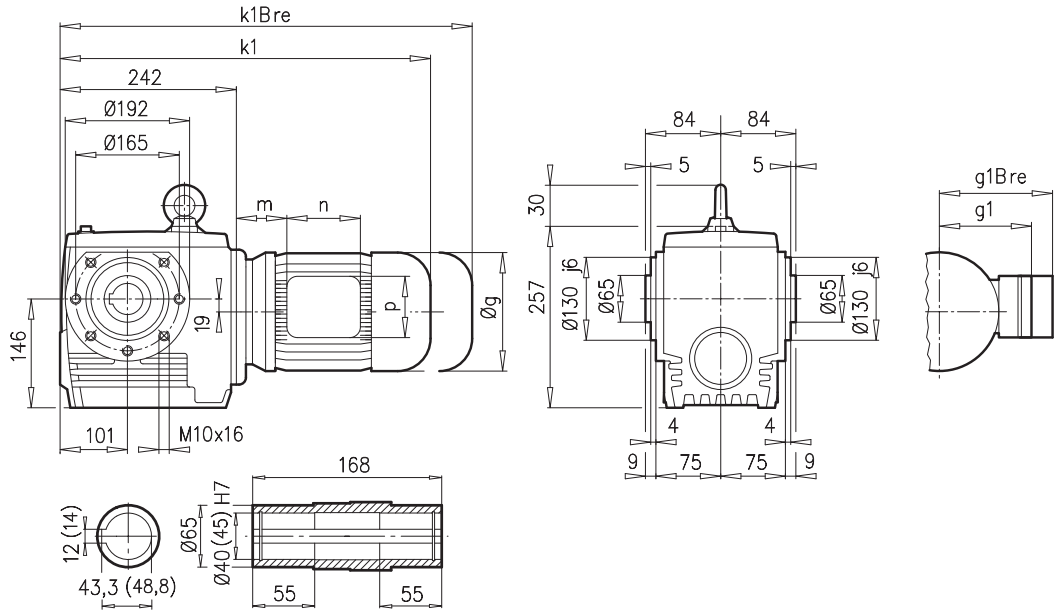
$\pm \rightarrow$ A61	63 S/L								
g	130								
g1 / g1Bre	115 / 123								
k1 / k1Bre	450 / 506								
o / oBre	192 / 248								
m / mBre	16 / 22								
n / nBre	100 / 134								
p / pBre	100 / 89								



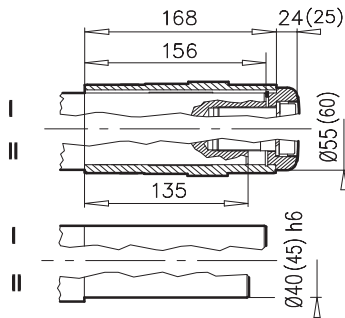
Helical-worm gear units



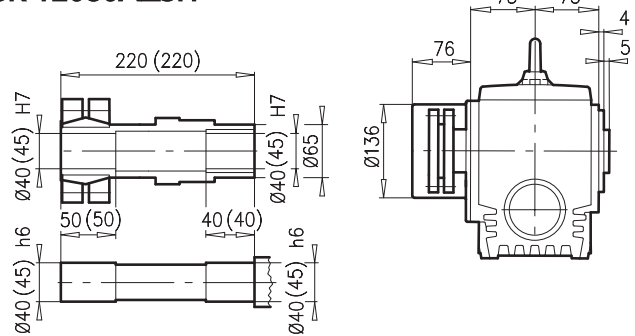
SK 12080AZ



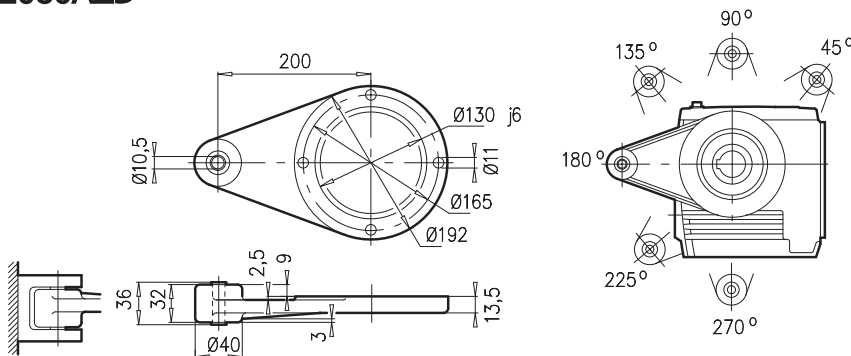
SK 12080AZB ⇨ A27



SK 12080AZSH ⇨ A22



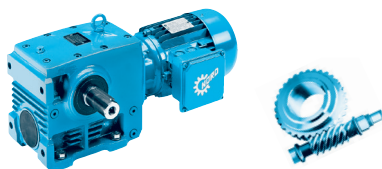
SK 12080AZD



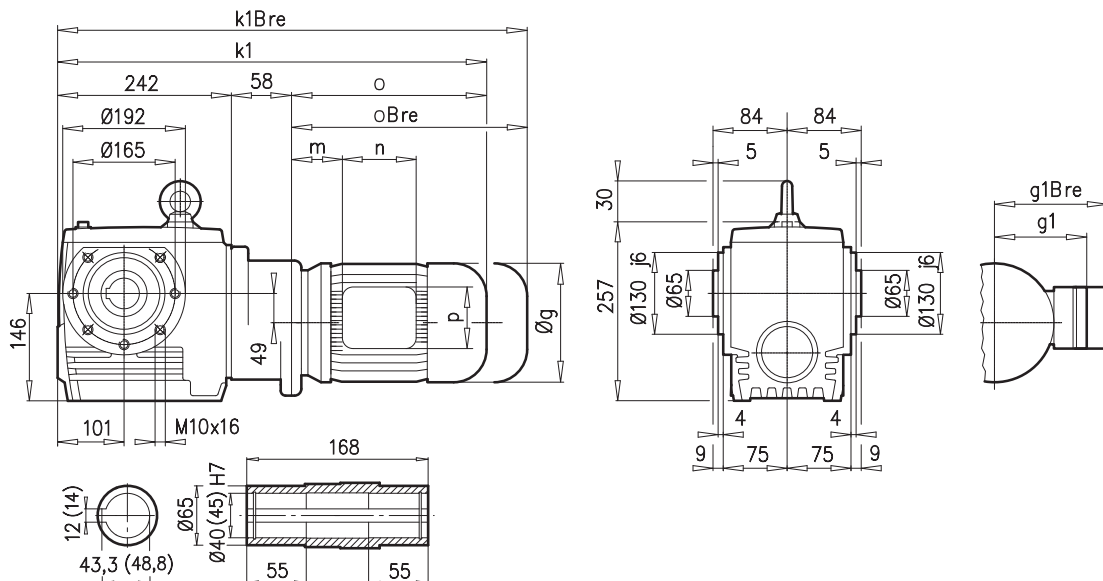
± ⇨ A61	63 S/L	71 S/L	80 S/SH	80 LP	90 SP/LP	100 LP/AP	112 MP	
g	130	145	165	165	183	201	228	
g1 / g1Bre	115 / 123	124 / 132	142 / 142	142 / 142	147 / 147	169 / 173	179 / 182	
k1 / k1Bre	438 / 494	478 / 536	503 / 567	503 / 567	544 / 619	574 / 665	622 / 715	
o / oBre	192 / 248	236 / 294	261 / 325	261 / 325	302 / 377	332 / 423	380 / 473	
m / mBre	16 / 22	42 / 43	47 / 51	47 / 51	52 / 56	58 / 62	74 / 78	
n / nBre	100 / 134	100 / 134	114 / 153	114 / 153	114 / 153	114 / 153	114 / 153	
p / pBre	100 / 89	100 / 89	114 / 108	114 / 108	114 / 108	114 / 108	114 / 108	



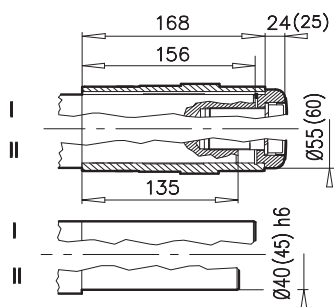
F52



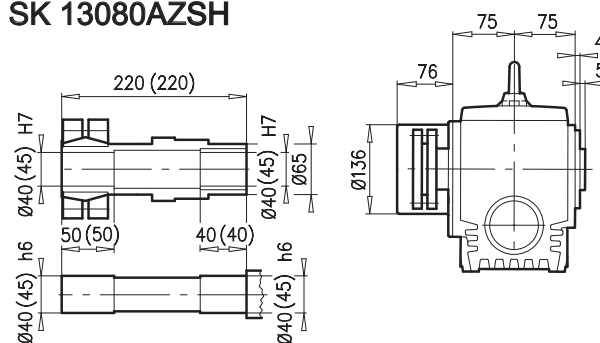
SK 13080AZ



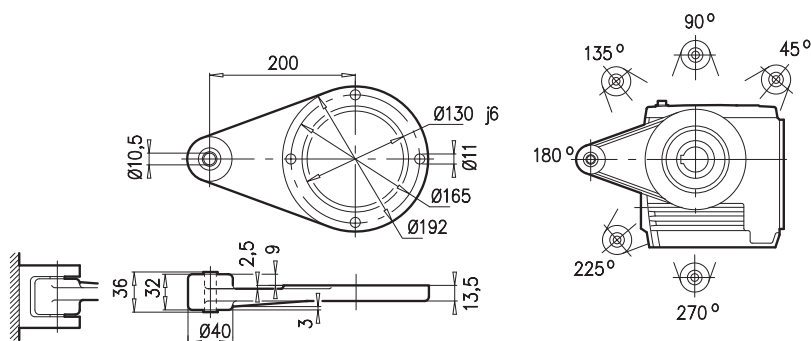
SK 13080AZB



SK 13080AZSH



SK 13080AZD



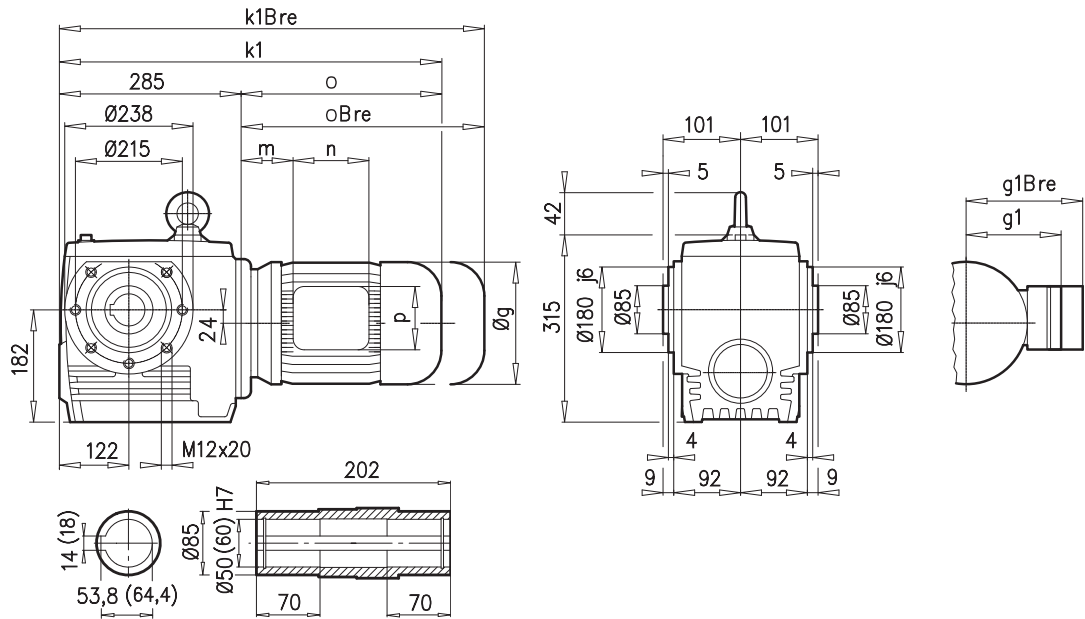
$\pm \Rightarrow$ A61	63 S/L	71 S/L						
g	130	145						
g1 / g1Bre	115 / 123	124 / 132						
k1 / k1Bre	496 / 552	536 / 594						
o / oBre	192 / 248	236 / 294						
m / mBre	16 / 22	42 / 43						
n / nBre	100 / 134	100 / 134						
p / pBre	100 / 89	100 / 89						



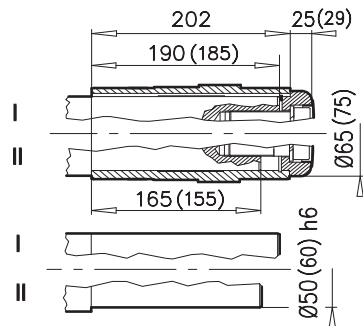
Helical-worm gear units



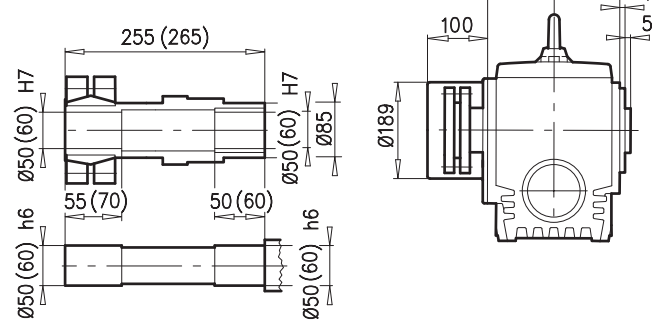
SK 32100AZ



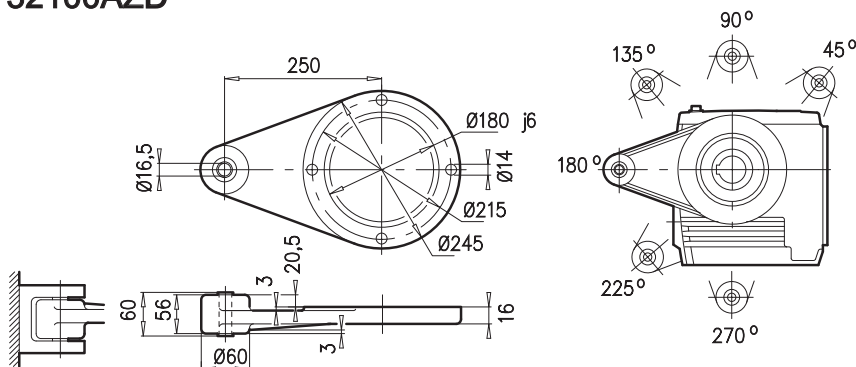
SK 32100AZB



SK 32100AZSH



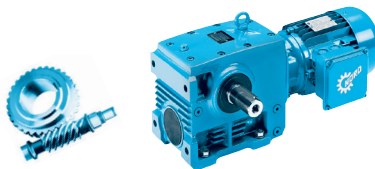
SK 32100AZD



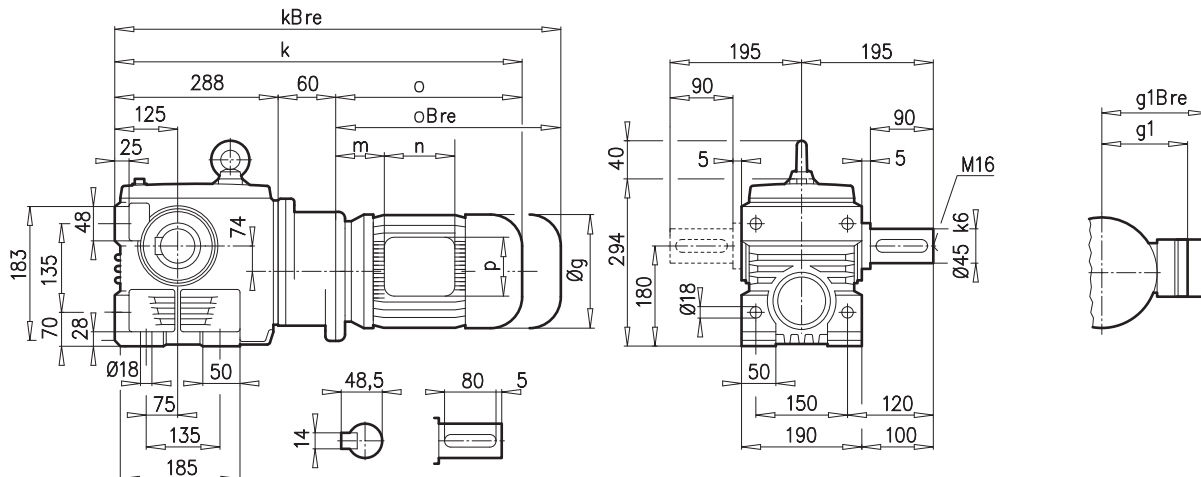
$\pm \Rightarrow$ A61	71 S/L	80 S/SH	80 LP	90 SP/LP	100 LP/AP	112 MP	132 SP/MP	
g	145	165	165	183	201	228	266	
g1 / g1Bre	124 / 132	142 / 142	142 / 142	147 / 147	169 / 173	179 / 182	204 / 201	
k1 / k1Bre	515 / 573	540 / 604	540 / 604	581 / 656	611 / 702	659 / 752	723 / 830	
o / oBre	230 / 288	255 / 319	255 / 319	296 / 371	326 / 417	374 / 467	435 / 542	
m / mBre	36 / 42	41 / 45	41 / 45	46 / 50	52 / 56	68 / 72	71 / 51	
n / nBre	100 / 134	114 / 153	114 / 153	114 / 153	114 / 153	114 / 153	122 / 185	
p / pBre	100 / 89	114 / 108	114 / 108	114 / 108	114 / 108	114 / 108	122 / 139	



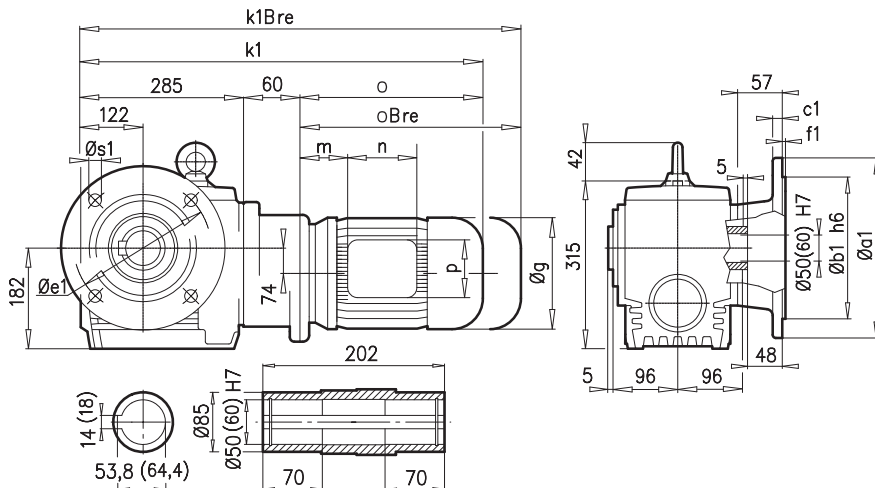
SK 33100



SK 33100

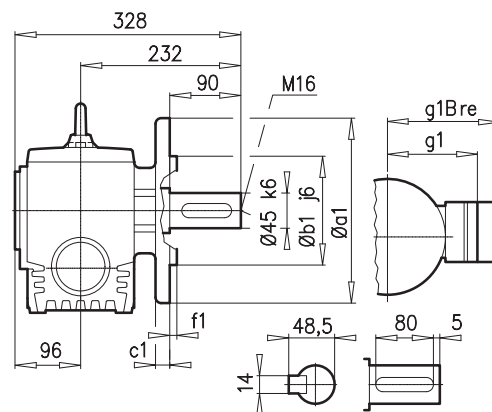


SK 33100AF



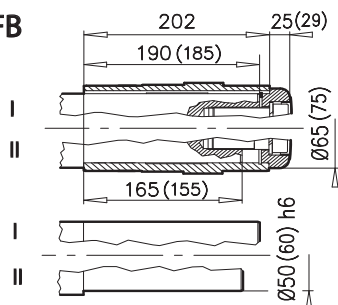
a1	b1	c1	e1	f1	s1
350	250	20	300	5,0	4 x 18

SK 33100VF



a1	b1	c1	e1	f1	s1
250	180	16	215	4,0	4 x 14

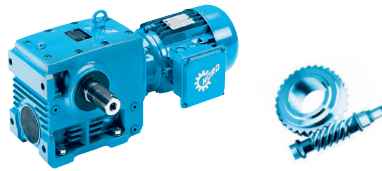
SK 33100AFB



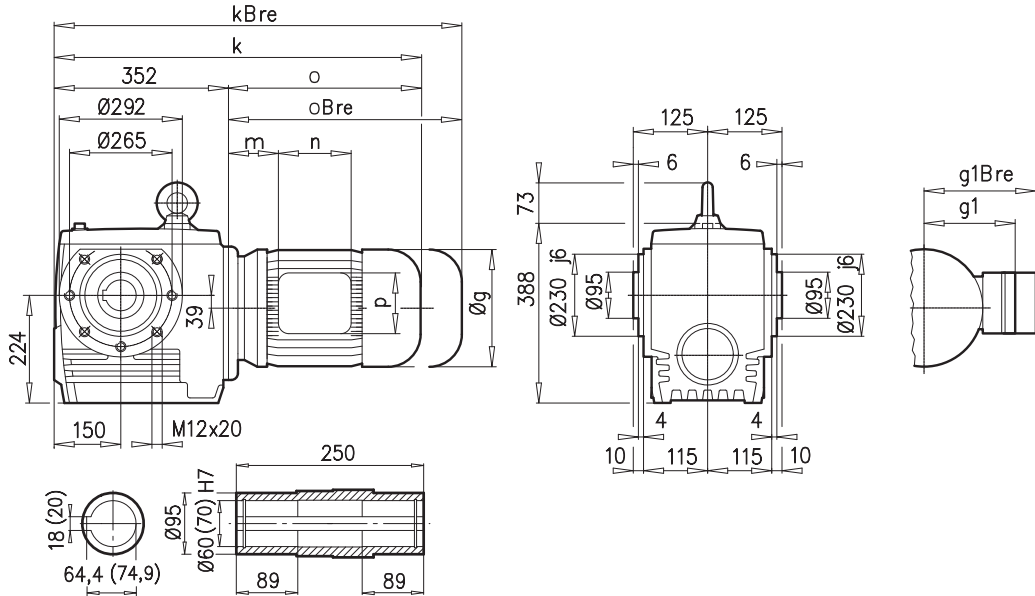
± ⇨ A61	63 S/L	71 S/L	80 S/SH	80 LP	90 SP/LP			
g	130	145	165	165	183			
g1 / g1Bre	115 / 123	124 / 132	142 / 142	142 / 142	147 / 147			
k / kBre	545 / 601	585 / 643	610 / 674	610 / 674	651 / 726			
k1 / k1Bre	542 / 598	582 / 640	607 / 671	607 / 671	648 / 723			
o / oBre	192 / 248	236 / 294	261 / 325	261 / 325	302 / 377			
m / mBre	16 / 22	42 / 43	47 / 51	47 / 51	52 / 56			
n / nBre	100 / 134	100 / 134	114 / 153	114 / 153	114 / 153			
p / pBre	100 / 89	100 / 89	114 / 108	114 / 108	114 / 108			



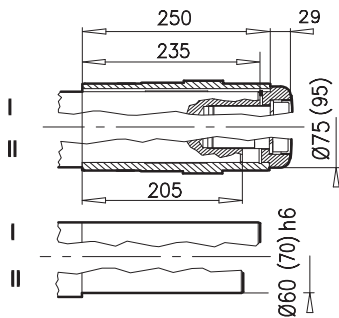
F52



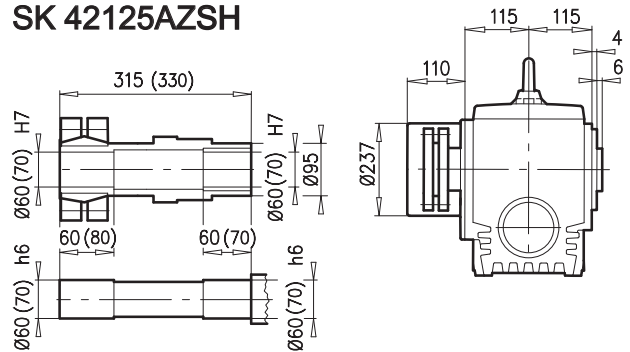
SK 42125AZ



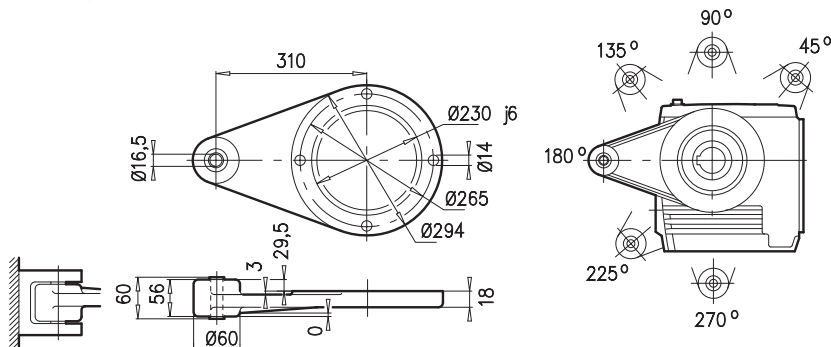
SK 42125AZB



SK 42125AZSH



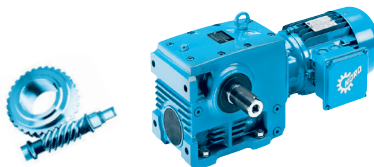
SK 42125AZD



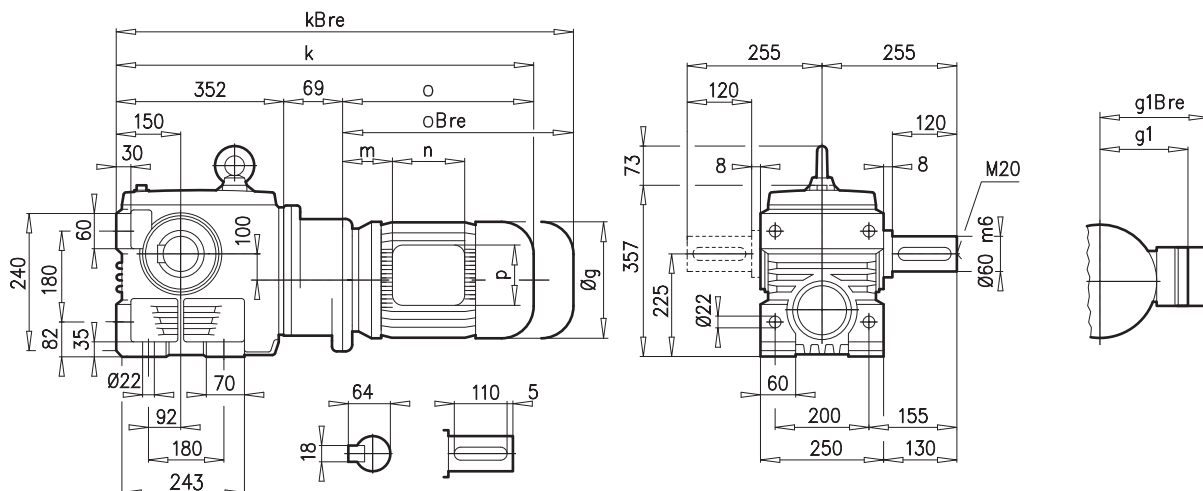
± ⇒ A61	90 SP/LP	100 LP/AP	112 MP	132 SP/MP	160 SP/MP	160 LP	180 MP/LP	
g	183	201	228	266	320	320	348	
g1 / g1Bre	147 / 147	169 / 173	179 / 182	204 / 201	242 / 242	242 / 242	258 / 258	
k / kBre	628 / 703	658 / 749	706 / 799	767 / 874	844 / 979	888 / 1023	986 / 1114	
o / oBre	276 / 351	306 / 397	354 / 447	415 / 522	492 / 627	536 / 671	634 / 762	
m / mBre	26 / 30	32 / 36	48 / 52	51 / 44	52 / 52	52 / 52	74 / 74	
n / nBre	114 / 153	114 / 153	114 / 153	122 / 185	186 / 186	186 / 186	186 / 186	
p / pBre	114 / 108	114 / 108	114 / 108	122 / 139	186 / 186	186 / 186	186 / 186	



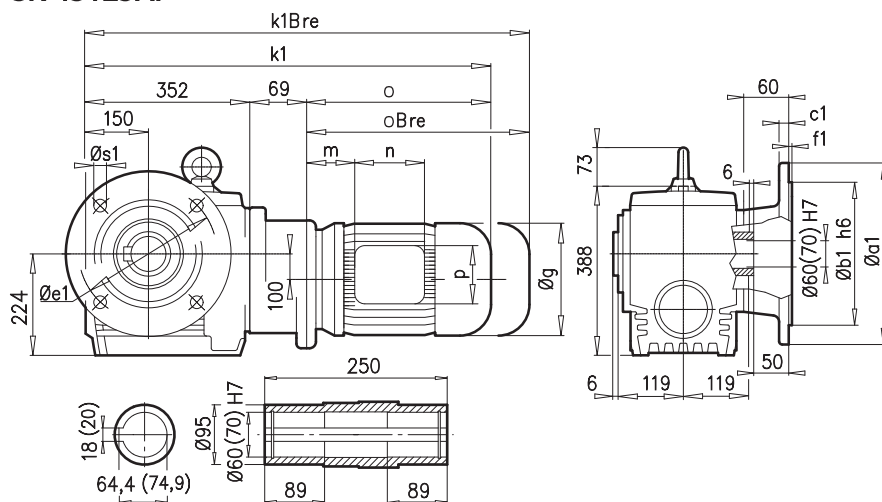
SK 43125



SK 43125

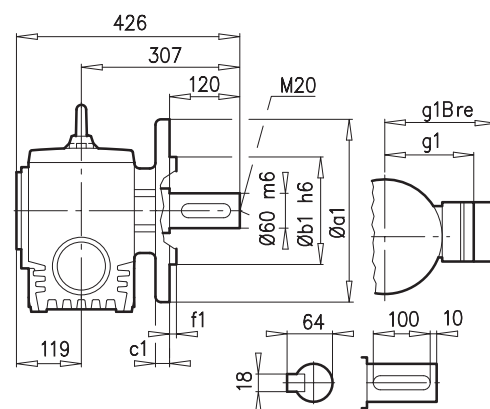


SK 43125AF



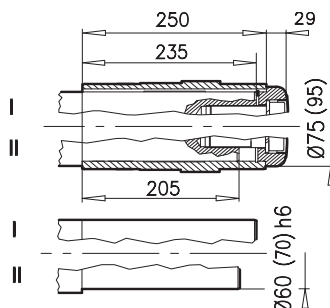
a1	b1	c1	e1	f1	s1
400	300	20	350	5	4 x 18
450	350	22	400	5	8 x 18

SK 43125VF

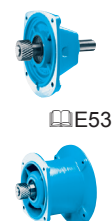


a1	b1	c1	e1	f1	s1
350	250	20	300	5	4 x 18

SK 43125AFB



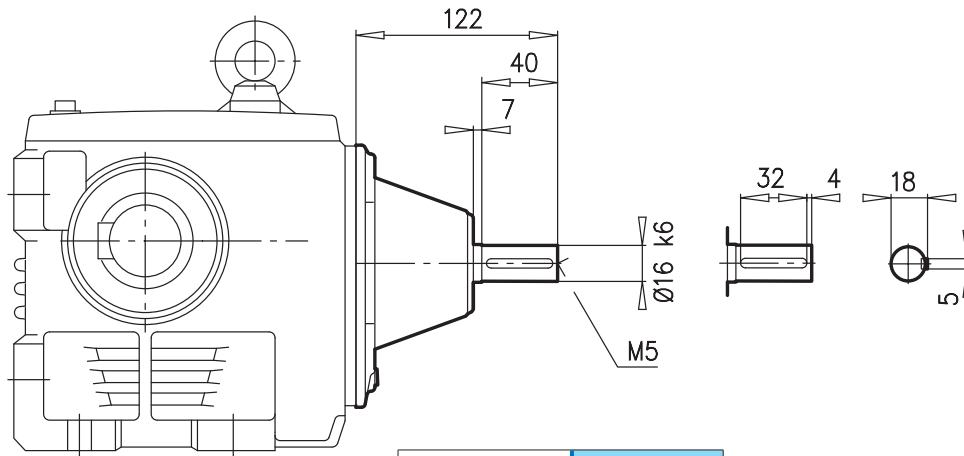
± ⇒ A61	71 S/L	80 SH	80 LP	90 SP/LP	100 LP/AP	112 MP		
g	145	165	165	183	201	228		
g1 / g1Bre	124 / 132	142 / 142	142 / 142	147 / 147	169 / 173	179 / 182		
k / kBre	652 / 710	677 / 741	677 / 741	718 / 793	748 / 839	796 / 889		
o / oBre	230 / 288	255 / 319	255 / 319	296 / 371	326 / 417	374 / 467		
m / mBre	36 / 42	41 / 45	41 / 45	46 / 50	52 / 56	68 / 72		
n / nBre	100 / 134	114 / 153	114 / 153	114 / 153	114 / 153	114 / 153		
p / pBre	100 / 89	114 / 108	114 / 108	114 / 108	114 / 108	114 / 108		



E53

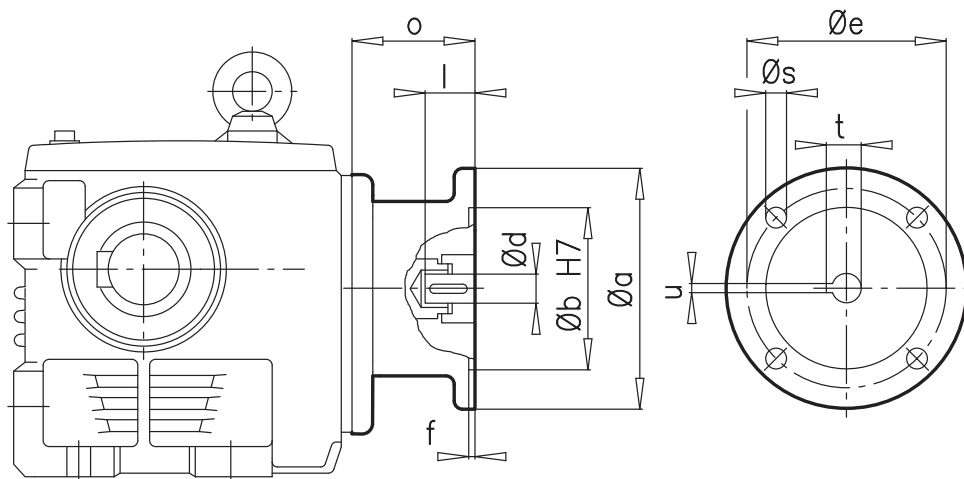


SK ... - W



Type	↔ 📖
SK 02050	F32-F33
SK 12063	F36-F37
SK 12080	F40-F41
SK 13050	F34-F35
SK 13063	F38-F39
SK 13080	F42-F43
SK 33100	F46-F47

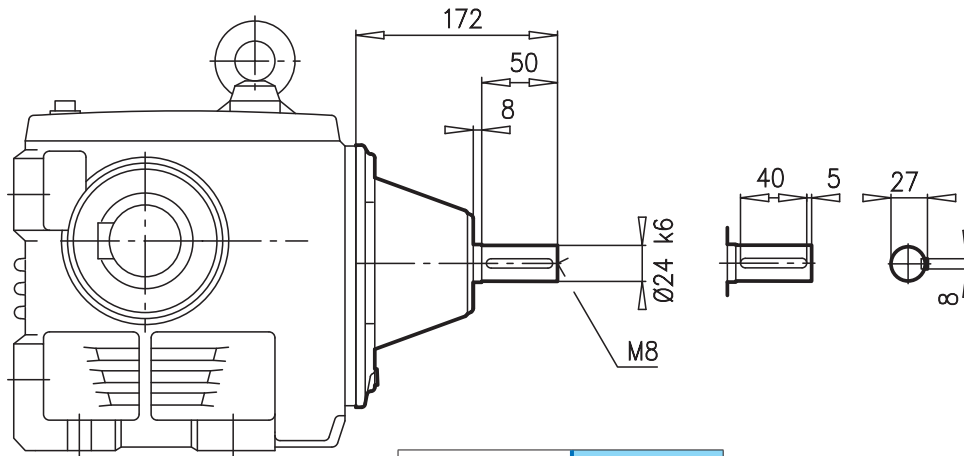
SK ... - IEC ...



IEC	a	b	d	e	f	l	o	s	t	u
63	140	95	11	115	3,5	23	85	M8	12,8	4
71	160	110	14	130	4,0	30	89	M8	16,3	5
80	200	130	19	165	4,0	40	105	M10	21,8	6
90	200	130	24	165	4,0	50	105	M10	27,3	8
100	250	180	28	215	5,0	60	130	M12	31,3	8
112	250	180	28	215	5,0	60	130	M12	31,3	8

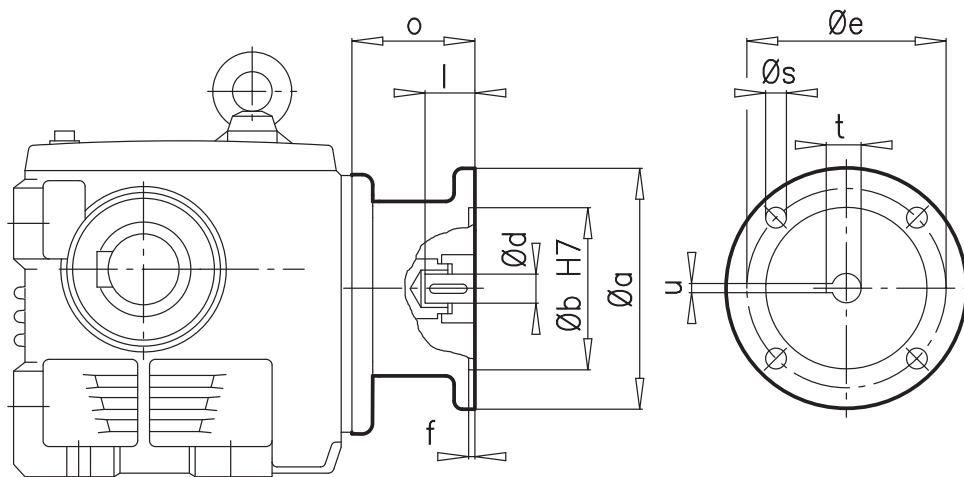


SK ... - W

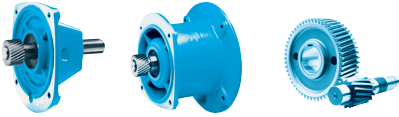


Type	↔ 📖
SK 32100	F44-F45
SK 43125	F50-F51

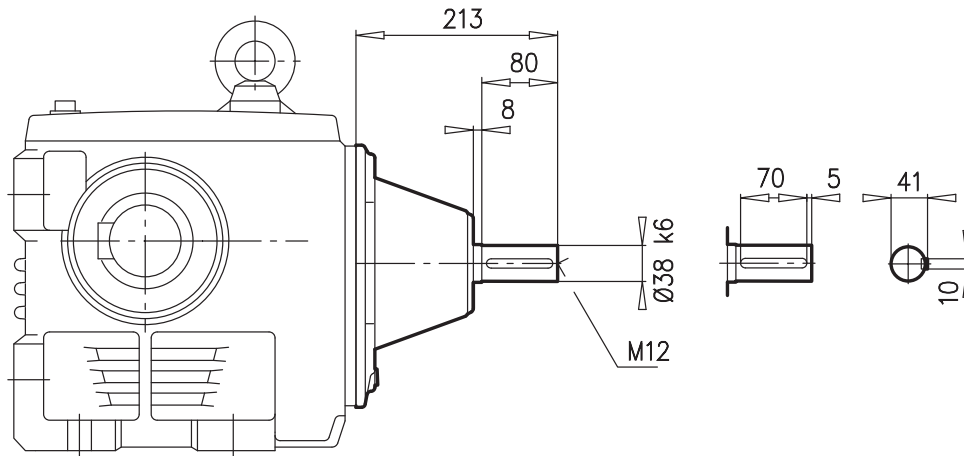
SK ... - IEC ...



IEC	a	b	d	e	f	l	o	s	t	u
71	160	110	14	130	4,0	30	88	M8	16,3	5
80	200	130	19	165	4,0	40	107	M10	21,8	6
90	200	130	24	165	4,0	50	107	M10	27,3	8
100	250	180	28	215	5,0	60	124	M12	31,3	8
112	250	180	28	215	5,0	60	124	M12	31,3	8
132	300	230	38	265	5,0	80	156	M12	41,3	10

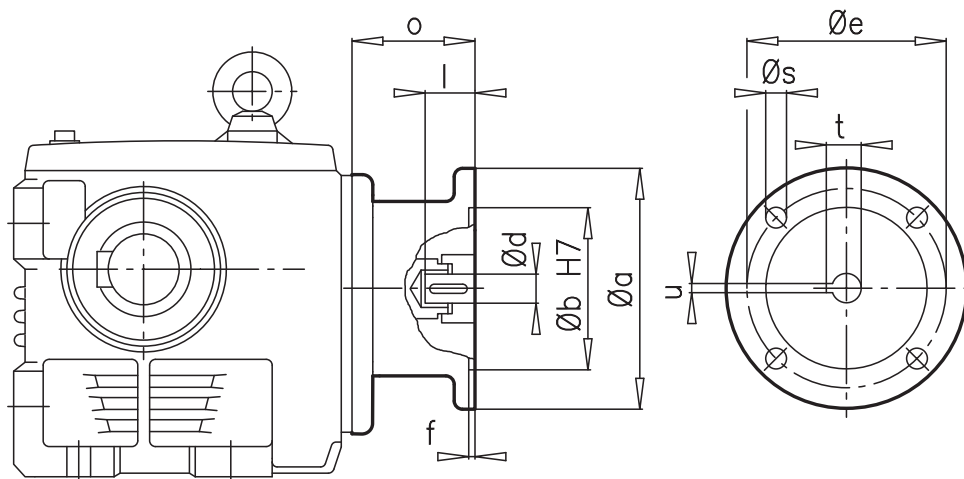


SK ... - W

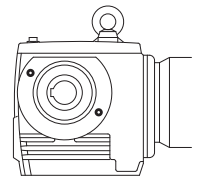
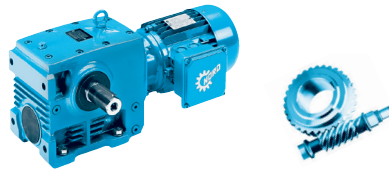


Type	↗ 📖
SK 42125	F48-F49

SK ... - IEC ...

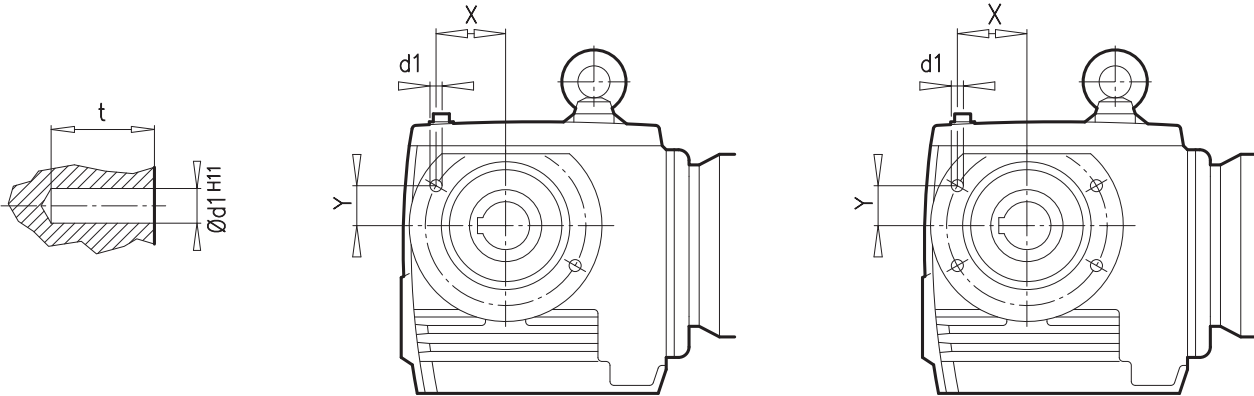


IEC	a	b	d	e	f	l	o	s	t	u
90	140	95	11	115	3,5	23	85	M8	12,8	4
100	160	110	14	130	4,0	30	89	M8	16,3	5
112	200	130	19	165	4,0	40	105	M10	21,8	6
132	200	130	24	165	4,0	50	105	M10	27,3	8
160	250	180	28	215	5,0	60	130	M12	31,3	8

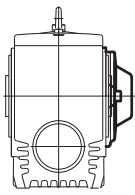


SK 02050AZ - SK 33100AZ

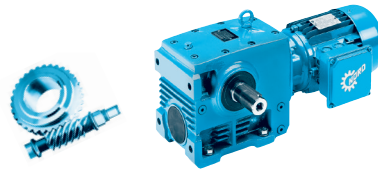
SK 42125AZ
SK 43125AZ



⇒ A61		$d1^{H11}$	X	Y
SK 02050	AZ	2 x \varnothing 8 x 12	56,14	12,45
SK 13050	AZ	2 x \varnothing 8 x 12	56,14	12,45
SK 12063	AZ	2 x \varnothing 8 x 12	56,14	12,45
SK 13063	AZ	2 x \varnothing 8 x 12	56,14	12,45
SK 12080	AZ	2 x \varnothing 10 x 15	80,54	17,86
SK 13080	AZ	2 x \varnothing 10 x 15	80,54	17,86
SK 32100	AZ	2 x \varnothing 12 x 20	104,95	23,27
SK 33100	AZ	2 x \varnothing 12 x 20	104,95	23,27
SK 42125	AZ	4 x \varnothing 12 x 20	111,75	71,19
SK 43125	AZ	4 x \varnothing 12 x 20	111,75	71,19

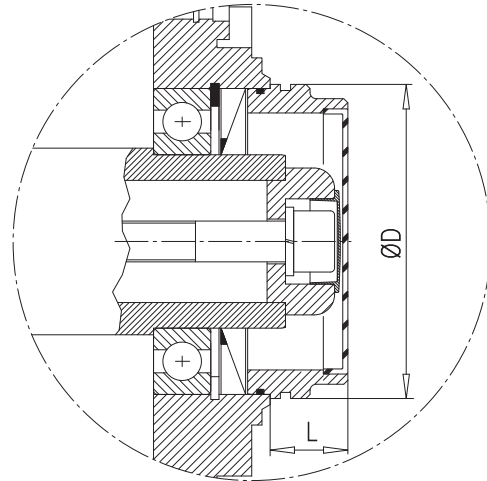
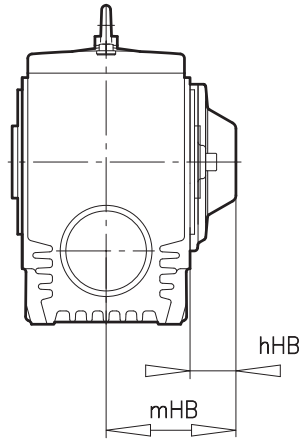
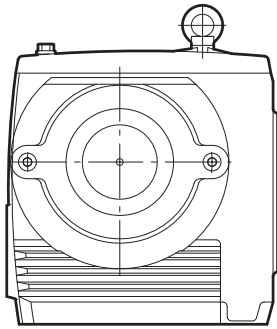


AZH



SK ... AZH

SK ... AZH 66

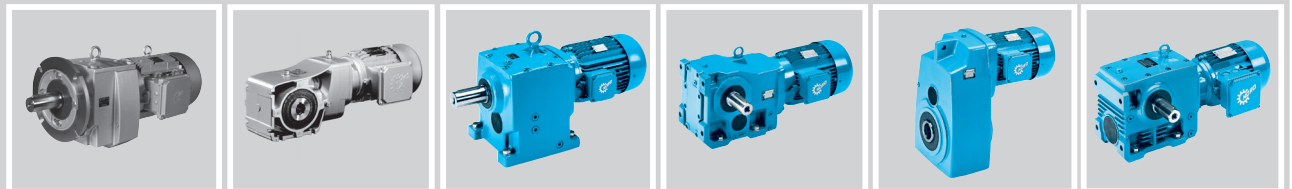


⇒ A61		hHB	mHB
SK 02050	AZH	37	97
SK 13050	AZH		
SK 12063	AZH	37	104
SK 13063	AZH		
SK 12080	AZH	41	116
SK 13080	AZH		
SK 32100	AZH	49	141
SK 33100	AZH		
SK 42125	AZH	53	168
SK 43125	AZH		

⇒ A61		D	L
SK 02050	AZH66	80	25
SK 13050	AZH66		
SK 12063	AZH66	85	28
SK 13063	AZH66		
SK 12080	AZH66	104	35
SK 13080	AZH66		
SK 32100	AZH66	135	40
SK 33100	AZH66		
SK 42125	AZH66	150	40
SK 43125	AZH66		

APPENDIX

General enquiry form	G 2
Motor overviews	G 4





Enquiry form



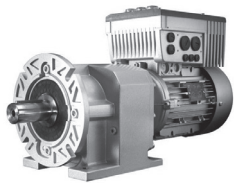
This general enquiry form can be found in the attachment as well as on the NORD homepage under www.nord.com - Heading DOCUMENTATION / FORMS.



General enquiry form

Company	<input type="text"/>	 	NORD DRIVESYSTEMS Rudolf-Diesel-Straße 1 D-22941 Bargteheide Tel.: +49(0) 4532/401-0 Fax: +49(0)4532/401-254 E-Mail info@nord.com www.nord.com	
Street	<input type="text"/>			
Town	<input type="text"/>		Post-code	<input type="text"/>
Contact	<input type="text"/>			
Tel.:	<input type="text"/>		Customer No.	<input type="text"/>
Fax:	<input type="text"/>		Application	<input type="text"/>
Email	<input type="text"/>	Project	<input type="text"/>	

Components required			
<input type="radio"/> Gear unit motor	<input type="radio"/> IEC – Gear unit motor	<input type="radio"/> Gear unit with free shaft end	<input type="radio"/> Stand-alone motor
Quantity	<input type="text"/>	Type	<input type="text"/>



Parameters specific to the gear unit	
Version	<input type="text"/>
Gear ratio	<input type="text"/>
Flange <input type="radio"/> B14 <input type="radio"/> B5	ø <input type="text"/> [mm]
<input type="radio"/> Hollow shaft <input type="radio"/> Solid shaft	ø <input type="text"/> x <input type="text"/> [mm]
Output speed at mains frequency n_2	<input type="text"/> [min ⁻¹]
Output torque M_2	<input type="text"/> [Nm]
Min. operating factor f_b	<input type="text"/>
Min. bearing life L_h	<input type="text"/> [N]
Radial forces on output shaft F_{R2}	<input type="text"/> [N]
Axial forces on output shaft F_{A2}	<input type="text"/> [N]
Dist. from shaft collar to point of action of force	<input type="text"/> [mm]

Parameters specific to gear unit	
Bearings	<input type="radio"/> Normal <input type="radio"/> VL <input type="radio"/> VL2 <input type="radio"/> VL3 <input type="radio"/> AL
For bevel gear or worm gear units	Shaft at <input type="radio"/> A <input type="radio"/> B
Oil type	<input type="radio"/> Mineral <input type="radio"/> Synthetic <input type="radio"/> Foodstuff-compatible oil <input type="radio"/> Special oil type <input type="text"/>
Parameters specific to motor	
Effective motor power	<input type="text"/> [kW]
Motor speed n_1	<input type="text"/> [min ⁻¹]
Temperature sensor (PTC)	<input type="radio"/> Bi-metal temperature monitor <input type="radio"/>
Mains voltage	<input type="text"/> [V] +/- <input type="text"/> [%]
Mains frequency	<input type="text"/> [Hz]



General enquiry form

Parameters specific to motor	Outline conditions
Insulation class F <input checked="" type="checkbox"/>	Ambient temperatures <input type="text"/> from <input type="text"/> [°C]
Protection class <input type="radio"/> IP55 (Standard) <input type="radio"/> IP <input type="text"/>	<input type="checkbox"/> Buffer mounting for travelling drives <input type="text"/> [Nm]
Operating mode <input type="radio"/> S1 (Standard) <input type="radio"/> s <input type="text"/> <input type="text"/> [%]	<input type="checkbox"/> Relative humidity <input type="text"/> [%]
Switching frequency <input type="text"/> [c/h]	<input type="checkbox"/> Exposure to direct sunlight
The relative switch-on time <input type="text"/> [%]	<input type="checkbox"/> Aggressive media (e.g.: salty air)
Terminal box at <input type="text"/> Cable gland at <input type="text"/>	<input type="checkbox"/> Increased installation altitude <input type="text"/> [m]
Parameters specific to brake	<input type="checkbox"/> Precipitation
Rated brake torque <input type="text"/> [Nm]	<input type="checkbox"/> ATEX (explosive mixtures in the vicinity) Zone <input type="text"/>
Rated brake voltage <input type="text"/> [V]	Painting
<input type="radio"/> Holding brake / emergency brake <input type="radio"/> Service brake	<input type="radio"/> Not painted
Frequency inverter operation	<input type="radio"/> Paint 1.0 - Primer
<input type="radio"/> Control cabinet inverter <input type="radio"/> Motor-mounted inverter	<input type="radio"/> Paint 2.0 - standard
Adjustment range from <input type="text"/> [Hz] to <input type="text"/> [Hz]	<input type="radio"/> Paint 3.0 - normal environmental contamination
<input type="checkbox"/> Constant torque within adjustment range <input type="text"/> [Nm]	<input type="radio"/> Paint 3.1 - moderate environmental contamination
<input type="checkbox"/> External fan	<input type="radio"/> Paint 3.2 - severe environmental contamination
<input type="checkbox"/> Increase in motor size (with constant torque)	<input type="radio"/> Other painting (e.g.: Z, 3.4 or 3.5) <input type="text"/>
<input type="checkbox"/> Positioning <input type="radio"/> Incremental <input type="radio"/> Absolute	<input type="checkbox"/> Special colour (Standard RAL7031) RAL <input type="text"/>
<input type="checkbox"/> Speed feedback	<input type="checkbox"/> Regulations DIN EN, etc., please state <input type="text"/>
<input type="checkbox"/> Generator operation for power feedback <input type="text"/> [kW]	General conditions
<input type="checkbox"/> Bus system- type of bus system <input type="text"/>	Quote by <input type="text"/>
<input type="checkbox"/> Control via <input type="radio"/> PC <input type="radio"/> Control box	Purchasing conditions known <input type="radio"/> not known <input type="radio"/>
	Purchasing conditions attached <input type="checkbox"/>
	Delivery time after receipt of order <input type="text"/>
	Delivery carriage paid <input type="checkbox"/>

Comments	<input style="width: 100%;" type="text"/>
----------	---

Motor overview

The motor overview is an excerpt from the motor catalogue M7000 IE1 IE2 IE3



The motor catalogue M7000 IE1 IE2 IE3 can be found on the NORD homepage under www.nord.com - Heading DOCUMENTATION


1500 1/min 50 Hz				400 V 4 - pole								
IE3 S1												
Type	P_N	n_N	M_N	I_N		$\cos \varphi$	η	M_A/M_N	M_K/M_N	I_A/I_N	J	$\overset{\text{kg}}{\square}$
	[kW]	[1/min]	[Nm]	230 V [A]	400 V [A]	φ	4/4 P_N [%]				[kgm ²]	[kg]
**63 S/4	0,12	1335	0,86	0,95	0,55	0,64	49,9	2,7	2,7	2,9	0,00021	3,6
**63 L/4	0,18	1390	1,24	1,18	0,68	0,64	56,2	2,6	2,6	3,3	0,00028	4,2
**71 S/4	0,25	1380	1,73	1,32	0,76	0,77	61,6	2,2	2,1	3,3	0,00072	5,4
**71 L/4	0,37	1380	2,56	1,89	1,09	0,71	64,4	2,0	2,4	3,6	0,00086	6,3
**80 SH/4	0,55	1420	3,73	2,44	1,41	0,70	80,8	3,1	3,2	5,1	0,0014	9,0
80 LP/4	0,75	1415	5,06	3,10	1,79	0,72	83,7	3,0	3,1	5,4	0,0019	10,2
90 SP/4	1,1	1430	7,35	4,12	2,38	0,78	85,3	3,6	4,0	6,8	0,0034	15,1
90 LP/4	1,5	1415	10,1	5,59	3,23	0,79	85,3	3,3	3,5	5,9	0,0039	16,8
100 LP/4	2,2	1465	14,3	7,40	4,27	0,83	88,1	2,6	3,9	8,2	0,0081	28
100 AP/4	3	1460	19,6	10,5	6,06	0,81	88,1	2,4	3,6	7,3	0,0081	28
112 MP/4	4	1440	26,5	13,6	7,85	0,83	88,6	3,3	3,5	7,4	0,014	35,5
132 SP/4	5,5	1465	35,8	18,9	10,9	0,8	90,9	3,9	4,1	8,6	0,032	55
132 MP/4	7,5	1460	49,0	27,3	15,7	0,77	90,4	3,9	4,2	7,5	0,035	62
160 SP/4	9,2	1470	59,8	28,9	16,7	0,88	91,0	2,9	3,3	8,1	0,067	93
160 MP/4	11	1465	71,7	35,5	20,5	0,85	91,4	2,9	3,4	7,4	0,067	93
160 LP/4	15	1465	97,8	48,3	27,9	0,85	92,3	3,8	4,3	9,1	0,092	122
180 MP/4	18,5	1480	119	58,9	34	0,84	93,1	3,4	3,8	9,2	0,16	155
180 LP/4	22	1475	142	68,1	39,3	0,87	93,1	2,8	3,2	8,0	0,16	155
225 RP/4	30	1485	193	97,3	56,2	0,82	94,1	3,0	3,4	7,8	0,49	315
225 SP/4	37	1485	238	118	68,2	0,83	94,1	2,9	3,2	7,7	0,54	330
225 MP/4	45	1485	289	142	81,7	0,83	94,6	3,0	3,4	8,0	0,67	365
250 WP/4	55	1480	355	166	96,1	0,87	94,6	2,6	2,8	7,0	0,82	400
280 SP/4	75	1485	482	-	133	0,86	95	2,5	3	6,9	1,39	570
280 MP/4	90	1485	579	-	157	0,87	95,2	2,6	3	7,2	1,7	670
315 SP/4	110	1488	706	-	191	0,87	95,4	2,6	2,9	6,8	2,2	760
315 MP/4	132	1490	846	-	230	0,87	95,6	2,8	3	7,3	2,9	960
315 RP/4	160	1490	1025	-	275	0,87	95,8	2,9	3,1	7,3	3,1	990

* Version B5, without options ** not IE3

1500 1/min
50 Hz

230/400 V / 400/690 V
4 - pole

IE2 - S1

Type	P _N	n _N	M _N	I _N		cos	η			M _A /M _N	M _K /M _N	I _A /I _N	J	
				230/400 V	400/690 V	φ	1/2 P _N	3/4 P _N	4/4 P _N					*
	[kW]	[1/min]	[Nm]	[A]			[%]						[kgm ²]	[kg]
**63 S/4	0,12	1335	0,86	0,95 / 0,55		0,64			49,9	2,7	2,7	2,9	0,00021	3,6
**63 L/4	0,18	1360	1,26	1,18 / 0,68		0,64			56,2	2,5	2,6	3,3	0,00028	4,2
**71 S/4	0,25	1380	1,73	1,32 / 0,76		0,77			61,6	2,2	2,1	3,3	0,00072	5,4
**71 L/4	0,37	1380	2,56	1,89 / 1,09		0,71			64,4	2,0	2,4	3,6	0,00086	6,3
80 SH/4	0,55	1420	3,73	2,44 / 1,41	1,41 / 0,81	0,70	77,7	80,7	80,8	3,1	3,2	5,1	0,0014	9,0
80 LH/4	0,75	1415	5,06	3,05 / 1,76	1,76 / 1,02	0,75	81,6	83,0	82,4	3,0	3,1	5,2	0,0019	10,2
90 SH/4	1,1	1435	7,32	4,19 / 2,42	2,42 / 1,40	0,80	80,9	82,0	81,8	3,1	3,5	6,1	0,0034	15,1
90 LH/4	1,5	1415	10,1	5,80 / 3,34	3,34 / 1,93	0,79	81,3	82,4	82,8	3,3	3,5	5,8	0,0039	16,8
100 LH/4	2,2	1445	14,5	8,10 / 4,65	4,65 / 2,68	0,79	85,2	86,7	86,6	3,7	4,3	7,3	0,0075	25,2
100 AH/4	3	1425	20,3	11,4 / 6,59	6,59 / 3,80	0,77	86,4	86,7	85,6	3,1	3,5	6,3	0,0075	25,2
112 MH/4	4	1440	26,6	13,9 / 8,02	8,02 / 4,63	0,83	87,4	87,6	86,7	3,1	3,6	7,5	0,014	35,5
132 SH/4	5,5	1460	36,0	18,5 / 10,7	10,7 / 6,18	0,84	87,6	88,5	88,2	3,1	3,5	7,5	0,032	55
132 MH/4	7,5	1460	49,1	26,0 / 15,0	15,0 / 8,70	0,81	88,5	89,5	89,3	3,3	3,9	7,5	0,035	62
132 LH/4	9,2	1450	60,6	34,0 / 19,6	19,6 / 11,3	0,77	87,6	89,7	89,3	3,4	3,8	7,4	0,035	62
160 SH/4	9,2	1465	59,8	29,4 / 17,0	17,1 / 9,80	0,87	90,3	90,9	90,5	3,3	3,6	8,2	0,067	93
160 MH/4	11	1465	71,7	35,7 / 20,6	20,6 / 11,9	0,86	90,8	91,3	91,2	2,9	3,4	7,4	0,067	93
160 LH/4	15	1465	97,8	47,6 / 27,5	27,5 / 15,9	0,87	91,7	92,4	92,0	3,0	3,5	7,9	0,092	122
180 MH/4	18,5	1475	120	59,9 / 34,6	34,6 / 20,0	0,84	92,2	92,6	92,2	2,9	3,2	7,7	0,13	137
180 LH/4	22	1475	143	69,8 / 40,3	40,3 / 23,3	0,86	92,7	92,9	92,2	2,8	3,1	7,7	0,16	155
200 XH/4	30,0	1470	195	102 / 59,0	59,0 / 34,1	0,80	92,8	92,8	92,4	2,8	3,1	7,1	0,16	155
225 SH/4	37,0	1480	239	117,7 / 67,7	67,7 / 39,1	0,85	94,4	94,2	93,7	2,6	3,0	6,9	0,49	315
225 MH/4	45,0	1480	290	141,0 / 81,4	81,4 / 47,0	0,84	94,4	94,5	94,0	2,6	2,7	6,9	0,60	340
250 WH/4	55,0	1480	355	172,0 / 99,3	99,3 / 57,3	0,84	94,2	94,4	94,0	2,7	3,0	7,4	0,74	380
280 SH/4	75,0	1485	482		132 / 76,0	0,87	92,5	94,1	94,0	2,5	2,9	6,8	1,40	550
280 MH/4	90,0	1486	578		160 / 92,0	0,86	92,7	94,3	94,2	2,7	3,1	7,5	1,70	570
315 SH/4	110	1488	706		193 / 111	0,87	93,0	94,6	94,5	2,7	2,9	7,1	2,30	740
315 MH/4	132	1488	847		230 / 133	0,88	93,2	94,8	94,7	2,7	2,9	7,3	2,90	870
315 RH/4	160	1490	1026		275 / 159	0,88	93,4	95,0	94,9	3,0	3,0	7,4	3,50	940
315 LH/4	200	1490	1282		345 / 199	0,88	93,6	95,2	95,1	3,2	3,0	7,6	4,20	1140

IE1 - S1, S9

**63 S/4	0,12	1335	0,86	0,95 / 0,55	0,55 / 0,32	0,64	40,9	48,1	50	2,7	2,7	2,9	0,00021	3,6
**63 L/4	0,18	1390	1,24	1,18 / 0,68	0,68 / 0,39	0,61	51,2	56	58	2,6	2,7	3	0,00028	4,2
**71 S/4	0,25	1380	1,73	1,32 / 0,76	0,76 / 0,44	0,77	58,9	62,5	63	2,2	2,1	3,3	0,00072	5,4
**71 L/4	0,37	1380	2,56	1,89 / 1,09	1,09 / 0,63	0,71	60,6	65,7	67	2	2,4	3,6	0,00086	6,3
80 S/4	0,55	1375	3,82	2,63 / 1,52	1,52 / 0,88	0,73	74,5	75,9	75,1	1,9	2	3,3	0,00109	8
80 L/4	0,75	1375	5,21	3,64 / 2,10	2,10 / 1,21	0,74	74,7	76,3	75,5	2	2,1	3,5	0,0014	9
90 S/4	1,1	1395	7,53	4,87 / 2,81	2,81 / 1,62	0,74	75,7	77,9	77,6	2,3	2,6	4,4	0,00235	12
90 L/4	1,5	1395	10,3	6,15 / 3,55	3,55 / 2,05	0,78	78,7	79,1	77,5	2,3	2,6	4,8	0,00313	14
100 L/4	2,2	1440	14,6	9,01 / 5,20	5,20 / 3,00	0,74	79,5	81,2	80,8	2,3	3	5,1	0,0045	18
100 LA/4	3	1415	20,2	11,3 / 6,52	6,52 / 3,76	0,76	83,3	84,2	83,3	2,5	2,9	5,4	0,006	21
112 M/4	4	1445	26,4	14,4 / 8,31	8,31 / 4,80	0,8	86,4	86,4	85,1	2,3	2,9	5,4	0,011	30
132 S/4	5,5	1445	36,5	19,8 / 11,4	11,4 / 6,58	0,81	88	88,5	87,9	2,1	2,7	5,5	0,024	44
132 M/4	7,5	1445	49,6	25,6 / 14,8	14,8 / 8,54	0,84	89,4	89,1	87,7	2,5	2,8	5,5	0,032	55
132 MA/4	9,2	1450	60,6	32,6 / 18,8	18,8 / 10,9	0,80	87,7	87,7	86,9	2,6	3,1	6,0	0,035	62
160 M/4	11	1455	72,2	36,2 / 20,9	20,9 / 12,1	0,85	89,5	89,6	88,8	2,4	2,9	6,5	0,050	78
160 L/4	15	1460	98,1	48,8 / 28,2	28,2 / 16,3	0,85	90,4	90,5	89,7	2,9	3,5	7,5	0,067	93
180 MX/4	18,5	1460	122	61,3 / 35,4	35,4 / 20,4	0,83	90,3	90,8	90,3	3,2	3,8	7,5	0,080	107
180 LX/4	22	1460	145	75,5 / 43,6	43,6 / 25,2	0,82	90,3	90,7	90,3	3,3	3,8	7,5	0,092	122
200 LX/4	30	1470	195	99,8 / 57,6	57,6 / 33,3	0,83	91,9	91,6	90,7	2,6	3,0	6,9	0,160	155

* Version B5, without options ** not IE1, IE2

G1000 Fixed speeds

UNICASE housing 60 Hz

- NORDBLOC.1 Helical geared motors
- Helical geared motors
- Parallel geared motors
- Bevel geared motors
- Helical worm geared motors

G1012 NORDBLOC.1 50 Hz

- Helical geared motors

G1050 NORDBLOC Industrial gear units

G1001 Explosion protected drive units

- Category 2G, Zone 1, gas

G1022 Explosion protected drive units

- Category 3D, Zone 22, dust

F3020 Frequency inverter SK200E

F3050 Frequency inverter SK500E





NORD DRIVESYSTEMS GROUP

Headquarters and Technology Center
in Bargteheide near Hamburg, Germany

Innovative drive solutions
for more than 100 industries

Mechanic Products
Helical, Parallel Shaft, Helical Bevel and Helical Worm Gear Units

Electrical Products
Electric motors in all efficiency classes

Electronic Products
Centralized and decentralized frequency inverters,
Motor starters

7 state-of-the-art production plants
for all drive components

36 subsidiaries on 5 continents
provide on-site storage, assembly centers,
technical support and customer service

More than 3.200 employees around the world
create customized solutions

www.nord.com/locator

Headquarters:

Getriebebau NORD GmbH & Co. KG

Getriebebau-Nord-Straße 1
22941 Bargteheide, Germany
Fon +49 (0) 4532 / 289-0
Fax +49 (0) 4532 / 289-2253
info@nord.com, www.nord.com

Member of the NORD DRIVESYSTEMS Group

