

Intelligent Drivesystems, Worldwide Services



EN

**G1014**

IE1  
Standard

IE2

IE3

**NORDBLOC.1 2-stage helical-bevel gear unit**

SK 92072.1 – SK 92772.1

SK 93072.1 – SK 93772.1



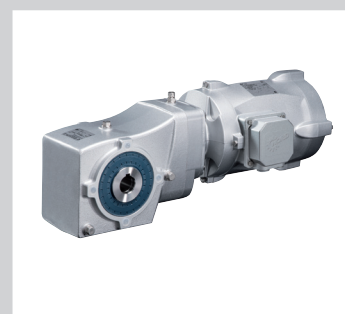
# Contents

|  |          |
|--|----------|
| INTRODUCTION .....                                       | A 1 - 3  |
| STANDARDS, REGULATIONS,<br>NOMENCLATURE .....            | A 4 - 8  |
| OIL FILL VOLUMES .....                                   | A 9      |
| POWER AND SPEED TABLES .....                             | B 2 - 11 |
| POWER AND SPEED RATIO TABLES<br>W and IEC ADAPTERS ..... | B12 - 17 |
| DIMENSIONED DRAWINGS .....                               | B18 - 49 |

SK 92072.1 - SK 92772.1



SK 93072.1 - SK 93772.1





## Global presence

- **NORD** has subsidiaries in 36 countries
- with its representatives **NORD** is present in 52 countries
- Service and sales partner
- Technical support
- Support for installation and commissioning
- Spare parts management

**NORD DRIVESYSTEMS** with its headquarters in Bargteheide near Hamburg and subsidiaries in 36 countries is a global company with an extensive range of products and services for electrical, mechanical and electronic drive technology.

With a staff of approx. 3,200 in its German factories and international production facilities, **NORD** produces and distributes drive technology for the global market.

The design of user-specific drive solutions with close customer support from the planning phase right up to commissioning is what makes **NORD** a strong and dependable partner.

We consider 24-hour service, fast availability and being close to our customers as both a responsibility and an obligation, just as you can expect from a leading drive manufacturer such as **NORD**.

## PRODUCTION SITES



**NORD headquarters**  
Bargteheide



**NORD Electronic DRIVESYSTEMS**  
Aurich



**NORD gear factory** Glinde



**NORD Production Technology** in  
Gadebusch

## SOME OF OUR OVERSEAS PRODUCTION FACILITIES



**Vieux Thann**  
France



**Nowa Sol**  
Poland



**Waunakee, Wisconsin**  
USA



**Suzhou**  
China



# 2-stage bevel helical gear unit

Series **SK 92072.1 - SK 92772.1**  
**SK 93072.1 - SK 93772.1**



## Introduction

The 2-stage bevel helical gear unit series is available in 5 sizes and two series.

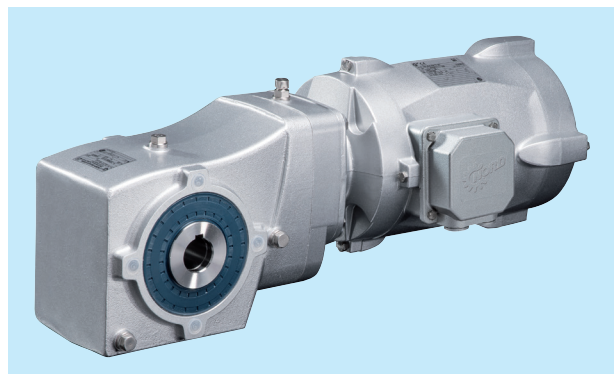
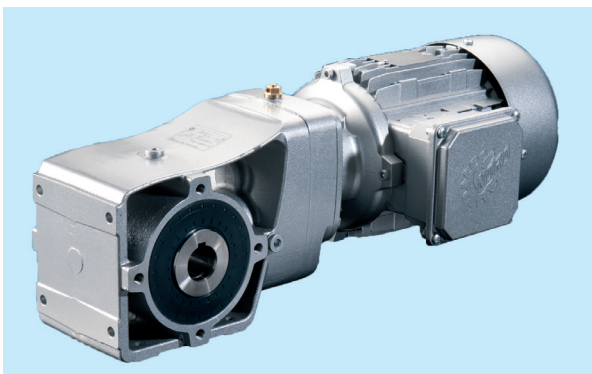
- SK92072.1            SK93072.1
- SK92172.1            SK93172.1
- SK92372.1            SK93372.1
- SK92672.1            SK93672.1
- SK92772.1            SK93772.1

Two series are available in all sizes.

- **SK92072.1 - SK92772.1**  
Serie - die cast housing series as universal housing with B14 flange and B5 foot mounting facility
- **SK93072.1 - SK93772.1**  
Serie - cast housing series with smooth, closed surfaces, B14 flange

This results in the 4 basic versions of the gear unit (see pictures).

- **SK92072.1 - SK92772.1 A**  
Die cast housing,    B14 flange attachment,    hollow shaft version,    B5 foot-mounted version
- **SK93072.1 - SK93772.1 A**  
Cast housing,        B14 flange attachment,    hollow shaft version
- **SK92072.1 - SK92772.1 V**  
Die cast housing,    B14 flange attachment,    solid shaft version,    B5 foot-mounted version
- **SK93072.1 - SK93772.1 V**  
Cast housing,        B14 flange attachment,    solid shaft version







# 2-stage bevel helical gear unit

Series **SK 92072.1 - SK 92772.1**  
**SK 93072.1 - SK 93772.1**

## Basic versions

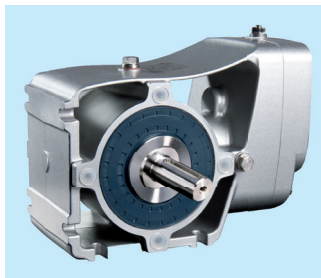
SK92072.1 - SK92772.1 A



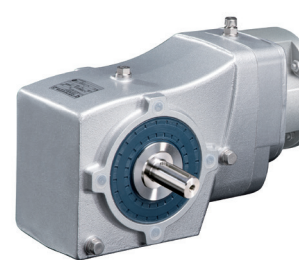
SK93072.1 - SK93772.1 A



SK92072.1 - SK92772.1 V



SK93072.1 - SK93772.1 V



With the SK93072.1 - SK93772.1 version it is possible to machine the horizontal and vertical surfaces of the housing in order to achieve the axis heights of the SK92072.1 - SK92772.1 series. It is also possible to position threaded holes in the same location as the foot mounting holes of the SK92072.1 - SK92772.1 series, so that this housing can be optionally converted to a foot mounted housing with **B14 attachment**. **On request, this version can also be implemented by reworking.**

### All sizes and series can be supplied with the following option configurations:

- D Torque support
- F B5 Output flange
- ASH Shrink disc version with cover
- B Fixing element
- H Cover (for hollow shaft version)
- L Solid shaft on both sides

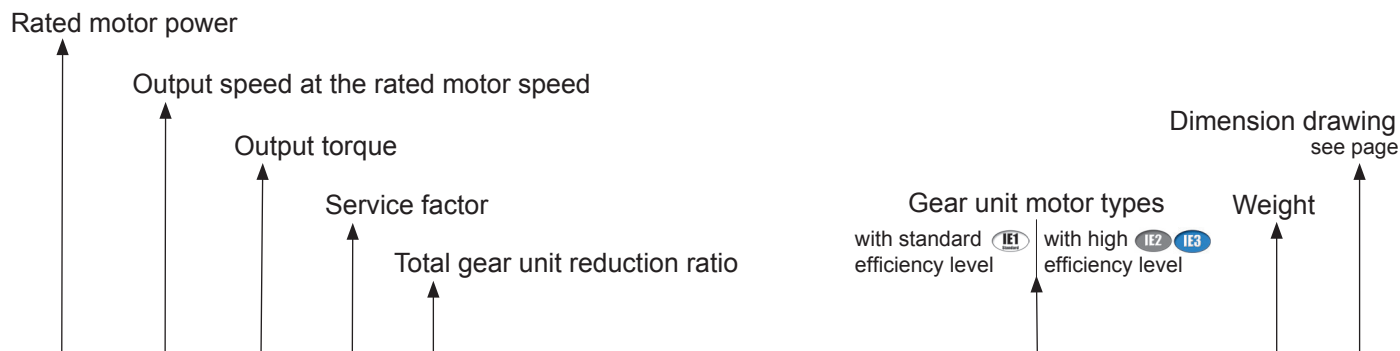
### On the drive side, the following versions are available:

- Direct motor attachment
- IEC adapter
- NEMA Adapter
- W cylinder

**For all versions the die cast or cast housing can be optionally treated with nsd tупH.**

## Structure of power and speed tables - Type Gear unit motor

### 0,55 kW → Gear unit motor power



| P <sub>1</sub><br>[kW] | n <sub>2</sub><br>[min <sup>-1</sup> ] | M <sub>2</sub><br>[Nm] | f <sub>B</sub> | i <sub>ges</sub> | F <sub>R</sub><br>[kN] | F <sub>A</sub><br>[kN] | F <sub>R VL</sub><br>[kN] | F <sub>A VL</sub><br>[kN] | Gear unit motor        |                         |                         | IE1<br>kg       | mm<br>mm |
|------------------------|--|------------------------|----------------|------------------|------------------------|------------------------|---------------------------|---------------------------|------------------------|-------------------------|-------------------------|-----------------|----------|
|                        |  |                        |                |                  |                        |                        |                           |                           | IE1<br>Standard        | IE2                     | IE3                     | IE1<br>Standard | mm       |
| 0,55                   | 21                                     | 248                    | 2,0            | 66,96            | 10,2                   | 25,0                   | -                         | -                         | SK 92772.1<br>- 80 S/4 | SK 92772.1<br>- 80 SH/4 |                         | 43,8            | B26-27   |
|                        | 24                                     | 221                    | 2,0            | 59,68            | 10,2                   | 25,0                   | -                         | -                         |                        |                         |                         |                 |          |
|                        | 27                                     | 195                    | 3,0            | 52,64            | 10,3                   | 25,0                   | -                         | -                         |                        |                         |                         |                 |          |
|                        | 30                                     | 174                    | 3,0            | 46,92            | 10,3                   | 25,0                   | -                         | -                         |                        |                         |                         |                 |          |
|                        | 33                                     | 161                    | 3,9            | 43,44            | 10,3                   | 25,0                   | -                         | -                         |                        |                         |                         |                 |          |
| 0,75                   | 21                                     | 339                    | 1,4            | 66,96            | 10,0                   | 25,0                   | -                         | -                         | SK 92772.1<br>- 80 L/4 | SK 92772.1<br>- 80 LH/4 | SK 92772.1<br>- 80 LP/4 | 45,0            | B26-27   |
|                        | 24                                     | 302                    | 1,4            | 59,68            | 10,1                   | 25,0                   | -                         | -                         |                        |                         |                         |                 |          |
|                        | 27                                     | 266                    | 2,2            | 52,64            | 10,1                   | 25,0                   | -                         | -                         |                        |                         |                         |                 |          |
|                        | 30                                     | 237                    | 2,2            | 46,92            | 10,2                   | 25,0                   | -                         | -                         |                        |                         |                         |                 |          |
|                        | ⋮                                      |                        |                |                  |                        |                        |                           |                           | SK 93772.1<br>- 80 L/4 | SK 93772.1<br>- 80 LH/4 | SK 93772.1<br>- 80 LP/4 |                 | B36-37   |

Permitted overhung force, output end

#### Normal bearing

the listed values for F<sub>R</sub> are calculated with F<sub>A</sub> = 0

According to the ecological design directive, known as EU Directive 2009/125/EU Ordinance No. 640/2009, at present only motors of at least efficiency class IE2 may be sold in the European Union for certain applications in the power range from 0.75 kW to 375 kW.

NORD already supplies motors with efficiency class IE2 from a power of 0.55 kW, even though this is only mandatory above a power of 0.75 kW. In addition, NORD already supplies highly efficient IE3 motors, which will only become mandatory from 2015 or 2017.

However, depending on the application, the previously used lower efficiency motors, e.g. with efficiency class IE1 may also be used.

The exempted applications are listed on page ⇒ A5 of the NORD motor catalogue M7000.

The power and speed ratio tables for gear units and geared motors apply for both geared motor types with the high efficiency levels IE2 and IE3 as well as for geared motor types with standard efficiency (IE1).

Permitted axial force, output end

#### Normal bearing

the listed values for F<sub>A</sub> are calculated with F<sub>R</sub> = 0

The output speeds n<sub>2</sub>, output torques M<sub>2</sub> and operating factors f<sub>B</sub> are based on motor powers of 0.55 kW and above for NORD motors with efficiency level IE2, and rated motor powers less than 0.55 kW are based on the nominal speeds of NORD motors with efficiency class IE1.

Regardless of the efficiency class which is actually selected, the output speeds n<sub>2</sub>, output torques M<sub>2</sub> and operating factors f<sub>B</sub> as listed in the power and speed tables always give sufficiently accurate results, as the deviation in speed due to the efficiency class is at the most 3% for IE1 and IE3.

Usually, other influences, e.g. the torque required by the application (idling, partial load, full load) have a greater effect on the precise speed.

**Please contact us in case you have very high requirements for precise speed.**

The NORD motor catalogue M7000 lists the motor data for the various efficiency classes IE1, IE2, IE3.

## Structure of the Performance Tables: Type W and type IEC

SK 92772.1 - IEC → Gear unit type  
SK 92772.1 - W

Operating factors  $f_B$  with the IEC version are identical to the those of the same motor output with direct motor mounting. The  $f_B$  values are listed on the pages specified.

IEC motor sizes and IEC standard outputs as per DIN EN 50347

|            | $i_{ges}$               | $n_2$<br>$n_1 = 1400 \text{min}^{-1}$<br>[ $\text{min}^{-1}$ ] | $M_{2max}$<br>$f_B = 1$<br>[Nm] | W                                    |                                     |                                     | IEC                     |    |    |    |     |     |     |  |  |
|------------|-------------------------|--|---------------------------------|--------------------------------------|-------------------------------------|-------------------------------------|-------------------------|----|----|----|-----|-----|-----|--|--|
|            |                         |  |                                 | $P_{1max}$                           |                                     | $f_B \geq 1$                        | $f_B \Rightarrow$ B2-11 |    |    |    |     |     |     |  |  |
|            |                         |  |                                 | $n_1 = 1400 \text{min}^{-1}$<br>[kW] | $n_1 = 930 \text{min}^{-1}$<br>[kW] | $n_1 = 700 \text{min}^{-1}$<br>[kW] | 63                      | 71 | 80 | 90 | 100 | 112 | 132 |  |  |
| SK 92772.1 | 66,96<br>59,68<br>52,64 | 21<br>23<br>27   | 489<br>436<br>578               | 1,07<br>1,07<br>1,61                 | 0,71<br>0,71<br>1,07                | 0,54<br>0,54<br>0,80                |                         |    |    | *  |     |     |     |  |  |
| ⋮          |                         |  |                                 |                                      |                                     |                                     |                         |    |    |    |     |     |     |  |  |
|            | 5,12<br>4,17            | 273<br>336   | 505<br>496                      | 9,20<br>9,20                         | 6,11<br>6,11                        | 4,60<br>4,60                        |                         |    |    |    |     |     |     |  |  |

**Legend:**

- italic indicates:* Max. drive power  $P_{1max}$  (Typ W)
- non italic indicates:** with  $P_{1max}$  the operating factor  $f_B = 1$
- italic indicates:* with  $P_{1max}$  the operating factor  $f_B > 1$
- Asterisk indicates:** **Caution** do not exceed the max. driver power  $P_{1max}$  (Type W column)
- Shaded field indicates:** IEC adapter is available for this IEC motor size and this reduction ratio



## Tolerances

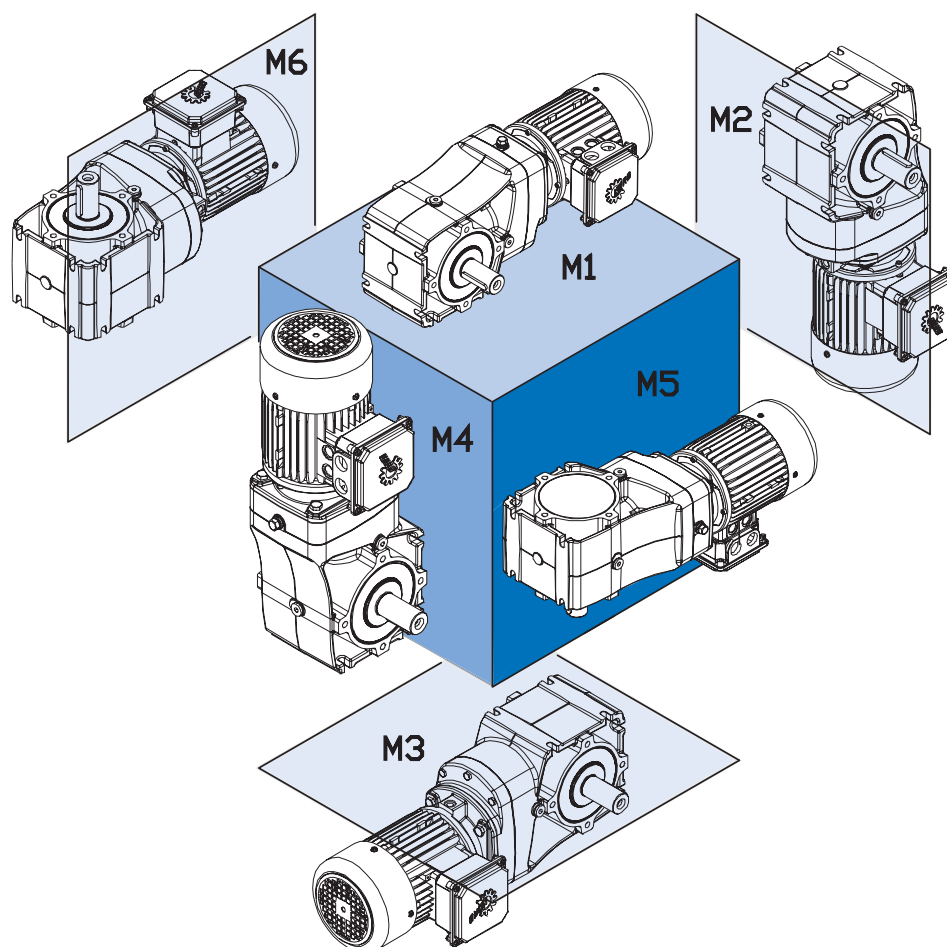
| Category                | Information   |
|-------------------------|---|
| Output and input shafts | <p>Tolerance of the hole (DIN 478) :</p> <p>Ø 14 - Ø 40 mm = ISO h6</p> <p>Threaded holes :</p> <p>= Ø 14 - Ø 16 mm → M5<br/>           &gt; Ø 16 - Ø 21 mm → M6<br/>           &gt; Ø 21 - Ø 24 mm → M8<br/>           &gt; Ø 24 - Ø 30 mm → M10<br/>           &gt; Ø 30 - Ø 38 mm → M12<br/>           &gt; Ø 38 - Ø 50 mm → M16</p> |
| Hollow shaft            | Tolerance of hollow shaft - Ø 14 (DIN 748) as per ISO H7  |
| Keys                    | Keys acc. DIN 6885, page 1  |
| Shaft height            | Shaft height «h» as per DIN 747   |
| Flanges                 | <p>Tolerance of the hole - Ø as per DIN EN 50347</p> <p>Tolerance of the flange centring - Ø as per ISO j6</p>  |
| IEC adapters            | <p>Tolerance of the hole - Ø as per DIN EN 50347</p> <p>Tolerance of the flange centring as per ISO H7</p>  |
| Motors                  | <p>Dimensions of motors are subject to change.</p> <p>           g1Bre<br/>           kBre<br/>           oBre<br/>           mBre<br/>           nBre<br/>           pBre         </p> <p>} Brake motor dimensions</p>   |
| Housings                | The housings are made of cast materials. Thus, due to the manufacturing process, the dimensions of the un-machined housing surfaces may differ slightly from the nominal dimensions.  |
| Thread                  | Fastening threads in cast components for use by customers (housing / IEC attachment adapter) are produced as standard threads according to DIN 13-1.  |

## Installation positions - nomenclature




For gear units and geared motors, NORD specifies six installation positions from M1 to M6 as shown in the following diagrams. The relevant installation position must be stated when ordering.

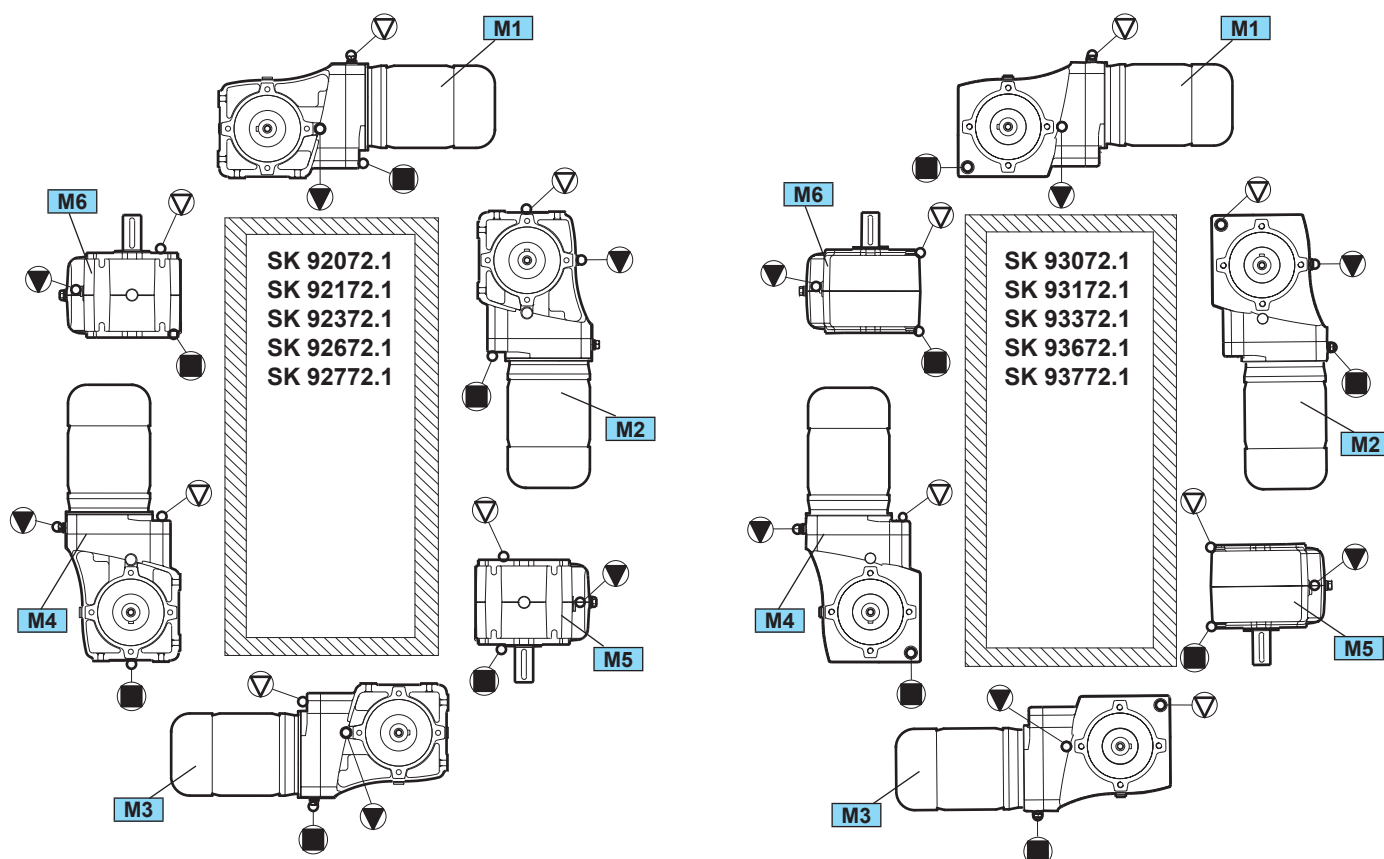
Changes to the installation position require adjustment of the quantity of oil, and often other measures such as the installation of encapsulated roller bearings. Damage may result if the necessary measures are not observed. Tilted installation positions between the 6 basic positions are possible. Please contact us.

The versions, with the position of the oil level plug, the vent plug and the oil drain plug can be found on ⇒  **A8**



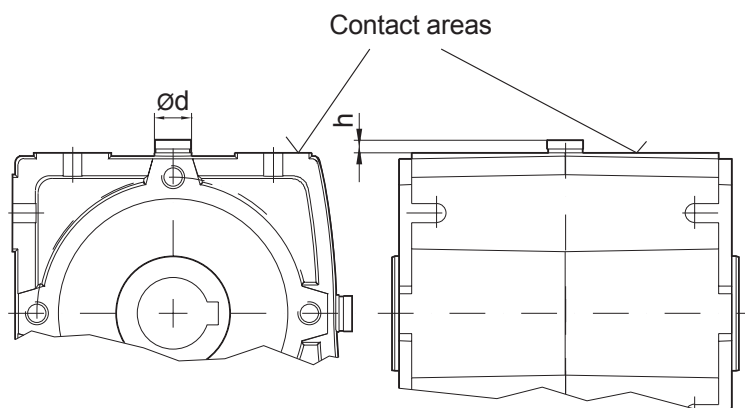
## Symbols for oil screw plugs in the mounting positions

|   |   |   |
|---|---|---|
|  |  |  |
| Vent  | Oil level   | Oil drain   |



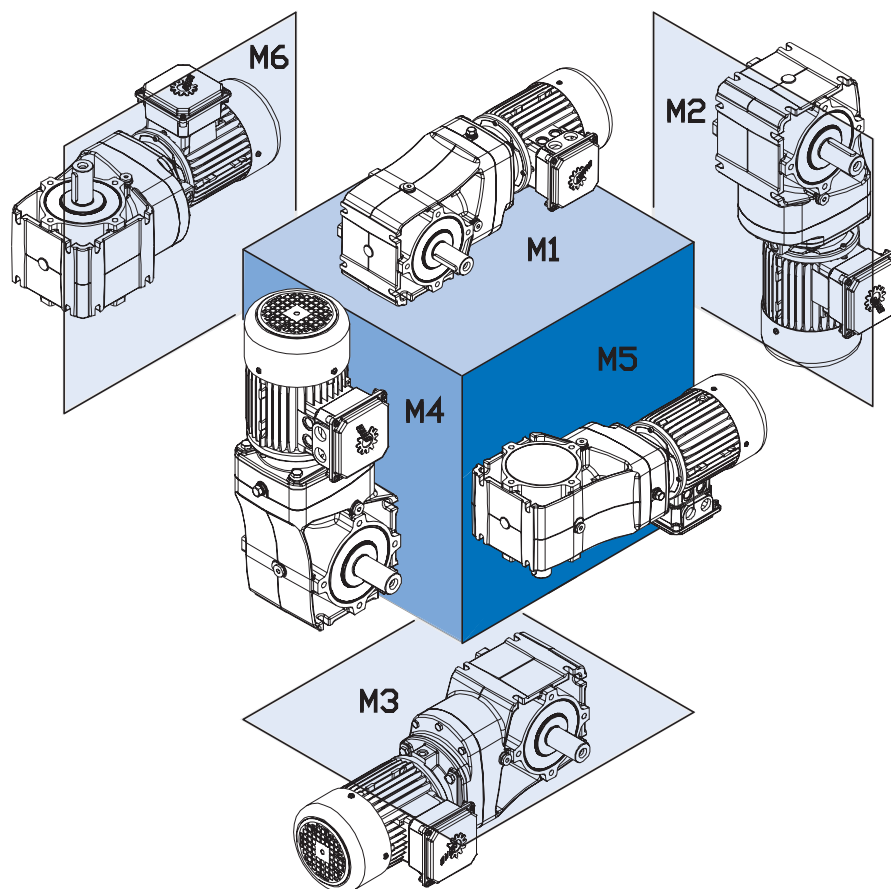
For the NORD gear unit series SK 92x72.1 it should be noted that for structural reasons, the venting or pressure relief screw can only be mounted on the side opposite to the motor and protrudes beyond the footprint.

Refer to the table below for the required clearings **d** and **h** of the respective gear size. This should be considered for the customer's connection design.



| Gear unit | Vent / Pressure ventilation | Ød [mm] | h [mm] |
|-----------|-----------------------------|---------|--------|
| 92072.1   | M8 x 1,0                    | 15      | 12     |
| 92172.1   | M10 x 1,0                   | 17      | 15     |
| 92372.1   | M12 x 1,5                   | 21      | 15     |
| 92672.1   | M12 x 1,5                   | 21      | 15     |
| 92772.1   | M12 x 1,5                   | 21      | 15     |





| Type |            | <br>[L] |       |       |       |       |       |
|------|------------|---------|-------|-------|-------|-------|-------|
|      |            | M1      | M2    | M3    | M4    | M5    | M6    |
|      | SK 92072.1 | 0,260   | 0,490 | 0,420 | 0,540 | 0,290 | 0,310 |
|      | SK 92172.1 | 0,340   | 0,610 | 0,550 | 0,670 | 0,420 | 0,480 |
|      | SK 92372.1 | 0,430   | 0,920 | 0,860 | 1,100 | 0,590 | 0,620 |
|      | SK 92672.1 | 0,850   | 1,600 | 1,400 | 1,850 | 1,050 | 1,220 |
|      | SK 92772.1 | 1,450   | 2,650 | 1,950 | 2,700 | 1,600 | 1,700 |
|      | SK 93072.1 | 0,390   | 0,930 | 0,790 | 1,020 | 0,490 | 0,620 |
|      | SK 93172.1 | 0,600   | 1,170 | 0,940 | 1,370 | 0,650 | 0,850 |
|      | SK 93372.1 | 1,000   | 1,970 | 1,650 | 2,140 | 1,120 | 1,340 |
|      | SK 93672.1 | 1,800   | 3,230 | 2,710 | 4,200 | 2,020 | 2,450 |
|      | SK 93772.1 | 2,720   | 4,630 | 3,700 | 5,400 | 2,930 | 3,250 |

In the NORD gear units series SK 92x72.1 is important to note that a painting up to max. F2 (series) is possible. For the painting of the NORD gear unit series SK 93x72.1 there are no restrictions.

| Type                 | TFD total [µm] | Similar to corrosivity category* | Recommended use   |
|----------------------|----------------|----------------------------------|---|
| F1                   | 60 - 100       |                                  | For top-coat to be applied by customer  |
| <b>F2 (Standard)</b> | 50 - 90        | C2                               | For indoor installation   |
| F3.0                 | 110 - 150      | C2                               | "For indoor and protected outdoor installation with low environmental contamination, e.g. open, unheated halls" |
| F3.1                 | 160 - 200      | C3                               | For outdoor installation, city and industrial atmosphere with low contamination                                 |
| F3.2                 | 210 - 250      | C4                               | For outdoor installation, city and industrial atmosphere with moderate environmental contamination              |
| F3.3                 | 200 - 240      | C5                               | For outdoor installation, city and industrial atmosphere with high environmental contamination                  |
| F3.4                 | 100 - 140      |                                  | For moderate exposure to chemicals  |
| F3.5                 | 100 - 140      |                                  | Machinery for foodstuffs packaging  |
| A                    |                |                                  | additional antimicrobial coating for all finishes except F3.4 and F3.5  |
| Z                    |                |                                  | Compensation of contour depressions and crevices with seam sealer on polyurethane basis                         |

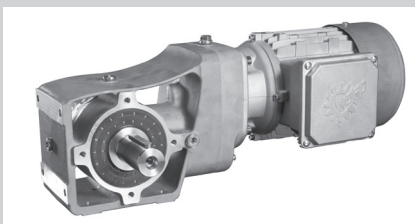
\* to DIN EN ISO 12944-2 classification of ambient conditions



# 2-stage bevel helical gear unit

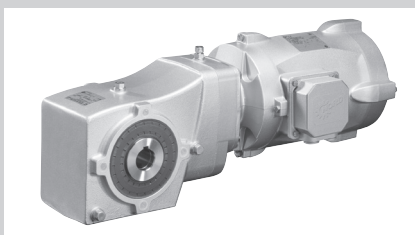
Series **SK 92072.1 - SK 92772.1**

**SK 93072.1 - SK 93772.1**



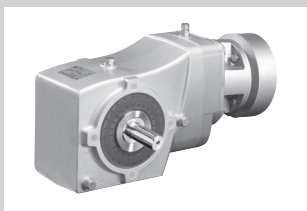
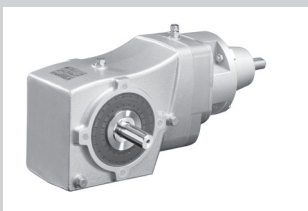
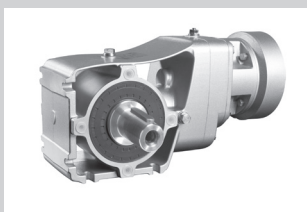
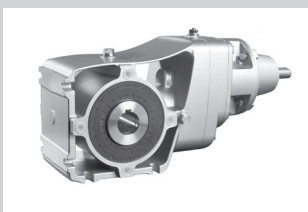

## GEAR UNIT MOTOR DATA

|                              |        |
|------------------------------|--------|
| Power and speed tables ..... | B - 2  |
| Power and speed tables       |        |
| W- and IEC adapters .....    | B - 12 |

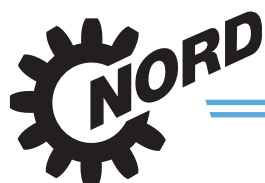
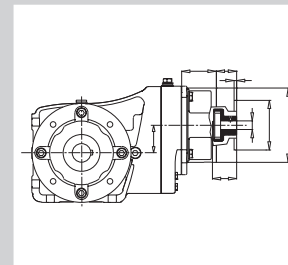


## DIMENSIONED DRAWINGS

|                                      |        |
|--------------------------------------|--------|
| Gear units .....                     | B - 18 |
| W- and IEC adapters .....            | B - 38 |
| Option - Gearbox-foot mounting ..... | B - 50 |

| is | F <sub>R</sub><br>[kN] | F <sub>A</sub><br>[kN] | F <sub>R VL</sub><br>[kN] | F <sub>A VL</sub><br>[kN] | Gear unit r |          |
|----|------------------------|------------------------|---------------------------|---------------------------|-------------|----------|
|    |                        |                        |                           |                           | IE1         | IE2      |
| 40 | 6,6                    | 15,0                   | -                         | -                         | SK 92372.1  | - 63 S/4 |
| 46 | 6,6                    | 15,0                   | -                         | -                         | SK 93372.1  | - 63 S/4 |
| 00 | 4,9                    | 12,0                   | -                         | -                         | SK 92172.1  | - 63 S/4 |
| 78 | 4,9                    | 12,0                   | -                         | -                         |             |          |
| 00 | 4,9                    | 12,0                   | -                         | -                         |             |          |

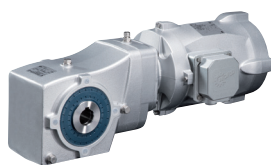




**0,12 kW**  
**0,18 kW**



| P <sub>1</sub><br>[kW] | n <sub>2</sub><br>[min <sup>-1</sup> ] | M <sub>2</sub><br>[Nm] | f <sub>B</sub> | i <sub>ges</sub> | F <sub>R</sub><br>[kN] | F <sub>A</sub><br>[kN] | F <sub>RVL</sub><br>[kN] | F <sub>AVL</sub><br>[kN] | Gear unit motor        |                        |     | IE1<br>kg | mm<br>mm |        |                        |  |  |      |        |
|------------------------|--|------------------------|----------------|------------------|------------------------|------------------------|--------------------------|--------------------------|------------------------|------------------------|-----|-----------|----------|--------|------------------------|--|--|------|--------|
|                        |  |                        |                |                  |                        |                        |                          |                          | IE1                    | IE2                    | IE3 |           |          |        |                        |  |  |      |        |
| 0,12                   | 24                                     | 48                     | 3,3            | 55,49            | 6,6                    | 15,0                   | -                        | -                        | SK 92372.1<br>- 63 S/4 |                        |     | 16,1      | B22-23   |        |                        |  |  |      |        |
|                        | 27                                     | 42                     | 3,3            | 49,46            | 6,6                    | 15,0                   | -                        | -                        | SK 93372.1<br>- 63 S/4 |                        |     |           | B32-32   |        |                        |  |  |      |        |
| 0,12                   | 19                                     | 60                     | 1,2            | 70,00            | 4,9                    | 12,0                   | -                        | -                        | SK 92172.1<br>- 63 S/4 |                        |     | 11,2      | B20-21   |        |                        |  |  |      |        |
|                        | 21                                     | 55                     | 1,2            | 63,78            | 4,9                    | 12,0                   | -                        | -                        |                        |                        |     |           |          |        |                        |  |  |      |        |
|                        | 24                                     | 48                     | 1,2            | 56,00            | 4,9                    | 12,0                   | -                        | -                        |                        |                        |     |           |          |        |                        |  |  |      |        |
|                        | 29                                     | 40                     | 2,3            | 46,43            | 4,9                    | 12,0                   | -                        | -                        |                        |                        |     |           |          |        |                        |  |  |      |        |
|                        | 32                                     | 36                     | 2,8            | 42,30            | 4,9                    | 12,0                   | -                        | -                        |                        |                        |     |           |          |        |                        |  |  |      |        |
|                        | 34                                     | 33                     | 2,8            | 38,75            | 4,9                    | 12,0                   | -                        | -                        |                        |                        |     |           |          |        |                        |  |  |      |        |
|                        | 36                                     | 32                     | 2,8            | 37,14            | 4,9                    | 12,0                   | -                        | -                        |                        |                        |     |           |          |        |                        |  |  |      |        |
|                        | 38                                     | 30                     | 3,6            | 35,31            | 4,9                    | 12,0                   | -                        | -                        |                        |                        |     |           |          |        |                        |  |  |      |        |
|                        | 43                                     | 27                     | 4,1            | 31,00            | 4,9                    | 12,0                   | -                        | -                        |                        |                        |     |           |          |        |                        |  |  |      |        |
|                        | 47                                     | 24                     | 4,5            | 28,24            | 4,9                    | 12,0                   | -                        | -                        |                        |                        |     |           |          |        |                        |  |  |      |        |
|                        | 47                                     | 24                     | 4,5            | 28,24            | 4,9                    | 12,0                   | -                        | -                        |                        |                        |     |           |          |        |                        |  |  |      |        |
|                        | 54                                     | 21                     | 5,6            | 24,80            | 4,9                    | 12,0                   | -                        | -                        |                        |                        |     |           |          |        |                        |  |  |      |        |
|                        | 54                                     | 21                     | 5,6            | 24,80            | 4,9                    | 12,0                   | -                        | -                        |                        |                        |     |           |          |        |                        |  |  |      |        |
|                        | 65                                     | 18                     | 5,9            | 20,67            | 4,9                    | 12,0                   | -                        | -                        |                        |                        |     |           |          |        |                        |  |  |      |        |
|                        | 65                                     | 18                     | 5,9            | 20,67            | 4,9                    | 12,0                   | -                        | -                        |                        |                        |     |           |          |        |                        |  |  |      |        |
|                        | 88                                     | 13                     | 7,1            | 15,23            | 4,9                    | 12,0                   | -                        | -                        |                        |                        |     |           |          |        |                        |  |  |      |        |
| 0,12                   | 96                                     | 12                     | 9,1            | 13,87            | 4,9                    | 12,0                   | -                        | -                        | SK 93172.1<br>- 63 S/4 |                        |     |           | B30-31   |        |                        |  |  |      |        |
|                        | 22                                     | 53                     | 1,1            | 61,88            | 5,0                    | 9,0                    | -                        | -                        |                        |                        |     |           |          |        |                        |  |  |      |        |
|                        | 25                                     | 46                     | 1,1            | 53,78            | 5,0                    | 9,0                    | -                        | -                        |                        |                        |     |           |          |        |                        |  |  |      |        |
|                        | 28                                     | 41                     | 1,1            | 47,67            | 5,0                    | 9,0                    | -                        | -                        |                        |                        |     |           |          |        |                        |  |  |      |        |
|                        | 33                                     | 35                     | 1,7            | 40,98            | 5,0                    | 9,0                    | -                        | -                        |                        |                        |     |           |          |        |                        |  |  |      |        |
|                        | 37                                     | 31                     | 2,1            | 35,62            | 5,0                    | 9,0                    | -                        | -                        |                        |                        |     |           |          |        |                        |  |  |      |        |
|                        | 42                                     | 27                     | 2,4            | 31,57            | 5,0                    | 9,0                    | -                        | -                        |                        |                        |     |           |          |        |                        |  |  |      |        |
|                        | 49                                     | 23                     | 2,8            | 27,16            | 5,0                    | 9,0                    | -                        | -                        |                        |                        |     |           |          |        |                        |  |  |      |        |
|                        | 55                                     | 21                     | 3,8            | 24,07            | 5,0                    | 9,0                    | -                        | -                        |                        |                        |     |           |          |        |                        |  |  |      |        |
|                        | 64                                     | 18                     | 4,5            | 20,80            | 5,0                    | 9,0                    | -                        | -                        |                        |                        |     |           |          |        |                        |  |  |      |        |
|                        | 72                                     | 16                     | 3,8            | 18,52            | 5,0                    | 9,0                    | -                        | -                        |                        |                        |     |           |          |        |                        |  |  |      |        |
|                        | 83                                     | 14                     | 4,8            | 16,00            | 5,0                    | 9,0                    | -                        | -                        |                        |                        |     |           |          |        |                        |  |  |      |        |
|                        | 104                                    | 11                     | 5,4            | 12,78            | 5,0                    | 9,0                    | -                        | -                        |                        |                        |     |           |          |        |                        |  |  |      |        |
|                        | 120                                    | 10                     | 6,8            | 11,11            | 5,0                    | 9,0                    | -                        | -                        |                        |                        |     |           |          |        |                        |  |  |      |        |
|                        | 136                                    | 8                      | 9,0            | 9,85             | 5,0                    | 9,0                    | -                        | -                        |                        |                        |     |           |          |        |                        |  |  |      |        |
|                        | 154                                    | 7                      | 9,9            | 8,67             | 5,0                    | 9,0                    | -                        | -                        |                        |                        |     |           |          |        |                        |  |  |      |        |
| 0,12                   | 176                                    | 7                      | 11,1           | 7,58             | 5,0                    | 9,0                    | -                        | -                        | SK 93072.1<br>- 63 S/4 |                        |     |           | B28-29   |        |                        |  |  |      |        |
|                        | 200                                    | 6                      | 11,9           | 6,67             | 5,0                    | 9,0                    | -                        | -                        |                        |                        |     |           |          |        |                        |  |  |      |        |
|                        | 229                                    | 5                      | 14,4           | 5,83             | 5,0                    | 9,0                    | -                        | -                        |                        |                        |     |           |          |        |                        |  |  |      |        |
|                        | 258                                    | 4                      | 15,1           | 5,17             | 4,8                    | 9,0                    | -                        | -                        |                        |                        |     |           |          |        |                        |  |  |      |        |
|                        | 287                                    | 4                      | 16,3           | 4,65             | 4,6                    | 8,8                    | -                        | -                        |                        |                        |     |           |          |        |                        |  |  |      |        |
|                        | 336                                    | 3                      | 19,9           | 3,97             | 4,4                    | 8,4                    | -                        | -                        |                        |                        |     |           |          |        |                        |  |  |      |        |
|                        | 373                                    | 3                      | 21,5           | 3,58             | 4,3                    | 8,1                    | -                        | -                        |                        |                        |     |           |          |        |                        |  |  |      |        |
|                        | 0,18                                   | 25                     | 70             | 2,3              | 55,49                  | 6,6                    | 15,0                     | -                        |                        |                        |     |           |          | -      | SK 92372.1<br>- 63 L/4 |  |  | 16,7 | B22-23 |
|                        |  | 27                     | 63             | 2,3              | 49,46                  | 6,6                    | 15,0                     | -                        |                        |                        |     |           |          | -      |                        |  |  |      |        |
|                        |  | 29                     | 59             | 3,1              | 46,64                  | 6,6                    | 15,0                     | -                        |                        |                        |     |           |          | -      |                        |  |  |      |        |
|                        |  | 33                     | 52             | 3,5              | 41,46                  | 6,6                    | 15,0                     | -                        |                        |                        |     |           |          | -      |                        |  |  |      |        |
|                        | 0,18                                   | 19                     | 88             | 0,8              | 70,00                  | 4,8                    | 12,0                     | -                        |                        |                        |     |           |          | -      | SK 92172.1<br>- 63 L/4 |  |  | 11,8 | B20-21 |
|                        |  | 21                     | 81             | 0,8              | 63,78                  | 4,8                    | 12,0                     | -                        |                        |                        |     |           |          | -      |                        |  |  |      |        |
|                        |  | 24                     | 71             | 0,8              | 56,00                  | 4,8                    | 12,0                     | -                        |                        |                        |     |           |          | -      |                        |  |  |      |        |
|                        |  | 29                     | 59             | 1,6              | 46,43                  | 4,9                    | 12,0                     | -                        |                        |                        |     |           |          | -      |                        |  |  |      |        |
|                        |  | 32                     | 53             | 1,9              | 42,30                  | 4,9                    | 12,0                     | -                        |                        |                        |     |           |          | -      |                        |  |  |      |        |
| 35                     |  | 49                     | 1,9            | 38,75            | 4,9                    | 12,0                   | -                        | -                        |                        |                        |     |           |          |        |                        |  |  |      |        |
| 37                     |  | 47                     | 1,9            | 37,14            | 4,9                    | 12,0                   | -                        | -                        |                        |                        |     |           |          |        |                        |  |  |      |        |
| 39                     |  | 45                     | 2,4            | 35,31            | 4,9                    | 12,0                   | -                        | -                        |                        |                        |     |           |          |        |                        |  |  |      |        |
| 44                     |  | 39                     | 2,8            | 31,00            | 4,9                    | 12,0                   | -                        | -                        |                        |                        |     |           |          |        |                        |  |  |      |        |
| 0,18                   |  | 96                     | 12             | 9,1              | 13,87                  | 4,9                    | 12,0                     | -                        | -                      | SK 93172.1<br>- 63 L/4 |     |           |          | B30-31 |                        |  |  |      |        |



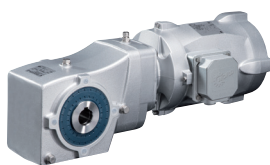
**0,18 kW**  
**0,25 kW**

| P <sub>1</sub><br>[kW] | n <sub>2</sub><br>[min <sup>-1</sup> ] | M <sub>2</sub><br>[Nm] | f <sub>B</sub> | i <sub>ges</sub> | F <sub>R</sub><br>[kN] | F <sub>A</sub><br>[kN] | F <sub>R VL</sub><br>[kN] | F <sub>A VL</sub><br>[kN] | Gear unit motor        |                        |     | IE1<br>kg | mm<br>mm |        |        |
|------------------------|--|------------------------|----------------|------------------|------------------------|------------------------|---------------------------|---------------------------|------------------------|------------------------|-----|-----------|----------|--------|--------|
|                        |  |                        |                |                  |                        |                        |                           |                           | IE1                    | IE2                    | IE3 |           |          |        |        |
| 0,18                   | 48                                     | 36                     | 3,0            | 28,24            | 4,9                    | 12,0                   | -                         | -                         | SK 92172.1<br>- 63 L/4 |                        |     | 11,8      | B20-21   |        |        |
|                        | 55                                     | 31                     | 3,8            | 24,80            | 4,9                    | 12,0                   | -                         | -                         |                        |                        |     |           |          |        |        |
|                        | 66                                     | 26                     | 4,0            | 20,67            | 4,9                    | 12,0                   | -                         | -                         |                        |                        |     |           |          |        |        |
|                        | 89                                     | 19                     | 4,8            | 15,23            | 4,9                    | 12,0                   | -                         | -                         |                        |                        |     |           |          |        |        |
|                        | 98                                     | 18                     | 6,2            | 13,87            | 4,9                    | 12,0                   | -                         | -                         |                        |                        |     |           |          |        |        |
|                        |  |                        |                |                  |                        |                        |                           |                           | SK 93172.1<br>- 63 L/4 |                        |     |           |          | B30-31 |        |
|                        |  | 22                     | 78             | 0,8              | 61,88                  | 5,0                    | 9,0                       | -                         | -                      | SK 92072.1<br>- 63 L/4 |     |           | 10,1     | B18-19 |        |
|                        |  | 25                     | 68             | 0,8              | 53,78                  | 5,0                    | 9,0                       | -                         | -                      |                        |     |           |          |        |        |
|                        |  | 29                     | 60             | 0,8              | 47,67                  | 5,0                    | 9,0                       | -                         | -                      |                        |     |           |          |        |        |
|                        |  | 33                     | 52             | 1,1              | 40,98                  | 5,0                    | 9,0                       | -                         | -                      |                        |     |           |          |        |        |
|                        |  | 38                     | 45             | 1,4              | 35,62                  | 5,0                    | 9,0                       | -                         | -                      |                        |     |           |          |        |        |
|                        |  | 43                     | 40             | 1,6              | 31,57                  | 5,0                    | 9,0                       | -                         | -                      |                        |     |           |          |        |        |
|                        |  | 50                     | 34             | 1,9              | 27,16                  | 5,0                    | 9,0                       | -                         | -                      |                        |     |           |          |        |        |
|                        |  | 56                     | 30             | 2,6              | 24,07                  | 5,0                    | 9,0                       | -                         | -                      |                        |     |           |          |        |        |
|                        |  | 65                     | 26             | 3,1              | 20,80                  | 5,0                    | 9,0                       | -                         | -                      |                        |     |           |          |        |        |
|                        |  | 73                     | 23             | 2,6              | 18,52                  | 5,0                    | 9,0                       | -                         | -                      |                        |     |           |          |        |        |
|                        |  | 85                     | 20             | 3,3              | 16,00                  | 5,0                    | 9,0                       | -                         | -                      |                        |     |           |          |        |        |
|                        |  | 106                    | 16             | 3,7              | 12,78                  | 5,0                    | 9,0                       | -                         | -                      |                        |     |           |          |        |        |
|                        |  | 122                    | 14             | 4,6              | 11,11                  | 5,0                    | 9,0                       | -                         | -                      |                        |     |           |          |        |        |
|                        |  | 138                    | 12             | 6,1              | 9,85                   | 5,0                    | 9,0                       | -                         | -                      |                        |     |           |          |        |        |
|                        | 157                                    | 11                     | 6,8            | 8,67             | 5,0                    | 9,0                    | -                         | -                         |                        |                        |     |           |          |        |        |
|                        | 180                                    | 10                     | 7,5            | 7,58             | 5,0                    | 9,0                    | -                         | -                         |                        |                        |     |           |          |        |        |
|                        | 204                                    | 8                      | 8,1            | 6,67             | 5,0                    | 9,0                    | -                         | -                         |                        |                        |     |           |          |        |        |
|                        | 233                                    | 7                      | 9,8            | 5,83             | 4,9                    | 9,0                    | -                         | -                         |                        |                        |     |           |          |        |        |
|                        | 263                                    | 7                      | 10,3           | 5,17             | 4,7                    | 9,0                    | -                         | -                         |                        |                        |     |           |          |        |        |
|                        | 292                                    | 6                      | 11,0           | 4,65             | 4,6                    | 8,7                    | -                         | -                         |                        |                        |     |           |          |        |        |
|                        | 342                                    | 5                      | 13,5           | 3,97             | 4,4                    | 8,3                    | -                         | -                         |                        |                        |     |           |          |        |        |
|                        | 380                                    | 5                      | 14,6           | 3,58             | 4,2                    | 8,0                    | -                         | -                         |                        |                        |     |           |          |        |        |
|                        |  |                        |                |                  |                        |                        |                           |                           | SK 93072.1<br>- 63 L/4 |                        |     |           |          | B28-29 |        |
| 0,25                   | 21                                     | 116                    | 4,2            | 66,96            | 10,4                   | 25,0                   | -                         | -                         | SK 92772.1<br>- 71 S/4 |                        |     | 40,2      | B26-27   |        |        |
|                        | 23                                     | 103                    | 4,2            | 59,68            | 10,4                   | 25,0                   | -                         | -                         |                        |                        |     |           |          |        |        |
|                        |  |                        |                |                  |                        |                        |                           |                           | SK 93772.1<br>- 71 S/4 |                        |     |           |          | B36-37 |        |
|                        |  | 28                     | 84             | 3,8              | 48,56                  | 8,4                    | 20,0                      | -                         | -                      | SK 92672.1<br>- 71 S/4 |     |           | 28,8     | B24-25 |        |
|                        |  |                        |                |                  |                        |                        |                           |                           |                        |                        |     |           |          |        |        |
|                        |  |                        |                |                  |                        |                        |                           |                           |                        | SK 93672.1<br>- 71 S/4 |     |           |          |        | B34-35 |
|                        |  | 25                     | 96             | 1,6              | 55,49                  | 6,5                    | 15,0                      | -                         | -                      | SK 92372.1<br>- 71 S/4 |     |           | 17,9     | B22-23 |        |
|                        |  | 28                     | 86             | 1,6              | 49,46                  | 6,5                    | 15,0                      | -                         | -                      |                        |     |           |          |        |        |
|                        |  | 30                     | 81             | 2,3              | 46,64                  | 6,5                    | 15,0                      | -                         | -                      |                        |     |           |          |        |        |
|                        |  | 33                     | 72             | 2,6              | 41,46                  | 6,6                    | 15,0                      | -                         | -                      |                        |     |           |          |        |        |
|                        |  | 38                     | 64             | 2,9              | 36,80                  | 6,6                    | 15,0                      | -                         | -                      |                        |     |           |          |        |        |
|                        |  | 42                     | 57             | 3,5              | 32,80                  | 6,6                    | 15,0                      | -                         | -                      |                        |     |           |          |        |        |
|                        |  |                        |                |                  |                        |                        |                           |                           |                        | SK 93372.1<br>- 71 S/4 |     |           |          |        | B32-33 |
|                        |  | 30                     | 80             | 1,2              | 46,43                  | 4,8                    | 12,0                      | -                         | -                      | SK 92172.1<br>- 71 S/4 |     |           | 13,0     | B20-21 |        |
|                        |  | 33                     | 73             | 1,4              | 42,30                  | 4,8                    | 12,0                      | -                         | -                      |                        |     |           |          |        |        |
|                        |  | 36                     | 67             | 1,4              | 38,75                  | 4,8                    | 12,0                      | -                         | -                      |                        |     |           |          |        |        |
|                        |  | 37                     | 64             | 1,4              | 37,14                  | 4,8                    | 12,0                      | -                         | -                      |                        |     |           |          |        |        |
|                        |  | 39                     | 61             | 1,8              | 35,31                  | 4,9                    | 12,0                      | -                         | -                      |                        |     |           |          |        |        |
|                        |  | 45                     | 54             | 2,0              | 31,00                  | 4,9                    | 12,0                      | -                         | -                      |                        |     |           |          |        |        |
|                        |  | 49                     | 49             | 2,2              | 28,24                  | 4,9                    | 12,0                      | -                         | -                      |                        |     |           |          |        |        |
|                        | 56                                     | 43                     | 2,8            | 24,80            | 4,9                    | 12,0                   | -                         | -                         |                        |                        |     |           |          |        |        |
|                        | 67                                     | 36                     | 2,9            | 20,67            | 4,9                    | 12,0                   | -                         | -                         |                        |                        |     |           |          |        |        |
|                        | 91                                     | 26                     | 3,5            | 15,23            | 4,9                    | 12,0                   | -                         | -                         |                        |                        |     |           |          |        |        |
|                        | 99                                     | 24                     | 4,5            | 13,87            | 4,9                    | 12,0                   | -                         | -                         |                        |                        |     |           |          |        |        |
|                        |  |                        |                |                  |                        |                        |                           |                           | SK 93172.1<br>- 71 S/4 |                        |     |           |          | B30-31 |        |

**0,25 kW**  
**0,37 kW**



| P <sub>1</sub><br>[kW] | n <sub>2</sub><br>[min <sup>-1</sup> ] | M <sub>2</sub><br>[Nm] | f <sub>B</sub> | i <sub>ges</sub> | F <sub>R</sub><br>[kN] | F <sub>A</sub><br>[kN] | F <sub>RVL</sub><br>[kN] | F <sub>AVL</sub><br>[kN] | Gear unit motor        |     |     | IE1<br>kg | mm<br>mm |                        |  |      |        |        |
|------------------------|--|------------------------|----------------|------------------|------------------------|------------------------|--------------------------|--------------------------|------------------------|-----|-----|-----------|----------|------------------------|--|------|--------|--------|
|                        |  |                        |                |                  |                        |                        |                          |                          | IE1<br>Standard        | IE2 | IE3 |           |          |                        |  |      |        |        |
| <b>0,25</b>            | 34                                     | 71                     | 0,8            | 40,98            | 5,0                    | 9,0                    | -                        | -                        | SK 92072.1<br>- 71 S/4 |     |     | 11,3      | B18-19   |                        |  |      |        |        |
|                        | 39                                     | 62                     | 1,1            | 35,62            | 5,0                    | 9,0                    | -                        | -                        |                        |     |     |           |          |                        |  |      |        |        |
|                        | 44                                     | 55                     | 1,2            | 31,57            | 5,0                    | 9,0                    | -                        | -                        |                        |     |     |           |          |                        |  |      |        |        |
|                        | 51                                     | 47                     | 1,4            | 27,16            | 5,0                    | 9,0                    | -                        | -                        |                        |     |     |           |          |                        |  |      |        |        |
|                        | 57                                     | 42                     | 1,9            | 24,07            | 5,0                    | 9,0                    | -                        | -                        |                        |     |     |           |          |                        |  |      |        |        |
|                        | 66                                     | 36                     | 2,3            | 20,80            | 5,0                    | 9,0                    | -                        | -                        |                        |     |     |           |          |                        |  |      |        |        |
|                        | 75                                     | 32                     | 1,9            | 18,52            | 5,0                    | 9,0                    | -                        | -                        |                        |     |     |           |          |                        |  |      |        |        |
|                        | 86                                     | 28                     | 2,4            | 16,00            | 5,0                    | 9,0                    | -                        | -                        |                        |     |     |           |          |                        |  |      |        |        |
|                        | 108                                    | 22                     | 2,7            | 12,78            | 5,0                    | 9,0                    | -                        | -                        |                        |     |     |           |          |                        |  |      |        |        |
|                        | 124                                    | 19                     | 3,4            | 11,11            | 5,0                    | 9,0                    | -                        | -                        |                        |     |     |           |          |                        |  |      |        |        |
|                        | 140                                    | 17                     | 4,5            | 9,85             | 5,0                    | 9,0                    | -                        | -                        |                        |     |     |           |          |                        |  |      |        |        |
|                        | 159                                    | 15                     | 4,9            | 8,67             | 5,0                    | 9,0                    | -                        | -                        |                        |     |     |           |          |                        |  |      |        |        |
|                        | 182                                    | 13                     | 5,5            | 7,58             | 5,0                    | 9,0                    | -                        | -                        |                        |     |     |           |          |                        |  |      |        |        |
|                        | 207                                    | 12                     | 5,9            | 6,67             | 5,0                    | 9,0                    | -                        | -                        |                        |     |     |           |          |                        |  |      |        |        |
|                        | 237                                    | 10                     | 7,1            | 5,83             | 4,9                    | 9,0                    | -                        | -                        |                        |     |     |           |          |                        |  |      |        |        |
|                        | 267                                    | 9                      | 7,5            | 5,17             | 4,7                    | 8,9                    | -                        | -                        |                        |     |     |           |          |                        |  |      |        |        |
|                        | 296                                    | 8                      | 8,1            | 4,65             | 4,5                    | 8,6                    | -                        | -                        |                        |     |     |           |          |                        |  |      |        |        |
|                        | 347                                    | 7                      | 9,9            | 3,97             | 4,3                    | 8,2                    | -                        | -                        |                        |     |     |           |          |                        |  |      |        |        |
|                        | 385                                    | 6                      | 10,7           | 3,58             | 4,2                    | 7,9                    | -                        | -                        |                        |     |     |           |          |                        |  |      |        |        |
|                        |  |                        |                |                  |                        |                        |                          |                          |                        |     |     |           |          | SK 93072.1<br>- 71 S/4 |  |      |        |        |
| <b>0,37</b>            | 21                                     | 171                    | 2,9            | 66,96            | 10,3                   | 25,0                   | -                        | -                        | SK 92772.1<br>- 71 L/4 |     |     | 41,1      | B26-27   |                        |  |      |        |        |
|                        | 23                                     | 153                    | 2,9            | 59,68            | 10,4                   | 25,0                   | -                        | -                        |                        |     |     |           |          |                        |  |      |        |        |
|                        |  |                        |                |                  |                        |                        |                          |                          | SK 93772.1<br>- 71 L/4 |     |     |           |          | B36-37                 |  |      |        |        |
|                        | 28                                     | 124                    | 2,6            | 48,56            | 8,4                    | 20,0                   | -                        | -                        | SK 92672.1<br>- 71 L/4 |     |     | 29,7      | B24-25   |                        |  |      |        |        |
|                        | 32                                     | 111                    | 2,8            | 43,28            | 8,4                    | 20,0                   | -                        | -                        |                        |     |     |           |          |                        |  |      |        |        |
|                        | 79                                     | 45                     | 7,1            | 17,46            | 8,5                    | 20,0                   | -                        | -                        |                        |     |     |           |          |                        |  |      |        |        |
|                        |  |                        |                |                  |                        |                        |                          |                          | SK 93672.1<br>- 71 L/4 |     |     |           |          | B34-35                 |  |      |        |        |
|                        | 25                                     | 142                    | 1,1            | 55,49            | 6,4                    | 15,0                   | -                        | -                        | SK 92372.1<br>- 71 L/4 |     |     | 18,8      | B22-23   |                        |  |      |        |        |
|                        | 28                                     | 127                    | 1,1            | 49,46            | 6,4                    | 15,0                   | -                        | -                        |                        |     |     |           |          |                        |  |      |        |        |
|                        | 30                                     | 119                    | 1,5            | 46,64            | 6,4                    | 15,0                   | -                        | -                        |                        |     |     |           |          |                        |  |      |        |        |
|                        | 33                                     | 106                    | 1,7            | 41,46            | 6,5                    | 15,0                   | -                        | -                        |                        |     |     |           |          |                        |  |      |        |        |
|                        | 38                                     | 94                     | 2,0            | 36,80            | 6,5                    | 15,0                   | -                        | -                        |                        |     |     |           |          |                        |  |      |        |        |
|                        | 42                                     | 84                     | 2,4            | 32,80            | 6,5                    | 15,0                   | -                        | -                        |                        |     |     |           |          |                        |  |      |        |        |
|                        |  |                        |                |                  |                        |                        |                          |                          |                        |     |     |           |          | SK 93372.1<br>- 71 L/4 |  |      |        |        |
|                        | 36                                     | 99                     | 0,9            | 38,75            | 4,7                    | 12,0                   | -                        | -                        | SK 92172.1<br>- 71 L/4 |     |     | 13,9      | B20-21   |                        |  |      |        |        |
|                        | 39                                     | 90                     | 1,2            | 35,31            | 4,7                    | 12,0                   | -                        | -                        |                        |     |     |           |          |                        |  |      |        |        |
|                        | 45                                     | 79                     | 1,4            | 31,00            | 4,8                    | 12,0                   | -                        | -                        |                        |     |     |           |          |                        |  |      |        |        |
|                        | 49                                     | 72                     | 1,5            | 28,24            | 4,8                    | 12,0                   | -                        | -                        |                        |     |     |           |          |                        |  |      |        |        |
|                        | 56                                     | 63                     | 1,9            | 24,80            | 4,8                    | 12,0                   | -                        | -                        |                        |     |     |           |          |                        |  |      |        |        |
|                        | 67                                     | 53                     | 2,0            | 20,67            | 4,9                    | 12,0                   | -                        | -                        |                        |     |     |           |          |                        |  |      |        |        |
| 91                     | 39                                     | 2,4                    | 15,23          | 4,9              | 12,0                   | -                      | -                        |                          |                        |     |     |           |          |                        |  |      |        |        |
| 99                     | 36                                     | 3,0                    | 13,87          | 4,9              | 12,0                   | -                      | -                        |                          |                        |     |     |           |          |                        |  |      |        |        |
| 112                    | 32                                     | 3,4                    | 12,34          | 4,9              | 12,0                   | -                      | -                        |                          |                        |     |     |           |          |                        |  |      |        |        |
| 113                    | 31                                     | 3,7                    | 12,18          | 4,9              | 12,0                   | -                      | -                        |                          |                        |     |     |           |          |                        |  |      |        |        |
|                        |  |                        |                |                  |                        |                        |                          | SK 93172.1<br>- 71 L/4   |                        |     |     |           |          |                        |  |      |        | B30-31 |
| 51                     | 70                                     | 0,9                    | 27,16          | 5,0              | 9,0                    | -                      | -                        | SK 92072.1<br>- 71 L/4   |                        |     |     |           |          |                        |  | 12,2 | B18-19 |        |
| 57                     | 62                                     | 1,3                    | 24,07          | 5,0              | 9,0                    | -                      | -                        |                          |                        |     |     |           |          |                        |  |      |        |        |
| 66                     | 53                                     | 1,5                    | 20,80          | 5,0              | 9,0                    | -                      | -                        |                          |                        |     |     |           |          |                        |  |      |        |        |
| 75                     | 47                                     | 1,3                    | 18,52          | 5,0              | 9,0                    | -                      | -                        |                          |                        |     |     |           |          |                        |  |      |        |        |
| 86                     | 41                                     | 1,6                    | 16,00          | 5,0              | 9,0                    | -                      | -                        |                          |                        |     |     |           |          |                        |  |      |        |        |
| 108                    | 33                                     | 1,8                    | 12,78          | 5,0              | 9,0                    | -                      | -                        |                          |                        |     |     |           |          |                        |  |      |        |        |
| 124                    | 28                                     | 2,3                    | 11,11          | 5,0              | 9,0                    | -                      | -                        |                          |                        |     |     |           |          |                        |  |      |        |        |
| 140                    | 25                                     | 3,0                    | 9,85           | 5,0              | 9,0                    | -                      | -                        |                          |                        |     |     |           |          |                        |  |      |        |        |
| 159                    | 22                                     | 3,3                    | 8,67           | 5,0              | 9,0                    | -                      | -                        |                          |                        |     |     |           |          |                        |  |      |        |        |
| 182                    | 19                                     | 3,7                    | 7,58           | 5,0              | 9,0                    | -                      | -                        |                          |                        |     |     |           |          |                        |  |      |        |        |
| 207                    | 17                                     | 4,0                    | 6,67           | 5,0              | 9,0                    | -                      | -                        |                          |                        |     |     |           |          |                        |  |      |        |        |
| 237                    | 15                                     | 4,8                    | 5,83           | 4,8              | 9,0                    | -                      | -                        |                          |                        |     |     |           |          |                        |  |      |        |        |
| 267                    | 13                                     | 5,1                    | 5,17           | 4,6              | 8,7                    | -                      | -                        |                          |                        |     |     |           |          |                        |  |      |        |        |
| 296                    | 12                                     | 5,5                    | 4,65           | 4,5              | 8,5                    | -                      | -                        |                          |                        |     |     |           |          |                        |  |      |        |        |
| 347                    | 10                                     | 6,7                    | 3,97           | 4,3              | 8,1                    | -                      | -                        |                          |                        |     |     |           |          |                        |  |      |        |        |
| 385                    | 9                                      | 7,2                    | 3,58           | 4,1              | 7,8                    | -                      | -                        |                          |                        |     |     |           |          |                        |  |      |        |        |
|                        |  |                        |                |                  |                        |                        |                          |                          | SK 93072.1<br>- 71 L/4 |     |     |           |          |                        |  |      |        | B28-29 |



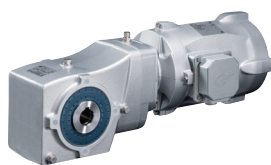
# 0,55 kW

| P <sub>1</sub><br>[kW] | n <sub>2</sub><br>[min <sup>-1</sup> ] | M <sub>2</sub><br>[Nm] | f <sub>B</sub> | i <sub>ges</sub> | F <sub>R</sub><br>[kN] | F <sub>A</sub><br>[kN] | F <sub>R VL</sub><br>[kN] | F <sub>A VL</sub><br>[kN] | Gear unit motor        |                         |     | IE2<br>kg | mm<br>mm |
|------------------------|--|------------------------|----------------|------------------|------------------------|------------------------|---------------------------|---------------------------|------------------------|-------------------------|-----|-----------|----------|
|                        |  |                        |                |                  |                        |                        |                           |                           | IE1<br>Standard        | IE2                     | IE3 |           |          |
| 0,55                   | 21                                     | 248                    | 2,0            | 66,96            | 10,2                   | 25,0                   | -                         | -                         | SK 92772.1<br>- 80 S/4 | SK 92772.1<br>- 80 SH/4 |     | 43,8      | B26-27   |
|                        | 24                                     | 221                    | 2,0            | 59,68            | 10,2                   | 25,0                   | -                         | -                         |                        |                         |     |           |          |
|                        | 27                                     | 195                    | 3,0            | 52,64            | 10,3                   | 25,0                   | -                         | -                         |                        |                         |     |           |          |
|                        | 30                                     | 174                    | 3,0            | 46,92            | 10,3                   | 25,0                   | -                         | -                         |                        |                         |     |           |          |
|                        | 33                                     | 161                    | 3,9            | 43,44            | 10,3                   | 25,0                   | -                         | -                         | SK 93772.1<br>- 80 S/4 | SK 93772.1<br>- 80 SH/4 |     |           | B36-37   |
|                        | 29                                     | 180                    | 1,8            | 48,56            | 8,2                    | 20,0                   | -                         | -                         | SK 92672.1<br>- 80 S/4 | SK 92672.1<br>- 80 SH/4 |     | 32,4      | B24-25   |
|                        | 33                                     | 160                    | 1,9            | 43,28            | 8,3                    | 20,0                   | -                         | -                         |                        |                         |     |           |          |
|                        | 38                                     | 140                    | 2,3            | 37,82            | 8,3                    | 20,0                   | -                         | -                         |                        |                         |     |           |          |
|                        | 42                                     | 125                    | 2,9            | 33,71            | 8,4                    | 20,0                   | -                         | -                         |                        |                         |     |           |          |
|                        | 46                                     | 113                    | 2,8            | 30,67            | 8,4                    | 20,0                   | -                         | -                         |                        |                         |     |           |          |
|                        | 52                                     | 101                    | 3,6            | 27,33            | 8,4                    | 20,0                   | -                         | -                         | SK 93672.1<br>- 80 S/4 | SK 93672.1<br>- 80 SH/4 |     |           | B34-35   |
|                        | 30                                     | 173                    | 1,1            | 46,64            | 6,2                    | 15,0                   | -                         | -                         | SK 92372.1<br>- 80 S/4 | SK 92372.1<br>- 80 SH/4 |     | 21,5      | B22-23   |
|                        | 34                                     | 153                    | 1,2            | 41,46            | 6,3                    | 15,0                   | -                         | -                         |                        |                         |     |           |          |
|                        | 39                                     | 136                    | 1,4            | 36,80            | 6,4                    | 15,0                   | -                         | -                         |                        |                         |     |           |          |
|                        | 43                                     | 121                    | 1,6            | 32,80            | 6,4                    | 15,0                   | -                         | -                         |                        |                         |     |           |          |
|                        | 51                                     | 104                    | 1,8            | 28,11            | 6,5                    | 15,0                   | -                         | -                         |                        |                         |     |           |          |
|                        | 57                                     | 93                     | 2,4            | 25,06            | 6,5                    | 15,0                   | -                         | -                         |                        |                         |     |           |          |
|                        | 63                                     | 83                     | 2,2            | 22,49            | 6,5                    | 15,0                   | -                         | -                         |                        |                         |     |           |          |
|                        | 71                                     | 74                     | 3,0            | 20,04            | 6,5                    | 15,0                   | -                         | -                         |                        |                         |     |           |          |
|                        | 77                                     | 68                     | 2,7            | 18,33            | 6,6                    | 15,0                   | -                         | -                         |                        |                         |     |           |          |
|                        | 90                                     | 59                     | 3,1            | 15,84            | 6,6                    | 15,0                   | -                         | -                         |                        |                         |     |           |          |
|                        | 101                                    | 52                     | 4,2            | 14,12            | 6,6                    | 15,0                   | -                         | -                         | SK 93372.1<br>- 80 S/4 | SK 93372.1<br>- 80 SH/4 |     |           | B32-33   |
|                        | 50                                     | 104                    | 1,0            | 28,24            | 4,7                    | 12,0                   | -                         | -                         | SK 92172.1<br>- 80 S/4 | SK 92172.1<br>- 80 SH/4 |     | 16,6      | B20-21   |
|                        | 57                                     | 92                     | 1,3            | 24,80            | 4,7                    | 12,0                   | -                         | -                         |                        |                         |     |           |          |
|                        | 69                                     | 76                     | 1,4            | 20,67            | 4,8                    | 12,0                   | -                         | -                         |                        |                         |     |           |          |
|                        | 93                                     | 56                     | 1,7            | 15,23            | 4,9                    | 12,0                   | -                         | -                         |                        |                         |     |           |          |
|                        | 102                                    | 51                     | 2,1            | 13,87            | 4,9                    | 12,0                   | -                         | -                         |                        |                         |     |           |          |
|                        | 115                                    | 46                     | 2,4            | 12,34            | 4,9                    | 12,0                   | -                         | -                         |                        |                         |     |           |          |
|                        | 117                                    | 45                     | 2,5            | 12,18            | 4,9                    | 12,0                   | -                         | -                         |                        |                         |     |           |          |
|                        | 131                                    | 40                     | 2,8            | 10,83            | 4,9                    | 12,0                   | -                         | -                         |                        |                         |     |           |          |
|                        | 140                                    | 38                     | 2,5            | 10,15            | 4,9                    | 12,0                   | -                         | -                         | SK 93172.1<br>- 80 S/4 | SK 93172.1<br>- 80 SH/4 |     |           | B30-31   |
|                        | 68                                     | 77                     | 1,1            | 20,80            | 5,0                    | 9,0                    | -                         | -                         | SK 92072.1<br>- 80 S/4 | SK 92072.1<br>- 80 SH/4 |     | 14,9      | B18-19   |
|                        | 89                                     | 59                     | 1,1            | 16,00            | 5,0                    | 9,0                    | -                         | -                         |                        |                         |     |           |          |
|                        | 111                                    | 47                     | 1,2            | 12,78            | 5,0                    | 9,0                    | -                         | -                         |                        |                         |     |           |          |
|                        | 128                                    | 41                     | 1,6            | 11,11            | 5,0                    | 9,0                    | -                         | -                         |                        |                         |     |           |          |
|                        | 144                                    | 36                     | 2,1            | 9,85             | 5,0                    | 9,0                    | -                         | -                         |                        |                         |     |           |          |
|                        | 164                                    | 32                     | 2,3            | 8,67             | 5,0                    | 9,0                    | -                         | -                         |                        |                         |     |           |          |
|                        | 187                                    | 28                     | 2,6            | 7,58             | 5,0                    | 9,0                    | -                         | -                         |                        |                         |     |           |          |
|                        | 213                                    | 25                     | 2,8            | 6,67             | 4,8                    | 9,0                    | -                         | -                         |                        |                         |     |           |          |
|                        | 244                                    | 22                     | 3,3            | 5,83             | 4,7                    | 8,8                    | -                         | -                         |                        |                         |     |           |          |
|                        | 275                                    | 19                     | 3,5            | 5,17             | 4,5                    | 8,5                    | -                         | -                         |                        |                         |     |           |          |
|                        | 305                                    | 17                     | 3,8            | 4,65             | 4,4                    | 8,2                    | -                         | -                         |                        |                         |     |           |          |
|                        | 357                                    | 15                     | 4,6            | 3,97             | 4,2                    | 7,8                    | -                         | -                         |                        |                         |     |           |          |
|                        | 397                                    | 13                     | 5,0            | 3,58             | 4,0                    | 7,6                    | -                         | -                         | SK 93072.1<br>- 80 S/4 | SK 93072.1<br>- 80 SH/4 |     |           | B28-29   |

# 0,75 kW



| P <sub>1</sub><br>[kW] | n <sub>2</sub> IE2<br>[min <sup>-1</sup> ] | M <sub>2</sub><br>[Nm] | f <sub>B</sub> | i <sub>ges</sub> | F <sub>R</sub><br>[kN] | F <sub>A</sub><br>[kN] | F <sub>RVL</sub><br>[kN] | F <sub>AVL</sub><br>[kN] | Gear unit motor        |                         |                         | IE2<br>kg | mm<br>mm |                        |                         |                         |                         |        |        |
|------------------------|--|------------------------|----------------|------------------|------------------------|------------------------|--------------------------|--------------------------|------------------------|-------------------------|-------------------------|-----------|----------|------------------------|-------------------------|-------------------------|-------------------------|--------|--------|
|                        |  |                        |                |                  |                        |                        |                          |                          | IE1                    | IE2                     | IE3                     |           |          |                        |                         |                         |                         |        |        |
| 0,75                   | 21   | 339                    | 1,4            | 66,96            | 10,0                   | 25,0                   | -                        | -                        | SK 92772.1<br>- 80 L/4 | SK 92772.1<br>- 80 LH/4 | SK 92772.1<br>- 80 LP/4 | 45,0      | B26-27   |                        |                         |                         |                         |        |        |
|                        | 24   | 302                    | 1,4            | 59,68            | 10,1                   | 25,0                   | -                        | -                        |                        |                         |                         |           |          |                        |                         |                         |                         |        |        |
|                        | 27   | 266                    | 2,2            | 52,64            | 10,1                   | 25,0                   | -                        | -                        |                        |                         |                         |           |          |                        |                         |                         |                         |        |        |
|                        | 30   | 237                    | 2,2            | 46,92            | 10,2                   | 25,0                   | -                        | -                        |                        |                         |                         |           |          |                        |                         |                         |                         |        |        |
|                        | 33   | 220                    | 2,9            | 43,44            | 10,2                   | 25,0                   | -                        | -                        |                        |                         |                         |           |          |                        |                         |                         |                         |        |        |
|                        | 51   | 140                    | 4,5            | 27,65            | 10,4                   | 25,0                   | -                        | -                        |                        |                         |                         |           |          |                        |                         |                         |                         |        |        |
|                        | 56   | 128                    | 4,9            | 25,34            | 10,4                   | 25,0                   | -                        | -                        |                        |                         |                         |           |          |                        |                         |                         |                         |        |        |
|                        | 57   | 125                    | 5,3            | 24,64            | 10,4                   | 25,0                   | -                        | -                        |                        |                         |                         |           |          |                        |                         |                         |                         |        |        |
|                        | 63   | 114                    | 5,7            | 22,59            | 10,4                   | 25,0                   | -                        | -                        |                        |                         |                         |           |          |                        |                         |                         |                         |        |        |
|                        | 67   | 107                    | 5,9            | 21,14            | 10,4                   | 25,0                   | -                        | -                        |                        |                         |                         |           |          |                        |                         |                         |                         |        |        |
|                        |  |                        |                |                  |                        |                        |                          |                          |                        |                         |                         |           |          |                        | SK 93772.1<br>- 80 L/4  | SK 93772.1<br>- 80 LH/4 | SK 93772.1<br>- 80 LP/4 |        | B36-37 |
|                        |  | 29                     | 246            | 1,3              | 48,56                  | 8,0                    | 20,0                     | -                        |                        |                         |                         |           |          | -                      | SK 92672.1<br>- 80 L/4  | SK 92672.1<br>- 80 LH/4 | SK 92672.1<br>- 80 LP/4 | 33,6   | B24-25 |
|                        |  | 33                     | 219            | 1,4              | 43,28                  | 8,1                    | 20,0                     | -                        |                        |                         |                         |           |          | -                      |                         |                         |                         |        |        |
|                        |  | 37                     | 191            | 1,7              | 37,82                  | 8,2                    | 20,0                     | -                        |                        |                         |                         |           |          | -                      |                         |                         |                         |        |        |
|                        | 42   | 171                    | 2,1            | 33,71            | 8,3                    | 20,0                   | -                        | -                        |                        |                         |                         |           |          |                        |                         |                         |                         |        |        |
|                        | 46   | 155                    | 2,0            | 30,67            | 8,3                    | 20,0                   | -                        | -                        |                        |                         |                         |           |          |                        |                         |                         |                         |        |        |
|                        | 52   | 138                    | 2,6            | 27,33            | 8,3                    | 20,0                   | -                        | -                        |                        |                         |                         |           |          |                        |                         |                         |                         |        |        |
|                        | 71   | 101                    | 3,1            | 20,00            | 8,4                    | 20,0                   | -                        | -                        |                        |                         |                         |           |          |                        |                         |                         |                         |        |        |
|                        | 81   | 88                     | 3,6            | 17,46            | 8,4                    | 20,0                   | -                        | -                        | SK 93672.1<br>- 80 L/4 | SK 93672.1<br>- 80 LH/4 | SK 93672.1<br>- 80 LP/4 |           | B34-35   |                        |                         |                         |                         |        |        |
|                        | 34   | 210                    | 0,9            | 41,46            | 6,0                    | 15,0                   | -                        | -                        | SK 92372.1<br>- 80 L/4 | SK 92372.1<br>- 80 LH/4 | SK 92372.1<br>- 80 LP/4 | 22,7      | B22-23   |                        |                         |                         |                         |        |        |
|                        | 38   | 186                    | 1,0            | 36,80            | 6,2                    | 15,0                   | -                        | -                        |                        |                         |                         |           |          |                        |                         |                         |                         |        |        |
|                        | 43   | 166                    | 1,2            | 32,80            | 6,3                    | 15,0                   | -                        | -                        |                        |                         |                         |           |          |                        |                         |                         |                         |        |        |
|                        | 50   | 142                    | 1,3            | 28,11            | 6,4                    | 15,0                   | -                        | -                        |                        |                         |                         |           |          |                        |                         |                         |                         |        |        |
|                        | 56   | 127                    | 1,7            | 25,06            | 6,4                    | 15,0                   | -                        | -                        |                        |                         |                         |           |          |                        |                         |                         |                         |        |        |
|                        | 63   | 114                    | 1,6            | 22,49            | 6,5                    | 15,0                   | -                        | -                        |                        |                         |                         |           |          |                        |                         |                         |                         |        |        |
|                        | 71   | 101                    | 2,2            | 20,04            | 6,5                    | 15,0                   | -                        | -                        |                        |                         |                         |           |          |                        |                         |                         |                         |        |        |
|                        | 77   | 93                     | 2,0            | 18,33            | 6,5                    | 15,0                   | -                        | -                        |                        |                         |                         |           |          |                        |                         |                         |                         |        |        |
|                        | 89   | 80                     | 2,3            | 15,84            | 6,5                    | 15,0                   | -                        | -                        |                        |                         |                         |           |          |                        |                         |                         |                         |        |        |
|                        | 100  | 71                     | 3,0            | 14,12            | 6,6                    | 15,0                   | -                        | -                        |                        |                         |                         |           |          |                        |                         |                         |                         |        |        |
|                        | 113  | 64                     | 2,9            | 12,56            | 6,6                    | 15,0                   | -                        | -                        |                        |                         |                         |           |          |                        |                         |                         |                         |        |        |
|                        | 126  | 57                     | 3,8            | 11,20            | 6,6                    | 15,0                   | -                        | -                        |                        |                         |                         |           |          |                        |                         |                         |                         |        |        |
|                        | 137  | 52                     | 4,2            | 10,33            | 6,6                    | 15,0                   | -                        | -                        |                        |                         |                         |           |          |                        |                         |                         |                         |        |        |
|                        |  |                        |                |                  |                        |                        |                          |                          |                        |                         |                         |           |          | SK 93372.1<br>- 80 L/4 | SK 93372.1<br>- 80 LH/4 | SK 93372.1<br>- 80 LP/4 |                         | B32-33 |        |
|                        | 50   | 143                    | 0,8            | 28,24            | 4,4                    | 12,0                   | -                        | -                        | SK 92172.1<br>- 80 L/4 | SK 92172.1<br>- 80 LH/4 | SK 92172.1<br>- 80 LP/4 | 17,8      | B20-21   |                        |                         |                         |                         |        |        |
|                        | 57   | 126                    | 1,0            | 24,80            | 4,5                    | 12,0                   | -                        | -                        |                        |                         |                         |           |          |                        |                         |                         |                         |        |        |
|                        | 68   | 105                    | 1,0            | 20,67            | 4,7                    | 12,0                   | -                        | -                        |                        |                         |                         |           |          |                        |                         |                         |                         |        |        |
|                        | 93   | 77                     | 1,2            | 15,23            | 4,8                    | 12,0                   | -                        | -                        |                        |                         |                         |           |          |                        |                         |                         |                         |        |        |
|                        | 102  | 70                     | 1,5            | 13,87            | 4,8                    | 12,0                   | -                        | -                        |                        |                         |                         |           |          |                        |                         |                         |                         |        |        |
|                        | 115  | 62                     | 1,7            | 12,34            | 4,9                    | 12,0                   | -                        | -                        |                        |                         |                         |           |          |                        |                         |                         |                         |        |        |
|                        | 116  | 62                     | 1,8            | 12,18            | 4,9                    | 12,0                   | -                        | -                        |                        |                         |                         |           |          |                        |                         |                         |                         |        |        |
|                        | 131  | 55                     | 2,1            | 10,83            | 4,9                    | 12,0                   | -                        | -                        |                        |                         |                         |           |          |                        |                         |                         |                         |        |        |
|                        | 139  | 51                     | 1,8            | 10,15            | 4,9                    | 11,9                   | -                        | -                        |                        |                         |                         |           |          |                        |                         |                         |                         |        |        |
|                        | 149  | 48                     | 2,2            | 9,49             | 4,9                    | 11,8                   | -                        | -                        |                        |                         |                         |           |          |                        |                         |                         |                         |        |        |
|                        | 157  | 46                     | 2,1            | 9,03             | 4,9                    | 11,6                   | -                        | -                        |                        |                         |                         |           |          |                        |                         |                         |                         |        |        |
|                        | 170  | 42                     | 2,7            | 8,33             | 4,9                    | 11,3                   | -                        | -                        |                        |                         |                         |           |          |                        |                         |                         |                         |        |        |
|                        | 181  | 40                     | 2,8            | 7,83             | 4,9                    | 11,2                   | -                        | -                        |                        |                         |                         |           |          |                        |                         |                         |                         |        |        |
|                        | 204  | 35                     | 3,1            | 6,94             | 4,9                    | 10,8                   | -                        | -                        |                        |                         |                         |           |          |                        |                         |                         |                         |        |        |
|                        |  |                        |                |                  |                        |                        |                          |                          | SK 93172.1<br>- 80 L/4 | SK 93172.1<br>- 80 LH/4 | SK 93172.1<br>- 80 LP/4 |           | B30-31   |                        |                         |                         |                         |        |        |
|                        | 68   | 105                    | 0,8            | 20,80            | 4,9                    | 9,0                    | -                        | -                        | SK 92072.1<br>- 80 L/4 | SK 92072.1<br>- 80 LH/4 | SK 92072.1<br>- 80 LP/4 | 16,1      | B18-19   |                        |                         |                         |                         |        |        |
|                        | 88   | 81                     | 0,8            | 16,00            | 5,0                    | 9,0                    | -                        | -                        |                        |                         |                         |           |          |                        |                         |                         |                         |        |        |
|                        | 111  | 65                     | 0,9            | 12,78            | 5,0                    | 9,0                    | -                        | -                        |                        |                         |                         |           |          |                        |                         |                         |                         |        |        |
|                        | 127  | 56                     | 1,2            | 11,11            | 5,0                    | 9,0                    | -                        | -                        |                        |                         |                         |           |          |                        |                         |                         |                         |        |        |
|                        | 144  | 50                     | 1,5            | 9,85             | 5,0                    | 9,0                    | -                        | -                        |                        |                         |                         |           |          |                        |                         |                         |                         |        |        |
|                        | 163  | 44                     | 1,7            | 8,67             | 5,0                    | 9,0                    | -                        | -                        |                        |                         |                         |           |          |                        |                         |                         |                         |        |        |
|                        | 187  | 38                     | 1,9            | 7,58             | 4,9                    | 9,0                    | -                        | -                        |                        |                         |                         |           |          |                        |                         |                         |                         |        |        |
|                        | 212  | 34                     | 2,0            | 6,67             | 4,7                    | 8,8                    | -                        | -                        |                        |                         |                         |           |          |                        |                         |                         |                         |        |        |
|                        | 243  | 30                     | 2,4            | 5,83             | 4,5                    | 8,6                    | -                        | -                        |                        |                         |                         |           |          |                        |                         |                         |                         |        |        |
|                        | 274  | 26                     | 2,6            | 5,17             | 4,4                    | 8,3                    | -                        | -                        |                        |                         |                         |           |          |                        |                         |                         |                         |        |        |
|                        | 304  | 24                     | 2,8            | 4,65             | 4,3                    | 8,1                    | -                        | -                        |                        |                         |                         |           |          |                        |                         |                         |                         |        |        |
|                        | 356  | 20                     | 3,4            | 3,97             | 4,1                    | 7,7                    | -                        | -                        |                        |                         |                         |           |          |                        |                         |                         |                         |        |        |
|                        | 395  | 18                     | 3,6            | 3,58             | 4,0                    | 7,5                    | -                        | -                        |                        |                         |                         |           |          |                        |                         |                         |                         |        |        |
|                        |  |                        |                |                  |                        |                        |                          |                          |                        |                         |                         |           |          | SK 93072.1<br>- 80 L/4 | SK 93072.1<br>- 80 LH/4 | SK 93072.1<br>- 80 LP/4 |                         | B28-29 |        |



# 1,10 kW

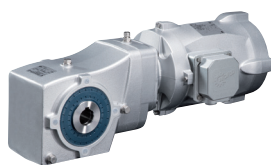
| P <sub>1</sub><br>[kW] | n <sub>2</sub><br>[min <sup>-1</sup> ] | M <sub>2</sub><br>[Nm] | f <sub>B</sub> | i <sub>ges</sub> | F <sub>R</sub><br>[kN] | F <sub>A</sub><br>[kN] | F <sub>R VL</sub><br>[kN] | F <sub>A VL</sub><br>[kN] | Gear unit motor        |                         |                         | IE2<br>kg | mm<br>mm |                        |                         |                         |                         |        |        |
|------------------------|--|------------------------|----------------|------------------|------------------------|------------------------|---------------------------|---------------------------|------------------------|-------------------------|-------------------------|-----------|----------|------------------------|-------------------------|-------------------------|-------------------------|--------|--------|
|                        |  |                        |                |                  |                        |                        |                           |                           | IE1                    | IE2                     | IE3                     |           |          |                        |                         |                         |                         |        |        |
| 1,10                   | 21                                     | 490                    | 1,0            | 66,96            | 9,4                    | 25,0                   | -                         | -                         | SK 92772.1<br>- 90 S/4 | SK 92772.1<br>- 90 SH/4 | SK 92772.1<br>- 90 SP/4 | 49,9      | B26-27   |                        |                         |                         |                         |        |        |
|                        | 24                                     | 437                    | 1,0            | 59,68            | 9,6                    | 25,0                   | -                         | -                         |                        |                         |                         |           |          |                        |                         |                         |                         |        |        |
|                        | 27                                     | 385                    | 1,5            | 52,64            | 9,8                    | 25,0                   | -                         | -                         |                        |                         |                         |           |          |                        |                         |                         |                         |        |        |
|                        | 31                                     | 343                    | 1,5            | 46,92            | 9,9                    | 25,0                   | -                         | -                         |                        |                         |                         |           |          |                        |                         |                         |                         |        |        |
|                        | 33                                     | 318                    | 2,0            | 43,44            | 10,0                   | 25,0                   | -                         | -                         |                        |                         |                         |           |          |                        |                         |                         |                         |        |        |
|                        | 36                                     | 288                    | 2,2            | 39,32            | 10,1                   | 25,0                   | -                         | -                         |                        |                         |                         |           |          |                        |                         |                         |                         |        |        |
|                        | 41                                     | 257                    | 2,6            | 35,04            | 10,2                   | 25,0                   | -                         | -                         |                        |                         |                         |           |          |                        |                         |                         |                         |        |        |
|                        | 52                                     | 202                    | 3,1            | 27,65            | 10,3                   | 25,0                   | -                         | -                         |                        |                         |                         |           |          |                        |                         |                         |                         |        |        |
|                        | 57                                     | 186                    | 3,4            | 25,34            | 10,3                   | 25,0                   | -                         | -                         |                        |                         |                         |           |          |                        |                         |                         |                         |        |        |
|                        | 58                                     | 180                    | 3,6            | 24,64            | 10,3                   | 25,0                   | -                         | -                         |                        |                         |                         |           |          |                        |                         |                         |                         |        |        |
|                        | 64                                     | 165                    | 3,9            | 22,59            | 10,3                   | 25,0                   | -                         | -                         |                        |                         |                         |           |          |                        |                         |                         |                         |        |        |
|                        | 68                                     | 155                    | 4,1            | 21,14            | 10,4                   | 25,0                   | -                         | -                         |                        |                         |                         |           |          |                        |                         |                         |                         |        |        |
|                        |  |                        |                |                  |                        |                        |                           |                           |                        |                         |                         |           |          |                        | SK 93772.1<br>- 90 S/4  | SK 93772.1<br>- 90 SH/4 | SK 92772.1<br>- 90 SP/4 |        | B36-37 |
|                        |  | 30                     | 355            | 0,9              | 48,56                  | 7,5                    | 20,0                      | -                         |                        |                         |                         |           |          | -                      | SK 92672.1<br>- 90 S/4  | SK 92672.1<br>- 90 SH/4 | SK 92672.1<br>- 90 SP/4 | 38,5   | B24-25 |
|                        | 33                                     | 317                    | 1,0            | 43,28            | 7,7                    | 20,0                   | -                         | -                         |                        |                         |                         |           |          |                        |                         |                         |                         |        |        |
|                        | 38                                     | 277                    | 1,1            | 37,82            | 7,9                    | 20,0                   | -                         | -                         |                        |                         |                         |           |          |                        |                         |                         |                         |        |        |
|                        | 43                                     | 247                    | 1,5            | 33,71            | 8,0                    | 20,0                   | -                         | -                         |                        |                         |                         |           |          |                        |                         |                         |                         |        |        |
|                        | 47                                     | 224                    | 1,4            | 30,67            | 8,1                    | 20,0                   | -                         | -                         |                        |                         |                         |           |          |                        |                         |                         |                         |        |        |
|                        | 52                                     | 200                    | 1,8            | 27,33            | 8,2                    | 20,0                   | -                         | -                         |                        |                         |                         |           |          |                        |                         |                         |                         |        |        |
|                        | 58                                     | 182                    | 2,0            | 24,88            | 8,2                    | 20,0                   | -                         | -                         |                        |                         |                         |           |          |                        |                         |                         |                         |        |        |
|                        | 72                                     | 146                    | 2,1            | 20,00            | 8,3                    | 20,0                   | -                         | -                         |                        |                         |                         |           |          |                        |                         |                         |                         |        |        |
|                        | 79                                     | 133                    | 2,6            | 18,21            | 8,3                    | 20,0                   | -                         | -                         |                        |                         |                         |           |          |                        |                         |                         |                         |        |        |
|                        | 82                                     | 128                    | 2,5            | 17,46            | 8,4                    | 20,0                   | -                         | -                         |                        |                         |                         |           |          |                        |                         |                         |                         |        |        |
|                        | 92                                     | 114                    | 3,2            | 15,56            | 8,4                    | 20,0                   | -                         | -                         |                        |                         |                         |           |          |                        |                         |                         |                         |        |        |
|                        | 100                                    | 105                    | 3,0            | 14,40            | 8,4                    | 20,0                   | -                         | -                         |                        |                         |                         |           |          |                        |                         |                         |                         |        |        |
|                        |  |                        |                |                  |                        |                        |                           |                           | SK 93672.1<br>- 90 S/4 | SK 93672.1<br>- 90 SH/4 | SK 93672.1<br>- 90 SP/4 |           | B34-35   |                        |                         |                         |                         |        |        |
|                        | 44                                     | 240                    | 0,8            | 32,80            | 5,8                    | 15,0                   | -                         | -                         | SK 92372.1<br>- 90 S/4 | SK 92372.1<br>- 90 SH/4 | SK 92372.1<br>- 90 SP/4 | 27,6      | B22-23   |                        |                         |                         |                         |        |        |
|                        | 51                                     | 206                    | 0,9            | 28,11            | 6,1                    | 15,0                   | -                         | -                         |                        |                         |                         |           |          |                        |                         |                         |                         |        |        |
|                        | 57                                     | 183                    | 1,2            | 25,06            | 6,2                    | 15,0                   | -                         | -                         |                        |                         |                         |           |          |                        |                         |                         |                         |        |        |
|                        | 64                                     | 165                    | 1,1            | 22,49            | 6,3                    | 15,0                   | -                         | -                         |                        |                         |                         |           |          |                        |                         |                         |                         |        |        |
|                        | 72                                     | 147                    | 1,5            | 20,04            | 6,3                    | 15,0                   | -                         | -                         |                        |                         |                         |           |          |                        |                         |                         |                         |        |        |
|                        | 78                                     | 134                    | 1,4            | 18,33            | 6,4                    | 15,0                   | -                         | -                         |                        |                         |                         |           |          |                        |                         |                         |                         |        |        |
|                        | 91                                     | 116                    | 1,6            | 15,84            | 6,4                    | 15,0                   | -                         | -                         |                        |                         |                         |           |          |                        |                         |                         |                         |        |        |
|                        | 102                                    | 103                    | 2,1            | 14,12            | 6,5                    | 15,0                   | -                         | -                         |                        |                         |                         |           |          |                        |                         |                         |                         |        |        |
|                        | 114                                    | 92                     | 2,0            | 12,56            | 6,5                    | 15,0                   | -                         | -                         |                        |                         |                         |           |          |                        |                         |                         |                         |        |        |
|                        | 128                                    | 82                     | 2,7            | 11,20            | 6,5                    | 15,0                   | -                         | -                         |                        |                         |                         |           |          |                        |                         |                         |                         |        |        |
|                        | 139                                    | 76                     | 2,9            | 10,33            | 6,5                    | 15,0                   | -                         | -                         |                        |                         |                         |           |          |                        |                         |                         |                         |        |        |
|                        | 158                                    | 67                     | 3,3            | 9,11             | 6,6                    | 15,0                   | -                         | -                         |                        |                         |                         |           |          |                        |                         |                         |                         |        |        |
|                        | 175                                    | 60                     | 3,5            | 8,19             | 6,6                    | 15,0                   | -                         | -                         |                        |                         |                         |           |          |                        |                         |                         |                         |        |        |
|                        | 205                                    | 51                     | 3,9            | 7,01             | 6,6                    | 15,0                   | -                         | -                         |                        |                         |                         |           |          |                        |                         |                         |                         |        |        |
|                        | 215                                    | 49                     | 4,2            | 6,67             | 6,6                    | 15,0                   | -                         | -                         |                        |                         |                         |           |          |                        |                         |                         |                         |        |        |
|                        | 246                                    | 43                     | 4,4            | 5,83             | 6,6                    | 14,7                   | -                         | -                         |                        |                         |                         |           |          |                        |                         |                         |                         |        |        |
|                        |  |                        |                |                  |                        |                        |                           |                           | SK 93372.1<br>- 90 S/4 | SK 93372.1<br>- 90 SH/4 | SK 93372.1<br>- 90 SP/4 |           | B32-33   |                        |                         |                         |                         |        |        |
|                        | 151                                    | 69                     | 1,5            | 9,49             | 4,8                    | 11,2                   | -                         | -                         | SK 92172.1<br>- 90 S/4 | SK 92172.1<br>- 90 SH/4 | SK 92172.1<br>- 90 SP/4 | 22,7      | B20-21   |                        |                         |                         |                         |        |        |
|                        | 172                                    | 61                     | 1,9            | 8,33             | 4,9                    | 10,8                   | -                         | -                         |                        |                         |                         |           |          |                        |                         |                         |                         |        |        |
|                        | 183                                    | 57                     | 1,9            | 7,83             | 4,9                    | 10,7                   | -                         | -                         |                        |                         |                         |           |          |                        |                         |                         |                         |        |        |
|                        | 207                                    | 51                     | 2,2            | 6,94             | 4,9                    | 10,3                   | -                         | -                         |                        |                         |                         |           |          |                        |                         |                         |                         |        |        |
|                        | 220                                    | 48                     | 1,9            | 6,53             | 4,9                    | 10,2                   | -                         | -                         |                        |                         |                         |           |          |                        |                         |                         |                         |        |        |
|                        | 249                                    | 42                     | 2,2            | 5,77             | 4,9                    | 9,9                    | -                         | -                         |                        |                         |                         |           |          |                        |                         |                         |                         |        |        |
|                        | 273                                    | 38                     | 2,8            | 5,26             | 4,9                    | 9,6                    | -                         | -                         |                        |                         |                         |           |          |                        |                         |                         |                         |        |        |
|                        | 293                                    | 36                     | 3,0            | 4,89             | 4,9                    | 9,4                    | -                         | -                         |                        |                         |                         |           |          |                        |                         |                         |                         |        |        |
|                        | 334                                    | 31                     | 3,4            | 4,30             | 4,9                    | 8,9                    | -                         | -                         |                        |                         |                         |           |          |                        |                         |                         |                         |        |        |
|                        |  |                        |                |                  |                        |                        |                           |                           |                        |                         |                         |           |          | SK 93172.1<br>- 90 S/4 | SK 93172.1<br>- 90 SH/4 | SK 93172.1<br>- 90 SP/4 |                         | B30-31 |        |
|                        | 246                                    | 43                     | 1,7            | 5,83             | 4,3                    | 8,2                    | -                         | -                         |                        |                         |                         |           |          | SK 92072.1<br>- 90 S/4 | SK 92072.1<br>- 90 SH/4 | SK 92072.1<br>- 90 SP/4 | 21,0                    | B18-19 |        |
|                        | 278                                    | 38                     | 1,8            | 5,17             | 4,2                    | 7,9                    | -                         | -                         |                        |                         |                         |           |          |                        |                         |                         |                         |        |        |
|                        | 308                                    | 34                     | 1,9            | 4,65             | 4,1                    | 7,7                    | -                         | -                         |                        |                         |                         |           |          |                        |                         |                         |                         |        |        |
|                        | 361                                    | 29                     | 2,3            | 3,97             | 4,0                    | 7,4                    | -                         | -                         |                        |                         |                         |           |          |                        |                         |                         |                         |        |        |
|                        | 401                                    | 26                     | 2,5            | 3,58             | 3,8                    | 7,2                    | -                         | -                         |                        |                         |                         |           |          |                        |                         |                         |                         |        |        |
|                        |  |                        |                |                  |                        |                        |                           |                           | SK 93072.1<br>- 90 S/4 | SK 93072.1<br>- 90 SH/4 | SK 93072.1<br>- 90 SP/4 |           | B28-29   |                        |                         |                         |                         |        |        |



# 1,50 kW



| P <sub>1</sub><br>[kW] | n <sub>2</sub><br>[min <sup>-1</sup> ] | M <sub>2</sub><br>[Nm] | f <sub>B</sub> | i <sub>ges</sub> | F <sub>R</sub><br>[kN] | F <sub>A</sub><br>[kN] | F <sub>RVL</sub><br>[kN] | F <sub>AVL</sub><br>[kN] | Gear unit motor        |                         |                         | IE2<br>kg | mm<br>mm |                         |        |
|------------------------|--|------------------------|----------------|------------------|------------------------|------------------------|--------------------------|--------------------------|------------------------|-------------------------|-------------------------|-----------|----------|-------------------------|--------|
|                        |  |                        |                |                  |                        |                        |                          |                          | IE1                    | IE2                     | IE3                     |           |          |                         |        |
| 1,50                   | 27                                     | 533                    | 1,1            | 52,64            | 9,1                    | 25,0                   | -                        | -                        | SK 92772.1<br>- 90 L/4 | SK 92772.1<br>- 90 LH/4 | SK 92772.1<br>- 90 LP/4 | 51,6      | B26-27   |                         |        |
|                        | 30                                     | 475                    | 1,1            | 46,92            | 9,4                    | 25,0                   | -                        | -                        |                        |                         |                         |           |          |                         |        |
|                        | 33                                     | 440                    | 1,4            | 43,44            | 9,6                    | 25,0                   | -                        | -                        |                        |                         |                         |           |          |                         |        |
|                        | 36                                     | 398                    | 1,6            | 39,32            | 9,8                    | 25,0                   | -                        | -                        |                        |                         |                         |           |          |                         |        |
|                        | 40                                     | 355                    | 1,9            | 35,04            | 9,9                    | 25,0                   | -                        | -                        |                        |                         |                         |           |          |                         |        |
|                        | 51                                     | 280                    | 2,3            | 27,65            | 10,1                   | 25,0                   | -                        | -                        |                        |                         |                         |           |          |                         |        |
|                        | 56                                     | 257                    | 2,5            | 25,34            | 10,2                   | 25,0                   | -                        | -                        |                        |                         |                         |           |          |                         |        |
|                        | 57                                     | 249                    | 2,6            | 24,64            | 10,2                   | 25,0                   | -                        | -                        |                        |                         |                         |           |          |                         |        |
|                        | 63                                     | 229                    | 2,8            | 22,59            | 10,2                   | 25,0                   | -                        | -                        |                        |                         |                         |           |          |                         |        |
|                        | 67                                     | 214                    | 2,9            | 21,14            | 10,3                   | 25,0                   | -                        | -                        |                        |                         |                         |           |          |                         |        |
|                        | 74                                     | 194                    | 3,2            | 19,17            | 10,3                   | 25,0                   | -                        | -                        |                        |                         |                         |           |          |                         |        |
|                        | 75                                     | 191                    | 3,4            | 18,84            | 10,3                   | 25,0                   | -                        | -                        |                        |                         |                         |           |          |                         |        |
|                        | 83                                     | 173                    | 3,7            | 17,08            | 10,3                   | 25,0                   | -                        | -                        |                        |                         |                         |           |          |                         |        |
|                        |  |                        |                |                  |                        |                        |                          |                          |                        | SK 93772.1<br>- 90 L/4  | SK 93772.1<br>- 90 LH/4 |           |          | SK 93772.1<br>- 90 LP/4 |        |
|                        | 37                                     | 383                    | 0,8            | 37,82            | 7,4                    | 20,0                   | -                        | -                        | SK 92672.1<br>- 90 L/4 | SK 92672.1<br>- 90 LH/4 | SK 92672.1<br>- 90 LP/4 | 40,2      | B24-25   |                         |        |
|                        | 42                                     | 341                    | 1,1            | 33,71            | 7,6                    | 20,0                   | -                        | -                        |                        |                         |                         |           |          |                         |        |
|                        | 46                                     | 310                    | 1,0            | 30,67            | 7,8                    | 20,0                   | -                        | -                        |                        |                         |                         |           |          |                         |        |
|                        | 52                                     | 277                    | 1,3            | 27,33            | 7,9                    | 20,0                   | -                        | -                        |                        |                         |                         |           |          |                         |        |
|                        | 57                                     | 252                    | 1,4            | 24,88            | 8,0                    | 20,0                   | -                        | -                        |                        |                         |                         |           |          |                         |        |
|                        | 71                                     | 202                    | 1,5            | 20,00            | 8,2                    | 20,0                   | -                        | -                        |                        |                         |                         |           |          |                         |        |
|                        | 78                                     | 184                    | 1,9            | 18,21            | 8,2                    | 20,0                   | -                        | -                        |                        |                         |                         |           |          |                         |        |
|                        | 81                                     | 177                    | 1,8            | 17,46            | 8,3                    | 20,0                   | -                        | -                        |                        |                         |                         |           |          |                         |        |
|                        | 91                                     | 158                    | 2,3            | 15,56            | 8,3                    | 20,0                   | -                        | -                        |                        |                         |                         |           |          |                         |        |
|                        | 98                                     | 146                    | 2,2            | 14,40            | 8,3                    | 20,0                   | -                        | -                        |                        |                         |                         |           |          |                         |        |
|                        | 110                                    | 130                    | 2,8            | 12,84            | 8,4                    | 20,0                   | -                        | -                        |                        |                         |                         |           |          |                         |        |
|                        | 124                                    | 115                    | 3,1            | 11,39            | 8,4                    | 20,0                   | -                        | -                        |                        |                         |                         |           |          |                         |        |
|                        |  |                        |                |                  |                        |                        |                          |                          | SK 93672.1<br>- 90 L/4 | SK 93672.1<br>- 90 LH/4 | SK 93672.1<br>- 90 LP/4 |           |          |                         | B34-35 |
|                        | 56                                     | 254                    | 0,9            | 25,06            | 5,7                    | 15,0                   | -                        | -                        | SK 92372.1<br>- 90 L/4 | SK 92372.1<br>- 90 LH/4 | SK 92372.1<br>- 90 LP/4 |           |          | 29,3                    | B22-23 |
|                        | 63                                     | 228                    | 0,8            | 22,49            | 5,9                    | 15,0                   | -                        | -                        |                        |                         |                         |           |          |                         |        |
|                        | 71                                     | 203                    | 1,1            | 20,04            | 6,1                    | 15,0                   | -                        | -                        |                        |                         |                         |           |          |                         |        |
|                        | 77                                     | 186                    | 1,0            | 18,33            | 6,2                    | 15,0                   | -                        | -                        |                        |                         |                         |           |          |                         |        |
|                        | 89                                     | 160                    | 1,1            | 15,84            | 6,3                    | 15,0                   | -                        | -                        |                        |                         |                         |           |          |                         |        |
|                        | 100                                    | 143                    | 1,5            | 14,12            | 6,4                    | 15,0                   | -                        | -                        |                        |                         |                         |           |          |                         |        |
|                        | 113                                    | 127                    | 1,4            | 12,56            | 6,4                    | 15,0                   | -                        | -                        |                        |                         |                         |           |          |                         |        |
|                        | 126                                    | 113                    | 1,9            | 11,20            | 6,5                    | 15,0                   | -                        | -                        |                        |                         |                         |           |          |                         |        |
|                        | 137                                    | 105                    | 2,1            | 10,33            | 6,5                    | 15,0                   | -                        | -                        |                        |                         |                         |           |          |                         |        |
|                        | 155                                    | 92                     | 2,4            | 9,11             | 6,5                    | 15,0                   | -                        | -                        |                        |                         |                         |           |          |                         |        |
|                        | 173                                    | 83                     | 2,5            | 8,19             | 6,5                    | 15,0                   | -                        | -                        |                        |                         |                         |           |          |                         |        |
|                        | 202                                    | 71                     | 2,8            | 7,01             | 6,6                    | 15,0                   | -                        | -                        |                        |                         |                         |           |          |                         |        |
|                        | 212                                    | 67                     | 3,0            | 6,67             | 6,6                    | 15,0                   | -                        | -                        |                        |                         |                         |           |          |                         |        |
|                        | 243                                    | 59                     | 3,2            | 5,83             | 6,6                    | 14,4                   | -                        | -                        |                        |                         |                         |           |          |                         |        |
|                        |  |                        |                |                  |                        |                        |                          |                          | SK 93372.1<br>- 90 L/4 | SK 93372.1<br>- 90 LH/4 | SK 93372.1<br>- 90 LP/4 |           | B32-33   |                         |        |
|                        | 149                                    | 96                     | 1,1            | 9,49             | 4,7                    | 10,6                   | -                        | -                        | SK 92172.1<br>- 90 L/4 | SK 92172.1<br>- 90 LH/4 | SK 92172.1<br>- 90 LP/4 | 24,4      | B20-21   |                         |        |
|                        | 170                                    | 84                     | 1,4            | 8,33             | 4,8                    | 10,3                   | -                        | -                        |                        |                         |                         |           |          |                         |        |
|                        | 181                                    | 79                     | 1,4            | 7,83             | 4,8                    | 10,2                   | -                        | -                        |                        |                         |                         |           |          |                         |        |
|                        | 204                                    | 70                     | 1,6            | 6,94             | 4,8                    | 9,9                    | -                        | -                        |                        |                         |                         |           |          |                         |        |
|                        | 217                                    | 66                     | 1,4            | 6,53             | 4,8                    | 9,7                    | -                        | -                        |                        |                         |                         |           |          |                         |        |
|                        | 245                                    | 58                     | 1,6            | 5,77             | 4,9                    | 9,6                    | -                        | -                        |                        |                         |                         |           |          |                         |        |
|                        | 269                                    | 53                     | 2,0            | 5,26             | 4,9                    | 9,3                    | -                        | -                        |                        |                         |                         |           |          |                         |        |
|                        | 289                                    | 50                     | 2,2            | 4,89             | 4,9                    | 9,1                    | -                        | -                        |                        |                         |                         |           |          |                         |        |
|                        | 329                                    | 43                     | 2,4            | 4,30             | 4,9                    | 8,6                    | -                        | -                        |                        |                         |                         |           |          |                         |        |
|                        | 368                                    | 39                     | 2,3            | 3,85             | 4,8                    | 8,1                    | -                        | -                        |                        |                         |                         |           |          |                         |        |
|                        | 395                                    | 36                     | 2,4            | 3,58             | 4,7                    | 7,9                    | -                        | -                        |                        |                         |                         |           |          |                         |        |
|                        |  |                        |                |                  |                        |                        |                          |                          | SK 93172.1<br>- 90 L/4 | SK 93172.1<br>- 90 LH/4 | SK 93172.1<br>- 90 LP/4 |           |          |                         | B30-31 |



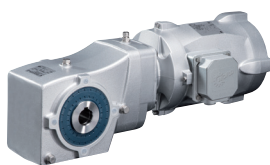
**2,20 kW**  
**3,00 kW**

| P <sub>1</sub><br>[kW] | n <sub>2</sub><br>[min <sup>-1</sup> ] | M <sub>2</sub><br>[Nm] | f <sub>B</sub> | i <sub>ges</sub> | F <sub>R</sub><br>[kN] | F <sub>A</sub><br>[kN] | F <sub>R VL</sub><br>[kN] | F <sub>A VL</sub><br>[kN] | Gear unit motor          |                          |                          | IE2<br>kg                | mm<br>mm |                          |        |        |
|------------------------|--|------------------------|----------------|------------------|------------------------|------------------------|---------------------------|---------------------------|--------------------------|--------------------------|--------------------------|--------------------------|----------|--------------------------|--------|--------|
|                        |  |                        |                |                  |                        |                        |                           |                           | IE1                      | IE2                      | IE3                      |                          |          |                          |        |        |
| 2,20                   | 37                                     | 572                    | 1,1            | 39,32            | 8,9                    | 25,0                   | -                         | -                         | SK 92772.1<br>- 100 L/4  | SK 92772.1<br>- 100 LH/4 | SK 92772.1<br>- 100 LP/4 | 60,0                     | B26-27   |                          |        |        |
|                        | 41                                     | 509                    | 1,3            | 35,04            | 9,3                    | 25,0                   | -                         | -                         |                          |                          |                          |                          |          |                          |        |        |
|                        | 45                                     | 463                    | 1,4            | 31,85            | 9,5                    | 25,0                   | -                         | -                         |                          |                          |                          |                          |          |                          |        |        |
|                        | 51                                     | 413                    | 1,5            | 28,38            | 9,7                    | 25,0                   | -                         | -                         |                          |                          |                          |                          |          |                          |        |        |
|                        | 57                                     | 368                    | 1,7            | 25,34            | 9,9                    | 25,0                   | -                         | -                         |                          |                          |                          |                          |          |                          |        |        |
|                        | 64                                     | 328                    | 2,0            | 22,59            | 10,0                   | 25,0                   | -                         | -                         |                          |                          |                          |                          |          |                          |        |        |
|                        | 68                                     | 307                    | 2,0            | 21,14            | 10,0                   | 25,0                   | -                         | -                         |                          |                          |                          |                          |          |                          |        |        |
|                        | 75                                     | 279                    | 2,3            | 19,17            | 10,1                   | 25,0                   | -                         | -                         |                          |                          |                          |                          |          |                          |        |        |
|                        | 77                                     | 274                    | 2,3            | 18,84            | 10,1                   | 25,0                   | -                         | -                         |                          |                          |                          |                          |          |                          |        |        |
|                        | 85                                     | 248                    | 2,6            | 17,08            | 10,2                   | 25,0                   | -                         | -                         |                          |                          |                          |                          |          |                          |        |        |
|                        | 94                                     | 224                    | 2,8            | 15,42            | 10,2                   | 25,0                   | -                         | -                         |                          |                          |                          |                          |          |                          |        |        |
|                        | 105                                    | 200                    | 3,0            | 13,79            | 10,3                   | 25,0                   | -                         | -                         |                          |                          |                          |                          |          |                          |        |        |
|                        | 116                                    | 182                    | 3,3            | 12,50            | 10,3                   | 25,0                   | -                         | -                         |                          |                          |                          |                          |          |                          |        |        |
|                        |  |                        |                |                  |                        |                        |                           |                           |                          | SK 93772.1<br>- 100 L/4  | SK 93772.1<br>- 100 LH/4 |                          |          | SK 93772.1<br>- 100 LP/4 |        | B36-37 |
|                        |  | 58                     | 362            | 1,0              | 24,88                  | 7,5                    | 20,0                      | -                         | -                        | SK 92672.1<br>- 100 L/4  | SK 92672.1<br>- 100 LH/4 |                          |          | SK 92672.1<br>- 100 LP/4 | 48,6   | B24-25 |
|                        |  | 79                     | 265            | 1,3              | 18,21                  | 8,0                    | 20,0                      | -                         | -                        |                          |                          |                          |          |                          |        |        |
|                        |  | 83                     | 254            | 1,2              | 17,46                  | 8,0                    | 20,0                      | -                         | -                        |                          |                          |                          |          |                          |        |        |
|                        |  | 93                     | 226            | 1,6              | 15,56                  | 8,1                    | 20,0                      | -                         | -                        |                          |                          |                          |          |                          |        |        |
|                        |  | 100                    | 209            | 1,5              | 14,40                  | 8,2                    | 20,0                      | -                         | -                        |                          |                          |                          |          |                          |        |        |
|                        | 113                                    | 187                    | 1,9            | 12,84            | 8,2                    | 20,0                   | -                         | -                         |                          |                          |                          |                          |          |                          |        |        |
|                        | 127                                    | 166                    | 2,2            | 11,39            | 8,3                    | 20,0                   | -                         | -                         |                          |                          |                          |                          |          |                          |        |        |
|                        | 142                                    | 148                    | 2,5            | 10,16            | 8,3                    | 20,0                   | -                         | -                         |                          |                          |                          |                          |          |                          |        |        |
|                        | 154                                    | 137                    | 2,6            | 9,39             | 8,3                    | 20,0                   | -                         | -                         |                          |                          |                          |                          |          |                          |        |        |
|                        | 173                                    | 121                    | 2,9            | 8,33             | 8,4                    | 20,0                   | -                         | -                         |                          |                          |                          |                          |          |                          |        |        |
|                        | 194                                    | 108                    | 3,2            | 7,44             | 8,4                    | 19,5                   | -                         | -                         |                          |                          |                          |                          |          |                          |        |        |
|                        |  |                        |                |                  |                        |                        |                           |                           | SK 93672.1<br>- 100 L/4  | SK 93672.1<br>- 100 LH/4 | SK 93672.1<br>- 100 LP/4 |                          | B34-35   |                          |        |        |
|                        | 115                                    | 183                    | 1,0            | 12,56            | 6,2                    | 15,0                   | -                         | -                         | SK 92372.1<br>- 100 L/4  | SK 92372.1<br>- 100 LH/4 | SK 92372.1<br>- 100 LP/4 | 37,7                     | B22-23   |                          |        |        |
|                        | 129                                    | 163                    | 1,3            | 11,20            | 6,3                    | 15,0                   | -                         | -                         |                          |                          |                          |                          |          |                          |        |        |
|                        | 141                                    | 149                    | 1,2            | 10,22            | 6,3                    | 15,0                   | -                         | -                         |                          |                          |                          |                          |          |                          |        |        |
|                        | 159                                    | 132                    | 1,6            | 9,11             | 6,4                    | 15,0                   | -                         | -                         |                          |                          |                          |                          |          |                          |        |        |
|                        | 176                                    | 119                    | 1,7            | 8,19             | 6,4                    | 14,9                   | -                         | -                         |                          |                          |                          |                          |          |                          |        |        |
|                        | 206                                    | 102                    | 2,0            | 7,01             | 6,5                    | 14,5                   | -                         | -                         |                          |                          |                          |                          |          |                          |        |        |
|                        | 217                                    | 97                     | 2,1            | 6,67             | 6,5                    | 14,2                   | -                         | -                         |                          |                          |                          |                          |          |                          |        |        |
|                        | 248                                    | 85                     | 2,2            | 5,83             | 6,5                    | 13,7                   | -                         | -                         |                          |                          |                          |                          |          |                          |        |        |
|                        | 282                                    | 75                     | 2,5            | 5,13             | 6,5                    | 12,9                   | -                         | -                         |                          |                          |                          |                          |          |                          |        |        |
|                        | 336                                    | 63                     | 3,0            | 4,31             | 6,6                    | 12,0                   | -                         | -                         |                          |                          |                          |                          |          |                          |        |        |
|                        | 389                                    | 54                     | 3,3            | 3,72             | 6,6                    | 11,3                   | -                         | -                         |                          |                          |                          |                          |          |                          |        |        |
|                        |  |                        |                |                  |                        |                        |                           |                           | SK 93372.1<br>- 100 L/4  | SK 93372.1<br>- 100 LH/4 | SK 93372.1<br>- 100 LP/4 |                          |          |                          | B32-33 |        |
| 3,00                   | 36                                     | 790                    | 0,8            | 39,32            | 7,3                    | 25,0                   | -                         | -                         | SK 92772.1<br>- 100 LA/4 | SK 92772.1<br>- 100 AH/4 | SK 92772.1<br>- 100 AP/4 |                          |          | 60,0                     | B26-27 |        |
|                        | 41                                     | 704                    | 0,9            | 35,04            | 8,0                    | 25,0                   | -                         | -                         |                          |                          |                          |                          |          |                          |        |        |
|                        | 45                                     | 640                    | 1,0            | 31,85            | 8,5                    | 25,0                   | -                         | -                         |                          |                          |                          |                          |          |                          |        |        |
|                        | 50                                     | 571                    | 1,1            | 28,38            | 8,9                    | 25,0                   | -                         | -                         |                          |                          |                          |                          |          |                          |        |        |
|                        | 56                                     | 509                    | 1,2            | 25,34            | 9,3                    | 25,0                   | -                         | -                         |                          |                          |                          |                          |          |                          |        |        |
|                        | 63                                     | 454                    | 1,4            | 22,59            | 9,5                    | 25,0                   | -                         | -                         |                          |                          |                          |                          |          |                          |        |        |
|                        | 67                                     | 425                    | 1,5            | 21,14            | 9,6                    | 25,0                   | -                         | -                         |                          |                          |                          |                          |          |                          |        |        |
|                        | 74                                     | 385                    | 1,6            | 19,17            | 9,8                    | 25,0                   | -                         | -                         |                          |                          |                          |                          |          |                          |        |        |
|                        | 76                                     | 379                    | 1,7            | 18,84            | 9,8                    | 25,0                   | -                         | -                         |                          |                          |                          |                          |          |                          |        |        |
|                        | 83                                     | 343                    | 1,9            | 17,08            | 9,9                    | 25,0                   | -                         | -                         |                          |                          |                          |                          |          |                          |        |        |
|                        | 92                                     | 310                    | 2,0            | 15,42            | 10,0                   | 25,0                   | -                         | -                         |                          |                          |                          |                          |          |                          |        |        |
|                        | 103                                    | 277                    | 2,2            | 13,79            | 10,1                   | 25,0                   | -                         | -                         |                          |                          |                          |                          |          |                          |        |        |
|                        | 114                                    | 251                    | 2,4            | 12,50            | 10,2                   | 25,0                   | -                         | -                         |                          |                          |                          |                          |          |                          |        |        |
|                        | 126                                    | 227                    | 2,5            | 11,28            | 10,2                   | 25,0                   | -                         | -                         |                          |                          |                          |                          |          |                          |        |        |
|                        | 145                                    | 197                    | 2,9            | 9,81             | 10,3                   | 25,0                   | -                         | -                         |                          |                          |                          |                          |          |                          |        |        |
|                        | 161                                    | 178                    | 3,1            | 8,85             | 10,3                   | 25,0                   | -                         | -                         |                          |                          |                          |                          |          |                          |        |        |
|                        | 198                                    | 144                    | 3,8            | 7,18             | 10,4                   | 24,4                   | -                         | -                         |                          |                          |                          |                          |          |                          |        |        |
|                        | 278                                    | 103                    | 4,9            | 5,12             | 10,4                   | 20,9                   | -                         | -                         |                          |                          |                          |                          |          |                          |        |        |
|                        |  |                        |                |                  |                        |                        |                           |                           |                          | SK 93772.1<br>- 100 LA/4 | SK 93772.1<br>- 100 AH/4 | SK 93772.1<br>- 100 AP/4 |          |                          |        | B36-37 |

**3,00 kW**  
**4,00 kW**



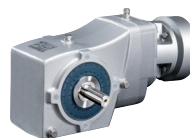
| P <sub>1</sub><br>[kW] | n <sub>2</sub><br>[min <sup>-1</sup> ] | M <sub>2</sub><br>[Nm] | f <sub>B</sub> | i <sub>ges</sub> | F <sub>R</sub><br>[kN] | F <sub>A</sub><br>[kN] | F <sub>RVL</sub><br>[kN] | F <sub>AVL</sub><br>[kN] | Gear unit motor          |                          |                          | IE2<br>kg | mm<br>mm |                          |        |
|------------------------|--|------------------------|----------------|------------------|------------------------|------------------------|--------------------------|--------------------------|--------------------------|--------------------------|--------------------------|-----------|----------|--------------------------|--------|
|                        |  |                        |                |                  |                        |                        |                          |                          | IE1                      | IE2                      | IE3                      |           |          |                          |        |
| 3,00                   | 78                                     | 366                    | 1,0            | 18,21            | 7,5                    | 20,0                   | -                        | -                        | SK 92672.1<br>- 100 LA/4 | SK 92672.1<br>- 100 AH/4 | SK 92672.1<br>- 100 AP/4 | 48,6      | B24-25   |                          |        |
|                        | 82                                     | 351                    | 0,9            | 17,46            | 7,6                    | 20,0                   | -                        | -                        |                          |                          |                          |           |          |                          |        |
|                        | 92                                     | 313                    | 1,2            | 15,56            | 7,8                    | 20,0                   | -                        | -                        |                          |                          |                          |           |          |                          |        |
|                        | 99                                     | 290                    | 1,1            | 14,40            | 7,9                    | 20,0                   | -                        | -                        |                          |                          |                          |           |          |                          |        |
|                        | 111                                    | 258                    | 1,4            | 12,84            | 8,0                    | 20,0                   | -                        | -                        |                          |                          |                          |           |          |                          |        |
|                        | 125                                    | 229                    | 1,6            | 11,39            | 8,1                    | 20,0                   | -                        | -                        |                          |                          |                          |           |          |                          |        |
|                        | 140                                    | 204                    | 1,8            | 10,16            | 8,2                    | 20,0                   | -                        | -                        |                          |                          |                          |           |          |                          |        |
|                        | 152                                    | 189                    | 1,9            | 9,39             | 8,2                    | 20,0                   | -                        | -                        |                          |                          |                          |           |          |                          |        |
|                        | 171                                    | 168                    | 2,1            | 8,33             | 8,3                    | 19,5                   | -                        | -                        |                          |                          |                          |           |          |                          |        |
|                        | 192                                    | 149                    | 2,3            | 7,44             | 8,3                    | 19,0                   | -                        | -                        |                          |                          |                          |           |          |                          |        |
|                        | 213                                    | 134                    | 2,4            | 6,68             | 8,3                    | 18,6                   | -                        | -                        |                          |                          |                          |           |          |                          |        |
|                        | 253                                    | 113                    | 2,7            | 5,64             | 8,4                    | 17,1                   | -                        | -                        |                          |                          |                          |           |          |                          |        |
|                        | 327                                    | 88                     | 3,6            | 4,36             | 8,4                    | 15,3                   | -                        | -                        |                          |                          |                          |           |          |                          |        |
|                        |  |                        |                |                  |                        |                        |                          |                          |                          | SK 93672.1<br>- 100 LA/4 | SK 93672.1<br>- 100 AH/4 |           |          | SK 93672.1<br>- 100 AP/4 |        |
|                        | 127                                    | 225                    | 1,0            | 11,20            | 5,9                    | 14,9                   | -                        | -                        | SK 92372.1<br>- 100 LA/4 | SK 92372.1<br>- 100 AH/4 | SK 92372.1<br>- 100 AP/4 | 37,7      | B22-23   |                          |        |
|                        | 139                                    | 206                    | 0,9            | 10,22            | 5,9                    | 14,4                   | -                        | -                        |                          |                          |                          |           |          |                          |        |
|                        | 156                                    | 183                    | 1,2            | 9,11             | 6,2                    | 14,4                   | -                        | -                        |                          |                          |                          |           |          |                          |        |
|                        | 174                                    | 165                    | 1,3            | 8,19             | 6,3                    | 14,0                   | -                        | -                        |                          |                          |                          |           |          |                          |        |
|                        | 203                                    | 141                    | 1,4            | 7,01             | 6,4                    | 13,8                   | -                        | -                        |                          |                          |                          |           |          |                          |        |
|                        | 214                                    | 134                    | 1,5            | 6,67             | 6,4                    | 13,5                   | -                        | -                        |                          |                          |                          |           |          |                          |        |
|                        | 244                                    | 117                    | 1,6            | 5,83             | 6,4                    | 13,0                   | -                        | -                        |                          |                          |                          |           |          |                          |        |
|                        | 278                                    | 103                    | 1,8            | 5,13             | 6,5                    | 12,3                   | -                        | -                        |                          |                          |                          |           |          |                          |        |
|                        | 331                                    | 87                     | 2,1            | 4,31             | 6,5                    | 11,5                   | -                        | -                        |                          |                          |                          |           |          |                          |        |
|                        | 383                                    | 75                     | 2,4            | 3,72             | 6,5                    | 10,9                   | -                        | -                        |                          |                          |                          |           |          |                          |        |
|                        |  |                        |                |                  |                        |                        |                          |                          | SK 93372.1<br>- 100 LA/4 | SK 93372.1<br>- 100 AH/4 | SK 93372.1<br>- 100 AP/4 |           | B32-33   |                          |        |
| 4,00                   | 57                                     | 672                    | 0,9            | 25,34            | 8,3                    | 25,0                   | -                        | -                        | SK 92772.1<br>- 112 M/4  | SK 92772.1<br>- 112 MH/4 | SK 92772.1<br>- 112 MP/4 | 70,3      | B26-27   |                          |        |
|                        | 64                                     | 599                    | 1,1            | 22,59            | 8,8                    | 25,0                   | -                        | -                        |                          |                          |                          |           |          |                          |        |
|                        | 68                                     | 561                    | 1,1            | 21,14            | 9,0                    | 25,0                   | -                        | -                        |                          |                          |                          |           |          |                          |        |
|                        | 75                                     | 508                    | 1,2            | 19,17            | 9,3                    | 25,0                   | -                        | -                        |                          |                          |                          |           |          |                          |        |
|                        | 76                                     | 500                    | 1,3            | 18,84            | 9,3                    | 25,0                   | -                        | -                        |                          |                          |                          |           |          |                          |        |
|                        | 84                                     | 453                    | 1,4            | 17,08            | 9,5                    | 25,0                   | -                        | -                        |                          |                          |                          |           |          |                          |        |
|                        | 93                                     | 409                    | 1,5            | 15,42            | 9,7                    | 25,0                   | -                        | -                        |                          |                          |                          |           |          |                          |        |
|                        | 104                                    | 366                    | 1,7            | 13,79            | 9,9                    | 25,0                   | -                        | -                        |                          |                          |                          |           |          |                          |        |
|                        | 115                                    | 332                    | 1,8            | 12,50            | 10,0                   | 25,0                   | -                        | -                        |                          |                          |                          |           |          |                          |        |
|                        | 128                                    | 299                    | 1,9            | 11,28            | 10,1                   | 25,0                   | -                        | -                        |                          |                          |                          |           |          |                          |        |
|                        | 147                                    | 260                    | 2,2            | 9,81             | 10,2                   | 25,0                   | -                        | -                        |                          |                          |                          |           |          |                          |        |
|                        | 163                                    | 235                    | 2,4            | 8,85             | 10,2                   | 24,9                   | -                        | -                        |                          |                          |                          |           |          |                          |        |
|                        | 201                                    | 190                    | 2,9            | 7,18             | 10,3                   | 23,3                   | -                        | -                        |                          |                          |                          |           |          |                          |        |
|                        | 281                                    | 136                    | 3,7            | 5,12             | 10,4                   | 20,2                   | -                        | -                        |                          |                          |                          |           |          |                          |        |
|                        |  |                        |                |                  |                        |                        |                          |                          | SK 93772.1<br>- 112 M/4  | SK 93772.1<br>- 112 MH/4 | SK 93772.1<br>- 112 MP/4 |           | B36-37   |                          |        |
|                        | 93                                     | 413                    | 0,9            | 15,56            | 7,2                    | 20,0                   | -                        | -                        | SK 92672.1<br>- 112 M/4  | SK 92672.1<br>- 112 MH/4 | SK 92672.1<br>- 112 MP/4 | 58,9      | B24-25   |                          |        |
|                        | 100                                    | 382                    | 0,8            | 14,40            | 7,4                    | 20,0                   | -                        | -                        |                          |                          |                          |           |          |                          |        |
|                        | 112                                    | 341                    | 1,1            | 12,84            | 7,6                    | 20,0                   | -                        | -                        |                          |                          |                          |           |          |                          |        |
|                        | 126                                    | 302                    | 1,2            | 11,39            | 7,8                    | 19,7                   | -                        | -                        |                          |                          |                          |           |          |                          |        |
|                        | 142                                    | 270                    | 1,3            | 10,16            | 7,9                    | 19,5                   | -                        | -                        |                          |                          |                          |           |          |                          |        |
|                        | 153                                    | 249                    | 1,4            | 9,39             | 8,0                    | 19,0                   | -                        | -                        |                          |                          |                          |           |          |                          |        |
|                        | 173                                    | 221                    | 1,6            | 8,33             | 8,1                    | 18,6                   | -                        | -                        |                          |                          |                          |           |          |                          |        |
|                        | 194                                    | 197                    | 1,8            | 7,44             | 8,2                    | 18,1                   | -                        | -                        |                          |                          |                          |           |          |                          |        |
|                        | 215                                    | 177                    | 1,8            | 6,68             | 8,2                    | 17,8                   | -                        | -                        |                          |                          |                          |           |          |                          |        |
|                        | 255                                    | 150                    | 2,1            | 5,64             | 8,3                    | 16,3                   | -                        | -                        |                          |                          |                          |           |          |                          |        |
|                        | 330                                    | 116                    | 2,7            | 4,36             | 8,4                    | 14,7                   | -                        | -                        |                          |                          |                          |           |          |                          |        |
|                        |  |                        |                |                  |                        |                        |                          |                          | SK 93672.1<br>- 112 M/4  | SK 93672.1<br>- 112 MH/4 | SK 93672.1<br>- 112 MP/4 |           |          |                          | B34-35 |



# 5,50 kW 7,50 kW

| P <sub>1</sub><br>[kW] | n <sub>2</sub><br>[min <sup>-1</sup> ] | M <sub>2</sub><br>[Nm] | f <sub>B</sub> | i <sub>ges</sub> | F <sub>R</sub><br>[kN] | F <sub>A</sub><br>[kN] | F <sub>R VL</sub><br>[kN] | F <sub>A VL</sub><br>[kN] | Gear unit motor          |                          |                          | IE2<br>kg | mm<br>mm |                          |      |        |
|------------------------|--|------------------------|----------------|------------------|------------------------|------------------------|---------------------------|---------------------------|--------------------------|--------------------------|--------------------------|-----------|----------|--------------------------|------|--------|
|                        |  |                        |                |                  |                        |                        |                           |                           | IE1<br>Standard          | IE2                      | IE3                      |           |          |                          |      |        |
| 5,50                   | 76                                     | 689                    | 0,9            | 19,17            | 8,1                    | 25,0                   | -                         | -                         | SK 92772.1<br>- 132 S/4  | SK 92772.1<br>- 132 SH/4 | SK 92772.1<br>- 132 SP/4 | 89,8      | B26-27   |                          |      |        |
|                        | 85                                     | 615                    | 1,0            | 17,08            | 8,7                    | 25,0                   | -                         | -                         |                          |                          |                          |           |          |                          |      |        |
|                        | 95                                     | 555                    | 1,1            | 15,42            | 9,0                    | 25,0                   | -                         | -                         |                          |                          |                          |           |          |                          |      |        |
|                        | 117                                    | 450                    | 1,3            | 12,50            | 9,5                    | 24,8                   | -                         | -                         |                          |                          |                          |           |          |                          |      |        |
|                        | 129                                    | 406                    | 1,4            | 11,28            | 9,7                    | 24,4                   | -                         | -                         |                          |                          |                          |           |          |                          |      |        |
|                        | 149                                    | 353                    | 1,6            | 9,81             | 9,9                    | 24,1                   | -                         | -                         |                          |                          |                          |           |          |                          |      |        |
|                        | 165                                    | 318                    | 1,7            | 8,85             | 10,0                   | 23,4                   | -                         | -                         |                          |                          |                          |           |          |                          |      |        |
|                        | 203                                    | 258                    | 2,1            | 7,18             | 10,2                   | 21,8                   | -                         | -                         |                          |                          |                          |           |          |                          |      |        |
|                        | 229                                    | 230                    | 2,1            | 6,39             | 10,2                   | 21,0                   | -                         | -                         |                          |                          |                          |           |          |                          |      |        |
|                        | 285                                    | 184                    | 2,7            | 5,12             | 10,3                   | 19,1                   | -                         | -                         |                          |                          |                          |           |          |                          |      |        |
|                        |  |                        |                |                  |                        |                        |                           |                           |                          | SK 93772.1<br>- 132 S/4  | SK 93772.1<br>- 132 SH/4 |           |          | SK 93772.1<br>- 132 SP/4 |      | B36-37 |
|                        |  | 144                    | 366            | 1,0              | 10,16                  | 7,5                    | 17,9                      | -                         | -                        | SK 92672.1<br>- 132 S/4  | SK 92672.1<br>- 132 SH/4 |           |          | SK 92672.1<br>- 132 SP/4 | 78,4 | B24-25 |
|                        |  | 175                    | 300            | 1,2              | 8,33                   | 7,8                    | 17,2                      | -                         | -                        |                          |                          |           |          |                          |      |        |
|                        |  | 196                    | 267            | 1,3              | 7,44                   | 8,0                    | 16,9                      | -                         | -                        |                          |                          |           |          |                          |      |        |
|                        | 218                                    | 240                    | 1,3            | 6,68             | 8,1                    | 16,5                   | -                         | -                         |                          |                          |                          |           |          |                          |      |        |
|                        | 259                                    | 203                    | 1,5            | 5,64             | 8,2                    | 15,2                   | -                         | -                         |                          |                          |                          |           |          |                          |      |        |
|                        | 335                                    | 157                    | 2,0            | 4,36             | 8,2                    | 13,9                   | -                         | -                         |                          |                          |                          |           |          |                          |      |        |
|                        |  |                        |                |                  |                        |                        |                           |                           | SK 93672.1<br>- 132 S/4  | SK 93672.1<br>- 132 SH/4 | SK 93672.1<br>- 132 SP/4 |           | B34-35   |                          |      |        |
| 7,50                   | 85                                     | 838                    | 0,8            | 17,08            | 6,8                    | 22,6                   | -                         | -                         | SK 92772.1<br>- 132 M/4  | SK 92772.1<br>- 132 MH/4 | SK 92772.1<br>- 132 MP/4 | 96,8      | B26-27   |                          |      |        |
|                        | 95                                     | 756                    | 0,8            | 15,42            | 7,6                    | 22,6                   | -                         | -                         |                          |                          |                          |           |          |                          |      |        |
|                        | 117                                    | 613                    | 1,0            | 12,50            | 8,7                    | 22,1                   | -                         | -                         |                          |                          |                          |           |          |                          |      |        |
|                        | 129                                    | 553                    | 1,0            | 11,28            | 9,0                    | 22,0                   | -                         | -                         |                          |                          |                          |           |          |                          |      |        |
|                        | 149                                    | 481                    | 1,2            | 9,81             | 9,4                    | 22,1                   | -                         | -                         |                          |                          |                          |           |          |                          |      |        |
|                        | 165                                    | 434                    | 1,3            | 8,85             | 9,6                    | 21,4                   | -                         | -                         |                          |                          |                          |           |          |                          |      |        |
|                        | 203                                    | 352                    | 1,6            | 7,18             | 9,9                    | 20,0                   | -                         | -                         |                          |                          |                          |           |          |                          |      |        |
|                        | 229                                    | 313                    | 1,6            | 6,39             | 10,0                   | 19,5                   | -                         | -                         |                          |                          |                          |           |          |                          |      |        |
|                        | 285                                    | 251                    | 2,0            | 5,12             | 10,2                   | 18,0                   | -                         | -                         |                          |                          |                          |           |          |                          |      |        |
|                        | 350                                    | 204                    | 2,4            | 4,17             | 10,3                   | 16,8                   | -                         | -                         |                          |                          |                          |           |          |                          |      |        |
|                        |  |                        |                |                  |                        |                        |                           |                           |                          | SK 93772.1<br>- 132 M/4  | SK 93772.1<br>- 132 MH/4 |           |          | SK 93772.1<br>- 132 MP/4 |      | B36-37 |
|                        |  | 175                    | 409            | 0,9              | 8,33                   | 7,2                    | 15,4                      | -                         | -                        | SK 92672.1<br>- 132 M/4  | SK 92672.1<br>- 132 MH/4 |           |          | SK 92672.1<br>- 132 MP/4 | 85,4 | B24-25 |
|                        |  | 196                    | 365            | 1,0              | 7,44                   | 7,5                    | 15,0                      | -                         | -                        |                          |                          |           |          |                          |      |        |
|                        |  | 218                    | 328            | 1,0              | 6,68                   | 7,7                    | 15,0                      | -                         | -                        |                          |                          |           |          |                          |      |        |
|                        | 259                                    | 277                    | 1,1            | 5,64             | 7,9                    | 13,9                   | -                         | -                         |                          |                          |                          |           |          |                          |      |        |
|                        | 335                                    | 214                    | 1,5            | 4,36             | 7,7                    | 12,9                   | -                         | -                         |                          |                          |                          |           |          |                          |      |        |
|                        |  |                        |                |                  |                        |                        |                           |                           |                          |                          |                          |           |          |                          |      |        |
|                        |  |                        |                |                  |                        |                        |                           |                           | SK 93672.1<br>- 132 M/4  | SK 93672.1<br>- 132 MH/4 | SK 93672.1<br>- 132 MP/4 |           | B34-35   |                          |      |        |
| 9,20                   | 148                                    | 594                    | 1,0            | 9,81             | 8,8                    | 20,4                   | -                         | -                         | SK 92772.1<br>- 132 MA/4 |                          |                          | 96,8      | B26-37   |                          |      |        |
|                        | 164                                    | 536                    | 1,0            | 8,85             | 9,1                    | 19,5                   | -                         | -                         |                          |                          |                          |           |          |                          |      |        |
|                        | 202                                    | 435                    | 1,3            | 7,18             | 9,6                    | 18,6                   | -                         | -                         |                          |                          |                          |           |          |                          |      |        |
|                        | 227                                    | 387                    | 1,3            | 6,39             | 9,8                    | 18,3                   | -                         | -                         |                          |                          |                          |           |          |                          |      |        |
|                        | 283                                    | 310                    | 1,6            | 5,12             | 10,0                   | 17,0                   | -                         | -                         |                          |                          |                          |           |          |                          |      |        |
|                        | 348                                    | 252                    | 2,0            | 4,17             | 9,9                    | 16,0                   | -                         | -                         |                          |                          |                          |           |          |                          |      |        |
|                        |  |                        |                |                  |                        |                        |                           |                           |                          | SK 93772.1<br>- 132 MA/4 |                          |           |          |                          |      | B36-37 |
|                        |  | 217                    | 405            | 0,8              | 6,68                   | 7,2                    | 13,7                      | -                         | -                        | SK 92672.1<br>- 132 MA/4 |                          |           |          |                          | 85,4 | B24-25 |
|                        |  | 257                    | 342            | 0,9              | 5,64                   | 7,3                    | 12,8                      | -                         | -                        |                          |                          |           |          |                          |      |        |
|                        |  | 333                    | 264            | 1,2              | 4,36                   | 7,2                    | 12,0                      | -                         | -                        |                          |                          |           |          |                          |      |        |
|                        |  |                        |                |                  |                        |                        |                           |                           |                          | SK 93672.1<br>- 132 MA/4 |                          |           |          |                          |      | B34-35 |

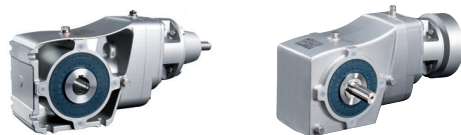
# SK 92072.1 SK 93072.1



|                               | $i_{ges}$ | $n_2$<br>$n_1 =$<br>$1400 \text{min}^{-1}$<br>[ $\text{min}^{-1}$ ] | $M_{2max}$<br>$f_B = 1$<br>[Nm] | W   |  |  | IEC                            |    |    |    |    |  |  |  |  |
|-------------------------------|-----------|---|---------------------------------|---|--|--|--------------------------------|----|----|----|----|--|--|--|--|
|                               |           |   |                                 | $P_{1max}$                                |  | $f_B \geq 1$<br>$n_1 =$<br>$700 \text{min}^{-1}$<br>[kW] | $f_B \Rightarrow \text{B2-11}$ |    |    |    |    |  |  |  |  |
|                               |           |   |                                 | $n_1 =$<br>$1400 \text{min}^{-1}$<br>[kW] | $n_1 =$<br>$930 \text{min}^{-1}$<br>[kW] |  | 56                             | 63 | 71 | 80 | 90 |  |  |  |  |
| SK 92072.1                    | 61,88     | 23  | 59                              | 0,14                                      | 0,09                                     | 0,07   |                                | *  | *  | *  |    |  |  |  |  |
| SK 93072.1                    | 53,78     | 26  | 52                              | 0,14                                      | 0,09                                     | 0,07   |                                | *  | *  | *  |    |  |  |  |  |
|                               | 47,67     | 29  | 46                              | 0,14                                      | 0,09                                     | 0,07   |                                | *  | *  | *  |    |  |  |  |  |
|                               | 40,98     | 34  | 59                              | 0,21                                      | 0,14                                     | 0,11   |                                |    |    | *  | *  |  |  |  |  |
| <b>W</b>                      | 35,62     | 39  | 65                              | 0,27                                      | 0,18                                     | 0,13   |                                |    |    | *  | *  |  |  |  |  |
|                               | 31,57     | 44  | 65                              | 0,30                                      | 0,20                                     | 0,15   |                                |    |    | *  | *  |  |  |  |  |
| $\frac{H}{mm}$                | 27,16     | 52  | 65                              | 0,35                                      | 0,23                                     | 0,18   |                                |    |    | *  | *  |  |  |  |  |
| $\Rightarrow \text{B38, B44}$ | 24,07     | 58  | 79                              | 0,48                                      | 0,32                                     | 0,24   |                                |    |    |    | *  |  |  |  |  |
|                               | 20,80     | 67  | 81                              | 0,57                                      | 0,38                                     | 0,29   |                                |    |    |    | *  |  |  |  |  |
|                               | 18,52     | 76  | 60                              | 0,47                                      | 0,32                                     | 0,24   |                                |    |    |    | *  |  |  |  |  |
|                               | 16,00     | 88  | 66                              | 0,60                                      | 0,40                                     | 0,30   |                                |    |    |    | *  |  |  |  |  |
|                               | 12,78     | 110   | 59                              | 0,68                                      | 0,45                                     | 0,34   |                                |    |    |    | *  |  |  |  |  |
| <b>IEC</b>                    | 11,11     | 126   | 65                              | 0,86                                      | 0,57                                     | 0,43   |                                |    |    |    |    |  |  |  |  |
|                               | 9,85      | 142   | 76                              | 1,10                                      | 0,73                                     | 0,55   |                                |    |    |    |    |  |  |  |  |
| $\frac{H}{mm}$                | 8,67      | 162   | 74                              | 1,10                                      | 0,73                                     | 0,55   |                                |    |    |    |    |  |  |  |  |
| $\Rightarrow \text{B39, B45}$ | 7,58      | 185   | 72                              | 1,10                                      | 0,73                                     | 0,55   |                                |    |    |    |    |  |  |  |  |
|                               | 6,67      | 210   | 68                              | 1,10                                      | 0,73                                     | 0,55   |                                |    |    |    |    |  |  |  |  |
|                               | 5,83      | 240   | 72                              | 1,10                                      | 0,73                                     | 0,55   |                                |    |    |    |    |  |  |  |  |
|                               | 5,17      | 271   | 67                              | 1,10                                      | 0,73                                     | 0,55   |                                |    |    |    |    |  |  |  |  |
|                               | 4,65      | 301   | 65                              | 1,10                                      | 0,73                                     | 0,55   |                                |    |    |    |    |  |  |  |  |
|                               | 3,97      | 353   | 68                              | 1,10                                      | 0,73                                     | 0,55   |                                |    |    |    |    |  |  |  |  |
|                               | 3,58      | 391   | 66                              | 1,10                                      | 0,73                                     | 0,55   |                                |    |    |    |    |  |  |  |  |

\*  $\Rightarrow \text{A5}$

| $\frac{kg}{kg}$ | W | IEC... |
|-----------------|---|--------|
| SK 92072.1      | 4 | 4      |
| SK 93072.1      | 4 | 4      |



# SK 92172.1 SK 93172.1

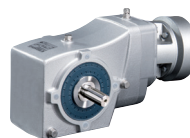
|                | i <sub>ges</sub> | n <sub>2</sub><br>n <sub>1</sub> =<br>1400min <sup>-1</sup><br>[min <sup>-1</sup> ] | M <sub>2max</sub><br>f <sub>B</sub> = 1<br>[Nm] | W   |  |  | IEC                    |    |    |    |  |  |  |  |  |
|----------------|------------------|---|---|---|--|--|------------------------|----|----|----|--|--|--|--|--|
|                |                  |   |   | P <sub>1max</sub>                         |  | f <sub>B</sub> ≥ 1                       | f <sub>B</sub> ⇨ B2-11 |    |    |    |  |  |  |  |  |
|                |                  |   |   | n <sub>1</sub> =<br>1400min <sup>-1</sup> | n <sub>1</sub> =<br>930min <sup>-1</sup> | n <sub>1</sub> =<br>700min <sup>-1</sup> | 56                     | 63 | 71 | 80 |  |  |  |  |  |
| SK 92172.1     | 70,00            | 20  | 73  | 0,15                                      | 0,10                                     | 0,08                                     |                        | *  | *  | *  |  |  |  |  |  |
| SK 93172.1     | 63,78            | 22  | 67  | 0,15                                      | 0,10                                     | 0,08                                     |                        | *  | *  | *  |  |  |  |  |  |
|                | 56,00            | 25  | 59  | 0,15                                      | 0,10                                     | 0,08                                     |                        | *  | *  | *  |  |  |  |  |  |
|                | 46,43            | 30  | 93  | 0,29                                      | 0,20                                     | 0,15                                     |                        |    | *  | *  |  |  |  |  |  |
| <b>W</b>       | 42,30            | 33  | 103   | 0,36                                      | 0,24                                     | 0,18                                     |                        |    | *  | *  |  |  |  |  |  |
|                | 38,75            | 36  | 93  | 0,35                                      | 0,23                                     | 0,18                                     |                        |    | *  | *  |  |  |  |  |  |
| $\frac{H}{mm}$ | 37,14            | 38  | 90  | 0,36                                      | 0,24                                     | 0,18                                     |                        |    | *  | *  |  |  |  |  |  |
| ⇨ B38, B44     | 35,31            | 40  | 108   | 0,45                                      | 0,30                                     | 0,22                                     |                        |    |    | *  |  |  |  |  |  |
|                | 31,00            | 45  | 108   | 0,51                                      | 0,34                                     | 0,26                                     |                        |    |    | *  |  |  |  |  |  |
|                | 28,24            | 50  | 108   | 0,56                                      | 0,37                                     | 0,28                                     |                        |    |    | *  |  |  |  |  |  |
|                | 24,80            | 56  | 120   | 0,71                                      | 0,47                                     | 0,35                                     |                        |    |    | *  |  |  |  |  |  |
|                | 20,67            | 68  | 104   | 0,74                                      | 0,49                                     | 0,37                                     |                        |    |    | *  |  |  |  |  |  |
| <b>IEC</b>     | 15,23            | 92  | 93  | 0,90                                      | 0,59                                     | 0,45                                     |                        |    |    |    |  |  |  |  |  |
|                | 13,87            | 101   | 108   | 1,14                                      | 0,76                                     | 0,57                                     |                        |    |    |    |  |  |  |  |  |
| $\frac{H}{mm}$ | 12,34            | 114   | 108   | 1,28                                      | 0,85                                     | 0,64                                     |                        |    |    |    |  |  |  |  |  |
| ⇨ B40, B46     | 12,18            | 115   | 114   | 1,37                                      | 0,91                                     | 0,69                                     |                        |    |    |    |  |  |  |  |  |
|                | 10,83            | 129   | 113   | 1,50                                      | 1,00                                     | 0,75                                     |                        |    |    |    |  |  |  |  |  |
|                | 10,15            | 138   | 95  | 1,37                                      | 0,91                                     | 0,69                                     |                        |    |    |    |  |  |  |  |  |
|                | 9,49             | 148   | 107   | 1,50                                      | 1,00                                     | 0,75                                     |                        |    |    |    |  |  |  |  |  |
|                | 9,03             | 155   | 94  | 1,50                                      | 1,00                                     | 0,75                                     |                        |    |    |    |  |  |  |  |  |
|                | 8,33             | 168   | 115   | 1,50                                      | 1,00                                     | 0,75                                     |                        |    |    |    |  |  |  |  |  |
|                | 7,83             | 179   | 111   | 1,50                                      | 1,00                                     | 0,75                                     |                        |    |    |    |  |  |  |  |  |
|                | 6,94             | 202   | 110   | 1,50                                      | 1,00                                     | 0,75                                     |                        |    |    |    |  |  |  |  |  |
|                | 6,53             | 214   | 93  | 1,50                                      | 1,00                                     | 0,75                                     |                        |    |    |    |  |  |  |  |  |
|                | 5,77             | 243   | 92  | 1,50                                      | 1,00                                     | 0,75                                     |                        |    |    |    |  |  |  |  |  |
|                | 5,26             | 266   | 107   | 1,50                                      | 1,00                                     | 0,75                                     |                        |    |    |    |  |  |  |  |  |
|                | 4,89             | 286   | 107   | 1,50                                      | 1,00                                     | 0,75                                     |                        |    |    |    |  |  |  |  |  |
|                | 4,30             | 326   | 106   | 1,50                                      | 1,00                                     | 0,75                                     |                        |    |    |    |  |  |  |  |  |
|                | 3,85             | 364   | 89  | 1,50                                      | 1,00                                     | 0,75                                     |                        |    |    |    |  |  |  |  |  |
|                | 3,58             | 391   | 88  | 1,50                                      | 1,00                                     | 0,75                                     |                        |    |    |    |  |  |  |  |  |

\* ⇨ A5

| kg         | W | IEC... |
|------------|---|--------|
| SK 92172.1 | 7 | 7      |
| SK 93172.1 | 7 | 7      |



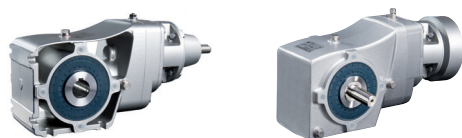
# SK 92372.1 SK 93372.1



|                               | $i_{ges}$ | $n_2$<br>$n_1 =$<br>$1400 \text{min}^{-1}$<br>[ $\text{min}^{-1}$ ] | $M_{2max}$<br>$f_B = 1$<br>[Nm] | W   |  |  | IEC                            |    |    |    |     |     |     |  |  |  |
|-------------------------------|-----------|---|---------------------------------|---|--|--|--------------------------------|----|----|----|-----|-----|-----|--|--|--|
|                               |           |   |                                 | $P_{1max}$                                |  | $f_B \geq 1$<br>$n_1 =$<br>$700 \text{min}^{-1}$<br>[kW] | $f_B \Rightarrow \text{B2-11}$ |    |    |    |     |     |     |  |  |  |
|                               |           |   |                                 | $n_1 =$<br>$1400 \text{min}^{-1}$<br>[kW] | $n_1 =$<br>$930 \text{min}^{-1}$<br>[kW] |  | 63                             | 71 | 80 | 90 | 100 | 112 | 132 |  |  |  |
| SK 92372.1                    | 55,49     | 25  | 158                             | 0,42                                      | 0,28                                     | 0,21   |                                |    | *  | *  |     |     |     |  |  |  |
| SK 93372.1                    | 49,46     | 28  | 141                             | 0,42                                      | 0,28                                     | 0,21   |                                |    | *  | *  |     |     |     |  |  |  |
|                               | 46,64     | 30  | 184                             | 0,58                                      | 0,38                                     | 0,29   |                                |    | *  | *  |     |     |     |  |  |  |
|                               | 41,46     | 34  | 184                             | 0,65                                      | 0,43                                     | 0,33   |                                |    | *  | *  |     |     |     |  |  |  |
| <b>W</b>                      | 36,80     | 38  | 184                             | 0,73                                      | 0,49                                     | 0,37   |                                |    | *  | *  |     |     |     |  |  |  |
|                               | 32,80     | 43  | 198                             | 0,89                                      | 0,59                                     | 0,44   |                                |    |    | *  |     |     |     |  |  |  |
| $\frac{H}{mm}$                | 28,11     | 50  | 184                             | 0,96                                      | 0,64                                     | 0,48   |                                |    |    | *  |     |     |     |  |  |  |
| $\Rightarrow \text{B38, B44}$ | 25,06     | 56  | 219                             | 1,28                                      | 0,85                                     | 0,64   |                                |    |    | *  |     |     |     |  |  |  |
|                               | 22,49     | 62  | 184                             | 1,20                                      | 0,80                                     | 0,60   |                                |    |    | *  |     |     |     |  |  |  |
|                               | 20,04     | 70  | 219                             | 1,60                                      | 1,06                                     | 0,80   |                                |    |    |    |     |     |     |  |  |  |
|                               | 18,33     | 76  | 183                             | 1,46                                      | 0,97                                     | 0,73   |                                |    |    | *  |     |     |     |  |  |  |
|                               | 15,84     | 88  | 184                             | 1,70                                      | 1,13                                     | 0,85   |                                |    |    |    |     |     |     |  |  |  |
| <b>IEC</b>                    | 14,12     | 99  | 218                             | 2,26                                      | 1,50                                     | 1,13   |                                |    |    |    |     |     |     |  |  |  |
|                               | 12,56     | 112   | 184                             | 2,15                                      | 1,43                                     | 1,07   |                                |    |    |    | *   |     |     |  |  |  |
| $\frac{H}{mm}$                | 11,20     | 125   | 218                             | 2,85                                      | 1,90                                     | 1,43   |                                |    |    |    | *   |     |     |  |  |  |
| $\Rightarrow \text{B41, B47}$ | 10,33     | 136   | 220                             | 3,00                                      | 1,99                                     | 1,50   |                                |    |    |    |     |     |     |  |  |  |
|                               | 10,22     | 137   | 184                             | 2,64                                      | 1,75                                     | 1,32   |                                |    |    |    |     |     |     |  |  |  |
|                               | 9,11      | 154   | 218                             | 3,00                                      | 1,99                                     | 1,50   |                                |    |    |    |     |     |     |  |  |  |
|                               | 8,19      | 171   | 208                             | 3,00                                      | 1,99                                     | 1,50   |                                |    |    |    |     |     |     |  |  |  |
|                               | 7,01      | 200   | 201                             | 3,00                                      | 1,99                                     | 1,50   |                                |    |    |    |     |     |     |  |  |  |
|                               | 6,67      | 210   | 205                             | 3,00                                      | 1,99                                     | 1,50   |                                |    |    |    |     |     |     |  |  |  |
|                               | 5,83      | 240   | 189                             | 3,00                                      | 1,99                                     | 1,50   |                                |    |    |    |     |     |     |  |  |  |
|                               | 5,13      | 273   | 185                             | 3,00                                      | 1,99                                     | 1,50   |                                |    |    |    |     |     |     |  |  |  |
|                               | 4,31      | 325   | 186                             | 3,00                                      | 1,99                                     | 1,50   |                                |    |    |    |     |     |     |  |  |  |
|                               | 3,72      | 376   | 181                             | 3,00                                      | 1,99                                     | 1,50   |                                |    |    |    |     |     |     |  |  |  |

\*  $\Rightarrow \text{A5}$

| $\frac{kg}{kg}$ | W  | IEC 63 | IEC 71 | IEC 80 | IEC 90 | IEC 100 | IEC 112 |
|-----------------|----|--------|--------|--------|--------|---------|---------|
| SK 92372.1      | 11 | 10     | 10     | 10     | 10     | 11      | 11      |
| SK 93372.1      | 11 | 10     | 10     | 10     | 10     | 11      | 11      |



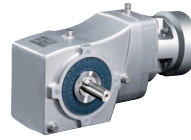
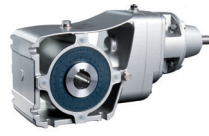
# SK 92672.1 SK 93672.1

|                        | $i_{ges}$ | $n_2$<br>$n_1 =$<br>$1400 \text{min}^{-1}$<br>[ $\text{min}^{-1}$ ] | $M_{2max}$<br>$f_B = 1$<br>[Nm] | W   |  |  | IEC<br>$f_B \Rightarrow$ B2-11 |    |    |    |     |     |     |   |  |
|------------------------|-----------|---|---------------------------------|---|--|--|--------------------------------|----|----|----|-----|-----|-----|---|--|
|                        |           |   |                                 | $P_{1max}$                                |  | $f_B \geq 1$<br>$n_1 =$<br>$700 \text{min}^{-1}$<br>[kW] | 63                             | 71 | 80 | 90 | 100 | 112 | 132 |   |  |
|                        |           |   |                                 | $n_1 =$<br>$1400 \text{min}^{-1}$<br>[kW] | $n_1 =$<br>$930 \text{min}^{-1}$<br>[kW] |  |                                |    |    |    |     |     |     |   |  |
| SK 92672.1             | 48,56     | 29  | 318                             | 0,96                                      | 0,64                                     | 0,48   |                                |    |    | *  |     |     |     |   |  |
| SK 93672.1             | 43,28     | 32  | 306                             | 1,04                                      | 0,69                                     | 0,52   |                                |    |    | *  |     |     |     |   |  |
|                        | 37,82     | 37  | 318                             | 1,23                                      | 0,82                                     | 0,62   |                                |    |    | *  |     |     |     |   |  |
|                        | 33,71     | 42  | 363                             | 1,58                                      | 1,05                                     | 0,79   |                                |    |    |    |     |     |     |   |  |
| <b>W</b>               | 30,67     | 46  | 318                             | 1,52                                      | 1,01                                     | 0,76   |                                |    |    |    |     |     |     |   |  |
|                        | 27,33     | 51  | 364                             | 1,95                                      | 1,30                                     | 0,98   |                                |    |    |    |     |     |     |   |  |
| $\frac{H}{mm}$         | 24,88     | 56  | 363                             | 2,14                                      | 1,42                                     | 1,07   |                                |    |    | *  |     | *   |     |   |  |
|                        | 20,00     | 70  | 311                             | 2,28                                      | 1,51                                     | 1,14   |                                |    |    |    |     |     |     |   |  |
| $\Rightarrow$ B38, B44 | 18,21     | 77  | 349                             | 2,81                                      | 1,87                                     | 1,40   |                                |    |    | *  |     | *   |     |   |  |
|                        | 17,46     | 80  | 317                             | 2,66                                      | 1,77                                     | 1,33   |                                |    |    | *  |     | *   |     |   |  |
|                        | 15,56     | 90  | 363                             | 3,42                                      | 2,27                                     | 1,71   |                                |    |    |    |     | *   |     |   |  |
|                        | 14,40     | 97  | 317                             | 3,23                                      | 2,14                                     | 1,61   |                                |    |    |    |     | *   |     |   |  |
| <b>IEC</b>             | 12,84     | 109   | 363                             | 4,14                                      | 2,75                                     | 2,07   |                                |    |    |    |     |     |     |   |  |
|                        | 11,39     | 123   | 361                             | 4,65                                      | 3,09                                     | 2,32   |                                |    |    |    |     |     |     |   |  |
| $\frac{H}{mm}$         | 10,16     | 138   | 363                             | 5,24                                      | 3,48                                     | 2,62   |                                |    |    |    |     |     |     |   |  |
| $\Rightarrow$ B42, B48 | 9,39      | 149   | 355                             | 5,54                                      | 3,68                                     | 2,77   |                                |    |    |    |     |     |     |   |  |
|                        | 8,33      | 168   | 350                             | 6,16                                      | 4,09                                     | 3,08   |                                |    |    |    |     |     |     |   |  |
|                        | 7,44      | 188   | 349                             | 6,88                                      | 4,57                                     | 3,44   |                                |    |    |    |     |     |     |   |  |
|                        | 6,68      | 210   | 317                             | 6,96                                      | 4,62                                     | 3,48   |                                |    |    |    |     |     |     | * |  |
|                        | 5,64      | 248   | 310                             | 8,06                                      | 5,35                                     | 4,03   |                                |    |    |    |     |     |     | * |  |
|                        | 4,36      | 321   | 315                             | 9,20                                      | 6,11                                     | 4,60   |                                |    |    |    |     |     |     |   |  |

\*  $\Rightarrow$  A5

|            | W  | IEC 63 | IEC 71 | IEC 80 | IEC 90 | IEC 100 | IEC 112 | IEC 132 |
|------------|----|--------|--------|--------|--------|---------|---------|---------|
| SK 92672.1 | 24 | 23     | 23     | 23     | 23     | 24      | 24      | 26      |
| SK 93672.1 | 24 | 23     | 23     | 23     | 23     | 24      | 24      | 26      |

# SK 92772.1 SK 93772.1



|                        | $i_{ges}$ | $n_2$<br>$n_1 =$<br>$1400 \text{ min}^{-1}$<br>[ $\text{min}^{-1}$ ] | $M_{2max}$<br>$f_B = 1$<br>[Nm] | W  |   |   | IEC                     |    |    |    |     |     |     |   |   |   |   |
|------------------------|-----------|--|---------------------------------|--|---|---|-------------------------|----|----|----|-----|-----|-----|---|---|---|---|
|                        |           |  |                                 | $P_{1max}$                                 |   | $f_B \geq 1$<br>$n_1 =$<br>$700 \text{ min}^{-1}$<br>[kW] | $f_B \Rightarrow$ B2-11 |    |    |    |     |     |     |   |   |   |   |
|                        |           |  |                                 | $n_1 =$<br>$1400 \text{ min}^{-1}$<br>[kW] | $n_1 =$<br>$930 \text{ min}^{-1}$<br>[kW] |   | 63                      | 71 | 80 | 90 | 100 | 112 | 132 |   |   |   |   |
| SK 92772.1             | 66,96     | 21   | 489                             | 1,07                                       | 0,71                                      | 0,54  |                         |    |    | *  |     |     |     |   |   |   |   |
| SK 93772.1             | 59,68     | 23   | 436                             | 1,07                                       | 0,71                                      | 0,54  |                         |    |    | *  |     |     |     |   |   |   |   |
|                        | 52,64     | 27   | 578                             | 1,61                                       | 1,07                                      | 0,80  |                         |    |    |    |     |     |     |   |   |   |   |
|                        | 46,92     | 30   | 515                             | 1,61                                       | 1,07                                      | 0,80  |                         |    |    |    |     |     |     |   |   |   |   |
| <b>W</b>               | 43,44     | 32   | 630                             | 2,13                                       | 1,41                                      | 1,06  |                         |    |    |    |     |     |     |   |   |   |   |
|                        | 39,32     | 36   | 630                             | 2,35                                       | 1,56                                      | 1,17  |                         |    |    |    | *   | *   |     |   |   |   |   |
| $\frac{H}{mm}$         | 35,04     | 40   | 660                             | 2,76                                       | 1,83                                      | 1,38  |                         |    |    |    | *   | *   |     |   |   |   |   |
| $\Rightarrow$ B38, B44 | 31,85     | 44   | 630                             | 2,90                                       | 1,93                                      | 1,45  |                         |    |    |    | *   | *   | *   | * | * | * | * |
|                        | 28,38     | 49   | 605                             | 3,13                                       | 2,08                                      | 1,56  |                         |    |    |    |     |     | *   | * | * | * | * |
|                        | 27,65     | 51   | 630                             | 3,34                                       | 2,22                                      | 1,67  |                         |    |    |    |     |     |     |   |   |   |   |
|                        | 25,34     | 55   | 630                             | 3,64                                       | 2,42                                      | 1,82  |                         |    |    |    |     |     |     | * | * | * | * |
|                        | 24,64     | 57   | 655                             | 3,90                                       | 2,59                                      | 1,95  |                         |    |    |    |     |     |     |   |   |   |   |
| <b>IEC</b>             | 22,59     | 62   | 650                             | 4,22                                       | 2,80                                      | 2,11  |                         |    |    |    |     |     |     |   |   |   | * |
| $\frac{H}{mm}$         | 21,14     | 66   | 630                             | 4,37                                       | 2,90                                      | 2,18  |                         |    |    |    |     |     |     |   |   |   | * |
| $\Rightarrow$ B43, B49 | 19,17     | 73   | 630                             | 4,82                                       | 3,20                                      | 2,41  |                         |    |    |    |     |     |     |   |   |   | * |
|                        | 18,84     | 74   | 640                             | 4,98                                       | 3,31                                      | 2,49  |                         |    |    |    |     |     |     |   |   |   | * |
|                        | 17,08     | 82   | 645                             | 5,54                                       | 3,68                                      | 2,77  |                         |    |    |    |     |     |     |   |   |   | * |
|                        | 15,42     | 91   | 631                             | 6,00                                       | 3,99                                      | 3,00  |                         |    |    |    |     |     |     |   |   |   | * |
|                        | 13,79     | 102  | 605                             | 6,43                                       | 4,27                                      | 3,22  |                         |    |    |    |     |     |     |   |   |   | * |
|                        | 12,50     | 112  | 596                             | 6,99                                       | 4,64                                      | 3,50  |                         |    |    |    |     |     |     |   |   |   | * |
|                        | 11,28     | 124  | 575                             | 7,47                                       | 4,96                                      | 3,74  |                         |    |    |    |     |     |     |   |   |   | * |
|                        | 9,81      | 143  | 579                             | 8,65                                       | 5,75                                      | 4,33  |                         |    |    |    |     |     |     |   |   |   | * |
|                        | 8,85      | 158  | 555                             | 9,19                                       | 6,11                                      | 4,60  |                         |    |    |    |     |     |     |   |   |   | * |
|                        | 7,18      | 195  | 546                             | 9,20                                       | 6,11                                      | 4,60  |                         |    |    |    |     |     |     |   |   |   |   |
|                        | 6,39      | 219  | 493                             | 9,20                                       | 6,11                                      | 4,60  |                         |    |    |    |     |     |     |   |   |   |   |
|                        | 5,12      | 273  | 505                             | 9,20                                       | 6,11                                      | 4,60  |                         |    |    |    |     |     |     |   |   |   |   |
|                        | 4,17      | 336  | 496                             | 9,20                                       | 6,11                                      | 4,60  |                         |    |    |    |     |     |     |   |   |   |   |

\*  $\Rightarrow$  A5

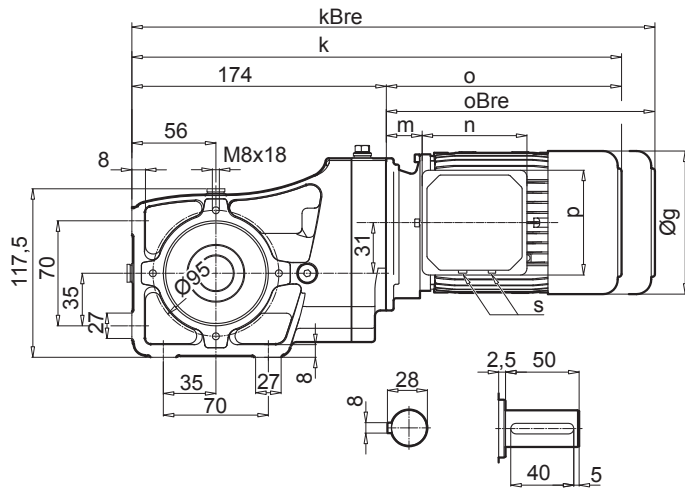
| $\frac{kg}{kg}$ | W  | IEC 63 | IEC 71 | IEC 80 | IEC 90 | IEC 100 | IEC 112 | IEC 132 |
|-----------------|----|--------|--------|--------|--------|---------|---------|---------|
| SK 92772.1      | 42 | 40     | 40     | 44     | 44     | 48      | 48      | 57      |
| SK 93772.1      | 42 | 40     | 40     | 44     | 44     | 48      | 48      | 57      |



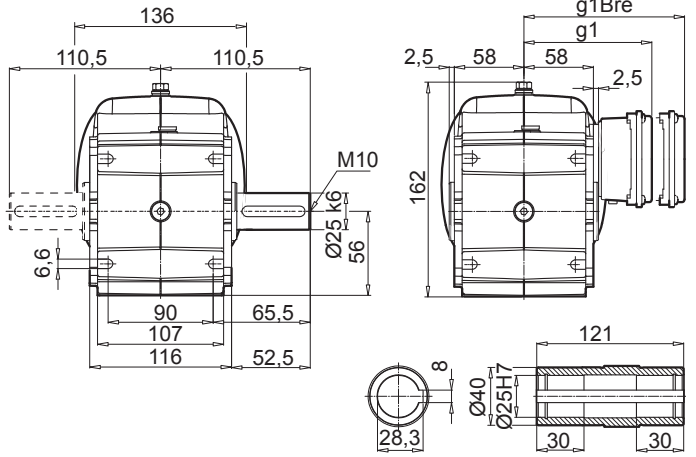
# SK 92072.1



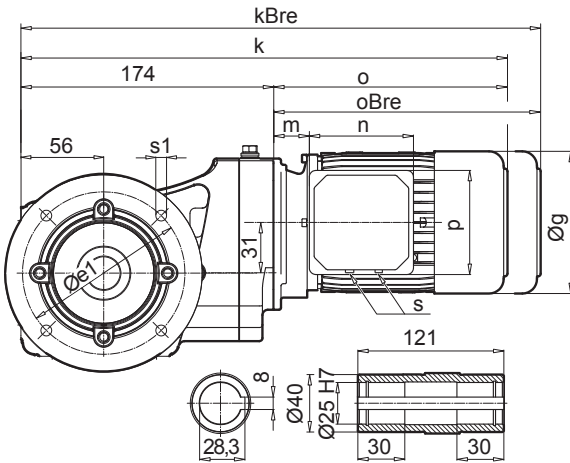
## SK 92072.1 V



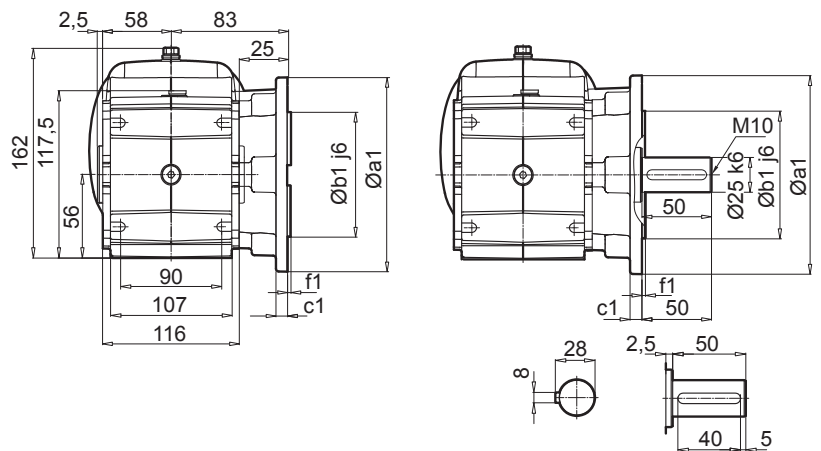
## SK 92072.1 A



## SK 92072.1AF




## SK 92072.1 VF




| a1  | b1 | c1 | e1  | f1  | s1 |
|-----|----|----|-----|-----|----|
| 140 | 95 | 10 | 115 | 3,0 | 9  |

| IE1<br>IE2<br>IE3 | 63 S / L<br>- | 71 S / L<br>- | 80 S / L<br>SH / LH<br>- / LP | 90 S<br>SH<br>SP |  |  |  |
|-------------------|---------------|---------------|-------------------------------|------------------|--|--|--|
| g                 | 130           | 145           | 165                           | 183              |  |  |  |
| g1 / g1Bre        | 115 / 123     | 124 / 132     | 142 / 142                     | 147 / 147        |  |  |  |
| k / kBre          | 366 / 422     | 388 / 446     | 410 / 474                     | 450 / 525        |  |  |  |
| o / oBre          | 192 / 248     | 214 / 272     | 236 / 300                     | 276 / 351        |  |  |  |
| m / mBre          | 12 / 19       | 20 / 27       | 22 / 26                       | 26 / 30          |  |  |  |
| n / nBre          | 100 / 134     | 100 / 134     | 114 / 153                     | 114 / 153        |  |  |  |
| p / pBre          | 100 / 89      | 100 / 89      | 114 / 108                     | 114 / 108        |  |  |  |
| s                 | M20 x 1,5     | M20 x 1,5     | M25 x 1,5                     | M25 x 1,5        |  |  |  |



W ⇨ B38

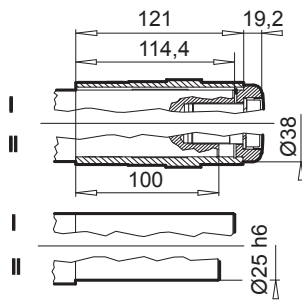


IEC ⇨ B39

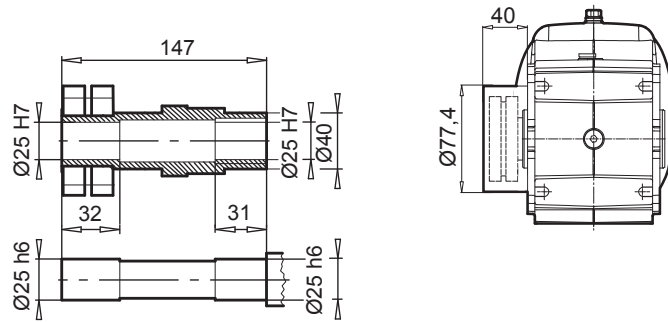


# SK 92072.1

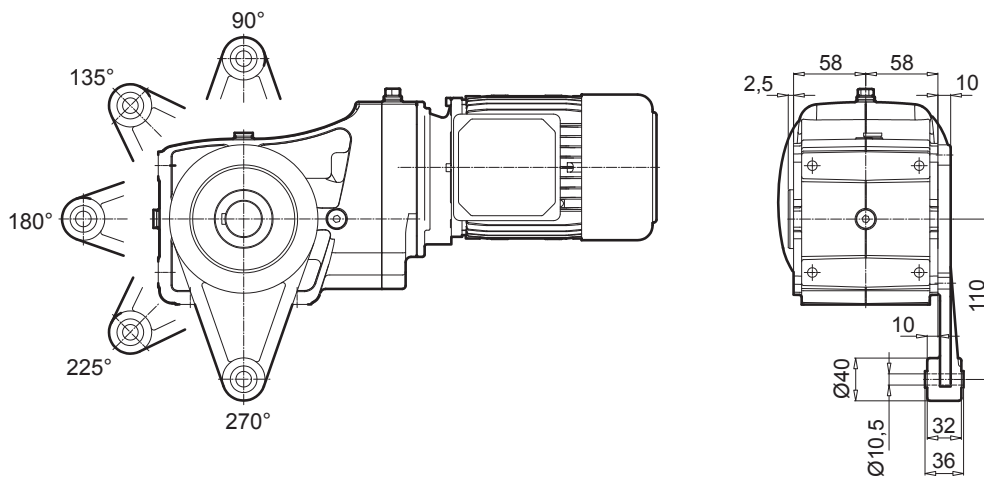
## SK 92072.1 AB



## SK 92072.1 ASH



## SK 92072.1 AD

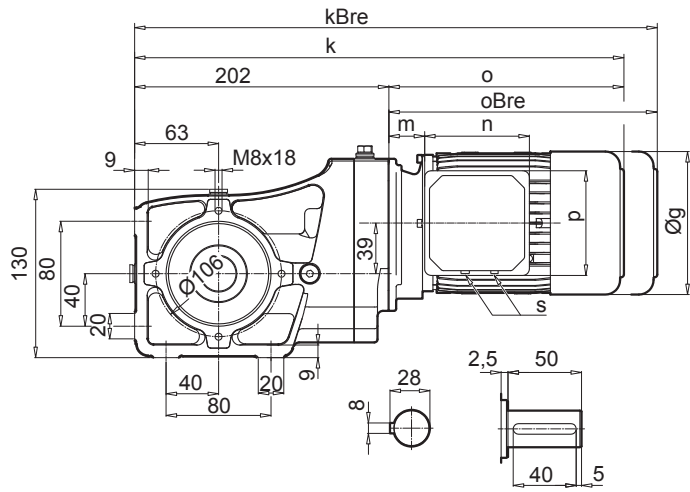




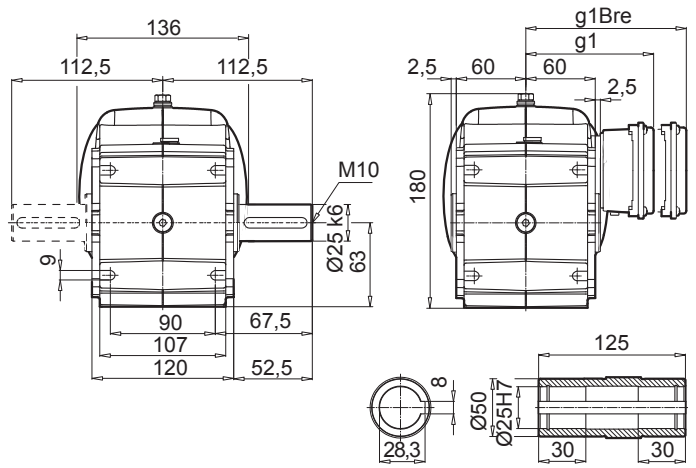
# SK 92172.1



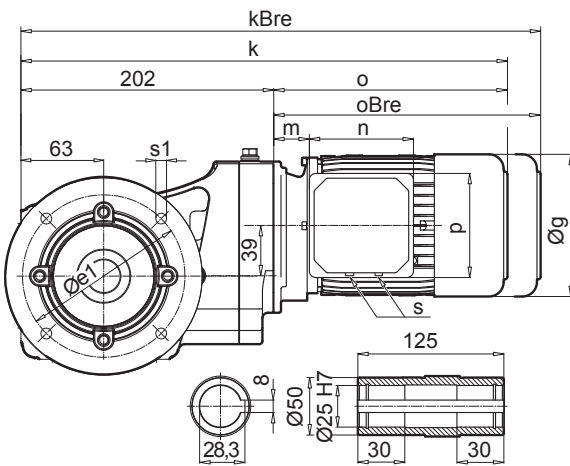
## SK 92172.1 V



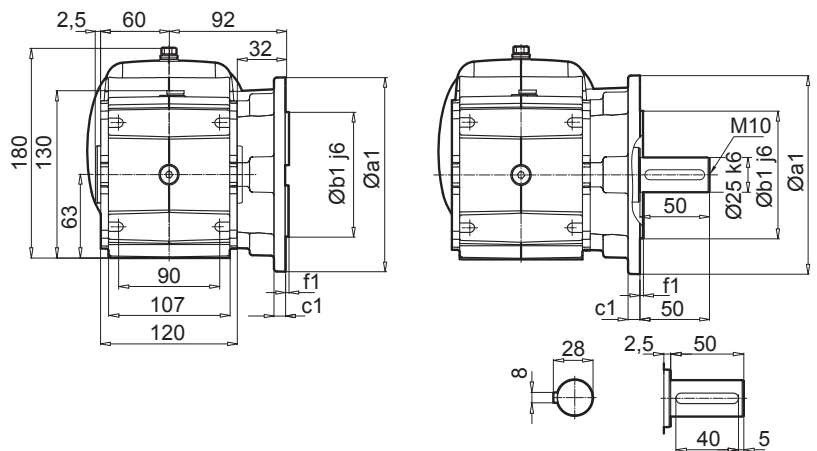
## SK 92172.1 A



## SK 92172.1AF




## SK 92172.1 VF




| a1  | b1  | c1 | e1  | f1  | s1 |
|-----|-----|----|-----|-----|----|
| 160 | 110 | 12 | 130 | 3,5 | 9  |

| IE1<br>IE2<br>IE3 | 63 S / L  | 71 S / L  | 80 S / L<br>SH / LH<br>- / LP | 90 S / L<br>SH / LH<br>SP / LP |  |  |  |
|-------------------|-----------|-----------|-------------------------------|--------------------------------|--|--|--|
| g                 | 130       | 145       | 165                           | 183                            |  |  |  |
| g1 / g1Bre        | 115 / 123 | 124 / 132 | 142 / 142                     | 147 / 147                      |  |  |  |
| k / kBre          | 394 / 450 | 416 / 474 | 438 / 502                     | 478 / 553                      |  |  |  |
| o / oBre          | 192 / 248 | 214 / 272 | 236 / 300                     | 276 / 351                      |  |  |  |
| m / mBre          | 12 / 19   | 20 / 27   | 22 / 26                       | 26 / 30                        |  |  |  |
| n / nBre          | 100 / 134 | 100 / 134 | 114 / 153                     | 114 / 153                      |  |  |  |
| p / pBre          | 100 / 89  | 100 / 89  | 114 / 108                     | 114 / 108                      |  |  |  |
| s                 | M20 x 1,5 | M20 x 1,5 | M25 x 1,5                     | M25 x 1,5                      |  |  |  |



W ⇒ B38

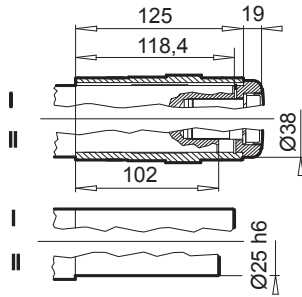


IEC ⇒ B40

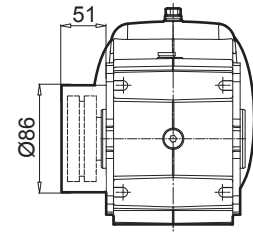
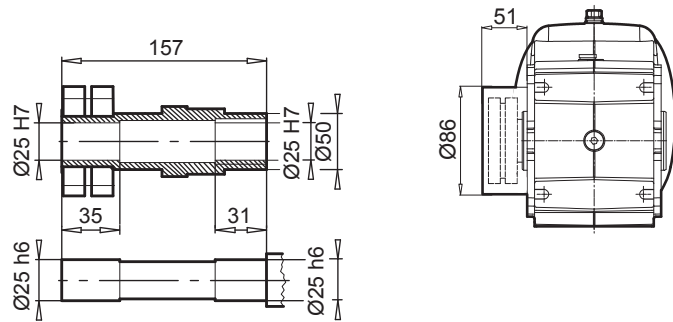


# SK 92172.1

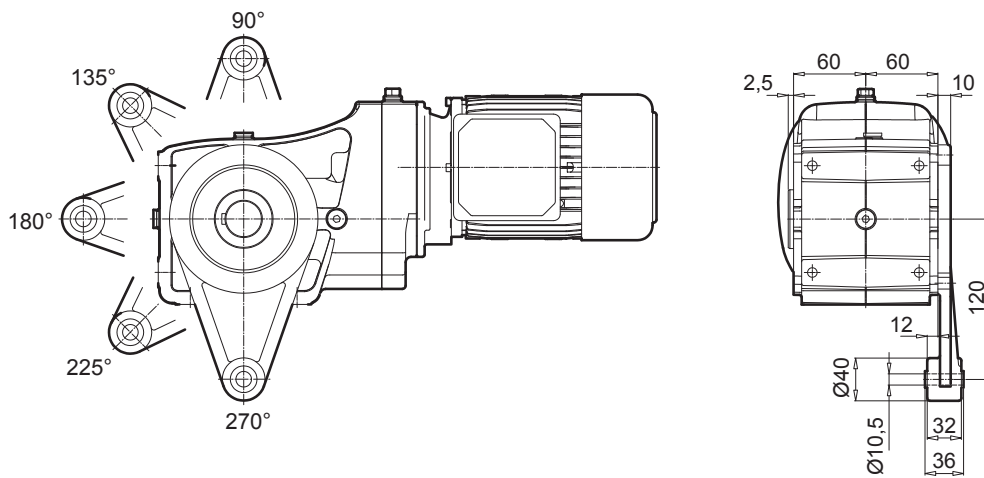
## SK 92172.1 AB



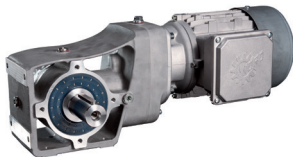
## SK 92172.1 ASH



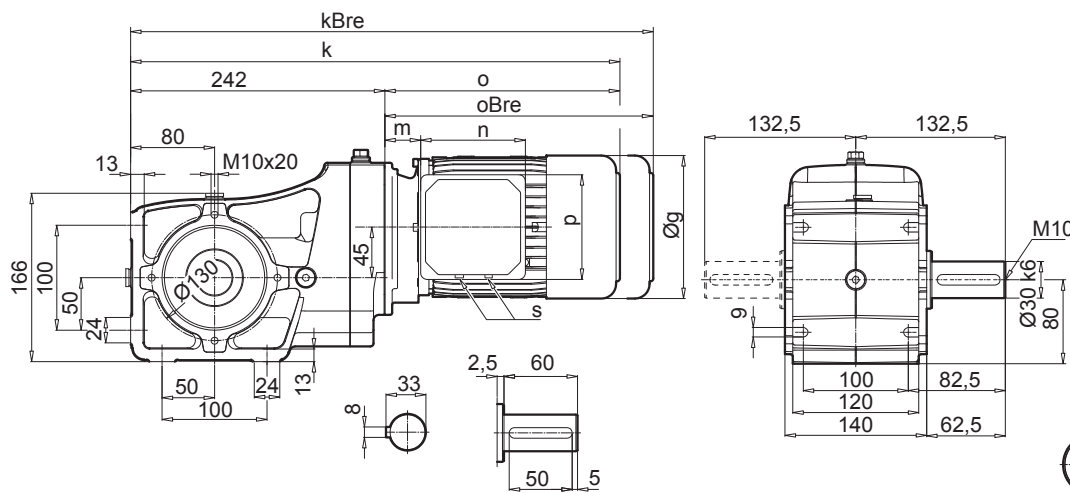
## SK 92172.1 AD



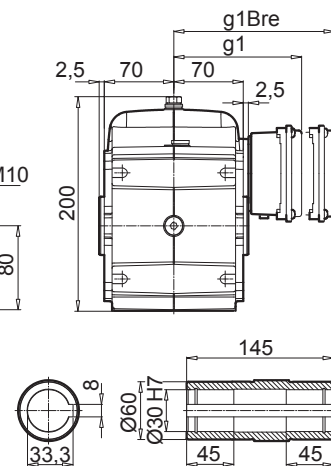
# SK 92372.1



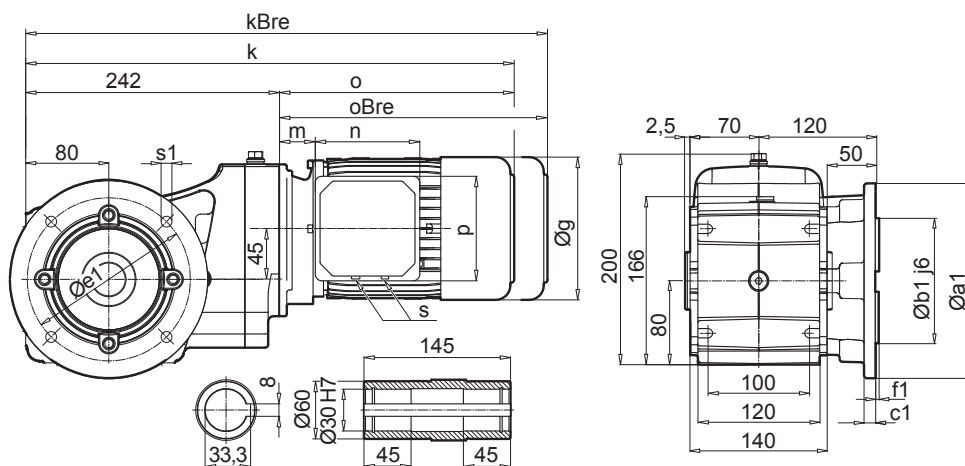
## SK 92372.1 V



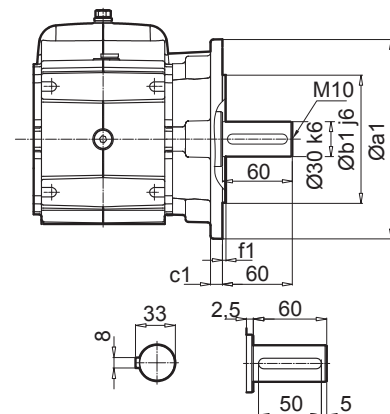
## SK 92372.1 A



## SK 92372.1AF




## SK 92372.1 VF




| a1  | b1  | c1 | e1  | f1  | s1 |
|-----|-----|----|-----|-----|----|
| 160 | 110 | 12 | 130 | 3,5 | 9  |
| 200 | 130 | 12 | 165 | 3,5 | 11 |

| IE1<br>IE2<br>IE3 | 63 S / L  | 71 S / L  | 80 S / L<br>SH / LH<br>- / LP | 90 S / L<br>SH / LH<br>SP / LP | 100 L / LA<br>LH / AH<br>LP / AP |  |  |
|-------------------|-----------|-----------|-------------------------------|--------------------------------|----------------------------------|--|--|
| g                 | 130       | 145       | 165                           | 183                            | 201                              |  |  |
| g1 / g1Bre        | 115 / 123 | 124 / 132 | 142 / 142                     | 147 / 147                      | 169 / 173                        |  |  |
| k / kBre          | 438 / 494 | 478 / 536 | 503 / 567                     | 544 / 619                      | 574 / 665                        |  |  |
| o / oBre          | 196 / 252 | 236 / 294 | 261 / 325                     | 302 / 377                      | 332 / 423                        |  |  |
| m / mBre          | 16 / 23   | 42 / 49   | 47 / 51                       | 52 / 56                        | 58 / 62                          |  |  |
| n / nBre          | 100 / 134 | 100 / 134 | 114 / 153                     | 114 / 153                      | 114 / 153                        |  |  |
| p / pBre          | 100 / 89  | 100 / 89  | 144 / 108                     | 144 / 108                      | 144 / 108                        |  |  |
| s                 | M20 x 1,5 | M20 x 1,5 | M25 x 1,5                     | M25 x 1,5                      | M25 x 1,5                        |  |  |



W ⇨ B38

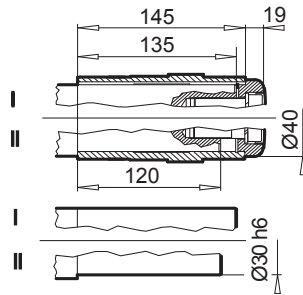


IEC ⇨ B41

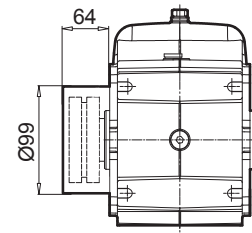
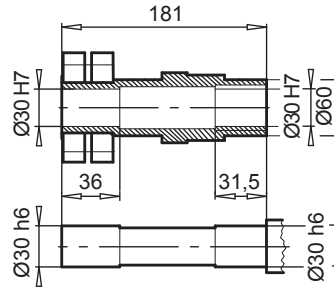


# SK 92372.1

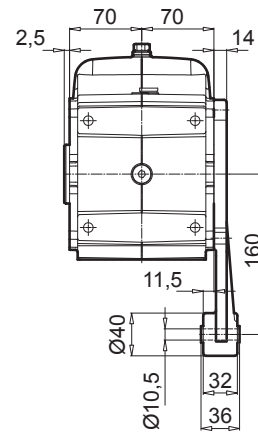
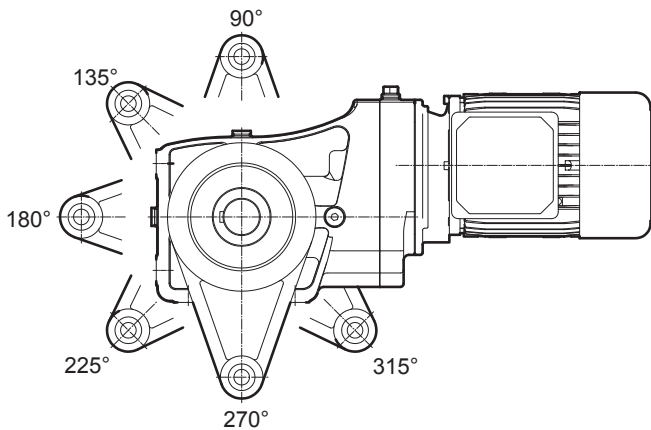
## SK 92372.1 AB



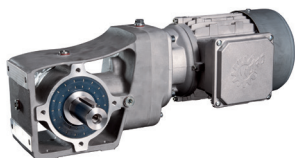
## SK 92372.1 ASH



## SK 92372.1 AD

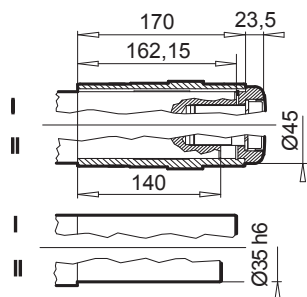




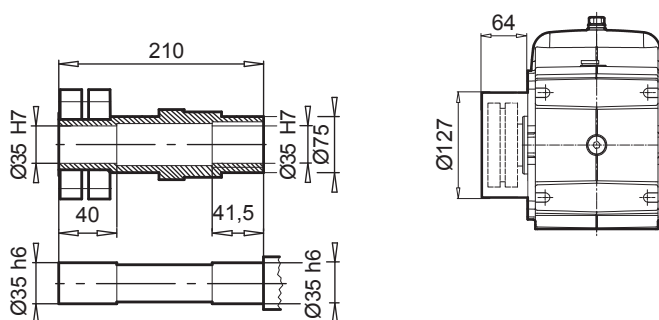


# SK 92672.1

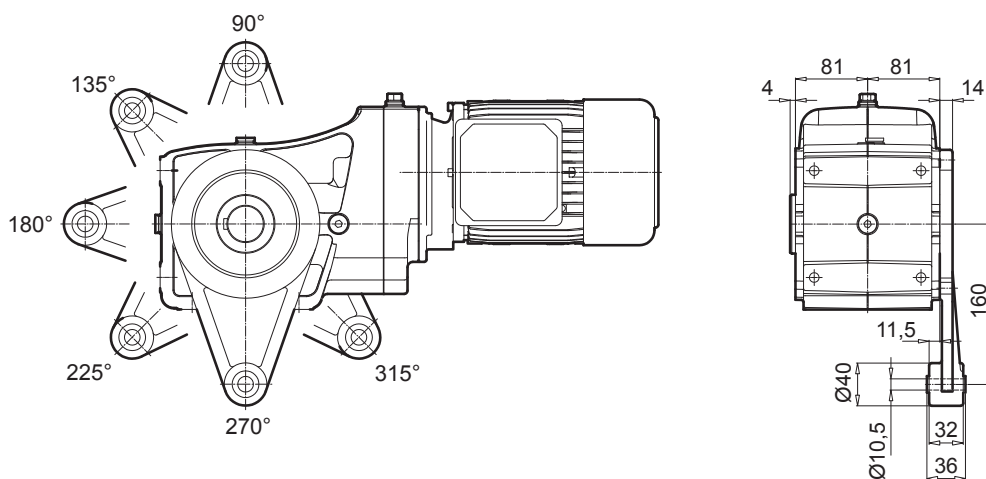
## SK 92672.1 AB



## SK 92672.1 ASH



## SK 92672.1 AD

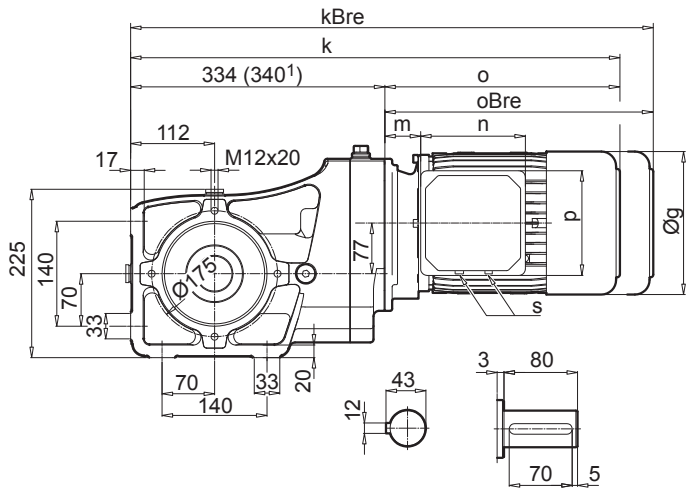




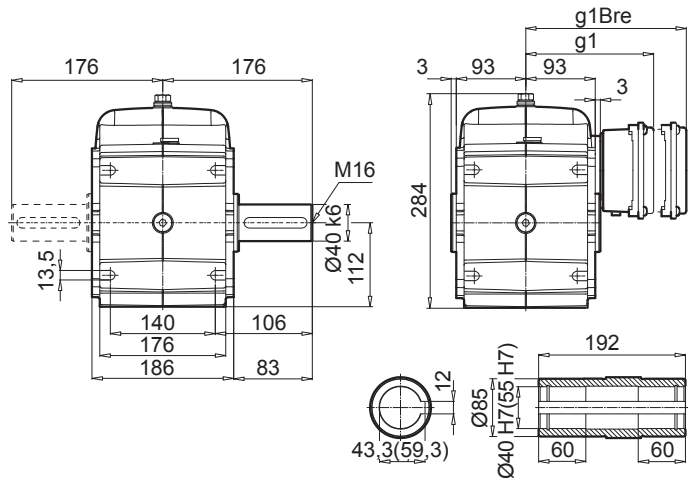
# SK 92772.1



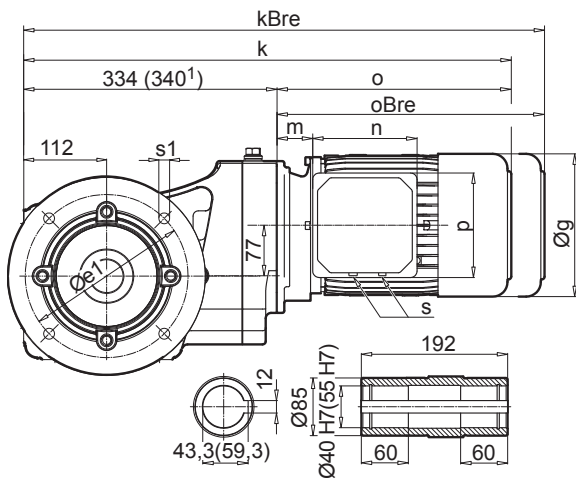
## SK 92772.1 V



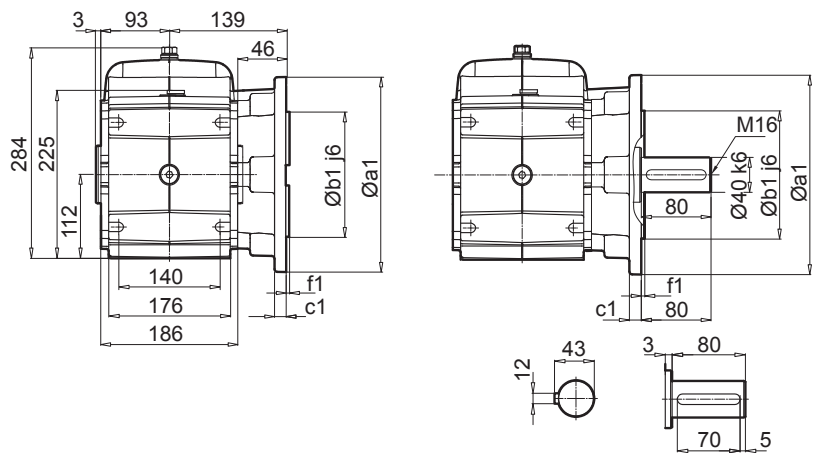
## SK 92772.1 A



## SK 92772.1AF



## SK 92772.1 VF



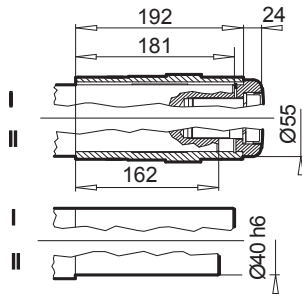
| a1  | b1  | c1 | e1  | f1 | s1   |
|-----|-----|----|-----|----|------|
| 250 | 180 | 15 | 215 | 4  | 13,5 |

| IE1<br>IE2<br>IE3 | 71 S / L<br>-<br>- | 80 S / L<br>SH / LH<br>- / LP | 90 S / L<br>SH / LH<br>SP / LP | 100 L / LA<br>LH / AH<br>LP / AP | 112 M<br>-<br>- | 112 -<br>MH<br>MP | ¹)132 S / M / MA<br>SH / MH / -<br>SP / MP / - |           |
|-------------------|--------------------|-------------------------------|--------------------------------|----------------------------------|-----------------|-------------------|--|-----------|
| <b>g</b>          | 145                | 165                           | 183                            | 201                              | 228             | 228               | 266  |           |
| <b>g1 / g1Bre</b> | 124 / 132          | 142 / 142                     | 147 / 147                      | 169 / 173                        | 179 / 182       | 179 / 182         | 204 / 201                                      | W ⇒ B38   |
| <b>k / kBre</b>   | 570 / 628          | 595 / 659                     | 636 / 711                      | 666 / 757                        | 689 / 782       | 714 / 807         | 775 / 882                                      |           |
| <b>o / oBre</b>   | 236 / 294          | 261 / 325                     | 302 / 377                      | 332 / 423                        | 355 / 448       | 380 / 473         | 435 / 542                                      |           |
| <b>m / mBre</b>   | 42 / 49            | 47 / 51                       | 52 / 56                        | 58 / 62                          | 64 / 67         | 64 / 67           | 71 / 62  |           |
| <b>n / nBre</b>   | 100 / 134          | 114 / 153                     | 114 / 153                      | 114 / 153                        | 114 / 153       | 114 / 153         | 122 / 185                                      |           |
| <b>p / pBre</b>   | 100 / 89           | 114 / 108                     | 114 / 108                      | 114 / 108                        | 114 / 108       | 114 / 108         | 122 / 139                                      |           |
| <b>s</b>          | M20 x 1,5          | M25 x 1,5                     | M25 x 1,5                      | M25 x 1,5                        | M25 x 1,5       | M25 x 1,5         | M25 x 1,5                                      | IEC ⇒ B43 |

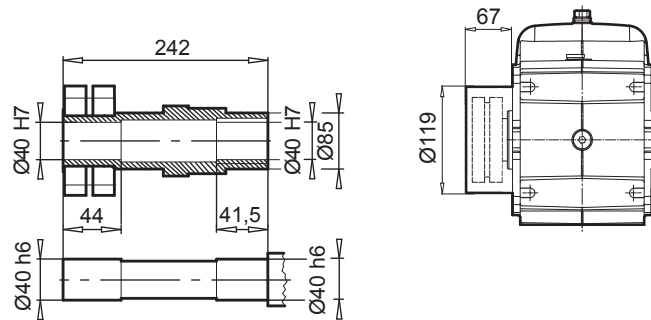


# SK 92772.1

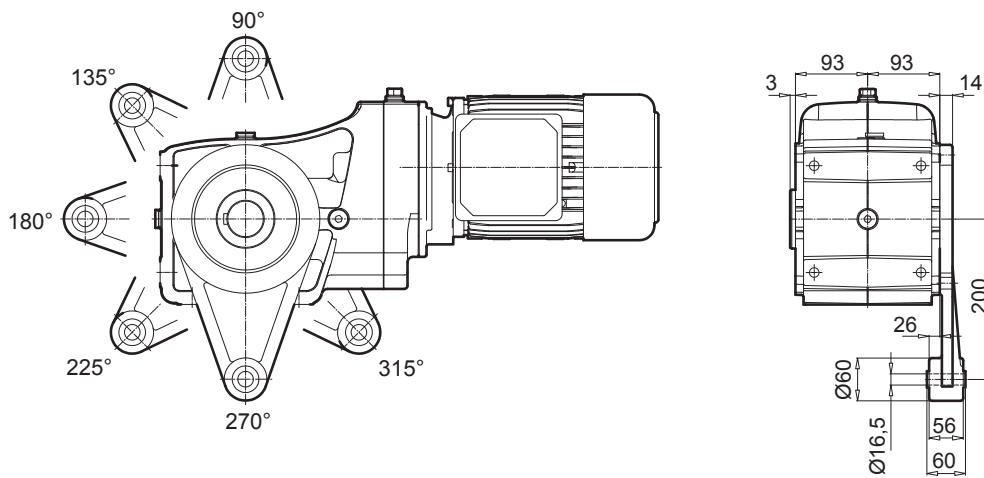
## SK 92772.1 AB



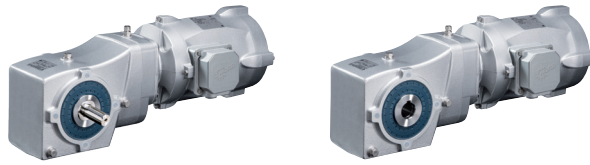
## SK 92772.1 ASH



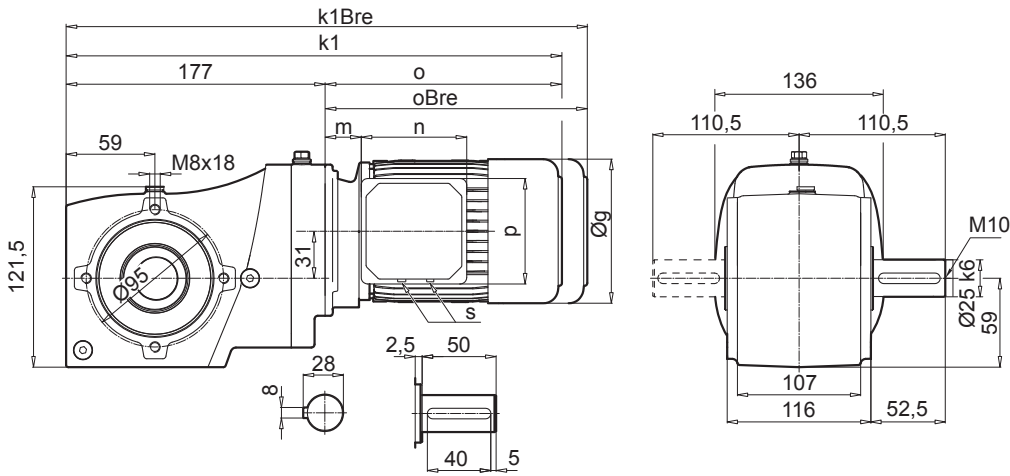
## SK 92772.1 AD



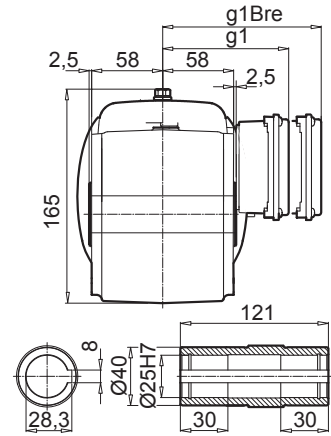
# SK 93072.1



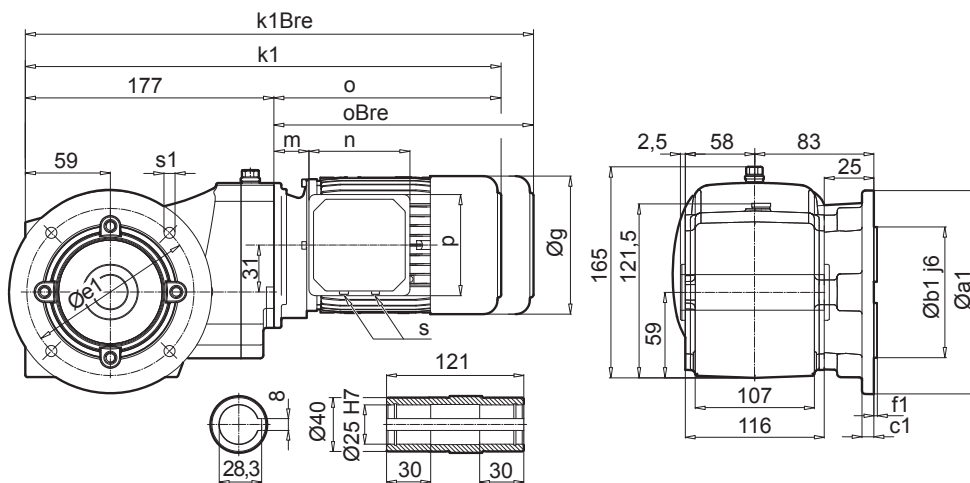
## SK 93072.1 V



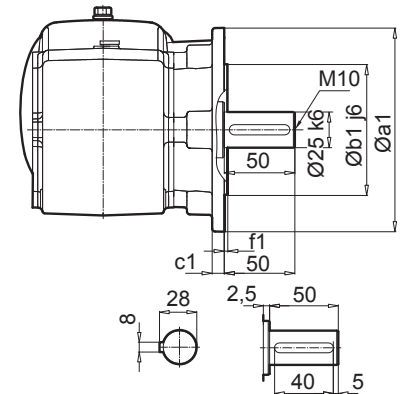
## SK 93072.1 A



## SK 93072.1AF




## SK 93072.1 VF




| a1  | b1 | c1 | e1  | f1  | s1 |
|-----|----|----|-----|-----|----|
| 140 | 95 | 10 | 115 | 3,0 | 9  |

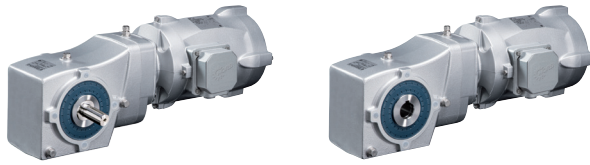
| IE1<br>IE2<br>IE3 | 63 S / L  | 71 S / L  | 80 S / L<br>SH / LH<br>- / LP | 90 S<br>SH<br>SP |  |  |  |
|-------------------|-----------|-----------|-------------------------------|------------------|--|--|--|
| g                 | 130       | 145       | 165                           | 183              |  |  |  |
| g1 / g1Bre        | 115 / 123 | 124 / 132 | 142 / 142                     | 147 / 147        |  |  |  |
| k1 / k1Bre        | 369 / 425 | 391 / 449 | 413 / 477                     | 453 / 528        |  |  |  |
| o / oBre          | 192 / 248 | 214 / 272 | 236 / 300                     | 276 / 351        |  |  |  |
| m / mBre          | 12 / 19   | 20 / 27   | 22 / 26                       | 26 / 30          |  |  |  |
| n / nBre          | 100 / 134 | 100 / 134 | 114 / 153                     | 114 / 153        |  |  |  |
| p / pBre          | 100 / 89  | 100 / 89  | 114 / 108                     | 114 / 108        |  |  |  |
| s                 | M20 x 1,5 | M20 x 1,5 | M25 x 1,5                     | M25 x 1,5        |  |  |  |



W ⇨ B44

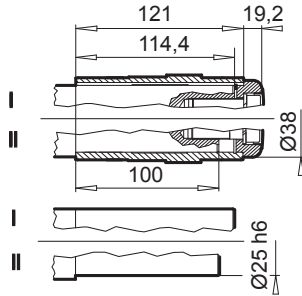


IEC ⇨ B45

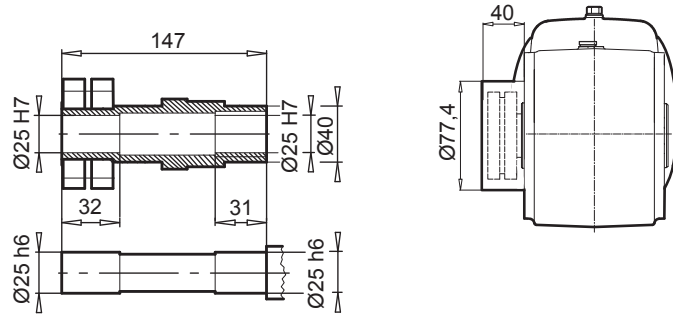


# SK 93072.1

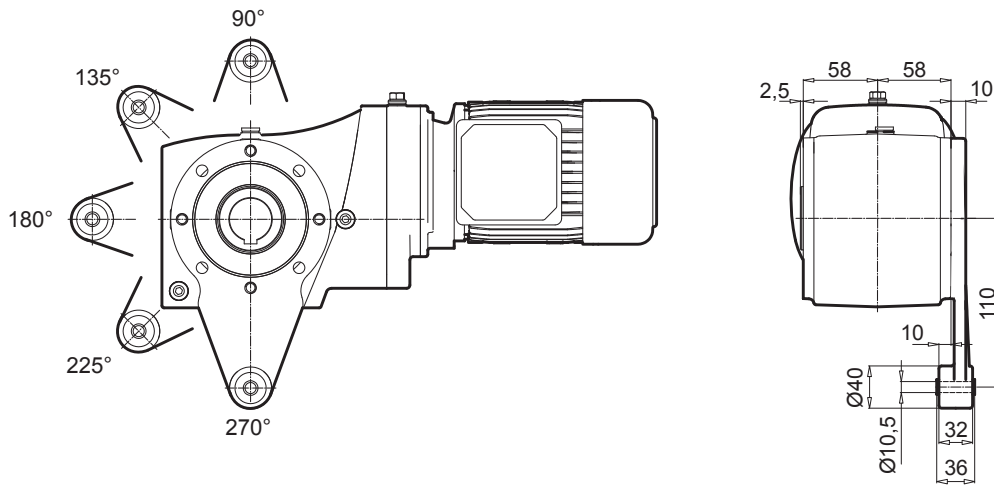
## SK 93072.1 AB



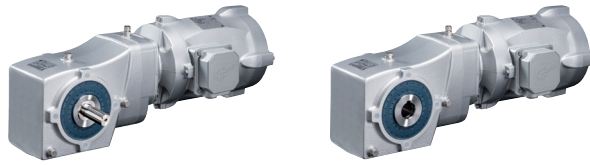
## SK 93072.1 ASH



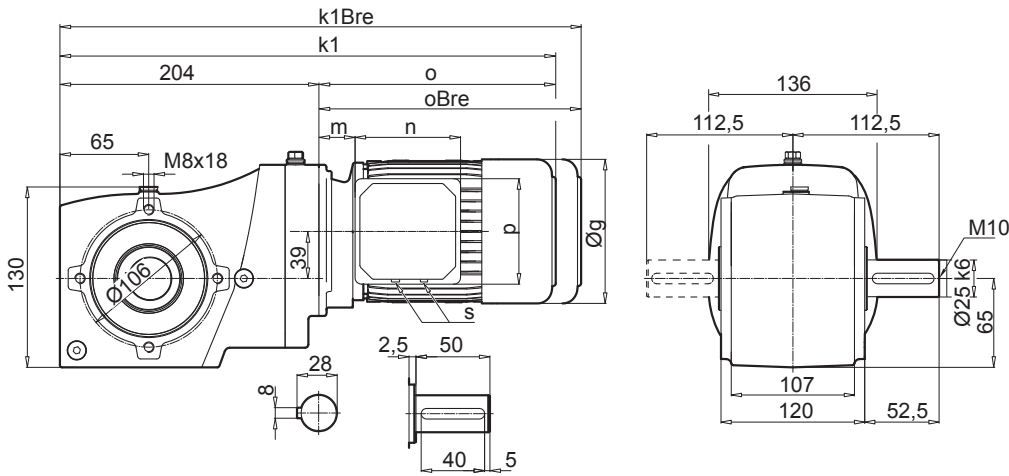
## SK 93072.1 AD



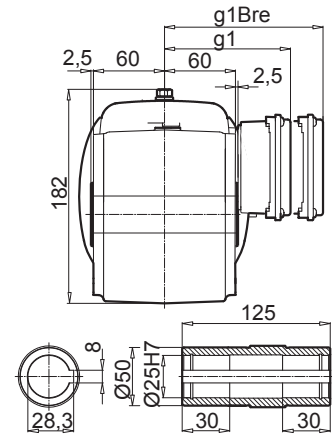
# SK 93172.1



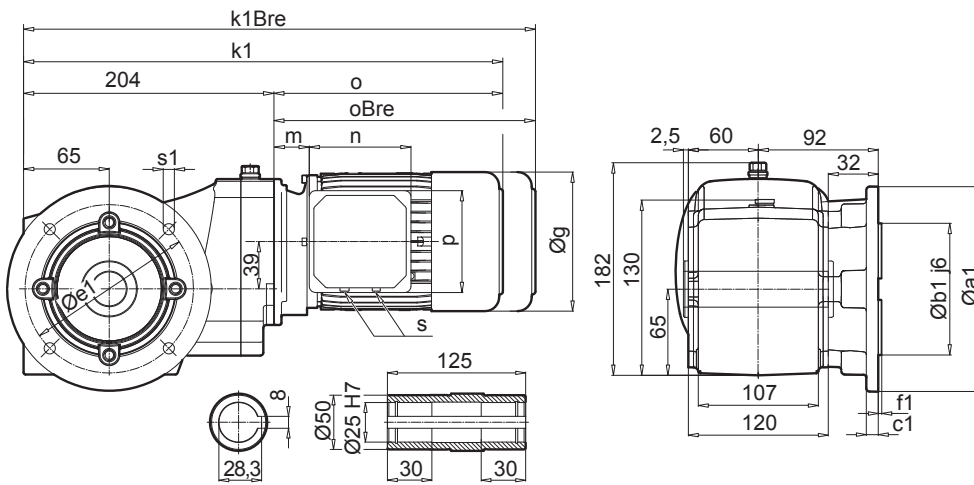
## SK 93172.1 V



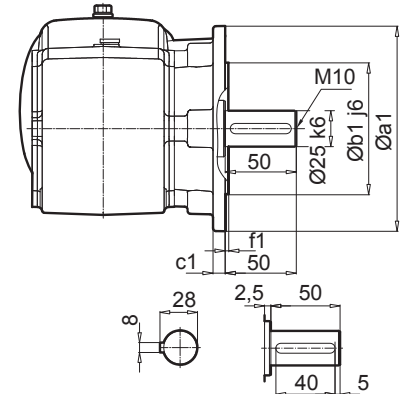
## SK 93172.1 A



## SK 93172.1AF




## SK 93172.1 VF




| a1  | b1  | c1 | e1  | f1  | s1 |
|-----|-----|----|-----|-----|----|
| 160 | 110 | 12 | 130 | 3,5 | 9  |

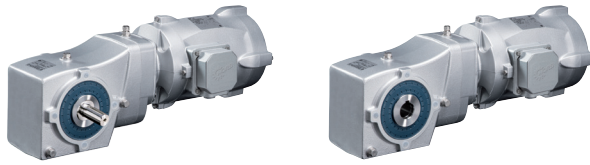
| IE1<br>IE2<br>IE3 | 63 S / L  | 71 S / L  | 80 S / L<br>SH / LH<br>- / LP | 90 S / L<br>SH / LH<br>SP / LP |  |  |  |
|-------------------|-----------|-----------|-------------------------------|--------------------------------|--|--|--|
| g                 | 130       | 145       | 165                           | 183                            |  |  |  |
| g1 / g1Bre        | 115 / 123 | 124 / 132 | 142 / 142                     | 147 / 147                      |  |  |  |
| k1 / k1Bre        | 396 / 452 | 418 / 476 | 440 / 504                     | 480 / 555                      |  |  |  |
| o / oBre          | 192 / 248 | 214 / 272 | 236 / 300                     | 276 / 351                      |  |  |  |
| m / mBre          | 12 / 19   | 20 / 27   | 22 / 26                       | 26 / 30                        |  |  |  |
| n / nBre          | 100 / 134 | 100 / 134 | 114 / 153                     | 114 / 153                      |  |  |  |
| p / pBre          | 100 / 89  | 100 / 89  | 114 / 108                     | 114 / 108                      |  |  |  |
| s                 | M20 x 1,5 | M20 x 1,5 | M25 x 1,5                     | M25 x 1,5                      |  |  |  |



W ⇒ B44

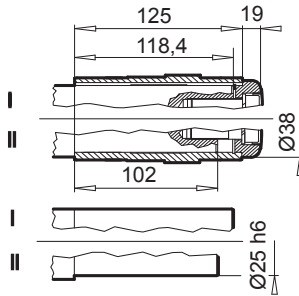


IEC ⇒ B46

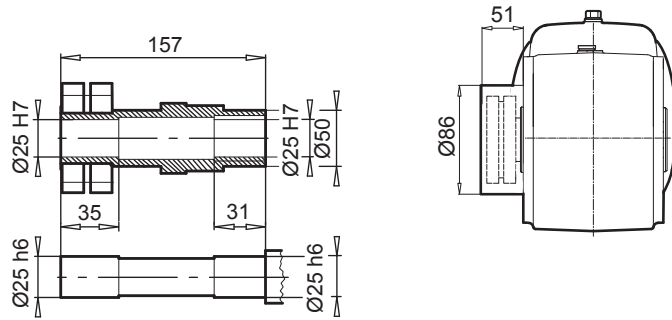


# SK 93172.1

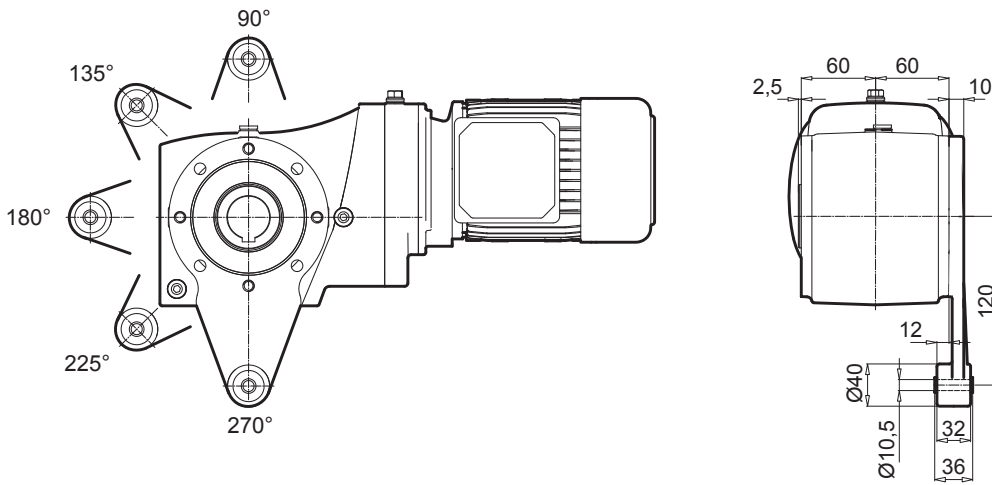
## SK 93172.1 AB



## SK 93172.1 ASH



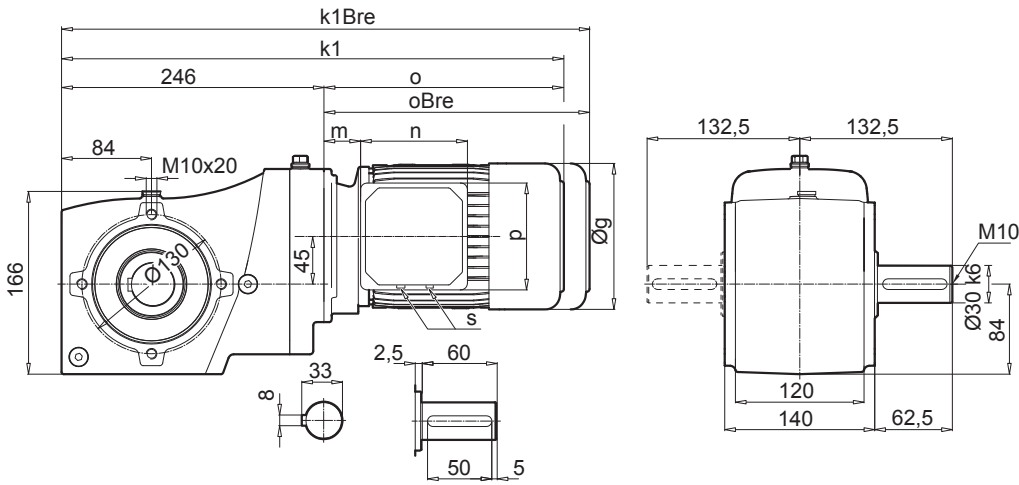
## SK 93172.1 AD



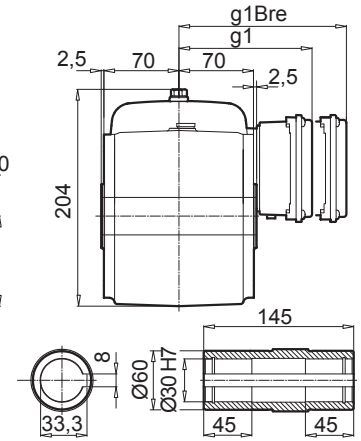
# SK 93372.1



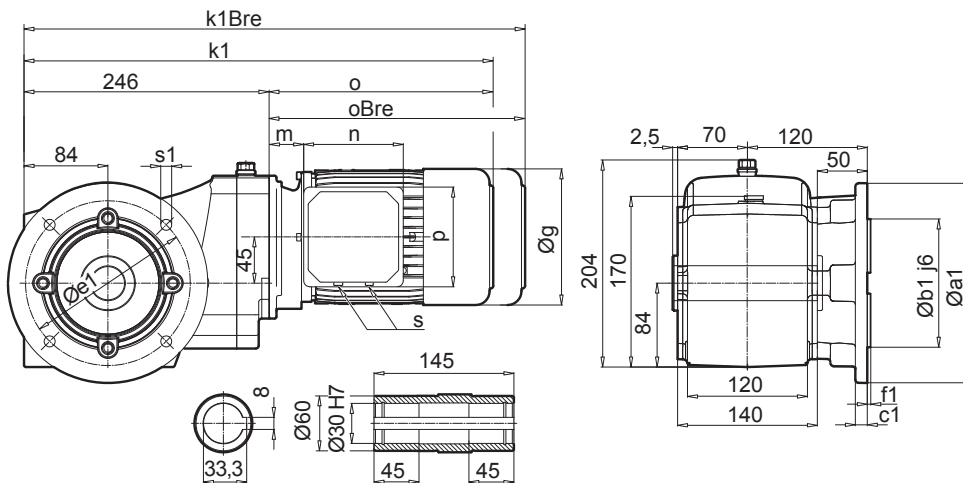
## SK 93372.1 V



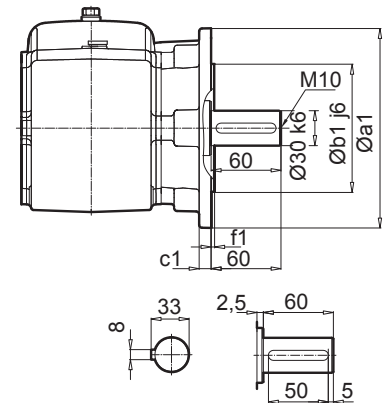
## SK 93372.1 A



## SK 93372.1AF




## SK 93372.1 VF




| a1  | b1  | c1 | e1  | f1  | s1 |
|-----|-----|----|-----|-----|----|
| 160 | 110 | 12 | 130 | 3,5 | 9  |
| 200 | 130 | 12 | 165 | 3,5 | 11 |

| IE1<br>IE2<br>IE3 | 63 S / L  | 71 S / L  | 80 S / L<br>SH / LH<br>- / LP | 90 S / L<br>SH / LH<br>SP / LP | 100 L / LA<br>LH / AH<br>LP / AP |  |  |
|-------------------|-----------|-----------|-------------------------------|--------------------------------|----------------------------------|--|--|
| <b>g</b>          | 130       | 145       | 165                           | 183                            | 201                              |  |  |
| <b>g1 / g1Bre</b> | 115 / 123 | 124 / 132 | 142 / 142                     | 147 / 147                      | 169 / 173                        |  |  |
| <b>k1 / k1Bre</b> | 442 / 498 | 482 / 540 | 507 / 571                     | 548 / 623                      | 578 / 669                        |  |  |
| <b>o / oBre</b>   | 196 / 252 | 236 / 294 | 261 / 325                     | 302 / 377                      | 332 / 423                        |  |  |
| <b>m / mBre</b>   | 16 / 23   | 42 / 49   | 47 / 51                       | 52 / 56                        | 58 / 62                          |  |  |
| <b>n / nBre</b>   | 100 / 134 | 100 / 134 | 114 / 153                     | 114 / 153                      | 114 / 153                        |  |  |
| <b>p / pBre</b>   | 100 / 89  | 100 / 89  | 144 / 108                     | 144 / 108                      | 144 / 108                        |  |  |
| <b>s</b>          | M20 x 1,5 | M20 x 1,5 | M25 x 1,5                     | M25 x 1,5                      | M25 x 1,5                        |  |  |

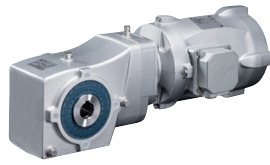
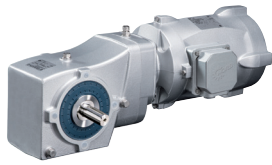


W ⇒ B44



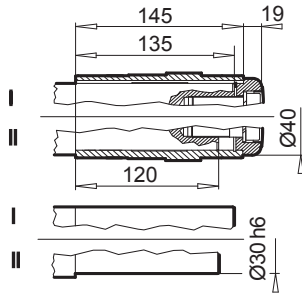
IEC ⇒ B47



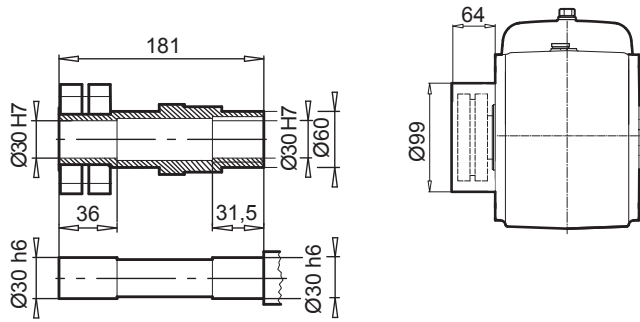


# SK 93372.1

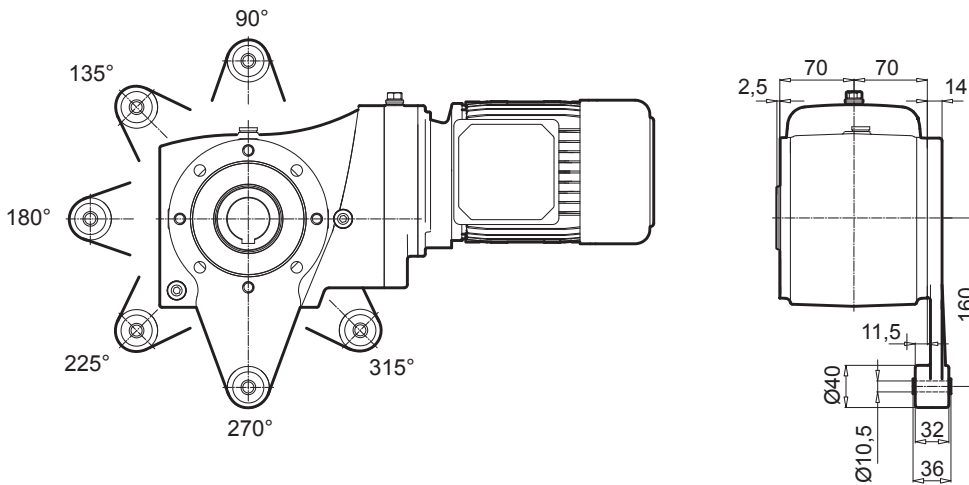
## SK 93372.1 AB



## SK 93372.1 ASH



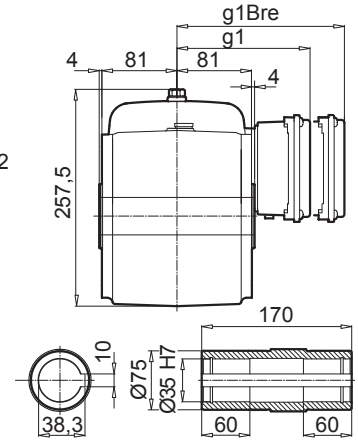
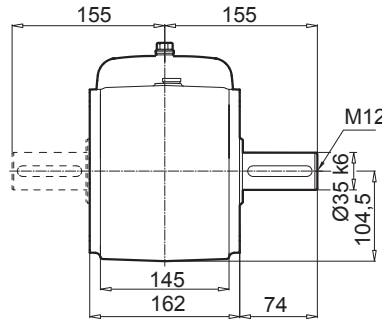
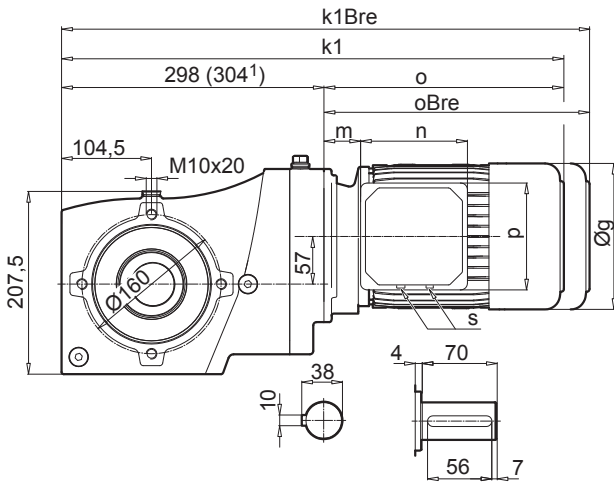
## SK 93372.1 AD



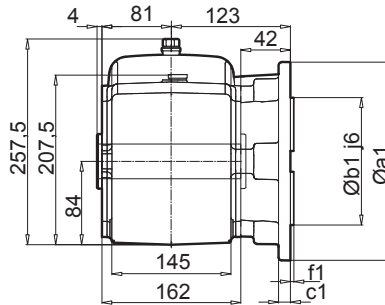
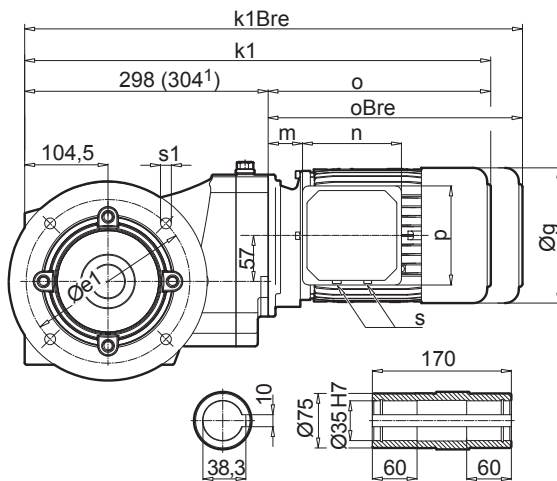
# SK 93672.1



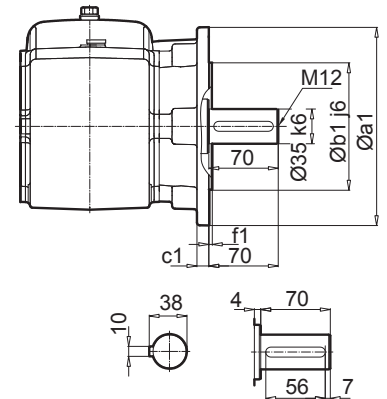
## SK 93672.1 V





## SK 93672.1AF



## SK 93672.1 VF

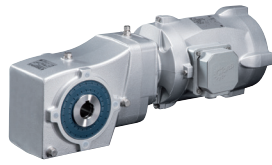
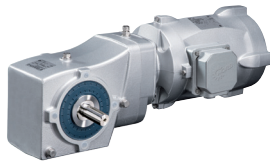


| a1  | b1  | c1 | e1  | f1  | s1   |
|-----|-----|----|-----|-----|------|
| 160 | 110 | 10 | 130 | 3,5 | 9    |
| 200 | 130 | 12 | 165 | 3,5 | 11,4 |

| IE1<br>IE2<br>IE3 | 71 S / L<br>-<br>- | 80 S / L<br>SH / LH<br>- / LP | 90 S / L<br>SH / LH<br>SP / LP | 100 L / LA<br>LH / AH<br>LP / AP | 112 M<br>-<br>- | 112 -<br>MH<br>MP | 1) 132 S / M / MA<br>SH / MH / -<br>SP / MP / - |   |
|-------------------|--------------------|-------------------------------|--------------------------------|----------------------------------|-----------------|-------------------|---|---|
| <b>g</b>          | 145                | 165                           | 183                            | 201                              | 228             | 228               | 266   |   |
| <b>g1 / g1Bre</b> | 124 / 132          | 142 / 142                     | 147 / 147                      | 169 / 173                        | 179 / 182       | 179 / 182         | 204 / 201                                       |  W ⇨ B44   |
| <b>k1 / k1Bre</b> | 534 / 592          | 559 / 623                     | 600 / 675                      | 630 / 721                        | 653 / 746       | 678 / 771         | 739 / 846                                       |   |
| <b>o / oBre</b>   | 236 / 294          | 261 / 325                     | 302 / 377                      | 332 / 423                        | 355 / 448       | 380 / 473         | 435 / 542                                       |   |
| <b>m / mBre</b>   | 42 / 49            | 47 / 51                       | 52 / 56                        | 58 / 62                          | 64 / 67         | 64 / 67           | 71 / 62   |   |
| <b>n / nBre</b>   | 100 / 134          | 114 / 153                     | 114 / 153                      | 114 / 153                        | 114 / 153       | 114 / 153         | 122 / 185                                       |   |
| <b>p / pBre</b>   | 100 / 89           | 114 / 108                     | 114 / 108                      | 114 / 108                        | 114 / 108       | 114 / 108         | 122 / 139                                       |   |
| <b>s</b>          | M20 x 1,5          | M25 x 1,5                     | M25 x 1,5                      | M25 x 1,5                        | M25 x 1,5       | M25 x 1,5         | M25 x 1,5                                       |  IEC ⇨ B48 |

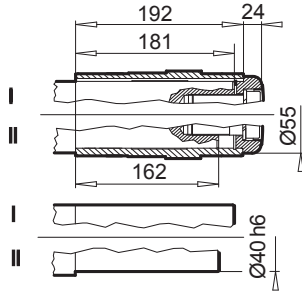




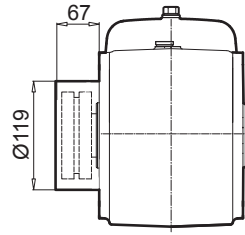
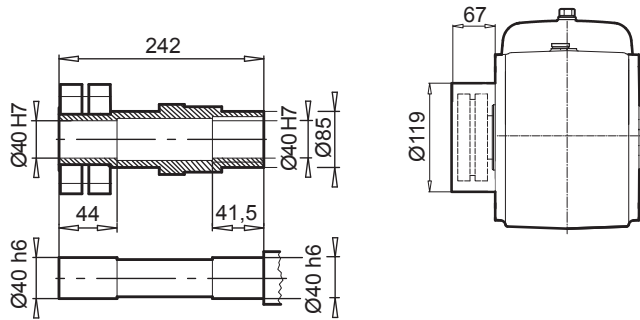


# SK 93772.1

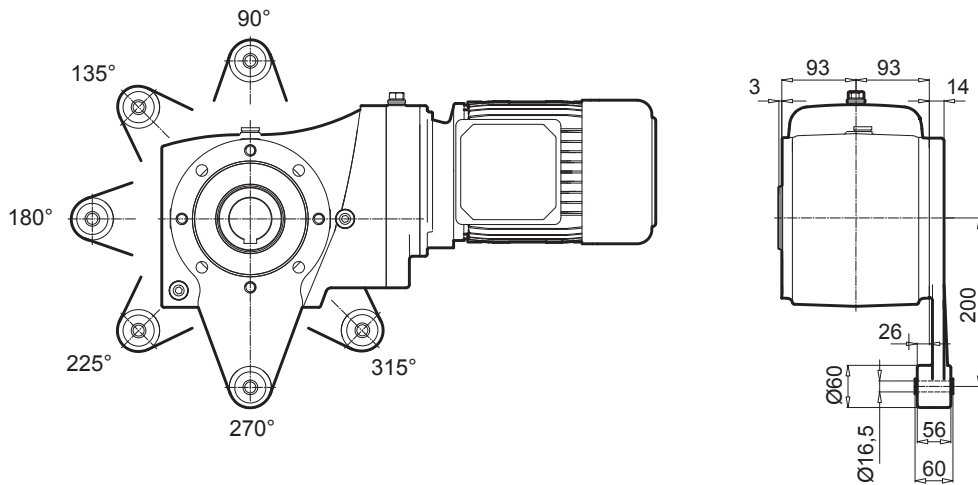
## SK 93772.1 AB

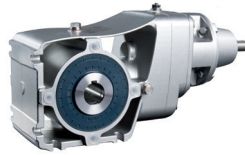


## SK 93772.1 ASH



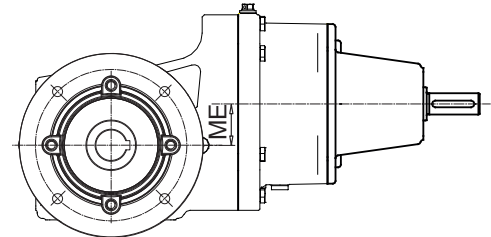
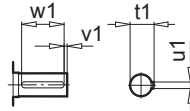
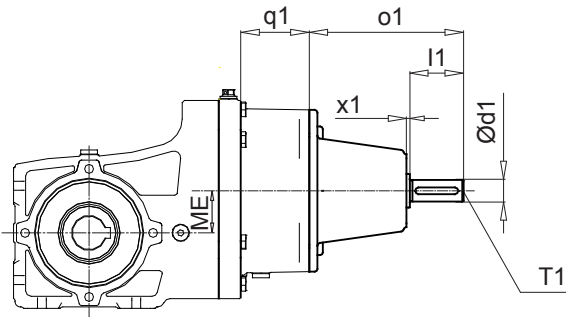
## SK 93772.1 AD





SK 92072.1 V (A) - W  
SK 92172.1 V (A) - W

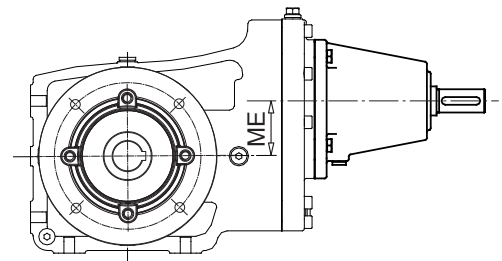
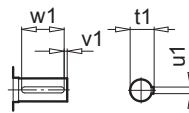
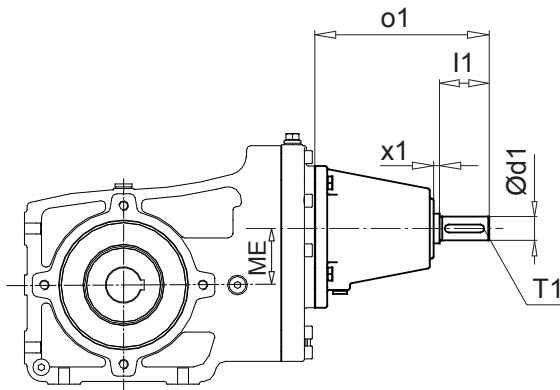
SK 92072.1 VF (AF) - W  
SK 92172.1 VF (AF) - W



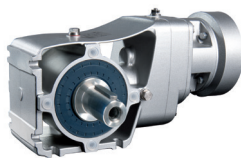
| Getriebetyp | q1   |
|-------------|------|
| SK 92072.1  | 46   |
| SK 92172.1  | 44,5 |

SK 92372.1 V (A) - W  
SK 92672.1 V (A) - W  
SK 92772.1 V (A) - W

SK 92372.1 VF (AF) - W  
SK 92672.1 VF (AF) - W  
SK 92772.1 VF (AF) - W

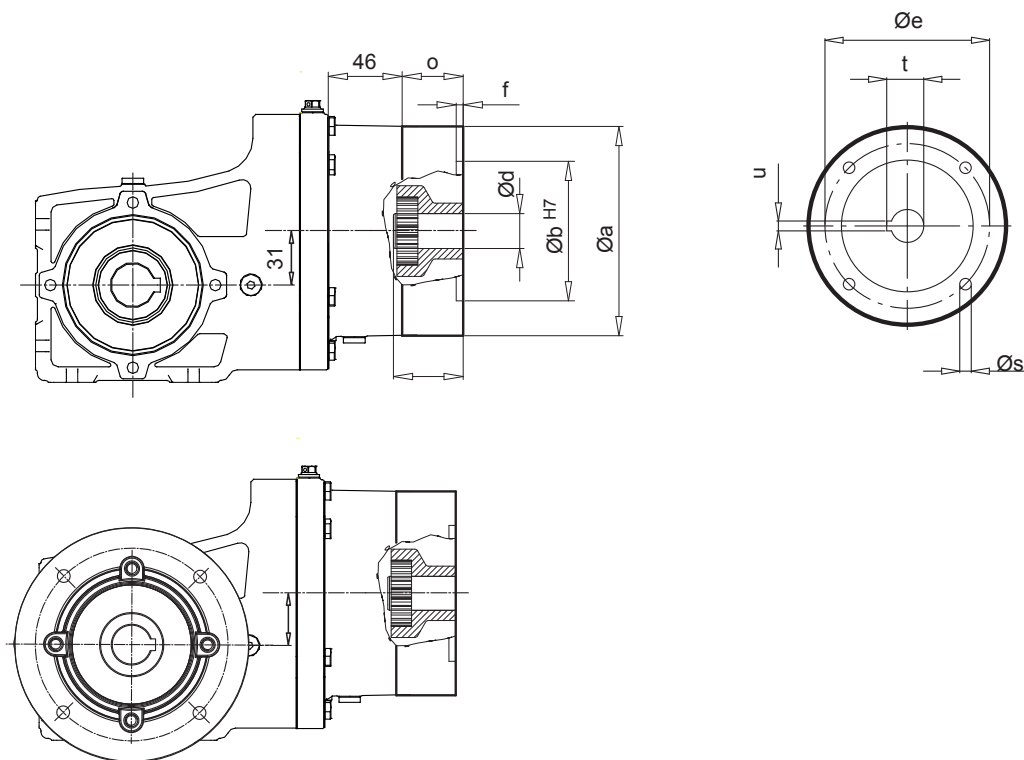


| Gear units types                      | ME | d1 | l1 | o1    | x1  | u1 | t1 | v1 | w1 | T1 |
|---------------------------------------|----|----|----|-------|-----|----|----|----|----|----|
| SK 92072.1 V (A) / SK 92072.1 VF (AF) | 31 | 16 | 40 | 114,5 | 2,5 | 5  | 18 | 4  | 32 | M6 |
| SK 92172.1 V (A) / SK 92172.1 VF (AF) | 39 | 16 | 40 | 114,5 | 2,5 | 5  | 18 | 4  | 32 | M6 |
| SK 92372.1 V (A) / SK 92372.1 VF (AF) | 45 | 24 | 50 | 177,5 | 8   | 8  | 27 | 5  | 40 | M8 |
| SK 92672.1 V (A) / SK 92672.1 VF (AF) | 57 | 24 | 50 | 177,5 | 8   | 8  | 27 | 5  | 40 | M8 |
| SK 92772.1 V (A) / SK 92772.1 VF (AF) | 77 | 24 | 50 | 177,5 | 8   | 8  | 27 | 5  | 40 | M8 |



SK 92072.1 V (A) - IEC 56...80

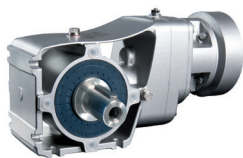
SK 92072.1 VF(AF) - IEC 56...80



| IEC             | a   | b   | e   | f   | s      | o    | d  | l  | t    | u |
|-----------------|-----|-----|-----|-----|--------|------|----|----|------|---|
| IEC 56 - C105   | 105 | 70  | 85  | 3   | 7      | 32,5 | 9  | 20 | 11,4 | 3 |
| IEC 56 - A120   | 120 | 80  | 100 | 3,5 | 7      | 32,5 |    |    |      |   |
| IEC 63 - C90 *  | 90  | 60  | 75  | 3   | 6      | 32,5 | 11 | 23 | 12,8 | 4 |
| IEC 63 - C120   | 120 | 80  | 100 | 3,5 | 7      | 32,5 |    |    |      |   |
| IEC 63 - A140   | 140 | 95  | 115 | 3,5 | 9      | 32,5 |    |    |      |   |
| IEC 71 - C105 * | 105 | 70  | 85  | 3   | 7      | 32,5 | 14 | 30 | 16,3 | 5 |
| IEC 71 - C140   | 140 | 95  | 115 | 3,5 | 9      | 32,5 |    |    |      |   |
| IEC 71 - A160   | 160 | 110 | 130 | 4   | 9      | 32,5 |    |    |      |   |
| IEC 80 - C120 * | 120 | 80  | 100 | 3,5 | 7      | 32,5 | 19 | 40 | 21,8 | 6 |
| IEC 80 - C160   | 160 | 110 | 130 | 4   | 9      | 32,5 |    |    |      |   |
| IEC 80 - A200   | 200 | 130 | 165 | 4   | M10x20 | 32,5 |    |    |      |   |

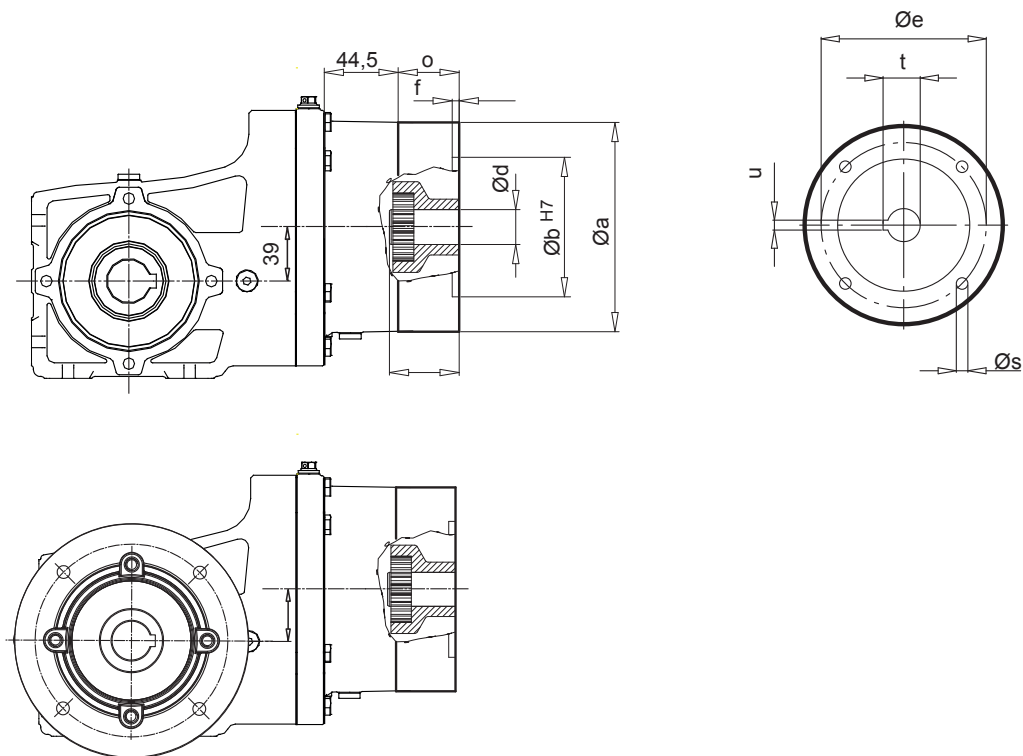
\* IEC-Advantages row





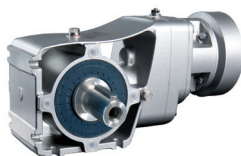
SK 92172.1 V (A) - IEC 56...90

SK 92172.1 VF(AF) - IEC 56...90



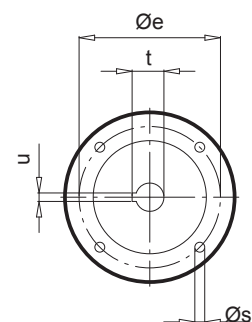
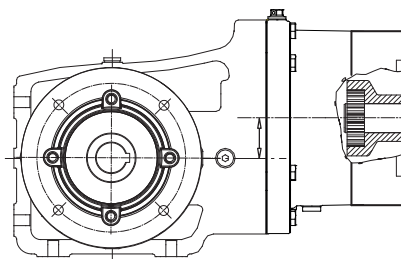
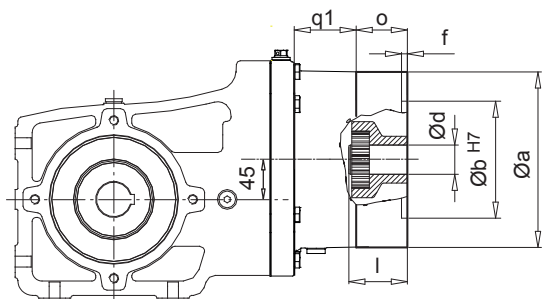
| IEC             | a   | b   | e   | f   | s      | o    | d  | l  | t    | u |
|-----------------|-----|-----|-----|-----|--------|------|----|----|------|---|
| IEC 56 - C105   | 105 | 70  | 85  | 3   | 7      | 32,5 | 9  | 20 | 11,4 | 3 |
| IEC 56 - A120   | 120 | 80  | 100 | 3,5 | 7      | 32,5 |    |    |      |   |
| IEC 63 - C90 *  | 90  | 60  | 75  | 3   | 6      | 32,5 | 11 | 23 | 12,8 | 4 |
| IEC 63 - C120   | 120 | 80  | 100 | 3,5 | 7      | 32,5 |    |    |      |   |
| IEC 63 - A140   | 140 | 95  | 115 | 3,5 | 9      | 32,5 |    |    |      |   |
| IEC 71 - C105 * | 105 | 70  | 85  | 3   | 7      | 32,5 | 14 | 30 | 16,3 | 5 |
| IEC 71 - C140   | 140 | 95  | 115 | 3,5 | 9      | 32,5 |    |    |      |   |
| IEC 71 - A160   | 160 | 110 | 130 | 4   | 9      | 32,5 |    |    |      |   |
| IEC 80 - C120 * | 120 | 80  | 100 | 3,5 | 7      | 32,5 | 19 | 40 | 21,8 | 6 |
| IEC 80 - C160   | 160 | 110 | 130 | 4   | 9      | 32,5 |    |    |      |   |
| IEC 80 - A200   | 200 | 130 | 165 | 4   | M10x20 | 32,5 |    |    |      |   |
| IEC 90 - C140 * | 140 | 95  | 115 | 3,5 | 9      | 45,5 | 24 | 50 | 27,3 | 8 |
| IEC 90 - C160   | 160 | 110 | 130 | 4   | 9      | 45,5 |    |    |      |   |
| IEC 90 - A200   | 200 | 130 | 165 | 4   | M10x20 | 45,5 |    |    |      |   |

\* IEC-Advantages row



SK 92372.1 V (A) - IEC 63...90

SK 92372.1 VF(AF) - IEC 63...90



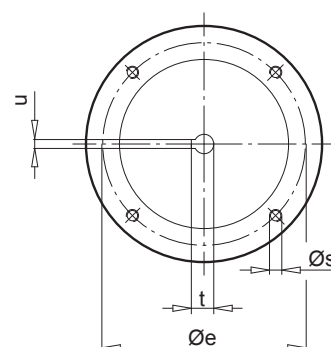
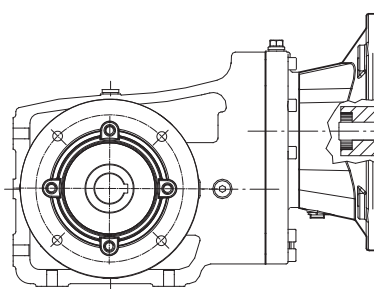
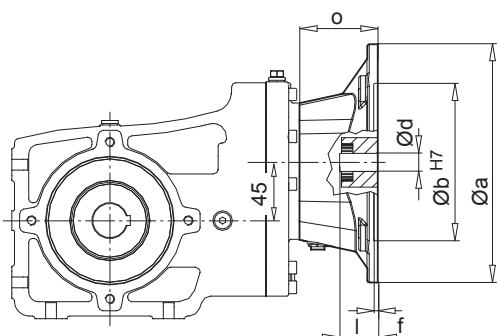
| $i_{ges}$    | q1 |
|--------------|----|
| $\geq 18,33$ | 56 |
| $< 18,33$    | 40 |

| IEC             | a   | b   | e   | f   | s      | o    | d  | l  | t    | u |
|-----------------|-----|-----|-----|-----|--------|------|----|----|------|---|
| IEC 63 - C90 *  | 90  | 60  | 75  | 3   | 6      | 32,5 | 11 | 23 | 12,8 | 4 |
| IEC 63 - C120   | 120 | 80  | 100 | 3,5 | 7      | 32,5 |    |    |      |   |
| IEC 63 - A140   | 140 | 95  | 115 | 3,5 | 9      | 32,5 |    |    |      |   |
| IEC 71 - C105 * | 105 | 70  | 85  | 3   | 7      | 32,5 | 14 | 30 | 16,3 | 5 |
| IEC 71 - C140   | 140 | 95  | 115 | 3,5 | 9      | 32,5 |    |    |      |   |
| IEC 71 - A160   | 160 | 110 | 130 | 4   | 9      | 32,5 |    |    |      |   |
| IEC 80 - C120 * | 120 | 80  | 100 | 3,5 | 7      | 32,5 | 19 | 40 | 21,8 | 6 |
| IEC 80 - C160   | 160 | 110 | 130 | 4   | 9      | 32,5 |    |    |      |   |
| IEC 80 - A200   | 200 | 130 | 165 | 4   | M10x20 | 32,5 |    |    |      |   |
| IEC 90 - C140 * | 140 | 95  | 115 | 3,5 | 9      | 45,5 | 24 | 50 | 27,3 | 8 |
| IEC 90 - C160   | 160 | 110 | 130 | 4   | 9      | 45,5 |    |    |      |   |
| IEC 90 - A200   | 200 | 130 | 165 | 4   | M10x20 | 45,5 |    |    |      |   |

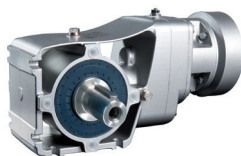
\* IEC-Advantages row

SK 92372.1 V (A) - IEC 100

SK 92372.1 VF(AF) - IEC 100

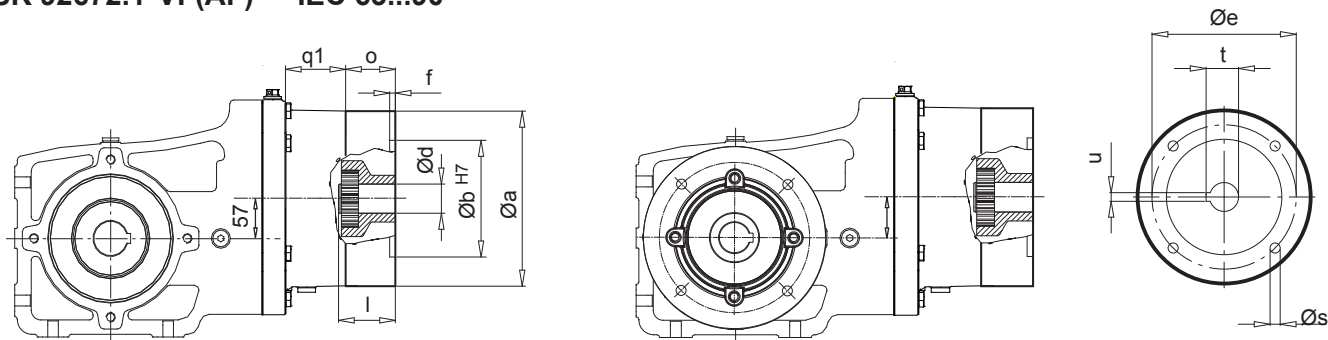


| IEC     | a   | b   | e   | f | s   | o  | d  | l  | t    | u |
|---------|-----|-----|-----|---|-----|----|----|----|------|---|
| IEC 100 | 250 | 180 | 215 | 5 | M12 | 82 | 28 | 60 | 31,3 | 8 |



SK 92672.1 V (A) - IEC 63...90

SK 92672.1 VF(AF) - IEC 63...90



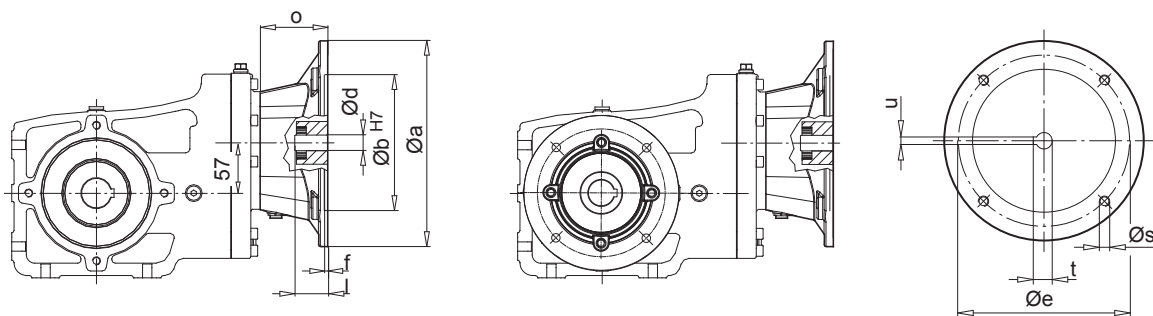
| $i_{ges}$    | q1 |
|--------------|----|
| $\geq 18,21$ | 56 |
| $< 18,21$    | 40 |

| IEC             | a   | b   | e   | f   | s      | o    | d  | l  | t    | u |
|-----------------|-----|-----|-----|-----|--------|------|----|----|------|---|
| IEC 63 - C90 *  | 90  | 60  | 75  | 3   | 6      | 32,5 | 11 | 23 | 12,8 | 4 |
| IEC 63 - C120   | 120 | 80  | 100 | 3,5 | 7      | 32,5 |    |    |      |   |
| IEC 63 - A140   | 140 | 95  | 115 | 3,5 | 9      | 32,5 |    |    |      |   |
| IEC 71 - C105 * | 105 | 70  | 85  | 3   | 7      | 32,5 | 14 | 30 | 16,3 | 5 |
| IEC 71 - C140   | 140 | 95  | 115 | 3,5 | 9      | 32,5 |    |    |      |   |
| IEC 71 - A160   | 160 | 110 | 130 | 4   | 9      | 32,5 |    |    |      |   |
| IEC 80 - C120 * | 120 | 80  | 100 | 3,5 | 7      | 32,5 | 19 | 40 | 21,8 | 6 |
| IEC 80 - C160   | 160 | 110 | 130 | 4   | 9      | 32,5 |    |    |      |   |
| IEC 80 - A200   | 200 | 130 | 165 | 4   | M10x20 | 32,5 |    |    |      |   |
| IEC 90 - C140 * | 140 | 95  | 115 | 3,5 | 9      | 45,5 | 24 | 50 | 27,3 | 8 |
| IEC 90 - C160   | 160 | 110 | 130 | 4   | 9      | 45,5 |    |    |      |   |
| IEC 90 - A200   | 200 | 130 | 165 | 4   | M10x20 | 45,5 |    |    |      |   |

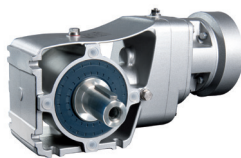
\* IEC-Advantages row

SK 92672.1 V (A) - IEC 100...132

SK 92672.1 VF(AF) - IEC 100...132

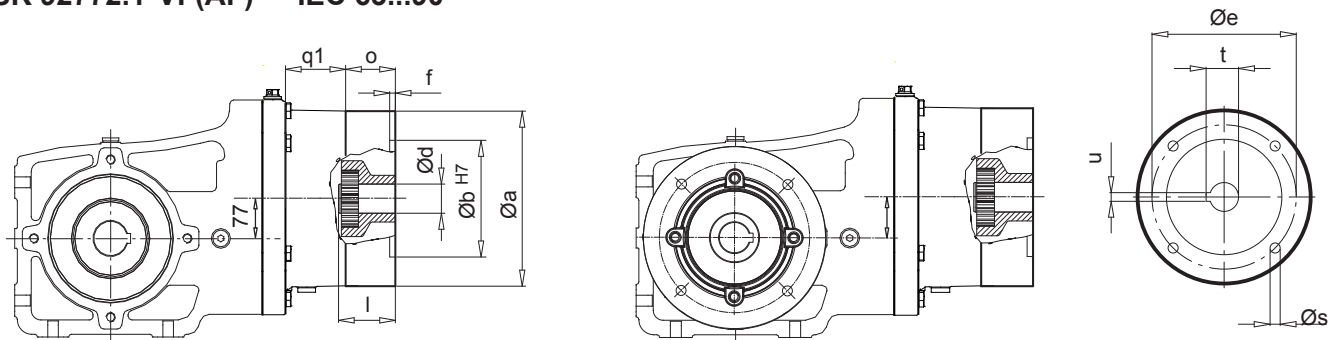


| IEC     | a   | b   | e   | f | s   | o   | d  | l  | t    | u  |
|---------|-----|-----|-----|---|-----|-----|----|----|------|----|
| IEC 100 | 250 | 180 | 215 | 5 | M12 | 82  | 28 | 60 | 31,3 | 8  |
| IEC 112 | 250 | 180 | 215 | 5 | M12 | 82  | 28 | 60 | 31,3 | 8  |
| IEC 132 | 300 | 230 | 265 | 5 | M12 | 111 | 38 | 80 | 41,3 | 10 |



SK 92772.1 V (A) - IEC 63...90

SK 92772.1 VF(AF) - IEC 63...90



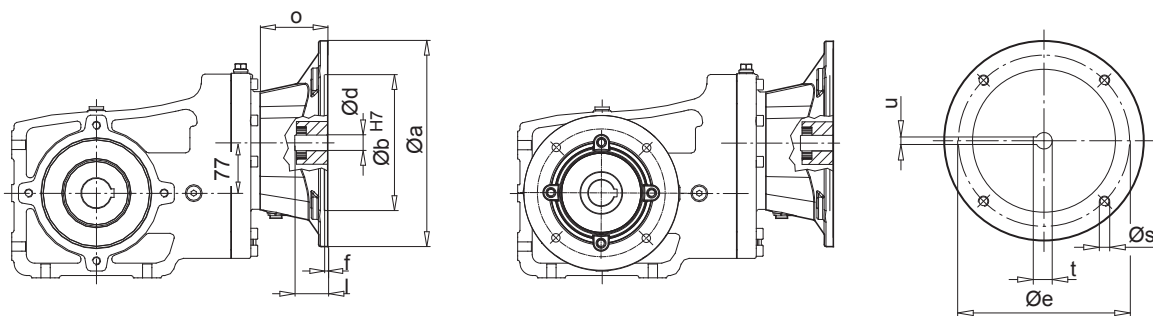
| $i_{ges}$    | q1 |
|--------------|----|
| $\geq 28,38$ | 56 |
| $< 28,38$    | 40 |

| IEC             | a   | b   | e   | f   | s      | o    | d  | l  | t    | u |
|-----------------|-----|-----|-----|-----|--------|------|----|----|------|---|
| IEC 63 - C90 *  | 90  | 60  | 75  | 3   | 6      | 32,5 | 11 | 23 | 12,8 | 4 |
| IEC 63 - C120   | 120 | 80  | 100 | 3,5 | 7      | 32,5 |    |    |      |   |
| IEC 63 - A140   | 140 | 95  | 115 | 3,5 | 9      | 32,5 |    |    |      |   |
| IEC 71 - C105 * | 105 | 70  | 85  | 3   | 7      | 32,5 | 14 | 30 | 16,3 | 5 |
| IEC 71 - C140   | 140 | 95  | 115 | 3,5 | 9      | 32,5 |    |    |      |   |
| IEC 71 - A160   | 160 | 110 | 130 | 4   | 9      | 32,5 |    |    |      |   |
| IEC 80 - C120 * | 120 | 80  | 100 | 3,5 | 7      | 32,5 | 19 | 40 | 21,8 | 6 |
| IEC 80 - C160   | 160 | 110 | 130 | 4   | 9      | 32,5 |    |    |      |   |
| IEC 80 - A200   | 200 | 130 | 165 | 4   | M10x20 | 32,5 |    |    |      |   |
| IEC 90 - C140 * | 140 | 95  | 115 | 3,5 | 9      | 45,5 | 24 | 50 | 27,3 | 8 |
| IEC 90 - C160   | 160 | 110 | 130 | 4   | 9      | 45,5 |    |    |      |   |
| IEC 90 - A200   | 200 | 130 | 165 | 4   | M10x20 | 45,5 |    |    |      |   |

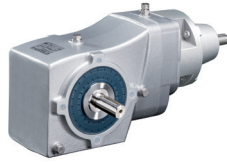
\* IEC-Advantages row

SK 92772.1 V (A) - IEC 100...132

SK 92772.1 VF(AF) - IEC 100...132

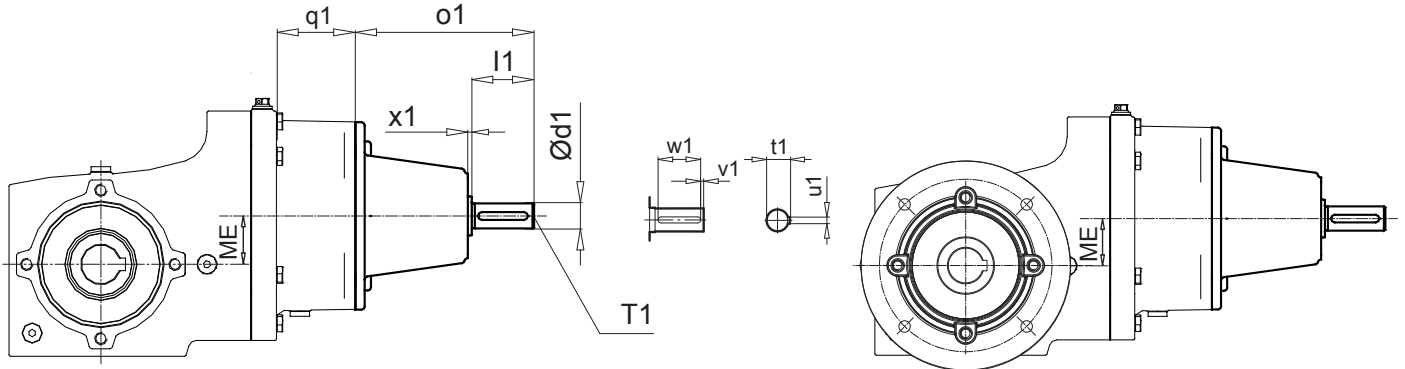


| IEC     | a   | b   | e   | f | s   | o   | d  | l  | t    | u  |
|---------|-----|-----|-----|---|-----|-----|----|----|------|----|
| IEC 100 | 250 | 180 | 215 | 5 | M12 | 82  | 28 | 60 | 31,3 | 8  |
| IEC 112 | 250 | 180 | 215 | 5 | M12 | 82  | 28 | 60 | 31,3 | 8  |
| IEC 132 | 300 | 230 | 265 | 5 | M12 | 111 | 38 | 80 | 41,3 | 10 |



SK 93072.1 V (A) - W  
SK 93172.1 V (A) - W

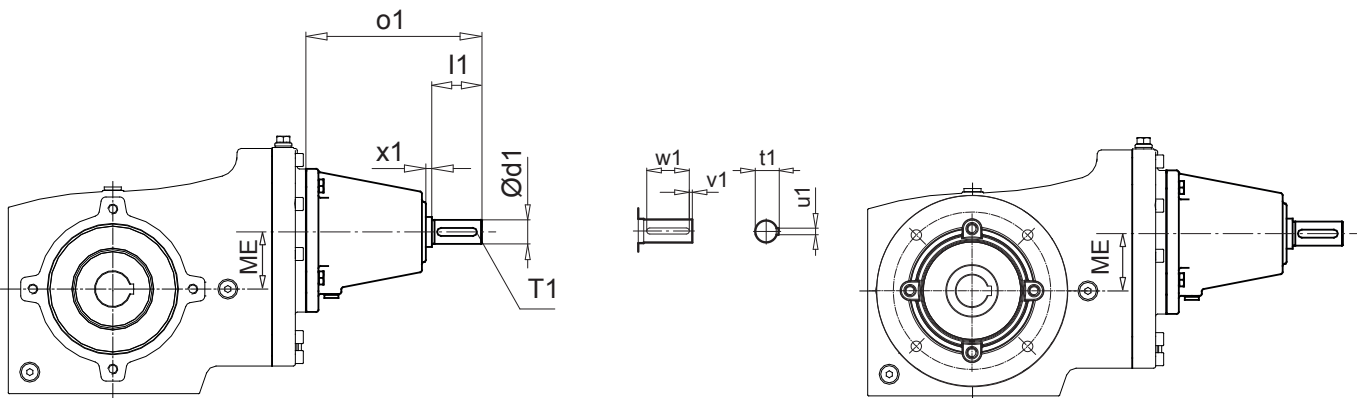
SK 93072.1 VF (AF) - W  
SK 93172.1 VF (AF) - W



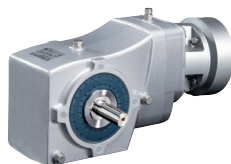
| Getriebetyp | q1   |
|-------------|------|
| SK 92072.1  | 46   |
| SK 92172.1  | 44,5 |

SK 93372.1 V (A) - W  
SK 93672.1 V (A) - W  
SK 93772.1 V (A) - W

SK 93372.1 VF (AF) - W  
SK 93672.1 VF (AF) - W  
SK 93772.1 VF (AF) - W

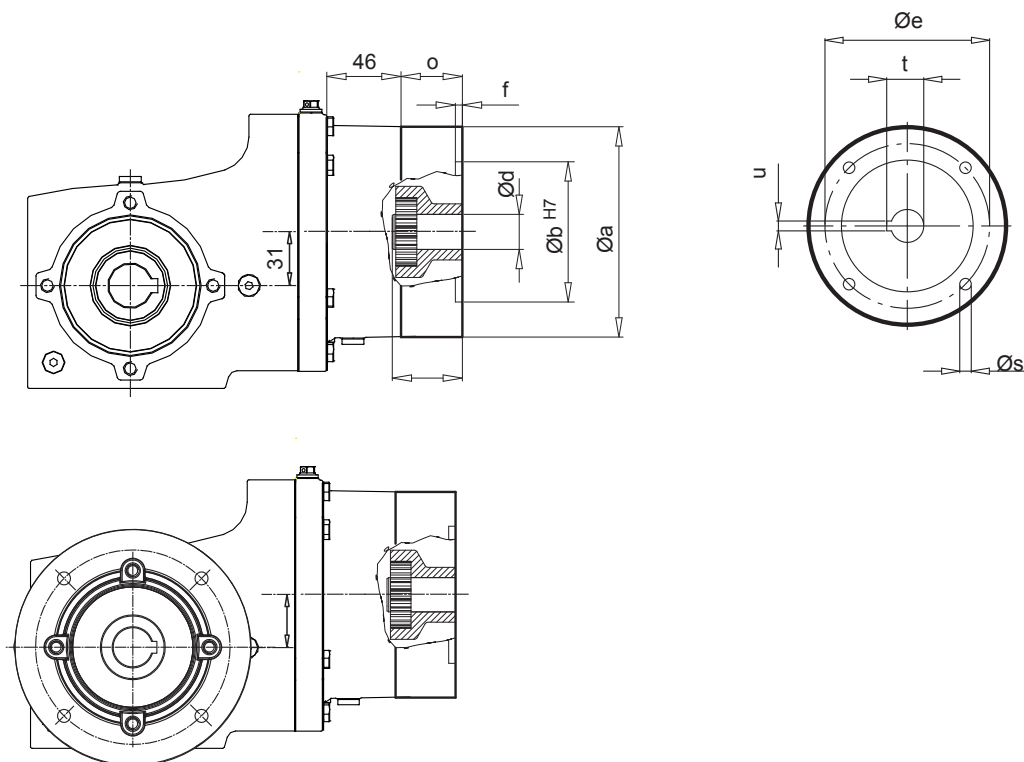


| Gear units types                      | ME | d1 | l1 | o1    | x1  | u1 | t1 | v1 | w1 | T1 |
|---------------------------------------|----|----|----|-------|-----|----|----|----|----|----|
| SK 93072.1 V (A) / SK 93072.1 VF (AF) | 31 | 16 | 40 | 114,5 | 2,5 | 5  | 18 | 4  | 32 | M6 |
| SK 93172.1 V (A) / SK 93172.1 VF (AF) | 39 | 16 | 40 | 114,5 | 2,5 | 5  | 18 | 4  | 32 | M6 |
| SK 93372.1 V (A) / SK 93372.1 VF (AF) | 45 | 24 | 50 | 177,5 | 8   | 8  | 27 | 5  | 40 | M8 |
| SK 93672.1 V (A) / SK 93672.1 VF (AF) | 57 | 24 | 50 | 177,5 | 8   | 8  | 27 | 5  | 40 | M8 |
| SK 93772.1 V (A) / SK 93772.1 VF (AF) | 77 | 24 | 50 | 177,5 | 8   | 8  | 27 | 5  | 40 | M8 |



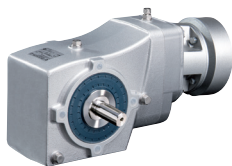
SK 93072.1 V (A) - IEC 56...80

SK 93072.1 VF(AF) - IEC 56...80



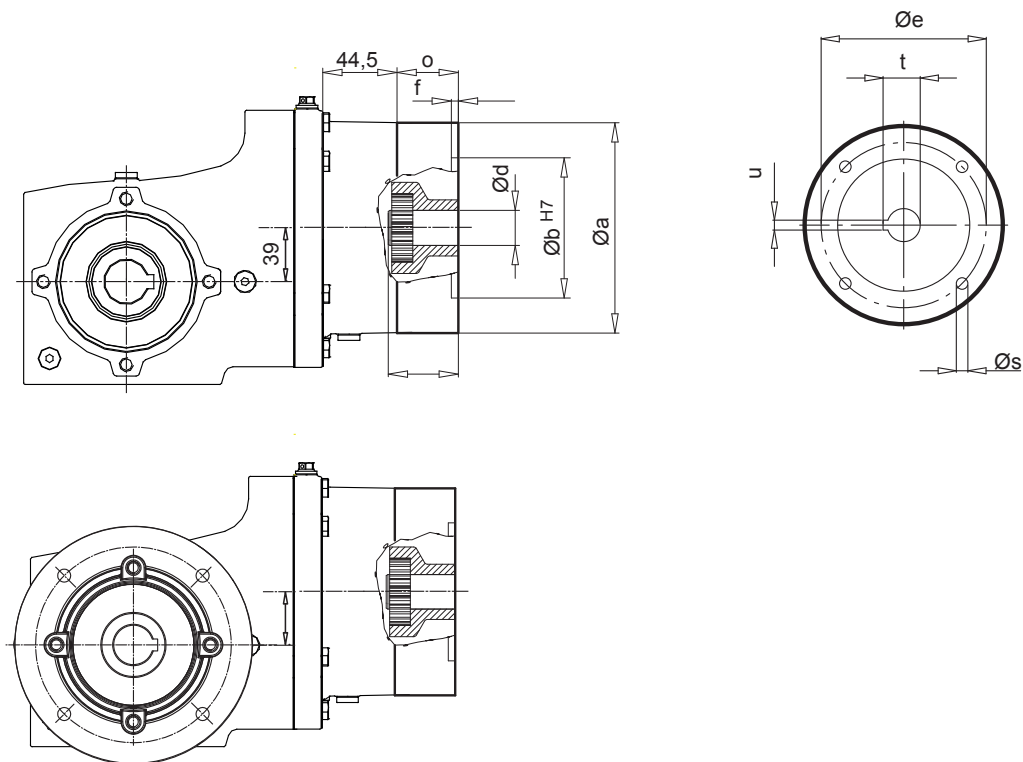
| IEC             | a   | b   | e   | f   | s      | o    | d  | l  | t    | u |
|-----------------|-----|-----|-----|-----|--------|------|----|----|------|---|
| IEC 56 - C105   | 105 | 70  | 85  | 3   | 7      | 32,5 | 9  | 20 | 11,4 | 3 |
| IEC 56 - A120   | 120 | 80  | 100 | 3,5 | 7      | 32,5 |    |    |      |   |
| IEC 63 - C90 *  | 90  | 60  | 75  | 3   | 6      | 32,5 | 11 | 23 | 12,8 | 4 |
| IEC 63 - C120   | 120 | 80  | 100 | 3,5 | 7      | 32,5 |    |    |      |   |
| IEC 63 - A140   | 140 | 95  | 115 | 3,5 | 9      | 32,5 |    |    |      |   |
| IEC 71 - C105 * | 105 | 70  | 85  | 3   | 7      | 32,5 | 14 | 30 | 16,3 | 5 |
| IEC 71 - C140   | 140 | 95  | 115 | 3,5 | 9      | 32,5 |    |    |      |   |
| IEC 71 - A160   | 160 | 110 | 130 | 4   | 9      | 32,5 |    |    |      |   |
| IEC 80 - C120 * | 120 | 80  | 100 | 3,5 | 7      | 32,5 | 19 | 40 | 21,8 | 6 |
| IEC 80 - C160   | 160 | 110 | 130 | 4   | 9      | 32,5 |    |    |      |   |
| IEC 80 - A200   | 200 | 130 | 165 | 4   | M10x20 | 32,5 |    |    |      |   |

\* IEC-Advantages row



SK 93172.1 V (A) - IEC 56...90

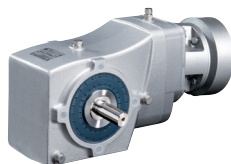
SK 93172.1 VF(AF) - IEC 56...90



| IEC             | a   | b   | e   | f   | s      | o    | d  | l  | t    | u |
|-----------------|-----|-----|-----|-----|--------|------|----|----|------|---|
| IEC 56 - C105   | 105 | 70  | 85  | 3   | 7      | 32,5 | 9  | 20 | 11,4 | 3 |
| IEC 56 - A120   | 120 | 80  | 100 | 3,5 | 7      | 32,5 |    |    |      |   |
| IEC 63 - C90 *  | 90  | 60  | 75  | 3   | 6      | 32,5 | 11 | 23 | 12,8 | 4 |
| IEC 63 - C120   | 120 | 80  | 100 | 3,5 | 7      | 32,5 |    |    |      |   |
| IEC 63 - A140   | 140 | 95  | 115 | 3,5 | 9      | 32,5 |    |    |      |   |
| IEC 71 - C105 * | 105 | 70  | 85  | 3   | 7      | 32,5 | 14 | 30 | 16,3 | 5 |
| IEC 71 - C140   | 140 | 95  | 115 | 3,5 | 9      | 32,5 |    |    |      |   |
| IEC 71 - A160   | 160 | 110 | 130 | 4   | 9      | 32,5 |    |    |      |   |
| IEC 80 - C120 * | 120 | 80  | 100 | 3,5 | 7      | 32,5 | 19 | 40 | 21,8 | 6 |
| IEC 80 - C160   | 160 | 110 | 130 | 4   | 9      | 32,5 |    |    |      |   |
| IEC 80 - A200   | 200 | 130 | 165 | 4   | M10x20 | 32,5 |    |    |      |   |
| IEC 90 - C140 * | 140 | 95  | 115 | 3,5 | 9      | 45,5 | 24 | 50 | 27,3 | 8 |
| IEC 90 - C160   | 160 | 110 | 130 | 4   | 9      | 45,5 |    |    |      |   |
| IEC 90 - A200   | 200 | 130 | 165 | 4   | M10x20 | 45,5 |    |    |      |   |

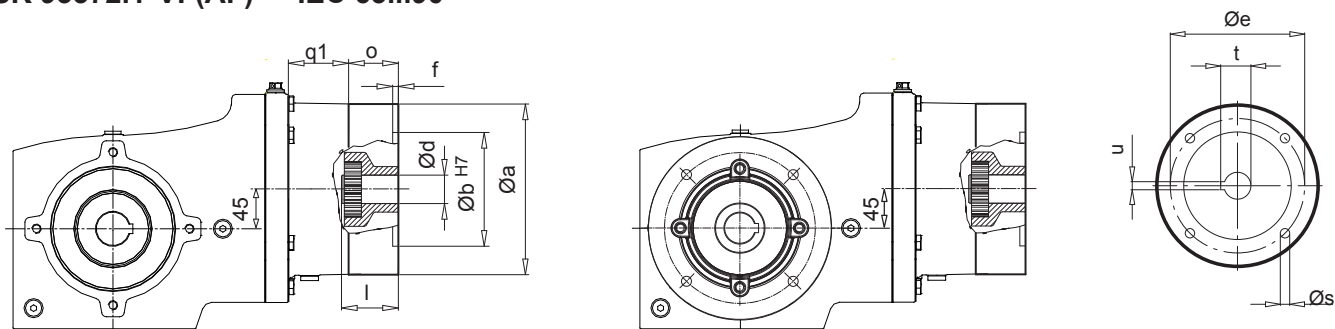
\* IEC-Advantages row





SK 93372.1 V (A) - IEC 63...90

SK 93372.1 VF(AF) - IEC 63...90



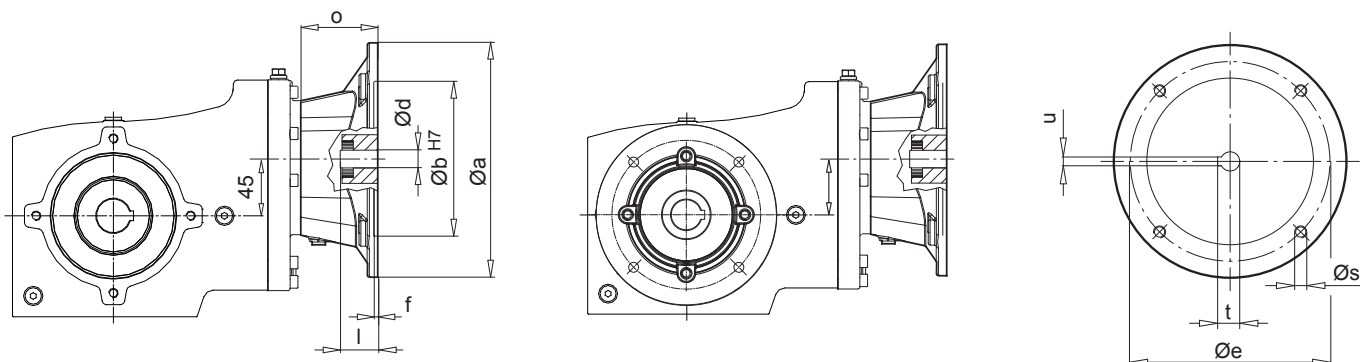
| $i_{ges}$    | q1 |
|--------------|----|
| $\geq 18,33$ | 56 |
| $< 18,33$    | 40 |

| IEC             | a   | b   | e   | f   | s      | o    | d  | l  | t    | u |
|-----------------|-----|-----|-----|-----|--------|------|----|----|------|---|
| IEC 63 - C90 *  | 90  | 60  | 75  | 3   | 6      | 32,5 | 11 | 23 | 12,8 | 4 |
| IEC 63 - C120   | 120 | 80  | 100 | 3,5 | 7      | 32,5 |    |    |      |   |
| IEC 63 - A140   | 140 | 95  | 115 | 3,5 | 9      | 32,5 |    |    |      |   |
| IEC 71 - C105 * | 105 | 70  | 85  | 3   | 7      | 32,5 | 14 | 30 | 16,3 | 5 |
| IEC 71 - C140   | 140 | 95  | 115 | 3,5 | 9      | 32,5 |    |    |      |   |
| IEC 71 - A160   | 160 | 110 | 130 | 4   | 9      | 32,5 |    |    |      |   |
| IEC 80 - C120 * | 120 | 80  | 100 | 3,5 | 7      | 32,5 | 19 | 40 | 21,8 | 6 |
| IEC 80 - C160   | 160 | 110 | 130 | 4   | 9      | 32,5 |    |    |      |   |
| IEC 80 - A200   | 200 | 130 | 165 | 4   | M10x20 | 32,5 |    |    |      |   |
| IEC 90 - C140 * | 140 | 95  | 115 | 3,5 | 9      | 45,5 | 24 | 50 | 27,3 | 8 |
| IEC 90 - C160   | 160 | 110 | 130 | 4   | 9      | 45,5 |    |    |      |   |
| IEC 90 - A200   | 200 | 130 | 165 | 4   | M10x20 | 45,5 |    |    |      |   |

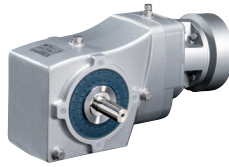
\* IEC-Advantages row

SK 93372.1 V (A) - IEC 100

SK 93372.1 VF(AF) - IEC 100

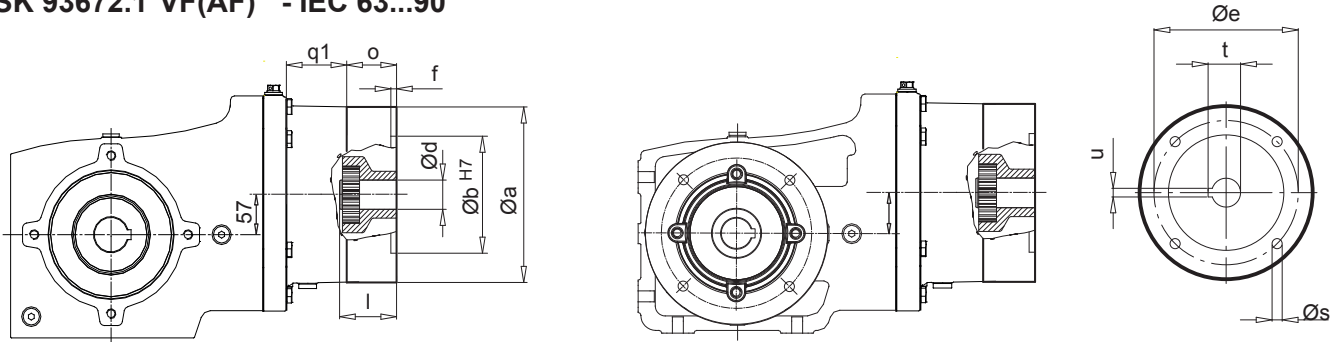


| IEC     | a   | b   | e   | f | s   | o  | d  | l  | t    | u |
|---------|-----|-----|-----|---|-----|----|----|----|------|---|
| IEC 100 | 250 | 180 | 215 | 5 | M12 | 82 | 28 | 60 | 31,3 | 8 |



SK 93672.1 V (A) - IEC 63...90

SK 93672.1 VF(AF) - IEC 63...90



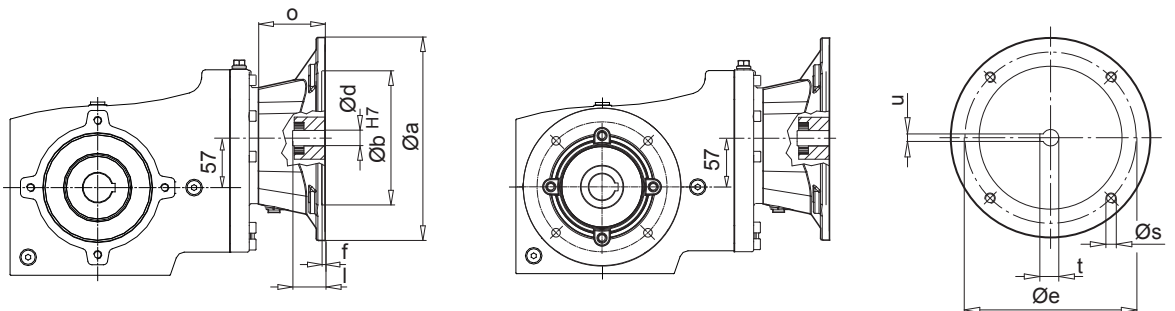
| $i_{ges}$    | q1 |
|--------------|----|
| $\geq 18,21$ | 56 |
| $< 18,21$    | 40 |

| IEC             | a   | b   | e   | f   | s      | o    | d  | l  | t    | u |
|-----------------|-----|-----|-----|-----|--------|------|----|----|------|---|
| IEC 63 - C90 *  | 90  | 60  | 75  | 3   | 6      | 32,5 | 11 | 23 | 12,8 | 4 |
| IEC 63 - C120   | 120 | 80  | 100 | 3,5 | 7      | 32,5 |    |    |      |   |
| IEC 63 - A140   | 140 | 95  | 115 | 3,5 | 9      | 32,5 |    |    |      |   |
| IEC 71 - C105 * | 105 | 70  | 85  | 3   | 7      | 32,5 | 14 | 30 | 16,3 | 5 |
| IEC 71 - C140   | 140 | 95  | 115 | 3,5 | 9      | 32,5 |    |    |      |   |
| IEC 71 - A160   | 160 | 110 | 130 | 4   | 9      | 32,5 |    |    |      |   |
| IEC 80 - C120 * | 120 | 80  | 100 | 3,5 | 7      | 32,5 | 19 | 40 | 21,8 | 6 |
| IEC 80 - C160   | 160 | 110 | 130 | 4   | 9      | 32,5 |    |    |      |   |
| IEC 80 - A200   | 200 | 130 | 165 | 4   | M10x20 | 32,5 |    |    |      |   |
| IEC 90 - C140 * | 140 | 95  | 115 | 3,5 | 9      | 45,5 | 24 | 50 | 27,3 | 8 |
| IEC 90 - C160   | 160 | 110 | 130 | 4   | 9      | 45,5 |    |    |      |   |
| IEC 90 - A200   | 200 | 130 | 165 | 4   | M10x20 | 45,5 |    |    |      |   |

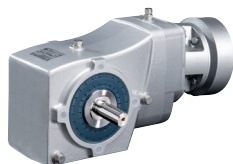
\* IEC-Advantages row

SK 93672.1 V (A) - IEC 100...132

SK 93672.1 VF(AF) - IEC 100...132

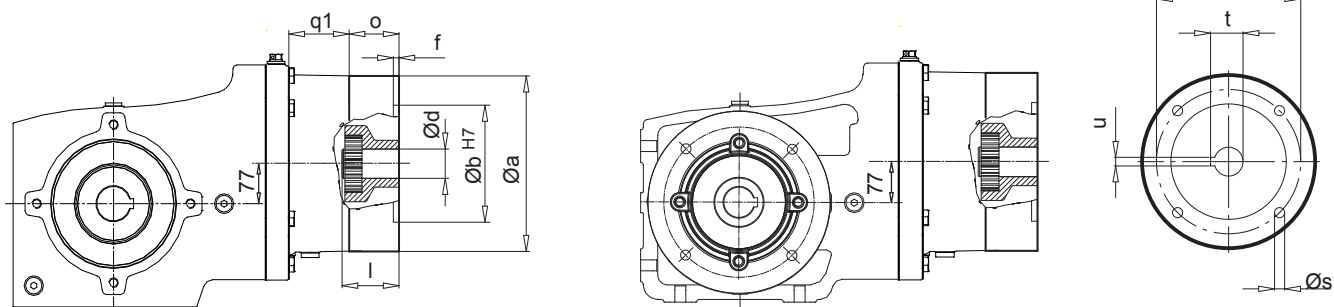


| IEC     | a   | b   | e   | f | s   | o   | d  | l  | t    | u  |
|---------|-----|-----|-----|---|-----|-----|----|----|------|----|
| IEC 100 | 250 | 180 | 215 | 5 | M12 | 82  | 28 | 60 | 31,3 | 8  |
| IEC 112 | 250 | 180 | 215 | 5 | M12 | 82  | 28 | 60 | 31,3 | 8  |
| IEC 132 | 300 | 230 | 265 | 5 | M12 | 111 | 38 | 80 | 41,3 | 10 |



SK 93772.1 V (A) - IEC 63...90

SK 93772.1 VF(AF) - IEC 63...90



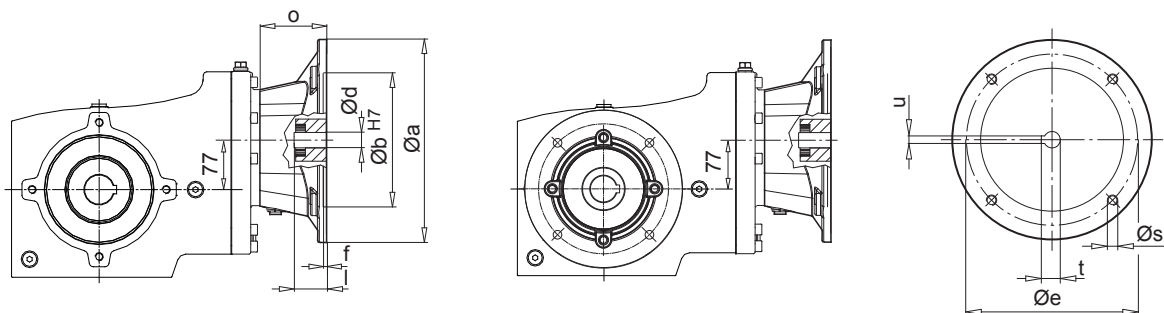
| $i_{ges}$    | q1 |
|--------------|----|
| $\geq 28,38$ | 56 |
| $< 28,38$    | 40 |

| IEC             | a   | b   | e   | f   | s      | o    | d  | l  | t    | u |
|-----------------|-----|-----|-----|-----|--------|------|----|----|------|---|
| IEC 63 - C90 *  | 90  | 60  | 75  | 3   | 6      | 32,5 | 11 | 23 | 12,8 | 4 |
| IEC 63 - C120   | 120 | 80  | 100 | 3,5 | 7      | 32,5 |    |    |      |   |
| IEC 63 - A140   | 140 | 95  | 115 | 3,5 | 9      | 32,5 |    |    |      |   |
| IEC 71 - C105 * | 105 | 70  | 85  | 3   | 7      | 32,5 | 14 | 30 | 16,3 | 5 |
| IEC 71 - C140   | 140 | 95  | 115 | 3,5 | 9      | 32,5 |    |    |      |   |
| IEC 71 - A160   | 160 | 110 | 130 | 4   | 9      | 32,5 |    |    |      |   |
| IEC 80 - C120 * | 120 | 80  | 100 | 3,5 | 7      | 32,5 | 19 | 40 | 21,8 | 6 |
| IEC 80 - C160   | 160 | 110 | 130 | 4   | 9      | 32,5 |    |    |      |   |
| IEC 80 - A200   | 200 | 130 | 165 | 4   | M10x20 | 32,5 |    |    |      |   |
| IEC 90 - C140 * | 140 | 95  | 115 | 3,5 | 9      | 45,5 | 24 | 50 | 27,3 | 8 |
| IEC 90 - C160   | 160 | 110 | 130 | 4   | 9      | 45,5 |    |    |      |   |
| IEC 90 - A200   | 200 | 130 | 165 | 4   | M10x20 | 45,5 |    |    |      |   |

\* IEC-Advantages row

SK 93772.1 V (A) - IEC 100...132

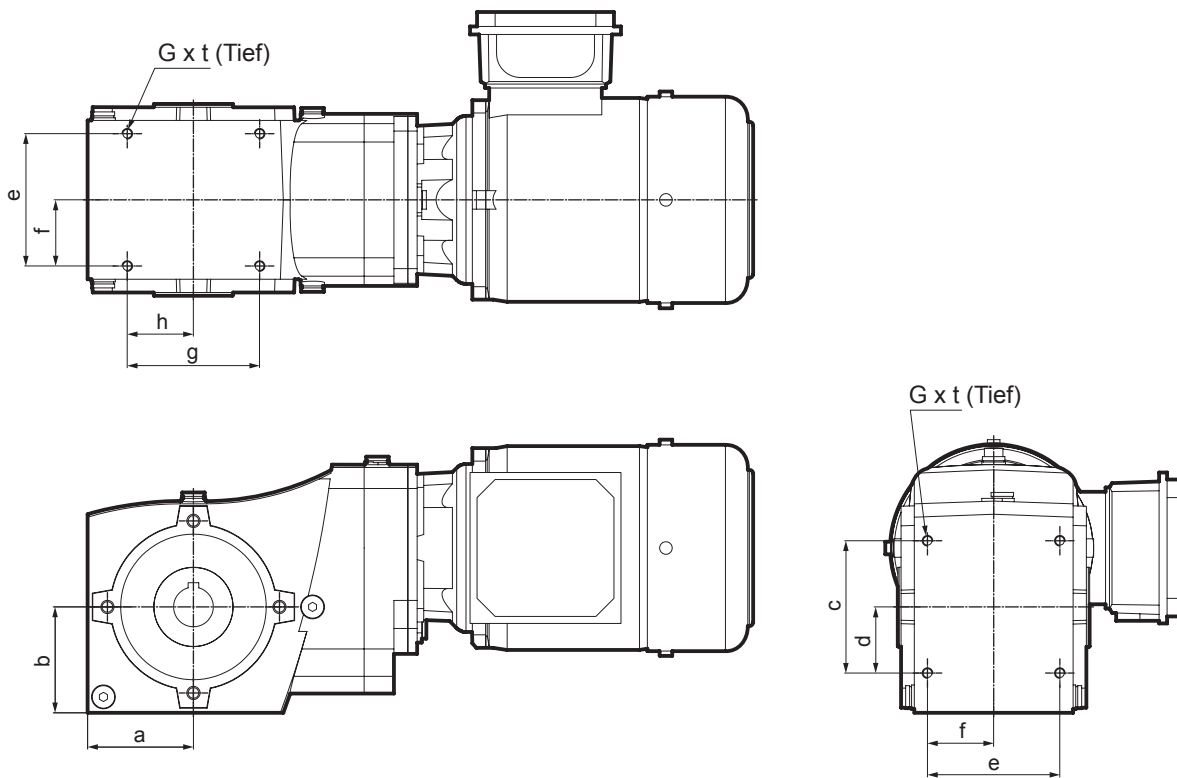
SK 93772.1 VF(AF) - IEC 100...132



| IEC     | a   | b   | e   | f | s   | o   | d  | l  | t    | u  |
|---------|-----|-----|-----|---|-----|-----|----|----|------|----|
| IEC 100 | 250 | 180 | 215 | 5 | M12 | 82  | 28 | 60 | 31,3 | 8  |
| IEC 112 | 250 | 180 | 215 | 5 | M12 | 82  | 28 | 60 | 31,3 | 8  |
| IEC 132 | 300 | 230 | 265 | 5 | M12 | 111 | 38 | 80 | 41,3 | 10 |

## Gearbox- foot mounting

SK 93072.1 - SK 93772.1



| Type    | a    | b   | c   | d  | e   | f  | g   | h  | t  | G   |
|---------|------|-----|-----|----|-----|----|-----|----|----|-----|
|         | [mm] |     |     |    |     |    |     |    |    |     |
| 93072.1 | 56   | 56  | 70  | 35 | 90  | 45 | 70  | 35 | 8  | M6  |
| 93172.1 | 63   | 63  | 80  | 40 | 90  | 45 | 80  | 40 | 11 | M8  |
| 93372.1 | 80   | 80  | 100 | 50 | 100 | 50 | 100 | 50 | 11 | M8  |
| 93672.1 | 100  | 100 | 120 | 63 | 120 | 60 | 120 | 60 | 15 | M10 |
| 93772.1 | 112  | 112 | 140 | 70 | 140 | 70 | 140 | 70 | 15 | M12 |

# An overview of the NORD range

## G1000 Fixed speeds UNICASE housing 50 Hz, 60 Hz

- Helical geared motors
- Parallel geared motors
- Bevel geared motors
- Helical worm geared motors

## G1012 NORDBLOC 50 Hz

- Helical geared motors

## G1050 Industrial gear units

## G1001 Explosion protected drive units

- Category 2G, Zone 1, Gas

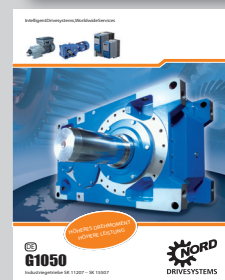
## G1022 Explosion protected drive units

- Category 3D, Zone 22, Dust

## F3020 frequency inverter SK200E

## F3050 frequency inverter SK500E

## F3070 frequency inverter NORD SK700E







[www.nord.com/locator](http://www.nord.com/locator)

**Headquarters:**

Getriebebau NORD GmbH & Co. KG  
Getriebebau-Nord-Straße 1  
22941 Bargteheide, Germany  
Fon +49 (0) 4532 / 289-0  
Fax +49 (0) 4532 / 289-2253  
info@nord.com, www.nord.com

Member of the NORD DRIVESYSTEMS Group

