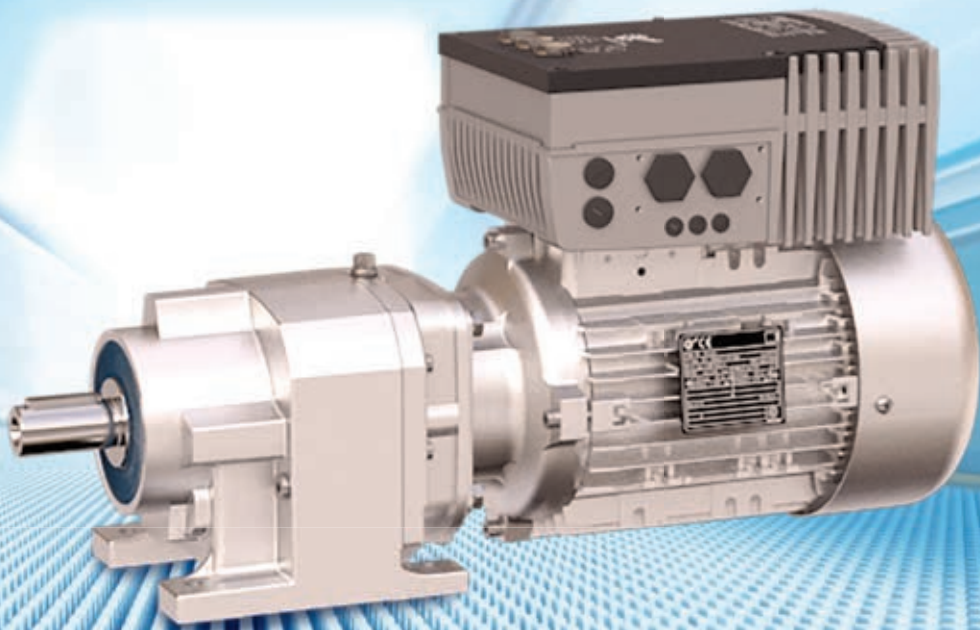


Intelligent Drivesystems, Worldwide Services

ELECTRONIC VARIABLE SPEED DRIVES



EN

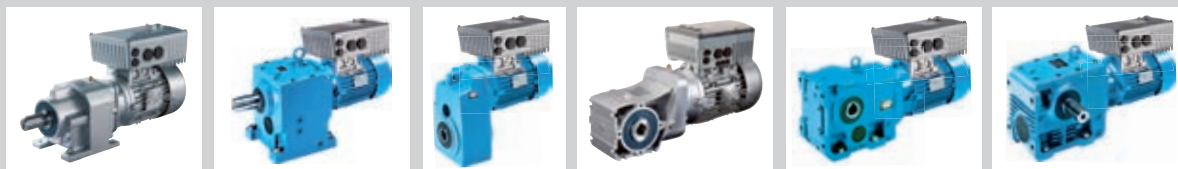
PRODUCT OVERVIEW G4014

NORDBLOC.1 Helical Gear Units, Helical Gear Units,
Parallel Gear Units, Helical-Bevel Gear Units, Helical-Worm Gear Units


DRIVESYSTEMS

Contents

INTRODUCTION	A	1
SELECTION CRITERIA	A	2 - 21
NORDBLOC.1 HELICAL GEAR UNITS		
Power and speed tables	B	2 - 59
Dimensioned drawings	B	60 - 92
HELICAL GEAR UNITS		
Power and speed tables	C	2 - 57
Dimensioned drawings	C	58 - 106
PARALLEL SHAFT GEAR UNITS		
Power and speed tables	D	2 - 55
Dimensioned drawings	D	56 - 98
HELICAL-BEVEL GEAR UNITS		
Power and speed tables	E	2 - 49
Dimensioned drawings	E	50 - 94
HELICAL-WORM GEAR UNITS		
Power and speed tables	F	2 - 35
Dimensioned drawings	F	36 - 56
OPTIONS	G	2 - 3



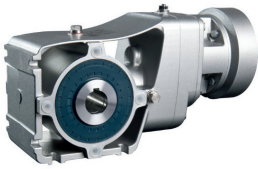


Headquarters and Technology Center

- in Bargteheide, near Hamburg, Germany

Mechanical Products

Gear units



Gear component production

Electrical Products

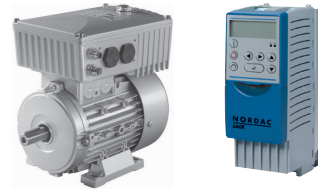
Motors



Motor production

Electronic Products

Frequency inverter and motor starters



Inverter production

Innovative drive solutions

- for more than 100 industries



7 state-of-the-art production plants

- for all drive components



36 subsidiaries on 5 continents

- provide on-site storage
- assembly centers
- technical support
- and customer service



More than 3.100 employees around the world

- create customized solutions

Solutions for your drive application

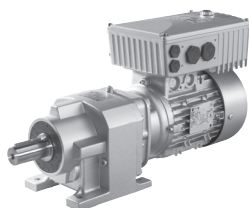
Catalogue Overview

This „Electronic Variable Speed Drive“ catalogue contains the following gear unit types:

- **NORDBLOC.1 helical gear units**
- **Helical gear units (Unicase housing)**
- **Bevel helical gear units**
- **Parallel shaft gear units**
- **Helical-worm gear units**

All drives meet the **EUP directives. From 01.01.2015 also IE2 motors with frequency inverters.**

NORDBLOC.1 helical gear units



Getriebebau NORD has made extensive further developments to the NORDBLOC compact geared motor. With this, NORD provides another gear unit type which is based on the proven Unicase concept.

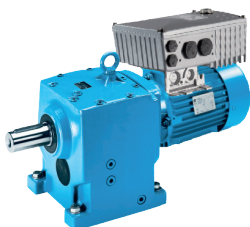
The **NORDBLOC.1** helical gear unit is available in 8 sizes **SK072.1 - SK973.1**. The housings of the NORDBLOC types are smooth and are made from die-cast aluminium up to an including the size SK 673.1.

The new aluminium housing considerably reduces the weight and enables very economical series production. The smooth aluminium surfaces have a robust, natural corrosion protection. Because of this, painting is not provided as standard, but is possible if required (with a surcharge).

The housings of the larger gear units **SK 772.1 to SK 973.1** are made of cast iron.

The new NORDBLOC design enables the installation of stronger bearings than in the previous series. This results in higher permissible radial and axial forces and a longer service life.

Helical gear units



2-stage helical gear units with coaxial motor and drive shafts are available in 11 sizes **SK 02 - SK103**. For higher gear ratios, the 6 smaller types **SK 03 ... SK 53** can also be produced as 3-stage units with an attached housing.

The 5 larger sizes **SK 62/63 - SK103** can be supplied as 2/ or 3-stage units with the same housing. Double gear units with 4-, 5- and 6-stages are available for very high gear ratios.

Helical gear units are available in both foot and flange versions. For flange version helical gear units, the flange is cast on; therefore there are no screw connections between the flange and the housing.

The areas of application of helical gear units are very diverse.g. conveyors, agitators, crane travelling mechanisms, gear pumps, rolling mills or eccentric presses.

Differences

The gear unit types **NORDBLOC.1 helical gear units** and **helical gear units** have the following essential differences:

- Surface properties
 - NORDBLOC.1 helical gear unit - die-cast aluminium
 - Helical gear unit - cast iron
- Different attachment dimensions
- Different torque levels

3 and 4-stage bevel helical gear units



The catalogue contains 2-stage bevel helical gear units with die-cast aluminium housings, as well as 3 and 4-stage bevel gear units with cast iron housings.

Bevel gear units are angular gear units in which the motor shaft and the output shaft form a 90° angle. This results in a favourable spatial arrangement of the drive unit.

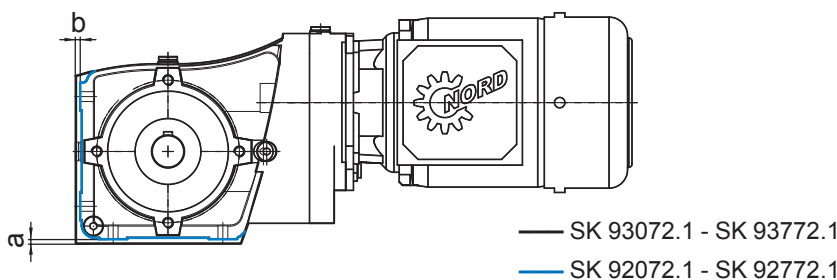
Bevel gear units are suitable for many applications, e.g. conveyor belts, lifting gear or warehouse systems.

The new optimised performance two-stage bevel helical gear units are an innovative NORD design with a high-strength die-cast aluminium housing.

In addition, NORD offers the gear unit series **SK 93072.1 - SK 93772.1** with cast aluminium housings, which is suitable for use in the food industry because of its especially smooth surface. **If you are interested, please contact us.**

Because the power data for the gear unit series SK 93072.1 - SK 93772.1 are identical to those for the SK 92072.1 - SK 92772.1 gear unit series, for reasons of clarity, this catalogue only contains the gear unit series SK 92072.1 - SK 92772.1.

Please note that for the SK 93072.1 - SK 93772.1 gear unit series, only flange mounting is available as standard. The flange mounts of both series are identical. The outline contours of both series of gear units only differ slightly as follows:



Size	SK 93072.1	SK 93172.1	SK 93372.1	SK 93672.1	SK 93772.1
a [mm]	3	2	4	4,5	5
b [mm]	3	2	4	4,5	5

For the gear unit types NORDBLOC.1 helical gear units and 2-stage bevel helical gear units, there is the option of treating the die-cast aluminium housing or the cast aluminium housing with **nsd tupH**. **This surface treatment provides special protection against corrosion.**

The parallel axle offset for parallel shaft gear units leads to a shorter design in comparison with helical gear units. In shaft mounted versions with a continuous hollow shaft, the gear unit can be mounted directly onto the drive shaft of the machine.

SK 0182NB ... SK 5282 are available as 2-stage versions. **SK 1382NB ... SK 5382** are 3-stage versions for higher gear ratios. With the **SK 2382 ... SK 5382**, this is implemented with an additional add-on housing. For parallel shaft gear unit sizes **SK 6282 / SK 6382** and above, the gear units are built as 2- and 3-stage versions with the same housing.

Because of the shorter length are the parallel shaft gear units the optimal solution, where space is limited.

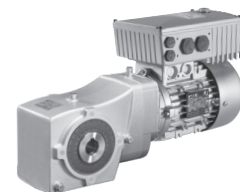
Helical worm gear units are angular gear units in which the motor shaft and the output shaft form a 90° angle. This results in a favourable spatial arrangement of the drive unit.

The helical gears of helical worm gear units are made of highly alloyed steel with case-hardened teeth. Optimised geometries and precise shaft alignment due to the UNICASE principle provide excellent load-bearing capacity, long operating life and low noise.

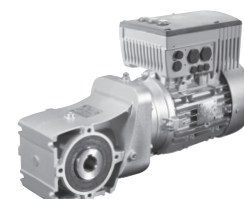
The helical worm gear units listed in this catalogue have multiple stages. **SK 02040 ... SK 42125** are available as 2-stage versions and can also be produced with add-on housings as **SK 13050 ... SK 43125** with 3-stages for higher gear ratios.

The application of this angle gear is versatile. They are preferably used in packaging machines, conveyors and hoists.

2-stage bevel helical gear units



SK 93072.1 - SK 93772.1



SK 92072.1 - SK 92772.1

nsd tupH Surface Treatment

Parallel shaft gear units



Helical worm gear units





Frequency inverter

With many years of experience in the field of electronic drive technology **NORD DRIVE-SYSTEMS** has produced decentralised frequency inverter drive technology since the end of the 1990s.

With its comprehensive basic equipment the SK 200E can be used for a wide variety of applications. All basic functions are available throughout the entire product range,

- **with the added benefit that the drive solution may be optimally matched to the application.**



SK 200E

- All necessary data that frequency inverter - Gear combinations are for certain power and their speed ranges finished calculated and can the lists contained in the catalog be used.
- As a result, customers obtain a drive unit package which consists of a geared motor with a decentralised frequency inverter as a complete system solution.
- In the case of decentralised drive electronics is the frequency inverter a finished product, which can be quickly integrated into the machine quickly and conveniently. Based on the dimensional drawings can be checked installation situations of the selected gear units.



SK 180E

However, there will also be applications which cannot be covered by this catalogue, because they are too complex, e.g. for special temperature ranges, highly dynamic applications or special shaft loads.

In this case, Getriebebau NORD's engineering department will be pleased to assist you at any time.

NORD is not simply a supplier of components - NORD supplies optimum drive solutions, in both standardised and customised form.

The use of „electronic variable speed“ takes place mainly in

- Material Handling (Airport and Logistics)
- Agitators
- Centrifuges

For these applications please contact Getriebebau NORD in Germany or your local NORD sales partner - available in 35 countries throughout the world.



Basic selection of the drive unit

The electronic variable speed drive unit consists of 3 basic components:

- Series SK200E und SK180E frequency inverters
- Asynchronous motor with efficiency class IE2 and IE3
- a NORD gear unit.

The frequency inverter, motor and gear unit is delivered completely assembled with all the selected options. The drive unit is ready-parameterised for the motor type.

All that the customer needs to do is to make special adjustments for the application, e.g. ramp time, minimum or maximum frequency or adjustments for restriction of the direction of rotation.

By providing a customised parameter set, it is also possible to order a ready-parameterised drive unit. In this case the customised data set is loaded into the frequency inverter in the final stage, after the standard tests.

Depending upon the installation requirement for the system, the SK 180E and SK 200E frequency inverters can also be mounted on a wall in the vicinity of the geared motor. For this, there is a special wall mount adapter kit.

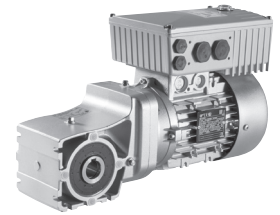
The drive unit selection in this catalogue assists you in the design of the drive unit.

Selection of the gear unit size with the aid of the operating factor for the application as well as the permissible axial and radial forces on the drive shaft should be carried out according to the technical descriptions and specifications outlined in NORD catalogue G1000.

For further information about the entire range of options for gear units, motors and the SK 200E/180E series please refer to the following catalogues:

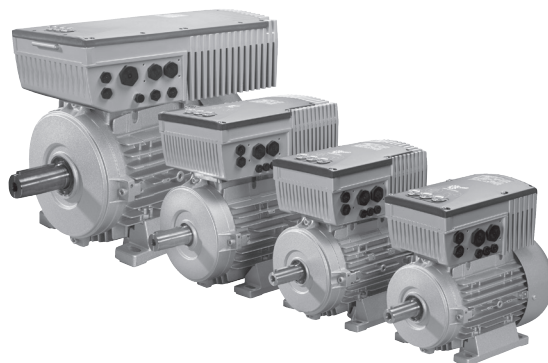
- **F3018:** SK 180E Pumps and material handling
- **F3020/21:** SK 200E Pump and fan applications
Options: etpoint encoders, displays, bus variants, braking resistors
- **F3022:** SK 205E Material handling applications,
Options: Setpoint encoders, displays, bus variants, braking resistors
- **G1000:** IE2 gear unit catalogue
- **G1035:** UNIVERSAL worm gear units IE1/IE2/IE3
- **G1012:** NORDBLOC.1 helical gear unit
- **M7000:** IE1/IE2/IE3 motor catalogue,
Options for motor: brake, encoder, external fan

In the diagrams on pages  A10-12 the SK200E is used as a placeholder for all versions, and SK 180 is also a placeholder for SK 190E.



Frequency inverter-
Wall montage

Further information
about options



Selection criteria



Frequency inverter type code - Basic device

SK 205E-370-323-A (-C)

IP protection class:	Standard IP55,	C = IP66 (coated)
Radio interference filter:	0 = Without	A = Class C2,
Mains voltage:	12 = 115V,	23 = 230V, 40 = 400V
Number of mains phases:	1 = Single phase,	3 = 3-phase
Digits before comma for power:	0 = 0.xx,	1 = 0x.x0, 2 = 0xx.0
Device rated power:	250 = 0,25kW, 370 = 0,37kW , ... 222 = 22.0kW	
Device series:	SK 200E, SK 205E , SK 210E, SK 215E, SK 220E, SK 225E, SK 230E, SK 235E	

Differences between the versions of the device series

Features	200E	205E	210E	215E	220E	225E	230E	235E
Integrated 24V power supply	x	-	x	-	x	-	x	-
Optionally available 24V mains unit	-	x	-	x	-	x	-	x
Number of digital inputs (DIN)	4	4	3	3	4	4	3	3
Number of digital outputs (DO)	2	1	2	1	2	1	2	1
Number of analog inputs (AIN)	2	-	2	-	1	-	1	-
Additional 2 potentiometers for minimal configuration	-	x	-	x	-	x	-	x
Electromechanical brake control	-	x	-	x	-	x	-	x
Safe pulse block (STO / SS1) ⇨ BU0230	-	-	x	x	-	-	x	x
AS interface (4I / 4O)	-	-	-	-	x	x	x	x

Power, sizes

FI	Size				Mains / Power category SK 2xxE			
	Motor	IE2	IE3	kg **	1~ 110-120V 1)	1~ 200-240V 2)	3~ 200-240V	3~ 380-500V
Size I	Size 71L*	-	-	3	0.25 ... 0.37kW	0.25 ... 0.55kW	0.37 ... 1.1kW	0.55 ... 2.2kW
	Size 80	SH/LH	LP					
	Size 90	SH/LH	SP/LP					
	Size 100	LH/AH	LP/AP					
Size II	Size 80	SH/LH	LP	4	0.55 ... 0.75hp	0.75 ... 1.1kW	1.5 ... 2.2kW	3.0 ... 4.0kW
	Size 90	SH/LH	SP/LP					
	Size 100	LH/AH	LP/AP					
	Size 112	MH	MP					
Size III	Size 100	LH/AH	LP/AP	7	-	-	3.0 ... 4.0kW	5.5 ... 7.5kW
	Size 112	MH	MP					
	Size 132	SH/MH	SP/MP					
Size 4	Size 132	LH	-	17	-	-	5.5 ... 7.5kW	11 ... 22kW
	Size 160	MH/LH	MP/LP					
	Size 180	MH/LH	MP/LP					

* incl. adapter and seal (11015410, 13097000)

** Weight of SK 2xxE without motor

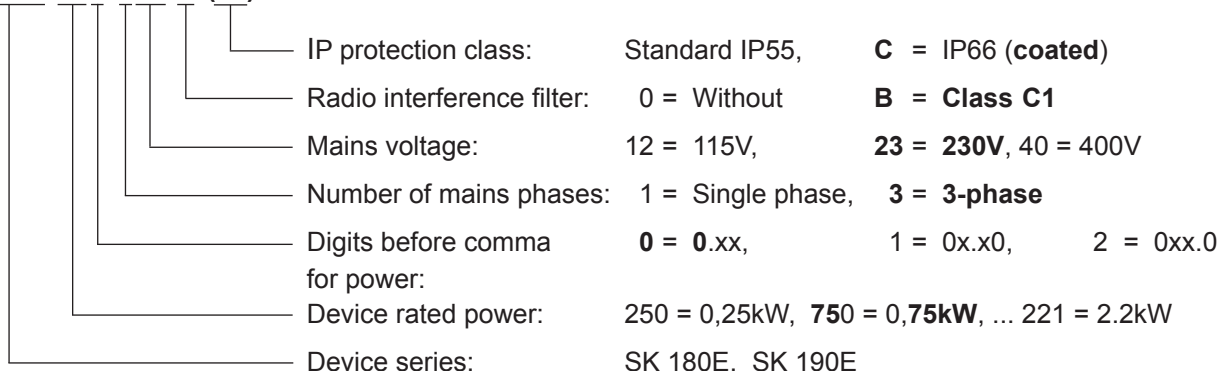
1) only available as model SK 2x5E

2) Model SK2x0E only available in Size 1



Type code - Frequency inverter - Basic device

SK 180E-750-340-B (-C)



Versions in the series

Features	180E	190E
Integrated 24V power supply	x	x
Number of digital inputs (DIN)	3	3
Number of digital outputs (DO)	2	2
Number of analog inputs (AIN)	2	2
Electromechanical brake control	optional	optional
Safe pulse block (STO / SS1) → BU0230	-	-
AS interface (4I / 4O)	-	x

Power, sizes

FI	Size				Mains / Power category SK 1xxE	
	Motor	IE2	IE3	kg **	3~ 200-240V	3~ 380-480V
Size I	Size 71 *	-	-	2	0.25 ... 0.55kW	0.25 ... 1.1kW
	Size 80	SH/LH	LP			
	Size 90	SH/LH	SP/LP			
Size II	Size 80	SH/LH	LP	3.3	0.75 ... 2.2kW	1.5 ... 2.2kW
	Size 90	SH/LH	SP/LP			
	Size 100	LH/AH	LP/AP			

* incl. adapter and seal (11015410, 13097000)

*** Weight of SK 1xxE without motor



1. Step: Selection of the speed range

Adjustment ranges

The selection of the drive unit starts with the specification of the speed range. **This catalogue offers the adjustment ranges 1:5 and 1:10 and 1:8.7.**

1 : 5 The speed range **1:5** enables continuous adjustment of the speed of the motor from 300 - 1500 1 rpm.

The maximum speed is therefore comparable with a 4-pole asynchronous motor on a 50 Hz mains voltage. In this case, the frequency inverter operates with a 50 Hz characteristic curve (see Figure 1). This means that the frequency inverter output also attains 400 V with an output frequency of 50 Hz.

1 : 10 The speed range **1:10** covers motor speeds from 300 - 3000 rpm.

In this case the frequency inverter operates with a 100 Hz characteristic curve (see Figure 1), i.e. the output only attains 400 V at 100 Hz.

For this operating mode, the motor must have a 230 V / 400V Δ/Y winding, which is then typically connected in a delta circuit instead of a star circuit.

Advantages

- **Higher power with the same motor**

The higher speed and the lower rated voltage of the delta circuit make it possible to produce a higher power with the same motor than would be possible with the 50 Hz characteristic curve. A frequency inverter with a higher power is then also assigned.

- **Drive unit well cooled, even without an external fan**

In addition to the increase in power, the 100 Hz characteristic curve has a further advantage. The self-ventilated motor is well-cooled over a wide speed range and an external fan is often not required.

- This effect is additionally supported, as in this operating mode the motor is not operated with the full rated torque (only approx. 70%).

1 : 8,7 The speed range **1:8,7** covers the speed range from 300 - 2,610 rpm with the constant rated torque of the motor.

This operating mode enables an even higher drive power than the operating mode 1:10. As in the 1:10 mode, the motor is connected in a delta circuit and then has a rated voltage of 230 V at 50 Hz. The inverter operates with an 87 Hz characteristic curve (see Fig. 1), i.e. it achieves an output voltage of 400 V with 87 Hz. As the rated torque of the motor is fully achieved over the entire speed range, the power output at higher speeds is increased by 1.74 times in comparison with the 50 Hz characteristic curve. The assignment of the frequency inverter must be modified due to the higher power. The inverter is one performance level higher than for the 100 Hz characteristic curve.

Advantage

- **Highest power with the same motor**

However, there are less thermal reserves in the low speed range in comparison with 1:10 mode. There is also the possibility of using the speed range up to 3,000 rpm, however without a further power increase. In the range from 2,610 - 3,000 rpm, the rated torque reduces accordingly, so that the power remains constant.

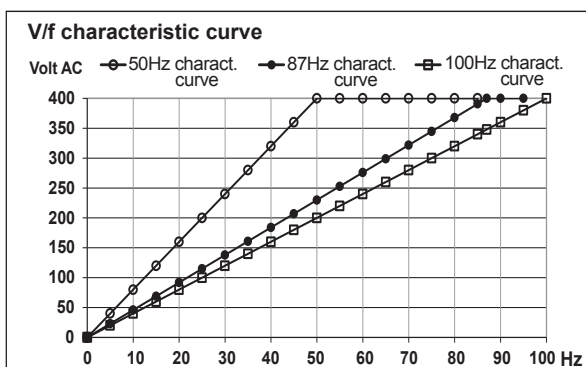


Fig. 1: V/f characteristic curve 400V/50 Hz, 400V/87 Hz, 400V/100 Hz

In fact, for technical reasons the maximum output voltage of the frequency inverter is always somewhat lower than the mains input voltage.

A further special feature is the slip regulation which is activated in the inverter. With this, the drive unit achieves and maintains the setpoint speed even with fluctuating loads.

In contrast, in mains operation, the actual speed of the asynchronous motor changes according to the load and only approaches the synchronous speed of 1500 rpm when there is no load.

Both of these points require current reserves in the inverter, which are taken into account in the allocation tables.

For more information, see the motor catalog ⇒ [A24-26](#).



2nd Step: Selection of the drive unit from the 1:5, 1:8.7 and 1:10 power and speed tables (Section B)

After the specification of the adjustment range, the application-dependent selection of the required gear unit type is made according to the type of gear unit, the output torque and the output speed range.

Selection example

P_1 [kW]	n_2 [min ⁻¹]	M_{2b} [Nm]	f_B	i_{ges}	F_R	F_A [kN]	Type	mm kg
2,20	7,4 - 37	572	1,1	39,32	8,9	25,0	SK 92772.1 - 100LH/4 - SK 200E - 221 - 340 - A (-C)	67 B22-23
	8,2 - 41	509	1,3	35,04	9,3	25,0	SK 92772.1 - 100LP/4 - SK 200E - 221 - 340 - A (-C)	
	9,1 - 45	463	1,4	31,85	9,5	25,0		
	10 - 51	413	1,5	28,38	9,7	25,0	SK 93772.1 - 100LH/4 - SK 200E - 221 - 340 - A (-C)	
	11 - 57	368	1,7	25,34	9,9	25,0	SK 93772.1 - 100LP/4 - SK 200E - 221 - 340 - A (-C)	
	13 - 64	328	2,0	22,59	10,0	25,0		

P_1 Rated motor power	f_B Operating factor	F_R Radial force
n_2 Output speed at rated motor speed	i_{ges} Total gear ratio	F_A Axial force
M_{2b} Maximum output torque		

3. Step: Thermal check for the selection

After this, please check the thermal design of the selected drive unit. Due to the speed-dependent ventilation of the motor, there is less cooling of the motor and the frequency inverter at low speeds.

Check the selected drive unit on the basis of the next diagrams, taking your particular application into account (operating mode).

The diagrams take into account a maximum ambient temperature of 40°C and do not include an further safety reserves.

To check the drive unit, select the intended operating mode:

1. **Continuous operation S1**
2. **Short-term operation S2-15 min**
- after 15 minutes, there is a longer cooling period down to the ambient temperature
3. **Intermittent operation S3-10%**
- corresponds to an operating period of 1 min and then a 9 min pause

From the following diagrams ⇒ A10-12, you can then obtain the maximum torque of the motor depending on the speed. From this percentage torque rating of the motor then the factor f_n can be formed.

$$f_n = \frac{\text{Torque in [\%]} \text{ (taken from the diagrams)}}{100}$$

With the factor f_n is then calculated the usable output torque M_2 with the output torque from the power and speed tables M_{2b} .

$$M_2 = M_{2b} \cdot f_n \quad M_2 \text{ [Nm]}, M_{2b} \text{ [Nm]}$$

With 100%, the full output torque can be used.

It is assumed that the drive unit example from the 2nd step will be operated for a longer period (e.g. 1 h) at 600 rpm.

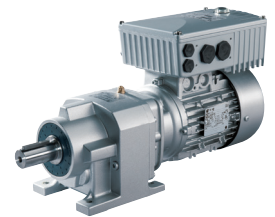
According to the diagram ⇒ A10 (continuous operation S1, 1:5, 50Hz characteristic curve) at 600 rpm 75% of the rated torque can be used: $f_n = 0,75$

This results in a new output torque:

$$M_2 \text{ (S1, 600 } \frac{1}{\text{min}}) = 413 \text{ Nm} \cdot 0,75 = 309,75 \sim 310 \text{ Nm}$$

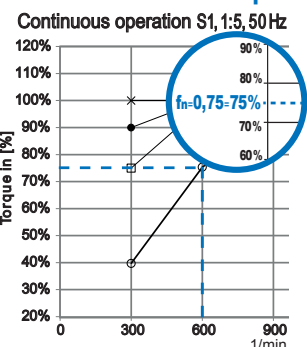
If the torque is no longer sufficient, the following options may provide an economic solution:

- Selection of an external fan
- Selection of a more powerful inverter
- Change to the adjustment range 1:10



Selection of operating mode

Calculation example

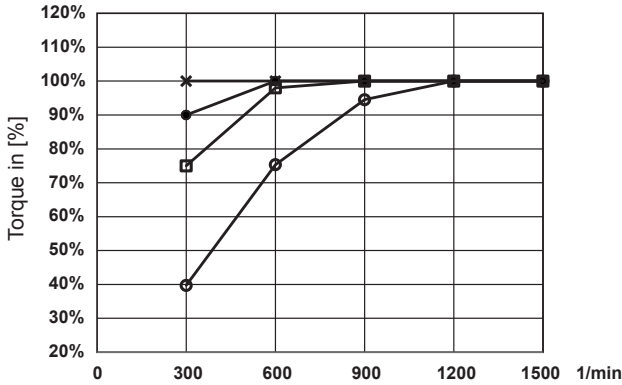


Selection criteria



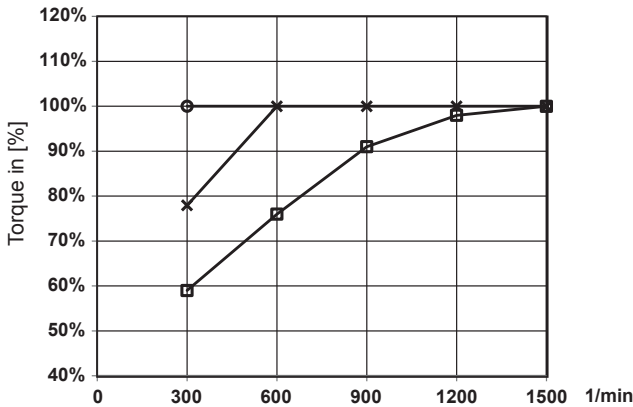
Operating mode-dependent graphs - Adjustment range 1:5

Continuous operation S1, 1:5 - 50 Hz characteristic curve



- ✕ SK 180E - 550-340-B - 80SH/4
- SK 200E - 550-340-A - 80SH/4
- SK 180E - 750-340-B - 80LH/4
- SK 200E - 750-340-A - 80LH/4
- SK 200E - 111-340-A - 90SH/4
- SK 180E - 111-340-B - 90SH/4
- SK 180E - 151-340-B - 90LH/4
- SK 180E - 221-340-B - 100LH/4
- SK 200E - 151-340-A - 90LH/4
- SK 200E - 221-340-A - 100LH/4

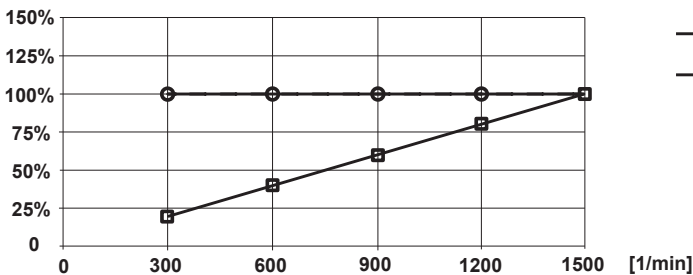
Continuous operation S1, 1:5 - 50 Hz characteristic curve



- ✕ SK 200E - 551-340-A - 132SH/4
- SK 200E - 301-340-A - 100AH/4
- SK 200E - 401-340-A - 112MH/4
- SK 200E - 751-340-A - 132MH/4
- SK 200E - 112-340-A - 132LH/4
- SK 200E - 112-340-A - 160MH/4
- SK 200E - 152-340-A - 160LH/4
- SK 200E - 182-340-A - 180MH/4
- SK 200E - 222-340-A - 180LH/4

Intermittent operation S3-15 min, 1:5, 50 Hz characteristic curve

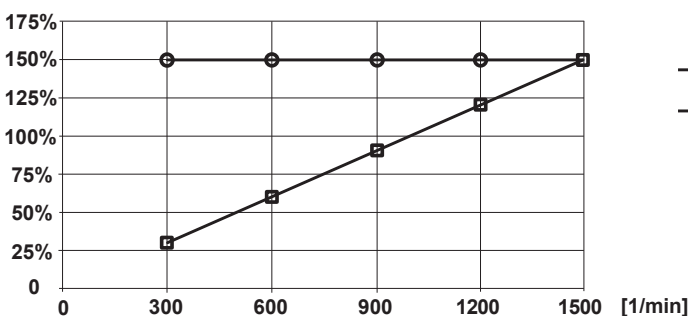
valid for all versions



- Torque
- Power

Intermittent operation S3-15 min, 1:5, 50 Hz characteristic curve

valid for all versions

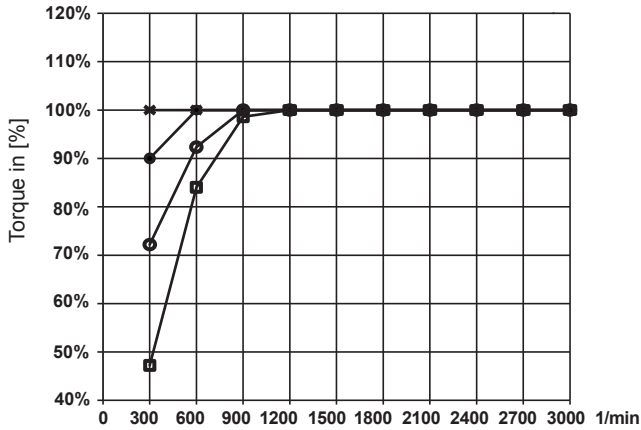


- Torque
- Power



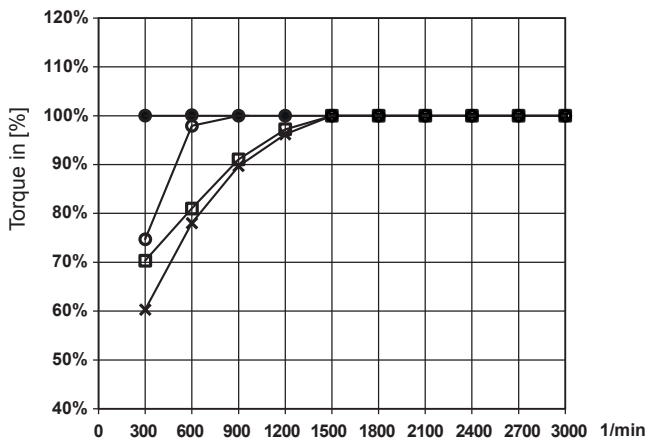
Operating mode-dependent graphs - Adjustment range 1:10

Continuous operation S1, 1:10 - 100 Hz characteristic curve



- ✱ SK 180E - 550-340-B - 71L/4
- SK 200E - 550-340-A - 71L/4
- SK 180E - 750-340-B - 80SH/4
- SK 200E - 750-340-A - 80SH/4
- SK 180E - 111-340-B - 80LH/4
- SK 200E - 111-340-A - 80LH/4
- SK 180E - 151-340-B - 90SH/4
- SK 200E - 151-340-A - 90SH/4
- SK 180E - 221-340-B - 90LH/4
- SK 200E - 221-340-A - 90LH/4
- SK 200E - 301-340-A - 100LH/4

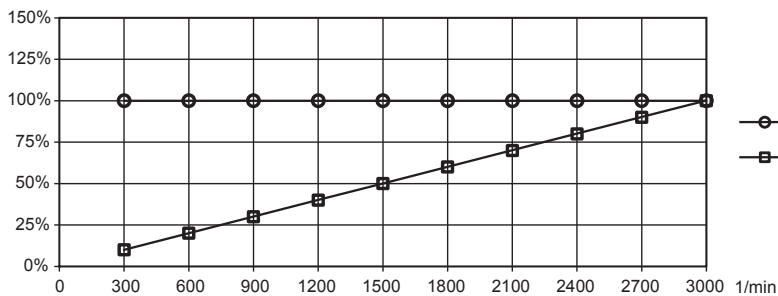
Continuous operation S1, 1:10 - 100 Hz characteristic curve



- ✱ SK 200E - 401-340-A - 100AH/4
- SK 200E - 551-340-A - 112MH/4
- SK 200E - 751-340-A - 132SH/4
- SK 200E - 112-340-A - 132MH/4
- SK 200E - 152-340-A - 132LH/4
- SK 200E - 222-340-A - 160LH/4

Intermittent operation S3-15 min, 1:10, 100 Hz characteristic curve

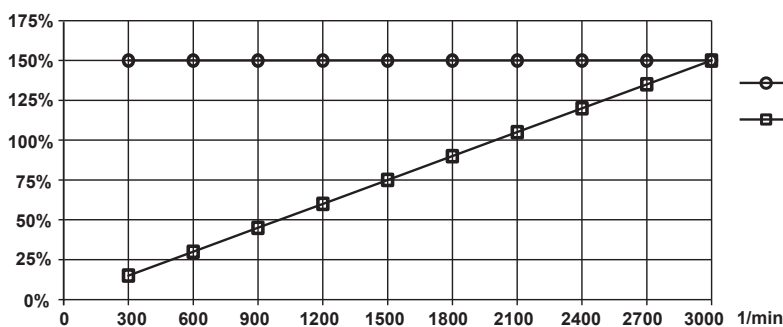
valid for all versions



- Torque
- Power

Intermittent operation S3-15 min, 1:10, 100 Hz characteristic curve

valid for all versions



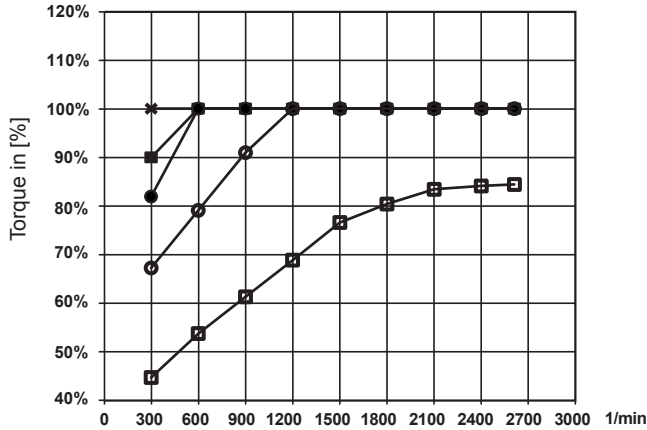
- Torque
- Power

Selection criteria



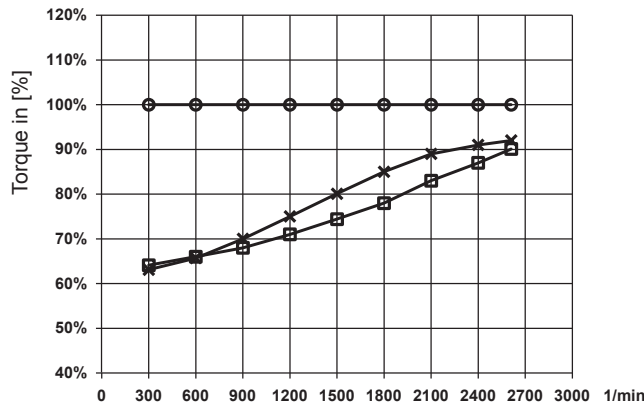
Operating mode-dependent graphs - Adjustment range 1:8,7

Continuous operation S1, 1:8,7 - 87 Hz characteristic curve



- ✱ SK 180E - 750-340-B - 71L/4
- SK 200E - 750-340-A - 71L/4
- SK 180E - 111-340-B - 80SH/4
- SK 200E - 111-340-A - 80SH/4
- SK 180E - 151-340-B - 80LH/4
- SK 200E - 151-340-A - 80LH/4
- SK 180E - 221-340-B - 90SH/4
- SK 200E - 221-340-A - 90SH/4
- SK 200E - 301-340-A - 90LH/4
- SK 200E - 401-340-A - 100LH/4

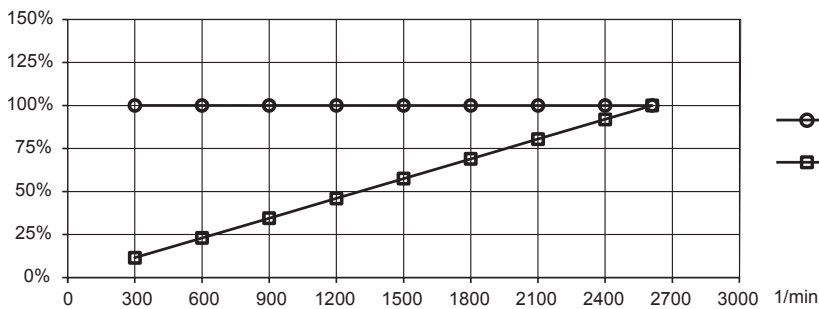
Continuous operation S1, 1:8,7 - 87 Hz characteristic curve



- ✱ SK 200E - 551-340-A - 100AH/4
- SK 200E - 751-340-A - 112MH/4
- SK 200E - 112-340-A - 132SH/4
- SK 200E - 152-340-A - 132MH/4
- SK 200E - 182-340-A - 132LH/4
- SK 200E - 222-340-A - 160MH/4

Intermittent operation S3-15 min, 1:8,7, 87 Hz characteristic curve

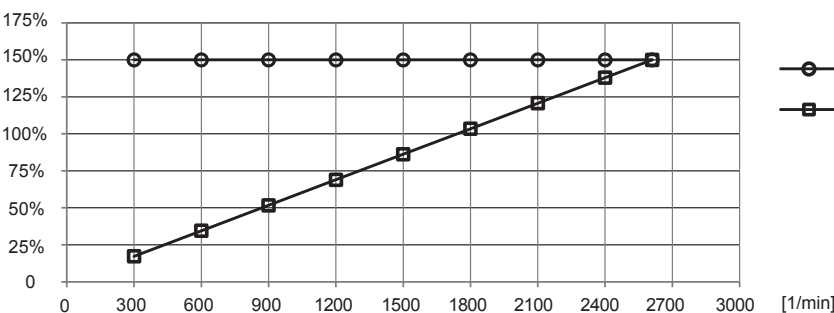
valid for all versions



- Torque
- Power

Intermittent operation S3-15 min, 1:8,7, 87 Hz characteristic curve

valid for all versions



- Torque
- Power



4. Step: Check the generating power

Next the amount and the duration of the generating power must be checked.

Generating powers are typical for oscillating mass systems with low friction, braking of masses, such as with conveyor belts and centrifuges or the lowering of masses as with lifting gear and inclined elevators. During generator operation, the motors feed this power back into the link circuit of the inverter.

In order to dissipate the generated power, the frequency inverter requires a brake chopper (electronic switch). A brake resistor is connected to the brake chopper, which converts the excess energy in the link circuit into thermal energy.

In the SK 200E series, the brake chopper is always integrated, however for the SK 180E it is only integrated in Size 2.

If the design is not correct, the link circuit voltage may exceed its maximum value and cause a shut-down with an error message.

For the design of the braking resistor it is necessary to determine the peak and the continuous power.

In principle, applications can be divided into 4 categories:

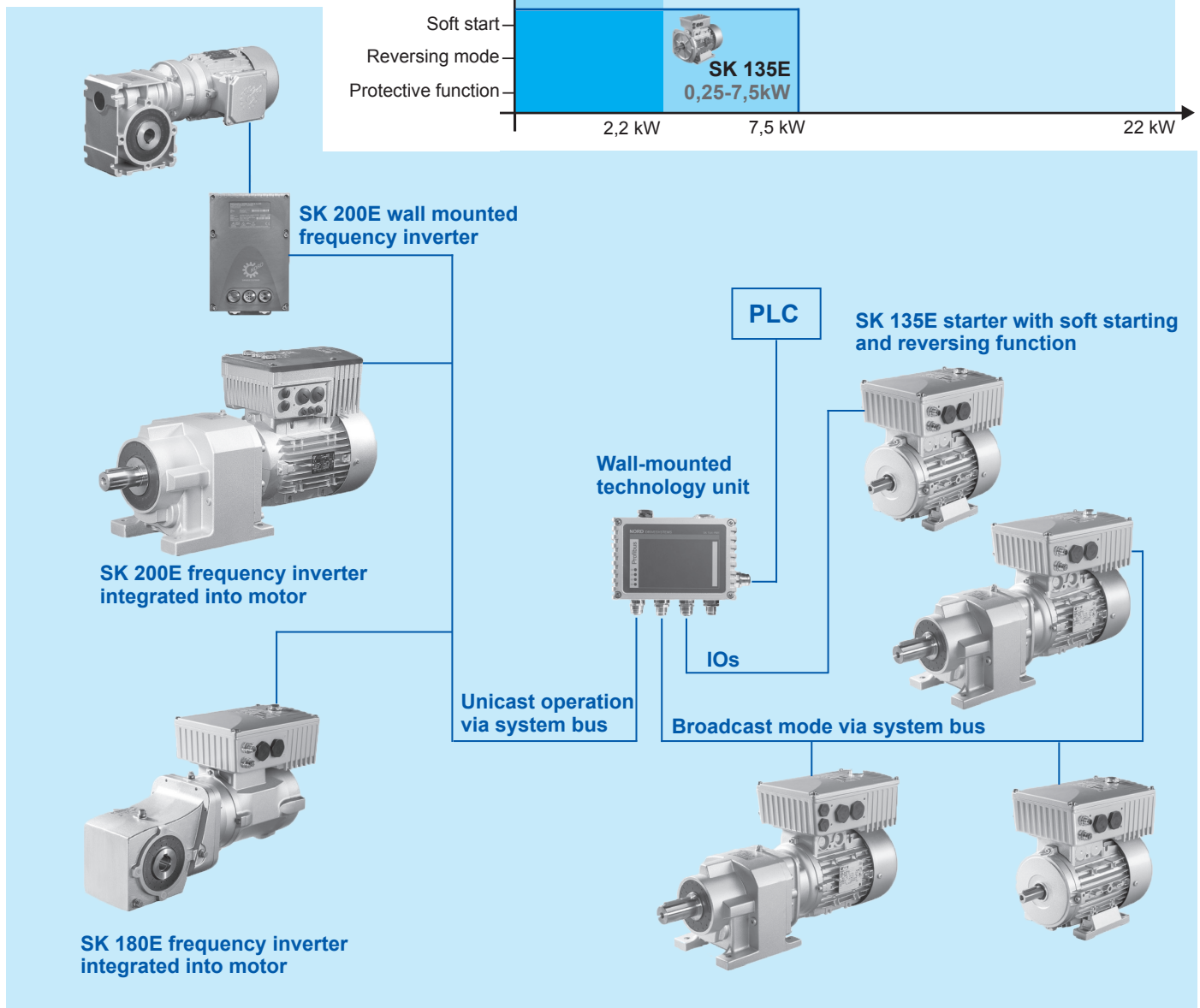
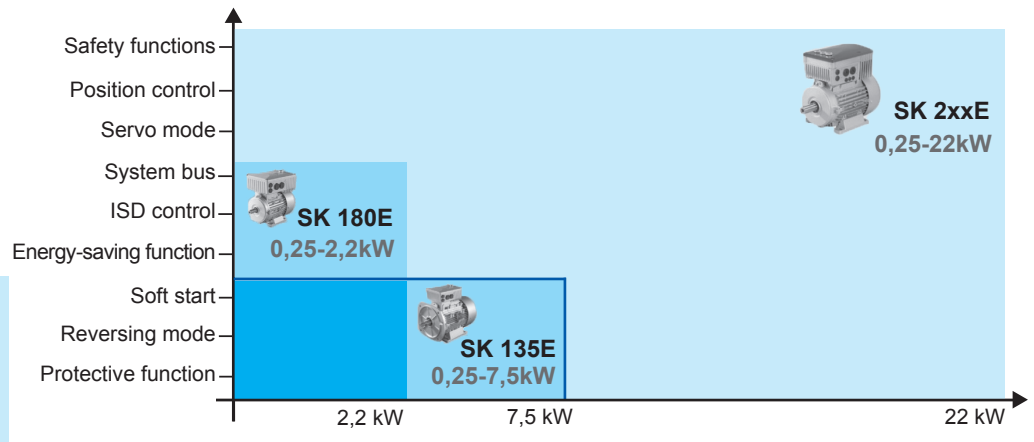
1. No braking resistor required - Applications with larger frictional torque or slow acceleration/braking ramps (> 3 s)	SK 200E, SK 205E SK 180E, SK 190E
2. Internal braking resistor in the connection unit - Maximum power according to size from 1 to 2 kW - Continuous power from 25 to 50 W - Oscillating mass systems with low friction and dynamic ramps (< 3 s)	SK 200E, SK 180E only in Size 2
3. Externally mounted braking resistors - Maximum power according to size from 2.2 to 4.4 kW - Continuous power from 100 to 200 W - Typical for materials handling applications for braking centrifugal or inertial masses	SK 200E, SK 180E only in Size 2
4. External separate braking resistor - Maximum power and continuous power possible up to the full inverter power - Typical for lifting gear and centrifuges	SK 200E, SK 180E only in Size 2

5. Step: Differences between SK 200E and SK 500E

SK 200E	SK 180E
Individual application • Fans / Pumps with power up to 22 kW	Individual application • Fans / Pumps with power ≤ 2.2 kW
Encoder interface • Can be used for incremental encoders, magnetic encoders and absolute encoders	No encoder interface • keine Schnittstelle nutzbar
Material transport • for horizontal and vertical transport	Material transport • for horizontal transport
Positioning • „POSICON“ can be used	No positioning • Positioning cannot be used
Electromechanical motor brake • Brake rectifier included in SK 205E as standard	Electromechanical motor brake • Brake rectifier always optional
Brake resistors for generator mode • Brake resistors can be used for all devices	Brake resistors for generator mode • Brake resistors can only be used for 0,75 / 1,1 kW (230V) and 1,5 / 2,2 kW (400V)



Selection of frequency inverter

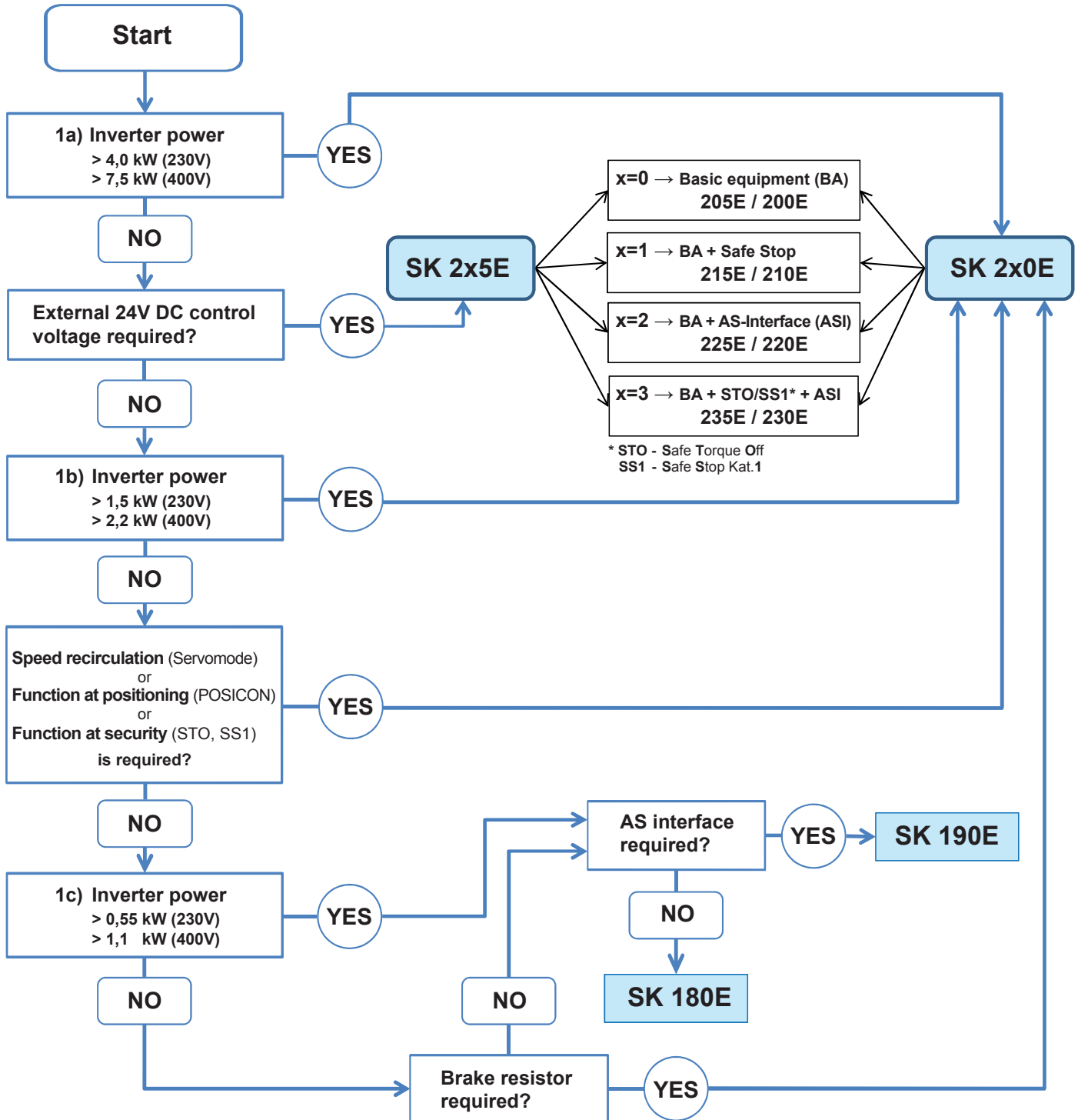


Setting standards in decentralised drive technology

- Decentralised drive technology for all drive applications from a single source
- Perfect interaction of all components
- Communication via a common system bus (SK 180E and above) or field bus
- Identical and compatible optional modules
- Same operating and diagnostic tools
- „Look and Feel“
 - Uniform parameters
 - Common operating concept
 - Common design concept







Selection of frequency inverter



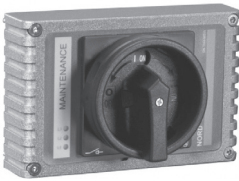







Basic options

Basic option 1		Manual switch-on / Starting of drive unit	
SK TIE4-SWT Rotating knob with 3 positions "L" = "ON" Rotation left "0" = "OFF" Drive unit not released "R" = "ON" Rotation right	Standard: IP66 	SK 2x0E	✓
		SK 2x5E	✓
		SK 180E	✓
		SK 190E	✓
Basic option 2		Manual speed adjustment	
SK TIE4-POT Continuously adjustable rotating knob With the knob, the motor speed can be adjusted from 0% (standstill) up to 100%.	Standard: IP66 	SK 2x0E	✓
		SK 2x5E *	✓
		* Function can only be used with additional module CU4 (24V or IOE).	
		SK 180E	✓
SK 190E	✓		
Basic option 3a		Manual switch-on and manual speed adjustment	
SK CU4-POT Rotating knob 1 with 3 positions "L" = "ON" Rotation left "0" = "OFF" Drive unit not released "R" = "ON" Rotation right Continuously adjustable rotating knob 2 With the knob, the motor speed can be adjusted from 0% (standstill) up to 100%.	Standard: IP66  Mounted directly on the inverter housing	SK 2x0E	✓
		SK 2x5E *	✓
		* Function can only be used with additional module CU4 (24V or IOE).	
		SK 180E	✓
SK 190E	✓		
Basic option 3b		Manual switch-on and manual speed adjustment	
SK POT1-1 Rotating knob 1 with 3 positions "L" = "ON" Rotation left "0" = "OFF" Drive unit not released "R" = "ON" Rotation right Continuously adjustable rotating knob 2 With the knob, the motor speed can be adjusted from 0% (standstill) up to 100%.	Standard: IP66  Mounted close to the motor, not directly on the inverter housing (3 m cable included in scope of delivery)	SK 2x0E	✓
		SK 2x5E *	✓
		* Function can only be used with additional module CU4 (24V or IOE).	
		SK 180E	✓
SK 190E	✓		



Basic options

Basic option 4	Manual maintenance / repair switch		
<p>SK TU4-MSW + TI4-TU-MSW</p> <p>Robust rotary switch with 2 positions</p> <p>"1 ON" = "ON" Mains voltage on "0 OFF" = "OFF" Mains voltage off</p> <p>Mounted close to the motor*, or directly on the inverter housing * On separate plate for separate mounting on the wall or frame (Use wall-mounting kit)</p>	<p>Standard: IP55</p> 	<p>SK 2x0E</p>	<p>✓</p>
		<p>SK 2x5E</p>	<p>✓</p>
		<p>SK 180E</p>	<p>✓</p>
		<p>SK 190E</p>	<p>✓</p>
Basic option 5a	Control unit / Display unit "SetpointBox"		
<p>SK SSX-3A</p> <p>Direct local control and display with adjustment facilities</p> <ul style="list-style-type: none"> • Display with 4 characters (numbers or letters) • Simple setting of values possible • Switchover to parameter mode possible <p>Mounted close to the motor*, not directly on the inverter housing * Separate mounting, cable not included in scope of delivery!</p>	<p>Standard: IP54</p> 	<p>SK 2x0E</p>	<p>✓</p>
		<p>SK 2x5E</p>	<p>✓</p>
		<p>SK 180E</p>	<p>✓</p>
		<p>SK 190E</p>	<p>✓</p>
Basic option 5b	Control / Parameterisation / Diagnostic unit "ParameterBox"		
<p>SK PAR-3H / SK PAR-3E</p> <p>Direct local control and parameterisation possible</p> <ul style="list-style-type: none"> • High resolution LCD display • 12 different languages are available • Password protection possible • 5 complete inverter data records can be saved • Direct connection to PC / laptop possible <p>Handheld control unit = "3H" or for installation in control cabinet door = "3E" (3 m cable included in scope of delivery)</p>	<p>Handheld version "3H"</p>  <p>Installation version "3E"</p> 	<p>SK 2x0E</p>	<p>✓</p>
		<p>SK 2x5E</p>	<p>✓</p>
		<p>SK 180E</p>	<p>✓</p>
		<p>SK 190E</p>	<p>✓</p>
Basic option 5c	Simple control and parameterisation unit "SimpleBox"		
<p>SK CSX-3H / SK CSX-3E</p> <p>Direct local control and display with adjustment facilities</p> <ul style="list-style-type: none"> • Display with 4 characters (numbers or letters) • Simple setting of values possible • Switchover to parameter mode possible <p>Handheld control unit = "3H" or for installation in control cabinet door = "3E" (3 m cable included in scope of delivery)</p>	<p>Handheld version "3H"</p>  <p>Installation version "3E"</p> 	<p>SK 2x0E</p>	<p>✓</p>
		<p>SK 2x5E</p>	<p>✓</p>
		<p>SK 180E</p>	<p>✓</p>
		<p>SK 190E</p>	<p>✓</p>



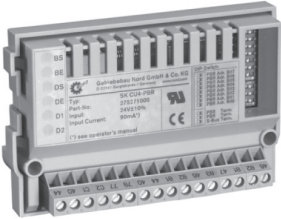
Additional options - functional extensions

Equipment and operating characteristics	SK 200E	SK 205E	SK 180E	SK 190E
Drive unit with generator mode <ul style="list-style-type: none"> • Brake resistor required <ul style="list-style-type: none"> a) Internal brake resistor - for low amount of generator operation b) External brake resistor - for large amount of generator operation 	optional	optional	optional only for Size 2	optional only for Size 2
Drive unit with electromechanical brake <ul style="list-style-type: none"> • Brake rectifier required Optional - CU4-MBR module 	optional	Included in standard	optional, It is better to use SK 205E	optional, It is better to use SK 225E
When Standard number of control signals too low <ul style="list-style-type: none"> • Extension of the number is possible <ul style="list-style-type: none"> a) Optional - CU4-IOE module (installed in housing) b) Optional - TU4-IOE module (installed on housing) 	optional	optional	optional	optional
Inverter requires 24 V control voltage <ul style="list-style-type: none"> • Generation via mains unit <ul style="list-style-type: none"> a) Optional - CU4-24V (installed in housing) b) Optional - TU4-24V (installed on housing) 	Generated internally Included in standard	optional	Generated internally Included in standard	Generated internally Included in standard
Speed adjustment "L / Off / R" and 24V <ul style="list-style-type: none"> • Combination in a module possible 	Not relevant CU4-POT can be used	optional	Not relevant CU4-POT can be used	Not relevant CU4-POT can be used
Special control signals and relay outputs <ul style="list-style-type: none"> • -10V ... +10V can be used • Additional relays Optional - CU4-REL module 	optional	-	optional	optional
Power plug necessary <ul style="list-style-type: none"> • Plug connector for motor power input and/or output for quicker installation or connection Optional - various plug versions are possible (these are mounted on the housing) 	optional	optional	optional	optional
Plug connectors for signals or bus (as M12) <ul style="list-style-type: none"> • Input or output plug connectors for quicker installation or connection Optional - various plug versions (M12) are possible (these are mounted on the housing) 	optional	optional	optional	optional

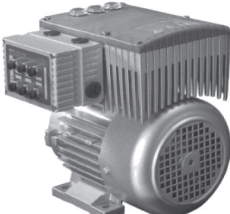
For each inverter a maximum of 1 CU4 module is possible (installed in the housing)!
Exception: CU4-POT, this module is mounted on the housing and can also be used.



Additional options - bus couplings / Communication

Additional equipment with bus couplings and increase in the number of control signals	SK 200E	SK 205E	SK 180E	SK 190E
Profibus coupling (PBR) Optional - CU4-PBR module (integrated into device) Optional - TU4-PBR module (mounted on device) 	optional	optional	optional	-
CANopen (CAO) Optional - CU4-CAO module (integrated into device) Optional - TU4-CAO module (mounted on device)	optional	optional	optional	-
DeviceNET (DEV) Optional - CU4-DEV module (integrated into device) Optional - TU4-DEV module (mounted on device)	optional	optional	optional	-

Additional options - bus couplings /Ethernet-based communication

Additional equipment with bus couplings and increase in the number of control signals	SK 200E	SK 205E	SK 180E	SK 190E
Profinet coupling (PNT) Optional - CU4-PNT module (integrated into device) Optional - TU4-PNT module (mounted on device) 	optional	optional	optional	-
EtherCAT (ECT) Optional - CU4-ECT module (integrated into device) Optional - TU4-ECT module (mounted on device)	optional	optional	optional	-
Ethernet IP (EIP) Optional - CU4-EIP module (integrated into device) Optional - TU4-EIP module (mounted on device)	optional	optional	optional	-
Powerlink (POL) Optional - CU4-POL module (integrated into device) Optional - CU4-POL module (mounted on device)	optional	optional	optional	-

- A maximum of one bus module is possible for each inverter!
- To reduce costs, a TU4 bus module or CU4 (as a gateway) can communicate the data from a maximum of 4 inverters!
- For each inverter, a maximum of one CU4 module is possible (integrated into the housing)!
Exception: CU4-POT, this module is mounted on the housing and can also be used.

 **By mounting from options, the outer contour changes ⇒  A21.**



Fields of use of frequency inverters

Basic function / Features	SK 2x0E series	SK 2x5E series	SK 2x5E series	SK190E series
Analog input (V, mA) <ul style="list-style-type: none"> Can be used to accept values such as pressure or speed (signals in V or mA) 	exists	not in standard can be extended With bus coupling or in material handling, this is usually not necessary	exists	exists
Motor brake control (BRE) <ul style="list-style-type: none"> Controlled via the inverter 	not in standard can be extended	exists	Not in standard (use SK 225E)	Not in standard (use SK 225E)
Control voltage (24 V DC) <ul style="list-style-type: none"> Available internally or provide externally 	exists	Separate external supply required or can be extended	exists	exists
Energy-saving function <ul style="list-style-type: none"> All current savings mean cost savings (e.g. in partial load operation) 	exists	exists i Not permitted for use in lifting gear applications!	exists	exists
Fields of application for inverters <ul style="list-style-type: none"> Standard equipment → 	<ul style="list-style-type: none"> for individual devices such as: pumps or fans up to 22 kW (etc.), if no separate 24V supply is available 	<ul style="list-style-type: none"> for use with bus couplings for use of motors with electromechanical brake if external 24V supply available, e.g. in intralogistics or for lifting gear 	<ul style="list-style-type: none"> for individual devices such as: pumps or fans up to 2.2 kW (etc.), if no separate 24V supply is available 	<ul style="list-style-type: none"> as for SK180E where an additional bus coupling via AS interface is required

Special case for powers >4.0 kW (230V) or >7.5 kW (400V):

For Size 4 and above, no differentiation is made between SK 2x0E and SK 2x5E. All of the functions listed above can be used. These devices are therefore uniformly designated as SK 2x0E



6. Step: Check the installation space

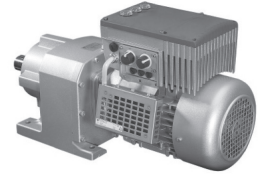
The dimensions of the drive unit may vary considerably depending on the selected options.

Extension with:


- Encoder
- External fan
- Brake mounting

The **external braking resistor** is provided for energy feedback, e.g. as occurs in pulsed drive units or lifting gear.

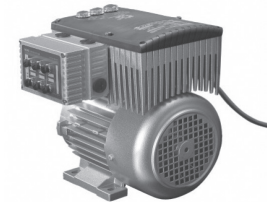
External braking resistor



Expanded with:

- Power or bus plug connectors
- External braking resistor (BW) SK BRE4-...
- External technology unit, SK TU4-... (⇒  E2-3)

External technology unit

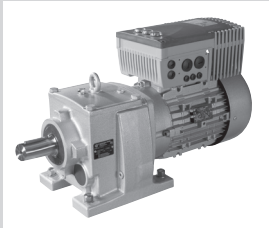


For the SK 180 and SK 200E product series, optional **Technology Units** are available, which can be mounted directly on the device or separately on the machine frame or other plant components.

 **External braking resistors can reach temperatures of up to 300°C!**

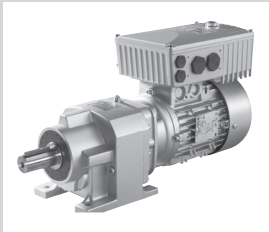
A free and unobstructed flow of air must be ensured. A distance of 10 cm from adjacent components is advantageous. Nearby sources of heat or direct sunlight must not additionally heat the drive unit.

NORDBLOC.1 Helical Gear Units SK 200E / SK 180E




GEAR UNIT MOTOR DATA

Power and speed tables B 2 - 59

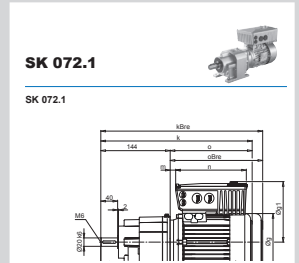


DIMENSIONED DRAWINGS

NORDBLOC.1 Helical gear units
with frequency inverter B 60 - 92

1:5
0,55 kW 

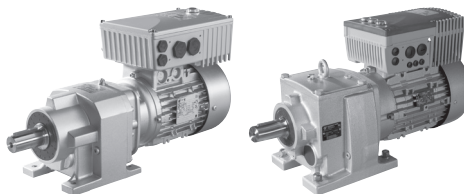
P_1 [kW]	n_2 [min ⁻¹]	M_{20} [Nm]	f_b	i_{ges}	F_R [kN]	F_A [kN]	
0.55	1.1-5.4	981	0.9	205.24	9.8	9.0	SK 77
	1.2-5.9	901	0.9	243.53	10.6	9.0	
	1.3-6.3	830	1.0	224.49	11.3	9.0	SK 77
	1.4-6.9	762	1.1	206.31	12.0	9.0	
	1.5-7.5	700	1.2	189.31	12.6	9.0	
	1.6-8.0	660	1.3	178.53	13.0	9.0	
	1.8-8.9	593	1.5	160.22	13.4	9.0	
	1.9-9.4	559	1.3	151.30	13.5	9.0	
	2.0-10	513	1.7	138.39	13.7	9.0	
	2.4-12	434	2.0	117.68	13.9	9.0	
	2.5-13	414	2.1	111.92	14.0	9.0	
	2.9-15	357	2.4	96.67	13.9	9.0	
	3.0-16	348	2.6	91.81	13.8	9.0	



1:5

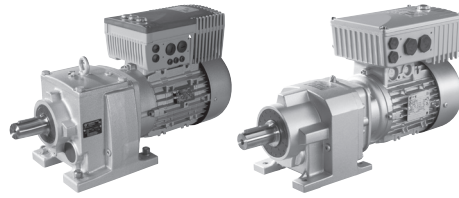
0,55 kW

IE2



NORDBLOC.1
Helical gear units

P ₁ [kW]	n ₂ [min ⁻¹]	M _{2b} [Nm]	f _B	i _{ges}	F _R	F _A	Type	mm	
								kg	B
0,55	1,1-5,4	981	0,9	265,24	9,8	9,0	SK 773.1 - 80 SH/4 - SK 200E-550-340-A (-C) SK 773.1 - 80 SH/4 - SK 180E-550-340-B (-C)	46	B82-83
	1,2-5,8	901	0,9	243,53	10,6	9,0			
	1,3-6,3	830	1,0	224,49	11,3	9,0			
	1,4-6,9	762	1,1	206,11	12,0	9,0			
	1,5-7,5	700	1,2	189,31	12,6	9,0			
	1,6-8,0	660	1,3	178,53	13,0	9,0			
	1,8-8,9	593	1,5	160,22	13,4	9,0			
	1,9-9,4	559	1,3	151,10	13,5	9,0			
	2,0-10	513	1,7	138,78	13,7	9,0			
	2,4-12	434	2,0	117,46	13,9	9,0			
	2,5-13	414	2,1	111,92	14,0	9,0			
	2,9-15	357	2,4	96,57	13,9	9,0			
3,0-15	346	2,5	93,61	13,8	9,0				
	1,3-6,4	815	0,8	220,32	7,0	20,0	SK 673.1 - 80 SH/4 - SK 200E-550-340-A (-C) SK 673.1 - 80 SH/4 - SK 180E-550-340-B (-C)	33	B78-79
	1,5-7,3	718	0,9	194,11	8,2	20,0			
	1,6-7,8	673	1,0	181,88	8,7	20,0			
	1,8-8,8	597	1,1	161,45	9,4	20,0			
	1,9-9,7	543	1,2	146,88	9,8	20,0			
	2,0-9,9	530	1,2	143,30	9,9	20,0			
	2,1-11	498	1,3	134,64	10,1	20,0			
	2,2-11	483	1,3	130,55	10,2	20,0			
	2,3-12	456	1,4	123,33	10,4	20,0			
	2,5-12	429	1,5	115,89	10,5	20,0			
	2,7-14	383	1,7	103,48	10,8	20,0			
	3,0-15	351	1,8	94,86	10,9	20,0			
	3,4-17	310	2,1	83,70	11,1	20,0			
	3,9-19	272	2,3	73,64	11,2	20,0			
	4,3-22	244	2,6	65,95	11,3	20,0			
	1,8-8,9	587	0,8	158,78	7,2	14,5	SK 573.1 - 80 SH/4 - SK 200E-550-340-A (-C) SK 573.1 - 80 SH/4 - SK 180E-550-340-B (-C)	27	B72-75
	2,0-10	522	0,9	141,13	8,1	14,5			
	2,1-10	504	0,9	136,40	8,3	14,5			
	2,3-11	464	1,0	125,45	8,9	14,5			
	2,6-13	397	1,1	107,42	9,6	14,5			
	3,0-15	350	1,3	94,50	9,8	14,5			
	3,3-17	315	1,4	85,18	9,9	14,5			
	3,7-18	284	1,6	76,88	10,0	14,5			
	4,2-21	250	1,8	67,64	10,1	14,5			
	4,7-23	225	2,0	60,97	10,2	14,5			
	5,1-25	206	2,2	55,80	10,2	14,5			
	5,7-29	183	2,5	49,60	10,3	14,5			
	5,9-30	177	2,5	47,95	10,3	14,5			
	6,5-33	161	2,8	43,40	10,3	14,5			
	6,7-34	156	2,9	42,18	10,4	14,5			
	7,5-37	141	3,2	38,02	10,4	14,5			
	8,2-41	129	3,4	34,80	10,4	14,5			
	9,2-46	114	3,8	30,93	10,4	14,5			
	5,2-26	201	1,8	54,41	10,3	15,0	SK 572.1 - 80 SH/4 - SK 200E-550-340-A (-C) SK 572.1 - 80 SH/4 - SK 180E-550-340-B (-C)	26	B68-71
	6,2-31	169	1,9	45,77	10,3	15,0			
	6,7-34	157	2,4	42,38	10,4	15,0			
	8,0-40	132	2,8	35,65	10,4	15,0			
	9,8-49	107	3,6	28,91	10,4	15,0			
	4,4-22	239	0,8	64,70	4,7	10,2	SK 373.1 - 80 SH/4 - SK 200E-550-340-A (-C) SK 373.1 - 80 SH/4 - SK 180E-550-340-B (-C)	20	B66-67
	4,7-24	223	0,9	60,22	5,0	10,2			
	5,3-26	200	1,1	54,00	5,3	10,2			
	6,0-30	174	1,2	47,05	5,5	10,2			
	6,7-33	157	1,3	42,46	5,6	10,2			



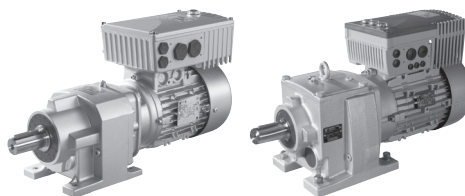
P_1 [kW]	n_2 [min ⁻¹]	M_{2b} [Nm]	f_B	i_{ges}	F_R [kN]	F_A [kN]	Type	kg	mm B
0,55	7,6-38	138	1,5	37,23	5,7	10,2	SK 373.1 - 80 SH/4 - SK 200E-550-340-A (-C)	20	B66-67
	8,6-43	123	1,6	33,20	5,8	10,2			
	9,5-48	110	1,9	29,77	5,9	10,2	SK 373.1 - 80 SH/4 - SK 180E-550-340-B (-C)		
	11-55	95,9	2,2	25,94	5,9	10,2			
	12-61	86,6	2,4	23,41	6,0	10,2			
	14-69	75,9	2,8	20,52	6,0	10,2			
	15-76	68,9	2,8	18,63	6,0	10,2			
	5,3-26	199	0,8	53,84	5,3	10,2	SK 372.1 - 80 SH/4 - SK 200E-550-340-A (-C)	19	B64-65
	6,6-33	160	1,1	43,26	5,6	10,2			
	7,4-37	141	1,3	38,12	5,7	10,2	SK 372.1 - 80 SH/4 - SK 180E-550-340-B (-C)		
	8,4-42	125	1,5	33,84	5,8	10,2			
	9,4-47	111	1,6	30,11	5,9	10,2			
	11-55	95,6	2,0	25,85	5,9	10,2			
	12-62	85,1	2,4	23,00	6,0	10,2			
	14-69	76,3	2,5	20,62	6,0	10,2			
	15-77	68,1	2,9	18,40	6,0	10,2			
	17-86	61,0	3,1	16,50	6,0	10,2			
	19-97	53,9	3,5	14,57	6,0	10,2			
22-110	47,9	4,2	12,96	5,8	10,2				
10-51	102	0,9	27,62	2,8	3,9	SK 172.1 - 80 SH/4 - SK 200E-550-340-A (-C)	16	B62-63	
11-57	91,7	1,0	24,80	2,8	3,9				
13-63	82,9	1,1	22,42	2,8	3,9	SK 172.1 - 80 SH/4 - SK 180E-550-340-B (-C)			
14-70	75,3	1,1	20,37	2,8	3,9				
15-76	68,8	1,2	18,60	2,8	3,9				
18-90	58,3	1,5	15,76	2,8	3,9				
21-105	50,1	1,7	13,54	2,8	3,9				
24-118	44,6	1,9	12,06	2,8	3,9				
25-125	42,1	2,0	11,39	2,8	3,9				
26-131	40,1	2,1	10,83	2,8	3,9				
29-145	36,2	2,3	9,79	2,8	3,9				
33-163	32,3	2,7	8,72	2,8	3,9				
36-181	29,0	2,8	7,83	2,8	3,9				
40-201	26,2	3,1	7,08	2,8	3,9				
44-221	23,8	3,4	6,43	2,8	3,9				
49-246	21,3	3,6	5,77	2,8	3,9				
55-276	19,0	4,4	5,14	2,8	3,9				
62-308	17,1	4,2	4,62	2,8	3,9				
68-340	15,4	4,2	4,17	2,8	3,9				
75-375	14,0	4,2	3,79	2,8	3,9				
82-410	12,8	4,2	3,46	2,8	3,9				
88-441	11,9	4,5	3,22	2,8	3,9				
97-487	10,8	4,6	2,92	2,8	3,9				
105-523	10,0	4,6	2,72	2,8	3,9				
114-570	9,2	4,7	2,49	2,8	3,9				
123-613	8,6	5,0	2,32	2,8	3,9				

1:5

0,75 kW

IE2

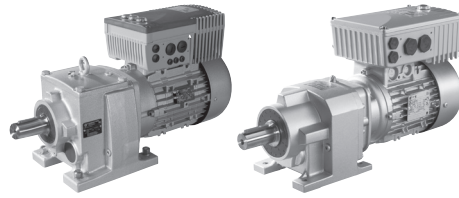
IE3



NORD
DRIVESYSTEMS

NORDBLOC.1
Helical gear units

P_1 [kW]	n_2 [min ⁻¹]	M_{2b} [Nm]	f_B	i_{ges}	F_R [kN]	F_A [kN]	Type	kg	mm B
0,75	1,5-7,5	958	0,9	189,31	10,0	9,0	SK 773.1 - 80 LH/4 - SK 200E-750-340-A (-C) SK 773.1 - 80 LP/4 - SK 200E-750-340-A (-C)	47	B82-83
	1,8-8,8	811	1,1	160,22	11,5	9,0			
	2,0-10	702	1,2	138,78	12,6	9,0			
	2,4-12	595	1,5	117,46	13,3	9,0	SK 773.1 - 80 LH/4 - SK 180E-750-340-B (-C) SK 773.1 - 80 LP/4 - SK 180E-750-340-B (-C)		
	2,5-13	566	1,5	111,92	13,5	9,0			
	2,9-15	489	1,7	96,57	13,5	9,0			
	3,0-15	474	1,8	93,61	13,4	9,0			
	3,4-17	422	2,0	83,32	13,0	9,0			
	3,6-18	401	2,2	79,23	12,8	9,0			
	3,9-20	364	2,3	71,89	12,5	9,0			
	4,1-21	349	2,4	68,92	12,4	9,0			
	4,5-22	321	2,6	63,42	12,1	9,0			
	1,8-8,8	817	0,8	161,45	7,0	20,0	SK 673.1 - 80 LH/4 - SK 200E-750-340-A (-C) SK 673.1 - 80 LP/4 - SK 200E-750-340-A (-C)	34	B78-79
	1,9-9,6	743	0,9	146,88	7,9	20,0			
	2,0-9,9	725	0,9	143,30	8,2	20,0			
	2,1-11	681	0,9	134,64	8,6	20,0	SK 673.1 - 80 LH/4 - SK 180E-750-340-B (-C) SK 673.1 - 80 LP/4 - SK 180E-750-340-B (-C)		
	2,2-11	661	1,0	130,55	8,8	20,0			
	2,3-11	624	1,0	123,33	9,2	20,0			
	2,4-12	587	1,1	115,89	9,5	20,0			
	2,7-14	524	1,2	103,48	10,0	20,0			
	3,0-15	480	1,3	94,86	10,2	20,0			
	3,4-17	424	1,5	83,70	10,6	20,0			
	3,8-19	373	1,7	73,64	10,8	20,0			
	4,3-21	334	1,9	65,95	11,0	20,0			
	4,7-23	306	2,1	60,45	11,1	20,0			
	5,1-26	279	2,3	55,12	11,2	20,0			
	5,7-29	251	2,6	49,50	11,2	20,0			
	6,3-32	227	2,8	44,85	11,3	20,0			
	5,0-25	287	1,4	56,65	11,1	20,0	SK 672.1 - 80 LH/4 - SK 200E-750-340-A (-C) SK 672.1 - 80 LP/4 - SK 200E-750-340-A (-C)	33	B76-77
	6,4-32	225	2,0	44,55	11,3	20,0	SK 672.1 - 80 LH/4 - SK 180E-750-340-B (-C) SK 672.1 - 80 LP/4 - SK 180E-750-340-B (-C)		
	2,5-13	564	0,8	111,36	7,4	14,5	SK 573.1 - 80 LH/4 - SK 200E-750-340-A (-C) SK 573.1 - 80 LP/4 - SK 200E-750-340-A (-C)	28	B72-75
	2,6-13	544	0,8	107,42	7,8	14,5			
	3,0-15	478	0,9	94,50	8,8	14,5			
	3,3-17	431	1,0	85,18	9,4	14,5	SK 573.1 - 80 LH/4 - SK 180E-750-340-B (-C) SK 573.1 - 80 LP/4 - SK 180E-750-340-B (-C)		
	3,7-18	389	1,2	76,88	9,6	14,5			
	4,2-21	342	1,3	67,64	9,8	14,5			
	4,6-23	309	1,5	60,97	9,9	14,5			
	5,1-25	282	1,6	55,80	10,0	14,5			
	5,7-29	251	1,8	49,60	10,1	14,5			
	5,9-30	243	1,9	47,95	10,2	14,5			
	6,5-33	220	2,0	43,40	10,2	14,5			
	6,7-34	214	2,1	42,18	10,2	14,5			
	7,4-37	192	2,3	38,02	10,3	14,5			
	8,1-41	176	2,5	34,80	10,3	14,5			
	9,1-46	157	2,8	30,93	10,4	14,5			
	5,2-26	275	1,3	54,41	10,1	15,0	SK 572.1 - 80 LH/4 - SK 200E-750-340-A (-C) SK 572.1 - 80 LP/4 - SK 200E-750-340-A (-C)	28	B68-71
	6,2-31	232	1,4	45,77	10,2	15,0			
	6,7-33	215	1,7	42,38	10,2	15,0			
	7,9-40	180	2,1	35,65	10,3	15,0	SK 572.1 - 80 LH/4 - SK 180E-750-340-B (-C) SK 572.1 - 80 LP/4 - SK 180E-750-340-B (-C)		
	9,8-49	146	2,6	28,91	10,4	15,0			
	10-52	137	2,9	27,00	10,4	15,0			
	5,2-26	273	0,8	54,00	3,6	10,2	SK 373.1 - 80 LH/4 - SK 200E-750-340-A (-C) SK 373.1 - 80 LP/4 - SK 200E-750-340-A (-C)	21	B66-67
	6,0-30	238	0,9	47,05	4,4	10,2			
	6,7-33	215	0,9	42,46	4,6	10,2			
	7,6-38	188	1,1	37,23	4,8	10,2	SK 373.1 - 80 LH/4 - SK 180E-750-340-B (-C) SK 373.1 - 80 LP/4 - SK 180E-750-340-B (-C)		
	8,5-43	168	1,2	33,20	5,2	10,2			
	9,5-48	151	1,4	29,77	5,3	10,2			
	11-55	131	1,6	25,94	5,4	10,2			
	12-60	118	1,8	23,41	5,3	10,2			
	14-69	104	2,0	20,52	5,4	10,2			
	15-76	94,3	2,0	18,63	5,3	10,2			

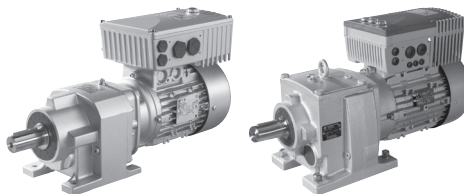


P_1 [kW]	n_2 [min ⁻¹]	M_{2b} [Nm]	f_B	i_{ges}	F_R [kN]	F_A [kN]	Type	kg	mm B		
0,75	6,5-33	219	0,8	43,26	5,0	10,2	SK 372.1 - 80 LH/4 - SK 200E-750-340-A (-C) SK 372.1 - 80 LP/4 - SK 200E-750-340-A (-C)	20	B64-65		
	7,4-37	193	0,9	38,12	5,1	10,2					
	8,4-42	171	1,1	33,84	5,3	10,2					
	9,4-47	152	1,2	30,11	5,3	10,2	SK 372.1 - 80 LH/4 - SK 180E-750-340-B (-C) SK 372.1 - 80 LP/4 - SK 180E-750-340-B (-C)				
	11-55	131	1,5	25,85	5,5	10,2					
	12-62	116	1,7	23,00	5,5	10,2					
	14-69	104	1,8	20,62	5,4	10,2					
	15-77	93,1	2,1	18,40	5,5	10,2					
	17-86	83,5	2,3	16,50	5,4	10,2					
	19-97	73,7	2,6	14,57	5,4	10,2					
	22-109	65,6	3,0	12,96	5,3	10,2					
	24-122	58,5	3,2	11,55	5,3	10,2					
	28-138	52,0	3,7	10,28	5,2	10,2					
	30-151	47,6	4,0	9,40	5,1	10,2					
	13-63	113	0,8	22,42	2,8	3,9	SK 172.1 - 80 LH/4 - SK 200E-750-340-A (-C) SK 172.1 - 80 LP/4 - SK 200E-750-340-A (-C)			17	B62-63
	14-69	103	0,8	20,37	2,8	3,9					
	15-76	94,1	0,9	18,60	2,8	3,9					
	18-90	79,8	1,1	15,76	2,8	3,9	SK 172.1 - 80 LH/4 - SK 180E-750-340-B (-C) SK 172.1 - 80 LP/4 - SK 180E-750-340-B (-C)				
	21-104	68,5	1,2	13,54	2,8	3,9					
	23-117	61,1	1,4	12,06	2,8	3,9					
25-124	57,7	1,5	11,39	2,8	3,9						
26-131	54,8	1,6	10,83	2,8	3,9						
29-145	49,6	1,7	9,79	2,8	3,9						
32-162	44,2	2,0	8,72	2,8	3,9						
36-181	39,6	2,1	7,83	2,8	3,9						
40-200	35,8	2,3	7,08	2,8	3,9						
44-220	32,6	2,5	6,43	2,8	3,9						
49-245	29,2	2,6	5,77	2,8	3,9						
55-275	26,0	3,2	5,14	2,8	3,9						
61-307	23,4	3,1	4,62	2,8	3,9						
68-339	21,1	3,1	4,17	2,8	3,9						
75-373	19,2	3,1	3,79	2,8	3,9						
82-409	17,5	3,1	3,46	2,8	3,9						
88-439	16,3	3,3	3,22	2,8	3,9						
97-485	14,8	3,4	2,92	2,8	3,9						
104-521	13,8	3,3	2,72	2,8	3,9						
114-568	12,6	3,4	2,49	2,8	3,9						
122-611	11,7	3,7	2,32	2,8	3,9						
1,10	1,1-5,5	1893	1,7	258,57	26,6	22,0	SK 973.1 - 90 SH/4 - SK 200E-111-340-A (-C) SK 973.1 - 90 SP/4 - SK 200E-111-340-A (-C)	126	B90-91		
	1,2-6,1	1719	1,9	234,77	26,9	22,0					
	1,5-7,3	1446	2,3	197,50	27,3	22,0					
	1,6-8,0	1313	2,5	179,32	27,5	22,0	SK 973.1 - 90 SH/4 - SK 180E-111-340-B (-C) SK 973.1 - 90 SP/4 - SK 180E-111-340-B (-C)				
	1,7-8,3	1271	2,4	173,58	27,6	22,0					
	1,8-9,1	1154	2,6	157,60	27,8	22,0					
	2,2-11	970	3,4	132,45	28,0	22,0					
	2,4-12	880	3,7	120,26	28,1	22,0					
	1,0-5,0	2084	0,8	284,73	12,6	18,0	SK 873.1 - 90 SH/4 - SK 200E-111-340-A (-C) SK 873.1 - 90 SP/4 - SK 200E-111-340-A (-C)			87	B86-87
	1,1-5,6	1886	0,9	257,61	14,3	18,0					
1,2-6,2	1699	1,0	232,16	15,5	18,0						
1,4-6,8	1544	1,1	210,95	16,4	18,0	SK 873.1 - 90 SH/4 - SK 180E-111-340-B (-C) SK 873.1 - 90 SP/4 - SK 180E-111-340-B (-C)					
1,5-7,5	1397	1,2	190,86	17,1	18,0						
1,7-8,7	1211	1,4	165,42	17,9	18,0						
1,9-9,5	1100	1,5	150,31	18,3	18,0						
2,1-11	995	1,7	135,99	18,6	18,0						
2,3-11	933	1,8	127,52	18,8	18,0						
2,5-12	848	2,0	115,88	19,0	18,0						
2,7-14	767	2,2	104,84	19,2	18,0						
2,8-14	739	2,3	101,02	19,3	18,0						
3,1-16	669	2,5	91,43	19,4	18,0						
3,5-17	608	2,8	83,08	19,5	18,0						
3,9-19	544	3,1	74,29	19,6	18,0						
4,3-21	494	3,4	67,50	19,7	18,0						
4,7-23	447	3,8	61,07	19,8	18,0						

1:5 1,10 kW

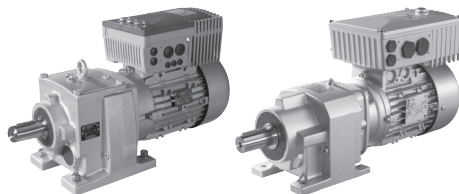
IE2

IE3



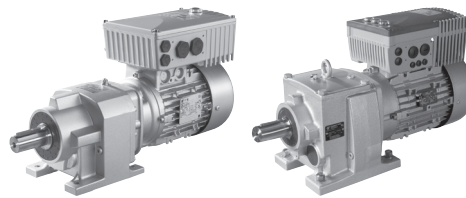
NORDBLOC.1
Helical gear units

P ₁ [kW]	n ₂ [min ⁻¹]	M _{2b} [Nm]	f _B	i _{ges}	F _R	F _A	Type	mm	
								kg	B
1,10	2,1-10	1016	0,8	138,78	9,4	9,0	SK 773.1 - 90 SH/4 - SK 200E-111-340-A (-C) SK 773.1 - 90 SP/4 - SK 200E-111-340-A (-C)	52	B82-83
	2,4-12	860	1,0	117,46	11,0	9,0			
	2,6-13	819	1,0	111,92	11,5	9,0			
	3,0-15	707	1,2	96,57	12,6	9,0	SK 773.1 - 90 SH/4 - SK 180E-111-340-B (-C) SK 773.1 - 90 SP/4 - SK 180E-111-340-B (-C)		
	3,1-15	685	1,2	93,61	12,5	9,0			
	3,4-17	610	1,4	83,32	12,2	9,0			
	3,6-18	580	1,5	79,23	12,0	9,0			
	4,0-20	526	1,6	71,89	11,8	9,0			
	4,2-21	505	1,7	68,92	11,7	9,0			
	4,5-23	464	1,8	63,42	11,5	9,0			
	5,0-25	422	2,0	57,64	11,2	9,0			
	5,6-28	376	2,3	51,31	10,9	9,0			
	6,0-30	348	2,5	47,61	10,7	9,0			
	6,6-33	318	2,7	43,43	10,5	9,0			
	2,5-12	848	0,8	115,89	6,5	20,0	SK 673.1 - 90 SH/4 - SK 200E-111-340-A (-C) SK 673.1 - 90 SP/4 - SK 200E-111-340-A (-C)	39	B78-79
	2,8-14	758	0,8	103,48	7,8	20,0			
	3,0-15	694	0,9	94,86	8,5	20,0			
	3,4-17	613	1,0	83,70	9,3	20,0	SK 673.1 - 90 SH/4 - SK 180E-111-340-B (-C) SK 673.1 - 90 SP/4 - SK 180E-111-340-B (-C)		
	3,9-19	539	1,2	73,64	9,8	20,0			
	4,4-22	483	1,3	65,95	10,2	20,0			
	4,7-24	442	1,4	60,45	10,5	20,0			
	5,2-26	404	1,6	55,12	10,7	20,0			
	5,8-29	362	1,8	49,50	10,8	20,0			
	6,4-32	328	1,9	44,85	11,0	20,0			
	6,9-35	304	2,1	41,54	11,1	20,0			
	7,7-39	273	2,3	37,23	11,2	20,0			
	8,4-42	250	2,4	34,12	11,2	20,0			
9,3-46	226	2,3	30,92	11,3	20,0				
10-52	202	2,6	27,61	11,4	20,0				
	5,1-25	415	1,0	56,65	10,6	20,0	SK 672.1 - 90 SH/4 - SK 200E-111-340-A (-C) SK 672.1 - 90 SP/4 - SK 200E-111-340-A (-C)	38	B76-77
	6,4-32	326	1,4	44,55	11,0	20,0			
	8,0-40	262	2,1	35,75	11,2	20,0			
	8,8-44	238	2,6	32,58	11,3	20,0	SK 672.1 - 90 SH/4 - SK 180E-111-340-B (-C) SK 672.1 - 90 SP/4 - SK 180E-111-340-B (-C)		
	9,9-49	213	2,6	29,08	11,3	20,0			
	3,7-19	563	0,8	76,88	7,4	14,5	SK 573.1 - 90 SH/4 - SK 200E-111-340-A (-C) SK 573.1 - 90 SP/4 - SK 200E-111-340-A (-C)	33	B72-75
	4,2-21	495	0,9	67,64	8,5	14,5			
	4,7-24	446	1,0	60,97	9,2	14,5			
	5,1-26	408	1,1	55,80	9,5	14,5	SK 573.1 - 90 SH/4 - SK 180E-111-340-B (-C) SK 573.1 - 90 SP/4 - SK 180E-111-340-B (-C)		
	5,8-29	363	1,2	49,60	9,7	14,5			
	6,0-30	351	1,3	47,95	9,8	14,5			
	6,6-33	318	1,4	43,40	9,9	14,5			
	6,8-34	309	1,5	42,18	9,9	14,5			
	7,5-38	278	1,6	38,02	10,0	14,5			
	8,2-41	255	1,7	34,80	10,1	14,5			
	9,3-46	226	1,9	30,93	10,2	14,5			
	11-54	196	2,2	26,77	10,3	14,5			
	12-60	174	2,5	23,79	10,3	14,5			
	13-67	156	2,8	21,32	10,4	14,5			
	5,3-26	398	0,9	54,41	9,6	15,0	SK 572.1 - 90 SH/4 - SK 200E-111-340-A (-C) SK 572.1 - 90 SP/4 - SK 200E-111-340-A (-C)	33	B68-71
	6,3-31	335	1,0	45,77	9,8	15,0			
	6,8-34	310	1,2	42,38	9,9	15,0			
	8,0-40	261	1,4	35,65	10,1	15,0	SK 572.1 - 90 SH/4 - SK 180E-111-340-B (-C) SK 572.1 - 90 SP/4 - SK 180E-111-340-B (-C)		
	9,2-46	229	1,6	31,28	10,2	15,0			
	9,9-50	212	1,8	28,91	10,2	15,0			
	11-53	198	2,0	27,00	10,3	15,0			
	12-58	180	2,4	24,58	10,3	15,0			
	13-66	160	2,6	21,85	10,3	15,0			
	15-73	143	2,8	19,57	10,4	15,0			
	17-87	121	3,3	16,46	10,4	15,0			
	19-93	113	3,8	15,38	10,4	15,0			
	21-105	100	4,1	13,67	10,2	15,0			



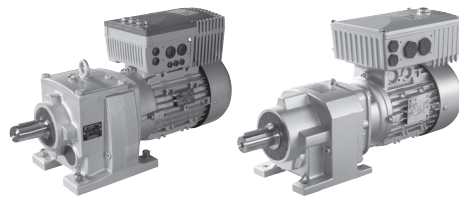
P_1 [kW]	n_2 [min ⁻¹]	M_{2b} [Nm]	f_B	i_{ges}	F_R [kN]	F_A [kN]	Type	kg	mm B		
1,10	8,6-43	243	0,8	33,20	3,2	10,2	SK 373.1 - 90 SH/4 - SK 200E-111-340-A (-C)	26	B66-67		
	9,6-48	218	1,0	29,77	3,4	10,2	SK 373.1 - 90 SP/4 - SK 200E-111-340-A (-C)				
	11-55	190	1,1	25,94	3,7	10,2					
	12-61	171	1,2	23,41	3,8	10,2	SK 373.1 - 90 SH/4 - SK 180E-111-340-B (-C)				
	13-63	166	1,3	22,74	4,0	10,2	SK 373.1 - 90 SP/4 - SK 180E-111-340-B (-C)				
	14-70	150	1,4	20,52	4,1	10,2					
	15-77	136	1,4	18,63	4,1	10,2					
	8,5-42	248	0,8	33,84	3,2	10,2					
	9,5-48	220	0,8	30,11	3,5	10,2					
	11-56	189	1,0	25,85	3,9	10,2					
	12-62	168	1,2	23,00	4,1	10,2					
	14-70	151	1,3	20,62	4,1	10,2					
	16-78	135	1,5	18,40	4,3	10,2					
	17-87	121	1,6	16,50	4,4	10,2					
	20-98	107	1,8	14,57	4,6	10,2					
	22-111	94,9	2,1	12,96	4,5	10,2					
	25-124	84,6	2,2	11,55	4,6	10,2					
	28-140	75,3	2,5	10,28	4,5	10,2					
	31-153	68,8	2,8	9,40	4,5	10,2					
	35-174	60,2	3,0	8,22	4,5	10,2					
	40-198	52,9	3,2	7,23	4,4	10,2					
	42-208	50,4	3,4	6,89	4,4	10,2					
	44-218	48,2	3,3	6,58	4,4	10,2					
	48-241	43,5	3,7	5,95	4,3	10,2					
55-274	38,4	4,2	5,24	4,2	10,2						
1,10	25-126	83,4	1,0	11,39	2,8	3,9	SK 172.1 - 90 SH/4 - SK 200E-111-340-A (-C)	22	B62-63		
	29-147	71,7	1,2	9,79	2,8	3,9	SK 172.1 - 90 SP/4 - SK 200E-111-340-A (-C)				
	33-164	63,9	1,4	8,72	2,8	3,9					
	37-183	57,3	1,4	7,83	2,8	3,9	SK 172.1 - 90 SH/4 - SK 180E-111-340-B (-C)				
	41-203	51,8	1,6	7,08	2,8	3,9	SK 172.1 - 90 SP/4 - SK 180E-111-340-B (-C)				
	45-223	47,1	1,7	6,43	2,8	3,9					
	50-249	42,2	1,8	5,77	2,8	3,9					
	56-279	37,6	2,2	5,14	2,8	3,9					
	62-311	33,8	2,1	4,62	2,8	3,9					
	69-344	30,5	2,1	4,17	2,8	3,9					
	76-379	27,8	2,1	3,79	2,8	3,9					
	83-415	25,3	2,1	3,46	2,8	3,9					
	89-445	23,6	2,3	3,22	2,8	3,9					
	98-492	21,4	2,3	2,92	2,8	3,9					
	106-528	19,9	2,3	2,72	2,8	3,9					
	115-576	18,2	2,4	2,49	2,8	3,9					
	124-619	17,0	2,5	2,32	2,8	3,8					
	1,50	1,1-5,5	2617	1,3	258,57	25,1	22,0			SK 973.1 - 90 LH/4 - SK 200E-151-340-A (-C)	127
1,2-6,0		2377	1,4	234,77	25,6	22,0	SK 973.1 - 90 LP/4 - SK 200E-151-340-A (-C)				
1,4-7,2		1999	1,7	197,50	26,4	22,0					
1,6-7,9		1815	1,8	179,32	26,7	22,0	SK 973.1 - 90 LH/4 - SK 180E-151-340-B (-C)				
1,8-9,0		1595	1,9	157,60	27,1	22,0	SK 973.1 - 90 LP/4 - SK 180E-151-340-B (-C)				
2,1-11		1341	2,5	132,45	27,5	22,0					
2,4-12		1217	2,7	120,26	27,7	22,0					
2,7-13		1065	3,0	105,23	27,9	22,0					
3,0-15		961	3,4	94,96	28,0	22,0					
3,3-16		873	3,8	86,22	28,1	22,0					
1,3-6,7		2135	0,8	210,95	12,1	18,0	SK 873.1 - 90 LH/4 - SK 200E-151-340-A (-C)	88	B86-87		
1,5-7,4		1932	0,9	190,86	13,9	18,0	SK 873.1 - 90 LP/4 - SK 200E-151-340-A (-C)				
1,7-8,6	1675	1,0	165,42	15,7	18,0						
1,9-9,4	1522	1,1	150,31	16,5	18,0	SK 873.1 - 90 LH/4 - SK 180E-151-340-B (-C)					
2,1-10	1377	1,2	135,99	17,2	18,0	SK 873.1 - 90 LP/4 - SK 180E-151-340-B (-C)					
2,2-11	1291	1,3	127,52	17,6	18,0						
2,4-12	1173	1,4	115,88	18,0	18,0						
2,7-13	1061	1,6	104,84	18,4	18,0						
2,8-14	1023	1,7	101,02	18,5	18,0						
3,1-15	926	1,8	91,43	18,8	18,0						

1:5 1,50 kW



NORDBLOC.1
Helical gear units

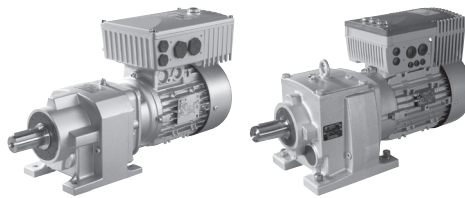
P ₁ [kW]	n ₂ [min ⁻¹]	M _{2b} [Nm]	f _B	i _{ges}	F _R	F _A	Type	mm			
								kg	B		
1,50	3,4-17	841	2,0	83,08	19,0	18,0	SK 873.1 - 90 LH/4 - SK 200E-151-340-A (-C) SK 873.1 - 90 LP/4 - SK 200E-151-340-A (-C)	88	B86-87		
	3,8-19	752	2,3	74,29	19,2	18,0					
	4,2-21	683	2,5	67,50	19,4	18,0					
	4,6-23	618	2,7	61,07	19,5	18,0	SK 873.1 - 90 LH/4 - SK 180E-151-340-B (-C) SK 873.1 - 90 LP/4 - SK 180E-151-340-B (-C)				
	5,1-26	560	3,0	55,35	19,6	18,0					
	5,6-28	509	3,3	50,32	19,1	18,0					
	6,2-31	461	3,7	45,53	18,6	18,0					
	2,5-13	1133	0,8	111,92	8,0	9,0	SK 773.1 - 90 LH/4 - SK 200E-151-340-A (-C) SK 773.1 - 90 LP/4 - SK 200E-151-340-A (-C)			53	B82-83
	2,9-15	978	0,9	96,57	9,8	9,0					
	3,0-15	948	0,9	93,61	10,1	9,0					
	3,4-17	843	1,0	83,32	11,2	9,0	SK 773.1 - 90 LH/4 - SK 180E-151-340-B (-C) SK 773.1 - 90 LP/4 - SK 180E-151-340-B (-C)				
	3,6-18	802	1,1	79,23	11,3	9,0					
	3,9-20	728	1,2	71,89	11,1	9,0					
	4,1-21	698	1,2	68,92	11,0	9,0					
4,5-22	642	1,3	63,42	10,9	9,0						
4,9-25	584	1,5	57,64	10,7	9,0						
5,5-28	519	1,6	51,31	10,4	9,0						
5,9-30	482	1,8	47,61	10,2	9,0						
6,5-33	440	2,0	43,43	10,0	9,0						
7,2-36	395	2,1	39,06	9,8	9,0						
7,9-40	362	2,3	35,77	9,6	9,0						
8,9-44	322	2,5	31,83	9,3	9,0						
9,9-49	290	2,8	28,63	9,1	9,0						
11-53	272	3,0	26,86	9,0	9,0	SK 772.1 - 90 LH/4 - SK 200E-151-340-A (-C) SK 772.1 - 90 LP/4 - SK 200E-151-340-A (-C)	52	B80-81			
12-58	247	3,3	24,41	8,7	9,0	SK 772.1 - 90 LH/4 - SK 180E-151-340-B (-C) SK 772.1 - 90 LP/4 - SK 180E-151-340-B (-C)					
3,4-17	847	0,8	83,70	6,5	20,0	SK 673.1 - 90 LH/4 - SK 200E-151-340-A (-C) SK 673.1 - 90 LP/4 - SK 200E-151-340-A (-C)	41	B78-79			
3,8-19	745	0,9	73,64	7,9	20,0						
4,3-21	668	1,0	65,95	8,8	20,0						
4,7-23	612	1,0	60,45	9,3	20,0	SK 673.1 - 90 LH/4 - SK 180E-151-340-B (-C) SK 673.1 - 90 LP/4 - SK 180E-151-340-B (-C)					
5,1-26	558	1,1	55,12	9,7	20,0						
5,7-29	501	1,3	49,50	10,1	20,0						
6,3-32	454	1,4	44,85	10,4	20,0						
6,8-34	420	1,5	41,54	10,6	20,0						
7,6-38	377	1,7	37,23	10,8	20,0						
8,3-41	345	1,7	34,12	10,9	20,0						
9,2-46	313	1,7	30,92	11,0	20,0						
10-51	279	1,9	27,61	11,2	20,0						
11-56	255	2,0	25,19	11,2	20,0						
12-62	231	1,9	22,82	11,3	20,0						
6,4-32	451	1,0	44,55	10,4	20,0	SK 672.1 - 90 LH/4 - SK 200E-151-340-A (-C) SK 672.1 - 90 LP/4 - SK 200E-151-340-A (-C)	40	B76-77			
7,9-40	362	1,5	35,75	10,8	20,0						
8,7-43	330	1,8	32,58	11,0	20,0						
9,7-49	294	1,9	29,08	11,1	20,0	SK 672.1 - 90 LH/4 - SK 180E-151-340-B (-C) SK 672.1 - 90 LP/4 - SK 180E-151-340-B (-C)					
5,1-25	565	0,8	55,80	7,5	14,5	SK 573.1 - 90 LH/4 - SK 200E-151-340-A (-C) SK 573.1 - 90 LP/4 - SK 200E-151-340-A (-C)	35	B72-75			
5,7-29	502	0,9	49,60	8,2	14,5						
5,9-30	485	0,9	47,95	8,4	14,5						
6,5-33	439	1,0	43,40	8,8	14,5	SK 573.1 - 90 LH/4 - SK 180E-151-340-B (-C) SK 573.1 - 90 LP/4 - SK 180E-151-340-B (-C)					
6,7-34	427	1,1	42,18	8,9	14,5						
7,4-37	385	1,2	38,02	9,2	14,5						
8,1-41	352	1,2	34,80	9,5	14,5						
9,1-46	313	1,4	30,93	9,6	14,5						
11-53	271	1,6	26,77	9,8	14,5						
12-59	241	1,8	23,79	9,8	14,5						
13-66	216	2,0	21,32	9,7	14,5						



P_1 [kW]	n_2 [min ⁻¹]	M_{2b} [Nm]	f_B	i_{ges}	F_R [kN]	F_A [kN]	Type	kg	mm B	
1,50	6,7-33	429	0,9	42,38	9,4	15,0	SK 572.1 - 90 LH/4 - SK 200E-151-340-A (-C) SK 572.1 - 90 LP/4 - SK 200E-151-340-A (-C)	34	B68-71	
	7,9-40	361	1,0	35,65	9,7	15,0				
	9,0-45	317	1,2	31,28	9,9	15,0				
	9,8-49	293	1,3	28,91	9,9	15,0	SK 572.1 - 90 LH/4 - SK 180E-151-340-B (-C) SK 572.1 - 90 LP/4 - SK 180E-151-340-B (-C)			
	10-52	273	1,5	27,00	9,8	15,0				
	12-58	249	1,7	24,58	9,9	15,0				
	13-65	221	1,9	21,85	9,8	15,0		34	B68-71	
	14-72	198	2,0	19,57	10,0	15,0	SK 572.1 - 90 LH/4 - SK 200E-151-340-A (-C) SK 572.1 - 90 LP/4 - SK 200E-151-340-A (-C)			
	17-86	167	2,4	16,46	9,8	15,0				
	18-92	156	2,8	15,38	9,6	15,0				
	21-104	138	3,0	13,67	9,5	15,0	SK 572.1 - 90 LH/4 - SK 180E-151-340-B (-C) SK 572.1 - 90 LP/4 - SK 180E-151-340-B (-C)			
	22-112	128	3,3	12,68	9,4	15,0				
	25-126	114	3,6	11,25	9,3	15,0				
	28-141	102	3,9	10,04	9,1	15,0				
	11-55	263	0,8	25,94	1,8	10,2	SK 373.1 - 90 LH/4 - SK 200E-151-340-A (-C) SK 373.1 - 90 LP/4 - SK 200E-151-340-A (-C)			27
12-60	237	0,9	23,41	2,1	10,2					
14-69	208	1,0	20,52	2,5	10,2					
15-76	189	1,0	18,63	2,7	10,2	SK 373.1 - 90 LH/4 - SK 180E-151-340-B (-C) SK 373.1 - 90 LP/4 - SK 180E-151-340-B (-C)				
	12-62	233	0,9	23,00	2,4	10,2	SK 372.1 - 90 LH/4 - SK 200E-151-340-A (-C) SK 372.1 - 90 LP/4 - SK 200E-151-340-A (-C)	27	B64-65	
	14-69	209	0,9	20,62	2,6	10,2				
	15-77	186	1,1	18,40	3,0	10,2				
	17-86	167	1,1	16,50	3,1	10,2	SK 372.1 - 90 LH/4 - SK 180E-151-340-B (-C) SK 372.1 - 90 LP/4 - SK 180E-151-340-B (-C)			
	19-97	147	1,3	14,57	3,5	10,2				
	22-109	131	1,5	12,96	3,6	10,2				
	24-122	117	1,6	11,55	3,8	10,2				
	28-138	104	1,8	10,28	3,8	10,2				
	30-151	95,2	2,0	9,40	3,9	10,2				
	34-172	83,3	2,2	8,22	3,9	10,2				
	39-196	73,2	2,3	7,23	3,9	10,2				
	41-205	69,7	2,4	6,89	4,0	10,2				
	43-215	66,6	2,4	6,58	4,0	10,2				
	48-238	60,2	2,7	5,95	3,9	10,2				
	54-270	53,1	3,0	5,24	3,9	10,1				
	61-303	47,2	3,0	4,66	3,8	9,7				
	68-338	42,3	3,1	4,18	3,7	9,4				
	75-375	38,2	3,1	3,78	3,6	9,1				
83-413	34,7	3,2	3,43	3,6	8,8					
91-453	31,6	3,2	3,12	3,5	8,6					
99-495	28,9	3,1	2,86	3,4	8,3					
108-539	26,6	3,4	2,62	3,4	8,0					
	29-145	99,1	0,9	9,79	2,8	3,9	SK 172.1 - 90 LH/4 - SK 200E-151-340-A (-C) SK 172.1 - 90 LP/4 - SK 200E-151-340-A (-C)	24	B62-63	
	32-162	88,3	1,0	8,72	2,8	3,9				
	36-181	79,3	1,0	7,83	2,8	3,9				
	40-200	71,7	1,1	7,08	2,8	3,9	SK 172.1 - 90 LH/4 - SK 180E-151-340-B (-C) SK 172.1 - 90 LP/4 - SK 180E-151-340-B (-C)			
	44-220	65,1	1,3	6,43	2,8	3,9				
	49-245	58,4	1,3	5,77	2,8	3,9				
	55-275	52,0	1,6	5,14	2,8	3,9				
	61-307	46,7	1,5	4,62	2,8	3,9				
	68-339	42,2	1,5	4,17	2,8	3,9				
	75-373	38,4	1,5	3,79	2,8	3,9				
	82-409	35,0	1,5	3,46	2,8	3,9				
	88-439	32,6	1,7	3,22	2,8	3,9				
	97-485	29,5	1,7	2,92	2,8	3,9				
	104-521	27,5	1,7	2,72	2,8	3,9				
	114-568	25,2	1,7	2,49	2,8	3,8				
122-611	23,5	1,8	2,32	2,8	3,7					

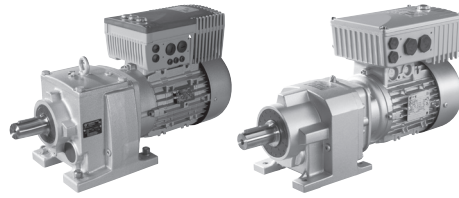
1:5

2,20 kW



NORDBLOC.1
Helical gear units

P ₁ [kW]	n ₂ [min ⁻¹]	M _{2b} [Nm]	f _B	i _{ges}	F _R	F _A	Type	mm			
								kg	B		
2,20	1,1-5,6	3759	0,9	258,57	22,1	22,0	SK 973.1 - 100 LH/4 - SK 200E-221-340-A (-C) SK 973.1 - 100 LP/4 - SK 200E-221-340-A (-C)	136	B90-91		
	1,2-6,2	3413	1,0	234,77	23,1	22,0					
	1,5-7,3	2871	1,1	197,50	24,5	22,0					
	1,6-8,1	2607	1,3	179,32	25,1	22,0					
	1,7-8,3	2524	1,2	173,58	25,3	22,0					
	1,8-9,2	2291	1,3	157,60	25,8	22,0					
	2,2-11	1926	1,7	132,45	26,5	22,0					
	2,4-12	1748	1,9	120,26	26,8	22,0					
	2,7-14	1530	2,1	105,23	27,2	22,0					
	3,0-15	1381	2,4	94,96	27,4	22,0					
	3,4-17	1254	2,6	86,22	27,6	22,0					
	3,7-19	1122	2,9	77,16	27,8	22,0					
	3,8-19	1097	3,0	75,44	27,9	22,0					
	4,2-21	996	3,3	68,50	28,0	22,0					
	4,4-22	959	3,3	65,98	28,0	22,0					
	4,8-24	871	3,7	59,91	28,1	22,0					
	1,9-9,6	2185	0,8	150,31	11,6	18,0	SK 873.1 - 100 LH/4 - SK 200E-221-340-A (-C) SK 873.1 - 100 LP/4 - SK 200E-221-340-A (-C)	97	B86-87		
	2,1-11	1977	0,9	135,99	13,6	18,0					
	2,3-11	1854	0,9	127,52	14,5	18,0					
	2,5-12	1685	1,0	115,88	15,6	18,0					
	2,8-14	1524	1,1	104,84	16,5	18,0					
	2,9-14	1469	1,2	101,02	16,8	18,0					
	3,2-16	1329	1,3	91,43	17,4	18,0					
	3,5-17	1208	1,4	83,08	17,9	18,0					
	3,9-19	1080	1,6	74,29	18,4	18,0					
	4,3-21	981	1,7	67,50	18,7	18,0					
	4,7-24	888	1,9	61,07	18,9	18,0					
	5,2-26	805	2,1	55,35	18,7	18,0					
	5,7-29	732	2,3	50,32	18,3	18,0					
	6,3-32	662	2,6	45,53	17,8	18,0					
	7,3-36	577	2,9	39,68	17,2	18,0					
	8,1-41	518	3,3	35,63	16,7	18,0					
	6,8-34	620	2,3	42,67	17,6	18,0	SK 872.1 - 100 LH/4 - SK 200E-221-340-A (-C) SK 872.1 - 100 LP/4 - SK 200E-221-340-A (-C) SK 872.1 - 100 LH/4 - SK 180E-221-340-B (-C) SK 872.1 - 100 LP/4 - SK 180E-221-340-B (-C)	95	B84-85		
	7,5-37	564	2,3	38,77	17,1	18,0					
	8,2-41	510	2,4	35,08	16,7	18,0					
	3,6-18	1152	0,8	79,23	7,6	9,0	SK 773.1 - 100 LH/4 - SK 200E-221-340-A (-C) SK 773.1 - 100 LP/4 - SK 200E-221-340-A (-C)	62	B82-83		
	4,0-20	1045	0,8	71,89	9,0	9,0					
	4,2-21	1002	0,8	68,92	9,3	9,0					
	4,6-23	922	0,9	63,42	9,7	9,0					
	5,0-25	838	1,0	57,64	9,6	9,0					
	5,6-28	746	1,1	51,31	9,5	9,0					
	6,1-30	692	1,3	47,61	9,4	9,0					
	6,7-33	631	1,4	43,43	9,2	9,0					
	7,4-37	568	1,5	39,06	9,1	9,0					
	8,1-40	520	1,6	35,77	8,9	9,0					
	9,1-45	463	1,8	31,83	8,7	9,0					
	10-50	416	2,0	28,63	8,6	9,0					
	11-54	390	2,1	26,86	8,5	9,0	SK 772.1 - 100 LH/4 - SK 200E-221-340-A (-C) SK 772.1 - 100 LP/4 - SK 200E-221-340-A (-C)			60	B80-81
	12-59	355	2,3	24,41	8,3	9,0					
							SK 772.1 - 100 LH/4 - SK 180E-221-340-B (-C) SK 772.1 - 100 LP/4 - SK 180E-221-340-B (-C)				



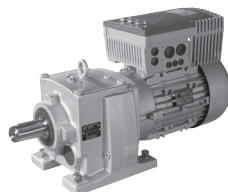
P_1 [kW]	n_2 [min ⁻¹]	M_{2b} [Nm]	f_B	i_{ges}	F_R [kN]	F_A [kN]	Type	kg	mm B
2,20	5,2-26	801	0,8	55,12	7,2	20,0	SK 673.1 - 100 LH/4 - SK 200E-221-340-A (-C) SK 673.1 - 100 LP/4 - SK 200E-221-340-A (-C)	49	B78-79
	5,8-29	720	0,9	49,50	8,2	20,0			
	6,4-32	652	1,0	44,85	8,9	20,0			
	7,0-35	604	1,1	41,54	9,4	20,0	SK 673.1 - 100 LH/4 - SK 180E-221-340-B (-C) SK 673.1 - 100 LP/4 - SK 180E-221-340-B (-C)		
	7,8-39	541	1,2	37,23	9,8	20,0			
	8,5-42	496	1,2	34,12	10,1	20,0			
	9,3-47	449	1,2	30,92	10,4	20,0			
	10-52	401	1,3	27,61	10,7	20,0			
	11-57	366	1,4	25,19	10,8	20,0			
	13-63	332	1,4	22,82	11,0	20,0			
	8,9-44	474	1,3	32,58	10,3	20,0	SK 672.1 - 100 LH/4 - SK 200E-221-340-A (-C) SK 672.1 - 100 LP/4 - SK 200E-221-340-A (-C)	48	B76-77
	9,9-50	423	1,3	29,08	10,6	20,0			
	11-55	381	1,6	26,23	10,8	20,0			
	12-62	340	1,8	23,41	10,9	20,0	SK 672.1 - 100 LH/4 - SK 180E-221-340-B (-C) SK 672.1 - 100 LP/4 - SK 180E-221-340-B (-C)		
	14-70	300	2,0	20,62	11,1	20,0			
	16-78	268	2,3	18,41	11,2	20,0			
	17-84	251	2,4	17,25	11,2	20,0			
	19-94	223	2,7	15,35	11,3	20,0			
	7,6-38	553	0,8	38,02	5,4	14,5	SK 573.1 - 100 LH/4 - SK 200E-221-340-A (-C) SK 573.1 - 100 LP/4 - SK 200E-221-340-A (-C)	43	B72-75
	8,3-42	506	0,9	34,80	6,1	14,5			
	9,3-47	450	1,0	30,93	6,5	14,5			
	11-54	389	1,1	26,77	7,2	14,5	SK 573.1 - 100 LH/4 - SK 180E-221-340-B (-C) SK 573.1 - 100 LP/4 - SK 180E-221-340-B (-C)		
	12-61	346	1,2	23,79	7,4	14,5			
	14-68	310	1,4	21,32	7,5	14,5			
	15-75	279	1,5	19,22	7,5	14,5			
	17-83	253	1,7	17,42	7,5	14,5			
	9,2-46	455	0,8	31,28	7,1	15,0	SK 572.1 - 100 LH/4 - SK 200E-221-340-A (-C) SK 572.1 - 100 LP/4 - SK 200E-221-340-A (-C)	43	B68-71
	12-59	357	1,2	24,58	7,4	15,0			
	13-66	318	1,3	21,85	7,6	15,0			
	15-74	284	1,4	19,57	8,2	15,0	SK 572.1 - 100 LH/4 - SK 180E-221-340-B (-C) SK 572.1 - 100 LP/4 - SK 180E-221-340-B (-C)		
	18-88	239	1,7	16,46	8,2	15,0			
	19-94	224	1,9	15,38	8,1	15,0			
	21-106	199	2,1	13,67	8,1	15,0			
	23-114	184	2,3	12,68	8,1	15,0			
	26-128	164	2,5	11,25	8,1	15,0			
	29-144	146	2,7	10,04	8,1	15,0			
	32-162	130	2,9	8,92	7,9	15,0			
	35-177	119	3,0	8,15	8,0	15,0			
	39-193	109	3,2	7,49	7,9	15,0			
	46-229	91,6	3,5	6,30	7,7	15,0			
	49-246	85,6	3,5	5,88	7,5	15,0			
		25-125	168	1,1	11,55	2,4	10,2		
28-141		149	1,3	10,28	2,5	10,2			
31-154		137	1,4	9,40	2,8	10,2			
35-176		120	1,5	8,22	2,9	10,2	SK 372.1 - 100 LH/4 - SK 180E-221-340-B (-C) SK 372.1 - 100 LP/4 - SK 180E-221-340-B (-C)		
40-200		105	1,6	7,23	3,1	10,2			
42-210		100	1,7	6,89	3,1	10,2			
44-220		95,7	1,7	6,58	3,2	10,2			
49-243		86,5	1,8	5,95	3,2	10,1			
55-276		76,2	2,1	5,24	3,2	9,7			
62-310		67,8	2,1	4,66	3,2	9,4			
69-345		60,8	2,1	4,18	3,2	9,1			
77-383		54,9	2,2	3,78	3,1	8,8			
84-422		49,8	2,2	3,43	3,1	8,6			
93-463		45,4	2,2	3,12	3,1	8,3			
101-506		41,6	2,2	2,86	3,0	8,0			
110-551		38,2	2,4	2,62	3,0	7,7			

1:5

3,00 kW

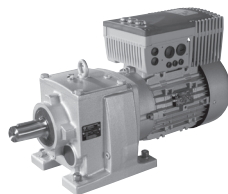
IE2

IE3



NORDBLOC.1
Helical gear units

P_1 [kW]	n_2 [min ⁻¹]	M_{2b} [Nm]	f_B	i_{ges}	F_R [kN]	F_A [kN]	Type	kg	mm B
3,00	1,4-7,2	3970	0,8	197,50	20,5	22,0	SK 973.1 - 100 AH/4 - SK 200E-301-340-A (-C) SK 973.1 - 100 AP/4 - SK 200E-301-340-A (-C)	137	B90-91
	1,6-7,9	3605	0,9	179,32	22,6	22,0			
	1,8-9,0	3168	0,9	157,60	23,8	22,0			
	2,2-11	2663	1,2	132,45	25,0	22,0			
	2,4-12	2418	1,4	120,26	25,5	22,0			
	2,7-14	2116	1,5	105,23	26,2	22,0			
	3,0-15	1909	1,7	94,96	26,5	22,0			
	3,3-17	1733	1,9	86,22	26,8	22,0			
	3,7-18	1551	2,1	77,16	27,2	22,0			
	3,8-19	1517	2,2	75,44	27,2	22,0			
	4,2-21	1377	2,4	68,50	27,4	22,0			
	4,3-22	1327	2,4	65,98	27,5	22,0			
	4,8-24	1204	2,7	59,91	27,7	22,0			
	5,1-26	1119	2,9	55,66	27,8	22,0			
	5,4-27	1052	3,0	52,32	27,9	22,0			
	6,0-30	957	3,3	47,60	28,0	22,0			
	6,7-34	855	3,7	42,51	28,2	22,0			
	2,7-14	2108	0,8	104,84	12,4	18,0	SK 873.1 - 100 AH/4 - SK 200E-301-340-A (-C) SK 873.1 - 100 AP/4 - SK 200E-301-340-A (-C)	98	B86-87
	2,8-14	2031	0,8	101,02	13,1	18,0			
	3,1-16	1838	0,9	91,43	14,6	18,0			
	3,4-17	1670	1,0	83,08	15,7	18,0			
	3,8-19	1493	1,1	74,29	16,7	18,0			
	4,2-21	1357	1,3	67,50	17,3	18,0			
	4,7-23	1228	1,4	61,07	17,8	18,0			
	5,1-26	1113	1,5	55,35	17,9	18,0			
	5,7-28	1012	1,7	50,32	17,5	18,0			
	6,3-31	915	1,9	45,53	17,1	18,0			
	7,2-36	798	2,1	39,68	16,6	18,0			
	8,0-40	716	2,4	35,63	16,2	18,0			
	8,8-44	648	2,6	32,24	15,8	18,0			
	9,4-47	613	2,7	30,47	15,6	18,0			
	10-52	554	3,0	27,57	15,2	18,0			
	11-55	522	3,2	25,69	15,0	18,0			
	12-61	472	3,5	23,49	14,6	18,0			
	6,7-33	858	1,6	42,67	16,9	18,0	SK 872.1 - 100 AH/4 - SK 200E-301-340-A (-C) SK 872.1 - 100 AP/4 - SK 200E-301-340-A (-C)	96	B84-85
	7,4-37	779	1,7	38,77	16,5	18,0			
	8,1-41	705	1,7	35,08	16,1	18,0			
	5,6-28	1032	0,8	51,31	6,9	8,2	SK 773.1 - 100 AH/4 - SK 200E-301-340-A (-C) SK 773.1 - 100 AP/4 - SK 200E-301-340-A (-C)	63	B82-83
	6,0-30	957	0,9	47,61	7,1	8,3			
	6,6-33	873	1,0	43,43	7,6	8,6			
	7,3-36	785	1,1	39,06	8,3	9,0			
	8,0-40	719	1,1	35,77	8,2	9,0			
	9,0-45	640	1,3	31,83	8,1	9,0			
	10-50	576	1,4	28,63	8,0	9,0			
	11-56	510	1,6	25,39	7,9	9,0			
	12-59	487	1,6	24,23	7,8	9,0			
	13-66	432	1,7	21,49	7,6	9,0			
	11-53	540	1,5	26,86	8,0	9,0	SK 772.1 - 100 AH/4 - SK 200E-301-340-A (-C) SK 772.1 - 100 AP/4 - SK 200E-301-340-A (-C)	61	B80-81
	12-58	491	1,7	24,41	7,8	9,0			
	14-70	408	2,0	20,31	7,6	9,0			
	15-77	371	2,1	18,46	7,4	9,0			
	17-86	335	2,3	16,66	7,2	9,0			
	18-91	314	2,4	15,62	7,1	9,0			



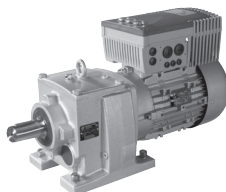
P_1 [kW]	n_2 [min ⁻¹]	M_{2b} [Nm]	f_B	i_{ges}	F_R	F_A [kN]	Type	kg	mm B
3,00	6,9-34	835	0,8	41,54	6,7	20,0	SK 673.1 - 100 AH/4 - SK 200E-301-340-A (-C) SK 673.1 - 100 AP/4 - SK 200E-301-340-A (-C)	50	B78-79
	7,7-38	749	0,9	37,23	7,9	20,0			
	8,4-42	686	0,9	34,12	8,6	20,0			
	9,2-46	622	0,9	30,92	9,2	20,0			
	10-52	555	0,9	27,61	9,7	20,0			
	11-57	506	1,0	25,19	10,1	20,0	SK 672.1 - 100 AH/4 - SK 200E-301-340-A (-C) SK 672.1 - 100 AP/4 - SK 200E-301-340-A (-C)	49	B76-77
	12-62	459	1,0	22,82	10,4	20,0			
	8,7-44	655	0,9	32,58	8,9	20,0			
	9,8-49	585	0,9	29,08	9,5	20,0			
	11-54	527	1,2	26,23	9,9	20,0			
	12-61	471	1,3	23,41	10,3	20,0			
	14-69	415	1,5	20,62	10,6	20,0			
	15-77	370	1,6	18,41	10,8	20,0			
	17-83	347	1,8	17,25	10,9	20,0			
	19-93	309	2,0	15,35	11,1	20,0			
	21-104	276	2,1	13,70	11,2	20,0	SK 573.1 - 100 AH/4 - SK 200E-301-340-A (-C) SK 573.1 - 100 AP/4 - SK 200E-301-340-A (-C)	44	B72-75
	23-113	253	2,3	12,56	11,2	20,0			
	25-125	229	2,5	11,38	11,3	20,0			
	27-137	208	2,7	10,37	11,4	20,0			
	11-53	538	0,8	26,77	4,1	14,5			
	12-60	478	0,9	23,79	4,6	14,5	SK 572.1 - 100 AH/4 - SK 200E-301-340-A (-C) SK 572.1 - 100 AP/4 - SK 200E-301-340-A (-C)	44	B68-71
	13-67	429	1,0	21,32	4,9	14,5			
	15-74	386	1,1	19,22	5,2	14,5			
	16-82	350	1,2	17,42	5,4	14,5			
	12-58	494	0,9	24,58	4,6	15,0			
13-65	439	1,0	21,85	5,0	15,0	SK 372.1 - 100 AH/4 - SK 200E-301-340-A (-C) SK 372.1 - 100 AP/4 - SK 200E-301-340-A (-C)	36	B64-65	
15-73	393	1,0	19,57	6,0	15,0				
17-87	331	1,2	16,46	6,4	15,0				
19-93	309	1,4	15,38	6,4	15,0				
21-104	275	1,5	13,67	6,5	15,0				
22-112	255	1,7	12,68	6,7	15,0				
25-127	226	1,8	11,25	6,8	15,0				
28-142	202	2,0	10,04	6,9	15,0				
32-160	179	2,1	8,92	6,9	15,0				
35-175	164	2,2	8,15	7,1	15,0				
38-190	151	2,3	7,49	7,1	15,0				
45-226	127	2,5	6,30	7,0	15,0				
48-242	118	2,5	5,88	6,9	15,0				
54-272	105	2,6	5,23	6,7	15,0				
61-304	94,2	2,7	4,69	6,6	15,0				
67-337	84,9	2,7	4,22	6,5	15,0				
74-372	77,0	2,9	3,83	6,3	15,0				
87-436	65,7	2,9	3,27	6,1	14,5				
98-488	58,8	2,9	2,92	6,0	13,7				
25-123	232	0,8	11,55	0,7	10,2				SK 372.1 - 100 AH/4 - SK 200E-301-340-A (-C) SK 372.1 - 100 AP/4 - SK 200E-301-340-A (-C)
28-139	207	0,9	10,28	1,0	10,2				
30-152	189	1,0	9,40	1,4	10,2				
35-173	165	1,1	8,22	1,8	10,2				
39-197	145	1,2	7,23	2,0	10,1				
41-207	138	1,2	6,89	2,2	10,1				
43-217	132	1,2	6,58	2,3	10,0				
48-240	120	1,3	5,95	2,4	9,7				
54-272	105	1,5	5,24	2,5	9,4				
61-306	93,8	1,5	4,66	2,5	9,1				
68-341	84,1	1,5	4,18	2,6	8,9				
75-377	75,9	1,6	3,78	2,6	8,6				
83-416	68,9	1,6	3,43	2,6	8,4				
91-456	62,8	1,6	3,12	2,6	8,1				
100-499	57,5	1,6	2,86	2,6	7,8				
109-543	52,8	1,7	2,62	2,6	7,5				

1:5

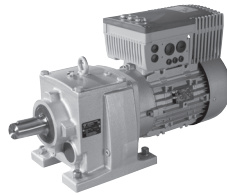
4,00 kW

IE2

IE3



P ₁ [kW]	n ₂ [min ⁻¹]	M _{2b} [Nm]	f _B	i _{ges}	F _R	F _A	Type	mm	
								kg	B
4,00	2,2-11	3513	0,9	132,45	22,9	22,0	SK 973.1 - 112 MH/4 - SK 200E-401-340-A (-C) SK 973.1 - 112 MP/4 - SK 200E-401-340-A (-C)	147	B90-91
	2,4-12	3190	1,0	120,26	23,7	22,0			
	2,7-14	2791	1,1	105,23	24,7	22,0			
	3,0-15	2519	1,3	94,96	25,3	22,0			
	3,3-17	2287	1,4	86,22	25,8	22,0			
	3,7-19	2047	1,6	77,16	26,3	22,0			
	3,8-19	2001	1,6	75,44	26,4	22,0			
	4,2-21	1817	1,8	68,50	26,7	22,0			
	4,4-22	1750	1,8	65,98	26,8	22,0			
	4,8-24	1589	2,0	59,91	27,1	22,0			
	5,2-26	1476	2,2	55,66	27,3	22,0			
	5,5-28	1388	2,3	52,32	27,4	22,0			
	6,1-30	1263	2,5	47,60	27,6	22,0			
	6,8-34	1128	2,8	42,51	27,8	22,0			
	6,7-34	1134	2,6	42,76	27,8	22,0	SK 972.1 - 112 MH/4 - SK 200E-401-340-A (-C) SK 972.1 - 112 MP/4 - SK 200E-401-340-A (-C)	145	B88-89
	3,5-17	2204	0,8	83,08	11,4	18,0	SK 873.1 - 112 MH/4 - SK 200E-401-340-A (-C) SK 873.1 - 112 MP/4 - SK 200E-401-340-A (-C)	108	B86-87
	3,9-19	1970	0,9	74,29	13,6	18,0			
	4,3-21	1790	0,9	67,50	14,9	18,0			
	4,7-24	1620	1,0	61,07	16,0	18,0			
	5,2-26	1468	1,2	55,35	16,7	18,0			
	5,7-29	1335	1,3	50,32	16,4	18,0			
	6,3-32	1208	1,4	45,53	16,1	18,0			
	7,3-36	1053	1,6	39,68	15,7	18,0			
	8,1-40	945	1,8	35,63	15,4	18,0			
	8,9-45	855	2,0	32,24	15,1	18,0			
	9,5-47	808	2,1	30,47	14,9	18,0			
	10-52	731	2,3	27,57	14,6	18,0			
	6,8-34	1132	1,2	42,67	16,0	18,0	SK 872.1 - 112 MH/4 - SK 200E-401-340-A (-C) SK 872.1 - 112 MP/4 - SK 200E-401-340-A (-C)	106	B84-85
	7,4-37	1028	1,3	38,77	15,7	18,0			
	8,2-41	930	1,3	35,08	15,4	18,0			
	9,0-45	849	1,9	32,00	15,1	18,0			
	9,9-50	771	2,0	29,08	14,8	18,0			
	15-77	495	3,1	18,67	13,3	18,0			
	17-85	450	3,4	16,96	12,9	18,0			
	19-95	403	3,7	15,18	12,6	18,0			
	21-104	366	4,0	13,79	12,2	18,0			
	6,6-33	1152	0,8	43,43	4,0	5,5			
	7,4-37	1036	0,8	39,06	5,1	6,4			
	8,1-40	949	0,9	35,77	5,4	6,6			
	9,0-45	844	1,0	31,83	6,1	7,1			
	10-50	759	1,1	28,63	6,8	7,6			
	11-57	674	1,2	25,39	7,2	8,0			
	12-59	643	1,2	24,23	7,1	7,9			
	13-67	570	1,3	21,49	7,0	8,1			
	11-54	712	1,2	26,86	7,1	7,9	SK 772.1 - 112 MH/4 - SK 200E-401-340-A (-C) SK 772.1 - 112 MP/4 - SK 200E-401-340-A (-C)	72	B80-81
	12-59	648	1,3	24,41	7,2	8,0			
	14-71	539	1,5	20,31	7,0	8,4			
	16-78	490	1,6	18,46	6,9	8,4			
	17-86	442	1,7	16,66	6,8	8,5			
	18-92	414	1,8	15,62	6,7	8,4			
	20-100	381	1,9	14,38	6,6	8,6			
	22-110	347	2,0	13,07	6,5	8,5			
	25-123	309	2,2	11,67	6,4	8,5			
	26-130	293	2,4	11,06	6,3	8,3			
	27-136	281	2,4	10,60	6,2	8,4			



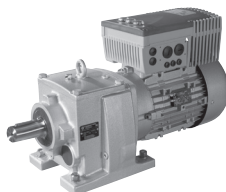
P_1 [kW]	n_2 [min ⁻¹]	M_{2b} [Nm]	f_B	i_{ges}	F_R [kN]	F_A [kN]	Type	kg	mm B
4,00	14-70	547	1,1	20,62	9,8	20,0	SK 672.1 - 112 MH/4 - SK 200E-401-340-A (-C) SK 672.1 - 112 MP/4 - SK 200E-401-340-A (-C)	60	B76-77
	16-78	488	1,2	18,41	10,2	20,0			
	17-83	458	1,3	17,25	10,4	20,0			
	19-94	407	1,5	15,35	10,6	20,0			
	21-105	364	1,6	13,70	10,8	20,0			
	23-115	333	1,7	12,56	11,0	20,0			
	25-127	302	1,9	11,38	11,1	20,0			
	28-139	275	2,1	10,37	11,2	20,0			
	31-156	245	2,2	9,25	11,3	20,0			
	33-166	230	2,3	8,66	11,3	20,0			
	34-170	225	2,4	8,48	11,3	20,0			
	37-187	204	2,6	7,68	11,4	20,0			
	43-213	179	2,9	6,75	11,4	20,0			
	47-235	162	3,1	6,12	11,5	20,0			
	52-258	148	3,3	5,59	11,5	20,0			
57-285	134	3,6	5,06	11,5	19,9				
	14-68	565	0,8	21,32	1,8	14,5	SK 573.1 - 112 MH/4 - SK 200E-401-340-A (-C) SK 573.1 - 112 MP/4 - SK 200E-401-340-A (-C)	55	B72-75
	15-75	510	0,8	19,22	2,3	14,5			
	17-83	462	0,9	17,42	2,7	14,5			
	15-74	519	0,8	19,57	3,4	15,0	SK 572.1 - 112 MH/4 - SK 200E-401-340-A (-C) SK 572.1 - 112 MP/4 - SK 200E-401-340-A (-C)	54	B68-71
	17-87	437	0,9	16,46	4,2	15,0			
	19-94	408	1,1	15,38	4,2	15,0			
	21-105	363	1,1	13,67	4,5	15,0			
	23-114	336	1,3	12,68	4,9	15,0			
	26-128	298	1,4	11,25	5,3	15,0			
	29-143	266	1,5	10,04	5,5	15,0			
	32-161	237	1,6	8,92	5,6	15,0			
	35-177	216	1,7	8,15	6,0	15,0			
	38-192	199	1,8	7,49	6,1	15,0			
	46-229	167	1,9	6,30	6,1	15,0			
	49-245	156	1,9	5,88	6,0	15,0			
	55-275	139	1,9	5,23	6,0	15,0			
	61-307	124	2,0	4,69	5,9	15,0			
	68-341	112	2,1	4,22	5,8	15,0			
75-376	102	2,2	3,83	5,7	15,0				
88-440	86,7	2,2	3,27	5,6	14,2				
99-493	77,5	2,2	2,92	5,5	13,4				
5,50	2,4-12	4326	0,8	120,26	17,2	22,0	SK 973.1 - 132 SH/4 - SK 200E-551-340-A (-C) SK 973.1 - 132 SP/4 - SK 200E-551-340-A (-C)	169	B90-91
	2,8-14	3785	0,8	105,23	21,9	22,0			
	3,1-15	3416	1,0	94,96	23,1	22,0			
	3,4-17	3102	1,1	86,22	23,9	22,0			
	3,8-19	2776	1,2	77,16	24,8	22,0			
	3,9-19	2714	1,2	75,44	24,9	22,0			
	4,3-21	2464	1,3	68,50	25,4	22,0			
	4,4-22	2374	1,3	65,98	25,6	22,0			
	4,9-24	2155	1,5	59,91	26,0	22,0			
	5,2-26	2002	1,6	55,66	26,2	22,0			
	5,6-28	1882	1,7	52,32	26,3	22,0			
	6,1-31	1712	1,9	47,60	26,4	22,0			
	6,9-34	1529	2,1	42,51	26,4	22,0			
	7,8-39	1344	2,4	37,36	26,3	22,0			
	8,3-41	1266	2,5	35,19	26,3	22,0			
9,1-46	1149	2,8	31,95	26,0	22,0				
9,4-47	1114	2,8	30,97	25,9	22,0				
11-54	979	3,1	27,22	25,5	22,0				

1:5

5,50 kW

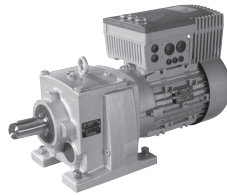
IE2

IE3



NORDBLOC.1
Helical gear units

P_1 [kW]	n_2 [min ⁻¹]	M_{2b} [Nm]	f_B	i_{ges}	F_R	F_A [kN]	Type	kg	mm B
5,50	6,8-34	1538	1,9	42,76	26,9	22,0	SK 972.1 - 132 SH/4 - SK 200E-551-340-A (-C) SK 972.1 - 132 SP/4 - SK 200E-551-340-A (-C)	167	B88-89
	7,9-39	1338	2,2	37,19	26,7	22,0			
	8,8-44	1200	2,4	33,36	26,2	22,0			
	9,6-48	1090	2,6	30,29	25,8	22,0			
	11-53	995	2,6	27,66	25,5	22,0			
	4,8-24	2197	0,8	61,07	11,5	17,1	SK 873.1 - 132 SH/4 - SK 200E-551-340-A (-C) SK 873.1 - 132 SP/4 - SK 200E-551-340-A (-C)	130	B86-87
	5,3-26	1991	0,9	55,35	13,4	17,8			
	5,8-29	1810	0,9	50,32	14,8	18,0			
	6,4-32	1638	1,0	45,53	14,7	18,0			
	7,4-37	1427	1,2	39,68	14,5	18,0			
	8,2-41	1282	1,3	35,63	14,3	18,0			
	9,1-45	1160	1,5	32,24	14,0	18,0			
	9,6-48	1096	1,5	30,47	13,9	18,0			
	11-56	934	1,8	25,69	13,5	18,0			
	12-62	845	2,0	23,49	13,3	18,0			
	14-68	769	2,1	21,38	13,0	18,0			
	15-75	696	2,3	19,34	12,7	18,0			
	6,8-34	1535	0,9	42,67	14,7	18,0	SK 872.1 - 132 SH/4 - SK 200E-551-340-A (-C) SK 872.1 - 132 SP/4 - SK 200E-551-340-A (-C)	128	B84-85
	7,5-38	1395	0,9	38,77	14,4	18,0			
	8,3-42	1262	1,0	35,08	14,2	18,0			
	9,1-46	1151	1,4	32,00	14,1	18,0			
	10-52	1007	1,6	28,00	13,8	18,0			
	11-57	915	1,7	25,44	13,5	18,0			
	13-63	828	1,9	23,02	13,2	18,0			
	16-78	672	2,3	18,67	12,7	18,0			
	17-86	610	2,5	16,96	12,4	18,0			
	19-96	546	2,7	15,18	12,1	18,0			
	21-106	496	3,0	13,79	11,8	17,9			
	23-117	449	3,3	12,48	11,5	17,6			
	26-130	404	3,5	11,24	11,2	17,3			
	28-140	375	3,7	10,44	10,9	16,9			
	32-158	332	4,2	9,24	10,6	16,6			
	10-51	1030	0,8	28,63	3,3	4,6	SK 773.1 - 132 SH/4 - SK 200E-551-340-A (-C) SK 773.1 - 132 SP/4 - SK 200E-551-340-A (-C)	95	B82-83
	11-57	913	0,9	25,39	4,1	5,3			
	12-60	872	0,9	24,23	4,2	5,3			
	14-68	773	1,0	21,49	4,9	5,8			
	14-72	731	1,1	20,31	5,4	6,3	SK 772.1 - 132 SH/4 - SK 200E-551-340-A (-C) SK 772.1 - 132 SP/4 - SK 200E-551-340-A (-C)	94	B80-81
	16-79	664	1,2	18,46	5,7	6,4			
	18-88	599	1,3	16,66	6,0	6,7			
	19-93	562	1,4	15,62	6,1	6,7			
	20-102	517	1,4	14,38	6,1	7,0			
	22-112	470	1,5	13,07	6,0	7,1			
	25-125	420	1,6	11,67	5,9	7,2			
	26-132	398	1,7	11,06	5,8	7,1			
	28-138	381	1,8	10,60	5,8	7,2			
	29-146	360	1,9	10,00	5,7	7,1			
	33-163	323	2,0	8,97	5,6	7,2			
	36-180	292	2,2	8,12	5,5	7,1			
	38-191	274	2,3	7,63	5,4	6,9			
	19-95	552	1,1	15,35	9,8	20,0	SK 672.1 - 132 SH/4 - SK 200E-551-340-A (-C) SK 672.1 - 132 SP/4 - SK 200E-551-340-A (-C)	82	B76-77
	21-107	493	1,2	13,70	10,2	20,0			
	23-116	452	1,3	12,56	10,4	20,0			
	26-128	409	1,4	11,38	10,6	20,0			
	28-141	373	1,5	10,37	10,8	20,0			
	32-158	333	1,6	9,25	11,0	20,0			



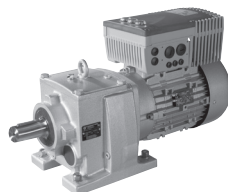
P_1 [kW]	n_2 [min ⁻¹]	M_{2b} [Nm]	f_B	i_{ges}	F_R [kN]	F_A [kN]	Type	kg	mm B				
5,50	34-169	312	1,7	8,66	11,0	20,0	SK 672.1 - 132 SH/4 - SK 200E-551-340-A (-C) SK 672.1 - 132 SP/4 - SK 200E-551-340-A (-C)	82	B76-77				
	38-190	276	1,9	7,68	11,2	20,0							
	43-216	243	2,1	6,75	11,3	20,0							
	48-239	220	2,3	6,12	11,3	20,0							
	52-261	201	2,4	5,59	11,4	20,0							
	58-288	182	2,6	5,06	11,4	19,4							
	63-317	166	2,7	4,61	11,1	18,9							
	69-346	152	2,8	4,22	10,8	18,4							
	75-376	140	2,9	3,88	10,6	17,9							
	82-408	129	2,8	3,58	10,3	17,3							
	88-441	119	2,9	3,31	10,1	16,7							
	95-475	110	2,9	3,07	9,8	16,0							
	102-511	103	2,9	2,86	9,6	15,5							
	110-549	95,7	2,9	2,66	9,4	15,0							
	5,50	26-130	405	1,0	11,25	3,0				15,0	SK 572.1 - 132 SH/4 - SK 200E-551-340-A (-C) SK 572.1 - 132 SP/4 - SK 200E-551-340-A (-C)	76	B68-71
		29-145	361	1,1	10,04	3,4				15,0			
		33-164	321	1,2	8,92	3,7				15,0			
		36-179	293	1,2	8,15	4,3				15,0			
		39-195	269	1,3	7,49	4,6				15,0			
46-232		227	1,4	6,30	4,8	15,0							
50-248		212	1,4	5,88	4,8	15,0							
56-279		188	1,4	5,23	4,9	15,0							
62-312		169	1,5	4,69	4,9	15,0							
69-346		152	1,5	4,22	4,9	15,0							
76-381		138	1,6	3,83	4,9	14,7							
89-447		118	1,6	3,27	4,8	13,7							
100-499		105	1,6	2,92	4,8	12,9							
7,50		3,4-17	4230	0,8	86,22	14,8	18,6	SK 973.1 - 132 MH/4 - SK 200E-751-340-A (-C) SK 973.1 - 132 MP/4 - SK 200E-751-340-A (-C)	176	B90-91			
		3,8-19	3785	0,9	77,16	17,0	20,4						
		3,9-19	3701	0,9	75,44	17,4	20,6						
	4,3-21	3360	1,0	68,50	18,2	21,2							
	4,4-22	3237	1,0	65,98	19,0	21,9							
	4,9-24	2939	1,1	59,91	19,7	22,0							
	5,2-26	2730	1,2	55,66	20,3	22,0							
	5,6-28	2567	1,2	52,32	20,8	22,0							
	6,1-31	2335	1,4	47,60	21,4	22,0							
	6,9-34	2085	1,5	42,51	21,9	22,0							
	7,8-39	1833	1,7	37,36	22,3	22,0							
	8,3-41	1726	1,9	35,19	22,6	22,0							
	9,1-46	1567	2,0	31,95	22,6	22,0							
	9,4-47	1519	2,0	30,97	22,6	22,0							
	11-57	1251	2,4	25,51	22,6	22,0							
	13-65	1100	2,5	22,42	22,4	22,0							
	7,50	6,8-34	2097	1,4	42,76	22,5	22,0				SK 972.1 - 132 MH/4 - SK 200E-751-340-A (-C) SK 972.1 - 132 MP/4 - SK 200E-751-340-A (-C)	174	B88-89
		7,9-39	1824	1,6	37,19	22,9	22,0						
		8,8-44	1636	1,8	33,36	22,7	22,0						
		9,6-48	1486	1,9	30,29	22,6	22,0						
11-53		1357	1,9	27,66	22,5	22,0							
13-66		1079	2,6	21,99	22,7	22,0							
15-74		968	2,9	19,72	22,3	22,0							
17-83		866	3,2	17,65	22,2	22,0							
18-92		777	3,5	15,84	21,5	22,0							
7,50		6,4-32	2233	0,8	45,53	11,1	13,4	SK 873.1 - 132 MH/4 - SK 200E-751-340-A (-C) SK 873.1 - 132 MP/4 - SK 200E-751-340-A (-C)	137	B86-87			
	7,4-37	1946	0,9	39,68	12,8	14,5							
	8,2-41	1748	1,0	35,63	12,8	15,2							
	9,1-45	1582	1,1	32,24	12,7	15,6							
	9,6-48	1495	1,1	30,47	12,7	15,8							
	11-56	1274	1,3	25,69	12,5	16,3							
	12-62	1152	1,4	23,49	12,3	16,4							
	14-68	1049	1,5	21,38	12,1	16,5							
	15-75	949	1,7	19,34	11,9	16,5							

1:5

7,50 kW

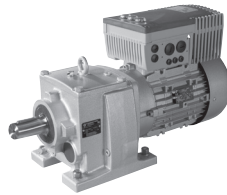
IE2

IE3



NORDBLOC.1
Helical gear units

P_1 [kW]	n_2 [min ⁻¹]	M_{2b} [Nm]	f_B	i_{ges}	F_R [kN]	F_A [kN]	Type	kg	mm B
7,50	9,1-46	1570	1,0	32,00	12,8	15,9	SK 872.1 - 132 MH/4 - SK 200E-751-340-A (-C) SK 872.1 - 132 MP/4 - SK 200E-751-340-A (-C)	135	B84-85
	10-52	1374	1,2	28,00	12,6	16,3			
	11-57	1248	1,3	25,44	12,4	16,3			
	13-63	1129	1,4	23,02	12,3	16,4			
	16-78	916	1,7	18,67	11,9	16,7			
	17-86	832	1,9	16,96	11,7	16,5			
	19-96	745	2,0	15,18	11,5	16,5			
	21-106	677	2,2	13,79	11,2	16,3			
	23-117	612	2,4	12,48	11,0	16,1			
	26-130	551	2,5	11,24	10,7	16,0			
	28-140	512	2,7	10,44	10,5	15,6			
	32-158	453	3,0	9,24	10,2	15,5			
	33-165	435	3,1	8,87	10,1	15,1			
	38-189	379	3,4	7,73	9,8	14,9			
	44-222	322	3,8	6,57	9,3	14,4			
	52-258	277	4,1	5,66	9,0	13,7			
	53-265	270	4,3	5,50	8,9	13,8			
	14-72	996	0,8	20,31	2,1	3,2	SK 772.1 - 132 MH/4 - SK 200E-751-340-A (-C) SK 772.1 - 132 MP/4 - SK 200E-751-340-A (-C)	101	B80-81
	16-79	906	0,9	18,46	2,7	3,7			
	18-88	817	0,9	16,66	3,3	4,3			
	19-93	766	1,0	15,62	3,5	4,3			
	20-102	705	1,0	14,38	4,2	5,0			
	22-112	641	1,1	13,07	4,5	5,2			
	25-125	572	1,2	11,67	5,0	5,6			
	26-132	542	1,3	11,06	4,9	5,5			
	28-138	520	1,3	10,60	5,1	5,7			
	29-146	491	1,4	10,00	5,1	5,6			
	33-163	440	1,5	8,97	5,2	5,8			
	36-180	398	1,6	8,12	5,1	5,8			
	38-191	374	1,7	7,63	5,0	5,5			
	44-220	325	1,8	6,63	5,0	6,1			
	47-236	304	1,9	6,19	4,8	5,6			
	54-271	264	2,2	5,38	4,8	6,0			
	62-310	231	2,4	4,71	4,6	5,7			
	19-95	753	0,8	15,35	7,8	20,0	SK 672.1 - 132 MH/4 - SK 200E-751-340-A (-C) SK 672.1 - 132 MP/4 - SK 200E-751-340-A (-C)	89	B76-77
	21-107	672	0,9	13,70	8,7	20,0			
	23-116	616	0,9	12,56	9,2	20,0			
	26-128	558	1,0	11,38	9,7	20,0			
	28-141	508	1,1	10,37	10,1	20,0			
	32-158	454	1,2	9,25	10,4	20,0			
	34-172	416	1,3	8,48	10,6	20,0			
	38-190	377	1,4	7,68	10,8	20,0			
	43-216	331	1,6	6,75	11,0	20,0			
	48-239	300	1,7	6,12	11,1	19,8			
	52-261	274	1,8	5,59	11,2	19,4			
	58-288	248	1,9	5,06	11,1	18,9			
	63-317	226	2,0	4,61	10,8	18,4			
	69-346	207	2,0	4,22	10,6	17,9			
	75-376	190	2,1	3,88	10,3	17,5			
	82-408	176	2,1	3,58	10,1	16,8			
	88-441	162	2,1	3,31	9,8	16,1			
	95-475	151	2,1	3,07	9,6	15,6			
	102-511	140	2,1	2,86	9,4	15,1			
	110-549	130	2,1	2,66	9,2	14,6			
	29-145	492	0,8	10,04	0,7	15,0	SK 572.1 - 132 MH/4 - SK 200E-751-340-A (-C) SK 572.1 - 132 MP/4 - SK 200E-751-340-A (-C)	83	B68-71
	33-164	438	0,8	8,92	1,2	15,0			
	36-179	400	0,9	8,15	2,1	15,0			
	39-195	367	1,0	7,49	2,6	15,0			
	46-232	309	1,0	6,30	3,1	15,0			



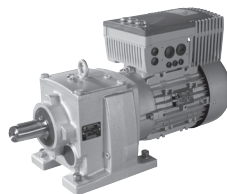
P_1 [kW]	n_2 [min ⁻¹]	M_{2b} [Nm]	f_B	i_{ges}	F_R [kN]	F_A [kN]	Type	kg	mm B			
7,50	50-248	289	1,0	5,88	3,2	15,0	SK 572.1 - 132 MH/4 - SK 200E-751-340-A (-C) SK 572.1 - 132 MP/4 - SK 200E-751-340-A (-C)	83	B68-71			
	56-279	257	1,1	5,23	3,4	15,0						
	62-312	230	1,1	4,69	3,5	15,0						
	69-346	207	1,1	4,22	3,6	14,6						
	76-381	188	1,2	3,83	3,7	14,1						
	89-447	160	1,2	3,27	3,8	13,1						
	100-499	143	1,2	2,92	3,8	12,5						
9,20	4,2-21	4150	0,8	68,50	11,9	15,6	SK 973.1 - 132 LH/4 - SK 200E-112-340-A (-C)	186	B90-91			
	4,4-22	3998	0,8	65,98	13,0	16,6						
	4,8-24	3630	0,9	59,91	14,1	17,4						
	5,2-26	3372	0,9	55,66	15,2	18,2						
	5,5-28	3170	1,0	52,32	16,0	18,8						
	6,1-30	2884	1,1	47,60	17,0	19,5						
	6,8-34	2576	1,2	42,51	18,0	20,3						
	7,8-39	2264	1,4	37,36	18,9	20,9						
	8,2-41	2132	1,5	35,19	19,5	21,3						
	9,1-45	1936	1,7	31,95	19,7	21,3						
	9,4-47	1877	1,7	30,97	19,8	21,4						
	11-57	1545	1,9	25,51	20,3	21,6						
	13-65	1358	2,1	22,42	20,4	21,6						
	6,8-34	2591	1,1	42,76	18,7	21,0				SK 972.1 - 132 LH/4 - SK 200E-112-340-A (-C)	184	B88-89
	7,8-39	2253	1,3	37,19	19,6	21,5						
	8,7-43	2021	1,4	33,36	19,7	21,4						
	9,6-48	1835	1,5	30,29	19,9	21,4						
10-52	1676	1,6	27,66	19,9	21,4							
13-66	1332	2,1	21,99	20,8	21,9							
15-74	1195	2,3	19,72	20,6	21,5							
16-82	1070	2,6	17,65	20,7	21,5							
18-92	960	2,9	15,84	20,3	21,1							
20-102	858	3,1	14,16	20,1	20,8							
21-107	822	3,2	13,56	20,2	20,8							
23-113	779	3,4	12,86	19,8	20,4							
25-126	699	3,6	11,54	19,4	20,3							
8,1-41	2159	0,8	35,63	10,0	11,6	SK 873.1 - 132 LH/4 - SK 200E-112-340-A (-C)	148	B86-87				
9,0-45	1953	0,9	32,24	11,1	12,3							
9,5-48	1846	0,9	30,47	11,6	12,8							
11-53	1670	1,0	27,57	11,6	13,3							
12-62	1423	1,2	23,49	11,5	14,1							
14-68	1295	1,2	21,38	11,4	14,4							
15-75	1172	1,4	19,34	11,3	14,6							
9,1-45	1939	0,8	32,00	11,5	12,7	SK 872.1 - 132 LH/4 - SK 200E-112-340-A (-C)	146	B84-85				
10-50	1762	0,9	29,08	11,6	13,1							
10-52	1696	0,9	28,00	11,7	13,5							
11-57	1542	1,0	25,44	11,6	13,8							
13-63	1395	1,1	23,02	11,5	14,1							
16-78	1131	1,4	18,67	11,3	14,9							
17-85	1028	1,5	16,96	11,1	14,9							
19-96	920	1,6	15,18	10,9	15,1							
21-105	836	1,8	13,79	10,7	15,0							
23-116	756	1,9	12,48	10,5	14,9							
26-129	681	2,1	11,24	10,4	14,9							
28-139	632	2,2	10,44	10,1	14,6							
31-157	560	2,5	9,24	9,9	14,6							
33-163	538	2,5	8,87	9,8	14,2							
38-188	468	2,8	7,73	9,5	14,1							
44-221	398	3,1	6,57	9,1	13,7							
51-256	343	3,4	5,66	8,8	12,9							
53-264	333	3,5	5,50	8,8	13,0							

NORDBLOC.1
Helical gear units

1:5**9,20 kW**
11,0 kW

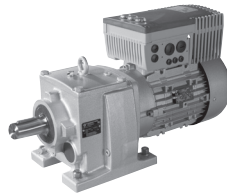
IE2

IE3


NORD
DRIVESYSTEMS

NORDBLOC.1
Helical gear units

P ₁ [kW]	n ₂ [min ⁻¹]	M _{2b} [Nm]	f _B	i _{ges}	F _R	F _A	Type	mm					
								kg	B				
9,20	20-101	871	0,8	14,38	2,1	2,8	SK 772.1 - 132 LH/4 - SK 200E-112-340-A (-C)	111	B80-81				
	22-111	792	0,9	13,07	2,6	3,1							
	25-124	707	1,0	11,67	3,3	3,8							
	26-131	670	1,0	11,06	3,3	3,7							
	27-137	642	1,1	10,60	3,6	4,0							
	29-145	606	1,1	10,00	3,6	3,9							
	32-162	544	1,2	8,97	4,1	4,4							
	36-179	492	1,3	8,12	4,3	4,5							
	38-190	462	1,3	7,63	4,1	4,2							
	44-219	402	1,5	6,63	4,6	5,1							
	47-234	375	1,5	6,19	4,6	4,6							
	54-269	326	1,7	5,38	4,6	5,2							
	62-308	285	2,0	4,71	4,4	5,0							
	66-328	268	2,0	4,42	4,3	4,8							
	76-378	233	2,3	3,84	4,3	5,1							
	81-403	218	2,3	3,59	4,2	4,7							
	93-464	189	2,6	3,12	4,1	5,0							
	9,20	28-140	628	0,9	10,37	9,1				20,0	SK 672.1 - 132 LH/4 - SK 200E-112-340-A (-C)	99	B76-77
31-157		561	0,9	9,25	9,7	20,0							
34-171		514	1,0	8,48	10,0	20,0							
38-189		466	1,1	7,68	10,3	20,0							
43-215		409	1,3	6,75	10,6	19,8							
47-237		371	1,4	6,12	10,8	19,3							
52-260		338	1,4	5,59	10,9	18,9							
57-287		307	1,6	5,06	10,9	18,4							
63-314		279	1,6	4,61	10,6	18,0							
69-344		256	1,6	4,22	10,4	17,5							
75-374		235	1,7	3,88	10,1	17,0							
81-405		217	1,7	3,58	9,9	16,4							
88-438		201	1,7	3,31	9,7	15,8							
94-472		186	1,7	3,07	9,5	15,2							
102-508		173	1,7	2,86	9,3	14,7							
109-545		161	1,7	2,66	9,1	14,3							
9,20		39-194	454	0,8	7,49	0,9	15,0	SK 572.1 - 132 LH/4 - SK 200E-112-340-A (-C)	94	B68-71			
		46-230	382	0,8	6,30	1,7	15,0						
	49-246	357	0,8	5,88	1,8	15,0							
	55-277	317	0,9	5,23	2,1	14,9							
	62-309	284	0,9	4,69	2,4	14,5							
	69-343	256	0,9	4,22	2,5	14,1							
	76-379	232	0,9	3,83	2,7	13,6							
	89-444	198	1,0	3,27	2,9	12,7							
	99-496	177	1,0	2,92	3,0	12,1							
	11,0	5,3-26	3991	0,8	55,66	10,0	13,6				SK 973.1 - 160 MH/4 - SK 200E-112-340-A (-C) SK 973.1 - 160 MP/4 - SK 200E-112-340-A (-C)	218	B90-91
5,6-28		3751	0,9	52,32	11,1	14,4							
6,2-31		3413	0,9	47,60	12,5	15,6							
6,9-34		3048	1,0	42,51	14,0	16,7							
7,8-39		2679	1,2	37,36	15,4	17,7							
8,3-42		2523	1,3	35,19	16,2	18,4							
9,2-46		2291	1,4	31,95	16,7	18,7							
9,5-47		2221	1,4	30,97	16,9	18,8							
11-57		1829	1,6	25,51	17,9	19,4							
13-65		1607	1,7	22,42	18,3	19,7							
11,0		7,9-39	2666	1,1	37,19	16,2	18,5	SK 972.1 - 160 MH/4 - SK 200E-112-340-A (-C) SK 972.1 - 160 MP/4 - SK 200E-112-340-A (-C)	216	B88-89			
		8,8-44	2392	1,2	33,36	16,6	18,7						
		9,7-48	2172	1,3	30,29	17,0	18,9						
	11-53	1983	1,3	27,66	17,3	19,0							
	13-67	1576	1,8	21,99	18,8	20,1							
	15-74	1414	2,0	19,72	18,7	19,9							

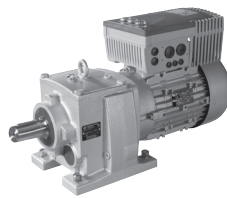


P_1 [kW]	n_2 [min ⁻¹]	M_{2b} [Nm]	f_B	i_{ges}	F_R [kN]	F_A [kN]	Type	kg	mm B
11,0	17-83	1266	2,2	17,65	19,0	20,1	SK 972.1 - 160 MH/4 - SK 200E-112-340-A (-C) SK 972.1 - 160 MP/4 - SK 200E-112-340-A (-C)	216	B88-89
	19-93	1135	2,4	15,84	18,8	19,8			
	21-103	1015	2,6	14,16	18,8	19,6			
	22-108	972	2,7	13,56	18,9	19,7			
	23-114	922	2,8	12,86	18,5	19,3			
	25-127	827	3,0	11,54	18,6	19,3			
	28-142	742	3,3	10,35	18,3	18,9			
	31-156	674	3,7	9,40	18,0	18,5			
	9,6-48	2185	0,8	30,47	8,0	9,7	SK 873.1 - 160 MH/4 - SK 200E-112-340-A (-C) SK 873.1 - 160 MP/4 - SK 200E-112-340-A (-C)	178	B86-87
	11-56	1861	0,9	25,69	9,8	11,1			
	12-62	1684	1,0	23,49	10,6	11,7			
	14-69	1533	1,0	21,38	10,6	12,2			
	15-76	1387	1,2	19,34	10,5	12,6			
	10-52	2008	0,8	28,00	9,3	10,7	SK 872.1 - 160 MH/4 - SK 200E-112-340-A (-C) SK 872.1 - 160 MP/4 - SK 200E-112-340-A (-C)	176	B84-85
	12-58	1824	0,9	25,44	10,0	11,2			
	13-64	1651	0,9	23,02	10,6	11,8			
	16-78	1338	1,2	18,67	10,6	13,0			
	17-86	1216	1,3	16,96	10,5	13,1			
	19-97	1088	1,4	15,18	10,4	13,5			
	21-106	989	1,5	13,79	10,2	13,5			
	23-117	895	1,6	12,48	10,1	13,6			
	26-130	806	1,7	11,24	9,9	13,8			
	28-140	748	1,9	10,44	9,7	13,4			
	32-159	662	2,1	9,24	9,6	13,6			
	33-165	636	2,1	8,87	9,4	13,2			
	38-190	554	2,3	7,73	9,2	13,3			
	45-223	471	2,6	6,57	8,8	12,6			
	52-259	406	2,8	5,66	8,5	12,0			
53-266	394	2,9	5,50	8,5	12,2				
63-313	335	3,3	4,68	8,2	11,6				
73-364	289	3,1	4,03	7,9	11,0				
79-396	265	3,3	3,69	7,7	10,8				
92-461	228	3,7	3,18	7,4	10,2				
25-126	837	0,8	11,67	1,7	2,1	SK 772.1 - 160 MH/4 - SK 200E-112-340-A (-C) SK 772.1 - 160 MP/4 - SK 200E-112-340-A (-C)	142	B80-81	
26-132	793	0,9	11,06	1,7	2,0				
28-138	760	0,9	10,60	2,1	2,4				
29-146	717	0,9	10,00	2,1	2,4				
33-163	643	1,0	8,97	2,8	3,0				
36-180	582	1,1	8,12	3,1	3,2				
38-192	547	1,1	7,63	2,9	3,0				
44-221	476	1,3	6,63	3,5	4,1				
47-237	444	1,3	6,19	3,6	3,5				
54-272	386	1,5	5,38	4,1	4,4				
62-311	338	1,7	4,71	4,2	4,2				
66-332	317	1,7	4,42	4,1	4,1				
76-382	275	1,9	3,84	4,1	4,6				
82-408	258	1,9	3,59	4,0	4,2				
94-469	224	2,2	3,12	4,0	4,5				

1:5**15,0 kW**
18,5 kW

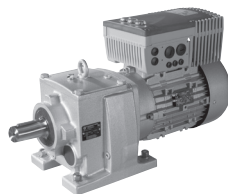
IE2

IE3


NORD
DRIVESYSTEMS

NORDBLOC.1
Helical gear units

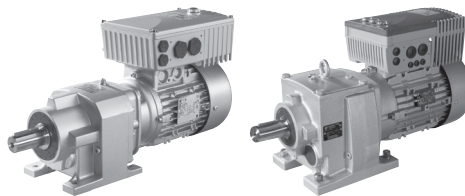
P_1 [kW]	n_2 [min ⁻¹]	M_{2b} [Nm]	f_B	i_{ges}	F_R [kN]	F_A [kN]	Type	kg	mm B				
15,0	6,9-34	4156	0,8	42,51	5,0	8,8	SK 973.1 - 160 LH/4 - SK 200E-152-340-A (-C) SK 973.1 - 160 LP/4 - SK 200E-152-340-A (-C)	246	B90-91				
	7,8-39	3653	0,9	37,36	7,5	10,7							
	8,3-42	3441	0,9	35,19	8,8	11,9							
	9,2-46	3124	1,0	31,95	9,9	12,7							
	9,5-47	3028	1,0	30,97	10,3	13,0							
	11-57	2494	1,2	25,51	12,5	14,7							
	13-65	2192	1,3	22,42	13,5	15,5							
	13-67	2150	1,3	21,99	14,3	16,2							
	15-74	1928	1,5	19,72	14,6	16,2							
	17-83	1726	1,6	17,65	15,4	16,9							
	19-93	1548	1,8	15,84	15,5	16,8							
	21-103	1385	1,9	14,16	15,8	17,0							
	22-108	1326	2,0	13,56	16,1	17,2							
	23-114	1257	2,1	12,86	15,8	16,9							
	25-127	1128	2,2	11,54	16,3	17,2							
28-142	1012	2,5	10,35	16,1	17,0								
31-156	919	2,7	9,40	16,0	16,8								
35-173	827	2,8	8,45	15,6	16,3								
41-204	703	3,2	7,19	15,5	15,9								
44-219	654	3,4	6,68	15,6	15,9								
47-237	603	3,4	6,17	14,9	14,8								
15,0	14-69	2090	0,8	21,38	5,5	6,8	SK 873.1 - 160 LH/4 - SK 200E-152-340-A (-C) SK 873.1 - 160 LP/4 - SK 200E-152-340-A (-C)	208	B86-87				
	15-76	1891	0,8	19,34	6,6	7,8							
	16-78	1825	0,8	18,67	7,4	8,5							
	17-86	1658	0,9	16,96	8,0	9,0							
	19-97	1484	1,0	15,18	9,1	9,9							
	21-106	1349	1,1	13,79	9,1	10,2							
	23-117	1220	1,2	12,48	9,0	10,5							
	26-130	1099	1,3	11,24	9,0	11,0							
	28-140	1020	1,4	10,44	8,8	10,6							
	32-159	903	1,5	9,24	8,8	11,1							
	33-165	868	1,5	8,87	8,6	10,4							
	38-190	755	1,7	7,73	8,5	10,8							
	45-223	642	1,9	6,57	8,3	10,5							
	52-259	553	2,1	5,66	8,0	10,2							
	53-266	538	2,1	5,50	8,1	10,6							
63-313	457	2,4	4,68	7,8	10,2								
73-364	394	2,3	4,03	7,5	9,8								
79-396	361	2,4	3,69	7,4	9,7								
92-461	311	2,7	3,18	7,1	9,3								
15,0	33-163	877	0,8	8,97	0	0	SK 772.1 - 160 LH/4 - SK 200E-152-340-A (-C) SK 772.1 - 160 LP/4 - SK 200E-152-340-A (-C)	171	B80-81				
	36-180	794	0,8	8,12	0,3	0,6							
	38-192	746	0,8	7,63	0,2	0,4							
	44-221	649	0,9	6,63	1,2	2,1							
	47-237	605	1,0	6,19	1,4	1,5							
	54-272	526	1,1	5,38	2,2	2,8							
	62-311	461	1,2	4,71	2,9	2,7							
	66-332	432	1,3	4,42	2,8	2,6							
	76-382	375	1,4	3,84	3,2	3,4							
	82-408	351	1,4	3,59	3,3	3,0							
	94-469	306	1,6	3,12	3,6	3,6							
	18,5	8,4-42	4215	0,8	35,19	2,6				5,8	SK 973.1 - 180 MH/4 - SK 200E-182-340-A (-C) SK 973.1 - 180 MP/4 - SK 200E-182-340-A (-C)	262	B90-91
		9,2-46	3827	0,8	31,95	4,1				7,2			
		9,5-48	3710	0,8	30,97	4,7				7,7			
		11-54	3260	0,9	27,22	6,9				9,8			
12-58		3055	1,0	25,51	7,8	10,6							
13-66	2685	1,0	22,42	9,4	11,8								
18,5	13-67	2633	1,1	21,99	10,5	12,8	SK 972.1 - 180 MH/4 - SK 200E-182-340-A (-C) SK 972.1 - 180 MP/4 - SK 200E-182-340-A (-C)	260	B88-89				
	15-75	2362	1,2	19,72	11,0	13,1							
	17-84	2114	1,3	17,65	12,3	14,2							



P_1 [kW]	n_2 [min ⁻¹]	M_{2b} [Nm]	f_B	i_{ges}	F_R [kN]	F_A [kN]	Type	kg	mm B
18,5	19-93	1897	1,4	15,84	12,6	14,3	SK 972.1 - 180 MH/4 - SK 200E-182-340-A (-C) SK 972.1 - 180 MP/4 - SK 200E-182-340-A (-C)	260	B88-89
	21-104	1696	1,6	14,16	13,2	14,7			
	22-109	1624	1,6	13,56	13,7	15,1			
	23-115	1540	1,7	12,86	13,5	14,8			
	26-128	1382	1,8	11,54	14,2	15,4			
	29-143	1239	2,0	10,35	14,2	15,3			
	31-157	1125	2,2	9,40	14,3	15,1			
	35-174	1013	2,3	8,45	14,0	14,5			
	41-205	861	2,6	7,19	14,1	14,2			
	44-221	801	2,8	6,68	14,4	14,4			
	48-239	739	2,8	6,17	13,6	13,4			
	56-281	629	3,2	5,25	13,6	13,0			
	65-324	546	3,7	4,56	13,8	13,0			
	79-395	447	4,1	3,74	13,2	12,1			
18,5	19-97	1818	0,8	15,18	5,6	6,1	SK 872.1 - 180 MH/4 - SK 200E-182-340-A (-C) SK 872.1 - 180 MP/4 - SK 200E-182-340-A (-C)	220	B84-85
	21-107	1652	0,9	13,79	6,3	6,7			
	24-118	1495	1,0	12,48	7,2	7,3			
	26-131	1346	1,0	11,24	8,2	8,2			
	28-141	1250	1,1	10,44	8,0	7,9			
	32-160	1107	1,2	9,24	8,1	8,7			
	33-166	1063	1,3	8,87	8,0	8,1			
	38-191	925	1,4	7,73	8,0	8,9			
	45-225	787	1,6	6,57	7,8	8,8			
	52-261	677	1,7	5,66	7,6	8,7			
	54-268	659	1,7	5,50	7,7	9,2			
	63-315	560	2,0	4,68	7,4	9,0			
	73-366	482	1,9	4,03	7,2	8,7			
	80-399	443	2,0	3,69	7,1	8,8			
	93-464	381	2,2	3,18	6,9	8,5			
	22,0	11-54	3877	0,8	27,22	1,9			
12-58		3633	0,8	25,51	3,1	5,3			
13-66		3193	0,9	22,42	5,3	7,3			
22,0	13-67	3132	0,9	21,99	6,6	8,7	SK 972.1 - 180 LH/4 - SK 200E-222-340-A (-C) SK 972.1 - 180 LP/4 - SK 200E-222-340-A (-C)	278	B88-89
	15-75	2809	1,0	19,72	7,4	9,3			
	17-84	2514	1,1	17,65	9,2	11,1			
	19-93	2256	1,2	15,84	9,8	11,3			
	21-104	2017	1,3	14,16	10,7	12,0			
	22-109	1931	1,4	13,56	11,3	12,7			
	23-115	1831	1,4	12,86	11,1	12,3			
	26-128	1643	1,5	11,54	12,2	13,3			
	29-143	1474	1,7	10,35	12,4	13,1			
	31-157	1338	1,9	9,40	12,5	13,1			
	35-174	1204	2,0	8,45	12,4	12,6			
	41-205	1024	2,2	7,19	12,7	12,7			
	44-221	952	2,4	6,68	13,2	13,0			
	48-239	879	2,4	6,17	12,4	12,0			
	56-281	748	2,7	5,25	12,5	11,9			
	65-324	649	3,1	4,56	12,9	12,1			
	79-395	532	3,4	3,74	12,4	11,3			
	89-443	474	3,6	3,33	12,3	11,1			
22,0	24-118	1777	0,8	12,48	4,2	4,4	SK 872.1 - 180 LH/4 - SK 200E-222-340-A (-C) SK 872.1 - 180 LP/4 - SK 200E-222-340-A (-C)	238	B84-85
	26-131	1601	0,9	11,24	5,5	5,6			
	28-141	1486	0,9	10,44	5,4	5,4			
	32-160	1316	1,0	9,24	6,9	6,6			
	33-166	1264	1,1	8,87	6,3	5,9			
	38-191	1100	1,2	7,73	7,4	7,0			
	45-225	936	1,3	6,57	7,3	7,2			
	52-261	806	1,4	5,66	7,1	7,3			
	54-268	783	1,5	5,50	7,3	7,9			
	63-315	666	1,7	4,68	7,1	7,9			
	73-366	573	1,6	4,03	6,9	7,7			
	80-399	526	1,7	3,69	6,8	8,0			
	93-464	453	1,9	3,18	6,6	7,8			

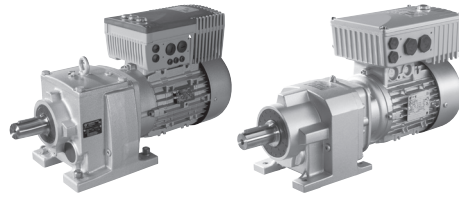
1:10

0,55 kW



NORDBLOC.1
Helical gear units

P_1 [kW]	n_2 [min ⁻¹]	M_{2b} [Nm]	f_B	i_{ges}	F_R	F_A [kN]	Type	kg	mm B		
0,55	1,0-10	527	1,6	288,78	13,6	9,0	SK 773.1 - 71 L/4 - SK 200E-550-340-A (-C)	43	B82-83		
	1,1-11	484	1,8	265,24	13,8	9,0					
	1,2-12	444	1,9	243,53	13,9	9,0	SK 773.1 - 71 L/4 - SK 180E-550-340-B (-C)				
	1,3-13	409	2,1	224,49	14,0	9,0					
	1,4-14	376	2,3	206,11	14,1	9,0					
	1,5-15	345	2,5	189,31	13,8	9,0					
	1,0-10	509	1,3	279,23	10,1	20,0	SK 673.1 - 71 L/4 - SK 200E-550-340-A (-C)			30	B78-79
	1,2-12	453	1,4	248,20	10,4	20,0					
	1,3-13	402	1,6	220,32	10,7	20,0	SK 673.1 - 71 L/4 - SK 180E-550-340-B (-C)				
	1,5-15	354	1,8	194,11	10,9	20,0					
	1,6-16	324	2,0	177,94	11,0	20,0					
	1,8-18	294	2,2	161,45	11,1	20,0					
	2,0-20	261	2,4	143,30	11,2	20,0					
	2,2-22	238	2,7	130,55	11,3	20,0					
	1,1-11	491	0,9	269,26	8,5	14,5	SK 573.1 - 71 L/4 - SK 200E-550-340-A (-C)				
1,3-13	413	1,1	226,30	9,5	14,5						
1,4-14	367	1,2	201,16	9,7	14,5	SK 573.1 - 71 L/4 - SK 180E-550-340-B (-C)					
1,5-15	345	1,3	188,91	9,8	14,5						
1,6-16	326	1,4	178,56	9,9	14,5						
1,8-18	290	1,6	158,78	10,0	14,5						
2,0-20	257	1,7	141,13	10,1	14,5						
2,3-23	229	2,0	125,45	10,2	14,5						
2,6-26	203	2,2	111,36	10,3	14,5						
2,7-27	196	2,2	107,42	10,3	14,5						
3,0-30	172	2,6	94,50	10,3	14,5						
3,4-34	155	2,9	85,18	10,4	14,5						
3,7-37	140	3,2	76,88	10,4	14,5						
4,3-43	123	3,6	67,64	10,4	14,5						
4,7-47	111	4,0	60,97	10,4	14,5						
5,2-52	102	4,4	55,80	10,4	14,5						
2,0-20	264	0,8	145,00	3,8	10,2	SK 373.1 - 71 L/4 - SK 200E-550-340-A (-C)	17	B66-67			
2,2-22	239	0,8	130,87	4,4	10,2						
2,4-24	220	0,9	120,54	5,1	10,2	SK 373.1 - 71 L/4 - SK 180E-550-340-B (-C)					
2,8-28	186	1,1	102,01	5,4	10,2						
3,1-31	167	1,3	91,48	5,5	10,2						
3,5-35	151	1,4	82,57	5,6	10,2						
3,9-39	135	1,5	74,27	5,7	10,2						
4,5-45	118	1,7	64,70	5,8	10,2						
4,8-48	110	1,8	60,22	5,9	10,2						
5,3-53	98,5	2,1	54,00	5,9	10,2						
6,1-61	85,8	2,4	47,05	6,0	10,2						
6,8-68	77,4	2,6	42,46	6,0	10,2						
7,7-77	67,9	2,9	37,23	6,0	10,2						
8,7-87	60,5	3,3	33,20	6,0	10,2						
9,7-97	54,3	3,9	29,77	5,9	10,2						
4,0-40	132	1,1	72,38	5,8	10,2	SK 372.1 - 71 L/4 - SK 200E-550-340-A (-C)	16	B64-65			
4,5-45	117	1,4	64,06	5,8	10,2						
4,7-47	111	1,4	60,83	5,9	10,2	SK 372.1 - 71 L/4 - SK 180E-550-340-B (-C)					
5,3-53	98,2	1,6	53,84	5,9	10,2						
6,7-67	78,9	2,2	43,26	6,0	10,2						
7,6-76	69,5	2,6	38,12	6,0	10,2						
8,5-85	61,7	3,1	33,84	6,0	10,2						
9,6-96	54,9	3,3	30,11	5,9	10,2						
7,4-74	70,7	1,2	38,75	2,8	3,9	SK 172.1 - 71 L/4 - SK 200E-550-340-A (-C)			13	B62-63	
8,3-83	63,0	1,4	34,52	2,8	3,9						
9,3-93	56,5	1,6	31,00	2,8	3,9	SK 172.1 - 71 L/4 - SK 180E-550-340-B (-C)					
10-104	50,4	1,8	27,62	2,8	3,9						

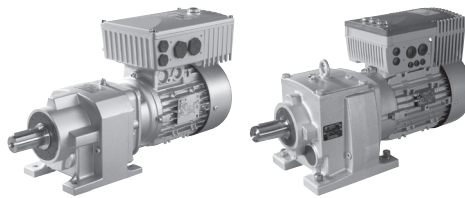


P_1 [kW]	n_2 [min ⁻¹]	M_{2b} [Nm]	f_B	i_{ges}	F_R [kN]	F_A [kN]	Type	kg	mm B		
0,55	12-116	45,2	2,0	24,80	2,8	3,9	SK 172.1 - 71 L/4 - SK 200E-550-340-A (-C)	13	B62-63		
	13-128	40,9	2,3	22,42	2,8	3,9					
	14-141	37,2	2,3	20,37	2,8	3,9	SK 172.1 - 71 L/4 - SK 180E-550-340-B (-C)				
	15-155	33,9	2,5	18,60	2,8	3,9					
	18-183	28,7	3,0	15,76	2,8	3,9					
	21-213	24,7	3,4	13,54	2,8	3,9					
	10-104	50,7	1,1	27,78	2,5	2,9	SK 072.1 - 71 L/4 - SK 200E-550-340-A (-C)			12	B60-61
	12-116	45,1	1,2	24,75	2,4	2,9					
	13-130	40,5	1,4	22,22	2,4	2,9	SK 072.1 - 71 L/4 - SK 180E-550-340-B (-C)				
	15-150	35,0	1,6	19,20	2,3	2,9					
	17-166	31,6	1,7	17,35	2,2	2,9					
	18-183	28,8	1,9	15,77	2,2	2,9					
	20-200	26,3	1,9	14,40	2,1	2,9					
	22-218	24,1	2,0	13,20	2,1	2,9					
25-249	21,1	2,4	11,56	2,1	2,9						
29-288	18,2	3,0	10,00	2,0	2,9						
32-323	16,2	3,4	8,91	1,9	2,9						
36-360	14,6	3,8	8,00	1,9	2,9						
40-398	13,2	4,2	7,23	1,8	2,9						
44-438	12,0	4,4	6,57	1,8	2,9						
48-483	10,9	5,1	5,96	1,7	2,9						
52-524	10,0	5,5	5,50	1,7	2,9						
54-542	9,7	5,7	5,31	1,7	2,9						
60-604	8,7	6,1	4,77	1,6	2,8						
67-668	7,9	6,4	4,31	1,6	2,7						
74-735	7,1	6,3	3,92	1,5	2,7						
0,75	1,0-10	708	1,2	288,78	12,5	9,0	SK 773.1 - 80 SH/4 - SK 200E-750-340-A (-C)	46	B82-83		
	1,1-11	638	1,4	260,18	13,1	9,0					
	1,2-12	597	1,4	243,53	13,3	9,0	SK 773.1 - 80 SH/4 - SK 180E-750-340-B (-C)				
	1,3-13	551	1,5	224,49	13,5	9,0					
	1,4-14	506	1,7	206,11	13,5	9,0					
	1,5-15	464	1,8	189,31	13,3	9,0					
	1,6-16	438	1,9	178,53	13,1	9,0					
	1,8-18	393	2,2	160,22	12,7	9,0					
	1,9-19	371	1,9	151,10	12,5	9,0					
	2,1-21	340	2,5	138,78	12,3	9,0					
	1,0-10	685	0,9	279,23	8,6	20,0	SK 673.1 - 80 SH/4 - SK 200E-750-340-A (-C)			33	B78-79
	1,2-12	609	1,1	248,20	9,3	20,0					
	1,3-13	540	1,2	220,32	9,8	20,0	SK 673.1 - 80 SH/4 - SK 180E-750-340-B (-C)				
	1,5-15	476	1,3	194,11	10,3	20,0					
1,6-16	436	1,5	177,94	10,5	20,0						
1,8-18	396	1,6	161,45	10,7	20,0						
2,0-20	360	1,8	146,88	10,9	20,0						
2,2-22	320	2,0	130,55	11,0	20,0						
2,4-24	302	2,1	123,33	11,1	20,0						
2,5-25	284	2,3	115,89	11,1	20,0						
2,8-28	254	2,5	103,48	11,2	20,0						
3,1-31	233	2,8	94,86	11,3	20,0						
1,3-13	555	0,8	226,30	7,6	14,5	SK 573.1 - 80 SH/4 - SK 200E-750-340-A (-C)	27	B72-75			
1,5-15	493	0,9	201,16	8,5	14,5						
1,6-16	438	1,0	178,56	9,3	14,5	SK 573.1 - 80 SH/4 - SK 180E-750-340-B (-C)					
1,8-18	389	1,2	158,78	9,6	14,5						
2,1-21	346	1,3	141,13	9,8	14,5						
2,3-23	308	1,5	125,45	9,9	14,5						
2,6-26	273	1,6	111,36	10,1	14,5						
2,7-27	268	1,7	109,12	10,1	14,5						
3,1-31	232	1,9	94,50	10,2	14,5						
3,4-34	209	2,2	85,18	10,2	14,5						

1:10

0,75 kW

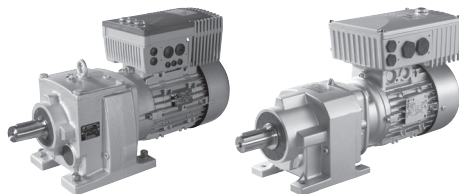
IE2



NORD
DRIVESYSTEMS

NORDBLOC.1
Helical gear units

P ₁ [kW]	n ₂ [min ⁻¹]	M _{2b} [Nm]	f _B	i _{ges}	F _R	F _A	Type	mm			
								kg	B		
0,75	3,8-38	189	2,4	76,88	10,3	14,5	SK 573.1 - 80 SH/4 - SK 200E-750-340-A (-C)	27	B72-75		
	4,3-43	166	2,7	67,64	10,3	14,5					
	4,8-48	150	3,0	60,97	10,4	14,5	SK 573.1 - 80 SH/4 - SK 180E-750-340-B (-C)				
	5,2-52	137	3,3	55,80	10,4	14,5					
	5,9-59	122	3,7	49,60	10,4	14,5					
	6,1-61	118	3,8	47,95	10,4	14,5					
	6,7-67	106	4,2	43,40	10,4	14,5					
	6,9-69	103	4,3	42,18	10,4	14,5					
	5,4-54	133	2,8	54,41	10,4	15,0	SK 572.1 - 80 SH/4 - SK 200E-750-340-A (-C)				
	6,4-64	112	2,9	45,77	10,4	15,0	SK 572.1 - 80 SH/4 - SK 180E-750-340-B (-C)				
	6,9-69	104	3,6	42,38	10,4	15,0					
	2,9-29	250	0,8	102,01	4,4	10,2	SK 373.1 - 80 SH/4 - SK 200E-750-340-A (-C)			20	B66-67
	3,2-32	224	0,9	91,48	4,6	10,2					
	3,5-35	203	1,0	82,57	4,7	10,2	SK 373.1 - 80 SH/4 - SK 180E-750-340-B (-C)				
3,9-39	182	1,1	74,27	5,1	10,2						
4,5-45	159	1,3	64,70	5,3	10,2						
4,8-48	148	1,4	60,22	5,4	10,2						
5,4-54	132	1,6	54,00	5,4	10,2						
6,2-62	115	1,8	47,05	5,4	10,2						
6,9-69	104	1,9	42,46	5,4	10,2						
7,8-78	91,3	2,2	37,23	5,4	10,2						
8,8-88	81,4	2,5	33,20	5,5	10,2						
9,8-98	73,0	2,9	29,77	5,4	10,2						
11-113	63,6	3,3	25,94	5,3	10,2						
12-125	57,4	3,7	23,41	5,2	10,2						
13-128	55,8	3,8	22,74	5,2	10,2						
14-142	50,3	4,2	20,52	5,1	10,2						
16-157	45,7	4,2	18,63	5,0	10,2						
4,8-48	149	1,0	60,83	5,6	10,2	SK 372.1 - 80 SH/4 - SK 200E-750-340-A (-C)	19	B64-65			
5,4-54	132	1,2	53,84	5,6	10,2						
6,8-68	106	1,6	43,26	5,6	10,2	SK 372.1 - 80 SH/4 - SK 180E-750-340-B (-C)					
7,7-77	93,5	1,9	38,12	5,5	10,2						
8,6-86	83,0	2,3	33,84	5,5	10,2						
9,7-97	73,8	2,4	30,11	5,4	10,2						
11-113	63,4	3,0	25,85	5,4	10,2						
13-127	56,4	3,5	23,00	5,2	10,2						
14-142	50,6	3,8	20,62	5,1	10,2						
16-159	45,1	4,4	18,40	5,1	10,2						
18-177	40,5	4,7	16,50	4,9	10,2						
11-106	67,7	1,4	27,62	2,8	3,9	SK 172.1 - 80 SH/4 - SK 200E-750-340-A (-C)			16	B62-63	
12-118	60,8	1,5	24,80	2,8	3,9						
13-130	55,0	1,7	22,42	2,8	3,9	SK 172.1 - 80 SH/4 - SK 180E-750-340-B (-C)					
14-143	50,0	1,7	20,37	2,8	3,9						
16-157	45,6	1,8	18,60	2,8	3,9						
19-185	38,6	2,2	15,76	2,8	3,9						
22-216	33,2	2,6	13,54	2,8	3,9						
24-242	29,6	2,9	12,06	2,8	3,9						
26-256	27,9	3,0	11,39	2,8	3,9						
27-270	26,6	3,2	10,83	2,8	3,9						
30-298	24,0	3,5	9,79	2,8	3,9						
33-335	21,4	4,1	8,72	2,8	3,9						
37-373	19,2	4,3	7,83	2,8	3,9						
41-412	17,4	4,7	7,08	2,8	3,9						
45-454	15,8	5,2	6,43	2,8	3,9						
51-506	14,2	5,4	5,77	2,8	3,9						
57-568	12,6	6,6	5,14	2,8	3,9						
63-633	11,3	6,4	4,62	2,8	3,9						
70-700	10,2	6,4	4,17	2,8	3,7						
77-770	9,3	6,3	3,79	2,8	3,6						





1:10
1,10 kW

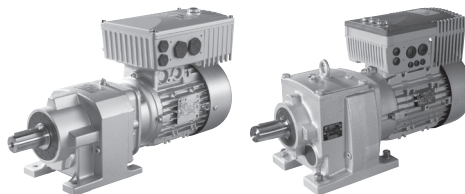
P_1 [kW]	n_2 [min ⁻¹]	M_{2b} [Nm]	f_B	i_{ges}	F_R [kN]	F_A [kN]	Type	kg	mm B		
1,10	1,1-11	956	0,9	265,24	10,0	9,0	SK 773.1 - 80 LH/4 - SK 200E-111-340-A (-C) SK 773.1 - 80 LP/4 - SK 200E-111-340-A (-C)	47	B82-83		
	1,3-13	809	1,1	224,49	11,5	9,0					
	1,5-15	682	1,2	189,31	12,5	9,0					
	1,8-18	577	1,5	160,22	12,0	9,0	SK 773.1 - 80 LH/4 - SK 180E-111-340-B (-C) SK 773.1 - 80 LP/4 - SK 180E-111-340-B (-C)				
	2,1-21	500	1,7	138,78	11,7	9,0					
	2,5-25	423	2,1	117,46	11,2	9,0					
	2,6-26	403	2,1	111,92	11,1	9,0					
	3,0-30	348	2,4	96,57	10,7	9,0					
	3,1-31	337	2,5	93,61	10,6	9,0					
	1,3-13	794	0,8	220,32	7,3	20,0	SK 673.1 - 80 LH/4 - SK 200E-111-340-A (-C) SK 673.1 - 80 LP/4 - SK 200E-111-340-A (-C)			34	B78-79
	1,6-16	655	1,0	181,88	8,9	20,0					
	1,8-18	582	1,1	161,45	9,5	20,0					
	2,0-20	529	1,2	146,88	9,9	20,0	SK 673.1 - 80 LH/4 - SK 180E-111-340-B (-C) SK 673.1 - 80 LP/4 - SK 180E-111-340-B (-C)				
	2,2-22	470	1,4	130,55	10,3	20,0					
	2,4-24	444	1,4	123,33	10,4	20,0					
	2,5-25	418	1,5	115,89	10,6	20,0					
2,8-28	373	1,7	103,48	10,8	20,0						
3,1-31	342	1,9	94,86	10,9	20,0						
3,5-35	302	2,1	83,70	11,1	20,0						
4,0-40	265	2,4	73,64	11,2	20,0						
4,4-44	238	2,7	65,95	11,3	20,0						
2,1-21	492	0,9	136,40	8,5	14,5	SK 573.1 - 80 LH/4 - SK 200E-111-340-A (-C) SK 573.1 - 80 LP/4 - SK 200E-111-340-A (-C)	28	B72-75			
2,3-23	452	1,0	125,45	9,1	14,5						
2,6-26	401	1,1	111,36	9,5	14,5						
2,7-27	387	1,1	107,42	9,6	14,5	SK 573.1 - 80 LH/4 - SK 180E-111-340-B (-C) SK 573.1 - 80 LP/4 - SK 180E-111-340-B (-C)					
3,1-31	341	1,3	94,50	9,8	14,5						
3,4-34	307	1,5	85,18	9,9	14,5						
3,8-38	277	1,6	76,88	10,0	14,5						
4,3-43	244	1,8	67,64	10,2	14,5						
4,8-48	220	2,0	60,97	10,2	14,5						
5,2-52	201	2,2	55,80	10,3	14,5						
5,9-59	179	2,5	49,60	10,3	14,5						
6,1-61	173	2,6	47,95	10,3	14,5						
6,7-67	156	2,9	43,40	10,4	14,5						
6,9-69	152	3,0	42,18	10,4	14,5						
7,7-77	137	3,3	38,02	10,4	14,5						
8,4-84	125	3,5	34,80	10,4	14,5						
5,4-54	196	1,9	54,41	10,3	15,0	SK 572.1 - 80 LH/4 - SK 200E-111-340-A (-C) SK 572.1 - 80 LP/4 - SK 200E-111-340-A (-C)	28	B68-71			
6,4-64	165	1,9	45,77	10,3	15,0						
6,9-69	153	2,4	42,38	10,4	15,0						
8,2-82	128	2,9	35,65	10,4	15,0	SK 572.1 - 80 LH/4 - SK 180E-111-340-B (-C) SK 572.1 - 80 LP/4 - SK 180E-111-340-B (-C)					
4,5-45	233	0,9	64,70	3,3	10,2	SK 373.1 - 80 LH/4 - SK 200E-111-340-A (-C) SK 373.1 - 80 LP/4 - SK 200E-111-340-A (-C)	21	B66-67			
4,8-48	217	0,9	60,22	3,5	10,2						
5,4-54	195	1,1	54,00	3,7	10,2						
6,2-62	170	1,2	47,05	4,0	10,2	SK 373.1 - 80 LH/4 - SK 180E-111-340-B (-C) SK 373.1 - 80 LP/4 - SK 180E-111-340-B (-C)					
6,9-69	153	1,3	42,46	4,0	10,2						
7,8-78	134	1,5	37,23	4,2	10,2						
8,8-88	120	1,7	33,20	4,4	10,2						
9,8-98	107	2,0	29,77	4,4	10,2						
11-112	93,5	2,2	25,94	4,5	10,2						
12-125	84,4	2,5	23,41	4,4	10,2						
13-128	81,9	2,6	22,74	4,5	10,2						
14-142	74,0	2,8	20,52	4,4	10,2						
16-157	67,1	2,8	18,63	4,4	10,2						

NORDBLOC.1
Helical gear units

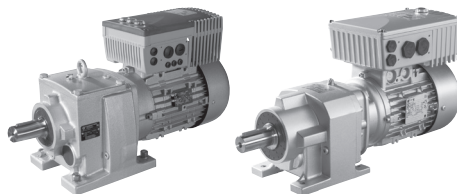
1:10**1,10 kW****1,50 kW**

IE2

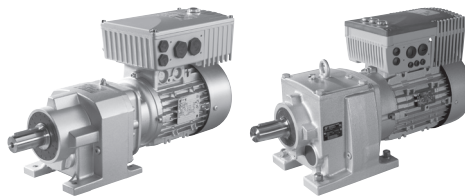
IE3


NORDBLOC.1
 Helical gear units

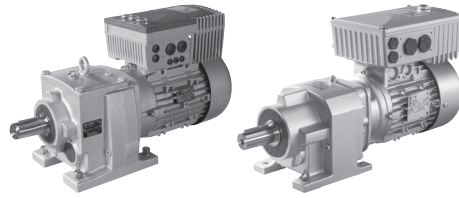
P_1 [kW]	n_2 [min ⁻¹]	M_{2b} [Nm]	f_B	i_{ges}	F_R [kN]	F_A [kN]	Type	kg	mm B		
1,10	6,7-67	156	1,1	43,26	4,3	10,2	SK 372.1 - 80 LH/4 - SK 200E-111-340-A (-C) SK 372.1 - 80 LP/4 - SK 200E-111-340-A (-C)	20	B64-65		
	7,6-76	137	1,3	38,12	4,4	10,2					
	8,6-86	122	1,6	33,84	4,5	10,2					
	9,7-97	108	1,7	30,11	4,5	10,2	SK 372.1 - 80 LH/4 - SK 180E-111-340-B (-C) SK 372.1 - 80 LP/4 - SK 180E-111-340-B (-C)				
	11-113	93,2	2,0	25,85	4,6	10,2					
	13-127	82,9	2,4	23,00	4,5	10,2					
	14-141	74,3	2,6	20,62	4,5	10,2					
	16-158	66,3	3,0	18,40	4,5	10,2					
	18-177	59,5	3,2	16,50	4,4	10,2					
	20-200	52,5	3,6	14,57	4,4	10,2					
	22-225	46,7	4,3	12,96	4,3	10,2					
	11-106	99,5	0,9	27,62	2,8	3,9	SK 172.1 - 80 LH/4 - SK 200E-111-340-A (-C) SK 172.1 - 80 LP/4 - SK 200E-111-340-A (-C)			17	B62-63
	12-118	89,4	1,0	24,80	2,8	3,9					
	13-130	80,8	1,1	22,42	2,8	3,9					
	14-143	73,4	1,2	20,37	2,8	3,9	SK 172.1 - 80 LH/4 - SK 180E-111-340-B (-C) SK 172.1 - 80 LP/4 - SK 180E-111-340-B (-C)				
	16-157	67,0	1,3	18,60	2,8	3,9					
	18-185	56,8	1,5	15,76	2,8	3,9					
	22-215	48,8	1,7	13,54	2,8	3,9					
	24-242	43,5	2,0	12,06	2,8	3,9					
26-256	41,1	2,1	11,39	2,8	3,9						
27-269	39,0	2,2	10,83	2,8	3,9						
30-298	35,3	2,4	9,79	2,8	3,9						
33-334	31,4	2,8	8,72	2,8	3,9						
37-372	28,2	2,9	7,83	2,8	3,9						
41-412	25,5	3,2	7,08	2,8	3,9						
45-453	23,2	3,5	6,43	2,8	3,9						
51-505	20,8	3,7	5,77	2,8	3,9						
57-567	18,5	4,5	5,14	2,8	3,9						
63-632	16,6	4,3	4,62	2,8	3,8						
70-699	15,0	4,3	4,17	2,8	3,6						
77-769	13,7	4,3	3,79	2,7	3,5						
1,50	1,1-11	1262	2,6	258,57	27,6	22,0	SK 973.1 - 90 SH/4 - SK 200E-151-340-A (-C) SK 973.1 - 90 SP/4 - SK 200E-151-340-A (-C)	126	B90-91		
	1,3-13	1146	2,9	234,77	27,8	22,0					
	1,5-15	964	3,4	197,50	28,0	22,0					
	1,6-16	875	3,8	179,32	28,1	22,0	SK 973.1 - 90 SH/4 - SK 180E-151-340-B (-C) SK 973.1 - 90 SP/4 - SK 180E-151-340-B (-C)				
	1,7-17	847	3,5	173,58	28,2	22,0					
	1,0-10	1390	1,2	284,73	17,2	18,0	SK 873.1 - 90 SH/4 - SK 200E-151-340-A (-C) SK 873.1 - 90 SP/4 - SK 200E-151-340-A (-C)			87	B86-87
	1,1-11	1257	1,4	257,61	17,7	18,0					
	1,3-13	1133	1,5	232,16	18,2	18,0					
	1,4-14	1030	1,7	210,95	18,5	18,0	SK 873.1 - 90 SH/4 - SK 180E-151-340-B (-C) SK 873.1 - 90 SP/4 - SK 180E-151-340-B (-C)				
	1,5-15	931	1,8	190,86	18,8	18,0					
	1,8-18	807	2,1	165,42	19,1	18,0					
	2,0-20	734	2,3	150,31	19,3	18,0					
	2,2-22	664	2,6	135,99	19,4	18,0					
	2,3-23	622	2,7	127,52	19,5	18,0					
	2,5-25	566	3,0	115,88	19,6	18,0					
	2,8-28	512	3,3	104,84	19,2	18,0					
	2,9-29	493	3,4	101,02	19,0	18,0					
	3,2-32	446	3,8	91,43	18,5	18,0					
	1,3-13	1096	0,8	224,49	8,3	9,0	SK 773.1 - 90 SH/4 - SK 200E-151-340-A (-C) SK 773.1 - 90 SP/4 - SK 200E-151-340-A (-C)				
1,6-16	924	0,9	189,31	10,4	9,0						
1,8-18	782	1,1	160,22	11,2	9,0						
2,1-21	677	1,3	138,78	11,0	9,0	SK 773.1 - 90 SH/4 - SK 180E-151-340-B (-C) SK 773.1 - 90 SP/4 - SK 180E-151-340-B (-C)					
2,5-25	573	1,5	117,46	10,6	9,0						
2,6-26	546	1,6	111,92	10,6	9,0						
3,0-30	471	1,8	96,57	10,2	9,0						
3,1-31	457	1,9	93,61	10,2	9,0						
3,5-35	407	2,1	83,32	9,9	9,0						
3,7-37	387	2,3	79,23	9,8	9,0						
4,1-41	351	2,4	71,89	9,6	9,0						
4,3-43	336	2,5	68,92	9,5	9,0						



P_1 [kW]	n_2 [min ⁻¹]	M_{2b} [Nm]	f_B	i_{ges}	F_R	F_A [kN]	Type	kg	mm B		
1,50	1,8-18	788	0,8	161,45	7,4	20,0	SK 673.1 - 90 SH/4 - SK 200E-151-340-A (-C) SK 673.1 - 90 SP/4 - SK 200E-151-340-A (-C)	39	B78-79		
	2,0-20	717	0,9	146,88	8,3	20,0					
	2,2-22	657	1,0	134,64	8,9	20,0					
	2,4-24	602	1,1	123,33	9,4	20,0	SK 673.1 - 90 SH/4 - SK 180E-151-340-B (-C) SK 673.1 - 90 SP/4 - SK 180E-151-340-B (-C)				
	2,5-25	566	1,1	115,89	9,7	20,0					
	2,8-28	505	1,3	103,48	10,1	20,0					
	3,1-31	463	1,4	94,86	10,3	20,0					
	3,5-35	408	1,6	83,70	10,6	20,0					
	4,0-40	359	1,8	73,64	10,9	20,0					
	4,5-45	322	2,0	65,95	11,0	20,0					
	4,9-49	295	2,2	60,45	11,1	20,0					
	5,3-53	269	2,4	55,12	11,2	20,0					
	5,9-59	242	2,6	49,50	11,3	20,0					
	6,5-65	219	2,9	44,85	11,3	20,0					
	5,2-52	276	1,4	56,65	11,2	20,0	SK 672.1 - 90 SH/4 - SK 200E-151-340-A (-C) SK 672.1 - 90 SP/4 - SK 200E-151-340-A (-C)			38	B76-77
	6,6-66	217	2,1	44,55	11,3	20,0	SK 672.1 - 90 SH/4 - SK 180E-151-340-B (-C) SK 672.1 - 90 SP/4 - SK 180E-151-340-B (-C)				
	2,6-26	543	0,8	111,36	7,7	14,5	SK 573.1 - 90 SH/4 - SK 200E-151-340-A (-C) SK 573.1 - 90 SP/4 - SK 200E-151-340-A (-C)	33	B72-75		
	2,7-27	524	0,8	107,42	8,1	14,5					
	3,1-31	461	1,0	94,50	8,8	14,5					
	3,4-34	416	1,1	85,18	9,1	14,5	SK 573.1 - 90 SH/4 - SK 180E-151-340-B (-C) SK 573.1 - 90 SP/4 - SK 180E-151-340-B (-C)				
	3,8-38	375	1,2	76,88	9,2	14,5					
	4,3-43	330	1,4	67,64	9,5	14,5					
	4,8-48	298	1,5	60,97	9,6	14,5					
	5,3-53	272	1,7	55,80	9,8	14,5					
	5,9-59	242	1,9	49,60	9,8	14,5					
	6,1-61	234	1,9	47,95	9,8	14,5					
	6,8-68	212	2,1	43,40	9,8	14,5					
	7,0-70	206	2,2	42,18	9,8	14,5					
	7,7-77	186	2,4	38,02	9,7	14,5					
	8,4-84	170	2,6	34,80	9,7	14,5					
9,5-95	151	2,9	30,93	9,5	14,5						
11-110	131	3,3	26,77	9,4	14,5						
12-123	116	3,7	23,79	9,2	14,5						
	5,4-54	266	1,4	54,41	10,1	15,0	SK 572.1 - 90 SH/4 - SK 200E-151-340-A (-C) SK 572.1 - 90 SP/4 - SK 200E-151-340-A (-C)	33	B68-71		
	6,4-64	223	1,4	45,77	10,0	15,0					
	6,9-69	207	1,8	42,38	10,0	15,0					
	8,2-82	174	2,1	35,65	9,8	15,0	SK 572.1 - 90 SH/4 - SK 180E-151-340-B (-C) SK 572.1 - 90 SP/4 - SK 180E-151-340-B (-C)				
	9,4-94	153	2,4	31,28	9,8	15,0					
	10-102	141	2,7	28,91	9,6	15,0					
	11-109	132	3,0	27,00	9,5	15,0					
	12-119	120	3,6	24,58	9,3	15,0					
13-134	107	3,9	21,85	9,1	15,0						
	5,4-54	264	0,8	54,00	1,8	10,2	SK 373.1 - 90 SH/4 - SK 200E-151-340-A (-C) SK 373.1 - 90 SP/4 - SK 200E-151-340-A (-C)	26	B66-67		
	6,2-62	230	0,9	47,05	2,3	10,2					
	6,9-69	207	1,0	42,46	2,5	10,2					
	7,9-79	182	1,1	37,23	2,9	10,2	SK 373.1 - 90 SH/4 - SK 180E-151-340-B (-C) SK 373.1 - 90 SP/4 - SK 180E-151-340-B (-C)				
	8,8-88	162	1,2	33,20	3,3	10,2					
	9,9-99	145	1,4	29,77	3,4	10,2					
	11-113	127	1,7	25,94	3,6	10,2					
	13-129	111	1,9	22,74	3,7	10,2					
	14-143	100	2,1	20,52	3,7	10,2					
	16-158	90,9	2,1	18,63	3,7	10,2					

1:10**1,50 kW
2,20 kW**
NORDBLOC.1
 Helical gear units

P ₁ [kW]	n ₂ [min ⁻¹]	M _{2b} [Nm]	f _B	i _{ges}	F _R	F _A [kN]	Type	mm			
								kg			
1,50	8,7-87	165	1,2	33,84	3,3	10,2	SK 372.1 - 90 SH/4 - SK 200E-151-340-A (-C) SK 372.1 - 90 SP/4 - SK 200E-151-340-A (-C)	25	B64-65		
	9,7-97	147	1,2	30,11	3,4	10,2					
	11-114	126	1,5	25,85	3,7	10,2					
	13-128	112	1,8	23,00	3,7	10,2	SK 372.1 - 90 SH/4 - SK 180E-151-340-B (-C) SK 372.1 - 90 SP/4 - SK 180E-151-340-B (-C)				
	14-142	101	1,9	20,62	3,8	10,2					
	16-160	89,8	2,2	18,40	3,9	10,2					
	18-178	80,5	2,4	16,50	3,8	10,2					
	20-201	71,1	2,7	14,57	3,9	10,2					
	23-226	63,3	3,2	12,96	3,9	10,2					
	25-254	56,4	3,4	11,55	3,9	10,2					
	29-285	50,2	3,8	10,28	3,8	9,9					
	31-312	45,9	4,1	9,40	3,8	9,6					
	26-258	55,6	1,5	11,39	2,8	3,9	SK 172.1 - 90 SH/4 - SK 200E-151-340-A (-C) SK 172.1 - 90 SP/4 - SK 200E-151-340-A (-C)			22	B62-63
	30-300	47,8	1,8	9,79	2,8	3,9					
	34-336	42,6	2,1	8,72	2,8	3,9					
37-375	38,2	2,1	7,83	2,8	3,9	SK 172.1 - 90 SH/4 - SK 180E-151-340-B (-C) SK 172.1 - 90 SP/4 - SK 180E-151-340-B (-C)					
41-415	34,6	2,4	7,08	2,8	3,9						
46-456	31,4	2,6	6,43	2,8	3,9						
51-509	28,2	2,7	5,77	2,8	3,9						
57-571	25,1	3,3	5,14	2,8	3,9						
64-636	22,5	3,2	4,62	2,8	3,7						
70-704	20,4	3,2	4,17	2,7	3,5						
77-774	18,5	3,2	3,79	2,7	3,4						
2,20	1,1-11	1864	1,8	258,57	26,6	22,0	SK 973.1 - 90 LH/4 - SK 200E-221-340-A (-C) SK 973.1 - 90 LP/4 - SK 200E-221-340-A (-C)	127	B90-91		
	1,2-12	1692	2,0	234,77	26,9	22,0					
	1,5-15	1423	2,3	197,50	27,4	22,0					
	1,6-16	1292	2,6	179,32	27,6	22,0	SK 973.1 - 90 LH/4 - SK 180E-221-340-B (-C) SK 973.1 - 90 LP/4 - SK 180E-221-340-B (-C)				
	1,7-17	1251	2,4	173,58	27,6	22,0					
	1,8-18	1136	2,6	157,60	27,8	22,0					
	2,2-22	955	3,5	132,45	28,0	22,0					
	2,4-24	867	3,8	120,26	28,2	22,0					
	1,0-10	2052	0,8	284,73	12,9	18,0	SK 873.1 - 90 LH/4 - SK 200E-221-340-A (-C) SK 873.1 - 90 LP/4 - SK 200E-221-340-A (-C)			88	B86-87
	1,1-11	1857	0,9	257,61	14,5	18,0					
	1,3-13	1673	1,0	232,16	15,7	18,0					
	1,4-14	1520	1,1	210,95	16,5	18,0	SK 873.1 - 90 LH/4 - SK 180E-221-340-B (-C) SK 873.1 - 90 LP/4 - SK 180E-221-340-B (-C)				
	1,5-15	1376	1,2	190,86	17,2	18,0					
	1,8-18	1192	1,4	165,42	18,0	18,0					
	1,9-19	1083	1,6	150,31	18,3	18,0					
2,1-21	980	1,7	135,99	18,7	18,0						
2,3-23	919	1,8	127,52	18,8	18,0						
2,5-25	835	2,0	115,88	18,9	18,0						
2,8-28	756	2,2	104,84	18,4	18,0						
2,9-29	728	2,3	101,02	18,3	18,0						
3,2-32	659	2,6	91,43	17,8	18,0						
3,5-35	599	2,8	83,08	17,4	18,0						
3,9-39	535	3,2	74,29	16,9	18,0						
4,3-43	486	3,5	67,50	16,5	18,0						
4,8-48	440	3,9	61,07	16,0	18,0						
2,6-26	807	1,1	111,92	9,6	9,0	SK 773.1 - 90 LH/4 - SK 200E-221-340-A (-C) SK 773.1 - 90 LP/4 - SK 200E-221-340-A (-C)	53	B82-83			
3,0-30	696	1,2	96,57	9,4	9,0						
3,1-31	675	1,3	93,61	9,4	9,0						
3,5-35	600	1,4	83,32	9,2	9,0	SK 773.1 - 90 LH/4 - SK 180E-221-340-B (-C) SK 773.1 - 90 LP/4 - SK 180E-221-340-B (-C)					
3,7-37	571	1,5	79,23	9,1	9,0						
4,1-41	518	1,6	71,89	8,9	9,0						
4,2-42	497	1,7	68,92	8,9	9,0						
4,6-46	457	1,9	63,42	8,7	9,0						
5,1-51	415	2,0	57,64	8,6	9,0						
5,7-57	370	2,3	51,31	8,4	9,0						
6,1-61	343	2,5	47,61	8,2	9,0						

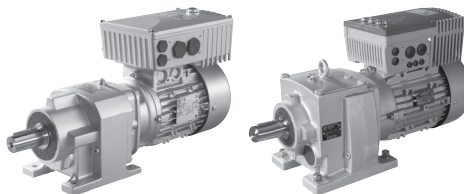


P_1 [kW]	n_2 [min ⁻¹]	M_{2b} [Nm]	f_B	i_{ges}	F_R [kN]	F_A [kN]	Type	kg	mm B
2,20	2,8-28	746	0,9	103,48	7,9	20,0	SK 673.1 - 90 LH/4 - SK 200E-221-340-A (-C) SK 673.1 - 90 LP/4 - SK 200E-221-340-A (-C)	41	B78-79
	3,1-31	684	0,9	94,86	8,6	20,0			
	3,5-35	603	1,1	83,70	9,4	20,0			
	4,0-40	531	1,2	73,64	9,9	20,0	SK 673.1 - 90 LH/4 - SK 180E-221-340-B (-C) SK 673.1 - 90 LP/4 - SK 180E-221-340-B (-C)		
	4,4-44	475	1,3	65,95	10,3	20,0			
	4,8-48	436	1,5	60,45	10,5	20,0			
	5,3-53	397	1,6	55,12	10,7	20,0			
	5,9-59	357	1,8	49,50	10,9	20,0			
	6,5-65	323	2,0	44,85	11,0	20,0			
	7,0-70	299	2,1	41,54	11,1	20,0			
	7,8-78	268	2,4	37,23	11,2	20,0			
8,5-85	246	2,4	34,12	11,3	20,0				
	6,5-65	321	1,4	44,55	11,0	20,0	SK 672.1 - 90 LH/4 - SK 200E-221-340-A (-C) SK 672.1 - 90 LP/4 - SK 200E-221-340-A (-C)	40	B76-77
	8,2-82	258	2,1	35,75	11,2	20,0			
	8,9-89	235	2,6	32,58	11,3	20,0	SK 672.1 - 90 LH/4 - SK 180E-221-340-B (-C) SK 672.1 - 90 LP/4 - SK 180E-221-340-B (-C)		
	3,8-38	554	0,8	76,88	5,4	14,5	SK 573.1 - 90 LH/4 - SK 200E-221-340-A (-C) SK 573.1 - 90 LP/4 - SK 200E-221-340-A (-C)	35	B72-75
	4,3-43	487	0,9	67,64	6,1	14,5			
	4,8-48	439	1,0	60,97	6,6	14,5			
	5,2-52	402	1,1	55,80	7,1	14,5	SK 573.1 - 90 LH/4 - SK 180E-221-340-B (-C) SK 573.1 - 90 LP/4 - SK 180E-221-340-B (-C)		
	5,9-59	357	1,3	49,60	7,3	14,5			
	6,1-61	346	1,3	47,95	7,4	14,5			
	6,7-67	313	1,4	43,40	7,6	14,5			
	6,9-69	304	1,5	42,18	7,7	14,5			
	7,7-77	274	1,6	38,02	7,8	14,5			
	8,4-84	251	1,8	34,80	8,0	14,5			
	9,4-94	223	2,0	30,93	8,0	14,5			
	11-109	193	2,2	26,77	8,1	14,5			
12-123	171	2,5	23,79	8,1	14,5				
	6,9-69	305	1,2	42,38	8,1	15,0	SK 572.1 - 90 LH/4 - SK 200E-221-340-A (-C) SK 572.1 - 90 LP/4 - SK 200E-221-340-A (-C)	34	B68-71
	8,2-82	257	1,4	35,65	8,2	15,0			
	9,3-93	225	1,6	31,28	8,3	15,0			
	10-101	208	1,8	28,91	8,3	15,0	SK 572.1 - 90 LH/4 - SK 180E-221-340-B (-C) SK 572.1 - 90 LP/4 - SK 180E-221-340-B (-C)		
	11-108	195	2,1	27,00	8,1	15,0			
	12-119	177	2,4	24,58	8,1	15,0			
	13-133	157	2,7	21,85	8,0	15,0			
	15-149	141	2,8	19,57	8,2	15,0			
	18-177	119	3,4	16,46	8,0	15,0			
	19-190	111	3,9	15,38	7,8	15,0			
	21-213	98,5	4,2	13,67	7,7	15,0			
	8,8-88	239	0,8	33,20	1,2	10,2	SK 373.1 - 90 LH/4 - SK 200E-221-340-A (-C) SK 373.1 - 90 LP/4 - SK 200E-221-340-A (-C)	27	B66-67
	9,8-98	215	1,0	29,77	1,5	10,2			
	11-112	187	1,1	25,94	1,9	10,2			
	12-125	169	1,2	23,41	2,1	10,2	SK 373.1 - 90 LH/4 - SK 180E-221-340-B (-C) SK 373.1 - 90 LP/4 - SK 180E-221-340-B (-C)		
	13-128	164	1,3	22,74	2,3	10,2			
	14-142	148	1,4	20,52	2,4	10,2			
	16-157	134	1,4	18,63	2,5	10,2			
	11-113	186	1,0	25,85	2,1	10,2	SK 372.1 - 90 LH/4 - SK 200E-221-340-A (-C) SK 372.1 - 90 LP/4 - SK 200E-221-340-A (-C)	27	B64-65
	13-127	166	1,2	23,00	2,3	10,2			
	14-141	149	1,3	20,62	2,5	10,2			
	16-158	133	1,5	18,40	2,7	10,2	SK 372.1 - 90 LH/4 - SK 180E-221-340-B (-C) SK 372.1 - 90 LP/4 - SK 180E-221-340-B (-C)		
	18-177	119	1,6	16,50	2,8	10,2			
	20-200	105	1,8	14,57	3,1	10,2			
	22-225	93,4	2,1	12,96	3,1	10,2			
	25-252	83,3	2,3	11,55	3,2	9,9			
	28-284	74,1	2,6	10,28	3,2	9,6			
	31-310	67,7	2,8	9,40	3,2	9,4			

1:10**2,20 kW**
3,00 kW

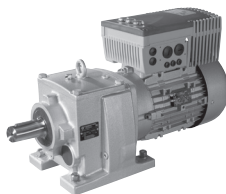
IE2

IE3



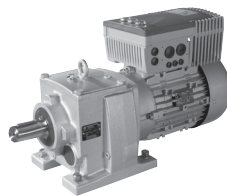
NORDBLOC.1
Helical gear units

P_1 [kW]	n_2 [min ⁻¹]	M_{2b} [Nm]	f_B	i_{ges}	F_R	F_A [kN]	Type	kg	mm B		
2,20	35-354	59,3	3,0	8,22	3,2	9,1	SK 372.1 - 90 LH/4 - SK 200E-221-340-A (-C)	27	B64-65		
	40-403	52,1	3,3	7,23	3,2	8,7	SK 372.1 - 90 LP/4 - SK 200E-221-340-A (-C)				
	42-423	49,6	3,4	6,89	3,2	8,6					
	44-443	47,4	3,4	6,58	3,3	8,5	SK 372.1 - 90 LH/4 - SK 180E-221-340-B (-C)				
	49-490	42,9	3,7	5,95	3,2	8,2	SK 372.1 - 90 LP/4 - SK 180E-221-340-B (-C)				
	56-556	37,8	4,2	5,24	3,1	7,7					
	26-256	82,1	1,0	11,39	2,8	3,9	SK 172.1 - 90 LH/4 - SK 200E-221-340-A (-C)				
	30-298	70,6	1,2	9,79	2,8	3,9	SK 172.1 - 90 LP/4 - SK 200E-221-340-A (-C)				
	33-334	62,9	1,4	8,72	2,8	3,9					
	37-372	56,5	1,5	7,83	2,8	3,9	SK 172.1 - 90 LH/4 - SK 180E-221-340-B (-C)				
	41-412	51,0	1,6	7,08	2,8	3,9	SK 172.1 - 90 LP/4 - SK 180E-221-340-B (-C)				
	45-453	46,4	1,8	6,43	2,8	3,9					
	51-505	41,6	1,9	5,77	2,8	3,8					
	57-567	37,0	2,2	5,14	2,8	3,6					
63-632	33,3	2,2	4,62	2,7	3,5						
70-699	30,1	2,2	4,17	2,6	3,3						
77-769	27,3	2,2	3,79	2,6	3,2						
3,00	1,0-10	2875	1,1	295,50	24,5	22,0	SK 973.1 - 100 LH/4 - SK 200E-301-340-A (-C)	137	B90-91		
	1,1-11	2515	1,3	258,57	25,3	22,0	SK 973.1 - 100 LP/4 - SK 200E-301-340-A (-C)				
	1,3-13	2284	1,4	234,77	25,8	22,0					
	1,5-15	1921	1,7	197,50	26,5	22,0					
	1,6-16	1744	1,9	179,32	26,8	22,0					
	1,7-17	1689	1,8	173,58	26,9	22,0					
	1,9-19	1533	2,0	157,60	27,2	22,0					
	2,2-22	1288	2,6	132,45	27,6	22,0					
	2,4-24	1170	2,8	120,26	27,7	22,0					
	2,8-28	1024	3,1	105,23	28,0	22,0					
	3,1-31	924	3,6	94,96	28,1	22,0					
	3,4-34	839	3,9	86,22	28,2	22,0					
	1,8-18	1609	1,1	165,42	16,0	18,0	SK 873.1 - 100 LH/4 - SK 200E-301-340-A (-C)			98	B86-87
	2,0-20	1462	1,2	150,31	16,8	18,0	SK 873.1 - 100 LP/4 - SK 200E-301-340-A (-C)				
2,2-22	1323	1,3	135,99	17,4	18,0						
2,3-23	1241	1,4	127,52	17,8	18,0						
2,5-25	1127	1,5	115,88	17,9	18,0						
2,8-28	1020	1,7	104,84	17,5	18,0						
2,9-29	983	1,7	101,02	17,4	18,0						
3,2-32	889	1,9	91,43	17,1	18,0						
3,5-35	808	2,1	83,08	16,7	18,0						
4,0-40	723	2,4	74,29	16,3	18,0						
4,4-44	657	2,6	67,50	15,9	18,0						
4,8-48	594	2,9	61,07	15,5	18,0						
5,3-53	538	3,2	55,35	15,1	18,0						
5,9-59	490	3,5	50,32	14,7	18,0						
6,5-65	443	3,8	45,53	14,3	18,0						
2,6-26	1089	0,8	111,92	6,6	7,9	SK 773.1 - 100 LH/4 - SK 200E-301-340-A (-C)	63	B82-83			
3,0-30	939	0,9	96,57	7,5	8,6	SK 773.1 - 100 LP/4 - SK 200E-301-340-A (-C)					
3,1-31	911	0,9	93,61	7,7	8,7						
3,5-35	811	1,0	83,32	8,2	9,0						
3,7-37	771	1,1	79,23	8,2	9,0						
4,1-41	699	1,2	71,89	8,2	9,0						
4,3-43	670	1,3	68,92	8,2	9,0						
4,6-46	617	1,4	63,42	8,1	9,0						
5,1-51	561	1,5	57,64	8,0	9,0						
5,7-57	499	1,7	51,31	7,8	9,0						
6,2-62	463	1,9	47,61	7,7	9,0						
6,8-68	422	2,1	43,43	7,6	9,0						
7,5-75	380	2,2	39,06	7,4	9,0						
8,2-82	348	2,4	35,77	7,3	9,0						
9,3-93	310	2,6	31,83	7,1	9,0						
10-103	279	2,9	28,63	6,9	9,0						



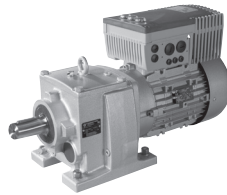
P_1 [kW]	n_2 [min ⁻¹]	M_{2b} [Nm]	f_B	i_{ges}	F_R [kN]	F_A [kN]	Type	kg	mm B			
3,00	5,3-53	536	1,2	55,12	9,9	20,0	SK 673.1 - 100 LH/4 - SK 200E-301-340-A (-C) SK 673.1 - 100 LP/4 - SK 200E-301-340-A (-C)	50	B78-79			
	5,9-59	482	1,3	49,50	10,2	20,0						
	6,6-66	436	1,5	44,85	10,5	20,0						
	7,1-71	404	1,6	41,54	10,7	20,0						
	7,9-79	362	1,8	37,23	10,8	20,0						
	8,6-86	332	1,8	34,12	11,0	20,0						
	9,5-95	301	1,8	30,92	11,1	20,0						
	11-107	269	1,9	27,61	11,2	20,0						
	9,0-90	317	1,9	32,58	11,0	20,0	SK 672.1 - 100 LH/4 - SK 200E-301-340-A (-C) SK 672.1 - 100 LP/4 - SK 200E-301-340-A (-C)	49	B76-77			
	10-101	283	1,9	29,08	11,1	20,0						
	11-112	255	2,4	26,23	11,2	20,0						
	4,8-48	593	0,8	60,97	3,2	14,5	SK 573.1 - 100 LH/4 - SK 200E-301-340-A (-C) SK 573.1 - 100 LP/4 - SK 200E-301-340-A (-C)	44	B72-75			
	5,3-53	543	0,8	55,80	4,1	14,5						
	5,9-59	482	0,9	49,60	4,5	14,5						
	6,8-68	422	1,1	43,40	5,2	14,5						
	7,7-77	370	1,2	38,02	5,7	14,5						
	8,5-85	339	1,3	34,80	6,1	14,5						
	9,5-95	301	1,5	30,93	6,3	14,5						
	11-110	260	1,7	26,77	6,7	14,5						
	12-124	231	1,9	23,79	6,7	14,5						
	9,4-94	304	1,2	31,28	6,7	15,0				SK 572.1 - 100 LH/4 - SK 200E-301-340-A (-C) SK 572.1 - 100 LP/4 - SK 200E-301-340-A (-C)	44	B68-71
12-120	239	1,8	24,58	6,8	15,0							
13-135	213	2,0	21,85	6,8	15,0							
15-150	190	2,1	19,57	7,1	15,0							
18-179	160	2,5	16,46	7,1	15,0							
19-192	150	2,9	15,38	7,0	15,0							
22-215	133	3,1	13,67	6,9	15,0							
23-232	123	3,5	12,68	6,9	15,0							
26-262	109	3,7	11,25	6,8	15,0							
29-293	97,7	4,1	10,04	6,7	15,0							
25-255	112	1,7	11,55	2,4	9,6	SK 372.1 - 100 LH/4 - SK 200E-301-340-A (-C) SK 372.1 - 100 LP/4 - SK 200E-301-340-A (-C)	36	B64-65				
29-286	100	1,9	10,28	2,5	9,3							
31-313	91,4	2,1	9,40	2,6	9,1							
36-358	80,0	2,2	8,22	2,7	8,8							
41-407	70,3	2,4	7,23	2,7	8,5							
43-428	67,0	2,5	6,89	2,8	8,4							
45-448	64,0	2,5	6,58	2,8	8,3							
50-495	57,9	2,8	5,95	2,8	8,0							
56-562	51,0	3,1	5,24	2,8	7,5							
63-631	45,4	3,1	4,66	2,7	7,1							
70-704	40,7	3,2	4,18	2,7	6,8							
78-780	36,7	3,3	3,78	2,7	6,5							
4,00	1,1-11	3377	1,0	258,57	23,2				22,0	SK 973.1 - 100 AH/4 - SK 200E-401-340-A (-C) SK 973.1 - 100 AP/4 - SK 200E-401-340-A (-C)	137	B90-91
	1,2-12	3066	1,1	234,77	24,0				22,0			
	1,5-15	2579	1,3	197,50	25,2	22,0						
	1,6-16	2342	1,4	179,32	25,7	22,0						
	1,7-17	2267	1,3	173,58	25,9	22,0						
	1,9-19	2058	1,5	157,60	26,3	22,0						
	2,2-22	1730	1,9	132,45	26,9	22,0						
	2,4-24	1570	2,1	120,26	27,1	22,0						
	2,8-28	1374	2,3	105,23	27,4	22,0						
	3,1-31	1240	2,7	94,96	27,6	22,0						
	3,4-34	1126	2,9	86,22	27,8	22,0						
	3,8-38	1008	3,3	77,16	28,0	22,0						
	3,9-39	985	3,3	75,44	28,0	22,0						
	4,3-43	895	3,7	68,50	28,1	22,0						
	4,4-44	862	3,7	65,98	27,8	22,0						

1:10
4,00 kW



NORDBLOC.1
Helical gear units

P_1 [kW]	n_2 [min ⁻¹]	M_{2b} [Nm]	f_B	i_{ges}	F_R [kN]	F_A [kN]	Type	kg	mm B			
4,00	1,8-18	2160	0,8	165,42	11,9	18,0	SK 873.1 - 100 AH/4 - SK 200E-401-340-A (-C) SK 873.1 - 100 AP/4 - SK 200E-401-340-A (-C)	98	B86-87			
	1,9-19	1963	0,9	150,31	13,7	18,0						
	2,2-22	1776	1,0	135,99	15,0	18,0						
	2,3-23	1665	1,0	127,52	15,7	18,0						
	2,5-25	1513	1,1	115,88	16,6	18,0						
	2,8-28	1369	1,2	104,84	16,5	18,0						
	2,9-29	1319	1,3	101,02	16,4	18,0						
	3,2-32	1194	1,4	91,43	16,2	18,0						
	3,5-35	1085	1,6	83,08	15,8	18,0						
	3,9-39	970	1,8	74,29	15,5	18,0						
	4,3-43	881	1,9	67,50	15,2	18,0						
	4,8-48	798	2,1	61,07	14,9	18,0						
	5,3-53	723	2,4	55,35	14,5	18,0						
	5,8-58	657	2,6	50,32	14,2	18,0						
	6,4-64	595	2,9	45,53	13,9	18,0						
	7,4-74	518	3,3	39,68	13,4	18,0						
8,2-82	465	3,7	35,63	13,1	18,0							
	6,9-69	557	2,5	42,67	13,7	18,0	SK 872.1 - 100 AH/4 - SK 200E-401-340-A (-C) SK 872.1 - 100 AP/4 - SK 200E-401-340-A (-C)	96	B84-85			
	7,5-75	506	2,6	38,77	13,3	18,0						
	8,3-83	458	2,6	35,08	13,0	18,0						
	3,5-35	1088	0,8	83,32	4,7	6,1	SK 773.1 - 100 AH/4 - SK 200E-401-340-A (-C) SK 773.1 - 100 AP/4 - SK 200E-401-340-A (-C)	63	B82-83			
	3,7-37	1035	0,8	79,23	4,8	6,1						
	4,1-41	939	0,9	71,89	5,7	6,8						
	4,2-42	900	0,9	68,92	6,0	7,0						
	4,6-46	828	1,0	63,42	6,4	7,4						
	5,1-51	753	1,1	57,64	6,8	7,7						
	5,7-57	670	1,3	51,31	7,2	8,0						
	6,1-61	622	1,4	47,61	7,1	8,0						
	6,7-67	567	1,5	43,43	7,0	8,1						
	7,5-75	510	1,7	39,06	7,0	8,4						
	8,2-82	467	1,8	35,77	6,8	8,3						
	9,2-92	416	2,0	31,83	6,7	8,4						
	10-102	374	2,2	28,63	6,6	8,5						
	11-109	351	2,3	26,86	6,5	8,5	SK 772.1 - 100 AH/4 - SK 200E-401-340-A (-C) SK 772.1 - 100 AP/4 - SK 200E-401-340-A (-C)	61	B80-81			
	5,3-53	720	0,9	55,12	8,2	20,0	SK 673.1 - 100 AH/4 - SK 200E-401-340-A (-C) SK 673.1 - 100 AP/4 - SK 200E-401-340-A (-C)	50	B78-79			
	5,9-59	646	1,0	49,50	9,0	20,0						
	6,5-65	586	1,1	44,85	9,5	20,0						
	7,0-70	542	1,2	41,54	9,8	20,0						
	7,9-79	486	1,3	37,23	10,2	20,0						
	8,6-86	446	1,3	34,12	10,4	20,0						
	9,5-95	404	1,3	30,92	10,7	20,0						
	11-106	361	1,4	27,61	10,9	20,0						
	12-116	329	1,5	25,19	11,0	20,0						
	9,0-90	425	1,4	32,58	10,5	20,0				SK 672.1 - 100 AH/4 - SK 200E-401-340-A (-C) SK 672.1 - 100 AP/4 - SK 200E-401-340-A (-C)	49	B76-77
	10-101	380	1,4	29,08	10,8	20,0						
	11-112	343	1,8	26,23	10,9	20,0						
	12-125	306	2,0	23,41	11,1	20,0						
	14-142	269	2,3	20,62	11,2	20,0						
	16-159	240	2,5	18,41	11,3	20,0						
	17-170	225	2,7	17,25	11,3	20,0						
	6,7-67	567	0,8	43,40	2,1	14,5	SK 573.1 - 100 AH/4 - SK 200E-401-340-A (-C) SK 573.1 - 100 AP/4 - SK 200E-401-340-A (-C)	44	B72-75			
	7,7-77	497	0,9	38,02	3,0	14,5						
	8,4-84	454	1,0	34,80	3,7	14,5						
	9,5-95	404	1,1	30,93	4,1	14,5						
	11-109	350	1,2	26,77	4,8	14,5						
	12-123	311	1,4	23,79	5,0	14,5						
	14-137	278	1,5	21,32	5,2	14,5						
	15-152	251	1,7	19,22	5,3	14,5						
	17-168	228	1,9	17,42	5,3	14,5						



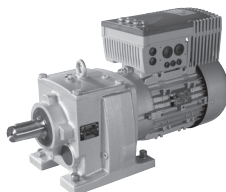
P_1 [kW]	n_2 [min ⁻¹]	M_{2b} [Nm]	f_B	i_{ges}	F_R [kN]	F_A [kN]	Type	kg	mm B				
4,00	9,4-94	408	0,9	31,28	4,6	15,0	SK 572.1 - 100 AH/4 - SK 200E-401-340-A (-C) SK 572.1 - 100 AP/4 - SK 200E-401-340-A (-C)	44	B68-71				
	12-119	321	1,3	24,58	5,1	15,0							
	13-134	285	1,5	21,85	5,2	15,0							
	15-149	256	1,6	19,57	5,8	15,0							
	18-178	215	1,9	16,46	6,0	15,0							
	19-190	201	2,1	15,38	5,9	15,0							
	21-214	178	2,3	13,67	5,9	15,0							
	23-231	166	2,6	12,68	6,0	15,0							
	26-260	147	2,8	11,25	6,0	15,0							
	29-291	131	3,1	10,04	6,0	15,0							
	33-328	117	3,2	8,92	6,0	15,0							
	36-359	106	3,4	8,15	6,0	15,0							
	39-391	97,8	3,6	7,49	6,0	15,0							
	46-464	82,3	3,9	6,30	5,9	14,0							
4,00	25-253	151	1,3	11,55	1,4	9,1	SK 372.1 - 100 AH/4 - SK 200E-401-340-A (-C) SK 372.1 - 100 AP/4 - SK 200E-401-340-A (-C)	36	B64-65				
	28-285	134	1,4	10,28	1,6	8,9							
	31-311	123	1,5	9,40	1,8	8,7							
	36-356	107	1,7	8,22	2,0	8,5							
	40-405	94,4	1,8	7,23	2,1	8,2							
	42-425	90,0	1,9	6,89	2,2	8,1							
	44-444	85,9	1,9	6,58	2,3	8,1							
	49-492	77,7	2,1	5,95	2,3	7,7							
	56-558	68,5	2,3	5,24	2,3	7,3							
	63-627	60,9	2,3	4,66	2,3	6,9							
	70-699	54,6	2,4	4,18	2,3	6,6							
	77-775	49,3	2,4	3,78	2,3	6,3							
	5,50	1,3-13	4194	0,8	234,77	18,5				22,0	SK 973.1 - 112 MH/4 - SK 200E-551-340-A (-C) SK 973.1 - 112 MP/4 - SK 200E-551-340-A (-C)	150	B90-91
		1,5-15	3528	0,9	197,50	22,8				22,0			
1,6-16		3203	1,0	179,32	23,7	22,0							
1,7-17		3101	1,0	173,58	24,0	22,0							
1,9-19		2815	1,1	157,60	24,6	22,0							
2,2-22		2366	1,4	132,45	25,7	22,0							
2,4-24		2148	1,5	120,26	26,0	22,0							
2,8-28		1880	1,7	105,23	26,5	22,0							
3,1-31		1696	1,9	94,96	26,6	22,0							
3,4-34		1540	2,1	86,22	26,4	22,0							
3,8-38		1378	2,4	77,16	26,5	22,0							
3,9-39		1348	2,4	75,44	26,4	22,0							
4,3-43		1224	2,7	68,50	26,1	22,0							
4,5-45		1179	2,7	65,98	26,2	22,0							
4,9-49		1070	3,0	59,91	25,8	22,0							
5,3-53		994	3,2	55,66	25,6	22,0							
5,6-56		935	3,4	52,32	25,3	22,0							
6,2-62		850	3,8	47,60	24,7	22,0							
5,50		2,5-25	2070	0,8	115,88	12,8	17,6	SK 873.1 - 112 MH/4 - SK 200E-551-340-A (-C) SK 873.1 - 112 MP/4 - SK 200E-551-340-A (-C)	111	B86-87			
		2,8-28	1873	0,9	104,84	14,4	18,0						
	2,9-29	1805	0,9	101,02	14,8	18,0							
	3,2-32	1633	1,0	91,43	14,8	18,0							
	3,5-35	1484	1,1	83,08	14,6	18,0							
	4,0-40	1327	1,3	74,29	14,4	18,0							
	4,4-44	1206	1,4	67,50	14,1	18,0							
	4,8-48	1091	1,6	61,07	13,9	18,0							
	5,3-53	989	1,7	55,35	13,7	18,0							
	5,8-58	899	1,9	50,32	13,4	18,0							
	6,5-65	813	2,1	45,53	13,2	18,0							
	7,4-74	709	2,4	39,68	12,8	18,0							
	8,3-83	637	2,7	35,63	12,5	18,0							
	9,1-91	576	3,0	32,24	12,2	18,0							
	9,6-96	544	3,1	30,47	12,0	18,0							

1:10

5,50 kW

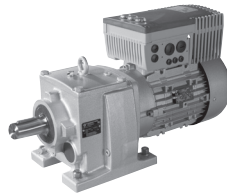
IE2

IE3



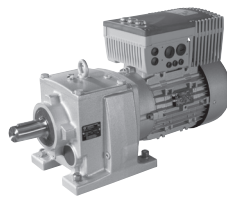
NORDBLOC.1
Helical gear units

P ₁ [kW]	n ₂ [min ⁻¹]	M _{2b} [Nm]	f _B	i _{ges}	F _R	F _A	Type	mm					
								kg	B				
5,50	6,9-69	762	1,8	42,67	13,0	18,0	SK 872.1 - 112 MH/4 - SK 200E-551-340-A (-C) SK 872.1 - 112 MP/4 - SK 200E-551-340-A (-C)	109	B84-85				
	7,6-76	693	1,9	38,77	12,7	18,0							
	8,4-84	627	1,9	35,08	12,4	18,0							
	9,2-92	572	2,8	32,00	12,2	18,0							
	10-101	519	3,0	29,08	11,9	18,0							
	4,6-46	1133	0,8	63,42	2,5	4,0	SK 773.1 - 112 MH/4 - SK 200E-551-340-A (-C) SK 773.1 - 112 MP/4 - SK 200E-551-340-A (-C)	76	B82-83				
	5,1-51	1030	0,8	57,64	3,3	4,6							
	5,7-57	917	0,9	51,31	4,1	5,2							
	6,2-62	850	1,0	47,61	4,3	5,4							
	6,8-68	776	1,1	43,43	4,8	5,8							
	7,5-75	698	1,2	39,06	5,5	6,3							
	8,2-82	639	1,3	35,77	5,7	6,4							
	9,2-92	569	1,4	31,83	6,0	6,7							
	10-103	511	1,6	28,63	6,1	7,0							
	12-116	454	1,8	25,39	6,0	7,1							
		11-109	480	1,7	26,86	6,0				7,1	SK 772.1 - 112 MH/4 - SK 200E-551-340-A (-C) SK 772.1 - 112 MP/4 - SK 200E-551-340-A (-C)	74	B80-81
		12-120	436	1,9	24,41	5,9				7,1			
14-145		363	2,3	20,31	5,8	7,3							
16-159		330	2,4	18,46	5,7	7,2							
	6,6-66	801	0,8	44,85	7,2	20,0	SK 673.1 - 112 MH/4 - SK 200E-551-340-A (-C) SK 673.1 - 112 MP/4 - SK 200E-551-340-A (-C)	63	B78-79				
	7,1-71	742	0,9	41,54	8,0	20,0							
	7,9-79	665	1,0	37,23	8,8	20,0							
	8,6-86	610	1,0	34,12	9,3	20,0							
	9,5-95	552	1,0	30,92	9,8	20,0							
	11-106	493	1,1	27,61	10,2	20,0							
	12-117	450	1,1	25,19	10,4	20,0							
	13-129	408	1,1	22,82	10,6	20,0							
	14-143	368	1,7	20,62	10,8	20,0	SK 672.1 - 112 MH/4 - SK 200E-551-340-A (-C) SK 672.1 - 112 MP/4 - SK 200E-551-340-A (-C)	62	B76-77				
	16-160	329	1,9	18,41	11,0	20,0							
	17-170	308	2,0	17,25	11,1	20,0							
	19-191	274	2,2	15,35	11,2	20,0							
	21-215	245	2,4	13,70	11,3	20,0							
	23-234	224	2,5	12,56	11,3	20,0							
	9,5-95	553	0,8	30,93	0,8	14,5	SK 573.1 - 112 MH/4 - SK 200E-551-340-A (-C) SK 573.1 - 112 MP/4 - SK 200E-551-340-A (-C)	57	B72-75				
	11-110	478	0,9	26,77	2,0	14,5							
	12-124	425	1,0	23,79	2,5	14,5							
	14-138	381	1,1	21,32	2,9	14,5							
	15-153	343	1,3	19,22	3,2	14,5							
	17-169	311	1,4	17,42	3,4	14,5							
	15-150	350	1,1	19,57	3,9	15,0	SK 572.1 - 112 MH/4 - SK 200E-551-340-A (-C) SK 572.1 - 112 MP/4 - SK 200E-551-340-A (-C)	57	B68-71				
	18-179	294	1,4	16,46	4,3	15,0							
	19-191	275	1,6	15,38	4,3	15,0							
	22-215	244	1,7	13,67	4,5	15,0							
	23-232	227	1,9	12,68	4,7	15,0							
	26-261	201	2,0	11,25	4,9	15,0							
	29-293	179	2,2	10,04	5,0	15,0							
	33-329	159	2,3	8,92	5,0	15,0							
	36-361	146	2,5	8,15	5,2	15,0							
	39-393	134	2,6	7,49	5,3	14,7							
	47-467	113	2,8	6,30	5,2	13,6							
	50-500	105	2,9	5,88	5,1	13,1							
	56-562	93,4	2,9	5,23	5,1	12,4							
	63-627	83,7	3,0	4,69	5,0	11,8							
	70-696	75,5	3,0	4,22	4,9	11,3							
	77-768	68,4	3,2	3,83	4,8	10,8							

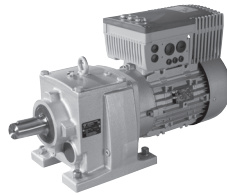


P_1 [kW]	n_2 [min ⁻¹]	M_{2b} [Nm]	f_B	i_{ges}	F_R [kN]	F_A [kN]	Type	kg	mm B
7,50	2,2-22	3205	1,0	132,45	19,1	21,9	SK 973.1 - 132 SH/4 - SK 200E-751-340-A (-C) SK 973.1 - 132 SP/4 - SK 200E-751-340-A (-C)	169	B90-91
	2,5-25	2910	1,1	120,26	19,7	22,0			
	2,8-28	2546	1,3	105,23	21,1	22,0			
	3,1-31	2298	1,4	94,96	21,7	22,0			
	3,4-34	2086	1,6	86,22	21,9	22,0			
	3,8-38	1867	1,8	77,16	22,5	22,0			
	3,9-39	1825	1,8	75,44	22,5	22,0			
	4,3-43	1657	2,0	68,50	22,5	22,0			
	4,5-45	1597	2,0	65,98	22,7	22,0			
	4,9-49	1450	2,2	59,91	22,6	22,0			
	5,3-53	1347	2,4	55,66	22,6	22,0			
	5,7-57	1266	2,5	52,32	22,6	22,0			
	6,2-62	1152	2,8	47,60	22,5	22,0			
	7,0-70	1029	3,1	42,51	22,3	22,0			
	7,9-79	904	3,5	37,36	22,0	22,0			
	8,4-84	851	3,8	35,19	22,0	22,0			
	6,9-69	1035	2,8	42,76	22,6	22,0	SK 972.1 - 132 SH/4 - SK 200E-751-340-A (-C) SK 972.1 - 132 SP/4 - SK 200E-751-340-A (-C)	167	B88-89
	8,0-80	900	3,2	37,19	22,3	22,0			
	3,2-32	2212	0,8	91,43	11,4	13,8	SK 873.1 - 132 SH/4 - SK 200E-751-340-A (-C) SK 873.1 - 132 SP/4 - SK 200E-751-340-A (-C)	130	B86-87
	3,6-36	2010	0,8	83,08	12,9	14,3			
	4,0-40	1797	0,9	74,29	12,9	15,2			
	4,4-44	1633	1,0	67,50	12,8	15,5			
	4,8-48	1478	1,2	61,07	12,7	15,8			
	5,3-53	1339	1,3	55,35	12,5	16,1			
	5,9-59	1218	1,4	50,32	12,4	16,4			
	6,5-65	1102	1,5	45,53	12,2	16,5			
	7,5-75	960	1,8	39,68	12,0	16,5			
	8,3-83	862	2,0	35,63	11,7	16,6			
	9,2-92	780	2,2	32,24	11,5	16,5			
	9,7-97	737	2,3	30,47	11,4	16,4			
	11-107	667	2,5	27,57	11,2	16,3			
	13-126	568	2,9	23,49	10,8	16,0			
	6,9-69	1032	1,4	42,67	12,1	16,7	SK 872.1 - 132 SH/4 - SK 200E-751-340-A (-C) SK 872.1 - 132 SP/4 - SK 200E-751-340-A (-C)	128	B84-85
	7,6-76	938	1,4	38,77	11,9	16,6			
	8,4-84	849	1,4	35,08	11,7	16,5			
	9,2-92	774	2,1	32,00	11,5	16,6			
	10-102	704	2,2	29,08	11,3	16,4			
	11-106	677	2,4	28,00	11,2	16,4			
	12-116	616	2,6	25,44	11,0	16,2			
	13-129	557	2,8	23,02	10,7	16,0			
	16-159	452	3,4	18,67	10,3	15,6			
	17-175	410	3,8	16,96	10,0	15,2			
	6,2-62	1152	0,8	47,61	0,4	1,5			
	6,8-68	1051	0,8	43,43	1,3	2,3			
	7,6-76	945	0,9	39,06	2,4	3,4			
	9,3-93	770	1,1	31,83	3,4	4,3			
	10-103	693	1,2	28,63	4,1	5,0			
	12-117	614	1,3	25,39	4,6	5,3			
	14-138	520	1,4	21,49	5,0	5,6			
	15-146	491	1,7	20,31	5,3	5,9	SK 772.1 - 132 SH/4 - SK 200E-751-340-A (-C) SK 772.1 - 132 SP/4 - SK 200E-751-340-A (-C)	94	B80-81
	16-160	447	1,7	18,46	5,2	5,9			
	18-178	403	1,9	16,66	5,1	6,0			
	19-189	378	2,0	15,62	5,1	5,9			
	21-206	348	2,1	14,38	5,0	6,1			
	23-227	316	2,2	13,07	5,0	6,0			
	25-254	282	2,4	11,67	4,9	6,0			

NORDBLOC.1
Helical gear units

1:10**7,50 kW**
10,0 kW
NORDBLOC.1
Helical gear units

P ₁ [kW]	n ₂ [min ⁻¹]	M _{2b} [Nm]	f _B	i _{ges}	F _R	F _A	Type	mm					
								kg	B				
7,50	19-193	372	1,6	15,35	10,8	20,0	SK 672.1 - 132 SH/4 - SK 200E-751-340-A (-C) SK 672.1 - 132 SP/4 - SK 200E-751-340-A (-C)	82	B76-77				
	22-216	332	1,7	13,70	11,0	20,0							
	24-236	304	1,9	12,56	11,1	19,9							
	26-260	275	2,1	11,38	11,2	19,4							
	29-286	251	2,3	10,37	11,2	19,0							
	32-320	224	2,4	9,25	10,8	18,4							
	34-342	210	2,5	8,66	10,6	18,0							
	35-349	205	2,6	8,48	10,6	18,0							
	39-385	186	2,9	7,68	10,3	17,4							
	44-439	163	3,2	6,75	9,9	16,4							
	7,50	26-263	272	1,5	11,25	3,3				15,0	SK 572.1 - 132 SH/4 - SK 200E-751-340-A (-C) SK 572.1 - 132 SP/4 - SK 200E-751-340-A (-C)	76	B68-71
		29-295	243	1,6	10,04	3,6				15,0			
		33-332	216	1,7	8,92	3,8				14,8			
		36-363	197	1,8	8,15	4,1				14,6			
		40-395	181	1,9	7,49	4,3				14,2			
		47-470	152	2,1	6,30	4,4				13,1			
		50-503	142	2,1	5,88	4,3				12,7			
		57-566	127	2,1	5,23	4,3				12,0			
63-632		113	2,2	4,69	4,3	11,5							
70-701		102	2,2	4,22	4,3	11,0							
77-773		92,7	2,4	3,83	4,2	10,5							
10,0		2,2-22	4273	0,8	132,45	10,6	14,4	SK 973.1 - 132 MH/4 - SK 200E-112-340-A (-C) SK 973.1 - 132 MP/4 - SK 200E-112-340-A (-C)	186	B90-91			
	2,5-25	3880	0,9	120,26	11,9	15,3							
	2,8-28	3395	0,9	105,23	14,3	17,3							
	3,1-31	3064	1,1	94,96	15,6	18,2							
	3,4-34	2782	1,2	86,22	16,2	18,7							
	3,8-38	2489	1,3	77,16	17,5	19,6							
	3,9-39	2434	1,4	75,44	17,6	19,8							
	4,3-43	2210	1,5	68,50	18,0	19,9							
	4,5-45	2129	1,5	65,98	18,5	20,3							
	4,9-49	1933	1,7	59,91	18,7	20,4							
	5,3-53	1796	1,8	55,66	19,0	20,5							
	5,7-57	1688	1,9	52,32	19,2	20,6							
	6,2-62	1535	2,1	47,60	19,4	20,7							
	7,0-70	1371	2,3	42,51	19,5	20,7							
	7,9-79	1205	2,7	37,36	19,6	20,6							
	8,4-84	1135	2,8	35,19	19,7	20,7							
	9,3-93	1031	3,1	31,95	19,5	20,4							
	9,6-96	999	3,1	30,97	19,5	20,3							
	10,0	6,9-69	1379	2,1	42,76	19,9	21,1				SK 972.1 - 132 MH/4 - SK 200E-112-340-A (-C) SK 972.1 - 132 MP/4 - SK 200E-112-340-A (-C)	184	B88-89
		8,0-80	1200	2,4	37,19	20,0	20,9						
		8,9-89	1076	2,7	33,36	19,7	20,6						
		9,8-98	977	2,9	30,29	19,5	20,3						
		10,0	4,4-44	2178	0,8	67,50	9,0						
	4,8-48		1970	0,9	61,07	10,1	11,5						
5,3-53	1785		1,0	55,35	11,1	12,2							
5,9-59	1623		1,0	50,32	11,1	12,8							
6,5-65	1469		1,2	45,53	11,1	13,2							
7,5-75	1280		1,3	39,68	11,0	13,7							
8,3-83	1150		1,5	35,63	10,8	14,0							
9,2-92	1040		1,6	32,24	10,7	14,2							
9,7-97	983		1,7	30,47	10,6	14,3							
11-114	838		2,0	25,69	10,4	14,4							
13-126	758		2,2	23,49	10,2	14,3							
10,0	9,2-92		1032	1,5	32,00	10,7	14,3	SK 872.1 - 132 MH/4 - SK 200E-112-340-A (-C) SK 872.1 - 132 MP/4 - SK 200E-112-340-A (-C)	146	B84-85			
	10-102		938	1,7	29,08	10,6	14,3						
	11-106	903	1,8	28,00	10,5	14,4							
	12-116	821	1,9	25,44	10,3	14,4							
	13-129	743	2,1	23,02	10,2	14,3							

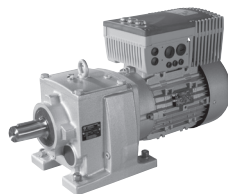


P_1 [kW]	n_2 [min ⁻¹]	M_{2b} [Nm]	f_B	i_{ges}	F_R [kN]	F_A [kN]	Type	kg	mm B			
10,0	16-159	602	2,6	18,67	9,8	14,2	SK 872.1 - 132 MH/4 - SK 200E-112-340-A (-C) SK 872.1 - 132 MP/4 - SK 200E-112-340-A (-C)	146	B84-85			
	17-175	547	2,8	16,96	9,6	14,0						
	20-195	490	3,0	15,18	9,4	13,9						
	21-215	445	3,3	13,79	9,1	13,7						
	24-237	403	3,7	12,48	8,9	13,3						
	26-263	363	3,9	11,24	8,7	12,9						
	15-146	655	1,3	20,31	3,3	3,6	SK 772.1 - 132 MH/4 - SK 200E-112-340-A (-C) SK 772.1 - 132 MP/4 - SK 200E-112-340-A (-C)			111	B80-81	
	16-160	596	1,3	18,46	3,6	3,8						
	18-178	538	1,4	16,66	4,0	4,1						
	19-189	504	1,5	15,62	4,0	4,1						
	21-206	464	1,6	14,38	4,5	4,5						
	23-227	421	1,7	13,07	4,6	4,6						
	25-254	376	1,8	11,67	4,5	4,8						
	27-268	357	1,9	11,06	4,4	4,6						
28-279	342	2,0	10,60	4,4	4,8							
30-296	323	2,1	10,00	4,4	4,6							
33-330	290	2,3	8,97	4,3	4,7							
36-365	262	2,4	8,12	4,2	4,7							
15,0	3,4-34	4187	0,8	86,22	4,9	8,6	SK 973.1 - 132 LH/4 - SK 200E-152-340-A (-C)	186	B90-91			
	3,8-38	3746	0,9	77,16	7,4	10,8						
	3,9-39	3663	0,9	75,44	7,8	11,1						
	4,3-43	3326	1,0	68,50	9,0	12,0						
	4,5-45	3204	1,0	65,98	9,9	12,7						
	4,9-49	2909	1,1	59,91	10,8	13,4						
	5,3-53	2702	1,2	55,66	11,6	14,0						
	5,6-56	2540	1,3	52,32	12,3	14,5						
	6,2-62	2311	1,4	47,60	13,1	15,2						
	6,9-69	2064	1,6	42,51	13,9	15,8						
	7,9-79	1814	1,8	37,36	14,7	16,3						
	8,4-84	1709	1,9	35,19	15,1	16,6						
	9,2-92	1551	2,1	31,95	15,3	16,7						
	9,5-95	1504	2,1	30,97	15,4	16,7						
	11-108	1322	2,3	27,22	15,7	16,9						
	12-116	1238	2,4	25,51	15,8	16,9						
	13-132	1089	2,6	22,42	16,0	16,9						
	6,9-69	2076	1,4	42,76	14,5	16,3	SK 972.1 - 132 LH/4 - SK 200E-152-340-A (-C)			184	B88-89	
	7,9-79	1806	1,6	37,19	15,2	16,8						
	8,8-88	1620	1,8	33,36	15,4	16,7						
	9,7-97	1471	1,9	30,29	15,5	16,8						
	11-107	1343	1,9	27,66	15,5	16,7						
13-134	1068	2,6	21,99	16,3	17,2							
15-150	958	2,9	19,72	16,1	16,9							
17-167	857	3,3	17,65	16,2	16,9							
6,5-65	2211	0,8	45,53	4,7	6,1	SK 873.1 - 132 LH/4 - SK 200E-152-340-A (-C)	148	B86-87				
7,4-74	1927	0,9	39,68	6,4	7,6							
8,3-83	1730	1,0	35,63	7,6	8,6							
9,2-92	1565	1,1	32,24	8,5	9,3							
9,7-97	1480	1,1	30,47	9,0	9,7							
11-114	1261	1,3	25,69	9,1	10,5							
13-126	1141	1,4	23,49	9,0	10,7							
14-138	1038	1,5	21,38	8,9	11,0							
15-153	939	1,7	19,34	8,8	11,1							
9,2-92	1554	1,0	32,00	8,8	9,7	SK 872.1 - 132 LH/4 - SK 200E-152-340-A (-C)			146			B84-85
10-101	1412	1,1	29,08	9,1	10,0							
11-105	1360	1,2	28,00	9,1	10,4							
12-116	1235	1,3	25,44	9,1	10,5							
13-128	1118	1,4	23,02	9,0	10,8							
16-158	906	1,7	18,67	8,9	11,3							
17-174	824	1,9	16,96	8,7	11,2							

1:10**15,0 kW**
22,0 kW

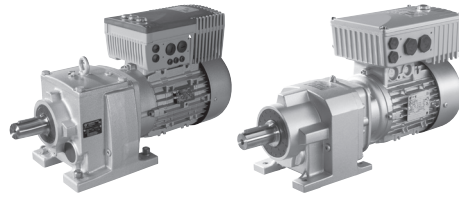
IE2

IE3


NORD
DRIVESYSTEMS

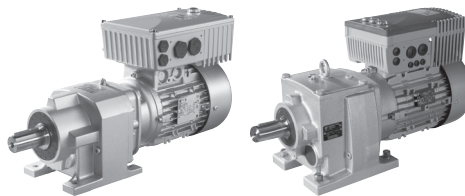
NORDBLOC.1
Helical gear units

P_1 [kW]	n_2 [min ⁻¹]	M_{2b} [Nm]	f_B	i_{ges}	F_R [kN]	F_A [kN]	Type	kg	mm B				
15,0	19-194	737	2,0	15,18	8,6	11,3	SK 872.1 - 132 LH/4 - SK 200E-152-340-A (-C)	146	B84-85				
	21-214	670	2,2	13,79	8,4	11,1							
	24-236	606	2,4	12,48	8,3	10,9							
	26-262	546	2,6	11,24	8,2	10,9							
	28-283	507	2,8	10,44	8,0	10,5							
	32-319	449	3,1	9,24	7,8	10,4							
	33-332	431	3,1	8,87	7,7	10,1							
	38-382	375	3,5	7,73	7,5	10,0							
	45-449	319	3,9	6,57	7,2	9,5							
	52-522	275	4,2	5,66	6,9	9,1							
	54-536	267	4,3	5,50	6,9	9,2							
	22,0	21-205	698	1,0	14,38	1,6				1,7	SK 772.1 - 132 LH/4 - SK 200E-152-340-A (-C)	111	B80-81
		23-226	634	1,1	13,07	1,9				2,0			
		25-253	566	1,2	11,67	2,5				2,5			
		27-267	537	1,3	11,06	2,5				2,4			
28-278		515	1,3	10,60	2,8	2,7							
29-295		486	1,4	10,00	2,7	2,6							
33-329		436	1,5	8,97	3,1	2,9							
36-363		394	1,6	8,12	3,3	3,0							
39-387		370	1,7	7,63	3,2	2,9							
44-445		322	1,9	6,63	3,5	3,6							
48-476		301	1,9	6,19	3,6	3,2							
55-548		261	2,2	5,38	3,6	3,7							
22,0		4,9-49	4245	0,8	59,91	0	0	SK 973.1 - 160 LH/4 - SK 200E-222-340-A (-C) SK 973.1 - 160 LP/4 - SK 200E-222-340-A (-C)	246	B90-91			
		5,3-53	3944	0,8	55,66	1,5	3,8						
		5,7-57	3707	0,9	52,32	2,7	4,9						
	6,2-62	3372	0,9	47,60	4,4	6,5							
	7,0-70	3012	1,1	42,51	6,2	8,1							
	7,9-79	2647	1,2	37,36	7,9	9,6							
	8,4-84	2493	1,3	35,19	8,8	10,5							
	9,3-93	2264	1,4	31,95	9,5	11,0							
	9,6-96	2194	1,4	30,97	9,8	11,2							
	11-109	1929	1,6	27,22	10,8	12,0							
	12-116	1807	1,7	25,51	11,2	12,3							
	13-132	1588	1,8	22,42	11,9	12,7							
	22,0	13-135	1558	1,8	21,99	12,4	13,4				SK 972.1 - 160 LH/4 - SK 200E-222-340-A (-C) SK 972.1 - 160 LP/4 - SK 200E-222-340-A (-C)	244	B88-89
		15-150	1397	2,0	19,72	12,5	13,2						
		17-168	1251	2,2	17,65	13,1	13,6						
19-187		1122	2,4	15,84	13,1	13,3							
21-209		1003	2,7	14,16	13,2	13,2							
22-219		961	2,7	13,56	13,4	13,4							
23-231		911	2,9	12,86	13,2	13,0							
26-257		817	3,1	11,54	13,5	13,1							
29-287		733	3,4	10,35	13,3	12,7							
22,0		16-159	1323	1,2	18,67	7,1	6,8	SK 872.1 - 160 LH/4 - SK 200E-222-340-A (-C) SK 872.1 - 160 LP/4 - SK 200E-222-340-A (-C)	206	B84-85			
	17-175	1202	1,3	16,96	7,5	7,1							
	20-195	1076	1,4	15,18	7,5	7,6							
	21-215	977	1,5	13,79	7,5	7,8							
	24-238	884	1,7	12,48	7,4	8,0							
	26-264	796	1,8	11,24	7,4	8,3							
	28-284	739	1,9	10,44	7,2	8,0							
	32-321	655	2,1	9,24	7,2	8,3							
	33-334	629	2,1	8,87	7,0	7,9							
	38-384	547	2,4	7,73	6,9	8,2							
	45-451	465	2,6	6,57	6,7	7,9							
	52-524	401	2,9	5,66	6,5	7,7							
	54-539	390	3,0	5,50	6,5	8,0							
	63-634	331	3,3	4,68	6,2	7,7							
	74-736	285	3,2	4,03	6,0	7,4							



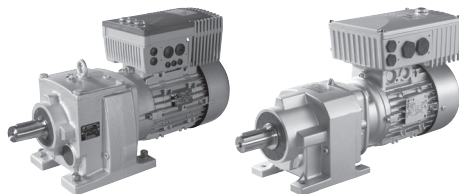
P_1 [kW]	n_2 [min ⁻¹]	M_{2b} [Nm]	f_B	i_{ges}	F_R [kN]	F_A [kN]	Type	kg	mm B
0,43	1,1-9,6	429	2,0	260,18	13,9	9,0	SK 773.1 - 71 S/4 - SK 200E-550-340-A (-C)	42	B82-83
	1,2-10	402	2,1	243,53	14,0	9,0			
	1,3-11	370	2,3	224,49	14,1	9,0	SK 773.1 - 71 S/4 - SK 180E-550-340-B (-C)		
	1,4-12	340	2,6	206,11	14,1	9,0			
	1,0-8,9	460	1,4	279,23	10,4	20,0	SK 673.1 - 71 S/4 - SK 200E-550-340-A (-C)	29	B78-79
	1,2-10	409	1,6	248,20	10,6	20,0			
	1,3-11	363	1,8	220,32	10,8	20,0	SK 673.1 - 71 S/4 - SK 180E-550-340-B (-C)		
	1,5-13	320	2,0	194,11	11,0	20,0			
	1,6-14	293	2,2	177,94	11,1	20,0			
	1,8-15	266	2,4	161,45	11,2	20,0			
	2,0-17	236	2,7	143,30	11,3	20,0			
	2,2-19	215	3,0	130,55	11,3	20,0			
	1,1-9,2	444	1,0	269,26	9,2	14,5	SK 573.1 - 71 S/4 - SK 200E-550-340-A (-C)	23	B72-75
	1,3-11	373	1,2	226,30	9,7	14,5			
	1,4-12	332	1,4	201,16	9,8	14,5	SK 573.1 - 71 S/4 - SK 180E-550-340-B (-C)		
	1,5-13	312	1,4	188,91	9,9	14,5			
	1,6-14	294	1,5	178,56	10,0	14,5			
	1,8-16	262	1,7	158,78	10,1	14,5			
	2,0-18	233	1,9	141,13	10,2	14,5			
	2,3-20	207	2,2	125,45	10,2	14,5			
	2,6-22	184	2,5	111,36	10,3	14,5			
	2,7-23	177	2,4	107,42	10,3	14,5			
	3,0-26	156	2,9	94,50	10,4	14,5			
	3,4-29	140	3,2	85,18	10,4	14,5			
	3,7-32	127	3,5	76,88	10,4	14,5			
	4,2-37	112	4,0	67,64	10,4	14,5			
	4,7-41	101	4,5	60,97	10,4	14,5			
	1,7-15	274	0,8	165,94	3,6	10,2	SK 373.1 - 71 S/4 - SK 200E-550-340-A (-C)	16	B66-67
	2,0-17	239	0,9	145,00	4,5	10,2			
	2,2-19	216	0,9	130,87	5,0	10,2	SK 373.1 - 71 S/4 - SK 180E-550-340-B (-C)		
	2,4-21	199	1,0	120,54	5,3	10,2			
	2,8-24	168	1,2	102,01	5,5	10,2			
	3,1-27	151	1,4	91,48	5,6	10,2			
	3,5-30	136	1,5	82,57	5,7	10,2			
	3,9-34	122	1,6	74,27	5,8	10,2			
	4,4-38	107	1,9	64,70	5,9	10,2			
	4,8-41	99,3	2,0	60,22	5,9	10,2			
	5,3-46	89,1	2,4	54,00	6,0	10,2			
	6,1-53	77,6	2,7	47,05	6,0	10,2			
	6,7-59	70,0	2,9	42,46	6,0	10,2			
	7,7-67	61,4	3,3	37,23	6,0	10,2			
	8,6-75	54,7	3,7	33,20	6,1	10,2			
	9,6-84	49,1	4,3	29,77	6,1	10,2			
	4,0-34	119	1,3	72,38	5,8	10,2	SK 372.1 - 71 S/4 - SK 200E-550-340-A (-C)	15	B64-65
	4,5-39	106	1,5	64,06	5,9	10,2			
	4,7-41	100	1,5	60,83	5,9	10,2	SK 372.1 - 71 S/4 - SK 180E-550-340-B (-C)		
	5,3-46	88,8	1,8	53,84	6,0	10,2			
	6,6-58	71,3	2,4	43,26	6,0	10,2			
	7,5-65	62,9	2,9	38,12	6,0	10,2			
	8,5-74	55,8	3,4	33,84	6,1	10,2			
	9,5-83	49,7	3,6	30,11	6,1	10,2			
	5,3-46	89,1	1,0	54,03	2,8	3,9	SK 172.1 - 71 S/4 - SK 200E-550-340-A (-C)		
	6,2-54	76,6	1,1	46,43	2,8	3,9			
	6,9-60	68,2	1,2	41,36	2,8	3,9	SK 172.1 - 71 S/4 - SK 180E-550-340-B (-C)		
	7,4-64	63,9	1,3	38,75	2,8	3,9			
	8,3-72	56,9	1,5	34,52	2,8	3,9			
	9,2-80	51,1	1,8	31,00	2,8	3,9			
	10-90	45,5	2,0	27,62	2,8	3,9			
	12-100	40,9	2,2	24,80	2,8	3,9			
	13-111	37,0	2,5	22,42	2,8	3,9			
	14-122	33,6	2,5	20,37	2,8	3,9			
	15-134	30,7	2,7	18,60	2,8	3,9			

1:8,7
0,64 kW



NORDBLOC.1
Helical gear units

P_1 [kW]	n_2 [min ⁻¹]	M_{2b} [Nm]	f_B	i_{ges}	F_R [kN]	F_A [kN]	Type	kg	mm B		
0,64	1,1-9,6	639	1,4	260,18	13,1	9,0	SK 773.1 - 71 L/4 - SK 200E-750-340-A (-C)	43	B82-83		
	1,2-10	598	1,4	243,53	13,3	9,0					
	1,3-11	551	1,5	224,49	13,5	9,0	SK 773.1 - 71 L/4 - SK 180E-750-340-B (-C)				
	1,4-12	506	1,7	206,11	13,7	9,0					
	1,5-13	465	1,8	189,31	13,8	9,0					
	1,6-14	438	1,9	178,53	13,9	9,0					
	1,8-16	393	2,2	160,22	13,5	9,0					
	1,9-16	371	1,9	151,10	13,3	9,0					
	2,1-18	341	2,5	138,78	13,0	9,0					
	1,0-8,9	685	0,9	279,23	8,6	20,0	SK 673.1 - 71 L/4 - SK 200E-750-340-A (-C)			30	B78-79
	1,2-10	609	1,1	248,20	9,3	20,0					
	1,3-11	541	1,2	220,32	9,8	20,0	SK 673.1 - 71 L/4 - SK 180E-750-340-B (-C)				
	1,5-13	476	1,3	194,11	10,3	20,0					
	1,6-14	437	1,5	177,94	10,5	20,0					
	1,8-15	396	1,6	161,45	10,7	20,0					
	2,0-17	352	1,8	143,30	10,9	20,0					
2,2-19	320	2,0	130,55	11,0	20,0						
2,5-21	284	2,3	115,89	11,1	20,0						
2,8-24	254	2,5	103,48	11,2	20,0						
3,0-26	233	2,7	94,86	11,3	20,0						
1,3-11	555	0,8	226,30	7,6	14,5	SK 573.1 - 71 L/4 - SK 200E-750-340-A (-C)	24	B72-75			
1,4-12	494	0,9	201,16	8,5	14,5						
1,5-13	464	1,0	188,91	9,0	14,5	SK 573.1 - 71 L/4 - SK 180E-750-340-B (-C)					
1,6-14	438	1,0	178,56	9,3	14,5						
1,8-16	390	1,2	158,78	9,6	14,5						
2,0-18	346	1,3	141,13	9,8	14,5						
2,3-20	308	1,5	125,45	9,9	14,5						
2,6-22	273	1,6	111,36	10,1	14,5						
2,7-23	264	1,6	107,42	10,1	14,5						
3,0-26	232	1,9	94,50	10,2	14,5						
3,4-29	209	2,2	85,18	10,2	14,5						
3,7-32	189	2,4	76,88	10,3	14,5						
4,2-37	166	2,7	67,64	10,3	14,5						
4,7-41	150	3,0	60,97	10,4	14,5						
5,1-45	137	3,3	55,80	10,4	14,5						
5,8-50	122	3,7	49,60	10,4	14,5						
6,0-52	118	3,8	47,95	10,4	14,5						
6,6-57	107	4,2	43,40	10,4	14,5						
5,3-46	134	2,8	54,41	10,4	15,0	SK 572.1 - 71 L/4 - SK 200E-750-340-A (-C)	24	B68-71			
6,3-54	112	2,8	45,77	10,4	15,0	SK 572.1 - 71 L/4 - SK 180E-750-340-B (-C)					
2,8-24	250	0,8	102,01	4,4	10,2	SK 373.1 - 71 L/4 - SK 200E-750-340-A (-C)	17	B66-67			
3,1-27	225	0,9	91,48	4,9	10,2						
3,5-30	203	1,0	82,57	5,2	10,2	SK 373.1 - 71 L/4 - SK 180E-750-340-B (-C)					
3,9-34	182	1,1	74,27	5,4	10,2						
4,4-38	159	1,3	64,70	5,6	10,2						
4,8-41	148	1,4	60,22	5,7	10,2						
5,3-46	133	1,6	54,00	5,8	10,2						
6,1-53	115	1,8	47,05	5,9	10,2						
6,7-59	104	1,9	42,46	5,8	10,2						
7,7-67	91,4	2,2	37,23	5,8	10,2						
8,6-75	81,5	2,5	33,20	5,9	10,2						
9,6-84	73,1	2,9	29,77	5,8	10,2						
4,0-34	178	0,8	72,38	5,5	10,2	SK 372.1 - 71 L/4 - SK 200E-750-340-A (-C)	16	B64-65			
4,5-39	157	1,0	64,06	5,6	10,2						
4,7-41	149	1,0	60,83	5,7	10,2	SK 372.1 - 71 L/4 - SK 180E-750-340-B (-C)					
5,3-46	132	1,2	53,84	5,8	10,2						

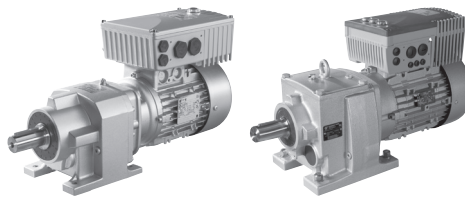


P_1 [kW]	n_2 [min ⁻¹]	M_{2b} [Nm]	f_B	i_{ges}	F_R	F_A [kN]	Type	kg	mm B
0,64	6,6-58	106	1,6	43,26	5,9	10,2	SK 372.1 - 71 L/4 - SK 200E-750-340-A (-C)	16	B64-65
	7,5-65	93,6	1,9	38,12	5,9	10,2	SK 372.1 - 71 L/4 - SK 180E-750-340-B (-C)		
	8,5-74	83,1	2,3	33,84	5,9	10,2			
	9,5-83	73,9	2,4	30,11	5,8	10,2			
	7,4-64	95,1	0,9	38,75	2,8	3,9		SK 172.1 - 71 L/4 - SK 200E-750-340-A (-C)	13
	8,3-72	84,7	1,0	34,52	2,8	3,9	SK 172.1 - 71 L/4 - SK 180E-750-340-B (-C)		
	9,2-80	76,1	1,2	31,00	2,8	3,9			
	10-90	67,8	1,4	27,62	2,8	3,9			
	12-100	60,9	1,5	24,80	2,8	3,9			
	13-111	55,0	1,7	22,42	2,8	3,9			
	14-122	50,0	1,7	20,37	2,8	3,9			
	15-134	45,7	1,8	18,60	2,8	3,9			
	18-158	38,7	2,2	15,76	2,8	3,9			
	21-184	33,2	2,6	13,54	2,8	3,9			
	24-206	29,6	2,9	12,06	2,8	3,9			
	25-219	28,0	3,0	11,39	2,8	3,9			
	26-230	26,6	3,2	10,83	2,8	3,9			
	10-90	68,2	0,8	27,78	2,4	2,9	SK 072.1 - 71 L/4 - SK 200E-750-340-A (-C)	12	B60-61
	12-101	60,7	0,9	24,75	2,4	2,9	SK 072.1 - 71 L/4 - SK 180E-750-340-B (-C)		
	13-112	54,5	1,0	22,22	2,3	2,9			
	15-130	47,1	1,2	19,20	2,3	2,9			
	16-143	42,6	1,3	17,35	2,2	2,9			
	18-158	38,7	1,4	15,77	2,2	2,9			
	20-173	35,3	1,4	14,40	2,1	2,9			
22-189	32,4	1,5	13,20	2,1	2,9				
25-215	28,4	1,8	11,56	2,1	2,9				
29-249	24,5	2,2	10,00	2,0	2,9				
32-279	21,9	2,5	8,91	2,0	2,9				
36-311	19,6	2,8	8,00	1,9	2,9				
40-344	17,7	3,1	7,23	1,8	2,9				
44-379	16,1	3,3	6,57	1,8	2,9				
48-418	14,6	3,8	5,96	1,8	2,9				
52-453	13,5	4,1	5,50	1,7	2,9				
54-469	13,0	4,2	5,31	1,7	2,9				
60-522	11,7	4,5	4,77	1,7	2,9				
66-578	10,6	4,7	4,31	1,6	2,8				
73-636	9,6	4,7	3,92	1,6	2,8				
80-696	8,8	5,5	3,58	1,5	2,7				
87-759	8,0	5,8	3,28	1,5	2,6				
0,95	1,0-8,8	1035	0,8	288,78	9,0	9,0	SK 773.1 - 80 SH/4 - SK 200E-111-340-A (-C)	46	B82-83
	1,1-9,5	951	0,9	265,24	10,1	9,0	SK 773.1 - 80 SH/4 - SK 180E-111-340-B (-C)		
	1,2-10	873	1,0	243,53	10,9	9,0			
	1,3-11	805	1,1	224,49	11,5	9,0			
	1,4-12	739	1,2	206,11	12,2	9,0			
	1,5-13	679	1,3	189,31	12,8	9,0			
	1,6-14	640	1,3	178,53	13,1	9,0			
	1,8-16	575	1,5	160,22	12,7	9,0			
	1,9-17	542	1,3	151,10	12,6	9,0			
	2,1-18	498	1,7	138,78	12,4	9,0			
	2,5-22	421	2,1	117,46	11,9	9,0			
	2,6-23	401	2,1	111,92	11,7	9,0			
	3,0-26	346	2,5	96,57	11,3	9,0			
	3,1-27	336	2,5	93,61	11,2	9,0			
	1,3-11	790	0,8	220,32	7,3	20,0	SK 673.1 - 80 SH/4 - SK 200E-111-340-A (-C)	33	B78-79
	1,5-13	696	0,9	194,11	8,5	20,0	SK 673.1 - 80 SH/4 - SK 180E-111-340-B (-C)		
	1,6-14	652	1,0	181,88	8,9	20,0			
	1,8-16	579	1,1	161,45	9,6	20,0			
	2,0-17	527	1,2	146,88	9,9	20,0			

1:8,7

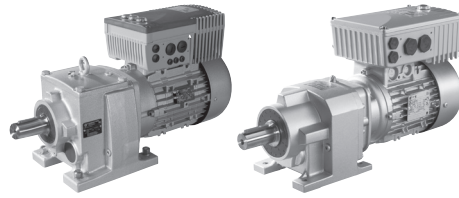
0,95 kW

IE2



NORDBLOC.1
Helical gear units

P_1 [kW]	n_2 [min ⁻¹]	M_{2b} [Nm]	f_B	i_{ges}	F_R	F_A [kN]	Type	kg	mm B		
0,95	2,2-19	468	1,4	130,55	10,3	20,0	SK 673.1 - 80 SH/4 - SK 200E-111-340-A (-C)	33	B78-79		
	2,4-21	442	1,4	123,33	10,5	20,0					
	2,5-22	416	1,5	115,89	10,6	20,0	SK 673.1 - 80 SH/4 - SK 180E-111-340-B (-C)				
	2,8-24	371	1,7	103,48	10,8	20,0					
	3,1-27	340	1,9	94,86	10,9	20,0					
	3,5-30	300	2,1	83,70	11,1	20,0					
	3,9-34	264	2,4	73,64	11,2	20,0					
	4,4-38	236	2,7	65,95	11,3	20,0					
	1,8-16	569	0,8	158,78	7,4	14,5	SK 573.1 - 80 SH/4 - SK 200E-111-340-A (-C)			27	B72-75
	2,1-18	506	0,9	141,13	8,3	14,5					
	2,3-20	450	1,0	125,45	9,1	14,5	SK 573.1 - 80 SH/4 - SK 180E-111-340-B (-C)				
	2,6-23	399	1,1	111,36	9,5	14,5					
	2,7-23	391	1,2	109,12	9,6	14,5					
	3,1-27	339	1,3	94,50	9,8	14,5					
	3,4-30	305	1,5	85,18	9,9	14,5					
	3,8-33	276	1,6	76,88	10,1	14,5					
4,3-37	243	1,9	67,64	10,2	14,5						
4,8-41	219	2,1	60,97	10,2	14,5						
5,2-45	200	2,2	55,80	10,3	14,5						
5,9-51	178	2,5	49,60	10,3	14,5						
6,1-53	172	2,6	47,95	10,3	14,5						
6,7-58	156	2,9	43,40	10,4	14,5						
6,9-60	151	3,0	42,18	10,4	14,5						
7,6-67	136	3,3	38,02	10,4	14,5						
8,4-73	125	3,5	34,80	10,4	14,5						
5,3-46	195	1,9	54,41	10,3	15,0	SK 572.1 - 80 SH/4 - SK 200E-111-340-A (-C)	26	B68-71			
6,4-55	164	1,9	45,77	10,3	15,0						
6,9-60	152	2,4	42,38	10,4	15,0	SK 572.1 - 80 SH/4 - SK 180E-111-340-B (-C)					
8,2-71	128	2,9	35,65	10,4	15,0						
3,9-34	266	0,8	74,27	3,4	10,2	SK 373.1 - 80 SH/4 - SK 200E-111-340-A (-C)	20	B66-67			
4,5-39	232	0,9	64,70	3,8	10,2						
4,8-42	216	0,9	60,22	4,0	10,2	SK 373.1 - 80 SH/4 - SK 180E-111-340-B (-C)					
5,4-47	194	1,1	54,00	4,1	10,2						
6,2-54	169	1,2	47,05	4,4	10,2						
6,8-60	152	1,3	42,46	4,4	10,2						
7,8-68	133	1,5	37,23	4,6	10,2						
8,8-76	119	1,7	33,20	4,8	10,2						
9,8-85	107	2,0	29,77	4,8	10,2						
11-98	93,0	2,3	25,94	4,8	10,2						
12-108	83,9	2,5	23,41	4,8	10,2						
13-111	81,5	2,6	22,74	4,8	10,2						
14-123	73,6	2,9	20,52	4,8	10,2						
16-136	66,8	2,8	18,63	4,7	10,2						
5,4-47	193	0,8	53,84	4,6	10,2	SK 372.1 - 80 SH/4 - SK 200E-111-340-A (-C)			19	B64-65	
6,7-58	155	1,1	43,26	4,8	10,2						
7,6-66	137	1,3	38,12	4,8	10,2	SK 372.1 - 80 SH/4 - SK 180E-111-340-B (-C)					
8,6-75	121	1,6	33,84	4,9	10,2						
9,7-84	108	1,7	30,11	4,9	10,2						
11-98	92,7	2,0	25,85	4,9	10,2						
13-110	82,5	2,4	23,00	4,9	10,2						
14-123	74,0	2,6	20,62	4,8	10,2						
16-138	66,0	3,0	18,40	4,8	10,2						
18-153	59,2	3,2	16,50	4,7	10,2						
20-174	52,2	3,6	14,57	4,7	10,2						
22-195	46,5	4,3	12,96	4,6	10,2						



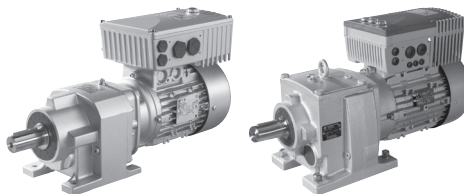
P_1 [kW]	n_2 [min ⁻¹]	M_{2b} [Nm]	f_B	i_{ges}	F_R [kN]	F_A [kN]	Type	kg	mm B		
0,95	11-92	99,0	0,9	27,62	2,8	3,9	SK 172.1 - 80 SH/4 - SK 200E-111-340-A (-C)	16	B62-63		
	12-102	88,9	1,0	24,80	2,8	3,9					
	13-113	80,4	1,1	22,42	2,8	3,9	SK 172.1 - 80 SH/4 - SK 180E-111-340-B (-C)				
	14-124	73,0	1,2	20,37	2,8	3,9					
	16-136	66,7	1,3	18,60	2,8	3,9					
	18-161	56,5	1,5	15,76	2,8	3,9					
	21-187	48,6	1,8	13,54	2,8	3,9					
	24-210	43,3	2,0	12,06	2,8	3,9					
	26-222	40,9	2,1	11,39	2,8	3,9					
	27-234	38,8	2,2	10,83	2,8	3,9					
	30-258	35,1	2,4	9,79	2,8	3,9					
	33-290	31,3	2,8	8,72	2,8	3,9					
	37-323	28,1	2,9	7,83	2,8	3,9					
	41-357	25,4	3,2	7,08	2,8	3,9					
	45-393	23,1	3,6	6,43	2,8	3,9					
	50-439	20,7	3,7	5,77	2,8	3,9					
	57-492	18,4	4,5	5,14	2,8	3,9					
	63-548	16,5	4,4	4,62	2,8	3,9					
	70-606	15,0	4,3	4,17	2,8	3,9					
	77-667	13,6	4,3	3,79	2,8	3,8					
84-731	12,4	4,4	3,46	2,8	3,6						
90-785	11,6	4,7	3,22	2,7	3,5						
1,30	1,3-11	1104	0,8	224,49	8,2	9,0	SK 773.1 - 80 LH/4 - SK 200E-151-340-A (-C)	47	B82-83		
	1,5-13	931	0,9	189,31	10,3	9,0	SK 773.1 - 80 LP/4 - SK 200E-151-340-A (-C)				
	1,8-16	788	1,1	160,22	11,7	9,0					
	2,1-18	682	1,2	138,78	11,7	9,0	SK 773.1 - 80 LH/4 - SK 180E-151-340-B (-C)				
	2,5-21	577	1,5	117,46	11,3	9,0	SK 773.1 - 80 LP/4 - SK 180E-151-340-B (-C)				
	2,6-23	550	1,5	111,92	11,2	9,0					
	3,0-26	475	1,8	96,57	10,8	9,0					
	3,1-27	460	1,8	93,61	10,8	9,0					
	3,5-30	410	2,1	83,32	10,5	9,0					
	3,7-32	390	2,2	79,23	10,3	9,0					
	4,0-35	353	2,4	71,89	10,1	9,0					
	4,2-37	339	2,5	68,92	10,0	9,0					
	1,8-16	794	0,8	161,45	7,3	20,0	SK 673.1 - 80 LH/4 - SK 200E-151-340-A (-C)			34	B78-79
	2,0-17	722	0,9	146,88	8,2	20,0	SK 673.1 - 80 LP/4 - SK 200E-151-340-A (-C)				
	2,2-19	662	1,0	134,64	8,8	20,0					
	2,4-20	606	1,1	123,33	9,3	20,0	SK 673.1 - 80 LH/4 - SK 180E-151-340-B (-C)				
	2,5-22	570	1,1	115,89	9,6	20,0	SK 673.1 - 80 LP/4 - SK 180E-151-340-B (-C)				
	2,8-24	509	1,3	103,48	10,1	20,0					
	3,1-27	466	1,4	94,86	10,3	20,0					
	3,5-30	412	1,6	83,70	10,6	20,0					
3,9-34	362	1,8	73,64	10,8	20,0						
4,4-38	324	2,0	65,95	11,0	20,0						
4,8-42	297	2,2	60,45	11,1	20,0						
5,3-46	271	2,4	55,12	11,2	20,0						
5,9-51	243	2,6	49,50	11,3	20,0						
6,5-56	220	2,9	44,85	11,3	20,0						
5,1-45	279	1,4	56,65	11,2	20,0	SK 672.1 - 80 LH/4 - SK 200E-151-340-A (-C)	33	B76-77			
6,5-57	219	2,1	44,55	11,3	20,0	SK 672.1 - 80 LP/4 - SK 200E-151-340-A (-C)					
						SK 672.1 - 80 LH/4 - SK 180E-151-340-B (-C)					
						SK 672.1 - 80 LP/4 - SK 180E-151-340-B (-C)					
2,6-23	547	0,8	111,36	7,7	14,5	SK 573.1 - 80 LH/4 - SK 200E-151-340-A (-C)	28	B72-75			
2,7-24	528	0,8	107,42	8,1	14,5	SK 573.1 - 80 LP/4 - SK 200E-151-340-A (-C)					
3,1-27	465	1,0	94,50	9,0	14,5						
3,4-30	419	1,1	85,18	9,4	14,5	SK 573.1 - 80 LH/4 - SK 180E-151-340-B (-C)					
3,8-33	378	1,2	76,88	9,6	14,5	SK 573.1 - 80 LP/4 - SK 180E-151-340-B (-C)					
4,3-37	333	1,4	67,64	9,8	14,5						
4,8-41	300	1,5	60,97	10,0	14,5						

1:8,7

1,30 kW

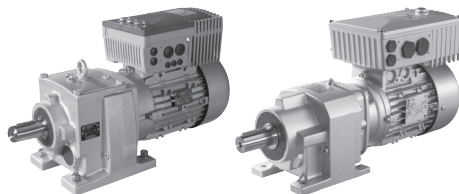
IE2

IE3



NORDBLOC.1
Helical gear units

P_1 [kW]	n_2 [min ⁻¹]	M_{2b} [Nm]	f_B	i_{ges}	F_R [kN]	F_A [kN]	Type	kg	mm		
1,30	5,2-45	274	1,6	55,80	10,1	14,5	SK 573.1 - 80 LH/4 - SK 200E-151-340-A (-C) SK 573.1 - 80 LP/4 - SK 200E-151-340-A (-C)	28	B72-75		
	5,9-51	244	1,8	49,60	10,2	14,5					
	6,1-53	236	1,9	47,95	10,2	14,5					
	6,7-58	213	2,1	43,40	10,2	14,5	SK 573.1 - 80 LH/4 - SK 180E-151-340-B (-C) SK 573.1 - 80 LP/4 - SK 180E-151-340-B (-C)				
	6,9-60	207	2,2	42,18	10,2	14,5					
	7,6-66	187	2,4	38,02	10,3	14,5					
	8,3-73	171	2,6	34,80	10,3	14,5					
	9,4-82	152	2,9	30,93	10,2	14,5					
	11-94	132	3,3	26,77	10,1	14,5					
	5,3-46	268	1,4	54,41	10,1	15,0	SK 572.1 - 80 LH/4 - SK 200E-151-340-A (-C) SK 572.1 - 80 LP/4 - SK 200E-151-340-A (-C)			28	B68-71
	6,3-55	225	1,4	45,77	10,2	15,0					
	6,8-60	208	1,8	42,38	10,2	15,0					
	8,1-71	175	2,1	35,65	10,3	15,0	SK 572.1 - 80 LH/4 - SK 180E-151-340-B (-C) SK 572.1 - 80 LP/4 - SK 180E-151-340-B (-C)				
	10-87	142	2,7	28,91	10,2	15,0					
	11-94	133	3,0	27,00	10,1	15,0					
	5,4-47	265	0,8	54,00	2,2	10,2	SK 373.1 - 80 LH/4 - SK 200E-151-340-A (-C) SK 373.1 - 80 LP/4 - SK 200E-151-340-A (-C)			21	B66-67
	6,2-54	231	0,9	47,05	2,7	10,2					
	6,8-59	209	1,0	42,46	2,9	10,2					
7,8-68	183	1,1	37,23	3,2	10,2	SK 373.1 - 80 LH/4 - SK 180E-151-340-B (-C) SK 373.1 - 80 LP/4 - SK 180E-151-340-B (-C)					
8,7-76	163	1,2	33,20	3,7	10,2						
9,7-85	146	1,4	29,77	3,7	10,2						
11-97	128	1,6	25,94	3,9	10,2						
12-108	115	1,8	23,41	3,9	10,2						
13-111	112	1,9	22,74	4,0	10,2						
14-123	101	2,1	20,52	4,0	10,2						
16-136	91,6	2,1	18,63	4,0	10,2						
6,7-58	213	0,8	43,26	3,3	10,2	SK 372.1 - 80 LH/4 - SK 200E-151-340-A (-C) SK 372.1 - 80 LP/4 - SK 200E-151-340-A (-C)	20	B64-65			
7,6-66	187	1,0	38,12	3,5	10,2						
8,6-75	166	1,1	33,84	3,7	10,2						
9,6-84	148	1,2	30,11	3,8	10,2	SK 372.1 - 80 LH/4 - SK 180E-151-340-B (-C) SK 372.1 - 80 LP/4 - SK 180E-151-340-B (-C)					
11-98	127	1,5	25,85	4,0	10,2						
13-110	113	1,8	23,00	4,1	10,2						
14-122	101	1,9	20,62	4,1	10,2						
16-137	90,5	2,2	18,40	4,2	10,2						
18-153	81,1	2,3	16,50	4,1	10,2						
20-173	71,6	2,7	14,57	4,2	10,2						
22-195	63,7	3,1	12,96	4,1	10,2						
25-219	56,8	3,3	11,55	4,1	10,2						
28-246	50,5	3,8	10,28	4,1	10,2						
31-269	46,2	4,1	9,40	4,0	10,2						
12-102	122	0,8	24,80	2,8	3,9	SK 172.1 - 80 LH/4 - SK 200E-151-340-A (-C) SK 172.1 - 80 LP/4 - SK 200E-151-340-A (-C)			17	B62-63	
13-113	110	0,8	22,42	2,8	3,9						
14-124	100	0,8	20,37	2,8	3,9						
16-136	91,4	0,9	18,60	2,8	3,9	SK 172.1 - 80 LH/4 - SK 180E-151-340-B (-C) SK 172.1 - 80 LP/4 - SK 180E-151-340-B (-C)					
18-160	77,5	1,1	15,76	2,8	3,9						
21-186	66,6	1,3	13,54	2,8	3,9						
24-209	59,3	1,5	12,06	2,8	3,9						
25-222	56,0	1,5	11,39	2,8	3,9						
27-233	53,3	1,6	10,83	2,8	3,9						
30-258	48,1	1,8	9,79	2,8	3,9						
33-289	42,9	2,1	8,72	2,8	3,9						
37-322	38,5	2,1	7,83	2,8	3,9						
41-357	34,8	2,4	7,08	2,8	3,9						
45-392	31,6	2,6	6,43	2,8	3,9						
50-438	28,4	2,7	5,77	2,8	3,9						
56-491	25,3	3,3	5,14	2,8	3,9						
63-547	22,7	3,2	4,62	2,8	3,9						
70-605	20,5	3,2	4,17	2,8	3,8						
77-666	18,6	3,2	3,79	2,8	3,7						
84-729	17,0	3,2	3,46	2,7	3,5						
90-784	15,8	3,4	3,22	2,7	3,4						



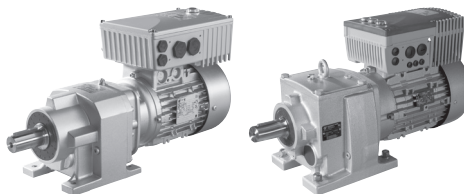
P_1 [kW]	n_2 [min ⁻¹]	M_{2b} [Nm]	f_B	i_{ges}	F_R [kN]	F_A [kN]	Type	kg	mm B		
1,90	1,1-9,8	1843	1,8	258,57	26,7	22,0	SK 973.1 - 90 SH/4 - SK 200E-221-340-A (-C)	126	B90-91		
	1,2-11	1674	2,0	234,77	26,9	22,0	SK 973.1 - 90 SP/4 - SK 200E-221-340-A (-C)				
	1,5-13	1408	2,3	197,50	27,4	22,0					
	1,6-14	1278	2,6	179,32	27,6	22,0	SK 973.1 - 90 SH/4 - SK 180E-221-340-B (-C)				
	1,7-15	1237	2,4	173,58	27,7	22,0	SK 973.1 - 90 SP/4 - SK 180E-221-340-B (-C)				
	1,9-16	1124	2,7	157,60	27,8	22,0					
	2,2-19	944	3,5	132,45	28,1	22,0					
	2,4-21	857	3,8	120,26	28,2	22,0					
	1,0-8,9	2030	0,8	284,73	13,1	18,0	SK 873.1 - 90 SH/4 - SK 200E-221-340-A (-C)			87	B86-87
	1,1-9,9	1837	0,9	257,61	14,6	18,0	SK 873.1 - 90 SP/4 - SK 200E-221-340-A (-C)				
	1,3-11	1655	1,0	232,16	15,8	18,0					
	1,4-12	1504	1,1	210,95	16,6	18,0	SK 873.1 - 90 SH/4 - SK 180E-221-340-B (-C)				
	1,5-13	1361	1,2	190,86	17,3	18,0	SK 873.1 - 90 SP/4 - SK 180E-221-340-B (-C)				
	1,8-15	1179	1,4	165,42	18,0	18,0					
	1,9-17	1072	1,6	150,31	18,4	18,0					
	2,2-19	970	1,8	135,99	18,7	18,0					
2,3-20	909	1,9	127,52	18,9	18,0						
2,5-22	826	2,1	115,88	19,1	18,0						
2,8-24	747	2,3	104,84	19,3	18,0						
2,9-25	720	2,4	101,02	19,3	18,0						
3,2-28	652	2,6	91,43	18,8	18,0						
3,5-31	592	2,9	83,08	18,3	18,0						
3,9-34	530	3,2	74,29	17,8	18,0						
4,3-38	481	3,5	67,50	17,3	18,0						
4,8-42	435	3,9	61,07	16,8	18,0						
1,8-16	1142	0,8	160,22	7,8	9,0	SK 773.1 - 90 SH/4 - SK 200E-221-340-A (-C)	52	B82-83			
2,1-18	989	0,9	138,78	9,7	9,0	SK 773.1 - 90 SP/4 - SK 200E-221-340-A (-C)					
2,5-22	837	1,0	117,46	10,2	9,0						
2,6-23	798	1,1	111,92	10,2	9,0	SK 773.1 - 90 SH/4 - SK 180E-221-340-B (-C)					
3,0-26	688	1,2	96,57	10,0	9,0	SK 773.1 - 90 SP/4 - SK 180E-221-340-B (-C)					
3,1-27	667	1,3	93,61	9,9	9,0						
3,5-31	594	1,4	83,32	9,7	9,0						
3,7-32	565	1,5	79,23	9,6	9,0						
4,1-35	513	1,7	71,89	9,5	9,0						
4,2-37	491	1,7	68,92	9,4	9,0						
4,6-40	452	1,9	63,42	9,2	9,0						
5,1-44	411	2,1	57,64	9,0	9,0						
5,7-50	366	2,3	51,31	8,8	9,0						
6,1-53	339	2,6	47,61	8,6	9,0						
2,5-22	826	0,8	115,89	6,8	20,0	SK 673.1 - 90 SH/4 - SK 200E-221-340-A (-C)			39	B78-79	
2,8-25	738	0,9	103,48	8,0	20,0	SK 673.1 - 90 SP/4 - SK 200E-221-340-A (-C)					
3,1-27	676	0,9	94,86	8,7	20,0						
3,5-30	597	1,1	83,70	9,4	20,0	SK 673.1 - 90 SH/4 - SK 180E-221-340-B (-C)					
4,0-35	525	1,2	73,64	9,9	20,0	SK 673.1 - 90 SP/4 - SK 180E-221-340-B (-C)					
4,4-39	470	1,4	65,95	10,3	20,0						
4,8-42	431	1,5	60,45	10,5	20,0						
5,3-46	393	1,6	55,12	10,7	20,0						
5,9-51	353	1,8	49,50	10,9	20,0						
6,5-57	320	2,0	44,85	11,0	20,0						
7,0-61	296	2,2	41,54	11,1	20,0						
7,9-68	265	2,4	37,23	11,2	20,0						
8,6-75	243	2,5	34,12	11,3	20,0						
5,2-45	404	1,0	56,65	10,7	20,0	SK 672.1 - 90 SH/4 - SK 200E-221-340-A (-C)	38	B76-77			
6,6-57	318	1,4	44,55	11,0	20,0	SK 672.1 - 90 SP/4 - SK 200E-221-340-A (-C)					
8,2-71	255	2,2	35,75	11,2	20,0						
9,0-78	232	2,6	32,58	11,3	20,0	SK 672.1 - 90 SH/4 - SK 180E-221-340-B (-C)					
						SK 672.1 - 90 SP/4 - SK 180E-221-340-B (-C)					

1:8,7

1,90 kW

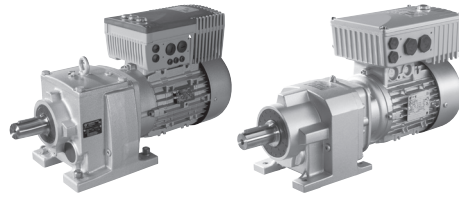
IE2

IE3



NORDBLOC.1
Helical gear units

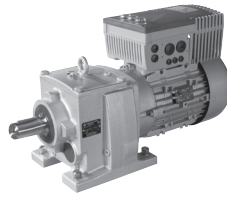
P_1 [kW]	n_2 [min ⁻¹]	M_{2b} [Nm]	f_B	i_{ges}	F_R	F_A [kN]	Type	kg	mm B		
1,90	3,8-33	548	0,8	76,88	6,3	14,5	SK 573.1 - 90 SH/4 - SK 200E-221-340-A (-C)	33	B72-75		
	4,3-38	482	0,9	67,64	7,0	14,5	SK 573.1 - 90 SP/4 - SK 200E-221-340-A (-C)				
	4,8-42	435	1,0	60,97	7,4	14,5					
	5,2-46	398	1,1	55,80	7,9	14,5	SK 573.1 - 90 SH/4 - SK 180E-221-340-B (-C)				
	5,9-51	354	1,3	49,60	8,1	14,5	SK 573.1 - 90 SP/4 - SK 180E-221-340-B (-C)				
	6,1-53	342	1,3	47,95	8,1	14,5					
	6,7-59	309	1,5	43,40	8,3	14,5					
	6,9-60	301	1,5	42,18	8,4	14,5					
	7,7-67	271	1,7	38,02	8,5	14,5					
	8,4-73	248	1,8	34,80	8,7	14,5					
	9,5-82	221	2,0	30,93	8,7	14,5					
	11-95	191	2,3	26,77	8,8	14,5					
12-107	170	2,5	23,79	8,6	14,5						
	5,4-47	388	1,0	54,41	8,4	15,0	SK 572.1 - 90 SH/4 - SK 200E-221-340-A (-C)	33	B68-71		
	6,4-56	326	1,0	45,77	8,6	15,0	SK 572.1 - 90 SP/4 - SK 200E-221-340-A (-C)				
	6,9-60	302	1,2	42,38	8,8	15,0					
	8,2-71	254	1,5	35,65	8,8	15,0	SK 572.1 - 90 SH/4 - SK 180E-221-340-B (-C)				
	9,4-81	223	1,7	31,28	9,0	15,0	SK 572.1 - 90 SP/4 - SK 180E-221-340-B (-C)				
	10-88	206	1,8	28,91	8,9	15,0					
	11-94	192	2,1	27,00	8,8	15,0					
	12-104	175	2,5	24,58	8,7	15,0					
	13-116	156	2,7	21,85	8,6	15,0					
	15-130	140	2,9	19,57	8,7	15,0					
	18-155	117	3,4	16,46	8,5	15,0					
	19-166	110	3,9	15,38	8,3	15,0					
	21-186	97,4	4,2	13,67	8,1	15,0					
	7,9-68	265	0,8	37,23	0,9	10,2	SK 373.1 - 90 SH/4 - SK 200E-221-340-A (-C)	26	B66-67		
	8,8-77	237	0,8	33,20	1,7	10,2	SK 373.1 - 90 SP/4 - SK 200E-221-340-A (-C)				
	9,8-85	212	1,0	29,77	1,9	10,2					
	11-98	185	1,1	25,94	2,3	10,2	SK 373.1 - 90 SH/4 - SK 180E-221-340-B (-C)				
	12-109	167	1,3	23,41	2,5	10,2	SK 373.1 - 90 SP/4 - SK 180E-221-340-B (-C)				
	13-112	162	1,3	22,74	2,6	10,2					
	14-124	146	1,4	20,52	2,7	10,2					
	16-137	133	1,4	18,63	2,8	10,2					
	8,6-75	241	0,8	33,84	1,7	10,2	SK 372.1 - 90 SH/4 - SK 200E-221-340-A (-C)			25	B64-65
	9,7-85	215	0,8	30,11	2,0	10,2	SK 372.1 - 90 SP/4 - SK 200E-221-340-A (-C)				
	11-98	184	1,0	25,85	2,5	10,2					
	13-111	164	1,2	23,00	2,7	10,2	SK 372.1 - 90 SH/4 - SK 180E-221-340-B (-C)				
	14-123	147	1,3	20,62	2,8	10,2	SK 372.1 - 90 SP/4 - SK 180E-221-340-B (-C)				
	16-138	131	1,5	18,40	3,1	10,2					
	18-154	118	1,6	16,50	3,1	10,2					
	20-175	104	1,8	14,57	3,3	10,2					
	23-196	92,4	2,2	12,96	3,4	10,2					
	25-220	82,4	2,3	11,55	3,5	10,2					
	28-248	73,3	2,6	10,28	3,4	10,1					
	31-271	67,0	2,8	9,40	3,5	9,9					
	36-309	58,6	3,1	8,22	3,5	9,5					
	40-352	51,5	3,3	7,23	3,5	9,2					
	42-369	49,1	3,5	6,89	3,5	9,1					
	44-387	46,9	3,4	6,58	3,5	9,0					
	49-428	42,4	3,8	5,95	3,4	8,7					
	56-485	37,4	4,3	5,24	3,3	8,4					
	26-223	81,2	1,0	11,39	2,8	3,9	SK 172.1 - 90 SH/4 - SK 200E-221-340-A (-C)	22	B62-63		
	30-260	69,8	1,2	9,79	2,8	3,9	SK 172.1 - 90 SP/4 - SK 200E-221-340-A (-C)				
	34-292	62,2	1,4	8,72	2,8	3,9					
	37-325	55,8	1,5	7,83	2,8	3,9	SK 172.1 - 90 SH/4 - SK 180E-221-340-B (-C)				
	41-359	50,5	1,6	7,08	2,8	3,9	SK 172.1 - 90 SP/4 - SK 180E-221-340-B (-C)				
	45-396	45,9	1,8	6,43	2,8	3,9					
	51-441	41,1	1,9	5,77	2,8	3,9					



P_1 [kW]	n_2 [min ⁻¹]	M_{2b} [Nm]	f_B	i_{ges}	F_R [kN]	F_A [kN]	Type	kg	mm B		
1,90	57-495	36,6	2,3	5,14	2,8	3,9	SK 172.1 - 90 SH/4 - SK 200E-221-340-A (-C)	22	B62-63		
	63-551	32,9	2,2	4,62	2,8	3,7	SK 172.1 - 90 SP/4 - SK 200E-221-340-A (-C)				
	70-610	29,7	2,2	4,17	2,8	3,6					
	77-671	27,0	2,2	3,79	2,7	3,5	SK 172.1 - 90 SH/4 - SK 180E-221-340-B (-C)				
	85-735	24,7	2,2	3,46	2,6	3,3	SK 172.1 - 90 SP/4 - SK 180E-221-340-B (-C)				
	91-790	23,0	2,4	3,22	2,6	3,2					
2,60	1,1-9,8	2543	1,3	258,57	25,3	22,0	SK 973.1 - 90 LH/4 - SK 200E-301-340-A (-C)	128	B90-91		
	1,2-11	2308	1,4	234,77	25,8	22,0	SK 973.1 - 90 LP/4 - SK 200E-301-340-A (-C)				
	1,5-13	1942	1,7	197,50	26,5	22,0					
	1,6-14	1763	1,9	179,32	26,8	22,0					
	1,7-15	1707	1,8	173,58	26,9	22,0					
	1,8-16	1550	1,9	157,60	27,2	22,0					
	2,2-19	1302	2,5	132,45	27,6	22,0					
	2,4-21	1183	2,8	120,26	27,7	22,0					
	2,8-24	1035	3,1	105,23	27,9	22,0					
	3,1-27	934	3,5	94,96	28,1	22,0					
	3,4-29	848	3,9	86,22	28,2	22,0					
	1,4-12	2074	0,8	210,95	12,7	18,0	SK 873.1 - 90 LH/4 - SK 200E-301-340-A (-C)			89	B86-87
	1,5-13	1877	0,9	190,86	14,3	18,0	SK 873.1 - 90 LP/4 - SK 200E-301-340-A (-C)				
	1,8-15	1627	1,0	165,42	15,9	18,0					
	1,9-17	1478	1,2	150,31	16,7	18,0					
	2,1-19	1337	1,3	135,99	17,4	18,0					
	2,3-20	1254	1,4	127,52	17,7	18,0					
	2,5-22	1139	1,5	115,88	18,2	18,0					
2,8-24	1031	1,6	104,84	18,5	18,0						
2,9-25	993	1,7	101,02	18,5	18,0						
3,2-28	899	1,9	91,43	18,1	18,0						
3,5-30	817	2,1	83,08	17,6	18,0						
3,9-34	730	2,3	74,29	17,2	18,0						
4,3-37	664	2,6	67,50	16,8	18,0						
4,8-41	601	2,8	61,07	16,3	18,0						
5,2-46	544	3,1	55,35	15,9	18,0						
5,8-50	495	3,4	50,32	15,5	18,0						
6,4-55	448	3,8	45,53	15,1	18,0						
2,6-23	1101	0,8	111,92	7,5	8,8	SK 773.1 - 90 LH/4 - SK 200E-301-340-A (-C)	54	B82-83			
3,0-26	950	0,9	96,57	8,4	9,0	SK 773.1 - 90 LP/4 - SK 200E-301-340-A (-C)					
3,1-27	920	0,9	93,61	8,5	9,0						
3,5-30	819	1,0	83,32	8,9	9,0						
3,7-32	779	1,1	79,23	8,8	9,0						
4,0-35	707	1,2	71,89	8,8	9,0						
4,2-37	678	1,3	68,92	8,7	9,0						
4,6-40	624	1,4	63,42	8,6	9,0						
5,0-44	567	1,5	57,64	8,5	9,0						
5,7-49	505	1,7	51,31	8,3	9,0						
6,1-53	468	1,9	47,61	8,2	9,0						
6,7-58	427	2,0	43,43	8,0	9,0						
7,4-65	384	2,2	39,06	7,9	9,0						
8,1-71	352	2,3	35,77	7,7	9,0						
9,1-79	313	2,6	31,83	7,5	9,0						
10-88	282	2,9	28,63	7,4	9,0						
11-94	264	3,1	26,86	7,3	9,0	SK 772.1 - 90 LH/4 - SK 200E-301-340-A (-C) SK 772.1 - 90 LP/4 - SK 200E-301-340-A (-C)			53	B80-81	

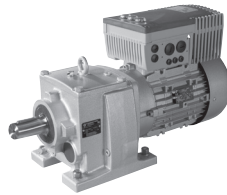
1:8,7

2,60 kW



NORDBLOC.1
Helical gear units

P ₁ [kW]	n ₂ [min ⁻¹]	M _{2b} [Nm]	f _B	i _{ges}	F _R	F _A	Type	mm	
								kg	B
2,60	3,5-30	823	0,8	83,70	6,9	20,0	SK 673.1 - 90 LH/4 - SK 200E-301-340-A (-C) SK 673.1 - 90 LP/4 - SK 200E-301-340-A (-C)	42	B78-79
	3,9-34	724	0,9	73,64	8,2	20,0			
	4,4-38	648	1,0	65,95	9,0	20,0			
	4,8-42	594	1,1	60,45	9,4	20,0			
	5,3-46	542	1,2	55,12	9,8	20,0			
	5,9-51	487	1,3	49,50	10,2	20,0			
	6,5-56	441	1,5	44,85	10,5	20,0			
	7,0-61	408	1,6	41,54	10,6	20,0			
	7,8-68	366	1,7	37,23	10,8	20,0			
	8,5-74	336	1,8	34,12	11,0	20,0			
	9,4-82	304	1,7	30,92	11,1	20,0			
	11-91	271	1,9	27,61	11,2	20,0			
	12-100	248	2,0	25,19	11,3	20,0			
		6,5-57	438	1,0	44,55	10,5			
	8,1-71	352	1,6	35,75	10,9	20,0			
	8,9-78	320	1,9	32,58	11,0	20,0			
	10-87	286	1,9	29,08	11,1	20,0			
	4,8-41	599	0,8	60,97	3,9	14,5	SK 573.1 - 90 LH/4 - SK 200E-301-340-A (-C) SK 573.1 - 90 LP/4 - SK 200E-301-340-A (-C)	36	B72-75
	5,2-45	549	0,8	55,80	4,8	14,5			
	5,9-51	488	0,9	49,60	5,2	14,5			
	6,1-53	471	1,0	47,95	5,4	14,5			
	6,7-58	427	1,1	43,40	5,8	14,5			
	6,9-60	415	1,1	42,18	5,9	14,5			
	7,6-66	374	1,2	38,02	6,3	14,5			
	8,3-73	342	1,3	34,80	6,8	14,5			
	9,4-82	304	1,4	30,93	6,9	14,5			
	11-94	263	1,6	26,77	7,3	14,5			
	12-106	234	1,8	23,79	7,3	14,5			
	6,8-60	417	0,9	42,38	6,5	15,0			
	8,1-71	351	1,1	35,65	6,9	15,0			
	9,3-81	308	1,2	31,28	7,3	15,0			
	10-87	284	1,3	28,91	7,3	15,0			
	11-94	265	1,5	27,00	7,2	15,0			
	12-103	242	1,8	24,58	7,4	15,0			
	13-116	215	2,0	21,85	7,3	15,0			
	15-129	192	2,1	19,57	7,7	15,0			
	18-153	162	2,5	16,46	7,6	15,0			
	19-164	151	2,8	15,38	7,5	15,0			
	21-185	134	3,1	13,67	7,4	15,0			
	23-199	125	3,4	12,68	7,4	15,0			
	26-224	111	3,7	11,25	7,3	15,0			
	29-252	98,7	4,1	10,04	7,2	15,0			
	13-110	226	0,9	23,00	1,1	10,2	SK 372.1 - 90 LH/4 - SK 200E-301-340-A (-C) SK 372.1 - 90 LP/4 - SK 200E-301-340-A (-C)	28	B64-65
	14-122	203	0,9	20,62	1,3	10,2			
	16-137	181	1,1	18,40	1,7	10,2			
	18-153	162	1,2	16,50	1,9	10,2			
	20-173	143	1,3	14,57	2,3	10,2			
	22-195	127	1,6	12,96	2,5	10,2			
	25-219	114	1,7	11,55	2,7	10,1			
	28-246	101	1,9	10,28	2,7	9,8			
	31-269	92,4	2,1	9,40	2,8	9,6			
	35-307	80,9	2,2	8,22	2,9	9,3			
	40-349	71,1	2,4	7,23	3,0	9,0			
	42-367	67,7	2,5	6,89	3,0	8,9			
	44-384	64,7	2,5	6,58	3,0	8,8			
	49-424	58,5	2,7	5,95	3,0	8,5			
	55-482	51,5	3,1	5,24	3,0	8,2			
	62-541	45,9	3,1	4,66	2,9	7,7			
	69-604	41,1	3,2	4,18	2,9	7,3			
	77-669	37,1	3,2	3,78	2,8	7,0			
	85-737	33,7	3,3	3,43	2,8	6,7			

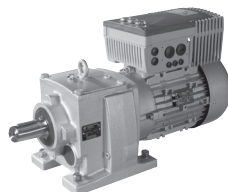


P_1 [kW]	n_2 [min ⁻¹]	M_{2b} [Nm]	f_B	i_{ges}	F_R [kN]	F_A [kN]	Type	kg	mm B			
3,80	1,1-9,9	3672	0,9	258,57	22,4	22,0	SK 973.1 - 100 LH/4 - SK 200E-401-340-A (-C) SK 973.1 - 100 LP/4 - SK 200E-401-340-A (-C)	137	B90-91			
	1,3-11	3334	1,0	234,77	23,3	22,0						
	1,5-13	2805	1,2	197,50	24,7	22,0						
	1,6-14	2547	1,3	179,32	25,2	22,0						
	1,7-15	2465	1,2	173,58	25,4	22,0						
	1,9-16	2238	1,3	157,60	25,9	22,0						
	2,2-19	1881	1,8	132,45	26,6	22,0						
	2,4-21	1708	1,9	120,26	26,9	22,0						
	2,8-24	1495	2,1	105,23	27,3	22,0						
	3,1-27	1349	2,4	94,96	27,5	22,0						
	3,4-30	1225	2,7	86,22	27,7	22,0						
	3,8-33	1096	3,0	77,16	27,9	22,0						
	3,9-34	1072	3,1	75,44	27,9	22,0						
	4,3-37	973	3,4	68,50	28,0	22,0						
4,5-39	937	3,4	65,98	28,1	22,0							
	2,0-17	2135	0,8	150,31	12,2	18,0	SK 873.1 - 100 LH/4 - SK 200E-401-340-A (-C) SK 873.1 - 100 LP/4 - SK 200E-401-340-A (-C)	98	B86-87			
	2,2-19	1931	0,9	135,99	13,9	18,0						
	2,3-20	1811	0,9	127,52	14,8	18,0						
	2,5-22	1646	1,0	115,88	15,8	18,0						
	2,8-24	1489	1,1	104,84	16,7	18,0						
	2,9-25	1435	1,2	101,02	16,9	18,0						
	3,2-28	1299	1,3	91,43	16,8	18,0						
	3,5-31	1180	1,4	83,08	16,4	18,0						
	4,0-34	1055	1,6	74,29	16,1	18,0						
	4,4-38	959	1,8	67,50	15,8	18,0						
	4,8-42	867	2,0	61,07	15,4	18,0						
	5,3-46	786	2,2	55,35	15,1	18,0						
	5,8-51	715	2,4	50,32	14,8	18,0						
	6,5-56	647	2,6	45,53	14,4	18,0						
	7,4-64	564	3,0	39,68	14,0	18,0						
	8,2-72	506	3,4	35,63	13,6	18,0						
	6,9-60	606	2,3	42,67	14,2	18,0	SK 872.1 - 100 LH/4 - SK 200E-401-340-A (-C) SK 872.1 - 100 LP/4 - SK 200E-401-340-A (-C)	96	B84-85			
	7,6-66	551	2,4	38,77	13,9	18,0						
	8,4-73	498	2,4	35,08	13,5	18,0						
	3,7-32	1125	0,8	79,23	4,5	5,9	SK 773.1 - 100 LH/4 - SK 200E-401-340-A (-C) SK 773.1 - 100 LP/4 - SK 200E-401-340-A (-C)	63	B82-83			
	4,1-36	1021	0,8	71,89	5,5	6,7						
	4,3-37	979	0,9	68,92	5,8	7,0						
	4,6-40	901	0,9	63,42	6,3	7,3						
	5,1-44	819	1,0	57,64	6,7	7,7						
	5,7-50	729	1,2	51,31	7,2	8,0						
	6,2-54	676	1,3	47,61	7,3	8,0						
	6,8-59	617	1,4	43,43	7,3	8,2						
	7,5-65	555	1,5	39,06	7,2	8,5						
	8,2-71	508	1,6	35,77	7,1	8,5						
	9,2-80	452	1,8	31,83	7,0	8,6						
	10-89	407	2,0	28,63	6,8	8,7						
	11-95	381	2,1	26,86	6,8	8,8				SK 772.1 - 100 LH/4 - SK 200E-401-340-A (-C) SK 772.1 - 100 LP/4 - SK 200E-401-340-A (-C)	61	B80-81
	12-105	347	2,4	24,41	6,6	8,7						
	5,3-46	783	0,8	55,12	7,4	20,0	SK 673.1 - 100 LH/4 - SK 200E-401-340-A (-C) SK 673.1 - 100 LP/4 - SK 200E-401-340-A (-C)	50	B78-79			
	5,9-52	703	0,9	49,50	8,4	20,0						
	6,5-57	637	1,0	44,85	9,1	20,0						
	7,1-62	590	1,1	41,54	9,5	20,0						
	7,9-69	529	1,2	37,23	9,9	20,0						
	8,6-75	485	1,2	34,12	10,2	20,0						
	9,5-83	439	1,2	30,92	10,5	20,0						
	11-93	392	1,3	27,61	10,7	20,0						
	12-101	358	1,4	25,19	10,9	20,0						
	13-112	324	1,4	22,82	11,0	20,0						

1:8,7**3,80 kW**
5,20 kW

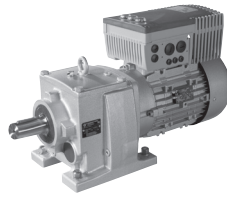
IE2

IE3


NORD
DRIVESYSTEMS

NORDBLOC.1
Helical gear units

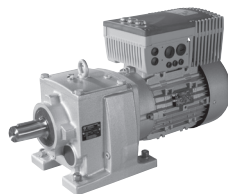
P_1 [kW]	n_2 [min ⁻¹]	M_{2b} [Nm]	f_B	i_{ges}	F_R [kN]	F_A [kN]	Type	kg	mm B				
3,80	9,0-78	463	1,3	32,58	10,3	20,0	SK 672.1 - 100 LH/4 - SK 200E-401-340-A (-C) SK 672.1 - 100 LP/4 - SK 200E-401-340-A (-C)	49	B76-77				
	10-88	413	1,3	29,08	10,6	20,0							
	11-97	373	1,6	26,23	10,8	20,0							
	13-109	333	1,8	23,41	11,0	20,0							
	14-124	293	2,1	20,62	11,1	20,0							
	16-139	261	2,3	18,41	11,2	20,0							
	17-148	245	2,5	17,25	11,3	20,0							
	7,7-67	540	0,8	38,02	2,7	14,5				SK 573.1 - 100 LH/4 - SK 200E-401-340-A (-C) SK 573.1 - 100 LP/4 - SK 200E-401-340-A (-C)	44	B72-75	
		8,4-73	494	0,9	34,80	3,5							14,5
		9,5-83	439	1,0	30,93	3,9							14,5
		11-95	380	1,1	26,77	4,7							14,5
		12-107	338	1,3	23,79	5,0							14,5
		14-120	303	1,4	21,32	5,1							14,5
		15-133	273	1,6	19,22	5,3							14,5
		17-147	247	1,7	17,42	5,4							14,5
9,4-82	444	0,8	31,28	4,5	15,0	SK 572.1 - 100 LH/4 - SK 200E-401-340-A (-C) SK 572.1 - 100 LP/4 - SK 200E-401-340-A (-C)	44	B68-71					
	12-104	349	1,2	24,58	5,0				15,0				
	13-117	310	1,4	21,85	5,2				15,0				
	15-131	278	1,4	19,57	5,9				15,0				
	18-155	234	1,7	16,46	6,1				15,0				
	19-166	218	2,0	15,38	6,0				15,0				
	21-187	194	2,1	13,67	6,0				15,0				
	23-201	180	2,4	12,68	6,1				15,0				
	26-227	160	2,6	11,25	6,2				15,0				
	29-255	143	2,8	10,04	6,2				15,0				
	33-286	127	2,9	8,92	6,1				15,0				
	36-313	116	3,1	8,15	6,2				15,0				
	39-341	106	3,3	7,49	6,2				15,0				
	47-406	89,5	3,6	6,30	6,1				14,9				
	50-434	83,6	3,6	5,88	5,9				14,5				
25-221	164	1,2	11,55	1,3	9,5	SK 372.1 - 100 LH/4 - SK 200E-401-340-A (-C) SK 372.1 - 100 LP/4 - SK 200E-401-340-A (-C)	36	B64-65					
	29-249	146	1,3	10,28	1,5				9,2				
	31-272	134	1,4	9,40	1,7				9,1				
	36-311	117	1,5	8,22	2,0				8,8				
	41-353	103	1,7	7,23	2,1				8,5				
	43-371	97,8	1,7	6,89	2,2				8,5				
	45-388	93,5	1,7	6,58	2,3				8,4				
	49-430	84,5	1,9	5,95	2,3				8,2				
	56-487	74,5	2,1	5,24	2,4				7,8				
	63-548	66,2	2,1	4,66	2,4				7,3				
	70-611	59,4	2,2	4,18	2,4				7,0				
	78-677	53,6	2,2	3,78	2,4				6,7				
	86-746	48,7	2,3	3,43	2,4				6,4				
	5,20	1,5-13	3869	0,9	197,50				21,3	22,0	SK 973.1 - 100 AH/4 - SK 200E-551-340-A (-C) SK 973.1 - 100 AP/4 - SK 200E-551-340-A (-C)	140	B90-91
		1,6-14	3512	0,9	179,32				22,8	22,0			
1,7-15		3400	0,9	173,58	23,2	22,0							
1,8-16		3087	1,0	157,60	24,0	22,0							
2,2-19		2595	1,3	132,45	25,2	22,0							
2,4-21		2356	1,4	120,26	25,7	22,0							
2,8-24		2061	1,6	105,23	26,3	22,0							
3,1-27		1860	1,8	94,96	26,6	22,0							
3,4-29		1689	2,0	86,22	26,9	22,0							
3,8-33		1511	2,2	77,16	27,2	22,0							
3,9-34		1478	2,2	75,44	27,3	22,0							
4,3-37		1342	2,5	68,50	27,0	22,0							
4,4-38		1292	2,5	65,98	27,1	22,0							
4,9-42		1174	2,7	59,91	26,7	22,0							
5,2-46		1090	2,9	55,66	26,5	22,0							
5,6-48	1025	3,1	52,32	26,3	22,0								
6,1-53	932	3,4	47,60	25,8	22,0								
6,9-60	833	3,8	42,51	25,0	22,0								



P_1 [kW]	n_2 [min ⁻¹]	M_{2b} [Nm]	f_B	i_{ges}	F_R [kN]	F_A [kN]	Type	kg	mm B
5,20	2,8-24	2054	0,8	104,84	12,9	18,0	SK 873.1 - 100 AH/4 - SK 200E-551-340-A (-C) SK 873.1 - 100 AP/4 - SK 200E-551-340-A (-C)	101	B86-87
	2,9-25	1979	0,9	101,02	13,5	18,0			
	3,2-28	1791	0,9	91,43	14,9	18,0			
	3,5-31	1627	1,0	83,08	15,1	18,0			
	3,9-34	1455	1,2	74,29	14,9	18,0			
	4,3-38	1322	1,3	67,50	14,7	18,0			
	4,8-42	1196	1,4	61,07	14,5	18,0			
	5,3-46	1084	1,6	55,35	14,2	18,0			
	5,8-50	986	1,7	50,32	14,0	18,0			
	6,4-56	892	1,9	45,53	13,7	18,0			
	7,3-64	777	2,2	39,68	13,3	18,0			
	8,2-71	698	2,4	35,63	13,0	18,0			
	9,0-79	632	2,7	32,24	12,7	18,0			
	9,6-83	597	2,8	30,47	12,6	18,0			
	11-98	509	3,2	25,69	12,1	18,0			
12-108	460	3,6	23,49	11,8	18,0				
	6,8-59	836	1,7	42,67	13,6	18,0	SK 872.1 - 100 AH/4 - SK 200E-551-340-A (-C) SK 872.1 - 100 AP/4 - SK 200E-551-340-A (-C)	99	B84-85
	7,5-65	759	1,7	38,77	13,3	18,0			
	8,3-72	687	1,7	35,08	13,0	18,0			
	5,1-44	1129	0,8	57,64	2,9	4,3	SK 773.1 - 100 AH/4 - SK 200E-551-340-A (-C) SK 773.1 - 100 AP/4 - SK 200E-551-340-A (-C)	66	B82-83
	5,7-49	1005	0,8	51,31	3,8	5,1			
	6,1-53	933	0,9	47,61	4,1	5,2			
	6,7-58	851	1,0	43,43	4,6	5,7			
	7,5-65	765	1,1	39,06	5,4	6,3			
	8,1-71	701	1,2	35,77	5,6	6,4			
	9,2-80	624	1,3	31,83	6,0	6,7			
	10-89	561	1,5	28,63	6,3	7,1			
	11-100	497	1,6	25,39	6,2	7,2			
	12-105	475	1,6	24,23	6,1	7,2			
	14-118	421	1,8	21,49	6,0	7,3			
	11-94	526	1,6	26,86	6,3	7,3	SK 772.1 - 100 AH/4 - SK 200E-551-340-A (-C) SK 772.1 - 100 AP/4 - SK 200E-551-340-A (-C)	64	B80-81
	12-104	478	1,7	24,41	6,2	7,3			
	14-125	398	2,1	20,31	6,0	7,5			
	16-137	362	2,2	18,46	5,9	7,4			
	17-152	326	2,4	16,66	5,8	7,5			
	7,0-61	814	0,8	41,54	7,0	20,0	SK 673.1 - 100 AH/4 - SK 200E-551-340-A (-C) SK 673.1 - 100 AP/4 - SK 200E-551-340-A (-C)	53	B78-79
	7,8-68	729	0,9	37,23	8,1	20,0			
	8,5-74	668	0,9	34,12	8,8	20,0			
	9,4-82	606	0,9	30,92	9,3	20,0			
	11-92	541	1,0	27,61	9,8	20,0			
	12-101	493	1,0	25,19	10,2	20,0			
	13-111	447	1,0	22,82	10,4	20,0			
	8,9-78	638	1,0	32,58	9,1	20,0	SK 672.1 - 100 AH/4 - SK 200E-551-340-A (-C) SK 672.1 - 100 AP/4 - SK 200E-551-340-A (-C)	52	B76-77
	10-87	570	1,0	29,08	9,6	20,0			
	11-97	514	1,2	26,23	10,0	20,0			
	12-108	459	1,3	23,41	10,4	20,0			
	14-123	404	1,5	20,62	10,7	20,0			
	16-138	361	1,7	18,41	10,9	20,0			
	17-147	338	1,8	17,25	10,9	20,0			
	19-165	301	2,0	15,35	11,1	20,0			
	21-185	268	2,2	13,70	11,2	20,0			
	23-202	246	2,3	12,56	11,3	20,0			
	26-223	223	2,6	11,38	11,3	20,0			
	28-245	203	2,8	10,37	11,4	20,0			
	11-95	524	0,8	26,77	1,7	14,5	SK 573.1 - 100 AH/4 - SK 200E-551-340-A (-C) SK 573.1 - 100 AP/4 - SK 200E-551-340-A (-C)	47	B72-75
	12-107	466	0,9	23,79	2,2	14,5			
	14-119	418	1,0	21,32	2,6	14,5			
	15-132	376	1,1	19,22	3,0	14,5			
	17-146	341	1,3	17,42	3,2	14,5			

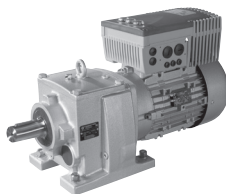
1:8,7

5,20 kW
6,90 kW



NORDBLOC.1
Helical gear units

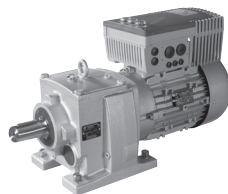
P ₁ [kW]	n ₂ [min ⁻¹]	M _{2b} [Nm]	f _B	i _{ges}	F _R [kN]	F _A [kN]	Type	kg	mm B			
5,20	12-103	481	0,9	24,58	2,2	15,0	SK 572.1 - 100 AH/4 - SK 200E-551-340-A (-C) SK 572.1 - 100 AP/4 - SK 200E-551-340-A (-C)	47	B68-71			
	13-116	428	1,0	21,85	2,7	15,0						
	15-130	383	1,0	19,57	3,8	15,0						
	18-154	322	1,2	16,46	4,2	15,0						
	19-165	301	1,4	15,38	4,3	15,0						
	21-185	268	1,5	13,67	4,4	15,0						
	23-200	248	1,7	12,68	4,7	15,0						
	26-225	220	1,9	11,25	4,9	15,0						
	29-253	197	2,0	10,04	5,1	15,0						
	33-284	175	2,1	8,92	5,1	15,0						
	36-311	160	2,3	8,15	5,3	15,0						
	39-338	147	2,4	7,49	5,4	15,0						
	46-402	123	2,6	6,30	5,4	14,6						
	50-431	115	2,6	5,88	5,3	14,2						
	56-485	102	2,6	5,23	5,2	13,4						
	62-541	91,8	2,7	4,69	5,1	12,7						
	69-600	82,8	2,8	4,22	5,1	12,1						
	76-662	75,0	2,9	3,83	5,0	11,6						
89-775	64,0	3,0	3,27	4,8	10,8							
6,90	2,2-19	3423	1,0	132,45	19,7	22,0	SK 973.1 - 112 MH/4 - SK 200E-751-340-A (-C) SK 973.1 - 112 MP/4 - SK 200E-751-340-A (-C)	150	B90-91			
	2,4-21	3107	1,1	120,26	20,4	22,0						
	2,8-24	2719	1,2	105,23	21,8	22,0						
	3,1-27	2454	1,3	94,96	22,5	22,0						
	3,4-30	2228	1,5	86,22	22,7	22,0						
	3,8-33	1994	1,7	77,16	23,4	22,0						
	3,9-34	1949	1,7	75,44	23,4	22,0						
	4,3-37	1770	1,9	68,50	23,4	22,0						
	4,4-39	1705	1,9	65,98	23,7	22,0						
	4,9-43	1548	2,1	59,91	23,6	22,0						
	5,3-46	1438	2,2	55,66	23,6	22,0						
	5,6-49	1352	2,4	52,32	23,6	22,0						
	6,2-54	1230	2,6	47,60	23,5	22,0						
	6,9-60	1098	2,9	42,51	23,3	22,0						
	6,9-60	1105	2,6	42,76	23,7	22,0				SK 972.1 - 112 MH/4 - SK 200E-751-340-A (-C) SK 972.1 - 112 MP/4 - SK 200E-751-340-A (-C)	148	B88-89
	3,5-31	2147	0,8	83,08	12,0	14,7				SK 873.1 - 112 MH/4 - SK 200E-751-340-A (-C) SK 873.1 - 112 MP/4 - SK 200E-751-340-A (-C)	111	B86-87
	3,9-34	1919	0,9	74,29	13,5	15,8						
	4,3-38	1744	1,0	67,50	13,3	16,0						
4,8-42	1578	1,1	61,07	13,2	16,4							
5,3-46	1430	1,2	55,35	13,1	16,7							
5,8-51	1300	1,3	50,32	13,0	17,0							
6,4-56	1176	1,4	45,53	12,8	17,1							
7,4-64	1025	1,7	39,68	12,5	17,2							
8,2-72	921	1,8	35,63	12,3	17,3							
9,1-79	833	2,0	32,24	12,1	17,2							
9,6-84	787	2,1	30,47	12,0	17,2							
6,9-60	1102	1,3	42,67	12,7	17,4	SK 872.1 - 112 MH/4 - SK 200E-751-340-A (-C) SK 872.1 - 112 MP/4 - SK 200E-751-340-A (-C)	109	B84-85				
7,6-66	1002	1,3	38,77	12,5	17,3							
8,4-73	906	1,3	35,08	12,3	17,2							
9,2-80	827	1,9	32,00	12,1	17,3							
10-88	751	2,1	29,08	11,8	17,1							
16-137	482	3,2	18,67	10,7	16,3							
17-150	438	3,5	16,96	10,5	16,0							
19-168	392	3,7	15,18	10,2	15,7							
21-185	356	4,1	13,79	10,0	15,4							
6,7-59	1122	0,8	43,43	1,1	2,4				SK 773.1 - 112 MH/4 - SK 200E-751-340-A (-C) SK 773.1 - 112 MP/4 - SK 200E-751-340-A (-C)	76	B82-83	
7,5-65	1009	0,8	39,06	2,3	3,6							
8,2-71	924	0,9	35,77	2,7	3,9							
9,2-80	823	1,0	31,83	3,4	4,5							
10-89	740	1,1	28,63	4,2	5,1							
12-100	656	1,2	25,39	4,7	5,5							
14-119	555	1,4	21,49	5,1	5,8							



P_1 [kW]	n_2 [min ⁻¹]	M_{2b} [Nm]	f_B	i_{ges}	F_R [kN]	F_A [kN]	Type	kg	mm B				
6,90	11-95	694	1,2	26,86	4,6	5,4	SK 772.1 - 112 MH/4 - SK 200E-751-340-A (-C) SK 772.1 - 112 MP/4 - SK 200E-751-340-A (-C)	74	B80-81				
	12-104	631	1,3	24,41	4,9	5,6							
	14-126	525	1,6	20,31	5,5	6,1							
	16-138	477	1,6	18,46	5,4	6,2							
	18-153	431	1,8	16,66	5,4	6,3							
	19-163	404	1,9	15,62	5,3	6,3							
	20-177	371	1,9	14,38	5,3	6,5							
	22-195	338	2,1	13,07	5,2	6,5							
	25-219	301	2,3	11,67	5,1	6,5							
	27-231	286	2,4	11,06	5,0	6,3							
		14-124	533	1,1	20,62	9,9				20,0	SK 672.1 - 112 MH/4 - SK 200E-751-340-A (-C) SK 672.1 - 112 MP/4 - SK 200E-751-340-A (-C)	62	B76-77
		16-139	476	1,3	18,41	10,3				20,0			
		17-148	446	1,4	17,25	10,4				20,0			
		19-166	397	1,5	15,35	10,7				20,0			
21-186		354	1,6	13,70	10,9	20,0							
23-203		325	1,8	12,56	11,0	20,0							
26-224		294	1,9	11,38	11,1	20,0							
28-246		268	2,1	10,37	11,2	19,9							
32-276		239	2,2	9,25	11,3	19,3							
34-294		224	2,4	8,66	11,2	18,9							
35-301		219	2,4	8,48	11,1	18,9							
38-332		199	2,7	7,68	10,8	18,3							
43-378		174	3,0	6,75	10,4	17,7							
		15-130	506	0,8	19,57	1,3	15,0	SK 572.1 - 112 MH/4 - SK 200E-751-340-A (-C) SK 572.1 - 112 MP/4 - SK 200E-751-340-A (-C)	57	B68-71			
	18-155	425	0,9	16,46	2,1	15,0							
	19-166	397	1,1	15,38	2,2	15,0							
	21-187	353	1,2	13,67	2,6	15,0							
	23-201	328	1,3	12,68	3,0	15,0							
	26-227	291	1,4	11,25	3,4	15,0							
	29-254	259	1,5	10,04	3,7	15,0							
	33-286	231	1,6	8,92	3,9	15,0							
	36-313	211	1,7	8,15	4,3	15,0							
	39-340	194	1,8	7,49	4,4	15,0							
	47-405	163	2,0	6,30	4,5	14,2							
	50-433	152	2,0	5,88	4,5	13,7							
	56-488	135	2,0	5,23	4,5	12,9							
	63-544	121	2,1	4,69	4,5	12,3							
	69-604	109	2,1	4,22	4,4	11,8							
	77-666	99,0	2,2	3,83	4,4	11,3							
90-780	84,5	2,2	3,27	4,3	10,6								
9,50	2,5-21	4245	0,8	120,26	11,0	14,8	SK 973.1 - 132 SH/4 - SK 200E-112-340-A (-C) SK 973.1 - 132 SP/4 - SK 200E-112-340-A (-C)	180	B90-91				
	2,8-24	3715	0,9	105,23	13,7	17,0							
	3,1-27	3352	1,0	94,96	15,2	18,1							
	3,4-30	3044	1,1	86,22	16,0	18,7							
	3,8-33	2724	1,2	77,16	17,4	19,8							
	3,9-34	2663	1,2	75,44	17,6	19,9							
	4,3-38	2418	1,4	68,50	18,1	20,2							
	4,5-39	2329	1,4	65,98	18,6	20,6							
	4,9-43	2115	1,5	59,91	18,9	20,7							
	5,3-46	1965	1,6	55,66	19,2	20,9							
	5,6-49	1847	1,7	52,32	19,5	21,1							
	6,2-54	1680	1,9	47,60	19,7	21,2							
	6,9-60	1501	2,1	42,51	20,0	21,2							
	7,9-69	1319	2,4	37,36	20,1	21,2							
	8,4-73	1242	2,6	35,19	20,2	21,3							
	9,2-80	1128	2,8	31,95	20,1	21,0							
	9,5-83	1093	2,8	30,97	20,1	21,0							
11-94	961	3,1	27,22	19,9	20,7								
	6,9-60	1509	1,9	42,76	20,4	21,7	SK 972.1 - 132 SH/4 - SK 200E-112-340-A (-C) SK 972.1 - 132 SP/4 - SK 200E-112-340-A (-C)	178	B88-89				
	7,9-69	1313	2,2	37,19	20,5	21,6							
	8,9-77	1178	2,5	33,36	20,2	21,2							
	9,8-85	1069	2,6	30,29	20,0	20,9							
	11-93	976	2,7	27,66	19,8	20,6							

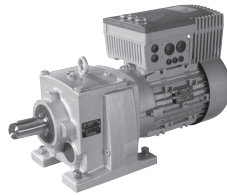
1:8,7

9,50 kW
13,0 kW



NORDBLOC.1
Helical gear units

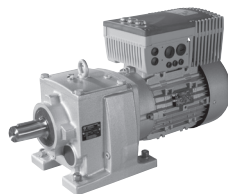
P ₁ [kW]	n ₂ [min ⁻¹]	M _{2b} [Nm]	f _B	i _{ges}	F _R	F _A	Type	mm					
								kg	B				
9,50	4,8-42	2156	0,8	61,07	9,6	11,2	SK 873.1 - 132 SH/4 - SK 200E-112-340-A (-C) SK 873.1 - 132 SP/4 - SK 200E-112-340-A (-C)	140	B86-87				
	5,3-46	1954	0,9	55,35	10,7	12,0							
	5,9-51	1776	1,0	50,32	11,4	12,8							
	6,5-56	1607	1,1	45,53	11,4	13,3							
	7,4-65	1401	1,2	39,68	11,3	13,8							
	8,3-72	1258	1,4	35,63	11,2	14,2							
	9,2-80	1138	1,5	32,24	11,1	14,4							
	9,7-84	1076	1,6	30,47	11,0	14,6							
	11-99	916	1,8	25,69	10,8	14,7							
	13-109	829	2,0	23,49	10,6	14,7							
	14-120	755	2,1	21,38	10,4	14,7							
	15-133	683	2,3	19,34	10,2	14,6							
	9,50	6,9-60	1506	0,9	42,67	11,4				13,8	SK 872.1 - 132 SH/4 - SK 200E-112-340-A (-C) SK 872.1 - 132 SP/4 - SK 200E-112-340-A (-C)	138	B84-85
		7,6-66	1369	0,9	38,77	11,3				14,0			
		8,4-73	1238	1,0	35,08	11,2				14,2			
9,2-80		1130	1,4	32,00	11,1	14,6							
10-88		1026	1,5	29,08	10,9	14,6							
11-92		988	1,6	28,00	10,9	14,8							
12-101		898	1,8	25,44	10,7	14,7							
13-112		813	1,9	23,02	10,5	14,7							
16-138		659	2,3	18,67	10,2	14,7							
17-152		599	2,6	16,96	10,0	14,5							
19-169		536	2,7	15,18	9,7	14,4							
21-186		487	3,0	13,79	9,5	14,2							
24-206		441	3,3	12,48	9,3	14,0							
26-229		397	3,5	11,24	9,1	13,8							
28-246		368	3,8	10,44	8,9	13,2							
32-278		326	4,2	9,24	8,6	12,8							
9,50		15-127	717	1,1	20,31	3,1	3,6	SK 772.1 - 132 SH/4 - SK 200E-112-340-A (-C) SK 772.1 - 132 SP/4 - SK 200E-112-340-A (-C)	104	B80-81			
		16-139	652	1,2	18,46	3,4	3,8						
	18-154	588	1,3	16,66	3,8	4,1							
	19-164	552	1,4	15,62	3,9	4,2							
	21-179	507	1,4	14,38	4,4	4,6							
	23-197	461	1,5	13,07	4,6	4,7							
	25-220	412	1,7	11,67	4,7	4,9							
	27-232	390	1,8	11,06	4,6	4,8							
	28-242	374	1,8	10,60	4,6	4,9							
	30-257	353	1,9	10,00	4,5	4,8							
	33-286	317	2,1	8,97	4,5	4,9							
	36-317	287	2,2	8,12	4,4	4,9							
	13,0	3,4-30	4165	0,8	86,22	6,9	10,6				SK 973.1 - 132 MH/4 - SK 200E-152-340-A (-C) SK 973.1 - 132 MP/4 - SK 200E-152-340-A (-C)	186	B90-91
		3,8-33	3727	0,9	77,16	9,4	12,7						
		3,9-34	3644	0,9	75,44	9,7	13,0						
4,3-38		3309	1,0	68,50	10,8	13,8							
4,5-39		3187	1,0	65,98	11,7	14,5							
4,9-43		2894	1,1	59,91	12,5	15,1							
5,3-46		2688	1,2	55,66	13,3	15,7							
5,6-49		2527	1,3	52,32	13,9	16,2							
6,2-54		2299	1,4	47,60	14,7	16,7							
6,9-60		2053	1,6	42,51	15,5	17,3							
7,9-69		1805	1,8	37,36	16,1	17,7							
8,4-73		1700	1,9	35,19	16,6	18,0							
9,2-80		1543	2,1	31,95	16,7	18,0							
9,5-83		1496	2,1	30,97	16,8	18,1							
11-94		1315	2,3	27,22	17,0	18,2							
13,0	12-101	1232	2,4	25,51	17,1	18,2	SK 972.1 - 132 MH/4 - SK 200E-152-340-A (-C) SK 972.1 - 132 MP/4 - SK 200E-152-340-A (-C)	184	B88-89				
	13-115	1083	2,6	22,42	17,2	18,1							
	6,9-60	2065	1,4	42,76	16,1	17,8							
	7,9-69	1796	1,6	37,19	16,7	18,2							
	8,9-77	1611	1,8	33,36	16,8	18,1							
	9,8-85	1463	1,9	30,29	16,8	18,1							
	11-93	1336	1,9	27,66	16,9	18,0							
	13-117	1062	2,6	21,99	17,5	18,4							
	15-130	953	2,9	19,72	17,3	18,0							
	17-146	853	3,3	17,65	17,3	18,0							



P_1 [kW]	n_2 [min ⁻¹]	M_{2b} [Nm]	f_B	i_{ges}	F_R [kN]	F_A [kN]	Type	kg	mm B				
13,0	6,5-56	2199	0,8	45,53	6,1	8,0	SK 873.1 - 132 MH/4 - SK 200E-152-340-A (-C) SK 873.1 - 132 MP/4 - SK 200E-152-340-A (-C)	148	B86-87				
	7,4-65	1917	0,9	39,68	7,8	9,3							
	8,3-72	1721	1,0	35,63	9,0	10,1							
	9,2-80	1557	1,1	32,24	9,7	10,7							
	9,7-84	1472	1,1	30,47	9,8	11,1							
	11-99	1254	1,3	25,69	9,7	11,7							
	13-109	1135	1,5	23,49	9,6	12,0							
	14-120	1033	1,5	21,38	9,5	12,3							
	15-133	934	1,7	19,34	9,4	12,4							
	13,0	9,2-80	1546	1,0	32,00	9,8				11,0	SK 872.1 - 132 MH/4 - SK 200E-152-340-A (-C) SK 872.1 - 132 MP/4 - SK 200E-152-340-A (-C)	146	B84-85
		10-88	1405	1,1	29,08	9,8				11,3			
		11-92	1353	1,2	28,00	9,8				11,6			
		12-101	1229	1,3	25,44	9,7				11,8			
		13-112	1112	1,4	23,02	9,6				12,0			
		16-138	902	1,7	18,67	9,4				12,6			
17-152		819	1,9	16,96	9,3	12,6							
19-169		733	2,0	15,18	9,1	12,6							
21-186		666	2,2	13,79	9,0	12,4							
24-206		603	2,4	12,48	8,8	12,2							
26-229		543	2,6	11,24	8,6	12,0							
28-246		504	2,8	10,44	8,4	11,6							
32-278		446	3,1	9,24	8,3	11,5							
33-290		429	3,1	8,87	8,1	11,0							
38-333		373	3,5	7,73	7,9	10,8							
45-391		317	3,9	6,57	7,6	10,3							
52-454		273	4,2	5,66	7,3	9,8							
54-467		266	4,3	5,50	7,3	9,9							
13,0		15-127	981	0,8	20,31	0	0	SK 772.1 - 132 MH/4 - SK 200E-152-340-A (-C) SK 772.1 - 132 MP/4 - SK 200E-152-340-A (-C)	111	B80-81			
		16-139	892	0,9	18,46	0,4	0,9						
	18-154	805	1,0	16,66	1,1	1,4							
	19-164	755	1,0	15,62	1,3	1,6							
	21-179	694	1,0	14,38	2,1	2,3							
	23-197	631	1,1	13,07	2,4	2,5							
	25-220	564	1,2	11,67	3,0	3,0							
	27-232	534	1,3	11,06	3,0	2,9							
	28-242	512	1,3	10,60	3,2	3,2							
	30-257	483	1,4	10,00	3,2	3,1							
	33-286	433	1,5	8,97	3,6	3,4							
	36-317	392	1,6	8,12	3,7	3,5							
	39-337	369	1,7	7,63	3,6	3,3							
	45-387	320	1,9	6,63	3,9	4,0							
	48-415	299	1,9	6,19	3,8	3,6							
	55-477	260	2,2	5,38	3,8	4,1							
	16,0	4,3-37	4088	0,8	68,50	4,5	8,2				SK 973.1 - 132 LH/4 - SK 200E-182-340-A (-C)	186	B90-91
4,5-39		3938	0,8	65,98	5,7	9,2							
4,9-43		3576	0,9	59,91	7,0	10,3							
5,3-46		3322	1,0	55,66	8,2	11,2							
5,6-49		3123	1,0	52,32	9,1	11,9							
6,2-54		2841	1,1	47,60	10,4	12,9							
6,9-60		2537	1,3	42,51	11,6	13,8							
7,9-69		2230	1,4	37,36	12,7	14,7							
8,4-73		2100	1,5	35,19	13,4	15,2							
9,2-80		1907	1,7	31,95	13,8	15,5							
9,5-83		1848	1,7	30,97	14,0	15,6							
11-94		1625	1,8	27,22	14,6	16,0							
12-100		1522	2,0	25,51	14,8	16,1							
13-114		1338	2,1	22,42	15,1	16,3							

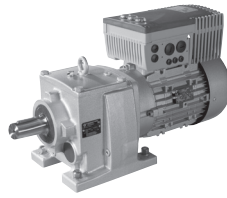
1:8,7

16,0 kW
19,0 kW



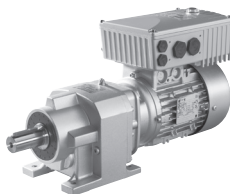
NORDBLOC.1
Helical gear units

P ₁ [kW]	n ₂ [min ⁻¹]	M _{2b} [Nm]	f _B	i _{ges}	F _R [kN]	F _A [kN]	Type	kg	mm B				
16,0	6,9-60	2552	1,1	42,76	12,3	14,5	SK 972.1 - 132 LH/4 - SK 200E-182-340-A (-C)	184	B88-89				
	7,9-69	2219	1,3	37,19	13,4	15,4							
	8,8-77	1991	1,5	33,36	13,7	15,5							
	9,7-85	1808	1,5	30,29	14,1	15,7							
	11-93	1651	1,6	27,66	14,3	15,7							
	13-116	1312	2,1	21,99	15,6	16,7							
	15-130	1177	2,4	19,72	15,5	16,5							
	17-145	1054	2,7	17,65	15,8	16,7							
	19-162	945	2,9	15,84	15,6	16,4							
	21-181	845	3,2	14,16	15,6	16,2							
	22-189	809	3,2	13,56	15,7	16,3							
	23-199	767	3,4	12,86	15,4	15,8							
	16,0	9,2-80	1910	0,8	32,00	6,3				7,3	SK 872.1 - 132 LH/4 - SK 200E-182-340-A (-C)	146	B84-85
		10-88	1735	0,9	29,08	7,1				7,8			
		11-91	1671	1,0	28,00	7,7				8,4			
		12-101	1518	1,1	25,44	8,3				8,8			
		13-111	1374	1,1	23,02	8,8				9,3			
		16-137	1114	1,4	18,67	8,8				10,3			
		17-151	1012	1,5	16,96	8,7				10,4			
19-169		906	1,6	15,18	8,6	10,7							
21-186		823	1,8	13,79	8,5	10,6							
24-205		745	2,0	12,48	8,4	10,6							
26-228		671	2,1	11,24	8,2	10,7							
28-245		623	2,2	10,44	8,1	10,3							
32-277		551	2,5	9,24	7,9	10,3							
33-289		530	2,5	8,87	7,8	9,9							
38-331		461	2,8	7,73	7,6	9,9							
45-390		392	3,1	6,57	7,3	9,5							
52-453		338	3,4	5,66	7,1	9,1							
54-465		328	3,5	5,50	7,1	9,3							
19,0		4,9-43	4221	0,8	59,91	1,7	4,7	SK 973.1 - 160 MH/4 - SK 200E-222-340-A (-C) SK 973.1 - 160 MP/4 - SK 200E-222-340-A (-C)	218	B90-91			
		5,3-46	3922	0,8	55,66	3,3	6,2						
	5,7-49	3687	0,9	52,32	4,5	7,4							
	6,2-54	3354	1,0	47,60	6,1	8,9							
	7,0-61	2995	1,1	42,51	7,8	10,5							
	7,9-69	2633	1,2	37,36	9,4	11,7							
	8,4-73	2480	1,3	35,19	10,3	12,5							
	9,3-81	2251	1,4	31,95	10,9	12,9							
	9,6-83	2182	1,4	30,97	11,2	13,1							
	11-95	1918	1,6	27,22	12,1	13,8							
	12-101	1797	1,7	25,51	12,5	14,1							
	13-115	1580	1,8	22,42	13,1	14,5							
	19,0	8,0-69	2620	1,1	37,19	10,2	12,5				SK 972.1 - 160 MH/4 - SK 200E-222-340-A (-C) SK 972.1 - 160 MP/4 - SK 200E-222-340-A (-C)	216	B88-89
8,9-77		2351	1,2	33,36	10,8	12,9							
9,8-85		2134	1,3	30,29	11,4	13,3							
11-93		1949	1,3	27,66	11,8	13,5							
13-117		1549	1,8	21,99	13,7	15,0							
15-131		1390	2,0	19,72	13,7	14,9							
17-146		1244	2,3	17,65	14,2	15,3							
19-163		1116	2,5	15,84	14,2	14,9							
21-182		998	2,7	14,16	14,3	14,8							
22-190		955	2,7	13,56	14,5	14,9							
23-200		906	2,9	12,86	14,2	14,4							
26-223		813	3,1	11,54	14,4	14,5							
29-249		729	3,4	10,35	14,2	14,0							



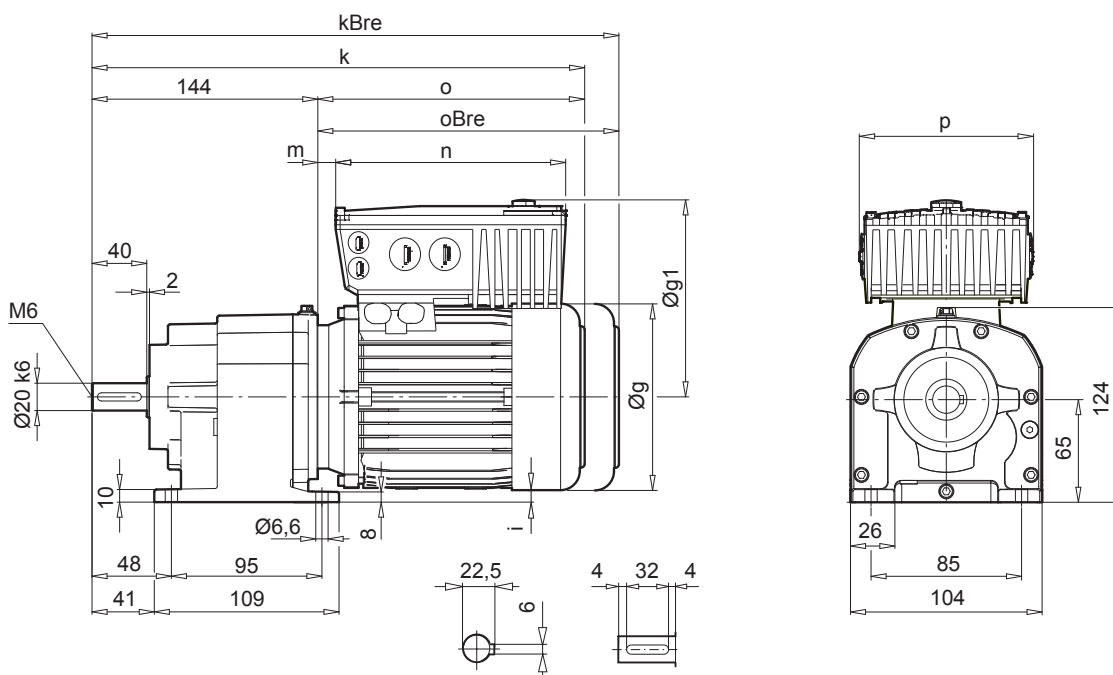
P_1 [kW]	n_2 [min ⁻¹]	M_{2b} [Nm]	f_B	i_{ges}	F_R [kN]	F_A [kN]	Type	kg	mm B
19,0	11-92	1973	0,8	28,00	4,4	5,1	SK 872.1 - 160 MH/4 - SK 200E-222-340-A (-C)	176	B84-85
	12-101	1793	0,9	25,44	5,3	5,7	SK 872.1 - 160 MP/4 - SK 200E-222-340-A (-C)		
	13-112	1622	1,0	23,02	6,2	6,5			
	16-138	1315	1,2	18,67	8,1	8,1			
	17-152	1195	1,3	16,96	8,1	8,3			
	19-170	1070	1,4	15,18	8,1	8,8			
	21-187	972	1,5	13,79	8,0	8,9			
	24-206	879	1,7	12,48	7,9	9,1			
	26-229	792	1,8	11,24	7,9	9,3			
	28-247	735	1,9	10,44	7,7	9,0			
	32-279	651	2,1	9,24	7,6	9,3			
	33-290	625	2,1	8,87	7,5	8,8			
	38-333	544	2,4	7,73	7,3	9,0			
	45-392	463	2,7	6,57	7,1	8,7			
	52-455	399	2,9	5,66	6,8	8,4			
	54-468	388	3,0	5,50	6,9	8,7			
	63-551	330	3,3	4,68	6,6	8,3			
	74-640	284	3,2	4,03	6,4	8,0			
80-697	260	3,4	3,69	6,3	8,0				

SK 072.1



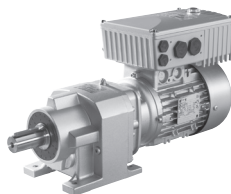
SK 072.1

NORDBLOC.1
Helical gear units

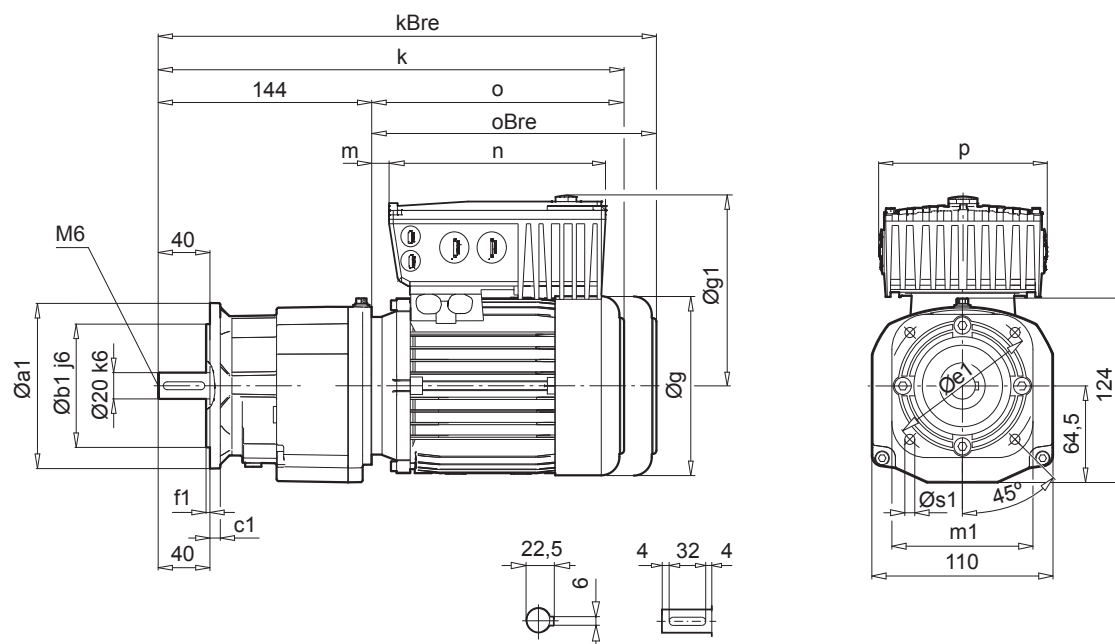


Motor + SK200E

IE1	71 L								
IE2	-								
IE3	-								
SK 200E	- 550 -								
340-A (-C)	- 750 -								
g	145								
g1	201								
k / kBre	358 / 416								
o / oBre	214 / 272								
m	-4								
n	236								
p	156								
i	-7,5								



SK 072.1F

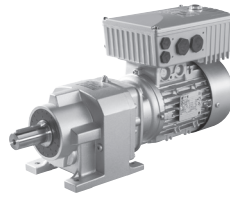


a1	b1	c1	e1	f1	s1	m1
120	80	7	100	3,0	6,6	90
140	95	9	115	3,0	9,0	110
160	110	10	130	3,5	9,0	125

Motor + SK180E

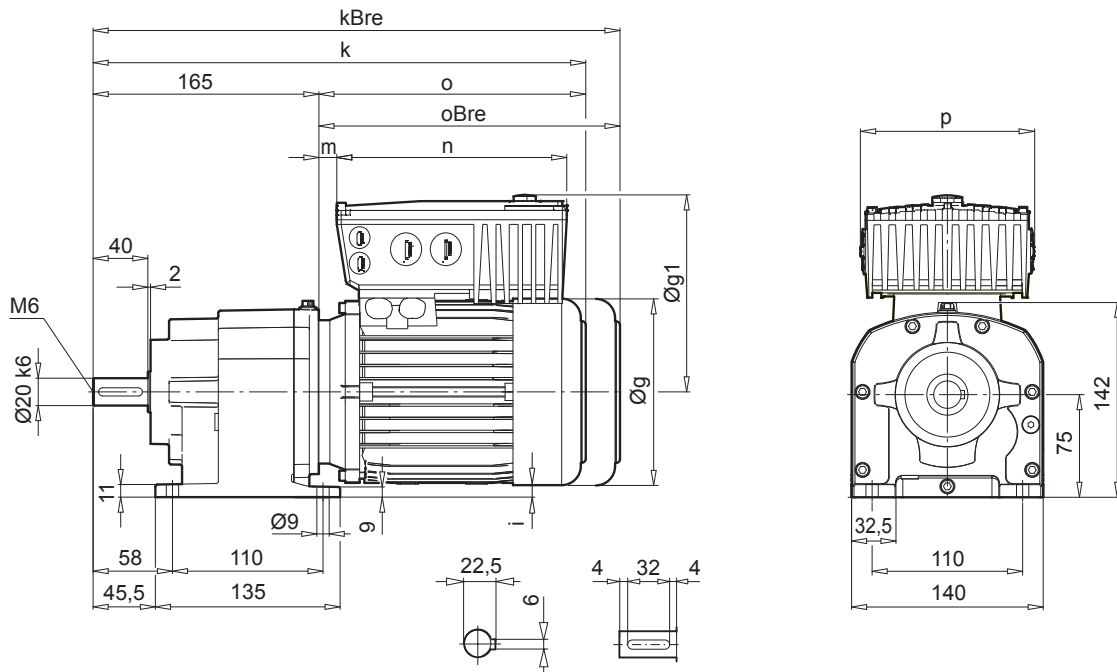
IE1	71 L							
IE2	-							
IE3	-							
SK 180E	- 550 -							
340-B (-C)	- 750 -							
g	145							
g1	184							
k / kBre	358 / 416							
o / oBre	214 / 272							
m	-4							
n	221							
p	154							
i	-7,5							

SK 172.1



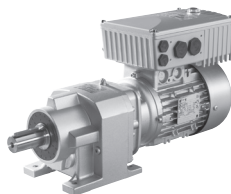
SK 172.1

NORDBLOC.1
Helical gear units

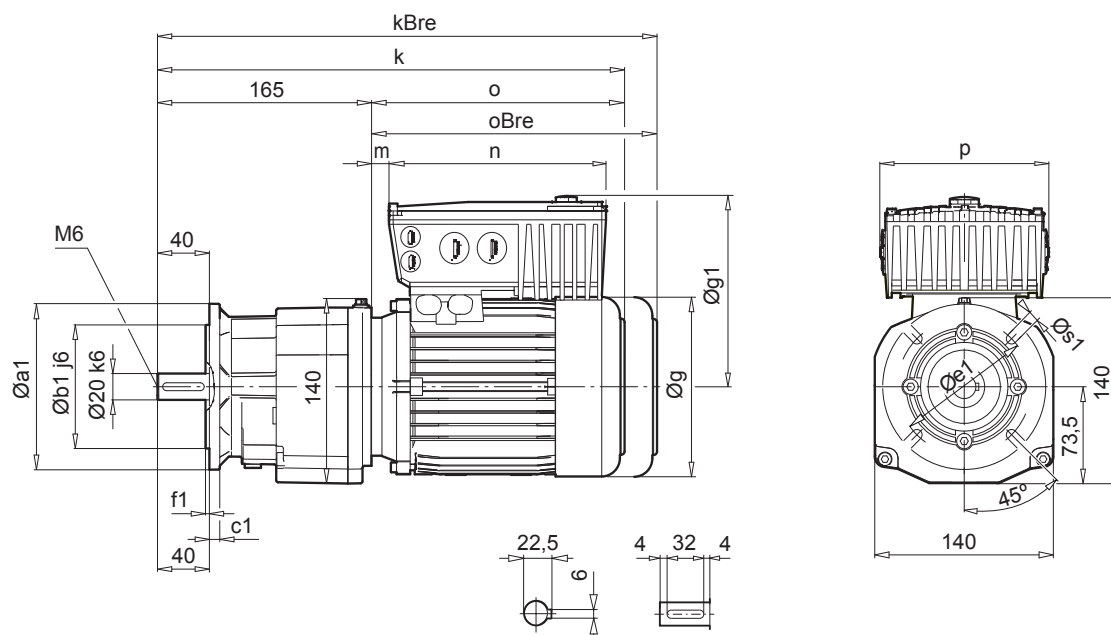


Motor + SK200E

IE1 IE2 IE3	71 S/L - -	- 80 SH/LH - /LP	- 90 LH LP						
SK 200E 340-A (-C)	- 550 - - 750 -	- 550 - - 750 - - 111 - - 151 -	- 111 - - 151 - - 221 -						
g	145	165	183						
g1	201	195	200						
k / kBre	379 / 437	401 / 465	441 / 516						
o / oBre	214 / 272	236 / 300	276 / 351						
m	-4	6	9						
n	236	236	236						
p	156	156	156						
i	2,5	-7,5	-16,5						



SK 172.1F

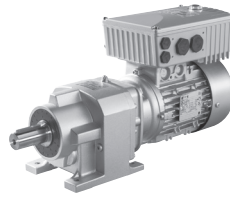


a1	b1	c1	e1	f1	s1
120	80	8	100	3,0	6,6
140	95	8	115	3,0	9,0
160	110	10	130	3,5	9,0
200	130	12	165	3,5	11,0

Motor + SK180E

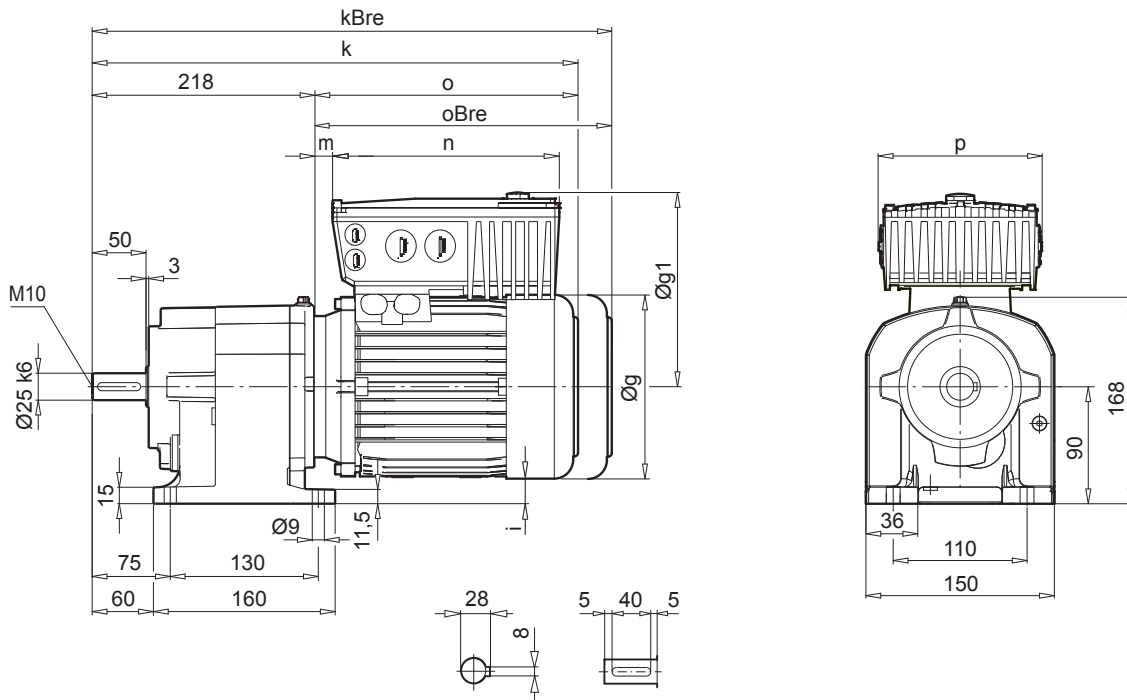
IE1 IE2 IE3	71 S/L - -	- 80 SH/LH - /LP		- 90 SH/LH SP/LP				
SK 180E 340-B (-C)	- 550 - - 750 -	- 550 - - 750 - - 111 -	- 151 -	- 111 -	- 151 - - 221 -			
g	145	165	165	183	183			
g1	184	177	203	182	208			
k / kBre	379 / 437	401 / 465	401 / 465	441 / 516	441 / 516			
o / oBre	214 / 272	236 / 300	236 / 300	276 / 351	276 / 351			
m	-4	6	6	9	9			
n	221	221	255	221	255			
p	154	154	165	154	165			
i	2,5	-7,5	-7,5	-16,5	-16,5			

SK 372.1



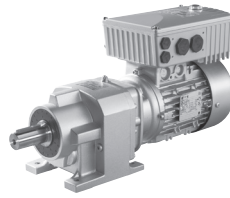
SK 372.1

NORDBLOC.1
Helical gear units

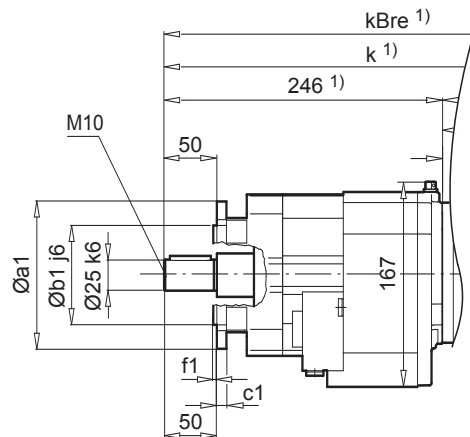
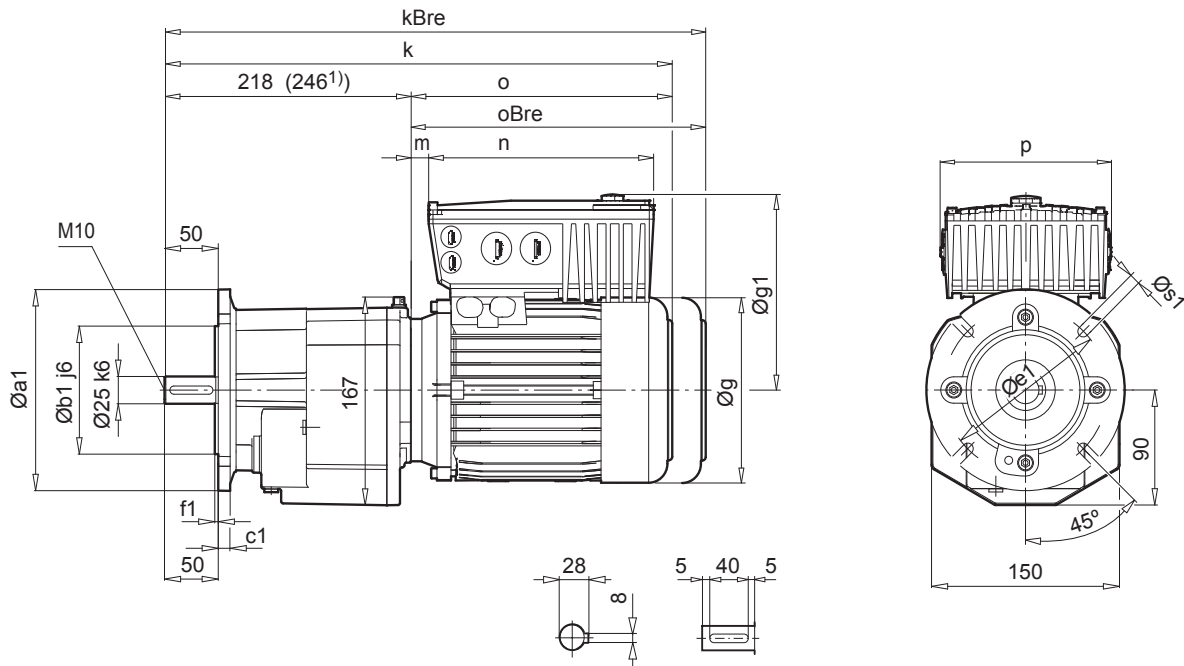


Motor + SK200E

IE1 IE2 IE3	71 S/L - -	- 80 SH/LH - /LP	- 90 SH/LH SP/LP		- 100 LH/AH LP/AP			
SK 200E 340-A (-C)	- 550 - - 750 -	- 550 - - 750 - - 111 - - 151 -	- 111 - - 151 - - 221 -	- 301 -	- 221 -	- 301 - - 401 -		
g	145	165	183	183	201	201		
g1	201	195	200	207	211	218		
k / kBre	454 / 512	479 / 543	520 / 595	520 / 595	550 / 641	550 / 641		
¹⁾ k / kBre	482 / 540	507 / 571	548 / 623	548 / 623	578 / 669	578 / 669		
o / oBre	236 / 294	261 / 325	302 / 377	302 / 377	332 / 423	332 / 423		
m	18	30	35	35	41	41		
n	236	236	236	266	236	266		
p	156	156	156	176	156	176		
i	17,5	7,5	-1,5	-1,5	-10,5	-10,5		



SK 372.1F



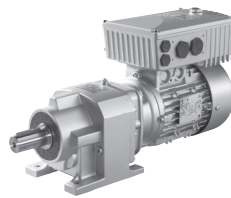
a1	b1	c1	e1	f1	s1
¹⁾ 120	80	8	100	3,0	6,6
140	95	9	115	3,0	8,6
160	110	10	130	3,5	8,6
200	130	12	165	3,5	11,0
250	180	15	215	4,0	13,5

¹⁾ zulässige Querkräfte reBuzieren sich um 30%

Motor + SK180E

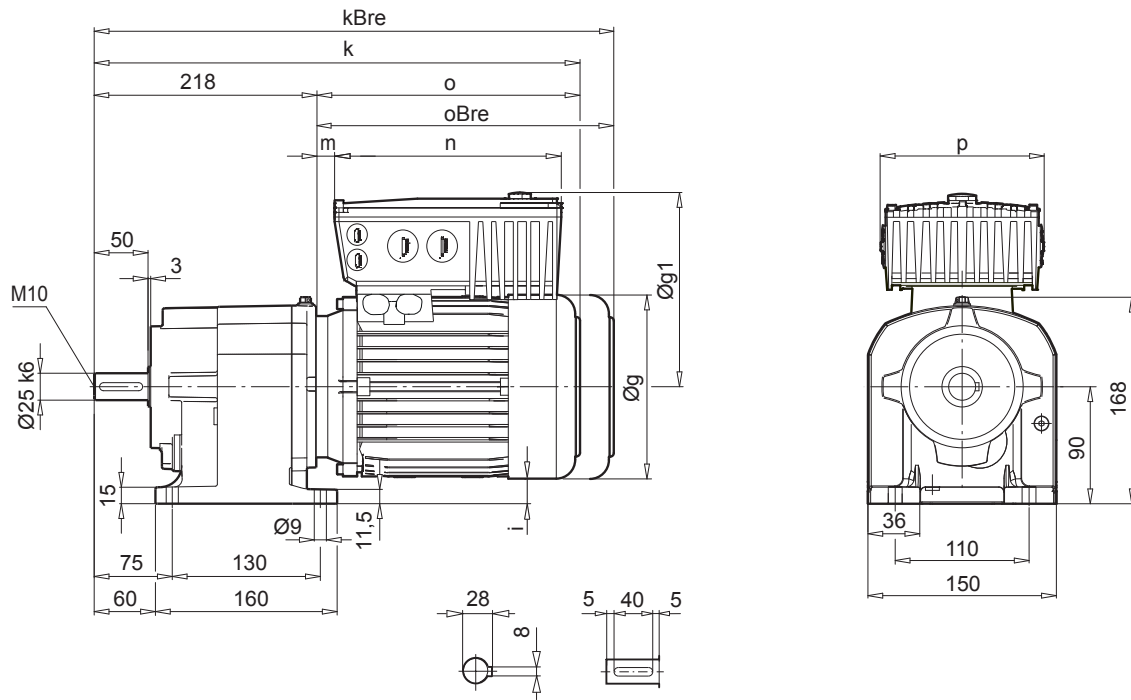
IE1 IE2 IE3	71 S/L - -	- 80 SH/LH - /LP	- 90 SH/LH SP/LP	- 100 LH LP			
SK 180E 340-B (-C)	- 550 - - 750 -	- 550 - - 750 - - 111 -	- 151 -	- 111 -	- 151 - - 221 -	- 221 -	
g	145	165	165	183	183	201	
g1	184	177	203	182	208	219	
k / kBre	454 / 512	479 / 543	479 / 543	520 / 595	520 / 595	550 / 641	
¹⁾ k / kBre	482 / 540	507 / 571	507 / 571	548 / 623	548 / 623	578 / 669	
o / oBre	236 / 294	261 / 325	261 / 325	302 / 377	302 / 377	332 / 423	
m	18	30	30	35	35	41	
n	221	221	255	221	255	255	
p	154	154	165	154	165	165	
i	17,5	7,5	7,5	-1,5	-1,5	-10,5	

SK 373.1



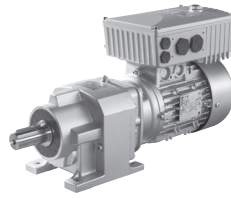
SK 373.1

NORDBLOC.1
Helical gear units

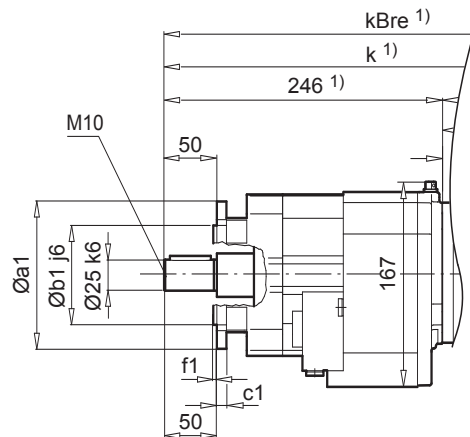
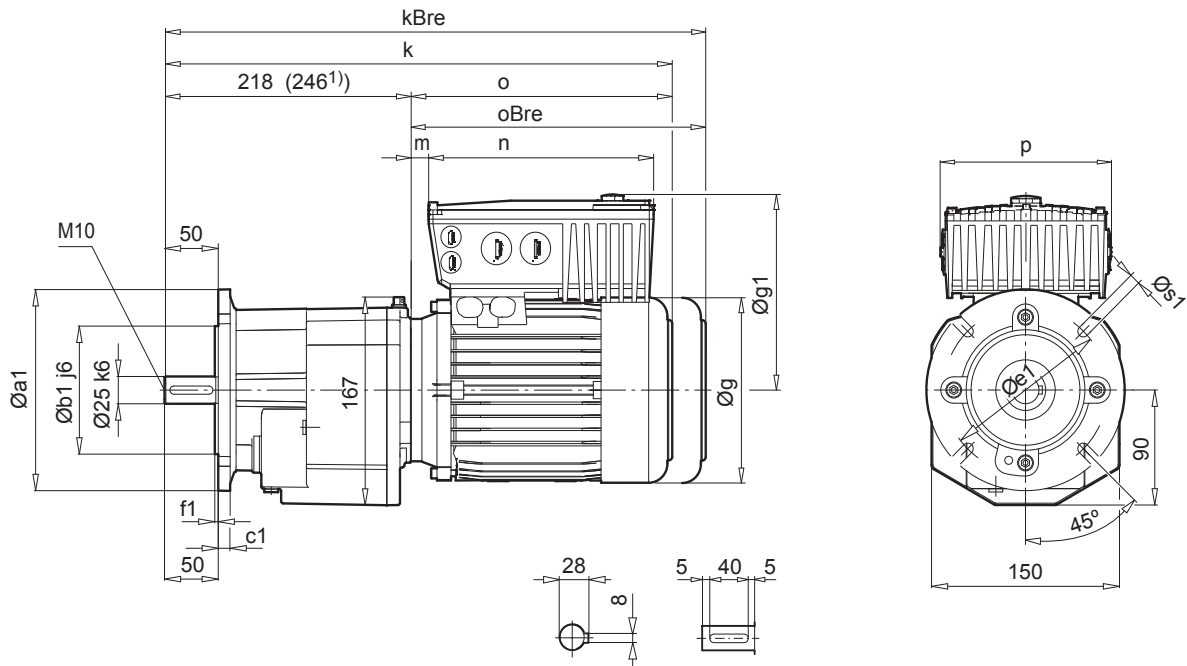


Motor + SK200E

IE1 IE2 IE3	71 S/L - -	- 80 SH/LH - /LP	- 90 SH/LH SP/LP					
SK 200E 340-A (-C)	- 550 - - 750 -	- 550 - - 750 - - 111 - - 151 -	- 111 - - 151 - - 221 -					
g	145	165	183					
g1	201	195	200					
k / kBre	454 / 512	479 / 543	520 / 595					
¹⁾ k / kBre	482 / 540	507 / 571	548 / 623					
o / oBre	236 / 294	261 / 325	302 / 377					
m	18	30	35					
n	236	236	236					
p	156	156	156					
i	17,5	7,5	-1,5					



SK 373.1F



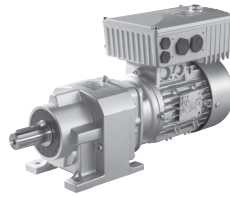
a1	b1	c1	e1	f1	s1
¹⁾ 120	80	8	100	3,0	6,6
140	95	9	115	3,0	8,6
160	110	10	130	3,5	8,6
200	130	12	165	3,5	11,0
250	180	15	215	4,0	13,5

¹⁾ zulässige Querkräfte reBuzieren sich um 30%

Motor + SK180E

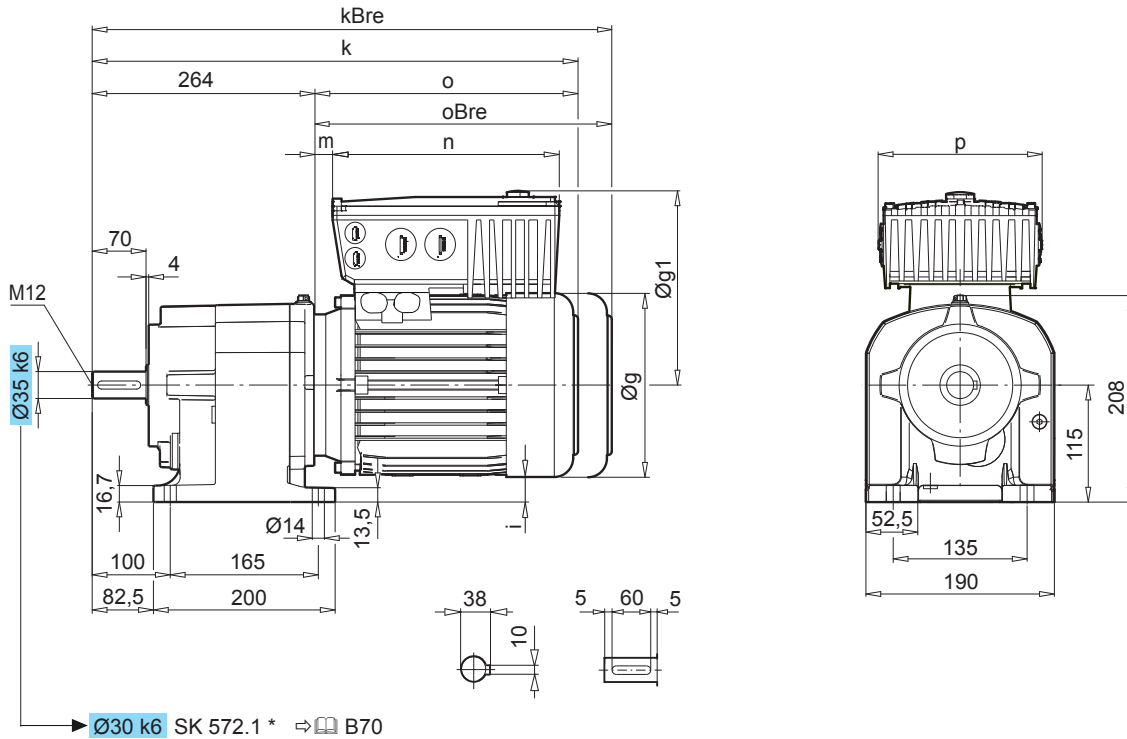
IE1 IE2 IE3	71 S/L - -	- 80 SH/LH - /LP		- 90 SH/LH SP/LP				
SK 180E 340-B (-C)	- 550 - - 750 -	- 550 - - 750 - - 111 -	- 151 -	- 111 -	- 151 - - 221 -			
g	145	165	165	183	183			
g1	184	177	203	182	208			
k / kBre	454 / 512	479 / 543	479 / 543	520 / 595	520 / 595			
¹⁾ k / kBre	482 / 540	507 / 571	507 / 571	548 / 623	548 / 623			
o / oBre	236 / 294	261 / 325	261 / 325	302 / 377	302 / 377			
m	18	30	30	35	35			
n	221	221	255	221	255			
p	154	154	165	154	165			
i	17,5	7,5	7,5	-1,5	-1,5			

SK 572.1



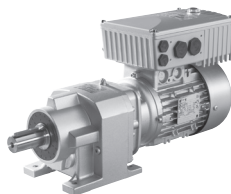
SK 572.1

NORDBLOC.1
Helical gear units

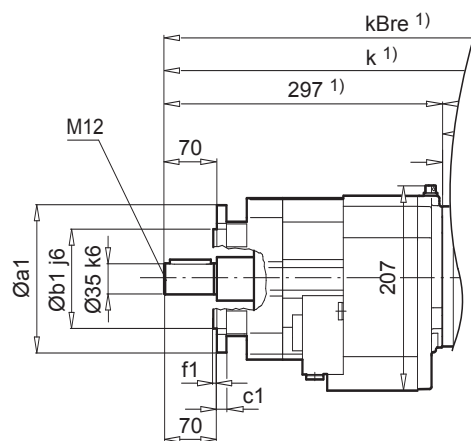
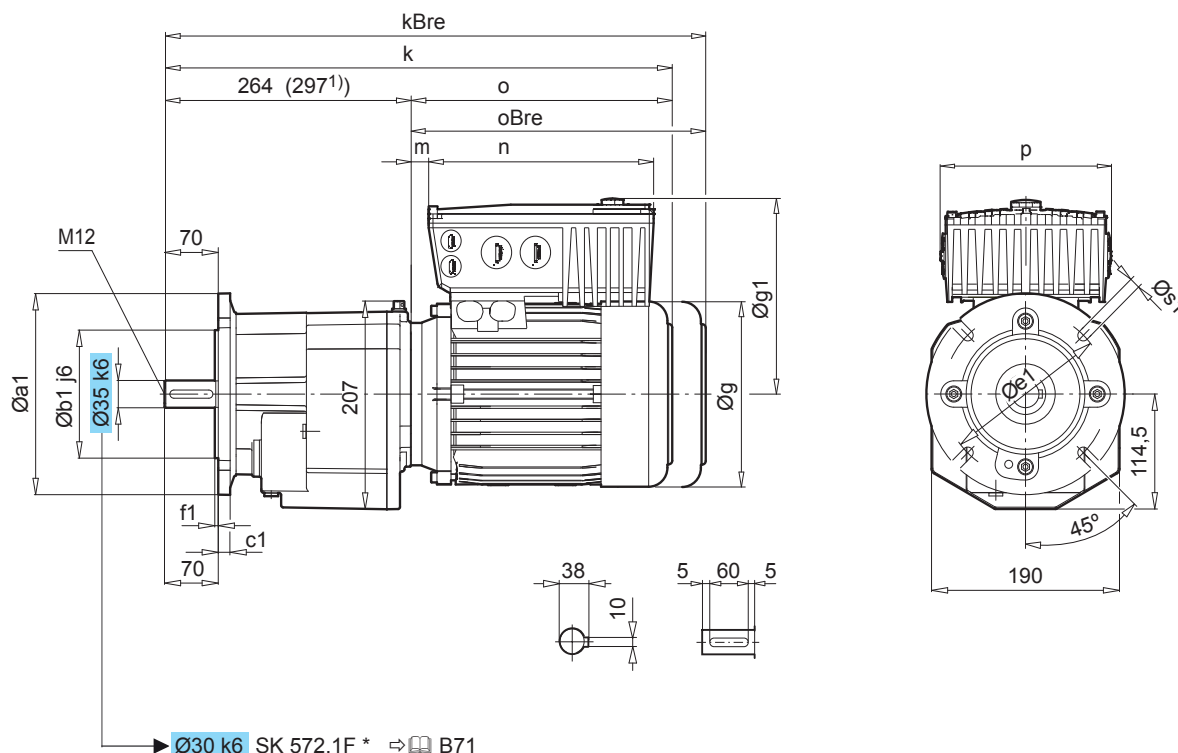


Motor + SK200E

IE1 IE2 IE3	71 L - -	- 80 SH/LH - /LP	- 90 SH/LH SP/LP	- 100 LH/AH LP/AP	- 112 MH MP	- 132 SH/MH/LH SP/MP/ -					
SK 200E 340-A (-C)	- 750 -	- 550 - - 750 - - 111 - - 151 -	- 111 - - 151 - - 221 -	- 301 -	- 221 - - 301 - - 401 -	- 551 - - 401 - - 551 - - 751 -					
g	145	165	183	183	201	201	201	228	228	266	266
g1	201	195	200	207	211	218	250	228	260	262	312
k / kBre	500 / 558	525 / 589	566 / 641	566 / 641	596 / 687	596 / 687	596 / 687	644 / 737	644 / 737	699 / 806	699 / 806
¹⁾ k / kBre	533 / 591	558 / 622	599 / 674	599 / 674	629 / 720	629 / 720	629 / 720	677 / 770	677 / 770	732 / 839	732 / 839
o / oBre	236 / 294	261 / 325	302 / 377	302 / 377	332 / 423	332 / 423	332 / 423	380 / 473	380 / 473	435 / 542	435 / 542
m	18	30	35	35	41	41	33	47	39	49	-8
n	236	236	236	266	236	266	330	266	330	330	480
p	156	156	156	176	156	176	218	176	218	218	305
i	42,5	32,5	23,5	23,5	14,5	14,5	14,5	1	1	-18	-18



SK 572.1F



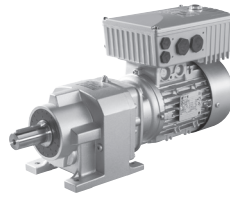
a1	b1	c1	e1	f1	s1
¹⁾ 140	95	10	115	3,5	9,0
¹⁾ 160	110	10	130	3,5	9,0
200	130	12	165	3,5	11,0
250	180	15	215	4,0	13,5
300	230	15	265	4,0	14,0

¹⁾ zulässige Querkräfte reBuzieren sich um 30%

Motor + SK180E

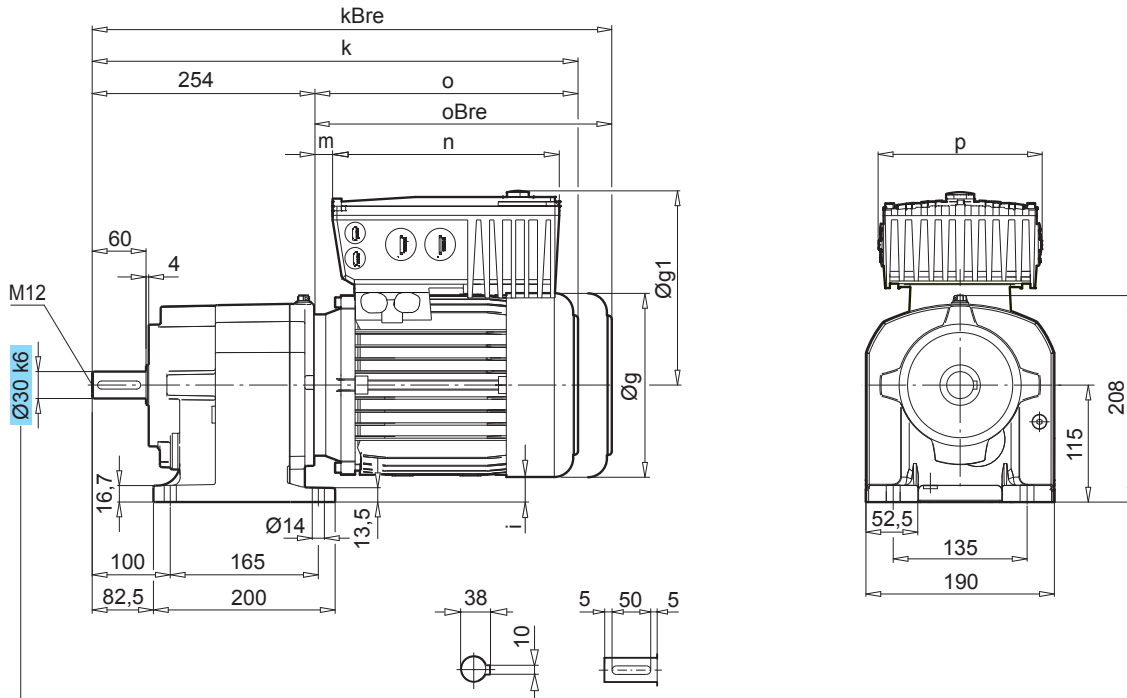
IE1 IE2 IE3	71 S/L - -	80 SH/LH - /LP		90 SH/LH SP/LP		100 LH LP			
SK 180E 340-B (-C)	- 750 -	- 550 - - 750 - - 111 -	- 151 -	- 111 -	- 151 - - 221 -	- 221 -			
g	145	165	165	183	183	201			
g1	184	177	203	182	208	219			
k / kBre	500 / 558	525 / 589	525 / 589	566 / 641	566 / 641	596 / 687			
¹⁾ k / kBre	533 / 591	558 / 622	558 / 622	599 / 674	599 / 674	629 / 720			
o / oBre	236 / 294	261 / 325	261 / 325	302 / 377	302 / 377	332 / 423			
m	18	30	30	35	35	41			
n	221	221	255	221	255	255			
p	154	154	165	154	165	165			
i	42,5	32,5	32,5	23,5	23,5	14,5			

SK 572.1*



NORDBLOC.1
Helical gear units

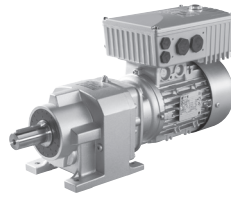
SK 572.1 *



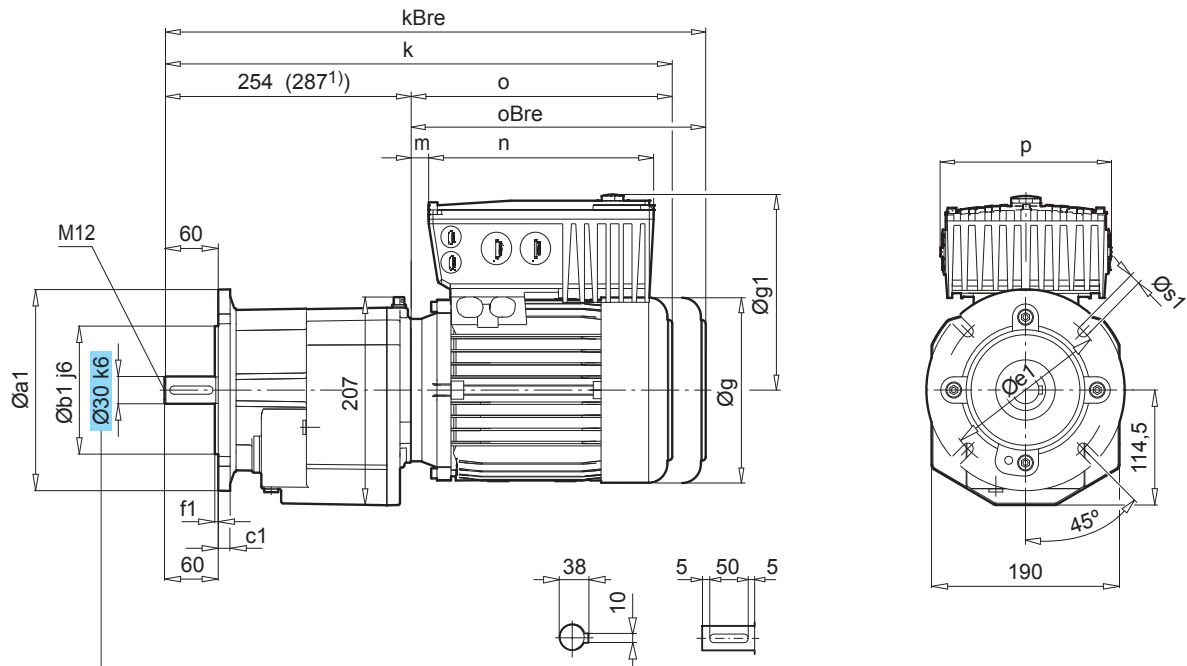
Beim Wellendurchmesser Ø30 k6 reduziert sich die zulässige Querkraft um 30%.

Motor + SK200E

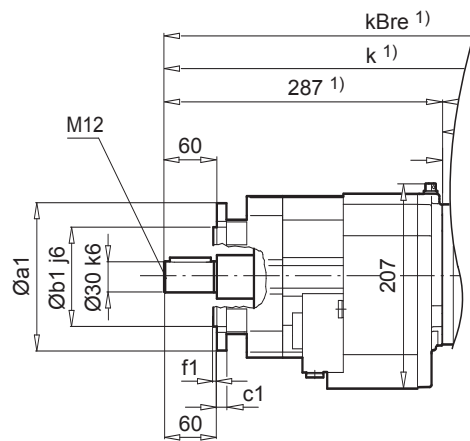
IE1 IE2 IE3	71 L - -	- 80 SH/LH - /LP	- 90 SH/LH SP/LP	- 100 LH/AH LP/AP	- 112 MH MP	- 132 SH/MH/LH SP/MP/ -					
SK 200E 340-A (-C)	- 750 -	- 550 - - 750 - - 111 - - 151 -	- 111 - - 151 - - 221 -	- 301 -	- 221 - - 301 - - 401 -	- 551 - - 401 - - 551 - - 751 -					
g	145	165	183	183	201	201	201	228	228	266	266
g1	201	195	200	207	211	218	250	228	260	262	312
k / kBre	490 / 548	515 / 579	556 / 631	556 / 631	586 / 677	586 / 677	586 / 677	634 / 727	634 / 727	689 / 796	689 / 796
¹⁾ k / kBre	523 / 581	548 / 612	589 / 664	589 / 664	619 / 710	619 / 710	619 / 710	667 / 760	667 / 760	722 / 829	722 / 829
o / oBre	236 / 294	261 / 325	302 / 377	302 / 377	332 / 423	332 / 423	332 / 423	380 / 473	380 / 473	435 / 542	435 / 542
m	18	30	35	35	41	41	33	47	39	49	-8
n	236	236	236	266	236	266	330	266	330	330	480
p	156	156	156	176	156	176	218	176	218	218	305
i	42,5	32,5	23,5	23,5	14,5	14,5	14,5	1	1	-18	-18



SK 572.1F *



Beim Wellenburchmesser Ø30 k6 reBuziert sich Bie zulässige Querkraft um 30%.

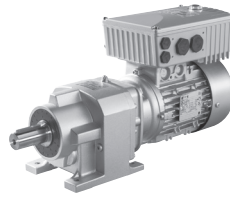


a1	b1	c1	e1	f1	s1
¹⁾ 140	95	10	115	3,5	9,0
¹⁾ 160	110	10	130	3,5	9,0
200	130	12	165	3,5	11,0
250	180	15	215	4,0	13,5
300	230	15	265	4,0	14,0

Motor + SK180E

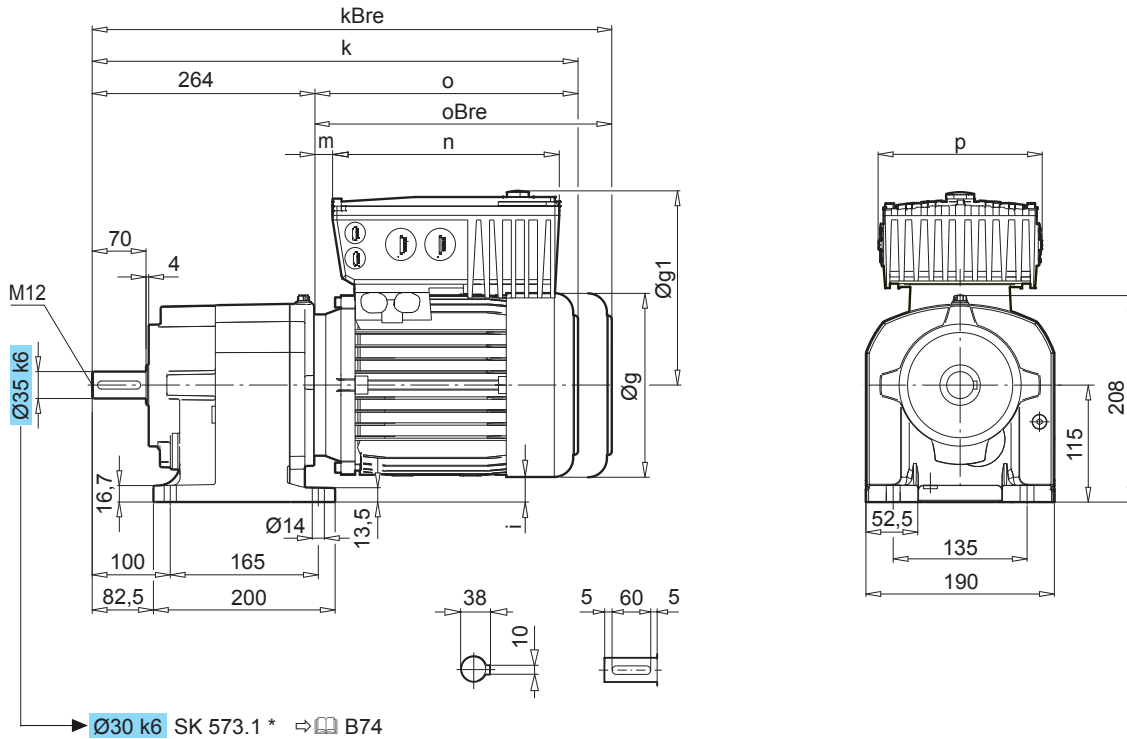
IE1 IE2 IE3	71 S/L - -	80 SH/LH - /LP		90 SH/LH SP/LP		100 LH LP			
SK 180E 340-B (-C)	- 750 -	- 550 - - 750 - - 111 -	- 151 -	- 111 -	- 151 - - 221 -	- 221 -			
g	145	165	165	183	183	201			
g1	184	177	203	182	208	219			
k / kBre	490 / 548	515 / 579	515 / 579	556 / 631	556 / 631	586 / 677			
¹⁾ k / kBre	523 / 581	548 / 612	548 / 612	589 / 664	589 / 664	619 / 710			
o / oBre	236 / 294	261 / 325	261 / 325	302 / 377	302 / 377	332 / 423			
m	18	30	30	35	35	41			
n	221	221	255	221	255	255			
p	154	154	165	154	165	165			
i	42,5	32,5	32,5	23,5	23,5	14,5			

SK 573.1



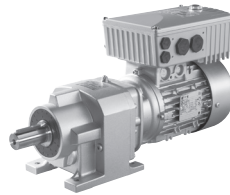
SK 573.1

NORDBLOC.1
Helical gear units

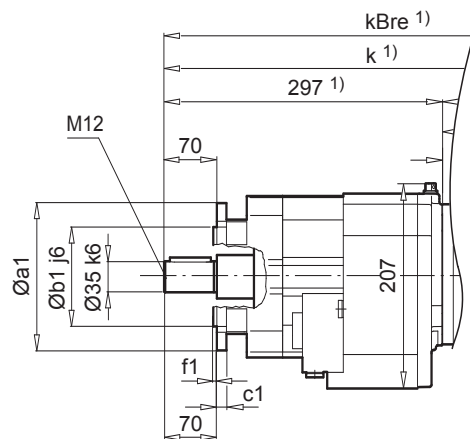
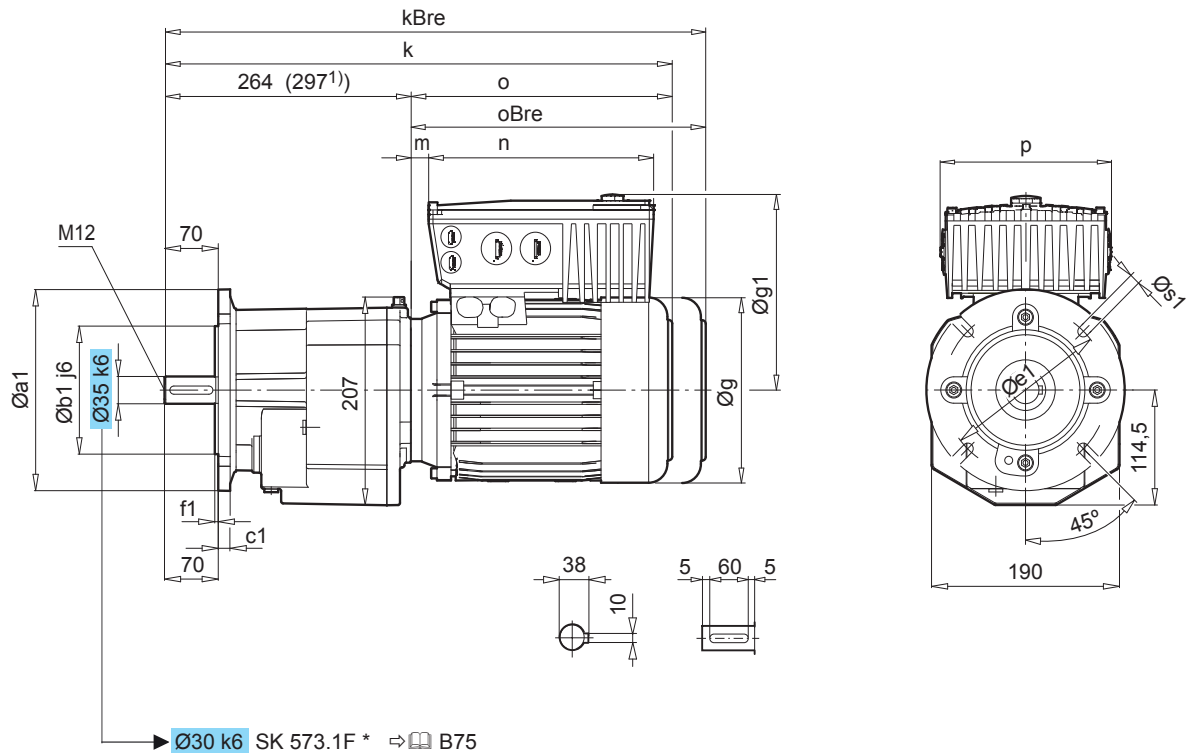


Motor + SK200E

IE1 IE2 IE3	71 S/L - -	- 80 SH/LH - /LP	- 90 SH/LH SP/LP		- 100 LH/AH LP/AP			- 112 MH MP	
SK 200E 340-A (-C)	- 550 - - 750 -	- 550 - - 750 - - 111 - - 151 -	- 111 - - 151 - - 221 -	- 301 -	- 221 -	- 301 - - 401 -	- 551 -	- 401 -	- 551 -
g	145	165	183	183	201	201	201	228	228
g1	201	195	200	207	211	218	250	228	260
k / kBre	500 / 558	525 / 589	566 / 641	566 / 641	596 / 687	596 / 687	596 / 687	644 / 737	644 / 737
¹⁾ k / kBre	533 / 591	558 / 622	599 / 674	599 / 674	629 / 720	629 / 720	629 / 720	677 / 770	677 / 770
o / oBre	236 / 294	261 / 325	302 / 377	302 / 377	332 / 423	332 / 423	332 / 423	380 / 473	380 / 473
m	18	30	35	35	41	41	33	47	39
n	236	236	236	266	236	266	330	266	330
p	156	156	156	176	156	176	218	176	218
i	42,5	32,5	23,5	23,5	14,5	14,5	14,5	1	1



SK 573.1F



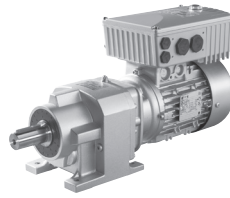
a1	b1	c1	e1	f1	s1
¹⁾ 140	95	10	115	3,5	9,0
¹⁾ 160	110	10	130	3,5	9,0
200	130	12	165	3,5	11,0
250	180	15	215	4,0	13,5
300	230	15	265	4,0	14,0

¹⁾ zulässige Querkräfte reBuzieren sich um 30%

Motor + SK180E

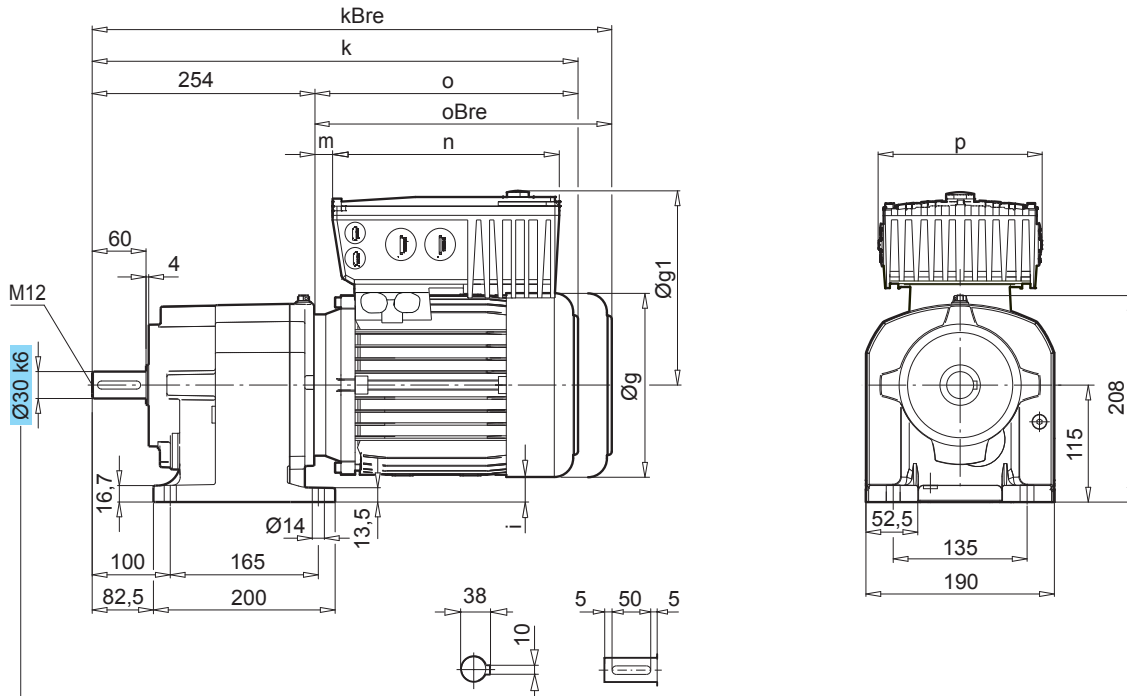
IE1 IE2 IE3	71 S/L - -	80 SH/LH - /LP		90 SH/LH SP/LP		100 LH LP			
SK 180E 340-B (-C)	- 550 - - 750 -	- 550 - - 750 - - 111 -	- 151 -	- 111 -	- 151 - - 221 -	- 221 -			
g	145	165	165	183	183	201			
g1	184	177	203	182	208	219			
k / kBre	500 / 558	525 / 589	525 / 589	566 / 641	566 / 641	596 / 687			
¹⁾ k / kBre	533 / 591	558 / 622	558 / 622	599 / 674	599 / 674	629 / 720			
o / oBre	236 / 294	261 / 325	261 / 325	302 / 377	302 / 377	332 / 423			
m	18	30	30	35	35	41			
n	221	221	255	221	255	255			
p	154	154	165	154	165	165			
i	42,5	32,5	32,5	23,5	23,5	14,5			

SK 573.1*



SK 573.1 *

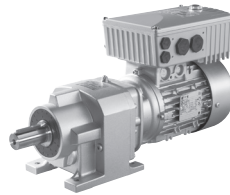
NORDBLOC.1
Helical gear units



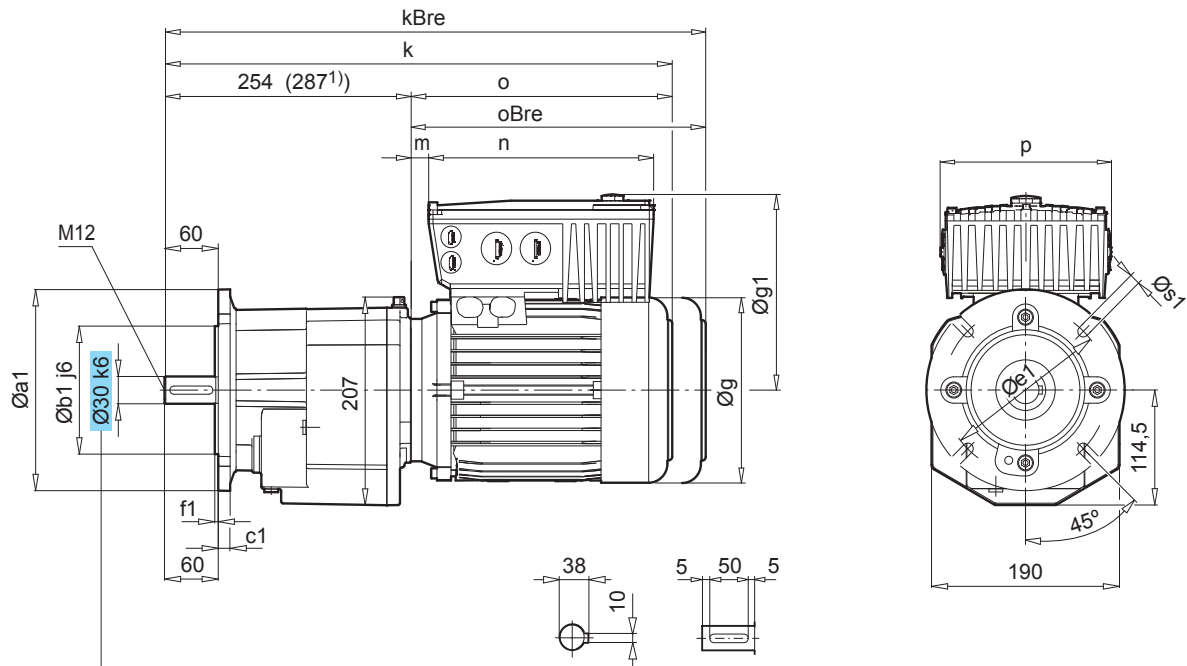
► Beim Wellendurchmesser Ø30 k6 reduziert sich die zulässige Querkraft um 30%.

Motor + SK200E

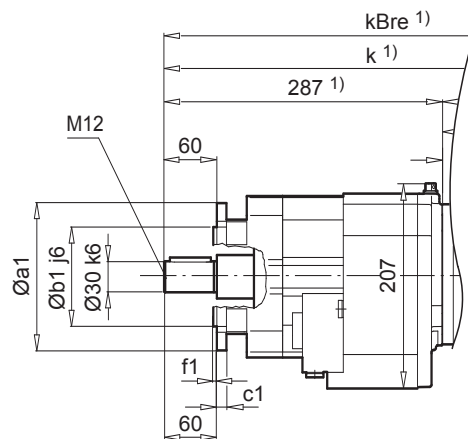
IE1 IE2 IE3	71 S/L - -	- 80 SH/LH - /LP	- 90 SH/LH SP/LP		- 100 LH/AH LP/AP			- 112 MH MP	
SK 200E 340-A (-C)	- 550 - - 750 -	- 550 - - 750 - - 111 - - 151 -	- 111 - - 151 - - 221 -	- 301 -	- 221 -	- 301 - - 401 -	- 551 -	- 401 -	- 551 -
g	145	165	183	183	201	201	201	228	228
g1	201	195	200	207	211	218	250	228	260
k / kBre	490 / 548	515 / 579	556 / 631	556 / 631	586 / 677	586 / 677	586 / 677	634 / 727	634 / 727
¹⁾ k / kBre	523 / 581	548 / 612	589 / 664	589 / 664	619 / 710	619 / 710	619 / 710	667 / 760	667 / 760
o / oBre	236 / 294	261 / 325	302 / 377	302 / 377	332 / 423	332 / 423	332 / 423	380 / 473	380 / 473
m	18	30	35	35	41	41	33	47	39
n	236	236	236	266	236	266	330	266	330
p	156	156	156	176	156	176	218	176	218
i	42,5	32,5	23,5	23,5	14,5	14,5	14,5	1	1



SK 573.1F *



Beim Wellenburchmesser Ø30 k6 reBuziert sich Bie zulässige Querkraft um 30%.

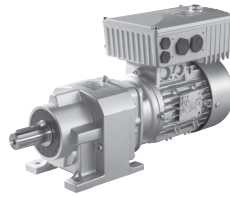


a1	b1	c1	e1	f1	s1
¹⁾ 140	95	10	115	3,5	9,0
¹⁾ 160	110	10	130	3,5	9,0
200	130	12	165	3,5	11,0
250	180	15	215	4,0	13,5
300	230	15	265	4,0	14,0

Motor + SK180E

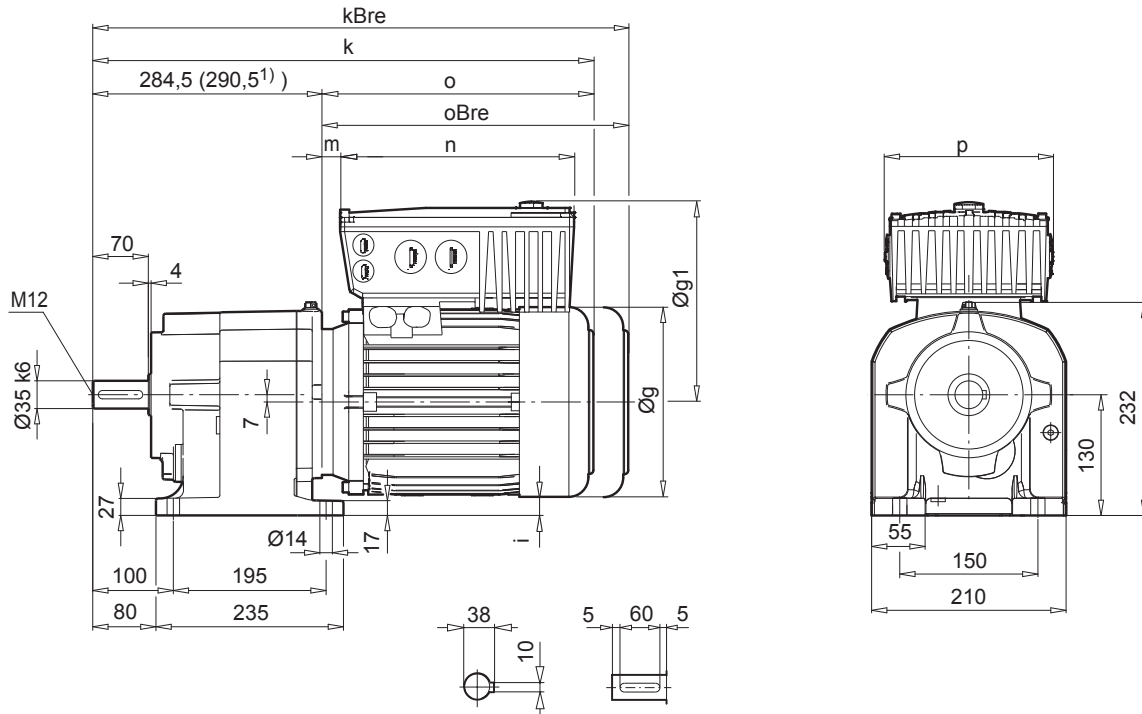
IE1 IE2 IE3	71 S/L - -	80 SH/LH - /LP		90 SH/LH SP/LP		100 LH LP			
SK 180E 340-B (-C)	- 550 - - 750 -	- 550 - - 750 - - 111 -	- 151 -	- 111 -	- 151 - - 221 -	- 221 -			
g	145	165	165	183	183	201			
g1	184	177	203	182	208	219			
k / kBre	490 / 548	515 / 579	515 / 579	556 / 631	556 / 631	586 / 677			
¹⁾ k / kBre	523 / 581	548 / 612	548 / 612	589 / 664	589 / 664	619 / 710			
o / oBre	236 / 294	261 / 325	261 / 325	302 / 377	302 / 377	332 / 423			
m	18	30	30	35	35	41			
n	221	221	255	221	255	255			
p	154	154	165	154	165	165			
i	42,5	32,5	32,5	23,5	23,5	14,5			

SK 672.1



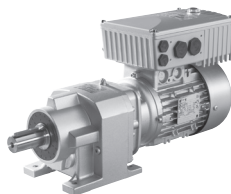
SK 672.1

NORDBLOC.1
Helical gear units

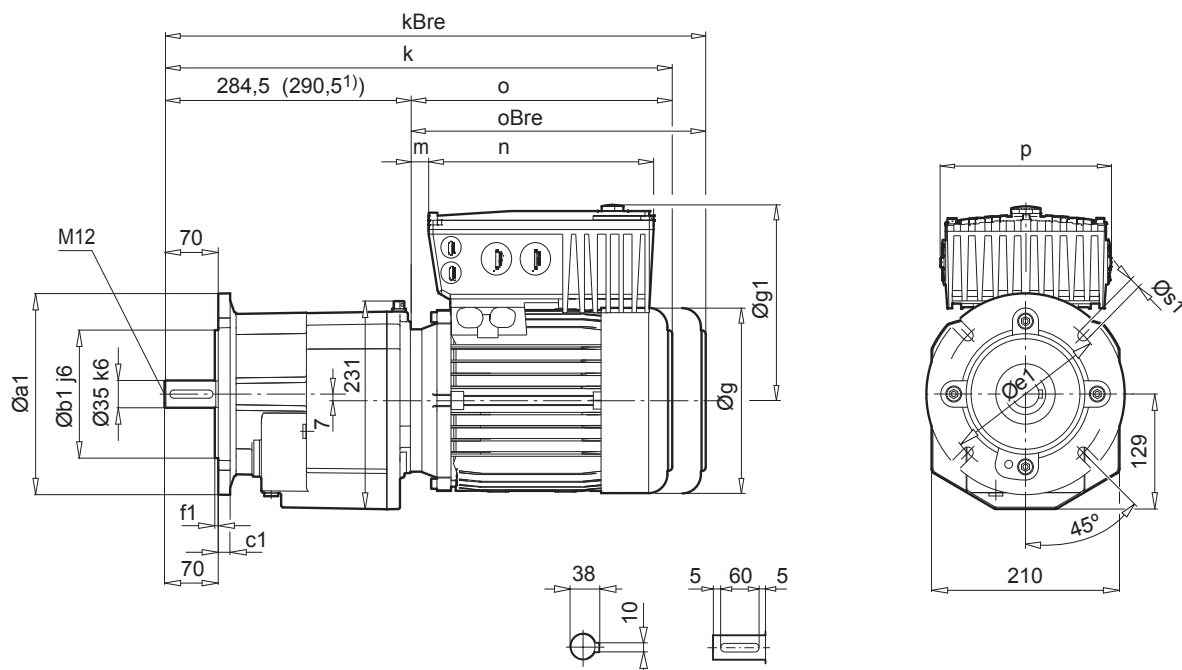


Motor + SK200E

IE1 IE2 IE3	80 LH LP	90 SH/LH SP/LP		100 LH/AH LP/AP			112 MH MP		1) 132 SH/MH/LH SP/MP/ -	
SK 200E 340-A (-C)	- 750 - - 151 -	- 111 - - 151 - - 221 -	- 301 -	- 221 -	- 301 - - 401 -	- 551 -	- 401 -	- 551 - - 751 -	- 551 - - 751 -	- 112 -
g	165	183	183	201	201	201	228	228	266	266
g1	195	200	207	211	218	250	228	260	262	312
k / kBre	546 / 610	587 / 662	587 / 662	617 / 708	617 / 708	617 / 708	665 / 758	665 / 758	726 / 833	726 / 833
o / oBre	261 / 325	302 / 377	302 / 377	332 / 423	332 / 423	332 / 423	380 / 473	380 / 473	435 / 542	435 / 542
m	30	35	35	41	41	33	47	39	49	-8
n	236	236	266	236	266	330	266	330	330	480
p	156	156	176	156	176	218	176	218	218	305
i	40,5	31,5	31,5	22,5	22,5	22,5	9	9	-10	-10



SK 672.1F

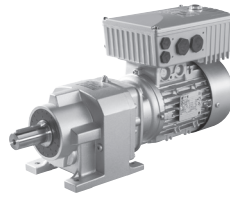


a1	b1	c1	e1	f1	s1
200	130	12	165	3,5	11,0
250	180	16	215	4,0	14,0

Motor + SK180E

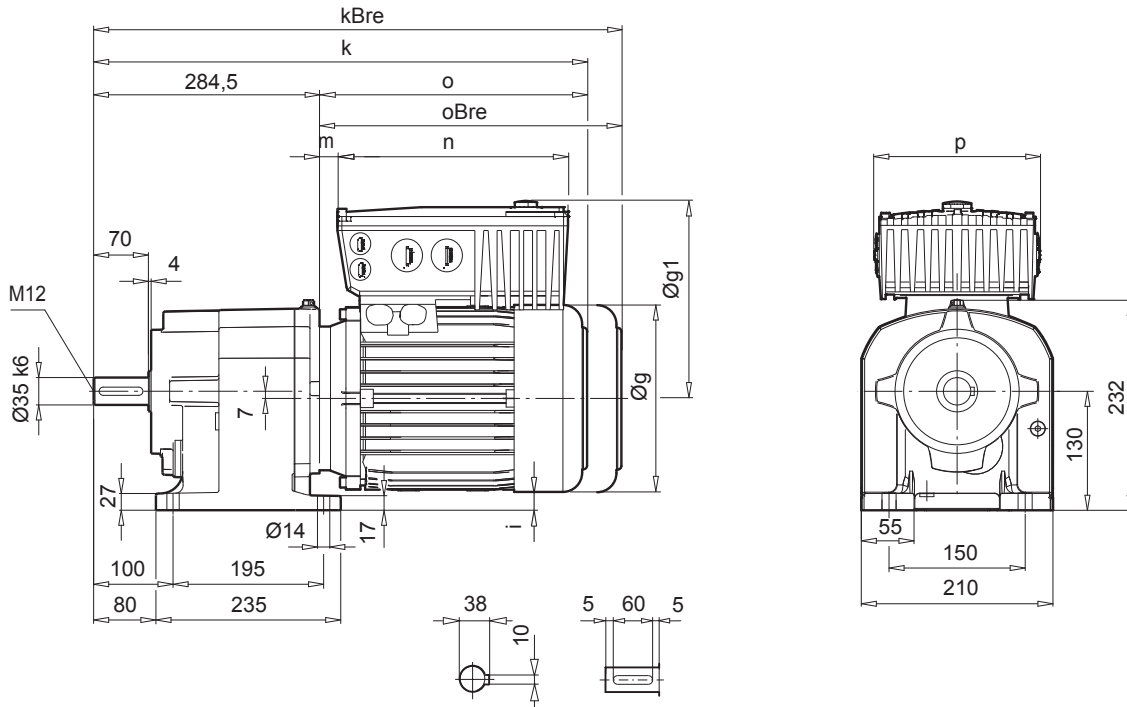
IE1 IE2 IE3	80 SH/LH - /LP		90 SH/LH SP/LP		100 LH LP			
	- 750 -	- 151 -	- 111 -	- 151 - - 221 -	- 221 -			
SK 180E 340-B (-C)	- 750 -	- 151 -	- 111 -	- 151 - - 221 -	- 221 -			
g	165	165	183	183	201			
g1	177	203	182	208	219			
k / kBre	546 / 610	515 / 579	587 / 662	587 / 662	617 / 708			
o / oBre	261 / 325	261 / 325	302 / 377	302 / 377	332 / 423			
m	30	30	35	35	41			
n	221	255	221	255	255			
p	154	165	154	165	165			
i	40,5	40,5	31,5	31,5	22,5			

SK 673.1



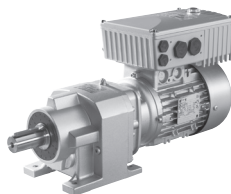
SK 673.1

NORDBLOC.1
Helical gear units

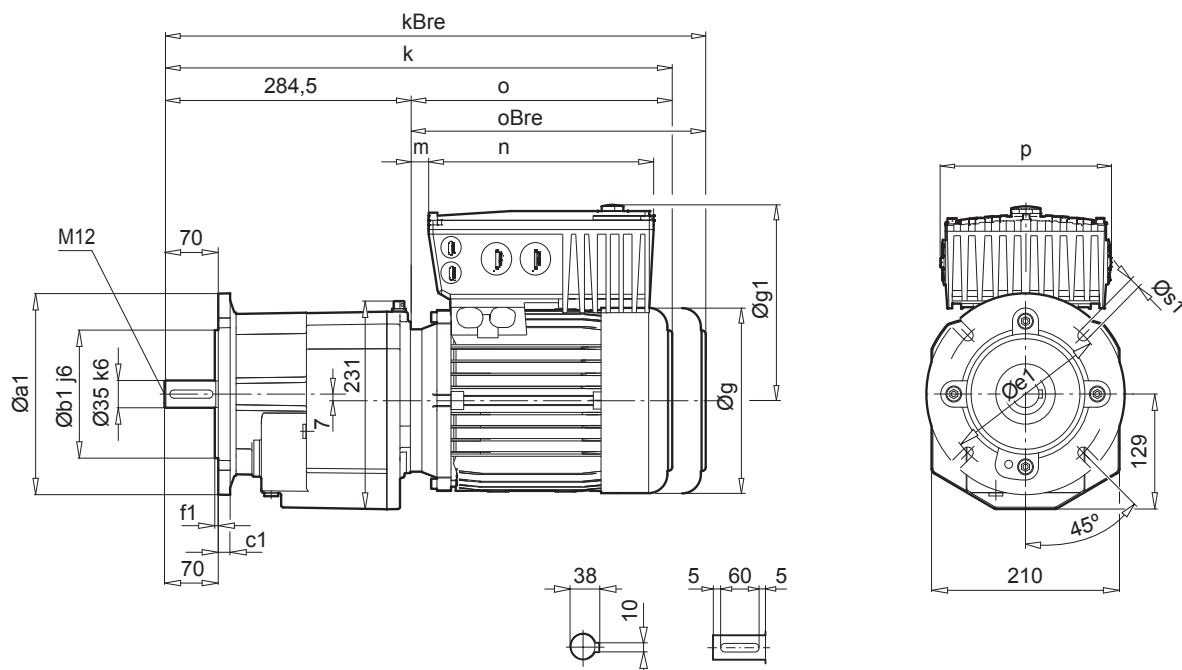


Motor + SK200E

IE1 IE2 IE3	71 S/L - -	- 80 LH LP	- 90 SH/LH SP/LP		- 100 LH/AH LP/AP			- 112 MH MP	
SK 200E 340-A (-C)	- 550 - - 750 -	- 550 - - 750 - - 111 - - 151 -	- 111 - - 151 - - 221 -	- 301 -	- 221 -	- 301 - - 401 -	- 551 -	- 551 -	
g	145	165	183	183	201	201	201	228	
g1	201	195	200	207	211	218	250	260	
k / kBre	521 / 579	546 / 610	587 / 662	587 / 662	617 / 708	617 / 708	617 / 708	665 / 758	
o / oBre	236 / 294	261 / 325	302 / 377	302 / 377	332 / 423	332 / 423	332 / 423	380 / 473	
m	18	30	35	35	41	41	33	39	
n	236	236	236	266	236	266	330	330	
p	156	156	156	176	156	176	218	218	
i	50,5	40,5	31,5	31,5	22,5	22,5	22,5	9	



SK 673.1F

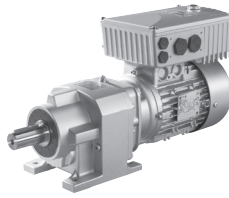


a1	b1	c1	e1	f1	s1
200	130	12	165	3,5	11,0
250	180	16	215	4,0	14,0

Motor + SK180E

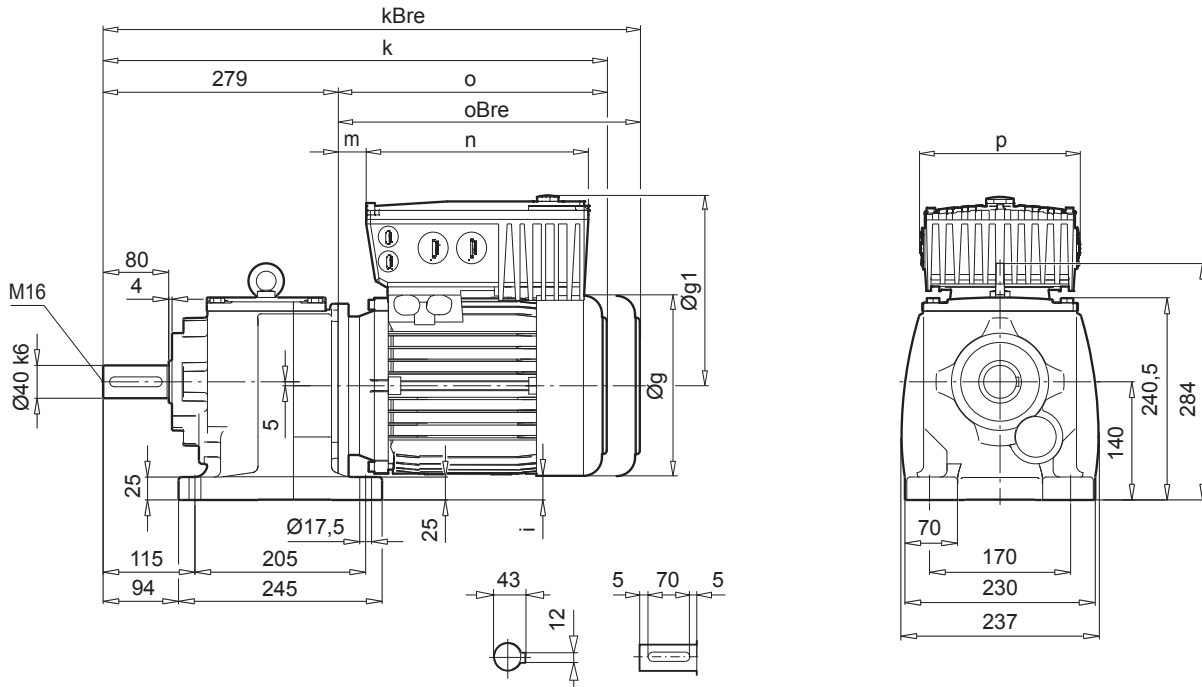
IE1 IE2 IE3	71 S/L - -	- 80 SH/LH - /LP		- 90 SH/LH SP/LP		- 100 LH LP			
SK 180E 340-B (-C)	- 550 - - 750 -	- 550 - - 750 - - 111 -	- 151 -	- 111 -	- 151 - - 221 -	- 221 -			
g	145	165	165	183	183	201			
g1	184	177	203	182	208	219			
k / kBre	521 / 579	546 / 610	515 / 579	587 / 662	587 / 662	617 / 708			
o / oBre	236 / 294	261 / 325	261 / 325	302 / 377	302 / 377	332 / 423			
m	18	30	30	35	35	41			
n	221	221	255	221	255	255			
p	154	154	165	154	165	165			
i	50,5	40,5	40,5	31,5	31,5	22,5			

SK 772.1



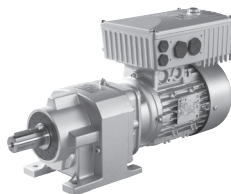
SK 772.1

NORDBLOC.1
Helical gear units

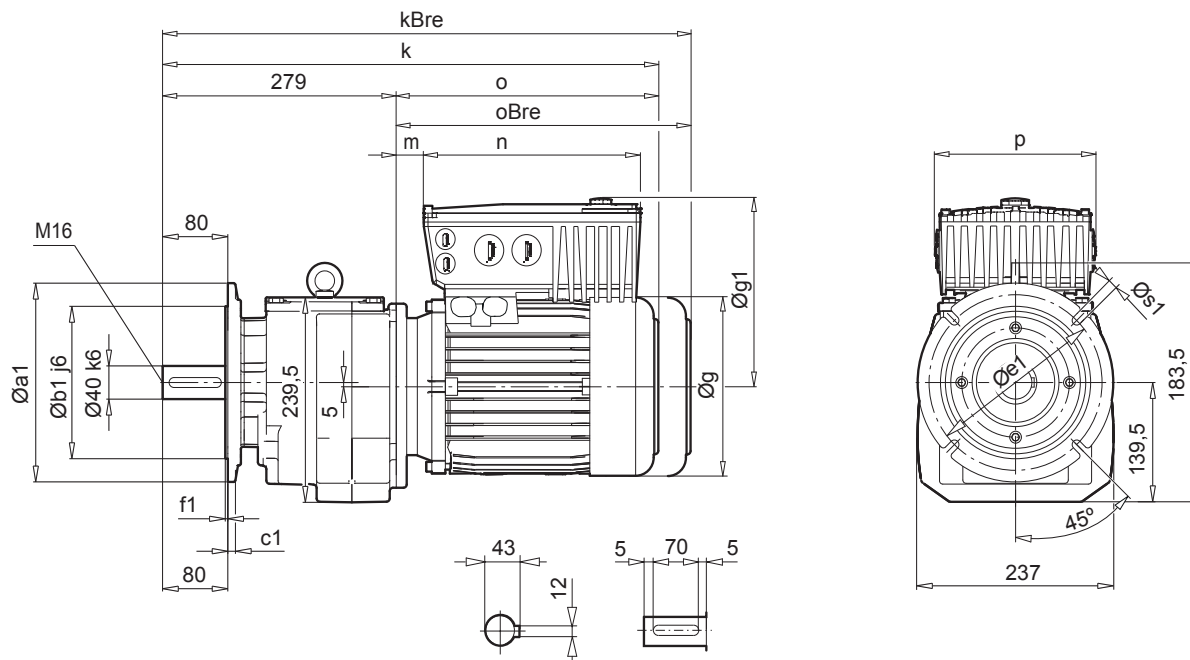


Motor + SK200E

IE1 IE2 IE3	90 SH/LH SP/LP		100 LH/AH LP/AP			112 MH MP		132 SH/MH/LH SP/MP/ -		160 MH MP	160 LH LP
SK 200E 340-A (-C)	- 151 -	- 301 -	- 221 -	- 301 - - 401 -	- 551 -	- 401 -	- 551 - - 751 -	- 551 - - 751 -	- 112 - - 152 -	- 112 -	- 152 -
g	183	183	201	201	201	228	228	266	266	320	320
g1	200	207	211	218	250	228	260	262	312	317	317
k / kBre	575 / 650	575 / 650	605 / 696	605 / 696	605 / 696	653 / 746	653 / 746	714 / 821	714 / 821	791 / 926	835 / 970
o / oBre	296 / 371	296 / 371	326 / 417	326 / 417	326 / 417	374 / 467	374 / 467	435 / 542	435 / 542	512 / 647	556 / 691
m	29	29	35	35	27	41	33	49	-8	26	26
n	236	266	236	266	330	266	330	330	480	480	480
p	156	176	156	176	218	176	218	218	305	305	305
i	43,5	43,5	34,5	34,5	34,5	21	21	2	2	-25	-25



SK 772.1F

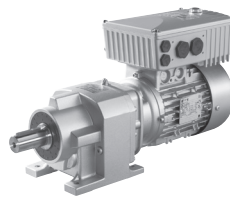


a1	b1	c1	e1	f1	s1
200	130	12	165	4,0	11,0
250	180	15	215	4,0	13,5
300	230	18	265	4,0	13,5

Motor + SK180E

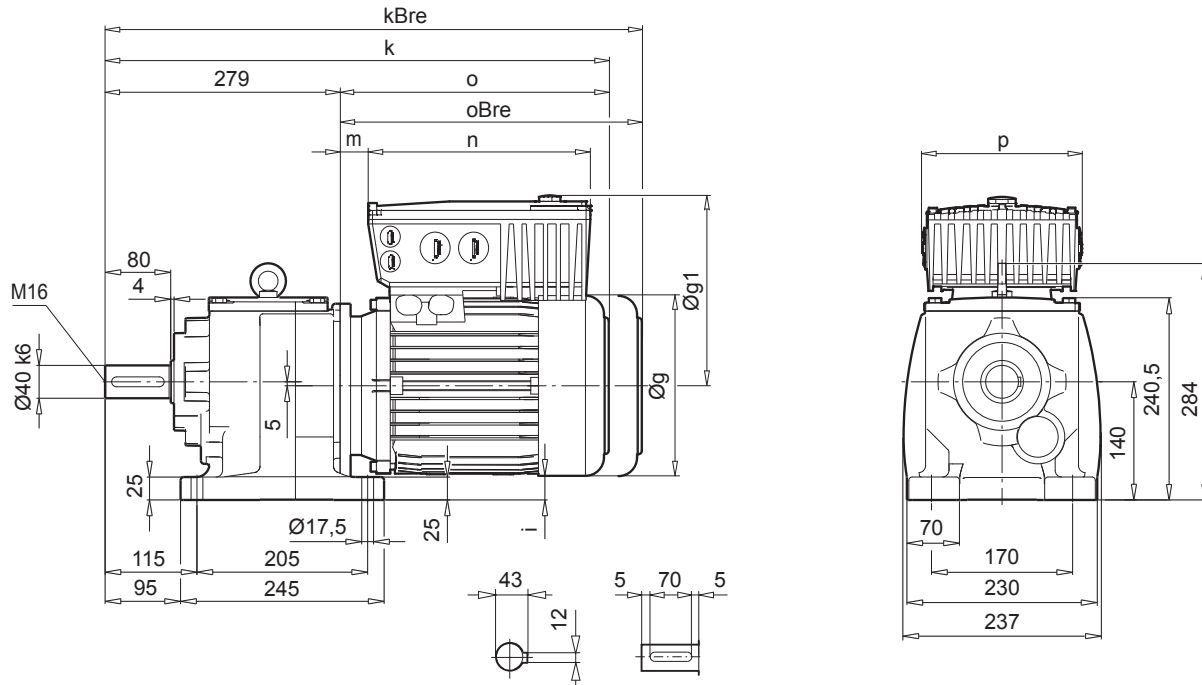
IE1 IE2 IE3	- 90 SH/LH SP/LP	- 100 LH LP						
SK 180E 340-B (-C)	- 151-	- 221 -						
g	183	201						
g1	182	219						
k / kBre	575 / 650	605 / 696						
o / oBre	296 / 371	326 / 417						
m	29	35						
n	255	255						
p	165	165						
i	43,5	34,5						

SK 773.1



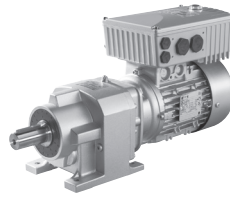
SK 773.1

NORDBLOC.1
Helical gear units

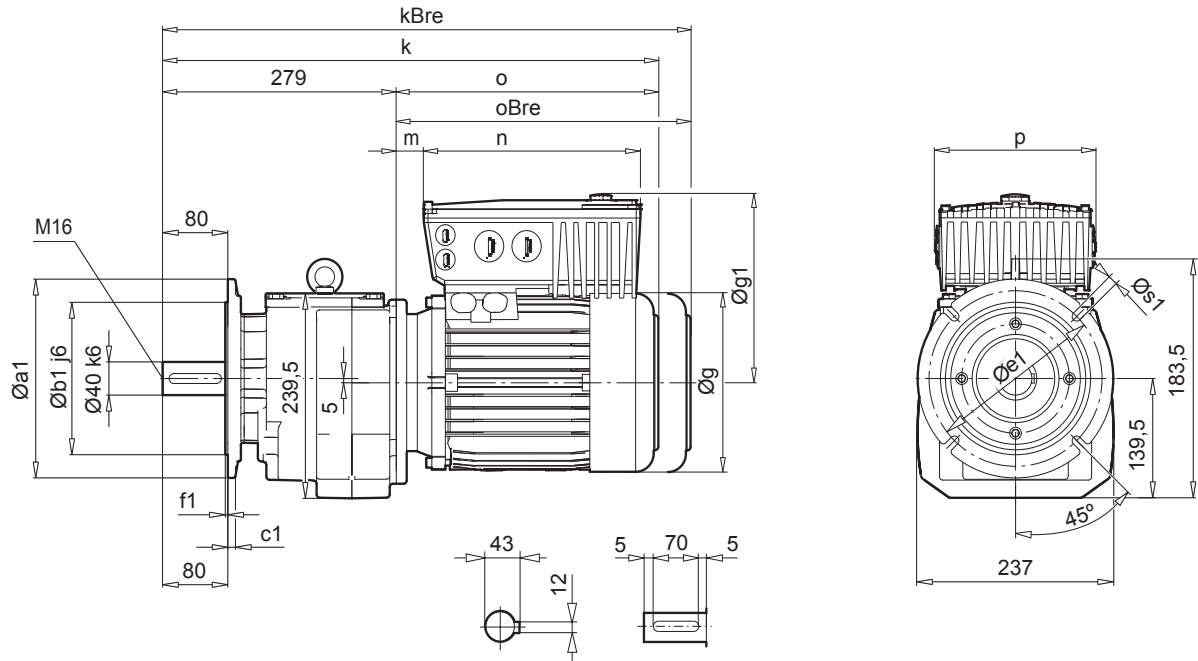


Motor + SK200E

IE1 IE2 IE3	71 S/L - -	- 80 LH LP	- 90 SH/LH SP/LP	- 100 LH/AH LP/AP	- 112 MH MP	- 132 SH SP
SK 200E 340-A (-C)	- 550 - - 750 -	- 550 - - 750 - - 111 - - 151 -	- 111 - - 151 - - 221 -	- 301 -	- 221 - - 301 - - 401 -	- 551 - - 401 - - 551 - - 751 -
g	145	165	183	183	201	201
g₁	201	195	200	207	211	218
k / k_{Bre}	509 / 567	534 / 598	575 / 650	575 / 650	605 / 696	605 / 696
o / o_{Bre}	230 / 288	255 / 319	296 / 371	296 / 371	326 / 417	326 / 417
m	12	24	29	29	35	35
n	236	236	236	266	236	266
p	156	156	156	176	156	176
i	62,5	52,5	43,5	43,5	34,5	34,5



SK 773.1F

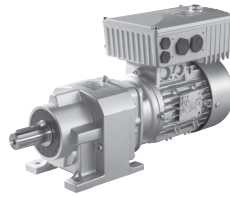


a1	b1	c1	e1	f1	s1
200	130	12	165	4,0	11,0
250	180	15	215	4,0	13,5
300	230	18	265	4,0	13,5

Motor + SK180E

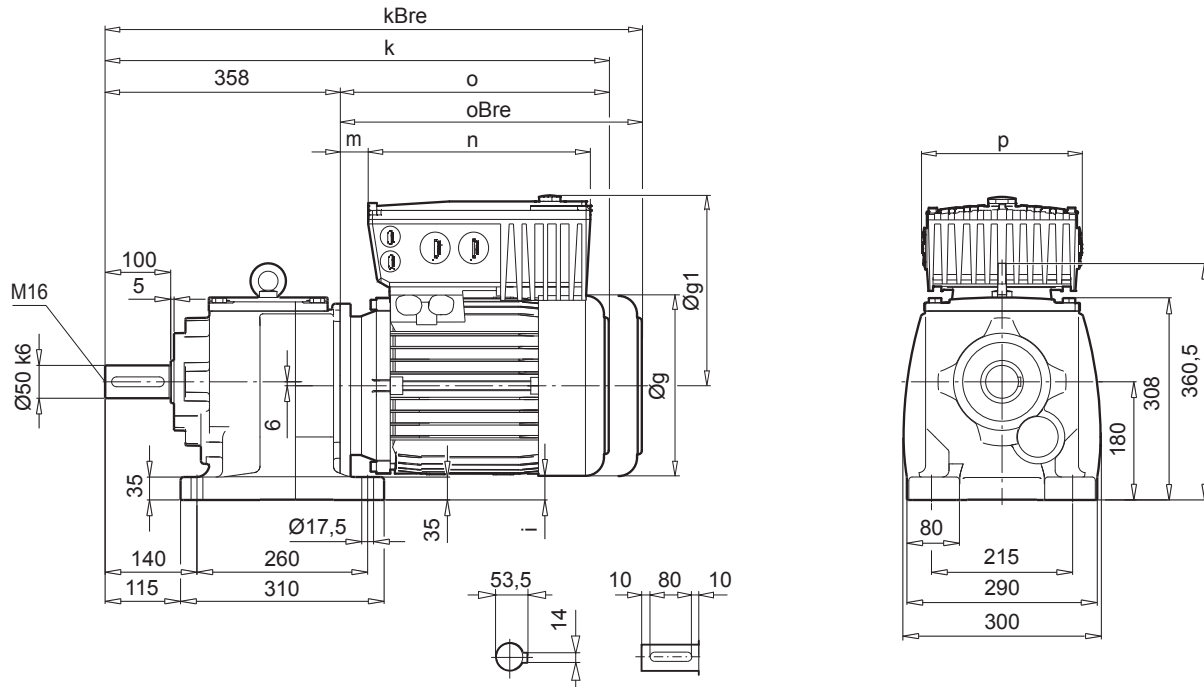
IE1 IE2 IE3	71 S/L - -	- 80 SH/LH - /LP	- 90 SH/LH SP/LP	- 100 LH LP			
SK 180E 340-B (-C)	- 550 - - 750 -	- 550 - - 750 - - 111 -	- 151 -	- 111 -	- 151 - - 221 -	- 221 -	
g	145	165	165	183	183	201	
g1	184	177	203	182	208	219	
k / kBre	509 / 567	534 / 598	534 / 598	575 / 650	575 / 650	605 / 696	
o / oBre	230 / 288	255 / 319	255 / 319	296 / 371	296 / 371	326 / 417	
m	12	24	24	29	29	35	
n	221	221	255	221	255	255	
p	154	154	165	154	165	165	
i	62,5	52,5	52,5	43,5	43,5	34,5	

SK 872.1



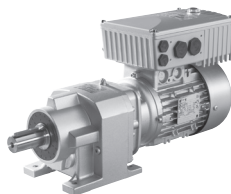
SK 872.1

NORDBLOC.1
Helical gear units

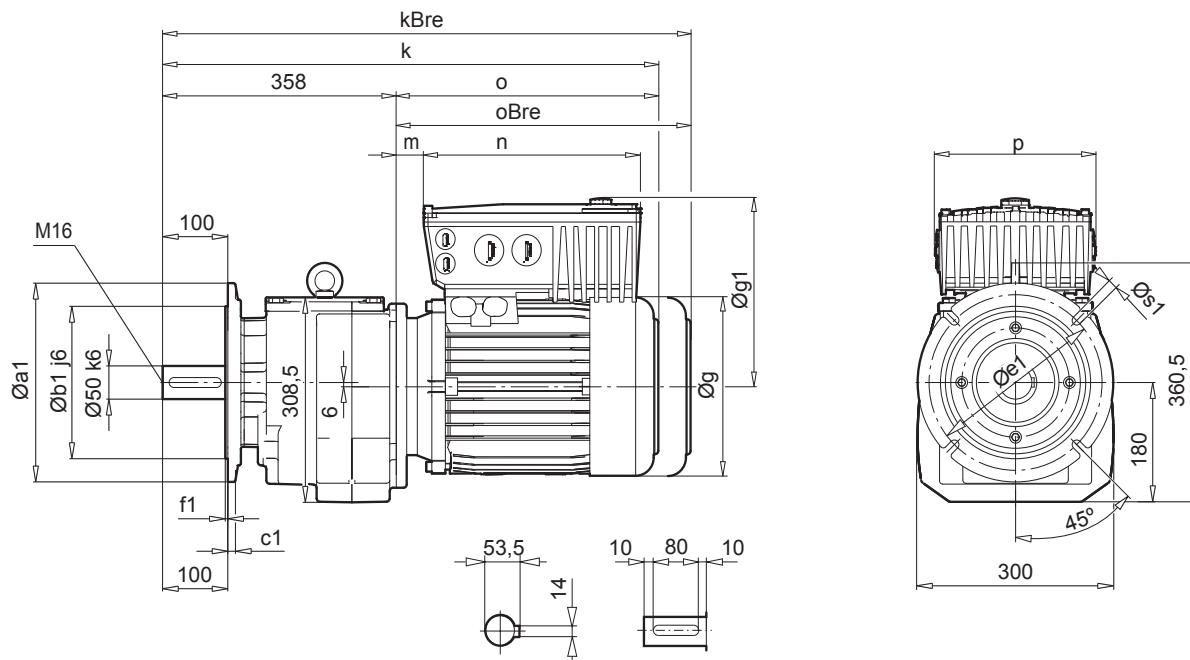


Motor + SK200E

IE1 IE2 IE3	- 100 LH/AH LP/AP			- 112 MH MP		- 132 SH/MH/LH SP/MP/ -		- 160 MH MP	- 160 LH LP	- 180 MH/LH MP/LP
	- 221 -	- 301 - - 401 -	- 551 -	- 401 -	- 551 - - 751 -	- 551 - - 751 -	- 112 - - 152 -	- 112 - - 222 -	- 152 - - 222 -	- 182 - - 222 -
g	201	201	201	228	228	266	266	320	320	320
g1	211	218	250	228	260	262	312	317	317	337
k / kBre	664 / 755	664 / 755	664 / 755	712 / 805	712 / 805	773 / 880	773 / 880	850 / 985	894 / 1029	994 / 1122
o / oBre	306 / 397	306 / 397	306 / 397	354 / 447	354 / 447	415 / 522	415 / 522	492 / 627	536 / 671	636 / 764
m	15	15	7	21	13	29	-28	6	6	29
n	236	266	330	266	330	330	480	480	480	480
p	156	176	218	176	218	218	305	305	305	305
i	73,5	73,5	73,5	60	60	41	41	14	14	-5



SK 872.1F

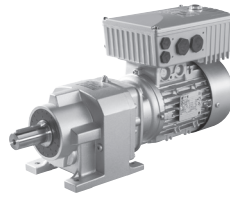


a1	b1	c1	e1	f1	s1
250	180	16	215	4,0	13,5
300	230	20	265	4,0	13,5
350	250	20	300	5,0	17,5

Motor + SK180E

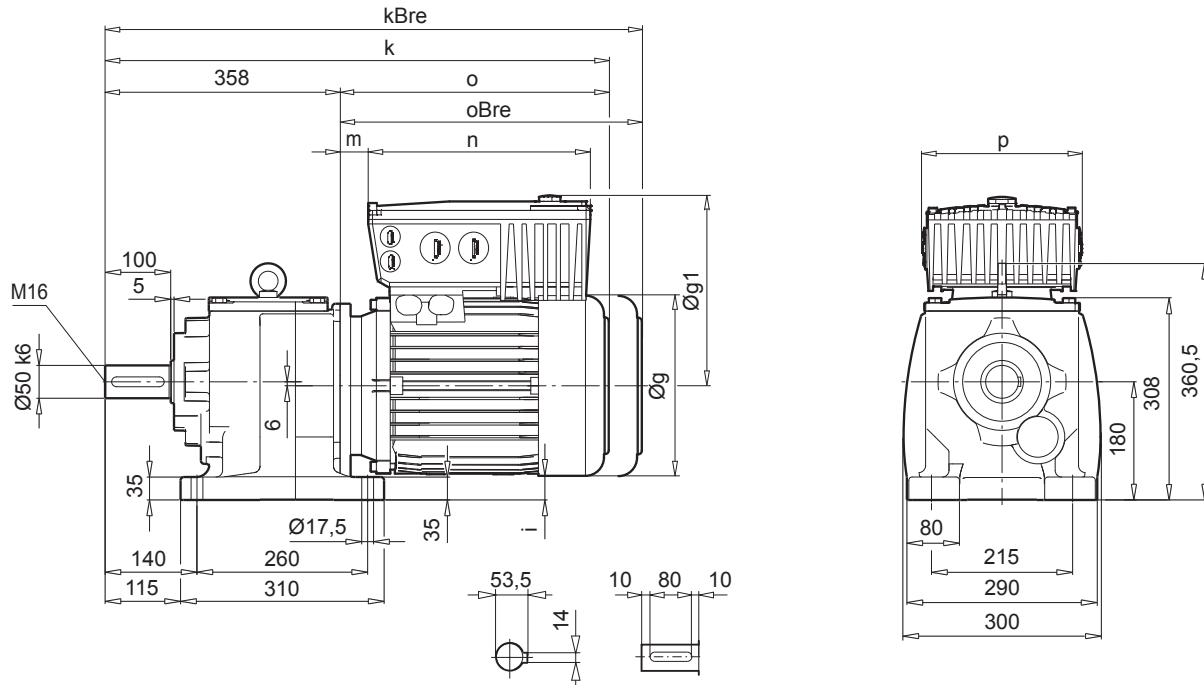
IE1 IE2 IE3	- 100 LH LP								
SK 180E 340-B (-C)	- 221 -								
g	201								
g1	219								
k / kBre	664 / 755								
o / oBre	306 / 397								
m	35								
n	255								
p	165								
i	73,5								

SK 873.1



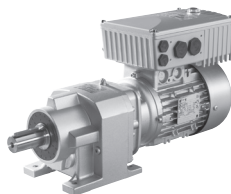
SK 873.1

NORDBLOC.1
Helical gear units

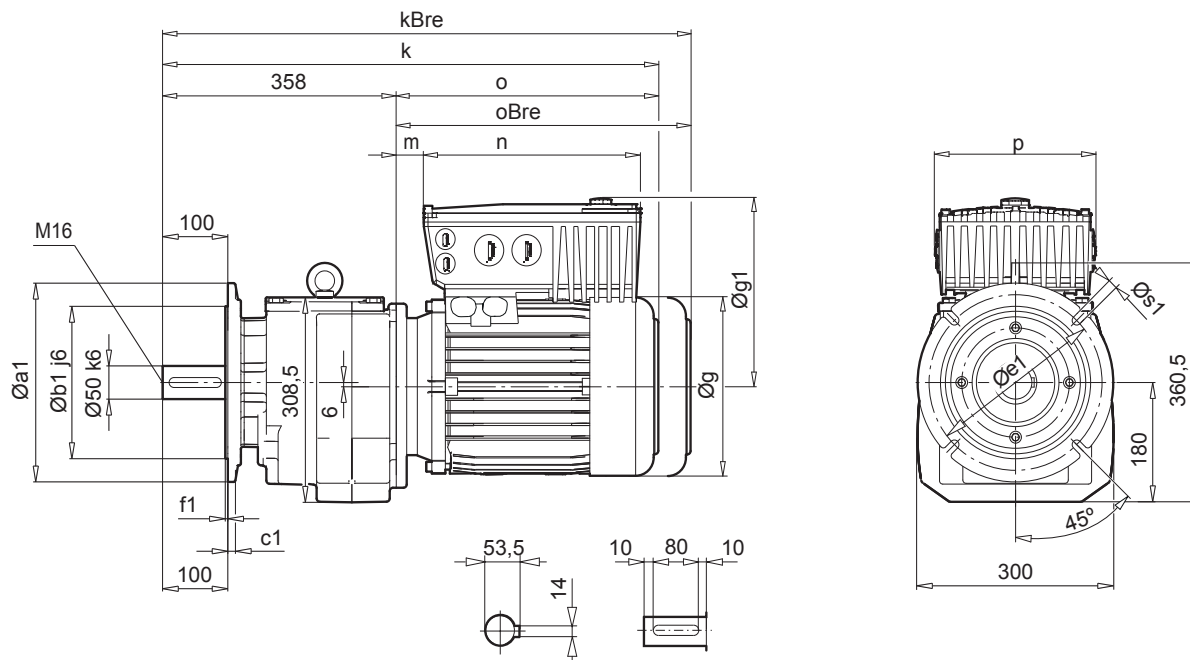


Motor + SK200E

IE1 IE2 IE3	- 90 SH/LH SP/LP		- 100 LH/AH LP/AP			- 112 MH MP		- 132 SH/MH/LH SP/MP/ -		- 160 MH MP	- 160 LH LP
SK 200E 340-A (-C)	- 111 - - 151 - - 221 -	- 301 -	- 221 -	- 301 - - 401 -	- 551 -	- 401 -	- 551 - - 751 -	- 551 - - 751 -	- 112 - - 152 -	- 112 -	- 152 -
g	183	183	201	201	201	228	228	266	266	320	320
g1	200	207	211	218	250	228	260	262	312	317	317
k / kBre	634 / 709	634 / 709	664 / 755	664 / 755	664 / 755	712 / 805	712 / 805	773 / 880	773 / 880	850 / 985	894 / 1029
o / oBre	276 / 351	276 / 351	306 / 397	306 / 397	306 / 397	354 / 447	354 / 447	415 / 522	415 / 522	492 / 627	536 / 671
m	9	9	15	15	7	21	13	29	-28	6	6
n	236	266	236	266	330	266	330	330	480	480	480
p	156	176	156	176	218	176	218	218	305	305	305
i	82,5	82,5	73,5	73,5	73,5	60	60	41	41	14	14



SK 873.1F

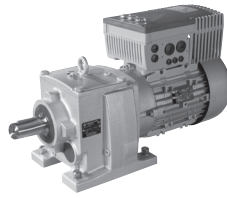


a1	b1	c1	e1	f1	s1
250	180	16	215	4,0	13,5
300	230	20	265	4,0	13,5
350	250	20	300	5,0	17,5

Motor + SK180E

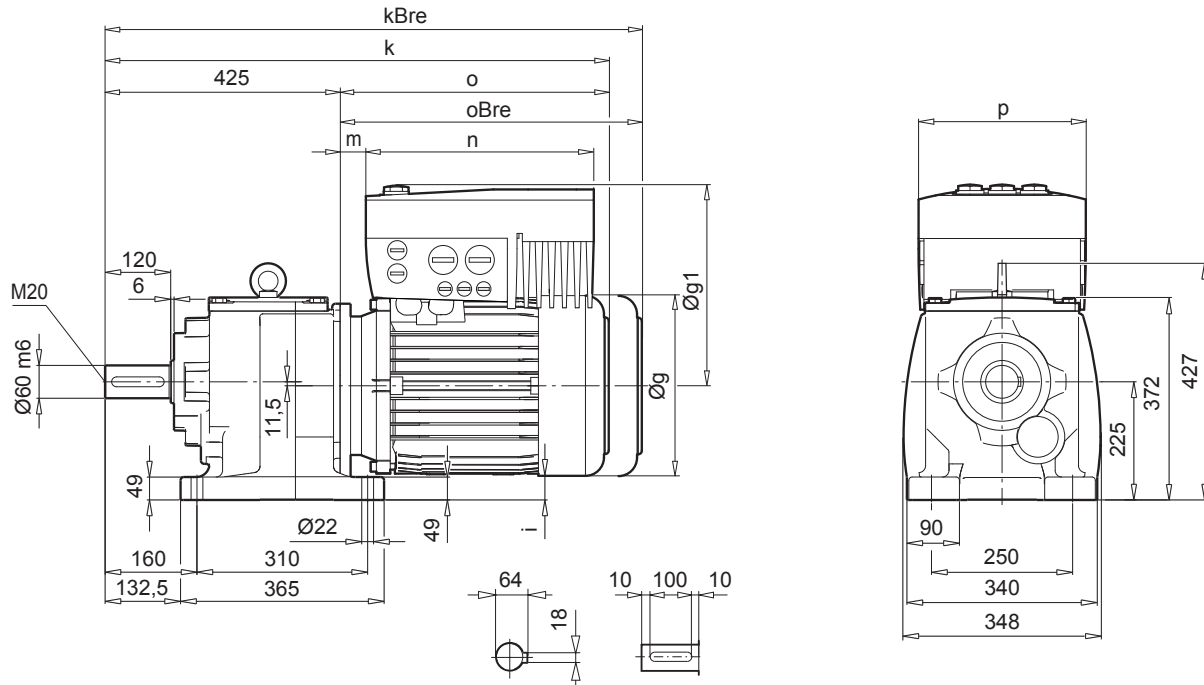
IE1 IE2 IE3	- 90 SH/LH SP/LP		- 100 LH LP					
	- 111 -	- 151 - - 221 -	- 221 -					
SK 180E 340-B (-C)								
g	183	183	201					
g1	182	208	219					
k / kBre	634 / 709	634 / 709	664 / 755					
o / oBre	276 / 351	276 / 351	306 / 397					
m	9	9	15					
n	221	255	255					
p	154	165	165					
i	82,5	82,5	73,5					

SK 972.1



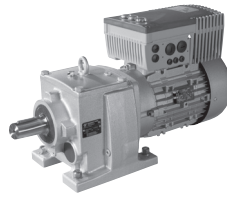
SK 972.1

NORDBLOC.1
Helical gear units

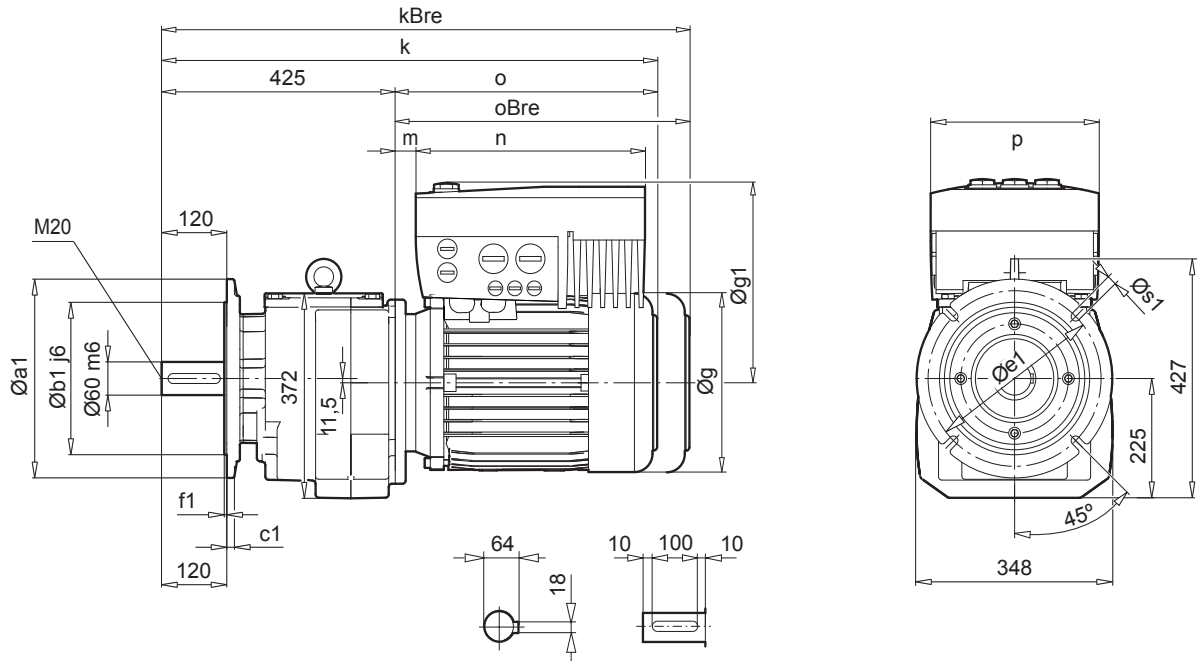


Motor + SK200E

IE1 IE2 IE3	112 MH MP		132 SH/MH/LH SP/MP/ -		160 MH MP	160 LH LP	180 MH/LH MP/LP		
SK 200E 340-A (-C)	- 401 -	- 751 -	- 551 - - 751 -	- 112 - - 152 - - 182 -	- 112 - - 222 -	- 152 - - 222 -	- 182 - - 222 -		
g	228	228	266	266	320	320	320		
g1	228	260	262	312	317	317	337		
k / kBre	779 / 872	779 / 872	840 / 947	840 / 947	917 / 1052	961 / 1096	1059 / 1187		
o / oBre	354 / 447	354 / 447	415 / 522	415 / 522	492 / 627	536 / 671	634 / 762		
m	21	13	29	-28	6	6	28		
n	266	330	330	480	480	480	480		
p	176	218	218	305	305	305	305		
i	99,5	99,5	80,5	80,5	53,5	14	-5		

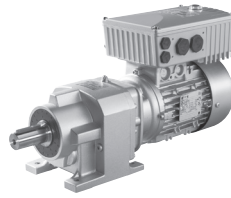


SK 972.1F



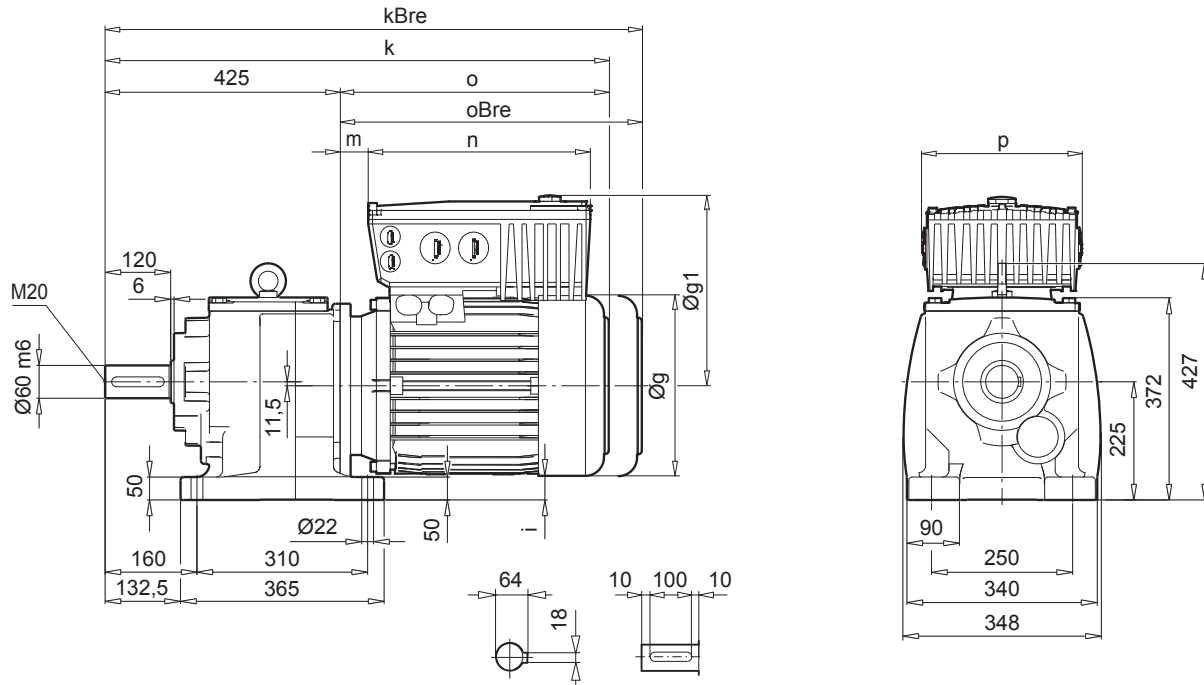
a1	b1	c1	e1	f1	s1
300	230	20	265	4,0	13,5
350	250	20	300	5,0	17,5
450	350	20	400	5,0	17,5

SK 973.1



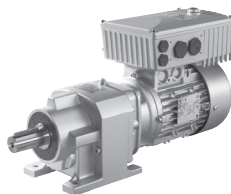
SK 973.1

NORDBLOC.1
Helical gear units

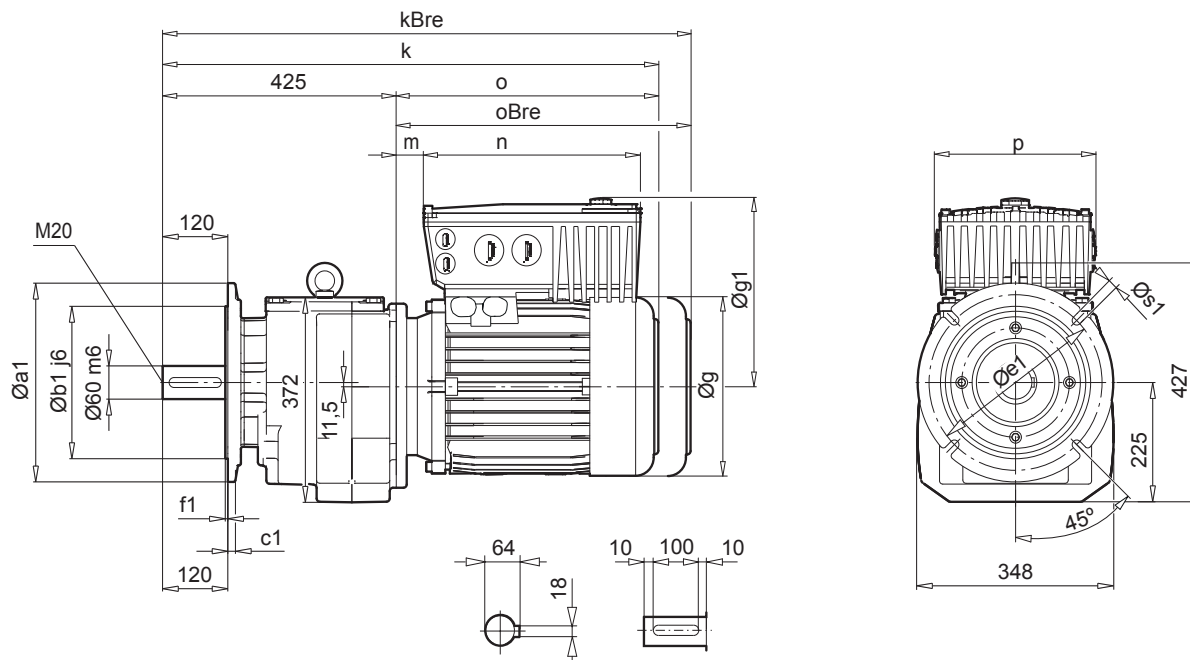


Motor + SK200E

IE1 IE2 IE3	- 90 SH/LH SP/LP		- 100 LH/AH LP/AP			- 112 MH MP		- 132 SH/MH/LH SP/MP/ -		- 160 MH MP	- 160 LH LP	- 180 MH/LH MP/LP
SK 200E 340-A (-C)	- 111 - - 151 - - 221 -	- 301 -	- 221 -	- 301 - - 401 -	- 551 -	- 401 -	- 551 - - 751 -	- 551 - - 751 -	- 112 - - 152 - - 182 -	- 112 - - 222 -	- 152 - - 222 -	- 182 - - 222 -
g	183	183	201	201	201	228	228	266	266	320	320	320
g1	200	207	211	218	250	228	260	262	312	317	317	337
k / kBre	701 / 776	701 / 776	731 / 822	731 / 822	731 / 822	779 / 872	779 / 872	840 / 947	840 / 947	917 / 1052	961 / 1096	1039 / 1167
o / oBre	276 / 351	276 / 351	306 / 397	306 / 397	306 / 397	354 / 447	354 / 447	415 / 522	415 / 522	492 / 627	536 / 671	614 / 742
m	9	9	15	15	7	21	13	29	-28	6	6	8
n	236	266	236	266	330	266	330	330	480	480	480	480
p	156	176	156	176	218	176	218	218	305	305	305	305
i	122	122	113	113	113	99,5	99,5	80,5	80,5	53,5	53,5	34,5



SK 973.1F



a1	b1	c1	e1	f1	s1
300	230	20	265	4,0	13,5
350	250	20	300	5,0	17,5
450	350	20	400	5,0	17,5

Motor + SK180E

IE1 IE2 IE3	- 90 SH/LH SP/LP		- 100 LH LP					
	- 111 -	- 151 - - 221 -	- 221 -					
SK 180E 340-B (-C)								
g	183	183	201					
g1	182	208	219					
k / kBre	701 / 776	701 / 776	731 / 822					
o / oBre	276 / 351	276 / 351	306 / 397					
m	9	9	15					
n	221	255	255					
p	154	165	165					
i	122	122	113					

Helical Gear Units SK 200E / SK 180E



GEAR UNIT MOTOR DATA


Power and speed tables C 2 - 57



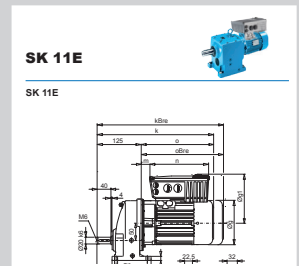
DIMENSIONED DRAWINGS

Helical gear units with frequency inverter C 58 - 105

1:5
0,55 kW **IE2**



P_n [kW]	n_n [min ⁻¹]	M_{2p} [Nm]	f_p	v_{pm}	F_p	F_a	Type
0,55	1.24,0	875	2,2	236,21	13,9	23,8	SK 53 - 80 SH4 - SK 200E-4
	1,5-7,5	688	2,8	189,72	14,0	23,5	SK 53 - 80 SH4 - SK 180E-4
	1,6-6,0	696	2,8	177,22	14,0	23,8	
	1,0-5,1	1030	1,2	278,51	6,6	12,0	SK 43 - 80 SH4 - SK 200E-4
	1,1-0,4	977	1,3	263,93	6,8	12,0	
	1,2-0,1	898	1,3	231,43	7,2	12,0	SK 43 - 80 SH4 - SK 180E-4
	1,3-0,0	811	1,5	210,32	7,4	12,0	
	1,4-0,0	756	1,5	204,42	7,5	12,0	
	1,6-7,8	676	1,5	182,76	7,7	12,0	
	1,7-0,4	628	1,5	169,86	7,8	12,0	
	2,0-10	524	2,0	141,06	8,0	12,0	
	2,2-11	478	2,0	129,38	8,1	12,0	
	2,6-15	387	2,5	101,51	8,3	12,0	
	3,0-18	351	3,0	94,98	8,2	12,0	
	3,5-18	296	4,2	79,98	8,3	12,0	
	1,4-0,0	786	0,9	207,16	5,5	9,1	SK 130V - 80 SH4 - SK 200E
	1,7-0,5	615	1,1	166,49	6,0	9,1	



1:5

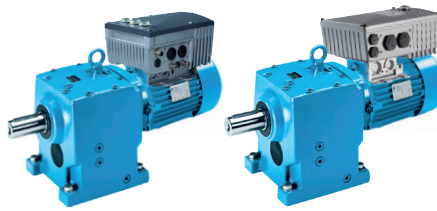
0,55 kW

IE2



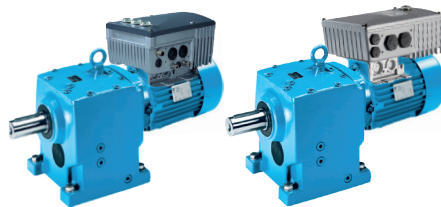
Helical gear units

P_1 [kW]	n_2 [min ⁻¹]	M_{2b} [Nm]	f_B	i_{ges}	F_R	F_A [kN]	Type	kg	mm C
0,55	1,2-6,0	875	2,2	236,21	13,8	23,8	SK 53 - 80 SH/4 - SK 200E-550-340-A (-C)	105	C88-89
	1,5-7,6	688	2,6	185,72	14,0	23,8			
	1,6-8,0	656	2,9	177,22	14,0	23,8	SK 53 - 80 SH/4 - SK 180E-550-340-B (-C)		
	1,0-5,1	1030	1,2	278,51	6,6	12,0	SK 43 - 80 SH/4 - SK 200E-550-340-A (-C)	72	C84-85
	1,1-5,4	977	1,3	263,93	6,8	12,0			
	1,2-6,1	856	1,3	231,43	7,2	12,0	SK 43 - 80 SH/4 - SK 180E-550-340-B (-C)		
	1,3-6,5	811	1,5	219,32	7,4	12,0			
	1,4-6,9	756	1,7	204,42	7,5	12,0			
	1,6-7,8	676	1,5	182,76	7,7	12,0			
	1,7-8,4	628	1,9	169,86	7,8	12,0			
	2,0-10	524	2,0	141,55	8,0	12,0			
	2,2-11	478	2,6	129,38	8,1	12,0			
	2,6-13	397	2,8	107,51	8,2	12,0			
	3,0-15	351	3,5	94,96	8,2	12,0			
	3,5-18	296	4,2	79,96	8,3	12,0			
	1,4-6,9	766	0,9	207,10	5,5	9,0	SK 33N - 80 SH/4 - SK 200E-550-340-A (-C)		
	1,7-8,5	615	1,1	166,49	6,0	9,0			
	2,1-11	496	1,3	134,02	6,3	9,0	SK 33N - 80 SH/4 - SK 180E-550-340-B (-C)		
	2,5-13	415	1,3	112,18	6,5	9,0			
	3,2-16	327	1,6	88,18	6,6	9,0			
	3,5-17	301	1,7	81,27	6,7	9,0	SK 32 - 80 SH/4 - SK 200E-550-340-A (-C)	42	C78-79
	3,9-20	269	2,1	72,76	6,7	9,0			
	4,4-22	238	2,7	64,26	6,8	9,0	SK 32 - 80 SH/4 - SK 180E-550-340-B (-C)		
	4,9-25	213	2,9	57,53	6,8	9,0			
	6,1-31	171	3,1	46,31	6,7	9,0			
	2,8-14	372	0,9	100,60	4,3	5,6	SK 23 - 80 SH/4 - SK 200E-550-340-A (-C)	39	C76-77
	3,2-16	326	1,0	88,45	4,6	5,6			
	3,6-18	288	1,2	78,05	4,8	5,6	SK 23 - 80 SH/4 - SK 180E-550-340-B (-C)		
	3,3-16	319	0,8	86,30	4,6	5,6	SK 22 - 80 SH/4 - SK 200E-550-340-A (-C)	31	C74-75
	4,1-20	258	1,0	69,81	4,9	5,6			
	5,1-26	204	1,6	55,28	5,1	5,6	SK 22 - 80 SH/4 - SK 180E-550-340-B (-C)		
	6,2-31	170	1,7	45,90	5,2	5,6			
	6,6-33	158	2,1	42,82	5,2	5,6			
	8,0-40	131	2,5	35,55	5,1	5,6			
	9,7-48	109	2,7	29,31	4,9	5,6			
	12-58	91,3	2,7	24,73	4,7	5,6			
	5,3-26	199	0,9	53,84	1,6	3,9	SK 12 - 80 SH/4 - SK 200E-550-340-A (-C)		
	5,9-30	177	1,0	47,87	2,2	3,9			
	6,6-33	159	1,0	43,09	2,3	3,9	SK 12 - 80 SH/4 - SK 180E-550-340-B (-C)		
	7,4-37	142	1,3	38,31	2,7	3,9			
	8,1-41	130	1,1	35,07	2,8	3,9			
	9,1-46	115	1,4	31,19	3,1	3,9			
	9,7-49	108	1,1	29,15	3,0	3,9			
	11-55	95,9	1,4	25,92	3,0	3,9			
	13-67	78,7	2,1	21,28	2,9	3,9			
	15-76	69,5	2,3	18,79	2,8	3,9			
	17-85	61,9	2,5	16,73	2,8	3,9			
	21-106	49,5	3,0	13,39	2,6	3,9			
	27-133	39,5	3,4	10,70	2,5	3,9			
	29-147	35,7	3,8	9,65	2,4	3,9			
	33-166	31,6	4,1	8,56	2,3	3,9			

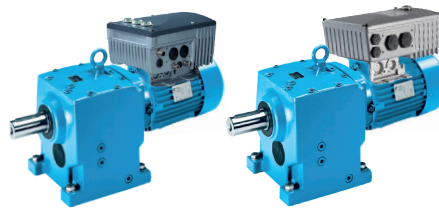


P_1 [kW]	n_2 [min ⁻¹]	M_{2b} [Nm]	f_B	i_{ges}	F_R [kN]	F_A [kN]	Type	kg	mm C
0,55	8,5-43	123	0,8	33,42	1,4	3,3	SK 02 - 80 SH/4 - SK 200E-550-340-A (-C)	20	C68-69
	9,6-48	109	0,8	29,61	1,9	3,3			
	10-52	102	0,9	27,52	1,9	3,3	SK 02 - 80 SH/4 - SK 180E-550-340-B (-C)		
	12-58	90,3	1,0	24,39	2,1	3,3			
	14-69	76,2	1,0	20,59	2,2	3,3			
	18-89	59,0	1,2	15,95	2,3	3,3			
	22-111	47,4	1,5	12,82	2,3	3,3			
	25-126	41,6	1,6	11,27	2,2	3,3			
	29-143	36,8	1,7	9,95	2,2	3,3			
	31-153	34,3	1,9	9,28	2,1	3,3			
	35-173	30,3	2,1	8,19	2,1	3,3			
	36-182	28,8	2,2	7,80	2,0	3,3			
	41-206	25,5	2,4	6,89	2,0	3,3			
	46-232	22,6	2,5	6,10	1,9	3,3			
	51-255	20,6	2,8	5,57	1,8	3,3			
	59-295	17,8	3,2	4,82	1,8	3,3			
	67-335	15,7	3,3	4,22	1,7	3,2			
	73-364	14,4	3,7	3,89	1,7	3,1			
	84-419	12,5	4,1	3,38	1,6	3,0			
	96-479	11,0	4,2	2,95	1,5	2,8			
0,55	100-501	10,5	5,2	2,83	0	3,2	SK 11E - 80 SH/4 - SK 200E-550-340-A (-C)	18	C58-59
	123-613	8,6	6,5	2,32	0	2,9			
	139-696	7,6	7,7	2,04	0	2,8	SK 11E - 80 SH/4 - SK 180E-550-340-B (-C)		
	157-786	6,7	8,2	1,81	0	2,6			
0,75	1,2-6,0	1198	1,6	236,21	13,3	23,8	SK 53 - 80 LH/4 - SK 200E-750-340-A (-C)	106	C88-89
	1,5-7,6	941	1,9	185,72	13,7	23,8	SK 53 - 80 LP/4 - SK 200E-750-340-A (-C)		
	1,6-8,0	898	2,1	177,22	13,7	23,8			
	2,0-10	706	3,2	139,34	13,9	23,8	SK 53 - 80 LH/4 - SK 180E-750-340-B (-C) SK 53 - 80 LP/4 - SK 180E-750-340-B (-C)		
0,75	1,0-5,1	1410	0,9	278,51	4,5	12,0	SK 43 - 80 LH/4 - SK 200E-750-340-A (-C)	73	C84-85
	1,1-5,4	1336	0,9	263,93	5,1	12,0	SK 43 - 80 LP/4 - SK 200E-750-340-A (-C)		
	1,2-6,1	1171	1,0	231,43	6,0	12,0			
	1,3-6,5	1110	1,1	219,32	6,3	12,0	SK 43 - 80 LH/4 - SK 180E-750-340-B (-C)		
	1,4-6,9	1035	1,2	204,42	6,6	12,0	SK 43 - 80 LP/4 - SK 180E-750-340-B (-C)		
	1,5-7,7	926	1,1	182,76	7,0	12,0			
	1,7-8,3	860	1,4	169,86	7,2	12,0			
	2,0-10	717	1,5	141,55	7,6	12,0			
	2,2-11	654	1,9	129,38	7,7	12,0			
	2,6-13	543	2,1	107,51	8,0	12,0			
	3,0-15	480	2,6	94,96	8,1	12,0			
	3,5-18	405	3,0	79,96	8,2	12,0			
	4,0-20	355	3,6	70,12	8,2	12,0			
0,75	1,7-8,5	842	0,8	166,49	5,1	9,0	SK 33N - 80 LH/4 - SK 200E-750-340-A (-C)	52	C80-81
	2,1-11	678	1,0	134,02	5,8	9,0	SK 33N - 80 LP/4 - SK 200E-750-340-A (-C)		
	2,5-13	568	1,0	112,18	6,1	9,0			
	3,2-16	447	1,2	88,18	6,4	9,0	SK 33N - 80 LH/4 - SK 180E-750-340-B (-C) SK 33N - 80 LP/4 - SK 180E-750-340-B (-C)		
0,75	3,5-17	411	1,3	81,27	6,5	9,0	SK 32 - 80 LH/4 - SK 200E-750-340-A (-C)	43	C78-79
	3,9-19	368	1,5	72,76	6,6	9,0	SK 32 - 80 LP/4 - SK 200E-750-340-A (-C)		
	4,4-22	325	2,0	64,26	6,6	9,0			
	4,9-25	291	2,1	57,53	6,7	9,0	SK 32 - 80 LH/4 - SK 180E-750-340-B (-C)		
	6,1-31	234	2,3	46,31	6,4	9,0	SK 32 - 80 LP/4 - SK 180E-750-340-B (-C)		
	7,3-37	196	2,3	38,76	6,1	9,0			
	8,6-43	167	2,3	33,05	5,9	9,0			
	9,3-46	154	4,1	30,43	5,8	9,0			

Helical gear units

1:5**0,75 kW
1,10 kW**
Helical gear units

P ₁ [kW]	n ₂ [min ⁻¹]	M _{2b} [Nm]	f _B	i _{ges}	F _R	F _A	Type	mm		
								kg		
0,75	3,2-16	447	0,8	88,45	1,0	5,6	SK 23 - 80 LH/4 - SK 200E-750-340-A (-C) SK 23 - 80 LP/4 - SK 200E-750-340-A (-C)	40	C76-77	
	3,6-18	395	0,9	78,05	2,2	5,6				
	4,4-22	328	1,0	64,80	3,3	5,6				
							SK 23 - 80 LH/4 - SK 180E-750-340-B (-C) SK 23 - 80 LP/4 - SK 180E-750-340-B (-C)			
		5,1-26	280	1,1	55,28	4,7	5,6	SK 22 - 80 LH/4 - SK 200E-750-340-A (-C) SK 22 - 80 LP/4 - SK 200E-750-340-A (-C)	32	C74-75
		6,2-31	232	1,3	45,90	5,0	5,6			
		6,6-33	217	1,6	42,82	5,1	5,6			
		8,0-40	180	1,8	35,55	4,9	5,6	SK 22 - 80 LH/4 - SK 180E-750-340-B (-C) SK 22 - 80 LP/4 - SK 180E-750-340-B (-C)		
		9,6-48	149	2,0	29,31	4,7	5,6			
		11-57	125	2,0	24,73	4,5	5,6			
		17-85	84,7	4,0	16,75	4,1	5,6			
		19-96	74,3	4,5	14,69	4,0	5,6			
	7,4-37	194	0,9	38,31	0,5	3,9	SK 12 - 80 LH/4 - SK 200E-750-340-A (-C) SK 12 - 80 LP/4 - SK 200E-750-340-A (-C)	23	C70-71	
	8,1-40	177	0,8	35,07	0,7	3,9				
	9,1-45	158	1,0	31,19	1,2	3,9				
	9,7-49	148	0,8	29,15	1,2	3,9	SK 12 - 80 LH/4 - SK 180E-750-340-B (-C) SK 12 - 80 LP/4 - SK 180E-750-340-B (-C)			
	11-55	131	1,0	25,92	1,7	3,9				
	13-67	108	1,6	21,28	2,7	3,9				
	15-75	95,2	1,7	18,79	2,7	3,9				
	17-85	84,7	1,8	16,73	2,6	3,9				
	21-106	67,8	2,2	13,39	2,5	3,9				
	26-132	54,1	2,5	10,70	2,4	3,9				
	29-147	48,9	2,8	9,65	2,3	3,9				
	33-166	43,3	3,0	8,56	2,2	3,9				
	36-180	39,7	3,3	7,85	2,2	3,9				
	39-194	36,9	3,4	7,28	2,2	3,9				
	43-217	33,1	3,8	6,53	2,1	3,9				
	49-245	29,3	4,2	5,79	2,0	3,8				
	18-89	80,7	0,9	15,95	2,1	3,3	SK 02 - 80 LH/4 - SK 200E-750-340-A (-C) SK 02 - 80 LP/4 - SK 200E-750-340-A (-C)	21	C68-69	
	22-110	64,8	1,1	12,82	2,2	3,3				
	25-126	56,9	1,2	11,27	2,1	3,3				
	28-142	50,3	1,3	9,95	2,1	3,3	SK 02 - 80 LH/4 - SK 180E-750-340-B (-C) SK 02 - 80 LP/4 - SK 180E-750-340-B (-C)			
	31-153	46,9	1,4	9,28	2,0	3,3				
	35-173	41,5	1,5	8,19	2,0	3,3				
	36-182	39,5	1,6	7,80	1,9	3,3				
	41-205	34,9	1,7	6,89	1,9	3,3				
	46-231	31,0	1,8	6,10	1,8	3,3				
	51-254	28,2	2,0	5,57	1,8	3,3				
	59-293	24,4	2,3	4,82	1,7	3,1				
	67-334	21,5	2,4	4,22	1,7	3,1				
	73-363	19,7	2,7	3,89	1,6	3,0				
	83-417	17,2	3,0	3,38	1,6	2,9				
	95-477	15,0	3,1	2,95	1,5	2,7				
	100-499	14,3	3,8	2,83	0	3,1	SK 11E - 80 LH/4 - SK 200E-750-340-A (-C) SK 11E - 80 LP/4 - SK 200E-750-340-A (-C)			19
	122-610	11,7	4,8	2,32	0	2,8				
	139-693	10,3	5,6	2,04	0	2,7				
	157-783	9,1	6,0	1,81	0	2,6	SK 11E - 80 LH/4 - SK 180E-750-340-B (-C) SK 11E - 80 LP/4 - SK 180E-750-340-B (-C)			
1,10	1,1-5,4	1944	1,9	265,32	18,9	30,3	SK 63 - 90 SH/4 - SK 200E-111-340-A (-C) SK 63 - 90 SP/4 - SK 200E-111-340-A (-C)	147	C92-93	
	1,3-6,7	1569	2,3	214,10	19,4	29,2				
	1,2-6,1	1732	1,1	236,21	12,1	23,8	SK 53 - 90 SH/4 - SK 200E-111-340-A (-C) SK 53 - 90 SP/4 - SK 200E-111-340-A (-C)	111	C88-89	
	1,5-7,7	1361	1,3	185,72	13,0	23,8				
	1,6-8,1	1299	1,5	177,22	13,1	23,8				
	2,1-10	1021	2,2	139,34	13,6	23,8	SK 53 - 90 SH/4 - SK 180E-111-340-B (-C) SK 53 - 90 SP/4 - SK 180E-111-340-B (-C)			
	2,7-14	774	2,9	105,87	13,9	23,8				
	3,0-15	698	3,2	95,49	13,9	23,8				



P_1 [kW]	n_2 [min ⁻¹]	M_{2b} [Nm]	f_B	i_{ges}	F_R	F_A	Type	kg	mm C		
1,10	3,3-17	636	2,7	86,92	14,0	23,8	SK 52 - 90 SH/4 - SK 200E-111-340-A (-C) SK 52 - 90 SP/4 - SK 200E-111-340-A (-C)	92	C86-87		
	3,7-18	575	2,8	78,56	14,0	23,8	SK 52 - 90 SH/4 - SK 180E-111-340-B (-C) SK 52 - 90 SP/4 - SK 180E-111-340-B (-C)				
	1,4-7,0	1497	0,9	204,42	3,8	12,0	SK 43 - 90 SH/4 - SK 200E-111-340-A (-C) SK 43 - 90 SP/4 - SK 200E-111-340-A (-C)	78	C84-85		
	1,6-7,8	1339	0,8	182,76	5,0	12,0					
	1,7-8,5	1243	0,9	169,86	5,6	12,0					
	2,0-10	1037	1,0	141,55	6,6	12,0	SK 43 - 90 SH/4 - SK 180E-111-340-B (-C) SK 43 - 90 SP/4 - SK 180E-111-340-B (-C)				
	2,2-11	946	1,3	129,38	6,9	12,0					
	2,7-13	786	1,4	107,51	7,4	12,0					
	3,0-15	695	1,8	94,96	7,6	12,0					
	2,7-14	769	1,1	105,08	7,5	12,0	SK 42 - 90 SH/4 - SK 200E-111-340-A (-C) SK 42 - 90 SP/4 - SK 200E-111-340-A (-C)	63	C82-83		
	3,4-17	623	1,3	85,10	7,8	12,0					
	3,8-19	548	2,0	74,87	7,9	12,0	SK 42 - 90 SH/4 - SK 180E-111-340-B (-C) SK 42 - 90 SP/4 - SK 180E-111-340-B (-C)				
	4,7-24	444	2,3	60,66	8,1	12,0					
	3,3-16	646	0,8	88,18	5,9	9,0	SK 33N - 90 SH/4 - SK 200E-111-340-A (-C) SK 33N - 90 SP/4 - SK 200E-111-340-A (-C)	57	C80-81		
							SK 33N - 90 SH/4 - SK 180E-111-340-B (-C) SK 33N - 90 SP/4 - SK 180E-111-340-B (-C)				
	3,5-18	595	0,9	81,27	6,1	9,0	SK 32 - 90 SH/4 - SK 200E-111-340-A (-C) SK 32 - 90 SP/4 - SK 200E-111-340-A (-C)	48	C78-79		
	3,9-20	532	1,1	72,76	6,2	9,0					
	4,5-22	470	1,4	64,26	6,3	9,0					
	5,0-25	421	1,5	57,53	6,2	9,0	SK 32 - 90 SH/4 - SK 180E-111-340-B (-C) SK 32 - 90 SP/4 - SK 180E-111-340-B (-C)				
	6,2-31	338	2,0	46,25	5,9	9,0					
	7,4-37	284	1,6	38,76	5,7	9,0					
	7,7-39	272	2,2	37,23	5,7	9,0					
	8,7-43	242	1,6	33,05	5,5	9,0					
	9,2-46	228	2,2	31,16	5,4	9,0					
	9,4-47	223	2,9	30,43	5,5	9,0					
	11-53	199	3,0	27,24	5,3	9,0					
	12-62	169	3,7	23,12	5,1	9,0					
	14-69	151	4,3	20,70	5,0	9,0					
	15-77	136	4,6	18,67	4,9	9,0					
	5,2-26	404	0,8	55,28	0	5,6	SK 22 - 90 SH/4 - SK 200E-111-340-A (-C) SK 22 - 90 SP/4 - SK 200E-111-340-A (-C)			37	C74-75
	6,3-31	336	0,9	45,90	1,2	5,6					
	6,7-34	313	1,1	42,82	2,1	5,6					
	8,1-40	260	1,3	35,55	3,0	5,6	SK 22 - 90 SH/4 - SK 180E-111-340-B (-C) SK 22 - 90 SP/4 - SK 180E-111-340-B (-C)				
	8,3-41	254	1,3	34,69	3,4	5,6					
	9,8-49	215	1,4	29,31	3,6	5,6					
	10-50	211	1,8	28,80	4,0	5,6					
	12-60	174	1,9	23,74	4,1	5,6					
	14-72	146	1,9	20,03	4,0	5,6					
	17-86	123	2,8	16,75	3,9	5,6					
	20-98	107	3,1	14,69	3,8	5,6					
	24-118	89,2	3,7	12,20	3,6	5,6					
	26-132	79,8	4,0	10,89	3,5	5,6					
	13-67	156	1,1	21,28	0,8	3,9	SK 12 - 90 SH/4 - SK 200E-111-340-A (-C) SK 12 - 90 SP/4 - SK 200E-111-340-A (-C)	28	C70-71		
	15-76	138	1,2	18,79	1,2	3,9					
	17-86	123	1,3	16,73	1,6	3,9					
	21-107	98,0	1,5	13,39	2,0	3,9	SK 12 - 90 SH/4 - SK 180E-111-340-B (-C) SK 12 - 90 SP/4 - SK 180E-111-340-B (-C)				
	27-134	78,2	1,7	10,70	2,2	3,9					
	30-149	70,6	1,9	9,65	2,2	3,9					
	34-168	62,6	2,1	8,56	2,1	3,9					
	37-183	57,5	2,3	7,85	2,1	3,8					
	39-197	53,3	2,3	7,28	2,0	3,8					
	44-220	47,8	2,6	6,53	2,0	3,7					
	50-248	42,3	2,9	5,79	1,9	3,6					
	58-291	36,1	3,2	4,93	1,8	3,4					
	64-319	32,9	3,6	4,49	1,8	3,3					
	67-333	31,5	3,6	4,32	1,8	3,3					
	72-361	29,1	3,9	3,98	1,7	3,2					

Helical gear units

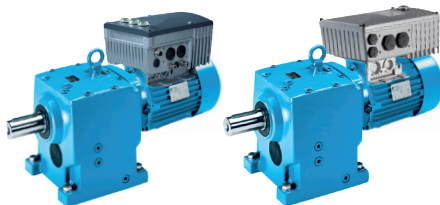
1:5

1,10 kW
1,50 kW



Helical gear units

P ₁ [kW]	n ₂ [min ⁻¹]	M _{2b} [Nm]	f _B	i _{ges}	F _R	F _A	Type	mm				
								kg				
1,10	26-128	82,3	0,8	11,27	1,2	3,3	SK 02 - 90 SH/4 - SK 200E-111-340-A (-C) SK 02 - 90 SP/4 - SK 200E-111-340-A (-C)	26	C68-69			
	29-144	72,7	0,9	9,95	1,5	3,3						
	31-155	67,9	1,0	9,28	1,5	3,3						
	35-175	60,0	1,1	8,19	1,7	3,3	SK 02 - 90 SH/4 - SK 180E-111-340-B (-C) SK 02 - 90 SP/4 - SK 180E-111-340-B (-C)					
	37-184	57,1	1,1	7,80	1,6	3,2						
	42-208	50,4	1,2	6,89	1,7	3,2						
	47-235	44,8	1,3	6,10	1,7	3,2						
	52-258	40,8	1,4	5,57	1,7	3,1						
	60-298	35,3	1,6	4,82	1,6	2,9						
	68-338	31,0	1,7	4,22	1,6	2,9						
	74-368	28,5	1,9	3,89	1,5	2,8						
	85-423	24,8	2,1	3,38	1,5	2,7						
	97-484	21,7	2,1	2,95	1,4	2,5						
	101-506	20,7	2,6	2,83	0	2,9	SK 11E - 90 SH/4 - SK 200E-111-340-A (-C) SK 11E - 90 SP/4 - SK 200E-111-340-A (-C)			24	C58-59	
	124-619	17,0	3,3	2,32	0	2,7						
	141-703	14,9	3,9	2,04	0	2,6						
	159-794	13,2	4,2	1,81	0	2,4	SK 11E - 90 SH/4 - SK 180E-111-340-B (-C) SK 11E - 90 SP/4 - SK 180E-111-340-B (-C)					
	1,50	1,1-5,3	2688	1,4	265,32	17,5	28,4			SK 63 - 90 LH/4 - SK 200E-151-340-A (-C) SK 63 - 90 LP/4 - SK 200E-151-340-A (-C)	149	C92-93
		1,3-6,6	2170	1,7	214,10	18,6	27,6					
2,6-13		1094	3,3	107,89	19,9	24,4	SK 63 - 90 LH/4 - SK 180E-151-340-B (-C) SK 63 - 90 LP/4 - SK 180E-151-340-B (-C)					
1,2-6,0		2395	0,8	236,21	9,7	23,8	SK 53 - 90 LH/4 - SK 200E-151-340-A (-C) SK 53 - 90 LP/4 - SK 200E-151-340-A (-C)	113	C88-89			
1,5-7,6		1882	1,0	185,72	11,7	23,8						
1,6-8,0		1796	1,1	177,22	11,9	23,8						
2,0-10		1411	1,6	139,34	12,9	23,8	SK 53 - 90 LH/4 - SK 180E-151-340-B (-C) SK 53 - 90 LP/4 - SK 180E-151-340-B (-C)					
2,7-13		1071	2,1	105,87	13,5	23,8						
3,0-15		966	2,3	95,49	13,6	23,8						
3,3-16		879	2,0	86,92	13,7	23,8	SK 52 - 90 LH/4 - SK 200E-151-340-A (-C) SK 52 - 90 LP/4 - SK 200E-151-340-A (-C)	94	C86-87			
3,6-18		795	2,0	78,56	13,8	23,8						
4,0-20		723	2,2	71,39	13,9	23,8						
7,9-39		364	3,8	36,03	14,2	23,8	SK 52 - 90 LH/4 - SK 180E-151-340-B (-C) SK 52 - 90 LP/4 - SK 180E-151-340-B (-C)					
8,7-43		329	3,8	32,56	14,2	23,8						
2,2-11		1309	0,9	129,38	5,2	12,0	SK 43 - 90 LH/4 - SK 200E-151-340-A (-C) SK 43 - 90 LP/4 - SK 200E-151-340-A (-C)	80	C84-85			
2,6-13		1087	1,0	107,51	6,4	12,0						
3,0-15		961	1,3	94,96	6,9	12,0	SK 43 - 90 LH/4 - SK 180E-151-340-B (-C) SK 43 - 90 LP/4 - SK 180E-151-340-B (-C)					
2,7-13		1064	0,8	105,08	6,5	12,0	SK 42 - 90 LH/4 - SK 200E-151-340-A (-C) SK 42 - 90 LP/4 - SK 200E-151-340-A (-C)	65	C82-83			
3,3-17		861	0,9	85,10	7,2	12,0						
3,8-19		758	1,4	74,87	7,5	12,0						
4,7-23		614	1,6	60,66	7,8	12,0	SK 42 - 90 LH/4 - SK 180E-151-340-B (-C) SK 42 - 90 LP/4 - SK 180E-151-340-B (-C)					
9,3-46		308	3,5	30,46	7,3	12,0						
11-57		250	3,6	24,67	6,9	12,0						
4,4-22		650	1,0	64,26	5,5	9,0	SK 32 - 90 LH/4 - SK 200E-151-340-A (-C) SK 32 - 90 LP/4 - SK 200E-151-340-A (-C)			50	C78-79	
4,9-25		582	1,1	57,53	5,5	9,0						
6,1-31		468	1,4	46,25	5,4	9,0						
7,3-37		392	1,1	38,76	5,2	9,0	SK 32 - 90 LH/4 - SK 200E-151-340-B (-C) SK 32 - 90 LP/4 - SK 200E-151-340-B (-C)					
7,6-38		377	1,6	37,23	5,2	9,0						
8,6-43		334	1,1	33,05	5,1	9,0						
9,1-45	315	1,6	31,16	5,1	9,0							
9,3-46	308	2,1	30,43	5,2	9,0							
10-52	276	2,2	27,24	5,0	9,0							
11-53	269	1,6	26,57	4,9	9,0							
12-61	234	2,7	23,12	4,9	9,0							
14-68	209	3,1	20,70	4,8	9,0							
15-76	189	3,3	18,67	4,7	9,0							





1:5
1,50 kW

P_1 [kW]	n_2 [min ⁻¹]	M_{2b} [Nm]	f_B	i_{ges}	F_R [kN]	F_A [kN]	Type	kg	mm C
1,50	6,6-33	433	0,8	42,82	0	5,6	SK 22 - 90 LH/4 - SK 200E-151-340-A (-C)	39	C74-75
	8,0-40	360	0,9	35,55	0	5,6	SK 22 - 90 LP/4 - SK 200E-151-340-A (-C)		
	8,2-41	351	1,0	34,69	0	5,6			
	9,6-48	297	1,0	29,31	0,4	5,6	SK 22 - 90 LH/4 - SK 180E-151-340-B (-C)		
	9,8-49	292	1,3	28,80	0,9	5,6	SK 22 - 90 LP/4 - SK 180E-151-340-B (-C)		
	11-57	250	1,0	24,73	1,2	5,6			
	12-60	241	1,4	23,74	1,8	5,6			
	14-71	202	1,4	20,03	2,4	5,6			
	17-85	169	2,0	16,75	3,6	5,6			
	19-96	149	2,3	14,69	3,6	5,6			
	23-116	123	2,7	12,20	3,4	5,6			
	26-130	110	2,9	10,89	3,3	5,6			
	33-167	85,7	3,0	8,48	3,1	5,6			
	37-187	76,7	3,2	7,57	3,1	5,4			
	41-206	69,4	3,7	6,86	3,0	5,3			
	43-217	65,9	3,5	6,51	2,9	5,3			
	13-67	215	0,8	21,28	0	3,6	SK 12 - 90 LH/4 - SK 200E-151-340-A (-C)	30	C70-71
	15-75	190	0,8	18,79	0	3,7	SK 12 - 90 LP/4 - SK 200E-151-340-A (-C)		
	17-85	169	0,9	16,73	0	3,8			
	21-106	136	1,1	13,39	0,4	3,7	SK 12 - 90 LH/4 - SK 180E-151-340-B (-C)		
	26-132	108	1,2	10,70	1,3	3,7	SK 12 - 90 LP/4 - SK 180E-151-340-B (-C)		
	29-147	97,7	1,4	9,65	1,4	3,7			
	33-166	86,5	1,5	8,56	1,6	3,6			
	36-180	79,5	1,6	7,85	1,7	3,5			
	39-194	73,8	1,7	7,28	1,9	3,5			
	43-217	66,1	1,9	6,53	1,8	3,4			
	49-245	58,6	2,1	5,79	1,8	3,4			
	57-287	49,9	2,3	4,93	1,8	3,3			
	63-315	45,5	2,6	4,49	1,7	3,1			
	66-328	43,6	2,6	4,32	1,7	3,2			
	71-356	40,3	2,8	3,98	1,7	3,1			
	83-417	34,3	3,2	3,39	1,6	2,9			
96-478	30,0	3,5	2,96	1,6	2,8				
	35-173	83,0	0,8	8,19	0,5	2,9	SK 02 - 90 LH/4 - SK 200E-151-340-A (-C)	28	C68-69
	36-182	78,9	0,8	7,80	0,4	2,9	SK 02 - 90 LP/4 - SK 200E-151-340-A (-C)		
	41-205	69,8	0,9	6,89	0,7	2,8			
	46-231	61,9	0,9	6,10	1,3	2,9	SK 02 - 90 LH/4 - SK 180E-151-340-B (-C)		
	51-254	56,4	1,0	5,57	1,2	2,8	SK 02 - 90 LP/4 - SK 180E-151-340-B (-C)		
	59-293	48,8	1,2	4,82	1,2	2,7			
	67-334	42,9	1,2	4,22	1,5	2,7			
	73-363	39,4	1,3	3,89	1,4	2,6			
	83-417	34,3	1,5	3,38	1,4	2,5			
	95-477	30,0	1,5	2,95	1,4	2,4			
		104-522	27,4	2,8	2,71	0	4,1		
117-584		24,5	3,0	2,42	0	3,9	SK 21E - 90 LP/4 - SK 200E-151-340-A (-C)		
	100-499	28,7	1,9	2,83	0	2,8	SK 11E - 90 LH/4 - SK 200E-151-340-A (-C)	26	C58-59
	122-610	23,5	2,4	2,32	0	2,6	SK 11E - 90 LP/4 - SK 200E-151-340-A (-C)		
	139-693	20,7	2,8	2,04	0	2,5			
	157-783	18,3	3,0	1,81	0	2,3	SK 11E - 90 LH/4 - SK 180E-151-340-B (-C)		
							SK 11E - 90 LP/4 - SK 180E-151-340-B (-C)		

1:5

2,20 kW



Helical gear units

P_1 [kW]	n_2 [min ⁻¹]	M_{2b} [Nm]	f_B	i_{ges}	F_R	F_A	Type	mm kg	
2,20	1,3-6,7	3148	2,8	216,61	44,3	44,3	SK 83 - 100 LH/4 - SK 200E-221-340-A (-C) SK 83 - 100 LP/4 - SK 200E-221-340-A (-C)	345 C100-101	
							SK 83 - 100 LH/4 - SK 180E-221-340-B (-C) SK 83 - 100 LP/4 - SK 180E-221-340-B (-C)		
	1,4-7,0	2989	1,8	205,61	26,2	23,2	SK 73 - 100 LH/4 - SK 200E-221-340-A (-C)	238 C96-97	
	1,7-8,7	2414	2,3	166,03	26,9	22,6	SK 73 - 100 LP/4 - SK 200E-221-340-A (-C)		
	2,3-12	1808	2,8	124,41	27,5	21,7	SK 73 - 100 LH/4 - SK 180E-221-340-B (-C) SK 73 - 100 LP/4 - SK 180E-221-340-B (-C)		
	1,1-5,4	3861	0,9	265,32	13,8	25,0	SK 63 - 100 LH/4 - SK 200E-221-340-A (-C)	157 C92-93	
	1,3-6,7	3117	1,2	214,10	16,4	24,8	SK 63 - 100 LP/4 - SK 200E-221-340-A (-C)		
	1,6-8,0	2629	1,4	180,57	17,6	24,5			
	2,0-9,9	2123	1,7	145,71	18,6	23,9	SK 63 - 100 LH/4 - SK 180E-221-340-B (-C)		
	2,7-13	1571	2,3	107,89	19,4	22,9	SK 63 - 100 LP/4 - SK 180E-221-340-B (-C)		
	3,3-17	1269	2,5	87,06	19,8	22,0			
	3,7-19	1127	3,3	77,46	19,9	21,5			
	2,1-10	2027	1,1	139,34	11,2	23,8	SK 53 - 100 LH/4 - SK 200E-221-340-A (-C)	121 C88-89	
	2,7-14	1538	1,4	105,87	12,6	23,8	SK 53 - 100 LP/4 - SK 200E-221-340-A (-C)		
	3,0-15	1387	1,6	95,49	12,9	23,8			
	3,6-18	1159	1,6	79,69	13,3	23,8	SK 53 - 100 LH/4 - SK 180E-221-340-B (-C)		
	4,4-22	949	2,0	65,35	13,7	23,8	SK 53 - 100 LP/4 - SK 180E-221-340-B (-C)		
	3,3-17	1263	1,4	86,92	13,2	23,8	SK 52 - 100 LH/4 - SK 200E-221-340-A (-C)	102 C86-87	
	3,7-18	1142	1,4	78,56	13,4	23,8	SK 52 - 100 LP/4 - SK 200E-221-340-A (-C)		
	4,0-20	1039	1,5	71,39	13,5	23,8			
	4,9-24	865	2,2	59,54	13,8	23,8	SK 52 - 100 LH/4 - SK 180E-221-340-B (-C)		
	5,4-27	782	2,4	53,81	13,9	23,8	SK 52 - 100 LP/4 - SK 180E-221-340-B (-C)		
	5,9-30	712	2,7	48,90	13,9	23,8			
	3,0-15	1380	0,9	94,96	4,8	12,0	SK 43 - 100 LH/4 - SK 200E-221-340-A (-C)	88 C84-85	
	3,6-18	1163	1,1	79,96	6,0	12,0	SK 43 - 100 LP/4 - SK 200E-221-340-A (-C)		
	4,1-21	1019	1,2	70,12	6,7	12,0	SK 43 - 100 LH/4 - SK 180E-221-340-B (-C) SK 43 - 100 LP/4 - SK 180E-221-340-B (-C)		
	3,9-19	1089	1,0	74,87	6,4	12,0	SK 42 - 100 LH/4 - SK 200E-221-340-A (-C)	73 C82-83	
	4,8-24	882	1,1	60,66	7,1	12,0	SK 42 - 100 LP/4 - SK 200E-221-340-A (-C)		
	5,7-28	741	1,5	50,98	7,2	12,0			
	7,0-35	600	2,0	41,29	7,0	12,0	SK 42 - 100 LH/4 - SK 180E-221-340-B (-C)		
	8,2-41	513	2,4	35,25	6,8	12,0	SK 42 - 100 LP/4 - SK 180E-221-340-B (-C)		
	9,5-47	443	2,4	30,46	6,7	12,0			
	9,9-49	426	2,4	29,29	6,6	12,0			
	12-59	359	2,5	24,67	6,4	12,0			
	13-66	318	3,5	21,87	6,3	12,0			
	6,3-31	672	1,0	46,25	2,9	9,0	SK 32 - 100 LH/4 - SK 200E-221-340-A (-C)		58 C78-79
	7,8-39	541	1,1	37,23	4,0	9,0	SK 32 - 100 LP/4 - SK 200E-221-340-A (-C)		
	9,3-46	453	1,1	31,16	4,4	9,0			
	9,5-47	443	1,4	30,43	4,5	9,0	SK 32 - 100 LH/4 - SK 180E-221-340-B (-C)		
	11-53	396	1,5	27,24	4,5	9,0	SK 32 - 100 LP/4 - SK 180E-221-340-B (-C)		
	13-63	336	1,9	23,12	4,4	9,0			
	14-70	300	2,2	20,70	4,4	9,0			
	16-78	271	2,3	18,67	4,3	9,0			
	17-87	242	2,2	16,66	4,2	8,7			
	18-89	236	2,7	16,25	4,2	8,8			
	19-96	218	2,3	15,03	4,1	8,6			
	20-99	211	3,2	14,55	4,1	8,6			
	25-124	170	4,2	11,71	3,9	8,2			



P_1 [kW]	n_2 [min ⁻¹]	M_{2b} [Nm]	f_B	i_{ges}	F_R [kN]	F_A [kN]	Type	kg	mm C	
2,20	10-50	419	0,9	28,80	0	5,2	SK 22 - 100 LH/4 - SK 200E-221-340-A (-C)	47	C74-75	
	12-61	346	0,9	23,74	0	5,3	SK 22 - 100 LP/4 - SK 200E-221-340-A (-C)			
	14-72	291	1,0	20,03	0	5,3				
	17-86	243	1,4	16,75	1,0	5,6	SK 22 - 100 LH/4 - SK 180E-221-340-B (-C)			
	20-98	213	1,6	14,69	1,7	5,6	SK 22 - 100 LP/4 - SK 180E-221-340-B (-C)			
	24-119	177	1,9	12,20	2,2	5,4				
	27-133	159	2,0	10,89	2,6	5,4				
	34-171	123	2,1	8,48	2,9	5,1				
	38-191	110	2,2	7,57	2,8	5,0				
	42-211	99,7	2,6	6,86	2,8	5,0				
	44-222	94,7	2,4	6,51	2,8	4,9				
	50-250	83,9	2,6	5,79	2,7	4,8				
	56-279	75,3	2,1	5,18	2,6	4,6				
	62-312	67,4	2,2	4,62	2,5	4,5				
		22-108	195	0,8	13,39	0	2,9			SK 12 - 100 LH/4 - SK 200E-221-340-A (-C)
27-135		155	0,9	10,70	0	3,1	SK 12 - 100 LP/4 - SK 200E-221-340-A (-C)			
30-150		140	1,0	9,65	0	3,0				
34-169		124	1,0	8,56	0	3,1	SK 12 - 100 LH/4 - SK 180E-221-340-B (-C)			
37-184		114	1,1	7,85	0,1	3,0	SK 12 - 100 LP/4 - SK 180E-221-340-B (-C)			
40-198		106	1,2	7,28	0,5	3,1				
44-221		95,0	1,3	6,53	0,5	3,0				
50-250		84,1	1,5	5,79	0,8	2,9				
59-293		71,7	1,6	4,93	1,1	2,9				
64-322		65,3	1,8	4,49	1,0	2,8				
67-335		62,6	1,8	4,32	1,3	2,8				
73-363		57,8	2,0	3,98	1,2	2,7				
85-426		49,3	2,2	3,39	1,4	2,6				
98-488		43,1	2,4	2,96	1,4	2,5				
		60-300	70,1	0,8	4,82	0	2,2	SK 02 - 100 LH/4 - SK 200E-221-340-A (-C)	36	C68-69
	68-341	61,6	0,8	4,22	0,5	2,3	SK 02 - 100 LP/4 - SK 200E-221-340-A (-C)			
	74-371	56,6	0,9	3,89	0,4	2,2				
	85-426	49,3	1,0	3,38	0,7	2,1	SK 02 - 100 LH/4 - SK 180E-221-340-B (-C)			
	97-487	43,1	1,1	2,95	0,9	2,1	SK 02 - 100 LP/4 - SK 180E-221-340-B (-C)			
	107-534	39,4	2,0	2,71	0	3,8	SK 21E - 100 LH/4 - SK 200E-221-340-A (-C)	40	C60-61	
	119-596	35,2	2,1	2,42	0	3,7	SK 21E - 100 LP/4 - SK 200E-221-340-A (-C)			
	139-694	30,3	2,2	2,08	0	3,5	SK 21E - 100 LH/4 - SK 180E-221-340-B (-C) SK 21E - 100 LP/4 - SK 180E-221-340-B (-C)			
	102-510	41,2	1,3	2,83	0	2,5	SK 11E - 100 LH/4 - SK 200E-221-340-A (-C)	34	C58-59	
	125-623	33,7	1,7	2,32	0	2,3	SK 11E - 100 LP/4 - SK 200E-221-340-A (-C)			
	142-708	29,7	2,0	2,04	0	2,2				
	160-799	26,3	2,1	1,81	0	2,1	SK 11E - 100 LH/4 - SK 180E-221-340-B (-C) SK 11E - 100 LP/4 - SK 180E-221-340-B (-C)			
3,00	1,3-6,6	4352	2,0	216,61	43,2	42,0	SK 83 - 100 AH/4 - SK 200E-301-340-A (-C)	346	C100-101	
	2,1-10	2748	2,7	136,78	44,5	38,8	SK 83 - 100 AP/4 - SK 200E-301-340-A (-C)			
		1,4-6,9	4133	1,3	205,61	24,1	20,7	SK 73 - 100 AH/4 - SK 200E-301-340-A (-C)	239	C96-97
		1,7-8,6	3339	1,7	166,03	25,6	20,6	SK 73 - 100 AP/4 - SK 200E-301-340-A (-C)		
		2,3-11	2501	2,0	124,41	26,8	20,2			
		2,8-14	2020	2,0	100,46	27,3	19,7			
		3,1-16	1836	2,9	91,38	27,5	19,4			
		1,3-6,6	4310	0,8	214,10	11,7	21,6	SK 63 - 100 AH/4 - SK 200E-301-340-A (-C)	158	C92-93
		1,6-7,9	3636	1,0	180,57	14,7	21,8	SK 63 - 100 AP/4 - SK 200E-301-340-A (-C)		
		2,0-9,8	2936	1,3	145,71	16,9	21,8			
		2,6-13	2173	1,7	107,89	18,5	21,3			
		3,3-16	1754	1,8	87,06	19,2	20,8			
		3,7-18	1558	2,4	77,46	19,5	20,4			
		4,5-23	1266	2,9	62,87	19,8	19,7			
		5,3-26	1082	3,4	53,82	19,9	19,2			
5,6-28		1022	3,6	50,73	20,0	19,0				

1:5


3,00 kW



Helical gear units

P ₁ [kW]	n ₂ [min ⁻¹]	M _{2b} [Nm]	f _B	i _{ges}	F _R	F _A	Type	mm	
								kg	
3,00	5,8-29	980	2,6	48,73	20,0	18,9	SK 62 - 100 AH/4 - SK 200E-301-340-A (-C) SK 62 - 100 AP/4 - SK 200E-301-340-A (-C)	160	C90-91
	2,0-10 2,7-13 3,0-15 3,6-18 4,4-22 4,8-24	2803 2126 1918 1602 1313 1184	0,8 1,0 1,2 1,2 1,5 1,6	139,34 105,87 95,49 79,69 65,35 58,94	7,4 10,9 11,6 12,4 13,1 13,3	23,8 23,8 23,8 23,8 23,8 23,8	SK 53 - 100 AH/4 - SK 200E-301-340-A (-C) SK 53 - 100 AP/4 - SK 200E-301-340-A (-C)	122	C88-89
3,00	3,3-16 3,6-18 4,0-20 4,8-24 5,3-26 5,8-29 7,4-37 7,9-40 8,8-44 8,9-44 11-54 12-60	1747 1579 1437 1196 1081 984 773 724 654 646 531 480	1,0 1,0 1,1 1,6 1,8 2,0 2,2 1,9 1,9 2,2 3,6 4,0	86,92 78,56 71,39 59,54 53,81 48,90 38,45 36,03 32,56 32,09 26,46 23,92	12,1 12,5 12,8 13,3 13,5 13,6 13,9 13,9 14,0 14,0 14,1 14,1	23,8 23,8 23,8 23,8 23,8 23,8 23,8 23,8 23,8 23,8 23,8 23,8	SK 52 - 100 AH/4 - SK 200E-301-340-A (-C) SK 52 - 100 AP/4 - SK 200E-301-340-A (-C)	103	C86-87
	3,6-18 4,1-20 4,9-24 5,9-29 7,0-35	1608 1409 1170 976 822	0,8 0,9 1,0 1,1 1,3	79,96 70,12 58,27 48,56 40,98	0 2,2 5,3 5,9 6,1	10,3 10,9 11,4 11,5 12,0	SK 43 - 100 AH/4 - SK 200E-301-340-A (-C) SK 43 - 100 AP/4 - SK 200E-301-340-A (-C)	89	C84-85
	4,7-24 5,6-28 6,9-35 8,1-40 9,4-47 9,7-49 12-58 13-65 16-81 19-94	1219 1025 830 709 613 589 496 439 356 304	0,8 1,1 1,4 1,7 1,8 1,7 1,8 2,5 3,3 4,1	60,66 50,98 41,29 35,25 30,46 29,29 24,67 21,87 17,71 15,12	5,6 6,2 6,2 6,1 6,1 6,0 6,0 5,9 5,7 5,5	11,6 12,0 12,0 12,0 12,0 11,9 11,9 11,8 11,4 11,0	SK 42 - 100 AH/4 - SK 200E-301-340-A (-C) SK 42 - 100 AP/4 - SK 200E-301-340-A (-C)	74	C82-83
	9,4-47 10-52 12-62 14-69 15-76 17-86 18-88 19-95 20-98 24-122 29-146 34-171 36-181 40-202 42-212 50-250 52-260 54-269 64-322 76-380 96-480	612 548 464 415 375 335 326 302 292 235 197 168 159 142 135 114 110 106 89,0 75,3 59,7	1,0 1,1 1,4 1,6 1,7 1,6 2,0 1,7 2,3 3,0 3,3 3,6 4,1 3,2 4,5 5,3 4,1 6,0 5,2 6,1 7,3	30,43 27,24 23,12 20,70 18,67 16,66 16,25 15,03 14,55 11,71 9,80 8,36 7,90 7,05 6,74 5,70 5,50 5,28 4,43 3,75 2,96	2,2 2,8 3,9 3,9 3,9 3,8 3,8 3,8 3,8 3,6 3,5 3,4 3,4 3,2 3,3 3,1 3,1 3,1 2,9 2,8 2,7	8,0 8,0 8,1 8,1 8,1 7,9 8,0 7,8 7,9 7,6 7,3 7,1 7,1 6,6 6,6 6,3 6,0 6,1 5,6 5,3 4,9	SK 32 - 100 AH/4 - SK 200E-301-340-A (-C) SK 32 - 100 AP/4 - SK 200E-301-340-A (-C)	59	C78-79



P ₁ [kW]	n ₂ [min ⁻¹]	M _{2b} [Nm]	f _B	i _{ges}	F _R	F _A	Type	mm	
								kg	
3,00	17-85	337	1,0	16,75	0	4,6	SK 22 - 100 AH/4 - SK 200E-301-340-A (-C) SK 22 - 100 AP/4 - SK 200E-301-340-A (-C)	48	C74-75
	19-97	295	1,1	14,69	0	4,7			
	23-117	245	1,3	12,20	0	4,7			
	26-131	219	1,4	10,89	0,3	4,7			
	34-168	170	1,5	8,48	1,0	4,6			
	38-188	152	1,6	7,57	1,5	4,5			
	42-208	138	1,8	6,86	2,0	4,5			
	44-219	131	1,7	6,51	2,0	4,5			
	49-247	116	1,9	5,79	2,3	4,4			
	55-275	104	1,5	5,18	2,0	4,2			
	61-307	93,2	1,6	4,62	2,3	4,1			
	72-358	80,1	1,7	3,97	2,3	3,9			
	81-403	71,0	1,8	3,53	2,3	3,7			
	102-510	56,2	2,0	2,79	2,1	3,5			
	33-167	172	0,8	8,56	0	2,4	SK 12 - 100 AH/4 - SK 200E-301-340-A (-C) SK 12 - 100 AP/4 - SK 200E-301-340-A (-C)	39	C70-71
	36-181	158	0,8	7,85	0	2,4			
	39-196	147	0,8	7,28	0	2,5			
	44-218	131	1,0	6,53	0	2,4			
	49-246	116	1,0	5,79	0	2,4			
	58-289	99,2	1,2	4,93	0	2,4			
	63-317	90,3	1,3	4,49	0	2,3			
	66-331	86,6	1,3	4,32	0,2	2,4			
	72-358	80,0	1,4	3,98	0,1	2,3			
	84-420	68,2	1,6	3,39	0,5	2,2			
	96-481	59,5	1,8	2,96	0,8	2,2			
		111-553	51,8	3,6	2,58	0			
137-686		41,8	4,0	2,08	0	3,9			
	105-526	54,4	1,4	2,71	0	3,6	SK 21E - 100 AH/4 - SK 200E-301-340-A (-C) SK 21E - 100 AP/4 - SK 200E-301-340-A (-C)	41	C60-61
	118-588	48,7	1,5	2,42	0	3,5			
	137-684	41,9	1,6	2,08	0	3,3			
	154-772	37,1	1,7	1,85	0	3,1			
	101-503	57,0	0,9	2,83	0	2,1	SK 11E - 100 AH/4 - SK 200E-301-340-A (-C) SK 11E - 100 AP/4 - SK 200E-301-340-A (-C)	35	C58-59
	123-615	46,6	1,2	2,32	0	2,0			
	140-698	41,0	1,4	2,04	0	2,0			
	158-788	36,3	1,5	1,81	0	1,9			
4,00	1,3-6,7	5743	1,5	216,61	41,5	39,0	SK 83 - 112 MH/4 - SK 200E-401-340-A (-C) SK 83 - 112 MP/4 - SK 200E-401-340-A (-C)	357	C100-101
	2,1-11	3625	2,0	136,78	43,9	36,8			
	1,4-7,0	5454	1,0	205,61	20,4	17,6	SK 73 - 112 MH/4 - SK 200E-401-340-A (-C) SK 73 - 112 MP/4 - SK 200E-401-340-A (-C)	250	C96-97
	1,7-8,7	4405	1,3	166,03	23,5	18,1			
	2,3-12	3299	1,5	124,41	25,7	18,3			
	2,9-14	2665	1,5	100,46	26,6	18,1			
	3,2-16	2423	2,2	91,38	26,9	18,0			
	3,9-19	1984	2,7	74,87	27,4	17,6			
	1,6-8,0	4797	0,8	180,57	8,3	18,5	SK 63 - 112 MH/4 - SK 200E-401-340-A (-C) SK 63 - 112 MP/4 - SK 200E-401-340-A (-C)	169	C92-93
	2,0-9,9	3873	1,0	145,71	13,8	19,1			
	2,2-11	3522	1,1	132,54	15,1	19,2			
	2,7-13	2867	1,3	107,89	17,1	19,3			
	3,3-17	2315	1,4	87,06	18,3	19,1			
	3,7-19	2055	1,8	77,46	18,7	19,0			
	4,6-23	1670	2,2	62,87	19,3	18,5			
	5,3-27	1428	2,6	53,82	19,6	18,2			
	5,7-28	1348	2,7	50,73	19,7	18,0			
	6,6-33	1153	3,2	43,43	19,9	17,5			
	8,0-40	959	3,8	36,11	20,0	17,0			
	9,3-47	820	4,4	30,91	20,1	16,4			

Helical gear units

1:5


4,00 kW



Helical gear units

P_1 [kW]	n_2 [min ⁻¹]	M_{2b} [Nm]	f_B	i_{ges}	F_R [kN]	F_A [kN]	Type	kg	mm C		
4,00	5,9-30	1293	1,9	48,73	19,7	17,9	SK 62 - 112 MH/4 - SK 200E-401-340-A (-C) SK 62 - 112 MP/4 - SK 200E-401-340-A (-C)	171	C90-91		
	2,7-14	2806	0,8	105,87	7,4	23,8	SK 53 - 112 MH/4 - SK 200E-401-340-A (-C) SK 53 - 112 MP/4 - SK 200E-401-340-A (-C)	133	C88-89		
	3,0-15	2531	0,9	95,49	9,1	23,8					
	3,6-18	2114	0,9	79,69	10,9	23,8					
	4,4-22	1732	1,1	65,35	12,1	23,8					
	4,9-24	1563	1,2	58,94	12,5	23,8					
	3,7-18	2083	0,8	78,56	11,0	23,8	SK 52 - 112 MH/4 - SK 200E-401-340-A (-C) SK 52 - 112 MP/4 - SK 200E-401-340-A (-C)	114	C86-87		
	4,0-20	1896	0,8	71,39	11,6	23,8					
	4,8-24	1578	1,2	59,54	12,5	23,8					
	5,4-27	1427	1,3	53,81	12,8	23,8					
	5,9-29	1298	1,5	48,90	13,1	23,8					
	7,1-36	1070	1,8	40,37	13,5	23,8					
	7,5-37	1020	1,6	38,45	13,6	23,8					
	7,8-39	974	2,0	36,69	13,6	23,8					
	8,0-40	955	1,5	36,03	13,6	23,8					
	8,9-44	863	1,5	32,56	13,8	23,8					
	9,0-45	852	1,6	32,09	13,8	23,8					
	10-50	765	2,6	28,85	13,9	23,8					
	11-54	701	2,7	26,46	13,9	23,8					
12-60	634	3,0	23,92	14,0	23,8						
4,9-25	1544	0,8	58,27	0	8,2	SK 43 - 112 MH/4 - SK 200E-401-340-A (-C) SK 43 - 112 MP/4 - SK 200E-401-340-A (-C)	100	C84-85			
5,9-30	1288	0,8	48,56	0	8,7						
7,0-35	1085	1,0	40,98	4,3	9,8						
5,6-28	1353	0,8	50,98	1,7	9,5	SK 42 - 112 MH/4 - SK 200E-401-340-A (-C) SK 42 - 112 MP/4 - SK 200E-401-340-A (-C)	85	C82-83			
7,0-35	1095	1,1	41,29	4,7	10,0						
8,2-41	935	1,3	35,25	5,2	10,1						
9,5-47	808	1,3	30,46	5,4	10,6						
9,8-49	777	1,3	29,29	5,2	10,3						
11-56	687	1,8	25,88	5,3	10,4						
12-58	655	1,4	24,67	5,3	10,6						
13-67	570	2,0	21,50	5,2	10,4						
16-81	469	2,5	17,71	5,2	10,4						
19-95	401	3,1	15,12	5,1	10,2						
20-100	381	3,0	14,38	5,1	10,1						
23-117	326	3,7	12,28	4,9	9,9						
9,5-47	808	0,8	30,43	0	6,2				SK 32 - 112 MH/4 - SK 200E-401-340-A (-C) SK 32 - 112 MP/4 - SK 200E-401-340-A (-C)	70	C78-79
11-53	723	0,8	27,24	0	6,4						
12-62	613	1,0	23,12	0,7	6,8						
14-70	548	1,2	20,70	1,4	6,8						
15-77	495	1,3	18,67	2,2	6,9						
17-87	441	1,2	16,66	2,4	6,8						
18-89	431	1,5	16,25	3,2	7,0						
19-96	398	1,3	15,03	3,0	6,9						
20-99	385	1,7	14,55	3,4	7,0						
25-123	310	2,3	11,71	3,3	6,8						
29-147	260	2,5	9,80	3,2	6,7						
35-173	221	2,7	8,36	3,1	6,4						
36-182	209	3,1	7,90	3,1	6,4						
41-204	187	2,4	7,05	3,0	5,9						
43-214	178	3,4	6,74	3,1	6,0						
51-253	151	4,0	5,70	3,0	5,8						
52-262	146	3,1	5,50	2,9	5,5						
54-272	140	4,6	5,28	2,9	5,7						
65-325	117	3,9	4,43	2,8	5,2						
77-384	99,4	4,6	3,75	2,7	5,0						
97-485	78,7	5,5	2,96	2,6	4,6						



P ₁ [kW]	n ₂ [min ⁻¹]	M _{2b} [Nm]	f _B	i _{ges}	F _R	F _A [kN]	Type	mm				
								kg				
4,00	17-86	444	0,8	16,75	0	3,4	SK 22 - 112 MH/4 - SK 200E-401-340-A (-C) SK 22 - 112 MP/4 - SK 200E-401-340-A (-C)	59	C74-75			
	20-98	389	0,9	14,69	0	3,7						
	24-118	323	1,0	12,20	0	3,8						
	26-132	289	1,1	10,89	0	3,9						
	34-170	225	1,2	8,48	0	3,9						
	38-190	201	1,2	7,57	0	3,9						
	42-210	182	1,4	6,86	0,2	4,0						
	44-221	173	1,3	6,51	0,2	3,9						
	50-250	153	1,4	5,79	0,7	3,9						
	56-278	137	1,2	5,18	0,4	3,6						
	62-311	123	1,2	4,62	0,8	3,5						
	72-361	106	1,3	3,97	1,3	3,4						
	82-408	93,7	1,4	3,53	1,6	3,4						
	103-515	74,2	1,6	2,79	2,0	3,2						
	50-249	153	0,8	5,79	0	1,7	SK 12 - 112 MH/4 - SK 200E-401-340-A (-C) SK 12 - 112 MP/4 - SK 200E-401-340-A (-C)	50	C70-71			
	58-292	131	0,9	4,93	0	1,8						
	64-321	119	1,0	4,49	0	1,7						
	67-334	114	1,0	4,32	0	1,9						
	72-362	105	1,1	3,98	0	1,8						
	85-425	90,0	1,2	3,39	0	1,8						
	97-486	78,6	1,3	2,96	0	1,8						
		112-559	68,4	2,7	2,58	0				4,0	SK 31E - 112 MH/4 - SK 200E-401-340-A (-C) SK 31E - 112 MP/4 - SK 200E-401-340-A (-C)	57
139-693		55,1	3,0	2,08	0	3,7						
	106-532	71,8	1,1	2,71	0	3,3	SK 21E - 112 MH/4 - SK 200E-401-340-A (-C) SK 21E - 112 MP/4 - SK 200E-401-340-A (-C)	52	C60-61			
	119-594	64,3	1,1	2,42	0	3,2						
	138-691	55,3	1,2	2,08	0	3,0						
	156-780	49,0	1,3	1,85	0	2,9						
	124-621	61,5	0,9	2,32	0	1,7	SK 11E - 112 MH/4 - SK 200E-401-340-A (-C) SK 11E - 112 MP/4 - SK 200E-401-340-A (-C)	46	C58-59			
	141-705	54,2	1,1	2,04	0	1,7						
	159-797	48,0	1,1	1,81	0	1,6						
5,50	1,4-7,0	7459	3,1	207,47	100,8	100,2	SK 103 - 132 SH/4 - SK 200E-551-340-A (-C) SK 103 - 132 SP/4 - SK 200E-551-340-A (-C)	777	C104-105			
	1,6-7,8	6763	2,1	187,89	64,5	63,8				SK 93 - 132 SH/4 - SK 200E-551-340-A (-C) SK 93 - 132 SP/4 - SK 200E-551-340-A (-C)	558	C102-103
	2,7-13	3930	2,9	109,14	66,2	57,5						
	1,3-6,7	7788	1,1	216,61	37,8	34,5				SK 83 - 132 SH/4 - SK 200E-551-340-A (-C) SK 83 - 132 SP/4 - SK 200E-551-340-A (-C)	379	C100-101
	1,8-8,9	5924	1,5	164,70	41,2	34,4						
	2,1-11	4917	1,5	136,78	42,6	33,9						
	2,8-14	3740	2,5	104,00	43,8	32,9						
	3,6-18	2901	3,1	80,62	44,4	31,7						
	1,8-8,8	5974	0,9	166,03	18,5	14,4				SK 73 - 132 SH/4 - SK 200E-551-340-A (-C) SK 73 - 132 SP/4 - SK 200E-551-340-A (-C)	272	C96-97
	2,3-12	4480	1,3	124,57	23,3	15,5						
	2,9-15	3614	1,1	100,46	25,1	15,9						
	3,2-16	3285	1,6	91,38	25,7	15,9						
	3,9-20	2691	2,0	74,87	26,6	15,9						
	4,8-24	2174	2,6	60,46	27,2	15,7						
	5,6-28	1881	3,0	52,24	27,5	15,5						
	2,2-11	4777	0,8	132,54	8,5	15,6				SK 63 - 132 SH/4 - SK 200E-551-340-A (-C) SK 63 - 132 SP/4 - SK 200E-551-340-A (-C)	191	C92-93
	2,7-14	3857	1,0	106,95	13,8	16,4						
	3,3-17	3139	1,0	87,06	16,3	16,8						
3,8-19	2787	1,3	77,46	17,3	16,8							
4,6-23	2265	1,6	62,87	18,4	16,8							
5,4-27	1937	1,9	53,82	18,9	16,7							
5,7-29	1829	2,0	50,73	19,1	16,6							
6,7-34	1564	2,4	43,43	19,4	16,3							
8,1-40	1300	2,8	36,11	19,7	15,9							

1:5

5,50 kW



Helical gear units

P_1 [kW]	n_2 [min ⁻¹]	M_{2b} [Nm]	f_B	i_{ges}	F_R [kN]	F_A [kN]	Type	kg	mm C
5,50	6,0-30	1754	1,4	48,73	19,2	16,6	SK 62 - 132 SH/4 - SK 200E-551-340-A (-C)	193	C90-91
	7,9-39	1334	2,3	37,05	19,7	16,1	SK 62 - 132 SP/4 - SK 200E-551-340-A (-C)		
	4,9-25	2141	0,9	59,54	10,8	23,8	SK 52 - 132 SH/4 - SK 200E-551-340-A (-C)	136	C86-87
	5,4-27	1935	1,0	53,81	11,5	23,8	SK 52 - 132 SP/4 - SK 200E-551-340-A (-C)		
	6,0-30	1761	1,1	48,90	12,0	23,8			
	7,2-36	1451	1,3	40,37	12,8	23,8			
	7,6-38	1384	1,2	38,45	12,9	23,8			
	8,0-40	1321	1,5	36,69	13,1	23,8			
	8,1-41	1295	1,1	36,03	13,1	23,8			
	9,0-45	1171	1,1	32,56	13,3	23,8			
	9,1-45	1156	1,2	32,09	13,4	23,8			
	10-51	1038	2,0	28,85	13,5	23,8			
	11-55	951	2,0	26,46	13,7	23,8			
	12-61	860	2,2	23,92	13,7	23,8			
	13-67	779	2,4	21,68	13,4	23,8			
	15-75	704	2,7	19,60	13,1	23,8			
16-82	641	3,0	17,81	12,8	23,8				
5,50	7,1-35	1486	0,8	41,29	0	6,7	SK 42 - 132 SH/4 - SK 200E-551-340-A (-C)		
	8,3-41	1268	1,0	35,25	0	7,3	SK 42 - 132 SP/4 - SK 200E-551-340-A (-C)		
	9,6-48	1096	1,0	30,46	2,7	8,3			
	10-50	1053	1,0	29,29	1,8	7,9			
	11-56	931	1,3	25,88	4,0	8,4			
	12-59	888	1,0	24,67	4,4	8,6			
	13-67	786	1,4	21,87	4,5	8,9			
	14-68	773	1,5	21,50	4,4	8,6			
	16-81	645	1,5	17,92	4,4	8,6			
	17-83	636	1,9	17,71	4,5	9,0			
	19-97	543	2,3	15,12	4,5	8,9			
	20-102	517	2,2	14,38	4,5	9,0			
	24-119	441	2,7	12,28	4,5	8,9			
	29-143	367	3,2	10,20	4,4	8,7			
	34-172	306	3,5	8,50	4,2	8,2			
	40-201	261	4,1	7,28	4,1	7,8			
5,50	13-63	831	0,8	23,12	0	4,7	SK 32 - 132 SH/4 - SK 200E-551-340-A (-C)	92	C78-79
	14-71	743	0,9	20,70	0	5,0	SK 32 - 132 SP/4 - SK 200E-551-340-A (-C)		
	16-78	671	0,9	18,67	0	5,3			
	18-90	584	1,1	16,25	0	5,6			
	19-97	540	0,9	15,03	0	5,4			
	20-101	522	1,3	14,55	0,4	5,7			
	25-125	421	1,7	11,71	1,4	5,7			
	30-149	352	1,8	9,80	2,1	5,5			
	35-175	300	2,0	8,36	2,6	5,3			
	37-185	284	2,3	7,90	2,8	5,4			
	41-207	253	1,8	7,05	2,5	4,9			
	43-217	242	2,5	6,74	2,7	5,2			
	51-257	205	3,0	5,70	2,7	5,1			
	53-266	197	2,3	5,50	2,6	4,8			
	55-276	190	3,4	5,28	2,7	5,1			
	66-330	159	2,9	4,43	2,6	4,6			
78-390	135	3,4	3,75	2,5	4,5				
98-492	107	4,1	2,96	2,4	4,3				
5,50	24-120	438	0,8	12,20	0	2,5	SK 22 - 132 SH/4 - SK 200E-551-340-A (-C)	81	C74-75
	27-134	392	0,8	10,89	0	2,7	SK 22 - 132 SP/4 - SK 200E-551-340-A (-C)		
	35-173	304	0,9	8,48	0	2,8			
	39-193	272	0,9	7,57	0	2,9			
	43-213	247	1,0	6,86	0	3,1			



P_1 [kW]	n_2 [min ⁻¹]	M_{2b} [Nm]	f_B	i_{ges}	F_R [kN]	F_A [kN]	Type	kg	mm C
5,50	45-224	234	1,0	6,51	0	3,0	SK 22 - 132 SH/4 - SK 200E-551-340-A (-C) SK 22 - 132 SP/4 - SK 200E-551-340-A (-C)	81	C74-75
	51-253	208	1,0	5,79	0	3,1			
	56-282	186	0,9	5,18	0	2,8			
	63-315	167	0,9	4,62	0	2,8			
	73-366	143	1,0	3,97	0	2,8			
	83-413	127	1,0	3,53	0	2,8			
	104-522	101	1,1	2,79	0,8	2,8			
	113-567	92,7	2,0	2,58	0	3,7	SK 31E - 132 SH/4 - SK 200E-551-340-A (-C) SK 31E - 132 SP/4 - SK 200E-551-340-A (-C)	79	C62-63
	141-703	74,7	2,2	2,08	0	3,5			
	7,50	1,4-7,0	10170	2,3	207,47	99,5	95,9	SK 103 - 132 MH/4 - SK 200E-751-340-A (-C) SK 103 - 132 MP/4 - SK 200E-751-340-A (-C)	784
1,6-7,8		9222	1,5	187,89	62,3	59,4	SK 93 - 132 MH/4 - SK 200E-751-340-A (-C) SK 93 - 132 MP/4 - SK 200E-751-340-A (-C)	565	C102-103
2,7-13		5359	2,2	109,14	65,4	54,9			
3,1-16		4583	3,1	93,34	65,9	53,3			
1,8-8,9		8078	1,1	164,70	37,2	29,9	SK 83 - 132 MH/4 - SK 200E-751-340-A (-C) SK 83 - 132 MP/4 - SK 200E-751-340-A (-C)	386	C100-101
2,8-14		5100	1,8	104,00	42,3	30,1			
3,6-18		3955	2,3	80,62	43,6	29,5			
4,2-21		3443	2,6	70,24	44,0	29,0			
4,7-24		3031	3,0	61,89	44,4	28,5			
2,3-12		6110	0,9	124,57	17,9	11,8	SK 73 - 132 MH/4 - SK 200E-751-340-A (-C) SK 73 - 132 MP/4 - SK 200E-751-340-A (-C)	279	C96-97
2,9-15		4928	0,8	100,46	22,1	12,9			
3,2-16		4480	1,2	91,38	23,3	13,2			
3,9-20		3670	1,5	74,87	25,0	13,7			
4,8-24		2964	1,9	60,46	26,2	14,0			
5,6-28		2565	2,2	52,24	26,7	14,0			
6,4-32		2240	2,4	45,66	27,1	13,9			
7,8-39		1848	2,7	37,63	27,5	13,8			
6,7-33		2144	1,9	43,71	27,2	14,1	SK 72 - 132 MH/4 - SK 200E-751-340-A (-C) SK 72 - 132 MP/4 - SK 200E-751-340-A (-C)	269	C94-95
3,8-19		3801	1,0	77,46	14,1	14,0	SK 63 - 132 MH/4 - SK 200E-751-340-A (-C) SK 63 - 132 MP/4 - SK 200E-751-340-A (-C)	198	C92-93
4,6-23		3088	1,2	62,87	16,5	14,5			
5,4-27		2641	1,4	53,82	17,6	14,7			
5,7-29		2493	1,5	50,73	17,9	14,7			
6,7-34		2132	1,7	43,43	18,6	14,7			
8,1-40		1773	2,1	36,11	19,2	14,6			
9,4-47		1516	2,4	30,91	19,5	14,4			
11-55		1292	2,5	26,28	19,7	14,2			
13-66		1078	3,0	21,98	19,9	13,7			
14-70		1021	3,1	20,77	20,0	13,7			
7,9-39		1819	1,7	37,05	19,1	14,7	SK 62 - 132 MH/4 - SK 200E-751-340-A (-C) SK 62 - 132 MP/4 - SK 200E-751-340-A (-C)	200	C90-91
7,2-36		1979	1,0	40,37	10,9	23,8	SK 52 - 132 MH/4 - SK 200E-751-340-A (-C) SK 52 - 132 MP/4 - SK 200E-751-340-A (-C)	143	C86-87
8,0-40	1801	1,1	36,69	11,9	23,8				
8,1-41	1766	0,8	36,03	12,0	23,8				
9,0-45	1596	0,8	32,56	12,5	23,8				
10-51	1415	1,4	28,85	12,9	23,8				
11-55	1297	1,5	26,46	13,1	23,8				
12-61	1172	1,6	23,92	12,9	23,8				
13-67	1062	1,8	21,68	12,7	23,8				
15-75	960	2,0	19,60	12,4	23,8				
16-82	874	2,2	17,81	12,1	23,8				
21-104	686	2,8	14,00	11,4	23,7				
22-108	660	2,8	13,45	11,4	23,6				

1:5

7,50 kW
9,20 kW



Helical gear units

P ₁ [kW]	n ₂ [min ⁻¹]	M _{2b} [Nm]	f _B	i _{ges}	F _R	F _A	Type	mm				
								kg				
7,50	11-56	1270	1,0	25,88	0	5,6	SK 42 - 132 MH/4 - SK 200E-751-340-A (-C) SK 42 - 132 MP/4 - SK 200E-751-340-A (-C)	114	C82-83			
	13-67	1072	1,0	21,87	0,8	6,7						
	14-68	1055	1,1	21,50	0	6,2						
	16-81	879	1,1	17,92	1,5	6,6						
	17-83	868	1,4	17,71	3,1	7,1						
	19-97	741	1,7	15,12	3,7	7,3						
	20-102	705	1,6	14,38	3,8	7,5						
	24-119	602	2,0	12,28	3,8	7,4						
	29-143	500	2,3	10,20	3,8	7,2						
	34-172	417	2,6	8,50	3,8	7,0						
	40-201	357	3,0	7,28	3,7	6,8						
	44-219	327	3,6	6,65	3,8	6,8						
	47-236	304	3,5	6,19	3,7	6,6						
	51-253	283	4,0	5,75	3,7	6,6						
	18-90	796	0,8	16,25	0	3,3	SK 32 - 132 MH/4 - SK 200E-751-340-A (-C) SK 32 - 132 MP/4 - SK 200E-751-340-A (-C)	99	C78-79			
	20-101	712	0,9	14,55	0	3,6						
	25-125	574	1,2	11,71	0	3,8						
	30-149	480	1,3	9,80	0	4,0						
	35-175	409	1,5	8,36	0	4,0						
	37-185	387	1,7	7,90	0,5	4,2						
	41-207	346	1,3	7,05	0	3,7						
	43-217	330	1,8	6,74	1,1	4,2						
	51-257	279	2,2	5,70	1,9	4,2						
	53-266	269	1,7	5,50	1,3	3,9						
	55-276	260	2,5	5,28	2,4	4,3						
	66-330	217	2,1	4,43	2,1	3,9						
	78-390	184	2,5	3,75	2,2	3,9						
	98-492	146	3,0	2,96	2,2	3,8						
	43-213	336	0,8	6,86	0	1,9	SK 22 - 132 MH/4 - SK 200E-751-340-A (-C) SK 22 - 132 MP/4 - SK 200E-751-340-A (-C)	88	C74-75			
	51-253	283	0,8	5,79	0	2,0						
	83-413	173	0,8	3,53	0	2,1						
	104-522	137	0,8	2,79	0	2,2						
	117-584	123	2,2	2,50	0	4,2	SK 41E - 132 MH/4 - SK 200E-751-340-A (-C) SK 41E - 132 MP/4 - SK 200E-751-340-A (-C)	95	C64-65			
	137-683	105	2,4	2,14	0	4,0						
	113-567	126	1,5	2,58	0	3,2	SK 31E - 132 MH/4 - SK 200E-751-340-A (-C) SK 31E - 132 MP/4 - SK 200E-751-340-A (-C)	86	C62-63			
	141-703	102	1,6	2,08	0	3,1						
9,20	1,4-7,0	12560	1,8	207,47	97,9	92,3	SK 103 - 132 LH/4 - SK 200E-112-340-A (-C)	794	C104-105			
	1,5-7,7	11390	1,2	187,89	59,6	55,7				SK 93 - 132 LH/4 - SK 200E-112-340-A (-C)	575	C102-103
	2,7-13	6619	1,7	109,14	64,6	52,8						
	3,1-16	5661	2,5	93,34	65,3	51,5						
	4,0-20	4388	3,1	72,47	66,0	49,3						
	1,8-8,8	9978	0,9	164,70	32,0	26,1				SK 83 - 132 LH/4 - SK 200E-112-340-A (-C)	396	C100-101
	2,8-14	6299	1,5	104,00	40,6	27,7						
	3,6-18	4885	1,8	80,62	42,6	27,6						
	4,1-21	4252	2,1	70,24	43,3	27,4						
	4,7-23	3744	2,4	61,89	43,8	27,1						
	5,6-28	3122	2,9	51,51	44,3	26,5						
	6,5-33	2687	3,3	44,38	44,6	26,0						
	7,4-37	2363	3,8	39,08	44,8	25,5						
	5,9-30	2954	1,8	48,82	44,4	26,5				SK 82 - 132 LH/4 - SK 200E-112-340-A (-C)	388	C98-99
7,2-36	2450	1,7	40,45	44,7	25,6							




P_1 [kW]	n_2 [min ⁻¹]	M_{2b} [Nm]	f_B	i_{ges}	F_R [kN]	F_A [kN]	Type	kg	mm mm			
9,20	3,2-16	5534	1,0	91,38	20,2	10,9	SK 73 - 132 LH/4 - SK 200E-112-340-A (-C)	289	C96-97			
	3,9-19	4532	1,2	74,87	23,1	11,8						
	4,8-24	3661	1,5	60,46	25,0	12,4						
	5,5-28	3168	1,8	52,24	25,9	12,6						
	6,4-32	2767	1,9	45,66	26,5	12,8						
	7,7-38	2283	2,2	37,63	27,1	12,8						
	8,7-44	2016	2,5	33,24	27,3	12,8						
10-51	1718	2,9	28,32	27,6	12,6							
	6,6-33	2648	1,5	43,71	26,6	13,0	SK 72 - 132 LH/4 - SK 200E-112-340-A (-C)	279	C94-95			
	8,8-44	2005	1,6	33,04	27,3	12,7						
	3,7-19	4695	0,8	77,46	9,2	11,6	SK 63 - 132 LH/4 - SK 200E-112-340-A (-C)	208	C92-93			
	4,6-23	3814	1,0	62,87	14,0	12,6						
	5,4-27	3262	1,1	53,82	16,0	13,0						
	5,7-29	3080	1,2	50,73	16,5	13,2						
	6,7-33	2634	1,4	43,43	17,6	13,4						
	8,0-40	2190	1,7	36,11	18,5	13,5						
	9,4-47	1872	1,9	30,91	19,0	13,5						
	11-55	1595	2,0	26,28	19,4	13,4						
	13-66	1331	2,4	21,98	19,7	13,0						
	14-70	1261	2,5	20,77	19,8	13,1						
	7,8-39	2247	1,3	37,05	18,4	13,6				SK 62 - 132 LH/4 - SK 200E-112-340-A (-C)	210	C90-91
	16-80	1100	2,8	18,14	19,9	12,9						
	18-92	958	3,1	15,80	20,0	12,7						
	7,2-36	2444	0,8	40,37	3,4	23,8	SK 52 - 132 LH/4 - SK 200E-112-340-A (-C)	153	C86-87			
	7,9-39	2224	0,9	36,69	5,3	23,8						
	10-50	1748	1,2	28,85	8,5	23,8						
	11-55	1602	1,2	26,46	12,3	23,8						
	12-61	1448	1,3	23,92	12,2	23,8						
	13-67	1312	1,4	21,68	12,1	23,8						
	15-74	1186	1,6	19,60	11,8	23,8						
	16-81	1079	1,8	17,81	11,6	23,8						
	21-104	848	2,3	14,00	11,0	22,9						
	22-108	816	2,3	13,45	11,0	22,9						
	27-137	641	2,7	10,58	10,4	21,5						
	33-164	535	3,1	8,83	9,9	20,3						
	11-56	1568	0,8	25,88	0	2,7				SK 42 - 132 LH/4 - SK 200E-112-340-A (-C)	124	C82-83
	13-67	1302	0,9	21,50	0	3,8						
	16-82	1072	1,1	17,71	0	5,2						
	19-96	915	1,4	15,12	0,7	5,5						
	20-101	871	1,3	14,38	1,8	5,8						
	24-118	744	1,6	12,28	3,3	6,0						
	28-142	618	1,9	10,20	3,4	6,1						
	34-171	515	2,1	8,50	3,4	6,0						
	40-199	440	2,4	7,28	3,4	6,0						
	44-218	403	2,9	6,65	3,5	6,1						
	47-234	375	2,9	6,19	3,4	6,0						
	50-252	349	3,2	5,75	3,4	6,0						
	54-271	325	2,5	5,35	3,3	5,5						
	57-284	309	3,2	5,10	3,4	5,8						
	60-302	291	3,3	4,79	3,3	5,8						
	63-317	278	2,8	4,58	3,2	5,4						
	74-372	236	3,0	3,89	3,2	5,3						

Helical gear units

1:5**9,20 kW
11,0 kW**
Helical gear units

P ₁ [kW]	n ₂ [min ⁻¹]	M _{2b} [Nm]	f _B	i _{ges}	F _R	F _A	Type	mm				
								kg				
9,20	20-100	880	0,8	14,55	0	1,8	SK 32 - 132 LH/4 - SK 200E-112-340-A (-C)	109	C78-79			
	25-124	709	1,0	11,71	0	2,4						
	30-148	593	1,1	9,80	0	2,7						
	35-174	505	1,2	8,36	0	3,0						
	37-184	478	1,4	7,90	0	3,2						
	43-216	407	1,5	6,74	0	3,3						
	51-255	345	1,8	5,70	0,3	3,5						
	53-264	333	1,3	5,50	0	3,2						
	55-274	321	2,0	5,28	0,9	3,7						
	66-328	268	1,7	4,43	0,7	3,3						
	77-387	227	2,0	3,75	1,4	3,4						
	98-489	180	2,4	2,96	2,0	3,4						
	101-507	173	2,6	2,86	0	5,8				SK 51E - 132 LH/4 - SK 200E-112-340-A (-C)	114	C66-67
		116-580	151	2,8	2,50	0						
141-703		125	3,1	2,06	0	5,3						
116-580	151	1,8	2,50	0	3,8	SK 41E - 132 LH/4 - SK 200E-112-340-A (-C)	105	C64-65				
	136-678	130	1,9	2,14	0				3,7			
	159-796	110	2,0	1,82	0				3,6			
113-563	156	1,2	2,58	0	2,9	SK 31E - 132 LH/4 - SK 200E-112-340-A (-C)	96	C62-63				
	140-698	126	1,3	2,08	0				2,7			
11,0	1,4-7,1	14870	1,6	207,47	96,1	88,3	SK 103 - 160 MH/4 - SK 200E-112-340-A (-C) SK 103 - 160 MP/4 - SK 200E-112-340-A (-C)	825	C104-105			
	2,1-11	9789	2,3	136,51	99,7	83,2						
	1,6-7,8	13480	1,0	187,89	56,4	51,7	SK 93 - 160 MH/4 - SK 200E-112-340-A (-C) SK 93 - 160 MP/4 - SK 200E-112-340-A (-C)	606	C102-103			
		2,4-12	8817	1,6	123,05	62,7				51,0		
		2,7-13	7834	1,5	109,14	63,6				50,4		
		3,1-16	6699	2,1	93,34	64,6				49,5		
		4,0-20	5193	2,6	72,47	65,5				47,7		
	1,8-8,9	11810	0,8	164,70	24,7	22,1	SK 83 - 160 MH/4 - SK 200E-112-340-A (-C) SK 83 - 160 MP/4 - SK 200E-112-340-A (-C)	427	C100-101			
		2,8-14	7454	1,2	104,00	38,5				25,1		
		3,6-18	5781	1,6	80,62	41,4				25,6		
		4,2-21	5032	1,8	70,24	42,4				25,7		
		4,7-24	4430	2,0	61,89	43,1				25,6		
		5,7-28	3694	2,4	51,51	43,8				25,2		
		6,6-33	3179	2,8	44,38	44,2				24,9		
7,5-38		2797	3,2	39,08	44,5	24,5						
6,0-30	3496	1,5	48,82	44,0	25,3	SK 82 - 160 MH/4 - SK 200E-112-340-A (-C) SK 82 - 160 MP/4 - SK 200E-112-340-A (-C)	419	C98-99				
	7,2-36	2899	1,4	40,45	44,4				24,6			
3,2-16	6549	0,8	91,38	15,8	8,5	SK 73 - 160 MH/4 - SK 200E-112-340-A (-C) SK 73 - 160 MP/4 - SK 200E-112-340-A (-C)	320	C96-97				
	3,9-20	5364	1,0	74,87	20,7				9,8			
	4,8-24	4332	1,3	60,46	23,6				10,8			
	5,6-28	3749	1,5	52,24	24,9				11,3			
	6,4-32	3274	1,6	45,66	25,7				11,6			
	7,8-39	2701	1,9	37,63	26,6				11,8			
	8,8-44	2386	2,1	33,24	26,9				11,9			
	10-52	2033	2,5	28,32	27,3				11,8			
	6,7-34	3133	1,3	43,71	25,9				11,9	SK 72 - 160 MH/4 - SK 200E-112-340-A (-C) SK 72 - 160 MP/4 - SK 200E-112-340-A (-C)	310	C94-95
8,9-44		2372	1,4	33,04	27,0	11,8						
10-51		2049	2,0	28,63	27,3	12,0						



P ₁ [kW]	n ₂ [min ⁻¹]	M _{2b} [Nm]	f _B	i _{ges}	F _R	F _A	Type	mm	
								kg	
11,0	4,7-23	4514	0,8	62,87	10,5	10,6	SK 63 - 160 MH/4 - SK 200E-112-340-A (-C) SK 63 - 160 MP/4 - SK 200E-112-340-A (-C)	239	C92-93
	5,4-27	3860	1,0	53,82	13,8	11,3			
	5,8-29	3645	1,0	50,73	14,7	11,5			
	6,7-34	3117	1,2	43,43	16,4	12,0			
	8,1-41	2591	1,4	36,11	17,7	12,3			
	9,5-47	2216	1,6	30,91	18,5	12,5			
	11-56	1888	1,7	26,28	19,0	12,5			
	13-67	1576	2,0	21,98	19,4	12,3			
14-70	1492	2,1	20,77	19,5	12,4				
	7,9-40	2659	1,1	37,05	17,6	12,4	SK 62 - 160 MH/4 - SK 200E-112-340-A (-C) SK 62 - 160 MP/4 - SK 200E-112-340-A (-C)	241	C90-91
	16-81	1302	2,4	18,14	19,7	12,3			
	19-93	1133	2,7	15,80	19,9	12,1			
	21-105	998	3,1	13,92	20,0	11,9			
	25-126	832	3,7	11,59	20,1	11,6			
	11-55	1895	1,0	26,46	7,5	23,8	SK 52 - 160 MH/4 - SK 200E-112-340-A (-C) SK 52 - 160 MP/4 - SK 200E-112-340-A (-C)	184	C86-87
	12-61	1713	1,1	23,92	8,9	23,8			
	14-68	1552	1,2	21,68	10,8	23,8			
	15-75	1403	1,4	19,60	11,2	23,5			
	16-82	1277	1,5	17,81	11,0	23,1			
	21-105	1003	1,9	14,00	10,5	22,0			
	22-109	965	1,9	13,45	10,6	22,1			
	28-139	758	2,3	10,58	10,0	20,8			
	33-166	633	2,6	8,83	9,6	19,5			
	38-190	553	2,9	7,70	9,4	18,6			
	17-83	1269	0,9	17,71	0	3,2	SK 42 - 160 MH/4 - SK 200E-112-340-A (-C) SK 42 - 160 MP/4 - SK 200E-112-340-A (-C)	155	C82-83
	19-97	1083	1,1	15,12	0	3,8			
	20-102	1031	1,1	14,38	0	4,2			
	24-119	880	1,4	12,28	0,2	4,6			
	29-144	731	1,6	10,20	2,1	4,9			
	34-172	609	1,8	8,50	3,0	5,0			
	40-202	521	2,1	7,28	3,1	5,2			
	44-220	477	2,4	6,65	3,2	5,4			
	47-237	444	2,4	6,19	3,1	5,3			
	51-254	413	2,7	5,75	3,2	5,4			
	55-273	384	2,1	5,35	3,0	4,9			
	57-287	366	2,7	5,10	3,1	5,3			
	61-305	345	2,8	4,79	3,1	5,2			
	64-320	328	2,4	4,58	3,0	4,9			
	75-375	280	2,5	3,89	3,0	4,9			
	84-419	251	2,6	3,50	2,9	4,8			
	91-456	230	2,7	3,21	2,9	4,8			
	97-484	217	2,8	3,02	2,9	4,7			
	102-512	205	2,2	2,86	0	5,5	SK 51E - 160 MH/4 - SK 200E-112-340-A (-C) SK 51E - 160 MP/4 - SK 200E-112-340-A (-C)	145	C66-67
	117-586	179	2,4	2,50	0	5,3			
	142-710	148	2,6	2,06	0	5,0			
	117-586	179	1,5	2,50	0	3,5	SK 41E - 160 MH/4 - SK 200E-112-340-A (-C) SK 41E - 160 MP/4 - SK 200E-112-340-A (-C)	136	C64-65
	137-685	153	1,6	2,14	0	3,4			

Helical gear units

1:5

15,0 kW



Helical gear units

P ₁ [kW]	n ₂ [min ⁻¹]	M _{2b} [Nm]	f _B	i _{ges}	F _R	F _A	Type	mm	
								kg	
15,0	1,4-7,1	20270	1,1	207,47	90,2	79,7	SK 103 - 160 LH/4 - SK 200E-152-340-A (-C) SK 103 - 160 LP/4 - SK 200E-152-340-A (-C)	854	C104-105
	2,1-11	13350	1,7	136,51	97,3	77,5			
	3,6-18	7965	2,6	81,40	100,6	71,9			
	4,2-21	6885	2,9	70,38	101,1	70,0			
	1,6-7,8	18380	0,8	187,89	45,4	43,0	SK 93 - 160 LH/4 - SK 200E-152-340-A (-C) SK 93 - 160 LP/4 - SK 200E-152-340-A (-C)	635	C102-103
	2,4-12	12020	1,2	123,05	58,7	45,3			
	2,7-13	10680	1,1	109,14	60,6	45,3			
	3,1-16	9136	1,5	93,34	62,4	45,2			
	4,0-20	7081	1,9	72,47	64,3	44,3			
	4,8-24	6029	2,1	61,63	65,0	43,5			
5,5-27	5256	2,3	53,80	65,5	42,7				
6,3-31	4559	2,7	46,57	65,9	41,8				
2,8-14	10170	0,9	104,00	31,4	19,5	SK 83 - 160 LH/4 - SK 200E-152-340-A (-C) SK 83 - 160 LP/4 - SK 200E-152-340-A (-C)	456	C100-101	
3,6-18	7884	1,1	80,62	37,6	21,3				
4,2-21	6862	1,3	70,24	39,7	21,9				
4,7-24	6041	1,5	61,89	41,0	22,2				
5,7-28	5037	1,8	51,51	42,4	22,5				
6,6-33	4336	2,1	44,38	43,2	22,5				
7,5-38	3814	2,4	39,08	43,7	22,4				
9,0-45	3180	2,7	32,52	44,2	22,1				
10-52	2737	3,0	28,03	44,6	21,7				
6,0-30	4768	1,1	48,82	42,7	22,7				SK 82 - 160 LH/4 - SK 200E-152-340-A (-C) SK 82 - 160 LP/4 - SK 200E-152-340-A (-C)
7,2-36	3953	1,0	40,45	43,6	22,4				
9,1-46	3139	2,1	32,12	44,3	22,2				
11-55	2603	2,4	26,62	44,6	21,6				
4,8-24	5908	1,0	60,46	18,7	7,2	SK 73 - 160 LH/4 - SK 200E-152-340-A (-C) SK 73 - 160 LP/4 - SK 200E-152-340-A (-C)	349	C96-97	
5,6-28	5112	1,1	52,24	21,5	8,2				
6,4-32	4465	1,2	45,66	23,3	8,8				
7,8-39	3684	1,4	37,63	25,0	9,6				
8,8-44	3253	1,5	33,24	25,8	9,9				
10-52	2772	1,8	28,32	26,5	10,2				
13-63	2287	2,2	23,34	27,1	10,3				
14-71	2020	2,5	20,62	27,3	10,4				
6,7-34	4272	0,9	43,71	23,8	9,4				SK 72 - 160 LH/4 - SK 200E-152-340-A (-C) SK 72 - 160 LP/4 - SK 200E-152-340-A (-C)
8,9-44	3235	1,0	33,04	25,8	9,8				
10-51	2795	1,5	28,63	26,4	10,4				
13-67	2123	1,9	21,72	27,2	10,5				
14-68	2116	2,1	21,64	27,2	10,3				
17-87	1646	2,5	16,86	27,7	10,5				
20-102	1401	2,9	14,33	27,8	10,3				
6,7-34	4250	0,9	43,43	12,0	8,9	SK 63 - 160 LH/4 - SK 200E-152-340-A (-C) SK 63 - 160 LP/4 - SK 200E-152-340-A (-C)	268	C92-93	
8,1-41	3533	1,0	36,11	15,1	9,7				
9,5-47	3022	1,2	30,91	16,7	10,3				
11-56	2574	1,2	26,28	17,8	10,6				
13-67	2148	1,5	21,98	18,6	10,6				
14-70	2034	1,6	20,77	18,8	10,9				
17-84	1698	1,9	17,37	19,3	10,8				
7,9-40	3626	0,8	37,05	14,8	9,8	SK 62 - 160 LH/4 - SK 200E-152-340-A (-C) SK 62 - 160 LP/4 - SK 200E-152-340-A (-C)	270	C90-91	
16-81	1775	1,7	18,14	19,2	11,0				
19-93	1545	1,9	15,80	19,5	11,0				
21-105	1360	2,3	13,92	19,7	11,0				
25-126	1134	2,7	11,59	19,9	10,8				
28-139	1029	3,0	10,55	20,0	10,5				
33-167	858	3,5	8,78	20,1	10,3				



P_1 [kW]	n_2 [min ⁻¹]	M_{2b} [Nm]	f_B	i_{ges}	F_R [kN]	F_A [kN]	Type	kg	mm C
15,0	12-61	2336	0,8	23,92	0	21,0	SK 52 - 160 LH/4 - SK 200E-152-340-A (-C) SK 52 - 160 LP/4 - SK 200E-152-340-A (-C)	213	C86-87
	14-68	2117	0,9	21,68	1,7	21,1			
	15-75	1913	1,0	19,60	3,5	21,0			
	16-82	1741	1,1	17,81	4,9	20,8			
	21-105	1368	1,4	14,00	7,5	20,0			
	22-109	1316	1,4	13,45	9,3	20,3			
	28-139	1034	1,7	10,58	9,3	19,0			
	33-166	864	1,9	8,83	8,9	17,8			
	38-190	753	2,1	7,70	8,8	17,3			
	40-201	713	2,2	7,27	8,7	16,8			
	46-228	629	2,4	6,42	8,5	16,2			
	48-240	598	2,5	6,09	8,4	16,0			
	51-253	565	2,5	5,79	8,3	15,6			
	52-262	547	2,1	5,60	8,1	15,1			
	57-287	499	2,7	5,08	8,1	15,0			
	63-317	451	2,6	4,61	7,8	14,2			
	72-359	399	2,8	4,08	7,6	13,7			
	80-400	358	3,0	3,67	7,4	13,2			
	86-432	332	3,0	3,40	7,3	12,9			
		19-97	1477	0,8	15,12	0			
20-102		1406	0,8	14,38	0	0,9			
24-119		1200	1,0	12,28	0	1,7			
29-144		997	1,2	10,20	0	2,5			
34-172		831	1,3	8,50	0	2,9			
40-202		711	1,5	7,28	0,2	3,4			
44-220		651	1,8	6,65	1,7	3,8			
47-237		606	1,8	6,19	1,9	3,8			
51-254		564	2,0	5,75	2,6	4,0			
55-273		524	1,6	5,35	1,6	3,4			
57-287		499	2,0	5,10	2,6	4,0			
61-305		470	2,0	4,79	2,6	4,1			
64-320		448	1,7	4,58	2,5	3,7			
75-375		382	1,8	3,89	2,5	3,8			
84-419		342	1,9	3,50	2,5	3,9			
91-456		314	2,0	3,21	2,6	4,0			
97-484		296	2,0	3,02	2,6	4,0			
	102-512	280	1,6	2,86	0	4,8	SK 51E - 160 LH/4 - SK 200E-152-340-A (-C) SK 51E - 160 LP/4 - SK 200E-152-340-A (-C)	174	C66-67
	117-586	244	1,7	2,50	0	4,7			
	142-710	202	1,9	2,06	0	4,5			
	117-586	244	1,1	2,50	0	2,7	SK 41E - 160 LH/4 - SK 200E-152-340-A (-C) SK 41E - 160 LP/4 - SK 200E-152-340-A (-C)	165	C64-65
	137-685	209	1,2	2,14	0	2,7			
18,5	3,6-18	9757	2,1	81,40	99,7	68,9	SK 103 - 180 MH/4 - SK 200E-182-340-A (-C) SK 103 - 180 MP/4 - SK 200E-182-340-A (-C)	869	C104-105
	4,2-21	8434	2,4	70,38	100,4	67,4			
	4,9-24	7276	2,7	60,71	100,9	65,7			
	5,6-28	6348	3,2	52,98	101,3	64,1			
	3,2-16	11190	1,3	93,34	59,9	41,4	SK 93 - 180 MH/4 - SK 200E-182-340-A (-C) SK 93 - 180 MP/4 - SK 200E-182-340-A (-C)	650	C102-103
	4,1-20	8674	1,5	72,47	62,8	41,3			
	4,8-24	7386	1,7	61,63	64,0	41,0			
	5,5-27	6438	1,9	53,80	64,7	40,5			
	6,3-32	5585	2,2	46,57	65,3	39,8			
	7,5-37	4726	2,6	39,54	65,8	38,9			

1:5


18,5 kW



Helical gear units

P ₁ [kW]	n ₂ [min ⁻¹]	M _{2b} [Nm]	f _B	i _{ges}	F _R	F _A	Type	mm	
								kg	mm
18,5	3,7-18	9657	0,9	80,62	33,0	17,5	SK 83 - 180 MH/4 - SK 200E-182-340-A (-C) SK 83 - 180 MP/4 - SK 200E-182-340-A (-C)	471	C100-101
	4,2-21	8406	1,1	70,24	36,4	18,6			
	4,8-24	7400	1,2	61,89	38,6	19,3			
	5,7-29	6171	1,4	51,51	40,8	20,0			
	6,7-33	5311	1,7	44,38	42,1	20,4			
	7,6-38	4672	1,9	39,08	42,8	20,5			
	9,1-45	3896	2,2	32,52	43,6	20,5			
	11-53	3353	2,4	28,03	44,1	20,4			
	12-60	2920	2,7	24,42	44,4	20,2			
	4,9-24	7237	0,8	60,46	11,3	4,2			
	5,6-28	6262	0,9	52,24	17,2	5,5			
	6,5-32	5470	1,0	45,66	20,0	6,5			
	7,8-39	4512	1,1	37,63	22,5	7,6			
	8,9-44	3985	1,3	33,24	23,6	8,2			
10-52	3396	1,5	28,32	24,7	8,7				
13-63	2801	1,8	23,34	25,6	9,1				
14-71	2474	2,0	20,62	25,9	9,3				
16-82	2158	2,3	18,00	26,0	9,4				
	14-68	2601	1,6	21,72	26,2	9,5	SK 72 - 180 MH/4 - SK 200E-182-340-A (-C) SK 72 - 180 MP/4 - SK 200E-182-340-A (-C)	354	C94-95
	18-88	2016	2,0	16,86	26,4	9,6			
	21-103	1717	2,4	14,33	26,2	9,6			
	24-118	1496	2,7	12,52	26,0	9,6			
	8,2-41	4328	0,9	36,11	11,6	7,5			
	9,5-48	3701	1,0	30,91	14,5	8,3	SK 63 - 180 MH/4 - SK 200E-182-340-A (-C) SK 63 - 180 MP/4 - SK 200E-182-340-A (-C)	283	C92-93
	11-56	3154	1,0	26,28	16,3	9,0			
	13-67	2632	1,2	21,98	17,6	9,2			
	14-71	2492	1,3	20,77	17,9	9,6			
	17-85	2080	1,5	17,37	18,7	9,7			
	16-81	2175	1,4	18,14	18,5	9,9	SK 62 - 180 MH/4 - SK 200E-182-340-A (-C) SK 62 - 180 MP/4 - SK 200E-182-340-A (-C)	285	C90-91
	19-93	1893	1,6	15,80	19,0	10,0			
	21-106	1666	1,8	13,92	19,3	10,1			
	25-127	1390	2,2	11,59	19,6	10,1			
	28-140	1260	2,5	10,55	19,8	9,8			
	34-168	1051	2,9	8,78	20,0	9,7			
	39-195	905	3,4	7,56	20,1	9,6			
	46-232	760	2,5	6,35	20,2	9,1			
	56-279	634	3,0	5,29	20,2	8,9			
		15-75	2344	0,8	19,60	0			
17-83		2133	0,9	17,81	0	18,7			
21-105		1676	1,1	14,00	2,0	18,2			
22-110		1612	1,1	13,45	4,3	18,6			
28-139		1267	1,4	10,58	6,6	17,3			
33-167		1058	1,6	8,83	8,1	16,4			
38-191		923	1,7	7,70	8,3	16,1			
40-202		873	1,8	7,27	8,2	15,7			
46-229		771	1,9	6,42	8,0	15,2			
48-241		732	2,0	6,09	8,0	15,1			
51-255		692	2,1	5,79	7,9	14,8			
53-264		670	1,7	5,60	7,7	14,2			
58-289		611	2,2	5,08	7,7	14,3			
64-320		553	2,2	4,61	7,4	13,5			
72-362		488	2,3	4,08	7,3	13,0			
81-403		439	2,4	3,67	7,1	12,7			
87-435		406	2,5	3,40	7,0	12,4			
91-456		387	2,5	3,23	6,9	12,2			
106-531		333	2,7	2,78	6,7	11,7			



P ₁ [kW]	n ₂ [min ⁻¹]	M _{2b} [Nm]	f _B	i _{ges}	F _R	F _A	Type	mm					
								kg					
18,5	24-120	1470	0,8	12,28	0	0	SK 42 - 180 MH/4 - SK 200E-182-340-A (-C) SK 42 - 180 MP/4 - SK 200E-182-340-A (-C)	199	C82-83				
	29-145	1221	1,0	10,20	0	0,5							
	35-174	1018	1,1	8,50	0	1,2							
	41-203	871	1,2	7,28	0	1,9							
	44-222	798	1,5	6,65	0	2,5							
	48-238	742	1,4	6,19	0	2,5							
	51-256	690	1,6	5,75	0,1	2,9							
	55-275	642	1,3	5,35	0	2,3							
	58-289	611	1,6	5,10	0,8	3,0							
	61-307	576	1,7	4,79	1,4	3,1							
	64-322	549	1,4	4,58	0,2	2,7							
	76-378	467	1,5	3,89	1,6	3,0							
	84-421	419	1,6	3,50	2,2	3,2							
	92-459	385	1,6	3,21	2,2	3,2							
	97-487	363	1,7	3,02	2,3	3,3							
		103-515	343	1,3	2,86	0				4,2	SK 51E - 180 MH/4 - SK 200E-182-340-A (-C) SK 51E - 180 MP/4 - SK 200E-182-340-A (-C)	189	C66-67
118-590		299	1,4	2,50	0	4,1							
143-715		247	1,5	2,06	0	3,9							
22,0	3,6-18	11600	1,8	81,40	98,6	65,9	SK 103 - 180 LH/4 - SK 200E-222-340-A (-C) SK 103 - 180 LP/4 - SK 200E-222-340-A (-C)	887	C104-105				
	4,2-21	10030	2,0	70,38	99,6	64,8							
	4,9-24	8653	2,3	60,71	100,3	63,5							
	5,6-28	7549	2,6	52,98	100,8	62,2							
	6,5-33	6456	3,1	45,25	101,2	60,5							
		3,2-16	13310	1,1	93,34	56,7				37,6	SK 93 - 180 LH/4 - SK 200E-222-340-A (-C) SK 93 - 180 LP/4 - SK 200E-222-340-A (-C)	668	C102-103
		4,1-20	10310	1,3	72,47	61,0				38,4			
		4,8-24	8783	1,4	61,63	62,7				38,5			
		5,5-27	7656	1,6	53,80	63,8				38,3			
		6,3-32	6642	1,8	46,57	64,6				37,9			
		7,5-37	5621	2,2	39,54	65,3				37,3			
		9,4-47	4449	2,7	31,25	65,9				36,2			
		3,7-18	11480	0,8	80,62	26,3				13,7	SK 83 - 180 LH/4 - SK 200E-222-340-A (-C) SK 83 - 180 LP/4 - SK 200E-222-340-A (-C)	489	C100-101
		4,2-21	9997	0,9	70,24	32,0				15,3			
		4,8-24	8801	1,0	61,89	35,5				16,4			
		5,7-29	7338	1,2	51,51	38,8				17,6			
6,7-33		6316	1,4	44,38	40,6	18,3							
7,6-38		5556	1,6	39,08	41,7	18,7							
9,1-45		4633	1,8	32,52	42,9	19,0							
11-53		3987	2,0	28,03	43,6	19,1							
12-60		3473	2,3	24,42	44,0	19,0							
14-70		2989	2,7	21,04	44,4	18,9							
	18-89	2358	2,8	16,56	44,8	18,6	SK 82 - 180 LH/4 - SK 200E-222-340-A (-C) SK 82 - 180 LP/4 - SK 200E-222-340-A (-C)	481	C98-99				
	6,5-32	6505	0,8	45,66	14,4	4,2	SK 73 - 180 LH/4 - SK 200E-222-340-A (-C) SK 73 - 180 LP/4 - SK 200E-222-340-A (-C)	382	C96-97				
	7,8-39	5366	0,9	37,63	17,8	5,7							
	8,9-44	4739	1,1	33,24	19,5	6,5							
	10-52	4038	1,2	28,32	21,2	7,2							
	13-63	3331	1,5	23,34	22,7	7,9							
	14-71	2942	1,7	20,62	23,3	8,3							
	16-82	2566	1,9	18,00	23,8	8,5							
	14-68	3093	1,3	21,72	23,6	8,4	SK 72 - 180 LH/4 - SK 200E-222-340-A (-C) SK 72 - 180 LP/4 - SK 200E-222-340-A (-C)	372	C94-95				
	18-88	2398	1,7	16,86	24,4	8,8							
	21-103	2041	2,0	14,33	24,5	8,9							
	24-118	1780	2,3	12,52	24,5	8,9							
	27-136	1546	3,0	10,84	23,9	8,7							

Helical gear units

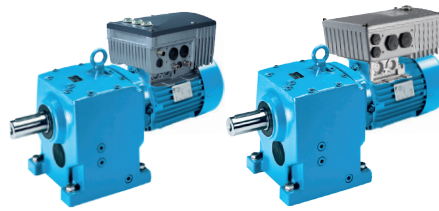
1:5


22,0 kW



Helical gear units

P ₁ [kW]	n ₂ [min ⁻¹]	M _{2b} [Nm]	f _B	i _{ges}	F _R	F _A	Type	mm	
								kg	
22,0	9,5-48	4402	0,8	30,91	11,1	6,4	SK 63 - 180 LH/4 - SK 200E-222-340-A (-C) SK 63 - 180 LP/4 - SK 200E-222-340-A (-C)	301	C92-93
	11-56	3750	0,9	26,28	14,3	7,3			
	13-67	3130	1,0	21,98	16,4	7,8			
	14-71	2963	1,1	20,77	16,8	8,3			
	17-85	2473	1,3	17,37	18,0	8,5			
	16-81	2586	1,2	18,14	17,7	8,8	SK 62 - 180 LH/4 - SK 200E-222-340-A (-C) SK 62 - 180 LP/4 - SK 200E-222-340-A (-C)	303	C90-91
	19-93	2251	1,3	15,80	18,4	9,1			
	21-106	1982	1,6	13,92	18,9	9,2			
	25-127	1652	1,9	11,59	19,3	9,4			
	28-140	1499	2,1	10,55	19,5	9,1			
	34-168	1250	2,4	8,78	19,8	9,1			
	39-195	1076	2,9	7,56	19,9	9,1			
	46-232	904	2,1	6,35	20,1	8,6			
	56-279	754	2,5	5,29	19,9	8,5			
	65-324	649	3,2	4,56	19,5	8,4			
	73-363	578	3,3	4,05	19,2	8,2			
	75-377	557	3,6	3,91	19,1	8,2			
	79-397	529	3,8	3,72	18,9	8,1			
		17-83	2537	0,8	17,81	0			
21-105		1993	1,0	14,00	0	15,9			
22-110		1917	1,0	13,45	0	16,6			
28-139		1506	1,2	10,58	2,4	15,7			
33-167		1258	1,3	8,83	4,5	15,1			
38-191		1098	1,5	7,70	7,0	15,0			
40-202		1038	1,5	7,27	6,9	14,6			
46-229		917	1,6	6,42	7,6	14,3			
48-241		870	1,7	6,09	7,7	14,3			
51-255		824	1,7	5,79	7,5	13,9			
53-264		797	1,5	5,60	7,3	13,3			
58-289		727	1,9	5,08	7,4	13,6			
64-320		657	1,8	4,61	7,1	12,8			
72-362		581	1,9	4,08	7,0	12,4			
81-403		522	2,0	3,67	6,8	12,1			
87-435		483	2,1	3,40	6,8	11,9			
91-456		460	2,1	3,23	6,7	11,7			
106-531	396	2,2	2,78	6,5	11,3				
	29-145	1452	0,8	10,20	0	0	SK 42 - 180 LH/4 - SK 200E-222-340-A (-C) SK 42 - 180 LP/4 - SK 200E-222-340-A (-C)	217	C82-83
	35-174	1211	0,9	8,50	0	0			
	41-203	1035	1,0	7,28	0	0,4			
	44-222	948	1,2	6,65	0	1,2			
	48-238	882	1,2	6,19	0	1,2			
	51-256	821	1,4	5,75	0	1,8			
	55-275	763	1,1	5,35	0	1,0			
	58-289	726	1,4	5,10	0	2,0			
	61-307	685	1,4	4,79	0	2,2			
	64-322	653	1,2	4,58	0	1,6			
	76-378	556	1,3	3,89	0	2,1			
	84-421	499	1,3	3,50	0,4	2,3			
	92-459	458	1,4	3,21	1,1	2,5			
97-487	432	1,4	3,02	1,6	2,6				
	103-515	408	1,1	2,86	0	3,6	SK 51E - 180 LH/4 - SK 200E-222-340-A (-C) SK 51E - 180 LP/4 - SK 200E-222-340-A (-C)	207	C66-67
	118-590	356	1,2	2,50	0	3,5			
	143-715	294	1,3	2,06	0	3,4			



P ₁ [kW]	n ₂ [min ⁻¹]	M _{2b} [Nm]	f _B	i _{ges}	F _R	F _A	Type	mm		
								kg		
0,55	1,1-11	481	2,6	263,93	8,1	12,0	SK 43 - 71 L/4 - SK 200E-550-340-A (-C)	69	C84-85	
	1,3-13	400	3,0	219,32	8,2	12,0	SK 43 - 71 L/4 - SK 180E-550-340-B (-C)			
	1,6-16	333	3,0	182,76	8,2	12,0	SK 43 - 71 L/4 - SK 180E-550-340-B (-C)			
	1,2-12	453	1,5	248,17	6,4	9,0	SK 33N - 71 L/4 - SK 200E-550-340-A (-C)	48	C80-81	
	1,4-14	377	1,8	207,10	6,6	9,0	SK 33N - 71 L/4 - SK 200E-550-340-A (-C)			
	1,7-17	303	2,2	166,49	6,7	9,0	SK 33N - 71 L/4 - SK 180E-550-340-B (-C)			
	2,1-21	244	2,7	134,02	6,7	9,0	SK 33N - 71 L/4 - SK 180E-550-340-B (-C)			
	2,6-26	205	2,7	112,18	6,8	9,0	SK 33N - 71 L/4 - SK 180E-550-340-B (-C)			
	3,5-35	148	3,5	81,27	6,4	9,0	SK 32 - 71 L/4 - SK 200E-550-340-A (-C)	39	C78-79	
	4,0-40	133	4,2	72,76	6,2	9,0	SK 32 - 71 L/4 - SK 180E-550-340-B (-C)			
	1,3-13	397	0,9	217,73	3,6	5,6	SK 23 - 71 L/4 - SK 200E-550-340-A (-C)	36	C76-77	
	1,6-16	328	1,0	179,50	4,6	5,6	SK 23 - 71 L/4 - SK 200E-550-340-A (-C)			
	1,9-19	276	1,1	151,44	4,8	5,6	SK 23 - 71 L/4 - SK 180E-550-340-B (-C)			
	2,3-23	226	1,5	124,17	5,0	5,6	SK 23 - 71 L/4 - SK 180E-550-340-B (-C)			
	2,9-29	183	1,9	100,60	5,2	5,6	SK 23 - 71 L/4 - SK 180E-550-340-B (-C)			
	3,3-33	161	2,1	88,45	5,2	5,6	SK 23 - 71 L/4 - SK 180E-550-340-B (-C)			
	3,3-33	157	1,6	86,30	5,3	5,6	SK 22 - 71 L/4 - SK 200E-550-340-A (-C)	28	C74-75	
	4,1-41	127	2,1	69,81	5,1	5,6	SK 22 - 71 L/4 - SK 200E-550-340-A (-C)			
	5,2-52	101	3,2	55,28	4,8	5,6	SK 22 - 71 L/4 - SK 180E-550-340-B (-C)			
	2,6-26	198	0,9	108,72	1,7	3,9	SK 13 - 71 L/4 - SK 200E-550-340-A (-C)	24	C72-73	
3,4-34	156	1,1	85,47	2,7	3,9	SK 13 - 71 L/4 - SK 180E-550-340-B (-C)				
4,0-40	132	1,0	72,63	3,2	3,9	SK 12 - 71 L/4 - SK 200E-550-340-A (-C)	19	C70-71		
4,7-47	112	1,4	61,35	3,1	3,9	SK 12 - 71 L/4 - SK 200E-550-340-A (-C)				
5,3-53	98,2	1,8	53,84	3,1	3,9	SK 12 - 71 L/4 - SK 180E-550-340-B (-C)				
6,0-60	87,3	2,0	47,87	3,0	3,9	SK 12 - 71 L/4 - SK 180E-550-340-B (-C)				
6,7-67	78,5	2,1	43,09	2,9	3,9	SK 12 - 71 L/4 - SK 180E-550-340-B (-C)				
7,5-75	69,8	2,6	38,31	2,8	3,9	SK 12 - 71 L/4 - SK 180E-550-340-B (-C)				
8,2-82	63,9	2,3	35,07	2,8	3,9	SK 12 - 71 L/4 - SK 180E-550-340-B (-C)				
9,2-92	56,8	2,9	31,19	2,7	3,9	SK 12 - 71 L/4 - SK 180E-550-340-B (-C)				
9,9-99	53,2	2,3	29,15	2,6	3,9	SK 12 - 71 L/4 - SK 180E-550-340-B (-C)				
11-111	47,3	2,9	25,92	2,6	3,9	SK 12 - 71 L/4 - SK 180E-550-340-B (-C)				
4,7-47	112	0,8	61,27	2,0	3,3	SK 02 - 71 L/4 - SK 200E-550-340-A (-C)			17	C68-69
5,4-54	97,8	0,9	53,68	2,1	3,3	SK 02 - 71 L/4 - SK 200E-550-340-A (-C)				
6,9-69	75,8	1,3	41,58	2,2	3,3	SK 02 - 71 L/4 - SK 180E-550-340-B (-C)				
8,6-86	60,9	1,6	33,42	2,3	3,3	SK 02 - 71 L/4 - SK 180E-550-340-B (-C)				
9,7-97	54,0	1,7	29,61	2,3	3,3	SK 02 - 71 L/4 - SK 180E-550-340-B (-C)				
10-105	50,2	1,7	27,52	2,3	3,3	SK 02 - 71 L/4 - SK 180E-550-340-B (-C)				
12-118	44,5	2,0	24,39	2,2	3,3	SK 02 - 71 L/4 - SK 180E-550-340-B (-C)				
14-140	37,5	2,0	20,59	2,2	3,3	SK 02 - 71 L/4 - SK 180E-550-340-B (-C)				
18-181	29,1	2,5	15,95	2,0	3,3	SK 02 - 71 L/4 - SK 180E-550-340-B (-C)				
22-225	23,4	3,0	12,82	1,9	3,3	SK 02 - 71 L/4 - SK 180E-550-340-B (-C)				
26-256	20,5	3,3	11,27	1,9	3,3	SK 02 - 71 L/4 - SK 180E-550-340-B (-C)				
29-290	18,1	3,5	9,95	1,8	3,3	SK 02 - 71 L/4 - SK 180E-550-340-B (-C)				
31-311	16,9	3,8	9,28	1,8	3,2	SK 02 - 71 L/4 - SK 180E-550-340-B (-C)				
35-351	14,9	4,2	8,19	1,7	3,1	SK 02 - 71 L/4 - SK 180E-550-340-B (-C)				
37-369	14,2	4,4	7,80	1,7	3,1	SK 02 - 71 L/4 - SK 180E-550-340-B (-C)				
42-418	12,6	4,9	6,89	1,6	3,0	SK 02 - 71 L/4 - SK 180E-550-340-B (-C)				
47-471	11,2	5,1	6,10	1,6	2,9	SK 02 - 71 L/4 - SK 180E-550-340-B (-C)				
52-517	10,2	5,6	5,57	1,5	2,7	SK 02 - 71 L/4 - SK 180E-550-340-B (-C)				
60-597	8,8	6,5	4,82	1,4	2,5	SK 02 - 71 L/4 - SK 180E-550-340-B (-C)				
68-679	7,7	6,7	4,22	1,4	2,4	SK 02 - 71 L/4 - SK 180E-550-340-B (-C)				
74-739	7,1	7,5	3,89	1,4	2,3	SK 02 - 71 L/4 - SK 180E-550-340-B (-C)				
80-800	6,6	6,4	3,60	0	2,6	SK 11E - 71 L/4 - SK 200E-550-340-A (-C)	15	C58-59		
						SK 11E - 71 L/4 - SK 180E-550-340-B (-C)				

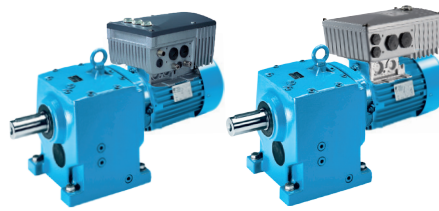
1:10

0,75 kW



Helical gear units

P_1 [kW]	n_2 [min ⁻¹]	M_{2b} [Nm]	f_B	i_{ges}	F_R [kN]	F_A [kN]	Type	kg	mm C
0,75	1,0-10	683	1,9	278,51	7,7	12,0	SK 43 - 80 SH/4 - SK 200E-750-340-A (-C)	72	C84-85
	1,1-11	648	2,0	263,93	7,8	12,0	SK 43 - 80 SH/4 - SK 180E-750-340-B (-C)		
	1,3-13	538	2,2	219,32	8,0	12,0			
	1,4-14	502	2,6	204,42	8,0	12,0			
	1,6-16	449	2,3	182,76	8,1	12,0			
	1,7-17	417	2,8	169,86	8,1	12,0			
	2,1-21	347	3,0	141,55	8,2	12,0			
	1,2-12	609	1,1	248,17	6,0	9,0	SK 33N - 80 SH/4 - SK 200E-750-340-A (-C)	51	C80-81
	1,4-14	508	1,3	207,10	6,3	9,0	SK 33N - 80 SH/4 - SK 180E-750-340-B (-C)		
	1,8-18	408	1,6	166,49	6,5	9,0			
	2,2-22	329	2,0	134,02	6,6	9,0			
	2,6-26	275	2,0	112,18	6,6	9,0			
	3,3-33	217	2,5	88,18	6,2	9,0			
	3,6-36	199	2,6	81,27	6,2	9,0	SK 32 - 80 SH/4 - SK 200E-750-340-A (-C)	42	C78-79
	4,0-40	178	3,1	72,76	6,0	9,0	SK 32 - 80 SH/4 - SK 180E-750-340-B (-C)		
	4,5-45	158	4,1	64,26	5,8	9,0			
	5,1-51	141	4,3	57,53	5,7	9,0			
	1,9-19	371	0,8	151,44	1,3	5,6	SK 23 - 80 SH/4 - SK 200E-750-340-A (-C)	39	C76-77
	2,4-24	304	1,1	124,17	4,2	5,6	SK 23 - 80 SH/4 - SK 180E-750-340-B (-C)		
	2,9-29	247	1,4	100,60	5,0	5,6			
	3,3-33	216	1,6	88,45	5,1	5,6			
3,4-34	212	1,2	86,30	5,1	5,6	SK 22 - 80 SH/4 - SK 200E-750-340-A (-C)	31	C74-75	
4,2-42	171	1,5	69,81	4,8	5,6	SK 22 - 80 SH/4 - SK 180E-750-340-B (-C)			
5,3-53	136	2,4	55,28	4,6	5,6				
6,4-64	113	2,6	45,90	4,4	5,6				
6,8-68	105	3,2	42,82	4,3	5,6				
8,2-82	87,2	3,8	35,55	4,1	5,6				
10-100	72,0	4,1	29,31	3,9	5,6				
4,8-48	150	1,0	61,35	1,9	3,9				SK 12 - 80 SH/4 - SK 200E-750-340-A (-C)
5,4-54	132	1,3	53,84	2,3	3,9	SK 12 - 80 SH/4 - SK 180E-750-340-B (-C)			
6,1-61	117	1,5	47,87	2,6	3,9				
6,8-68	106	1,5	43,09	2,7	3,9				
7,6-76	93,9	2,0	38,31	2,7	3,9				
8,3-83	86,0	1,7	35,07	2,6	3,9				
9,4-94	76,4	2,2	31,19	2,5	3,9				
10-100	71,5	1,7	29,15	2,5	3,9				
11-113	63,6	2,2	25,92	2,4	3,9				
14-137	52,2	3,2	21,28	2,4	3,9				
16-155	46,1	3,5	18,79	2,3	3,9				
17-174	41,1	3,8	16,73	2,2	3,9				
22-218	32,9	4,5	13,39	2,1	3,9				
7,0-70	102	1,0	41,58	1,5	3,3		SK 02 - 80 SH/4 - SK 200E-750-340-A (-C)	20	C68-69
8,8-88	81,8	1,2	33,42	1,9	3,3	SK 02 - 80 SH/4 - SK 180E-750-340-B (-C)			
9,9-99	72,6	1,3	29,61	2,2	3,3				
11-106	67,5	1,3	27,52	2,2	3,3				
12-120	59,9	1,5	24,39	2,1	3,3				
13-126	56,8	1,4	23,13	2,1	3,3				
14-142	50,5	1,5	20,59	2,1	3,3				
18-183	39,1	1,8	15,95	2,0	3,3				
23-228	31,4	2,2	12,82	1,8	3,3				
26-260	27,6	2,4	11,27	1,8	3,3				
29-294	24,4	2,6	9,95	1,7	3,2				
31-315	22,7	2,9	9,28	1,7	3,1				
36-356	20,1	3,1	8,19	1,6	3,0				
37-375	19,1	3,3	7,80	1,6	3,0				
42-424	16,9	3,6	6,89	1,6	2,9				
48-477	15,0	3,8	6,10	1,5	2,8				
52-524	13,7	4,2	5,57	1,5	2,6				
61-606	11,8	4,8	4,82	1,4	2,5				
69-689	10,4	5,0	4,22	1,4	2,3				
75-749	9,6	5,5	3,89	1,3	2,2				
80-796	9,0	7,6	3,67	0	3,7	SK 21E - 80 SH/4 - SK 200E-750-340-A (-C)	24	C60-61	
						SK 21E - 80 SH/4 - SK 180E-750-340-B (-C)			



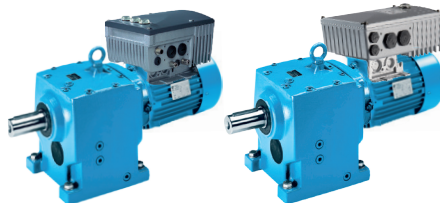
P_1 [kW]	n_2 [min ⁻¹]	M_{2b} [Nm]	f_B	i_{ges}	F_R [kN]	F_A [kN]	Type	kg	mm C		
1,10	1,2-12	853	2,3	236,21	13,8	23,8	SK 53 - 80 LH/4 - SK 200E-111-340-A (-C)	106	C88-89		
	1,6-16	639	3,0	177,22	14,0	23,8	SK 53 - 80 LP/4 - SK 200E-111-340-A (-C)				
							SK 53 - 80 LH/4 - SK 180E-111-340-B (-C)				
							SK 53 - 80 LP/4 - SK 180E-111-340-B (-C)				
	1,0-10	1004	1,3	278,51	6,7	12,0	SK 43 - 80 LH/4 - SK 200E-111-340-A (-C)	73	C84-85		
	1,1-11	951	1,3	263,93	6,9	12,0	SK 43 - 80 LP/4 - SK 200E-111-340-A (-C)				
	1,3-13	790	1,5	219,32	7,4	12,0					
	1,4-14	737	1,7	204,42	7,5	12,0	SK 43 - 80 LH/4 - SK 180E-111-340-B (-C)				
	1,6-16	659	1,5	182,76	7,7	12,0	SK 43 - 80 LP/4 - SK 180E-111-340-B (-C)				
	1,7-17	612	1,9	169,86	7,8	12,0					
	2,1-21	510	2,1	141,55	8,0	12,0					
	2,3-23	466	2,7	129,38	8,1	12,0					
	2,7-27	387	2,9	107,51	8,2	12,0					
	3,1-31	342	3,6	94,96	8,2	12,0					
	3,6-36	288	4,3	79,96	8,0	12,0					
	1,2-12	894	0,8	248,17	4,8	9,0	SK 33N - 80 LH/4 - SK 200E-111-340-A (-C)			52	C80-81
	1,4-14	746	0,9	207,10	5,5	9,0	SK 33N - 80 LP/4 - SK 200E-111-340-A (-C)				
	1,8-18	600	1,1	166,49	6,0	9,0					
	2,2-22	483	1,3	134,02	6,2	9,0	SK 33N - 80 LH/4 - SK 180E-111-340-B (-C)				
	2,6-26	404	1,4	112,18	6,0	9,0	SK 33N - 80 LP/4 - SK 180E-111-340-B (-C)				
	3,3-33	318	1,7	88,18	5,8	9,0					
	3,6-36	293	1,8	81,27	5,8	9,0	SK 32 - 80 LH/4 - SK 200E-111-340-A (-C)	43	C78-79		
	4,0-40	262	2,1	72,76	5,7	9,0	SK 32 - 80 LP/4 - SK 200E-111-340-A (-C)				
	4,5-45	232	2,8	64,26	5,5	9,0					
	5,1-51	207	3,0	57,53	5,4	9,0	SK 32 - 80 LH/4 - SK 180E-111-340-B (-C)				
	6,3-63	167	3,2	46,31	5,1	9,0	SK 32 - 80 LP/4 - SK 180E-111-340-B (-C)				
	2,3-23	447	0,8	124,17	0	5,6	SK 23 - 80 LH/4 - SK 200E-111-340-A (-C)	40	C76-77		
	2,9-29	362	0,9	100,60	0,9	5,6	SK 23 - 80 LP/4 - SK 200E-111-340-A (-C)				
	3,3-33	318	1,1	88,45	2,0	5,6					
	3,7-37	281	1,2	78,05	2,8	5,6	SK 23 - 80 LH/4 - SK 180E-111-340-B (-C)				
							SK 23 - 80 LP/4 - SK 180E-111-340-B (-C)				
	5,3-53	199	1,6	55,28	4,3	5,6	SK 22 - 80 LH/4 - SK 200E-111-340-A (-C)	32	C74-75		
	6,4-64	165	1,8	45,90	4,1	5,6	SK 22 - 80 LP/4 - SK 200E-111-340-A (-C)				
	6,8-68	154	2,2	42,82	4,1	5,6					
	8,2-82	128	2,6	35,55	3,9	5,6	SK 22 - 80 LH/4 - SK 180E-111-340-B (-C)				
	9,9-99	106	2,8	29,31	3,7	5,6	SK 22 - 80 LP/4 - SK 180E-111-340-B (-C)				
	12-118	89,0	2,8	24,73	3,6	5,6					
	5,4-54	194	0,9	53,84	0	3,9	SK 12 - 80 LH/4 - SK 200E-111-340-A (-C)	23	C70-71		
	6,1-61	172	1,0	47,87	0,3	3,9	SK 12 - 80 LP/4 - SK 200E-111-340-A (-C)				
	6,8-68	155	1,0	43,09	0,5	3,9					
	7,6-76	138	1,3	38,31	1,0	3,9	SK 12 - 80 LH/4 - SK 180E-111-340-B (-C)				
	8,3-83	126	1,2	35,07	1,1	3,9	SK 12 - 80 LP/4 - SK 180E-111-340-B (-C)				
	9,4-94	112	1,5	31,19	1,5	3,9					
	10-100	105	1,2	29,15	1,5	3,9					
	11-112	93,4	1,5	25,92	1,8	3,9					
	14-137	76,7	2,2	21,28	2,2	3,9					
	16-155	67,8	2,4	18,79	2,1	3,9					
	17-174	60,3	2,6	16,73	2,1	3,9					
	22-218	48,3	3,1	13,39	2,0	3,7					
	27-273	38,5	3,5	10,70	1,9	3,6					
	30-302	34,8	3,9	9,65	1,8	3,4					
	34-341	30,8	4,2	8,56	1,8	3,3					
	8,7-87	120	0,8	33,42	0	3,3	SK 02 - 80 LH/4 - SK 200E-111-340-A (-C)			21	C68-69
	9,9-99	107	0,9	29,61	0,4	3,3	SK 02 - 80 LP/4 - SK 200E-111-340-A (-C)				
	11-106	99,2	0,9	27,52	0,4	3,3					
	12-119	88,0	1,0	24,39	0,8	3,3	SK 02 - 80 LH/4 - SK 180E-111-340-B (-C)				
	13-126	83,4	0,9	23,13	0,8	3,3	SK 02 - 80 LP/4 - SK 180E-111-340-B (-C)				

Helical gear units

1:10**1,10 kW****1,50 kW**

IE2

IE3



P_1 [kW]	n_2 [min ⁻¹]	M_{2b} [Nm]	f_B	i_{ges}	F_R	F_A [kN]	Type	mm													
								kg													
1,10	14-142	74,2	1,0	20,59	1,7	3,3	SK 02 - 80 LH/4 - SK 200E-111-340-A (-C) SK 02 - 80 LP/4 - SK 200E-111-340-A (-C)	21	C68-69												
	18-183	57,5	1,3	15,95	1,8	3,3															
	23-228	46,2	1,5	12,82	1,7	3,2															
	26-259	40,5	1,7	11,27	1,7	3,1	SK 02 - 80 LH/4 - SK 180E-111-340-B (-C) SK 02 - 80 LP/4 - SK 180E-111-340-B (-C)														
	29-293	35,8	1,8	9,95	1,6	3,0															
	31-314	33,4	1,9	9,28	1,6	3,0															
	36-356	29,5	2,1	8,19	1,6	2,9															
	37-374	28,1	2,2	7,80	1,5	2,8															
	42-423	24,8	2,5	6,89	1,5	2,7															
	48-477	22,0	2,6	6,10	1,5	2,6															
	52-524	20,1	2,8	5,57	1,4	2,5															
	60-605	17,4	3,3	4,82	1,4	2,3															
	69-687	15,3	3,4	4,22	1,3	2,2															
	75-748	14,0	3,8	3,89	1,3	2,2															
	80-795	13,2	5,1	3,67	0	3,6	SK 21E - 80 LH/4 - SK 200E-111-340-A (-C) SK 21E - 80 LP/4 - SK 200E-111-340-A (-C) SK 21E - 80 LH/4 - SK 180E-111-340-B (-C) SK 21E - 80 LP/4 - SK 180E-111-340-B (-C)			25	C60-61										
1,50	1,1-11	1296	2,8	265,32	19,7	25,2	SK 63 - 90 SH/4 - SK 200E-151-340-A (-C) SK 63 - 90 SP/4 - SK 200E-151-340-A (-C)	147	C92-93												
	1,4-14	1046	3,5	214,10	20,0	24,1															
	1,0-10	1436	1,6	294,26	12,8	23,8	SK 53 - 90 SH/4 - SK 200E-151-340-A (-C) SK 53 - 90 SP/4 - SK 200E-151-340-A (-C)			111	C88-89										
	1,2-12	1155	1,7	236,21	13,4	23,8															
	1,6-16	907	2,0	185,72	13,7	23,8	SK 53 - 90 SH/4 - SK 180E-151-340-B (-C) SK 53 - 90 SP/4 - SK 180E-151-340-B (-C)														
	1,7-17	866	2,2	177,22	13,8	23,8															
	2,1-21	680	3,3	139,34	14,0	23,8															
	3,4-34	424	4,1	86,92	14,1	23,8	SK 52 - 90 SH/4 - SK 200E-151-340-A (-C) SK 52 - 90 SP/4 - SK 200E-151-340-A (-C)					92	C86-87								
	3,7-37	383	4,2	78,56	14,2	23,8															
	1,1-11	1289	1,0	263,93	5,4	12,0	SK 43 - 90 SH/4 - SK 200E-151-340-A (-C) SK 43 - 90 SP/4 - SK 200E-151-340-A (-C)							78	C84-85						
	1,3-13	1070	1,1	219,32	6,5	12,0															
	1,4-14	998	1,3	204,42	6,7	12,0	SK 43 - 90 SH/4 - SK 180E-151-340-B (-C) SK 43 - 90 SP/4 - SK 180E-151-340-B (-C)														
	1,6-16	892	1,1	182,76	7,1	12,0															
	1,7-17	829	1,4	169,86	7,3	12,0															
	2,1-21	691	1,5	141,55	7,7	12,0															
	2,3-23	631	2,0	129,38	7,8	12,0															
	2,7-27	524	2,1	107,51	8,0	12,0															
	3,1-31	463	2,7	94,96	7,9	12,0															
	2,8-28	513	1,7	105,08	8,0	12,0	SK 42 - 90 SH/4 - SK 200E-151-340-A (-C) SK 42 - 90 SP/4 - SK 200E-151-340-A (-C)									63	C82-83				
	3,4-34	415	1,9	85,10	7,7	12,0															
	3,9-39	365	3,0	74,87	7,6	12,0	SK 42 - 90 SH/4 - SK 180E-151-340-B (-C) SK 42 - 90 SP/4 - SK 180E-151-340-B (-C)														
	1,8-18	812	0,8	166,49	3,5	9,0	SK 33N - 90 SH/4 - SK 200E-151-340-A (-C) SK 33N - 90 SP/4 - SK 200E-151-340-A (-C)											57	C80-81		
	2,2-22	654	1,0	134,02	4,9	9,0															
	2,6-26	547	1,0	112,18	5,3	9,0	SK 33N - 90 SH/4 - SK 180E-151-340-B (-C) SK 33N - 90 SP/4 - SK 180E-151-340-B (-C)														
	3,3-33	431	1,2	88,18	5,3	9,0															
	3,6-36	397	1,3	81,27	5,4	9,0	SK 32 - 90 SH/4 - SK 200E-151-340-A (-C) SK 32 - 90 SP/4 - SK 200E-151-340-A (-C)													48	C78-79
	4,0-40	355	1,6	72,76	5,3	9,0															
4,6-46	314	2,0	64,26	5,2	9,0	SK 32 - 90 SH/4 - SK 180E-151-340-B (-C) SK 32 - 90 SP/4 - SK 180E-151-340-A (-C)															
5,1-51	281	2,2	57,53	5,1	9,0																
6,3-63	226	2,4	46,31	4,8	9,0																
6,4-64	226	3,0	46,25	4,9	9,0																
7,6-76	189	2,4	38,76	4,6	9,0																
7,9-79	182	3,2	37,23	4,6	9,0																

Helical gear units

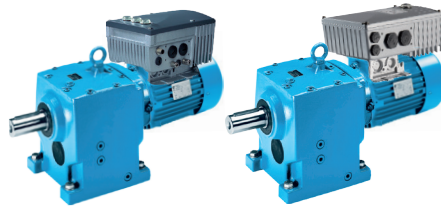


P_1 [kW]	n_2 [min ⁻¹]	M_{2b} [Nm]	f_B	i_{ges}	F_R [kN]	F_A [kN]	Type	kg	mm C			
1,50	5,3-53	270	1,2	55,28	1,8	5,6	SK 22 - 90 SH/4 - SK 200E-151-340-A (-C) SK 22 - 90 SP/4 - SK 200E-151-340-A (-C)	37	C74-75			
	6,4-64	224	1,3	45,90	2,5	5,6						
	6,9-69	209	1,6	42,82	3,1	5,6						
	8,3-83	173	1,9	35,55	3,6	5,6	SK 22 - 90 SH/4 - SK 180E-151-340-B (-C) SK 22 - 90 SP/4 - SK 180E-151-340-B (-C)					
	8,5-85	169	2,0	34,69	3,6	5,6						
	10-102	141	2,7	28,80	3,5	5,6						
	12-123	116	2,8	23,74	3,4	5,6						
	15-147	97,6	2,9	20,03	3,2	5,6						
	18-175	81,7	4,1	16,75	3,1	5,6						
	20-200	71,6	4,7	14,69	3,0	5,4						
	6,1-61	234	0,8	47,87	0	3,6	SK 12 - 90 SH/4 - SK 200E-151-340-A (-C) SK 12 - 90 SP/4 - SK 200E-151-340-A (-C)			28	C70-71	
	7,7-77	187	1,0	38,31	0	3,6						
	9,4-94	152	1,1	31,19	0	3,6						
	11-113	126	1,1	25,92	0,2	3,6	SK 12 - 90 SH/4 - SK 180E-151-340-B (-C) SK 12 - 90 SP/4 - SK 180E-151-340-B (-C)					
	14-138	104	1,6	21,28	1,4	3,7						
	16-156	91,8	1,8	18,79	1,7	3,7						
	18-175	81,7	1,9	16,73	1,9	3,6						
	22-219	65,4	2,3	13,39	1,9	3,5						
27-275	52,1	2,6	10,70	1,8	3,4							
30-304	47,1	2,9	9,65	1,8	3,3							
34-343	41,7	3,1	8,56	1,7	3,2							
37-374	38,3	3,4	7,85	1,7	3,1							
40-403	35,6	3,5	7,28	1,6	3,0							
45-449	31,9	4,0	6,53	1,6	2,9							
51-507	28,2	4,3	5,79	1,5	2,7							
2,20	18-184	77,8	0,9	15,95	0,9	3,0	SK 02 - 90 SH/4 - SK 200E-151-340-A (-C) SK 02 - 90 SP/4 - SK 200E-151-340-A (-C)	26	C68-69			
	23-229	62,5	1,1	12,82	1,2	2,9						
	26-261	54,9	1,2	11,27	1,4	2,9						
	30-295	48,5	1,3	9,95	1,5	2,8	SK 02 - 90 SH/4 - SK 180E-151-340-B (-C) SK 02 - 90 SP/4 - SK 180E-151-340-B (-C)					
	32-317	45,3	1,4	9,28	1,5	2,8						
	36-358	40,0	1,6	8,19	1,5	2,7						
	38-377	38,0	1,7	7,80	1,5	2,6						
	43-426	33,6	1,8	6,89	1,4	2,5						
	48-480	29,8	1,9	6,10	1,4	2,5						
	53-527	27,2	2,1	5,57	1,4	2,3						
	61-609	23,5	2,4	4,82	1,3	2,2						
	69-692	20,7	2,5	4,22	1,3	2,1						
	75-753	19,0	2,8	3,89	1,2	2,0						
	2,20	1,1-11	1914	1,9	265,32	19,0	23,6			SK 63 - 90 LH/4 - SK 200E-221-340-A (-C) SK 63 - 90 LP/4 - SK 200E-221-340-A (-C)	149	C92-93
		1,4-14	1545	2,4	214,10	19,5	22,8			SK 63 - 90 LH/4 - SK 180E-221-340-B (-C) SK 63 - 90 LP/4 - SK 180E-221-340-B (-C)		
		1,2-12	1705	1,1	236,21	12,2	23,8			SK 53 - 90 LH/4 - SK 200E-221-340-A (-C) SK 53 - 90 LP/4 - SK 200E-221-340-A (-C)	113	C88-89
		1,6-16	1279	1,5	177,22	13,1	23,8					
		2,1-21	1005	2,2	139,34	13,6	23,8					
2,8-28		762	2,9	105,87	13,9	23,8	SK 53 - 90 LH/4 - SK 180E-221-340-B (-C) SK 53 - 90 LP/4 - SK 180E-221-340-B (-C)					
3,1-31		688	3,2	95,49	14,0	23,8						
3,4-34		626	2,7	86,92	14,0	23,8	SK 52 - 90 LH/4 - SK 200E-221-340-A (-C) SK 52 - 90 LP/4 - SK 200E-221-340-A (-C)	94	C86-87			
3,7-37		566	2,8	78,56	14,1	23,8	SK 52 - 90 LH/4 - SK 180E-221-340-B (-C) SK 52 - 90 LP/4 - SK 180E-221-340-B (-C)					
1,4-14		1474	0,9	204,42	4,0	12,0	SK 43 - 90 LH/4 - SK 200E-221-340-A (-C) SK 43 - 90 LP/4 - SK 200E-221-340-A (-C)	80	C84-85			
1,7-17		1224	1,0	169,86	5,7	12,0						
2,1-21		1021	1,0	141,55	6,7	12,0						
2,3-23		932	1,3	129,38	7,0	12,0	SK 43 - 90 LH/4 - SK 180E-221-340-B (-C) SK 43 - 90 LP/4 - SK 180E-221-340-B (-C)					
2,7-27		774	1,4	107,51	7,1	12,0						
3,1-31		684	1,8	94,96	7,0	12,0						

Helical gear units

1:10


2,20 kW



Helical gear units

P ₁ [kW]	n ₂ [min ⁻¹]	M _{2b} [Nm]	f _B	i _{ges}	F _R	F _A	Type	mm				
								kg				
2,20	2,8-28	757	1,1	105,08	7,2	12,0	SK 42 - 90 LH/4 - SK 200E-221-340-A (-C) SK 42 - 90 LP/4 - SK 200E-221-340-A (-C)	65	C82-83			
	3,4-34	613	1,3	85,10	7,0	12,0						
	3,9-39	540	2,0	74,87	6,9	12,0						
	4,8-48	437	2,3	60,66	6,7	12,0						
	4,5-45	463	1,4	64,26	4,6	9,0	SK 32 - 90 LH/4 - SK 200E-221-340-A (-C) SK 32 - 90 LP/4 - SK 200E-221-340-A (-C)	50	C78-79			
	5,1-51	414	1,5	57,53	4,5	9,0						
	6,3-63	333	2,0	46,25	4,4	9,0						
	7,5-75	279	1,6	38,76	4,2	8,8						
	7,8-78	268	2,2	37,23	4,2	8,8						
	8,8-88	238	1,6	33,05	4,1	8,5						
	9,4-94	225	2,3	31,16	4,1	8,5						
	9,6-96	219	2,9	30,43	4,1	8,7						
	11-107	196	3,1	27,24	4,1	8,5						
	13-126	166	3,8	23,12	3,9	8,2						
	14-141	149	4,4	20,70	3,8	8,0						
		6,8-68	308	1,1	42,82	0	5,5			SK 22 - 90 LH/4 - SK 200E-221-340-A (-C) SK 22 - 90 LP/4 - SK 200E-221-340-A (-C)	39	C74-75
		8,2-82	256	1,3	35,55	0,4	5,5					
		8,4-84	250	1,4	34,69	0,8	5,6					
9,9-99		211	1,4	29,31	1,2	5,4						
10-101		208	1,8	28,80	1,6	5,5						
12-123		171	1,9	23,74	2,1	5,3						
15-146		144	2,0	20,03	2,5	5,2						
17-174		121	2,8	16,75	2,9	5,2						
20-199		106	3,2	14,69	2,9	5,1						
24-239		87,8	3,7	12,20	2,7	4,9						
27-267		78,6	4,0	10,89	2,7	4,8						
		14-137	153	1,1	21,28	0	3,1	SK 12 - 90 LH/4 - SK 200E-221-340-A (-C) SK 12 - 90 LP/4 - SK 200E-221-340-A (-C)	30	C70-71		
		16-155	136	1,2	18,79	0	3,1					
		17-174	121	1,3	16,73	0,3	3,1					
	22-218	96,5	1,5	13,39	0,7	3,1						
	27-273	77,0	1,7	10,70	1,4	3,0						
	30-302	69,6	1,9	9,65	1,4	3,0						
	34-341	61,6	2,1	8,56	1,6	2,9						
	37-371	56,6	2,3	7,85	1,5	2,8						
	40-400	52,5	2,4	7,28	1,5	2,7						
	45-446	47,1	2,7	6,53	1,5	2,6						
	50-504	41,7	2,9	5,79	1,5	2,5						
	59-591	35,6	3,3	4,93	1,4	2,4						
	65-649	32,4	3,6	4,49	1,4	2,3						
	68-677	31,0	3,6	4,32	1,4	2,3						
	73-733	28,7	4,0	3,98	1,3	2,2						
		23-228	92,3	0,8	12,82	0	2,4	SK 02 - 90 LH/4 - SK 200E-221-340-A (-C) SK 02 - 90 LP/4 - SK 200E-221-340-A (-C)			28	C68-69
26-259		81,0	0,8	11,27	0,1	2,4						
29-293		71,6	0,9	9,95	0,4	2,4						
31-314		66,8	1,0	9,28	0,4	2,4						
36-356		59,1	1,1	8,19	0,7	2,3						
37-374		56,2	1,1	7,80	0,7	2,2						
42-423		49,7	1,2	6,89	0,9	2,2						
48-477		44,1	1,3	6,10	1,2	2,2						
52-524		40,1	1,4	5,57	1,2	2,1						
60-605		34,7	1,6	4,82	1,1	2,0						
69-687		30,6	1,7	4,22	1,2	1,9						
75-748		28,1	1,9	3,89	1,2	1,9						
80-795		26,4	2,6	3,67	0	3,4						
								SK 21E - 90 LH/4 - SK 200E-221-340-A (-C) SK 21E - 90 LP/4 - SK 200E-221-340-A (-C)	32	C60-61		
							SK 21E - 90 LH/4 - SK 180E-221-340-B (-C) SK 21E - 90 LP/4 - SK 180E-221-340-B (-C)					



P_1 [kW]	n_2 [min ⁻¹]	M_{2b} [Nm]	f_B	i_{ges}	F_R	F_A [kN]	Type	kg	mm 		
3,00	1,4-14	2000	2,7	205,61	27,3	19,7	SK 73 - 100 LH/4 - SK 200E-301-340-A (-C) SK 73 - 100 LP/4 - SK 200E-301-340-A (-C)	239	C96-97		
	1,1-11	2583	1,4	265,32	17,7	21,6	SK 63 - 100 LH/4 - SK 200E-301-340-A (-C) SK 63 - 100 LP/4 - SK 200E-301-340-A (-C)	158	C92-93		
	1,4-14	2086	1,7	214,10	18,7	21,2					
	1,6-16	1759	2,1	180,57	19,2	20,8					
	2,0-20	1420	2,6	145,71	19,6	20,1					
	2,7-27	1051	3,5	107,89	20,0	19,1					
	1,2-12	2302	0,8	236,21	10,2	23,8	SK 53 - 100 LH/4 - SK 200E-301-340-A (-C) SK 53 - 100 LP/4 - SK 200E-301-340-A (-C)	122	C88-89		
	1,6-16	1808	1,0	185,72	11,9	23,8					
	1,7-17	1726	1,1	177,22	12,1	23,8					
	2,1-21	1356	1,6	139,34	13,0	23,8					
	2,8-28	1029	2,2	105,87	13,5	23,8					
	3,1-31	928	2,4	95,49	13,7	23,8	SK 52 - 100 LH/4 - SK 200E-301-340-A (-C) SK 52 - 100 LP/4 - SK 200E-301-340-A (-C)	103	C86-87		
	3,4-34	845	2,0	86,92	13,8	23,8					
	3,8-38	764	2,1	78,56	13,9	23,8					
	4,1-41	695	2,3	71,39	13,9	23,8					
	4,9-49	579	3,3	59,54	14,0	23,8					
	5,5-55	523	3,7	53,81	14,1	23,8	SK 43 - 100 LH/4 - SK 200E-301-340-A (-C) SK 43 - 100 LP/4 - SK 200E-301-340-A (-C)	89	C84-85		
	2,3-23	1258	1,0	129,38	4,5	11,3					
	2,7-27	1044	1,1	107,51	6,0	11,6					
3,1-31	923	1,3	94,96	6,1	12,0						
3,9-39	728	1,5	74,87	6,2	12,0	SK 42 - 100 LH/4 - SK 200E-301-340-A (-C) SK 42 - 100 LP/4 - SK 200E-301-340-A (-C)	74	C82-83			
4,9-49	590	1,7	60,66	6,1	12,0						
5,8-58	496	2,2	50,98	6,0	12,0						
7,1-71	402	3,0	41,29	5,8	11,6						
8,4-84	343	3,6	35,25	5,6	11,2						
9,7-97	296	3,6	30,46	5,5	11,0						
10-101	285	3,6	29,29	5,4	10,8						
12-119	240	3,7	24,67	5,2	10,5						
6,4-64	450	1,5	46,25	3,9	8,1				SK 32 - 100 LH/4 - SK 200E-301-340-A (-C) SK 32 - 100 LP/4 - SK 200E-301-340-A (-C)	59	C78-79
7,9-79	362	1,6	37,23	3,8	7,9						
9,5-95	303	1,7	31,16	3,7	7,7						
9,7-97	296	2,2	30,43	3,8	8,0						
11-108	265	2,3	27,24	3,7	7,8						
13-127	225	2,8	23,12	3,7	7,7						
14-142	201	3,3	20,70	3,6	7,5						
16-158	181	3,5	18,67	3,5	7,4						
8,5-85	337	1,0	34,69	0	4,6	SK 22 - 100 LH/4 - SK 200E-301-340-A (-C) SK 22 - 100 LP/4 - SK 200E-301-340-A (-C)	48	C74-75			
10-102	280	1,3	28,80	0	4,6						
12-124	231	1,4	23,74	0	4,6						
15-147	195	1,5	20,03	0,4	4,6						
18-176	163	2,1	16,75	1,9	4,7						
20-201	143	2,4	14,69	2,3	4,7						
24-242	119	2,8	12,20	2,6	4,5						
27-270	106	3,0	10,89	2,5	4,4						
35-348	82,3	3,1	8,48	2,4	4,1						
39-389	73,7	3,3	7,57	2,3	3,9						
43-429	66,7	3,8	6,86	2,3	3,8						
18-176	163	0,9	16,73	0	2,5				SK 12 - 100 LH/4 - SK 200E-301-340-A (-C) SK 12 - 100 LP/4 - SK 200E-301-340-A (-C)	39	C70-71
22-220	130	1,1	13,39	0	2,6						
28-276	104	1,3	10,70	0,2	2,6						
31-305	93,9	1,4	9,65	0,3	2,5						
34-345	83,1	1,6	8,56	0,6	2,5						
38-375	76,4	1,7	7,85	0,7	2,4						


Helical gear units

1:10**3,00 kW**
4,00 kW

P ₁ [kW]	n ₂ [min ⁻¹]	M _{2b} [Nm]	f _B	i _{ges}	F _R	F _A	Type	mm			
								kg			
3,00	40-404	70,9	1,7	7,28	0,9	2,4	SK 12 - 100 LH/4 - SK 200E-301-340-A (-C) SK 12 - 100 LP/4 - SK 200E-301-340-A (-C)	39	C70-71		
	45-451	63,6	2,0	6,53	0,9	2,3					
	51-509	56,3	2,2	5,79	1,1	2,2					
	60-597	48,0	2,4	4,93	1,3	2,2					
	66-656	43,7	2,7	4,49	1,2	2,1					
	68-684	41,9	2,7	4,32	1,3	2,1					
	74-741	38,7	2,9	3,98	1,2	2,0					
	36-359	79,7	0,8	8,19	0	1,9	SK 02 - 100 LH/4 - SK 200E-301-340-A (-C) SK 02 - 100 LP/4 - SK 200E-301-340-A (-C)	37	C68-69		
	43-427	67,0	0,9	6,89	0	1,8					
	48-482	59,5	1,0	6,10	0,4	1,9					
	53-529	54,2	1,1	5,57	0,4	1,8					
	61-611	46,9	1,2	4,82	0,4	1,7					
	69-695	41,2	1,3	4,22	0,8	1,7					
	76-756	37,9	1,4	3,89	0,7	1,6					
4,00	1,4-14	2685	2,0	205,61	26,6	18,2	SK 73 - 100 AH/4 - SK 200E-401-340-A (-C) SK 73 - 100 AP/4 - SK 200E-401-340-A (-C)	239	C96-97		
	1,8-18	2169	2,6	166,03	27,2	17,8					
	2,4-24	1624	3,1	124,41	27,7	17,2					
	1,1-11	3468	1,0	265,32	15,3	19,3	SK 63 - 100 AH/4 - SK 200E-401-340-A (-C) SK 63 - 100 AP/4 - SK 200E-401-340-A (-C)	158	C92-93		
	1,4-14	2800	1,3	214,10	17,2	19,3					
	1,6-16	2362	1,5	180,57	18,2	19,2					
	2,0-20	1907	1,9	145,71	19,0	18,8					
	2,7-27	1411	2,6	107,89	19,6	18,1					
	3,4-34	1139	2,8	87,06	19,9	17,5					
	3,8-38	1012	3,7	77,46	20,0	17,1					
	1,6-16	2317	0,8	177,22	10,1	23,8	SK 53 - 100 AH/4 - SK 200E-401-340-A (-C) SK 53 - 100 AP/4 - SK 200E-401-340-A (-C)	122	C88-89		
	2,1-21	1821	1,2	139,34	11,9	23,8					
	2,8-28	1381	1,6	105,87	12,9	23,8					
	3,1-31	1246	1,8	95,49	13,2	23,8					
	3,7-37	1041	1,8	79,69	13,5	23,8					
	4,5-45	853	2,3	65,35	13,8	23,8					
	3,4-34	1135	1,5	86,92	13,4	23,8	SK 52 - 100 AH/4 - SK 200E-401-340-A (-C) SK 52 - 100 AP/4 - SK 200E-401-340-A (-C)	103	C86-87		
	3,7-37	1026	1,6	78,56	13,6	23,8					
	4,1-41	933	1,7	71,39	13,7	23,8					
	4,9-49	777	2,4	59,54	13,9	23,8					
	5,4-54	702	2,7	53,81	13,9	23,8					
	6,0-60	639	3,0	48,90	14,0	23,8					
	2,7-27	1402	0,8	107,51	0	8,7	SK 43 - 100 AH/4 - SK 200E-401-340-A (-C) SK 43 - 100 AP/4 - SK 200E-401-340-A (-C)	89	C84-85		
	3,1-31	1239	1,0	94,96	2,1	9,4					
	3,7-37	1045	1,2	79,96	4,9	9,9					
	4,2-42	915	1,4	70,12	5,2	10,2					
	3,9-39	978	1,1	74,87	5,3	10,4	SK 42 - 100 AH/4 - SK 200E-401-340-A (-C) SK 42 - 100 AP/4 - SK 200E-401-340-A (-C)	74	C82-83		
	4,8-48	792	1,3	60,66	5,3	10,5					
	5,7-57	666	1,6	50,98	5,4	10,7					
	7,1-71	539	2,2	41,29	5,3	10,5					
	8,3-83	460	2,7	35,25	5,2	10,3					
	9,6-96	398	2,7	30,46	5,1	10,3					
	10-100	382	2,7	29,29	5,0	10,0					
12-119	322	2,8	24,67	4,9	9,9						
9,6-96	398	1,6	30,43	3,4	7,1	SK 32 - 100 AH/4 - SK 200E-401-340-A (-C) SK 32 - 100 AP/4 - SK 200E-401-340-A (-C)				59	C78-79
11-107	356	1,7	27,24	3,4	7,0						
13-127	302	2,1	23,12	3,4	7,0						
14-142	270	2,4	20,70	3,3	6,9						
16-157	243	2,6	18,67	3,3	6,8						
18-180	212	3,0	16,25	3,2	6,6						
19-195	196	2,6	15,03	3,1	6,4						
20-201	190	3,5	14,55	3,2	6,4						

Helical gear units



P ₁ [kW]	n ₂ [min ⁻¹]	M _{2b} [Nm]	f _B	i _{ges}	F _R	F _A [kN]	Type	mm					
								kg					
4,00	17-175	219	1,6	16,75	0	4,1	SK 22 - 100 AH/4 - SK 200E-401-340-A (-C) SK 22 - 100 AP/4 - SK 200E-401-340-A (-C)	48	C74-75				
	20-199	192	1,8	14,69	0,5	4,1							
	24-240	159	2,1	12,20	1,0	4,1							
	27-268	142	2,2	10,89	1,4	4,0							
	35-346	111	2,3	8,48	1,8	3,7							
	39-386	98,9	2,5	7,57	2,0	3,6							
	43-427	89,5	2,8	6,86	2,1	3,5							
	45-449	85,0	2,7	6,51	2,1	3,4							
	51-507	75,3	2,9	5,79	2,1	3,3							
	56-565	67,7	2,3	5,18	2,0	3,1							
	63-631	60,5	2,5	4,62	1,9	3,0							
	4,00	22-218	175	0,9	13,39	0				1,8	SK 12 - 100 AH/4 - SK 200E-401-340-A (-C) SK 12 - 100 AP/4 - SK 200E-401-340-A (-C)	39	C70-71
		27-274	139	1,0	10,70	0				2,0			
		30-303	126	1,1	9,65	0				2,0			
34-342		112	1,2	8,56	0	2,0							
37-372		103	1,3	7,85	0	2,0							
40-401		95,2	1,3	7,28	0	2,0							
45-448		85,3	1,5	6,53	0	1,9							
51-506		75,5	1,6	5,79	0,2	1,9							
59-593		64,4	1,8	4,93	0,5	1,9							
65-651		58,7	2,0	4,49	0,4	1,8							
68-679		56,3	2,0	4,32	0,7	1,9							
74-735		51,9	2,2	3,98	0,6	1,8							
4,00		75-753	50,7	2,9	3,88	0	4,5	SK 41E - 100 AH/4 - SK 200E-401-340-A (-C) SK 41E - 100 AP/4 - SK 200E-401-340-A (-C)	55	C64-65			
4,00		80-798	47,9	2,3	3,67	0	3,7	SK 31E - 100 AH/4 - SK 200E-401-340-A (-C) SK 31E - 100 AP/4 - SK 200E-401-340-A (-C)	46	C62-63			
4,00	80-798	47,9	1,4	3,67	0	3,0	SK 21E - 100 AH/4 - SK 200E-401-340-A (-C) SK 21E - 100 AP/4 - SK 200E-401-340-A (-C)	41	C60-61				
5,50	1,4-14	3867	2,3	216,61	43,7	33,0	SK 83 - 112 MH/4 - SK 200E-551-340-A (-C) SK 83 - 112 MP/4 - SK 200E-551-340-A (-C)	359	C100-101				
	2,2-22	2442	3,0	136,78	44,7	30,7							
	1,4-14	3673	1,5	205,61	25,0	15,9							
	1,8-18	2967	1,9	166,03	26,2	16,0							
	2,4-24	2222	2,3	124,41	27,1	15,8							
	2,9-29	1795	2,2	100,46	27,5	15,5							
	3,2-32	1632	3,3	91,38	27,7	15,3							
	5,50	1,1-11	4744	0,8	265,32	8,8				15,7	SK 63 - 112 MH/4 - SK 200E-551-340-A (-C) SK 63 - 112 MP/4 - SK 200E-551-340-A (-C)	171	C92-93
	1,4-14	3830	1,0	214,10	14,0	16,4							
	1,6-16	3231	1,1	180,57	16,1	16,7							
	2,0-20	2609	1,4	145,71	17,7	16,9							
	2,2-22	2372	1,6	132,54	18,2	16,8							
	2,7-27	1931	1,9	107,89	18,9	16,7							
	3,4-34	1559	2,1	87,06	19,5	16,3							
3,8-38	1384	2,7	77,46	19,7	16,1								
4,7-47	1125	3,3	62,87	19,9	15,6								
5,50	2,1-21	2491	0,9	139,34	7,2	23,8	SK 53 - 112 MH/4 - SK 200E-551-340-A (-C) SK 53 - 112 MP/4 - SK 200E-551-340-A (-C)	135	C88-89				
2,8-28	1889	1,2	105,87	11,7	23,8								
3,1-31	1705	1,3	95,49	12,2	23,8								
3,7-37	1424	1,3	79,69	12,9	23,8								
4,5-45	1167	1,6	65,35	13,3	23,8								
5,0-50	1052	1,8	58,94	13,5	23,8								

Helical gear units

1:10


5,50 kW



Helical gear units

P ₁ [kW]	n ₂ [min ⁻¹]	M _{2b} [Nm]	f _B	i _{ges}	F _R	F _A	Type	mm	
								kg	
5,50	3,4-34	1552	1,1	86,92	12,6	23,8	SK 52 - 112 MH/4 - SK 200E-551-340-A (-C) SK 52 - 112 MP/4 - SK 200E-551-340-A (-C)	116	C86-87
	3,7-37	1403	1,1	78,56	12,9	23,8			
	4,1-41	1277	1,2	71,39	13,1	23,8			
	4,9-49	1063	1,8	59,54	13,5	23,8			
	5,5-55	961	2,0	53,81	13,6	23,8			
	6,0-60	874	2,2	48,90	13,7	23,8			
	7,3-73	721	2,7	40,37	13,2	23,8			
	7,6-76	687	2,4	38,45	12,9	23,8			
	8,0-80	656	2,9	36,69	12,8	23,8			
	8,2-82	643	2,2	36,03	12,8	23,8			
9,0-90	581	2,2	32,56	12,5	23,8				
9,2-92	574	2,4	32,09	12,3	23,8				
3,7-37	1429	0,9	79,96	0	6,7	SK 43 - 112 MH/4 - SK 200E-551-340-A (-C) SK 43 - 112 MP/4 - SK 200E-551-340-A (-C)	102	C84-85	
4,2-42	1252	1,0	70,12	0	7,4				
5,0-50	1040	1,1	58,27	2,0	7,9				
3,9-39	1338	0,8	74,87	0	7,5	SK 42 - 112 MH/4 - SK 200E-551-340-A (-C) SK 42 - 112 MP/4 - SK 200E-551-340-A (-C)	87	C82-83	
4,8-48	1083	0,9	60,66	2,3	8,1				
5,8-58	911	1,2	50,98	4,5	8,7				
7,1-71	738	1,6	41,29	4,5	8,9				
8,3-83	630	1,9	35,25	4,5	8,9				
9,6-96	544	2,0	30,46	4,6	9,1				
10-100	523	2,0	29,29	4,5	8,8				
11-114	462	2,7	25,88	4,5	8,9				
12-119	441	2,0	24,67	4,5	8,9				
13-135	390	2,8	21,87	4,5	8,9				
14-137	384	3,0	21,50	4,4	8,7				
16-164	320	3,1	17,92	4,3	8,3				
17-166	316	3,8	17,71	4,3	8,5				
19-195	270	4,6	15,12	4,2	8,0				
9,7-97	544	1,2	30,43	0,3	5,7	SK 32 - 112 MH/4 - SK 200E-551-340-A (-C) SK 32 - 112 MP/4 - SK 200E-551-340-A (-C)	72	C78-79	
11-108	487	1,2	27,24	0,9	5,8				
13-127	413	1,5	23,12	2,1	5,9				
14-142	369	1,8	20,70	2,6	5,8				
16-158	333	1,9	18,67	2,9	5,8				
18-181	290	2,2	16,25	2,9	5,7				
20-202	259	2,6	14,55	2,8	5,6				
25-251	209	3,4	11,71	2,8	5,2				
30-300	175	3,7	9,80	2,7	5,0				
35-353	149	4,0	8,36	2,6	4,8				
37-373	141	4,6	7,90	2,6	4,7				
42-417	126	3,6	7,05	2,5	4,4				
44-438	120	5,0	6,74	2,5	4,5				
52-517	102	5,9	5,70	2,4	4,3				
54-536	98,1	4,6	5,50	2,4	4,2				
56-555	94,6	6,8	5,28	2,4	4,3				
66-664	79,0	5,9	4,43	2,3	3,9				
18-176	299	1,1	16,75	0	3,2	SK 22 - 112 MH/4 - SK 200E-551-340-A (-C) SK 22 - 112 MP/4 - SK 200E-551-340-A (-C)	61	C74-75	
20-200	262	1,3	14,69	0	3,3				
24-241	218	1,5	12,20	0	3,3				
27-270	195	1,6	10,89	0	3,3				
35-347	151	1,7	8,48	0,1	3,1				
39-388	135	1,8	7,57	0,5	3,0				
43-429	122	2,1	6,86	1,0	3,1				
45-452	116	2,0	6,51	1,0	3,0				
51-510	103	2,1	5,79	1,3	2,9				
57-567	92,6	1,7	5,18	1,1	2,7				
63-634	82,8	1,8	4,62	1,3	2,7				
74-738	71,2	2,0	3,97	1,6	2,6				



P ₁ [kW]	n ₂ [min ⁻¹]	M _{2b} [Nm]	f _B	i _{ges}	F _R	F _A	Type	mm			
								kg			
5,50	30-305	172	0,8	9,65	0	1,3	SK 12 - 112 MH/4 - SK 200E-551-340-A (-C) SK 12 - 112 MP/4 - SK 200E-551-340-A (-C)	52	C70-71		
	34-344	153	0,9	8,56	0	1,4					
	37-374	140	0,9	7,85	0	1,4					
	40-403	130	1,0	7,28	0	1,5					
	45-450	117	1,1	6,53	0	1,4					
	51-508	103	1,2	5,79	0	1,5					
	60-596	88,1	1,3	4,93	0	1,5					
	65-655	80,2	1,5	4,49	0	1,4					
	68-682	77,0	1,5	4,32	0	1,5					
	74-739	71,0	1,6	3,98	0	1,5					
76-757	69,4	2,1	3,88	0	4,3	SK 41E - 112 MH/4 - SK 200E-551-340-A (-C) SK 41E - 112 MP/4 - SK 200E-551-340-A (-C)	68	C64-65			
7,50	1,4-14	5017	4,6	207,47	101,7	82,7	SK 103 - 132 SH/4 - SK 200E-751-340-A (-C) SK 103 - 132 SP/4 - SK 200E-751-340-A (-C)	777	C104-105		
	1,6-16	4549	3,1	187,89	65,9	53,3	SK 93 - 132 SH/4 - SK 200E-751-340-A (-C) SK 93 - 132 SP/4 - SK 200E-751-340-A (-C)	558	C102-103		
	1,4-14	5238	1,7	216,61	42,2	30,1	SK 83 - 132 SH/4 - SK 200E-751-340-A (-C) SK 83 - 132 SP/4 - SK 200E-751-340-A (-C)	379	C100-101		
	1,8-18	3985	2,2	164,70	43,6	29,5					
	2,2-22	3307	2,2	136,78	44,1	28,8					
	2,8-28	2516	3,6	104,00	44,7	27,7					
	1,4-14	4975	1,1	205,61	21,9	12,8	SK 73 - 132 SH/4 - SK 200E-751-340-A (-C) SK 73 - 132 SP/4 - SK 200E-751-340-A (-C)	272	C96-97		
	1,8-18	4018	1,4	166,03	24,3	13,5					
	2,4-24	3014	1,9	124,57	26,1	13,9					
	2,9-29	2431	1,6	100,46	26,9	14,0					
	3,2-32	2210	2,4	91,38	27,1	13,9					
	1,6-16	4376	0,8	180,57	11,3	13,5				SK 63 - 132 SH/4 - SK 200E-751-340-A (-C) SK 63 - 132 SP/4 - SK 200E-751-340-A (-C)	191
	2,0-20	3533	1,0	145,71	15,1	14,2					
	2,2-22	3213	1,2	132,54	16,1	14,5					
	2,7-27	2615	1,4	107,89	17,7	14,7					
	2,8-28	2594	1,4	106,95	17,7	14,7					
	3,4-34	2111	1,5	87,06	18,7	14,7					
	3,8-38	1875	2,0	77,46	19,0	14,7					
	4,7-47	1523	2,4	62,87	19,5	14,4					
	5,5-55	1303	2,8	53,82	19,7	14,2					
5,8-58	1230	3,0	50,73	19,8	14,1						
6,8-68	1052	3,5	43,43	20,0	13,8						
8,2-82	874	4,2	36,11	20,1	13,4						
6,1-61	1180	2,1	48,73	19,8	14,1	SK 62 - 132 SH/4 - SK 200E-751-340-A (-C) SK 62 - 132 SP/4 - SK 200E-751-340-A (-C)	193	C90-91			
8,0-80	897	3,4	37,05	20,1	13,5						
5,0-50	1440	1,3	59,54	12,8	23,8	SK 52 - 132 SH/4 - SK 200E-751-340-A (-C) SK 52 - 132 SP/4 - SK 200E-751-340-A (-C)	136	C86-87			
5,5-55	1301	1,5	53,81	13,1	23,8						
6,0-60	1184	1,6	48,90	12,9	23,8						
7,3-73	976	2,0	40,37	12,4	23,8						
7,7-77	931	1,8	38,45	12,2	23,8						
8,1-81	888	2,2	36,69	12,2	23,8						
8,2-82	871	1,6	36,03	12,2	23,8						
9,1-91	787	1,6	32,56	11,9	23,8						
9,2-92	777	1,8	32,09	11,7	23,8						
10-103	698	2,9	28,85	11,5	23,8						
11-112	640	3,0	26,46	11,4	23,5						
12-124	578	3,3	23,92	11,1	22,9						

1:10**7,50 kW**
10,0 kW

Helical gear units

P ₁ [kW]	n ₂ [min ⁻¹]	M _{2b} [Nm]	f _B	i _{ges}	F _R	F _A	Type	mm					
								kg					
7,50	5,8-58	1234	0,9	50,98	0	6,1	SK 42 - 132 SH/4 - SK 200E-751-340-A (-C) SK 42 - 132 SP/4 - SK 200E-751-340-A (-C)	107	C82-83				
	7,2-72	999	1,2	41,29	1,2	6,7							
	8,4-84	853	1,4	35,25	3,0	7,0							
	9,7-97	737	1,5	30,46	3,8	7,6							
	10-101	708	1,4	29,29	3,7	7,2							
	11-114	626	2,0	25,88	3,8	7,4							
	12-120	597	1,5	24,67	3,9	7,5							
	14-138	520	2,2	21,50	3,8	7,3							
	17-167	428	2,8	17,71	3,9	7,3							
	20-196	365	3,4	15,12	3,8	7,0							
	21-206	348	3,3	14,38	3,8	7,0							
	24-241	297	4,0	12,28	3,7	6,7							
	7,50	13-128	559	1,1	23,12	0				4,2	SK 32 - 132 SH/4 - SK 200E-751-340-A (-C) SK 32 - 132 SP/4 - SK 200E-751-340-A (-C)	92	C78-79
		14-143	500	1,3	20,70	0				4,3			
16-159		451	1,4	18,67	0,3	4,4							
18-182		393	1,6	16,25	1,3	4,6							
20-204		351	1,9	14,55	1,7	4,5							
25-253		283	2,5	11,71	2,3	4,4							
30-302		237	2,7	9,80	2,4	4,3							
36-355		202	3,0	8,36	2,3	4,2							
38-375		191	3,4	7,90	2,4	4,2							
42-420		171	2,6	7,05	2,2	3,9							
44-441		163	3,7	6,74	2,3	4,0							
52-520		138	4,4	5,70	2,2	3,9							
54-539		133	3,4	5,50	2,2	3,8							
56-559		128	5,0	5,28	2,2	3,9							
67-669		107	4,3	4,43	2,1	3,6							
79-790		90,7	5,1	3,75	2,1	3,5							
7,50		20-202	355	0,9	14,69	0	2,0	SK 22 - 132 SH/4 - SK 200E-751-340-A (-C) SK 22 - 132 SP/4 - SK 200E-751-340-A (-C)	81	C74-75			
	24-243	295	1,1	12,20	0	2,2							
	27-271	264	1,2	10,89	0	2,3							
	35-350	205	1,3	8,48	0	2,3							
	39-391	183	1,3	7,57	0	2,4							
	43-432	166	1,5	6,86	0	2,5							
	45-455	158	1,4	6,51	0	2,4							
	51-513	140	1,5	5,79	0	2,4							
	57-571	125	1,3	5,18	0	2,3							
	64-639	112	1,3	4,62	0	2,3							
	74-743	96,4	1,4	3,97	0,4	2,3							
	7,50	76-762	94,0	1,5	3,88	0	4,0				SK 41E - 132 SH/4 - SK 200E-751-340-A (-C) SK 41E - 132 SP/4 - SK 200E-751-340-A (-C)	88	C64-65
	10,0	1,4-14	6690	3,5	207,47	101,2	80,0				SK 103 - 132 MH/4 - SK 200E-112-340-A (-C) SK 103 - 132 MP/4 - SK 200E-112-340-A (-C)	794	C104-105
1,6-16		6065	2,3	187,89	65,0	50,6	SK 93 - 132 MH/4 - SK 200E-112-340-A (-C) SK 93 - 132 MP/4 - SK 200E-112-340-A (-C)	575	C102-103				
2,7-27		3525	3,3	109,14	66,3	45,9							
1,8-18		5313	1,7	164,70	42,1	26,7	SK 83 - 132 MH/4 - SK 200E-112-340-A (-C) SK 83 - 132 MP/4 - SK 200E-112-340-A (-C)	396	C100-101				
2,8-28		3354	2,7	104,00	44,1	25,9							
3,7-37		2601	3,5	80,62	44,6	25,1							
2,4-24		4018	1,4	124,57	24,3	11,7	SK 73 - 132 MH/4 - SK 200E-112-340-A (-C) SK 73 - 132 MP/4 - SK 200E-112-340-A (-C)	289	C96-97				
2,9-29		3241	1,2	100,46	25,8	12,1							
3,2-32		2946	1,8	91,38	26,2	12,2							
4,0-40		2413	2,2	74,87	26,9	12,4							
4,9-49		1949	2,9	60,46	27,4	12,3							



P_1 [kW]	n_2 [min ⁻¹]	M_{2b} [Nm]	f_B	i_{ges}	F_R	F_A [kN]	Type	kg	mm C
10,0	2,2-22	4284	0,9	132,54	11,8	11,5	SK 63 - 132 MH/4 - SK 200E-112-340-A (-C) SK 63 - 132 MP/4 - SK 200E-112-340-A (-C)	208	C92-93
	2,7-27	3487	1,0	107,89	15,2	12,3			
	2,8-28	3459	1,1	106,95	15,3	12,3			
	3,4-34	2815	1,1	87,06	17,2	12,8			
	3,8-38	2500	1,5	77,46	17,9	12,9			
	4,7-47	2031	1,8	62,87	18,8	13,0			
	5,5-55	1737	2,1	53,82	19,2	13,0			
	5,8-58	1640	2,3	50,73	19,4	13,0			
	6,8-68	1402	2,6	43,43	19,6	12,8			
	8,2-82	1166	3,2	36,11	19,9	12,6			
	8,0-80	1196	2,5	37,05	19,8	12,7	SK 62 - 132 MH/4 - SK 200E-112-340-A (-C) SK 62 - 132 MP/4 - SK 200E-112-340-A (-C)	210	C90-91
	7,3-73	1301	1,5	40,37	11,6	23,8	SK 52 - 132 MH/4 - SK 200E-112-340-A (-C) SK 52 - 132 MP/4 - SK 200E-112-340-A (-C)	153	C86-87
	8,1-81	1184	1,6	36,69	11,4	23,8			
	8,2-82	1161	1,2	36,03	11,4	23,8			
9,1-91	1050	1,2	32,56	11,2	23,4				
10-103	931	2,2	28,85	10,8	22,5				
11-112	853	2,2	26,46	10,8	22,5				
12-124	771	2,5	23,92	10,6	22,0				
14-137	698	2,7	21,68	10,4	21,5				
15-151	631	3,0	19,60	10,1	21,0				
9,7-97	983	1,1	30,46	0,1	5,2	SK 42 - 132 MH/4 - SK 200E-112-340-A (-C) SK 42 - 132 MP/4 - SK 200E-112-340-A (-C)	124	C82-83	
11-114	835	1,5	25,88	1,4	5,2				
12-120	796	1,1	24,67	2,4	5,5				
14-138	694	1,7	21,50	3,2	5,5				
17-167	571	2,1	17,71	3,3	5,9				
20-196	487	2,6	15,12	3,3	5,8				
21-206	464	2,5	14,38	3,4	5,9				
24-241	396	3,0	12,28	3,3	5,8				
29-290	329	3,5	10,20	3,3	5,7				
43-434	220	1,8	6,82	0	6,1	SK 51E - 132 MH/4 - SK 200E-112-340-A (-C) SK 51E - 132 MP/4 - SK 200E-112-340-A (-C)	114	C66-67	
54-538	177	1,2	5,50	0	5,8				
73-733	130	3,1	4,04	0	5,3				
56-561	170	1,1	5,27	0	3,9	SK 41E - 132 MH/4 - SK 200E-112-340-A (-C) SK 41E - 132 MP/4 - SK 200E-112-340-A (-C)	105	C64-65	
69-690	138	1,1	4,29	0	3,8				
76-762	125	1,2	3,88	0	3,7				
15,0	1,4-14	10070	2,3	207,47	99,5	74,7	SK 103 - 132 LH/4 - SK 200E-152-340-A (-C)	794	C104-105
	1,6-16	9128	1,5	187,89	62,4	45,2	SK 93 - 132 LH/4 - SK 200E-152-340-A (-C)	575	C102-103
	2,7-27	5305	2,2	109,14	65,5	42,7			
	3,2-32	4537	3,1	93,34	65,9	41,7			
	1,8-18	7996	1,1	164,70	37,4	21,2	SK 83 - 132 LH/4 - SK 200E-152-340-A (-C)	396	C100-101
	2,8-28	5048	1,8	104,00	42,4	22,5			
	3,7-37	3915	2,3	80,62	43,6	22,4			
	4,2-42	3408	2,6	70,24	44,1	22,2			
	4,8-48	3000	3,0	61,89	44,4	21,9			
	2,4-24	6048	0,9	124,57	18,2	7,1	SK 73 - 132 LH/4 - SK 200E-152-340-A (-C)	289	C96-97
	3,2-32	4435	1,2	91,38	23,4	8,9			
	3,9-39	3632	1,5	74,87	25,1	9,6			
	4,9-49	2934	1,9	60,46	26,2	10,1			
	5,6-56	2539	2,2	52,24	26,8	10,3			
6,5-65	2217	2,4	45,66	27,1	10,4				
7,8-78	1829	2,7	37,63	27,5	10,4				

1:10

15,0 kW
22,0 kW



Helical gear units

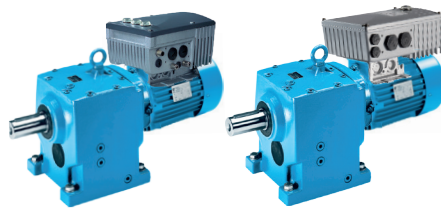
P ₁ [kW]	n ₂ [min ⁻¹]	M _{2b} [Nm]	f _B	i _{ges}	F _R	F _A [kN]	Type	mm	
								kg	mm
15,0	6,8-68	2122	1,9	43,71	27,2	10,5	SK 72 - 132 LH/4 - SK 200E-152-340-A (-C)	279	C94-95
	3,8-38	3762	1,0	77,46	14,2	9,5	SK 63 - 132 LH/4 - SK 200E-152-340-A (-C)	208	C92-93
	4,7-47	3057	1,2	62,87	16,6	10,2			
	5,5-55	2614	1,4	53,82	17,7	10,6			
	5,8-58	2468	1,5	50,73	18,0	10,7			
	6,8-68	2111	1,7	43,43	18,7	10,9			
	8,2-82	1755	2,1	36,11	19,2	11,0			
	9,5-95	1501	2,4	30,91	19,5	10,9			
	11-112	1278	2,5	26,28	19,8	10,8			
	13-134	1067	3,0	21,98	19,9	10,6			
	14-142	1010	3,2	20,77	20,0	10,6			
	8,0-80	1801	1,7	37,05	19,1	11,0	SK 62 - 132 LH/4 - SK 200E-152-340-A (-C)	210	C90-91
	7,3-73	1959	1,0	40,37	3,0	21,0	SK 52 - 132 LH/4 - SK 200E-152-340-A (-C)	153	C86-87
	8,0-80	1783	1,1	36,69	4,5	20,8			
	10-102	1401	1,4	28,85	7,1	20,1			
11-112	1284	1,5	26,46	9,7	20,4				
12-123	1160	1,6	23,92	9,6	20,1				
14-136	1051	1,8	21,68	9,5	19,7				
15-151	950	2,0	19,60	9,3	19,0				
17-166	865	2,2	17,81	9,1	18,3				
21-211	679	2,8	14,00	8,7	16,7				
22-219	654	2,8	13,45	8,7	16,7				
11-114	1257	1,0	25,88	0	1,4	SK 42 - 132 LH/4 - SK 200E-152-340-A (-C)	124	C82-83	
14-137	1044	1,1	21,50	0	2,3				
16-165	870	1,1	17,92	0	2,8				
17-167	859	1,4	17,71	0	3,3				
20-195	733	1,7	15,12	0,7	3,6				
21-205	698	1,7	14,38	1,6	3,9				
24-240	596	2,0	12,28	2,6	4,0				
29-289	495	2,4	10,20	2,6	4,2				
35-347	413	2,6	8,50	2,7	4,2				
41-406	353	3,0	7,28	2,7	4,3				
44-443	323	3,6	6,65	2,7	4,4				
48-476	301	3,6	6,19	2,7	4,3				
51-512	280	4,1	5,75	2,7	4,3				
55-551	260	3,1	5,35	2,5	4,0				
73-730	196	2,1	4,04	0	4,7				SK 51E - 132 LH/4 - SK 200E-152-340-A (-C)
56-559	256	0,8	5,27	0	3,0	SK 41E - 132 LH/4 - SK 200E-152-340-A (-C)	105	C64-65	
22,0	1,4-14	14690	1,6	207,47	96,2	67,2	SK 103 - 160 LH/4 - SK 200E-222-340-A (-C)	854	C104-105
	2,2-22	9673	2,4	136,51	99,8	64,5	SK 103 - 160 LP/4 - SK 200E-222-340-A (-C)		
	1,6-16	13320	1,0	187,89	56,7	37,6	SK 93 - 160 LH/4 - SK 200E-222-340-A (-C) SK 93 - 160 LP/4 - SK 200E-222-340-A (-C)	635	C102-103
	2,4-24	8713	1,6	123,05	62,8	38,5			
	2,7-27	7741	1,5	109,14	63,7	38,3			
	3,2-32	6620	2,1	93,34	64,6	37,9			
	4,1-41	5131	2,6	72,47	65,6	36,9			
	1,8-18	11670	0,8	164,70	25,4	13,5	SK 83 - 160 LH/4 - SK 200E-222-340-A (-C) SK 83 - 160 LP/4 - SK 200E-222-340-A (-C)	456	C100-101
	2,9-29	7366	1,2	104,00	38,7	17,6			
	3,7-37	5713	1,6	80,62	41,5	18,6			
	4,2-42	4973	1,8	70,24	42,5	18,9			
	4,8-48	4378	2,1	61,89	43,2	19,0			
	5,8-58	3650	2,4	51,51	43,9	19,1			
	6,7-67	3142	2,8	44,38	44,3	18,9			
	7,6-76	2764	3,3	39,08	44,5	18,8			



P_1 [kW]	n_2 [min ⁻¹]	M_{2b} [Nm]	f_B	i_{ges}	F_R [kN]	F_A [kN]	Type	kg	mm H																																																																																																																																																																																																																																																																																																																																																																												
22,0	6,1-61	3455	1,5	48,82	44,0	19,2	SK 82 - 160 LH/4 - SK 200E-222-340-A (-C) SK 82 - 160 LP/4 - SK 200E-222-340-A (-C)	448	C98-99																																																																																																																																																																																																																																																																																																																																																																												
	7,3-73	2865	1,4	40,45	44,5	18,8					3,2-32	6471	0,8	91,38	14,5	4,2	SK 73 - 160 LH/4 - SK 200E-222-340-A (-C) SK 73 - 160 LP/4 - SK 200E-222-340-A (-C)	349	C96-97		4,0-40	5300	1,0	74,87	18,0	5,8		4,9-49	4281	1,3	60,46	20,6	7,0		5,7-57	3704	1,5	52,24	21,9	7,6		6,5-65	3236	1,7	45,66	22,8	8,0		7,9-79	2670	1,9	37,63	23,6	8,4		8,9-89	2358	2,1	33,24	24,0	8,6		10-105	2009	2,5	28,32	24,1	8,8		6,8-68	3096	1,3	43,71	23,6	8,4	SK 72 - 160 LH/4 - SK 200E-222-340-A (-C) SK 72 - 160 LP/4 - SK 200E-222-340-A (-C)	339	C94-95		9,0-90	2344	1,4	33,04	23,7	8,5		10-104	2025	2,0	28,63	24,5	8,9		4,7-47	4461	0,8	62,87	10,8	6,3	SK 63 - 160 LH/4 - SK 200E-222-340-A (-C) SK 63 - 160 LP/4 - SK 200E-222-340-A (-C)	268	C92-93		5,5-55	3815	1,0	53,82	14,0	7,2		5,8-58	3602	1,0	50,73	14,8	7,5		6,8-68	3080	1,2	43,43	16,5	8,2		8,2-82	2561	1,4	36,11	17,8	8,7		9,6-96	2190	1,6	30,91	18,5	9,0		11-113	1866	1,7	26,28	19,0	9,2		13-135	1557	2,1	21,98	19,5	9,1		14-143	1474	2,2	20,77	19,6	9,3		8,0-80	2628	1,1	37,05	17,6	8,8	SK 62 - 160 LH/4 - SK 200E-222-340-A (-C) SK 62 - 160 LP/4 - SK 200E-222-340-A (-C)	270	C90-91		16-163	1287	2,4	18,14	19,8	9,3		19-188	1120	2,7	15,80	19,9	9,3		21-213	986	3,1	13,92	20,0	9,2		26-256	822	3,7	11,59	20,1	9,0		11-112	1873	1,0	26,46	0,6	16,8	SK 52 - 160 LH/4 - SK 200E-222-340-A (-C) SK 52 - 160 LP/4 - SK 200E-222-340-A (-C)	213	C86-87		12-124	1693	1,1	23,92	2,2	16,5		14-137	1534	1,2	21,68	4,3	16,5		15-152	1387	1,4	19,60	5,5	16,1		17-166	1262	1,5	17,81	6,4	15,7		21-212	992	1,9	14,00	7,8	14,7		22-220	954	1,9	13,45	7,9	14,9		28-280	749	2,3	10,58	7,5	13,8		34-336	626	2,7	8,83	7,2	13,1		38-385	546	2,9	7,70	7,1	12,7		17-168	1254	0,9	17,71	0	0	SK 42 - 160 LH/4 - SK 200E-222-340-A (-C) SK 42 - 160 LP/4 - SK 200E-222-340-A (-C)	184	C82-83		20-196	1070	1,2	15,12	0	0,7		21-206	1019	1,1	14,38	0	1,2		24-242	870	1,4	12,28	0	1,7		29-291	722	1,6	10,20	0	2,2		35-349	602	1,8	8,50	0,2	2,5		41-408	515	2,1	7,28	1,6	2,8		45-445	472	2,5	6,65	2,1	3,1		48-479	439	2,4	6,19	2,1	3,0		51-514	408	2,8	5,75	2,2	3,2		55-553	380	2,2	5,35	2,0	2,7		58-581	361	2,7	5,10	2,2	3,2		62-617	341	2,8	4,79	2,2	3,2		65-647	325	2,4	4,58	2,1	2,9		76-760	277
	3,2-32	6471	0,8	91,38	14,5	4,2	SK 73 - 160 LH/4 - SK 200E-222-340-A (-C) SK 73 - 160 LP/4 - SK 200E-222-340-A (-C)	349	C96-97																																																																																																																																																																																																																																																																																																																																																																												
	4,0-40	5300	1,0	74,87	18,0	5,8																																																																																																																																																																																																																																																																																																																																																																															
	4,9-49	4281	1,3	60,46	20,6	7,0																																																																																																																																																																																																																																																																																																																																																																															
	5,7-57	3704	1,5	52,24	21,9	7,6																																																																																																																																																																																																																																																																																																																																																																															
	6,5-65	3236	1,7	45,66	22,8	8,0																																																																																																																																																																																																																																																																																																																																																																															
	7,9-79	2670	1,9	37,63	23,6	8,4																																																																																																																																																																																																																																																																																																																																																																															
	8,9-89	2358	2,1	33,24	24,0	8,6																																																																																																																																																																																																																																																																																																																																																																															
	10-105	2009	2,5	28,32	24,1	8,8																																																																																																																																																																																																																																																																																																																																																																															
	6,8-68	3096	1,3	43,71	23,6	8,4	SK 72 - 160 LH/4 - SK 200E-222-340-A (-C) SK 72 - 160 LP/4 - SK 200E-222-340-A (-C)	339	C94-95																																																																																																																																																																																																																																																																																																																																																																												
	9,0-90	2344	1,4	33,04	23,7	8,5																																																																																																																																																																																																																																																																																																																																																																															
	10-104	2025	2,0	28,63	24,5	8,9																																																																																																																																																																																																																																																																																																																																																																															
	4,7-47	4461	0,8	62,87	10,8	6,3	SK 63 - 160 LH/4 - SK 200E-222-340-A (-C) SK 63 - 160 LP/4 - SK 200E-222-340-A (-C)	268	C92-93																																																																																																																																																																																																																																																																																																																																																																												
	5,5-55	3815	1,0	53,82	14,0	7,2																																																																																																																																																																																																																																																																																																																																																																															
	5,8-58	3602	1,0	50,73	14,8	7,5																																																																																																																																																																																																																																																																																																																																																																															
	6,8-68	3080	1,2	43,43	16,5	8,2																																																																																																																																																																																																																																																																																																																																																																															
	8,2-82	2561	1,4	36,11	17,8	8,7																																																																																																																																																																																																																																																																																																																																																																															
	9,6-96	2190	1,6	30,91	18,5	9,0																																																																																																																																																																																																																																																																																																																																																																															
	11-113	1866	1,7	26,28	19,0	9,2																																																																																																																																																																																																																																																																																																																																																																															
	13-135	1557	2,1	21,98	19,5	9,1																																																																																																																																																																																																																																																																																																																																																																															
	14-143	1474	2,2	20,77	19,6	9,3																																																																																																																																																																																																																																																																																																																																																																															
	8,0-80	2628	1,1	37,05	17,6	8,8	SK 62 - 160 LH/4 - SK 200E-222-340-A (-C) SK 62 - 160 LP/4 - SK 200E-222-340-A (-C)	270	C90-91																																																																																																																																																																																																																																																																																																																																																																												
	16-163	1287	2,4	18,14	19,8	9,3																																																																																																																																																																																																																																																																																																																																																																															
	19-188	1120	2,7	15,80	19,9	9,3																																																																																																																																																																																																																																																																																																																																																																															
	21-213	986	3,1	13,92	20,0	9,2																																																																																																																																																																																																																																																																																																																																																																															
	26-256	822	3,7	11,59	20,1	9,0																																																																																																																																																																																																																																																																																																																																																																															
	11-112	1873	1,0	26,46	0,6	16,8	SK 52 - 160 LH/4 - SK 200E-222-340-A (-C) SK 52 - 160 LP/4 - SK 200E-222-340-A (-C)	213	C86-87																																																																																																																																																																																																																																																																																																																																																																												
	12-124	1693	1,1	23,92	2,2	16,5																																																																																																																																																																																																																																																																																																																																																																															
	14-137	1534	1,2	21,68	4,3	16,5																																																																																																																																																																																																																																																																																																																																																																															
	15-152	1387	1,4	19,60	5,5	16,1																																																																																																																																																																																																																																																																																																																																																																															
	17-166	1262	1,5	17,81	6,4	15,7																																																																																																																																																																																																																																																																																																																																																																															
	21-212	992	1,9	14,00	7,8	14,7																																																																																																																																																																																																																																																																																																																																																																															
	22-220	954	1,9	13,45	7,9	14,9																																																																																																																																																																																																																																																																																																																																																																															
	28-280	749	2,3	10,58	7,5	13,8																																																																																																																																																																																																																																																																																																																																																																															
	34-336	626	2,7	8,83	7,2	13,1																																																																																																																																																																																																																																																																																																																																																																															
	38-385	546	2,9	7,70	7,1	12,7																																																																																																																																																																																																																																																																																																																																																																															
	17-168	1254	0,9	17,71	0	0				SK 42 - 160 LH/4 - SK 200E-222-340-A (-C) SK 42 - 160 LP/4 - SK 200E-222-340-A (-C)	184	C82-83																																																																																																																																																																																																																																																																																																																																																																									
	20-196	1070	1,2	15,12	0	0,7																																																																																																																																																																																																																																																																																																																																																																															
	21-206	1019	1,1	14,38	0	1,2																																																																																																																																																																																																																																																																																																																																																																															
	24-242	870	1,4	12,28	0	1,7																																																																																																																																																																																																																																																																																																																																																																															
	29-291	722	1,6	10,20	0	2,2																																																																																																																																																																																																																																																																																																																																																																															
	35-349	602	1,8	8,50	0,2	2,5																																																																																																																																																																																																																																																																																																																																																																															
	41-408	515	2,1	7,28	1,6	2,8																																																																																																																																																																																																																																																																																																																																																																															
	45-445	472	2,5	6,65	2,1	3,1																																																																																																																																																																																																																																																																																																																																																																															
	48-479	439	2,4	6,19	2,1	3,0																																																																																																																																																																																																																																																																																																																																																																															
	51-514	408	2,8	5,75	2,2	3,2																																																																																																																																																																																																																																																																																																																																																																															
	55-553	380	2,2	5,35	2,0	2,7																																																																																																																																																																																																																																																																																																																																																																															
	58-581	361	2,7	5,10	2,2	3,2																																																																																																																																																																																																																																																																																																																																																																															
	62-617	341	2,8	4,79	2,2	3,2																																																																																																																																																																																																																																																																																																																																																																															
	65-647	325	2,4	4,58	2,1	2,9																																																																																																																																																																																																																																																																																																																																																																															
	76-760	277	2,5	3,89	2,1	2,9																																																																																																																																																																																																																																																																																																																																																																															

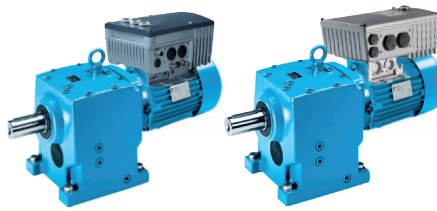
Helical gear units

1:8,7
0,43 kW



Helical gear units

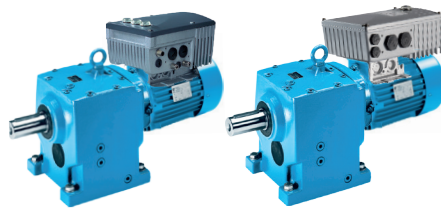
P_1 [kW]	n_2 [min ⁻¹]	M_{2b} [Nm]	f_B	i_{ges}	F_R	F_A [kN]	Type	kg	mm C
0,43	1,1-9,4	435	2,9	263,93	8,1	12,0	SK 43 - 71 S/4 - SK 200E-550-340-A (-C)	68	C84-85
	1,3-11	362	3,3	219,32	8,2	12,0	SK 43 - 71 S/4 - SK 180E-550-340-B (-C)		
	1,2-10	409	1,6	248,17	6,5	9,0	SK 33N - 71 S/4 - SK 200E-550-340-A (-C)	47	C80-81
	1,4-12	341	2,0	207,10	6,6	9,0			
	1,7-15	274	2,4	166,49	6,7	9,0	SK 33N - 71 S/4 - SK 180E-550-340-B (-C)		
	2,1-19	221	2,9	134,02	6,8	9,0			
	2,6-22	185	3,0	112,18	6,8	9,0			
	3,5-31	134	3,8	81,27	6,8	9,0	SK 32 - 71 S/4 - SK 200E-550-340-A (-C)	38	C78-79
	3,9-34	120	4,7	72,76	6,6	9,0	SK 32 - 71 S/4 - SK 180E-550-340-B (-C)		
	1,1-9,5	432	0,8	262,24	3,8	5,6	SK 23 - 71 S/4 - SK 200E-550-340-A (-C)	35	C76-77
	1,3-11	359	0,9	217,73	4,4	5,6			
	1,6-14	296	1,1	179,50	4,7	5,6	SK 23 - 71 S/4 - SK 180E-550-340-B (-C)		
	1,9-16	249	1,2	151,44	5,0	5,6			
	2,3-20	205	1,7	124,17	5,1	5,6			
	2,8-25	166	2,1	100,60	5,2	5,6			
	3,2-28	146	2,3	88,45	5,3	5,6			
	3,3-29	142	1,8	86,30	5,3	5,6	SK 22 - 71 S/4 - SK 200E-550-340-A (-C)	27	C74-75
	4,1-36	115	2,3	69,81	5,3	5,6			
	5,2-45	91,1	3,5	55,28	5,1	5,6	SK 22 - 71 S/4 - SK 180E-550-340-B (-C)		
	2,6-23	179	1,0	108,72	2,9	3,9	SK 13 - 71 S/4 - SK 200E-550-340-A (-C)	23	C72-73
	3,3-29	141	1,2	85,47	3,4	3,9	SK 13 - 71 S/4 - SK 180E-550-340-B (-C)		
	3,9-34	120	1,2	72,63	3,5	3,9	SK 12 - 71 S/4 - SK 200E-550-340-A (-C)	18	C70-71
	4,7-41	101	1,5	61,35	3,4	3,9			
	5,3-46	88,8	2,0	53,84	3,3	3,9	SK 12 - 71 S/4 - SK 180E-550-340-B (-C)		
	6,0-52	78,9	2,2	47,87	3,2	3,9			
	6,6-58	71,0	2,3	43,09	3,1	3,9			
	7,5-65	63,1	2,9	38,31	3,0	3,9			
	8,2-71	57,8	2,6	35,07	3,0	3,9			
	9,2-80	51,4	3,2	31,19	2,9	3,9			
	9,8-85	48,1	2,6	29,15	2,8	3,9			
	11-96	42,7	3,2	25,92	2,7	3,9			
	4,7-41	101	0,9	61,27	2,0	3,3	SK 02 - 71 S/4 - SK 200E-550-340-A (-C)		
	5,3-46	88,5	1,0	53,68	2,1	3,3			
	6,9-60	68,5	1,4	41,58	2,3	3,3	SK 02 - 71 S/4 - SK 180E-550-340-B (-C)		
	8,6-75	55,0	1,7	33,42	2,3	3,3			
	9,7-84	48,8	1,9	29,61	2,3	3,3			
	10-90	45,4	1,9	27,52	2,4	3,3			
	12-102	40,2	2,2	24,39	2,4	3,3			
	14-121	34,0	2,2	20,59	2,3	3,3			
	18-156	26,3	2,7	15,95	2,2	3,3			
	22-194	21,1	3,3	12,82	2,0	3,3			
	25-221	18,5	3,6	11,27	2,0	3,3			
	29-251	16,4	3,9	9,95	1,9	3,3			
	31-269	15,3	4,3	9,28	1,9	3,3			
	35-304	13,5	4,7	8,19	1,8	3,3			
	37-319	12,9	4,9	7,80	1,8	3,3			
	42-361	11,4	5,4	6,89	1,7	3,2			
	47-407	10,1	5,7	6,10	1,7	3,1			
	51-447	9,2	6,2	5,57	1,6	3,0			
	59-516	8,0	7,2	4,82	1,5	2,8			
	67-587	7,0	7,4	4,22	1,5	2,6			
	73-639	6,4	8,2	3,89	1,4	2,5			
	84-734	5,6	9,1	3,38	1,4	2,4			
	90-783	5,2	7,6	3,18	0	2,7	SK 11E - 71 S/4 - SK 200E-550-340-A (-C)	14	C58-59
							SK 11E - 71 S/4 - SK 180E-550-340-B (-C)		



P_1 [kW]	n_2 [min ⁻¹]	M_{2b} [Nm]	f_B	i_{ges}	F_R	F_A [kN]	Type	kg	mm C
0,64	1,1-9,4	648	2,0	263,93	7,7	12,0	SK 43 - 71 L/4 - SK 200E-750-340-A (-C)	69	C84-85
	1,3-11	538	2,2	219,32	8,0	12,0	SK 43 - 71 L/4 - SK 180E-750-340-B (-C)		
	1,6-14	449	2,3	182,76	8,1	12,0	SK 43 - 71 L/4 - SK 180E-750-340-B (-C)	48	C80-81
	1,2-10	609	1,1	248,17	6,0	9,0	SK 33N - 71 L/4 - SK 200E-750-340-A (-C)		
	1,4-12	508	1,3	207,10	6,3	9,0	SK 33N - 71 L/4 - SK 180E-750-340-B (-C)		
	1,7-15	408	1,6	166,49	6,5	9,0	SK 33N - 71 L/4 - SK 180E-750-340-B (-C)		
	2,1-19	329	2,0	134,02	6,6	9,0	SK 33N - 71 L/4 - SK 180E-750-340-B (-C)		
	2,6-22	275	2,0	112,18	6,7	9,0	SK 33N - 71 L/4 - SK 180E-750-340-B (-C)		
	3,2-28	217	2,5	88,18	6,6	9,0	SK 33N - 71 L/4 - SK 180E-750-340-B (-C)		
	3,5-31	199	2,6	81,27	6,6	9,0	SK 32 - 71 L/4 - SK 200E-750-340-A (-C)	39	C78-79
	3,9-34	178	3,1	72,76	6,4	9,0	SK 32 - 71 L/4 - SK 180E-750-340-B (-C)		
	1,9-16	371	0,8	151,44	2,2	5,6	SK 23 - 71 L/4 - SK 200E-750-340-A (-C)	36	C76-77
	2,3-20	305	1,1	124,17	4,7	5,6	SK 23 - 71 L/4 - SK 180E-750-340-B (-C)		
	2,8-25	247	1,4	100,60	5,0	5,6	SK 23 - 71 L/4 - SK 180E-750-340-B (-C)		
	3,2-28	217	1,6	88,45	5,1	5,6	SK 23 - 71 L/4 - SK 180E-750-340-B (-C)		
	3,3-29	212	1,2	86,30	5,1	5,6	SK 22 - 71 L/4 - SK 200E-750-340-A (-C)	28	C74-75
	4,1-36	171	1,5	69,81	5,2	5,6	SK 22 - 71 L/4 - SK 180E-750-340-B (-C)		
	5,2-45	136	2,4	55,28	4,9	5,6	SK 22 - 71 L/4 - SK 180E-750-340-B (-C)		
	6,2-54	113	2,6	45,90	4,7	5,6	SK 22 - 71 L/4 - SK 180E-750-340-B (-C)		
	3,9-34	178	0,8	72,63	1,7	3,9	SK 12 - 71 L/4 - SK 200E-750-340-A (-C)	19	C70-71
4,7-41	150	1,0	61,35	2,3	3,9	SK 12 - 71 L/4 - SK 180E-750-340-B (-C)			
5,3-46	132	1,3	53,84	2,7	3,9	SK 12 - 71 L/4 - SK 180E-750-340-B (-C)			
6,0-52	117	1,5	47,87	3,0	3,9	SK 12 - 71 L/4 - SK 180E-750-340-B (-C)			
6,6-58	106	1,5	43,09	2,9	3,9	SK 12 - 71 L/4 - SK 180E-750-340-B (-C)			
7,5-65	94,0	2,0	38,31	2,8	3,9	SK 12 - 71 L/4 - SK 180E-750-340-B (-C)			
8,2-71	86,0	1,7	35,07	2,8	3,9	SK 12 - 71 L/4 - SK 180E-750-340-B (-C)			
9,2-80	76,5	2,2	31,19	2,7	3,9	SK 12 - 71 L/4 - SK 180E-750-340-B (-C)			
9,8-85	71,6	1,7	29,15	2,7	3,9	SK 12 - 71 L/4 - SK 180E-750-340-B (-C)			
11-96	63,6	2,2	25,92	2,6	3,9	SK 12 - 71 L/4 - SK 180E-750-340-B (-C)			
13-117	52,2	3,2	21,28	2,5	3,9	SK 12 - 71 L/4 - SK 180E-750-340-B (-C)			
15-132	46,1	3,5	18,79	2,4	3,9	SK 12 - 71 L/4 - SK 180E-750-340-B (-C)			
17-149	41,1	3,7	16,73	2,4	3,9	SK 12 - 71 L/4 - SK 180E-750-340-B (-C)			
21-186	32,9	4,5	13,39	2,2	3,9	SK 12 - 71 L/4 - SK 180E-750-340-B (-C)			
6,9-60	102	1,0	41,58	1,9	3,3	SK 02 - 71 L/4 - SK 200E-750-340-A (-C)	17	C68-69	
8,6-75	81,9	1,2	33,42	2,2	3,3	SK 02 - 71 L/4 - SK 180E-750-340-B (-C)			
9,7-84	72,6	1,3	29,61	2,2	3,3	SK 02 - 71 L/4 - SK 180E-750-340-B (-C)			
10-90	67,6	1,3	27,52	2,3	3,3	SK 02 - 71 L/4 - SK 180E-750-340-B (-C)			
12-102	59,9	1,5	24,39	2,3	3,3	SK 02 - 71 L/4 - SK 180E-750-340-B (-C)			
14-121	50,5	1,5	20,59	2,2	3,3	SK 02 - 71 L/4 - SK 180E-750-340-B (-C)			
18-156	39,1	1,8	15,95	2,1	3,3	SK 02 - 71 L/4 - SK 180E-750-340-B (-C)			
22-194	31,4	2,2	12,82	2,0	3,3	SK 02 - 71 L/4 - SK 180E-750-340-B (-C)			
25-221	27,6	2,4	11,27	1,9	3,3	SK 02 - 71 L/4 - SK 180E-750-340-B (-C)			
29-251	24,4	2,6	9,95	1,8	3,3	SK 02 - 71 L/4 - SK 180E-750-340-B (-C)			
31-269	22,8	2,9	9,28	1,8	3,3	SK 02 - 71 L/4 - SK 180E-750-340-B (-C)			
35-304	20,1	3,1	8,19	1,7	3,2	SK 02 - 71 L/4 - SK 180E-750-340-B (-C)			
37-319	19,1	3,3	7,80	1,7	3,2	SK 02 - 71 L/4 - SK 180E-750-340-B (-C)			
42-361	16,9	3,6	6,89	1,7	3,1	SK 02 - 71 L/4 - SK 180E-750-340-B (-C)			
47-407	15,0	3,8	6,10	1,6	3,0	SK 02 - 71 L/4 - SK 180E-750-340-B (-C)			
51-447	13,7	4,2	5,57	1,6	2,9	SK 02 - 71 L/4 - SK 180E-750-340-B (-C)			
59-516	11,8	4,8	4,82	1,5	2,7	SK 02 - 71 L/4 - SK 180E-750-340-B (-C)			
67-587	10,4	5,0	4,22	1,4	2,5	SK 02 - 71 L/4 - SK 180E-750-340-B (-C)			
73-639	9,6	5,5	3,89	1,4	2,4	SK 02 - 71 L/4 - SK 180E-750-340-B (-C)			
84-734	8,3	6,1	3,38	1,3	2,3	SK 02 - 71 L/4 - SK 180E-750-340-B (-C)			
90-783	7,8	5,1	3,18	0	2,6	SK 11E - 71 L/4 - SK 200E-750-340-A (-C)	15	C58-59	
						SK 11E - 71 L/4 - SK 180E-750-340-B (-C)			

1:8,7
0,95 kW

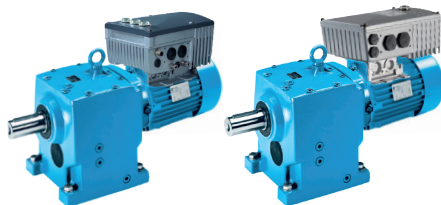
IE2



NORD
DRIVESYSTEMS

Helical gear units

P_1 [kW]	n_2 [min ⁻¹]	M_{2b} [Nm]	f_B	i_{ges}	F_R	F_A [kN]	Type	kg	mm C
0,95	1,2-11	848	2,3	236,21	13,8	23,8	SK 53 - 80 SH/4 - SK 200E-111-340-A (-C)	105	C88-89
	1,6-14	636	3,0	177,22	14,0	23,8	SK 53 - 80 SH/4 - SK 180E-111-340-B (-C)		
	1,0-9,1	999	1,3	278,51	6,7	12,0	SK 43 - 80 SH/4 - SK 200E-111-340-A (-C)	72	C84-85
	1,1-9,6	947	1,3	263,93	6,9	12,0			
	1,3-12	786	1,5	219,32	7,4	12,0	SK 43 - 80 SH/4 - SK 180E-111-340-B (-C)		
	1,4-12	733	1,8	204,42	7,6	12,0			
	1,6-14	656	1,6	182,76	7,7	12,0			
	1,7-15	609	1,9	169,86	7,8	12,0			
	2,1-18	508	2,1	141,55	8,0	12,0			
	2,2-20	464	2,7	129,38	8,1	12,0			
	2,7-24	385	2,9	107,51	8,2	12,0			
	3,1-27	340	3,6	94,96	8,2	12,0			
	3,6-32	287	4,3	79,96	8,3	12,0			
	1,2-10	890	0,8	248,17	4,9	9,0	SK 33N - 80 SH/4 - SK 200E-111-340-A (-C)	51	C80-81
	1,4-12	742	0,9	207,10	5,6	9,0			
	1,7-15	597	1,1	166,49	6,1	9,0	SK 33N - 80 SH/4 - SK 180E-111-340-B (-C)		
	2,2-19	480	1,4	134,02	6,4	9,0			
	2,6-23	402	1,4	112,18	6,4	9,0			
	3,3-29	317	1,7	88,18	6,2	9,0			
	3,6-31	291	1,8	81,27	6,1	9,0	SK 32 - 80 SH/4 - SK 200E-111-340-A (-C)	42	C78-79
	4,0-35	261	2,1	72,76	6,0	9,0			
	4,5-39	230	2,8	64,26	5,8	9,0	SK 32 - 80 SH/4 - SK 180E-111-340-B (-C)		
	5,1-44	206	3,0	57,53	5,7	9,0			
	6,3-55	166	3,2	46,31	5,4	9,0			
	2,3-20	445	0,8	124,17	0	5,6	SK 23 - 80 SH/4 - SK 200E-111-340-A (-C)	39	C76-77
	2,9-25	360	0,9	100,60	1,7	5,6			
	3,3-29	316	1,1	88,45	2,7	5,6	SK 23 - 80 SH/4 - SK 180E-111-340-B (-C)		
	3,7-32	280	1,2	78,05	3,5	5,6			
	3,4-29	309	0,8	86,30	3,2	5,6	SK 22 - 80 SH/4 - SK 200E-111-340-A (-C)	31	C74-75
	4,2-36	250	1,1	69,81	4,1	5,6			
	5,3-46	198	1,6	55,28	4,5	5,6	SK 22 - 80 SH/4 - SK 180E-111-340-B (-C)		
	6,3-55	165	1,8	45,90	4,3	5,6			
	6,8-59	153	2,2	42,82	4,3	5,6			
	8,2-71	127	2,6	35,55	4,1	5,6			
	9,9-86	105	2,8	29,31	3,9	5,6			
	12-102	88,5	2,8	24,73	3,8	5,6			
	5,4-47	193	0,9	53,84	0,2	3,9	SK 12 - 80 SH/4 - SK 200E-111-340-A (-C)	22	C70-71
	6,1-53	172	1,0	47,87	0,7	3,9			
	6,8-59	154	1,0	43,09	0,9	3,9	SK 12 - 80 SH/4 - SK 180E-111-340-B (-C)		
	7,6-66	137	1,3	38,31	1,4	3,9			
	8,3-72	126	1,2	35,07	1,5	3,9			
	9,3-81	112	1,5	31,19	1,8	3,9			
	10-87	105	1,2	29,15	1,8	3,9			
	11-98	92,9	1,5	25,92	2,1	3,9			
	14-119	76,3	2,2	21,28	2,3	3,9			
	15-135	67,4	2,4	18,79	2,3	3,9			
	17-151	60,0	2,6	16,73	2,2	3,9			
	22-189	48,0	3,1	13,39	2,1	3,9			
	27-237	38,3	3,5	10,70	2,0	3,8			
	30-262	34,6	3,9	9,65	1,9	3,6			
	8,7-76	120	0,8	33,42	0,3	3,3	SK 02 - 80 SH/4 - SK 200E-111-340-A (-C)		
	9,8-85	106	0,9	29,61	0,7	3,3			
	11-92	98,7	0,9	27,52	0,8	3,3	SK 02 - 80 SH/4 - SK 180E-111-340-B (-C)		
	12-104	87,5	1,0	24,39	1,1	3,3			
	13-109	83,0	0,9	23,13	1,1	3,3			



P_1 [kW]	n_2 [min ⁻¹]	M_{2b} [Nm]	f_B	i_{ges}	F_R [kN]	F_A [kN]	Type	kg	mm C		
0,95	14-123	73,8	1,0	20,59	1,9	3,3	SK 02 - 80 SH/4 - SK 200E-111-340-A (-C)	20	C68-69		
	18-159	57,2	1,3	15,95	1,9	3,3					
	23-198	45,9	1,5	12,82	1,8	3,3	SK 02 - 80 SH/4 - SK 180E-111-340-B (-C)				
	26-225	40,3	1,7	11,27	1,8	3,3					
	29-255	35,6	1,8	9,95	1,7	3,2					
	31-273	33,2	2,0	9,28	1,7	3,1					
	35-309	29,4	2,1	8,19	1,7	3,0					
	37-325	28,0	2,3	7,80	1,6	3,0					
	42-367	24,7	2,5	6,89	1,6	2,9					
	48-414	21,9	2,6	6,10	1,5	2,9					
	52-454	20,0	2,9	5,57	1,5	2,7					
	60-525	17,3	3,3	4,82	1,4	2,5					
	69-597	15,2	3,4	4,22	1,4	2,4					
	75-649	14,0	3,8	3,89	1,4	2,3					
	86-746	12,2	4,2	3,38	1,3	2,2					
	91-795	11,4	3,5	3,18	0	2,5	SK 11E - 80 SH/4 - SK 200E-111-340-A (-C)	18	C58-59		
							SK 11E - 80 SH/4 - SK 180E-111-340-B (-C)				
1,30	1,2-11	1163	1,7	236,21	13,3	23,8	SK 53 - 80 LH/4 - SK 200E-151-340-A (-C)	106	C88-89		
	1,6-14	872	2,2	177,22	13,8	23,8	SK 53 - 80 LP/4 - SK 200E-151-340-A (-C)				
	2,1-18	685	3,3	139,34	14,0	23,8	SK 53 - 80 LH/4 - SK 180E-151-340-B (-C)				
							SK 53 - 80 LP/4 - SK 180E-151-340-B (-C)	73	C84-85		
	1,0-9,1	1369	0,9	278,51	4,8	12,0	SK 43 - 80 LH/4 - SK 200E-151-340-A (-C)				
	1,1-9,6	1298	1,0	263,93	5,3	12,0	SK 43 - 80 LP/4 - SK 200E-151-340-A (-C)				
	1,3-12	1078	1,1	219,32	6,4	12,0					
	1,4-12	1005	1,3	204,42	6,7	12,0	SK 43 - 80 LH/4 - SK 180E-151-340-B (-C)				
	1,6-14	899	1,1	182,76	7,1	12,0	SK 43 - 80 LP/4 - SK 180E-151-340-B (-C)				
	1,7-15	835	1,4	169,86	7,3	12,0					
	2,0-18	696	1,5	141,55	7,6	12,0					
	2,2-20	636	2,0	129,38	7,8	12,0					
	2,7-24	528	2,1	107,51	8,0	12,0					
	3,1-27	467	2,7	94,96	8,1	12,0					
	3,6-32	393	3,1	79,96	8,1	12,0					
4,1-36	345	3,7	70,12	7,9	12,0						
	1,7-15	818	0,8	166,49	4,5	9,0	SK 33N - 80 LH/4 - SK 200E-151-340-A (-C)			52	C80-81
	2,2-19	659	1,0	134,02	5,8	9,0	SK 33N - 80 LP/4 - SK 200E-151-340-A (-C)				
	2,6-23	552	1,0	112,18	5,7	9,0					
	3,3-29	434	1,2	88,18	5,6	9,0	SK 33N - 80 LH/4 - SK 180E-151-340-B (-C)				
						SK 33N - 80 LP/4 - SK 180E-151-340-B (-C)	43	C78-79			
3,6-31	400	1,3	81,27	5,7	9,0	SK 32 - 80 LH/4 - SK 200E-151-340-A (-C)					
4,0-35	357	1,6	72,76	5,6	9,0	SK 32 - 80 LP/4 - SK 200E-151-340-A (-C)					
4,5-39	316	2,0	64,26	5,5	9,0						
5,0-44	283	2,2	57,53	5,4	9,0	SK 32 - 80 LH/4 - SK 180E-151-340-B (-C)					
6,3-55	228	2,3	46,31	5,1	9,0	SK 32 - 80 LP/4 - SK 180E-151-340-B (-C)					
7,5-65	191	2,3	38,76	4,9	9,0						
8,8-77	162	2,3	33,05	4,7	9,0						
9,5-83	150	4,3	30,43	4,7	9,0						
	5,3-46	272	1,2	55,28	2,3	5,6			SK 22 - 80 LH/4 - SK 200E-151-340-A (-C)	32	C74-75
	6,3-55	226	1,3	45,90	3,0	5,6	SK 22 - 80 LP/4 - SK 200E-151-340-A (-C)				
	6,8-59	210	1,6	42,82	3,6	5,6					
	8,2-71	175	1,9	35,55	3,9	5,6	SK 22 - 80 LH/4 - SK 180E-151-340-B (-C)				
	9,9-86	144	2,0	29,31	3,7	5,6	SK 22 - 80 LP/4 - SK 180E-151-340-B (-C)				
	12-102	121	2,0	24,73	3,6	5,6					
	17-151	82,3	4,1	16,75	3,3	5,6					
	20-172	72,1	4,7	14,69	3,2	5,6					
	6,1-53	235	0,8	47,87	0	3,9	SK 12 - 80 LH/4 - SK 200E-151-340-A (-C)	23	C70-71		
	6,7-59	212	0,8	43,09	0	3,9	SK 12 - 80 LP/4 - SK 200E-151-340-A (-C)				
	7,6-66	188	1,0	38,31	0	3,9					
	8,3-72	172	0,9	35,07	0	3,9	SK 12 - 80 LH/4 - SK 180E-151-340-B (-C)				
	9,3-81	153	1,1	31,19	0	3,9	SK 12 - 80 LP/4 - SK 180E-151-340-B (-C)				
	10-87	143	0,9	29,15	0	3,8					

1:8,7

1,30 kW
1,90 kW



Helical gear units

P ₁ [kW]	n ₂ [min ⁻¹]	M _{2b} [Nm]	f _B	i _{ges}	F _R	F _A	Type	mm	
								kg	
1,30	11-97	127	1,1	25,92	0,5	3,8	SK 12 - 80 LH/4 - SK 200E-151-340-A (-C) SK 12 - 80 LP/4 - SK 200E-151-340-A (-C) SK 12 - 80 LH/4 - SK 180E-151-340-B (-C) SK 12 - 80 LP/4 - SK 180E-151-340-B (-C)	23	C70-71
	14-119	105	1,6	21,28	1,7	3,9			
	15-134	92,4	1,7	18,79	1,9	3,9			
	17-151	82,3	1,9	16,73	2,1	3,9			
	22-189	65,9	2,3	13,39	2,0	3,7			
	27-236	52,5	2,6	10,70	1,9	3,6			
	30-262	47,5	2,8	9,65	1,9	3,5			
	34-295	42,0	3,1	8,56	1,8	3,4			
	37-322	38,6	3,4	7,85	1,8	3,3			
	40-346	35,8	3,5	7,28	1,7	3,3			
44-386	32,1	3,9	6,53	1,7	3,1				
50-437	28,4	4,3	5,79	1,6	3,0				
1,30	18-158	78,4	0,9	15,95	1,1	3,2	SK 02 - 80 LH/4 - SK 200E-151-340-A (-C) SK 02 - 80 LP/4 - SK 200E-151-340-A (-C) SK 02 - 80 LH/4 - SK 180E-151-340-B (-C) SK 02 - 80 LP/4 - SK 180E-151-340-B (-C)	21	C68-69
	23-197	63,0	1,1	12,82	1,4	3,1			
	26-225	55,3	1,2	11,27	1,7	3,0			
	29-254	48,9	1,3	9,95	1,6	3,0			
	31-272	45,6	1,4	9,28	1,6	2,9			
	35-308	40,3	1,6	8,19	1,6	2,9			
	37-324	38,3	1,6	7,80	1,5	2,8			
	42-366	33,9	1,8	6,89	1,5	2,8			
	47-413	30,1	1,9	6,10	1,5	2,7			
	52-453	27,4	2,1	5,57	1,4	2,6			
	60-524	23,7	2,4	4,82	1,4	2,4			
	68-595	20,8	2,5	4,22	1,3	2,3			
	74-648	19,2	2,8	3,89	1,3	2,2			
	86-744	16,7	3,1	3,38	1,3	2,1			
91-794	15,6	2,6	3,18	0	2,4	SK 11E - 80 LH/4 - SK 200E-151-340-A (-C) SK 11E - 80 LP/4 - SK 200E-151-340-A (-C) SK 11E - 80 LH/4 - SK 180E-151-340-B (-C) SK 11E - 80 LP/4 - SK 180E-151-340-B (-C)	19	C58-59	
1,90	1,1-9,6	1893	1,9	265,32	19,0	24,8	SK 63 - 90 SH/4 - SK 200E-221-340-A (-C) SK 63 - 90 SP/4 - SK 200E-221-340-A (-C) SK 63 - 90 SH/4 - SK 180E-221-340-B (-C) SK 63 - 90 SP/4 - SK 180E-221-340-B (-C)	147	C92-93
	1,4-12	1529	2,4	214,10	19,5	24,0			
	1,2-11	1687	1,1	236,21	12,2	23,8			
	1,6-14	1265	1,5	177,22	13,2	23,8			
	2,1-18	994	2,2	139,34	13,6	23,8			
	2,8-24	754	2,9	105,87	13,9	23,8			
	3,1-27	680	3,3	95,49	14,0	23,8			
	3,4-29	619	2,8	86,92	14,0	23,8			
	3,7-32	560	2,9	78,56	14,1	23,8			
	3,4-29	619	2,8	86,92	14,0	23,8			
3,7-32	560	2,9	78,56	14,1	23,8				
SK 52 - 90 SH/4 - SK 200E-221-340-A (-C) SK 52 - 90 SP/4 - SK 200E-221-340-A (-C) SK 52 - 90 SH/4 - SK 180E-221-340-B (-C) SK 52 - 90 SP/4 - SK 180E-221-340-B (-C)	92	C86-87							
1,90	1,3-12	1563	0,8	219,32	3,0	12,0	SK 43 - 90 SH/4 - SK 200E-221-340-A (-C) SK 43 - 90 SP/4 - SK 200E-221-340-A (-C) SK 43 - 90 SH/4 - SK 180E-221-340-B (-C) SK 43 - 90 SP/4 - SK 180E-221-340-B (-C)	78	C84-85
	1,4-12	1458	0,9	204,42	4,1	12,0			
	1,6-14	1304	0,8	182,76	5,3	12,0			
	1,7-15	1211	1,0	169,86	5,8	12,0			
	2,1-18	1010	1,0	141,55	6,7	12,0			
	2,3-20	922	1,3	129,38	7,0	12,0			
	2,7-24	765	1,5	107,51	7,5	12,0			
	3,1-27	677	1,8	94,96	7,5	12,0			
	2,8-24	749	1,2	105,08	7,5	12,0			
	3,4-30	607	1,3	85,10	7,5	12,0			
3,9-34	534	2,0	74,87	7,4	12,0				
4,8-42	432	2,3	60,66	7,1	12,0				
SK 42 - 90 SH/4 - SK 200E-221-340-A (-C) SK 42 - 90 SP/4 - SK 200E-221-340-A (-C) SK 42 - 90 SH/4 - SK 180E-221-340-B (-C) SK 42 - 90 SP/4 - SK 180E-221-340-B (-C)	63	C82-83							



P_1 [kW]	n_2 [min ⁻¹]	M_{2b} [Nm]	f_B	i_{ges}	F_R [kN]	F_A [kN]	Type	kg	mm C
1,90	3,6-31	579	0,9	81,27	4,9	9,0	SK 32 - 90 SH/4 - SK 200E-221-340-A (-C)	48	C78-79
	4,0-35	518	1,1	72,76	4,9	9,0	SK 32 - 90 SP/4 - SK 200E-221-340-A (-C)		
	4,6-40	458	1,4	64,26	4,9	9,0			
	5,1-44	410	1,5	57,53	4,8	9,0	SK 32 - 90 SH/4 - SK 180E-221-340-B (-C)		
	6,3-55	329	2,0	46,25	4,7	9,0	SK 32 - 90 SP/4 - SK 180E-221-340-B (-C)		
	7,5-66	276	1,6	38,76	4,5	9,0			
	7,9-68	265	2,2	37,23	4,5	9,0			
	8,9-77	235	1,6	33,05	4,4	9,0			
	9,4-82	222	2,3	31,16	4,3	9,0			
	9,6-84	217	2,9	30,43	4,4	9,0			
	11-93	194	3,1	27,24	4,3	9,0			
	13-110	165	3,8	23,12	4,1	8,7			
14-123	147	4,5	20,70	4,0	8,5				
	5,3-46	394	0,8	55,28	0	5,6	SK 22 - 90 SH/4 - SK 200E-221-340-A (-C)	37	C74-75
	6,4-55	327	0,9	45,90	0	5,6	SK 22 - 90 SP/4 - SK 200E-221-340-A (-C)		
	6,8-59	305	1,1	42,82	0	5,6			
	8,2-72	253	1,3	35,55	1,0	5,6	SK 22 - 90 SH/4 - SK 180E-221-340-B (-C)		
	8,4-73	247	1,4	34,69	1,4	5,6	SK 22 - 90 SP/4 - SK 180E-221-340-B (-C)		
	10-87	209	1,4	29,31	1,7	5,6			
	10-88	205	1,8	28,80	2,1	5,6			
	12-107	169	1,9	23,74	2,6	5,6			
	15-127	143	2,0	20,03	3,0	5,5			
	17-152	119	2,8	16,75	3,1	5,5			
	20-173	105	3,2	14,69	3,0	5,4			
	24-209	86,9	3,8	12,20	2,9	5,2			
27-233	77,7	4,1	10,89	2,8	5,0				
	14-120	152	1,1	21,28	0	3,3	SK 12 - 90 SH/4 - SK 200E-221-340-A (-C)	28	C70-71
	16-135	134	1,2	18,79	0,2	3,4	SK 12 - 90 SP/4 - SK 200E-221-340-A (-C)		
	17-152	119	1,3	16,73	0,6	3,4			
	22-190	95,5	1,6	13,39	1,0	3,3	SK 12 - 90 SH/4 - SK 180E-221-340-B (-C)		
	27-238	76,2	1,8	10,70	1,6	3,2	SK 12 - 90 SP/4 - SK 180E-221-340-B (-C)		
	30-264	68,8	2,0	9,65	1,6	3,2			
	34-298	60,9	2,1	8,56	1,7	3,1			
	37-324	56,0	2,3	7,85	1,6	3,0			
	40-349	52,0	2,4	7,28	1,6	3,0			
	45-390	46,6	2,7	6,53	1,6	2,8			
	51-440	41,2	3,0	5,79	1,5	2,7			
	59-516	35,2	3,3	4,93	1,5	2,6			
65-567	32,0	3,7	4,49	1,4	2,5				
68-591	30,7	3,6	4,32	1,4	2,5				
74-640	28,4	4,0	3,98	1,4	2,4				
	23-199	91,3	0,8	12,82	0	2,6	SK 02 - 90 SH/4 - SK 200E-221-340-A (-C)	26	C68-69
	26-226	80,1	0,8	11,27	0,3	2,6	SK 02 - 90 SP/4 - SK 200E-221-340-A (-C)		
	29-256	70,8	0,9	9,95	0,6	2,6			
	32-274	66,1	1,0	9,28	0,7	2,6	SK 02 - 90 SH/4 - SK 180E-221-340-B (-C)		
	36-311	58,4	1,1	8,19	0,9	2,6	SK 02 - 90 SP/4 - SK 180E-221-340-B (-C)		
	38-326	55,6	1,1	7,80	0,9	2,5			
	42-369	49,1	1,2	6,89	1,1	2,4			
	48-416	43,6	1,3	6,10	1,4	2,4			
	53-457	39,7	1,4	5,57	1,3	2,3			
	61-528	34,4	1,7	4,82	1,3	2,1			
	69-600	30,2	1,7	4,22	1,3	2,1			
	75-653	27,8	1,9	3,89	1,2	2,0			
86-750	24,2	2,1	3,38	1,2	1,9				
92-800	22,7	1,8	3,18	0	2,3	SK 11E - 90 SH/4 - SK 200E-221-340-A (-C)	24	C58-59	
						SK 11E - 90 SP/4 - SK 200E-221-340-A (-C)			
							SK 11E - 90 SH/4 - SK 180E-221-340-B (-C)		
							SK 11E - 90 SP/4 - SK 180E-221-340-B (-C)		

Helical gear units


1:8,7
2,60 kW



Helical gear units

P ₁ [kW]	n ₂ [min ⁻¹]	M _{2b} [Nm]	f _B	i _{ges}	F _R	F _A	Type	mm																																																																																																																																																																																																																																																																																																																																																	
								kg																																																																																																																																																																																																																																																																																																																																																	
2,60	1,1-9,5	2611	1,4	265,32	17,7	22,9	SK 63 - 90 LH/4 - SK 200E-301-340-A (-C) SK 63 - 90 LP/4 - SK 200E-301-340-A (-C)	150	C92-93																																																																																																																																																																																																																																																																																																																																																
	1,4-12	2108	1,7	214,10	18,7	22,4					1,2-11	2326	0,8	236,21	10,0	23,8	SK 53 - 90 LH/4 - SK 200E-301-340-A (-C) SK 53 - 90 LP/4 - SK 200E-301-340-A (-C)	114	C88-89		1,6-14	1745	1,1	177,22	12,1	23,8		2,1-18	1371	1,6	139,34	13,0	23,8		2,7-24	1040	2,1	105,87	13,5	23,8		3,0-26	938	2,4	95,49	13,7	23,8		3,3-29	854	2,0	86,92	13,8	23,8	SK 52 - 90 LH/4 - SK 200E-301-340-A (-C) SK 52 - 90 LP/4 - SK 200E-301-340-A (-C)	95	C86-87		3,7-32	772	2,1	78,56	13,9	23,8		4,1-35	703	2,3	71,39	13,9	23,8		8,1-70	354	3,9	36,03	14,2	23,8		8,9-78	320	3,9	32,56	13,9	23,8		2,0-18	1393	0,8	141,55	2,2	11,5	SK 43 - 90 LH/4 - SK 200E-301-340-A (-C) SK 43 - 90 LP/4 - SK 200E-301-340-A (-C)	81	C84-85		2,2-20	1271	1,0	129,38	5,5	12,0		2,7-24	1056	1,1	107,51	6,5	12,0		3,1-27	933	1,3	94,96	6,6	12,0		2,8-24	1033	0,8	105,08	6,6	12,0	SK 42 - 90 LH/4 - SK 200E-301-340-A (-C) SK 42 - 90 LP/4 - SK 200E-301-340-A (-C)	66	C82-83		3,4-30	837	1,0	85,10	6,6	12,0		3,9-34	736	1,5	74,87	6,6	12,0		4,8-42	596	1,7	60,66	6,5	12,0		9,5-83	300	3,6	30,46	5,8	11,7		12-102	243	3,7	24,67	5,6	11,2		4,5-39	632	1,0	64,26	2,7	8,6	SK 32 - 90 LH/4 - SK 200E-301-340-A (-C) SK 32 - 90 LP/4 - SK 200E-301-340-A (-C)	51	C78-79		5,0-44	565	1,1	57,53	3,3	8,6		6,3-55	454	1,5	46,25	4,2	8,7		7,5-65	381	1,2	38,76	4,0	8,4		7,8-68	366	1,6	37,23	4,1	8,5		8,8-77	324	1,2	33,05	4,0	8,2		9,3-81	306	1,7	31,16	4,0	8,3		9,5-83	299	2,1	30,43	4,1	8,5		11-93	268	2,2	27,24	4,0	8,3		13-109	227	2,8	23,12	3,9	8,2		14-122	203	3,2	20,70	3,8	8,0		16-135	183	3,4	18,67	3,7	7,8		6,8-59	421	0,8	42,82	0	4,8	SK 22 - 90 LH/4 - SK 200E-301-340-A (-C) SK 22 - 90 LP/4 - SK 200E-301-340-A (-C)	40	C74-75		8,2-71	350	0,9	35,55	0	4,9		8,4-73	341	1,0	34,69	0	5,0		9,9-86	289	1,0	29,31	0	4,9		10-88	283	1,3	28,80	0	5,0		12-106	234	1,4	23,74	0,1	5,0		15-126	197	1,4	20,03	0,7	4,9		17-151	165	2,1	16,75	2,2	5,0		20-172	144	2,3	14,69	2,6	5,0		24-207	120	2,7	12,20	2,7	4,8		27-232	107	3,0	10,89	2,7	4,7		34-298	83,2	3,1	8,48	2,5	4,4		38-333	74,5	3,3	7,57	2,5	4,3		42-368	67,4
	1,2-11	2326	0,8	236,21	10,0	23,8	SK 53 - 90 LH/4 - SK 200E-301-340-A (-C) SK 53 - 90 LP/4 - SK 200E-301-340-A (-C)	114	C88-89																																																																																																																																																																																																																																																																																																																																																
	1,6-14	1745	1,1	177,22	12,1	23,8																																																																																																																																																																																																																																																																																																																																																			
	2,1-18	1371	1,6	139,34	13,0	23,8																																																																																																																																																																																																																																																																																																																																																			
	2,7-24	1040	2,1	105,87	13,5	23,8																																																																																																																																																																																																																																																																																																																																																			
	3,0-26	938	2,4	95,49	13,7	23,8																																																																																																																																																																																																																																																																																																																																																			
	3,3-29	854	2,0	86,92	13,8	23,8	SK 52 - 90 LH/4 - SK 200E-301-340-A (-C) SK 52 - 90 LP/4 - SK 200E-301-340-A (-C)	95	C86-87																																																																																																																																																																																																																																																																																																																																																
	3,7-32	772	2,1	78,56	13,9	23,8																																																																																																																																																																																																																																																																																																																																																			
	4,1-35	703	2,3	71,39	13,9	23,8																																																																																																																																																																																																																																																																																																																																																			
	8,1-70	354	3,9	36,03	14,2	23,8																																																																																																																																																																																																																																																																																																																																																			
	8,9-78	320	3,9	32,56	13,9	23,8																																																																																																																																																																																																																																																																																																																																																			
	2,0-18	1393	0,8	141,55	2,2	11,5	SK 43 - 90 LH/4 - SK 200E-301-340-A (-C) SK 43 - 90 LP/4 - SK 200E-301-340-A (-C)	81	C84-85																																																																																																																																																																																																																																																																																																																																																
	2,2-20	1271	1,0	129,38	5,5	12,0																																																																																																																																																																																																																																																																																																																																																			
	2,7-24	1056	1,1	107,51	6,5	12,0																																																																																																																																																																																																																																																																																																																																																			
	3,1-27	933	1,3	94,96	6,6	12,0																																																																																																																																																																																																																																																																																																																																																			
	2,8-24	1033	0,8	105,08	6,6	12,0	SK 42 - 90 LH/4 - SK 200E-301-340-A (-C) SK 42 - 90 LP/4 - SK 200E-301-340-A (-C)	66	C82-83																																																																																																																																																																																																																																																																																																																																																
	3,4-30	837	1,0	85,10	6,6	12,0																																																																																																																																																																																																																																																																																																																																																			
	3,9-34	736	1,5	74,87	6,6	12,0																																																																																																																																																																																																																																																																																																																																																			
	4,8-42	596	1,7	60,66	6,5	12,0																																																																																																																																																																																																																																																																																																																																																			
	9,5-83	300	3,6	30,46	5,8	11,7																																																																																																																																																																																																																																																																																																																																																			
	12-102	243	3,7	24,67	5,6	11,2																																																																																																																																																																																																																																																																																																																																																			
	4,5-39	632	1,0	64,26	2,7	8,6	SK 32 - 90 LH/4 - SK 200E-301-340-A (-C) SK 32 - 90 LP/4 - SK 200E-301-340-A (-C)	51	C78-79																																																																																																																																																																																																																																																																																																																																																
	5,0-44	565	1,1	57,53	3,3	8,6																																																																																																																																																																																																																																																																																																																																																			
	6,3-55	454	1,5	46,25	4,2	8,7																																																																																																																																																																																																																																																																																																																																																			
	7,5-65	381	1,2	38,76	4,0	8,4																																																																																																																																																																																																																																																																																																																																																			
	7,8-68	366	1,6	37,23	4,1	8,5																																																																																																																																																																																																																																																																																																																																																			
	8,8-77	324	1,2	33,05	4,0	8,2																																																																																																																																																																																																																																																																																																																																																			
	9,3-81	306	1,7	31,16	4,0	8,3																																																																																																																																																																																																																																																																																																																																																			
	9,5-83	299	2,1	30,43	4,1	8,5																																																																																																																																																																																																																																																																																																																																																			
	11-93	268	2,2	27,24	4,0	8,3																																																																																																																																																																																																																																																																																																																																																			
	13-109	227	2,8	23,12	3,9	8,2																																																																																																																																																																																																																																																																																																																																																			
	14-122	203	3,2	20,70	3,8	8,0																																																																																																																																																																																																																																																																																																																																																			
	16-135	183	3,4	18,67	3,7	7,8																																																																																																																																																																																																																																																																																																																																																			
	6,8-59	421	0,8	42,82	0	4,8				SK 22 - 90 LH/4 - SK 200E-301-340-A (-C) SK 22 - 90 LP/4 - SK 200E-301-340-A (-C)	40	C74-75																																																																																																																																																																																																																																																																																																																																													
	8,2-71	350	0,9	35,55	0	4,9																																																																																																																																																																																																																																																																																																																																																			
	8,4-73	341	1,0	34,69	0	5,0																																																																																																																																																																																																																																																																																																																																																			
	9,9-86	289	1,0	29,31	0	4,9																																																																																																																																																																																																																																																																																																																																																			
	10-88	283	1,3	28,80	0	5,0																																																																																																																																																																																																																																																																																																																																																			
	12-106	234	1,4	23,74	0,1	5,0																																																																																																																																																																																																																																																																																																																																																			
	15-126	197	1,4	20,03	0,7	4,9																																																																																																																																																																																																																																																																																																																																																			
	17-151	165	2,1	16,75	2,2	5,0																																																																																																																																																																																																																																																																																																																																																			
	20-172	144	2,3	14,69	2,6	5,0																																																																																																																																																																																																																																																																																																																																																			
	24-207	120	2,7	12,20	2,7	4,8																																																																																																																																																																																																																																																																																																																																																			
	27-232	107	3,0	10,89	2,7	4,7																																																																																																																																																																																																																																																																																																																																																			
	34-298	83,2	3,1	8,48	2,5	4,4																																																																																																																																																																																																																																																																																																																																																			
	38-333	74,5	3,3	7,57	2,5	4,3																																																																																																																																																																																																																																																																																																																																																			
	42-368	67,4	3,8	6,86	2,4	4,2																																																																																																																																																																																																																																																																																																																																																			



P ₁ [kW]	n ₂ [min ⁻¹]	M _{2b} [Nm]	f _B	i _{ges}	F _R	F _A	Type	mm	
								kg	
2,60	14-119	209	0,8	21,28	0	2,6	SK 12 - 90 LH/4 - SK 200E-301-340-A (-C) SK 12 - 90 LP/4 - SK 200E-301-340-A (-C)	31	C70-71
	15-134	185	0,9	18,79	0	2,7			
	17-151	165	0,9	16,73	0	2,8			
	22-189	132	1,1	13,39	0	2,8			
	27-236	105	1,3	10,70	0,4	2,9			
	30-262	94,9	1,4	9,65	0,5	2,8			
	34-295	84,0	1,5	8,56	0,8	2,8			
	37-322	77,2	1,7	7,85	0,9	2,7			
	40-346	71,7	1,7	7,28	1,1	2,7			
	44-386	64,2	2,0	6,53	1,1	2,5			
	50-437	56,9	2,1	5,79	1,2	2,5			
	59-512	48,5	2,4	4,93	1,4	2,4			
	65-562	44,2	2,7	4,49	1,3	2,2			
	67-586	42,4	2,6	4,32	1,4	2,3			
	73-635	39,1	2,9	3,98	1,3	2,2			
	86-744	33,4	3,3	3,39	1,3	2,1			
	35-308	80,6	0,8	8,19	0	2,1	SK 02 - 90 LH/4 - SK 200E-301-340-A (-C) SK 02 - 90 LP/4 - SK 200E-301-340-A (-C)	29	C68-69
	37-324	76,7	0,8	7,80	0	2,0			
	42-366	67,8	0,9	6,89	0	2,0			
	47-413	60,1	0,9	6,10	0,6	2,1			
	52-453	54,8	1,0	5,57	0,5	2,0			
	60-524	47,4	1,2	4,82	0,5	1,9			
	68-595	41,7	1,2	4,22	0,9	1,9			
	74-648	38,3	1,4	3,89	0,9	1,8			
	86-744	33,4	1,5	3,38	1,0	1,8			
		88-763	32,5	3,2	3,31	0			
	91-794	31,3	1,3	3,18	0	2,1	SK 11E - 90 LH/4 - SK 200E-301-340-A (-C) SK 11E - 90 LP/4 - SK 200E-301-340-A (-C)	27	C58-59
3,80	1,4-12	3075	2,9	216,61	44,3	36,5	SK 83 - 100 LH/4 - SK 200E-401-340-A (-C) SK 83 - 100 LP/4 - SK 200E-401-340-A (-C)	346	C100-101
	1,4-12	2920	1,8	205,61	26,3	18,6			
	1,8-15	2359	2,4	166,03	27,0	18,3			
	2,4-21	1767	2,8	124,41	27,6	17,7			
	1,1-9,6	3772	1,0	265,32	14,2	19,6			
	1,4-12	3045	1,2	214,10	16,6	19,7			
	1,6-14	2569	1,4	180,57	17,8	19,7			
	2,0-17	2074	1,8	145,71	18,7	19,4			
	2,7-24	1535	2,4	107,89	19,5	18,7			
	3,4-29	1239	2,6	87,06	19,8	18,1			
	3,8-33	1100	3,4	77,46	19,9	17,7			
	1,7-14	2520	0,8	177,22	9,1	23,8			
	2,1-18	1980	1,1	139,34	11,4	23,8			
	2,8-24	1502	1,5	105,87	12,7	23,8			
	3,1-27	1355	1,6	95,49	13,0	23,8			
	3,7-32	1132	1,6	79,69	13,4	23,8			
4,5-39	928	2,1	65,35	13,7	23,8				
	3,4-29	1234	1,4	86,92	13,2	23,8	SK 52 - 100 LH/4 - SK 200E-401-340-A (-C) SK 52 - 100 LP/4 - SK 200E-401-340-A (-C)	103	C86-87
3,7-33	1115	1,4	78,56	13,4	23,8				
4,1-36	1015	1,6	71,39	13,6	23,8				
4,9-43	845	2,2	59,54	13,8	23,8				
5,5-48	764	2,5	53,81	13,9	23,8				
6,0-52	695	2,8	48,90	13,9	23,8				


1:8,7
3,80 kW



Helical gear units

P_1 [kW]	n_2 [min ⁻¹]	M_{2b} [Nm]	f_B	i_{ges}	F_R [kN]	F_A [kN]	Type	kg	mm C
3,80	3,1-27	1348	0,9	94,96	0,9	9,4	SK 43 - 100 LH/4 - SK 200E-401-340-A (-C) SK 43 - 100 LP/4 - SK 200E-401-340-A (-C)	89	C84-85
	3,7-32	1136	1,1	79,96	4,0	10,0			
	4,2-36	996	1,3	70,12	5,3	10,3			
	3,9-34	1063	1,0	74,87	5,4	10,6	SK 42 - 100 LH/4 - SK 200E-401-340-A (-C) SK 42 - 100 LP/4 - SK 200E-401-340-A (-C)	74	C82-83
	4,8-42	861	1,2	60,66	5,4	10,7			
	5,8-50	724	1,5	50,98	5,5	11,0			
	7,1-62	586	2,0	41,29	5,4	10,8			
	8,3-72	501	2,5	35,25	5,3	10,6			
	9,6-84	433	2,5	30,46	5,3	10,6			
	10-87	416	2,5	29,29	5,2	10,4			
	12-104	350	2,5	24,67	5,1	10,3			
	13-117	310	3,5	21,87	5,0	10,1			
	6,4-55	656	1,0	46,25	0,1	6,8	SK 32 - 100 LH/4 - SK 200E-401-340-A (-C) SK 32 - 100 LP/4 - SK 200E-401-340-A (-C)	59	C78-79
	7,9-69	529	1,1	37,23	1,4	6,9			
	9,4-82	443	1,2	31,16	2,3	6,9			
	9,6-84	432	1,5	30,43	3,4	7,2			
	11-94	387	1,6	27,24	3,5	7,2			
	13-111	328	1,9	23,12	3,5	7,2			
	14-124	294	2,2	20,70	3,4	7,1			
16-137	265	2,4	18,67	3,4	7,0				
18-157	231	2,8	16,25	3,3	7,0				
20-176	206	3,3	14,55	3,3	6,8				
25-218	166	4,3	11,71	3,1	6,2				
10-89	409	0,9	28,80	0	3,6	SK 22 - 100 LH/4 - SK 200E-401-340-A (-C) SK 22 - 100 LP/4 - SK 200E-401-340-A (-C)	48	C74-75	
12-107	338	1,0	23,74	0	3,8				
15-128	284	1,0	20,03	0	3,8				
18-153	238	1,4	16,75	0	4,2				
20-174	208	1,6	14,69	0,2	4,2				
24-210	173	1,9	12,20	0,8	4,2				
27-234	155	2,0	10,89	1,3	4,2				
35-302	120	2,2	8,48	1,7	3,9				
39-337	108	2,3	7,57	2,0	3,8				
43-373	97,4	2,6	6,86	2,2	3,7				
45-392	92,5	2,5	6,51	2,2	3,6				
51-443	81,9	2,6	5,79	2,1	3,5				
57-493	73,6	2,2	5,18	2,1	3,3				
63-551	65,8	2,3	4,62	2,0	3,2				
22-191	190	0,8	13,39	0	1,9	SK 12 - 100 LH/4 - SK 200E-401-340-A (-C) SK 12 - 100 LP/4 - SK 200E-401-340-A (-C)	39	C70-71	
27-239	152	0,9	10,70	0	2,1				
30-265	137	1,0	9,65	0	2,1				
34-299	121	1,1	8,56	0	2,1				
37-325	112	1,2	7,85	0	2,1				
40-351	104	1,2	7,28	0	2,1				
45-391	92,8	1,4	6,53	0	2,0				
51-442	82,2	1,5	5,79	0,1	2,0				
60-518	70,1	1,7	4,93	0,4	2,0				
65-569	63,8	1,8	4,49	0,3	1,9				
68-593	61,2	1,8	4,32	0,7	2,0				
74-642	56,5	2,0	3,98	0,6	1,9				
87-753	48,2	2,3	3,39	0,8	1,8				
89-772	47,0	2,2	3,31	0	3,7	SK 31E - 100 LH/4 - SK 200E-401-340-A (-C) SK 31E - 100 LP/4 - SK 200E-401-340-A (-C)	46	C62-63	



P ₁ [kW]	n ₂ [min ⁻¹]	M _{2b} [Nm]	f _B	i _{ges}	F _R	F _A	Type	mm	
								kg	
5,20	1,3-12 2,1-19	4241 2677	2,1 2,8	216,61 136,78	43,3 44,6	34,1 31,9	SK 83 - 100 AH/4 - SK 200E-551-340-A (-C) SK 83 - 100 AP/4 - SK 200E-551-340-A (-C)	349	C100-101
	1,4-12 1,8-15 2,3-20 2,9-25 3,2-28	4027 3253 2436 1968 1789	1,3 1,7 2,1 2,0 3,0	205,61 166,03 124,41 100,46 91,38	24,3 25,8 26,9 27,4 27,5	16,2 16,3 16,2 16,0 15,8	SK 73 - 100 AH/4 - SK 200E-551-340-A (-C) SK 73 - 100 AP/4 - SK 200E-551-340-A (-C)	242	C96-97
	1,4-12 1,6-14 2,0-17 2,7-23 3,3-29 3,8-33 4,6-40 5,4-47 5,7-50	4200 3543 2860 2117 1709 1518 1233 1055 996	0,9 1,0 1,3 1,7 1,9 2,4 3,0 3,5 3,7	214,10 180,57 145,71 107,89 87,06 77,46 62,87 53,82 50,73	12,3 15,1 17,1 18,6 19,3 19,5 19,8 20,0 20,0	16,6 17,0 17,3 17,1 16,8 16,6 16,1 15,7 15,6	SK 63 - 100 AH/4 - SK 200E-551-340-A (-C) SK 63 - 100 AP/4 - SK 200E-551-340-A (-C)	161	C92-93
	2,1-18 2,8-24 3,1-27 3,7-32 4,5-39 4,9-43	2731 2072 1869 1561 1279 1154	0,8 1,1 1,2 1,2 1,5 1,7	139,34 105,87 95,49 79,69 65,35 58,94	5,3 11,1 11,7 12,5 13,1 13,4	23,8 23,8 23,8 23,8 23,8 23,8	SK 53 - 100 AH/4 - SK 200E-551-340-A (-C) SK 53 - 100 AP/4 - SK 200E-551-340-A (-C)	125	C88-89
	3,4-29 3,7-32 4,1-35 4,9-43 5,4-47 6,0-52 7,6-66 8,1-70 9,0-78 9,1-79 11-96 12-106	1702 1538 1400 1166 1054 959 753 705 637 629 518 468	1,0 1,0 1,1 1,6 1,8 2,0 2,2 2,0 2,0 2,2 3,7 4,1	86,92 78,56 71,39 59,54 53,81 48,90 38,45 36,03 32,56 32,09 26,46 23,92	12,2 12,6 12,9 13,3 13,5 13,6 13,5 13,4 13,0 12,8 12,4 12,1	23,8 23,8 23,8 23,8 23,8 23,8 23,8 23,8 23,8 23,8 23,8 23,8	SK 52 - 100 AH/4 - SK 200E-551-340-A (-C) SK 52 - 100 AP/4 - SK 200E-551-340-A (-C)	106	C86-87
	3,6-32 4,2-36 5,0-44	1567 1373 1140	0,8 0,9 1,0	79,96 70,12 58,27	0 0 0,9	6,5 7,3 7,9	SK 43 - 100 AH/4 - SK 200E-551-340-A (-C) SK 43 - 100 AP/4 - SK 200E-551-340-A (-C)	92	C84-85
	4,8-42 5,7-50 7,1-61 8,3-72 9,6-83 10-87 12-103 13-116 16-143 19-168	1188 999 809 691 597 574 483 428 347 296	0,8 1,1 1,5 1,8 1,8 1,8 1,8 2,6 3,4 4,2	60,66 50,98 41,29 35,25 30,46 29,29 24,67 21,87 17,71 15,12	1,2 4,5 4,6 4,6 4,7 4,6 4,6 4,6 4,5 4,4	8,1 8,8 9,0 9,1 9,4 9,1 9,2 9,2 8,9 8,6	SK 42 - 100 AH/4 - SK 200E-551-340-A (-C) SK 42 - 100 AP/4 - SK 200E-551-340-A (-C)	77	C82-83
	9,6-83 11-93 13-110 14-123 16-136 18-156	596 534 452 405 365 318	1,1 1,1 1,4 1,6 1,7 2,0	30,43 27,24 23,12 20,70 18,67 16,25	0 0,5 1,8 2,3 2,8 3,0	5,8 5,9 6,1 6,1 6,1 6,0	SK 32 - 100 AH/4 - SK 200E-551-340-A (-C) SK 32 - 100 AP/4 - SK 200E-551-340-A (-C)	62	C78-79

Helical gear units

1:8,7

5,20 kW
6,90 kW



Helical gear units

P ₁ [kW]	n ₂ [min ⁻¹]	M _{2b} [Nm]	f _B	i _{ges}	F _R	F _A [kN]	Type	mm					
								kg					
5,20	19-169	294	1,7	15,03	2,9	5,8	SK 32 - 100 AH/4 - SK 200E-551-340-A (-C) SK 32 - 100 AP/4 - SK 200E-551-340-A (-C)	62	C78-79				
	20-175	285	2,4	14,55	2,9	5,9							
	25-217	229	3,1	11,71	2,9	5,5							
	30-259	192	3,4	9,80	2,8	5,3							
	35-304	163	3,7	8,36	2,7	5,0							
	37-321	155	4,2	7,90	2,7	5,0							
	41-360	138	3,2	7,05	2,6	4,7							
	43-377	132	4,6	6,74	2,6	4,8							
	51-446	111	5,4	5,70	2,5	4,6							
	53-462	108	4,2	5,50	2,5	4,4							
	55-479	104	6,2	5,28	2,5	4,5							
	66-573	86,7	5,3	4,43	2,4	4,2							
	78-677	73,4	6,3	3,75	2,3	4,0							
	5,20	17-151	328	1,0	16,75	0				3,3	SK 22 - 100 AH/4 - SK 200E-551-340-A (-C) SK 22 - 100 AP/4 - SK 200E-551-340-A (-C)	51	C74-75
20-173		287	1,2	14,69	0	3,4							
24-208		239	1,4	12,20	0	3,4							
27-232		214	1,5	10,89	0	3,4							
34-300		166	1,6	8,48	0	3,2							
38-335		148	1,7	7,57	0,3	3,2							
42-370		134	1,9	6,86	0,8	3,2							
45-389		128	1,8	6,51	0,8	3,1							
51-439		113	1,9	5,79	1,2	3,1							
56-489		101	1,6	5,18	0,9	2,9							
63-547		90,8	1,7	4,62	1,2	2,8							
73-636		78,1	1,8	3,97	1,5	2,8							
83-718		69,2	1,9	3,53	1,7	2,7							
5,20		34-297	167	0,8	8,56	0	1,4	SK 12 - 100 AH/4 - SK 200E-551-340-A (-C) SK 12 - 100 AP/4 - SK 200E-551-340-A (-C)	42	C70-71			
	37-323	154	0,9	7,85	0	1,4							
	40-348	143	0,9	7,28	0	1,5							
	45-388	128	1,0	6,53	0	1,4							
	50-438	113	1,1	5,79	0	1,5							
	59-514	96,6	1,2	4,93	0	1,6							
	65-564	88,0	1,3	4,49	0	1,5							
	68-588	84,4	1,3	4,32	0	1,6							
	73-637	77,9	1,5	3,98	0	1,5							
	86-747	66,4	1,6	3,39	0	1,5							
	5,20	88-766	64,8	1,6	3,31	0	3,5				SK 31E - 100 AH/4 - SK 200E-551-340-A (-C) SK 31E - 100 AP/4 - SK 200E-551-340-A (-C)	49	C62-63
	6,90	1,4-12	5594	1,6	216,61	41,7	31,3				SK 83 - 112 MH/4 - SK 200E-751-340-A (-C) SK 83 - 112 MP/4 - SK 200E-751-340-A (-C)	359	C100-101
		2,1-19	3532	2,1	136,78	44,0	30,0						
6,90	1,4-12	5312	1,0	205,61	20,9	13,2	SK 73 - 112 MH/4 - SK 200E-751-340-A (-C) SK 73 - 112 MP/4 - SK 200E-751-340-A (-C)	252	C96-97				
	1,8-15	4291	1,3	166,03	23,7	13,9							
	2,4-21	3214	1,6	124,41	25,8	14,4							
	2,9-25	2596	1,5	100,46	26,7	14,5							
	3,2-28	2360	2,3	91,38	27,0	14,4							
	3,9-34	1933	2,8	74,87	27,4	14,3							
6,90	1,6-14	4673	0,8	180,57	9,3	13,9	SK 63 - 112 MH/4 - SK 200E-751-340-A (-C) SK 63 - 112 MP/4 - SK 200E-751-340-A (-C)	171	C92-93				
	2,0-17	3773	1,0	145,71	14,2	14,7							
	2,2-19	3431	1,1	132,54	15,4	14,9							
	2,7-24	2793	1,3	107,89	17,3	15,2							
	3,4-29	2255	1,4	87,06	18,4	15,3							
	3,8-33	2002	1,8	77,46	18,8	15,2							
	4,7-41	1627	2,3	62,87	19,4	15,0							
	5,4-47	1391	2,7	53,82	19,6	14,8							
	5,8-50	1313	2,8	50,73	19,7	14,7							



P_1 [kW]	n_2 [min ⁻¹]	M_{2b} [Nm]	f_B	i_{ges}	F_R [kN]	F_A [kN]	Type	kg	mm C
6,90	6,0-52	1260	2,0	48,73	19,8	14,7	SK 62 - 112 MH/4 - SK 200E-751-340-A (-C) SK 62 - 112 MP/4 - SK 200E-751-340-A (-C)	173	C90-91
	3,4-29	2245	0,8	86,92	9,8	23,8	SK 52 - 112 MH/4 - SK 200E-751-340-A (-C) SK 52 - 112 MP/4 - SK 200E-751-340-A (-C)	116	C86-87
	3,7-32	2029	0,8	78,56	11,2	23,8			
	4,1-36	1847	0,9	71,39	11,8	23,8			
	4,9-43	1538	1,2	59,54	12,6	23,8			
	5,4-47	1390	1,4	53,81	12,9	23,8			
	6,0-52	1265	1,5	48,90	13,2	23,8			
	7,3-63	1042	1,8	40,37	13,0	23,8			
	7,6-66	994	1,7	38,45	12,8	23,8			
	8,0-69	949	2,0	36,69	12,8	23,8			
	8,1-71	930	1,5	36,03	12,8	23,8			
	9,0-78	841	1,5	32,56	12,5	23,8			
	9,1-79	830	1,7	32,09	12,2	23,8			
	10-88	745	2,7	28,85	12,0	23,8			
11-96	683	2,8	26,46	11,9	23,8				
12-107	617	3,1	23,92	11,6	23,8				
	5,7-50	1318	0,8	50,98	0	6,3	SK 42 - 112 MH/4 - SK 200E-751-340-A (-C) SK 42 - 112 MP/4 - SK 200E-751-340-A (-C)	87	C82-83
	7,1-62	1067	1,1	41,29	0,8	6,9			
	8,3-72	911	1,3	35,25	2,7	7,3			
	9,6-84	787	1,4	30,46	4,0	7,8			
	10-87	757	1,3	29,29	3,9	7,5			
	11-99	669	1,9	25,88	4,0	7,8			
	12-103	638	1,4	24,67	4,0	7,9			
	13-117	564	1,9	21,87	4,1	8,1			
	14-119	555	2,1	21,50	4,0	7,8			
	16-142	463	2,2	17,92	3,9	7,5			
	17-144	457	2,6	17,71	4,0	7,8			
	19-169	390	3,2	15,12	4,0	7,5			
	20-177	371	3,1	14,38	4,0	7,5			
	24-208	317	3,8	12,28	3,9	7,2			
	9,6-84	787	0,8	30,43	0	3,8	SK 32 - 112 MH/4 - SK 200E-751-340-A (-C) SK 32 - 112 MP/4 - SK 200E-751-340-A (-C)	72	C78-79
	11-94	704	0,9	27,24	0	4,0			
	13-110	597	1,1	23,12	0	4,5			
	14-123	534	1,2	20,70	0	4,6			
	16-137	482	1,3	18,67	0,1	4,7			
	18-157	419	1,5	16,25	1,2	4,9			
	20-176	375	1,8	14,55	1,7	4,8			
	25-218	302	2,3	11,71	2,3	4,7			
	30-260	253	2,6	9,80	2,5	4,6			
	35-306	215	2,8	8,36	2,4	4,4			
	37-323	204	3,2	7,90	2,5	4,5			
	42-362	182	2,5	7,05	2,3	4,1			
	44-379	174	3,5	6,74	2,4	4,3			
	52-448	147	4,1	5,70	2,4	4,2			
	53-464	142	3,2	5,50	2,3	4,0			
	55-482	137	4,7	5,28	2,3	4,1			
66-576	114	4,0	4,43	2,2	3,8				
78-681	96,8	4,7	3,75	2,1	3,7				
	18-152	433	0,8	16,75	0	1,9	SK 22 - 112 MH/4 - SK 200E-751-340-A (-C) SK 22 - 112 MP/4 - SK 200E-751-340-A (-C)	61	C74-75
	20-174	379	0,9	14,69	0	2,2			
	24-209	315	1,0	12,20	0	2,3			
	27-234	282	1,1	10,89	0	2,5			
	35-301	219	1,2	8,48	0	2,5			
	39-337	196	1,3	7,57	0	2,5			
	43-372	177	1,4	6,86	0	2,6			
	45-392	168	1,4	6,51	0	2,6			

Helical gear units

1:8,7


6,90 kW
9,50 kW



P ₁ [kW]	n ₂ [min ⁻¹]	M _{2b} [Nm]	f _B	i _{ges}	F _R	F _A	Type	mm	
								kg	mm
6,90	51-442	149	1,4	5,79	0	2,6	SK 22 - 112 MH/4 - SK 200E-751-340-A (-C) SK 22 - 112 MP/4 - SK 200E-751-340-A (-C)	61	C74-75
	57-492	134	1,2	5,18	0	2,4			
	63-550	120	1,3	4,62	0	2,4			
	74-640	103	1,3	3,97	0,4	2,4			
	83-722	91,3	1,4	3,53	0,7	2,4			
89-771	85,5	5,8	3,31	0	5,5	SK 51E - 112 MH/4 - SK 200E-751-340-A (-C) SK 51E - 112 MP/4 - SK 200E-751-340-A (-C)	77	C66-67	
86-746	88,3	1,6	3,42	0	4,1	SK 41E - 112 MH/4 - SK 200E-751-340-A (-C) SK 41E - 112 MP/4 - SK 200E-751-340-A (-C)	68	C64-65	
89-771	85,5	1,2	3,31	0	3,2	SK 31E - 112 MH/4 - SK 200E-751-340-A (-C) SK 31E - 112 MP/4 - SK 200E-751-340-A (-C)	59	C62-63	
9,50	1,4-12	7320	3,2	207,47	100,9	82,9	SK 103 - 132 SH/4 - SK 200E-112-340-A (-C) SK 103 - 132 SP/4 - SK 200E-112-340-A (-C)	787	C104-105
	1,6-14	6636	2,1	187,89	64,6	52,2	SK 93 - 132 SH/4 - SK 200E-112-340-A (-C) SK 93 - 132 SP/4 - SK 200E-112-340-A (-C)	568	C102-103
	2,7-24	3856	3,0	109,14	66,2	47,5			
	1,4-12	7642	1,2	216,61	38,1	26,9	SK 83 - 132 SH/4 - SK 200E-112-340-A (-C) SK 83 - 132 SP/4 - SK 200E-112-340-A (-C)	389	C100-101
	1,8-16	5813	1,5	164,70	41,4	27,3			
	2,2-19	4824	1,5	136,78	42,7	27,2			
	2,8-25	3670	2,5	104,00	43,8	26,7			
	3,7-32	2846	3,2	80,62	44,5	25,9			
	1,8-15	5862	1,0	166,03	18,9	10,3	SK 73 - 132 SH/4 - SK 200E-112-340-A (-C) SK 73 - 132 SP/4 - SK 200E-112-340-A (-C)	282	C96-97
	2,4-21	4396	1,3	124,57	23,5	11,7			
	2,9-26	3546	1,1	100,46	25,3	12,3			
	3,2-28	3224	1,7	91,38	25,8	12,4			
	3,9-34	2641	2,0	74,87	26,6	12,6			
	4,9-43	2133	2,6	60,46	27,2	12,6			
	5,7-49	1846	3,0	52,24	27,5	12,5			
	2,2-19	4687	0,8	132,54	9,2	11,4			
	2,7-24	3815	1,0	107,89	14,0	12,3			
	2,8-24	3784	1,0	106,95	14,1	12,4			
	3,4-29	3080	1,0	87,06	16,5	13,0			
	3,8-33	2735	1,4	77,46	17,4	13,2			
	4,7-41	2222	1,7	62,87	18,5	13,3			
	5,5-48	1900	1,9	53,82	19,0	13,3			
	5,8-51	1794	2,1	50,73	19,1	13,3			
	6,8-59	1534	2,4	43,43	19,5	13,2			
	8,2-71	1276	2,9	36,11	19,8	13,0			
	6,1-53	1721	1,5	48,73	19,2	13,4	SK 62 - 132 SH/4 - SK 200E-112-340-A (-C) SK 62 - 132 SP/4 - SK 200E-112-340-A (-C)	203	C90-91
	8,0-69	1309	2,3	37,05	19,7	13,1			
5,0-43	2100	0,9	59,54	7,1	23,8	SK 52 - 132 SH/4 - SK 200E-112-340-A (-C) SK 52 - 132 SP/4 - SK 200E-112-340-A (-C)	146	C86-87	
5,5-48	1899	1,0	53,81	8,7	23,8				
6,0-53	1728	1,1	48,90	10,0	23,8				
7,3-64	1424	1,3	40,37	12,0	23,8				
7,7-67	1358	1,2	38,45	11,7	23,8				
8,0-70	1296	1,5	36,69	11,8	23,8				
8,2-71	1271	1,1	36,03	11,8	23,8				
9,1-79	1149	1,1	32,56	11,6	23,8				
9,2-80	1134	1,2	32,09	11,3	23,6				
10-89	1018	2,0	28,85	11,2	23,4				
11-97	933	2,0	26,46	11,2	23,4				
12-108	843	2,3	23,92	11,0	22,9				
14-119	764	2,5	21,68	10,8	22,4				
15-131	691	2,8	19,60	10,5	21,9				
17-144	629	3,1	17,81	10,3	21,4				

Helical gear units



P ₁ [kW]	n ₂ [min ⁻¹]	M _{2b} [Nm]	f _B	i _{ges}	F _R	F _A [kN]	Type	mm					
								kg					
9,50	7,2-62	1458	0,8	41,29	0	3,3	SK 42 - 132 SH/4 - SK 200E-112-340-A (-C) SK 42 - 132 SP/4 - SK 200E-112-340-A (-C)	117	C82-83				
	8,4-73	1245	1,0	35,25	0	4,0							
	9,7-84	1076	1,0	30,46	0	5,2							
	10-88	1034	1,0	29,29	0	4,7							
	11-99	914	1,4	25,88	0,5	5,3							
	12-104	871	1,0	24,67	1,6	5,6							
	14-120	759	1,5	21,50	2,6	5,6							
	16-143	633	1,6	17,92	3,2	5,7							
	17-145	625	1,9	17,71	3,4	6,1							
	20-170	533	2,3	15,12	3,4	6,1							
	21-179	507	2,3	14,38	3,5	6,2							
	24-209	433	2,8	12,28	3,4	6,1							
	29-252	360	3,2	10,20	3,4	5,9							
	35-302	300	3,6	8,50	3,3	5,7							
	41-354	257	4,2	7,28	3,3	5,6							
	43-377	241	1,7	6,82	0	6,4	SK 51E - 132 SH/4 - SK 200E-112-340-A (-C) SK 51E - 132 SP/4 - SK 200E-112-340-A (-C)	107	C66-67				
	54-467	194	1,1	5,50	0	6,1							
	73-636	143	2,9	4,04	0	5,6							
	89-777	117	4,2	3,31	0	5,2							
	56-487	186	1,0	5,27	0	4,1	SK 41E - 132 SH/4 - SK 200E-112-340-A (-C) SK 41E - 132 SP/4 - SK 200E-112-340-A (-C)	98	C64-65				
	69-599	151	1,0	4,29	0	3,9							
	76-662	137	1,1	3,88	0	3,9							
	86-752	121	1,2	3,42	0	3,7							
13,0	1,4-12	10020	2,3	207,47	99,6	78,6	SK 103 - 132 MH/4 - SK 200E-152-340-A (-C) SK 103 - 132 MP/4 - SK 200E-152-340-A (-C)	794	C104-105				
	1,6-14	9081	1,5	187,89	62,4	47,8				SK 93 - 132 MH/4 - SK 200E-152-340-A (-C) SK 93 - 132 MP/4 - SK 200E-152-340-A (-C)	575	C102-103	
	2,7-24	5277	2,2	109,14	65,5	45,0							
	3,2-28	4513	3,1	93,34	65,9	43,9							
		1,8-16	7955	1,1	164,70	37,5				22,9	SK 83 - 132 MH/4 - SK 200E-152-340-A (-C) SK 83 - 132 MP/4 - SK 200E-152-340-A (-C)	396	C100-101
		2,8-25	5022	1,8	104,00	42,4				23,9			
		3,7-32	3895	2,3	80,62	43,6				23,7			
		4,2-37	3390	2,6	70,24	44,1				23,5			
		4,8-42	2985	3,0	61,89	44,4				23,2			
		2,4-21	6016	0,9	124,57	18,3				8,0	SK 73 - 132 MH/4 - SK 200E-152-340-A (-C) SK 73 - 132 MP/4 - SK 200E-152-340-A (-C)	289	C96-97
		2,9-26	4853	0,8	100,46	22,3				9,3			
		3,2-28	4412	1,2	91,38	23,4				9,7			
		3,9-34	3613	1,5	74,87	25,1				10,4			
		4,9-43	2919	1,9	60,46	26,3				10,8			
		5,7-49	2525	2,2	52,24	26,8				11,0			
6,5-56		2206	2,4	45,66	27,1	11,0							
7,8-68		1820	2,7	37,63	27,5	11,0							
6,8-59	2111	1,9	43,71	27,2	11,2	SK 72 - 132 MH/4 - SK 200E-152-340-A (-C) SK 72 - 132 MP/4 - SK 200E-152-340-A (-C)	279	C94-95					
	3,4-29	4215	0,8	87,06	12,2	9,8	SK 63 - 132 MH/4 - SK 200E-152-340-A (-C) SK 63 - 132 MP/4 - SK 200E-152-340-A (-C)	208	C92-93				
	3,8-33	3743	1,0	77,46	14,3	10,4							
	4,7-41	3041	1,2	62,87	16,6	11,1							
	5,5-48	2601	1,4	53,82	17,7	11,4							
	5,8-51	2455	1,5	50,73	18,0	11,5							
	6,8-59	2100	1,8	43,43	18,7	11,6							
	8,2-71	1746	2,1	36,11	19,2	11,7							
	9,6-83	1493	2,4	30,91	19,5	11,6							
	11-98	1272	2,5	26,28	19,8	11,5							
	13-117	1061	3,0	21,98	19,9	11,2							
	14-124	1005	3,2	20,77	20,0	11,2							

1:8,7


13,0 kW
16,0 kW



Helical gear units

P ₁ [kW]	n ₂ [min ⁻¹]	M _{2b} [Nm]	f _B	i _{ges}	F _R	F _A [kN]	Type	mm				
								kg				
13,0	8,0-69	1791	1,7	37,05	19,2	11,7	SK 62 - 132 MH/4 - SK 200E-152-340-A (-C) SK 62 - 132 MP/4 - SK 200E-152-340-A (-C)	210	C90-91			
	7,3-64	1949	1,0	40,37	4,6	22,5	SK 52 - 132 MH/4 - SK 200E-152-340-A (-C) SK 52 - 132 MP/4 - SK 200E-152-340-A (-C)	153	C86-87			
	8,0-70	1773	1,1	36,69	6,1	22,3						
	8,2-71	1739	0,8	36,03	7,2	22,4						
	9,1-79	1572	0,8	32,56	8,5	22,1						
	10-89	1393	1,5	28,85	8,6	21,4						
	11-97	1277	1,5	26,46	10,3	21,7						
	12-108	1154	1,7	23,92	10,2	21,3						
	14-119	1046	1,8	21,68	10,1	21,0						
	15-131	945	2,0	19,60	9,9	20,6						
	17-144	860	2,2	17,81	9,7	20,1						
	21-184	676	2,8	14,00	9,2	18,1						
	22-191	650	2,8	13,45	9,2	18,1						
	11-99	1250	1,0	25,88	0	2,1				SK 42 - 132 MH/4 - SK 200E-152-340-A (-C) SK 42 - 132 MP/4 - SK 200E-152-340-A (-C)	124	C82-83
	14-120	1038	1,1	21,50	0	2,9						
16-143	866	1,2	17,92	0	3,4							
17-145	855	1,4	17,71	0	4,0							
20-170	730	1,7	15,12	1,5	4,2							
21-179	694	1,7	14,38	2,4	4,5							
24-209	593	2,0	12,28	2,8	4,6							
29-252	492	2,4	10,20	2,9	4,7							
35-302	411	2,6	8,50	2,9	4,7							
41-354	351	3,1	7,28	2,9	4,7							
44-386	322	3,6	6,65	2,9	4,8							
48-415	299	3,6	6,19	2,9	4,7							
51-446	278	4,1	5,75	2,9	4,7							
55-480	259	3,2	5,35	2,7	4,4							
73-636	195	2,1	4,04	0	5,1	SK 51E - 132 MH/4 - SK 200E-152-340-A (-C) SK 51E - 132 MP/4 - SK 200E-152-340-A (-C)	114	C66-67				
89-777	160	3,1	3,31	0	4,8							
56-487	255	0,8	5,27	0	3,3	SK 41E - 132 MH/4 - SK 200E-152-340-A (-C) SK 41E - 132 MP/4 - SK 200E-152-340-A (-C)	105	C64-65				
76-662	188	0,8	3,88	0	3,3							
86-752	165	0,8	3,42	0	3,2							
16,0	1,4-12	12380	1,9	207,47	98,0	75,0	SK 103 - 132 LH/4 - SK 200E-182-340-A (-C)	794	C104-105			
	1,6-14	11220	1,2	187,89	59,9	44,1	SK 93 - 132 LH/4 - SK 200E-182-340-A (-C)	575	C102-103			
	2,7-23	6520	1,8	109,14	64,7	42,8						
	3,1-27	5576	2,5	93,34	65,3	42,0						
	4,1-35	4322	3,1	72,47	66,0	40,4						
	1,8-16	9829	0,9	164,70	32,5	19,0	SK 83 - 132 LH/4 - SK 200E-182-340-A (-C)	396	C100-101			
	2,8-25	6205	1,5	104,00	40,8	21,5						
	3,6-32	4812	1,9	80,62	42,7	21,8						
	4,2-36	4189	2,1	70,24	43,4	21,8						
	4,8-41	3688	2,4	61,89	43,8	21,7						
	5,7-50	3075	2,9	51,51	44,3	21,5						
	6,0-53	2910	1,8	48,82	44,4	21,5				SK 82 - 132 LH/4 - SK 200E-182-340-A (-C)	388	C98-99
	2,4-21	7433	0,8	124,57	9,5	4,8	SK 73 - 132 LH/4 - SK 200E-182-340-A (-C)	289	C96-97			
	3,2-28	5451	1,0	91,38	20,4	7,4						
	3,9-34	4465	1,2	74,87	23,3	8,5						
4,9-42	3606	1,6	60,46	25,1	9,3							
5,6-49	3120	1,8	52,24	26,0	9,6							
6,4-56	2726	2,0	45,66	26,5	9,9							
7,8-68	2249	2,2	37,63	27,1	10,1							
8,8-77	1986	2,5	33,24	27,4	10,1							
10-90	1692	3,0	28,32	27,5	10,1							



P ₁ [kW]	n ₂ [min ⁻¹]	M _{2b} [Nm]	f _B	i _{ges}	F _R	F _A	Type	mm				
								kg				
16,0	6,7-59	2608	1,6	43,71	26,7	10,1	SK 72 - 132 LH/4 - SK 200E-182-340-A (-C)	279	C94-95			
	8,9-77	1975	1,6	33,04	27,4	10,0						
	3,8-33	4625	0,8	77,46	9,7	8,0	SK 63 - 132 LH/4 - SK 200E-182-340-A (-C)	208	C92-93			
	4,7-41	3757	1,0	62,87	14,3	9,1						
	5,5-48	3213	1,2	53,82	16,1	9,7						
	5,8-50	3034	1,2	50,73	16,6	9,9						
	6,8-59	2594	1,4	43,43	17,7	10,3						
	8,1-71	2157	1,7	36,11	18,6	10,5						
	9,5-83	1844	1,9	30,91	19,1	10,6						
	11-97	1571	2,0	26,28	19,4	10,7						
	13-117	1311	2,4	21,98	19,7	10,5						
	14-123	1242	2,6	20,77	19,8	10,5						
	7,9-69	2213	1,4	37,05	18,5	10,6	SK 62 - 132 LH/4 - SK 200E-182-340-A (-C)	210	C90-91			
	16-141	1084	2,8	18,14	19,9	10,5						
	19-162	943	3,2	15,80	20,0	10,3						
	7,3-63	2408	0,8	40,37	0	20,2	SK 52 - 132 LH/4 - SK 200E-182-340-A (-C)	153	C86-87			
	8,0-70	2191	0,9	36,69	0	20,2						
	10-89	1722	1,2	28,85	2,9	19,7						
	11-97	1578	1,2	26,46	6,7	20,2						
	12-107	1426	1,3	23,92	7,9	20,0						
	14-118	1292	1,5	21,68	9,4	19,8						
	15-131	1168	1,6	19,60	9,3	19,3						
	17-144	1063	1,8	17,81	9,2	18,7						
	21-183	835	2,3	14,00	8,7	17,1						
	22-190	803	2,3	13,45	8,8	17,2						
	28-242	631	2,8	10,58	8,3	15,7						
	33-290	527	3,2	8,83	8,0	14,8						
	11-99	1545	0,8	25,88	0	0				SK 42 - 132 LH/4 - SK 200E-182-340-A (-C)	124	C82-83
	13-117	1304	0,8	21,87	0	1,3						
	14-119	1283	0,9	21,50	0	0,8						
	16-143	1070	0,9	17,92	0	1,5						
	17-145	1056	1,1	17,71	0	2,2						
	19-169	902	1,4	15,12	0	2,7						
	20-178	858	1,3	14,38	0	3,0						
	24-209	732	1,6	12,28	0,4	3,4						
	29-251	608	1,9	10,20	2,0	3,7						
	35-301	507	2,1	8,50	2,5	3,8						
	40-352	434	2,5	7,28	2,5	4,0						
	44-384	397	2,9	6,65	2,6	4,1						
	48-413	370	2,9	6,19	2,6	4,1						
	51-444	344	3,3	5,75	2,6	4,2						
	55-478	320	2,6	5,35	2,5	3,8						
	58-502	304	3,2	5,10	2,6	4,1						
	61-533	287	3,3	4,79	2,6	4,1						
	64-559	273	2,8	4,58	2,5	3,8						
	75-656	233	3,0	3,89	2,5	3,8						
	89-774	197	2,5	3,31	0	4,4	SK 51E - 132 LH/4 - SK 200E-182-340-A (-C)	114	C66-67			

Helical gear units

1:8,7
19,0 kW



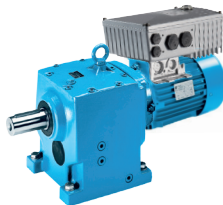
Helical gear units

P ₁ [kW]	n ₂ [min ⁻¹]	M _{2b} [Nm]	f _B	i _{ges}	F _R	F _A	Type	mm	
								kg	
19,0	1,4-12 2,2-19	14610 9619	1,6 2,4	207,47 136,51	96,3 99,8	71,3 68,1	SK 103 - 160 MH/4 - SK 200E-222-340-A (-C) SK 103 - 160 MP/4 - SK 200E-222-340-A (-C)	825	C104-105
	1,6-14 2,4-21 2,7-24 3,2-28 4,1-36	13250 8665 7698 6584 5103	1,1 1,6 1,5 2,1 2,6	187,89 123,05 109,14 93,34 72,47	56,8 62,8 63,7 64,6 65,6	40,4 40,9 40,6 40,1 39,0	SK 93 - 160 MH/4 - SK 200E-222-340-A (-C) SK 93 - 160 MP/4 - SK 200E-222-340-A (-C)	606	C102-103
	1,8-16 2,8-25 3,7-32 4,2-37 4,8-42 5,7-50 6,7-58 7,6-66	11600 7325 5681 4945 4354 3630 3124 2749	0,8 1,3 1,6 1,8 2,1 2,5 2,8 3,3	164,70 104,00 80,62 70,24 61,89 51,51 44,38 39,08	25,7 38,8 41,6 42,5 43,2 43,9 44,3 44,5	15,3 19,1 20,0 20,2 20,3 20,3 20,1 19,9	SK 83 - 160 MH/4 - SK 200E-222-340-A (-C) SK 83 - 160 MP/4 - SK 200E-222-340-A (-C)	427	C100-101
	6,1-53 7,3-64	3436 2849	1,5 1,5	48,82 40,45	44,0 44,5	20,3 19,9	SK 82 - 160 MH/4 - SK 200E-222-340-A (-C) SK 82 - 160 MP/4 - SK 200E-222-340-A (-C)	419	C98-99
	3,2-28 4,0-34 4,9-43 5,7-49 6,5-56 7,9-68 8,9-77 10-91	6435 5271 4257 3684 3218 2655 2344 1998	0,8 1,0 1,3 1,5 1,7 1,9 2,1 2,5	91,38 74,87 60,46 52,24 45,66 37,63 33,24 28,32	16,4 20,2 22,7 23,9 24,7 25,4 25,6 25,7	5,1 6,6 7,8 8,3 8,7 9,1 9,3 9,4	SK 73 - 160 MH/4 - SK 200E-222-340-A (-C) SK 73 - 160 MP/4 - SK 200E-222-340-A (-C)	320	C96-97
	6,8-59 8,9-78 10-90	3079 2331 2014	1,3 1,4 2,0	43,71 33,04 28,63	25,4 25,4 26,1	9,1 9,2 9,5	SK 72 - 160 MH/4 - SK 200E-222-340-A (-C) SK 72 - 160 MP/4 - SK 200E-222-340-A (-C)	310	C94-95
	4,7-41 5,5-48 5,8-51 6,8-59 8,2-71 9,6-83 11-98 13-117 14-124	4436 3794 3582 3063 2546 2178 1855 1548 1466	0,8 1,0 1,0 1,2 1,4 1,6 1,7 2,1 2,2	62,87 53,82 50,73 43,43 36,11 30,91 26,28 21,98 20,77	10,9 14,1 14,9 16,6 17,8 18,5 19,1 19,5 19,6	7,2 8,1 8,3 8,9 9,4 9,7 9,8 9,7 9,9	SK 63 - 160 MH/4 - SK 200E-222-340-A (-C) SK 63 - 160 MP/4 - SK 200E-222-340-A (-C)	239	C92-93
	8,0-69 16-142 19-163 21-185	2613 1279 1114 980	1,2 2,4 2,7 3,1	37,05 18,14 15,80 13,92	17,7 19,8 19,9 20,0	9,5 9,9 9,8 9,7	SK 62 - 160 MH/4 - SK 200E-222-340-A (-C) SK 62 - 160 MP/4 - SK 200E-222-340-A (-C)	241	C90-91
	11-97 12-108 14-119 15-132 17-145 21-184 22-191 28-243 34-292 38-334	1863 1684 1526 1379 1255 986 949 745 622 543	1,0 1,1 1,2 1,4 1,5 1,9 2,0 2,4 2,7 2,9	26,46 23,92 21,68 19,60 17,81 14,00 13,45 10,58 8,83 7,70	2,1 3,6 5,7 6,8 7,7 8,3 8,4 8,0 7,7 7,5	18,8 18,5 18,3 17,8 17,4 16,1 16,2 15,0 14,1 13,7	SK 52 - 160 MH/4 - SK 200E-222-340-A (-C) SK 52 - 160 MP/4 - SK 200E-222-340-A (-C)	184	C86-87

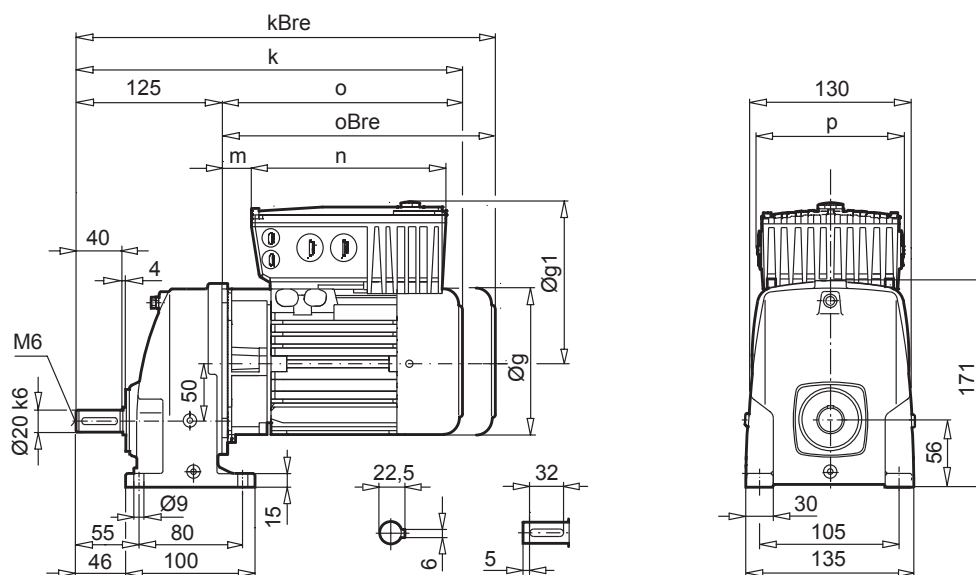


P_1 [kW]	n_2 [min ⁻¹]	M_{2b} [Nm]	f_B	i_{ges}	F_R [kN]	F_A [kN]	Type	kg	mm C
19,0	17-146	1247	1,0	17,71	0	0,6	SK 42 - 160 MH/4 - SK 200E-222-340-A (-C)	155	C82-83
	20-170	1064	1,2	15,12	0	1,3	SK 42 - 160 MP/4 - SK 200E-222-340-A (-C)		
	21-179	1013	1,1	14,38	0	1,7			
	24-210	865	1,4	12,28	0	2,2			
	29-253	718	1,6	10,20	0	2,7			
	35-303	599	1,8	8,50	0,9	3,0			
	41-354	512	2,1	7,28	2,2	3,3			
	44-387	469	2,5	6,65	2,3	3,5			
	48-416	436	2,5	6,19	2,3	3,5			
	51-447	406	2,8	5,75	2,4	3,6			
	55-481	377	2,2	5,35	2,2	3,2			
	58-505	359	2,7	5,10	2,4	3,6			
	62-536	339	2,8	4,79	2,4	3,6			
	65-562	323	2,4	4,58	2,2	3,3			
	76-660	275	2,5	3,89	2,3	3,3			
	85-736	247	2,7	3,50	2,3	3,3			
89-778	233	2,1	3,31	0	4,1	SK 51E - 160 MH/4 - SK 200E-222-340-A (-C) SK 51E - 160 MP/4 - SK 200E-222-340-A (-C)	145	C66-67	

SK 11E



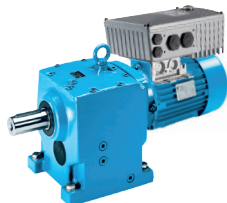
SK 11E



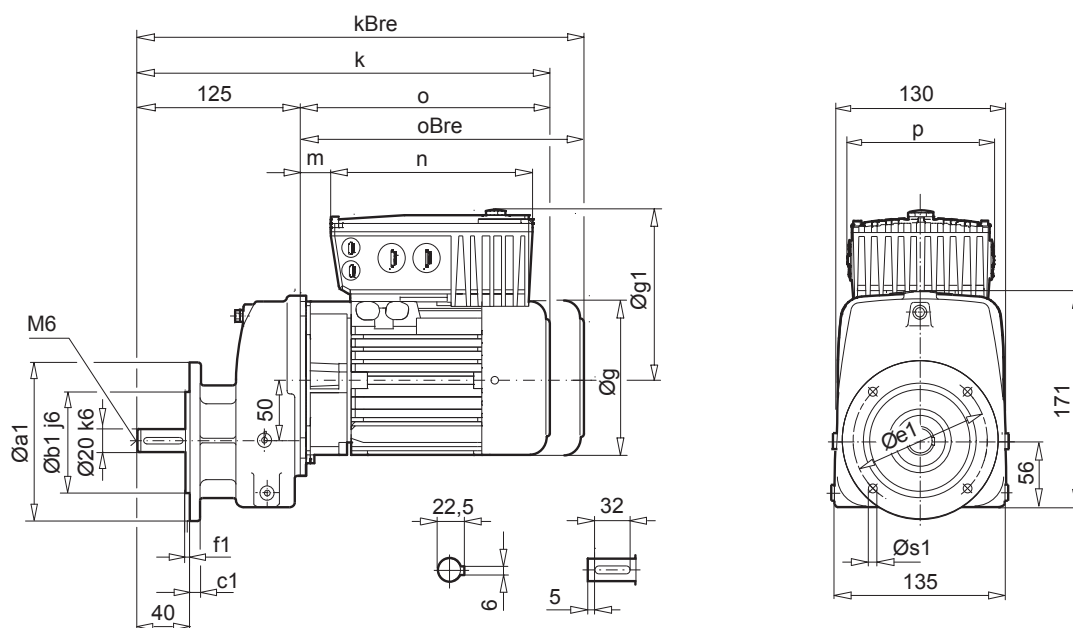
Helical gear units

Motor + SK200E

IE1 IE2 IE3	71 S/L - -	- 80 SH/LH - /LP	- 90 SH/LH SP/LP		- 100 LH/AH LP/AP		- 112 MH MP		
SK 200E 340-A (-C)	- 550 - - 750 -	- 550 - - 750 - - 111 - - 151 -	- 111 - - 151 - - 221 -	- 301 -	- 221 -	- 301 -	- 401 -		
g	145	165	183	183	201	201	228		
g1	201	195	200	207	211	218	228		
k / kBre	361 / 419	386 / 450	427 / 502	427 / 502	457 / 548	457 / 548	505 / 598		
o / oBre	236 / 294	261 / 325	302 / 377	302 / 377	332 / 423	332 / 423	380 / 473		
m	18	30	35	35	41	41	47		
n	236	236	236	266	236	266	266		
p	156	156	156	176	156	176	176		



SK 11EF



a1	b1	c1	e1	f1	s1
120	80	10	100	3,0	7
140	95	10	115	3,0	9

Helical gear units

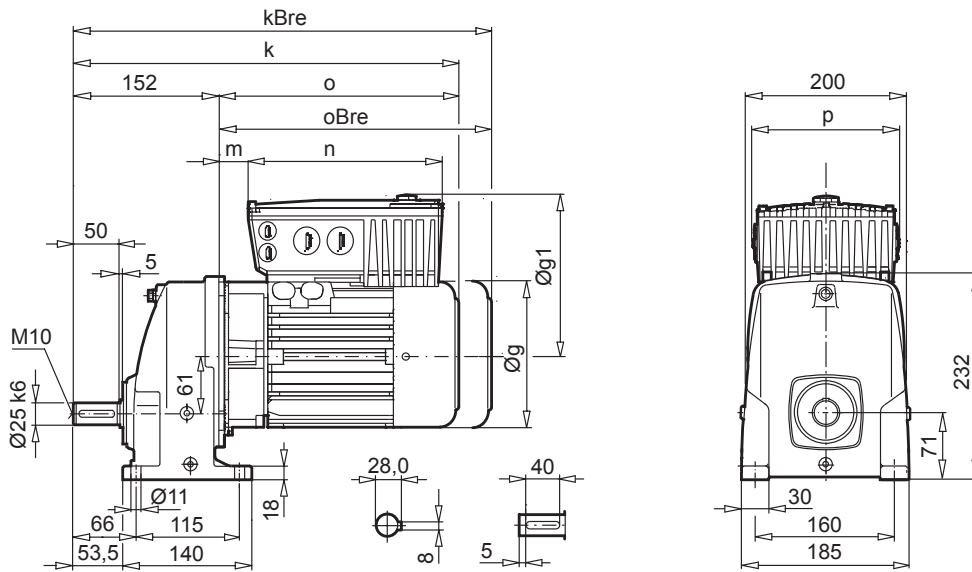
Motor + SK180E

IE1 IE2 IE3	71 S/L - -	80 SH/LH - /LP		90 SH/LH SP/LP		100 LH LP			
SK 180E 340-B (-C)	- 550 - - 750 -	- 550 - - 750 - - 111 -	- 151 -	- 111 -	- 151 - - 221 -	- 221 -			
g	145	165	165	183	183	201			
g1	184	177	203	182	208	219			
k / kBre	361 / 419	386 / 450	386 / 450	427 / 502	427 / 502	457 / 548			
o / oBre	236 / 294	261 / 325	261 / 325	302 / 377	302 / 377	332 / 423			
m	18	30	30	35	35	41			
n	221	221	255	221	255	255			
p	154	154	165	154	165	165			

SK 21E



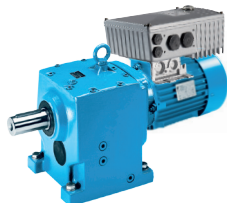
SK 21E



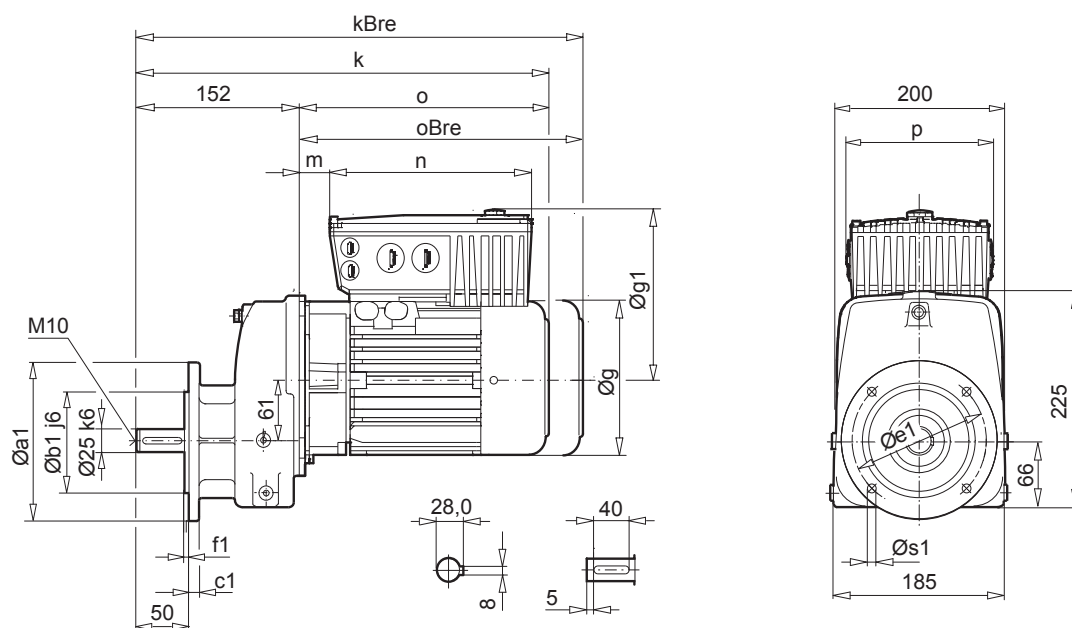
Helical gear units

Motor + SK200E

IE1 IE2 IE3	- 80 SH/LH - /LP	- 90 LH LP	- 100 LH/AH LP/AP		- 112 MH MP				
SK 200E 340-A (-C)	- 750 - - 111 -	- 151 - - 221 -	- 221 -	- 301 - - 401 -	- 401 -				
g	165	183	201	201	228				
g1	195	200	211	218	228				
k / kBre	413 / 477	448 / 523	478 / 569	478 / 569	526 / 619				
o / oBre	261 / 325	296 / 371	326 / 417	326 / 417	374 / 467				
m	24	29	35	35	41				
n	236	236	236	266	266				
p	156	156	156	176	176				



SK 21EF



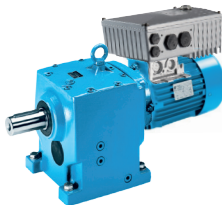
a1	b1	c1	e1	f1	s1
140	95	10	115	3,0	9
160	110	10	130	3,5	9

Helical gear units

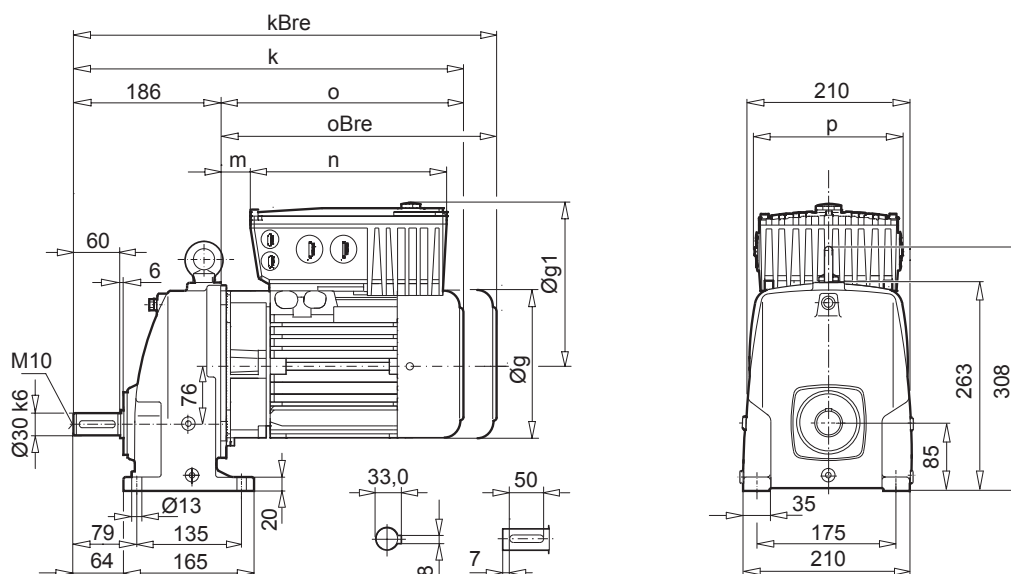
Motor + SK180E

IE1 IE2 IE3	80 SH/LH - /LP	90 LH LP	100 LH LP					
SK 180E 340-B (-C)	- 750 - - 111 -	- 151 - - 221 -	- 221 -					
g	165	183	201					
g1	177	208	219					
k / kBre	413 / 477	448 / 523	478 / 569					
o / oBre	261 / 325	296 / 371	326 / 417					
m	24	29	35					
n	221	255	255					
p	154	165	165					

SK 31E



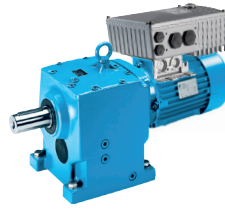
SK 31E



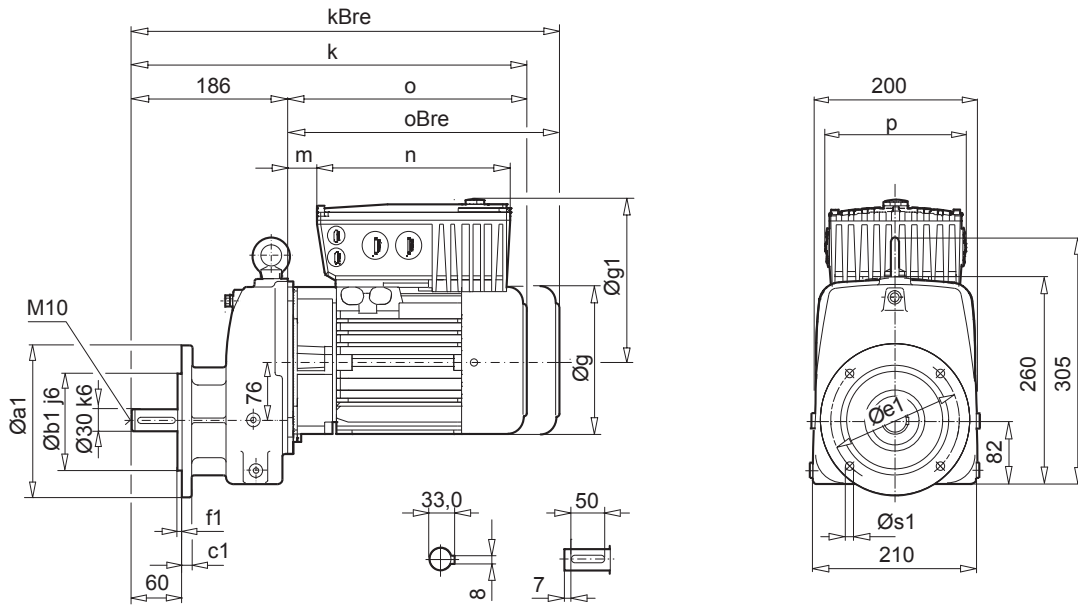
Helical gear units

Motor + SK200E

IE1 IE2 IE3	- 90 LH LP	- 100 LH/AH LP/AP		- 112 MH MP		- 132 SH/MH/LH SP/MP/ -			
SK 200E 340-A (-C)	-301	- 301 - - 401 -	- 551 -	- 401 -	- 751 -	- 551 - - 751 -	- 112 -		
g	183	201	201	228	228	266	266		
g1	207	218	250	228	260	262	312		
k / kBre	482 / 557	512 / 603	512 / 603	560 / 653	560 / 653	621 / 728	621 / 728		
o / oBre	296 / 371	326 / 417	326 / 417	374 / 467	374 / 467	435 / 542	435 / 542		
m	29	35	35	41	33	49	-8		
n	266	266	330	266	330	330	480		
p	176	176	218	176	218	218	305		



SK 31EF

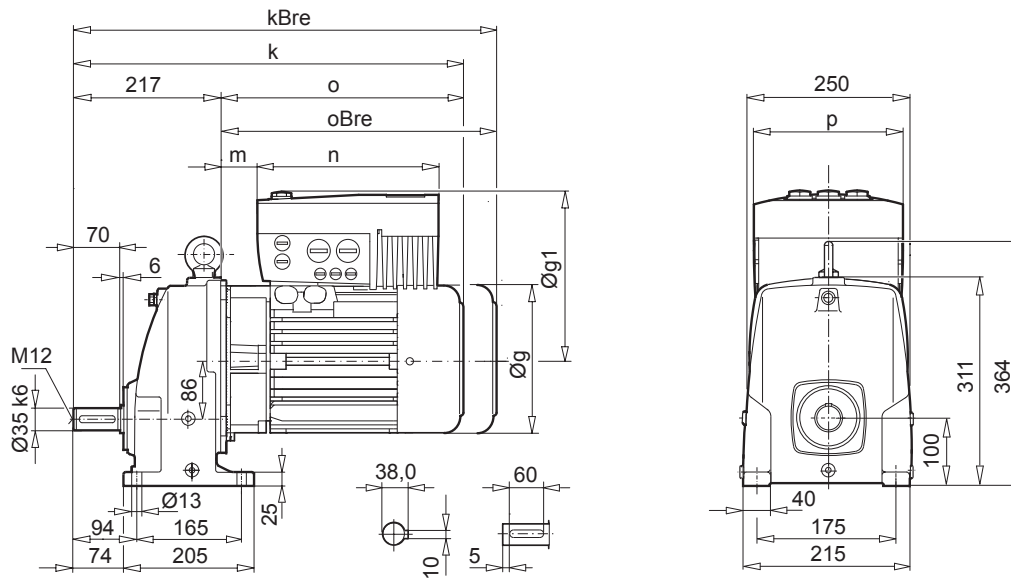


a1	b1	c1	e1	f1	s1
200	130	12	165	3,5	11

SK 41E



SK 41E



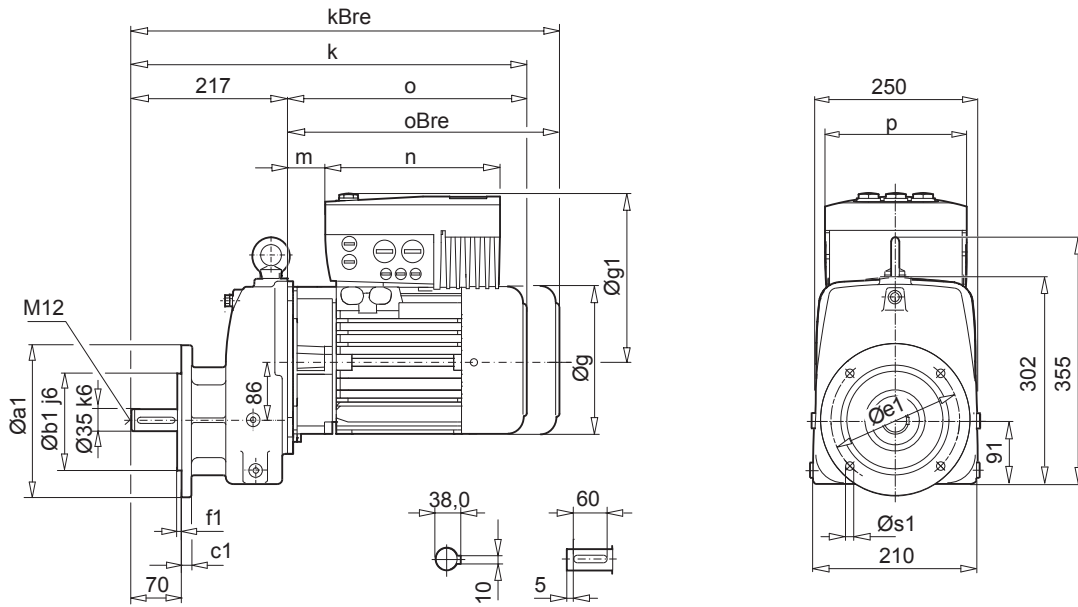
Helical gear units

Motor + SK200E

IE1 IE2 IE3	100 LH/AH LP/AP	112 MH MP	132 SH/MH/LH SP/MP/ -		160 MH MP	160 LH LP			
SK 200E 340-A (-C)	- 401 -	- 551 - - 751 -	- 751 -	- 112 - - 152 -	- 112 -	- 152 -			
g	201	228	266	266	320	320			
g1	218	260	262	312	317	317			
k / kBre	543 / 634	571 / 664	632 / 739	632 / 739	709 / 844	753 / 888			
o / oBre	306 / 397	354 / 467	415 / 522	415 / 522	492 / 627	536 / 671			
m	35	13	49	-28	6	6			
n	266	330	330	480	480	480			
p	176	218	218	305	305	305			



SK 41EF

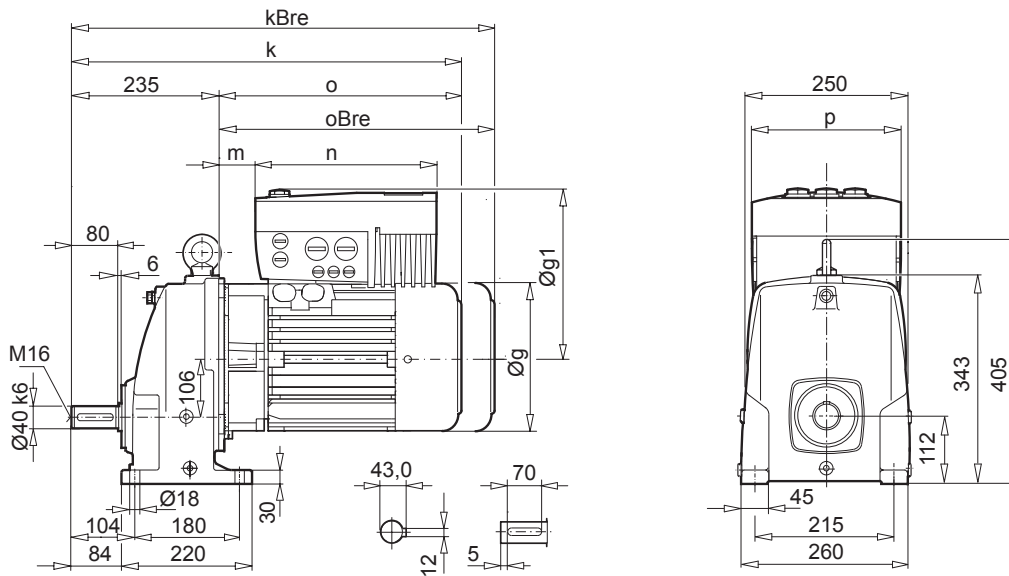


a1	b1	c1	e1	f1	s1
200	130	14	165	3,5	11
250	180	16	215	3,5	14

SK 51E



SK 51E



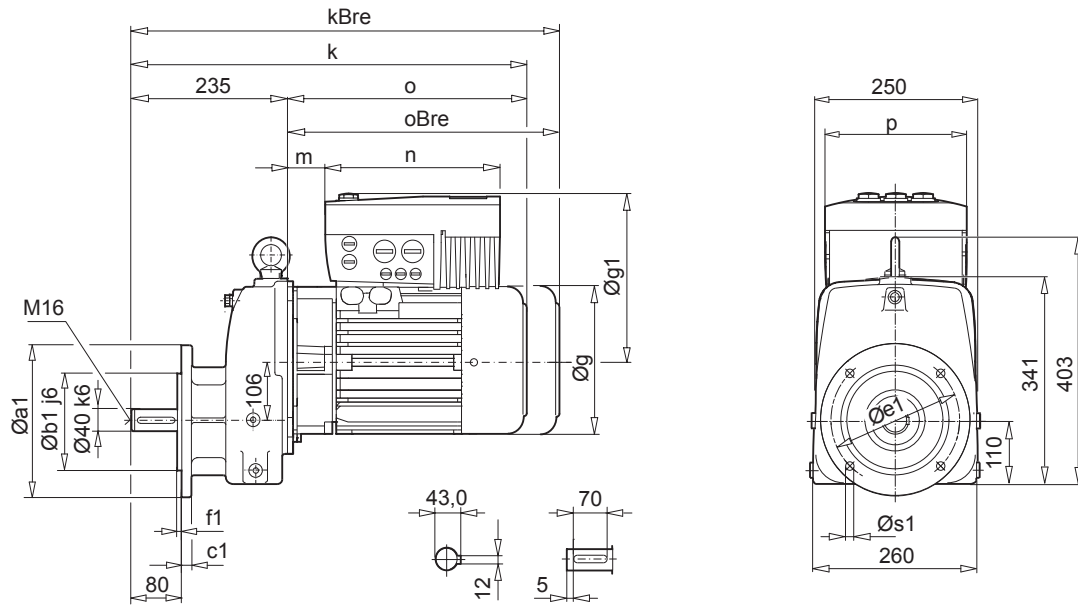
Helical gear units

Motor + SK200E

IE1 IE2 IE3	- 112 MH MP	- 132 SH/MH/LH SP/MP/ -	- 160 MH MP	- 160 LH LP	- 180 MH/LH MP/LP			
SK 200E 340-A (-C)	- 751 -	- 112 - - 152 - - 182 -	- 112 - - 222 -	- 152 -	- 182 - - 222 -			
g	228	266	320	320	358			
g1	260	312	317	317	337			
k / kBre	589 / 682	650 / 757	727 / 862	771 / 906	869 / 1000			
o / oBre	354 / 467	415 / 522	492 / 627	536 / 671	636 / 764			
m	13	-28	6	6	28			
n	330	480	480	480	480			
p	218	305	305	305	305			

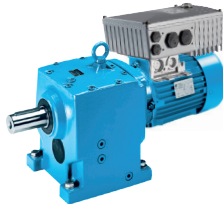


SK 51EF

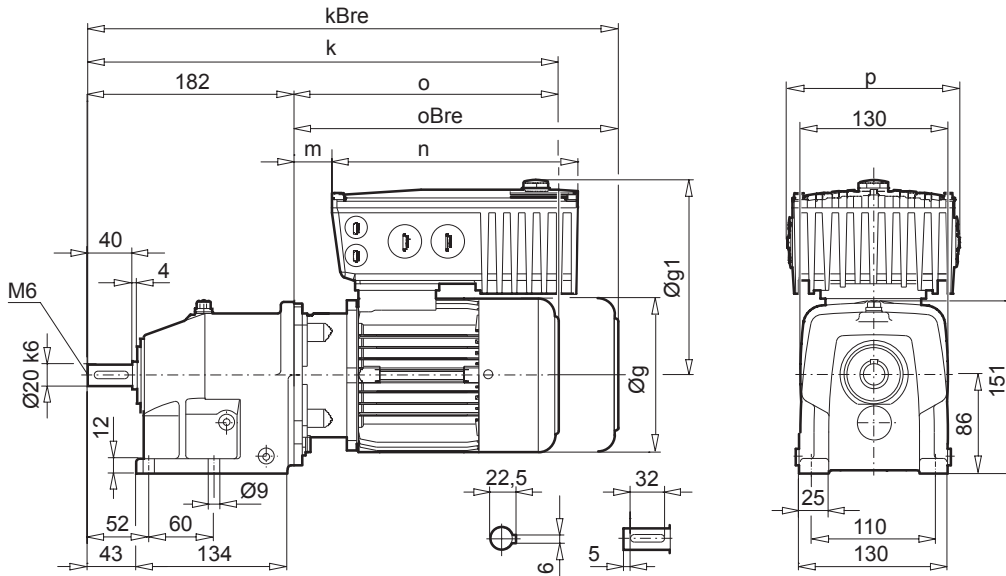


a1	b1	c1	e1	f1	s1
250	180	16	215	4,0	14
250	230	20	265	3,5	14

SK 02



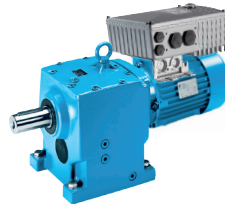
SK 02



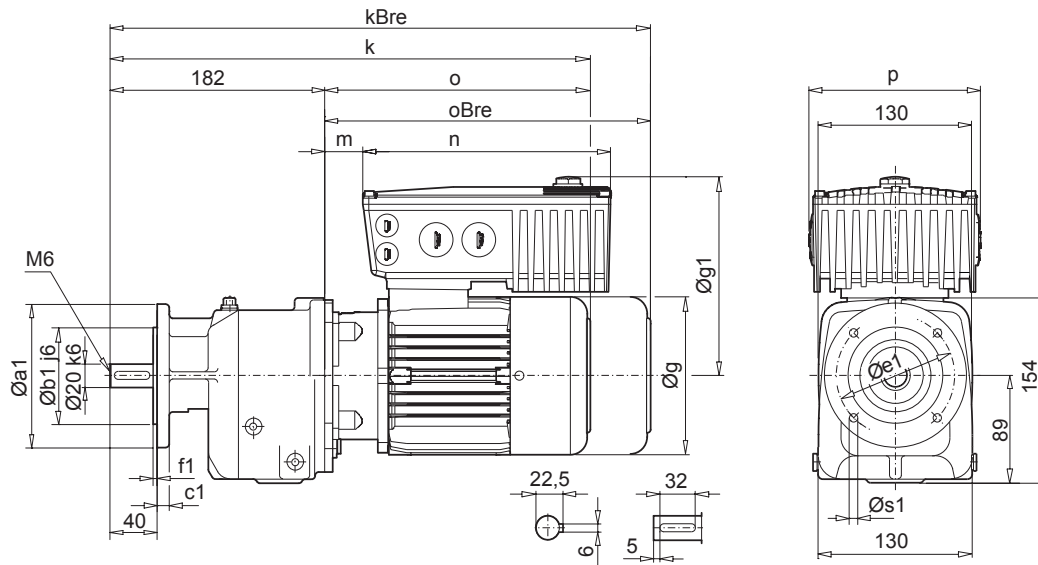
Helical gear units

Motor + SK200E

IE1 IE2 IE3	71 S/L - -	- 80 SH/LH - /LP	- 90 SH/LH SP/LP	- 100 LH/AH LP/AP				
SK 200E 340-A (-C)	- 550 - - 750 -	- 550 - - 750 - - 111 - - 151 -	- 111 - - 151 - - 221 -	- 301	- 221 -	- 301 -		
g	145	165	183	183	201	201		
g₁	201	195	200	207	211	218		
k / k_{Bre}	418 / 476	443 / 507	484 / 559	484 / 559	514 / 605	514 / 605		
o / o_{Bre}	236 / 294	261 / 325	302 / 377	302 / 377	332 / 423	332 / 423		
m	18	30	35	35	41	41		
n	236	236	236	266	236	266		
p	156	156	156	176	156	176		



SK 02F



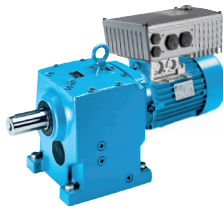
a1	b1	c1	e1	f1	s1
120	80	10	100	3,0	7
140	95	10	115	3,0	9
160	110	10	130	3,5	9

Helical gear units

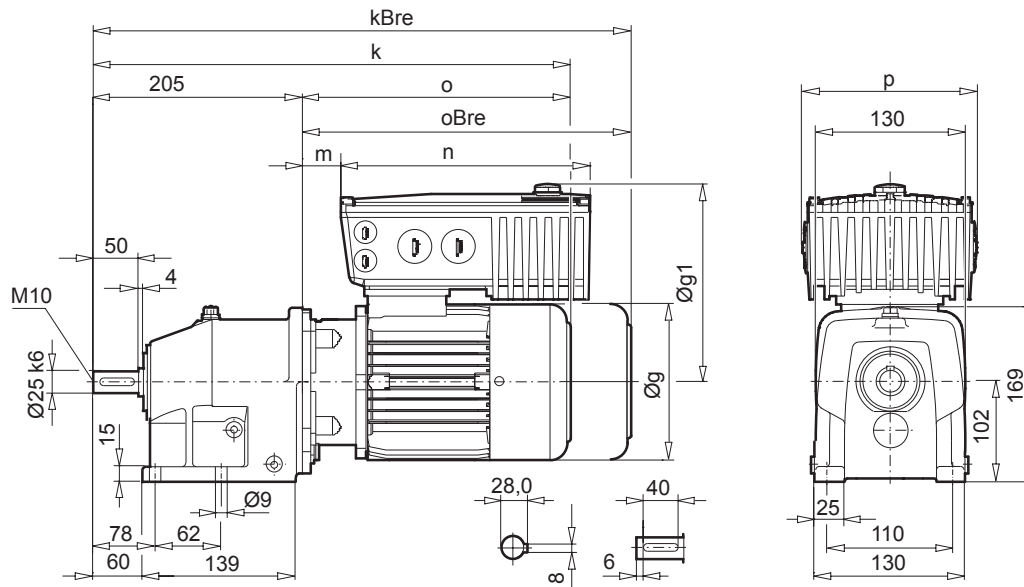
Motor + SK180E

IE1 IE2 IE3	71 S/L - -	80 SH/LH - /LP		90 SH/LH SP/LP		100 LH LP				
SK 180E 340-B (-C)	- 550 - - 750 -	- 550 - - 750 - - 111 -	- 151 -	- 111 -	- 151 - - 221 -	- 221 -				
g	145	165	165	183	183	201				
g1	184	177	203	182	208	219				
k / kBre	418 / 476	443 / 507	443 / 507	484 / 559	484 / 559	514 / 605				
o / oBre	236 / 294	261 / 325	261 / 325	302 / 377	302 / 377	332 / 423				
m	18	30	30	35	35	41				
n	221	221	255	221	255	255				
p	154	154	165	154	165	165				

SK 12



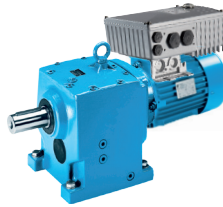
SK 12



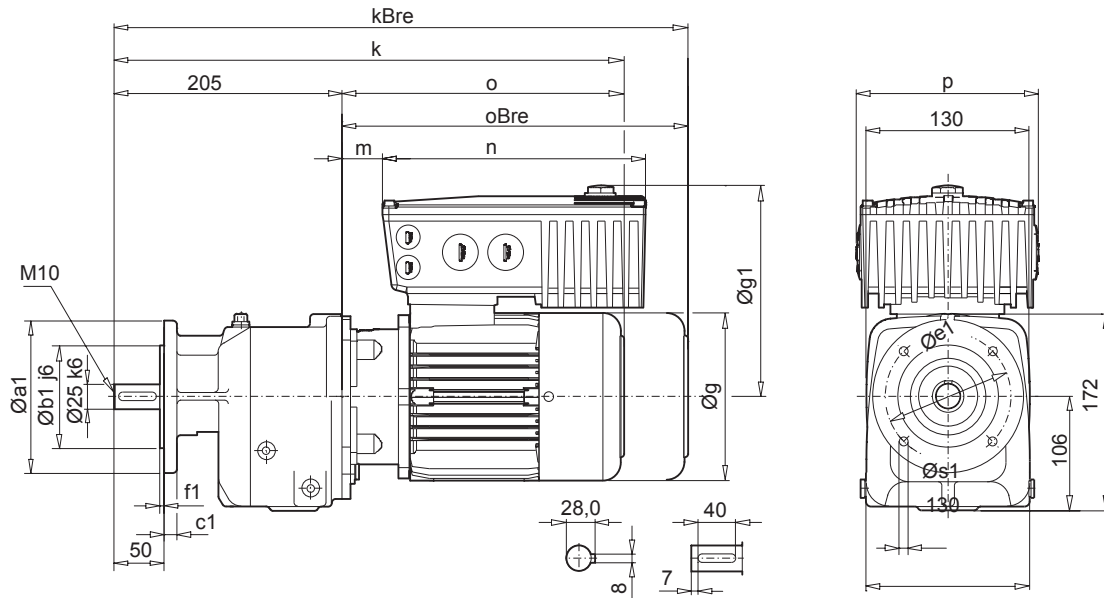
Helical gear units

Motor + SK200E

IE1 IE2 IE3	71 S/L - -	- 80 SH/LH - /LP	- 90 SH/LH SP/LP	- 100 LH/AH LP/AP	- 112 MH MP				
SK 200E 340-A (-C)	- 550 - - 750 -	- 550 - - 750 - - 111 - - 151 -	- 111 - - 151 - - 221 -	- 301	- 221 - - 301 - - 401 -	- 551 -	- 401 -	- 551 -	
g	145	165	183	183	201	201	201	228	228
g1	201	195	200	207	211	218	251	228	260
k / kBre	441 / 499	466 / 530	507 / 582	507 / 582	537 / 628	537 / 628	537 / 628	585 / 678	585 / 678
o / oBre	236 / 294	261 / 325	302 / 377	302 / 377	332 / 423	332 / 423	332 / 423	380 / 473	380 / 473
m	18	30	35	35	41	41	33	47	39
n	236	236	236	266	236	266	330	266	330
p	156	156	156	176	156	176	218	176	218



SK 12F



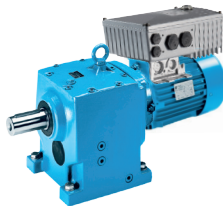
a1	b1	c1	e1	f1	s1
120	80	10	100	3,0	7
140	95	10	115	3,0	9
160	110	10	130	3,5	9

Helical gear units

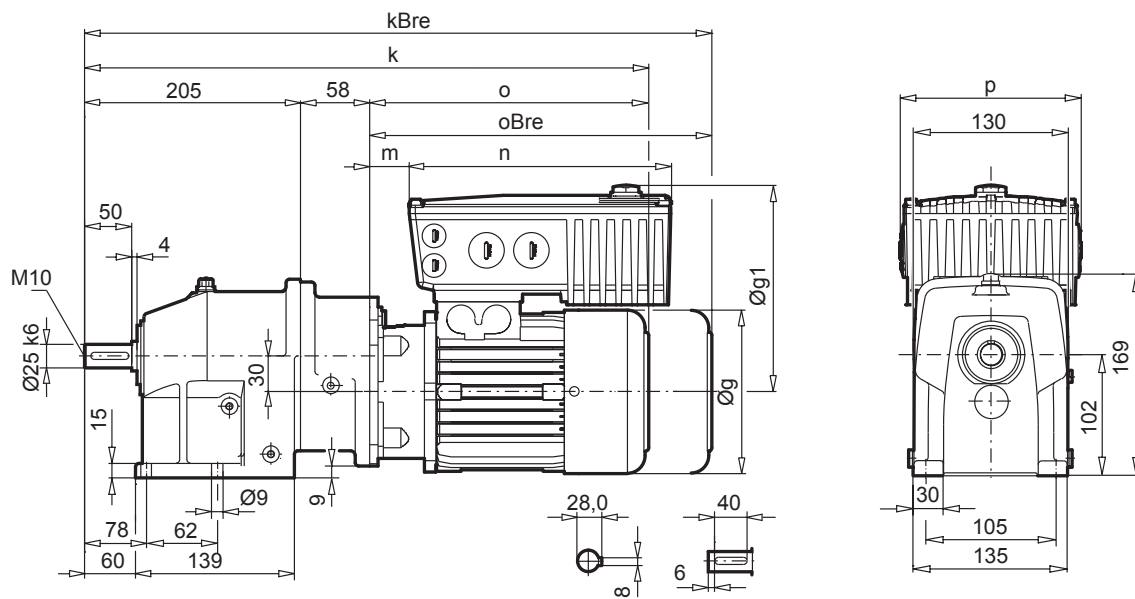
Motor + SK180E

IE1 IE2 IE3	71 S/L - -	- 80 SH/LH - /LP	- 90 SH/LH SP/LP	- 100 LH LP					
SK 180E 340-B (-C)	- 550 - - 750 -	- 550 - - 750 - - 111 -	- 151 -	- 111 -	- 151 - - 221 -	- 221 -			
g	145	165	165	183	183	201			
g1	184	177	203	182	208	219			
k / kBre	441 / 499	466 / 530	466 / 530	507 / 582	507 / 582	537 / 628			
o / oBre	236 / 294	261 / 325	261 / 325	302 / 377	302 / 377	332 / 423			
m	18	30	30	35	35	41			
n	221	221	255	221	255	255			
p	154	154	165	154	165	165			

SK 13



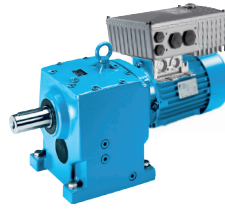
SK 13



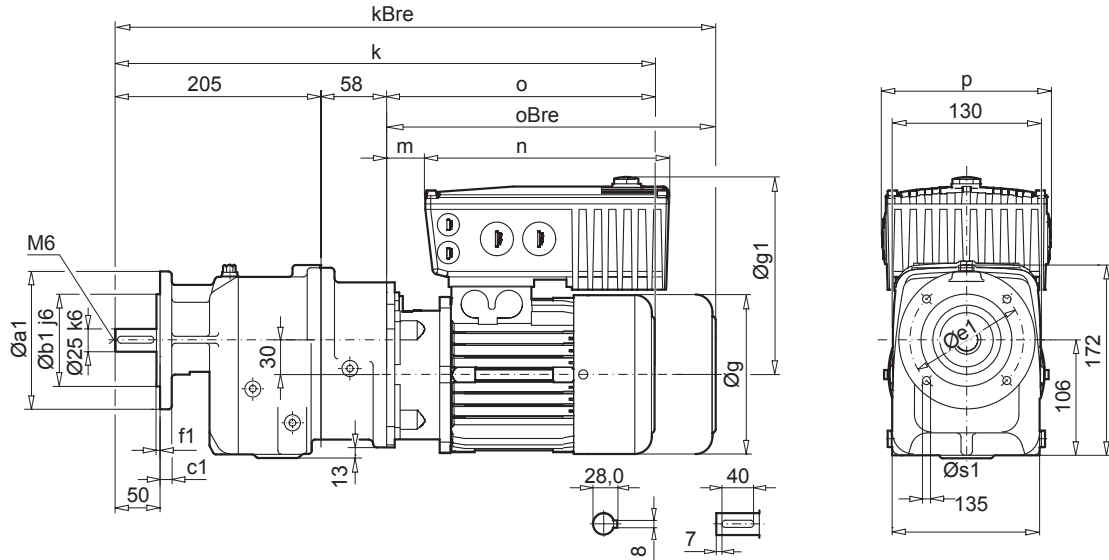
Helical gear units

Motor + SK200E

IE1	71 S/L								
IE2	-								
IE3	-								
SK 200E	- 550 -								
340-A (-C)									
g	145								
g1	201								
k / kBre	499 / 557								
o / oBre	236 / 294								
m	18								
n	236								
p	156								



SK 13F



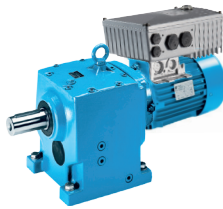
a1	b1	c1	e1	f1	s1
120	80	10	100	3,0	7
140	95	10	115	3,0	9
160	110	10	130	3,5	9

Motor + SK180E

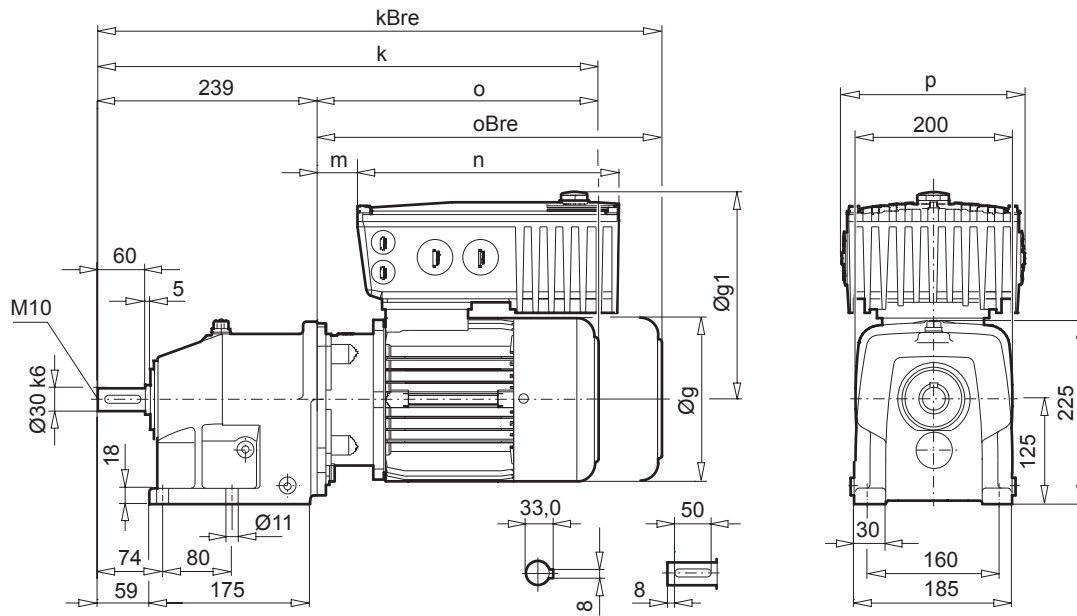
IE1	71 S/L								
IE2	-								
IE3	-								
SK 180E	- 550 -								
340-B (-C)									
g	145								
g1	184								
k / kBre	499 / 557								
o / oBre	236 / 294								
m	18								
n	221								
p	154								

Helical gear units

SK 22



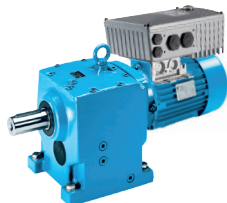
SK 22



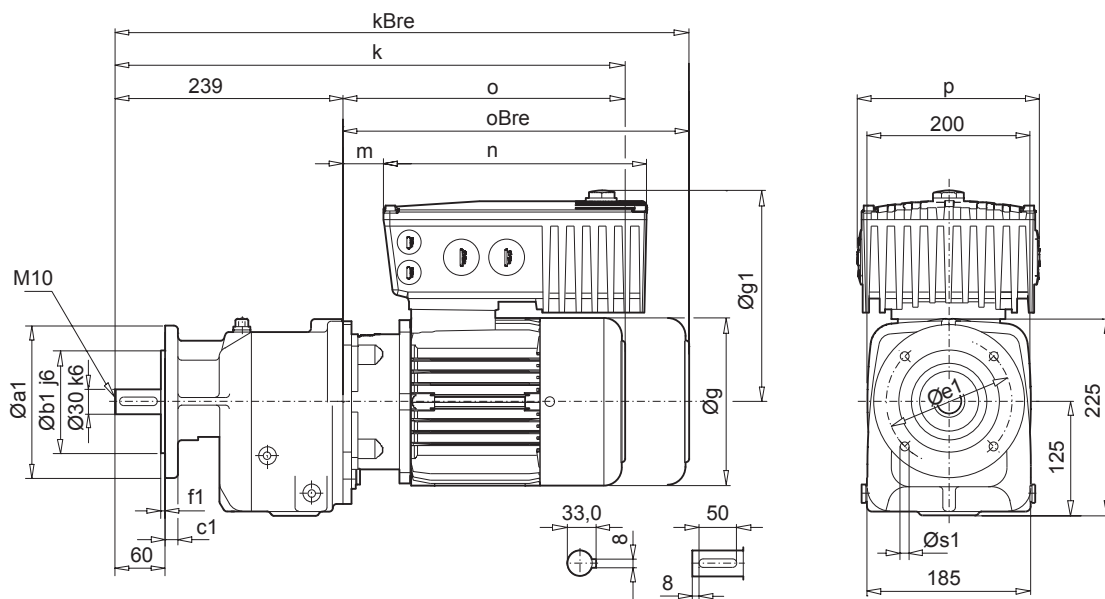
Helical gear units

Motor + SK200E

IE1 IE2 IE3	71 S/L - -	- 80 SH/LH - /LP	- 90 SH/LH SP/LP	- 100 LH/AH LP/AP	- 112 MH MP	- 132 SH/MH SP/MP				
SK 200E 340-A (-C)	- 550 - - 750 -	- 550 - - 750 - - 111 - - 151 -	- 111 - - 151 - - 221 -	- 301	- 221 - - 301 - - 401 -	- 551 - - 771 - - 751 -				
g	145	165	183	183	201	201	201	228	228	266
g1	201	195	200	207	211	218	250	228	260	262
k / kBre	469 / 527	494 / 559	535 / 610	535 / 610	565 / 656	565 / 656	565 / 656	613 / 706	613 / 706	674 / 781
o / oBre	230 / 288	255 / 319	296 / 371	296 / 371	326 / 417	326 / 417	326 / 417	374 / 467	374 / 467	435 / 542
m	12	24	29	29	35	35	27	41	33	49
n	236	236	236	266	236	266	330	266	330	330
p	156	156	156	176	156	176	218	176	218	218



SK 22F



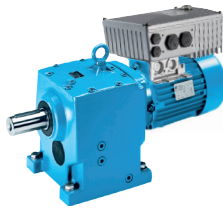
a1	b1	c1	e1	f1	s1
160	110	10	130	3,5	9
200	130	12	165	3,5	11

Helical gear units

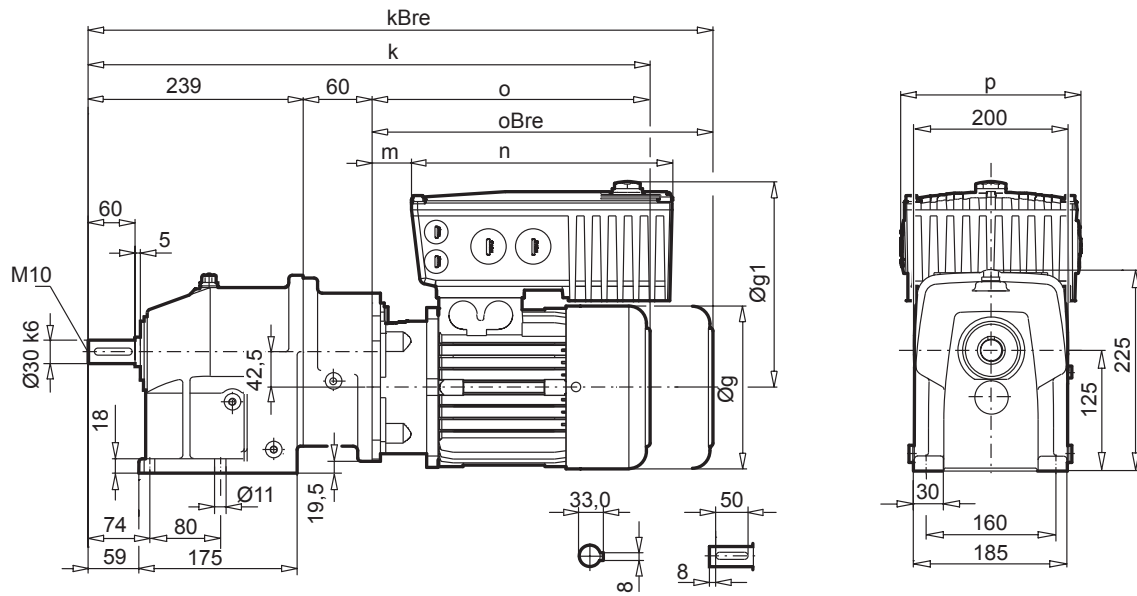
Motor + SK180E

IE1 IE2 IE3	71 S/L - -	80 SH/LH - /LP		90 SH/LH SP/LP		100 LH LP			
SK 180E 340-B (-C)	- 550 - - 750 -	- 550 - - 750 - - 111 -	- 151 -	- 111 -	- 151 - - 221 -	- 221 -			
g	145	165	165	183	183	201			
g1	184	177	203	182	208	219			
k / kBre	469 / 527	494 / 559	494 / 559	535 / 610	535 / 610	565 / 656			
o / oBre	230 / 288	255 / 319	255 / 319	296 / 371	296 / 371	326 / 417			
m	12	24	24	29	29	35			
n	221	221	255	221	255	255			
p	154	154	165	154	165	165			

SK 23



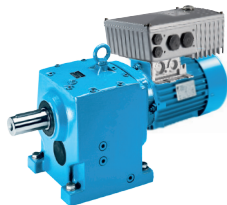
SK 23



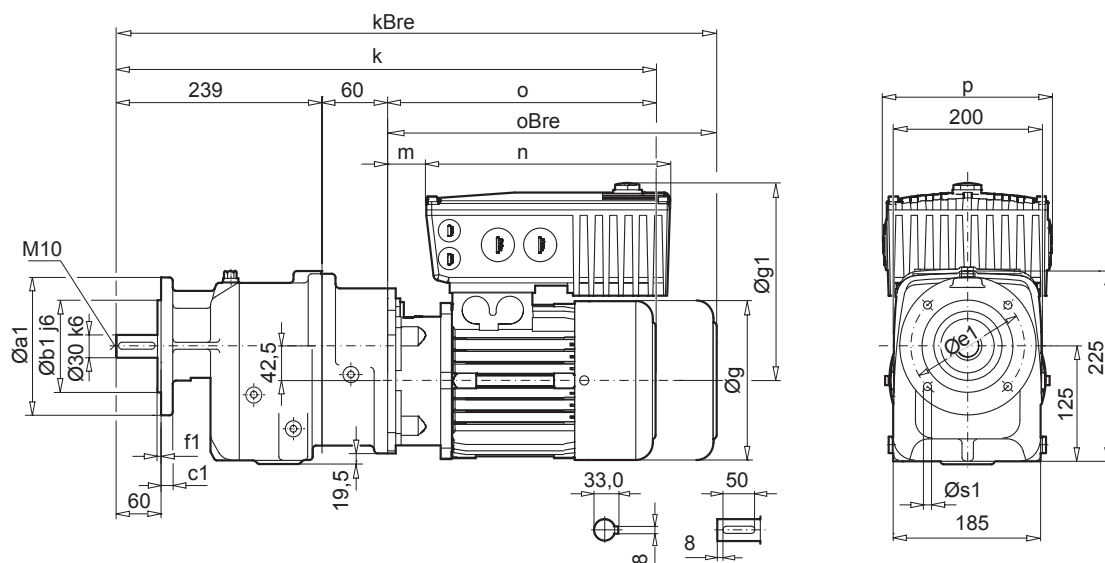
Helical gear units

Motor + SK200E

IE1	71 S/L	-							
IE2	-	80 SH/LH							
IE3	-	- /LP							
SK 200E	- 550 -	- 550 -							
340-A (-C)	- 750 -	- 750 -							
		- 111 -							
g	145	165							
g1	201	195							
k / kBre	535 / 593	560 / 624							
o / oBre	236 / 294	261 / 325							
m	18	30							
n	236	236							
p	156	156							



SK 23F



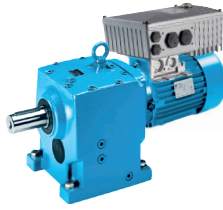
a1	b1	c1	e1	f1	s1
160	110	10	130	3,5	9
200	130	12	165	3,5	11

Motor + SK180E

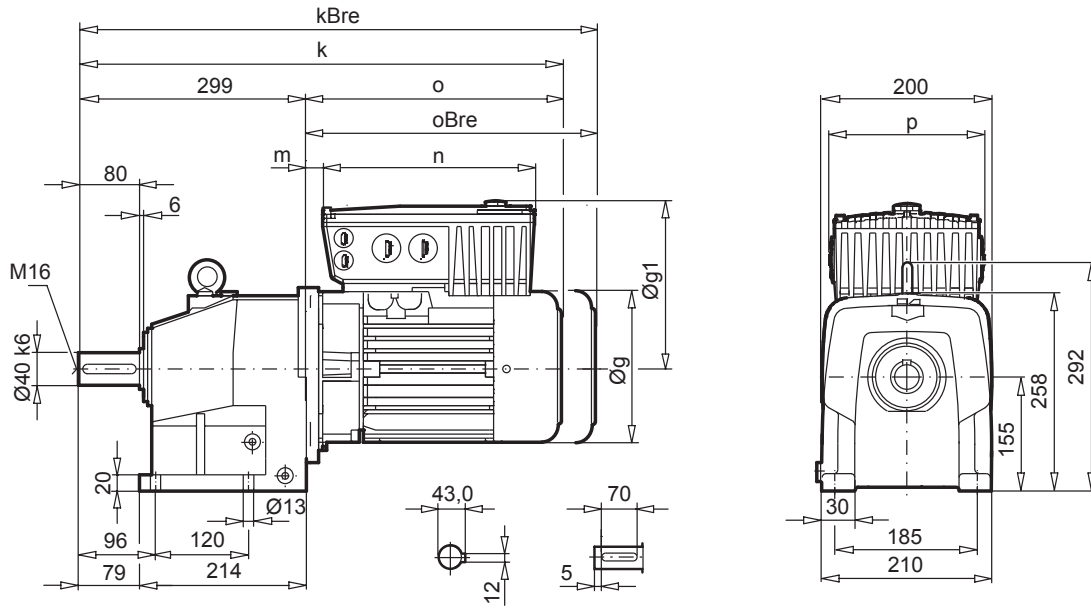
IE1	71 S/L	-							
IE2	-	80 SH/LH							
IE3	-	- /LP							
SK 180E	- 550 -	- 550 -							
340-B (-C)	- 750 -	- 750 -							
		- 111 -							
g	145	165							
g1	184	177							
k / kBre	535 / 593	560 / 624							
o / oBre	236 / 294	261 / 325							
m	18	30							
n	221	221							
p	154	154							

Helical gear units

SK 32



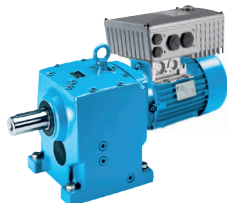
SK 32



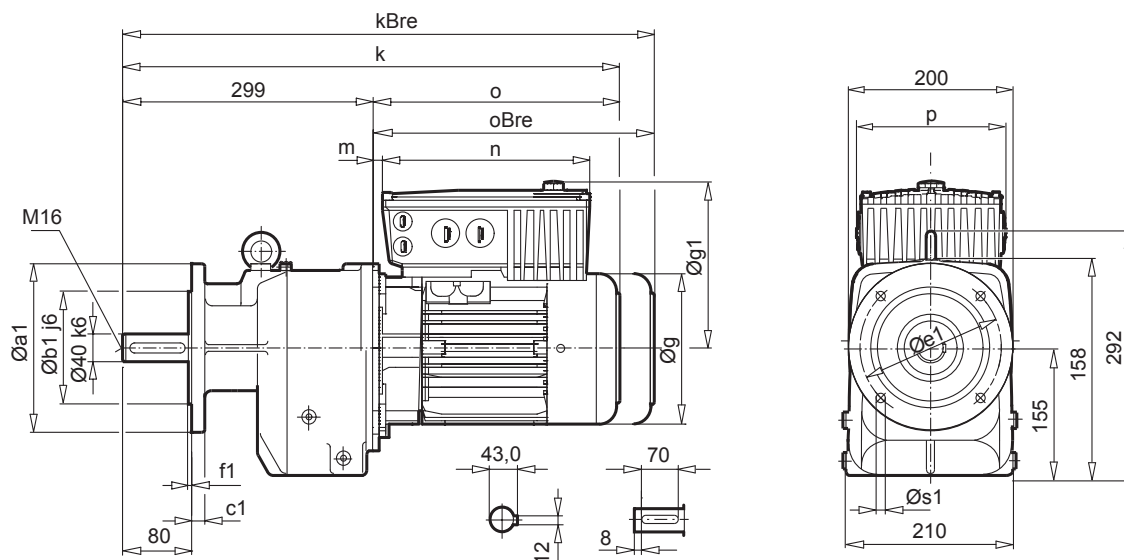
Helical gear units

Motor + SK200E

IE1 IE2 IE3	71 S/L - -	- 80 SH/LH - /LP	- 90 SH/LH SP/LP	- 100 LH/AH LP/AP	- 112 MH MP	- 132 SH/MH/LH SP/MP/ -					
SK 200E 340-A (-C)	- 550 - - 750 -	- 550 - - 750 - - 111 - - 151 -	- 111 - - 151 - - 221 -	- 301 -	- 221 - - 301 - - 401 -	- 551 - - 401 - - 551 - - 771 -					
g	145	165	183	183	201	201	201	228	228	266	266
g1	201	195	200	207	211	218	250	228	260	262	312
k / kBre	529 / 587	554 / 618	595 / 670	595 / 670	625 / 716	625 / 716	625 / 716	673 / 766	673 / 766	734 / 841	734 / 841
o / oBre	230 / 288	255 / 319	296 / 371	296 / 371	326 / 417	326 / 417	326 / 417	374 / 467	374 / 467	435 / 542	435 / 542
m	12	24	29	29	35	35	27	41	33	49	-8
n	236	236	236	266	236	266	330	266	330	330	480
p	156	156	156	176	156	176	218	176	218	218	305



SK 32F



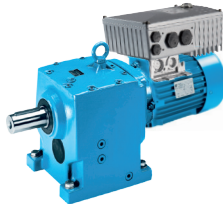
a1	b1	c1	e1	f1	s1
200	130	12	165	3,5	11
250	180	16	215	4,0	14

Helical gear units

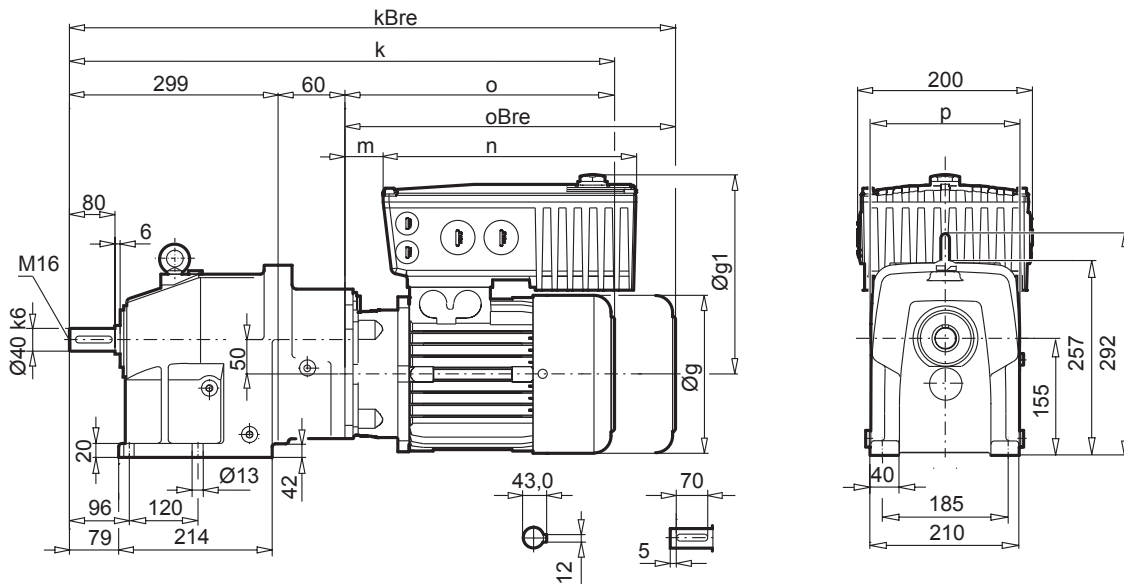
Motor + SK180E

IE1 IE2 IE3	71 S/L - -	80 SH/LH - /LP		90 SH/LH SP/LP		100 LH LP				
SK 180E 340-B (-C)	- 550 - - 750 -	- 550 - - 750 - - 111 -	- 151 -	- 111 -	- 151 - - 221 -	- 221 -				
g	145	165	165	183	183	201				
g1	184	177	203	182	208	219				
k / kBre	529 / 587	554 / 618	554 / 618	595 / 670	595 / 670	625 / 716				
o / oBre	230 / 288	255 / 319	255 / 319	296 / 371	296 / 371	326 / 417				
m	12	24	24	29	29	35				
n	221	221	255	221	255	255				
p	154	154	165	154	165	165				

SK 33N



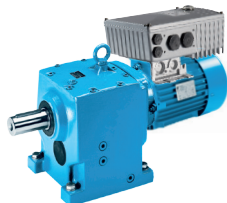
SK 33N



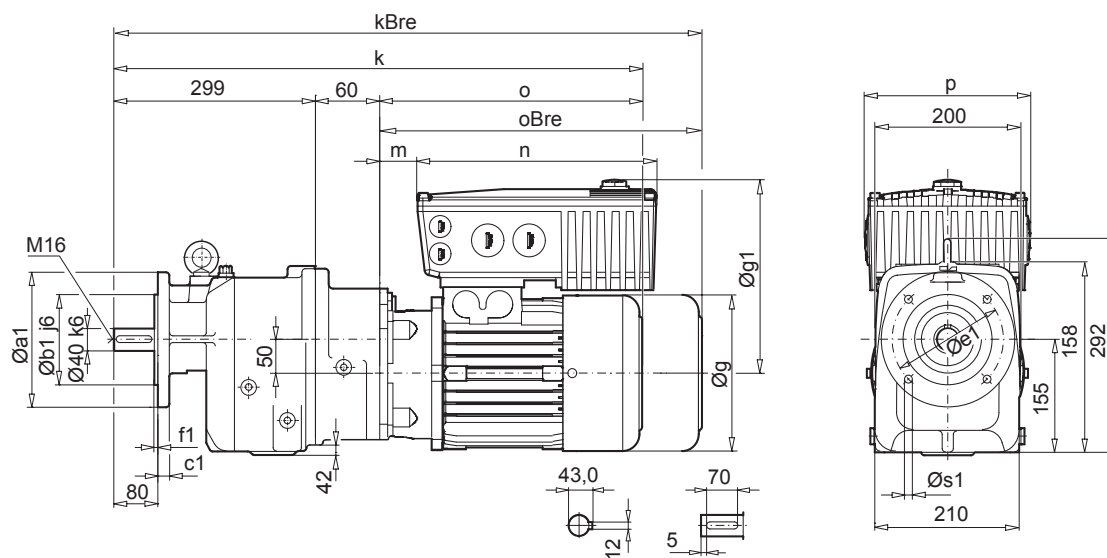
Helical gear units

Motor + SK200E

IE1 IE2 IE3	71 S/L - -	- 80 SH/LH - /LP	- 90 SH/LH SP/LP						
SK 200E 340-A (-C)	- 550 - - 750 -	- 550 - - 750 - - 111 - - 151 -	- 111 - - 151 -						
g	145	165	183						
g1	201	195	200						
k / kBre	595 / 653	620 / 684	661 / 736						
o / oBre	236 / 294	261 / 325	302 / 377						
m	18	30	35						
n	236	236	236						
p	156	156	156						



SK 33NF



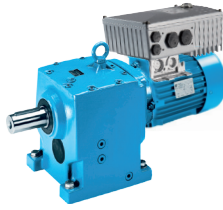
a1	b1	c1	e1	f1	s1
200	130	12	165	3,5	11
250	180	16	215	4,0	14

Helical gear units

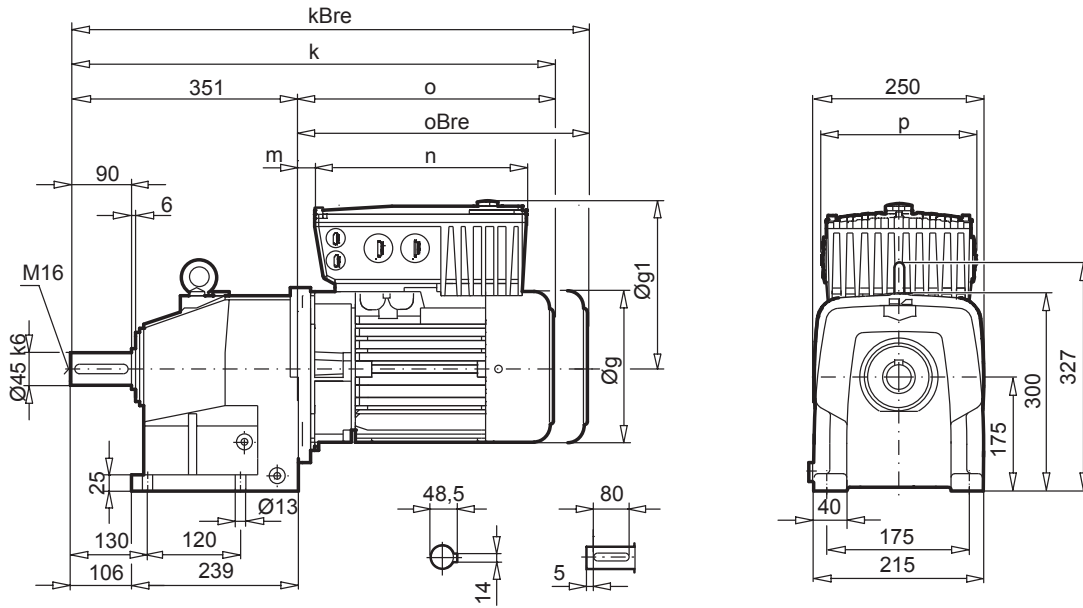
Motor + SK180E

IE1 IE2 IE3	71 S/L - -	80 SH/LH - /LP		90 SH/LH SP/LP					
SK 180E 340-B (-C)	- 550 - - 750 -	- 550 - - 750 - - 111 -	- 151 -	- 111 -	- 151 -				
g	145	165	165	183	183				
g1	184	177	203	182	208				
k / kBre	595 / 653	620 / 684	620 / 684	661 / 736	661 / 736				
o / oBre	236 / 294	261 / 325	261 / 325	302 / 377	302 / 377				
m	18	30	30	35	35				
n	221	221	255	221	255				
p	154	154	165	154	165				

SK 42



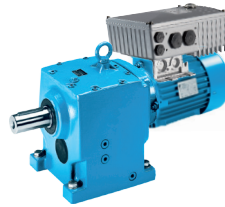
SK 42



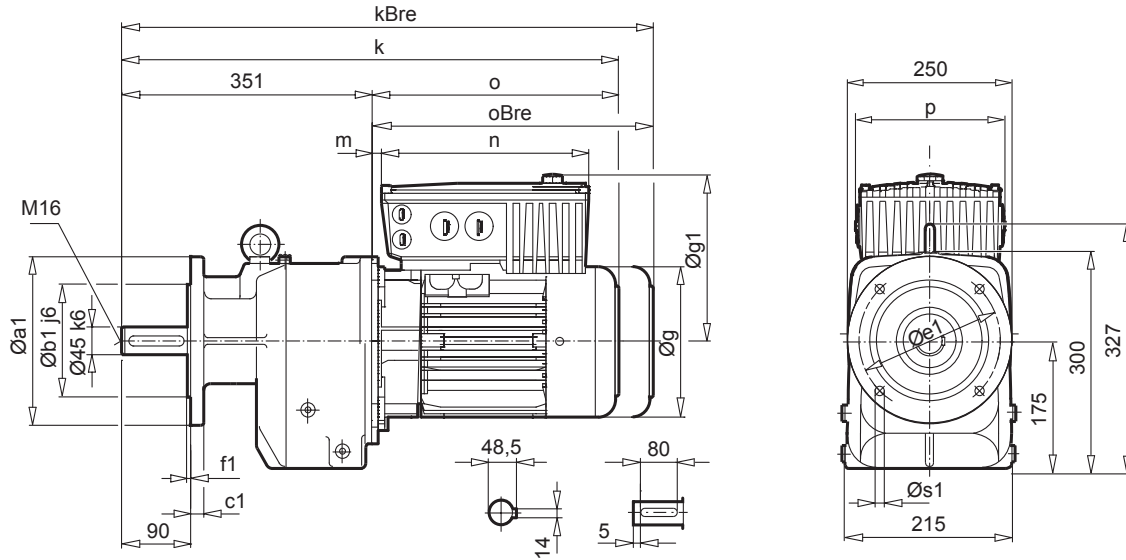
Helical gear units

Motor + SK200E

IE1 IE2 IE3	80 SH	90 SH/LH SP/LP	100 LH/AH LP/AP	112 MH MP	132 SH/MH/LH SP/MP/ -	160 MH MP	160 LH LP	180 MH/LH MP/LP					
SK 200E 340-A (-C)	550	- 111 - - 151 - - 221 -	- 301	- 221 - - 301 - - 401 -	- 551 - - 401 -	- 401 - - 551 - - 751 -	- 551 - - 751 -	- 112 - - 152 - - 182 -	- 112 - - 222 -	- 152 - - 222 -	- 182 - - 222 -		
g	165	183	183	201	201	201	228	228	266	266	320	320	358
g1	195	200	207	211	218	251	228	261	262	312	317	317	337
k / kBre	586 / 650	627 / 702	627 / 702	657 / 748	657 / 748	657 / 748	705 / 798	705 / 798	766 / 873	766 / 873	843 / 978	887 / 1022	985 / 1112
o / oBre	235 / 299	276 / 351	276 / 351	306 / 397	306 / 397	306 / 397	354 / 447	354 / 447	415 / 522	415 / 522	492 / 627	536 / 671	634 / 762
m	30	9	9	15	15	7	21	13	29	-28	6	6	28
n	236	236	266	236	266	330	266	330	330	480	480	480	480
p	156	156	176	156	176	218	176	218	218	305	305	305	305



SK 42F



a1	b1	c1	e1	f1	s1
200	130	14	165	3,5	11
250	180	16	215	4,0	14

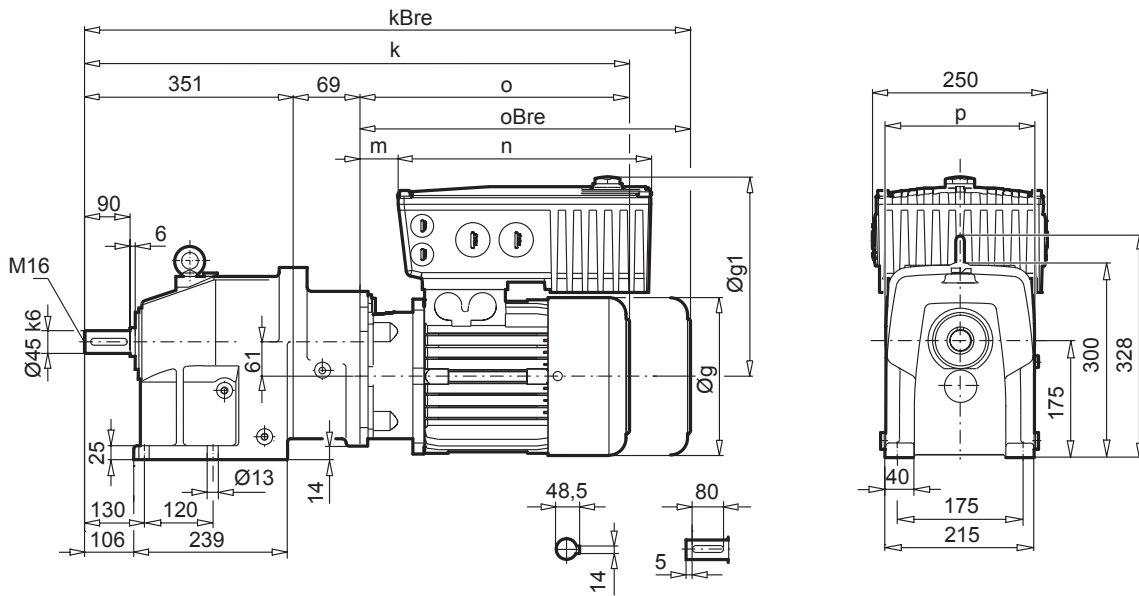
Motor + SK180E

IE1 IE2 IE3	80 - - -	90 SH/LH SP/LP	100 LH LP					
SK 180E 340-B (-C)	550	- 111 -	- 151 - - 221 -	- 221 -				
g	165	183	183	201				
g1	177	182	208	219				
k / kBre	586 / 650	627 / 702	627 / 702	657 / 748				
o / oBre	235 / 299	276 / 351	276 / 351	306 / 397				
m	30	9	9	15				
n	221	221	255	255				
p	154	154	165	165				

SK 43



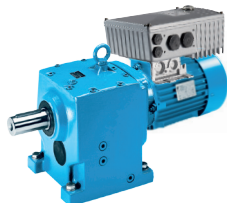
SK 43



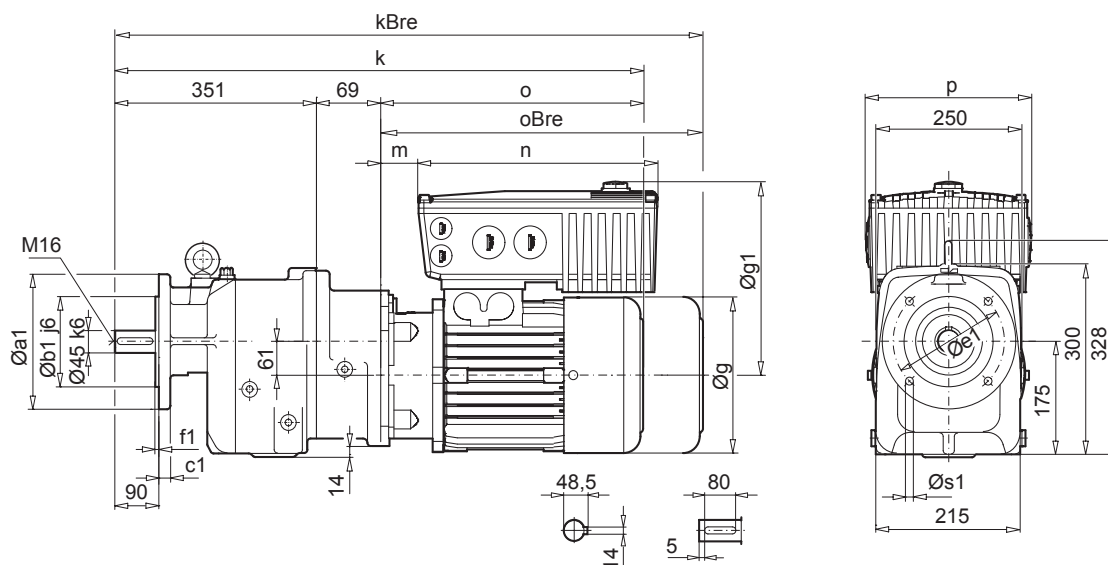
Helical gear units

Motor + SK200E

IE1 IE2 IE3	71 S/L - -	- 80 SH/LH - /LP	- 90 SH/LH SP/LP	- 100 LH/AH LP/AP	- 112 MH MP				
SK 200E 340-A (-C)	- 550 - - 750 -	- 550 - - 750 - - 111 - - 151 -	- 111 - - 151 - - 221 -	- 301	- 221 - - 301 - - 401 -	- 551 -	- 401 -	- 551 -	
g	145	165	183	183	201	201	201	228	228
g1	201	195	200	207	211	218	251	228	260
k / kBre	650 / 708	675 / 739	716 / 791	716 / 791	746 / 837	746 / 837	746 / 837	794 / 887	794 / 887
o / oBre	230 / 288	255 / 319	296 / 371	296 / 371	326 / 417	326 / 417	326 / 417	374 / 467	374 / 467
m	12	24	29	29	35	35	27	41	33
n	236	236	236	266	236	266	330	266	330
p	156	156	156	176	156	176	218	176	218



SK 43F



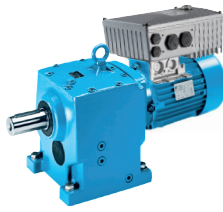
a1	b1	c1	e1	f1	s1
200	130	14	165	3,5	11
250	180	16	215	4,0	14

Helical gear units

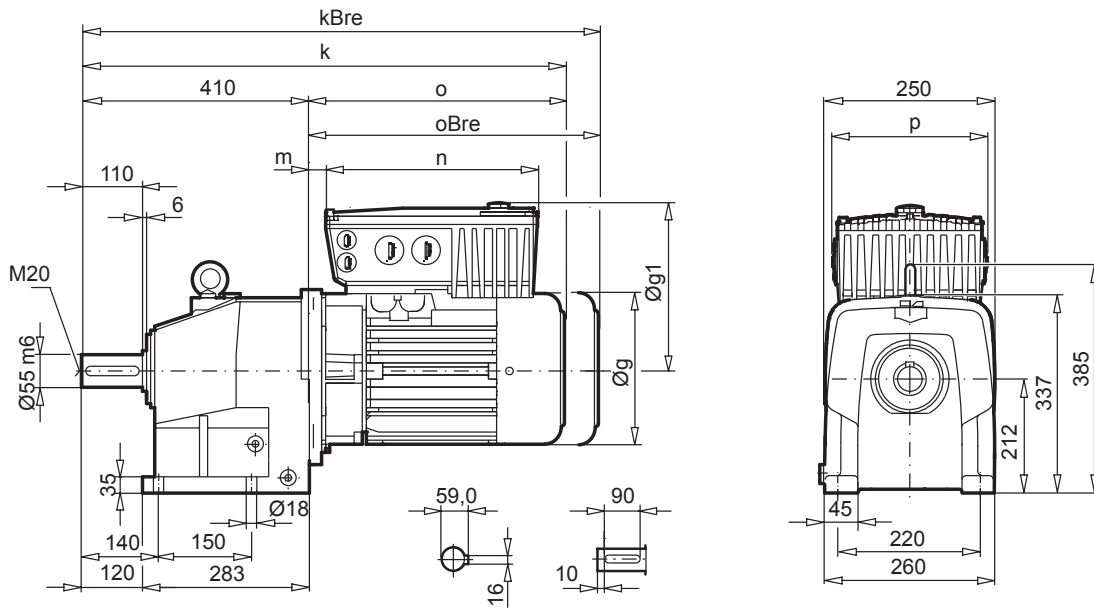
Motor + SK180E

IE1 IE2 IE3	71 S/L - -	80 SH/LH - /LP		90 SH/LH SP/LP		100 LH LP				
SK 180E 340-B (-C)	- 550 - - 750 -	- 550 - - 750 - - 111 -	- 151 -	- 111 -	- 151 - - 221 -	- 221 -				
g	145	165	165	183	183	201				
g1	184	177	203	182	208	219				
k / kBre	650 / 708	5675 / 739	675 / 739	716 / 791	716 / 791	746 / 837				
o / oBre	230 / 288	255 / 319	255 / 319	296 / 371	296 / 371	326 / 417				
m	12	24	24	29	29	35				
n	221	221	255	221	255	255				
p	154	154	165	154	165	165				

SK 52



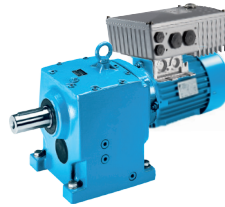
SK 52



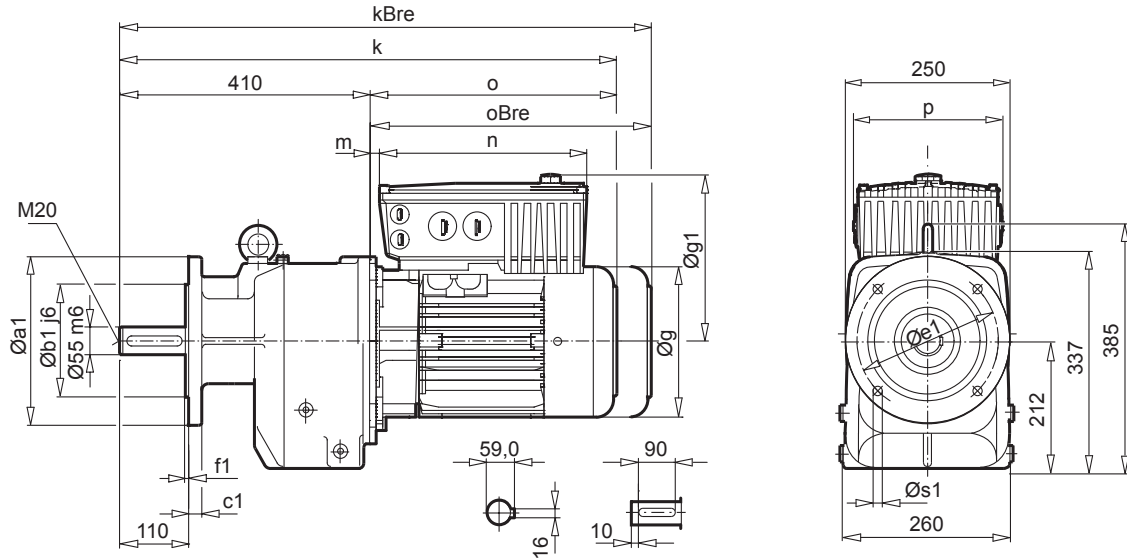
Helical gear units

Motor + SK200E

IE1 IE2 IE3	90 SH/LH SP/LP		100 LH/AH LP/AP			112 MH MP		132 SH/MH/LH SP/MP/ -		160 MH MP	160 LH LP	180 MH/LH MP/LP
SK 200E 340-A (-C)	- 111 - - 151 - - 221 -	- 301	- 221 -	- 301 - - 401 -	- 551 -	- 401 -	- 551 - - 751 -	- 551 - - 751 -	- 112 - - 152 - - 182 -	- 112 - - 222 -	- 152 - - 222 -	- 182 - - 222 -
g	183	183	201	201	201	228	228	266	266	320	320	358
g1	200	207	211	218	250	228	260	262	312	317	317	337
k / kBre	686 / 761	686 / 761	716 / 807	716 / 807	716 / 807	764 / 857	764 / 857	825 / 932	825 / 932	902 / 1037	946 / 1081	1044 / 1171
o / oBre	276 / 351	276 / 351	306 / 397	306 / 397	306 / 397	354 / 447	354 / 447	415 / 522	415 / 522	492 / 627	536 / 671	636 / 764
m	9	9	15	15	7	21	13	29	-28	6	6	28
n	236	266	236	266	330	266	330	330	480	480	480	480
p	156	176	156	176	218	176	218	218	305	305	305	305



SK 52F

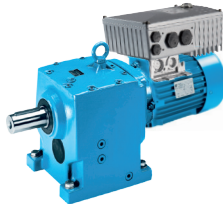


a1	b1	c1	e1	f1	s1
250	180	16	215	4,0	14
300	230	20	265	4,0	14

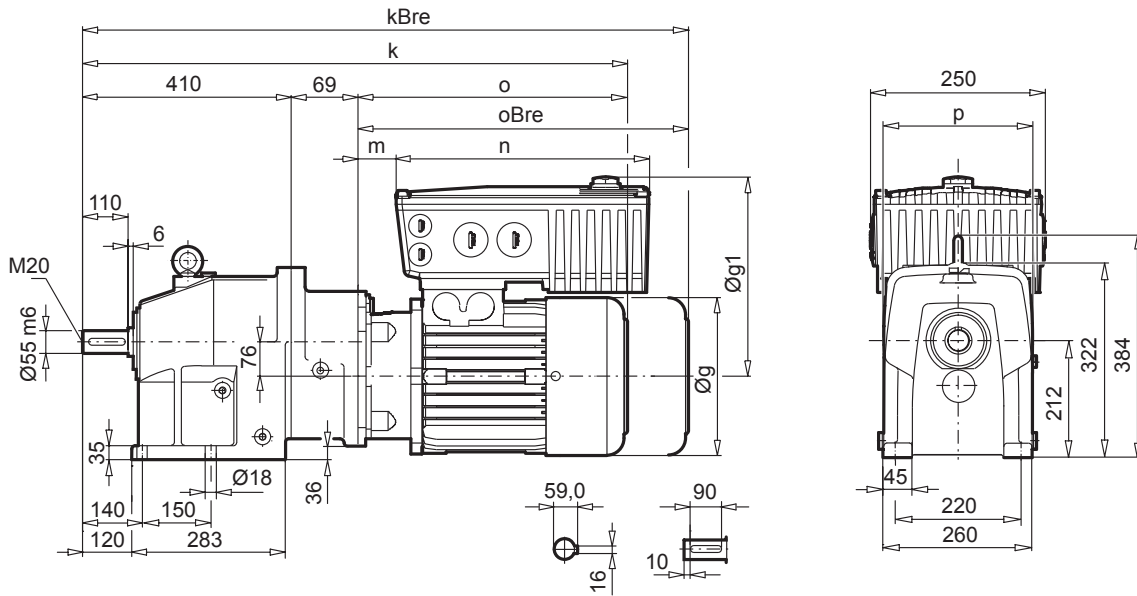
Motor + SK180E

IE1 IE2 IE3	- 90 SH/LH SP/LP		- 100 LH LP					
	- 111 -	- 151 - - 221 -	- 221 -					
SK 180E 340-B (-C)								
g	183	183	201					
g1	182	208	219					
k / kBre	686 / 761	686 / 761	716 / 807					
o / oBre	276 / 351	276 / 351	306 / 397					
m	9	9	15					
n	221	255	255					
p	154	165	165					

SK 53



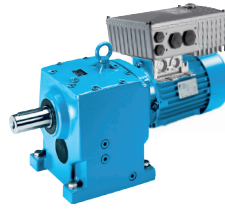
SK 53



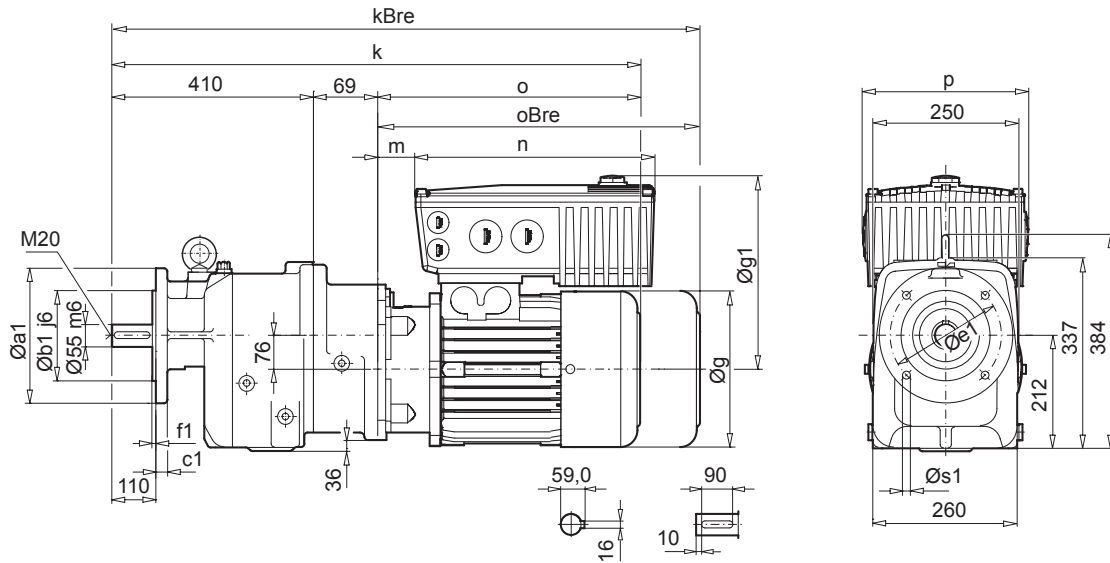
Helical gear units

Motor + SK200E

IE1 IE2 IE3	- 80 SH/LH - /LP	- 90 SH/LH SP/LP	- 100 LH/AH LP/AP	- 112 MH MP							
SK 200E 340-A (-C)	- 550 - - 750 - - 111 - - 151 -	- 111 - - 151 - - 221 -	- 301	- 221 -	- 301 - - 401 -	- 551 -	- 401 -	- 551 -			
g	165	183	183	201	201	201	228	228			
g1	195	200	207	211	218	250	228	260			
k / kBre	734 / 798	775 / 850	775 / 850	805 / 896	805 / 896	805 / 896	853 / 946	853 / 946			
o / oBre	255 / 319	296 / 371	296 / 371	326 / 417	326 / 417	326 / 417	374 / 467	374 / 467			
m	24	29	29	35	35	27	41	33			
n	236	236	266	236	266	330	266	330			
p	156	156	176	156	176	218	176	218			



SK 53F



a1	b1	c1	e1	f1	s1
250	180	16	215	4,0	14
300	230	20	265	4,0	14

Helical gear units

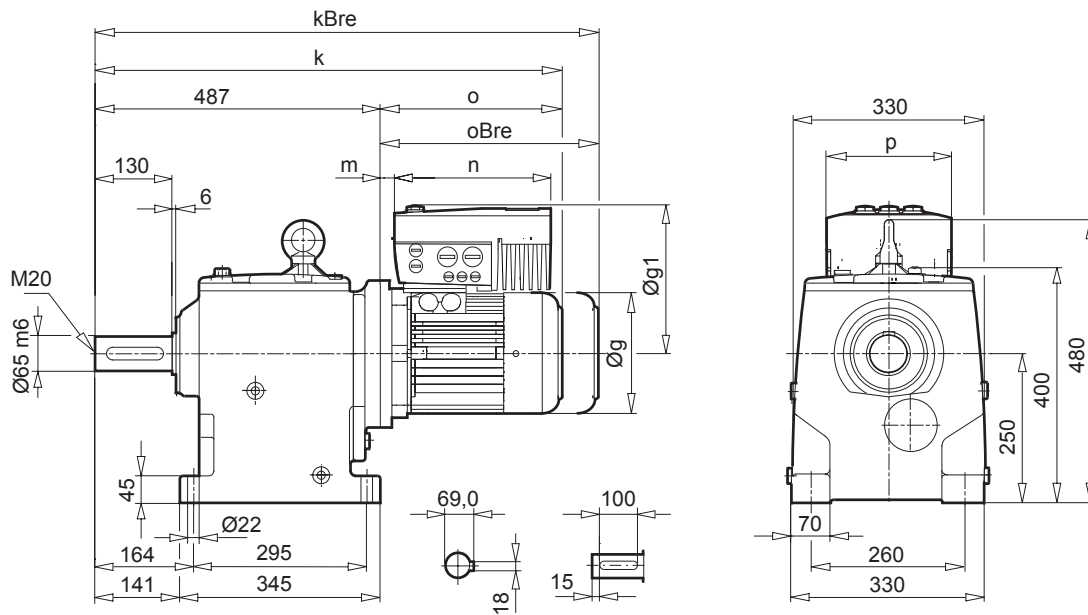
Motor + SK180E

IE1 IE2 IE3	80 SH/LH - /LP		90 SH/LH SP/LP		100 LH LP				
SK 180E 340-B (-C)	- 550 - - 750 - - 111 -	- 151 -	- 111 -	- 151 - - 221 -	- 221 -				
g	165	165	183	183	201				
g1	177	203	182	208	219				
k / kBre	734 / 798	734 / 798	775 / 850	775 / 850	805 / 896				
o / oBre	255 / 319	255 / 319	296 / 371	296 / 371	326 / 417				
m	24	24	29	29	35				
n	221	255	221	255	255				
p	154	165	154	165	165				

SK 62



SK 62



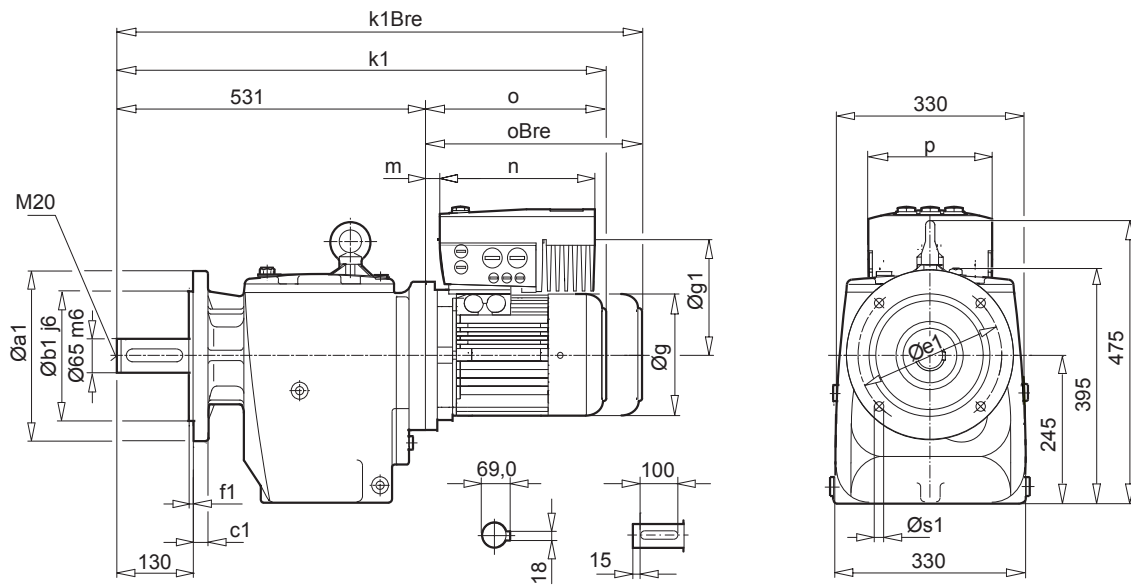
Helical gear units

Motor + SK200E

IE1 IE2 IE3	- 100 AH AP	- 112 MH MP	- 132 SH/MH/LH SP/MP/ -	- 160 MH MP	- 160 LH LP	- 180 MH/LH MP/LP			
SK 200E 340-A (-C)	- 301 -	- 401 - - 751 -	- 551 - - 751 -	- 112 - - 152 - - 182 -	- 112 - - 222 -	- 152 - - 222 -	- 182 - - 222 -		
g	201	228	228	266	266	320	320	358	
g1	218	228	260	262	312	317	317	337	
k / kBre	793 / 884	838 / 931	838 / 931	922 / 1029	922 / 1029	979 / 1114	1023 / 1158	1103 / 1231	
k1 / k1Bre	837 / 928	882 / 975	882 / 975	966 / 1073	966 / 1073	1023 / 1158	1067 / 1202	1147 / 1275	
o / oBre	306 / 397	351 / 444	351 / 444	435 / 542	435 / 542	492 / 627	536 / 671	614 / 742	
m	15	18	10	49	-8	6	6	8	
n	266	266	330	330	480	480	480	480	
p	176	176	218	218	305	305	305	305	

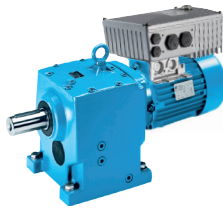


SK 62F

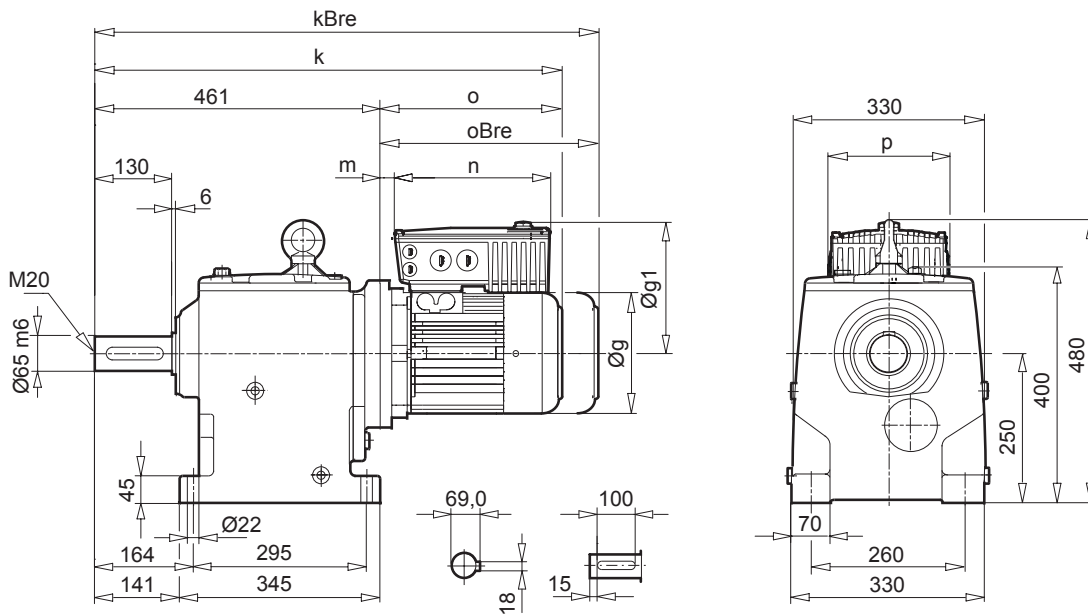


a1	b1	c1	e1	f1	s1
300	230	24	265	4,0	14

SK 63



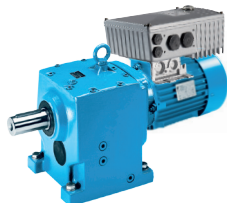
SK 63



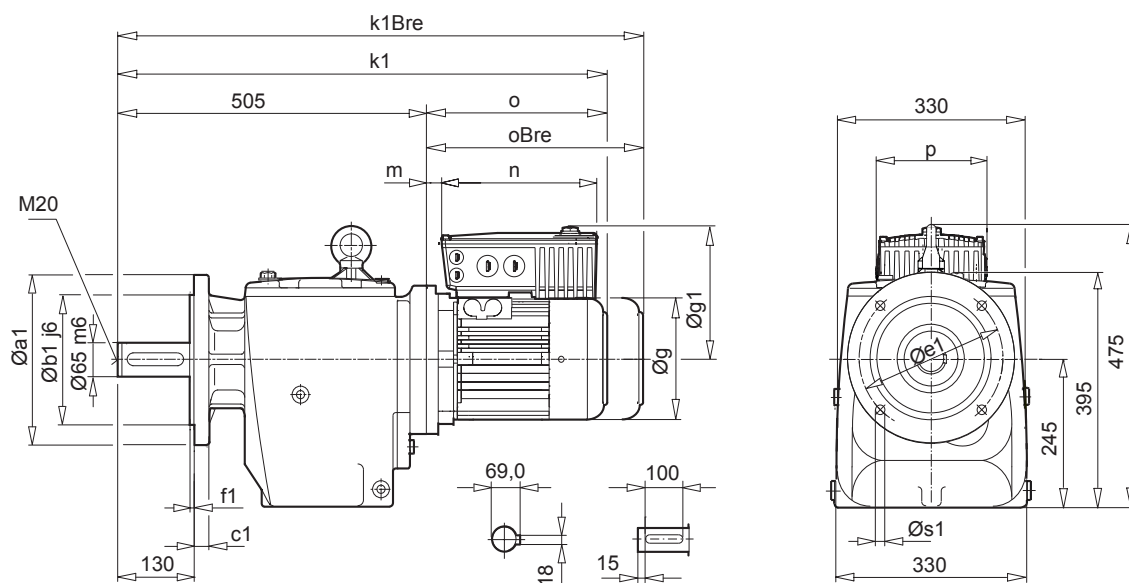
Helical gear units

Motor + SK200E

IE1 IE2 IE3	90 SH/LH SP/LP		100 LH/AH LP/AP			112 MH MP		132 SH/MH/LH SP/MP/-		160 MH MP	160 LH LP	180 MH/LH MP/LP
SK 200E 340-A (-C)	- 111 - - 151 - - 221 -	- 301	- 221 -	- 301 - - 401 -	- 551 -	- 401 -	- 551 - - 751 -	- 551 - - 751 -	- 112 - - 152 - - 182 -	- 112 - - 222 -	- 152 - - 222 -	- 182 - - 222 -
g	183	183	201	201	201	228	228	266	266	320	320	358
g1	200	207	211	218	251	228	261	262	312	317	317	337
k / kBre	737 / 812	737 / 812	767 / 858	767 / 858	767 / 858	815 / 908	815 / 908	876 / 983	876 / 983	953 / 1088	997 / 1132	1075 / 1205
k1 / k1Bre	781 / 856	781 / 856	811 / 902	811 / 902	811 / 902	859 / 952	859 / 952	920 / 1027	920 / 1027	997 / 1132	1041 / 1176	1119 / 1247
o / oBre	276 / 351	276 / 351	306 / 397	306 / 397	306 / 397	354 / 447	354 / 447	415 / 522	415 / 522	492 / 627	536 / 671	614 / 742
m	9	9	15	15	7	21	13	29	-28	6	6	8
n	236	266	236	266	330	266	330	330	480	480	480	480
p	156	176	156	176	218	176	218	218	305	305	305	305



SK63F



a1	b1	c1	e1	f1	s1
300	230	24	265	4,0	14

Helical gear units

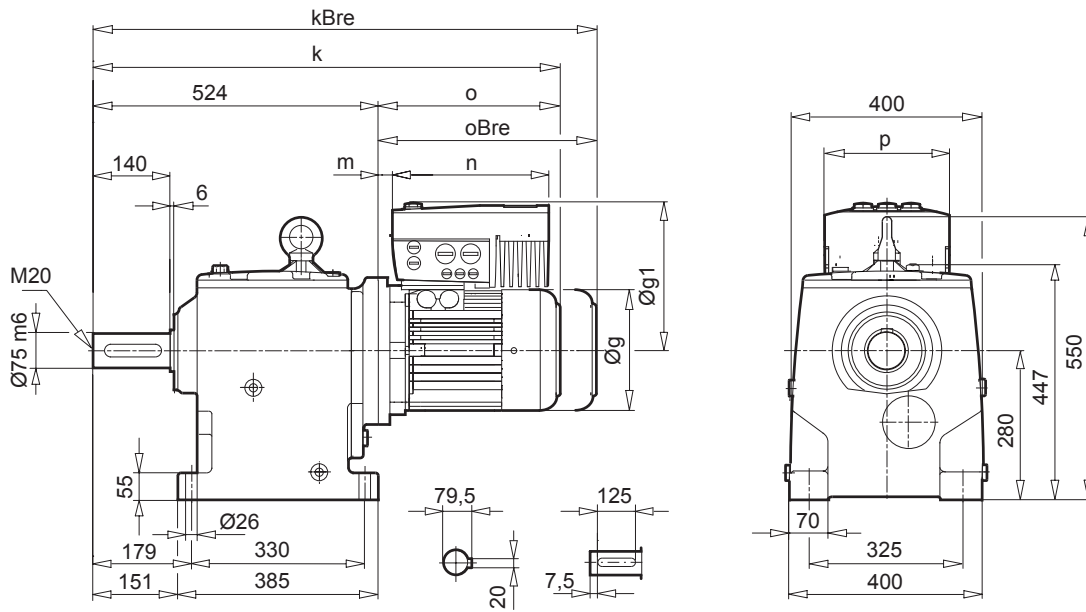
Motor + SK180E

IE1 IE2 IE3	- 90 SH/LH SP/LP		- 100 LH LP						
	- 111 -	- 151 - - 221 -	- 221 -						
SK 180E 340-B (-C)									
g	183	183	201						
g1	182	208	219						
k / kBre	737 / 812	737 / 812	767 / 858						
k1 / k1Bre	781 / 856	781 / 856	811 / 902						
o / oBre	276 / 351	276 / 351	306 / 397						
m	9	9	15						
n	221	255	255						
p	154	165	165						

SK 72



SK 72



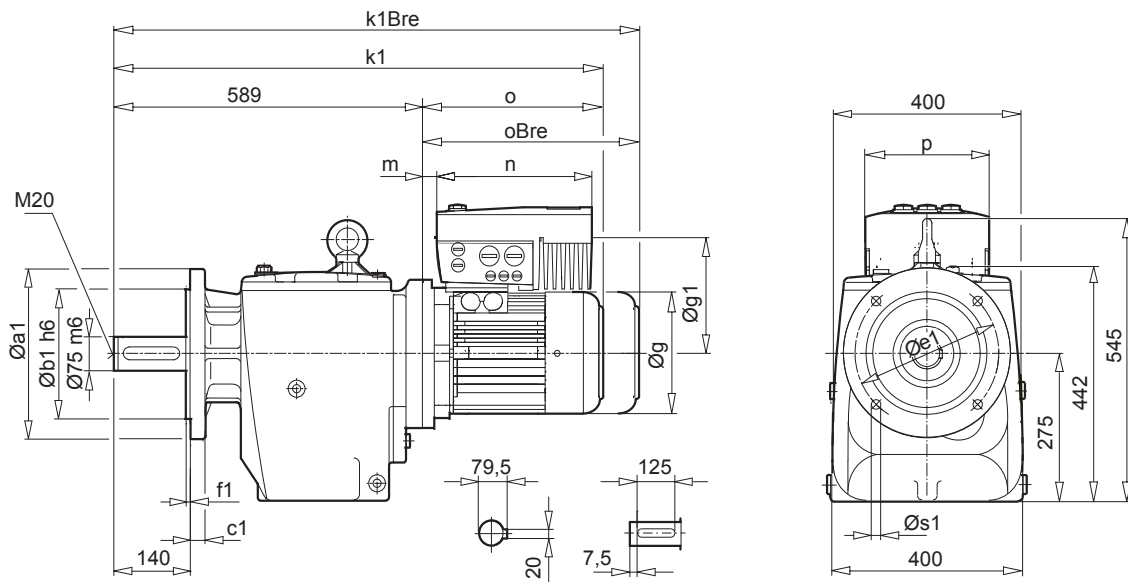
Helical gear units

Motor + SK200E

IE1 IE2 IE3	- 132 SH/MH/LH SP/MP/ -		- 160 MH MP	- 160 LH LP	- 180 MH/LH MP/LP					
SK 200E 340-A (-C)	- 751 -	- 112 - - 152 - - 182 -	- 112 - - 222 -	- 152 - - 222 -	- 182 - - 222 -					
g	266	266	320	320	358					
g1	262	312	317	317	337					
k / kBre	959 / 1066	959 / 1066	1016 / 1151	1060 / 1195	1138 / 1266					
k1 / k1Bre	1024 / 1131	1024 / 1131	1081 / 1216	1125 / 1260	1203 / 1331					
o / oBre	435 / 542	435 / 542	492 / 627	536 / 671	614 / 742					
m	49	-8	6	6	8					
n	330	480	480	480	480					
p	218	305	305	305	305					

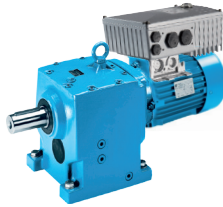


SK 72F

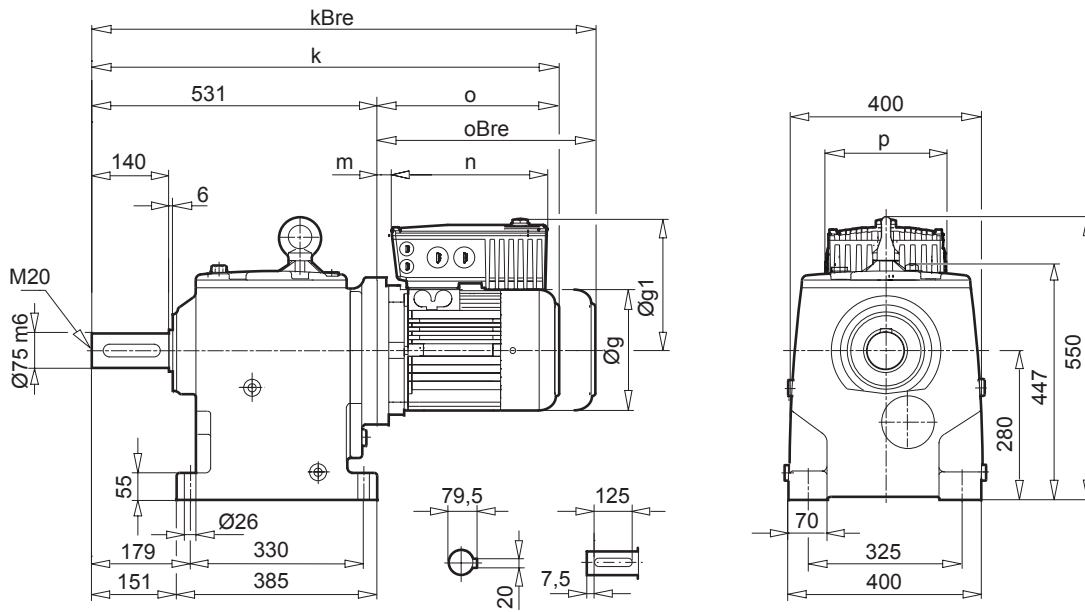


a1	b1	c1	e1	f1	s1
350	250	24	300	5,0	18

SK 73



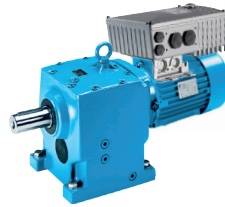
SK 73



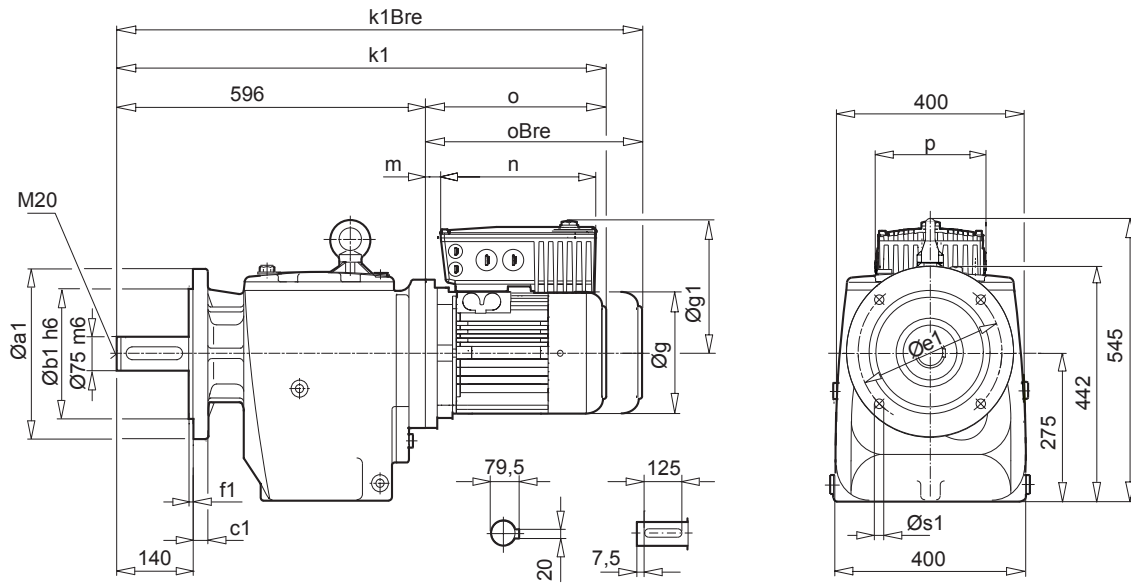
Helical gear units

Motor + SK200E

IE1 IE2 IE3	100 LH/AH LP/AP			112 MH MP		132 SH/MH/LH SP/MP/ -		160 MH MP	160 LH LP	180 MH/LH MP/LP
SK 200E 340-A (-C)	- 221 -	- 301 - - 401 -	- 551 -	- 401 -	- 551 - - 751 -	- 751 -	- 112 - - 152 - - 182 -	- 112 - - 222 -	- 152 - - 222 -	- 182 - - 222 -
g	201	201	201	228	228	266	266	320	320	358
g1	211	218	250	228	260	262	312	317	317	337
k / kBre	837 / 928	837 / 928	837 / 928	882 / 975	882 / 975	966 / 1073	966 / 1073	1023 / 1158	1067 / 1202	1145 / 1273
k1 / k1Bre	902 / 993	902 / 993	902 / 993	947 / 1040	947 / 1040	1031 / 1138	1031 / 1138	1088 / 1223	1132 / 1267	1210 / 1338
o / oBre	306 / 397	306 / 397	306 / 397	351 / 444	351 / 444	435 / 542	435 / 542	492 / 627	536 / 671	614 / 742
m	15	15	7	18	9	49	-8	6	6	8
n	236	266	330	266	330	330	480	480	480	480
p	156	176	218	176	218	218	305	305	305	305



SK 73F



a1	b1	c1	e1	f1	s1
350	250	24	300	5,0	18

Helical gear units

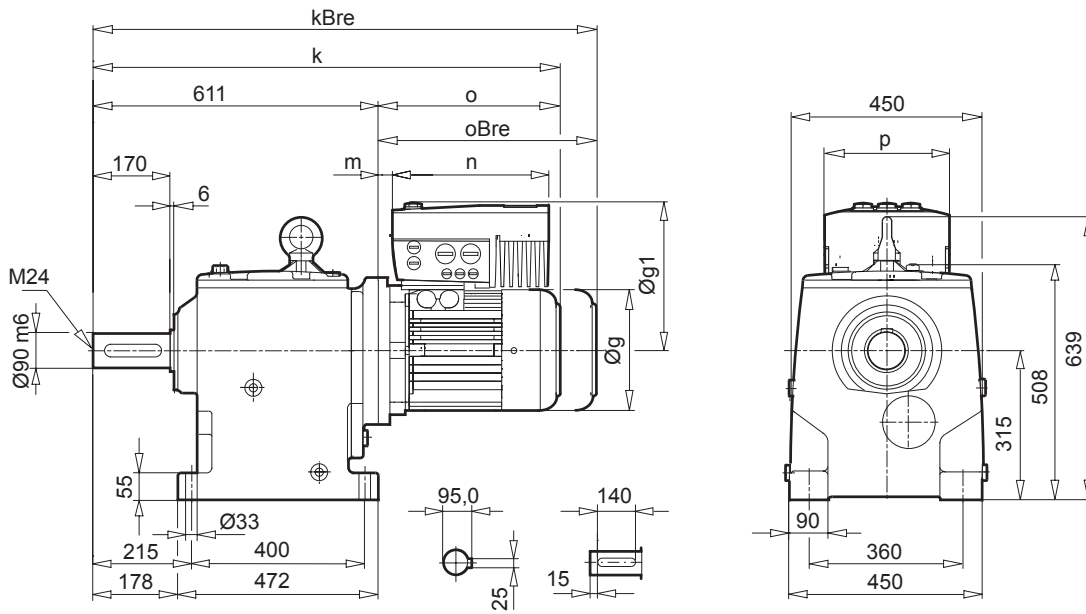
Motor + SK180E

IE1 IE2 IE3	- 100 LH LP								
SK 180E 340-B (-C)	- 221 -								
g	201								
g1	219								
k / kBre	837 / 928								
k1 / k1Bre	902 / 993								
o / oBre	306 / 397								
m	15								
n	255								
p	165								

SK 82



SK 82



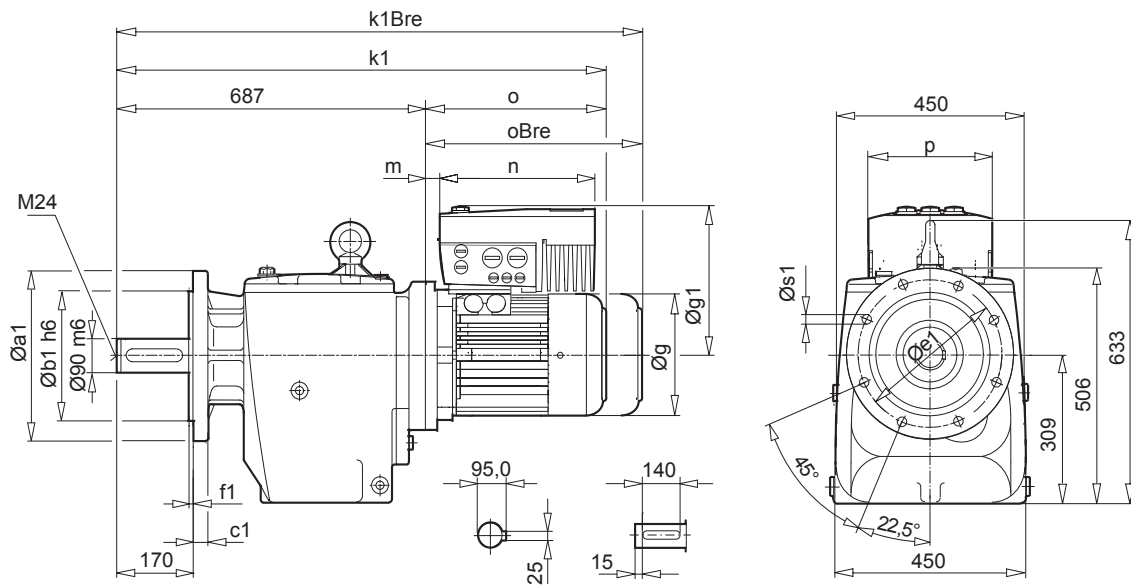
Helical gear units

Motor + SK200E

IE1 IE2 IE3	- 132 LH -	- 160 MH MP	- 160 LH LP	- 180 LH LP				
SK 200E 340-A (-C)	- 112 - - 182 -	- 112 - - 222 -	- 152 - - 222 -	- 222 -				
g	266	320	320	358				
g1	312	317	317	337				
k / kBre	1046 / 1153	1103 / 1238	1147 / 1282	1225 / 1352				
k1 / k1Bre	1122 / 1229	1179 / 1314	1223 / 1358	1301 / 1428				
o / oBre	435 / 542	492 / 627	536 / 671	614 / 742				
m	-8	6	6	8				
n	480	480	480	480				
p	305	305	305	305				

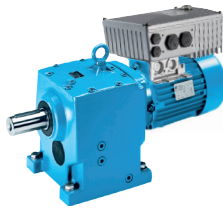


SK 82F

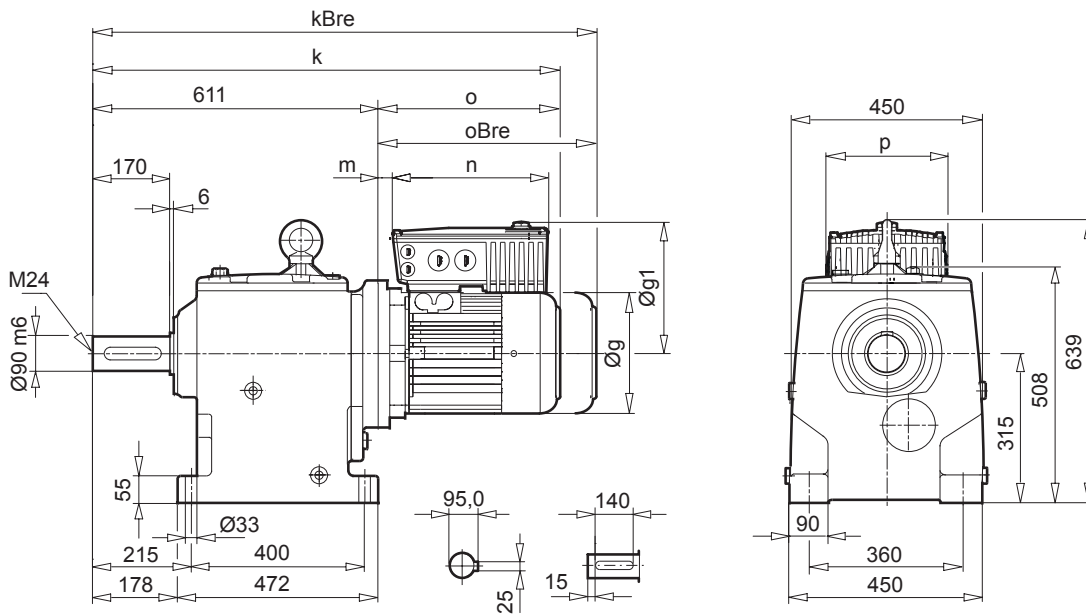


a1	b1	c1	e1	f1	s1
450	350	26	400	5,0	18

SK 83



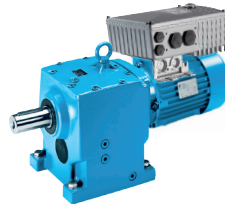
SK 83



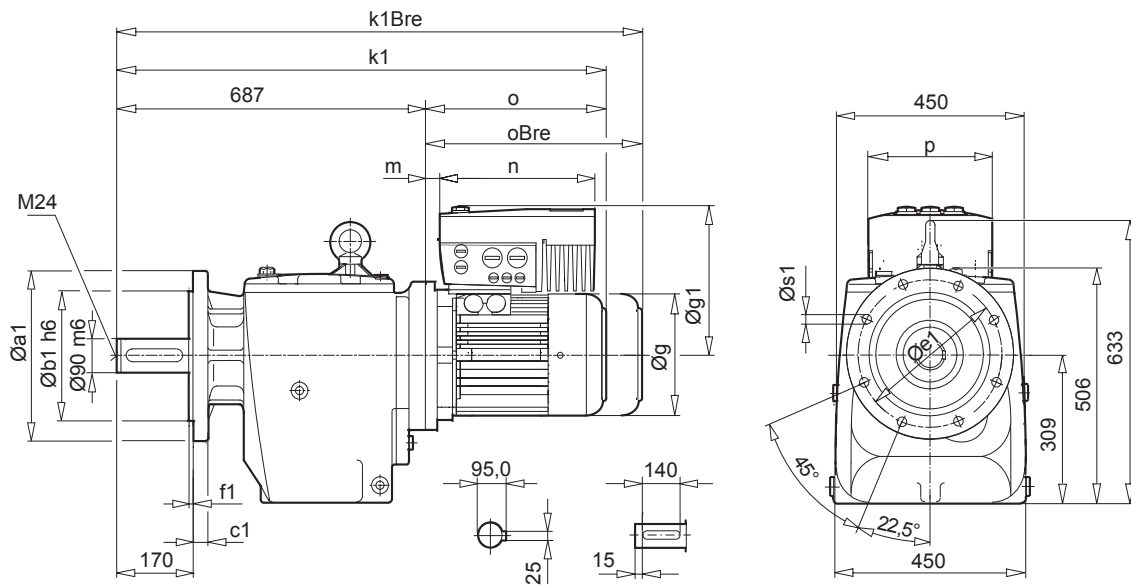
Helical gear units

Motor + SK200E

IE1 IE2 IE3	100 LH/AH LP/AP			112 MH MP		132 SH/MH/LH SP/MP/ -		160 MH MP	160 LH LP	180 MH/LH MP/LP
SK 200E 340-A (-C)	- 221 -	- 301 - - 401 -	- 551 -	- 401 -	- 551 - - 751 -	- 551 - - 751 -	- 112 - - 152 - - 182 -	- 112 - - 222 -	- 152 - - 222 -	- 182 - - 222 -
g	201	201	201	228	228	266	266	320	320	358
g1	211	218	250	228	260	262	312	317	317	337
k / kBre	917 / 1008	917 / 1008	917 / 1008	962 / 1055	962 / 1055	1046 / 1153	1046 / 1153	1103 / 1238	1147 / 1282	1225 / 1352
k1 / k1Bre	993 / 1084	993 / 1084	993 / 1084	1038 / 1131	1038 / 1131	1122 / 1229	1122 / 1229	1179 / 1314	1223 / 1358	1301 / 1428
o / oBre	306 / 397	306 / 397	306 / 397	351 / 444	351 / 444	435 / 542	435 / 542	492 / 627	536 / 671	614 / 742
m	15	15	7	18	10	49	-8	6	6	8
n	236	266	330	266	330	330	480	480	480	480
p	156	176	218	176	218	218	305	305	305	305



SK 83F



a1	b1	c1	e1	f1	s1
450	350	26	400	5,0	18

Helical gear units

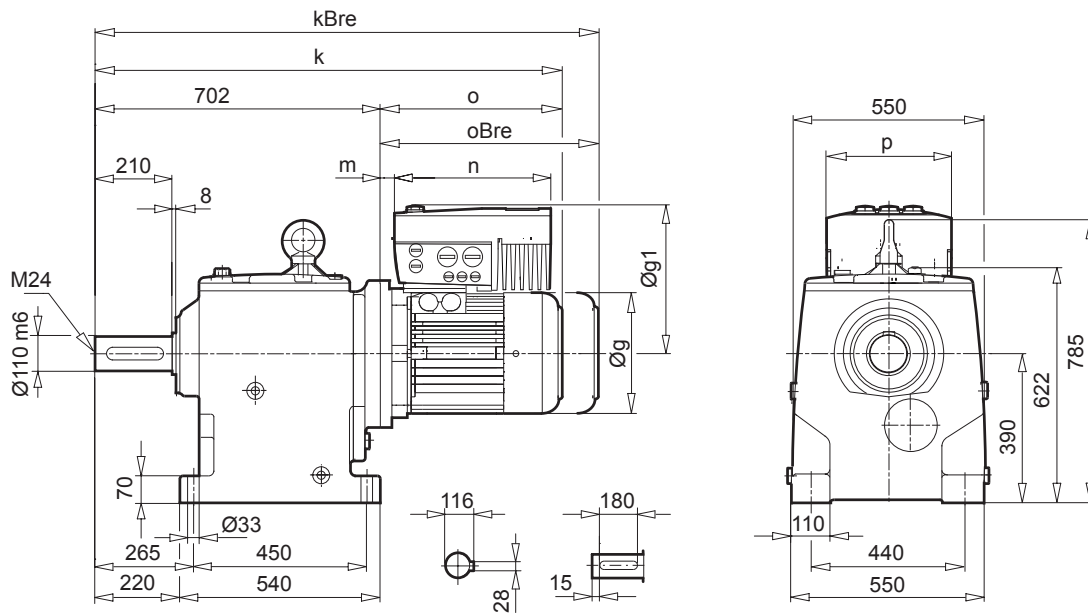
Motor + SK180E

IE1 IE2 IE3	- 100 LH LP								
SK 180E 340-B (-C)	- 221 -								
g	201								
g1	219								
k / kBre	917 / 1008								
k1 / k1Bre	993 / 1084								
o / oBre	306 / 397								
m	15								
n	255								
p	165								

SK 93



SK 93



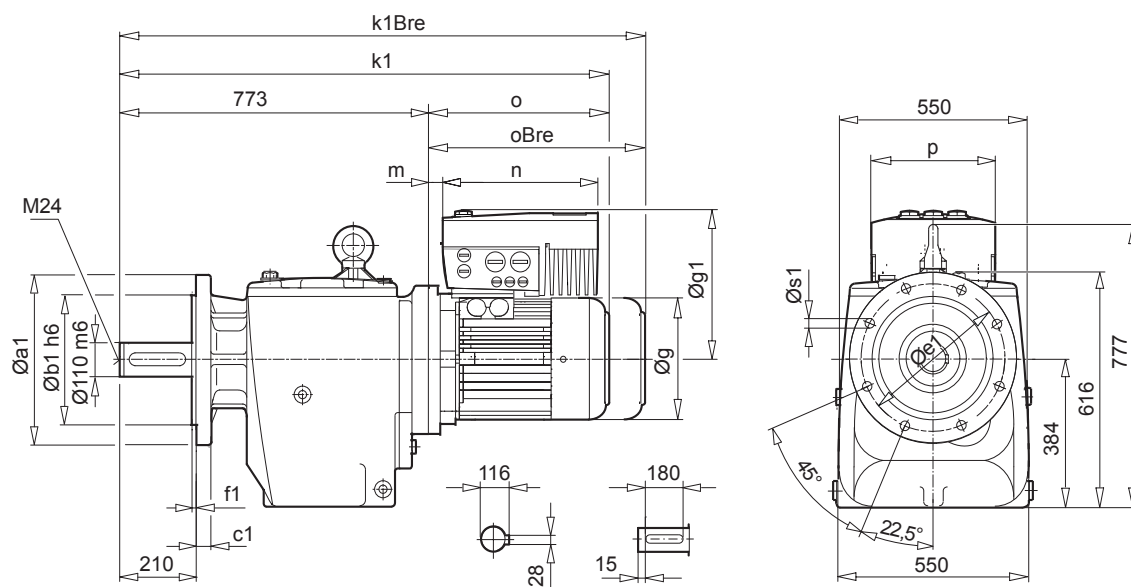
Helical gear units

Motor + SK200E

IE1 IE2 IE3	- 132 SH/MH/LH SP/MP/-	- 160 MH MP	- 160 LH LP	- 180 MH/LH MP/LP				
SK 200E 340-A (-C)	- 551 - - 751 -	- 112 - - 152 - - 182 -	- 112 - - 222 -	- 152 - - 222 -	- 182 - - 222 -			
g	266	266	320	320	358			
g1	262	312	317	317	337			
k / kBre	1137 / 1244	1137 / 1244	1194 / 1329	1238 / 1373	1316 / 1444			
k1 / k1Bre	1208 / 1315	1208 / 1315	1265 / 1400	1309 / 1444	1387 / 1515			
o / oBre	435 / 542	435 / 542	492 / 627	536 / 671	614 / 742			
m	49	-8	6	6	8			
n	330	480	480	480	480			
p	218	305	305	305	305			



SK 93F



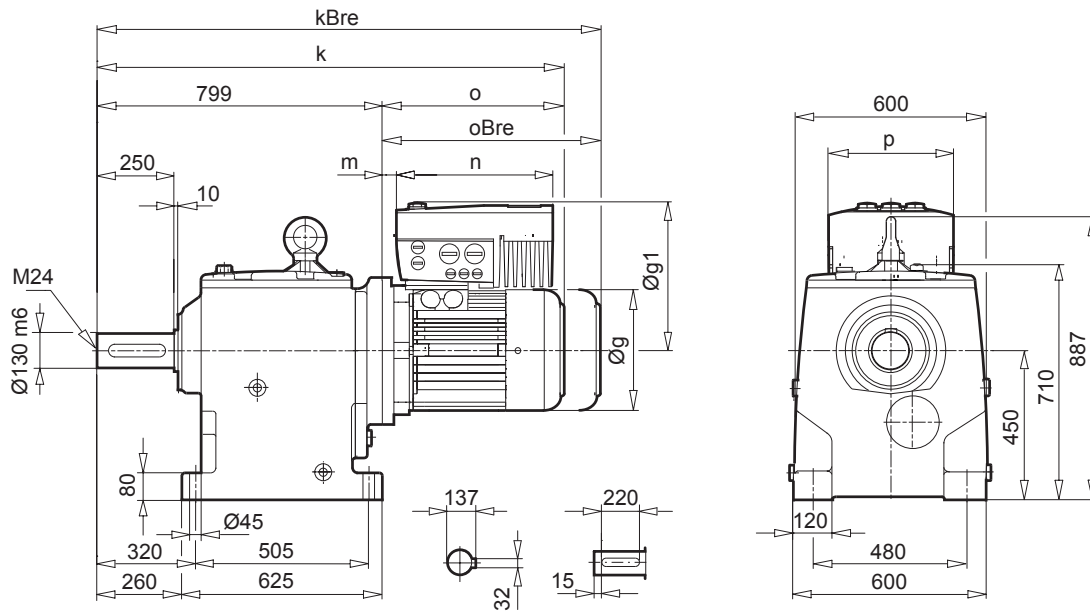
a1	b1	c1	e1	f1	s1
450	350	28	400	5,0	18

Helical gear units

SK 103



SK 103



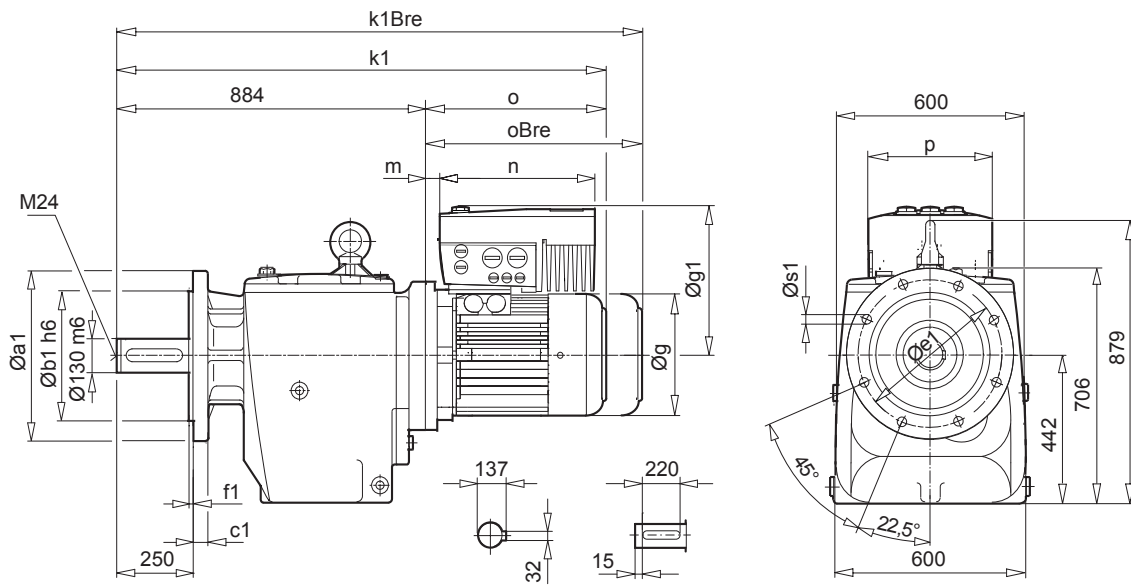
Helical gear units

Motor + SK200E

IE1 IE2 IE3	- 132 SH/MH/LH SP/MP/-	- 160 MH MP	- 160 LH LP	- 180 MH/LH MP/LP				
SK 200E 340-A (-C)	- 551 - - 751 -	- 112 - - 152 - - 182 -	- 112 - - 222 -	- 152 - - 222 -	- 182 - - 222 -			
g	266	266	320	320	358			
g1	262	312	317	317	337			
k / kBre	1234 / 1341	1234 / 1341	1291 / 1426	1335 / 1470	1413 / 1541			
k1 / k1Bre	1319 / 1426	1319 / 1426	1376 / 1511	1420 / 1555	1498 / 1626			
o / oBre	435 / 542	435 / 542	492 / 627	536 / 671	614 / 742			
m	49	-8	6	6	8			
n	330	480	480	480	480			
p	218	305	305	305	305			



SK 103F



a1	b1	c1	e1	f1	s1
550	450	32	500	5,0	18

Parallel Shaft Gear Units SK 200E / SK 180E



GEAR UNIT MOTOR DATA


Power and speed tables D 2 - 55



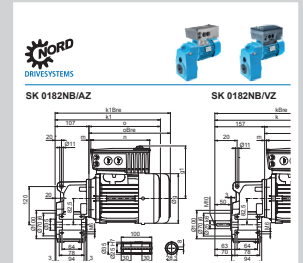
DIMENSIONED DRAWINGS

Parallel shaft gear units with frequency inverter . . D 56 - 98

1:5
0,55 kW **IE2**



P_1 [kW]	n_2 [min ⁻¹]	M_{2n} [Nm]	f_0	i_{opt}	F_R [N]	F_A [N]	
0,55	10-52	1008	1,6	272,54	20,9	22,0	SK 4382 - 80 SH14 -
	11-58	938	2,1	253,12	21,1	22,0	
	13-67	781	2,1	211,00	21,4	22,0	SK 4382 - 80 SH14 -
	15-74	708	2,8	191,87	21,5	22,0	
	18-80	602	2,8	160,20	21,7	22,0	
	21-91	520	3,8	140,80	21,8	22,0	
	24-12	436	4,6	118,38	21,7	22,0	
	27-14	384	5,2	103,62	20,9	22,0	
	12-62	854	1,2	230,83	14,6	14,5	SK 3382 - 80 SH14 -
	13-74	706	1,2	190,60	15,2	14,5	
	15-80	597	1,3	161,46	15,2	14,5	SK 3382 - 80 SH14 -
	18-91	492	1,6	136,93	14,5	14,5	
	21-14	384	1,9	104,05	13,8	14,5	
	25-13	415	1,9	112,23	14,2	14,5	SK 3282 - 80 SH14 -
	28-14	373	2,2	100,66	13,6	14,5	
	31-16	308	2,6	88,74	11,4	14,4	SK 3082 - 80 SH14 -



1:5
0,55 kW

IE2



NORD
DRIVESYSTEMS

P ₁ [kW]	n ₂ [min ⁻¹]	M _{2b} [Nm]	f _B	i _{ges}	F _R	F _A	Type	mm		
								kg		
0,55	1,0-5,2	1008	1,6	272,54	20,9	22,0	SK 4382 - 80 SH/4 - SK 200E-550-340-A (-C)	82	D74-75	
	1,1-5,6	936	2,1	253,12	21,1	22,0				
	1,3-6,7	781	2,1	211,09	21,4	22,0	SK 4382 - 80 SH/4 - SK 180E-550-340-B (-C)			
	1,5-7,4	708	2,8	191,57	21,5	22,0				
	1,8-8,9	592	2,8	160,20	21,7	22,0				
	2,0-10	520	3,8	140,60	21,8	22,0				
	2,4-12	438	4,6	118,38	21,7	22,0				
	2,7-14	384	5,2	103,82	20,9	22,0				
	1,2-6,2	854	1,2	230,83	14,6	14,5	SK 3382 - 80 SH/4 - SK 200E-550-340-A (-C)			
	1,5-7,4	706	1,2	190,69	15,2	14,5				
	1,8-8,8	597	1,3	161,46	15,2	14,5	SK 3382 - 80 SH/4 - SK 180E-550-340-B (-C)			
	2,2-11	470	1,6	126,93	14,5	14,5				
	2,7-14	384	1,9	104,05	13,8	14,5				
	2,5-13	415	1,9	112,23	14,2	14,5	SK 3282 - 80 SH/4 - SK 200E-550-340-A (-C)			
2,8-14	373	2,2	100,88	13,8	14,5					
3,2-16	328	2,9	88,74	13,4	14,5	SK 3282 - 80 SH/4 - SK 180E-550-340-B (-C)				
3,6-18	295	2,9	79,76	13,0	14,5					
4,0-20	261	2,2	70,56	12,5	14,5					
4,3-22	244	3,1	65,89	12,3	14,5					
1,5-7,7	685	0,8	185,11	6,4	12,0	SK 2382 - 80 SH/4 - SK 200E-550-340-A (-C)	44	D66-67		
1,9-9,5	555	0,9	149,96	7,9	12,0					
2,2-11	487	1,1	131,86	8,4	12,0	SK 2382 - 80 SH/4 - SK 180E-550-340-B (-C)				
2,4-12	431	1,2	116,35	8,8	12,0					
2,2-11	471	0,8	127,51	8,5	12,0	SK 2282 - 80 SH/4 - SK 200E-550-340-A (-C)				
2,7-14	385	1,0	104,07	9,1	12,0					
2,8-14	373	1,2	100,98	9,2	12,0	SK 2282 - 80 SH/4 - SK 180E-550-340-B (-C)				
3,4-17	305	1,6	82,42	9,5	12,0					
4,1-20	258	1,7	69,67	9,7	12,0					
4,4-22	236	2,2	63,83	9,7	12,0					
5,3-26	200	2,5	53,96	9,9	12,0					
6,3-31	167	2,7	45,11	9,9	12,0					
2,4-12	437	0,8	118,16	4,3	7,8	SK 1382NB - 80 SH/4 - SK 200E-550-340-A (-C)			32	D60-61
2,7-13	392	0,9	106,08	5,0	7,8					
2,8-14	374	1,0	101,14	5,2	7,8	SK 1382NB - 80 SH/4 - SK 180E-550-340-B (-C)				
3,2-16	329	1,1	88,94	5,7	7,8					
3,6-18	292	1,3	78,99	6,0	7,8					
4,2-21	252	1,5	68,23	6,3	7,8					
4,7-24	222	1,7	60,00	6,5	7,8					
5,3-27	197	1,8	53,28	6,6	7,8					
6,4-32	164	2,1	44,40	6,6	7,8					
7,3-37	144	2,3	38,77	6,5	7,8					
8,0-40	132	2,3	35,75	6,4	7,8					
9,6-48	110	2,6	29,79	6,1	7,8					
3,5-17	300	1,0	81,17	5,1	7,2	SK 1282 - 80 SH/4 - SK 200E-550-340-A (-C)	26	D62-63		
3,9-20	267	1,1	72,17	5,1	7,2					
4,3-21	245	1,1	66,23	5,0	7,2	SK 1282 - 80 SH/4 - SK 180E-550-340-B (-C)				
4,8-24	218	1,3	58,89	4,9	7,2					
5,1-26	205	1,1	55,39	4,9	7,2					
5,8-29	182	1,4	49,25	4,8	7,2					
6,2-31	171	1,1	46,19	4,7	7,2					
6,9-35	152	1,4	41,07	4,6	7,2					
8,9-44	119	1,9	32,08	4,4	7,2					
10-50	105	2,1	28,33	4,3	7,2					
11-56	93,4	2,4	25,22	4,2	7,2					
14-69	76,2	3,0	20,57	4,0	7,2					
5,0-25	209	0,8	56,55	4,1	5,0	SK 0282NB - 80 SH/4 - SK 200E-550-340-A (-C)			20	D58-59
5,5-28	191	0,8	51,64	4,0	5,0					
6,4-32	164	1,0	44,22	4,0	5,0	SK 0282NB - 80 SH/4 - SK 180E-550-340-B (-C)				
7,0-35	149	1,1	40,38	3,9	5,0					
8,3-42	126	1,2	34,16	3,8	5,0					
9,4-47	111	1,2	30,03	3,8	5,0					

Parallel shaft gear units



P_1 [kW]	n_2 [min ⁻¹]	M_{2b} [Nm]	f_B	i_{ges}	F_R [kN]	F_A [kN]	Type	kg	mm D
0,55	11-55	96,0	1,3	25,96	3,6	5,0	SK 0282NB - 80 SH/4 - SK 200E-550-340-A (-C)	20	D58-59
	13-66	79,8	1,8	21,57	3,5	5,0	SK 0282NB - 80 SH/4 - SK 180E-550-340-B (-C)		
	14-71	73,7	1,7	19,95	3,4	5,0			
	16-81	65,2	2,0	17,61	3,3	5,0			
	17-86	61,3	2,3	16,58	3,3	5,0			
	20-100	52,5	3,1	14,21	3,2	5,0			
	8,2-41	129	0,8	34,80	3,7	5,1	SK 0182NB - 80 SH/4 - SK 200E-550-340-A (-C)	16	D56-57
	8,9-45	118	0,8	31,81	3,6	5,1	SK 0182NB - 80 SH/4 - SK 180E-550-340-B (-C)		
	9,8-49	108	1,0	29,13	3,6	5,1			
	12-58	90,9	1,3	24,55	3,5	5,1			
	13-64	82,6	1,3	22,35	3,5	5,1			
	15-76	69,4	1,4	18,79	3,3	5,1			
	17-86	61,2	1,6	16,53	3,3	5,1			
	19-95	55,2	1,4	14,92	3,2	5,1			
	21-103	51,2	2,2	13,84	3,2	5,1			
	24-122	43,2	2,5	11,66	3,0	5,1			
	30-150	35,1	3,1	9,49	2,9	5,1			
	33-165	31,9	3,4	8,64	2,8	5,0			
	39-196	26,8	4,1	7,26	2,7	4,7			
	45-224	23,5	4,7	6,35	2,6	4,6			
53-266	19,7	4,7	5,34	2,5	4,3				
67-335	15,7	4,7	4,24	2,3	4,1				
0,75	1,0-5,2	1369	2,0	269,99	30,7	32,0	SK 5382 - 80 LH/4 - SK 200E-750-340-A (-C)	123	D78-79
	1,1-5,7	1259	2,5	248,70	30,9	32,0	SK 5382 - 80 LP/4 - SK 200E-750-340-A (-C)		
	1,4-7,0	1026	3,1	202,57	31,2	32,0	SK 5382 - 80 LH/4 - SK 180E-750-340-B (-C) SK 5382 - 80 LP/4 - SK 180E-750-340-B (-C)		
	1,0-5,2	1379	1,1	272,54	19,9	22,0	SK 4382 - 80 LH/4 - SK 200E-750-340-A (-C)	83	D74-75
	1,1-5,6	1281	1,5	253,12	20,2	22,0	SK 4382 - 80 LP/4 - SK 200E-750-340-A (-C)		
	1,3-6,7	1068	1,5	211,09	20,8	22,0	SK 4382 - 80 LH/4 - SK 180E-750-340-B (-C) SK 4382 - 80 LP/4 - SK 180E-750-340-B (-C)		
	1,5-7,4	969	2,1	191,57	21,0	22,0			
	1,8-8,8	810	2,0	160,20	21,4	22,0			
	2,0-10	712	2,8	140,60	21,5	22,0			
	2,4-12	600	3,3	118,38	21,0	22,0			
	2,7-14	526	3,8	103,82	20,3	22,0			
	3,3-16	439	4,5	86,83	19,4	22,0			
	4,2-21	338	3,6	66,65	18,0	22,0			
	1,2-6,1	1168	0,9	230,83	12,7	14,5	SK 3382 - 80 LH/4 - SK 200E-750-340-A (-C)	61	D70-71
	1,5-7,4	965	0,9	190,69	14,0	14,5	SK 3382 - 80 LP/4 - SK 200E-750-340-A (-C)		
	1,8-8,8	817	1,0	161,46	14,1	14,5	SK 3382 - 80 LH/4 - SK 180E-750-340-B (-C) SK 3382 - 80 LP/4 - SK 180E-750-340-B (-C)		
	2,2-11	643	1,2	126,93	13,6	14,5			
	2,7-14	526	1,4	104,05	13,1	14,5			
	3,2-16	453	1,4	89,60	12,7	14,5			
	2,5-13	568	1,4	112,23	13,5	14,5	SK 3282 - 80 LH/4 - SK 200E-750-340-A (-C)	53	D68-69
2,8-14	510	1,6	100,88	13,1	14,5	SK 3282 - 80 LP/4 - SK 200E-750-340-A (-C)			
3,2-16	449	2,1	88,74	12,8	14,5	SK 3282 - 80 LH/4 - SK 180E-750-340-B (-C) SK 3282 - 80 LP/4 - SK 180E-750-340-B (-C)			
3,5-18	404	2,1	79,76	12,5	14,5				
4,0-20	357	1,6	70,56	12,1	14,5				
4,3-21	334	2,3	65,89	11,9	14,5				
5,1-25	282	2,3	55,79	11,4	14,5				
5,9-29	243	2,3	48,04	11,0	14,5				
2,1-11	667	0,8	131,86	6,6	12,0	SK 2382 - 80 LH/4 - SK 200E-750-340-A (-C)	45	D66-67	
2,4-12	589	0,9	116,35	7,5	12,0	SK 2382 - 80 LP/4 - SK 200E-750-340-A (-C)			
2,9-14	498	1,1	98,35	8,3	12,0	SK 2382 - 80 LH/4 - SK 180E-750-340-B (-C) SK 2382 - 80 LP/4 - SK 180E-750-340-B (-C)			
3,4-17	416	1,3	82,22	8,9	12,0				
2,8-14	511	0,9	100,98	8,2	12,0	SK 2282 - 80 LH/4 - SK 200E-750-340-A (-C)	38	D64-65	
3,4-17	417	1,1	82,42	8,9	12,0	SK 2282 - 80 LP/4 - SK 200E-750-340-A (-C)			
4,1-20	353	1,3	69,67	9,3	12,0	SK 2282 - 80 LH/4 - SK 180E-750-340-B (-C) SK 2282 - 80 LP/4 - SK 180E-750-340-B (-C)			
4,4-22	323	1,6	63,83	9,4	12,0				
5,2-26	273	1,9	53,96	9,6	12,0				
6,3-31	228	2,0	45,11	9,6	12,0				
7,6-38	188	2,4	37,18	9,1	12,0				
9,5-48	150	3,3	29,65	8,6	12,0				

1:5**0,75 kW
1,10 kW****IE2****IE3****NORD**
DRIVESYSTEMS

P ₁ [kW]	n ₂ [min ⁻¹]	M _{2b} [Nm]	f _B	i _{ges}	F _R	F _A	Type	mm			
								kg			
0,75	3,2-16	450	0,8	88,94	4,1	7,8	SK 1382NB - 80 LH/4 - SK 200E-750-340-A (-C) SK 1382NB - 80 LP/4 - SK 200E-750-340-A (-C)	33	D60-61		
	3,6-18	399	0,9	78,99	4,9	7,8					
	4,1-21	346	1,1	68,23	5,5	7,8					
	4,7-24	304	1,2	60,00	5,9	7,8					
	5,3-27	270	1,3	53,28	6,2	7,8	SK 1382NB - 80 LH/4 - SK 180E-750-340-B (-C) SK 1382NB - 80 LP/4 - SK 180E-750-340-B (-C)				
	6,4-32	224	1,5	44,40	6,1	7,8					
	7,3-36	197	1,6	38,77	6,0	7,8					
	7,9-40	181	1,7	35,75	5,9	7,8					
	9,5-48	150	1,9	29,79	5,8	7,8					
	11-54	132	2,1	26,01	5,6	7,8					
	3,9-20	365	0,8	72,17	4,4	7,2	SK 1282 - 80 LH/4 - SK 200E-750-340-A (-C) SK 1282 - 80 LP/4 - SK 200E-750-340-A (-C)				
	4,3-21	335	0,8	66,23	4,4	7,2					
	4,8-24	298	0,9	58,89	4,4	7,2					
	5,1-26	280	0,8	55,39	4,4	7,2	SK 1282 - 80 LH/4 - SK 180E-750-340-B (-C) SK 1282 - 80 LP/4 - SK 180E-750-340-B (-C)				
5,7-29	249	1,0	49,25	4,3	7,2						
6,1-31	234	0,8	46,19	4,3	7,2						
6,9-34	208	1,0	41,07	4,2	7,2						
8,8-44	162	1,4	32,08	4,2	7,2						
10-50	143	1,6	28,33	4,1	7,2						
11-56	128	1,8	25,22	4,0	7,2						
14-69	104	2,2	20,57	3,8	7,2						
16-82	87,1	2,6	17,21	3,7	7,2						
7,0-35	204	0,8	40,38	3,5	5,0	SK 0282NB - 80 LH/4 - SK 200E-750-340-A (-C) SK 0282NB - 80 LP/4 - SK 200E-750-340-A (-C)	21	D58-59			
	8,3-41	173	0,9	34,16	3,4				5,0		
	9,4-47	152	0,8	30,03	3,5	5,0					
	11-54	131	1,0	25,96	3,4	5,0			SK 0282NB - 80 LH/4 - SK 180E-750-340-B (-C) SK 0282NB - 80 LP/4 - SK 180E-750-340-B (-C)		
	12-62	115	1,1	22,70	3,3	5,0					
	13-66	109	1,3	21,57	3,3	5,0					
	14-71	101	1,3	19,95	3,3	5,0					
	16-80	89,2	1,4	17,61	3,2	5,0					
	17-85	83,9	1,7	16,58	3,1	5,0					
	20-100	71,9	2,3	14,21	3,0	5,0					
	22-109	65,6	2,4	12,98	3,0	5,0					
	25-125	57,1	2,5	11,25	2,9	5,0					
	26-129	55,5	2,7	10,98	2,8	5,0					
	29-146	48,9	2,9	9,64	2,8	5,0					
	12-58	124	0,9	24,55	3,2	5,1			SK 0182NB - 80 LH/4 - SK 200E-750-340-A (-C) SK 0182NB - 80 LP/4 - SK 200E-750-340-A (-C)	17	D56-57
		13-63	113	1,0	22,35	3,1					
15-75		95,0	1,0	18,79	3,1	5,1					
17-86		83,7	1,2	16,53	3,1	5,1	SK 0182NB - 80 LH/4 - SK 180E-750-340-B (-C) SK 0182NB - 80 LP/4 - SK 180E-750-340-B (-C)				
19-95		75,5	1,0	14,92	2,9	5,1					
20-102		70,0	1,6	13,84	3,0	5,1					
24-121		59,1	1,9	11,66	2,9	5,1					
30-149		48,0	2,3	9,49	2,8	4,9					
33-164		43,7	2,5	8,64	2,7	4,8					
39-195		36,7	3,0	7,26	2,6	4,6					
45-223		32,1	3,4	6,35	2,5	4,4					
53-265		27,0	3,4	5,34	2,4	4,2					
67-334		21,4	3,4	4,24	2,2	3,9					
1,10		1,1-5,7	1842	2,4	251,76	41,2	46,5	SK 6382 - 90 SH/4 - SK 200E-111-340-A (-C) SK 6382 - 90 SP/4 - SK 200E-111-340-A (-C)	190		
	1,3-6,4	1653	2,4	225,79	41,5	46,5					
1,1-5,3	1979	1,4	269,99	29,4	32,0	SK 5382 - 90 SH/4 - SK 200E-111-340-A (-C) SK 5382 - 90 SP/4 - SK 200E-111-340-A (-C)	128	D78-79			
	1,2-5,8	1820	1,8	248,70	29,8				32,0		
	1,4-7,1	1484	2,2	202,57	30,5	32,0					
	1,7-8,4	1254	2,2	171,27	30,9	32,0			SK 5382 - 90 SH/4 - SK 180E-111-340-B (-C) SK 5382 - 90 SP/4 - SK 180E-111-340-B (-C)		
	1,9-9,3	1126	2,8	153,92	31,0	32,0					
	2,1-11	981	2,7	134,03	30,0	32,0			SK 5282 - 90 SH/4 - SK 200E-111-340-A (-C) SK 5282 - 90 SP/4 - SK 200E-111-340-A (-C) SK 5282 - 90 SH/4 - SK 180E-111-340-B (-C) SK 5282 - 90 SP/4 - SK 180E-111-340-B (-C)	109	D76-77

Parallel shaft
gear units



P_1 [kW]	n_2 [min ⁻¹]	M_{2b} [Nm]	f_B	i_{ges}	F_R [kN]	F_A [kN]	Type	kg	mm H B
1,10	1,1-5,7	1853	1,1	253,12	17,8	22,0	SK 4382 - 90 SH/4 - SK 200E-111-340-A (-C) SK 4382 - 90 SP/4 - SK 200E-111-340-A (-C)	88	D74-75
	1,4-6,8	1545	1,1	211,09	19,2	22,0			
	1,5-7,5	1402	1,4	191,57	19,8	22,0			
	1,8-9,0	1171	1,4	160,20	20,5	22,0	SK 4382 - 90 SH/4 - SK 180E-111-340-B (-C) SK 4382 - 90 SP/4 - SK 180E-111-340-B (-C)		
	2,0-10	1029	1,9	140,60	20,5	22,0			
	1,8-9,2	1138	1,1	155,40	20,6	22,0	SK 4282 - 90 SH/4 - SK 200E-111-340-A (-C) SK 4282 - 90 SP/4 - SK 200E-111-340-A (-C)	73	D72-73
	2,6-13	811	2,0	110,78	19,6	22,0			
	3,2-16	663	2,4	90,52	18,7	22,0			
	3,7-19	561	2,8	76,70	17,9	22,0	SK 4282 - 90 SH/4 - SK 180E-111-340-B (-C) SK 4282 - 90 SP/4 - SK 180E-111-340-B (-C)		
	2,3-11	930	0,8	126,93	12,1	14,5	SK 3382 - 90 SH/4 - SK 200E-111-340-A (-C) SK 3382 - 90 SP/4 - SK 200E-111-340-A (-C)	66	D70-71
							SK 3382 - 90 SH/4 - SK 180E-111-340-B (-C) SK 3382 - 90 SP/4 - SK 180E-111-340-B (-C)		
	2,6-13	822	0,9	112,23	12,2	14,5	SK 3282 - 90 SH/4 - SK 200E-111-340-A (-C) SK 3282 - 90 SP/4 - SK 200E-111-340-A (-C)	58	D68-69
2,8-14	738	1,1	100,88	12,0	14,5				
3,2-16	650	1,5	88,74	11,8	14,5				
3,6-18	584	1,5	79,76	11,5	14,5	SK 3282 - 90 SH/4 - SK 180E-111-340-B (-C) SK 3282 - 90 SP/4 - SK 180E-111-340-B (-C)			
4,1-20	516	1,1	70,56	11,2	14,5				
4,4-22	482	1,6	65,89	11,1	14,5				
4,5-22	469	2,2	64,12	11,1	14,5				
5,1-26	408	1,6	55,79	10,7	14,5				
5,4-27	388	2,2	52,97	10,6	14,5				
6,0-30	351	1,6	48,04	10,3	14,5				
6,4-32	328	2,2	44,85	10,2	14,5				
6,8-34	308	3,0	42,02	10,1	14,5				
7,4-37	282	2,2	38,62	9,8	14,5				
7,6-38	277	3,0	37,77	9,9	14,5				
9,0-45	234	3,8	31,93	9,5	14,5				
2,9-15	720	0,8	98,35	5,8	12,0	SK 2382 - 90 SH/4 - SK 200E-111-340-A (-C) SK 2382 - 90 SP/4 - SK 200E-111-340-A (-C)	50	D66-67	
3,5-17	602	0,9	82,22	7,4	12,0	SK 2382 - 90 SH/4 - SK 180E-111-340-B (-C) SK 2382 - 90 SP/4 - SK 180E-111-340-B (-C)			
3,5-17	604	0,8	82,42	7,4	12,0	SK 2282 - 90 SH/4 - SK 200E-111-340-A (-C) SK 2282 - 90 SP/4 - SK 200E-111-340-A (-C)	43	D64-65	
4,1-21	510	0,9	69,67	8,2	12,0				
4,5-22	467	1,1	63,83	8,6	12,0				
5,3-27	395	1,3	53,96	9,0	12,0	SK 2282 - 90 SH/4 - SK 180E-111-340-B (-C) SK 2282 - 90 SP/4 - SK 180E-111-340-B (-C)			
5,5-28	379	1,4	51,71	9,1	12,0				
6,4-32	330	1,4	45,11	8,9	12,0				
6,6-33	320	1,8	43,71	8,9	12,0				
7,7-39	272	1,7	37,18	8,6	12,0				
7,8-39	268	1,9	36,54	8,5	12,0				
9,2-46	228	1,9	31,23	8,2	12,0				
9,7-48	217	2,3	29,65	8,2	12,0				
11-57	183	2,7	24,97	7,9	12,0				
12-60	176	2,5	23,96	7,8	12,0				
13-66	160	3,0	21,90	7,6	12,0				
16-78	135	3,6	18,51	7,3	12,0				
17-87	121	3,9	16,53	7,1	12,0				
4,8-24	440	0,8	60,00	4,3	7,8	SK 1382NB - 90 SH/4 - SK 200E-111-340-A (-C) SK 1382NB - 90 SP/4 - SK 200E-111-340-A (-C)	38	D60-61	
5,4-27	390	0,9	53,28	5,0	7,8				
6,5-32	324	1,0	44,40	5,2	7,8				
7,4-37	284	1,1	38,77	5,2	7,8	SK 1382NB - 90 SH/4 - SK 180E-111-340-B (-C) SK 1382NB - 90 SP/4 - SK 180E-111-340-B (-C)			
8,0-40	261	1,1	35,75	5,2	7,8				
9,7-48	217	1,3	29,79	5,1	7,8				
11-55	190	1,4	26,01	5,1	7,8				
12-59	177	1,6	24,26	5,0	7,8				
15-76	137	1,8	18,75	4,8	7,6				
18-89	119	1,9	16,28	4,7	7,3				

1:5

1,10 kW
1,50 kW



P ₁ [kW]	n ₂ [min ⁻¹]	M _{2b} [Nm]	f _B	i _{ges}	F _R	F _A	Type	mm			
								kg			
1,10	8,9-45	235	1,0	32,08	3,7	7,2	SK 1282 - 90 SH/4 - SK 200E-111-340-A (-C) SK 1282 - 90 SP/4 - SK 200E-111-340-A (-C)	32	D62-63		
	10-51	208	1,1	28,33	3,6	7,2					
	11-57	185	1,2	25,22	3,6	7,2					
	14-70	151	1,5	20,57	3,5	7,2	SK 1282 - 90 SH/4 - SK 180E-111-340-B (-C) SK 1282 - 90 SP/4 - SK 180E-111-340-B (-C)				
	17-83	126	1,8	17,21	3,4	7,1					
	20-102	103	2,0	14,11	3,3	6,8					
	24-122	86,0	2,4	11,76	3,1	6,5					
	28-139	75,7	2,6	10,34	3,0	6,3					
	14-72	146	0,9	19,95	2,9	5,0	SK 0282NB - 90 SH/4 - SK 200E-111-340-A (-C) SK 0282NB - 90 SP/4 - SK 200E-111-340-A (-C)			26	D58-59
	16-81	129	1,0	17,61	2,9	5,0					
	17-87	121	1,2	16,58	2,8	5,0					
	20-101	104	1,6	14,21	2,8	5,0	SK 0282NB - 90 SH/4 - SK 180E-111-340-B (-C) SK 0282NB - 90 SP/4 - SK 180E-111-340-B (-C)				
	22-111	94,8	1,7	12,98	2,7	5,0					
	25-127	82,6	1,7	11,25	2,7	5,0					
	26-131	80,3	1,9	10,98	2,6	5,0					
	30-148	70,8	2,0	9,64	2,6	5,0					
	33-163	64,6	2,1	8,80	2,5	4,9					
	38-192	54,7	2,4	7,45	2,4	4,7					
	44-222	47,3	2,6	6,44	2,4	4,5					
	48-239	43,9	2,8	5,99	2,3	4,4					
55-276	38,0	3,0	5,17	2,2	4,2						
62-308	34,2	3,2	4,66	2,2	4,0						
71-355	29,6	3,5	4,03	2,1	3,8						
1,50	1,1-5,6	2547	1,8	251,76	40,1	46,5	SK 6382 - 90 LH/4 - SK 200E-151-340-A (-C) SK 6382 - 90 LP/4 - SK 200E-151-340-A (-C)	192	D82-83		
	1,3-6,3	2286	1,8	225,79	40,5	46,5	SK 6382 - 90 LH/4 - SK 180E-151-340-B (-C) SK 6382 - 90 LP/4 - SK 180E-151-340-B (-C)				
	1,0-5,2	2737	1,0	269,99	27,0	32,0	SK 5382 - 90 LH/4 - SK 200E-151-340-A (-C) SK 5382 - 90 LP/4 - SK 200E-151-340-A (-C)	130	D78-79		
	1,1-5,7	2517	1,3	248,70	27,8	32,0					
	1,4-7,0	2053	1,6	202,57	29,2	32,0					
	1,7-8,3	1735	1,6	171,27	30,0	32,0	SK 5382 - 90 LH/4 - SK 180E-151-340-B (-C) SK 5382 - 90 LP/4 - SK 180E-151-340-B (-C)				
	1,8-9,2	1557	2,1	153,92	29,8	32,0					
	2,0-10	1405	2,3	138,82	29,2	32,0					
	2,1-11	1357	2,0	134,03	28,9	32,0	SK 5282 - 90 LH/4 - SK 200E-151-340-A (-C) SK 5282 - 90 LP/4 - SK 200E-151-340-A (-C)	111	D76-77		
	2,8-14	1014	2,2	100,19	27,1	32,0					
	3,5-17	827	2,2	81,61	25,6	32,0	SK 5282 - 90 LH/4 - SK 180E-151-340-B (-C) SK 5282 - 90 LP/4 - SK 180E-151-340-B (-C)				
	1,1-5,6	2562	0,8	253,12	12,7	22,0	SK 4382 - 90 LH/4 - SK 200E-151-340-A (-C) SK 4382 - 90 LP/4 - SK 200E-151-340-A (-C)	90	D74-75		
	1,3-6,7	2136	0,8	211,09	16,2	22,0					
	1,5-7,4	1939	1,0	191,57	17,4	22,0					
	1,8-8,8	1620	1,0	160,20	18,9	22,0	SK 4382 - 90 LH/4 - SK 180E-151-340-B (-C) SK 4382 - 90 LP/4 - SK 180E-151-340-B (-C)				
	2,0-10	1423	1,4	140,60	18,9	22,0					
	1,8-9,1	1573	0,8	155,40	19,1	22,0	SK 4282 - 90 LH/4 - SK 200E-151-340-A (-C) SK 4282 - 90 LP/4 - SK 200E-151-340-A (-C)	75	D72-73		
	2,6-13	1121	1,4	110,78	18,5	22,0					
	3,1-16	916	1,7	90,52	17,8	22,0					
	3,7-18	776	2,0	76,70	17,1	22,0	SK 4282 - 90 LH/4 - SK 180E-151-340-B (-C) SK 4282 - 90 LP/4 - SK 180E-151-340-B (-C)				
6,3-31	456	3,5	45,05	15,2	22,0						
6,9-35	413	3,8	40,74	14,8	22,0						
3,2-16	898	1,1	88,74	10,6	14,5	SK 3282 - 90 LH/4 - SK 200E-151-340-A (-C) SK 3282 - 90 LP/4 - SK 200E-151-340-A (-C)	60			D68-69	
3,5-18	807	1,1	79,76	10,5	14,5						
4,3-21	667	1,1	65,89	10,3	14,5						
4,4-22	649	1,6	64,12	10,3	14,5	SK 3282 - 90 LH/4 - SK 180E-151-340-B (-C) SK 3282 - 90 LP/4 - SK 180E-151-340-B (-C)					
5,1-25	564	1,1	55,79	10,0	14,5						
5,3-27	536	1,6	52,97	10,0	14,5						
5,9-29	486	1,1	48,04	9,7	14,5						
6,3-32	454	1,6	44,85	9,6	14,5						
6,7-34	426	2,2	42,02	9,6	14,5						
7,3-37	391	1,6	38,62	9,3	14,5						
7,5-37	383	2,2	37,77	9,4	14,5						
8,9-44	323	2,7	31,93	9,1	14,5						
9,9-49	290	3,0	28,70	8,9	14,5						
11-55	262	3,2	25,88	8,7	14,5						
12-60	240	3,4	23,71	8,5	14,5						

Parallel shaft
gear units




1:5
1,50 kW

P_1 [kW]	n_2 [min ⁻¹]	M_{2b} [Nm]	f_B	i_{ges}	F_R [kN]	F_A [kN]	Type	kg	mm D				
1,50	4,4-22	646	0,8	63,83	6,9	12,0	SK 2282 - 90 LH/4 - SK 200E-151-340-A (-C)	45	D64-65				
	5,2-26	546	0,9	53,96	7,9	12,0	SK 2282 - 90 LP/4 - SK 200E-151-340-A (-C)						
	5,5-27	524	1,0	51,71	8,1	12,0	SK 2282 - 90 LH/4 - SK 180E-151-340-B (-C) SK 2282 - 90 LP/4 - SK 180E-151-340-B (-C)						
	6,3-31	457	1,0	45,11	8,2	12,0							
	6,5-32	443	1,3	43,71	8,3	12,0							
	7,6-38	376	1,2	37,18	8,1	12,0							
	7,7-39	370	1,4	36,54	8,0	12,0							
	9,1-45	316	1,4	31,23	7,8	12,0							
	9,5-48	300	1,7	29,65	7,8	12,0							
	11-57	253	1,9	24,97	7,5	12,0							
	12-59	243	1,8	23,96	7,5	12,0							
	13-65	222	2,2	21,90	7,3	12,0							
	15-76	187	2,6	18,51	7,0	12,0							
	17-85	168	2,8	16,53	6,8	12,0							
	21-107	134	3,0	13,23	6,4	12,0							
	24-120	120	3,2	11,81	6,2	12,0							
	28-139	103	3,5	10,15	6,0	12,0							
	31-157	91,1	3,7	9,03	5,8	11,8							
	34-169	84,6	3,0	8,37	5,7	11,5							
	38-189	75,7	3,2	7,48	5,5	11,1							
	6,4-32	449	0,8	44,40	4,1	6,9	SK 1382NB - 90 LH/4 - SK 200E-151-340-A (-C)	40	D60-61				
	7,3-36	393	0,8	38,77	4,2	7,1	SK 1382NB - 90 LP/4 - SK 200E-151-340-A (-C)						
	7,9-40	361	0,8	35,75	4,3	7,1	SK 1382NB - 90 LH/4 - SK 180E-151-340-B (-C) SK 1382NB - 90 LP/4 - SK 180E-151-340-B (-C)						
	9,5-48	301	0,9	29,79	4,4	7,2							
	11-54	263	1,0	26,01	4,4	7,2							
	12-59	245	1,1	24,26	4,4	7,1							
	15-75	190	1,3	18,75	4,4	7,0							
	17-87	164	1,4	16,28	4,3	6,8							
		10-50	287	0,8	28,33	3,1				6,9	SK 1282 - 90 LH/4 - SK 200E-151-340-A (-C)	34	D62-63
		11-56	256	0,9	25,22	3,1				6,8	SK 1282 - 90 LP/4 - SK 200E-151-340-A (-C)		
14-69		209	1,1	20,57	3,1	6,7	SK 1282 - 90 LH/4 - SK 180E-151-340-B (-C) SK 1282 - 90 LP/4 - SK 180E-151-340-B (-C)						
16-82		174	1,3	17,21	3,1	6,6							
20-100		143	1,5	14,11	3,0	6,4							
24-120		119	1,7	11,76	2,9	6,1							
27-137		105	1,9	10,34	2,9	6,0							
31-154		92,7	2,0	9,18	2,8	5,9							
34-172		83,3	2,3	8,24	2,7	5,7							
35-173		82,8	1,9	8,21	2,8	5,8							
39-195		73,4	2,5	7,24	2,6	5,5							
44-220		65,0	2,8	6,43	2,6	5,4							
	17-85	168	0,8	16,58	2,5	4,9	SK 0282NB - 90 LH/4 - SK 200E-151-340-A (-C)	28	D58-59				
	20-100	144	1,1	14,21	2,5	4,9	SK 0282NB - 90 LP/4 - SK 200E-151-340-A (-C)						
	22-109	131	1,2	12,98	2,5	4,8	SK 0282NB - 90 LH/4 - SK 180E-151-340-B (-C) SK 0282NB - 90 LP/4 - SK 180E-151-340-B (-C)						
	25-125	114	1,2	11,25	2,5	4,8							
	26-129	111	1,4	10,98	2,4	4,7							
	29-146	97,9	1,4	9,64	2,4	4,7							
	32-160	89,3	1,5	8,80	2,4	4,6							
	38-190	75,6	1,7	7,45	2,3	4,4							
	44-219	65,4	1,9	6,44	2,2	4,3							
	47-236	60,7	2,0	5,99	2,2	4,2							
	55-273	52,6	2,2	5,17	2,1	4,0							
	61-303	47,2	2,3	4,66	2,1	3,8							
	70-350	40,9	2,5	4,03	2,0	3,6							

 Parallel shaft
gear units

1:5 2,20 kW



Parallel shaft gear units

P_1 [kW]	n_2 [min ⁻¹]	M_{2b} [Nm]	f_B	i_{ges}	F_R [kN]	F_A [kN]	Type	kg	mm D		
2,20	1,1-5,3	3974	1,9	273,57	54,8	58,0	SK 7382 - 100 LH/4 - SK 200E-221-340-A (-C)	273	D86-87		
	1,3-6,7	3147	2,6	216,43	52,1	58,0	SK 7382 - 100 LP/4 - SK 200E-221-340-A (-C)				
	1,4-7,1	2976	2,5	204,99	51,7	58,0	SK 7382 - 100 LH/4 - SK 180E-221-340-B (-C) SK 7382 - 100 LP/4 - SK 180E-221-340-B (-C)				
	1,1-5,4	3895	1,5	267,59	36,5	46,5	SK 6382 - 100 LH/4 - SK 200E-221-340-A (-C)	200	D82-83		
	1,3-6,4	3283	1,2	225,79	38,3	46,5	SK 6382 - 100 LP/4 - SK 200E-221-340-A (-C)				
	1,4-6,8	3086	1,5	212,33	38,9	46,5					
	1,7-8,4	2492	2,2	171,34	40,2	46,5	SK 6382 - 100 LH/4 - SK 180E-221-340-B (-C)				
	1,8-9,0	2328	2,5	159,88	40,5	46,5	SK 6382 - 100 LP/4 - SK 180E-221-340-B (-C)				
	2,3-11	1844	2,5	126,87	41,2	46,5					
	2,5-13	1669	3,5	114,79	40,8	46,5					
	3,1-16	1347	4,5	92,63	38,7	46,5					
	1,2-5,8	3615	0,9	248,70	22,8	32,0	SK 5382 - 100 LH/4 - SK 200E-221-340-A (-C)	138	D78-79		
	1,4-7,1	2948	1,1	202,57	26,2	32,0	SK 5382 - 100 LP/4 - SK 200E-221-340-A (-C)				
	1,7-8,4	2491	1,1	171,27	27,4	32,0					
	1,9-9,4	2237	1,4	153,92	27,2	32,0	SK 5382 - 100 LH/4 - SK 180E-221-340-B (-C)				
	2,1-10	2018	1,6	138,82	26,8	32,0	SK 5382 - 100 LP/4 - SK 180E-221-340-B (-C)				
	2,5-12	1705	1,6	117,37	25,9	32,0					
	3,2-16	1330	2,2	91,71	24,9	32,0					
	3,5-18	1200	2,3	82,72	24,4	32,0					
	2,2-11	1949	1,4	134,03	26,6	32,0	SK 5282 - 100 LH/4 - SK 200E-221-340-A (-C)	119	D76-77		
	2,9-14	1456	1,5	100,19	25,4	32,0	SK 5282 - 100 LP/4 - SK 200E-221-340-A (-C)				
	3,1-16	1335	2,1	91,81	24,8	32,0					
	3,5-18	1187	1,5	81,61	24,2	32,0	SK 5282 - 100 LH/4 - SK 180E-221-340-B (-C)				
	4,2-21	997	3,0	68,63	23,4	32,0	SK 5282 - 100 LP/4 - SK 180E-221-340-B (-C)				
	2,1-10	2044	1,0	140,60	16,2	22,0	SK 4382 - 100 LH/4 - SK 200E-221-340-A (-C)	98	D74-75		
	2,4-12	1723	1,2	118,38	16,1	22,0	SK 4382 - 100 LP/4 - SK 200E-221-340-A (-C)				
	2,8-14	1510	1,3	103,82	16,0	22,0					
	3,3-17	1262	1,6	86,83	15,7	22,0	SK 4382 - 100 LH/4 - SK 180E-221-340-B (-C) SK 4382 - 100 LP/4 - SK 180E-221-340-B (-C)				
	2,6-13	1610	1,0	110,78	16,4	22,0	SK 4282 - 100 LH/4 - SK 200E-221-340-A (-C)	83	D72-73		
	3,2-16	1316	1,2	90,52	16,0	22,0	SK 4282 - 100 LP/4 - SK 200E-221-340-A (-C)				
	3,8-19	1115	1,4	76,70	15,5	22,0					
	4,7-23	896	2,0	61,60	15,1	22,0	SK 4282 - 100 LH/4 - SK 180E-221-340-B (-C)				
	5,5-28	759	2,4	52,20	14,6	22,0	SK 4282 - 100 LP/4 - SK 180E-221-340-B (-C)				
	6,4-32	655	2,4	45,05	14,3	22,0					
	6,6-33	635	2,5	43,65	14,1	22,0					
	7,1-35	593	2,6	40,74	14,0	22,0					
	7,8-39	536	2,6	36,81	13,6	22,0					
	7,9-40	529	2,6	36,40	13,5	22,0					
	8,9-45	470	3,4	32,34	13,3	22,0					
	4,5-23	932	1,1	64,12	8,8	14,5	SK 3282 - 100 LH/4 - SK 200E-221-340-A (-C)			68	D68-69
	5,5-27	770	1,1	52,97	8,7	14,5	SK 3282 - 100 LP/4 - SK 200E-221-340-A (-C)				
	6,4-32	652	1,1	44,85	8,5	14,5					
	6,9-34	611	1,5	42,02	8,6	14,5	SK 3282 - 100 LH/4 - SK 180E-221-340-B (-C)				
	7,5-37	561	1,1	38,62	8,4	14,5	SK 3282 - 100 LP/4 - SK 180E-221-340-B (-C)				
	7,6-38	549	1,5	37,77	8,5	14,5					
	9,1-45	464	1,9	31,93	8,3	14,5					
	10-50	417	2,1	28,70	8,2	14,5					
	11-56	376	2,3	25,88	8,0	14,5					
	12-61	344	2,3	23,71	7,9	14,5					
	13-64	326	2,5	22,45	7,8	14,5					
	14-72	293	2,8	20,18	7,6	14,5					
	6,6-33	636	0,9	43,71	7,0	12,0	SK 2282 - 100 LH/4 - SK 200E-221-340-A (-C)	53	D64-65		
	7,9-40	532	0,9	36,54	7,0	12,0	SK 2282 - 100 LP/4 - SK 200E-221-340-A (-C)				
	9,3-46	454	1,0	31,23	6,9	12,0					
	9,8-49	431	1,2	29,65	7,0	12,0	SK 2282 - 100 LH/4 - SK 180E-221-340-B (-C)				
	11-54	390	1,1	26,83	6,9	12,0	SK 2282 - 100 LP/4 - SK 180E-221-340-B (-C)				
	12-58	363	1,3	24,97	6,8	12,0					
	13-66	318	1,5	21,90	6,7	12,0					
	16-78	269	1,8	18,51	6,5	12,0					
	17-87	241	2,0	16,53	6,4	12,0					



P_1 [kW]	n_2 [min ⁻¹]	M_{2b} [Nm]	f_B	i_{ges}	F_R [kN]	F_A [kN]	Type	kg	mm D			
2,20	22-109	192	2,1	13,23	6,0	12,0	SK 2282 - 100 LH/4 - SK 200E-221-340-A (-C) SK 2282 - 100 LP/4 - SK 200E-221-340-A (-C)	53	D64-65			
	24-122	172	2,2	11,81	5,9	12,0						
	28-142	148	2,4	10,15	5,7	11,6						
	32-161	131	2,6	9,03	5,5	11,3	SK 2282 - 100 LH/4 - SK 180E-221-340-B (-C) SK 2282 - 100 LP/4 - SK 180E-221-340-B (-C)					
	35-173	122	2,1	8,37	5,4	11,0						
	39-193	109	2,2	7,48	5,2	10,7						
	45-225	93,5	2,4	6,43	5,0	10,2						
	51-254	82,9	2,6	5,72	4,9	9,9						
	64-320	65,6	2,8	4,51	4,6	9,0						
	12-60	351	0,8	24,26	3,4	5,8	SK 1382NB - 100 LH/4 - SK 200E-221-340-A (-C) SK 1382NB - 100 LP/4 - SK 200E-221-340-A (-C)			48	D60-61	
	15-77	273	0,9	18,75	3,6	5,9						
	18-89	236	1,0	16,28	3,7	5,9	SK 1382NB - 100 LH/4 - SK 180E-221-340-B (-C) SK 1382NB - 100 LP/4 - SK 180E-221-340-B (-C)					
	14-70	300	0,8	20,57	2,5	5,5	SK 1282 - 100 LH/4 - SK 200E-221-340-A (-C) SK 1282 - 100 LP/4 - SK 200E-221-340-A (-C)			42	D62-63	
	17-84	250	0,9	17,21	2,5	5,6						
	21-103	205	1,0	14,11	2,6	5,6						
	25-123	171	1,2	11,76	2,5	5,4	SK 1282 - 100 LH/4 - SK 180E-221-340-B (-C) SK 1282 - 100 LP/4 - SK 180E-221-340-B (-C)					
	28-140	150	1,3	10,34	2,5	5,4						
	32-158	133	1,4	9,18	2,5	5,3						
	35-176	120	1,6	8,24	2,4	5,1						
	40-199	105	1,8	7,24	2,4	5,0						
	45-225	93,3	1,9	6,43	2,3	4,8						
	53-264	79,6	2,2	5,47	2,3	4,6						
	60-302	69,5	1,8	4,79	2,2	4,4						
	3,00	1,4-7,1	4037	2,7	201,00	61,1	73,0	SK 8382 - 100 AH/4 - SK 200E-301-340-A (-C) SK 8382 - 100 AP/4 - SK 200E-301-340-A (-C)	399			D90-91
		1,0-5,2	5495	1,4	273,57	50,7	58,0	SK 7382 - 100 AH/4 - SK 200E-301-340-A (-C) SK 7382 - 100 AP/4 - SK 200E-301-340-A (-C)	274			D86-87
		1,3-6,6	4351	1,9	216,43	48,7	58,0					
		1,4-7,0	4116	1,8	204,99	48,6	58,0					
		1,8-8,8	3259	1,9	162,17	46,3	58,0					
1,9-9,5		3022	2,5	150,57	45,9	58,0						
2,3-12		2475	3,0	123,37	44,0	58,0						
1,1-5,3		5387	1,1	267,59	30,0	46,5	SK 6382 - 100 AH/4 - SK 200E-301-340-A (-C) SK 6382 - 100 AP/4 - SK 200E-301-340-A (-C)	201		D82-83		
1,3-6,7		4267	1,1	212,33	35,2	46,5						
1,7-8,3		3445	1,6	171,34	37,9	46,5						
1,8-8,9		3219	1,8	159,88	38,5	46,5						
2,2-11		2550	1,8	126,87	39,4	46,5						
2,5-12		2308	2,5	114,79	38,9	46,5						
3,1-15		1863	3,2	92,63	37,2	46,5						
3,6-18		1613	2,6	80,33	36,2	46,5	SK 6282 - 100 AH/4 - SK 200E-301-340-A (-C) SK 6282 - 100 AP/4 - SK 200E-301-340-A (-C)	204	D80-81			
1,4-7,0		4077	0,8	202,57	19,7	32,0	SK 5382 - 100 AH/4 - SK 200E-301-340-A (-C) SK 5382 - 100 AP/4 - SK 200E-301-340-A (-C)	139	D78-79			
1,7-8,3		3445	0,8	171,27	23,8	32,0						
1,9-9,3		3093	1,0	153,92	24,5	32,0						
2,1-10		2790	1,1	138,82	24,3	32,0						
2,4-12		2358	1,2	117,37	23,8	32,0						
3,1-16		1840	1,6	91,71	23,4	32,0						
3,5-17		1660	1,7	82,72	23,0	32,0						
2,1-11		2695	1,0	134,03	24,2	32,0	SK 5282 - 100 AH/4 - SK 200E-301-340-A (-C) SK 5282 - 100 AP/4 - SK 200E-301-340-A (-C)			120	D76-77	
2,8-14		2013	1,1	100,19	23,7	32,0						
3,1-16		1846	1,5	91,81	23,2	32,0						
3,5-17		1642	1,1	81,61	22,8	32,0						
4,2-21		1379	2,2	68,63	22,2	32,0						
5,1-25		1125	2,3	55,90	21,2	32,0						
6,0-30	950	2,5	47,27	20,3	32,0							
7,0-35	820	3,0	40,80	19,7	32,0							
8,5-43	672	3,4	33,43	18,8	32,0							

1:5


3,00 kW
4,00 kW



Parallel shaft gear units

P ₁ [kW]	n ₂ [min ⁻¹]	M _{2b} [Nm]	f _B	i _{ges}	F _R	F _A	Type	mm					
								kg					
3,00	2,4-12	2383	0,8	118,38	13,5	22,0	SK 4382 - 100 AH/4 - SK 200E-301-340-A (-C) SK 4382 - 100 AP/4 - SK 200E-301-340-A (-C)	99	D74-75				
	2,7-14	2088	1,0	103,82	13,7	22,0							
	3,3-16	1745	1,1	86,83	13,8	22,0							
3,00	3,1-16	1820	0,9	90,52	14,0	22,0	SK 4282 - 100 AH/4 - SK 200E-301-340-A (-C) SK 4282 - 100 AP/4 - SK 200E-301-340-A (-C)	84	D72-73				
	3,7-19	1542	1,0	76,70	13,8	22,0							
	3,8-19	1516	1,0	75,39	14,1	22,0							
	4,6-23	1239	1,4	61,60	13,8	22,0							
	5,5-27	1050	1,7	52,20	13,5	22,0							
	6,3-32	906	1,8	45,05	13,4	22,0							
	6,5-33	877	1,8	43,65	13,1	22,0							
	7,0-35	820	1,9	40,74	13,2	22,0							
	7,7-39	741	1,9	36,81	12,9	22,0							
	7,8-39	732	1,9	36,40	12,6	22,0							
	8,8-44	650	2,5	32,34	12,6	22,0							
	11-54	531	3,4	26,43	12,1	22,0							
	13-66	431	3,9	21,45	11,5	22,0							
	3,00	6,8-34	845	1,1	42,02	7,6				14,5	SK 3282 - 100 AH/4 - SK 200E-301-340-A (-C) SK 3282 - 100 AP/4 - SK 200E-301-340-A (-C)	69	D68-69
		7,5-38	760	1,1	37,77	7,5				14,5			
8,9-45		641	1,4	31,93	7,5	14,5							
9,9-50		576	1,5	28,70	7,4	14,5							
11-55		520	1,6	25,88	7,4	14,5							
12-60		476	1,7	23,71	7,3	14,5							
13-64		451	1,8	22,45	7,3	14,4							
14-71		405	2,0	20,18	7,1	14,2							
17-86		335	2,5	16,67	6,9	13,6							
20-101		283	3,0	14,11	6,7	13,1							
25-126		228	3,6	11,38	6,4	12,5							
29-146		196	4,3	9,80	6,1	12,0							
34-170		169	4,0	8,31	5,9	11,4							
42-210		136	4,5	6,70	5,6	10,4							
50-248		115	4,8	5,74	5,4	9,8							
3,00		9,6-48	596	0,8	29,65	6,1	12,0	SK 2282 - 100 AH/4 - SK 200E-301-340-A (-C) SK 2282 - 100 AP/4 - SK 200E-301-340-A (-C)	54	D64-65			
		11-57	502	1,0	24,97	6,1	12,0						
	12-59	482	0,9	23,96	6,1	12,0							
	13-65	440	1,1	21,90	6,1	12,0							
	15-77	372	1,3	18,51	6,0	12,0							
	17-86	333	1,4	16,53	5,9	12,0							
	22-108	265	1,5	13,23	5,6	11,7							
	24-121	237	1,6	11,81	5,5	11,4							
	28-140	204	1,7	10,15	5,4	11,1							
	32-158	181	1,9	9,03	5,3	10,8							
	34-170	168	1,5	8,37	5,1	10,5							
	38-191	150	1,6	7,48	5,0	10,2							
	44-222	129	1,7	6,43	4,8	9,9							
	50-250	115	1,9	5,72	4,7	9,6							
	63-316	90,7	2,1	4,51	4,5	8,7							
3,00	24-121	236	0,9	11,76	2,1	4,7	SK 1282 - 100 AH/4 - SK 200E-301-340-A (-C) SK 1282 - 100 AP/4 - SK 200E-301-340-A (-C)	43	D62-63				
	28-138	208	0,9	10,34	2,1	4,7							
	31-156	184	1,0	9,18	2,1	4,7							
	35-173	165	1,2	8,24	2,1	4,4							
	39-197	146	1,3	7,24	2,1	4,4							
	44-222	129	1,4	6,43	2,1	4,3							
	52-260	110	1,6	5,47	2,1	4,1							
	60-298	96,1	1,3	4,79	2,1	4,0							
	4,00	1,4-7,2	5327	2,0	201,00	57,4				73,0	SK 8382 - 112 MH/4 - SK 200E-401-340-A (-C) SK 8382 - 112 MP/4 - SK 200E-401-340-A (-C)	410	D90-91
		2,0-10	3817	3,3	143,91	54,2				73,0			
4,00	1,1-5,3	7250	1,0	273,57	45,2	58,0	SK 7382 - 112 MH/4 - SK 200E-401-340-A (-C) SK 7382 - 112 MP/4 - SK 200E-401-340-A (-C)	285	D86-87				
	1,3-6,7	5741	1,4	216,43	44,3	58,0							
	1,4-7,0	5430	1,4	204,99	44,5	58,0							
	1,8-8,9	4300	1,5	162,17	43,0	58,0							
	1,9-9,6	3987	1,9	150,57	42,8	58,0							
	2,3-12	3266	2,3	123,37	41,4	58,0							
	2,7-14	2826	2,7	106,59	40,3	58,0							



P ₁ [kW]	n ₂ [min ⁻¹]	M _{2b} [Nm]	f _B	i _{ges}	F _R	F _A	Type	mm				
								kg				
4,00	1,1-5,4	7107	0,8	267,59	15,0	46,5	SK 6382 - 112 MH/4 - SK 200E-401-340-A (-C) SK 6382 - 112 MP/4 - SK 200E-401-340-A (-C)	212	D82-83			
	1,4-6,8	5630	0,8	212,33	28,5	46,5						
	1,7-8,4	4546	1,2	171,34	34,1	46,5						
	1,8-9,0	4247	1,4	159,88	35,3	46,5						
	2,3-11	3365	1,4	126,87	36,5	46,5						
	2,5-13	3045	1,9	114,79	36,2	46,5						
	3,1-16	2458	2,4	92,63	35,0	46,5						
	3,8-19	1997	3,0	75,18	33,7	46,5						
	3,9-20	1948	2,9	73,50	33,3	46,5						
	4,8-24	1582	3,5	59,66	31,9	46,5						
	5,6-28	1353	3,8	51,07	30,8	46,5						
	6,8-34	1125	4,0	42,46	29,5	46,5						
	3,6-18	2129	1,9	80,33	34,3	46,5				SK 6282 - 112 MH/4 - SK 200E-401-340-A (-C) SK 6282 - 112 MP/4 - SK 200E-401-340-A (-C)	215	D80-81
	4,4-22	1736	1,9	65,44	32,7	46,5						
	1,9-9,4	4081	0,8	153,92	19,7	32,0				SK 5382 - 112 MH/4 - SK 200E-401-340-A (-C) SK 5382 - 112 MP/4 - SK 200E-401-340-A (-C)	150	D78-79
2,1-10	3681	0,9	138,82	21,1	32,0							
2,5-12	3111	0,9	117,37	21,0	32,0							
3,1-16	2427	1,2	91,71	21,3	32,0							
3,5-17	2190	1,3	82,72	21,1	32,0							
2,9-14	2657	0,8	100,19	21,5	32,0	SK 5282 - 112 MH/4 - SK 200E-401-340-A (-C) SK 5282 - 112 MP/4 - SK 200E-401-340-A (-C)	131	D76-77				
3,1-16	2436	1,1	91,81	21,0	32,0							
3,5-18	2167	0,8	81,61	20,9	32,0							
4,2-21	1820	1,6	68,63	20,7	32,0							
5,1-26	1484	1,8	55,90	19,9	32,0							
5,2-26	1474	1,7	55,55	19,8	32,0							
5,6-28	1365	2,4	51,49	19,7	32,0							
6,1-30	1254	1,9	47,27	19,2	32,0							
6,9-34	1113	2,9	41,94	18,8	32,0							
7,1-35	1082	2,3	40,80	18,7	32,0							
8,1-41	940	2,9	35,46	18,1	32,0							
8,6-43	886	2,6	33,43	18,0	32,0							
3,8-19	2034	0,8	76,70	11,7	22,0				SK 4282 - 112 MH/4 - SK 200E-401-340-A (-C) SK 4282 - 112 MP/4 - SK 200E-401-340-A (-C)	95	D72-73	
4,7-23	1635	1,1	61,60	12,1	22,0							
5,5-28	1385	1,3	52,20	12,0	22,0							
6,4-32	1195	1,3	45,05	12,1	22,0							
6,6-33	1158	1,4	43,65	11,9	22,0							
7,1-35	1082	1,4	40,74	12,0	22,0							
7,5-38	1017	2,0	38,31	11,8	22,0							
7,8-39	977	1,4	36,81	11,9	22,0							
7,9-40	965	1,4	36,40	11,6	22,0							
8,9-45	857	1,9	32,34	11,7	22,0							
9,0-45	850	2,1	32,04	11,5	22,0							
11-55	701	2,6	26,43	11,3	22,0							
13-67	569	3,0	21,45	10,9	21,7							
16-79	482	3,7	18,18	10,5	20,8							
19-95	403	4,5	15,20	10,1	20,0							
6,8-34	1115	0,8	42,02	6,2	13,2	SK 3282 - 112 MH/4 - SK 200E-401-340-A (-C) SK 3282 - 112 MP/4 - SK 200E-401-340-A (-C)	80	D68-69				
7,6-38	1002	0,8	37,77	6,3	13,2							
9,0-45	846	1,0	31,93	6,5	13,4							
10-50	760	1,1	28,70	6,5	13,3							
11-56	686	1,2	25,88	6,5	13,3							
12-61	628	1,3	23,71	6,5	13,1							
13-64	595	1,3	22,45	6,5	13,2							
14-71	534	1,5	20,18	6,5	13,0							
17-86	442	1,9	16,67	6,3	12,6							
20-102	374	2,3	14,11	6,2	12,3							
25-127	301	2,7	11,38	6,0	11,8							
29-147	259	3,2	9,80	5,8	11,4							
34-171	223	3,0	8,31	5,6	10,7							
43-213	180	3,4	6,70	5,3	9,9							
50-251	152	3,6	5,74	5,1	9,3							
63-317	120	3,8	4,48	4,9	8,5							

1:5

4,00 kW
5,50 kW



P ₁ [kW]	n ₂ [min ⁻¹]	M _{2b} [Nm]	f _B	i _{ges}	F _R	F _A	Type	mm									
								kg	mm								
4,00	13-66	581	0,8	21,90	5,3	11,3	SK 2282 - 112 MH/4 - SK 200E-401-340-A (-C) SK 2282 - 112 MP/4 - SK 200E-401-340-A (-C)	65	D64-65								
	16-78	491	1,0	18,51	5,3	11,2											
	17-87	439	1,1	16,53	5,3	11,2											
	22-109	350	1,2	13,23	5,1	10,8											
	24-122	313	1,2	11,81	5,1	10,6											
	28-142	269	1,3	10,15	5,0	10,4											
	32-160	239	1,4	9,03	4,9	10,2											
	34-172	222	1,2	8,37	4,8	9,9											
	39-193	198	1,2	7,48	4,7	9,7											
	45-224	171	1,3	6,43	4,6	9,4											
	51-253	151	1,4	5,72	4,5	9,0											
	64-319	120	1,6	4,51	4,3	8,2											
	4,00	31-157	243	0,8	9,18	1,7				3,7	SK 1282 - 112 MH/4 - SK 200E-401-340-A (-C) SK 1282 - 112 MP/4 - SK 200E-401-340-A (-C)	54	D62-63				
		35-175	218	0,9	8,24	1,7				3,5							
40-199		192	1,0	7,24	1,7	3,5											
45-224		170	1,1	6,43	1,8	3,6											
53-263		145	1,2	5,47	1,8	3,5											
60-301		127	1,0	4,79	1,8	3,5											
5,50	1,0-5,0	10470	2,3	291,25	80,1	102,0	SK 9382 - 132 SH/4 - SK 200E-551-340-A (-C) SK 9382 - 132 SP/4 - SK 200E-551-340-A (-C)	734	D92-93								
	1,4-7,1	7362	3,0	204,68	75,6	102,0											
	1,7-8,3	6296	4,0	175,05	73,0	102,0											
	5,50	1,2-6,0	8705	1,5	242,02	52,7				73,0	SK 8382 - 132 SH/4 - SK 200E-551-340-A (-C) SK 8382 - 132 SP/4 - SK 200E-551-340-A (-C)	432	D90-91				
		1,5-7,3	7224	1,5	201,00	52,0				73,0							
		1,6-7,9	6675	1,9	185,66	52,1				73,0							
		1,9-9,6	5495	2,4	152,83	50,4				73,0							
		2,0-10	5177	2,4	143,91	50,3				73,0							
		2,3-12	4506	2,7	125,38	49,2				73,0							
		2,5-12	4262	2,9	118,47	48,4				73,0							
		5,50	1,1-5,3	9832	0,8	273,57				37,3				58,0	SK 7382 - 132 SH/4 - SK 200E-551-340-A (-C) SK 7382 - 132 SP/4 - SK 200E-551-340-A (-C)	307	D86-87
	1,3-6,7		7786	1,1	216,43	37,8				58,0							
	1,4-7,1		7364	1,0	204,99	38,5				58,0							
	1,8-9,0		5832	1,1	162,17	38,1				58,0							
	1,9-9,7		5407	1,4	150,57	38,4				58,0							
	2,4-12		4429	1,7	123,37	37,8				58,0							
	2,7-14		3832	2,0	106,59	37,1				58,0							
	3,1-16		3347	2,3	93,18	36,4				58,0							
	3,7-19		2833	2,6	78,81	35,3				58,0							
	5,50		1,7-8,5	6165	0,9	171,34				24,9	46,5	SK 6382 - 132 SH/4 - SK 200E-551-340-A (-C) SK 6382 - 132 SP/4 - SK 200E-551-340-A (-C)	234	D82-83			
		1,8-9,1	5760	1,0	159,88	27,7				46,5							
		2,3-12	4563	1,0	126,87	32,1				46,5							
		2,5-13	4129	1,4	114,79	32,4				46,5							
		3,2-16	3334	1,8	92,63	31,9				46,5							
		3,9-19	2709	2,2	75,18	31,1				46,5							
		4,0-20	2641	2,1	73,50	30,8				46,5							
		4,9-24	2146	2,6	59,66	29,8				46,5							
		5,7-29	1835	2,8	51,07	29,0				46,5							
		6,9-34	1526	3,0	42,46	27,9				46,5							
		5,50	3,6-18	2887	1,4	80,33				31,7	46,5				SK 6282 - 132 SH/4 - SK 200E-551-340-A (-C) SK 6282 - 132 SP/4 - SK 200E-551-340-A (-C)	237	D80-81
			4,5-22	2355	1,4	65,44				30,4	46,5						
	4,8-24		2196	2,1	61,08	30,3				46,5							
	5,9-29		1791	2,3	49,75	29,0				46,5							
	7,4-37		1419	2,3	39,48	27,5				46,5							
	5,50	3,2-16	3292	0,9	91,71	18,3				32,0	SK 5382 - 132 SH/4 - SK 200E-551-340-A (-C) SK 5382 - 132 SP/4 - SK 200E-551-340-A (-C)	172	D78-79				
		3,5-18	2970	0,9	82,72	18,4				32,0							
5,50	3,2-16	3303	0,8	91,81	17,9	32,0	SK 5282 - 132 SH/4 - SK 200E-551-340-A (-C) SK 5282 - 132 SP/4 - SK 200E-551-340-A (-C)	153	D76-77								
	4,3-21	2468	1,2	68,63	18,4	32,0											
	5,2-26	2012	1,3	55,90	17,9	32,0											
	5,3-26	1998	1,3	55,55	17,9	32,0											
	5,7-28	1851	1,7	51,49	18,0	32,0											
	6,2-31	1701	1,4	47,27	17,5	32,0											
	7,0-35	1509	2,1	41,94	17,4	32,0											

Parallel shaft gear units



P_1 [kW]	n_2 [min ⁻¹]	M_{2b} [Nm]	f_B	i_{ges}	F_R [kN]	F_A [kN]	Type	kg	mm D
5,50	7,2-36	1467	1,7	40,80	17,3	32,0	SK 5282 - 132 SH/4 - SK 200E-551-340-A (-C) SK 5282 - 132 SP/4 - SK 200E-551-340-A (-C)	153	D76-77
	8,2-41	1275	2,1	35,46	16,9	32,0			
	8,7-44	1202	1,9	33,43	16,8	32,0			
	9,6-48	1096	2,6	30,50	16,6	32,0			
	12-58	898	3,2	25,00	16,0	31,6			
	4,7-24	2218	0,8	61,60	9,7	20,9	SK 4282 - 132 SH/4 - SK 200E-551-340-A (-C) SK 4282 - 132 SP/4 - SK 200E-551-340-A (-C)	117	D72-73
	5,6-28	1879	1,0	52,20	9,8	21,0			
	6,5-32	1621	1,0	45,05	10,3	21,6			
	6,7-33	1570	1,0	43,65	10,0	21,0			
	7,2-36	1467	1,1	40,74	10,4	21,6			
	7,6-38	1379	1,4	38,31	10,2	21,2			
	7,9-40	1325	1,1	36,81	10,4	21,4			
	8,0-40	1309	1,1	36,40	10,0	20,7			
	9,0-45	1162	1,4	32,34	10,4	21,3			
	9,1-46	1153	1,5	32,04	10,2	20,9			
11-55	950	1,9	26,43	10,2	20,8				
13-65	805	2,1	22,39	10,0	20,2				
14-68	772	2,2	21,45	10,0	20,2				
16-80	654	2,8	18,18	9,7	19,5				
19-96	547	3,3	15,20	9,4	18,8				
23-115	456	3,8	12,68	9,1	18,0				
5,50	9,2-46	1148	0,8	31,93	5,0	10,9	SK 3282 - 132 SH/4 - SK 200E-551-340-A (-C) SK 3282 - 132 SP/4 - SK 200E-551-340-A (-C)	102	D68-69
	10-51	1031	0,8	28,70	5,1	11,0			
	11-56	930	0,9	25,88	5,3	11,2			
	12-62	852	0,9	23,71	5,3	11,1			
	13-65	806	1,0	22,45	5,5	11,4			
	14-72	725	1,1	20,18	5,5	11,4			
	18-88	599	1,4	16,67	5,5	11,2			
	21-104	507	1,7	14,11	5,5	11,0			
	26-129	408	2,0	11,38	5,4	10,8			
	30-149	352	2,4	9,80	5,3	10,3			
	35-174	302	2,2	8,31	5,1	9,6			
	43-216	244	2,5	6,70	5,0	9,1			
	51-255	206	2,7	5,74	4,8	8,6			
	64-321	163	2,8	4,48	4,6	8,0			
	18-88	596	0,8	16,53	4,4	9,5	SK 2282 - 132 SH/4 - SK 200E-551-340-A (-C) SK 2282 - 132 SP/4 - SK 200E-551-340-A (-C)	87	D64-65
22-111	475	0,9	13,23	4,4	9,4				
25-124	425	0,9	11,81	4,4	9,4				
29-144	365	1,0	10,15	4,4	9,3				
32-162	324	1,0	9,03	4,4	9,2				
35-175	301	0,9	8,37	4,2	8,9				
39-195	269	0,9	7,48	4,2	8,7				
45-227	231	1,0	6,43	4,2	8,4				
51-256	205	1,0	5,72	4,1	8,1				
65-324	162	1,1	4,51	4,0	7,6				
7,50	1,0-5,2	13870	2,4	282,85	133,1	150,0	SK 10382 - 132 MH/4 - SK 200E-751-340-A (-C) SK 10382 - 132 MP/4 - SK 200E-751-340-A (-C)	1300	D94-95
	1,1-5,5	12910	2,6	263,25	133,8	150,0			
	1,0-5,0	14270	1,7	291,25	72,5	102,0	SK 9382 - 132 MH/4 - SK 200E-751-340-A (-C) SK 9382 - 132 MP/4 - SK 200E-751-340-A (-C)	741	D92-93
	1,4-7,1	10040	2,2	204,68	70,4	102,0			
	1,7-8,3	8586	3,0	175,05	68,6	102,0			
	2,0-10	7093	3,4	144,69	65,8	102,0			
	2,2-11	6655	3,8	135,90	65,4	102,0			
	1,2-6,0	11870	1,1	242,02	44,2	73,0	SK 8382 - 132 MH/4 - SK 200E-751-340-A (-C) SK 8382 - 132 MP/4 - SK 200E-751-340-A (-C)	439	D90-91
	1,6-7,9	9102	1,4	185,66	45,8	73,0			
	1,9-9,6	7494	1,8	152,83	45,1	73,0			
	2,0-10	7060	1,8	143,91	45,5	73,0			
	2,3-12	6145	2,0	125,38	44,9	73,0			
	2,5-12	5812	2,1	118,47	44,3	73,0			
	2,8-14	5059	2,4	103,21	43,6	73,0			
	3,2-16	4454	2,7	90,94	42,8	73,0			
3,9-19	3714	3,3	75,69	41,6	73,0				
4,0-20	3540	2,2	72,21	41,5	73,0	SK 8282 - 132 MH/4 - SK 200E-751-340-A (-C) SK 8282 - 132 MP/4 - SK 200E-751-340-A (-C)	435	D88-89	

1:5



7,50 kW



Parallel shaft gear units

P ₁ [kW]	n ₂ [min ⁻¹]	M _{2b} [Nm]	f _B	i _{ges}	F _R	F _A	Type	mm			
								kg			
7,50	1,4-7,1	10040	0,8	204,99	30,6	58,0	SK 7382 - 132 MH/4 - SK 200E-751-340-A (-C) SK 7382 - 132 MP/4 - SK 200E-751-340-A (-C)	314	D86-87		
	1,8-9,0	7953	0,8	162,17	31,7	58,0					
	1,9-9,7	7374	1,0	150,57	32,6	58,0					
	2,4-12	6039	1,2	123,37	33,0	58,0					
	2,7-14	5226	1,4	106,59	33,0	58,0					
	3,1-16	4565	1,7	93,18	32,8	58,0					
	3,7-19	3863	1,9	78,81	32,1	58,0					
	4,3-21	3343	2,2	68,10	31,7	58,0					
	4,9-25	2920	2,4	59,52	31,1	57,3					
	4,2-21	3424	1,7	69,73	32,3	58,0				SK 7282 - 132 MH/4 - SK 200E-751-340-A (-C) SK 7282 - 132 MP/4 - SK 200E-751-340-A (-C)	307
5,1-26	2791	2,0	56,91	31,1	57,1						
2,5-13	5631	1,0	114,79	27,3	46,5	SK 6382 - 132 MH/4 - SK 200E-751-340-A (-C) SK 6382 - 132 MP/4 - SK 200E-751-340-A (-C)	241	D82-83			
3,2-16	4546	1,3	92,63	27,8	46,5						
3,9-19	3694	1,6	75,18	27,8	46,5						
4,0-20	3602	1,5	73,50	27,5	46,5						
4,9-24	2926	1,9	59,66	27,1	46,5						
5,7-29	2503	2,0	51,07	26,7	46,5						
6,9-34	2081	2,2	42,46	26,0	46,5						
8,1-40	1779	2,6	36,34	25,4	45,1						
9,4-47	1516	3,0	30,91	24,7	43,6						
4,8-24	2995	1,5	61,08	27,7	46,5				SK 6282 - 132 MH/4 - SK 200E-751-340-A (-C) SK 6282 - 132 MP/4 - SK 200E-751-340-A (-C)	244	D80-81
5,9-29	2442	1,7	49,75	26,8	46,5						
7,4-37	1935	1,7	39,48	25,7	45,9						
9,8-49	1466	3,1	29,90	24,8	43,6						
11-56	1276	3,6	26,05	24,1	42,2						
5,3-26	2725	0,9	55,55	15,4	31,4	SK 5282 - 132 MH/4 - SK 200E-751-340-A (-C) SK 5282 - 132 MP/4 - SK 200E-751-340-A (-C)	160	D76-77			
5,7-28	2524	1,3	51,49	15,8	32,0						
7,0-35	2058	1,6	41,94	15,5	32,0						
7,2-36	2001	1,2	40,80	15,4	30,9						
8,2-41	1739	1,6	35,46	15,2	31,4						
8,7-44	1639	1,4	33,43	15,3	30,3						
9,6-48	1495	1,9	30,50	15,3	31,1						
12-58	1224	2,4	25,00	14,9	29,9						
14-72	999	3,1	20,36	14,3	28,5						
15-77	925	2,8	18,88	14,2	28,2						
7,2-36	2001	0,8	40,74	8,3	18,0				SK 4282 - 132 MH/4 - SK 200E-751-340-A (-C) SK 4282 - 132 MP/4 - SK 200E-751-340-A (-C)	124	D72-73
7,6-38	1881	1,1	38,31	8,1	17,6						
7,9-40	1807	0,8	36,81	8,4	18,0						
9,0-45	1585	1,0	32,34	8,7	18,4						
9,1-46	1572	1,1	32,04	8,4	17,9						
11-55	1296	1,4	26,43	8,8	18,4						
13-65	1098	1,5	22,39	8,8	18,1						
14-68	1053	1,6	21,45	8,9	18,2						
16-80	892	2,0	18,18	8,7	17,8						
19-96	745	2,4	15,20	8,6	17,4						
23-115	621	2,8	12,68	8,3	16,8						
27-135	531	3,2	10,85	8,2	16,1						
32-158	453	3,6	9,23	8,0	15,2						
35-175	409	3,1	8,33	7,7	14,4						
41-205	350	3,4	7,13	7,5	13,7						
48-240	298	4,0	6,06	7,3	13,0						
14-72	988	0,8	20,18	4,2	9,2	SK 3282 - 132 MH/4 - SK 200E-751-340-A (-C) SK 3282 - 132 MP/4 - SK 200E-751-340-A (-C)	109	D68-69			
18-88	817	1,0	16,67	4,4	9,3						
21-104	691	1,2	14,11	4,5	9,1						
26-129	557	1,5	11,38	4,6	9,1						
30-149	479	1,7	9,80	4,6	8,8						
35-174	412	1,6	8,31	4,5	8,4						
43-216	332	1,8	6,70	4,5	8,1						
51-255	281	2,0	5,74	4,4	7,8						
64-321	223	2,1	4,48	4,3	7,4						
32-162	441	0,8	9,03	3,7	7,8				SK 2282 - 132 MH/4 - SK 200E-751-340-A (-C) SK 2282 - 132 MP/4 - SK 200E-751-340-A (-C)	94	D64-65
51-256	280	0,8	5,72	3,6	7,1						
65-324	221	0,8	4,51	3,6	6,8						



P_1 [kW]	n_2 [min ⁻¹]	M_{2b} [Nm]	f_B	i_{ges}	F_R [kN]	F_A [kN]	Type	kg	mm  
9,20	1,0-5,1	17140	1,9	282,85	130,7	150,0	SK 10382 - 132 LH/4 - SK 200E-112-340-A (-C) SK 10382 - 132 LH/4 - SK 200E-112-340-A (-C)	1320	D94-95
	1,1-5,5	15950	2,1	263,25	131,6	150,0			
	1,6-8,0	10950	3,2	180,68	134,9	150,0			
	1,0-5,0	17630	1,4	291,25	66,0	102,0	SK 9382 - 132 LH/4 - SK 200E-112-340-A (-C)	751	D92-93
	1,4-7,1	12400	1,8	204,68	66,0	102,0			
	1,7-8,3	10600	2,4	175,05	64,9	102,0			
	2,0-10	8761	2,7	144,69	62,7	102,0			
	2,1-11	8220	3,1	135,90	62,6	102,0			
	2,5-13	6999	3,6	115,57	60,8	102,0			
	2,9-14	6101	4,2	100,89	59,2	102,0			
	1,2-6,0	14660	0,9	242,02	37,0	73,0	SK 8382 - 132 LH/4 - SK 200E-112-340-A (-C)	449	D90-91
	1,6-7,8	11240	1,1	185,66	40,4	73,0			
	1,9-9,5	9256	1,4	152,83	40,6	73,0			
	2,0-10	8719	1,4	143,91	41,3	73,0			
	2,3-12	7590	1,6	125,38	41,3	73,0			
	2,4-12	7179	1,7	118,47	40,8	73,0			
	2,8-14	6249	1,9	103,21	40,6	73,0			
	3,2-16	5501	2,2	90,94	40,2	73,0			
	3,8-19	4587	2,6	75,69	39,4	71,2			
4,5-22	3948	2,9	65,22	38,6	69,2				
4,0-20	4372	1,8	72,21	39,4	71,0	SK 8282 - 132 LH/4 - SK 200E-112-340-A (-C)	445	D88-89	
1,9-9,6	9107	0,8	150,57	27,6	58,0	SK 7382 - 132 LH/4 - SK 200E-112-340-A (-C)	324	D86-87	
2,4-12	7459	1,0	123,37	28,9	58,0				
2,7-14	6454	1,2	106,59	29,5	58,0				
3,1-16	5638	1,3	93,18	29,8	58,0				
3,7-18	4772	1,6	78,81	29,5	56,7				
4,3-21	4129	1,7	68,10	29,4	55,8				
4,9-24	3606	2,0	59,52	29,1	54,7				
5,4-27	3237	2,2	53,38	29,0	54,0				
6,2-31	2827	2,5	46,66	28,5	52,7				
7,8-39	2239	3,0	36,92	27,4	50,1				
4,2-21	4229	1,4	69,73	30,1	56,9	SK 7282 - 132 LH/4 - SK 200E-112-340-A (-C)	317	D84-85	
5,1-25	3448	1,6	56,91	29,2	54,6				
6,4-32	2730	1,6	45,02	28,2	52,1				
2,5-13	6955	0,8	114,79	17,1	46,5	SK 6382 - 132 LH/4 - SK 200E-112-340-A (-C)	251	D82-83	
3,1-16	5615	1,1	92,63	24,3	46,5				
3,9-19	4563	1,3	75,18	25,0	46,5				
4,9-24	3614	1,5	59,66	24,8	46,5				
5,7-28	3091	1,6	51,07	24,7	45,7				
6,8-34	2570	1,8	42,46	24,4	44,5				
8,0-40	2198	2,1	36,34	24,0	43,4				
9,4-47	1872	2,4	30,91	23,5	42,1				
4,8-24	3699	1,2	61,08	25,5	46,5				SK 6282 - 132 LH/4 - SK 200E-112-340-A (-C)
5,8-29	3017	1,3	49,75	25,0	45,9				
7,4-37	2390	1,3	39,48	24,3	44,0				
9,7-49	1811	2,5	29,90	23,7	42,2				
11-56	1576	2,9	26,05	23,1	41,0				
13-63	1388	3,3	22,95	22,6	39,8				
5,6-28	3117	1,0	51,49	13,8	30,5	SK 5282 - 132 LH/4 - SK 200E-112-340-A (-C)	170	D76-77	
6,9-35	2542	1,3	41,94	13,9	29,9				
7,1-36	2471	1,0	40,80	13,9	28,3				
8,2-41	2148	1,3	35,46	13,8	29,3				
8,7-43	2024	1,1	33,43	14,0	28,2				
9,5-48	1846	1,6	30,50	14,2	29,4				
12-58	1512	1,9	25,00	14,0	28,6				
14-71	1233	2,5	20,36	13,5	27,4				
15-77	1143	2,3	18,88	13,5	27,2				
16-82	1067	2,6	17,59	13,3	26,7				

1:5


9,20 kW
11,0 kW



P ₁ [kW]	n ₂ [min ⁻¹]	M _{2b} [Nm]	f _B	i _{ges}	F _R	F _A	Type	mm					
								kg					
9,20	7,6-38	2323	0,9	38,31	6,3	14,5	SK 4282 - 132 LH/4 - SK 200E-112-340-A (-C)	134	D72-73				
	9,0-45	1957	0,8	32,34	7,2	16,0							
	9,1-45	1941	0,9	32,04	6,9	15,3							
	11-55	1600	1,1	26,43	7,6	16,3							
	13-65	1356	1,3	22,39	7,7	16,3							
	14-68	1300	1,3	21,45	7,9	16,6							
	16-80	1102	1,6	18,18	7,9	16,4							
	19-95	920	2,0	15,20	7,9	16,2							
	23-114	767	2,3	12,68	7,7	15,4							
	27-134	656	2,6	10,85	7,6	14,9							
	31-157	559	2,9	9,23	7,5	14,3							
	35-174	505	2,5	8,33	7,3	13,5							
	41-203	432	2,8	7,13	7,1	13,0							
	48-239	368	3,3	6,06	6,9	12,4							
	53-266	330	3,1	5,43	6,8	12,1							
	58-290	303	3,4	5,00	6,7	11,8							
	62-308	286	3,6	4,70	6,6	11,5							
	9,20	17-87	1009	0,8	16,67	3,5				7,2	SK 3282 - 132 LH/4 - SK 200E-112-340-A (-C)	119	D68-69
		21-103	854	1,0	14,11	3,7				7,4			
		26-128	688	1,2	11,38	4,0				7,7			
30-148		592	1,4	9,80	4,1	7,6							
35-173		509	1,3	8,31	4,0	7,3							
43-214		410	1,5	6,70	4,1	7,3							
51-253		347	1,6	5,74	4,1	7,2							
64-319		275	1,7	4,48	4,0	6,9							
11,0		1,3-6,5	16120	4,3	224,76	145,3	170,0	SK 11382 - 160 MH/4 - SK 200E-112-340-A (-C) SK 11382 - 160 MP/4 - SK 200E-112-340-A (-C)	2180	D96-97			
		1,0-5,2	20280	1,6	282,85	127,7	150,0						
	1,1-5,6	18880	1,7	263,25	129,1	150,0	SK 10382 - 160 MH/4 - SK 200E-112-340-A (-C) SK 10382 - 160 MP/4 - SK 200E-112-340-A (-C)	1350	D94-95				
	1,6-8,1	12960	2,7	180,68	133,7	150,0							
	1,0-5,0	20860	1,2	291,25	59,2	102,0	SK 9382 - 160 MH/4 - SK 200E-112-340-A (-C) SK 9382 - 160 MP/4 - SK 200E-112-340-A (-C)	782	D92-93				
	1,4-7,2	14670	1,5	204,68	61,4	102,0							
	1,7-8,4	12550	2,0	175,05	60,9	102,0							
	2,0-10	10370	2,3	144,69	59,2	102,0							
	2,2-11	9727	2,6	135,90	59,4	102,0							
	2,5-13	8283	3,1	115,57	58,1	102,0							
	2,9-15	7220	3,5	100,89	56,9	102,0							
	3,5-18	5965	4,0	83,19	54,5	99,0							
	1,2-6,1	17350	0,8	242,02	29,6	67,6	SK 8382 - 160 MH/4 - SK 200E-112-340-A (-C) SK 8382 - 160 MP/4 - SK 200E-112-340-A (-C)	480	D90-91				
	1,6-7,9	13300	1,0	185,66	34,8	72,0							
	1,9-9,6	10950	1,2	152,83	35,8	71,7							
	2,0-10	10320	1,2	143,91	36,9	72,6							
	2,3-12	8982	1,4	125,38	37,5	72,3							
	2,5-12	8495	1,5	118,47	37,1	71,3							
	2,8-14	7395	1,6	103,21	37,3	70,6							
	3,2-16	6510	1,9	90,94	37,3	69,7							
3,9-19	5428	2,2	75,69	37,0	68,0								
4,5-22	4672	2,4	65,22	36,5	66,4								
5,1-26	4110	2,9	57,43	35,9	64,9								
6,1-31	3427	3,5	47,80	35,0	62,6								
4,1-20	5174	1,5	72,21	37,2	68,0	SK 8282 - 160 MH/4 - SK 200E-112-340-A (-C) SK 8282 - 160 MP/4 - SK 200E-112-340-A (-C)	476	D88-89					
4,9-25	4260	1,5	59,44	36,1	65,3								
6,2-31	3407	3,1	47,51	35,2	62,8								
2,4-12	8828	0,9	123,37	24,7	53,0	SK 7382 - 160 MH/4 - SK 200E-112-340-A (-C) SK 7382 - 160 MP/4 - SK 200E-112-340-A (-C)	355	D86-87					
2,8-14	7638	1,0	106,59	25,8	53,6								
3,1-16	6672	1,1	93,18	26,6	53,7								
3,7-19	5647	1,3	78,81	26,7	52,9								
4,3-21	4886	1,5	68,10	26,9	52,4								
4,9-25	4268	1,7	59,52	27,0	51,8								
5,5-27	3830	1,8	53,38	27,1	51,5								
6,3-31	3346	2,1	46,66	26,9	50,4								
7,9-40	2650	2,5	36,92	26,0	48,2								

Parallel shaft gear units



P ₁ [kW]	n ₂ [min ⁻¹]	M _{2b} [Nm]	f _B	i _{ges}	F _R	F _A	Type	mm			
								kg			
11,0	4,2-21	5005	1,2	69,73	27,8	53,7	SK 7282 - 160 MH/4 - SK 200E-112-340-A (-C) SK 7282 - 160 MP/4 - SK 200E-112-340-A (-C)	348	D84-85		
	5,1-26	4080	1,4	56,91	27,2	51,9					
	6,4-32	3274	1,8	45,67	27,2	50,7					
	6,5-33	3231	1,4	45,02	26,6	49,9					
	7,9-39	2669	2,4	37,27	26,2	48,5					
	8,4-42	2487	2,3	34,64	26,2	48,2					
	3,2-16	6645	0,9	92,63	20,6	43,3	SK 6382 - 160 MH/4 - SK 200E-112-340-A (-C) SK 6382 - 160 MP/4 - SK 200E-112-340-A (-C)	282	D82-83		
	3,9-19	5399	1,1	75,18	22,0	43,9					
	4,0-20	5264	1,1	73,50	21,7	43,4					
	4,9-25	4277	1,3	59,66	22,4	43,3					
	5,7-29	3658	1,4	51,07	22,7	43,0					
	6,9-35	3041	1,5	42,46	22,7	42,2					
	8,1-40	2601	1,7	36,34	22,5	41,3					
	9,5-47	2216	2,1	30,91	22,2	40,3					
	4,8-24	4377	1,0	61,08	23,2	44,5	SK 6282 - 160 MH/4 - SK 200E-112-340-A (-C) SK 6282 - 160 MP/4 - SK 200E-112-340-A (-C)	285	D80-81		
5,9-29	3570	1,1	49,75	23,0	43,3						
7,4-37	2828	1,1	39,48	22,6	41,8						
9,8-49	2143	2,1	29,90	22,5	40,7						
11-56	1866	2,4	26,05	22,1	39,6						
13-64	1642	2,8	22,95	21,7	38,6						
16-78	1339	3,3	18,70	20,7	36,4						
7,2-36	2925	0,9	40,80	12,2	25,6	SK 5282 - 160 MH/4 - SK 200E-112-340-A (-C) SK 5282 - 160 MP/4 - SK 200E-112-340-A (-C)	201	D76-77			
8,8-44	2395	1,0	33,43	12,6	25,9						
9,6-48	2185	1,3	30,50	13,0	27,6						
12-59	1790	1,6	25,00	13,0	27,1						
14-72	1459	2,1	20,36	12,7	26,1						
16-78	1353	1,9	18,88	12,8	26,1						
17-83	1263	2,2	17,59	12,5	25,6						
19-95	1103	2,4	15,38	12,3	25,0						
23-113	932	2,8	13,00	12,0	23,6						
11-55	1894	0,9	26,43	6,4	14,2				SK 4282 - 160 MH/4 - SK 200E-112-340-A (-C) SK 4282 - 160 MP/4 - SK 200E-112-340-A (-C)	165	D72-73
13-65	1605	1,1	22,39	6,6	14,4						
14-68	1539	1,1	21,45	6,9	14,8						
16-81	1304	1,4	18,18	7,0	14,8						
19-96	1089	1,7	15,20	7,1	14,5						
23-116	908	1,9	12,68	7,1	13,9						
27-135	777	2,2	10,85	7,1	13,6						
32-159	662	2,5	9,23	7,0	13,2						
35-176	598	2,1	8,33	6,8	12,6						
41-206	511	2,4	7,13	6,7	12,2						
48-241	435	2,8	6,06	6,6	11,7						
54-269	390	2,7	5,43	6,5	11,4						
59-293	359	2,9	5,00	6,4	11,2						
62-311	338	3,1	4,70	6,4	11,0						
15,0	1,3-6,5	21980	3,1	224,76	140,4	170,0	SK 11382 - 160 LH/4 - SK 200E-152-340-A (-C) SK 11382 - 160 LP/4 - SK 200E-152-340-A (-C)	2210			
	1,0-5,2	27660	1,2	282,85	118,5	150,0					
	1,1-5,6	25740	1,3	263,25	121,3	150,0	SK 10382 - 160 LH/4 - SK 200E-152-340-A (-C) SK 10382 - 160 LP/4 - SK 200E-152-340-A (-C)	1380	D94-95		
	1,6-8,1	17670	2,0	180,68	130,2	150,0					
	1,7-8,7	16440	2,1	168,16	131,2	150,0					
	2,1-10	13730	2,6	140,41	133,2	150,0					
	1,0-5,0	28450	0,8	291,25	44,1	98,8					
	1,4-7,2	20010	1,1	204,68	51,1	102,0	SK 9382 - 160 LH/4 - SK 200E-152-340-A (-C) SK 9382 - 160 LP/4 - SK 200E-152-340-A (-C)	811	D92-93		
	1,7-8,4	17110	1,5	175,05	52,1	102,0					
	2,0-10	14140	1,7	144,69	51,7	100,5					
	2,2-11	13260	1,9	135,90	52,6	101,1					
	2,5-13	11290	2,2	115,57	52,3	99,1					
	2,9-15	9845	2,6	100,89	51,8	97,1					
	3,5-18	8134	3,0	83,19	50,2	93,2					
	4,1-20	7056	3,4	72,19	49,3	90,8					
4,5-22	6369	3,8	65,25	48,5	88,9						

Parallel shaft
gear units

1:5

15,0 kW



P ₁ [kW]	n ₂ [min ⁻¹]	M _{2b} [Nm]	f _B	i _{ges}	F _R	F _A	Type	mm					
								kg					
15,0	1,9-9,6	14940	0,9	152,83	25,2	57,8	SK 8382 - 160 LH/4 - SK 200E-152-340-A (-C) SK 8382 - 160 LP/4 - SK 200E-152-340-A (-C)	509	D90-91				
	2,0-10	14070	0,9	143,91	27,2	59,9							
	2,3-12	12250	1,0	125,38	29,0	61,2							
	2,5-12	11580	1,1	118,47	28,9	60,6							
	2,8-14	10080	1,2	103,21	30,2	61,2							
	3,2-16	8877	1,4	90,94	31,0	61,4							
	3,9-19	7402	1,6	75,69	31,7	61,1							
	4,5-22	6371	1,8	65,22	32,0	60,5							
	5,1-26	5604	2,2	57,43	32,0	59,7							
	6,1-31	4673	2,6	47,80	31,7	58,3							
	6,7-34	4255	2,5	43,59	31,7	57,8							
		4,1-20	7056	1,1	72,21	32,3				61,6	SK 8282 - 160 LH/4 - SK 200E-152-340-A (-C) SK 8282 - 160 LP/4 - SK 200E-152-340-A (-C)	505	D88-89
		4,9-25	5809	1,1	59,44	32,0				59,9			
	6,2-31	4645	2,3	47,51	32,0	58,6							
	7,5-37	3824	2,4	39,11	31,1	56,2							
	3,1-16	9098	0,8	93,18	19,4	44,1	SK 7382 - 160 LH/4 - SK 200E-152-340-A (-C) SK 7382 - 160 LP/4 - SK 200E-152-340-A (-C)	384	D86-87				
	3,7-19	7700	1,0	78,81	20,5	44,6							
	4,3-21	6663	1,1	68,10	21,6	45,2							
	4,9-25	5820	1,2	59,52	22,3	45,5							
	5,5-27	5223	1,4	53,38	23,0	45,9							
	6,3-31	4562	1,6	46,66	23,3	45,6							
	7,9-40	3613	1,8	36,92	23,1	44,1							
	9,6-48	2981	2,2	30,42	22,9	41,9							
	4,2-21	6825	0,9	69,73	22,6	46,7				SK 7282 - 160 LH/4 - SK 200E-152-340-A (-C) SK 7282 - 160 LP/4 - SK 200E-152-340-A (-C)	377	D84-85	
	5,1-26	5564	1,0	56,91	22,8	46,0							
	6,4-32	4464	1,3	45,67	23,8	46,2							
	6,5-33	4406	1,0	45,02	23,0	45,1							
	7,9-39	3639	1,8	37,27	23,3	44,6							
	8,4-42	3392	1,7	34,64	23,6	44,5							
	11-54	2629	2,2	26,89	23,1	41,3							
	3,9-19	7363	0,8	75,18	10,5	35,2	SK 6382 - 160 LH/4 - SK 200E-152-340-A (-C) SK 6382 - 160 LP/4 - SK 200E-152-340-A (-C)	311	D82-83				
	4,0-20	7179	0,8	73,50	13,9	34,7							
	4,9-25	5833	0,9	59,66	17,1	36,3							
	5,7-29	4988	1,0	51,07	18,1	36,9							
	6,9-35	4147	1,1	42,46	18,9	37,2							
	8,1-40	3546	1,3	36,34	19,3	37,1							
	9,5-47	3021	1,5	30,91	19,4	36,7							
	10-51	2802	1,6	28,72	19,5	36,4							
	12-60	2388	2,0	24,42	19,4	35,8							
	4,8-24	5969	0,8	61,08	18,0	37,7				SK 6282 - 160 LH/4 - SK 200E-152-340-A (-C) SK 6282 - 160 LP/4 - SK 200E-152-340-A (-C)	314	D80-81	
	5,9-29	4868	0,8	49,75	18,6	37,5							
	7,4-37	3857	0,8	39,48	19,1	37,2							
	9,8-49	2923	1,6	29,90	20,0	37,3							
	11-56	2544	1,8	26,05	19,9	36,7							
	13-64	2240	2,0	22,95	19,7	36,0							
	16-78	1827	2,4	18,70	19,1	33,4							
	20-99	1447	3,1	14,83	18,4	30,8							
	9,6-48	2979	1,0	30,50	10,4	23,7	SK 5282 - 160 LH/4 - SK 200E-152-340-A (-C) SK 5282 - 160 LP/4 - SK 200E-152-340-A (-C)	230	D76-77				
	12-59	2440	1,2	25,00	10,8	23,9							
	14-72	1990	1,6	20,36	10,9	23,4							
	16-78	1844	1,4	18,88	11,1	23,6							
	17-83	1722	1,6	17,59	11,0	23,0							
	19-95	1504	1,7	15,38	11,0	22,3							
	23-113	1271	2,1	13,00	10,8	21,2							
	27-137	1049	2,4	10,71	10,6	20,2							
	31-155	926	2,5	9,46	10,5	19,5							
	34-169	850	2,8	8,70	10,2	18,7							
	41-204	701	3,1	7,17	9,9	17,7							
	46-231	619	3,4	6,33	9,7	17,1							
	52-258	556	3,2	5,71	9,5	16,5							
	56-278	515	3,4	5,29	9,4	16,2							
	58-292	491	3,5	5,01	9,3	15,9							

Parallel shaft gear units



P_1 [kW]	n_2 [min ⁻¹]	M_{2b} [Nm]	f_B	i_{ges}	F_R [kN]	F_A [kN]	Type	kg	mm D		
15,0	13-65	2188	0,8	22,39	4,2	9,1	SK 4282 - 160 LH/4 - SK 200E-152-340-A (-C) SK 4282 - 160 LP/4 - SK 200E-152-340-A (-C)	194	D72-73		
	14-68	2098	0,8	21,45	4,6	9,9					
	16-81	1778	1,0	18,18	5,0	10,4					
	19-96	1485	1,2	15,20	5,4	10,9					
	23-116	1238	1,4	12,68	5,6	10,9					
	27-135	1059	1,6	10,85	5,8	11,1					
	32-159	902	1,8	9,23	6,0	11,1					
	35-176	815	1,6	8,33	5,8	10,5					
	41-206	697	1,7	7,13	5,8	10,5					
	48-241	594	2,0	6,06	5,9	10,3					
	54-269	532	1,9	5,43	5,8	10,2					
	59-293	489	2,1	5,00	5,8	10,1					
	62-311	461	2,2	4,70	5,8	10,0					
18,5	1,3-6,6	26920	2,6	224,76	134,9	170,0	SK 11382 - 180 MH/4 - SK 200E-182-340-A (-C) SK 11382 - 180 MP/4 - SK 200E-182-340-A (-C)	2230	D96-97		
	1,7-8,6	20600	3,4	171,96	141,7	170,0					
	1,9-9,6	18310	3,8	152,87	143,7	170,0					
	1,6-8,2	21640	1,6	180,68	126,3	150,0	SK 10382 - 180 MH/4 - SK 200E-182-340-A (-C) SK 10382 - 180 MP/4 - SK 200E-182-340-A (-C)	1390	D94-95		
	1,8-8,8	20140	1,7	168,16	127,9	150,0					
	2,1-11	16820	2,1	140,41	130,9	150,0					
	2,8-14	12540	2,8	104,71	134,0	150,0					
	1,7-8,4	20960	1,2	175,05	44,5	93,0	SK 9382 - 180 MH/4 - SK 200E-182-340-A (-C) SK 9382 - 180 MP/4 - SK 200E-182-340-A (-C)	826	D92-93		
	2,0-10	17320	1,4	144,69	45,1	91,8					
	2,2-11	16250	1,6	135,90	46,7	93,2					
	2,6-13	13840	1,8	115,57	47,2	92,3					
	2,9-15	12060	2,1	100,89	47,4	91,2					
	3,5-18	9964	2,4	83,19	46,4	88,1					
4,1-20	8643	2,8	72,19	46,0	86,3						
4,5-23	7801	3,1	65,25	45,5	84,9						
5,3-27	6643	3,6	55,49	44,6	82,5						
6,1-31	5791	4,1	48,44	43,7	80,2						
2,4-12	15000	0,8	125,38	21,7	51,6	SK 8382 - 180 MH/4 - SK 200E-182-340-A (-C) SK 8382 - 180 MP/4 - SK 200E-182-340-A (-C)	524	D90-91			
2,5-12	14190	0,9	118,47	21,8	51,2						
2,9-14	12350	1,0	103,21	24,0	53,1						
3,2-16	10870	1,1	90,94	25,6	54,2						
3,9-19	9067	1,3	75,69	27,2	55,1						
4,5-23	7804	1,4	65,22	28,0	55,3						
5,1-26	6865	1,8	57,43	28,5	55,1						
6,2-31	5724	2,1	47,80	28,8	54,2						
6,8-34	5212	2,0	43,59	29,1	53,7						
8,2-41	4291	2,8	35,88	28,6	50,6						
9,6-48	3693	3,3	30,92	28,2	48,6						
10-52	3396	2,9	28,33	28,2	47,8				SK 8282 - 180 MH/4 - SK 200E-182-340-A (-C) SK 8282 - 180 MP/4 - SK 200E-182-340-A (-C)	520	D88-89
3,7-19	9432	0,8	78,81	15,1	36,9				SK 7382 - 180 MH/4 - SK 200E-182-340-A (-C) SK 7382 - 180 MP/4 - SK 200E-182-340-A (-C)	399	D86-87
4,3-22	8162	0,9	68,10	16,9	38,6						
5,0-25	7129	1,0	59,52	18,2	39,6						
5,5-28	6398	1,1	53,38	19,5	40,8						
6,3-32	5589	1,3	46,66	20,2	40,7						
8,0-40	4426	1,5	36,92	20,6	39,2						
9,7-48	3651	1,8	30,42	20,8	38,1						
11-55	3225	2,1	26,88	20,8	37,2						
8,5-43	4155	1,4	34,64	21,4	40,2	SK 7282 - 180 MH/4 - SK 200E-182-340-A (-C) SK 7282 - 180 MP/4 - SK 200E-182-340-A (-C)	392	D84-85			
11-55	3221	1,8	26,89	21,3	38,1						
13-64	2742	2,1	22,87	21,1	36,7						
15-74	2390	2,4	19,97	20,8	35,4						
4,9-25	7145	0,8	59,66	12,5	30,2	SK 6382 - 180 MH/4 - SK 200E-182-340-A (-C) SK 6382 - 180 MP/4 - SK 200E-182-340-A (-C)	326	D82-83			
5,8-29	6110	0,8	51,07	14,2	31,7						
7,0-35	5080	0,9	42,46	15,6	32,8						
8,1-41	4344	1,0	36,34	16,5	33,3						
9,5-48	3701	1,2	30,91	17,0	33,1						
10-51	3433	1,3	28,72	17,2	32,9						
12-60	2925	1,6	24,42	17,5	32,1						

Parallel shaft
gear units

1:5

18,5 kW
22,0 kW



Parallel shaft
gear units

P ₁ [kW]	n ₂ [min ⁻¹]	M _{2b} [Nm]	f _B	i _{ges}	F _R	F _A	Type	mm					
								kg					
18,5	9,9-49	3580	1,3	29,90	17,8	34,4	SK 6282 - 180 MH/4 - SK 200E-182-340-A (-C) SK 6282 - 180 MP/4 - SK 200E-182-340-A (-C)	329	D80-81				
	11-57	3116	1,5	26,05	18,0	33,6							
	13-64	2743	1,7	22,95	18,0	32,7							
	16-79	2237	2,0	18,70	17,6	30,8							
	20-100	1773	2,5	14,83	17,2	28,8							
	24-120	1478	3,0	12,35	16,8	27,5							
	28-139	1272	3,4	10,64	16,5	26,3							
	18,5	12-59	2989	1,0	25,00	9,0	20,6	SK 5282 - 180 MH/4 - SK 200E-182-340-A (-C) SK 5282 - 180 MP/4 - SK 200E-182-340-A (-C)	245	D76-77			
		14-72	2438	1,3	20,36	9,3	20,2						
		16-78	2259	1,2	18,88	9,7	20,7						
		17-84	2109	1,3	17,59	9,6	20,1						
		19-96	1843	1,4	15,38	9,8	19,9						
		23-113	1557	1,7	13,00	9,7	19,2						
		28-138	1285	1,9	10,71	9,8	18,6						
		31-156	1134	2,0	9,46	9,7	18,1						
		34-170	1041	2,3	8,70	9,4	17,4						
		41-206	859	2,5	7,17	9,3	16,7						
		47-233	758	2,8	6,33	9,1	16,2						
		52-259	681	2,6	5,71	9,0	15,7						
56-280		631	2,8	5,29	8,9	15,4							
59-294		601	2,8	5,01	8,8	15,2							
68-342		517	3,0	4,32	8,6	14,6							
18,5		16-81	2178	0,8	18,18	3,3	7,0				SK 4282 - 180 MH/4 - SK 200E-182-340-A (-C) SK 4282 - 180 MP/4 - SK 200E-182-340-A (-C)	209	D72-73
		19-97	1820	1,0	15,20	4,0	8,0						
		23-116	1517	1,2	12,68	4,4	8,4						
		27-136	1297	1,3	10,85	4,8	9,0						
	32-160	1105	1,5	9,23	5,1	9,3							
	35-177	998	1,3	8,33	4,9	8,9							
	41-207	854	1,4	7,13	5,1	9,1							
	49-243	727	1,7	6,06	5,2	9,1							
	54-271	652	1,6	5,43	5,3	9,1							
	59-295	599	1,7	5,00	5,3	9,1							
	63-313	564	1,8	4,70	5,3	9,0							
	22,0	1,3-6,6	32010	2,2	224,76	127,6	170,0	SK 11382 - 180 LH/4 - SK 200E-222-340-A (-C) SK 11382 - 180 LP/4 - SK 200E-222-340-A (-C)	2250	D96-97			
		1,7-8,6	24490	2,8	171,96	137,7	170,0						
1,9-9,6		21770	3,2	152,87	140,6	170,0							
2,3-11		18620	3,7	130,73	143,4	170,0							
2,6-13		16010	4,3	112,38	145,4	170,0							
22,0	1,6-8,2	25730	1,4	180,68	121,3	150,0	SK 10382 - 180 LH/4 - SK 200E-222-340-A (-C) SK 10382 - 180 LP/4 - SK 200E-222-340-A (-C)	1410	D94-95				
	1,8-8,8	23950	1,5	168,16	123,6	150,0							
	2,1-11	20000	1,8	140,41	128,0	150,0							
	2,8-14	14910	2,4	104,71	132,4	150,0							
	3,2-16	13010	2,7	91,35	133,7	150,0							
22,0	1,7-8,4	24930	1,0	175,05	36,8	82,9	SK 9382 - 180 LH/4 - SK 200E-222-340-A (-C) SK 9382 - 180 LP/4 - SK 200E-222-340-A (-C)	844	D92-93				
	2,0-10	20600	1,2	144,69	38,6	83,1							
	2,2-11	19320	1,3	135,90	40,7	85,3							
	2,6-13	16450	1,5	115,57	42,2	85,6							
	2,9-15	14340	1,8	100,89	43,0	85,3							
	3,5-18	11850	2,0	83,19	42,6	83,1							
	4,1-20	10280	2,3	72,19	42,7	82,0							
	4,5-23	9277	2,6	65,25	42,6	81,0							
	5,3-27	7899	3,0	55,49	42,1	79,1							
	6,1-31	6886	3,5	48,44	41,6	77,3							
	7,0-35	5973	4,0	41,93	40,8	74,8							
	22,0	2,9-14	14690	0,8	103,21	17,8				44,1	SK 8382 - 180 LH/4 - SK 200E-222-340-A (-C) SK 8382 - 180 LP/4 - SK 200E-222-340-A (-C)	542	D90-91
		3,2-16	12930	0,9	90,94	20,1				46,5			
3,9-19		10780	1,1	75,69	22,6	48,6							
4,5-23		9280	1,2	65,22	24,1	49,3							
5,1-26		8164	1,5	57,43	25,0	49,4							
6,2-31		6807	1,8	47,80	25,9	48,8							
6,8-34		6198	1,7	43,59	26,6	49,0							
8,2-41		5103	2,4	35,88	26,4	46,8							
9,6-48		4392	2,8	30,92	26,3	45,5							



P_1 [kW]	n_2 [min ⁻¹]	M_{2b} [Nm]	f_B	i_{ges}	F_R	F_A	Type	kg	mm H B
22,0	10-52 12-60	4038 3490	2,5 3,0	28,33 24,50	26,5 26,2	45,1 43,5	SK 8282 - 180 LH/4 - SK 200E-222-340-A (-C) SK 8282 - 180 LP/4 - SK 200E-222-340-A (-C)	538	D88-89
	5,0-25 5,5-28 6,3-32 8,0-40 9,7-48 11-55 13-63	8478 7609 6646 5263 4342 3835 3344	0,8 0,9 1,1 1,3 1,5 1,7 2,0	59,52 53,38 46,66 36,92 30,42 26,88 23,46	14,1 15,9 17,0 18,0 18,7 18,9 19,1	32,1 34,2 35,0 34,8 34,5 34,1 33,5	SK 7382 - 180 LH/4 - SK 200E-222-340-A (-C) SK 7382 - 180 LP/4 - SK 200E-222-340-A (-C)	417	D86-87
	8,5-43 11-55 13-64 15-74 18-91	4941 3830 3261 2843 2317	1,2 1,5 1,8 2,0 2,8	34,64 26,89 22,87 19,97 16,29	19,1 19,6 19,6 19,5 19,0	36,2 35,2 34,3 33,3 31,5	SK 7282 - 180 LH/4 - SK 200E-222-340-A (-C) SK 7282 - 180 LP/4 - SK 200E-222-340-A (-C)	410	D84-85
	7,0-35 8,1-41 9,5-48 10-51 12-60	6041 5166 4401 4082 3478	0,8 0,9 1,0 1,1 1,3	42,46 36,34 30,91 28,72 24,42	12,3 13,6 14,6 15,0 15,6	27,1 28,2 28,8 28,9 28,8	SK 6382 - 180 LH/4 - SK 200E-222-340-A (-C) SK 6382 - 180 LP/4 - SK 200E-222-340-A (-C)	344	D82-83
	9,9-49 11-57 13-64 16-79 20-100 24-120 28-139 31-157 38-189	4257 3706 3262 2661 2108 1758 1513 1335 1113	1,1 1,2 1,4 1,7 2,1 2,5 2,9 2,1 2,4	29,90 26,05 22,95 18,70 14,83 12,35 10,64 9,39 7,82	15,6 16,1 16,3 16,2 16,0 15,9 15,6 15,0 14,6	30,3 30,1 29,8 28,4 27,0 26,0 25,1 23,7 22,6	SK 6282 - 180 LH/4 - SK 200E-222-340-A (-C) SK 6282 - 180 LP/4 - SK 200E-222-340-A (-C)	347	D80-81
	12-59 14-72 16-78 17-84 19-96 23-113 28-138 31-156 34-170 41-206 47-233 52-259 56-280 59-294 68-342	3555 2899 2687 2509 2191 1852 1528 1349 1238 1021 902 810 751 715 615	0,8 1,1 1,0 1,1 1,2 1,4 1,6 1,7 1,9 2,1 2,3 2,2 2,3 2,4 2,5	25,00 20,36 18,88 17,59 15,38 13,00 10,71 9,46 8,70 7,17 6,33 5,71 5,29 5,01 4,32	7,1 7,7 8,3 8,2 8,6 8,7 8,9 9,0 8,7 8,7 8,6 8,5 8,5 8,4 8,2	16,9 17,2 18,0 17,5 17,7 17,3 17,1 16,8 16,1 15,7 15,3 15,0 14,7 14,5 14,0	SK 5282 - 180 LH/4 - SK 200E-222-340-A (-C) SK 5282 - 180 LP/4 - SK 200E-222-340-A (-C)	263	D76-77
	19-97 23-116 27-136 32-160 35-177 41-207 49-243 54-271 59-295 63-313	2164 1804 1543 1314 1187 1015 865 775 712 671	0,8 1,0 1,1 1,2 1,1 1,2 1,4 1,3 1,5 1,5	15,20 12,68 10,85 9,23 8,33 7,13 6,06 5,43 5,00 4,70	2,5 3,1 3,7 4,2 4,0 4,3 4,6 4,7 4,7 4,8	5,3 6,1 7,0 7,7 7,2 7,7 8,0 8,1 8,1 8,1	SK 4282 - 180 LH/4 - SK 200E-222-340-A (-C) SK 4282 - 180 LP/4 - SK 200E-222-340-A (-C)	227	D72-73

1:10
0,55 kW



P ₁ [kW]	n ₂ [min ⁻¹]	M _{2b} [Nm]	f _B	i _{ges}	F _R	F _A	Type	mm	
								kg	
0,55	1,1-11	497	3,2	272,54	21,8	22,0	SK 4382 - 71 L/4 - SK 200E-550-340-A (-C)	79	D74-75
							SK 4382 - 71 L/4 - SK 180E-550-340-B (-C)		
	1,0-10 1,2-12 1,5-15 1,8-18	524	1,8	287,14	14,9	14,5	SK 3382 - 71 L/4 - SK 200E-550-340-A (-C)	57	D70-71
		421	2,4	230,83	14,2	14,5	SK 3382 - 71 L/4 - SK 180E-550-340-B (-C)		
		348	2,5	190,69	13,5	14,5			
		294	2,7	161,46	12,9	14,5			
	2,6-26	205	3,8	112,23	11,8	14,5	SK 3282 - 71 L/4 - SK 200E-550-340-A (-C)	49	D68-69
							SK 3282 - 71 L/4 - SK 180E-550-340-B (-C)		
	1,0-10 1,2-12 1,6-16 1,9-19 2,2-22 2,5-25	504	1,1	276,27	8,3	12,0	SK 2382 - 71 L/4 - SK 200E-550-340-A (-C)	41	D66-67
			1,1	236,11	8,8	12,0			
			1,5	185,11	9,3	12,0	SK 2382 - 71 L/4 - SK 180E-550-340-B (-C)		
			1,9	149,96	9,6	12,0			
			2,2	131,86	9,7	12,0			
			2,5	116,35	9,8	12,0			
	2,3-23 2,8-28	232	1,6	127,51	9,8	12,0	SK 2282 - 71 L/4 - SK 200E-550-340-A (-C)	34	D64-65
		190	2,1	104,07	9,9	12,0	SK 2282 - 71 L/4 - SK 180E-550-340-B (-C)		
	1,1-11 1,4-14 1,8-18 2,1-21 2,4-24 2,7-27 2,9-29 3,2-32	469	0,8	257,32	3,7	7,8	SK 1382NB - 71 L/4 - SK 200E-550-340-A (-C)	29	D60-61
		372	1,0	203,60	5,2	7,8			
		289	1,3	158,12	6,0	7,8	SK 1382NB - 71 L/4 - SK 180E-550-340-B (-C)		
		249	1,5	136,60	6,3	7,8			
		215	1,7	118,16	6,5	7,8			
		193	1,9	106,08	6,7	7,8			
		184	2,0	101,14	6,7	7,8			
		162	2,3	88,94	6,6	7,8			
	2,6-26 3,1-31 3,5-35 4,0-40 4,3-43 4,9-49 5,2-52 5,9-59 6,2-62	200	1,0	109,50	4,9	7,2	SK 1282 - 71 L/4 - SK 200E-550-340-A (-C)	23	D62-63
		169	1,4	92,48	4,8	7,2			
		148	2,0	81,17	4,6	7,2	SK 1282 - 71 L/4 - SK 180E-550-340-B (-C)		
		132	2,2	72,17	4,5	7,2			
		121	2,2	66,23	4,4	7,2			
		107	2,6	58,89	4,3	7,2			
		101	2,3	55,39	4,3	7,2			
		89,8	2,9	49,25	4,1	7,2			
		84,2	2,3	46,19	4,1	7,2			
	3,4-34 3,6-36 4,4-44 5,1-51 5,6-56 6,5-65 7,1-71 8,4-84 9,6-96	156	0,9	85,72	4,0	5,0	SK 0282NB - 71 L/4 - SK 200E-550-340-A (-C)	17	D58-59
		145	0,9	79,40	3,9	5,0			
		120	1,2	65,99	3,8	5,0	SK 0282NB - 71 L/4 - SK 180E-550-340-B (-C)		
		103	1,6	56,55	3,7	5,0			
		94,1	1,6	51,64	3,6	5,0			
		80,7	2,0	44,22	3,5	5,0			
		73,6	2,2	40,38	3,4	5,0			
		62,3	2,5	34,16	3,3	5,0			
		54,9	2,4	30,03	3,2	5,0			
	4,9-49 5,8-58 6,9-69 7,6-76 8,3-83 9,0-90 9,9-99 12-117 13-129 15-153 17-174 19-193 21-208 25-247 30-303 33-334 40-397 45-454 54-540 68-680	108	1,0	59,33	3,6	5,1	SK 0182NB - 71 L/4 - SK 200E-550-340-A (-C)	13	D56-57
		90,5	1,1	49,65	3,5	5,1			
		76,4	1,1	41,85	3,4	5,1	SK 0182NB - 71 L/4 - SK 180E-550-340-B (-C)		
		68,8	1,5	37,73	3,4	5,1			
		63,5	1,6	34,80	3,3	5,1			
		58,0	1,6	31,81	3,2	5,1			
		53,1	2,1	29,13	3,2	5,1			
		44,8	2,6	24,55	3,1	5,1			
		40,7	2,7	22,35	3,0	5,1			
		34,2	2,8	18,79	2,8	5,0			
		30,2	3,3	16,53	2,8	4,9			
		27,2	2,8	14,92	2,7	4,7			
		25,2	4,4	13,84	2,6	4,7			
		21,3	5,2	11,66	2,5	4,4			
		17,3	6,4	9,49	2,4	4,2			
		15,7	7,0	8,64	2,3	4,1			
		13,2	8,3	7,26	2,2	3,8			
		11,6	9,5	6,35	2,1	3,5			
		9,7	9,5	5,34	2,0	3,3			
		7,7	9,4	4,24	1,9	3,0			

Parallel shaft gear units



P_1 [kW]	n_2 [min ⁻¹]	M_{2b} [Nm]	f_B	i_{ges}	F_R [kN]	F_A [kN]	Type	kg	mm D	
0,75	1,1-11	668	2,4	272,54	21,5	22,0	SK 4382 - 80 SH/4 - SK 200E-750-340-A (-C)	82	D74-75	
	1,2-12	621	3,2	253,12	21,2	22,0				
	1,4-14	518	3,2	211,09	20,1	22,0	SK 4382 - 80 SH/4 - SK 180E-750-340-B (-C)			
	1,5-15	470	4,2	191,57	19,7	22,0				
	1,0-10	704	1,3	287,14	14,0	14,5	SK 3382 - 80 SH/4 - SK 200E-750-340-A (-C)	60	D70-71	
	1,3-13	566	1,8	230,83	13,4	14,5				
	1,5-15	468	1,9	190,69	12,9	14,5	SK 3382 - 80 SH/4 - SK 180E-750-340-B (-C)			
	1,8-18	396	2,0	161,46	12,4	14,5				
	2,3-23	312	2,5	126,93	11,7	14,5				
	2,6-26	275	2,8	112,23	11,4	14,5	SK 3282 - 80 SH/4 - SK 200E-750-340-A (-C)	52	D68-69	
	2,9-29	247	3,3	100,88	11,1	14,5				
	3,3-33	218	4,3	88,74	10,7	14,5	SK 3282 - 80 SH/4 - SK 180E-750-340-B (-C)			
	1,1-11	678	0,8	276,27	6,5	12,0	SK 2382 - 80 SH/4 - SK 200E-750-340-A (-C)	44	D66-67	
	1,2-12	578	0,8	236,11	7,6	12,0				
	1,6-16	454	1,1	185,11	8,7	12,0	SK 2382 - 80 SH/4 - SK 180E-750-340-B (-C)			
	1,9-19	368	1,4	149,96	9,2	12,0				
	2,2-22	323	1,6	131,86	9,4	12,0				
	2,5-25	285	1,8	116,35	9,6	12,0				
2,3-23	313	1,2	127,51	9,5	12,0	SK 2282 - 80 SH/4 - SK 200E-750-340-A (-C)	37	D64-65		
2,8-28	255	1,6	104,07	9,7	12,0					
2,9-29	248	1,8	100,98	9,7	12,0	SK 2282 - 80 SH/4 - SK 180E-750-340-B (-C)				
3,5-35	202	2,4	82,42	9,3	12,0					
4,2-42	171	2,6	69,67	8,9	12,0					
1,8-18	388	1,0	158,12	5,0	7,8	SK 1382NB - 80 SH/4 - SK 200E-750-340-A (-C)	32	D60-61		
2,1-21	335	1,1	136,60	5,6	7,8					
2,5-25	290	1,3	118,16	6,0	7,8	SK 1382NB - 80 SH/4 - SK 180E-750-340-A (-C)				
2,8-28	260	1,4	106,08	6,2	7,8					
2,9-29	248	1,5	101,14	6,2	7,8					
3,3-33	218	1,7	88,94	6,1	7,8					
3,7-37	193	1,9	78,99	6,0	7,8					
4,3-43	167	2,2	68,23	5,9	7,8					
4,9-49	147	2,5	60,00	5,7	7,8					
5,5-55	131	2,7	53,28	5,6	7,8					
6,6-66	109	3,1	44,40	5,4	7,8					
3,2-32	227	1,0	92,48	4,3	7,2	SK 1282 - 80 SH/4 - SK 200E-750-340-A (-C)	26	D62-63		
3,6-36	199	1,5	81,17	4,3	7,2					
4,0-40	177	1,7	72,17	4,2	7,2	SK 1282 - 80 SH/4 - SK 180E-750-340-B (-C)				
4,4-44	163	1,7	66,23	4,1	7,2					
5,0-50	144	2,0	58,89	4,1	7,2					
5,3-53	136	1,7	55,39	4,0	7,2					
5,9-59	121	2,2	49,25	3,9	7,2					
6,3-63	113	1,7	46,19	3,8	7,2					
7,1-71	101	2,2	41,07	3,8	7,2					
9,1-91	78,7	2,9	32,08	3,6	7,2					
10-103	69,5	3,2	28,33	3,5	7,2					
4,4-44	162	0,9	65,99	3,5	5,0	SK 0282NB - 80 SH/4 - SK 200E-750-340-A (-C)			20	D58-59
5,2-52	139	1,2	56,55	3,4	5,0					
5,7-57	127	1,2	51,64	3,3	5,0	SK 0282NB - 80 SH/4 - SK 180E-750-340-B (-C)				
6,6-66	108	1,5	44,22	3,3	5,0					
7,2-72	99,0	1,7	40,38	3,2	5,0					
8,5-85	83,8	1,8	34,16	3,1	5,0					
9,7-97	73,8	1,7	30,03	3,1	5,0					
11-112	63,7	2,0	25,96	3,0	5,0					
7,7-77	92,5	1,1	37,73	3,1	5,1	SK 0182NB - 80 SH/4 - SK 200E-750-340-A (-C)	16	D56-57		
8,4-84	85,4	1,2	34,80	3,1	5,1					
9,2-92	78,1	1,2	31,81	3,0	5,1	SK 0182NB - 80 SH/4 - SK 180E-750-340-A (-C)				
10-100	71,4	1,5	29,13	3,0	5,1					
12-119	60,3	1,9	24,55	2,9	5,1					
13-131	54,8	2,0	22,35	2,8	5,0					
16-156	46,0	2,1	18,79	2,7	4,8					
18-177	40,6	2,5	16,53	2,7	4,7					

1:10**0,75 kW
1,10 kW**

P ₁ [kW]	n ₂ [min ⁻¹]	M _{2b} [Nm]	f _B	i _{ges}	F _R	F _A	Type	mm	
								kg	
0,75	20-196	36,6	2,1	14,92	2,6	4,5	SK 0182NB - 80 SH/4 - SK 200E-750-340-A (-C)	16	D56-57
	21-211	33,9	3,2	13,84	2,5	4,5			
	25-250	28,6	3,8	11,66	2,4	4,3	SK 0182NB - 80 SH/4 - SK 180E-750-340-B (-C)		
	31-308	23,3	4,7	9,49	2,3	4,1			
	34-338	21,2	5,2	8,64	2,2	3,9			
	40-403	17,8	6,2	7,26	2,1	3,6			
	46-460	15,6	7,1	6,35	2,1	3,4			
	55-548	13,1	7,0	5,34	2,0	3,2			
	69-689	10,4	7,0	4,24	1,8	2,9			
1,10	1,1-11	974	2,8	269,99	30,0	32,0	SK 5382 - 80 LH/4 - SK 200E-111-340-A (-C) SK 5382 - 80 LP/4 - SK 200E-111-340-A (-C)	123	D78-79
							SK 5382 - 80 LH/4 - SK 180E-111-340-B (-C) SK 5382 - 80 LP/4 - SK 180E-111-340-B (-C)		
	1,1-11	982	1,6	272,54	20,1	22,0	SK 4382 - 80 LH/4 - SK 200E-111-340-A (-C)	83	D74-75
	1,2-12	912	2,1	253,12	20,0	22,0	SK 4382 - 80 LP/4 - SK 200E-111-340-A (-C)		
	1,4-14	761	2,1	211,09	19,1	22,0			
	1,5-15	690	2,9	191,57	18,8	22,0	SK 4382 - 80 LH/4 - SK 180E-111-340-B (-C)		
	1,8-18	577	2,9	160,20	18,0	22,0	SK 4382 - 80 LP/4 - SK 180E-111-340-B (-C)		
	2,1-21	507	3,9	140,60	17,5	22,0			
	2,5-25	427	4,7	118,38	16,7	22,0			
	2,8-28	374	5,3	103,82	16,1	22,0			
	1,0-10	1035	0,9	287,14	12,4	14,5	SK 3382 - 80 LH/4 - SK 200E-111-340-A (-C)		
	1,3-13	832	1,2	230,83	12,1	14,5	SK 3382 - 80 LP/4 - SK 200E-111-340-A (-C)		
	1,5-15	687	1,3	190,69	11,8	14,5			
	1,8-18	582	1,4	161,46	11,4	14,5	SK 3382 - 80 LH/4 - SK 180E-111-340-B (-C)		
	2,3-23	458	1,7	126,93	11,0	14,5	SK 3382 - 80 LP/4 - SK 180E-111-340-B (-C)		
	2,8-28	374	2,0	104,05	10,5	14,5			
	2,6-26	404	1,9	112,23	10,8	14,5	SK 3282 - 80 LH/4 - SK 200E-111-340-A (-C)	53	D68-69
	2,9-29	363	2,2	100,88	10,5	14,5	SK 3282 - 80 LP/4 - SK 200E-111-340-A (-C)		
	3,3-33	320	3,0	88,74	10,2	14,5			
	3,7-37	287	3,0	79,76	10,0	14,5	SK 3282 - 80 LH/4 - SK 180E-111-340-B (-C)		
	4,1-41	254	2,2	70,56	9,6	14,5	SK 3282 - 80 LP/4 - SK 180E-111-340-B (-C)		
	4,4-44	237	3,2	65,89	9,5	14,5			
	1,6-16	667	0,8	185,11	6,6	12,0	SK 2382 - 80 LH/4 - SK 200E-111-340-A (-C)	45	D66-67
	1,9-19	541	1,0	149,96	8,0	12,0	SK 2382 - 80 LH/4 - SK 200E-111-340-A (-C)		
	2,2-22	475	1,1	131,86	8,5	12,0			
	2,5-25	419	1,2	116,35	8,9	12,0	SK 2382 - 80 LH/4 - SK 180E-111-340-B (-C) SK 2382 - 80 LP/4 - SK 180E-111-340-B (-C)		
	2,9-29	364	1,2	100,98	9,2	12,0	SK 2282 - 80 LH/4 - SK 200E-111-340-A (-C)	38	D64-65
3,5-35	297	1,6	82,42	8,8	12,0	SK 2282 - 80 LP/4 - SK 200E-111-340-A (-C)			
4,2-42	251	1,8	69,67	8,5	12,0				
4,6-46	230	2,3	63,83	8,3	12,0	SK 2282 - 80 LH/4 - SK 180E-111-340-B (-C)			
5,4-54	195	2,6	53,96	8,0	12,0	SK 2282 - 80 LP/4 - SK 180E-111-340-B (-C)			
6,5-65	163	2,8	45,11	7,6	12,0				
2,5-25	425	0,9	118,16	4,5	7,8	SK 1382NB - 80 LH/4 - SK 200E-111-340-A (-C)	33	D60-61	
2,7-27	382	1,0	106,08	5,1	7,8	SK 1382NB - 80 LP/4 - SK 200E-111-340-A (-C)			
2,9-29	364	1,0	101,14	5,1	7,8				
3,3-33	320	1,2	88,94	5,2	7,8	SK 1382NB - 80 LH/4 - SK 180E-111-340-B (-C)			
3,7-37	284	1,3	78,99	5,2	7,8	SK 1382NB - 80 LP/4 - SK 180E-111-340-B (-C)			
4,3-43	246	1,5	68,23	5,2	7,8				
4,9-49	217	1,7	60,00	5,1	7,8				
5,5-55	192	1,9	53,28	5,1	7,8				
6,6-66	160	2,1	44,40	4,9	7,8				
7,5-75	140	2,3	38,77	4,9	7,6				
8,2-82	129	2,3	35,75	4,8	7,5				

**Parallel shaft
gear units**



P_1 [kW]	n_2 [min ⁻¹]	M_{2b} [Nm]	f_B	i_{ges}	F_R [kN]	F_A [kN]	Type	kg	mm D			
1,10	3,6-36	293	1,0	81,17	3,7	7,2	SK 1282 - 80 LH/4 - SK 200E-111-340-A (-C) SK 1282 - 80 LP/4 - SK 200E-111-340-A (-C)	27	D62-63			
	4,0-40	260	1,1	72,17	3,7	7,2						
	4,4-44	239	1,1	66,23	3,6	7,2						
	4,9-49	212	1,3	58,89	3,6	7,2	SK 1282 - 80 LH/4 - SK 180E-111-340-B (-C) SK 1282 - 80 LP/4 - SK 180E-111-340-B (-C)					
	5,3-53	200	1,2	55,39	3,6	7,2						
	5,9-59	177	1,5	49,25	3,5	7,2						
	6,3-63	166	1,2	46,19	3,5	7,2						
	7,1-71	148	1,5	41,07	3,4	7,2						
	9,1-91	116	2,0	32,08	3,3	7,0						
	10-103	102	2,2	28,33	3,3	6,8						
	12-115	91,0	2,5	25,22	3,2	6,7						
	14-141	74,3	3,0	20,57	3,0	6,3						
	1,10	6,6-66	159	1,0	44,22	2,9	5,0			SK 0282NB - 80 LH/4 - SK 200E-111-340-A (-C) SK 0282NB - 80 LP/4 - SK 200E-111-340-A (-C)	21	D58-59
		7,2-72	145	1,1	40,38	2,9	5,0					
8,5-85		123	1,2	34,16	2,8	5,0						
9,7-97		108	1,2	30,03	2,8	5,0	SK 0282NB - 80 LH/4 - SK 180E-111-340-B (-C) SK 0282NB - 80 LP/4 - SK 180E-111-340-B (-C)					
11-112		93,6	1,4	25,96	2,7	5,0						
13-129		81,7	1,6	22,70	2,7	5,0						
14-135		77,8	1,8	21,57	2,6	5,0						
15-146		71,9	1,8	19,95	2,6	5,0						
17-165		63,5	2,0	17,61	2,5	4,9						
18-176		59,7	2,3	16,58	2,5	4,8						
1,10		8,4-84	125	0,8	34,80	2,7	4,9	SK 0182NB - 80 LH/4 - SK 200E-111-340-A (-C) SK 0182NB - 80 LP/4 - SK 200E-111-340-A (-C)	17	D56-57		
		10-100	105	1,0	29,13	2,7	4,8					
		12-119	88,5	1,3	24,55	2,6	4,7					
		13-130	80,5	1,4	22,35	2,6	4,6	SK 0182NB - 80 LH/4 - SK 180E-111-340-B (-C) SK 0182NB - 80 LP/4 - SK 180E-111-340-B (-C)				
	16-155	67,6	1,4	18,79	2,5	4,4						
	18-176	59,6	1,7	16,53	2,5	4,4						
	20-195	53,7	1,4	14,92	2,4	4,2						
	21-211	49,8	2,2	13,84	2,4	4,2						
	25-250	42,1	2,6	11,66	2,3	4,1						
	31-307	34,2	3,2	9,49	2,2	3,9						
	34-338	31,1	3,5	8,64	2,1	3,7						
	40-402	26,1	4,2	7,26	2,1	3,4						
	46-459	22,9	4,8	6,35	2,0	3,3						
	55-547	19,2	4,8	5,34	1,9	3,1						
69-688	15,3	4,8	4,24	1,8	2,8							
1,50	1,1-11	1320	2,0	269,99	28,7	32,0	SK 5382 - 90 SH/4 - SK 200E-151-340-A (-C) SK 5382 - 90 SP/4 - SK 200E-151-340-A (-C)	128	D78-79			
	1,2-12	1214	2,6	248,70	28,3	32,0						
	1,4-14	990	3,2	202,57	26,8	32,0	SK 5382 - 90 SH/4 - SK 180E-151-340-B (-C) SK 5382 - 90 SP/4 - SK 180E-151-340-B (-C)					
1,50	2,2-22	654	4,1	134,03	24,1	32,0	SK 5282 - 90 SH/4 - SK 200E-151-340-A (-C) SK 5282 - 90 SP/4 - SK 200E-151-340-A (-C)	109	D76-77			
							SK 5282 - 90 SH/4 - SK 180E-151-340-B (-C) SK 5282 - 90 SP/4 - SK 180E-151-340-B (-C)					
1,50	1,1-11	1330	1,2	272,54	18,5	22,0	SK 4382 - 90 SH/4 - SK 200E-151-340-A (-C) SK 4382 - 90 SP/4 - SK 200E-151-340-A (-C)	88	D74-75			
	1,2-12	1235	1,6	253,12	18,5	22,0						
	1,4-14	1030	1,6	211,09	17,9	22,0						
	1,5-15	935	2,1	191,57	17,7	22,0	SK 4382 - 90 SH/4 - SK 180E-151-340-B (-C) SK 4382 - 90 SP/4 - SK 180E-151-340-B (-C)					
	1,8-18	781	2,1	160,20	17,1	22,0						
	2,1-21	686	2,9	140,60	16,7	22,0						
1,50	1,9-19	758	1,7	155,40	17,1	22,0	SK 4282 - 90 SH/4 - SK 200E-151-340-A (-C) SK 4282 - 90 SP/4 - SK 200E-151-340-A (-C)	73	D72-73			
	2,7-27	540	3,0	110,78	15,9	22,0						
	3,2-32	442	3,6	90,52	15,1	22,0						
	3,8-38	374	4,2	76,70	14,4	22,0	SK 4282 - 90 SH/4 - SK 180E-151-340-B (-C) SK 4282 - 90 SP/4 - SK 180E-151-340-B (-C)					

1:10 1,50 kW



Parallel shaft gear units

P_1 [kW]	n_2 [min ⁻¹]	M_{2b} [Nm]	f_B	i_{ges}	F_R	F_A [kN]	Type	kg	mm
1,50	1,3-13	1126	0,9	230,83	10,7	14,5	SK 3382 - 90 SH/4 - SK 200E-151-340-A (-C) SK 3382 - 90 SP/4 - SK 200E-151-340-A (-C)	66	D70-71
	1,5-15	931	0,9	190,69	10,5	14,5			
	1,8-18	788	1,0	161,46	10,3	14,5			
	2,3-23	620	1,2	126,93	10,1	14,5	SK 3382 - 90 SH/4 - SK 180E-151-340-B (-C) SK 3382 - 90 SP/4 - SK 180E-151-340-B (-C)		
	2,6-26	548	1,4	112,23	10,1	14,5	SK 3282 - 90 SH/4 - SK 200E-151-340-A (-C) SK 3282 - 90 SP/4 - SK 200E-151-340-A (-C)	58	D68-69
	2,9-29	492	1,6	100,88	9,9	14,5			
	3,3-33	433	2,2	88,74	9,7	14,5			
	3,7-37	389	2,2	79,76	9,4	14,5	SK 3282 - 90 SH/4 - SK 180E-151-340-B (-C) SK 3282 - 90 SP/4 - SK 180E-151-340-B (-C)		
	4,2-42	344	1,6	70,56	9,1	14,5			
	4,5-45	322	2,4	65,89	9,0	14,5			
	4,6-46	313	3,2	64,12	9,0	14,5			
	5,3-53	272	2,4	55,79	8,7	14,5			
	5,5-55	259	3,3	52,97	8,6	14,5			
	2,2-22	643	0,8	131,86	6,9	12,0	SK 2382 - 90 SH/4 - SK 200E-151-340-A (-C) SK 2382 - 90 SP/4 - SK 200E-151-340-A (-C)	50	D66-67
	2,5-25	568	0,9	116,35	7,7	12,0			
3,0-30	480	1,2	98,35	8,3	12,0				
3,6-36	402	1,4	82,22	8,1	12,0	SK 2382 - 90 SH/4 - SK 180E-151-340-B (-C) SK 2382 - 90 SP/4 - SK 180E-151-340-B (-C)			
2,9-29	493	0,9	100,98	8,4	12,0	SK 2282 - 90 SH/4 - SK 200E-151-340-A (-C) SK 2282 - 90 SP/4 - SK 200E-151-340-A (-C)	43	D64-65	
3,6-36	402	1,2	82,42	8,2	12,0				
4,2-42	340	1,3	69,67	7,9	12,0				
4,6-46	312	1,7	63,83	7,8	12,0	SK 2282 - 90 SH/4 - SK 180E-151-340-B (-C) SK 2282 - 90 SP/4 - SK 180E-151-340-B (-C)			
5,4-54	263	1,9	53,96	7,6	12,0				
5,7-57	252	2,1	51,71	7,5	12,0				
6,5-65	220	2,0	45,11	7,3	12,0				
6,7-67	213	2,6	43,71	7,2	12,0				
7,9-79	181	2,5	37,18	7,0	12,0				
8,0-80	178	2,8	36,54	6,9	12,0				
9,4-94	152	2,9	31,23	6,6	12,0				
9,9-99	145	3,5	29,65	6,6	12,0				
2,9-29	493	0,8	101,14	3,1	6,8	SK 1382NB - 90 SH/4 - SK 200E-151-340-A (-C) SK 1382NB - 90 SP/4 - SK 200E-151-340-A (-C)	38	D60-61	
3,3-33	434	0,9	88,94	4,1	7,0				
3,7-37	385	1,0	78,99	4,3	7,1				
4,3-43	333	1,1	68,23	4,4	7,2	SK 1382NB - 90 SH/4 - SK 180E-151-340-B (-C) SK 1382NB - 90 SP/4 - SK 180E-151-340-B (-C)			
4,9-49	293	1,3	60,00	4,4	7,2				
5,5-55	260	1,4	53,28	4,4	7,1				
6,6-66	216	1,6	44,40	4,4	7,1				
7,6-76	190	1,7	38,77	4,4	7,0				
8,2-82	174	1,7	35,75	4,4	6,9				
9,9-99	145	1,9	29,79	4,3	6,7				
11-113	127	2,1	26,01	4,2	6,6				
12-121	118	2,3	24,26	4,1	6,5				
4,1-41	352	0,8	72,17	3,1	6,8	SK 1282 - 90 SH/4 - SK 200E-151-340-A (-C) SK 1282 - 90 SP/4 - SK 200E-151-340-A (-C)			32
5,0-50	287	1,0	58,89	3,1	6,8				
6,0-60	240	1,1	49,25	3,1	6,7				
7,2-72	200	1,1	41,07	3,1	6,6	SK 1282 - 90 SH/4 - SK 180E-151-340-B (-C) SK 1282 - 90 SP/4 - SK 180E-151-340-B (-C)			
9,2-92	157	1,5	32,08	3,1	6,5				
10-104	138	1,6	28,33	3,0	6,4				
12-116	123	1,8	25,22	3,0	6,3				
14-142	101	2,2	20,57	2,9	6,0				
17-170	84,0	2,7	17,21	2,8	5,8				
15-147	97,3	1,3	19,95	2,4	4,7	SK 0282NB - 90 SH/4 - SK 200E-151-340-A (-C) SK 0282NB - 90 SP/4 - SK 200E-151-340-A (-C)	26	D58-59	
17-167	86,0	1,5	17,61	2,4	4,6				
18-177	80,9	1,7	16,58	2,3	4,5				
21-207	69,3	2,4	14,21	2,3	4,4	SK 0282NB - 90 SH/4 - SK 180E-151-340-B (-C) SK 0282NB - 90 SP/4 - SK 180E-151-340-B (-C)			
23-227	63,2	2,5	12,98	2,2	4,3				
26-260	55,1	2,5	11,25	2,2	4,1				
27-268	53,5	2,8	10,98	2,2	4,0				
30-304	47,2	3,0	9,64	2,1	3,9				



P_1 [kW]	n_2 [min ⁻¹]	M_{2b} [Nm]	f_B	i_{ges}	F_R	F_A	Type	kg	mm D	
1,50	33-333	43,0	3,2	8,80	2,1	3,7	SK 0282NB - 90 SH/4 - SK 200E-151-340-A (-C)	26	D58-59	
	39-393	36,4	3,6	7,45	2,0	3,5	SK 0282NB - 90 SP/4 - SK 200E-151-340-A (-C)			
	45-454	31,5	3,9	6,44	1,9	3,3				
	49-489	29,3	4,1	5,99	1,9	3,2	SK 0282NB - 90 SH/4 - SK 180E-151-340-B (-C)			
	57-565	25,3	4,5	5,17	1,8	3,0	SK 0282NB - 90 SP/4 - SK 180E-151-340-B (-C)			
	63-629	22,8	4,8	4,66	1,7	2,9				
	73-727	19,7	5,2	4,03	1,7	2,8				
2,20	1,2-12	1814	2,5	251,76	41,3	46,5	SK 6382 - 90 LH/4 - SK 200E-221-340-A (-C)	192	D82-83	
	1,3-13	1628	2,5	225,79	40,6	46,5	SK 6382 - 90 LP/4 - SK 200E-221-340-A (-C)			
							SK 6382 - 90 LH/4 - SK 180E-221-340-B (-C)			
							SK 6382 - 90 LP/4 - SK 180E-221-340-B (-C)			
	1,1-11	1949	1,4	269,99	26,7	32,0	SK 5382 - 90 LH/4 - SK 200E-221-340-A (-C)	130	D78-79	
	1,2-12	1792	1,8	248,70	26,5	32,0	SK 5382 - 90 LP/4 - SK 200E-221-340-A (-C)			
	1,4-14	1462	2,2	202,57	25,3	32,0				
	1,7-17	1235	2,3	171,27	24,3	32,0	SK 5382 - 90 LH/4 - SK 180E-221-340-B (-C)			
	1,9-19	1109	2,9	153,92	23,8	32,0	SK 5382 - 90 LP/4 - SK 180E-221-340-B (-C)			
	2,2-22	966	2,7	134,03	23,1	32,0	SK 5282 - 90 LH/4 - SK 200E-221-340-A (-C)	111	D76-77	
							SK 5282 - 90 LP/4 - SK 200E-221-340-A (-C)			
							SK 5282 - 90 LH/4 - SK 180E-221-340-B (-C)			
							SK 5282 - 90 LP/4 - SK 180E-221-340-B (-C)			
	1,2-12	1824	1,1	253,12	16,1	22,0	SK 4382 - 90 LH/4 - SK 200E-221-340-A (-C)	90	D74-75	
	1,4-14	1521	1,1	211,09	15,8	22,0	SK 4382 - 90 LP/4 - SK 200E-221-340-A (-C)			
	1,5-15	1380	1,4	191,57	15,9	22,0				
	1,8-18	1153	1,4	160,20	15,6	22,0	SK 4382 - 90 LH/4 - SK 180E-221-340-B (-C)			
2,1-21	1013	2,0	140,60	15,3	22,0	SK 4382 - 90 LP/4 - SK 180E-221-340-B (-C)				
1,9-19	1120	1,1	155,40	15,7	22,0	SK 4282 - 90 LH/4 - SK 200E-221-340-A (-C)	75	D72-73		
2,6-26	798	2,0	110,78	14,9	22,0	SK 4282 - 90 LP/4 - SK 200E-221-340-A (-C)				
3,2-32	652	2,5	90,52	14,2	22,0					
3,8-38	553	2,9	76,70	13,7	22,0	SK 4282 - 90 LH/4 - SK 180E-221-340-B (-C)				
						SK 4282 - 90 LP/4 - SK 180E-221-340-B (-C)				
3,3-33	640	1,5	88,74	8,7	14,5	SK 3282 - 90 LH/4 - SK 200E-221-340-A (-C)	60	D68-69		
3,7-37	575	1,5	79,76	8,6	14,5	SK 3282 - 90 LP/4 - SK 200E-221-340-A (-C)				
4,4-44	475	1,6	65,89	8,3	14,5					
4,5-45	462	2,2	64,12	8,3	14,5	SK 3282 - 90 LH/4 - SK 180E-221-340-B (-C)				
5,2-52	402	1,6	55,79	8,0	14,5	SK 3282 - 90 LP/4 - SK 180E-221-340-B (-C)				
5,5-55	382	2,2	52,97	8,0	14,5					
6,1-61	346	1,6	48,04	7,8	14,5					
6,5-65	323	2,3	44,85	7,7	14,5					
6,9-69	303	3,1	42,02	7,7	14,5					
7,6-76	278	2,3	38,62	7,5	14,5					
7,7-77	272	3,1	37,77	7,5	14,5					
9,1-91	230	3,8	31,93	7,3	14,2					
4,6-46	460	1,1	63,83	7,0	12,0	SK 2282 - 90 LH/4 - SK 200E-221-340-A (-C)			45	D64-65
5,4-54	389	1,3	53,96	6,9	12,0	SK 2282 - 90 LP/4 - SK 200E-221-340-A (-C)				
5,6-56	373	1,4	51,71	6,9	12,0					
6,5-65	325	1,4	45,11	6,7	12,0	SK 2282 - 90 LH/4 - SK 180E-221-340-B (-C)				
6,7-67	315	1,8	43,71	6,7	12,0	SK 2282 - 90 LP/4 - SK 180E-221-340-B (-C)				
7,8-78	268	1,7	37,18	6,5	12,0					
8,0-80	264	1,9	36,54	6,5	12,0					
9,3-93	225	2,0	31,23	6,2	12,0					
9,8-98	214	2,3	29,65	6,2	12,0					
11-109	193	2,3	26,83	6,1	12,0					
12-117	180	2,7	24,97	6,0	12,0					
13-133	158	3,0	21,90	5,8	11,9					
16-158	133	3,6	18,51	5,6	11,4					

1:10**2,20 kW**
3,00 kW

P ₁ [kW]	n ₂ [min ⁻¹]	M _{2b} [Nm]	f _B	i _{ges}	F _R	F _A	Type	mm				
								kg				
2,20	4,3-43	492	0,8	68,23	2,9	5,3	SK 1382NB - 90 LH/4 - SK 200E-221-340-A (-C) SK 1382NB - 90 LP/4 - SK 200E-221-340-A (-C)	40	D60-61			
	4,9-49	433	0,9	60,00	3,2	5,5						
	5,5-55	384	0,9	53,28	3,3	5,7	SK 1382NB - 90 LH/4 - SK 180E-221-340-B (-C) SK 1382NB - 90 LP/4 - SK 180E-221-340-B (-C)					
	6,6-66	319	1,1	44,40	3,5	5,8						
	7,5-75	280	1,2	38,77	3,6	5,9						
	8,2-82	257	1,2	35,75	3,6	5,9						
	9,8-98	214	1,3	29,79	3,7	5,9						
	11-112	188	1,4	26,01	3,7	5,9						
	12-121	174	1,6	24,26	3,6	5,8						
	16-155	135	1,8	18,75	3,6	5,6						
	18-180	117	2,0	16,28	3,5	5,5						
	9,1-91	231	1,0	32,08	2,6	5,7				SK 1282 - 90 LH/4 - SK 200E-221-340-A (-C) SK 1282 - 90 LP/4 - SK 200E-221-340-A (-C)	34	D62-63
	10-103	204	1,1	28,33	2,6	5,6						
	12-115	182	1,2	25,22	2,6	5,6				SK 1282 - 90 LH/4 - SK 180E-221-340-B (-C) SK 1282 - 90 LP/4 - SK 180E-221-340-B (-C)		
	14-141	149	1,5	20,57	2,5	5,4						
17-169	124	1,8	17,21	2,5	5,3							
21-207	102	2,1	14,11	2,4	5,1							
25-248	84,6	2,4	11,76	2,3	4,8							
28-282	74,6	2,6	10,34	2,3	4,6							
15-146	144	0,9	19,95	2,1	4,1	SK 0282NB - 90 LH/4 - SK 200E-221-340-A (-C) SK 0282NB - 90 LP/4 - SK 200E-221-340-A (-C)	28	D58-59				
17-165	127	1,0	17,61	2,1	4,1							
18-176	119	1,2	16,58	2,1	4,0	SK 0282NB - 90 LH/4 - SK 180E-221-340-B (-C) SK 0282NB - 90 LP/4 - SK 180E-221-340-B (-C)						
21-205	102	1,6	14,21	2,0	3,9							
23-225	93,4	1,7	12,98	2,0	3,8							
26-258	81,3	1,7	11,25	2,0	3,7							
27-266	79,0	1,9	10,98	2,0	3,6							
30-302	69,7	2,0	9,64	1,9	3,5							
33-330	63,6	2,2	8,80	1,9	3,4							
39-390	53,8	2,4	7,45	1,8	3,2							
45-451	46,6	2,6	6,44	1,8	3,1							
49-486	43,2	2,8	5,99	1,8	3,0							
56-561	37,4	3,0	5,17	1,7	2,9							
62-625	33,6	3,3	4,66	1,7	2,8							
72-722	29,1	3,5	4,03	1,6	2,6							
3,00	1,1-11	2659	2,8	273,57	44,7	58,0	SK 7382 - 100 LH/4 - SK 200E-301-340-A (-C) SK 7382 - 100 LP/4 - SK 200E-301-340-A (-C)	274	D86-87			
	1,1-11	2606	2,3	267,59	39,8	46,5				SK 6382 - 100 LH/4 - SK 200E-301-340-A (-C) SK 6382 - 100 LP/4 - SK 200E-301-340-A (-C)		
	1,2-12	2448	1,8	251,76	39,1	46,5						
	1,3-13	2197	1,8	225,79	38,5	46,5						
	1,4-14	2065	2,3	212,33	37,8	46,5						
	1,7-17	1667	3,3	171,34	36,1	46,5						
	1,8-18	1558	3,7	159,88	35,7	46,5						
	1,1-11	2630	1,0	269,99	24,2	32,0	SK 5382 - 100 LH/4 - SK 200E-301-340-A (-C) SK 5382 - 100 LP/4 - SK 200E-301-340-A (-C)				139	D78-79
	1,2-12	2419	1,3	248,70	24,3	32,0						
	1,5-15	1973	1,6	202,57	23,4	32,0	SK 5282 - 100 LH/4 - SK 200E-301-340-A (-C) SK 5282 - 100 LP/4 - SK 200E-301-340-A (-C)					
	1,7-17	1667	1,7	171,27	22,7	32,0						
	1,9-19	1497	2,1	153,92	22,4	32,0						
	2,1-21	1350	2,4	138,82	22,0	32,0						
	2,2-22	1304	2,0	134,03	21,8	32,0						
	2,9-29	974	2,3	100,19	20,6	32,0						
3,2-32	893	3,1	91,81	20,1	32,0							
3,6-36	795	2,3	81,61	19,6	32,0							
1,5-15	1863	1,1	191,57	13,8	22,0	SK 4382 - 100 LH/4 - SK 200E-301-340-A (-C) SK 4382 - 100 LP/4 - SK 200E-301-340-A (-C)		99	D74-75			
1,8-18	1557	1,1	160,20	13,8	22,0							
2,1-21	1368	1,5	140,60	13,8	22,0							

Parallel shaft gear units



P_1 [kW]	n_2 [min ⁻¹]	M_{2b} [Nm]	f_B	i_{ges}	F_R [kN]	F_A [kN]	Type	kg	mm D
3,00	2,7-27	1077	1,5	110,78	13,7	22,0	SK 4282 - 100 LH/4 - SK 200E-301-340-A (-C) SK 4282 - 100 LP/4 - SK 200E-301-340-A (-C)	84	D72-73
	3,3-33	880	1,8	90,52	13,2	22,0			
	3,8-38	746	2,1	76,70	12,8	22,0			
	3,9-39	734	2,2	75,39	12,9	22,0			
	4,8-48	600	3,0	61,60	12,4	22,0			
	5,6-56	508	3,6	52,20	11,9	22,0			
	6,5-65	438	3,6	45,05	11,6	22,0			
	6,7-67	425	3,8	43,65	11,4	22,0			
	7,2-72	397	3,9	40,74	11,3	22,0			
	4,6-46	624	1,6	64,12	7,5	14,5			
5,6-56	515	1,6	52,97	7,3	14,5				
6,6-66	436	1,7	44,85	7,1	14,2				
7,0-70	409	2,3	42,02	7,2	14,2				
7,6-76	375	1,7	38,62	6,9	13,8				
7,8-78	368	2,3	37,77	7,0	13,9				
9,2-92	310	2,8	31,93	6,8	13,5				
10-103	279	3,1	28,70	6,7	13,1				
11-114	252	3,4	25,88	6,6	12,9				
12-124	230	3,5	23,71	6,4	12,6				
5,7-57	503	1,0	51,71	6,1	12,0	SK 2282 - 100 LH/4 - SK 200E-301-340-A (-C) SK 2282 - 100 LP/4 - SK 200E-301-340-A (-C)	54	D64-65	
6,7-67	425	1,3	43,71	6,0	12,0				
8,1-81	356	1,4	36,54	5,9	12,0				
9,4-94	304	1,5	31,23	5,7	11,9				
9,9-99	288	1,7	29,65	5,8	12,0				
11-110	261	1,7	26,83	5,7	11,8				
12-118	243	2,0	24,97	5,6	11,6				
13-135	213	2,3	21,90	5,5	11,3				
16-159	180	2,7	18,51	5,3	10,9				
18-178	161	2,9	16,53	5,2	10,6				
22-223	128	3,2	13,23	4,9	10,0				
25-249	115	3,3	11,81	4,8	9,7				
29-290	98,8	3,6	10,15	4,6	9,1				
6,6-66	431	0,8	44,40	2,5	4,5	SK 1382NB - 100 LH/4 - SK 200E-301-340-A (-C) SK 1382NB - 100 LP/4 - SK 200E-301-340-A (-C)	49	D60-61	
7,6-76	378	0,9	38,77	2,7	4,7				
8,2-82	347	0,9	35,75	2,8	4,8				
9,9-99	289	1,0	29,79	3,0	5,0				
11-113	253	1,1	26,01	3,1	5,0				
12-122	235	1,2	24,26	3,1	5,1				
16-157	183	1,3	18,75	3,1	5,0				
18-182	158	1,5	16,28	3,1	4,8				
12-117	246	0,9	25,22	2,2	4,8	SK 1282 - 100 LH/4 - SK 200E-301-340-A (-C) SK 1282 - 100 LP/4 - SK 200E-301-340-A (-C)	43	D62-63	
14-143	200	1,1	20,57	2,2	4,8				
17-171	167	1,3	17,21	2,2	4,7				
21-209	137	1,5	14,11	2,2	4,5				
25-251	114	1,8	11,76	2,1	4,3				
28-285	101	1,9	10,34	2,1	4,1				
32-322	89,1	2,1	9,18	2,1	4,0				
36-358	80,1	2,4	8,24	2,0	3,8				
41-406	70,5	2,7	7,24	2,0	3,7				
46-459	62,4	2,9	6,43	1,9	3,6				
54-538	53,2	3,2	5,47	1,9	3,4				
62-616	46,5	2,8	4,79	1,8	3,3				
4,00	1,1-11	3569	2,1	273,57	42,1				58,0
	1,4-14	2827	2,9	216,43	40,1	58,0			
1,1-11	3499	1,7	267,59	36,9	46,5	SK 6382 - 100 AH/4 - SK 200E-401-340-A (-C) SK 6382 - 100 AP/4 - SK 200E-401-340-A (-C)	201	D82-83	
1,2-12	3286	1,4	251,76	36,4	46,5				
1,3-13	2949	1,4	225,79	36,1	46,5				
1,4-14	2772	1,7	212,33	35,5	46,5				
1,7-17	2238	2,5	171,34	34,2	46,5				
1,8-18	2091	2,8	159,88	34,0	46,5				
2,3-23	1656	2,8	126,87	32,2	46,5				
2,5-25	1499	3,9	114,79	31,7	46,5				

1:10


4,00 kW



Parallel shaft gear units

P ₁ [kW]	n ₂ [min ⁻¹]	M _{2b} [Nm]	f _B	i _{ges}	F _R	F _A	Type	mm	
								kg	
4,00	1,1-11	3531	0,8	269,99	21,2	32,0	SK 5382 - 100 AH/4 - SK 200E-401-340-A (-C) SK 5382 - 100 AP/4 - SK 200E-401-340-A (-C)	139	D78-79
	1,2-12	3247	1,0	248,70	21,6	32,0			
	1,4-14	2648	1,2	202,57	21,2	32,0			
	1,7-17	2238	1,3	171,27	20,8	32,0			
	1,9-19	2009	1,6	153,92	20,7	32,0			
	2,1-21	1812	1,8	138,82	20,4	32,0			
	2,5-25	1531	1,8	117,37	19,8	32,0			
	3,2-32	1195	2,4	91,71	19,2	32,0			
	3,5-35	1078	2,6	82,72	18,8	32,0			
	2,2-22	1751	1,5	134,03	20,3	32,0			
	2,9-29	1308	1,7	100,19	19,6	32,0			
	3,2-32	1199	2,3	91,81	19,1	32,0			
	3,6-36	1067	1,7	81,61	18,7	32,0			
	4,3-43	896	3,3	68,63	18,1	32,0			
	1,5-15	2501	0,8	191,57	11,2	22,0			
	1,8-18	2090	0,8	160,20	11,6	22,0			
2,1-21	1836	1,1	140,60	11,9	22,0				
2,5-25	1548	1,3	118,38	12,0	22,0				
2,8-28	1356	1,5	103,82	12,0	22,0				
3,4-34	1133	1,7	86,83	11,9	22,0				
2,6-26	1446	1,1	110,78	12,2	22,0				
3,2-32	1182	1,4	90,52	12,1	22,0				
3,8-38	1002	1,6	76,70	11,8	22,0				
3,9-39	985	1,6	75,39	11,9	22,0				
4,7-47	805	2,2	61,60	11,6	22,0				
5,6-56	682	2,7	52,20	11,2	22,0				
6,5-65	588	2,7	45,05	11,0	21,9				
6,7-67	570	2,8	43,65	10,8	21,6				
7,2-72	533	2,9	40,74	10,8	21,5				
7,9-79	481	2,9	36,81	10,5	20,9				
8,0-80	475	2,9	36,40	10,4	20,6				
9,1-91	422	3,8	32,34	10,3	20,3				
7,0-70	549	1,7	42,02	6,5	13,1				
7,7-77	493	1,7	37,77	6,4	12,9				
9,2-92	417	2,1	31,93	6,4	12,6				
10-102	374	2,3	28,70	6,2	12,4				
11-113	338	2,5	25,88	6,2	12,2				
12-123	309	2,6	23,71	6,0	11,9				
13-130	293	2,7	22,45	6,0	11,9				
14-137	279	2,6	21,38	5,9	11,7				
15-145	263	3,1	20,18	5,9	11,6				
9,9-99	387	1,3	29,65	5,3	11,1				
11-109	350	1,3	26,83	5,3	11,0				
12-117	326	1,5	24,97	5,2	10,8				
13-134	286	1,7	21,90	5,1	10,6				
16-158	242	2,0	18,51	5,0	10,3				
18-177	216	2,2	16,53	4,9	10,1				
22-222	172	2,3	13,23	4,7	9,6				
25-248	154	2,5	11,81	4,6	9,2				
29-288	133	2,7	10,15	4,4	8,7				
32-325	118	2,9	9,03	4,3	8,3				
35-350	109	2,3	8,37	4,2	8,0				
39-391	97,7	2,5	7,48	4,1	7,7				
14-142	269	0,8	20,57	1,7	3,8				
17-170	225	1,0	17,21	1,8	3,8				
21-208	184	1,1	14,11	1,9	3,8				
25-249	153	1,3	11,76	1,9	3,7				
28-283	135	1,5	10,34	1,9	3,6				
32-319	120	1,6	9,18	1,9	3,6				
36-355	107	1,8	8,24	1,8	3,4				
40-404	94,6	2,0	7,24	1,8	3,4				
46-456	83,8	2,2	6,43	1,8	3,3				
53-534	71,5	2,4	5,47	1,7	3,2				
61-612	62,4	2,1	4,79	1,7	3,1				
							SK 1282 - 100 AH/4 - SK 200E-401-340-A (-C) SK 1282 - 100 AP/4 - SK 200E-401-340-A (-C)	43	D62-63



P ₁ [kW]	n ₂ [min ⁻¹]	M _{2b} [Nm]	f _B	i _{ges}	F _R	F _A	Type	mm																																																																																																																																																																																																																																																																																																																																																																						
								kg																																																																																																																																																																																																																																																																																																																																																																						
5,50	1,1-11	4883	1,5	273,57	38,1	58,0	SK 7382 - 112 MH/4 - SK 200E-551-340-A (-C) SK 7382 - 112 MP/4 - SK 200E-551-340-A (-C)	287	D86-87																																																																																																																																																																																																																																																																																																																																																																					
	1,4-14	3657	2,1	204,99	36,9	58,0				1,1-11	4787	1,2	267,59	32,5	46,5	SK 6382 - 112 MH/4 - SK 200E-551-340-A (-C) SK 6382 - 112 MP/4 - SK 200E-551-340-A (-C)	214	D82-83	1,2-12	4495	1,0	251,76	32,1	46,5	1,3-13	4034	1,0	225,79	32,3	46,5	1,4-14	3792	1,2	212,33	31,9	46,5	1,7-17	3061	1,8	171,34	31,3	46,5	1,8-18	2860	2,0	159,88	31,3	46,5	2,3-23	2266	2,0	126,87	30,1	46,5	2,6-26	2051	2,9	114,79	29,7	46,5	3,2-32	1656	3,6	92,63	28,5	46,5	3,7-37	1434	2,9	80,33	27,9	46,5	SK 6282 - 112 MH/4 - SK 200E-551-340-A (-C) SK 6282 - 112 MP/4 - SK 200E-551-340-A (-C)	217	D80-81	1,4-14	3623	0,9	202,57	17,8	32,0	SK 5382 - 112 MH/4 - SK 200E-551-340-A (-C) SK 5382 - 112 MP/4 - SK 200E-551-340-A (-C)	152	D78-79	1,7-17	3061	0,9	171,27	17,8	32,0	1,9-19	2748	1,2	153,92	18,1	32,0	2,1-21	2479	1,3	138,82	18,1	32,0	2,5-25	2095	1,3	117,37	17,8	32,0	3,2-32	1635	1,8	91,71	17,7	32,0	3,6-36	1475	1,9	82,72	17,5	32,0	2,2-22	2395	1,1	134,03	18,0	32,0	SK 5282 - 112 MH/4 - SK 200E-551-340-A (-C) SK 5282 - 112 MP/4 - SK 200E-551-340-A (-C)	133	D76-77	2,9-29	1789	1,3	100,19	17,9	32,0	3,2-32	1640	1,7	91,81	17,5	32,0	3,6-36	1459	1,3	81,61	17,3	32,0	4,3-43	1225	2,4	68,63	17,0	32,0	5,3-53	999	2,6	55,90	16,2	32,0	5,7-57	919	3,5	51,49	16,1	31,7	6,2-62	844	2,8	47,27	15,6	30,8	2,7-27	1978	0,8	110,78	10,1	21,4	SK 4282 - 112 MH/4 - SK 200E-551-340-A (-C) SK 4282 - 112 MP/4 - SK 200E-551-340-A (-C)	97	D72-73	3,2-32	1617	1,0	90,52	10,2	21,4	3,8-38	1370	1,2	76,70	10,2	21,2	3,9-39	1347	1,2	75,39	10,4	21,5	4,8-48	1101	1,6	61,60	10,3	21,1	5,6-56	933	1,9	52,20	10,1	20,6	6,5-65	805	2,0	45,05	10,1	20,4	6,7-67	780	2,1	43,65	9,9	20,0	7,2-72	729	2,1	40,74	10,0	20,1	7,7-77	685	2,9	38,31	9,8	19,7	8,0-80	658	2,1	36,81	9,8	19,6	8,1-81	650	2,1	36,40	9,6	19,3	9,1-91	577	2,8	32,34	9,6	19,2	9,2-92	572	3,1	32,04	9,5	19,0	11-111	472	3,8	26,43	9,3	18,4	13-131	400	4,3	22,39	8,9	17,7	14-137	383	4,4	21,45	8,9	17,6	7,0-70	751	1,2	42,02	5,5	11,4	SK 3282 - 112 MH/4 - SK 200E-551-340-A (-C) SK 3282 - 112 MP/4 - SK 200E-551-340-A (-C)	82	D68-69	7,8-78	675	1,2	37,77	5,5	11,4	9,2-92	570	1,5	31,93	5,6	11,4	10-103	512	1,7	28,70	5,6	11,2	11-114	462	1,8	25,88	5,5	11,1	12-124	423	1,9	23,71	5,5	10,9	13-131	401	2,0	22,45	5,5	11,0	14-138	382	1,9	21,38	5,4	10,7	15-146	360	2,3	20,18	5,4	10,6	18-177	297	2,8	16,67	5,2	9,9	21-209	252	3,4	14,11	5,1	9,4	26-259	203	4,0	11,38	4,9	8,7	30-301	175	4,8	9,80	4,7	8,3	35-350	150	4,5	8,31	4,5	7,8	43-434	121	5,0
	1,1-11	4787	1,2	267,59	32,5	46,5	SK 6382 - 112 MH/4 - SK 200E-551-340-A (-C) SK 6382 - 112 MP/4 - SK 200E-551-340-A (-C)	214	D82-83																																																																																																																																																																																																																																																																																																																																																																					
	1,2-12	4495	1,0	251,76	32,1	46,5																																																																																																																																																																																																																																																																																																																																																																								
	1,3-13	4034	1,0	225,79	32,3	46,5																																																																																																																																																																																																																																																																																																																																																																								
	1,4-14	3792	1,2	212,33	31,9	46,5																																																																																																																																																																																																																																																																																																																																																																								
	1,7-17	3061	1,8	171,34	31,3	46,5																																																																																																																																																																																																																																																																																																																																																																								
	1,8-18	2860	2,0	159,88	31,3	46,5																																																																																																																																																																																																																																																																																																																																																																								
	2,3-23	2266	2,0	126,87	30,1	46,5																																																																																																																																																																																																																																																																																																																																																																								
	2,6-26	2051	2,9	114,79	29,7	46,5																																																																																																																																																																																																																																																																																																																																																																								
3,2-32	1656	3,6	92,63	28,5	46,5																																																																																																																																																																																																																																																																																																																																																																									
3,7-37	1434	2,9	80,33	27,9	46,5	SK 6282 - 112 MH/4 - SK 200E-551-340-A (-C) SK 6282 - 112 MP/4 - SK 200E-551-340-A (-C)				217	D80-81																																																																																																																																																																																																																																																																																																																																																																			
1,4-14	3623	0,9	202,57	17,8	32,0	SK 5382 - 112 MH/4 - SK 200E-551-340-A (-C) SK 5382 - 112 MP/4 - SK 200E-551-340-A (-C)	152	D78-79																																																																																																																																																																																																																																																																																																																																																																						
1,7-17	3061	0,9	171,27	17,8	32,0																																																																																																																																																																																																																																																																																																																																																																									
1,9-19	2748	1,2	153,92	18,1	32,0																																																																																																																																																																																																																																																																																																																																																																									
2,1-21	2479	1,3	138,82	18,1	32,0																																																																																																																																																																																																																																																																																																																																																																									
2,5-25	2095	1,3	117,37	17,8	32,0																																																																																																																																																																																																																																																																																																																																																																									
3,2-32	1635	1,8	91,71	17,7	32,0																																																																																																																																																																																																																																																																																																																																																																									
3,6-36	1475	1,9	82,72	17,5	32,0																																																																																																																																																																																																																																																																																																																																																																									
2,2-22	2395	1,1	134,03	18,0	32,0	SK 5282 - 112 MH/4 - SK 200E-551-340-A (-C) SK 5282 - 112 MP/4 - SK 200E-551-340-A (-C)	133	D76-77																																																																																																																																																																																																																																																																																																																																																																						
2,9-29	1789	1,3	100,19	17,9	32,0																																																																																																																																																																																																																																																																																																																																																																									
3,2-32	1640	1,7	91,81	17,5	32,0																																																																																																																																																																																																																																																																																																																																																																									
3,6-36	1459	1,3	81,61	17,3	32,0																																																																																																																																																																																																																																																																																																																																																																									
4,3-43	1225	2,4	68,63	17,0	32,0																																																																																																																																																																																																																																																																																																																																																																									
5,3-53	999	2,6	55,90	16,2	32,0																																																																																																																																																																																																																																																																																																																																																																									
5,7-57	919	3,5	51,49	16,1	31,7																																																																																																																																																																																																																																																																																																																																																																									
6,2-62	844	2,8	47,27	15,6	30,8																																																																																																																																																																																																																																																																																																																																																																									
2,7-27	1978	0,8	110,78	10,1	21,4	SK 4282 - 112 MH/4 - SK 200E-551-340-A (-C) SK 4282 - 112 MP/4 - SK 200E-551-340-A (-C)	97	D72-73																																																																																																																																																																																																																																																																																																																																																																						
3,2-32	1617	1,0	90,52	10,2	21,4																																																																																																																																																																																																																																																																																																																																																																									
3,8-38	1370	1,2	76,70	10,2	21,2																																																																																																																																																																																																																																																																																																																																																																									
3,9-39	1347	1,2	75,39	10,4	21,5																																																																																																																																																																																																																																																																																																																																																																									
4,8-48	1101	1,6	61,60	10,3	21,1																																																																																																																																																																																																																																																																																																																																																																									
5,6-56	933	1,9	52,20	10,1	20,6																																																																																																																																																																																																																																																																																																																																																																									
6,5-65	805	2,0	45,05	10,1	20,4																																																																																																																																																																																																																																																																																																																																																																									
6,7-67	780	2,1	43,65	9,9	20,0																																																																																																																																																																																																																																																																																																																																																																									
7,2-72	729	2,1	40,74	10,0	20,1																																																																																																																																																																																																																																																																																																																																																																									
7,7-77	685	2,9	38,31	9,8	19,7																																																																																																																																																																																																																																																																																																																																																																									
8,0-80	658	2,1	36,81	9,8	19,6																																																																																																																																																																																																																																																																																																																																																																									
8,1-81	650	2,1	36,40	9,6	19,3																																																																																																																																																																																																																																																																																																																																																																									
9,1-91	577	2,8	32,34	9,6	19,2																																																																																																																																																																																																																																																																																																																																																																									
9,2-92	572	3,1	32,04	9,5	19,0																																																																																																																																																																																																																																																																																																																																																																									
11-111	472	3,8	26,43	9,3	18,4																																																																																																																																																																																																																																																																																																																																																																									
13-131	400	4,3	22,39	8,9	17,7																																																																																																																																																																																																																																																																																																																																																																									
14-137	383	4,4	21,45	8,9	17,6																																																																																																																																																																																																																																																																																																																																																																									
7,0-70	751	1,2	42,02	5,5	11,4	SK 3282 - 112 MH/4 - SK 200E-551-340-A (-C) SK 3282 - 112 MP/4 - SK 200E-551-340-A (-C)	82	D68-69																																																																																																																																																																																																																																																																																																																																																																						
7,8-78	675	1,2	37,77	5,5	11,4																																																																																																																																																																																																																																																																																																																																																																									
9,2-92	570	1,5	31,93	5,6	11,4																																																																																																																																																																																																																																																																																																																																																																									
10-103	512	1,7	28,70	5,6	11,2																																																																																																																																																																																																																																																																																																																																																																									
11-114	462	1,8	25,88	5,5	11,1																																																																																																																																																																																																																																																																																																																																																																									
12-124	423	1,9	23,71	5,5	10,9																																																																																																																																																																																																																																																																																																																																																																									
13-131	401	2,0	22,45	5,5	11,0																																																																																																																																																																																																																																																																																																																																																																									
14-138	382	1,9	21,38	5,4	10,7																																																																																																																																																																																																																																																																																																																																																																									
15-146	360	2,3	20,18	5,4	10,6																																																																																																																																																																																																																																																																																																																																																																									
18-177	297	2,8	16,67	5,2	9,9																																																																																																																																																																																																																																																																																																																																																																									
21-209	252	3,4	14,11	5,1	9,4																																																																																																																																																																																																																																																																																																																																																																									
26-259	203	4,0	11,38	4,9	8,7																																																																																																																																																																																																																																																																																																																																																																									
30-301	175	4,8	9,80	4,7	8,3																																																																																																																																																																																																																																																																																																																																																																									
35-350	150	4,5	8,31	4,5	7,8																																																																																																																																																																																																																																																																																																																																																																									
43-434	121	5,0	6,70	4,3	7,3																																																																																																																																																																																																																																																																																																																																																																									

1:10**5,50 kW**
7,50 kW

P ₁ [kW]	n ₂ [min ⁻¹]	M _{2b} [Nm]	f _B	i _{ges}	F _R	F _A	Type	mm				
								kg				
5,50	9,9-99	529	0,9	29,65	4,5	9,7	SK 2282 - 112 MH/4 - SK 200E-551-340-A (-C) SK 2282 - 112 MP/4 - SK 200E-551-340-A (-C)	67	D64-65			
	11-110	479	0,9	26,83	4,5	9,7						
	12-118	446	1,1	24,97	4,5	9,6						
	13-134	391	1,2	21,90	4,5	9,6						
	16-159	331	1,5	18,51	4,5	9,4						
	18-178	296	1,6	16,53	4,4	9,3						
	22-223	236	1,7	13,23	4,3	8,7						
	25-249	211	1,8	11,81	4,2	8,4						
	29-289	181	2,0	10,15	4,1	8,0						
	33-327	161	2,1	9,03	4,0	7,7						
	35-352	149	1,7	8,37	3,9	7,4						
	39-393	134	1,8	7,48	3,8	7,2						
	46-457	115	2,0	6,43	3,7	6,8						
	52-516	102	2,1	5,72	3,6	6,6						
	65-652	80,6	2,3	4,51	3,4	6,1						
		21-209	252	0,8	14,11	1,4				2,8	SK 1282 - 112 MH/4 - SK 200E-551-340-A (-C) SK 1282 - 112 MP/4 - SK 200E-551-340-A (-C)	56
25-250		210	1,0	11,76	1,5	2,9						
28-284		185	1,1	10,34	1,5	2,9						
32-321		164	1,2	9,18	1,6	3,0						
36-357		147	1,3	8,24	1,5	2,8						
41-406		129	1,4	7,24	1,5	2,8						
46-458		115	1,6	6,43	1,5	2,8						
54-537		97,8	1,8	5,47	1,6	2,8						
62-615		85,4	1,5	4,79	1,5	2,7						
7,50		1,0-10	7040	3,4	291,25	65,7	102,0	SK 9382 - 132 SH/4 - SK 200E-751-340-A (-C) SK 9382 - 132 SP/4 - SK 200E-751-340-A (-C)	734	D92-93		
	1,0-10	7112	1,8	294,01	45,5	73,0	SK 8382 - 132 SH/4 - SK 200E-751-340-A (-C) SK 8382 - 132 SP/4 - SK 200E-751-340-A (-C)				432	D90-91
	1,2-12	5855	2,2	242,02	44,3	73,0						
	1,5-15	4859	2,2	201,00	43,4	73,0						
	1,6-16	4490	2,8	185,66	43,2	73,0						
	1,9-19	3696	3,6	152,83	41,6	73,0						
	1,1-11	6613	1,1	273,57	32,9	58,0	SK 7382 - 132 SH/4 - SK 200E-751-340-A (-C) SK 7382 - 132 SP/4 - SK 200E-751-340-A (-C)				307	D86-87
	1,4-14	5237	1,6	216,43	32,7	58,0						
	1,8-18	3923	1,6	162,17	32,2	58,0						
	2,0-20	3637	2,1	150,57	32,2	58,0						
	2,4-24	2979	2,5	123,37	31,4	57,8						
	1,1-11	6483	0,9	267,59	22,2	46,5	SK 6382 - 132 SH/4 - SK 200E-751-340-A (-C) SK 6382 - 132 SP/4 - SK 200E-751-340-A (-C)				234	D82-83
	1,4-14	5136	0,9	212,33	27,2	46,5						
	1,7-17	4146	1,3	171,34	27,5	46,5						
	1,8-18	3874	1,5	159,88	27,8	46,5						
	2,3-23	3069	1,5	126,87	27,2	46,5						
2,6-26	2778	2,1	114,79	27,2	46,5							
3,2-32	2243	2,7	92,63	26,5	46,5							
3,9-39	1822	3,3	75,18	25,6	45,5							
4,0-40	1776	3,1	73,50	25,4	45,1							
5,0-50	1443	3,8	59,66	24,4	43,1							
3,7-37	1942	2,1	80,33	26,1	46,5	SK 6282 - 132 SH/4 - SK 200E-751-340-A (-C) SK 6282 - 132 SP/4 - SK 200E-751-340-A (-C)		237	D80-81			
4,5-45	1584	2,1	65,44	25,0	44,2							
4,8-48	1477	3,1	61,08	24,8	43,7							
1,9-19	3722	0,9	153,92	14,7	32,0	SK 5382 - 132 SH/4 - SK 200E-751-340-A (-C) SK 5382 - 132 SP/4 - SK 200E-751-340-A (-C)	172	D78-79				
2,1-21	3358	1,0	138,82	15,0	32,0							
2,5-25	2838	1,0	117,37	15,2	32,0							
3,2-32	2214	1,3	91,71	15,8	32,0							
3,6-36	1997	1,4	82,72	15,7	32,0							

Parallel shaft gear units



P_1 [kW]	n_2 [min ⁻¹]	M_{2b} [Nm]	f_B	i_{ges}	F_R [kN]	F_A [kN]	Type	kg	mm D			
7,50	3,2-32	2222	1,2	91,81	15,5	31,2	SK 5282 - 132 SH/4 - SK 200E-751-340-A (-C) SK 5282 - 132 SP/4 - SK 200E-751-340-A (-C)	153	D76-77			
	4,3-43	1660	1,8	68,63	15,5	31,6						
	5,3-53	1344	1,9	55,55	14,9	29,4						
	5,8-58	1245	2,6	51,49	14,9	30,0						
	6,3-63	1144	2,1	47,27	14,5	29,2						
	7,1-71	1015	3,2	41,94	14,3	28,6						
	7,3-73	987	2,5	40,80	14,3	27,8						
	8,3-83	858	3,1	35,46	13,8	27,5						
	8,9-89	808	2,8	33,43	13,7	26,7						
	3,9-39	1825	0,9	75,39	8,5	18,2				SK 4282 - 132 SH/4 - SK 200E-751-340-A (-C) SK 4282 - 132 SP/4 - SK 200E-751-340-A (-C)	117	D72-73
	4,8-48	1492	1,2	61,60	8,7	18,3						
	5,7-57	1264	1,4	52,20	8,7	18,1						
	6,6-66	1090	1,5	45,05	8,9	18,4						
	6,8-68	1056	1,5	43,65	8,7	18,0						
	7,3-73	987	1,6	40,74	8,9	18,3						
	7,7-77	928	2,2	38,31	8,7	17,9						
	8,0-80	891	1,6	36,81	8,8	18,0						
	8,1-81	880	1,6	36,40	8,6	17,5						
	9,2-92	775	2,3	32,04	8,6	17,5						
	11-112	639	2,8	26,43	8,5	17,2						
	13-132	541	3,1	22,39	8,3	16,4						
	14-138	519	3,2	21,45	8,3	16,3						
	16-163	440	4,1	18,18	8,0	15,3						
	9,3-93	772	1,1	31,93	4,6	9,6	SK 3282 - 132 SH/4 - SK 200E-751-340-A (-C) SK 3282 - 132 SP/4 - SK 200E-751-340-A (-C)	102	D68-69			
	10-103	694	1,3	28,70	4,7	9,5						
	11-114	626	1,4	25,88	4,7	9,4						
	12-125	573	1,4	23,71	4,7	9,2						
13-132	542	1,5	22,45	4,8	9,3							
14-138	517	1,4	21,38	4,7	9,1							
15-147	487	1,7	20,18	4,8	9,1							
18-178	403	2,1	16,67	4,7	8,8							
21-210	341	2,5	14,11	4,6	8,4							
26-261	275	3,0	11,38	4,5	8,0							
30-303	236	3,5	9,80	4,4	7,7							
35-352	203	3,3	8,31	4,2	7,2							
44-437	164	3,7	6,70	4,1	6,8							
52-516	139	4,0	5,74	3,9	6,5							
65-652	110	4,2	4,48	3,7	6,1							
14-135	530	0,9	21,90	3,7	8,2	SK 2282 - 132 SH/4 - SK 200E-751-340-A (-C) SK 2282 - 132 SP/4 - SK 200E-751-340-A (-C)	87	D64-65				
16-160	448	1,1	18,51	3,8	8,1							
18-179	401	1,2	16,53	3,8	8,0							
22-224	319	1,3	13,23	3,8	7,5							
25-251	286	1,3	11,81	3,8	7,4							
29-291	246	1,4	10,15	3,7	7,2							
33-329	218	1,5	9,03	3,7	7,0							
35-354	202	1,3	8,37	3,6	6,7							
40-396	181	1,3	7,48	3,5	6,5							
46-460	156	1,5	6,43	3,5	6,3							
52-519	138	1,5	5,72	3,4	6,1							
66-656	109	1,7	4,51	3,3	5,7							
10,0	1,0-10	9386	2,6	291,25	61,0	102,0	SK 9382 - 132 MH/4 - SK 200E-112-340-A (-C) SK 9382 - 132 MP/4 - SK 200E-112-340-A (-C)	751	D92-93			
	1,4-14	6602	3,3	204,68	58,2	102,0						
	1,0-10	9482	1,3	294,01	39,3	73,0	SK 8382 - 132 MH/4 - SK 200E-112-340-A (-C) SK 8382 - 132 MP/4 - SK 200E-112-340-A (-C)	449	D90-91			
	1,2-12	7807	1,7	242,02	39,1	73,0						
	1,6-16	5986	2,1	185,66	39,3	72,4						
	1,9-19	4928	2,7	152,83	38,3	69,7						
	2,1-21	4643	2,7	143,91	38,3	69,4						
	2,4-24	4041	3,0	125,38	37,6	67,6						
	2,5-25	3822	3,3	118,47	37,1	66,5						

1:10


10,0 kW 15,0 kW



Parallel shaft gear units

P_1 [kW]	n_2 [min ⁻¹]	M_{2b} [Nm]	f_B	i_{ges}	F_R	F_A [kN]	Type	kg	mm D
10,0	1,4-14	6604	1,1	204,99	28,1	56,3	SK 7382 - 132 MH/4 - SK 200E-112-340-A (-C) SK 7382 - 132 MP/4 - SK 200E-112-340-A (-C)	324	D86-87
	1,8-18	5230	1,2	162,17	28,2	55,1			
	2,0-20	4849	1,6	150,57	28,6	55,2			
	2,4-24	3972	1,9	123,37	28,5	53,9			
	2,8-28	3437	2,2	106,59	28,1	52,7			
	1,8-18	5165	1,1	159,88	23,5	46,1	SK 6382 - 132 MH/4 - SK 200E-112-340-A (-C) SK 6382 - 132 MP/4 - SK 200E-112-340-A (-C)	251	D82-83
	2,3-23	4092	1,1	126,87	23,7	45,3			
	2,6-26	3703	1,6	114,79	24,1	45,3			
	3,2-32	2990	2,0	92,63	24,0	44,2			
	3,9-39	2429	2,5	75,18	23,6	42,9			
	4,0-40	2369	2,4	73,50	23,3	42,4			
	5,0-50	1925	2,9	59,66	22,8	40,9			
	5,8-58	1646	3,1	51,07	22,2	39,6			
	7,0-70	1368	3,3	42,46	21,5	38,1			
	4,8-48	1970	2,3	61,08	23,2	41,6	SK 6282 - 132 MH/4 - SK 200E-112-340-A (-C) SK 6282 - 132 MP/4 - SK 200E-112-340-A (-C)	254	D80-81
5,9-59	1606	2,5	49,75	22,3	39,6				
7,5-75	1272	2,5	39,48	21,2	37,4				
5,3-53	1792	1,4	55,55	13,4	26,9	SK 5282 - 132 MH/4 - SK 200E-112-340-A (-C) SK 5282 - 132 MP/4 - SK 200E-112-340-A (-C)	170	D76-77	
5,8-58	1660	1,9	51,49	13,6	28,0				
7,1-71	1354	2,4	41,94	13,2	26,9				
7,3-73	1316	1,9	40,80	13,1	26,0				
8,3-83	1144	2,4	35,46	12,8	26,0				
8,9-89	1078	2,1	33,43	12,8	25,2				
9,7-97	983	2,9	30,50	12,8	25,5				
12-119	805	3,6	25,00	12,3	24,1				
6,6-66	1454	1,1	45,05	7,5	15,9	SK 4282 - 132 MH/4 - SK 200E-112-340-A (-C) SK 4282 - 132 MP/4 - SK 200E-112-340-A (-CP)	134	D72-73	
7,3-73	1316	1,2	40,74	7,6	16,0				
7,7-77	1237	1,6	38,31	7,4	15,7				
8,0-80	1188	1,2	36,81	7,6	15,9				
9,2-92	1034	1,7	32,04	7,5	15,6				
11-112	852	2,1	26,43	7,7	15,4				
13-132	722	2,4	22,39	7,5	14,7				
14-138	692	2,4	21,45	7,6	14,7				
16-163	587	3,1	18,18	7,4	13,9				
19-195	490	3,7	15,20	7,2	13,2				
23-234	409	4,3	12,68	6,9	12,5				
15,0	1,0-10	13730	2,4	282,85	133,2	150,0	SK 10382 - 132 LH/4 - SK 200E-152-340-A (-C)	1320	D94-95
	1,1-11	12780	2,6	263,25	133,8	150,0			
	1,0-10	14130	1,7	291,25	51,7	100,5	SK 9382 - 132 LH/4 - SK 200E-152-340-A (-C)	751	D92-93
	1,4-14	9937	2,2	204,68	51,8	97,3			
	1,7-17	8499	3,0	175,05	51,0	94,7			
	2,0-20	7021	3,4	144,69	49,2	90,7			
	2,2-22	6587	3,9	135,90	49,2	90,1			
	1,0-10	14270	0,9	294,01	27,0	59,7	SK 8382 - 132 LH/4 - SK 200E-152-340-A (-C)	449	D90-91
	1,2-12	11750	1,1	242,02	28,7	60,5			
	1,6-16	9010	1,4	185,66	31,5	62,2			
	1,9-19	7418	1,8	152,83	31,7	61,1			
	2,0-20	6988	1,8	143,91	32,3	61,5			
	2,4-24	6082	2,0	125,38	32,4	60,8			
	2,5-25	5753	2,2	118,47	32,0	59,9			
	2,9-29	5008	2,4	103,21	31,8	58,9			
3,2-32	4408	2,7	90,94	31,5	57,8				
3,9-39	3676	3,3	75,69	30,9	55,5				
4,1-41	3504	2,2	72,21	31,0	55,0	SK 8282 - 132 LH/4 - SK 200E-152-340-A (-C)	445	D88-89	



P ₁ [kW]	n ₂ [min ⁻¹]	M _{2b} [Nm]	f _B	i _{ges}	F _R	F _A	Type	mm			
								kg			
15,0	2,0-20	7299	1,0	150,57	21,4	45,6	SK 7382 - 132 LH/4 - SK 200E-152-340-A (-C)	324	D86-87		
	2,4-24	5978	1,3	123,37	22,6	46,0					
	2,8-28	5173	1,5	106,59	23,1	45,9					
	3,2-32	4518	1,7	93,18	23,3	45,6					
	3,7-37	3824	1,9	78,81	23,1	44,5					
	4,3-43	3309	2,2	68,10	23,0	43,1					
	5,0-50	2890	2,4	59,52	22,8	41,6					
	4,2-42	3389	1,7	69,73	23,6	44,5	SK 7282 - 132 LH/4 - SK 200E-152-340-A (-C)	317	D84-85		
	5,2-52	2763	2,0	56,91	22,9	41,4					
	2,6-26	5574	1,1	114,79	17,9	37,1	SK 6382 - 132 LH/4 - SK 200E-152-340-A (-C)	251	D82-83		
	3,2-32	4500	1,3	92,63	18,9	37,6					
	3,9-39	3656	1,6	75,18	19,5	37,5					
	4,0-40	3565	1,6	73,50	19,3	37,1					
	4,9-49	2897	1,9	59,66	19,5	36,5					
	5,8-58	2477	2,1	51,07	19,4	35,9					
	7,0-70	2059	2,2	42,46	19,2	34,3					
	8,1-81	1761	2,6	36,34	18,9	32,7					
	9,5-95	1500	3,0	30,91	18,5	31,1					
	4,8-48	2964	1,5	61,08	20,0	37,4				SK 6282 - 132 LH/4 - SK 200E-152-340-A (-C)	254
5,9-59	2418	1,7	49,75	19,6	36,1						
7,5-75	1915	1,7	39,48	19,0	33,6						
5,7-57	2498	1,3	51,49	10,8	23,9	SK 5282 - 132 LH/4 - SK 200E-152-340-A (-C)	170	D76-77			
7,0-70	2037	1,6	41,94	10,9	23,5						
7,2-72	1981	1,3	40,80	10,8	22,2						
8,3-83	1722	1,6	35,46	10,8	22,7						
8,8-88	1622	1,4	33,43	10,9	21,6						
9,7-97	1480	2,0	30,50	11,1	22,6						
12-118	1212	2,4	25,00	11,0	21,4						
14-145	988	3,1	20,36	10,6	20,0						
7,7-77	1862	1,1	38,31	4,8	10,1				SK 4282 - 132 LH/4 - SK 200E-152-340-A (-C)	134	D72-73
9,1-91	1569	1,0	32,34	5,6	11,4						
9,2-92	1556	1,1	32,04	5,3	10,7						
11-112	1282	1,4	26,43	5,9	11,6						
13-132	1087	1,6	22,39	6,0	11,5						
14-137	1042	1,6	21,45	6,2	11,7						
16-162	883	2,0	18,18	6,2	11,4						
19-194	738	2,4	15,20	6,2	11,2						
23-233	615	2,8	12,68	6,1	10,8						
27-272	526	3,2	10,85	6,0	10,5						
32-320	448	3,6	9,23	5,9	10,2						
35-354	405	3,1	8,33	5,7	9,7						
41-414	346	3,5	7,13	5,6	9,4						
49-486	295	4,1	6,06	5,5	9,1						

Parallel shaft
gear units

1:10
22,0 kW



Parallel shaft
gear units

P_1 [kW]	n_2 [min ⁻¹]	M_{2b} [Nm]	f_B	i_{ges}	F_R	F_A [kN]	Type	kg	mm D
22,0	1,3-13	15930	4,3	224,76	145,4	170,0	SK 11382 - 160 LH/4 - SK 200E-222-340-A (-C) SK 11382 - 160 LP/4 - SK 200E-222-340-A (-C)	2210	D96-97
	1,0-10 1,1-11 1,6-16	20040 18650 12800	1,6 1,8 2,7	282,85 263,25 180,68	128,0 129,3 133,8	150,0 150,0 150,0	SK 10382 - 160 LH/4 - SK 200E-222-340-A (-C) SK 10382 - 160 LP/4 - SK 200E-222-340-A (-C)	1380	D94-95
	1,0-10 1,4-14 1,7-17 2,1-21 2,2-22 2,6-26 2,9-29 3,6-36	20610 14500 12400 10250 9612 8185 7135 5894	1,2 1,5 2,0 2,3 2,6 3,1 3,6 4,1	291,25 204,68 175,05 144,69 135,90 115,57 100,89 83,19	38,6 42,9 43,4 42,7 43,3 42,8 42,2 40,7	83,1 85,4 84,5 82,0 82,2 80,3 78,5 74,4	SK 9382 - 160 LH/4 - SK 200E-222-340-A (-C) SK 9382 - 160 LP/4 - SK 200E-222-340-A (-C)	811	D92-93
	1,2-12 1,6-16 1,9-19 2,1-21 2,4-24 2,5-25 2,9-29 3,3-33 3,9-39 4,6-46 5,2-52 6,2-62	17150 13150 10820 10200 8876 8395 7307 6433 5364 4617 4061 3386	0,8 1,0 1,2 1,2 1,4 1,5 1,7 1,9 2,3 2,4 3,0 3,6	242,02 185,66 152,83 143,91 125,38 118,47 103,21 90,94 75,69 65,22 57,43 47,80	14,3 20,7 22,6 23,9 25,1 24,9 25,6 26,1 26,4 26,4 26,2 25,9	40,1 48,0 48,6 50,3 50,5 49,4 49,1 48,5 47,3 45,9 44,7 42,8	SK 8382 - 160 LH/4 - SK 200E-222-340-A (-C) SK 8382 - 160 LP/4 - SK 200E-222-340-A (-C)	509	D90-91
	4,1-41 5,0-50 6,2-62	5113 4210 3366	1,5 1,5 3,2	72,21 59,44 47,51	26,7 26,3 26,1	47,4 45,0 43,1	SK 8282 - 160 LH/4 - SK 200E-222-340-A (-C) SK 8282 - 160 LP/4 - SK 200E-222-340-A (-C)	505	D88-89
	2,4-24 2,8-28 3,2-32 3,8-38 4,4-44 5,0-50 5,6-56 6,4-64 8,0-80	8723 7548 6593 5580 4828 4217 3785 3306 2618	0,9 1,0 1,1 1,3 1,5 1,7 1,9 2,1 2,5	123,37 106,59 93,18 78,81 68,10 59,52 53,38 46,66 36,92	14,4 16,0 17,1 17,7 18,4 18,8 19,2 19,3 19,0	32,8 34,2 35,0 34,7 34,7 34,4 34,5 33,8 32,0	SK 7382 - 160 LH/4 - SK 200E-222-340-A (-C) SK 7382 - 160 LP/4 - SK 200E-222-340-A (-C)	384	D86-87
	4,2-42 5,2-52 6,5-65 6,6-66 8,0-80 8,5-85	4946 4032 3235 3193 2637 2458	1,2 1,4 1,8 1,4 2,5 2,4	69,73 56,91 45,67 45,02 37,27 34,64	19,1 19,1 19,6 19,1 19,2 19,3	36,2 34,8 34,2 33,2 32,4 32,3	SK 7282 - 160 LH/4 - SK 200E-222-340-A (-C) SK 7282 - 160 LP/4 - SK 200E-222-340-A (-C)	377	D84-85
	3,2-32 3,9-39 4,0-40 5,0-50 5,8-58 7,0-70 8,2-82 9,6-96	6567 5336 5202 4227 3615 3005 2570 2189	0,9 1,1 1,1 1,3 1,4 1,5 1,8 2,1	92,63 75,18 73,50 59,66 51,07 42,46 36,34 30,91	11,9 13,8 13,6 14,8 15,4 15,9 16,0 16,1	27,1 28,8 28,2 28,8 28,9 28,5 27,9 27,2	SK 6382 - 160 LH/4 - SK 200E-222-340-A (-C) SK 6382 - 160 LP/4 - SK 200E-222-340-A (-C)	311	D82-83
	4,9-49 6,0-60 7,5-75 9,9-99 11-114 13-129 16-159	4326 3528 2795 2118 1844 1623 1324	1,0 1,1 1,1 2,1 2,5 2,8 3,3	61,08 49,75 39,48 29,90 26,05 22,95 18,70	15,5 15,8 16,0 16,4 16,3 16,1 15,5	30,3 29,3 28,3 27,7 26,8 26,0 24,4	SK 6282 - 160 LH/4 - SK 200E-222-340-A (-C) SK 6282 - 160 LP/4 - SK 200E-222-340-A (-C)	314	D80-81



P_1 [kW]	n_2 [min ⁻¹]	M_{2b} [Nm]	f_B	i_{ges}	F_R [kN]	F_A [kN]	Type	kg	mm D
22,0	7,3-73	2890	0,9	40,80	7,7	15,4	SK 5282 - 160 LH/4 - SK 200E-222-340-A (-C) SK 5282 - 160 LP/4 - SK 200E-222-340-A (-C)	230	D76-77
	8,9-89	2367	1,0	33,43	8,3	16,1			
	9,7-97	2159	1,3	30,50	8,8	18,1			
	12-119	1768	1,6	25,00	9,1	17,9			
	15-146	1442	2,1	20,36	9,0	17,2			
	16-157	1337	1,9	18,88	9,2	17,2			
	17-168	1248	2,2	17,59	9,1	16,8			
	19-193	1090	2,4	15,38	9,0	16,4			
	23-228	921	2,9	13,00	8,8	15,7			
	11-112	1871	1,0	26,43	3,5	6,9			
	13-132	1586	1,1	22,39	3,9	7,4			
	14-138	1520	1,1	21,45	4,2	7,9			
	16-163	1288	1,4	18,18	4,4	8,2			
	20-195	1076	1,7	15,20	4,7	8,5			
23-234	897	1,9	12,68	4,8	8,4				
27-274	768	2,2	10,85	4,9	8,5				
32-321	654	2,5	9,23	5,0	8,5				
36-356	590	2,2	8,33	4,8	8,1				
42-416	505	2,4	7,13	4,8	8,1				
49-488	430	2,8	6,06	4,8	8,0				
54-545	386	2,7	5,43	4,8	7,8				
59-593	354	2,9	5,00	4,7	7,6				
63-629	334	3,1	4,70	4,7	7,5				
							SK 4282 - 160 LH/4 - SK 200E-222-340-A (-C) SK 4282 - 160 LP/4 - SK 200E-222-340-A (-C)	194	D72-73

1:8,7
0,43 kW



P ₁ [kW]	n ₂ [min ⁻¹]	M _{2b} [Nm]	f _B	i _{ges}	F _R	F _A	Type	mm	
								kg	
0,43	1,0-8,7	473	2,0	287,14	15,9	14,5	SK 3382 - 71 S/4 - SK 200E-550-340-A (-C)	56	D70-71
	1,2-11	381	2,6	230,83	15,2	14,5			
	1,5-13	315	2,8	190,69	14,5	14,5	SK 3382 - 71 S/4 - SK 180E-550-340-B (-C)		
	1,8-15	266	3,0	161,46	13,8	14,5			
	2,6-22	185	4,2	112,23	12,5	14,5	SK 3282 - 71 S/4 - SK 200E-550-340-A (-C)	48	D68-69
							SK 3282 - 71 S/4 - SK 180E-550-340-B (-C)		
	1,0-9,0	456	1,2	276,27	8,7	12,0	SK 2382 - 71 S/4 - SK 200E-550-340-A (-C)	40	D66-67
	1,2-11	389	1,2	236,11	9,1	12,0			
	1,5-13	305	1,7	185,11	9,5	12,0	SK 2382 - 71 S/4 - SK 180E-550-340-B (-C)		
	1,9-17	247	2,1	149,96	9,7	12,0			
	2,2-19	217	2,4	131,86	9,8	12,0			
	2,5-21	192	2,7	116,35	9,9	12,0			
	2,2-20	210	1,8	127,51	9,8	12,0	SK 2282 - 71 S/4 - SK 200E-550-340-A (-C)	33	D64-65
							SK 2282 - 71 S/4 - SK 180E-550-340-B (-C)		
	1,1-9,7	424	0,9	257,32	4,5	7,8	SK 1382NB - 71 S/4 - SK 200E-550-340-A (-C)	28	D60-61
	1,4-12	336	1,1	203,60	5,6	7,8			
1,8-16	261	1,4	158,12	6,3	7,8	SK 1382NB - 71 S/4 - SK 180E-550-340-B (-C)			
2,1-18	225	1,6	136,60	6,5	7,8				
2,4-21	195	1,9	118,16	6,6	7,8				
2,7-23	175	2,1	106,08	6,7	7,8				
2,8-25	167	2,2	101,14	6,8	7,8				
3,2-28	147	2,5	88,94	6,8	7,8				
2,6-23	180	1,2	109,50	5,3	7,2	SK 1282 - 71 S/4 - SK 200E-550-340-A (-C)	22	D62-63	
3,1-27	152	1,5	92,48	5,2	7,2				
3,5-31	134	2,2	81,17	5,0	7,2	SK 1282 - 71 S/4 - SK 180E-550-340-B (-C)			
4,0-35	119	2,5	72,17	4,9	7,2				
4,3-38	109	2,5	66,23	4,8	7,2				
4,9-42	97,1	2,9	58,89	4,6	7,2				
5,2-45	91,3	2,6	55,39	4,6	7,2				
5,8-51	81,2	3,2	49,25	4,4	7,2				
6,2-54	76,1	2,6	46,19	4,4	7,2				
2,8-24	170	0,8	103,12	4,5	5,0	SK 0282NB - 71 S/4 - SK 200E-550-340-A (-C)			16
3,3-29	141	1,0	85,72	4,3	5,0				
3,6-31	131	1,0	79,40	4,3	5,0	SK 0282NB - 71 S/4 - SK 180E-550-340-B (-C)			
4,3-38	109	1,3	65,99	4,1	5,0				
5,1-44	93,3	1,7	56,55	4,0	5,0				
5,5-48	85,1	1,7	51,64	3,9	5,0				
6,5-56	72,9	2,2	44,22	3,8	5,0				
7,1-62	66,5	2,5	40,38	3,7	5,0				
8,4-73	56,3	2,7	34,16	3,5	5,0				
9,5-83	49,6	2,6	30,03	3,4	5,0				
4,8-42	97,8	1,1	59,33	4,0	5,1	SK 0182NB - 71 S/4 - SK 200E-550-340-A (-C)	12	D56-57	
5,8-50	81,8	1,2	49,65	3,8	5,1				
6,8-59	69,1	1,2	41,85	3,7	5,1	SK 0182NB - 71 S/4 - SK 180E-550-340-B (-C)			
7,6-66	62,2	1,6	37,73	3,6	5,1				
8,2-72	57,4	1,8	34,80	3,6	5,1				
9,0-78	52,5	1,8	31,81	3,5	5,1				
9,8-86	48,0	2,3	29,13	3,4	5,1				

Parallel shaft gear units



P_1 [kW]	n_2 [min ⁻¹]	M_{2b} [Nm]	f_B	i_{ges}	F_R [kN]	F_A [kN]	Type	kg	mm D	
0,43	12-101	40,5	2,9	24,55	3,3	5,1	SK 0182NB - 71 S/4 - SK 200E-550-340-A (-C)	12	D56-57	
	13-111	36,8	3,0	22,35	3,2	5,1				
	15-133	31,0	3,1	18,79	3,0	5,1	SK 0182NB - 71 S/4 - SK 180E-550-340-B (-C)			
	17-151	27,3	3,7	16,53	3,0	5,1				
	19-167	24,6	3,1	14,92	2,9	5,0				
	21-180	22,8	4,8	13,84	2,8	5,0				
	25-213	19,3	5,7	11,66	2,7	4,7				
	30-262	15,7	7,0	9,49	2,5	4,4				
	33-289	14,2	7,7	8,64	2,5	4,3				
	39-343	12,0	9,2	7,26	2,3	4,1				
	45-392	10,5	10,5	6,35	2,2	3,9				
	54-467	8,8	10,5	5,34	2,1	3,5				
	68-588	7,0	10,4	4,24	2,0	3,2				
	0,64	1,1-9,1	669	2,4	272,54	21,6	22,0			SK 4382 - 71 L/4 - SK 200E-750-340-A (-C)
1,5-13		470	4,2	191,57	20,9	22,0	SK 4382 - 71 L/4 - SK 180E-750-340-B (-C)			
1,0-8,7		705	1,3	287,14	14,9	14,5	SK 3382 - 71 L/4 - SK 200E-750-340-A (-C)	57	D70-71	
1,2-11		566	1,8	230,83	14,3	14,5				
1,5-13		468	1,8	190,69	13,7	14,5	SK 3382 - 71 L/4 - SK 180E-750-340-B (-C)			
1,8-15		396	2,0	161,46	13,1	14,5				
2,3-20		312	2,5	126,93	12,4	14,5				
2,6-22		275	2,8	112,23	12,1	14,5	SK 3282 - 71 L/4 - SK 200E-750-340-A (-C)	49	D68-69	
2,8-25		248	3,3	100,88	11,7	14,5	SK 3282 - 71 L/4 - SK 180E-750-340-B (-C)			
1,0-9,0		678	0,8	276,27	6,4	12,0	SK 2382 - 71 L/4 - SK 200E-750-340-A (-C)	41	D66-67	
1,2-11		579	0,8	236,11	7,6	12,0				
1,5-13		455	1,1	185,11	8,7	12,0	SK 2382 - 71 L/4 - SK 180E-750-340-B (-C)			
1,9-17		368	1,4	149,96	9,2	12,0				
2,2-19		323	1,6	131,86	9,4	12,0				
2,5-21		286	1,8	116,35	9,6	12,0				
2,2-20		313	1,2	127,51	9,5	12,0	SK 2282 - 71 L/4 - SK 200E-750-340-A (-C)	34	D64-65	
2,8-25		248	1,8	100,98	9,7	12,0				
3,5-30		202	2,4	82,42	9,8	12,0	SK 2282 - 71 L/4 - SK 180E-750-340-B (-C)			
4,1-36		171	2,6	69,67	9,4	12,0				
1,8-16		388	1,0	158,12	5,0	7,8	SK 1382NB - 71 L/4 - SK 200E-750-340-A (-C)	29	D60-61	
2,1-18		335	1,1	136,60	5,6	7,8				
2,4-21		290	1,3	118,16	6,0	7,8	SK 1382NB - 71 L/4 - SK 180E-750-340-B (-C)			
2,7-23		260	1,4	106,08	6,3	7,8				
2,8-25		248	1,5	101,14	6,3	7,8				
3,2-28		218	1,7	88,94	6,5	7,8				
3,6-32		193	1,9	78,99	6,4	7,8				
4,2-36		168	2,2	68,23	6,3	7,8				
4,8-41		147	2,5	60,00	6,1	7,8				
5,4-47	131	2,7	53,28	6,0	7,8					
6,5-56	109	3,1	44,40	5,8	7,8					
2,6-23	269	0,8	109,50	4,7	7,2	SK 1282 - 71 L/4 - SK 200E-750-340-A (-C)	23			D62-63
3,1-27	227	1,0	92,48	4,7	7,2					
3,5-31	199	1,5	81,17	4,6	7,2	SK 1282 - 71 L/4 - SK 180E-750-340-B (-C)				
4,0-35	177	1,7	72,17	4,5	7,2					
4,3-38	163	1,7	66,23	4,4	7,2					
4,9-42	145	2,0	58,89	4,3	7,2					
5,2-45	136	1,7	55,39	4,3	7,2					
5,8-51	121	2,2	49,25	4,2	7,2					
6,2-54	113	1,7	46,19	4,1	7,2					
7,0-61	101	2,2	41,07	4,0	7,2					
8,9-78	78,7	2,9	32,08	3,8	7,2					
10-88	69,6	3,2	28,33	3,7	7,2					

1:8,7
0,64 kW



P_1 [kW]	n_2 [min ⁻¹]	M_{2b} [Nm]	f_B	i_{ges}	F_R [kN]	F_A [kN]	Type	kg	mm D		
0,64	4,3-38	162	0,9	65,99	3,7	5,0	SK 0282NB - 71 L/4 - SK 200E-750-340-A (-C)	17	D58-59		
	5,1-44	139	1,2	56,55	3,6	5,0					
	5,5-48	127	1,2	51,64	3,6	5,0	SK 0282NB - 71 L/4 - SK 180E-750-340-B (-C)				
	6,5-56	109	1,5	44,22	3,5	5,0					
	7,1-62	99,0	1,7	40,38	3,4	5,0					
	8,4-73	83,8	1,8	34,16	3,3	5,0					
	9,5-83	73,8	1,7	30,03	3,2	5,0					
	11-96	63,7	2,0	25,96	3,1	5,0					
	4,8-42	146	0,8	59,33	3,5	5,1	SK 0182NB - 71 L/4 - SK 200E-750-340-A (-C)			13	D56-57
	5,8-50	122	0,8	49,65	3,4	5,1					
	6,8-59	103	0,8	41,85	3,4	5,1	SK 0182NB - 71 L/4 - SK 180E-750-340-B (-C)				
	7,6-66	92,6	1,1	37,73	3,3	5,1					
	8,2-72	85,4	1,2	34,80	3,3	5,1					
	9,0-78	78,1	1,2	31,81	3,2	5,1					
9,8-86	71,4	1,5	29,13	3,2	5,1						
12-101	60,3	1,9	24,55	3,1	5,1						
13-111	54,8	2,0	22,35	3,0	5,1						
15-133	46,1	2,1	18,79	2,9	5,1						
17-151	40,6	2,5	16,53	2,8	5,0						
19-167	36,6	2,0	14,92	2,7	4,8						
21-180	34,0	3,2	13,84	2,7	4,8						
25-213	28,7	3,8	11,66	2,6	4,6						
30-262	23,3	4,7	9,49	2,4	4,3						
33-289	21,2	5,2	8,64	2,4	4,2						
39-343	17,8	6,2	7,26	2,3	4,0						
45-392	15,6	7,1	6,35	2,2	3,7						
54-467	13,1	7,0	5,34	2,1	3,5						
68-588	10,4	7,0	4,24	1,9	3,1						

Parallel shaft
gear units



P_1 [kW]	n_2 [min ⁻¹]	M_{2b} [Nm]	f_B	i_{ges}	F_R [kN]	F_A [kN]	Type	kg	mm D		
0,95	1,1-10	908	2,2	253,12	21,1	22,0	SK 4382 - 80 SH/4 - SK 200E-111-340-A (-C)	82	D74-75		
	1,4-12	757	2,2	211,09	20,2	22,0					
	1,5-13	687	2,9	191,57	19,9	22,0	SK 4382 - 80 SH/4 - SK 180E-111-340-B (-C)				
	1,8-16	574	2,9	160,20	19,0	22,0					
	2,1-18	504	4,0	140,60	18,4	22,0					
	2,5-21	425	4,7	118,38	17,6	22,0					
	2,8-24	372	5,4	103,82	17,0	22,0					
	1,0-8,8	1029	0,9	287,14	13,2	14,5	SK 3382 - 80 SH/4 - SK 200E-111-340-A (-C)			60	D70-71
	1,3-11	828	1,2	230,83	12,9	14,5					
	1,5-13	684	1,3	190,69	12,5	14,5	SK 3382 - 80 SH/4 - SK 180E-111-340-B (-C)				
	1,8-16	579	1,4	161,46	12,1	14,5					
	2,3-20	455	1,7	126,93	11,6	14,5					
	2,8-24	373	2,0	104,05	11,1	14,5					
	2,6-23	402	1,9	112,23	11,4	14,5	SK 3282 - 80 SH/4 - SK 200E-111-340-A (-C)			52	D68-69
2,9-25	362	2,2	100,88	11,1	14,5						
3,3-29	318	3,0	88,74	10,8	14,5	SK 3282 - 80 SH/4 - SK 180E-111-340-B (-C)					
3,6-32	286	3,0	79,76	10,5	14,5						
4,1-36	253	2,2	70,56	10,2	14,5						
4,4-38	236	3,2	65,89	10,0	14,5						
1,6-14	664	0,8	185,11	6,6	12,0	SK 2382 - 80 SH/4 - SK 200E-111-340-A (-C)	44	D66-67			
1,9-17	538	1,0	149,96	8,0	12,0						
2,2-19	472	1,1	131,86	8,5	12,0	SK 2382 - 80 SH/4 - SK 180E-111-340-B (-C)					
2,5-22	417	1,2	116,35	8,9	12,0						
2,3-20	457	0,8	127,51	8,6	12,0	SK 2282 - 80 SH/4 - SK 200E-111-340-A (-C)	37	D64-65			
2,8-24	373	1,1	104,07	9,2	12,0						
2,9-25	362	1,2	100,98	9,2	12,0	SK 2282 - 80 SH/4 - SK 180E-111-340-B (-C)					
3,5-31	296	1,6	82,42	9,3	12,0						
4,2-36	250	1,8	69,67	8,9	12,0						
4,6-40	229	2,3	63,83	8,8	12,0						
5,4-47	194	2,6	53,96	8,4	12,0						
6,4-56	162	2,8	45,11	8,0	12,0						
2,1-19	490	0,8	136,60	3,2	7,8	SK 1382NB - 80 SH/4 - SK 200E-111-340-A (-C)	32	D60-61			
2,5-21	423	0,9	118,16	4,5	7,8						
2,7-24	380	1,0	106,08	5,1	7,8	SK 1382NB - 80 SH/4 - SK 180E-111-340-B (-C)					
2,9-25	362	1,0	101,14	5,3	7,8						
3,3-28	319	1,2	88,94	5,6	7,8						
3,7-32	283	1,3	78,99	5,6	7,8						
4,3-37	245	1,5	68,23	5,5	7,8						
4,8-42	215	1,7	60,00	5,5	7,8						
5,5-47	191	1,9	53,28	5,4	7,8						
6,6-57	159	2,1	44,40	5,3	7,8						
7,5-65	139	2,3	38,77	5,2	7,8						
8,1-71	128	2,3	35,75	5,1	7,8						
3,6-31	291	1,0	81,17	4,0	7,2	SK 1282 - 80 SH/4 - SK 200E-111-340-A (-C)	26	D62-63			
4,0-35	259	1,1	72,17	3,9	7,2						
4,4-38	238	1,1	66,23	3,9	7,2	SK 1282 - 80 SH/4 - SK 180E-111-340-B (-C)					
4,9-43	211	1,3	58,89	3,9	7,2						
5,3-46	199	1,2	55,39	3,8	7,2						
5,9-51	176	1,5	49,25	3,8	7,2						
6,3-55	166	1,2	46,19	3,7	7,2						
7,1-62	147	1,5	41,07	3,6	7,2						
9,1-79	115	2,0	32,08	3,5	7,2						
10-89	102	2,2	28,33	3,5	7,2						
12-100	90,5	2,5	25,22	3,4	7,0						
14-123	73,9	3,0	20,57	3,2	6,7						
5,1-45	203	0,8	56,55	3,1	5,0	SK 0282NB - 80 SH/4 - SK 200E-111-340-A (-C)			20	D58-59	
5,6-49	185	0,8	51,64	3,1	5,0						
6,6-57	159	1,0	44,22	3,1	5,0	SK 0282NB - 80 SH/4 - SK 180E-111-340-B (-C)					
7,2-63	145	1,1	40,38	3,1	5,0						
8,5-74	122	1,2	34,16	3,0	5,0						
9,7-84	108	1,2	30,03	3,0	5,0						

1:8,7

0,95 kW
1,30 kW



P ₁ [kW]	n ₂ [min ⁻¹]	M _{2b} [Nm]	f _B	i _{ges}	F _R	F _A	Type	mm	
								kg	
0,95	11-97	93,1	1,4	25,96	2,9	5,0	SK 0282NB - 80 SH/4 - SK 200E-111-340-A (-C)	20	D58-59
	13-117	77,4	1,8	21,57	2,8	5,0			
	15-127	71,5	1,8	19,95	2,8	5,0	SK 0282NB - 80 SH/4 - SK 180E-111-340-B (-C)		
	17-144	63,2	2,0	17,61	2,7	5,0			
	18-153	59,4	2,4	16,58	2,6	5,0			
	20-178	50,9	3,2	14,21	2,6	4,9			
	8,4-73	125	0,8	34,80	2,9	5,1	SK 0182NB - 80 SH/4 - SK 200E-111-340-A (-C)	16	D56-57
	9,1-79	114	0,8	31,81	2,8	5,1			
	10-87	104	1,1	29,13	2,8	5,1	SK 0182NB - 80 SH/4 - SK 180E-111-340-B (-C)		
	12-103	88,1	1,3	24,55	2,8	5,0			
	13-113	80,1	1,4	22,35	2,7	4,9			
	15-135	67,3	1,4	18,79	2,6	4,7			
	18-153	59,3	1,7	16,53	2,6	4,7			
	20-170	53,5	1,4	14,92	2,5	4,5			
	21-183	49,6	2,2	13,84	2,5	4,5			
	25-217	41,9	2,6	11,66	2,4	4,3			
	31-267	34,0	3,2	9,49	2,3	4,1			
	34-293	30,9	3,6	8,64	2,3	4,0			
	40-349	26,0	4,2	7,26	2,2	3,7			
	46-399	22,8	4,8	6,35	2,1	3,6			
55-474	19,1	4,8	5,34	2,0	3,3				
69-597	15,2	4,8	4,24	1,9	3,0				
1,30	1,1-9,3	1329	2,0	269,99	30,4	32,0	SK 5382 - 80 LH/4 - SK 200E-151-340-A (-C)	123	D78-79
	1,2-10	1223	2,6	248,70	30,0	32,0	SK 5382 - 80 LP/4 - SK 200E-151-340-A (-C)		
	1,4-12	997	3,2	202,57	28,4	32,0			
	1,1-10	1245	1,6	253,12	19,7	22,0	SK 4382 - 80 LH/4 - SK 200E-151-340-A (-C)	83	D74-75
	1,4-12	1038	1,6	211,09	19,0	22,0	SK 4382 - 80 LP/4 - SK 200E-151-340-A (-C)		
	1,5-13	942	2,1	191,57	18,8	22,0			
	1,8-16	787	2,1	160,20	18,1	22,0	SK 4382 - 80 LH/4 - SK 180E-151-340-B (-C)		
	2,1-18	691	2,9	140,60	17,6	22,0	SK 4382 - 80 LP/4 - SK 180E-151-340-B (-C)		
	2,4-21	583	3,4	118,38	17,0	22,0			
	2,8-24	511	3,9	103,82	16,4	22,0			
	3,3-29	427	4,6	86,83	15,7	22,0			
	4,3-38	328	3,7	66,65	14,6	22,0			
	1,3-11	1135	0,9	230,83	11,5	14,5	SK 3382 - 80 LH/4 - SK 200E-151-340-A (-C)	61	D70-71
	1,5-13	938	0,9	190,69	11,3	14,5	SK 3382 - 80 LP/4 - SK 200E-151-340-A (-C)		
	1,8-16	793	1,0	161,46	11,1	14,5			
	2,3-20	624	1,2	126,93	10,8	14,5	SK 3382 - 80 LH/4 - SK 180E-151-340-B (-C)		
	2,8-24	511	1,4	104,05	10,4	14,5	SK 3382 - 80 LP/4 - SK 180E-151-340-B (-C)		
	3,2-28	440	1,4	89,60	10,1	14,5			
	2,6-22	552	1,4	112,23	10,7	14,5	SK 3282 - 80 LH/4 - SK 200E-151-340-A (-C)	53	D68-69
	2,9-25	496	1,6	100,88	10,5	14,5	SK 3282 - 80 LP/4 - SK 200E-151-340-A (-C)		
3,3-28	436	2,2	88,74	10,2	14,5				
3,6-32	392	2,2	79,76	10,0	14,5	SK 3282 - 80 LH/4 - SK 180E-151-340-B (-C)			
4,1-36	347	1,6	70,56	9,7	14,5	SK 3282 - 80 LP/4 - SK 180E-151-340-B (-C)			
4,4-38	324	2,3	65,89	9,6	14,5				
5,2-45	274	2,3	55,79	9,2	14,5				
6,0-53	236	2,3	48,04	8,8	14,5				
2,2-19	647	0,8	131,86	6,9	12,0	SK 2382 - 80 LH/4 - SK 200E-151-340-A (-C)	45	D66-67	
2,5-22	572	0,9	116,35	7,7	12,0	SK 2382 - 80 LP/4 - SK 200E-151-340-A (-C)			
2,9-26	484	1,2	98,35	8,5	12,0				
3,5-31	405	1,4	82,22	8,6	12,0	SK 2382 - 80 LH/4 - SK 180E-151-340-B (-C) SK 2382 - 80 LP/4 - SK 180E-151-340-B (-C)			
2,9-25	496	0,9	100,98	8,4	12,0	SK 2282 - 80 LH/4 - SK 200E-151-340-A (-C)	38	D64-65	
3,5-31	405	1,2	82,42	8,7	12,0	SK 2282 - 80 LP/4 - SK 200E-151-340-A (-C)			
4,2-36	343	1,3	69,67	8,4	12,0				
4,5-40	314	1,7	63,83	8,3	12,0	SK 2282 - 80 LH/4 - SK 180E-151-340-B (-C)			
5,4-47	265	1,9	53,96	8,0	12,0	SK 2282 - 80 LP/4 - SK 180E-151-340-B (-C)			
6,4-56	222	2,0	45,11	7,7	12,0				
7,8-68	183	2,5	37,18	7,4	12,0				
9,8-85	146	3,4	29,65	7,0	12,0				

Parallel shaft gear units



P_1 [kW]	n_2 [min ⁻¹]	M_{2b} [Nm]	f_B	i_{ges}	F_R [kN]	F_A [kN]	Type	kg	mm D		
1,30	3,3-28	437	0,8	88,94	4,3	7,6	SK 1382NB - 80 LH/4 - SK 200E-151-340-A (-C) SK 1382NB - 80 LP/4 - SK 200E-151-340-A (-C)	33	D60-61		
	3,7-32	388	1,0	78,99	4,6	7,6					
	4,3-37	336	1,1	68,23	4,7	7,7					
	4,8-42	295	1,3	60,00	4,8	7,7	SK 1382NB - 80 LH/4 - SK 180E-151-340-B (-C) SK 1382NB - 80 LP/4 - SK 180E-151-340-B (-C)				
	5,4-47	262	1,4	53,28	4,8	7,7					
	6,5-57	218	1,5	44,40	4,7	7,5					
	7,5-65	191	1,7	38,77	4,7	7,4					
	8,1-71	176	1,7	35,75	4,7	7,3					
	9,8-85	146	1,9	29,79	4,5	7,1					
	11-97	128	2,1	26,01	4,5	7,0					
	4,0-35	355	0,8	72,17	3,3	7,2	SK 1282 - 80 LH/4 - SK 200E-151-340-A (-C) SK 1282 - 80 LP/4 - SK 200E-151-340-A (-C)			27	D62-63
	4,4-38	326	0,8	66,23	3,3	7,2					
	4,9-43	290	1,0	58,89	3,3	7,2					
	5,2-46	272	0,9	55,39	3,3	7,2	SK 1282 - 80 LH/4 - SK 180E-151-340-B (-C) SK 1282 - 80 LP/4 - SK 180E-151-340-B (-C)				
5,9-51	242	1,1	49,25	3,3	7,2						
6,3-55	227	0,9	46,19	3,3	7,1						
7,1-62	202	1,1	41,07	3,3	7,0						
9,0-79	158	1,5	32,08	3,3	6,9						
10-89	139	1,6	28,33	3,2	6,8						
11-100	124	1,8	25,22	3,2	6,7						
14-123	101	2,2	20,57	3,0	6,4						
17-147	84,7	2,6	17,21	2,9	6,1						
1,30	6,6-57	217	0,8	44,22	2,7	5,0	SK 0282NB - 80 LH/4 - SK 200E-151-340-A (-C) SK 0282NB - 80 LP/4 - SK 200E-151-340-A (-C)	21	D58-59		
	7,2-63	198	0,8	40,38	2,7	5,0					
	8,5-74	168	0,9	34,16	2,6	5,0					
	9,6-84	148	0,9	30,03	2,7	5,0	SK 0282NB - 80 LH/4 - SK 180E-151-340-B (-C) SK 0282NB - 80 LP/4 - SK 180E-151-340-B (-C)				
	11-97	128	1,0	25,96	2,7	5,0					
	13-117	106	1,3	21,57	2,6	5,0					
	15-127	98,0	1,3	19,95	2,6	5,0					
	16-143	86,6	1,5	17,61	2,5	4,9					
	18-152	81,5	1,7	16,58	2,5	4,8					
	20-178	69,8	2,3	14,21	2,4	4,6					
	22-195	63,7	2,5	12,98	2,4	4,6					
	26-230	53,9	2,8	10,98	2,3	4,4					
	30-261	47,5	3,0	9,64	2,2	4,2					
	1,30	10-87	143	0,8	29,13	2,4	4,5			SK 0182NB - 80 LH/4 - SK 200E-151-340-A (-C) SK 0182NB - 80 LP/4 - SK 200E-151-340-A (-C)	17
12-103		121	1,0	24,55	2,4	4,4					
13-113		110	1,0	22,35	2,4	4,4					
15-134		92,3	1,0	18,79	2,4	4,3	SK 0182NB - 80 LH/4 - SK 180E-151-340-B (-C) SK 0182NB - 80 LP/4 - SK 180E-151-340-B (-C)				
18-153		81,3	1,2	16,53	2,4	4,3					
19-169		73,3	1,0	14,92	2,3	4,1					
21-183		68,0	1,6	13,84	2,3	4,2					
25-216		57,4	1,9	11,66	2,3	4,1					
31-266		46,7	2,4	9,49	2,2	3,9					
34-293		42,4	2,6	8,64	2,1	3,8					
40-348		35,7	3,1	7,26	2,1	3,5					
46-398		31,2	3,5	6,35	2,0	3,4					
54-473		26,2	3,5	5,34	1,9	3,1					
69-596		20,8	3,5	4,24	1,8	2,9					
1,90	1,2-10	1794	2,5	251,76	41,3	46,5	SK 6382 - 90 SH/4 - SK 200E-221-340-A (-C) SK 6382 - 90 SP/4 - SK 200E-221-340-A (-C)	190	D82-83		
	1,3-11	1610	2,5	225,79	41,5	46,5	SK 6382 - 90 SH/4 - SK 180E-221-340-B (-C) SK 6382 - 90 SP/4 - SK 180E-221-340-B (-C)				
1,90	1,1-9,4	1928	1,4	269,99	28,3	32,0	SK 5382 - 90 SH/4 - SK 200E-221-340-A (-C) SK 5382 - 90 SP/4 - SK 200E-221-340-A (-C)	128	D78-79		
	1,2-10	1773	1,8	248,70	28,0	32,0					
	1,4-13	1446	2,2	202,57	26,7	32,0					
	1,7-15	1222	2,3	171,27	25,7	32,0	SK 5382 - 90 SH/4 - SK 180E-221-340-B (-C) SK 5382 - 90 SP/4 - SK 180E-221-340-B (-C)				
	1,9-17	1097	2,9	153,92	25,1	32,0					

1:8,7
1,90 kW



Parallel shaft
gear units

P_1 [kW]	n_2 [min ⁻¹]	M_{2b} [Nm]	f_B	i_{ges}	F_R	F_A	Type	kg	mm D
1,90	2,2-19	956	2,8	134,03	24,3	32,0	SK 5282 - 90 SH/4 - SK 200E-221-340-A (-C) SK 5282 - 90 SP/4 - SK 200E-221-340-A (-C) SK 5282 - 90 SH/4 - SK 180E-221-340-B (-C) SK 5282 - 90 SP/4 - SK 180E-221-340-B (-C)	109	D76-77
	1,1-9,3 1,2-10 1,4-12 1,5-13 1,8-16 2,1-18	1943 1805 1505 1365 1141 1002	0,8 1,1 1,1 1,5 1,5 2,0	272,54 253,12 211,09 191,57 160,20 140,60	17,0 17,3 16,9 17,0 16,6 16,3	22,0 22,0 22,0 22,0 22,0 22,0	SK 4382 - 90 SH/4 - SK 200E-221-340-A (-C) SK 4382 - 90 SP/4 - SK 200E-221-340-A (-C) SK 4382 - 90 SH/4 - SK 180E-221-340-B (-C) SK 4382 - 90 SP/4 - SK 180E-221-340-B (-C)	88	D74-75
1,9-16	2,6-23	789	2,0	110,78	15,7	22,0	SK 4282 - 90 SH/4 - SK 200E-221-340-A (-C) SK 4282 - 90 SP/4 - SK 200E-221-340-A (-C)	73	D72-73
	3,2-28	645	2,5	90,52	15,0	22,0	SK 4282 - 90 SH/4 - SK 180E-221-340-B (-C) SK 4282 - 90 SP/4 - SK 180E-221-340-B (-C)		
	3,8-33	547	2,9	76,70	14,4	22,0			
	2,6-23	800	1,0	112,23	9,5	14,5	SK 3282 - 90 SH/4 - SK 200E-221-340-A (-C) SK 3282 - 90 SP/4 - SK 200E-221-340-A (-C)		
2,6-23	2,9-25	719	1,1	100,88	9,4	14,5	SK 3282 - 90 SH/4 - SK 180E-221-340-B (-C) SK 3282 - 90 SP/4 - SK 180E-221-340-B (-C)	58	D68-69
	3,3-29	633	1,5	88,74	9,3	14,5			
	3,7-32	569	1,5	79,76	9,1	14,5			
	4,1-36	503	1,1	70,56	8,9	14,5			
	4,4-39	470	1,6	65,89	8,8	14,5			
	4,6-40	457	2,2	64,12	8,8	14,5			
	5,2-46	398	1,6	55,79	8,5	14,5			
	5,5-48	378	2,2	52,97	8,5	14,5			
	6,1-53	342	1,6	48,04	8,3	14,5			
	6,5-57	320	2,3	44,85	8,2	14,5			
	7,0-61	300	3,1	42,02	8,2	14,5			
	7,6-66	275	2,3	38,62	7,9	14,5			
	7,7-67	269	3,1	37,77	8,0	14,5			
	9,2-80	227	3,9	31,93	7,7	14,5			
3,5-31	4,2-37	497	0,9	69,67	7,5	12,0	SK 2282 - 90 SH/4 - SK 200E-221-340-A (-C) SK 2282 - 90 SP/4 - SK 200E-221-340-A (-C)	43	D64-65
	4,6-40	455	1,1	63,83	7,5	12,0			
	5,4-47	385	1,3	53,96	7,3	12,0	SK 2282 - 90 SH/4 - SK 180E-221-340-B (-C) SK 2282 - 90 SP/4 - SK 180E-221-340-B (-C)		
	5,7-49	369	1,4	51,71	7,3	12,0			
	6,5-56	322	1,4	45,11	7,1	12,0			
	6,7-58	312	1,8	43,71	7,1	12,0			
	7,9-68	265	1,7	37,18	6,9	12,0			
	8,0-70	261	1,9	36,54	6,8	12,0			
	9,4-82	222	2,0	31,23	6,6	12,0			
	9,9-86	211	2,4	29,65	6,6	12,0			
	11-95	191	2,3	26,83	6,5	12,0			
	12-102	178	2,8	24,97	6,3	12,0			
	13-116	156	3,1	21,90	6,2	12,0			
	16-138	132	3,7	18,51	5,9	12,0			
4,3-37	4,9-42	428	0,9	60,00	3,3	5,8	SK 1382NB - 90 SH/4 - SK 200E-221-340-A (-C) SK 1382NB - 90 SP/4 - SK 200E-221-340-A (-C)	38	D60-61
	5,5-48	380	0,9	53,28	3,7	6,2			
	6,6-57	316	1,1	44,40	3,8	6,3	SK 1382NB - 90 SH/4 - SK 180E-221-340-B (-C) SK 1382NB - 90 SP/4 - SK 180E-221-340-B (-C)		
	7,5-66	277	1,2	38,77	3,9	6,4			
	8,2-71	255	1,2	35,75	3,9	6,4			
	9,8-86	212	1,3	29,79	3,9	6,3			
	11-98	186	1,5	26,01	3,9	6,3			
	12-105	172	1,6	24,26	3,9	6,2			
	16-136	134	1,8	18,75	3,8	6,0			
	18-157	115	2,0	16,28	3,7	5,9			



P_1 [kW]	n_2 [min ⁻¹]	M_{2b} [Nm]	f_B	i_{ges}	F_R [kN]	F_A [kN]	Type	kg	mm D		
1,90	9,1-79	229	1,0	32,08	2,8	6,1	SK 1282 - 90 SH/4 - SK 200E-221-340-A (-C) SK 1282 - 90 SP/4 - SK 200E-221-340-A (-C)	32	D62-63		
	10-90	202	1,1	28,33	2,8	6,0					
	12-101	180	1,3	25,22	2,8	6,0					
	14-124	147	1,5	20,57	2,7	5,8	SK 1282 - 90 SH/4 - SK 180E-221-340-B (-C) SK 1282 - 90 SP/4 - SK 180E-221-340-B (-C)				
	17-148	123	1,8	17,21	2,7	5,6					
	21-181	100	2,1	14,11	2,6	5,4					
	25-217	83,7	2,4	11,76	2,5	5,2					
	28-246	73,7	2,7	10,34	2,4	5,0					
	15-128	142	0,9	19,95	2,2	4,4	SK 0282NB - 90 SH/4 - SK 200E-221-340-A (-C) SK 0282NB - 90 SP/4 - SK 200E-221-340-A (-C)			26	D58-59
	17-144	126	1,0	17,61	2,2	4,4					
	18-154	118	1,2	16,58	2,2	4,3					
	21-179	101	1,6	14,21	2,2	4,2	SK 0282NB - 90 SH/4 - SK 180E-221-340-B (-C) SK 0282NB - 90 SP/4 - SK 180E-221-340-B (-C)				
	23-196	92,4	1,7	12,98	2,1	4,2					
	26-226	80,4	1,7	11,25	2,1	4,1					
27-232	78,2	1,9	10,98	2,1	4,0						
30-263	68,9	2,0	9,64	2,1	3,9						
33-289	62,9	2,2	8,80	2,0	3,7						
39-341	53,2	2,5	7,45	2,0	3,5						
45-394	46,1	2,7	6,44	1,9	3,3						
49-424	42,8	2,8	5,99	1,9	3,2						
56-490	37,0	3,1	5,17	1,8	3,1						
63-545	33,3	3,3	4,66	1,7	3,0						
72-630	28,8	3,6	4,03	1,7	2,8						
2,60	1,2-10	2474	1,8	251,76	40,2	46,5	SK 6382 - 90 LH/4 - SK 200E-301-340-A (-C) SK 6382 - 90 LP/4 - SK 200E-301-340-A (-C)	193	D82-83		
	1,3-11	2221	1,8	225,79	40,7	46,5					
	1,8-16	1574	3,7	159,88	37,8	46,5					
	1,1-9,3	2659	1,0	269,99	25,9	32,0	SK 5382 - 90 LH/4 - SK 200E-301-340-A (-C) SK 5382 - 90 LP/4 - SK 200E-301-340-A (-C)	131	D78-79		
	1,2-10	2445	1,3	248,70	25,9	32,0					
	1,4-12	1994	1,6	202,57	24,9	32,0					
	1,7-15	1685	1,7	171,27	24,1	32,0					
	1,9-16	1513	2,1	153,92	23,8	32,0					
	2,1-18	1365	2,3	138,82	23,3	32,0					
	2,2-19	1318	2,0	134,03	23,1	32,0	SK 5282 - 90 LH/4 - SK 200E-301-340-A (-C) SK 5282 - 90 LP/4 - SK 200E-301-340-A (-C)	112	D76-77		
	2,9-25	985	2,3	100,19	21,9	32,0					
	3,6-31	803	2,3	81,61	20,7	32,0					
	1,1-10	2489	0,8	253,12	13,4	22,0	SK 4382 - 90 LH/4 - SK 200E-301-340-A (-C) SK 4382 - 90 LP/4 - SK 200E-301-340-A (-C)	91	D74-75		
	1,4-12	2075	0,8	211,09	14,4	22,0					
	1,5-13	1883	1,1	191,57	14,9	22,0					
	1,8-16	1574	1,1	160,20	14,8	22,0					
	2,1-18	1383	1,4	140,60	14,7	22,0					
	1,9-16	1528	0,8	155,40	15,1	22,0	SK 4282 - 90 LH/4 - SK 200E-301-340-A (-C) SK 4282 - 90 LP/4 - SK 200E-301-340-A (-C)	76	D72-73		
	2,6-23	1089	1,5	110,78	14,6	22,0					
	3,2-28	890	1,8	90,52	14,1	22,0					
	3,8-33	754	2,1	76,70	13,6	22,0					
	6,4-56	443	3,6	45,05	12,3	22,0					
	7,1-62	401	3,9	40,74	12,0	22,0					
	3,3-28	873	1,1	88,74	8,1	14,5	SK 3282 - 90 LH/4 - SK 200E-301-340-A (-C) SK 3282 - 90 LP/4 - SK 200E-301-340-A (-C)	61	D68-69		
	3,6-32	784	1,1	79,76	8,1	14,5					
	4,4-38	648	1,2	65,89	8,0	14,5					
	4,5-39	630	1,6	64,12	8,0	14,5					
	5,2-45	548	1,2	55,79	7,8	14,5					
5,5-48	521	1,6	52,97	7,8	14,5						
6,0-53	472	1,2	48,04	7,6	14,5						
6,5-56	441	1,7	44,85	7,6	14,5						
6,9-60	413	2,2	42,02	7,6	14,5						
7,5-65	379	1,7	38,62	7,4	14,5						
7,7-67	372	2,2	37,77	7,5	14,5						
9,1-79	314	2,8	31,93	7,3	14,3						
10-88	282	3,1	28,70	7,1	13,9						
11-98	254	3,3	25,88	6,9	13,6						
12-107	233	3,5	23,71	6,8	13,3						

1:8,7**2,60 kW**
3,80 kW


P ₁ [kW]	n ₂ [min ⁻¹]	M _{2b} [Nm]	f _B	i _{ges}	F _R	F _A	Type	mm					
								kg					
2,60	4,5-40	628	0,8	63,83	6,6	12,0	SK 2282 - 90 LH/4 - SK 200E-301-340-A (-C) SK 2282 - 90 LP/4 - SK 200E-301-340-A (-C)	46	D64-65				
	5,4-47	531	1,0	53,96	6,5	12,0							
	5,6-49	509	1,0	51,71	6,5	12,0							
	6,4-56	444	1,0	45,11	6,4	12,0							
	6,6-58	430	1,3	43,71	6,4	12,0							
	7,8-68	366	1,3	37,18	6,4	12,0							
	7,9-69	360	1,4	36,54	6,3	12,0							
	9,3-81	307	1,5	31,23	6,1	12,0							
	9,8-85	291	1,7	29,65	6,2	12,0							
	11-94	264	1,7	26,83	6,1	12,0							
	12-101	246	2,0	24,97	6,0	12,0							
	13-115	215	2,2	21,90	5,8	12,0							
	16-136	182	2,7	18,51	5,6	11,5							
	18-152	163	2,9	16,53	5,5	11,2							
	22-191	130	3,1	13,23	5,2	10,6							
	25-214	116	3,3	11,81	5,0	10,3							
29-249	99,9	3,6	10,15	4,9	9,9								
	6,5-57	436	0,8	44,40	2,8	4,9	SK 1382NB - 90 LH/4 - SK 200E-301-340-A (-C) SK 1382NB - 90 LP/4 - SK 200E-301-340-A (-C)	41	D60-61				
	7,5-65	382	0,8	38,77	3,0	5,1							
	8,1-71	351	0,9	35,75	3,1	5,2							
	9,8-85	292	1,0	29,79	3,2	5,4							
	11-97	256	1,1	26,01	3,3	5,4							
	12-104	238	1,2	24,26	3,3	5,4							
	15-135	184	1,3	18,75	3,4	5,4							
	18-156	159	1,5	16,28	3,4	5,4							
		10-89	279	0,8	28,33	2,3				5,2	SK 1282 - 90 LH/4 - SK 200E-301-340-A (-C) SK 1282 - 90 LP/4 - SK 200E-301-340-A (-C)	35	D62-63
		11-100	248	0,9	25,22	2,3				5,2			
14-123		203	1,1	20,57	2,4	5,2							
17-147		169	1,3	17,21	2,4	5,1							
21-179		139	1,5	14,11	2,3	5,0							
25-215		115	1,8	11,76	2,3	4,7							
28-244		102	1,9	10,34	2,2	4,6							
32-276		90,1	2,1	9,18	2,2	4,4							
35-307		80,9	2,4	8,24	2,1	4,2							
40-348		71,3	2,6	7,24	2,1	4,0							
45-393		63,1	2,9	6,43	2,1	3,9							
3,80		1,1-9,3	3882	1,9	273,57	43,6	58,0	SK 7382 - 100 LH/4 - SK 200E-401-340-A (-C) SK 7382 - 100 LP/4 - SK 200E-401-340-A (-C)	274	D86-87			
	1,4-12	3074	2,7	216,43	41,6	58,0							
	1,1-9,5	3805	1,5	267,59	36,8	46,5	SK 6382 - 100 LH/4 - SK 200E-401-340-A (-C) SK 6382 - 100 LP/4 - SK 200E-401-340-A (-C)	201	D82-83				
	1,2-10	3574	1,3	251,76	37,5	46,5							
	1,3-11	3207	1,3	225,79	37,3	46,5							
	1,4-12	3015	1,5	212,33	36,7	46,5							
	1,7-15	2434	2,3	171,34	35,5	46,5							
	1,8-16	2274	2,5	159,88	35,2	46,5							
	2,3-20	1801	2,5	126,87	33,5	46,5							
	2,6-22	1630	3,6	114,79	32,9	46,5							
		1,2-10	3532	0,9	248,70	22,1				32,0	SK 5382 - 100 LH/4 - SK 200E-401-340-A (-C) SK 5382 - 100 LP/4 - SK 200E-401-340-A (-C)	139	D78-79
		1,4-13	2880	1,1	202,57	21,8				32,0			
1,7-15		2434	1,2	171,27	21,4	32,0							
1,9-17		2185	1,5	153,92	21,4	32,0							
2,1-18		1971	1,6	138,82	21,1	32,0							
2,5-22		1666	1,7	117,37	20,5	32,0							
3,2-28		1300	2,2	91,71	20,0	32,0							
3,6-31		1172	2,4	82,72	19,6	32,0							
	2,2-19	1904	1,4	134,03	21,0	32,0	SK 5282 - 100 LH/4 - SK 200E-401-340-A (-C) SK 5282 - 100 LP/4 - SK 200E-401-340-A (-C)	120	D76-77				
	2,9-26	1422	1,6	100,19	20,3	32,0							
	3,2-28	1304	2,1	91,81	19,8	32,0							
	3,6-31	1160	1,6	81,61	19,4	32,0							
	4,3-37	974	3,0	68,63	18,8	32,0							

Parallel shaft gear units





1:8,7
3,80 kW

P_1 [kW]	n_2 [min ⁻¹]	M_{2b} [Nm]	f_B	i_{ges}	F_R	F_A	Type	kg	mm 		
3,80	2,1-18	1997	1,0	140,60	12,1	22,0	SK 4382 - 100 LH/4 - SK 200E-401-340-A (-C) SK 4382 - 100 LP/4 - SK 200E-401-340-A (-C)	99	D74-75		
	2,5-22	1683	1,2	118,38	12,3	22,0					
	2,8-25	1475	1,4	103,82	12,3	22,0					
	3,4-29	1232	1,6	86,83	12,2	22,0					
	2,7-23	1573	1,0	110,78	12,6	22,0	SK 4282 - 100 LH/4 - SK 200E-401-340-A (-C) SK 4282 - 100 LP/4 - SK 200E-401-340-A (-C)			84	D72-73
	3,2-28	1286	1,2	90,52	12,4	22,0					
	3,8-33	1089	1,5	76,70	12,2	22,0					
	3,9-34	1071	1,5	75,39	12,3	22,0					
	4,8-41	875	2,0	61,60	12,0	22,0					
	5,6-49	742	2,5	52,20	11,6	22,0					
	6,5-57	640	2,5	45,05	11,4	22,0					
	6,7-59	620	2,6	43,65	11,2	22,0					
	7,2-63	579	2,7	40,74	11,2	22,0					
	8,0-69	523	2,7	36,81	11,0	21,7					
	8,1-70	517	2,7	36,40	10,8	21,4					
9,1-79	459	3,5	32,34	10,7	21,2						
4,6-40	911	1,1	64,12	6,6	13,7	SK 3282 - 100 LH/4 - SK 200E-401-340-A (-C) SK 3282 - 100 LP/4 - SK 200E-401-340-A (-C)	69	D68-69			
5,5-48	753	1,1	52,97	6,6	13,5						
6,6-57	637	1,2	44,85	6,6	13,3						
7,0-61	597	1,6	42,02	6,7	13,5						
7,6-66	548	1,2	38,62	6,5	13,1						
7,8-68	537	1,6	37,77	6,6	13,3						
9,2-80	453	1,9	31,93	6,6	13,1						
10-89	407	2,1	28,70	6,5	12,8						
11-99	367	2,3	25,88	6,4	12,6						
12-108	336	2,4	23,71	6,3	12,4						
13-114	318	2,5	22,45	6,2	12,3						
14-120	304	2,4	21,38	6,1	12,1						
15-127	286	2,9	20,18	6,1	12,0						
6,7-58	621	0,9	43,71	5,3	11,5	SK 2282 - 100 LH/4 - SK 200E-401-340-A (-C) SK 2282 - 100 LP/4 - SK 200E-401-340-A (-C)			54	D64-65	
8,0-70	519	1,0	36,54	5,3	11,4						
9,4-82	443	1,0	31,23	5,3	11,2						
9,9-86	421	1,2	29,65	5,4	11,4						
11-95	381	1,2	26,83	5,4	11,4						
12-102	355	1,4	24,97	5,4	11,2						
13-117	311	1,5	21,90	5,3	11,0						
16-138	263	1,8	18,51	5,2	10,7						
18-154	235	2,0	16,53	5,1	10,5						
22-194	188	2,2	13,23	4,8	9,9						
25-216	168	2,3	11,81	4,7	9,7						
29-252	144	2,5	10,15	4,6	9,3						
33-284	128	2,6	9,03	4,5	8,9						
35-306	119	2,2	8,37	4,3	8,5						
39-342	106	2,3	7,48	4,2	8,1						
46-397	91,3	2,5	6,43	4,1	7,7						
52-448	80,9	2,6	5,72	4,0	7,3						
65-566	64,1	2,9	4,51	3,7	6,7						
14-124	293	0,8	20,57	1,7	3,9	SK 1282 - 100 LH/4 - SK 200E-401-340-A (-C) SK 1282 - 100 LP/4 - SK 200E-401-340-A (-C)	43	D62-63			
17-148	245	0,9	17,21	1,8	4,0						
21-181	200	1,0	14,11	1,9	4,0						
25-218	167	1,2	11,76	1,9	3,9						
28-247	147	1,3	10,34	1,9	3,8						
32-279	130	1,5	9,18	1,9	3,8						
36-310	117	1,6	8,24	1,9	3,6						
41-353	103	1,8	7,24	1,9	3,5						
46-398	91,1	2,0	6,43	1,8	3,4						
54-467	77,7	2,2	5,47	1,8	3,3						
61-535	67,9	1,9	4,79	1,8	3,2						

Parallel shaft
gear units

1:8,7
5,20 kW



Parallel shaft
gear units

P_1 [kW]	n_2 [min ⁻¹]	M_{2b} [Nm]	f_B	i_{ges}	F_R [kN]	F_A [kN]	Type	kg	mm D
5,20	1,5-13	3934	2,7	201,00	48,8	73,0	SK 8382 - 100 AH/4 - SK 200E-551-340-A (-C) SK 8382 - 100 AP/4 - SK 200E-551-340-A (-C)	402	D90-91
	1,1-9,3	5354	1,4	273,57	39,4	58,0	SK 7382 - 100 AH/4 - SK 200E-551-340-A (-C) SK 7382 - 100 AP/4 - SK 200E-551-340-A (-C)	277	D86-87
	1,3-12	4240	2,0	216,43	38,3	58,0			
	1,4-12	4010	1,9	204,99	38,3	58,0			
	1,8-16	3176	2,0	162,17	36,8	58,0			
	1,9-17	2944	2,6	150,57	36,5	58,0			
	2,4-21	2412	3,1	123,37	35,2	58,0			
	1,1-9,5	5248	1,1	267,59	30,7	46,5	SK 6382 - 100 AH/4 - SK 200E-551-340-A (-C) SK 6382 - 100 AP/4 - SK 200E-551-340-A (-C)	204	D82-83
	1,2-10	4929	0,9	251,76	32,4	46,5			
	1,3-11	4424	0,9	225,79	33,4	46,5			
	1,4-12	4158	1,1	212,33	32,9	46,5			
	1,7-15	3357	1,7	171,34	32,4	46,5			
	1,8-16	3136	1,8	159,88	32,5	46,5			
	2,3-20	2485	1,8	126,87	31,2	46,5			
	2,5-22	2249	2,6	114,79	30,9	46,5			
	3,1-27	1815	3,3	92,63	29,7	46,5			
	3,6-32	1572	2,6	80,33	29,1	46,5	SK 6282 - 100 AH/4 - SK 200E-551-340-A (-C) SK 6282 - 100 AP/4 - SK 200E-551-340-A (-C)	207	D80-81
	1,4-13	3972	0,8	202,57	18,1	32,0	SK 5382 - 100 AH/4 - SK 200E-551-340-A (-C) SK 5382 - 100 AP/4 - SK 200E-551-340-A (-C)	142	D78-79
	1,7-15	3357	0,8	171,27	18,2	32,0			
1,9-16	3014	1,1	153,92	18,6	32,0				
2,1-18	2719	1,2	138,82	18,6	32,0				
2,5-22	2297	1,2	117,37	18,4	32,0				
3,2-28	1793	1,6	91,71	18,4	32,0				
3,5-31	1617	1,7	82,72	18,2	32,0				
2,2-19	2626	1,0	134,03	18,6	32,0	SK 5282 - 100 AH/4 - SK 200E-551-340-A (-C) SK 5282 - 100 AP/4 - SK 200E-551-340-A (-C)	123	D76-77	
2,9-25	1962	1,1	100,19	18,6	32,0				
3,2-28	1799	1,5	91,81	18,2	32,0				
3,6-31	1600	1,1	81,61	17,9	32,0				
4,2-37	1344	2,2	68,63	17,7	32,0				
5,2-45	1096	2,4	55,90	16,9	32,0				
6,2-54	926	2,6	47,27	16,3	32,0				
7,1-62	799	3,1	40,80	15,8	30,7				
8,7-76	654	3,5	33,43	15,1	29,2				
3,2-28	1773	0,9	90,52	10,5	22,0	SK 4282 - 100 AH/4 - SK 200E-551-340-A (-C) SK 4282 - 100 AP/4 - SK 200E-551-340-A (-C)	87	D72-73	
3,8-33	1502	1,1	76,70	10,5	21,8				
3,9-34	1477	1,1	75,39	10,7	22,0				
4,7-41	1208	1,5	61,60	10,6	21,8				
5,6-49	1023	1,8	52,20	10,5	21,3				
6,5-56	883	1,8	45,05	10,5	21,2				
6,7-58	855	1,9	43,65	10,3	20,8				
7,1-62	799	1,9	40,74	10,4	20,9				
7,9-69	722	1,9	36,81	10,2	20,4				
8,0-70	713	1,9	36,40	10,0	20,0				
9,0-78	633	2,6	32,34	10,0	20,0				
11-96	517	3,5	26,43	9,6	19,2				
13-113	438	3,9	22,39	9,3	18,4				
6,9-60	824	1,1	42,02	5,6	11,7				SK 3282 - 100 AH/4 - SK 200E-551-340-A (-C) SK 3282 - 100 AP/4 - SK 200E-551-340-A (-C)
7,7-67	740	1,1	37,77	5,7	11,7				
9,1-79	625	1,4	31,93	5,8	11,7				
10-88	562	1,5	28,70	5,7	11,6				
11-98	507	1,7	25,88	5,7	11,5				
12-107	464	1,7	23,71	5,6	11,3				
13-113	439	1,8	22,45	5,7	11,4				
14-126	395	2,1	20,18	5,6	11,2				
17-152	326	2,6	16,67	5,4	10,6				



P_1 [kW]	n_2 [min ⁻¹]	M_{2b} [Nm]	f_B	i_{ges}	F_R [kN]	F_A [kN]	Type	kg	mm D
5,20	21-180	276	3,1	14,11	5,3	10,0	SK 3282 - 100 AH/4 - SK 200E-551-340-A (-C) SK 3282 - 100 AP/4 - SK 200E-551-340-A (-C)	72	D68-69
	26-223	222	3,7	11,38	5,1	9,3			
	30-259	191	4,4	9,80	4,9	8,8			
	35-302	165	4,1	8,31	4,7	8,3			
	43-374	133	4,6	6,70	4,5	7,7			
	51-442	112	4,9	5,74	4,3	7,3			
	64-558	89,0	5,2	4,48	4,1	6,8			
	9,8-86	581	0,9	29,65	4,6	9,9	SK 2282 - 100 AH/4 - SK 200E-551-340-A (-C) SK 2282 - 100 AP/4 - SK 200E-551-340-A (-C)	57	D64-65
	11-95	525	0,8	26,83	4,6	10,0			
	12-101	489	1,0	24,97	4,6	9,9			
	13-116	429	1,1	21,90	4,6	9,9			
	16-137	363	1,3	18,51	4,6	9,7			
	18-153	324	1,5	16,53	4,6	9,6			
	22-192	259	1,6	13,23	4,4	9,2			
	25-215	231	1,7	11,81	4,4	9,0			
	29-250	199	1,8	10,15	4,3	8,6			
	32-282	176	1,9	9,03	4,2	8,2			
	35-303	164	1,6	8,37	4,1	7,9			
	39-339	147	1,7	7,48	4,0	7,6			
	45-394	126	1,8	6,43	3,9	7,2			
51-445	112	1,9	5,72	3,8	7,0				
65-562	88,4	2,1	4,51	3,6	6,5				
21-180	276	0,8	14,11	1,4	2,9	SK 1282 - 100 AH/4 - SK 200E-551-340-A (-C) SK 1282 - 100 AP/4 - SK 200E-551-340-A (-C)	46	D62-63	
25-216	230	0,9	11,76	1,5	2,9				
28-245	203	1,0	10,34	1,5	3,0				
32-277	179	1,1	9,18	1,6	3,1				
35-308	161	1,2	8,24	1,5	2,9				
36-310	160	1,0	8,21	1,6	3,2				
40-350	142	1,3	7,24	1,6	3,0				
45-395	126	1,4	6,43	1,6	2,9				
53-463	107	1,6	5,47	1,6	2,9				
61-530	93,6	1,4	4,79	1,6	2,9				
6,90	1,5-13	5189	2,1	201,00	45,4	73,0	SK 8382 - 112 MH/4 - SK 200E-751-340-A (-C) SK 8382 - 112 MP/4 - SK 200E-751-340-A (-C)	412	D90-91
	2,0-18	3719	3,4	143,91	43,3	73,0			
	2,3-20	3237	3,8	125,38	42,2	73,0			
	1,1-9,3	7062	1,1	273,57	34,2	58,0	SK 7382 - 112 MH/4 - SK 200E-751-340-A (-C) SK 7382 - 112 MP/4 - SK 200E-751-340-A (-C)	287	D86-87
	1,4-12	5593	1,5	216,43	34,1	58,0			
	1,8-16	4189	1,5	162,17	33,6	58,0			
	1,9-17	3884	1,9	150,57	33,7	58,0			
	2,4-21	3181	2,4	123,37	32,8	58,0			
	1,1-9,5	6923	0,8	267,59	17,5	46,5	SK 6382 - 112 MH/4 - SK 200E-751-340-A (-C) SK 6382 - 112 MP/4 - SK 200E-751-340-A (-C)	214	D82-83
	1,4-12	5485	0,9	212,33	28,3	46,5			
	1,7-15	4428	1,3	171,34	28,7	46,5			
	1,8-16	4137	1,4	159,88	29,0	46,5			
	2,3-20	3277	1,4	126,87	28,4	46,5			
	2,6-22	2966	2,0	114,79	28,4	46,5			
	3,2-28	2395	2,5	92,63	27,7	46,5			
	3,9-34	1946	3,1	75,18	26,8	46,5			
	4,0-35	1897	2,9	73,50	26,6	46,5			
	3,7-32	2074	2,0	80,33	27,4	46,5	SK 6282 - 112 MH/4 - SK 200E-751-340-A (-C) SK 6282 - 112 MP/4 - SK 200E-751-340-A (-C)	217	D80-81
	4,5-39	1691	2,0	65,44	26,2	46,3			
	1,9-17	3975	0,8	153,92	15,2	32,0	SK 5382 - 112 MH/4 - SK 200E-751-340-A (-C) SK 5382 - 112 MP/4 - SK 200E-751-340-A (-C)	152	D78-79
2,1-18	3586	0,9	138,82	15,6	32,0				
2,5-22	3030	0,9	117,37	15,8	32,0				
3,2-28	2365	1,2	91,71	16,4	32,0				
3,6-31	2133	1,3	82,72	16,4	32,0				

1:8,7
6,90 kW



Parallel shaft
gear units

P_1 [kW]	n_2 [min ⁻¹]	M_{2b} [Nm]	f_B	i_{ges}	F_R [kN]	F_A [kN]	Type	kg	mm D				
6,90	2,2-19	3464	0,8	134,03	15,6	32,0	SK 5282 - 112 MH/4 - SK 200E-751-340-A (-C) SK 5282 - 112 MP/4 - SK 200E-751-340-A (-C)	133	D76-77				
	2,9-25	2588	0,9	100,19	16,4	32,0							
	3,2-28	2373	1,2	91,81	16,1	32,0							
	3,6-31	2111	0,9	81,61	16,2	32,0							
	4,3-37	1772	1,7	68,63	16,2	32,0							
	5,2-46	1446	1,8	55,90	15,7	31,7							
	5,3-46	1435	1,7	55,55	15,6	30,8							
	5,7-50	1329	2,4	51,49	15,6	31,5							
	6,2-54	1221	2,0	47,27	15,2	30,6							
	7,0-61	1084	3,0	41,94	15,0	30,0							
	7,2-63	1054	2,4	40,80	14,9	29,2							
	8,3-72	916	2,9	35,46	14,5	28,8							
	8,8-76	863	2,7	33,43	14,4	28,0							
		3,8-33	1982	0,8	76,70	8,4				18,3	SK 4282 - 112 MH/4 - SK 200E-751-340-A (-C) SK 4282 - 112 MP/4 - SK 200E-751-340-A (-C)	97	D72-73
		3,9-34	1949	0,8	75,39	8,8				18,9			
		4,8-41	1593	1,1	61,60	9,0				19,1			
		5,6-49	1350	1,3	52,20	9,1				18,9			
6,5-57		1164	1,4	45,05	9,3	19,2							
6,7-58		1128	1,4	43,65	9,1	18,7							
7,2-63		1054	1,5	40,74	9,3	19,1							
7,6-66		991	2,0	38,31	9,1	18,7							
8,0-69		952	1,5	36,81	9,2	18,8							
8,1-70		940	1,5	36,40	8,9	18,3							
9,1-80		828	2,2	32,04	9,0	18,3							
11-97		682	2,6	26,43	8,9	18,0							
13-114		578	2,9	22,39	8,7	17,4							
14-119		554	3,0	21,45	8,7	17,4							
16-140		470	3,8	18,18	8,4	16,5							
		7,0-61	1087	0,9	42,02	4,4	9,5	SK 3282 - 112 MH/4 - SK 200E-751-340-A (-C) SK 3282 - 112 MP/4 - SK 200E-751-340-A (-C)	82	D68-69			
		7,8-67	976	0,9	37,77	4,5	9,7						
	9,2-80	824	1,1	31,93	4,8	10,1							
	10-89	741	1,2	28,70	4,8	10,1							
	11-99	668	1,3	25,88	4,9	10,1							
	12-108	612	1,3	23,71	4,9	9,9							
	13-114	579	1,4	22,45	5,0	10,0							
	14-119	552	1,3	21,38	4,9	9,8							
	15-127	521	1,6	20,18	5,0	9,8							
	18-153	430	2,0	16,67	4,9	9,4							
	21-181	364	2,4	14,11	4,8	9,0							
	26-225	293	2,8	11,38	4,7	8,5							
	30-261	253	3,3	9,80	4,6	8,2							
	35-303	217	3,1	8,31	4,4	7,7							
	43-377	175	3,5	6,70	4,3	7,3							
	51-445	148	3,7	5,74	4,1	6,9							
	65-561	117	3,9	4,48	3,9	6,5							
	12-102	646	0,8	24,97	3,7	8,4	SK 2282 - 112 MH/4 - SK 200E-751-340-A (-C) SK 2282 - 112 MP/4 - SK 200E-751-340-A (-C)	67	D64-65				
	13-116	566	0,8	21,90	3,9	8,5							
	16-138	478	1,0	18,51	3,9	8,6							
	18-154	428	1,1	16,53	4,0	8,6							
	22-193	341	1,2	13,23	3,9	8,1							
	25-216	305	1,3	11,81	3,9	7,9							
	29-251	262	1,4	10,15	3,9	7,7							
	33-283	233	1,4	9,03	3,9	7,5							
	35-305	216	1,2	8,37	3,7	7,1							
	39-341	193	1,3	7,48	3,7	6,9							
	46-397	166	1,4	6,43	3,6	6,7							
	51-447	147	1,4	5,72	3,5	6,5							
	65-565	117	1,6	4,51	3,4	6,1							



P_1 [kW]	n_2 [min ⁻¹]	M_{2b} [Nm]	f_B	i_{ges}	F_R [kN]	F_A [kN]	Type	kg	mm D
9,50	1,0-8,8	10270	2,3	291,25	63,1	102,0	SK 9382 - 132 SH/4 - SK 200E-112-340-A (-C)	744	D92-93
	1,4-13	7224	3,0	204,68	60,4	102,0	SK 9382 - 132 SP/4 - SK 200E-112-340-A (-C)		
	1,7-15	6178	4,1	175,05	58,6	102,0			
	1,0-8,7	10380	1,2	294,01	40,1	73,0	SK 8382 - 132 SH/4 - SK 200E-112-340-A (-C)	442	D90-91
	1,2-11	8542	1,5	242,02	40,1	73,0	SK 8382 - 132 SP/4 - SK 200E-112-340-A (-C)		
	1,5-13	7089	1,5	201,00	40,2	73,0			
	1,6-14	6550	1,9	185,66	40,5	73,0			
	1,9-17	5392	2,4	152,83	39,5	72,3			
	2,1-18	5080	2,5	143,91	39,6	72,0			
	2,4-21	4422	2,8	125,38	39,0	70,2			
2,5-22	4182	3,0	118,47	38,4	69,1				
1,1-9,4	9648	0,8	273,57	26,4	57,0	SK 7382 - 132 SH/4 - SK 200E-112-340-A (-C)	317	D86-87	
1,4-12	7640	1,1	216,43	27,7	57,1	SK 7382 - 132 SP/4 - SK 200E-112-340-A (-C)			
1,8-16	5723	1,1	162,17	28,9	56,8				
2,0-17	5306	1,4	150,57	29,3	57,0				
2,4-21	4346	1,7	123,37	29,3	55,8				
2,8-24	3760	2,0	106,59	29,0	54,7				
3,2-28	3285	2,3	93,18	28,7	53,5				
3,8-33	2780	2,7	78,81	27,9	51,6				
1,7-15	6049	0,9	171,34	23,0	46,5	SK 6382 - 132 SH/4 - SK 200E-112-340-A (-C)	244	D82-83	
1,8-16	5652	1,0	159,88	23,8	46,5	SK 6382 - 132 SP/4 - SK 200E-112-340-A (-C)			
2,3-20	4477	1,0	126,87	24,2	46,5				
2,6-22	4052	1,5	114,79	24,7	46,5				
3,2-28	3272	1,8	92,63	24,7	45,8				
3,9-34	2658	2,3	75,18	24,4	44,4				
4,0-35	2592	2,1	73,50	24,1	44,0				
5,0-43	2106	2,6	59,66	23,6	42,5				
5,8-50	1801	2,8	51,07	23,0	41,2				
7,0-61	1497	3,0	42,46	22,3	39,6				
3,7-32	2833	1,5	80,33	24,8	45,3	SK 6282 - 132 SH/4 - SK 200E-112-340-A (-C)	247	D80-81	
4,5-39	2310	1,5	65,44	24,0	43,4	SK 6282 - 132 SP/4 - SK 200E-112-340-A (-C)			
4,8-42	2155	2,1	61,08	24,0	43,2				
5,9-52	1758	2,3	49,75	23,1	41,2				
7,5-65	1392	2,3	39,48	22,0	39,0				
3,2-28	3241	0,9	91,81	13,1	27,5	SK 5282 - 132 SH/4 - SK 200E-112-340-A (-C)	163	D76-77	
4,3-37	2421	1,2	68,63	14,0	29,8	SK 5282 - 132 SP/4 - SK 200E-112-340-A (-C)			
5,3-46	1961	1,3	55,55	13,7	27,7				
5,7-50	1816	1,8	51,49	14,0	29,0				
6,2-54	1669	1,4	47,27	13,6	28,2				
7,0-61	1481	2,2	41,94	13,6	27,9				
7,2-63	1440	1,7	40,80	13,5	26,9				
8,3-72	1252	2,2	35,46	13,3	27,0				
8,8-77	1179	2,0	33,43	13,2	26,1				
9,7-84	1076	2,7	30,50	13,2	26,5				
12-103	881	3,3	25,00	12,8	25,5				
4,8-42	2176	0,8	61,60	6,6	14,9	SK 4282 - 132 SH/4 - SK 200E-112-340-A (-C)			127
5,7-49	1844	1,0	52,20	6,9	15,3	SK 4282 - 132 SP/4 - SK 200E-112-340-A (-C)			
6,6-57	1591	1,0	45,05	7,6	16,2				
6,8-59	1541	1,0	43,65	7,3	15,7				
7,2-63	1440	1,1	40,74	7,7	16,4				
7,7-67	1354	1,5	38,31	7,6	16,0				
8,0-70	1300	1,1	36,81	7,7	16,3				
8,1-71	1284	1,1	36,40	7,4	15,6				
9,1-80	1140	1,4	32,34	7,9	16,5				
9,2-80	1131	1,6	32,04	7,7	16,0				
11-97	932	1,9	26,43	7,9	16,2				
13-115	790	2,2	22,39	7,8	15,5				
14-120	757	2,2	21,45	7,8	15,6				
16-141	642	2,8	18,18	7,6	14,8				
19-169	536	3,4	15,20	7,5	14,0				
23-203	447	3,9	12,68	7,2	13,2				

1:8,7
13,0 kW



Parallel shaft
gear units

P ₁ [kW]	n ₂ [min ⁻¹]	M _{2b} [Nm]	f _B	i _{ges}	F _R	F _A	Type	mm			
								kg			
13,0	1,0-9,1	13660	2,4	282,85	133,3	150,0	SK 10382 - 132 MH/4 - SK 200E-152-340-A (-C) SK 10382 - 132 MP/4 - SK 200E-152-340-A (-C)	1320	D94-95		
	1,1-9,8	12720	2,6	263,25	133,9	150,0					
	1,0-8,8	14050	1,7	291,25	55,6	102,0	SK 9382 - 132 MH/4 - SK 200E-152-340-A (-C) SK 9382 - 132 MP/4 - SK 200E-152-340-A (-C)	751	D92-93		
	1,4-13	9886	2,2	204,68	55,3	102,0					
	1,7-15	8455	3,0	175,05	54,3	100,3					
	2,0-18	6985	3,4	144,69	52,3	95,9					
	2,2-19	6553	3,9	135,90	52,2	95,3					
	1,0-8,7	14200	0,9	294,01	30,2	65,1				SK 8382 - 132 MH/4 - SK 200E-152-340-A (-C) SK 8382 - 132 MP/4 - SK 200E-152-340-A (-C)	449
	1,2-11	11690	1,1	242,02	31,7	65,4					
	1,6-14	8963	1,4	185,66	34,2	66,7					
	1,9-17	7379	1,8	152,83	34,2	65,4					
	2,1-18	6951	1,8	143,91	34,8	65,7					
	2,4-21	6051	2,0	125,38	34,7	64,7					
	2,5-22	5723	2,2	118,47	34,3	63,7					
	2,9-25	4982	2,4	103,21	34,0	62,5					
3,3-28	4386	2,8	90,94	33,6	61,3						
1,4-13	9889	0,8	204,99	20,7	47,3	SK 7382 - 132 MH/4 - SK 200E-152-340-A (-C) SK 7382 - 132 MP/4 - SK 200E-152-340-A (-C)	324	D86-87			
1,8-16	7831	0,8	162,17	22,5	48,2						
2,0-17	7261	1,0	150,57	23,6	49,2						
2,4-21	5947	1,3	123,37	24,6	49,4						
2,8-24	5146	1,5	106,59	24,9	49,2						
3,2-28	4495	1,7	93,18	25,1	48,7						
3,8-33	3804	2,0	78,81	24,8	47,4						
4,3-38	3292	2,2	68,10	24,6	46,6						
5,0-43	2875	2,5	59,52	24,4	45,6						
4,2-37	3372	1,7	69,73	25,2	47,5				SK 7282 - 132 MH/4 - SK 200E-152-340-A (-C) SK 7282 - 132 MP/4 - SK 200E-152-340-A (-C)	317	D84-85
5,2-45	2749	2,0	56,91	24,4	45,5						
2,6-22	5545	1,1	114,79	19,7	40,2	SK 6382 - 132 MH/4 - SK 200E-152-340-A (-C) SK 6382 - 132 MP/4 - SK 200E-152-340-A (-C)	251	D82-83			
3,2-28	4477	1,3	92,63	20,6	40,4						
3,9-34	3637	1,6	75,18	21,1	40,1						
4,0-35	3547	1,6	73,50	20,8	39,7						
5,0-43	2882	1,9	59,66	20,9	38,9						
5,8-50	2464	2,1	51,07	20,8	38,2						
7,0-61	2049	2,2	42,46	20,4	37,1						
8,1-71	1752	2,6	36,34	20,1	35,8						
9,6-83	1493	3,0	30,91	19,6	33,9						
4,8-42	2949	1,5	61,08	21,5	39,8				SK 6282 - 132 MH/4 - SK 200E-152-340-A (-C) SK 6282 - 132 MP/4 - SK 200E-152-340-A (-C)	254	D80-81
5,9-52	2405	1,7	49,75	20,9	38,3						
7,5-65	1905	1,7	39,48	20,3	36,7						
5,3-46	2683	0,9	55,55	11,3	23,6	SK 5282 - 132 MH/4 - SK 200E-152-340-A (-C) SK 5282 - 132 MP/4 - SK 200E-152-340-A (-C)	170	D76-77			
5,7-50	2485	1,3	51,49	11,7	25,7						
7,0-61	2027	1,6	41,94	11,7	25,1						
7,2-63	1970	1,3	40,80	11,7	23,8						
8,3-72	1713	1,6	35,46	11,7	24,6						
8,8-77	1614	1,4	33,43	11,7	23,6						
9,7-84	1472	2,0	30,50	11,9	24,6						
12-103	1206	2,4	25,00	11,7	23,5						
15-126	983	3,2	20,36	11,3	21,8						
7,2-63	1970	0,8	40,74	5,6	12,3				SK 4282 - 132 MH/4 - SK 200E-152-340-A (-C) SK 4282 - 132 MP/4 - SK 200E-152-340-A (-C)	134	D72-73
7,7-67	1852	1,1	38,31	5,5	11,8						
8,0-70	1779	0,8	36,81	5,8	12,4						
9,1-80	1561	1,0	32,34	6,2	13,0						
9,2-80	1548	1,2	32,04	5,9	12,3						
11-97	1276	1,4	26,43	6,5	13,1						
13-115	1081	1,6	22,39	6,5	12,8						
14-120	1037	1,6	21,45	6,7	13,0						
16-141	878	2,0	18,18	6,6	12,6						



P_1 [kW]	n_2 [min ⁻¹]	M_{2b} [Nm]	f_B	i_{ges}	F_R [kN]	F_A [kN]	Type	kg	mm D		
13,0	19-169	734	2,5	15,20	6,6	12,3	SK 4282 - 132 MH/4 - SK 200E-152-340-A (-C) SK 4282 - 132 MP/4 - SK 200E-152-340-A (-C)	134	D72-73		
	23-203	612	2,9	12,68	6,5	11,7					
	27-237	523	3,2	10,85	6,4	11,4					
	32-278	446	3,7	9,23	6,3	11,0					
	35-308	403	3,2	8,33	6,1	10,5					
	41-361	344	3,5	7,13	5,9	10,1					
	49-423	293	4,1	6,06	5,8	9,7					
16,0	1,0-9,1	16880	2,0	282,85	130,9	150,0	SK 10382 - 132 LH/4 - SK 200E-182-340-A (-C)	1320	D94-95		
	1,1-9,7	15710	2,1	263,25	131,8	150,0					
	1,6-14	10780	3,2	180,68	135,0	150,0					
	1,0-8,8	17360	1,4	291,25	49,1	98,6	SK 9382 - 132 LH/4 - SK 200E-182-340-A (-C)	751	D92-93		
	1,4-13	12210	1,8	204,68	50,9	97,4					
	1,7-15	10450	2,4	175,05	50,5	95,4					
	2,0-18	8630	2,8	144,69	49,1	91,7					
	2,2-19	8097	3,1	135,90	49,3	91,5					
	2,5-22	6894	3,7	115,57	48,2	88,7					
	1,2-11	14440	0,9	242,02	24,5	56,0				SK 8382 - 132 LH/4 - SK 200E-182-340-A (-C)	449
	1,6-14	11070	1,1	185,66	28,8	59,7					
	1,9-17	9118	1,4	152,83	29,7	59,4					
	2,0-18	8589	1,5	143,91	30,6	60,2					
	2,3-20	7476	1,6	125,38	31,1	60,0					
	2,5-22	7071	1,8	118,47	30,7	59,1					
	2,9-25	6155	2,0	103,21	30,9	58,5					
	3,2-28	5419	2,2	90,94	30,9	57,8					
	3,9-34	4518	2,7	75,69	30,7	56,4					
	4,5-39	3889	2,9	65,22	30,3	54,1					
	4,1-35	4307	1,8	72,21	30,8	56,4	SK 8282 - 132 LH/4 - SK 200E-182-340-A (-C)	445	D88-89		
	2,0-17	8971	0,8	150,57	18,6	42,5	SK 7382 - 132 LH/4 - SK 200E-182-340-A (-C)	324	D86-87		
	2,4-21	7348	1,0	123,37	20,5	44,0					
	2,8-24	6358	1,2	106,59	21,4	44,4					
	3,2-28	5554	1,4	93,18	22,0	44,6					
	3,7-33	4700	1,6	78,81	22,1	43,9					
	4,3-38	4067	1,8	68,10	22,3	43,1					
	4,9-43	3553	2,0	59,52	22,4	41,9					
	5,5-48	3188	2,2	53,38	22,5	41,3					
	6,3-55	2785	2,5	46,66	22,3	39,8					
	8,0-69	2205	3,0	36,92	21,6	37,0					
	4,2-37	4166	1,4	69,73	23,0	44,5	SK 7282 - 132 LH/4 - SK 200E-182-340-A (-C)	317	D84-85		
	5,2-45	3396	1,6	56,91	22,6	41,9					
	6,5-57	2689	1,6	45,02	22,0	39,1					
2,6-22	6851	0,9	114,79	15,3	34,5	SK 6382 - 132 LH/4 - SK 200E-182-340-A (-C)	251	D82-83			
3,2-28	5532	1,1	92,63	17,1	35,9						
3,9-34	4494	1,3	75,18	18,2	36,4						
4,0-35	4382	1,3	73,50	18,0	36,0						
4,9-43	3560	1,5	59,66	18,6	35,9						
5,8-50	3045	1,7	51,07	18,8	35,6						
6,9-60	2531	1,8	42,46	18,8	34,7						
8,1-71	2165	2,1	36,34	18,7	33,3						
9,5-83	1844	2,5	30,91	18,4	31,9						
4,8-42	3644	1,2	61,08	19,2	36,9				SK 6282 - 132 LH/4 - SK 200E-182-340-A (-C)	254	D80-81
5,9-51	2972	1,4	49,75	19,1	35,9						
7,5-65	2354	1,4	39,48	18,8	34,0						
9,8-86	1784	2,5	29,90	18,7	32,1						
11-98	1553	2,9	26,05	18,3	30,8						
13-112	1367	3,3	22,95	18,0	29,6						

1:8,7

16,0 kW
19,0 kW



Parallel shaft gear units

P ₁ [kW]	n ₂ [min ⁻¹]	M _{2b} [Nm]	f _B	i _{ges}	F _R [kN]	F _A [kN]	Type	kg	mm D			
16,0	5,7-50	3070	1,1	51,49	9,8	22,9	SK 5282 - 132 LH/4 - SK 200E-182-340-A (-C)	170	D76-77			
	7,0-61	2504	1,3	41,94	10,1	22,7						
	7,2-63	2434	1,0	40,80	10,1	21,2						
	8,3-72	2116	1,3	35,46	10,3	22,2						
	8,8-77	1994	1,2	33,43	10,5	21,1						
	9,7-84	1819	1,6	30,50	10,8	22,5						
	12-103	1490	1,9	25,00	10,8	21,6						
	14-126	1215	2,6	20,36	10,5	20,3						
	16-136	1126	2,3	18,88	10,6	20,2						
	17-145	1051	2,6	17,59	10,4	19,6						
	7,7-67	2289	0,9	38,31	3,7	8,0				SK 4282 - 132 LH/4 - SK 200E-182-340-A (-C)	134	D72-73
	9,1-79	1928	0,8	32,34	4,8	9,9						
	9,2-80	1912	0,9	32,04	4,4	9,1						
	11-97	1576	1,1	26,43	5,3	10,5						
	13-114	1336	1,3	22,39	5,5	10,6						
	14-119	1281	1,3	21,45	5,7	11,0						
	16-141	1085	1,7	18,18	5,8	10,9						
	19-169	907	2,0	15,20	5,9	10,9						
	23-202	756	2,3	12,68	5,9	10,5						
	27-236	646	2,6	10,85	5,9	10,4						
	32-277	551	3,0	9,23	5,8	10,2						
	35-307	497	2,6	8,33	5,6	9,7						
	41-359	425	2,8	7,13	5,6	9,5						
	48-422	362	3,3	6,06	5,5	9,2						
	54-470	325	3,2	5,43	5,4	9,0						
	59-512	298	3,5	5,00	5,3	8,8						
	62-543	281	3,7	4,70	5,3	8,7						
	19,0	1,3-11	15840	4,4	224,76	145,5	170,0	SK 11382 - 160 MH/4 - SK 200E-222-340-A (-C) SK 11382 - 160 MP/4 - SK 200E-222-340-A (-C)	2180	D96-97		
1,0-9,1		19930	1,7	282,85	128,1	150,0	SK 10382 - 160 MH/4 - SK 200E-222-340-A (-C) SK 10382 - 160 MP/4 - SK 200E-222-340-A (-C)	1350	D94-95			
1,1-9,8		18550	1,8	263,25	129,4	150,0						
1,6-14		12730	2,7	180,68	133,9	150,0						
1,0-8,9		20500	1,2	291,25	42,7	90,0	SK 9382 - 160 MH/4 - SK 200E-222-340-A (-C) SK 9382 - 160 MP/4 - SK 200E-222-340-A (-C)	782	D92-93			
1,4-13		14420	1,5	204,68	46,5	91,5						
1,7-15		12330	2,1	175,05	46,7	90,3						
2,0-18		10190	2,4	144,69	45,9	87,4						
2,2-19		9559	2,7	135,90	46,3	87,5						
2,6-22		8139	3,1	115,57	45,7	85,3						
2,9-26		7095	3,6	100,89	45,0	83,2						
3,6-31		5862	4,1	83,19	43,3	79,6						
1,2-11		17050	0,8	242,02	17,4	46,7				SK 8382 - 160 MH/4 - SK 200E-222-340-A (-C) SK 8382 - 160 MP/4 - SK 200E-222-340-A (-C)	480	D90-91
1,6-14		13070	1,0	185,66	23,5	52,7						
1,9-17		10760	1,2	152,83	25,2	53,5						
2,1-18		10140	1,2	143,91	26,5	54,8						
2,4-21		8826	1,4	125,38	27,5	55,2						
2,5-22		8348	1,5	118,47	27,3	54,5						
2,9-25		7267	1,7	103,21	27,9	54,5						
3,3-28		6397	1,9	90,94	28,2	54,2						
3,9-34		5334	2,3	75,69	28,4	52,3						
4,5-40		4591	2,5	65,22	28,3	50,5						
5,2-45		4039	3,0	57,43	28,1	48,9						
6,2-54		3368	3,6	47,80	27,6	46,6						
4,1-36		5085	1,5	72,21	28,7	52,4	SK 8282 - 160 MH/4 - SK 200E-222-340-A (-C) SK 8282 - 160 MP/4 - SK 200E-222-340-A (-C)	476	D88-89			
5,0-43		4186	1,5	59,44	28,2	49,4						
6,2-54		3348	3,2	47,51	27,8	46,8						



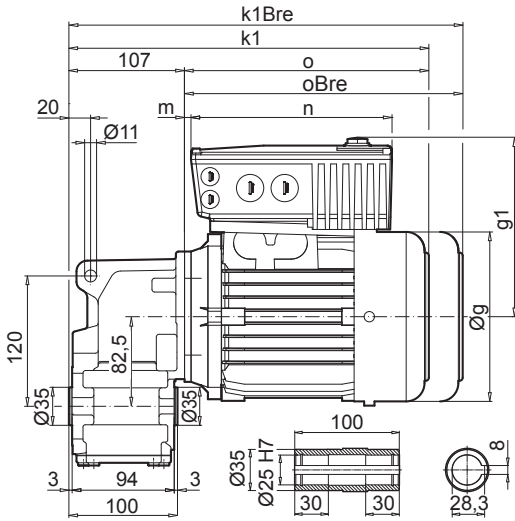
P_1 [kW]	n_2 [min ⁻¹]	M_{2b} [Nm]	f_B	i_{ges}	F_R	F_A	Type	kg	mm D		
19,0	2,4-21	8675	0,9	123,37	16,5	38,2	SK 7382 - 160 MH/4 - SK 200E-222-340-A (-C) SK 7382 - 160 MP/4 - SK 200E-222-340-A (-C)	355	D86-87		
	2,8-24	7506	1,0	106,59	17,9	39,3					
	3,2-28	6557	1,1	93,18	19,0	39,8					
	3,8-33	5549	1,3	78,81	19,5	39,1					
	4,3-38	4801	1,5	68,10	20,0	38,8					
	5,0-43	4194	1,7	59,52	20,4	38,2					
	5,5-48	3764	1,9	53,38	20,7	38,1					
	6,3-55	3288	2,2	46,66	20,8	37,1					
	8,0-70	2604	2,5	36,92	20,3	34,9					
	4,2-37	4918	1,2	69,73	20,8	40,4	SK 7282 - 160 MH/4 - SK 200E-222-340-A (-C) SK 7282 - 160 MP/4 - SK 200E-222-340-A (-C)			348	D84-85
	5,2-45	4009	1,4	56,91	20,7	38,5					
	6,5-56	3217	1,8	45,67	21,1	37,5					
	6,6-57	3175	1,4	45,02	20,5	36,4					
	8,0-69	2623	2,5	37,27	20,5	35,3					
	8,5-74	2444	2,4	34,64	20,6	35,1					
	3,2-28	6530	0,9	92,63	13,7	31,3	SK 6382 - 160 MH/4 - SK 200E-222-340-A (-C) SK 6382 - 160 MP/4 - SK 200E-222-340-A (-C)	282	D82-83		
	3,9-34	5306	1,1	75,18	15,4	32,7					
	4,0-35	5173	1,1	73,50	15,2	32,3					
	5,0-43	4203	1,3	59,66	16,3	32,6					
	5,8-50	3595	1,4	51,07	16,9	32,4					
	7,0-61	2988	1,5	42,46	17,2	31,6					
	8,2-71	2556	1,8	36,34	17,3	30,8					
	9,6-83	2177	2,1	30,91	17,2	29,8					
	4,8-42	4302	1,1	61,08	17,0	34,0	SK 6282 - 160 MH/4 - SK 200E-222-340-A (-C) SK 6282 - 160 MP/4 - SK 200E-222-340-A (-C)			285	D80-81
	5,9-52	3508	1,2	49,75	17,2	32,8					
	7,5-65	2779	1,2	39,48	17,3	31,3					
	9,9-86	2106	2,2	29,90	17,6	30,3					
	11-99	1833	2,5	26,05	17,4	29,2					
13-112	1614	2,8	22,95	17,1	28,2						
7,3-63	2874	0,9	40,80	8,6	17,7	SK 5282 - 160 MH/4 - SK 200E-222-340-A (-C) SK 5282 - 160 MP/4 - SK 200E-222-340-A (-C)	201	D76-77			
8,9-77	2354	1,0	33,43	9,2	18,3						
9,7-85	2147	1,4	30,50	9,7	20,2						
12-103	1759	1,6	25,00	9,9	19,8						
15-127	1434	2,2	20,36	9,8	18,8						
16-137	1329	2,0	18,88	9,9	18,9						
17-146	1241	2,2	17,59	9,7	18,3						
19-167	1084	2,4	15,38	9,6	17,8						
11-98	1861	1,0	26,43	4,1	8,2	SK 4282 - 160 MH/4 - SK 200E-222-340-A (-C) SK 4282 - 160 MP/4 - SK 200E-222-340-A (-C)			165	D72-73	
13-115	1577	1,1	22,39	4,4	8,6						
14-120	1512	1,1	21,45	4,7	9,1						
16-142	1281	1,4	18,18	4,9	9,3						
19-169	1070	1,7	15,20	5,2	9,5						
23-203	893	2,0	12,68	5,2	9,4						
27-238	763	2,2	10,85	5,3	9,4						
32-279	650	2,5	9,23	5,4	9,4						
36-309	587	2,2	8,33	5,2	8,9						
42-361	502	2,4	7,13	5,2	8,8						
49-424	428	2,8	6,06	5,2	8,6						
54-473	384	2,7	5,43	5,1	8,5						
59-515	352	2,9	5,00	5,1	8,3						
63-546	332	3,1	4,70	5,0	8,3						

Parallel shaft
gear units

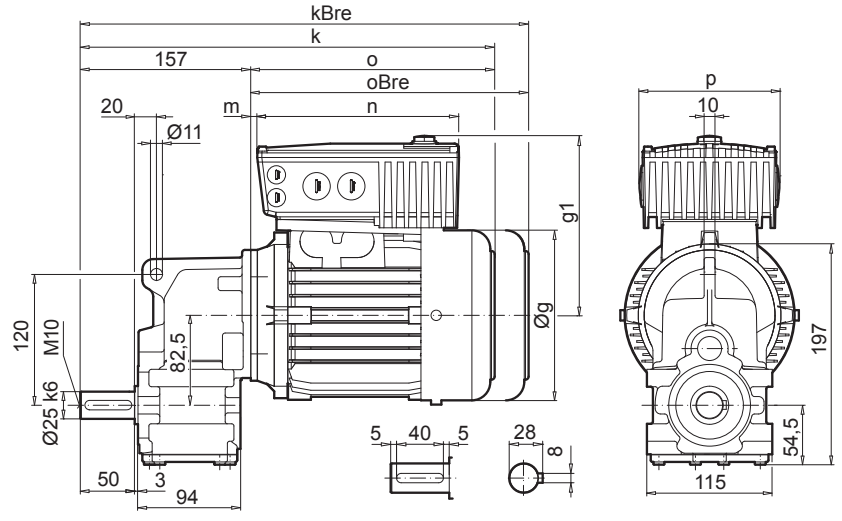
SK 0182NB



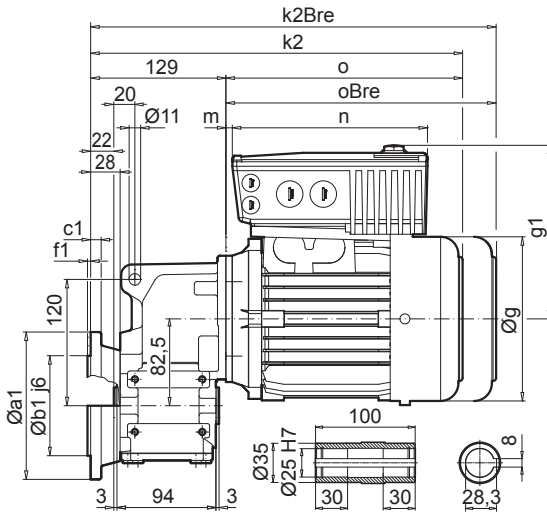
SK 0182NB/A



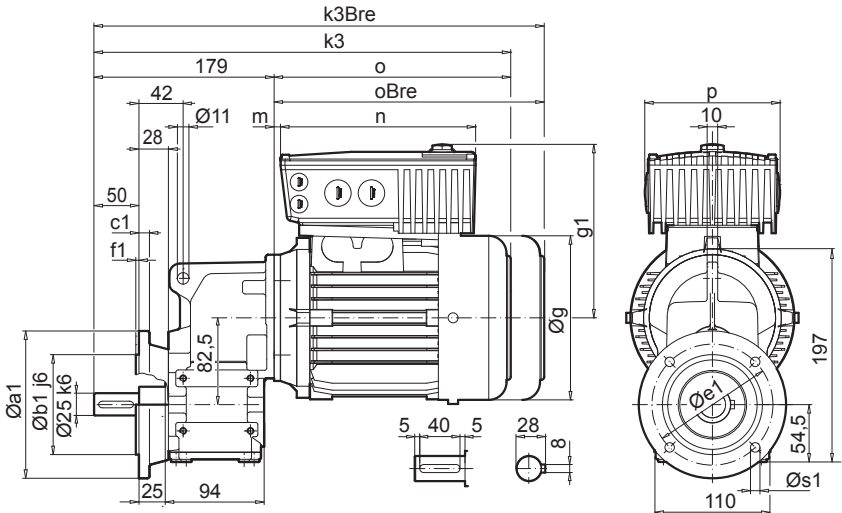
SK 0182NB/V



SK 0182NB/AF



SK 0182NB/VF



a1	b1	c1	e1	f1	s1
140	95	10	115	3,0	4 x 9

Motor + SK200E

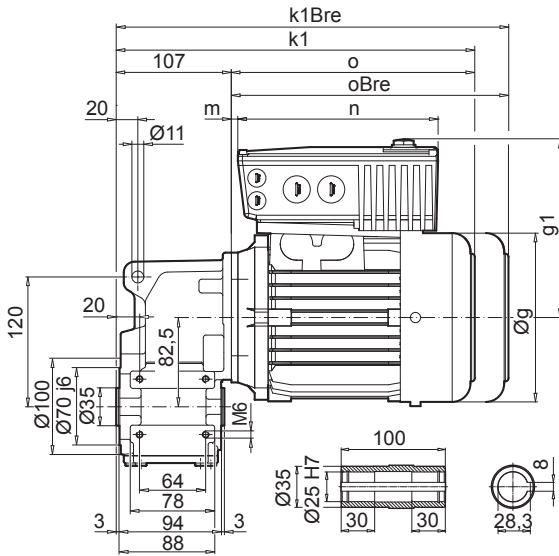
IE1 IE2 IE3	71 S/L - -	- 80 SH/LH - /LP					
SK200E 340-A (-C)	- 550 - - 750 -	- 550 - - 750 - - 111 - - 151 -					
g	145	165					
g1	201	195					
k / kBre	371 / 429	393 / 457					
k1 / k1Bre	321 / 379	343 / 407					
k2 / k2Bre	343 / 401	365 / 429					
k3 / k3Bre	393 / 451	415 / 479					
o / oBre	214 / 272	236 / 300					
m	-4	5					
n	236	236					
p	156	156					

Parallel shaft gear units

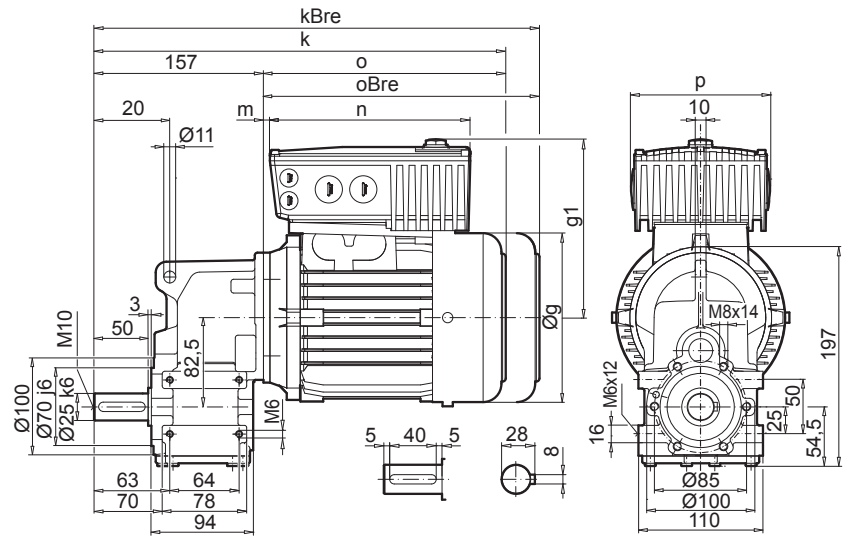


SK 0182NB

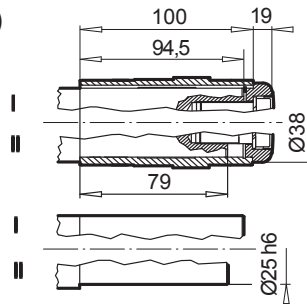
SK 0182NB/AZ



SK 0182NB/VZ



SK 0182NB/AB(AFB/AZB)



Parallel shaft gear units

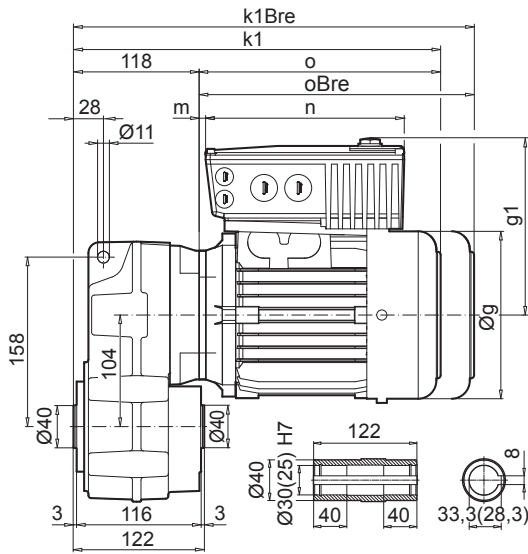
Motor + SK180E

IE1 IE2 IE3	71 S/L - -	- 80 SH/LH - /LP				
SK180E 340-B (-C)	- 550 - - 750 -	- 550 - - 750 - - 111 -	- 151 -			
g	145	165	165			
g1	184	177	203			
k / kBre	371 / 429	393 / 457	393 / 457			
k1 / k1Bre	321 / 379	343 / 407	343 / 407			
k2 / k2Bre	343 / 401	365 / 429	365 / 429			
k3 / k3Bre	393 / 451	415 / 479	415 / 479			
o / oBre	214 / 272	236 / 300	236 / 300			
m	-4	5	5			
n	221	221	253			
p	154	154	165			

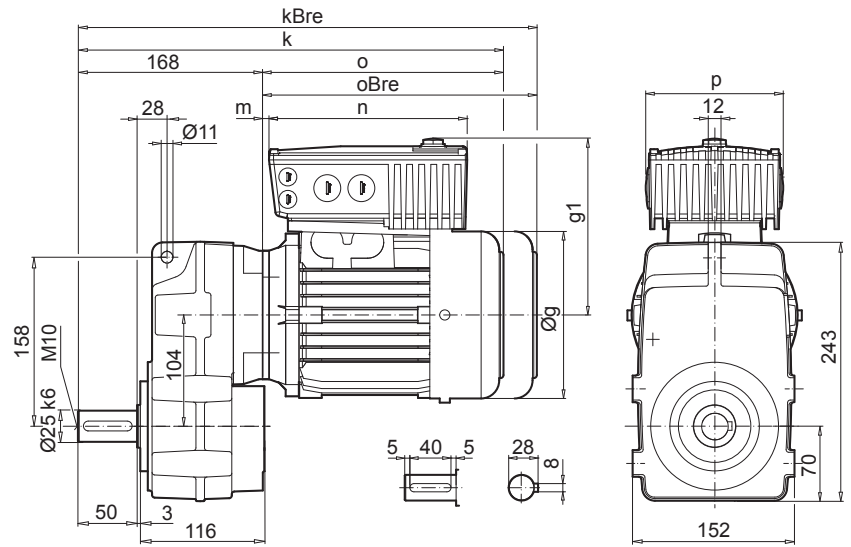
SK 0282NB



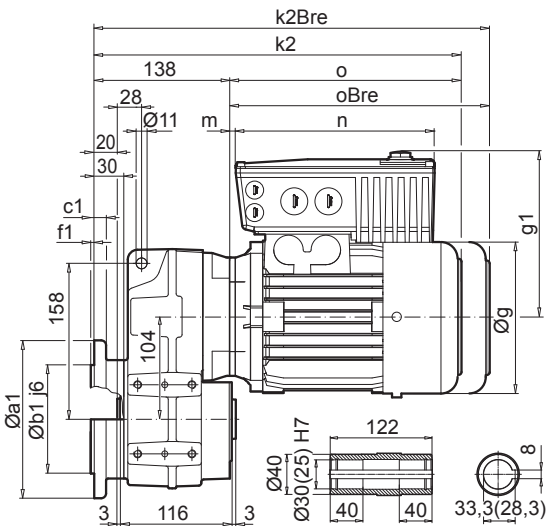
SK 0282NB/A



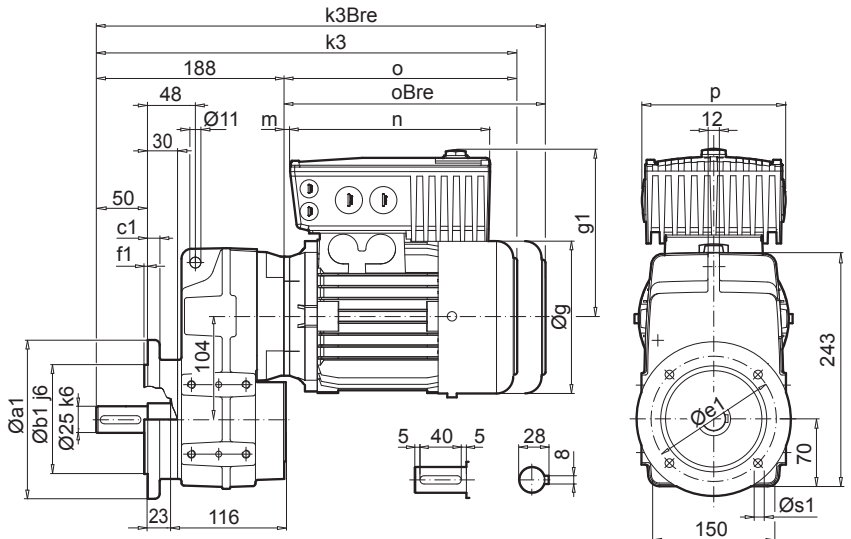
SK 0282NB/V



SK 0282NB/AF



SK 0282NB/VF



a1	b1	c1	e1	f1	s1
160	110	12	130	3,5	4 x 9

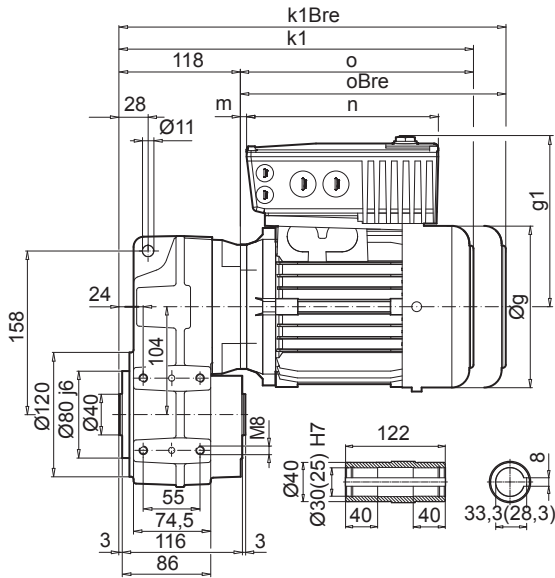
Motor + SK200E

IE1 IE2 IE3	71 S/L -	- 80 SH/LH - /LP	- 90 SH/LH SP/LP				
SK200E 340-A (-C)	- 550 - - 750 -	- 550 - - 750 - - 111 - - 151 -	- 111 - - 151 - - 221 -				
g	145	165	183				
g1	200	195	200				
k / kBre	382 / 440	404 / 468	444 / 519				
k1 / k1Bre	332 / 390	354 / 418	394 / 469				
k2 / k2Bre	352 / 410	374 / 438	414 / 489				
k3 / k3Bre	402 / 460	424 / 488	464 / 539				
o / oBre	214 / 272	236 / 300	276 / 351				
m	-4	5	9				
n	236	236	236				
p	156	156	156				

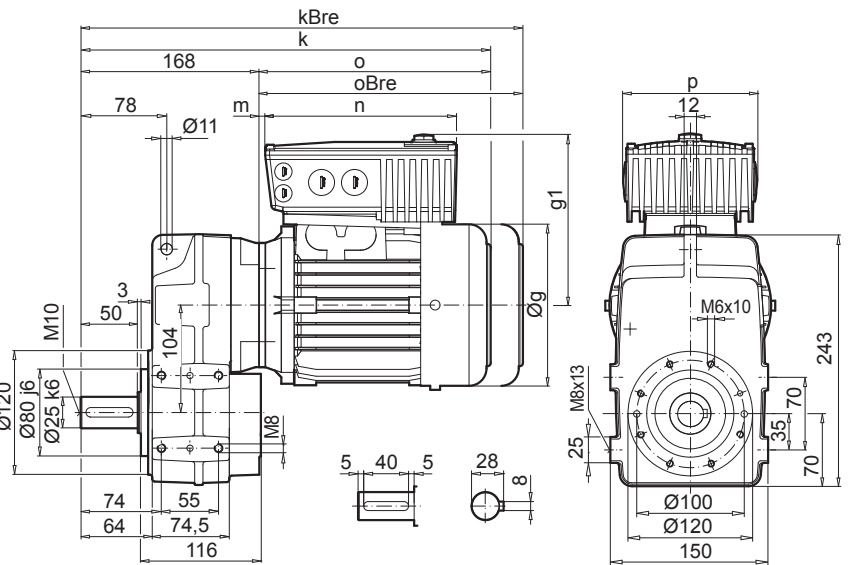
Parallel shaft
gear units



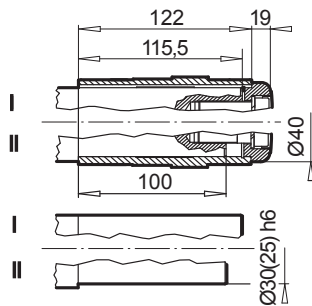
SK 0282NB/AZ



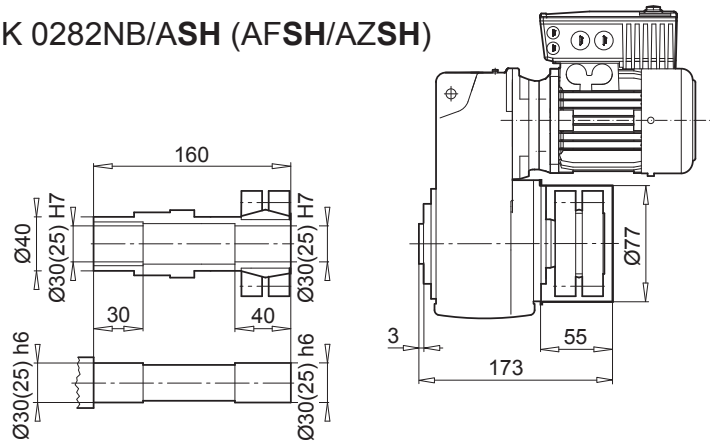
SK 0282NB/VZ



SK 0282NB/AB (AFB/AZB)



SK 0282NB/ASH (AFSH/AZSH)



Parallel shaft gear units

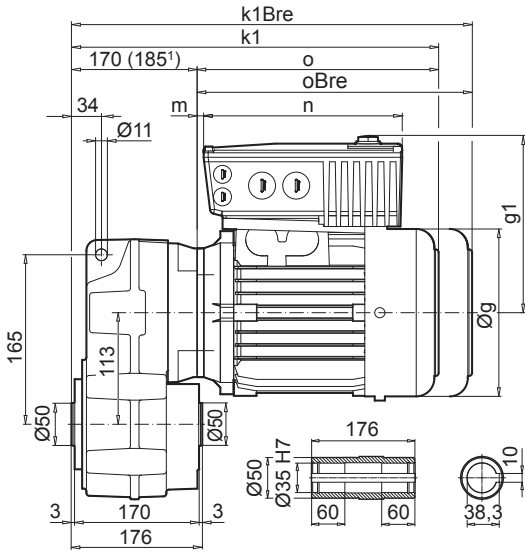
Motor + SK180E

IE1 IE2 IE3	71 S/L - -	- 80 SH/LH - /LP		- 90 SH SP				
SK180E 340-B (-C)	- 550 - - 750 -	- 550 - - 750 - - 111 -	- 151 -	- 111 -	- 151 - - 221 -			
g	145	165	165	183	183			
g1	184	177	203	182	208			
k / kBre	382 / 440	404 / 468	404 / 468	444 / 519	444 / 519			
k1 / k1Bre	332 / 390	354 / 418	354 / 418	394 / 469	394 / 469			
k2 / k2Bre	352 / 410	374 / 438	374 / 438	414 / 489	414 / 489			
k3 / k3Bre	402 / 460	424 / 488	424 / 488	464 / 539	464 / 539			
o / oBre	214 / 272	236 / 300	236 / 300	276 / 351	276 / 351			
m	-4	5	5	9	9			
n	221	221	253	221	253			
p	154	154	165	154	165			

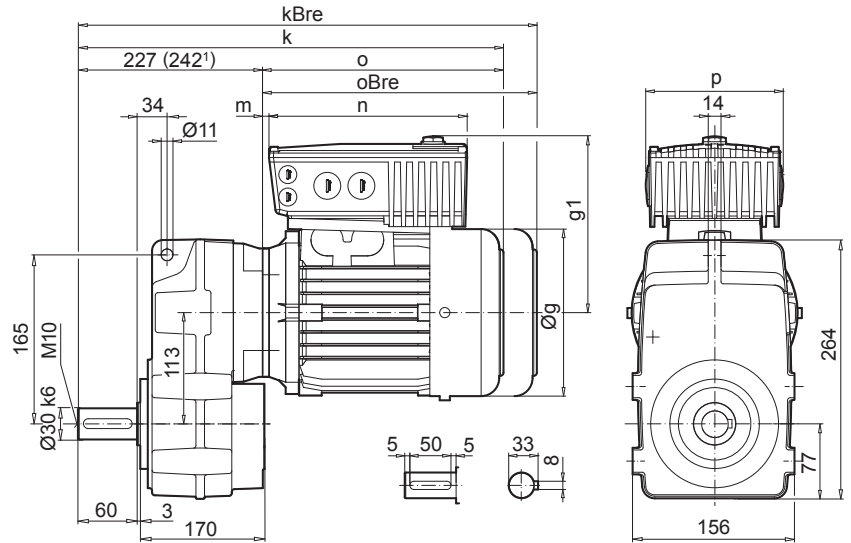
SK 1382NB



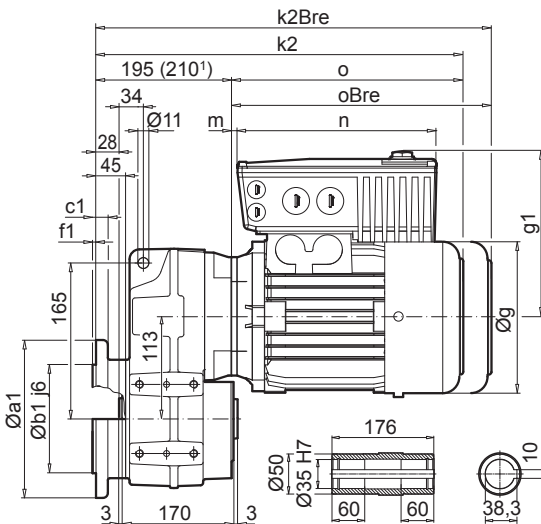
SK 1382NB/A



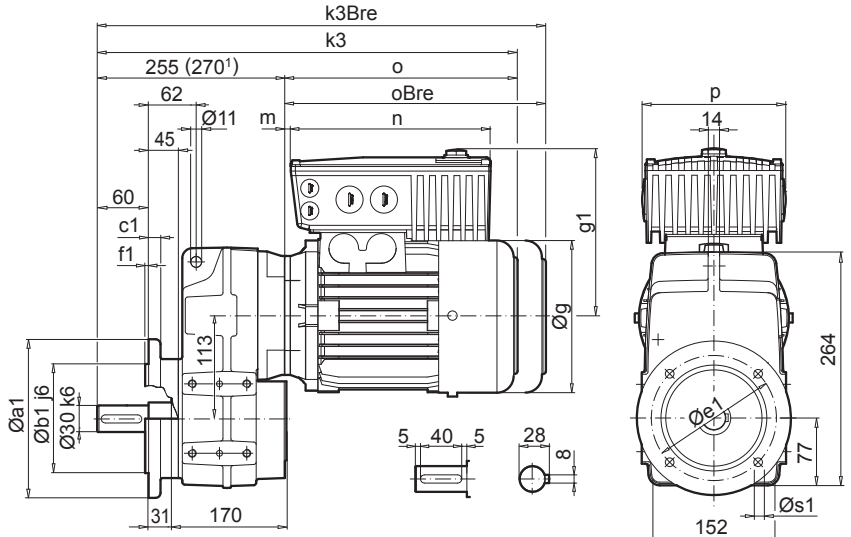
SK 1382NB/V



SK 1382NB/AF



SK 1382NB/VF



a1	b1	c1	e1	f1	s1
160	110	12	130	3,5	4 x 9
200	130	12	165	3,5	4 x 11

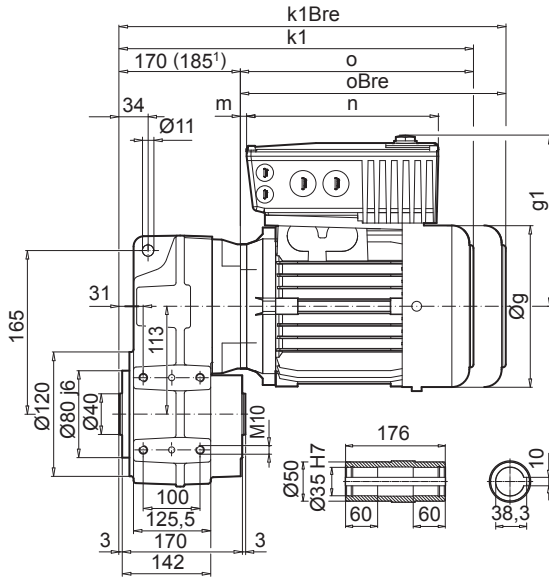
Motor + SK200E

IE1 IE2 IE3	71 S/L -	- 80 SH/LH - /LP	- 90 SH/LH ¹⁾ SP/LP		- 100 LH ¹⁾ LP				
SK 200E 340-A (-C)	- 550 - - 750 -	- 550 - - 750 - - 111 - - 151 -	- 111 - - 151 - - 221 -	- 301 -	- 221 -	- 301 -			
g	145	165	183	183	201	201			
g1	200	195	200	207	211	218			
k / kBre	441 / 499	463 / 527	518 / 593	518 / 593	548 / 639	548 / 639			
k1 / k1Bre	381 / 439	403 / 467	458 / 533	458 / 533	488 / 579	488 / 579			
k2 / k2Bre	409 / 467	431 / 495	486 / 561	486 / 561	516 / 607	516 / 607			
k3 / k3Bre	469 / 527	491 / 555	546 / 621	546 / 621	576 / 667	576 / 667			
o / oBre	214 / 272	236 / 300	276 / 351	276 / 351	306 / 397	306 / 397			
m	-4	5	9	9	15	15			
n	236	236	236	266	236	266			
p	156	156	156	176	156	176			

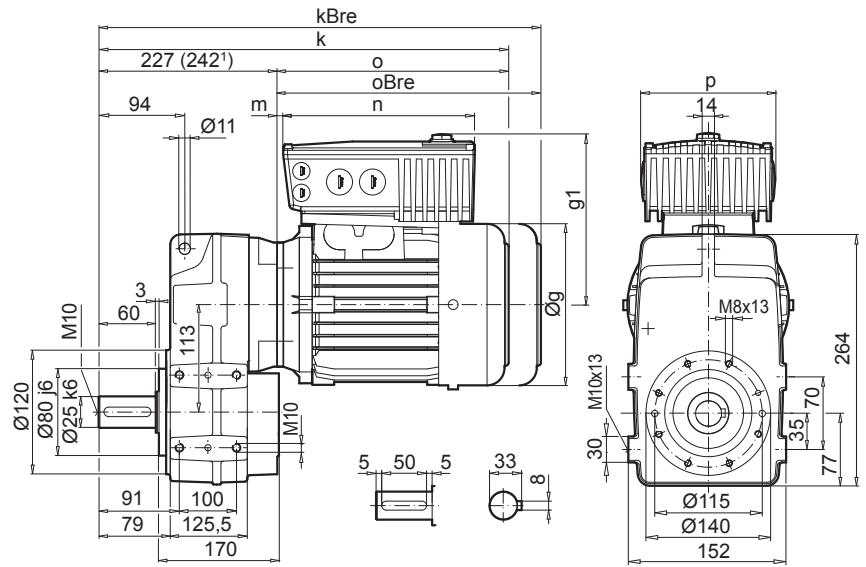
Parallel shaft gear units



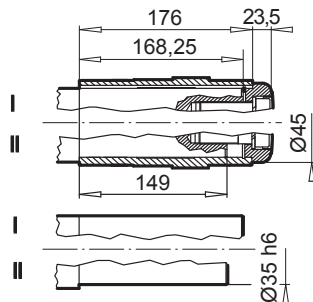
SK 1382NB/AZ



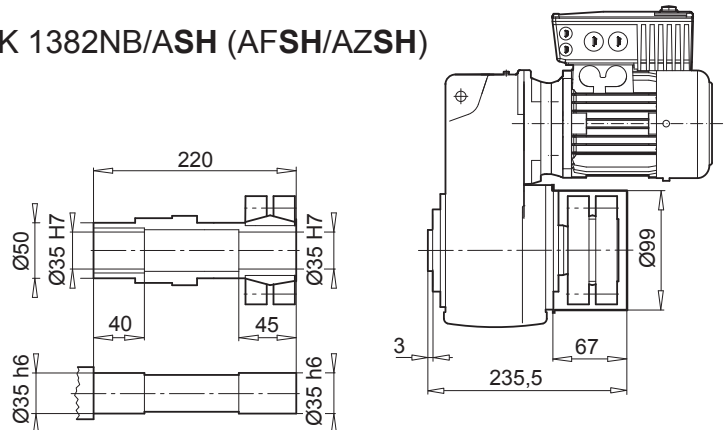
SK 1382NB/VZ



SK 1382NB/AB (AFB/AZB)



SK 1382NB/ASH (AFSH/AZSH)



Parallel shaft gear units

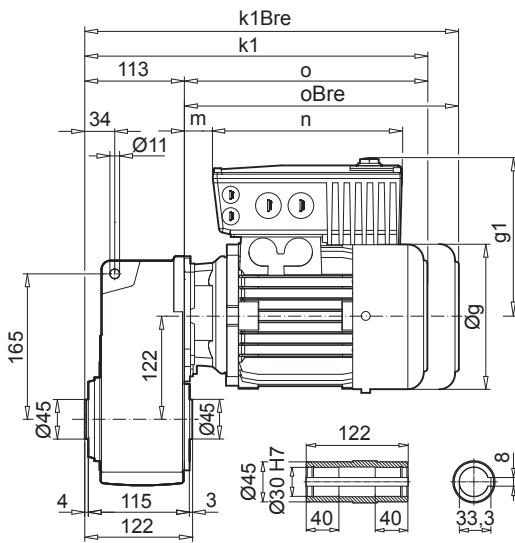
Motor + SK180E

IE1 IE2 IE3	71 S/L -	- 80 SH/LH - /LP		- 90 SH/LH ¹⁾ SP/LP		- 100 LH ¹⁾ LP	
SK 180E 340-B (-C)	- 550 - - 750 -	- 550 - - 750 - - 111 -	- 151 -	- 111 -	- 151 - - 221 -	- 221 -	
g	145	165	165	183	183	201	
g1	184	177	203	182	208	219	
k / kBre	441 / 499	463 / 527	463 / 527	518 / 593	518 / 593	548 / 639	
k1 / k1Bre	381 / 439	403 / 467	403 / 467	458 / 533	458 / 533	488 / 579	
k2 / k2Bre	409 / 467	431 / 495	431 / 495	486 / 561	486 / 561	516 / 607	
k3 / k3Bre	469 / 527	491 / 555	491 / 555	546 / 621	546 / 621	576 / 667	
o / oBre	214 / 272	236 / 300	236 / 300	276 / 351	276 / 351	306 / 397	
m	-4	5	5	9	9	15	
n	221	221	253	221	253	253	
p	154	154	165	154	165	165	

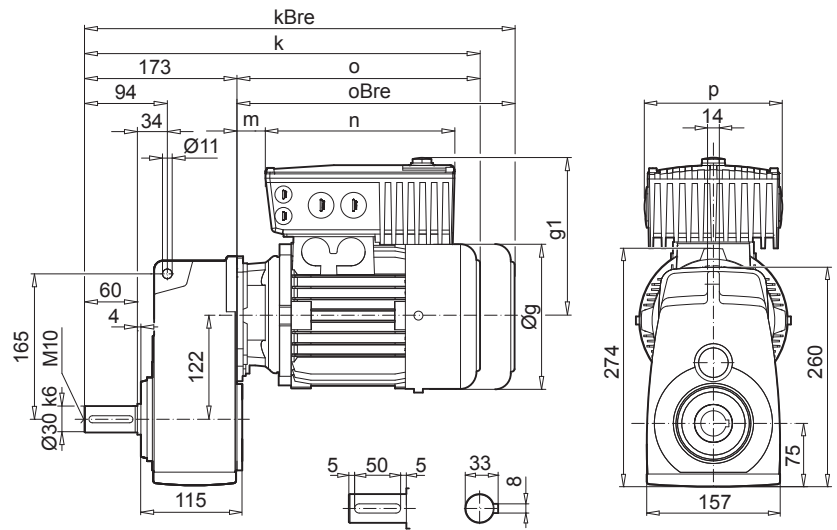
SK 1282



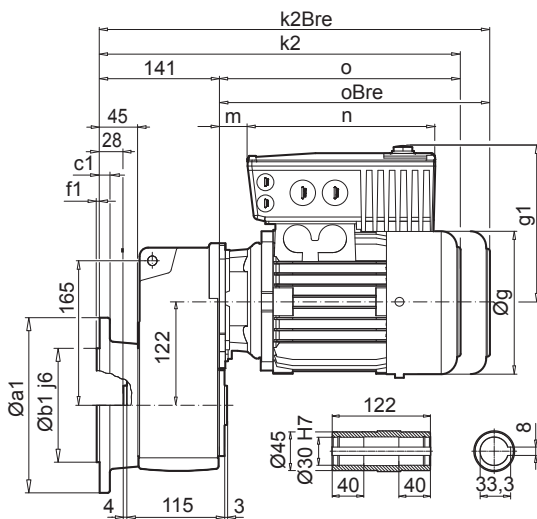
SK 1282A



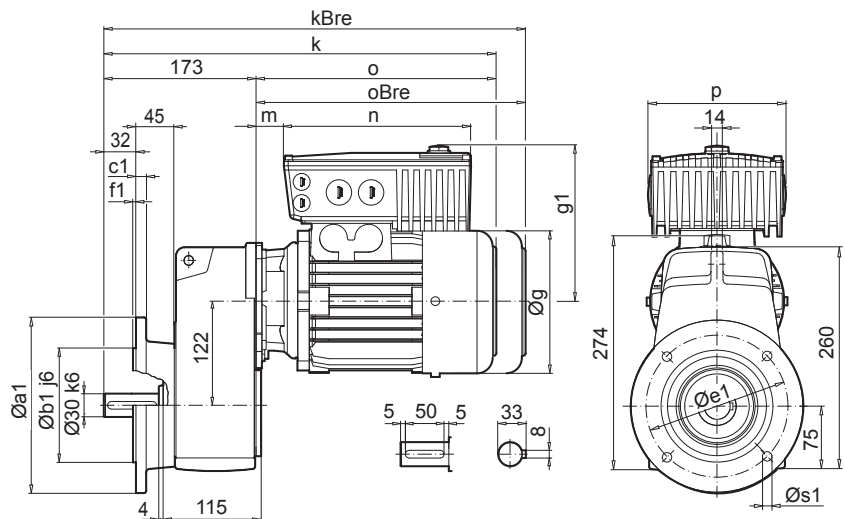
SK 1282V



SK 1282AF



SK 1282VF



Parallel shaft gear units

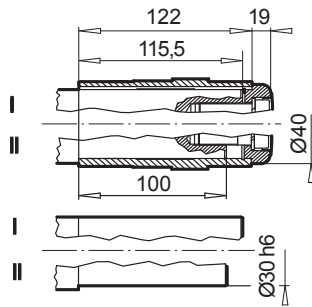
a1	b1	c1	e1	f1	s1
200	130	12	165	3,5	4 x 11

Motor + SK200E

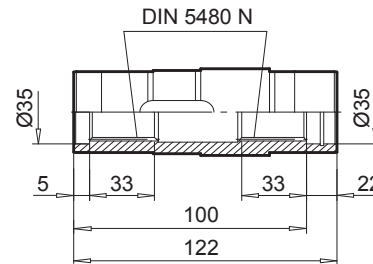
IE1 IE2 IE3	71 S/L -	- 80 SH/LH - /LP	- 90 SH/LH SP/LP		- 100 LH/AH LP/AP			- 112 MH MP	
SK 200E 340-A (-C)	- 550 - - 750 -	- 550 - - 750 - - 111 - - 151 -	- 111 - - 151 - - 221 -	- 301 -	- 221 -	- 301 - - 401 -	- 551 -	- 401 -	- 551 -
g	145	165	183	183	201	201	201	228	228
g1	200	195	200	207	211	218	251	228	261
k / kBre	409 / 467	434 / 498	475 / 550	475 / 550	505 / 596	505 / 596	505 / 596	553 / 646	553 / 646
k1 / k1Bre	349 / 407	374 / 438	415 / 490	415 / 490	445 / 536	445 / 536	445 / 536	493 / 586	493 / 586
k2 / k2Bre	377 / 435	402 / 466	443 / 518	443 / 518	473 / 564	473 / 564	473 / 564	521 / 614	521 / 614
o / oBre	236 / 294	261 / 325	302 / 377	302 / 377	332 / 423	332 / 423	332 / 423	380 / 473	380 / 473
m	18	30	35	35	41	41	33	47	39
n	236	236	236	266	236	266	330	266	330
p	156	156	156	176	156	176	218	176	218



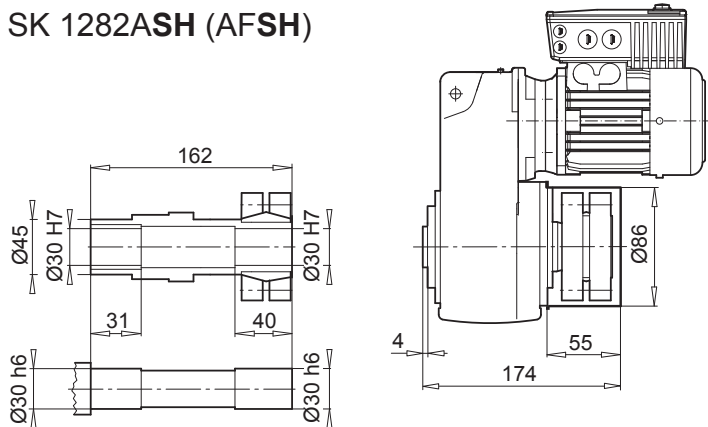
SK 1282AB (AFB)



SK 1282EA



SK 1282ASH (AFSH)



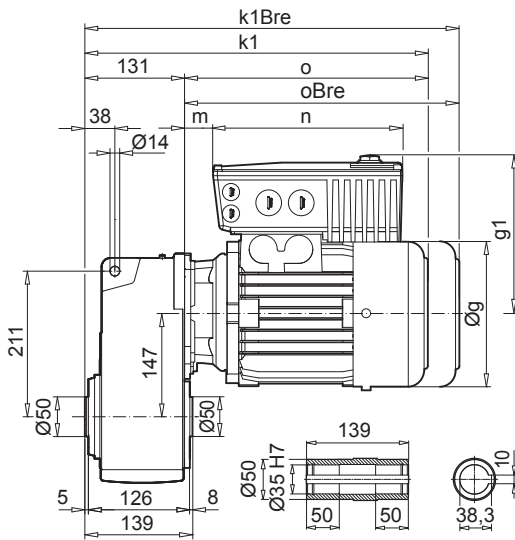
Motor + SK180E

IE1 IE2 IE3	71 S/L -	- 80 SH/LH - /LP		- 90 SH/LH SP/LP		- 100 LH LP			
SK 180E 340-B (-C)	- 550 - - 750 -	- 550 - - 750 - - 111 -	- 151 -	- 111 -	- 151 - - 221 -	- 221 -			
g	145	165	165	183	183	201			
g1	184	177	203	182	208	219			
k / kBre	409 / 467	434 / 498	434 / 498	475 / 550	475 / 550	505 / 596			
k1 / k1Bre	349 / 407	374 / 438	374 / 438	415 / 490	415 / 490	445 / 536			
k2 / k2Bre	377 / 435	402 / 466	402 / 466	443 / 518	443 / 518	473 / 564			
o / oBre	236 / 294	261 / 325	261 / 325	302 / 377	302 / 377	332 / 423			
m	18	30	30	35	35	41			
n	221	221	253	221	253	253			
p	154	154	165	154	165	165			

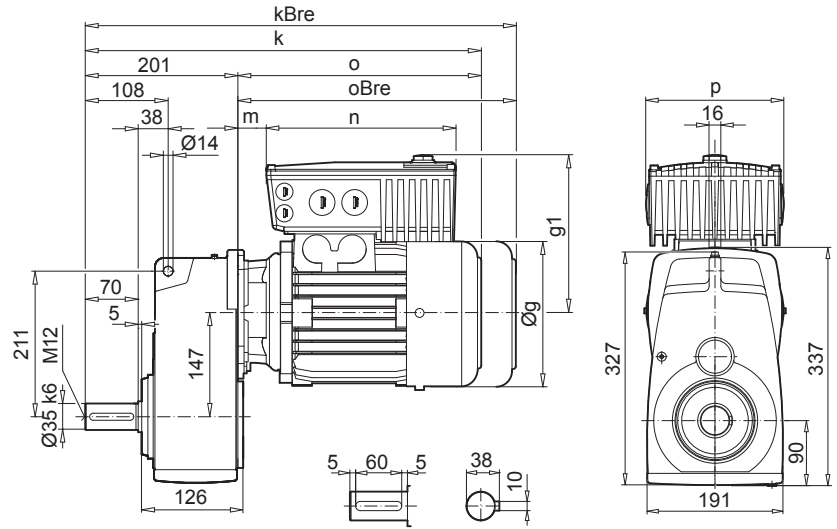
SK 2282



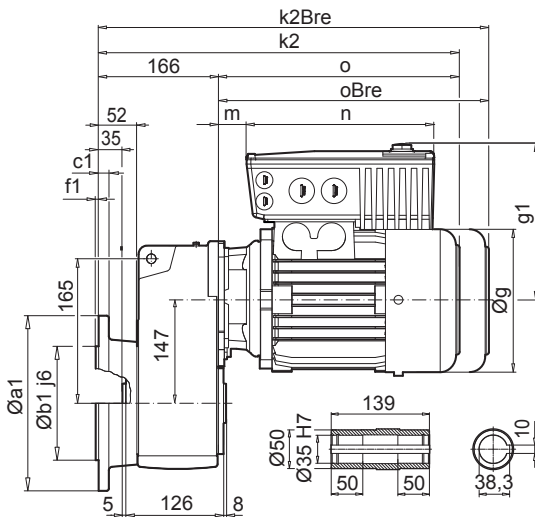
SK 2282A



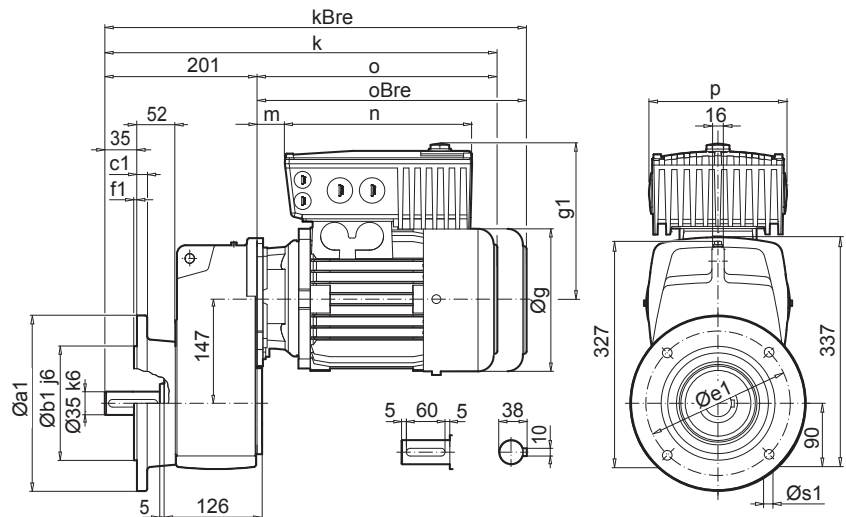
SK 2282V



SK 2282AF



SK 2282VF



a1	b1	c1	e1	f1	s1
250	180	16	215	4	4 x 13,5

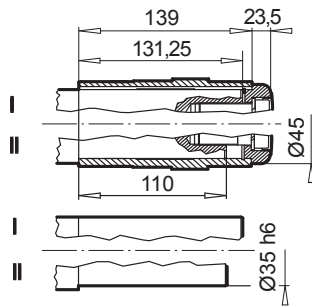
Motor + SK200E

IE1 IE2 IE3	71 S/L -	80 SH/LH - /LP	90 SH/LH SP/LP	100 LH/AH LP/AP	112 MH MP	132 SH/MH SP/MP				
SK 200E 340-A (-C)	- 550 - - 750 -	- 550 - - 750 - - 111 - - 151 -	- 111 - - 151 - - 221 -	- 301 -	- 221 -	- 301 - - 401 -	- 551 -	- 401 -	- 551 - - 751 -	- 551 - - 751 -
g	145	165	183	183	201	201	201	228	228	266
g1	200	195	200	207	211	218	251	228	261	262
k / kBre	431 / 489	456 / 520	497 / 572	497 / 572	527 / 618	527 / 618	527 / 618	575 / 668	575 / 668	636 / 743
k1 / k1Bre	361 / 419	386 / 450	427 / 502	427 / 502	457 / 548	457 / 548	457 / 548	505 / 598	505 / 598	566 / 673
k2 / k2Bre	396 / 454	421 / 485	462 / 537	462 / 537	492 / 583	492 / 583	492 / 583	540 / 633	540 / 633	601 / 708
o / oBre	230 / 288	255 / 319	296 / 371	296 / 371	326 / 417	326 / 417	326 / 417	374 / 467	374 / 467	435 / 542
m	12	24	29	29	35	35	27	41	33	49
n	236	236	236	266	236	266	330	266	330	330
p	156	156	156	176	156	176	218	176	218	218

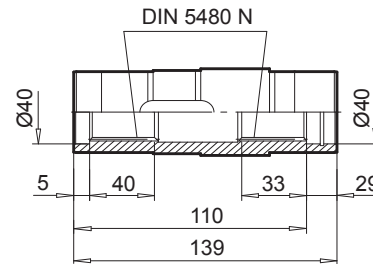
Parallel shaft gear units



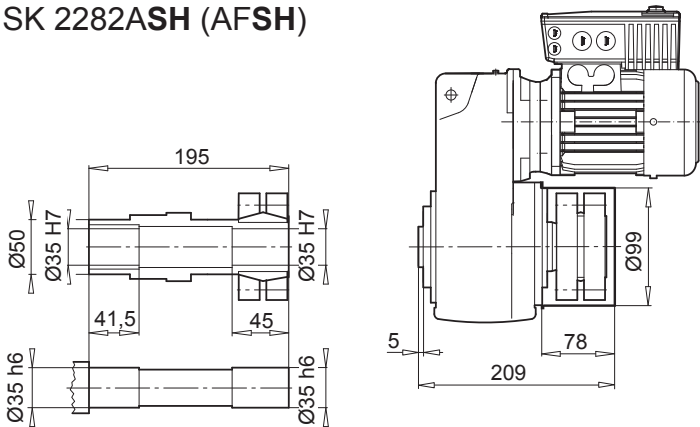
SK 2282AB (AFB)



SK 2282EA



SK 2282ASH (AFSH)



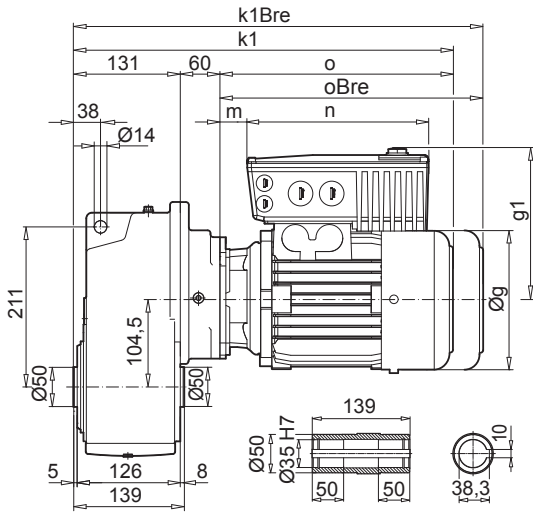
Motor + SK180E

IE1 IE2 IE3	71 S/L - -	- 80 SH/LH - /LP		- 90 SH/LH SP/LP		- 100 LH LP			
SK 180E 340-B (-C)	- 550 - - 750 -	- 550 - - 750 - - 111 -	- 151 -	- 111 -	- 151 - - 221 -	- 221 -			
g	145	165	165	183	183	201			
g1	184	177	203	182	208	219			
k / kBre	431 / 489	456 / 520	456 / 520	497 / 572	497 / 572	527 / 618			
k1 / k1Bre	361 / 419	386 / 450	386 / 450	427 / 502	427 / 502	457 / 548			
k2 / k2Bre	396 / 454	421 / 485	421 / 485	462 / 537	462 / 537	492 / 583			
o / oBre	230 / 288	255 / 319	255 / 319	296 / 371	296 / 371	326 / 417			
m	12	24	24	29	29	35			
n	221	221	253	221	253	253			
p	154	154	165	154	165	165			

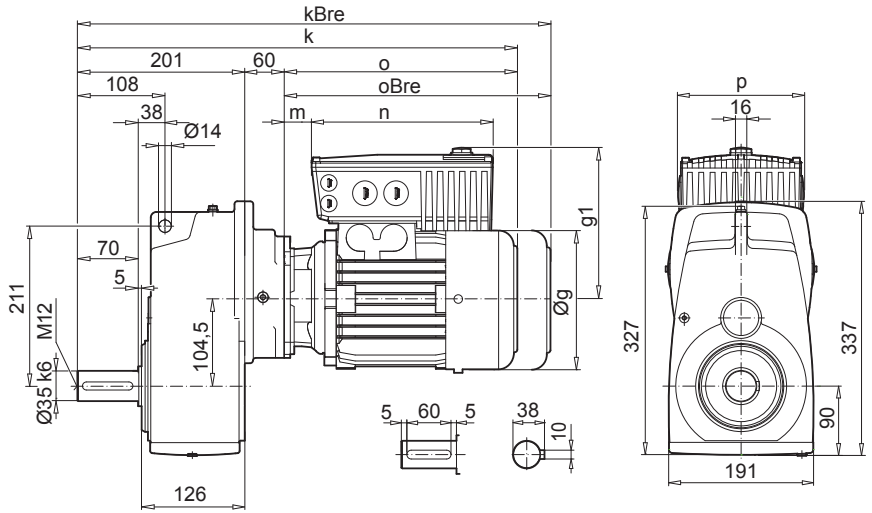
SK 2382



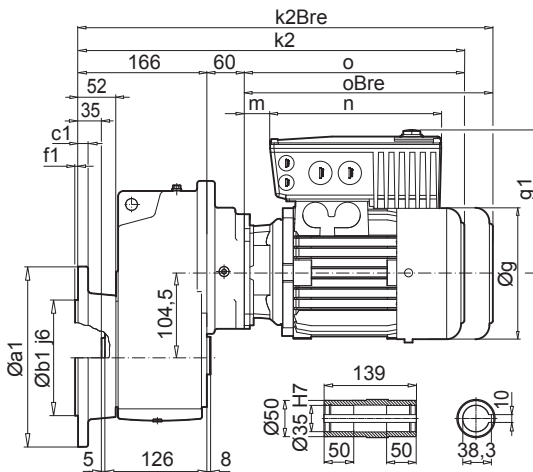
SK 2382A



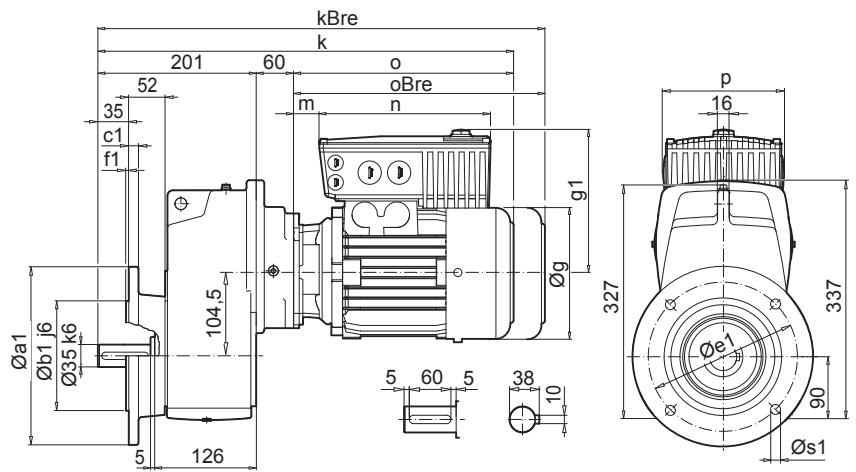
SK 2382V



SK 2382AF



SK 2382VF



Parallel shaft gear units

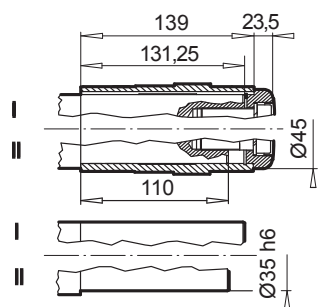
a1	b1	c1	e1	f1	s1
250	180	16	215	4	4 x 13,5

Motor + SK200E

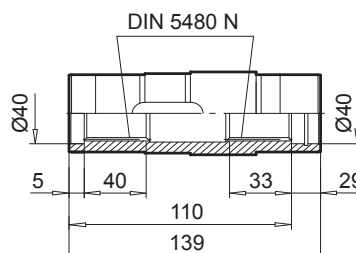
IE1 IE2 IE3	71 S/L - -	- 80 SH/LH - /LP	- 90 SH/LH SP/LP				
SK 200E 340-A (-C)	- 550 - - 750 -	- 550 - - 750 - - 111 - - 151 -	- 111 - - 151 -				
g	145	165	183				
g1	200	195	200				
k / kBre	497 / 555	522 / 586	563 / 638				
k1 / k1Bre	427 / 485	452 / 516	493 / 568				
k2 / k2Bre	462 / 520	487 / 551	528 / 603				
o / oBre	236 / 294	261 / 325	296 / 371				
m	18	30	35				
n	236	236	236				
p	156	156	156				



SK 2382AB (AFB)



SK 2382EA



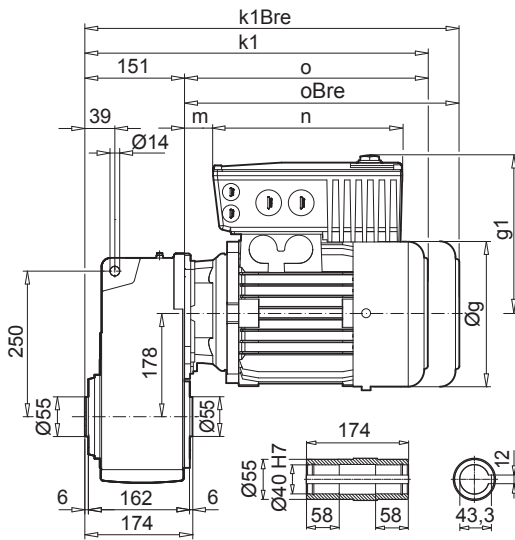
Motor + SK180E

IE1 IE2 IE3	71 S/L - -	- 80 SH/LH - /LP		- 90 SH/LH SP/LP					
SK 180E 340-B (-C)	- 550 - - 750 -	- 550 - - 750 - - 111 -	- 151 -	- 111 -	- 151 -				
g	145	165	165	183	183				
g1	184	177	203	182	208				
k / kBre	497 / 555	522 / 586	522 / 586	563 / 638	563 / 638				
k1 / k1Bre	427 / 485	452 / 516	452 / 516	493 / 568	493 / 568				
k2 / k2Bre	462 / 520	487 / 551	487 / 551	528 / 603	528 / 603				
o / oBre	236 / 294	261 / 325	261 / 325	296 / 371	296 / 371				
m	18	30	30	35	35				
n	221	221	253	221	253				
p	154	154	165	154	165				

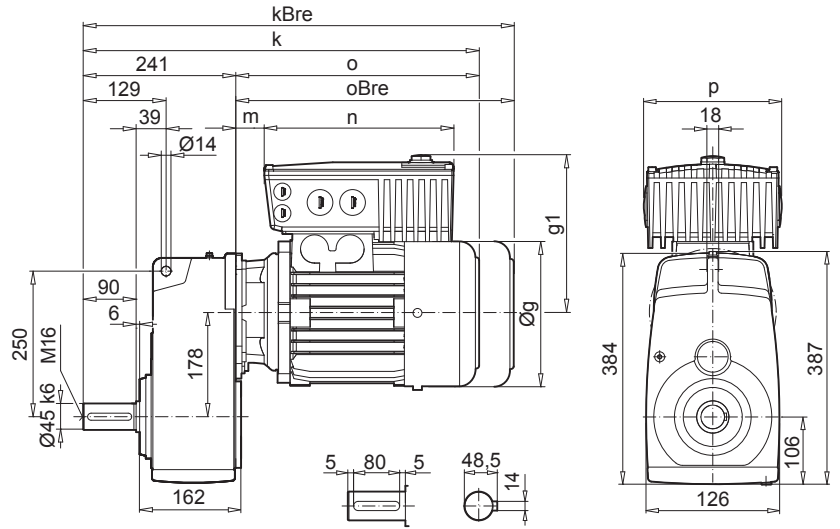
SK 3282



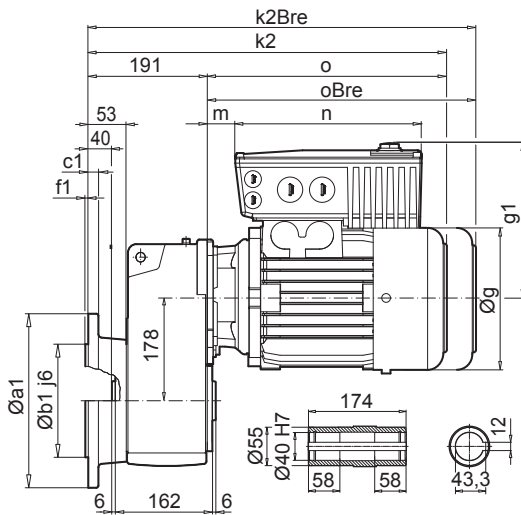
SK 3282A



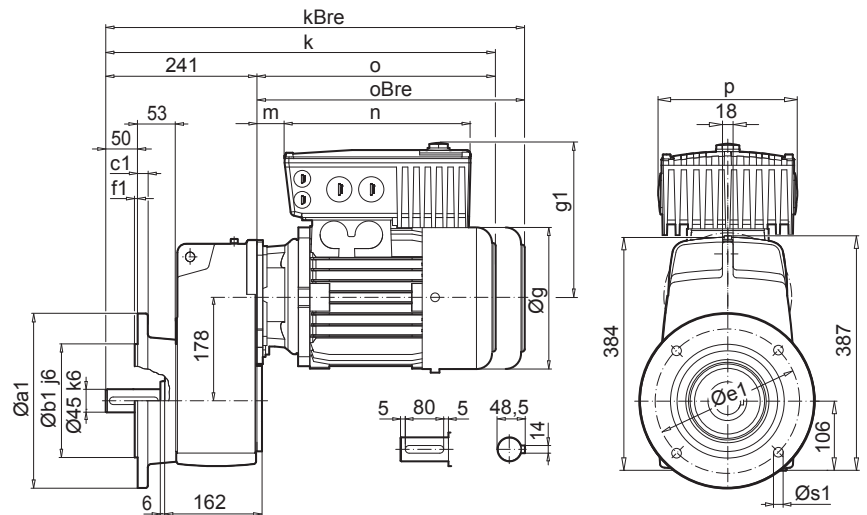
SK 3282V



SK 3282AF



SK 3282VF



Parallel shaft gear units

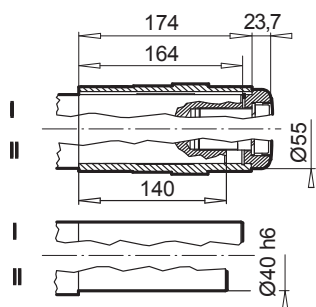
a1	b1	c1	e1	f1	s1
250	180	15	215	4	4 x 13,5
300	230	20	265	4	4 x 13,5

Motor + SK200E

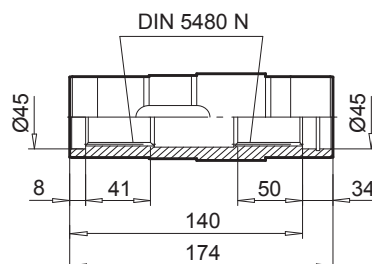
IE1 IE2 IE3	71 S/L - -	- 80 SH/LH - /LP	- 90 SH/LH SP/LP	- 100 LH/AH LP/AP	- 112 MH MP	- 132 SH/MH/LH SP/MP/-					
SK 200E 340-A (-C)	- 550 - - 750 -	- 550 - - 750 - - 111 - - 151 -	- 111 - - 151 - - 221 -	- 301 -	- 221 - - 301 - - 401 -	- 551 - - 751 -	- 401 - - 551 - - 751 -	- 551 - - 751 -	- 112 -		
g	145	165	183	183	201	201	201	228	228	266	266
g1	200	195	200	207	211	218	251	228	260	262	312
k / kBre	471 / 529	496 / 560	537 / 612	537 / 612	567 / 658	567 / 658	567 / 658	615 / 708	615 / 708	676 / 783	676 / 783
k1 / k1Bre	381 / 439	406 / 470	447 / 522	447 / 522	477 / 568	477 / 568	477 / 568	525 / 618	525 / 618	586 / 693	586 / 693
k2 / k2Bre	421 / 479	446 / 510	502 / 577	502 / 577	517 / 608	517 / 608	517 / 608	565 / 658	565 / 658	626 / 733	626 / 733
o / oBre	230 / 288	255 / 319	296 / 371	296 / 371	326 / 417	326 / 417	326 / 417	374 / 467	374 / 467	435 / 542	435 / 542
m	12	24	29	29	35	35	27	41	33	49	-8
n	230	236	236	266	236	266	330	266	330	330	480
p	156	156	156	176	156	176	218	176	218	218	305



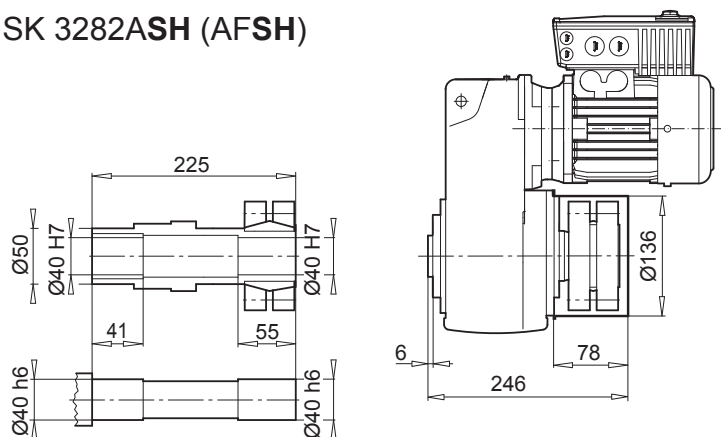
SK 3282AB (AFB)



SK 3282EA



SK 3282ASH (AFSH)



Parallel shaft gear units

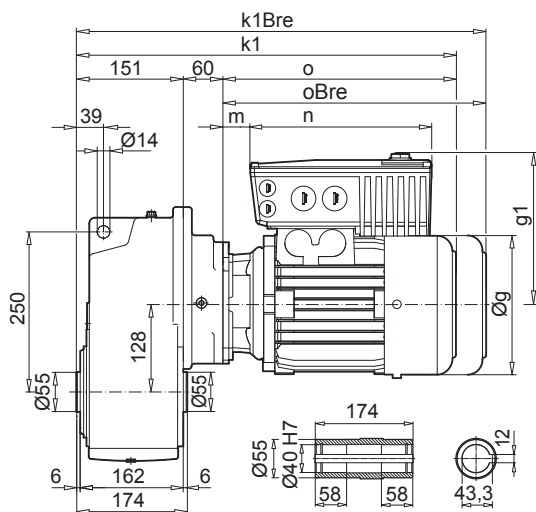
Motor + SK180E

IE1 IE2 IE3	71 S/L -	80 SH/LH - /LP		90 SH/LH SP/LP		100 LH/AH LP/AP		
SK 180E 340-B (-C)	- 550 - - 750 -	- 550 - - 750 - - 111 -	- 151 -	- 111 -	- 151 - - 221 -	- 221 -		
g	145	165	165	183	183	201		
g1	184	177	203	182	208	219		
k / kBre	471 / 529	496 / 560	496 / 560	537 / 612	537 / 612	567 / 658		
k1 / k1Bre	381 / 439	406 / 470	406 / 470	447 / 522	447 / 522	477 / 568		
k2 / k2Bre	421 / 479	446 / 510	446 / 510	502 / 577	502 / 577	517 / 608		
o / oBre	230 / 288	255 / 319	255 / 319	296 / 371	296 / 371	326 / 417		
m	12	24	24	29	29	35		
n	221	221	253	221	253	253		
p	154	154	165	154	165	165		

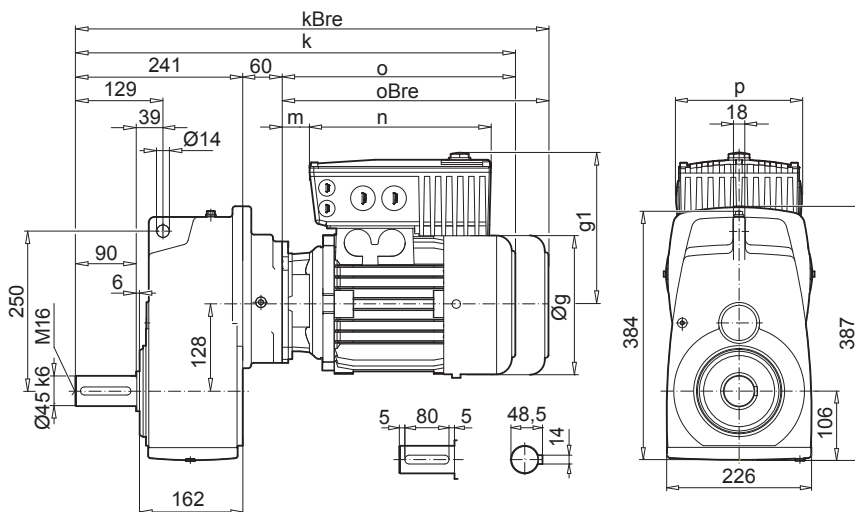
SK 3382



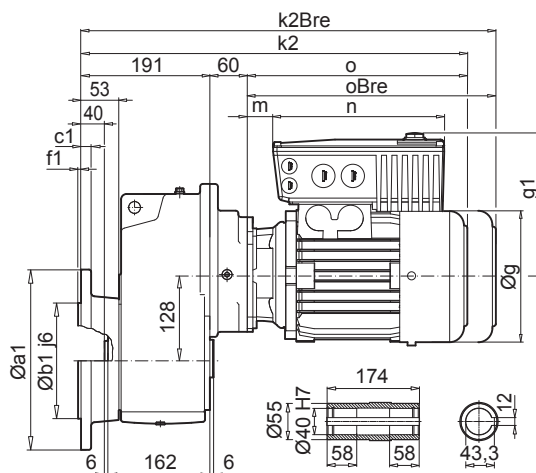
SK 3382A



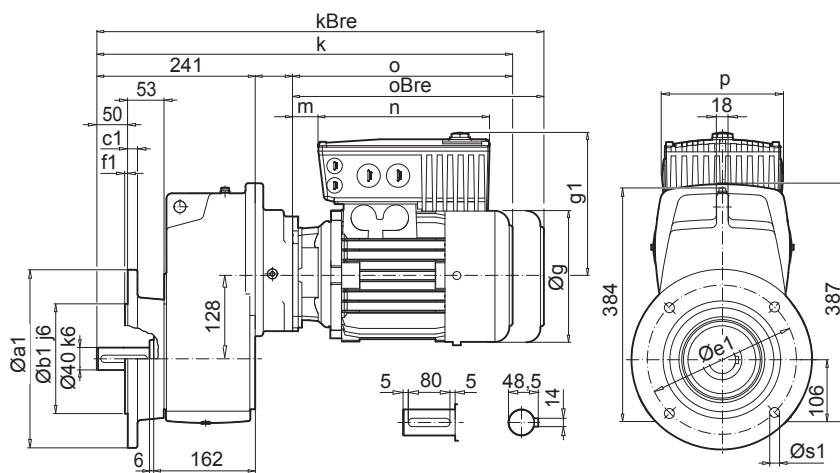
SK 3382V



SK 3382AF



SK 3382VF



Parallel shaft gear units

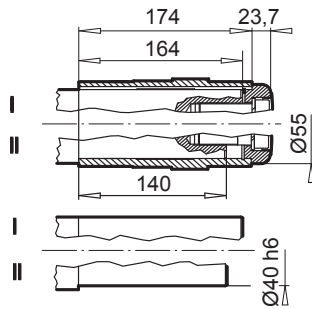
a1	b1	c1	e1	f1	s1
250	180	15	215	4	4 x 13,5
300	230	20	265	4	4 x 13,5

Motor + SK200E

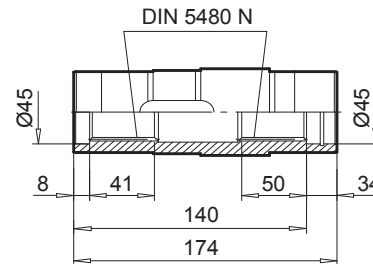
IE1 IE2 IE3	71 S/L - -	- 80 SH/LH - /LP	- 90 SH SP					
SK 200E 340-A (-C)	- 550 - - 750 -	- 550 - - 750 - - 111 - - 151 -	- 111 - - 151 -					
g	145	165	183					
g1	200	195	200					
k / kBre	537 / 565	562 / 626	603 / 678					
k1 / k1Bre	447 / 475	472 / 536	513 / 588					
k2 / k2Bre	487 / 515	512 / 576	553 / 628					
o / oBre	230 / 288	261 / 325	302 / 377					
m	18	30	35					
n	236	236	236					
p	156	156	156					



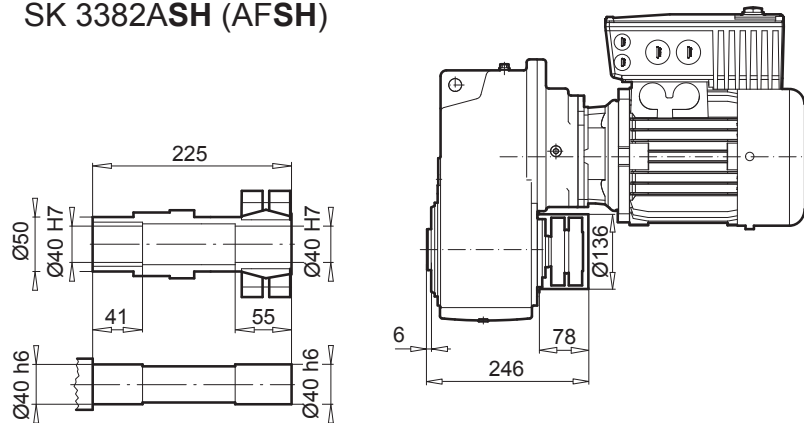
SK 3382AB (AFB)



SK 3382EA



SK 3382ASH (AFSH)



Parallel shaft gear units

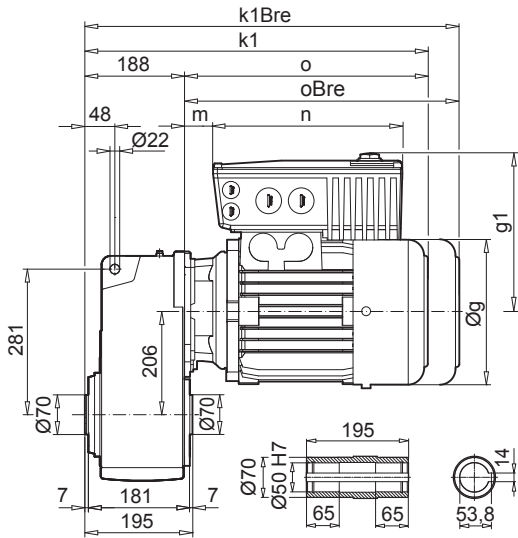
Motor + SK180E

	71 S/L		80 SH/LH		90 SH				
	IE1	IE2	-	-	SP				
SK 180E	- 550 -	- 550 -	- 550 -	- 151 -	- 111 -	- 151 -			
340-B (-C)	- 750 -	- 750 -	- 750 -						
g	145	165	165	183	183				
g1	184	177	203	182	208				
k / kBre	537 / 565	562 / 626	562 / 626	603 / 678	603 / 678				
k1 / k1Bre	447 / 475	472 / 536	472 / 536	513 / 588	513 / 588				
k2 / k2Bre	487 / 515	512 / 576	512 / 576	553 / 628	553 / 628				
o / oBre	230 / 288	261 / 325	261 / 325	302 / 377	302 / 377				
m	18	30	30	35	35				
n	221	221	253	221	253				
p	154	154	165	154	165				

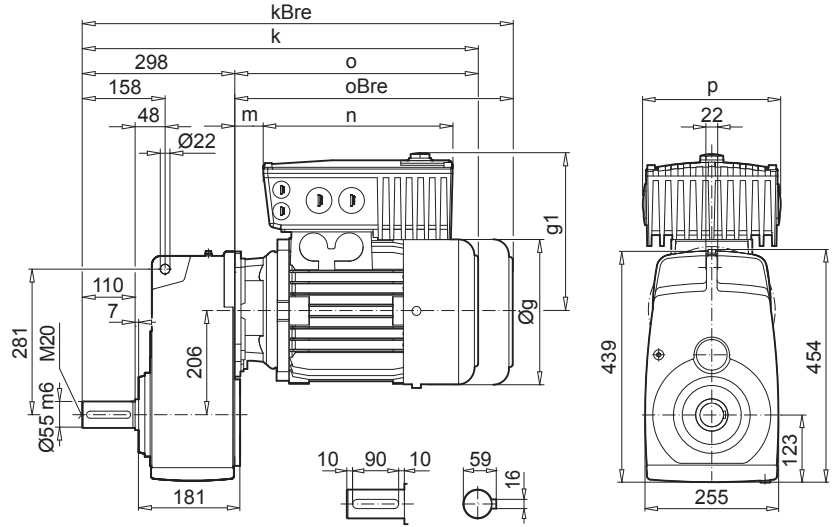
SK 4282



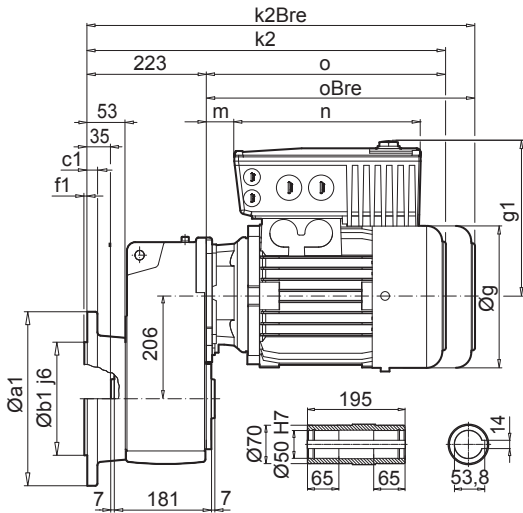
SK 4282A



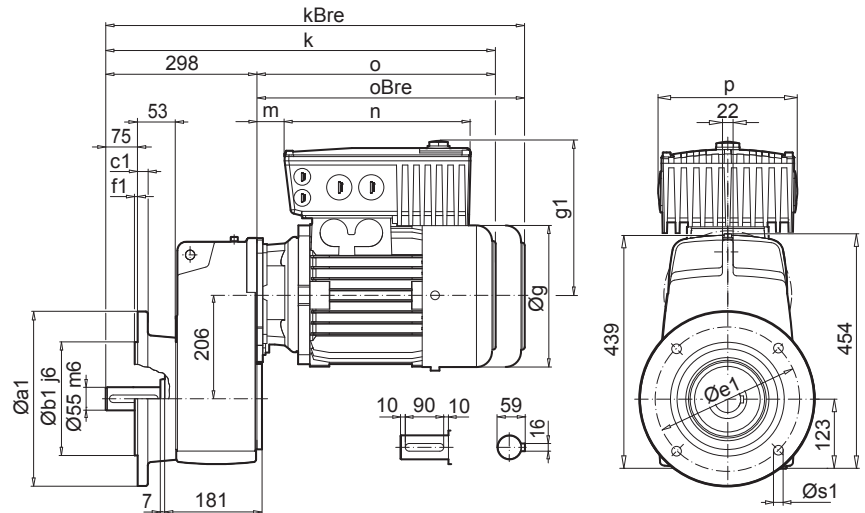
SK 4282V



SK 4282AF



SK 4282VF



Parallel shaft gear units

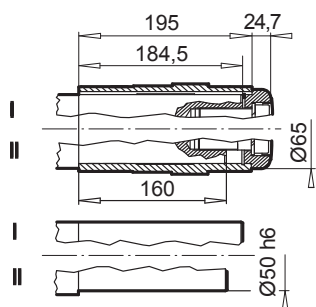
a1	b1	c1	e1	f1	s1
250	180	14,5	215	4	4 x 14
300	230	20	265	4	4 x 14

Motor + SK200E

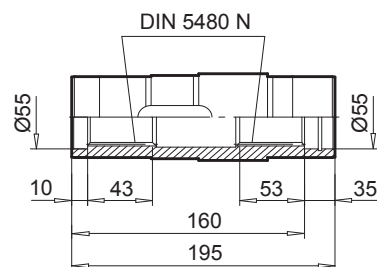
IE1 IE2 IE3	- 90 SH/LH SP/LP		- 100 LH/AH LP/AP			- 112 MH MP		- 132 SH/MH/LH SP/MP/ -		- 160 MH MP	- 160 LH LP	- 180 MH/LH MP/LP
SK 200E 340-A (-C)	- 111 - - 151 - - 221 -	- 301 -	- 221 -	- 301 - - 401 -	- 551 -	- 401 -	- 551 - - 751 -	- 551 - - 751 -	- 112 - - 152 - - 182 -	- 112 - - 222 -	- 152 - - 222 -	- 182 - - 222 -
g	183	183	201	201	201	228	228	266	266	320	320	358
g1	200	207	211	218	250	228	260	262	312	317	317	337
k / kBre	574 / 649	574 / 649	604 / 695	604 / 695	604 / 695	652 / 745	652 / 745	713 / 820	713 / 820	790 / 925	834 / 969	932 / 1060
k1 / k1Bre	464 / 539	464 / 539	494 / 585	494 / 585	494 / 585	542 / 635	542 / 635	603 / 710	603 / 710	680 / 815	724 / 859	822 / 950
k2 / k2Bre	499 / 574	499 / 574	529 / 620	529 / 620	529 / 620	577 / 670	577 / 670	638 / 745	638 / 745	715 / 850	759 / 894	857 / 985
o / oBre	276 / 351	276 / 351	306 / 397	306 / 397	306 / 397	354 / 447	354 / 447	415 / 522	415 / 522	492 / 627	536 / 671	634 / 762
m	9	9	15	15	7	21	13	29	-28	6	6	28
n	236	266	236	266	330	266	330	330	480	480	480	480
p	156	176	156	176	218	176	218	218	305	305	305	305



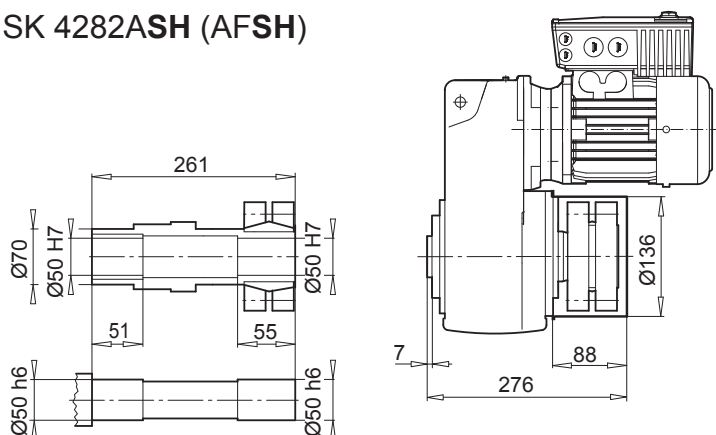
SK 4282AB (AFB)



SK 4282EA



SK 4282ASH (AFSH)



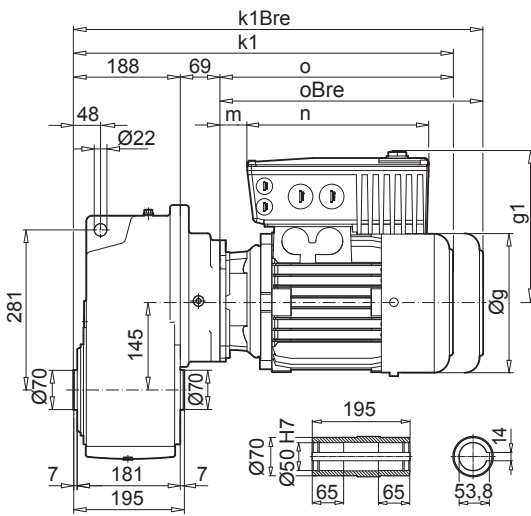
Motor + SK180E

IE1 IE2 IE3	- 90 SH/LH SP/LP		- 100 LH/AH LP/AP					
	- 111 -	- 151 - - 221 -	- 221 -					
SK 180E 340-B (-C)								
g	183	183	201					
g1	182	208	219					
k / kBre	574 / 649	574 / 649	604 / 695					
k1 / k1Bre	464 / 539	464 / 539	494 / 585					
k2 / k2Bre	499 / 574	499 / 574	529 / 620					
o / oBre	276 / 351	276 / 351	306 / 397					
m	9	9	15					
n	221	253	253					
p	154	165	165					

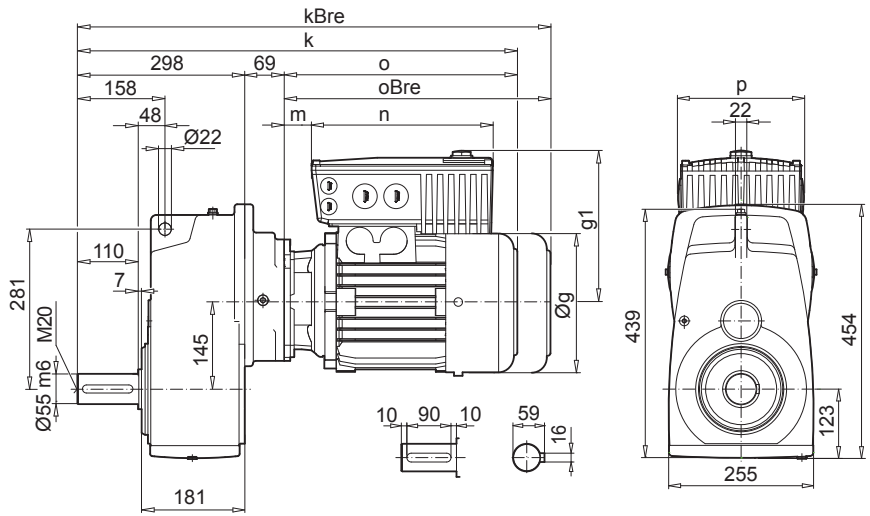
SK 4382



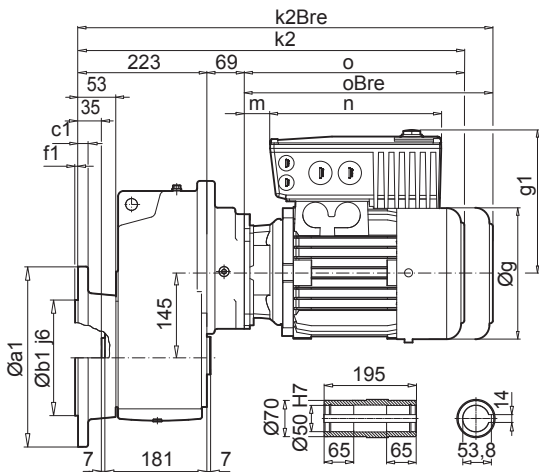
SK 4382A



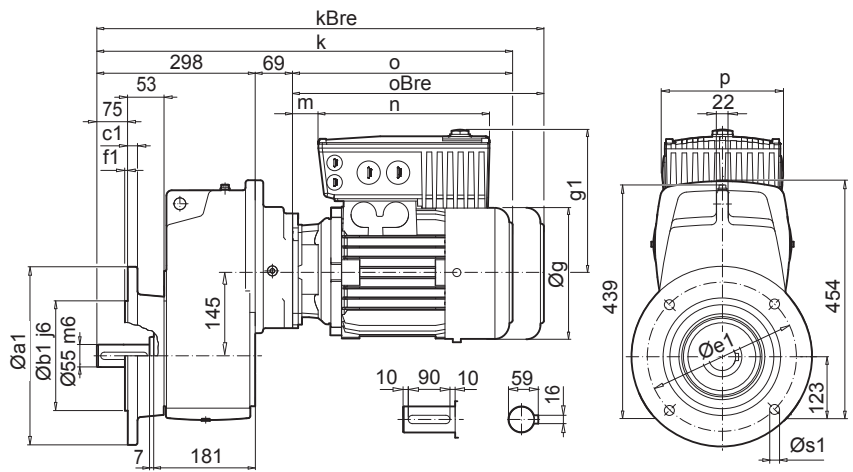
SK 4382V



SK 4382AF



SK 4382VF



Parallel shaft gear units

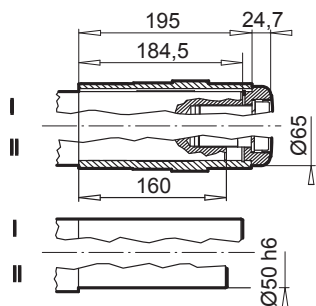
a1	b1	c1	e1	f1	s1
250	180	14,5	215	4	4 x 14
300	230	20	265	4	4 x 14

Motor + SK200E

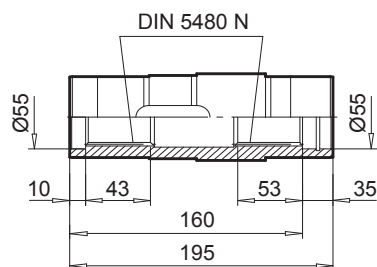
IE1 IE2 IE3	71 S/L -	- 80 SH/LH - /LP	- 90 SH/LH SP/LP	- 100 LH/AH LP/AP			
SK 200E 340-A (-C)	- 550 - - 750 -	- 550 - - 750 - - 111 - - 151 -	- 111 - - 151 - - 221 -	- 301 -	- 221 -	- 301 - - 401 -	
g	145	165	183	183	201	201	
g1	200	195	200	207	211	218	
k / kBre	597 / 655	622 / 686	663 / 738	663 / 738	693 / 784	693 / 784	
k1 / k1Bre	487 / 545	512 / 576	553 / 628	553 / 628	583 / 674	583 / 674	
k2 / k2Bre	522 / 580	547 / 611	588 / 663	588 / 663	618 / 709	618 / 709	
o / oBre	230 / 288	255 / 319	296 / 371	296 / 371	326 / 417	326 / 417	
m	12	24	29	29	35	35	
n	236	236	236	266	236	266	
p	156	156	156	176	156	176	



SK 4382AB (AFB)



SK 4382EA



Parallel shaft gear units

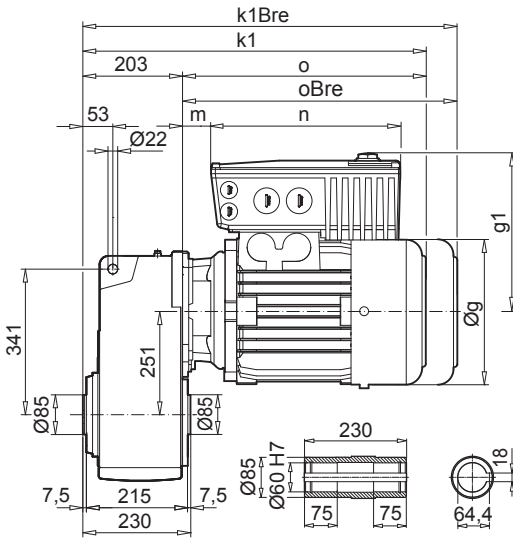
Motor + SK180E

IE1 IE2 IE3	71 S/L -	80 SH/LH - /LP		90 SH SP		100 LH/AH LP/AP		
SK 180E 340-B (-C)	- 550 - - 750 -	- 550 - - 750 - - 111 -	- 151 -	- 111 -	- 151 - - 221 -	- 221 -		
g	145	165	165	183	183	201		
g1	184	177	203	182	208	219		
k / kBre	597 / 655	622 / 686	622 / 686	663 / 738	663 / 738	693 / 784		
k1 / k1Bre	487 / 545	512 / 576	512 / 576	553 / 628	553 / 628	583 / 674		
k2 / k2Bre	522 / 580	547 / 611	547 / 611	588 / 663	588 / 663	618 / 709		
o / oBre	230 / 288	255 / 319	255 / 319	296 / 371	296 / 371	326 / 417		
m	12	24	24	29	29	35		
n	221	221	253	221	253	253		
p	154	154	165	154	165	165		

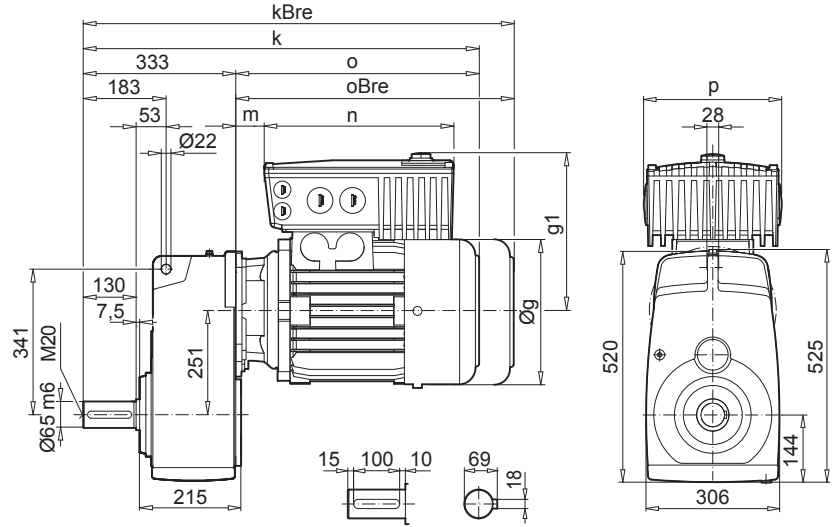
SK 5282



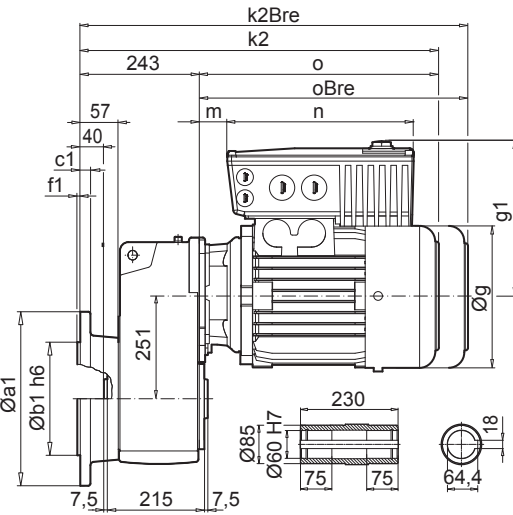
SK 5282A



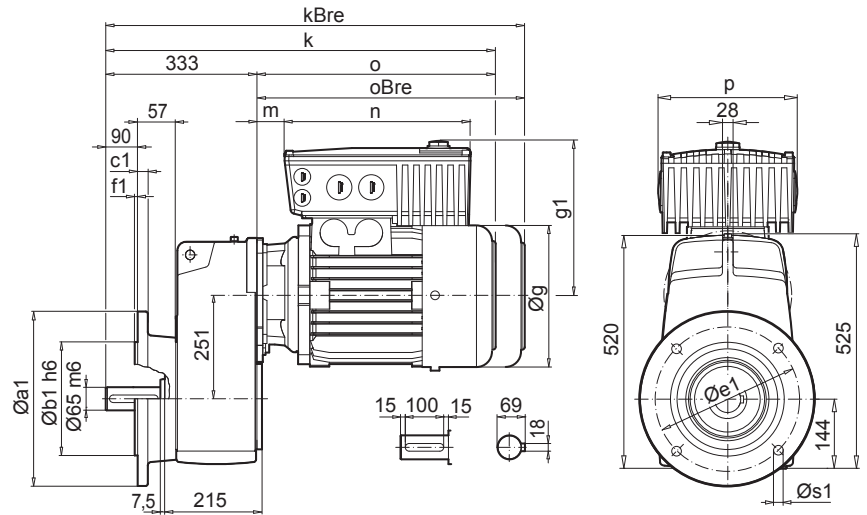
SK 5282V



SK 5282AF



SK 5282VF



Parallel shaft gear units

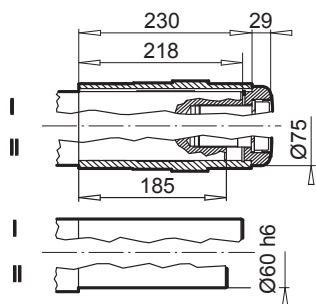
a1	b1	c1	e1	f1	s1
350	250	20	300	5	4 x 18

Motor + SK200E

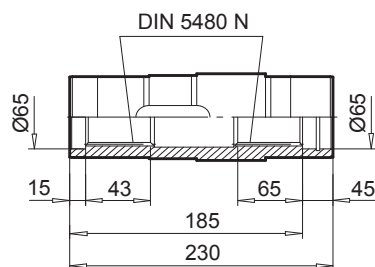
IE1 IE2 IE3	90 SH/LH SP/LP		100 LH/AH LP/AP			112 MH MP		132 SH/MH/LH SP/MP/ -		160 MH MP	160 LH LP	180 MH/LH MP/LP
SK 200E 340-A (-C)	- 111 - - 151 - - 221 -	- 301 -	- 221 -	- 301 - - 401 -	- 551 -	- 401 -	- 551 - - 751 -	- 551 - - 751 -	- 112 - - 152 - - 182 -	- 112 - - 222 -	- 152 - - 222 -	- 182 - - 222 -
g	183	183	201	201	201	228	228	266	266	320	320	358
g1	200	207	211	218	250	228	260	262	312	317	317	337
k / kBre	609 / 684	609 / 684	639 / 730	639 / 730	639 / 730	687 / 780	687 / 780	748 / 855	748 / 855	825 / 960	869 / 1004	967 / 1095
k1 / k1Bre	479 / 554	479 / 554	509 / 600	509 / 600	509 / 600	557 / 650	557 / 650	618 / 725	618 / 725	695 / 830	739 / 874	837 / 965
k2 / k2Bre	519 / 594	519 / 594	549 / 640	549 / 640	549 / 640	597 / 690	597 / 690	658 / 765	658 / 765	735 / 870	779 / 914	877 / 1005
o / oBre	276 / 351	276 / 351	306 / 397	306 / 397	306 / 397	354 / 447	354 / 447	415 / 522	415 / 522	492 / 627	536 / 671	634 / 762
m	9	9	15	15	7	21	13	29	-28	6	6	28
n	236	266	236	266	330	266	330	330	480	480	480	480
p	156	176	156	176	218	176	218	218	305	305	305	305



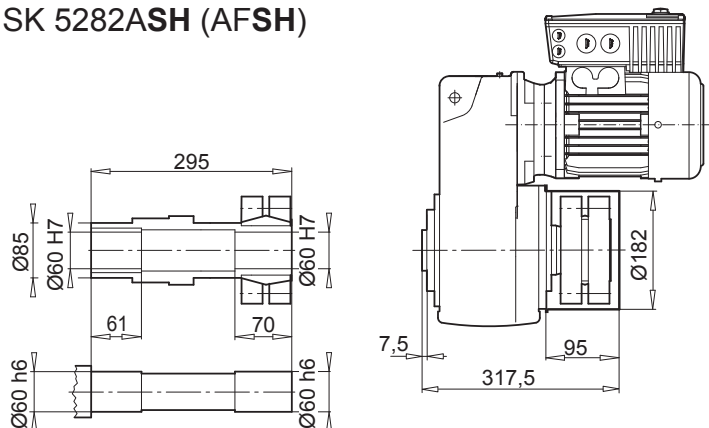
SK 5282AB (AFB)



SK 5282EA



SK 5282ASH (AFSH)



Parallel shaft gear units

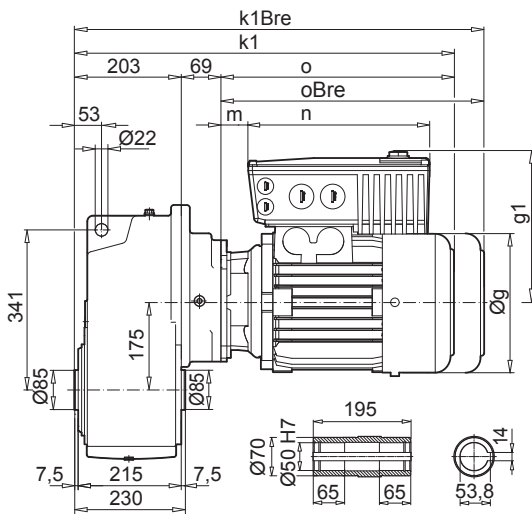
Motor + SK180E

IE1 IE2 IE3	- 90 SH/LH SP/LP		- 100 LH/AH LP/AP					
	- 111 -	- 151 - - 221 -	- 221 -					
SK 180E 340-B (-C)								
g	183	183	201					
g1	182	208	219					
k / kBre	609 / 684	609 / 684	639 / 730					
k1 / k1Bre	479 / 554	479 / 554	509 / 600					
k2 / k2Bre	519 / 594	519 / 594	549 / 640					
o / oBre	276 / 351	276 / 351	306 / 397					
m	9	9	15					
n	221	253	253					
p	154	165	165					

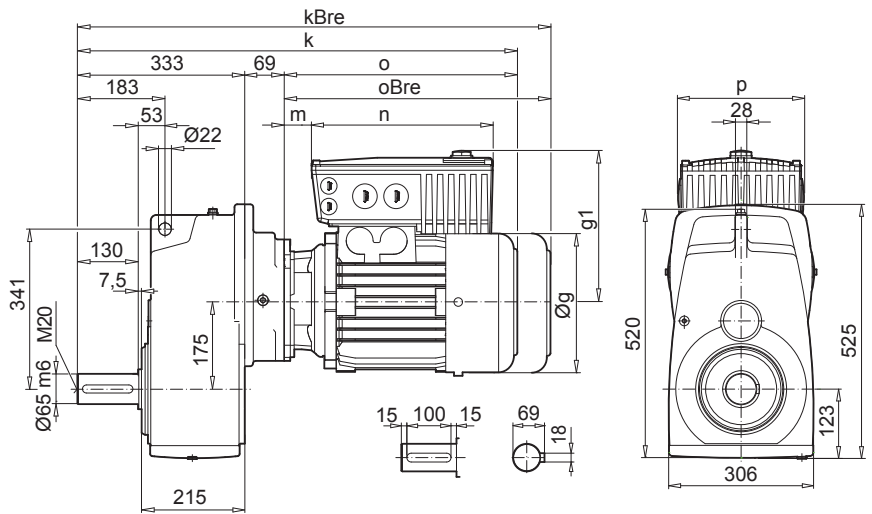
SK 5382



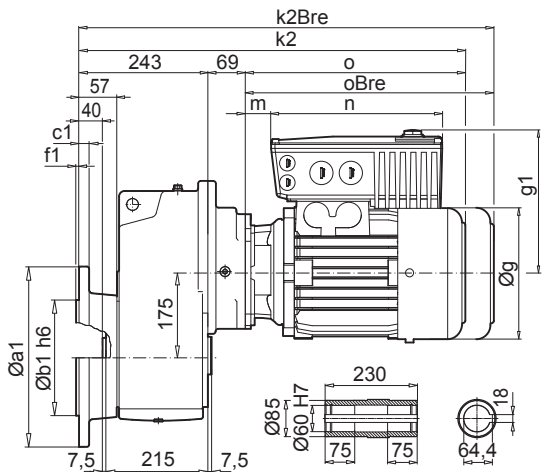
SK 5382A



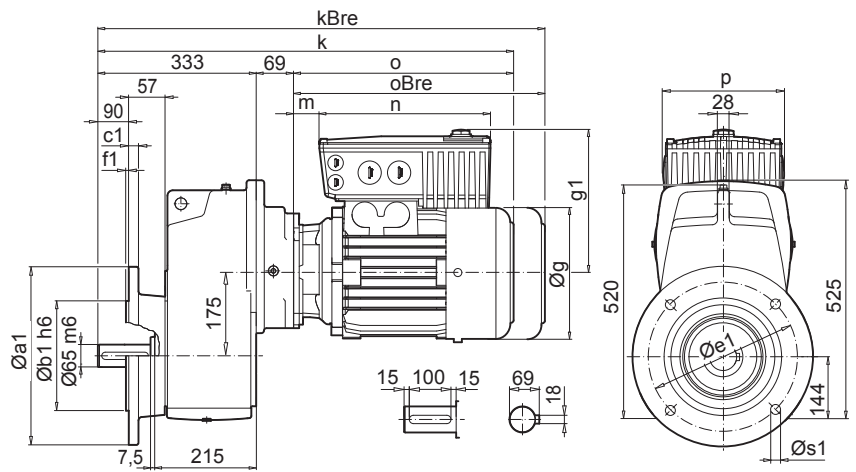
SK 5382V



SK 5382AF



SK 5382VF



Parallel shaft gear units

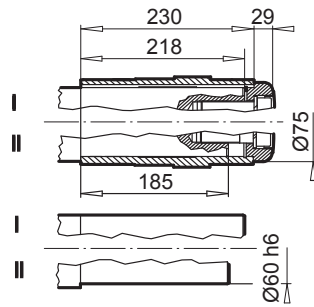
a1	b1	c1	e1	f1	s1
350	250	20	300	5	4 x 18

Motor + SK200E

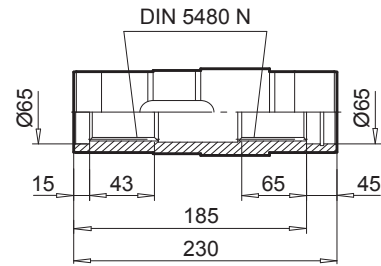
IE1 IE2 IE3	- 80 LH LP	- 90 SH/LH SP/LP	- 100 LH/AH LP/AP	- 112 MH MP	- 132 SH SP				
SK 200E 340-A (-C)	- 550 - - 750 - - 111 - - 151 -	- 111 - - 151 - - 221 -	- 301 -	- 221 -	- 301 - - 401 -	- 551 -	- 401 -	- 551 - - 751 -	- 551 - - 751 -
g	165	183	183	201	201	201	228	228	266
g1	195	200	207	211	218	251	228	261	262
k / kBre	657 / 721	698 / 773	698 / 773	728 / 819	728 / 819	728 / 819	776 / 869	776 / 869	837 / 944
k1 / k1Bre	527 / 591	568 / 643	568 / 643	598 / 689	598 / 689	598 / 689	646 / 739	646 / 739	707 / 814
k2 / k2Bre	567 / 631	608 / 683	608 / 683	638 / 729	638 / 729	638 / 729	686 / 779	686 / 779	747 / 854
o / oBre	255 / 319	296 / 371	296 / 371	326 / 417	326 / 417	326 / 417	374 / 467	374 / 467	435 / 542
m	24	29	29	35	35	27	41	33	49
n	236	236	266	236	266	330	266	330	330
p	156	156	176	156	176	218	176	218	218



SK 5382AB (AFB)



SK 5382EA



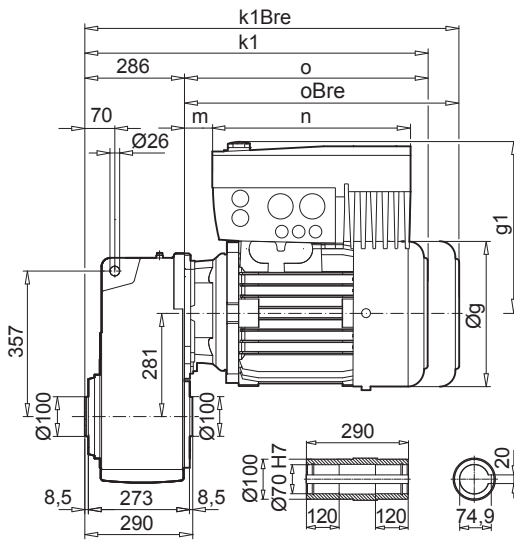
Motor + SK180E

IE1 IE2 IE3	- 80 SH/LH - /LP		- 90 SH/LH SP/LP		- 100 LH LP			
	- 550 - - 750 - - 111 -	- 151 -	- 111 -	- 151 - - 221 -	- 221 -			
SK 180E 340-B (-C)								
g	165	165	183	183	201			
g1	177	203	182	208	219			
k / kBre	657 / 721	657 / 721	698 / 773	698 / 773	728 / 819			
k1 / k1Bre	527 / 591	527 / 591	568 / 643	568 / 643	598 / 689			
k2 / k2Bre	567 / 631	567 / 631	608 / 683	608 / 683	638 / 729			
o / oBre	255 / 319	255 / 319	296 / 371	296 / 371	326 / 417			
m	24	24	29	29	35			
n	221	253	221	253	253			
p	154	165	154	165	165			

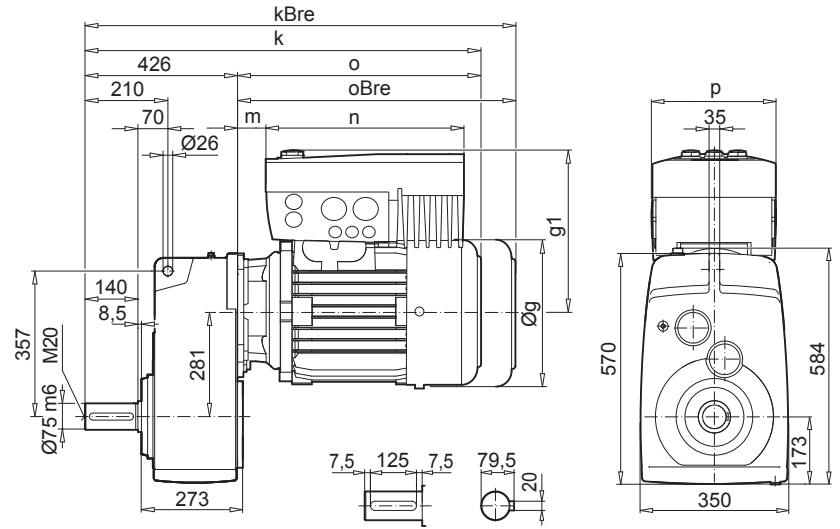
SK 6282



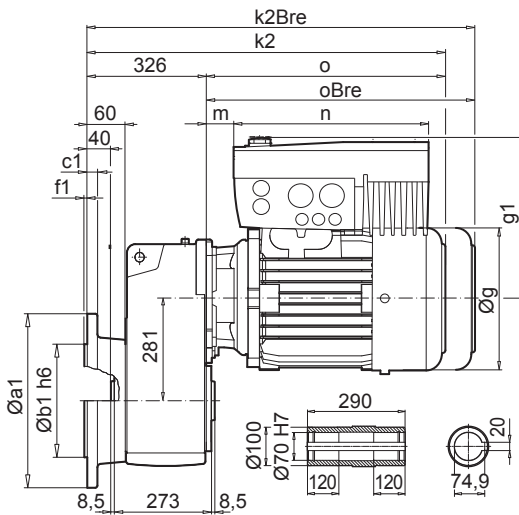
SK 6282A



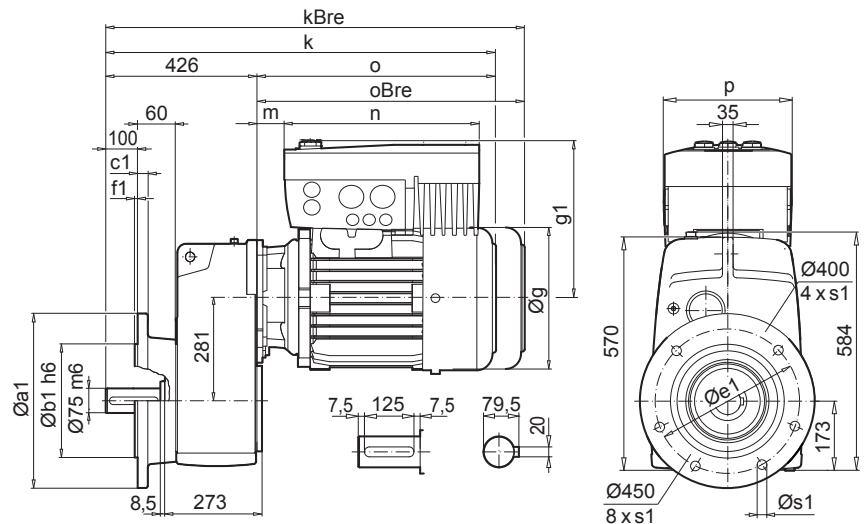
SK 6282V



SK 6282AF



SK 6282VF



Parallel shaft gear units

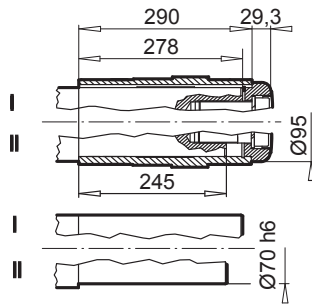
a1	b1	c1	e1	f1	s1
400	300	20	350	5	4 x 17,5
450	350	16	400	5	8 x 17,5

Motor + SK200E

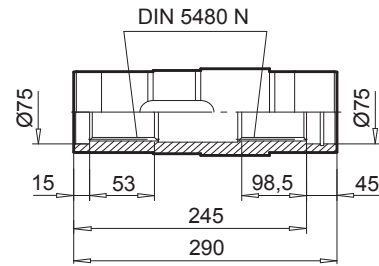
IE1 IE2 IE3	- 100 AH AP		- 112 MH MP		- 132 SH/MH/LH SP/MP/-		- 160 MH MP	- 160 LH LP	- 180 MH/LH MP/LP	
SK 200E 340-A (-C)	- 301 -	- 551 -	- 401 -	- 551 - - 751 -	- 551 - - 751 -	- 112 - - 152 - - 182 -	- 112 - - 222 -	- 152 - - 222 -	- 182 - - 222 -	
g	201	201	228	228	266	266	320	320	358	
g1	218	250	228	260	262	312	317	317	337	
k / kBre	732 / 823	732 / 823	777 / 870	777 / 870	861 / 968	861 / 968	918 / 1053	962 / 1097	1040 / 1168	
k1 / k1Bre	592 / 683	592 / 683	637 / 730	637 / 730	721 / 828	721 / 828	778 / 913	822 / 957	900 / 1028	
k2 / k2Bre	632 / 723	632 / 723	677 / 770	677 / 770	761 / 868	761 / 868	818 / 953	862 / 997	940 / 1068	
o / oBre	306 / 397	306 / 397	351 / 444	351 / 444	435 / 542	435 / 542	492 / 627	536 / 671	614 / 742	
m	15	7	18	10	49	-8	6	6	8	
n	266	330	266	330	330	480	480	480	480	
p	176	218	176	218	218	305	305	305	305	



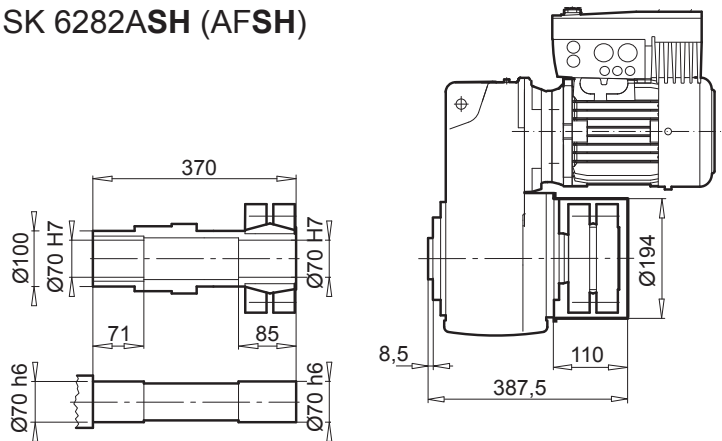
SK 6282AB (AFB)



SK 6282EA



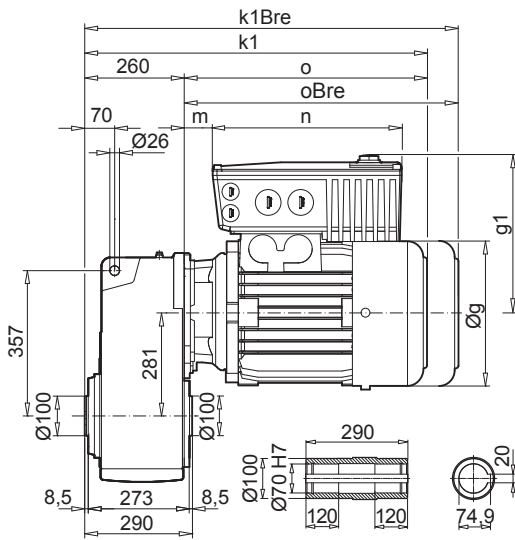
SK 6282ASH (AFSH)



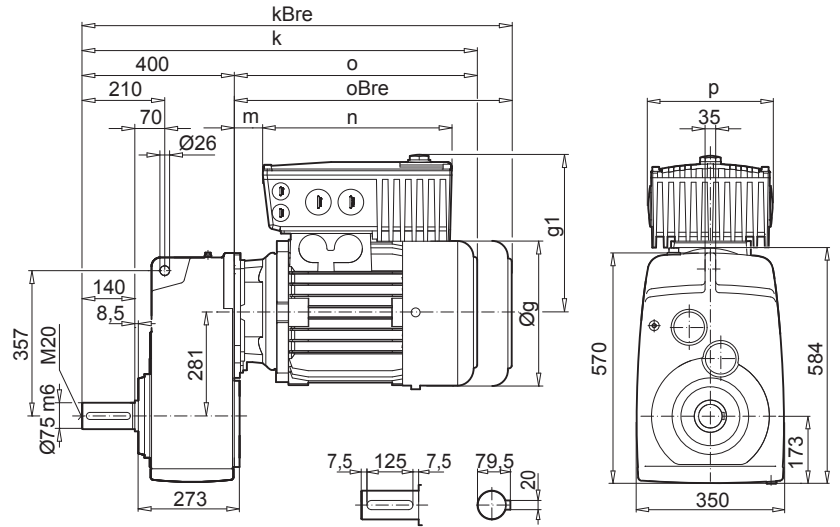
SK 6382



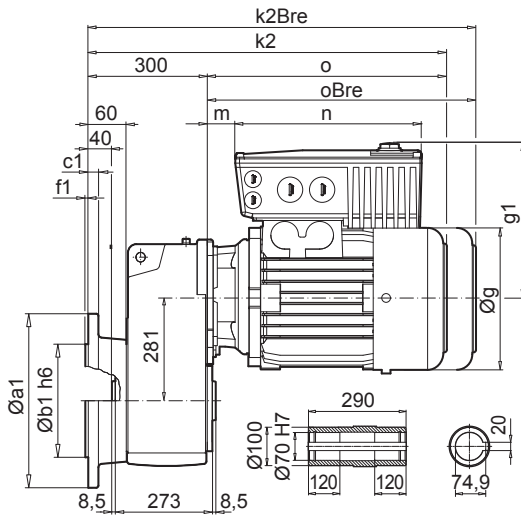
SK 6382A



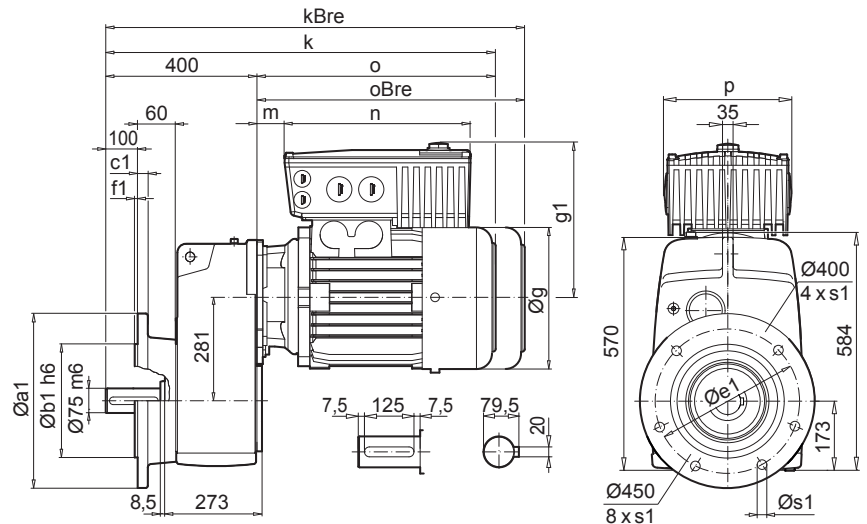
SK 6382V



SK 6382AF



SK 6382VF



Parallel shaft gear units

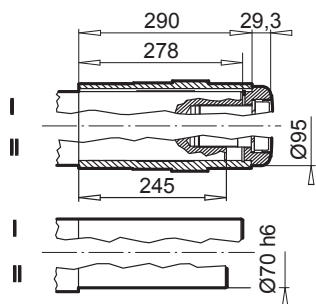
a1	b1	c1	e1	f1	s1
400	300	20	350	5	4 x 17,5
450	350	16	400	5	8 x 17,5

Motor + SK200E

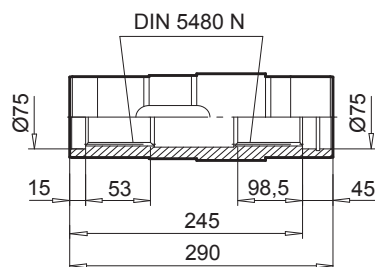
IE1 IE2 IE3	90 SH/LH SP/LP		100 LH/AH LP/AP			112 MH MP		132 SH/MH/LH SP/MP/ -		160 MH MP	160 LH LP	180 MH/LH MP/LP
SK 200E 340-A (-C)	- 111 - - 151 - - 221 -	- 301 -	- 221 -	- 301 - - 401 -	- 551 -	- 401 -	- 551 - - 751 -	- 551 - - 751 -	- 112 - - 152 - - 182 -	- 112 - - 222 -	- 152 - - 222 -	- 182 - - 222 -
g	183	183	201	201	201	228	228	266	266	320	320	358
g1	200	207	211	218	250	228	260	262	312	317	317	337
k / kBre	676 / 751	676 / 751	706 / 797	706 / 797	706 / 797	754 / 847	754 / 847	815 / 922	815 / 922	892 / 1027	936 / 1071	1014 / 1142
k1 / k1Bre	536 / 611	536 / 611	566 / 657	566 / 657	566 / 657	614 / 707	614 / 707	675 / 782	675 / 782	752 / 887	796 / 931	874 / 1002
k2 / k2Bre	576 / 651	576 / 651	606 / 697	606 / 697	606 / 697	654 / 747	654 / 747	715 / 822	715 / 822	792 / 927	836 / 971	914 / 1042
o / oBre	276 / 351	276 / 351	306 / 397	306 / 397	306 / 397	354 / 447	354 / 447	415 / 522	415 / 522	492 / 627	536 / 671	614 / 742
m	9	9	15	15	7	21	13	29	-28	6	6	8
n	236	266	236	266	330	266	330	330	480	480	480	480
p	156	176	156	176	218	176	218	218	305	305	305	305



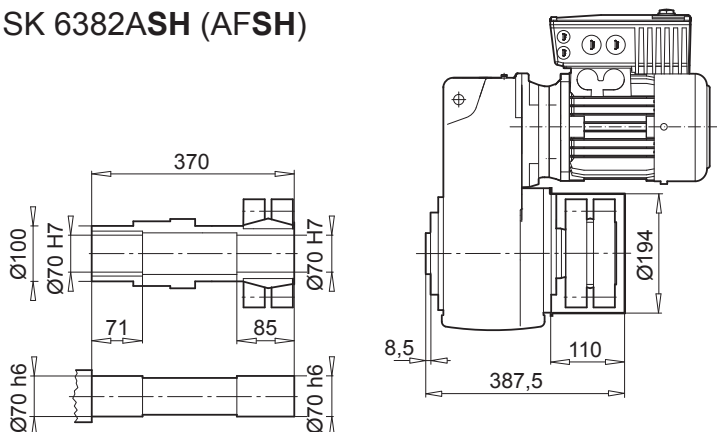
SK 6382AB (AFB)



SK 6382EA



SK 6382ASH (AFSH)



Parallel shaft gear units

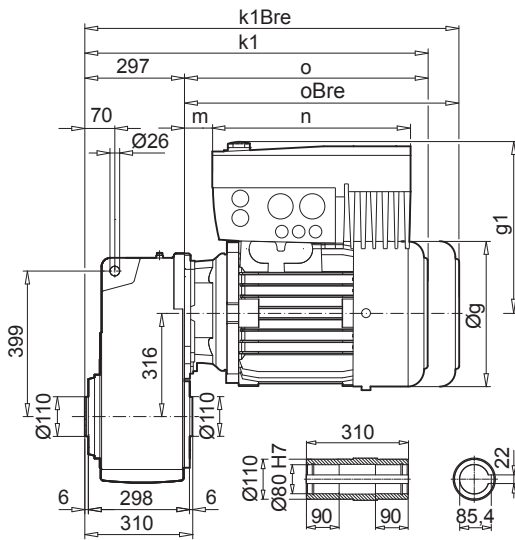
Motor + SK180E

IE1 IE2 IE3	- 90 SH/LH SP/LP		- 100 LH/AH LP/AP					
	- 111 -	- 151 - - 221 -	- 221 -					
SK 180E 340-B (-C)								
g	183	183	201					
g1	182	208	219					
k / kBre	676 / 751	676 / 751	706 / 797					
k1 / k1Bre	536 / 611	536 / 611	566 / 657					
k2 / k2Bre	576 / 651	576 / 651	606 / 697					
o / oBre	276 / 351	276 / 351	306 / 397					
m	9	9	15					
n	221	253	253					
p	154	165	165					

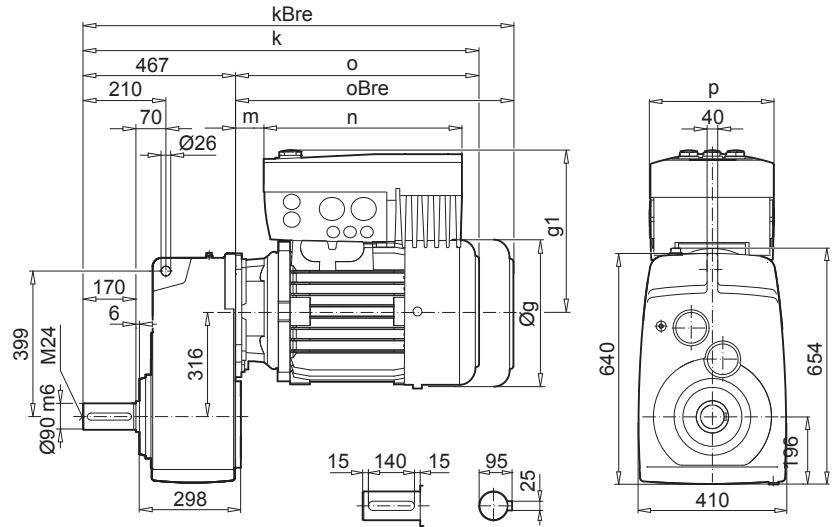
SK 7282



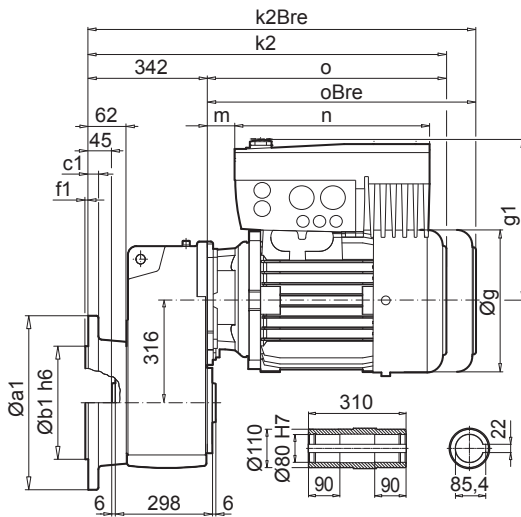
SK 7282A



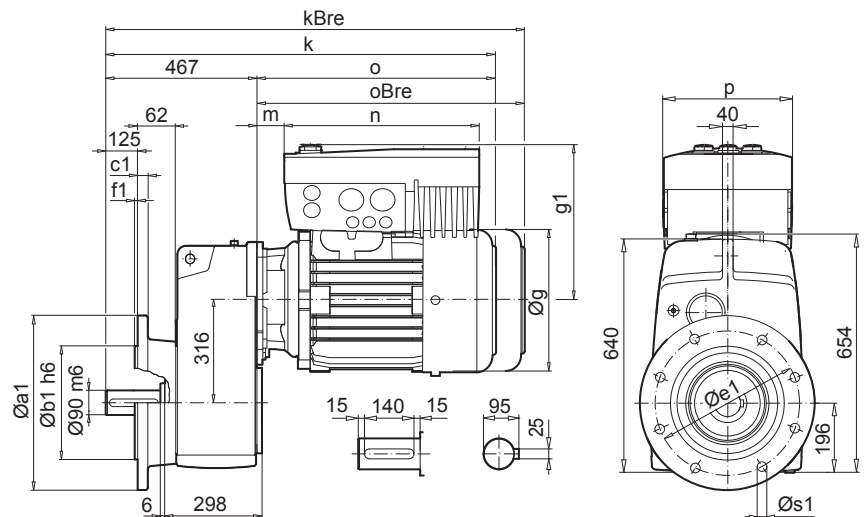
SK 7282V



SK 7282AF



SK 7282VF



Parallel shaft gear units

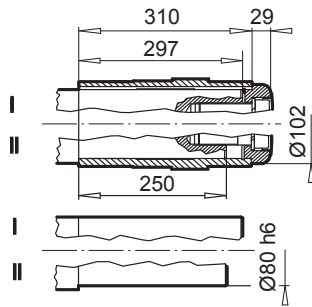
a1	b1	c1	e1	f1	s1
450	350	22	400	5	8 x 18
550	450	28	500	5	8 x 18

Motor + SK200E

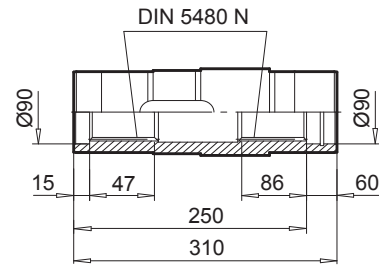
IE1 IE2 IE3	- 132 MH/LH MP/ -		- 160 MH MP	- 160 LH LP	- 180 MH/LH MP/LP				
SK 200E 340-A (-C)	- 551 - - 751 -	- 112 - - 152 - - 182 -	- 112 - - 222 -	- 152 - - 222 -	- 182 - - 222 -				
g	266	266	320	320	358				
g1	262	312	317	317	337				
k / kBre	902 / 1009	902 / 1009	959 / 1094	1003 / 1138	1081 / 1209				
k1 / k1Bre	732 / 839	732 / 839	789 / 924	833 / 968	911 / 1039				
k2 / k2Bre	777 / 884	777 / 884	834 / 969	878 / 1013	956 / 1084				
o / oBre	435 / 542	435 / 542	492 / 627	536 / 671	614 / 742				
m	49	-8	6	6	8				
n	330	480	480	480	480				
p	218	305	305	305	305				



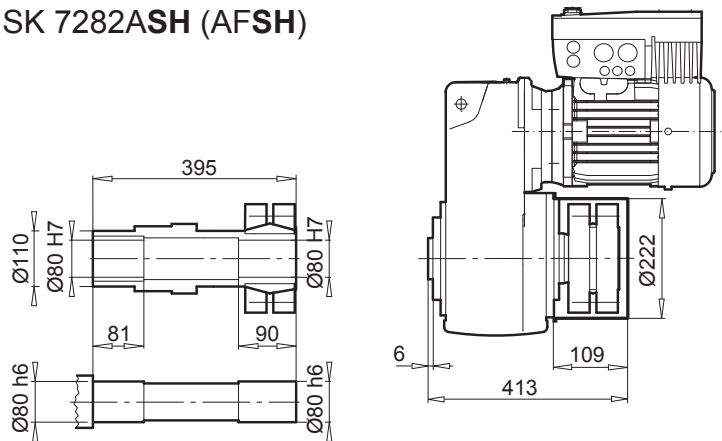
SK 7282AB (AFB)



SK 7282EA



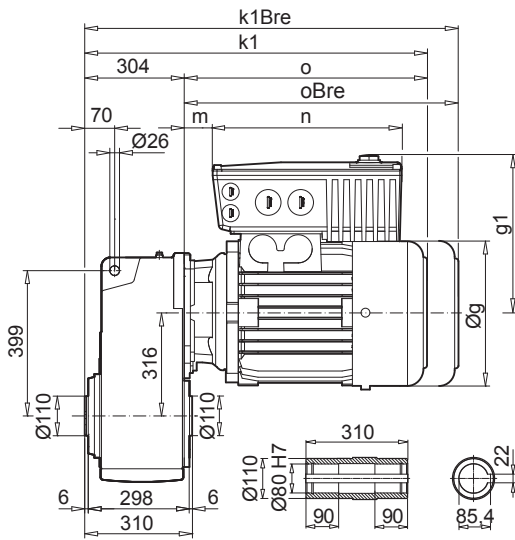
SK 7282ASH (AFSH)



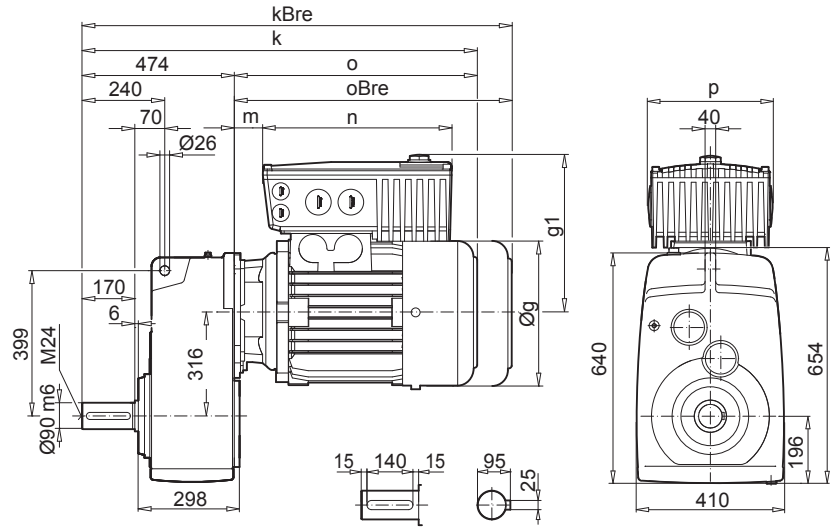
SK 7382



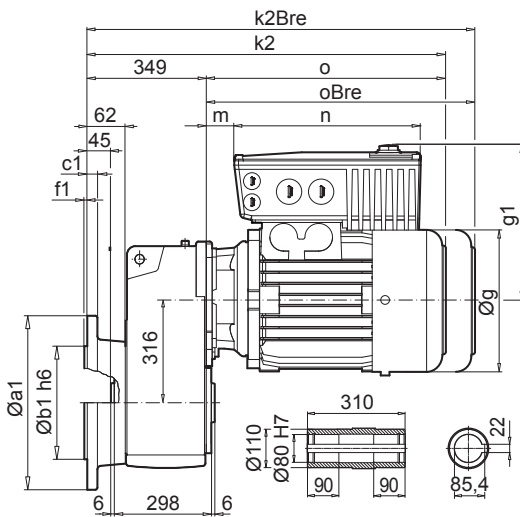
SK 7382A



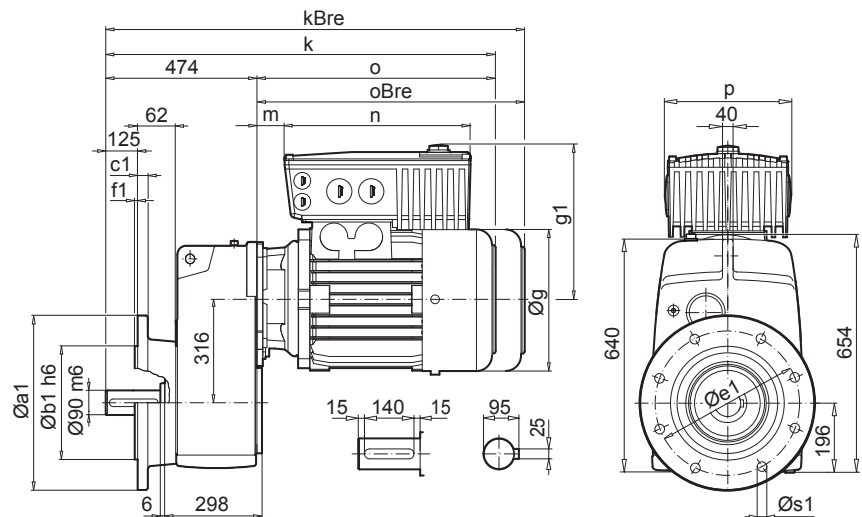
SK 7382V



SK 7382AF



SK 7382VF



Parallel shaft gear units

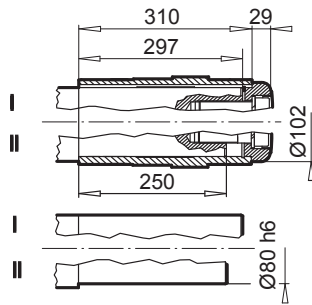
a1	b1	c1	e1	f1	s1
450	350	22	400	5	8 x 18
550	450	28	500	5	8 x 18

Motor + SK200E

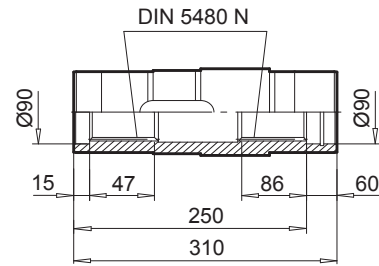
IE1 IE2 IE3	- 100 LH/AH LP/AP			- 112 MH MP		- 132 SH/MH/LH SP/MP/ -		- 160 MH MP	- 160 LH LP	- 180 MH/LH MP/LP
SK 200E 340-A (-C)	- 221 -	- 301 - - 401 -	- 551 -	- 401 -	- 551 - - 751 -	- 551 - - 751 -	- 112 - - 152 - - 182 -	- 112 - - 222 -	- 152 - - 222 -	- 182 - - 222 -
g	201	201	201	228	228	266	266	320	320	358
g1	211	218	250	228	260	262	312	317	317	337
k / kBre	780 / 871	780 / 871	780 / 871	825 / 918	825 / 918	909 / 1016	909 / 1016	966 / 1101	1010 / 1145	1088 / 1216
k1 / k1Bre	610 / 701	610 / 701	610 / 701	655 / 748	655 / 748	739 / 846	739 / 846	796 / 931	840 / 975	918 / 1046
k2 / k2Bre	655 / 746	655 / 746	655 / 746	700 / 793	700 / 793	784 / 891	784 / 891	841 / 976	885 / 1020	963 / 1091
o / oBre	306 / 397	306 / 397	306 / 397	351 / 444	351 / 444	435 / 542	435 / 542	492 / 627	536 / 671	614 / 742
m	15	15	7	18	10	49	-8	6	6	8
n	236	266	330	266	330	330	480	480	480	480
p	156	176	218	176	218	218	305	305	305	305



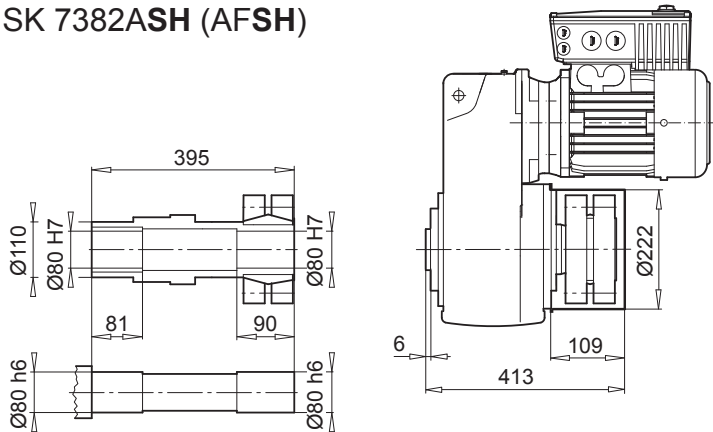
SK 7382AB (AFB)



SK 7382EA



SK 7382ASH (AFSH)



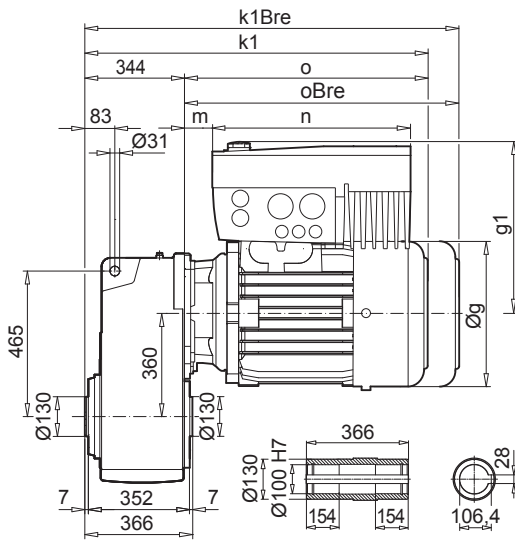
Motor + SK180E

IE1 IE2 IE3	- 100 LH/AH LP/AP							
SK 180E 340-B (-C)	- 221 -							
g	201							
g1	219							
k / kBre	780 / 871							
k1 / k1Bre	610 / 701							
k2 / k2Bre	655 / 746							
o / oBre	306 / 397							
m	15							
n	253							
p	165							

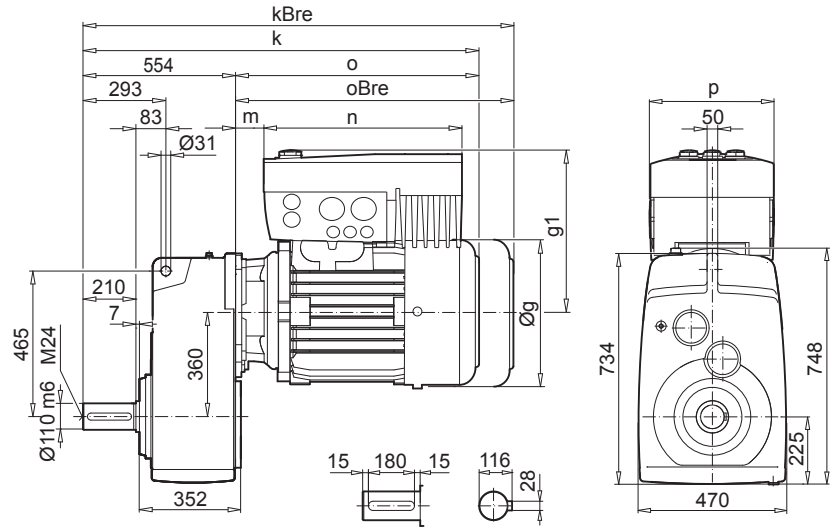
SK 8282



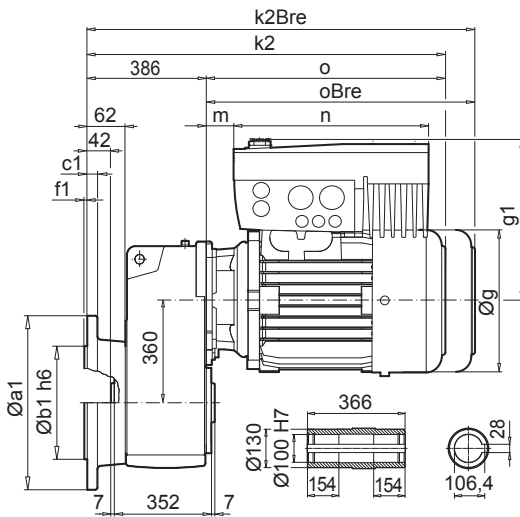
SK 8282A



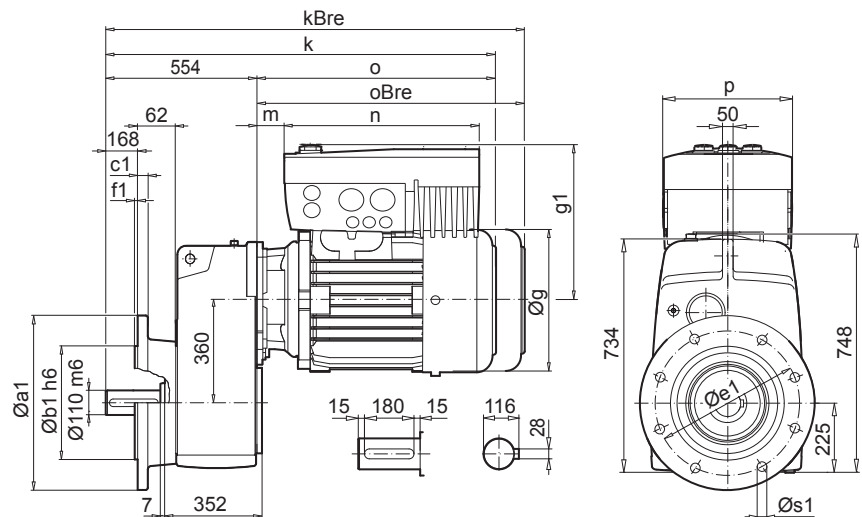
SK 8282V



SK 8282AF



SK 8282VF



Parallel shaft gear units

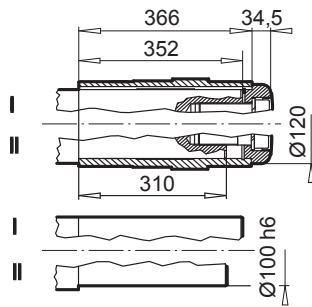
a1	b1	c1	e1	f1	s1
550	450	28	500	5	8 x 18

Motor + SK200E

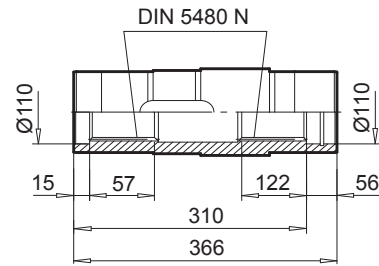
IE1 IE2 IE3	- 132 MH/LH MP/ -		- 160 MH MP	- 160 LH LP	- 180 MH/LH MP/LP				
SK 200E 340-A (-C)	- 751 -	- 112 - - 152 - - 182 -	- 112 - - 222 -	- 152 - - 222 -	- 182 - - 222 -				
g	266	266	320	320	358				
g1	262	312	317	317	337				
k / kBre	989 / 1096	989 / 1096	1046 / 1181	1090 / 1225	1168 / 1296				
k1 / k1Bre	779 / 886	779 / 886	836 / 971	880 / 1015	958 / 1086				
k2 / k2Bre	821 / 928	821 / 928	878 / 1013	922 / 1057	1000 / 1128				
o / oBre	435 / 542	435 / 542	492 / 627	536 / 671	614 / 742				
m	49	-8	6	6	8				
n	330	480	480	480	480				
p	218	305	305	305	305				



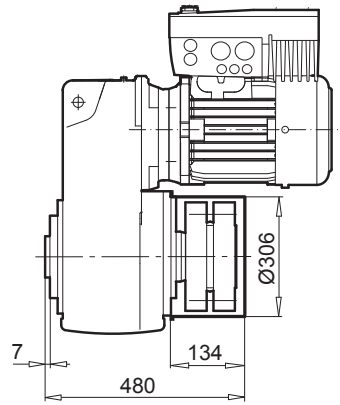
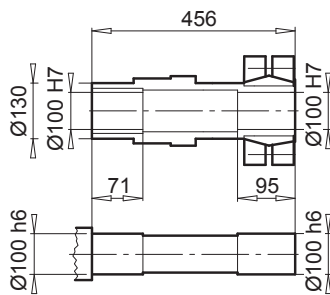
SK 8282AB (AFB)



SK 8282EA



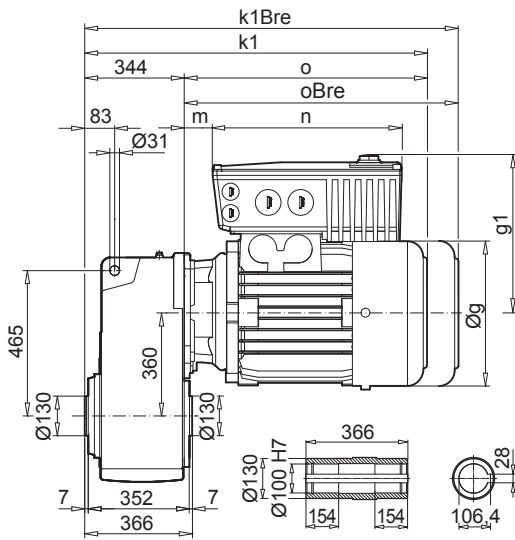
SK 8282ASH (AFSH)



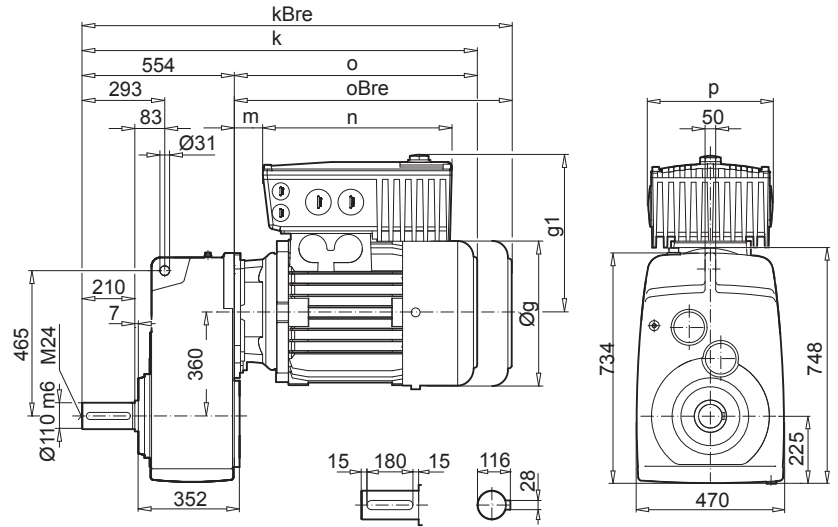
SK 8382



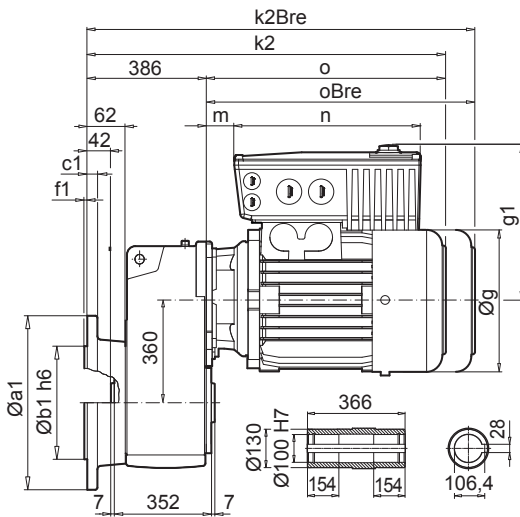
SK 8382A



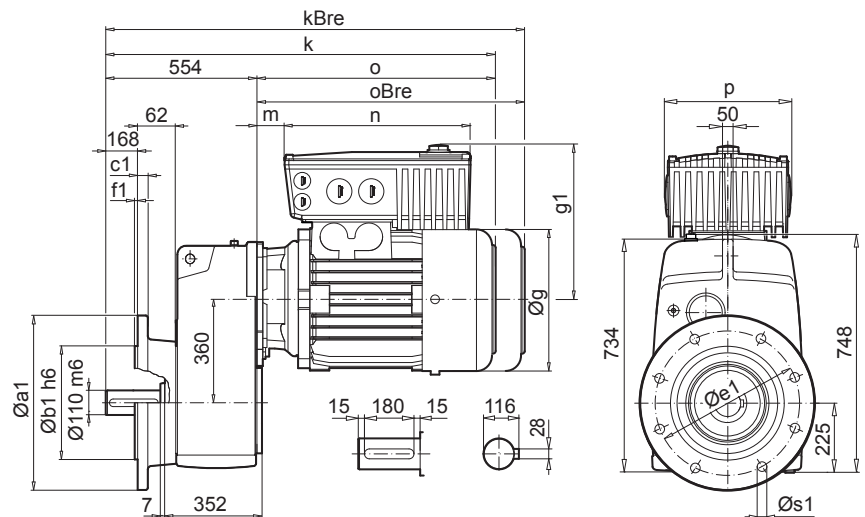
SK 8382V



SK 8382AF



SK 8382VF



Parallel shaft gear units

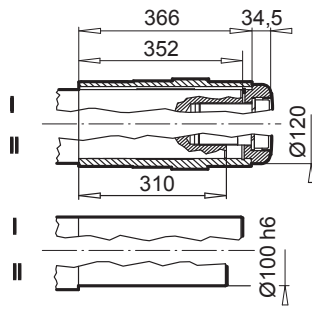
a1	b1	c1	e1	f1	s1
550	450	28	500	5	8 x 18

Motor + SK200E

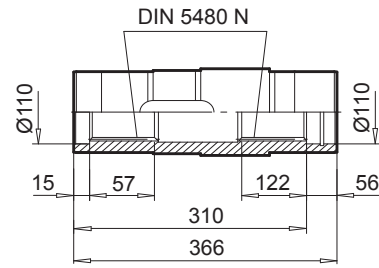
IE1 IE2 IE3	- 100 AH AP		- 112 MH MP		- 132 SH/MH/LH SP/MP/-		- 160 MH MP	- 160 LH LP	- 180 MH/LH MP/LP		
SK 200E 340-A (-C)	- 301 -	- 551 -	- 401 -	- 751 -	- 551 - - 751 -	- 112 - - 152 - - 182 -	- 112 - - 222 -	- 152 - - 222 -	- 182 - - 222 -		
g	201	201	228	228	266	266	320	320	358		
g1	218	250	228	260	262	312	317	317	337		
k / kBre	860 / 951	860 / 951	905 / 998	905 / 998	989 / 1096	989 / 1096	1046 / 1181	1090 / 1225	1168 / 1296		
k1 / k1Bre	650 / 741	650 / 741	695 / 788	695 / 788	779 / 886	779 / 886	836 / 971	880 / 1015	958 / 1086		
k2 / k2Bre	692 / 783	692 / 783	737 / 830	737 / 830	821 / 928	821 / 928	878 / 1013	922 / 1057	1000 / 1128		
o / oBre	306 / 397	306 / 397	351 / 444	351 / 444	435 / 542	435 / 542	492 / 627	536 / 671	614 / 742		
m	15	7	18	10	49	-8	6	6	8		
n	266	330	266	330	330	480	480	480	480		
p	176	218	176	218	218	305	305	305	305		



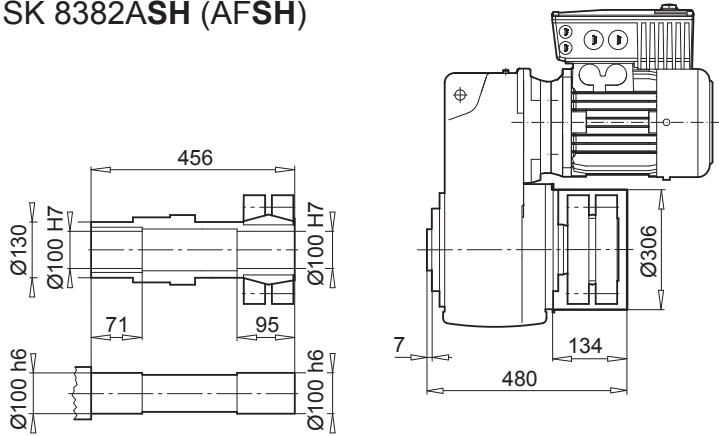
SK 8382AB (AFB)



SK 8382EA



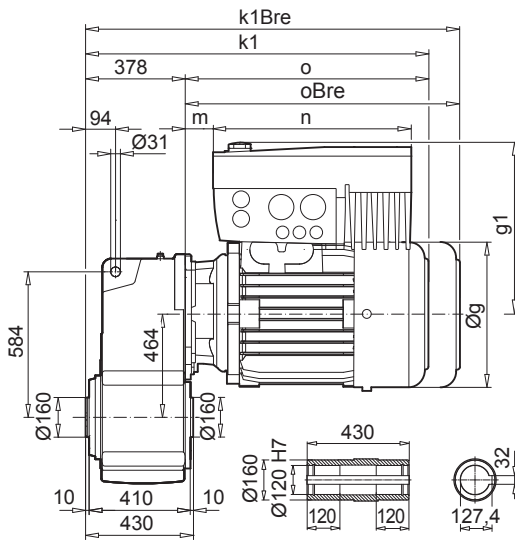
SK 8382ASH (AFSH)



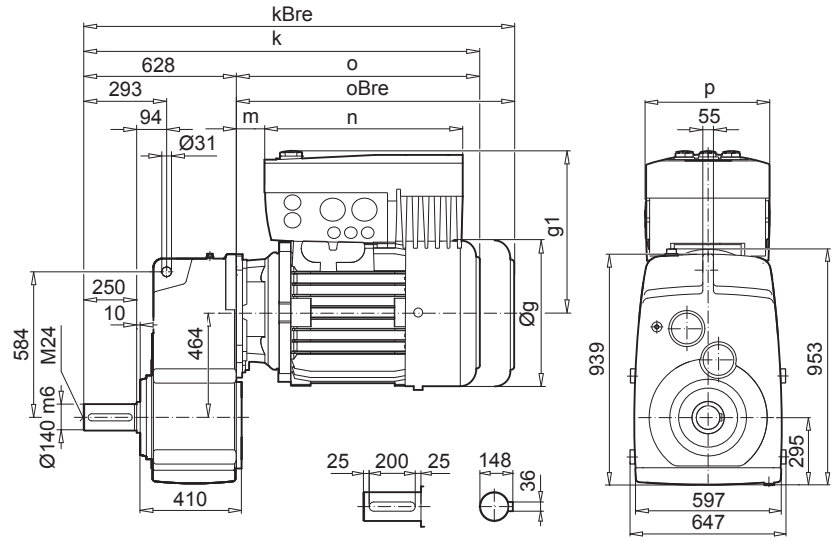
SK 9382



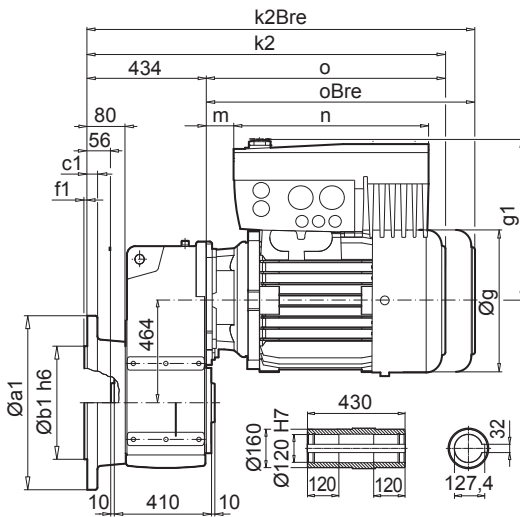
SK 9382A



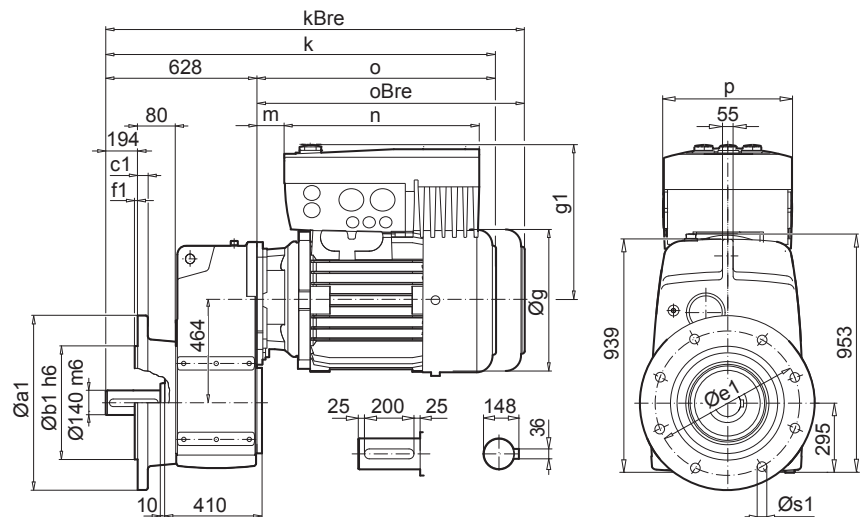
SK 9382V



SK 9382AF



SK 9382VF



Parallel shaft gear units

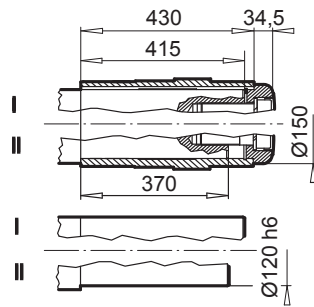
a1	b1	c1	e1	f1	s1
660	550	32	600	6	8 x 22

Motor + SK200E

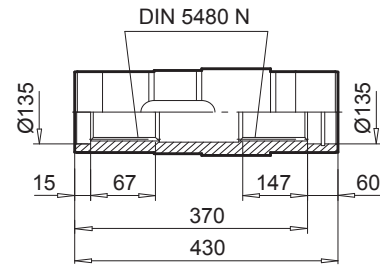
IE1 IE2 IE3	132 SH/MH/LH SP/MP/-	160 MH MP	160 LH LP	180 MH/LH MP/LP				
SK 200E 340-A (-C)	- 751 - - 112 - - 152 - - 182 -	- 112 - - 222 -	- 152 - - 222 -	- 182 - - 222 -				
g	266	266	320	320	358			
g1	262	312	317	317	337			
k / kBre	1063 / 1177	1063 / 1177	1120 / 1155	1164 / 1299	1242 / 1370			
k1 / k1Bre	813 / 920	813 / 920	870 / 1005	914 / 1049	992 / 1120			
k2 / k2Bre	869 / 976	869 / 976	926 / 1061	970 / 1105	1048 / 1176			
o / oBre	435 / 542	435 / 542	492 / 627	536 / 671	614 / 742			
m	49	-8	6	6	8			
n	330	480	480	480	480			
p	218	305	305	305	305			



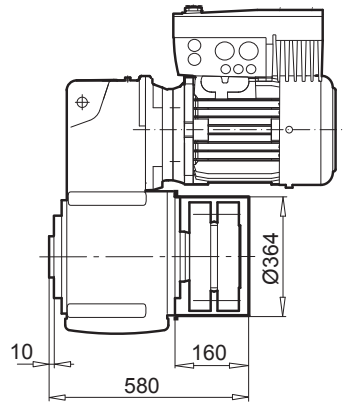
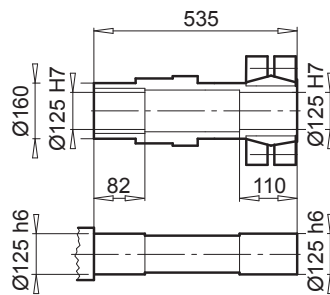
SK 9382AB (AFB)



SK 9382EA



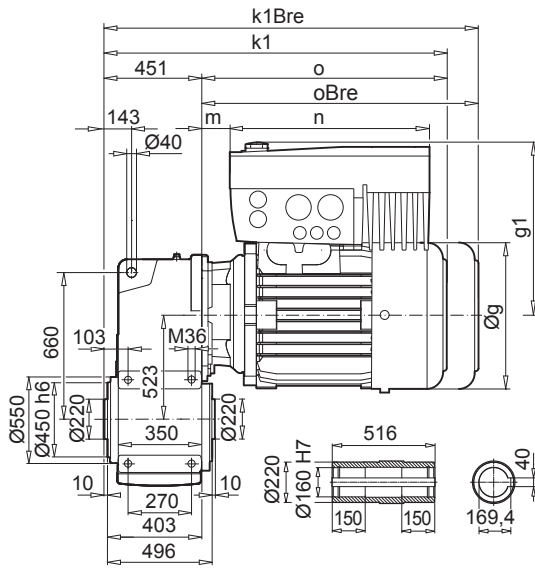
SK 9382ASH (AFSH)



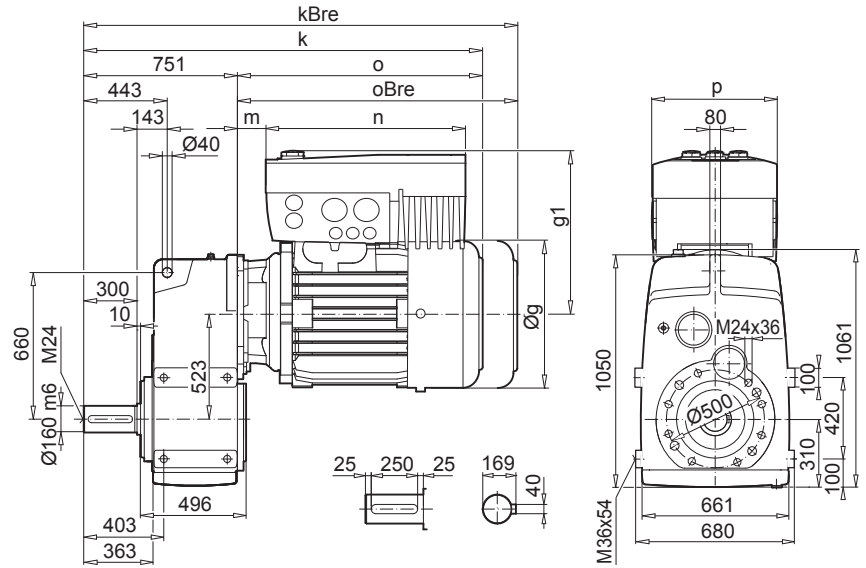
SK 10382



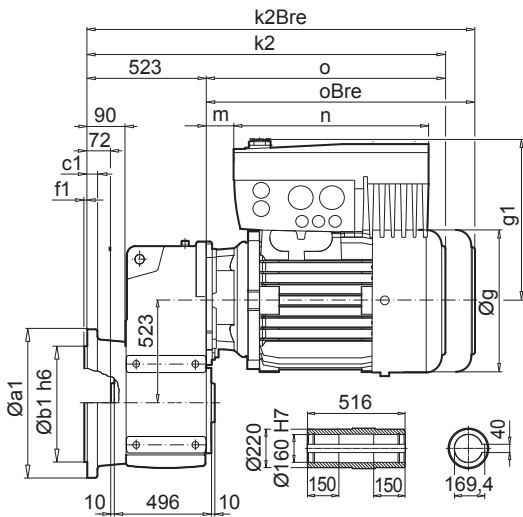
SK 10382AZ



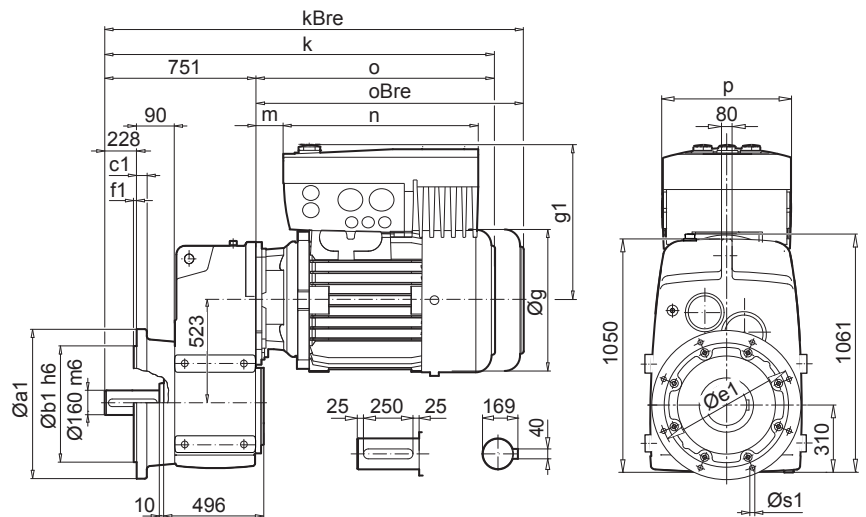
SK 10382VZ



SK 10382AF



SK 10382VF



Parallel shaft gear units

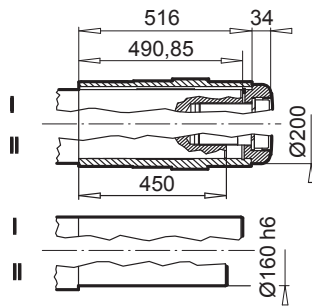
a1	b1	c1	e1	f1	s1
660	550	35	600	8	8 x 26

Motor + SK200E

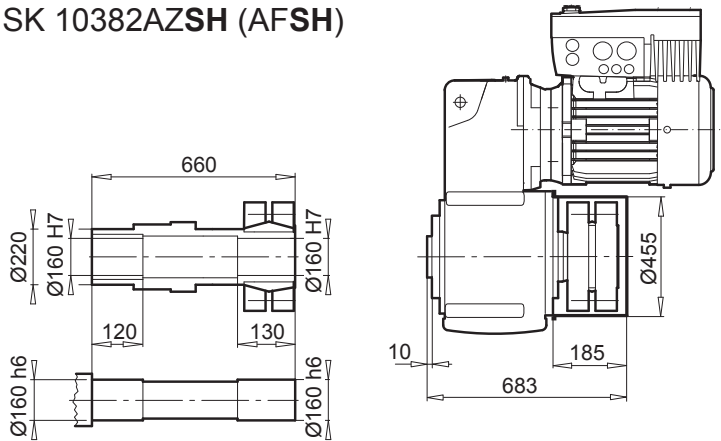
IE1 IE2 IE3	- 132 MH/LH MP/ -	- 160 MH MP	- 160 LH LP	- 180 MH/LH MP/LP				
SK 200E 340-A (-C)	- 751 - - 112 - - 152 - - 182 -	- 112 - - 222 -	- 152 - - 222 -	- 182 - - 222 -				
g	266	266	320	320	358			
g1	262	312	317	317	337			
k / kBre	1186 / 1293	1186 / 1293	1243 / 1378	1287 / 1422	1365 / 1493			
k1 / k1Bre	886 / 993	886 / 993	943 / 1078	987 / 1122	1065 / 1193			
k2 / k2Bre	958 / 1065	958 / 1065	1015 / 1150	1059 / 1194	1137 / 1265			
o / oBre	435 / 542	435 / 542	492 / 627	536 / 671	614 / 742			
m	49	-8	6	6	8			
n	330	480	480	480	480			
p	218	305	305	305	305			



SK 10382AB (AFB)



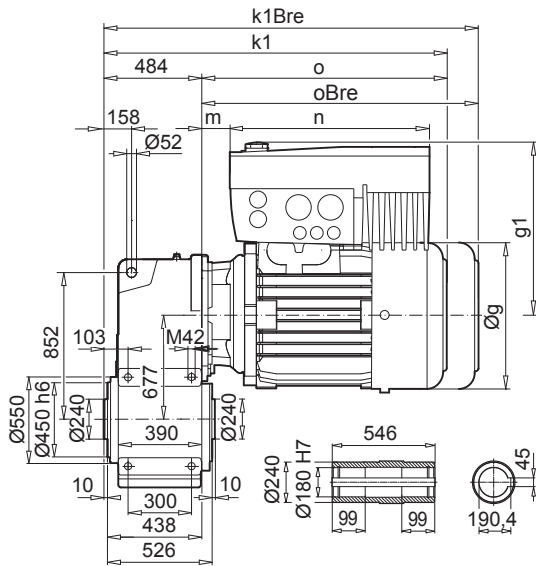
SK 10382AZSH (AFSH)



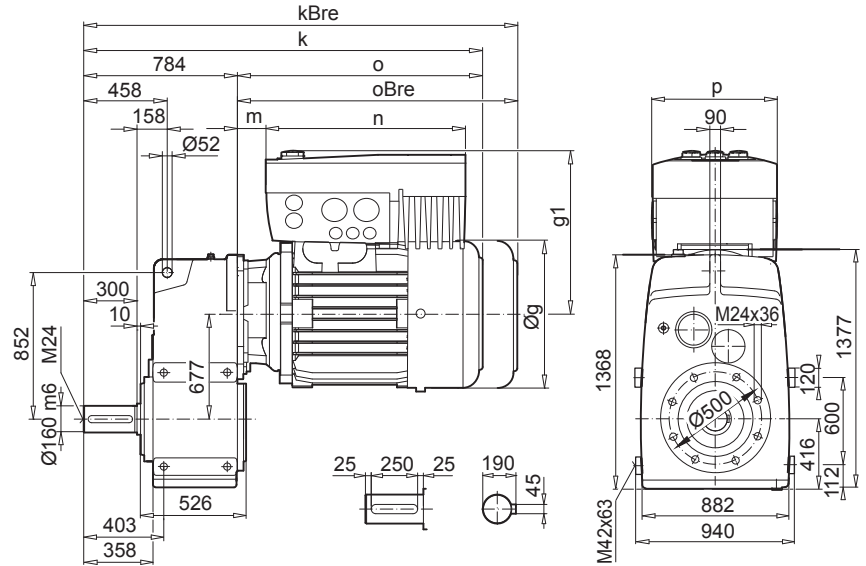
SK 11382



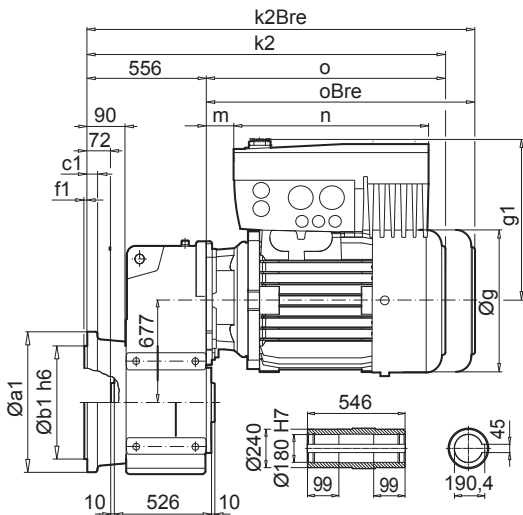
SK 11382AZ



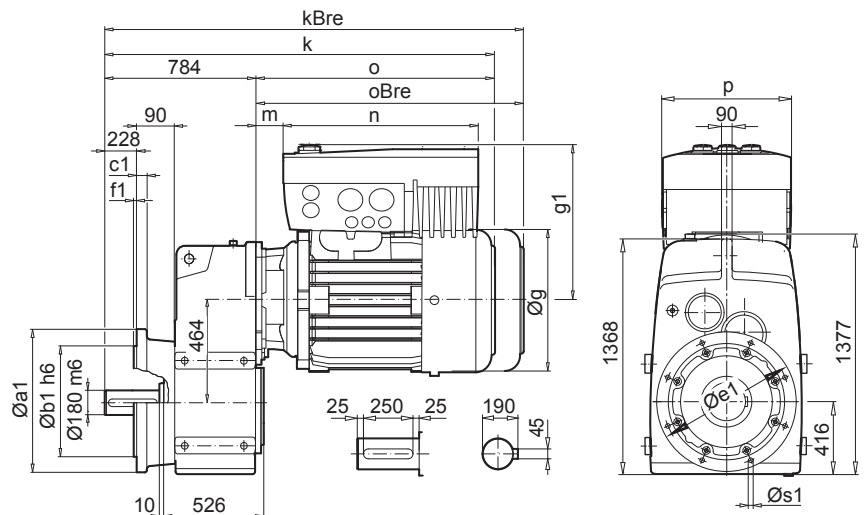
SK 11382VZ



SK 11382AF



SK 11382VF



a1	b1	c1	e1	f1	s1
660	550	35	600	8	8 x 26

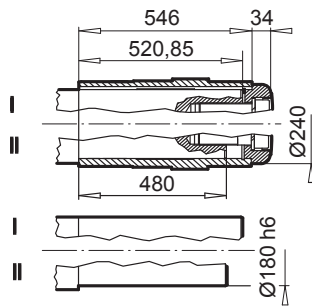
Motor + SK200E

IE1 IE2 IE3	- 160 MH MP	- 160 LH LP	- 180 MH/LH MP/LP						
SK 200E 340-A (-C)	- 112 - - 222 -	- 152 - - 222 -	- 182 - - 222 -						
g	320	320	358						
g1	317	317	337						
k / kBre	1276 / 1411	1320 / 1455	1398 / 1526						
k1 / k1Bre	976 / 1111	1020 / 1155	1098 / 1226						
k2 / k2Bre	1048 / 1183	1092 / 1227	1170 / 1298						
o / oBre	492 / 627	536 / 671	614 / 742						
m	6	6	8						
n	480	480	480						
p	305	305	305						

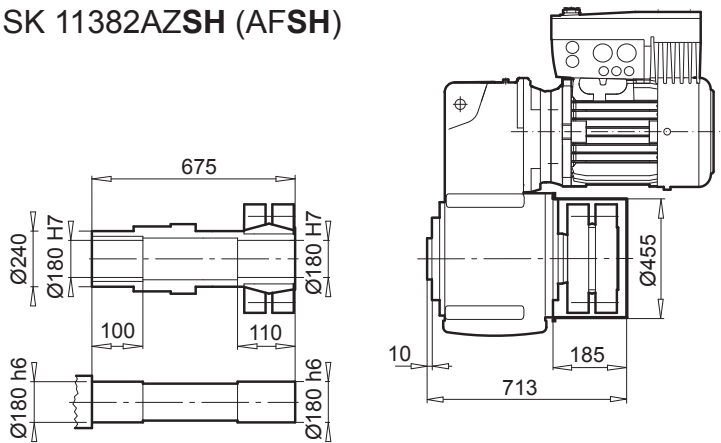
Parallel shaft
gear units



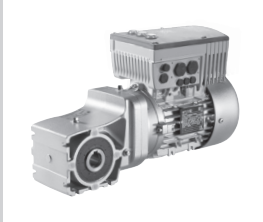
SK 11382AB (AFB)



SK 11382AZSH (AFSH)

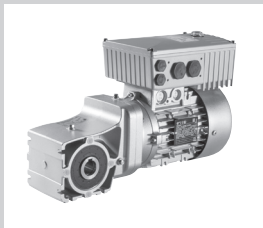


Helical-Bevel Gear Units SK 200E / SK 180E



GEAR UNIT MOTOR DATA

Power and speed tables E 2 - 49



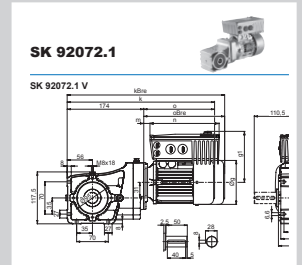
DIMENSIONED DRAWINGS

Helical-bevel gear units with frequency inverter . . E 50 - 94



1:5
0,55 kW IE2

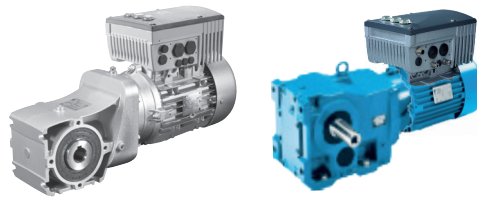
P_1 [kW]	n_2 [min ⁻¹]	M_{2n} [Nm]	i_b	i_{gear}	F_R	F_A	
0,55	1.045,1	1032	2,7	279,00	26,4	40,0	SK 9043.1 - 1
1,14,3	990	1,6	267,65	12,2	14,5		SK 9033.1 - 1
1,34,6	796	1,9	214,83	13,2	14,5		SK 9033.1 - 1
1,14,7	605	1,7	249,72	12,5	14,5		SK 9032.1 - 1
1,24,1	606	1,8	233,92	12,8	14,5		SK 9032.1 - 1
1,47,2	731	2,1	197,45	13,4	14,5		SK 9032.1 - 1
1,04,1	1024	0,8	276,86	0	12,0		SK 9022.1 - 1
1,24,1	861	0,8	232,92	0	12,0		SK 9022.1 - 1
1,34,5	811	1,1	219,25	2,0	12,0		SK 9022.1 - 1



1:5

0,55 kW

IE2



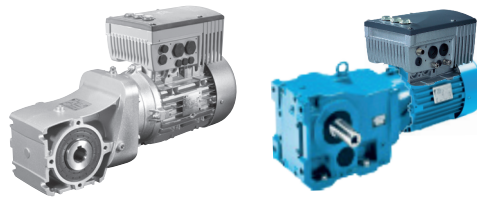
NORD
DRIVESYSTEMS

P_1 [kW]	n_2 [min ⁻¹]	M_{2b} [Nm]	f_B	i_{ges}	F_R [kN]	F_A [kN]	Type	kg	mm E
0,55	1,0-5,1	1032	2,7	279,60	26,4	40,0	SK 9043.1 - 80 SH/4 - SK 200E-550-340-A (-C) SK 9043.1 - 80 SH/4 - SK 180E-550-340-B (-C)	132	E78-79
	1,1-5,3 1,3-6,6	990 796	1,6 1,9	267,65 214,83	12,2 13,2	14,5 14,5	SK 9033.1 - 80 SH/4 - SK 200E-550-340-A (-C) SK 9033.1 - 80 SH/4 - SK 180E-550-340-B (-C)	78	E74-75
	1,1-5,7 1,2-6,1 1,4-7,2	925 866 731	1,7 1,8 2,1	249,72 233,92 197,45	12,5 12,8 13,4	14,5 14,5 14,5	SK 9032.1 - 80 SH/4 - SK 200E-550-340-A (-C) SK 9032.1 - 80 SH/4 - SK 180E-550-340-B (-C)	70	E72-73
	1,0-5,1 1,2-6,1 1,3-6,5 1,5-7,7 1,7-8,4 2,1-10 2,5-12 2,9-14 3,3-17	1024 861 811 682 628 509 428 366 315	0,8 0,8 1,1 1,3 1,4 1,7 2,0 2,4 2,7	276,86 232,92 219,25 184,46 169,81 137,57 115,74 98,88 85,11	0 0 2,0 5,2 6,0 7,2 7,8 8,2 8,5	12,0 12,0 12,0 12,0 12,0 12,0 12,0 12,0 12,0	SK 9022.1 - 80 SH/4 - SK 200E-550-340-A (-C) SK 9022.1 - 80 SH/4 - SK 180E-550-340-B (-C)	50	E68-69
	1,4-6,9 1,6-7,8 1,9-9,5 2,0-10 2,4-12 3,1-15 3,5-17 3,9-20 4,4-22	762 677 554 527 431 340 301 266 237	0,8 0,9 1,1 1,2 1,4 1,5 2,0 2,3 2,6	205,93 183,10 149,81 142,41 116,52 91,77 81,38 71,88 63,97	5,2 6,5 7,8 8,0 8,7 9,0 9,0 9,0 9,0	20,0 20,0 20,0 20,0 20,0 20,0 20,0 20,0 20,0	SK 9016.1 - 80 SH/4 - SK 200E-550-340-A (-C) SK 9016.1 - 80 SH/4 - SK 180E-550-340-B (-C)	43	E64-65
	2,0-10 2,3-11 2,6-13 2,9-15 3,3-16 3,7-19 4,5-23 5,1-26 5,8-29 6,8-34	521 458 407 360 319 284 232 204 181 154	0,8 0,9 1,0 1,1 1,3 1,4 1,7 2,0 2,2 2,6	140,70 123,48 109,79 97,36 86,00 76,53 62,74 55,17 48,95 41,65	1,9 3,7 4,6 5,2 5,7 6,0 6,3 6,5 6,6 6,7	20,0 20,0 20,0 20,0 20,0 20,0 20,0 20,0 20,0 20,0	SK 9012.1 - 80 SH/4 - SK 200E-550-340-A (-C) SK 9012.1 - 80 SH/4 - SK 180E-550-340-B (-C)	42	E60-61
	5,8-29 6,6-33 7,5-38 8,4-42 9,3-46 10-52	180 160 140 125 113 101	1,8 1,9 2,3 2,9 2,8 3,6	48,56 43,28 37,82 33,71 30,67 27,33	8,2 8,3 8,3 8,3 8,4 8,4	20,0 20,0 20,0 20,0 20,0 20,0	SK 92672.1 - 80 SH/4 - SK 200E-550-340-A (-C) SK 92672.1 - 80 SH/4 - SK 180E-550-340-B (-C)	35	E56-57
	6,1-30 6,9-34 7,7-39 8,7-43 10-51 11-57 13-63 14-71 15-77 18-90	173 153 136 121 104 92,7 83,2 74,1 67,8 58,6	1,1 1,2 1,4 1,6 1,8 2,4 2,2 3,0 2,7 3,1	46,64 41,46 36,80 32,80 28,11 25,06 22,49 20,04 18,33 15,84	6,3 6,4 6,4 6,5 6,5 6,5 6,6 6,6 6,6 6,6	15,0 15,0 15,0 15,0 15,0 15,0 15,0 15,0 15,0 15,0	SK 92372.1 - 80 SH/4 - SK 200E-550-340-A (-C) SK 92372.1 - 80 SH/4 - SK 180E-550-340-B (-C)	24	E54-55
	10-50 11-57 14-69 19-93 20-102 23-117 26-131 28-140	104 91,7 76,4 56,3 51,3 45,1 40,1 37,5	1,0 1,3 1,4 1,7 2,1 2,5 2,8 2,5	28,24 24,80 20,67 15,23 13,87 12,18 10,83 10,15	4,7 4,7 4,8 4,9 4,9 4,9 4,9 4,9	12,0 12,0 12,0 12,0 12,0 12,0 12,0 12,0	SK 92172.1 - 80 SH/4 - SK 200E-550-340-A (-C) SK 92172.1 - 80 SH/4 - SK 180E-550-340-B (-C)	20	E52-53

Helical-bevel gear units



P_1 [kW]	n_2 [min ⁻¹]	M_{2b} [Nm]	f_B	i_{ges}	F_R [kN]	F_A [kN]	Type	kg	mm E
0,55	14-68	76,9	1,1	20,80	5,0	9,0	SK 92072.1 - 80 SH/4 - SK 200E-550-340-A (-C)	18	E50-51
	18-89	59,2	1,1	16,00	5,0	9,0			
	22-111	47,3	1,2	12,78	5,0	9,0	SK 92072.1 - 80 SH/4 - SK 180E-550-340-B (-C)		
	26-128	41,1	1,6	11,11	5,0	9,0			
	29-144	36,4	2,1	9,85	5,0	9,0			
	33-164	32,1	2,3	8,67	5,0	9,0			
	37-187	28,0	2,6	7,58	5,0	9,0			
	43-213	24,7	2,8	6,67	4,9	9,0			
	49-244	21,6	3,3	5,83	4,7	8,8			
	55-275	19,1	3,5	5,17	4,5	8,5			
	61-305	17,2	3,8	4,65	4,4	8,2			
	71-357	14,7	4,6	3,97	4,2	7,8			
	79-397	13,2	5,0	3,58	4,1	7,6			
0,75	1,0-5,1	1412	2,0	279,60	25,6	40,0	SK 9043.1 - 80 LH/4 - SK 200E-750-340-A (-C)	133	E78-79
	1,4-6,9	1033	2,7	204,38	26,4	40,0	SK 9043.1 - 80 LP/4 - SK 200E-750-340-A (-C)		
	1,6-8,2	871	3,2	172,08	26,6	40,0	SK 9043.1 - 80 LH/4 - SK 180E-750-340-B (-C) SK 9043.1 - 80 LP/4 - SK 180E-750-340-B (-C)		
	1,1-5,3	1355	1,1	267,65	9,3	14,5	SK 9033.1 - 80 LH/4 - SK 200E-750-340-A (-C)	79	E74-75
	1,3-6,6	1089	1,4	214,83	11,6	14,5	SK 9033.1 - 80 LP/4 - SK 200E-750-340-A (-C)		
	1,7-8,4	848	1,8	167,45	12,9	14,5	SK 9033.1 - 80 LH/4 - SK 180E-750-340-B (-C) SK 9033.1 - 80 LP/4 - SK 180E-750-340-B (-C)		
	1,1-5,7	1265	1,2	249,72	10,2	14,5	SK 9032.1 - 80 LH/4 - SK 200E-750-340-A (-C)	71	E72-73
	1,2-6,0	1185	1,3	233,92	10,9	14,5	SK 9032.1 - 80 LP/4 - SK 200E-750-340-A (-C)		
	1,4-7,2	1001	1,5	197,45	12,1	14,5			
	2,6-13	562	2,8	110,77	14,0	14,5	SK 9032.1 - 80 LH/4 - SK 180E-750-340-B (-C) SK 9032.1 - 80 LP/4 - SK 180E-750-340-B (-C)		
	1,3-6,5	1110	0,8	219,25	0	12,0	SK 9022.1 - 80 LH/4 - SK 200E-750-340-A (-C)	51	E68-69
	1,5-7,7	934	0,9	184,46	0	12,0	SK 9022.1 - 80 LP/4 - SK 200E-750-340-A (-C)		
	1,7-8,3	860	1,0	169,81	0	12,0			
	2,1-10	697	1,2	137,57	5,0	12,0	SK 9022.1 - 80 LH/4 - SK 180E-750-340-B (-C)		
	2,4-12	586	1,5	115,74	6,5	12,0	SK 9022.1 - 80 LP/4 - SK 180E-750-340-B (-C)		
	2,9-14	501	1,7	98,88	7,3	12,0			
	3,3-17	431	2,0	85,11	7,8	12,0			
	3,6-18	399	2,2	78,89	8,0	12,0			
4,3-21	336	2,6	66,42	8,4	12,0				
4,9-24	295	2,9	58,25	8,5	12,0				
4,2-21	339	1,4	66,96	10,0	25,0	SK 92772.1 - 80 LH/4 - SK 200E-750-340-A (-C)	48	E58-59	
4,7-24	302	1,4	59,68	10,1	25,0	SK 92772.1 - 80 LP/4 - SK 200E-750-340-A (-C) SK 92772.1 - 80 LH/4 - SK 180E-750-340-B (-C) SK 92772.1 - 80 LP/4 - SK 180E-750-340-B (-C)			
1,9-9,4	758	0,8	149,81	5,3	20,0	SK 9016.1 - 80 LH/4 - SK 200E-750-340-A (-C)	44	E64-65	
2,0-9,9	721	0,8	142,41	5,9	20,0	SK 9016.1 - 80 LP/4 - SK 200E-750-340-A (-C)			
2,4-12	590	1,0	116,52	7,5	20,0				
3,1-15	465	1,1	91,77	8,5	20,0	SK 9016.1 - 80 LH/4 - SK 180E-750-340-B (-C)			
3,5-17	412	1,5	81,38	8,8	20,0	SK 9016.1 - 80 LP/4 - SK 180E-750-340-B (-C)			
3,9-20	364	1,6	71,88	9,0	20,0				
4,4-22	324	1,9	63,97	9,0	20,0				
5,4-27	265	2,3	52,44	9,0	20,0				
6,1-31	234	2,6	46,11	9,0	20,0				
6,9-35	207	2,9	40,92	9,0	20,0				
2,9-15	493	0,8	97,36	2,9	20,0	SK 9012.1 - 80 LH/4 - SK 200E-750-340-A (-C)	43	E60-61	
3,3-16	436	0,9	86,00	4,2	20,0	SK 9012.1 - 80 LP/4 - SK 200E-750-340-A (-C)			
3,7-18	388	1,0	76,53	4,9	20,0				
4,5-23	318	1,3	62,74	5,7	20,0	SK 9012.1 - 80 LH/4 - SK 180E-750-340-B (-C)			
5,1-26	280	1,4	55,17	6,0	20,0	SK 9012.1 - 80 LP/4 - SK 180E-750-340-B (-C)			
5,8-29	248	1,6	48,95	6,2	20,0				
6,8-34	211	1,9	41,65	6,5	20,0				
8,1-41	176	2,3	34,81	6,6	20,0				

1:5**0,75 kW
1,10 kW****IE2****IE3**

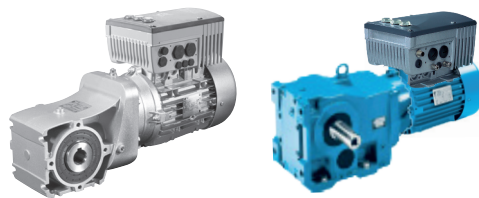
P_1 [kW]	n_2 [min ⁻¹]	M_{2b} [Nm]	f_B	i_{ges}	F_R	F_A [kN]	Type	kg	mm E
0,75	5,8-29	246	1,3	48,56	8,0	20,0	SK 92672.1 - 80 LH/4 - SK 200E-750-340-A (-C) SK 92672.1 - 80 LP/4 - SK 200E-750-340-A (-C)	37	E56-57
	6,5-33	219	1,4	43,28	8,1	20,0			
	7,5-37	191	1,7	37,82	8,2	20,0			
	8,4-42	171	2,1	33,71	8,3	20,0	SK 92672.1 - 80 LH/4 - SK 180E-750-340-B (-C) SK 92672.1 - 80 LP/4 - SK 180E-750-340-B (-C)		
	9,2-46	155	2,0	30,67	8,3	20,0			
	10-52	138	2,6	27,33	8,3	20,0			
	6,8-34	210	0,9	41,46	6,1	15,0	SK 92372.1 - 80 LH/4 - SK 200E-750-340-A (-C) SK 92372.1 - 80 LP/4 - SK 200E-750-340-A (-C)	26	E54-55
	7,7-38	186	1,0	36,80	6,2	15,0			
	8,6-43	166	1,2	32,80	6,3	15,0			
	10-50	142	1,3	28,11	6,4	15,0	SK 92372.1 - 80 LH/4 - SK 180E-750-340-B (-C) SK 92372.1 - 80 LP/4 - SK 180E-750-340-B (-C)		
	11-56	127	1,7	25,06	6,5	15,0			
	13-63	114	1,6	22,49	6,5	15,0			
	14-71	101	2,2	20,04	6,5	15,0			
	15-77	92,8	2,0	18,33	6,5	15,0			
	18-89	80,2	2,3	15,84	6,6	15,0			
	20-100	71,5	3,0	14,12	6,6	15,0			
	23-113	63,6	2,9	12,56	6,6	15,0			
	25-126	56,7	3,8	11,20	6,6	15,0			
	27-137	52,3	4,2	10,33	6,6	15,0			
	28-138	51,7	3,6	10,22	6,6	15,0			
	10-50	143	0,8	28,24	4,4	12,0	SK 92172.1 - 80 LH/4 - SK 200E-750-340-A (-C) SK 92172.1 - 80 LP/4 - SK 200E-750-340-A (-C)	21	E52-53
	11-57	126	1,0	24,80	4,5	12,0			
	14-68	105	1,0	20,67	4,7	12,0			
	19-93	77,1	1,2	15,23	4,8	12,0	SK 92172.1 - 80 LH/4 - SK 180E-750-340-B (-C) SK 92172.1 - 80 LP/4 - SK 180E-750-340-B (-C)		
	20-102	70,2	1,5	13,87	4,8	12,0			
	23-116	61,7	1,8	12,18	4,9	12,0			
	26-131	54,8	2,1	10,83	4,9	12,0			
	28-139	51,4	1,8	10,15	4,9	11,9			
	30-149	48,0	2,2	9,49	4,9	11,7			
	31-157	45,7	2,1	9,03	4,9	11,5			
	34-170	42,2	2,7	8,33	4,9	11,3			
	36-181	39,6	2,8	7,83	4,9	11,1			
	41-204	35,1	3,1	6,94	4,9	10,7			
	14-68	105	0,8	20,80	4,9	9,0	SK 92072.1 - 80 LH/4 - SK 200E-750-340-A (-C) SK 92072.1 - 80 LP/4 - SK 200E-750-340-A (-C)		
	18-88	81,0	0,8	16,00	5,0	9,0			
	22-111	64,7	0,9	12,78	5,0	9,0			
	25-127	56,2	1,2	11,11	5,0	9,0	SK 92072.1 - 80 LH/4 - SK 180E-750-340-B (-C) SK 92072.1 - 80 LP/4 - SK 180E-750-340-B (-C)		
	29-144	49,8	1,5	9,85	5,0	9,0			
	33-163	43,9	1,7	8,67	5,0	9,0			
	37-187	38,3	1,9	7,58	5,0	9,0			
	42-212	33,7	2,0	6,67	4,9	8,8			
	49-243	29,5	2,4	5,83	4,6	8,6			
	55-274	26,2	2,6	5,17	4,5	8,3			
	61-304	23,6	2,8	4,65	4,3	8,0			
	71-356	20,1	3,4	3,97	4,2	7,6			
	79-395	18,1	3,6	3,58	4,0	7,4			
1,10	1,2-5,8	1811	2,7	247,06	29,2	45,0	SK 9052.1 - 90 SH/4 - SK 200E-111-340-A (-C) SK 9052.1 - 90 SP/4 - SK 200E-111-340-A (-C)	198	E80-81
							SK 9052.1 - 90 SH/4 - SK 180E-111-340-A (-C) SK 9052.1 - 90 SP/4 - SK 180E-111-340-B (-C)		
	1,0-5,1	2042	1,4	279,60	23,8	40,0	SK 9043.1 - 90 SH/4 - SK 200E-111-340-A (-C) SK 9043.1 - 90 SP/4 - SK 200E-111-340-A (-C)	138	E78-79
	1,4-7,0	1494	1,9	204,38	25,4	40,0			
	1,7-8,3	1260	2,2	172,08	26,0	40,0	SK 9043.1 - 90 SH/4 - SK 180E-111-340-B (-C) SK 9043.1 - 90 SP/4 - SK 180E-111-340-B (-C)		
	1,0-5,2	2004	1,4	273,73	23,9	40,0	SK 9042.1 - 90 SH/4 - SK 200E-111-340-A (-C) SK 9042.1 - 90 SP/4 - SK 200E-111-340-A (-C)	123	E76-77
	1,2-6,1	1719	1,6	235,01	24,8	40,0			
	1,5-7,4	1428	2,0	195,12	25,6	40,0			
	1,7-8,7	1210	1,2	165,24	26,1	40,0	SK 9042.1 - 90 SH/4 - SK 180E-111-340-B (-C) SK 9042.1 - 90 SP/4 - SK 180E-111-340-B (-C)		
	2,4-12	862	2,8	117,79	26,6	40,0			
	3,0-15	700	4,0	95,56	26,8	40,0			

Helical-bevel gear units



P_1 [kW]	n_2 [min ⁻¹]	M_{2b} [Nm]	f_B	i_{ges}	F_R	F_A	Type	kg	mm		
1,10	1,1-5,4	1960	0,8	267,65	0	14,5	SK 9033.1 - 90 SH/4 - SK 200E-111-340-A (-C) SK 9033.1 - 90 SP/4 - SK 200E-111-340-A (-C)	84	E74-75		
	1,3-6,7	1575	1,0	214,83	6,5	14,5					
	1,7-8,6	1227	1,3	167,45	10,5	14,5	SK 9033.1 - 90 SH/4 - SK 180E-111-340-B (-C) SK 9033.1 - 90 SP/4 - SK 180E-111-340-B (-C)				
		1,1-5,7	1830	0,8	249,72	0	14,5	SK 9032.1 - 90 SH/4 - SK 200E-111-340-A (-C) SK 9032.1 - 90 SP/4 - SK 200E-111-340-A (-C)	76	E72-73	
		1,2-6,1	1714	0,9	233,92	3,0	14,5				
		1,5-7,3	1447	1,1	197,45	8,3	14,5				
		1,8-9,0	1163	1,3	158,74	11,0	14,5	SK 9032.1 - 90 SH/4 - SK 180E-111-340-B (-C) SK 9032.1 - 90 SP/4 - SK 180E-111-340-B (-C)			
		2,1-10	1021	1,5	139,44	12,0	14,5				
		2,4-12	862	1,8	117,70	12,9	14,5				
		2,6-13	812	1,9	110,77	13,1	14,5				
		3,1-15	686	2,3	93,50	13,6	14,5				
		3,4-17	616	2,5	84,17	13,8	14,5				
	3,8-19	556	2,8	75,91	13,6	14,5					
	4,5-22	469	3,3	64,08	13,1	14,5					
	2,1-10	1007	0,9	137,57	0	12,0	SK 9022.1 - 90 SH/4 - SK 200E-111-340-A (-C) SK 9022.1 - 90 SP/4 - SK 200E-111-340-A (-C)	56	E68-69		
	2,5-12	847	1,0	115,74	0	12,0					
	2,9-15	724	1,2	98,88	4,5	12,0					
	3,4-17	624	1,4	85,11	6,0	12,0	SK 9022.1 - 90 SH/4 - SK 180E-111-340-B (-C) SK 9022.1 - 90 SP/4 - SK 180E-111-340-B (-C)				
	3,6-18	577	1,5	78,89	6,6	12,0					
	4,3-22	487	1,8	66,42	7,4	12,0					
	4,9-25	426	2,0	58,25	7,8	12,0					
	5,5-28	381	2,3	52,02	8,1	12,0					
	5,9-29	359	2,4	49,01	8,2	12,0					
	6,4-32	328	2,6	44,71	8,4	12,0					
	4,3-21	490	1,0	66,96	9,4	25,0	SK 92772.1 - 90 SH/4 - SK 200E-111-340-A (-C) SK 92772.1 - 90 SP/4 - SK 200E-111-340-A (-C)	53	E58-59		
	4,8-24	437	1,0	59,68	9,6	25,0					
	5,5-27	385	1,5	52,64	9,8	25,0					
	6,1-31	343	1,5	46,92	9,9	25,0	SK 92772.1 - 90 SH/4 - SK 180E-111-340-B (-C) SK 92772.1 - 90 SP/4 - SK 180E-111-340-B (-C)				
	3,5-18	596	1,0	81,38	7,4	20,0	SK 9016.1 - 90 SH/4 - SK 200E-111-340-A (-C) SK 9016.1 - 90 SP/4 - SK 200E-111-340-A (-C)	49	E64-65		
	4,0-20	527	1,1	71,88	8,0	20,0					
	4,5-22	469	1,3	63,97	8,4	20,0					
	5,5-27	384	1,6	52,44	8,9	20,0	SK 9016.1 - 90 SH/4 - SK 180E-111-340-B (-C) SK 9016.1 - 90 SP/4 - SK 180E-111-340-B (-C)				
	6,2-31	338	1,8	46,11	9,0	20,0					
	7,0-35	299	2,0	40,92	9,0	20,0					
	8,2-41	255	2,4	34,81	9,0	20,0					
	9,4-47	223	2,7	30,52	9,0	19,9					
	4,6-23	459	0,9	62,74	3,7	20,0	SK 9012.1 - 90 SH/4 - SK 200E-111-340-A (-C) SK 9012.1 - 90 SP/4 - SK 200E-111-340-A (-C)			48	E60-61
	5,2-26	404	1,0	55,17	4,7	20,0					
	5,9-29	358	1,1	48,95	5,3	20,0					
	6,9-34	305	1,3	41,65	5,8	20,0	SK 9012.1 - 90 SH/4 - SK 180E-111-340-B (-C) SK 9012.1 - 90 SP/4 - SK 180E-111-340-B (-C)				
	8,2-41	255	1,6	34,81	6,2	20,0					
	9,1-46	230	1,7	31,45	6,4	20,0					
	10-52	203	2,0	27,65	6,5	19,5					
	5,9-30	355	0,9	48,56	7,5	20,0	SK 92672.1 - 90 SH/4 - SK 200E-111-340-A (-C) SK 92672.1 - 90 SP/4 - SK 200E-111-340-A (-C)	42	E56-57		
	6,6-33	317	1,0	43,28	7,7	20,0					
	7,6-38	277	1,1	37,82	7,9	20,0					
	8,5-43	247	1,5	33,71	8,0	20,0	SK 92672.1 - 90 SH/4 - SK 180E-111-340-B (-C) SK 92672.1 - 90 SP/4 - SK 180E-111-340-B (-C)				
	9,4-47	224	1,4	30,67	8,1	20,0					
	10-52	200	1,8	27,33	8,2	20,0					
	12-58	182	2,0	24,88	8,2	20,0					
	14-72	146	2,1	20,00	8,3	20,0					
	16-79	133	2,6	18,21	8,3	20,0					
	18-92	114	3,2	15,56	8,4	20,0					

Helical-bevel gear units

1:5**1,10 kW
1,50 kW**

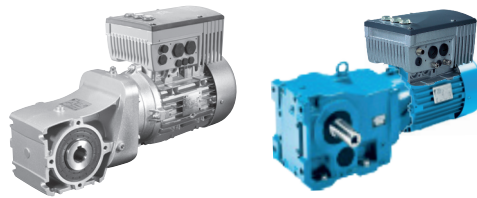
P ₁ [kW]	n ₂ [min ⁻¹]	M _{2b} [Nm]	f _B	i _{ges}	F _R	F _A	Type	mm							
								kg							
1,10	8,8-44	240	0,8	32,80	5,9	15,0	SK 92372.1 - 90 SH/4 - SK 200E-111-340-A (-C) SK 92372.1 - 90 SP/4 - SK 200E-111-340-A (-C)	31	E54-55						
	10-51	206	0,9	28,11	6,1	15,0									
	11-57	183	1,2	25,06	6,2	15,0	SK 92372.1 - 90 SH/4 - SK 180E-111-340-B (-C) SK 92372.1 - 90 SP/4 - SK 180E-111-340-B (-C)								
	13-64	165	1,1	22,49	6,3	15,0									
	14-72	147	1,5	20,04	6,4	15,0									
	16-78	134	1,4	18,33	6,4	15,0									
	18-91	116	1,6	15,84	6,5	15,0									
	20-102	103	2,1	14,12	6,5	15,0									
	23-114	92,0	2,0	12,56	6,5	15,0									
	26-128	82,0	2,7	11,20	6,6	15,0									
	28-139	75,6	2,9	10,33	6,6	15,0									
	32-158	66,7	3,3	9,11	6,6	15,0									
	35-175	60,0	3,5	8,19	6,6	15,0									
	41-205	51,3	3,9	7,01	6,6	15,0									
	43-215	48,8	4,2	6,67	6,6	15,0									
	49-246	42,7	4,4	5,83	6,6	14,7									
	1,10	30-151	69,5	1,5	9,49	4,8				11,1	SK 92172.1 - 90 SH/4 - SK 200E-111-340-A (-C) SK 92172.1 - 90 SP/4 - SK 200E-111-340-A (-C)	26	E52-53		
		34-172	61,0	1,9	8,33	4,9				10,8					
		37-183	57,3	1,9	7,83	4,9				10,6	SK 92172.1 - 90 SH/4 - SK 180E-111-340-B (-C) SK 92172.1 - 90 SP/4 - SK 180E-111-340-B (-C)				
		41-207	50,8	2,2	6,94	4,9				10,2					
44-220		47,8	1,9	6,53	4,9	10,1									
50-249		42,2	2,2	5,77	4,9	9,9									
55-273		38,5	2,8	5,26	4,9	9,6									
59-293		35,8	3,0	4,89	4,9	9,4									
67-334		31,4	3,4	4,30	4,9	8,8									
1,10		49-246	42,7	1,7	5,83	4,5	8,1	SK 92072.1 - 90 SH/4 - SK 200E-111-340-A (-C) SK 92072.1 - 90 SP/4 - SK 200E-111-340-A (-C)	24	E50-51					
		56-278	37,8	1,8	5,17	4,3	7,9								
		62-308	34,1	1,9	4,65	4,2	7,7	SK 92072.1 - 90 SH/4 - SK 180E-111-340-B (-C) SK 92072.1 - 90 SP/4 - SK 180E-111-340-B (-C)							
		72-361	29,1	2,3	3,97	4,1	7,3								
		80-401	26,2	2,5	3,58	4,0	7,1								
1,50	1,1-5,3	2679	1,8	265,11	27,2	45,0	SK 9053.1 - 90 LH/4 - SK 200E-151-340-A (-C) SK 9053.1 - 90 LH/4 - SK 200E-151-340-A (-C)	218	E82-83						
	1,2-6,2	2318	2,1	229,07	28,2	45,0									
	1,7-8,6	1670	2,9	164,99	29,5	45,0	SK 9053.1 - 90 LP/4 - SK 180E-151-340-B (-C) SK 9053.1 - 90 LP/4 - SK 180E-151-340-B (-C)								
	1,1-5,7	2504	1,9	247,06	27,7	45,0				SK 9052.1 - 90 LH/4 - SK 200E-151-340-A (-C) SK 9052.1 - 90 LP/4 - SK 200E-151-340-A (-C)					
		1,9-9,7	1471	2,4	145,16	29,8					45,0				
	1,0-5,1	2824	1,0	279,60	20,1	40,0				SK 9043.1 - 90 LH/4 - SK 200E-151-340-A (-C) SK 9043.1 - 90 LP/4 - SK 200E-151-340-A (-C)	140	E78-79			
		1,4-6,9	2066	1,4	204,38	23,7							40,0		
		1,6-8,2	1742	1,6	172,08	24,8							40,0		
	1,50	1,0-5,2	2772	1,0	273,73	20,4				40,0			SK 9042.1 - 90 LH/4 - SK 200E-151-340-A (-C) SK 9042.1 - 90 LP/4 - SK 200E-151-340-A (-C)	125	E76-77
		1,2-6,0	2377	1,2	235,01	22,4				40,0					
		1,5-7,3	1975	1,4	195,12	24,0				40,0					
		1,7-8,6	1674	0,9	165,24	25,0				40,0			SK 9042.1 - 90 LH/4 - SK 180E-151-340-B (-C) SK 9042.1 - 90 LP/4 - SK 180E-151-340-B (-C)		
2,4-12		1193	2,0	117,79	26,1	40,0									
3,0-15		967	2,9	95,56	26,5	40,0									
3,3-16		876	3,2	86,43	26,6	40,0									

Helical-bevel gear units



P_1 [kW]	n_2 [min ⁻¹]	M_{2b} [Nm]	f_B	i_{ges}	F_R [kN]	F_A [kN]	Type	kg	mm E		
1,50	1,4-7,2	2001	0,8	197,45	0	14,5	SK 9032.1 - 90 LH/4 - SK 200E-151-340-A (-C)	78	E72-73		
	1,5-7,5	1905	0,8	188,06	0	14,5	SK 9032.1 - 90 LP/4 - SK 200E-151-340-A (-C)				
	1,8-8,9	1609	1,0	158,74	5,8	14,5					
	2,0-10	1412	1,1	139,44	8,7	14,5	SK 9032.1 - 90 LH/4 - SK 180E-151-340-B (-C)				
	2,4-12	1192	1,3	117,70	10,8	14,5	SK 9032.1 - 90 LP/4 - SK 180E-151-340-B (-C)				
	2,6-13	1123	1,4	110,77	11,3	14,5					
	3,0-15	948	1,6	93,50	12,4	14,5					
	3,4-17	852	1,8	84,17	12,7	14,5					
	3,7-19	769	2,0	75,91	12,6	14,5					
	4,4-22	649	2,4	64,08	12,3	14,5					
	4,8-24	599	2,6	59,17	12,1	14,5					
	5,7-28	506	3,1	49,94	11,7	14,5					
	5,9-30	483	3,2	47,70	11,7	14,5					
	7,0-35	409	3,8	40,36	11,3	14,5					
	2,9-14	1001	0,9	98,88	0	12,0	SK 9022.1 - 90 LH/4 - SK 200E-151-340-A (-C)			58	E68-69
	3,3-17	863	1,0	85,11	0	12,0	SK 9022.1 - 90 LP/4 - SK 200E-151-340-A (-C)				
3,6-18	798	1,1	78,89	2,6	12,0						
4,3-21	673	1,3	66,42	5,4	12,0	SK 9022.1 - 90 LH/4 - SK 180E-151-340-B (-C)					
4,9-24	590	1,5	58,25	6,4	12,0	SK 9022.1 - 90 LP/4 - SK 180E-151-340-B (-C)					
5,4-27	527	1,6	52,02	7,1	12,0						
5,8-29	496	1,7	49,01	7,3	12,0						
6,3-32	454	1,9	44,71	7,7	12,0						
7,1-36	402	2,1	39,77	8,0	12,0						
8,5-43	337	2,6	33,26	8,4	12,0						
9,0-45	318	2,6	31,38	8,4	12,0						
9,7-48	296	2,9	29,20	8,5	12,0						
5,4-27	533	1,1	52,64	9,2	25,0	SK 92772.1 - 90 LH/4 - SK 200E-151-340-A (-C)	55	E58-59			
6,0-30	475	1,1	46,92	9,5	25,0	SK 92772.1 - 90 LP/4 - SK 200E-151-340-A (-C)					
6,5-33	440	1,4	43,44	9,6	25,0						
7,2-36	398	1,6	39,32	9,8	25,0	SK 92772.1 - 90 LH/4 - SK 180E-151-340-B (-C)					
8,1-40	355	1,9	35,04	9,9	25,0	SK 92772.1 - 90 LP/4 - SK 180E-151-340-B (-C)					
10-51	280	2,3	27,65	10,1	25,0						
3,9-20	728	0,8	71,88	5,8	20,0	SK 9016.1 - 90 LH/4 - SK 200E-151-340-A (-C)	51	E64-65			
4,4-22	649	0,9	63,97	6,8	20,0	SK 9016.1 - 90 LP/4 - SK 200E-151-340-A (-C)					
5,4-27	531	1,1	52,44	8,0	20,0						
6,1-31	467	1,3	46,11	8,4	20,0	SK 9016.1 - 90 LH/4 - SK 180E-151-340-B (-C)					
6,9-35	414	1,5	40,92	8,8	20,0	SK 9016.1 - 90 LP/4 - SK 180E-151-340-B (-C)					
8,1-41	353	1,7	34,81	9,0	19,6						
9,3-46	308	1,9	30,52	9,0	19,1						
11-54	266	2,3	26,29	9,0	18,6						
12-61	234	2,2	23,11	9,0	18,1						
14-69	208	2,8	20,51	9,0	17,7						
16-81	177	3,1	17,45	9,0	17,0						
5,8-29	495	0,8	48,95	2,8	20,0	SK 9012.1 - 90 LH/4 - SK 200E-151-340-A (-C)			50	E60-61	
6,8-34	422	0,9	41,65	4,4	20,0	SK 9012.1 - 90 LP/4 - SK 200E-151-340-A (-C)					
8,1-41	353	1,1	34,81	5,3	19,6						
9,0-45	319	1,3	31,45	5,7	19,3	SK 9012.1 - 90 LH/4 - SK 180E-151-340-B (-C)					
10-51	281	1,4	27,65	6,0	18,9	SK 9012.1 - 90 LP/4 - SK 180E-151-340-B (-C)					
12-58	248	1,6	24,53	6,2	18,4						
14-68	212	1,9	20,87	6,5	17,8						
16-81	177	2,1	17,45	6,6	17,0						
7,5-37	383	0,8	37,82	7,4	20,0	SK 92672.1 - 90 LH/4 - SK 200E-151-340-A (-C)	43	E56-57			
8,4-42	341	1,1	33,71	7,6	20,0	SK 92672.1 - 90 LP/4 - SK 200E-151-340-A (-C)					
9,2-46	310	1,0	30,67	7,8	20,0						
10-52	277	1,3	27,33	7,9	20,0	SK 92672.1 - 90 LH/4 - SK 180E-151-340-B (-C)					
11-57	252	1,4	24,88	8,0	20,0	SK 92672.1 - 90 LP/4 - SK 180E-151-340-B (-C)					
14-71	202	1,5	20,00	8,2	20,0						
16-78	184	1,9	18,21	8,2	20,0						
18-91	158	2,3	15,56	8,3	20,0						
20-98	146	2,2	14,40	8,3	20,0						
22-110	130	2,8	12,84	8,3	20,0						
25-124	115	3,1	11,39	8,4	20,0						
28-139	103	3,5	10,16	8,4	20,0						
30-151	95,1	3,7	9,39	8,4	20,0						

Helical-bevel gear units

1:5**1,50 kW
2,20 kW**

P_1 [kW]	n_2 [min ⁻¹]	M_{2b} [Nm]	f_B	i_{ges}	F_R [kN]	F_A [kN]	Type	kg	mm E			
1,50	11-56	254	0,9	25,06	5,8	15,0	SK 92372.1 - 90 LH/4 - SK 200E-151-340-A (-C) SK 92372.1 - 90 LP/4 - SK 200E-151-340-A (-C)	32	E54-55			
	13-63	228	0,8	22,49	6,0	15,0						
	14-71	203	1,1	20,04	6,1	15,0						
	15-77	186	1,0	18,33	6,2	15,0	SK 92372.1 - 90 LH/4 - SK 180E-151-340-B (-C) SK 92372.1 - 90 LP/4 - SK 180E-151-340-B (-C)					
	18-89	160	1,1	15,84	6,3	15,0						
	20-100	143	1,5	14,12	6,4	15,0						
	23-113	127	1,4	12,56	6,5	15,0						
	25-126	113	1,9	11,20	6,5	15,0						
	27-137	105	2,1	10,33	6,5	15,0						
	28-138	103	1,8	10,22	6,5	15,0						
	31-155	92,2	2,4	9,11	6,5	15,0						
	35-173	83,0	2,5	8,19	6,6	15,0						
	40-202	70,9	2,8	7,01	6,6	15,0						
	42-212	67,5	3,0	6,67	6,6	15,0						
	49-243	59,1	3,2	5,83	6,6	14,4						
	1,50	30-149	96,1	1,1	9,49	4,7	10,5			SK 92172.1 - 90 LH/4 - SK 200E-151-340-A (-C) SK 92172.1 - 90 LP/4 - SK 200E-151-340-A (-C)	27	E52-53
		34-170	84,4	1,4	8,33	4,8	10,2					
		36-181	79,3	1,4	7,83	4,8	10,1					
		41-204	70,3	1,6	6,94	4,8	9,8			SK 92172.1 - 90 LH/4 - SK 180E-151-340-B (-C) SK 92172.1 - 90 LP/4 - SK 180E-151-340-B (-C)		
		43-217	66,1	1,4	6,53	4,8	9,6					
49-245		58,4	1,6	5,77	4,9	9,5						
54-269		53,2	2,0	5,26	4,9	9,3						
58-289		49,5	2,2	4,89	4,9	9,0						
66-329		43,5	2,4	4,30	4,9	8,5						
74-368		38,9	2,3	3,85	4,9	8,1						
79-395		36,2	2,4	3,58	4,8	7,8						
2,20		1,2-5,9	3570	2,4	245,76	61,3	50,0	SK 9072.1 - 100 LH/4 - SK 200E-221-340-A (-C) SK 9072.1 - 100 LP/4 - SK 200E-221-340-A (-C)	348	E84-85		
		1,4-7,0	3009	2,8	206,84	62,0	50,0	SK 9072.1 - 100 LH/4 - SK 180E-221-340-B (-C) SK 9072.1 - 100 LP/4 - SK 180E-221-340-B (-C)				
2,20		1,1-5,5	3848	1,2	265,11	22,8	45,0	SK 9053.1 - 100 LH/4 - SK 200E-221-340-A (-C) SK 9053.1 - 100 LP/4 - SK 200E-221-340-A (-C)	226	E82-83		
		1,3-6,3	3329	1,4	229,07	25,1	45,0					
	1,8-8,8	2399	2,0	164,99	28,0	45,0	SK 9053.1 - 100 LH/4 - SK 180E-221-340-B (-C) SK 9053.1 - 100 LP/4 - SK 180E-221-340-B (-C)					
2,20	1,0-5,0	4211	1,1	289,61	20,9	45,0	SK 9052.1 - 100 LH/4 - SK 200E-221-340-A (-C) SK 9052.1 - 100 LP/4 - SK 200E-221-340-A (-C)	208	E80-81			
	1,2-5,8	3596	1,3	247,06	24,0	45,0						
	1,5-7,3	2884	1,7	198,38	26,6	45,0						
	1,7-8,5	2463	1,9	169,24	27,8	45,0	SK 9052.1 - 100 LH/4 - SK 180E-221-340-B (-C) SK 9052.1 - 100 LP/4 - SK 180E-221-340-B (-C)					
	2,0-9,9	2112	1,7	145,16	28,6	45,0						
	2,4-12	1745	2,8	120,03	29,3	45,0						
2,20	2,8-14	1490	3,2	102,40	29,7	45,0						
	1,4-7,1	2968	0,9	204,38	19,2	40,0	SK 9043.1 - 100 LH/4 - SK 200E-221-340-A (-C) SK 9043.1 - 100 LP/4 - SK 200E-221-340-A (-C)	148	E78-79			
1,7-8,4	2502	1,1	172,08	21,8	40,0	SK 9043.1 - 100 LH/4 - SK 180E-221-340-B (-C) SK 9043.1 - 100 LP/4 - SK 180E-221-340-B (-C)						
2,20	1,2-6,2	3414	0,8	235,01	15,8	40,0	SK 9042.1 - 100 LH/4 - SK 200E-221-340-A (-C) SK 9042.1 - 100 LP/4 - SK 200E-221-340-A (-C)	133	E76-77			
	1,5-7,4	2836	1,0	195,12	20,0	40,0						
	1,8-9,0	2325	1,2	159,94	22,6	40,0						
	2,2-11	1932	1,4	132,79	24,2	40,0	SK 9042.1 - 100 LH/4 - SK 180E-221-340-B (-C) SK 9042.1 - 100 LP/4 - SK 180E-221-340-B (-C)					
	2,5-12	1713	1,4	117,79	24,8	40,0						
	3,0-15	1389	2,0	95,56	25,7	40,0						
	3,3-17	1258	2,2	86,43	26,0	40,0						
	3,8-19	1106	2,5	76,18	26,3	40,0						
	4,2-21	996	2,8	68,61	26,4	40,0						
	4,6-23	919	3,0	63,25	26,6	40,0						
	5,2-26	809	3,5	55,69	26,7	40,0						

Helical-bevel
gear units



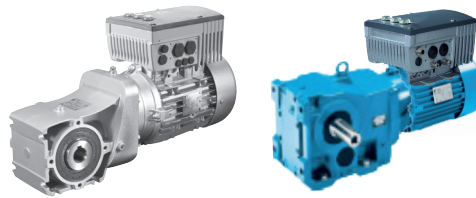
P_1 [kW]	n_2 [min ⁻¹]	M_{2b} [Nm]	f_B	i_{ges}	F_R [kN]	F_A [kN]	Type	kg	mm E		
2,20	2,6-13	1613	1,0	110,77	5,7	14,5	SK 9032.1 - 100 LH/4 - SK 200E-221-340-A (-C) SK 9032.1 - 100 LP/4 - SK 200E-221-340-A (-C)	86	E72-73		
	3,1-15	1362	1,1	93,50	9,3	14,5					
	3,4-17	1224	1,3	84,17	10,6	14,5					
	3,8-19	1104	1,4	75,91	10,8	14,5	SK 9032.1 - 100 LH/4 - SK 180E-221-340-B (-C) SK 9032.1 - 100 LP/4 - SK 180E-221-340-B (-C)				
	4,5-23	932	1,7	64,08	10,7	14,5					
	4,9-24	860	1,8	59,17	10,7	14,5					
	5,8-29	726	2,1	49,94	10,5	14,5					
	6,1-30	693	2,2	47,70	10,5	14,5					
	7,2-36	587	2,6	40,36	10,3	14,5					
	7,6-38	554	2,8	38,05	10,2	14,5					
	8,1-41	518	3,0	35,61	10,1	14,5					
	9,7-49	431	3,5	29,66	9,8	14,5					
	3,7-18	1146	0,8	78,89	0	12,0	SK 9022.1 - 100 LH/4 - SK 200E-221-340-A (-C) SK 9022.1 - 100 LP/4 - SK 200E-221-340-A (-C)			66	E68-69
	4,3-22	966	0,9	66,42	0	12,0					
	5,0-25	847	1,0	58,25	0	12,0					
	5,5-28	758	1,1	52,02	3,8	12,0	SK 9022.1 - 100 LH/4 - SK 180E-221-340-B (-C) SK 9022.1 - 100 LP/4 - SK 180E-221-340-B (-C)				
	5,9-29	712	1,2	49,01	4,7	12,0					
	6,5-32	651	1,3	44,71	5,7	12,0					
	7,3-36	577	1,5	39,77	6,6	12,0					
	8,7-43	484	1,8	33,26	7,4	12,0					
9,2-46	457	1,8	31,38	7,6	12,0						
9,9-49	425	2,0	29,20	7,9	12,0						
11-55	380	2,3	26,07	8,1	12,0						
12-59	357	2,4	24,56	8,2	12,0						
7,4-37	572	1,1	39,32	9,0	25,0	SK 92772.1 - 100 LH/4 - SK 200E-221-340-A (-C) SK 92772.1 - 100 LP/4 - SK 200E-221-340-A (-C)	63	E58-59			
8,2-41	509	1,3	35,04	9,3	25,0						
9,1-45	463	1,4	31,85	9,5	25,0						
10-51	413	1,5	28,38	9,7	25,0	SK 92772.1 - 100 LH/4 - SK 180E-221-340-B (-C) SK 92772.1 - 100 LP/4 - SK 180E-221-340-B (-C)					
11-57	368	1,7	25,34	9,9	25,0						
13-64	328	2,0	22,59	10,0	25,0						
14-68	307	2,0	21,14	10,0	25,0						
15-75	279	2,3	19,17	10,1	25,0						
5,5-28	762	0,8	52,44	5,2	18,3	SK 9016.1 - 100 LH/4 - SK 200E-221-340-A (-C) SK 9016.1 - 100 LP/4 - SK 200E-221-340-A (-C)	59	E64-65			
6,3-31	671	0,9	46,11	6,6	18,2						
7,1-35	594	1,0	40,92	7,4	18,1						
8,3-41	507	1,2	34,81	8,2	17,9	SK 9016.1 - 100 LH/4 - SK 180E-221-340-B (-C) SK 9016.1 - 100 LP/4 - SK 180E-221-340-B (-C)					
9,5-47	443	1,4	30,52	8,6	17,6						
11-55	382	1,6	26,29	9,0	17,3						
12-62	337	1,5	23,11	9,0	16,9						
14-70	298	1,9	20,51	9,0	16,6						
17-83	254	2,1	17,45	9,0	16,1						
19-95	222	2,3	15,10	9,0	15,7						
23-116	182	2,9	12,51	9,0	15,0						
8,3-41	507	0,8	34,81	2,5	17,9	SK 9012.1 - 100 LH/4 - SK 200E-221-340-A (-C) SK 9012.1 - 100 LP/4 - SK 200E-221-340-A (-C)			58	E60-61	
9,2-46	458	0,9	31,45	3,7	17,8						
10-52	403	1,0	27,65	4,7	17,5						
12-59	357	1,1	24,53	5,3	17,2	SK 9012.1 - 100 LH/4 - SK 180E-221-340-B (-C) SK 9012.1 - 100 LP/4 - SK 180E-221-340-B (-C)					
14-69	304	1,3	20,87	5,8	16,7						
17-83	254	1,5	17,45	6,2	16,1						
19-95	222	1,7	15,30	6,4	15,7						
24-118	178	1,2	12,23	6,6	14,8						
12-58	362	1,0	24,88	7,5	20,0	SK 92672.1 - 100 LH/4 - SK 200E-221-340-A (-C) SK 92672.1 - 100 LP/4 - SK 200E-221-340-A (-C)	52	E56-57			
16-79	265	1,3	18,21	8,0	20,0						
17-83	254	1,2	17,46	8,0	20,0						
19-93	226	1,6	15,56	8,1	20,0	SK 92672.1 - 100 LH/4 - SK 180E-221-340-B (-C) SK 92672.1 - 100 LP/4 - SK 180E-221-340-B (-C)					
20-100	209	1,5	14,40	8,1	20,0						
23-113	187	1,9	12,84	8,2	20,0						
25-127	166	2,2	11,39	8,3	20,0						
28-142	148	2,5	10,16	8,3	20,0						
31-154	137	2,6	9,39	8,3	20,0						
35-173	121	2,9	8,33	8,4	19,9						
39-194	108	3,2	7,44	8,4	19,3						

Helical-bevel gear units

1:5**2,20 kW**
3,00 kW

IE2

IE3



P ₁ [kW]	n ₂ [min ⁻¹]	M _{2b} [Nm]	f _B	i _{ges}	F _R	F _A	Type	mm				
								kg				
2,20	23-115	183	1,0	12,56	6,2	15,0	SK 92372.1 - 100 LH/4 - SK 200E-221-340-A (-C) SK 92372.1 - 100 LP/4 - SK 200E-221-340-A (-C)	41	E54-55			
	26-129	163	1,3	11,20	6,3	15,0						
	28-141	149	1,2	10,22	6,4	15,0						
	32-159	132	1,6	9,11	6,4	15,0	SK 92372.1 - 100 LH/4 - SK 180E-221-340-B (-C) SK 92372.1 - 100 LP/4 - SK 180E-221-340-B (-C)					
	35-176	119	1,7	8,19	6,5	14,9						
	41-206	102	2,0	7,01	6,5	14,5						
	43-217	96,9	2,1	6,67	6,5	14,2						
	50-248	84,8	2,2	5,83	6,6	13,7						
	56-282	74,6	2,5	5,13	6,6	12,9						
	67-336	62,6	3,0	4,31	6,6	12,0						
	78-389	54,1	3,3	3,72	6,6	11,3						
	3,00	1,2-5,8	4936	1,7	245,76	59,1	50,0			SK 9072.1 - 100 AH/4 - SK 200E-301-340-A (-C) SK 9072.1 - 100 AP/4 - SK 200E-301-340-A (-C)	349	E84-85
		1,4-6,9	4161	2,0	206,84	60,4	50,0					
2,1-10		2747	2,4	136,88	62,2	50,0						
1,1-5,4		5320	0,9	265,11	11,4	45,0	SK 9053.1 - 100 AH/4 - SK 200E-301-340-A (-C) SK 9053.1 - 100 AP/4 - SK 200E-301-340-A (-C)	227	E82-83			
1,2-6,2		4604	1,0	229,07	18,3	45,0						
1,7-8,6		3317	1,4	164,99	25,1	45,0						
1,2-5,8		4973	1,0	247,06	15,3	45,0	SK 9052.1 - 100 AH/4 - SK 200E-301-340-A (-C) SK 9052.1 - 100 AP/4 - SK 200E-301-340-A (-C)	209	E80-81			
1,4-7,2		3988	1,2	198,38	22,1	45,0						
1,7-8,4		3406	1,4	169,24	24,8	45,0						
2,0-9,8		2921	1,2	145,16	26,5	45,0						
2,4-12		2413	2,0	120,03	27,9	45,0						
2,8-14		2061	2,3	102,40	28,7	45,0						
3,2-16		1772	2,7	88,17	29,3	45,0						
3,9-20	1451	3,3	72,24	29,8	45,0							
1,8-8,9	3215	0,9	159,94	17,5	40,0	SK 9042.1 - 100 AH/4 - SK 200E-301-340-A (-C) SK 9042.1 - 100 AP/4 - SK 200E-301-340-A (-C)	134	E76-77				
2,1-11	2671	1,0	132,79	21,0	40,0							
2,4-12	2368	1,0	117,79	22,5	40,0							
3,0-15	1921	1,5	95,56	24,2	40,0							
3,3-16	1739	1,6	86,43	24,8	40,0							
3,7-19	1530	1,8	76,18	25,3	40,0							
4,2-21	1377	2,0	68,61	25,7	40,0							
4,5-23	1271	2,2	63,25	25,9	40,0							
5,1-26	1119	2,5	55,69	26,2	40,0							
6,0-30	957	2,9	47,67	26,5	40,0							
7,0-35	815	3,4	40,54	26,7	40,0							
3,0-15	1883	0,8	93,50	0	14,3	SK 9032.1 - 100 AH/4 - SK 200E-301-340-A (-C) SK 9032.1 - 100 AP/4 - SK 200E-301-340-A (-C)	87	E72-73				
3,4-17	1692	0,9	84,17	3,8	14,5							
3,8-19	1526	1,0	75,91	7,2	14,5							
4,4-22	1289	1,2	64,08	8,9	14,5							
4,8-24	1189	1,3	59,17	9,1	14,5							
5,7-29	1004	1,5	49,94	9,1	14,5							
6,0-30	958	1,6	47,70	9,2	14,5							
7,1-35	812	1,9	40,36	9,2	14,5							
7,5-37	766	2,0	38,05	9,2	14,5							
8,0-40	717	2,2	35,61	9,1	14,5							
9,6-48	597	2,5	29,66	9,0	14,5							
11-57	504	3,0	25,03	8,8	14,5							
12-60	481	3,2	23,91	8,8	14,5							
14-70	407	3,7	20,23	8,5	14,3							
17-83	344	4,2	17,08	8,2	13,8							
5,5-27	1048	0,8	52,02	0	12,0				SK 9022.1 - 100 AH/4 - SK 200E-301-340-A (-C) SK 9022.1 - 100 AP/4 - SK 200E-301-340-A (-C)	67	E68-69	
5,8-29	985	0,9	49,01	0	12,0							
6,4-32	901	1,0	44,71	0	12,0							
7,2-36	798	1,1	39,77	2,6	12,0							
8,6-43	669	1,3	33,26	5,4	12,0							
9,1-45	632	1,3	31,38	5,9	12,0							
9,8-49	587	1,5	29,20	6,5	12,0							
11-55	526	1,6	26,07	7,1	12,0							
12-58	494	1,7	24,56	7,3	12,0							
13-63	452	1,7	22,41	7,4	12,0							
14-72	400	1,9	19,93	7,3	12,0							
16-81	352	2,0	17,52	7,0	12,0							
17-87	328	1,9	16,30	6,9	12,0							

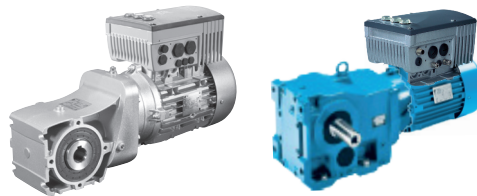
Helical-bevel
gear units



P_1 [kW]	n_2 [min ⁻¹]	M_{2b} [Nm]	f_B	i_{ges}	F_R	F_A [kN]	Type	kg	mm E				
3,00	7,2-36	790	0,8	39,32	7,3	25,0	SK 92772.1 - 100 AH/4 - SK 200E-301-340-A (-C) SK 92772.1 - 100 AP/4 - SK 200E-301-340-A (-C)	64	E58-59				
	8,1-41	704	0,9	35,04	8,1	25,0							
	8,9-45	640	1,0	31,85	8,5	25,0							
	10-50	571	1,1	28,38	9,0	25,0							
	11-56	509	1,2	25,34	9,3	25,0							
	13-67	425	1,5	21,14	9,7	25,0							
	15-76	379	1,7	18,84	9,8	25,0							
	17-83	343	1,9	17,08	9,9	25,0							
	18-92	310	2,0	15,42	10,0	25,0							
	21-103	277	2,2	13,79	10,1	25,0							
	8,2-41	701	0,9	34,81	6,2	16,0	SK 9016.1 - 100 AH/4 - SK 200E-301-340-A (-C) SK 9016.1 - 100 AP/4 - SK 200E-301-340-A (-C)	60	E64-65				
	9,4-47	612	1,0	30,52	7,2	16,0							
	11-54	529	1,1	26,29	8,0	15,9							
	12-62	466	1,1	23,11	8,5	15,7							
	14-69	412	1,4	20,51	8,8	15,5							
	16-81	352	1,5	17,45	9,0	15,2							
	19-93	307	1,7	15,10	9,0	14,9							
	23-114	251	2,1	12,51	9,0	14,3							
		12-58	493	0,8	24,53	2,9				15,9	SK 9012.1 - 100 AH/4 - SK 200E-301-340-A (-C) SK 9012.1 - 100 AP/4 - SK 200E-301-340-A (-C)	59	E60-61
		14-68	421	1,0	20,87	4,4				15,7			
16-81		352	1,1	17,45	5,3	15,2							
19-93		307	1,2	15,30	5,8	14,9							
23-116		247	0,9	12,23	6,3	14,0							
26-131		218	0,9	10,85	6,4	13,8							
31-154		186	1,0	9,23	6,6	13,4							
		16-78	366	1,0	18,21	7,5	20,0	SK 92672.1 - 100 AH/4 - SK 200E-301-340-A (-C) SK 92672.1 - 100 AP/4 - SK 200E-301-340-A (-C)	53	E56-57			
	18-92	313	1,2	15,56	7,7	20,0							
	20-99	290	1,1	14,40	7,8	20,0							
	22-111	258	1,4	12,84	8,0	20,0							
	25-125	229	1,6	11,39	8,1	20,0							
	28-140	204	1,8	10,16	8,2	20,0							
	30-152	189	1,9	9,39	8,2	19,7							
	34-171	168	2,1	8,33	8,3	19,2							
	38-192	149	2,3	7,44	8,3	18,7							
	43-213	134	2,4	6,68	8,3	18,4							
	51-253	113	2,7	5,64	8,4	16,8							
	65-327	87,6	3,6	4,36	8,4	15,1							
		25-127	225	1,0	11,20	6,0	15,0				SK 92372.1 - 100 AH/4 - SK 200E-301-340-A (-C) SK 92372.1 - 100 AP/4 - SK 200E-301-340-A (-C)	42	E54-55
		28-139	206	0,9	10,22	6,1	14,9						
31-156		183	1,2	9,11	6,2	14,5							
35-174		165	1,3	8,19	6,3	14,0							
41-203		141	1,4	7,01	6,4	13,8							
43-214		134	1,5	6,67	6,4	13,5							
49-244		117	1,6	5,83	6,5	12,9							
56-278		103	1,8	5,13	6,5	12,3							
66-331		86,6	2,1	4,31	6,6	11,5							
77-383		74,7	2,4	3,72	6,6	10,9							
4,00		2,5-12	3092	4,2	116,45	82,0	60,0	SK 9082.1 - 112 MH/4 - SK 200E-401-340-A (-C) SK 9082.1 - 112 MP/4 - SK 200E-401-340-A (-C)	620	E86-87			
	1,2-5,9	6513	1,3	245,76	55,6	50,0	SK 9072.1 - 112 MH/4 - SK 200E-401-340-A (-C) SK 9072.1 - 112 MP/4 - SK 200E-401-340-A (-C)				360	E84-85	
	1,4-7,0	5490	1,5	206,84	58,0	50,0							
	2,1-11	3625	1,8	136,88	61,2	50,0							
	2,6-13	2920	2,9	110,18	62,1	50,0							
	3,1-16	2426	3,5	91,47	62,5	50,0							
	1,3-6,3	6074	0,8	229,07	0	45,0	SK 9053.1 - 112 MH/4 - SK 200E-401-340-A (-C) SK 9053.1 - 112 MP/4 - SK 200E-401-340-A (-C)				238	E82-83	
	1,7-8,7	4377	1,1	164,99	19,9	45,0							
	1,5-7,3	5262	0,9	198,38	12,2	45,0	SK 9052.1 - 112 MH/4 - SK 200E-401-340-A (-C) SK 9052.1 - 112 MP/4 - SK 200E-401-340-A (-C)				220	E80-81	
	1,7-8,5	4494	1,1	169,24	19,1	45,0							
2,0-9,9	3854	0,9	145,16	22,8	45,0								
2,4-12	3183	1,5	120,03	25,6	45,0								
2,8-14	2719	1,8	102,40	27,1	45,0								
3,3-16	2337	2,1	88,17	28,1	45,0								
4,0-20	1915	2,5	72,24	29,0	45,0								
4,6-23	1657	2,9	62,42	29,5	45,0								
5,3-26	1447	3,3	54,56	29,8	45,0								

1:5

4,00 kW



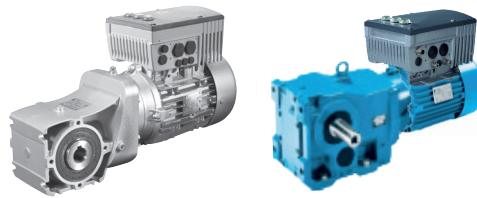
P ₁ [kW]	n ₂ [min ⁻¹]	M _{2b} [Nm]	f _B	i _{ges}	F _R	F _A [kN]	Type	mm				
								kg				
4,00	2,2-11	3524	0,8	132,79	14,7	40,0	SK 9042.1 - 112 MH/4 - SK 200E-401-340-A (-C) SK 9042.1 - 112 MP/4 - SK 200E-401-340-A (-C)	145	E76-77			
	2,4-12	3125	0,8	117,79	18,1	40,0						
	3,0-15	2535	1,1	95,56	21,7	40,0						
	3,3-17	2295	1,2	86,43	22,8	40,0						
	3,8-19	2018	1,4	76,18	23,9	40,0						
	4,2-21	1818	1,5	68,61	24,5	40,0						
	4,6-23	1677	1,7	63,25	24,9	40,0						
	5,2-26	1477	1,9	55,69	25,5	40,0						
	6,0-30	1263	2,2	47,67	26,0	40,0						
	7,1-36	1076	2,6	40,54	26,3	40,0						
	8,4-42	912	3,1	34,39	26,6	40,0						
	9,1-45	841	3,3	31,70	26,7	40,0						
	10-52	741	3,8	27,91	26,8	40,0						
		3,8-19	2014	0,8	75,91	0				11,4	SK 9032.1 - 112 MH/4 - SK 200E-401-340-A (-C) SK 9032.1 - 112 MP/4 - SK 200E-401-340-A (-C)	98
	4,5-22	1700	0,9	64,08	3,5	12,2						
	4,9-24	1569	1,0	59,17	6,6	12,7						
	5,8-29	1325	1,2	49,94	7,4	13,1						
	6,0-30	1265	1,2	47,70	7,6	13,4						
	7,1-36	1071	1,4	40,36	7,8	13,6						
	7,6-38	1010	1,5	38,05	7,9	13,7						
	8,1-40	946	1,6	35,61	7,9	13,6						
	9,7-49	787	1,9	29,66	8,0	13,7						
	11-57	665	2,3	25,03	7,9	13,5						
	12-60	634	2,4	23,91	7,9	13,5						
	14-71	537	2,8	20,23	7,8	13,3						
	17-84	454	3,2	17,08	7,6	12,9						
	18-90	425	3,3	16,04	7,6	12,8						
	21-106	359	3,8	13,49	7,4	12,4						
	23-114	336	3,0	12,68	7,1	12,0						
	27-134	285	3,2	10,73	6,9	11,6						
	7,3-36	1053	0,8	39,77	0	10,6	SK 9022.1 - 112 MH/4 - SK 200E-401-340-A (-C) SK 9022.1 - 112 MP/4 - SK 200E-401-340-A (-C)	78	E68-69			
	8,7-43	883	1,0	33,26	0	10,8						
	9,2-46	834	1,0	31,38	0	11,1						
	9,9-49	775	1,1	29,20	3,3	11,2						
	11-55	693	1,2	26,07	5,0	11,3						
	12-59	652	1,3	24,56	5,7	11,2						
	13-64	596	1,3	22,41	6,4	11,4						
	14-72	528	1,4	19,93	6,5	11,4						
	16-82	465	1,5	17,52	6,2	10,9						
	18-88	432	1,4	16,30	6,2	10,8						
	20-99	387	1,5	14,56	6,2	10,7						
	23-115	332	1,6	12,51	6,1	10,6						
	26-130	295	1,8	11,13	6,0	10,4						
	11-57	672	0,9	25,34	8,3	25,0				SK 92772.1 - 112 MH/4 - SK 200E-401-340-A (-C) SK 92772.1 - 112 MP/4 - SK 200E-401-340-A (-C)	74	E58-59
	13-64	599	1,1	22,59	8,8	25,0						
	14-68	561	1,1	21,14	9,0	25,0						
	15-76	500	1,3	18,84	9,3	25,0						
	17-84	453	1,4	17,08	9,5	25,0						
	19-93	409	1,5	15,42	9,7	25,0						
	21-104	366	1,7	13,79	9,9	25,0						
	23-115	332	1,8	12,50	10,0	25,0						
	26-128	299	1,9	11,28	10,1	25,0						
	29-147	260	2,2	9,81	10,2	25,0						
	33-163	235	2,4	8,85	10,2	24,9						
	40-201	190	2,9	7,18	10,3	23,4						
	11-55	698	0,9	26,29	6,2	14,1	SK 9016.1 - 112 MH/4 - SK 200E-401-340-A (-C) SK 9016.1 - 112 MP/4 - SK 200E-401-340-A (-C)	71	E64-65			
	12-62	614	0,8	23,11	7,2	14,1						
	14-70	544	1,1	20,51	7,9	14,1						
	16-82	464	1,2	17,45	8,5	14,0						
	19-94	405	1,3	15,10	8,8	13,9						
	23-115	331	1,6	12,51	9,0	13,4						
	16-82	464	0,8	17,45	3,6	14,0	SK 9012.1 - 112 MH/4 - SK 200E-401-340-A (-C) SK 9012.1 - 112 MP/4 - SK 200E-401-340-A (-C)	70	E60-61			
	19-94	405	0,9	15,30	4,7	13,9						
	31-155	246	0,8	9,23	6,3	12,6						
	36-178	215	0,8	8,09	6,4	12,4						

Helical-bevel gear units



P_1 [kW]	n_2 [min ⁻¹]	M_{2b} [Nm]	f_B	i_{ges}	F_R [kN]	F_A [kN]	Type	kg	mm E
4,00	19-93	413	0,9	15,56	7,2	20,0	SK 92672.1 - 112 MH/4 - SK 200E-401-340-A (-C) SK 92672.1 - 112 MP/4 - SK 200E-401-340-A (-C)	63	E56-57
	20-100	382	0,8	14,40	7,4	20,0			
	22-112	341	1,1	12,84	7,6	19,9			
	25-126	302	1,2	11,39	7,8	19,1			
	28-142	270	1,3	10,16	7,9	19,1			
	31-153	249	1,4	9,39	8,0	18,5			
	35-173	221	1,6	8,33	8,1	18,2			
	39-194	197	1,8	7,44	8,2	17,8			
	43-215	177	1,8	6,68	8,2	17,4			
	51-255	150	2,1	5,64	8,3	15,9			
	66-330	116	2,7	4,36	8,4	14,4			
5,50	1,3-6,3	8298	2,4	230,64	114,7	65,0	SK 9086.1 - 132 SH/4 - SK 200E-551-340-A (-C) SK 9086.1 - 132 SP/4 - SK 200E-551-340-A (-C)	892	E88-89
	1,5-7,5	6980	2,9	194,04	116,0	65,0			
	1,2-6,0	8787	1,5	244,32	76,3	60,0	SK 9082.1 - 132 SH/4 - SK 200E-551-340-A (-C) SK 9082.1 - 132 SP/4 - SK 200E-551-340-A (-C)	642	E86-87
	2,0-9,8	5354	2,4	148,76	80,4	60,0			
	2,4-12	4408	2,9	122,46	81,2	60,0			
	2,5-13	4193	3,1	116,45	81,3	60,0			
	1,2-5,9	8833	1,0	245,76	47,8	50,0	SK 9072.1 - 132 SH/4 - SK 200E-551-340-A (-C) SK 9072.1 - 132 SP/4 - SK 200E-551-340-A (-C)	382	E84-85
	1,4-7,1	7446	1,1	206,84	52,9	50,0			
	1,6-7,8	6719	1,3	186,86	55,0	50,0			
	1,9-9,3	5664	1,5	157,27	57,6	50,0			
	2,1-11	4916	1,4	136,88	59,2	50,0			
	2,7-13	3961	2,1	110,18	60,7	50,0			
	3,2-16	3290	2,6	91,47	61,6	50,0			
	3,7-18	2864	3,0	79,69	62,1	50,0			
	4,2-21	2521	3,4	70,22	62,4	50,0			
		1,7-8,6	6095	0,8	169,24	0			
2,4-12		4317	1,1	120,03	20,2	45,0			
2,8-14		3687	1,3	102,40	23,6	45,0			
3,3-17		3170	1,5	88,17	25,6	45,0			
4,0-20		2596	1,8	72,24	27,4	45,0			
4,7-23		2247	2,1	62,42	28,3	45,0			
5,4-27		1962	2,4	54,56	28,9	45,0			
6,5-32		1619	3,0	44,96	29,5	45,0			
7,3-37		1430	3,4	39,72	29,8	45,0			
8,1-40		1303	3,7	36,21	30,0	45,0			
9,3-47		1127	4,3	31,28	30,2	45,0			
	3,1-15	3438	0,8	95,56	15,6	40,0	SK 9042.1 - 132 SH/4 - SK 200E-551-340-A (-C) SK 9042.1 - 132 SP/4 - SK 200E-551-340-A (-C)	167	E76-77
	3,4-17	3112	0,9	86,43	18,2	40,0			
	3,8-19	2737	1,0	76,18	20,6	40,0			
	4,3-21	2465	1,1	68,61	22,0	40,0			
	4,6-23	2274	1,2	63,25	22,9	40,0			
	5,2-26	2003	1,4	55,69	23,9	40,0			
	6,1-31	1713	1,6	47,67	24,8	40,0			
	7,2-36	1459	1,9	40,54	25,5	40,0			
	8,5-42	1237	2,3	34,39	26,0	40,0			
	9,2-46	1141	2,5	31,70	26,2	39,4			
	9,3-46	1133	1,9	31,48	26,2	39,5			
	10-52	1005	2,8	27,91	26,4	38,7			
	12-61	859	3,1	23,89	26,6	37,5			
		5,8-29	1797	0,9	49,94	0			
6,1-31		1715	0,9	47,70	3,0	9,7			
7,2-36		1452	1,1	40,36	5,8	10,5			
7,7-38		1370	1,1	38,05	6,0	10,8			
8,2-41		1283	1,2	35,61	6,1	10,8			
9,8-49		1068	1,4	29,66	6,5	11,4			
12-61		860	1,8	23,91	6,7	11,7			
14-72		729	2,1	20,23	6,8	11,7			
17-85		615	2,4	17,08	6,8	11,6			
18-91		577	2,4	16,04	6,8	11,6			
22-108		487	2,8	13,49	6,7	11,3			
23-115		456	2,2	12,68	6,4	10,9			
27-136		386	2,3	10,73	6,3	10,6			
34-172		306	2,9	8,48	6,1	9,9			


Helical-bevel gear units

1:5**5,50 kW
7,50 kW****IE2****IE3**

P ₁ [kW]	n ₂ [min ⁻¹]	M _{2b} [Nm]	f _B	i _{ges}	F _R	F _A	Type	mm	
								kg	
5,50	15-76	689	0,9	19,17	8,2	25,0	SK 92772.1 - 132 SH/4 - SK 200E-551-340-A (-C) SK 92772.1 - 132 SP/4 - SK 200E-551-340-A (-C)	97	E58-59
	17-85	615	1,0	17,08	8,7	25,0			
	19-95	555	1,1	15,42	9,1	25,0			
	23-117	450	1,3	12,50	9,6	24,9			
	26-129	406	1,4	11,28	9,7	24,5			
	30-149	353	1,6	9,81	9,9	24,3			
	33-165	318	1,7	8,85	10,0	23,5			
	41-203	258	2,1	7,18	10,2	21,9			
	46-229	230	2,1	6,39	10,2	21,3			
	57-285	184	2,7	5,12	10,3	19,2			
	29-144	366	1,0	10,16	7,5	17,4			
	35-175	300	1,2	8,33	7,8	16,6			
	39-196	267	1,3	7,44	7,9	16,1			
	44-218	240	1,3	6,68	8,0	16,0			
52-259	203	1,5	5,64	8,2	14,7				
67-335	157	2,0	4,36	8,3	13,5				
7,50	1,3-6,3	11320	1,8	230,64	110,9	65,0	SK 9086.1 - 132 MH/4 - SK 200E-751-340-A (-C) SK 9086.1 - 132 MP/4 - SK 200E-751-340-A (-C)	899	E88-89
	1,5-7,5	9519	2,1	194,04	113,4	65,0			
	1,2-6,0	11980	1,1	244,32	70,3	60,0			
	2,0-9,8	7301	1,8	148,76	78,4	60,0			
	2,4-12	6011	2,2	122,46	79,8	60,0			
	2,5-13	5717	2,3	116,45	80,1	60,0			
	3,0-15	4707	2,8	95,86	81,0	60,0			
	3,5-18	4069	3,2	82,88	81,4	60,0			
	1,6-7,8	9163	0,9	186,86	46,4	50,0			
	1,9-9,3	7723	1,1	157,27	52,0	50,0			
	2,7-13	5401	1,6	110,18	58,2	50,0			
	3,2-16	4486	1,9	91,47	59,9	50,0			
	3,7-18	3905	2,2	79,69	60,8	50,0			
	4,2-21	3438	2,5	70,22	61,5	50,0			
5,0-25	2867	3,0	58,44	62,1	50,0				
5,8-29	2467	3,3	50,35	62,5	50,0				
7,50	2,4-12	5887	0,8	120,03	0	45,0	SK 9052.1 - 132 MH/4 - SK 200E-751-340-A (-C) SK 9052.1 - 132 MP/4 - SK 200E-751-340-A (-C)	249	E80-81
	2,8-14	5028	1,0	102,40	14,7	45,0			
	3,3-17	4323	1,1	88,17	20,2	45,0			
	4,0-20	3541	1,4	72,24	24,2	45,0			
	4,7-23	3064	1,6	62,42	26,0	45,0			
	5,4-27	2676	1,8	54,56	27,2	45,0			
	6,5-32	2208	2,2	44,96	28,4	45,0			
	7,3-37	1950	2,5	39,72	29,0	45,0			
	8,1-40	1776	2,7	36,21	29,3	45,0			
	9,3-47	1537	3,1	31,28	29,7	45,0			
	3,8-19	3732	0,8	76,18	12,4	37,3			
	4,3-21	3361	0,8	68,61	16,3	37,8			
	4,6-23	3101	0,9	63,25	18,3	37,4			
	5,2-26	2731	1,0	55,69	20,6	38,2			
6,1-31	2335	1,2	47,67	22,6	38,1				
7,2-36	1990	1,4	40,54	24,0	37,8				
8,5-42	1686	1,7	34,39	24,9	37,3				
9,2-46	1556	1,8	31,70	25,3	36,7				
9,3-46	1544	1,4	31,48	25,3	36,9				
10-52	1370	2,0	27,91	25,7	36,4				
12-61	1172	2,3	23,89	26,1	35,6				
14-72	998	2,6	20,32	25,7	34,6				
16-80	895	2,7	18,20	25,1	34,0				
19-93	770	2,6	15,66	24,1	32,5				
22-109	658	3,0	13,40	23,3	31,5				
26-128	561	2,7	11,40	22,5	30,5				
28-142	503	3,0	10,21	21,9	29,8				
31-155	462	3,2	9,39	21,5	29,3				
33-165	435	3,2	8,83	21,2	28,9				

Helical-bevel gear units



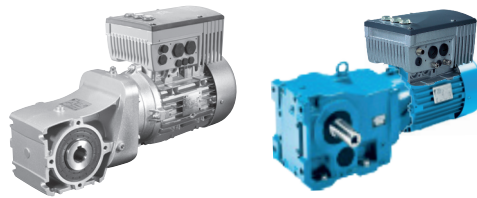
P ₁ [kW]	n ₂ [min ⁻¹]	M _{2b} [Nm]	f _B	i _{ges}	F _R	F _A	Type	mm					
								kg					
7,50	7,2-36	1980	0,8	40,36	0	6,4	SK 9032.1 - 132 MH/4 - SK 200E-751-340-A (-C) SK 9032.1 - 132 MP/4 - SK 200E-751-340-A (-C)	127	E72-73				
	7,7-38	1868	0,8	38,05	0	6,9							
	8,2-41	1749	0,9	35,61	0,7	7,1							
	9,8-49	1456	1,0	29,66	4,5	8,4							
	12-61	1173	1,3	23,91	5,1	9,2							
	14-72	993	1,5	20,23	5,5	9,6							
	17-85	839	1,7	17,08	5,6	9,8							
	18-91	787	1,8	16,04	5,7	9,9							
	22-108	664	2,0	13,49	5,8	9,8							
	23-115	622	1,6	12,68	5,4	9,0							
	27-136	527	1,7	10,73	5,5	8,9							
	34-172	417	2,1	8,48	5,5	8,7							
	7,50	17-85	838	0,8	17,08	6,9				23,2	SK 92772.1 - 132 MH/4 - SK 200E-751-340-A (-C) SK 92772.1 - 132 MP/4 - SK 200E-751-340-A (-C)	104	E58-59
		19-95	756	0,8	15,42	7,7				23,2			
		23-117	613	1,0	12,50	8,7				22,3			
26-129		553	1,0	11,28	9,1	22,2							
30-149		481	1,2	9,81	9,4	22,4							
33-165		434	1,3	8,85	9,6	21,6							
41-203		352	1,6	7,18	9,9	20,2							
46-229		313	1,6	6,39	10,0	19,9							
57-285		251	2,0	5,12	10,2	18,0							
70-350		204	2,4	4,17	10,3	16,9							
7,50		35-175	409	0,9	8,33	7,2	14,3	SK 92672.1 - 132 MH/4 - SK 200E-751-340-A (-C) SK 92672.1 - 132 MP/4 - SK 200E-751-340-A (-C)	92	E56-57			
		39-196	365	1,0	7,44	7,5	14,0						
		44-218	328	1,0	6,68	7,7	14,3						
		52-259	277	1,1	5,64	7,9	13,2						
		67-335	214	1,5	4,36	8,1	12,4						
9,20	1,3-6,3	13980	1,4	230,64	106,5	65,0	SK 9086.1 - 132 LH/4 - SK 200E-112-340-A (-C)	909	E88-89				
	1,5-7,5	11760	1,7	194,04	110,3	65,0							
	2,5-12	7066	2,8	116,50	115,9	65,0							
9,20	1,2-5,9	14800	0,9	244,32	62,8	60,0	SK 9082.1 - 132 LH/4 - SK 200E-112-340-A (-C)	659	E86-87				
	1,9-9,7	9018	1,4	148,76	76,0	60,0							
	2,4-12	7424	1,8	122,46	78,2	60,0							
	2,5-12	7062	1,8	116,45	78,7	60,0							
	3,0-15	5814	2,2	95,86	80,0	60,0							
	3,5-17	5026	2,6	82,88	80,7	60,0							
	9,20	1,6-7,8	11320	0,8	186,86	34,1				50,0	SK 9072.1 - 132 LH/4 - SK 200E-112-340-A (-C)	399	E84-85
1,8-9,2		9539	0,9	157,27	44,7	50,0							
2,6-13		6671	1,3	110,18	55,2	50,0							
3,2-16		5541	1,5	91,47	57,9	50,0							
3,6-18		4823	1,8	79,69	59,3	50,0							
4,1-21		4246	2,0	70,22	60,3	50,0							
5,0-25		3541	2,4	58,44	61,3	50,0							
5,8-29		3047	2,7	50,35	61,9	50,0							
7,1-35		2487	3,1	41,11	61,0	50,0							
9,20		3,3-16	5339	0,9	88,17	11,1	45,0	SK 9052.1 - 132 LH/4 - SK 200E-112-340-A (-C)	259	E80-81			
	4,0-20	4373	1,1	72,24	19,9	45,0							
	4,6-23	3784	1,3	62,42	23,1	45,0							
	5,3-27	3305	1,5	54,56	25,2	45,0							
	6,4-32	2727	1,8	44,96	27,1	45,0							
	7,3-36	2408	2,0	39,72	27,9	45,0							
	8,0-40	2194	2,2	36,21	28,4	45,0							
	9,3-46	1898	2,5	31,28	29,1	45,0							
	11-53	1658	2,8	27,35	29,5	45,0							
	12-62	1416	3,0	23,33	29,8	45,0							
	13-64	1368	3,1	22,53	29,9	45,0							
	9,20	5,2-26	3373	0,8	55,69	16,2	34,3				SK 9042.1 - 132 LH/4 - SK 200E-112-340-A (-C)	184	E76-77
		6,1-30	2885	1,0	47,67	19,7	34,8						
7,1-36		2458	1,1	40,54	22,0	35,0							
8,4-42		2083	1,3	34,39	23,6	34,9							
9,2-46		1908	1,2	31,48	24,2	34,8							
10-52		1692	1,7	27,91	24,9	34,5							
12-61		1447	1,9	23,89	25,4	33,9							
14-71		1233	2,1	20,32	24,8	33,3							

Helical-bevel gear units

1:5**9,20 kW**
11,0 kW

IE2

IE3



P ₁ [kW]	n ₂ [min ⁻¹]	M _{2b} [Nm]	f _B	i _{ges}	F _R	F _A	Type	mm					
								kg	E				
9,20	16-79	1106	2,2	18,20	24,3	32,7	SK 9042.1 - 132 LH/4 - SK 200E-112-340-A (-C)	184	E76-77				
	18-92	951	2,1	15,66	23,3	31,3							
	22-108	813	2,5	13,40	22,7	30,5							
	25-127	693	2,2	11,40	22,0	29,7							
	28-141	621	2,4	10,21	21,5	29,1							
	31-154	570	2,6	9,39	21,1	28,6							
	33-163	538	2,6	8,83	20,8	28,2							
	9,8-49	1798	0,8	29,66	0	5,3							
	12-61	1449	1,1	23,91	3,8	6,8							
	14-72	1227	1,2	20,23	4,3	7,5							
	17-85	1036	1,4	17,08	4,6	7,9							
	18-90	972	1,4	16,04	4,8	8,2							
	21-107	821	1,6	13,49	5,0	8,3							
	23-114	768	1,3	12,68	4,6	7,5							
	27-135	651	1,4	10,73	4,8	7,6							
34-171	515	1,7	8,48	4,9	7,7								
9,20	30-148	594	1,0	9,81	8,8	20,8	SK 92772.1 - 132 LH/4 - SK 200E-112-340-A (-C)	114	E58-59				
	33-164	536	1,0	8,85	9,2	19,8							
	40-202	435	1,3	7,18	9,6	18,7							
	45-227	387	1,3	6,39	9,8	18,8							
	57-283	310	1,6	5,12	10,0	17,1							
	70-348	252	2,0	4,17	10,2	16,1							
	43-217	405	0,8	6,68	7,2	13,0				SK 92672.1 - 132 LH/4 - SK 200E-112-340-A (-C)	102	E56-57	
		51-257	342	0,9	5,64	7,6							11,9
		67-333	264	1,2	4,36	7,8							11,5
	11,0	1,2-5,8	18160	1,8	253,40	141,6				70,0	SK 9092.1 - 160 MH/4 - SK 200E-112-340-A (-C) SK 9092.1 - 160 MP/4 - SK 200E-112-340-A (-C)	1510	E90-91
		1,5-7,4	14170	2,3	197,51	146,1				70,0			
		1,9-9,6	10980	2,9	152,96	148,8				70,0			
	11,0	1,3-6,4	16540	1,2	230,64	101,0				65,0	SK 9086.1 - 160 MH/4 - SK 200E-112-340-A (-C) SK 9086.1 - 160 MP/4 - SK 200E-112-340-A (-C)	940	E88-89
		1,5-7,5	13910	1,4	194,04	106,6				65,0			
		1,9-9,6	10890	1,8	151,76	111,6				65,0			
2,3-11		9160	2,2	127,67	113,8	65,0							
2,5-13		8362	2,4	116,50	114,7	65,0							
3,2-16		6498	3,1	90,50	116,4	65,0							
11,0	2,0-9,8	10670	1,2	148,76	73,1	60,0	SK 9082.1 - 160 MH/4 - SK 200E-112-340-A (-C) SK 9082.1 - 160 MP/4 - SK 200E-112-340-A (-C)	690	E86-87				
	2,4-12	8786	1,5	122,46	76,3	60,0							
	2,5-13	8357	1,6	116,45	77,0	60,0							
	3,1-15	6880	1,9	95,86	78,9	60,0							
	3,5-18	5947	2,2	82,88	79,9	60,0							
	4,1-20	5131	2,5	71,50	80,6	60,0							
	4,7-23	4476	2,9	62,39	81,1	60,0							
	11,0	1,9-9,3	11290	0,8	157,27	34,3				50,0	SK 9072.1 - 160 MH/4 - SK 200E-112-340-A (-C) SK 9072.1 - 160 MP/4 - SK 200E-112-340-A (-C)	430	E84-85
2,7-13		7894	1,1	110,18	51,4	50,0							
3,2-16		6557	1,3	91,47	55,5	50,0							
3,7-18		5708	1,5	79,69	57,5	50,0							
4,2-21		5025	1,7	70,22	58,9	50,0							
5,0-25		4190	2,0	58,44	60,4	50,0							
5,8-29		3606	2,3	50,35	61,2	50,0							
7,1-36		2943	2,6	41,11	59,6	50,0							
8,3-42		2521	3,4	35,19	57,7	50,0							
11,0		3,3-17	6318	0,8	88,17	0	45,0	SK 9052.1 - 160 MH/4 - SK 200E-112-340-A (-C) SK 9052.1 - 160 MP/4 - SK 200E-112-340-A (-C)	290	E80-81			
		4,1-20	5175	0,9	72,24	13,2	45,0						
		4,7-23	4478	1,1	62,42	19,2	45,0						
	5,4-27	3911	1,2	54,56	22,5	45,0							
	6,5-33	3227	1,5	44,96	25,4	45,0							
	7,4-37	2850	1,7	39,72	26,7	45,0							
	8,1-40	2596	1,8	36,21	27,5	45,0							
	9,4-47	2246	2,1	31,28	28,3	45,0							
	11-54	1962	2,3	27,35	28,9	45,0							
	13-65	1619	2,7	22,53	29,5	45,0							
	15-73	1430	3,0	19,91	29,8	45,0							
	16-82	1284	3,3	17,94	30,0	45,0							
	18-90	1173	3,7	16,33	30,1	45,0							
	22-109	968	4,4	13,45	30,4	45,0							
	25-123	855	4,6	11,88	30,5	45,0							
	27-137	768	3,8	10,71	30,5	45,0							

Helical-bevel
gear units

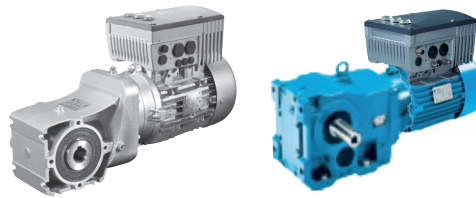


P_1 [kW]	n_2 [min ⁻¹]	M_{2b} [Nm]	f_B	i_{ges}	F_R [kN]	F_A [kN]	Type	kg	mm E			
11,0	6,2-31	3414	0,8	47,67	15,8	31,3	SK 9042.1 - 160 MH/4 - SK 200E-112-340-A (-C) SK 9042.1 - 160 MP/4 - SK 200E-112-340-A (-C)	215	E76-77			
	7,2-36	2908	1,0	40,54	19,6	32,0						
	8,5-43	2465	1,1	34,39	22,0	32,4						
	9,3-47	2257	1,0	31,48	22,9	32,4						
	10-52	2003	1,4	27,91	23,9	32,4						
	12-61	1713	1,6	23,89	24,3	32,1						
	14-72	1459	1,8	20,32	23,8	31,7						
	16-80	1308	1,9	18,20	23,5	31,3						
	19-93	1125	1,8	15,66	22,5	30,0						
	22-109	962	2,1	13,40	21,9	29,4						
	26-128	820	1,8	11,40	21,3	28,7						
	29-143	735	2,0	10,21	20,9	28,2						
	31-156	675	2,2	9,39	20,5	27,7						
	33-165	636	2,2	8,83	20,3	27,4						
15,0	1,5-7,3	19610	2,5	200,57	220,0	100,0	SK 9096.1 - 160 LH/4 - SK 200E-152-340-A (-C) SK 9096.1 - 160 LP/4 - SK 200E-152-340-A (-C)	1870	E92-93			
	1,7-8,4	16960	2,9	173,41	220,0	100,0						
	1,2-5,8	24760	1,3	253,40	131,3	70,0	SK 9092.1 - 160 LH/4 - SK 200E-152-340-A (-C) SK 9092.1 - 160 LP/4 - SK 200E-152-340-A (-C)	1540	E90-91			
	1,5-7,4	19320	1,7	197,51	140,1	70,0						
	1,9-9,6	14970	2,1	152,96	145,3	70,0						
	2,4-12	11760	2,7	120,23	148,2	70,0						
	2,9-14	10010	3,2	102,28	149,5	70,0						
	1,3-6,4	22550	0,9	230,64	82,6	65,0						
	1,5-7,5	18970	1,1	194,04	94,7	65,0	SK 9086.1 - 160 LH/4 - SK 200E-152-340-A (-C) SK 9086.1 - 160 LP/4 - SK 200E-152-340-A (-C)	969	E88-89			
	1,9-9,6	14850	1,3	151,76	104,8	65,0						
	2,3-11	12490	1,6	127,67	109,1	65,0						
	2,5-13	11400	1,8	116,50	110,8	65,0						
	3,2-16	8861	2,3	90,50	114,1	65,0						
	3,7-19	7659	2,6	78,24	115,4	65,0						
	4,3-22	6608	3,0	67,50	116,3	65,0						
	2,0-9,8	14550	0,9	148,76	63,6	60,0						
	2,4-12	11980	1,1	122,46	70,3	60,0	SK 9082.1 - 160 LH/4 - SK 200E-152-340-A (-C) SK 9082.1 - 160 LP/4 - SK 200E-152-340-A (-C)	719	E86-87			
	2,5-13	11400	1,1	116,45	71,6	60,0						
	3,1-15	9382	1,4	95,86	75,4	60,0						
	3,5-18	8110	1,6	82,88	77,3	60,0						
	4,1-20	6997	1,9	71,50	78,7	60,0						
	4,7-23	6104	2,1	62,39	79,7	60,0						
	5,5-27	5220	2,5	53,28	80,5	60,0						
	6,6-33	4373	3,0	44,63	81,2	60,0						
	7,0-35	4069	3,2	41,54	81,4	60,0						
	8,2-41	3510	3,7	35,83	81,8	60,0						
	2,7-13	10760	0,8	110,18	37,9	50,0				SK 9072.1 - 160 LH/4 - SK 200E-152-340-A (-C) SK 9072.1 - 160 LP/4 - SK 200E-152-340-A (-C)	459	E84-85
	3,2-16	8942	1,0	91,47	47,4	50,0						
	3,7-18	7783	1,1	79,69	51,8	50,0						
	4,2-21	6852	1,2	70,22	54,7	50,0						
	5,0-25	5713	1,5	58,44	57,5	50,0						
	5,8-29	4917	1,7	50,35	58,3	50,0						
	7,1-36	4013	1,9	41,11	56,5	50,0						
	8,3-42	3438	2,5	35,19	55,1	50,0						
10-50	2866	3,0	29,29	53,3	50,0							
12-58	2467	3,4	25,24	51,7	50,0							
14-71	2013	4,2	20,61	49,5	50,0							
4,7-23	6106	0,8	62,42	0	45,0	SK 9052.1 - 160 LH/4 - SK 200E-152-340-A (-C) SK 9052.1 - 160 LP/4 - SK 200E-152-340-A (-C)	319	E80-81				
5,4-27	5334	0,9	54,56	11,2	45,0							
6,5-33	4400	1,1	44,96	19,7	45,0							
7,4-37	3886	1,2	39,72	22,6	45,0							
8,1-40	3540	1,4	36,21	24,2	45,0							
9,4-47	3063	1,6	31,28	26,0	45,0							
11-54	2676	1,7	27,35	27,2	45,0							
13-63	2285	1,9	23,33	28,2	45,0							
15-73	1950	2,2	19,91	29,0	45,0							
16-82	1751	2,5	17,94	29,3	45,0							
18-90	1600	2,7	16,33	29,6	45,0							
22-109	1320	3,3	13,45	30,0	45,0							
25-123	1166	3,3	11,88	30,2	45,0							
27-137	1047	2,8	10,71	30,3	45,0							
30-148	970	2,9	9,93	30,4	45,0							
31-155	925	2,8	9,40	30,4	45,0							
36-180	795	3,3	8,10	30,5	45,0							

Helical-bevel gear units

1:5


15,0 kW
18,5 kW



P ₁ [kW]	n ₂ [min ⁻¹]	M _{2b} [Nm]	f _B	i _{ges}	F _R	F _A	Type	mm					
								kg					
15,0	8,5-43	3361	0,8	34,39	16,3	26,7	SK 9042.1 - 160 LH/4 - SK 200E-152-340-A (-C) SK 9042.1 - 160 LP/4 - SK 200E-152-340-A (-C)	244	E76-77				
	10-52	2731	1,0	27,91	20,6	27,8							
	12-61	2335	1,2	23,89	21,8	28,2							
	14-72	1990	1,3	20,32	21,7	28,4							
	16-80	1784	1,4	18,20	21,6	28,4							
	19-93	1534	1,3	15,66	20,7	27,1							
	22-109	1312	1,5	13,40	20,4	26,9							
	26-128	1118	1,3	11,40	20,0	26,6							
	29-143	1002	1,5	10,21	19,7	26,3							
	31-156	921	1,6	9,39	19,5	26,0							
	33-165	868	1,6	8,83	19,3	25,8							
	18,5	1,5-7,4	24020	2,1	200,57	220,0				100,0	SK 9096.1 - 180 MH/4 - SK 200E-182-340-A (-C) SK 9096.1 - 180 MP/4 - SK 200E-182-340-A (-C)	1890	E92-93
		1,7-8,5	20770	2,4	173,41	220,0				100,0			
1,9-9,6		18480	2,7	154,29	220,0	100,0							
2,2-11		15980	3,1	133,53	220,0	100,0							
1,9-9,6		18340	1,7	152,96	141,4	70,0	SK 9092.1 - 180 MH/4 - SK 200E-182-340-A (-C) SK 9092.1 - 180 MP/4 - SK 200E-182-340-A (-C)	1550	E90-91				
		2,5-12	14400	2,2	120,23	145,9				70,0			
		2,9-14	12260	2,6	102,28	147,8				70,0			
		3,2-16	10990	2,9	91,60	148,8				70,0			
		3,7-18	9580	3,3	80,00	149,8				70,0			
2,5-13		13970	1,4	116,50	106,5	65,0	SK 9086.1 - 180 MH/4 - SK 200E-182-340-A (-C) SK 9086.1 - 180 MP/4 - SK 200E-182-340-A (-C)	984	E88-89				
		3,3-16	10850	1,8	90,50	111,6				65,0			
		3,8-19	9382	2,1	78,24	113,5				65,0			
		4,4-22	8095	2,5	67,50	114,9				65,0			
	5,0-25	7062	2,8	58,90	115,9	65,0							
2,5-13	13960	0,9	116,45	65,3	60,0	SK 9082.1 - 180 MH/4 - SK 200E-182-340-A (-C) SK 9082.1 - 180 MP/4 - SK 200E-182-340-A (-C)	734	E86-87					
	3,1-15	11490	1,1	95,86	71,4				60,0				
	3,6-18	9934	1,3	82,88	74,4				60,0				
	4,1-21	8571	1,5	71,50	76,6				60,0				
	4,7-24	7478	1,7	62,39	78,2				60,0				
	5,5-28	6395	2,0	53,28	79,4				60,0				
	6,6-33	5357	2,4	44,63	80,4				60,0				
	7,1-35	4984	2,6	41,54	80,7				60,0				
	8,2-41	4300	3,0	35,83	81,3				60,0				
	3,2-16	10950	0,8	91,47	36,7				50,0	SK 9072.1 - 180 MH/4 - SK 200E-182-340-A (-C) SK 9072.1 - 180 MP/4 - SK 200E-182-340-A (-C)	474	E84-85	
3,7-19		9534	0,9	79,69	44,7	50,0							
4,2-21		8394	1,0	70,22	49,6	50,0							
5,0-25		6999	1,2	58,44	54,2	50,0							
5,9-29		6024	1,4	50,35	55,0	50,0							
6,6-33		5367	1,4	44,81	54,4	50,0							
7,2-36		4915	1,6	41,11	53,9	50,0							
8,4-42		4211	2,0	35,19	52,8	50,0							
10-50		3511	2,4	29,29	51,3	50,0							
12-58		3022	2,8	25,24	50,0	50,0							
13-66		2693	3,2	22,46	48,9	50,0							
14-72		2466	3,4	20,61	48,1	50,0							
6,6-33		5390	0,9	44,96	10,4	45,0	SK 9052.1 - 180 MH/4 - SK 200E-182-340-A (-C) SK 9052.1 - 180 MP/4 - SK 200E-182-340-A (-C)	334	E80-81				
	7,4-37	4760	1,0	39,72	17,1	45,0							
	8,1-41	4337	1,1	36,21	20,1	45,0							
	9,4-47	3753	1,3	31,28	23,3	45,0							
	11-54	3278	1,4	27,35	25,3	45,0							
	13-65	2704	1,6	22,53	27,1	45,0							
	15-74	2388	1,8	19,91	28,0	45,0							
	16-82	2146	2,0	17,94	28,6	45,0							
	18-90	1960	2,2	16,33	28,9	45,0							
	22-109	1617	2,7	13,45	29,5	45,0							
	25-124	1428	2,7	11,88	29,8	45,0							
	28-138	1283	2,3	10,71	30,0	45,0							
	30-149	1189	2,4	9,93	30,1	45,0							
	31-156	1133	2,3	9,40	30,2	45,0							
	36-182	973	2,7	8,10	30,3	45,0							
11-53	3345	0,8	27,91	16,4	23,8	SK 9042.1 - 180 MH/4 - SK 200E-182-340-A (-C) SK 9042.1 - 180 MP/4 - SK 200E-182-340-A (-C)	259	E76-77					
	12-62	2861	0,9	23,89	19,7				24,8				
	14-72	2437	1,1	20,32	19,9				25,5				
	16-81	2186	1,1	18,20	19,9				25,8				
	19-94	1880	1,1	15,66	19,2				24,7				
	22-110	1607	1,2	13,40	19,1				24,8				
	26-129	1369	1,1	11,40	18,9				24,8				
	29-144	1228	1,2	10,21	18,7				24,7				
	31-157	1128	1,3	9,39	18,5				24,5				
	33-166	1063	1,3	8,83	18,4				24,4				

Helical-bevel gear units

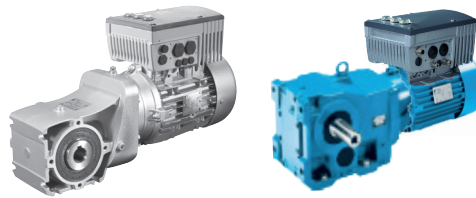


P_1 [kW]	n_2 [min ⁻¹]	M_{2b} [Nm]	f_B	i_{ges}	F_R	F_A [kN]	Type	kg	mm 			
22,0	1,5-7,4	28570	1,8	200,57	220,0	100,0	SK 9096.1 - 180 LH/4 - SK 200E-222-340-A (-C) SK 9096.1 - 180 LP/4 - SK 200E-222-340-A (-C)	1910	E92-93			
	1,7-8,5	24700	2,0	173,41	220,0	100,0						
	1,9-9,6	21970	2,3	154,29	220,0	100,0						
	2,2-11	19000	2,6	133,53	220,0	100,0						
	2,5-12	16830	3,0	118,18	220,0	100,0						
	1,9-9,6	21810	1,5	152,96	136,4	70,0				SK 9092.1 - 180 LH/4 - SK 200E-222-340-A (-C) SK 9092.1 - 180 LP/4 - SK 200E-222-340-A (-C)	1570	E90-91
	2,5-12	17130	1,9	120,23	142,9	70,0						
	2,9-14	14580	2,2	102,28	145,7	70,0						
	3,2-16	13060	2,4	91,60	147,1	70,0						
	3,7-18	11390	2,8	80,00	148,5	70,0						
4,3-21	9832	3,3	68,87	149,6	70,0							
2,5-13	16610	1,2	116,50	100,9	65,0	SK 9086.1 - 180 LH/4 - SK 200E-222-340-A (-C) SK 9086.1 - 180 LP/4 - SK 200E-222-340-A (-C)	1000	E88-89				
3,3-16	12910	1,5	90,50	108,4	65,0							
3,8-19	11160	1,8	78,24	111,2	65,0							
4,4-22	9626	2,1	67,50	113,2	65,0							
5,0-25	8398	2,4	58,90	114,6	65,0							
5,9-29	7182	2,8	50,30	115,8	65,0							
2,5-13	16600	0,8	116,45	56,5	60,0	SK 9082.1 - 180 LH/4 - SK 200E-222-340-A (-C) SK 9082.1 - 180 LP/4 - SK 200E-222-340-A (-C)	752	E86-87				
3,1-15	13670	1,0	95,86	66,1	60,0							
3,6-18	11810	1,1	82,88	70,7	60,0							
4,1-21	10190	1,3	71,50	74,0	60,0							
4,7-24	8892	1,5	62,39	76,2	60,0							
5,5-28	7604	1,7	53,28	78,0	60,0							
6,6-33	6370	2,0	44,63	79,4	60,0							
7,1-35	5927	2,2	41,54	79,9	60,0							
8,2-41	5113	2,5	35,83	80,6	60,0							
9,4-47	4461	2,9	31,27	79,4	60,0							
4,2-21	9982	0,9	70,22	42,5	50,0				SK 9072.1 - 180 LH/4 - SK 200E-222-340-A (-C) SK 9072.1 - 180 LP/4 - SK 200E-222-340-A (-C)	492	E84-85	
5,0-25	8323	1,0	58,44	49,8	50,0							
5,9-29	7163	1,1	50,35	51,8	50,0							
6,6-33	6383	1,2	44,81	51,6	50,0							
7,2-36	5845	1,3	41,11	51,3	50,0							
8,4-42	5008	1,7	35,19	50,5	50,0							
10-50	4176	2,0	29,29	49,5	50,0							
12-58	3594	2,4	25,24	48,4	50,0							
13-66	3202	2,7	22,46	47,5	50,0							
14-72	2933	2,9	20,61	46,8	50,0							
16-80	2617	3,0	18,29	45,8	50,0							
18-90	2341	3,2	16,44	44,9	50,0							
19-95	2206	3,4	15,40	44,2	50,0							
21-105	2000	2,6	14,06	42,9	50,0							
24-122	1718	2,9	12,06	41,5	50,0							
26-129	1632	3,1	11,48	41,1	50,0							
29-144	1456	3,2	10,19	40,1	50,0							
32-161	1303	3,6	9,16	39,1	50,0							
7,4-37	5661	0,8	39,72	4,7	45,0	SK 9052.1 - 180 LH/4 - SK 200E-222-340-A (-C) SK 9052.1 - 180 LP/4 - SK 200E-222-340-A (-C)	352	E80-81				
8,1-41	5157	0,9	36,21	13,4	45,0							
9,4-47	4463	1,1	31,28	19,3	45,0							
11-54	3898	1,2	27,35	22,6	45,0							
13-63	3329	1,3	23,33	25,1	45,0							
15-74	2840	1,5	19,91	26,7	45,0							
16-82	2551	1,7	17,94	27,6	45,0							
18-90	2331	1,8	16,33	28,1	45,0							
22-109	1923	2,2	13,45	29,0	45,0							
25-124	1698	2,3	11,88	29,4	45,0							
28-138	1526	1,9	10,71	29,7	45,0							
30-149	1414	2,0	9,93	29,8	45,0							
31-156	1347	1,9	9,40	29,9	45,0							
36-182	1157	2,2	8,10	30,2	45,0							
12-62	3402	0,8	23,89	15,9	21,4				SK 9042.1 - 180 LH/4 - SK 200E-222-340-A (-C) SK 9042.1 - 180 LP/4 - SK 200E-222-340-A (-C)	277	E76-77	
14-72	2898	0,9	20,32	18,1	22,6							
16-81	2599	0,9	18,20	18,3	23,2							
19-94	2235	0,9	15,66	17,6	22,2							
22-110	1911	1,0	13,40	17,8	22,7							
26-129	1628	0,9	11,40	17,8	23,0							
29-144	1460	1,0	10,21	17,7	23,1							
31-157	1341	1,1	9,39	17,6	23,0							
33-166	1264	1,1	8,83	17,5	23,0							

Helical-bevel gear units

1:10

0,55 kW



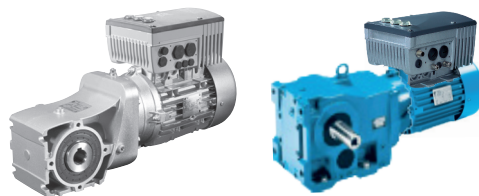
P_1 [kW]	n_2 [min ⁻¹]	M_{2b} [Nm]	f_B	i_{ges}	F_R	F_A	Type	mm	
								kg	
0,55	1,2-12	456	3,4	249,72	14,3	14,5	SK 9032.1 - 71 L/4 - SK 200E-550-340-A (-C) SK 9032.1 - 71 L/4 - SK 180E-550-340-B (-C)	67	E72-73
	1,3-13	418	1,6	228,47	7,9	12,0	SK 9023.1 - 71 L/4 - SK 200E-550-340-A (-C) SK 9023.1 - 71 L/4 - SK 180E-550-340-B (-C)	52	E70-71
	1,0-10	505	1,6	276,86	7,3	12,0	SK 9022.1 - 71 L/4 - SK 200E-550-340-A (-C)	47	E68-69
	1,2-12	425	1,6	232,92	7,9	12,0	SK 9022.1 - 71 L/4 - SK 180E-550-340-B (-C)		
	1,3-13	400	2,1	219,25	8,0	12,0	SK 9022.1 - 71 L/4 - SK 180E-550-340-B (-C)		
	1,6-16	336	2,6	184,46	8,4	12,0	SK 9022.1 - 71 L/4 - SK 180E-550-340-B (-C)	45	E66-67
	1,1-11	489	1,2	267,99	8,3	20,0	SK 9017.1 - 71 L/4 - SK 200E-550-340-A (-C)		
	1,2-12	430	1,4	235,64	8,7	20,0	SK 9017.1 - 71 L/4 - SK 180E-550-340-B (-C)		
	1,6-16	325	1,8	177,89	9,0	20,0	SK 9017.1 - 71 L/4 - SK 180E-550-340-B (-C)	40	E64-65
	1,0-10	507	1,2	277,84	8,2	20,0	SK 9016.1 - 71 L/4 - SK 200E-550-340-A (-C)		
	1,2-12	428	1,4	234,64	8,7	20,0	SK 9016.1 - 71 L/4 - SK 180E-550-340-B (-C)		
	1,4-14	376	1,6	205,93	9,0	20,0	SK 9016.1 - 71 L/4 - SK 180E-550-340-B (-C)	44	E62-63
	1,6-16	334	1,8	183,10	9,0	20,0	SK 9013.1 - 71 L/4 - SK 200E-550-340-A (-C)		
	1,9-19	273	2,2	149,81	9,0	20,0	SK 9013.1 - 71 L/4 - SK 180E-550-340-B (-C)		
	1,0-10	515	0,8	281,92	2,1	20,0	SK 9013.1 - 71 L/4 - SK 200E-550-340-A (-C)	39	E60-61
	1,4-14	389	1,0	212,83	4,9	20,0	SK 9013.1 - 71 L/4 - SK 180E-550-340-B (-C)		
	1,6-16	325	1,2	177,88	5,6	20,0	SK 9013.1 - 71 L/4 - SK 180E-550-340-B (-C)		
2,0-20	258	1,5	141,29	6,2	20,0	SK 9013.1 - 71 L/4 - SK 180E-550-340-B (-C)	33	E56-57	
1,0-10	512	0,8	280,71	2,3	20,0	SK 9012.1 - 71 L/4 - SK 200E-550-340-A (-C)			
1,2-12	450	0,9	246,37	3,9	20,0	SK 9012.1 - 71 L/4 - SK 200E-550-340-A (-C)			
1,4-14	376	1,1	205,93	5,1	20,0	SK 9012.1 - 71 L/4 - SK 180E-550-340-B (-C)			
1,6-16	334	1,2	183,10	5,5	20,0	SK 9012.1 - 71 L/4 - SK 180E-550-340-B (-C)			
1,7-17	304	1,3	166,59	5,8	20,0	SK 9012.1 - 71 L/4 - SK 180E-550-340-B (-C)			
2,0-20	257	1,6	140,70	6,2	20,0	SK 9012.1 - 71 L/4 - SK 180E-550-340-B (-C)			
2,3-23	226	1,8	123,48	6,4	20,0	SK 9012.1 - 71 L/4 - SK 180E-550-340-B (-C)			
2,6-26	201	2,0	109,79	6,5	20,0	SK 9012.1 - 71 L/4 - SK 180E-550-340-B (-C)			
3,0-30	178	2,3	97,36	6,6	20,0	SK 9012.1 - 71 L/4 - SK 180E-550-340-B (-C)			
3,3-33	157	2,5	86,00	6,7	20,0	SK 9012.1 - 71 L/4 - SK 180E-550-340-B (-C)			
3,8-38	140	2,9	76,53	6,8	20,0	SK 9012.1 - 71 L/4 - SK 180E-550-340-B (-C)			
4,6-46	114	3,5	62,74	6,9	20,0	SK 9012.1 - 71 L/4 - SK 180E-550-340-B (-C)			
5,2-52	101	4,0	55,17	6,9	20,0	SK 9012.1 - 71 L/4 - SK 180E-550-340-B (-C)			
5,9-59	88,5	3,6	48,56	8,4	20,0	SK 92672.1 - 71 L/4 - SK 200E-550-340-A (-C) SK 92672.1 - 71 L/4 - SK 180E-550-340-B (-C)			
5,2-52	101	1,6	55,49	6,5	15,0	SK 92372.1 - 71 L/4 - SK 200E-550-340-A (-C)	22	E54-55	
5,8-58	90,2	1,6	49,46	6,6	15,0	SK 92372.1 - 71 L/4 - SK 200E-550-340-A (-C)			
6,2-62	85,1	2,2	46,64	6,6	15,0	SK 92372.1 - 71 L/4 - SK 180E-550-340-B (-C)			
6,9-69	75,6	2,4	41,46	6,6	15,0	SK 92372.1 - 71 L/4 - SK 180E-550-340-B (-C)			
7,8-78	67,1	2,7	36,80	6,6	15,0	SK 92372.1 - 71 L/4 - SK 180E-550-340-B (-C)			
8,8-88	59,8	3,3	32,80	6,6	15,0	SK 92372.1 - 71 L/4 - SK 180E-550-340-B (-C)			
7,4-74	70,7	1,3	38,75	4,8	12,0	SK 92172.1 - 71 L/4 - SK 200E-550-340-A (-C)	17	E52-53	
8,2-82	64,4	1,7	35,31	4,9	12,0	SK 92172.1 - 71 L/4 - SK 200E-550-340-A (-C)			
9,3-93	56,5	1,9	31,00	4,9	12,0	SK 92172.1 - 71 L/4 - SK 180E-550-340-B (-C)			
10-102	51,5	2,1	28,24	4,9	12,0	SK 92172.1 - 71 L/4 - SK 180E-550-340-B (-C)			
12-116	45,2	2,7	24,80	4,9	12,0	SK 92172.1 - 71 L/4 - SK 180E-550-340-B (-C)			
14-139	37,7	2,8	20,67	4,9	12,0	SK 92172.1 - 71 L/4 - SK 180E-550-340-B (-C)			
11-106	49,5	1,3	27,16	5,0	9,0	SK 92072.1 - 71 L/4 - SK 200E-550-340-A (-C)	15	E50-51	
12-120	43,9	1,8	24,07	5,0	9,0	SK 92072.1 - 71 L/4 - SK 200E-550-340-A (-C)			
14-138	37,9	2,1	20,80	5,0	9,0	SK 92072.1 - 71 L/4 - SK 180E-550-340-B (-C)			
16-156	33,8	1,8	18,52	5,0	9,0	SK 92072.1 - 71 L/4 - SK 180E-550-340-B (-C)			
18-180	29,2	2,3	16,00	5,0	9,0	SK 92072.1 - 71 L/4 - SK 180E-550-340-B (-C)			
23-225	23,3	2,5	12,78	4,8	9,0	SK 92072.1 - 71 L/4 - SK 180E-550-340-B (-C)			
26-259	20,3	3,2	11,11	4,6	8,6	SK 92072.1 - 71 L/4 - SK 180E-550-340-B (-C)			
29-292	18,0	4,2	9,85	4,5	8,3	SK 92072.1 - 71 L/4 - SK 180E-550-340-B (-C)			
33-332	15,8	4,7	8,67	4,3	8,0	SK 92072.1 - 71 L/4 - SK 180E-550-340-B (-C)			
38-380	13,8	5,2	7,58	4,1	7,7	SK 92072.1 - 71 L/4 - SK 180E-550-340-B (-C)			
43-432	12,2	5,6	6,67	4,0	7,3	SK 92072.1 - 71 L/4 - SK 180E-550-340-B (-C)			
49-494	10,6	6,8	5,83	3,8	6,9	SK 92072.1 - 71 L/4 - SK 180E-550-340-B (-C)			
56-557	9,4	7,1	5,17	3,7	6,5	SK 92072.1 - 71 L/4 - SK 180E-550-340-B (-C)			
62-619	8,5	7,7	4,65	3,5	6,2	SK 92072.1 - 71 L/4 - SK 180E-550-340-B (-C)			
72-725	7,2	9,4	3,97	3,4	5,8	SK 92072.1 - 71 L/4 - SK 180E-550-340-B (-C)			
80-804	6,5	10,1	3,58	3,3	5,5	SK 92072.1 - 71 L/4 - SK 180E-550-340-B (-C)			

Helical-bevel gear units



P_1 [kW]	n_2 [min ⁻¹]	M_{2b} [Nm]	f_B	i_{ges}	F_R	F_A	Type	kg	mm
0,75	1,4-14	528	2,9	214,83	14,1	14,5	SK 9033.1 - 80 SH/4 - SK 200E-750-340-A (-C) SK 9033.1 - 80 SH/4 - SK 180E-750-340-B (-C)	78	E74-75
	1,2-12 1,5-15	574 485	2,7 3,2	233,92 197,45	14,0 14,2	14,5 14,5	SK 9032.1 - 80 SH/4 - SK 200E-750-340-A (-C) SK 9032.1 - 80 SH/4 - SK 180E-750-340-B (-C)	70	E72-73
	1,1-11 1,3-13 1,6-16 1,7-17 2,1-21	679 538 453 417 338	1,2 1,6 1,9 2,1 2,5	276,86 219,25 184,46 169,81 137,57	5,3 7,0 7,7 7,9 8,3	12,0 12,0 12,0 12,0 12,0	SK 9022.1 - 80 SH/4 - SK 200E-750-340-A (-C) SK 9022.1 - 80 SH/4 - SK 180E-750-340-B (-C)	50	E68-69
	1,2-12 1,4-14 1,6-16 1,9-19 2,0-20 2,5-25 3,2-32 3,6-36	575 505 449 368 349 286 225 200	1,0 1,2 1,4 1,7 1,7 2,1 2,2 3,0	234,64 205,93 183,10 149,81 142,41 116,52 91,77 81,38	7,6 8,2 8,6 9,0 9,0 9,0 9,0 9,0	20,0 20,0 20,0 20,0 20,0 20,0 20,0 20,0	SK 9016.1 - 80 SH/4 - SK 200E-750-340-A (-C) SK 9016.1 - 80 SH/4 - SK 180E-750-340-B (-C)	43	E64-65
	1,4-14 1,6-16 2,1-21 2,4-24 2,7-27 3,0-30 3,4-34 3,8-38 4,7-47 5,3-53	505 449 346 303 270 239 211 188 154 136	0,8 0,9 1,2 1,3 1,5 1,7 1,9 2,1 2,6 3,0	205,93 183,10 140,70 123,48 109,79 97,36 86,00 76,53 62,74 55,17	2,5 3,9 5,4 5,8 6,1 6,3 6,5 6,6 6,7 6,8	20,0 20,0 20,0 20,0 20,0 20,0 20,0 20,0 20,0 20,0	SK 9012.1 - 80 SH/4 - SK 200E-750-340-A (-C) SK 9012.1 - 80 SH/4 - SK 180E-750-340-B (-C)	42	E60-61
	6,0-60 6,7-67 7,7-77	119 106 92,8	2,7 2,9 3,4	48,56 43,28 37,82	8,4 8,4 8,4	20,0 20,0 20,0	SK 92672.1 - 80 SH/4 - SK 200E-750-340-A (-C) SK 92672.1 - 80 SH/4 - SK 180E-750-340-B (-C)	35	E56-57
	6,3-63 7,0-70 7,9-79 8,9-89 10-104	114 102 90,3 80,4 68,9	1,6 1,8 2,0 2,5 2,7	46,64 41,46 36,80 32,80 28,11	6,5 6,5 6,6 6,6 6,6	15,0 15,0 15,0 15,0 15,0	SK 92372.1 - 80 SH/4 - SK 200E-750-340-A (-C) SK 92372.1 - 80 SH/4 - SK 180E-750-340-B (-C)	24	E54-55
	10-103 12-118 14-141 19-192 21-210 24-240	69,3 60,8 50,7 37,3 34,0 29,9	1,6 2,0 2,1 2,5 3,2 3,8	28,24 24,80 20,67 15,23 13,87 12,18	4,8 4,9 4,9 4,9 4,9 4,9	12,0 12,0 11,8 11,0 10,7 10,3	SK 92172.1 - 80 SH/4 - SK 200E-750-340-A (-C) SK 92172.1 - 80 SH/4 - SK 180E-750-340-B (-C)	20	E52-53
	14-140 18-182 23-228 26-263 30-296 34-337 39-385 44-438 50-501 57-565 63-627 73-735 82-816	51,0 39,2 31,4 27,3 24,2 21,3 18,6 16,4 14,3 12,7 11,4 9,7 8,8	1,6 1,7 1,9 2,4 3,1 3,5 3,9 4,2 5,0 5,3 5,7 7,0 7,5	20,80 16,00 12,78 11,11 9,85 8,67 7,58 6,67 5,83 5,17 4,65 3,97 3,58	5,0 5,0 4,7 4,5 4,4 4,2 4,1 3,9 3,7 3,6 3,5 3,3 3,2	9,0 9,0 8,7 8,4 8,1 7,8 7,5 7,1 6,7 6,4 6,1 5,6 5,4	SK 92072.1 - 80 SH/4 - SK 200E-750-340-A (-C) SK 92072.1 - 80 SH/4 - SK 180E-750-340-B (-C)	18	E50-51

1:10 1,10 kW



P ₁ [kW]	n ₂ [min ⁻¹]	M _{2b} [Nm]	f _B	i _{ges}	F _R	F _A	Type	mm	
								kg	
1,10	1,0-10	1005	2,8	279,60	26,4	40,0	SK 9043.1 - 80 LH/4 - SK 200E-111-340-A (-C) SK 9043.1 - 80 LP/4 - SK 200E-111-340-A (-C) SK 9043.1 - 80 LH/4 - SK 180E-111-340-B (-C) SK 9043.1 - 80 LP/4 - SK 180E-111-340-B (-C)	133	E78-79
	1,1-11 1,4-14	965 775	1,6 2,0	267,65 214,83	12,3 13,2	14,5 14,5	SK 9033.1 - 80 LH/4 - SK 200E-111-340-A (-C) SK 9033.1 - 80 LP/4 - SK 200E-111-340-A (-C) SK 9033.1 - 80 LH/4 - SK 180E-111-340-B (-C) SK 9033.1 - 80 LP/4 - SK 180E-111-340-B (-C)	79	E74-75
	1,2-12 1,5-15	844 712	1,8 2,2	233,92 197,45	12,9 13,5	14,5 14,5	SK 9032.1 - 80 LH/4 - SK 200E-111-340-A (-C) SK 9032.1 - 80 LP/4 - SK 200E-111-340-A (-C) SK 9032.1 - 80 LH/4 - SK 180E-111-340-B (-C) SK 9032.1 - 80 LP/4 - SK 180E-111-340-B (-C)	71	E72-73
	1,3-13 1,6-16 1,7-17 2,1-21 2,5-25 2,9-29 3,4-34	790 665 612 496 417 356 307	1,1 1,3 1,4 1,7 2,1 2,4 2,8	219,25 184,46 169,81 137,57 115,74 98,88 85,11	2,8 5,5 6,2 7,3 7,9 8,3 8,5	12,0 12,0 12,0 12,0 12,0 12,0 12,0	SK 9022.1 - 80 LH/4 - SK 200E-111-340-A (-C) SK 9022.1 - 80 LP/4 - SK 200E-111-340-A (-C) SK 9022.1 - 80 LH/4 - SK 180E-111-340-B (-C) SK 9022.1 - 80 LP/4 - SK 180E-111-340-B (-C)	51	E68-69
	1,4-14 1,6-16 1,9-19 2,0-20 2,5-25 3,2-32 3,6-36 4,1-41 4,6-46	742 660 540 513 420 331 293 259 231	0,8 0,9 1,1 1,2 1,5 1,5 2,0 2,3 2,6	205,93 183,10 149,81 142,41 116,52 91,77 81,38 71,88 63,97	5,5 6,7 7,9 8,1 8,7 9,0 9,0 9,0 9,0	20,0 20,0 20,0 20,0 20,0 20,0 20,0 20,0 20,0	SK 9016.1 - 80 LH/4 - SK 200E-111-340-A (-C) SK 9016.1 - 80 LP/4 - SK 200E-111-340-A (-C) SK 9016.1 - 80 LH/4 - SK 180E-111-340-B (-C) SK 9016.1 - 80 LP/4 - SK 180E-111-340-B (-C)	44	E64-65
	2,4-24 2,7-27 3,0-30 3,4-34 3,8-38 4,6-46 5,3-53 6,0-60	446 396 351 310 276 226 199 176	0,9 1,0 1,1 1,3 1,4 1,8 2,0 2,3	123,48 109,79 97,36 86,00 76,53 62,74 55,17 48,95	4,0 4,8 5,3 5,8 6,0 6,4 6,5 6,6	20,0 20,0 20,0 20,0 20,0 20,0 19,5 18,9	SK 9012.1 - 80 LH/4 - SK 200E-111-340-A (-C) SK 9012.1 - 80 LP/4 - SK 200E-111-340-A (-C) SK 9012.1 - 80 LH/4 - SK 180E-111-340-B (-C) SK 9012.1 - 80 LP/4 - SK 180E-111-340-B (-C)	43	E60-61
	6,0-60 6,7-67 7,7-77 8,6-86 9,5-95 11-107	175 156 136 121 111 98,5	1,8 2,0 2,3 3,0 2,9 3,7	48,56 43,28 37,82 33,71 30,67 27,33	8,2 8,3 8,3 8,4 8,4 8,4	20,0 20,0 20,0 20,0 20,0 20,0	SK 92672.1 - 80 LH/4 - SK 200E-111-340-A (-C) SK 92672.1 - 80 LP/4 - SK 200E-111-340-A (-C) SK 92672.1 - 80 LH/4 - SK 180E-111-340-B (-C) SK 92672.1 - 80 LP/4 - SK 180E-111-340-B (-C)	37	E56-57
	7,0-70 7,9-79 8,9-89 10-104 12-116 13-130 15-145 16-159 18-184	149 133 118 101 90,3 81,0 72,2 66,1 57,1	1,2 1,4 1,7 1,8 2,4 2,3 3,0 2,8 3,2	41,46 36,80 32,80 28,11 25,06 22,49 20,04 18,33 15,84	6,4 6,4 6,5 6,5 6,6 6,6 6,6 6,6 6,6	15,0 15,0 15,0 15,0 15,0 15,0 15,0 15,0 15,0	SK 92372.1 - 80 LH/4 - SK 200E-111-340-A (-C) SK 92372.1 - 80 LP/4 - SK 200E-111-340-A (-C) SK 92372.1 - 80 LH/4 - SK 180E-111-340-B (-C) SK 92372.1 - 80 LP/4 - SK 180E-111-340-B (-C)	26	E54-55

Helical-bevel
gear units

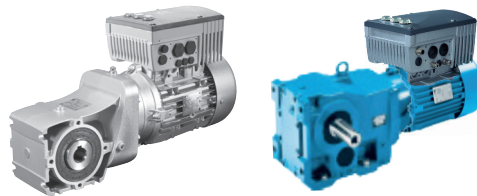


P_1 [kW]	n_2 [min ⁻¹]	M_{2b} [Nm]	f_B	i_{ges}	F_R [kN]	F_A [kN]	Type	kg	mm E		
1,10	10-103	102	1,1	28,24	4,7	12,0	SK 92172.1 - 80 LH/4 - SK 200E-111-340-A (-C) SK 92172.1 - 80 LP/4 - SK 200E-111-340-A (-C)	21	E52-53		
	12-118	89,4	1,3	24,80	4,8	11,7					
	14-141	74,5	1,4	20,67	4,8	11,2					
	19-191	54,9	1,7	15,23	4,9	10,6	SK 92172.1 - 80 LH/4 - SK 180E-111-340-B (-C) SK 92172.1 - 80 LP/4 - SK 180E-111-340-B (-C)				
	21-210	50,0	2,2	13,87	4,9	10,3					
	24-239	43,9	2,6	12,18	4,9	9,9					
	27-269	39,0	2,9	10,83	4,9	9,6					
	29-287	36,6	2,6	10,15	4,9	9,4					
	14-140	75,0	1,1	20,80	5,0	9,0	SK 92072.1 - 80 LH/4 - SK 200E-111-340-A (-C) SK 92072.1 - 80 LP/4 - SK 200E-111-340-A (-C)			19	E50-51
	18-182	57,7	1,1	16,00	4,9	8,5					
	23-228	46,1	1,3	12,78	4,5	8,3					
	26-262	40,0	1,6	11,11	4,4	8,0	SK 92072.1 - 80 LH/4 - SK 180E-111-340-B (-C) SK 92072.1 - 80 LP/4 - SK 180E-111-340-B (-C)				
	30-296	35,5	2,1	9,85	4,3	7,8					
	34-336	31,2	2,4	8,67	4,1	7,5					
	38-385	27,3	2,6	7,58	4,0	7,2					
	44-437	24,0	2,8	6,67	3,9	6,8					
	50-500	21,0	3,4	5,83	3,7	6,5					
	56-564	18,6	3,6	5,17	3,5	6,2					
	63-626	16,8	3,9	4,65	3,4	5,9					
	73-733	14,3	4,7	3,97	3,3	5,5					
81-814	12,9	5,1	3,58	3,2	5,2						
1,50	1,0-10	1413	3,4	289,61	29,8	45,0	SK 9052.1 - 90 SH/4 - SK 200E-151-340-A (-C) SK 9052.1 - 90 SP/4 - SK 200E-151-340-A (-C) SK 9052.1 - 90 SH/4 - SK 180E-151-340-B (-C) SK 9052.1 - 90 SP/4 - SK 180E-151-340-B (-C)	198	E80-81		
	1,1-11	1362	2,1	279,60	25,7	40,0	SK 9043.1 - 90 SH/4 - SK 200E-151-340-A (-C) SK 9043.1 - 90 SP/4 - SK 200E-151-340-A (-C)				
	1,4-14	996	2,8	204,38	26,4	40,0		138	E78-79		
	1,7-17	840	3,3	172,08	26,7	40,0	SK 9043.1 - 90 SH/4 - SK 180E-151-340-B (-C) SK 9043.1 - 90 SP/4 - SK 180E-151-340-B (-C)				
	1,1-11	1336	2,1	273,73	25,8	40,0	SK 9042.1 - 90 SH/4 - SK 200E-151-340-A (-C) SK 9042.1 - 90 SP/4 - SK 200E-151-340-A (-C)				
	1,2-12	1146	2,4	235,01	26,2	40,0		123	E76-77		
	1,5-15	952	2,9	195,12	26,5	40,0	SK 9042.1 - 90 SH/4 - SK 180E-151-340-B (-C) SK 9042.1 - 90 SP/4 - SK 180E-151-340-B (-C)				
	1,8-18	807	1,9	165,24	26,7	40,0					
	1,1-11	1307	1,2	267,65	9,8	14,5	SK 9033.1 - 90 SH/4 - SK 200E-151-340-A (-C) SK 9033.1 - 90 SP/4 - SK 200E-151-340-A (-C)	84	E74-75		
	1,4-14	1050	1,5	214,83	11,8	14,5					
	1,8-18	818	1,9	167,45	12,7	14,5	SK 9033.1 - 90 SH/4 - SK 180E-151-340-B (-C) SK 9033.1 - 90 SP/4 - SK 180E-151-340-B (-C)				
	1,2-12	1220	1,3	249,72	10,6	14,5	SK 9032.1 - 90 SH/4 - SK 200E-151-340-A (-C) SK 9032.1 - 90 SP/4 - SK 200E-151-340-A (-C)	76	E72-73		
	1,3-13	1143	1,4	233,92	11,2	14,5					
	1,5-15	965	1,6	197,45	12,3	14,5					
	1,6-16	919	1,7	188,06	12,6	14,5	SK 9032.1 - 90 SH/4 - SK 180E-151-340-B (-C) SK 9032.1 - 90 SP/4 - SK 180E-151-340-B (-C)				
	1,8-18	776	2,0	158,74	12,6	14,5					
	2,1-21	681	2,3	139,44	12,4	14,5					
	2,5-25	575	2,7	117,70	12,0	14,5					
	2,6-26	541	2,9	110,77	11,9	14,5					
	3,1-31	457	3,4	93,50	11,5	14,5					
1,3-13	1070	0,8	219,25	0	12,0	SK 9022.1 - 90 SH/4 - SK 200E-151-340-A (-C) SK 9022.1 - 90 SP/4 - SK 200E-151-340-A (-C)	56			E68-69	
1,6-16	900	1,0	184,46	0	12,0						
1,7-17	829	1,0	169,81	0,7	12,0						
2,1-21	672	1,3	137,57	5,4	12,0	SK 9022.1 - 90 SH/4 - SK 180E-151-340-B (-C) SK 9022.1 - 90 SP/4 - SK 180E-151-340-B (-C)					
2,5-25	565	1,5	115,74	6,7	12,0						
3,0-30	483	1,8	98,88	7,4	12,0						
3,4-34	416	2,1	85,11	7,9	12,0						
3,7-37	385	2,2	78,89	8,1	12,0						
4,4-44	324	2,7	66,42	8,4	12,0						

Helical-bevel gear units

1:10

1,50 kW



P_1 [kW]	n_2 [min ⁻¹]	M_{2b} [Nm]	f_B	i_{ges}	F_R	F_A [kN]	Type	kg	mm E				
1,50	4,4-44	327	1,5	66,96	10,0	25,0	SK 92772.1 - 90 SH/4 - SK 200E-151-340-A (-C) SK 92772.1 - 90 SP/4 - SK 200E-151-340-A (-C) SK 92772.1 - 90 SH/4 - SK 180E-151-340-B (-C) SK 92772.1 - 90 SP/4 - SK 180E-151-340-B (-C)	53	E58-59				
	2,0-20	731	0,8	149,81	5,7	20,0	SK 9016.1 - 90 SH/4 - SK 200E-151-340-A (-C) SK 9016.1 - 90 SP/4 - SK 200E-151-340-A (-C) SK 9016.1 - 90 SH/4 - SK 180E-151-340-B (-C) SK 9016.1 - 90 SP/4 - SK 180E-151-340-B (-C)	49	E64-65				
	2,1-21	695	0,9	142,41	6,2	20,0							
	2,5-25	569	1,1	116,52	7,7	20,0							
	3,2-32	448	1,1	91,77	8,6	20,0							
	3,6-36	397	1,5	81,38	8,9	20,0							
	4,1-41	351	1,7	71,88	9,0	19,6							
	4,6-46	313	2,0	63,97	9,0	19,2							
	5,6-56	256	2,4	52,44	9,0	18,4							
	6,4-64	225	2,7	46,11	9,0	18,0							
3,0-30	3,0-30	476	0,8	97,36	3,3	20,0				SK 9012.1 - 90 SH/4 - SK 200E-151-340-A (-C) SK 9012.1 - 90 SP/4 - SK 200E-151-340-A (-C) SK 9012.1 - 90 SH/4 - SK 180E-151-340-B (-C) SK 9012.1 - 90 SP/4 - SK 180E-151-340-B (-C)	48	E60-61	
	3,4-34	420	1,0	86,00	4,4	20,0							
	3,8-38	374	1,1	76,53	5,1	19,9							
	4,7-47	306	1,3	62,74	5,8	19,2							
	5,3-53	270	1,5	55,17	6,1	18,7							
	6,0-60	239	1,7	48,95	6,3	18,2							
	7,0-70	204	2,0	41,65	6,5	17,6							
	8,4-84	170	2,4	34,81	6,7	16,9							
	6,0-60	6,0-60	237	1,3	48,56	8,1	20,0	SK 92672.1 - 90 SH/4 - SK 200E-151-340-A (-C) SK 92672.1 - 90 SP/4 - SK 200E-151-340-A (-C) SK 92672.1 - 90 SH/4 - SK 180E-151-340-B (-C) SK 92672.1 - 90 SP/4 - SK 180E-151-340-B (-C)	42				E56-57
		6,8-68	211	1,4	43,28	8,1	20,0						
7,8-78		185	1,7	37,82	8,2	20,0							
8,7-87		165	2,2	33,71	8,3	20,0							
9,6-96		150	2,1	30,67	8,3	20,0							
11-107		133	2,7	27,33	8,3	20,0							
12-118		121	3,0	24,88	8,4	20,0							
8,0-80		8,0-80	180	1,0	36,80	6,2	15,0			SK 92372.1 - 90 SH/4 - SK 200E-151-340-A (-C) SK 92372.1 - 90 SP/4 - SK 200E-151-340-A (-C) SK 92372.1 - 90 SH/4 - SK 180E-151-340-B (-C) SK 92372.1 - 90 SP/4 - SK 180E-151-340-B (-C)	31	E54-55	
		8,9-89	160	1,2	32,80	6,3	15,0						
		10-104	137	1,3	28,11	6,4	15,0						
	12-117	122	1,8	25,06	6,5	15,0							
	13-131	110	1,7	22,49	6,5	15,0							
	15-146	97,8	2,2	20,04	6,5	15,0							
	16-160	89,5	2,0	18,33	6,6	15,0							
	19-185	77,3	2,4	15,84	6,6	15,0							
	21-208	68,9	3,2	14,12	6,6	15,0							
	23-234	61,3	3,0	12,56	6,6	14,7							
	26-262	54,7	4,0	11,20	6,6	14,1							
	28-284	50,4	4,4	10,33	6,6	13,4							
	29-287	49,9	3,7	10,22	6,6	13,5							
	31-309	31-309	46,3	2,3	9,49	4,9	8,8	SK 92172.1 - 90 SH/4 - SK 200E-151-340-A (-C) SK 92172.1 - 90 SP/4 - SK 200E-151-340-A (-C) SK 92172.1 - 90 SH/4 - SK 180E-151-340-B (-C) SK 92172.1 - 90 SP/4 - SK 180E-151-340-B (-C)	26				E52-53
		35-352	40,7	2,8	8,33	4,9	8,3						
37-375		38,2	2,9	7,83	4,8	8,1							
42-423		33,9	3,2	6,94	4,7	7,6							
45-450		31,9	2,9	6,53	4,6	7,4							

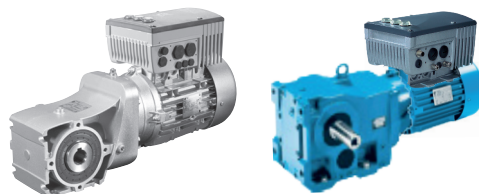
Helical-bevel gear units



P_1 [kW]	n_2 [min ⁻¹]	M_{2b} [Nm]	f_B	i_{ges}	F_R [kN]	F_A [kN]	Type	kg	mm E
1,50	50-504	28,4	2,5	5,83	3,6	6,2	SK 92072.1 - 90 SH/4 - SK 200E-151-340-A (-C)	24	E50-51
	57-568	25,2	2,7	5,17	3,5	5,9	SK 92072.1 - 90 SP/4 - SK 200E-151-340-A (-C)		
	63-631	22,7	2,9	4,65	3,4	5,7			
	74-738	19,4	3,5	3,97	3,2	5,3	SK 92072.1 - 90 SH/4 - SK 180E-151-340-B (-C)		
	82-820	17,5	3,8	3,58	3,1	5,1	SK 92072.1 - 90 SP/4 - SK 180E-151-340-B (-C)		
2,20	1,1-11	1907	2,5	265,11	29,0	45,0	SK 9053.1 - 90 LH/4 - SK 200E-221-340-A (-C)	218	E82-83
							SK 9053.1 - 90 LP/4 - SK 200E-221-340-A (-C)		
	1,0-10	2087	2,3	289,61	28,7	45,0	SK 9052.1 - 90 LH/4 - SK 200E-221-340-A (-C)	200	E80-81
	1,2-12	1783	2,7	247,06	29,3	45,0	SK 9052.1 - 90 LP/4 - SK 200E-221-340-A (-C)		
	1,0-10	2011	1,4	279,60	23,9	40,0	SK 9043.1 - 90 LH/4 - SK 200E-221-340-A (-C)	140	E78-79
	1,4-14	1471	1,9	204,38	25,5	40,0	SK 9043.1 - 90 LP/4 - SK 200E-221-340-A (-C)		
	1,7-17	1240	2,3	172,08	26,0	40,0	SK 9043.1 - 90 LH/4 - SK 180E-221-340-B (-C)		
	1,1-11	1973	1,4	273,73	24,0	40,0	SK 9042.1 - 90 LH/4 - SK 200E-221-340-A (-C)	125	E76-77
	1,2-12	1692	1,7	235,01	24,9	40,0	SK 9042.1 - 90 LP/4 - SK 200E-221-340-A (-C)		
	1,5-15	1406	2,0	195,12	25,6	40,0			
	1,8-18	1192	1,3	165,24	26,1	40,0	SK 9042.1 - 90 LH/4 - SK 180E-221-340-B (-C)		
	2,5-25	849	2,8	117,79	26,7	40,0	SK 9042.1 - 90 LP/4 - SK 180E-221-340-B (-C)		
1,2-12	1687	0,9	233,92	3,9	14,5	SK 9032.1 - 90 LH/4 - SK 200E-221-340-A (-C)	78	E72-73	
1,5-15	1425	1,1	197,45	8,6	14,5	SK 9032.1 - 90 LP/4 - SK 200E-221-340-A (-C)			
1,8-18	1145	1,4	158,74	10,7	14,5				
2,1-21	1005	1,5	139,44	10,8	14,5	SK 9032.1 - 90 LH/4 - SK 180E-221-340-B (-C)			
2,5-25	849	1,8	117,70	10,6	14,5	SK 9032.1 - 90 LP/4 - SK 180E-221-340-B (-C)			
2,6-26	800	1,9	110,77	10,7	14,5				
3,1-31	675	2,3	93,50	10,4	14,5				
3,5-35	607	2,6	84,17	10,3	14,5				
3,8-38	547	2,8	75,91	10,2	14,5				
4,5-45	462	3,4	64,08	9,9	14,5				
4,9-49	426	3,6	59,17	9,8	14,5				
2,1-21	992	0,9	137,57	0	12,0	SK 9022.1 - 90 LH/4 - SK 200E-221-340-A (-C)	58	E68-69	
2,5-25	834	1,0	115,74	0	12,0	SK 9022.1 - 90 LP/4 - SK 200E-221-340-A (-C)			
2,9-29	713	1,2	98,88	4,7	12,0				
3,4-34	614	1,4	85,11	6,2	12,0	SK 9022.1 - 90 LH/4 - SK 180E-221-340-B (-C)			
3,7-37	568	1,5	78,89	6,7	12,0	SK 9022.1 - 90 LP/4 - SK 180E-221-340-B (-C)			
4,4-44	479	1,8	66,42	7,5	12,0				
5,0-50	420	2,0	58,25	7,9	12,0				
5,6-56	376	2,3	52,02	8,2	12,0				
6,0-60	353	2,4	49,01	8,2	12,0				
6,5-65	323	2,7	44,71	8,1	12,0				
5,5-55	379	1,5	52,64	9,8	25,0	SK 92772.1 - 90 LH/4 - SK 200E-221-340-A (-C)	55	E58-59	
6,2-62	338	1,5	46,92	10,0	25,0	SK 92772.1 - 90 LP/4 - SK 200E-221-340-A (-C)			
6,7-67	313	2,0	43,44	10,0	25,0	SK 92772.1 - 90 LH/4 - SK 180E-221-340-B (-C)			

1:10

2,20 kW 3,00 kW



P ₁ [kW]	n ₂ [min ⁻¹]	M _{2b} [Nm]	f _B	i _{ges}	F _R	F _A [kN]	Type	mm			
								kg			
2,20	3,6-36	587	1,0	81,38	7,5	18,1	SK 9016.1 - 90 LH/4 - SK 200E-221-340-A (-C) SK 9016.1 - 90 LP/4 - SK 200E-221-340-A (-C)	51	E64-65		
	4,1-41	519	1,2	71,88	8,1	17,9					
	4,6-46	462	1,3	63,97	8,5	17,7					
	5,6-56	378	1,6	52,44	9,0	17,2	SK 9016.1 - 90 LH/4 - SK 180E-221-340-B (-C) SK 9016.1 - 90 LP/4 - SK 180E-221-340-B (-C)				
	6,3-63	333	1,8	46,11	9,0	16,9					
	7,1-71	295	2,0	40,92	9,0	16,6					
	8,4-84	251	2,4	34,81	9,0	16,1					
	9,6-96	219	2,7	30,52	9,0	15,7					
	4,6-46	452	0,9	62,74	3,9	17,8	SK 9012.1 - 90 LH/4 - SK 200E-221-340-A (-C) SK 9012.1 - 90 LP/4 - SK 200E-221-340-A (-C)			50	E60-61
	5,3-53	398	1,0	55,17	4,8	17,5					
	6,0-60	353	1,1	48,95	5,3	17,2					
	7,0-70	301	1,3	41,65	5,8	16,7	SK 9012.1 - 90 LH/4 - SK 180E-221-340-B (-C) SK 9012.1 - 90 LP/4 - SK 180E-221-340-B (-C)				
	8,4-84	251	1,6	34,81	6,2	16,1					
	9,3-93	227	1,8	31,45	6,4	15,8					
	11-105	200	2,0	27,65	6,5	15,4					
7,7-77	273	1,2	37,82	7,9	20,0	SK 92672.1 - 90 LH/4 - SK 200E-221-340-A (-C) SK 92672.1 - 90 LP/4 - SK 200E-221-340-A (-C)	43	E56-57			
8,6-86	243	1,5	33,71	8,0	20,0						
9,5-95	221	1,4	30,67	8,1	20,0						
11-107	197	1,8	27,33	8,2	20,0	SK 92672.1 - 90 LH/4 - SK 180E-221-340-B (-C) SK 92672.1 - 90 LP/4 - SK 180E-221-340-B (-C)					
12-117	179	2,0	24,88	8,2	20,0						
15-146	144	2,2	20,00	8,3	20,0						
16-160	131	2,7	18,21	8,3	20,0						
17-167	126	2,5	17,46	8,3	20,0						
19-187	112	3,2	15,56	8,4	19,7						
20-202	104	3,1	14,40	8,4	19,3						
10-104	203	0,9	28,11	6,1	15,0	SK 92372.1 - 90 LH/4 - SK 200E-221-340-A (-C) SK 92372.1 - 90 LP/4 - SK 200E-221-340-A (-C)			32	E54-55	
12-116	181	1,2	25,06	6,2	15,0						
13-130	162	1,1	22,49	6,3	15,0						
15-145	144	1,5	20,04	6,4	15,0	SK 92372.1 - 90 LH/4 - SK 180E-221-340-B (-C) SK 92372.1 - 90 LP/4 - SK 180E-221-340-B (-C)					
16-159	132	1,4	18,33	6,4	15,0						
18-184	114	1,6	15,84	6,5	15,0						
21-206	102	2,1	14,12	6,5	14,5						
23-232	90,6	2,0	12,56	6,6	14,2						
26-260	80,7	2,7	11,20	6,6	13,5						
28-282	74,5	3,0	10,33	6,6	12,9						
29-285	73,7	2,5	10,22	6,6	13,0						
32-320	65,7	3,3	9,11	6,6	12,3						
36-356	59,1	3,5	8,19	6,6	11,7						
31-307	68,4	1,6	9,49	4,8	8,1	SK 92172.1 - 90 LH/4 - SK 200E-221-340-A (-C) SK 92172.1 - 90 LP/4 - SK 200E-221-340-A (-C)	27	E52-53			
35-350	60,1	1,9	8,33	4,8	7,7						
37-372	56,5	2,0	7,83	4,7	7,5						
42-420	50,0	2,2	6,94	4,6	7,2	SK 92172.1 - 90 LH/4 - SK 180E-221-340-B (-C) SK 92172.1 - 90 LP/4 - SK 180E-221-340-B (-C)					
45-447	47,0	2,0	6,53	4,5	7,0						
51-505	41,6	2,2	5,77	4,3	6,8						
55-555	37,9	2,8	5,26	4,2	6,6						
60-596	35,3	3,0	4,89	4,1	6,4						
68-678	31,0	3,4	4,30	4,0	6,1						
76-758	27,7	3,2	3,85	3,9	5,8						
81-814	25,8	3,4	3,58	3,8	5,7						
3,00	1,1-11	2574	1,9	265,11	27,5	45,0			SK 9053.1 - 100 LH/4 - SK 200E-301-340-A (-C) SK 9053.1 - 100 LP/4 - SK 200E-301-340-A (-C)	227	E82-83
	1,3-13	2228	2,2	229,07	28,4	45,0					
	1,8-18	1605	3,0	164,99	29,6	45,0					
	1,0-10	2817	1,7	289,61	26,8	45,0	SK 9052.1 - 100 LH/4 - SK 200E-301-340-A (-C) SK 9052.1 - 100 LP/4 - SK 200E-301-340-A (-C)	209	E80-81		
	1,2-12	2406	2,0	247,06	27,9	45,0					
	1,5-15	1930	2,5	198,38	29,0	45,0					
	1,7-17	1648	2,9	169,24	29,5	45,0					
	2,0-20	1413	2,5	145,16	29,8	45,0					
	1,1-11	2714	1,0	279,60	20,7	40,0	SK 9043.1 - 100 LH/4 - SK 200E-301-340-A (-C) SK 9043.1 - 100 LP/4 - SK 200E-301-340-A (-C)	149	E78-79		
	1,4-14	1986	1,4	204,38	24,0	40,0					
	1,7-17	1674	1,7	172,08	25,0	40,0					

Helical-bevel gear units



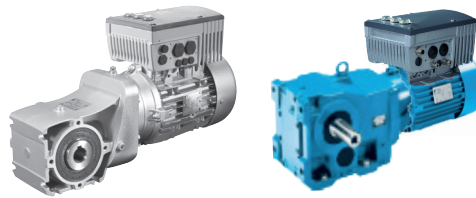


1:10
3,00 kW

P_1 [kW]	n_2 [min ⁻¹]	M_{2b} [Nm]	f_B	i_{ges}	F_R	F_A [kN]	Type	kg	mm E			
3,00	1,3-13	2284	1,2	235,01	22,8	40,0	SK 9042.1 - 100 LH/4 - SK 200E-301-340-A (-C) SK 9042.1 - 100 LP/4 - SK 200E-301-340-A (-C)	134	E76-77			
	1,5-15	1898	1,5	195,12	24,3	40,0						
	1,8-18	1556	1,8	159,94	25,3	40,0						
	2,2-22	1292	2,2	132,79	25,9	40,0						
	2,5-25	1146	2,1	117,79	26,2	40,0						
	3,1-31	930	3,0	95,56	26,5	40,0						
	3,4-34	841	3,3	86,43	26,7	40,0						
	1,6-16	1831	0,8	188,06	0	14,5				SK 9032.1 - 100 LH/4 - SK 200E-301-340-A (-C) SK 9032.1 - 100 LP/4 - SK 200E-301-340-A (-C)	87	E72-73
	1,9-19	1546	1,0	158,74	6,9	14,5						
	2,7-27	1079	1,4	110,77	9,2	14,5						
	3,1-31	911	1,7	93,50	9,2	14,5						
	3,5-35	819	1,9	84,17	9,2	14,5						
	3,9-39	739	2,1	75,91	9,2	14,5						
	4,6-46	624	2,5	64,08	9,0	14,5						
	5,0-50	575	2,7	59,17	9,0	14,5						
5,9-59	486	3,2	49,94	8,7	14,5							
6,2-62	464	3,3	47,70	8,7	14,5							
3,7-37	767	1,1	78,89	3,5	12,0	SK 9022.1 - 100 LH/4 - SK 200E-301-340-A (-C) SK 9022.1 - 100 LP/4 - SK 200E-301-340-A (-C)	67	E68-69				
4,4-44	647	1,3	66,42	5,7	12,0							
5,1-51	567	1,5	58,25	6,7	12,0							
5,7-57	507	1,7	52,02	7,2	12,0							
6,0-60	477	1,8	49,01	7,4	12,0							
6,6-66	436	2,0	44,71	7,4	12,0							
7,4-74	386	2,2	39,77	7,3	12,0							
8,9-89	324	2,7	33,26	7,1	12,0							
7,5-75	382	1,6	39,32	9,8	25,0	SK 92772.1 - 100 LH/4 - SK 200E-301-340-A (-C) SK 92772.1 - 100 LP/4 - SK 200E-301-340-A (-C)	64	E58-59				
8,4-84	341	1,9	35,04	10,0	25,0							
9,2-92	310	2,0	31,85	10,0	25,0							
4,6-46	623	1,0	63,97	7,1	16,0	SK 9016.1 - 100 LH/4 - SK 200E-301-340-A (-C) SK 9016.1 - 100 LP/4 - SK 200E-301-340-A (-C)	60	E64-65				
5,6-56	510	1,2	52,44	8,1	15,8							
6,4-64	449	1,4	46,11	8,6	15,7							
7,2-72	398	1,5	40,92	8,9	15,5							
8,4-84	339	1,8	34,81	9,0	15,2							
9,7-97	296	2,0	30,52	9,0	14,8							
11-112	256	2,3	26,29	9,0	14,5							
13-127	225	2,3	23,11	9,0	14,2							
14-144	199	2,9	20,51	9,0	13,8							
17-168	170	3,2	17,45	9,0	13,4							
6,0-60	476	0,8	48,95	3,3	15,9				SK 9012.1 - 100 LH/4 - SK 200E-301-340-A (-C) SK 9012.1 - 100 LP/4 - SK 200E-301-340-A (-C)	59	E60-61	
7,1-71	406	1,0	41,65	4,6	15,6							
8,4-84	339	1,2	34,81	5,5	15,2							
9,4-94	306	1,3	31,45	5,8	15,0							
11-106	270	1,5	27,65	6,1	14,7							
12-120	239	1,7	24,53	6,3	14,4							
14-141	204	2,0	20,87	6,5	13,9							
17-168	170	2,2	17,45	6,7	13,4							
12-118	242	1,5	24,88	8,0	20,0	SK 92672.1 - 100 LH/4 - SK 200E-301-340-A (-C) SK 92672.1 - 100 LP/4 - SK 200E-301-340-A (-C)	53	E56-57				
16-162	177	2,0	18,21	8,2	19,4							
17-169	170	1,9	17,46	8,3	19,5							
19-189	151	2,4	15,56	8,3	18,9							
20-204	140	2,3	14,40	8,3	18,6							
23-229	125	2,9	12,84	8,3	17,7							
26-259	111	3,3	11,39	8,4	16,6							
29-290	98,9	3,7	10,16	8,4	16,0							
31-314	91,4	3,9	9,39	8,4	15,3							
23-234	122	1,5	12,56	6,5	13,5				SK 92372.1 - 100 LH/4 - SK 200E-301-340-A (-C) SK 92372.1 - 100 LP/4 - SK 200E-301-340-A (-C)	42	E54-55	
26-263	109	2,0	11,20	6,5	12,8							
29-288	99,4	1,9	10,22	6,5	12,3							
32-323	88,6	2,5	9,11	6,6	11,7							
36-359	79,7	2,6	8,19	6,6	11,1							
42-420	68,2	2,9	7,01	6,5	10,6							
44-442	64,9	3,2	6,67	6,4	10,3							
50-505	56,7	3,3	5,83	6,2	9,8							
57-574	49,9	3,7	5,13	6,0	9,4							
68-684	41,9	4,4	4,31	5,7	8,8							
79-792	36,2	5,0	3,72	5,5	8,3							

1:10

4,00 kW



P ₁ [kW]	n ₂ [min ⁻¹]	M _{2b} [Nm]	f _B	i _{ges}	F _R	F _A	Type	mm																																																																																																																																																																																																																																																																																																																																																																																																																																																																																																																																																																																						
								kg																																																																																																																																																																																																																																																																																																																																																																																																																																																																																																																																																																																						
4,00	1,2-12	3207	2,7	245,76	61,7	50,0	SK 9072.1 - 100 AH/4 - SK 200E-401-340-A (-C) SK 9072.1 - 100 AP/4 - SK 200E-401-340-A (-C)	349	E84-85																																																																																																																																																																																																																																																																																																																																																																																																																																																																																																																																																																																					
	1,4-14	2703	3,1	206,84	62,3	50,0					1,1-11	3456	1,4	265,11	24,6	45,0	SK 9053.1 - 100 AH/4 - SK 200E-401-340-A (-C) SK 9053.1 - 100 AP/4 - SK 200E-401-340-A (-C)	227	E82-83		1,3-13	2990	1,6	229,07	26,3	45,0		1,8-18	2155	2,2	164,99	28,5	45,0					1,0-10	3782	1,3	289,61	23,1	45,0	SK 9052.1 - 100 AH/4 - SK 200E-401-340-A (-C) SK 9052.1 - 100 AP/4 - SK 200E-401-340-A (-C)	209	E80-81		1,2-12	3230	1,5	247,06	25,4	45,0		1,5-15	2590	1,9	198,38	27,5	45,0					1,7-17	2213	2,2	169,24	28,4	45,0					2,0-20	1897	1,9	145,16	29,1	45,0					2,4-24	1567	3,1	120,03	29,6	45,0					2,9-29	1339	3,6	102,40	29,9	45,0					1,2-12	3067	0,9	235,01	18,6	40,0	SK 9042.1 - 100 AH/4 - SK 200E-401-340-A (-C) SK 9042.1 - 100 AP/4 - SK 200E-401-340-A (-C)	134	E76-77		1,5-15	2548	1,1	195,12	21,6	40,0		1,8-18	2088	1,3	159,94	23,6	40,0					2,2-22	1735	1,6	132,79	24,8	40,0					2,5-25	1538	1,6	117,79	25,3	40,0					3,1-31	1248	2,2	95,56	26,0	40,0					3,4-34	1130	2,5	86,43	26,2	40,0					3,8-38	994	2,8	76,18	26,4	40,0					4,3-43	895	3,1	68,61	26,6	40,0					4,6-46	825	3,4	63,25	26,7	40,0					2,6-26	1449	1,1	110,77	7,3	13,0	SK 9032.1 - 100 AH/4 - SK 200E-401-340-A (-C) SK 9032.1 - 100 AP/4 - SK 200E-401-340-A (-C)	87	E72-73		3,1-31	1223	1,3	93,50	7,6	13,3		3,5-35	1099	1,4	84,17	7,8	13,6					3,9-39	991	1,6	75,91	7,9	13,7					4,6-46	837	1,9	64,08	7,9	13,6					4,9-49	772	2,0	59,17	8,0	13,7					5,9-59	652	2,4	49,94	7,9	13,5					6,1-61	623	2,5	47,70	7,9	13,5					7,2-72	527	2,9	40,36	7,8	13,2					7,7-77	497	3,1	38,05	7,8	13,1					8,2-82	466	3,3	35,61	7,7	13,0					3,7-37	1030	0,8	78,89	0	10,6	SK 9022.1 - 100 AH/4 - SK 200E-401-340-A (-C) SK 9022.1 - 100 AP/4 - SK 200E-401-340-A (-C)	67	E68-69		4,4-44	868	1,0	66,42	0	11,1		5,0-50	761	1,1	58,25	3,7	11,3					5,6-56	680	1,3	52,02	5,3	11,4					6,0-60	640	1,3	49,01	5,8	11,2					6,5-65	585	1,5	44,71	6,5	11,4					7,4-74	518	1,7	39,77	6,5	11,4					8,8-88	435	2,0	33,26	6,4	11,1					9,3-93	410	2,0	31,38	6,4	11,2					10-100	382	2,3	29,20	6,4	11,1					11-112	341	2,5	26,07	6,3	11,0					12-119	321	2,7	24,56	6,2	10,8					7,4-74	513	1,2	39,32	9,3	25,0	SK 92772.1 - 100 AH/4 - SK 200E-401-340-A (-C) SK 92772.1 - 100 AP/4 - SK 200E-401-340-A (-C)	64	E58-59		8,3-83	458	1,4	35,04	9,5	25,0		9,2-92	416	1,5	31,85	9,7	25,0					10-103	371	1,6	28,38	9,9	25,0					12-115	331	1,9	25,34	10,0	25,0					13-129	295	2,2	22,59	10,1	25,0					5,6-56	685	0,9	52,44	6,4	14,1	SK 9016.1 - 100 AH/4 - SK 200E-401-340-A (-C) SK 9016.1 - 100 AP/4 - SK 200E-401-340-A (-C)	60	E64-65		6,3-63	603	1,0	46,11	7,3	14,1		7,2-72	534	1,1	40,92	8,0	14,1					8,4-84	455	1,3	34,81	8,5	14,0					9,6-96	397	1,5	30,52	8,9	13,9					11-111	343	1,7	26,29	9,0	13,6					13-126	302	1,7	23,11	9,0	13,4					14-143	268	2,2	20,51	9,0	13,2					17-167	228	2,4	17,45	9,0	12,8					19-192	199	2,6	15,10	9,0
	1,1-11	3456	1,4	265,11	24,6	45,0	SK 9053.1 - 100 AH/4 - SK 200E-401-340-A (-C) SK 9053.1 - 100 AP/4 - SK 200E-401-340-A (-C)	227	E82-83																																																																																																																																																																																																																																																																																																																																																																																																																																																																																																																																																																																					
	1,3-13	2990	1,6	229,07	26,3	45,0					1,8-18	2155	2,2	164,99	28,5	45,0					1,0-10	3782	1,3	289,61	23,1	45,0	SK 9052.1 - 100 AH/4 - SK 200E-401-340-A (-C) SK 9052.1 - 100 AP/4 - SK 200E-401-340-A (-C)	209	E80-81		1,2-12	3230	1,5	247,06	25,4	45,0		1,5-15	2590	1,9	198,38	27,5	45,0					1,7-17	2213	2,2	169,24	28,4	45,0					2,0-20	1897	1,9	145,16	29,1	45,0					2,4-24	1567	3,1	120,03	29,6	45,0					2,9-29	1339	3,6	102,40	29,9	45,0					1,2-12	3067	0,9	235,01	18,6	40,0	SK 9042.1 - 100 AH/4 - SK 200E-401-340-A (-C) SK 9042.1 - 100 AP/4 - SK 200E-401-340-A (-C)	134	E76-77		1,5-15	2548	1,1	195,12	21,6	40,0		1,8-18	2088	1,3	159,94	23,6	40,0					2,2-22	1735	1,6	132,79	24,8	40,0					2,5-25	1538	1,6	117,79	25,3	40,0					3,1-31	1248	2,2	95,56	26,0	40,0					3,4-34	1130	2,5	86,43	26,2	40,0					3,8-38	994	2,8	76,18	26,4	40,0					4,3-43	895	3,1	68,61	26,6	40,0					4,6-46	825	3,4	63,25	26,7	40,0					2,6-26	1449	1,1	110,77	7,3	13,0	SK 9032.1 - 100 AH/4 - SK 200E-401-340-A (-C) SK 9032.1 - 100 AP/4 - SK 200E-401-340-A (-C)	87	E72-73		3,1-31	1223	1,3	93,50	7,6	13,3		3,5-35	1099	1,4	84,17	7,8	13,6					3,9-39	991	1,6	75,91	7,9	13,7					4,6-46	837	1,9	64,08	7,9	13,6					4,9-49	772	2,0	59,17	8,0	13,7					5,9-59	652	2,4	49,94	7,9	13,5					6,1-61	623	2,5	47,70	7,9	13,5					7,2-72	527	2,9	40,36	7,8	13,2					7,7-77	497	3,1	38,05	7,8	13,1					8,2-82	466	3,3	35,61	7,7	13,0					3,7-37	1030	0,8	78,89	0	10,6	SK 9022.1 - 100 AH/4 - SK 200E-401-340-A (-C) SK 9022.1 - 100 AP/4 - SK 200E-401-340-A (-C)	67	E68-69		4,4-44	868	1,0	66,42	0	11,1		5,0-50	761	1,1	58,25	3,7	11,3					5,6-56	680	1,3	52,02	5,3	11,4					6,0-60	640	1,3	49,01	5,8	11,2					6,5-65	585	1,5	44,71	6,5	11,4					7,4-74	518	1,7	39,77	6,5	11,4					8,8-88	435	2,0	33,26	6,4	11,1					9,3-93	410	2,0	31,38	6,4	11,2					10-100	382	2,3	29,20	6,4	11,1					11-112	341	2,5	26,07	6,3	11,0					12-119	321	2,7	24,56	6,2	10,8					7,4-74	513	1,2	39,32	9,3	25,0	SK 92772.1 - 100 AH/4 - SK 200E-401-340-A (-C) SK 92772.1 - 100 AP/4 - SK 200E-401-340-A (-C)	64	E58-59		8,3-83	458	1,4	35,04	9,5	25,0		9,2-92	416	1,5	31,85	9,7	25,0					10-103	371	1,6	28,38	9,9	25,0					12-115	331	1,9	25,34	10,0	25,0					13-129	295	2,2	22,59	10,1	25,0					5,6-56	685	0,9	52,44	6,4	14,1	SK 9016.1 - 100 AH/4 - SK 200E-401-340-A (-C) SK 9016.1 - 100 AP/4 - SK 200E-401-340-A (-C)	60	E64-65		6,3-63	603	1,0	46,11	7,3	14,1		7,2-72	534	1,1	40,92	8,0	14,1					8,4-84	455	1,3	34,81	8,5	14,0					9,6-96	397	1,5	30,52	8,9	13,9					11-111	343	1,7	26,29	9,0	13,6					13-126	302	1,7	23,11	9,0	13,4					14-143	268	2,2	20,51	9,0	13,2					17-167	228	2,4	17,45	9,0	12,8					19-192	199	2,6	15,10	9,0	12,5																
	1,8-18	2155	2,2	164,99	28,5	45,0																																																																																																																																																																																																																																																																																																																																																																																																																																																																																																																																																																																								
	1,0-10	3782	1,3	289,61	23,1	45,0	SK 9052.1 - 100 AH/4 - SK 200E-401-340-A (-C) SK 9052.1 - 100 AP/4 - SK 200E-401-340-A (-C)	209	E80-81																																																																																																																																																																																																																																																																																																																																																																																																																																																																																																																																																																																					
	1,2-12	3230	1,5	247,06	25,4	45,0					1,5-15	2590	1,9	198,38	27,5	45,0					1,7-17	2213	2,2	169,24	28,4	45,0					2,0-20	1897	1,9	145,16	29,1	45,0					2,4-24	1567	3,1	120,03	29,6	45,0					2,9-29	1339	3,6	102,40	29,9	45,0					1,2-12	3067	0,9	235,01	18,6	40,0	SK 9042.1 - 100 AH/4 - SK 200E-401-340-A (-C) SK 9042.1 - 100 AP/4 - SK 200E-401-340-A (-C)	134	E76-77		1,5-15	2548	1,1	195,12	21,6	40,0		1,8-18	2088	1,3	159,94	23,6	40,0					2,2-22	1735	1,6	132,79	24,8	40,0					2,5-25	1538	1,6	117,79	25,3	40,0					3,1-31	1248	2,2	95,56	26,0	40,0					3,4-34	1130	2,5	86,43	26,2	40,0					3,8-38	994	2,8	76,18	26,4	40,0					4,3-43	895	3,1	68,61	26,6	40,0					4,6-46	825	3,4	63,25	26,7	40,0					2,6-26	1449	1,1	110,77	7,3	13,0	SK 9032.1 - 100 AH/4 - SK 200E-401-340-A (-C) SK 9032.1 - 100 AP/4 - SK 200E-401-340-A (-C)	87	E72-73		3,1-31	1223	1,3	93,50	7,6	13,3		3,5-35	1099	1,4	84,17	7,8	13,6					3,9-39	991	1,6	75,91	7,9	13,7					4,6-46	837	1,9	64,08	7,9	13,6					4,9-49	772	2,0	59,17	8,0	13,7					5,9-59	652	2,4	49,94	7,9	13,5					6,1-61	623	2,5	47,70	7,9	13,5					7,2-72	527	2,9	40,36	7,8	13,2					7,7-77	497	3,1	38,05	7,8	13,1					8,2-82	466	3,3	35,61	7,7	13,0					3,7-37	1030	0,8	78,89	0	10,6	SK 9022.1 - 100 AH/4 - SK 200E-401-340-A (-C) SK 9022.1 - 100 AP/4 - SK 200E-401-340-A (-C)	67	E68-69		4,4-44	868	1,0	66,42	0	11,1		5,0-50	761	1,1	58,25	3,7	11,3					5,6-56	680	1,3	52,02	5,3	11,4					6,0-60	640	1,3	49,01	5,8	11,2					6,5-65	585	1,5	44,71	6,5	11,4					7,4-74	518	1,7	39,77	6,5	11,4					8,8-88	435	2,0	33,26	6,4	11,1					9,3-93	410	2,0	31,38	6,4	11,2					10-100	382	2,3	29,20	6,4	11,1					11-112	341	2,5	26,07	6,3	11,0					12-119	321	2,7	24,56	6,2	10,8					7,4-74	513	1,2	39,32	9,3	25,0	SK 92772.1 - 100 AH/4 - SK 200E-401-340-A (-C) SK 92772.1 - 100 AP/4 - SK 200E-401-340-A (-C)	64	E58-59		8,3-83	458	1,4	35,04	9,5	25,0		9,2-92	416	1,5	31,85	9,7	25,0					10-103	371	1,6	28,38	9,9	25,0					12-115	331	1,9	25,34	10,0	25,0					13-129	295	2,2	22,59	10,1	25,0					5,6-56	685	0,9	52,44	6,4	14,1	SK 9016.1 - 100 AH/4 - SK 200E-401-340-A (-C) SK 9016.1 - 100 AP/4 - SK 200E-401-340-A (-C)	60	E64-65		6,3-63	603	1,0	46,11	7,3	14,1		7,2-72	534	1,1	40,92	8,0	14,1					8,4-84	455	1,3	34,81	8,5	14,0					9,6-96	397	1,5	30,52	8,9	13,9					11-111	343	1,7	26,29	9,0	13,6					13-126	302	1,7	23,11	9,0	13,4					14-143	268	2,2	20,51	9,0	13,2					17-167	228	2,4	17,45	9,0	12,8					19-192	199	2,6	15,10	9,0	12,5																																											
	1,5-15	2590	1,9	198,38	27,5	45,0																																																																																																																																																																																																																																																																																																																																																																																																																																																																																																																																																																																								
	1,7-17	2213	2,2	169,24	28,4	45,0																																																																																																																																																																																																																																																																																																																																																																																																																																																																																																																																																																																								
	2,0-20	1897	1,9	145,16	29,1	45,0																																																																																																																																																																																																																																																																																																																																																																																																																																																																																																																																																																																								
	2,4-24	1567	3,1	120,03	29,6	45,0																																																																																																																																																																																																																																																																																																																																																																																																																																																																																																																																																																																								
	2,9-29	1339	3,6	102,40	29,9	45,0																																																																																																																																																																																																																																																																																																																																																																																																																																																																																																																																																																																								
	1,2-12	3067	0,9	235,01	18,6	40,0	SK 9042.1 - 100 AH/4 - SK 200E-401-340-A (-C) SK 9042.1 - 100 AP/4 - SK 200E-401-340-A (-C)	134	E76-77																																																																																																																																																																																																																																																																																																																																																																																																																																																																																																																																																																																					
	1,5-15	2548	1,1	195,12	21,6	40,0					1,8-18	2088	1,3	159,94	23,6	40,0					2,2-22	1735	1,6	132,79	24,8	40,0					2,5-25	1538	1,6	117,79	25,3	40,0					3,1-31	1248	2,2	95,56	26,0	40,0					3,4-34	1130	2,5	86,43	26,2	40,0					3,8-38	994	2,8	76,18	26,4	40,0					4,3-43	895	3,1	68,61	26,6	40,0					4,6-46	825	3,4	63,25	26,7	40,0					2,6-26	1449	1,1	110,77	7,3	13,0	SK 9032.1 - 100 AH/4 - SK 200E-401-340-A (-C) SK 9032.1 - 100 AP/4 - SK 200E-401-340-A (-C)	87	E72-73		3,1-31	1223	1,3	93,50	7,6	13,3		3,5-35	1099	1,4	84,17	7,8	13,6					3,9-39	991	1,6	75,91	7,9	13,7					4,6-46	837	1,9	64,08	7,9	13,6					4,9-49	772	2,0	59,17	8,0	13,7					5,9-59	652	2,4	49,94	7,9	13,5					6,1-61	623	2,5	47,70	7,9	13,5					7,2-72	527	2,9	40,36	7,8	13,2					7,7-77	497	3,1	38,05	7,8	13,1					8,2-82	466	3,3	35,61	7,7	13,0					3,7-37	1030	0,8	78,89	0	10,6	SK 9022.1 - 100 AH/4 - SK 200E-401-340-A (-C) SK 9022.1 - 100 AP/4 - SK 200E-401-340-A (-C)	67	E68-69		4,4-44	868	1,0	66,42	0	11,1		5,0-50	761	1,1	58,25	3,7	11,3					5,6-56	680	1,3	52,02	5,3	11,4					6,0-60	640	1,3	49,01	5,8	11,2					6,5-65	585	1,5	44,71	6,5	11,4					7,4-74	518	1,7	39,77	6,5	11,4					8,8-88	435	2,0	33,26	6,4	11,1					9,3-93	410	2,0	31,38	6,4	11,2					10-100	382	2,3	29,20	6,4	11,1					11-112	341	2,5	26,07	6,3	11,0					12-119	321	2,7	24,56	6,2	10,8					7,4-74	513	1,2	39,32	9,3	25,0	SK 92772.1 - 100 AH/4 - SK 200E-401-340-A (-C) SK 92772.1 - 100 AP/4 - SK 200E-401-340-A (-C)	64	E58-59		8,3-83	458	1,4	35,04	9,5	25,0		9,2-92	416	1,5	31,85	9,7	25,0					10-103	371	1,6	28,38	9,9	25,0					12-115	331	1,9	25,34	10,0	25,0					13-129	295	2,2	22,59	10,1	25,0					5,6-56	685	0,9	52,44	6,4	14,1	SK 9016.1 - 100 AH/4 - SK 200E-401-340-A (-C) SK 9016.1 - 100 AP/4 - SK 200E-401-340-A (-C)	60	E64-65		6,3-63	603	1,0	46,11	7,3	14,1		7,2-72	534	1,1	40,92	8,0	14,1					8,4-84	455	1,3	34,81	8,5	14,0					9,6-96	397	1,5	30,52	8,9	13,9					11-111	343	1,7	26,29	9,0	13,6					13-126	302	1,7	23,11	9,0	13,4					14-143	268	2,2	20,51	9,0	13,2					17-167	228	2,4	17,45	9,0	12,8					19-192	199	2,6	15,10	9,0	12,5																																																																																																														
	1,8-18	2088	1,3	159,94	23,6	40,0																																																																																																																																																																																																																																																																																																																																																																																																																																																																																																																																																																																								
	2,2-22	1735	1,6	132,79	24,8	40,0																																																																																																																																																																																																																																																																																																																																																																																																																																																																																																																																																																																								
	2,5-25	1538	1,6	117,79	25,3	40,0																																																																																																																																																																																																																																																																																																																																																																																																																																																																																																																																																																																								
	3,1-31	1248	2,2	95,56	26,0	40,0																																																																																																																																																																																																																																																																																																																																																																																																																																																																																																																																																																																								
	3,4-34	1130	2,5	86,43	26,2	40,0																																																																																																																																																																																																																																																																																																																																																																																																																																																																																																																																																																																								
	3,8-38	994	2,8	76,18	26,4	40,0																																																																																																																																																																																																																																																																																																																																																																																																																																																																																																																																																																																								
	4,3-43	895	3,1	68,61	26,6	40,0																																																																																																																																																																																																																																																																																																																																																																																																																																																																																																																																																																																								
	4,6-46	825	3,4	63,25	26,7	40,0																																																																																																																																																																																																																																																																																																																																																																																																																																																																																																																																																																																								
	2,6-26	1449	1,1	110,77	7,3	13,0	SK 9032.1 - 100 AH/4 - SK 200E-401-340-A (-C) SK 9032.1 - 100 AP/4 - SK 200E-401-340-A (-C)	87	E72-73																																																																																																																																																																																																																																																																																																																																																																																																																																																																																																																																																																																					
	3,1-31	1223	1,3	93,50	7,6	13,3					3,5-35	1099	1,4	84,17	7,8	13,6					3,9-39	991	1,6	75,91	7,9	13,7					4,6-46	837	1,9	64,08	7,9	13,6					4,9-49	772	2,0	59,17	8,0	13,7					5,9-59	652	2,4	49,94	7,9	13,5					6,1-61	623	2,5	47,70	7,9	13,5					7,2-72	527	2,9	40,36	7,8	13,2					7,7-77	497	3,1	38,05	7,8	13,1					8,2-82	466	3,3	35,61	7,7	13,0					3,7-37	1030	0,8	78,89	0	10,6	SK 9022.1 - 100 AH/4 - SK 200E-401-340-A (-C) SK 9022.1 - 100 AP/4 - SK 200E-401-340-A (-C)	67	E68-69		4,4-44	868	1,0	66,42	0	11,1		5,0-50	761	1,1	58,25	3,7	11,3					5,6-56	680	1,3	52,02	5,3	11,4					6,0-60	640	1,3	49,01	5,8	11,2					6,5-65	585	1,5	44,71	6,5	11,4					7,4-74	518	1,7	39,77	6,5	11,4					8,8-88	435	2,0	33,26	6,4	11,1					9,3-93	410	2,0	31,38	6,4	11,2					10-100	382	2,3	29,20	6,4	11,1					11-112	341	2,5	26,07	6,3	11,0					12-119	321	2,7	24,56	6,2	10,8					7,4-74	513	1,2	39,32	9,3	25,0	SK 92772.1 - 100 AH/4 - SK 200E-401-340-A (-C) SK 92772.1 - 100 AP/4 - SK 200E-401-340-A (-C)	64	E58-59		8,3-83	458	1,4	35,04	9,5	25,0		9,2-92	416	1,5	31,85	9,7	25,0					10-103	371	1,6	28,38	9,9	25,0					12-115	331	1,9	25,34	10,0	25,0					13-129	295	2,2	22,59	10,1	25,0					5,6-56	685	0,9	52,44	6,4	14,1	SK 9016.1 - 100 AH/4 - SK 200E-401-340-A (-C) SK 9016.1 - 100 AP/4 - SK 200E-401-340-A (-C)	60	E64-65		6,3-63	603	1,0	46,11	7,3	14,1		7,2-72	534	1,1	40,92	8,0	14,1					8,4-84	455	1,3	34,81	8,5	14,0					9,6-96	397	1,5	30,52	8,9	13,9					11-111	343	1,7	26,29	9,0	13,6					13-126	302	1,7	23,11	9,0	13,4					14-143	268	2,2	20,51	9,0	13,2					17-167	228	2,4	17,45	9,0	12,8					19-192	199	2,6	15,10	9,0	12,5																																																																																																																																																																																																															
	3,5-35	1099	1,4	84,17	7,8	13,6																																																																																																																																																																																																																																																																																																																																																																																																																																																																																																																																																																																								
	3,9-39	991	1,6	75,91	7,9	13,7																																																																																																																																																																																																																																																																																																																																																																																																																																																																																																																																																																																								
	4,6-46	837	1,9	64,08	7,9	13,6																																																																																																																																																																																																																																																																																																																																																																																																																																																																																																																																																																																								
	4,9-49	772	2,0	59,17	8,0	13,7																																																																																																																																																																																																																																																																																																																																																																																																																																																																																																																																																																																								
	5,9-59	652	2,4	49,94	7,9	13,5																																																																																																																																																																																																																																																																																																																																																																																																																																																																																																																																																																																								
	6,1-61	623	2,5	47,70	7,9	13,5																																																																																																																																																																																																																																																																																																																																																																																																																																																																																																																																																																																								
	7,2-72	527	2,9	40,36	7,8	13,2																																																																																																																																																																																																																																																																																																																																																																																																																																																																																																																																																																																								
	7,7-77	497	3,1	38,05	7,8	13,1																																																																																																																																																																																																																																																																																																																																																																																																																																																																																																																																																																																								
	8,2-82	466	3,3	35,61	7,7	13,0																																																																																																																																																																																																																																																																																																																																																																																																																																																																																																																																																																																								
	3,7-37	1030	0,8	78,89	0	10,6	SK 9022.1 - 100 AH/4 - SK 200E-401-340-A (-C) SK 9022.1 - 100 AP/4 - SK 200E-401-340-A (-C)	67	E68-69																																																																																																																																																																																																																																																																																																																																																																																																																																																																																																																																																																																					
	4,4-44	868	1,0	66,42	0	11,1					5,0-50	761	1,1	58,25	3,7	11,3					5,6-56	680	1,3	52,02	5,3	11,4					6,0-60	640	1,3	49,01	5,8	11,2					6,5-65	585	1,5	44,71	6,5	11,4					7,4-74	518	1,7	39,77	6,5	11,4					8,8-88	435	2,0	33,26	6,4	11,1					9,3-93	410	2,0	31,38	6,4	11,2					10-100	382	2,3	29,20	6,4	11,1					11-112	341	2,5	26,07	6,3	11,0					12-119	321	2,7	24,56	6,2	10,8					7,4-74	513	1,2	39,32	9,3	25,0	SK 92772.1 - 100 AH/4 - SK 200E-401-340-A (-C) SK 92772.1 - 100 AP/4 - SK 200E-401-340-A (-C)	64	E58-59		8,3-83	458	1,4	35,04	9,5	25,0		9,2-92	416	1,5	31,85	9,7	25,0					10-103	371	1,6	28,38	9,9	25,0					12-115	331	1,9	25,34	10,0	25,0					13-129	295	2,2	22,59	10,1	25,0					5,6-56	685	0,9	52,44	6,4	14,1	SK 9016.1 - 100 AH/4 - SK 200E-401-340-A (-C) SK 9016.1 - 100 AP/4 - SK 200E-401-340-A (-C)	60	E64-65		6,3-63	603	1,0	46,11	7,3	14,1		7,2-72	534	1,1	40,92	8,0	14,1					8,4-84	455	1,3	34,81	8,5	14,0					9,6-96	397	1,5	30,52	8,9	13,9					11-111	343	1,7	26,29	9,0	13,6					13-126	302	1,7	23,11	9,0	13,4					14-143	268	2,2	20,51	9,0	13,2					17-167	228	2,4	17,45	9,0	12,8					19-192	199	2,6	15,10	9,0	12,5																																																																																																																																																																																																																																																																																																																										
	5,0-50	761	1,1	58,25	3,7	11,3																																																																																																																																																																																																																																																																																																																																																																																																																																																																																																																																																																																								
	5,6-56	680	1,3	52,02	5,3	11,4																																																																																																																																																																																																																																																																																																																																																																																																																																																																																																																																																																																								
	6,0-60	640	1,3	49,01	5,8	11,2																																																																																																																																																																																																																																																																																																																																																																																																																																																																																																																																																																																								
	6,5-65	585	1,5	44,71	6,5	11,4																																																																																																																																																																																																																																																																																																																																																																																																																																																																																																																																																																																								
	7,4-74	518	1,7	39,77	6,5	11,4																																																																																																																																																																																																																																																																																																																																																																																																																																																																																																																																																																																								
	8,8-88	435	2,0	33,26	6,4	11,1																																																																																																																																																																																																																																																																																																																																																																																																																																																																																																																																																																																								
	9,3-93	410	2,0	31,38	6,4	11,2																																																																																																																																																																																																																																																																																																																																																																																																																																																																																																																																																																																								
	10-100	382	2,3	29,20	6,4	11,1																																																																																																																																																																																																																																																																																																																																																																																																																																																																																																																																																																																								
	11-112	341	2,5	26,07	6,3	11,0																																																																																																																																																																																																																																																																																																																																																																																																																																																																																																																																																																																								
	12-119	321	2,7	24,56	6,2	10,8																																																																																																																																																																																																																																																																																																																																																																																																																																																																																																																																																																																								
	7,4-74	513	1,2	39,32	9,3	25,0	SK 92772.1 - 100 AH/4 - SK 200E-401-340-A (-C) SK 92772.1 - 100 AP/4 - SK 200E-401-340-A (-C)	64	E58-59																																																																																																																																																																																																																																																																																																																																																																																																																																																																																																																																																																																					
	8,3-83	458	1,4	35,04	9,5	25,0					9,2-92	416	1,5	31,85	9,7	25,0					10-103	371	1,6	28,38	9,9	25,0					12-115	331	1,9	25,34	10,0	25,0					13-129	295	2,2	22,59	10,1	25,0					5,6-56	685	0,9	52,44	6,4	14,1	SK 9016.1 - 100 AH/4 - SK 200E-401-340-A (-C) SK 9016.1 - 100 AP/4 - SK 200E-401-340-A (-C)	60	E64-65		6,3-63	603	1,0	46,11	7,3	14,1		7,2-72	534	1,1	40,92	8,0	14,1					8,4-84	455	1,3	34,81	8,5	14,0					9,6-96	397	1,5	30,52	8,9	13,9					11-111	343	1,7	26,29	9,0	13,6					13-126	302	1,7	23,11	9,0	13,4					14-143	268	2,2	20,51	9,0	13,2					17-167	228	2,4	17,45	9,0	12,8					19-192	199	2,6	15,10	9,0	12,5																																																																																																																																																																																																																																																																																																																																																																																																																																															
	9,2-92	416	1,5	31,85	9,7	25,0																																																																																																																																																																																																																																																																																																																																																																																																																																																																																																																																																																																								
	10-103	371	1,6	28,38	9,9	25,0																																																																																																																																																																																																																																																																																																																																																																																																																																																																																																																																																																																								
	12-115	331	1,9	25,34	10,0	25,0																																																																																																																																																																																																																																																																																																																																																																																																																																																																																																																																																																																								
	13-129	295	2,2	22,59	10,1	25,0																																																																																																																																																																																																																																																																																																																																																																																																																																																																																																																																																																																								
	5,6-56	685	0,9	52,44	6,4	14,1	SK 9016.1 - 100 AH/4 - SK 200E-401-340-A (-C) SK 9016.1 - 100 AP/4 - SK 200E-401-340-A (-C)	60	E64-65																																																																																																																																																																																																																																																																																																																																																																																																																																																																																																																																																																																					
	6,3-63	603	1,0	46,11	7,3	14,1					7,2-72	534	1,1	40,92	8,0	14,1					8,4-84	455	1,3	34,81	8,5	14,0					9,6-96	397	1,5	30,52	8,9	13,9					11-111	343	1,7	26,29	9,0	13,6					13-126	302	1,7	23,11	9,0	13,4					14-143	268	2,2	20,51	9,0	13,2					17-167	228	2,4	17,45	9,0	12,8					19-192	199	2,6	15,10	9,0	12,5																																																																																																																																																																																																																																																																																																																																																																																																																																																																																																								
	7,2-72	534	1,1	40,92	8,0	14,1																																																																																																																																																																																																																																																																																																																																																																																																																																																																																																																																																																																								
	8,4-84	455	1,3	34,81	8,5	14,0																																																																																																																																																																																																																																																																																																																																																																																																																																																																																																																																																																																								
	9,6-96	397	1,5	30,52	8,9	13,9																																																																																																																																																																																																																																																																																																																																																																																																																																																																																																																																																																																								
	11-111	343	1,7	26,29	9,0	13,6																																																																																																																																																																																																																																																																																																																																																																																																																																																																																																																																																																																								
	13-126	302	1,7	23,11	9,0	13,4																																																																																																																																																																																																																																																																																																																																																																																																																																																																																																																																																																																								
	14-143	268	2,2	20,51	9,0	13,2																																																																																																																																																																																																																																																																																																																																																																																																																																																																																																																																																																																								
	17-167	228	2,4	17,45	9,0	12,8																																																																																																																																																																																																																																																																																																																																																																																																																																																																																																																																																																																								
	19-192	199	2,6	15,10	9,0	12,5																																																																																																																																																																																																																																																																																																																																																																																																																																																																																																																																																																																								

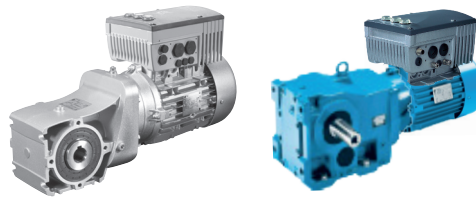
Helical-bevel gear units



P_1 [kW]	n_2 [min ⁻¹]	M_{2b} [Nm]	f_B	i_{ges}	F_R	F_A [kN]	Type	kg	mm E			
4,00	8,4-84	455	0,9	34,81	3,8	14,0	SK 9012.1 - 100 AH/4 - SK 200E-401-340-A (-C) SK 9012.1 - 100 AP/4 - SK 200E-401-340-A (-C)	59	E60-61			
	9,3-93	411	1,0	31,45	4,6	14,0						
	11-106	362	1,1	27,65	5,2	13,8						
	12-119	321	1,2	24,53	5,7	13,6						
	14-140	273	1,5	20,87	6,1	13,3						
	17-167	228	1,7	17,45	6,4	12,8						
	19-192	199	1,9	15,30	6,5	12,5						
	12-118	325	1,1	24,88	7,7	19,7				SK 92672.1 - 100 AH/4 - SK 200E-401-340-A (-C) SK 92672.1 - 100 AP/4 - SK 200E-401-340-A (-C)	53	E56-57
	16-161	238	1,5	18,21	8,1	18,4						
	17-167	228	1,4	17,46	8,1	18,6						
	19-188	203	1,8	15,56	8,2	18,1						
	20-203	188	1,7	14,40	8,2	17,8						
	23-228	168	2,2	12,84	8,3	16,9						
	26-257	149	2,4	11,39	8,3	15,9						
	29-288	133	2,7	10,16	8,3	15,4						
31-311	123	2,9	9,39	8,4	14,7							
35-351	109	3,2	8,33	8,4	14,1							
39-393	97,1	3,6	7,44	8,4	13,5							
23-233	164	1,1	12,56	6,3	12,5	SK 92372.1 - 100 AH/4 - SK 200E-401-340-A (-C) SK 92372.1 - 100 AP/4 - SK 200E-401-340-A (-C)	42	E54-55				
26-261	146	1,5	11,20	6,4	11,9							
29-286	133	1,4	10,22	6,4	11,6							
32-321	119	1,8	9,11	6,5	11,1							
36-357	107	1,9	8,19	6,5	10,5							
42-417	91,5	2,2	7,01	6,3	10,1							
44-439	87,1	2,4	6,67	6,3	9,8							
50-501	76,2	2,5	5,83	6,1	9,4							
57-570	67,0	2,8	5,13	5,9	9,0							
68-679	56,2	3,3	4,31	5,6	8,5							
79-787	48,6	3,7	3,72	5,4	8,1							
5,50	1,2-12	4387	1,9	245,76	60,1				50,0	SK 9072.1 - 112 MH/4 - SK 200E-551-340-A (-C) SK 9072.1 - 112 MP/4 - SK 200E-551-340-A (-C)	362	E84-85
	1,4-14	3697	2,3	206,84	61,1				50,0			
	2,2-22	2441	2,7	136,88	62,5	50,0						
	1,1-11	4728	1,0	265,11	17,4	45,0	SK 9053.1 - 112 MH/4 - SK 200E-551-340-A (-C) SK 9053.1 - 112 MP/4 - SK 200E-551-340-A (-C)	240	E82-83			
	1,3-13	4091	1,2	229,07	21,6	45,0						
	1,8-18	2948	1,6	164,99	26,4	45,0						
	1,0-10	5174	0,9	289,61	13,2	45,0	SK 9052.1 - 112 MH/4 - SK 200E-551-340-A (-C) SK 9052.1 - 112 MP/4 - SK 200E-551-340-A (-C)	222	E80-81			
	1,2-12	4419	1,1	247,06	19,6	45,0						
	1,5-15	3544	1,4	198,38	24,2	45,0						
	1,7-17	3027	1,6	169,24	26,1	45,0						
	2,0-20	2596	1,4	145,16	27,5	45,0						
	2,4-24	2144	2,2	120,03	28,6	45,0						
	2,9-29	1831	2,6	102,40	29,2	45,0						
	3,3-33	1574	3,0	88,17	29,6	45,0						
	1,5-15	3485	0,8	195,12	15,1	40,0	SK 9042.1 - 112 MH/4 - SK 200E-551-340-A (-C) SK 9042.1 - 112 MP/4 - SK 200E-551-340-A (-C)	147	E76-77			
1,8-18	2857	1,0	159,94	19,9	40,0							
2,2-22	2374	1,2	132,79	22,4	40,0							
2,5-25	2105	1,1	117,79	23,5	40,0							
3,1-31	1707	1,6	95,56	24,9	40,0							
3,4-34	1545	1,8	86,43	25,3	40,0							
3,9-39	1359	2,1	76,18	25,7	40,0							
4,3-43	1224	2,3	68,61	26,0	40,0							
4,7-47	1129	2,5	63,25	26,2	39,3							
5,3-53	995	2,8	55,69	26,4	38,6							
6,2-62	850	3,3	47,67	26,6	37,5							
7,2-72	725	3,9	40,54	26,7	36,2							
2,7-27	1982	0,8	110,77	0	8,8	SK 9032.1 - 112 MH/4 - SK 200E-551-340-A (-C) SK 9032.1 - 112 MP/4 - SK 200E-551-340-A (-C)	100	E72-73				
3,1-31	1673	0,9	93,50	4,3	9,7							
3,5-35	1504	1,0	84,17	5,7	10,4							
3,9-39	1356	1,1	75,91	6,0	10,8							
4,6-46	1145	1,4	64,08	6,3	11,1							
5,0-50	1057	1,5	59,17	6,5	11,4							
5,9-59	892	1,7	49,94	6,6	11,5							
6,2-62	852	1,8	47,70	6,7	11,7							
7,3-73	721	2,1	40,36	6,8	11,7							
7,7-77	680	2,3	38,05	6,8	11,7							
8,2-82	637	2,4	35,61	6,8	11,6							
9,9-99	530	2,8	29,66	6,8	11,5							
12-123	427	3,6	23,91	6,6	11,2							

1:10

5,50 kW 7,50 kW



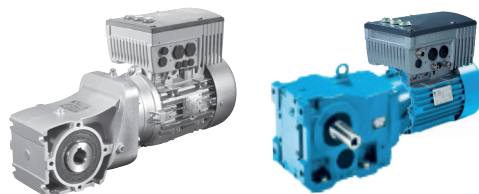
Helical-bevel gear units

P_1 [kW]	n_2 [min ⁻¹]	M_{2b} [Nm]	f_B	i_{ges}	F_R [kN]	F_A [kN]	Type	kg	mm E				
5,50	5,0-50	1040	0,8	58,25	0	8,5	SK 9022.1 - 112 MH/4 - SK 200E-551-340-A (-C) SK 9022.1 - 112 MP/4 - SK 200E-551-340-A (-C)	80	E68-69				
	5,6-56	931	0,9	52,02	0	8,9							
	6,0-60	875	1,0	49,01	0	8,8							
	6,6-66	800	1,1	44,71	2,5	9,3							
	7,4-74	709	1,2	39,77	4,8	9,5							
	8,8-88	594	1,4	33,26	5,4	9,5							
	9,4-94	561	1,5	31,38	5,5	9,7							
	10-101	522	1,6	29,20	5,5	9,7							
	11-112	467	1,8	26,07	5,5	9,7							
	12-120	439	2,0	24,56	5,5	9,6							
	13-131	402	1,9	22,41	5,5	9,7							
	15-148	356	2,1	19,93	5,5	9,6							
	5,50	12-116	453	1,4	25,34	9,5				25,0	SK 92772.1 - 112 MH/4 - SK 200E-551-340-A (-C) SK 92772.1 - 112 MP/4 - SK 200E-551-340-A (-C)	77	E58-59
		13-130	404	1,6	22,59	9,7				24,9			
		14-139	378	1,7	21,14	9,8				24,7			
15-153		342	1,8	19,17	9,9	24,3							
16-156		337	1,9	18,84	10,0	24,1							
17-172		305	2,1	17,08	10,1	23,6							
19-191		275	2,3	15,42	10,1	22,9							
21-213		246	2,5	13,79	10,2	21,5							
5,50		7,2-72	730	0,8	40,92	5,7	12,1	SK 9016.1 - 112 MH/4 - SK 200E-551-340-A (-C) SK 9016.1 - 112 MP/4 - SK 200E-551-340-A (-C)	73	E64-65			
		8,4-84	623	1,0	34,81	7,1	12,3						
	9,7-97	544	1,1	30,52	7,9	12,3							
	11-112	470	1,3	26,29	8,4	12,3							
	13-127	414	1,3	23,11	8,8	12,3							
	14-143	366	1,6	20,51	9,0	12,1							
	17-168	312	1,7	17,45	9,0	12,0							
	19-193	273	1,9	15,10	9,0	11,8							
	24-235	223	2,3	12,51	8,8	11,3							
	5,50	11-106	495	0,8	27,65	2,8	12,5				SK 9012.1 - 112 MH/4 - SK 200E-551-340-A (-C) SK 9012.1 - 112 MP/4 - SK 200E-551-340-A (-C)	72	E60-61
12-120		438	0,9	24,53	4,1	12,4							
14-140		374	1,1	20,87	5,1	12,3							
17-168		312	1,2	17,45	5,7	12,0							
19-193		273	1,4	15,30	6,1	11,8							
24-240		219	1,0	12,23	6,4	11,1							
27-271		194	1,0	10,85	6,6	10,9							
5,50		17-168	312	1,0	17,46	7,7	17,2	SK 92672.1 - 112 MH/4 - SK 200E-551-340-A (-C) SK 92672.1 - 112 MP/4 - SK 200E-551-340-A (-C)	66	E56-57			
	19-189	278	1,3	15,56	7,9	16,8							
	20-204	257	1,2	14,40	8,0	16,4							
	23-229	229	1,6	12,84	8,1	15,6							
	26-258	203	1,8	11,39	8,2	14,7							
	29-289	182	2,0	10,16	8,2	14,4							
	31-313	168	2,1	9,39	8,3	13,8							
	35-353	149	2,4	8,33	8,3	13,3							
	40-395	133	2,6	7,44	8,2	12,8							
	44-440	119	2,7	6,68	7,9	12,6							
	52-521	101	3,1	5,64	7,6	11,7							
	67-674	77,9	4,0	4,36	7,1	10,7							
	7,50	1,0-10	7178	1,8	296,80	78,5	60,0				SK 9082.1 - 132 SH/4 - SK 200E-751-340-A (-C) SK 9082.1 - 132 SP/4 - SK 200E-751-340-A (-C)	642	E86-87
		1,2-12	5910	2,2	244,32	79,9	60,0						
	7,50	1,2-12	5941	1,4	245,76	57,0	50,0				SK 9072.1 - 132 SH/4 - SK 200E-751-340-A (-C) SK 9072.1 - 132 SP/4 - SK 200E-751-340-A (-C)	382	E84-85
1,4-14		5008	1,7	206,84	59,0	50,0							
1,6-16		4519	1,9	186,86	59,9	50,0							
1,9-19		3809	2,2	157,27	61,0	50,0							
2,2-22		3306	2,0	136,88	61,6	50,0							
2,7-27		2664	3,2	110,18	62,3	50,0							
3,2-32		2213	3,8	91,47	62,7	50,0							
7,50		1,5-15	4800	1,0	198,38	16,8	45,0	SK 9052.1 - 132 SH/4 - SK 200E-751-340-A (-C) SK 9052.1 - 132 SP/4 - SK 200E-751-340-A (-C)	242	E80-81			
	1,7-17	4099	1,2	169,24	21,5	45,0							
	2,5-25	2904	1,7	120,03	26,5	45,0							
	2,9-29	2480	1,9	102,40	27,8	45,0							
	3,4-34	2132	2,3	88,17	28,6	45,0							
	4,1-41	1746	2,7	72,24	29,3	45,0							
	4,7-47	1511	3,2	62,42	29,7	45,0							



P_1 [kW]	n_2 [min ⁻¹]	M_{2b} [Nm]	f_B	i_{ges}	F_R [kN]	F_A [kN]	Type	kg	mm E				
7,50	2,2-22	3215	0,9	132,79	17,5	37,3	SK 9042.1 - 132 SH/4 - SK 200E-751-340-A (-C) SK 9042.1 - 132 SP/4 - SK 200E-751-340-A (-C)	167	E76-77				
	3,1-31	2312	1,2	95,56	22,7	38,1							
	3,4-34	2093	1,3	86,43	23,6	37,9							
	3,9-39	1841	1,5	76,18	24,5	37,6							
	4,3-43	1658	1,7	68,61	25,0	37,2							
	4,7-47	1529	1,8	63,25	25,3	36,6							
	5,3-53	1347	2,1	55,69	25,8	36,3							
	6,2-62	1152	2,4	47,67	26,2	35,5							
	7,3-73	981	2,9	40,54	25,6	34,5							
	8,6-86	832	3,4	34,39	24,7	33,5							
	9,3-93	767	3,6	31,70	24,2	32,8							
	9,4-94	762	2,9	31,48	24,3	32,9							
	7,50	3,5-35	2036	0,8	84,17	0				6,2	SK 9032.1 - 132 SH/4 - SK 200E-751-340-A (-C) SK 9032.1 - 132 SP/4 - SK 200E-751-340-A (-C)	120	E72-73
		3,9-39	1837	0,8	75,91	0				7,0			
		4,6-46	1551	1,0	64,08	4,2				7,9			
		5,0-50	1431	1,1	59,17	4,6				8,5			
5,9-59		1208	1,3	49,94	5,0	9,0							
6,2-62		1153	1,3	47,70	5,2	9,3							
7,3-73		977	1,6	40,36	5,5	9,7							
7,8-78		922	1,7	38,05	5,6	9,8							
8,3-83		863	1,8	35,61	5,6	9,8							
10-100		718	2,1	29,66	5,8	10,0							
12-124		579	2,7	23,91	5,8	9,8							
15-146		490	3,1	20,23	5,8	9,5							
17-173		414	3,5	17,08	5,7	9,1							
18-185		388	3,6	16,04	5,7	9,0							
22-219		328	4,1	13,49	5,6	8,6							
23-233		307	3,3	12,68	5,3	8,2							
7,50	15-154	464	1,4	19,17	9,5	22,5	SK 92772.1 - 132 SH/4 - SK 200E-751-340-A (-C) SK 92772.1 - 132 SP/4 - SK 200E-751-340-A (-C)	97	E58-59				
	17-173	413	1,6	17,08	9,7	21,8							
	19-192	373	1,7	15,42	9,8	21,0							
	24-237	302	2,0	12,50	10,1	19,2							
	26-262	273	2,1	11,28	10,1	18,5							
	30-302	237	2,4	9,81	10,2	18,0							
	33-335	214	2,6	8,85	10,3	17,1							
	41-412	174	3,1	7,18	10,3	16,0							
	7,50	29-291	246	1,5	10,16	8,0				13,2	SK 92672.1 - 132 SH/4 - SK 200E-751-340-A (-C) SK 92672.1 - 132 SP/4 - SK 200E-751-340-A (-C)	85	E56-57
		36-355	202	1,7	8,33	8,0				12,2			
40-398		180	1,9	7,44	7,8	11,8							
44-443		162	2,0	6,68	7,5	11,8							
52-525		136	2,3	5,64	7,3	11,0							
68-679		105	3,0	4,36	6,9	10,2							
10,0	1,3-13	7442	2,7	230,64	115,6	65,0	SK 9086.1 - 132 MH/4 - SK 200E-112-340-A (-C) SK 9086.1 - 132 MP/4 - SK 200E-112-340-A (-C)	909	E88-89				
	1,5-15	6260	3,2	194,04	116,6	65,0							
10,0	1,0-10	9571	1,3	296,80	75,1	60,0	SK 9082.1 - 132 MH/4 - SK 200E-112-340-A (-C) SK 9082.1 - 132 MP/4 - SK 200E-112-340-A (-C)	659	E86-87				
	1,2-12	7880	1,6	244,32	77,6	60,0							
	2,0-20	4802	2,7	148,76	80,9	60,0							
	2,4-24	3953	3,3	122,46	81,5	60,0							
	2,5-25	3760	3,5	116,45	81,6	60,0							
10,0	1,6-16	6026	1,4	186,86	56,8	50,0	SK 9072.1 - 132 MH/4 - SK 200E-112-340-A (-C) SK 9072.1 - 132 MP/4 - SK 200E-112-340-A (-C)	399	E84-85				
	1,9-19	5079	1,7	157,27	58,8	50,0							
	2,7-27	3552	2,4	110,18	61,3	50,0							
	3,2-32	2950	2,9	91,47	61,6	50,0							
	3,7-37	2568	3,3	79,69	59,8	50,0							
10,0	2,5-25	3872	1,2	120,03	22,7	45,0	SK 9052.1 - 132 MH/4 - SK 200E-112-340-A (-C) SK 9052.1 - 132 MP/4 - SK 200E-112-340-A (-C)	259	E80-81				
	2,9-29	3307	1,5	102,40	25,1	45,0							
	3,4-34	2843	1,7	88,17	26,7	45,0							
	4,1-41	2328	2,1	72,24	28,1	45,0							
	4,7-47	2015	2,4	62,42	28,8	45,0							
	5,4-54	1760	2,7	54,56	29,3	45,0							
	6,6-66	1452	3,3	44,96	29,8	45,0							

1:10
10,0 kW
15,0 kW



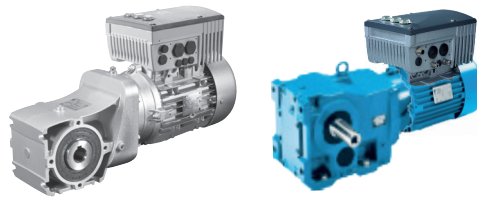
P ₁ [kW]	n ₂ [min ⁻¹]	M _{2b} [Nm]	f _B	i _{ges}	F _R	F _A [kN]	Type	mm					
								kg					
10,0	3,1-31	3083	0,9	95,56	18,4	33,3	SK 9042.1 - 132 MH/4 - SK 200E-112-340-A (-C) SK 9042.1 - 132 MP/4 - SK 200E-112-340-A (-C)	184	E76-77				
	3,4-34	2791	1,0	86,43	20,3	33,6							
	3,9-39	2455	1,1	76,18	22,1	33,7							
	4,3-43	2210	1,3	68,61	23,1	33,8							
	4,7-47	2039	1,4	63,25	23,8	33,3							
	5,3-53	1796	1,6	55,69	24,6	33,5							
	6,2-62	1536	1,8	47,67	24,8	33,1							
	7,3-73	1309	2,1	40,54	24,3	32,5							
	8,6-86	1109	2,5	34,39	23,6	31,8							
	9,3-93	1023	2,7	31,70	23,2	31,2							
	9,4-94	1016	2,2	31,48	23,3	31,3							
	11-106	901	3,1	27,91	22,8	30,7							
	15-154	618	1,0	19,17	8,7	20,2							
	17-173	551	1,2	17,08	9,1	19,4							
	19-192	497	1,3	15,42	9,3	18,9							
	24-237	403	1,5	12,50	9,7	17,4							
	26-262	364	1,6	11,28	9,9	16,9							
	30-302	317	1,8	9,81	10,0	16,7							
	33-335	285	1,9	8,85	10,1	15,9							
	41-412	232	2,4	7,18	10,1	15,0							
	46-463	206	2,4	6,39	9,7	14,8							
	58-578	165	3,1	5,12	9,3	13,6							
	15,0	29-291	328	1,1	10,16	7,6				11,7	SK 92772.1 - 132 MH/4 - SK 200E-112-340-A (-C) SK 92772.1 - 132 MP/4 - SK 200E-112-340-A (-C)	114	E58-59
		36-355	269	1,3	8,33	7,5				10,9			
		40-398	240	1,5	7,44	7,4				10,7			
		44-443	216	1,5	6,68	7,1				10,8			
		52-525	182	1,7	5,64	7,0				10,1			
		68-679	141	2,2	4,36	6,6				9,5			
1,3-13		11200	1,8	230,64	111,1	65,0							
1,5-15		9422	2,1	194,04	113,5	65,0							
1,2-12		11860	1,1	244,32	70,6	60,0							
2,0-20		7227	1,8	148,76	78,5	60,0							
2,4-24		5950	2,2	122,46	79,9	60,0							
2,5-25		5659	2,3	116,45	80,2	60,0							
3,1-31		4659	2,8	95,86	81,0	60,0							
3,6-36		4027	3,2	82,88	81,5	60,0							
1,6-16		9069	0,9	186,86	46,8	50,0							
1,9-19		7645	1,1	157,27	52,2	50,0							
2,7-27		5346	1,6	110,18	58,3	50,0							
3,2-32		4441	1,9	91,47	57,4	50,0							
3,7-37		3865	2,2	79,69	56,2	50,0							
4,2-42		3403	2,5	70,22	55,0	50,0							
5,0-50		2837	3,0	58,44	53,1	50,0							
5,9-59		2442	3,4	50,35	51,6	50,0							
3,3-33		4279	1,1	88,17	20,5	45,0							
4,1-41		3505	1,4	72,24	24,4	45,0							
4,7-47		3032	1,6	62,42	26,1	45,0							
5,4-54		2649	1,8	54,56	27,3	45,0							
6,6-66		2185	2,2	44,96	28,5	45,0							
7,4-74		1930	2,5	39,72	29,0	45,0							
8,1-81	1758	2,7	36,21	29,3	45,0								
9,4-94	1521	3,2	31,28	29,7	45,0								
15,0	4,3-43	3327	0,8	68,61	16,6	26,8	SK 9042.1 - 132 LH/4 - SK 200E-152-340-A (-C)	184	E76-77				
	5,3-53	2703	1,0	55,69	20,8	27,8							
	6,2-62	2312	1,2	47,67	21,8	28,2							
	7,3-73	1969	1,4	40,54	21,7	28,4							
	8,6-86	1669	1,7	34,39	21,5	28,3							
	9,4-94	1529	1,4	31,48	21,3	28,2							
	11-106	1356	2,1	27,91	21,0	27,9							
	12-124	1160	2,3	23,89	20,6	27,5							
	14-145	988	2,6	20,32	20,1	26,9							
	16-162	886	2,8	18,20	19,7	26,5							
	19-188	762	2,6	15,66	18,9	25,3							
	22-220	652	3,1	13,40	18,3	24,7							
	26-258	555	2,7	11,40	17,8	24,0							
	29-288	498	3,0	10,21	17,4	23,5							
	31-313	457	3,3	9,39	17,0	23,1							
	33-332	431	3,2	8,83	16,8	22,8							

Helical-bevel gear units



P_1 [kW]	n_2 [min ⁻¹]	M_{2b} [Nm]	f_B	i_{ges}	F_R [kN]	F_A [kN]	Type	kg	mm E
22,0	1,0-10	21100	1,5	297,51	137,5	70,0	SK 9092.1 - 160 LH/4 - SK 200E-222-340-A (-C) SK 9092.1 - 160 LP/4 - SK 200E-222-340-A (-C)	1540	E90-91
	1,2-12	17940	1,8	253,40	141,9	70,0			
	1,5-15	14000	2,3	197,51	146,3	70,0			
	1,9-19	10850	2,9	152,96	148,9	70,0			
	1,3-13	16340	1,2	230,64	101,5	65,0	SK 9086.1 - 160 LH/4 - SK 200E-222-340-A (-C) SK 9086.1 - 160 LP/4 - SK 200E-222-340-A (-C)	969	E88-89
	1,5-15	13750	1,5	194,04	106,9	65,0			
	2,0-20	10760	1,9	151,76	111,7	65,0			
	2,3-23	9052	2,2	127,67	113,9	65,0			
	2,5-25	8263	2,4	116,50	114,8	65,0			
	3,3-33	6421	3,1	90,50	115,0	65,0			
	1,2-12	17310	0,8	244,32	53,6	60,0	SK 9082.1 - 160 LH/4 - SK 200E-222-340-A (-C) SK 9082.1 - 160 LP/4 - SK 200E-222-340-A (-C)	719	E86-87
	2,0-20	10550	1,2	148,76	73,3	60,0			
	2,4-24	8682	1,5	122,46	76,5	60,0			
	2,5-25	8258	1,6	116,45	77,1	60,0			
	3,1-31	6799	1,9	95,86	79,0	60,0			
	3,6-36	5877	2,2	82,88	79,9	60,0			
	4,1-41	5070	2,6	71,50	80,7	60,0			
	4,7-47	4424	2,9	62,39	79,2	60,0			
	1,9-19	11160	0,8	157,27	35,3	50,0	SK 9072.1 - 160 LH/4 - SK 200E-222-340-A (-C) SK 9072.1 - 160 LP/4 - SK 200E-222-340-A (-C)	459	E84-85
	2,7-27	7801	1,1	110,18	51,7	50,0			
3,2-32	6480	1,3	91,47	51,6	50,0				
3,7-37	5640	1,5	79,69	51,1	50,0				
4,2-42	4966	1,7	70,22	50,5	50,0				
5,1-51	4140	2,1	58,44	49,4	50,0				
5,9-59	3564	2,3	50,35	48,3	50,0				
7,2-72	2908	2,6	41,11	46,7	50,0				
8,4-84	2491	3,4	35,19	45,4	50,0				
3,4-34	6244	0,8	88,17	0	45,0	SK 9052.1 - 160 LH/4 - SK 200E-222-340-A (-C) SK 9052.1 - 160 LP/4 - SK 200E-222-340-A (-C)			
4,1-41	5114	0,9	72,24	13,9	45,0				
4,7-47	4425	1,1	62,42	19,6	45,0				
5,4-54	3865	1,2	54,56	22,7	45,0				
6,6-66	3189	1,5	44,96	25,6	45,0				
7,5-75	2816	1,7	39,72	26,8	45,0				
8,2-82	2566	1,9	36,21	27,5	45,0				
9,5-95	2220	2,2	31,28	28,4	45,0				
11-108	1939	2,4	27,35	29,0	45,0				
13-131	1600	2,7	22,53	29,6	45,0				
15-149	1413	3,0	19,91	29,8	45,0				
17-166	1269	3,4	17,94	30,0	45,0				
18-181	1160	3,7	16,33	30,2	45,0				
22-220	957	4,5	13,45	30,4	45,0				
25-249	845	4,6	11,88	30,5	45,0				
28-277	759	3,8	10,71	30,5	45,0				
6,2-62	3373	0,8	47,67	16,2	21,5	SK 9042.1 - 160 LH/4 - SK 200E-222-340-A (-C) SK 9042.1 - 160 LP/4 - SK 200E-222-340-A (-C)	244	E76-77	
7,3-73	2874	1,0	40,54	18,1	22,6				
8,6-86	2436	1,1	34,39	18,4	23,4				
9,4-94	2231	1,0	31,48	18,5	23,7				
11-106	1979	1,4	27,91	18,5	24,0				
12-124	1692	1,6	23,89	18,4	24,1				
15-146	1442	1,8	20,32	18,2	24,0				
16-162	1293	1,9	18,20	18,1	23,9				
19-189	1112	1,8	15,66	17,3	22,9				
22-221	951	2,1	13,40	17,0	22,6				
26-259	810	1,9	11,40	16,6	22,2				
29-289	726	2,1	10,21	16,3	21,9				
31-315	667	2,2	9,39	16,1	21,6				
33-334	629	2,2	8,83	15,9	21,4				

1:8,7
0,43 kW



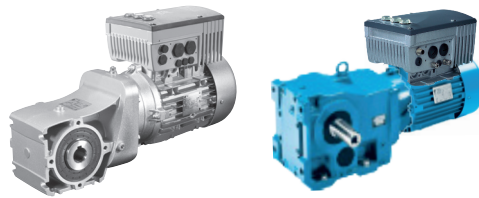
P ₁ [kW]	n ₂ [min ⁻¹]	M _{2b} [Nm]	f _B	i _{ges}	F _R	F _A	Type	mm	
								kg	
0,43	1,1-9,3	442	3,5	267,65	14,3	14,5	SK 9033.1 - 71 S/4 - SK 200E-550-340-A (-C) SK 9033.1 - 71 S/4 - SK 180E-550-340-B (-C)	74	E74-75
	1,1-10	412	3,8	249,72	14,4	14,5	SK 9032.1 - 71 S/4 - SK 200E-550-340-A (-C) SK 9032.1 - 71 S/4 - SK 180E-550-340-B (-C)	66	E72-73
	1,2-11	378	1,7	228,47	8,1	12,0	SK 9023.1 - 71 S/4 - SK 200E-550-340-A (-C) SK 9023.1 - 71 S/4 - SK 180E-550-340-B (-C)	51	E70-71
	1,0-9,0	457	1,8	276,86	7,6	12,0	SK 9022.1 - 71 S/4 - SK 200E-550-340-A (-C)	46	E68-69
	1,2-11	384	1,8	232,92	8,1	12,0	SK 9022.1 - 71 S/4 - SK 180E-550-340-B (-C)		
	1,3-11	362	2,4	219,25	8,2	12,0	SK 9022.1 - 71 S/4 - SK 180E-550-340-B (-C)		
	1,1-9,3	442	1,4	267,99	8,6	20,0	SK 9017.1 - 71 S/4 - SK 200E-550-340-A (-C)	44	E66-67
	1,2-11	389	1,6	235,64	8,9	20,0	SK 9017.1 - 71 S/4 - SK 180E-550-340-B (-C)		
	1,0-9,0	458	1,3	277,84	8,5	20,0	SK 9016.1 - 71 S/4 - SK 200E-550-340-A (-C)	39	E64-65
	1,2-11	387	1,5	234,64	8,9	20,0	SK 9016.1 - 71 S/4 - SK 180E-550-340-B (-C)		
	1,4-12	340	1,8	205,93	9,0	20,0	SK 9016.1 - 71 S/4 - SK 180E-550-340-B (-C)		
	1,6-14	302	2,0	183,10	9,0	20,0	SK 9016.1 - 71 S/4 - SK 180E-550-340-B (-C)		
	1,9-17	247	2,5	149,81	9,0	20,0	SK 9016.1 - 71 S/4 - SK 180E-550-340-B (-C)		
	1,0-8,8	466	0,9	281,92	3,6	20,0	SK 9013.1 - 71 S/4 - SK 200E-550-340-A (-C)	43	E62-63
	1,3-12	352	1,1	212,83	5,3	20,0	SK 9013.1 - 71 S/4 - SK 180E-550-340-B (-C)		
	1,6-14	294	1,4	177,88	5,9	20,0	SK 9013.1 - 71 S/4 - SK 180E-550-340-B (-C)		
	2,0-18	234	1,7	141,29	6,3	20,0	SK 9013.1 - 71 S/4 - SK 180E-550-340-B (-C)		
	1,0-8,9	463	0,9	280,71	3,6	20,0	SK 9012.1 - 71 S/4 - SK 200E-550-340-A (-C)	38	E60-61
	1,2-10	407	1,0	246,37	4,6	20,0	SK 9012.1 - 71 S/4 - SK 180E-550-340-B (-C)		
	1,4-12	340	1,2	205,93	5,5	20,0	SK 9012.1 - 71 S/4 - SK 180E-550-340-B (-C)		
	1,6-14	302	1,3	183,10	5,8	20,0	SK 9012.1 - 71 S/4 - SK 180E-550-340-B (-C)		
	1,7-15	275	1,5	166,59	6,0	20,0	SK 9012.1 - 71 S/4 - SK 180E-550-340-B (-C)		
	2,0-18	232	1,7	140,70	6,3	20,0	SK 9012.1 - 71 S/4 - SK 180E-550-340-B (-C)		
	2,3-20	204	2,0	123,48	6,5	20,0	SK 9012.1 - 71 S/4 - SK 180E-550-340-B (-C)		
	2,6-23	181	2,2	109,79	6,6	20,0	SK 9012.1 - 71 S/4 - SK 180E-550-340-B (-C)		
	2,9-26	161	2,5	97,36	6,7	20,0	SK 9012.1 - 71 S/4 - SK 180E-550-340-B (-C)		
	3,3-29	142	2,8	86,00	6,8	20,0	SK 9012.1 - 71 S/4 - SK 180E-550-340-B (-C)		
	3,7-32	126	3,2	76,53	6,8	20,0	SK 9012.1 - 71 S/4 - SK 180E-550-340-B (-C)		
	4,6-40	103	3,9	62,74	6,9	20,0	SK 9012.1 - 71 S/4 - SK 180E-550-340-B (-C)		
	5,2-45	91,1	4,4	55,17	6,9	20,0	SK 9012.1 - 71 S/4 - SK 180E-550-340-B (-C)		
	5,8-51	80,7	5,0	48,95	6,9	20,0	SK 9012.1 - 71 S/4 - SK 180E-550-340-B (-C)		
	5,9-51	80,1	4,0	48,56	8,4	20,0	SK 92672.1 - 71 S/4 - SK 200E-550-340-A (-C) SK 92672.1 - 71 S/4 - SK 180E-550-340-B (-C)	32	E56-57
	5,2-45	91,5	1,7	55,49	6,6	15,0	SK 92372.1 - 71 S/4 - SK 200E-550-340-A (-C)	21	E54-55
	5,8-50	81,6	1,7	49,46	6,6	15,0	SK 92372.1 - 71 S/4 - SK 180E-550-340-B (-C)		
	6,1-53	76,9	2,4	46,64	6,6	15,0	SK 92372.1 - 71 S/4 - SK 180E-550-340-B (-C)		
	6,9-60	68,4	2,7	41,46	6,6	15,0	SK 92372.1 - 71 S/4 - SK 180E-550-340-B (-C)		
	7,8-68	60,7	3,0	36,80	6,6	15,0	SK 92372.1 - 71 S/4 - SK 180E-550-340-B (-C)		
	8,7-76	54,1	3,7	32,80	6,6	15,0	SK 92372.1 - 71 S/4 - SK 180E-550-340-B (-C)		
	8,7-76	54,1	3,7	32,80	6,6	15,0	SK 92372.1 - 71 S/4 - SK 180E-550-340-B (-C)		
	6,2-54	76,6	1,2	46,43	4,8	12,0	SK 92172.1 - 71 S/4 - SK 200E-550-340-A (-C)	16	E52-53
	6,8-59	69,8	1,5	42,30	4,8	12,0	SK 92172.1 - 71 S/4 - SK 180E-550-340-B (-C)		
	7,4-64	63,9	1,5	38,75	4,9	12,0	SK 92172.1 - 71 S/4 - SK 180E-550-340-B (-C)		
	7,7-67	61,3	1,5	37,14	4,9	12,0	SK 92172.1 - 71 S/4 - SK 180E-550-340-B (-C)		
	8,1-71	58,2	1,9	35,31	4,9	12,0	SK 92172.1 - 71 S/4 - SK 180E-550-340-B (-C)		
	9,2-80	51,1	2,1	31,00	4,9	12,0	SK 92172.1 - 71 S/4 - SK 180E-550-340-B (-C)		
	10-88	46,6	2,3	28,24	4,9	12,0	SK 92172.1 - 71 S/4 - SK 180E-550-340-B (-C)		
	10-88	46,6	2,3	28,24	4,9	12,0	SK 92172.1 - 71 S/4 - SK 180E-550-340-B (-C)		

Helical-bevel gear units



P_1 [kW]	n_2 [min ⁻¹]	M_{2b} [Nm]	f_B	i_{ges}	F_R [kN]	F_A [kN]	Type	kg	mm E		
0,43	7,0-61	67,6	0,9	40,98	5,0	9,0	SK 92072.1 - 71 S/4 - SK 200E-550-340-A (-C)	14	E50-51		
	8,0-70	58,7	1,1	35,62	5,0	9,0					
	9,1-79	52,1	1,2	31,57	5,0	9,0	SK 92072.1 - 71 S/4 - SK 180E-550-340-B (-C)				
	11-92	44,8	1,5	27,16	5,0	9,0					
	12-103	39,7	2,0	24,07	5,0	9,0					
	14-120	34,3	2,4	20,80	5,0	9,0					
	15-134	30,5	2,0	18,52	5,0	9,0					
	18-156	26,4	2,5	16,00	5,0	9,0					
	22-195	21,1	2,8	12,78	5,0	9,0					
	26-224	18,3	3,5	11,11	4,9	9,0					
	29-253	16,2	4,7	9,85	4,7	8,8					
	33-287	14,3	5,2	8,67	4,5	8,5					
	38-329	12,5	5,8	7,58	4,4	8,1					
	43-374	11,0	6,2	6,67	4,2	7,8					
	49-427	9,6	7,5	5,83	4,0	7,5					
	55-482	8,5	7,9	5,17	3,9	7,1					
	61-535	7,7	8,5	4,65	3,7	6,7					
72-627	6,6	10,4	3,97	3,6	6,2						
80-695	5,9	11,2	3,58	3,4	5,9						
0,64	1,1-9,3	657	2,4	267,65	13,7	14,5	SK 9033.1 - 71 L/4 - SK 200E-750-340-A (-C)	75	E74-75		
							SK 9033.1 - 71 L/4 - SK 180E-750-340-B (-C)				
	1,1-10	614	2,5	249,72	13,8	14,5	SK 9032.1 - 71 L/4 - SK 200E-750-340-A (-C)			67	E72-73
	2,6-22	272	5,7	110,77	14,1	14,5	SK 9032.1 - 71 L/4 - SK 180E-750-340-B (-C)				
	1,0-9,0	680	1,2	276,86	5,3	12,0	SK 9022.1 - 71 L/4 - SK 200E-750-340-A (-C)			47	E68-69
	1,2-11	572	1,2	232,92	6,6	12,0					
	1,3-11	538	1,6	219,25	7,0	12,0	SK 9022.1 - 71 L/4 - SK 180E-750-340-B (-C)				
	1,6-13	453	1,9	184,46	7,7	12,0					
	2,9-25	243	3,5	98,88	8,7	12,0					
	1,0-9,0	682	0,9	277,84	6,4	20,0	SK 9016.1 - 71 L/4 - SK 200E-750-340-A (-C)			40	E64-65
	1,2-11	576	1,0	234,64	7,6	20,0					
	1,4-12	506	1,2	205,93	8,2	20,0	SK 9016.1 - 71 L/4 - SK 180E-750-340-B (-C)				
	1,6-14	450	1,4	183,10	8,6	20,0					
	1,9-17	368	1,7	149,81	9,0	20,0					
	3,1-27	226	2,2	91,77	9,0	20,0					
	3,5-31	200	3,0	81,38	9,0	20,0					
	1,4-12	506	0,8	205,93	2,5	20,0	SK 9012.1 - 71 L/4 - SK 200E-750-340-A (-C)			39	E60-61
1,6-14	450	0,9	183,10	3,9	20,0						
1,7-15	409	1,0	166,59	4,6	20,0	SK 9012.1 - 71 L/4 - SK 180E-750-340-B (-C)					
2,0-18	346	1,2	140,70	5,4	20,0						
2,3-20	304	1,3	123,48	5,8	20,0						
2,6-23	270	1,5	109,79	6,1	20,0						
2,9-26	239	1,7	97,36	6,3	20,0						
3,3-29	211	1,9	86,00	6,5	20,0						
3,7-32	188	2,1	76,53	6,6	20,0						
4,6-40	154	2,6	62,74	6,7	20,0						
5,2-45	136	2,9	55,17	6,8	20,0						
5,8-51	120	3,3	48,95	6,8	20,0						
5,9-51	119	2,7	48,56	8,4	20,0	SK 92672.1 - 71 L/4 - SK 200E-750-340-A (-C)	33	E56-57			
6,6-58	106	2,9	43,28	8,4	20,0	SK 92672.1 - 71 L/4 - SK 180E-750-340-B (-C)					
5,2-45	136	1,2	55,49	6,4	15,0	SK 92372.1 - 71 L/4 - SK 200E-750-340-A (-C)	22	E54-55			
5,8-50	121	1,2	49,46	6,5	15,0						
6,1-53	114	1,6	46,64	6,5	15,0	SK 92372.1 - 71 L/4 - SK 180E-750-340-B (-C)					
6,9-60	102	1,8	41,46	6,5	15,0						
7,8-68	90,3	2,0	36,80	6,6	15,0						
8,7-76	80,5	2,5	32,80	6,6	15,0						

1:8,7
0,64 kW



P ₁ [kW]	n ₂ [min ⁻¹]	M _{2b} [Nm]	f _B	i _{ges}	F _R	F _A	Type	mm			
								kg	E		
0,64	7,4-64	95,1	1,0	38,75	4,7	12,0	SK 92172.1 - 71 L/4 - SK 200E-750-340-A (-C)	17	E52-53		
	8,1-71	86,7	1,2	35,31	4,8	12,0					
	9,2-80	76,1	1,4	31,00	4,8	12,0	SK 92172.1 - 71 L/4 - SK 180E-750-340-B (-C)				
	10-88	69,3	1,6	28,24	4,8	12,0					
	12-100	60,9	2,0	24,80	4,9	12,0					
	14-120	50,7	2,1	20,67	4,9	12,0					
	19-164	37,4	2,5	15,23	4,9	11,6					
	21-179	34,1	3,2	13,87	4,9	11,3					
	23-204	29,9	3,8	12,18	4,9	10,9					
	11-92	66,7	1,0	27,16	5,0	9,0	SK 92072.1 - 71 L/4 - SK 200E-750-340-A (-C)			15	E50-51
	12-103	59,1	1,3	24,07	5,0	9,0					
	14-120	51,1	1,6	20,80	5,0	9,0	SK 92072.1 - 71 L/4 - SK 180E-750-340-B (-C)				
	15-134	45,5	1,3	18,52	5,0	9,0					
	18-156	39,3	1,7	16,00	5,0	9,0					
	22-195	31,4	1,9	12,78	5,0	9,0					
	26-224	27,3	2,4	11,11	4,8	8,9					
	29-253	24,2	3,1	9,85	4,6	8,6					
33-287	21,3	3,5	8,67	4,5	8,3						
38-329	18,6	3,9	7,58	4,3	7,9						
43-374	16,4	4,2	6,67	4,1	7,6						
49-427	14,3	5,0	5,83	3,9	7,3						
55-482	12,7	5,3	5,17	3,8	6,9						
61-535	11,4	5,7	4,65	3,7	6,6						
72-627	9,8	7,0	3,97	3,5	6,1						
80-695	8,8	7,5	3,58	3,4	5,8						

Helical-bevel gear units

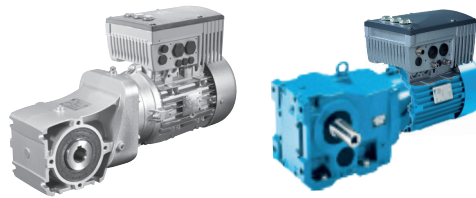


P_1 [kW]	n_2 [min ⁻¹]	M_{2b} [Nm]	f_B	i_{ges}	F_R	F_A [kN]	Type	kg	mm E
0,95	1,0-9,1	1000	2,8	279,60	26,4	40,0	SK 9043.1 - 80 SH/4 - SK 200E-111-340-A (-C) SK 9043.1 - 80 SH/4 - SK 180E-111-340-B (-C)	132	E78-79
	1,1-9,4 1,4-12	960 771	1,6 2,0	267,65 214,83	12,3 13,3	14,5 14,5	SK 9033.1 - 80 SH/4 - SK 200E-111-340-A (-C) SK 9033.1 - 80 SH/4 - SK 180E-111-340-B (-C)	78	E74-75
	1,2-11 1,5-13	840 709	1,8 2,2	233,92 197,45	13,0 13,5	14,5 14,5	SK 9032.1 - 80 SH/4 - SK 200E-111-340-A (-C) SK 9032.1 - 80 SH/4 - SK 180E-111-340-B (-C)	70	E72-73
	1,1-9,1 1,2-11 1,3-12 1,6-14 1,7-15 2,1-18 2,5-22 2,9-26 3,4-30	993 835 787 662 609 493 415 355 306	0,8 0,8 1,1 1,3 1,4 1,7 2,1 2,4 2,8	276,86 232,92 219,25 184,46 169,81 137,57 115,74 98,88 85,11	0 0 3,0 5,5 6,2 7,4 7,9 8,3 8,5	12,0 12,0 12,0 12,0 12,0 12,0 12,0 12,0 12,0	SK 9022.1 - 80 SH/4 - SK 200E-111-340-A (-C) SK 9022.1 - 80 SH/4 - SK 180E-111-340-B (-C)	50	E68-69
	1,4-12 1,6-14 1,9-17 2,0-18 2,5-22 3,2-28 3,6-31 4,0-35 4,5-39	739 657 537 511 418 329 292 258 230	0,8 0,9 1,1 1,2 1,5 1,5 2,1 2,3 2,7	205,93 183,10 149,81 142,41 116,52 91,77 81,38 71,88 63,97	5,6 6,7 7,9 8,1 8,8 9,0 9,0 9,0 9,0	20,0 20,0 20,0 20,0 20,0 20,0 20,0 20,0 20,0	SK 9016.1 - 80 SH/4 - SK 200E-111-340-A (-C) SK 9016.1 - 80 SH/4 - SK 180E-111-340-B (-C)	43	E64-65
	2,1-18 2,4-20 2,6-23 3,0-26 3,4-29 3,8-33 4,6-40 5,3-46 5,9-52	505 444 394 349 309 275 225 198 175	0,8 0,9 1,0 1,1 1,3 1,5 1,8 2,0 2,3	140,70 123,48 109,79 97,36 86,00 76,53 62,74 55,17 48,95	2,5 4,0 4,8 5,4 5,8 6,0 6,4 6,5 6,6	20,0 20,0 20,0 20,0 20,0 20,0 20,0 20,0 19,8	SK 9012.1 - 80 SH/4 - SK 200E-111-340-A (-C) SK 9012.1 - 80 SH/4 - SK 180E-111-340-B (-C)	42	E60-61
	6,0-52 6,7-58 7,7-67 8,6-75 9,5-82 11-93	174 155 136 121 110 98,0	1,8 2,0 2,3 3,0 2,9 3,7	48,56 43,28 37,82 33,71 30,67 27,33	8,2 8,3 8,3 8,4 8,4 8,4	20,0 20,0 20,0 20,0 20,0 20,0	SK 92672.1 - 80 SH/4 - SK 200E-111-340-A (-C) SK 92672.1 - 80 SH/4 - SK 180E-111-340-B (-C)	35	E56-57
	6,2-54 7,0-61 7,9-69 8,9-77 10-90 12-101 13-112 15-126 16-138 18-160	167 149 132 118 101 89,8 80,6 71,9 65,7 56,8	1,1 1,2 1,4 1,7 1,8 2,4 2,3 3,0 2,8 3,2	46,64 41,46 36,80 32,80 28,11 25,06 22,49 20,04 18,33 15,84	6,3 6,4 6,4 6,5 6,5 6,6 6,6 6,6 6,6 6,6	15,0 15,0 15,0 15,0 15,0 15,0 15,0 15,0 15,0 15,0	SK 92372.1 - 80 SH/4 - SK 200E-111-340-A (-C) SK 92372.1 - 80 SH/4 - SK 180E-111-340-B (-C)	24	E54-55
	10-90 12-102 14-122 19-166 21-182 24-208 27-234 29-249	101 88,9 74,1 54,6 49,7 43,7 38,8 36,4	1,1 1,3 1,4 1,7 2,2 2,6 2,9 2,6	28,24 24,80 20,67 15,23 13,87 12,18 10,83 10,15	4,7 4,8 4,8 4,9 4,9 4,9 4,9 4,9	12,0 12,0 11,8 11,1 10,9 10,5 10,1 9,9	SK 92172.1 - 80 SH/4 - SK 200E-111-340-A (-C) SK 92172.1 - 80 SH/4 - SK 180E-111-340-B (-C)	20	E52-53
	14-122 18-158 23-198 26-228 30-257 34-292 38-334 44-380 50-434 56-490 62-544 73-637 81-707	74,6 57,4 45,8 39,8 35,3 31,1 27,2 23,9 20,9 18,5 16,7 14,3 12,8	1,1 1,2 1,3 1,6 2,2 2,4 2,7 2,8 3,4 3,6 3,9 4,8 5,1	20,80 16,00 12,78 11,11 9,85 8,67 7,58 6,67 5,83 5,17 4,65 3,97 3,58	5,0 5,0 4,8 4,6 4,5 4,3 4,2 4,0 3,9 3,7 3,6 3,5 3,4	9,0 9,0 8,8 8,5 8,2 7,9 7,6 7,3 7,0 6,6 6,3 5,9 5,6	SK 92072.1 - 80 SH/4 - SK 200E-111-340-A (-C) SK 92072.1 - 80 SH/4 - SK 180E-111-340-B (-C)	18	E50-51

Helical-bevel gear units

1:8,7

1,30 kW



P ₁ [kW]	n ₂ [min ⁻¹]	M _{2b} [Nm]	f _B	i _{ges}	F _R	F _A	Type	mm		
								kg		
1,30	1,0-9,1	1372	2,0	279,60	25,7	40,0	SK 9043.1 - 80 LH/4 - SK 200E-151-340-A (-C) SK 9043.1 - 80 LP/4 - SK 200E-151-340-A (-C)	133	E78-79	
	1,4-12	1004	2,8	204,38	26,4	40,0	SK 9043.1 - 80 LH/4 - SK 180E-151-340-B (-C) SK 9043.1 - 80 LP/4 - SK 180E-151-340-B (-C)			
	1,7-15	846	3,3	172,08	26,7	40,0				
	1,1-9,4	1317	1,2	267,65	9,7	14,5	SK 9033.1 - 80 LH/4 - SK 200E-151-340-A (-C) SK 9033.1 - 80 LP/4 - SK 200E-151-340-A (-C)	79	E74-75	
	1,3-12	1058	1,5	214,83	11,8	14,5	SK 9033.1 - 80 LH/4 - SK 180E-151-340-B (-C) SK 9033.1 - 80 LP/4 - SK 180E-151-340-B (-C)			
	1,7-15	824	1,9	167,45	13,0	14,5				
	1,2-10	1229	1,3	249,72	10,5	14,5	SK 9032.1 - 80 LH/4 - SK 200E-151-340-A (-C) SK 9032.1 - 80 LP/4 - SK 200E-151-340-A (-C)	71	E72-73	
	1,5-13	972	1,6	197,45	12,3	14,5	SK 9032.1 - 80 LH/4 - SK 180E-151-340-B (-C) SK 9032.1 - 80 LP/4 - SK 180E-151-340-B (-C)			
	2,6-23	545	2,8	110,77	12,7	14,5				
	3,1-27	461	3,4	93,50	12,2	14,5				
	1,3-12	1078	0,8	219,25	0	12,0	SK 9022.1 - 80 LH/4 - SK 200E-151-340-A (-C) SK 9022.1 - 80 LP/4 - SK 200E-151-340-A (-C)	51	E68-69	
	1,6-14	907	0,9	184,46	0	12,0	SK 9022.1 - 80 LH/4 - SK 180E-151-340-B (-C) SK 9022.1 - 80 LP/4 - SK 180E-151-340-B (-C)			
1,7-15	835	1,0	169,81	0	12,0					
2,1-18	677	1,3	137,57	5,3	12,0	SK 9022.1 - 80 LH/4 - SK 200E-151-340-A (-C) SK 9022.1 - 80 LP/4 - SK 200E-151-340-A (-C)				
2,5-22	569	1,5	115,74	6,7	12,0	SK 9022.1 - 80 LH/4 - SK 180E-151-340-B (-C) SK 9022.1 - 80 LP/4 - SK 180E-151-340-B (-C)				
2,9-26	486	1,8	98,88	7,4	12,0					
3,4-30	419	2,1	85,11	7,9	12,0					
3,7-32	388	2,2	78,89	8,1	12,0					
4,4-38	327	2,6	66,42	8,4	12,0					
5,0-43	286	3,0	58,25	8,6	12,0					
4,3-38	329	1,5	66,96	10,0	25,0	SK 92772.1 - 80 LH/4 - SK 200E-151-340-A (-C) SK 92772.1 - 80 LP/4 - SK 200E-151-340-A (-C)	48			E58-59
4,9-42	293	1,5	59,68	10,1	25,0	SK 92772.1 - 80 LH/4 - SK 180E-151-340-B (-C) SK 92772.1 - 80 LP/4 - SK 180E-151-340-B (-C)				
1,9-17	737	0,8	149,81	5,6	20,0	SK 9016.1 - 80 LH/4 - SK 200E-151-340-A (-C) SK 9016.1 - 80 LP/4 - SK 200E-151-340-A (-C)	44	E64-65		
2,0-18	700	0,9	142,41	6,2	20,0	SK 9016.1 - 80 LH/4 - SK 180E-151-340-B (-C) SK 9016.1 - 80 LP/4 - SK 180E-151-340-B (-C)				
2,5-22	573	1,1	116,52	7,6	20,0					
3,2-27	452	1,1	91,77	8,6	20,0					
3,6-31	400	1,5	81,38	8,9	20,0					
4,0-35	354	1,7	71,88	9,0	20,0					
4,5-39	315	1,9	63,97	9,0	20,0					
5,5-48	258	2,4	52,44	9,0	19,4					
6,3-55	227	2,7	46,11	9,0	18,9					
7,1-62	201	3,0	40,92	9,0	18,4					
3,0-26	479	0,8	97,36	3,3	20,0	SK 9012.1 - 80 LH/4 - SK 200E-151-340-A (-C) SK 9012.1 - 80 LP/4 - SK 200E-151-340-A (-C)	43	E60-61		
3,4-29	423	0,9	86,00	4,4	20,0	SK 9012.1 - 80 LH/4 - SK 180E-151-340-B (-C) SK 9012.1 - 80 LP/4 - SK 180E-151-340-B (-C)				
3,8-33	377	1,1	76,53	5,0	20,0					
4,6-40	308	1,3	62,74	5,8	20,0					
5,3-46	272	1,5	55,17	6,1	19,7					
5,9-52	241	1,7	48,95	6,3	19,2					
7,0-61	205	1,9	41,65	6,5	18,5					
8,3-72	171	2,3	34,81	6,7	17,7					
6,0-52	239	1,3	48,56	8,0	20,0	SK 92672.1 - 80 LH/4 - SK 200E-151-340-A (-C) SK 92672.1 - 80 LP/4 - SK 200E-151-340-A (-C)			37	E56-57
6,7-58	213	1,4	43,28	8,1	20,0	SK 92672.1 - 80 LH/4 - SK 180E-151-340-B (-C) SK 92672.1 - 80 LP/4 - SK 180E-151-340-B (-C)				
7,7-67	186	1,7	37,82	8,2	20,0					
8,6-75	166	2,2	33,71	8,3	20,0					
9,5-82	151	2,1	30,67	8,3	20,0					
11-92	134	2,7	27,33	8,3	20,0					

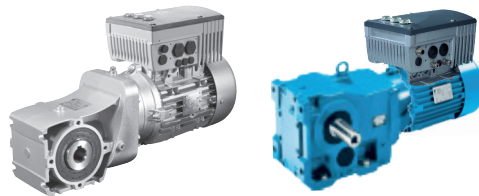
Helical-bevel gear units



P_1 [kW]	n_2 [min ⁻¹]	M_{2b} [Nm]	f_B	i_{ges}	F_R [kN]	F_A [kN]	Type	kg	mm E		
1,30	7,0-61	204	0,9	41,46	6,1	15,0	SK 92372.1 - 80 LH/4 - SK 200E-151-340-A (-C) SK 92372.1 - 80 LP/4 - SK 200E-151-340-A (-C)	26	E54-55		
	7,9-69	181	1,0	36,80	6,2	15,0					
	8,8-77	161	1,2	32,80	6,3	15,0					
	10-90	138	1,3	28,11	6,4	15,0	SK 92372.1 - 80 LH/4 - SK 180E-151-340-B (-C) SK 92372.1 - 80 LP/4 - SK 180E-151-340-B (-C)				
	12-101	123	1,8	25,06	6,5	15,0					
	13-112	111	1,7	22,49	6,5	15,0					
	14-126	98,5	2,2	20,04	6,5	15,0					
	16-138	90,1	2,0	18,33	6,6	15,0					
	18-159	77,9	2,4	15,84	6,6	15,0					
	21-179	69,4	3,1	14,12	6,6	15,0					
	23-201	61,8	3,0	12,56	6,6	15,0					
	26-225	55,1	4,0	11,20	6,6	15,0					
	28-244	50,8	4,3	10,33	6,6	14,6					
	10-89	139	0,8	28,24	4,5	11,8	SK 92172.1 - 80 LH/4 - SK 200E-151-340-A (-C) SK 92172.1 - 80 LP/4 - SK 200E-151-340-A (-C)			21	E52-53
	12-102	122	1,0	24,80	4,6	11,5					
	14-122	102	1,0	20,67	4,7	11,1					
	19-166	74,9	1,2	15,23	4,8	10,6	SK 92172.1 - 80 LH/4 - SK 180E-151-340-B (-C) SK 92172.1 - 80 LP/4 - SK 180E-151-340-B (-C)				
	21-182	68,2	1,6	13,87	4,8	10,4					
	24-207	59,9	1,9	12,18	4,9	10,1					
	27-233	53,3	2,1	10,83	4,9	9,8					
29-249	49,9	1,9	10,15	4,9	9,6						
31-266	46,7	2,3	9,49	4,9	9,5						
32-280	44,4	2,1	9,03	4,9	9,3						
35-303	41,0	2,8	8,33	4,9	9,0						
37-322	38,5	2,9	7,83	4,9	8,8						
42-364	34,1	3,2	6,94	4,9	8,3						
14-121	102	0,8	20,80	4,9	8,8	SK 92072.1 - 80 LH/4 - SK 200E-151-340-A (-C) SK 92072.1 - 80 LP/4 - SK 200E-151-340-A (-C)	19	E50-51			
18-158	78,7	0,8	16,00	5,0	8,3						
23-198	62,9	0,9	12,78	4,6	8,3						
26-227	54,6	1,2	11,11	4,5	8,0	SK 92072.1 - 80 LH/4 - SK 180E-151-340-B (-C) SK 92072.1 - 80 LP/4 - SK 180E-151-340-B (-C)					
29-256	48,4	1,6	9,85	4,3	7,8						
33-291	42,6	1,7	8,67	4,2	7,6						
38-333	37,2	1,9	7,58	4,1	7,3						
44-379	32,8	2,1	6,67	4,0	7,1						
50-433	28,7	2,5	5,83	3,8	6,8						
56-489	25,4	2,6	5,17	3,7	6,4						
62-543	22,9	2,8	4,65	3,5	6,1						
73-635	19,5	3,5	3,97	3,4	5,7						
81-705	17,6	3,7	3,58	3,3	5,5						
1,90	1,1-9,6	1887	2,5	265,11	29,1	45,0			SK 9053.1 - 90 SH/4 - SK 200E-221-340-A (-C) SK 9053.1 - 90 SP/4 - SK 200E-221-340-A (-C) SK 9053.1 - 90 SH/4 - SK 180E-221-340-B (-C) SK 9053.1 - 90 SP/4 - SK 180E-221-340-B (-C)	216	E82-83
	1,0-8,8	2065	2,3	289,61	28,7	45,0	SK 9052.1 - 90 SH/4 - SK 200E-221-340-A (-C) SK 9052.1 - 90 SP/4 - SK 200E-221-340-A (-C)				
	1,2-10	1763	2,7	247,06	29,3	45,0	SK 9052.1 - 90 SH/4 - SK 180E-221-340-B (-C) SK 9052.1 - 90 SP/4 - SK 180E-221-340-B (-C)				
	1,0-9,1	1989	1,4	279,60	24,0	40,0	SK 9043.1 - 90 SH/4 - SK 200E-221-340-A (-C) SK 9043.1 - 90 SP/4 - SK 200E-221-340-A (-C)	138	E78-79		
	1,4-12	1455	1,9	204,38	25,5	40,0					
	1,7-15	1227	2,3	172,08	26,0	40,0	SK 9043.1 - 90 SH/4 - SK 180E-221-340-B (-C) SK 9043.1 - 90 SP/4 - SK 180E-221-340-B (-C)				
	1,1-9,3	1952	1,4	273,73	24,1	40,0	SK 9042.1 - 90 SH/4 - SK 200E-221-340-A (-C) SK 9042.1 - 90 SP/4 - SK 200E-221-340-A (-C)	123	E76-77		
	1,2-11	1674	1,7	235,01	25,0	40,0					
	1,5-13	1391	2,0	195,12	25,7	40,0					
	1,8-15	1179	1,3	165,24	26,1	40,0	SK 9042.1 - 90 SH/4 - SK 180E-221-340-B (-C) SK 9042.1 - 90 SP/4 - SK 180E-221-340-B (-C)				
	2,5-22	840	2,9	117,79	26,7	40,0					

1:8,7

1,90 kW



P ₁ [kW]	n ₂ [min ⁻¹]	M _{2b} [Nm]	f _B	i _{ges}	F _R	F _A	Type	mm			
								kg	E		
1,90	1,2-10	1782	0,9	249,72	0	14,5	SK 9032.1 - 90 SH/4 - SK 200E-221-340-A (-C) SK 9032.1 - 90 SP/4 - SK 200E-221-340-A (-C)	76	E72-73		
	1,5-13	1409	1,1	197,45	8,8	14,5					
	1,6-14	1342	1,2	188,06	9,5	14,5					
	1,8-16	1133	1,4	158,74	11,3	14,5	SK 9032.1 - 90 SH/4 - SK 180E-221-340-B (-C) SK 9032.1 - 90 SP/4 - SK 180E-221-340-B (-C)				
	2,1-18	994	1,6	139,44	11,6	14,5					
	2,5-22	840	1,8	117,70	11,4	14,5					
	2,6-23	791	2,0	110,77	11,4	14,5					
	3,1-27	668	2,3	93,50	11,1	14,5					
	3,5-30	600	2,6	84,17	11,0	14,5					
	3,9-34	541	2,9	75,91	10,8	14,5					
	4,6-40	457	3,4	64,08	10,5	14,5					
	4,9-43	422	3,7	59,17	10,3	14,5					
	2,1-18	981	0,9	137,57	0	12,0	SK 9022.1 - 90 SH/4 - SK 200E-221-340-A (-C) SK 9022.1 - 90 SP/4 - SK 200E-221-340-A (-C)			56	E68-69
	2,5-22	825	1,0	115,74	1,1	12,0					
3,0-26	705	1,2	98,88	4,8	12,0						
3,4-30	608	1,4	85,11	6,2	12,0	SK 9022.1 - 90 SH/4 - SK 180E-221-340-B (-C) SK 9022.1 - 90 SP/4 - SK 180E-221-340-B (-C)					
3,7-32	562	1,5	78,89	6,7	12,0						
4,4-38	474	1,8	66,42	7,5	12,0						
5,0-44	415	2,1	58,25	7,9	12,0						
5,6-49	371	2,3	52,02	8,2	12,0						
6,0-52	349	2,5	49,01	8,3	12,0						
6,5-57	319	2,7	44,71	8,4	12,0						
4,4-38	477	1,0	66,96	9,4	25,0	SK 92772.1 - 90 SH/4 - SK 200E-221-340-A (-C) SK 92772.1 - 90 SP/4 - SK 200E-221-340-A (-C)	53	E58-59			
4,9-43	425	1,0	59,68	9,7	25,0						
5,6-48	375	1,5	52,64	9,8	25,0						
6,2-54	335	1,5	46,92	10,0	25,0	SK 92772.1 - 90 SH/4 - SK 180E-221-340-B (-C) SK 92772.1 - 90 SP/4 - SK 180E-221-340-B (-C)					
6,7-59	310	2,0	43,44	10,0	25,0						
3,2-28	655	0,8	91,77	6,8	19,3	SK 9016.1 - 90 SH/4 - SK 200E-221-340-A (-C) SK 9016.1 - 90 SP/4 - SK 200E-221-340-A (-C)	49	E64-65			
3,6-31	580	1,0	81,38	7,5	19,2						
4,1-35	513	1,2	71,88	8,1	18,9						
4,6-40	457	1,3	63,97	8,5	18,7	SK 9016.1 - 90 SH/4 - SK 180E-221-340-B (-C) SK 9016.1 - 90 SP/4 - SK 180E-221-340-B (-C)					
5,6-49	374	1,6	52,44	9,0	18,2						
6,3-55	329	1,9	46,11	9,0	17,8						
7,2-62	291	2,1	40,92	9,0	17,4						
8,4-73	249	2,4	34,81	9,0	16,9						
9,6-84	217	2,8	30,52	9,0	16,5						
4,7-41	447	0,9	62,74	4,0	18,7	SK 9012.1 - 90 SH/4 - SK 200E-221-340-A (-C) SK 9012.1 - 90 SP/4 - SK 200E-221-340-A (-C)			48	E60-61	
5,3-46	394	1,0	55,17	4,8	18,4						
6,0-52	349	1,1	48,95	5,4	18,1						
7,0-61	297	1,3	41,65	5,9	17,6	SK 9012.1 - 90 SH/4 - SK 180E-221-340-B (-C) SK 9012.1 - 90 SP/4 - SK 180E-221-340-B (-C)					
8,4-73	249	1,6	34,81	6,2	16,9						
9,3-81	224	1,8	31,45	6,4	16,6						
11-92	198	2,0	27,65	6,5	16,2						
6,0-52	346	0,9	48,56	7,6	20,0	SK 92672.1 - 90 SH/4 - SK 200E-221-340-A (-C) SK 92672.1 - 90 SP/4 - SK 200E-221-340-A (-C)	42	E56-57			
6,8-59	309	1,0	43,28	7,8	20,0						
7,7-67	270	1,2	37,82	7,9	20,0						
8,7-75	240	1,5	33,71	8,0	20,0	SK 92672.1 - 90 SH/4 - SK 180E-221-340-B (-C) SK 92672.1 - 90 SP/4 - SK 180E-221-340-B (-C)					
9,5-83	219	1,5	30,67	8,1	20,0						
11-93	195	1,9	27,33	8,2	20,0						
12-102	177	2,0	24,88	8,2	20,0						
15-127	143	2,2	20,00	8,3	20,0						
16-140	130	2,7	18,21	8,3	20,0						
17-146	124	2,5	17,46	8,3	20,0						
19-164	111	3,3	15,56	8,4	20,0						
20-177	103	3,1	14,40	8,4	20,0						

Helical-bevel gear units



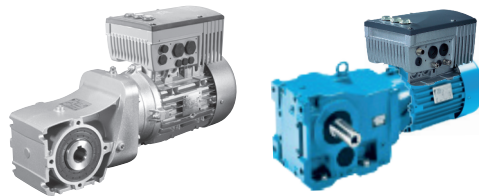
P ₁ [kW]	n ₂ [min ⁻¹]	M _{2b} [Nm]	f _B	i _{ges}	F _R	F _A [kN]	Type	mm				
								kg	E			
1,90	8,9-78	234	0,8	32,80	5,9	15,0	SK 92372.1 - 90 SH/4 - SK 200E-221-340-A (-C) SK 92372.1 - 90 SP/4 - SK 200E-221-340-A (-C) SK 92372.1 - 90 SH/4 - SK 180E-221-340-B (-C) SK 92372.1 - 90 SP/4 - SK 180E-221-340-B (-C)	31	E54-55			
	10-91	200	0,9	28,11	6,1	15,0						
	12-102	179	1,2	25,06	6,2	15,0						
	13-113	160	1,1	22,49	6,3	15,0						
	15-127	143	1,5	20,04	6,4	15,0						
	16-139	131	1,4	18,33	6,4	15,0						
	18-161	113	1,6	15,84	6,5	15,0						
	21-180	101	2,2	14,12	6,5	15,0						
	23-203	89,6	2,1	12,56	6,6	14,9						
	26-227	79,8	2,7	11,20	6,6	14,4						
	28-246	73,7	3,0	10,33	6,6	14,0						
	29-249	72,9	2,5	10,22	6,6	14,1						
	32-279	65,0	3,4	9,11	6,6	13,3						
	36-311	58,4	3,6	8,19	6,6	12,6						
	31-268	67,7	1,6	9,49	4,8	8,9				SK 92172.1 - 90 SH/4 - SK 200E-221-340-A (-C) SK 92172.1 - 90 SP/4 - SK 200E-221-340-A (-C) SK 92172.1 - 90 SH/4 - SK 180E-221-340-B (-C) SK 92172.1 - 90 SP/4 - SK 180E-221-340-B (-C)	26	E52-53
	35-305	59,4	1,9	8,33	4,9	8,4						
	37-325	55,8	2,0	7,83	4,9	8,2						
	42-366	49,5	2,2	6,94	4,8	7,8						
	45-390	46,5	2,0	6,53	4,7	7,6						
	51-441	41,1	2,2	5,77	4,5	7,3						
56-484	37,5	2,9	5,26	4,4	7,1							
60-520	34,9	3,1	4,89	4,3	6,9							
2,60	1,1-9,5	2602	1,8	265,11	27,4	45,0	SK 9053.1 - 90 LH/4 - SK 200E-301-340-A (-C) SK 9053.1 - 90 LP/4 - SK 200E-301-340-A (-C)	219	E82-83			
	1,3-11	2252	2,1	229,07	28,3	45,0						
	1,8-15	1623	3,0	164,99	29,5	45,0						
	1,0-8,7	2848	1,7	289,61	26,7	45,0	SK 9052.1 - 90 LH/4 - SK 200E-301-340-A (-C) SK 9052.1 - 90 LP/4 - SK 200E-301-340-A (-C)	201	E80-81			
	1,2-10	2432	2,0	247,06	27,9	45,0						
	2,0-17	1429	2,5	145,16	29,8	45,0						
	2,4-21	1180	4,1	120,03	30,1	45,0						
	1,0-9,1	2743	1,0	279,60	20,6	40,0	SK 9043.1 - 90 LH/4 - SK 200E-301-340-A (-C) SK 9043.1 - 90 LP/4 - SK 200E-301-340-A (-C)	141	E78-79			
	1,4-12	2007	1,4	204,38	23,9	40,0						
	1,7-15	1692	1,7	172,08	24,9	40,0						
	1,1-9,2	2692	1,0	273,73	20,9	40,0	SK 9042.1 - 90 LH/4 - SK 200E-301-340-A (-C) SK 9042.1 - 90 LP/4 - SK 200E-301-340-A (-C)	126	E76-77			
	1,2-11	2309	1,2	235,01	22,7	40,0						
	1,5-13	1918	1,5	195,12	24,2	40,0						
	1,8-15	1626	0,9	165,24	25,1	40,0						
	2,5-21	1158	2,1	117,79	26,2	40,0						
	3,0-26	940	3,0	95,56	26,5	40,0						
	3,4-29	851	3,3	86,43	26,6	40,0						
	1,5-13	1944	0,8	197,45	0	14,5				SK 9032.1 - 90 LH/4 - SK 200E-301-340-A (-C) SK 9032.1 - 90 LP/4 - SK 200E-301-340-A (-C)	79	E72-73
	1,8-16	1563	1,0	158,74	6,7	14,5						
	2,1-18	1372	1,1	139,44	9,2	14,5						
	2,5-21	1158	1,3	117,70	9,8	14,5						
	2,6-23	1091	1,4	110,77	9,9	14,5						
	3,1-27	921	1,7	93,50	9,8	14,5						
	3,4-30	828	1,9	84,17	9,9	14,5						
	3,8-33	747	2,1	75,91	9,8	14,5						
	4,5-39	630	2,5	64,08	9,6	14,5						
	4,9-43	582	2,7	59,17	9,6	14,5						
5,8-51	491	3,2	49,94	9,3	14,5							
6,1-53	469	3,3	47,70	9,3	14,5							
2,5-22	1138	0,8	115,74	0	12,0	SK 9022.1 - 90 LH/4 - SK 200E-301-340-A (-C) SK 9022.1 - 90 LP/4 - SK 200E-301-340-A (-C)	59	E68-69				
2,9-26	973	0,9	98,88	0	12,0							
3,4-30	838	1,0	85,11	0	12,0							
3,7-32	775	1,1	78,89	3,3	12,0							
4,4-38	654	1,3	66,42	5,6	12,0							
5,0-43	573	1,5	58,25	6,6	12,0							
5,6-48	512	1,7	52,02	7,2	12,0							
5,9-52	482	1,8	49,01	7,4	12,0							
6,5-56	441	2,0	44,71	7,7	12,0							
7,3-64	390	2,2	39,77	7,8	12,0							
8,7-76	327	2,6	33,26	7,5	12,0							
9,2-80	309	2,7	31,38	7,5	12,0							

1:8,7

2,60 kW 3,80 kW

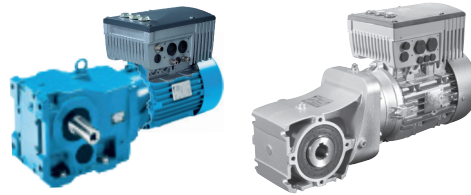
IE2

IE3



P ₁ [kW]	n ₂ [min ⁻¹]	M _{2b} [Nm]	f _B	i _{ges}	F _R	F _A [kN]	Type	mm					
								kg					
2,60	5,5-48	518	1,1	52,64	9,3	25,0	SK 92772.1 - 90 LH/4 - SK 200E-301-340-A (-C) SK 92772.1 - 90 LP/4 - SK 200E-301-340-A (-C)	56	E58-59				
	6,2-54	461	1,1	46,92	9,5	25,0							
	6,7-58	427	1,5	43,44	9,7	25,0							
	7,4-64	387	1,6	39,32	9,8	25,0							
	8,3-72	345	1,9	35,04	9,9	25,0							
	4,0-35	4,0-35	707	0,8	71,88	6,1	17,0	SK 9016.1 - 90 LH/4 - SK 200E-301-340-A (-C) SK 9016.1 - 90 LP/4 - SK 200E-301-340-A (-C)	52	E64-65			
		4,5-39	630	1,0	63,97	7,0	17,0						
		5,5-48	515	1,2	52,44	8,1	16,8						
		6,3-55	454	1,3	46,11	8,5	16,6						
		7,1-62	402	1,5	40,92	8,9	16,3						
		8,3-72	343	1,8	34,81	9,0	16,0						
		9,5-83	299	2,0	30,52	9,0	15,7						
		11-96	259	2,3	26,29	9,0	15,3						
		13-109	228	2,3	23,11	9,0	14,9						
		14-123	202	2,9	20,51	9,0	14,6						
		17-144	172	3,1	17,45	9,0	14,1						
	5,9-52	5,9-52	481	0,8	48,95	3,2	16,8	SK 9012.1 - 90 LH/4 - SK 200E-301-340-A (-C) SK 9012.1 - 90 LP/4 - SK 200E-301-340-A (-C)	51	E60-61			
		7,0-61	410	1,0	41,65	4,6	16,5						
		8,3-72	343	1,2	34,81	5,4	16,0						
9,2-80		310	1,3	31,45	5,8	15,8							
10-91		273	1,5	27,65	6,1	15,5							
12-103		241	1,7	24,53	6,3	15,1							
14-121		206	1,9	20,87	6,5	14,7							
17-144		172	2,2	17,45	6,7	14,1							
7,7-67	7,7-67	372	0,9	37,82	7,4	20,0	SK 92672.1 - 90 LH/4 - SK 200E-301-340-A (-C) SK 92672.1 - 90 LP/4 - SK 200E-301-340-A (-C)	44	E56-57				
	8,6-75	331	1,1	33,71	7,6	20,0							
	9,5-82	302	1,1	30,67	7,8	20,0							
	11-92	269	1,4	27,33	7,9	20,0							
	12-101	245	1,5	24,88	8,0	20,0							
	15-126	197	1,6	20,00	8,2	20,0							
	16-139	179	1,9	18,21	8,2	20,0							
	17-145	172	1,8	17,46	8,2	20,0							
	19-162	153	2,4	15,56	8,3	20,0							
	20-175	142	2,2	14,40	8,3	19,7							
	23-197	126	2,9	12,84	8,3	19,1							
	25-222	112	3,2	11,39	8,4	18,1							
	29-248	99,9	3,6	10,16	8,4	17,4							
	31-269	92,4	3,8	9,39	8,4	16,6							
	12-101	12-101	246	0,9	25,06	5,8				15,0	SK 92372.1 - 90 LH/4 - SK 200E-301-340-A (-C) SK 92372.1 - 90 LP/4 - SK 200E-301-340-A (-C)	33	E54-55
		13-112	221	0,8	22,49	6,0				15,0			
14-126		197	1,1	20,04	6,2	15,0							
16-138		180	1,0	18,33	6,2	15,0							
18-159		156	1,2	15,84	6,3	15,0							
21-179		139	1,6	14,12	6,4	14,6							
23-201		124	1,5	12,56	6,5	14,3							
26-225		110	2,0	11,20	6,5	13,9							
28-244		102	2,2	10,33	6,5	13,3							
32-277		89,6	2,4	9,11	6,6	12,8							
35-308		80,6	2,6	8,19	6,6	12,1							
41-360		68,9	2,9	7,01	6,6	11,5							
44-379		65,6	3,1	6,67	6,6	11,1							
50-433		57,4	3,3	5,83	6,6	10,6							
3,80		1,2-10	3487	2,4	245,76	61,4	50,0	SK 9072.1 - 100 LH/4 - SK 200E-401-340-A (-C) SK 9072.1 - 100 LP/4 - SK 200E-401-340-A (-C)	349	E84-85			
		1,4-12	2940	2,9	206,84	62,0	50,0						
1,1-9,7	1,1-9,7	3759	1,3	265,11	23,2	45,0	SK 9053.1 - 100 LH/4 - SK 200E-401-340-A (-C) SK 9053.1 - 100 LP/4 - SK 200E-401-340-A (-C)	227	E82-83				
	1,3-11	3252	1,5	229,07	25,3	45,0							
	1,8-15	2344	2,0	164,99	28,1	45,0							
1,0-8,8	1,0-8,8	4113	1,2	289,61	21,4	45,0	SK 9052.1 - 100 LH/4 - SK 200E-401-340-A (-C) SK 9052.1 - 100 LP/4 - SK 200E-401-340-A (-C)	209	E80-81				
	1,2-10	3513	1,4	247,06	24,3	45,0							
	1,5-13	2817	1,7	198,38	26,8	45,0							
	1,7-15	2406	2,0	169,24	27,9	45,0							
	2,0-18	2064	1,7	145,16	28,7	45,0							
	2,4-21	1704	2,8	120,03	29,4	45,0							
	2,9-25	1456	3,3	102,40	29,8	45,0							

Helical-bevel gear units

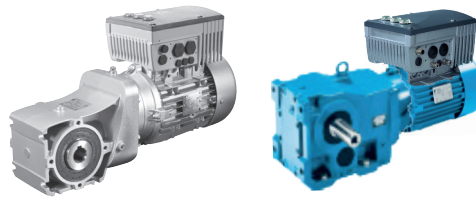


P_1 [kW]	n_2 [min ⁻¹]	M_{2b} [Nm]	f_B	i_{ges}	F_R	F_A [kN]	Type	kg	mm E				
3,80	1,3-11	3335	0,8	235,01	16,5	40,0	SK 9042.1 - 100 LH/4 - SK 200E-401-340-A (-C) SK 9042.1 - 100 LP/4 - SK 200E-401-340-A (-C)	134	E76-77				
	1,5-13	2771	1,0	195,12	20,4	40,0							
	1,8-16	2271	1,2	159,94	22,9	40,0							
	2,2-19	1887	1,5	132,79	24,3	40,0							
	2,5-22	1673	1,4	117,79	25,0	40,0							
	3,1-27	1357	2,1	95,56	25,7	40,0							
	3,4-30	1229	2,3	86,43	26,0	40,0							
	3,9-34	1081	2,6	76,18	26,3	40,0							
	4,3-37	973	2,9	68,61	26,5	40,0							
	4,6-40	898	3,1	63,25	26,6	40,0							
	5,3-46	791	3,5	55,69	26,7	40,0							
		2,6-23	1576	1,0	110,77	6,4				13,1	SK 9032.1 - 100 LH/4 - SK 200E-401-340-A (-C) SK 9032.1 - 100 LP/4 - SK 200E-401-340-A (-C)	87	E72-73
		3,1-27	1330	1,2	93,50	7,7				13,5			
	3,5-30	1195	1,3	84,17	7,9	13,9							
	3,9-34	1078	1,4	75,91	8,1	14,0							
	4,6-40	910	1,7	64,08	8,1	14,0							
	5,0-43	840	1,8	59,17	8,2	14,1							
	5,9-51	709	2,2	49,94	8,1	13,9							
	6,2-54	677	2,3	47,70	8,2	13,9							
	7,3-63	573	2,7	40,36	8,1	13,7							
	7,7-67	541	2,9	38,05	8,0	13,6							
	8,2-72	506	3,1	35,61	7,9	13,4							
	9,9-86	421	3,6	29,66	7,8	13,1							
	3,7-32	1120	0,8	78,89	0	10,7	SK 9022.1 - 100 LH/4 - SK 200E-401-340-A (-C) SK 9022.1 - 100 LP/4 - SK 200E-401-340-A (-C)	67	E68-69				
	4,4-38	944	0,9	66,42	0	11,2							
	5,0-44	827	1,0	58,25	1,0	11,5							
	5,6-49	740	1,2	52,02	4,2	11,6							
	6,0-52	696	1,2	49,01	5,0	11,5							
	6,6-57	636	1,4	44,71	5,9	11,7							
	7,4-64	564	1,5	39,77	6,7	11,7							
	8,8-77	473	1,8	33,26	6,6	11,5							
	9,3-81	446	1,8	31,38	6,6	11,5							
	10-87	415	2,1	29,20	6,6	11,5							
	11-98	371	2,3	26,07	6,5	11,3							
	12-104	349	2,5	24,56	6,4	11,1							
	7,5-65	558	1,1	39,32	9,0	25,0				SK 92772.1 - 100 LH/4 - SK 200E-401-340-A (-C) SK 92772.1 - 100 LP/4 - SK 200E-401-340-A (-C)	64	E58-59	
	8,4-73	498	1,3	35,04	9,3	25,0							
	9,2-80	452	1,4	31,85	9,5	25,0							
	10-90	403	1,5	28,38	9,7	25,0							
	12-101	360	1,8	25,34	9,9	25,0							
	13-113	321	2,0	22,59	10,0	25,0							
	5,6-49	744	0,8	52,44	5,5	14,4	SK 9016.1 - 100 LH/4 - SK 200E-401-340-A (-C) SK 9016.1 - 100 LP/4 - SK 200E-401-340-A (-C)	60	E64-65				
	6,4-55	656	0,9	46,11	6,7	14,4							
	7,2-63	581	1,0	40,92	7,5	14,5							
	8,4-73	495	1,2	34,81	8,3	14,4							
	9,6-84	432	1,4	30,52	8,7	14,2							
	11-97	373	1,6	26,29	9,0	14,0							
	13-110	329	1,6	23,11	9,0	13,8							
	14-125	291	2,0	20,51	9,0	13,6							
	17-146	248	2,2	17,45	9,0	13,3							
	19-167	217	2,4	15,10	9,0	13,0							
	8,4-73	495	0,8	34,81	2,8	14,4	SK 9012.1 - 100 LH/4 - SK 200E-401-340-A (-C) SK 9012.1 - 100 LP/4 - SK 200E-401-340-A (-C)	59	E60-61				
	9,3-81	447	0,9	31,45	4,0	14,4							
	11-92	394	1,0	27,65	4,8	14,2							
	12-104	349	1,1	24,53	5,4	14,0							
	14-122	297	1,3	20,87	5,9	13,7							
	17-146	248	1,5	17,45	6,2	13,3							
	19-167	217	1,8	15,30	6,4	13,0							
	12-103	353	1,0	24,88	7,5	20,0	SK 92672.1 - 100 LH/4 - SK 200E-401-340-A (-C) SK 92672.1 - 100 LP/4 - SK 200E-401-340-A (-C)	53	E56-57				
	16-140	259	1,3	18,21	8,0	19,1							
	17-146	248	1,3	17,46	8,0	19,3							
	19-164	221	1,6	15,56	8,1	18,8							
	20-177	205	1,5	14,40	8,2	18,6							
	23-199	182	2,0	12,84	8,2	18,1							
	26-224	162	2,2	11,39	8,3	16,9							
	29-251	144	2,5	10,16	8,3	16,4							
	31-272	133	2,7	9,39	8,3	15,7							
	35-307	118	3,0	8,33	8,4	15,0							
	39-344	106	3,3	7,44	8,4	14,3							

Helical-bevel gear units

1:8,7

3,80 kW
5,20 kW



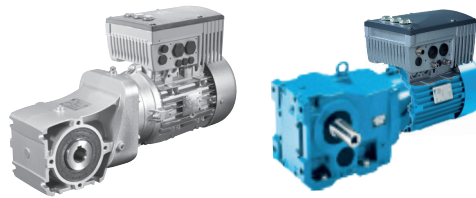
P ₁ [kW]	n ₂ [min ⁻¹]	M _{2b} [Nm]	f _B	i _{ges}	F _R	F _A [kN]	Type	mm					
								kg					
3,80	23-203	178	1,0	12,56	6,2	13,2	SK 92372.1 - 100 LH/4 - SK 200E-401-340-A (-C) SK 92372.1 - 100 LP/4 - SK 200E-401-340-A (-C)	42	E54-55				
	26-228	159	1,4	11,20	6,3	12,7							
	29-250	145	1,3	10,22	6,4	12,4							
	32-280	129	1,7	9,11	6,4	11,8							
	36-312	116	1,8	8,19	6,5	11,1							
	42-365	99,5	2,0	7,01	6,5	10,7							
	44-383	94,7	2,2	6,67	6,5	10,4							
	50-438	82,8	2,3	5,83	6,3	9,9							
	57-498	72,8	2,5	5,13	6,1	9,5							
	68-593	61,1	3,0	4,31	5,8	9,0							
	79-687	52,8	3,4	3,72	5,6	8,5							
	5,20	1,2-10	4810	1,8	245,76	59,3				50,0	SK 9072.1 - 100 AH/4 - SK 200E-551-340-A (-C) SK 9072.1 - 100 AP/4 - SK 200E-551-340-A (-C)	352	E84-85
1,4-12		4054	2,1	206,84	60,6	50,0							
2,1-19		2677	2,5	136,88	62,3	50,0							
1,1-9,6		1,1-9,6	5184	0,9	265,11	13,1	45,0	SK 9053.1 - 100 AH/4 - SK 200E-551-340-A (-C) SK 9053.1 - 100 AP/4 - SK 200E-551-340-A (-C)	230	E82-83			
		1,3-11	4486	1,1	229,07	19,1	45,0						
		1,8-15	3232	1,5	164,99	25,4	45,0						
1,0-8,8		1,0-8,8	5673	0,8	289,61	4,2	45,0	SK 9052.1 - 100 AH/4 - SK 200E-551-340-A (-C) SK 9052.1 - 100 AP/4 - SK 200E-551-340-A (-C)	212	E80-81			
		1,2-10	4845	1,0	247,06	16,4	45,0						
		1,5-13	3886	1,2	198,38	22,6	45,0						
		1,7-15	3319	1,4	169,24	25,1	45,0						
		2,0-17	2846	1,3	145,16	26,7	45,0						
		2,4-21	2351	2,0	120,03	28,1	45,0						
		2,8-25	2008	2,4	102,40	28,8	45,0						
		3,3-29	1726	2,8	88,17	29,4	45,0						
		4,0-35	1414	3,4	72,24	29,8	45,0						
		1,8-16	1,8-16	3133	0,9	159,94	18,1				40,0	SK 9042.1 - 100 AH/4 - SK 200E-551-340-A (-C) SK 9042.1 - 100 AP/4 - SK 200E-551-340-A (-C)	137
2,2-19			2603	1,1	132,79	21,3	40,0						
2,5-22			2308	1,0	117,79	22,7	40,0						
3,0-27			1872	1,5	95,56	24,4	40,0						
3,4-29			1694	1,7	86,43	24,9	40,0						
3,8-33			1490	1,9	76,18	25,4	40,0						
4,3-37			1342	2,1	68,61	25,8	40,0						
4,6-40			1238	2,3	63,25	26,0	40,0						
5,2-46			1091	2,6	55,69	26,3	40,0						
6,1-53			933	3,0	47,67	26,5	38,9						
3,1-27		3,1-27	1835	0,8	93,50	0	9,6	SK 9032.1 - 100 AH/4 - SK 200E-551-340-A (-C) SK 9032.1 - 100 AP/4 - SK 200E-551-340-A (-C)	90	E72-73			
		3,5-30	1649	0,9	84,17	5,0	10,4						
		3,8-33	1487	1,0	75,91	6,0	10,9						
		4,5-40	1256	1,2	64,08	6,4	11,3						
		4,9-43	1159	1,3	59,17	6,6	11,6						
		5,8-51	978	1,6	49,94	6,8	11,8						
		6,1-53	934	1,7	47,70	6,9	11,9						
		7,2-63	791	2,0	40,36	7,0	12,0						
		7,6-67	746	2,1	38,05	7,0	12,0						
		8,2-71	698	2,2	35,61	7,0	11,9						
		9,8-85	581	2,6	29,66	7,0	11,9						
	12-106	468	3,3	23,91	6,9	11,6							
	14-125	397	3,8	20,23	6,7	11,4							
	17-148	335	4,3	17,08	6,5	11,0							
	18-158	314	4,5	16,04	6,5	10,8							
	5,0-44	5,0-44	1141	0,8	58,25	0	8,5				SK 9022.1 - 100 AH/4 - SK 200E-551-340-A (-C) SK 9022.1 - 100 AP/4 - SK 200E-551-340-A (-C)	70	E68-69
		5,6-49	1021	0,8	52,02	0	8,9						
		5,9-52	960	0,9	49,01	0	8,9						
6,5-57		878	1,0	44,71	0	9,4							
7,3-64		778	1,1	39,77	3,2	9,7							
8,8-76		652	1,3	33,26	5,4	9,7							
9,3-81		616	1,3	31,38	5,6	9,9							
10-87		572	1,5	29,20	5,6	10,0							
11-97		512	1,7	26,07	5,7	10,0							
12-103		481	1,8	24,56	5,6	9,9							
13-113		440	1,8	22,41	5,7	10,0							
15-127		390	1,9	19,93	5,7	9,9							
17-145		343	2,1	17,52	5,4	9,4							
18-156		319	1,9	16,30	5,4	9,4							

Helical-bevel gear units



P_1 [kW]	n_2 [min ⁻¹]	M_{2b} [Nm]	f_B	i_{ges}	F_R [kN]	F_A [kN]	Type	kg	mm E				
5,20	7,4-64	770	0,8	39,32	7,5	25,0	SK 92772.1 - 100 AH/4 - SK 200E-551-340-A (-C) SK 92772.1 - 100 AP/4 - SK 200E-551-340-A (-C)	67	E58-59				
	8,3-72	686	1,0	35,04	8,2	25,0							
	9,1-80	624	1,0	31,85	8,7	25,0							
	10-89	556	1,1	28,38	9,1	25,0							
	11-100	496	1,3	25,34	9,4	25,0							
	13-112	442	1,5	22,59	9,6	25,0							
	14-120	414	1,5	21,14	9,7	25,0							
	15-132	375	1,7	19,17	9,8	25,0							
	17-148	335	1,9	17,08	10,0	24,6							
	19-164	302	2,1	15,42	10,1	24,1							
	21-184	270	2,2	13,79	10,1	23,1							
	5,20	8,4-73	683	0,9	34,81	6,4				12,5	SK 9016.1 - 100 AH/4 - SK 200E-551-340-A (-C) SK 9016.1 - 100 AP/4 - SK 200E-551-340-A (-C)	63	E64-65
		9,6-83	596	1,0	30,52	7,4				12,6			
		11-96	515	1,2	26,29	8,1				12,6			
13-109		454	1,1	23,11	8,5	12,6							
14-124		402	1,4	20,51	8,9	12,5							
17-145		343	1,6	17,45	9,0	12,3							
19-166		299	1,7	15,10	9,0	12,1							
23-203		245	2,1	12,51	9,0	11,7							
5,20		12-103	481	0,8	24,53	3,2	12,7	SK 9012.1 - 100 AH/4 - SK 200E-551-340-A (-C) SK 9012.1 - 100 AP/4 - SK 200E-551-340-A (-C)	62	E60-61			
		14-121	410	1,0	20,87	4,6	12,6						
	17-145	343	1,1	17,45	5,4	12,3							
	19-166	299	1,3	15,30	5,9	12,1							
	24-207	240	0,9	12,23	6,3	11,4							
	27-233	213	0,9	10,85	6,5	11,2							
	31-274	181	1,1	9,23	6,6	11,0							
	5,20	16-139	357	1,0	18,21	7,5	17,4				SK 92672.1 - 100 AH/4 - SK 200E-551-340-A (-C) SK 92672.1 - 100 AP/4 - SK 200E-551-340-A (-C)	56	E56-57
		17-145	342	0,9	17,46	7,6	17,9						
		19-163	305	1,2	15,56	7,8	17,5						
20-176		282	1,1	14,40	7,9	17,4							
23-197		251	1,4	12,84	8,0	16,8							
26-223		223	1,6	11,39	8,1	15,7							
29-249		199	1,8	10,16	8,2	15,4							
31-270		184	1,9	9,39	8,2	14,7							
35-304		163	2,1	8,33	8,3	14,1							
39-341		146	2,4	7,44	8,3	13,6							
44-379		131	2,4	6,68	8,2	13,3							
52-449		110	2,8	5,64	8,0	12,4							
67-582		85,4	3,7	4,36	7,4	11,3							
5,20		26-226	219	1,0	11,20	6,0	11,3	SK 92372.1 - 100 AH/4 - SK 200E-551-340-A (-C) SK 92372.1 - 100 AP/4 - SK 200E-551-340-A (-C)	45	E54-55			
		29-248	200	0,9	10,22	6,1	11,2						
		32-278	178	1,2	9,11	6,2	10,7						
	36-309	161	1,3	8,19	6,3	10,1							
	42-362	137	1,5	7,01	6,2	9,9							
	44-380	131	1,6	6,67	6,2	9,6							
	50-435	114	1,7	5,83	6,1	9,2							
	57-494	100	1,8	5,13	5,9	8,9							
	68-589	84,3	2,2	4,31	5,6	8,5							
	78-682	72,8	2,5	3,72	5,4	8,1							
	6,90	2,5-22	3012	4,3	116,45	82,0	60,0				SK 9082.1 - 112 MH/4 - SK 200E-751-340-A (-C) SK 9082.1 - 112 MP/4 - SK 200E-751-340-A (-C)	622	E86-87
		1,2-10	6345	1,3	245,76	56,0	50,0						
1,4-12		5348	1,6	206,84	58,3	50,0							
2,1-19		3531	1,9	136,88	61,3	50,0							
2,7-23		2845	3,0	110,18	62,1	50,0							
3,2-28		2363	3,6	91,47	62,6	50,0							
6,90	1,2-10	6392	0,8	247,06	0	45,0	SK 9052.1 - 112 MH/4 - SK 200E-751-340-A (-C) SK 9052.1 - 112 MP/4 - SK 200E-751-340-A (-C)	222	E80-81				
	1,5-13	5126	0,9	198,38	13,7	45,0							
	1,7-15	4378	1,1	169,24	19,9	45,0							
	2,0-18	3754	1,0	145,16	23,3	45,0							
	2,4-21	3101	1,5	120,03	25,9	45,0							
	2,9-25	2649	1,8	102,40	27,3	45,0							
	3,3-29	2277	2,1	88,17	28,3	45,0							
	4,1-35	1865	2,6	72,24	29,1	45,0							
	4,7-41	1614	3,0	62,42	29,5	45,0							
	5,4-47	1410	3,4	54,56	29,8	45,0							


1:8,7
6,90 kW



P ₁ [kW]	n ₂ [min ⁻¹]	M _{2b} [Nm]	f _B	i _{ges}	F _R	F _A	Type	mm					
								kg	mm				
6,90	2,2-19	3433	0,8	132,79	15,6	38,6	SK 9042.1 - 112 MH/4 - SK 200E-751-340-A (-C) SK 9042.1 - 112 MP/4 - SK 200E-751-340-A (-C)	147	E76-77				
	2,5-22	3044	0,8	117,79	18,7	39,5							
	3,1-27	2469	1,1	95,56	22,0	39,5							
	3,4-29	2235	1,3	86,43	23,0	39,4							
	3,9-34	1966	1,4	76,18	24,0	39,1							
	4,3-37	1770	1,6	68,61	24,7	38,7							
	4,6-40	1633	1,7	63,25	25,1	38,1							
	5,3-46	1439	1,9	55,69	25,6	37,8							
	6,2-54	1230	2,3	47,67	26,0	36,9							
	7,2-63	1048	2,7	40,54	26,4	36,0							
	8,5-74	888	3,2	34,39	25,8	34,9							
	9,2-80	819	3,4	31,70	25,3	34,2							
		3,9-34	1962	0,8	75,91	0				7,1	SK 9032.1 - 112 MH/4 - SK 200E-751-340-A (-C) SK 9032.1 - 112 MP/4 - SK 200E-751-340-A (-C)	100	E72-73
		4,6-40	1656	0,9	64,08	4,3				8,1			
	5,0-43	1528	1,0	59,17	4,7	8,7							
	5,9-51	1290	1,2	49,94	5,1	9,3							
	6,1-53	1232	1,3	47,70	5,3	9,6							
	7,3-63	1043	1,5	40,36	5,7	10,0							
	7,7-67	984	1,6	38,05	5,8	10,1							
	8,2-72	921	1,7	35,61	5,8	10,1							
	9,9-86	767	2,0	29,66	6,0	10,4							
	12-107	618	2,5	23,91	6,1	10,4							
	14-126	523	2,9	20,23	6,1	10,2							
	17-149	442	3,3	17,08	6,0	9,8							
	18-159	414	3,4	16,04	6,0	9,7							
	22-188	350	3,9	13,49	5,8	9,2							
	23-201	328	3,1	12,68	5,6	8,7							
	7,4-64	1026	0,8	39,77	0	7,2	SK 9022.1 - 112 MH/4 - SK 200E-751-340-A (-C) SK 9022.1 - 112 MP/4 - SK 200E-751-340-A (-C)	80	E68-69				
	8,8-77	860	1,0	33,26	0	7,6							
	9,3-81	812	1,0	31,38	2,0	8,0							
	10-87	755	1,1	29,20	3,8	8,2							
	11-98	675	1,3	26,07	4,6	8,4							
	12-104	635	1,4	24,56	4,6	8,3							
	13-113	581	1,3	22,41	4,8	8,6							
	15-128	515	1,5	19,93	4,9	8,7							
	17-146	453	1,6	17,52	4,7	8,2							
	18-157	421	1,5	16,30	4,7	8,2							
	20-175	377	1,5	14,56	4,7	8,1							
	23-203	324	1,7	12,51	4,7	8,0							
	12-101	655	1,0	25,34	8,4	24,2				SK 92772.1 - 112 MH/4 - SK 200E-751-340-A (-C) SK 92772.1 - 112 MP/4 - SK 200E-751-340-A (-C)	77	E58-59	
	13-113	584	1,1	22,59	8,9	23,8							
	14-121	546	1,2	21,14	9,1	23,8							
	15-133	495	1,3	19,17	9,4	23,5							
	16-135	487	1,3	18,84	9,4	23,3							
	17-149	441	1,5	17,08	9,6	23,0							
	19-165	398	1,6	15,42	9,8	22,6							
	21-185	356	1,7	13,79	9,9	21,4							
	23-204	323	1,8	12,50	10,0	20,7							
	26-226	292	2,0	11,28	10,1	19,9							
	30-260	254	2,3	9,81	10,2	19,3							
	33-288	229	2,4	8,85	10,2	18,3							
	41-355	186	2,9	7,18	10,3	17,1							
	19-164	402	0,9	15,56	7,2	15,8	SK 92672.1 - 112 MH/4 - SK 200E-751-340-A (-C) SK 92672.1 - 112 MP/4 - SK 200E-751-340-A (-C)	66	E56-57				
	20-177	372	0,9	14,40	7,4	15,8							
	23-199	332	1,1	12,84	7,6	15,1							
	26-224	294	1,2	11,39	7,8	14,2							
	29-251	263	1,4	10,16	8,0	14,1							
	31-271	243	1,5	9,39	8,0	13,5							
	35-306	215	1,6	8,33	8,1	13,0							
	39-343	192	1,8	7,44	8,2	12,6							
	44-382	173	1,8	6,68	7,9	12,6							
	52-452	146	2,1	5,64	7,7	11,7							
	67-585	113	2,8	4,36	7,2	10,8							

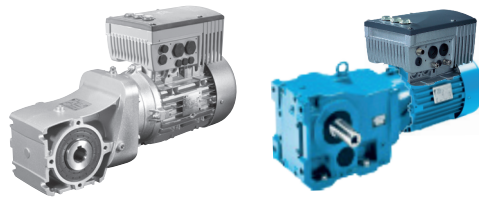
Helical-bevel gear units



P_1 [kW]	n_2 [min ⁻¹]	M_{2b} [Nm]	f_B	i_{ges}	F_R	F_A [kN]	Type	mm			
								kg			
9,50	1,3-11	8143	2,5	230,64	114,9	65,0	SK 9086.1 - 132 SH/4 - SK 200E-112-340-A (-C) SK 9086.1 - 132 SP/4 - SK 200E-112-340-A (-C)	902	E88-89		
	1,5-13	6850	2,9	194,04	116,1	65,0					
	1,0-8,7	10470	1,2	296,80	73,4	60,0	SK 9082.1 - 132 SH/4 - SK 200E-112-340-A (-C) SK 9082.1 - 132 SP/4 - SK 200E-112-340-A (-C)	652	E86-87		
	1,2-11	8622	1,5	244,32	76,6	60,0					
	2,0-17	5254	2,5	148,76	80,5	60,0					
	2,4-21	4325	3,0	122,46	81,2	60,0					
	2,5-22	4114	3,2	116,45	81,4	60,0					
	1,2-10	8667	1,0	245,76	48,5	50,0	SK 9072.1 - 132 SH/4 - SK 200E-112-340-A (-C) SK 9072.1 - 132 SP/4 - SK 200E-112-340-A (-C)	392	E84-85		
	1,4-12	7306	1,2	206,84	53,3	50,0					
	1,6-14	6593	1,3	186,86	55,4	50,0					
	1,9-16	5558	1,5	157,27	57,9	50,0					
	2,2-19	4824	1,4	136,88	59,3	50,0					
	2,7-23	3886	2,2	110,18	60,9	50,0					
	3,2-28	3228	2,6	91,47	61,7	50,0					
	3,7-32	2810	3,0	79,69	62,0	50,0					
	4,2-37	2474	3,4	70,22	60,3	50,0					
	1,7-15	5981	0,8	169,24	0	45,0				SK 9052.1 - 132 SH/4 - SK 200E-112-340-A (-C) SK 9052.1 - 132 SP/4 - SK 200E-112-340-A (-C)	252
	2,5-21	4236	1,1	120,03	20,7	45,0					
	2,9-25	3618	1,3	102,40	23,9	45,0					
	3,4-29	3111	1,5	88,17	25,9	45,0					
4,1-36	2548	1,9	72,24	27,6	45,0						
4,7-41	2204	2,2	62,42	28,4	45,0						
5,4-47	1926	2,5	54,56	29,0	45,0						
6,6-57	1589	3,0	44,96	29,6	45,0						
3,1-27	3373	0,8	95,56	16,2	33,7	SK 9042.1 - 132 SH/4 - SK 200E-112-340-A (-C) SK 9042.1 - 132 SP/4 - SK 200E-112-340-A (-C)	177	E76-77			
3,4-30	3054	0,9	86,43	18,6	34,1						
3,9-34	2686	1,0	76,18	20,9	34,4						
4,3-38	2419	1,2	68,61	22,2	34,5						
4,7-41	2231	1,3	63,25	23,0	34,1						
5,3-46	1965	1,4	55,69	24,0	34,4						
6,2-54	1681	1,7	47,67	24,9	34,0						
7,3-63	1432	2,0	40,54	25,1	33,5						
8,6-75	1213	2,3	34,39	24,4	32,8						
9,3-81	1119	2,5	31,70	24,0	32,2						
9,4-82	1111	2,0	31,48	24,1	32,4						
11-92	986	2,8	27,91	23,6	31,8						
12-108	843	3,2	23,89	22,9	30,9						
15-134	677	0,9	19,17	8,3	20,8				SK 92772.1 - 132 SH/4 - SK 200E-112-340-A (-C) SK 92772.1 - 132 SP/4 - SK 200E-112-340-A (-C)	107	E58-59
17-150	603	1,1	17,08	8,8	20,5						
19-167	544	1,2	15,42	9,1	20,1						
24-206	441	1,4	12,50	9,6	18,4						
26-228	398	1,4	11,28	9,8	17,9						
30-262	346	1,7	9,81	9,9	17,7						
33-291	312	1,8	8,85	10,0	16,8						
41-358	253	2,2	7,18	10,2	15,8						
46-402	226	2,2	6,39	10,1	15,7						
58-502	181	2,8	5,12	9,7	14,4						
29-253	359	1,0	10,16	7,5	12,3	SK 92672.1 - 132 SH/4 - SK 200E-112-340-A (-C) SK 92672.1 - 132 SP/4 - SK 200E-112-340-A (-C)	95	E56-57			
35-308	294	1,2	8,33	7,8	11,4						
40-346	262	1,3	7,44	7,7	11,2						
44-385	236	1,3	6,68	7,4	11,4						
52-456	199	1,6	5,64	7,3	10,6						
68-590	154	2,0	4,36	6,9	10,0						
13,0	1,3-11	11140	1,8	230,64	111,2	65,0	SK 9086.1 - 132 MH/4 - SK 200E-152-340-A (-C) SK 9086.1 - 132 MP/4 - SK 200E-152-340-A (-C)	909	E88-89		
	1,5-13	9373	2,1	194,04	113,5	65,0					
	1,0-8,7	14330	0,9	296,80	64,2	60,0	SK 9082.1 - 132 MH/4 - SK 200E-152-340-A (-C) SK 9082.1 - 132 MP/4 - SK 200E-152-340-A (-C)	659	E86-87		
	1,2-11	11800	1,1	244,32	70,7	60,0					
	2,0-17	7190	1,8	148,76	78,5	60,0					
	2,4-21	5919	2,2	122,46	79,9	60,0					
	2,5-22	5630	2,3	116,45	80,2	60,0					
	3,1-27	4635	2,8	95,86	81,0	60,0					
	3,6-31	4007	3,2	82,88	81,5	60,0					

1:8,7


13,0 kW
16,0 kW



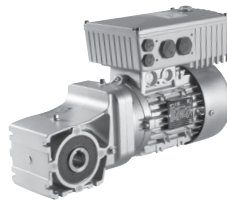
P ₁ [kW]	n ₂ [min ⁻¹]	M _{2b} [Nm]	f _B	i _{ges}	F _R	F _A	Type	mm		
								kg	mm	
13,0	1,6-14	9022	0,9	186,86	47,0	50,0	SK 9072.1 - 132 MH/4 - SK 200E-152-340-A (-C) SK 9072.1 - 132 MP/4 - SK 200E-152-340-A (-C)	399	E84-85	
	1,9-16	7605	1,1	157,27	52,4	50,0				
	2,7-23	5318	1,6	110,18	58,4	50,0				
	3,2-28	4418	1,9	91,47	60,0	50,0				
	3,7-32	3845	2,2	79,69	59,1	50,0				
	4,2-37	3385	2,5	70,22	57,8	50,0				
	5,1-44	2823	3,0	58,44	55,8	50,0				
	5,9-51	2429	3,4	50,35	54,1	50,0				
	2,5-21	5797	0,8	120,03	0	45,0				SK 9052.1 - 132 MH/4 - SK 200E-152-340-A (-C) SK 9052.1 - 132 MP/4 - SK 200E-152-340-A (-C)
	2,9-25	4951	1,0	102,40	15,5	45,0				
	3,4-29	4257	1,1	88,17	20,6	45,0				
	4,1-36	3486	1,4	72,24	24,4	45,0				
	4,7-41	3017	1,6	62,42	26,2	45,0				
	5,4-47	2635	1,8	54,56	27,3	45,0				
	6,6-57	2174	2,2	44,96	28,5	45,0				
	7,4-65	1920	2,5	39,72	29,0	45,0				
	8,2-71	1749	2,7	36,21	29,3	45,0				
	9,4-82	1513	3,2	31,28	29,7	45,0				
	13,0	3,9-34	3675	0,8	76,18	13,1	28,2	SK 9042.1 - 132 MH/4 - SK 200E-152-340-A (-C) SK 9042.1 - 132 MP/4 - SK 200E-152-340-A (-C)	184	E76-77
		4,3-38	3310	0,8	68,61	16,7	28,9			
		4,7-41	3053	0,9	63,25	18,6	28,8			
		5,3-46	2689	1,0	55,69	20,9	29,8			
		6,2-54	2300	1,2	47,67	22,8	30,1			
		7,3-63	1959	1,4	40,54	23,0	30,2			
		8,6-75	1660	1,7	34,39	22,7	30,0			
		9,3-81	1532	1,8	31,70	22,3	29,5			
		9,4-82	1521	1,4	31,48	22,5	29,8			
11-92		1349	2,1	27,91	22,1	29,5				
12-108		1154	2,3	23,89	21,7	29,0				
15-126		983	2,6	20,32	21,1	28,4				
16-141		881	2,8	18,20	20,7	27,9				
19-164		758	2,6	15,66	19,8	26,7				
22-192		648	3,1	13,40	19,2	26,0				
26-225		552	2,7	11,40	18,6	25,2				
29-251		495	3,0	10,21	18,2	24,7				
31-273		455	3,3	9,39	17,9	24,2				
33-290	429	3,3	8,83	17,6	23,9					
16,0	1,3-11	13770	1,5	230,64	106,9	65,0	SK 9086.1 - 132 LH/4 - SK 200E-182-340-A (-C)	909	E88-89	
	1,5-13	11580	1,7	194,04	110,6	65,0				
	2,5-22	6960	2,9	116,50	116,0	65,0				
	1,2-10	14580	0,9	244,32	63,5	60,0	SK 9082.1 - 132 LH/4 - SK 200E-182-340-A (-C)	659	E86-87	
	2,0-17	8883	1,5	148,76	76,2	60,0				
	2,4-21	7313	1,8	122,46	78,4	60,0				
	2,5-22	6956	1,9	116,45	78,8	60,0				
	3,1-27	5727	2,3	95,86	80,1	60,0				
	3,5-31	4950	2,6	82,88	80,8	60,0				
	4,1-36	4271	3,0	71,50	81,3	60,0				
	1,6-14	11150	0,8	186,86	35,3	50,0	SK 9072.1 - 132 LH/4 - SK 200E-182-340-A (-C)	399	E84-85	
	1,9-16	9397	0,9	157,27	45,4	50,0				
	2,7-23	6571	1,3	110,18	55,4	50,0				
	3,2-28	5458	1,6	91,47	57,6	50,0				
	3,7-32	4751	1,8	79,69	56,6	50,0				
4,2-37	4183	2,0	70,22	55,6	50,0					
5,0-44	3488	2,4	58,44	54,0	50,0					
5,9-51	3002	2,7	50,35	52,5	50,0					
7,2-62	2449	3,1	41,11	50,5	50,0					
3,3-29	5259	0,9	88,17	12,2	45,0	SK 9052.1 - 132 LH/4 - SK 200E-182-340-A (-C)	259	E80-81		
4,1-35	4308	1,1	72,24	20,3	45,0					
4,7-41	3727	1,3	62,42	23,4	45,0					
5,4-47	3256	1,5	54,56	25,3	45,0					
6,5-57	2686	1,8	44,96	27,2	45,0					
7,4-64	2372	2,0	39,72	28,0	45,0					
8,1-71	2161	2,2	36,21	28,5	45,0					
9,4-82	1870	2,6	31,28	29,1	45,0					
11-94	1633	2,8	27,35	29,5	45,0					
13-113	1348	3,2	22,53	29,9	45,0					

Helical-bevel gear units

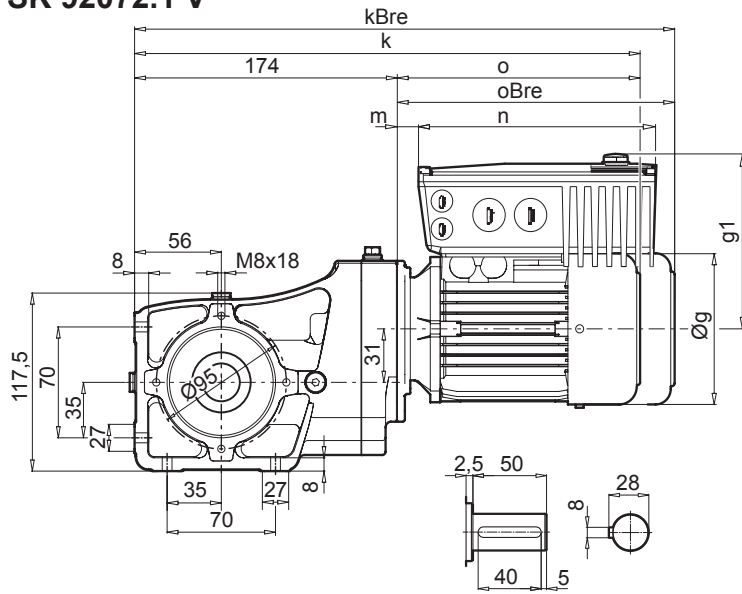


P ₁ [kW]	n ₂ [min ⁻¹]	M _{2b} [Nm]	f _B	i _{ges}	F _R	F _A	Type	mm						
								kg						
16,0	5,3-46	3323	0,8	55,69	16,6	25,9	SK 9042.1 - 132 LH/4 - SK 200E-182-340-A (-C)	184	E6-77					
	6,2-54	2841	1,0	47,67	20,0	26,8								
	7,3-63	2421	1,2	40,54	21,2	27,3								
	8,6-74	2052	1,4	34,39	21,2	27,6								
	9,3-81	1879	1,2	31,48	21,1	27,6								
	11-92	1667	1,7	27,91	20,9	27,5								
	12-107	1426	1,9	23,89	20,6	27,3								
	14-126	1214	2,1	20,32	20,2	26,9								
	16-140	1089	2,2	18,20	19,9	26,6								
	19-163	937	2,1	15,66	19,1	25,5								
	22-191	801	2,5	13,40	18,6	24,9								
	26-224	682	2,2	11,40	18,1	24,3								
	29-250	612	2,5	10,21	17,7	23,9								
	31-272	562	2,7	9,39	17,4	23,5								
	33-288	530	2,6	8,83	17,2	23,3								
	19,0	1,2-10	17850	1,8	253,40	142,0				70,0	SK 9092.1 - 160 MH/4 - SK 200E-222-340-A (-C) SK 9092.1 - 160 MP/4 - SK 200E-222-340-A (-C)	1510	E90-91	
1,5-13		13920	2,3	197,51	146,3	70,0								
1,9-17		10790	3,0	152,96	149,0	70,0								
		1,3-11	16250	1,2	230,64	101,7	65,0	SK 9086.1 - 160 MH/4 - SK 200E-222-340-A (-C) SK 9086.1 - 160 MP/4 - SK 200E-222-340-A (-C)	940	E78-79				
		1,5-13	13670	1,5	194,04	107,1	65,0							
		1,9-17	10700	1,9	151,76	111,8	65,0							
		2,3-20	9002	2,2	127,67	114,0	65,0							
		2,5-22	8217	2,4	116,50	114,8	65,0							
		3,3-28	6386	3,1	90,50	116,5	65,0							
		1,2-11	17210	0,8	244,32	54,0	60,0	SK 9082.1 - 160 MH/4 - SK 200E-222-340-A (-C) SK 9082.1 - 160 MP/4 - SK 200E-222-340-A (-C)	690	E86-87				
		2,0-17	10490	1,2	148,76	73,4	60,0							
		2,4-21	8634	1,5	122,46	76,6	60,0							
		2,5-22	8212	1,6	116,45	77,2	60,0							
		3,1-27	6761	1,9	95,86	79,0	60,0							
		3,6-31	5844	2,2	82,88	80,0	60,0							
		4,1-36	5042	2,6	71,50	80,7	60,0							
		4,7-41	4399	3,0	62,39	81,2	60,0							
		1,9-16	11090	0,8	157,27	35,7	50,0	SK 9072.1 - 160 MH/4 - SK 200E-222-340-A (-C) SK 9072.1 - 160 MP/4 - SK 200E-222-340-A (-C)	430	E84-85				
		2,7-23	7758	1,1	110,18	51,9	50,0							
		3,2-28	6444	1,3	91,47	54,7	50,0							
		3,7-32	5609	1,5	79,69	54,1	50,0							
		4,2-37	4938	1,7	70,22	53,4	50,0							
		5,1-44	4117	2,1	58,44	52,1	50,0							
		5,9-51	3544	2,3	50,35	50,9	50,0							
		7,2-63	2892	2,7	41,11	49,1	50,0							
		8,4-73	2477	3,4	35,19	47,7	50,0							
			3,4-29	6209	0,8	88,17	0				45,0	SK 9052.1 - 160 MH/4 - SK 200E-222-340-A (-C) SK 9052.1 - 160 MP/4 - SK 200E-222-340-A (-C)	290	E80-81
			4,1-36	5086	0,9	72,24	14,2				45,0			
			4,7-41	4400	1,1	62,42	19,7				45,0			
5,4-47			3844	1,2	54,56	22,8	45,0							
6,6-57			3171	1,5	44,96	25,6	45,0							
7,4-65			2800	1,7	39,72	26,9	45,0							
8,2-71			2551	1,9	36,21	27,6	45,0							
9,4-82			2208	2,2	31,28	28,4	45,0							
11-94			1928	2,4	27,35	29,0	45,0							
13-114			1591	2,7	22,53	29,6	45,0							
15-129	1405		3,1	19,91	29,9	45,0								
17-144	1262		3,4	17,94	30,0	45,0								
18-157	1153		3,7	16,33	30,2	45,0								
22-191	951		4,5	13,45	30,4	45,0								
25-216	840		4,6	11,88	30,5	45,0								
28-240	755		3,8	10,71	30,5	45,0								
	6,2-54		3355	0,8	47,67	16,3	23,5	SK 9042.1 - 160 MH/4 - SK 200E-222-340-A (-C) SK 9042.1 - 160 MP/4 - SK 200E-222-340-A (-C)	215	E76-77				
	7,3-63		2858	1,0	40,54	19,4	24,5							
	8,6-75	2422	1,2	34,39	19,6	25,2								
	9,4-82	2218	1,0	31,48	19,7	25,4								
	11-92	1968	1,4	27,91	19,7	25,6								
	12-108	1683	1,6	23,89	19,5	25,6								
	15-127	1434	1,8	20,32	19,3	25,5								
	16-141	1286	1,9	18,20	19,1	25,3								
	19-164	1106	1,8	15,66	18,3	24,2								
	22-192	946	2,1	13,40	17,9	23,9								
	26-225	806	1,9	11,40	17,5	23,4								
	29-251	722	2,1	10,21	17,2	23,1								
	31-273	663	2,3	9,39	16,9	22,8								
	33-290	625	2,2	8,83	16,8	22,6								

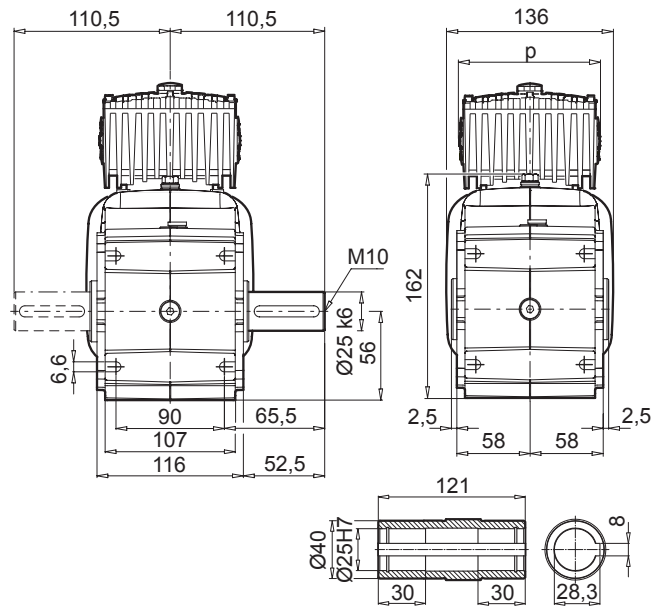
SK 92072.1



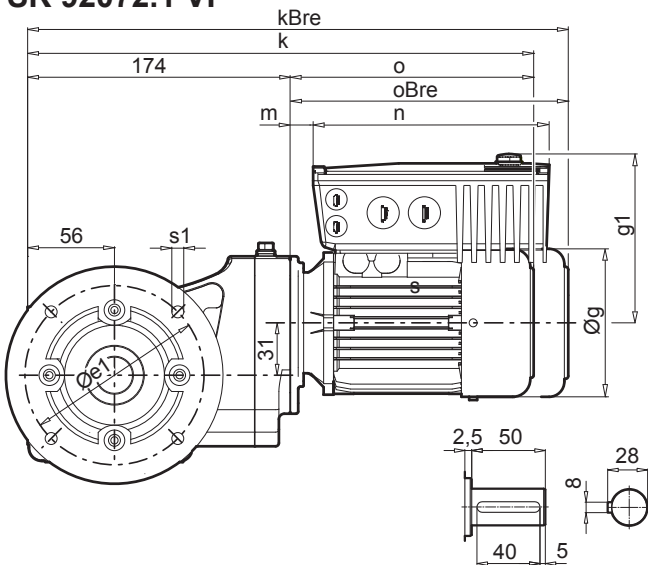
SK 92072.1 V



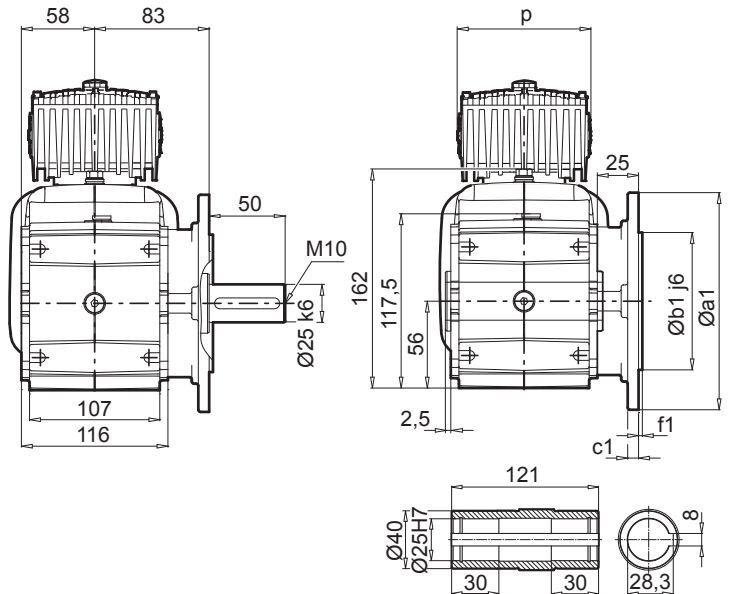
SK 92072.1 A



SK 92072.1 VF



SK 92072.1 AF

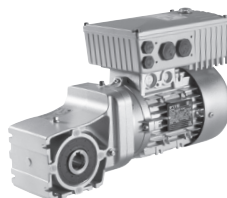


Helical-bevel gear units

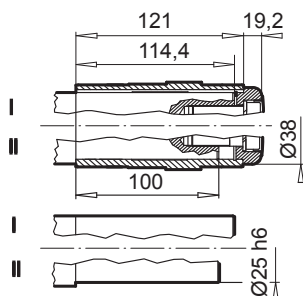
a1	b1	c1	e1	f1	s1
140	95	10	115	3,0	9

Motor + SK200E

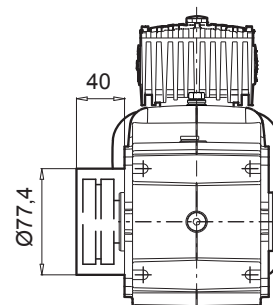
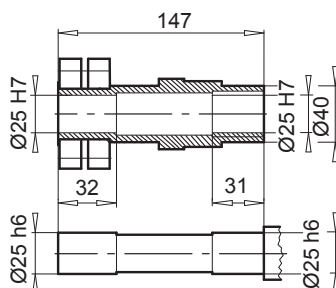
IE1 IE2 IE3	71 S/L - -	- 80 SH/LH - /LP	- 90 SH SP					
SK200E 340-A (-C)	- 550 - - 750 -	- 550 - - 750 - - 111 - - 151 -	- 111 - - 151 -					
g	145	165	183					
g1	201	195	200					
k / kBre	388 / 446	410 / 474	450 / 525					
o / oBre	214 / 272	236 / 300	276 / 351					
m	-4	6	9					
n	236	236	236					
p	156	156	156					



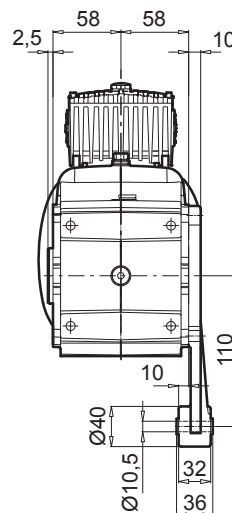
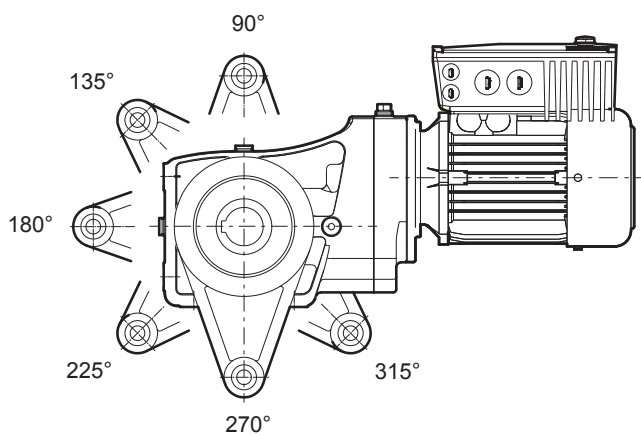
SK 92072.1 AB



SK 92072.1 ASH



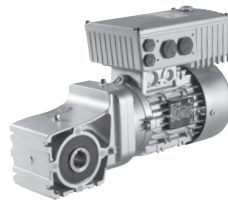
SK 92072.1 AD



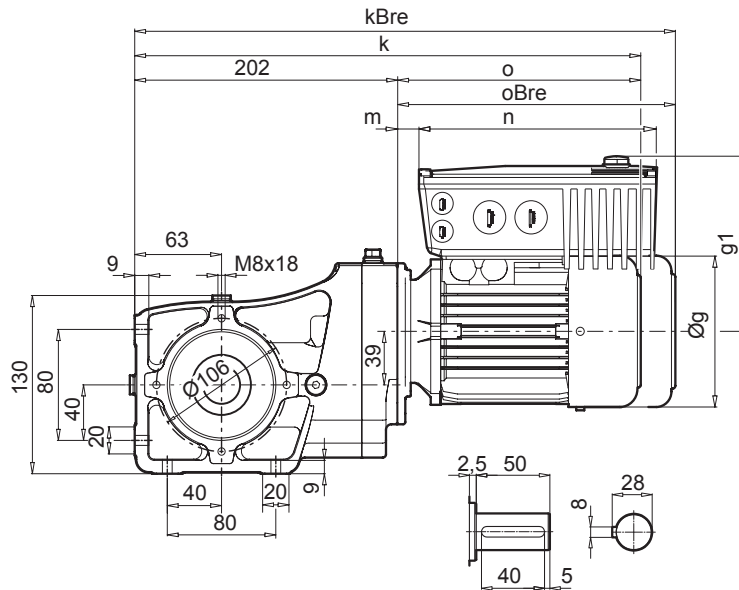
Motor + SK180E

IE1 IE2 IE3	71 S/L -	- 80 SH/LH - /LP	- 90 SH SP			
SK180E 340-B (-C)	- 550 - - 750 -	- 550 - - 750 - - 111 -	- 151 -	- 111 -	- 151 -	
g	145	165	165	183	183	
g1	184	177	203	182	208	
k / kBre	388 / 446	410 / 474	410 / 474	450 / 525	450 / 525	
o / oBre	214 / 272	236 / 300	236 / 300	276 / 351	276 / 351	
m	-4	6	6	9	9	
n	221	221	255	221	255	
p	154	154	165	154	165	

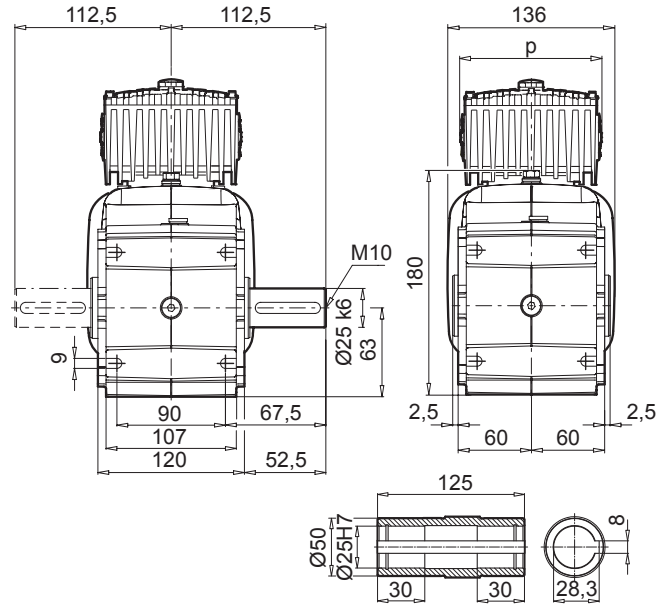
SK 92172.1



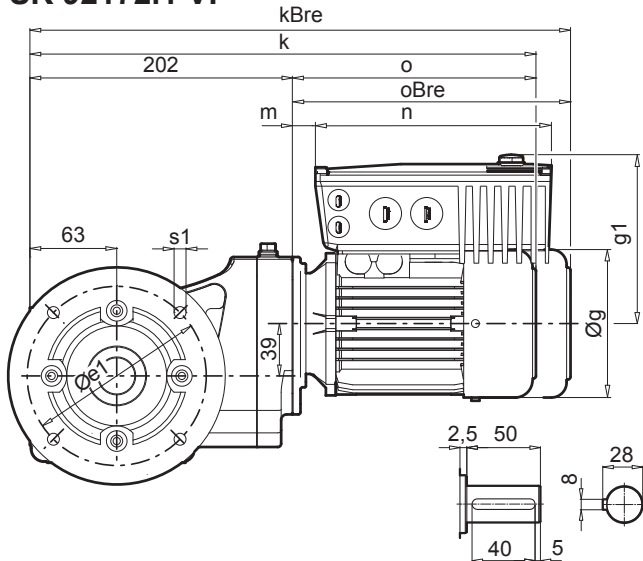
SK 92172.1 V



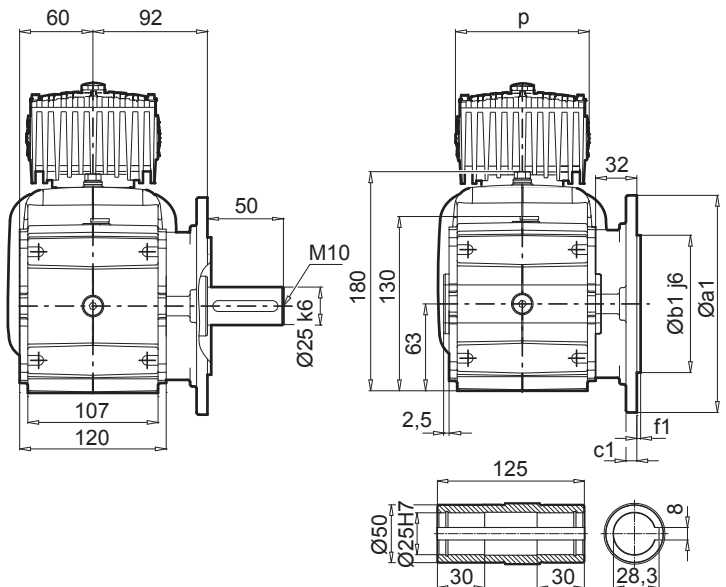
SK 92172.1 A



SK 92172.1 VF



SK 92172.1 AF

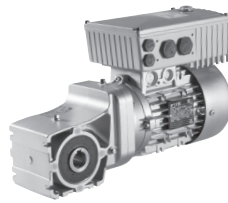


Helical-bevel gear units

a1	b1	c1	e1	f1	s1
160	110	12	130	3,5	9

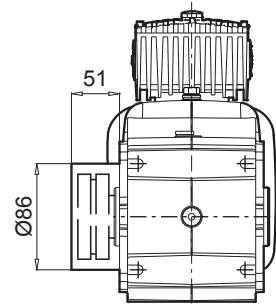
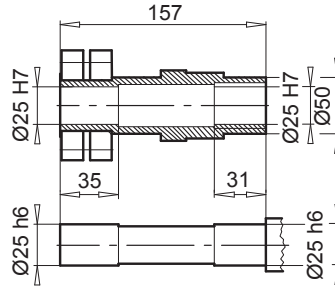
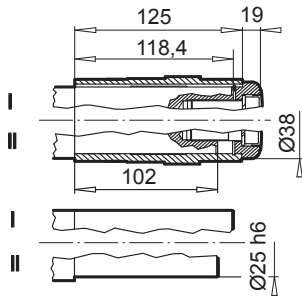
Motor + SK200E

IE1 IE2 IE3	71 S/L - -	- 80 SH/LH - /LP	- 90 SH/LH SP/LP					
SK 200E 340-A (-C)	- 550 - - 750 -	- 550 - - 750 - - 111 - - 151 -	- 111 - - 151 - - 221 -					
g	145	165	183					
g1	201	195	200					
k / kBre	416 / 474	438 / 502	478 / 553					
o / oBre	214 / 272	236 / 300	276 / 351					
m	- 4	6	9					
n	236	236	236					
p	156	156	156					

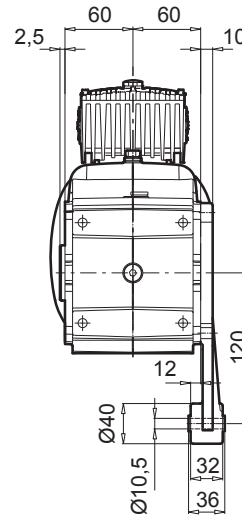
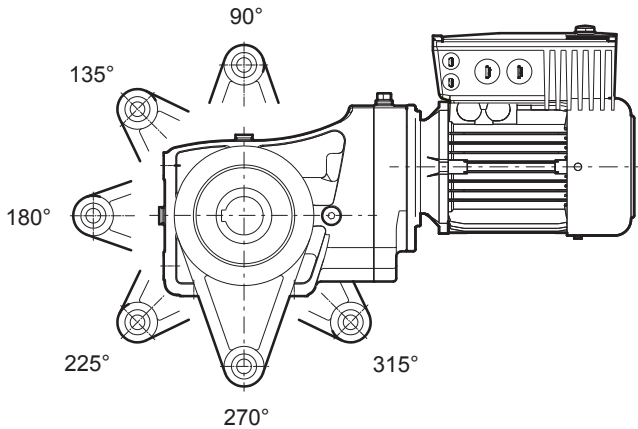


SK 92172.1 AB

SK 92172.1 ASH



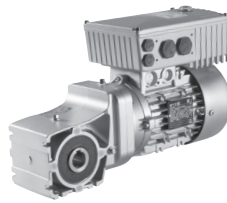
SK 92172.1 AD



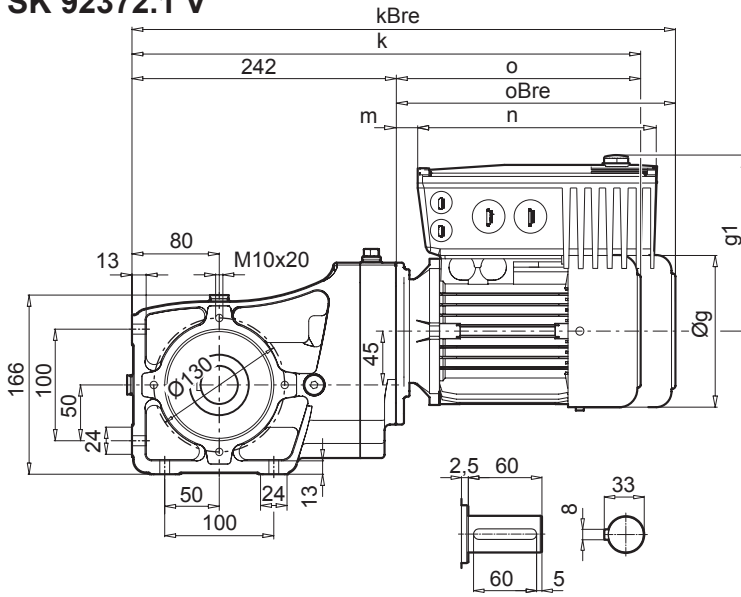
Motor + SK180E

IE1 IE2 IE3	71 S/L -	- 80 SH/LH - /LP		- 90 SH/LH SP/LP				
SK 180E 340-B (-C)	- 550 - - 750 -	- 550 - - 750 - - 111 -	- 151 -	- 111 -	- 151 - - 221 -			
g	145	165	165	183	183			
g1	184	177	203	182	208			
k / kBre	416 / 474	438 / 502	438 / 502	478 / 553	478 / 553			
o / oBre	214 / 272	236 / 300	236 / 300	276 / 351	276 / 351			
m	- 4	6	6	9	9			
n	221	221	255	221	255			
p	154	154	165	154	165			

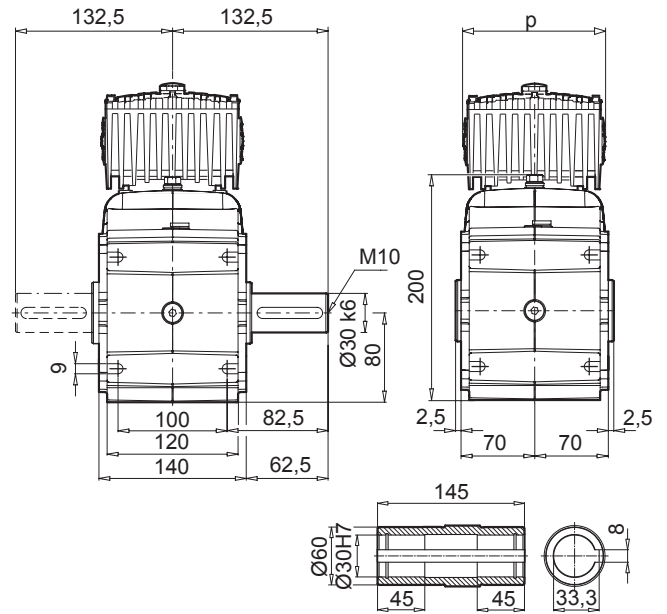
SK 92372.1



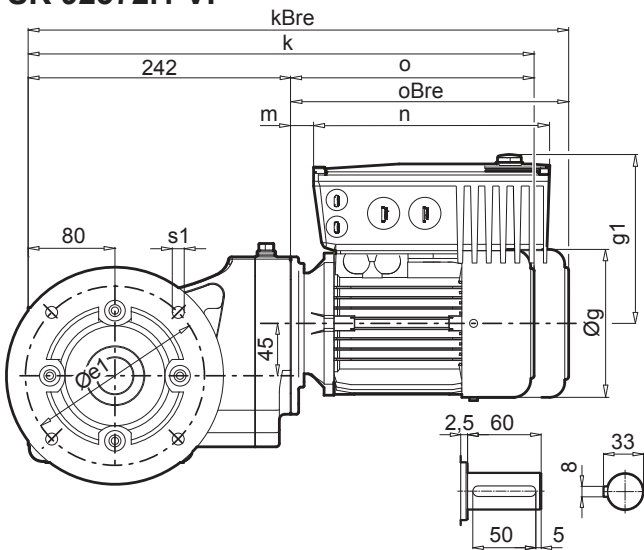
SK 92372.1 V



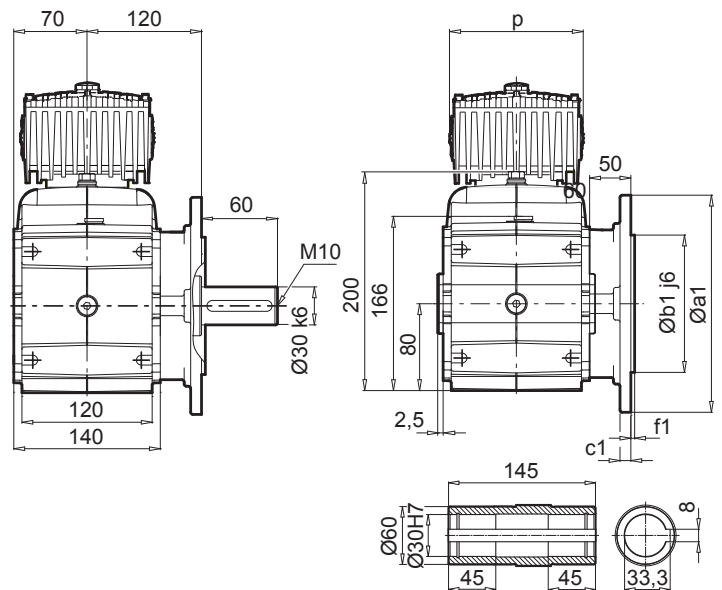
SK 92372.1 A



SK 92372.1 VF



SK 92372.1 AF

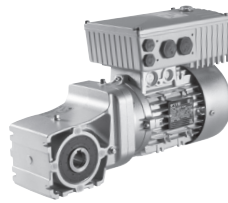


Helical-bevel gear units

a1	b1	c1	e1	f1	s1
160	110	12	130	3,5	9
200	130	12	165	3,5	11

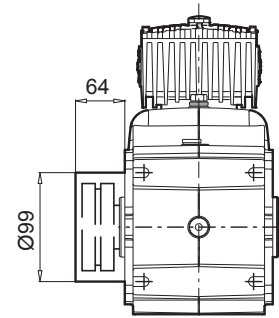
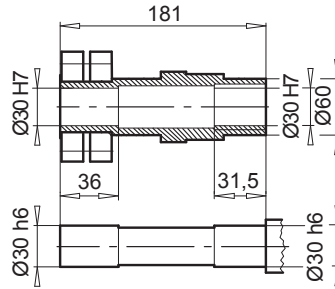
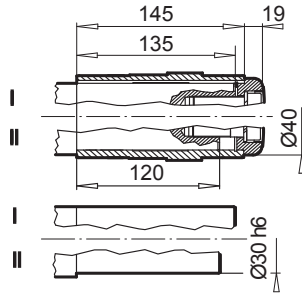
Motor + SK200E

IE1 IE2 IE3	71 S/L -	- 80 SH/LH - /LP	- 90 SH/LH SP/LP	- 100 LH/AH LP/AP			
SK 200E 340-A (-C)	- 550 - - 750 -	- 550 - - 750 - - 111 - - 151 -	- 111 - - 151 - - 221 -	- 301 -	- 221 -	- 301 - - 401 -	- 551 -
g	145	165	183	183	201	201	201
g1	201	195	200	207	211	218	250
k / kBre	478 / 536	503 / 567	544 / 619	544 / 619	574 / 665	574 / 665	574 / 665
o / oBre	236 / 294	261 / 325	302 / 377	302 / 377	332 / 423	332 / 423	332 / 423
m	18	30	35	35	41	41	33
n	236	236	236	266	236	266	330
p	156	156	156	176	156	176	218

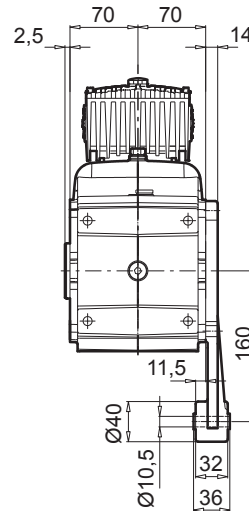
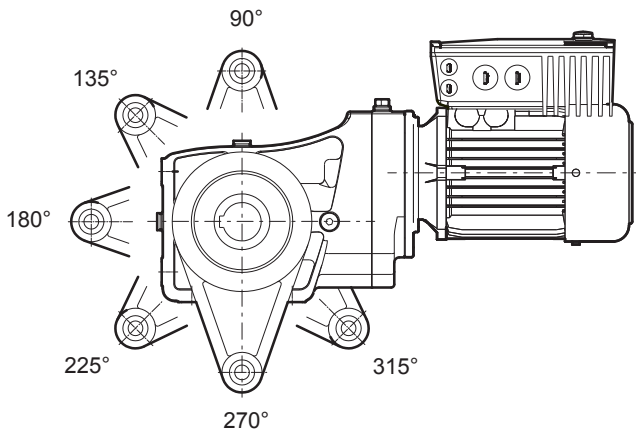


SK 92372.1 AB

SK 92372.1 ASH



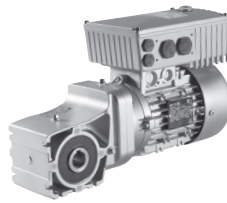
SK 92372.1 AD



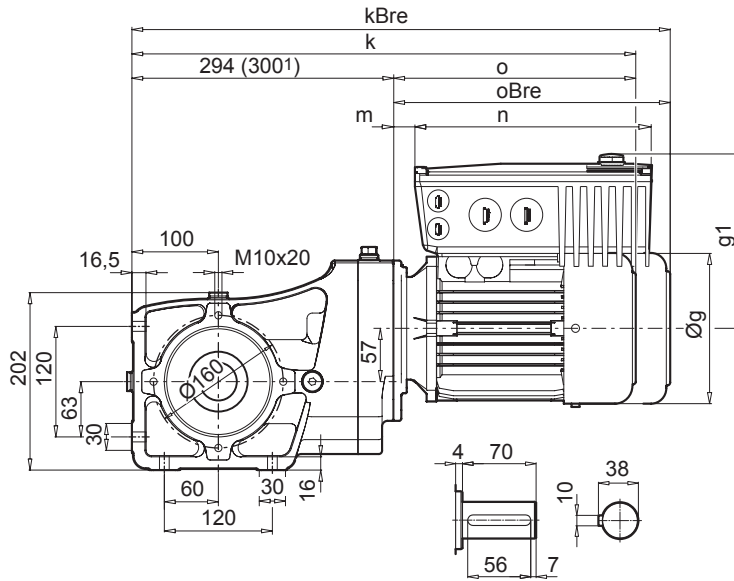
Motor + SK180E

IE1 IE2 IE3	71 S/L - -	- 80 SH/LH - /LP		- 90 SH/LH SP/LP		- 100 LH LP			
SK 180E 340-B (-C)	- 550 - - 750 -	- 550 - - 750 - - 111 -	- 151 -	- 111 -	- 151 - - 221 -	- 221 -			
g	145	165	165	183	183	201			
g1	184	177	203	182	208	219			
k / kBre	478 / 536	503 / 567	503 / 567	544 / 619	544 / 619	574 / 665			
o / oBre	236 / 294	261 / 325	261 / 325	302 / 377	302 / 377	332 / 423			
m	18	30	30	35	35	41			
n	221	221	255	221	255	255			
p	154	154	165	154	165	165			

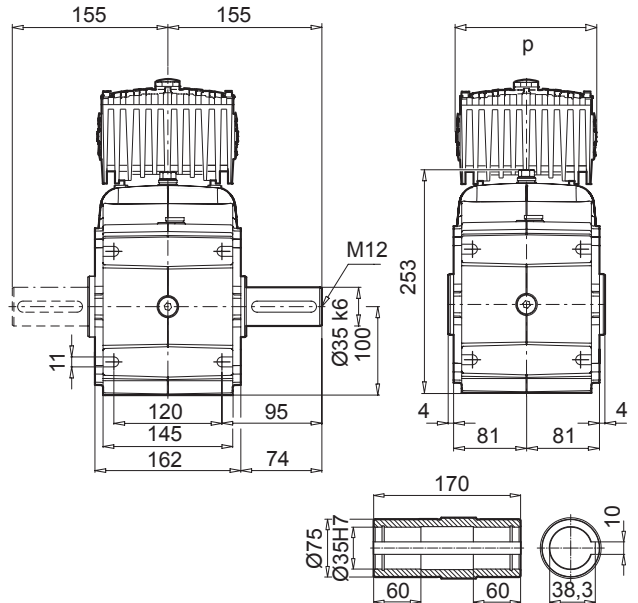
SK 92672.1



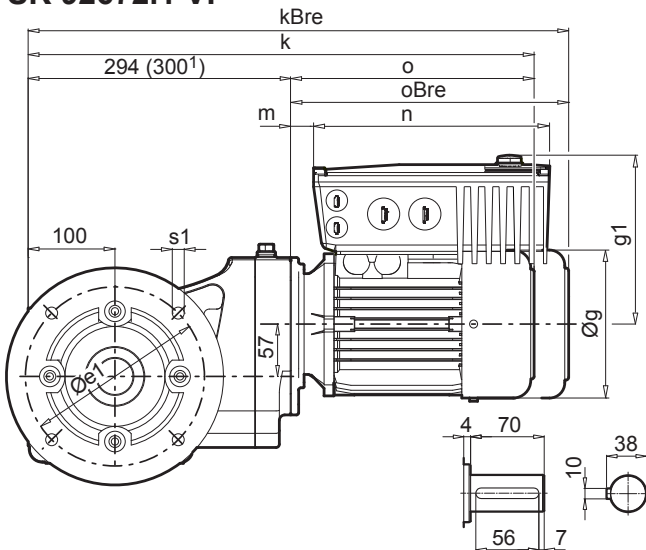
SK 92672.1 V



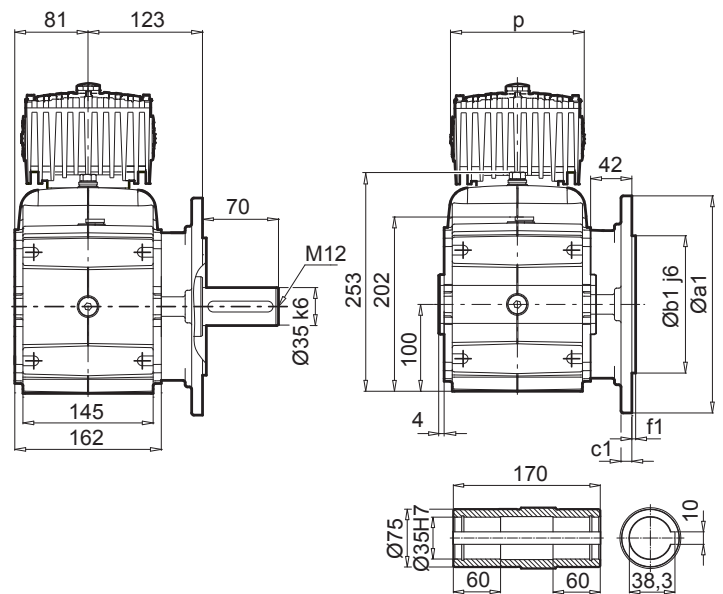
SK 92372.1 A



SK 92672.1 VF



SK 92672.1 AF

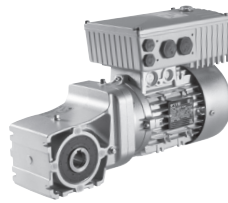


Helical-bevel gear units

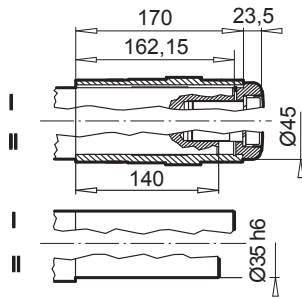
a1	b1	c1	e1	f1	s1
160	110	10	130	3,5	9
200	130	12	165	3,5	11,4

Motor + SK200E

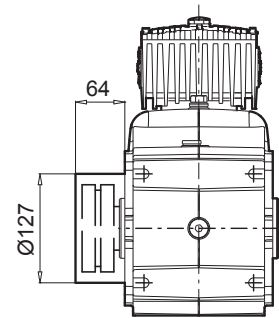
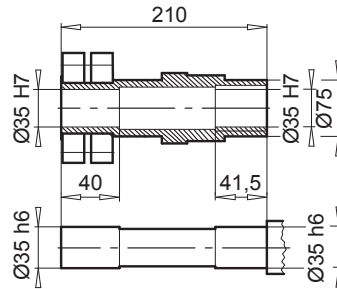
IE1 IE2 IE3	71 S/L - -	- 80 SH/LH - /LP	- 90 SH/LH SP/LP	- 100 LH/AH LP/AP	- 112 MH MP	1) - 132 SH/MH/LH SP/MP/ -					
SK 200E 340-A (-C)	- 550 - - 750 -	- 550 - - 750 - - 111 - - 151 -	- 111 - - 151 - - 221 -	- 301 -	- 221 - - 301 - - 401 -	- 551 - - 401 - - 551 - - 751 -	- 401 - - 551 - - 751 -	- 551 - - 751 -	- 551 - - 751 -	- 112 -	
g	145	165	183	183	201	201	201	228	228	266	266
g1	201	195	200	207	211	218	250	228	260	262	312
k / kBre	530 / 588	555 / 619	596 / 671	596 / 671	626 / 717	626 / 717	626 / 717	674 / 767	674 / 767	735 / 842	735 / 842
o / oBre	236 / 294	261 / 325	302 / 377	302 / 377	332 / 423	332 / 423	332 / 423	380 / 473	380 / 473	435 / 542	435 / 542
m	18	30	35	35	41	41	33	47	39	49	-8
n	236	236	236	266	236	266	330	266	330	330	480
p	156	156	156	176	156	176	218	176	218	218	305



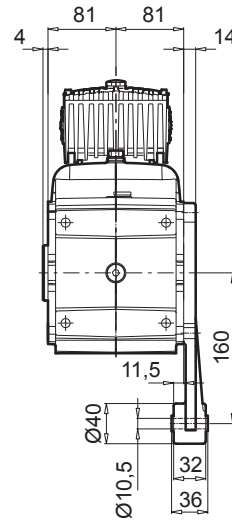
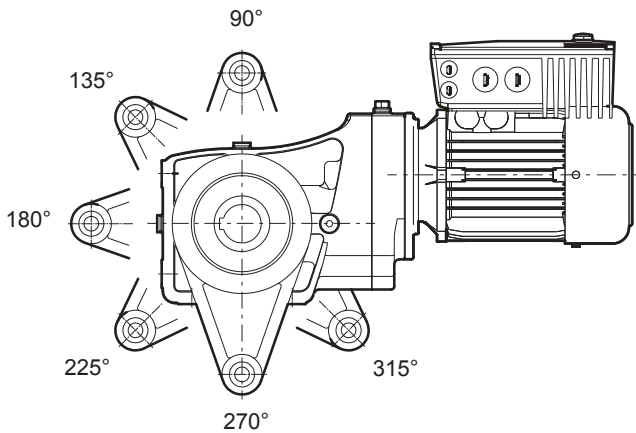
SK 92672.1 AB



SK 92672.1 ASH



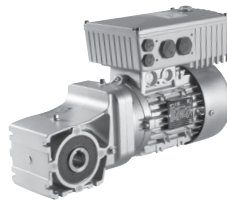
SK 92672.1 AD



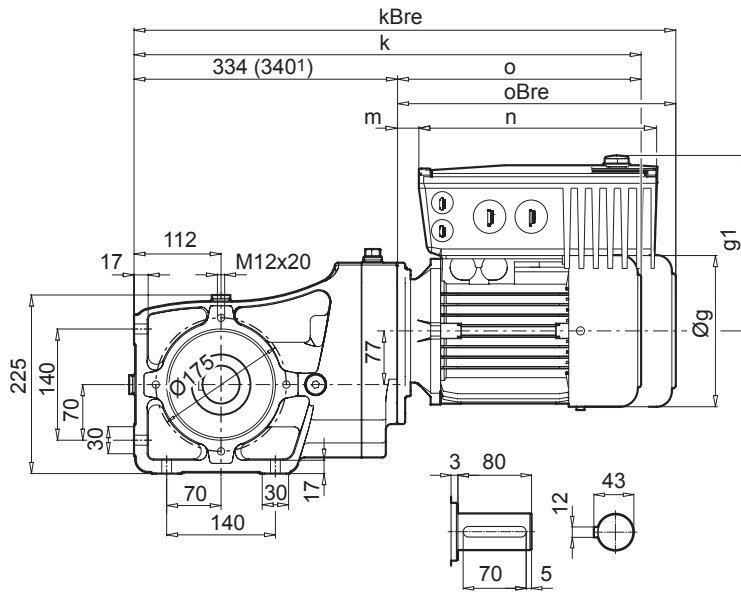
Motor + SK180E

IE1 IE2 IE3	71 S/L - -	- 80 SH/LH - /LP	- 90 SH/LH SP/LP	- 100 LH LP					
SK 180E 340-B (-C)	- 550 - - 750 -	- 550 - - 750 - - 111 -	- 151 -	- 111 -	- 151 - - 221 -	- 221 -			
g	145	165	165	183	183	201			
g1	184	177	203	182	208	219			
k / kBre	530 / 588	555 / 619	555 / 619	596 / 671	596 / 671	626 / 717			
o / oBre	236 / 294	261 / 325	261 / 325	302 / 377	302 / 377	332 / 423			
m	18	30	30	35	35	41			
n	221	221	255	221	255	255			
p	154	154	165	154	165	165			

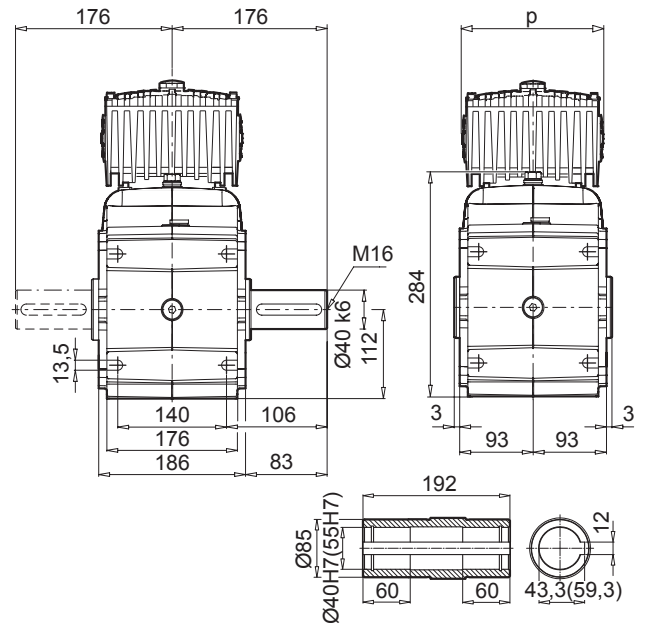
SK 92772.1



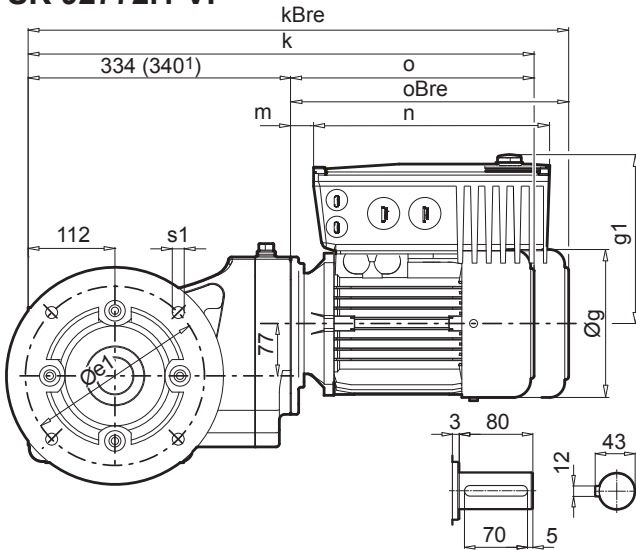
SK 92772.1 V



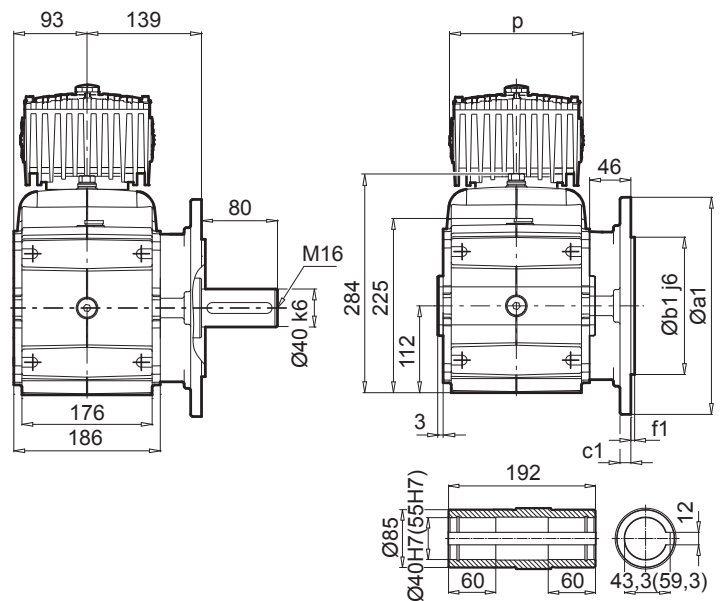
SK 92772.1 A



SK 92772.1 VF



SK 92772.1 AF

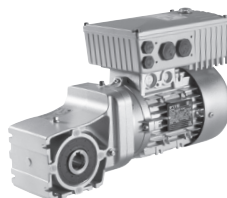


Helical-bevel gear units

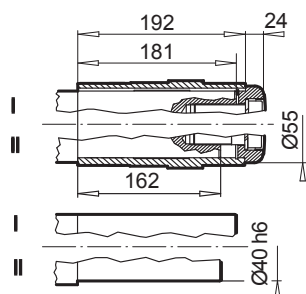
a1	b1	c1	e1	f1	s1
250	180	15	215	4	13,5

Motor + SK200E

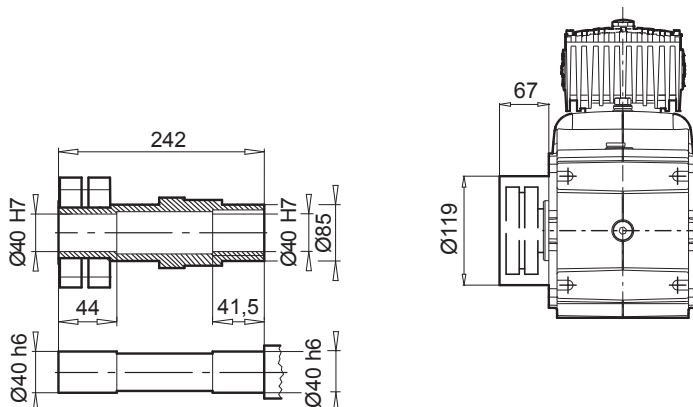
IE1 IE2 IE3	- 80 LH LP	- 90 SH/LH SP/LP	- 100 LH/AH LP/AP	- 112 MH MP	1) 132 SH/MH/LH SP/MP/ -	
SK 200E 340-A (-C)	- 750 - - 151 -	- 111 - - 151 - - 221 -	- 221 - - 301 - - 401 -	- 551 - - 751 -	- 551 - - 751 -	- 112 - - 305 -
g	165	183	183	201	201	201
g1	195	200	207	211	218	250
k / kBre	595 / 659	636 / 711	636 / 711	666 / 757	666 / 757	666 / 757
o / oBre	261 / 325	302 / 377	302 / 377	332 / 423	332 / 423	332 / 423
m	30	35	35	41	41	33
n	236	236	266	236	266	330
p	156	156	156	156	176	218



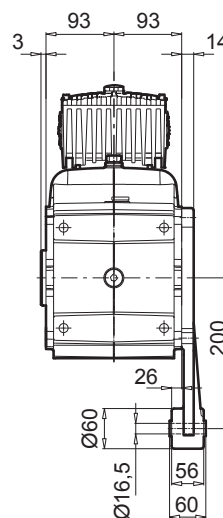
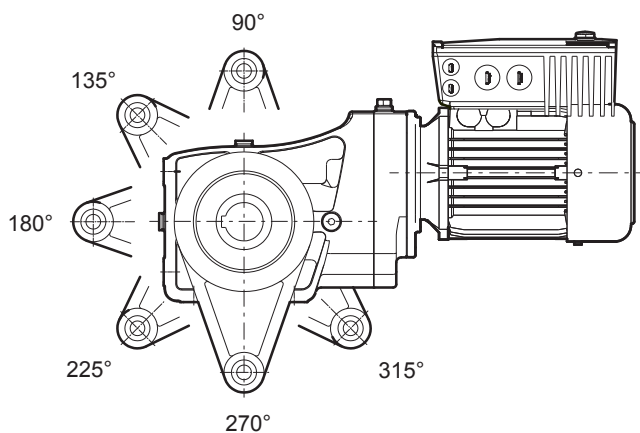
SK 92772.1 AB



SK 92772.1 ASH



SK 92772.1 AD



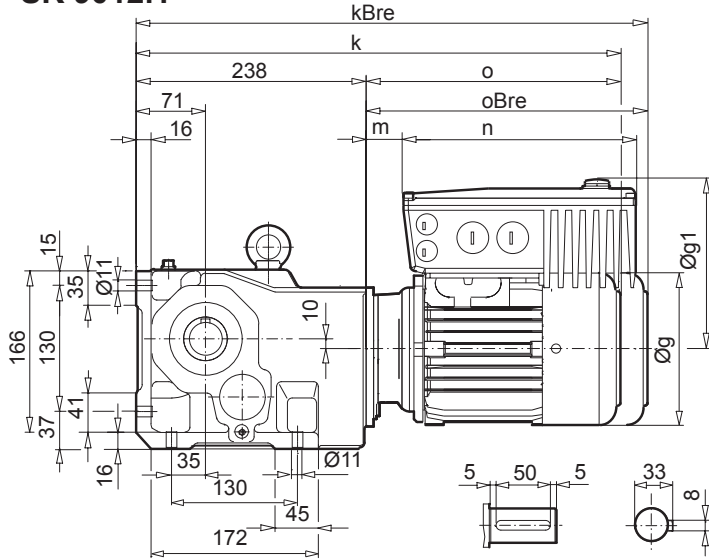
Motor + SK180E

IE1 IE2 IE3	80 LH LP		90 SH/LH SP/LP		100 LH LP				
	- 750 - - 111 -	- 151 -	- 111 -	- 151 - - 221 -	- 221 -				
g	165	165	183	183	201				
g1	177	203	182	208	219				
k / kBre	595 / 659	595 / 659	636 / 711	636 / 711	666 / 757				
o / oBre	261 / 325	261 / 325	302 / 377	302 / 377	332 / 423				
m	30	30	35	35	41				
n	221	255	221	255	255				
p	154	165	154	165	165				

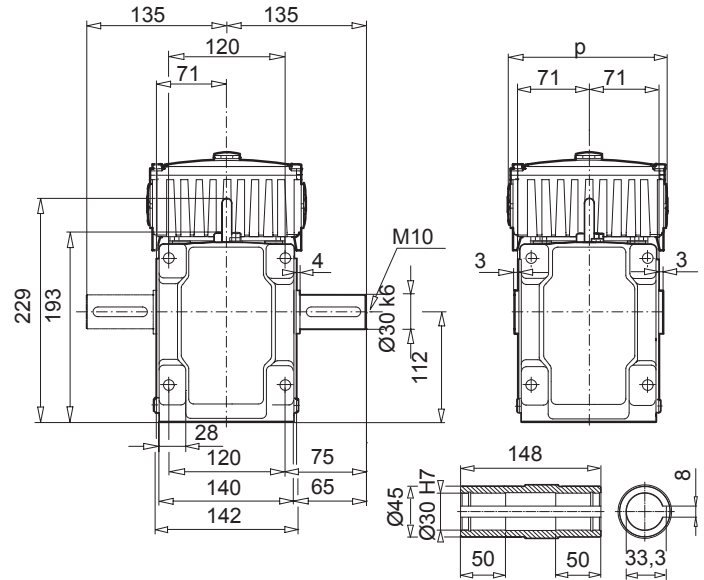
SK 9012.1



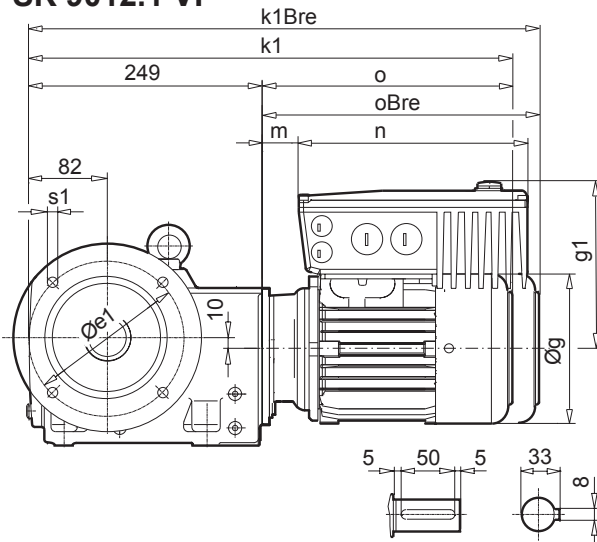
SK 9012.1



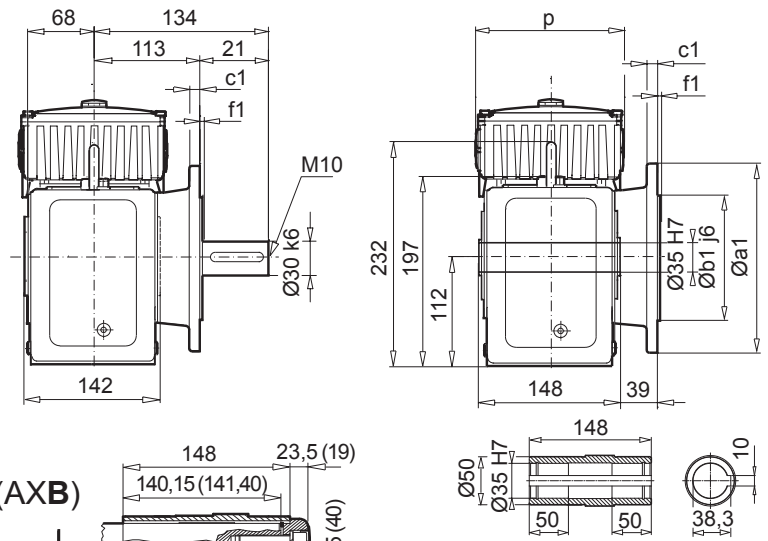
SK 9012.1 AX



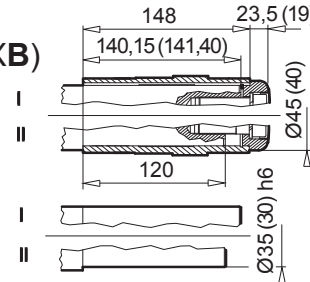
SK 9012.1 VF



SK 9012.1 AF



SK 9012.1 AFB(AXB)



Helical-bevel gear units

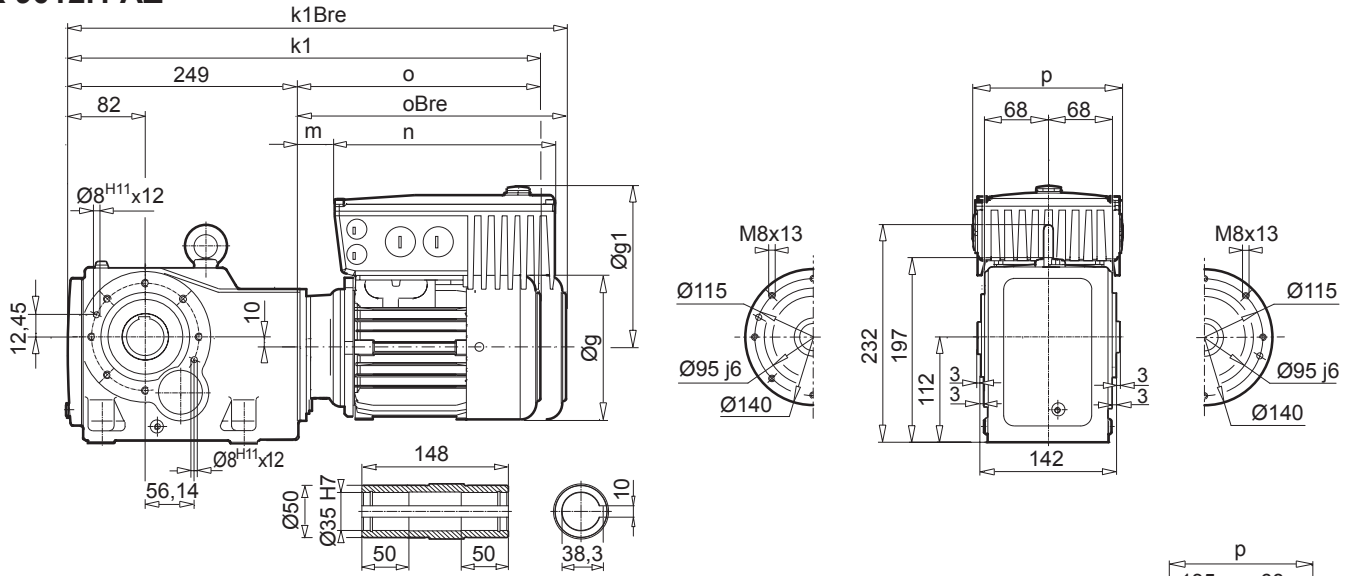
a1	b1	c1	e1	f1	s1
200	130	12	165	3,5	4 x 11

Motor + SK200E

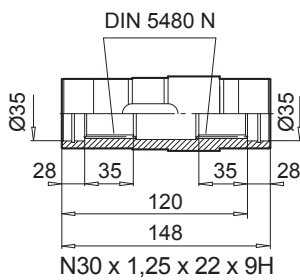
IE1 IE2 IE3	71 S/L - -	- 80 SH/LH -/LP	- 90 SH/LH SP/LP		- 100 LH/AH LP/AP			- 112 MH MP	
SK 200E 340-A (-C)	- 550 - - 750 -	- 550 - - 750 - - 111 - - 151 -	- 111 - - 151 - - 221 -	- 301	- 221 -	- 301 - - 401 -	- 551 -	- 401 -	- 551 -
g	145	165	183	183	201	201	201	228	228
g1	201	195	200	207	211	218	251	228	261
k / kBre	474 / 532	499 / 563	540 / 615	540 / 615	570 / 661	570 / 661	570 / 661	618 / 711	618 / 711
k1 / k1Bre	485 / 543	510 / 574	551 / 626	551 / 626	581 / 672	581 / 672	581 / 672	629 / 722	629 / 722
o / oBre	236 / 294	261 / 325	302 / 377	302 / 377	332 / 423	332 / 423	332 / 423	380 / 473	380 / 473
m	18	30	35	35	41	41	33	47	39
n	236	236	236	266	236	266	330	266	330
p	156	156	156	176	156	176	218	176	218



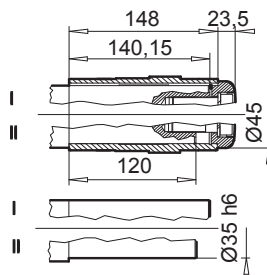
SK 9012.1 AZ



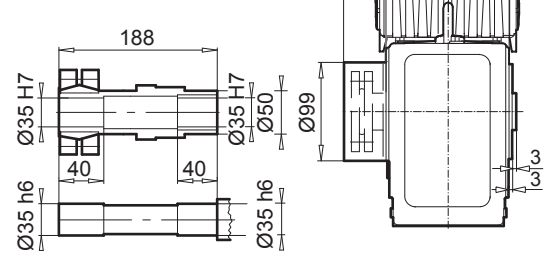
SK 9012.1 AZEA



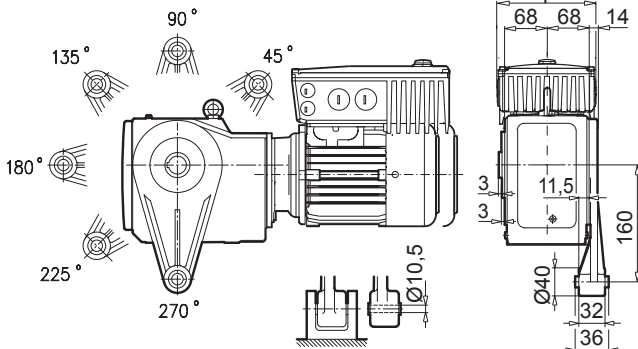
SK 9012.1 AZB



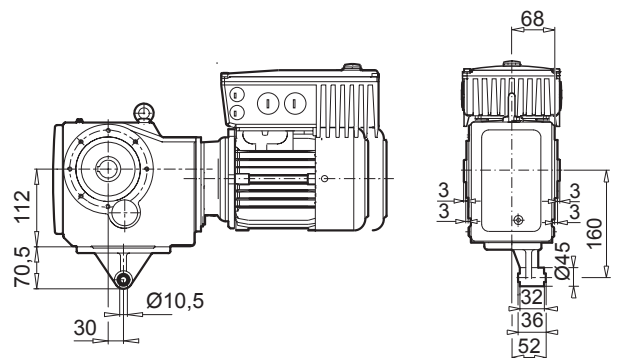
SK 9012.1 AZSH



SK 9012.1 AZD



SK 9012.1 AZK



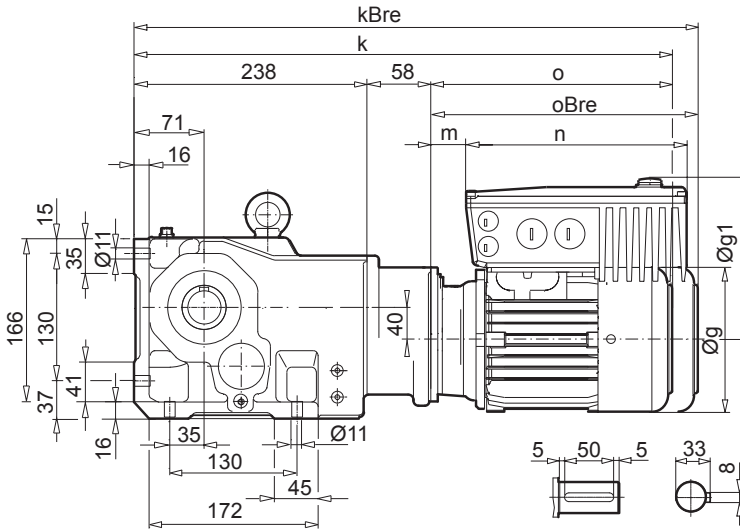
Motor + SK180E

	71 S/L - IE2 - IE3	80 SH/LH - /LP	90 SH/LH SP/LP	100 LH LP				
SK 180E 340-B (-C)	- 550 - - 750 -	- 550 - - 750 - - 111 -	- 151 -	- 111 - - 151 - - 221 -	- 221 -			
g	145	165	165	183	183	201		
g1	184	177	203	182	208	219		
k / kBre	474 / 532	499 / 563	499 / 563	540 / 615	540 / 615	570 / 661		
k1 / k1Bre	485 / 543	510 / 574	510 / 574	551 / 626	551 / 626	581 / 672		
o / oBre	236 / 294	261 / 325	261 / 325	302 / 377	302 / 377	332 / 423		
m	18	30	30	35	35	41		
n	221	221	255	221	255	255		
p	154	154	165	154	165	165		

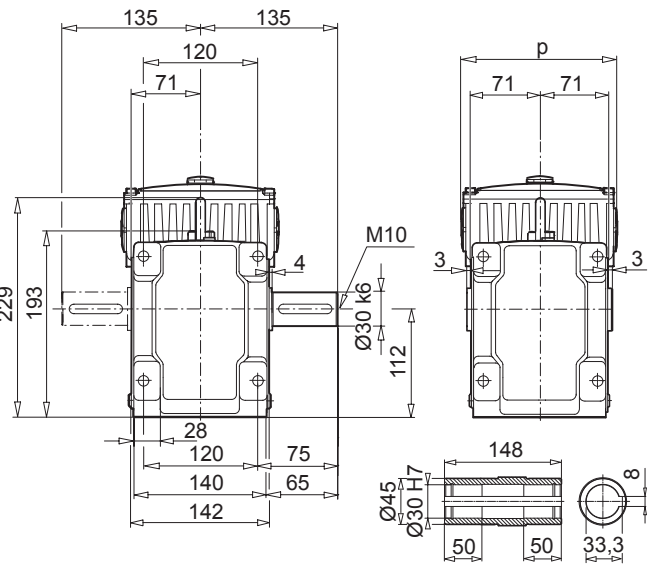
SK 9013.1



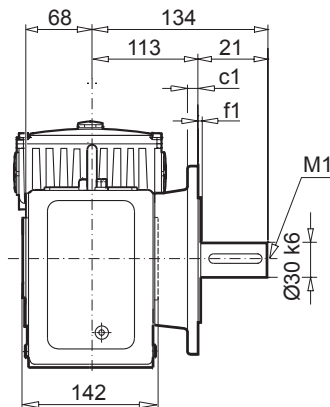
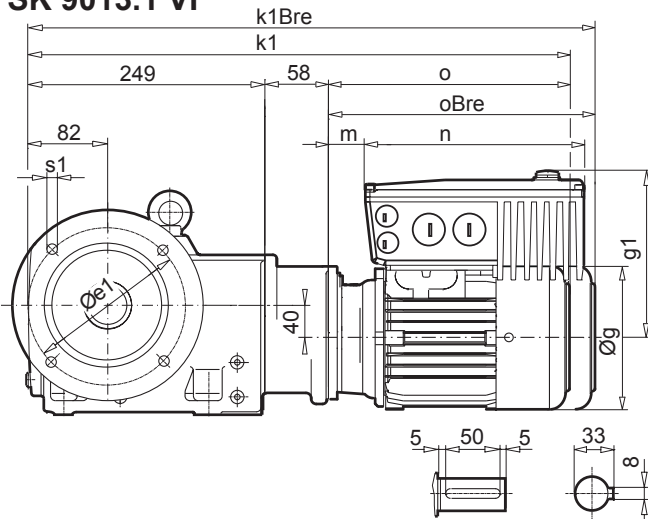
SK 9013.1



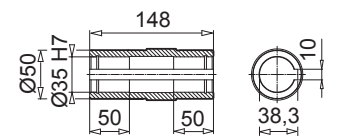
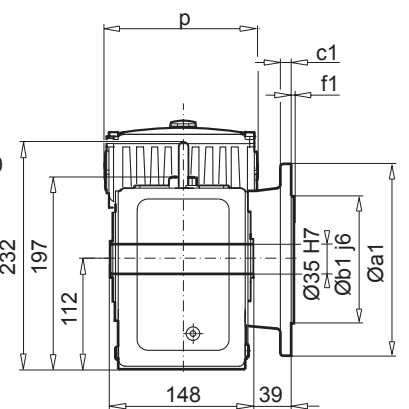
SK 9013.1 AX



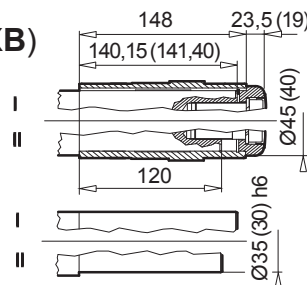
SK 9013.1 VF



SK 9013.1 AF



SK 9012.1 AFB(AXB)



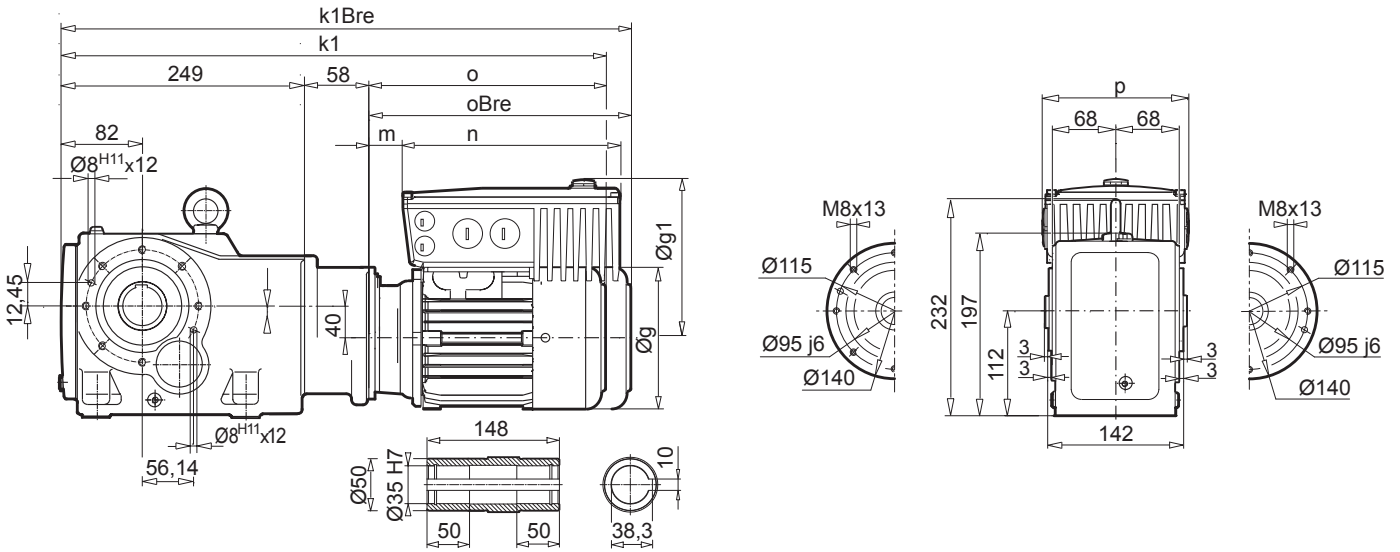
a1	b1	c1	e1	f1	s1
200	130	12	165	3,5	4 x 11

Motor + SK200E

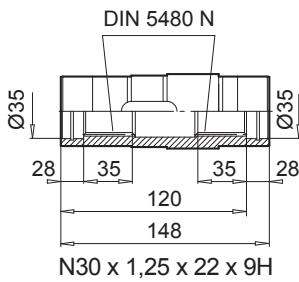
IE1	71 S/L								
IE2	-								
IE3	-								
SK 200E	- 550 -								
340-A (-C)									
g	145								
g1	201								
k / kBre	532 / 590								
k1 / kBre	543 / 601								
o / oBre	236 / 294								
m	18								
n	236								
p	156								



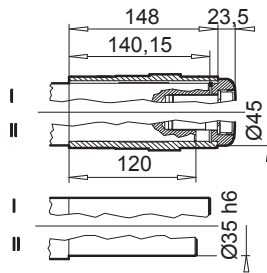
SK 9013.1 AZ



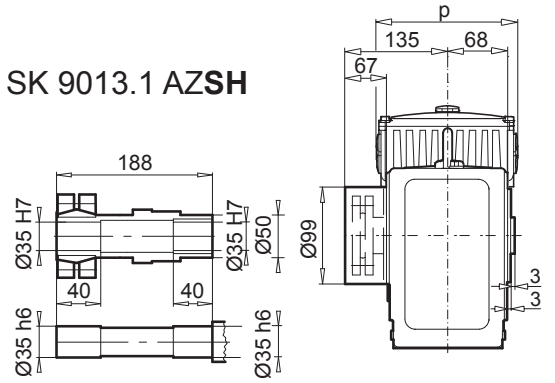
SK 9013.1 AZEA



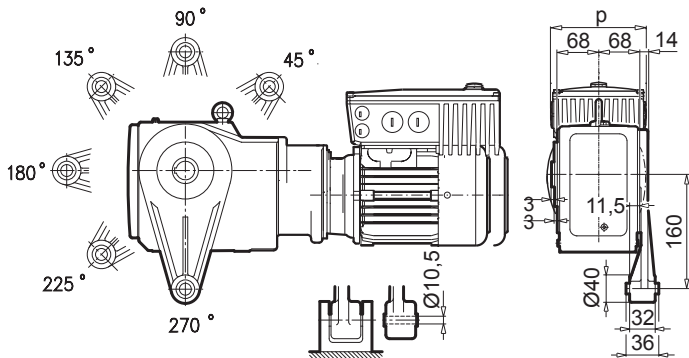
SK 9013.1 AZB



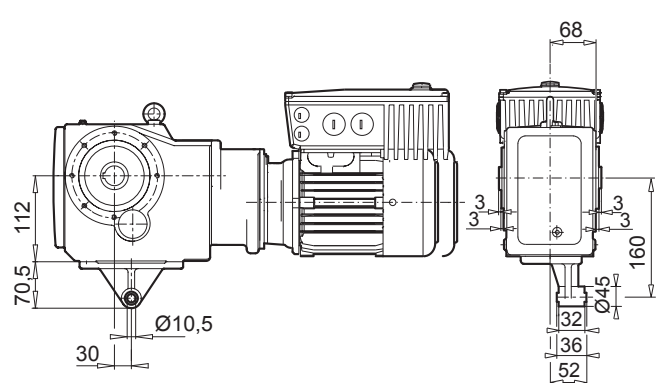
SK 9013.1 AZSH



SK 9013.1 AZD



SK 9013.1 AZK



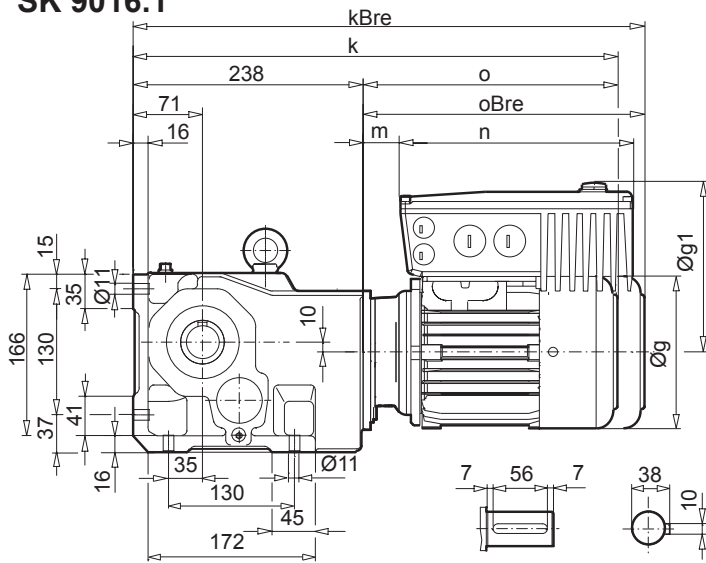
Motor + SK180E

IE1	71 S/L								
IE2	-								
IE3	-								
SK 180E 340-B (-C)	- 550 -								
g	145								
g1	184								
k / kBre	532 / 590								
k1 / kBre	543 / 601								
o / oBre	236 / 294								
m	18								
n	221								
p	154								

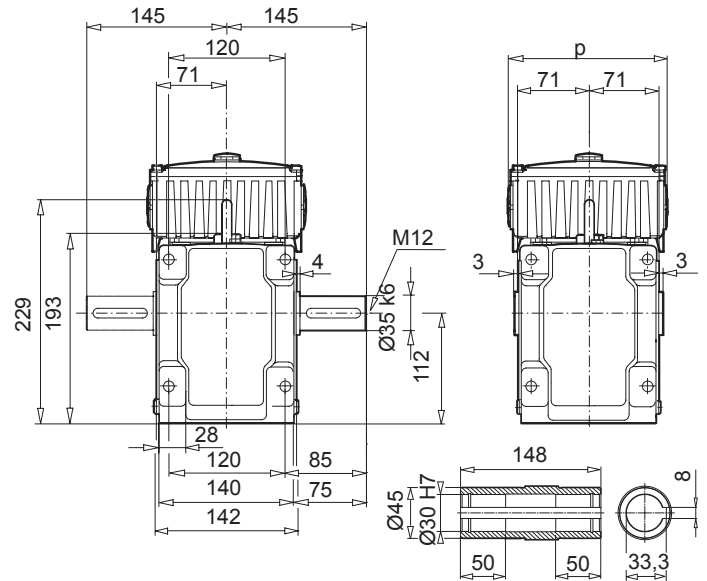
SK 9016.1



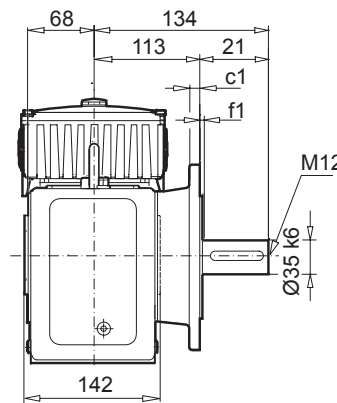
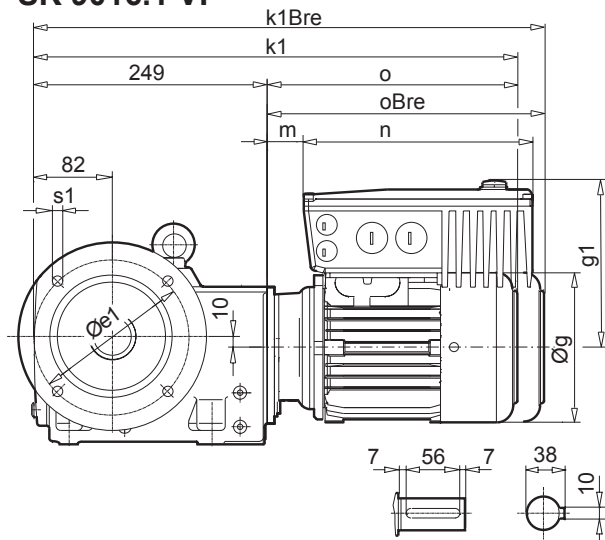
SK 9016.1



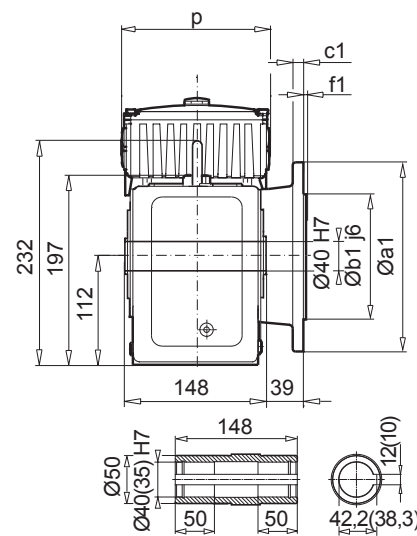
SK 9016.1 AX



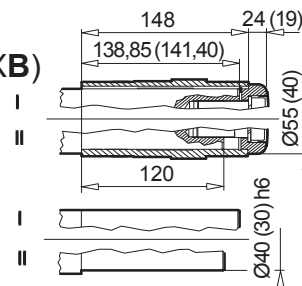
SK 9016.1 VF



SK 9016.1 AF



SK 9016.1 AFB(AXB)



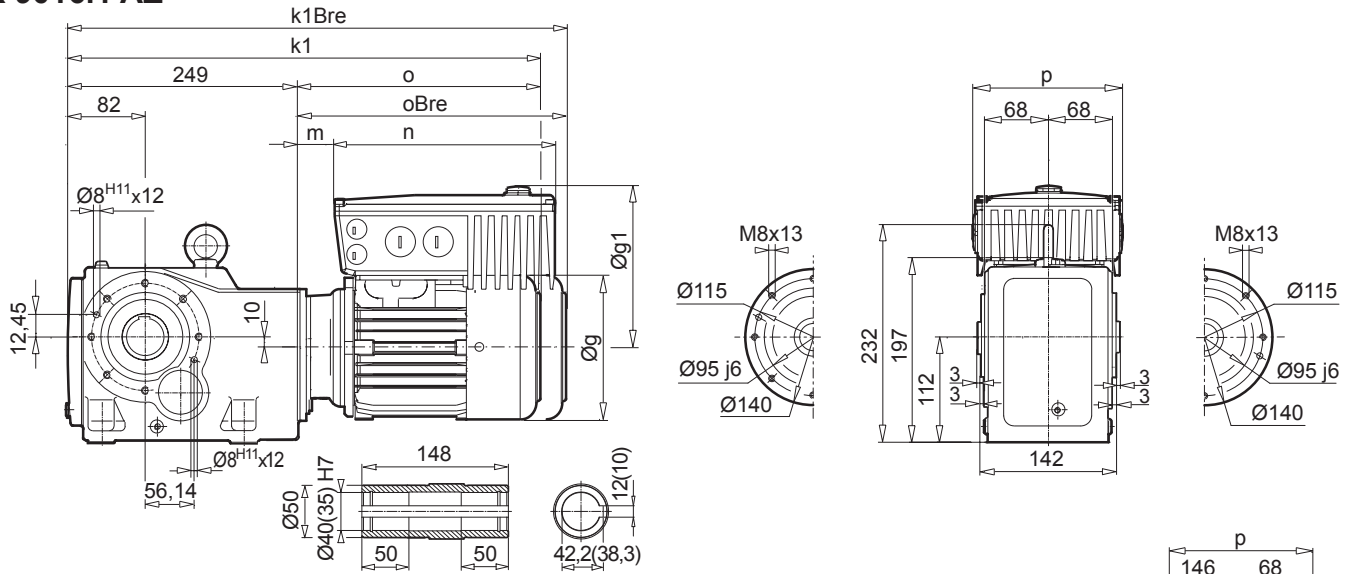
a1	b1	c1	e1	f1	s1
200	130	12	165	3,5	4 x 11

Motor + SK200E

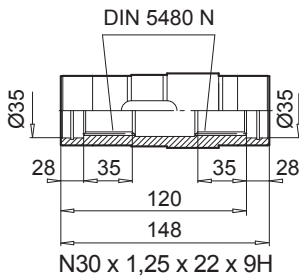
IE1 IE2 IE3	71 S/L - -	- 80 SH/LH - /LP	- 90 SH/LH SP/LP	- 100 LH/AH LP/AP	- 112 MH MP				
SK 200E 340-A (-C)	- 550 - - 750 -	- 550 - - 750 - - 111 - - 151 -	- 111 - - 151 - - 221 -	- 301	- 221 - - 301 - - 401 -	- 551 - - 401 - - 551 -			
g	145	165	183	183	201	201	201	228	228
g1	201	195	200	207	211	218	250	228	260
k / kBre	474 / 532	499 / 563	540 / 615	540 / 615	570 / 661	570 / 661	570 / 661	618 / 711	618 / 711
k1 / k1Bre	485 / 543	510 / 574	551 / 626	551 / 626	581 / 672	581 / 672	581 / 672	629 / 722	629 / 722
o / oBre	236 / 294	261 / 325	302 / 377	302 / 377	332 / 423	332 / 423	332 / 423	380 / 473	380 / 473
m	18	30	35	35	41	41	33	47	39
n	236	236	236	266	236	266	330	266	330
p	156	156	156	176	156	176	218	176	218



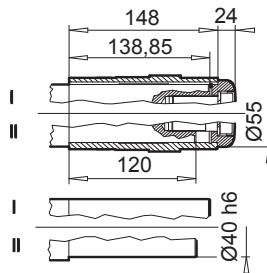
SK 9016.1 AZ



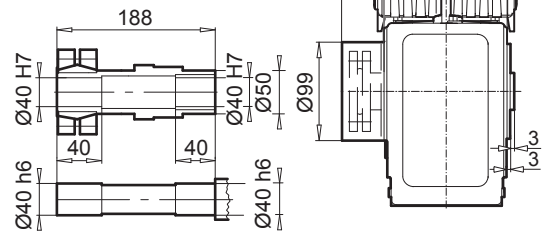
SK 9016.1 AZEA



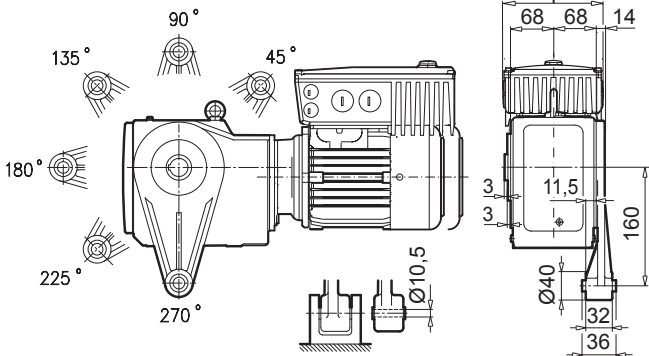
SK 9016.1 AZB



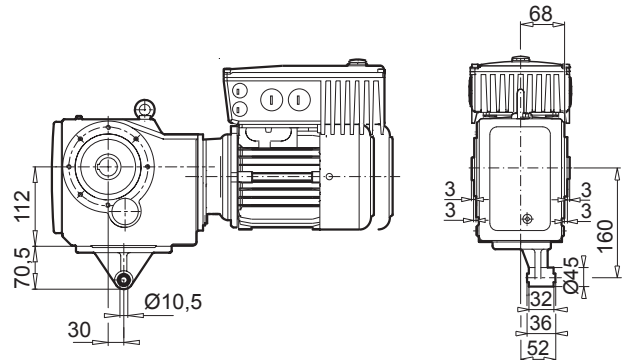
SK 9016.1 AZSH



SK 9016.1 AZD



SK 9016.1 AZK



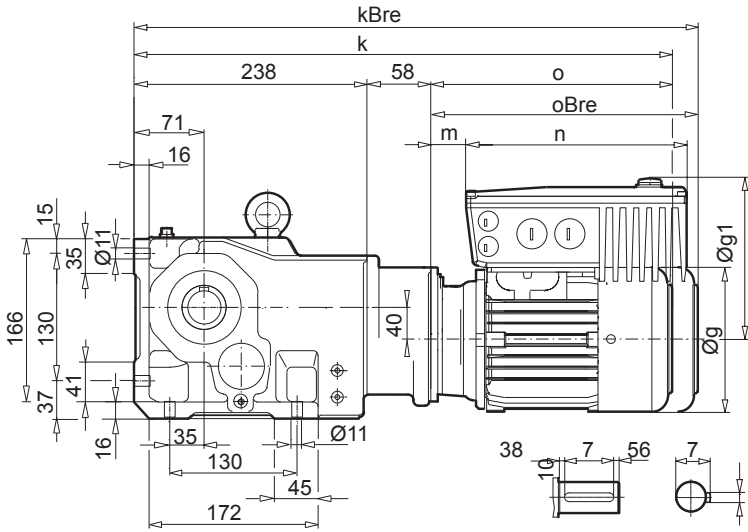
Motor + SK180E

	71 S/L - IE2 IE3	80 SH/LH - /LP	90 SH/LH SP/LP	100 LH LP				
SK 180E 340-B (-C)	- 550 - - 750 -	- 550 - - 750 - - 111 -	- 151 -	- 111 - - 151 - - 221 -	- 221 -			
g	145	165	165	183	183	201		
g1	184	177	203	182	208	219		
k / kBre	474 / 532	499 / 563	499 / 563	540 / 615	540 / 615	570 / 661		
k1 / k1Bre	485 / 543	510 / 574	510 / 574	551 / 626	551 / 626	581 / 672		
o / oBre	236 / 294	261 / 325	261 / 325	302 / 377	302 / 377	332 / 423		
m	18	30	30	35	35	41		
n	221	221	255	221	255	255		
p	154	154	165	154	165	165		

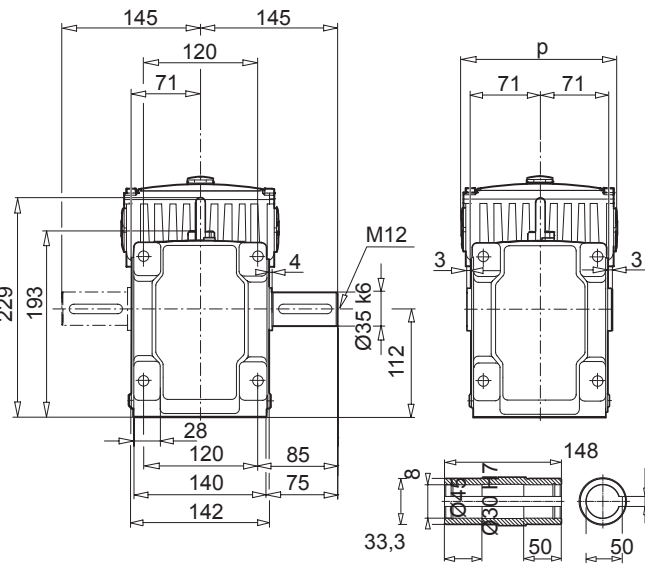
SK 9017.1



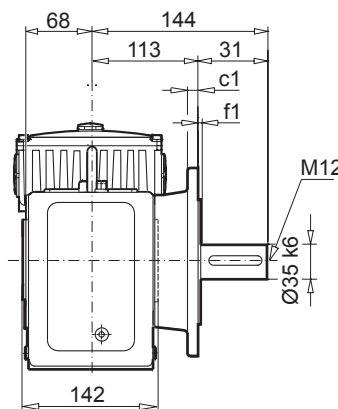
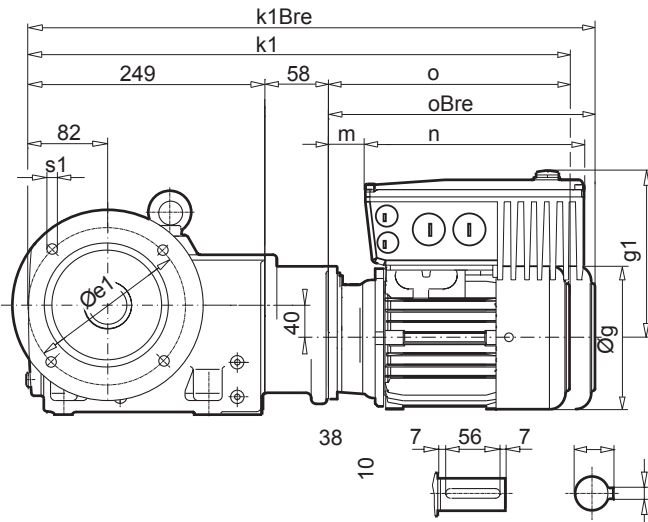
SK 9017.1



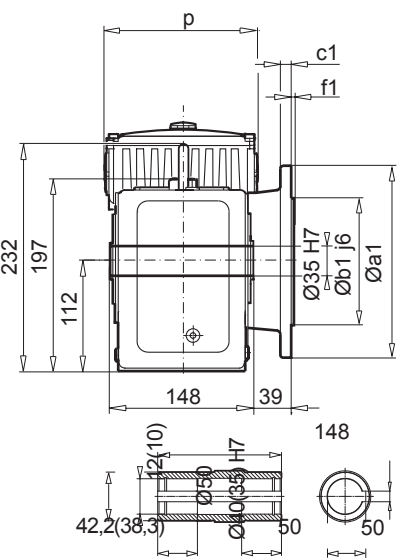
SK 9017.1 AX



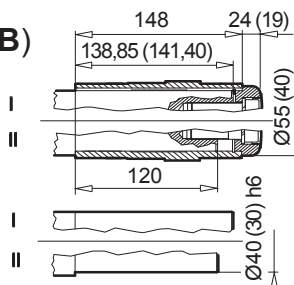
SK 9017.1 VF



SK 9017.1 AF



SK 9017.1 AFB(AXB)



a1	b1	c1	e1	f1	s1
200	130	12	165	3,5	4 x 11

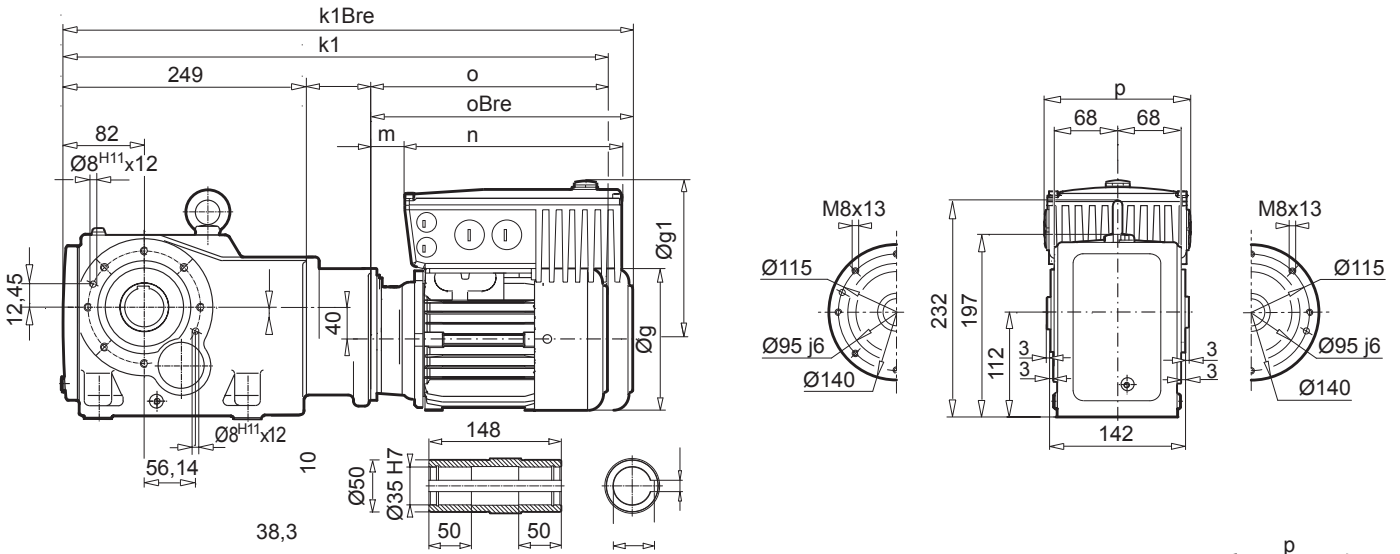
Motor + SK200E

IE1	71 S/L								
IE2	-								
IE3	-								
SK 200E	- 550 -								
340-A (-C)									
g	145								
g1	201								
k / kBre	532 / 590								
k1 / kBre	543 / 601								
o / oBre	236 / 294								
m	18								
n	236								
p	156								

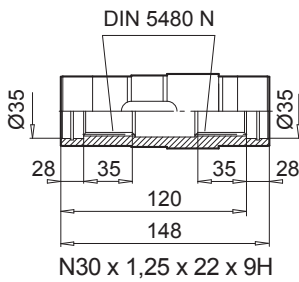
Helical-bevel gear units



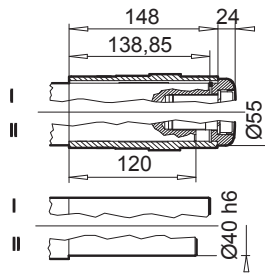
SK 9017.1 AZ



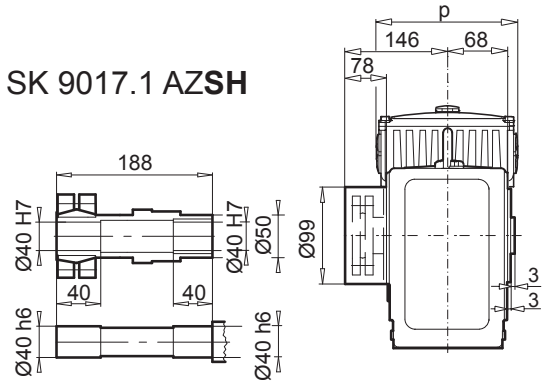
SK 9017.1 AZEA



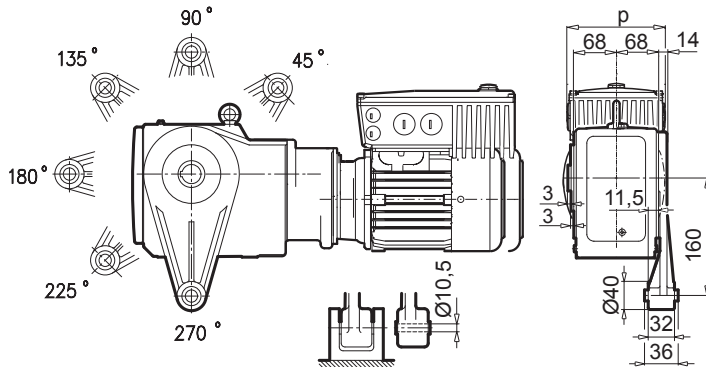
SK 9017.1 AZB



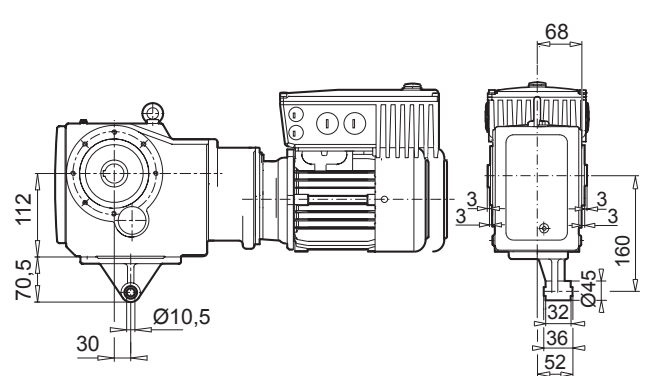
SK 9017.1 AZSH



SK 9017.1 AZD



SK 9017.1 AZK



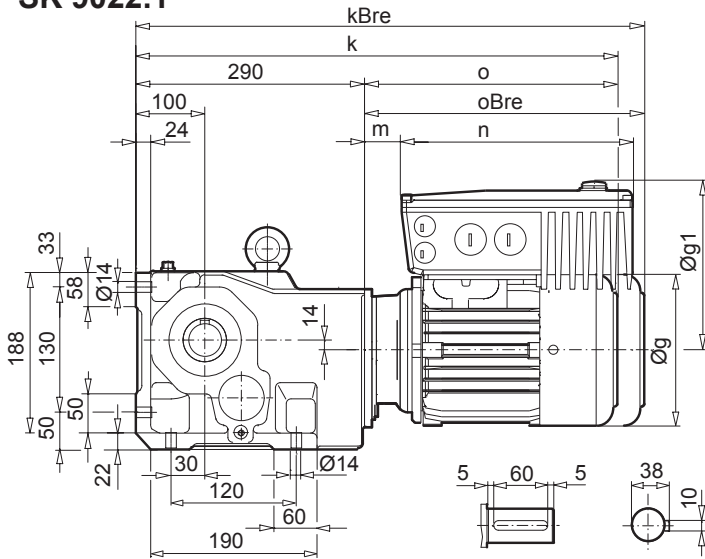
Motor + SK180E

IE1	71 S/L								
IE2	-								
IE3	-								
SK 180E 340-B (-C)	- 550 -								
g	145								
g1	184								
k / kBre	532 / 590								
k1 / kBre	543 / 601								
o / oBre	236 / 294								
m	18								
n	221								
p	154								

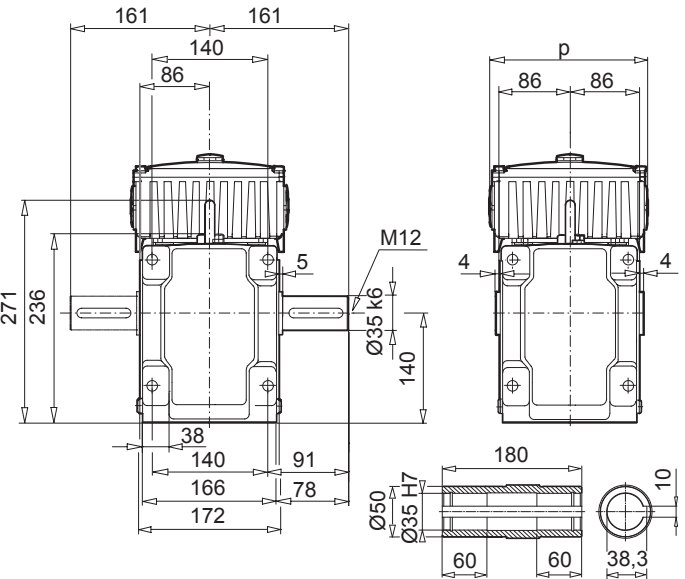
SK 9022.1



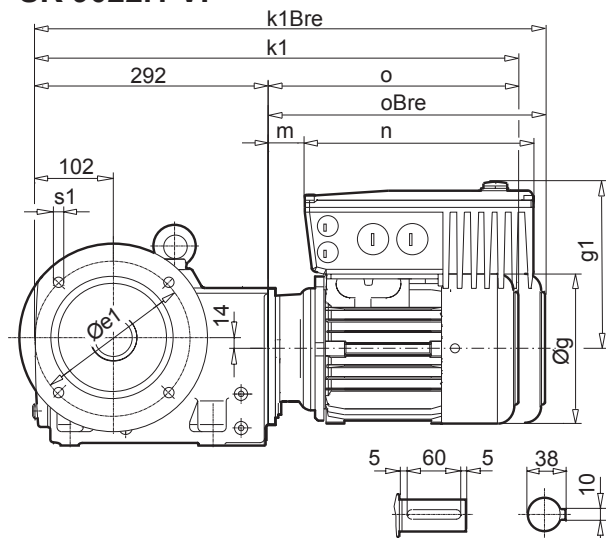
SK 9022.1



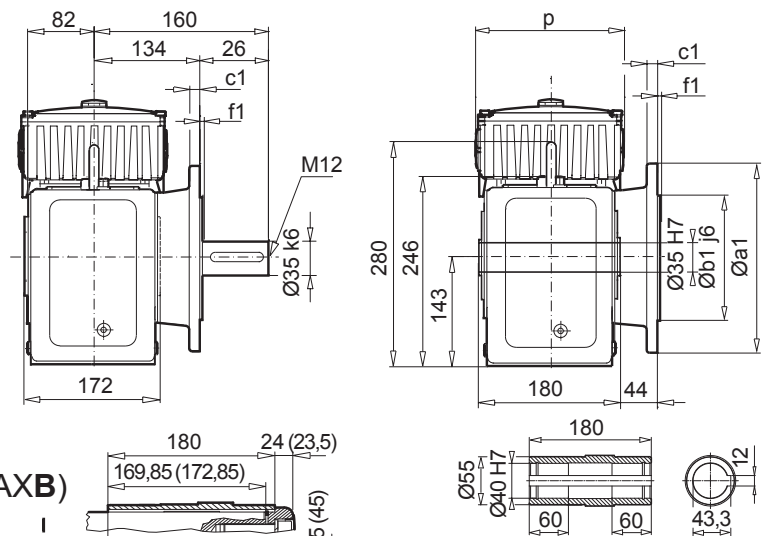
SK 9022.1 AX



SK 9022.1 VF



SK 9022.1 AF



SK 9022.1 AFB (AXB)

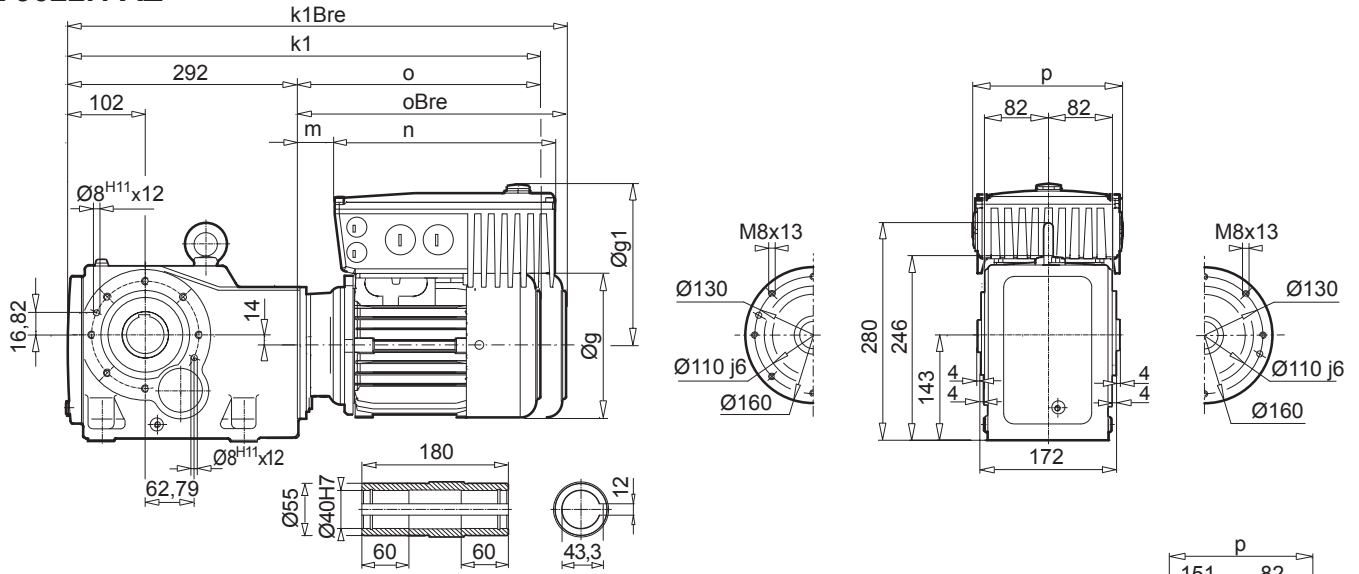
a1	b1	c1	e1	f1	s1
250	180	16	215	4	4 x 14

Motor + SK200E

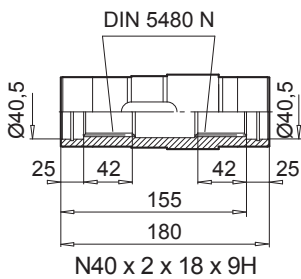
IE1 IE2 IE3	71 S/L -	80 SH/LH - /LP	90 - LH SP/LP	- 100 LH/AH LP/AP	- 112 MH MP				
SK 200E 340-A (-C)	- 550 - - 750 -	- 550 - - 750 - - 111 - - 151 -	- 111 - - 151 - - 221 -	- 301	- 221 - - 301 - - 401 -	- 551 - - 401 - - 551 - - 751 -			
g	145	165	183	183	201	201	201	228	228
g1	201	195	200	207	211	218	250	228	260
k / kBre	526 / 584	551 / 615	592 / 667	592 / 667	622 / 713	622 / 713	622 / 713	670 / 763	670 / 763
k1 / k1Bre	528 / 586	553 / 617	594 / 669	594 / 669	624 / 715	624 / 715	624 / 715	672 / 765	672 / 765
o / oBre	236 / 294	261 / 325	302 / 377	302 / 377	332 / 423	332 / 423	332 / 423	380 / 473	380 / 473
m	18	30	35	35	41	41	33	47	39
n	236	236	236	266	236	266	330	266	330
p	156	156	156	176	156	176	218	176	218



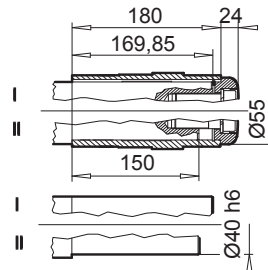
SK 9022.1 AZ



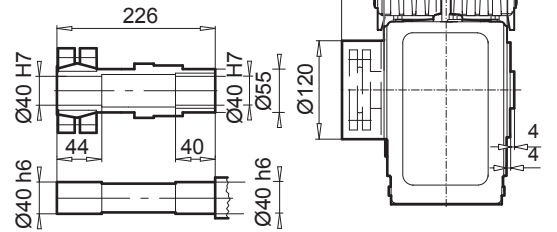
SK 9022.1 AZEA



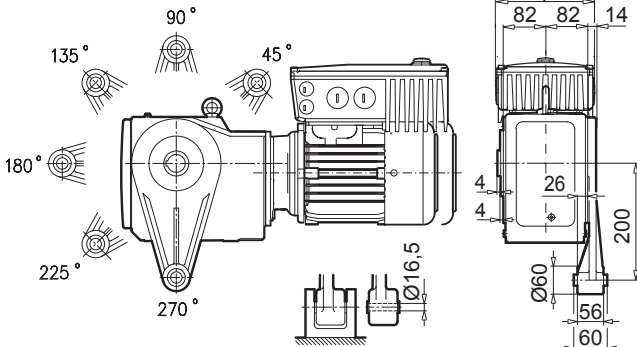
SK 9022.1 AZB



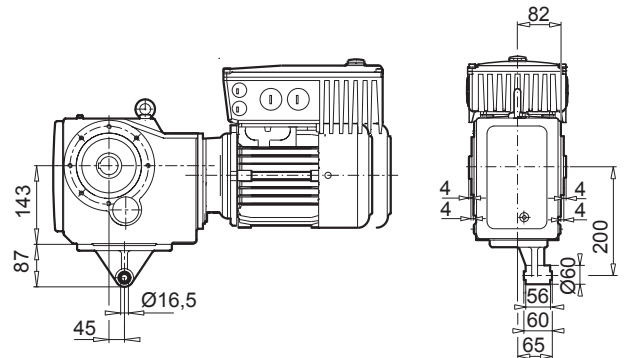
SK 9022.1 AZSH



SK 9022.1 AZD



SK 9022.1 AZK



Motor + SK180E

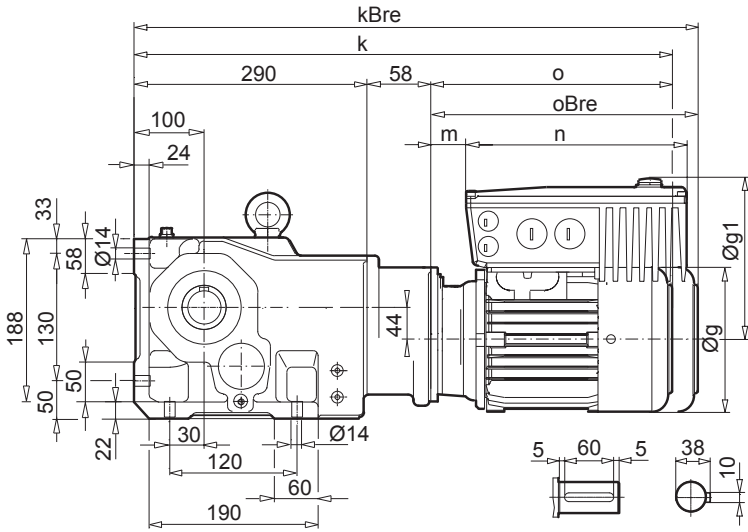
	71 S/L - IE2 - IE3	80 SH/LH - /LP	90 SH/LH SP/LP	100 LH LP				
SK 180E 340-B (-C)	- 550 - - 750 -	- 550 - - 750 - - 111 -	- 151 -	- 111 - - 151 - - 221 -	- 221 -			
g	145	165	165	183	183	201		
g1	184	177	203	182	208	219		
k / kBre	526 / 584	551 / 615	551 / 615	592 / 667	592 / 667	622 / 713		
k1 / k1Bre	528 / 586	553 / 617	553 / 617	594 / 669	594 / 669	624 / 715		
o / oBre	236 / 294	261 / 325	261 / 325	302 / 377	302 / 377	332 / 423		
m	18	30	30	35	35	41		
n	221	221	255	221	255	255		
p	154	154	165	154	165	165		

Helical-bevel gear units

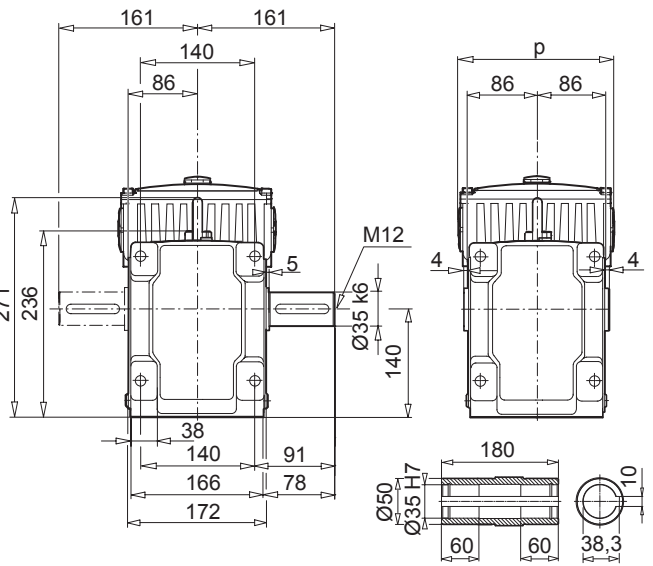
SK 9023.1



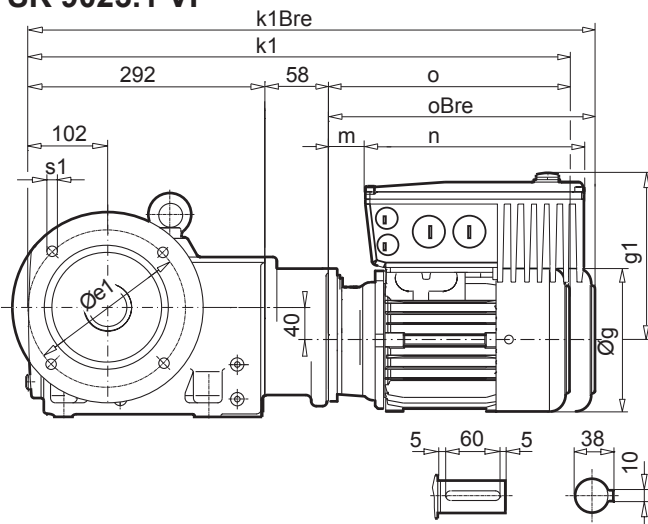
SK 9023.1



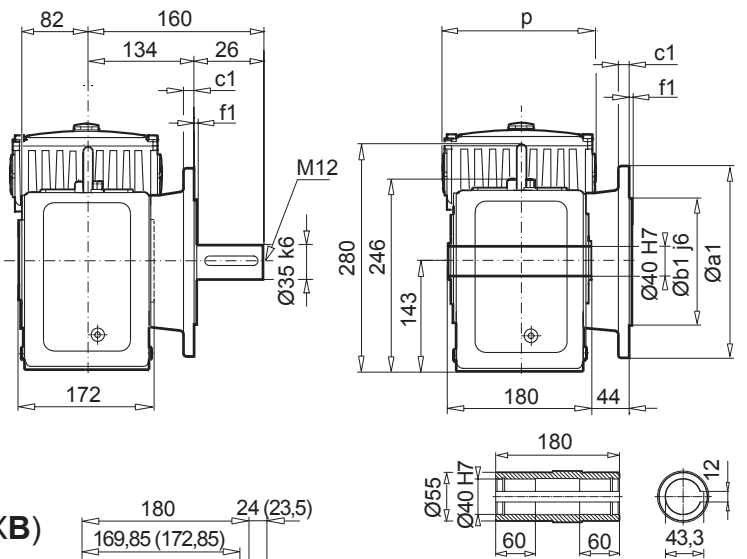
SK 9023.1 AX



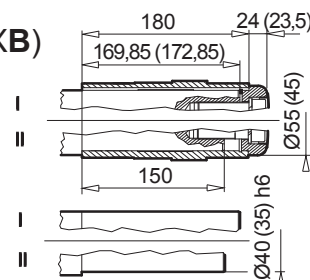
SK 9023.1 VF



SK 9023.1 AF



SK 9023.1 AFB(AXB)



Helical-bevel gear units

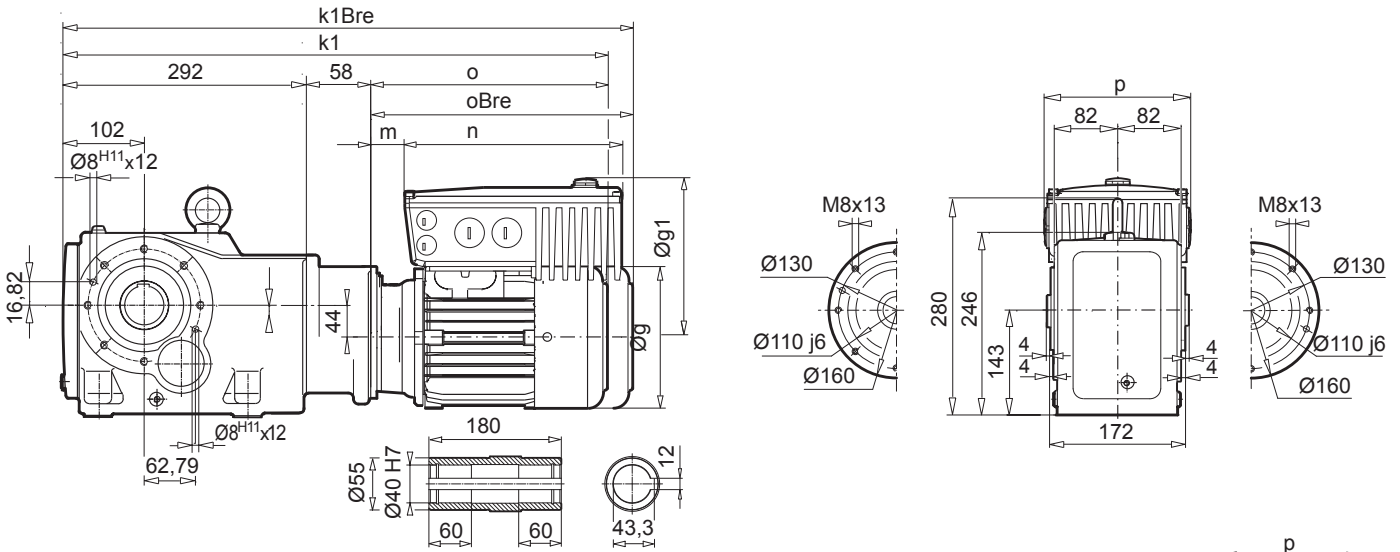
a1	b1	c1	e1	f1	s1
250	180	16	215	4	4 x 14

Motor + SK200E

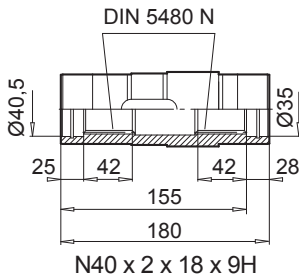
IE1	71 S/L								
IE2	-								
IE3	-								
SK 200E 340-A (-C)	- 550 -								
g	145								
g1	201								
k / kBre	584 / 642								
k1 / kBre	586 / 644								
o / oBre	236 / 294								
m	18								
n	236								
p	156								



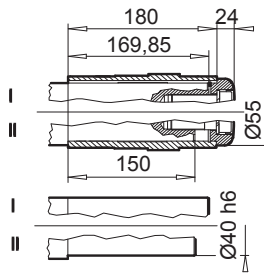
SK 9023.1 AZ



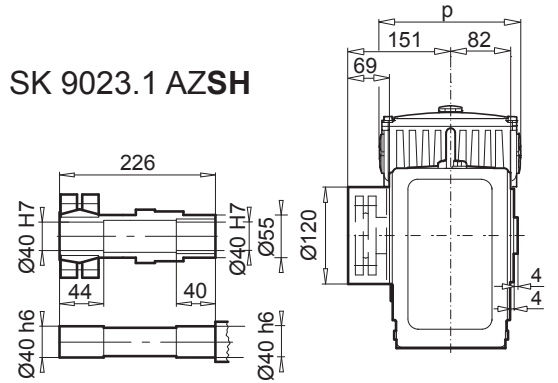
SK 9023.1 AZEA



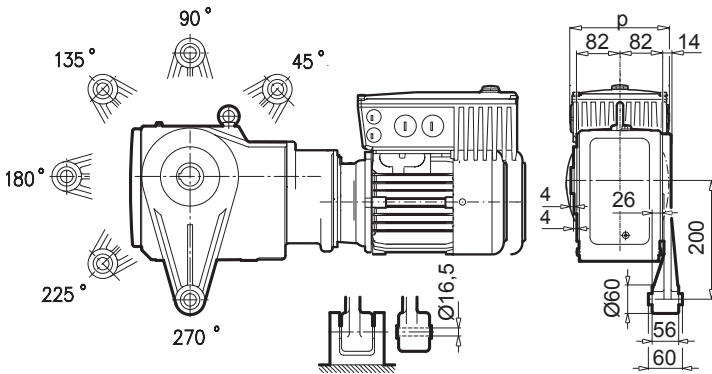
SK 9023.1 AZB



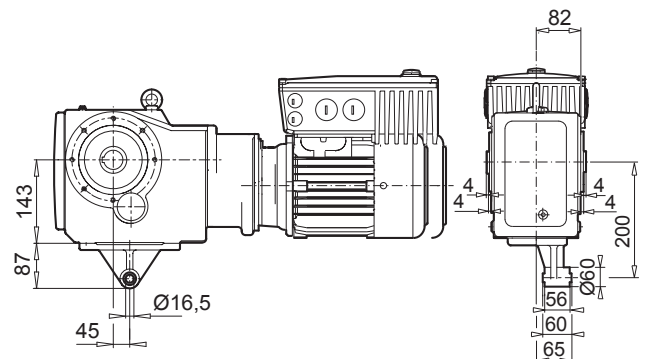
SK 9023.1 AZSH



SK 9023.1 AZD



SK 9023.1 AZK



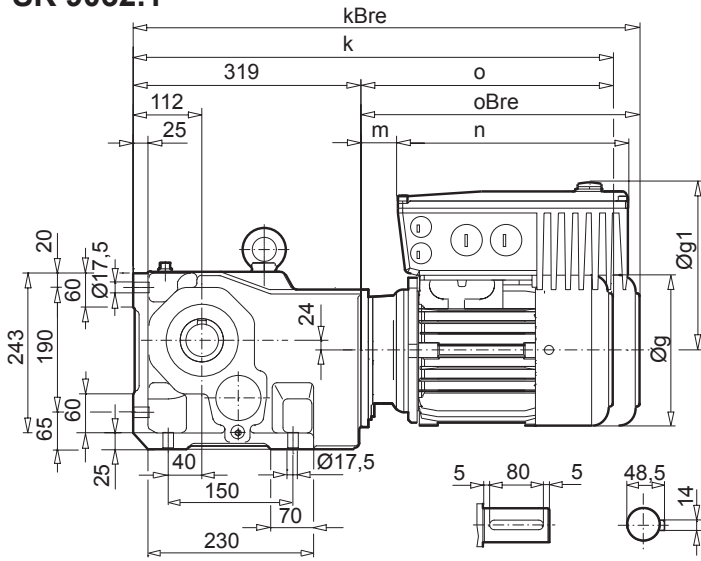
Motor + SK180E

IE1	71 S/L							
IE2	-							
IE3	-							
SK 180E	- 550 -							
340-B (-C)								
g	145							
g1	184							
k / kBre	584 / 642							
k1 / kBre	586 / 644							
o / oBre	236 / 294							
m	18							
n	221							
p	154							

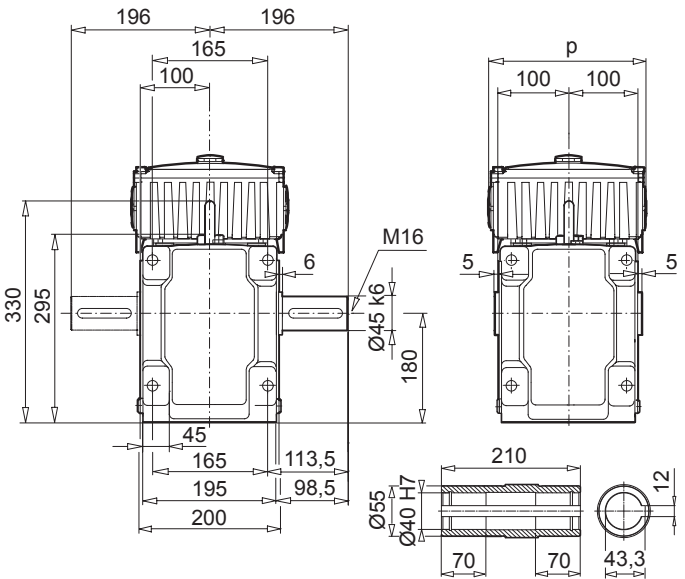
SK 9032.1



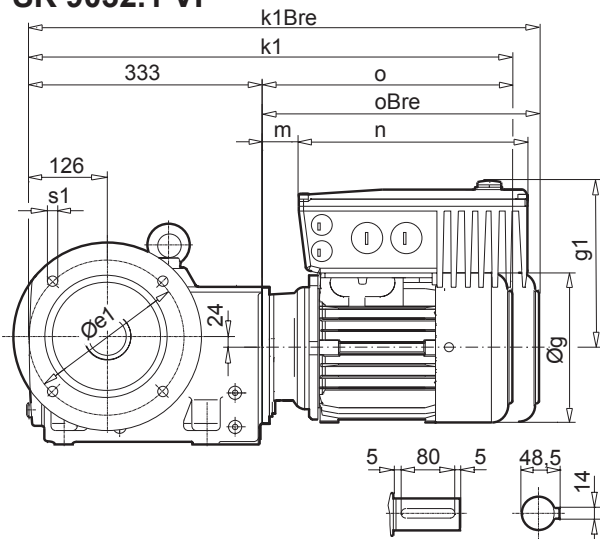
SK 9032.1



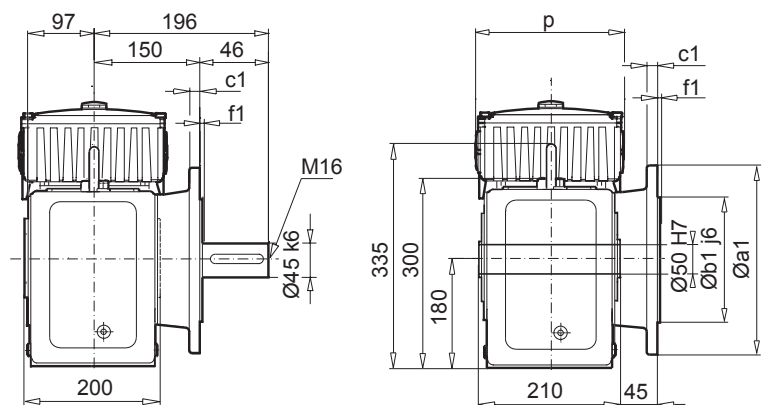
SK 9032.1 AX



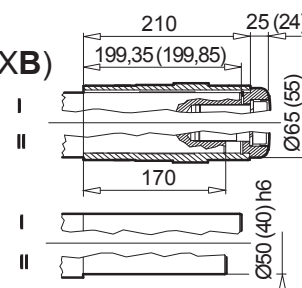
SK 9032.1 VF



SK 9032.1 AF



SK 9032.1 AFB(AXB)



Helical-bevel gear units

a1	b1	c1	e1	f1	s1
250	180	15	215	4	4 x 13,5
300	230	20	265	4	4 x 14

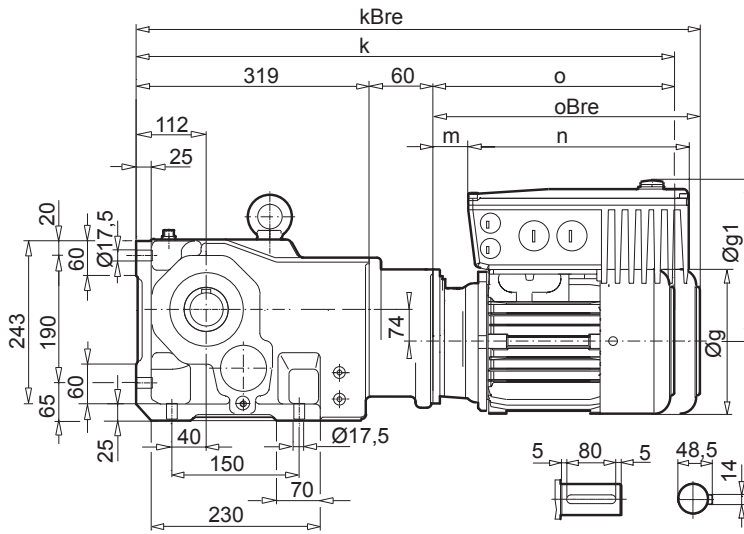
Motor + SK200E

IE1 IE2 IE3	71 SL -	80 SH/LH - /LP	90 SH/LH SP/LP	100 LH/AH LP/AP	112 MH MP	132 SH/MH/LH SP/MP/ -
SK 200E 340-A (-C)	- 550 - - 750 -	- 550 - - 750 - - 111 - - 151 -	- 111 - - 151 - - 221 -	- 301	- 221 - - 301 - - 401 -	- 551 - - 401 - - 551 - - 751 -
g	145	165	183	183	201	201
g1	201	195	200	207	211	218
k / kBre	549 / 607	574 / 638	615 / 690	615 / 690	645 / 736	645 / 736
k1 / k1Bre	563 / 621	588 / 652	629 / 704	629 / 704	659 / 750	659 / 750
o / oBre	230 / 288	255 / 319	296 / 371	296 / 371	326 / 417	326 / 417
m	12	24	29	29	35	35
n	236	236	236	266	236	266
p	156	156	156	176	156	176

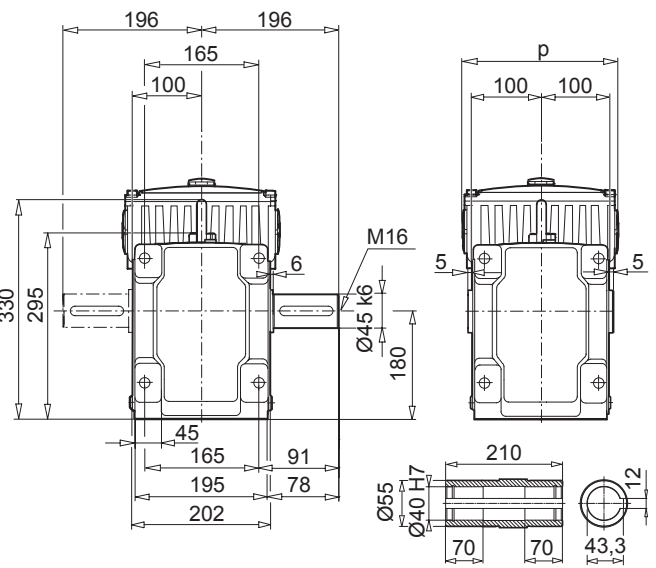
SK 9033.1



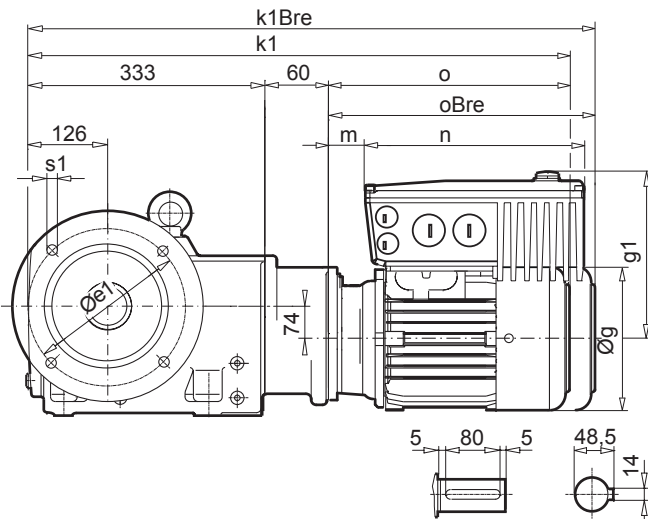
SK 9033.1



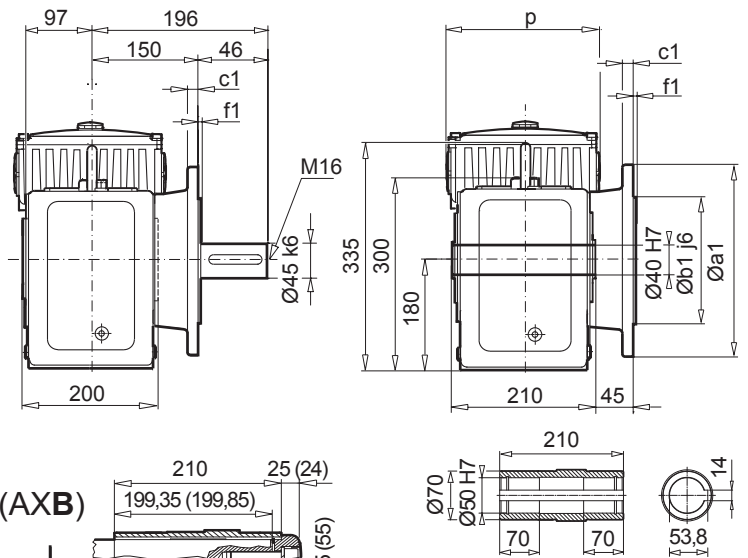
SK 9033.1 AX



SK 9033.1 VF



SK 9033.1 AF



SK 9033.1 AFB (AXB)

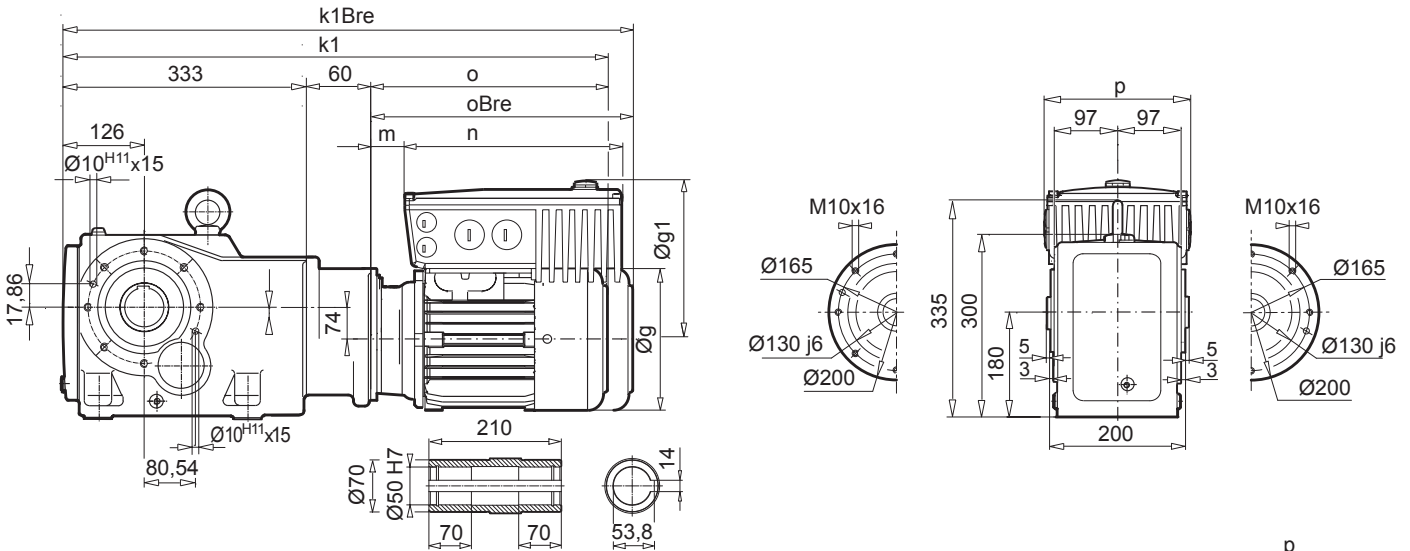
a1	b1	c1	e1	f1	s1
250	180	15	215	4	4 x 13,5
300	230	20	265	4	4 x 14

Motor + SK200E

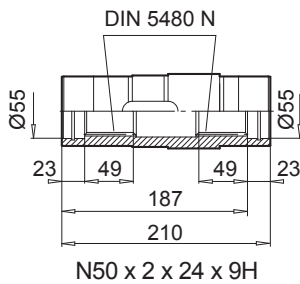
IE1 IE2 IE3	71 S/L - -	- 80 SH/LH - /LP	- 90 SH SP					
SK 200E 340-A (-C)	- 550 - - 750 -	- 550 - - 750 - - 111 - - 151 -	- 111 - - 151 -					
g	145	165	183					
g1	201	195	200					
k / kBre	615 / 673	640 / 704	681 / 756					
k1 / k1Bre	629 / 687	654 / 718	695 / 770					
o / oBre	236 / 294	261 / 325	302 / 377					
m	18	30	35					
n	236	236	236					
p	156	156	156					



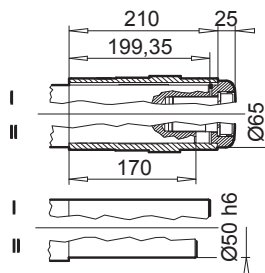
SK 9033.1 AZ



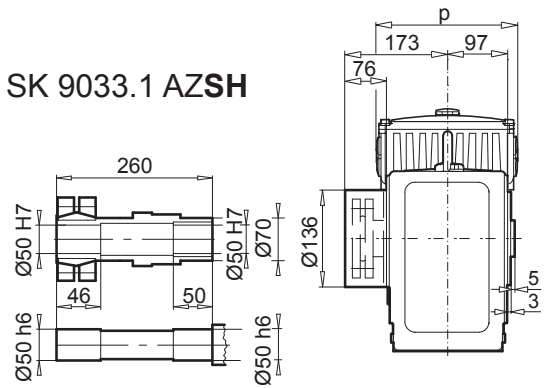
SK 9033.1 AZEA



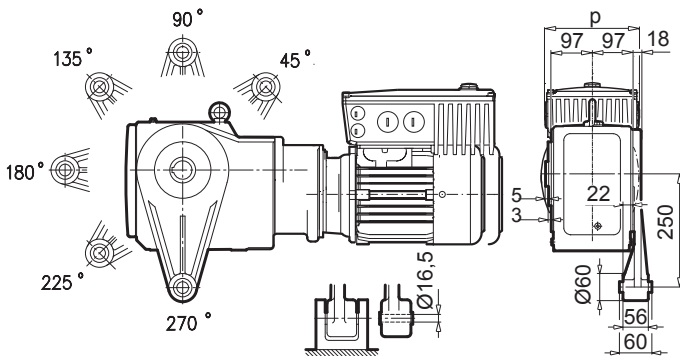
SK 9033.1 AZB



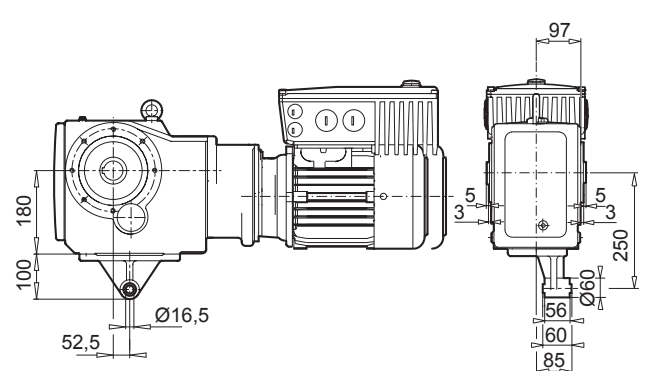
SK 9033.1 AZSH



SK 9033.1 AZD



SK 9033.1 AZK

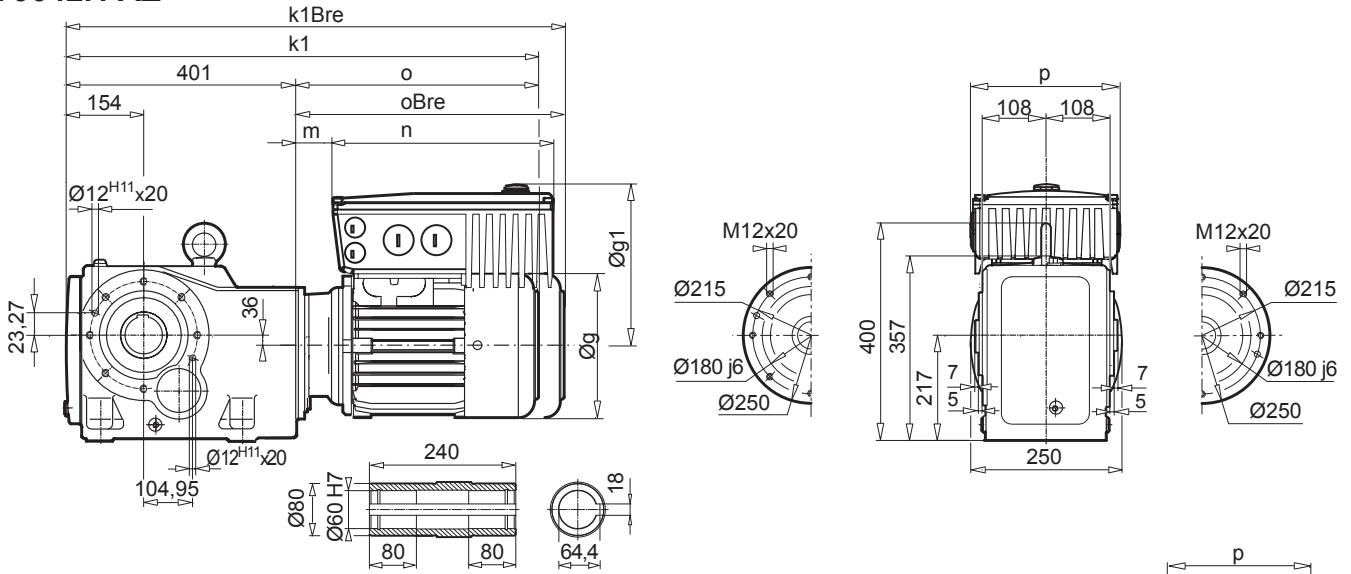


Motor + SK180E

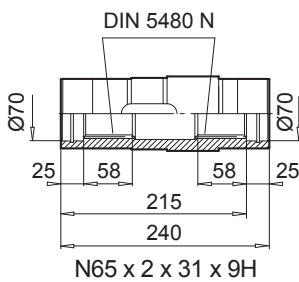
IE1 IE2 IE3	71 S/L - -	80 SH/LH - /LP		90 SH/LH SP/LP				
SK 180E 340-B (-C)	- 550 - - 750 -	- 550 - - 750 - - 111 -	- 151 -	- 111 -	- 151 -			
g	145	165	165	183	183			
g1	184	177	203	182	208			
k / kBre	615 / 673	640 / 704	640 / 704	681 / 756	681 / 756			
k1 / k1Bre	629 / 687	654 / 718	654 / 718	695 / 770	695 / 770			
o / oBre	236 / 294	261 / 325	261 / 325	302 / 377	302 / 377			
m	18	30	30	35	35			
n	221	221	255	221	255			
p	154	154	165	154	165			



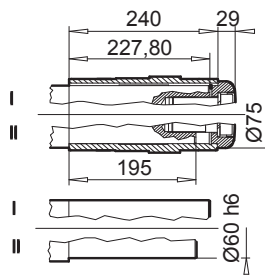
SK 9042.1 AZ



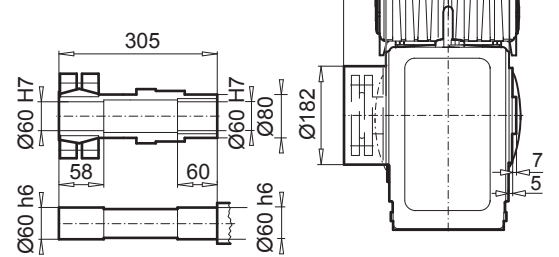
SK 9042.1 AZEA



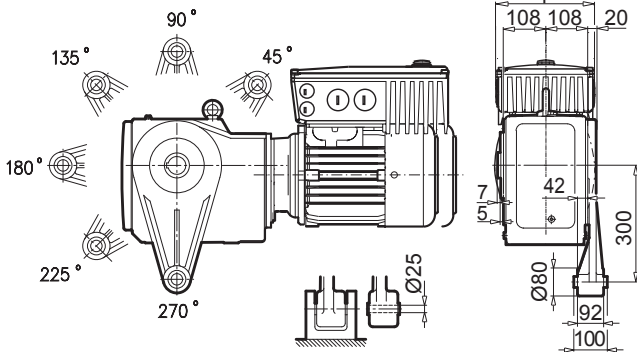
SK 9042.1 AZB



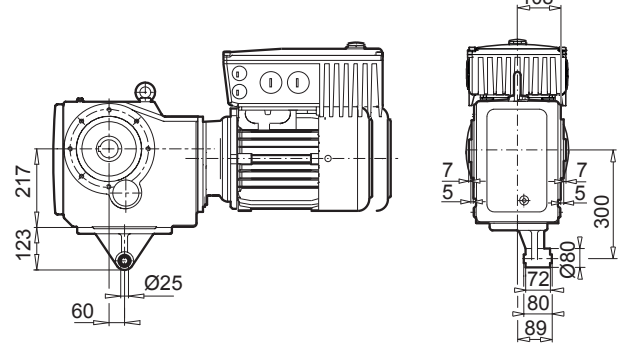
SK 9042.1 AZSH



SK 9042.1 AZD



SK 9042.1 AZK



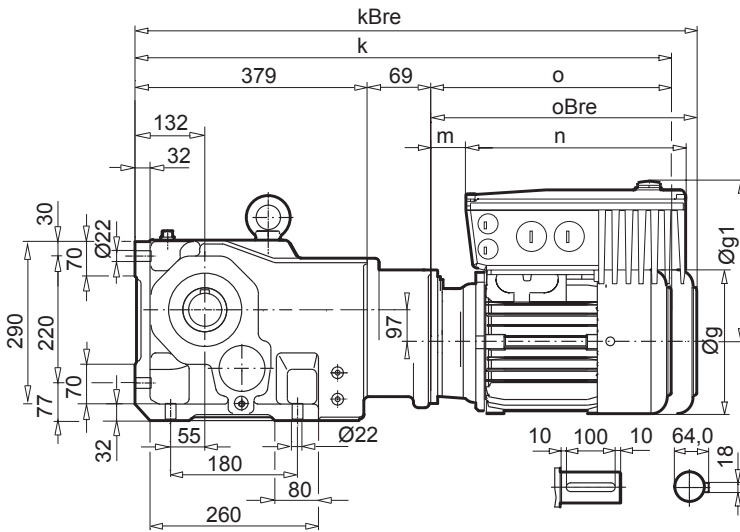
Motor + SK180E

IE1 IE2 IE3	- 90 SH/LH SP/LP	- 100 LH LP							
SK 180E 340-B (-C)	- 111 -	- 151 - - 221 -	- 221 -						
g	183	183	201						
g1	182	208	219						
k / kBre	655 / 730	655 / 730	685 / 776						
k1 / k1Bre	677 / 752	677 / 752	707 / 798						
o / oBre	276 / 351	276 / 351	306 / 397						
m	9	9	15						
n	221	255	255						
p	154	165	165						

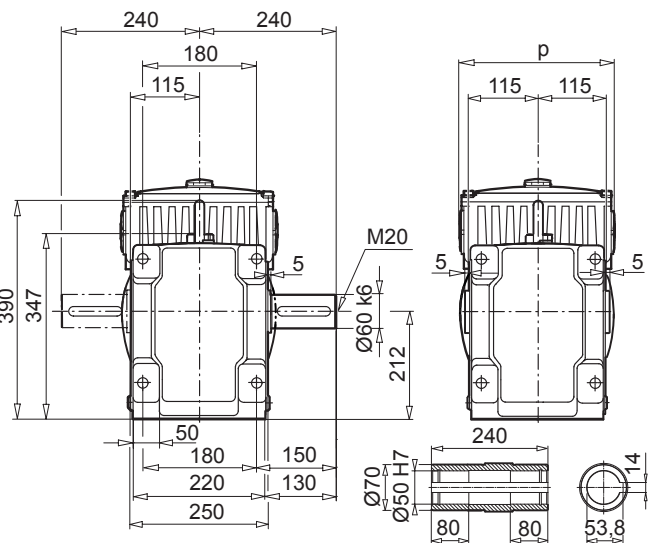
SK 9043.1



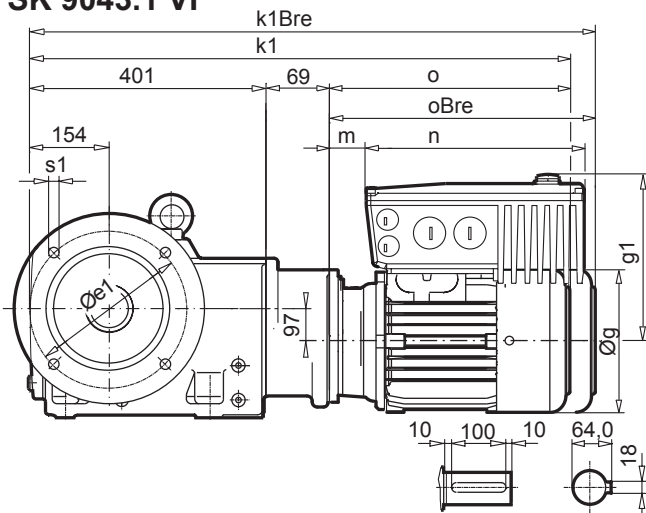
SK 9043.1



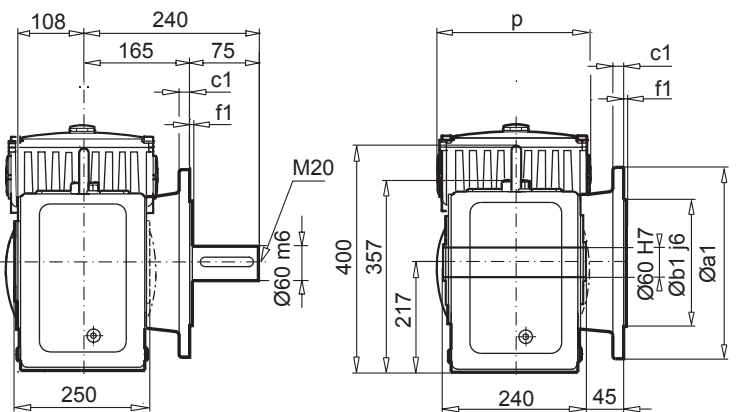
SK 9043.1 AX



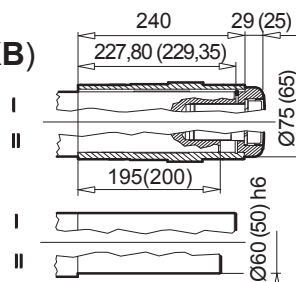
SK 9043.1 VF



SK 9043.1 AF



SK 9043.1 AFB(AXB)



Helical-bevel gear units

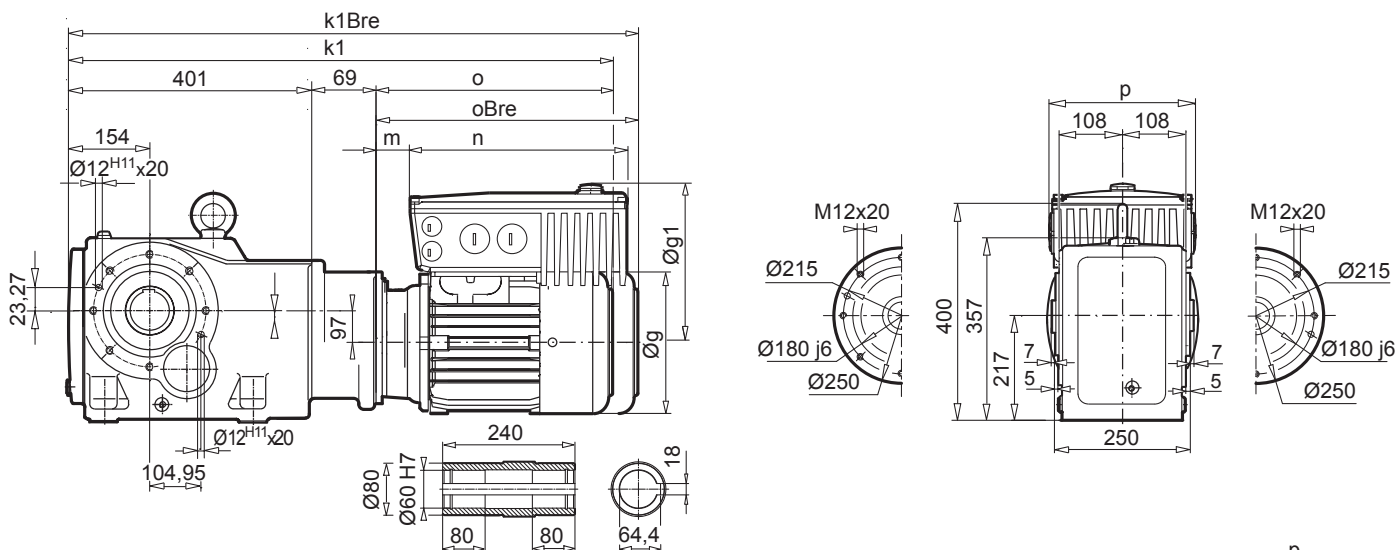
a1	b1	c1	e1	f1	s1
350	250	20	300	5	4 x 18

Motor + SK200E

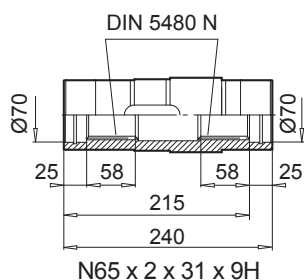
IE1 IE2 IE3	- 80 SH/LH - /LP	- 90 SH/LH SP/LP	- 100 LH LP					
SK 200E 340-A (-C)	- 550 - - 750 - - 111 - - 151 -	- 111 - - 151 - - 221 -	- 301	- 221 -	- 301 -			
g	165	183	183	201	201			
g1	195	200	207	211	218			
k / kBre	703 / 767	744 / 819	744 / 819	774 / 865	774 / 865			
k1 / k1Bre	725 / 789	766 / 841	766 / 841	796 / 887	796 / 887			
o / oBre	255 / 319	296 / 371	296 / 371	326 / 417	326 / 417			
m	24	29	29	35	35			
n	236	236	266	236	266			
p	156	156	176	156	176			



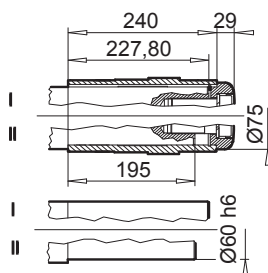
SK 9043.1 AZ



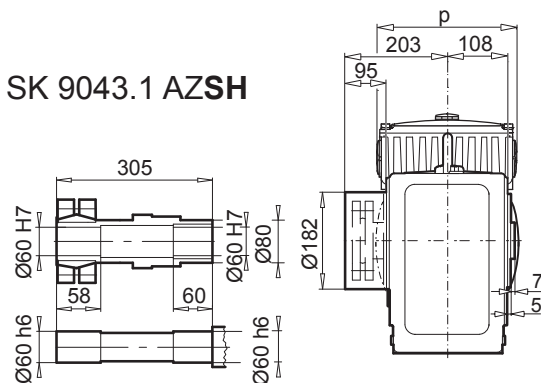
SK 9043.1 AZEA



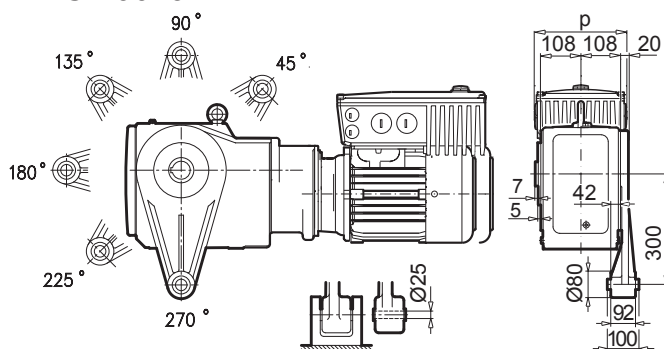
SK 9043.1 AZB



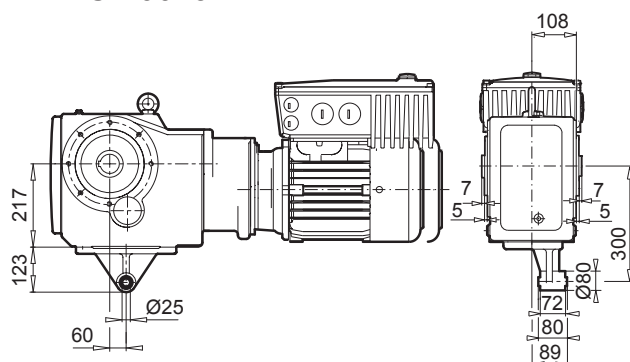
SK 9043.1 AZSH



SK 9043.1 AZD



SK 9043.1 AZK



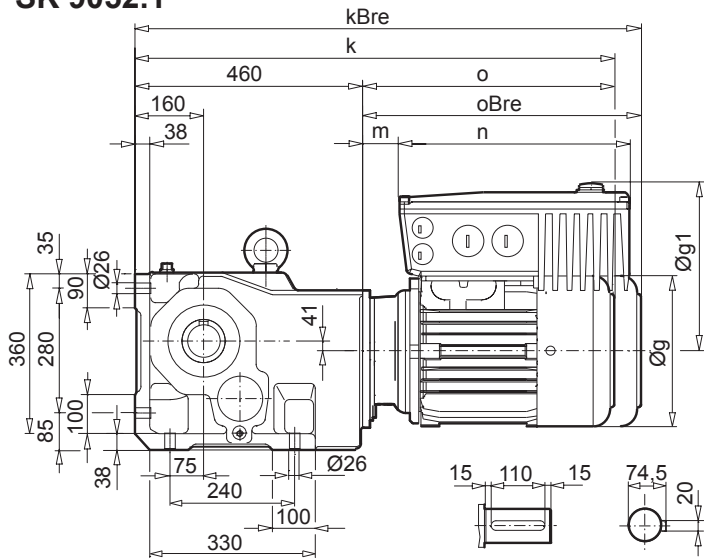
Motor + SK180E

IE1 IE2 IE3	80 SH/LH - /LP		90 SH/LH SP/LP		100 LH LP					
	- 550 - - 750 - - 111 -	- 151 -	- 111 -	- 151 - - 221 -	- 221 -					
SK 180E 340-B (-C)	- 550 - - 750 - - 111 -	- 151 -	- 111 -	- 151 - - 221 -	- 221 -					
g	165	165	183	183	201					
g1	177	203	182	208	219					
k / kBre	703 / 767	703 / 767	744 / 819	744 / 819	774 / 865					
k1 / k1Bre	725 / 789	725 / 789	766 / 841	766 / 841	796 / 887					
o / oBre	255 / 319	255 / 319	296 / 371	296 / 371	326 / 417					
m	24	24	29	29	35					
n	221	255	221	255	255					
p	154	165	154	165	165					

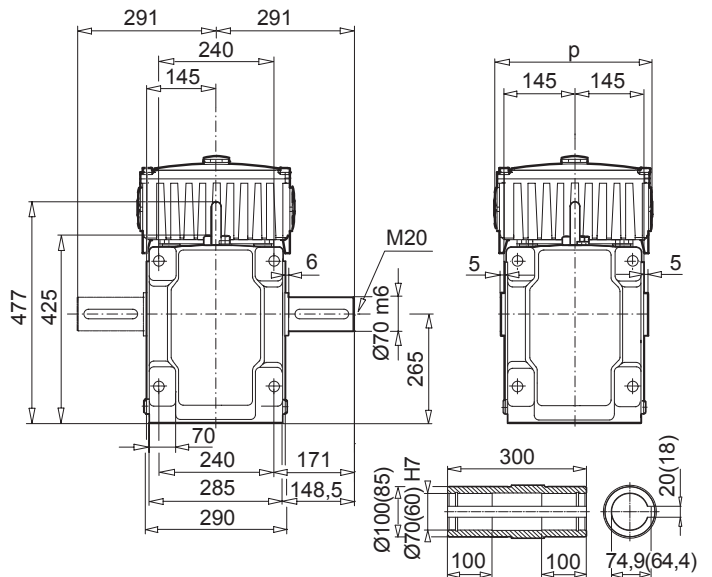
SK 9052.1



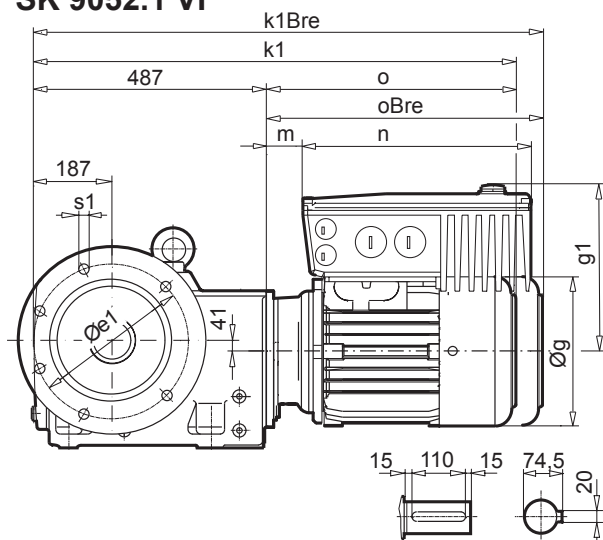
SK 9052.1



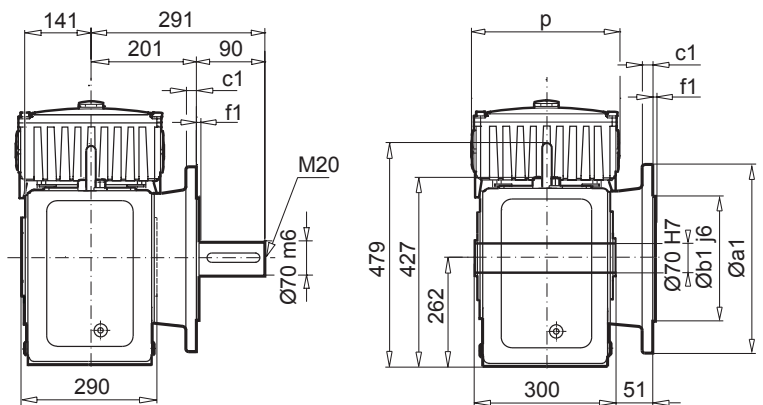
SK 9052.1 AX



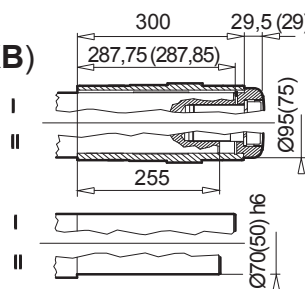
SK 9052.1 VF



SK 9052.1 AF



SK 9052.1 AFB(AXB)



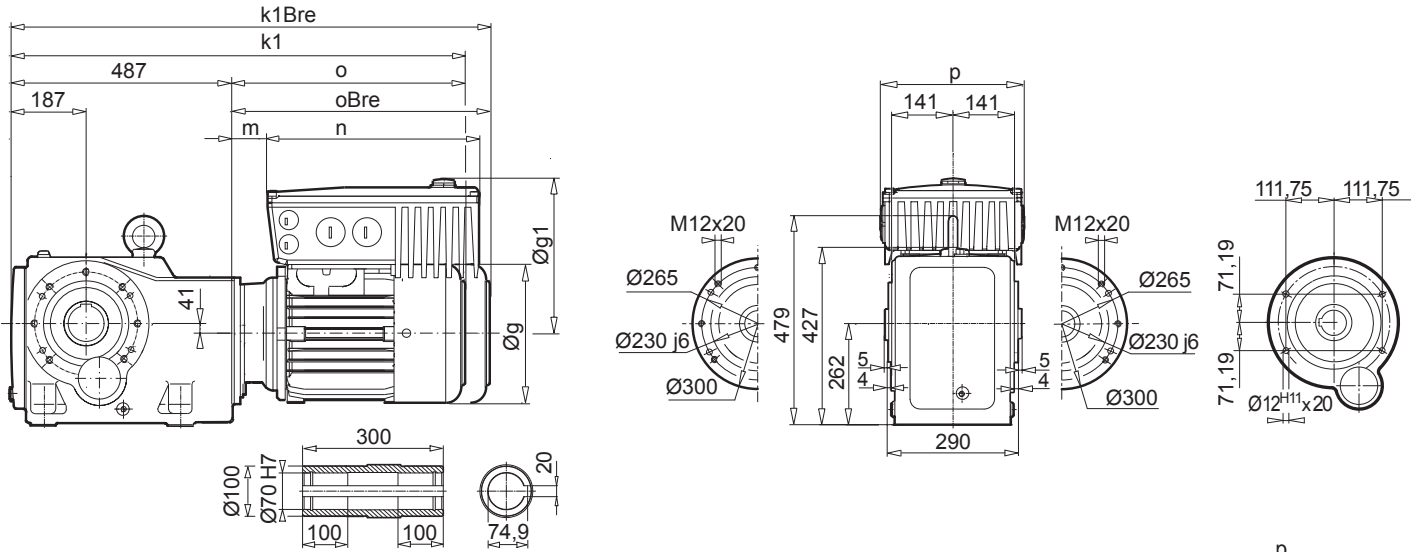
a1	b1	c1	e1	f1	s1
400	300	20	350	5	4 x 18
450	350	16	400	5	8 x 18

Motor + SK200E

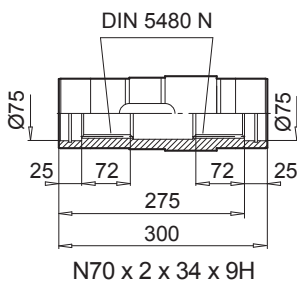
IE1 IE2 IE3	90 SH/LH SP/LP	100 LH/AH LP/AP	112 MH MP	132 SH/MH/LH SP/MP/-	160 MH MP	160 LH LP	180 MH/LH MP/LP					
SK 200E 340-A (-C)	- 111 - - 151 - - 221 -	- 301	- 221 - - 301 - - 401 -	- 551 -	- 401 - - 551 - - 751 -	- 551 - - 751 -	- 112 - - 152 - - 182 -	- 112 - - 222 -	- 152 - - 222 -	- 182 - - 222 -		
g	183	183	201	201	201	228	228	266	266	320	320	358
g1	200	207	211	218	250	228	260	262	312	317	317	337
k / kBre	736 / 811	736 / 811	766 / 857	766 / 857	766 / 857	814 / 907	814 / 907	875 / 982	875 / 982	952 / 1087	996 / 1131	1096 / 1224
k1 / k1Bre	763 / 838	763 / 838	793 / 884	793 / 884	793 / 884	841 / 934	841 / 934	902 / 1009	902 / 1009	979 / 1114	1023 / 1158	1023 / 1251
o / oBre	276 / 351	276 / 351	306 / 397	306 / 397	306 / 397	354 / 447	354 / 447	415 / 522	415 / 522	492 / 627	536 / 671	634 / 762
m	9	9	15	15	6	21	13	29	-28	6	6	28
n	236	266	236	266	330	266	330	330	480	480	480	480
p	156	176	156	176	218	176	218	218	305	305	305	305



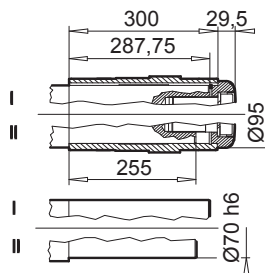
SK 9052.1 AZ



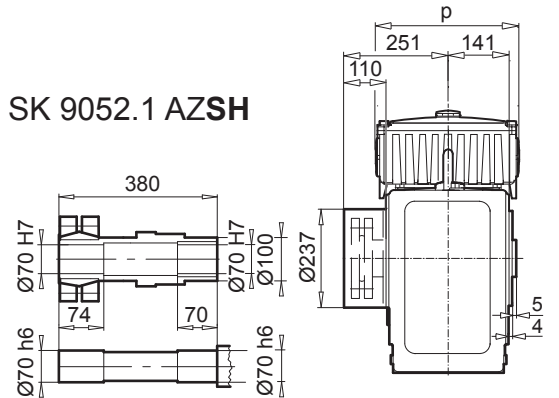
SK 9052.1 AZEA



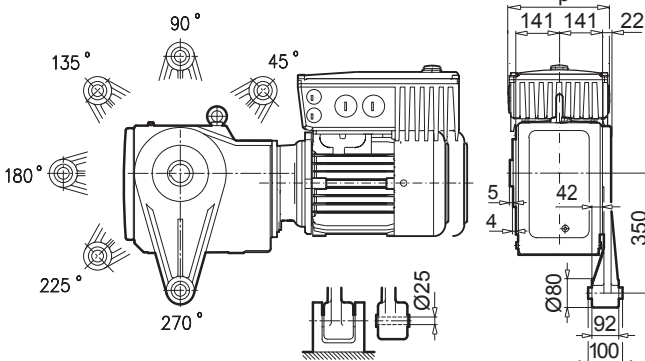
SK 9052.1 AZB



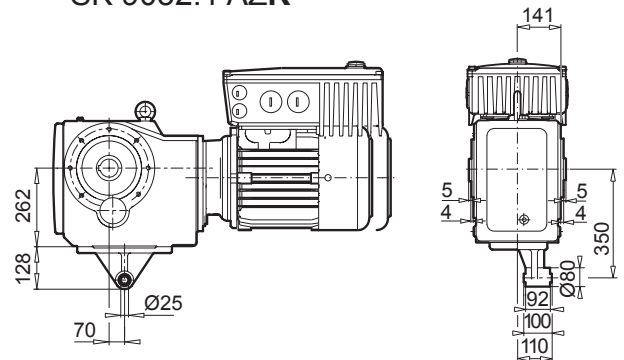
SK 9052.1 AZSH



SK 9052.1 AZD



SK 9052.1 AZK



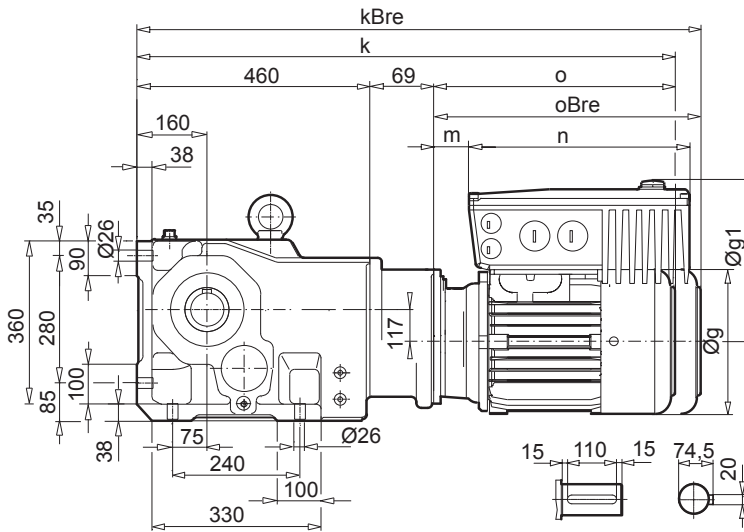
Motor + SK180E

IE1 IE2 IE3	- 90 SH/LH SP/LP	- 100 LH LP							
SK 180E 340-B (-C)	- 111 -	- 151 - - 221 -	- 221 -						
g	183	183	201						
g1	182	208	219						
k / kBre	736 / 811	736 / 811	766 / 857						
k1 / k1Bre	763 / 838	763 / 838	793 / 884						
o / oBre	276 / 351	276 / 351	306 / 397						
m	9	9	15						
n	221	255	255						
p	154	165	165						

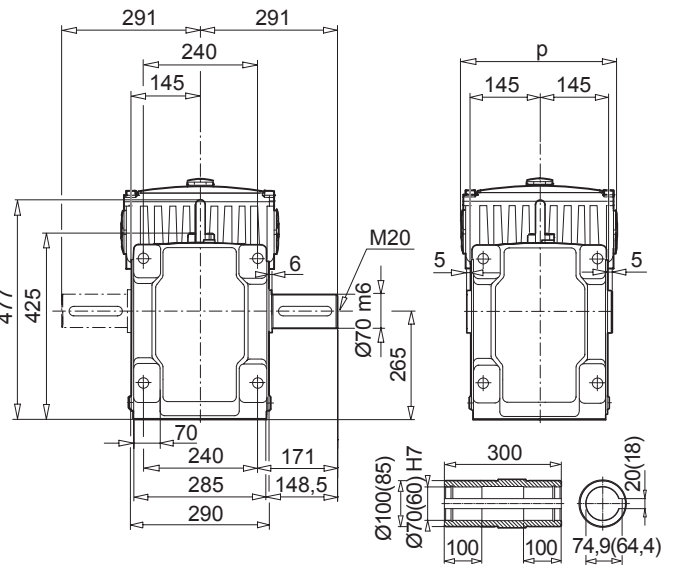
SK 9053.1



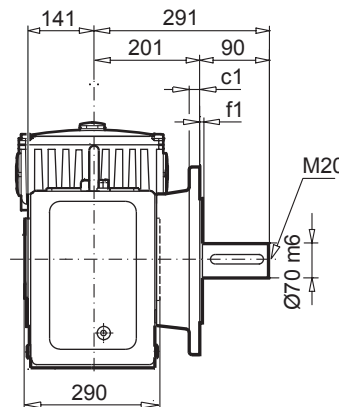
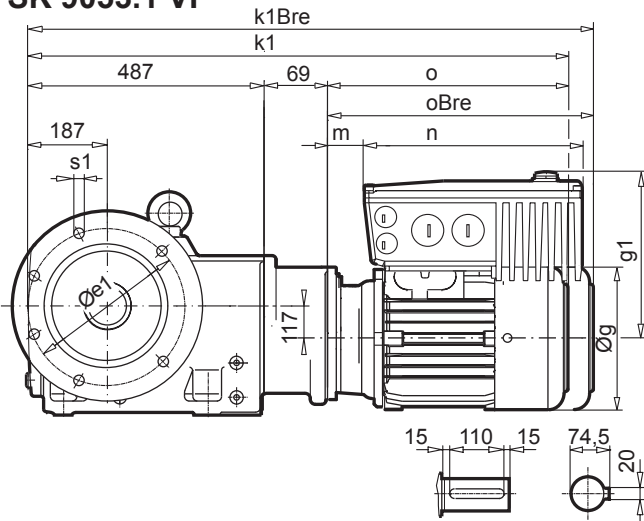
SK 9053.1



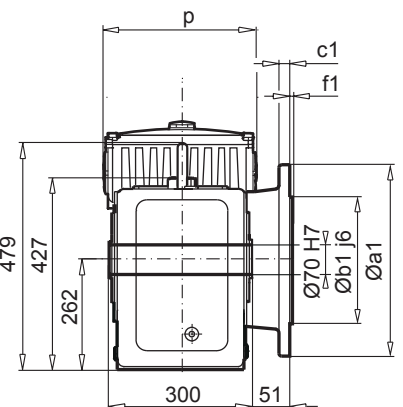
SK 9053.1 AX



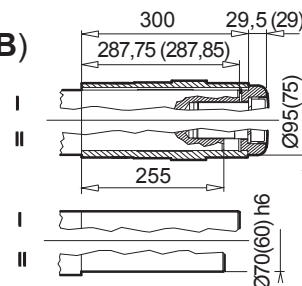
SK 9053.1 VF



SK 9053.1 AF



SK 9053.1 AFB (AXB)



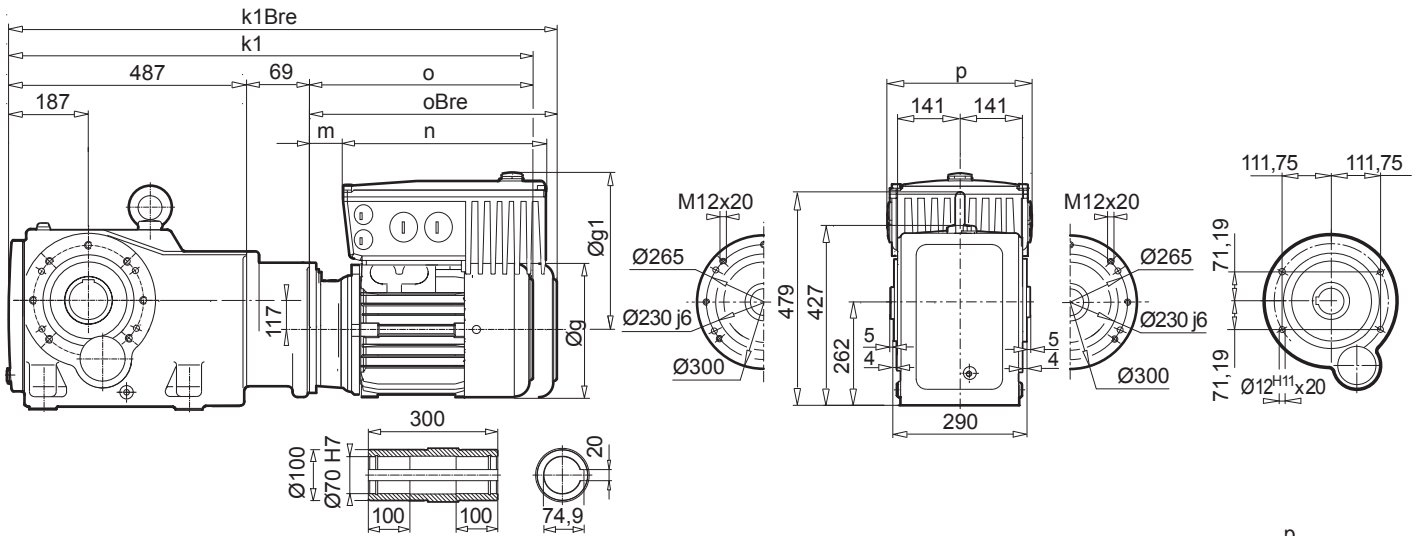
a1	b1	c1	e1	f1	s1
400	300	20	350	5	4 x 18
450	350	16	400	5	8 x 18

Motor + SK200E

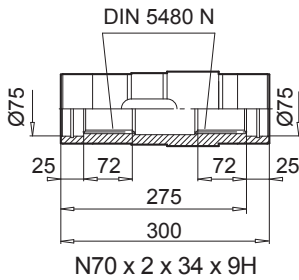
IE1 IE2 IE3	- 90 SH/LH SP/LP		- 100 LH/AH LP/AP			- 112 MH MP				
SK 200E 340-A (-C)	- 151 - - 221 -	- 301	- 221 -	- 301 - - 401 -	- 551 -	- 401 -	- 551 - - 751 -			
g	183	183	201	201	201	228	228			
g1	200	207	211	218	250	228	260			
k / kBre	825 / 900	825 / 900	855 / 946	855 / 946	855 / 946	903 / 996	903 / 996			
k1 / k1Bre	852 / 927	852 / 927	882 / 973	882 / 973	882 / 973	930 / 1023	930 / 1023			
o / oBre	296 / 371	296 / 371	326 / 417	326 / 417	326 / 417	374 / 467	374 / 467			
m	30	30	35	35	26	41	33			
n	236	266	236	266	330	266	330			
p	156	176	156	176	218	176	218			



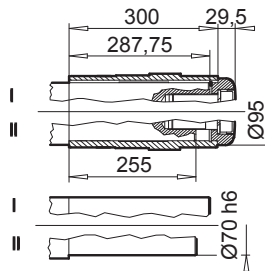
SK 9053.1 AZ



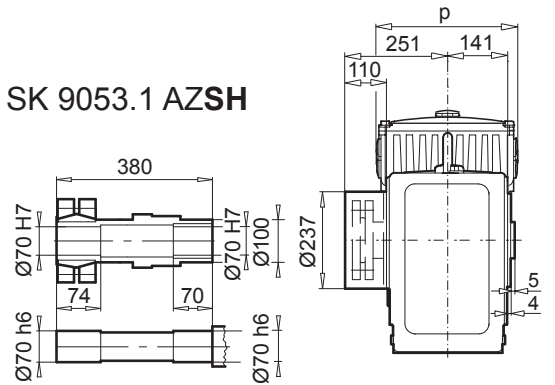
SK 9053.1 AZEA



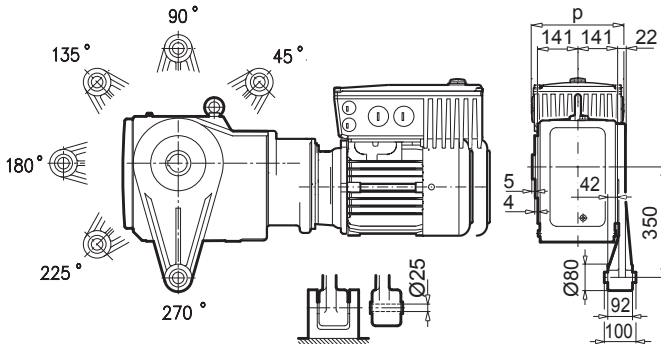
SK 9053.1 AZB



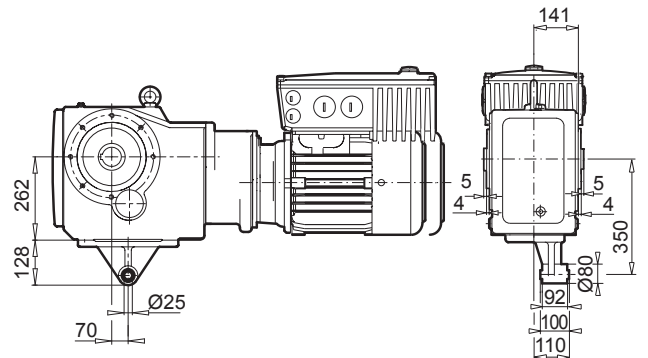
SK 9053.1 AZSH



SK 9053.1 AZD



SK 9053.1 AZK



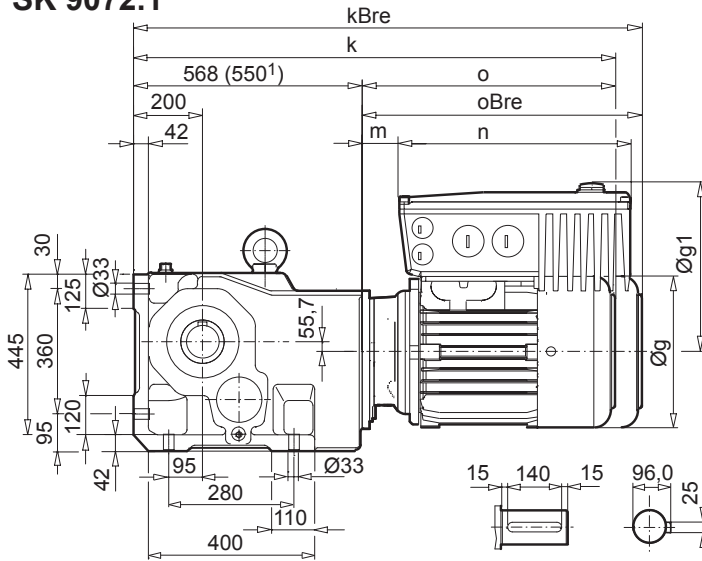
Motor + SK180E

IE1 IE2 IE3	- 90 SH/LH SP/LP	- 100 LH LP								
SK 180E 340-B (-C)	- 151 - - 221 -	- 221 -								
g	183	201								
g1	208	219								
k / kBre	825 / 900	855 / 946								
k1 / k1Bre	852 / 927	882 / 973								
o / oBre	296 / 371	326 / 417								
m	30	35								
n	255	255								
p	165	165								

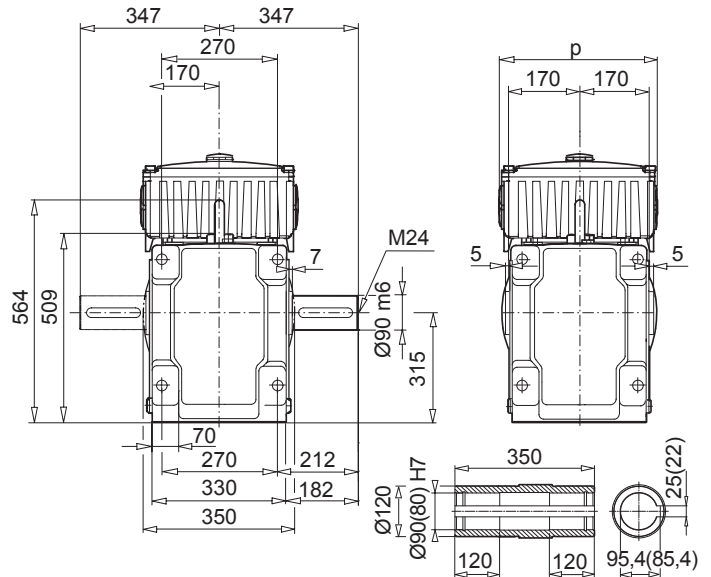
SK 9072.1



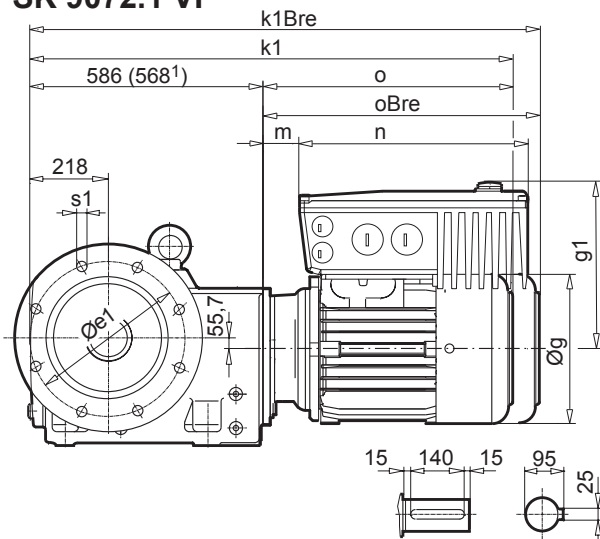
SK 9072.1



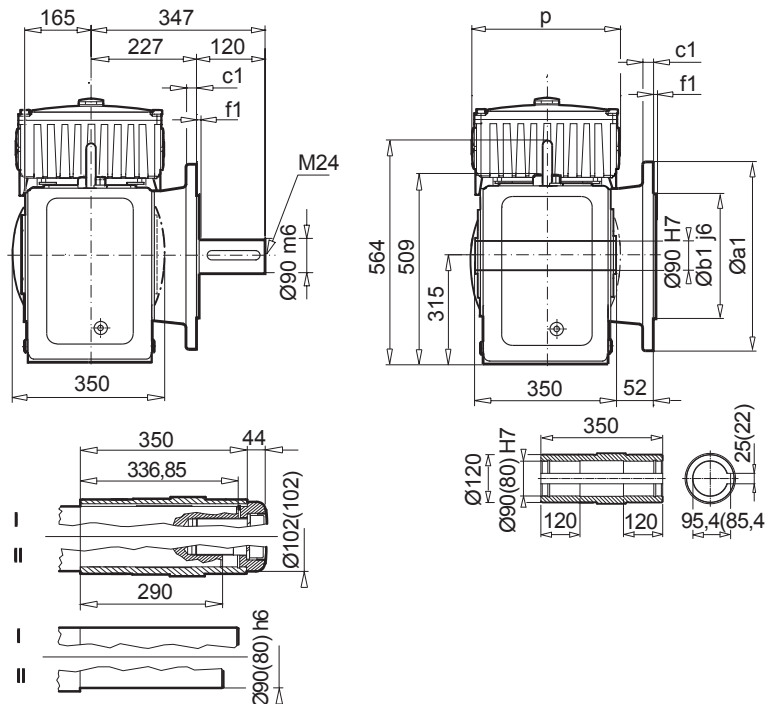
SK 9072.1 AX



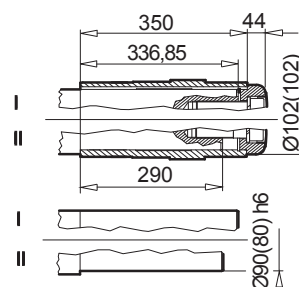
SK 9072.1 VF



SK 9072.1 AF



SK 9072.1 AFB(AXB)



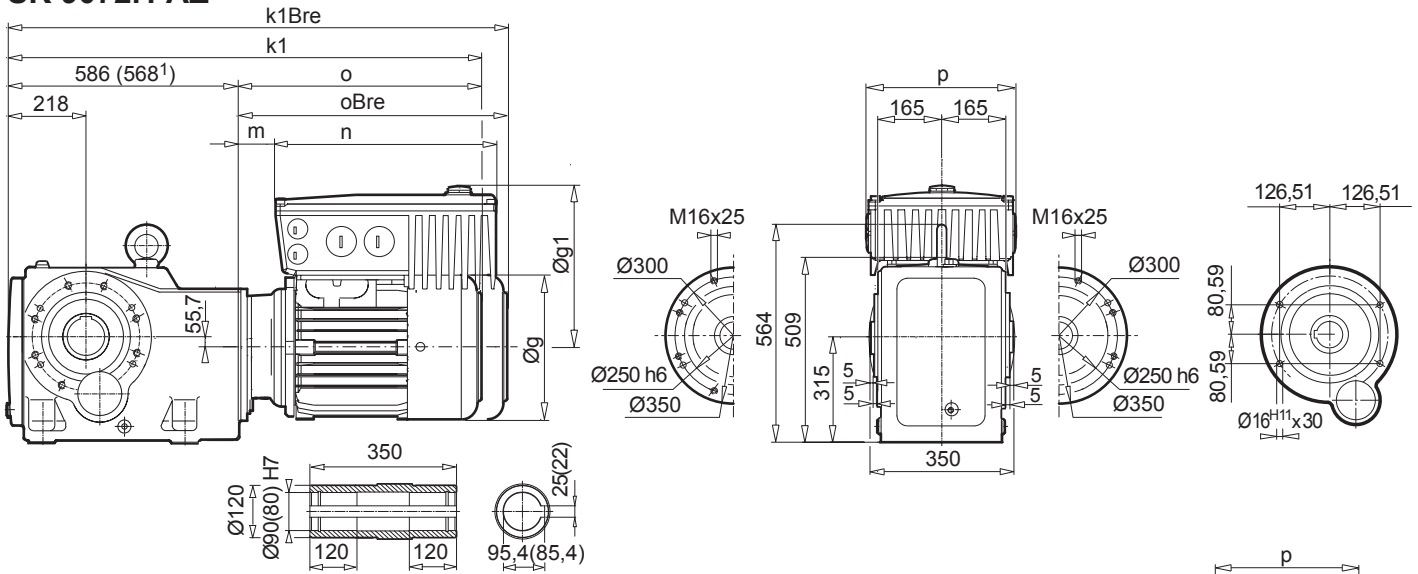
Helical-bevel gear units

Motor + SK200E

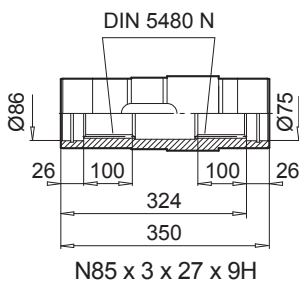
IE1 IE2 IE3	- 100 LH/AH LP/AP			- 112 MH MP		- 132 SH/MH/LH SP/MP / -		1) - 160 MH MP	1) - 160 LH LP	1) - 180 MH/LH MP/LP
SK 200E 340-A (-C)	- 221 -	- 301 - - 401 -	- 551 -	- 401 -	- 551 - - 751 -	- 551 - - 751 -	- 112 - - 152 - - 182 -	- 112 - - 222 -	- 152 - - 222 -	- 182 - - 222 -
g	201	201	201	228	228	266	266	320	320	358
g1	211	218	250	228	260	262	312	317	317	337
k / kBre	874 / 965	874 / 965	874 / 965	919 / 1012	919 / 1012	1003 / 1110	1003 / 1110	1042 / 1177	1086 / 1221	1164 / 1292
k1 / k1Bre	892 / 983	892 / 983	892 / 983	937 / 1030	937 / 1030	1021 / 1128	1021 / 1128	1060 / 1195	1104 / 1239	1182 / 1310
o / oBre	306 / 397	306 / 397	306 / 397	351 / 444	351 / 444	435 / 542	435 / 542	492 / 627	536 / 671	614 / 742
m	15	15	6	18	10	49	-8	6	6	8
n	236	266	330	266	330	330	480	480	480	480
p	156	176	218	176	218	218	305	305	305	305



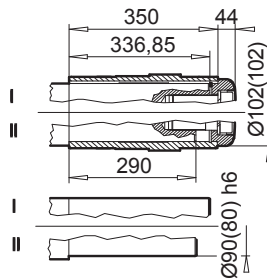
SK 9072.1 AZ



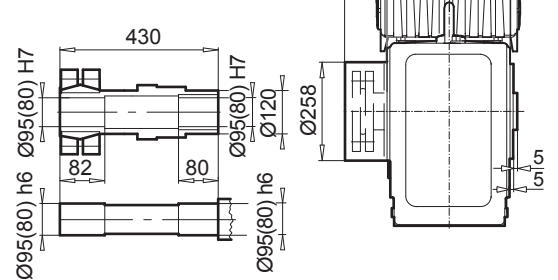
SK 9072.1 AZEA



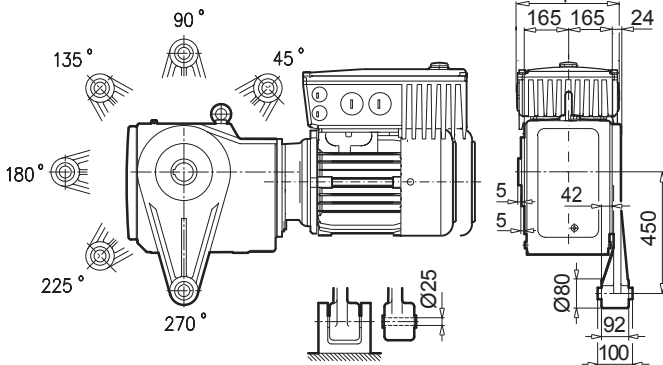
SK 9072.1 AZB



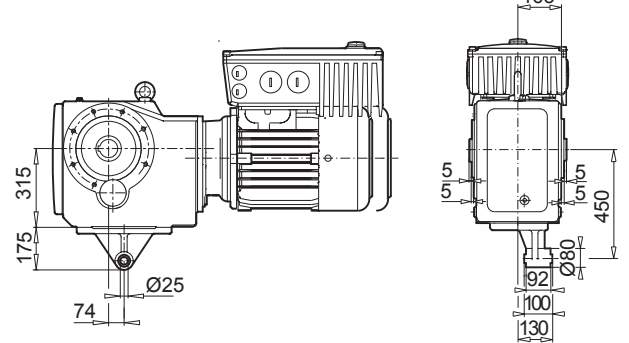
SK 9072.1 AZSH



SK 9072.1 AZD



SK 9072.1 AZK



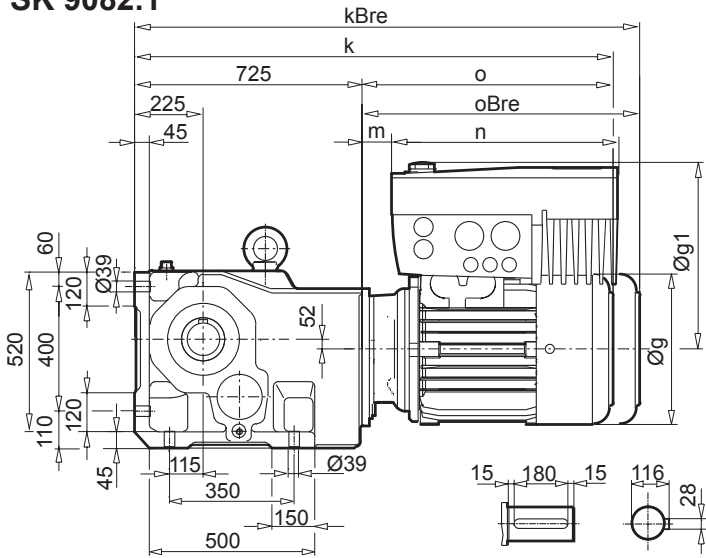
Motor + SK180E

IE1	-							
IE2	100 LH							
IE3	LP							
SK 180E	- 221 -							
340-B (-C)								
g	201							
g1	219							
k / kBre	874 / 965							
k1 / k1Bre	892 / 983							
o / oBre	306 / 397							
m	15							
n	255							
p	165							

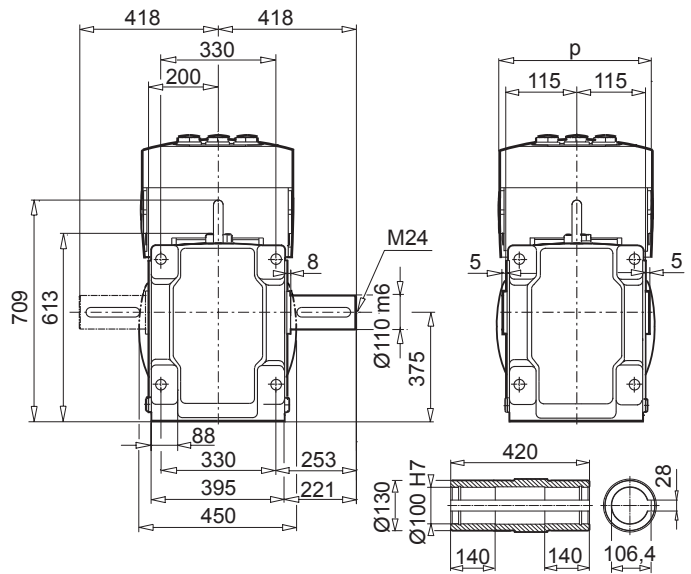
SK 9082.1



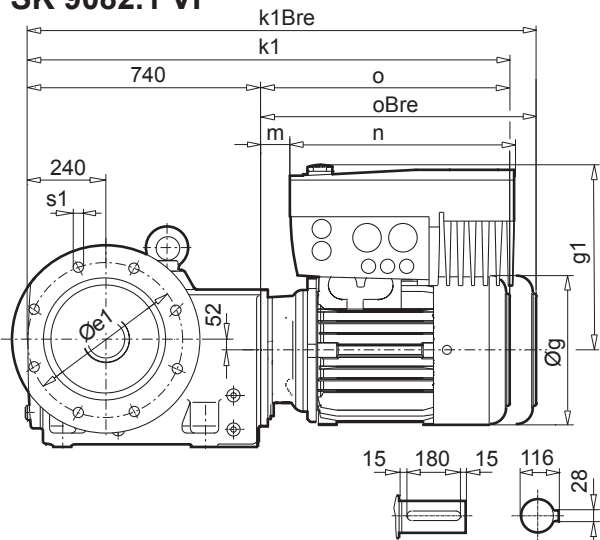
SK 9082.1



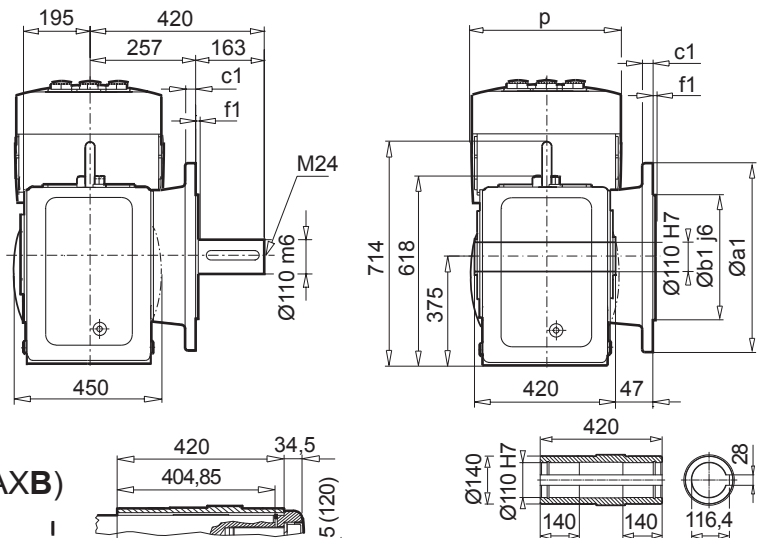
SK 9082.1 AX



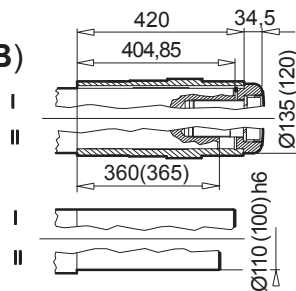
SK 9082.1 VF



SK 9082.1 AF



SK 9082.1 AFB(AXB)



Helical-bevel gear units

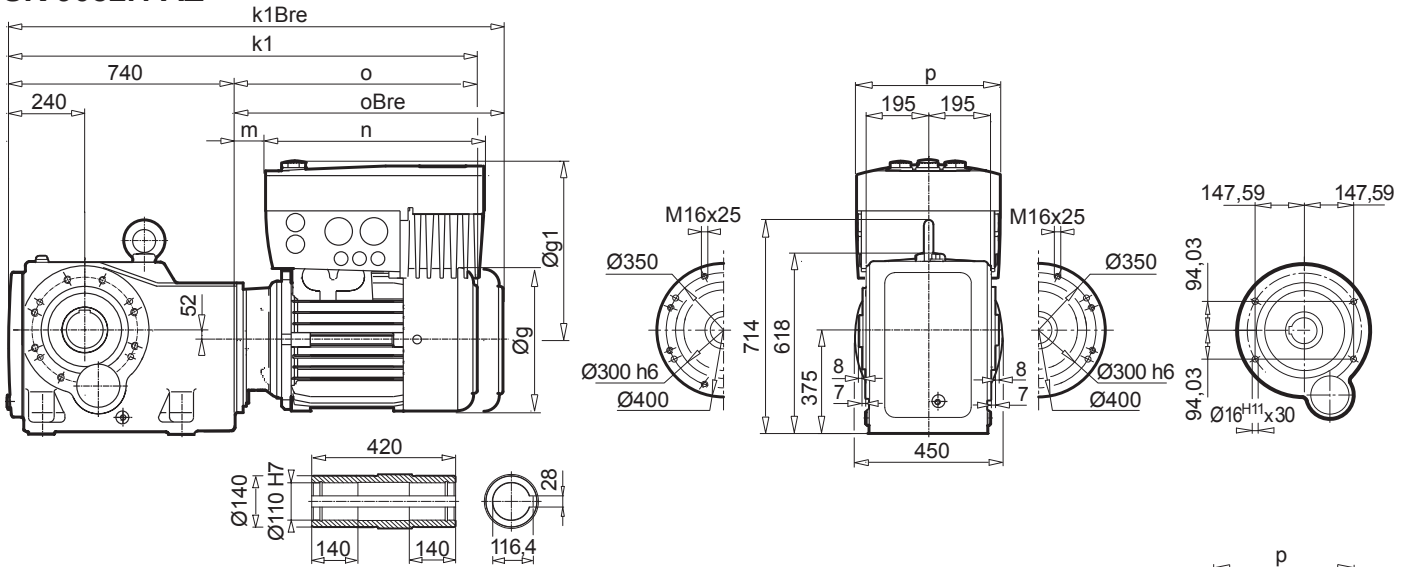
a1	b1	c1	e1	f1	s1
550	450	28	500	5	8 x 18

Motor + SK200E

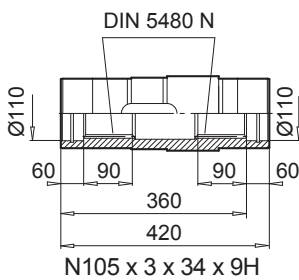
IE1 IE2 IE3	- 112 MH MP	- 132 SH/MH/LH SP/MP/-	- 160 MH MP	- 160 LH LP	- 180 MH/LH MP/LP				
SK 200E 340-A (-C)	- 401 -	- 751 -	- 551 - - 751 -	- 112 - - 152 - - 182 -	- 112 - - 222 -	- 152 - - 222 -	- 182 - - 222 -		
g	228	228	266	266	320	320	358		
g1	228	260	262	312	317	317	337		
k / kBre	1076 / 1169	1076 / 1169	1160 / 1267	1160 / 1267	1217 / 1352	1261 / 1396	1339 / 1467		
k1 / k1Bre	1091 / 1184	1091 / 1184	1175 / 1282	1175 / 1282	1232 / 1367	1276 / 1411	1354 / 1482		
o / oBre	351 / 444	351 / 444	435 / 542	435 / 542	492 / 627	536 / 671	614 / 742		
m	18	10	49	-8	6	6	8		
n	266	330	330	480	480	480	480		
p	176	218	218	305	305	305	305		



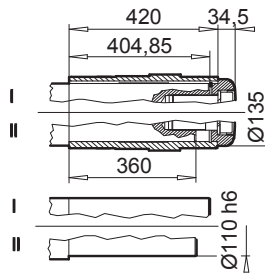
SK 9082.1 AZ



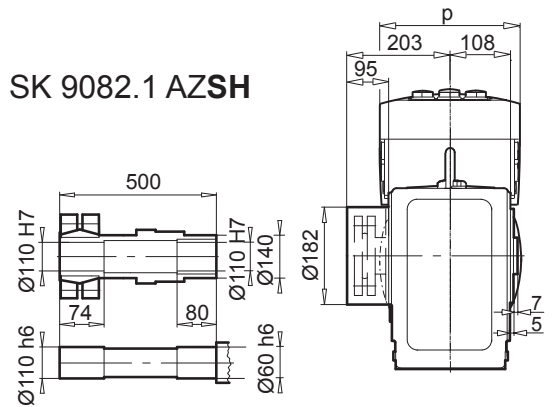
SK 9082.1 AZEA



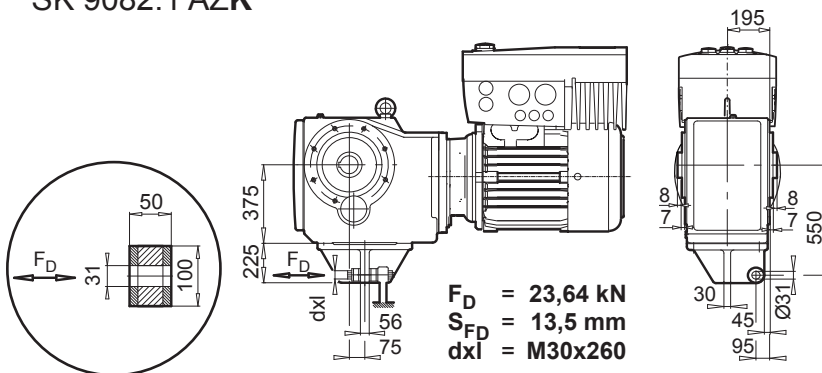
SK 9082.1 AZB



SK 9082.1 AZSH



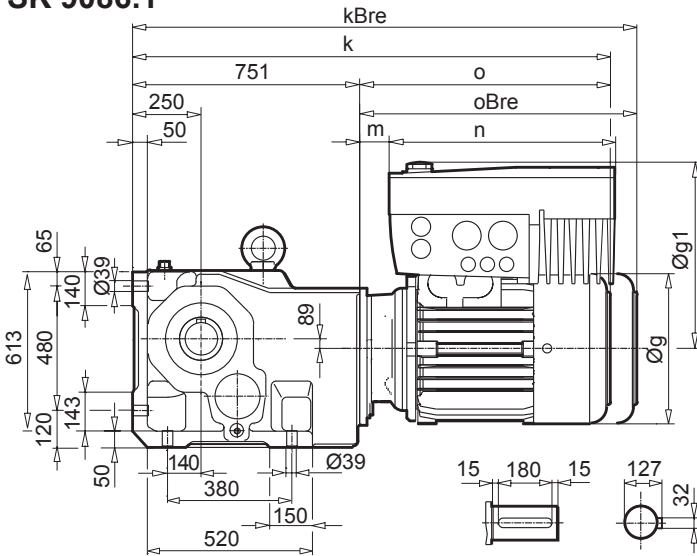
SK 9082.1 AZK



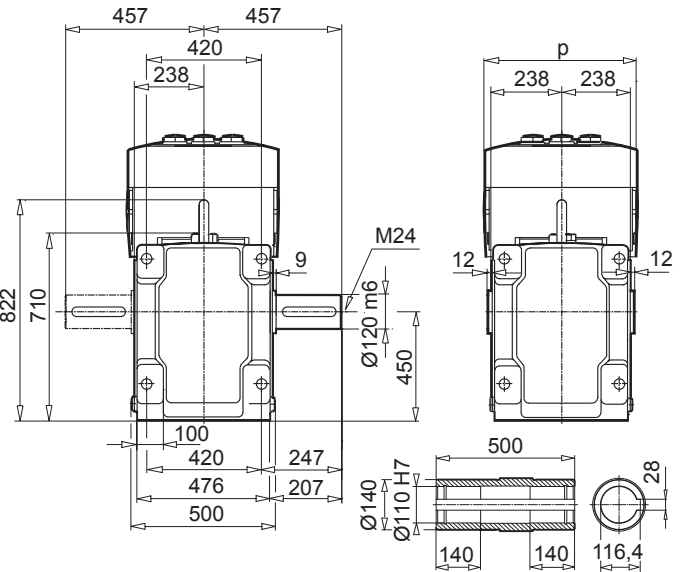
SK 9086.1



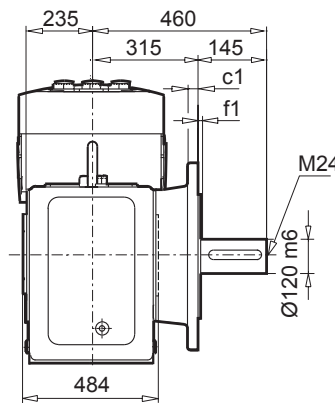
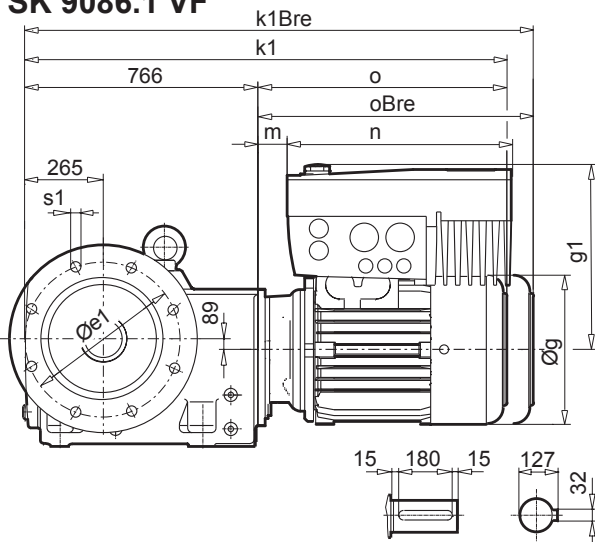
SK 9086.1



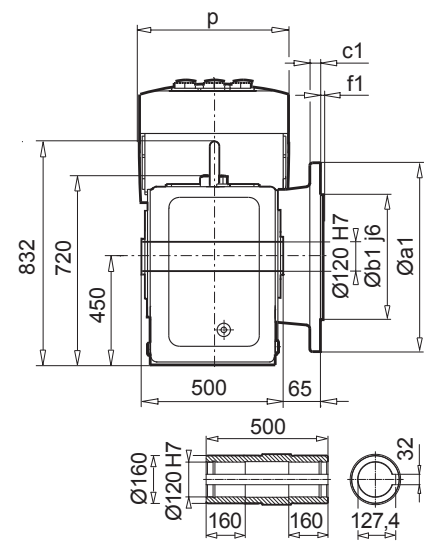
SK 9086.1 AX



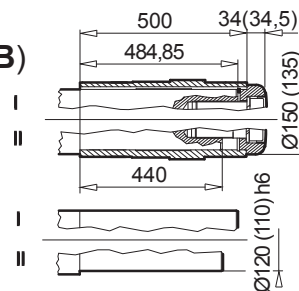
SK 9086.1 VF



SK 9086.1 AF



SK 9086.1 AFB(AXB)



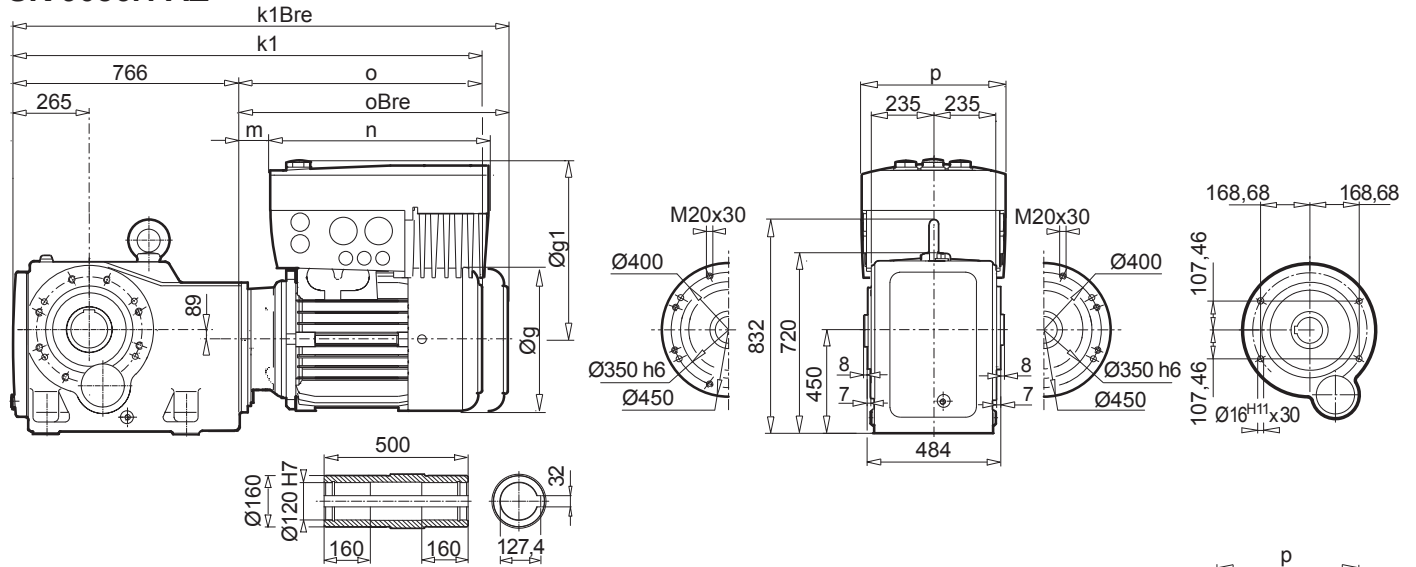
a1	b1	c1	e1	f1	s1
660	550	32	600	6	8 x 22

Motor + SK200E

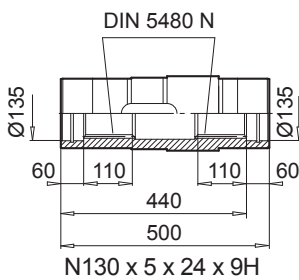
IE1 IE2 IE3	- 132 SH/MH/LH SP/MP/-	- 160 MH MP	- 160 LH LP	- 180 MH/LH MP/LP				
SK 200E 340-A (-C)	- 551 - - 751 -	- 112 - - 152 - - 182 -	- 112 - - 222 -	- 152 - - 222 -	- 182 - - 222 -			
g	266	266	320	320	358			
g1	262	312	317	317	337			
k / kBre	1186 / 1293	1186 / 1293	1217 / 1352	1261 / 1396	1339 / 1467			
k1 / k1Bre	1201 / 1308	1201 / 1308	1232 / 1367	1276 / 1411	1354 / 1482			
o / oBre	435 / 542	435 / 542	492 / 627	536 / 671	614 / 742			
m	49	-8	6	6	8			
n	330	480	480	480	480			
p	218	305	305	305	305			



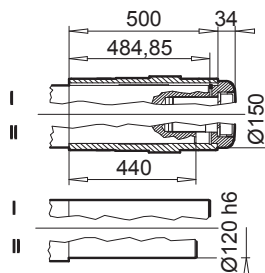
SK 9086.1 AZ



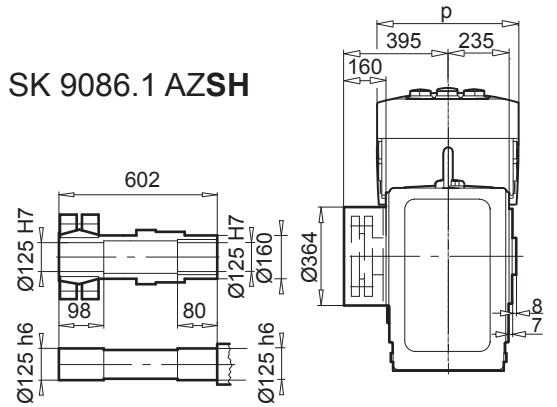
SK 9086.1 AZEA



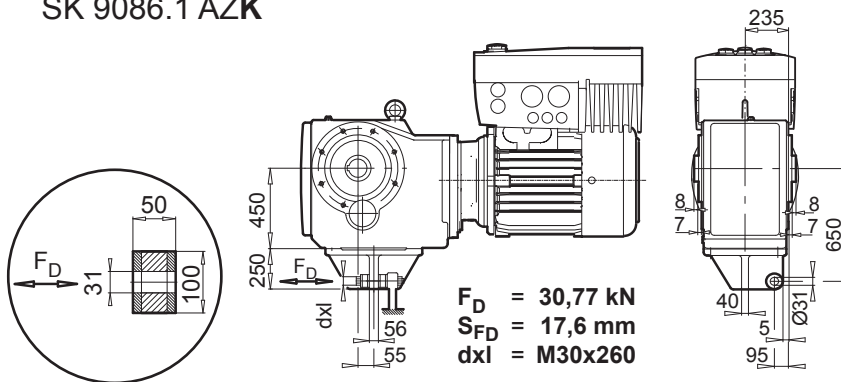
SK 9086.1 AZB



SK 9086.1 AZSH

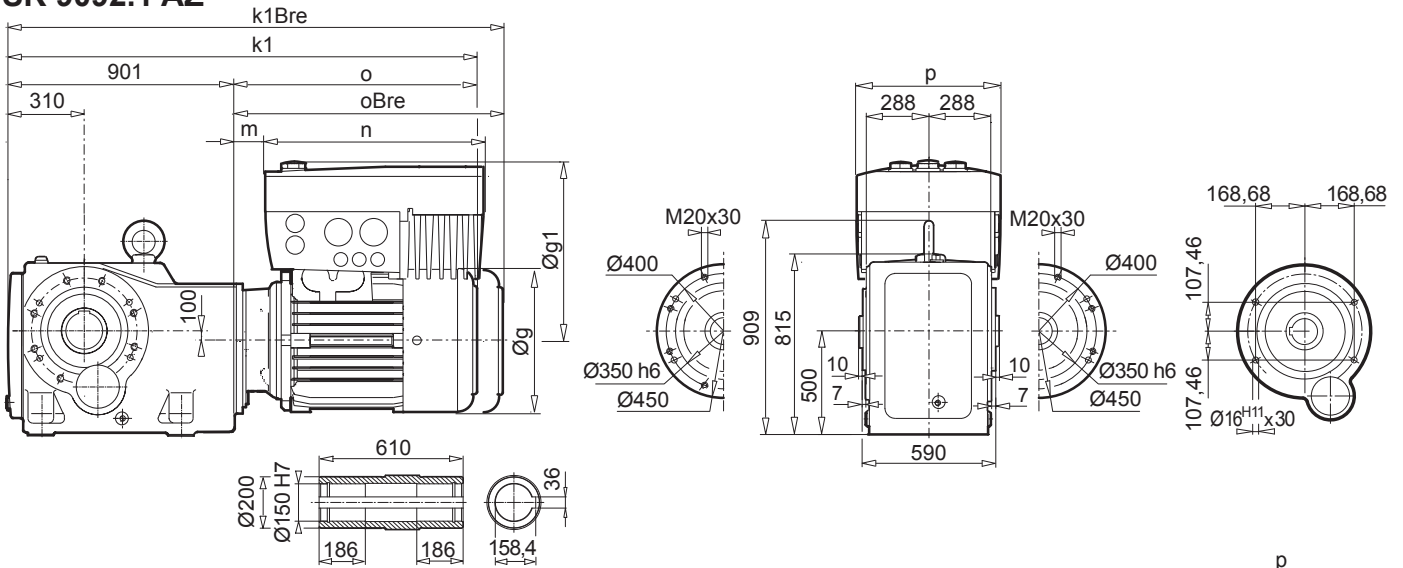


SK 9086.1 AZK

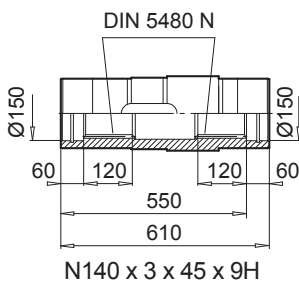




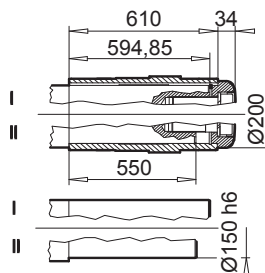
SK 9092.1 AZ



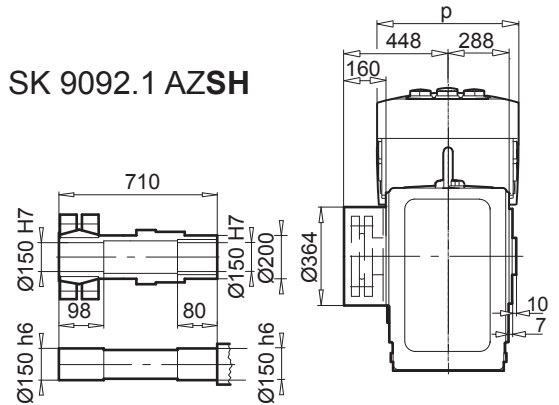
SK 9092.1 AZEA



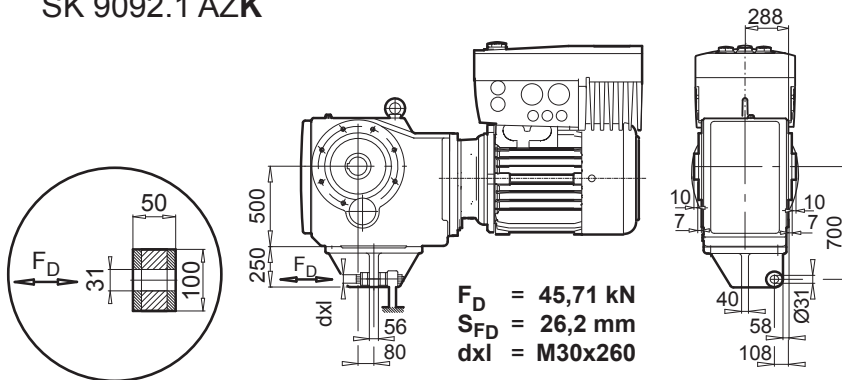
SK 9092.1 AZB



SK 9092.1 AZSH



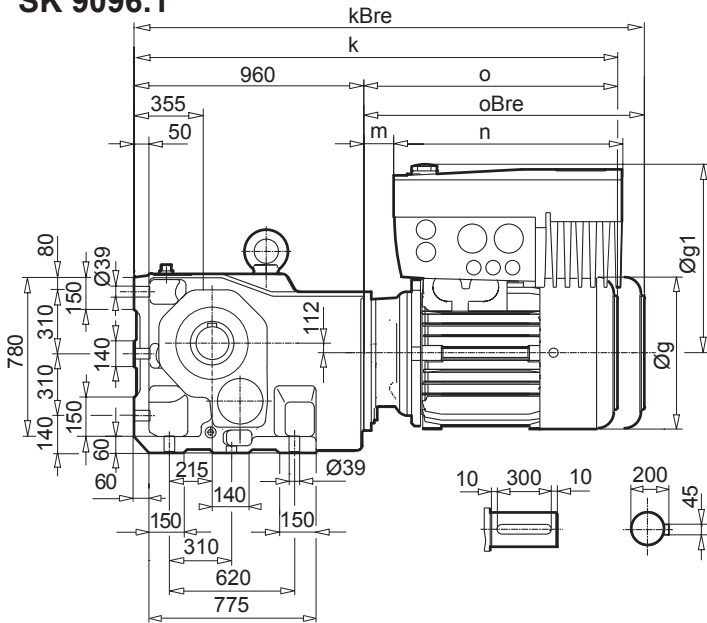
SK 9092.1 AZK



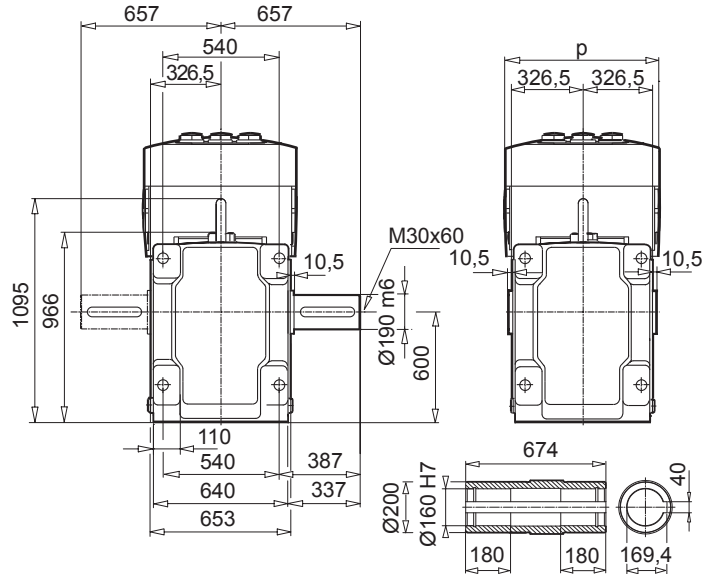
SK 9096.1



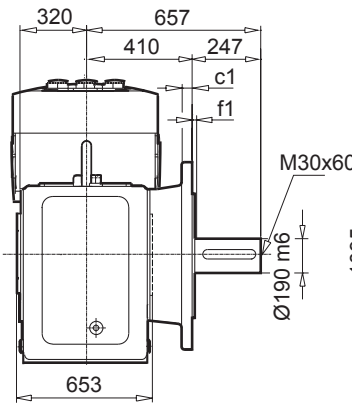
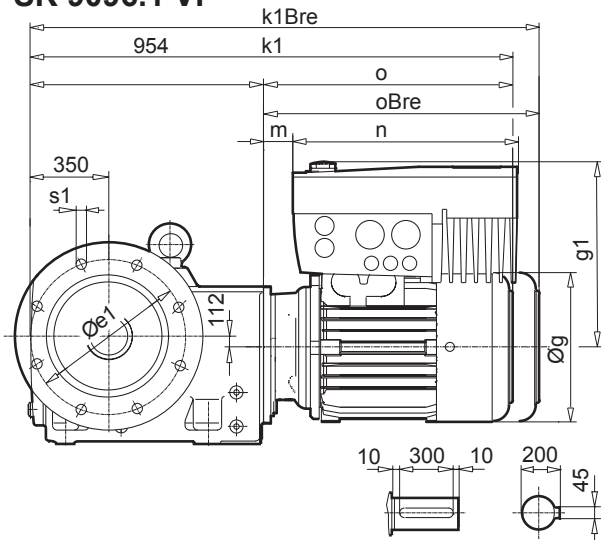
SK 9096.1



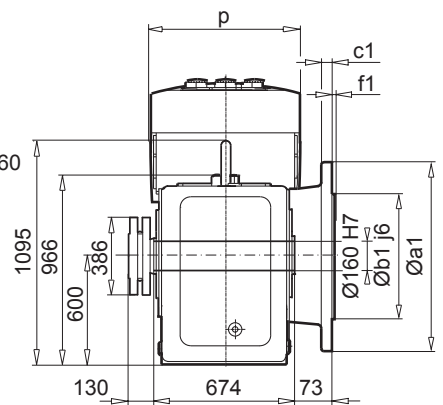
SK 9096.1 AX



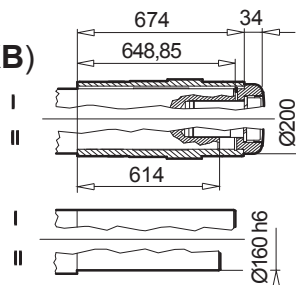
SK 9096.1 VF



SK 9096.1 AF



SK 9096.1 AFB (AXB)



a1	b1	c1	e1	f1	s1
660	550	35	600	8	8 x 26

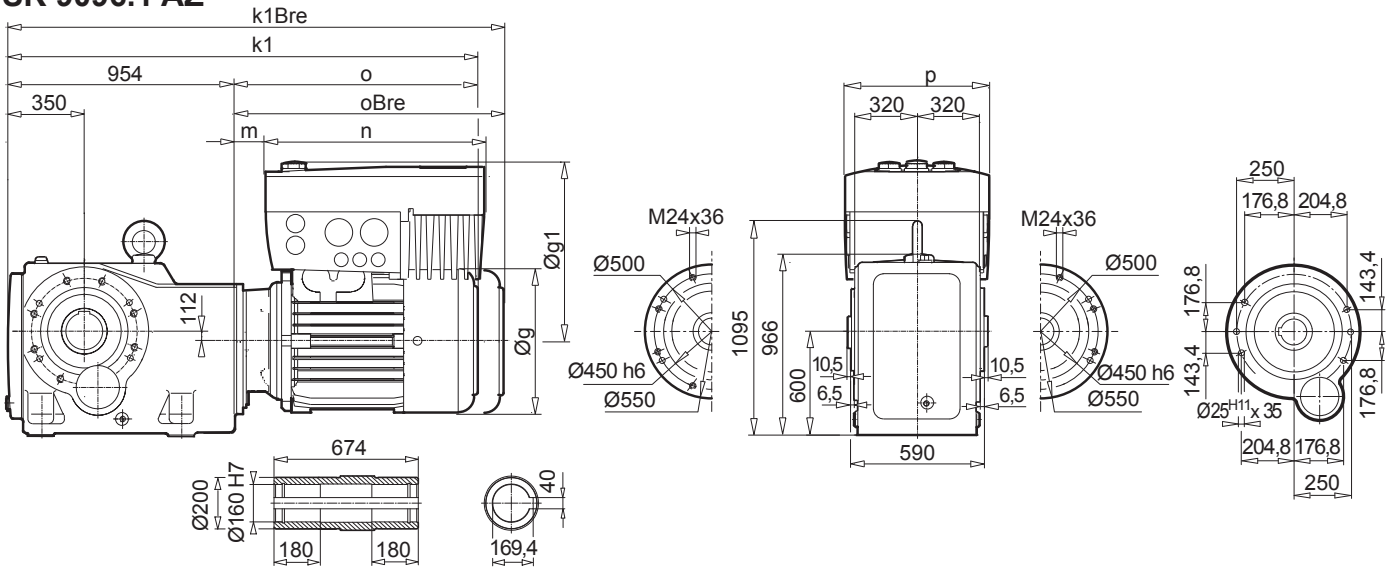
Motor + SK200E

	IE1 IE2 IE3	- 160 LH LP	- 180 MH/LH MP/LP							
SK 200E 340-A (-C)		- 152 -	- 182 - - 222 -							
g		320	358							
g1		317	337							
k / kBre		1496 / 1631	1574 / 1702							
k1 / k1Bre		1490 / 1625	1568 / 1696							
o / oBre		536 / 671	614 / 742							
m		6	8							
n		480	480							
p		305	305							

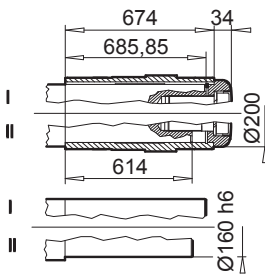
Helical-bevel gear units



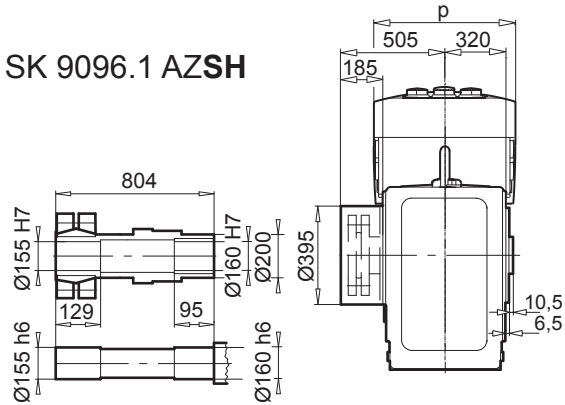
SK 9096.1 AZ



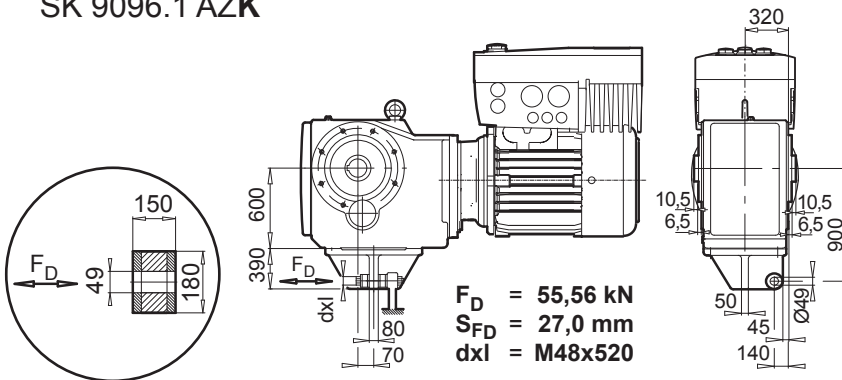
SK 9096.1 AZB



SK 9096.1 AZSH



SK 9096.1 AZK



Helical-Worm Gear Units SK 200E / SK 180E




GEAR UNIT MOTOR DATA

Power and speed tables F 2 - 35

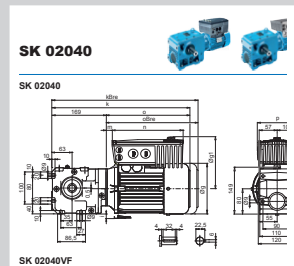


DIMENSIONED DRAWINGS

Helical-worm gear units with frequency inverter . . F 36 - 56

1:5
0,55 kW 

P_1 [kW]	n_2 [min ⁻¹]	M_{20} [Nm]	t_0	$t_{0,95}$	F_n	F_A	
0,55	1.165	632-671	2,3	257,63	16,2	12,0	SK 33100 - 85 SH
							SK 32100 - 85 SH
1,2-5,9	431-622	2,7	241,50	16,2	12,0		SK 32100 - 85 SH
1,5-7,7	334-416	3,3	183,90	16,2	12,0		SK 32100 - 85 SH
1,7-6,6	304-381	3,5	166,50	16,2	12,0		SK 32100 - 85 SH
1,6-6,1	665-699	1,0	#276,62	13,0	12,0		SK 12080 - 85 SH
1,5-6,1	607-676	1,5	234,93	9,0	9,0		SK 12080 - 85 SH
1,5-7,6	329-395	1,7	187,37	9,5	9,0		SK 12080 - 85 SH
1,6-6,0	291-362	2,0	157,56	9,0	9,0		SK 12080 - 85 SH
2,1-10	248-308	2,1	138,21	9,9	9,0		
2,3-11	225-278	2,2	124,42	10,1	9,0		
3,0-7,6	196-218	3,0	78,67	10,2	9,0		
3,0-10	178-221	2,5	94,25	10,2	9,0		
4,5-21	168-188	3,0	78,67	10,2	9,0		
4,5-24	147-166	3,0	68,27	10,2	9,0		
6,0-27	140-148	4,0	49,61	10,1	9,0		



1:5
0,55 kW

IE2



NORD
DRIVESYSTEMS

P_1 [kW]	n_2 [min ⁻¹]	M_{2b} [Nm]	f_B	i_{ges}	F_R [kN]	F_A [kN]	Type	kg	mm F
0,55	1,1-5,5	632-671	2,3	257,63	16,2	12,0	SK 33100 - 80 SH/4 - SK 200E-550-340-A (-C) SK 33100 - 80 SH/4 - SK 180E-550-340-B (-C)	76	F50-51
	1,2-5,9 1,5-7,7 1,7-8,6	431-522 334-415 304-381	2,7 3,3 3,5	241,50 183,50 165,50	16,2 16,2 16,2	12,0 12,0 12,0	SK 32100 - 80 SH/4 - SK 200E-550-340-A (-C) SK 32100 - 80 SH/4 - SK 180E-550-340-B (-C)	68	F48-49
	1,0-5,1 1,2-6,1 1,5-7,6 1,8-9,0 2,1-10 2,3-11 2,7-13 3,0-15 3,6-18 4,3-21 4,9-24 5,5-27 6,3-32	665-699 407-478 329-395 281-342 249-306 225-278 196-245 176-221 196-218 166-186 147-165 132-149 114-130	1,0 1,5 1,7 2,0 2,1 2,2 2,4 2,5 3,0 3,4 3,6 3,9 4,2	#276,92 234,60 187,17 157,59 138,21 123,42 106,08 94,35 78,91 66,44 58,27 52,03 44,72	13,0 9,0 9,5 9,8 9,9 10,0 10,1 10,2 10,2 10,3 10,3 10,1 9,6	12,0 9,0 9,0 9,0 9,0 9,0 9,0 9,0 9,0 9,0 9,0 9,0 9,0	SK 12080 - 80 SH/4 - SK 200E-550-340-A (-C) SK 12080 - 80 SH/4 - SK 180E-550-340-B (-C)	42	F46-47
	1,5-7,7 1,8-8,8 2,0-9,8 2,4-12 2,7-14 3,1-15 3,7-18 4,2-21 4,7-23 5,7-28 6,5-32 7,3-37 8,1-41 9,9-50 11-56	320-369 284-332 255-300 211-252 188-226 168-204 189-206 167-184 150-165 124-137 109-122 97,5-109 98,5-105 81,0-87,1 71,7-77,3	0,9 0,9 1,0 1,2 1,3 1,4 1,5 1,6 1,7 1,9 2,0 2,2 2,5 2,8 3,2	183,60 162,18 144,33 118,32 104,04 92,31 77,40 68,37 60,85 49,88 43,86 38,92 34,89 28,61 25,15	6,3 6,7 6,9 7,2 7,4 7,5 7,5 7,6 7,7 7,8 7,6 7,4 7,1 6,7 6,5	7,7 7,7 7,7 7,7 7,7 7,7 7,7 7,7 7,7 7,7 7,7 7,7 7,7 7,7 7,7	SK 12063 - 80 SH/4 - SK 200E-550-340-A (-C) SK 12063 - 80 SH/4 - SK 180E-550-340-B (-C)	32	F42-43
	3,1-15 3,5-18 4,4-22 5,0-25 5,6-28 6,9-35 8,0-40 9,2-46 10-52 12-59 15-73 17-84 19-96 22-108 24-122	168-196 148-174 161-173 142-153 126-136 102-112 89,5-98,3 88,9-93,1 78,2-82,2 69,3-73,0 56,3-59,5 49,2-52,1 43,1-45,8 40,7-42,2 36,0-37,5	0,9 1,0 1,0 1,1 1,1 1,4 1,6 1,7 1,9 2,1 2,4 2,3 2,5 2,8 3,0	92,82 80,58 65,25 57,38 50,63 40,95 35,55 30,94 27,21 24,01 19,42 16,86 14,72 13,18 11,63	4,8 5,0 5,0 5,2 5,3 5,3 5,2 4,8 4,7 4,6 4,3 4,2 4,1 3,8 3,7	5,6 5,6 5,6 5,6 5,6 5,6 5,6 5,6 5,6 5,6 5,6 5,6 5,6 5,6 5,6	SK 02050 - 80 SH/4 - SK 200E-550-340-A (-C) SK 02050 - 80 SH/4 - SK 180E-550-340-B (-C)	28	F38-39
	6,3-32 6,7-34 7,7-39 8,8-44 9,9-50 13-65 15-73 17-83 19-95 21-107 28-139 32-161 38-189 43-214 56-278 64-321	83,4-97,5 104-111 90,9-97,7 80,2-86,6 71,2-77,1 55,3-60,4 56,2-58,6 49,2-51,5 43,3-45,5 38,4-40,4 29,8-31,4 25,8-27,3 23,2-24,1 20,6-21,4 15,9-16,6 13,8-14,4	0,8 0,8 0,8 0,9 1,0 1,2 1,4 1,5 1,6 1,8 2,2 2,4 2,4 2,5 2,9 3,2	44,85 42,08 36,80 32,34 28,55 21,95 19,56 17,10 15,03 13,27 10,20 8,82 7,51 6,63 5,09 4,40	3,3 3,1 3,3 3,3 3,2 3,1 2,9 2,8 2,7 2,7 2,5 2,4 2,3 2,2 2,1 2,0	3,9 3,9 3,9 3,9 3,9 3,9 3,9 3,9 3,9 3,9 3,9 3,8 3,2 3,2 3,0 3,0	SK 02040 - 80 SH/4 - SK 200E-550-340-A (-C) SK 02040 - 80 SH/4 - SK 180E-550-340-B (-C)	21	F36-37

nur in Ausführung .Z oder .F lieferbar / only available in version .Z or .F

Helical-worm gear units



P_1 [kW]	n_2 [min ⁻¹]	M_{2b} [Nm]	f_B	i_{ges}	F_R [kN]	F_A [kN]	Type	kg	mm F
0,75	1,0-5,2	909-983	2,9	269,76	26,5	20,8	SK 43125 - 80 LH/4 - SK 200E-750-340-A (-C) SK 43125 - 80 LP/4 - SK 200E-750-340-A (-C) SK 43125 - 80 LH/4 - SK 180E-750-340-B (-C) SK 43125 - 80 LP/4 - SK 180E-750-340-B (-C)	126	F54-55
	1,1-5,5	864-918	1,6	257,63	16,1	12,0	SK 33100 - 80 LH/4 - SK 200E-750-340-A (-C) SK 33100 - 80 LP/4 - SK 200E-750-340-A (-C) SK 33100 - 80 LH/4 - SK 180E-750-340-B (-C) SK 33100 - 80 LP/4 - SK 180E-750-340-B (-C)	77	F50-51
0,75	1,2-5,9	590-714	2,0	241,50	16,2	12,0	SK 32100 - 80 LH/4 - SK 200E-750-340-A (-C) SK 32100 - 80 LP/4 - SK 200E-750-340-A (-C)	69	F48-49
	1,5-7,7	457-567	2,4	183,50	16,2	12,0	SK 32100 - 80 LP/4 - SK 200E-750-340-A (-C)		
	1,7-8,6	416-521	2,6	165,50	16,2	12,0	SK 32100 - 80 LH/4 - SK 180E-750-340-B (-C)		
	2,2-11	332-423	2,9	129,00	15,6	12,0	SK 32100 - 80 LH/4 - SK 180E-750-340-B (-C)		
	3,0-15	326-364	3,6	94,19	14,0	12,0	SK 32100 - 80 LP/4 - SK 180E-750-340-B (-C)		
0,75	1,2-6,0	557-654	1,1	234,60	7,5	9,0	SK 12080 - 80 LH/4 - SK 200E-750-340-A (-C) SK 12080 - 80 LP/4 - SK 200E-750-340-A (-C)	43	F46-47
	1,5-7,6	450-540	1,2	187,17	8,6	9,0	SK 12080 - 80 LP/4 - SK 200E-750-340-A (-C)		
	1,8-9,0	384-467	1,4	157,59	9,1	9,0	SK 12080 - 80 LH/4 - SK 180E-750-340-B (-C)		
	2,0-10	340-418	1,5	138,21	9,4	9,0	SK 12080 - 80 LP/4 - SK 180E-750-340-B (-C)		
	2,3-11	307-381	1,6	123,42	9,6	9,0	SK 12080 - 80 LH/4 - SK 180E-750-340-B (-C)		
	2,7-13	268-335	1,8	106,08	9,8	9,0	SK 12080 - 80 LP/4 - SK 180E-750-340-B (-C)		
	3,0-15	240-303	1,9	94,35	9,9	9,0			
	3,6-18	268-298	2,2	78,91	10,0	9,0			
	4,3-21	227-255	2,5	66,44	10,1	9,0			
	4,9-24	201-226	2,7	58,27	10,0	9,0			
	5,4-27	181-204	2,8	52,03	9,7	9,0			
	6,3-32	157-178	3,1	44,72	9,4	9,0			
	7,5-37	149-160	3,4	37,91	8,8	9,0			
8,9-44	126-136	3,9	31,92	8,4	9,0				
0,75	2,4-12	289-345	0,9	118,32	6,5	7,7	SK 12063 - 80 LH/4 - SK 200E-750-340-A (-C) SK 12063 - 80 LP/4 - SK 200E-750-340-A (-C)	33	F42-43
	2,7-14	257-310	1,0	104,04	6,8	7,7	SK 12063 - 80 LP/4 - SK 200E-750-340-A (-C)		
	3,1-15	230-279	1,1	92,31	7,1	7,7	SK 12063 - 80 LH/4 - SK 180E-750-340-B (-C)		
	3,7-18	258-282	1,1	77,40	7,0	7,7	SK 12063 - 80 LP/4 - SK 180E-750-340-B (-C)		
	4,1-21	229-252	1,2	68,37	7,2	7,7	SK 12063 - 80 LH/4 - SK 180E-750-340-B (-C)		
	4,6-23	205-226	1,2	60,85	7,4	7,7	SK 12063 - 80 LP/4 - SK 180E-750-340-B (-C)		
	5,7-28	169-188	1,4	49,88	7,5	7,7			
	6,4-32	150-167	1,5	43,86	7,3	7,7			
	7,3-36	133-150	1,6	38,92	7,1	7,7			
	8,1-40	135-144	1,8	34,89	6,8	7,7			
	9,9-49	111-119	2,1	28,61	6,5	7,7			
	11-56	98,0-106	2,3	25,15	6,3	7,7			
	13-63	87,2-94,2	2,6	22,32	6,1	7,7			
	15-74	74,8-81,0	2,7	18,99	5,8	7,7			
	18-91	66,0-69,0	2,8	15,57	5,3	7,7			
0,75	4,9-25	194-209	0,8	57,38	4,7	5,6	SK 02050 - 80 LH/4 - SK 200E-750-340-A (-C) SK 02050 - 80 LP/4 - SK 200E-750-340-A (-C)	29	F38-39
	5,6-28	172-187	0,8	50,63	4,9	5,6	SK 02050 - 80 LP/4 - SK 200E-750-340-A (-C)		
	6,9-35	140-153	1,0	40,95	5,0	5,6	SK 02050 - 80 LH/4 - SK 180E-750-340-B (-C)		
	7,9-40	123-135	1,2	35,55	4,9	5,6	SK 02050 - 80 LP/4 - SK 180E-750-340-B (-C)		
	9,1-46	122-127	1,2	30,94	4,5	5,6	SK 02050 - 80 LH/4 - SK 180E-750-340-B (-C)		
	10-52	107-112	1,4	27,21	4,4	5,6	SK 02050 - 80 LP/4 - SK 180E-750-340-B (-C)		
	12-59	94,8-99,9	1,6	24,01	4,3	5,6			
	15-73	77,0-81,4	1,8	19,42	4,1	5,6			
	17-84	67,3-71,3	1,7	16,86	4,0	5,6			
	19-96	59,0-62,7	1,8	14,72	3,9	5,6			

1:5

0,75 kW
1,10 kW



P ₁ [kW]	n ₂ [min ⁻¹]	M _{2b} [Nm]	f _B	i _{ges}	F _R [kN]	F _A [kN]	Type	kg	mm
0,75	22-108	55,7-57,8	2,1	13,18	3,6	5,1	SK 02050 - 80 LH/4 - SK 200E-750-340-A (-C) SK 02050 - 80 LP/4 - SK 200E-750-340-A (-C)	29	F38-39
	24-122	49,3-51,3	2,2	11,63	3,5	5,1			
	30-151	40,0-41,7	2,6	9,41	3,3	5,0			
	35-173	34,9-36,5	3,0	8,17	3,2	4,9			
	40-198	30,6-32,0	3,3	7,13	3,1	4,7	SK 02050 - 80 LH/4 - SK 180E-750-340-B (-C) SK 02050 - 80 LP/4 - SK 180E-750-340-B (-C)		
	13-64	75,7-82,7	0,9	21,95	2,8	3,9	SK 02040 - 80 LH/4 - SK 200E-750-340-A (-C) SK 02040 - 80 LP/4 - SK 200E-750-340-A (-C)	22	F36-37
	14-72	76,8-80,2	1,0	19,56	2,6	3,7			
	17-83	67,3-70,4	1,1	17,10	2,6	3,8			
	19-94	59,3-62,2	1,2	15,03	2,5	3,7			
	21-107	52,5-55,2	1,3	13,27	2,5	3,7			
	28-138	40,7-43,0	1,6	10,20	2,4	3,6			
	32-160	35,4-37,4	1,7	8,82	2,3	3,6			
	38-188	31,8-33,0	1,7	7,51	2,1	2,8			
	43-213	28,2-29,3	1,8	6,63	2,1	2,8			
	55-277	21,8-22,7	2,1	5,09	2,0	2,8			
	64-320	18,9-19,7	2,3	4,40	1,9	2,7			
1,10	1,1-5,3	1315-1424	2,0	269,76	26,5	20,8	SK 43125 - 90 SH/4 - SK 200E-111-340-A (-C) SK 43125 - 90 SP/4 - SK 200E-111-340-A (-C)	131	F54-55
	1,2-6,1	1156-1261	2,2	236,58	26,5	20,8	SK 43125 - 90 SH/4 - SK 180E-111-340-B (-C) SK 43125 - 90 SP/4 - SK 180E-111-340-B (-C)		
	1,4-7,1	764-958	2,7	201,63	26,5	20,8	SK 42125 - 90 SH/4 - SK 200E-111-340-A (-C) SK 42125 - 90 SP/4 - SK 200E-111-340-A (-C)	114	F52-53
	1,6-7,9	698-882	2,9	182,36	26,5	20,8			
	1,8-8,9	622-792	3,1	160,74	26,5	20,8			
	2,0-9,9	567-726	3,3	144,76	26,5	20,8	SK 42125 - 90 SH/4 - SK 180E-111-340-B (-C) SK 42125 - 90 SP/4 - SK 180E-111-340-B (-C)		
1,1-5,6	1,6-7,9	894-966	1,5	182,66	14,7	12,0	SK 33100 - 90 SH/4 - SK 200E-111-340-A (-C) SK 33100 - 90 SP/4 - SK 200E-111-340-A (-C)	82	F50-51
	2,0-10	701-768	1,7	142,38	14,2	12,0			
							SK 33100 - 90 SH/4 - SK 180E-111-340-B (-C) SK 33100 - 90 SP/4 - SK 180E-111-340-B (-C)		
1,2-5,9	1,6-7,8	662-822	1,7	183,50	15,5	12,0	SK 32100 - 90 SH/4 - SK 200E-111-340-A (-C) SK 32100 - 90 SP/4 - SK 200E-111-340-A (-C)	74	F48-49
	1,7-8,7	602-755	1,8	165,50	15,5	12,0			
	2,2-11	481-613	2,0	129,00	14,6	12,0			
	2,8-14	398-511	2,3	104,00	13,9	12,0			
	3,0-15	471-527	2,5	94,19	13,1	12,0			
	4,0-20	362-409	3,0	71,57	12,3	12,0			
	4,4-22	329-373	3,2	64,55	12,0	12,0			
	5,7-29	260-296	3,7	50,31	11,3	12,0			
							SK 32100 - 90 SH/4 - SK 180E-111-340-B (-C) SK 32100 - 90 SP/4 - SK 180E-111-340-B (-C)		
1,5-7,7	1,8-9,1	556-677	1,0	157,59	5,7	9,0	SK 12080 - 90 SH/4 - SK 200E-111-340-A (-C) SK 12080 - 90 SP/4 - SK 200E-111-340-A (-C)	48	F46-47
	2,1-10	492-606	1,1	138,21	8,0	9,0			
	2,3-12	445-552	1,1	123,42	8,5	9,0			
	2,7-14	388-486	1,2	106,08	9,0	9,0			
	3,0-15	348-438	1,3	94,35	9,3	9,0			
	3,6-18	388-432	1,5	78,91	9,3	9,0			
	4,3-22	329-369	1,7	66,44	9,6	9,0			
	4,9-25	290-327	1,8	58,27	9,4	9,0			
	5,5-28	261-296	1,9	52,03	9,2	9,0			
	6,4-32	227-257	2,1	44,72	8,8	9,0			
	7,6-38	215-232	2,4	37,91	8,3	9,0			
	9,0-45	183-197	2,7	31,92	8,0	9,0			
	10-51	161-174	2,9	27,99	7,7	9,0			
	11-57	144-156	3,1	25,00	7,5	9,0			
	13-67	125-135	3,5	21,49	7,2	9,0			
	15-75	111-121	3,8	19,11	7,0	9,0			
	18-90	98,7-104	3,8	15,98	6,5	9,0			
	21-103	86,7-91,5	4,0	14,01	6,3	9,0			

Helical-worm gear units



P_1 [kW]	n_2 [min ⁻¹]	M_{2b} [Nm]	f_B	i_{ges}	F_R [kN]	F_A [kN]	Type	kg	mm F			
1,10	4,2-21	332-364	0,8	68,37	6,3	7,7	SK 12063 - 90 SH/4 - SK 200E-111-340-A (-C)	38	F42-43			
	4,7-24	297-328	0,9	60,85	6,7	7,7	SK 12063 - 90 SP/4 - SK 200E-111-340-A (-C)					
	5,8-29	245-272	1,0	49,88	6,9	7,7						
	6,5-33	217-242	1,0	43,86	6,7	7,7	SK 12063 - 90 SH/4 - SK 180E-111-340-A (-C)					
	7,4-37	193-217	1,1	38,92	6,6	7,7	SK 12063 - 90 SP/4 - SK 180E-111-340-B (-C)					
	8,2-41	195-209	1,3	34,89	6,2	7,7						
	10-50	160-173	1,4	28,61	6,0	7,7						
	11-57	142-153	1,6	25,15	5,9	7,7						
	13-64	126-136	1,8	22,32	5,7	7,7						
	15-75	108-117	1,8	18,99	5,5	7,7						
	18-92	95,4-99,9	1,9	15,57	5,0	7,5						
	23-113	78,4-82,3	2,2	12,76	4,8	7,3						
	26-128	69,2-72,7	2,4	11,22	4,6	7,1						
	29-144	61,5-64,7	2,6	9,96	4,5	7,0						
	34-169	52,7-55,4	3,0	8,47	4,3	6,8						
	1,10	8,1-40	177-195	0,8	35,55	4,3	5,6			SK 02050 - 90 SH/4 - SK 200E-111-340-A (-C)	34	F38-39
9,3-46		176-184	0,8	30,94	3,9	5,6	SK 02050 - 90 SP/4 - SK 200E-111-340-A (-C)					
11-53		155-163	1,0	27,21	3,9	5,6						
12-60		137-145	1,1	24,01	3,8	5,6	SK 02050 - 90 SH/4 - SK 180E-111-340-B (-C)					
15-74		111-118	1,2	19,42	3,7	5,6	SK 02050 - 90 SP/4 - SK 180E-111-340-B (-C)					
17-85		97,3-103	1,2	16,86	3,7	5,6						
19-97		85,4-90,8	1,2	14,72	3,6	5,6						
22-109		80,5-83,6	1,4	13,18	3,2	4,2						
25-123		71,3-74,2	1,5	11,63	3,2	4,2						
31-153		57,8-60,3	1,8	9,41	3,1	4,3						
35-175		50,5-52,8	2,1	8,17	3,0	4,2						
40-201		44,3-46,3	2,3	7,13	2,9	4,2						
1,10		19-96	85,8-90,0	0,8	15,03	2,1	3,0	SK 02040 - 90 SH/4 - SK 200E-111-340-A (-C)	27	F36-37		
		22-108	76,0-79,9	0,9	13,27	2,1	3,0	SK 02040 - 90 SP/4 - SK 200E-111-340-A (-C)				
		28-140	58,9-62,2	1,1	10,20	2,1	3,1					
		32-162	51,2-54,1	1,2	8,82	2,1	3,1	SK 02040 - 90 SH/4 - SK 180E-111-340-B (-C)				
	38-191	46,0-47,7	1,2	7,51	1,9	2,1	SK 02040 - 90 SP/4 - SK 180E-111-340-B (-C)					
	43-216	40,8-42,3	1,3	6,63	1,8	2,2						
	56-281	31,5-32,8	1,5	5,09	1,8	2,2						
	65-324	27,4-28,5	1,6	4,40	1,7	2,2						
	1,50	1,0-5,2	1818-1967	1,4	269,76	26,5	20,8	SK 43125 - 90 LH/4 - SK 200E-151-340-A (-C)			133	F54-55
		1,2-6,0	1598-1742	1,6	236,58	26,5	20,8	SK 43125 - 90 LP/4 - SK 200E-151-340-A (-C)				
							SK 43125 - 90 LH/4 - SK 180E-151-340-B (-C)					
							SK 43125 - 90 LP/4 - SK 180E-151-340-B (-C)					
1,4-7,0		1055-1322	2,0	201,63	26,5	20,8	SK 42125 - 90 LH/4 - SK 200E-151-340-A (-C)	116	F52-53			
1,6-7,8		964-1217	2,1	182,36	26,5	20,8	SK 42125 - 90 LP/4 - SK 200E-151-340-A (-C)					
1,8-8,8		859-1093	2,3	160,74	26,5	20,8						
2,0-9,8		783-1002	2,4	144,76	26,5	20,8	SK 42125 - 90 LH/4 - SK 180E-151-340-B (-C)					
2,4-12		652-840	2,7	117,50	25,2	20,8	SK 42125 - 90 LP/4 - SK 180E-151-340-B (-C)					
2,8-14		569-735	2,9	100,58	24,1	20,8						
3,2-16	616-705	3,3	87,30	22,9	20,8							
3,7-18	546-627	3,7	76,95	22,1	20,8							
1,50	1,1-5,5	1728-1836	0,8	257,63	7,2	12,0	SK 33100 - 90 LH/4 - SK 200E-151-340-A (-C)	84	F50-51			
	1,5-7,7	1236-1335	1,1	182,66	13,0	12,0	SK 33100 - 90 LP/4 - SK 200E-151-340-A (-C)					
	2,0-9,9	970-1060	1,2	142,38	12,8	12,0						
	2,3-12	930-979	1,2	121,21	11,8	12,0	SK 33100 - 90 LH/4 - SK 180E-151-340-B (-C)					
	2,6-13	841-888	1,3	109,32	11,8	12,0	SK 33100 - 90 LP/4 - SK 180E-151-340-B (-C)					
	3,3-17	658-701	1,5	85,21	11,5	12,0						

1:5 1,50 kW



P_1 [kW]	n_2 [min ⁻¹]	M_{2b} [Nm]	f_B	i_{ges}	F_R [kN]	F_A [kN]	Type	kg	mm F		
1,50	1,2-5,9	1180-1428	1,0	241,50	12,7	12,0	SK 32100 - 90 LH/4 - SK 200E-151-340-A (-C) SK 32100 - 90 LP/4 - SK 200E-151-340-A (-C)	76	F48-49		
	1,5-7,7	914-1134	1,2	183,50	14,5	12,0					
	1,7-8,6	832-1041	1,3	165,50	14,2	12,0					
	2,2-11	665-845	1,5	129,00	13,6	12,0	SK 32100 - 90 LH/4 - SK 180E-151-340-B (-C) SK 32100 - 90 LP/4 - SK 180E-151-340-B (-C)				
	2,7-14	549-705	1,7	104,00	13,1	12,0					
	3,0-15	651-727	1,8	94,19	12,2	12,0					
	4,0-20	501-565	2,2	71,57	11,6	12,0					
	4,4-22	454-515	2,3	64,55	11,4	12,0					
	5,6-28	359-409	2,7	50,31	10,8	12,0					
	6,6-33	337-367	3,0	42,83	10,2	12,0					
	7,3-37	305-333	3,3	38,63	9,9	12,0					
	8,3-41	252-288	3,8	34,32	9,9	12,0					
	9,4-47	240-263	4,0	30,11	9,4	12,0					
		2,0-10	680-836	0,8	138,21	4,7	9,0			SK 12080 - 90 LH/4 - SK 200E-151-340-A (-C) SK 12080 - 90 LP/4 - SK 200E-151-340-A (-C)	50
	2,3-11	614-761	0,8	123,42	6,1	9,0					
	2,7-13	536-670	0,9	106,08	7,3	9,0					
	3,0-15	481-605	0,9	94,35	8,0	9,0	SK 12080 - 90 LH/4 - SK 180E-151-340-B (-C) SK 12080 - 90 LP/4 - SK 180E-151-340-B (-C)				
	3,6-18	536-596	1,1	78,91	8,1	9,0					
	4,3-21	455-510	1,2	66,44	8,8	9,0					
	4,9-24	401-452	1,3	58,27	8,7	9,0					
	5,4-27	361-408	1,4	52,03	8,5	9,0					
	6,3-32	313-356	1,5	44,72	8,3	9,0					
	7,5-37	298-320	1,7	37,91	7,7	9,0					
	8,9-44	252-272	1,9	31,92	7,5	9,0					
	10-51	222-240	2,1	27,99	7,3	9,0					
	11-57	200-216	2,3	25,00	7,1	9,0					
	13-66	173-187	2,5	21,49	6,9	9,0					
	15-74	154-167	2,7	19,11	6,7	9,0					
	18-89	136-144	2,7	15,98	6,1	8,6					
	20-101	120-126	2,9	14,01	6,0	8,4					
	23-113	108-114	3,0	12,51	5,8	8,3					
	26-131	92,9-98,1	3,5	10,75	5,6	8,1					
	30-148	82,6-87,3	3,9	9,56	5,5	7,9					
	7,3-36	267-299	0,8	38,92	6,0	7,7	SK 12063 - 90 LH/4 - SK 200E-151-340-A (-C) SK 12063 - 90 LP/4 - SK 200E-151-340-A (-C)	40	F42-43		
	8,1-40	269-288	0,9	34,89	5,6	7,7					
	9,9-49	222-238	1,0	28,61	5,5	7,7					
	11-56	196-211	1,2	25,15	5,4	7,7	SK 12063 - 90 LH/4 - SK 180E-151-340-B (-C) SK 12063 - 90 LP/4 - SK 180E-151-340-B (-C)				
	13-63	174-188	1,3	22,32	5,3	7,7					
	15-74	150-162	1,3	18,99	5,2	7,7					
	18-91	132-138	1,4	15,57	4,6	6,5					
	22-111	108-114	1,6	12,76	4,5	6,5					
	25-126	95,7-101	1,7	11,22	4,4	6,5					
	28-142	85,0-89,4	1,9	9,96	4,3	6,4					
	33-167	72,8-76,6	2,2	8,47	4,1	6,3					
	38-191	63,8-67,1	2,3	7,43	4,0	6,2					
	12-59	190-200	0,8	24,01	3,3	4,6	SK 02050 - 90 LH/4 - SK 200E-151-340-A (-C) SK 02050 - 90 LP/4 - SK 200E-151-340-A (-C)			36	F38-39
	15-73	154-163	0,9	19,42	3,3	4,8					
	17-84	135-143	0,8	16,86	3,3	4,9					
	19-96	118-125	0,9	14,72	3,3	4,9	SK 02050 - 90 LH/4 - SK 180E-151-340-B (-C) SK 02050 - 90 LP/4 - SK 180E-151-340-B (-C)				
	22-108	111-116	1,0	13,18	2,8	3,1					
	24-122	98,6-103	1,1	11,63	2,8	3,3					
	30-151	80,0-83,4	1,3	9,41	2,8	3,5					
	35-173	69,8-72,9	1,5	8,17	2,7	3,6					
	40-198	61,2-64,0	1,6	7,13	2,7	3,6					

Helical-worm gear units



P_1 [kW]	n_2 [min ⁻¹]	M_{2b} [Nm]	f_B	i_{ges}	F_R [kN]	F_A [kN]	Type	kg	mm F	
2,20	1,1-5,3	2612-2830	1,0	269,76	24,0	20,8	SK 43125 - 100 LH/4 - SK 200E-221-340-A (-C) SK 43125 - 100 LP/4 - SK 200E-221-340-A (-C)	141	F54-55	
	1,2-6,1	2297-2506	1,1	236,58	25,5	20,8				
	1,5-7,7	1833-2025	1,3	187,80	24,9	20,8				
	1,9-9,5	1501-1677	1,5	152,44	24,0	20,8	SK 43125 - 100 LH/4 - SK 180E-221-340-B (-C) SK 43125 - 100 LP/4 - SK 180E-221-340-B (-C)			
	2,2-11	1292-1456	1,7	130,49	23,4	20,8				
	2,6-13	1109-1259	1,9	110,97	22,6	20,8				
		1,4-7,2	1518-1906	1,4	201,63	26,5	20,8	SK 42125 - 100 LH/4 - SK 200E-221-340-A (-C) SK 42125 - 100 LP/4 - SK 200E-221-340-A (-C)	124	F52-53
		1,6-7,9	1387-1754	1,5	182,36	26,0	20,8			
		1,8-9,0	1237-1576	1,6	160,74	25,3	20,8			
		2,0-10	1127-1443	1,7	144,76	24,7	20,8	SK 42125 - 100 LH/4 - SK 180E-221-340-B (-C) SK 42125 - 100 LP/4 - SK 180E-221-340-B (-C)		
		2,5-12	939-1210	1,9	117,50	23,6	20,8			
		2,9-14	820-1058	2,0	100,58	22,7	20,8			
		3,3-17	885-1014	2,3	87,30	21,5	20,8			
3,8-19		785-903	2,5	76,95	20,9	20,8				
4,2-21		712-820	2,7	69,30	20,4	20,8				
5,1-26		587-678	3,0	56,25	19,3	20,8				
6,0-30		509-587	3,3	48,15	18,6	20,8				
1,6-7,9		1315-1635	0,8	183,50	10,4	12,0				SK 32100 - 100 LH/4 - SK 200E-221-340-A (-C) SK 32100 - 100 LP/4 - SK 200E-221-340-A (-C)
1,7-8,7		1197-1501	0,9	165,50	12,0	12,0				
2,2-11	957-1218	1,0	129,00	11,8	12,0					
2,8-14	791-1015	1,2	104,00	11,5	12,0	SK 32100 - 100 LH/4 - SK 180E-221-340-B (-C) SK 32100 - 100 LP/4 - SK 180E-221-340-B (-C)				
3,1-15	937-1046	1,3	94,19	10,5	12,0					
4,0-20	720-813	1,5	71,57	10,3	12,0					
4,5-22	653-740	1,6	64,55	10,1	12,0					
5,8-29	516-589	1,9	50,31	9,8	12,0					
6,8-34	485-528	2,1	42,83	9,2	12,0					
7,5-37	439-479	2,3	38,63	9,1	12,0					
8,4-42	362-414	2,6	34,32	9,2	12,0					
9,6-48	346-378	2,8	30,11	8,7	12,0					
12-60	282-308	3,3	24,27	8,3	12,0					
14-70	240-263	3,2	20,54	8,0	11,8					
15-76	234-247	2,9	18,97	7,4	9,8					
17-85	211-224	3,2	17,11	7,3	9,7					
18-89	193-210	3,6	16,22	7,6	11,2					
3,7-18	770-858	0,8	78,91	4,1	9,0				SK 12080 - 100 LH/4 - SK 200E-221-340-A (-C) SK 12080 - 100 LP/4 - SK 200E-221-340-A (-C)	58
4,3-22	654-734	0,9	66,44	6,5	9,0					
5,0-25	577-651	0,9	58,27	7,4	9,0					
5,5-28	519-588	1,0	52,03	7,4	9,0	SK 12080 - 100 LH/4 - SK 180E-221-340-B (-C) SK 12080 - 100 LP/4 - SK 180E-221-340-B (-C)				
6,5-32	450-512	1,1	44,72	7,3	9,0					
7,6-38	428-460	1,2	37,91	6,7	9,0					
9,0-45	363-391	1,3	31,92	6,6	9,0					
10-52	319-345	1,5	27,99	6,6	9,0					
12-58	287-311	1,6	25,00	6,5	9,0					
13-67	248-269	1,7	21,49	6,3	9,0					
15-76	221-240	1,9	19,11	6,2	9,0					
18-90	196-206	1,9	15,98	5,6	7,2					
21-103	172-182	2,0	14,01	5,5	7,2					
23-115	155-163	2,1	12,51	5,4	7,2					
27-134	133-141	2,4	10,75	5,2	7,2					
30-151	119-125	2,7	9,56	5,1	7,1					
38-191	94,7-99,9	3,0	7,55	4,9	6,9					
11-57	282-304	0,8	25,15	4,7	7,2				SK 12063 - 100 LH/4 - SK 200E-221-340-A (-C) SK 12063 - 100 LP/4 - SK 200E-221-340-A (-C)	48
13-65	251-271	0,9	22,32	4,7	7,3					
15-76	215-233	0,9	18,99	4,6	7,3					
19-93	190-198	1,0	15,57	4,0	4,9	SK 12063 - 100 LH/4 - SK 180E-221-340-B (-C) SK 12063 - 100 LP/4 - SK 180E-221-340-B (-C)				
23-113	156-163	1,1	12,76	3,9	5,2					
26-129	138-145	1,2	11,22	3,9	5,3					
29-145	122-128	1,3	9,96	3,9	5,4					
34-170	105-110	1,5	8,47	3,8	5,4					
39-195	91,7-96,5	1,6	7,43	3,7	5,4					

Helical-worm gear units

1:5

3,00 kW



P ₁ [kW]	n ₂ [min ⁻¹]	M _{2b} [Nm]	f _B	i _{ges}	F _R	F _A	Type	mm	
								kg	F
3,00	1,2-6,0	3175-3461	0,8	236,58	20,0	20,8	SK 43125 - 100 AH/4 - SK 200E-301-340-A (-C) SK 43125 - 100 AP/4 - SK 200E-301-340-A (-C)	142	F54-55
	1,5-7,6	2533-2797	0,9	187,80	22,0	20,8			
	1,9-9,4	2074-2316	1,1	152,44	21,7	20,8			
	2,2-11	1786-2010	1,2	130,49	21,3	20,8			
	2,6-13	1533-1739	1,4	110,97	20,9	20,8			
	3,3-17	1348-1444	1,2	86,22	19,0	20,8			
4,1-20	1101-1187	1,3	69,99	18,5	20,8				
	1,4-7,1	2096-2629	1,0	201,63	24,0	20,8	SK 42125 - 100 AH/4 - SK 200E-301-340-A (-C) SK 42125 - 100 AP/4 - SK 200E-301-340-A (-C)	125	F52-53
	1,6-7,8	1916-2420	1,1	182,36	23,7	20,8			
	1,8-8,9	1707-2174	1,1	160,74	23,2	20,8			
	2,0-9,9	1555-1991	1,2	144,76	22,8	20,8			
	2,4-12	1296-1670	1,3	117,50	22,0	20,8			
	2,8-14	1132-1460	1,5	100,58	21,4	20,8			
	3,3-16	1223-1401	1,7	87,30	20,1	20,8			
	3,7-19	1084-1247	1,8	76,95	19,6	20,8			
	4,1-21	984-1133	2,0	69,30	19,2	20,8			
	5,1-25	811-937	2,2	56,25	18,4	20,8			
	5,9-30	702-811	2,4	48,15	17,8	20,8			
	7,0-35	607-698	2,6	40,95	17,2	20,8			
	8,1-40	570-623	2,6	35,33	16,2	20,8			
	9,0-45	516-564	3,3	31,82	15,8	20,8			
	2,7-14	1091-1401	0,8	104,00	9,8	12,0	SK 32100 - 100 AH/4 - SK 200E-301-340-A (-C) SK 32100 - 100 AP/4 - SK 200E-301-340-A (-C)	85	F48-49
	3,0-15	1294-1445	0,9	94,19	8,5	12,0			
	4,0-20	995-1123	1,1	71,57	8,8	12,0			
	4,4-22	902-1023	1,2	64,55	8,8	12,0			
	5,7-28	713-814	1,4	50,31	8,8	12,0			
	6,7-33	670-729	1,5	42,83	8,2	11,4			
	7,4-37	607-661	1,7	38,63	8,2	11,4			
	8,3-42	500-571	1,9	34,32	8,4	12,0			
	9,5-47	478-523	2,0	30,11	8,0	11,4			
	12-59	389-426	2,4	24,27	7,8	11,2			
	14-69	332-363	2,3	20,54	7,5	11,0			
	15-75	323-342	2,1	18,97	6,8	8,3			
	17-83	292-309	2,3	17,11	6,7	8,4			
	18-88	267-291	2,6	16,22	7,2	10,6			
	21-107	229-243	2,9	13,34	6,5	8,4			
	27-133	186-197	3,7	10,75	6,3	8,3			
	6,4-32	622-707	0,8	44,72	6,2	9,0			
	7,5-38	591-636	0,9	37,91	5,6	7,5			
	8,9-45	501-541	1,0	31,92	5,7	7,8			
	10-51	441-477	1,1	27,99	5,7	8,0			
	11-57	396-429	1,1	25,00	5,7	8,1			
	13-66	343-372	1,3	21,49	5,7	8,2			
	15-75	305-331	1,4	19,11	5,6	8,2			
	18-89	271-285	1,4	15,98	4,9	5,6			
	20-102	238-251	1,5	14,01	4,9	5,8			
	23-114	214-226	1,5	12,51	4,9	6,0			
	26-132	185-195	1,7	10,75	4,8	6,1			
	30-149	164-173	2,0	9,56	4,7	6,1			
	38-189	131-138	2,1	7,55	4,6	6,2			

Helical-worm gear units



P_1 [kW]	n_2 [min ⁻¹]	M_{2b} [Nm]	f_B	i_{ges}	F_R [kN]	F_A [kN]	Type	kg	mm F
4,00	1,9-9,5	2738-3059	0,8	152,44	18,7	20,8	SK 43125 - 112 MH/4 - SK 200E-401-340-A (-C) SK 43125 - 112 MP/4 - SK 200E-401-340-A (-C)	153	F54-55
	2,2-11	2357-2655	0,9	130,49	18,7	20,8			
	2,6-13	2024-2297	1,0	110,97	18,6	20,8			
	3,3-17	1779-1906	0,9	86,22	16,9	20,8			
	4,1-21	1454-1568	1,0	69,99	16,7	20,8			
	4,6-23	1305-1412	1,1	62,50	16,6	20,8			
	1,4-7,1	2769-3475	0,8	201,63	19,9	20,8	SK 42125 - 112 MH/4 - SK 200E-401-340-A (-C) SK 42125 - 112 MP/4 - SK 200E-401-340-A (-C)	136	F52-53
	1,6-7,9	2530-3198	0,8	182,36	20,7	20,8			
	1,8-9,0	2255-2873	0,9	160,74	20,5	20,8			
	2,0-10	2055-2632	0,9	144,76	20,4	20,8			
	2,5-12	1712-2207	1,0	117,50	19,9	20,8			
	2,9-14	1496-1930	1,1	100,58	19,5	20,8			
	3,3-16	1615-1850	1,3	87,30	18,3	20,8			
	3,7-19	1432-1646	1,4	76,95	18,0	20,8			
	4,2-21	1299-1496	1,5	69,30	17,8	20,8			
	5,1-26	1071-1237	1,7	56,25	17,2	20,8			
	6,0-30	928-1070	1,8	48,15	16,7	20,8			
	7,0-35	801-922	2,0	40,95	16,2	20,8			
	8,2-41	753-823	1,9	35,33	15,2	20,8			
	9,1-45	681-745	2,5	31,82	14,9	20,8			
	11-56	559-611	2,8	25,83	14,3	20,6			
	13-65	482-526	3,1	22,11	13,8	19,9			
15-77	414-451	3,3	18,80	13,3	19,3				
	4,0-20	1313-1484	0,8	71,57	6,9	10,7	SK 32100 - 112 MH/4 - SK 200E-401-340-A (-C) SK 32100 - 112 MP/4 - SK 200E-401-340-A (-C)	96	F48-49
	4,5-22	1191-1350	0,9	64,55	7,1	11,0			
	5,7-29	942-1074	1,0	50,31	7,4	11,4			
	6,7-34	884-962	1,1	42,83	6,9	9,2			
	7,5-37	801-873	1,3	38,63	7,0	9,4			
	8,4-42	660-754	1,4	34,32	7,5	11,5			
	9,6-48	631-690	1,5	30,11	7,0	9,8			
	12-59	514-562	1,8	24,27	7,0	9,9			
	14-70	439-480	1,8	20,54	6,9	9,8			
	15-76	426-451	1,6	18,97	6,0	6,5			
	17-84	386-408	1,7	17,11	6,0	6,7			
	18-89	352-383	2,0	16,22	6,7	9,7			
	22-108	303-321	2,2	13,34	5,9	7,1			
	27-134	246-260	2,8	10,75	5,8	7,2			
	32-158	209-221	3,3	9,10	5,6	7,0			
	40-200	167-176	3,9	7,19	5,4	6,7			
	10-51	582-630	0,8	27,99	4,7	6,1	SK 12080 - 112 MH/4 - SK 200E-401-340-A (-C) SK 12080 - 112 MP/4 - SK 200E-401-340-A (-C)	70	F46-47
	12-58	523-567	0,9	25,00	4,8	6,4			
	13-67	453-491	1,0	21,49	4,9	6,7			
	15-75	403-438	1,0	19,11	4,9	6,9			
	18-90	358-377	1,0	15,98	3,4	3,7			
	21-103	314-332	1,1	14,01	3,9	4,1			
	23-115	282-298	1,2	12,51	4,2	4,5			
	27-134	244-257	1,3	10,75	4,2	4,8			
	30-151	217-229	1,5	9,56	4,2	5,0			
	38-191	173-182	1,6	7,55	4,2	5,1			

1:5**5,50 kW**
7,50 kW

P ₁ [kW]	n ₂ [min ⁻¹]	M _{2b} [Nm]	f _B	i _{ges}	F _R [kN]	F _A [kN]	Type	mm	
								kg	
5,50	2,9-15	2032-2622	0,8	100,58	16,9	20,8	SK 42125 - 132 SH/4 - SK 200E-551-340-A (-C) SK 42125 - 132 SP/4 - SK 200E-551-340-A (-C)	158	F52-53
	3,3-17	2192-2512	0,9	87,30	15,6	20,8			
	3,8-19	1944-2236	1,0	76,95	15,6	20,8			
	4,2-21	1763-2032	1,1	69,30	15,6	20,8			
	5,2-26	1454-1679	1,2	56,25	15,4	20,8			
	6,1-30	1259-1453	1,3	48,15	15,2	20,8			
	7,1-36	1088-1252	1,5	40,95	14,9	20,8			
	8,3-41	1021-1116	1,4	35,33	13,9	19,2			
	9,2-46	924-1011	1,8	31,82	13,7	19,1			
	11-57	759-829	2,1	25,83	13,3	18,8			
	13-66	654-714	2,3	22,11	12,9	18,4			
	16-78	563-612	2,5	18,80	12,5	18,0			
	18-92	493-525	2,4	15,92	11,4	14,6			
	20-100	443-479	2,8	14,57	11,9	17,2			
	23-113	404-429	2,9	12,93	11,0	14,5			
	26-132	348-369	3,4	11,06	10,7	14,1			
		5,8-29	1278-1459	0,8	50,31	5,5			
6,8-34		1200-1306	0,8	42,83	5,0	5,8			
7,6-38		1087-1185	0,9	38,63	5,3	6,4			
8,5-43		897-1024	1,1	34,32	6,1	9,5			
9,7-49		856-936	1,1	30,11	5,7	7,4			
12-60		697-763	1,3	24,27	5,9	8,0			
14-71		595-651	1,3	20,54	5,9	8,2			
15-77		578-612	1,2	18,97	3,3	3,8			
17-85		523-554	1,3	17,11	3,9	4,2			
18-90		478-520	1,4	16,22	5,9	8,4			
22-110		411-435	1,6	13,34	4,8	5,0			
27-136		333-353	2,1	10,75	5,1	5,3			
32-161		284-300	2,4	9,10	5,1	5,4			
41-203		227-239	2,8	7,19	5,0	5,5			
7,50	3,8-19	2650-3049	0,8	76,95	12,4	19,1	SK 42125 - 132 MH/4 - SK 200E-751-340-A (-C) SK 42125 - 132 MP/4 - SK 200E-751-340-A (-C)	165	F52-53
	4,2-21	2404-2771	0,8	69,30	12,7	19,5			
	5,2-26	1983-2290	0,9	56,25	13,0	19,9			
	6,1-30	1717-1982	1,0	48,15	13,1	20,1			
	7,1-36	1483-1707	1,1	40,95	13,1	20,0			
	8,3-41	1393-1522	1,1	35,33	12,1	16,1			
	9,2-46	1260-1378	1,3	31,82	12,1	16,3			
	11-57	1035-1131	1,5	25,83	12,0	16,4			
	13-66	892-973	1,7	22,11	11,8	16,4			
	16-78	767-834	1,8	18,80	11,6	16,3			
	18-92	673-716	1,7	15,92	10,4	12,2			
	20-100	604-653	2,1	14,57	11,1	15,8			
	23-113	551-585	2,1	12,93	10,2	12,4			
	26-132	474-503	2,5	11,06	9,9	12,1			
	31-155	406-430	2,7	9,41	9,7	11,7			
	35-173	366-386	3,0	8,43	9,5	11,5			
	38-188	337-355	2,8	7,76	9,3	11,3			
40-200	319-335	2,8	7,29	9,2	11,1				

Helical-worm gear units



P_1 [kW]	n_2 [min ⁻¹]	M_{2b} [Nm]	f_B	i_{ges}	F_R [kN]	F_A [kN]	Type	kg	mm F
7,50	8,5-43	1223-1396	0,8	34,32	4,3	6,8	SK 32100 - 132 MH/4 - SK 200E-751-340-A (-C) SK 32100 - 132 MP/4 - SK 200E-751-340-A (-C)	125	F48-49
	9,7-49	1167-1277	0,8	30,11	3,9	4,3			
	12-60	950-1040	1,0	24,27	4,4	5,4			
	14-71	812-888	0,9	20,54	4,7	6,0			
	15-77	788-835	0,9	18,97	0	0			
	17-85	713-756	0,9	17,11	0,3	0,4			
	18-90	651-710	1,1	16,22	4,9	6,6			
	22-110	560-594	1,2	13,34	2,0	2,0			
	27-136	455-482	1,5	10,75	3,1	2,9			
	32-161	387-410	1,8	9,10	3,6	3,5			
	41-203	309-326	2,1	7,19	4,3	4,0			
9,20	6,0-30	2120-2446	0,8	48,15	11,4	17,6	SK 42125 - 132 LH/4 - SK 200E-112-340-A (-C)	175	F52-53
	7,1-35	1831-2107	0,9	40,95	11,6	17,9			
	9,1-46	1556-1702	1,1	31,82	10,7	13,8			
	11-56	1278-1396	1,2	25,83	10,8	14,4			
	13-66	1102-1202	1,3	22,11	10,8	14,7			
	15-77	947-1030	1,5	18,80	10,8	14,8			
	18-91	831-884	1,4	15,92	9,5	10,0			
	20-99	746-806	1,7	14,57	10,5	14,7			
	22-112	680-723	1,7	12,93	9,4	10,3			
	26-131	585-621	2,0	11,06	9,3	10,4			
	31-154	502-531	2,1	9,41	9,2	10,3			
	34-172	452-477	2,4	8,43	9,0	10,2			
	37-187	417-439	2,3	7,76	8,9	10,1			
	40-199	394-414	2,3	7,29	8,8	10,1			
11,0	9,2-46	1842-2015	0,9	31,82	9,3	11,3	SK 42125 - 160 MH/4 - SK 200E-112-340-A (-C) SK 42125 - 160 MP/4 - SK 200E-112-340-A (-C)	206	F52-53
	11-57	1513-1653	1,0	25,83	9,7	12,4			
	13-66	1305-1423	1,1	22,11	9,8	12,9			
	16-78	1121-1219	1,2	18,80	9,9	13,3			
	18-92	984-1046	1,2	15,92	7,3	7,4			
	20-100	883-954	1,4	14,57	9,8	13,5			
	23-113	805-856	1,4	12,93	8,4	8,2			
	27-133	693-735	1,7	11,06	8,6	8,6			
	31-156	594-628	1,8	9,41	8,6	8,8			
	35-174	535-565	2,0	8,43	8,5	8,9			
	38-189	493-519	1,9	7,76	8,4	8,9			
	40-201	466-490	1,9	7,29	8,4	8,9			

1:5**15,0 kW
18,5 kW
22,0 kW****IE2****IE3**
NORD
 DRIVESYSTEMS

P_1 [kW]	n_2 [min ⁻¹]	M_{2b} [Nm]	f_B	i_{ges}	F_R [kN]	F_A [kN]	Type	kg	mm
15,0	11-57	2063-2254	0,8	25,83	7,2	7,4	SK 42125 - 160 LH/4 - SK 200E-152-340-A (-C) SK 42125 - 160 LP/4 - SK 200E-152-340-A (-C)	235	F52-53
	13-66	1779-1940	0,8	22,11	7,6	8,6			
	16-78	1529-1663	0,9	18,80	8,0	9,4			
	18-92	1341-1427	0,9	15,92	1,7	1,8			
	20-100	1205-1301	1,0	14,57	8,3	10,1			
	23-113	1098-1167	1,1	12,93	3,9	3,7			
	27-133	945-1002	1,2	11,06	5,1	4,8			
	31-156	810-857	1,3	9,41	6,0	5,6			
	35-174	730-770	1,5	8,43	6,6	6,1			
	38-189	673-708	1,4	7,76	7,0	6,3			
	40-201	635-668	1,4	7,29	7,2	6,5			
18,5	20-101	1476-1594	0,8	14,57	7,0	7,5	SK 42125 - 180 MH/4 - SK 200E-182-340-A (-C) SK 42125 - 180 MP/4 - SK 200E-182-340-A (-C)	250	F52-53
	23-114	1346-1429	0,9	12,93	0	0			
	27-134	1158-1227	1,0	11,06	1,8	1,7			
	31-157	993-1050	1,1	9,41	3,3	3,0			
	35-175	894-943	1,2	8,43	4,0	3,7			
	38-190	824-868	1,2	7,76	4,5	4,2			
	40-202	779-819	1,1	7,29	4,9	4,4			
22,0	27-134	1377-1460	0,8	11,06	0	0	SK 42125 - 180 LH/4 - SK 200E-222-340-A (-C) SK 42125 - 180 LP/4 - SK 200E-222-340-A (-C)	268	F52-53
	31-157	1181-1248	0,9	9,41	0,4	0,3			
	35-175	1063-1122	1,0	8,43	1,5	1,3			
	38-190	980-1032	1,0	7,76	2,2	2,0			
	40-202	926-974	1,0	7,29	2,6	2,4			



P_1 [kW]	n_2 [min ⁻¹]	M_{2b} [Nm]	f_B	i_{ges}	F_R [kN]	F_A [kN]	Type	kg	mm F
0,55	1,0-10	328-361	2,0	#276,92	11,8	12,0	SK 12080 - 71 L/4 - SK 200E-550-340-A (-C)	39	F46-47
	1,2-12	201-263	2,7	234,60	10,1	9,0			
	1,5-15	162-217	3,1	187,17	10,2	9,0	SK 12080 - 71 L/4 - SK 180E-550-340-B (-C)		
	1,8-18	139-188	3,6	157,59	10,3	9,0			
	2,1-21	123-168	3,8	138,21	10,3	9,0			
	2,3-23	111-152	4,1	123,42	10,4	9,0			
	1,1-11	299-323	1,1	254,89	6,7	7,7	SK 13063 - 71 L/4 - SK 200E-550-340-A (-C)	34	F44-45
	1,3-13	264-287	1,3	224,12	7,0	7,7			
	1,4-14	234-256	1,4	198,86	7,2	7,7	SK 13063 - 71 L/4 - SK 180E-550-340-B (-C)		
	1,6-16	242-254	1,3	178,31	7,2	7,7			
	2,0-20	198-210	1,6	146,17	7,5	7,7			
	2,2-22	175-186	1,6	128,53	7,6	7,7			
	1,1-11	310-334	1,0	#264,24	6,6	7,8	SK 12063 - 71 L/4 - SK 200E-550-340-A (-C)	29	F42-43
	1,3-13	262-285	1,3	#223,17	6,7	7,8			
	1,5-15	231-253	1,4	#195,86	6,5	7,8	SK 12063 - 71 L/4 - SK 180E-550-340-B (-C)		
	1,6-16	158-201	1,6	183,60	7,5	7,7			
	1,8-18	140-181	1,7	162,18	7,6	7,7			
	2,0-20	126-163	1,8	144,33	7,7	7,7			
	2,4-24	104-137	2,1	118,32	7,8	7,7			
	2,8-28	92,7-123	2,4	104,04	7,8	7,7			
	3,1-31	82,9-110	2,7	92,31	7,8	7,7			
	3,7-37	93,1-108	2,8	77,40	7,3	7,7			
	4,2-42	82,6-96,0	3,1	68,37	7,1	7,7			
	4,7-47	73,9-86,2	3,2	60,85	6,9	7,7			
	1,6-16	218-233	0,8	181,66	4,4	5,6	SK 13050 - 71 L/4 - SK 200E-550-340-A (-C)	30	F40-41
	1,8-18	221-227	0,9	158,12	4,4	5,6			
	2,1-21	194-200	1,0	139,04	4,8	5,6	SK 13050 - 71 L/4 - SK 180E-550-340-B (-C)		
	2,3-23	172-178	1,1	122,68	5,0	5,6			
	2,9-29	139-145	1,3	99,23	5,3	5,6			
	3,3-33	121-127	1,4	86,15	5,1	5,6			
	3,8-38	115-118	1,2	76,61	4,6	5,6			
	4,3-43	101-104	1,3	67,37	4,5	5,6			
	4,8-48	89,4-92,1	1,4	59,44	4,4	5,6			
	1,7-17	203-219	0,8	170,10	4,6	5,6	SK 02050 - 71 L/4 - SK 200E-550-340-A (-C)	25	F38-39
	1,9-19	130-159	1,1	147,90	5,2	5,6			
	2,2-22	114-142	1,2	130,05	5,3	5,6	SK 02050 - 71 L/4 - SK 180E-550-340-B (-C)		
	2,5-25	102-127	1,3	114,75	5,4	5,6			
	3,1-31	83,1-105	1,6	92,82	5,5	5,6			
	3,6-36	73,0-93,1	1,8	80,58	5,5	5,6			
	4,4-44	79,4-89,4	1,9	65,25	5,1	5,6			
	5,0-50	69,9-79,2	2,1	57,38	4,9	5,6			
	5,7-57	62,0-70,6	2,2	50,63	4,8	5,6			
	7,0-70	50,5-57,8	2,7	40,95	4,5	5,6			
	8,1-81	44,2-50,8	3,1	35,55	4,3	5,6			
	9,3-93	43,8-47,3	3,3	30,94	4,1	5,6			
	11-106	38,6-41,7	3,7	27,21	4,0	5,6			
	12-120	34,2-37,0	4,2	24,01	3,8	5,6			

Helical-worm gear units

nur in Ausführung .Z oder .F lieferbar / only available in version .Z or .F

1:10
0,55 kW



P ₁ [kW]	n ₂ [min ⁻¹]	M _{2b} [Nm]	f _B	i _{ges}	F _R [kN]	F _A [kN]	Type	kg	mm
0,55	2,5-25	100-120	0,8	115,05	3,0	3,9	SK 02040 - 71 L/4 - SK 200E-550-340-A (-C)	18	F36-37
	2,9-29	121-130	0,8	100,65	2,8	3,9			
	3,3-33	76,5-93,3	0,9	86,97	3,4	3,9	SK 02040 - 71 L/4 - SK 180E-550-340-B (-C)		
	3,8-38	67,7-83,2	1,0	76,44	3,5	3,9			
	4,3-43	60,2-74,5	1,1	67,47	3,5	3,9			
	4,8-48	83,7-87,2	1,1	59,83	3,0	3,9			
	5,5-55	47,1-58,9	1,4	51,87	3,3	3,9			
	6,2-62	65,6-68,8	1,5	46,79	3,0	3,9			
	6,4-64	41,1-51,6	1,6	44,85	3,2	3,9			
	6,8-68	51,2-57,2	1,5	42,08	3,1	3,9			
	7,8-78	44,8-50,4	1,6	36,80	3,0	3,9			
	8,9-89	39,6-44,6	1,7	32,34	2,9	3,9			
	10-101	35,1-39,7	1,9	28,55	2,8	3,9			
	13-131	27,3-31,0	2,4	21,95	2,6	3,9			
	15-147	27,7-29,7	2,7	19,56	2,5	3,9			
	17-169	24,2-26,0	3,0	17,10	2,4	3,8			
	19-192	21,4-23,0	3,3	15,03	2,3	3,7			
	22-217	18,9-20,4	3,6	13,27	2,3	3,6			
	28-282	14,7-15,8	4,3	10,20	2,1	3,4			
	33-326	12,7-13,8	4,7	8,82	2,0	3,2			
38-384	11,5-12,1	4,7	7,51	1,9	2,8				
43-434	10,2-10,7	5,0	6,63	1,8	2,6				
56-563	7,9-8,3	5,8	5,09	1,7	2,4				
65-651	6,8-7,2	6,4	4,40	1,6	2,3				

Helical-worm gear units



P_1 [kW]	n_2 [min ⁻¹]	M_{2b} [Nm]	f_B	i_{ges}	F_R [kN]	F_A [kN]	Type	kg	mm F
0,75	1,1-11	441-486	1,5	#276,92	11,1	12,0	SK 12080 - 80 SH/4 - SK 200E-750-340-A (-C)	42	F46-47
	1,2-12	270-355	2,0	234,60	9,7	9,0			
	1,6-16	219-293	2,3	187,17	10,0	9,0	SK 12080 - 80 SH/4 - SK 180E-750-340-B (-C)		
	1,9-19	187-253	2,6	157,59	10,1	9,0			
	2,1-21	165-226	2,9	138,21	10,2	9,0			
	2,4-24	149-205	3,0	123,42	10,3	9,0			
	2,7-27	130-179	3,3	106,08	9,9	9,0			
3,1-31	117-161	3,5	94,35	9,6	9,0				
	1,3-13	353-384	0,9	#223,17	6,0	7,8	SK 12063 - 80 SH/4 - SK 200E-750-340-A (-C)	32	F42-43
	1,5-15	311-341	1,1	#195,86	5,9	7,8			
	1,6-16	212-271	1,2	183,60	7,1	7,7	SK 12063 - 80 SH/4 - SK 180E-750-340-B (-C)		
	1,8-18	189-243	1,3	162,18	7,3	7,7			
	2,0-20	169-220	1,4	144,33	7,4	7,7			
	2,5-25	140-185	1,6	118,32	7,6	7,7			
	2,8-28	125-166	1,8	104,04	7,7	7,7			
	3,2-32	112-149	2,0	92,31	7,6	7,7			
	3,8-38	125-145	2,1	77,40	7,0	7,7			
	4,3-43	111-129	2,3	68,37	6,8	7,7			
	4,8-48	99,4-116	2,4	60,85	6,6	7,7			
	5,9-59	82,0-96,3	2,7	49,88	6,3	7,7			
	6,7-67	72,7-85,6	2,9	43,86	6,1	7,7			
	2,0-20	174-214	0,8	147,90	4,6	5,6	SK 02050 - 80 SH/4 - SK 200E-750-340-A (-C)	28	F38-39
	2,2-22	154-191	0,9	130,05	4,9	5,6			
	2,5-25	137-171	1,0	114,75	5,1	5,6	SK 02050 - 80 SH/4 - SK 180E-750-340-B (-C)		
	3,1-31	112-142	1,2	92,82	5,3	5,6			
	3,6-36	98,2-125	1,3	80,58	5,2	5,6			
	4,5-45	107-120	1,4	65,25	4,8	5,6			
	5,1-51	94,1-107	1,6	57,38	4,6	5,6			
	5,8-58	83,4-95,1	1,6	50,63	4,5	5,6			
	7,1-71	67,9-77,9	2,0	40,95	4,3	5,6			
	8,2-82	59,4-68,4	2,3	35,55	4,2	5,6			
	9,4-94	59,0-63,6	2,4	30,94	3,9	5,6			
	11-108	51,9-56,1	2,8	27,21	3,8	5,6			
	12-122	46,0-49,9	3,1	24,01	3,7	5,6			
	3,8-38	91,1-112	0,8	76,44	3,1	3,9	SK 02040 - 80 SH/4 - SK 200E-750-340-A (-C)	21	F36-37
	4,3-43	81,0-100	0,8	67,47	3,2	3,9			
	4,9-49	113-117	0,9	59,83	2,6	3,5	SK 02040 - 80 SH/4 - SK 180E-750-340-B (-C)		
	5,6-56	63,4-79,3	1,0	51,87	3,1	3,9			
	6,2-62	88,2-92,5	1,1	46,79	2,6	3,7			
	6,5-65	55,4-69,5	1,2	44,85	3,0	3,9			
	6,9-69	68,8-77,0	1,1	42,08	2,8	3,9			
	7,9-79	60,3-67,8	1,2	36,80	2,8	3,9			
	9,0-90	53,2-60,1	1,3	32,34	2,7	3,9			
	10-102	47,2-53,5	1,4	28,55	2,6	3,9			
	13-133	36,7-41,8	1,7	21,95	2,5	3,9			
	15-149	37,3-39,9	2,0	19,56	2,3	3,6			
	17-171	32,6-35,0	2,2	17,10	2,3	3,5			
	19-194	28,7-30,9	2,4	15,03	2,2	3,4			
	22-220	25,5-27,5	2,7	13,27	2,2	3,4			
	29-286	19,7-21,3	3,2	10,20	2,0	3,2			
	33-330	17,2-18,5	3,5	8,82	2,0	3,1			
	39-389	15,4-16,3	3,5	7,51	1,8	2,5			
	44-440	13,7-14,4	3,7	6,63	1,8	2,4			
	57-571	10,6-11,2	4,3	5,09	1,7	2,2			
	66-660	9,2-9,7	4,7	4,40	1,6	2,1			

Helical-worm gear units

1:10 1,10 kW



P ₁ [kW]	n ₂ [min ⁻¹]	M _{2b} [Nm]	f _B	i _{ges}	F _R	F _A	Type	mm	
								kg	
1,10	1,1-11	616-690	2,2	257,63	13,9	12,0	SK 33100 - 80 LH/4 - SK 200E-111-340-A (-C) SK 33100 - 80 LP/4 - SK 200E-111-340-A (-C)	77	F50-51
							SK 33100 - 80 LH/4 - SK 180E-111-340-B (-C) SK 33100 - 80 LP/4 - SK 180E-111-340-B (-C)		
	1,2-12 1,6-16 1,8-18 2,3-23	421-573 326-453 297-415 237-333	2,5 3,0 3,2 3,7	241,50 183,50 165,50 129,00	14,4 13,4 13,1 12,3	12,0 12,0 12,0 12,0	SK 32100 - 80 LH/4 - SK 200E-111-340-A (-C) SK 32100 - 80 LP/4 - SK 200E-111-340-A (-C)	69	F48-49
							SK 32100 - 80 LH/4 - SK 180E-111-340-B (-C) SK 32100 - 80 LP/4 - SK 180E-111-340-B (-C)		
	1,2-12 1,6-16 1,8-18 2,1-21 2,4-24 2,7-27 3,1-31 3,7-37 4,4-44 5,0-50 5,6-56 6,5-65	397-521 321-430 274-372 243-332 219-301 191-263 172-237 191-226 162-193 143-170 129-153 112-133	1,4 1,6 1,8 1,9 2,1 2,2 2,4 2,9 3,3 3,5 3,7 4,1	234,60 187,17 157,59 138,21 123,42 106,08 94,35 78,91 66,44 58,27 52,03 44,72	8,7 9,3 9,6 9,8 9,8 9,5 9,2 8,6 8,2 7,9 7,7 7,4	9,0 9,0 9,0 9,0 9,0 9,0 9,0 9,0 9,0 9,0 9,0 9,0	SK 12080 - 80 LH/4 - SK 200E-111-340-A (-C) SK 12080 - 80 LP/4 - SK 200E-111-340-A (-C)	43	F46-47
							SK 12080 - 80 LH/4 - SK 180E-111-340-B (-C) SK 12080 - 80 LP/4 - SK 180E-111-340-B (-C)		
	1,6-16 1,8-18 2,0-20 2,5-25 2,8-28 3,2-32 3,8-38 4,3-43 4,8-48 5,8-58 6,6-66 7,5-75 8,3-83 10-102	312-397 278-357 249-323 206-272 183-243 164-218 184-213 163-190 146-171 120-142 107-126 95,1-112 96,0-107 79,0-88,0	0,8 0,9 0,9 1,1 1,2 1,4 1,4 1,6 1,6 1,9 2,0 2,2 2,5 2,8	183,60 162,18 144,33 118,32 104,04 92,31 77,40 68,37 60,85 49,88 43,86 38,92 34,89 28,61	6,0 6,4 6,7 7,1 7,3 7,1 6,6 6,4 6,2 6,0 5,8 5,6 5,4 5,1	7,7 7,7 7,7 7,7 7,7 7,7 7,7 7,7 7,7 7,7 7,7 7,7 7,7 7,7	SK 12063 - 80 LH/4 - SK 200E-111-340-A (-C) SK 12063 - 80 LP/4 - SK 200E-111-340-A (-C)	33	F42-43
							SK 12063 - 80 LH/4 - SK 180E-111-340-B (-C) SK 12063 - 80 LP/4 - SK 180E-111-340-B (-C)		
	3,1-31 3,6-36 4,5-45 5,1-51 5,8-58 7,1-71 8,2-82 9,4-94 11-107 12-121 15-150 17-173 20-197 22-222 25-251	164-208 144-184 157-177 138-157 123-140 99,8-114 87,3-100 86,7-93,5 76,2-82,5 67,6-73,2 54,8-59,6 47,9-52,2 42,1-45,8 39,6-42,0 35,1-37,3	0,8 0,9 0,9 1,1 1,1 1,4 1,5 1,7 1,9 2,1 2,4 2,3 2,5 2,9 3,0	92,82 80,58 65,25 57,38 50,63 40,95 35,55 30,94 27,21 24,01 19,42 16,86 14,72 13,18 11,63	4,7 4,7 4,3 4,2 4,1 4,0 3,9 3,6 3,5 3,4 3,3 3,2 3,1 2,9 2,8	5,6 5,6 5,6 5,6 5,6 5,6 5,6 5,6 5,5 5,4 5,2 5,1 4,9 4,2 4,1	SK 02050 - 80 LH/4 - SK 200E-111-340-A (-C) SK 02050 - 80 LP/4 - SK 200E-111-340-A (-C)	29	F38-39
							SK 02050 - 80 LH/4 - SK 180E-111-340-B (-C) SK 02050 - 80 LP/4 - SK 180E-111-340-B (-C)		

Helical-worm gear units




1:10
1,10 kW
1,50 kW

P ₁ [kW]	n ₂ [min ⁻¹]	M _{2b} [Nm]	f _B	i _{ges}	F _R [kN]	F _A [kN]	Type	kg	mm
1,10	6,5-65	81,4-102	0,8	44,85	2,7	3,9	SK 02040 - 80 LH/4 - SK 200E-111-340-A (-C)	22	F36-37
	6,9-69	101-113	0,8	42,08	2,4	3,9	SK 02040 - 80 LP/4 - SK 200E-111-340-A (-C)		
	7,9-79	88,6-99,6	0,8	36,80	2,4	3,9			
	9,0-90	78,2-88,2	0,9	32,34	2,4	3,8	SK 02040 - 80 LH/4 - SK 180E-111-340-B (-C)		
	10-102	69,4-78,5	1,0	28,55	2,3	3,8	SK 02040 - 80 LP/4 - SK 180E-111-340-B (-C)		
	13-132	54,0-61,3	1,2	21,95	2,3	3,7			
	15-149	54,7-58,7	1,4	19,56	2,1	3,1			
	17-171	47,9-51,5	1,5	17,10	2,1	3,1			
	19-194	42,2-45,5	1,6	15,03	2,0	3,1			
	22-220	37,4-40,3	1,8	13,27	2,0	3,0			
	29-285	29,0-31,3	2,2	10,20	1,9	2,9			
	33-330	25,2-27,2	2,4	8,82	1,9	2,8			
	39-388	22,7-23,9	2,4	7,51	1,7	2,1			
	44-439	20,1-21,2	2,5	6,63	1,7	2,1			
	57-570	15,5-16,4	2,9	5,09	1,6	2,0			
	66-659	13,5-14,2	3,2	4,40	1,5	1,9			
	1,50	1,1-11	877-1011	2,8	269,76	25,3	20,8		
1,2-12		771-897	3,1	236,58	24,5	20,8	SK 43125 - 90 SP/4 - SK 200E-151-340-A (-C)		
							SK 43125 - 90 SH/4 - SK 180E-151-340-B (-C)		
							SK 43125 - 90 SP/4 - SK 180E-151-340-B (-C)		
1,5-15		510-714	3,7	201,63	23,9	20,8	SK 42125 - 90 SH/4 - SK 200E-151-340-A (-C)	114	F52-53
							SK 42125 - 90 SP/4 - SK 200E-151-340-A (-C)		
							SK 42125 - 90 SH/4 - SK 180E-151-340-B (-C)		
							SK 42125 - 90 SP/4 - SK 180E-151-340-B (-C)		
1,1-11		834-935	1,6	257,63	12,6	12,0	SK 33100 - 90 SH/4 - SK 200E-151-340-A (-C)	82	F50-51
							SK 33100 - 90 SP/4 - SK 200E-151-340-A (-C)		
							SK 33100 - 90 SH/4 - SK 180E-151-340-B (-C)		
							SK 33100 - 90 SP/4 - SK 180E-151-340-B (-C)		
1,2-12		570-777	1,8	241,50	13,4	12,0	SK 32100 - 90 SH/4 - SK 200E-151-340-A (-C)	74	F48-49
1,6-16		442-614	2,2	183,50	12,6	12,0	SK 32100 - 90 SP/4 - SK 200E-151-340-A (-C)		
1,8-18		402-562	2,4	165,50	12,4	12,0			
2,3-23		322-452	2,7	129,00	11,7	12,0	SK 32100 - 90 SH/4 - SK 180E-151-340-B (-C)		
2,8-28		266-372	3,1	104,00	11,1	12,0	SK 32100 - 90 SP/4 - SK 180E-151-340-B (-C)		
3,1-31	315-373	3,5	94,19	10,5	12,0				
1,3-13	538-707	1,0	234,60	6,9	9,0	SK 12080 - 90 SH/4 - SK 200E-151-340-A (-C)	48	F46-47	
1,6-16	435-583	1,1	187,17	8,2	9,0	SK 12080 - 90 SP/4 - SK 200E-151-340-A (-C)			
1,9-19	371-504	1,3	157,59	8,8	9,0				
2,1-21	329-449	1,4	138,21	9,2	9,0	SK 12080 - 90 SH/4 - SK 180E-151-340-B (-C)			
2,4-24	297-408	1,5	123,42	9,2	9,0	SK 12080 - 90 SP/4 - SK 180E-151-340-B (-C)			
2,8-28	259-357	1,7	106,08	8,9	9,0				
3,1-31	233-321	1,7	94,35	8,7	9,0				
3,7-37	259-306	2,1	78,91	8,1	9,0				
4,4-44	220-261	2,4	66,44	7,8	9,0				
5,0-50	194-231	2,6	58,27	7,6	9,0				
5,6-56	174-208	2,8	52,03	7,4	9,0				
6,6-66	151-180	3,0	44,72	7,1	9,0				
7,7-77	144-160	3,4	37,91	6,7	9,0				
9,2-92	122-136	3,9	31,92	6,4	9,0				

Helical-worm gear units

1:10**1,50 kW
2,20 kW****IE2****IE3**
NORD
 DRIVESYSTEMS

P ₁ [kW]	n ₂ [min ⁻¹]	M _{2b} [Nm]	f _B	i _{ges}	F _R	F _A	Type	mm				
								kg				
1,50	2,5-25	279-368	0,8	118,32	6,3	7,7	SK 12063 - 90 SH/4 - SK 200E-151-340-A (-C) SK 12063 - 90 SP/4 - SK 200E-151-340-A (-C)	38	F42-43			
	2,8-28	248-330	0,9	104,04	6,7	7,7						
	3,2-32	222-296	1,0	92,31	6,6	7,7						
	3,8-38	249-288	1,1	77,40	6,0	7,7	SK 12063 - 90 SH/4 - SK 180E-151-340-B (-C) SK 12063 - 90 SP/4 - SK 180E-151-340-B (-C)					
	4,3-43	221-257	1,1	68,37	5,9	7,7						
	4,8-48	198-231	1,2	60,85	5,8	7,7						
	5,9-59	163-192	1,4	49,88	5,6	7,7						
	6,7-67	145-170	1,5	43,86	5,5	7,7						
	7,6-76	129-152	1,6	38,92	5,3	7,7						
	8,4-84	130-144	1,8	34,89	5,1	7,7						
	10-103	107-119	2,1	28,61	4,9	7,7						
	12-117	94,7-106	2,3	25,15	4,7	7,7						
	13-132	84,2-93,9	2,6	22,32	4,6	7,5						
	15-154	72,2-80,5	2,7	18,99	4,4	7,3						
	19-188	63,6-68,1	2,8	15,57	4,0	6,2						
		5,1-51	187-212	0,8	57,38	3,7	5,6			SK 02050 - 90 SH/4 - SK 200E-151-340-A (-C) SK 02050 - 90 SP/4 - SK 200E-151-340-A (-C)	34	F38-39
		5,8-58	166-189	0,8	50,63	3,7	5,6					
		7,2-72	135-155	1,0	40,95	3,6	5,6					
		8,2-82	118-136	1,1	35,55	3,6	5,6			SK 02050 - 90 SH/4 - SK 180E-151-340-B (-C) SK 02050 - 90 SP/4 - SK 180E-151-340-B (-C)		
9,5-95		117-127	1,2	30,94	3,3	4,9						
11-108		103-112	1,4	27,21	3,2	4,9						
12-122		91,5-99,2	1,6	24,01	3,2	4,9						
15-151		74,3-80,8	1,8	19,42	3,1	4,8						
17-174		64,9-70,7	1,7	16,86	3,0	4,7						
20-199		57,0-62,1	1,8	14,72	2,9	4,6						
22-223		53,7-56,9	2,1	13,18	2,7	3,6						
25-252		47,6-50,5	2,2	11,63	2,6	3,6						
31-312		38,6-41,0	2,7	9,41	2,5	3,4						
36-359		33,7-35,8	3,1	8,17	2,4	3,3						
41-410		29,5-31,4	3,3	7,13	2,4	3,2						
	13-133	73,1-83,1	0,9	21,95	2,0	3,3	SK 02040 - 90 SH/4 - SK 200E-151-340-A (-C) SK 02040 - 90 SP/4 - SK 200E-151-340-A (-C)	27	F36-37			
	20-195	57,2-61,6	1,2	15,03	1,8	2,6						
	22-221	50,7-54,7	1,3	13,27	1,8	2,6						
	29-287	39,3-42,4	1,6	10,20	1,8	2,5	SK 02040 - 90 SH/4 - SK 180E-151-340-B (-C) SK 02040 - 90 SP/4 - SK 180E-151-340-B (-C)					
	33-332	34,1-36,9	1,8	8,82	1,7	2,5						
	39-391	30,7-32,4	1,8	7,51	1,5	1,7						
	44-442	27,2-28,7	1,9	6,63	1,5	1,7						
	57-574	21,0-22,2	2,2	5,09	1,5	1,7						
	66-664	18,3-19,3	2,4	4,40	1,4	1,7						
	2,20	1,1-11	1295-1493	1,9	269,76	23,5	20,8			SK 43125 - 90 LH/4 - SK 200E-221-340-A (-C) SK 43125 - 90 LP/4 - SK 200E-221-340-A (-C)	133	F54-55
1,2-12		1139-1324	2,1	236,58	22,9	20,8						
	1,4-14	753-1054	2,5	201,63	22,7	20,8	SK 42125 - 90 LH/4 - SK 200E-221-340-A (-C) SK 42125 - 90 LP/4 - SK 200E-221-340-A (-C)	116	F52-53			
	1,6-16	688-966	2,6	182,36	22,2	20,8						
	1,8-18	614-863	2,9	160,74	21,5	20,8						
	2,0-20	559-786	3,0	144,76	20,9	20,8	SK 42125 - 90 LH/4 - SK 180E-221-340-B (-C) SK 42125 - 90 LP/4 - SK 180E-221-340-B (-C)					
	2,5-25	466-652	3,4	117,50	19,8	20,8						
	1,1-11	1231-1380	1,1	257,63	10,4	12,0	SK 33100 - 90 LH/4 - SK 200E-221-340-A (-C) SK 33100 - 90 LP/4 - SK 200E-221-340-A (-C)	84	F50-51			
	1,6-16	881-1009	1,4	182,66	10,4	12,0						
	2,0-20	691-804	1,6	142,38	10,2	12,0						
	2,4-24	663-726	1,6	121,21	9,6	12,0	SK 33100 - 90 LH/4 - SK 180E-221-340-B (-C) SK 33100 - 90 LP/4 - SK 180E-221-340-B (-C)					
	2,7-27	599-659	1,8	109,32	9,5	12,0						

**Helical-worm
gear units**





1:10
2,20 kW

P_1 [kW]	n_2 [min ⁻¹]	M_{2b} [Nm]	f_B	i_{ges}	F_R [kN]	F_A [kN]	Type	kg	mm F
2,20	1,2-12	842-1146	1,2	241,50	11,7	12,0	SK 32100 - 90 LH/4 - SK 200E-221-340-A (-C) SK 32100 - 90 LP/4 - SK 200E-221-340-A (-C)	76	F48-49
	1,6-16	652-906	1,5	183,50	11,3	12,0			
	1,8-18	594-829	1,6	165,50	11,2	12,0			
	2,3-23	475-666	1,9	129,00	10,7	12,0	SK 32100 - 90 LH/4 - SK 180E-221-340-B (-C) SK 32100 - 90 LP/4 - SK 180E-221-340-B (-C)		
	2,8-28	392-549	2,1	104,00	10,3	12,0			
	3,1-31	464-551	2,4	94,19	9,7	12,0			
	4,1-41	357-426	2,9	71,57	9,2	12,0			
	4,5-45	324-387	3,1	64,55	9,0	12,0			
5,8-58	256-306	3,6	50,31	8,6	12,0				
	1,6-16	642-860	0,8	187,17	4,1	9,0	SK 12080 - 90 LH/4 - SK 200E-221-340-A (-C) SK 12080 - 90 LP/4 - SK 200E-221-340-A (-C)	50	F46-47
	1,8-18	548-743	0,9	157,59	6,4	9,0			
	2,1-21	485-663	1,0	138,21	7,4	9,0			
	2,4-24	439-602	1,0	123,42	8,0	9,0	SK 12080 - 90 LH/4 - SK 180E-221-340-B (-C) SK 12080 - 90 LP/4 - SK 180E-221-340-B (-C)		
	2,7-27	383-527	1,1	106,08	8,0	9,0			
	3,1-31	343-473	1,2	94,35	7,9	9,0			
	3,7-37	382-451	1,5	78,91	7,2	9,0			
	4,4-44	324-385	1,6	66,44	7,1	9,0			
	5,0-50	286-341	1,8	58,27	6,9	9,0			
	5,6-56	257-307	1,9	52,03	6,8	9,0			
	6,5-65	223-266	2,1	44,72	6,6	9,0			
	7,7-77	212-236	2,3	37,91	6,2	9,0			
	9,1-91	180-201	2,6	31,92	6,0	9,0			
	10-104	158-177	2,9	27,99	5,8	8,8			
	12-116	142-159	3,1	25,00	5,7	8,6			
	14-135	123-137	3,4	21,49	5,5	8,4			
	15-153	110-122	3,7	19,11	5,4	8,2			
	18-183	97,2-105	3,8	15,98	4,9	6,9			
	21-208	85,4-92,0	4,0	14,01	4,8	6,8			
	4,3-43	327-380	0,8	68,37	5,1	7,7	SK 12063 - 90 LH/4 - SK 200E-221-340-A (-C) SK 12063 - 90 LP/4 - SK 200E-221-340-A (-C)	40	F42-43
	4,8-48	292-341	0,8	60,85	5,0	7,7			
	5,8-58	241-283	0,9	49,88	5,0	7,7			
	6,6-66	213-251	1,0	43,86	4,9	7,7	SK 12063 - 90 LH/4 - SK 180E-221-340-B (-C) SK 12063 - 90 LP/4 - SK 180E-221-340-B (-C)		
	7,5-75	190-224	1,1	38,92	4,8	7,7			
	8,3-83	192-213	1,2	34,89	4,6	7,2			
	10-102	158-176	1,4	28,61	4,4	7,1			
	12-116	140-156	1,6	25,15	4,4	7,0			
	13-131	124-139	1,8	22,32	4,3	6,9			
	15-153	107-119	1,8	18,99	4,1	6,7			
	19-187	94,0-101	1,9	15,57	3,7	5,4			
	23-229	77,2-82,7	2,2	12,76	3,6	5,3			
	26-260	68,2-73,1	2,4	11,22	3,5	5,1			
	29-293	60,6-64,9	2,6	9,96	3,4	4,9			
	34-344	51,9-55,5	3,0	8,47	3,3	4,7			
	8,2-82	175-201	0,8	35,55	3,0	5,0	SK 02050 - 90 LH/4 - SK 200E-221-340-A (-C) SK 02050 - 90 LP/4 - SK 200E-221-340-A (-C)		
	9,4-94	173-187	0,8	30,94	2,7	3,7			
	11-107	152-165	0,9	27,21	2,7	3,8			
	12-121	135-146	1,1	24,01	2,7	3,9	SK 02050 - 90 LH/4 - SK 180E-221-340-B (-C) SK 02050 - 90 LP/4 - SK 180E-221-340-B (-C)		
	15-150	110-119	1,2	19,42	2,7	4,0			
	17-173	95,9-104	1,1	16,86	2,7	4,0			
	20-197	84,1-91,7	1,2	14,72	2,6	4,0			
	22-222	79,3-84,0	1,4	13,18	2,3	2,6			
	25-251	70,2-74,5	1,5	11,63	2,3	2,6			
	31-310	57,0-60,5	1,8	9,41	2,3	2,7			
	36-356	49,7-52,9	2,1	8,17	2,2	2,7			
	41-407	43,6-46,4	2,3	7,13	2,2	2,6			

Helical-worm gear units

1:10
3,00 kW




P ₁ [kW]	n ₂ [min ⁻¹]	M _{2b} [Nm]	f _B	i _{ges}	F _R [kN]	F _A [kN]	Type	mm	
								kg	
3,00	1,1-11	1749-2017	1,4	269,76	21,3	20,8	SK 43125 - 100 LH/4 - SK 200E-301-340-A (-C) SK 43125 - 100 LP/4 - SK 200E-301-340-A (-C)	142	F54-55
	1,2-12	1538-1789	1,6	236,58	21,0	20,8			
	1,6-16	1227-1449	1,8	187,80	20,2	20,8			
	1,5-15	1017-1424	1,8	201,63	21,3	20,8	SK 42125 - 100 LH/4 - SK 200E-301-340-A (-C) SK 42125 - 100 LP/4 - SK 200E-301-340-A (-C)	125	F52-53
	1,6-16	930-1306	2,0	182,36	20,8	20,8			
	1,8-18	829-1166	2,1	160,74	20,3	20,8			
	2,0-20	755-1063	2,2	144,76	19,8	20,8			
	2,5-25	630-881	2,5	117,50	18,9	20,8			
	2,9-29	550-763	2,8	100,58	18,2	20,8			
	3,4-34	593-719	3,3	87,30	17,3	20,8			
	3,8-38	526-638	3,6	76,95	16,8	20,8			
	1,2-12	1137-1549	0,9	241,50	9,8	12,0	SK 32100 - 100 LH/4 - SK 200E-301-340-A (-C) SK 32100 - 100 LP/4 - SK 200E-301-340-A (-C)	85	F48-49
	1,6-16	881-1225	1,1	183,50	9,8	12,0			
	1,8-18	803-1121	1,2	165,50	9,8	12,0			
	2,3-23	641-900	1,4	129,00	9,6	12,0			
	2,8-28	530-742	1,6	104,00	9,4	12,0			
	3,1-31	627-744	1,8	94,19	8,7	12,0			
	4,1-41	482-576	2,1	71,57	8,4	12,0			
	4,6-46	437-523	2,3	64,55	8,3	12,0			
	5,9-59	346-414	2,7	50,31	8,0	12,0			
	6,9-69	325-366	3,0	42,83	7,6	11,0			
	7,6-76	294-332	3,3	38,63	7,4	10,8			
	8,6-86	243-287	3,8	34,32	7,4	11,3			
	9,8-98	232-261	4,0	30,11	7,1	10,4			
	2,4-24	592-813	0,8	123,42	5,2	9,0	SK 12080 - 100 LH/4 - SK 200E-301-340-A (-C) SK 12080 - 100 LP/4 - SK 200E-301-340-A (-C)	59	F46-47
	2,8-28	517-712	0,8	106,08	6,8	9,0			
	3,1-31	464-639	0,9	94,35	6,9	9,0			
	3,7-37	516-609	1,1	78,91	6,2	9,0			
	4,4-44	438-520	1,2	66,44	6,2	9,0			
	5,1-51	386-460	1,3	58,27	6,2	9,0			
	5,7-57	348-415	1,4	52,03	6,1	9,0			
	6,6-66	302-360	1,5	44,72	6,0	9,0			
	7,8-78	286-319	1,7	37,91	5,6	8,2			
	9,2-92	243-271	1,9	31,92	5,5	8,1			
	11-105	214-239	2,1	27,99	5,4	8,0			
	12-118	192-214	2,3	25,00	5,3	7,9			
	14-137	166-185	2,5	21,49	5,2	7,8			
	15-154	148-165	2,8	19,11	5,1	7,6			
	18-184	131-141	2,8	15,98	4,6	6,2			
	21-210	115-124	2,9	14,01	4,5	6,1			
	24-235	103-111	3,1	12,51	4,4	5,9			
	27-274	89,4-96,1	3,5	10,75	4,3	5,7			
	31-309	79,5-85,3	4,0	9,56	4,2	5,5			
	7,6-76	257-303	0,8	38,92	4,3	7,3	SK 12063 - 100 LH/4 - SK 200E-301-340-A (-C) SK 12063 - 100 LP/4 - SK 200E-301-340-A (-C)	49	F42-43
	8,4-84	259-288	0,9	34,89	4,0	6,1			
	10-103	213-238	1,0	28,61	4,0	6,2			
	12-117	189-210	1,2	25,15	3,9	6,2			
	13-132	168-187	1,3	22,32	3,9	6,2			
	15-155	144-160	1,3	18,99	3,8	6,1			
	19-189	127-136	1,4	15,57	3,4	4,5			
	23-231	104-112	1,6	12,76	3,3	4,4			
	26-262	92,1-98,6	1,8	11,22	3,2	4,3			
	30-296	81,8-87,6	1,9	9,96	3,2	4,3			
	35-347	70,0-74,9	2,2	8,47	3,1	4,1			
	40-398	61,4-65,6	2,4	7,43	3,0	4,0			

Helical-worm gear units





1:10
4,00 kW

P ₁ [kW]	n ₂ [min ⁻¹]	M _{2b} [Nm]	f _B	i _{ges}	F _R	F _A	Type	mm	
								kg	
4,00	1,1-11	2347-2705	1,0	269,76	18,7	20,8	SK 43125 - 100 AH/4 - SK 200E-401-340-A (-C) SK 43125 - 100 AP/4 - SK 200E-401-340-A (-C)	142	F54-55
	1,2-12	2064-2401	1,2	236,58	18,7	20,8			
	1,6-16	1647-1944	1,3	187,80	18,4	20,8			
	1,9-19	1349-1610	1,6	152,44	17,9	20,8			
	2,2-22	1161-1395	1,8	130,49	17,6	20,8			
	2,6-26	997-1204	2,0	110,97	17,1	20,8			
	1,5-15	1365-1910	1,4	201,63	19,5	20,8	SK 42125 - 100 AH/4 - SK 200E-401-340-A (-C) SK 42125 - 100 AP/4 - SK 200E-401-340-A (-C)	125	F52-53
	1,6-16	1248-1751	1,5	182,36	19,2	20,8			
	1,8-18	1112-1565	1,6	160,74	18,9	20,8			
	2,0-20	1013-1425	1,7	144,76	18,5	20,8			
	2,5-25	845-1182	1,9	117,50	17,8	20,8			
	2,9-29	738-1024	2,1	100,58	17,3	20,8			
	3,3-33	796-965	2,4	87,30	16,4	20,8			
	3,8-38	706-856	2,7	76,95	16,0	20,8			
	4,2-42	640-775	2,9	69,30	15,6	20,8			
	5,2-52	528-637	3,2	56,25	14,9	20,8			
	1,6-16	1182-1643	0,8	183,50	7,9	12,0	SK 32100 - 100 AH/4 - SK 200E-401-340-A (-C) SK 32100 - 100 AP/4 - SK 200E-401-340-A (-C)	85	F48-49
	1,8-18	1077-1503	0,9	165,50	8,1	12,0			
	2,3-23	860-1208	1,0	129,00	8,2	12,0			
	2,8-28	711-996	1,2	104,00	8,3	12,0			
	3,1-31	842-998	1,3	94,19	7,5	11,5			
	4,1-41	647-773	1,6	71,57	7,5	11,5			
	4,5-45	587-702	1,7	64,55	7,5	11,5			
	5,8-58	464-555	2,0	50,31	7,3	11,2			
	6,8-68	436-492	2,2	42,83	6,9	9,9			
	7,6-76	395-446	2,5	38,63	6,8	9,8			
	8,5-85	326-385	2,8	34,32	7,0	10,6			
	9,7-97	311-350	3,0	30,11	6,6	9,6			
	12-121	253-284	3,6	24,27	6,4	9,3			
	14-143	216-242	3,5	20,54	6,2	9,1			
	3,7-37	692-818	0,8	78,91	5,0	8,2	SK 12080 - 100 AH/4 - SK 200E-401-340-A (-C) SK 12080 - 100 AP/4 - SK 200E-401-340-A (-C)	59	F46-47
	4,4-44	588-698	0,9	66,44	5,2	8,4			
	5,0-50	518-617	1,0	58,27	5,3	8,5			
	5,6-56	467-556	1,0	52,03	5,3	8,6			
	6,5-65	405-483	1,1	44,72	5,3	8,6			
	7,7-77	385-428	1,3	37,91	4,9	6,9			
	9,2-92	326-364	1,4	31,92	4,9	7,0			
	10-105	287-320	1,6	27,99	4,9	7,1			
	12-117	258-288	1,7	25,00	4,8	7,1			
	14-136	223-249	1,9	21,49	4,8	7,0			
	15-153	199-221	2,1	19,11	4,7	7,0			
	18-183	176-190	2,1	15,98	4,2	5,1			
	21-209	155-167	2,2	14,01	4,1	5,1			
	23-234	139-150	2,3	12,51	4,1	5,0			
	27-272	120-129	2,6	10,75	4,0	5,0			
	31-307	107-115	3,0	9,56	3,9	4,9			
	39-387	85,1-91,0	3,2	7,55	3,7	4,6			


1:10
5,50 kW



P ₁ [kW]	n ₂ [min ⁻¹]	M _{2b} [Nm]	f _B	i _{ges}	F _R	F _A	Type	mm	
								kg	
5,50	1,1-11	3211-3703	0,8	269,76	14,8	20,8	SK 43125 - 112 MH/4 - SK 200E-551-340-A (-C) SK 43125 - 112 MP/4 - SK 200E-551-340-A (-C)	155	F54-55
	1,2-12	2824-3286	0,9	236,58	15,2	20,8			
	1,6-16	2253-2661	1,0	187,80	15,5	20,8			
	1,9-19	1845-2203	1,2	152,44	15,6	20,8			
	2,3-23	1589-1910	1,3	130,49	15,5	20,8			
	2,6-26	1364-1648	1,4	110,97	15,4	20,8			
	3,4-34	1199-1338	1,3	86,22	14,1	19,3			
	1,2-12	2254-3120	0,9	247,69	16,9	20,8	SK 42125 - 112 MH/4 - SK 200E-551-340-A (-C) SK 42125 - 112 MP/4 - SK 200E-551-340-A (-C)	138	F52-53
	1,5-15	1868-2615	1,0	201,63	16,9	20,8			
	1,6-16	1708-2397	1,1	182,36	16,8	20,8			
	1,8-18	1522-2142	1,2	160,74	16,7	20,8			
	2,0-20	1387-1951	1,2	144,76	16,6	20,8			
	2,5-25	1156-1617	1,4	117,50	16,2	20,8			
	2,9-29	1010-1401	1,5	100,58	15,9	20,8			
	3,4-34	1089-1321	1,8	87,30	15,0	20,8			
	3,8-38	966-1171	2,0	76,95	14,7	20,8			
	4,2-42	876-1061	2,1	69,30	14,5	20,8			
	5,2-52	723-871	2,4	56,25	14,0	20,8			
	6,1-61	626-750	2,6	48,15	13,6	20,5			
	7,2-72	541-643	2,9	40,95	13,1	19,8			
	8,3-83	507-571	2,8	35,33	12,4	17,7			
	2,8-28	973-1363	0,9	104,00	6,6	12,0	SK 32100 - 112 MH/4 - SK 200E-551-340-A (-C) SK 32100 - 112 MP/4 - SK 200E-551-340-A (-C)	98	F48-49
	3,1-31	1152-1366	1,0	94,19	5,6	8,8			
	4,1-41	885-1058	1,2	71,57	6,1	9,4			
	4,6-46	803-961	1,2	64,55	6,2	9,6			
	5,9-59	635-760	1,5	50,31	6,3	9,7			
	6,9-69	596-673	1,6	42,83	5,9	8,2			
	7,6-76	540-610	1,8	38,63	6,0	8,3			
	8,6-86	445-527	2,1	34,32	6,2	9,6			
	9,8-98	425-480	2,2	30,11	5,9	8,4			
	12-121	346-389	2,6	24,27	5,8	8,3			
	14-143	296-331	2,5	20,54	5,7	8,0			
	16-155	287-311	2,3	18,97	5,1	5,4			
	17-172	260-281	2,5	17,11	5,0	5,5			
	18-181	237-263	2,8	16,22	5,5	7,6			
	22-221	204-220	3,2	13,34	4,9	5,5			
	27-274	166-178	4,1	10,75	4,8	5,4			
	5,6-56	638-761	0,8	52,03	4,1	6,8			
	6,6-66	554-660	0,8	44,72	4,3	7,0			
	7,8-78	526-586	0,9	37,91	3,8	5,0			
	9,2-92	446-498	1,1	31,92	4,0	5,4			
	11-105	393-438	1,2	27,99	4,1	5,6			
	12-117	353-394	1,2	25,00	4,1	5,8			
	14-137	305-340	1,4	21,49	4,2	5,9			
	15-154	272-303	1,5	19,11	4,2	6,0			
	18-184	241-259	1,5	15,98	3,3	3,4			
	21-210	212-228	1,6	14,01	3,6	3,6			
	23-235	190-205	1,7	12,51	3,6	3,8			
	27-273	164-176	1,9	10,75	3,6	3,9			
	31-308	146-157	2,2	9,56	3,5	3,9			
	39-389	116-125	2,4	7,55	3,5	3,9			

Helical-worm gear units



P ₁ [kW]	n ₂ [min ⁻¹]	M _{2b} [Nm]	f _B	i _{ges}	F _R [kN]	F _A [kN]	Type	mm	
								kg	
7,50	1,6-16	2314-3250	0,8	182,36	13,6	20,8	SK 42125 - 132 SH/4 - SK 200E-751-340-A (-C) SK 42125 - 132 SP/4 - SK 200E-751-340-A (-C)	158	F52-53
	1,8-18	2063-2903	0,9	160,74	13,8	20,8			
	2,0-20	1880-2644	0,9	144,76	13,9	20,8			
	2,5-25	1568-2192	1,0	117,50	14,0	20,8			
	2,9-29	1369-1898	1,1	100,58	14,0	20,8			
	3,4-34	1476-1790	1,3	87,30	13,1	20,0			
	3,9-39	1308-1587	1,4	76,95	13,1	19,9			
	4,3-43	1187-1438	1,5	69,30	13,0	19,8			
	5,3-53	979-1181	1,7	56,25	12,7	19,4			
	6,2-62	848-1016	1,9	48,15	12,5	19,0			
	7,2-72	733-871	2,1	40,95	12,2	18,5			
	8,4-84	687-774	2,1	35,33	11,4	16,1			
	9,3-93	622-699	2,6	31,82	11,3	16,0			
	11-115	511-571	3,0	25,83	10,9	15,5			
	13-134	440-490	3,3	22,11	10,5	14,9			
	16-157	379-419	3,6	18,80	10,2	14,1			
	10,0	4,1-41	1199-1433	0,9	71,57	4,2			
4,6-46		1088-1302	0,9	64,55	4,5	7,1			
5,9-59		861-1029	1,1	50,31	4,9	7,8			
6,9-69		807-912	1,2	42,83	4,6	5,9			
7,7-77		731-826	1,3	38,63	4,8	6,3			
8,6-86		604-714	1,5	34,32	5,3	8,3			
9,8-98		576-650	1,6	30,11	5,0	6,6			
12-122		469-527	1,9	24,27	5,1	6,7			
14-144		401-448	1,9	20,54	5,1	6,7			
16-156		389-421	1,7	18,97	3,5	3,4			
17-173		352-381	1,9	17,11	3,9	3,7			
18-182		322-357	2,1	16,22	5,0	6,5			
22-222		276-298	2,4	13,34	4,3	4,1			
28-276		224-241	3,0	10,75	4,3	4,3			
33-326		191-205	3,5	9,10	4,2	4,3			
41-411		153-163	4,2	7,19	4,1	4,3			
10,0		2,5-25	2090-2923	0,8	117,50	11,3	20,6	SK 42125 - 132 MH/4 - SK 200E-112-340-A (-C) SK 42125 - 132 MP/4 - SK 200E-112-340-A (-C)	175
	2,9-29	1826-2531	0,8	100,58	11,7	20,6			
	3,4-34	1967-2386	1,0	87,30	10,8	16,8			
	3,9-39	1745-2116	1,1	76,95	11,0	17,0			
	4,3-43	1582-1917	1,2	69,30	11,1	17,2			
	5,3-53	1306-1574	1,3	56,25	11,2	17,2			
	6,2-62	1131-1355	1,4	48,15	11,2	17,1			
	7,2-72	977-1161	1,6	40,95	11,1	16,9			
	8,4-84	916-1032	1,6	35,33	10,3	14,2			
	9,3-93	829-932	2,0	31,82	10,3	14,2			
	11-115	681-762	2,2	25,83	10,0	13,9			
	13-134	587-654	2,5	22,11	9,8	13,4			
	16-157	505-558	2,7	18,80	9,6	12,8			
	19-186	443-479	2,6	15,92	8,7	9,6			
	20-203	398-435	3,1	14,57	9,2	12,0			
	23-229	362-391	3,2	12,93	8,4	9,4			
	27-268	312-335	3,7	11,06	8,2	9,2			

1:10**15,0 kW****22,0 kW**

IE2

IE3


NORD
 DRIVESYSTEMS

P ₁ [kW]	n ₂ [min ⁻¹]	M _{2b} [Nm]	f _B	i _{ges}	F _R	F _A	Type	mm	
								kg	
15,0	4,3-43	2381-2885	0,8	69,30	7,4	11,9	SK 42125 - 132 LH/4 - SK 200E-152-340-A (-C)	175	F52-53
	5,2-52	1965-2369	0,9	56,25	8,2	13,0			
	6,1-61	1701-2039	1,0	48,15	8,6	13,5			
	7,2-72	1470-1747	1,1	40,95	8,9	13,8			
	9,3-93	1248-1403	1,3	31,82	8,2	10,0			
	11-114	1025-1146	1,5	25,83	8,4	10,3			
	13-134	884-984	1,6	22,11	8,4	10,4			
	16-157	760-840	1,8	18,80	8,4	10,4			
	19-186	666-721	1,7	15,92	6,9	6,3			
	20-202	599-655	2,0	14,57	8,2	10,1			
	23-228	545-588	2,1	12,93	7,4	6,8			
	27-267	469-504	2,5	11,06	7,3	7,0			
	31-313	402-430	2,7	9,41	7,2	7,1			
	35-350	363-386	3,0	8,43	7,1	7,1			
	38-381	334-355	2,8	7,76	7,0	7,1			
	40-404	316-335	2,8	7,29	6,9	7,1			
	22,0	9,3-93	1822-2047	0,9	31,82	4,6			
11-115		1496-1673	1,0	25,83	6,1	5,7			
13-134		1290-1435	1,1	22,11	6,4	6,5			
16-158		1109-1227	1,2	18,80	6,7	7,1			
19-187		972-1053	1,2	15,92	2,1	1,8			
20-203		874-956	1,4	14,57	6,9	7,6			
23-230		796-858	1,4	12,93	3,5	3,2			
27-268		685-735	1,7	11,06	4,4	3,9			
32-315		587-628	1,8	9,41	5,2	4,5			
35-351		529-563	2,0	8,43	5,6	4,8			
38-383		488-518	2,0	7,76	5,9	5,0			
41-406		461-488	1,9	7,29	6,1	5,1			

 Helical-worm
 gear units



P ₁ [kW]	n ₂ [min ⁻¹]	M _{2b} [Nm]	f _B	i _{ges}	F _R	F _A	Type	mm		
								kg	mm	
0,43	1,0-9,0	297-323	2,2	#276,92	12,7	12,0	SK 12080 - 71 S/4 - SK 200E-550-340-A (-C)	38	F46-47	
	1,2-11	182-233	3,1	234,60	10,2	9,0				
	1,5-13	147-192	3,5	187,17	10,3	9,0	SK 12080 - 71 S/4 - SK 180E-550-340-B (-C)			
	1,8-16	125-166	4,0	157,59	10,3	9,0				
1,1-9,8	1,3-11	271-290	1,3	254,89	7,0	7,7	SK 13063 - 71 S/4 - SK 200E-550-340-A (-C)	33	F44-45	
	1,4-13	239-257	1,4	224,12	7,2	7,7				
	1,6-14	212-229	1,6	198,86	7,4	7,7	SK 13063 - 71 S/4 - SK 180E-550-340-B (-C)			
	1,8-15	219-228	1,5	178,31	7,4	7,7				
	2,0-17	179-188	1,8	146,17	7,6	7,7				
	2,4-21	179-188	1,8	146,17	7,6	7,7				
1,1-9,4	1,3-11	280-300	1,2	#264,24	6,9	7,8	SK 12063 - 71 S/4 - SK 200E-550-340-A (-C)	28	F42-43	
	1,5-13	237-256	1,4	#223,17	7,2	7,8				
	1,6-14	209-226	1,6	#195,86	7,1	7,8	SK 12063 - 71 S/4 - SK 180E-550-340-B (-C)			
	1,8-15	143-178	1,8	183,60	7,6	7,7				
	2,0-17	127-160	1,9	162,18	7,7	7,7				
	2,4-21	114-145	2,1	144,33	7,7	7,7				
	2,7-24	94,3-122	2,4	118,32	7,8	7,7				
	3,1-27	83,8-109	2,7	104,04	7,8	7,7				
	3,5-31	74,9-98,1	3,0	92,31	7,9	7,7				
	3,9-35	74,9-98,1	3,0	92,31	7,9	7,7				
1,4-12	1,6-14	226-239	0,8	209,25	4,3	5,6	SK 13050 - 71 S/4 - SK 200E-550-340-A (-C)	29	F40-41	
	1,8-16	197-209	0,9	181,66	4,7	5,6				
	2,1-18	200-205	1,0	158,12	4,7	5,6	SK 13050 - 71 S/4 - SK 180E-550-340-B (-C)			
	2,3-20	175-180	1,1	139,04	5,0	5,6				
	2,9-25	155-160	1,2	122,68	5,1	5,6				
	3,3-29	125-130	1,5	99,23	5,4	5,6				
1,5-13	1,7-15	226-239	0,8	209,25	4,3	5,6	SK 13050 - 71 S/4 - SK 200E-550-340-A (-C)	24	F38-39	
	1,9-17	197-209	0,9	181,66	4,7	5,6				
	2,2-19	200-205	1,0	158,12	4,7	5,6	SK 13050 - 71 S/4 - SK 180E-550-340-B (-C)			
	2,5-22	175-180	1,1	139,04	5,0	5,6				
	3,1-27	155-160	1,2	122,68	5,1	5,6				
	3,5-31	125-130	1,5	99,23	5,4	5,6				
	4,4-38	109-114	1,6	86,15	5,5	5,6				
	5,0-43	210-222	0,8	194,18	4,5	5,6	SK 02050 - 71 S/4 - SK 200E-550-340-A (-C)			
	5,7-49	184-196	0,9	170,10	4,8	5,6				
	7,0-61	117-141	1,2	147,90	5,3	5,6	SK 02050 - 71 S/4 - SK 180E-550-340-B (-C)			
	8,0-70	103-126	1,3	130,05	5,4	5,6				
		2,5-22	91,9-113	1,5	114,75	5,5	5,6			
		3,1-27	75,1-93,6	1,8	92,82	5,6	5,6			
		3,5-31	66,0-82,8	2,0	80,58	5,6	5,6			
	4,4-38	71,8-80,1	2,1	65,25	5,4	5,6				
	5,0-43	63,2-70,9	2,4	57,38	5,3	5,6				
	5,7-49	56,1-63,2	2,5	50,63	5,1	5,6				
	7,0-61	45,6-51,8	3,0	40,95	4,8	5,6				
	8,0-70	39,9-45,5	3,4	35,55	4,6	5,6				
2,5-22	2,8-25	90,8-107	0,9	115,05	3,2	3,9	SK 02040 - 71 S/4 - SK 200E-550-340-A (-C)	17	F36-37	
	3,3-29	109-116	0,9	100,65	3,0	3,9				
	3,7-33	78,8-93,7	1,0	99,45	3,3	3,9	SK 02040 - 71 S/4 - SK 180E-550-340-B (-C)			
	4,2-37	69,2-83,1	1,0	86,97	3,5	3,9				
	4,8-42	61,2-74,1	1,1	76,44	3,6	3,9				
	5,5-48	54,4-66,4	1,2	67,47	3,6	3,9				
	6,1-53	42,6-52,5	1,5	51,87	3,4	3,9				
	6,8-59	75,7-78,5	1,3	59,83	3,4	3,9				
	7,4-65	42,6-52,5	1,5	51,87	3,6	3,9				
	8,0-77	59,3-61,9	1,6	46,79	3,2	3,9				
	8,6-83	37,2-46,1	1,8	44,85	3,5	3,9				
	9,2-99	46,3-51,2	1,7	42,08	3,3	3,9				
	9,8-106	40,5-45,1	1,8	36,80	3,2	3,9				
	10,4-114	35,8-40,0	2,0	32,34	3,1	3,9				
	11,0-124	31,7-35,6	2,1	28,55	3,0	3,9				
	11,6-134	24,7-27,8	2,6	21,95	2,8	3,9				
	12,2-144	25,0-26,7	3,0	19,56	2,7	3,9				
	12,8-154	21,9-23,4	3,3	17,10	2,6	3,9				
	13,4-164	19,3-20,7	3,6	15,03	2,5	3,9				
	14,0-174	17,1-18,4	4,0	13,27	2,4	3,8				
	14,6-184	13,3-14,3	4,8	10,20	2,3	3,6				
	15,2-194	11,5-12,4	5,2	8,82	2,2	3,5				
	15,8-204	10,4-10,9	5,2	7,51	2,0	3,1				
	16,4-214	9,2-9,7	5,6	6,63	2,0	2,9				
	17,0-224	7,1-7,5	6,4	5,09	1,8	2,6				
	17,6-234	6,2-6,5	7,1	4,40	1,7	2,5				

Helical-worm gear units

1:8,7
0,64 kW



P_1 [kW]	n_2 [min ⁻¹]	M_{2b} [Nm]	f_B	i_{ges}	F_R [kN]	F_A [kN]	Type	kg	mm
0,64	1,1-9,7	419-464	3,3	257,63	16,0	12,0	SK 33100 - 71 L/4 - SK 200E-750-340-A (-C) SK 33100 - 71 L/4 - SK 180E-750-340-B (-C)	73	F50-51
	1,0-9,0	442-480	1,5	#276,92	11,9	12,0	SK 12080 - 71 L/4 - SK 200E-750-340-A (-C)	39	F46-47
1,2-11	270-346	2,1	234,60	9,8	9,0	SK 12080 - 71 L/4 - SK 180E-750-340-B (-C)			
1,5-13	218-286	2,3	187,17	10,0	9,0	SK 12080 - 71 L/4 - SK 180E-750-340-B (-C)			
1,8-16	186-247	2,7	157,59	10,1	9,0				
2,1-18	165-221	2,9	138,21	10,2	9,0				
2,3-20	149-201	3,1	123,42	10,3	9,0				
2,7-23	130-176	3,4	106,08	10,3	9,0				
3,0-26	117-158	3,5	94,35	10,2	9,0				
1,1-9,4	1,1-9,4	417-446	0,8	#264,24	5,3	7,8	SK 12063 - 71 L/4 - SK 200E-750-340-A (-C)	29	F42-43
	1,3-11	353-380	0,9	#223,17	6,2	7,8	SK 12063 - 71 L/4 - SK 180E-750-340-B (-C)		
	1,5-13	311-337	1,1	#195,86	6,4	7,8			
	1,6-14	212-265	1,2	183,60	7,2	7,7			
	1,8-15	189-238	1,3	162,18	7,3	7,7			
	2,0-17	169-216	1,4	144,33	7,4	7,7			
	2,4-21	140-181	1,6	118,32	7,6	7,7			
	2,7-24	125-162	1,8	104,04	7,7	7,7			
	3,1-27	111-146	2,0	92,31	7,7	7,7			
	3,7-32	125-143	2,1	77,40	7,5	7,7			
	4,2-36	111-128	2,3	68,37	7,3	7,7			
	4,7-41	99,4-115	2,4	60,85	7,0	7,7			
	5,7-50	82,0-95,3	2,7	49,88	6,7	7,7			
	6,5-57	72,6-84,7	3,0	43,86	6,4	7,7			
1,9-17	1,9-17	174-210	0,8	147,90	4,7	5,6	SK 02050 - 71 L/4 - SK 200E-750-340-A (-C)	25	F38-39
	2,2-19	154-187	0,9	130,05	4,9	5,6	SK 02050 - 71 L/4 - SK 180E-750-340-B (-C)		
	2,5-22	137-168	1,0	114,75	5,1	5,6			
	3,1-27	112-139	1,2	92,82	5,3	5,6			
	3,5-31	98,2-123	1,4	80,58	5,4	5,6			
	4,4-38	107-119	1,4	65,25	5,1	5,6			
	5,0-43	94,1-106	1,6	57,38	4,9	5,6			
	5,7-49	83,5-94,1	1,6	50,63	4,8	5,6			
	7,0-61	67,9-77,1	2,0	40,95	4,6	5,6			
	8,0-70	59,4-67,8	2,3	35,55	4,4	5,6			
	9,3-80	59,0-63,2	2,5	30,94	4,2	5,6			
	11-92	51,9-55,8	2,8	27,21	4,0	5,6			
	12-104	46,0-49,6	3,1	24,01	3,9	5,6			
3,7-33	3,7-33	91,1-110	0,8	76,44	3,1	3,9	SK 02040 - 71 L/4 - SK 200E-750-340-A (-C)	18	F36-37
	4,2-37	81,0-98,8	0,8	67,47	3,3	3,9	SK 02040 - 71 L/4 - SK 180E-750-340-B (-C)		
	4,8-42	113-117	0,9	59,83	2,9	3,9			
	5,5-48	63,4-78,2	1,0	51,87	3,3	3,9			
	6,1-53	88,3-92,1	1,1	46,79	2,8	3,9			
	6,4-55	55,3-68,6	1,2	44,85	3,2	3,9			
	6,8-59	68,8-76,3	1,1	42,08	3,0	3,9			
	7,8-68	60,3-67,2	1,2	36,80	3,0	3,9			
	8,9-77	53,2-59,5	1,3	32,34	2,9	3,9			
	10-87	47,2-53,0	1,4	28,55	2,8	3,9			
	13-113	36,7-41,4	1,8	21,95	2,7	3,9			
	15-127	37,3-39,7	2,0	19,56	2,5	3,9			
	17-146	32,6-34,9	2,2	17,10	2,4	3,8			
	19-166	28,8-30,8	2,4	15,03	2,4	3,7			
	22-188	25,5-27,3	2,7	13,27	2,3	3,6			
	28-244	19,7-21,2	3,2	10,20	2,2	3,4			
	32-281	17,2-18,5	3,5	8,82	2,1	3,3			
	38-332	15,4-16,2	3,5	7,51	1,9	2,8			
	43-375	13,7-14,4	3,8	6,63	1,9	2,7			
	56-487	10,6-11,1	4,3	5,09	1,8	2,4			
	65-563	9,2-9,7	4,8	4,40	1,7	2,3			

Helical-worm gear units



P_1 [kW]	n_2 [min ⁻¹]	M_{2b} [Nm]	f_B	i_{ges}	F_R [kN]	F_A [kN]	Type	kg	mm F
0,95	1,1-9,8	613-678	2,2	257,63	14,8	12,0	SK 33100 - 80 SH/4 - SK 200E-111-340-A (-C) SK 33100 - 80 SH/4 - SK 180E-111-340-B (-C)	76	F50-51
	1,2-10 1,6-14 1,8-15	419-557 325-442 295-404	2,5 3,1 3,3	241,50 183,50 165,50	15,3 14,2 13,8	12,0 12,0 12,0	SK 32100 - 80 SH/4 - SK 200E-111-340-A (-C) SK 32100 - 80 SH/4 - SK 180E-111-340-A (-C)	68	F48-49
	1,1-9,1 1,2-11 1,6-14 1,8-16 2,1-18 2,4-20 2,7-24 3,1-27 3,7-32 4,4-38 5,0-43 5,6-49 6,5-56	645-702 395-507 320-419 273-362 241-324 218-294 190-258 171-232 190-222 161-190 142-168 128-151 111-131	1,0 1,4 1,6 1,8 2,0 2,1 2,3 2,4 3,0 3,3 3,6 3,8 4,2	#276,92 234,60 187,17 157,59 138,21 123,42 106,08 94,35 78,91 66,44 58,27 52,03 44,72	10,6 8,8 9,4 9,7 9,9 10,0 10,0 9,7 9,1 8,7 8,4 8,1 7,8	12,0 9,0 9,0 9,0 9,0 9,0 9,0 9,0 9,0 9,0 9,0 9,0 9,0	SK 12080 - 80 SH/4 - SK 200E-111-340-A (-C) SK 12080 - 80 SH/4 - SK180E-111-340-B (-C)	42	F46-47
	1,6-14 1,8-16 2,0-18 2,5-21 2,8-24 3,2-27 3,8-33 4,3-37 4,8-42 5,8-51 6,6-58 7,5-65 8,3-72 10-88	310-388 276-349 248-316 205-265 182-238 163-214 183-209 162-187 145-168 120-139 106-124 94,6-111 95,5-105 78,6-87,0	0,8 0,9 1,0 1,1 1,2 1,4 1,5 1,6 1,7 1,9 2,0 2,2 2,5 2,8	183,60 162,18 144,33 118,32 104,04 92,31 77,40 68,37 60,85 49,88 43,86 38,92 34,89 28,61	6,1 6,5 6,8 7,2 7,3 7,5 7,0 6,8 6,6 6,3 6,1 5,9 5,7 5,4	7,7 7,7 7,7 7,7 7,7 7,7 7,7 7,7 7,7 7,7 7,7 7,7 7,7 7,7	SK 12063 - 80 SH/4 - SK 200E-111-340-A (-C) SK 12063 - 80 SH/4 - SK 180E-111-340-B (-C)	32	F42-43
	3,1-27 3,6-31 4,5-39 5,1-44 5,7-50 7,1-62 8,2-71 9,4-82 11-93 12-105 15-130 17-150 20-171 22-192 25-218	163-204 144-180 156-174 137-154 122-138 99,3-113 86,9-99,1 86,2-92,5 75,9-81,6 67,2-72,5 54,6-59,0 47,7-51,7 41,9-45,4 39,4-41,7 34,9-36,9	0,8 0,9 1,0 1,1 1,1 1,4 1,6 1,7 1,9 2,1 2,5 2,3 2,5 2,9 3,1	92,82 80,58 65,25 57,38 50,63 40,95 35,55 30,94 27,21 24,01 19,42 16,86 14,72 13,18 11,63	4,7 5,0 4,6 4,5 4,4 4,2 4,1 3,8 3,7 3,7 3,5 3,4 3,3 3,0 2,9	5,6 5,6 5,6 5,6 5,6 5,6 5,6 5,6 5,6 5,6 5,5 5,4 5,2 4,5 4,4	SK 02050 - 80 SH/4 - SK 200E-111-340-A (-C) SK 02050 - 80 SH/4 - SK 180E-111-340-B (-C)	28	F38-39
	6,5-56 6,9-60 7,9-69 9,0-78 10-89 13-115 15-129 17-148 19-169 22-191 28-248 33-286 39-337 44-381 57-495 66-572	80,9-100 101-112 88,2-98,2 77,8-87,0 69,0-77,5 53,7-60,6 54,5-58,1 47,7-51,0 42,0-45,0 37,2-40,0 28,9-31,0 25,1-27,0 22,5-23,7 20,0-21,0 15,5-16,3 13,4-14,1	0,8 0,8 0,8 0,9 1,0 1,2 1,4 1,5 1,7 1,8 2,2 2,4 2,4 2,6 2,9 3,3	44,85 42,08 36,80 32,34 28,55 21,95 19,56 17,10 15,03 13,27 10,20 8,82 7,51 6,63 5,09 4,40	2,9 2,6 2,6 2,5 2,5 2,4 2,3 2,2 2,2 2,1 2,0 2,0 1,8 1,8 1,7 1,6	3,9 3,9 3,9 3,9 3,9 3,9 3,3 3,3 3,3 3,2 3,1 3,0 2,4 2,3 2,2 2,1	SK 02040 - 80 SH/4 - SK 200E-111-340-A (-C) SK 02040 - 80 SH/4 - SK 180E-111-340-B (-C)	21	F36-37

Helical-worm gear units

1:8,7

1,30 kW



P ₁ [kW]	n ₂ [min ⁻¹]	M _{2b} [Nm]	f _B	i _{ges}	F _R	F _A [kN]	Type	mm			
								kg	F		
1,30	1,1-9,3	883-1004	2,8	269,76	26,5	20,8	SK 43125 - 80 LH/4 - SK 200E-151-340-A (-C) SK 43125 - 80 LP/4 - SK 200E-151-340-A (-C)	126	F54-55		
	1,2-11	777-891	3,2	236,58	26,0	20,8					
	1,5-13	620-722	3,6	187,80	24,4	20,8					
	1,1-9,8	840-930	1,6	257,63	13,5	12,0	SK 33100 - 80 LH/4 - SK 200E-151-340-A (-C) SK 33100 - 80 LP/4 - SK 200E-151-340-A (-C)	77	F50-51		
							SK 33100 - 80 LH/4 - SK 180E-151-340-B (-C) SK 33100 - 80 LP/4 - SK 180E-151-340-B (-C)				
	1,2-10	574-764	1,9	241,50	14,3	12,0	SK 32100 - 80 LH/4 - SK 200E-151-340-A (-C) SK 32100 - 80 LP/4 - SK 200E-151-340-A (-C)	69	F48-49		
	1,6-14	445-605	2,3	183,50	13,5	12,0					
	1,8-15	405-554	2,4	165,50	13,2	12,0					
	2,3-20	324-447	2,8	129,00	12,4	12,0	SK 32100 - 80 LH/4 - SK 180E-151-340-B (-C) SK 32100 - 80 LP/4 - SK 180E-151-340-B (-C)				
	3,1-27	317-371	3,5	94,19	11,2	12,0					
	1,2-11	542-695	1,0	234,60	7,0	9,0	SK 12080 - 80 LH/4 - SK 200E-151-340-A (-C) SK 12080 - 80 LP/4 - SK 200E-151-340-A (-C)	43	F46-47		
	1,6-14	438-574	1,2	187,17	8,3	9,0					
	1,8-16	374-497	1,3	157,59	8,9	9,0					
	2,1-18	331-444	1,5	138,21	9,2	9,0					
	2,3-20	299-403	1,5	123,42	9,5	9,0					
	2,7-24	261-353	1,7	106,08	9,5	9,0					
	3,1-27	234-318	1,8	94,35	9,2	9,0					
	3,7-32	260-304	2,2	78,91	8,6	9,0					
	4,4-38	221-260	2,4	66,44	8,3	9,0					
	5,0-43	195-230	2,6	58,27	8,0	9,0					
	5,6-48	176-207	2,8	52,03	7,8	9,0					
	6,5-56	152-180	3,1	44,72	7,5	9,0					
	7,7-67	145-160	3,4	37,91	7,1	9,0					
	9,1-79	123-136	3,9	31,92	6,8	9,0					
	2,5-21	281-364	0,8	118,32	6,4	7,7	SK 12063 - 80 LH/4 - SK 200E-151-340-A (-C) SK 12063 - 80 LP/4 - SK 200E-151-340-A (-C)			33	F42-43
	2,8-24	250-326	0,9	104,04	6,7	7,7					
	3,1-27	224-293	1,0	92,31	7,0	7,7					
	3,7-33	251-287	1,1	77,40	6,4	7,7					
	4,2-37	223-256	1,2	68,37	6,3	7,7					
	4,8-41	199-230	1,2	60,85	6,2	7,7					
	5,8-51	164-191	1,4	49,88	6,0	7,7					
	6,6-58	146-170	1,5	43,86	5,8	7,7					
	7,5-65	130-152	1,6	38,92	5,7	7,7					
	8,3-72	131-144	1,8	34,89	5,4	7,7					
	10-88	108-119	2,1	28,61	5,2	7,7					
	12-100	95,3-106	2,3	25,15	5,0	7,7					
	13-113	84,8-94,0	2,6	22,32	4,9	7,7					
	15-133	72,7-80,7	2,7	18,99	4,7	7,7					
	19-162	64,1-68,3	2,8	15,57	4,3	6,6					
	5,1-44	189-212	0,8	57,38	4,0	5,6	SK 02050 - 80 LH/4 - SK 200E-151-340-A (-C) SK 02050 - 80 LP/4 - SK 200E-151-340-A (-C)	29	F38-39		
	5,7-50	167-189	0,8	50,63	3,9	5,6					
	7,1-62	136-155	1,0	40,95	3,9	5,6					
	8,1-71	119-136	1,1	35,55	3,8	5,6					
	9,4-82	118-127	1,2	30,94	3,5	5,3					
	11-93	104-112	1,4	27,21	3,4	5,3					
	12-105	92,2-99,4	1,6	24,01	3,4	5,2					
	15-130	74,8-81,0	1,8	19,42	3,3	5,1					
	17-150	65,4-70,9	1,7	16,86	3,2	5,0					
	20-171	57,4-62,2	1,8	14,72	3,1	4,9					
	22-192	54,1-57,1	2,1	13,18	2,8	3,9					
	25-217	47,9-50,7	2,2	11,63	2,8	3,9					
	31-269	38,9-41,2	2,7	9,41	2,7	3,8					
	35-309	33,9-36,0	3,1	8,17	2,6	3,7					
	41-353	29,8-31,5	3,3	7,13	2,5	3,5					

Helical-worm gear units



P ₁ [kW]	n ₂ [min ⁻¹]	M _{2b} [Nm]	f _B	i _{ges}	F _R [kN]	F _A [kN]	Type	kg	mm F
1,30	13-115	73,6-83,1	0,9	21,95	2,2	3,5	SK 02040 - 80 LH/4 - SK 200E-151-340-A (-C) SK 02040 - 80 LP/4 - SK 200E-151-340-A (-C)	22	F36-37
	15-129	74,7-79,6	1,0	19,56	2,0	2,7			
	17-148	65,4-69,9	1,1	17,10	2,0	2,8			
	19-168	57,6-61,7	1,2	15,03	2,0	2,8	SK 02040 - 80 LH/4 - SK 180E-151-340-B (-C) SK 02040 - 80 LP/4 - SK 180E-151-340-B (-C)		
	22-190	51,1-54,8	1,3	13,27	1,9	2,8			
	28-247	39,6-42,6	1,6	10,20	1,9	2,8			
	33-285	34,4-37,0	1,8	8,82	1,8	2,7			
	39-336	30,9-32,5	1,8	7,51	1,7	1,9			
	44-381	27,4-28,8	1,9	6,63	1,6	1,9			
	57-494	21,2-22,3	2,2	5,09	1,6	1,9			
	66-571	18,4-19,4	2,4	4,40	1,5	1,8			
1,90	1,1-9,4	1281-1458	1,9	269,76	25,0	20,8	SK 43125 - 90 SH/4 - SK 200E-221-340-A (-C) SK 43125 - 90 SP/4 - SK 200E-221-340-A (-C)	131	F54-55
	1,2-11	1127-1293	2,2	236,58	24,3	20,8	SK 43125 - 90 SH/4 - SK 180E-221-340-B (-C) SK 43125 - 90 SP/4 - SK 180E-221-340-B (-C)		
	1,5-13	745-1023	2,6	201,63	24,1	20,8	SK 42125 - 90 SH/4 - SK 200E-221-340-A (-C) SK 42125 - 90 SP/4 - SK 200E-221-340-A (-C)	114	F52-53
	1,6-14	681-939	2,7	182,36	23,5	20,8			
	1,8-16	607-840	2,9	160,74	22,7	20,8			
	2,0-18	553-766	3,1	144,76	22,1	20,8	SK 42125 - 90 SH/4 - SK 180E-221-340-B (-C) SK 42125 - 90 SP/4 - SK 180E-221-340-B (-C)		
	2,5-22	461-637	3,5	117,50	20,9	20,8			
	1,1-9,9	1218-1350	1,1	257,63	11,4	12,0	SK 33100 - 90 SH/4 - SK 200E-221-340-A (-C) SK 33100 - 90 SP/4 - SK 200E-221-340-A (-C)	82	F50-51
	1,6-14	871-986	1,4	182,66	11,3	12,0			
	2,1-18	684-786	1,7	142,38	11,0	12,0			
	2,4-21	656-712	1,7	121,21	10,3	12,0	SK 33100 - 90 SH/4 - SK 180E-221-340-B (-C) SK 33100 - 90 SP/4 - SK 180E-221-340-B (-C)		
	2,7-23	592-647	1,8	109,32	10,2	12,0			
	1,2-11	833-1109	1,3	241,50	12,7	12,0	SK 32100 - 90 SH/4 - SK 200E-221-340-A (-C) SK 32100 - 90 SP/4 - SK 200E-221-340-A (-C)	74	F48-49
	1,6-14	646-879	1,6	183,50	12,2	12,0			
	1,8-15	588-805	1,7	165,50	12,0	12,0			
	2,3-20	470-649	1,9	129,00	11,4	12,0	SK 32100 - 90 SH/4 - SK 180E-221-340-B (-C) SK 32100 - 90 SP/4 - SK 180E-221-340-B (-C)		
	2,8-25	388-536	2,2	104,00	11,0	12,0			
	3,1-27	459-539	2,4	94,19	10,3	12,0			
	4,1-36	353-418	2,9	71,57	9,8	12,0			
	4,5-39	320-380	3,1	64,55	9,6	12,0			
	5,8-51	253-301	3,7	50,31	9,1	12,0			
		1,6-14	636-834	0,8	187,17	4,7	9,0		
1,9-16		542-721	0,9	157,59	6,7	9,0			
2,1-18		480-644	1,0	138,21	7,6	9,0			
2,4-21		434-585	1,1	123,42	8,2	9,0	SK 12080 - 90 SH/4 - SK 180E-221-340-B (-C) SK 12080 - 90 SP/4 - SK 180E-221-340-B (-C)		
2,8-24		379-513	1,2	106,08	8,6	9,0			
3,1-27		340-461	1,2	94,35	8,4	9,0			
3,7-32		378-441	1,5	78,91	7,7	9,0			
4,4-38		321-377	1,7	66,44	7,5	9,0			
5,0-44		283-334	1,8	58,27	7,4	9,0			
5,6-49		255-301	1,9	52,03	7,2	9,0			
6,5-57		221-261	2,1	44,72	7,0	9,0			
7,7-67		210-232	2,4	37,91	6,6	9,0			
9,2-80		178-197	2,7	31,92	6,3	9,0			
10-91		157-174	2,9	27,99	6,2	9,0			
12-102		141-156	3,1	25,00	6,0	9,0			
14-118		122-135	3,5	21,49	5,8	8,9			
15-133		108-120	3,8	19,11	5,7	8,6			
18-159		96,1-103	3,8	15,98	5,2	7,4			
21-182		84,5-90,7	4,0	14,01	5,0	7,2			

1:8,7

1,90 kW
2,60 kW



P ₁ [kW]	n ₂ [min ⁻¹]	M _{2b} [Nm]	f _B	i _{ges}	F _R	F _A [kN]	Type	mm				
								kg				
1,90	4,3-37	323-372	0,8	68,37	5,5	7,7	SK 12063 - 90 SH/4 - SK 200E-221-340-A (-C) SK 12063 - 90 SP/4 - SK 200E-221-340-A (-C)	38	F42-43			
	4,8-42	289-334	0,8	60,85	5,4	7,7						
	5,9-51	238-277	0,9	49,88	5,3	7,7						
	6,7-58	211-246	1,0	43,86	5,3	7,7	SK 12063 - 90 SH/4 - SK 180E-221-340-B (-C) SK 12063 - 90 SP/4 - SK 180E-221-340-B (-C)					
	7,5-65	188-220	1,1	38,92	5,2	7,7						
	8,4-73	190-209	1,3	34,89	4,9	7,7						
	10-89	156-173	1,4	28,61	4,7	7,6						
	12-101	138-153	1,6	25,15	4,6	7,5						
	13-114	123-136	1,8	22,32	4,5	7,3						
	15-134	105-117	1,8	18,99	4,4	7,1						
	19-163	93,0-99,1	1,9	15,57	4,0	5,8						
	23-200	76,4-81,5	2,2	12,76	3,8	5,7						
	26-227	67,5-72,0	2,4	11,22	3,7	5,6						
	29-256	59,9-64,0	2,7	9,96	3,6	5,4						
	34-300	51,3-54,7	3,0	8,47	3,5	5,2						
	2,60	8,2-71	173-197	0,8	35,55	3,2	5,4			SK 02050 - 90 SH/4 - SK 200E-221-340-A (-C) SK 02050 - 90 SP/4 - SK 200E-221-340-A (-C)	34	F38-39
		9,5-82	171-184	0,8	30,94	2,9	4,1					
		11-94	151-162	1,0	27,21	2,9	4,2					
		12-106	134-144	1,1	24,01	2,9	4,3			SK 02050 - 90 SH/4 - SK 180E-221-340-B (-C) SK 02050 - 90 SP/4 - SK 180E-221-340-B (-C)		
15-131		109-117	1,2	19,42	2,9	4,3						
17-151		94,8-103	1,2	16,86	2,9	4,3						
20-172		83,2-90,3	1,3	14,72	2,8	4,3						
22-194		78,4-82,8	1,4	13,18	2,5	3,0						
25-219		69,5-73,5	1,5	11,63	2,5	3,0						
31-271		56,4-59,7	1,8	9,41	2,4	3,0						
36-311		49,2-52,2	2,1	8,17	2,4	3,0						
41-356		43,2-45,7	2,3	7,13	2,3	2,9						
2,60		1,1-9,3	1767-2009	1,4	269,76	22,9	20,8	SK 43125 - 90 LH/4 - SK 200E-301-340-A (-C) SK 43125 - 90 LP/4 - SK 180E-301-340-B (-C)	134	F54-55		
		1,2-11	1554-1782	1,6	236,58	22,5	20,8					
		1,5-13	1240-1444	1,8	187,80	21,6	20,8					
2,60	1,4-13	1027-1409	1,9	201,63	22,7	20,8	SK 42125 - 90 LH/4 - SK 200E-301-340-A (-C) SK 42125 - 90 LP/4 - SK 180E-301-340-B (-C)	117	F52-53			
	1,6-14	939-1293	2,0	182,36	22,2	20,8						
	1,8-16	837-1157	2,1	160,74	21,6	20,8						
	2,0-17	762-1056	2,3	144,76	21,1	20,8						
	2,5-21	635-878	2,6	117,50	20,1	20,8						
	2,9-25	555-762	2,8	100,58	19,3	20,8						
	3,3-29	599-719	3,3	87,30	18,3	20,8						
	3,8-33	531-638	3,6	76,95	17,8	20,8						
	2,60	1,2-10	1148-1528	0,9	241,50	10,8	12,0			SK 32100 - 90 LH/4 - SK 200E-301-340-A (-C) SK 32100 - 90 LP/4 - SK 180E-301-340-B (-C)	77	F48-49
1,6-14		890-1211	1,1	183,50	10,7	12,0						
1,8-15		810-1109	1,2	165,50	10,6	12,0						
2,3-20		647-894	1,4	129,00	10,4	12,0						
2,8-24		535-739	1,6	104,00	10,1	12,0						
3,1-27		633-743	1,8	94,19	9,3	12,0						
4,1-35		487-576	2,1	71,57	9,0	12,0						
4,5-39		442-523	2,3	64,55	8,9	12,0						
5,8-50		349-414	2,7	50,31	8,5	12,0						
6,8-59		328-368	3,0	42,83	8,0	11,7						
7,5-65		297-333	3,3	38,63	7,9	11,5						
2,60	8,5-74	245-289	3,8	34,32	7,9	12,0	SK 12080 - 90 LH/4 - SK 200E-301-340-A (-C) SK 12080 - 90 LP/4 - SK 180E-301-340-B (-C)	51	F46-47			
	9,7-84	234-262	4,0	30,11	7,5	11,0						
	2,3-20	598-806	0,8	123,42	5,3	9,0						
	2,7-24	522-707	0,8	106,08	6,9	9,0						
	3,1-27	468-635	0,9	94,35	7,5	9,0						
	3,7-32	521-609	1,1	78,91	6,8	9,0						
	4,4-38	442-520	1,2	66,44	6,7	9,0						
	5,0-43	390-460	1,3	58,27	6,7	9,0						
	5,6-48	351-415	1,4	52,03	6,6	9,0						
	6,5-56	305-360	1,5	44,72	6,5	9,0						
	7,7-67	289-320	1,7	37,91	6,0	8,8						
	9,1-79	245-272	1,9	31,92	5,9	8,7						

Helical-worm gear units



P_1 [kW]	n_2 [min ⁻¹]	M_{2b} [Nm]	f_B	i_{ges}	F_R [kN]	F_A [kN]	Type	kg	mm F
2,60	10-90	216-240	2,1	27,99	5,8	8,6	SK 12080 - 90 LH/4 - SK 200E-301-340-A (-C) SK 12080 - 90 LP/4 - SK 180E-301-340-B (-C)	51	F46-47
	12-101	194-216	2,3	25,00	5,7	8,4			
	13-117	168-186	2,5	21,49	5,5	8,3			
	15-132	149-166	2,7	19,11	5,4	8,1			
	18-158	133-142	2,8	15,98	4,9	6,6			
	21-180	117-125	2,9	14,01	4,8	6,6			
	23-202	105-112	3,1	12,51	4,7	6,5			
	27-235	90,3-96,8	3,5	10,75	4,5	6,3			
	30-265	80,3-86,0	4,0	9,56	4,4	6,1			
	7,5-65	259-303	0,8	38,92	4,6	7,7			
	8,3-72	262-289	0,9	34,89	4,3	6,6			
	10-88	216-238	1,0	28,61	4,2	6,7			
	12-100	191-211	1,2	25,15	4,2	6,7			
	13-113	170-188	1,3	22,32	4,2	6,6			
	15-133	145-161	1,3	18,99	4,1	6,5			
	19-162	128-137	1,4	15,57	3,6	4,9			
	23-198	105-112	1,6	12,76	3,5	5,0			
	26-225	93,0-99,3	1,8	11,22	3,5	4,9			
	29-254	82,6-88,2	1,9	9,96	3,4	4,7			
34-298	70,7-75,5	2,2	8,47	3,3	4,6				
39-341	62,0-66,1	2,4	7,43	3,2	4,4				
3,80	1,1-9,5	2553-2905	1,0	269,76	19,3	20,8	SK 43125 - 100 LH/4 - SK 200E-401-340-A (-C) SK 43125 - 100 LP/4 - SK 180E-401-340-B (-C)	142	F54-55
	1,2-11	2245-2577	1,1	236,58	19,2	20,8			
	1,6-14	1791-2087	1,2	187,80	19,0	20,8			
	1,9-17	1467-1729	1,5	152,44	18,6	20,8			
	2,3-20	1263-1500	1,7	130,49	18,2	20,8			
	2,6-23	1085-1296	1,8	110,97	17,8	20,8			
	1,5-13	1485-2039	1,3	201,63	20,3	20,8			
	1,6-14	1357-1871	1,4	182,36	20,0	20,8			
	1,8-16	1210-1674	1,5	160,74	19,6	20,8			
	2,0-18	1103-1527	1,6	144,76	19,2	20,8			
	2,5-22	919-1269	1,8	117,50	18,5	20,8			
	2,9-25	803-1101	1,9	100,58	18,0	20,8			
	3,4-29	866-1040	2,3	87,30	17,0	20,8			
	3,8-33	768-923	2,5	76,95	16,6	20,8			
	4,2-37	696-837	2,7	69,30	16,2	20,8			
	5,2-45	574-688	3,0	56,25	15,5	20,8			
	6,1-53	497-593	3,3	48,15	15,0	20,8			
	1,6-14	1286-1752	0,8	183,50	8,1	12,0			
	1,8-15	1171-1604	0,8	165,50	8,3	12,0			
2,3-20	936-1293	1,0	129,00	8,5	12,0				
2,8-25	774-1068	1,1	104,00	8,5	12,0				
3,1-27	915-1074	1,2	94,19	7,6	11,7				
4,1-36	704-833	1,5	71,57	7,7	11,8				
4,6-40	638-757	1,6	64,55	7,7	11,8				
5,8-51	505-599	1,9	50,31	7,6	11,6				
6,9-60	474-532	2,1	42,83	7,1	10,1				
7,6-66	429-482	2,3	38,63	7,1	10,1				
8,6-75	354-417	2,6	34,32	7,2	11,0				
9,8-85	338-379	2,8	30,11	6,8	9,9				
12-105	275-308	3,3	24,27	6,6	9,6				
14-125	235-262	3,2	20,54	6,4	9,4				
16-135	228-246	2,9	18,97	5,9	7,4				
17-150	207-223	3,2	17,11	5,8	7,3				
18-157	189-209	3,6	16,22	6,1	8,9				
							SK 32100 - 100 LH/4 - SK 200E-401-340-A (-C) SK 32100 - 100 LP/4 - SK 180E-401-340-B (-C)	85	F48-49

Helical-worm gear units

1:8,7

3,80 kW
5,20 kW



P ₁ [kW]	n ₂ [min ⁻¹]	M _{2b} [Nm]	f _B	i _{ges}	F _R [kN]	F _A [kN]	Type	kg	mm F				
3,80	4,4-38	639-752	0,8	66,44	5,3	8,6	SK 12080 - 100 LH/4 - SK 200E-401-340-A (-C) SK 12080 - 100 LP/4 - SK 180E-401-340-B (-C)	59	F46-47				
	5,0-44	564-665	0,9	58,27	5,4	8,7							
	5,6-49	508-600	1,0	52,03	5,5	8,8							
	6,6-57	440-521	1,1	44,72	5,5	8,8							
	7,8-67	418-463	1,2	37,91	5,0	7,0							
	9,2-80	354-393	1,3	31,92	5,0	7,2							
	10-91	312-347	1,5	27,99	5,0	7,2							
	12-102	280-311	1,6	25,00	5,0	7,3							
	14-119	242-269	1,7	21,49	4,9	7,2							
	15-134	216-240	1,9	19,11	4,9	7,2							
	18-160	192-205	1,9	15,98	4,3	5,3							
	21-183	168-181	2,0	14,01	4,3	5,4							
	23-204	151-162	2,1	12,51	4,2	5,3							
	27-237	130-140	2,4	10,75	4,1	5,2							
	31-268	116-124	2,7	9,56	4,1	5,1							
	39-338	92,6-98,8	3,0	7,55	3,9	4,9							
5,20	1,2-11	3096-3552	0,8	236,58	15,5	20,8	SK 43125 - 100 AH/4 - SK 200E-551-340-A (-C) SK 43125 - 100 AP/4 - SK 180E-551-340-B (-C)	145	F54-55				
	1,6-14	2470-2877	0,9	187,80	16,0	20,8							
	1,9-17	2023-2384	1,1	152,44	16,1	20,8							
	2,2-19	1742-2067	1,2	130,49	16,1	20,8							
	2,6-23	1495-1786	1,3	110,97	15,9	20,8							
	3,4-29	1314-1455	1,2	86,22	14,6	19,8							
	4,2-36	1074-1196	1,3	69,99	14,3	19,8							
	4,7-40	964-1077	1,5	62,50	14,2	19,7							
		1,4-13	2047-2808	0,9	201,63	17,5				20,8	SK 42125 - 100 AH/4 - SK 200E-551-340-A (-C) SK 42125 - 100 AP/4 - SK 180E-551-340-B (-C)	128	F52-53
		1,6-14	1871-2578	1,0	182,36	17,4				20,8			
		1,8-16	1667-2306	1,1	160,74	17,3				20,8			
		2,0-18	1519-2104	1,1	144,76	17,2				20,8			
2,5-22		1266-1749	1,3	117,50	16,8	20,8							
2,9-25		1106-1518	1,4	100,58	16,5	20,8							
3,3-29		1193-1433	1,6	87,30	15,5	20,8							
3,8-33		1058-1272	1,8	76,95	15,3	20,8							
4,2-37		960-1153	1,9	69,30	15,1	20,8							
5,2-45		792-948	2,2	56,25	14,6	20,8							
6,1-53		686-817	2,4	48,15	14,1	20,8							
7,1-62		592-701	2,6	40,95	13,7	20,6							
8,3-72		556-623	2,6	35,33	12,9	18,4							
9,2-80		503-563	3,3	31,82	12,6	18,1							
	2,8-24	1066-1472	0,8	104,00	6,7	12,0	SK 32100 - 100 AH/4 - SK 200E-551-340-A (-C) SK 32100 - 100 AP/4 - SK 180E-551-340-B (-C)	88	F48-49				
	3,1-27	1262-1480	0,9	94,19	5,7	8,8							
	4,1-35	970-1148	1,1	71,57	6,2	9,6							
	4,5-39	880-1043	1,1	64,55	6,3	9,8							
	5,8-50	696-826	1,3	50,31	6,5	10,0							
	6,8-59	653-733	1,5	42,83	6,1	8,3							
	7,6-66	592-664	1,7	38,63	6,1	8,5							
	8,5-74	488-575	1,9	34,32	6,5	9,9							
	9,7-84	466-523	2,0	30,11	6,1	8,6							
	12-105	379-425	2,4	24,27	6,0	8,6							
	14-124	324-361	2,3	20,54	5,9	8,5							
	15-134	315-339	2,1	18,97	5,2	5,7							
	17-148	285-307	2,3	17,11	5,2	5,7							
	18-156	260-288	2,6	16,22	5,7	8,0							
	22-190	224-241	2,9	13,34	5,1	5,7							
	27-236	182-195	3,7	10,75	4,9	5,6							
		6,5-57	607-718	0,8	44,72	4,3				7,1	SK 12080 - 100 AH/4 - SK 200E-551-340-A (-C)	62	F46-47
7,7-67		577-638	0,9	37,91	3,9	4,9							
9,1-79		489-542	1,0	31,92	4,1	5,4							
10-91		430-478	1,1	27,99	4,2	5,7							
12-101		387-429	1,1	25,00	4,2	5,9							
14-118		334-371	1,3	21,49	4,3	6,0							
15-133		298-330	1,4	19,11	4,3	6,1							
18-159		264-283	1,4	15,98	3,3	3,5							
21-181		232-249	1,5	14,01	3,6	3,7							
23-202		208-224	1,5	12,51	3,7	3,9							
27-236		180-193	1,8	10,75	3,7	4,0							
31-266		160-171	2,0	9,56	3,7	4,1							
39-336		128-136	2,2	7,55	3,6	4,1							

Helical-worm gear units



P_1 [kW]	n_2 [min ⁻¹]	M_{2b} [Nm]	f_B	i_{ges}	F_R [kN]	F_A [kN]	Type	kg	mm F
6,90	1,6-14	2469-3403	0,8	182,36	14,3	20,8	SK 42125 - 112 MH/4 - SK 200E-751-340-A (-C) SK 42125 - 112 MP/4 - SK 180E-751-340-B (-C)	138	F52-53
	1,8-16	2201-3045	0,8	160,74	14,5	20,8			
	2,0-18	2006-2777	0,9	144,76	14,6	20,8			
	2,5-22	1672-2308	1,0	117,50	14,7	20,8			
	2,9-25	1460-2003	1,1	100,58	14,7	20,8			
	3,4-29	1575-1891	1,2	87,30	13,7	20,8			
	3,8-33	1396-1679	1,4	76,95	13,7	20,8			
	4,2-37	1267-1522	1,5	69,30	13,6	20,7			
	5,2-45	1045-1252	1,6	56,25	13,3	20,3			
	6,1-53	905-1079	1,8	48,15	13,1	19,9			
	7,2-62	782-925	2,0	40,95	12,8	19,4			
	8,3-72	734-822	1,9	35,33	12,0	16,9			
	9,2-80	664-743	2,5	31,82	11,8	16,7			
	11-99	545-608	2,8	25,83	11,4	16,3			
	13-115	470-522	3,1	22,11	11,0	15,9			
	16-135	404-446	3,4	18,80	10,7	15,3			
6,90	4,1-36	1280-1515	0,8	71,57	4,4	6,9	SK 32100 - 112 MH/4 - SK 200E-751-340-A (-C) SK 32100 - 112 MP/4 - SK 180E-751-340-B (-C)	98	F48-49
	4,5-40	1161-1376	0,9	64,55	4,6	7,4			
	5,8-51	919-1090	1,0	50,31	5,2	8,1			
	6,9-60	862-967	1,1	42,83	4,8	6,1			
	7,6-66	781-876	1,3	38,63	5,0	6,5			
	8,5-74	644-758	1,4	34,32	5,5	8,6			
	9,7-85	615-690	1,5	30,11	5,2	7,1			
	12-105	501-560	1,8	24,27	5,3	7,3			
	14-124	428-477	1,8	20,54	5,3	7,2			
	15-135	415-448	1,6	18,97	3,7	3,6			
	17-149	376-405	1,8	17,11	4,0	3,9			
	18-157	343-380	2,0	16,22	5,2	7,0			
	22-192	295-318	2,2	13,34	4,5	4,3			
	27-238	239-257	2,8	10,75	4,5	4,5			
	32-281	204-218	3,3	9,10	4,4	4,6			
	41-354	163-173	3,9	7,19	4,3	4,6			
9,50	2,9-26	1997-2738	0,8	100,58	11,9	20,8	SK 42125 - 132 SH/4 - SK 200E-112-340-A (-C) SK 42125 - 132 SP/4 - SK 180E-112-340-B (-C)	168	F52-53
	3,4-29	2152-2585	0,9	87,30	11,0	17,0			
	3,8-33	1909-2294	1,0	76,95	11,2	17,4			
	4,3-37	1731-2080	1,1	69,30	11,4	17,6			
	5,3-46	1428-1710	1,2	56,25	11,5	17,7			
	6,1-53	1237-1474	1,3	48,15	11,5	17,7			
	7,2-63	1068-1264	1,5	40,95	11,4	17,5			
	8,4-73	1003-1123	1,4	35,33	10,6	14,5			
	9,3-81	907-1015	1,8	31,82	10,6	14,6			
	11-99	745-830	2,1	25,83	10,4	14,5			
	13-116	643-713	2,3	22,11	10,2	14,2			
	16-137	552-609	2,5	18,80	9,9	13,6			
	19-162	484-523	2,4	15,92	9,0	10,0			
	20-176	435-475	2,8	14,57	9,5	12,7			
	23-199	397-427	2,9	12,93	8,7	9,9			
	27-233	341-366	3,4	11,06	8,5	9,7			

1:8,7**13,0 kW****16,0 kW****19,0 kW**

IE2

IE3



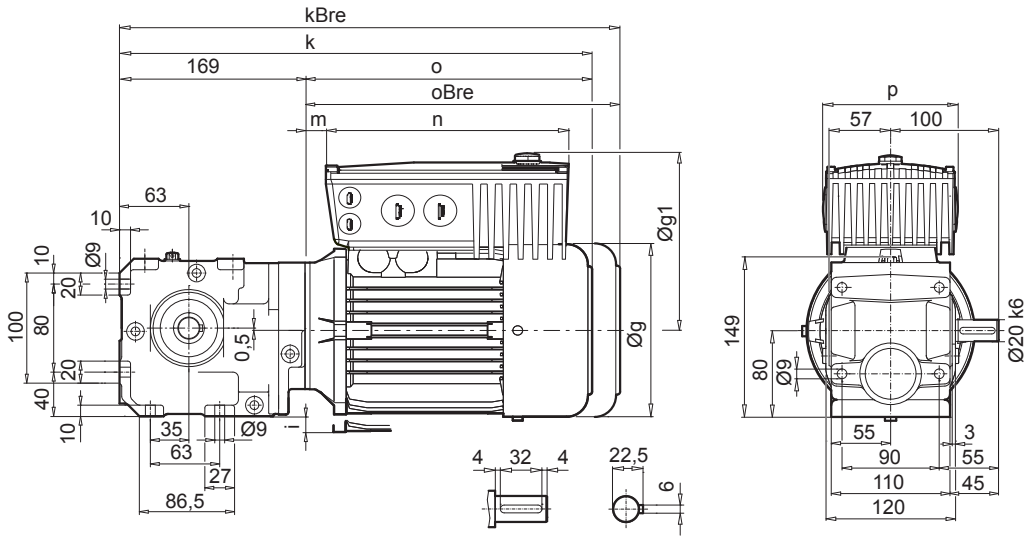
P_1 [kW]	n_2 [min ⁻¹]	M_{2b} [Nm]	f_B	i_{ges}	F_R [kN]	F_A [kN]	Type	kg	mm F52-53
13,0	4,3-37	2369-2847	0,8	69,30	8,4	13,4	SK 42125 - 132 MH/4 - SK 200E-152-340-A (-C) SK 42125 - 132 MP/4 - SK 180E-152-340-B (-C)	175	F52-53
	5,3-46	1955-2341	0,9	56,25	9,1	14,3			
	6,1-53	1693-2017	1,0	48,15	9,4	14,7			
	7,2-63	1462-1730	1,1	40,95	9,6	15,0			
	8,4-73	1372-1537	1,0	35,33	8,8	11,3			
	9,3-81	1242-1389	1,3	31,82	9,0	11,6			
	11-99	1019-1136	1,5	25,83	9,1	11,8			
	13-116	879-975	1,7	22,11	9,0	11,7			
	16-137	756-834	1,8	18,80	9,0	11,6			
	19-162	663-716	1,7	15,92	7,9	7,3			
	20-176	595-650	2,1	14,57	8,8	11,1			
	23-199	543-584	2,1	12,93	7,9	7,7			
	27-233	467-500	2,5	11,06	7,8	7,8			
	31-273	400-427	2,7	9,41	7,6	7,9			
	35-305	361-384	3,0	8,43	7,5	7,9			
	38-332	332-353	2,9	7,76	7,4	7,8			
	40-352	314-333	2,8	7,29	7,4	7,8			
	16,0	6,1-53	2091-2492	0,8	48,15	7,6			
7,2-62		1806-2137	0,9	40,95	8,1	12,8			
9,3-81		1534-1716	1,1	31,82	7,6	8,5			
11-99		1259-1404	1,2	25,83	7,9	9,3			
13-116		1086-1205	1,3	22,11	8,1	9,7			
16-136		934-1030	1,5	18,80	8,1	9,8			
19-161		819-884	1,4	15,92	5,4	5,0			
20-175		736-803	1,7	14,57	8,1	9,9			
23-198		670-721	1,7	12,93	6,5	5,9			
27-232		577-618	2,0	11,06	7,1	6,3			
31-272		495-528	2,2	9,41	7,1	6,6			
35-303		446-474	2,4	8,43	7,0	6,7			
38-330		411-436	2,3	7,76	7,0	6,8			
40-350		388-411	2,3	7,29	6,9	6,8			
19,0		9,3-81	1811-2027	0,9	31,82	5,9	5,7	SK 42125 - 160 MH/4 - SK 200E-222-340-A (-C) SK 42125 - 160 MP/4 - SK 180E-222-340-B (-C)	206
	11-100	1487-1657	1,0	25,83	6,8	7,0			
	13-117	1283-1423	1,1	22,11	7,1	7,7			
	16-137	1103-1217	1,2	18,80	7,3	8,2			
	19-162	967-1044	1,2	15,92	3,1	2,8			
	20-176	869-948	1,4	14,57	7,5	8,6			
	23-199	792-851	1,5	12,93	4,5	4,1			
	27-233	681-730	1,7	11,06	5,3	4,8			
	31-274	584-623	1,8	9,41	6,1	5,3			
	35-305	526-560	2,0	8,43	6,6	5,6			
	38-332	485-514	2,0	7,76	6,5	5,7			
	41-353	458-485	1,9	7,29	6,5	5,8			

Helical-worm
gear units

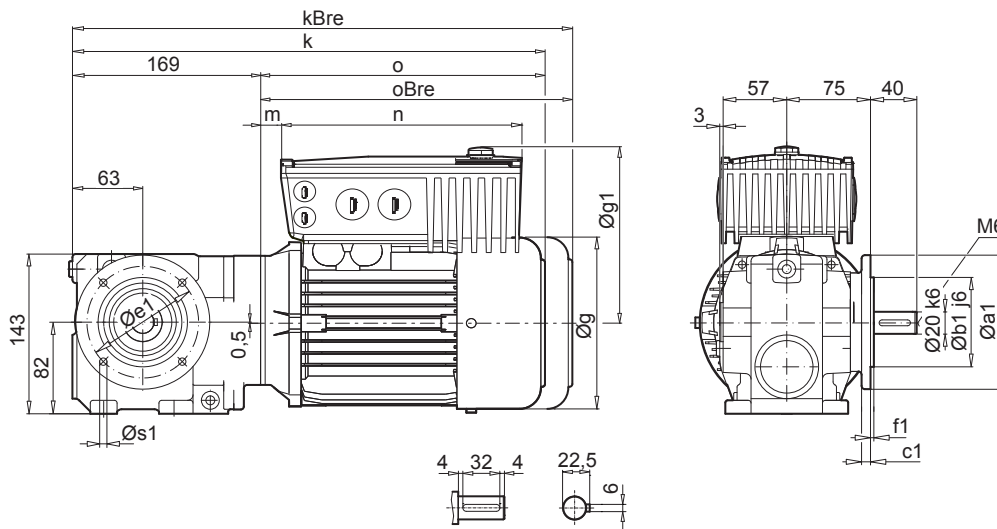
SK 02040



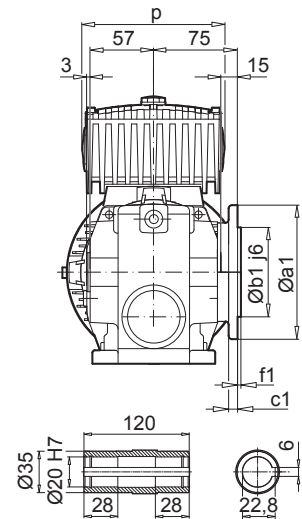
SK 02040



SK 02040VF



SK 02040AF



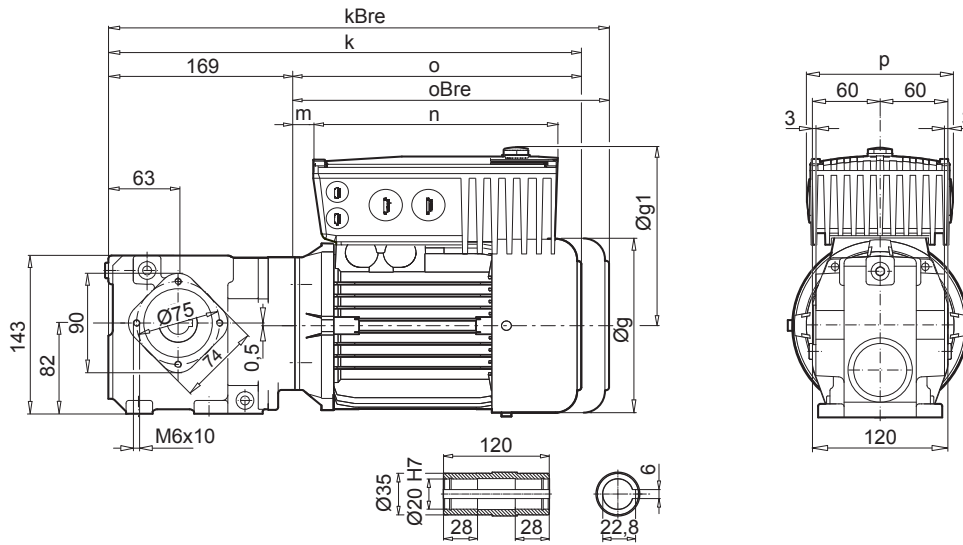
a1	b1	c1	e1	f1	s1
120	80	8	100	3,0	4 x 6,6
160	110	10	130	3,0	4 x 9

Motor + SK200E

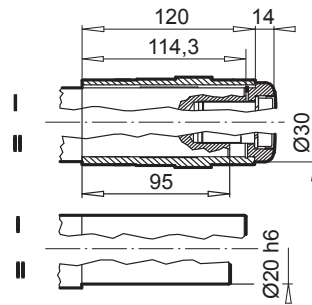
	71 S/L - IE2 IE3	- 80 SH/LH - /LP	- 90 SH				
SK200E 340-A (-C)	- 550 - - 750 -	- 550 - - 750 - - 111 - - 151 -	- 111 - - 151 -				
g	145	165	183				
g1	201	195	200				
k / kBre	383 / 441	405 / 469	445 / 520				
o / oBre	214 / 272	236 / 300	276 / 351				
m	-4	5	9				
n	236	236	236				
p	156	156	156				
i	-	3	12				



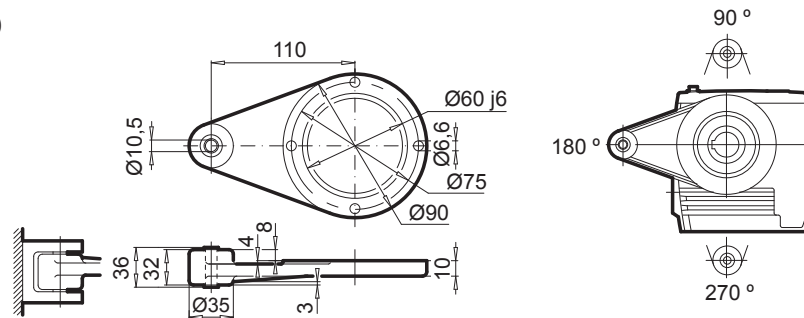
SK 02040AZ



SK 02040AZB (AFB)



SK 02040AZD



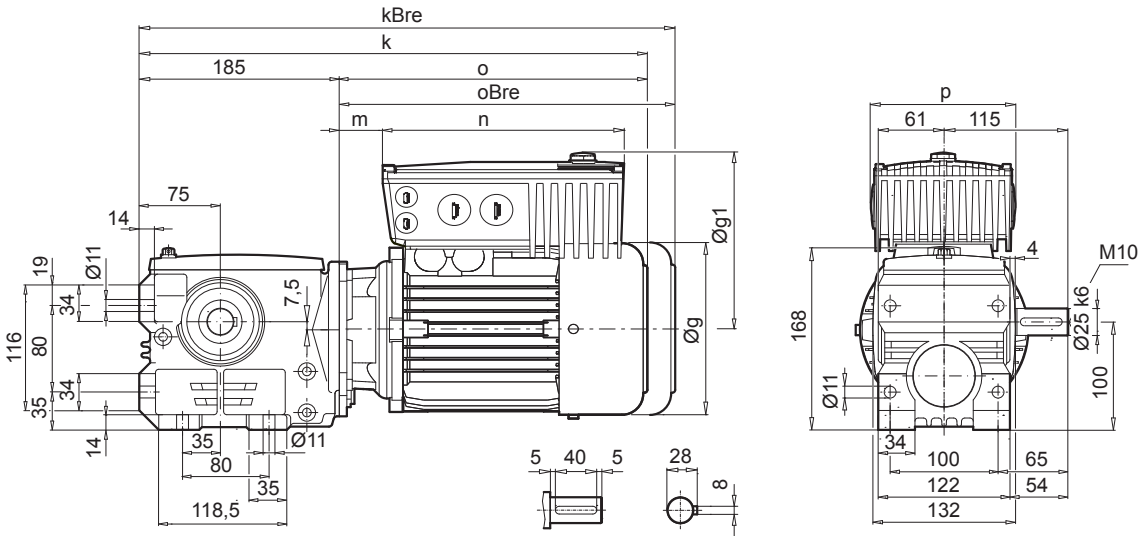
Motor + SK180E

IE1 IE2 IE3	71 S/L - -	- 80 SH/LH - /LP					
SK180E 340-B (-C)	- 550 - - 750 -	- 550 - - 750 - - 111 -	- 151 -				
g	145	165	165				
g1	184	177	203				
k / kBre	383 / 441	405 / 469	405 / 469				
o / oBre	214 / 272	236 / 300	236 / 300				
m	-4	5	5				
n	221	221	253				
p	154	154	165				
i	-	3	12				

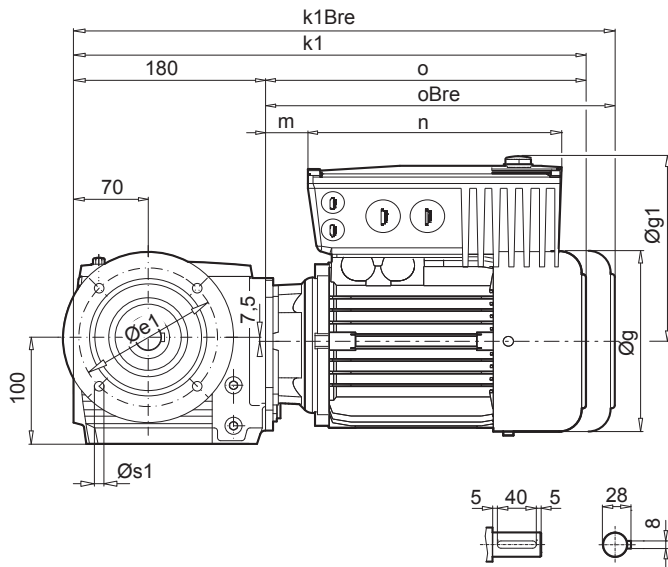
SK 02050



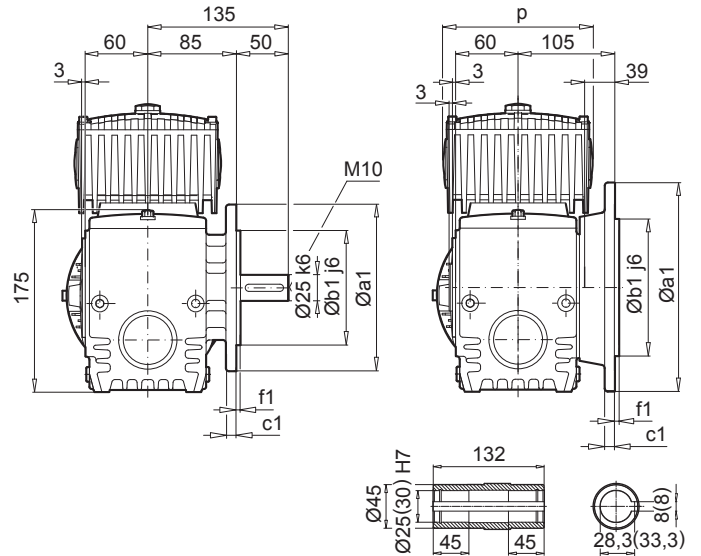
SK 02050



SK 02050VF



SK 02050AF



a1	b1	c1	e1	f1	s1
160	110	10	130	4,0	4 x 9

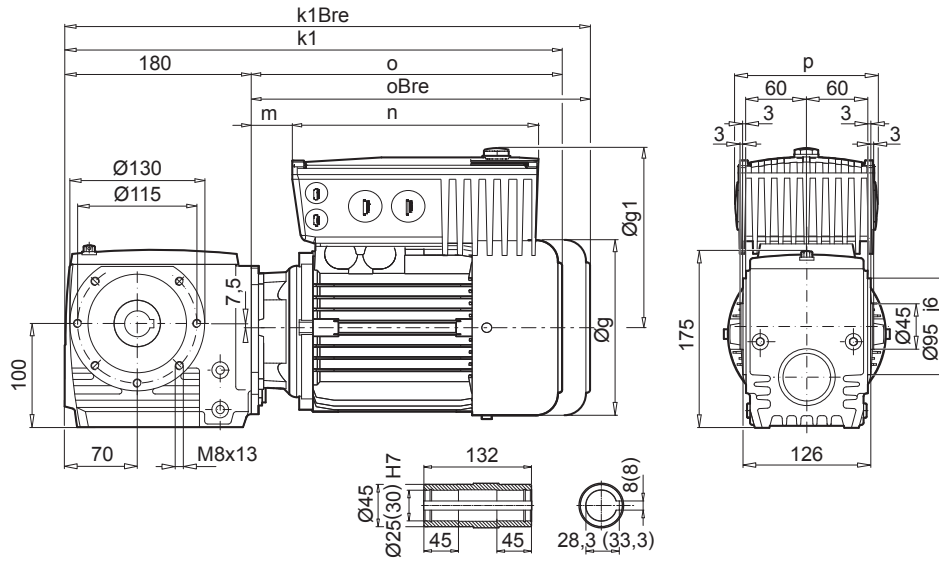
a1	b1	c1	e1	f1	s1
200	130	12	165	3,5	4 x 11

Motor + SK200E

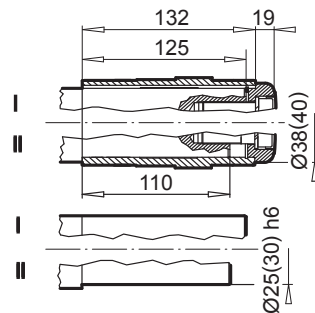
IE1 IE2 IE3	71 S/L -	- 80 SH/LH - /LP	- 90 SH/LH SP/LP				
SK200E 340-A (-C)	- 550 - - 750 -	- 550 - - 750 - - 111 - - 151 -	- 111 - - 151 - - 221 -				
g	145	165	183				
g1	200	195	200				
k / kBre	421 / 479	446 / 510	487 / 562				
k1 / k1Bre	416 / 474	441 / 505	482 / 557				
o / oBre	236 / 294	261 / 325	302 / 377				
m	18	30	35				
n	236	236	236				
p	156	156	156				



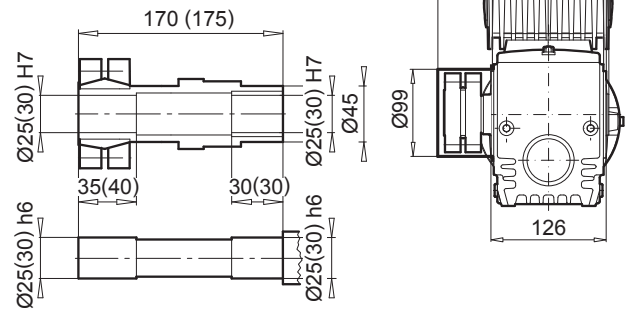
SK 02050AZ



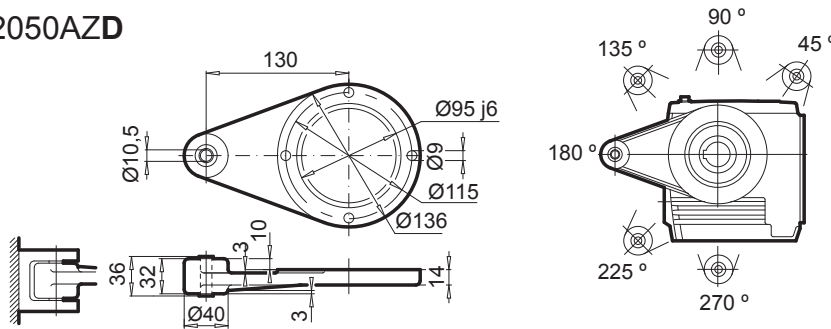
SK 02050AZB (AFB)



SK 02050AZSH (AFSH)



SK 02050AZD



Motor + SK180E

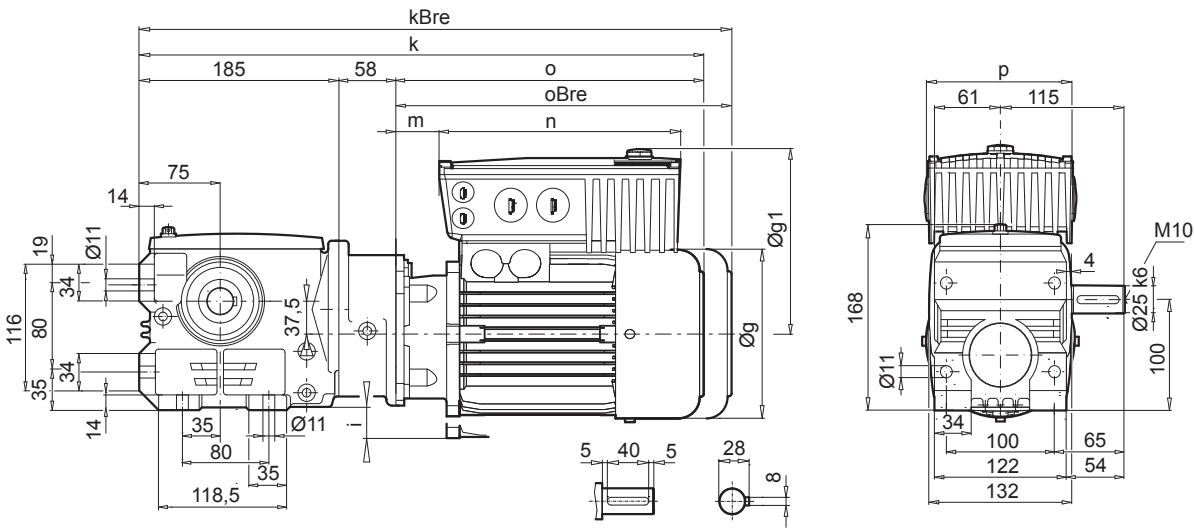
IE1 IE2 IE3	71 S/L - -	- 80 SH/LH -/LP	- 90 SH/LH SP/LP				
SK180E 340-B (-C)	- 550 - - 750 -	- 550 - - 750 - - 111 -	- 151 -	- 111 -	- 151 - - 221 -		
g	145	165	165	183	183		
g1	184	177	203	182	208		
k / kBre	421 / 479	446 / 510	446 / 510	487 / 562	487 / 562		
k1 / k1Bre	416 / 474	441 / 505	441 / 505	482 / 557	482 / 557		
o / oBre	236 / 294	236 / 300	236 / 300	302 / 377	302 / 377		
m	18	5	5	9	9		
n	221	221	253	221	253		
p	154	154	165	154	165		

Helical-worm gear units

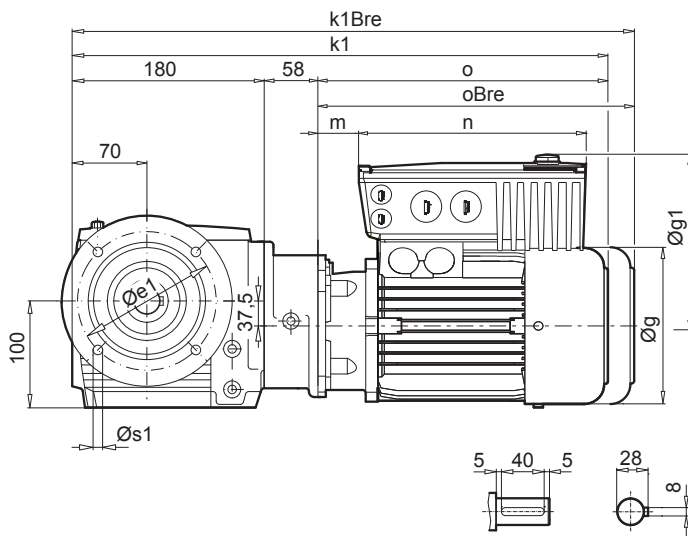
SK 13050



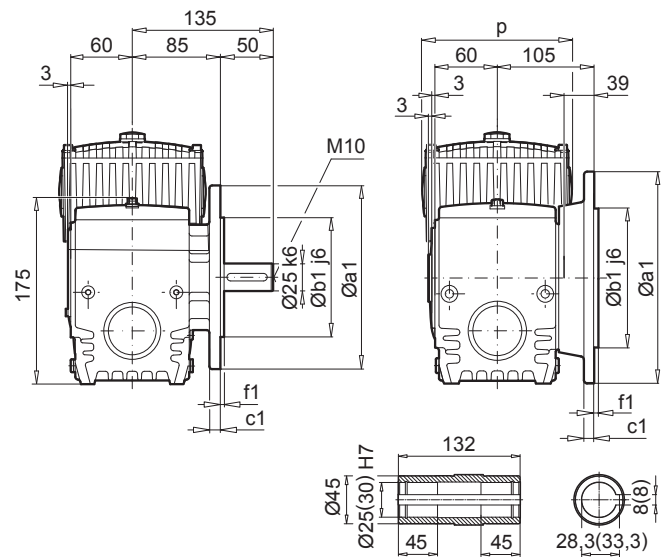
SK 13050



SK 13050VF



SK 13050AF



a1	b1	c1	e1	f1	s1
160	110	10	130	4,0	4 x 9

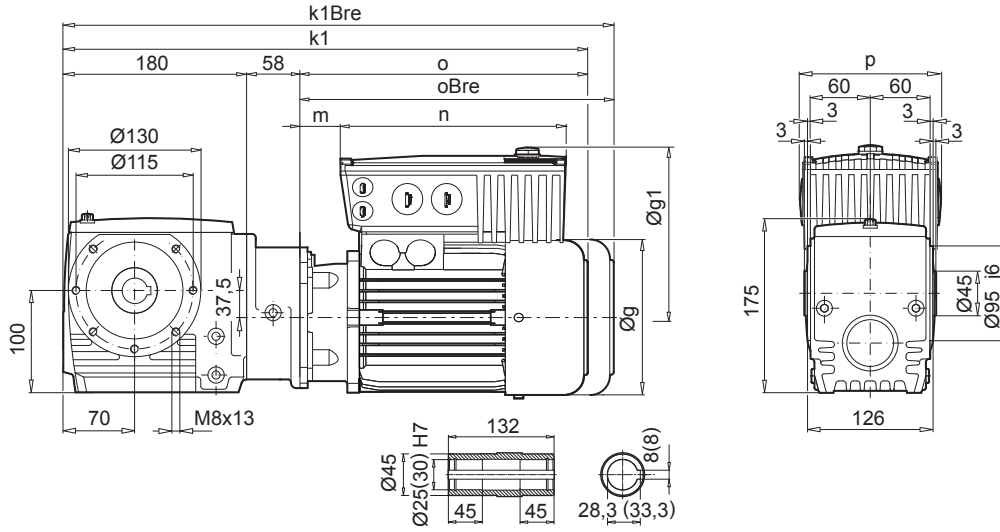
a1	b1	c1	e1	f1	s1
200	130	12	165	3,5	4 x 11

Motor + SK200E

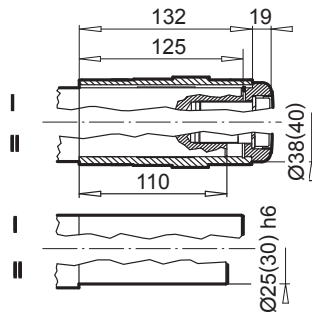
	71 S/L							
IE1	71 S/L							
IE2	-							
IE3	-							
SK 200E	- 550 -							
340-A (-C)								
g	145							
g1	200							
k / kBre	479 / 537							
k1 / k1Bre	474 / 532							
o / oBre	236 / 294							
m	18							
n	236							
p	156							
i	10							



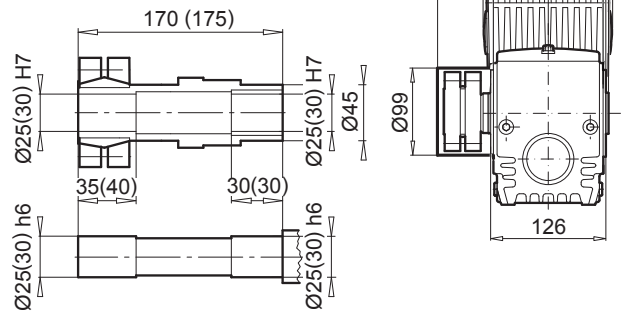
SK 13050AZ



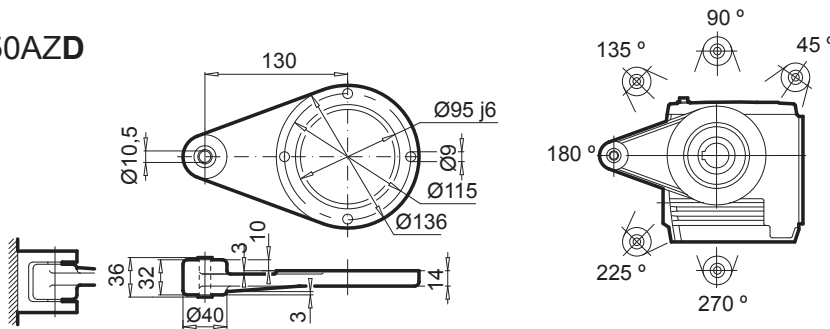
SK 13050AZB (AFB)



SK 13050AZSH (AFSH)



SK 13050AZD



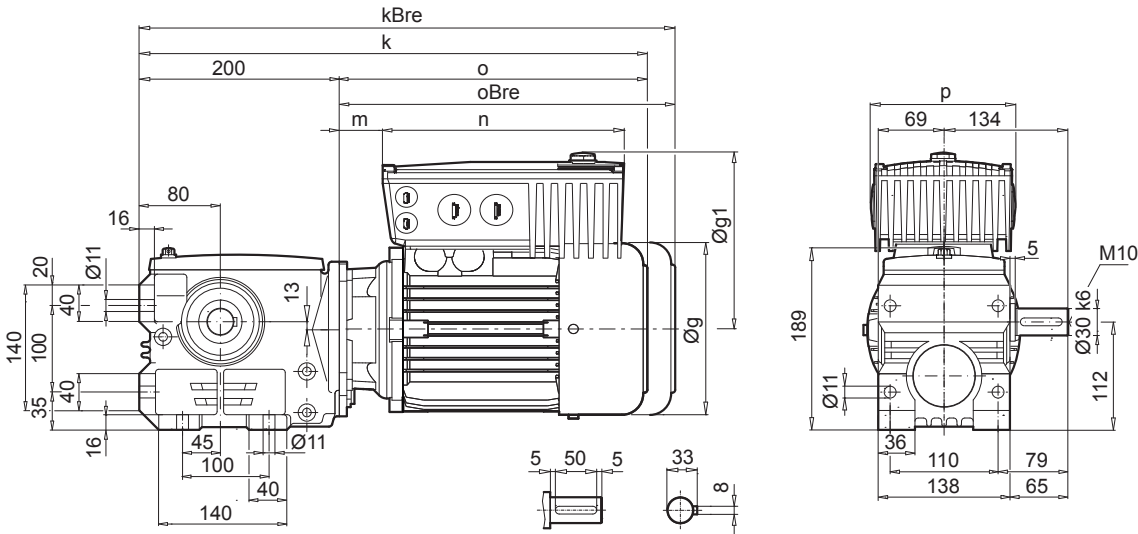
Motor + SK180E

IE1	71 S/L								
IE2	-								
IE3	-								
SK 180E 340-B (-C)	- 550 -								
g	145								
g1	184								
k / kBre	479 / 537								
k1 / k1Bre	474 / 532								
o / oBre	236 / 294								
m	18								
n	221								
p	154								
i	10								

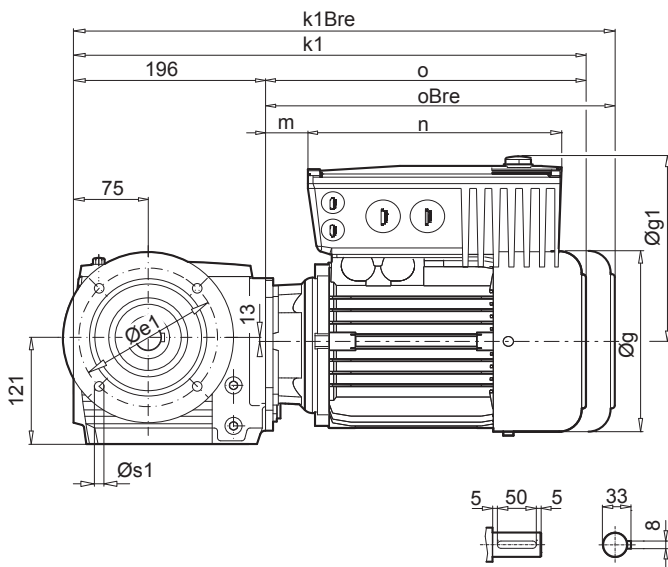
SK 12063



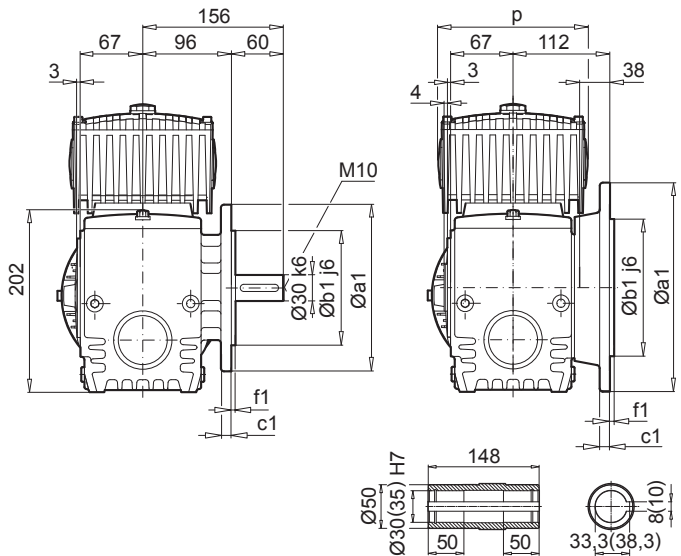
SK 12063



SK 12063VF



SK 12063AF



a1	b1	c1	e1	f1	s1
200	130	12	165	4,0	4 x 11

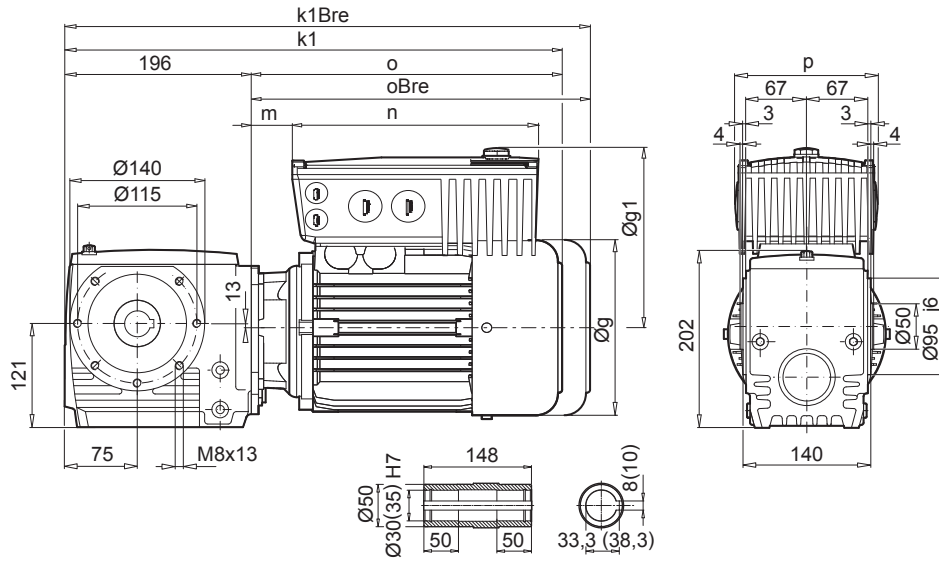
a1	b1	c1	e1	f1	s1
200	130	12	165	3,5	4 x 11

Motor + SK200E

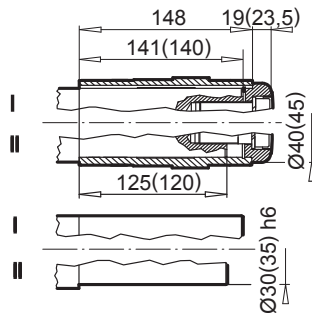
	IE1 IE2 IE3	71 S/L -	- 80 SH/LH - /LP	- 90 SH/LH SP/LP	- 100 LH LP			
SK 200E 340-A (-C)	- 550 - - 750 -	- 550 - - 750 - - 111 - - 151 -	- 111 - - 151 - - 221 -	- 301 -	- 221 - - 301 -			
g	145	165	183	183	201	201		
g1	200	195	200	207	211	218		
k / kBre	436 / 494	461 / 525	502 / 577	502 / 577	532 / 623	532 / 623		
k1 / k1Bre	432 / 490	457 / 521	498 / 573	498 / 573	528 / 619	528 / 619		
o / oBre	236 / 294	261 / 325	302 / 377	302 / 377	332 / 423	332 / 423		
m	18	30	35	35	41	41		
n	236	236	236	266	236	266		
p	156	156	156	176	156	176		



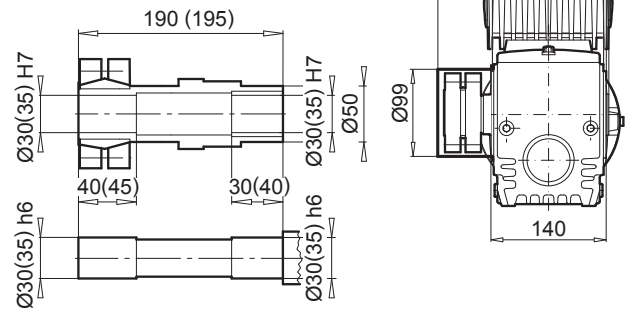
SK 12063AZ



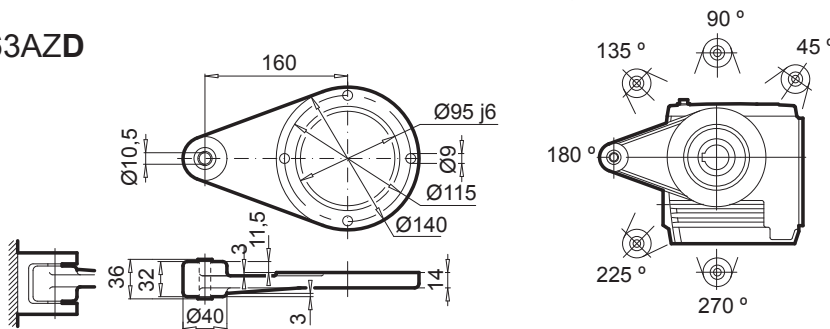
SK 12063AZB (AFB)



SK 12063AZSH (AFSH)



SK 12063AZD



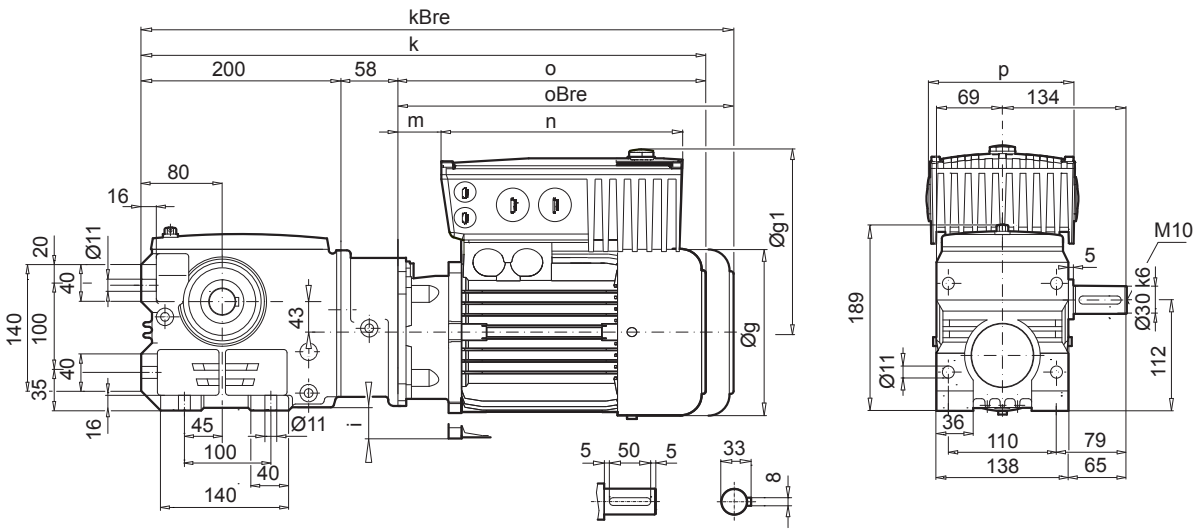
Motor + SK180E

IE1 IE2 IE3	71 S/L - -	- 80 SH/LH - /LP	- 90 SH/LH SP/LP	- 100 LH LP					
SK 180E 340-B (-C)	- 550 - - 750 -	- 550 - - 750 - - 111 -	- 151 -	- 111 -	- 151 - - 221 -	- 221 -			
g	145	165	165	183	183	201			
g1	184	177	203	182	208	219			
k / kBre	436 / 494	461 / 525	461 / 525	502 / 577	502 / 577	532 / 623			
k1 / k1Bre	432 / 490	457 / 521	457 / 521	498 / 573	498 / 573	528 / 619			
o / oBre	236 / 294	261 / 325	261 / 325	302 / 377	302 / 377	332 / 423			
m	18	30	30	35	35	41			
n	221	221	253	221	253	253			
p	154	154	165	154	165	165			

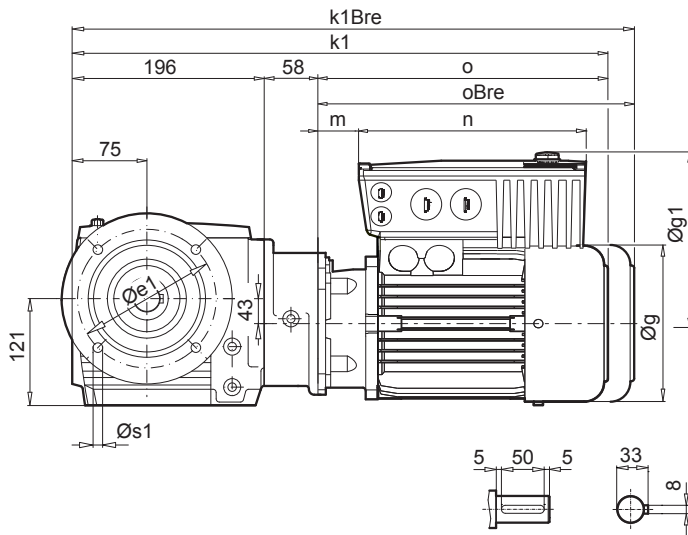
SK 13063



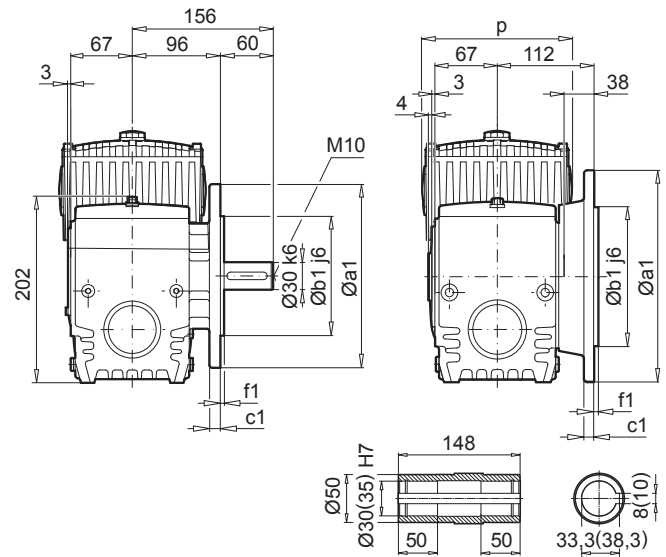
SK 13063



SK 13063VF



SK 13063AF



a1	b1	c1	e1	f1	s1
200	130	12	165	4,0	4 x 11

a1	b1	c1	e1	f1	s1
200	130	12	165	3,5	4 x 11

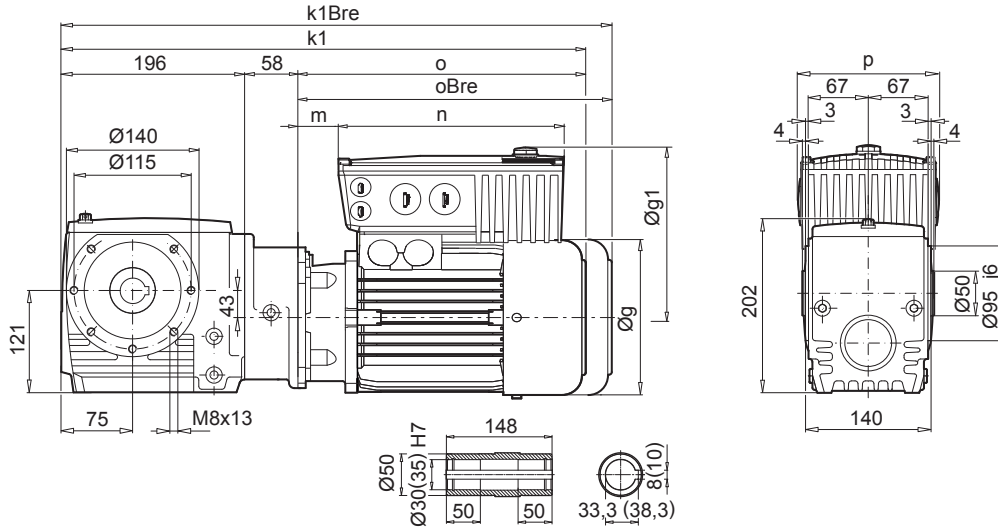
Motor + SK200E

IE1 IE2 IE3	71 S/L - -							
SK 200E 340-A (-C)	- 550 -							
g	145							
g1	200							
k / kBre	494 / 552							
k1 / k1Bre	490 / 548							
o / oBre	236 / 294							
m	18							
n	236							
p	156							
i	3,5							

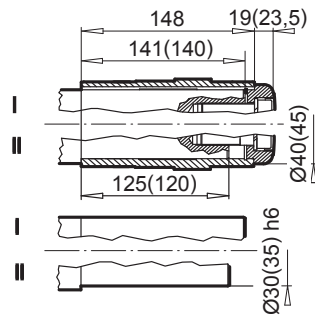
Helical-worm gear units



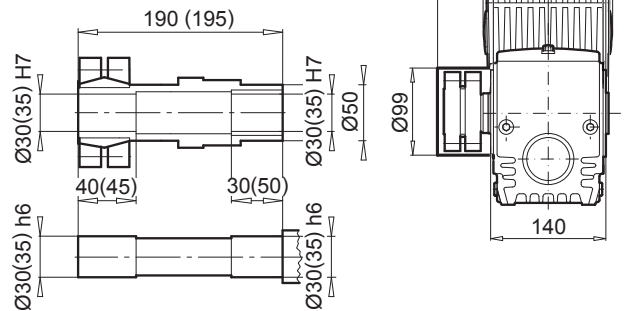
SK 13063AZ



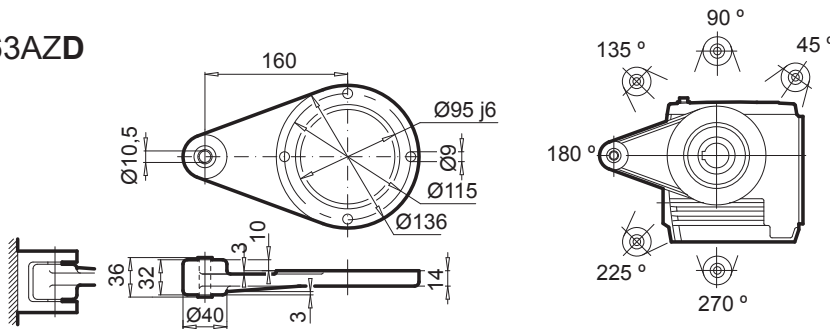
SK 13063AZB (AFB)



SK 13063AZSH (AFSH)



SK 13063AZD

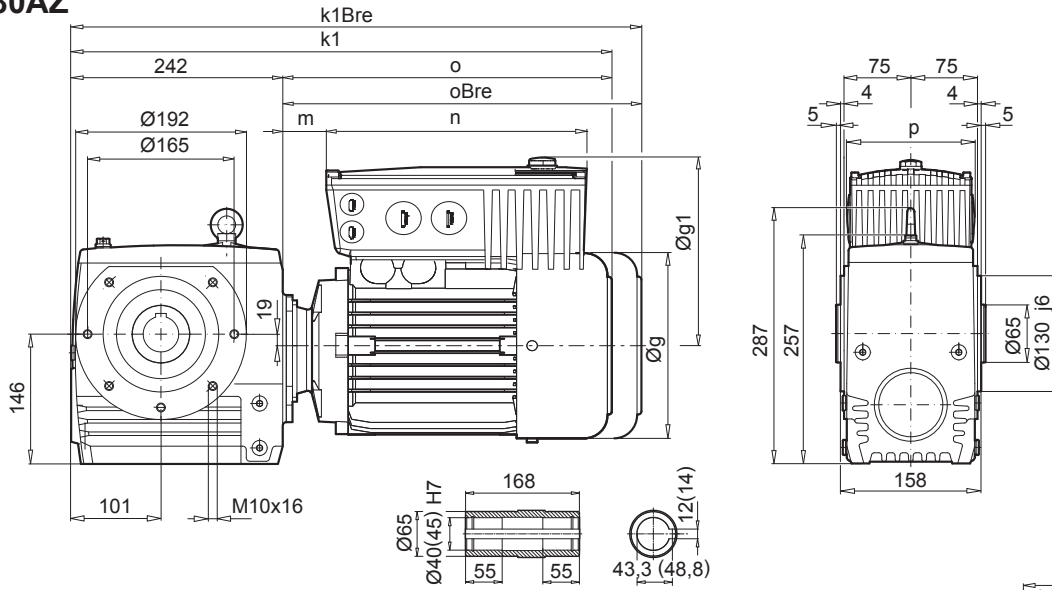


Motor + SK180E

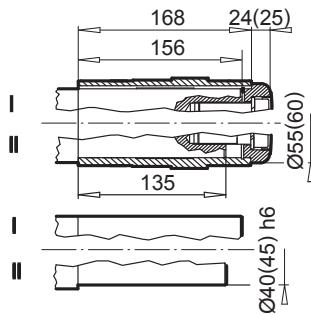
IE1	71 S/L								
IE2	-								
IE3	-								
SK 180E 340-B (-C)	- 550 -								
g	145								
g1	184								
k / kBre	494 / 552								
k1 / k1Bre	490 / 548								
o / oBre	236 / 294								
m	18								
n	221								
p	154								
i	3,5								



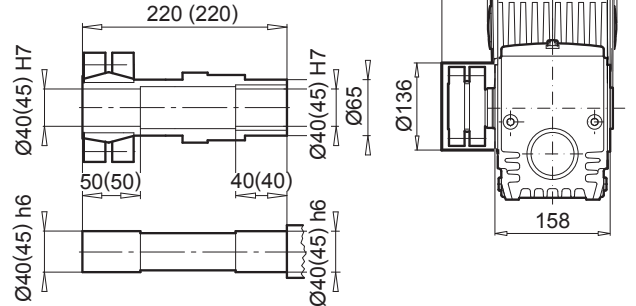
SK 12080AZ



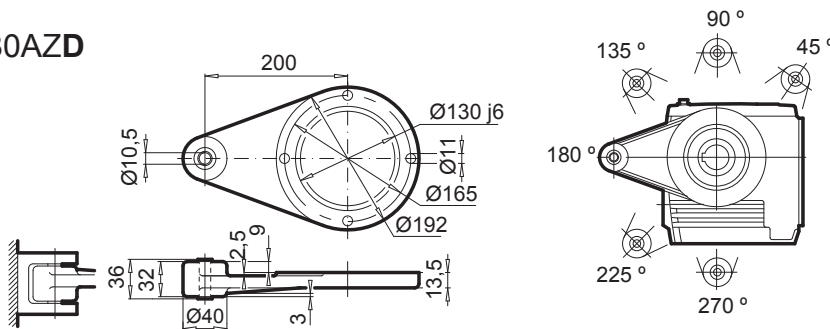
SK 12080AZB (AFB)



SK 12080AZSH (AFSH)



SK 12080AZD



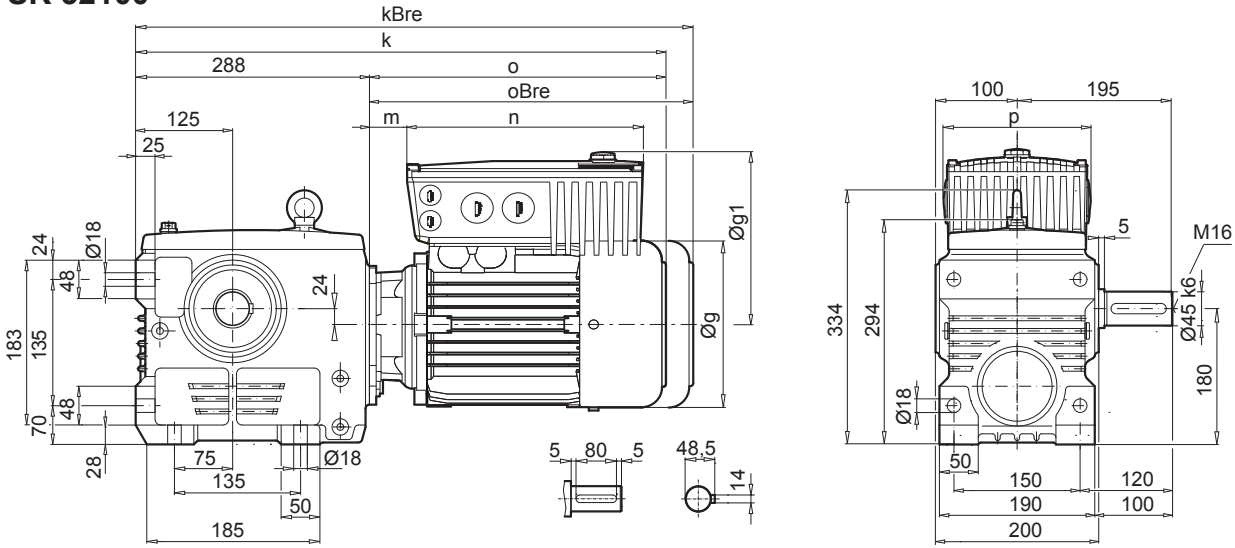
Motor + SK180E

IE1 IE2 IE3	71 S/L - -	- 80 SH/LH - /LP	- 90 SH/LH SP/LP	- 100 LH/AH LP/AP			
SK 180E 340-B (-C)	- 550 - - 750 -	- 550 - - 750 - - 111 -	- 151 -	- 111 - - 151 - - 221 -	- 221 -		
g	145	165	165	183	183	201	
g1	184	177	203	182	208	219	
k / kBre	477 / 535	502 / 566	502 / 566	543 / 618	543 / 618	573 / 664	
k1 / k1Bre	478 / 536	503 / 567	503 / 567	544 / 619	544 / 619	574 / 665	
o / oBre	236 / 294	261 / 325	261 / 325	302 / 377	302 / 377	332 / 423	
m	18	30	30	35	35	41	
n	221	221	253	221	253	253	
p	154	154	165	154	165	165	

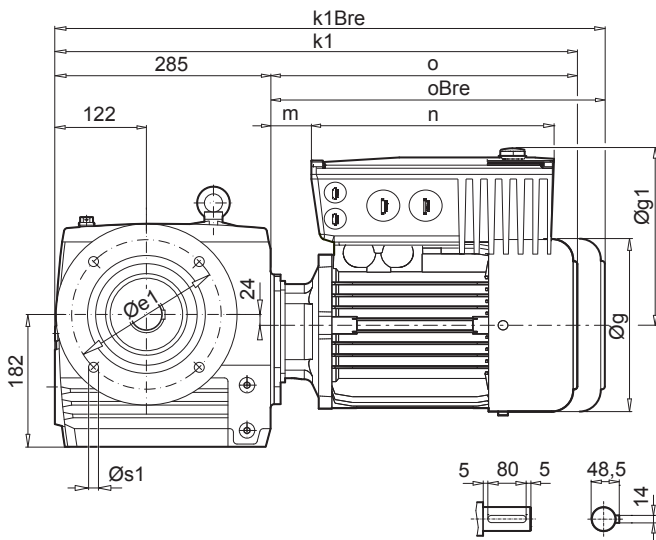
SK 32100



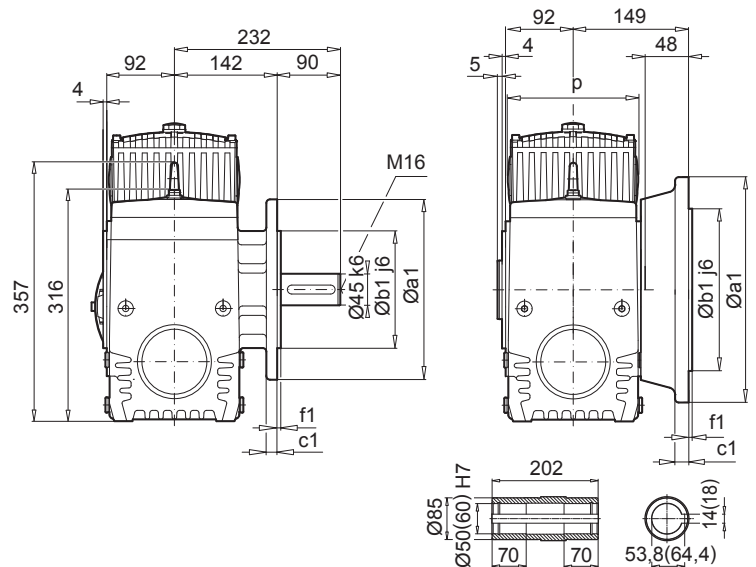
SK 32100



SK 32100VF



SK 32100AF



a1	b1	c1	e1	f1	s1
250	180	16	215	4,0	4 x 14

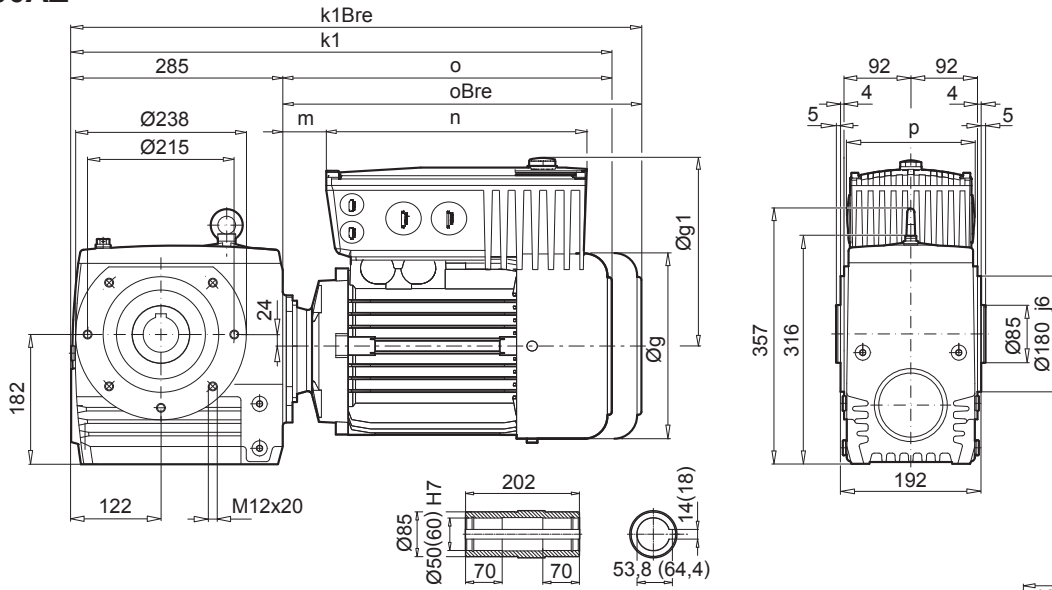
a1	b1	c1	e1	f1	s1
350	250	20	300	5,0	4 x 18

Motor + SK200E

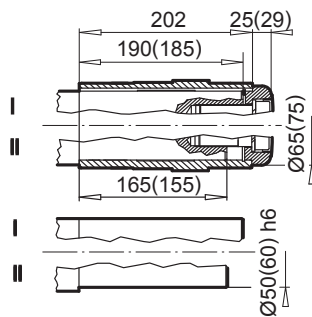
	IE1 IE2 IE3	80 SH/LH - /LP	90 SH/LH SP/LP	100 LH/AH LP/AP	112 MH MP	132 SH/MH SP/MP				
SK 200E 340-A (-C)		- 550 - - 750 - - 111 - - 151 -	- 111 - - 151 - - 221 -	- 301 -	- 221 - - 301 - - 401 -	- 551 - - 551 - - 751 -				
g		165	183	183	201	201	201	228	228	266
g1		195	200	207	211	218	250	228	260	262
k / kBre		543 / 607	584 / 659	584 / 659	614 / 705	614 / 705	614 / 705	662 / 755	662 / 755	723 / 830
k1 / k1Bre		540 / 604	581 / 656	581 / 656	611 / 702	611 / 702	611 / 702	659 / 752	659 / 752	720 / 827
o / oBre		255 / 319	296 / 371	296 / 371	326 / 417	326 / 417	326 / 417	374 / 467	374 / 467	435 / 542
m		24	29	29	35	35	27	41	33	49
n		236	236	266	236	266	330	266	330	330
p		156	156	176	156	176	218	176	218	218



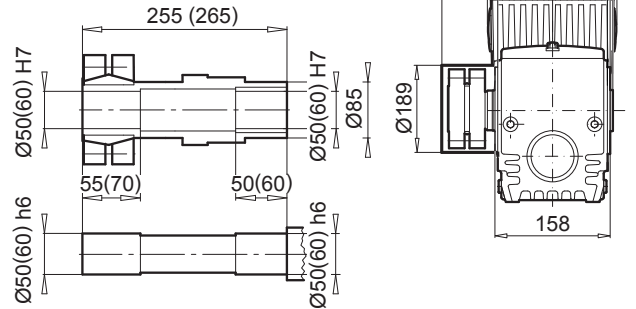
SK 32100AZ



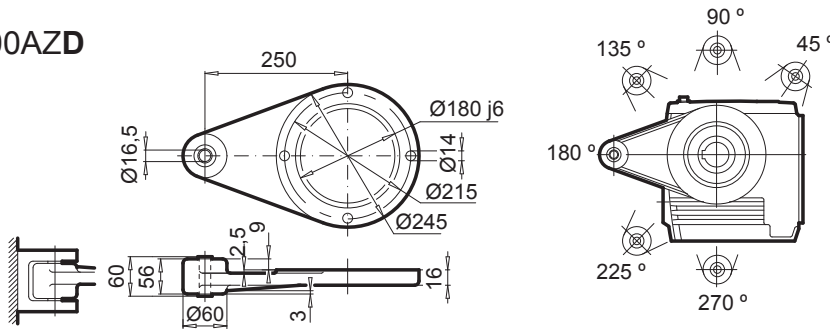
SK 32100AZB (AFB)



SK 32100AZSH (AFSH)



SK 32100AZD



Motor + SK180E

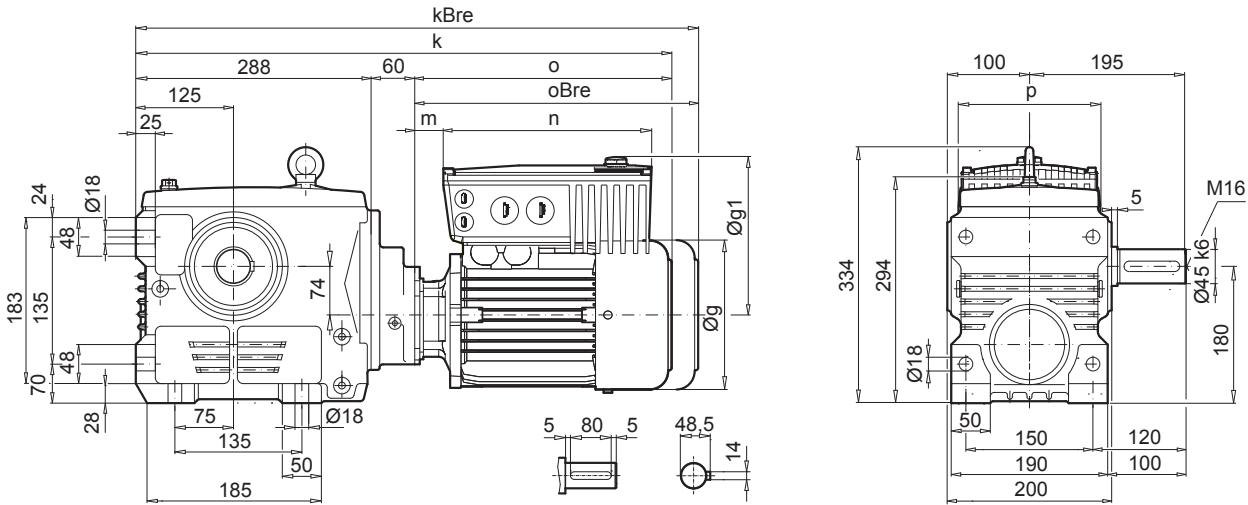
IE1 IE2 IE3	- 80 SH/LH - /LP		- 90 SH/LH SP/LP		- 100 LH/AH LP/AP		
	- 550 - - 750 - - 111 -	- 151 -	- 111 -	- 151 - - 221 -	- 221 -		
g	165	165	183	183	201		
g1	177	203	182	208	219		
k / kBre	543 / 607	543 / 607	584 / 659	584 / 659	614 / 705		
k1 / k1Bre	540 / 604	540 / 604	581 / 656	581 / 656	611 / 702		
o / oBre	255 / 319	255 / 319	296 / 371	296 / 371	326 / 417		
m	24	24	29	29	35		
n	221	253	221	253	253		
p	154	165	154	165	165		

Helical-worm gear units

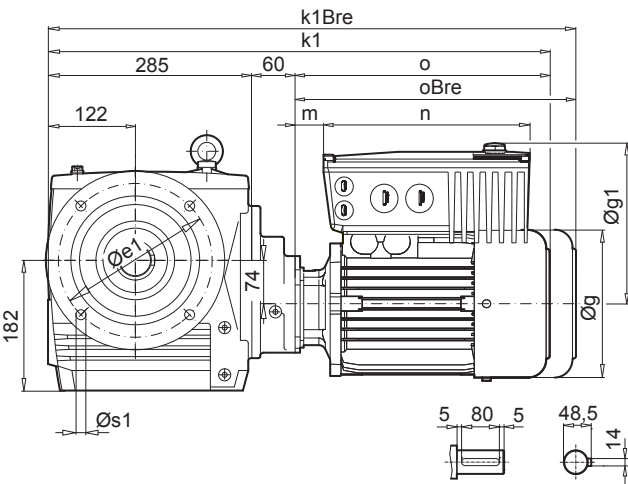
SK 33100



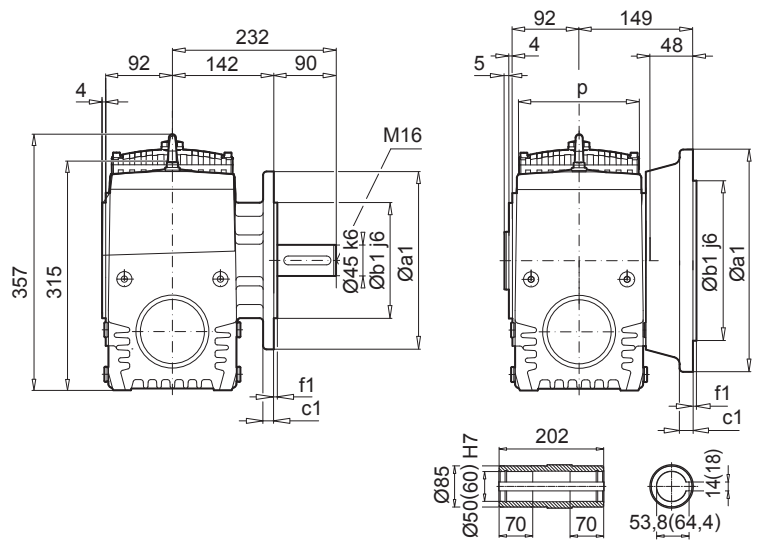
SK 33100



SK 33100VF



SK 33100AF



a1	b1	c1	e1	f1	s1
250	180	16	215	4,0	4 x 14

a1	b1	c1	e1	f1	s1
350	250	20	300	5,0	4 x 18

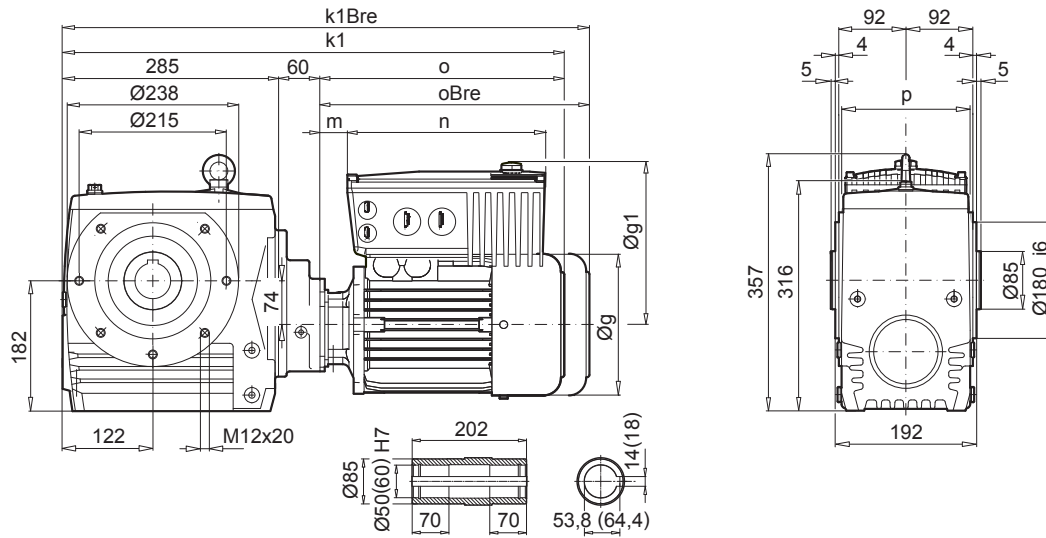
Motor + SK200E

	71 S/L - IE2 - IE3	- 80 SH/LH - /LP	- 90 SH/LH SP/LP				
SK 200E 340-A (-C)	- 750 -	- 550 - - 750 - - 111 - - 151 -	- 111 - - 151 - - 221 -				
g	145	165	183				
g1	200	195	200				
k / kBre	585 / 643	610 / 674	651 / 726				
k1 / k1Bre	582 / 640	607 / 671	648 / 723				
o / oBre	236 / 294	261 / 325	302 / 377				
m	18	30	35				
n	236	236	236				
p	156	156	156				

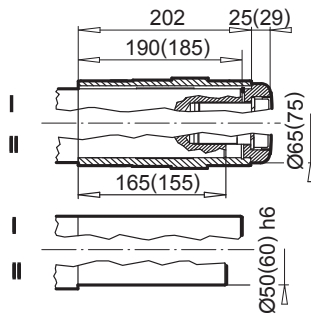
Helical-worm gear units



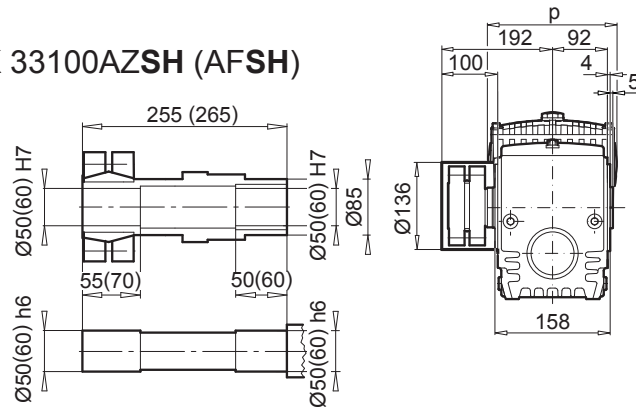
SK 33100AZ



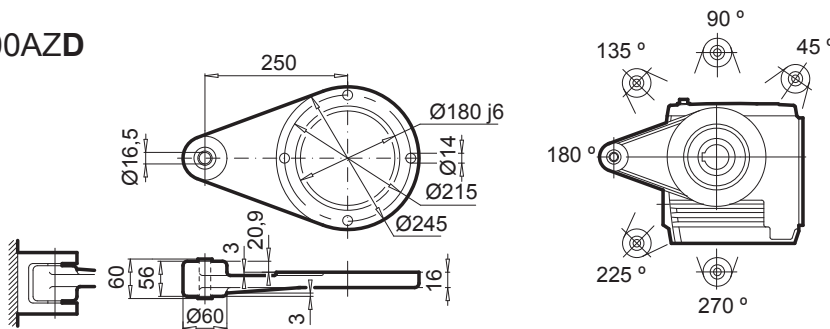
SK 33100AZB (AFB)



SK 33100AZSH (AFSH)



SK 33100AZD



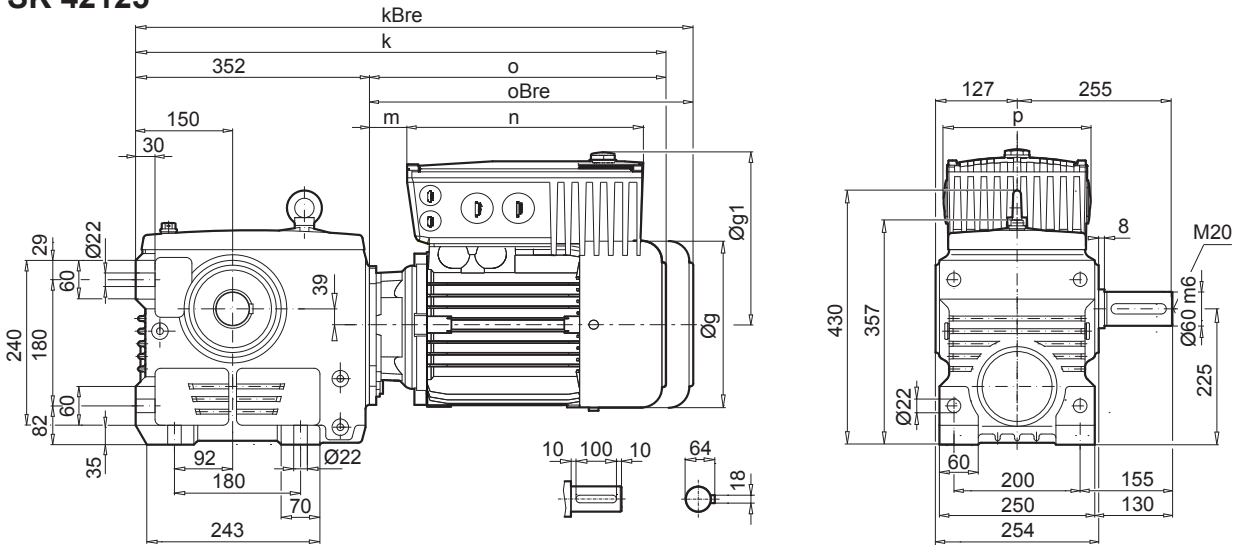
Motor + SK180E

IE1 IE2 IE3	71 S/L - -	- 80 SH/LH - /LP	- 90 SH/LH SP/LP	- 100 LH/AH LP/AP					
SK 180E 340-B (-C)	- 550 - - 750 -	- 550 - - 750 - - 111 -	- 151 -	- 111 -	- 151 - - 221 -	- 221 -			
g	145	165	165	183	183	201			
g1	184	177	203	182	208	219			
k / kBre	585 / 643	610 / 674	610 / 674	651 / 726	651 / 726	573 / 664			
k1 / k1Bre	582 / 640	607 / 671	607 / 671	648 / 723	648 / 723	574 / 665			
o / oBre	236 / 294	261 / 325	261 / 325	302 / 377	302 / 377	332 / 423			
m	18	30	30	35	35	41			
n	221	221	253	221	253	253			
p	154	154	165	154	165	165			

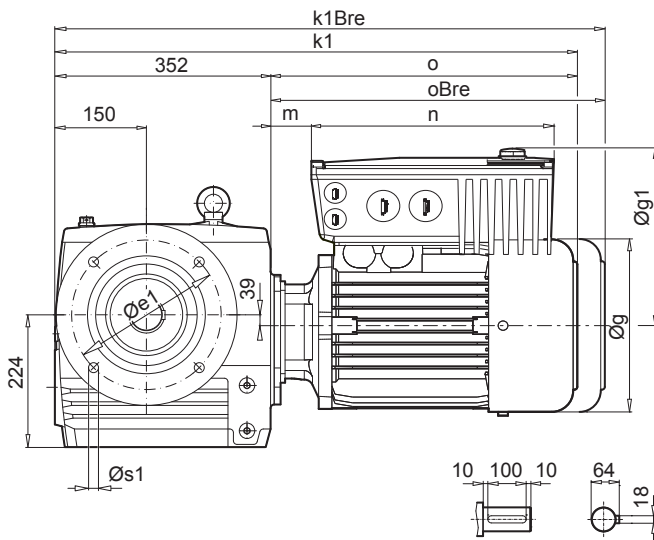
SK 42125



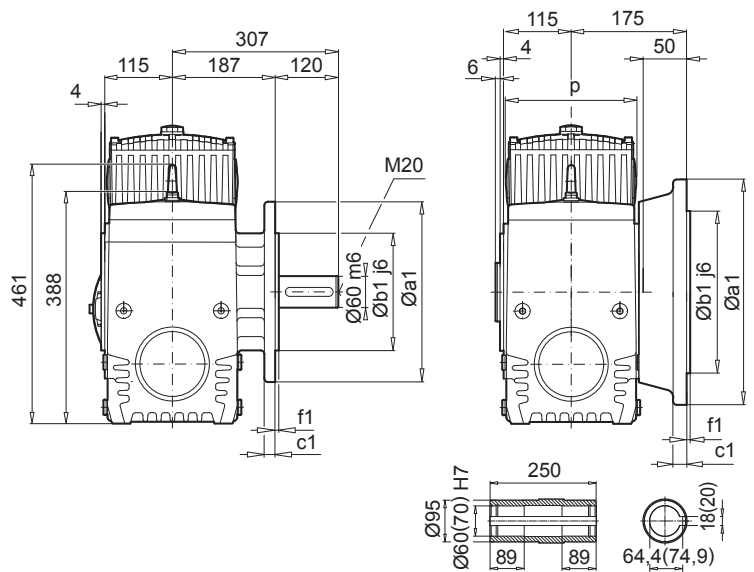
SK 42125



SK 42125VF



SK 42125AF



a1	b1	c1	e1	f1	s1
350	250	20	300	5,0	4 x 18

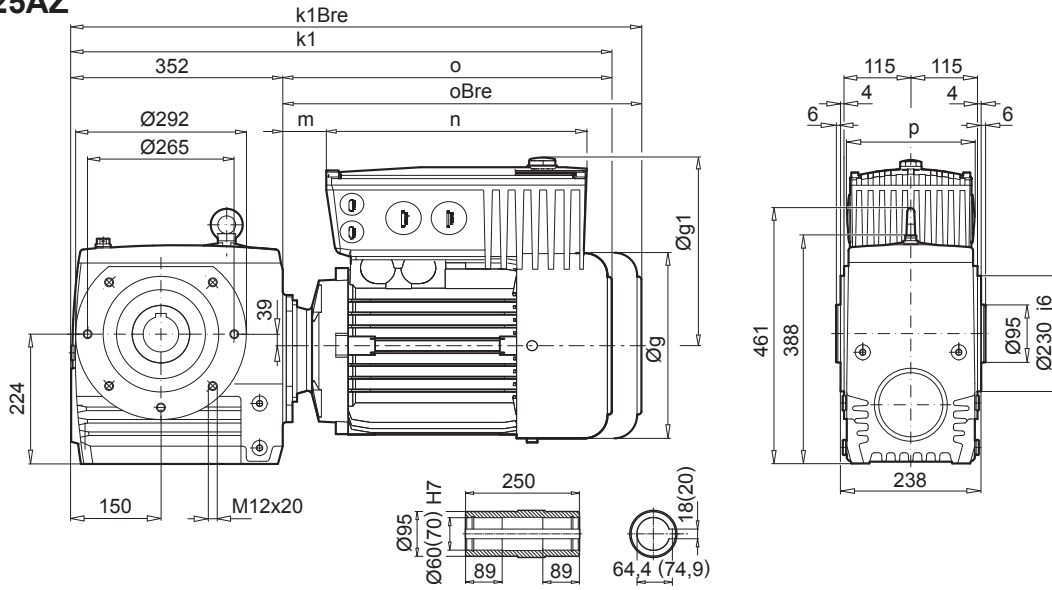
a1	b1	c1	e1	f1	s1
400	300	20	350	5,0	4 x 18
450	350	22	400	5,0	8 x 18

Motor + SK200E

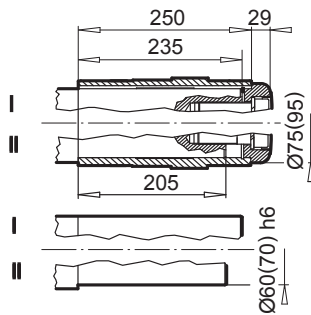
IE1 IE2 IE3	- 90 SH/LH SP/LP		- 100 LH/AH LP/AP			- 112 MH MP		- 132 SH/MH/LH SP/MP/ -		- 160 MH MP	- 160 LH LP	- 180 MH/LH MP/LP
SK 200E 340-A (-C)	- 111 - - 151 - - 221 -	- 301 -	- 221 -	- 301 - - 401 -	- 551 -	- 401 -	- 551 - - 751 -	- 551 - - 751 -	- 112 - - 152 - - 182 -	- 112 - - 222 -	- 152 - - 222 -	- 182 - - 222 -
g	183	183	201	201	201	228	228	266	266	320	320	358
g1	200	207	211	218	250	228	260	262	312	317	317	337
k / kBre	628 / 703	628 / 703	658 / 749	658 / 749	706 / 799	706 / 799	706 / 799	767 / 874	767 / 874	844 / 979	888 / 1023	986 / 1113
o / oBre	276 / 351	276 / 351	306 / 397	306 / 397	306 / 397	354 / 447	354 / 447	415 / 522	415 / 522	492 / 627	536 / 671	634 / 762
m	9	9	15	15	7	21	13	29	-28	6	6	28
n	236	266	236	266	330	266	330	330	480	480	480	480
p	156	176	156	176	218	176	218	218	305	305	305	305



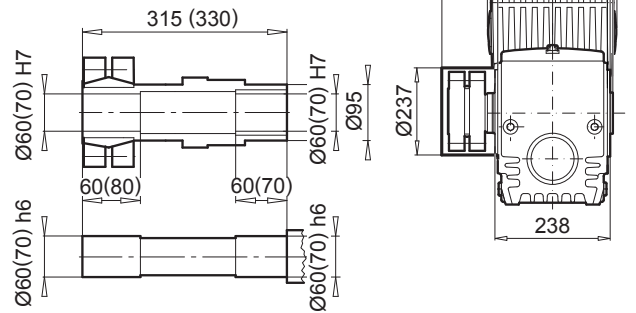
SK 42125AZ



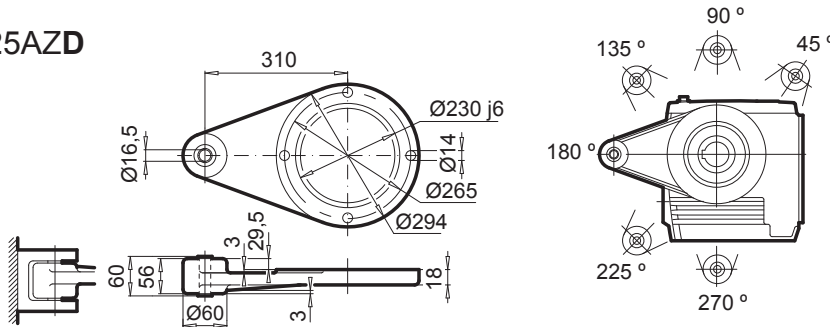
SK 42125AZB (AFB)



SK 42125AZSH (AFSH)



SK 42125AZD



Motor + SK180E

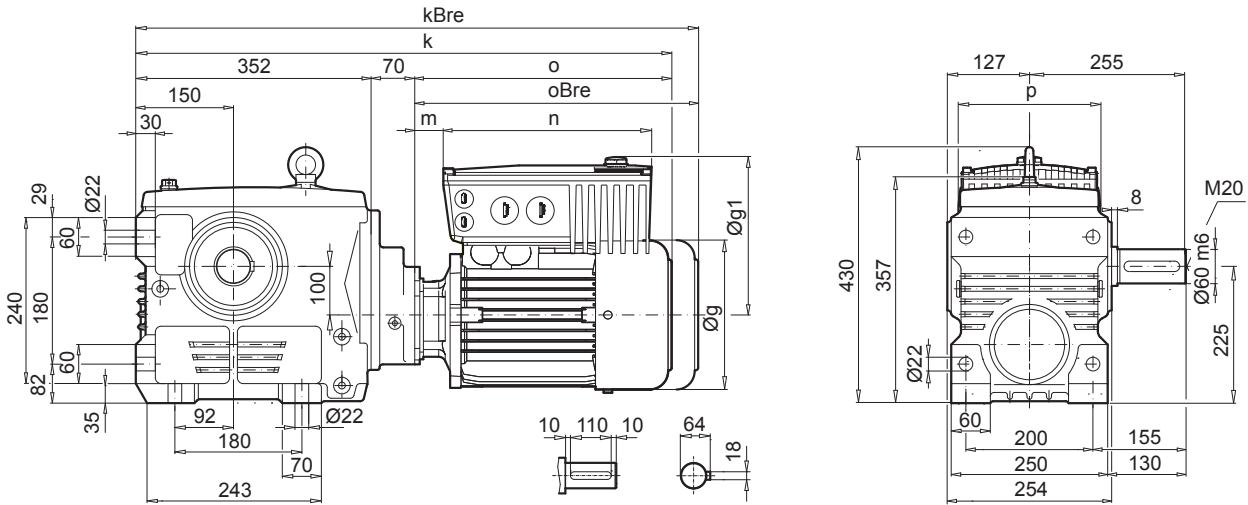
IE1 IE2 IE3	90 SH/LH SP/LP	100 LH/AH LP/AP						
SK 180E 340-B (-C)	- 111 -	- 151 - - 221 -	- 221 -					
g	183	183	201					
g1	182	208	219					
k / kBre	628 / 703	628 / 703	658 / 749					
o / oBre	276 / 351	276 / 351	306 / 397					
m	9	9	15					
n	221	253	253					
p	154	165	165					

Helical-worm gear units

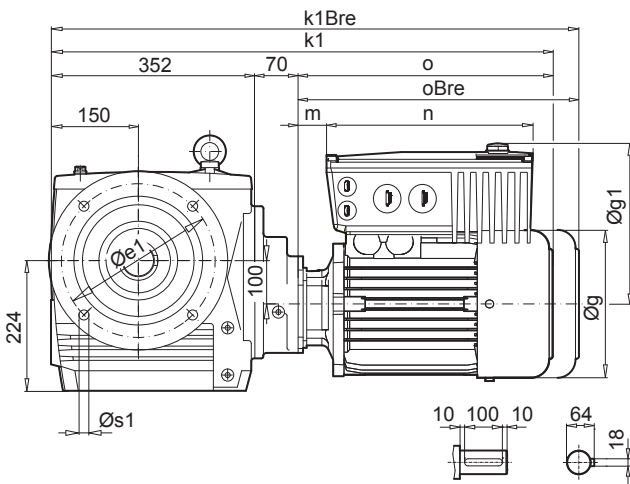
SK 43125



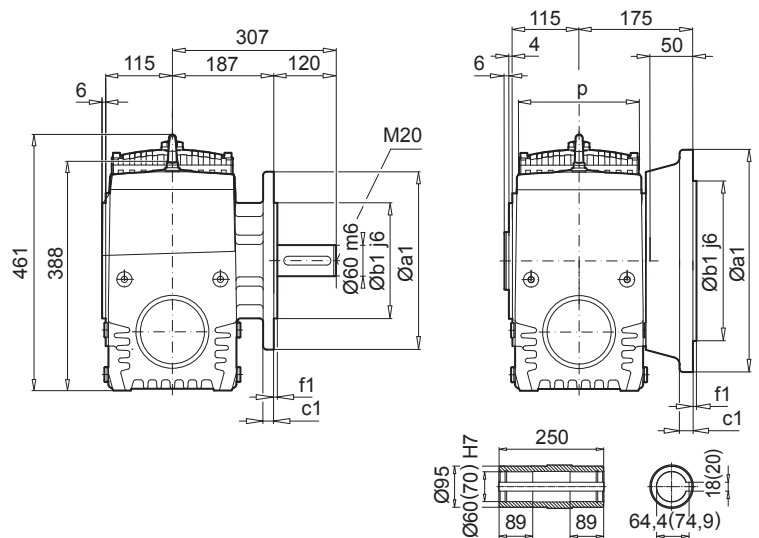
SK 43125



SK 43125VF



SK 43125AF



a1	b1	c1	e1	f1	s1
350	250	20	300	5,0	4 x 18

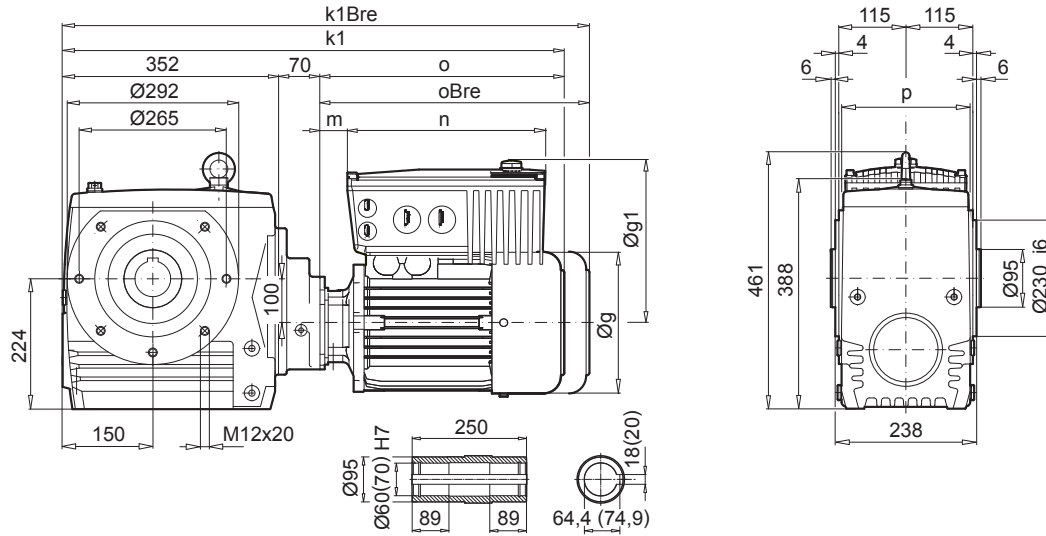
a1	b1	c1	e1	f1	s1
400	300	20	350	5,0	4 x 18
450	350	22	400	5,0	8 x 18

Motor + SK200E

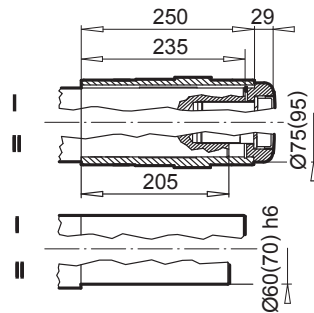
IE1 IE2 IE3	- 80 LH LP	- 90 SH/LH SP/LP	- 100 LH/AH LP/AP	- 112 MH MP				
SK 200E 340-A (-C)	- 750 - - 151 -	- 111 - - 151 - - 221 -	- 301 -	- 221 -	- 301 - - 401 -	- 551 -	- 401 -	- 551 - - 751 -
g	165	183	183	201	201	201	228	228
g1	195	200	207	211	218	250	228	260
k / kBre	677 / 741	718 / 793	718 / 793	748 / 839	748 / 839	748 / 839	796 / 889	796 / 889
o / oBre	255 / 319	296 / 371	296 / 371	326 / 417	326 / 417	326 / 417	374 / 467	374 / 467
m	24	29	29	35	35	27	41	33
n	236	236	266	236	266	330	266	330
p	156	156	176	156	176	218	176	218



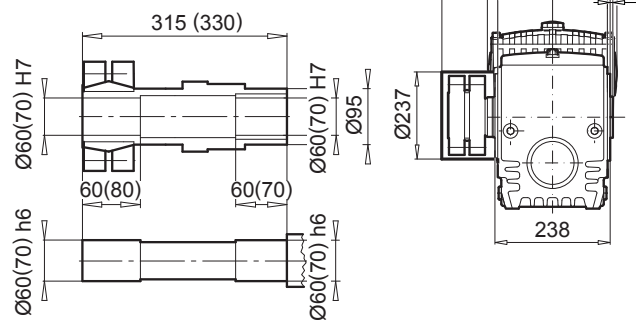
SK 43125AZ



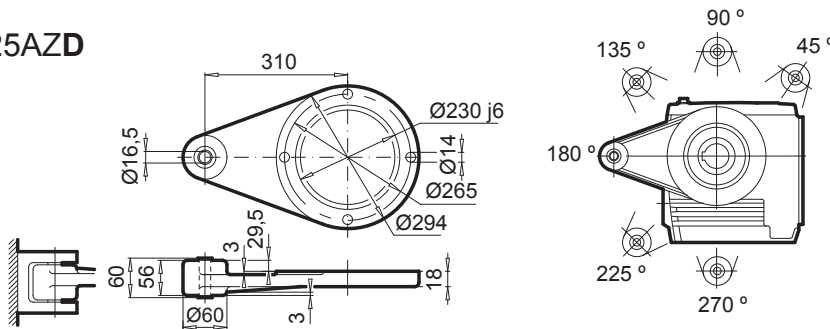
SK 43125AZB (AFB)



SK 43125AZSH (AFSH)



SK 43125AZD



Motor + SK180E

IE1 IE2 IE3	80 SH/LH - /LP		90 SH/LH SP/LP		100 LH/AH LP/AP			
	- 750 -	- 151 -	- 111 -	- 151 - - 221 -	- 221 -			
SK 180E 340-B (-C)								
g	165	165	183	183	201			
g1	177	203	182	208	219			
k / kBre	677 / 741	677 / 741	718 / 793	718 / 793	748 / 839			
o / oBre	255 / 319	255 / 319	296 / 371	296 / 371	326 / 417			
m	24	24	29	29	35			
n	221	253	221	253	253			
p	154	165	154	165	165			

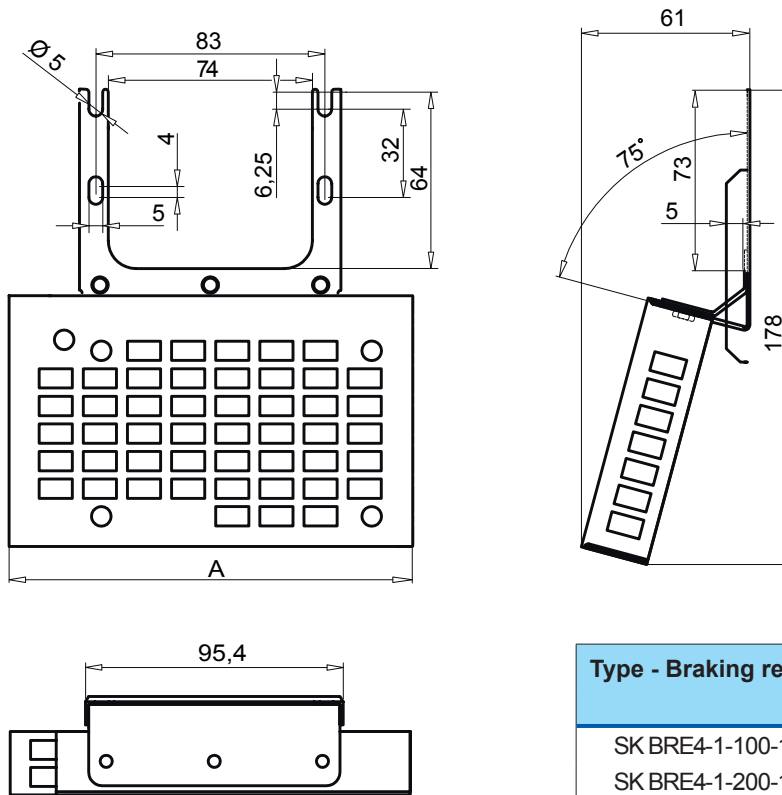


SK BRE4-... External braking resistor G 2

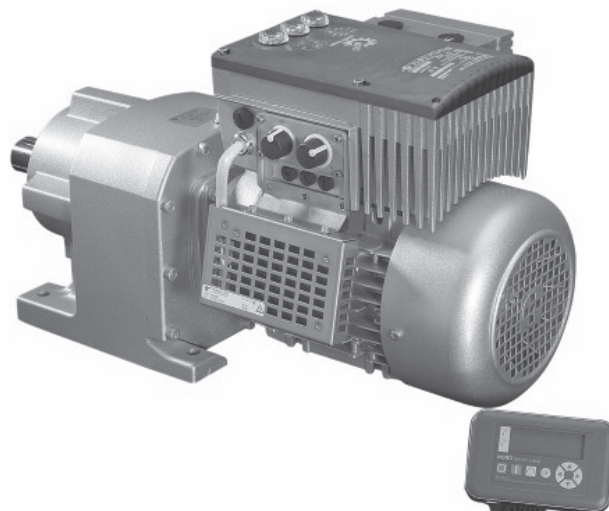
SK TU4-... External technology unit G 3



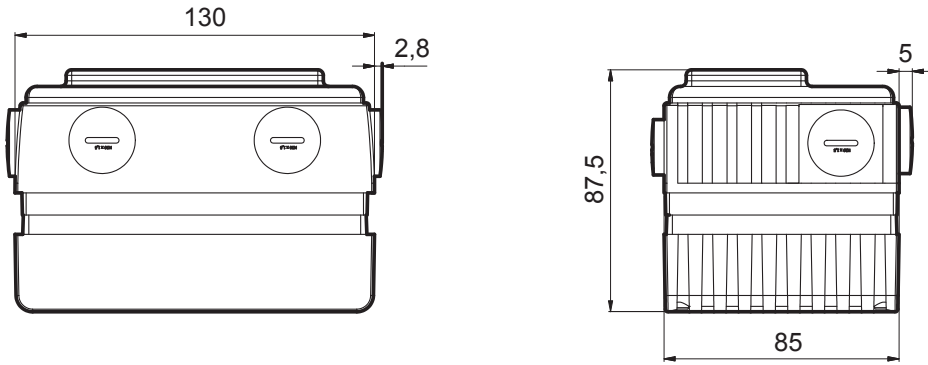
SK BRE4-... (⇒ A21)



Type - Braking resistor	Size	A [mm]
SK BRE4-1-100-100	BG I	150
SK BRE4-1-200-100		
SK BRE4-1-400-100		
SK BRE4-2-100-200	BG II	255
SK BRE4-2-200-200		



SK TU4-... (⇒ A21)



An overview of the NORD range

G1000 Fixed speeds UNICASE housing 50 Hz, 60 Hz

- Helical geared motors
- Parallel geared motors
- Bevel geared motors
- Helical worm geared motors

G1012 NORDBLOC.1 50 Hz

- Helical geared motors

G1050 NORDBLOC Industrial gear units

G1001 Explosion protected drive units

- Category 2G, Zone 1, gas

G1022 Explosion protected drive units

- Category 3D, Zone 22, dust

F3018 Frequency inverter SK180E

F3020 Frequency inverter SK200E



NORD DRIVESYSTEMS GROUP

Headquarters and Technology Center
in Bargteheide near Hamburg, Germany

Innovative drive solutions
for more than 100 industries

Mechanic Products
Helical, Parallel Shaft, Helical Bevel and Helical Worm Gear Units

Electrical Products
Electric motors in all efficiency classes

Electronic Products
Centralized and decentralized frequency inverters,
Motor starters

7 state-of-the-art production plants
for all drive components

36 subsidiaries on 5 continents
provide on-site storage, assembly centers,
technical support and customer service

More than 3.100 employees around the world
create customized solutions

www.nord.com/locator

Headquarters:

Getriebebau NORD GmbH & Co. KG

Getriebebau-Nord-Straße 1
22941 Bargteheide, Germany
Fon +49 (0) 4532 / 289-0
Fax +49 (0) 4532 / 289-2253
info@nord.com, www.nord.com

Member of the NORD DRIVESYSTEMS Group

