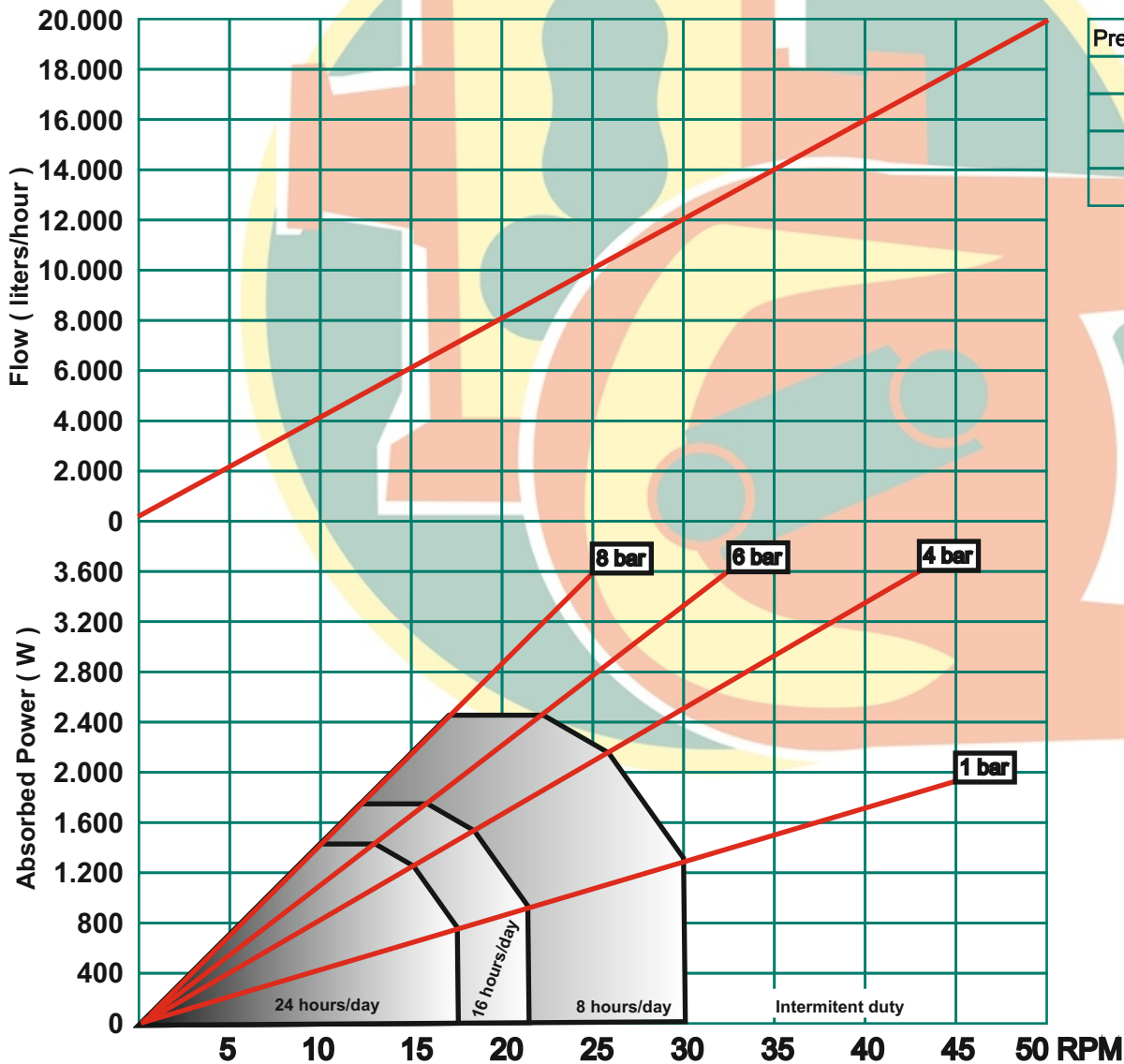


Industrial Peristaltic Pumps FMP-70/B Data sheet



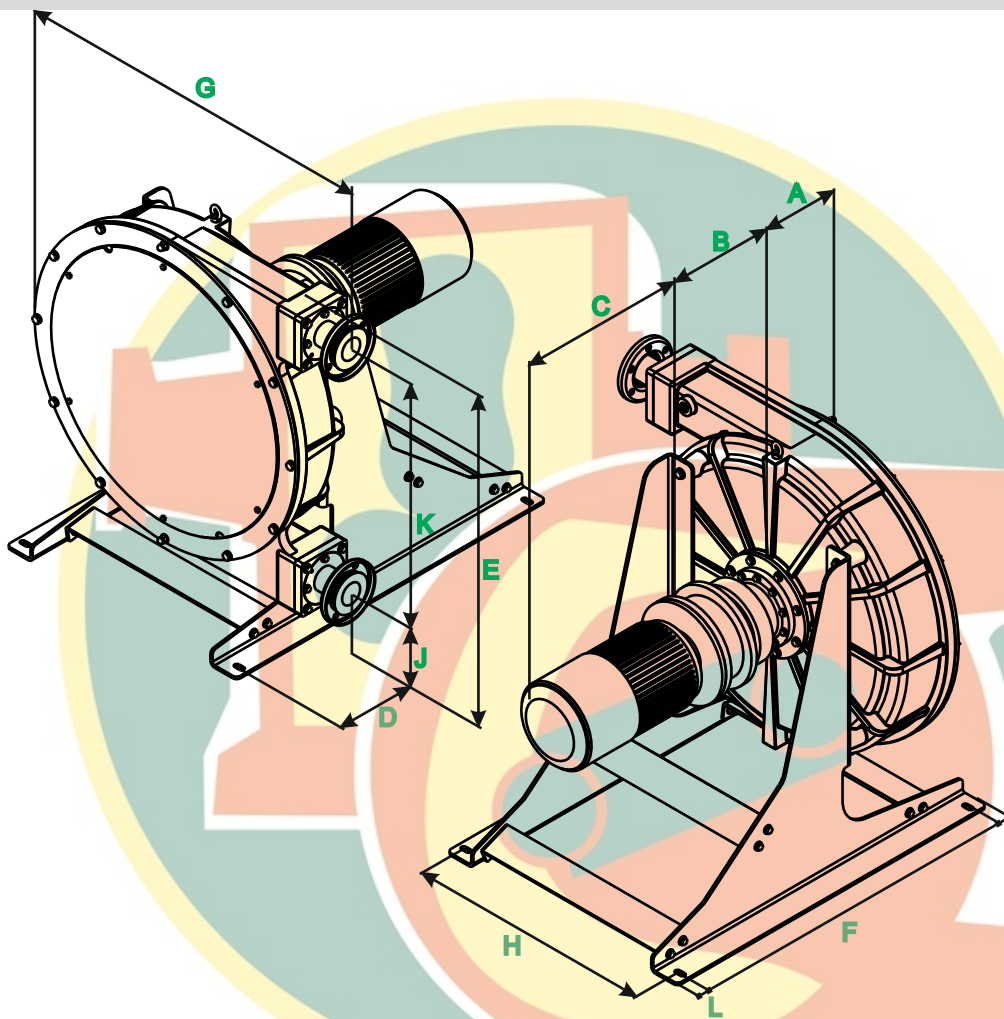
Capacity: 6,72 l/rev.
Connections: DN-65
Max. Pressure: 8 bar
Rotor system: Enlarged Rollers
Available hoses: NR
 NBR
 EPDM
 HYPALON
 NR-A
 NBR-A



Pressure (bar)	Torque (Nm)
1	420
4	800
6	1100
8	1400



Description	Material	Surface treatment
Pump housing	Cast Iron EN-GJL-250	Polyester powder coated Halar coated (Optional)
Front cover	Steel F-111 / Polycarbonate	Polyester powder coated Halar coated (Optional)
Rotor	Nodular Cast Iron EN-GJL-400	Cataforesis
Rollers	Steel F-114 + Polyurethane	--
Base plate	Steel F-111 Stainless Steel AISI-304 (Optional)	Polyester powder coated --
Connections	Stainless Steel AISI-316 Polypropylene (Optional) PVDF (Optional)	--



A	B	C	D	E	F	G	H	I	J	K	L
215	*	*	250	1124	1065	1100	790	40	240	784	40

* To confirm according type and power driver.



Bombas Boyser, S.L. C/. Narcís Monturiol, 24 · Pol. Ind. Can Magre
Telf.: 93 844 77 78 · 08187 Sta. Eulàlia de Ronçana (BARCELONA)
info@boyser.com · www.boyser.com

